

# ASSEMBLY INSTRUCTION

MODEL: JK-BR-5050Q-RAI-HB / 5050QS-RAI-FB / 5050QS-RAI-RS





DESCRIPTION: QUEEN SLEIGH HEADBOARD/ STORAGE FOOTBOARD/  
STORAGE RAILS-SLATS

Thank you for purchasing this quality product. Be sure to check all packing material carefully for small Hardware which may have come loose inside the carton during shipment. Identify and count all Hardware and compare with the Hardware List Below.  
Keep all hardware out of reach of children.




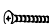


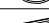

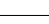
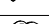

## PART LIST

NO	DESCRIPTION	QTY	NO	DESCRIPTION	QTY
A	FRONT FRAME FOOTBOARD	1 PC	F	HEADBOARD LEG	2 PCS
B	BOTTOM FRAME FOOTBOARD	1 PC	G	STORAGE RAIL	2 PCS
C	TOP PANEL FOOTBOARD	1 PC	H	SLAT	11 PCS
D	BACK LEG FOOTBOARD	3 PCS	I	SLAT SUPPORT	5 PCS
E	SLEIGH HEADBOARD PANEL	1 PC			






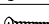
## HARDWARE LIST (JK-BR-5050Q Sleigh Headboard)

NO	DESCRIPTION	SIZE	DRAWING	QTY	NO	DESCRIPTION	SIZE	DRAWING	QTY
1	BOLT	M6 x 55mm		6 PCS	3	FLAT WASHER	Ø1/4" x 19 x 1mm		6 PCS
2	LOCK WASHER	Ø1/4"		6 PCS	4	ALLEN WRENCH	M4 L		1 PC

## HARDWARE LIST (JK-BR-5050QS Storage Footboard)

NO	DESCRIPTION	SIZE	DRAWING	QTY	NO	DESCRIPTION	SIZE	DRAWING	QTY
5	BOLT	M6 x 55mm		6 PCS	11	SPANNER	Ø5/16"		1 PC
6	LOCK WASHER	Ø1/4"		6 PCS	12	SCREW	M4 X 32MM		4 PCS
7	FLAT WASHER	Ø1/4" x 19 x 1mm		6 PCS	13	WOOD DOWEL	M8 X 30MM		2 PCS
8	ALLEN WRENCH	M4 L		1 PC	14	SCREW HANDLE	Ø5/32" X 35MM		4 PCS
9	HANGER BOLT	Ø5/16" x 3"		1 PC	15	KNOB HANDLE			4 PCS
10	HEX NUT-CURVE WASHER	Ø5/16"		1 PC					

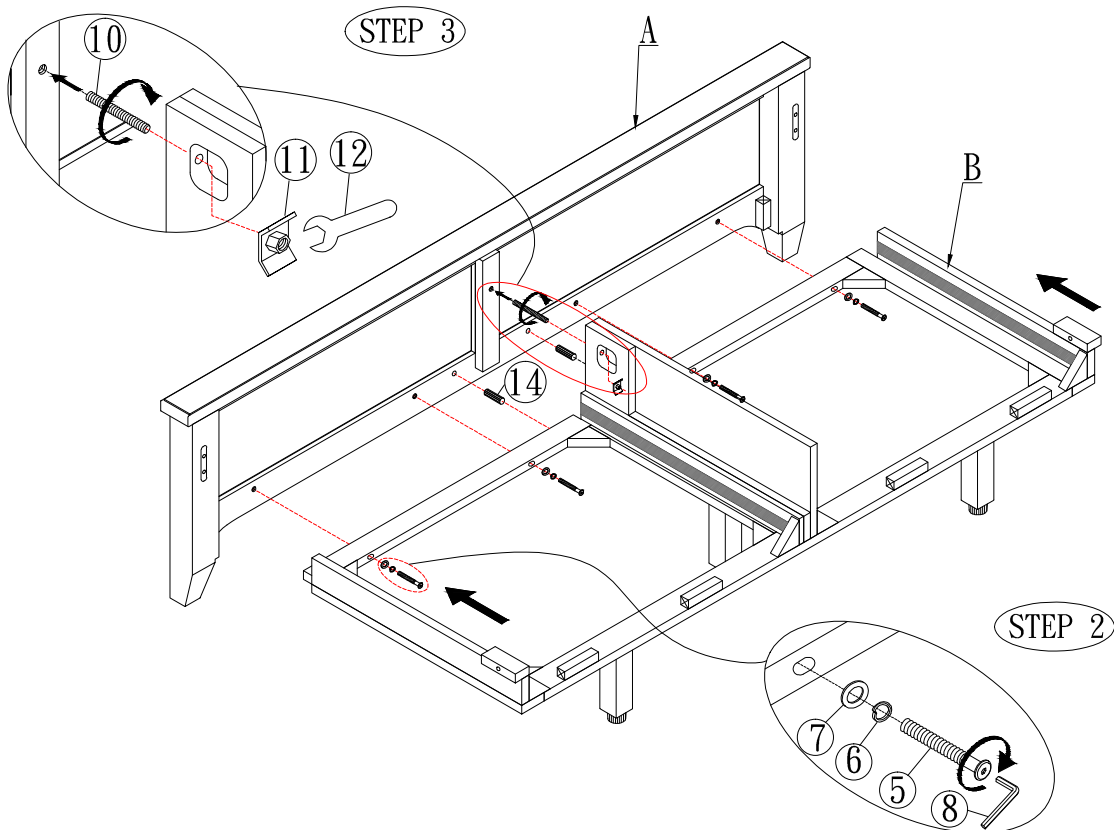
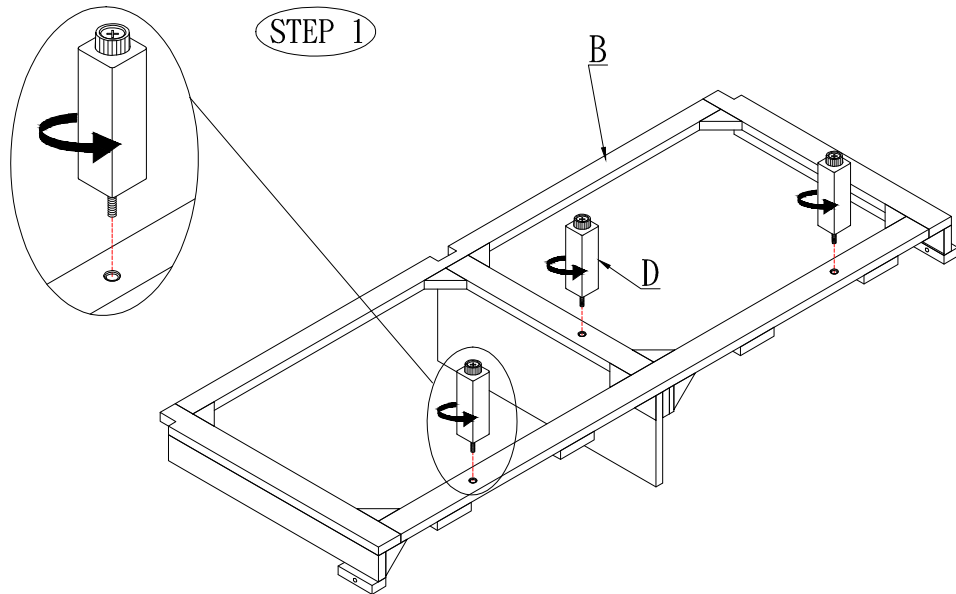
## HARDWARE LIST (JK-BR-5050QS Storage Rail)

NO	DESCRIPTION	SIZE	DRAWING	QTY	NO	DESCRIPTION	SIZE	DRAWING	QTY
16	HANGER BOLT	Ø5/16" x 3 1/2"		8 PCS	19	FLAT WASHER	Ø5/16" x 14 x 1mm		8 PCS
17	HEXAGON NUT	Ø5/16"		8 PCS	20	SPANNER			1 PC
18	LOCK WASHER	Ø5/16"		8 PCS	21	SCREW	M4 X 32MM		22 PCS

# ASSEMBLY INSTRUCTION

MODEL: JK-BR-5050Q-RAI-HB / 5050QS-RAI-FB / 5050QS-RAI-RS

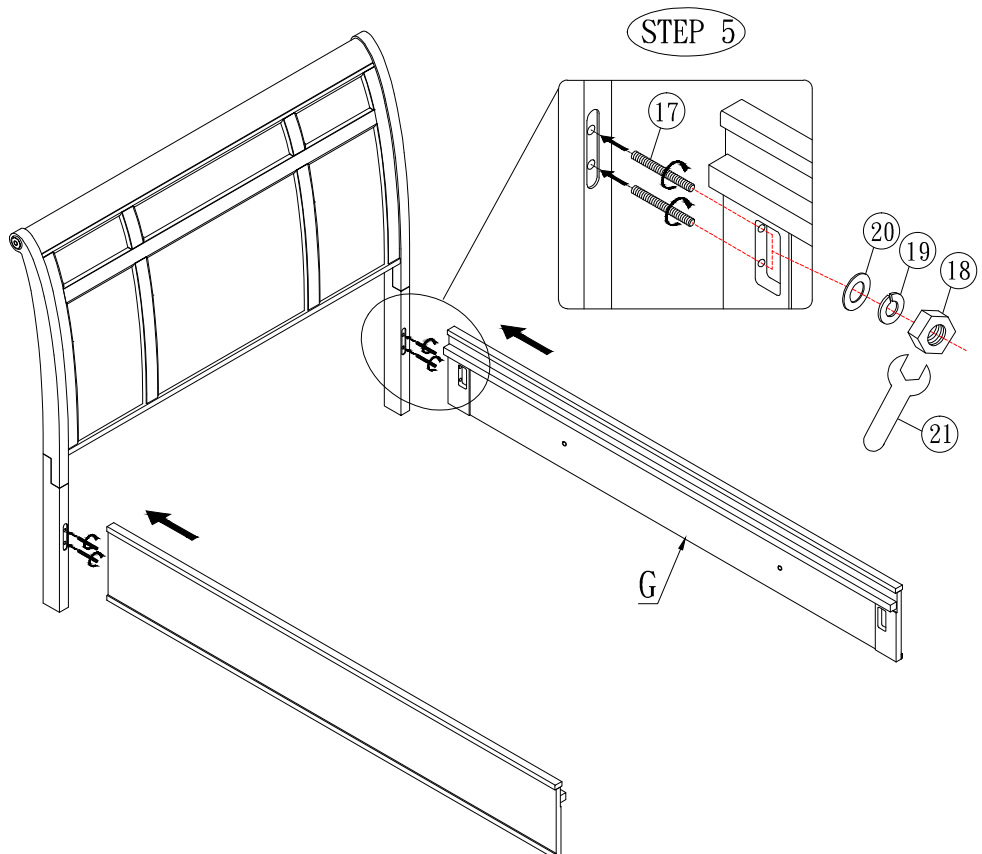
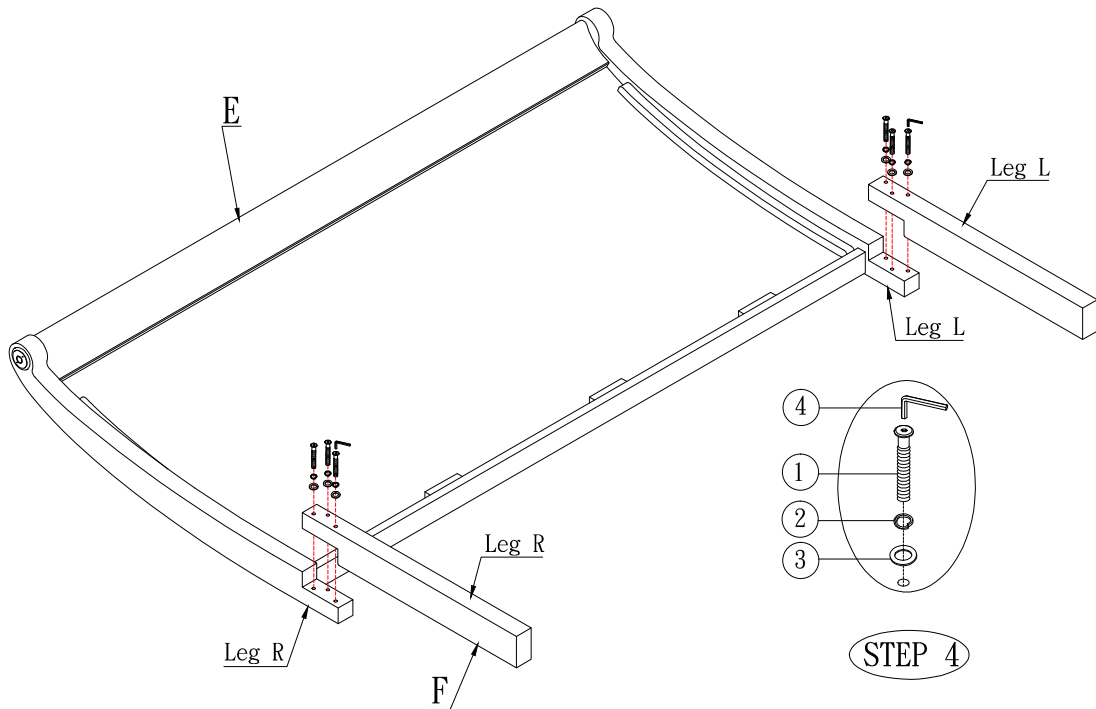
DESCRIPTION: QUEEN SLEIGH HEADBOARD/ STORAGE FOOTBOARD/  
STORAGE RAILS-SLATS



# ASSEMBLY INSTRUCTION

MODEL: JK-BR-5050Q-RAI-HB / 5050QS-RAI-FB / 5050QS-RAI-RS

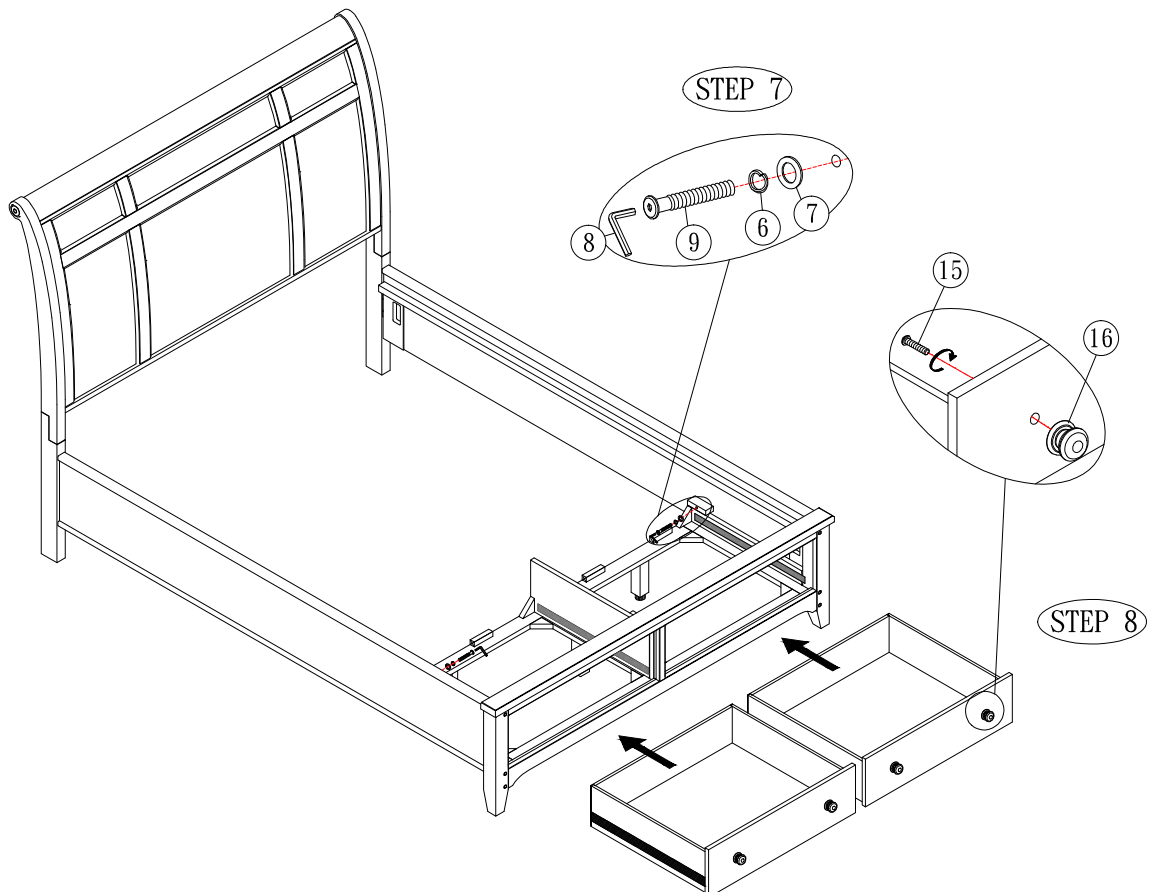
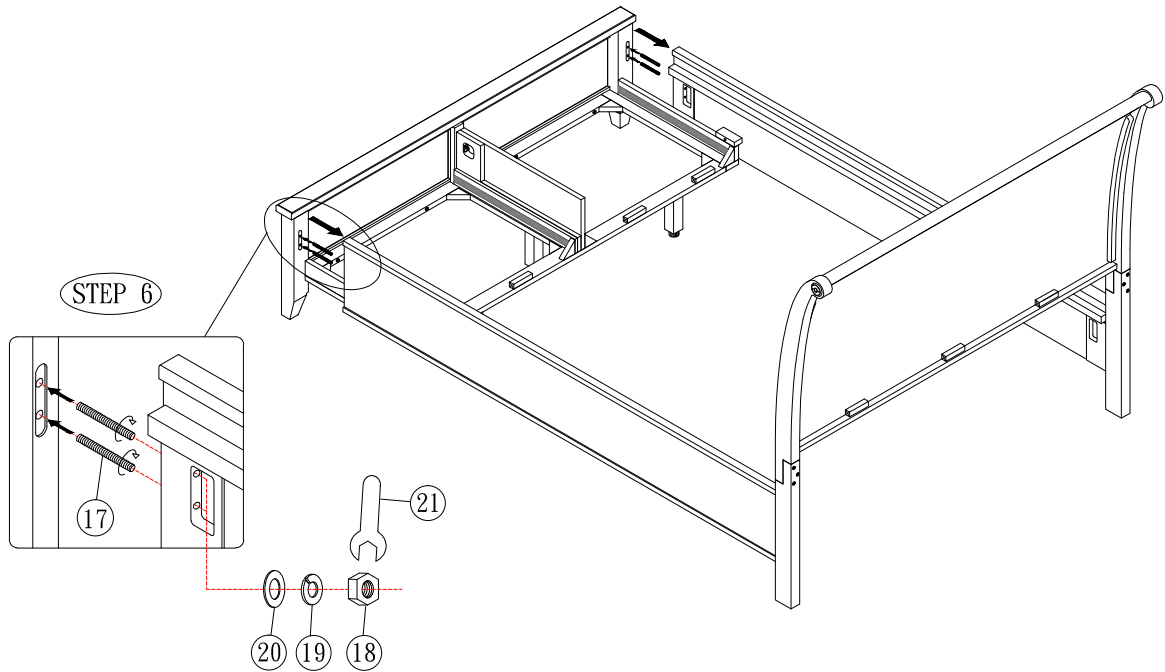
DESCRIPTION: QUEEN SLEIGH HEADBOARD/ STORAGE FOOTBOARD/  
STORAGE RAILS-SLATS



# ASSEMBLY INSTRUCTION

MODEL: JK-BR-5050Q-RAI-HB / 5050QS-RAI-FB / 5050QS-RAI-RS

DESCRIPTION: QUEEN SLEIGH HEADBOARD/ STORAGE FOOTBOARD/  
STORAGE RAILS-SLATS



# ASSEMBLY INSTRUCTION

MODEL: JK-BR-5050Q-RAI-HB / 5050QS-RAI-FB / 5050QS-RAI-RS

DESCRIPTION: QUEEN SLEIGH HEADBOARD/ STORAGE FOOTBOARD/  
STORAGE RAILS-SLATS

