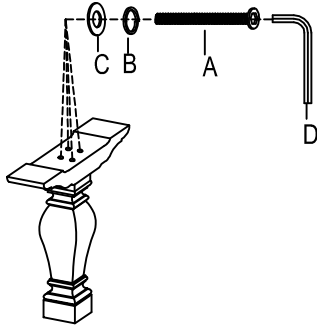


ASSEMBLY INSTRUCTIONS

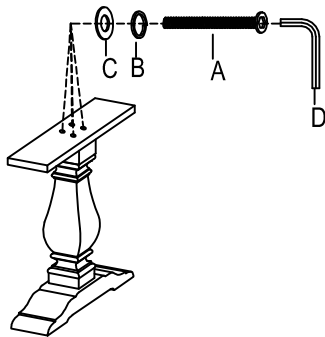
ITEM NO: RH-TA-4084-BAL-TOP
RH-TA-4084-BAL-BASE

Thank you for purchasing this quality product. Be sure to check all packing material carefully for small parts, which may have come loose inside the carton during shipment. Identify and count all parts and compare with the parts list below. Please keep all hardware out of reach of small children.

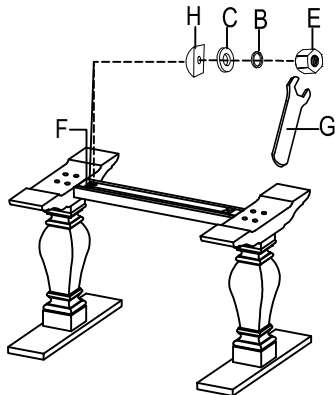
STEP1



STEP2



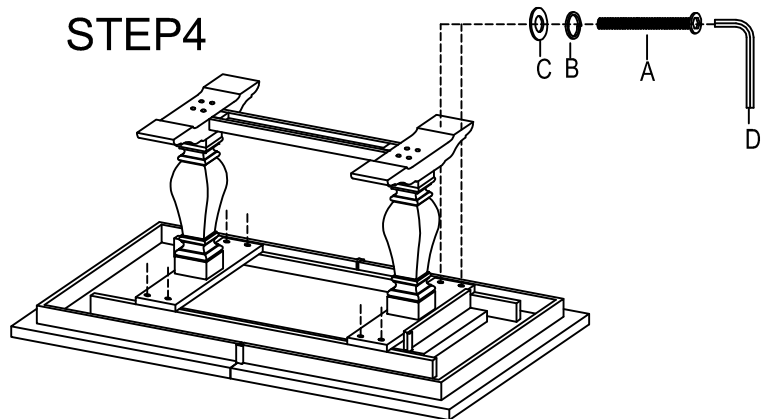
STEP3



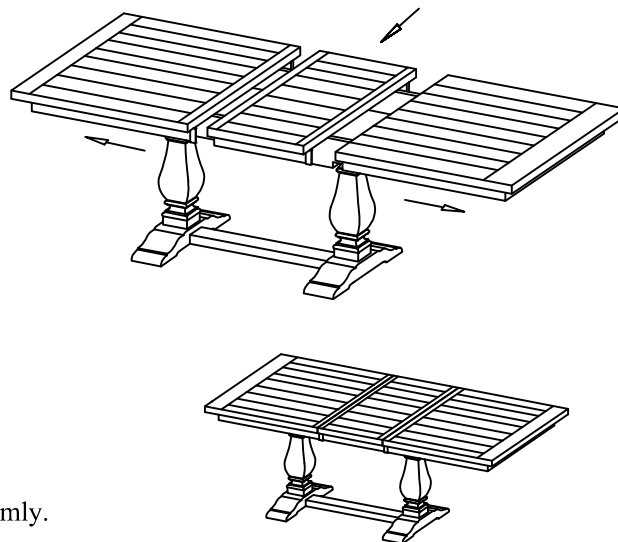
HARDWARE LIST

NO	DRAWING	DESCRIPTION	QTY
A		Jcbc Bolt $\phi 5/16$ "x20x60	24 pcs
B		Spring Washer $\phi 5/16$ "x $\phi 19$	28 pcs
C		Flat Washer $\phi 5/16$ "	28 pcs
D		Allen Key 4mm	1 pc
E		Nut $\phi 5/16$ "	4 pcs
F		Hanger Bolt $\phi 5/16$ "	4 pcs
G		Wrench $\phi 5/16$ "	1 pc
H		$\phi 5/16$ "	4 pcs

STEP4



STEP5



Make sure all the bolts and screws are tighten firmly.

Make sure the table does not wobble before use.

MADE IN VIETNAM