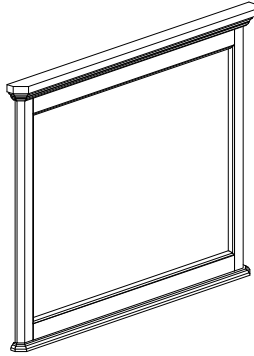


ASSEMBLY INSTRUCTION

Item No : TU-BR-5291-VOK-C

Description : MIRROR



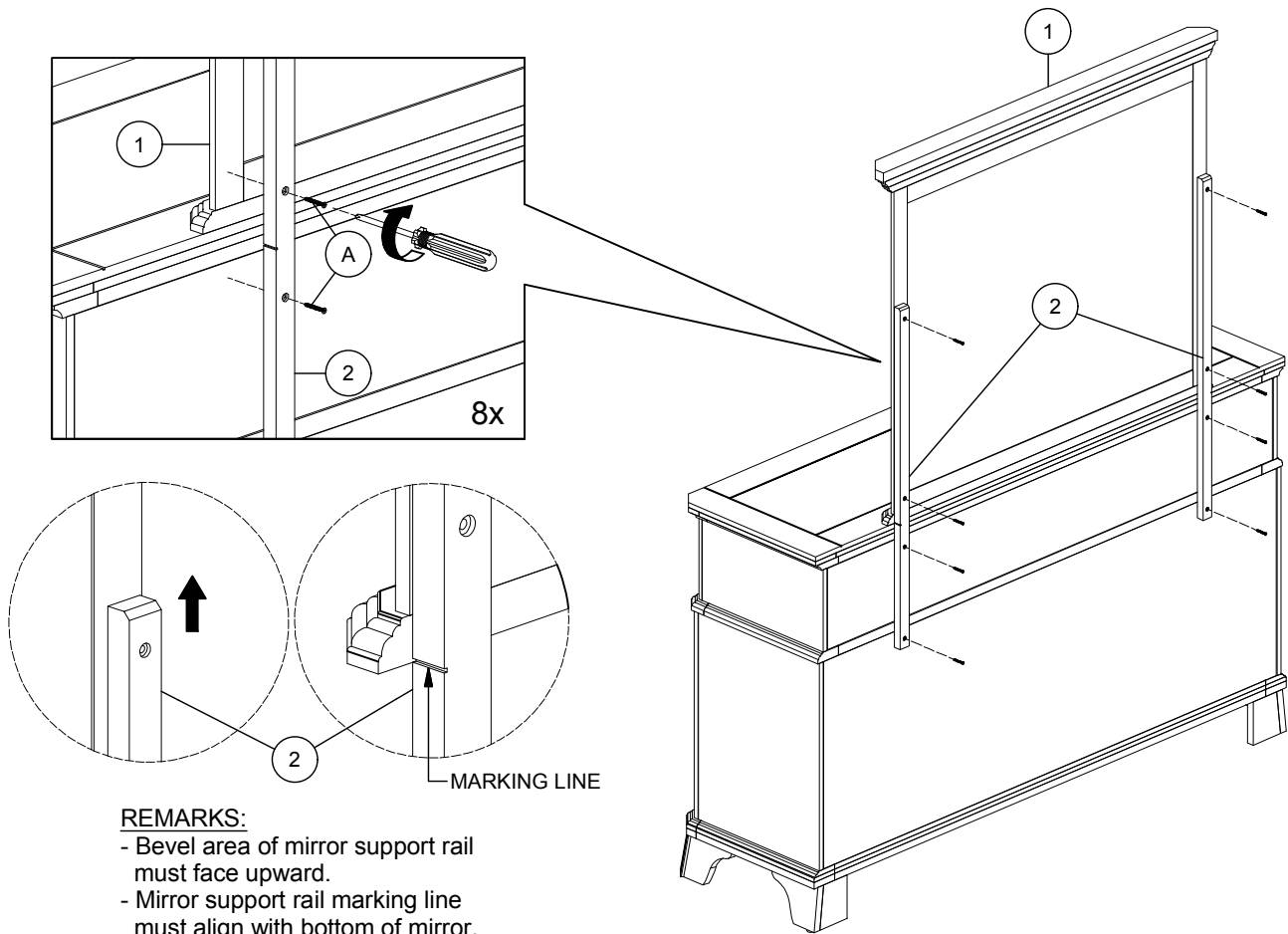
IMPORTANT NOTE :

- Place all wooden parts on a clean and smooth surface such as a rug or carpet to avoid the parts from being scratched.
- Check to be sure that you have all parts and hardware.
- Remove all wrapping materials, including staples & packing straps before you start to assemble.
- Do not tighten all screws / bolts until all completely assembled.
- Keep all hardware parts out of reach of children.

PART LIST		
NO	DESCRIPTION	QTY/PCS
1	MIRROR	1 PC
2	MIRROR SUPPORT RAIL	2 PCS

HARDWARE LIST		
NO	DESCRIPTION	QTY/PCS
A	SCREW M4 x 32	8 PCS

NOTE : YOU WILL ALSO NEED A PHILIP SCREW DRIVER (NOT PROVIDED)



REMARKS:

- Bevel area of mirror support rail must face upward.
- Mirror support rail marking line must align with bottom of mirror.