

ASSEMBLY INSTRUCTIONS

MODEL : LI-TA-4724-WHO-RTA
DESC : Wood Cocktail Table Unit KD

DOC. NO : RD-F05-AT
REV. NO : A
REV. DATE : 25.08.2011

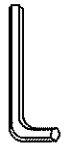


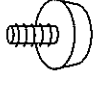
Thanks you for purchasing this quality product. Be sure to lay all components on a soft and clean surface before assembly in order to avoid components from being scratched.

REV. : A DATE : 07-08-2015
Remark: At least 2 person to assemble this product.


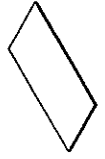

CAUTIONS :

1. Check contents against list for quantity.
2. Familiarize yourself with the components and hardware by reviewing the Assembly Instructions.
3. Do not over tightened the screws and bolts as it may damage the threads.
4. Keep all hardware parts out of the reach of children.

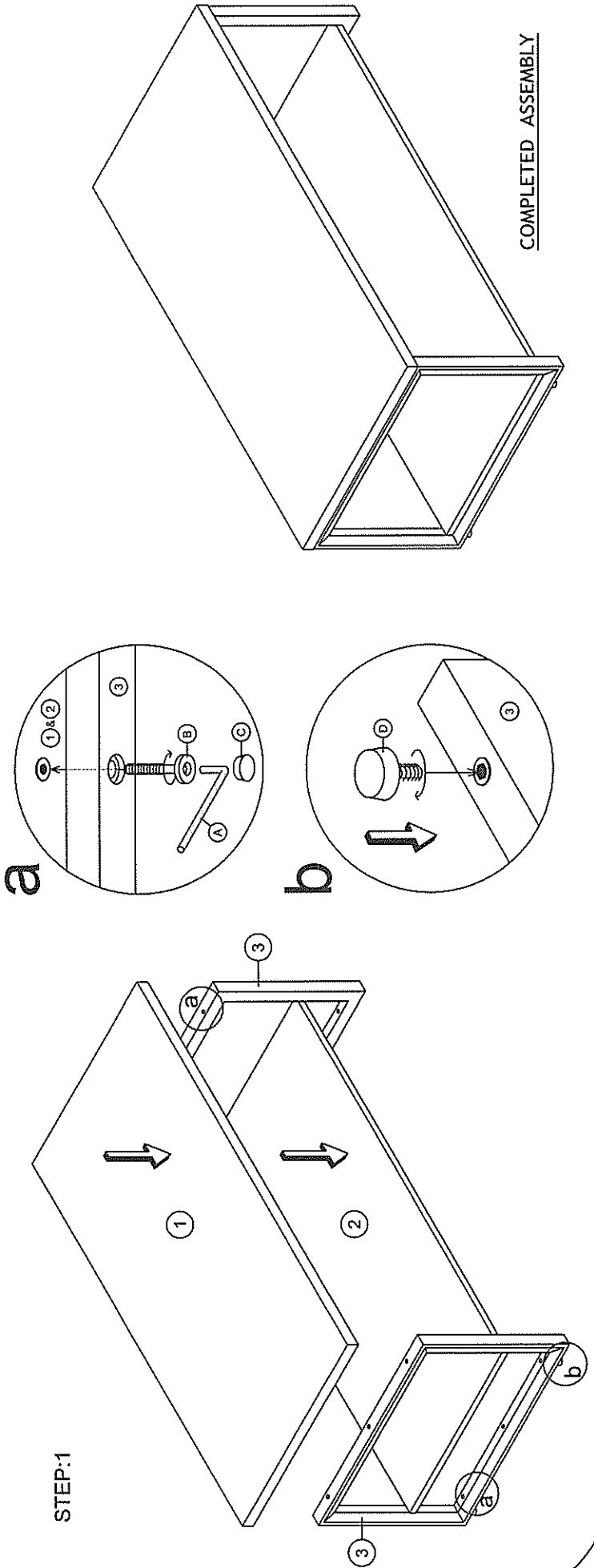
Hardware

A	B	C	D
			
Allen-Key 1 Pc	JCBC Screw M6 x 35mm 12 Pcs	Hole Cap 6 Pcs	Adjust Screw 4 Pcs

Parts

1	2	3
		
Top Panel 1 Pc	Fixed Shelf 1 Pc	Wood Frame Leg 2 Pcs

STEP:1



COMPLETED ASSEMBLY

ASSEMBLY

MODEL : LI-TA-4718-DWG-C

INSTRUCTIONS

DESC : Cocktail Table Unit KD

DOC. NO : RD-F05-AT
REV. NO : A
REV. DATE : 25.08.2011



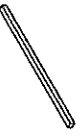

Thanks you for purchasing this quality product. Be sure to lay all components on a soft and clean surface before assembly in order to avoid components from being scratched.

CAUTIONS :

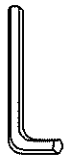

1. Check contents against list for quantity.
2. Familiarize yourself with the components and hardware by reviewing the Assembly Instructions.
3. Do not over tighten the screws and bolts as it may damage the threads.
4. Keep all hardware parts out of the reach of children.

REV. :A DATE : 06-08-2015
Remark: At least 2 person to assembly this product.

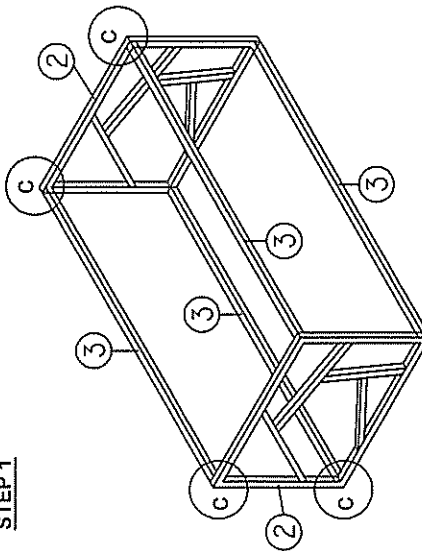
Parts

1		TOP PANEL 1 PC
2		SIDE METAL (RAL) 2 PCS
3		BOTTOM PANEL 4 PCS
4		FIXED SHELF 1 PC

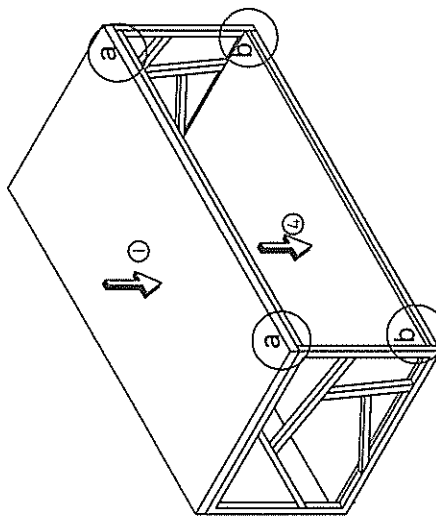
Hardware

A		ALLEN-KEY 1 PC
B		JCBC SCREW #6 X 30MM 20 PCS

STEP 1



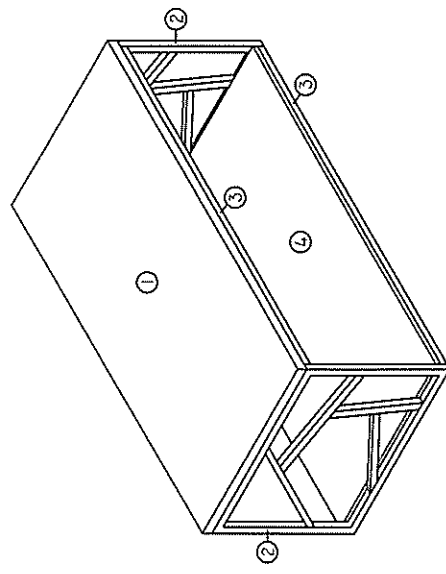
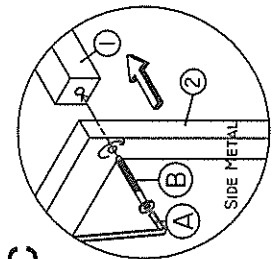
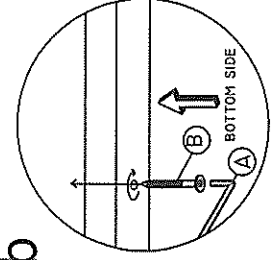
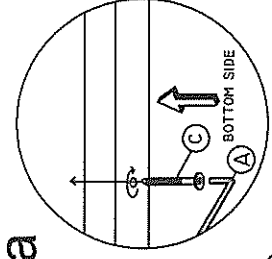
STEP 2



a

b

c



COMPLETED ASSEMBLY

ASSEMBLY INSTRUCTIONS

MODEL : LI-TA-2222-WHO-RTA
DESC : Wood End Table Unit KD

DOC. NO : RD-F05-AT
REV. NO : A
REV. DATE : 25.08.2011

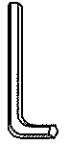


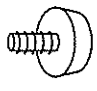
Thanks you for purchasing this quality product. Be sure to lay all components on a soft and clean surface before assembly in order to avoid components from being scratched.

REV. :A DATE : 07-08-2015
Remark: At least 2 person to assemble this product.




CAUTIONS :

1. Check contents against list for quantity.
2. Familiarize yourself with the components and hardware by reviewing the Assembly Instructions.
3. Do not over tightened the screws and bolts as it may damage the threads.
4. Keep all hardware parts out of the reach of children.

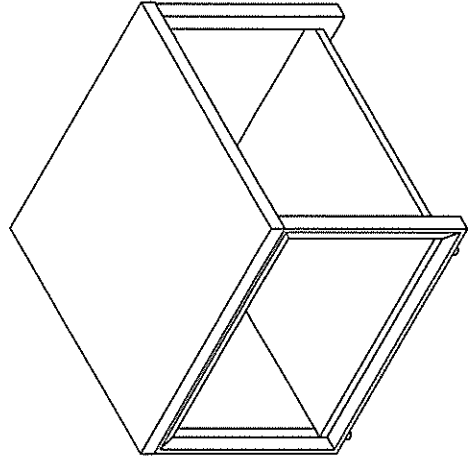
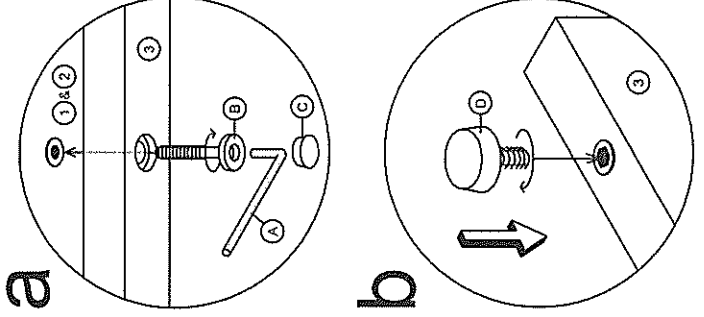
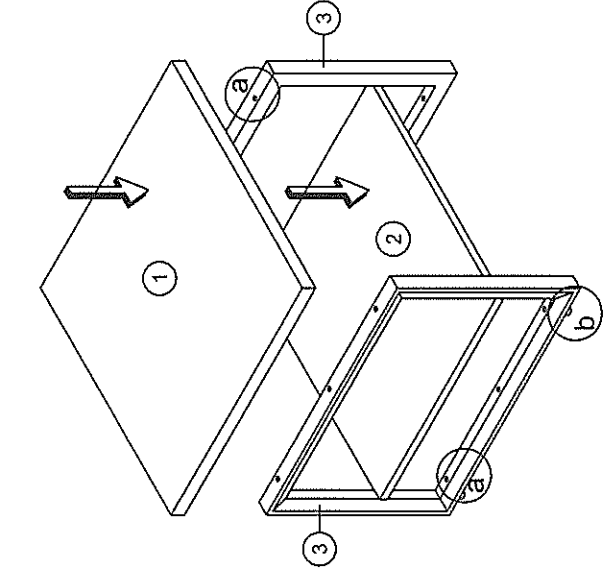
Hardware

A  Allen-Key 1 Pc	B  JCBC Screw M6 x 35mm 12 Pcs	C  Hole Cap 6 Pcs	D  Adjust Screw 4 Pcs
---	---	---	---

Parts

1  Top Panel 1 Pc	2  Fixed Shelf 1 Pc	3  Wood Frame Leg 2 Pcs
---	---	---

STEP:1



COMPLETED ASSEMBLY

ASSEMBLY INSTRUCTIONS

MODEL : LI-TA-2222-DWG-C
DESC : End Table Unit KD

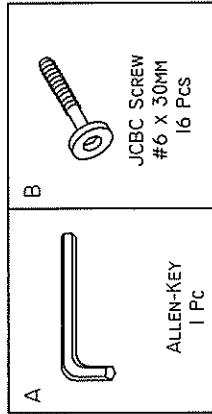
DOC. NO : RD-F05-AT
REV. NO : A
REV. DATE : 25.08.2011

Thanks you for purchasing this quality product. Be sure to lay all components on a soft and clean surface before assembly in order to avoid components from being scratched.

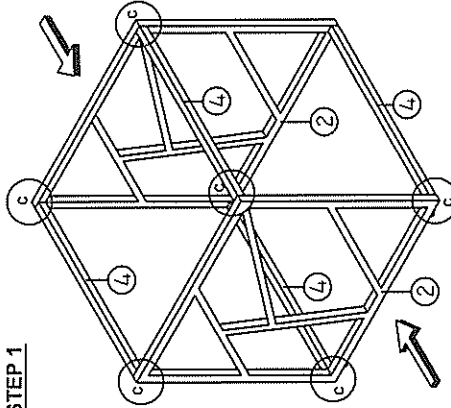
CAUTIONS :

1. Check contents against list for quantity.
2. Familiarize yourself with the components and hardware by reviewing the Assembly Instructions.
3. Do not over tighten the screws and bolts as it may damage the threads.
4. Keep all hardware parts out of the reach of children.

Hardware

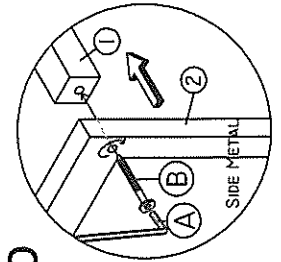
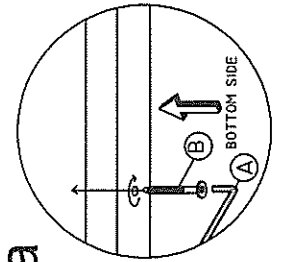


STEP 1



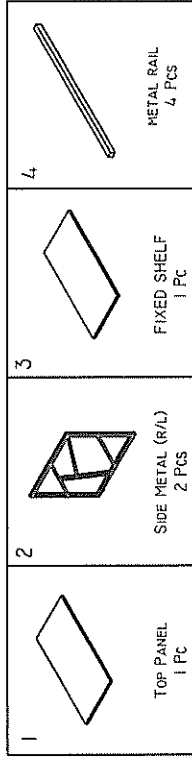
a

b

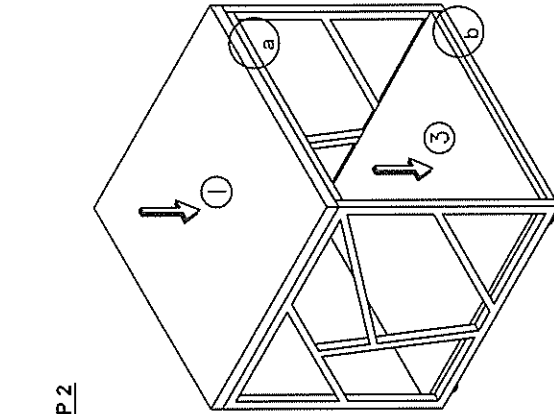


REV. : A DATE : 06-08-2015
Remark: At least 2 person to assembly this product.

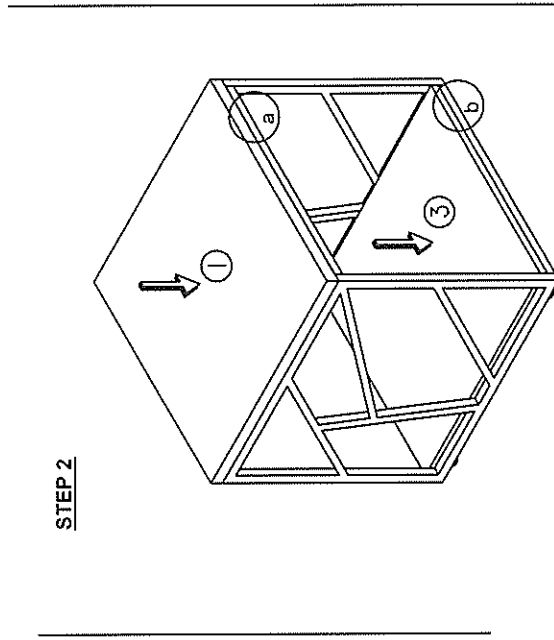
Parts



STEP 2



STEP 1



COMPLETED ASSEMBLY

ASSEMBLY INSTRUCTIONS

MODEL : LI-HT-6024-DWG-C

DESC : Entertainment Unit KD

DOC. NO : RD-F05-AT
REV. NO : A
REV. DATE : 25.08.2011






Thanks you for purchasing this quality product. Be sure to lay all components on a soft and clean surface before assembly in order to avoid components from being scratched.

REV. : A DATE : 06-08-2015
Remark: At least 2 person to assembly this product.

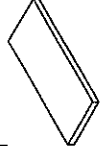
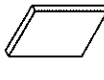
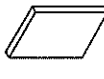
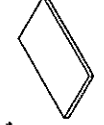
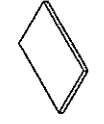

CAUTIONS :

1. Check contents against list for quantity.
2. Familiarize yourself with the components and hardware by reviewing the Assembly Instructions.
3. Do not over tightened the screws and bolts as it may damage the threads.
4. Keep all hardware parts out of the reach of children.

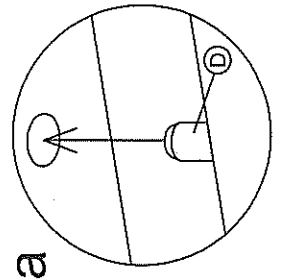
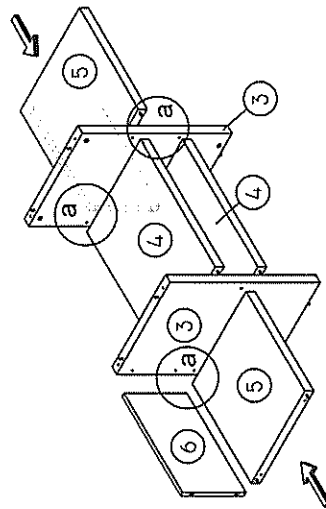
Hardware

A		RASTEX 16 PCS
B		HOUSING 16 PCS
C		MINIFIX CAP 16 PCS
D		WOOD DOWEL 1/8" X 3/8" 40 PCS
E		ALLEN-KEY 1 PC

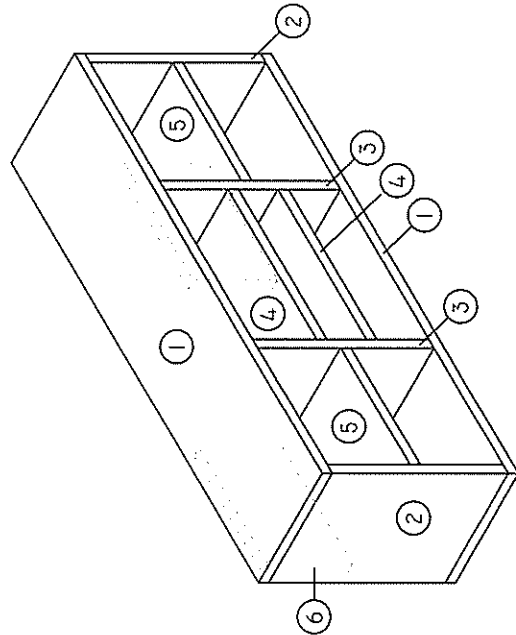
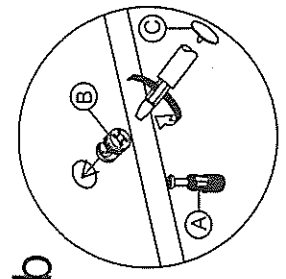
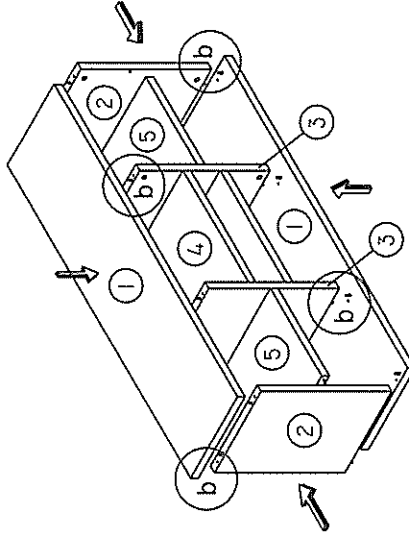
Parts

1		TOP/BOTTOM PANEL 2 PCS
2		SIDE PANEL 2 PCS
3		CENTER PANEL 2 PCS
4		FIXED SHELF (B) PANEL 2 PCS
5		FIXED SHELF (S) PANEL 2 PCS
6		BACK PANEL 2 PCS

STEP:1



STEP:2



COMPLETED ASSEMBLY

ASSEMBLY

INSTRUCTIONS

MODEL : LI-HT-5516-WHO-RTA

DESC : Wood Entertainment Unit KD

DOC. NO : RD-F05-AT
REV. NO : A
REV. DATE : 25.08.2011

Thanks you for purchasing this quality product. Be sure to lay all components on a soft and clean surface before assembly in order to avoid components from being scratched.

REV. : A DATE : 07-08-2015
Remark: At least 2 person to assemble this product.

CAUTIONS :

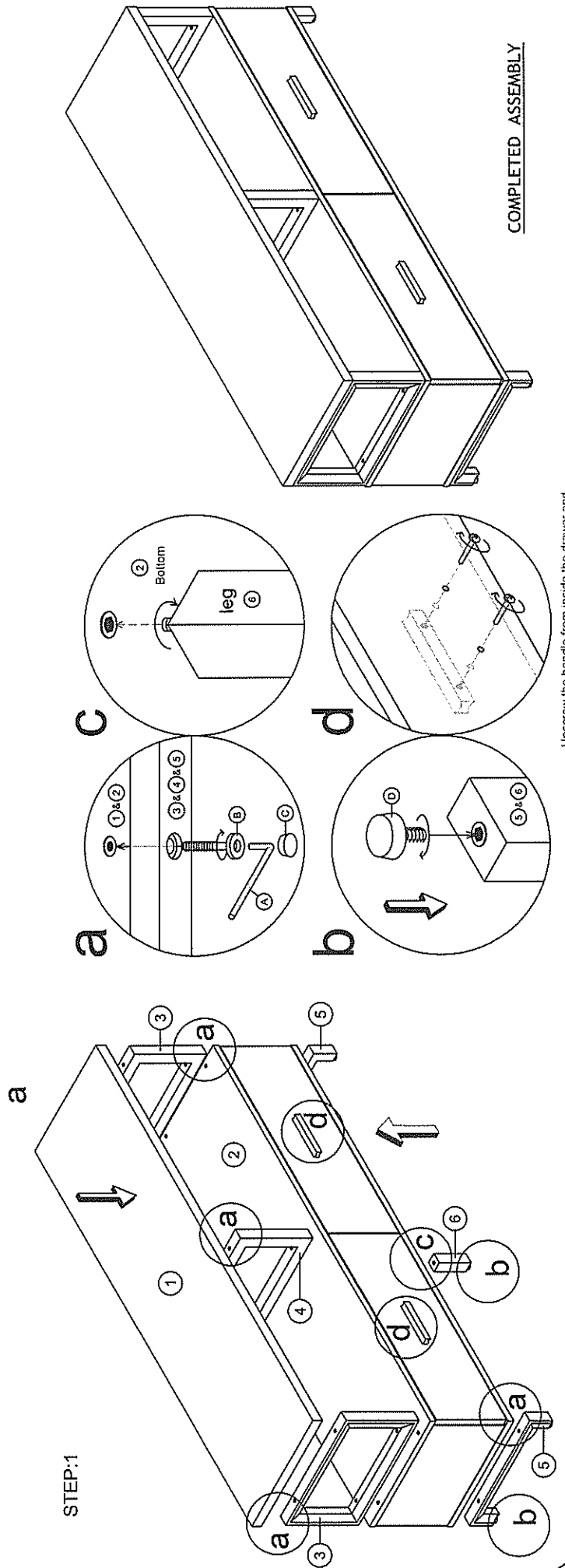
1. Check contents against list for quantity.
2. Familiarize yourself with the components and hardware by reviewing the Assembly Instructions.
3. Do not over tighten the screws and bolts as it may damage the threads.
4. Keep all hardware parts out of the reach of children.

Parts

1	Top Panel 1 Pc
2	Drawer Box 1 Set
3	Side Wood Frame Leg 2 Pcs
4	Center Wood Frame Leg 1 Pc
5	Bottom Wood Frame Leg 2 Pcs
6	Support Leg 1 Pc

Hardware

A	Allen-Key 1 Pc
B	JCBC Screw M6 x 35mm 16 Pcs
C	Hole Cap 16 Pcs
D	Adjust Screw 5 Pcs



Unscrew the handle from inside the drawer and screw it from the back of the drawer face.

ASSEMBLY INSTRUCTIONS

MODEL : LI-HT-4824-WHO-RTA
DESC : Wood Writing Desk Unit KD

DOC. NO : RD-F05-AT
REV. NO : A
REV. DATE : 25.08.2011

Thanks you for purchasing this quality product. Be sure to lay all components on a soft and clean surface before assembly in order to avoid components from being scratched.

REV. : A DATE : 07-08-2015
Remark: At least 2 person to assembly this product.

CAUTIONS :

1. Check contents against list for quantity.
2. Familiarize yourself with the components and hardware by reviewing the Assembly Instructions.
3. Do not over tightened the screws and bolts as it may damage the threads.
4. Keep all hardware parts out of the reach of children.

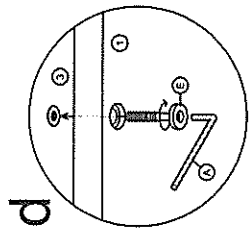
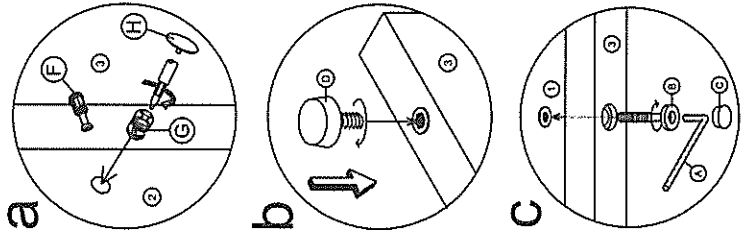
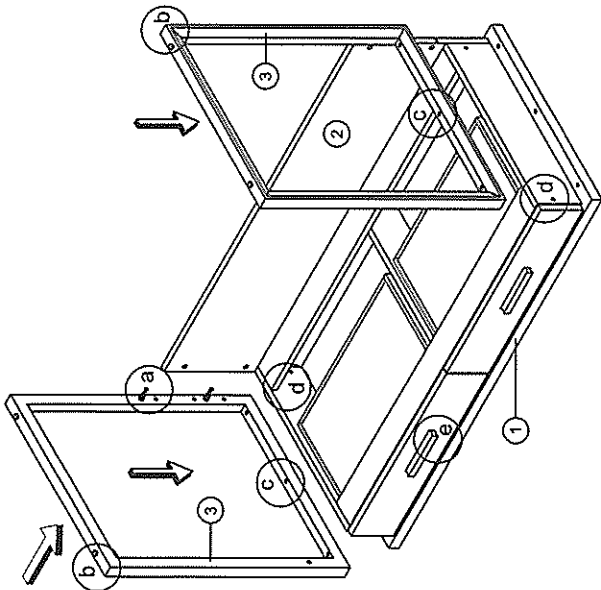
Parts

1		Top With Drawer Box 1 Set
2		Modesty Panel 1 Pc
3		Wood Frame Leg 2 Pcs

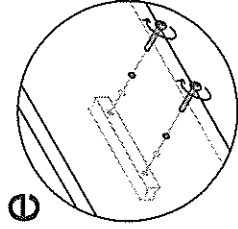
Hardware

A		Allen-Key 1 Pc
B		JCBC Screw M6 x 50mm 6 Pcs
C		Hole Cap 6 Pcs
D		Adjust Screw 4 Pcs
E		JCBC Screw M6 x 30mm 4 Pcs
F		Rastex 4 Pcs
G		Housing 4 Pcs
H		Minifix Cap (Short) 4 Pcs

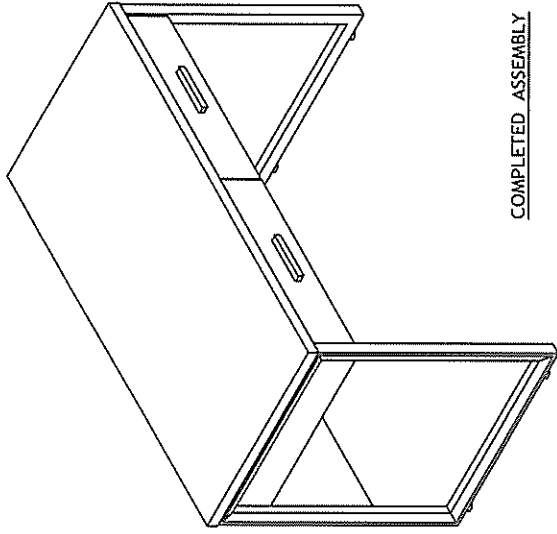
STEP:1



screw it from inside of the drawer box.



Unscrew the handle from inside the drawer and screw it from the back of the drawer face.



COMPLETED ASSEMBLY

ASSEMBLY INSTRUCTIONS

MODEL : LI-HT-2872-DWG-C
DESC : PIER / WALL UNIT KD

DOC. NO : RD-F06-AT
REV. NO : A
REV. DATE : 25.08.2011

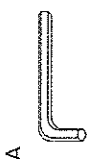


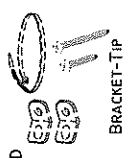
Thanks you for purchasing this quality product. Be sure to lay all components on a soft and clean surface before assembly in order to avoid components from being scratched.

CAUTIONS :

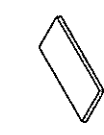
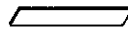







1. Check contents against list for quantity.
2. Familiarize yourself with the components and hardware by reviewing the Assembly Instructions.
3. Do not over tighten the screws and bolts as it may damage the threads.
4. Keep all hardware parts out of the reach of children.

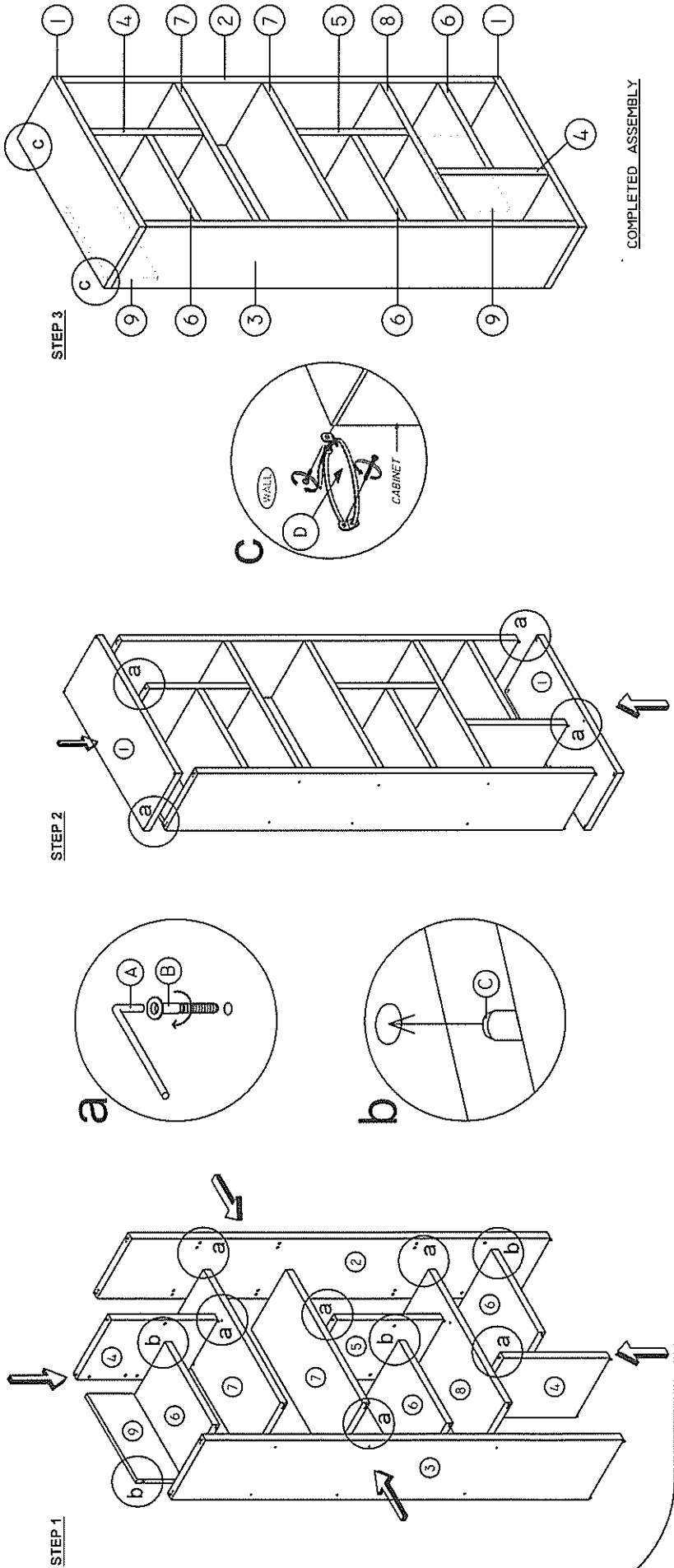
REV. : A DATE : 06-08-2015
Remark: At least 2 person to assemble this product.

HARDWARE

 <p>A ALLEN-KEY 1 PC</p>	 <p>B UNITA SCREW #7 X 50MM 32 Pcs</p>	 <p>C WOOD DOWEL M8 X 30 52 Pcs</p>	 <p>D BRACKET-TIP RESTRAINT 2 PACKS</p>
---	---	--	--

PART

 <p>1 TOP / BOTTOM PANEL 2 Pcs</p>	 <p>2 SIDE PANEL (R) 1 PC</p>	 <p>3 SIDE PANEL (L) 1 PC</p>	 <p>4 VERTICAL PANEL (TOP & BOTTOM) 2 Pcs</p>	 <p>5 VERTICAL PANEL (CENTER) 1 PC</p>	 <p>6 HORIZONTAL (S) / PANEL 3 Pcs</p>	 <p>7 HORIZONTAL (B) PANEL (TOP & CENTER) 2 Pcs</p>	 <p>8 HORIZONTAL (B) PANEL (BOTTOM) 1 PC</p>	 <p>9 BACK PANEL 2 Pcs</p>
---	--	--	--	---	---	--	---	---



ASSEMBLY INSTRUCTIONS

MODEL : LI-HT-2466-WHO-RTA
DESC : Wood Pier 5 Tier Unit KD

DOC. NO : RD-F05-AT
REV. NO : A
REV. DATE : 25.08.2011

Thanks you for purchasing this quality product. Be sure to lay all components on a soft and clean surface before assembly in order to avoid components from being scratched.

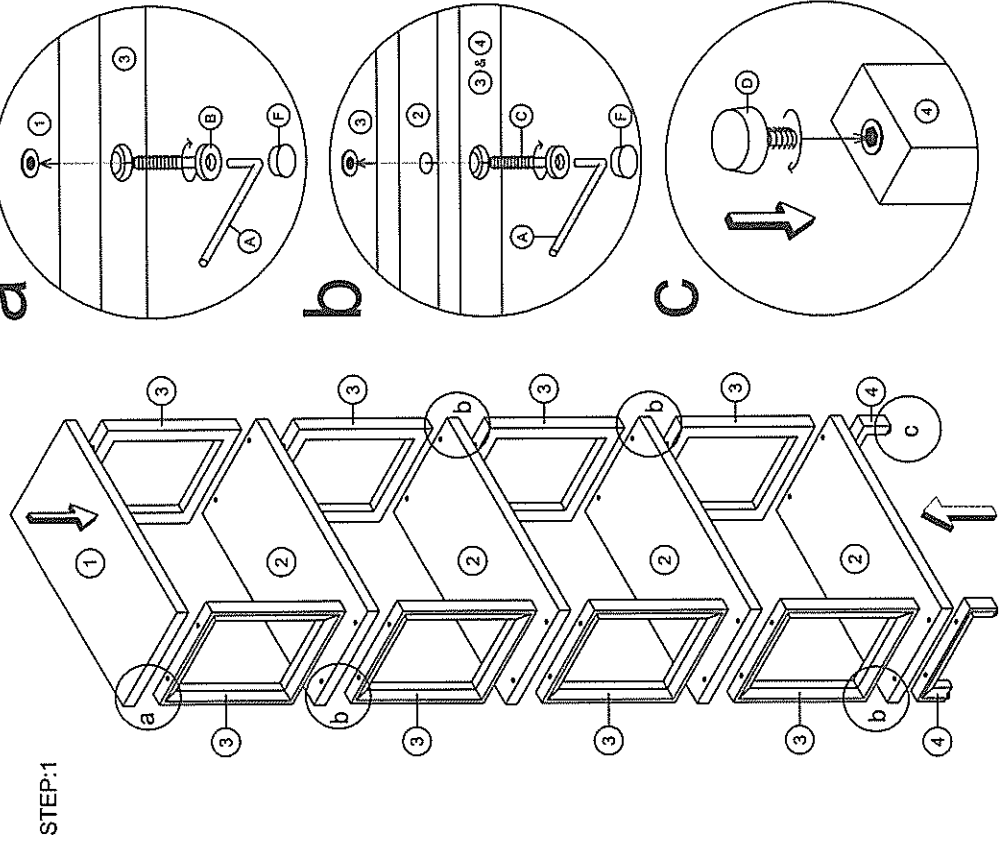
CAUTIONS :

1. Check contents against list for quantity.
2. Familiarize yourself with the components and hardware by reviewing the Assembly Instructions.
3. Do not over tighten the screws and bolts as it may damage the threads.
4. Keep all hardware parts out of the reach of children.

REV. :A DATE : 07-08-2015
Remark: At least 2 person to assembly this product.

Parts

1	2	3	4
Top Shelf 1 Pc	Shelf Panel 4 Pcs	Side Wood Frame Leg 8 Pcs	Bottom Wood Frame Leg 2 Pcs

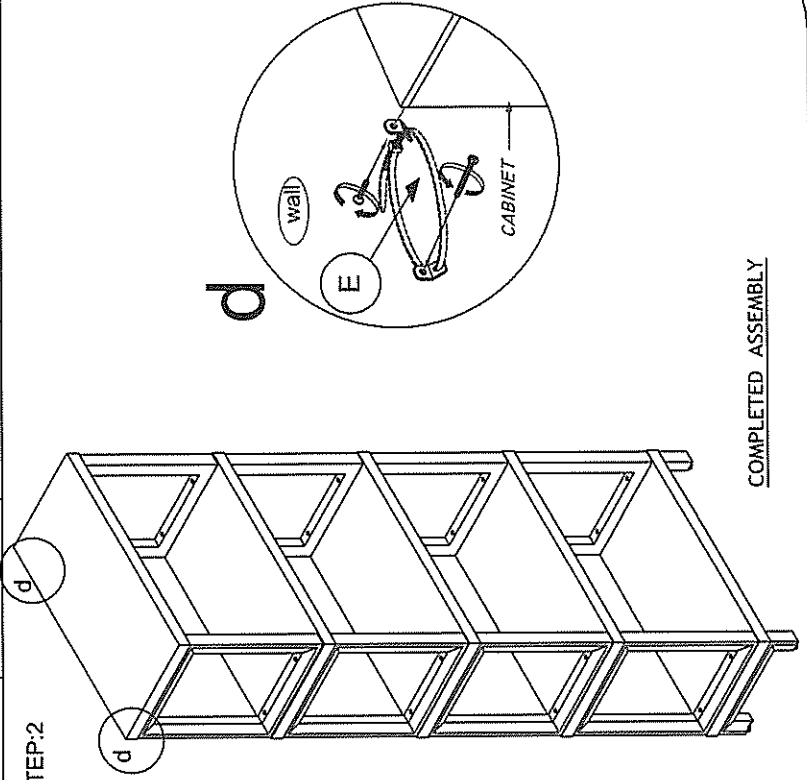


STEP:1

Hardware

A	B	C	D	E	F
Allen-Key 1 Pc	JCBC Screw M6 x 35mm 4 Pcs	JCBC Screw M6 x 65mm 16 Pcs	Adjust Screw 4 Pcs	Bracket-Tip Restraint 2 Packs	Hole Cap 16 Pcs

STEP:2



COMPLETED ASSEMBLY

ASSEMBLY

INSTRUCTIONS

MODEL : LI-HO-4724-DWG-C

DESC : Metal Writing Desk Unit KD

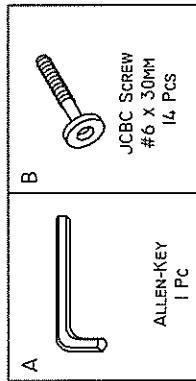
DOC. NO : RD-F05-AT
REV. NO : A
REV. DATE : 25.08.2011

Thanks you for purchasing this quality product. Be sure to lay all components on a soft and clean surface before assembly in order to avoid components from being scratched.

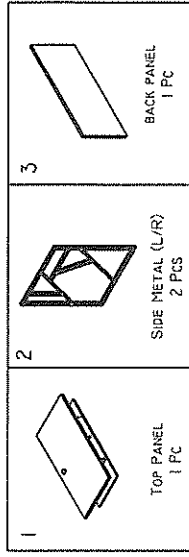
CAUTIONS :

1. Check contents against list for quantity.
2. Familiarize yourself with the components and hardware by reviewing the Assembly Instructions.
3. Do not over tightened the screws and bolts as it may damage the threads.
4. Keep all hardware parts out of the reach of children.

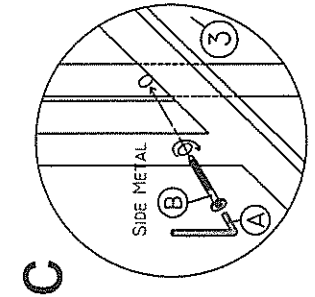
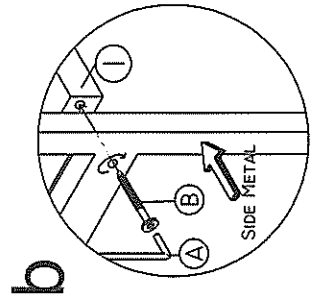
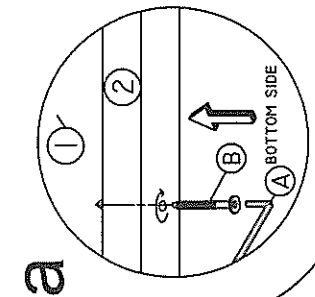
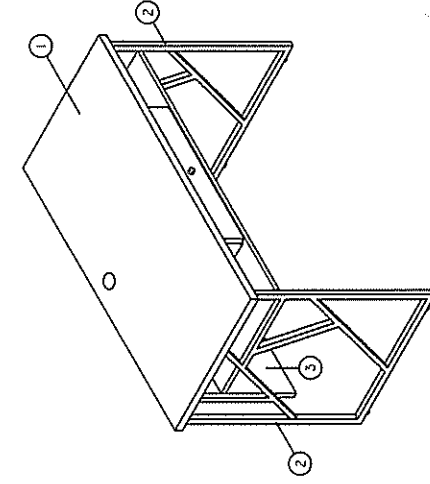
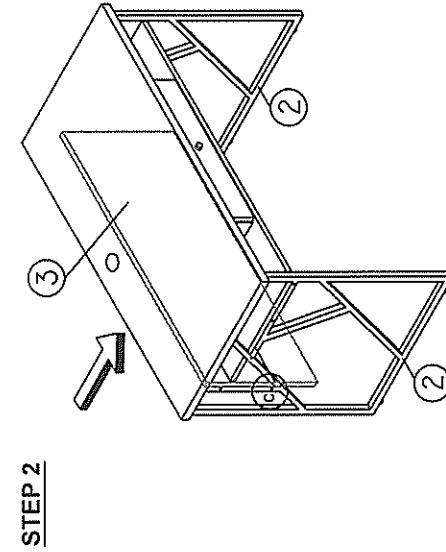
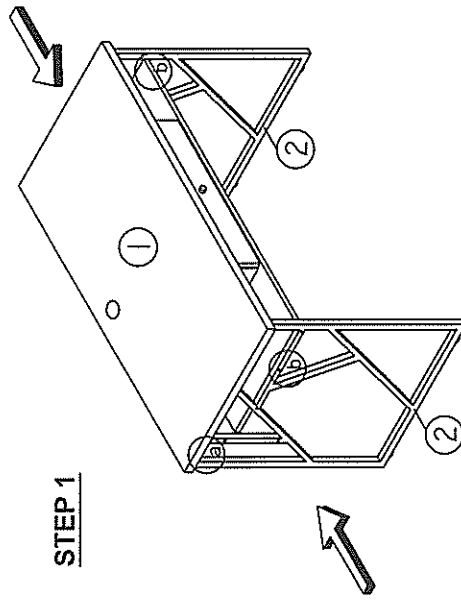
Hardware



Parts



REV. : A DATE : 06-08-2015
Remark: At least 2 person to assembly this product.



COMPLETED ASSEMBLY

ASSEMBLY INSTRUCTIONS

MODEL : LI-HO-2572-DWG-C

DESC : Metal Pier 5 Tier Unit KD

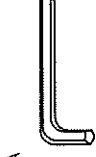


DOC. NO : RD-F05-AT
REV. NO : A
REV. DATE : 25.08.2011

Thanks you for purchasing this quality product. Be sure to lay all components on a soft and clean surface before assembly in order to avoid components from being scratched.





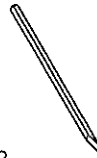



CAUTIONS :

1. Check contents against list for quantity.
2. Familiarize yourself with the components and hardware by reviewing the Assembly Instructions.
3. Do not over tightened the screws and bolts as it may damage the threads.
4. Keep all hardware parts out of the reach of children.

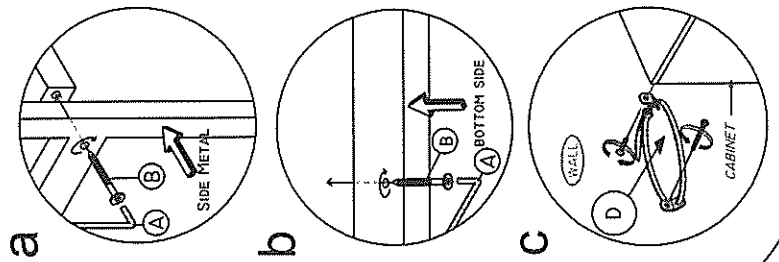
Hardware

 ALLEN-KEY 1 PC	 JCB SCREW #6 X 30MM 4.6 PCS	 BRACKET-TIP RESTRAINT 2 PACKS
--	--	--

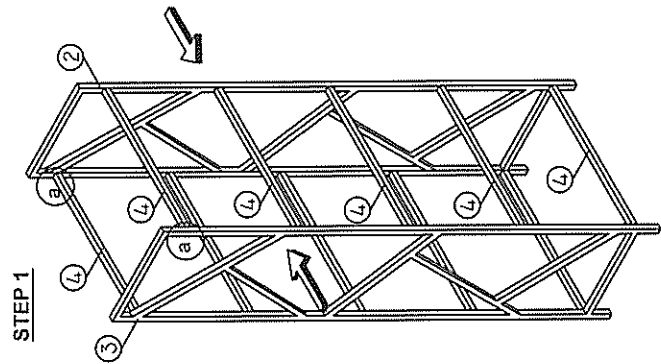
Parts

 SHELF PANEL 5PCS	 SIDE METAL (R) 1 PC	 SIDE METAL (L) 1 PC	 METAL RAIL 10 PCS
 BACK RAIL 1 PC	 BACK RAIL 1 PC	 BACK RAIL 1 PC	 BACK RAIL 1 PC

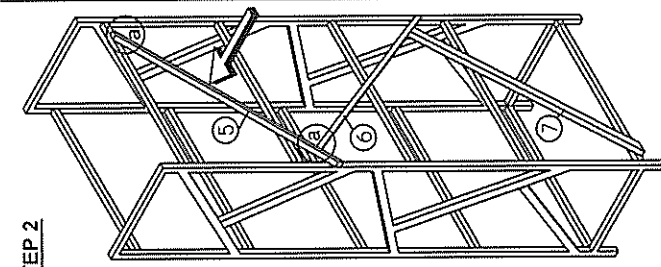
REV. :A DATE : 06-08-2015
Remark: At least 2 person to assembly this product.



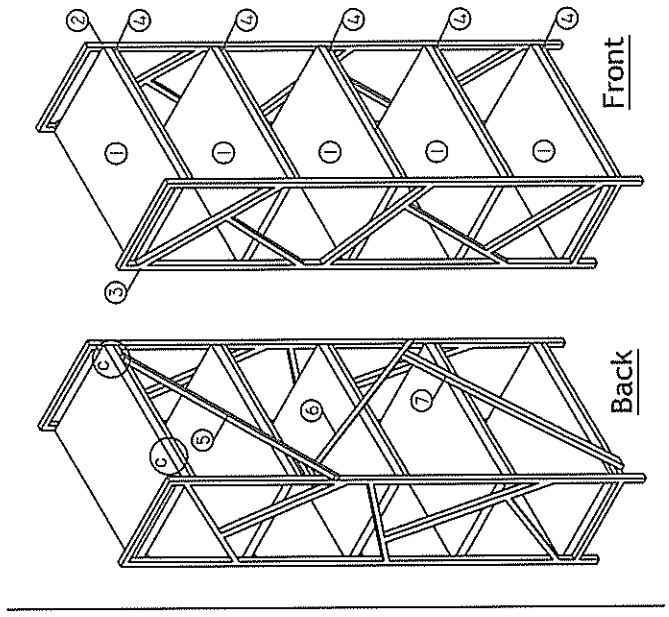
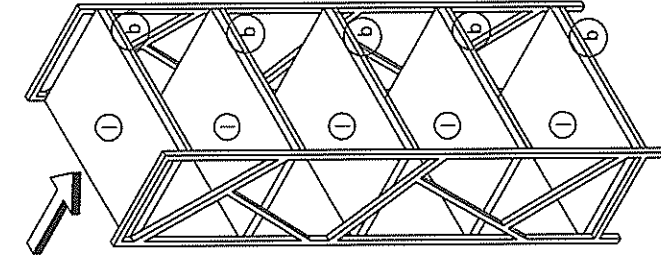
STEP 1



STEP 2



STEP 3



COMPLETED ASSEMBLY

Front View

Back View