

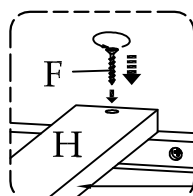
# ASSEMBLY INSTRUCTIONS

ITEM NO. : 6/6 KING PANEL BED  
6/6 KING STORAGE BED

Thank you for purchasing this quality product. Be sure to check all packing material carefully for small parts, which may have come loose inside the carton during shipment. Identify and count all parts and compare with the parts List below.

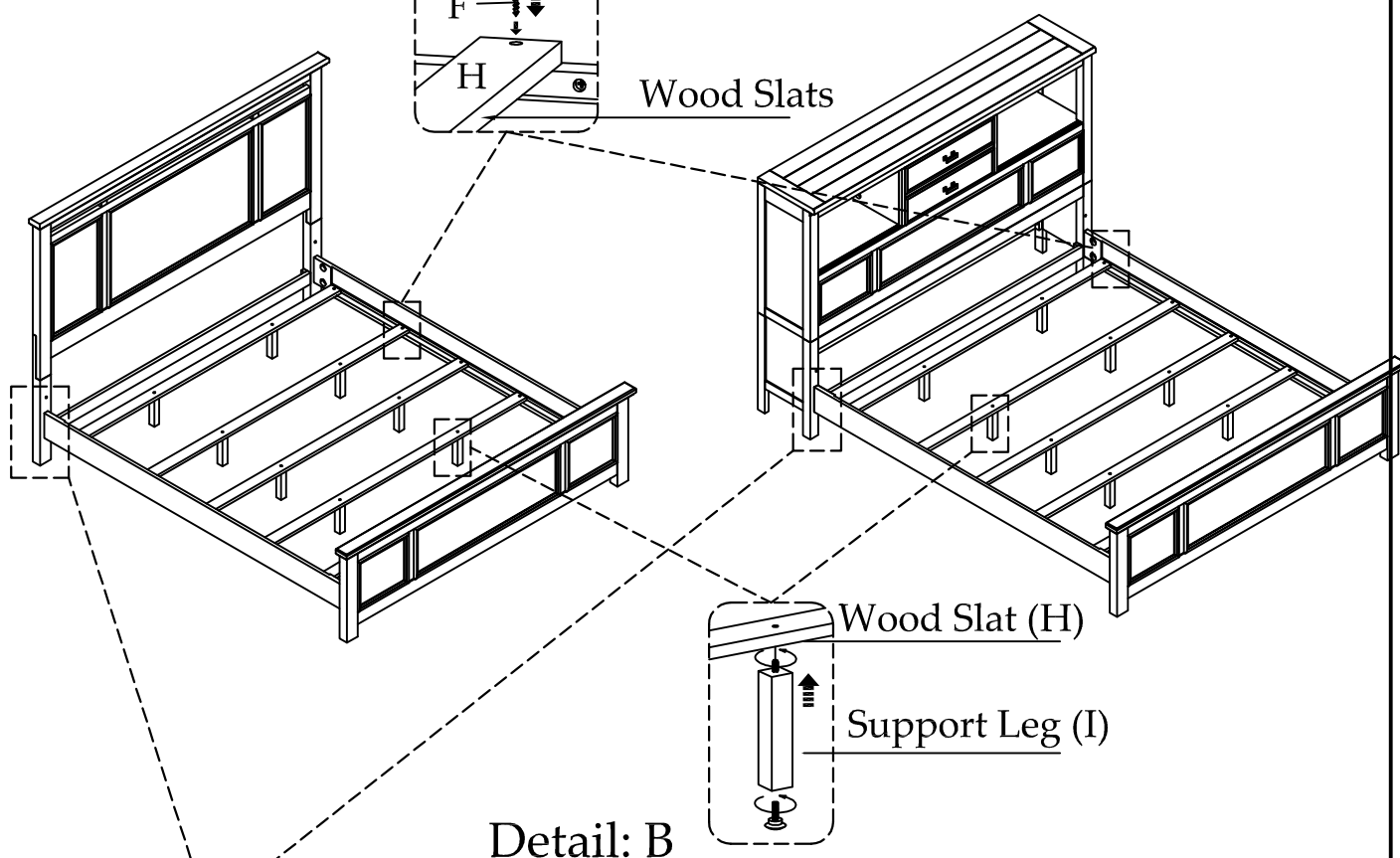
6/6 KING PANEL BED

Detail: C



Wood Slats

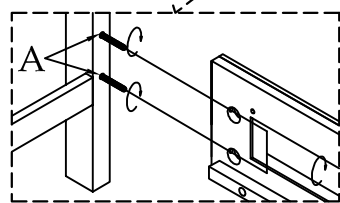
6/6 KING STORAGE BED



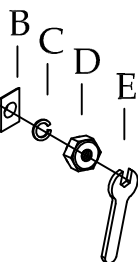
Wood Slat (H)

Support Leg (I)

Detail: B



Detail: A



## PARTS LIST

Part No.	Part Name	Part Description	Quantity
A	Bolt	ø5/16"x3-1/2"	8 PCS
B	Washer	ø5/16"	8 PCS
C	Spring Washer	ø5/16"	8 PCS
D	Hex Nut	ø5/16"	8 PCS
E	Open Wrench	13mm	1 PC
F	Wood Screw	ø8*1/14"	18 PCS
G	Wood Dowel	ø10*40mm	4 PCS
H	Wood Slat		5 PCS
I	Support Leg		10 PCS
J	Support Leg		10 PCS
K	Decking Panel		3 PCS
L	Decking Panel Filler		1 PC

Do not tighten screws until completely assembled.

# ASSEMBLY INSTRUCTIONS

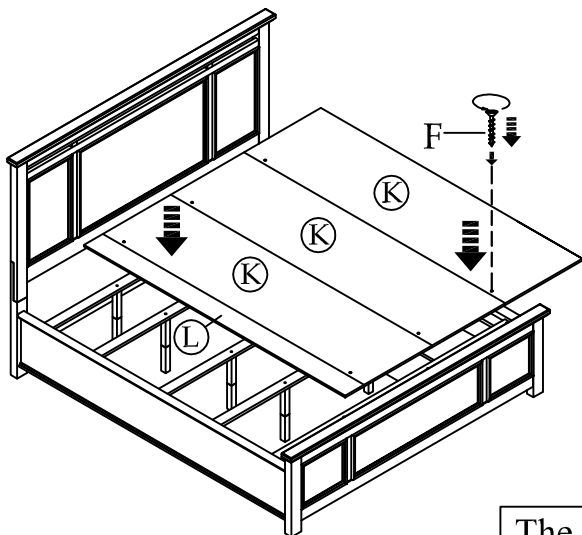
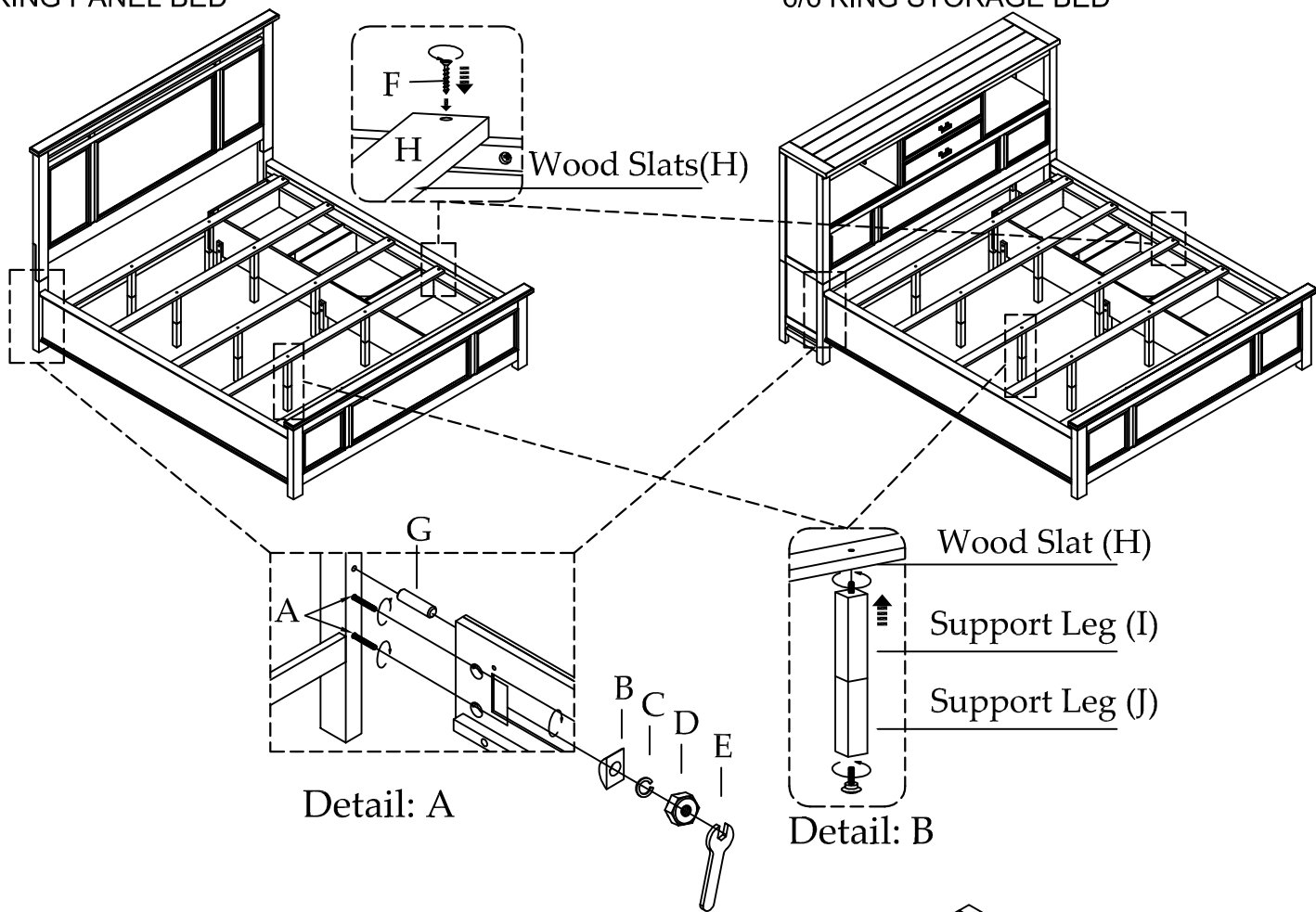
ITEM NO. : 6/6 KING PANEL BED  
6/6 KING STORAGE BED

Thank you for purchasing this quality product. Be sure to check all packing material carefully for small parts, which may have come loose inside the carton during shipment. Identify and count all parts and compare with the parts List below.

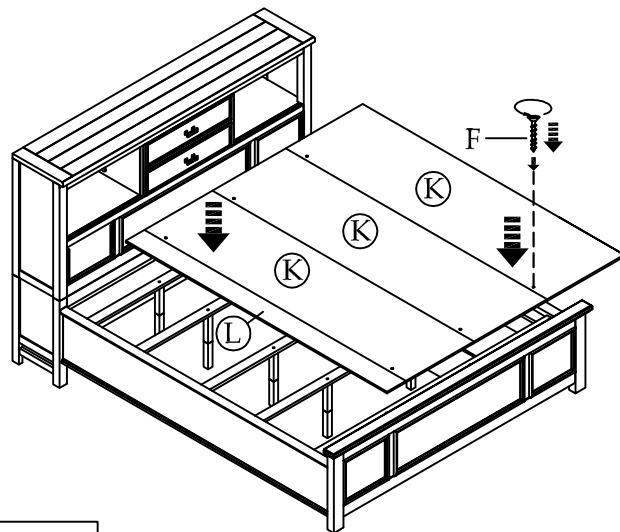
Detail: C

6/6 KING PANEL BED

6/6 KING STORAGE BED



Detail: D



Detail: D

The slat should support both pieces of decking.