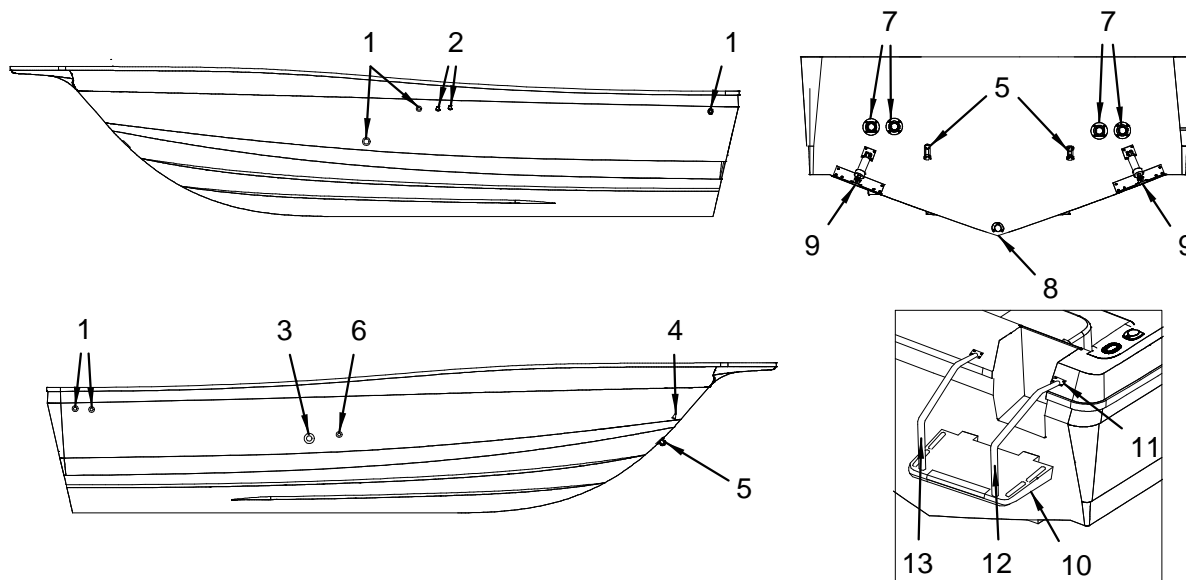
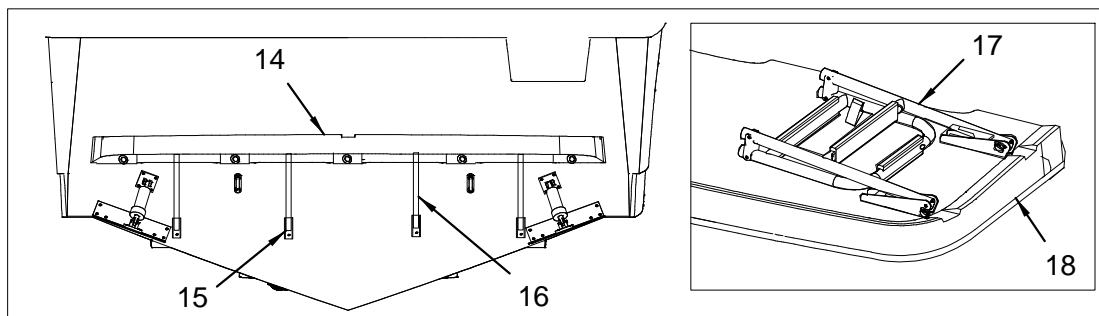


EXTERIOR (HULL)



OPTIONAL SWIMSTEP



EXTERIOR (HULL)

- 1 1704923 THRU-HULL, PLASTIC 3/4" WHT
- 2 1701138 VENT, TANK SQUARE
- 3 1704933 THRU-HULL, PLASTIC 1.5"
- 4 126870 VENT, CLAMSHELL ROPE LCKR 1 5/8"X 1.5"
- 5 1694685 EYE, BOW/STERN 1/2"X 3 7/16" SS
- 6 1702058 VENT, FUEL 90DEG
- 7 132282 THRU-HULL, PLAS 1.5" SCUPPER W/FLAP
- 8 1702027 GARBOARD DRAIN, FLANGE
- 1702028 GARBOARD DRAIN, PLUG
- 9 1696326 TRIM TAB, ELEC 9" X 12" KIT

SWIM PLATFORM OPTION (continued)

- 14 1759390 2352WA 03,LAM ASSY,TRNSM PLTFM FULL
- 15 1701325 BRACKET, PIVOT
- 16 1693282 BRACE, SS PLTFM SUPPRT
- 17 1703442 LADDER, SWIMSTEP
- 1728472 SWIM PLATFORM, TAPERED SHIM
- 18 1702282 RUBRAIL/GUNWALE, 15' BLK
- 1705087 RUBRAIL/GUNWALE, 10' BLK

DECALS & LABELS

- 1703700 LABEL, STICKER BOARDING LADDER WARNING

SWIM PLATFORM

- 10 1702575 SWIM PLATFORM, W/STEP DREAM WHT
- 1706666 METAL AND PLASTIC, SWIMSTEP LADDER TUBE/PIN
- 11 1700263 FITTING, RAIL 90DEG REC BASE DRLD .257 SS
- 12 1694422 RAIL, O/B SWIM STP TUBE SS
- 13 1694421 RAIL, I/B SWIM STP TUBE SS

SWIM PLATFORM OPTION

- 1691708 BUMPER
- 1698925 CLIP, STRG NAV LIGHT POLE
- 1705136 RAIL, GRAB SS 10.5"X 7/8"
- 14 1759389 2352WA 03,LAM ASSY,TRNSM PLTFM 3/4