

Fisher-Price™



Travel Cot

IMPORTANT!

BEFORE ASSEMBLING THIS COT, READ AND UNDERSTAND THE INSTRUCTIONS.

Do not use mattresses other than the one supplied by the manufacturer. Incorrect mattress can cause death.

Use only accessories as recommended by the manufacturer. Ensure the top rails and base are fully locked.

Stop using this cot if any part of the cot is broken, torn or missing.

KEEP THESE INSTRUCTIONS IN A SAFE PLACE FOR FUTURE REFERENCE.

www.fisher-price.com.au

Model # 074223

Consumer Information



WARNING



IMPORTANT, RETAIN FOR FUTURE REFERENCE: READ CAREFULLY

WARNING: Failure to follow these warnings and instructions could result in serious injury or death.

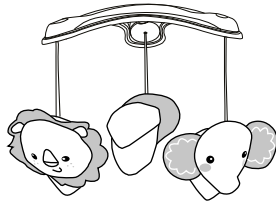
- **USE ONLY THE MATTRESS SUPPLIED BY THE MANUFACTURER, INCORRECT MATTRESSES CAN CAUSE DEATH.**
- Do not use more than one mattress in the cot.
- **Use only accessories as recommended by the supplier.**
- **Ensure the top rails and base are fully locked.**
- **Do not use this cot if any part of the cot is broken, torn or missing.**
- Before assembly or each use, inspect your folding cot for damage, loose joints, missing or broken parts. **DO NOT** use your folding cot if any parts are missing or broken. Contact the manufacturer for replacement parts or instructions if they are required. Never use substitute parts.
- Keep children away while assembling/disassembling the cot.
- The cot is ready for use, only when the locking mechanisms are engaged. Check carefully that all locking mechanisms are fully engaged before using the folding cot.
- Ensure all fittings are correctly assembled and tightened before use, check regularly and re-tightened if necessary.
- Do not leave anything on the folding cot (such as toys) that provide a foothold.
- Do not use the folding cot near naked heat sources, bar heaters, open fires or exposed flames.
- Keep the folding cot clear of trailing cables and hanging cords.
- Keep medication and small items that a child could choke on, away from the cot.
- Do not use the folding cot if fabric or padding on the side rails or end rails has been bitten through.
- **FALL HAZARD**
 - To prevent injury from falls, **DO NOT** use this cot when the child can climb out or has reached the Manufacturer's maximum weight of 13.6kgs (30lbs) or a height of 86.4cm (34in) tall.
- **SUFFOCATION HAZARD - Infants can suffocate;**
 - In gaps between an extra pad or mattress and the side of the bassinet/folding cot.
 - On soft bedding.
 - Never add a mattress, pillow, comforter or padding. Use **ONLY** the mattress provided by the manufacturer.
- The mattress must be fastened to the cot base by inserting all fasteners into the mattress base holes.
- Never leave your child unattended.
- The mattress supplied is the required size suited for use with your folding cot. Using a wrong sized or an additional mattress may create hazardous gaps that could result in suffocation or could reduce the side height of the folding cot, which may result in your child falling out and being injured.
- Use this product with only one child at a time.
- Always ensure the wheel brakes are in the locked position when using the travel cot.
- To reduce the risk of Sudden Infant Death Syndrome (SIDS), pediatricians recommend healthy infants be placed on their backs to sleep, unless otherwise advised by your physician.

Parts

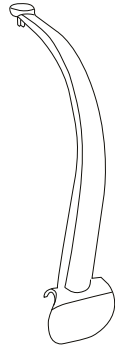
IMPORTANT! Please remove all parts from the package and identify them before assembly.



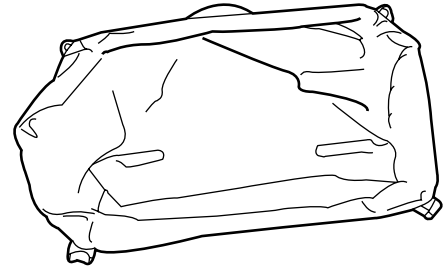
Travel Cot



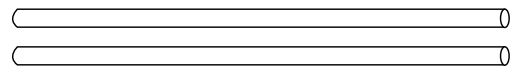
Mobile with Toys



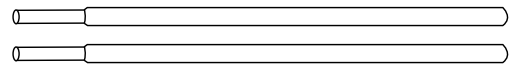
Mobile Arm



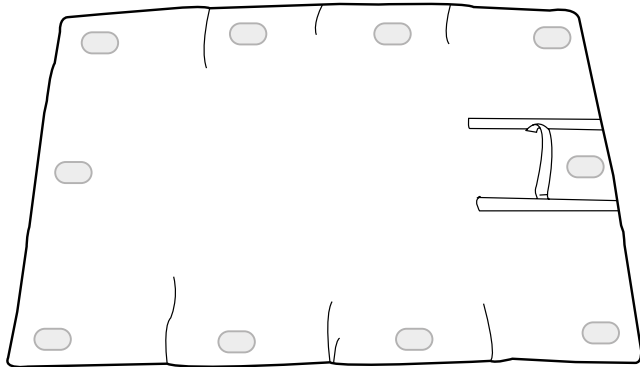
**Bassinet
#074228**



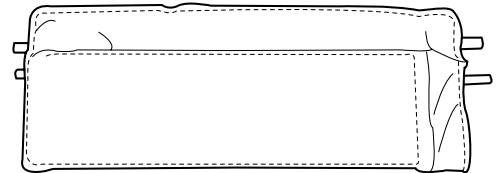
2 Bassinet Tubes (Flat End)



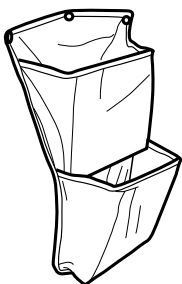
2 Bassinet Tubes (Tapered End)



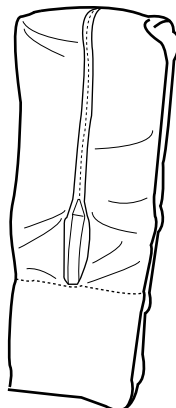
**Mattress Pad
#074220, #074222, #074223**



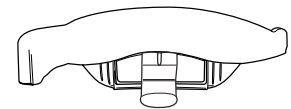
**Changing Table
#074229**



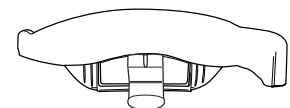
Nappy Organiser



Travel/Storage Bag

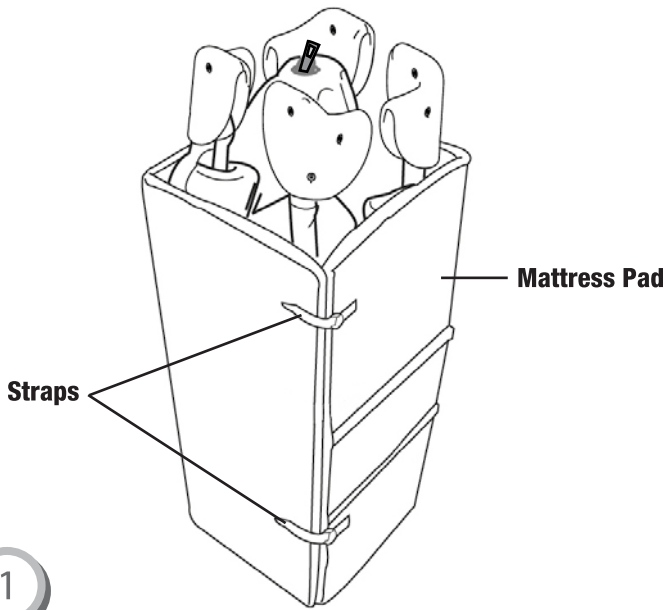


Changing Table (Right End)

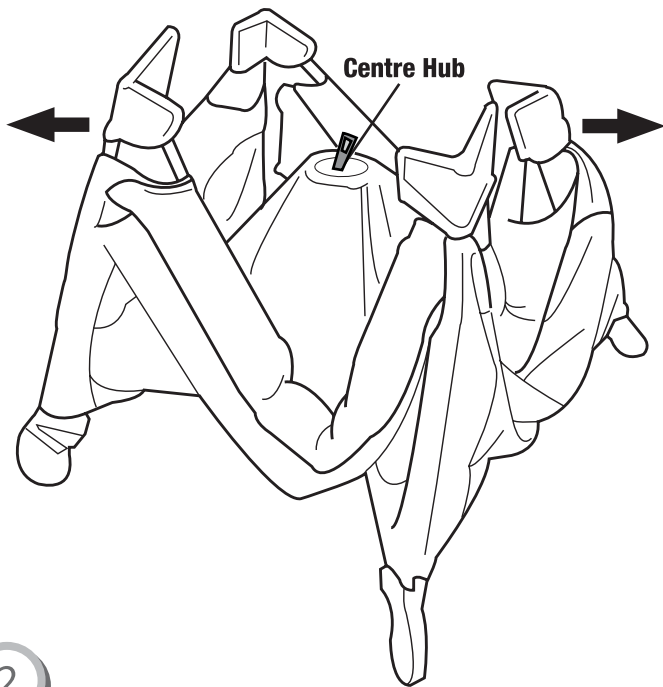


Changing Table (Left End)

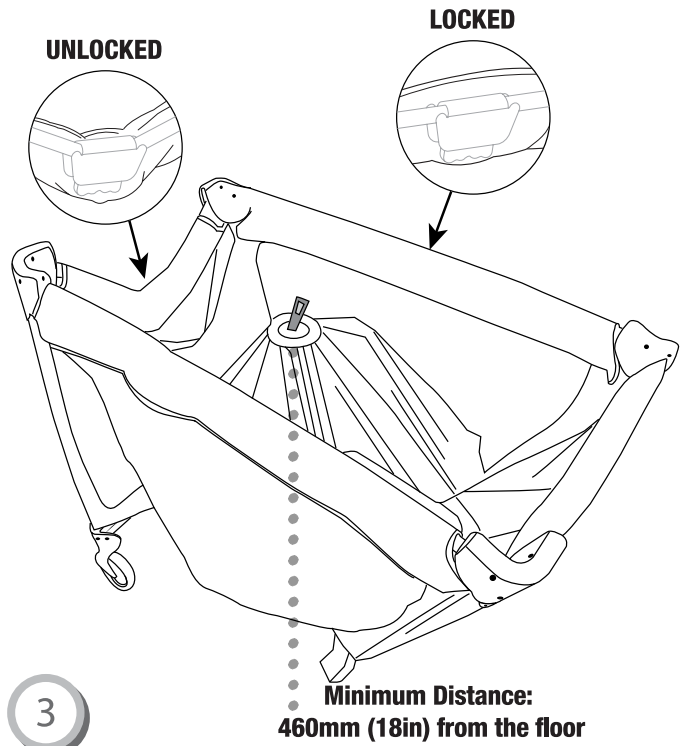
Travel Cot Assembly and Use



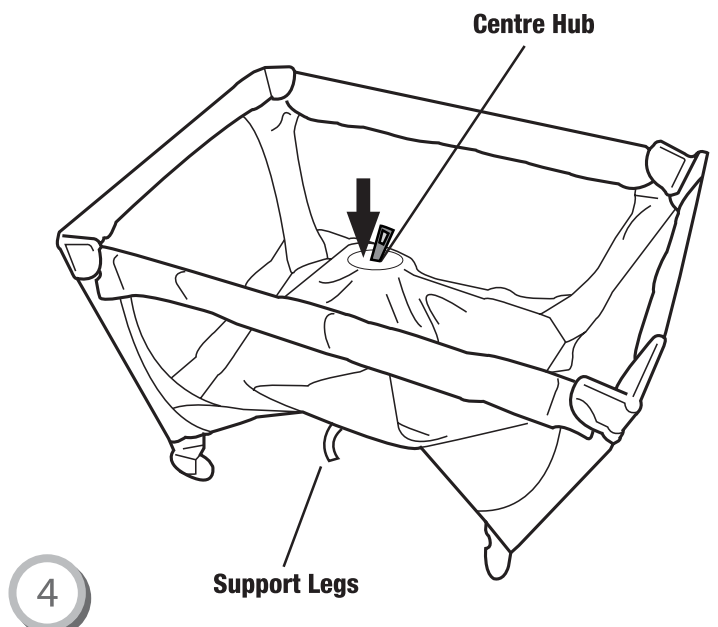
- Unfasten the straps on the mattress pad.
- Remove the bassinet, bassinet support tubes, mobile arm, mobile with toys, and the travel cot from inside the mattress pad.



- Carefully pull the end rails out.
- IMPORTANT!** DO NOT push down on the centre hub.

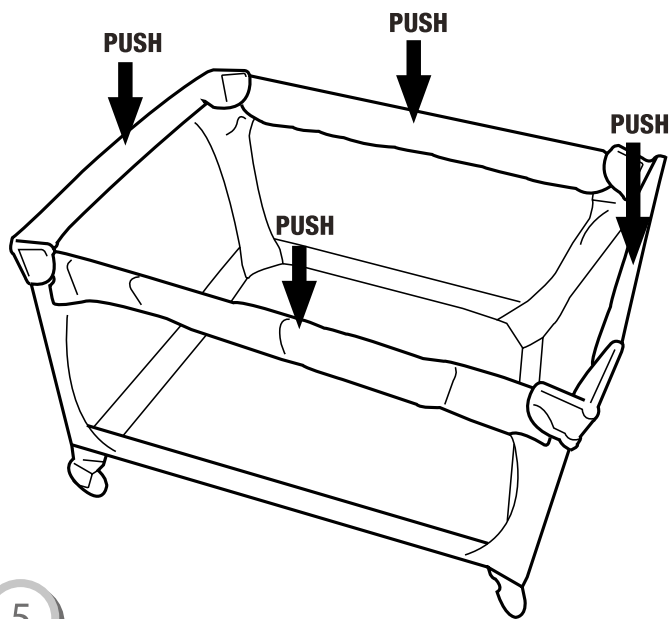


- Make sure the centre hub is raised at least 460mm (18in).
- Grasp the centre of each side rail and end rail then lift to "snap" into the locked position.
- If you do not hear a "snap", check to be sure the centre hub is at least 460mm (18in) from the floor and try again!



- IMPORTANT!** Before pushing down the centre hub into a locked position, check that the support legs are positioned flat on the floor to successfully lock down the centre hub.
- Press down on the centre hub to lock it into the use position.

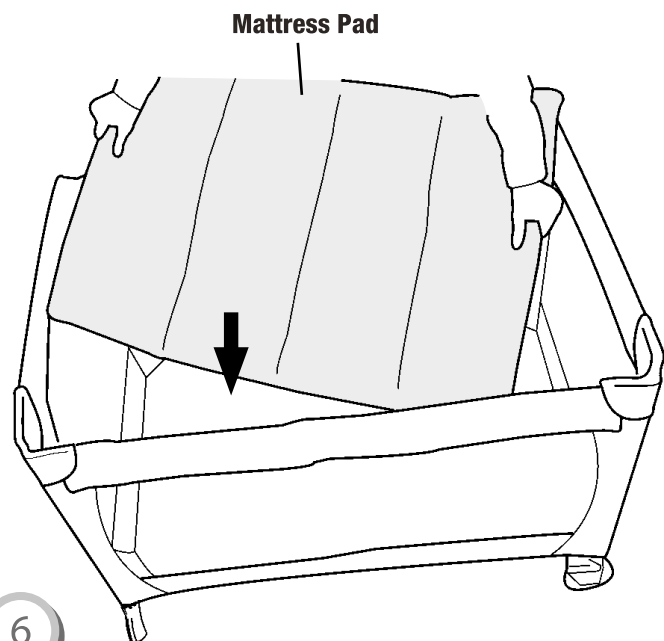
Travel Cot Assembly and Use



5

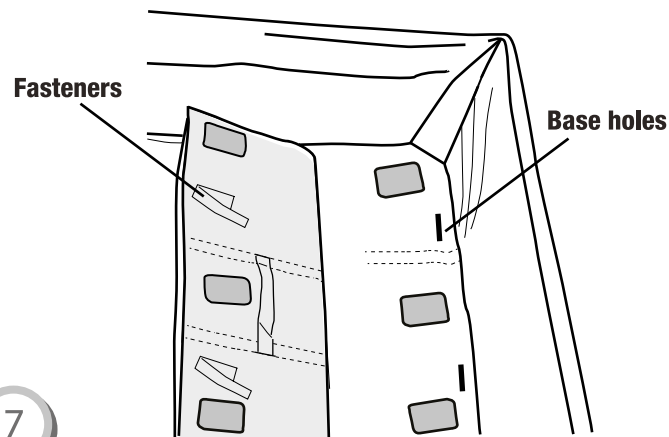
IMPORTANT! Check to be sure the travel cot frame is secure.

- Push down on the sides and end rails. If the side rails or end rails collapse, lift the centre hub and repeat steps 2-4 on the previous page.



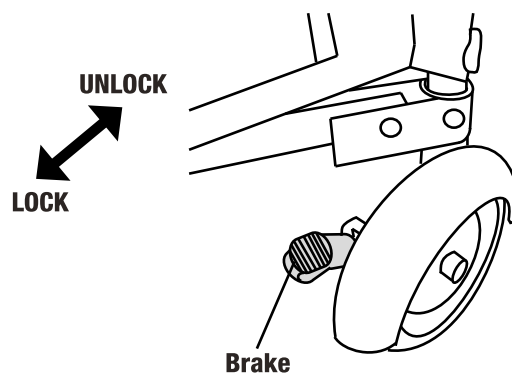
6

- Place mattress pad in the travel cot.



7

- Fit all four corners of the mattress pad into the corner pockets in the base of the travel cot.
- Push down on the mattress pad to attach all fabric fasteners.
- Ensure all four fasteners are inserted into the mattress base holes. Attach and fasten onto the underside of mattress base.



8

Wheel Brakes

To lock the rear wheel brakes:

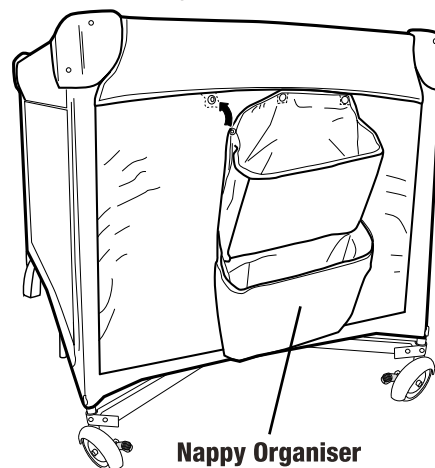
- Press both brake pedals down until they “click” into the locked position.

IMPORTANT! Make sure the brake pedals are pressed down completely.

- Always set both brake pedals whenever you use the travel cot.

To unlock the rear wheel brakes:

- Lift both brake pedals until they “click” into the unlocked position.



9

Nappy Organiser

- Fasten all three snaps at the top of the nappy organiser to the end of the travel cot.
- Maximum weight limit of nappy organiser is 3.6kgs (7lbs).

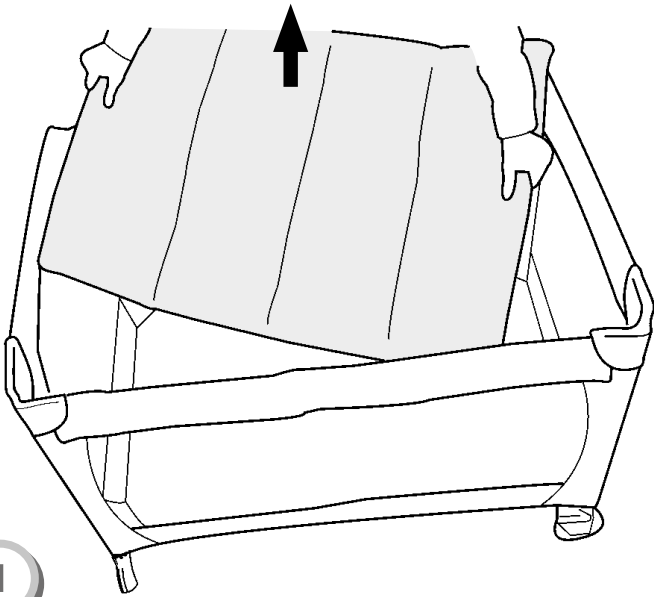
Bassinet Assembly and Use



WARNING: Failure to follow these warnings and instructions could result in serious injury or death.

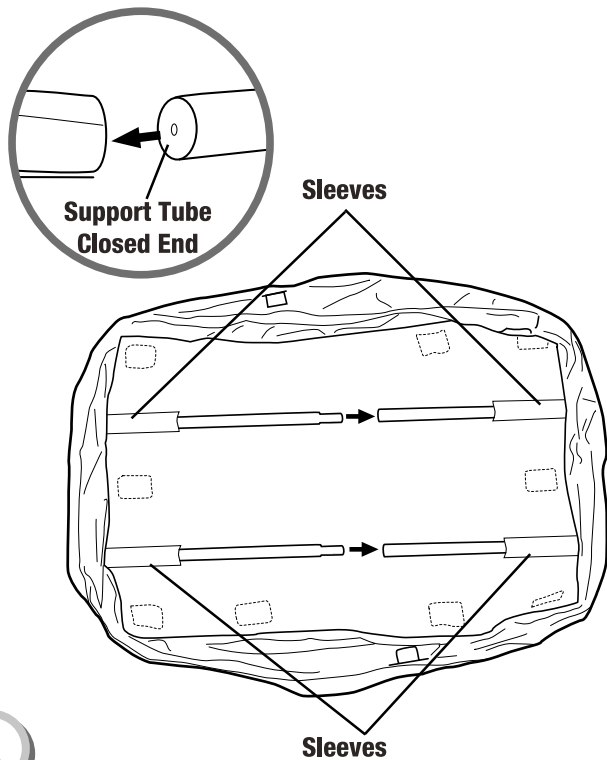
- THIS BASSINET SHOULD BE REMOVED BEFORE THE CHILD CAN SIT UP.
- NEVER PLACE A CHILD IN THE COT WHEN THE BASSINET IS IN PLACE.
- USE ONLY THE MATTRESS SUPPLIED BY THE MANUFACTURER.
- INCORRECT MATTRESS CAN CAUSE DEATH.
- **FALL HAZARD**
 - To help prevent falls, do not use the bassinet feature of this product when the infant begins to push up on hands and knees or has reached manufacturer's recommended maximum weight of 8kgs (17.6lbs) or can roll over, whichever comes first.
- **SUFFOCATION HAZARD - Infants can suffocate;**
 - In gaps between an extra pad or mattress and the side of the bassinet/folding cot.
 - On soft bedding.
 - Never add a mattress, pillow, comforter or padding. Use ONLY the mattress provided by the manufacturer.
- **STRANGULATION HAZARD - Never leave bassinet attachment in place when child is in travel cot;**
 - If using a mattress sheet use only one specifically designed to fit the dimensions of the bassinet mattress pad provided by the manufacturer.
 - Use only the pad provided by the manufacturer. Mattress pad dimensions are 980mm (38.5in) long by 660mm (26in) wide and no more than 20mm (0.8in) thick.
 - Side rails must be erect and latched prior to use. Failure to latch may result in child falling out of bassinet or becoming entrapped.
 - To reduce the risk of Sudden Infant Death Syndrome (SIDS), pediatricians recommend healthy infants be placed on their back to sleep, unless otherwise advised by your physician.
 - Use bassinet with only one child at a time.
 - DO NOT store the bassinet in the travel cot while in use.
 - To help prevent heat build-up inside the travel cot and to avoid overheating your child when using the bassinet, do not use as an outdoor canopy.
 - The bassinet must be fully assembled and installed, including four metal tubes, corner clips, and mattress pad before using. Make sure the bassinet clips are fully engaged underneath each corner of the travel cot.
 - Strings can cause strangulation! DO NOT place items with a string around a child's neck, such as hood strings or pacifiers cords. DO NOT suspend strings over a product or attach strings or toys.
 - Always ensure the wheel brakes are in the locked position when using the travel cot.
 - DO NOT place the travel cot near trailing cables or hanging cords.

Bassinet Assembly and Use



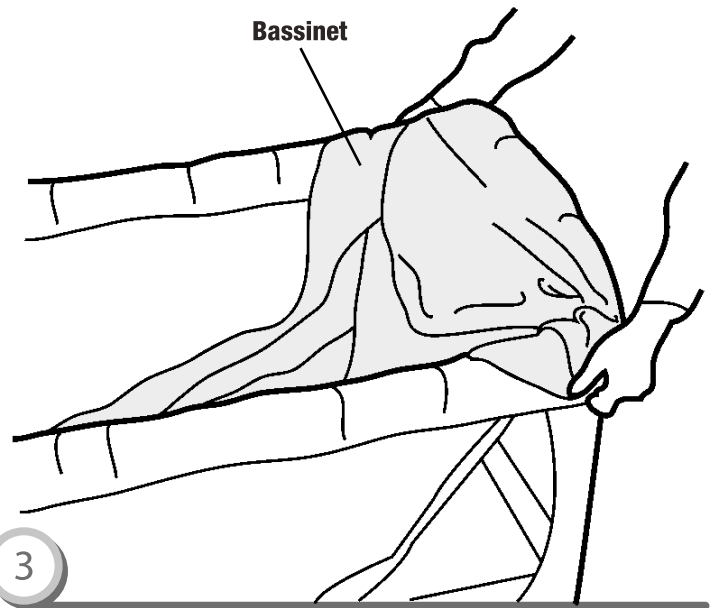
1

- Remove the mattress pad used in the travel cot from the floor of the travel cot.
- Lift to unfasten the fasteners on the underside of the mattress pad and remove.

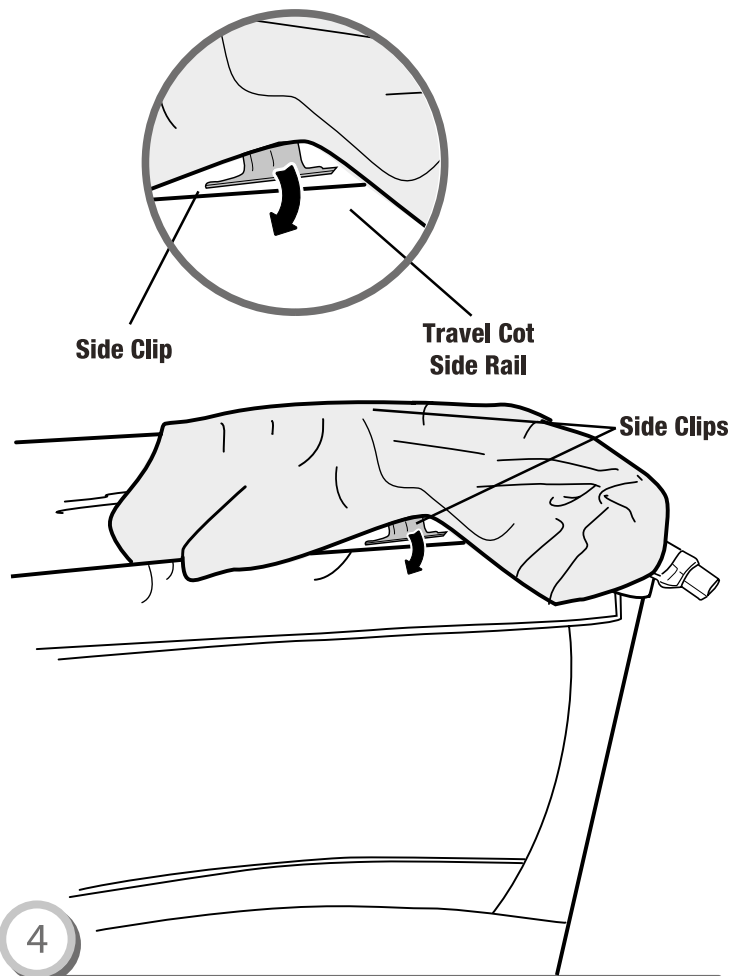


2

- Place bassinet on a flat surface with the sleeves facing up.
- First, insert the closed ends of all four of the support tubes into the sleeves in the bassinet.
- Next, fit the bassinet support tubes with the tapered ends into the bassinet support tubes with the open ends.

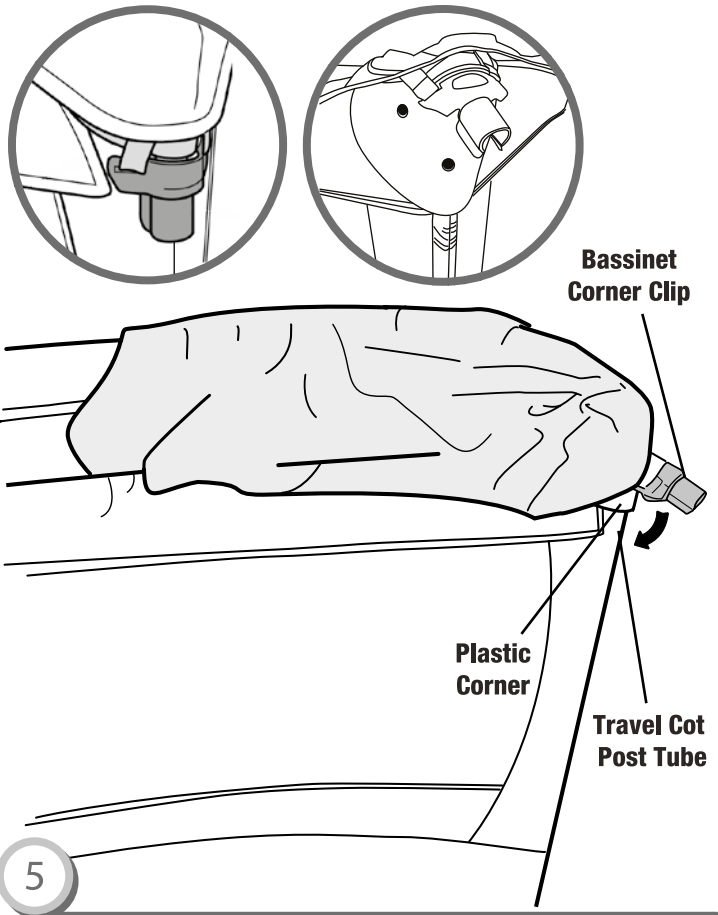


- With the bassinet support tubes facing down, place the bassinet over the top of an end rail on the travel cot.

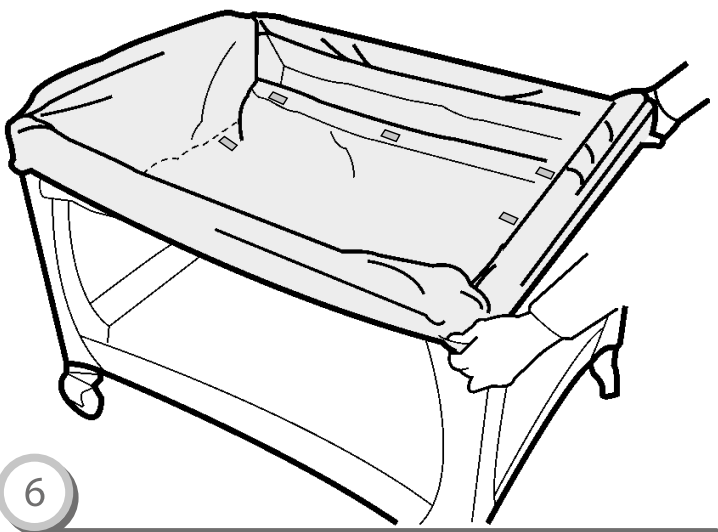


- Fit both bassinet side clips over the travel cot side rails.

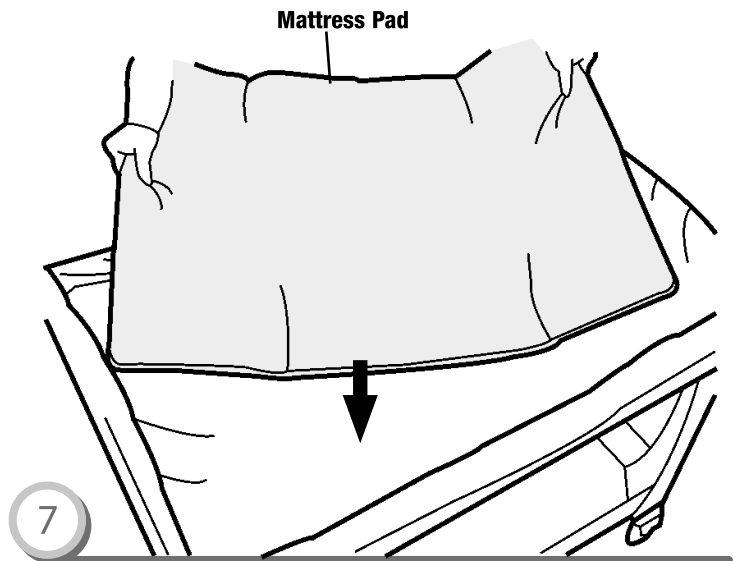
Bassinet Assembly and Use



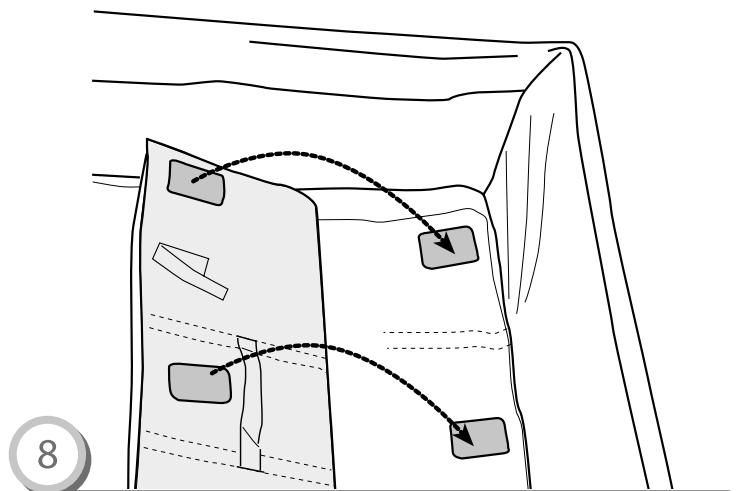
- Pull a bassinet corner clip down and “snap” it onto a travel cot post tube.
- Make sure the bassinet corner clip is firmly attached to the travel cot post tube and it is pushing up against the bottom edge of the plastic corner.
- Repeat this step to attach the bassinet corner clip to the other side of the travel cot post tube.



- Stretch to fit the other end of the bassinet over the other end rail on the travel cot.
- Repeat step 5 to attach the remaining two bassinet corner clips to the travel cot.



- Place the mattress pad into the bassinet.



- Push down on the mattress pad to attach all the fasteners.

Changing Table Assembly and Use



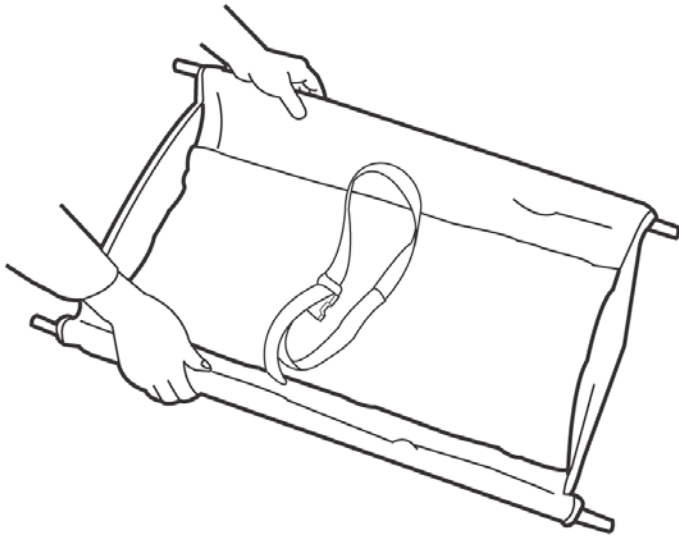
WARNING: Failure to follow these warnings and instructions could result in serious injury or death.

- NEVER LEAVE CHILD UNATTENDED.
- NEVER PLACE A CHILD IN THE COT WHEN THE CHANGE TABLE IS IN PLACE.
- ALWAYS USE THE HARNESS WHEN USING THE CHANGE TABLE.
- **FALL HAZARD**
 - To prevent death or serious injury, always keep child within arm's reach.
 - The changing table is designed for use only with this travel cot. DO NOT use on the floor, bed, counter or other surfaces. Before each use make sure the changing table is properly secured to the travel cot by pushing down firmly in the middle of the changing table.
 - DO NOT use the changing table if it is damaged or broken.

IMPORTANT! DO NOT remove the changing table from the travel cot with your child in it.

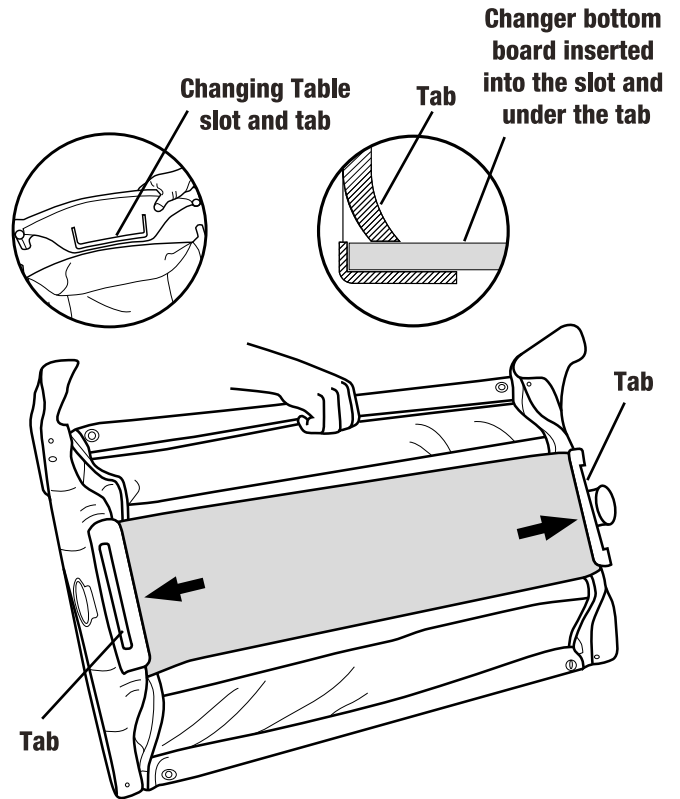
- **SUFFOCATION HAZARD - Infants can suffocate;**
 - Never leave changing table in place when child is in non-full size bassinet/travel cot.
- **ENTRAPMENT HAZARD**
 - Never leave the changing table in place when child is in travel cot.
 - NEVER use changing table as a sleeping or play area.
 - DO NOT use the changing table as extra storage.
 - Maximum weight limit for changer is 8kgs (17.6lbs).
 - Use this product with only one child at a time.
 - DO NOT place the folding cot near trailing cables or hanging cords.

Changing Table Assembly and Use



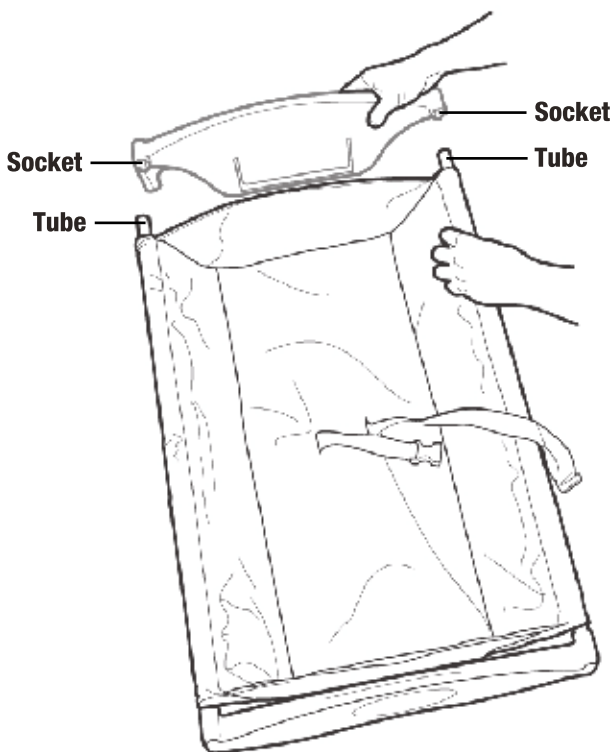
1

- Open the changing table and place on a flat surface.



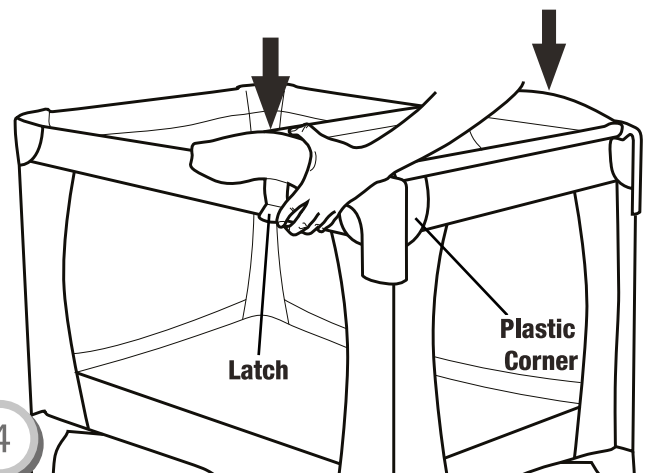
3

- Turn the changing table over.
- Insert the changer bottom board into the slot and under the tab on the changing table ends.



2

- Fit the tubes on one side of the changing table into the sockets on a changing table end. Push together until they “snap” into place.
- Pull on the changing table ends to make sure they are securely attached.

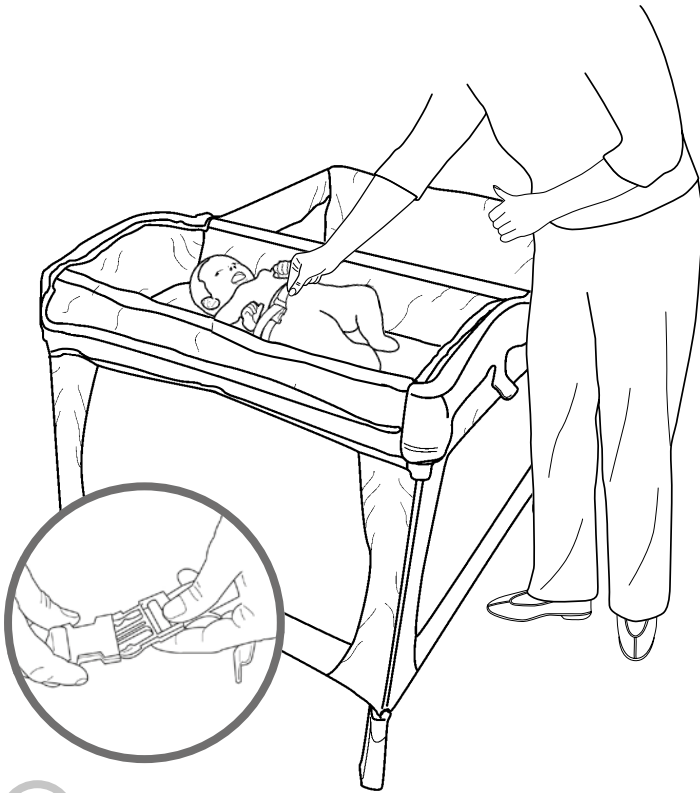


4

- Turn the changing table upright.
- Place the changing table over both plastic corners on one end of the travel cot.
- Push down on the changing table to attach the latch on the sides of the changing table to the brackets beneath the top rail fabric. You will hear a “click”.
- Pull up on the changing table to make sure it is securely attached.

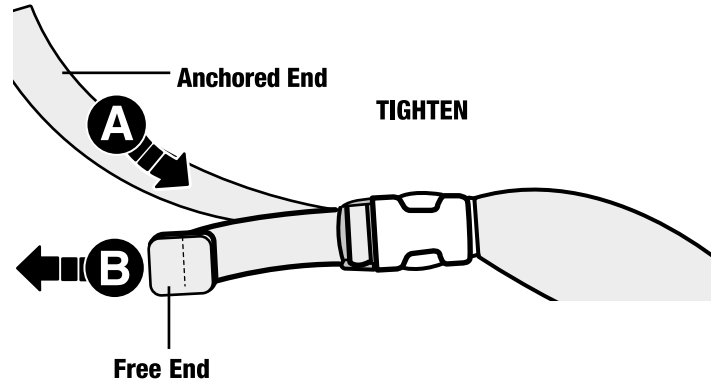
NOTE: Before each use, make sure the latch on the changing table is securely fastened.

Changing Table Assembly and Use



5

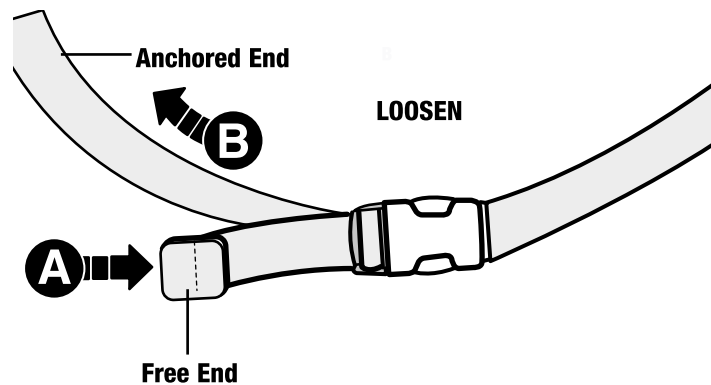
- Place your child in the changing table. Position the waist belt around your child's waist.
- Fasten the waist belt. Make sure you hear a **"click"**.
- Check to be sure the waist belt is securely attached by pulling it away from your child. The waist belt should remain attached.
- Tighten the waist belt so it is snug against your child. Please refer to the next step for instructions to tighten the waist belt.



6

To Tighten:

- Feed the anchored end of the waist belt up through the buckle to form a loop **A**. Pull the free end of the waist belt **B**.



7

To Loosen:

- Feed the free end of the waist belt up through the buckle to form a loop **A**. Enlarge the loop by pulling on the end of the loop towards the buckle. Pull the anchored end of the waist belt to shorten the free end of the waist belt **B**.

Mobile Assembly

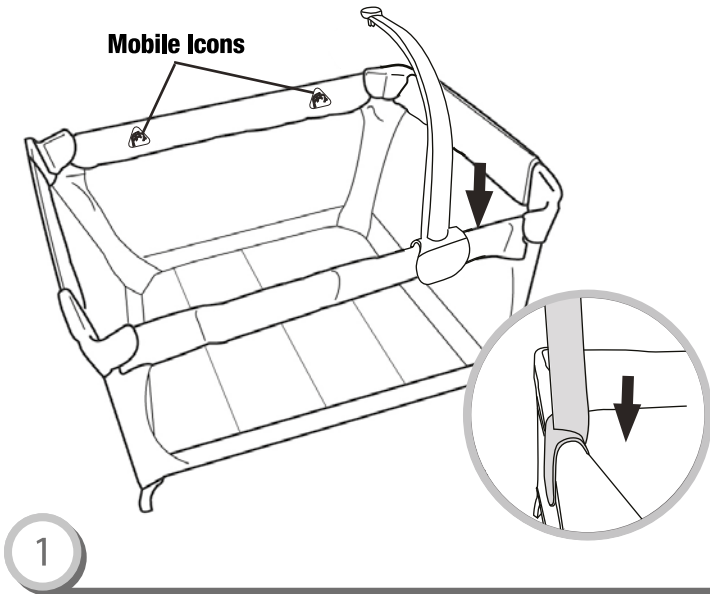



WARNING: Failure to follow these warnings and instructions could result in serious injury or death.

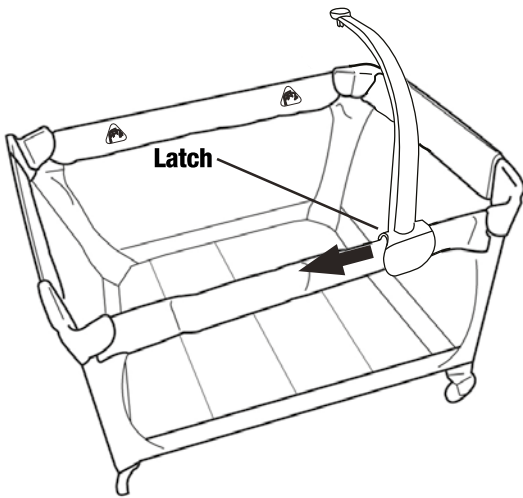
- **PREVENT ENTANGLEMENT INJURY**

- The mobile is intended for visual stimulation and is not intended to be grasped by the child.
- Keep out of baby's reach.
- Remove mobile when baby begins to push up on hands and knees.
- Always attach all provided fasteners (strings, straps, clamps, etc.) tightly to the travel cot according to the instructions. Check frequently.
- DO NOT add additional strings or straps to the travel cot.
- DO NOT remove the toys from mobile or allow a child to play with mobile.

Mobile Assembly

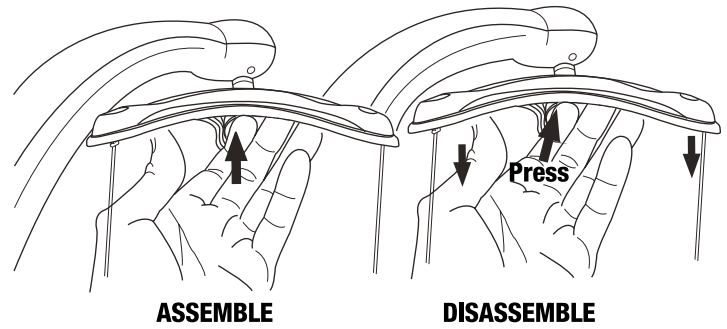


- Place the mobile arm over any mobile icon  located on the side rails.
- Push down until you feel it “snap” into the bracket located inside the side rail.



To Remove the Mobile Arm Assembly

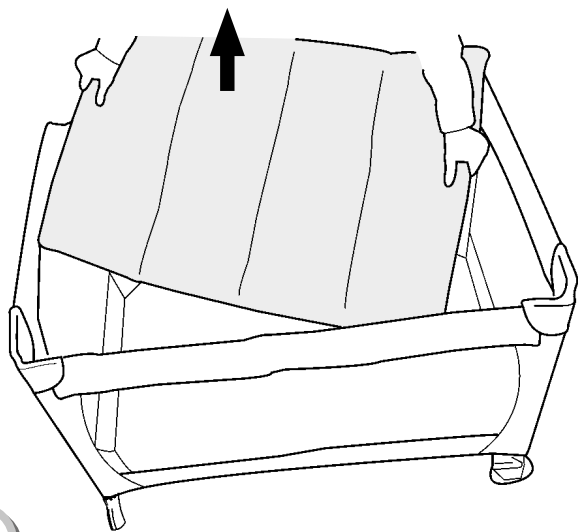
- First pull the latch on the base of the mobile arm out and then slide the mobile arm along the side rail.
- Lift the mobile arm off the top rail.



- Fit the mobile arm. Push the mobile up firmly.
HINT: To disassemble the mobile for storage, press the tab on the mobile arm and pull the mobile down.

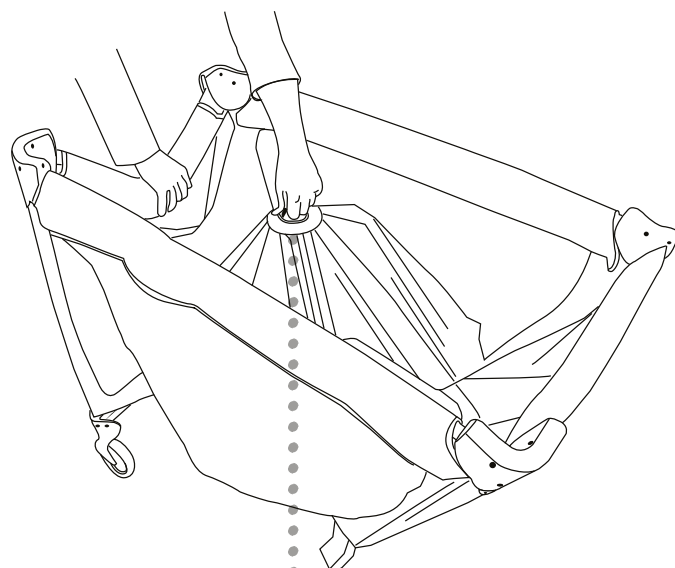
Folding the Travel Cot

NOTE: You must remove the mobile, changing table and bassinet before folding the travel cot.



1

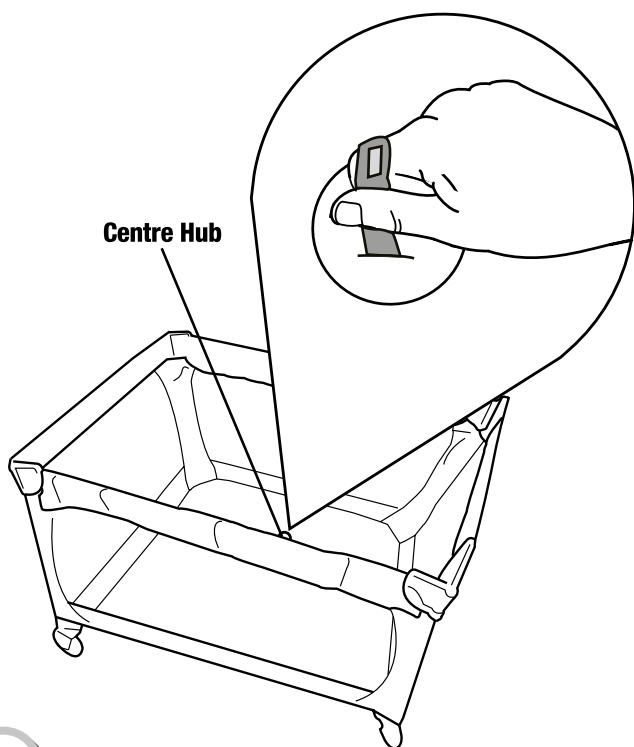
- Remove the mattress pad from the travel cot.
- Lift to unfasten the fasteners on the underside of the mattress pad and remove.



• **Minimum Distance:**
460mm (18in) from the floor

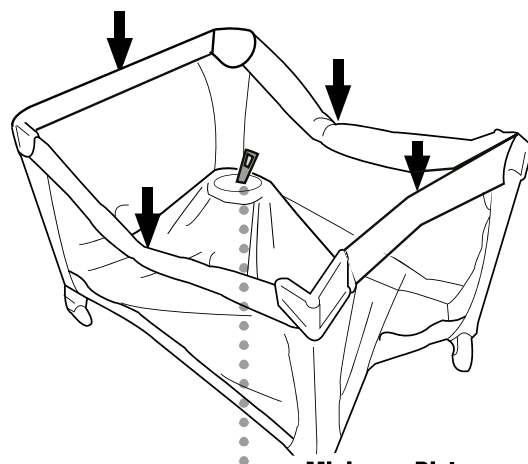
3

- Lift the centre hub.

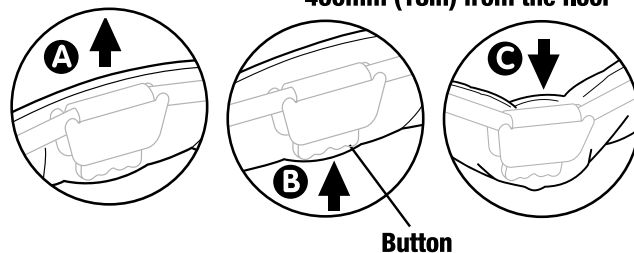


2

- Locate the centre hub inside the travel cot.
- Pull up on hub cord to release the centre hub lock.



• **Minimum Distance:**
460mm (18in) from the floor



4

- Make sure the centre hub is raised at least 460mm (18in).
- Lift the latch **A**. Squeeze the button on the centre of a side or end rail **B**. Gently push down **C**.

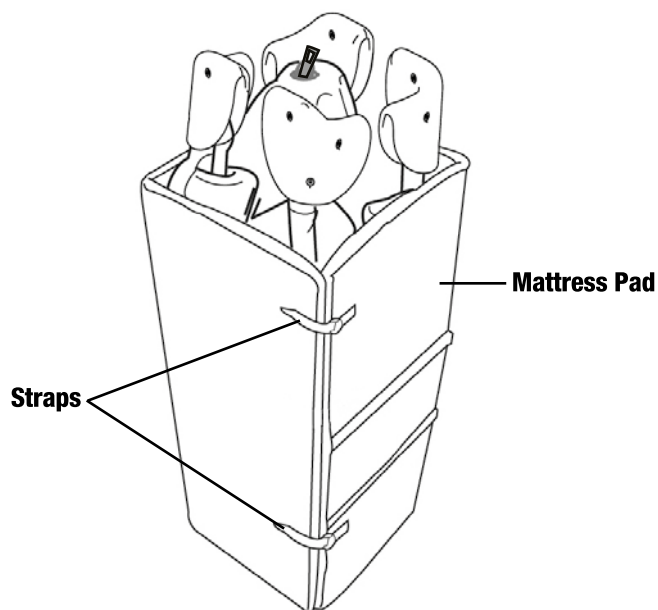
NOTE: Latches will not release unless you lift up rail centre and squeeze the button at the same time.

- Repeat this procedure to release latches on the remaining three rail centres.

Folding the Travel Cot



- Push all sides of travel cot in towards the centre hub.



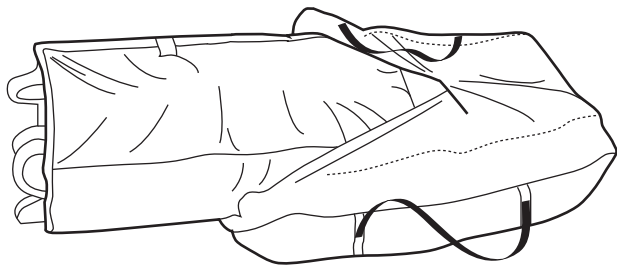
- Place the mattress pad on a flat surface with the soft side up.
- Place folded travel cot on the mattress pad.
- Place the folded bassinet and bassinet support tubes on top of the travel cot.
- Place the disassembled mobile and mobile arm in the mattress pad.

HINT: You must disassemble the mobile before storage in the travel bag. See page 13, step 3 for instructions on disassembling the mobile.

- Wrap the mattress around the travel cot.
- Fasten the straps on the mattress pad.

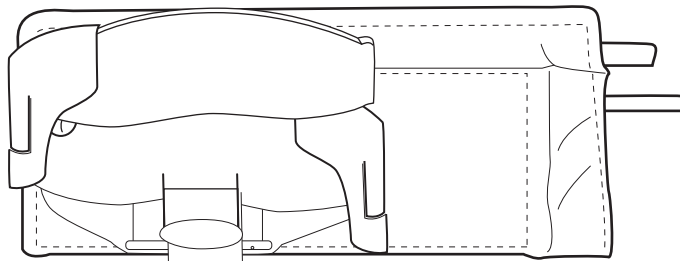
Folding the Travel Cot

Care



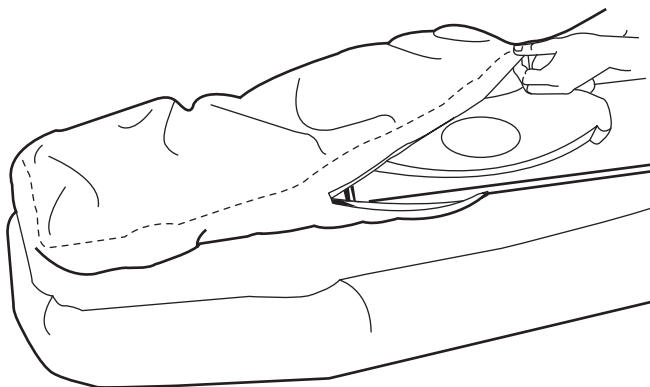
1

- Locate opening in storage bag.
- Slide the folded travel cot and mattress pad into the opening in the storage/travel bag.
- Close the zipper.



2

- Disassemble the changing table.



3

- Slide changing table into the large side pocket of travel bag.

- The frame, mattress pad, nappy dispenser, changing table, mobile, mobile arm and storage bag may be wiped clean using a mild cleaning solution and damp cloth.
- Do not use bleach.
- Do not use harsh or abrasive cleaners.
- Rinse clean with water to remove residue.
- Do not immerse the product.
- The bassinet may be hand washed in cold water using a mild cleaning solution.
- Do not use bleach.
- Do not use harsh or abrasive cleaners.
- Drip dry.

MADE IN CHINA

FISHER-PRICE AND ASSOCIATED TRADEMARKS ARE OWNED BY MATTEL AND USED UNDER LICENSE FROM MATTEL EUROPA B.V. ©2013 MATTEL. ALL RIGHTS RESERVED.

CUSTOMER SUPPORT:

IF YOU ARE EXPERIENCING A PROBLEM WITH THIS PRODUCT, PLEASE CONTACT THE DISTRIBUTOR FOR SERVICE & PARTS SUPPORT. DETAILS CAN BE OBTAINED BY REFERRING TO YOUR LOCAL AGENT LOCATED IN THE PRODUCT'S INSTRUCTION MANUAL OR BY VISITING OUR WEBSITE AT: www.cnpbrands.com.au

AUS:

MANUFACTURED FOR AND DISTRIBUTED BY:

C.O. WHITE PTY. LTD. 20 CALARCO DRIVE, DERRIMUT, VIC. 3030

PHONE NO.: 1300 667 137 EMAIL: info@cnpbrands.com.au

WEBSITE: www.cnpbrands.com.au

NZ:

DISTRIBUTED BY:

WAINHOUSE DISTRIBUTION, 2-6 ARGYLE ST, MORNINGSIDE,

PO BOX 41-014, ST LUKES, AUCKLAND, NEW ZEALAND

PHONE NO.: 0800 567 5000 EMAIL: helpline@wainhousedist.co.nz