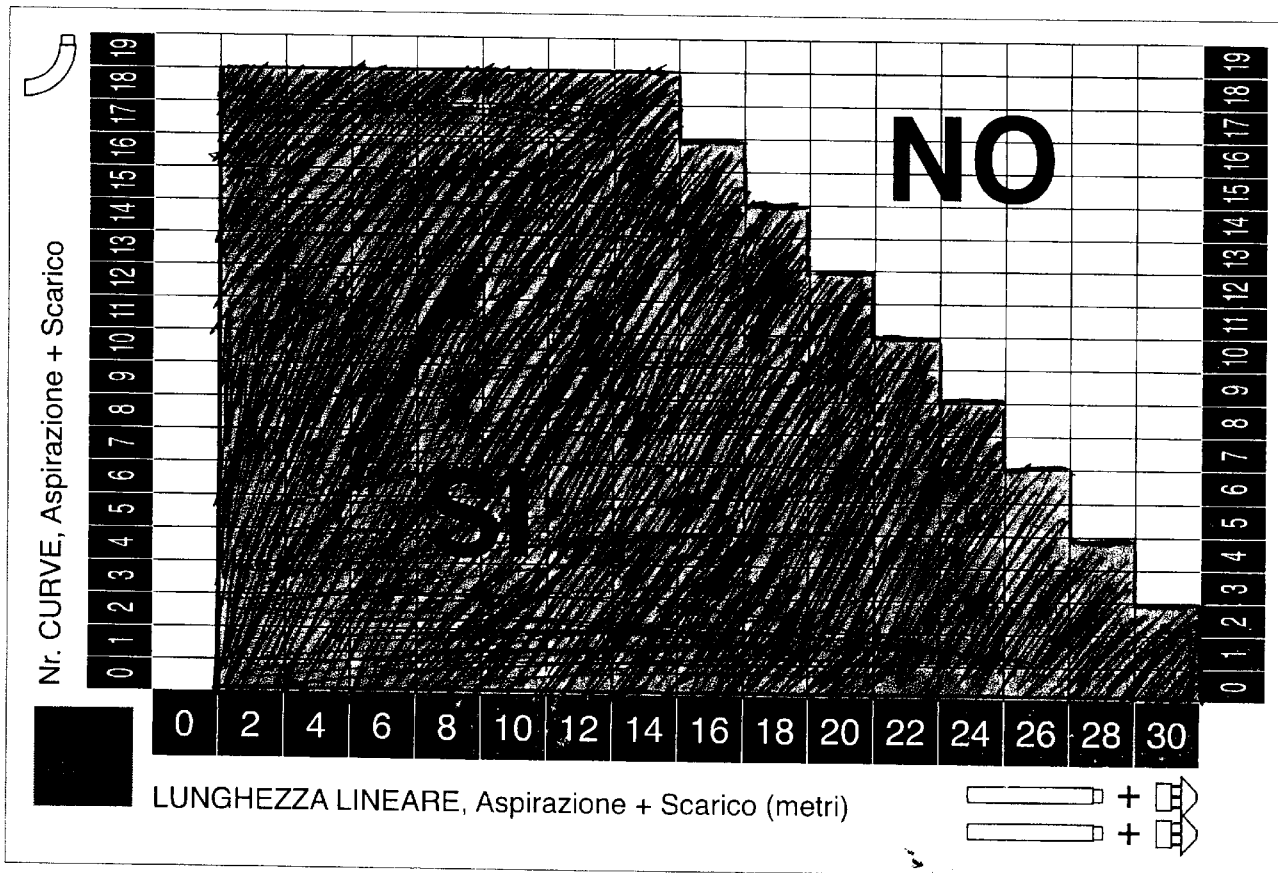
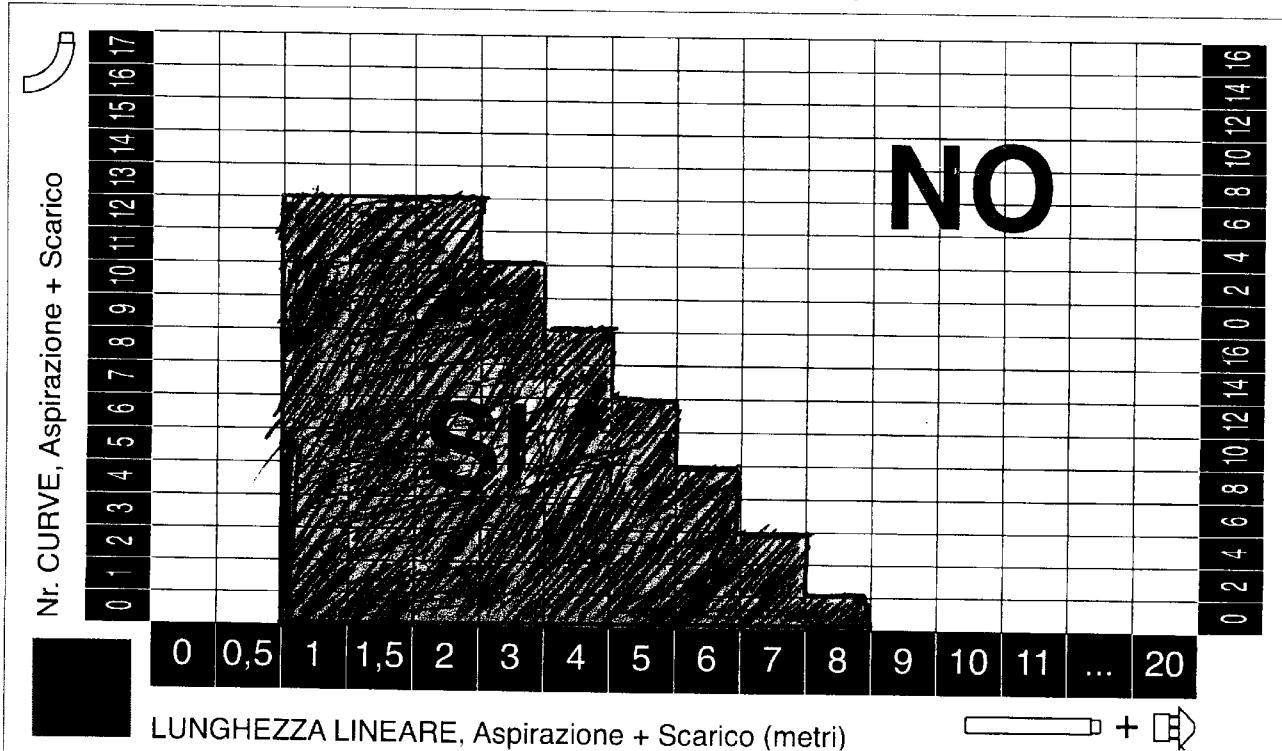


Lunghezza max tubazioni aspirazione e scarico per camini a gas flusso bilanciato forzato

TUBI SDOPPIATI Ø80mm

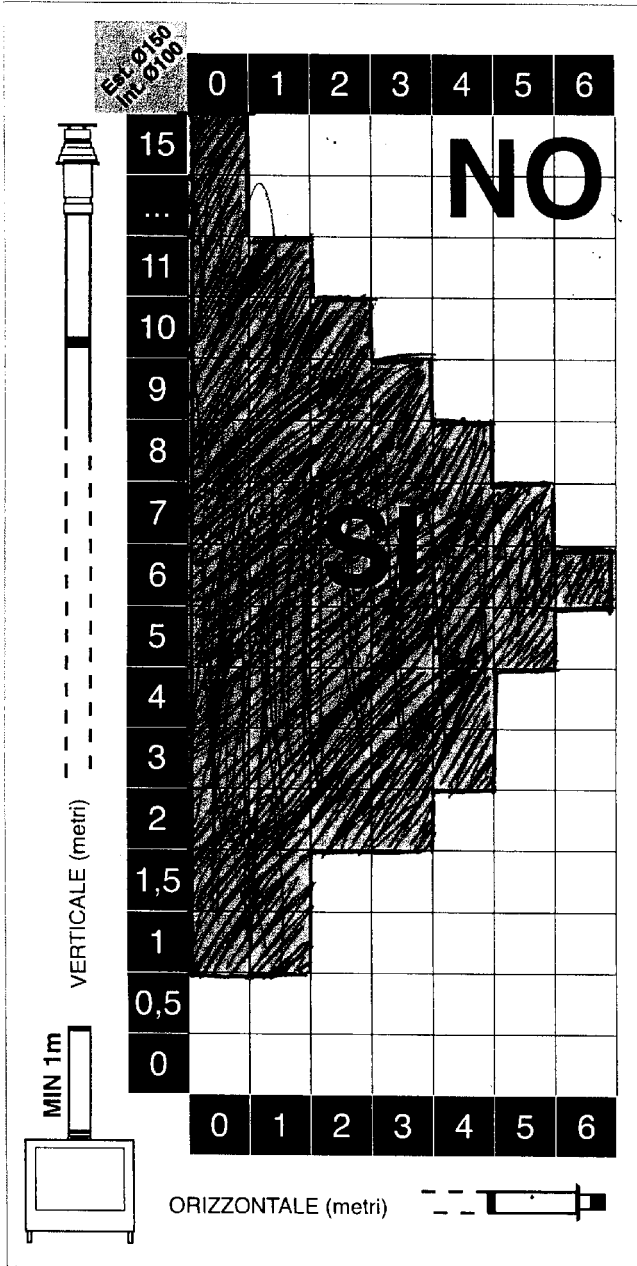


TUBI SDOPPIATI Ø54mm

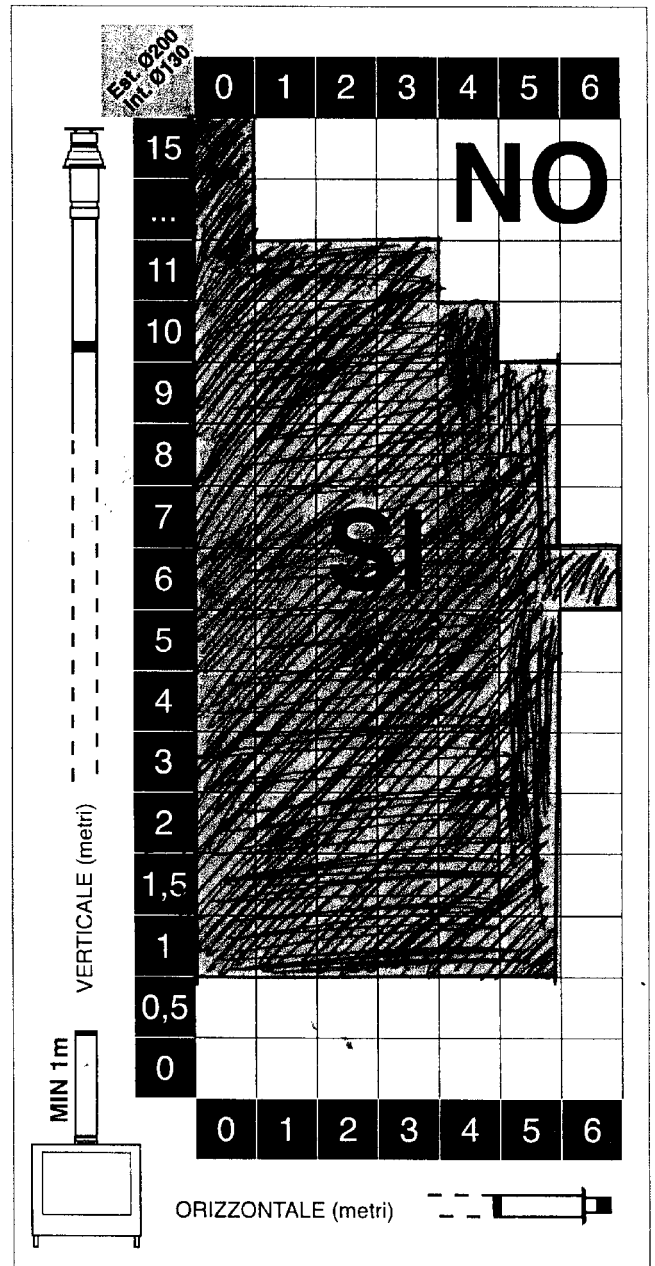


Lunghezza max tubazioni aspirazione e scarico per camini a gas flusso bilanciato

Firenze, Venezia, Portofino e Roma, TUBI COAX Ø100/150mm

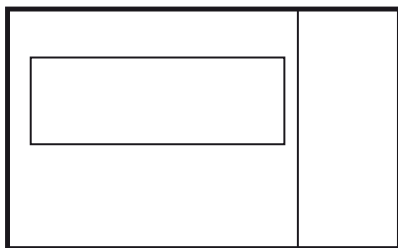
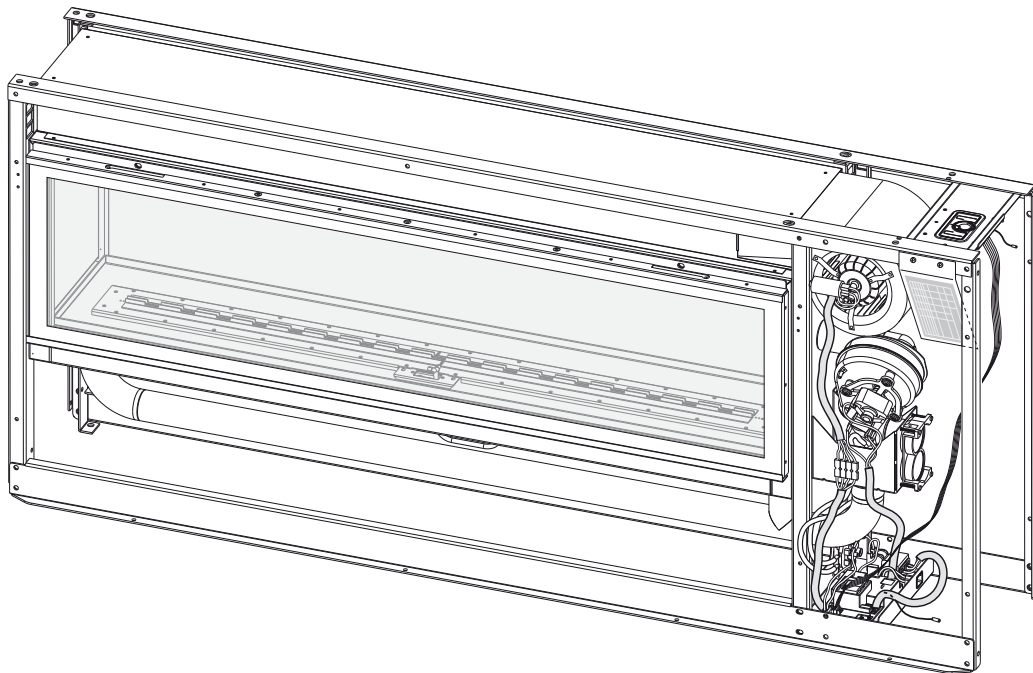


Firenze, Venezia, Portofino e Roma, TUBI COAX Ø130/200mm

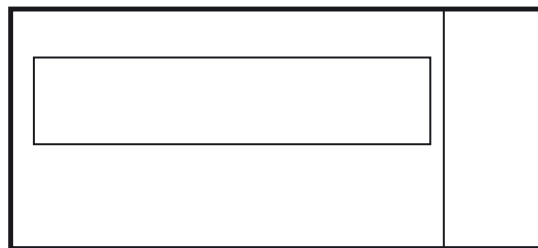


The appliance is supplied complete with:

- 1 Appliance
- 1\* Rear wall protection shield  
(\*standard on single-face models only)
- 1\* Hot-air channelling connection  
(\*standard on recessed fitting models only)
- 1 Standard manual control
- 1 Wireless control
- 1 Document bag:
  - 1 User's instruction booklet
  - 1 Installer's booklet
  - 1 Warranty certificate
  - 1 Warranty labels



**80**



**130**

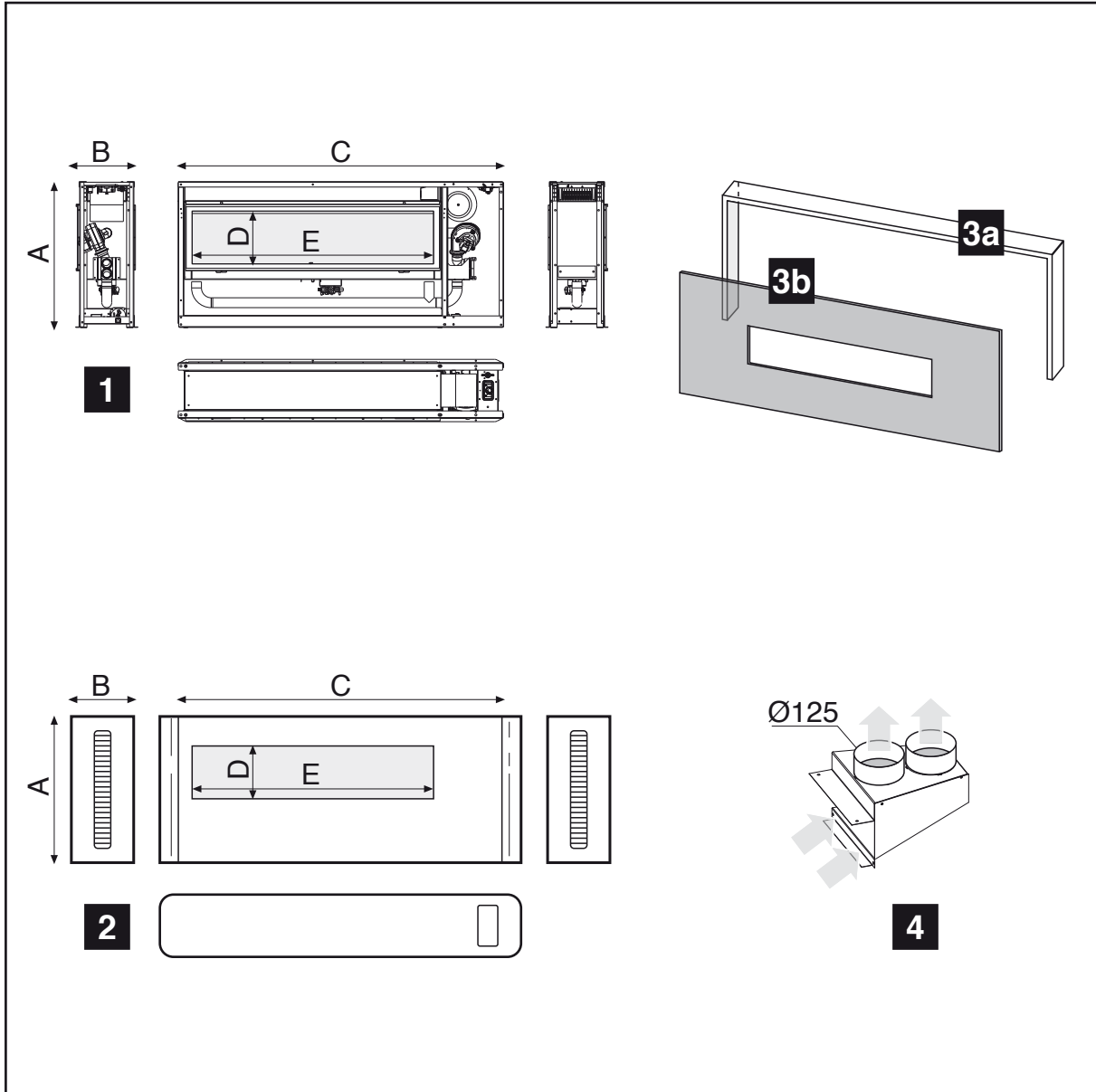
## WEIGHT & DIMENSION

To install this Appliance, the most suitable PIPES are required for the type of combustion air inlet and fume exhaust to be made.

The manufacturer supplies all necessary accessories, presenting different technical and aesthetic solutions for the personalisation of the various models.

Key:

- 1) Forced flue insert.
- 2) Forced flue with glass casing.
- 3) Bridge structure with front panel.
- 4) Connection for channelling hot air.



	<b>1</b> <i>inserto - insert</i> <i>mod. 80 / 130</i>	<b>2</b> <i>vetro - glass</i> <i>mod. 80 / 130</i>	<b>3a</b> <i>ponte - structure</i> <i>mod. 80 / 130</i>	<b>3b</b> <i>copertura - cover</i> <i>mod. 80 / 130</i>	<b>4</b> <i>canale - duct</i> <i>mod. 80 / 130</i>	
<b>A</b>	800	800	1030	1021	162	mm
<b>B</b>	341	354	100	12	298	mm
<b>C</b>	1249 / 1782	1408 / 1941	1728 / 2261	1717 / 2250	280	mm
<b>D</b>	289	289	-	275	-	mm
<b>E</b>	788 / 1321	788 / 1321	-	770 / 1303	-	mm
<b>kg</b>	00 / 00	00 / 00	00 / 00	00 / 00	00	-

## GENERAL INFORMATION

**This appliance is sealed** from the surrounding environment in which it is installed and consequently combustion air is only aspirated from outside!

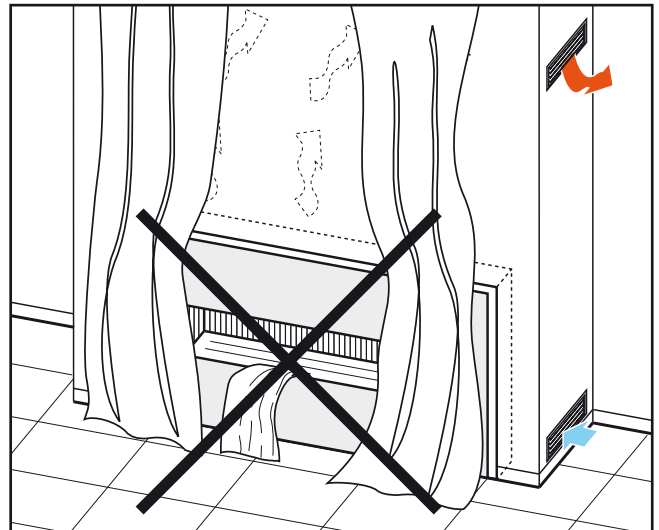
- When installing, NEVER use accessories or component parts not approved by the Manufacturer, as these could be very dangerous.

- DO NOT allow the power cable (if present) to come into contact with hot surfaces such as, for example, the air vents or fume exhaust pipes.

After installation, the fitter is obliged to inform the user what to do during appliance operation:

- NEVER place curtains, towels and the like on the appliance as this could be the cause of malfunction and danger and prevent the correct circulation of air in the room.

- DO NOT obstruct the suction/exhaust ends of the appliance with washing put out to dry or carpets.



## POSITIONING THE APPLIANCE

Installable in any type of premises except garages and combustible or inflammable material warehouses. The place of installation does not require vents but must be able to be ventilated with doors or windows communicating with the outside and which can be opened.

**⚠ In the case of LPG appliances, these cannot be installed in premises which have floors below the outside walk-on surface or communicating with such type of environment.**

Before proceeding with the masonry works, make sure the floor has adequate load-bearing capacity and that there is room enough for the correct operation of the gas Appliance as well as its maintenance. Make sure the wall on which the appliance is fastened is able to support its weight.

Make sure there is no wood matchboard, plastic material, etc., that is not heat resistant and which could come into contact with the fume exhaust pipes (see examples A - B - C - D).

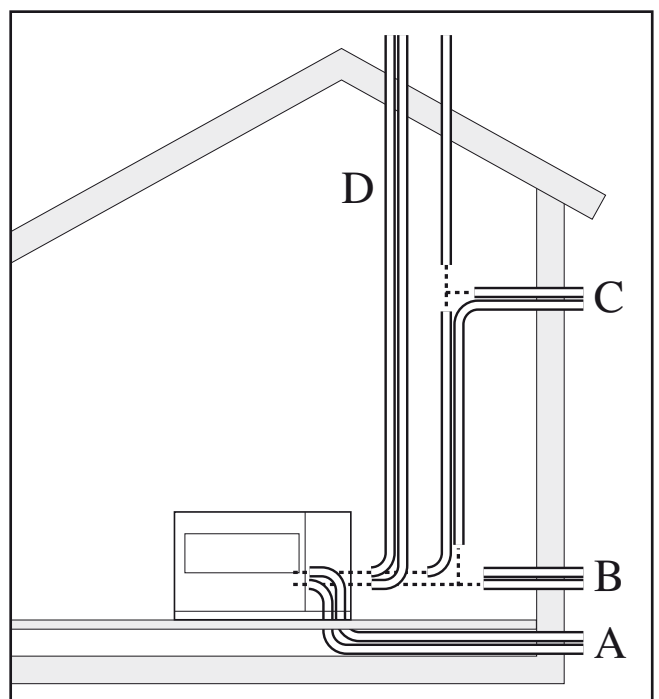
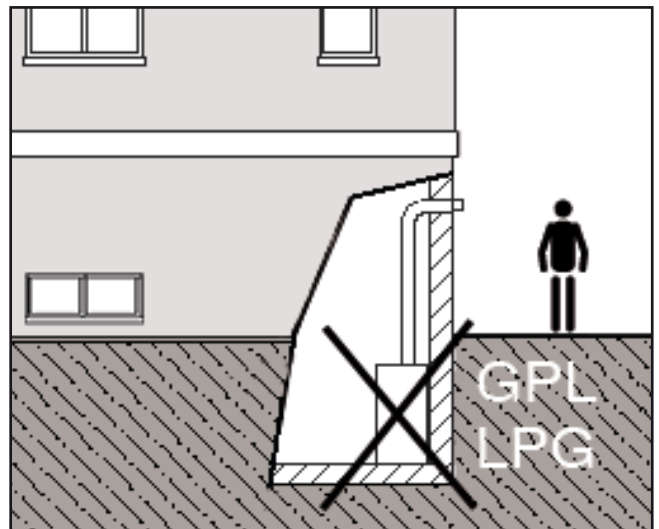
**⚠ Before you wall up the tubes, provide to insulate the exhaust fume tube with material resistant to the 200° C° (ex. HT-/Armaflex).**

**⊘** Installing the Appliance in spare bathroom areas or close to water dispensers is forbidden. These particular installations require special protections in compliance with applicable Electric Safety standards.

### Gas supply

The correct operation of the appliance also depends on the size of the pipes:

- see UNI7131 4.1.1 with app. A
- see UNI7129 3.1 with app. A.



## WALL EXHAUST (Distances to be observed)

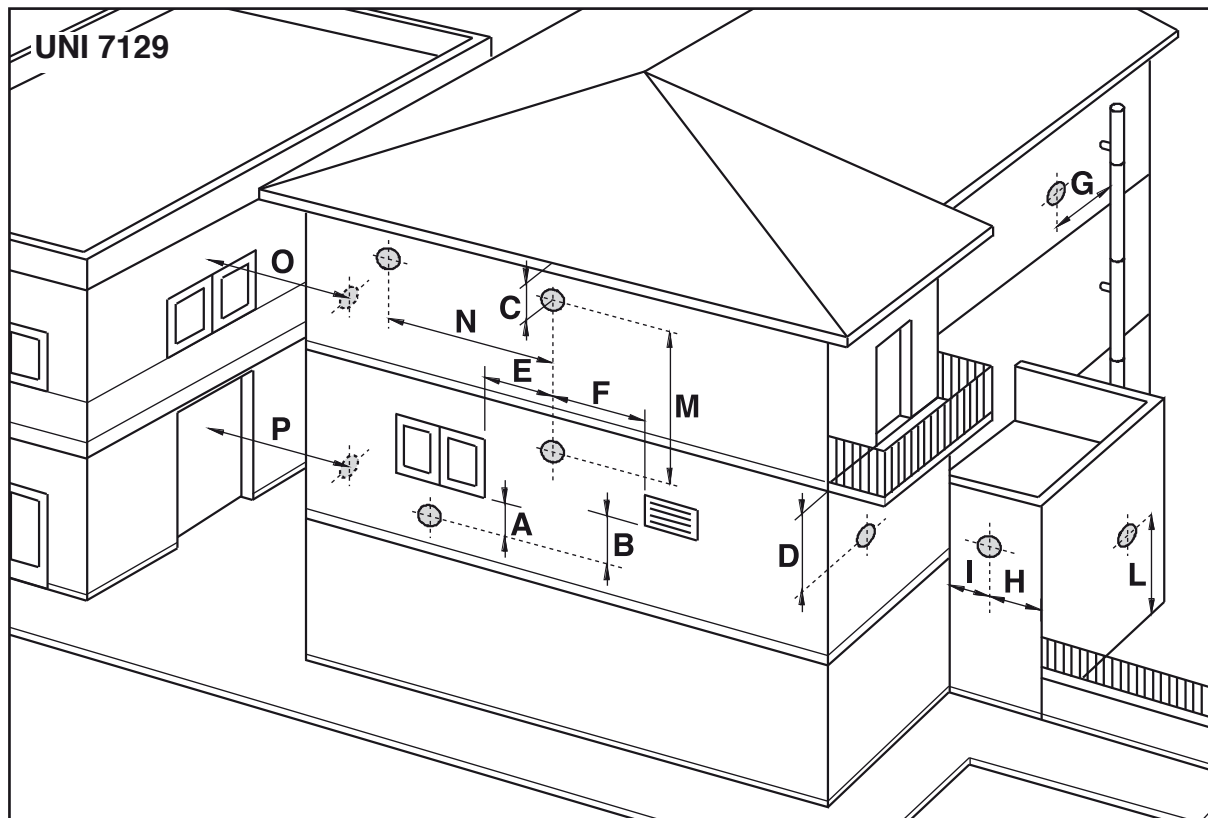
### Fume exhaust

The exhaust can be selected between two types:

- wall
- roof.

For both, make reference to the provisions of UNI 7129 standard and local regulations.

**⚠️ Correctly assemble and position the exhaust pipes, any curves and the end piece so as to create a stable and rigid whole.**



POSITIONING THE END PIECE (UNI 7129)	MINIMUM DISTANCE	Nominal heat input over 7kW up to 16kW
Under window	A	150 cm
Under air vent	B	150 cm
Under drainpipe	C	40 cm
Under balcony (*)	D	40 cm
From adjacent window	E	40 cm
From adjacent air vent	F	60 cm
From vertical or horizontal pipes or exhausts (**)	G	30 cm
From a corner of the building	H	50 cm
From a recess of building	I	50 cm
From ground or other walk-on surface	L	150 cm
Between two end-pieces, vertically	M	150 cm
Between two end-pieces, horizontally	N	50 cm
From a nearby front surface without openings or end-pieces within a radius of 3 m from fume outlet	O	100 cm
Idem, but with openings or end-pieces within a radius of 3 m from fume outlet	P	190 cm

(\*) The end-pieces underneath a used balcony must be positioned so the fume path covers at least 2 metres from the exit point of the end-piece to their outlet from the outer perimeter of the balcony, including the height of any closed protection railing.

(\*\*) When positioning the end-pieces, a distance of not less than 50 cm must be adopted from materials sensitive to the action of the combustion products (e.g., plastic drainpipes, protruding wood elements, etc.). For shorter distances adopt adequate screening to protect such materials.

(\*\*\*) Reducible to 400mm for heating appliances installed underneath windows.

## ROOF EXHAUST (distances to be observed)

To position a roof exhaust, always make reference to the provisions of UNI 7129 standard and to local regulations.

Types of roofs:

**A - Flat roof**

**B - 15° roof**

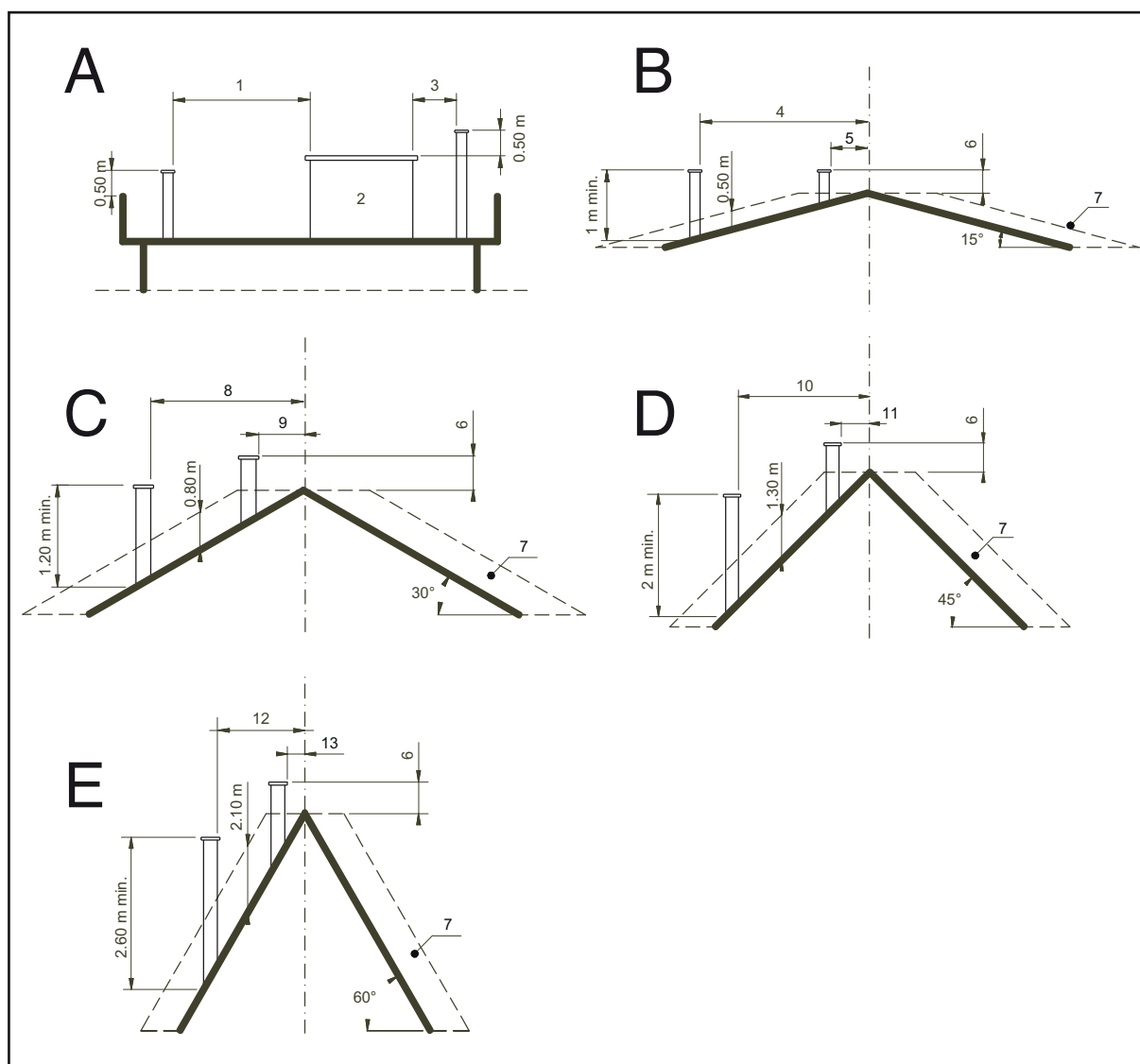
**C - 30° roof**

**D - 45° roof**

**E - 60° roof**

Key

- 1 - Distance >5m
- 2 - Technical volume
- 3 - Distance ≤5m
- 4 - Distance >1.85m
- 5 - Distance ≤1.85m
- 6 - 0.5m beyond the top
- 7 - Reflow area
- 8 - Distance >1.30m
- 9 - Distance ≤1.30m
- 10 - Distance >1.50m
- 11 - Distance ≤1.50m
- 12 - Distance >1.20m
- 13 - Distance ≤1.20m



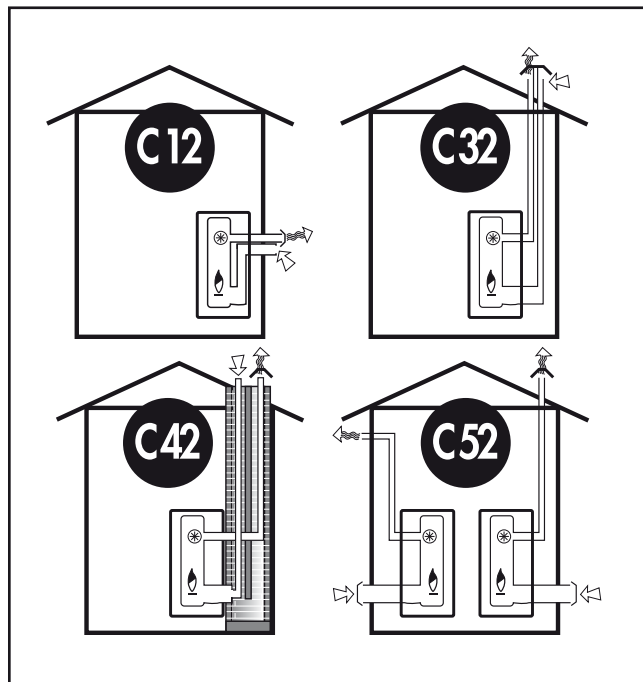
### Installation stage

The appliance installations stages are:

- Apparatus choice location
- Tube installation
- Parallel tube kit Ø 32 mm or Ø 54 mm with unique terminal (standard)
- Separated pip kit Ø 32 mm o Ø 54 mm with single terminal (special)
- Appliance installation
- Electrical collegaments
- Gas connection

### TYPE OF INSTALLATION SECOND UNI CIG 7129

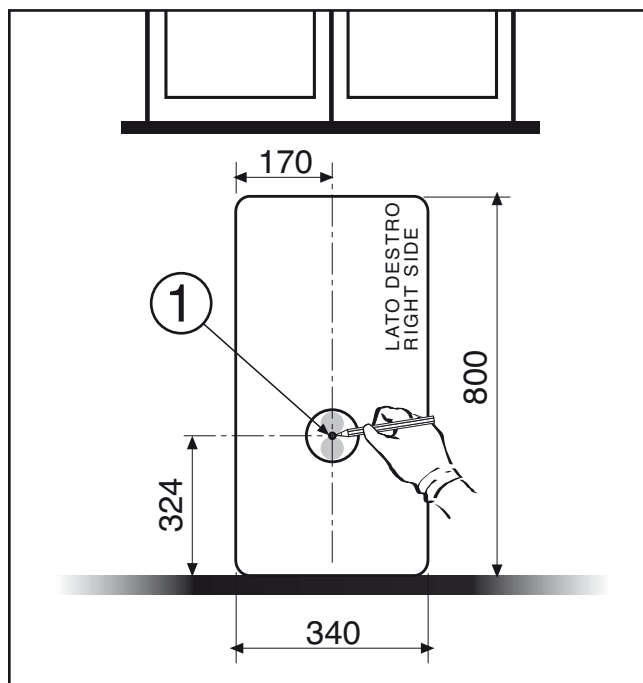
As we go on we are going to show you the types of installation second by the Uni Cig 7129 rule.



### INTAKE AND EXHAUST TUBE FUMES ASSEMBLAGE

The intake & exhaust tubes can be **embedded** inside the wall, or in **sight**, they have to be protected to avoid, risk condition. To have the apparatus in sight it exist a spacing bar so that you can see the tubes, **we recommend that the exhaust tubes have to have a good insulation using materials that have also a resistant of more 200° C°** (ex. HT/Armaflex) of temperature. Realize the holes for fastening the tubes, after establish the hangers' length; insert it in the right position.

**Before assembling the tubes kit verifying that the Max tube length has been respected, even the Max loaded loss provided** (See table).



	80	130	
Ø unloaded intake tubes	54	54	mm
Ø Wall hole single terminal tubes	110	110	mm
MAX single terminal tube length	10	10	m
MIN comprehensive tube length	1	1	m

	80	130	
Loaded loss tube l= 500 mm	1,2	2,8	Pa
Loaded loss tube l= 1000 mm	2,3	5,6	Pa
Loaded loss tube curve 90°	2,2	4,5	Pa
Loaded loss single terminal	4,0	5,0	Pa
Loaded MAX loss permissible (*)	50	46	Pa

(\*) - Sum of the pressure leak both air suction and gas exhaust pipes.



## POSITION OF APPLIANCE

To establish the position of the APPLIANCE:

- mark and drill the centring hole (1), crossing the entire width of the wall;
- make the hole for the pipes (intake and exhaust), using the centring hole (1);

**Ø 110 mm hole for Ø 54 mm pipes.**

**!** So as not to damage the outer part of the wall to be drilled, it is best to make the hole in two phases: starting from inside (A) and ending outside (B).

- cut the pipes to the size of the wall, adding 25 mm, then eliminate the excess part.

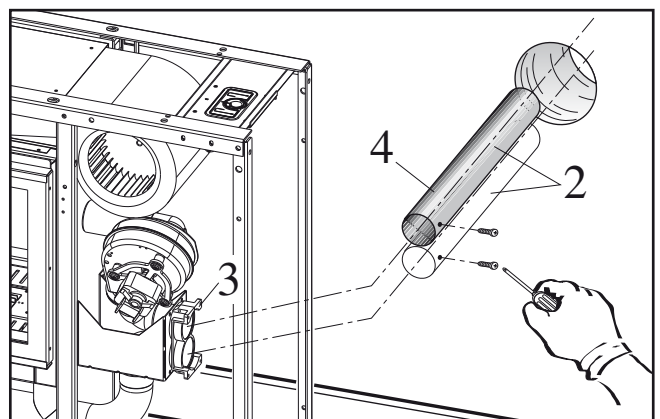
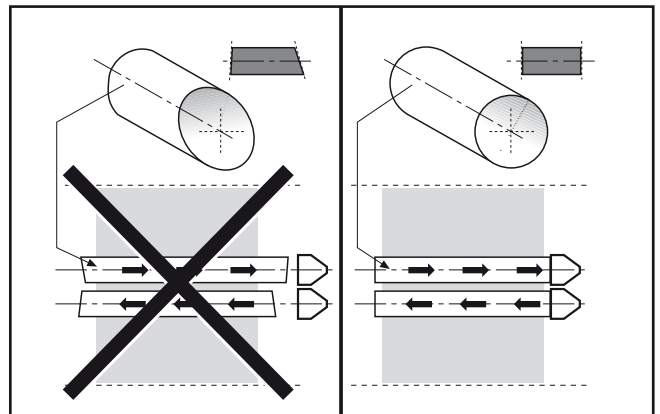
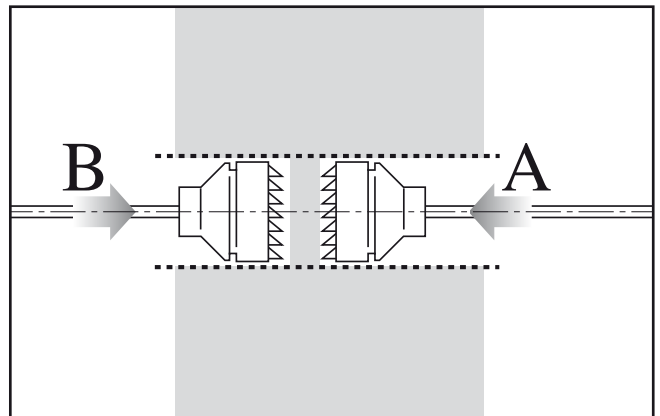
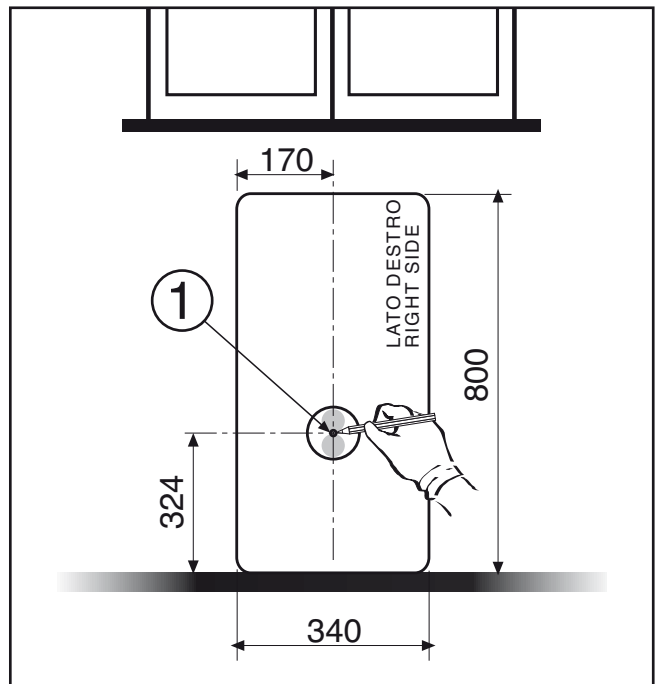
**!** **The cut must be perpendicular to the axis of the pipes, being careful not to deform them. After cutting, carefully remove any burrs.**

To ensure easier fitting of the pipes with O-Ring, use silicone grease or soapy solutions and make sure the o-rings do not come out of their housings.

- fit and fasten any curves and pipes (2) on the unit (3);
- using a spirit level, check correct horizontal and vertical inclination of the pipe assembly;
- insulate the exhaust (4) and fit the pipes in the wall hole;
- make sure the system is properly sealed and complete installation.

**!** **Before fastening the pipes, insulate the fume exhaust using material resistant to temperatures above 200 °C (e.g. HT-/Armaflex).**

**!** **To replace or add any component, always use only Original Accessories and Spare Parts supplied and certified by the Manufacturer.**



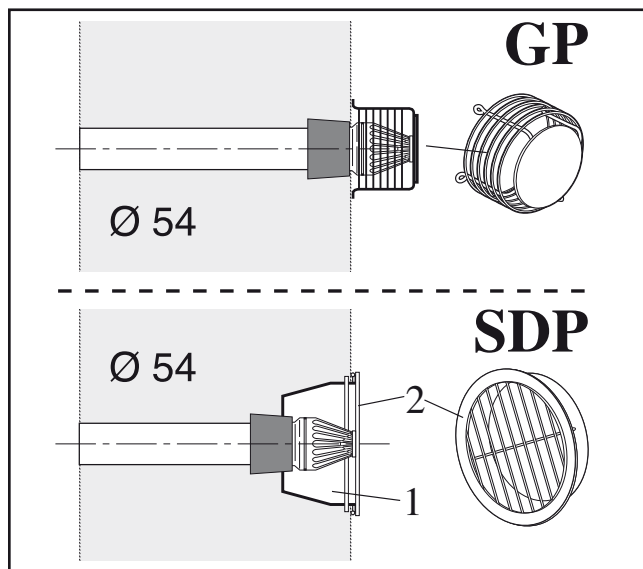
### Outside grill assemblage (cod 700000350)

To assemble the grill you only need the inserts, and the steelness steel flange.

### Assemblage SDP protection (cod 700000365)

The assembling is execute in the following way:

- After you have drilled on the outside wall put the protection with mortar
  - Assemblage the terminal tube with the equipment screws
  - Adapt the terminal to the tube length and grill protection between the walls.
- The tube cuts have to be perpendicular being real careful do not deform.

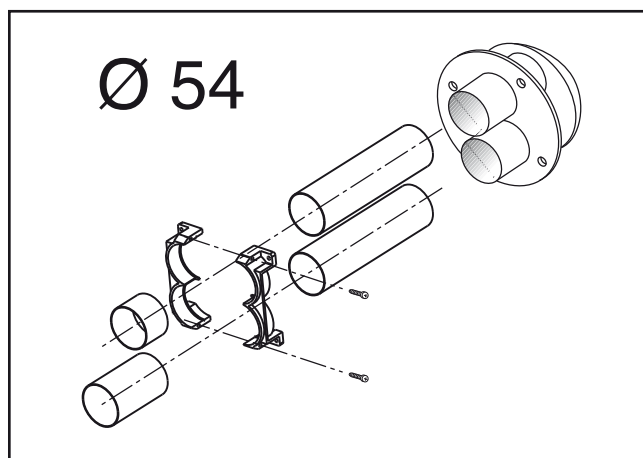


### Kit parallel tube Ø 32/54 mm with unique terminal (standard)

This kind of system is used when the exhaust fume and the intake of air are next to the apparatus.

#### Fitting pipes and single end-piece from OUTSIDE

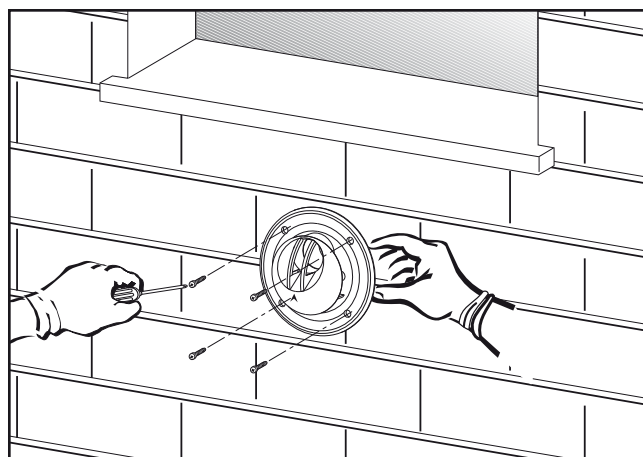
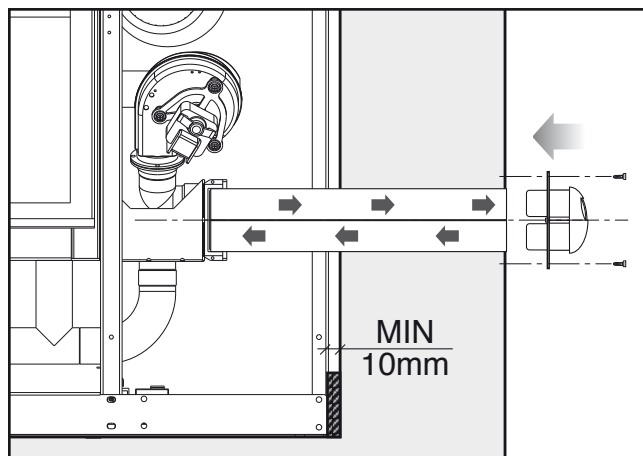
- Fit the pipe assembly and any corner curves in the wall.
- position the intake/exhaust pipes flush with the outer wall.
- Insert the unique terminal until the plastic ring touches the wall.
- Mark with a punch the holes for the fastening
- Cut the terminal then make the hole for the inserts Ø 6 mm
- Fasten the unique terminal to the wall using the inserts Ø 6mm seeing that the exhaust tube is toward up.



⚠ Ascertain that the adapter tubes connections are correctly inserted. To fasten the tubes assemblage, use silicone grease and verified that the O-ring don't come out from there seating.

⚠ Before you wall up the tubes, provide to insulate the exhaust fume tube with material resistant to the 200° C° (ex. HT/-Armaflex).

⚠ Avoid burdening the device to the wall to facilitate the correct assembly and disassembly of the coat, leaving always MIN 10mm.



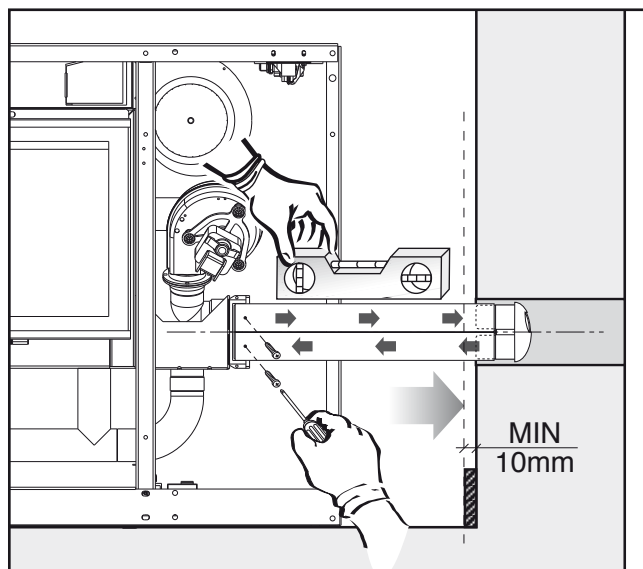
**How to mount special pipes kit from inside the room to be warmed.**

Drill the hole on the wall. Shorten the special pipes in order to match the real thickness of the wall (see picture).

**IMPORTANT:** Cutting must be perpendicular to the pipe axis, please handle with care in order not to deform the pipes.

Before you insert the pipes through the hole you must fix the SPECIAL KIT to the fitting connector by screws on issue.

Insert the whole assembling (Special kit + fitting connector) through the hole on the wall.



**Tube kit Ø 54 mm with unique terminal (SPECIAL).**

This kit, uses separate tubes and are indicated when the exhaust fumes and intake are fore way the apparatus.

The type of installation are more than one kind, but they can be lead to the 3 example described in this chapter.

**!** Before pipes kit assemblage, verifying **maximum pipes length be respected, considering the maximum pressure leak consented (see below chart).**

	<b>80</b>	<b>130</b>	
Ø unloaded intake tubes	54	54	mm
Ø Wall hole single terminal tubes	110	110	mm
MAX single terminal tube length	10	10	m
MIN comprehensive tube length	1	1	m

	<b>80</b>	<b>130</b>	
Loaded loss tube l= 500 mm	1,2	2,8	Pa
Loaded loss tube l= 1000 mm	2,3	5,6	Pa
Loaded loss tube curve 90°	2,2	4,5	Pa
Loaded loss single terminal	4,0	5,0	Pa
Loaded MAX loss permissible (*)	50	46	Pa

(\*) - Sum of the pressure leak both air suction and gas exhaust pipes.

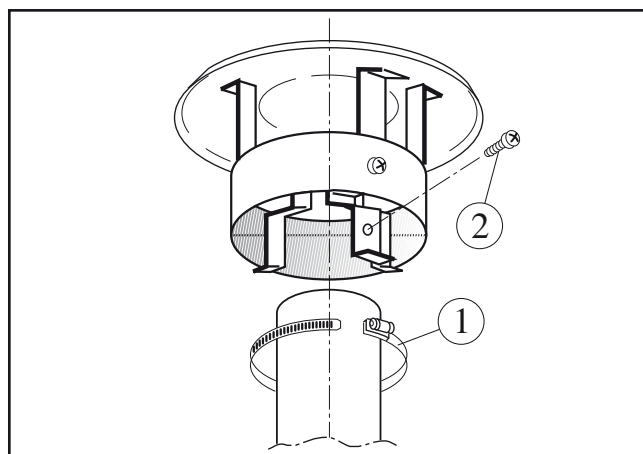
**Chimneypot assemblage**

To assemble the chimneypot on the exhaust intake tubes use the clamp (1) and the (2) safety screw.

The chimneypot application has to satisfy the following requirement.

-The top of the exhaust fume tube has to be out of the ebb zone, to avoid the eventual pressures that will prevent the free exhaust product of the combustion in the atmosphere.

-The chimneypot has to be placed right on top of the tube in the proper way, if it's not placed in the proper way, the fumes will get inside the tubes, and if this happen it will cause problems to the appliance.



**CASES A1 and A2 – Fitting the recessed pipes in chases in the wall.**

This solution can be adopted when the thickness of the wall allows making chases for recessing the pipes.

⚠ Before beginning installation, make sure enough room exists for correct appliance operation and maintenance.

⚠ Before walling in the pipes, insulate the fume exhaust using materials resistant to temperatures higher than 200 °C (e.g., HT-/Armaflex).

⚠ Before fitting the Pipe Kits ensure the compliance of both the MAX length of the pipes and MAX acceptable flow resistance (see Table).

To install the fume exhaust and air intake pipes:

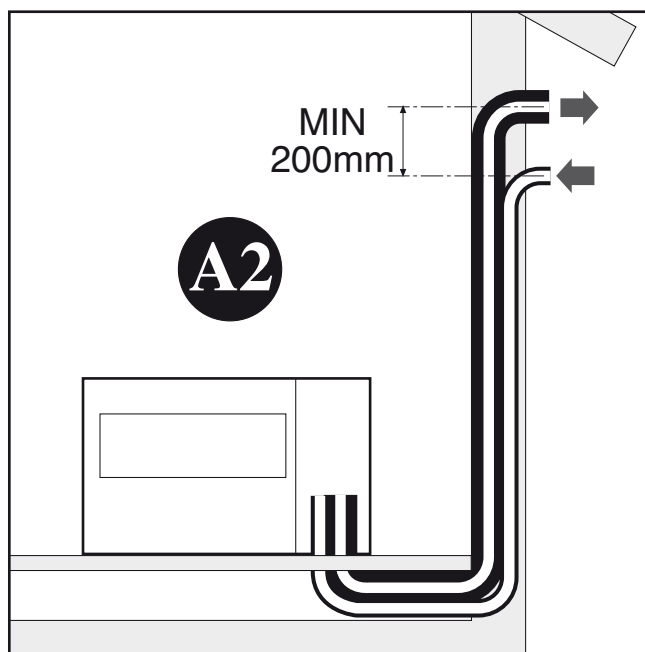
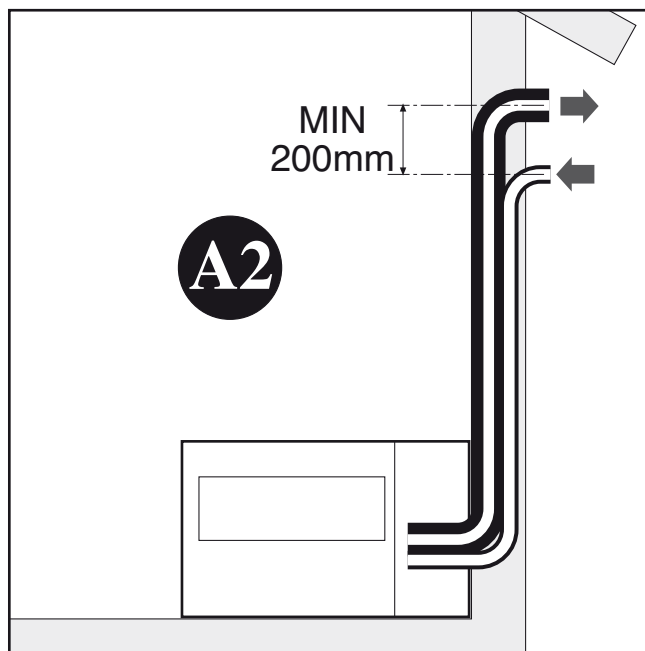
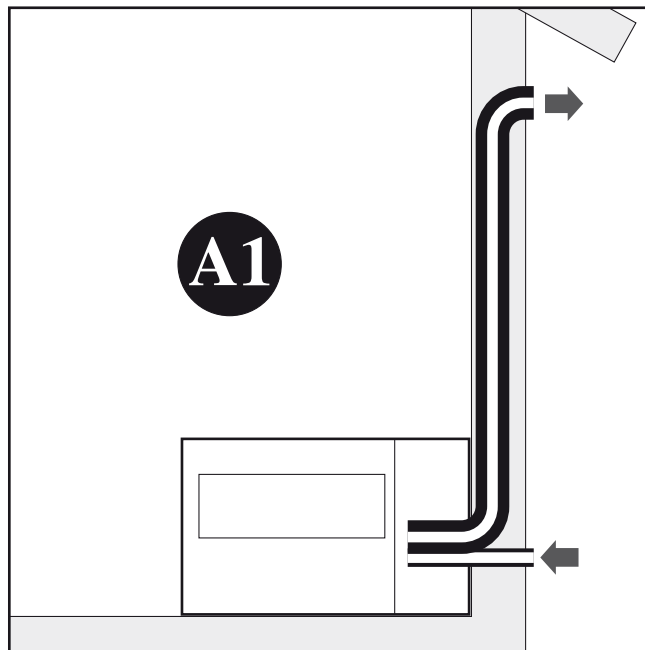
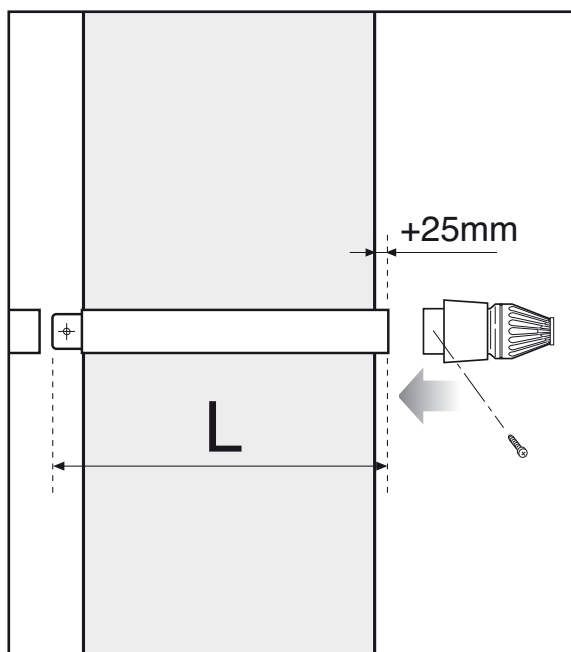
- level, mark and make the hole for the pipes.
- make the chases in the wall to house the curve and pipes.
- fit and fasten the pipes on the unit;

**- Adapter connection**

The adapter unit is prepared and supplied for Ø 54 mm pipes.

- Fit the die-cast corner curves (6 – only for Ø 54 mm pipes) on the adapter connection and fasten them in position with the screws provided, taking into account the direction of the single pipes.
- complete the installation by fitting the remaining pipes, then cut the pipe to size and adapt it to the actual thickness of the wall, increased by 25 mm.

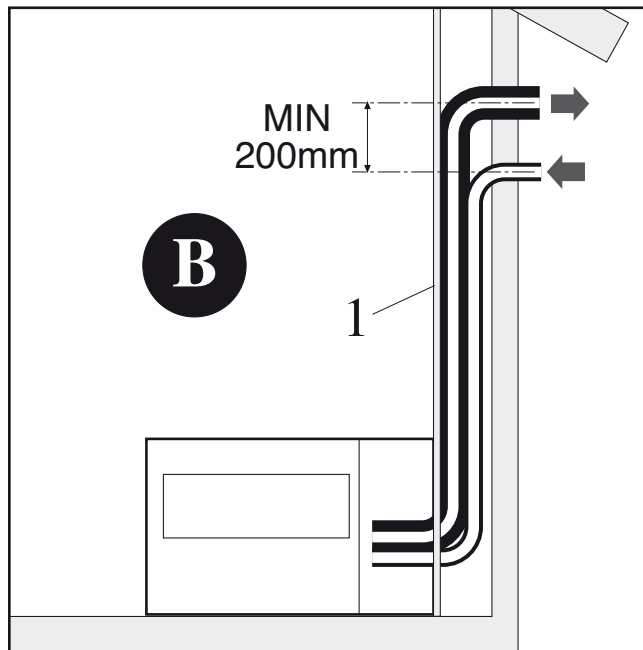
⚠ Make sure the pipes are properly fitted in the adapter connection and that the O-Rings do not exit from their housings, for pipes with seals.



### CASE B – Fitting pipes inside the room to be heated

This solution can be adopted when the thickness of the walls does not allow making pipe chases

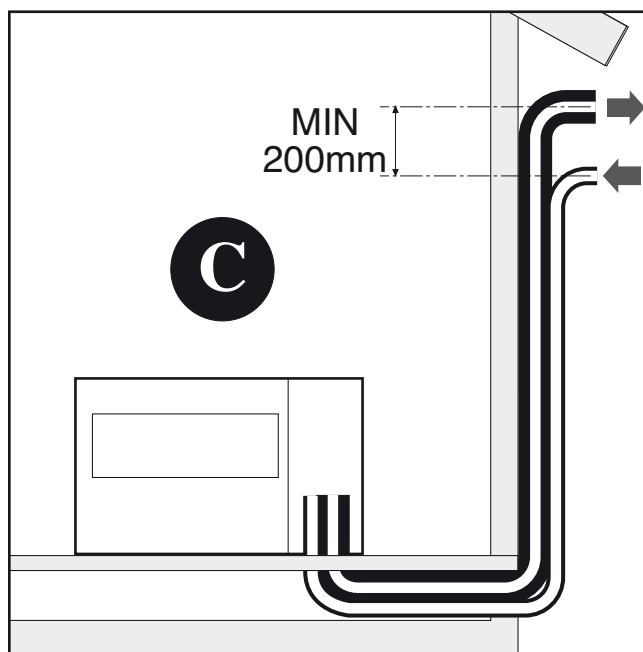
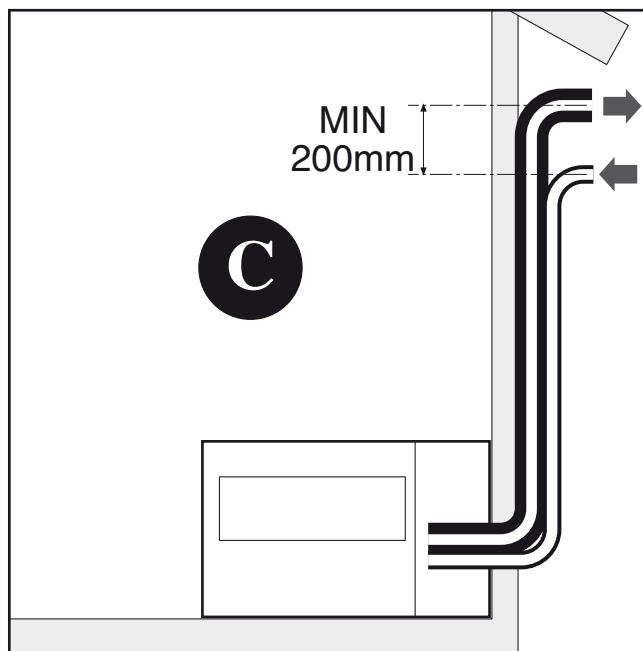
- Follow all the fitting steps indicated in CASE A1 and A2.
- Comply with all the instructions indicated in CASE A1 and A2.
- Complete the installation by fitting the remaining pipes, fastening them to the wall with standard clamps.
- Make a wall panel (1) of heat-insulation material (e.g., plasterboard) to cover the pipes and insulate them from the environment in which the Appliance is installed.



### CASE C – Fitting the pipes outside the room to be heated

This solution can be adopted if the fume exhaust and combustion air intake pipes are to be installed outside the room to be heated.

- Follow all the fitting steps indicated in CASE A1 and A2.
- Comply with all the instructions indicated in CASE A1 and A2.
- Complete the installation by fitting the remaining pipes, fastening them to the wall with standard clamps.



## TYPES OF INSTALLATION

This appliance is able to provide various installation types, in version with casing or insert only:

- A – up against the wall (single face).
- B – with short side on wall (double face).
- C – in middle of room (double face).

**⚠ Secure the Appliance using screw anchors and brackets (not supplied nor available from Manufacturer) suitable for supporting its weight and for the type of wall chosen.**

### A – up against the wall (single face)

- Mod. INSERT (featuring insulating rear protection), to be fitted in a covering structure of non-flammable material (e.g., plasterboard). The inlet and exhaust pipes are inside the covering structure or continue underneath the floor.
- Mod. with CASING, remove the side of the casing chosen for wall mounting (no insulation needed). The inlet and exhaust pipes can go directly outside or be placed underneath the floor.

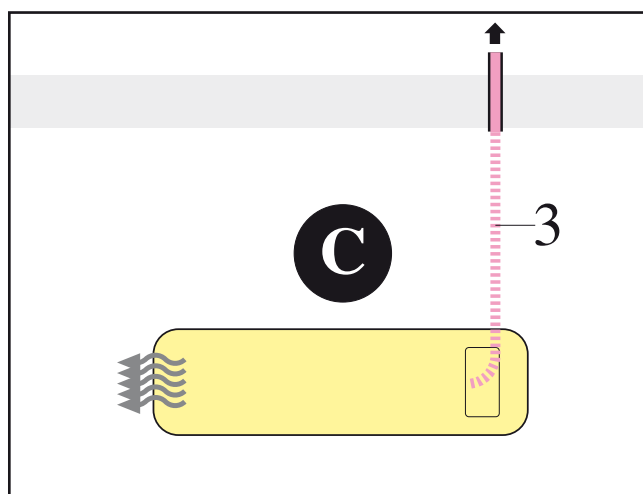
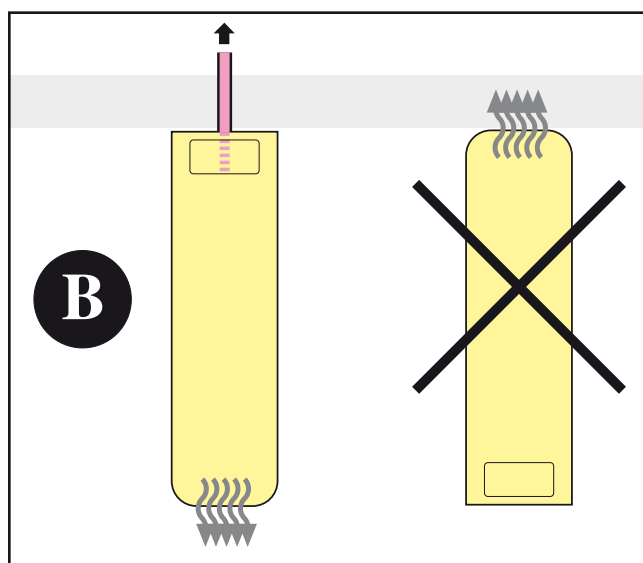
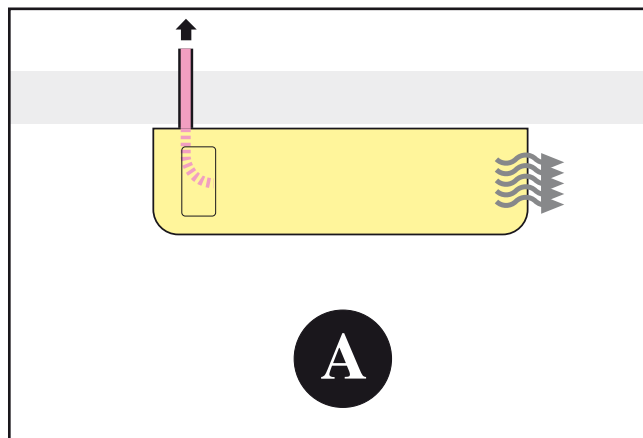
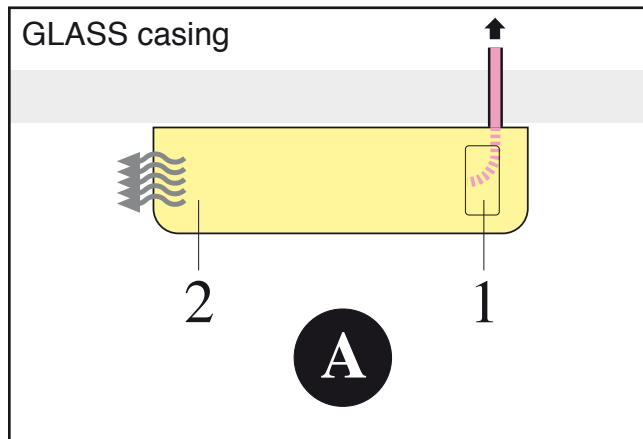
### B – with short side on a wall (double face)

**⚠ Move the appliance close to the wall from the control compartment side (1). The opposite side with the hot-air outlet (2) must always be turned towards the room to be heated.**

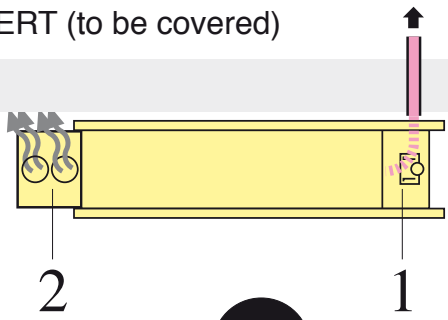
- Mod. INSERT to be fitted in a covering structure of non-flammable material (e.g., plasterboard). The inlet and exhaust pipes are inside the covering structure or continue underneath the floor.
- Mod. with CASING, remove the side of the casing chosen for wall mounting (no insulation needed). The outlet and exhaust pipes can go directly outside or be placed underneath the floor.

### C – in the middle of a room (double face)

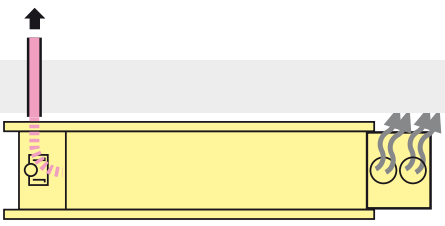
- Mod. INSERT to be fitted in a covering structure of non-flammable material (e.g., plasterboard). The outlet and exhaust pipes can go directly outside or be placed underneath the floor.
- Mod. With CASING, position and fasten in middle of room (no insulation needed). The inlet and exhaust pipes are on the outside and pass underneath the floor.



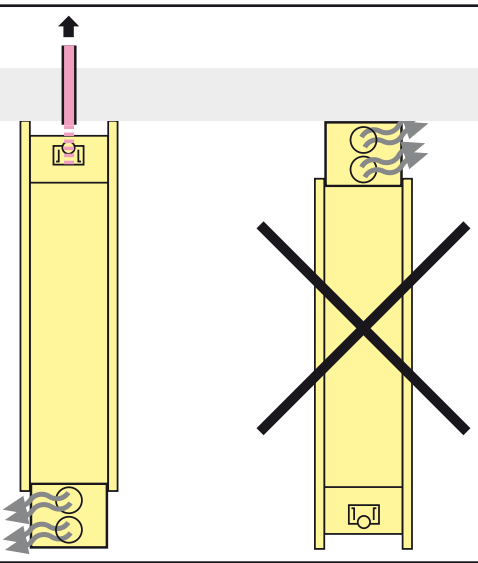
INSERT (to be covered)



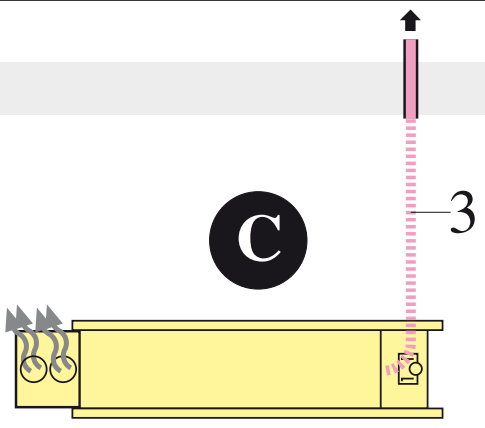
**A**



**A**



**B**



**C**

## IRRADIATION AREA

**!** Maintain a safety distance of at least 1m between the appliance and objects made of combustible or inflammable material: wood furniture and furnishings, objects and curtains, etc. Never move the Appliance close to or in direct contact with combustible materials, heat-sensitive materials or inflammable materials; furniture, beams, ceilings, curtains etc.

### Wall lining and decorative covering

To allow the heat generated by the Appliance to exit, some vents must be fitted on the wall lining that cannot be closed, having a surface area of at least 350cm<sup>2</sup> each and which allow, at the top, the distribution of the hot air and the bottom, the aspiration of the cold air.

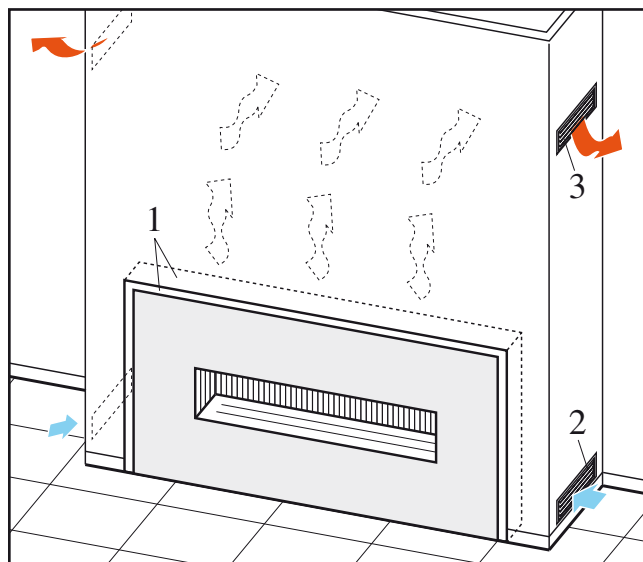
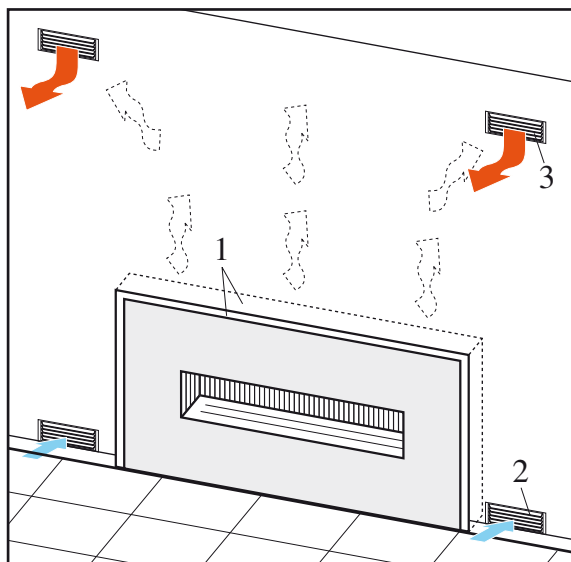
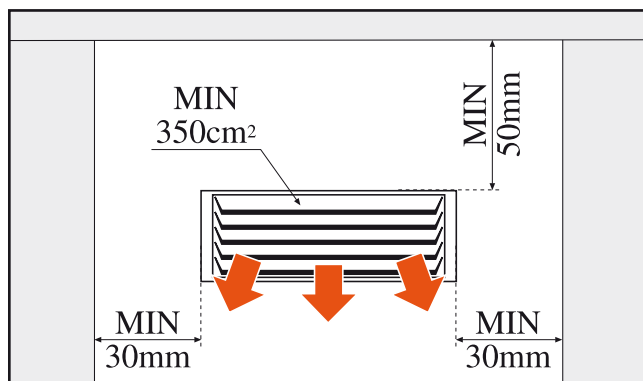
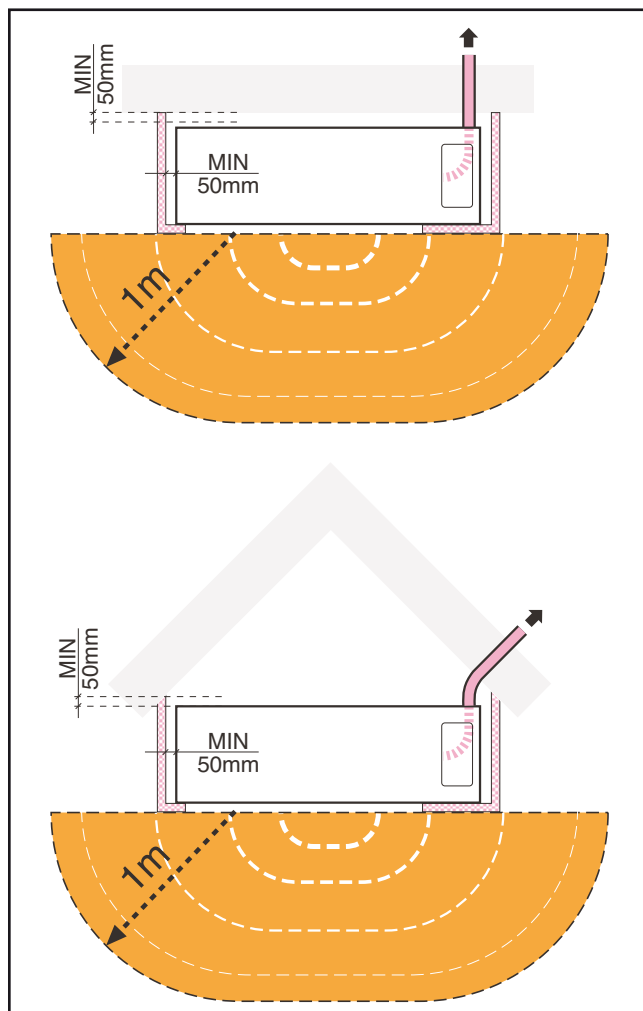
For any aesthetic requirements, each vent can be replaced by other smaller ones, as long as the sum of their surface area is not below 350cm<sup>2</sup>.

Position the vents in the lower part (2), just above the floor and the others (3) in the top part (MIN 50 cm from ceiling and 30 cm from sides).

With ceiling height 3 m, the above 50 cm can be reduced to 30 cm.

**!** Before completing all the covering, always check: position and fastening of the Appliance, the definition of all connections (gas and electricity) and correct operation.

**!** Always provide an easy to remove area on the opposite side or covering to allow any inspections, cleaning or repair of hidden areas.





## SAFETY DISTANCES

The Appliance can be installed in various ways, with or without outer casing:

- on a wall
- with short side on wall
- in the middle of a room.

- **Models with outer casing:** they do not require any kind of lining panel or heat insulation. The casing covers and insulates the Appliance.

- **Recessed insert models:** these require a heat insulation cover to insulate the Appliance and cover it completely.

For the insert models only, a channel (4, supplied as standard) to deviate the hot air upwards towards the outlet vents into the room to be heated.

### A) INFLAMMABLE WALLS

- **Single-face appliance:** with lining panel and non-combustible heat insulation (1).

Install wall linings made of heat insulating material (e.g. plasterboard) 100 mm thick.

**⚠ Always leave a 50 mm air inter-space between the Appliance and the wall lining.**

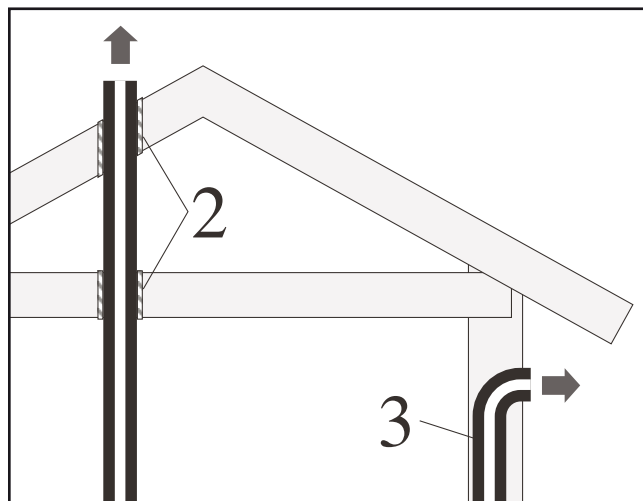
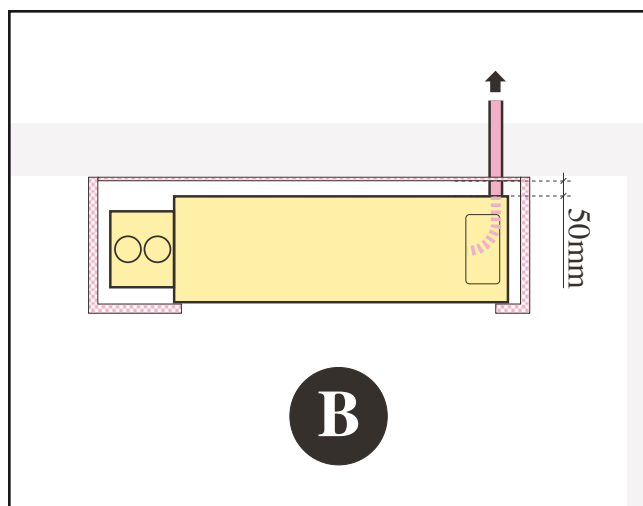
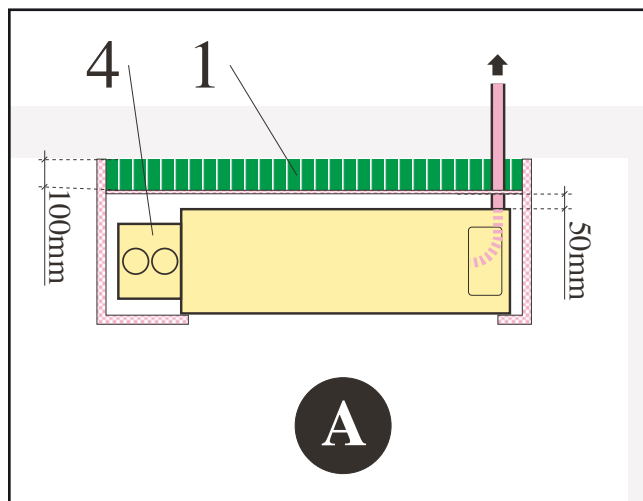
If walls, floors or roofs are crossed made of material sensitive to heat or inflammable, contact must be avoided with the exhaust pipe by using suitable high-temperature heat insulation (2) ( mineral wool or glass wool insulator, etc.).

### B) NON-INFLAMMABLE WALLS

- **Single-face appliance:** without lining panel and non-combustible heat insulation.

**⚠ Always leave a 50 mm air inter-space between the appliance and the wall.**

If walls are crossed made of non-inflammable material, contact must be avoided with the exhaust pipe by using suitable heat insulation pipes (3).



## INSTALLATION

Choose the installation area taking into account that inside the wall linings (1) very high temperatures occur.

**⚠ Before going ahead with installation, make sure the data in the Appliance plate correspond to the gas supply type and pressure. Only skilled personnel should make the gas connections in compliance with applicable regulations.**

**Make sure the gas supply pipe is of suitable capacity and that it features an easy-to-access on/off tap close to the fireplace.**

**⚠ Make sure the area around the anti-explosion door (2) is always perfectly free of anything that could prevent it being opened.**

### Installation

- Create a possible support (3) to position the Appliance at the desired height, bearing in mind the fume exhaust connection.

- Fasten the Appliance on the installation walls using brackets (4) and anchor screws (neither on the Manufacturer's list) suitable for the type of wall at disposal. Fasten the brackets on the top part of the chamber using the holes provided (5), while always maintaining the safety distances.

**⚠ In the case of corner installation, provide a suitable fastening system (not listed by Manufacturer).**

- Fit the exhaust pipe and make sure all connections are tight.

- Make the gas connection (Natural or LPG), making sure the pipe dimensions are correct, eliminate any burrs and inside impurities.

**⚠ Before starting up the Appliance, in accordance with UNI 7129/7131/10738 standards, carefully check:**

- Appliance tightness;
- operation and seal of exhaust pipe;
- operation of adjustment tap;
- pilot light ignition;
- main burner operation;
- thermocouple operation;
- gas pressure test, with pressure gauge to be fitted on connections 6 (outlet) and 7 (inlet).

**⊘ NEVER USE the couplings (8 and 9) on the valve to avoid totally wrong pressure tests.**

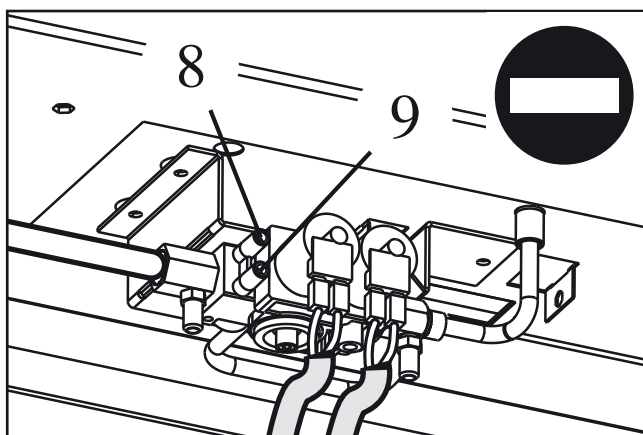
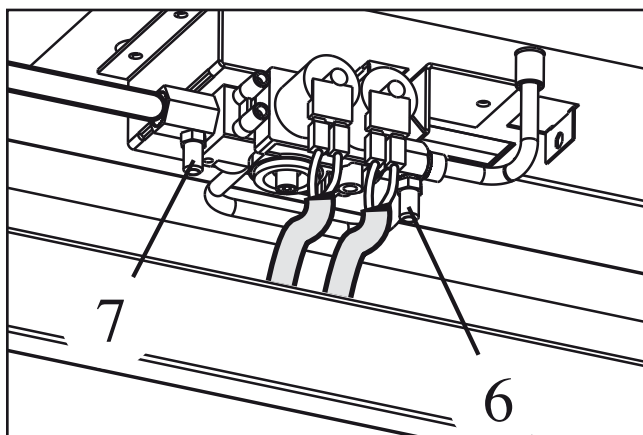
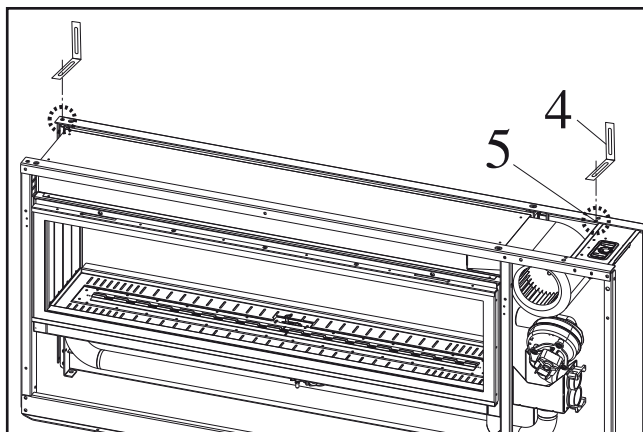
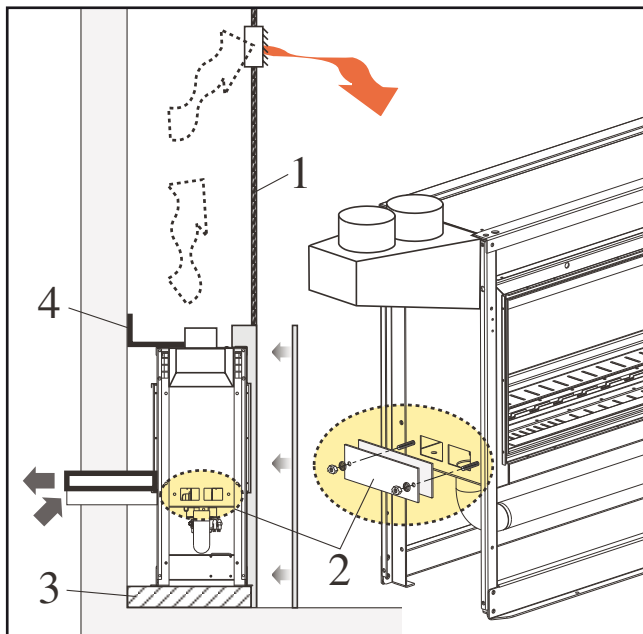
### Insulating the Appliance:

a) the single-face insert is supplied with a rear protection;

b) the two-face insert requires no insulation.

c) the two-face model with cover casing (standard) requires no insulation;

**⊘ Do not directly insulate the rear part of the appliance. Leave an air inter-space to avoid overheating and breakages (see Safety distances chapter).**



## BRIDGE STRUCTURE

This solution (consisting of a bridge structure (1) and a front panel (2)) allows quick and precise cover finish, **eliminating all the troublesome centring problems between the lining and the glazed frame area.**

Available on all models, this system eliminates the need for numerous inspection doors, often all too evident. The front panel has been designed to be fully removed to improve complete access to the Appliance.

The bridge structure (1) can be made in various ways or using different types of material depending on the environment setting. The front panel (2) can also be made in various ways:

- same colour as the surrounding wall (5) or else completely different;
- same material as the surrounding wall, e.g., plaster-board;
- of different materials such as aluminium, stainless steel, coated metal plate, glass (resistant to high temperatures), with stone lining, wood type, ceramic, etc.

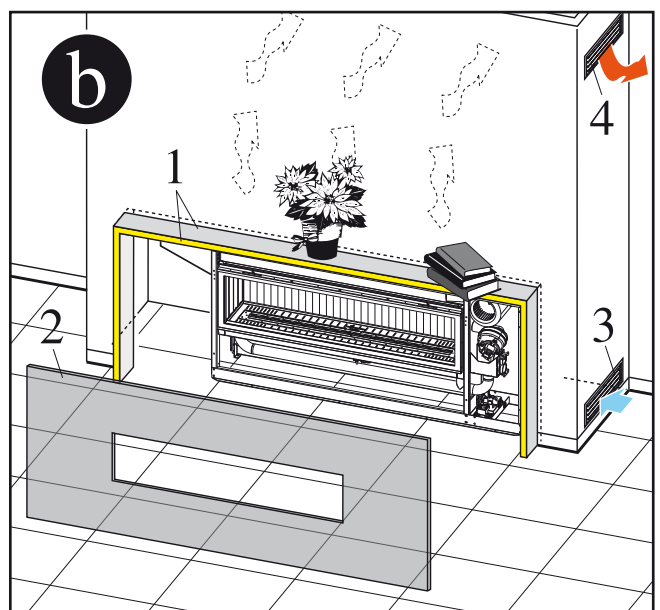
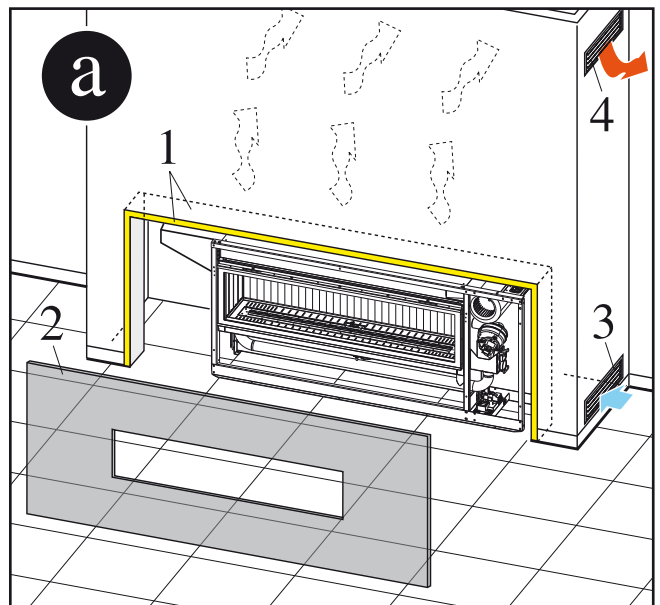
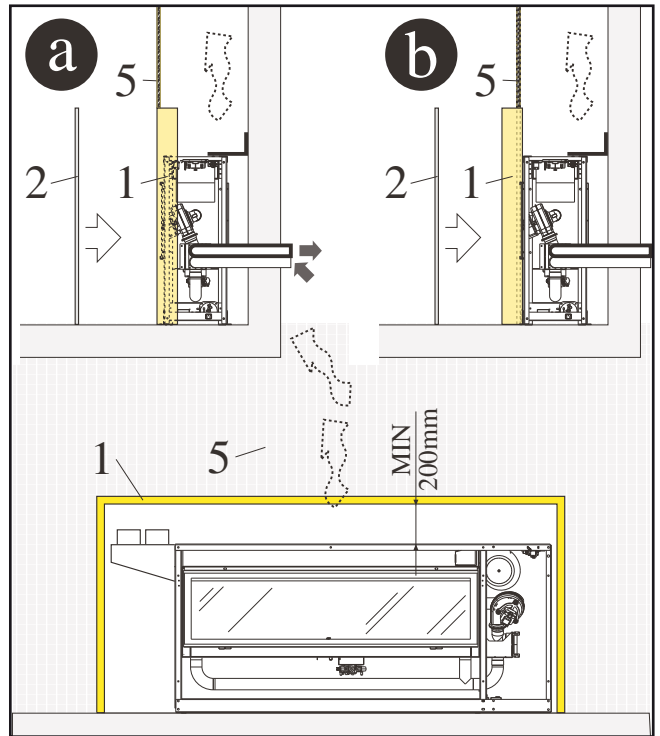
### Installation

- make sure the Appliance is properly fastened to the walls;
- make sure the gas pipes and connections are tight;
- check the tightness of the fume exhaust pipe;
- check the power connections (if there are any);
- check the correct operation of the Appliance;

**⚠ Maintain a minimum safety distance between the bridge structure and the outer surface of the Appliance: MIN 100 mm.**

- position the bridge structure: flush with the wall lining (a) or shelf type protruding (b);
- fasten the bridge structure to the walls and make sure it is fastened properly;
- bring the wall lining up against the bridge structure;
- fit the air inlet vent below (3);
- fit the hot air outlet vent above (4);
- fit and secure the front panel inside the bridge structure.

**⚠ Fasten the front panel using “devices” that permit easy and fast removal for inspections, maintenance or any repairs.**



## PROTECTION FOR WALLS MADE OF WOOD PANELS

### FITTING SILUMINA FRAME ASSEMBLY FOR INSTALLATION ON COMBUSTIBLE OR WOODEN WALL

This assembly is suitable for walls between 100 mm and 500 mm thick.

- After choosing the position of the Appliance according to the instructions in the installation booklet, make a through hole in the wall with diameter (A).

- Fit the silumina frame assembly to the wall, as follows:

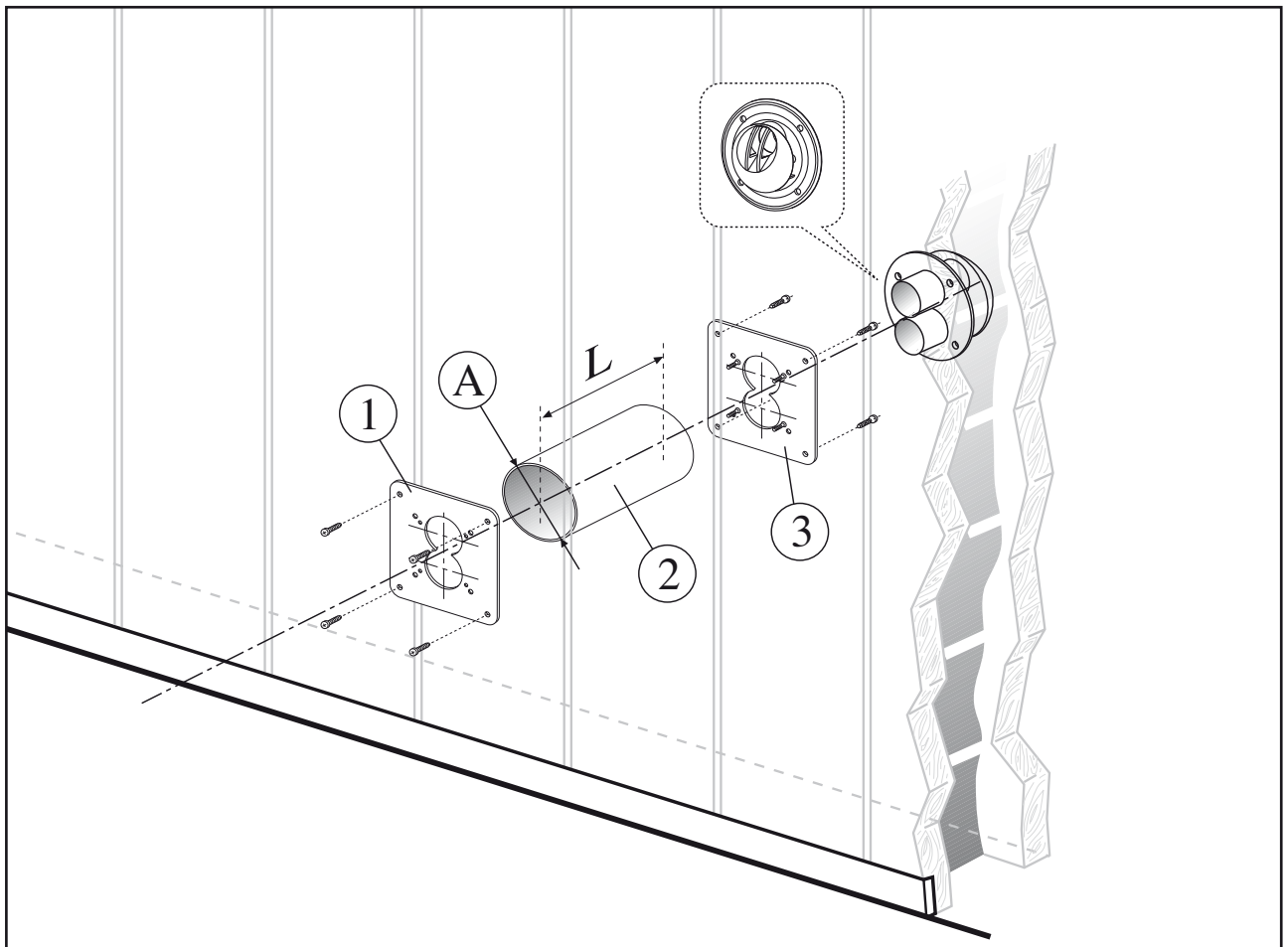
1) Measure the wall thickness, not including the stainless-steel plate (1, 3) and cut the tube (2) to length equal to the wall thickness.

Fit the internal tube, (2) inside the opening cut in the wall.

Fit the metal plate (1) to the inside of the wall, using the 4 screws with anchors for wooden walls provided, for fixing the plate on the wall. Fit the cut tube to the wall working from inside the building, ensuring that it fits within the lugs on the stainless-steel plate. Fit the internal wall plate so that the pegs on it fit inside the tube.

2) Fit the external stainless - steel (3) AISI 304 to the outside of the wall using the 4 screws, included in the pack, if the external wall is hard stone chose screws and anchors suitable for stone walls.


Mod.	Ø	A	L	
<b>80</b>	54	128	500	mm
<b>130</b>				



## POWER CONNECTIONS

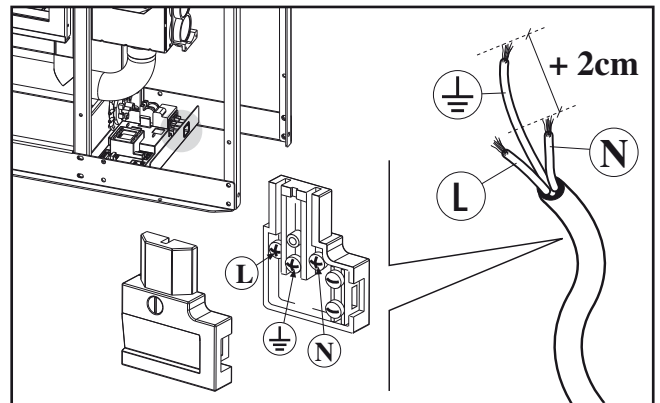
The appliance must be installed by companies approved pursuant to Law no. 46 dated 5 March 1990. Upon completing the installation, such companies must issue a declaration of installation conformity in accordance with applicable national and local laws (see art. 17 of law no. 46/90) and the instructions provided by the Manufacturer in the installer's booklet attached to the product.

The appliances are fully wired in the factory and complete with plug for connection to the power mains. Only a HAR H05 RRF type power cable need be made with MIN cross section of 1 mm, using, for connection to the appliance, the socket provided and making an EARTH connection that is 2 cm longer than the PHASE and NEUTRAL leads. Connect the other end of the cable to a socket or omnipolar switch, in conformity with CEI standards, connected to an effective EARTH system.


 A proper earth connection is mandatory.


The manufacturer of the appliance cannot be held liable for any damage caused by lack of proper earth connection.

For jobs of an electrical nature, always refer to the diagram attached to this booklet.



Fit a disconnection device from the power mains upstream of the power cable (omnipolar switch or plug) such as to ensure a contact opening of at least 3 mm.

 Unsheath the EARTH lead so this is at least 2 cm longer than the other two leads.

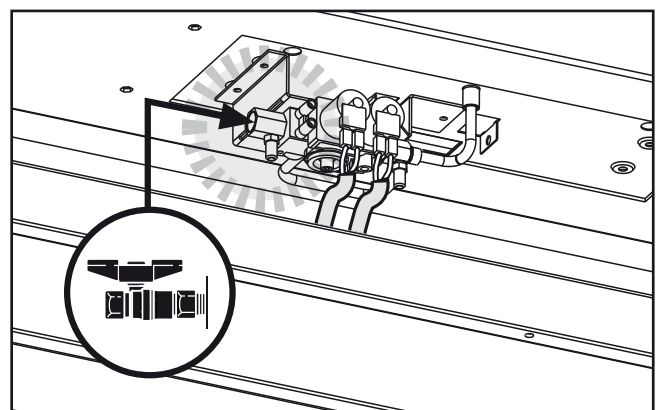
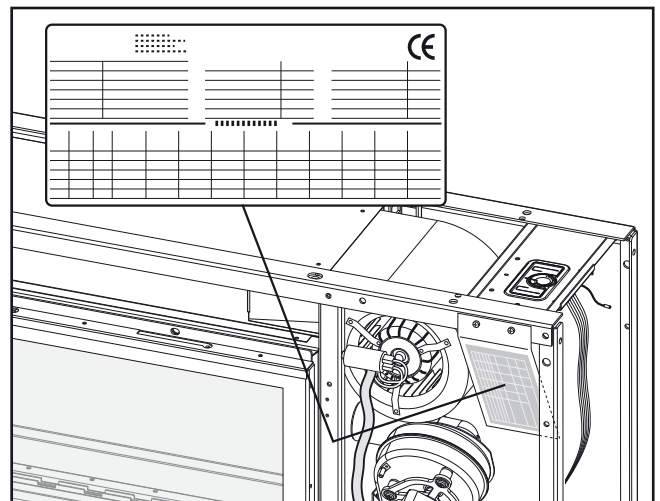
 Never use gas and/or water pipes to earth the appliance.

## GAS CONNECTION

Make sure the APPLIANCE is set for the type of gas to be used by checking the Technical Plate.

Use the proper gas tubes and pipe fitting. The etching under the appliance is a 3/8" M UNI ISO 7/1. When the gas alimention, is on the right side of the appliance for eventuating any problems use a nipples.

After the gas connection is done, do the first seal tests.




## PRELIMINARY OPERATIONS


The appliance is furnished and preset for the gas function (G 20) and regulated in factory.

Note: the apparatus can also be requested with the GPL gas function.

First things to do before you start the appliance check:

- If the appliance is preset for the right gas
- The gas connection is correctly realized and the gas switch is opened.
- The electrical connections are properly done.

 Remember it is also important to realize a good ground connection and to respect the neutral phase.

 During the first starting, you might verify vapour and irritating smells not dangerous. To avoid these discomfort we advice to aerate the place.

**IMPORTANT! BEFORE PROCEEDING WITH IGNITION, CAREFULLY READ ALL THE INSTRUCTIONS AND PRECAUTIONS SHOWN IN THIS BOOKLET.**

**When first ignited, the Appliance may give off a bad smell or vapours. This is entirely normal. The best thing is to ventilate the premises adequately.**

**After igniting, allow the appliance to operate for about ten minutes at maximum output, to permit adequate heating.**

**If the appliance is to be used for short periods of time, it is best not to switch it off but rather leave it with the pilot light on. This way, the formation of condensation is prevented in the pipes that reach the flue and which, in the long term could cause hearth corrosion.**

## FIRST SERVICE START

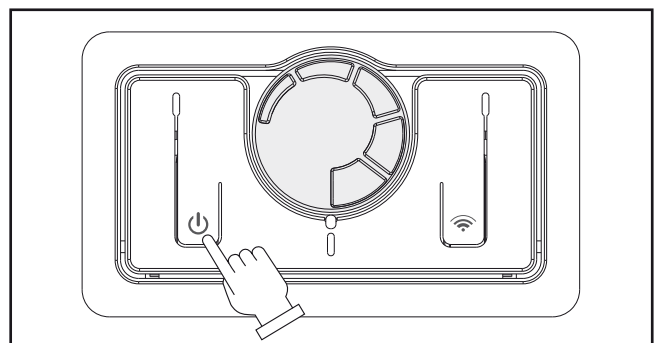
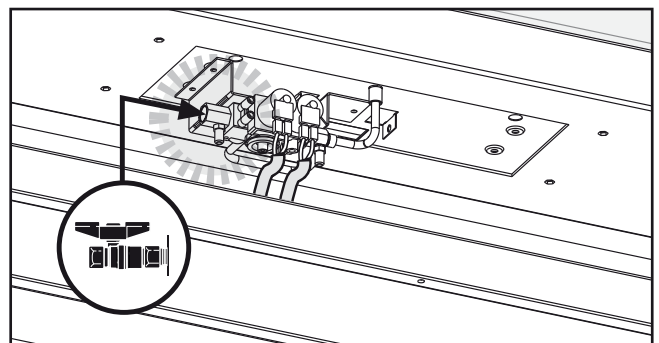
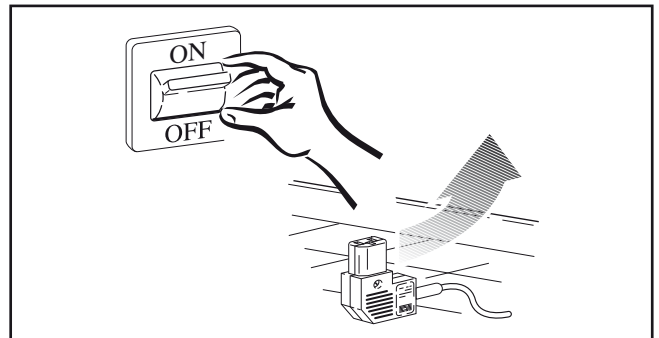
After performing all the preparation operations for initial start-up, to start the appliance:

- make sure the fuel tap is open;
- fit the plug in the socket on the appliance;
- move the master switch (if fitted) to "on" or fit the power plug in the wall socket;
- press the On/Off key (see User section) to switch on the appliance;
- set the room thermostat at a high value to reduce heating time;

After startup, the appliance runs until it reaches the set room temperature.

In case of malfunctions in startup procedure or operation, the appliance **STOPS** and the relevant unblock signal lights up on the display. Reset the appliance by keeping the unblock button pressed. Wait until the startup procedure is completed and the operation signal lights up.

- When the appliance is running, set the clock and the timer for automatic operation (see User section).



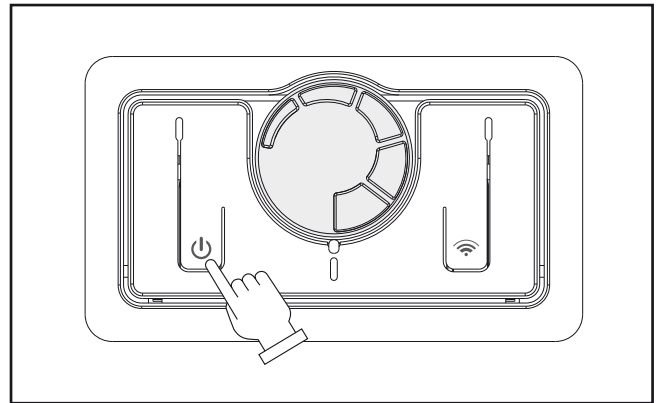


## PROCESSOR CONTROL BOX (P.C.B ASSY) MALFUNCTION

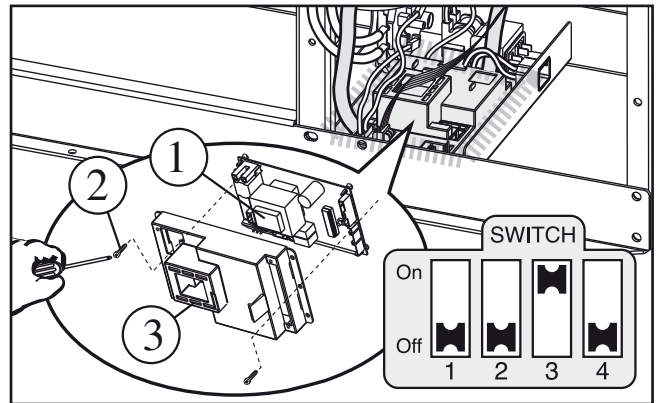
In case of any malfunctions in the control unit, RESET as follows:

a - press the On/Off button as shown in the illustration.

b - connect and disconnect the plug from the socket or move the master switch to "off" and then to "on".



**⚠ Check the correct position of the switches on the control unit (1) by loosening the screws (2) and removing the cover (3).**



## CONTROLS DURING THE FIRST & AFTER STARTING SERVICE

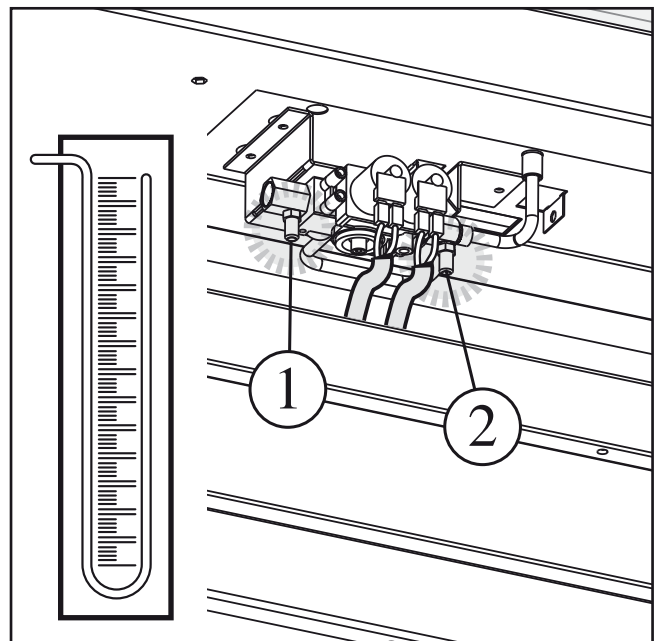
-At the start verified that the gas pressures are as under the Table.

- The gas pressure value has to be as in the table.

MODEL	G20 <i>nom. / verl.</i>	G31 <i>nom. / verl.</i>	
<b>80</b>	12,0 / 7,0	36,8 / 20,0	mbar
<b>130</b>	12,0 / 7,3	36,8 / 20,0	mbar

- The apparatus execute a stop, and next restart.  
 --- Operating from the main control panel  
 --- Operate on the atmospheric thermostat or the timer.

- The fan starts when it receives a signal from the thermostat.



## FITTING THE REMOTE DIGITAL CONTROL

For correct installation of the remote control in the required position, follow these instructions:

- Choose the position of the remote control:
  - away from the appliance;
  - on the BASE (provided).
- Install the remote control.

**!** To ensure correct operation, install the remote control at a MAX distance of 6 metres.

### - Remote control away from the appliance

This solution makes it possible to read the perfect room temperature for comfort. In fact in this position, the remote control "feels" the temperature at human height.

**!** To ensure correct operation, install the remote control at a height off the floor between MIN 1m and MAX 1.5m.

Installation:

- choose the position;
- open the remote control, fit the batteries and check:
  - Display unit operation
  - range of action (see User Sect.)

**Check the range of action:**

**A) If the LED flashes 4 times a second, reception is correct.**

**B) If the LED flashes slowly, you are at the limit of the range of action.**

**C) If the LED does not flash, you are outside the range of action.**

- mark the position of the fastening holes on the wall and drill;
- fit the screw anchors and screws most suitable for the chosen wall;
- fasten the rear part of the remote unit to the wall;
- assemble the front part with Display unit.

### - Remote on the BASE (provided)

This solution makes it possible to avoid fastening to the wall and interfering aesthetically with the place of installation.

**!** To ensure correct operation, position the control away from heat sources, sunrays, heated surfaces and open transit areas.

Installation:

- choose the position;
- open the remote control, fit the batteries and try:
  - Display unit operation
  - range of action (see User sect.)

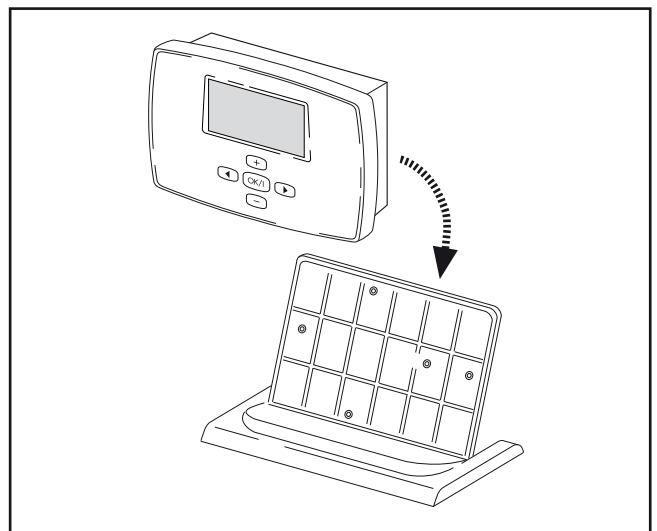
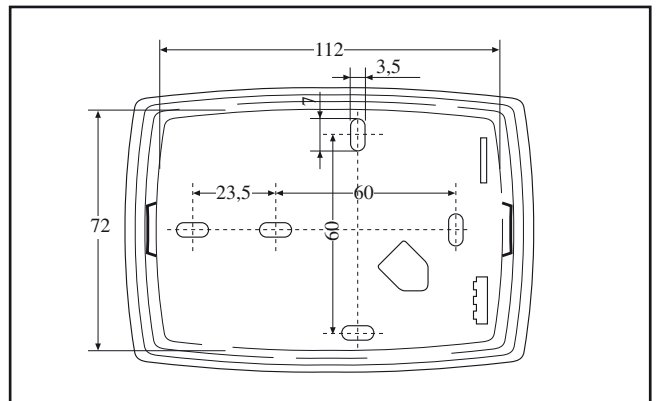
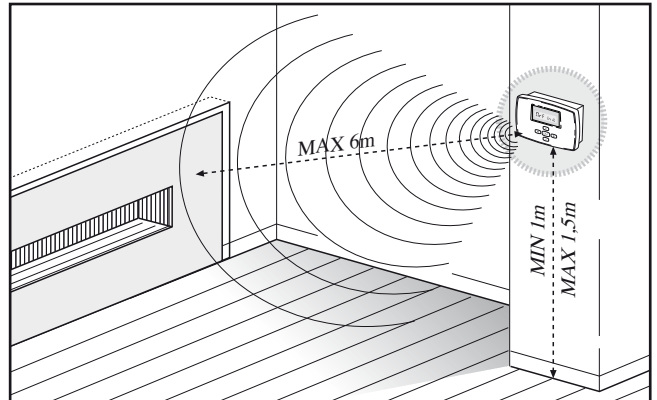
**Checking the range of action:**

**A) If the LED flashes 4 times a second, reception is correct.**

**B) If the LED flashes slowly, you are at the limit of the range of action.**

**C) If the LED does not flash, you are outside the range of action.**

- fasten the rear part of the remote control on the base;
- assemble the front part with the Display unit.





The appliance is furnished with (G20) gas function following the Technical label, and the constructor already regulates it.

The regulation has to be done from a Technical service Assistance or by the manufacture

**Gas methane G 20(20mbr); nominal & minimum pressure regulation.**

- Open the gas tap put the electrical plug under the appliance then pushes the start button and put to the max power.

*Alimentation pressure*

- Loosen the pressure screw (1) connect the manometer and verified the pressure value is included between 17/25mbar (like indicated in the table) then close the screw after that the manometer tube is pulled away.

- Loosen the pressure screw (2) connect the manometer verified the nominal and minimum pressure values are as specified in the table.

*Nominal pressure*

With the appliance in function at a max power verified that the values of the nominal pressure are as specified in the table. To make a regulation operate on the pressure regulator that is at the edge of the valve gas, then take off the protection cap. If you rotate the regulator (5) screw clockwise the pressure increase, rotating counter clockwise the pressure decrease. After that, check that all the regulation are done, fasten the cap then close with cover.

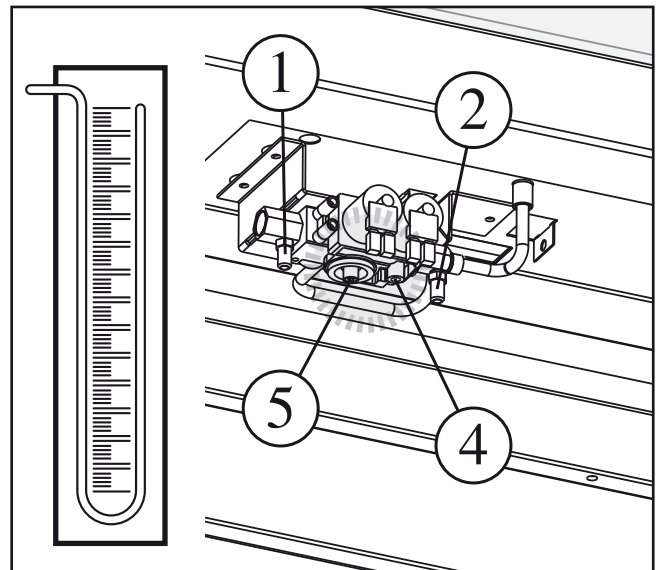
*Minimum pressure*

Proceed to the minimum pressure regulation after that you regulated the max pressure! With the appliance in function at a minimum power verified that the values of the minimum pressure are as specified in the table. To make a regulation operate on the screw that is on the modulator body (4). Rotating the regulator screw clockwise the pressure decrease, rotating counter clockwise the pressure increases.

At regulation done seal the modulator screw then after fasten the cap then close with cover.

**Regulation GPL butane G30 (29mbar) and Propane G31 (37mbar). Minimum and nominal pressure.**

- Open the gas taps put the electrical plug under the appliance then push the start button and put to the max power.



MODEL	G20 <i>nom. / verl.</i>	G31 <i>nom. / verl.</i>	
<b>80</b>	12,0 / 7,0	36,8 / 20,0	mbar
<b>130</b>	12,0 / 7,3	36,8 / 20,0	mbar

*Alimentation pressure*

- Loosen the pressure screw (1) connect the manometer and verified the pressure value is included between 29 mbar with the Butane and 37 mbar with Propane then close the screw. In the case that the net pressure is low, operate on the low-pressure regulator that is put on the Gas tank.

- Verified that the establishment GPL vaporization capacity is sufficient.

*Nominal pressure*

With the appliance in function at a max power loosen the outlet pressure screw (5) then connect the manometer and verified that the nominal pressure values are as specified in the table (Nozzle Pressure). In the GPL function, only for the 3+ categories the regulator has to be out of service fastening clockwise the adjustment screw (5) at an immediately inferior value to the alimentation max pressure.

At verification done, take away the manometer and fasten the screw.

Whenever the apparatus is going to be regulated at pure Propane, to avoid heat exchanger overheating, is necessary knowing that you are using the proper gas, but if you use a un proper gas like a mixture of Propane/Butane or pure Butane you might have problems.

### Regulation min pressure

Proceed to the minimum pressure regulation after that you regulated the max pressure!

To make a regulation operate on the screw that is on the modulator body (4).

Rotating the regulator screw (3) clockwise the pressure decrease, rotating counter clockwise the pressure increases.

### Room Thermostat PROBE compensation

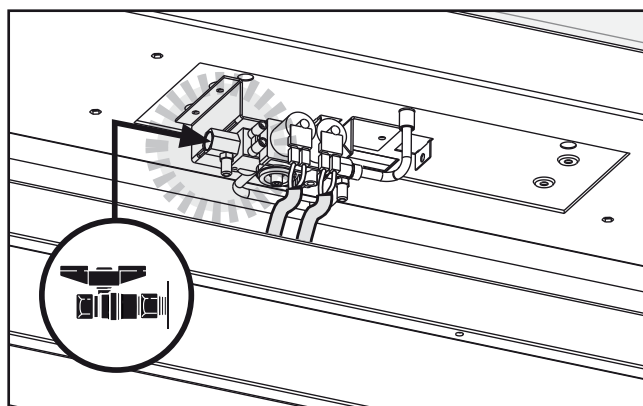
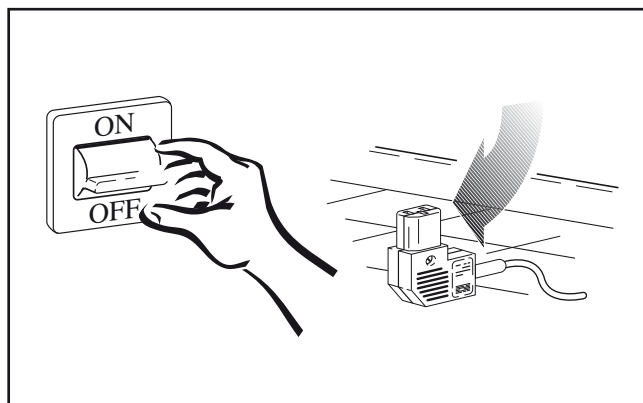
This function permits offsetting the difference between the temperature read at the point where the sensitive element of the room temperature probe is located and the well-being temperature required in the room (see USER section).

## ORDINARY MAINTENANCE

The appliance maintenance is important for the efficiency and the reliability of the radiator. We recommend that Technical Service Assistance perform the maintenance once a year.

### Preliminary operations:

- Disconnect the electrical alimentation taking off the electrical plug from the apparatus otherwise; place the wall switch to the "off" position.
- Close the gas tap.
- Wait that the appliance gets cold completely.



## APPLIANCE CLEAN OUT

### Cover clean

The only cleaning that is required by the owner, involves removing the cover, and wiping it clean the dust, which may have collected.

Do not put grease or lubricants on any parts of the appliance.

To clean plastic or painted parts don't use any product that will cause damage to the apparatus.

It is important that the switch is turned to the "off" position on the control panel. Position the wall switch on off.

Wait that the appliance gets cold completely

Do not allow water or any other liquid to be applied directly to the cover, use dampened clothes to do the operation that you want.

### Internal clean

For the correct disassembly and assembly see in the relative section.

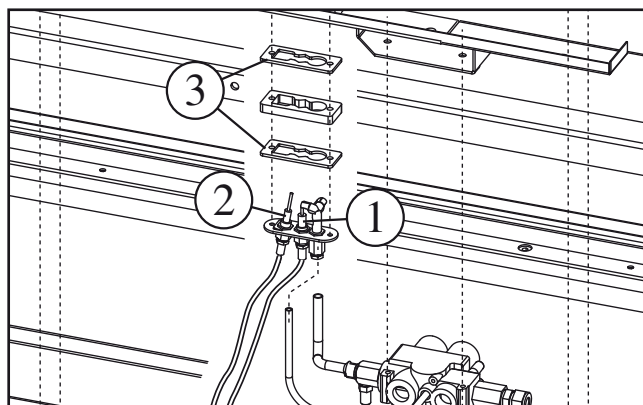
### Pressure switch tubes

- Check that the tubes are cleaned.
- Air fan motor.
- Pressure switch exhaust fumes.

### Electrode cleaning

Follow the instructions below to remove and refit the electrode unit:

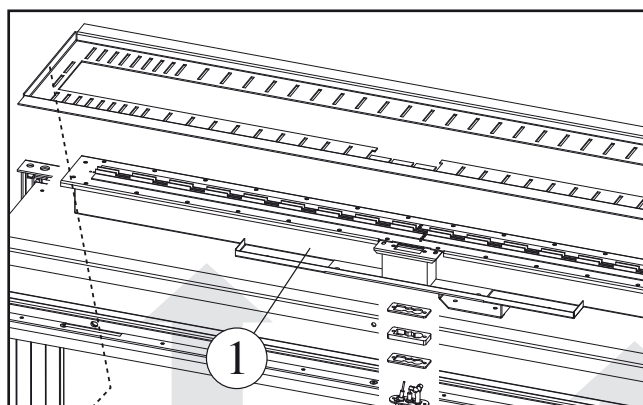
- remove the electrode unit (see Replacing electrodes chapter).
- delicately clean the ignition electrodes (1) and detection electrodes (2) using a metal wire brush. Mind you do not damage the ceramic material.
- refit the electrode unit. If necessary replace the seals (3); mind you do not damage the ceramic insulation of the electrodes.
- refit the electrode unit in reverse sequence to removal.



### Burner clean out

If you want a good burner (1) clean, especially if the appliance has been working in dirty. Places, or it didn't work at all, use the compressor to blow next to the injector; it will come out all the residues and the impurity caused from the burner. Check all the injectors if are good.

**Don't use metallic utensil.**



## COMPONENTS REPLACEMENT

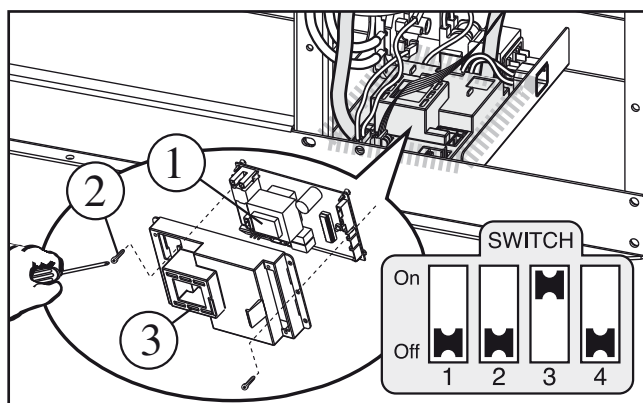
### Preliminary operations:

- Disconnect the electrical alimentation taking off the electrical plug from the apparatus otherwise; place the wall switch to the "off" position.
- Close the gas tap.
- Wait that the appliance gets cold completely.

### Replacing the Control board with Flame Control

To remove and refit the Flame Control board (1), follow the instructions below:

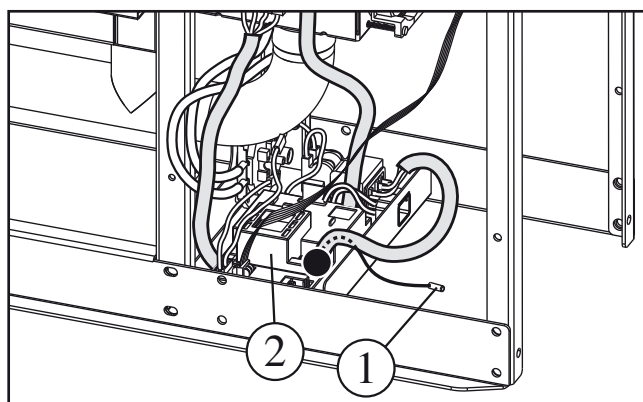
- remove the board cover (3);
- loosen the retention screw (2) of the board cover;
- remove the connectors from their plugs;
- replace the electronic board. Make sure the wires are properly reconnected and check the correct position of the Switches.



### Replacing the room probe

Follow the instructions below to remove and refit the probe:

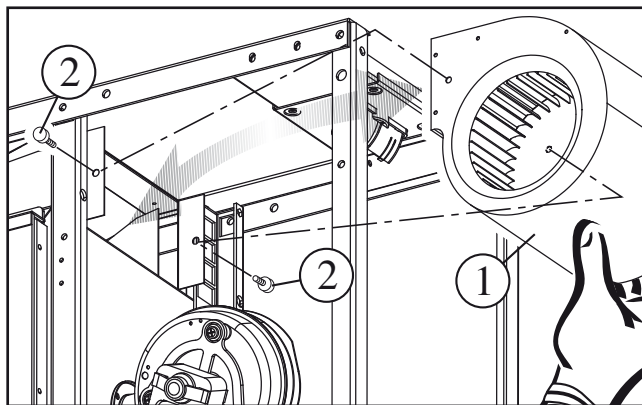
- disconnect the connector of the probe cable (1) from the control unit (2);
- take out the damaged probe;
- replace the component part and fit it back, performing removal operations in the opposite sequence.



### Replacing the convection fan

Follow the instructions below to remove and refit the fan (1):

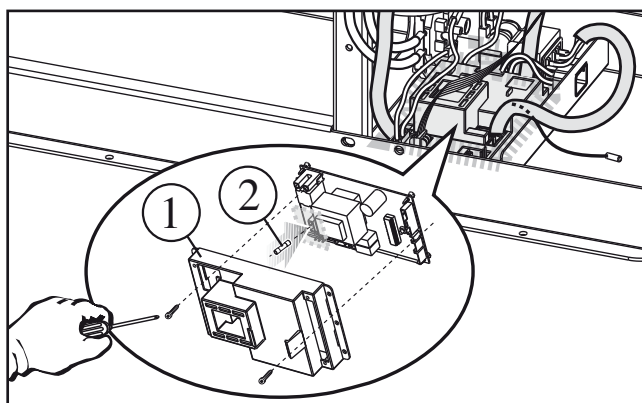
- remove all the power connections on the fan.
- loosen the four screws (2) that secure the fan to the appliance frame and remove the fan.
- fit the new fan in reverse sequence to removal.



### Replacing a burnt out protection fuse

In the event of the appliance not switching back on after a short circuit, immediately check the condition of the protection fuse and proceed as follows:

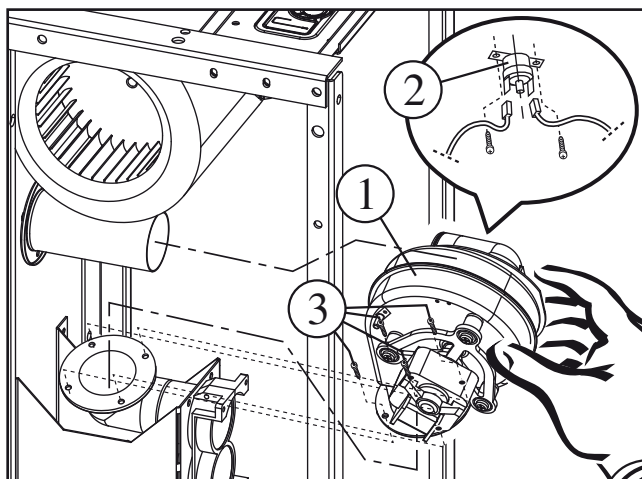
- remove the external cover (1) of the Flame Control board;
- remove the fuse (2) and check its condition. If it has gone brown or the inside filament is broken, it will have to be replaced with another of the rapid type: F1AT- 250 V.



### Replacing the combustion air fan

Follow the instructions below to remove and refit the combustion air fan (1):

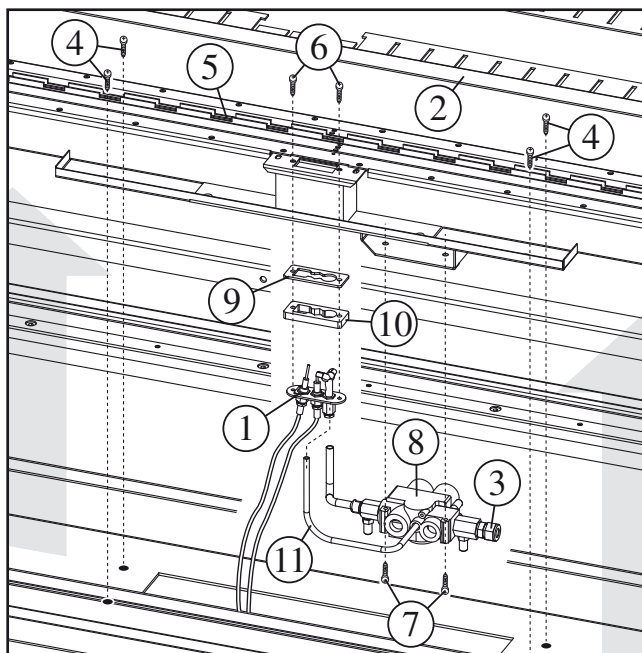
- disconnect all the power connections on the fan.
- remove the safety thermostat (2).
- loosen the screws (3) and delicately remove the fan.
- fit the thermostat (2) back on the new fan.
- fit the new fan in reverse sequence to removal.



### Replacing the electrodes

Follow the instructions below to remove and refit the electrode unit (1):

- remove the cover grille (2).
- loosen the connection (3) and disconnect the gas supply pipe.
- disconnect all the power connections.
- loosen the screws (4) that secure the burner unit (5) on the appliance.
- delicately lift and remove the unit (5).
- loosen the screws (6 and 7) to remove the electrode unit (1) plus gas valve (8). Be careful not to damage the seals (9) and the spacer (10).
- separate the electrode unit from the valve by disconnecting the power connections on the control unit and the gas pipe (11) by loosening the connection.
- fit the new electrode unit in reverse sequence to removal.





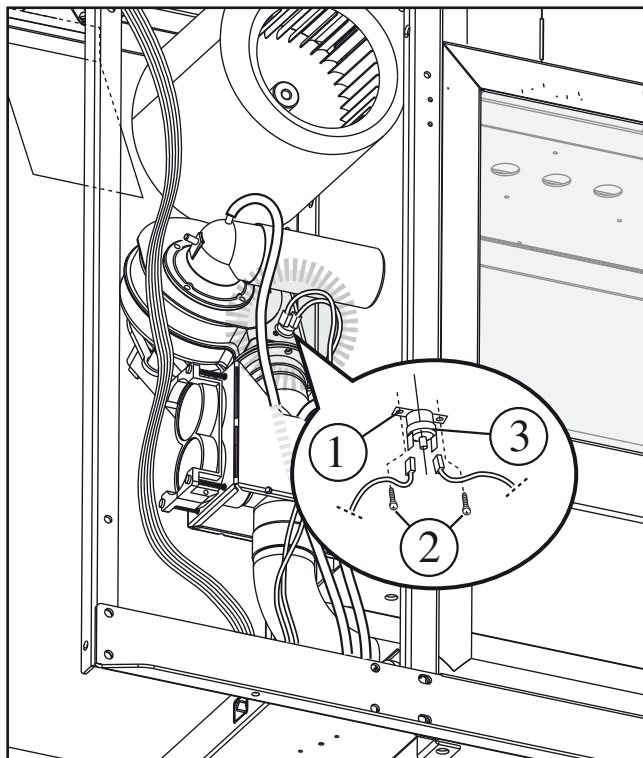
### Replacing the safety thermostat (manual resetting)

Follow the instructions below to remove and refit the thermostat (3):

- remove the thermostat retention bracket (1) by loosening the screw (2).
- disconnect the power connectors from the Safety thermostat.
- refit the thermostat unit in reverse fitting sequence.

The safety thermostat trips if the convection fan is not working properly or anomalous overheating occurs and/or the outflowing air temperature reaches over 107°C, disengaging the burner, closing the gas valve and stopping the appliance.

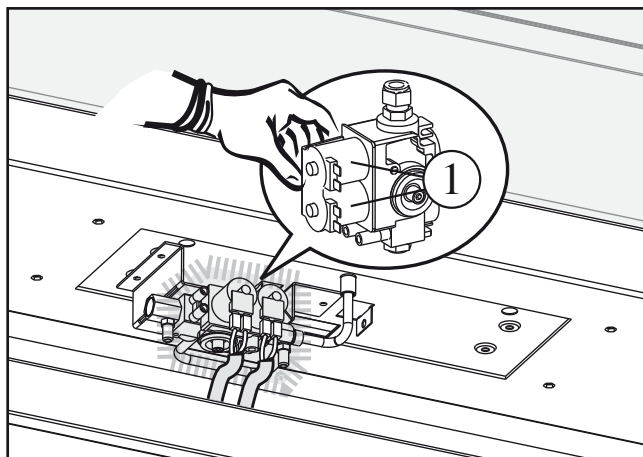
In case of part replacement (electronic boards, valves, thermostats, pressure switches, fans, etc.), only use the Manufacturer's Original Spares.



### Replacing the SIT gas valve coils

The coil unit (1) cannot be replaced.

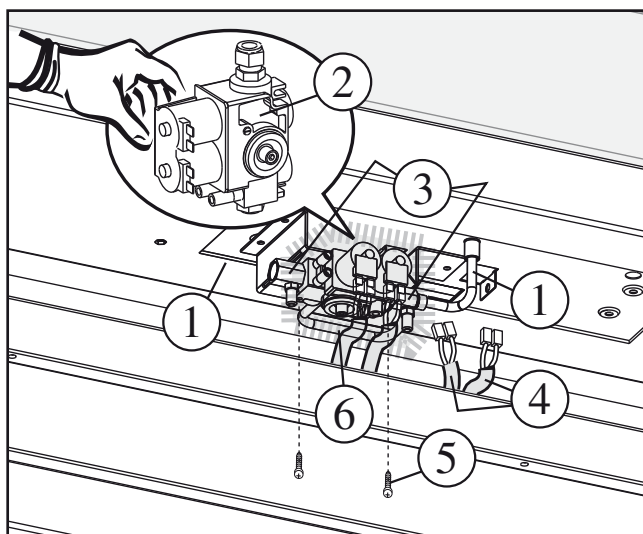
**In case of a fault, the entire gas valve unit will have to be replaced.**



### Replacing the SIT gas valve

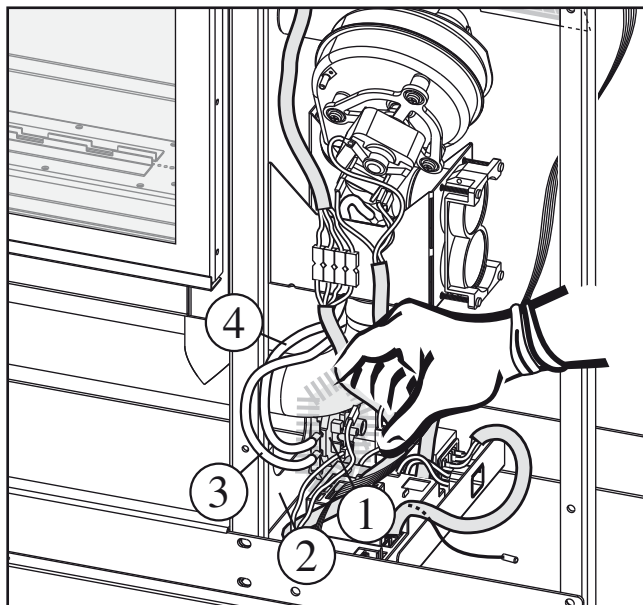
Follow the instructions below to remove and refit the valve:

- loosen the screws that secure the valve on the metal support.
- remove the power connections (4).
- loosen the screws (5) that secure the valve (2) on the metal support.
- loosen the locknut that secures the pipe (1) to the valve body (2).
- loosen the locknut of the pipe (6) connected to the electrode unit.
- remove the faulty valve and all the gas connections (3) connected to it.
- fit the new valve in reverse sequence to removal.



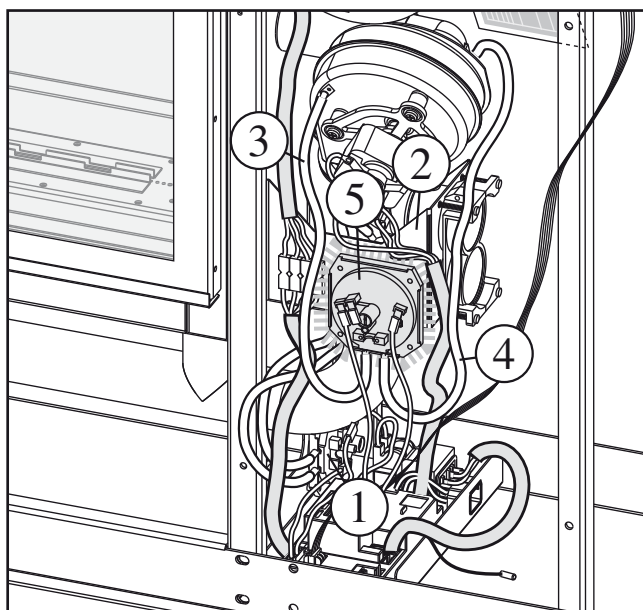
### Replacing the pressure switch 1 (serial)

- Follow the indication to replace the Pressure switch
- Extract the pressure switch (1) from support (2)
  - Take off the tubes (3 & 4) and the electrical connectors from the pressure switch.
  - Reassemble the new pressure switch
  - Insert the silicone tubes (3 & 4), also be real careful when you reconnect the cables, if you are not sure of what you are doing look at the electrical diagram.



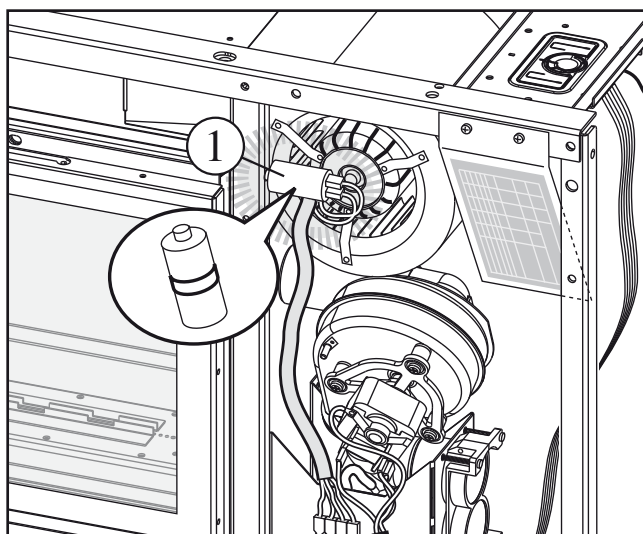
### Replacing the pressure switch 2 (optional KIT)

- The pressure switch 2 (5) is an accessory needed in case the appliance is installed with separate and independent pipes instead of the classic solution with parallel pipes joined in a single end piece.
- Fit or replace the pressure switch 2 using the same procedure described for the pressure switch 1 (standard).
- Fit the silicone pipes and the power connectors being very careful not to switch them over as this would negatively affect good appliance operation; in case of doubts, refer to the wiring diagram.



### Replacing the condenser

- Follow the instructions below to remove and refit the fan condenser:
- take out the damaged condenser (1)
  - replace the component part and fit it back, performing removal operations in the opposite sequence.



**⚠ To replace or add any component, always use only Original Accessories and Spare Parts supplied and certified by the Manufacturer.**

## ARRANGING CERAMIC LOGS WITH ASHES, RIVER PEBBLES AND SMALL CERAMIC WOOD PIECES

Depending on the purchased code, the Appliance can be supplied with accessories:

- **KIT A:** pack of river pebbles
- **KIT B:** pack of small ceramic wood pieces.

**⚠ Use only the ashes, ceramic logs and river pebbles supplied with the Appliance. Do not add others and follow the instructions of the Manufacturer.**

**⚠ Only ever use original parts or spares supplied by the Manufacturer, installation must be made by personnel authorised by the Manufacturer or approved technician.**

### Installation

- Remove the lock device (1) and open the front door (2) to access the hearth chamber (3);

**⚠ It could occur that by removing the lock device, the door suddenly opens, as this is pressed up against the seals (4). Be careful when opening to avoid any injuries or damage.**

**After releasing the door, make sure the supporting hinges (5) are in good condition, otherwise replace them.**

- Distribute the ashes on the burner, being careful they do not penetrate in the pilot protection to avoid any damage;

- Position the logs provided in the order shown and according to the purchased model (see following pages);

**⚠ Position the ashes and logs using a protective mask to avoid inhaling ceramic fibre particles.**

**Be careful when positioning the ashes and logs. These must never touch the walls of the chamber or cover the gas outlet or combustion air holes.**

**Carefully and delicately position the ashes and all the logs. They are very fragile components.**

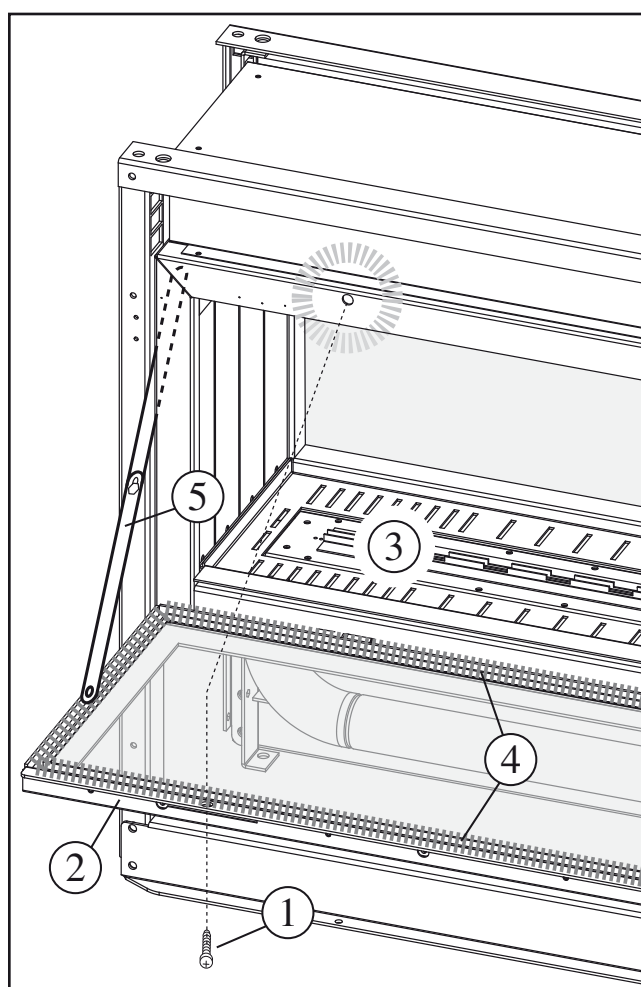
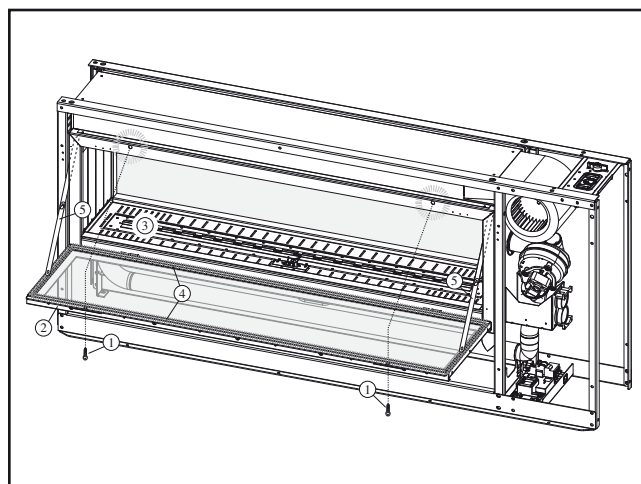
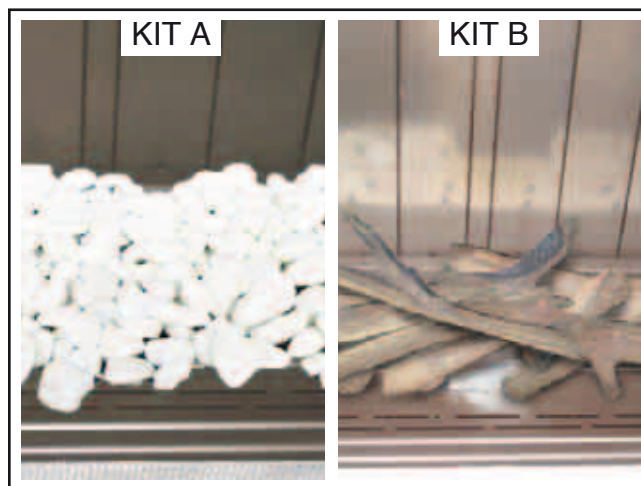
**If you find one or more broken or chipped logs, do not instal these, but replace them immediately.**

- Position all the river pebbles or small wood pieces;

**⚠ Be careful when positioning the pebbles. These should never cover or block the gas or combustion air outlet holes.**

- Close the front door and make sure the seals are positioned correctly;

- Ignite the Appliance to test the "behaviour" and appearance of the flame.

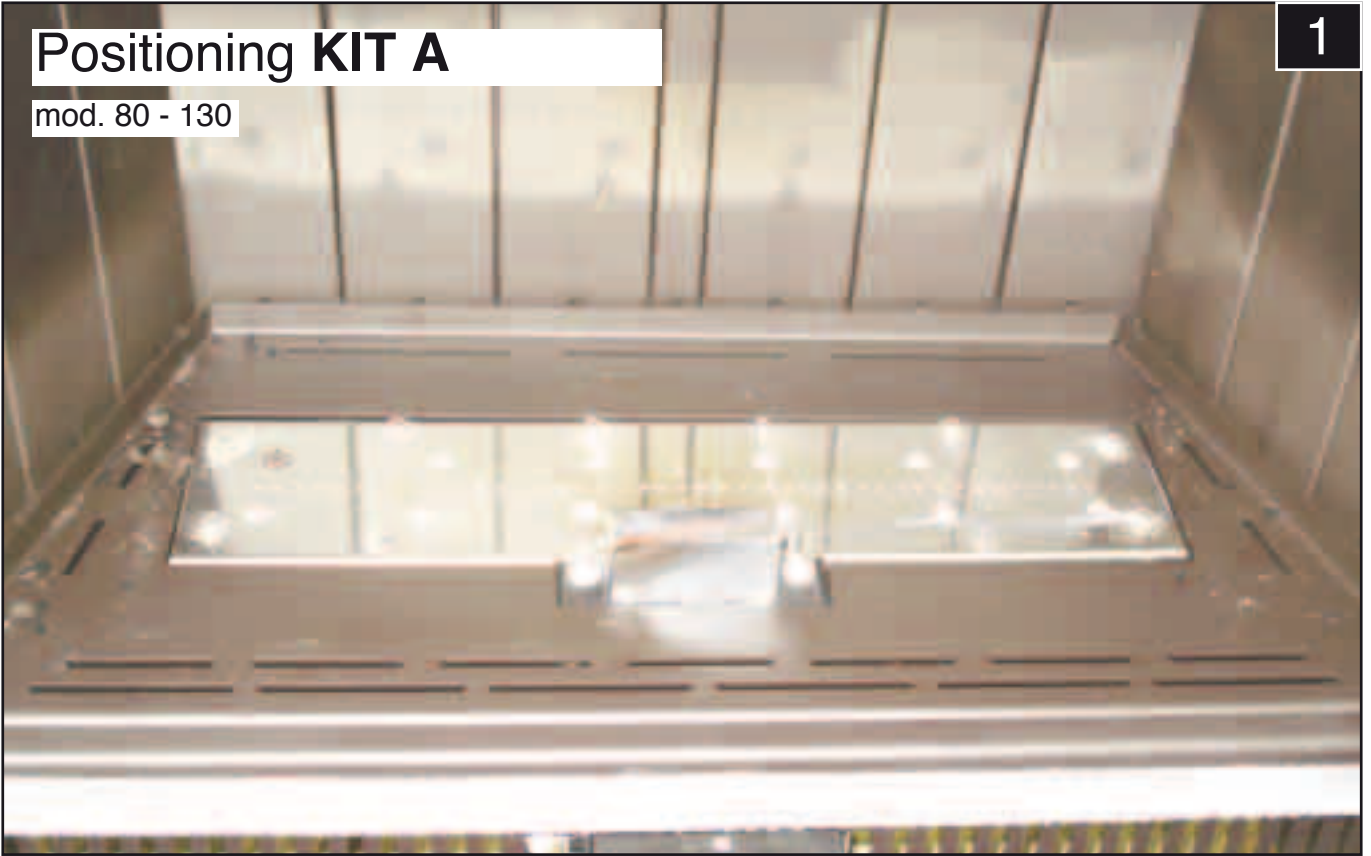




# Positioning KIT A

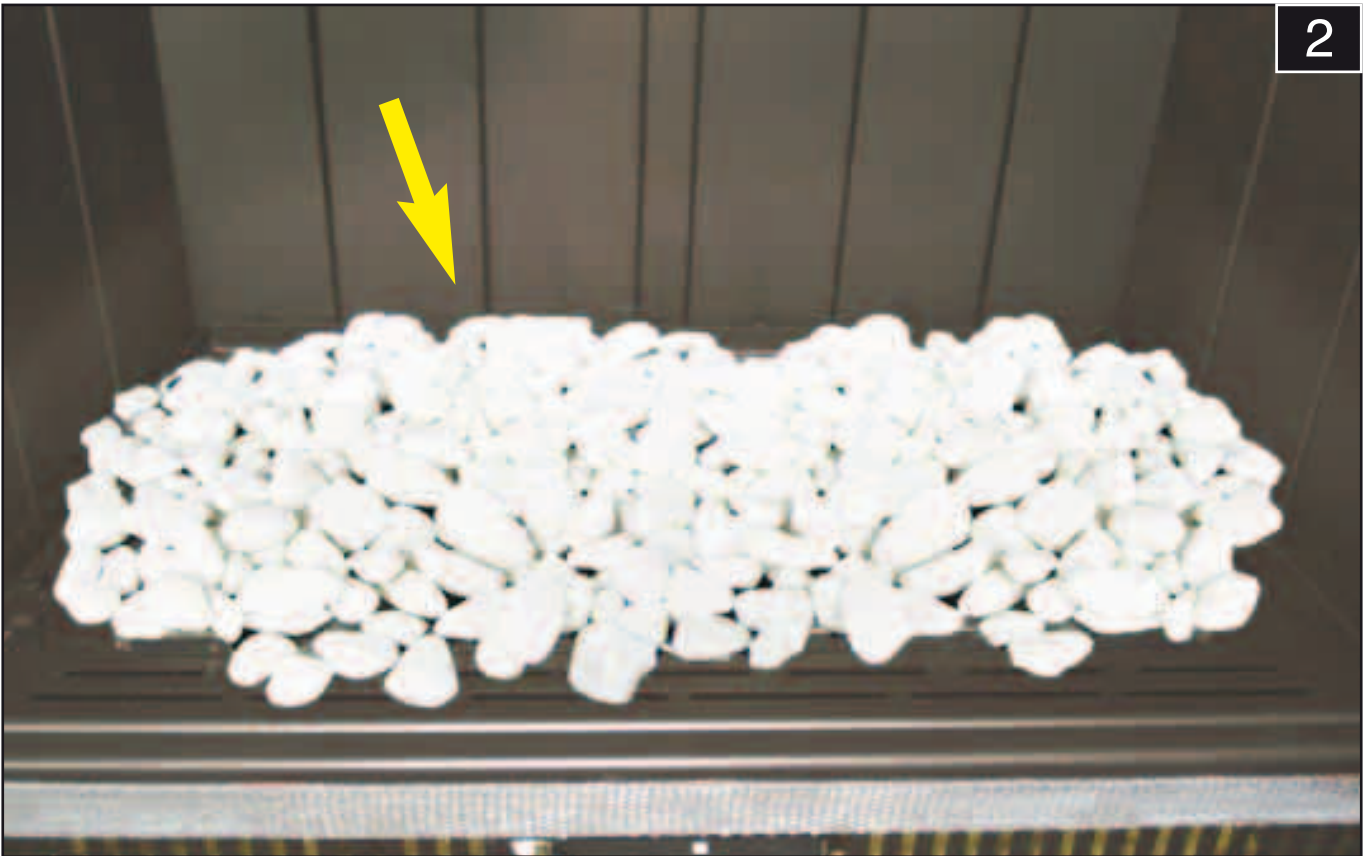
mod. 80 - 130

1



Fireplace insert inner top.

2



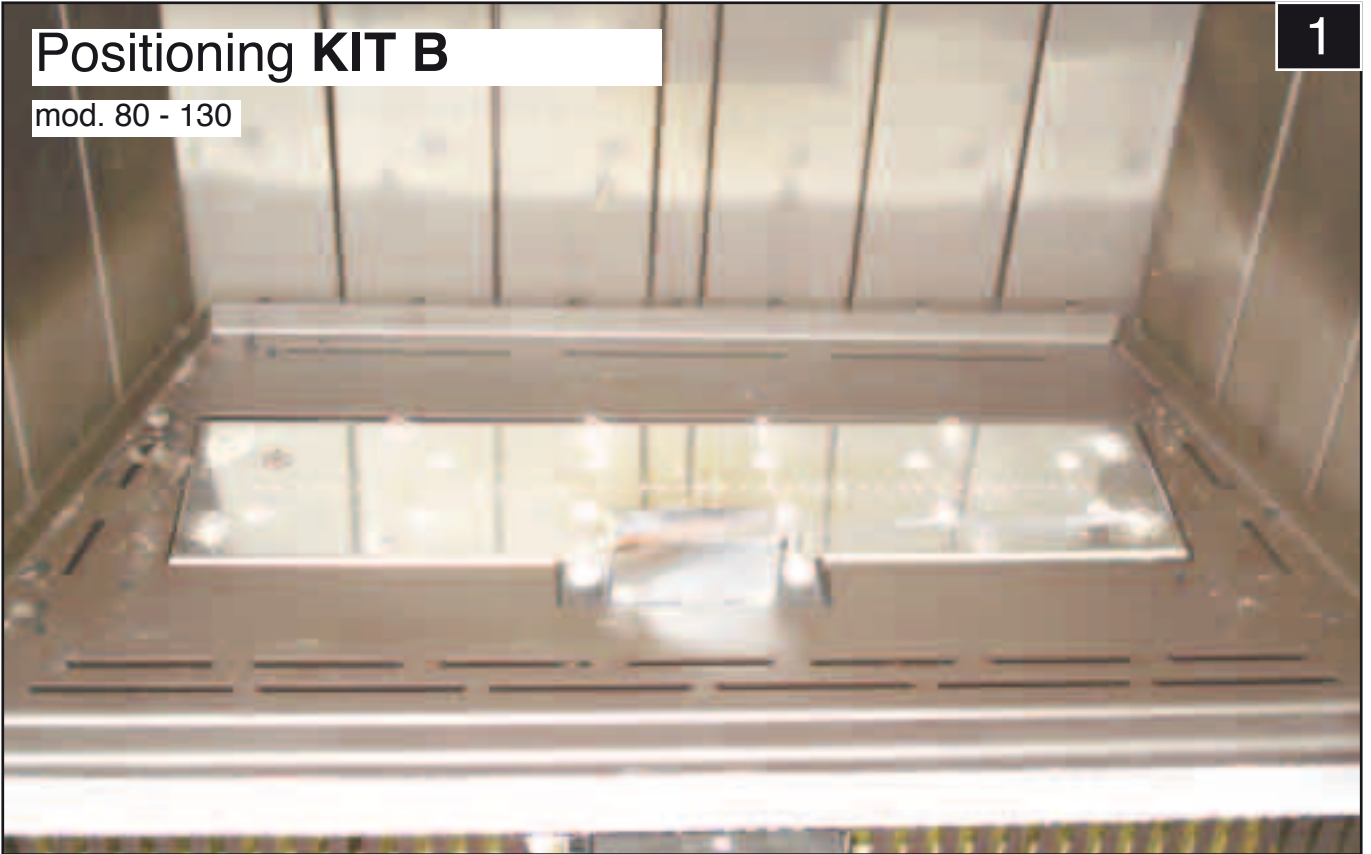
Position all the river pebbles inside the insert, END.



# Positioning KIT B

mod. 80 - 130

1



Fireplace insert inner top.

2



Position all small wood pieces inside the insert, END.

## MAINTENANCE

**⚠ ONLY EVER CLEAN THE APPLIANCE WHEN IT IS SWITCHED OFF AND COMPLETELY COLD.**

### Cleaning the casings:

- **Stainless steel**, clean with a soft and dry cloth before using any kind of detergent (including of the delicate type). After this first operation, it is best to use grease removing detergent such as acetone or vinegar diluted in water.

- **Coated metal**, use a soft cloth dampened in water.

**⚠ Do not clean the coated metal parts with alcohol, thinners, benzene, acetones or other grease-removing or abrasive substances. In the event of such products being used, the Manufacturer disclaims all liability for any damage caused: colour changes, scratches, etc.**

- **Glass casing**, use a soft cloth dipped in water or product suitable for cleaning polished, mirror and glass surfaces.

### ROUTINE MAINTENANCE

**⚠ Any type of job done on the appliance must only be performed by a qualified technician and AT LEAST ONCE A YEAR.**

#### Cleaning the hearth

- Open the door and delicately remove all the ceramic elements.
- Remove the mat from the upper table of the burner, check its integrity and remove any deposits with the aid of a vacuum cleaner and a soft and **non-metallic brush**.
- Replace the mat.
- Delicately brush and reposition all the ceramic elements and if necessary change the damaged elements.
- Check all the door seals (including glass) and close again.

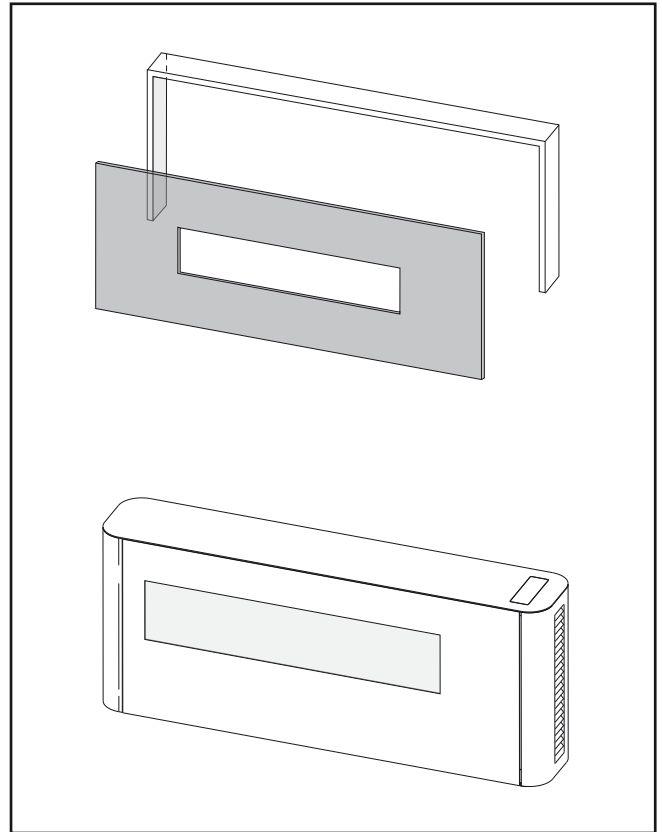
#### Check the burner and for any gas leaks

- Make sure the burner is clean and check its integrity.
- Check the gas outlet safety system. If necessary adjust the burner. The technician must also check the regulation pressure at the burner inlet.
- Check the existence of any gas leaks in the system.
- Proceed to check the ignition.

#### Checking the pipes.

Check the correct operation of the fume exhaust and combustion air suction pipes.

**⚠ Only use the Manufacturer's original spare parts. The use of non-original parts will immediately invalidate the warranty. These could also be hazardous and damage the appliance.**



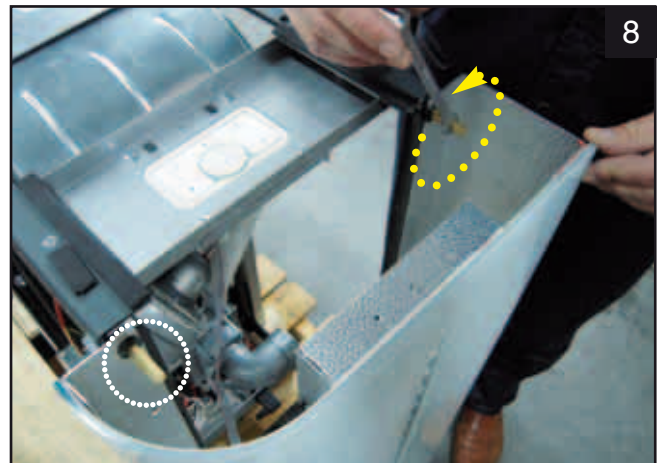
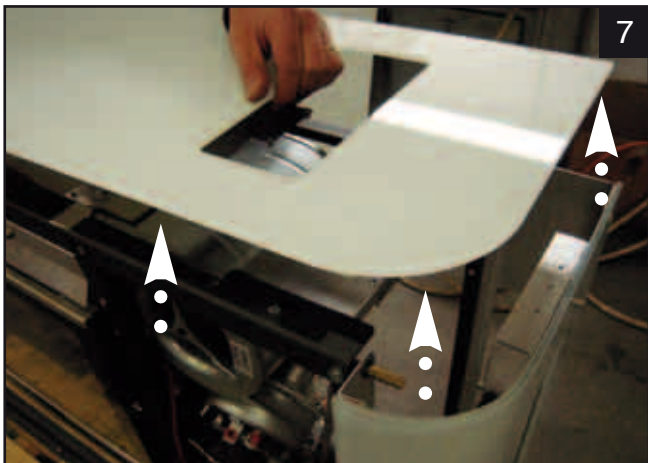
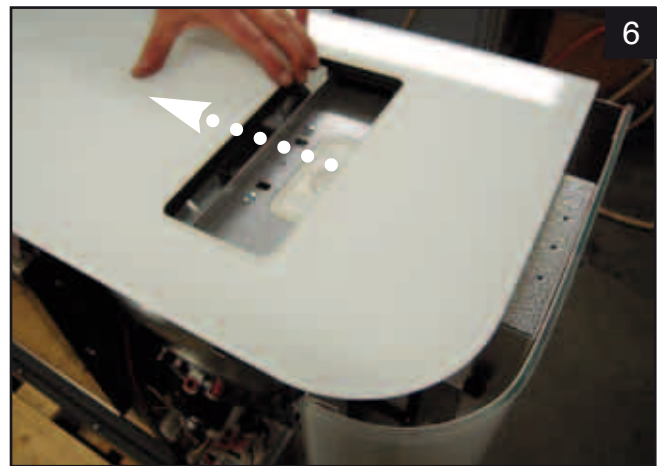
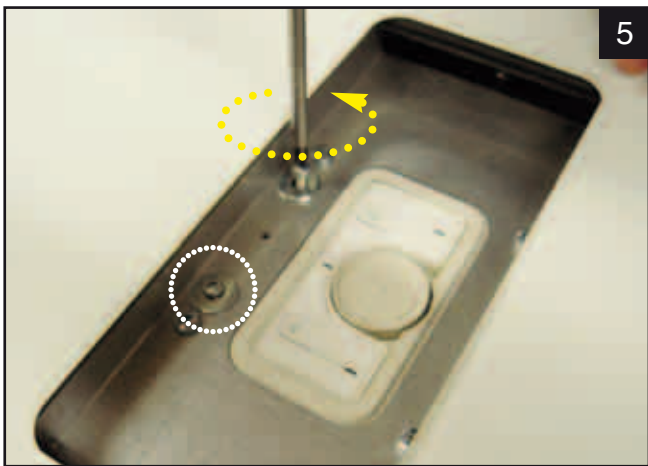
**The Appliance must only be used for the purpose intended by the Manufacturer and for which it was expressly designed and made.**

**⚠ The Manufacturer disclaims any contractual and non-contractual liability for injuries and damage caused to people, animals or things as a result of the wrong installation, regulation, maintenance or improper use of the Appliance.**

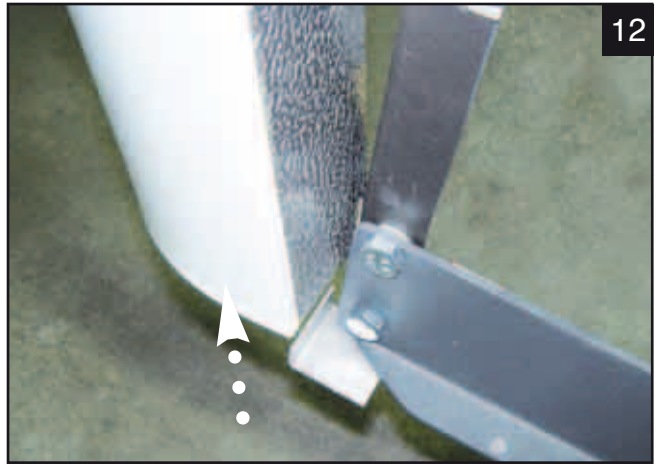
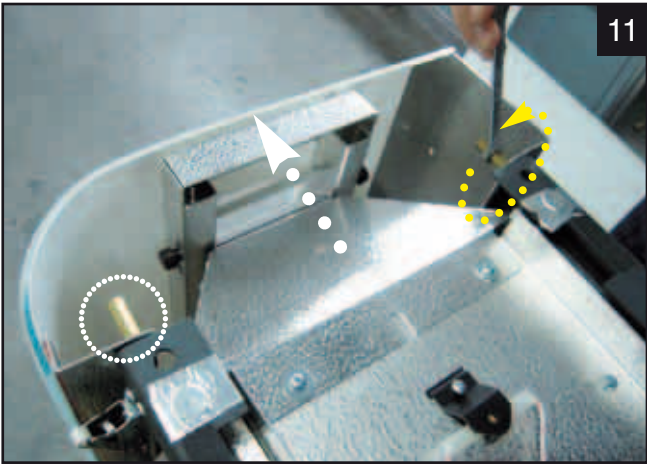
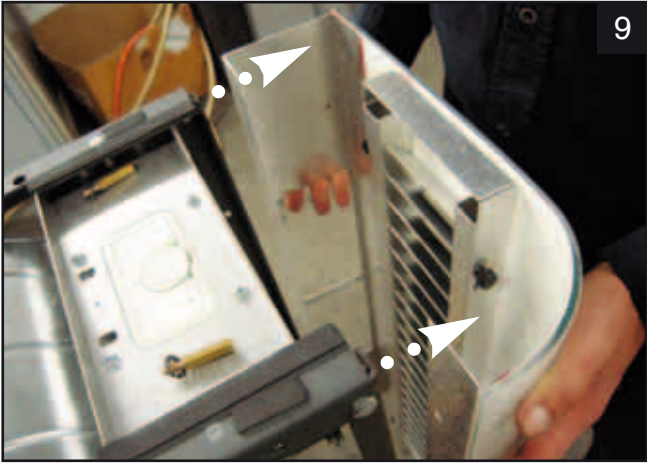
**⚠ Spare parts and/or technical jobs require the prior identification of the model of appliance to which they refer.**

**The tampering, removal, lack of Technical Plate, etc., will not allow the correct identification of the product and will make installation operations and subsequent maintenance jobs difficult.**

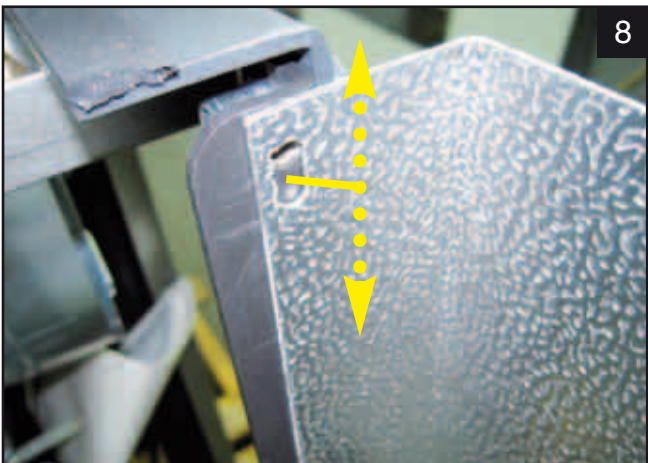
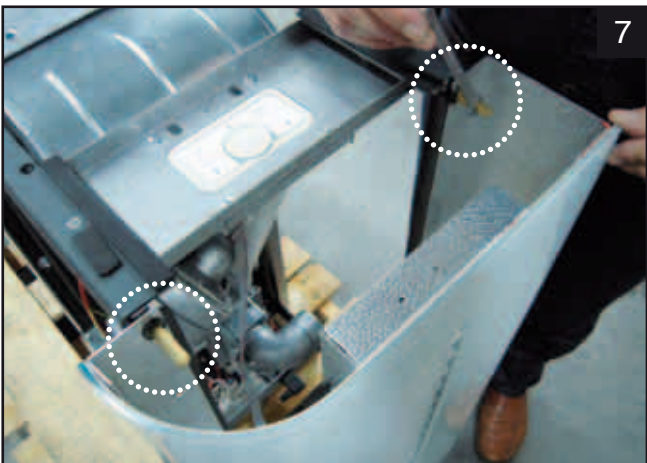
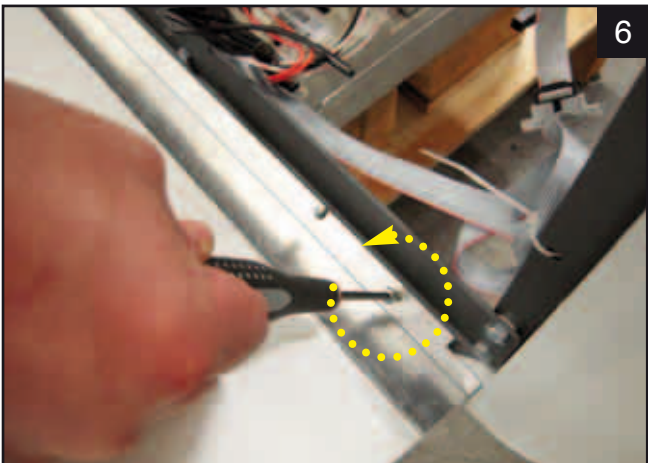
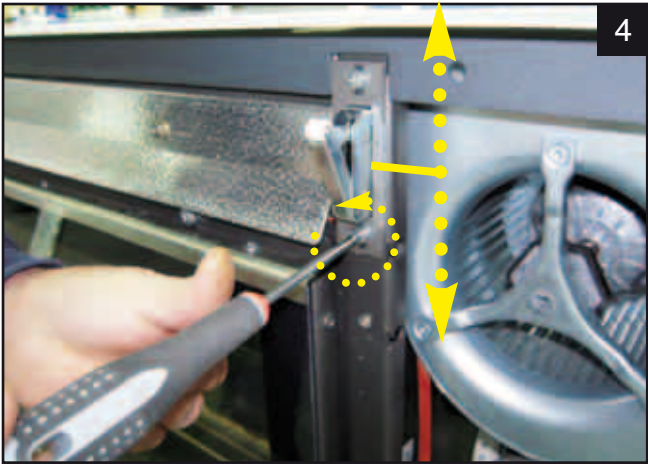
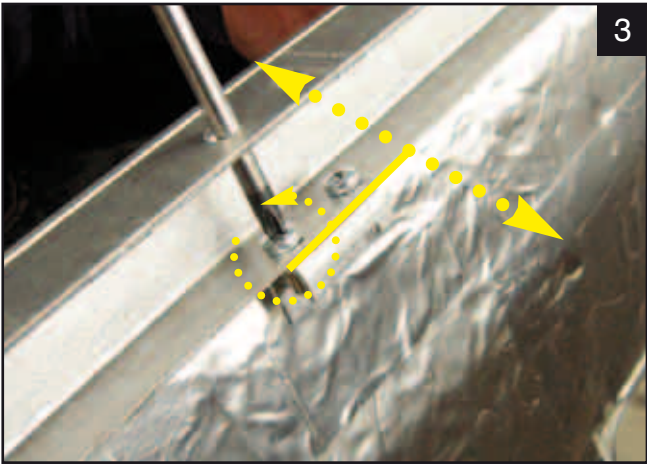
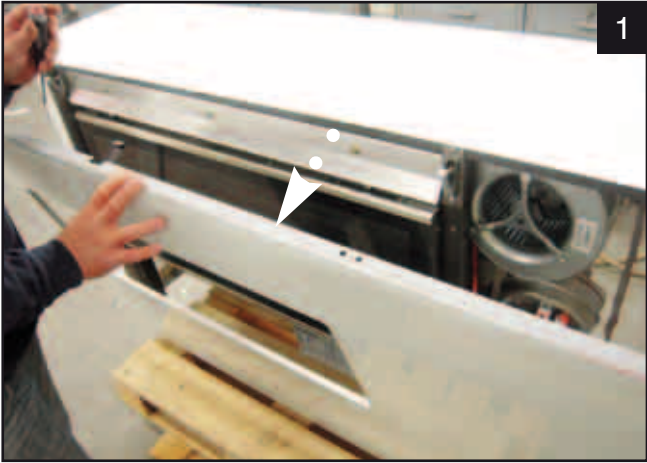
## DISASSEMBLY & RIASSEMBLY OF THE SKIRT







**ADJUSTMENT THE CASING**



## EVENTUAL ANOMALY

### The pilot flame does not burn or does not work

- Make sure the size of the pilot burner flame is correct for the type of gas used.
- Make sure the flame converges on the flame detection sensor.
- Check pilot flame adjustment.

### The main burner does not work

- Check the correct gas pressure and supply.
- Switch the appliance on to full output, close all the other gas utilities and read the meter.

**⚠ Make sure burner combustion is correct: uniform flame on entire burner surface.**

### The pilot flame does not ignite or does not stay on

- Make sure the gas tap on the appliance, meter or cylinder is open.
- Make sure the pilot burner injector is clean.
- Check the integrity of the flame and ignition detec-

tion electrodes.

- Check the mains or cylinder gas (propane LPG) supply.

### The Appliance fails to start

- Check operation of the On/Off switch.
- Check operation of the manual controls.
- Make sure the control unit is set for this type of Appliance.
- Make sure the Wireless control is set for this type of Appliance.

FAULT	CAUSE	REMEDY	
The appliance does not start	Power supply disconnected /	Check.	
	Incorrect gas pressure	Set correct pressures	
	Thermostat fails to engage	Adjust the thermostat	
	No signal from pressure switch.	Check/Replace: - not suitable pipes (diameter, length, curves, fitting) - pressure switch (operation/connections) - small pipes (cleaning) - centrifugal fan (connection/operation).	
	Burnt-out fuse	Replace	
	Control board faulty	Replace	
	High room temperature	Room thermostat set too high.	
	Air in gas pipes	Bleed	
	The appliance fails to start (appliance not working properly / blocked)	Incorrect ignition electrode distance	Reset the correct distance
		Nozzles dirty	Clean nozzles
Installed nozzles not suitable for gas used		Fit right nozzles	
Control board faulty		Replace	
Gas valve closed		Check / Replace: - Safety thermostat tripped (tang. fan or faulty thermostat, gas setting) - Valve faulty	
Wireless synchronization inactive	Synchronize the Wireless		
The timer does not engage or does not work	Wrong programming	Adjust the program.	
	Wrong function programming	Position on "AUTO"	
	Power supply switch OFF.	Reset and re-programme the timer.	



FAULT	CAUSE	REMEDY
The thermostat does not engage.	Thermostat programming wrong	Adjust thermostat: - increase - decrease.
	Unfavourable Wireless or appliance position.	Change position
	Upper or lower grille blocked	Clean / Free
	SPLIT probe has come out of seat.	Position correctly
	INTEGRATED room probe faulty	Replace Wireless
No spark at ignition	Ignition electrode/detection unit faulty, earthed or badly connected	Check / Replace
	Flame control board faulty	Check / Replace
The burner switches off during operation	Not enough gas pressure or pressure incorrect.	Check/Adjust gas
	Inlet and exhaust pipes fitted badly	Check / Reset: - pipe length - appliance / pipe seal
	Inlet/outlet diaphragms not installed	Fit diaphragms
The appliance fails to heat properly	HEATING programming set at MIN.	Set at MAX.
	Gas/nozzle pressure below par.	Check and regulate the gas / replace.
	Power of appliance not enough for installation premises.	Replace the appliance with a more powerful one.
The centrifugal fan does not work	Faulty control board.	Replace
	Faulty motor	Replace
	Faulty pressure	Replace
The tangential fan does not work	Faulty control board.	Replace
	Faulty motor.	Replace
Reduced hot air flow	Faulty tangential fan.	Replace
	Inlet / outlet grille blocked.	Free
Fan does not switch speed	Faulty flame control board.	Replace
Burner does not switch power	Digital Chronothermostat faulty.	Replace
	Faulty flame control board.	Replace
	Faulty gas valve.	Replace
	Faulty/wrong cables.	Replace/ set correctly.
Digital control display switches off (also with buffer batteries)	Batteries discharge	Replace
	Faulty Wireless	Replace
Vibrations between combustion engine and aluminium pipe section	No vibration-damper sleeve	Fit vibration-damper sleeve

**Seller**

.....  
Street .....  
tel. ....

**Installer**

Sir .....  
Street .....  
tel. ....

**Technical Service Assistance**

Sir .....  
Street .....  
tel. ....

Date	Intervention







# WARRANTY CONDITIONS

Every ITALKERO apparatus is supplied with a warranty certificate, including the free coupon and the first testing of the convector. The user must be informed, that with this warranty you have all the rights of a customer, at second the law 99/44 CE.

## 1) The warranty.

The warranty begins from the date that the Technical service Assistance effectuates the testing, if the convector is not tested the warranty decades. The request of the testing has to be made by Technical service Assistance in the 15 working days from the date of the installation. If the testing is done after the start of the convector, the warranty begins from the date of the delivery.

2) Duration ITALKERO guarantees 10-year duration on the heat exchanger & combustion chamber. All the other components have a warranty of 24 months.

3) Term Decade denunciation obligation. The owner has to denounce the malfunction of the apparatus within 2 months from the identification of it.

## 4) Warranty exclusion

The present warranty excludes damages & defects coming from:

- Damage during the transport.
- Wrong installation
- Interventions by not authorized persons.
- Electric installation not in compliance with laws and not proper gas usage
- Convector normal use
- Atmospheric agents
- Improper use
- All the cause above don't depend from ITALKERO

The warranty comp rends the restoration compliance of the apparatus. The warranty doesn't cover the damages that are done from people's are other things.

## 5) On line.

The warranties comprise the testing coupon with out charging the user. The warranty certificate has to be conserved for the Technical Service Assistance. Whenever there are going to be any original malfunction of the apparatus coming from the projection, or the fabrication, the user is going to have a free exchange of the apparatus if all the precaution is been

taken from an installer. These intervenes are effectuated freely for the user, for the elimination of the original defects. The material warranted is exclusively prarty of ITALKERO and it has to be returned with out any other damages, and provided with the appositive label compile from Technical Centre Assistance. Intervenes & substitution that are caused from persons are other things the cost price are excluded.

## 6) Territorial validity.

The warranty is valid only if the convector is installed in the National Italian territory.

## 7) Acceptance.

The warranty is convaliteted only if the testing coupon, is proprely completed in all his parts, this has to be signed by a Centre Assistance and from the User that going to conform and understand all the above indicated clause.

**ITALKERO S.r.l.**  
Via Lunumbo, 2  
Zona Industriale Torrazzi  
41100 Modena (Italy)  
Tel. ++39(0)59/252071 - FAX ++39(0)59/250126

**CERTIFICATO DI GARANZIA/CERTIFICAT DE GARANTIE/WARRANTY CERTIFICATE**

DATA DI COLLAUDO / DATE D'ACHAT PAR L'UTILISATEUR / PURCHASE DATE OF THE END USER

LOCALIZZAZIONE / TIPOLOGIA / LOCALISATION et TYPOLOGIE / INSTALLATION and LOCALIZATION

COGNOME/NOM/SURNAME / NOME/PRENOM/NAME / VIA/RUE/ADDRESS / CAR/CI/ZIP / SOC./SOC./CITY / PR./PR./CC / CC / COUNTY

Primo casa / Seconda casa / Prima abitazione / Residence secondaire / First house / Second house

Quantità sono installati? / Combien sont installés? / How many are installed? / Uno solo/Un seul/Only one / Più di uno/Plusieurs/More than one

Contratto di manutenzione programmata / Abonnement d'entretien annuel / Programmed maintenance contract

**IT** L'utente dichiara di accettare tutte le condizioni di garanzia, di aver constatato il buon funzionamento dell'apparecchio, di essere in possesso del libretto di istruzioni, di aver preso visione di quanto scritto e raccomandato sul presente certificato. **Garanzia di consumatore e libretto di istruzioni di cui alla direttiva 99/44 CE.** Il testo completo delle condizioni di garanzia è riportato all'interno del Libretto di Istruzioni, Uso e Manutenzione del prodotto.

**FR** L'utilisateur déclare d'accepter toutes les conditions de garantie, d'avoir constaté le bon fonctionnement de l'appareil, d'être en possession du manuel d'instructions, d'avoir lu ce qui est écrit et recommandé sur le présent certificat. **Conditions de garantie aux termes de la loi 99/44 CE.** Le texte complet des conditions de garantie se trouve à l'intérieur de la Notice d'emploi et d'entretien du produit.

**UK** The user declares that he accepts all the conditions of the guarantee, that he has verified that the appliance works properly, that he is in possession of the instruction manual and has read the terms and recommendations on this certificate. **Warranty conditions: as by law 99/44 CE.** The warranty conditions are given in full inside the product's instruction Manual.

Fabbricato da/Fabriqué par / Made by ITALKERO Srl

Copia per / Copie pour / Copy for ITALKERO

example of Warranty certificate

FACSIMILE



Sticking coupon

Product code → EN30T2MOG0

Product bar-code → [Barcode]

Product bar-code transcription → 7 50252 00911 4

Register bar-code → [Barcode]

Register bar-code transcription → 0 02232 71913 2

00 ITALKERO code

YEAR 2002

WEEK 23

271913 running number

Product register format.



**ITALKERO S.r.l.** . via Lumumba 2 . Zona Ind. Torrazzi . 41122 Modena . Italy . Tel +39 59 2550711 . FAX +39 059 4900500 . [www.italkero.it](http://www.italkero.it)

NOTA: Nel continuo perfezionamento del prodotto, le caratteristiche estetiche e dimensionali, i dati tecnici, gli equipaggiamenti e gli accessori, possono essere soggetti a variazione.  
NOTE: Due to ongoing product upgrading, aesthetic and dimensional features, technical details, fittings and accessories could undergo changes and are not binding.