

Thermador | *An American Icon™*

VENTILATION INSTALLATION MANUAL

MODEL: VCI 230/236/248 DS



IMPORTANT SAFETY INSTRUCTIONS

Read All Instructions Before Using the Appliance.
READ AND SAVE THESE INSTRUCTIONS.

WARNING

TO REDUCE THE RISK OF FIRE, ELECTRIC SHOCK, OR INJURY TO PERSONS, OBSERVE THE FOLLOWING:

- A. Installation work and electrical wiring must be done by qualified person(s) in accordance with all applicable codes and standards, including fire-related construction.
- B. Sufficient air is needed for proper combustion and exhausting of gases through the flue (chimney) of fuel burning equipment to prevent backdrafting. Follow the heating equipment manufacturer's guideline and safety standards such as those published by the National Fire Protection Association (NFPA), and the American Society for Heating, Refrigeration and Air Conditioning Engineers (ASHRAE), and the local code authorities.
- C. When cutting or drilling into wall or ceiling, do not damage electrical wiring and other hidden utilities.
- D. Ducted fans must always be vented to the outdoors.
- E. Always unplug or disconnect the appliance from the power supply before servicing.
- F. This unit is designed for indoor use only. Use this unit only in the manner intended by the manufacturer.

WARNING

Caution: For general ventilating use only. Do not use to exhaust hazardous or explosive materials and vapors.

To reduce risk of fire and to properly exhaust air, be sure to duct air outside. Do not vent exhaust air into spaces within walls, ceilings, attics, crawl spaces or garages.

TO REDUCE THE RISK OF FIRE, USE ONLY METAL DUCTWORK.

To reduce the risk of fire or electric shock, do not use the fan with any solid-state speed control device.

This appliance has been found to be in compliance with UL507 Standard for Electric Fans and CAN/CSA-22.2 No. 113 Canadian Standard for Fans and Ventilators. It is the responsibility of the owner and the installer to determine if additional requirements or standards apply in specific installations.

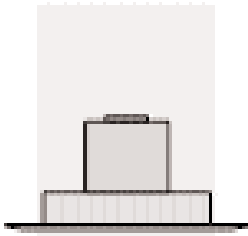
This unit is manufactured for indoor use only. Do not use this unit outdoors.

Tools Needed

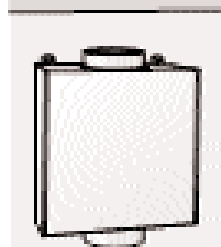
- Tape measure
- Philips screwdriver
- Duct tape
- Ductwork (configuration varies depending on location)
- Additional sheet metal screws (as necessary for ductwork installation)

Parts Included

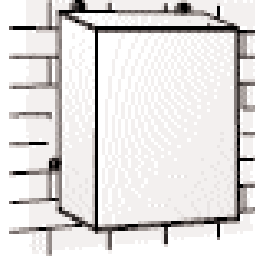
- Appliance assembly (1)
- Wood screws (4)
- Metrical screws M5x45 (4)
- Hardware for mounting brackets (2)
- Plugs UX6 (4)



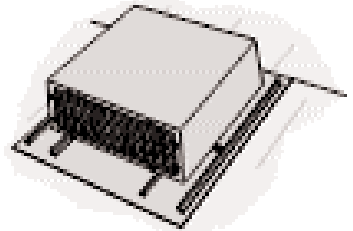
VTI 610 D



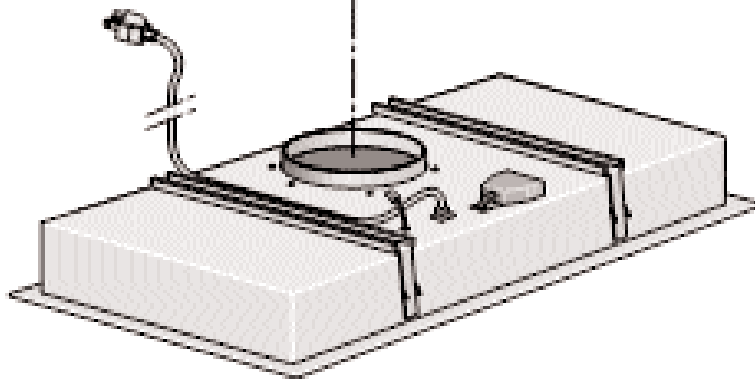
VTI 610 D
VTI 1010 D



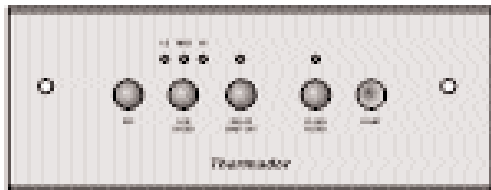
VTR 630 D
VTR 1030 D
VTR 1500



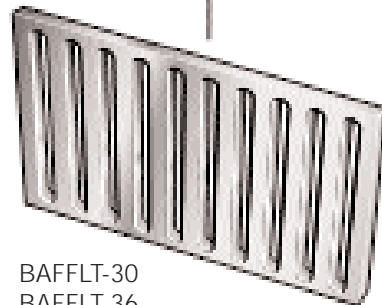
VTR 1500
(+ Accessories)



Accessories



Wired Remote Control VCI 2 REM



BAFFLT-30
BAFFLT-36
BAFFLT-48

IMPORTANT INFORMATION:

⚠ Old appliances are not worthless junk. Valuable raw materials can be reclaimed by recycling old appliances. Before disposing of your old appliance, render it unusable.

⚠ You received your new appliance in a protective shipping carton. All packaging materials are environmentally friendly and recyclable. Please contribute to a better environment by disposing of packaging materials in an environmentally-friendly manner.

⚠ The hood can only be used in exhaust air mode.

⚠ Always mount the hood over the center of the cooktop.

⚠ Minimum distance between electric cooktop and bottom edge of hood: **30" mm**, Fig. 1.

⚠ The extractor hood must not be installed over a solid fuel cooker – a potential fire hazard (e.g. flying sparks) – unless the cooker features a **closed, non-removable cover** and all national regulations are observed.

⚠ The smaller the gap between the hood and burners, the greater the likelihood that droplets will form on the underside of the hood.

Additional gas cooktop information:

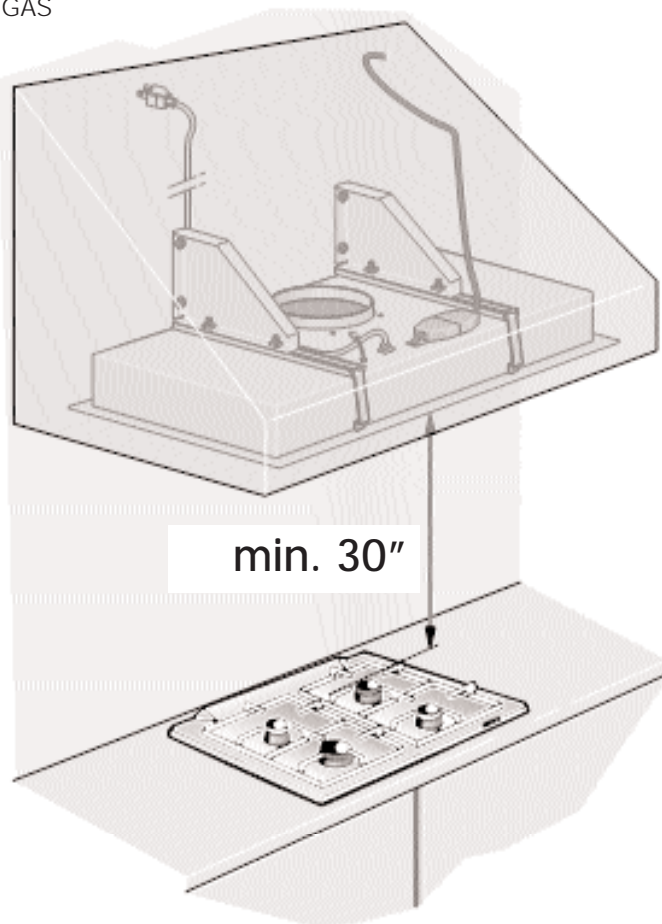
⚠ When installing gas cooktops, comply with the relevant national statutory regulations.

⚠ Always comply with the currently valid regulations and installation instructions supplied by the gas appliance manufacturer.

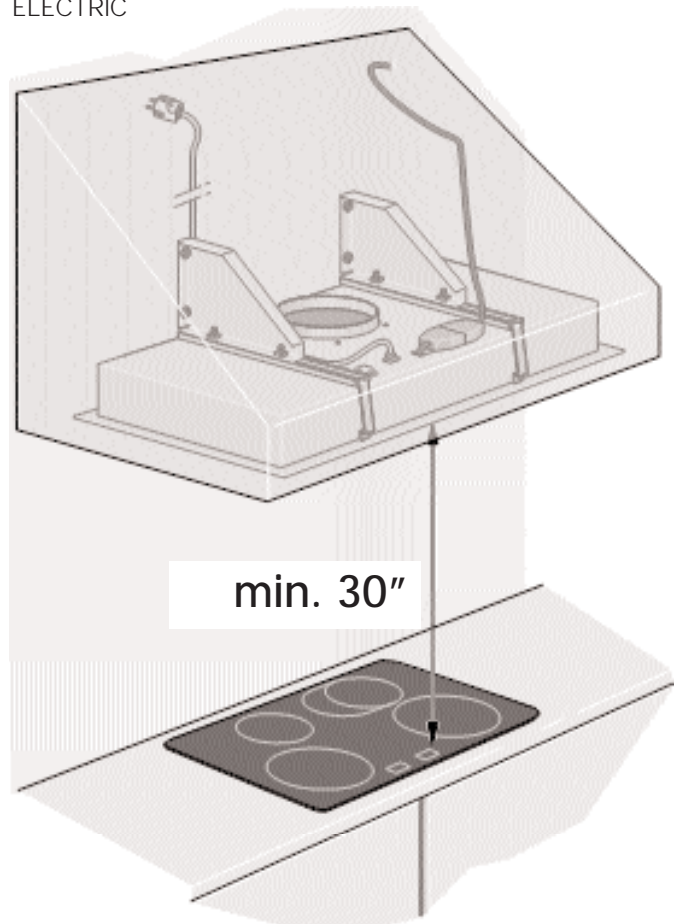
⚠ Only one side of the hood may be installed next to a high-sided unit or high wall. Leave a gap of at least 2".

⚠ Minimum distance between the upper edge of the gas burner grates and lower edge of the hood: **30"**, Fig. 1.

Fig. 1
GAS



ELECTRIC



BEFORE INSTALLATION

EXHAUST-AIR MODE

The exhaust air is discharged upwards through a duct or directly through an exterior wall to the outdoors.

☞ Exhaust air should neither be directed into a smoke or exhaust flue (chimney) that is currently used for other purposes nor into a duct that is used for ventilating rooms in which stoves or fireplaces are also located.

Exhaust air may be discharged in accordance with official and statutory regulations only (e.g. national building regulations).

Local government regulations must be observed when discharging air into smoke or exhaust flues that are not otherwise in use.

☞ **When the extractor hood is operated in exhaust-air mode simultaneously with a different heating system that also makes use of the same chimney** (such as gas, oil or coal-fired heaters, continuous-flow heaters, hot-water boilers), care must be taken to **ensure that there is an adequate supply of fresh air**, which will be needed by the heating system for combustion.

Safe operation is possible provided that the negative pressure in the room where the heating system is installed does not exceed 4 Pa (0.04 mbar).

This can be achieved if combustion air can flow through non-lockable openings, such as doors, windows and through the air-intake/exhaust-air wall box.

WARNING – Avoid risk of poisoning – If the air intake is inadequate, there is a risk of poisoning from combustion gases that are drawn back into the room.

Note: When assessing the overall requirements, the combined ventilation system for the entire household must be taken into consideration. This rule does not apply to the use of cooking appliances, such as cooktops and ovens.

Unrestricted operation is possible if the extractor hood is used in recirculating mode – with activated carbon filters.

If the exhaust air is going to be discharged to the outdoors, a telescopic wall box should be fitted into the outside wall.

For optimum hood efficiency:

- ❑ Short, smooth ductwork.
- ❑ As few bends in the ductwork as possible.
- ❑ Diameter of ductwork to be as wide as possible with no tight bends in ductwork.

If using long, rough exhaust-air ductwork, several duct elbows or ductwork with a narrower diameter, the rate of air extraction will no longer be at an optimum level and there will be an increase in noise.

IMPORTANT: The manufacturer of the hood accepts no liability for complaints which can be attributed to the design and layout of the ductwork.

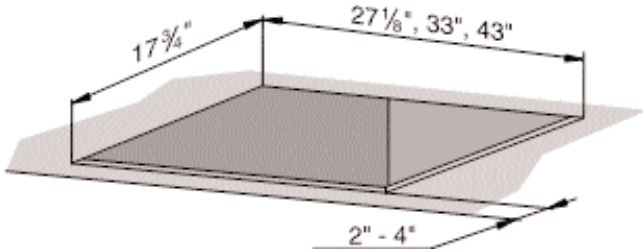
- ❑ **Round duct sections:**
Recommended internal diameter: 6"/10".
- ❑ **Flat ducts** must have an internal cross-section equal to that of round duct sections.
∅ 6" approx. 28.3 inches²
- ❑ **If ducts have different diameters:**
Insert sealing strip for transition.
- ❑ **For exhaust-air mode**, ensure that there is an adequate supply of fresh air.

BEFORE INSTALLATION

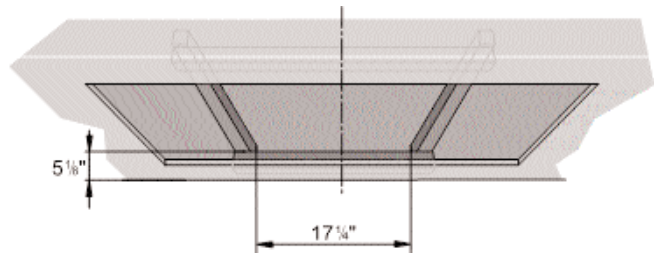
Step 1: PREPARING THE CUTOUT

- ❑ The wall must be flat and vertical.
- ❑ Make sure that the wall is capable of providing a firm hold for mounting screws and plugs.

Weight in kg: XX.XX.

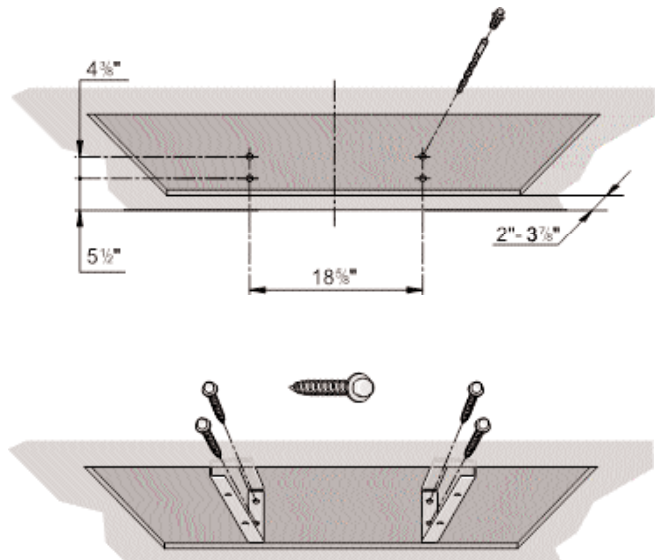


Preparing the wooden framework



Preparing the installation with mounting brackets

4 x 1/4" holes

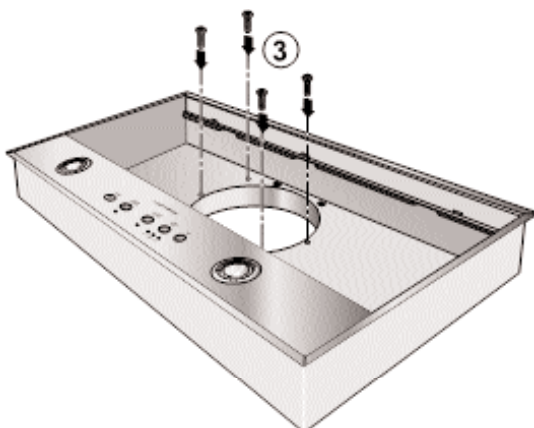
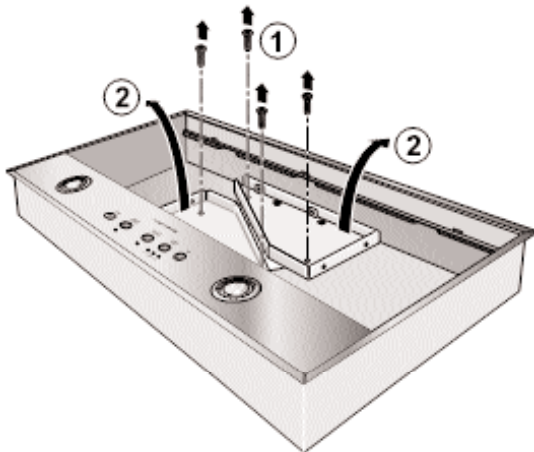


Step 2: PREPARING THE INSTALLATION

There are two mounting methods:

Installation in wooden framework or
Installation with the mounting brackets provided.

- Remove mounting brackets by removing screws



- After removing the mounting brackets, the screws must be inserted again.

Step 3: ELECTRICAL CONNECTION

WARNING: THIS APPLIANCE MUST BE GROUND-ED

The hood should only be connected to a grounded socket that has been installed according to relevant regulations.


If possible, place the grounded socket directly behind the chimney paneling. Attach the grounded socket as close to the appliance as possible and in an accessible location.

- The grounded socket should be connected to its own circuit.
- If the grounded socket is no longer accessible following installation of the extractor hood, make sure that an electrical switch is permanently installed for turning off the appliance.

ELECTRICAL INSTALLATION

Check your local building codes for proper method of installation. In the U.S., if there are no applicable local codes, this unit should be installed in accordance with the National Electric Code ANSI/NFPA No. 70, Current Issue. (In Canada, installation must be in accordance with the CAN 1- B149.1 and .2 - Installation Codes for Gas Burning Appliances and/or local codes).


The appliance must be grounded. In the event of an electrical short circuit, grounding reduces the risk of electric shock by providing a wire that allows the electric current to escape. This appliance has a cord with a ground wire and grounded plug. The plug must be plugged into an outlet that is properly installed and grounded.

 **WARNING** – Improper grounding can result in risk of electric shock.

Consult a qualified electrician if the grounding instructions are not completely understood, or if doubt exists as to whether the appliance is properly grounded.


Do not use an extension cord. If the power supply cord is too short, have a qualified electrician install an outlet near the appliance.

If direct wire installation of the extractor hood is necessary:

 **WARNING** – Avoid risk of electrical shock – If the connecting cable for this appliance is damaged, the cable must be replaced by the manufacturer or his customer service or a similarly qualified person in order to prevent serious injury to the user.

ELECTRICAL DATA:

Data is located on the name plate inside the appliance after removal of the filter frame.

 **WARNING** – Avoid risk of electric shock – Before undertaking any repairs, always unplug the extractor hood from the power supply.

Length of the connecting cable: 55".

This extractor hood corresponds to EC regulations concerning RF interference suppression.

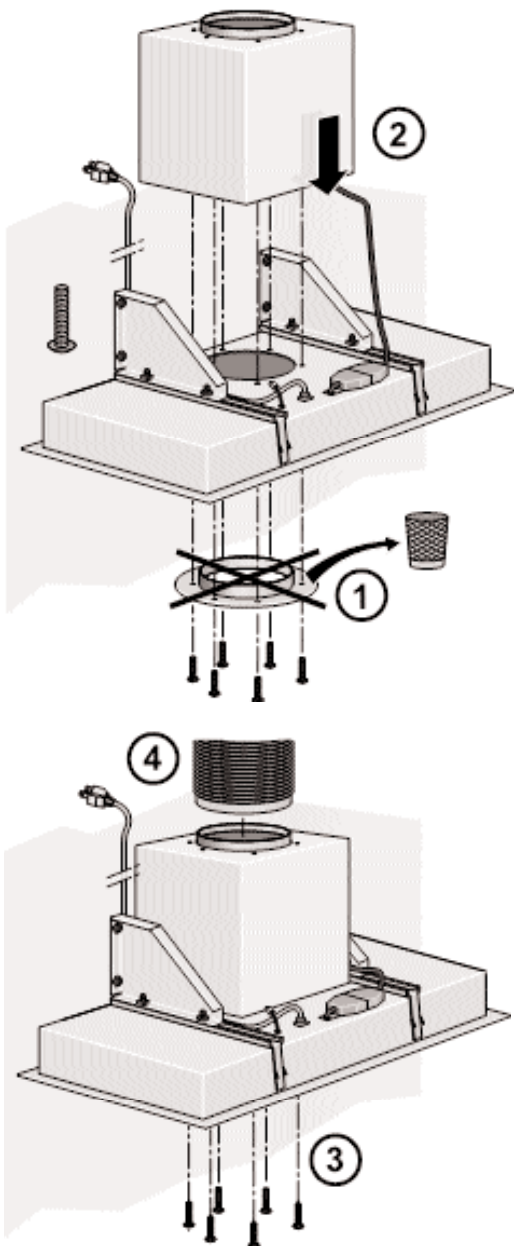
Step 4: CONNECTING THE UNIT

⚠ There are two operating modes:
with flange mounted blower or
with external blower

Operating mode with flange mounted blower

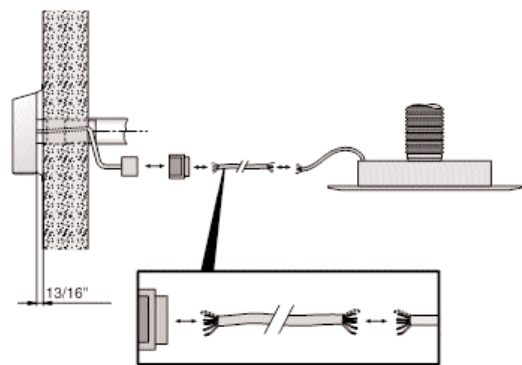
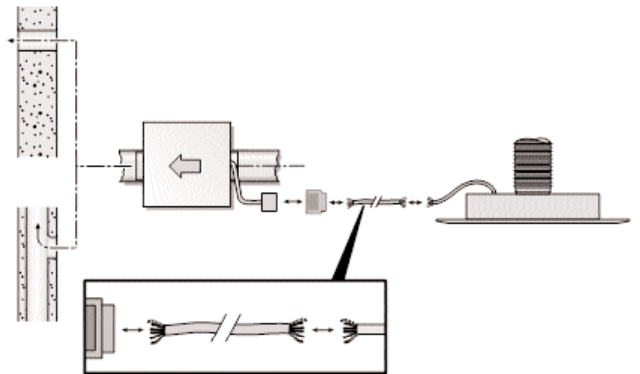
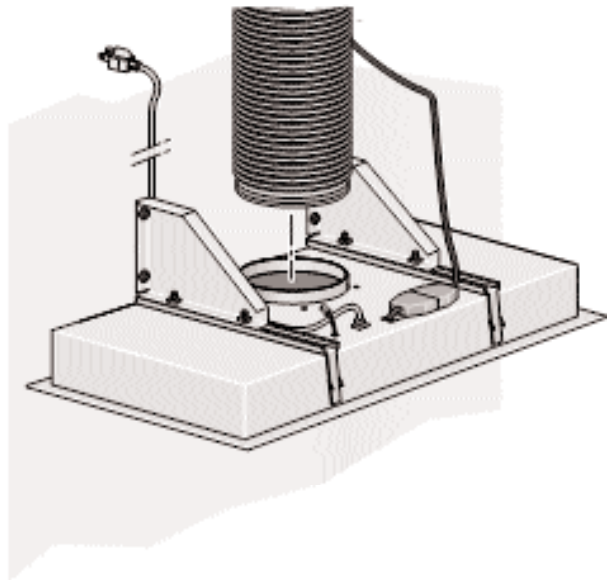
⚠ in combination with VTI 610 D only.
Remove blower assembly ductwork.
Remove hood ductwork.
Keep the screws!

Match the hood exhaust opening with the blower intake opening. Mount the blower by using the initial holes and reinserting the ductwork screws.



Operating mode with external blower

in combination with VTI 610 D, VTI 1010 D, VTR 630 D,
VTR 1030 D, VTR 1500 only.



If a Wired Remote Control (VCI 2 REM) is being used,
refer to remote control instructions.

Step 5: INSTALLATION

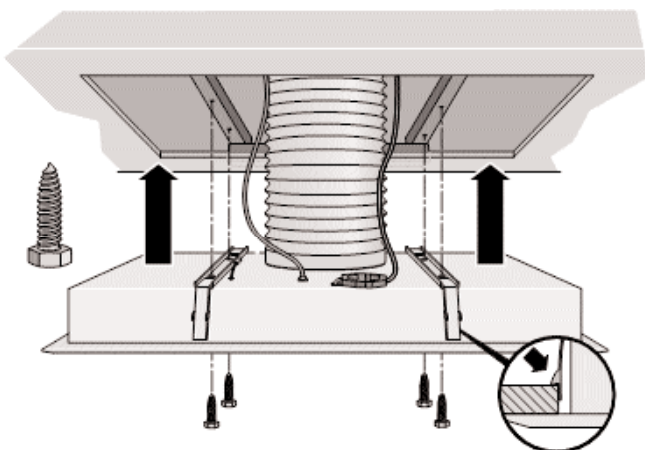
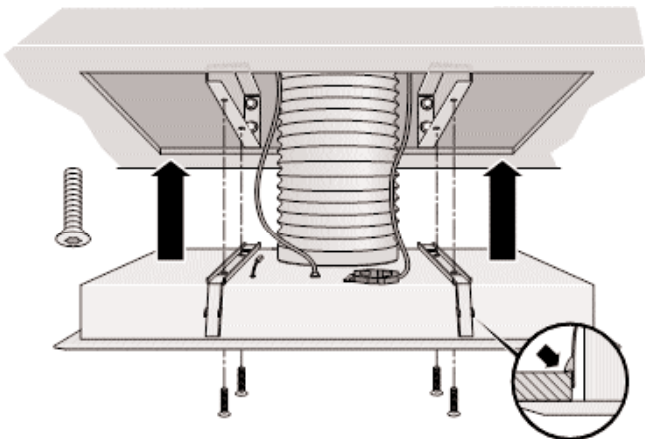
The hood is particularly suitable for installation in a flue or chimney.

To ensure optimum extraction performance (especially important for kitchen island solutions):

- ❑ Install the hood as high as possible within the structure
- ❑ The structure must cover the entire cooking area.

⚠ CAUTION – Ensure that the minimum distance between the cooktop and the hood is maintained – 30”.

1. Make sure all connections (ductwork, blower, remote control, power supply) are complete.
2. Remove the **filter grill** (see operating instructions).
3. Push the **hood** up into the installation opening until the installation aid locks into position at the front and rear.
4. Mount the **hood**. Note: The screws must be consistently and diametrically tightened.
Note: If hood must be removed, unlock the mounting aids by pushing them inward.



Step 6: VERIFY INSTALLATION, OPERATION AND COOKTOP ALIGNMENT

Before performing this procedure, verify that all packing materials were removed and that the grease filters have been properly installed. Refer to the Care and Use Manual for instructions regarding filter installation.

- A. Turn the blower ON by selecting each of the three speeds in turn. Let the blower run several minutes at each speed to check its operation.
- B. With the blower on HIGH, close the windows and doors to the area to ensure that fan does not cause backdrafting in any outlet vent for another appliance.
- C. Turn the light on and off.
- D. Press the DELAY SHUT-OFF button. Wait 10 minutes to see if the hood switches off.

If the vent system does not operate satisfactorily during any of the above procedures, review all steps in these installation instructions to ensure that nothing has been omitted or overlooked. Also refer to the Care & Use Manual for additional information, or call Thermador Customer Support at 1-800-735-4328.

Thermador | *An American Icon*

5551 McFadden Avenue, Huntington Beach, CA, 92649 • 800-735-4328 • www.thermador.com
9000201952 • 10013 ReuB • 11/06 © BSH Home Appliances Corporation • Littleton, U.S.A.