

Please go to www. quozel. com for product cleaning tips. Go to the **Care + Maintenance** selection.

Tools Required: Flathead screwdriver, Phillips screwdriver, pliers, wire cutters, wire strippers, electrical tape, safety glasses.

Light Source: (2) B10 Candelabra Base Bulbs 60W Maximum or

(2) Candelabra Base T8 Vintage Bulbs are recommended but not supplied.

Estimated Assembly Time: 20-30 minutes

Preparation: Identify and inspect all parts before beginning installation. Check package content list and diagrams below to be sure all parts are present. If any parts are missing or damaged, do not attempt to assemble, install, or operate the fixture. Contact customer service for replacement parts.

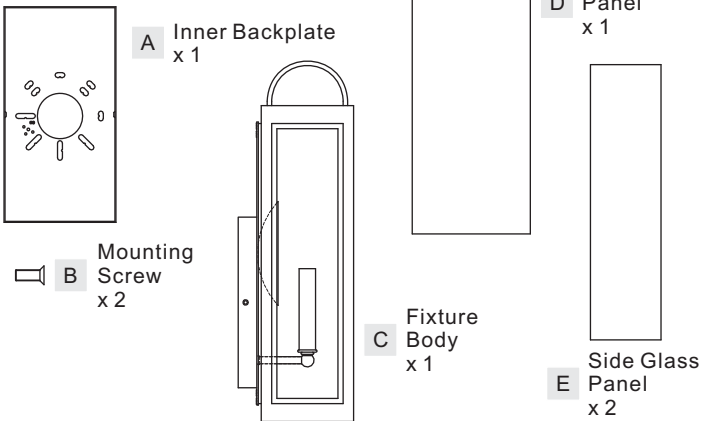
⚠ Warnings and Cautions

Turn off electricity at circuit breaker or main fuse box before installation. Consult a licensed electrician if in doubt.

These instructions are provided for your safety. It is very important you read them completely before installing the fixture. We strongly recommend that a licensed, professional electrician perform the installation.

Disconnect fixture from power source before replacing bulbs. Make sure bulbs are given sufficient time to cool before removal.

Package Contents



STEP 2 – Install Inner Backplate

A. Pass the supply wires and ground wire through Inner Backplate (A). Attach the Inner Backplate (A) to the Outlet Box with the head of Green Ground Screw facing you. Secure it with Outlet Box Screws (not included). Tighten until snug with screwdrivers.

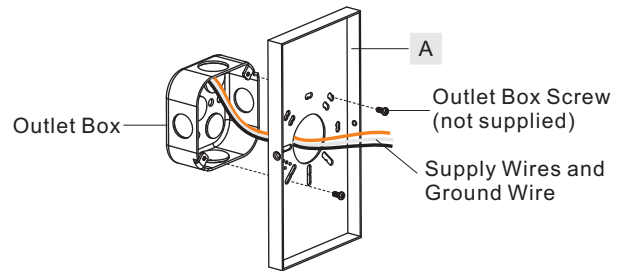


Figure 2

STEP 1 – Install Glass Panels

- Place the Fixture Body (C) onto a flat working surface with the bottom of the cage facing you.
- Remove lock screws and tabs from the bottom corners of the Fixture Body (C).
- Insert the Side Glass Panels (E) into the side slot in the Fixture Body (C). Insert the Front Glass Panel (D) into the front slot in the Fixture Body (C). Attach tabs back onto bottom corners of the Fixture Body (C) to hold Glass Panels (D/E) and secure with previously removed lock screws. Hand tighten until snug with screwdrivers.

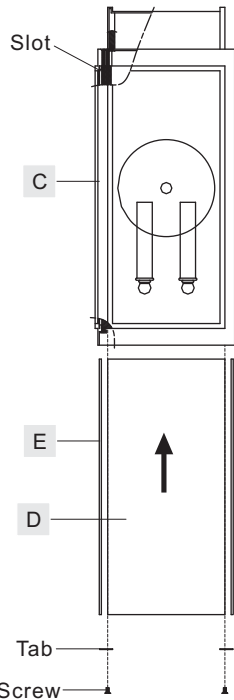
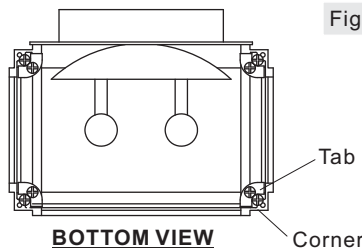


Figure 1



STEP 3 - Wire Connections

- Wrap bare or green ground wire around green ground screw on the crossbar, no less than 2 inches from the end of the wire. Tighten the green ground screw.
- Use standard wire connectors (not included) to make all wire connections. Twist connectors until wires are tightly joined together. Wrap each connection with approved electrical tape and carefully stuff all the connected wires into the Outlet Box.

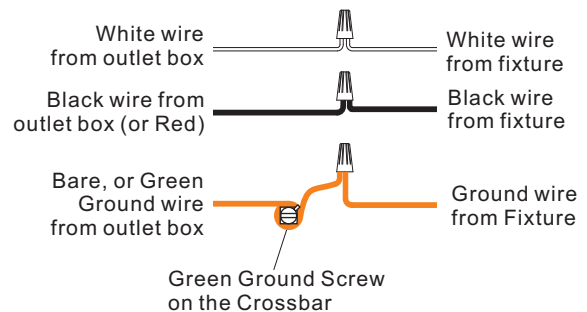
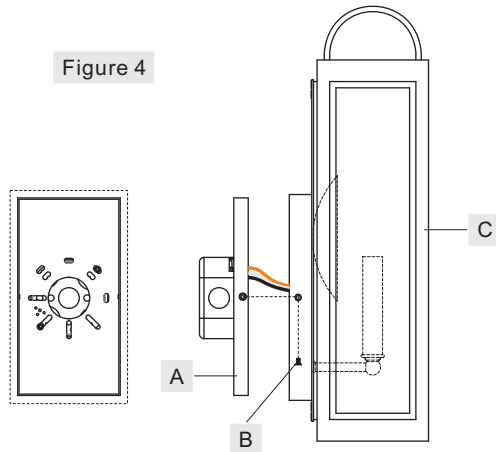


Figure 3

Thank you for purchasing a Quoizel product.
Need assistance with parts or assembly? Call Quoizel customer service at 1-800-645-3184
or visit us on-line at www. quozel. com

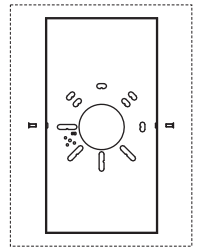
STEP 4 - Install Fixture Body

A. Attach the Fixture Body (C) over the Inner Backplate (A) and secure with Mounting Screws (B). Tighten until snug with screwdrivers.



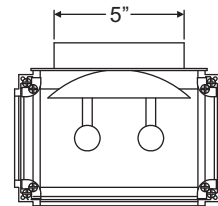
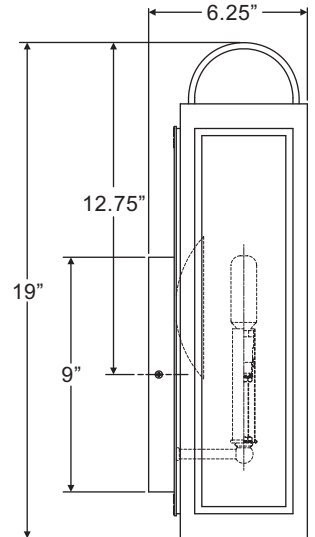
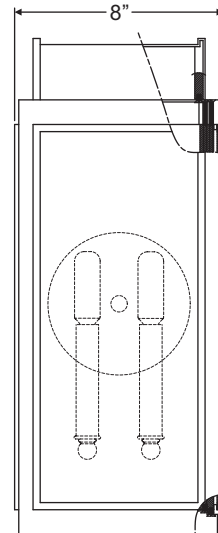
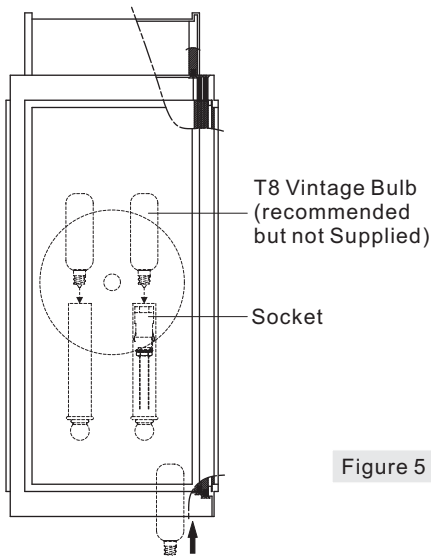
DL8408WT

FINISH: WESTERN BRONZE



STEP 5 - Install Bulbs

A. Insert bulbs onto sockets and screw snugly into place.

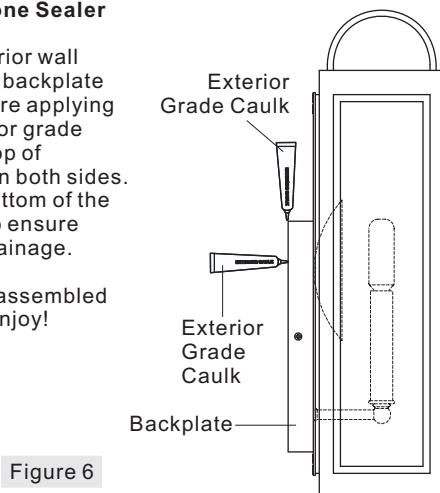


NOTE: ALL DIMENSIONS ARE ROUNDED UP TO THE NEAREST 1/4"

STEP 6 - Apply Silicone Sealer

A. Make sure the exterior wall surface and fixture backplate are free of dirt before applying caulk. Using exterior grade caulk, caulk over top of backplate and down both sides. Do not caulk the bottom of the fixture backplate to ensure proper moisture drainage.

Your fixture is now assembled and ready to use. Enjoy!



Thank you for purchasing a Quoizel product.

Need assistance with parts or assembly? Call Quoizel customer service at 1-800-645-3184 or visit us on-line at www.quoise.com