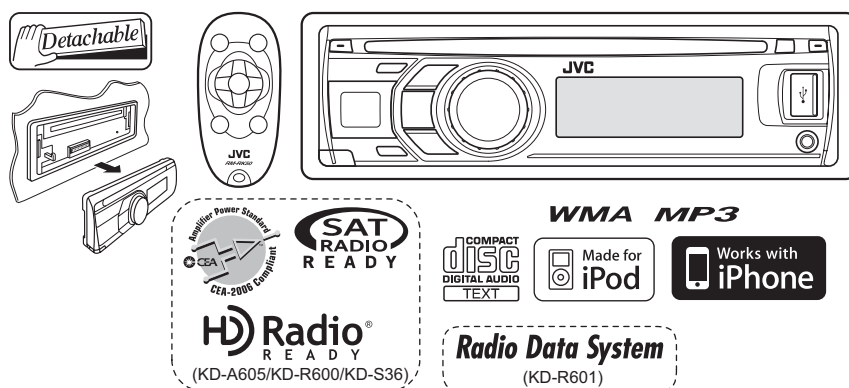


JVC

SERVICE MANUAL

CD RECEIVER

**KD-A605J, KD-R600J, KD-R601E, KD-R601EX,
KD-R601EY, KD-R601EU, KD-R604UI, KD-R605U,
KD-R605UN, KD-R605UT, KD-R605UH, KD-R606U,
KD-R606UN, KD-R606UT, KD-R606UH, KD-S36J**



Lead free solder used in the board (material : Sn-Ag-Cu, melting point : 219 Centigrade)
Lead free solder used in the board (material : Sn-Cu, melting point : 230 Centigrade)

TABLE OF CONTENTS

1	PRECAUTION.....	1-7
2	SPECIFIC SERVICE INSTRUCTIONS.....	1-10
3	DISASSEMBLY.....	1-10
4	ADJUSTMENT.....	1-19
5	TROUBLESHOOTING.....	1-25

SPECIFICATION

KD-A605/KD-R600/KD-S36

AUDIO AMPLIFIER SECTION			
Power Output		20 W RMS × 4 Channels at 4 Ω and ≤ 1% THD+N	
Signal-to-Noise Ratio		80 dBA (reference: 1 W into 4 Ω)	
Load Impedance		4 Ω (4 Ω to 8 Ω allowance)	
Tone Control Range	Bass	±12 dB (60 Hz, 80 Hz, 100 Hz, 200 Hz) Q1.0, Q1.25, Q1.5, Q2.0	
	Middle	±12 dB (0.5 kHz, 1.0 kHz, 1.5 kHz, 2.5 kHz) Q0.75, Q1.0, Q1.25	
	Treble	±12 dB (10.0 kHz, 12.5 kHz, 15.0 kHz, 17.5 kHz) Q = Fixed	
Frequency Response		40 Hz to 20 000 Hz	
Line-Out Level/Impedance	KD-A605	5.0 V/20 kΩ load (full scale)	
	KD-R600/KD-S36	2.5 V/20 kΩ load (full scale)	
Subwoofer-Out Level/Impedance	KD-A605	5.0 V /20 kΩ load (full scale)	
	KD-R600/KD-S36	2.5 V/20 kΩ load (full scale)	
Output Impedance		1 kΩ	
Other Terminal		USB input jack, AUX (auxiliary) input jack, CD changer jack, Steering wheel remote input (only for KD-A605)	
TUNER SECTION			
Frequency Range	FM	with channel interval set to 100 kHz or 200 kHz	87.5 MHz to 107.9 MHz
		with channel interval set to 50 kHz	87.5 MHz to 108.0 MHz
	AM	with channel interval set to 10 kHz	530 kHz to 1 710 kHz
		with channel interval set to 9 kHz	531 kHz to 1 602 kHz
FM Tuner	Usable Sensitivity		9.3 dBf (0.8 μV/75 Ω)
	50 dB Quieting Sensitivity		16.3 dBf (1.8 μV/75 Ω)
	Alternate Channel Selectivity (400 kHz)		65 dB
	Frequency Response		40 Hz to 15 000 Hz
	Stereo Separation		40 dB
AM Tuner	Sensitivity		20 μV
	Selectivity		40 dB
CD PLAYER SECTION			
Type		Compact disc player	
Signal Detection System		Non-contact optical pickup (semiconductor laser)	
Number of Channels		2 channels (stereo)	
Frequency Response		5 Hz to 20 000 Hz	
Dynamic Range		96 dB	
Signal-to-Noise Ratio		98 dB	
Wow and Flutter		Less than measurable limit	
MP3 Decoding Format: (MPEG1/2 Audio Layer 3)		Max. Bit Rate: 320 kbps	
WMA (Windows Media® Audio) Decoding Format		Max. Bit Rate: 320 kbps	
USB SECTION			
USB Standard		USB 1.1, USB 2.0	
Data Transfer Rate (Full Speed)		Max. 12 Mbps	
Compatible Device		Mass storage class	

Compatible File System		FAT 32/16/12
Playable Audio Format		MP3/WMA
Max. Current		DC 5 V 500 mA
GENERAL		
Power Requirement	Operating Voltage	DC 14.4 V (11 V to 16 V allowance)
Grounding System		Negative ground
Allowable Operating Temperature		0°C to +40°C (32°F to 104°F)
Dimensions (W × H × D): (approx.)	Installation Size	182 mm × 52 mm × 160 mm (7-3/16" × 2-1/16" × 6-5/16")
	Panel Size	188 mm × 58 mm × 6 mm (7-7/16" × 2-5/16" × 1/4")
Mass		1.3 kg (2.9 lbs) (excluding accessories)

Design and specifications are subject to change without notice.

KD-R601

AUDIO AMPLIFIER SECTION		
Maximum Power Output	Front/Rear	50 W per channel
Continuous Power Output (RMS)	Front/Rear	19 W per channel into 4 Ω, 40 Hz to 20 000 Hz at no more than 0.8% total harmonic distortion.
Load Impedance		4 Ω (4 Ω to 8 Ω allowance)
Tone Control Range	Bass	±12 dB (60 Hz, 80 Hz, 100 Hz, 200 Hz) Q1.0, Q1.25, Q1.5, Q2.0
	Middle	±12 dB (0.5 kHz, 1.0 kHz, 1.5 kHz, 2.5 kHz) Q0.75, Q1.0, Q1.25
	Treble	±12 dB (10.0 kHz, 12.5 kHz, 15.0 kHz, 17.5 kHz) Q = Fixed
Frequency Response		40 Hz to 20 000 Hz
Signal-to-Noise Ratio		70 dB
Line-Out Level/Impedance		2.5 V/20 kΩ load (full scale)
Subwoofer-Out Level/Impedance		2.5 V/20 kΩ load (full scale)
Output Impedance		1 kΩ
Other Terminal		USB input jack, AUX (auxiliary) input jack, CD changer jack, Steering wheel remote input
TUNER SECTION		
Frequency Range	FM	87.5 MHz to 108.0 MHz
	AM	MW: 522 kHz to 1 620 kHz LW: 144 kHz to 279 kHz
FM Tuner	Usable Sensitivity	9.3 dBf (0.8 μV/75 Ω)
	50 dB Quieting Sensitivity	16.3 dBf (1.8 μV/75 Ω)
	Alternate Channel Selectivity (400 kHz)	65 dB
	Frequency Response	40 Hz to 15 000 Hz
	Stereo Separation	40 dB
MW Tuner	Sensitivity	20 μV
	Selectivity	40 dB
LW Tuner	Sensitivity	50 μV
CD PLAYER SECTION		
Type		Compact disc player
Signal Detection System		Non-contact optical pickup (semiconductor laser)
Number of Channels		2 channels (stereo)

Frequency Response	5 Hz to 20 000 Hz	
Dynamic Range	96 dB	
Signal-to-Noise Ratio	98 dB	
Wow and Flutter	Less than measurable limit	
MP3 Decoding Format: (MPEG1/2 Audio Layer 3)	Max. Bit Rate: 320 kbps	
WMA (Windows Media® Audio) Decoding Format	Max. Bit Rate: 320 kbps	
USB SECTION		
USB Standard	USB 1.1, USB 2.0	
Data Transfer Rate (Full Speed)	Max. 12 Mbps	
Compatible Device	Mass storage class	
Compatible File System	FAT 32/16/12	
Playable Audio Format	MP3/WMA	
Max. Current	DC 5 V 500 mA	
GENERAL		
Power Requirement	Operating Voltage	DC 14.4 V (11 V to 16 V allowance)
Grounding System		Negative ground
Allowable Operating Temperature		0°C to +40°C
Dimensions (W × H × D): (approx.)	Installation Size	182 mm × 52 mm × 160 mm
	Panel Size	188 mm × 58 mm × 12 mm
Mass		1.3 kg (excluding accessories)

Design and specifications are subject to change without notice.

KD-R604

AUDIO AMPLIFIER SECTION		
Maximum Power Output	Front/Rear	50 W per channel
Continuous Power Output (RMS)	Front/Rear	19 W per channel into 4 Ω, 40 Hz to 20 000 Hz at no more than 0.8% total harmonic distortion.
Load Impedance		4 Ω (4 Ω to 8 Ω allowance)
Tone Control Range	Bass	±12 dB (60 Hz, 80 Hz, 100 Hz, 200 Hz) Q1.0, Q1.25, Q1.5, Q2.0
	Middle	±12 dB (0.5 kHz, 1.0 kHz, 1.5 kHz, 2.5 kHz) Q0.75, Q1.0, Q1.25
	Treble	±12 dB (10.0 kHz, 12.5 kHz, 15.0 kHz, 17.5 kHz) Q = Fixed
Frequency Response		40 Hz to 20 000 Hz
Signal-to-Noise Ratio		70 dB
Line-Out Level/Impedance		2.5 V/20 kΩ load (full scale)
Subwoofer-Out Level/Impedance		2.5 V/20 kΩ load (full scale)
Output Impedance		1 kΩ
Other Terminal		USB input jack, AUX (auxiliary) input jack, CD changer jack
TUNER SECTION		
Frequency Range	FM	87.5 MHz to 108.0 MHz
	AM	531 kHz to 1 602 kHz

FM Tuner	Usable Sensitivity	9.3 dBf (0.8 μ V/75 Ω)
	50 dB Quieting Sensitivity	16.3 dBf (1.8 μ V/75 Ω)
	Alternate Channel Selectivity (400 kHz)	65 dB
	Frequency Response	40 Hz to 15 000 Hz
	Stereo Separation	40 dB
AM Tuner	Sensitivity	20 μ V
	Selectivity	40 dB
CD PLAYER SECTION		
Type	Compact disc player	
Signal Detection System	Non-contact optical pickup (semiconductor laser)	
Number of Channels	2 channels (stereo)	
Frequency Response	5 Hz to 20 000 Hz	
Dynamic Range	96 dB	
Signal-to-Noise Ratio	98 dB	
Wow and Flutter	Less than measurable limit	
MP3 Decoding Format: (MPEG1/2 Audio Layer 3)	Max. Bit Rate: 320 kbps	
WMA (Windows Media® Audio) Decoding Format	Max. Bit Rate: 320 kbps	
USB SECTION		
USB Standard	USB 1.1, USB 2.0	
Data Transfer Rate (Full Speed)	Max. 12 Mbps	
Compatible Device	Mass storage class	
Compatible File System	FAT 32/16/12	
Playable Audio Format	MP3/WMA	
Max. Current	DC 5 V 500 mA	
GENERAL		
Power Requirement	Operating Voltage	DC 14.4 V (11 V to 16 V allowance)
Grounding System	Negative ground	
Allowable Operating Temperature	0°C to +40°C	
Dimensions (W × H × D): (approx.)	Installation Size	182 mm × 52 mm × 160 mm
	Panel Size	188 mm × 58 mm × 6 mm
Mass	1.3 kg (excluding accessories)	

Design and specifications are subject to change without notice.

KD-R606/KD-R605


AUDIO AMPLIFIER SECTION		
Maximum Power Output	Front/Rear	50 W per channel
Continuous Power Output (RMS)	Front/Rear	19 W per channel into 4 Ω , 40 Hz to 20 000 Hz at no more than 0.8% total harmonic distortion.
Load Impedance	4 Ω (4 Ω to 8 Ω allowance)	
Tone Control Range	Bass	\pm 12 dB (60 Hz, 80 Hz, 100 Hz, 200 Hz) Q1.0, Q1.25, Q1.5, Q2.0
	Middle	\pm 12 dB (0.5 kHz, 1.0 kHz, 1.5 kHz, 2.5 kHz) Q0.75, Q1.0, Q1.25
	Treble	\pm 12 dB (10.0 kHz, 12.5 kHz, 15.0 kHz, 17.5 kHz) Q = Fixed
Frequency Response	40 Hz to 20 000 Hz	
Signal-to-Noise Ratio	70 dB	
Line-Out Level/Impedance	2.5 V/20 k Ω load (full scale)	


Subwoofer-Out Level/Impedance		2.5 V/20 k Ω load (full scale)
Output Impedance		1 k Ω
Other Terminal		USB input jack, AUX (auxiliary) input jack, CD changer jack
TUNER SECTION		
Frequency Range	FM	87.5 MHz to 108.0 MHz
	AM	531 kHz to 1 602 kHz
FM Tuner	Usable Sensitivity	9.3 dBf (0.8 μ V/75 Ω)
	50 dB Quieting Sensitivity	16.3 dBf (1.8 μ V/75 Ω)
	Alternate Channel Selectivity (400 kHz)	65 dB
	Frequency Response	40 Hz to 15 000 Hz
	Stereo Separation	40 dB
AM Tuner	Sensitivity	20 μ V
	Selectivity	40 dB
CD PLAYER SECTION		
Type		Compact disc player
Signal Detection System		Non-contact optical pickup (semiconductor laser)
Number of Channels		2 channels (stereo)
Frequency Response		5 Hz to 20 000 Hz
Dynamic Range		96 dB
Signal-to-Noise Ratio		98 dB
Wow and Flutter		Less than measurable limit
MP3 Decoding Format: (MPEG1/2 Audio Layer 3)		Max. Bit Rate: 320 kbps
WMA (Windows Media [®] Audio) Decoding Format		Max. Bit Rate: 320 kbps
USB SECTION		
USB Standard		USB 1.1, USB 2.0
Data Transfer Rate (Full Speed)		Max. 12 Mbps
Compatible Device		Mass storage class
Compatible File System		FAT 32/16/12
Playable Audio Format		MP3/WMA
Max. Current		DC 5 V 500 mA
GENERAL		
Power Requirement	Operating Voltage	DC 14.4 V (11 V to 16 V allowance)
Grounding System		Negative ground
Allowable Operating Temperature		0°C to +40°C
Dimensions (W \times H \times D): (approx.)	Installation Size	182 mm \times 52 mm \times 160 mm
	Panel Size	188 mm \times 58 mm \times 6 mm
Mass		1.3 kg (excluding accessories)

Design and specifications are subject to change without notice.

SECTION 1 PRECAUTION

1.1 Safety Precautions

 **CAUTION** Burrs formed during molding may be left over on some parts of the chassis. Therefore, pay attention to such burrs in the case of performing repair of this system.

 **CAUTION** Please use enough caution not to see the beam directly or touch it in case of an adjustment or operation check.

1.2 Preventing static electricity

Electrostatic discharge (ESD), which occurs when static electricity stored in the body, fabric, etc. is discharged, can destroy the laser diode in the traverse unit (optical pickup). Take care to prevent this when performing repairs.

1.2.1 Grounding to prevent damage by static electricity

Static electricity in the work area can destroy the optical pickup (laser diode) in devices such as laser products.

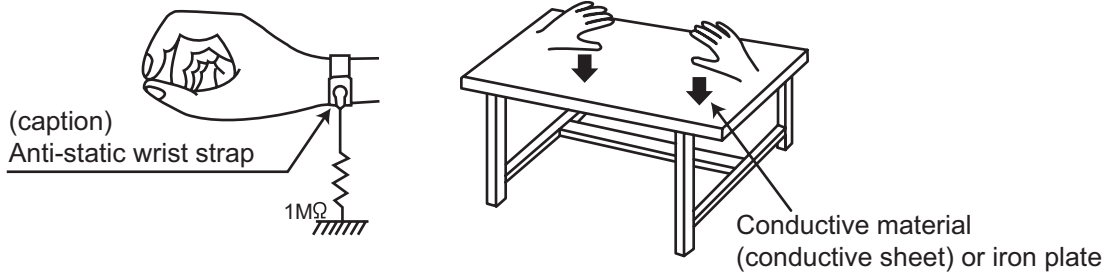
Be careful to use proper grounding in the area where repairs are being performed.

(1) Ground the workbench

Ground the workbench by laying conductive material (such as a conductive sheet) or an iron plate over it before placing the traverse unit (optical pickup) on it.

(2) Ground yourself

Use an anti-static wrist strap to release any static electricity built up in your body.



(3) Handling the optical pickup

- In order to maintain quality during transport and before installation, both sides of the laser diode on the replacement optical pickup are shorted. After replacement, return the shorted parts to their original condition. (Refer to the text.)
- Do not use a tester to check the condition of the laser diode in the optical pickup. The tester's internal power source can easily destroy the laser diode.

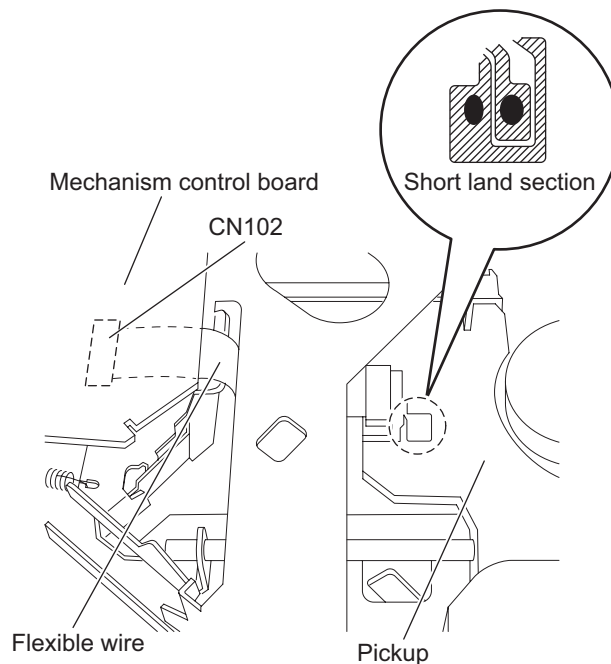
1.3 Handling the traverse unit (optical pickup)

- (1) Do not subject the traverse unit (optical pickup) to strong shocks, as it is a sensitive, complex unit.
- (2) Cut off the shorted part of the flexible cable using nippers, etc. after replacing the optical pickup. For specific details, refer to the replacement procedure in the text. Remove the anti-static pin when replacing the traverse unit. Be careful not to take too long a time when attaching it to the connector.
- (3) Handle the flexible cable carefully as it may break when subjected to strong force.
- (4) It is not possible to adjust the semi-fixed resistor that adjusts the laser power. Do not turn it.

1.4 Attention when traverse unit is decomposed

***Please refer to "Disassembly method" in the text for the pickup unit.**

- Apply solder to the short land before the card wire is disconnected from the connector on the pickup unit. (If the card wire is disconnected without applying solder, the pickup may be destroyed by static electricity.)
- In the assembly, be sure to remove solder from the short land after connecting the card wire.



1.5 Important for laser products

1.CLASS 1 LASER PRODUCT

2.CAUTION :

(For U.S.A.) Visible and/or invisible class II laser radiation when open. Do not stare into beam.

(Others) Visible and/or invisible class 1M laser radiation when open. Do not view directly with optical instruments.

3.CAUTION : Visible and/or invisible laser radiation when open and inter lock failed or defeated. Avoid direct exposure to beam.

4.CAUTION : This laser product uses visible and/or invisible laser radiation and is equipped with safety switches which prevent emission of radiation when the drawer is open and the safety interlocks have failed or are defeated. It is dangerous to defeat the safety switches.

(For U.S.A.)

CAUTION : Visible and/or invisible class II laser radiation when open. Do not stare into beam.

(Others)

CAUTION : Visible and/or invisible class 1M laser radiation when open. Do not view directly with optical instruments

ACHTUNG: Sichtbare und/oder unsichtbare Laserstrahlung der Klasse 1M bei offenen Abdeckungen. Nicht direkt mit optischen Instrumenten betrachten.

ATTENTION: Rayonnement laser visible et/ou invisible de classe 1M une fois ouvert. Ne pas regarder directement avec des instruments optiques.

VOORZICHTIG: Zichtbare en/of onzichtbare klasse 1M laserstralen indien geopend. Bekijk niet direct met optische instrumenten.

ATTENZIONE: Radiazione laser in classe 1M visibile e/o invisibile quando aperto. Non osservare direttamente con strumenti ottici.

WARNING: Synlig och/eller osynlig laserstrålning, klass 1M, när denna del är öppnad. Betrakta ej strålen med optiska instrument.

VARO! Avattaessa olet alttiina näkyvalle ja/tai näkymättömälle luokan 1M lasersäteilylle. Älä tarkastele sitä optisen laitteen läpi.

ADVARSEL: Synlig og/eller usynlig klasse 1M-laserstråling ved åbning. Se ikke direkte med optiske instrumenter.

AVISO: Radiación láser de clase 1M visible y/o invisible cuando está abierto. No mirar directamente con instrumental óptico.

PRECAUÇÃO: Radiação laser de classe 1M visível e/ou invisível quando aberto. Não olhe diretamente com instrumentos ópticos.

5.CAUTION : If safety switches malfunction, the laser is able to function.

6.CAUTION : Use of controls, adjustments or performance of procedures other than those specified here in may result in hazardous radiation exposure.

! **CAUTION** Please use enough caution not to see the beam directly or touch it in case of an adjustment or operation check.

PRECAUÇÃO: Radiação laser de classe 1M visível e/ou invisível quando aberto. Não olhe diretamente com instrumentos ópticos.

ПРЕДУПРЕЖДЕНИЕ: В открытом состоянии происходит видимое и/или невидимое излучение лазера класса 1M. Не смотрите непосредственно в оптические инструменты.

UWAGA: Otwarcie spowoduje narażenie na widzialne i/lub niewidzialne promieniowanie lasera klasy 1M. Nie patrzeć bezpośrednio w przyrządy optyczne.

UPOZORNĚNÍ: Při otevření vydává viditelné popř. neviditelné laserové ozáření třídy 1M. Nedívejte se do otvoru přímo s optickými nástroji.

FIGYELMEZTETÉS: Látható és/vagy láthatatlan 1M osztályú sugárzás nyitott állapotban. Ne nézze közvetlenül optikai műszerekkel.

注意：打開蓋板可能會產生可見或不可見的 1M 級鐳射。不要使用光學儀器直接進行窺視。

注意：打开盖板可能会产生可见或不可见的 1M 级辐射。不要使用光学仪器直接进行窥视。

تنبيه: يوجد إشعاع ليزري مرئي و/أو غير مرئي من الفئة 1M عندما يكون الجهاز مفتوحاً. تجنب النظر مباشرة داخل الجهاز باستخدام أدوات بصرية.

احتياط: هنگامی که باز گردد، تشعشع مرئی و یا نامرئی کلاس 1M لیزر وجود دارد. با لوازم چشمی مستقیماً به آن نگاه نکنید.

주의: 개방하면 가지 및/또는 비가시 클래스 1M 레이저 방사선이 나옵니다. 광학 기구로 직접 들여다보지 마십시오.

REPRODUCTION AND POSITION OF LABELS and PRINT WARNING LABEL and PRINT

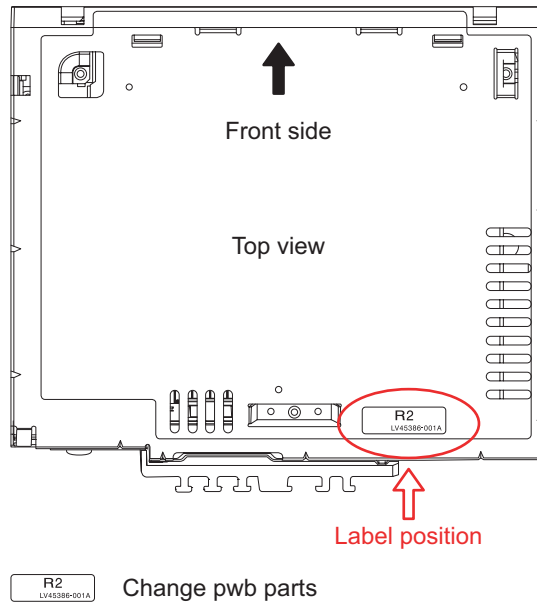


CAUTION VISIBLE AND/OR INVISIBLE CLASS 1M LASER RADIATION WHEN OPEN. DO NOT VIEW DIRECTLY WITH OPTICAL INSTRUMENTS. IEC30025-1:2001 (ENG)	ATTENTION RAYONNEMENT LASER VISIBLE ET/OU INVISIBLE DE CLASSE 1M UNE FOIS OUVERT. NE PAS REGARDER DIRECTEMENT AVEC DES INSTRUMENTS OPTIQUES. (FRA)	AVISO RADIACIÓN LÁSER DE CLASE 1M VISIBLE Y/O INVISIBLE CUANDO ESTA ABIERTO. NO MIRAR DIRECTAMENTE CON INSTRUMENTAL ÓPTICO. (ESP)	WARNING SYNLIG OCH/ELLER OSYNLIG LASERSTRÅLNING, KLASS 1M, NÄR DENNA DEL ÄR ÖPPNAD. BETRAKTA EJ STRÅLEN MED OPTISKA INSTRUMENT. (SWE)	注意 ここに書くと可視 及び/または不可視 のクラス1M レーザー放射が 出ます。 光学機器で直接 覗かないでください。 LPN)	CAUTION VISIBLE AND/OR INVISIBLE CLASS I LASER RADIATION WHEN OPEN. DO NOT STARE INTO BEAM. FDM 21 CFI (ENG) LV4403-003A
--	--	---	---	--	---

SECTION 2 SPECIFIC SERVICE INSTRUCTIONS

2.1 Identification method

Supported reduction in cost, and board contents was changed.
A set put the following label on is an object.



SECTION 3 DISASSEMBLY

3.1 Main body (Used figure are KD-A605)

3.1.1 Removing the Bottom chassis (See Fig.1, 2)

- (1) Remove the three screws A attaching the Heat sink. (See Fig.1)

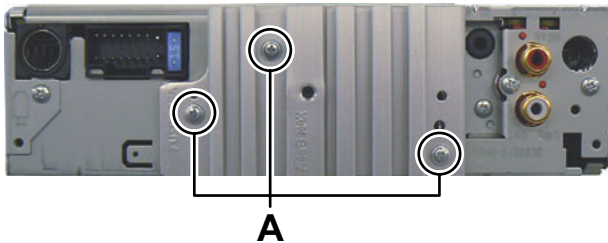


Fig.1

- (2) Remove the two screws B and one screw C attaching the Bottom chassis. (See Fig.2)

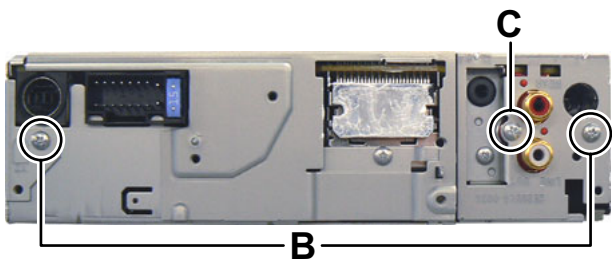


Fig.2

- (3) Slide to backward and the remove the Bottom chassis.

3.1.2 Removing the Front chassis (See Fig.3)

- (1) Disengage four hooks a engaged both side of the Front chassis.

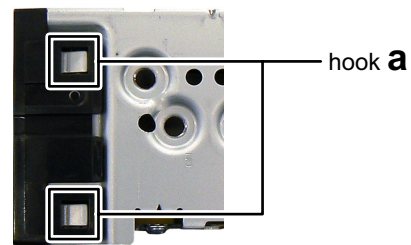


Fig.3

3.1.3 Removing the Main board (See Fig.4 to 6)

- (1) Remove the two screws D and one screw E attaching the Side plate. (See Fig.4)

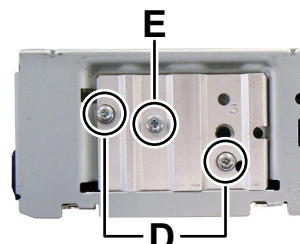


Fig.4

- (2) Remove the one screw F attaching the Power IC. (See Fig.5)
- (3) Remove the one screw G attaching the OE holder. (See Fig.5)

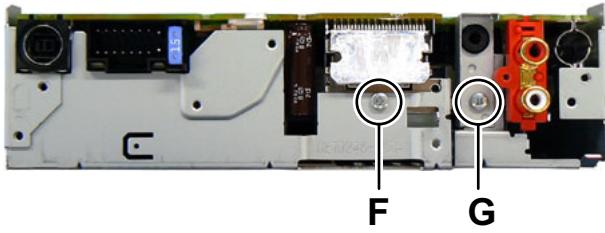


Fig.5

- (4) Remove the three screws H attaching the Main board. (See Fig.6)
- (5) Disconnect the board to board connector [CN501](#) connect- ed Main board and CD mechanism. (See Fig.6)

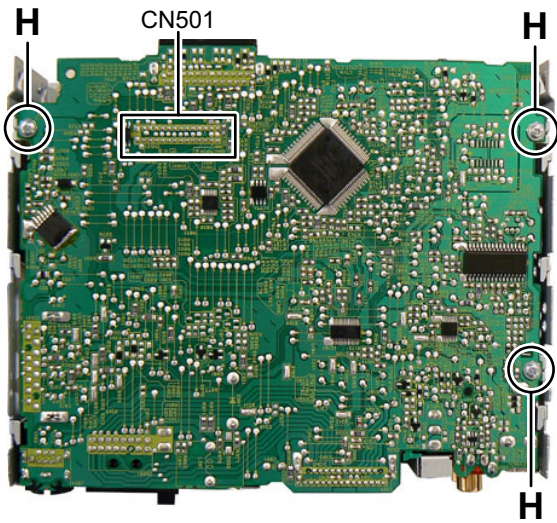


Fig.6

3.1.4 Removing the CD mechanism (See Fig.7)

- (1) Remove the three screws J attaching the CD mechanism.

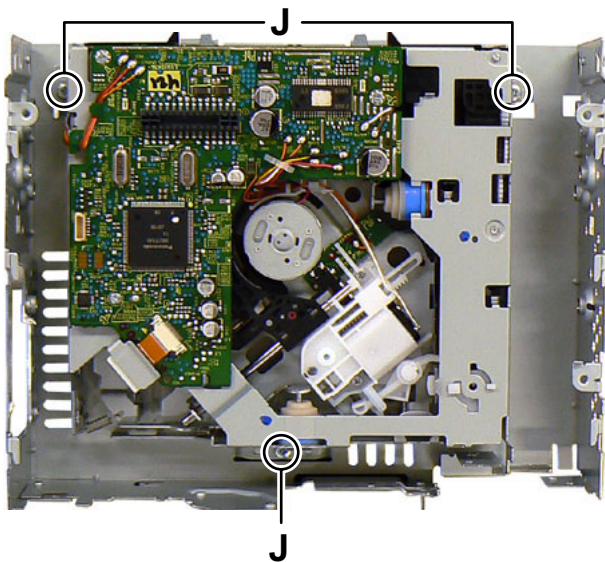


Fig.7

3.1.5 Removing the Switch board (See Fig.8)

- (1) Remove the volume knob.
- (2) Remove the four screws K attaching the Rear cover.
- (3) Disengage eleven hooks b engaged Rear cover.

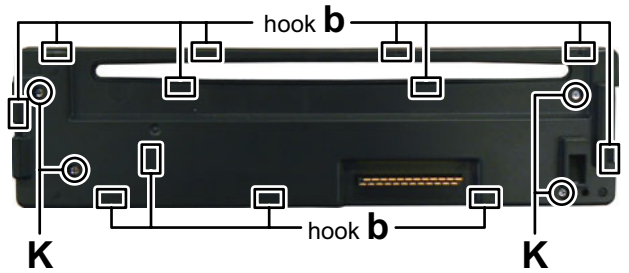


Fig.8

3.2 CD MECHANISM assembly section

- Remove the CD MECHANISM assembly from the main body.

3.2.1 Removing the MECHANISM CONTROL BOARD assembly (See Fig.1 and 2)

- From the bottom side of CD MECHANISM assembly, remove the solders from the soldered sections (a, b and c) on the MECHANISM CONTROL BOARD assembly. (See Fig.1.)
- Remove the three screws **A** attaching the MECHANISM CONTROL BOARD assembly. (See Fig.1.)
- Solder the short land sections on the pickup. (See Fig.2.)

Caution:

- Solder the short land sections on the pickup before disconnecting the flexible wire from the connector **CN102** on the MECHANISM CONTROL BOARD assembly.
If the card wire is disconnected without attaching solder, the pickup may be destroyed by static electricity. (See Fig.2.)
- When attaching the MECHANISM CONTROL BOARD assembly, remove the solders from the short land sections after connecting the flexible wire to the connector **CN102** on the MECHANISM CONTROL BOARD assembly.

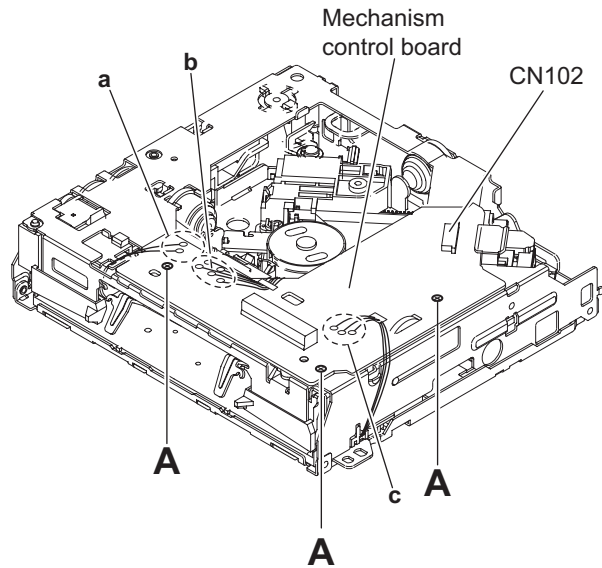


Fig.1

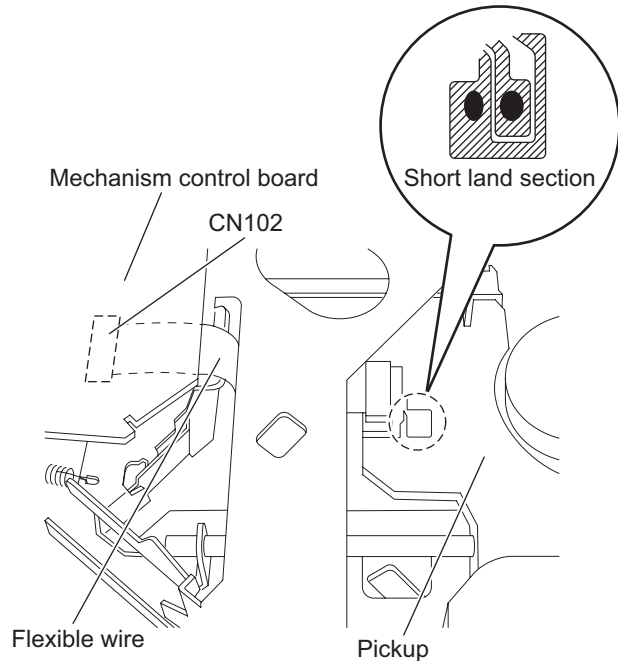


Fig.2

3.2.2 Removing the top cover (See Fig.3 to 5)

- Remove the MECHANISM CONTROL BOARD assembly.
 - From the front side of the CD MECHANISM assembly, change the hook position of the two roller springs. (See Fig.3.)
 - From the side of the CD MECHANISM assembly, remove the six screws **B** attaching the top cover. (See Fig.3 and 4.)
 - Take out the top cover in an upward direction. (See Fig.5.)

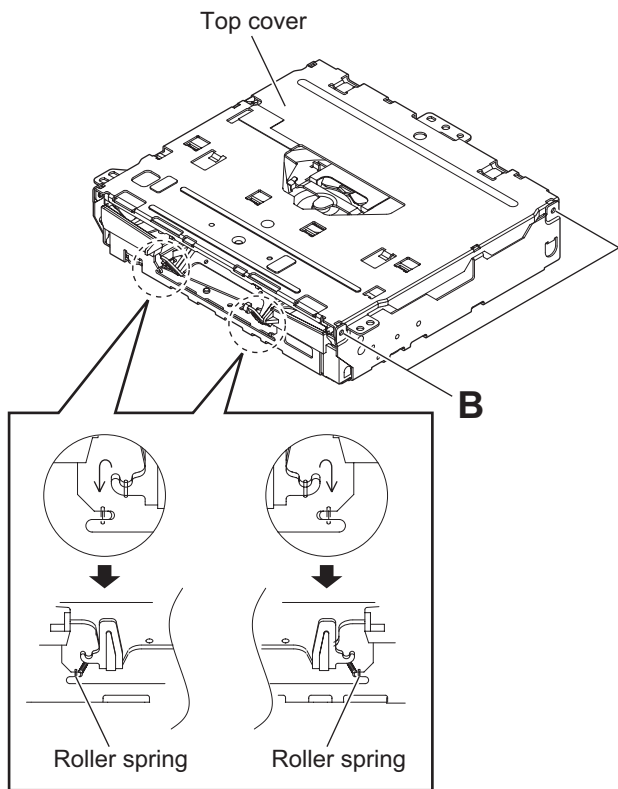


Fig.3

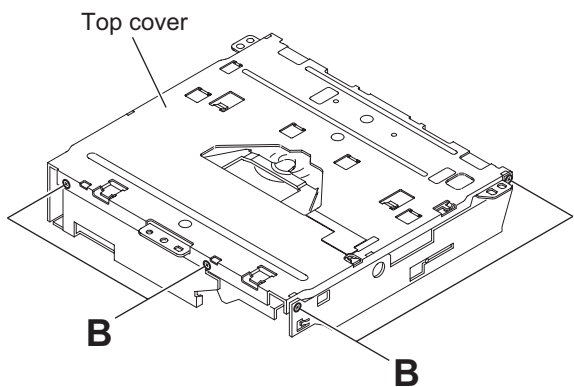


Fig.4

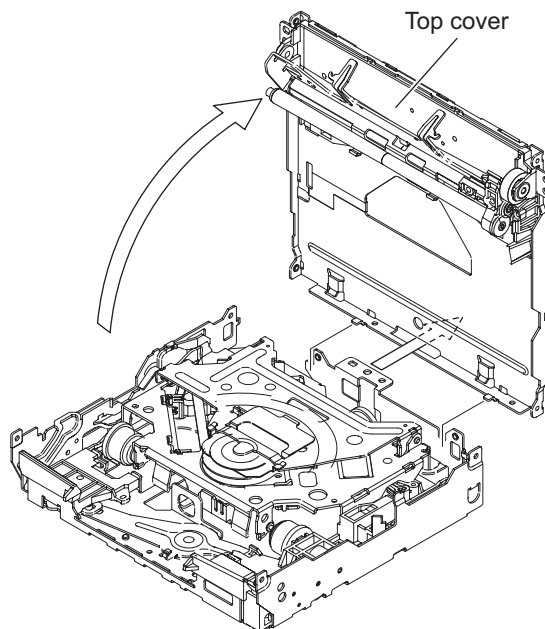


Fig.5

3.2.3 Removing the roller (See Fig.6)

- Remove the MECHANISM CONTROL BOARD assembly and top cover.
 - From the bottom side of the top cover, remove the screw **C** attaching the gear holder.
 - Remove the R.holder assembly from disc plate, and then take out the roller from R.holder assembly in the direction of the arrow.

Reference:

When attaching the R.ACT gear (2) and R.ACT gear (3), apply grease to the section **d** of R.holder assembly.

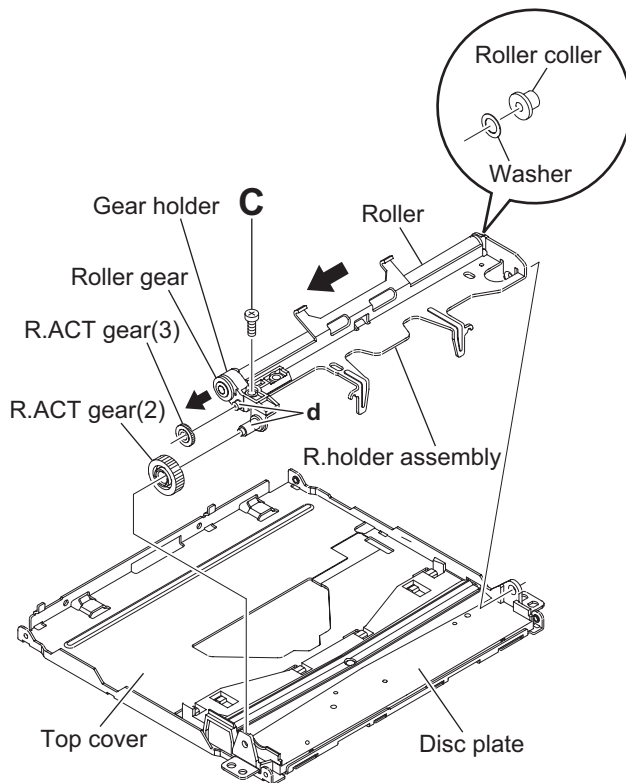
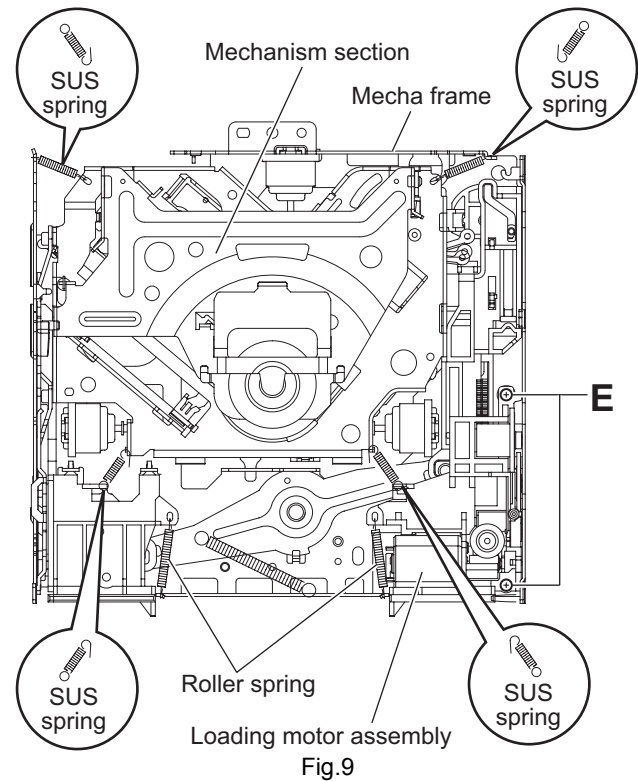
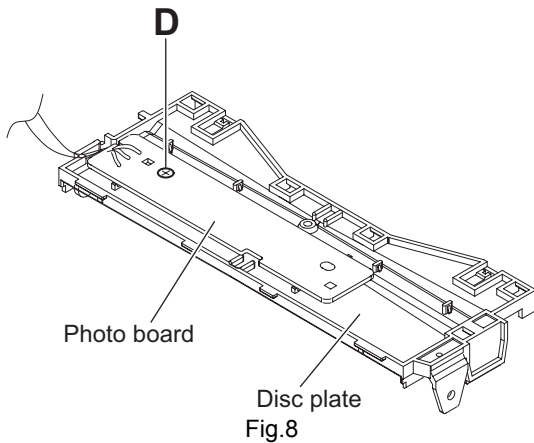
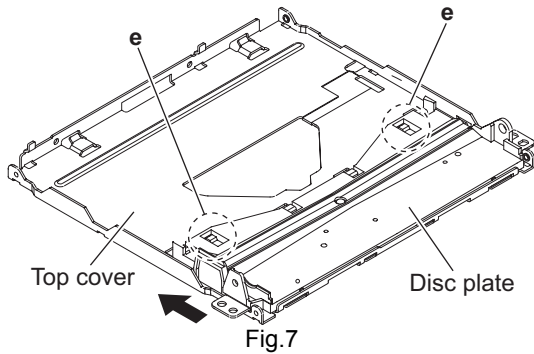


Fig.6

3.2.4 Removing the PHOTO BOARD assembly (See Fig.7 and 8)

- Remove the MECHANISM CONTROL BOARD assembly and top cover.
 - From the bottom side of the top cover, release the projection **e** from the notch of the disc plate. (See Fig.7.)
 - Take out the disc plate in the direction of the arrow. (See Fig.7.)
 - From the reverse side of the disc plate, remove the screw **D** attaching the PHOTO BOARD assembly. (See Fig.8.)



3.2.5 Removing the mechanism section (See Fig.9 and 10)

- Remove the MECHANISM CONTROL BOARD assembly and top cover.
 - From the top side of the CD MECHANISM assembly, remove the two screws **E** attaching the loading motor assembly. (See Fig.9.)
 - Remove the two roller springs on the top side of the mecha frame. (See Fig.9.)
 - Remove the four SUS springs on the top side of the mecha frame. (See Fig.9.)
 - Remove the link spring on the top side of the mecha frame. (See Fig.10.)
 - Release section **f** of the three dampers from the mecha frame. (See Fig.10.)

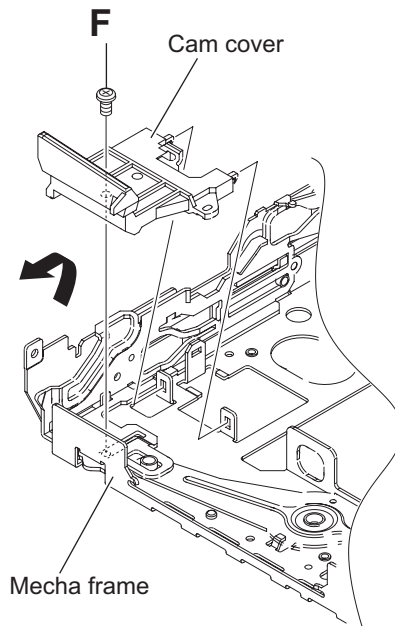
Reference:

When attaching the roller spring and SUS spring, keep direction before remove.

- Move the slide cam (R) assembly in the direction of the arrow, and then take out the mechanism section in an upward direction. (See Fig.10.)

Reference:

When attaching the mechanism section, apply grease to the section **g**. (See Fig.10.)

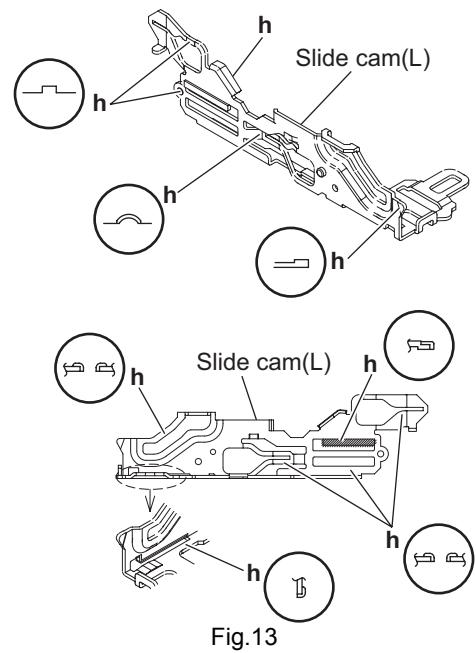
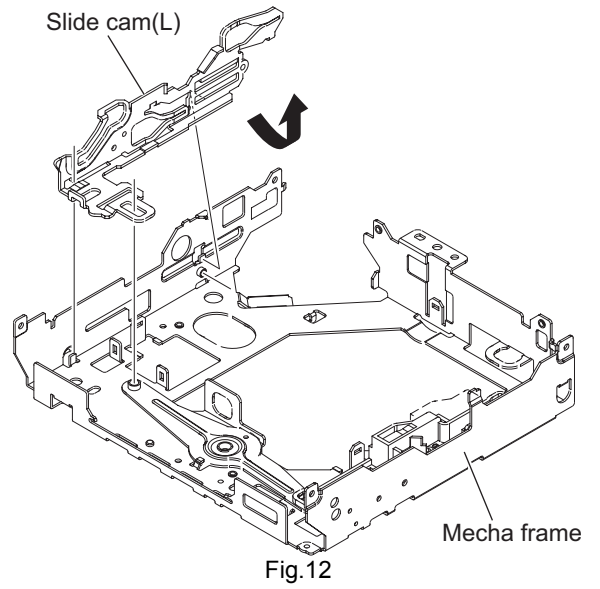
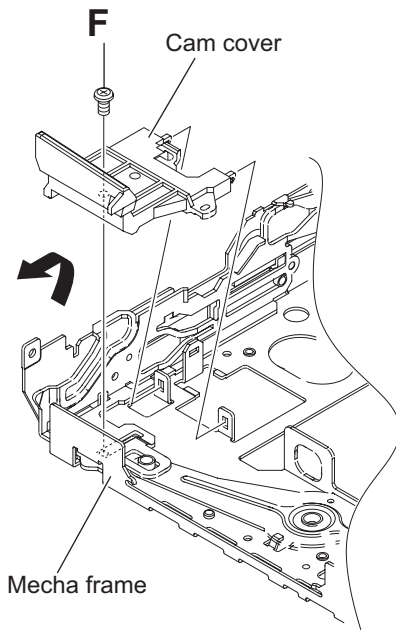


3.2.6 Removing the slide cam (L) (See Fig.11 to 13)

- Remove the MECHANISM CONTROL BOARD assembly, top cover and mechanism section.
 - From the top side of the mecha frame, remove the screw **F** attaching the cam cover. (See Fig.11.)
 - Take out the cam cover from mecha frame in an upward direction. (See Fig.11.)
 - Take out the slide cam (L) in the direction of the arrow. (See Fig.12.)

Reference:

When attaching the slide cam (L), apply grease to the section **h**. (See Fig.13.)



3.2.7 Removing the F.lock lever and slide cam (R) (See Fig.14 and 15)

- Remove the MECHANISM CONTROL BOARD assembly, top cover and mechanism section.
 - From the top side of the mecha frame, take out the slide cam (R) assembly in an upward direction. (See Fig.14.)
 - Rotate the F.lock lever in the direction of the arrow 1, and then take out the direction of the arrow 2. (See Fig.14.)

Reference:

When attaching the slide cam (R) assembly, the f.lock lever and the link arm apply grease to the section **h**. (See Fig.14 and 15.)

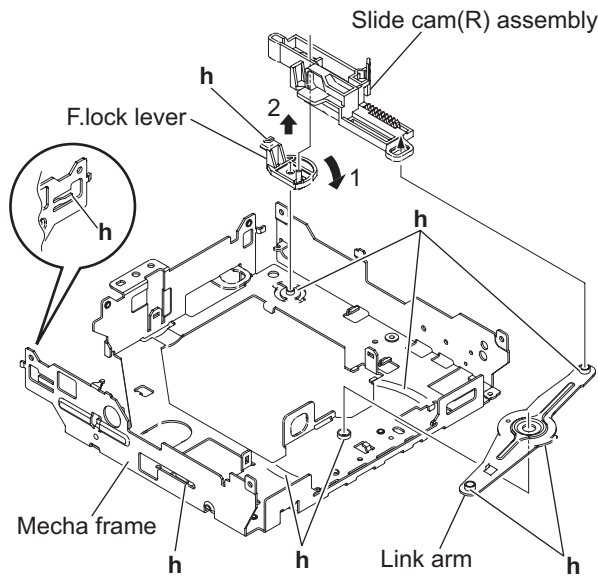


Fig.14

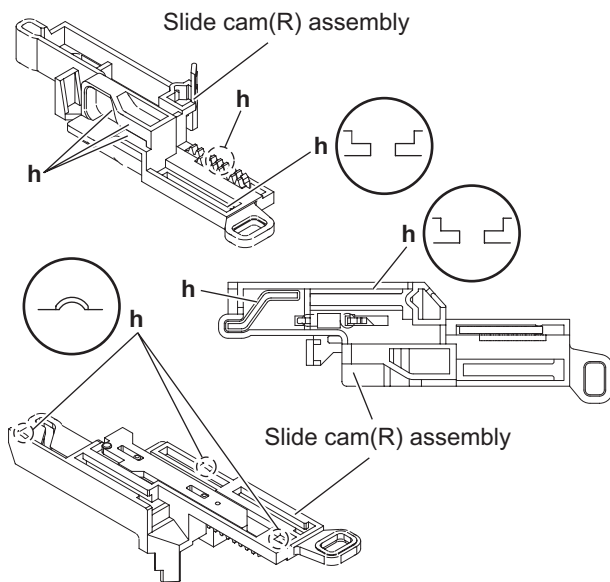


Fig.15

3.2.8 Removing the damper (See Fig.16)

- Remove the MECHANISM CONTROL BOARD assembly, top cover and mechanism section.

From the mechanism section, pull out the three dampers in the direction of the arrow.

Reference:

Before inserting the shaft to the dampers, apply IPA to the pocket **j** of damper.

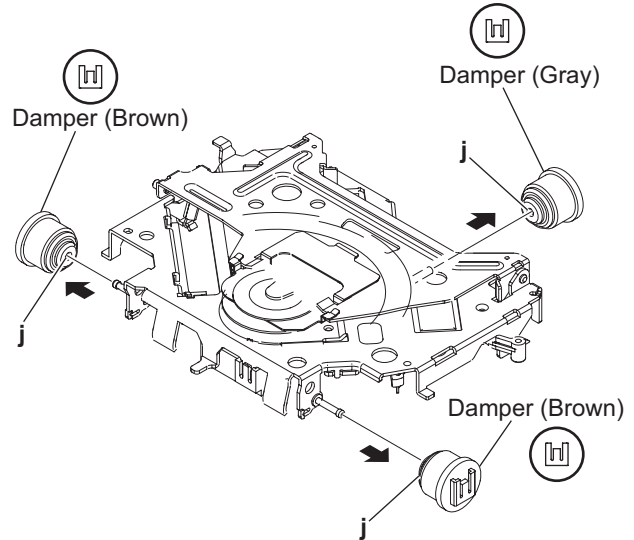


Fig.16

3.2.9 Removing the clumper assembly (See Fig.17)

- Remove the MECHANISM CONTROL BOARD assembly, top cover and mechanism section.
 - From the top side of the mechanism section, release the clumper spring.
 - Move the clumper assembly in the direction of the arrow, and then release the joints (**k** and **m**).
 - Take out the clumper assembly from the T.M chassis assembly.

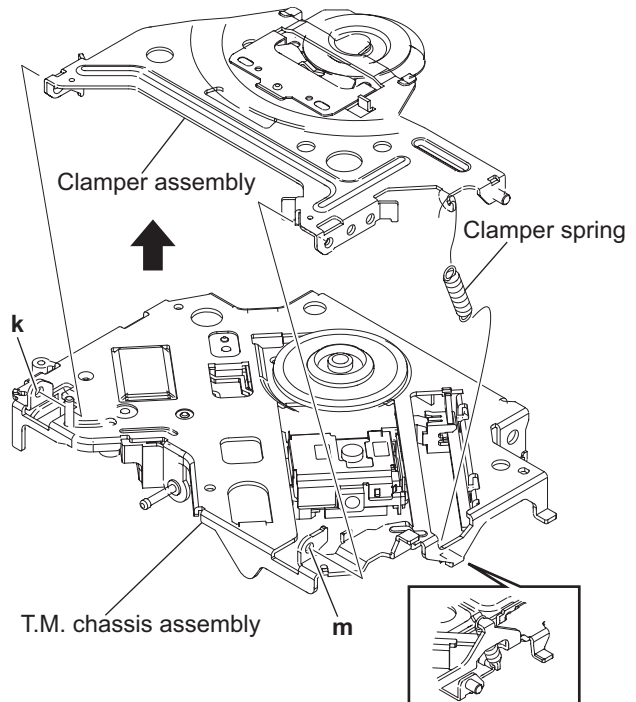


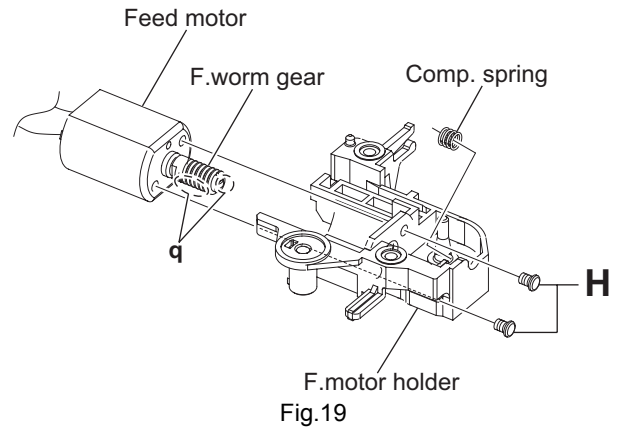
Fig.17

3.2.10 Removing the feed motor (See Fig.18 and 19)

- Remove the MECHANISM CONTROL BOARD assembly, top cover, mechanism section and clamber assembly.
 - From the bottom side of the T.M chassis assembly, remove the two screws **G** attaching the feed motor assembly. (See Fig.18.)
 - Remove the two screws **H** attaching the feed motor to f.motor holder. (See Fig.19.)

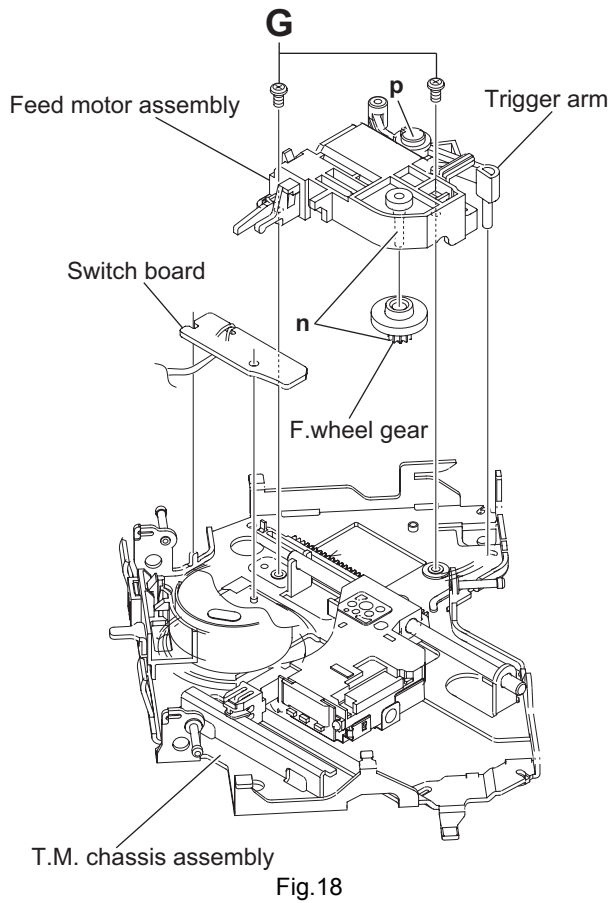
Reference:

When attaching the f. wheel gear, trigger arm and feed motor, apply grease to the sections (**n**, **p** and **q**). (See Fig.18 and 19.)



3.2.11 Removing the SWITCH BOARD assembly (See Fig.18)

- Remove the MECHANISM CONTROL BOARD assembly, top cover, mechanism section, clamber assembly and feed motor assembly. From the bottom side of the T.M chassis assembly, take out the SWITCH BOARD assembly in an upward direction from T.M chassis assembly.

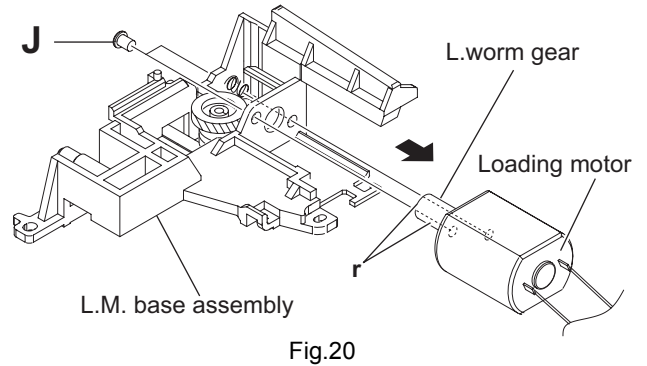


3.2.12 Removing the loading motor (See Fig.20)

- Remove the MECHANISM CONTROL BOARD assembly, top cover, mechanism section and clamber assembly.
 - From the right side of the L.M base assembly, remove the two screws **J** attaching the loading motor.
 - Take out the loading motor in the direction of the arrow from the L.M base assembly.

Reference:

When attaching the loading motor, apply grease to the section **r**.



3.2.13 Removing the pickup assembly (See Fig.21 to 22)

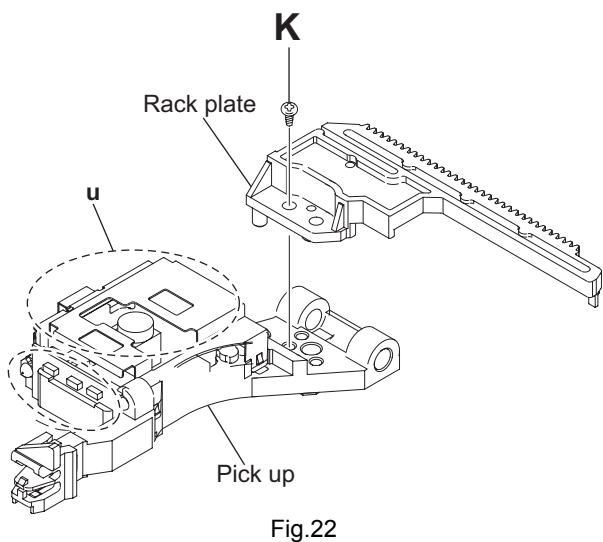
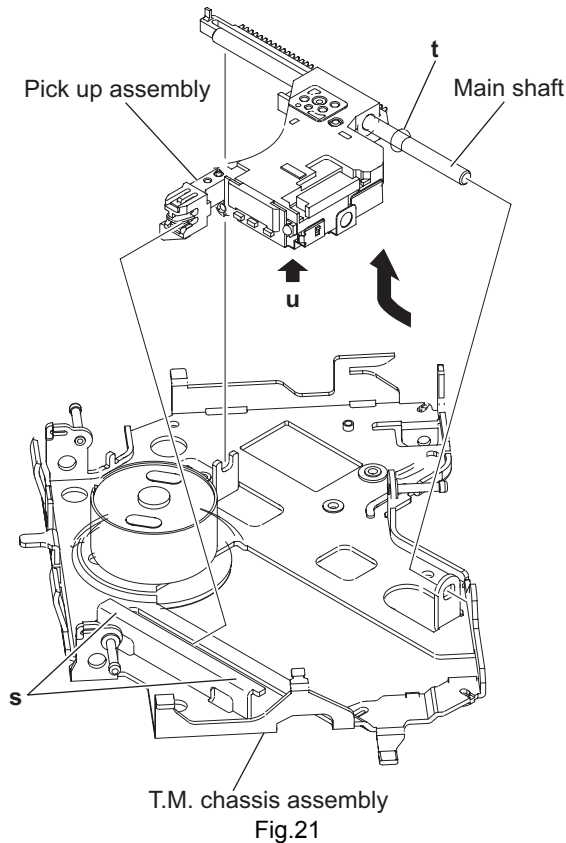
- Remove the MECHANISM CONTROL BOARD assembly, top cover, mechanism section, clamber assembly and feed motor assembly.

Caution:

- Do not touch section **u** on the pickup assembly. (See Fig.21 and 22.)
- From the bottom side of the T.M chassis assembly, move the pickup assembly in the direction of the arrow from the T.M chassis assembly. (See Fig.21.)
 - Pull out the main shaft. (See Fig.21.)
 - Remove the screw **K** attaching the pickup to the rack plate. (See Fig.22.)

Reference:

When attaching the loading motor, apply grease to the sections **s** and **t**. (See Fig.21.)

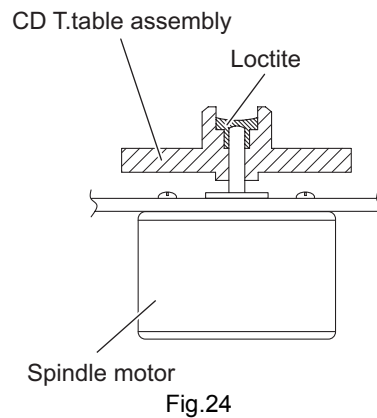
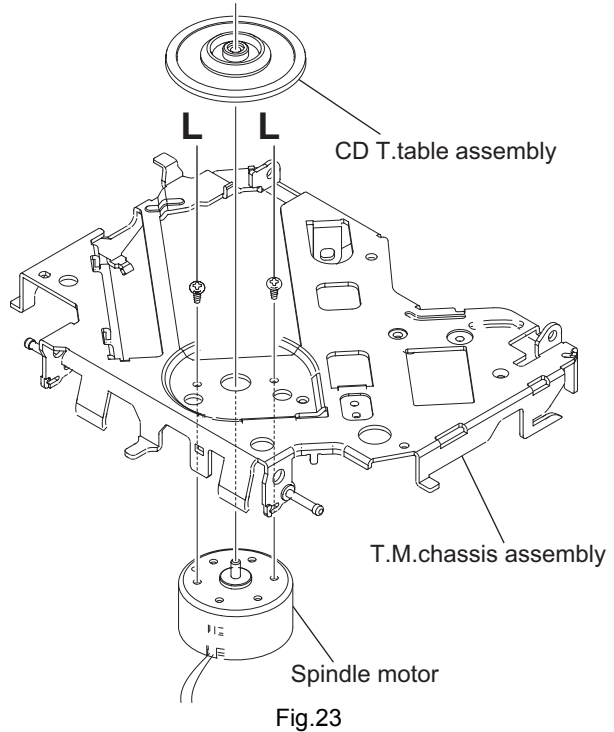


3.2.14 Removing the spindle motor (See Fig.23 and 24)

- Remove the MECHANISM CONTROL BOARD assembly, top cover, mechanism section, clamber assembly, feed motor assembly and pickup assembly.
- From the top side of the T.M chassis assembly, remove the CD T.table assembly from the spindle motor. (See Fig.23.)
 - Remove the two screws **L** attaching the spindle motor. (See Fig.23.)
 - Take out the spindle motor from the bottom side of the T.M chassis assembly. (See Fig.23.)

Reference:

When attaching the CD T.table assembly to the spindle motor shaft, apply loctite 460 to inside the CD T.table assembly. (See Fig.24.)



SECTION 4 ADJUSTMENT

4.1 Test instruments required for adjustment

- (1) Digital oscilloscope (100MHz)
- (2) Digital tester
- (3) Test Disc
- (4) Extension cable : EXTCD004-28P

4.2 Standard measuring conditions

Power supply voltage DC14.4V(10.5 to 16V)
Load impedance 20K ohm (2 Speakers connection)
Output Level Line out 2.5V (Vol. MAX)

4.5 How to connect the extension cable for adjusting

Caution:

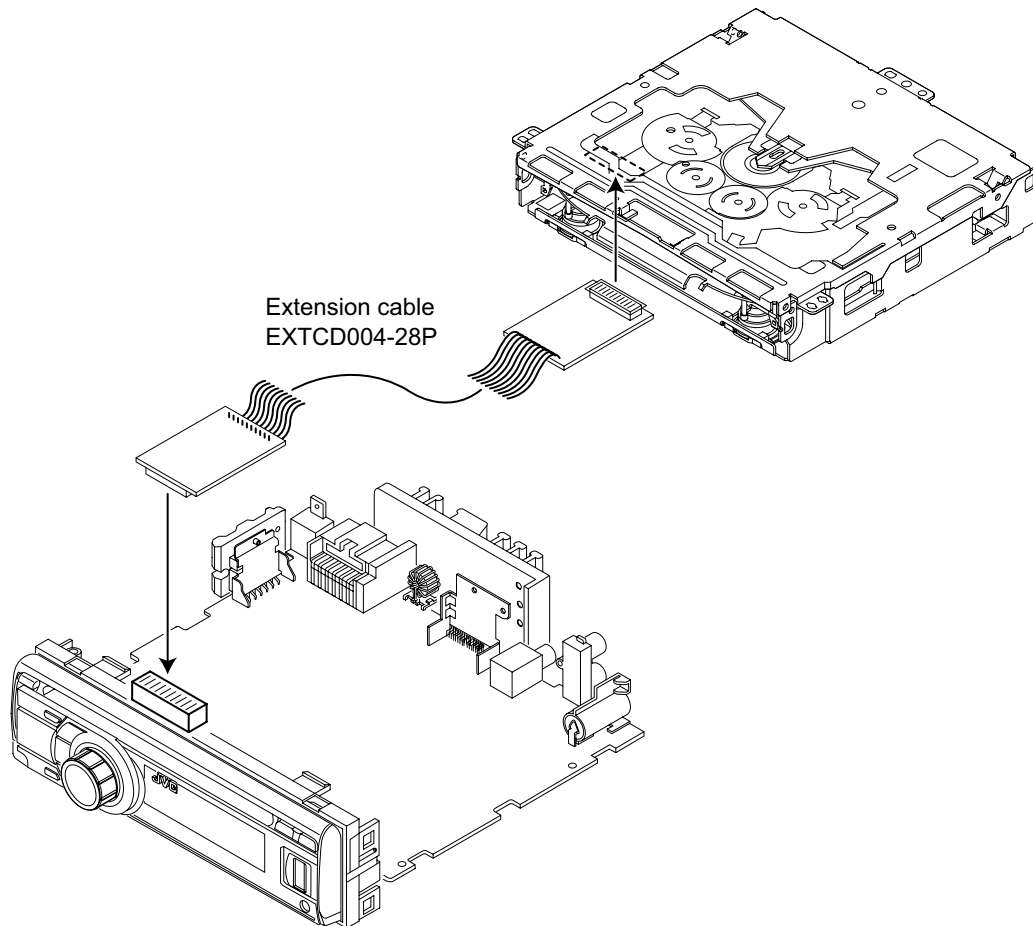
Be sure to attach the heat sink and rear bracket onto the power amplifier IC and regulator IC respectively, before supply the power. If voltage is applied without attaching these parts, the power amplifier IC and regulator IC will be destroyed by heat.

4.3 Standard volume position

Balance and Bass & Treble volume : Indication "0"
Loudness : OFF

4.4 Dummy load

Exclusive dummy load should be used for AM, and FM.
For FM dummy load, there is a loss of 6dB between SSG output and antenna input.
The loss of 6dB need not be considered since direct reading of figures are applied in this working standard.

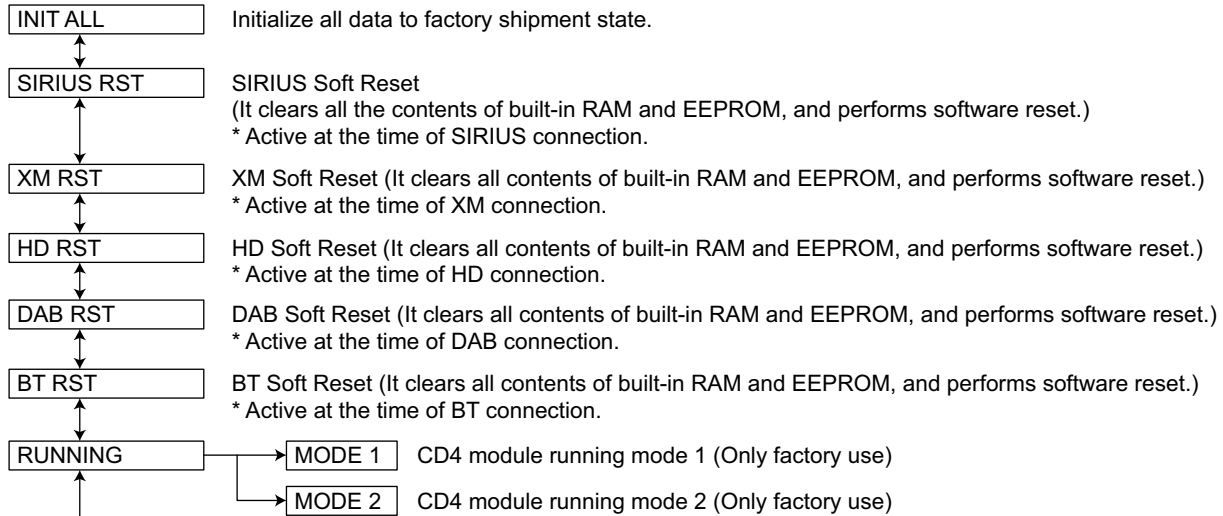


4.6 Service mode

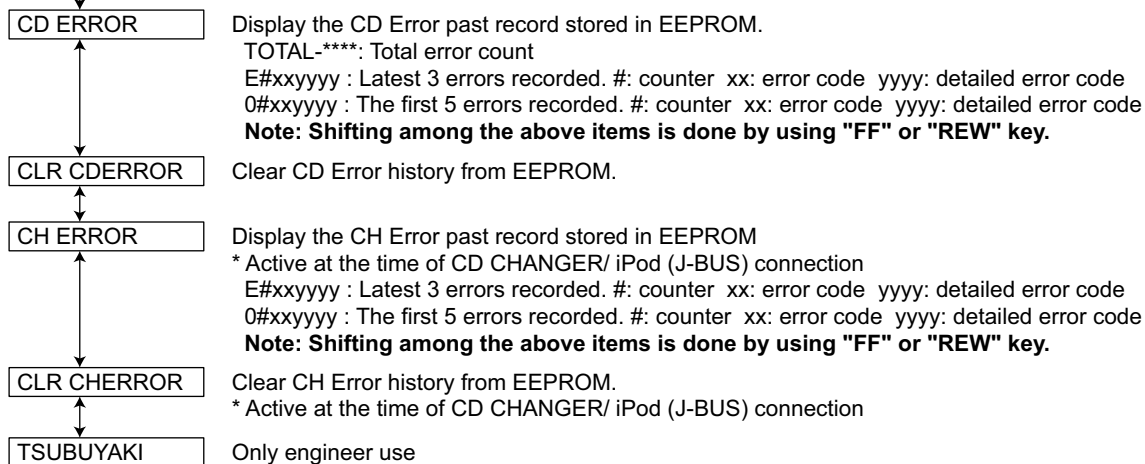
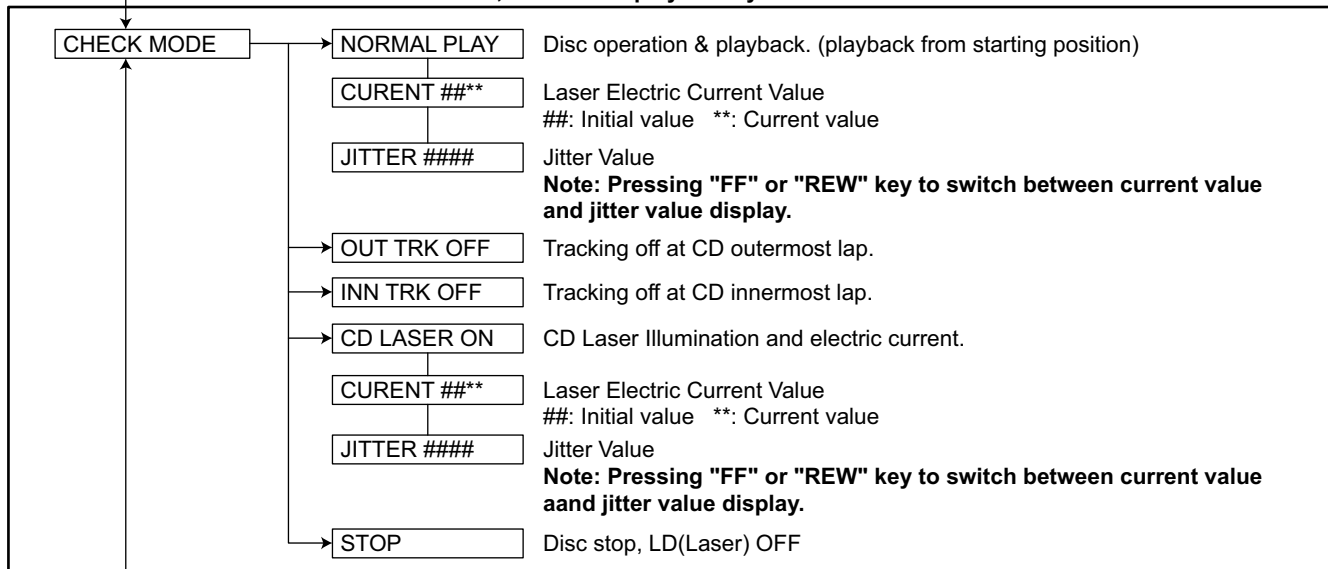
Operating key: [MENU] → [DOWN] (3 sec)

Navigation key : Press [SEL] in any main display item to select that option.

Volume Knob Turn: forward and backward selection



Note : A disc is inserted, and it is displayed only at the time of CD function.



4.7 Tuner service mode

Key operation (FM, AM and DAB mode)
 Enter service mode: [SEL] → [MENU] (3 sec)
 Exit service mode: press [ENTER] (SEL) key.
 Go to next item: press [DISP] key
 Back to previous item: press [BACK] key

VER=#***	MICON version display # indicates destination: J=USA, U=OTHERS (eg. ASIA), R=EUROPE, E=EASTERN EUROPE *** indicates version No.
CD4V####	CD4 module version display.
#####	Tuner device and version identification display Display :TOM V1 for TOMIC V1 tuner. Display :TOM V2 for TOMIC V2 tuner. Display :ATOM V2 for ATOMIC V2 tuner. Display: ATOM V3 for ATOMIC V3 tuner.
TINJ= ##	Tuner injection indicator "##" indicates current tuner injection.
SPI=####	FOR DAB ONLY To link SID display that DAB receives and FM station (Search PI), the reception situation of DAB is displayed. "####" indicates SID code.
FOR RDS ONLY	
PI =####	PI display of receiving station, "####" indicates PI code.
PTY=##	PTY display of receiving station (00~29), "##" indicates PTY code.
TP=#TA=*	TP, TA display of receiving station "#" indicates TP ON/OFF: 1=ON; 0=OFF; "*" indicates TA ON/OFF: 1=ON; 0=OFF.
MS=#DI=*	M/S, DI display of receiving station "#" indicates M/S ON/OFF: 1=ON; 0=OFF; "*" indicates DI ON/OFF: 1=ON; 0=OFF.
AF=####	Display the contents of AF memory (by scrolling) "####" indicate AF frequencies.
LEV= ##H	Field strength indicator.
U&W= ##H	Adjacent and Multipath noise level indicator.
IFC= ##H	IF COUNTER result indicator.
IFBW= #	FM IF filter bandwidth indicator.
RFAGC=##	FM RF AGC resulting attenuation.
IFAGC=##	FM IF AGC resulting attenuation.
##**	CLOCK display of receiving station (Original DISP key operation)
#####	FOR RDS ONLY PS NAME display of receiving station (Original DISP key operation)
#####	FREQUENCY display of receiving station (Original DISP key operation)

4.8 Error code

4.8.1 Mechanical Error Detail Codes

Condition	Details	Error Code	Detail Code
LOADING Error	Error without SW change in LOAD when time-out is done		
B1 time out	When there is no change in the state of the switch from the state with DISC forward.	09	0011
C1 time out	When there is no change in the state of the switch from the state that DISC is drawn in a half.	09	0012
B2 time out	When there is no change in the state of the switch from the state that DISC is in the interior.	09	0015
EJECT Error	Error without SW change in EJECT when time-out is done.		
B1 time out	When there is no change in the state of the switch from the state that DISC is in the interior.	01	0023
C2 time out	When there is no change in the state of the switch from the state that DISC is drawn in a half.	01	0026
B2 time out	When there is no change in the state of the switch in EJECT from initial LOAD ERROR.	01	0027
FORCE EJECT Error	Transition to Force EJECT waiting or Force EJECT transition from error by abnormal SW.		
E1 FORCE EJECT ERROR	When detect abnormal SW from the state of NO DISC	01	0041
E2 FORCE EJECT ERROR	When detect abnormal SW from the state with DISC forward in LOAD.	01	0042
E3 FORCE EJECT ERROR	When detect abnormal SW from the initial state.	01	0043
E5 FORCE EJECT ERROR	When detect abnormal SW from the state that half DISC is drawn in LOAD and EJECT.	01	0045
E7 FORCE EJECT ERROR	When detect abnormal SW from the state that DISC is in the interior in LOAD and EJECT.	01	0047
E8 FORCE EJECT ERROR	When receive Force EJECT key after it makes an error from Force EJECT.	01	0048
E9 FORCE EJECT ERROR	When receive Force EJECT key after it makes an error from LOAD error or EJECT error.	01	0049
Error in Running mode			
Case 1	When DISC was extracted or fall in EJECT END and EJECT START.	09	0031
Case 2	When DISC is pushed in EJECT END.	09	0032

4.8.2 Disc error code

Condition	Details	Error Code	Detail Code
TOC READING Error	When it hasn't completed CD TOC reading.	84	0059
1'st track access Error	It doesn't end even if the first track access passes 30sec after the TOC reading ends in the running mode.	80	0060
Last track access Error	It doesn't end even if the last track access passes 30sec after the first track ends in the running mode.	80	0061
NO DISC judgment	It be judged NO DISC.	80	0090
NO DISC with start failure	Not possible to start.	80	0091
Stopped with no playback	When it was stopped in playback in the running mode.	80	0093
Logical format NG	Analysis of logical format is impossible or it does not correspond to logical formats.	80	0094

4.8.3 CD changer mechanism error code

Condition	Details	Error Code	Detail Code
Tray eject error 1. TRAYINSW time over (TRAYINSW:L, TRAYOUTSW:H) 2. TRAYOUTSW time over (TRAYINSW:H, TRAYOUTSW:H) 3. TRAYIN/OUTSW time over (TRAYINSW:L, TRAYOUTSW:L) 4. MAGINSW:L→H	Tray motor time over Tray motor does not operate	03	0011
	Tray stops	03	0012
	TRAYINSW NG etc	03	0013
	Magazine is ejected while Tray is being returned	03	0014
Tray return error 1. TRAYOUTSW time over (TRAYINSW:H, TRAYOUTSW:L) 2. TRAYINSW time over (TRAYINSW:H, TRAYOUTSW:H) 3. TRAYIN/OUTSW time over (TRAYINSW:L, TRAYOUTSW:L) 4. MAGINSW:L→H	Tray motor time over Tray motor does not operate	03	0016
	Tray stops	03	0017
	TRAYOUTSW NG etc	03	0018
	Magazine is ejected while Tray is being returned	03	0019
Lifter up error 1. WAIT position time over 2. WAIT position time over 3. WAIT position time over	Position motor time over Position motor does not operate	02	0021
	Position is not stable in fine adjustment mode	02	0022
	Other condition	02	0023
Lifter down error 1. WAIT position time over 2. WAIT position time over 3. WAIT position time over	Position motor time over Position motor does not operate	02	0026
	Position is not stable in fine adjustment mode	02	0027
	Other condition	02	0028
Chucking error 1. Play position time over 2. Play position time over 3. Play position time over	Position motor time over Position motor does not operate	02	0031
	Position is not stable in fine adjustment mode	02	0032
	Other condition	02	0033
Unchucking error 1. WAIT position time over 2. WAIT position time over 3. WAIT position time over	Position motor time over Position motor does not operate	02	0036
	Position is not stable in fine adjustment mode	02	0037
	Other condition	02	0038
Eject error 1. Eject position time over 2. Eject position time over 3. MAGINSW time over	Eject cannot be carried out Position motor does not operate	02	0041
	Improper EJECT position *	02	0042
	Magazine is not ejected	01	0043
Initialize error 1. Mechanism SW NG error 2. Absolute position time over	TRAYINSW and TRAYOUTSW are L	03	0046
	Position is not stable in absolute position	02	0047

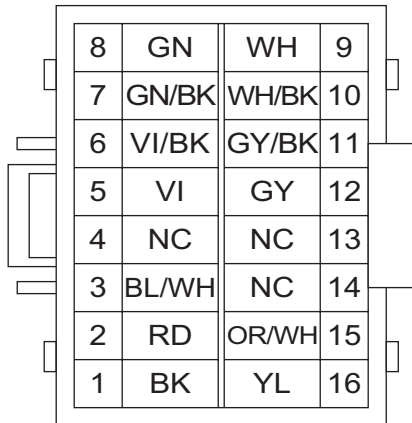
*"Position is not stable in WAIT position," "Position is not stable in PLAY position," and "Position is not stable in absolute position," and "Improper EJECT are all Position Motor TIME OVER.

4.8.4 CD changer disc error code

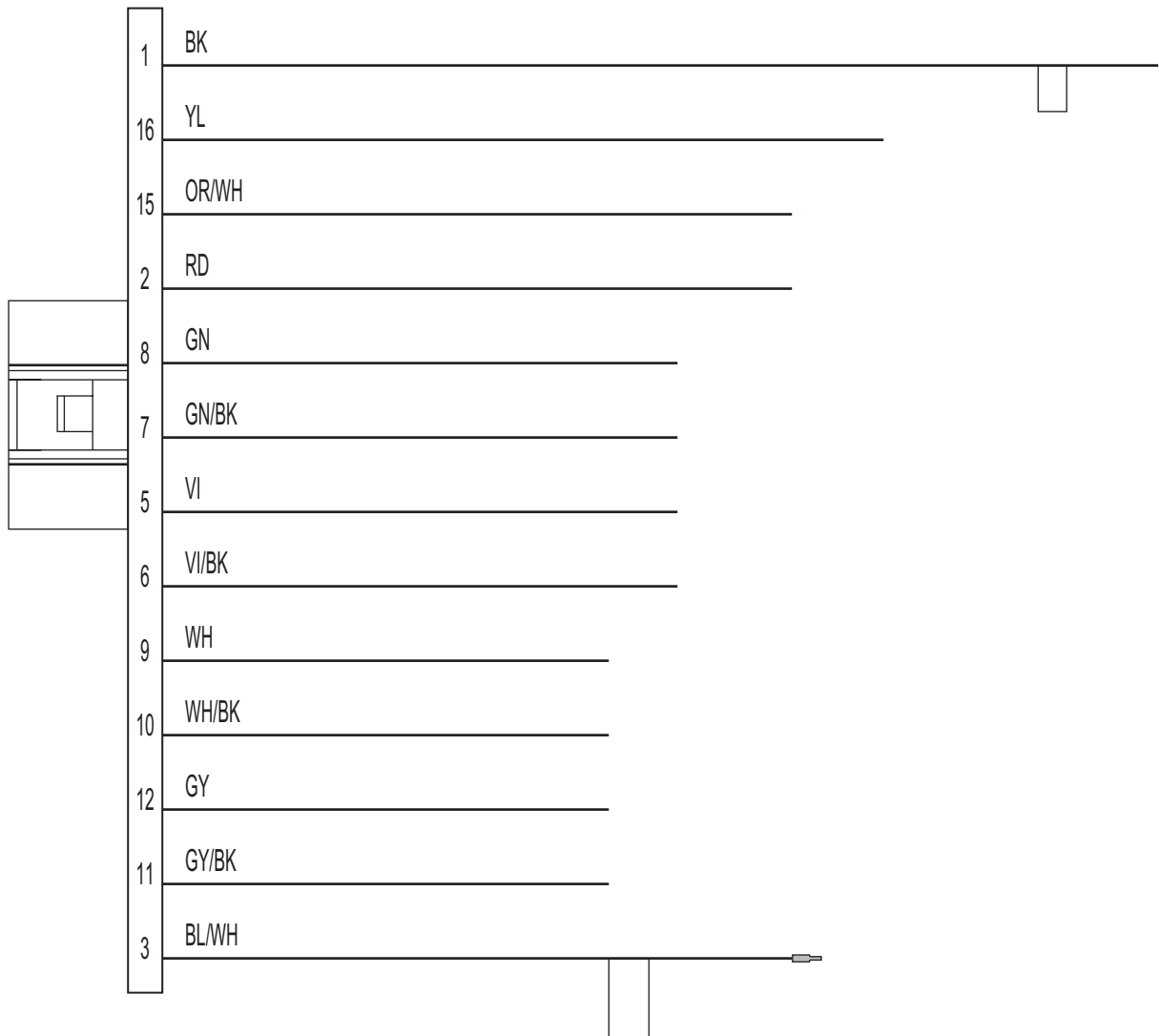
Condition	Details	Error code	Detail code
Pickup movement error 1. Time over of pickup movement in an inner direction (10s) 2. Time over of pickup movement in an outer direction (10s)	Time over at PUBWD and PUFWD by monitoring RESET SW Pickup cannot move in an inner direction RESET SW is not on Pickup cannot move in an outer direction RESET SW is not off	04 04	0051 0052
Focus search error Focus is not adjusted by 3-round focus search	When focus is not adjusted by 3-round(1set) focus search after disc change or focus shock, the result is NG	81	0053
Tracking balance adjustment error. Time over(1s)	Tracking balance adjustment is not finished 1s after adjustment command(TBA) is executed	82	0054
TOC area search error Time over (10s)	TOC area search is not finished after 10s	80	0055
Focus balance adjustment error Time over(2s)	Focus balance adjustment is not finished 2s after adjustment command(FBA) is executed	82	0056
Focus gain adjustment error Time over(0.6s)	Focus gain adjustment error is not finished 0.6s after adjustment command(FGA) is executed	82	0057
Tracking gain adjustment error Time over(0.6s)	Tracking gain adjustment error is not finished 0.6s after adjustment command(TGA) is executed	82	0058
TOC read error TIME over(30s)	TOC read operation is not finished after 30s	84	0059
First track access error Time over(10s)	First track access is not finished 10s after TOC reading is finished	80	0060
Last track access error Time over(10s)	Last track access is not finished 10s after first track in running mode	80	0061
Q code read error Time over(0.6s)	Q code is not read for 0.6s during playback of TOC and program area	80	0062

SECTION 5 TROUBLESHOOTING

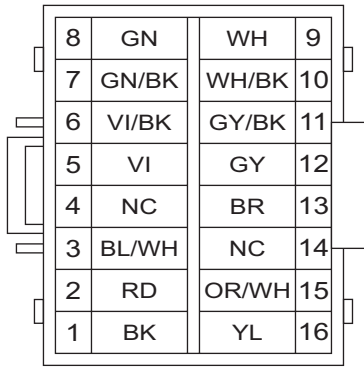
5.1 16 PIN CORD DIAGRAM (for KD-A605, KD-R600, KD-S36)



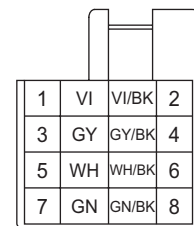
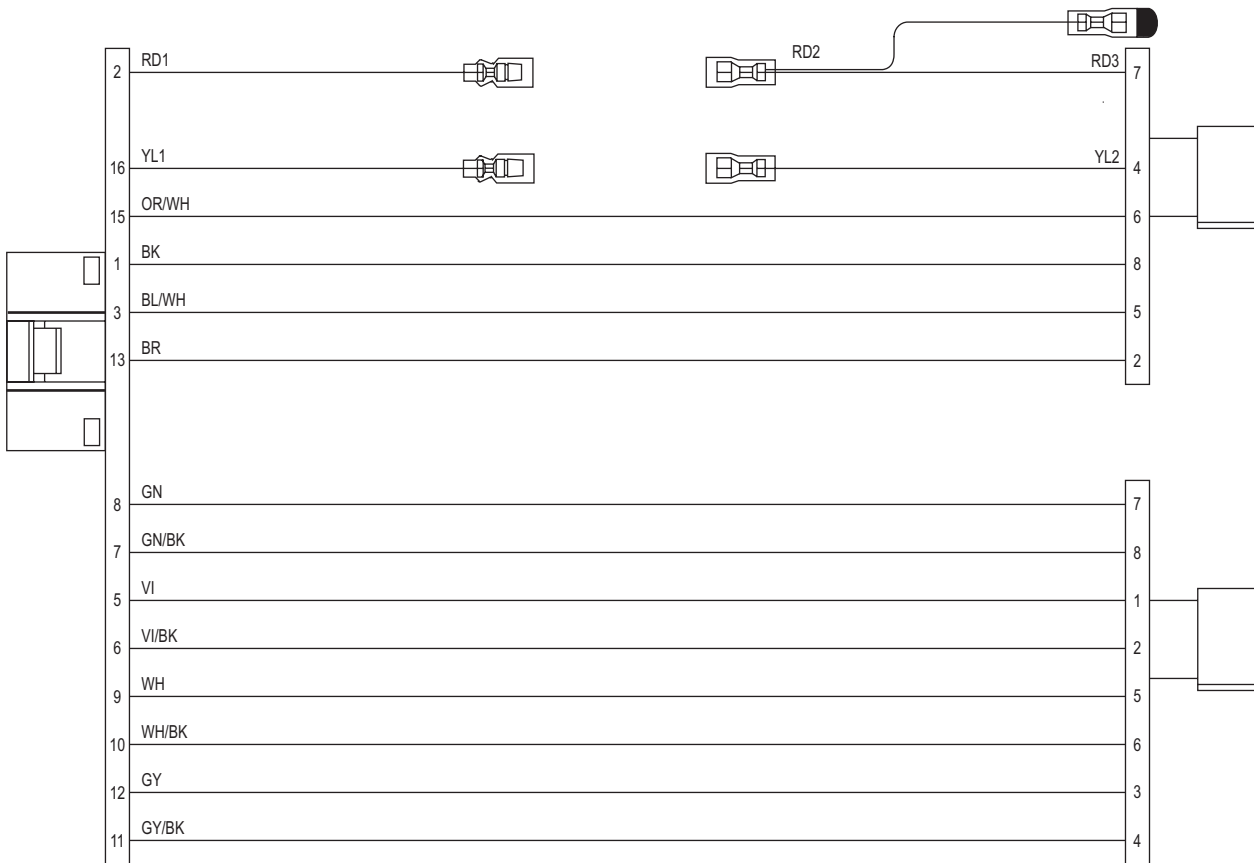
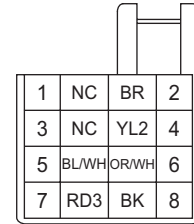
BK	Black	GN	Green
RD	Red	GY	Gray
BL	Blue	OR	Orange
WH	White	YL	Yellow
VI	Violet		



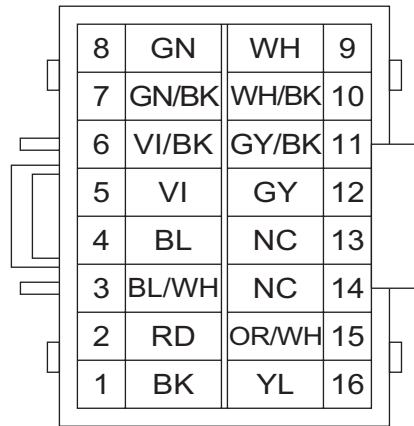
5.2 16 PIN CORD DIAGRAM (for KD-R601)



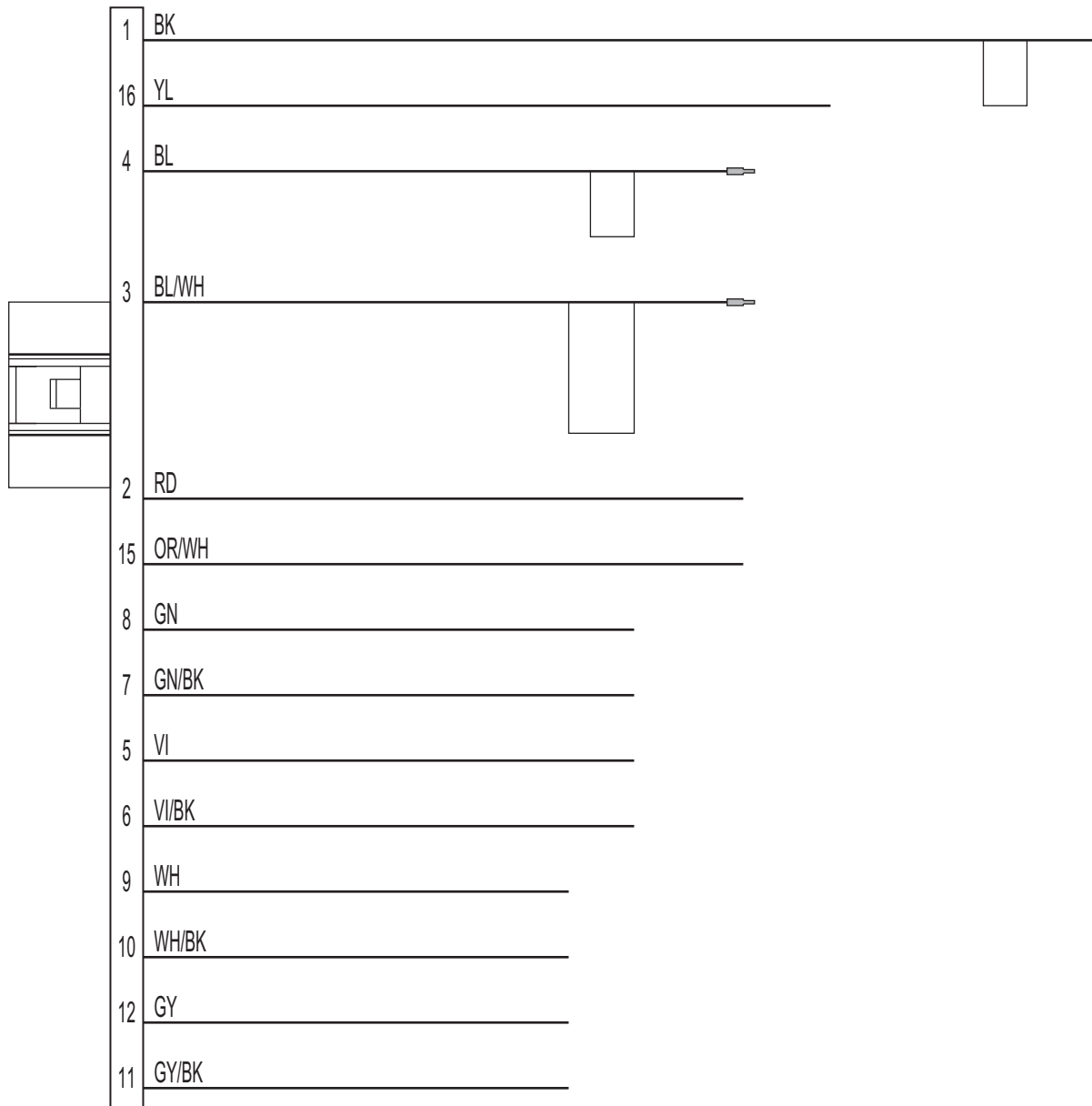
BK	Black	GN	Green
RD	Red	GY	Gray
BL	Blue	BR	Brown
WH	White	OR	Orange
VI	Violet	YL	Yellow



5.3 16 PIN CORD DIAGRAM (for KD-R604, KD-R605, KD-R606)



BK	Black	GN	Green
RD	Red	GY	Gray
BL	Blue	OR	Orange
WH	White	YL	Yellow
VI	Violet		





JVC

Victor Company of Japan, Limited
Mobile Entertainment Division 10-1,1chome,Ohwatari-machi,Maebashi-city,371-8543,Japan

(No.MA442<Rev.002>)

Printed in Japan
VSE



REVISION INFORMATION

CD RECEIVER

**KD-A605J, KD-R600J, KD-R601E,
KD-R601EX, KD-R601EY, KD-R601EU,
KD-R604UI, KD-R605U, KD-R605UN,
KD-R605UT, KD-R605UH, KD-R606U,
KD-R606UN, KD-R606UT, KD-R606UH,
KD-S36J**

■ OVERVIEW

Add KD-S36J, supported reduction in cost, and board contents were changed.

■ DETAILS

COVER SECTION

Title	Line	No.MA442<Rev.001>	No.MA442<Rev.002>	Description				
Revision		Rev. 001	Rev. 002					
Issue Date		2009/02	2009/08					
Model No.		KD-A605J, KD-R600J, KD-R601E, KD-R601EU, KD-R601EX, KD-R601EY, KD-R604UI, KD-R605U, KD-R605UH, KD-R605UN, KD-R605UT, KD-R606U, KD-R606UH, KD-R606UN, KD-R606UT	KD-A605J, KD-R600J, KD-R601E, KD-R601EU, KD-R601EX, KD-R601EY, KD-R604UI, KD-R605U, KD-R605UH, KD-R605UN, KD-R605UT, KD-R606U, KD-R606UH, KD-R606UN, KD-R606UT, KD-S36J					
Cover Illustration		ILLUSTRATION(ma442_0001.png)	ILLUSTRATION(ma442_0001.png)					
SPECIFICATION	1	KD-A605/KD-R600	KD-A605/KD-R600/ KD-S36					
	11	<table border="1"><tr><td>KD-R600</td></tr><tr><td>2.5 V/20 kΩ load (full scale)</td></tr></table>	KD-R600	2.5 V/20 kΩ load (full scale)	<table border="1"><tr><td>KD-R600/KD-S36</td></tr><tr><td>2.5 V/20 kΩ load (full scale)</td></tr></table>	KD-R600/ KD-S36	2.5 V/20 kΩ load (full scale)	
KD-R600								
2.5 V/20 kΩ load (full scale)								
KD-R600/ KD-S36								
2.5 V/20 kΩ load (full scale)								
	13	<table border="1"><tr><td>KD-R600</td></tr><tr><td>2.5 V/20 kΩ load (full scale)</td></tr></table>	KD-R600	2.5 V/20 kΩ load (full scale)	<table border="1"><tr><td>KD-R600/KD-S36</td></tr><tr><td>2.5 V/20 kΩ load (full scale)</td></tr></table>	KD-R600/ KD-S36	2.5 V/20 kΩ load (full scale)	
KD-R600								
2.5 V/20 kΩ load (full scale)								
KD-R600/ KD-S36								
2.5 V/20 kΩ load (full scale)								

SECTION 2 SPECIFIC SERVICE INSTRUCTIONS

Title	Line	No.MA442<Rev.001>	No.MA442<Rev.002>	Description
2 SPECIFIC SERVICE INSTRUCTIONS	1	This service manual does not describe SPECIFIC SERVICE INSTRUCTIONS.	-	
2.1 Identification method	T	-	2.1 Identification method	
	1	-	Supported reduction in cost, and board contents was changed.A set put the following label on is an object.	
	2	-	ILLUSTRATION(ma442_2001.png)	

SECTION 5 TROUBLESHOOTING

Title	Line	No.MA442<Rev.001>	No.MA442<Rev.002>	Description
5.1 16 PIN CORD DIAGRAM (for KD-A605, KD-R600,KD-S36)	T	5.1 16 PIN CORD DIAGRAM (for KD-A605, KD-R600)	5.1 16 PIN CORD DIAGRAM (for KD-A605, KD-R600,KD-S36)	

STANDARD SCHEMATIC DIAGRAMS

Schematic Diagram

Diagram Name	No.MA442<Rev.001>	No.MA442<Rev.002>	Description
Menu	Main section	Old Main section	
Menu	LCD & Key control section	Old LCD & Key control sectionion	
Menu	CD section	Old CD section	
Menu	-	Main section	
Menu	-	LCD & Key control section	
Menu	-	CD section	

Printed Circuit Board

Diagram Name	No.MA442<Rev.001>	No.MA442<Rev.002>	Description
Menu	Main board	Old Main board	
Menu	Switch board	Old Switch board	
Menu	LED board	Old LED board	
Menu	CD board	Old CD board	
Menu	CD switch board	Old CD switch board	
Menu	Photo board	Old Photo board	
Menu	-	Main board	
Menu	-	Switch board	
Menu	-	LED board	
Menu	-	CD board	
Menu	-	CD switch board	
Menu	-	Photo board	

Description of Major ICs

Diagram Name	No.MA442<Rev.001>	No.MA442<Rev.002>	Description
Menu	-	IC302: BR24S16F-W-X	
Menu	-	IC681: KSM-2003TN2M	
Menu	-	IC701: MN101E16YFE	
Menu	-	IC701: MN101E16YFF	
Menu	IC1: TEF6606T/V3-X	IC1: TEF6606T/V5-X	

PARTS LIST

MODEL No. LIST

Model No.	No.MA442<Rev.002>
KD-A605J	01
KD-R600J	02
KD-R601E	03
KD-R601EU	06
KD-R601EX	04
KD-R601EY	05

Model No.	No.MA442<Rev.002>
KD-R604UI	07
KD-R605U	08
KD-R605UH	0B
KD-R605UN	09
KD-R605UT	0A
KD-R606U	0C

Model No.	No.MA442<Rev.002>
KD-R606UH	0F
KD-R606UN	0D
KD-R606UT	0E
KD-S36J	10

General assembly [M1MM]

△	Symbol	or	Part No.		Part Name	Description	Qty	Models
			<Rev.001>	<Rev.002>				
	M1MM	4	GE33325-002A	-----	INSULATOR	(Deletion)	1	01,02,03,04,05,06,07,08,09,0A,0B,0C,0D,0E,0F
	M1MM	4	-----	GE33325-002A	INSULATOR	(Addition)	1	01,02,07,08,09,0A,0B,0C,0D,0E,0F
	M1MM	4	-----	GE33325-003A	INSULATOR	(Addition)	1	03,04,05,06,10
	M1MM	17	-----	GE10215-003A	FRONT CHASSIS	(Addition)	1	10
	M1MM	23	GE33592-001A	GE33592-019A	FRONT PANEL ASSY		1	01
	M1MM	23	GE33592-014A	GE33592-028A	FRONT PANEL ASSY		1	02,0C,0D,0E,0F,10
	M1MM	23	GE33592-003A	GE33592-021A	FRONT PANEL ASSY		1	03,04,05,06
	M1MM	23	GE33592-016A	GE33592-029A	FRONT PANEL ASSY		1	07,08,09,0A,0B
	M1MM	24	-----	GE33435-047A	FINDER ASSY	(Addition)	1	10
	M1MM	24	GE33435-010A	GE33435-026A	FINDER ASSY		1	01
	M1MM	24	GE33435-006A	GE33435-027A	FINDER ASSY		1	02
	M1MM	24	GE33435-011A	GE33435-028A	FINDER ASSY		1	03,04,05,06
	M1MM	24	GE33435-007A	GE33435-029A	FINDER ASSY		1	07
	M1MM	24	GE33435-008A	GE33435-030A	FINDER ASSY		1	08,09,0A,0B
	M1MM	24	GE33435-009A	GE33435-031A	FINDER ASSY		1	0C,0D,0E,0F
	M1MM	28	GE33416-001A	-----	SRC BUTTON	(Deletion)	1	01,02,03,04,05,06,0C,0D,0E,0F
	M1MM	28	-----	GE33416-001A	SRC BUTTON	(Addition)	1	01,02,0C,0D,0E,0F
	M1MM	28	-----	GE33416-003A	SRC BUTTON	(Addition)	1	03,04,05,06,10
	M1MM	29	GE33417-001A	-----	DISP BUTTON	(Deletion)	1	01,02,03,04,05,06,0C,0D,0E,0F
	M1MM	29	-----	GE33417-001A	DISP BUTTON	(Addition)	1	01,02,0C,0D,0E,0F
	M1MM	29	-----	GE33417-003A	DISP BUTTON	(Addition)	1	03,04,05,06,10
	M1MM	40	GE10252-001A	GE10252-002A	REAR COVER		1	01,02,03,04,05,06,07,08,09,0A,0B,0C,0D,0E,0F,10
	M1MM	46	-----	GE33875-001A	NAME PLATE	(Addition)	1	10
	M1MM	54	-----	LV45386-001A	R2 INDICATION	(Addition)	1	01,02,03,04,05,06,07,08,09,0A,0B,0C,0D,0E,0F,10
	M1MM	55	-----	GE40225-001A	CAR STEREO TAG	(Addition)	1	10
	M1MM	56	-----	QYSDSP4014ZA	SCREW	(Addition)	1	10
	M1MM	57	-----	GE40282-001A	LABEL	(Addition)	1	10

CD mechanism [MBMM]

△	Symbol	or	Part No.		Part Name	Description	Qty	Models
			<Rev.001>	<Rev.002>				
	MBMM	3	LV22300-001A	LV22300-002A	SLIDE CAM (L)		1	01,02,03,04,05,06,07,08,09,0A,0B,0C,0D,0E,0F,10
	MBMM	10	LV11260-002A	LV11260-003A	TOP COVER		1	01,02,03,04,05,06,07,08,09,0A,0B,0C,0D,0E,0F,10
	MBMM	13	LV36903-002A	LV36903-003A	L M BASE ASSY		1	01,02,03,04,05,06,07,08,09,0A,0B,0C,0D,0E,0F,10
	MBMM	16	LV36805-001A	LV36805-002A	M WHEEL GEAR		1	01,02,03,04,05,06,07,08,09,0A,0B,0C,0D,0E,0F,10
	MBMM	22	LV44589-002A	-----	COMPRESSION SPRING	(Deletion)	1	01,02,03,04,05,06,07,08,09,0A,0B,0C,0D,0E,0F
	MBMM	39	LV36815-001A	LV36815-002A	F WHEEL GEAR		1	01,02,03,04,05,06,07,08,09,0A,0B,0C,0D,0E,0F,10
	MBMM	41	LV44589-002A	-----	COMPRESSION SPRING	(Deletion)	1	01,02,03,04,05,06,07,08,09,0A,0B,0C,0D,0E,0F
	MBMM	42	LV37326-002A	LV37326-003A	CLAMPER ASSY		1	01,02,03,04,05,06,07,08,09,0A,0B,0C,0D,0E,0F,10
	MBMM	48	VKZ4539-054	VKZ4539-054	MINI SCREW		6 > 4	01,02,03,04,05,06,07,08,09,0A,0B,0C,0D,0E,0F,10
	MBMM	56	LV44559-002A	LV44559-003A	ROLLER SHAFT		1	01,02,03,04,05,06,07,08,09,0A,0B,0C,0D,0E,0F,10

△	Symbol	or	Part No.		Part Name	Description	Qty	Models
			<Rev.001>	<Rev.002>				
	MBMM	57	LV22325-002A	LV22744-001A	R HOLDER ASSY 2		1	01,02,03,04,05,06,07,08,09,0A,0B,0C,0D,0E,0F,10
	MBMM	59	LV44590-001A	LV44590-001A	WASHER		2 > 1	01,02,03,04,05,06,07,08,09,0A,0B,0C,0D,0E,0F,10
	MBMM	60	LV44561-001A	LV45268-001A	ROLLER COLLAR 2		1	01,02,03,04,05,06,07,08,09,0A,0B,0C,0D,0E,0F,10
	MBMM	65	LV34916-001A	LV34916-002A	WIRE CLAMP		1	01,02,03,04,05,06,07,08,09,0A,0B,0C,0D,0E,0F,10
	MBMM	66	-----	LV45269-001A	R HOLDER ROD	(Addition)	1	01,02,03,04,05,06,07,08,09,0A,0B,0C,0D,0E,0F,10
	MBMM	67	-----	LV45270-001A	WASHER 2	(Addition)	1	01,02,03,04,05,06,07,08,09,0A,0B,0C,0D,0E,0F,10

Main board [04]

△	Symbol	or	Part No.		Part Name	Description	Qty	Models	
			<Rev.001>	<Rev.002>					
△	04	IC1	-----	TEF6606T/V5-X	IC	(Addition)	1	01,02,03,04,05,06,07,08,09,0A,0B,0C,0D,0E,0F,10	
△	04	IC71	-----	LC72725KM-X	IC	(Addition)	1	03,04,05,06	
	04	IC161	-----	TDA7718-X	IC	(Addition)	1	01,02,03,04,05,06,07,08,09,0A,0B,0C,0D,0E,0F,10	
△	04	IC301	-----	TDA7851A	IC	(Addition)	1	01,02,03,04,05,06,07,08,09,0A,0B,0C,0D,0E,0F,10	
	04	IC381	-----	NJM2160BV-X	IC	(Addition)	1	01	
	04	IC401	-----	TPS2051BD-X	IC	(Addition)	1	01,02,03,04,05,06,07,08,09,0A,0B,0C,0D,0E,0F,10	
△	04	IC701	-----	MN101E16YFE	IC	(Addition)	1	01,02,07,08,09,0A,0B,0C,0D,0E,0F,10	
△	04	IC701	-----	MN101E16YFF	IC	(Addition)	1	03,04,05,06	
	04	IC702	-----	S-80824CNNB-G-W	IC	(Addition)	1	01,02,03,04,05,06,07,08,09,0A,0B,0C,0D,0E,0F,10	
	04	IC702	or	-----	IC-PST3424U-X	IC	(Addition)	1	01,02,03,04,05,06,07,08,09,0A,0B,0C,0D,0E,0F,10
	04	IC771	-----	S-24CS04AFJ-G-X	IC	(Addition)	1	01,02,07,08,09,0A,0B,0C,0D,0E,0F,10	
	04	IC771	-----	S-24CS16A0I-G-X	IC	(Addition)	1	03,04,05,06	
	04	IC801	-----	74AHCT126PW-X	IC	(Addition)	1	01,02,03,04,05,06,07,08,09,0A,0B,0C,0D,0E,0F,10	
△	04	IC901	-----	AN34002A	REGULATOR IC	(Addition)	1	01,02,03,04,05,06,07,08,09,0A,0B,0C,0D,0E,0F,10	
△	04	IC931	-----	BD9007HFP-W	IC	(Addition)	1	01,02,03,04,05,06,07,08,09,0A,0B,0C,0D,0E,0F,10	
	04	Q331	-----	IMX9-W	PAIR TRANSISTOR	(Addition)	1	01,02,03,04,05,06,07,08,09,0A,0B,0C,0D,0E,0F,10	
	04	Q781	-----	RT1P141C-X	DIGI TRANSISTOR	(Addition)	1	01,02,03,04,05,06,07,08,09,0A,0B,0C,0D,0E,0F,10	
	04	Q781	or	-----	UN2111-X	TRANSISTOR	(Addition)	1	01,02,03,04,05,06,07,08,09,0A,0B,0C,0D,0E,0F,10
	04	Q782	-----	2SC1623A/5-6/-X	TRANSISTOR	(Addition)	1	01,02,03,04,05,06,07,08,09,0A,0B,0C,0D,0E,0F,10	
	04	Q782	or	-----	2SC3928A/QR/-X	TRANSISTOR	(Addition)	1	01,02,03,04,05,06,07,08,09,0A,0B,0C,0D,0E,0F,10
	04	Q784	-----	RT1P141C-X	DIGI TRANSISTOR	(Addition)	1	01,02,03,04,05,06,07,08,09,0A,0B,0C,0D,0E,0F,10	
	04	Q784	or	-----	UN2111-X	TRANSISTOR	(Addition)	1	01,02,03,04,05,06,07,08,09,0A,0B,0C,0D,0E,0F,10
	04	Q881	-----	RT1N141C-X	DIGI TRANSISTOR	(Addition)	1	01,02,03,04,05,06,07,08,09,0A,0B,0C,0D,0E,0F,10	
	04	Q881	or	-----	UN2211-X	TRANSISTOR	(Addition)	1	01,02,03,04,05,06,07,08,09,0A,0B,0C,0D,0E,0F,10
	04	Q891	-----	RT1N141C-X	DIGI TRANSISTOR	(Addition)	1	03,04,05,06	
	04	Q891	or	-----	UN2211-X	TRANSISTOR	(Addition)	1	03,04,05,06
	04	Q976	-----	RT1N141C-X	DIGI TRANSISTOR	(Addition)	1	01,02,03,04,05,06,07,08,09,0A,0B,0C,0D,0E,0F,10	
	04	Q976	or	-----	UN2211-X	TRANSISTOR	(Addition)	1	01,02,03,04,05,06,07,08,09,0A,0B,0C,0D,0E,0F,10
	04	Q977	-----	2SA812A/5-6/-X	TRANSISTOR	(Addition)	1	01,02,03,04,05,06,07,08,09,0A,0B,0C,0D,0E,0F,10	
	04	Q977	or	-----	ISA1530AC1/QR/X	TRANSISTOR	(Addition)	1	01,02,03,04,05,06,07,08,09,0A,0B,0C,0D,0E,0F,10

△	Symbol	or	Part No.		Part Name	Description	Qty	Models
			<Rev.001>	<Rev.002>				
	04	Q978		2SC1623A/5-6/-X	TRANSISTOR	(Addition)	1	01,02,03,04,05,06,07,08,09,0A,0B,0C,0D,0E,0F,10
	04	Q978	or	2SC3928A/QR/-X	TRANSISTOR	(Addition)	1	01,02,03,04,05,06,07,08,09,0A,0B,0C,0D,0E,0F,10
	04	D331		MC2836-X	DIODE	(Addition)	1	01,02,03,04,05,06,07,08,09,0A,0B,0C,0D,0E,0F,10
	04	D331	or	MA152WA-X	DIODE	(Addition)	1	01,02,03,04,05,06,07,08,09,0A,0B,0C,0D,0E,0F,10
	04	D711		UDZW6.2B-X	Z DIODE	(Addition)	1	01,03,04,05,06
	04	D711	or	MA8062/M/-X	Z DIODE	(Addition)	1	01,03,04,05,06
	04	D712		1SS355W-X	DIODE	(Addition)	1	01,02,03,04,05,06,07,08,09,0A,0B,0C,0D,0E,0F,10
	04	D712	or	MA111-X	SI DIODE	(Addition)	1	01,02,03,04,05,06,07,08,09,0A,0B,0C,0D,0E,0F,10
	04	D715		UDZW5.1B-X	SB DIODE	(Addition)	1	01,02,03,04,05,06,07,08,09,0A,0B,0C,0D,0E,0F,10
	04	D715	or	MA8051/M/-X	Z DIODE	(Addition)	1	01,02,03,04,05,06,07,08,09,0A,0B,0C,0D,0E,0F,10
	04	D716		UDZW5.1B-X	SB DIODE	(Addition)	1	01,02,03,04,05,06,07,08,09,0A,0B,0C,0D,0E,0F,10
	04	D716	or	MA8051/M/-X	Z DIODE	(Addition)	1	01,02,03,04,05,06,07,08,09,0A,0B,0C,0D,0E,0F,10
	04	D717		UDZW5.1B-X	SB DIODE	(Addition)	1	01,02,03,04,05,06,07,08,09,0A,0B,0C,0D,0E,0F,10
	04	D717	or	MA8051/M/-X	Z DIODE	(Addition)	1	01,02,03,04,05,06,07,08,09,0A,0B,0C,0D,0E,0F,10
	04	D718		UDZW5.1B-X	SB DIODE	(Addition)	1	01,02,03,04,05,06,07,08,09,0A,0B,0C,0D,0E,0F,10
	04	D718	or	MA8051/M/-X	Z DIODE	(Addition)	1	01,02,03,04,05,06,07,08,09,0A,0B,0C,0D,0E,0F,10
	04	D719		UDZW5.1B-X	SB DIODE	(Addition)	1	01,02,03,04,05,06,07,08,09,0A,0B,0C,0D,0E,0F,10
	04	D719	or	MA8051/M/-X	Z DIODE	(Addition)	1	01,02,03,04,05,06,07,08,09,0A,0B,0C,0D,0E,0F,10
	04	D720		UDZW5.1B-X	SB DIODE	(Addition)	1	01,02,03,04,05,06,07,08,09,0A,0B,0C,0D,0E,0F,10
	04	D720	or	MA8051/M/-X	Z DIODE	(Addition)	1	01,02,03,04,05,06,07,08,09,0A,0B,0C,0D,0E,0F,10
	04	D781		1SS355W-X	DIODE	(Addition)	1	01,02,03,04,05,06,07,08,09,0A,0B,0C,0D,0E,0F,10
	04	D781	or	MA111-X	SI DIODE	(Addition)	1	01,02,03,04,05,06,07,08,09,0A,0B,0C,0D,0E,0F,10
	04	D784		UDZW11B-X	Z DIODE	(Addition)	1	01,02,03,04,05,06,07,08,09,0A,0B,0C,0D,0E,0F,10
	04	D784	or	MA8110/M/-X	Z DIODE	(Addition)	1	01,02,03,04,05,06,07,08,09,0A,0B,0C,0D,0E,0F,10
	04	D785		1SS355W-X	DIODE	(Addition)	1	01,02,03,04,05,06,07,08,09,0A,0B,0C,0D,0E,0F,10
	04	D785	or	MA111-X	SI DIODE	(Addition)	1	01,02,03,04,05,06,07,08,09,0A,0B,0C,0D,0E,0F,10
	04	D851		MA22F20-X	SB DIODE	(Addition)	1	07,08,09,0A,0B,0C,0D,0E,0F
	04	D852		MA22D23-X	SB DIODE	(Addition)	1	07,08,09,0A,0B,0C,0D,0E,0F
	04	D852	or	CRS03-W	SB DIODE	(Addition)	1	07,08,09,0A,0B,0C,0D,0E,0F
	04	D891		MC2836-X	DIODE	(Addition)	1	03,04,05,06
	04	D891	or	MA152WA-X	DIODE	(Addition)	1	03,04,05,06
	04	D901		1N5401-F64	SI DIODE	(Addition)	1	01,02,03,04,05,06,07,08,09,0A,0B,0C,0D,0E,0F,10
	04	D901	or	1N5401-TU-15	SI DIODE	(Addition)	1	01,02,03,04,05,06,07,08,09,0A,0B,0C,0D,0E,0F,10
	04	D902		GS1J-LTP-X	DIODE	(Addition)	1	03,04,05,06
	04	D931		RSX201L-30-X	SB DIODE	(Addition)	1	01,02,07,08,09,0A,0B,0C,0D,0E,0F,10
	04	D932		MA22D23-X	SB DIODE	(Addition)	1	03,04,05,06
	04	D933		MA22D23-X	SB DIODE	(Addition)	1	03,04,05,06
	04	D971		MA22F20-X	SB DIODE	(Addition)	1	01,02,03,04,05,06,07,08,09,0A,0B,0C,0D,0E,0F,10
	04	D972		MA22D23-X	SB DIODE	(Addition)	1	01,02,03,04,05,06,07,08,09,0A,0B,0C,0D,0E,0F,10
	04	D972	or	CRS03-W	SB DIODE	(Addition)	1	01,02,03,04,05,06,07,08,09,0A,0B,0C,0D,0E,0F,10

△	Symbol	or	Part No.		Part Name	Description	Qty	Models
			<Rev.001>	<Rev.002>				
04	C1		-----	NCB31HK-102X	C CAPACITOR	(Addition)	1	01,02,03,04,05,06,07,08,09,0A,0B,0C,0D,0E,0F,10
04	C2		-----	NDC31HJ-5R6X	C CAPACITOR	(Addition)	1	01,02,03,04,05,06,07,08,09,0A,0B,0C,0D,0E,0F,10
04	C3		-----	NCB31HK-102X	C CAPACITOR	(Addition)	1	01,02,03,04,05,06,07,08,09,0A,0B,0C,0D,0E,0F,10
04	C4		-----	NCB31AK-224X	C CAPACITOR	(Addition)	1	01,02,03,04,05,06,07,08,09,0A,0B,0C,0D,0E,0F,10
04	C5		-----	NDC31HJ-150X	C CAPACITOR	(Addition)	1	01,02,03,04,05,06,07,08,09,0A,0B,0C,0D,0E,0F,10
04	C6		-----	NDC31HJ-220X	C CAPACITOR	(Addition)	1	01,02,03,04,05,06,07,08,09,0A,0B,0C,0D,0E,0F,10
04	C10		-----	NCB31AK-105X	C CAPACITOR	(Addition)	1	01,02,03,04,05,06,07,08,09,0A,0B,0C,0D,0E,0F,10
04	C11		-----	NCB31HK-103X	C CAPACITOR	(Addition)	1	01,02,03,04,05,06,07,08,09,0A,0B,0C,0D,0E,0F,10
04	C12		-----	NCB31HK-103X	C CAPACITOR	(Addition)	1	01,02,03,04,05,06,07,08,09,0A,0B,0C,0D,0E,0F,10
04	C13		-----	NCB31AK-105X	C CAPACITOR	(Addition)	1	01,02,03,04,05,06,07,08,09,0A,0B,0C,0D,0E,0F,10
04	C14		-----	NCB31AK-224X	C CAPACITOR	(Addition)	1	01,02,03,04,05,06,07,08,09,0A,0B,0C,0D,0E,0F,10
04	C15		-----	NCB31CK-104X	C CAPACITOR	(Addition)	1	01,02,03,04,05,06,07,08,09,0A,0B,0C,0D,0E,0F,10
04	C16		-----	NCB31HK-103X	C CAPACITOR	(Addition)	1	01,02,03,04,05,06,07,08,09,0A,0B,0C,0D,0E,0F,10
04	C17		-----	NCB31CK-104X	C CAPACITOR	(Addition)	1	01,02,03,04,05,06,07,08,09,0A,0B,0C,0D,0E,0F,10
04	C18		-----	NCB31HK-103X	C CAPACITOR	(Addition)	1	01,02,03,04,05,06,07,08,09,0A,0B,0C,0D,0E,0F,10
04	C19		-----	NCB31CK-104X	C CAPACITOR	(Addition)	1	01,02,03,04,05,06,07,08,09,0A,0B,0C,0D,0E,0F,10
04	C22		-----	NDC31HJ-150X	C CAPACITOR	(Addition)	1	01,02,03,04,05,06,07,08,09,0A,0B,0C,0D,0E,0F,10
04	C23		-----	NCB31CK-104X	C CAPACITOR	(Addition)	1	01,02,03,04,05,06,07,08,09,0A,0B,0C,0D,0E,0F,10
04	C24		-----	NCB31HK-103X	C CAPACITOR	(Addition)	1	01,02,03,04,05,06,07,08,09,0A,0B,0C,0D,0E,0F,10
04	C25		-----	NCB31HK-103X	C CAPACITOR	(Addition)	1	01,02,03,04,05,06,07,08,09,0A,0B,0C,0D,0E,0F,10
04	C26		-----	QEKJ1CM-107Z	E CAPACITOR	(Addition)	1	01,02,03,04,05,06,07,08,09,0A,0B,0C,0D,0E,0F,10
04	C32		-----	NDC31HJ-2R0X	C CAPACITOR	(Addition)	1	01,02,03,04,05,06,07,08,09,0A,0B,0C,0D,0E,0F,10
04	C71		-----	NDC31HJ-561X	C CAPACITOR	(Addition)	1	03,04,05,06
04	C72		-----	NDC31HJ-331X	C CAPACITOR	(Addition)	1	03,04,05,06
04	C73		-----	QEKJ1EM-106Z	E CAPACITOR	(Addition)	1	03,04,05,06
04	C74		-----	NDC31HJ-330X	C CAPACITOR	(Addition)	1	03,04,05,06
04	C75		-----	NDC31HJ-330X	C CAPACITOR	(Addition)	1	03,04,05,06
04	C76		-----	NCB31HK-103X	C CAPACITOR	(Addition)	1	03,04,05,06
04	C78		-----	NCB31HK-122X	C CAPACITOR	(Addition)	1	03,04,05,06
04	C161		-----	NCB31AK-105X	C CAPACITOR	(Addition)	1	01,02,03,04,05,06,07,08,09,0A,0B,0C,0D,0E,0F,10
04	C162		-----	QEKJ1HM-105Z	E CAPACITOR	(Addition)	1	01,02,03,04,05,06,07,08,09,0A,0B,0C,0D,0E,0F,10
04	C164		-----	NCB31AK-105X	C CAPACITOR	(Addition)	1	01,02,03,04,05,06,07,08,09,0A,0B,0C,0D,0E,0F,10
04	C165		-----	NCB31AK-105X	C CAPACITOR	(Addition)	1	01,02,03,04,05,06,07,08,09,0A,0B,0C,0D,0E,0F,10
04	C166		-----	NDC31HJ-560X	C CAPACITOR	(Addition)	1	01,02,03,04,05,06,07,08,09,0A,0B,0C,0D,0E,0F,10
04	C171		-----	NCB31AK-105X	C CAPACITOR	(Addition)	1	01,02,03,04,05,06,07,08,09,0A,0B,0C,0D,0E,0F,10
04	C172		-----	QEKJ1HM-105Z	E CAPACITOR	(Addition)	1	01,02,03,04,05,06,07,08,09,0A,0B,0C,0D,0E,0F,10
04	C174		-----	NCB31AK-105X	C CAPACITOR	(Addition)	1	01,02,03,04,05,06,07,08,09,0A,0B,0C,0D,0E,0F,10
04	C176		-----	NDC31HJ-560X	C CAPACITOR	(Addition)	1	01,02,03,04,05,06,07,08,09,0A,0B,0C,0D,0E,0F,10

△	Symbol	or	Part No.		Part Name	Description	Qty	Models
			<Rev.001>	<Rev.002>				
	04	C177	-----	NDC31HJ-560X	C CAPACITOR	(Addition)	1	01,02,03,04,05,06,07,08,09,0A,0B,0C,0D,0E,0F,10
	04	C178	-----	QTE1C57-106Z	E CAPACITOR	(Addition)	1	01,02,03,04,05,06,07,08,09,0A,0B,0C,0D,0E,0F,10
	04	C183	-----	QEKJ1AM-227Z	E CAPACITOR	(Addition)	1	01,02,03,04,05,06,07,08,09,0A,0B,0C,0D,0E,0F,10
	04	C184	-----	NCB31AK-105X	C CAPACITOR	(Addition)	1	01,02,03,04,05,06,07,08,09,0A,0B,0C,0D,0E,0F,10
	04	C301	-----	QFV91HJ-474Z	MF CAPACITOR	(Addition)	1	01,02,03,04,05,06,07,08,09,0A,0B,0C,0D,0E,0F,10
	04	C302	-----	QFV91HJ-474Z	MF CAPACITOR	(Addition)	1	01,02,03,04,05,06,07,08,09,0A,0B,0C,0D,0E,0F,10
	04	C311	-----	QFV91HJ-474Z	MF CAPACITOR	(Addition)	1	01,02,03,04,05,06,07,08,09,0A,0B,0C,0D,0E,0F,10
	04	C312	-----	QFV91HJ-474Z	MF CAPACITOR	(Addition)	1	01,02,03,04,05,06,07,08,09,0A,0B,0C,0D,0E,0F,10
	04	C315	-----	NCB31AK-105X	C CAPACITOR	(Addition)	1	01,02,03,04,05,06,07,08,09,0A,0B,0C,0D,0E,0F,10
	04	C316	-----	QEKJ1HM-475Z	E CAPACITOR	(Addition)	1	01,02,03,04,05,06,07,08,09,0A,0B,0C,0D,0E,0F,10
	04	C317	-----	QTE1C57-476Z	E CAPACITOR	(Addition)	1	01,02,03,04,05,06,07,08,09,0A,0B,0C,0D,0E,0F,10
	04	C318	-----	NCB21AK-225X-A	C CAPACITOR	(Addition)	1	01,02,03,04,05,06,07,08,09,0A,0B,0C,0D,0E,0F,10
	04	C319	-----	NCB31EK-223X	C CAPACITOR	(Addition)	1	01,02,03,04,05,06,07,08,09,0A,0B,0C,0D,0E,0F,10
	04	C320	-----	NCB31EK-223X	C CAPACITOR	(Addition)	1	01,02,03,04,05,06,07,08,09,0A,0B,0C,0D,0E,0F,10
	04	C322	-----	NCB31HK-103X	C CAPACITOR	(Addition)	1	01,02,03,04,05,06,07,08,09,0A,0B,0C,0D,0E,0F,10
	04	C323	-----	NCB31HK-103X	C CAPACITOR	(Addition)	1	01,02,03,04,05,06,07,08,09,0A,0B,0C,0D,0E,0F,10
	04	C324	-----	NCB31HK-103X	C CAPACITOR	(Addition)	1	01,02,03,04,05,06,07,08,09,0A,0B,0C,0D,0E,0F,10
	04	C326	-----	QEKJ1CM-226Z	E CAPACITOR	(Addition)	1	01,02,03,04,05,06,07,08,09,0A,0B,0C,0D,0E,0F,10
	04	C340	-----	NDC31HJ-820X	C CAPACITOR	(Addition)	1	01,02,03,04,05,06,07,08,09,0A,0B,0C,0D,0E,0F,10
	04	C345	-----	NDC31HJ-560X	C CAPACITOR	(Addition)	1	01,02,03,04,05,06,07,08,09,0A,0B,0C,0D,0E,0F,10
	04	C346	-----	NDC31HJ-560X	C CAPACITOR	(Addition)	1	01,02,03,04,05,06,07,08,09,0A,0B,0C,0D,0E,0F,10
	04	C347	-----	NDC31HJ-560X	C CAPACITOR	(Addition)	1	01,02,03,04,05,06,07,08,09,0A,0B,0C,0D,0E,0F,10
	04	C348	-----	NDC31HJ-560X	C CAPACITOR	(Addition)	1	01,02,03,04,05,06,07,08,09,0A,0B,0C,0D,0E,0F,10
	04	C381	-----	QEKJ1HM-475Z	E CAPACITOR	(Addition)	1	01,02,03,04,05,06,07,08,09,0A,0B,0C,0D,0E,0F,10
	04	C382	-----	QEKJ1HM-475Z	E CAPACITOR	(Addition)	1	01,02,03,04,05,06,07,08,09,0A,0B,0C,0D,0E,0F,10
	04	C383	-----	QEKJ1HM-475Z	E CAPACITOR	(Addition)	1	01
	04	C384	-----	QEKJ1HM-475Z	E CAPACITOR	(Addition)	1	01
	04	C385	-----	NCB31EK-104X	C CAPACITOR	(Addition)	1	01
	04	C386	-----	NCB31EK-104X	C CAPACITOR	(Addition)	1	01
	04	C387	-----	NCB31HK-152X	C CAPACITOR	(Addition)	1	01
	04	C388	-----	NCB31HK-152X	C CAPACITOR	(Addition)	1	01
	04	C389	-----	QEKJ1CM-107Z	E CAPACITOR	(Addition)	1	01
	04	C390	-----	QEKJ1CM-107Z	E CAPACITOR	(Addition)	1	01
	04	C392	-----	QEKJ1CM-106Z	E CAPACITOR	(Addition)	1	01
	04	C401	-----	NDC31HJ-820X	C CAPACITOR	(Addition)	1	01,02,03,04,05,06,07,08,09,0A,0B,0C,0D,0E,0F,10
	04	C402	-----	NDC31HJ-101X	C CAPACITOR	(Addition)	1	01,02,07,08,09,0A,0B,0C,0D,0E,0F,10
	04	C418	-----	NDC31HJ-270X	C CAPACITOR	(Addition)	1	01,02,03,04,05,06,07,08,09,0A,0B,0C,0D,0E,0F,10
	04	C419	-----	NDC31HJ-270X	C CAPACITOR	(Addition)	1	01,02,03,04,05,06,07,08,09,0A,0B,0C,0D,0E,0F,10
	04	C583	-----	NCB31HK-332X	C CAPACITOR	(Addition)	1	01,02,03,04,05,06,07,08,09,0A,0B,0C,0D,0E,0F,10
	04	C584	-----	NCB31HK-332X	C CAPACITOR	(Addition)	1	01,02,03,04,05,06,07,08,09,0A,0B,0C,0D,0E,0F,10

△	Symbol	or	Part No.		Part Name	Description	Qty	Models
			<Rev.001>	<Rev.002>				
	04	C585	-----	QTE1H64-225Z	E CAPACITOR	(Addition)	1	01,02,03,04,05,06,07,08,09,0A,0B,0C,0D,0E,0F,10
	04	C586	-----	QTE1H64-225Z	E CAPACITOR	(Addition)	1	01,02,03,04,05,06,07,08,09,0A,0B,0C,0D,0E,0F,10
	04	C587	-----	NDC31HJ-331X	C CAPACITOR	(Addition)	1	01,02,03,04,05,06,07,08,09,0A,0B,0C,0D,0E,0F,10
	04	C588	-----	NDC31HJ-331X	C CAPACITOR	(Addition)	1	01,02,03,04,05,06,07,08,09,0A,0B,0C,0D,0E,0F,10
	04	C703	-----	NDC31HJ-200X	C CAPACITOR	(Addition)	1	01,02,03,04,05,06,07,08,09,0A,0B,0C,0D,0E,0F,10
	04	C704	-----	NDC31HJ-200X	C CAPACITOR	(Addition)	1	01,02,03,04,05,06,07,08,09,0A,0B,0C,0D,0E,0F,10
	04	C706	-----	NDC31HJ-821X	C CAPACITOR	(Addition)	1	01,02,03,04,05,06,07,08,09,0A,0B,0C,0D,0E,0F,10
	04	C707	-----	QEKJ1CM-107Z	E CAPACITOR	(Addition)	1	01,02,03,04,05,06,07,08,09,0A,0B,0C,0D,0E,0F,10
	04	C708	-----	NCB31CK-104X	C CAPACITOR	(Addition)	1	01,02,03,04,05,06,07,08,09,0A,0B,0C,0D,0E,0F,10
	04	C709	-----	NCB31CK-104X	C CAPACITOR	(Addition)	1	01,02,03,04,05,06,07,08,09,0A,0B,0C,0D,0E,0F,10
	04	C710	-----	NDC31HJ-101X	C CAPACITOR	(Addition)	1	01,03,04,05,06
	04	C711	-----	QEKJ0JM-476Z	E CAPACITOR	(Addition)	1	01,02,03,04,05,06,07,08,09,0A,0B,0C,0D,0E,0F,10
	04	C714	-----	NCB31CK-104X	C CAPACITOR	(Addition)	1	01,02,03,04,05,06,07,08,09,0A,0B,0C,0D,0E,0F,10
	04	C715	-----	NCB31CK-104X	C CAPACITOR	(Addition)	1	01,02,03,04,05,06,07,08,09,0A,0B,0C,0D,0E,0F,10
	04	C717	-----	NDC31HJ-821X	C CAPACITOR	(Addition)	1	01,02,03,04,05,06,07,08,09,0A,0B,0C,0D,0E,0F,10
	04	C718	-----	NCB31CK-104X	C CAPACITOR	(Addition)	1	01,02,03,04,05,06,07,08,09,0A,0B,0C,0D,0E,0F,10
	04	C719	-----	QERF1AM-107Z	E CAPACITOR	(Addition)	1	01,02,03,04,05,06,07,08,09,0A,0B,0C,0D,0E,0F,10
	04	C720	-----	NDC31HJ-820X	C CAPACITOR	(Addition)	1	01,02,03,04,05,06,07,08,09,0A,0B,0C,0D,0E,0F,10
	04	C721	-----	NCB31CK-104X	C CAPACITOR	(Addition)	1	01,02,03,04,05,06,07,08,09,0A,0B,0C,0D,0E,0F,10
	04	C722	-----	QERF1EM-475Z	E CAPACITOR	(Addition)	1	01,02,03,04,05,06,07,08,09,0A,0B,0C,0D,0E,0F,10
	04	C728	-----	NCB31AK-105X	C CAPACITOR	(Addition)	1	01,02,03,04,05,06,07,08,09,0A,0B,0C,0D,0E,0F,10
	04	C729	-----	NCB31HK-392X	C CAPACITOR	(Addition)	1	01,02,03,04,05,06,07,08,09,0A,0B,0C,0D,0E,0F,10
	04	C730	-----	NCB31HK-392X	C CAPACITOR	(Addition)	1	01,02,03,04,05,06,07,08,09,0A,0B,0C,0D,0E,0F,10
	04	C732	-----	NCB31HK-122X	C CAPACITOR	(Addition)	1	01,02,03,04,05,06,07,08,09,0A,0B,0C,0D,0E,0F,10
	04	C734	-----	NDC31HJ-560X	C CAPACITOR	(Addition)	1	01,02,03,04,05,06,07,08,09,0A,0B,0C,0D,0E,0F,10
	04	C735	-----	NDC31HJ-560X	C CAPACITOR	(Addition)	1	01,02,03,04,05,06,07,08,09,0A,0B,0C,0D,0E,0F,10
	04	C742	-----	NDC31HJ-560X	C CAPACITOR	(Addition)	1	03,04,05,06
	04	C771	-----	NCB31CK-473X	C CAPACITOR	(Addition)	1	01,02,03,04,05,06,07,08,09,0A,0B,0C,0D,0E,0F,10
	04	C781	-----	QEKJ0JM-107Z	E CAPACITOR	(Addition)	1	01,02,03,04,05,06,07,08,09,0A,0B,0C,0D,0E,0F,10
	04	C784	-----	QEKJ1CM-107Z	E CAPACITOR	(Addition)	1	01,02,03,04,05,06,07,08,09,0A,0B,0C,0D,0E,0F,10
	04	C801	-----	NCB31CK-473X	C CAPACITOR	(Addition)	1	01,02,03,04,05,06,07,08,09,0A,0B,0C,0D,0E,0F,10
	04	C851	-----	QEKJ1EM-106Z	E CAPACITOR	(Addition)	1	07,08,09,0A,0B,0C,0D,0E,0F
	04	C852	-----	NCB31CK-224X	C CAPACITOR	(Addition)	1	07,08,09,0A,0B,0C,0D,0E,0F
	04	C881	-----	QERF1CM-226Z	E CAPACITOR	(Addition)	1	01,02,03,04,05,06,07,08,09,0A,0B,0C,0D,0E,0F,10
	04	C891	-----	NCB31CK-104X	C CAPACITOR	(Addition)	1	03,04,05,06
	04	C901	-----	QEZ0870-278	E CAPACITOR	(Addition)	1	01,02,03,04,05,06,07,08,09,0A,0B,0C,0D,0E,0F,10
	04	C903	-----	QEKJ1CM-476Z	E CAPACITOR	(Addition)	1	01,02,03,04,05,06,07,08,09,0A,0B,0C,0D,0E,0F,10
	04	C905	-----	QEKJ1CM-476Z	E CAPACITOR	(Addition)	1	01,02,03,04,05,06,07,08,09,0A,0B,0C,0D,0E,0F,10

△	Symbol	or	Part No.		Part Name	Description	Qty	Models
			<Rev.001>	<Rev.002>				
	04	C906	-----	NCB31HK-103X	C CAPACITOR	(Addition)	1	01,02,03,04,05,06,07,08,09,0A,0B,0C,0D,0E,0F,10
	04	C907	-----	QEKJ1AM-107Z	E CAPACITOR	(Addition)	1	01,02,03,04,05,06,07,08,09,0A,0B,0C,0D,0E,0F,10
	04	C908	-----	QEKJ1EM-475Z	E CAPACITOR	(Addition)	1	01,02,03,04,05,06,07,08,09,0A,0B,0C,0D,0E,0F,10
	04	C909	-----	QEKJ0JM-227Z	E CAPACITOR	(Addition)	1	01,02,03,04,05,06,10
	04	C909	-----	QERF0JM-337Z	E CAPACITOR	(Addition)	1	07,08,09,0A,0B,0C,0D,0E,0F
	04	C910	-----	QEKJ1EM-106Z	E CAPACITOR	(Addition)	1	01,02,03,04,05,06,07,08,09,0A,0B,0C,0D,0E,0F,10
	04	C912	-----	NCB31HK-103X	C CAPACITOR	(Addition)	1	01,02,03,04,05,06,07,08,09,0A,0B,0C,0D,0E,0F,10
	04	C913	-----	QEKJ1EM-106Z	E CAPACITOR	(Addition)	1	01,02,03,04,05,06,07,08,09,0A,0B,0C,0D,0E,0F,10
	04	C916	-----	NCB31HK-103X	C CAPACITOR	(Addition)	1	01,02,03,04,05,06,07,08,09,0A,0B,0C,0D,0E,0F,10
	04	C918	-----	NCB31HK-104X	C CAPACITOR	(Addition)	1	01,02,03,04,05,06,07,08,09,0A,0B,0C,0D,0E,0F,10
	04	C928	-----	NCB31HK-472X	C CAPACITOR	(Addition)	1	01,02,03,04,05,06,07,08,09,0A,0B,0C,0D,0E,0F,10
	04	C931	-----	QEZ0595-477Z	E CAPACITOR	(Addition)	1	01,02,07,08,09,0A,0B,0C,0D,0E,0F,10
	04	C931	-----	QETN1VM-477Z-S	E CAPACITOR	(Addition)	1	03,04,05,06
	04	C932	-----	QBZ0006-337Z	TA E CAPACITOR	(Addition)	1	01,02,03,04,05,06,07,08,09,0A,0B,0C,0D,0E,0F,10
	04	C933	-----	NCB31HK-152X	C CAPACITOR	(Addition)	1	01,02,03,04,05,06,07,08,09,0A,0B,0C,0D,0E,0F,10
	04	C937	-----	NCB31AK-105X	C CAPACITOR	(Addition)	1	01,02,03,04,05,06,07,08,09,0A,0B,0C,0D,0E,0F,10
	04	C938	-----	NCJ21EK-225X-D	C CAPACITOR	(Addition)	1	01,02,03,04,05,06,07,08,09,0A,0B,0C,0D,0E,0F,10
	04	C940	-----	NDC31HJ-180X	C CAPACITOR	(Addition)	1	01,02,03,04,05,06,07,08,09,0A,0B,0C,0D,0E,0F,10
	04	C971	-----	NCB31EK-104X	C CAPACITOR	(Addition)	1	01,02,03,04,05,06,07,08,09,0A,0B,0C,0D,0E,0F,10
	04	C992	-----	NDC31HJ-220X	C CAPACITOR	(Addition)	1	01,02,03,04,05,06,07,08,09,0A,0B,0C,0D,0E,0F,10
	04	R2	-----	NRSA63J-824X	MG RESISTOR	(Addition)	1	01,02,03,04,05,06,07,08,09,0A,0B,0C,0D,0E,0F,10
	04	R4	-----	NRSA63J-472X	MG RESISTOR	(Addition)	1	01,02,03,04,05,06,07,08,09,0A,0B,0C,0D,0E,0F,10
	04	R5	-----	NRS181J-220X	MG RESISTOR	(Addition)	1	01,02,03,04,05,06,07,08,09,0A,0B,0C,0D,0E,0F,10
	04	R6	-----	NRSA63J-101X	MG RESISTOR	(Addition)	1	01,02,03,04,05,06,07,08,09,0A,0B,0C,0D,0E,0F,10
	04	R7	-----	NRSA63J-101X	MG RESISTOR	(Addition)	1	01,02,03,04,05,06,07,08,09,0A,0B,0C,0D,0E,0F,10
	04	R10	-----	NRSA63J-0R0X	MG RESISTOR	(Addition)	1	01,02,03,04,05,06,07,08,09,0A,0B,0C,0D,0E,0F,10
	04	R11	-----	NRS181J-4R7X	MG RESISTOR	(Addition)	1	01,02,03,04,05,06,07,08,09,0A,0B,0C,0D,0E,0F,10
	04	R12	-----	NRZ0084-0R0X	MG RESISTOR	(Addition)	1	03,04,05,06
	04	R14	-----	NRSA63J-472X	MG RESISTOR	(Addition)	1	01,02,03,04,05,06,07,08,09,0A,0B,0C,0D,0E,0F,10
	04	R15	-----	NRSA63J-472X	MG RESISTOR	(Addition)	1	01,02,03,04,05,06,07,08,09,0A,0B,0C,0D,0E,0F,10
	04	R71	-----	NRSA63J-0R0X	MG RESISTOR	(Addition)	1	03,04,05,06
	04	R72	-----	NRSA63J-222X	MG RESISTOR	(Addition)	1	03,04,05,06
	04	R73	-----	NRSA63J-222X	MG RESISTOR	(Addition)	1	03,04,05,06
	04	R74	-----	NRSA02J-101X	MG RESISTOR	(Addition)	1	03,04,05,06
	04	R81	-----	NRSA63J-153X	MG RESISTOR	(Addition)	1	01,02,10
	04	R81	-----	NRSA63J-682X	MG RESISTOR	(Addition)	1	03,04,05,06,07,08,09,0A,0B,0C,0D,0E,0F
	04	R82	-----	NRSA63J-822X	MG RESISTOR	(Addition)	1	01,02,10
	04	R82	-----	NRSA63J-682X	MG RESISTOR	(Addition)	1	03,04,05,06,07,08,09,0A,0B,0C,0D,0E,0F
	04	R91	-----	NRSA63J-153X	MG RESISTOR	(Addition)	1	01,02,10
	04	R91	-----	NRSA63J-682X	MG RESISTOR	(Addition)	1	03,04,05,06,07,08,09,0A,0B,0C,0D,0E,0F
	04	R92	-----	NRSA63J-822X	MG RESISTOR	(Addition)	1	01,02,10

△	Symbol	or	Part No.		Part Name	Description	Qty	Models
			<Rev.001>	<Rev.002>				
04	R92		-----	NRSA63J-682X	MG RESISTOR	(Addition)	1	03,04,05,06,07,08,09,0A,0B,0C,0D,0E,0F
04	R161		-----	NRSA63J-472X	MG RESISTOR	(Addition)	1	01,02,03,04,05,06,07,08,09,0A,0B,0C,0D,0E,0F,10
04	R162		-----	NRSA63J-472X	MG RESISTOR	(Addition)	1	01,02,03,04,05,06,07,08,09,0A,0B,0C,0D,0E,0F,10
04	R171		-----	NRSA63J-101X	MG RESISTOR	(Addition)	1	01,02,03,04,05,06,07,08,09,0A,0B,0C,0D,0E,0F,10
04	R172		-----	NRSA63J-101X	MG RESISTOR	(Addition)	1	01,02,03,04,05,06,07,08,09,0A,0B,0C,0D,0E,0F,10
04	R305		-----	NRSA63J-102X	MG RESISTOR	(Addition)	1	01,02,03,04,05,06,07,08,09,0A,0B,0C,0D,0E,0F,10
04	R309		-----	NRS181J-100X	MG RESISTOR	(Addition)	1	01,02,03,04,05,06,07,08,09,0A,0B,0C,0D,0E,0F,10
04	R310		-----	NRSA63J-472X	MG RESISTOR	(Addition)	1	01,02,03,04,05,06,07,08,09,0A,0B,0C,0D,0E,0F,10
04	R341		-----	NRSA63J-222X	MG RESISTOR	(Addition)	1	01,02,03,04,05,06,07,08,09,0A,0B,0C,0D,0E,0F,10
04	R342		-----	NRSA63J-821X	MG RESISTOR	(Addition)	1	01,02,03,04,05,06,07,08,09,0A,0B,0C,0D,0E,0F,10
04	R343		-----	NRSA02J-101X	MG RESISTOR	(Addition)	1	01,02,03,04,05,06,07,08,09,0A,0B,0C,0D,0E,0F,10
04	R344		-----	NRSA63J-473X	MG RESISTOR	(Addition)	1	01,02,03,04,05,06,07,08,09,0A,0B,0C,0D,0E,0F,10
04	R351		-----	NRSA63J-222X	MG RESISTOR	(Addition)	1	01,02,03,04,05,06,07,08,09,0A,0B,0C,0D,0E,0F,10
04	R352		-----	NRSA63J-821X	MG RESISTOR	(Addition)	1	01,02,03,04,05,06,07,08,09,0A,0B,0C,0D,0E,0F,10
04	R353		-----	NRSA02J-101X	MG RESISTOR	(Addition)	1	01,02,03,04,05,06,07,08,09,0A,0B,0C,0D,0E,0F,10
04	R354		-----	NRSA63J-473X	MG RESISTOR	(Addition)	1	01,02,03,04,05,06,07,08,09,0A,0B,0C,0D,0E,0F,10
04	R381		-----	NRSA63J-102X	MG RESISTOR	(Addition)	1	01
04	R382		-----	NRSA63J-102X	MG RESISTOR	(Addition)	1	01
04	R383		-----	NRSA63J-104X	MG RESISTOR	(Addition)	1	01
04	R384		-----	NRSA63J-104X	MG RESISTOR	(Addition)	1	01
04	R385		-----	NRSA63J-223X	MG RESISTOR	(Addition)	1	01
04	R386		-----	NRSA63J-223X	MG RESISTOR	(Addition)	1	01
04	R387		-----	NRSA63J-333X	MG RESISTOR	(Addition)	1	01
04	R388		-----	NRSA63J-333X	MG RESISTOR	(Addition)	1	01
04	R389		-----	NRSA63J-0R0X	MG RESISTOR	(Addition)	1	02,03,04,05,06,07,08,09,0A,0B,0C,0D,0E,0F,10
04	R390		-----	NRSA63J-0R0X	MG RESISTOR	(Addition)	1	02,03,04,05,06,07,08,09,0A,0B,0C,0D,0E,0F,10
04	R583		-----	NRSA63J-153X	MG RESISTOR	(Addition)	1	01,02,03,04,05,06,07,08,09,0A,0B,0C,0D,0E,0F,10
04	R584		-----	NRSA63J-153X	MG RESISTOR	(Addition)	1	01,02,03,04,05,06,07,08,09,0A,0B,0C,0D,0E,0F,10
04	R585		-----	NRSA63J-102X	MG RESISTOR	(Addition)	1	01,02,03,04,05,06,07,08,09,0A,0B,0C,0D,0E,0F,10
04	R586		-----	NRSA63J-102X	MG RESISTOR	(Addition)	1	01,02,03,04,05,06,07,08,09,0A,0B,0C,0D,0E,0F,10
04	R587		-----	NRSA63J-183X	MG RESISTOR	(Addition)	1	01,02,03,04,05,06,07,08,09,0A,0B,0C,0D,0E,0F,10
04	R588		-----	NRSA63J-183X	MG RESISTOR	(Addition)	1	01,02,03,04,05,06,07,08,09,0A,0B,0C,0D,0E,0F,10
04	R701		-----	NRSA63J-103X	MG RESISTOR	(Addition)	1	01,02,03,04,05,06,07,08,09,0A,0B,0C,0D,0E,0F,10
04	R702		-----	NRSA63J-103X	MG RESISTOR	(Addition)	1	01,02,03,04,05,06,07,08,09,0A,0B,0C,0D,0E,0F,10
04	R703		-----	NRSA63J-104X	MG RESISTOR	(Addition)	1	01,02,03,04,05,06,07,08,09,0A,0B,0C,0D,0E,0F,10
04	R704		-----	NRSA63J-104X	MG RESISTOR	(Addition)	1	01,02,03,04,05,06,07,08,09,0A,0B,0C,0D,0E,0F,10
04	R708		-----	NRSA63J-104X	MG RESISTOR	(Addition)	1	01,02,10
04	R709		-----	NRSA63J-473X	MG RESISTOR	(Addition)	1	03,04,05,06,07,08,09,0A,0B,0C,0D,0E,0F
04	R711		-----	NRSA63J-473X	MG RESISTOR	(Addition)	1	01,02,03,04,05,06,07,08,09,0A,0B,0C,0D,0E,0F,10

△	Symbol	or	Part No.		Part Name	Description	Qty	Models
			<Rev.001>	<Rev.002>				
	04	R712	-----	NRSA63J-331X	MG RESISTOR	(Addition)	1	01,02,03,04,05,06,07,08,09,0A,0B,0C,0D,0E,0F,10
	04	R714	-----	NRSA63J-0R0X	MG RESISTOR	(Addition)	1	01,02,03,04,05,06,07,08,09,0A,0B,0C,0D,0E,0F,10
	04	R717	-----	NRSA63J-102X	MG RESISTOR	(Addition)	1	01,02,03,04,05,06,07,08,09,0A,0B,0C,0D,0E,0F,10
	04	R718	-----	NRSA63J-102X	MG RESISTOR	(Addition)	1	01,02,03,04,05,06,07,08,09,0A,0B,0C,0D,0E,0F,10
	04	R719	-----	NRSA63J-102X	MG RESISTOR	(Addition)	1	01,02,03,04,05,06,07,08,09,0A,0B,0C,0D,0E,0F,10
	04	R720	-----	NRSA63J-102X	MG RESISTOR	(Addition)	1	01,02,03,04,05,06,07,08,09,0A,0B,0C,0D,0E,0F,10
	04	R721	-----	NRSA63J-102X	MG RESISTOR	(Addition)	1	01,02,03,04,05,06,07,08,09,0A,0B,0C,0D,0E,0F,10
	04	R722	-----	NRS181J-102X	MG RESISTOR	(Addition)	1	01,02,03,04,05,06,07,08,09,0A,0B,0C,0D,0E,0F,10
	04	R723	-----	NRSA63J-102X	MG RESISTOR	(Addition)	1	01,02,03,04,05,06,07,08,09,0A,0B,0C,0D,0E,0F,10
	04	R724	-----	NRSA63J-102X	MG RESISTOR	(Addition)	1	01,02,03,04,05,06,07,08,09,0A,0B,0C,0D,0E,0F,10
	04	R725	-----	NRSA63J-102X	MG RESISTOR	(Addition)	1	01,02,03,04,05,06,07,08,09,0A,0B,0C,0D,0E,0F,10
	04	R726	-----	NRSA63J-273X	MG RESISTOR	(Addition)	1	01,02,03,04,05,06,07,08,09,0A,0B,0C,0D,0E,0F,10
	04	R727	-----	NRSA63J-122X	MG RESISTOR	(Addition)	1	01,02,03,04,05,06,07,08,09,0A,0B,0C,0D,0E,0F,10
	04	R728	-----	NRSA63J-102X	MG RESISTOR	(Addition)	1	01,02,03,04,05,06,07,08,09,0A,0B,0C,0D,0E,0F,10
	04	R730	-----	NRSA63J-102X	MG RESISTOR	(Addition)	1	01,02,03,04,05,06,07,08,09,0A,0B,0C,0D,0E,0F,10
	04	R731	-----	NRSA63J-101X	MG RESISTOR	(Addition)	1	01,02,03,04,05,06,07,08,09,0A,0B,0C,0D,0E,0F,10
	04	R732	-----	NRSA63J-473X	MG RESISTOR	(Addition)	1	01,02,03,04,05,06,07,08,09,0A,0B,0C,0D,0E,0F,10
	04	R733	-----	NRSA63J-473X	MG RESISTOR	(Addition)	1	01,02,03,04,05,06,07,08,09,0A,0B,0C,0D,0E,0F,10
	04	R734	-----	NRSA63J-471X	MG RESISTOR	(Addition)	1	01,02,03,04,05,06,07,08,09,0A,0B,0C,0D,0E,0F,10
	04	R736	-----	NRSA63J-561X	MG RESISTOR	(Addition)	1	01,02,03,04,05,06,07,08,09,0A,0B,0C,0D,0E,0F,10
	04	R737	-----	NRSA63J-561X	MG RESISTOR	(Addition)	1	01,02,03,04,05,06,07,08,09,0A,0B,0C,0D,0E,0F,10
	04	R738	-----	NRSA63J-561X	MG RESISTOR	(Addition)	1	01,02,03,04,05,06,07,08,09,0A,0B,0C,0D,0E,0F,10
	04	R739	-----	NRSA63J-101X	MG RESISTOR	(Addition)	1	01,02,03,04,05,06,07,08,09,0A,0B,0C,0D,0E,0F,10
	04	R740	-----	NRSA63J-561X	MG RESISTOR	(Addition)	1	01,02,03,04,05,06,07,08,09,0A,0B,0C,0D,0E,0F,10
	04	R741	-----	NRSA63J-101X	MG RESISTOR	(Addition)	1	01,02,03,04,05,06,07,08,09,0A,0B,0C,0D,0E,0F,10
	04	R742	-----	NRSA63J-101X	MG RESISTOR	(Addition)	1	01,02,03,04,05,06,07,08,09,0A,0B,0C,0D,0E,0F,10
	04	R743	-----	NRSA63J-101X	MG RESISTOR	(Addition)	1	03,04,05,06
	04	R744	-----	NRSA63J-101X	MG RESISTOR	(Addition)	1	01,02,03,04,05,06,07,08,09,0A,0B,0C,0D,0E,0F,10
	04	R745	-----	NRSA63J-271X	MG RESISTOR	(Addition)	1	03,04,05,06
	04	R746	-----	NRSA63J-104X	MG RESISTOR	(Addition)	1	01,02,03,04,05,06,07,08,09,0A,0B,0C,0D,0E,0F,10
	04	R747	-----	NRSA63J-103X	MG RESISTOR	(Addition)	1	01,02,03,04,05,06,07,08,09,0A,0B,0C,0D,0E,0F,10
	04	R748	-----	NRSA63J-122X	MG RESISTOR	(Addition)	1	01,02,03,04,05,06,07,08,09,0A,0B,0C,0D,0E,0F,10
	04	R749	-----	NRSA63J-102X	MG RESISTOR	(Addition)	1	01,02,03,04,05,06,07,08,09,0A,0B,0C,0D,0E,0F,10
	04	R750	-----	NRS181J-104X	MG RESISTOR	(Addition)	1	01,02,03,04,05,06,07,08,09,0A,0B,0C,0D,0E,0F,10
	04	R752	-----	NRSA63J-472X	MG RESISTOR	(Addition)	1	01,02,03,04,05,06,07,08,09,0A,0B,0C,0D,0E,0F,10
	04	R753	-----	NRSA63J-472X	MG RESISTOR	(Addition)	1	01,02,03,04,05,06,07,08,09,0A,0B,0C,0D,0E,0F,10

△	Symbol	or	Part No.		Part Name	Description	Qty	Models
			<Rev.001>	<Rev.002>				
04	R755		-----	NRSA63J-472X	MG RESISTOR	(Addition)	1	01,02,03,04,05,06,07,08,09,0A,0B,0C,0D,0E,0F,10
04	R756		-----	NRSA63J-472X	MG RESISTOR	(Addition)	1	01,02,03,04,05,06,07,08,09,0A,0B,0C,0D,0E,0F,10
04	R757		-----	NRSA63J-122X	MG RESISTOR	(Addition)	1	01,02,03,04,05,06,07,08,09,0A,0B,0C,0D,0E,0F,10
04	R758		-----	NRSA63J-473X	MG RESISTOR	(Addition)	1	01,02,03,04,05,06,07,08,09,0A,0B,0C,0D,0E,0F,10
04	R760		-----	NRSA63J-122X	MG RESISTOR	(Addition)	1	01,02,03,04,05,06,07,08,09,0A,0B,0C,0D,0E,0F,10
04	R761		-----	NRSA63J-122X	MG RESISTOR	(Addition)	1	01,02,03,04,05,06,07,08,09,0A,0B,0C,0D,0E,0F,10
04	R762		-----	NRSA63J-122X	MG RESISTOR	(Addition)	1	01,02,03,04,05,06,07,08,09,0A,0B,0C,0D,0E,0F,10
04	R763		-----	NRSA63J-823X	MG RESISTOR	(Addition)	1	01,02,03,04,05,06,07,08,09,0A,0B,0C,0D,0E,0F,10
04	R764		-----	NRSA63J-823X	MG RESISTOR	(Addition)	1	01,02,03,04,05,06,07,08,09,0A,0B,0C,0D,0E,0F,10
04	R765		-----	NRSA63J-472X	MG RESISTOR	(Addition)	1	01,02,03,04,05,06,07,08,09,0A,0B,0C,0D,0E,0F,10
04	R766		-----	NRS181J-472X	MG RESISTOR	(Addition)	1	01,02,03,04,05,06,07,08,09,0A,0B,0C,0D,0E,0F,10
04	R767		-----	NRSA63J-473X	MG RESISTOR	(Addition)	1	01,02,03,04,05,06,07,08,09,0A,0B,0C,0D,0E,0F,10
04	R768		-----	NRSA63J-472X	MG RESISTOR	(Addition)	1	01,02,03,04,05,06,07,08,09,0A,0B,0C,0D,0E,0F,10
04	R770		-----	NRSA63J-222X	MG RESISTOR	(Addition)	1	01,02,03,04,05,06,10
04	R771		-----	NRSA63J-271X	MG RESISTOR	(Addition)	1	01,02,03,04,05,06,07,08,09,0A,0B,0C,0D,0E,0F,10
04	R772		-----	NRSA63J-271X	MG RESISTOR	(Addition)	1	01,02,03,04,05,06,07,08,09,0A,0B,0C,0D,0E,0F,10
04	R773		-----	NRSA63J-223X	MG RESISTOR	(Addition)	1	01,02,03,04,05,06,10
04	R774		-----	NRSA63J-473X	MG RESISTOR	(Addition)	1	01,02,03,04,05,06,07,08,09,0A,0B,0C,0D,0E,0F,10
04	R775		-----	NRSA63J-222X	MG RESISTOR	(Addition)	1	01,02,03,04,05,06,07,08,09,0A,0B,0C,0D,0E,0F,10
04	R777		-----	NRSA63J-103X	MG RESISTOR	(Addition)	1	01,02,03,04,05,06,07,08,09,0A,0B,0C,0D,0E,0F,10
04	R779		-----	NRSA63J-101X	MG RESISTOR	(Addition)	1	01,02,03,04,05,06,07,08,09,0A,0B,0C,0D,0E,0F,10
04	R781		-----	NRSA63J-473X	MG RESISTOR	(Addition)	1	01,02,03,04,05,06,07,08,09,0A,0B,0C,0D,0E,0F,10
04	R782		-----	NRSA63J-472X	MG RESISTOR	(Addition)	1	01,02,03,04,05,06,07,08,09,0A,0B,0C,0D,0E,0F,10
04	R783		-----	NRSA63J-103X	MG RESISTOR	(Addition)	1	01,02,03,04,05,06,07,08,09,0A,0B,0C,0D,0E,0F,10
04	R784		-----	NRSA63J-0R0X	MG RESISTOR	(Addition)	1	01,02,03,04,05,06,07,08,09,0A,0B,0C,0D,0E,0F,10
04	R801		-----	NRSA63J-102X	MG RESISTOR	(Addition)	1	01,02,03,04,05,06,07,08,09,0A,0B,0C,0D,0E,0F,10
04	R802		-----	NRSA63J-104X	MG RESISTOR	(Addition)	1	01,02,03,04,05,06,07,08,09,0A,0B,0C,0D,0E,0F,10
04	R803		-----	NRSA63J-682X	MG RESISTOR	(Addition)	1	01,02,03,04,05,06,07,08,09,0A,0B,0C,0D,0E,0F,10
04	R804		-----	NRSA63J-392X	MG RESISTOR	(Addition)	1	01,02,03,04,05,06,07,08,09,0A,0B,0C,0D,0E,0F,10
04	R805		-----	NRS181J-0R0X	MG RESISTOR	(Addition)	1	01,02,03,04,05,06,07,08,09,0A,0B,0C,0D,0E,0F,10
04	R806		-----	NRS181J-102X	MG RESISTOR	(Addition)	1	01,02,03,04,05,06,07,08,09,0A,0B,0C,0D,0E,0F,10
04	R807		-----	NRSA63J-104X	MG RESISTOR	(Addition)	1	01,02,03,04,05,06,07,08,09,0A,0B,0C,0D,0E,0F,10
04	R808		-----	NRSA63J-101X	MG RESISTOR	(Addition)	1	01,02,03,04,05,06,07,08,09,0A,0B,0C,0D,0E,0F,10
04	R809		-----	NRSA63J-473X	MG RESISTOR	(Addition)	1	01,02,03,04,05,06,07,08,09,0A,0B,0C,0D,0E,0F,10
04	R810		-----	NRSA63J-392X	MG RESISTOR	(Addition)	1	01,02,03,04,05,06,07,08,09,0A,0B,0C,0D,0E,0F,10
04	R811		-----	NRSA63J-682X	MG RESISTOR	(Addition)	1	01,02,03,04,05,06,07,08,09,0A,0B,0C,0D,0E,0F,10

△	Symbol	or	Part No.		Part Name	Description	Qty	Models	
			<Rev.001>	<Rev.002>					
	04	R812	-----	NRSA63J-104X	MG RESISTOR	(Addition)	1	01,02,03,04,05,06,07,08,09,0A,0B,0C,0D,0E,0F,10	
	04	R813	-----	NRSA63J-102X	MG RESISTOR	(Addition)	1	01,02,03,04,05,06,07,08,09,0A,0B,0C,0D,0E,0F,10	
	04	R814	-----	NRSA63J-101X	MG RESISTOR	(Addition)	1	01,02,03,04,05,06,07,08,09,0A,0B,0C,0D,0E,0F,10	
	04	R819	-----	NRSA63J-473X	MG RESISTOR	(Addition)	1	01,02,03,04,05,06,07,08,09,0A,0B,0C,0D,0E,0F,10	
	04	R851	-----	NRSA63J-103X	MG RESISTOR	(Addition)	1	07,08,09,0A,0B,0C,0D,0E,0F	
	04	R881	-----	NRSA63J-473X	MG RESISTOR	(Addition)	1	01,02,03,04,05,06,07,08,09,0A,0B,0C,0D,0E,0F,10	
	04	R882	-----	NRSA63J-472X	MG RESISTOR	(Addition)	1	01,02,03,04,05,06,07,08,09,0A,0B,0C,0D,0E,0F,10	
	04	R891	-----	NRSA63J-102X	MG RESISTOR	(Addition)	1	03,04,05,06	
	04	R892	-----	NRSA63J-473X	MG RESISTOR	(Addition)	1	03,04,05,06	
	04	R901	-----	QRE141J-103Y	C RESISTOR	(Addition)	1	01,02,03,04,05,06,07,08,09,0A,0B,0C,0D,0E,0F,10	
	04	R902	-----	NRS181J-0R0X	MG RESISTOR	(Addition)	1	01,02,03,04,05,06,07,08,09,0A,0B,0C,0D,0E,0F,10	
	04	R903	-----	NRSA02J-472X	MG RESISTOR	(Addition)	1	01,02,03,04,05,06,07,08,09,0A,0B,0C,0D,0E,0F,10	
	04	R928	-----	NRSA63J-753X	MG RESISTOR	(Addition)	1	01,02,03,04,05,06,07,08,09,0A,0B,0C,0D,0E,0F,10	
	04	R929	-----	NRSA63J-513X	MG RESISTOR	(Addition)	1	01,02,03,04,05,06,07,08,09,0A,0B,0C,0D,0E,0F,10	
	04	R930	-----	NRSA63J-0R0X	MG RESISTOR	(Addition)	1	01,02,03,04,05,06,07,08,09,0A,0B,0C,0D,0E,0F,10	
	04	R937	-----	NRS181J-221X	MG RESISTOR	(Addition)	1	01,02,03,04,05,06,07,08,09,0A,0B,0C,0D,0E,0F,10	
	04	R939	-----	NRS181J-153X	MG RESISTOR	(Addition)	1	01,02,03,04,05,06,07,08,09,0A,0B,0C,0D,0E,0F,10	
	04	R940	-----	NRSA63J-823X	MG RESISTOR	(Addition)	1	01,02,03,04,05,06,07,08,09,0A,0B,0C,0D,0E,0F,10	
	04	R971	-----	NRS181J-332X	MG RESISTOR	(Addition)	1	01,02,03,04,05,06,07,08,09,0A,0B,0C,0D,0E,0F,10	
	04	R976	-----	NRSA02J-273X	MG RESISTOR	(Addition)	1	01,02,03,04,05,06,07,08,09,0A,0B,0C,0D,0E,0F,10	
	04	R977	-----	NRSA02J-123X	MG RESISTOR	(Addition)	1	01,02,03,04,05,06,07,08,09,0A,0B,0C,0D,0E,0F,10	
	04	L1	-----	NQL093K-R47X	COIL	(Addition)	1	01,02,03,04,05,06,07,08,09,0A,0B,0C,0D,0E,0F,10	
	04	L2	-----	NQL093K-1R8X	COIL	(Addition)	1	01,02,03,04,05,06,07,08,09,0A,0B,0C,0D,0E,0F,10	
	04	L3	-----	QQL213M-R22Z	COIL	(Addition)	1	01,02,03,04,05,06,07,08,09,0A,0B,0C,0D,0E,0F,10	
	04	L4	-----	QQR1813-001	COIL	(Addition)	1	01,02,03,04,05,06,07,08,09,0A,0B,0C,0D,0E,0F,10	
	04	L5	-----	QQL244J-561Z	COIL	(Addition)	1	01,02,03,04,05,06,07,08,09,0A,0B,0C,0D,0E,0F,10	
	04	L6	-----	QQL244J-561Z	COIL	(Addition)	1	01,02,03,04,05,06,07,08,09,0A,0B,0C,0D,0E,0F,10	
	04	L8	-----	QQL244K-4R7Z	COIL	(Addition)	1	01,02,03,04,05,06,07,08,09,0A,0B,0C,0D,0E,0F,10	
	04	L161	-----	NQL553J-27NX	COIL	(Addition)	1	01,02,03,04,05,06,07,08,09,0A,0B,0C,0D,0E,0F,10	
	04	L701	-----	QQL244K-4R7Z	COIL	(Addition)	1	01,02,03,04,05,06,07,08,09,0A,0B,0C,0D,0E,0F,10	
	04	L702	-----	QQL244K-4R7Z	COIL	(Addition)	1	01,02,03,04,05,06,07,08,09,0A,0B,0C,0D,0E,0F,10	
△	04	L901	-----	QQR1852-001	CHOKE COIL	(Addition)	1	01,02,03,04,05,06,07,08,09,0A,0B,0C,0D,0E,0F,10	
△	04	L901	or	-----	QQR0703-001	CHOKE COIL	(Addition)	1	01,02,03,04,05,06,07,08,09,0A,0B,0C,0D,0E,0F,10
	04	L931	-----	QQL92AK-330Z	COIL	(Addition)	1	01,02,03,04,05,06,07,08,09,0A,0B,0C,0D,0E,0F,10	
	04	L932	-----	NQR0007-002X	FERRITE BEADS	(Addition)	1	01,02,03,04,05,06,07,08,09,0A,0B,0C,0D,0E,0F,10	
	04	L933	-----	NQLH25M-4R7X	COIL	(Addition)	1	01,02,03,04,05,06,07,08,09,0A,0B,0C,0D,0E,0F,10	
	04	CN501	-----	QGB2027ME-28	CONNECTOR	(Addition)	1	01,02,03,04,05,06,07,08,09,0A,0B,0C,0D,0E,0F,10	

△	Symbol	or	Part No.		Part Name	Description	Qty	Models
			<Rev.001>	<Rev.002>				
	04	CN701	-----	QGZ1101J1-24	CONNECTOR	(Addition)	1	01,02,03,04,05,06,07,08,09,0A,0B,0C,0D,0E,0F,10
	04	CN703	-----	QNS0283-001	STEERING REMOTE	(Addition)	1	01,03,04,05,06
	04	CN901	-----	QNZ0607-001	CAR CONNECTOR	(Addition)	1	01,02,03,04,05,06,07,08,09,0A,0B,0C,0D,0E,0F,10
	04	J1	-----	QNB0190-001	ANT TERMINAL	(Addition)	1	01,02,03,04,05,06,07,08,09,0A,0B,0C,0D,0E,0F,10
	04	J321	-----	QNN0832-001	PIN JACK	(Addition)	1	01
	04	J321	-----	QNN0802-001	PIN JACK	(Addition)	1	02,03,04,05,06,07,08,09,0A,0B,0C,0D,0E,0F,10
	04	J801	-----	QNZ0095-001	CONNECTOR	(Addition)	1	01,02,03,04,05,06,07,08,09,0A,0B,0C,0D,0E,0F,10
	04	S701	-----	QSW0648-001Z	TACT SWITCH	(Addition)	1	01,02,03,04,05,06,07,08,09,0A,0B,0C,0D,0E,0F,10
	04	X1	-----	QAX0928-001Z	CRYSTAL	(Addition)	1	01,02,03,04,05,06,07,08,09,0A,0B,0C,0D,0E,0F,10
	04	X71	-----	QAX0926-001Z	CRYSTAL	(Addition)	1	03,04,05,06
	04	X701	-----	QAX0667-001Z	C RESONATOR	(Addition)	1	01,02,03,04,05,06,07,08,09,0A,0B,0C,0D,0E,0F,10
	04	X702	-----	QAX0401-001	CRYSTAL	(Addition)	1	01,02,03,04,05,06,07,08,09,0A,0B,0C,0D,0E,0F,10

Switch board [05]

△	Symbol	or	Part No.		Part Name	Description	Qty	Models
			<Rev.001>	<Rev.002>				
	05	IC601	-----	NCP5623DTBR2G-X	IC	(Addition)	1	01,02,03,04,05,06,07,08,09,0A,0B,0C,0D,0E,0F,10
	05	IC661	-----	PTC6526LQ-L	IC	(Addition)	1	01,02,03,04,05,06,07,08,09,0A,0B,0C,0D,0E,0F,10
	05	IC681	-----	KSM-2003TN2M	REMOCON RCV	(Addition)	1	10
	05	IC681	-----	NJL29H380A	REMOCON RCV	(Addition)	1	01,02,03,04,05,06,07,08,09,0A,0B,0C,0D,0E,0F
	05	Q601	-----	2SC1623A/5-6/-X	TRANSISTOR	(Addition)	1	01,02,03,04,05,06,07,08,09,0A,0B,0C,0D,0E,0F,10
	05	Q601	or	2SC3928A/QR/-X	TRANSISTOR	(Addition)	1	01,02,03,04,05,06,07,08,09,0A,0B,0C,0D,0E,0F,10
	05	Q602	-----	UNR9211G-X	TRANSISTOR	(Addition)	1	01,02,03,04,05,06,07,08,09,0A,0B,0C,0D,0E,0F,10
	05	Q602	or	DTC114EEB-X	TRANSISTOR	(Addition)	1	01,02,03,04,05,06,07,08,09,0A,0B,0C,0D,0E,0F,10
	05	Q604	-----	2SA2174G-X	TRANSISTOR	(Addition)	1	01,02,03,04,05,06,07,08,09,0A,0B,0C,0D,0E,0F,10
	05	Q604	or	2SA1774/QR/-X	TRANSISTOR	(Addition)	1	01,02,03,04,05,06,07,08,09,0A,0B,0C,0D,0E,0F,10
	05	Q605	-----	UN2222-X	IC	(Addition)	1	01,02,03,04,05,06,07,08,09,0A,0B,0C,0D,0E,0F,10
	05	Q605	or	DTD143EK-X	TRANSISTOR	(Addition)	1	01,02,03,04,05,06,07,08,09,0A,0B,0C,0D,0E,0F,10
	05	Q607	-----	2SA2174G-X	TRANSISTOR	(Addition)	1	01,02,03,04,05,06,07,08,09,0A,0B,0C,0D,0E,0F,10
	05	Q607	or	2SA1774/QR/-X	TRANSISTOR	(Addition)	1	01,02,03,04,05,06,07,08,09,0A,0B,0C,0D,0E,0F,10
	05	Q608	-----	UN2222-X	IC	(Addition)	1	01,02,03,04,05,06,07,08,09,0A,0B,0C,0D,0E,0F,10
	05	Q608	or	DTD143EK-X	TRANSISTOR	(Addition)	1	01,02,03,04,05,06,07,08,09,0A,0B,0C,0D,0E,0F,10
	05	Q610	-----	2SA2174G-X	TRANSISTOR	(Addition)	1	01,02,03,04,05,06,07,08,09,0A,0B,0C,0D,0E,0F,10
	05	Q610	or	2SA1774/QR/-X	TRANSISTOR	(Addition)	1	01,02,03,04,05,06,07,08,09,0A,0B,0C,0D,0E,0F,10
	05	Q611	-----	UN2222-X	IC	(Addition)	1	01,02,03,04,05,06,07,08,09,0A,0B,0C,0D,0E,0F,10
	05	Q611	or	DTD143EK-X	TRANSISTOR	(Addition)	1	01,02,03,04,05,06,07,08,09,0A,0B,0C,0D,0E,0F,10
	05	D601	-----	NSSM065T-X	LED	(Addition)	1	01,02,03,04,05,06,07,08,09,0A,0B,0C,0D,0E,0F,10
	05	D603	-----	NSSM065T-X	LED	(Addition)	1	01,02,03,04,05,06,07,08,09,0A,0B,0C,0D,0E,0F,10

△	Symbol	or	Part No.		Part Name	Description	Qty	Models	
			<Rev.001>	<Rev.002>					
	05	D604	-----	NSSM065T-X	LED	(Addition)	1	01,02,03,04,05,06,07,08,09,0A,0B,0C,0D,0E,0F,10	
	05	D605	-----	NSSM065T-X	LED	(Addition)	1	01,02,03,04,05,06,07,08,09,0A,0B,0C,0D,0E,0F,10	
	05	D616	-----	UDZW5.1B-X	SB DIODE	(Addition)	1	01,02,03,04,05,06,07,08,09,0A,0B,0C,0D,0E,0F,10	
	05	D616	or	-----	MA8051/M/-X	Z DIODE	(Addition)	1	01,02,03,04,05,06,07,08,09,0A,0B,0C,0D,0E,0F,10
	05	D617	-----	UDZW5.1B-X	SB DIODE	(Addition)	1	01,02,03,04,05,06,07,08,09,0A,0B,0C,0D,0E,0F,10	
	05	D617	or	-----	MA8051/M/-X	Z DIODE	(Addition)	1	01,02,03,04,05,06,07,08,09,0A,0B,0C,0D,0E,0F,10
	05	D630	-----	LHQ974/LM/-X	LED	(Addition)	1	01,02,03,04,05,06,07,08,09,0A,0B,0C,0D,0E,0F,10	
	05	D631	-----	LHQ974/LM/-X	LED	(Addition)	1	01,02,03,04,05,06,07,08,09,0A,0B,0C,0D,0E,0F,10	
	05	D632	-----	LHQ974/LM/-X	LED	(Addition)	1	01,02,03,04,05,06,07,08,09,0A,0B,0C,0D,0E,0F,10	
	05	D650	-----	MA8056/M/-X	Z DIODE	(Addition)	1	01,02,03,04,05,06,07,08,09,0A,0B,0C,0D,0E,0F,10	
	05	D650	or	-----	UDZW5.6B-X	Z DIODE	(Addition)	1	01,02,03,04,05,06,07,08,09,0A,0B,0C,0D,0E,0F,10
	05	D661	-----	MA111-X	SI DIODE	(Addition)	1	01,02,03,04,05,06,07,08,09,0A,0B,0C,0D,0E,0F,10	
	05	D661	or	-----	1SS355W-X	DIODE	(Addition)	1	01,02,03,04,05,06,07,08,09,0A,0B,0C,0D,0E,0F,10
	05	C604	-----	NCB31CK-105X	C CAPACITOR	(Addition)	1	01,02,03,04,05,06,07,08,09,0A,0B,0C,0D,0E,0F,10	
	05	C650	-----	NCB31CK-104X	C CAPACITOR	(Addition)	1	01,02,03,04,05,06,07,08,09,0A,0B,0C,0D,0E,0F,10	
	05	C651	-----	NBE21CM-106X	TA E CAPACITOR	(Addition)	1	01,02,03,04,05,06,07,08,09,0A,0B,0C,0D,0E,0F,10	
	05	C655	-----	NCJ11EK-106X-R	C CAPACITOR	(Addition)	1	01,02,03,04,05,06,07,08,09,0A,0B,0C,0D,0E,0F,10	
	05	C661	-----	NCB31CK-105X	C CAPACITOR	(Addition)	1	01,02,03,04,05,06,07,08,09,0A,0B,0C,0D,0E,0F,10	
	05	C662	-----	NDC31HJ-151X	C CAPACITOR	(Addition)	1	01,02,03,04,05,06,07,08,09,0A,0B,0C,0D,0E,0F,10	
	05	C663	-----	NCB31CK-223X	C CAPACITOR	(Addition)	1	01,02,03,04,05,06,07,08,09,0A,0B,0C,0D,0E,0F,10	
	05	C665	-----	NCB31CK-104X	C CAPACITOR	(Addition)	1	01,02,03,04,05,06,07,08,09,0A,0B,0C,0D,0E,0F,10	
	05	C666	-----	NCB31CK-104X	C CAPACITOR	(Addition)	1	01,02,03,04,05,06,07,08,09,0A,0B,0C,0D,0E,0F,10	
	05	C682	-----	NCB31EK-104X	C CAPACITOR	(Addition)	1	01,02,03,04,05,06,07,08,09,0A,0B,0C,0D,0E,0F,10	
	05	C684	-----	NCB31HK-472X	C CAPACITOR	(Addition)	1	01,02,03,04,05,06,07,08,09,0A,0B,0C,0D,0E,0F,10	
	05	C685	-----	NCB31HK-472X	C CAPACITOR	(Addition)	1	01,02,03,04,05,06,07,08,09,0A,0B,0C,0D,0E,0F,10	
	05	R601	-----	NRSA63J-821X	MG RESISTOR	(Addition)	1	01,02,03,04,05,06,07,08,09,0A,0B,0C,0D,0E,0F,10	
	05	R602	-----	NRSA63J-821X	MG RESISTOR	(Addition)	1	01,02,03,04,05,06,07,08,09,0A,0B,0C,0D,0E,0F,10	
	05	R603	-----	NRSA63J-122X	MG RESISTOR	(Addition)	1	01,02,03,04,05,06,07,08,09,0A,0B,0C,0D,0E,0F,10	
	05	R604	-----	NRSA63J-182X	MG RESISTOR	(Addition)	1	01,02,03,04,05,06,07,08,09,0A,0B,0C,0D,0E,0F,10	
	05	R605	-----	NRSA63J-272X	MG RESISTOR	(Addition)	1	01,02,03,04,05,06,07,08,09,0A,0B,0C,0D,0E,0F,10	
	05	R606	-----	NRSA63J-392X	MG RESISTOR	(Addition)	1	01,02,03,04,05,06,07,08,09,0A,0B,0C,0D,0E,0F,10	
	05	R607	-----	NRSA63J-392X	MG RESISTOR	(Addition)	1	01,02,03,04,05,06,07,08,09,0A,0B,0C,0D,0E,0F,10	
	05	R608	-----	NRSA63J-821X	MG RESISTOR	(Addition)	1	01,02,03,04,05,06,07,08,09,0A,0B,0C,0D,0E,0F,10	
	05	R609	-----	NRSA63J-821X	MG RESISTOR	(Addition)	1	01,02,03,04,05,06,07,08,09,0A,0B,0C,0D,0E,0F,10	
	05	R610	-----	NRSA63J-122X	MG RESISTOR	(Addition)	1	01,02,03,04,05,06,07,08,09,0A,0B,0C,0D,0E,0F,10	

Δ	Symbol	or	Part No.		Part Name	Description	Qty	Models
			<Rev.001>	<Rev.002>				
	05	R611	-----	NRSA63J-182X	MG RESISTOR	(Addition)	1	01,02,03,04,05,06,07,08,09,0A,0B,0C,0D,0E,0F,10
	05	R612	-----	NRSA63J-272X	MG RESISTOR	(Addition)	1	01,02,03,04,05,06,07,08,09,0A,0B,0C,0D,0E,0F,10
	05	R613	-----	NRSA63J-103X	MG RESISTOR	(Addition)	1	01,02,03,04,05,06,07,08,09,0A,0B,0C,0D,0E,0F,10
	05	R614	-----	NRSA63F-154X	MG RESISTOR	(Addition)	1	01,02,03,04,05,06,07,08,09,0A,0B,0C,0D,0E,0F,10
	05	R615	-----	NRSA63J-101X	MG RESISTOR	(Addition)	1	01,02,03,04,05,06,07,08,09,0A,0B,0C,0D,0E,0F,10
	05	R618	-----	NRSA63J-101X	MG RESISTOR	(Addition)	1	01,02,03,04,05,06,07,08,09,0A,0B,0C,0D,0E,0F,10
	05	R626	-----	NRSA63J-0R0X	MG RESISTOR	(Addition)	1	01,02,03,04,05,06,07,08,09,0A,0B,0C,0D,0E,0F,10
	05	R630	-----	NRSA63J-271X	MG RESISTOR	(Addition)	1	01,02,03,04,05,06,07,08,09,0A,0B,0C,0D,0E,0F,10
	05	R631	-----	NRS181J-471X	MG RESISTOR	(Addition)	1	01,02,03,04,05,06,07,08,09,0A,0B,0C,0D,0E,0F,10
	05	R634	-----	NRSA63J-681X	MG RESISTOR	(Addition)	1	01,02,03,04,05,06,07,08,09,0A,0B,0C,0D,0E,0F,10
	05	R636	-----	NRSA63J-222X	MG RESISTOR	(Addition)	1	01,02,03,04,05,06,07,08,09,0A,0B,0C,0D,0E,0F,10
	05	R637	-----	NRSA63J-222X	MG RESISTOR	(Addition)	1	01,02,03,04,05,06,07,08,09,0A,0B,0C,0D,0E,0F,10
	05	R638	-----	NRSA63J-222X	MG RESISTOR	(Addition)	1	01,02,03,04,05,06,07,08,09,0A,0B,0C,0D,0E,0F,10
	05	R644	-----	NRSA63J-122X	MG RESISTOR	(Addition)	1	01,02,03,04,05,06,07,08,09,0A,0B,0C,0D,0E,0F,10
	05	R645	-----	NRSA63J-122X	MG RESISTOR	(Addition)	1	01,02,03,04,05,06,07,08,09,0A,0B,0C,0D,0E,0F,10
	05	R646	-----	NRSA63J-162X	MG RESISTOR	(Addition)	1	01,02,03,04,05,06,07,08,09,0A,0B,0C,0D,0E,0F,10
	05	R647	-----	NRSA63J-911X	MG RESISTOR	(Addition)	1	01,02,03,04,05,06,07,08,09,0A,0B,0C,0D,0E,0F,10
	05	R648	-----	NRSA63J-911X	MG RESISTOR	(Addition)	1	01,02,03,04,05,06,07,08,09,0A,0B,0C,0D,0E,0F,10
	05	R649	-----	NRSA63J-122X	MG RESISTOR	(Addition)	1	01,02,03,04,05,06,07,08,09,0A,0B,0C,0D,0E,0F,10
	05	R651	-----	NRSA63J-102X	MG RESISTOR	(Addition)	1	01,02,03,04,05,06,07,08,09,0A,0B,0C,0D,0E,0F,10
	05	R652	-----	NRSA63J-0R0X	MG RESISTOR	(Addition)	1	01,02,03,04,05,06,07,08,09,0A,0B,0C,0D,0E,0F,10
	05	R656	-----	NRS181J-331X	MG RESISTOR	(Addition)	1	01,02,03,04,05,06,07,08,09,0A,0B,0C,0D,0E,0F,10
	05	R657	-----	NRS181J-331X	MG RESISTOR	(Addition)	1	01,02,03,04,05,06,07,08,09,0A,0B,0C,0D,0E,0F,10
	05	R658	-----	NRS181J-621X	MG RESISTOR	(Addition)	1	01,02,03,04,05,06,07,08,09,0A,0B,0C,0D,0E,0F,10
	05	R660	-----	NRSA63J-394X	MG RESISTOR	(Addition)	1	01,02,03,04,05,06,07,08,09,0A,0B,0C,0D,0E,0F,10
	05	R661	-----	NRSA63J-102X	MG RESISTOR	(Addition)	1	01,02,03,04,05,06,07,08,09,0A,0B,0C,0D,0E,0F,10
	05	R662	-----	NRSA63J-102X	MG RESISTOR	(Addition)	1	01,02,03,04,05,06,07,08,09,0A,0B,0C,0D,0E,0F,10
	05	R663	-----	NRSA63J-102X	MG RESISTOR	(Addition)	1	01,02,03,04,05,06,07,08,09,0A,0B,0C,0D,0E,0F,10
	05	R664	-----	NRSA63J-224X	MG RESISTOR	(Addition)	1	01,02,03,04,05,06,07,08,09,0A,0B,0C,0D,0E,0F,10
	05	R665	-----	NRSA63J-101X	MG RESISTOR	(Addition)	1	01,02,03,04,05,06,07,08,09,0A,0B,0C,0D,0E,0F,10
	05	R666	-----	NRSA63J-101X	MG RESISTOR	(Addition)	1	01,02,03,04,05,06,07,08,09,0A,0B,0C,0D,0E,0F,10
	05	R667	-----	NRSA63J-101X	MG RESISTOR	(Addition)	1	01,02,03,04,05,06,07,08,09,0A,0B,0C,0D,0E,0F,10
	05	R670	-----	NRSA63J-103X	MG RESISTOR	(Addition)	1	01,02,03,04,05,06,07,08,09,0A,0B,0C,0D,0E,0F,10
	05	R671	-----	NRSA63J-103X	MG RESISTOR	(Addition)	1	01,02,03,04,05,06,07,08,09,0A,0B,0C,0D,0E,0F,10
	05	R672	-----	NRSA63J-101X	MG RESISTOR	(Addition)	1	01,02,03,04,05,06,07,08,09,0A,0B,0C,0D,0E,0F,10

△	Symbol	or	Part No.		Part Name	Description	Qty	Models
			<Rev.001>	<Rev.002>				
	05	R673	-----	NRSA63J-101X	MG RESISTOR	(Addition)	1	01,02,03,04,05,06,07,08,09,0A,0B,0C,0D,0E,0F,10
	05	R681	-----	NRSA63J-471X	MG RESISTOR	(Addition)	1	01,02,03,04,05,06,07,08,09,0A,0B,0C,0D,0E,0F,10
	05	R682	-----	NRSA63J-102X	MG RESISTOR	(Addition)	1	01,02,03,04,05,06,07,08,09,0A,0B,0C,0D,0E,0F,10
	05	R6043	-----	NRSA63J-0R0X	MG RESISTOR	(Addition)	1	01,02,03,04,05,06,07,08,09,0A,0B,0C,0D,0E,0F,10
	05	R6044	-----	NRSA63J-0R0X	MG RESISTOR	(Addition)	1	01,02,03,04,05,06,07,08,09,0A,0B,0C,0D,0E,0F,10
	05	L602	-----	NQR0536-001X	CHOKE COIL	(Addition)	1	01,02,03,04,05,06,07,08,09,0A,0B,0C,0D,0E,0F,10
	05	CJ601	-----	QGZ1101K1-24	CONNECTOR	(Addition)	1	01,02,03,04,05,06,07,08,09,0A,0B,0C,0D,0E,0F,10
	05	CN603	-----	QNZ1006-001	USB JACK	(Addition)	1	01,02,03,04,05,06,07,08,09,0A,0B,0C,0D,0E,0F,10
	05	J601	-----	QNS0280-001	3.5 JACK	(Addition)	1	10
	05	J601	-----	QNS0215-001	3.5 JACK	(Addition)	1	01,02,03,04,05,06,07,08,09,0A,0B,0C,0D,0E,0F
	05	JS686	-----	QSW1263-001	ROTARY ENCODER	(Addition)	1	01,02,03,04,05,06,07,08,09,0A,0B,0C,0D,0E,0F,10
	05	K670	-----	NQR0007-002X	FERRITE BEADS	(Addition)	1	01,02,07,08,09,0A,0B,0C,0D,0E,0F,10
	05	K670	-----	NRSA02J-0R0X	MG RESISTOR	(Addition)	1	03,04,05,06
	05	K671	-----	NQR0007-002X	FERRITE BEADS	(Addition)	1	01,02,07,08,09,0A,0B,0C,0D,0E,0F,10
	05	K671	-----	NRSA02J-0R0X	MG RESISTOR	(Addition)	1	03,04,05,06
	05	K672	-----	NQR0007-002X	FERRITE BEADS	(Addition)	1	01,02,07,08,09,0A,0B,0C,0D,0E,0F,10
	05	K672	-----	NRSA02J-0R0X	MG RESISTOR	(Addition)	1	03,04,05,06
	05	K673	-----	NRSA02J-0R0X	MG RESISTOR	(Addition)	1	01,02,03,04,05,06,07,08,09,0A,0B,0C,0D,0E,0F,10
	05	S601	-----	NSW0124-001X	TACT SW	(Addition)	1	01,02,03,04,05,06,07,08,09,0A,0B,0C,0D,0E,0F,10
	05	S602	-----	NSW0316-001X	TACT SWITCH	(Addition)	1	01,02,03,04,05,06,07,08,09,0A,0B,0C,0D,0E,0F,10
	05	S603	-----	NSW0316-001X	TACT SWITCH	(Addition)	1	01,02,03,04,05,06,07,08,09,0A,0B,0C,0D,0E,0F,10
	05	S604	-----	NSW0316-001X	TACT SWITCH	(Addition)	1	01,02,03,04,05,06,07,08,09,0A,0B,0C,0D,0E,0F,10
	05	S605	-----	NSW0316-001X	TACT SWITCH	(Addition)	1	01,02,03,04,05,06,07,08,09,0A,0B,0C,0D,0E,0F,10
	05	S606	-----	NSW0316-001X	TACT SWITCH	(Addition)	1	01,02,03,04,05,06,07,08,09,0A,0B,0C,0D,0E,0F,10
	05	S607	-----	NSW0316-001X	TACT SWITCH	(Addition)	1	01,02,03,04,05,06,07,08,09,0A,0B,0C,0D,0E,0F,10
	05	S608	-----	NSW0316-001X	TACT SWITCH	(Addition)	1	01,02,03,04,05,06,07,08,09,0A,0B,0C,0D,0E,0F,10
	05	S609	-----	NSW0316-001X	TACT SWITCH	(Addition)	1	01,02,03,04,05,06,07,08,09,0A,0B,0C,0D,0E,0F,10
	05	S610	-----	NSW0316-001X	TACT SWITCH	(Addition)	1	01,02,03,04,05,06,07,08,09,0A,0B,0C,0D,0E,0F,10
	05	S611	-----	NSW0316-001X	TACT SWITCH	(Addition)	1	01,02,03,04,05,06,07,08,09,0A,0B,0C,0D,0E,0F,10
	05	S612	-----	NSW0316-001X	TACT SWITCH	(Addition)	1	01,02,03,04,05,06,07,08,09,0A,0B,0C,0D,0E,0F,10

Mecha control board FMU-CD4-21D [06]

△	Symbol	or	Part No.		Part Name	Description	Qty	Models
			<Rev.001>	<Rev.002>				
	06	IC301	-----	MN6627946JC	IC(MCU)	(Addition)	1	01,02,03,04,05,06,07,08,09,0A,0B,0C,0D,0E,0F,10
	06	IC302	-----	BR24S16F-W-X	IC(DIGITAL)	(Addition)	1	01,02,03,04,05,06,07,08,09,0A,0B,0C,0D,0E,0F,10
	06	IC303	-----	MFI341S2162-X	IC	(Addition)	1	01,02,03,04,05,06,07,08,09,0A,0B,0C,0D,0E,0F,10
	06	IC501	-----	LA6565-X	IC	(Addition)	1	01,02,03,04,05,06,07,08,09,0A,0B,0C,0D,0E,0F,10
	06	Q101	-----	2SC3928A/R/-X	TRANSISTOR	(Addition)	1	01,02,03,04,05,06,07,08,09,0A,0B,0C,0D,0E,0F,10

△	Symbol	or	Part No.		Part Name	Description	Qty	Models
			<Rev.001>	<Rev.002>				
06	Q201		-----	2SC3928A/R/-X	TRANSISTOR	(Addition)	1	01,02,03,04,05,06,07,08,09,0A,0B,0C,0D,0E,0F,10
06	Q211		-----	PS1191RB22/BC/X	PHOTO TRANSISTOR	(Addition)	1	01,02,03,04,05,06,07,08,09,0A,0B,0C,0D,0E,0F,10
06	Q212		-----	PS1191RB22/BC/X	PHOTO TRANSISTOR	(Addition)	1	01,02,03,04,05,06,07,08,09,0A,0B,0C,0D,0E,0F,10
06	Q301		-----	ISA1530AC1/RS/X	TRANSISTOR	(Addition)	1	01,02,03,04,05,06,07,08,09,0A,0B,0C,0D,0E,0F,10
06	Q302		-----	RT1N441C-X	TRANSISTOR	(Addition)	1	01,02,03,04,05,06,07,08,09,0A,0B,0C,0D,0E,0F,10
06	Q303		-----	RT1N441C-X	TRANSISTOR	(Addition)	1	01,02,03,04,05,06,07,08,09,0A,0B,0C,0D,0E,0F,10
06	Q501		-----	2SB1424/R/-W	TRANSISTOR	(Addition)	1	01,02,03,04,05,06,07,08,09,0A,0B,0C,0D,0E,0F,10
06	D101		-----	AN1105W21/AB/-X	IR LED	(Addition)	1	01,02,03,04,05,06,07,08,09,0A,0B,0C,0D,0E,0F,10
06	D201		-----	AN1105W21/AB/-X	IR LED	(Addition)	1	01,02,03,04,05,06,07,08,09,0A,0B,0C,0D,0E,0F,10
06	D501		-----	1SR154-400-X	SI DIODE	(Addition)	1	01,02,03,04,05,06,07,08,09,0A,0B,0C,0D,0E,0F,10
06	D502		-----	1SR154-400-X	SI DIODE	(Addition)	1	01,02,03,04,05,06,07,08,09,0A,0B,0C,0D,0E,0F,10
06	D503		-----	1SR154-400-X	SI DIODE	(Addition)	1	01,02,03,04,05,06,07,08,09,0A,0B,0C,0D,0E,0F,10
06	C101		-----	NCB31CK-104X	C CAPACITOR	(Addition)	1	01,02,03,04,05,06,07,08,09,0A,0B,0C,0D,0E,0F,10
06	C102		-----	NCB31CK-104X	C CAPACITOR	(Addition)	1	01,02,03,04,05,06,07,08,09,0A,0B,0C,0D,0E,0F,10
06	C103		-----	NCB31CK-104X	C CAPACITOR	(Addition)	1	01,02,03,04,05,06,07,08,09,0A,0B,0C,0D,0E,0F,10
06	C104		-----	NCB31CK-104X	C CAPACITOR	(Addition)	1	01,02,03,04,05,06,07,08,09,0A,0B,0C,0D,0E,0F,10
06	C201		-----	NCB31CK-104X	C CAPACITOR	(Addition)	1	01,02,03,04,05,06,07,08,09,0A,0B,0C,0D,0E,0F,10
06	C301		-----	NEAF0JM-226X	E CAPACITOR	(Addition)	1	01,02,03,04,05,06,07,08,09,0A,0B,0C,0D,0E,0F,10
06	C302		-----	NCB31CK-104X	C CAPACITOR	(Addition)	1	01,02,03,04,05,06,07,08,09,0A,0B,0C,0D,0E,0F,10
06	C303		-----	NEAF0JM-476X	E CAPACITOR	(Addition)	1	01,02,03,04,05,06,07,08,09,0A,0B,0C,0D,0E,0F,10
06	C304		-----	NCB31CK-104X	C CAPACITOR	(Addition)	1	01,02,03,04,05,06,07,08,09,0A,0B,0C,0D,0E,0F,10
06	C305		-----	NCB31CK-104X	C CAPACITOR	(Addition)	1	01,02,03,04,05,06,07,08,09,0A,0B,0C,0D,0E,0F,10
06	C306		-----	NCB31CK-104X	C CAPACITOR	(Addition)	1	01,02,03,04,05,06,07,08,09,0A,0B,0C,0D,0E,0F,10
06	C307		-----	NCB31CK-334X	C CAPACITOR	(Addition)	1	01,02,03,04,05,06,07,08,09,0A,0B,0C,0D,0E,0F,10
06	C308		-----	NCB31HK-102X	C CAPACITOR	(Addition)	1	01,02,03,04,05,06,07,08,09,0A,0B,0C,0D,0E,0F,10
06	C309		-----	NCB31EK-823X	C CAPACITOR	(Addition)	1	01,02,03,04,05,06,07,08,09,0A,0B,0C,0D,0E,0F,10
06	C310		-----	NCB31HK-102X	C CAPACITOR	(Addition)	1	01,02,03,04,05,06,07,08,09,0A,0B,0C,0D,0E,0F,10
06	C311		-----	NCB31CK-104X	C CAPACITOR	(Addition)	1	01,02,03,04,05,06,07,08,09,0A,0B,0C,0D,0E,0F,10
06	C312		-----	NCB31HK-153X	C CAPACITOR	(Addition)	1	01,02,03,04,05,06,07,08,09,0A,0B,0C,0D,0E,0F,10
06	C313		-----	NCJ21CK-475X-R	C CAPACITOR	(Addition)	1	01,02,03,04,05,06,07,08,09,0A,0B,0C,0D,0E,0F,10
06	C314		-----	NCB31HK-332X	C CAPACITOR	(Addition)	1	01,02,03,04,05,06,07,08,09,0A,0B,0C,0D,0E,0F,10
06	C315		-----	NEAF0JM-476X	E CAPACITOR	(Addition)	1	01,02,03,04,05,06,07,08,09,0A,0B,0C,0D,0E,0F,10
06	C316		-----	NEAF0JM-476X	E CAPACITOR	(Addition)	1	01,02,03,04,05,06,07,08,09,0A,0B,0C,0D,0E,0F,10
06	C317		-----	NCB31HK-223X	C CAPACITOR	(Addition)	1	01,02,03,04,05,06,07,08,09,0A,0B,0C,0D,0E,0F,10
06	C319		-----	NCB31CK-334X	C CAPACITOR	(Addition)	1	01,02,03,04,05,06,07,08,09,0A,0B,0C,0D,0E,0F,10

△	Symbol	or	Part No.		Part Name	Description	Qty	Models
			<Rev.001>	<Rev.002>				
06	C321		-----	NCB31HK-272X	C CAPACITOR	(Addition)	1	01,02,03,04,05,06,07,08,09,0A,0B,0C,0D,0E,0F,10
06	C322		-----	NCB31CK-154X	C CAPACITOR	(Addition)	1	01,02,03,04,05,06,07,08,09,0A,0B,0C,0D,0E,0F,10
06	C323		-----	NEAF0JM-476X	E CAPACITOR	(Addition)	1	01,02,03,04,05,06,07,08,09,0A,0B,0C,0D,0E,0F,10
06	C324		-----	NCB31CK-104X	C CAPACITOR	(Addition)	1	01,02,03,04,05,06,07,08,09,0A,0B,0C,0D,0E,0F,10
06	C325		-----	NCJ20JK-106X-R	C CAPACITOR	(Addition)	1	01,02,03,04,05,06,07,08,09,0A,0B,0C,0D,0E,0F,10
06	C326		-----	NCJ20JK-106X-R	C CAPACITOR	(Addition)	1	01,02,03,04,05,06,07,08,09,0A,0B,0C,0D,0E,0F,10
06	C327		-----	NCB31CK-104X	C CAPACITOR	(Addition)	1	01,02,03,04,05,06,07,08,09,0A,0B,0C,0D,0E,0F,10
06	C328		-----	NCB31HK-681X	C CAPACITOR	(Addition)	1	01,02,03,04,05,06,07,08,09,0A,0B,0C,0D,0E,0F,10
06	C329		-----	NCB31CK-104X	C CAPACITOR	(Addition)	1	01,02,03,04,05,06,07,08,09,0A,0B,0C,0D,0E,0F,10
06	C330		-----	NCJ20JK-106X-R	C CAPACITOR	(Addition)	1	01,02,03,04,05,06,07,08,09,0A,0B,0C,0D,0E,0F,10
06	C331		-----	NCJ20JK-106X-R	C CAPACITOR	(Addition)	1	01,02,03,04,05,06,07,08,09,0A,0B,0C,0D,0E,0F,10
06	C332		-----	NCJ20JK-106X-R	C CAPACITOR	(Addition)	1	01,02,03,04,05,06,07,08,09,0A,0B,0C,0D,0E,0F,10
06	C334		-----	NCB31CK-104X	C CAPACITOR	(Addition)	1	01,02,03,04,05,06,07,08,09,0A,0B,0C,0D,0E,0F,10
06	C335		-----	NCB31CK-104X	C CAPACITOR	(Addition)	1	01,02,03,04,05,06,07,08,09,0A,0B,0C,0D,0E,0F,10
06	C336		-----	NCB31CK-104X	C CAPACITOR	(Addition)	1	01,02,03,04,05,06,07,08,09,0A,0B,0C,0D,0E,0F,10
06	C337		-----	NCB31CK-104X	C CAPACITOR	(Addition)	1	01,02,03,04,05,06,07,08,09,0A,0B,0C,0D,0E,0F,10
06	C338		-----	NCB31CK-104X	C CAPACITOR	(Addition)	1	01,02,03,04,05,06,07,08,09,0A,0B,0C,0D,0E,0F,10
06	C339		-----	NCB31CK-104X	C CAPACITOR	(Addition)	1	01,02,03,04,05,06,07,08,09,0A,0B,0C,0D,0E,0F,10
06	C341		-----	NDC31HJ-270X	C CAPACITOR	(Addition)	1	01,02,03,04,05,06,07,08,09,0A,0B,0C,0D,0E,0F,10
06	C342		-----	NDC31HJ-270X	C CAPACITOR	(Addition)	1	01,02,03,04,05,06,07,08,09,0A,0B,0C,0D,0E,0F,10
06	C345		-----	NCB31CK-104X	C CAPACITOR	(Addition)	1	01,02,03,04,05,06,07,08,09,0A,0B,0C,0D,0E,0F,10
06	C346		-----	NCB31CK-104X	C CAPACITOR	(Addition)	1	01,02,03,04,05,06,07,08,09,0A,0B,0C,0D,0E,0F,10
06	C351		-----	NDC31HJ-270X	C CAPACITOR	(Addition)	1	01,02,03,04,05,06,07,08,09,0A,0B,0C,0D,0E,0F,10
06	C352		-----	NDC31HJ-270X	C CAPACITOR	(Addition)	1	01,02,03,04,05,06,07,08,09,0A,0B,0C,0D,0E,0F,10
06	C373		-----	NCB31CK-104X	C CAPACITOR	(Addition)	1	01,02,03,04,05,06,07,08,09,0A,0B,0C,0D,0E,0F,10
06	C392		-----	NCB31CK-104X	C CAPACITOR	(Addition)	1	01,02,03,04,05,06,07,08,09,0A,0B,0C,0D,0E,0F,10
06	C393		-----	NCB31CK-104X	C CAPACITOR	(Addition)	1	01,02,03,04,05,06,07,08,09,0A,0B,0C,0D,0E,0F,10
06	C394		-----	NCB31CK-104X	C CAPACITOR	(Addition)	1	01,02,03,04,05,06,07,08,09,0A,0B,0C,0D,0E,0F,10
06	C395		-----	NCB31CK-104X	C CAPACITOR	(Addition)	1	01,02,03,04,05,06,07,08,09,0A,0B,0C,0D,0E,0F,10
06	C501		-----	NEHN1EM-476X	E CAPACITOR	(Addition)	1	01,02,03,04,05,06,07,08,09,0A,0B,0C,0D,0E,0F,10
06	C502		-----	NCB31CK-104X	C CAPACITOR	(Addition)	1	01,02,03,04,05,06,07,08,09,0A,0B,0C,0D,0E,0F,10
06	C503		-----	NDC31HJ-680X	C CAPACITOR	(Addition)	1	01,02,03,04,05,06,07,08,09,0A,0B,0C,0D,0E,0F,10
06	C511		-----	NCB31HK-682X	C CAPACITOR	(Addition)	1	01,02,03,04,05,06,07,08,09,0A,0B,0C,0D,0E,0F,10
06	C512		-----	NCB31HK-222X	C CAPACITOR	(Addition)	1	01,02,03,04,05,06,07,08,09,0A,0B,0C,0D,0E,0F,10
06	C513		-----	NCB31HK-272X	C CAPACITOR	(Addition)	1	01,02,03,04,05,06,07,08,09,0A,0B,0C,0D,0E,0F,10

A	Symbol	or	Part No.		Part Name	Description	Qty	Models
			<Rev.001>	<Rev.002>				
06	C514		-----	NCB31HK-122X	C CAPACITOR	(Addition)	1	01,02,03,04,05,06,07,08,09,0A,0B,0C,0D,0E,0F,10
06	C531		-----	NEHL0JM-107X	E CAPACITOR	(Addition)	1	01,02,03,04,05,06,07,08,09,0A,0B,0C,0D,0E,0F,10
06	C532		-----	NCB31CK-104X	C CAPACITOR	(Addition)	1	01,02,03,04,05,06,07,08,09,0A,0B,0C,0D,0E,0F,10
06	C534		-----	NCB31HK-102X	C CAPACITOR	(Addition)	1	01,02,03,04,05,06,07,08,09,0A,0B,0C,0D,0E,0F,10
06	C551		-----	NEHN1AM-107X	E CAPACITOR	(Addition)	1	01,02,03,04,05,06,07,08,09,0A,0B,0C,0D,0E,0F,10
06	R101		-----	NRSA63J-391X	MG RESISTOR	(Addition)	1	01,02,03,04,05,06,07,08,09,0A,0B,0C,0D,0E,0F,10
06	R102		-----	NRSA63J-822X	MG RESISTOR	(Addition)	1	01,02,03,04,05,06,07,08,09,0A,0B,0C,0D,0E,0F,10
06	R103		-----	NRSA63J-184X	MG RESISTOR	(Addition)	1	01,02,03,04,05,06,07,08,09,0A,0B,0C,0D,0E,0F,10
06	R104		-----	NRSA63J-184X	MG RESISTOR	(Addition)	1	01,02,03,04,05,06,07,08,09,0A,0B,0C,0D,0E,0F,10
06	R105		-----	NRSA63J-183X	MG RESISTOR	(Addition)	1	01,02,03,04,05,06,07,08,09,0A,0B,0C,0D,0E,0F,10
06	R201		-----	NRSA63J-391X	MG RESISTOR	(Addition)	1	01,02,03,04,05,06,07,08,09,0A,0B,0C,0D,0E,0F,10
06	R203		-----	NRSA63J-184X	MG RESISTOR	(Addition)	1	01,02,03,04,05,06,07,08,09,0A,0B,0C,0D,0E,0F,10
06	R204		-----	NRSA63J-184X	MG RESISTOR	(Addition)	1	01,02,03,04,05,06,07,08,09,0A,0B,0C,0D,0E,0F,10
06	R205		-----	NRSA63J-153X	MG RESISTOR	(Addition)	1	01,02,03,04,05,06,07,08,09,0A,0B,0C,0D,0E,0F,10
06	R206		-----	NRSA63J-473X	MG RESISTOR	(Addition)	1	01,02,03,04,05,06,07,08,09,0A,0B,0C,0D,0E,0F,10
06	R207		-----	NRSA63J-473X	MG RESISTOR	(Addition)	1	01,02,03,04,05,06,07,08,09,0A,0B,0C,0D,0E,0F,10
06	R214		-----	NRSA63D-153X	MG RESISTOR	(Addition)	1	01,02,03,04,05,06,07,08,09,0A,0B,0C,0D,0E,0F,10
06	R215		-----	NRSA63D-153X	MG RESISTOR	(Addition)	1	01,02,03,04,05,06,07,08,09,0A,0B,0C,0D,0E,0F,10
06	R216		-----	NRS181F-300X	MG RESISTOR	(Addition)	1	01,02,03,04,05,06,07,08,09,0A,0B,0C,0D,0E,0F,10
06	R217		-----	NRS181F-300X	MG RESISTOR	(Addition)	1	01,02,03,04,05,06,07,08,09,0A,0B,0C,0D,0E,0F,10
06	R228		-----	NRSA63J-103X	MG RESISTOR	(Addition)	1	01,02,03,04,05,06,07,08,09,0A,0B,0C,0D,0E,0F,10
06	R229		-----	NRSA63J-103X	MG RESISTOR	(Addition)	1	01,02,03,04,05,06,07,08,09,0A,0B,0C,0D,0E,0F,10
06	R230		-----	NRSA63J-103X	MG RESISTOR	(Addition)	1	01,02,03,04,05,06,07,08,09,0A,0B,0C,0D,0E,0F,10
06	R241		-----	NRSA63J-473X	MG RESISTOR	(Addition)	1	01,02,03,04,05,06,07,08,09,0A,0B,0C,0D,0E,0F,10
06	R242		-----	NRSA63J-102X	MG RESISTOR	(Addition)	1	01,02,03,04,05,06,07,08,09,0A,0B,0C,0D,0E,0F,10
06	R301		-----	NRSA63J-100X	MG RESISTOR	(Addition)	1	01,02,03,04,05,06,07,08,09,0A,0B,0C,0D,0E,0F,10
06	R302		-----	NRSA63J-473X	MG RESISTOR	(Addition)	1	01,02,03,04,05,06,07,08,09,0A,0B,0C,0D,0E,0F,10
06	R304		-----	NRSA63J-100X	MG RESISTOR	(Addition)	1	01,02,03,04,05,06,07,08,09,0A,0B,0C,0D,0E,0F,10
06	R307		-----	NRSA63J-102X	MG RESISTOR	(Addition)	1	01,02,03,04,05,06,07,08,09,0A,0B,0C,0D,0E,0F,10
06	R310		-----	NRSA63J-473X	MG RESISTOR	(Addition)	1	01,02,03,04,05,06,07,08,09,0A,0B,0C,0D,0E,0F,10
06	R311		-----	NRSA63J-101X	MG RESISTOR	(Addition)	1	01,02,03,04,05,06,07,08,09,0A,0B,0C,0D,0E,0F,10
06	R312		-----	NRSA63J-101X	MG RESISTOR	(Addition)	1	01,02,03,04,05,06,07,08,09,0A,0B,0C,0D,0E,0F,10
06	R313		-----	NRSA63J-101X	MG RESISTOR	(Addition)	1	01,02,03,04,05,06,07,08,09,0A,0B,0C,0D,0E,0F,10
06	R314		-----	NRSA63J-272X	MG RESISTOR	(Addition)	1	01,02,03,04,05,06,07,08,09,0A,0B,0C,0D,0E,0F,10
06	R315		-----	NRSA63J-821X	MG RESISTOR	(Addition)	1	01,02,03,04,05,06,07,08,09,0A,0B,0C,0D,0E,0F,10

△	Symbol	or	Part No.		Part Name	Description	Qty	Models
			<Rev.001>	<Rev.002>				
06	R316		-----	NRSA63J-823X	MG RESISTOR	(Addition)	1	01,02,03,04,05,06,07,08,09,0A,0B,0C,0D,0E,0F,10
06	R317		-----	NRSA63J-473X	MG RESISTOR	(Addition)	1	01,02,03,04,05,06,07,08,09,0A,0B,0C,0D,0E,0F,10
06	R318		-----	NRSA63J-473X	MG RESISTOR	(Addition)	1	01,02,03,04,05,06,07,08,09,0A,0B,0C,0D,0E,0F,10
06	R319		-----	NRSA63J-0R0X	MG RESISTOR	(Addition)	1	01,02,03,04,05,06,07,08,09,0A,0B,0C,0D,0E,0F,10
06	R320		-----	NRSA63J-0R0X	MG RESISTOR	(Addition)	1	01,02,03,04,05,06,07,08,09,0A,0B,0C,0D,0E,0F,10
06	R321		-----	NRSA63J-0R0X	MG RESISTOR	(Addition)	1	01,02,03,04,05,06,07,08,09,0A,0B,0C,0D,0E,0F,10
06	R322		-----	NRSA63J-822X	MG RESISTOR	(Addition)	1	01,02,03,04,05,06,07,08,09,0A,0B,0C,0D,0E,0F,10
06	R323		-----	NRSA63J-822X	MG RESISTOR	(Addition)	1	01,02,03,04,05,06,07,08,09,0A,0B,0C,0D,0E,0F,10
06	R324		-----	NRSA63J-473X	MG RESISTOR	(Addition)	1	01,02,03,04,05,06,07,08,09,0A,0B,0C,0D,0E,0F,10
06	R325		-----	NRSA02F-100X	MG RESISTOR	(Addition)	1	01,02,03,04,05,06,07,08,09,0A,0B,0C,0D,0E,0F,10
06	R326		-----	NRSA02F-100X	MG RESISTOR	(Addition)	1	01,02,03,04,05,06,07,08,09,0A,0B,0C,0D,0E,0F,10
06	R330		-----	NRSA63J-473X	MG RESISTOR	(Addition)	1	01,02,03,04,05,06,07,08,09,0A,0B,0C,0D,0E,0F,10
06	R331		-----	NRSA63J-151X	MG RESISTOR	(Addition)	1	01,02,03,04,05,06,07,08,09,0A,0B,0C,0D,0E,0F,10
06	R332		-----	NRSA63J-105X	MG RESISTOR	(Addition)	1	01,02,03,04,05,06,07,08,09,0A,0B,0C,0D,0E,0F,10
06	R333		-----	NRSA63J-221X	MG RESISTOR	(Addition)	1	01,02,03,04,05,06,07,08,09,0A,0B,0C,0D,0E,0F,10
06	R334		-----	NRSA63J-473X	MG RESISTOR	(Addition)	1	01,02,03,04,05,06,07,08,09,0A,0B,0C,0D,0E,0F,10
06	R336		-----	NRSA63J-330X	MG RESISTOR	(Addition)	1	01,02,03,04,05,06,07,08,09,0A,0B,0C,0D,0E,0F,10
06	R337		-----	NRSA63J-473X	MG RESISTOR	(Addition)	1	01,02,03,04,05,06,07,08,09,0A,0B,0C,0D,0E,0F,10
06	R342		-----	NRSA63J-0R0X	MG RESISTOR	(Addition)	1	01,02,03,04,05,06,07,08,09,0A,0B,0C,0D,0E,0F,10
06	R343		-----	NRSA63J-472X	MG RESISTOR	(Addition)	1	01,02,03,04,05,06,07,08,09,0A,0B,0C,0D,0E,0F,10
06	R345		-----	NRSA63J-472X	MG RESISTOR	(Addition)	1	01,02,03,04,05,06,07,08,09,0A,0B,0C,0D,0E,0F,10
06	R349		-----	NRSA63J-0R0X	MG RESISTOR	(Addition)	1	01,02,03,04,05,06,07,08,09,0A,0B,0C,0D,0E,0F,10
06	R361		-----	NRSA63J-103X	MG RESISTOR	(Addition)	1	01,02,03,04,05,06,07,08,09,0A,0B,0C,0D,0E,0F,10
06	R362		-----	NRSA63J-221X	MG RESISTOR	(Addition)	1	01,02,03,04,05,06,07,08,09,0A,0B,0C,0D,0E,0F,10
06	R371		-----	NRSA63J-0R0X	MG RESISTOR	(Addition)	1	01,02,03,04,05,06,07,08,09,0A,0B,0C,0D,0E,0F,10
06	R501		-----	NRS125J-100X	MG RESISTOR	(Addition)	1	01,02,03,04,05,06,07,08,09,0A,0B,0C,0D,0E,0F,10
06	R503		-----	NRSA63J-822X	MG RESISTOR	(Addition)	1	01,02,03,04,05,06,07,08,09,0A,0B,0C,0D,0E,0F,10
06	R504		-----	NRSA63J-512X	MG RESISTOR	(Addition)	1	01,02,03,04,05,06,07,08,09,0A,0B,0C,0D,0E,0F,10
06	R505		-----	NRSA63J-333X	MG RESISTOR	(Addition)	1	01,02,03,04,05,06,07,08,09,0A,0B,0C,0D,0E,0F,10
06	R506		-----	NRSA63J-683X	MG RESISTOR	(Addition)	1	01,02,03,04,05,06,07,08,09,0A,0B,0C,0D,0E,0F,10
06	R507		-----	NRSA63J-682X	MG RESISTOR	(Addition)	1	01,02,03,04,05,06,07,08,09,0A,0B,0C,0D,0E,0F,10
06	R508		-----	NRSA63J-153X	MG RESISTOR	(Addition)	1	01,02,03,04,05,06,07,08,09,0A,0B,0C,0D,0E,0F,10
06	R509		-----	NRSA63J-183X	MG RESISTOR	(Addition)	1	01,02,03,04,05,06,07,08,09,0A,0B,0C,0D,0E,0F,10
06	R510		-----	NRSA63J-683X	MG RESISTOR	(Addition)	1	01,02,03,04,05,06,07,08,09,0A,0B,0C,0D,0E,0F,10
06	R511		-----	NRSA63J-103X	MG RESISTOR	(Addition)	1	01,02,03,04,05,06,07,08,09,0A,0B,0C,0D,0E,0F,10

△	Symbol	or	Part No.		Part Name	Description	Qty	Models
			<Rev.001>	<Rev.002>				
06	R512		-----	NRSA63J-153X	MG RESISTOR	(Addition)	1	01,02,03,04,05,06,07,08,09,0A,0B,0C,0D,0E,0F,10
06	R513		-----	NRSA63J-822X	MG RESISTOR	(Addition)	1	01,02,03,04,05,06,07,08,09,0A,0B,0C,0D,0E,0F,10
06	R514		-----	NRSA63J-133X	MG RESISTOR	(Addition)	1	01,02,03,04,05,06,07,08,09,0A,0B,0C,0D,0E,0F,10
06	R515		-----	NRSA63J-562X	MG RESISTOR	(Addition)	1	01,02,03,04,05,06,07,08,09,0A,0B,0C,0D,0E,0F,10
06	R516		-----	NRSA63J-562X	MG RESISTOR	(Addition)	1	01,02,03,04,05,06,07,08,09,0A,0B,0C,0D,0E,0F,10
06	R519		-----	NRSA63J-822X	MG RESISTOR	(Addition)	1	01,02,03,04,05,06,07,08,09,0A,0B,0C,0D,0E,0F,10
06	R520		-----	NRSA63J-822X	MG RESISTOR	(Addition)	1	01,02,03,04,05,06,07,08,09,0A,0B,0C,0D,0E,0F,10
06	R521		-----	NRSA63J-822X	MG RESISTOR	(Addition)	1	01,02,03,04,05,06,07,08,09,0A,0B,0C,0D,0E,0F,10
06	R522		-----	NRSA63J-822X	MG RESISTOR	(Addition)	1	01,02,03,04,05,06,07,08,09,0A,0B,0C,0D,0E,0F,10
06	R523		-----	NRSA63J-822X	MG RESISTOR	(Addition)	1	01,02,03,04,05,06,07,08,09,0A,0B,0C,0D,0E,0F,10
06	R524		-----	NRSA63J-822X	MG RESISTOR	(Addition)	1	01,02,03,04,05,06,07,08,09,0A,0B,0C,0D,0E,0F,10
06	R525		-----	NRSA63J-473X	MG RESISTOR	(Addition)	1	01,02,03,04,05,06,07,08,09,0A,0B,0C,0D,0E,0F,10
06	CN101		-----	QGB2027L5-28X	CONNECTOR	(Addition)	1	01,02,03,04,05,06,07,08,09,0A,0B,0C,0D,0E,0F,10
06	CN102		-----	QGF0522F3-15W	CONNECTOR	(Addition)	1	01,02,03,04,05,06,07,08,09,0A,0B,0C,0D,0E,0F,10
06	K101		-----	NRSA63J-0R0X	MG RESISTOR	(Addition)	1	01,02,03,04,05,06,07,08,09,0A,0B,0C,0D,0E,0F,10
06	K102		-----	NRSA63J-0R0X	MG RESISTOR	(Addition)	1	01,02,03,04,05,06,07,08,09,0A,0B,0C,0D,0E,0F,10
06	K103		-----	NRSA63J-0R0X	MG RESISTOR	(Addition)	1	01,02,03,04,05,06,07,08,09,0A,0B,0C,0D,0E,0F,10
06	SW1		-----	NSW0291-001X	DETECT SWITCH	(Addition)	1	01,02,03,04,05,06,07,08,09,0A,0B,0C,0D,0E,0F,10
06	X301		-----	NAX0375-001X	CRYSTAL	(Addition)	1	01,02,03,04,05,06,07,08,09,0A,0B,0C,0D,0E,0F,10
06	X302		-----	NAX0367-001X	CRYSTAL	(Addition)	1	01,02,03,04,05,06,07,08,09,0A,0B,0C,0D,0E,0F,10

Packing and accessories [M3MM]

△	Symbol	or	Part No.		Part Name	Description	Qty	Models
			<Rev.001>	<Rev.002>				
M3MM	A1		-----	GET0643-001A	INST BOOK	(Addition)	1	10
M3MM	A2		-----	GET0643-002A	INSTALL MANUAL	(Addition)	1	10
M3MM	A2		-----	GET0580-002A	INSTALL MANUAL	(Addition)	1	01
M3MM	A2		GET0580-002A	-----	INSTALL MANUAL	(Deletion)	1	01,02
M3MM	A2		-----	GET0580-002B	INSTALL MANUAL	(Addition)	1	02
M3MM	A2		GET0578-002A	GET0578-002B	INSTALL MANUAL		1	07
M3MM	A2		GET0577-006A	GET0577-006B	INSTALL MANUAL		1	08,0B,0C,0F
M3MM	A2		GET0577-009A	GET0577-009B	INSTALL MANUAL		1	09,0D
M3MM	A2		GET0577-010A	GET0577-010B	INSTALL MANUAL		1	0A,0E
M3MM	A8		-----	VKZ4027-202	PLUG NUT	(Addition)	1	01
M3MM	A8		VKZ4027-202	-----	PLUG NUT	(Deletion)	1	01,02,03,04,05,06,07,08,09,0A,0B,0C,0D,0E,0F
M3MM	A9		-----	GE40426-002A	MOUNT BOLT	(Addition)	1	01
M3MM	A9		GE40426-002A	-----	MOUNT BOLT	(Deletion)	1	01,02,03,04,05,06,07,08,09,0A,0B,0C,0D,0E,0F
M3MM	A10		-----	VKZ4328-003	LOCK NUT	(Addition)	1	01
M3MM	A10		VKZ4328-003	-----	LOCK NUT	(Deletion)	1	01,02,03,04,05,06,07,08,09,0A,0B,0C,0D,0E,0F
M3MM	A11		-----	QYWWS53A008ZA	WASHER	(Addition)	1	01
M3MM	A11		QYWWS53A008ZA	-----	WASHER	(Deletion)	1	01,02,03,04,05,06,07,08,09,0A,0B,0C,0D,0E,0F
M3MM	A14		RM-RK50C	-----	REMOCON UNIT	(Deletion)	1	01,02,03,04,05,06,07,08,09,0A,0B,0C,0D,0E,0F
M3MM	A14		-----	RM-RK50C	REMOCON UNIT	(Addition)	1	01,02,03,04,05,06,07,09,0A,0B,0D,0E,10
M3MM	A14		-----	RM-RK50I	REMOCON UNIT	(Addition)	1	08,0C,0F

△	Symbol	or	Part No.		Part Name	Description	Qty	Models
			<Rev.001>	<Rev.002>				
	M3MM	A16	QAM1150-001	QAM1150-002	POWER CORD		1	03,04,05,06
	M3MM	A17	-----	GE20137-003A	MOUNTING SLEEVE	(Addition)	1	01
	M3MM	A17	GE20137-003A	-----	MOUNTING SLEEVE	(Deletion)	1	01,02,03,04,05,06,07,08,09,0A,0B,0C,0D,0E,0F
	M3MM	A17	-----	GE20137-008A	MOUNTING SLEEVE	(Addition)	1	02,03,04,05,06,07,08,09,0A,0B,0C,0D,0E,0F,10
	M3MM	A18	-----	GE20235-014A	TRIM PLATE	(Addition)	1	10
	M3MM	A18	-----	GE20235-012A	TRIM PLATE	(Addition)	1	07,08,0B
	M3MM	A18	GE20235-005A	-----	TRIM PLATE	(Deletion)	1	07,08,09,0A,0B
	M3MM	A18	-----	GE20235-005A	TRIM PLATE	(Addition)	1	09,0A
	M3MM	A20	GET0577-007A	GET0577-007B	INSTALL MANUAL		1	08,0C
	M3MM	A21	GET0577-008A	GET0577-008B	INSTALL MANUAL		1	08,0C
	M3MM	A22	-----	GET0222-001A	TAG CAUTION SH	(Addition)	1	10
	M3MM	KIT	-----	SRW-MA372	SCREW PARTS KIT	(Addition)	1	01
	M3MM	KIT	SRW-MA372	-----	SCREW PARTS KIT	(Deletion)	1	01,02,03,04,05,06,07,08,09,0A,0B,0C,0D,0E,0F
	M3MM	P1	-----	GE33876-001A	CARTON	(Addition)	1	10
	M3MM	P1	GE33460-002A	GE33460-003A	CARTON		1	01
	M3MM	P1	GE33463-002A	GE33463-004A	CARTON		1	02
	M3MM	P1	GE33454-002A	GE33454-003A	CARTON		1	07
	M3MM	P1	GE33451-003A	GE33451-004A	CARTON		1	08,09,0A,0B
	M3MM	P1	GE33526-002A	GE33526-003A	CARTON		1	0C,0D,0E,0F
	M3MM	P4	FSPG4002-001	-----	POLY BAG	(Deletion)	1	01,02,03,04,05,06,07,08,09,0A,0B,0C,0D,0E,0F
	M3MM	P4	-----	FSPG4002-001	POLY BAG	(Addition)	1	01,02,03,04,05,06,07,09,0A,0B,0D,0E,0F,10
	M3MM	P4	-----	FSPG4002-001	POLY BAG	(Addition)	2	08,0C
	M3MM	P5	FSPG4002-001	-----	POLY BAG	(Deletion)	1	08,0C
	M3MM	P7	QPA01003003	-----	POLY BAG	(Deletion)	1	01,02,03,04,05,06,07,08,09,0A,0B,0C,0D,0E,0F



JVC

Victor Company of Japan, Limited

Mobile Entertainment Division 10-1,1chome,Ohwatari-machi,Maebashi-city,371-8543,Japan

PARTS LIST

KD-A605J,KD-R600J,KD-R601E
 KD-R601EX,KD-R601EY,KD-R601EU
 KD-R604UI,KD-R605U,KD-R605UN
 KD-R605UT,KD-R605UH,KD-R606U
 KD-R606UN,KD-R606UT,KD-R606UH
 KD-S36J

MODEL	MARK	MODEL	MARK	MODEL	MARK
KD-A605J	A	KD-R600J	B	KD-R601E	C
KD-R601EX	D	KD-R601EY	E	KD-R601EU	F
KD-R604UI	G	KD-R605U	H	KD-R605UN	I
KD-R605UT	J	KD-R605UH	K	KD-R606U	L
KD-R606UN	M	KD-R606UT	N	KD-R606UH	O
KD-S36J	P				

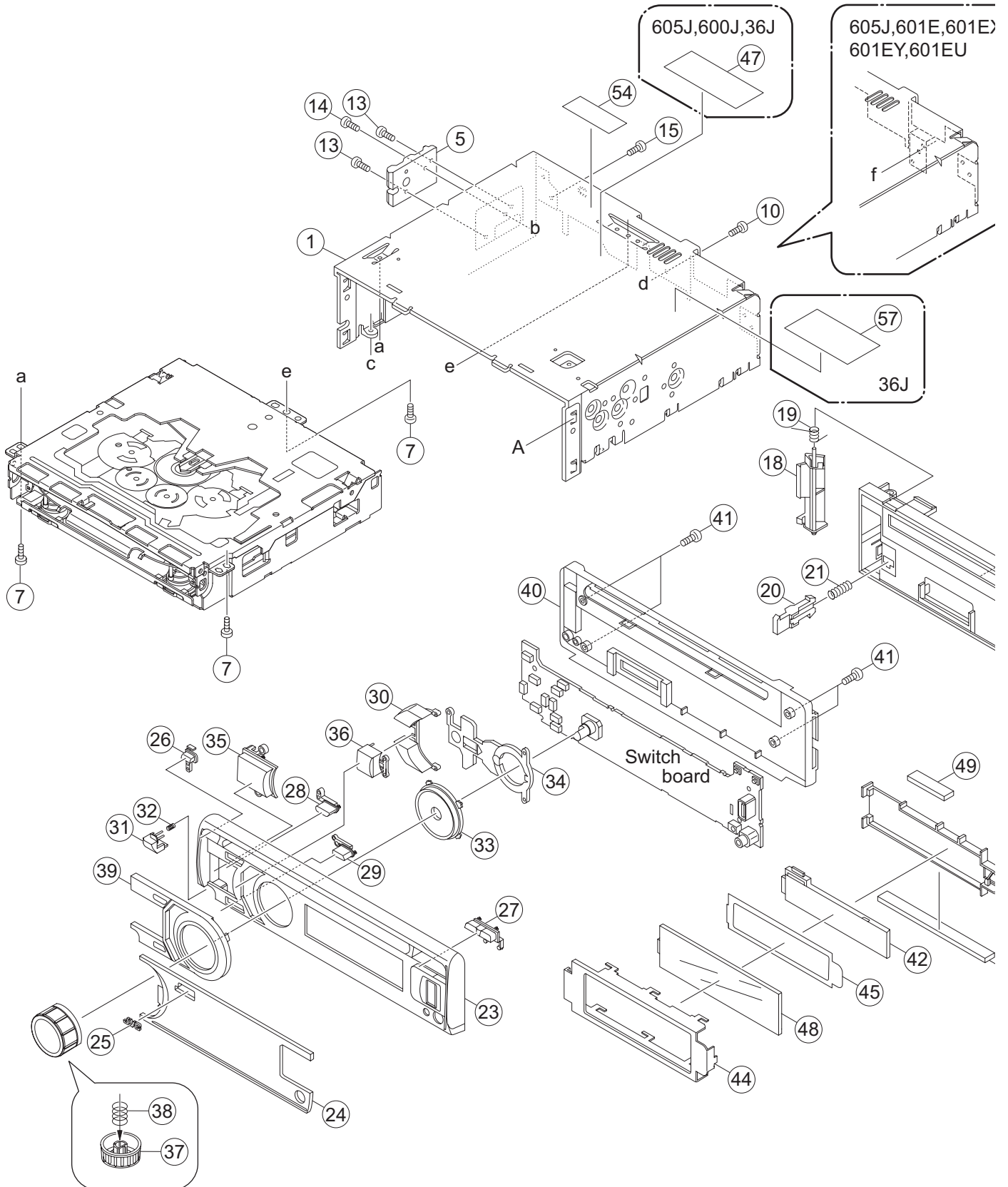
* All printed circuit boards and its assemblies are not available as service parts.

- Contents -

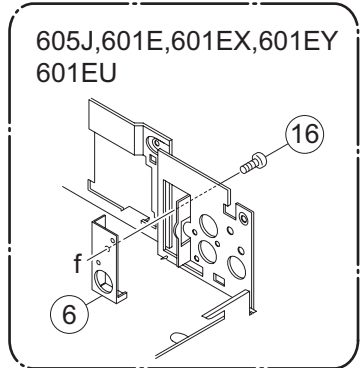
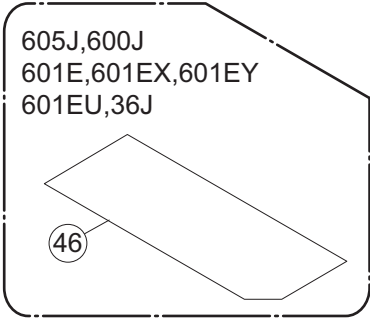
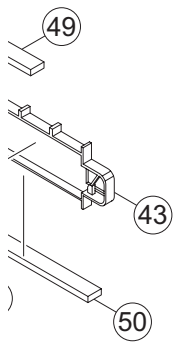
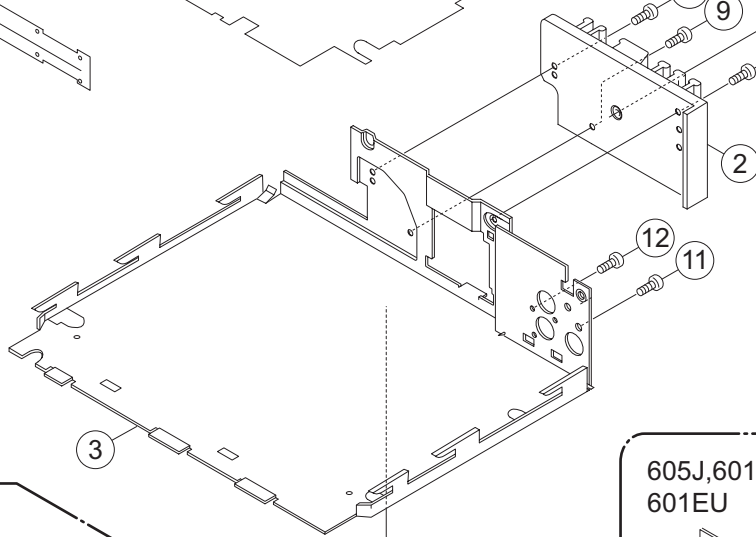
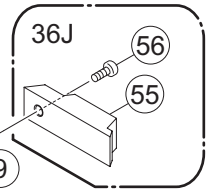
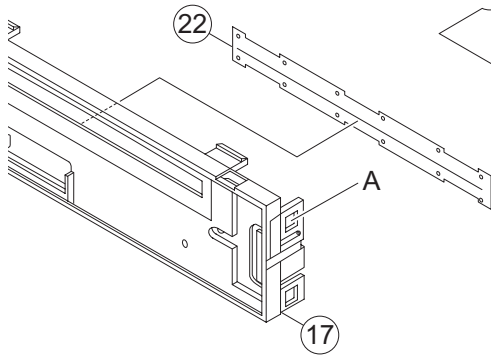
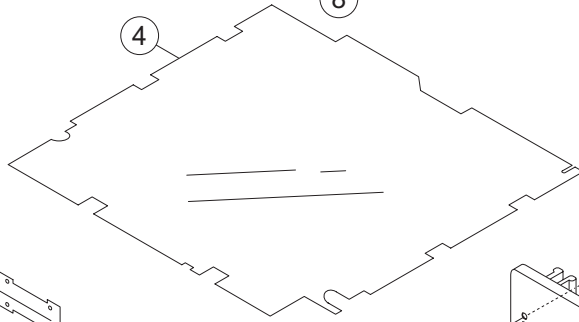
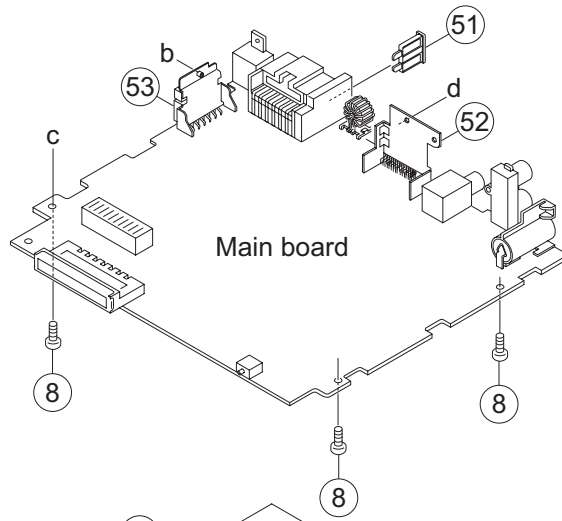
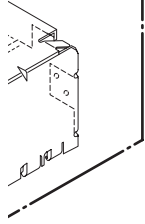
Exploded view of general assembly and parts list (Block No.M1) 3- 2
 CD mechanism assembly and parts list (Block No.MB) 3- 6
 Electrical parts list (Block No.01~06) 3- 8
 Packing materials and accessories parts list (Block No.M3) 3-18

Exploded view of general assembly and parts list

Block No. M 1 M M



E,601EX
601EU



The parts without symbol number are not service.

General Assembly

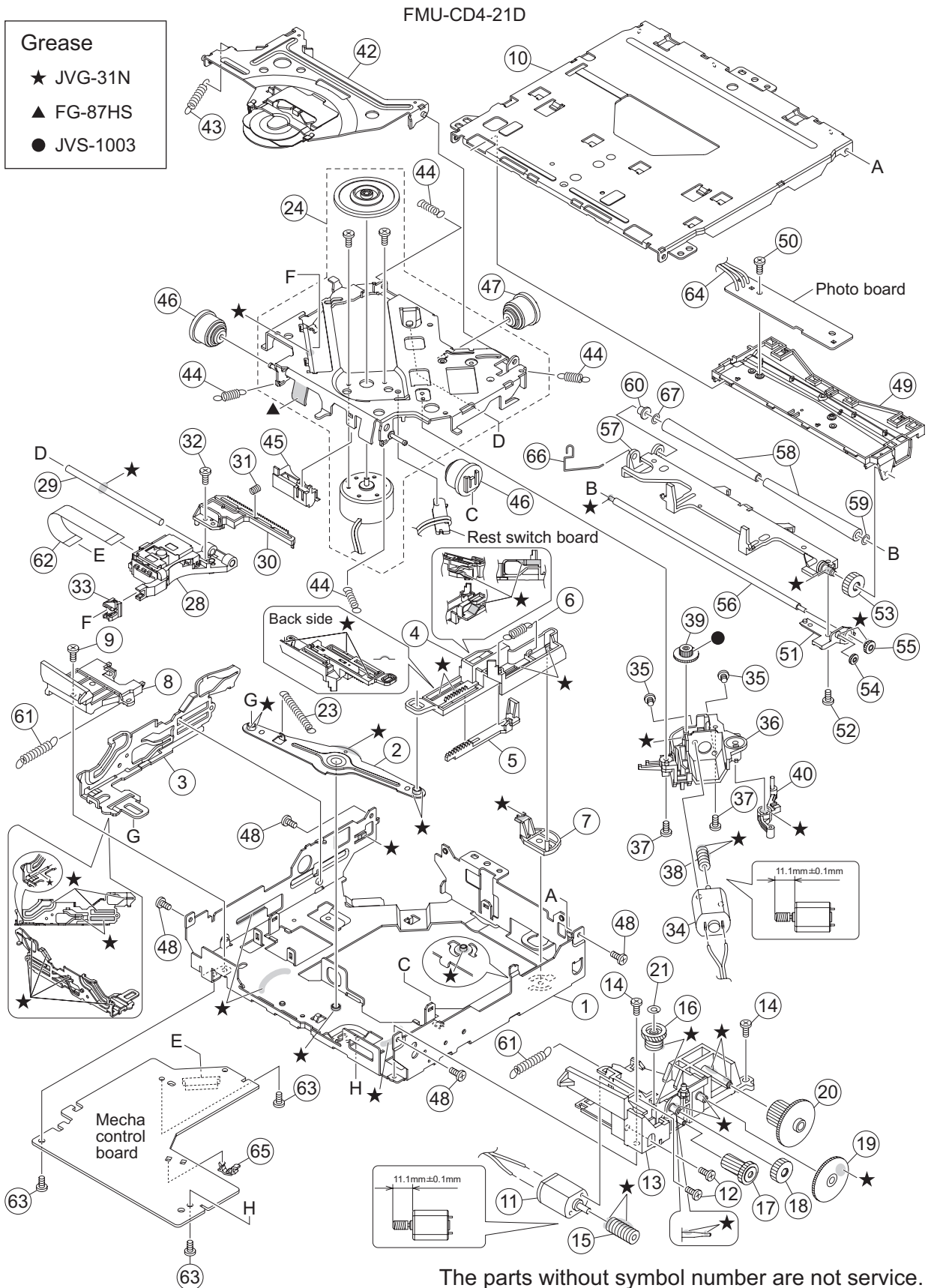
Block No. [M][1][M][M]

Symbol No.	Part No.	Part Name	Description	Local
1	GE10248-001A	TOP CHASSIS		A,C,D,E,F
1	GE10248-003A	TOP CHASSIS		B,G,H,I,J,K,L,M,N,O,P
2	GE33323-001A	HEATSINK		
3	GE20248-002A	BOTTOM COVER		A,C,D,E,F
3	GE20248-001A	BOTTOM COVER		B,G,H,I,J,K,L,M,N,O,P
4	GE33325-002A	INSULATOR		A,B,G,H,I,J,K,L,M,N,O
4	GE33325-003A	INSULATOR		C,D,E,F,P
5	GE40395-001A	SIDE PANEL		
6	GE40441-001A	OE HOLDER		A,C,D,E,F
7	QYSDST2604ZA	TAP SCREW	M2.6 x 4mm(x3)	
8	GE40377-002A	SCREW	(x3)	
9	GE40377-003A	SCREW	(x3)	
10	QYSDST2606ZA	TAP SCREW	M2.6 x 6mm	
11	QYSDST2606ZA	TAP SCREW	M2.6 x 6mm	
12	QYSDSF2606ZA	TAP SCREW	M2.6 x 6mm	
13	GE40377-002A	SCREW	(x2)	
14	QYSDST2608ZA	TAP SCREW	M2.6 x 8mm	
15	QYSDST2606ZA	TAP SCREW	M2.6 x 6mm	
16	QYSDST2604ZA	TAP SCREW	M2.6 x 4mm	A,C,D,E,F
17	GE10215-001A	FRONT CHASSIS		A,B,C,D,E,F,G,H,I,J,K,L,M,N,O
17	GE10215-003A	FRONT CHASSIS		P
18	GE32350-002A	LOCK LEVER		
19	GE40368-002A	TORSION SPRING		
20	GE32810-001A	RELEASE LEVER		
21	GE30999-004A	COMP.SPRING		
22	GE40400-001A	BLIND		
23	GE33592-019A	FRONT PANEL ASSY		A
23	GE33592-028A	FRONT PANEL ASSY		B,L,M,N,O,P
23	GE33592-021A	FRONT PANEL ASSY		C,D,E,F
23	GE33592-029A	FRONT PANEL ASSY		G,H,I,J,K
24	GE33435-026A	FINDER ASSY		A
24	GE33435-027A	FINDER ASSY		B
24	GE33435-028A	FINDER ASSY		C,D,E,F
24	GE33435-029A	FINDER ASSY		G
24	GE33435-030A	FINDER ASSY		H,I,J,K
24	GE33435-031A	FINDER ASSY		L,M,N,O
24	GE33435-047A	FINDER ASSY		P
25	GE40403-001A	JVC BADGE		
26	GE33433-001A	POWER BTN		
27	GE33529-001A	EJECT BTN		
28	GE33416-001A	SRC BUTTON		A,B,L,M,N,O
28	GE33416-003A	SRC BUTTON		C,D,E,F,P
28	GE33416-002A	SRC BUTTON		G,H,I,J,K
29	GE33417-001A	DISP BUTTON		A,B,L,M,N,O
29	GE33417-003A	DISP BUTTON		C,D,E,F,P
29	GE33417-002A	DISP BUTTON		G,H,I,J,K
30	GE33418-001A	MENU BUTTON		A
30	GE33418-002A	MENU BUTTON		B,C,D,E,F,G,H,I,J,K,L,M,N,O,P
31	GE33421-001A	DETACH BTN		A,B,C,D,E,F,L,M,N,O,P
31	GE33421-002A	DETACH BTN		G,H,I,J,K
32	GE30999-006A	COMP.SPRING		
33	GE33424-001A	RIM LENS		
34	GE33425-001A	LIGHT GUIDE		
35	GE33438-001A	NAVI BTN ASSY		
36	GE40451-010A	BUTTON ASSY		A
36	GE40451-008A	BUTTON ASSY		B,C,D,E,F,G,H,I,J,K,L,M,N,O,P
37	GE33704-003A	VOL KNOB ASSY		A
37	GE33704-001A	VOL KNOB ASSY		B,C,D,E,F,G,H,I,J,K,L,M,N,O,P
38	GE40127-001A	KNOB SPRING		
39	GE33436-001A	SIDE COVER ASSY		A
39	GE33436-002A	SIDE COVER ASSY		B,C,D,E,F,G,H,I,J,K,L,M,N,O,P
40	GE10252-002A	REAR COVER		
41	VKZ4777-010	MINI SCREW	(x4)	
42	GE33428-001A	LCD LENS		
43	GE33430-001A	LENS CASE		
44	GE33429-001A	LCD CASE		
45	GE40444-002A	LIGHTING SHEET		
46	GE33459-002A	NAME PLATE		A
46	GE33462-001A	NAME PLATE		B
46	GE33465-001A	NAME PLATE		C,D,E,F
46	GE33453-001A	NAME PLATE		G
46	GE33450-001A	NAME PLATE		H,I,J,K
46	GE33525-001A	NAME PLATE		L,M,N,O
46	GE33875-001A	NAME PLATE		P

△	Symbol No.	Part No.	Part Name	Description	Local
	47	GE40442-001A	FCC RULE LABEL		A,B,P
	48	QLD0578-001	LCD MODULE		
	49	QNZ1002-001	RUBBER CONNECTO		
	50	QNZ1003-001	RUBBER CONNECTO		
△	51	QMFZ064-150-J1	FUSE	15A	
	52	GE40439-001A	POWER IC BKT		
	53	GE40396-002A	REG BRACKET		
	54	LV45386-001A	R2 INDICATION		
	55	GE40225-001A	CAR STEREO TAG		P
	56	QYSDSP4014ZA	SCREW	M4 x 14mm	P
	57	GE40282-001A	LABEL		P

CD mechanism assembly and parts list

Block No. M B M M



CD mechanism

Block No. [M][B][M][M]

△	Symbol No.	Part No.	Part Name	Description	Local
	1	LV11598-001A	MECHA FRAME		
	2	LV36800-002A	LINK ARM		
	3	LV22300-002A	SLIDE CAM (L)		
	4	LV22298-002A	SLIDE CAM(R)		
	5	LV36802-001A	LOAD RACK		
	6	LV44552-001A	RETURN SPRING		
	7	LV36803-002A	F LOCK LEVER		
	8	LV36804-002A	CAM COVER		
	9	VKZ4539-054	MINI SCREW		
	10	LV11260-003A	TOP COVER		
	11	QAR0373-002	MOTOR		
	12	QYSPSPT2025MA	SCREW	M2 x 2.5mm(x2)	
	13	LV36903-003A	L M BASE ASSY		
	14	VKZ4539-054	MINI SCREW	(x2)	
	15	LV36806-001A	L WORM GEAR		
	16	LV36805-002A	M WHEEL GEAR		
	17	LV36807-001A	A WHEEL GEAR		
	18	LV36808-001A	R ACT GEAR(1)		
	19	LV36809-001A	LOAD ACT GEAR		
	20	LV36810-001A	LOADING GEAR		
	21	QYWDL1230250	SLIT WASHER	3mm/1.2mm x 0.25mm	
	23	LV44658-001A	LINK SPRING		
	24	CM-FLMCD1D	SPINDLE MOTOR ASSY		
	28	QAL0993-001	PICK UP		
	29	LV44555-001A	MAIN SHAFT		
	30	LV36799-001A	RACK PLATE		
	31	LV45227-001A	RACK SPRING		
	32	QYSPSGT1745ZA	TAP SCREW	M1.7 x 4.5mm	
	33	LV36813-001A	SUB GUIDE CAP		
	34	QAR0144-003	MOTOR	2.0V DC	
	35	QYSPSPT2025MA	SCREW	M2 x 2.5mm(x2)	
	36	LV22296-001A	F MOTOR HOLDER		
	37	VKZ4539-054	MINI SCREW	(x2)	
	38	LV36814-001A	F WORM GEAR		
	39	LV36815-002A	F WHEEL GEAR		
	40	LV36816-001A	TRIGGER ARM		
	42	LV37326-003A	CLAMPER ASSY		
	43	LV44557-002A	CLAMPER SPRING		
	44	LV44558-001A	SUS SPRING	(x4)	
	45	LV36820-001A	WIRE HOLDER		
	46	LV36904-001A	DAMPER	(x2)	
	47	LV37061-001A	DAMPER		
	48	VKZ4539-054	MINI SCREW	(x4)	
	49	LV11264-003A	DISC PLATE		
	50	LV44586-001A	SPECIAL SCREW		
	51	LV36801-002A	GEAR HOLDER		
	52	VKZ4539-054	MINI SCREW		
	53	LV36821-001A	R ACT GEAR(2)		
	54	LV36822-001A	R ACT GEAR(3)		
	55	LV36823-001A	ROLLER GEAR		
	56	LV44559-003A	ROLLER SHAFT		
	57	LV22744-001A	R HOLDER ASSY 2		
	58	LV44560-001A	ROLLER	(x2)	
	59	LV44590-001A	WASHER		
	60	LV45268-001A	ROLLER COLLAR 2		
	61	LV44562-002A	ROLLER SPRING	(x2)	
	62	QAL0817-003	FPC		
	63	VKZ4539-054	MINI SCREW	(x3)	
	64	WJS0085-001A-E	E-FL/RB WIRE		
	65	LV34916-002A	WIRE CLAMP		
	66	LV45269-001A	R HOLDER ROD		
	67	LV45270-001A	WASHER 2		

Electrical parts list

Old Main board

Block No. [0][1]

△ Symbol No.	Part No.	Part Name	Description	Local
△ IC1	TEF6606T/V3-X	IC1		
△ IC71	LC72725KM-X	IC		C,D,E,F
IC161	TDA7718-X	IC		
△ IC301	TDA7851A	IC		
IC381	NJM2160BV-X	IC		A
IC401	TPS2051BD-X	IC		
△ IC701	MN101EF16ZXW	IC		
IC702	S-80824CNNB-G-W	IC		
IC702	or IC-PST3424U-X	IC		
IC771	S-24CS04AFJ-G-X	IC		
IC771	S-24CS16A0I-G-X	IC		A,B,G,H,I,J,K, L,M,N,O
IC801	74AHCT126PW-X	IC		C,D,E,F
△ IC901	AN34002A	REGULATOR IC		
△ IC931	BD9007HFP-W	IC		
Q331	IMX9-W	PAIR TRANSISTOR		
Q781	RT1P141C-X	DIGI TRANSISTOR		
Q781	or UN2111-X	TRANSISTOR		
Q782	or 2SC3928A/QR/-X	TRANSISTOR		
Q782	2SC1623A/5-6/-X	TRANSISTOR		
Q784	RT1P141C-X	DIGI TRANSISTOR		
Q784	or UN2111-X	TRANSISTOR		
Q881	RT1N141C-X	DIGI TRANSISTOR		
Q881	or UN2211-X	TRANSISTOR		
Q891	RT1N141C-X	DIGI TRANSISTOR		C,D,E,F
Q891	or UN2211-X	TRANSISTOR		C,D,E,F
Q976	RT1N141C-X	DIGI TRANSISTOR		
Q976	or UN2211-X	TRANSISTOR		
Q977	or ISA1530AC1/QR/X	TRANSISTOR		
Q977	2SA812A/5-6/-X	TRANSISTOR		
Q978	or 2SC3928A/QR/-X	TRANSISTOR		
Q978	2SC1623A/5-6/-X	TRANSISTOR		
D331	MC2836-X	DIODE		
D331	or MA152WA-X	DIODE		
D711	UDZW6.2B-X	Z DIODE		A,C,D,E,F
D711	or MA8062/M/-X	Z DIODE		A,C,D,E,F
D712	1SS355W-X	DIODE		
D712	or MA111-X	SI DIODE		
D715	or UDZW5.1B-X	SB DIODE		
D715	MA8051/M/-X	Z DIODE		
D716	or UDZW5.1B-X	SB DIODE		
D716	MA8051/M/-X	Z DIODE		
D717	or UDZW5.1B-X	SB DIODE		
D717	MA8051/M/-X	Z DIODE		
D718	or UDZW5.1B-X	SB DIODE		
D718	MA8051/M/-X	Z DIODE		
D719	or UDZW5.1B-X	SB DIODE		
D719	MA8051/M/-X	Z DIODE		
D720	or UDZW5.1B-X	SB DIODE		
D720	MA8051/M/-X	Z DIODE		
D781	1SS355W-X	DIODE		
D781	or MA111-X	SI DIODE		
D782	1SS355W-X	DIODE		
D782	or MA111-X	SI DIODE		
D784	UDZW11B-X	Z DIODE		
D784	or MA8110/M/-X	Z DIODE		
D785	1SS355W-X	DIODE		
D785	or MA111-X	SI DIODE		
D851	MA22D23-X	SB DIODE		G,H,I,J,K,L,M, N,O
D851	or RB160M-30-X	SB DIODE		G,H,I,J,K,L,M, N,O
D851	or CRS03-W	SB DIODE		G,H,I,J,K,L,M, N,O
D852	MA22D23-X	SB DIODE		G,H,I,J,K,L,M, N,O
D852	or RB160M-30-X	SB DIODE		G,H,I,J,K,L,M, N,O
D852	or CRS03-W	SB DIODE		G,H,I,J,K,L,M, N,O
D891	MC2836-X	DIODE		C,D,E,F

△ Symbol No.	Part No.	Part Name	Description	Local
D891	or MA152WA-X	DIODE		C,D,E,F
D901	1N5401-F64	SI DIODE		
D901	or 1N5401-TU-15	SI DIODE		
D902	GS1J-X	DIODE		C,D,E,F
D931	RSX201L-30-X	SB DIODE		
D971	MA22D23-X	SB DIODE		
D971	or RB160M-30-X	SB DIODE		
D971	or CRS03-W	SB DIODE		
D972	MA22D23-X	SB DIODE		
D972	or RB160M-30-X	SB DIODE		
D972	or CRS03-W	SB DIODE		
C1	NCB31HK-102X	C CAPACITOR	1000pF 50V K	
C2	NDC31HJ-5R6X	C CAPACITOR	5.6pF 50V J	
C3	NCB31HK-102X	C CAPACITOR	1000pF 50V K	
C4	NCB31AK-224X	C CAPACITOR	0.22uF 10V K	
C5	NDC31HJ-150X	C CAPACITOR	15pF 50V J	
C6	NDC31HJ-220X	C CAPACITOR	22pF 50V J	
C10	NCB21AK-105X	C CAPACITOR	1uF 10V K	
C11	NCB31HK-103X	C CAPACITOR	0.01uF 50V K	
C12	NCB31HK-103X	C CAPACITOR	0.01uF 50V K	
C13	NCB21AK-105X	C CAPACITOR	1uF 10V K	
C14	NCB31AK-224X	C CAPACITOR	0.22uF 10V K	
C15	NCB31CK-104X	C CAPACITOR	0.1uF 16V K	
C16	NCB31HK-103X	C CAPACITOR	0.01uF 50V K	
C17	NCB31CK-104X	C CAPACITOR	0.1uF 16V K	
C18	NCB31HK-103X	C CAPACITOR	0.01uF 50V K	
C19	NCB31CK-104X	C CAPACITOR	0.1uF 16V K	
C22	NDC31HJ-150X	C CAPACITOR	15pF 50V J	
C23	NCB31CK-104X	C CAPACITOR	0.1uF 16V K	
C24	NCB31HK-103X	C CAPACITOR	0.01uF 50V K	
C25	NCB31HK-103X	C CAPACITOR	0.01uF 50V K	
C26	QEKJ1CM-107Z	E CAPACITOR	100uF 16V M	
C27	QEKJ1EM-106Z	E CAPACITOR	10uF 25V M	
C71	NDC31HJ-561X	C CAPACITOR	560pF 50V J	C,D,E,F
C72	NDC31HJ-331X	C CAPACITOR	330pF 50V J	C,D,E,F
C73	QEKJ1EM-106Z	E CAPACITOR	10uF 25V M	C,D,E,F
C74	NDC31HJ-330X	C CAPACITOR	33pF 50V J	C,D,E,F
C75	NDC31HJ-330X	C CAPACITOR	33pF 50V J	C,D,E,F
C76	NCB31HK-103X	C CAPACITOR	0.01uF 50V K	C,D,E,F
C77	QEKJ0JM-476Z	E CAPACITOR	47uF 6.3V M	C,D,E,F
C78	NCB31HK-122X	C CAPACITOR	1200pF 50V K	C,D,E,F
C161	NCB31AK-105X	C CAPACITOR	1uF 10V K	
C162	QTE1H57-105Z	E CAPACITOR	1uF 50V	
C164	NCB31AK-105X	C CAPACITOR	1uF 10V K	
C165	NCB31AK-105X	C CAPACITOR	1uF 10V K	
C171	NCB31AK-105X	C CAPACITOR	1uF 10V K	
C172	QTE1H57-105Z	E CAPACITOR	1uF 50V	
C174	NCB31AK-105X	C CAPACITOR	1uF 10V K	
C177	NCB31AK-224X	C CAPACITOR	0.22uF 10V K	
C178	QTE1C57-106Z	E CAPACITOR	10uF 16V	
C183	QEKJ1AM-227Z	E CAPACITOR	220uF 10V M	
C184	NCB31CK-104X	C CAPACITOR	0.1uF 16V K	
C301	QFV91HJ-474Z	MF CAPACITOR	0.47uF 50V J	
C302	QFV91HJ-474Z	MF CAPACITOR	0.47uF 50V J	
C311	QFV91HJ-474Z	MF CAPACITOR	0.47uF 50V J	
C312	QFV91HJ-474Z	MF CAPACITOR	0.47uF 50V J	
C315	NCB31AK-105X	C CAPACITOR	1uF 10V K	
C316	QEKJ1HM-475Z	E CAPACITOR	4.7uF 50V M	
C317	QTE1C57-476Z	E CAPACITOR	47uF 16V	
C318	NCB21AK-225X-A	C CAPACITOR	2.2uF 10V K	
C319	NCB31EK-223X	C CAPACITOR	0.022uF 25V K	
C320	NCB31EK-223X	C CAPACITOR	0.022uF 25V K	
C322	NCB31HK-103X	C CAPACITOR	0.01uF 50V K	
C323	NCB31HK-103X	C CAPACITOR	0.01uF 50V K	
C324	NCB31HK-103X	C CAPACITOR	0.01uF 50V K	
C326	QEKJ1CM-226Z	E CAPACITOR	22uF 16V M	
C340	NDC31HJ-820X	C CAPACITOR	82pF 50V J	
C381	QEKJ1HM-475Z	E CAPACITOR	4.7uF 50V M	
C382	QEKJ1HM-475Z	E CAPACITOR	4.7uF 50V M	
C383	QEKJ1HM-475Z	E CAPACITOR	4.7uF 50V M	A
C384	QEKJ1HM-475Z	E CAPACITOR	4.7uF 50V M	A
C385	NCB31EK-104X	C CAPACITOR	0.1uF 25V K	A
C386	NCB31EK-104X	C CAPACITOR	0.1uF 25V K	A
C387	NCB31HK-152X	C CAPACITOR	1500pF 50V K	A
C388	NCB31HK-152X	C CAPACITOR	1500pF 50V K	A

△ Symbol No.	Part No.	Part Name	Description	Local	△ Symbol No.	Part No.	Part Name	Description	Local
C389	QEKJ1CM-107Z	E CAPACITOR	100uF 16V M	A	R15	NRSA63J-472X	MG RESISTOR	4.7kΩ 1/16W J	
C390	QEKJ1CM-107Z	E CAPACITOR	100uF 16V M	A	R71	NRSA63J-0R0X	MG RESISTOR	0Ω 1/10W J	C,D,E,F
C392	QEKJ1CM-106Z	E CAPACITOR	10uF 16V M	A	R72	NRSA63J-222X	MG RESISTOR	2.2kΩ 1/16W J	C,D,E,F
C401	NDC31HJ-820X	C CAPACITOR	82pF 50V J		R73	NRSA63J-222X	MG RESISTOR	2.2kΩ 1/16W J	C,D,E,F
C402	NDC31HJ-101X	C CAPACITOR	100pF 50V J		R74	NRSA02J-101X	MG RESISTOR	100Ω 1/10W J	C,D,E,F
C418	NDC31HJ-270X	C CAPACITOR	27pF 50V J		R81	NRSA63J-153X	MG RESISTOR	15kΩ 1/16W J	A,B
C419	NDC31HJ-270X	C CAPACITOR	27pF 50V J		R81	NRSA63J-682X	MG RESISTOR	6.8kΩ 1/16W J	C,D,E,F,G,H,I, J,K,L,M,N,O
C583	NCB21HK-332X	C CAPACITOR	3300pF 50V K		R82	NRSA63J-822X	MG RESISTOR	8.2kΩ 1/16W J	A,B
C584	NCB21HK-332X	C CAPACITOR	3300pF 50V K		R82	NRSA63J-682X	MG RESISTOR	6.8kΩ 1/16W J	C,D,E,F,G,H,I, J,K,L,M,N,O
C585	QTE1H64-225Z	E CAPACITOR	2.2uF 50V						
C586	QTE1H64-225Z	E CAPACITOR	2.2uF 50V						
C587	NDC31HJ-331X	C CAPACITOR	330pF 50V J		R91	NRSA63J-153X	MG RESISTOR	15kΩ 1/16W J	A,B
C588	NDC31HJ-331X	C CAPACITOR	330pF 50V J		R91	NRSA63J-682X	MG RESISTOR	6.8kΩ 1/16W J	C,D,E,F,G,H,I, J,K,L,M,N,O
C703	NDC31HJ-270X	C CAPACITOR	27pF 50V J						
C704	NDC31HJ-270X	C CAPACITOR	27pF 50V J		R92	NRSA63J-822X	MG RESISTOR	8.2kΩ 1/16W J	A,B
C706	NDC31HJ-821X	C CAPACITOR	820pF 50V J		R92	NRSA63J-682X	MG RESISTOR	6.8kΩ 1/16W J	C,D,E,F,G,H,I, J,K,L,M,N,O
C707	QEKJ1CM-107Z	E CAPACITOR	100uF 16V M		R161	NRSA63J-472X	MG RESISTOR	4.7kΩ 1/16W J	
C708	NCB31CK-104X	C CAPACITOR	0.1uF 16V K		R162	NRSA63J-472X	MG RESISTOR	4.7kΩ 1/16W J	
C709	NCB31CK-104X	C CAPACITOR	0.1uF 16V K		R171	NRSA63J-101X	MG RESISTOR	100Ω 1/16W J	
C710	NDC31HJ-101X	C CAPACITOR	100pF 50V J	A,C,D,E,F	R172	NRSA63J-101X	MG RESISTOR	100Ω 1/16W J	
C711	QEKJ0JM-476Z	E CAPACITOR	47uF 6.3V M		R305	NRSA63J-102X	MG RESISTOR	1kΩ 1/16W J	
C714	NCB31CK-104X	C CAPACITOR	0.1uF 16V K		R309	NRS181J-100X	MG RESISTOR	10Ω 1/8W J	
C715	NCB31CK-104X	C CAPACITOR	0.1uF 16V K		R310	NRSA63J-472X	MG RESISTOR	4.7kΩ 1/16W J	
C717	NDC31HJ-821X	C CAPACITOR	820pF 50V J		R341	NRSA63J-222X	MG RESISTOR	2.2kΩ 1/16W J	
C718	NCB31CK-104X	C CAPACITOR	0.1uF 16V K		R342	NRSA63J-821X	MG RESISTOR	820Ω 1/16W J	
C719	QERF1AM-107Z	E CAPACITOR	100uF 10V M		R343	NRSA02J-101X	MG RESISTOR	100Ω 1/10W J	
C720	NDC31HJ-820X	C CAPACITOR	82pF 50V J		R344	NRSA63J-473X	MG RESISTOR	47kΩ 1/16W J	
C721	NCB31CK-104X	C CAPACITOR	0.1uF 16V K		R351	NRSA63J-222X	MG RESISTOR	2.2kΩ 1/16W J	
C722	QERF1EM-475Z	E CAPACITOR	4.7uF 25V M		R352	NRSA63J-821X	MG RESISTOR	820Ω 1/16W J	
C728	NCB31AK-105X	C CAPACITOR	1uF 10V K		R353	NRSA02J-101X	MG RESISTOR	100Ω 1/10W J	
C729	NCB31HK-392X	C CAPACITOR	3900pF 50V K		R354	NRSA63J-473X	MG RESISTOR	47kΩ 1/16W J	
C730	NCB31HK-392X	C CAPACITOR	3900pF 50V K		R381	NRSA63J-102X	MG RESISTOR	1kΩ 1/16W J	A
C732	NCB31HK-122X	C CAPACITOR	1200pF 50V K		R382	NRSA63J-102X	MG RESISTOR	1kΩ 1/16W J	A
C734	NDC31HJ-560X	C CAPACITOR	56pF 50V J		R383	NRSA63J-104X	MG RESISTOR	100kΩ 1/16W J	A
C735	NDC31HJ-560X	C CAPACITOR	56pF 50V J		R384	NRSA63J-104X	MG RESISTOR	100kΩ 1/16W J	A
C771	NCB31CK-473X	C CAPACITOR	0.047uF 16V K		R385	NRSA63J-223X	MG RESISTOR	22kΩ 1/16W J	A
C781	QEKJ0JM-107Z	E CAPACITOR	100uF 6.3V M		R386	NRSA63J-223X	MG RESISTOR	22kΩ 1/16W J	A
C784	QEKJ1CM-107Z	E CAPACITOR	100uF 16V M		R387	NRSA63J-333X	MG RESISTOR	33kΩ 1/16W J	A
C801	NCB31CK-473X	C CAPACITOR	0.047uF 16V K		R388	NRSA63J-333X	MG RESISTOR	33kΩ 1/16W J	A
C851	QEKJ1EM-106Z	E CAPACITOR	10uF 25V M	G,H,I,J,K,L,M, N,O	R389	NRSA63J-0R0X	MG RESISTOR	0Ω 1/10W J	B,C,D,E,F,G,H, I,J,K,L,M,N,O
C852	NCB31CK-224X	C CAPACITOR	0.22uF 16V K	G,H,I,J,K,L,M, N,O	R390	NRSA63J-0R0X	MG RESISTOR	0Ω 1/10W J	B,C,D,E,F,G,H, I,J,K,L,M,N,O
C881	QERF1CM-226Z	E CAPACITOR	22uF 16V M		R583	NRSA63J-153X	MG RESISTOR	15kΩ 1/16W J	
C891	NCB31CK-104X	C CAPACITOR	0.1uF 16V K	C,D,E,F	R584	NRSA63J-153X	MG RESISTOR	15kΩ 1/16W J	
C901	QEZ0870-278	E CAPACITOR	2700uF		R585	NRSA63J-102X	MG RESISTOR	1kΩ 1/16W J	
C902	QERF1HM-225Z	E CAPACITOR	2.2uF 50V M		R586	NRSA63J-102X	MG RESISTOR	1kΩ 1/16W J	
C903	QEKJ1CM-107Z	E CAPACITOR	100uF 16V M		R587	NRSA63J-183X	MG RESISTOR	18kΩ 1/16W J	
C905	QEKJ1CM-476Z	E CAPACITOR	47uF 16V M		R588	NRSA63J-183X	MG RESISTOR	18kΩ 1/16W J	
C906	NCB31HK-103X	C CAPACITOR	0.01uF 50V K		R701	NRSA63J-103X	MG RESISTOR	10kΩ 1/16W J	
C907	QERF1AM-227Z	E CAPACITOR	220uF 10V M		R702	NRSA63J-103X	MG RESISTOR	10kΩ 1/16W J	
C908	QERF1AM-227Z	E CAPACITOR	220uF 10V M		R703	NRSA63J-104X	MG RESISTOR	100kΩ 1/16W J	
C909	QERF0JM-337Z	E CAPACITOR	330uF 6.3V M		R704	NRSA63J-104X	MG RESISTOR	100kΩ 1/16W J	
C910	QEKJ1EM-106Z	E CAPACITOR	10uF 25V M		R708	NRSA63J-104X	MG RESISTOR	100kΩ 1/16W J	A,B
C912	NCB31HK-103X	C CAPACITOR	0.01uF 50V K		R709	NRSA63J-473X	MG RESISTOR	47kΩ 1/16W J	C,D,E,F,G,H,I, J,K,L,M,N,O
C913	QEKJ1EM-106Z	E CAPACITOR	10uF 25V M						
C914	QEKJ1CM-107Z	E CAPACITOR	100uF 16V M		R711	NRSA63J-473X	MG RESISTOR	47kΩ 1/16W J	
C916	NCB31HK-103X	C CAPACITOR	0.01uF 50V K		R712	NRSA63J-331X	MG RESISTOR	330Ω 1/16W J	
C928	NCB31HK-472X	C CAPACITOR	4700pF 50V K		R714	NRSA63J-0R0X	MG RESISTOR	0Ω 1/10W J	
C931	QEZ0595-477Z	E CAPACITOR	470uF 25V M		R717	NRSA63J-102X	MG RESISTOR	1kΩ 1/16W J	
C932	QBZ0006-337Z	TA E CAPACITOR	330uF		R718	NRSA63J-102X	MG RESISTOR	1kΩ 1/16W J	
C933	NCB31HK-152X	C CAPACITOR	1500pF 50V K		R719	NRSA63J-102X	MG RESISTOR	1kΩ 1/16W J	
C937	NCB21CK-475X	C CAPACITOR	4.7uF 16V K		R720	NRSA63J-102X	MG RESISTOR	1kΩ 1/16W J	
C938	NCJ21EK-225X-D	C CAPACITOR	2.2uF 25V K		R721	NRSA63J-102X	MG RESISTOR	1kΩ 1/16W J	
C940	NDC31HJ-180X	C CAPACITOR	18pF 50V J		R722	NRS181J-102X	MG RESISTOR	1kΩ 1/8W J	
C971	NCB31EK-104X	C CAPACITOR	0.1uF 25V K		R723	NRSA63J-102X	MG RESISTOR	1kΩ 1/16W J	
C992	NDC31HJ-101X	C CAPACITOR	100pF 50V J		R724	NRSA63J-102X	MG RESISTOR	1kΩ 1/16W J	
R2	NRSA63J-824X	MG RESISTOR	820kΩ 1/16W J		R725	NRSA63J-102X	MG RESISTOR	1kΩ 1/16W J	
R3	NRSA63J-0R0X	MG RESISTOR	0Ω 1/10W J		R726	NRSA63J-273X	MG RESISTOR	27kΩ 1/16W J	
R4	NRSA63J-472X	MG RESISTOR	4.7kΩ 1/16W J		R727	NRSA63J-122X	MG RESISTOR	1.2kΩ 1/16W J	
R5	NRS181J-220X	MG RESISTOR	22Ω 1/8W J		R728	NRSA63J-102X	MG RESISTOR	1kΩ 1/16W J	
R6	NRSA63J-101X	MG RESISTOR	100Ω 1/16W J		R730	NRSA63J-102X	MG RESISTOR	1kΩ 1/16W J	
R7	NRSA63J-101X	MG RESISTOR	100Ω 1/16W J		R731	NRSA63J-101X	MG RESISTOR	100Ω 1/16W J	
R10	NRSA63J-0R0X	MG RESISTOR	0Ω 1/10W J		R732	NRSA63J-473X	MG RESISTOR	47kΩ 1/16W J	
R11	NRS181J-4R7X	MG RESISTOR	4.7Ω 1/8W J		R733	NRSA63J-473X	MG RESISTOR	47kΩ 1/16W J	
R12	NRZ0084-0R0X	MG RESISTOR	0Ω	C,D,E,F	R734	NRSA63J-471X	MG RESISTOR	470Ω 1/16W J	
R14	NRSA63J-472X	MG RESISTOR	4.7kΩ 1/16W J		R736	NRSA63J-561X	MG RESISTOR	560Ω 1/16W J	
					R737	NRSA63J-561X	MG RESISTOR	560Ω 1/16W J	

△ Symbol No.	Part No.	Part Name	Description	Local
R738	NRSA63J-561X	MG RESISTOR	560Ω 1/16W J	
R739	NRSA63J-101X	MG RESISTOR	100Ω 1/16W J	
R740	NRSA63J-561X	MG RESISTOR	560Ω 1/16W J	
R741	NRSA63J-101X	MG RESISTOR	100Ω 1/16W J	
R742	NRSA63J-101X	MG RESISTOR	100Ω 1/16W J	
R743	NRSA63J-101X	MG RESISTOR	100Ω 1/16W J	C,D,E,F
R744	NRSA63J-101X	MG RESISTOR	100Ω 1/16W J	
R745	NRSA63J-271X	MG RESISTOR	270Ω 1/16W J	C,D,E,F
R746	NRSA63J-104X	MG RESISTOR	100kΩ 1/16W J	
R747	NRSA63J-103X	MG RESISTOR	10kΩ 1/16W J	
R748	NRSA63J-122X	MG RESISTOR	1.2kΩ 1/16W J	
R749	NRSA63J-102X	MG RESISTOR	1kΩ 1/16W J	
R750	NRS181J-104X	MG RESISTOR	100kΩ 1/8W J	
R752	NRSA63J-472X	MG RESISTOR	4.7kΩ 1/16W J	
R753	NRSA63J-472X	MG RESISTOR	4.7kΩ 1/16W J	
R755	NRSA63J-472X	MG RESISTOR	4.7kΩ 1/16W J	
R756	NRSA63J-472X	MG RESISTOR	4.7kΩ 1/16W J	
R757	NRSA63J-122X	MG RESISTOR	1.2kΩ 1/16W J	
R758	NRSA63J-473X	MG RESISTOR	47kΩ 1/16W J	
R760	NRSA63J-122X	MG RESISTOR	1.2kΩ 1/16W J	
R761	NRSA63J-122X	MG RESISTOR	1.2kΩ 1/16W J	
R762	NRSA63J-122X	MG RESISTOR	1.2kΩ 1/16W J	
R763	NRSA63J-823X	MG RESISTOR	82kΩ 1/16W J	
R764	NRSA63J-823X	MG RESISTOR	82kΩ 1/16W J	
R765	NRSA63J-472X	MG RESISTOR	4.7kΩ 1/16W J	
R766	NRS181J-472X	MG RESISTOR	4.7kΩ 1/8W J	
R767	NRSA63J-473X	MG RESISTOR	47kΩ 1/16W J	
R768	NRSA63J-472X	MG RESISTOR	4.7kΩ 1/16W J	
R770	NRSA63J-222X	MG RESISTOR	2.2kΩ 1/16W J	A,B,C,D,E,F
R771	NRSA63J-271X	MG RESISTOR	270Ω 1/16W J	
R772	NRSA63J-271X	MG RESISTOR	270Ω 1/16W J	
R773	NRSA63J-223X	MG RESISTOR	22kΩ 1/16W J	A,B,C,D,E,F
R774	NRSA63J-473X	MG RESISTOR	47kΩ 1/16W J	
R775	NRSA63J-222X	MG RESISTOR	2.2kΩ 1/16W J	
R777	NRSA63J-103X	MG RESISTOR	10kΩ 1/16W J	
R779	NRSA63J-101X	MG RESISTOR	100Ω 1/16W J	
R781	NRSA63J-473X	MG RESISTOR	47kΩ 1/16W J	
R782	NRSA63J-472X	MG RESISTOR	4.7kΩ 1/16W J	
R783	NRSA63J-103X	MG RESISTOR	10kΩ 1/16W J	
R784	NRSA63J-0R0X	MG RESISTOR	0Ω 1/10W J	
R801	NRSA63J-102X	MG RESISTOR	1kΩ 1/16W J	
R802	NRSA63J-104X	MG RESISTOR	100kΩ 1/16W J	
R803	NRSA63J-682X	MG RESISTOR	6.8kΩ 1/16W J	
R804	NRSA63J-392X	MG RESISTOR	3.9kΩ 1/16W J	
R805	NRS181J-0R0X	MG RESISTOR	0Ω 1/8W J	
R806	NRS181J-102X	MG RESISTOR	1kΩ 1/8W J	
R807	NRSA63J-104X	MG RESISTOR	100kΩ 1/16W J	
R808	NRSA63J-101X	MG RESISTOR	100Ω 1/16W J	
R809	NRSA63J-473X	MG RESISTOR	47kΩ 1/16W J	
R810	NRSA63J-392X	MG RESISTOR	3.9kΩ 1/16W J	
R811	NRSA63J-682X	MG RESISTOR	6.8kΩ 1/16W J	
R812	NRSA63J-104X	MG RESISTOR	100kΩ 1/16W J	
R813	NRSA63J-102X	MG RESISTOR	1kΩ 1/16W J	
R814	NRSA63J-101X	MG RESISTOR	100Ω 1/16W J	
R819	NRSA63J-473X	MG RESISTOR	47kΩ 1/16W J	
R851	NRSA63J-103X	MG RESISTOR	10kΩ 1/16W J	G,H,I,J,K,L,M,N,O
R881	NRSA63J-473X	MG RESISTOR	47kΩ 1/16W J	
R882	NRSA63J-472X	MG RESISTOR	4.7kΩ 1/16W J	
R891	NRSA63J-102X	MG RESISTOR	1kΩ 1/16W J	C,D,E,F
R892	NRSA63J-473X	MG RESISTOR	47kΩ 1/16W J	C,D,E,F
R901	QRE142J-102X	C RESISTOR	1kΩ 1/4W J	
R902	NRS181J-912X	MG RESISTOR	9.1kΩ 1/8W J	
R903	NRSA02J-472X	MG RESISTOR	4.7kΩ 1/10W J	
R928	NRSA63J-753X	MG RESISTOR	75kΩ 1/16W J	
R929	NRSA63J-513X	MG RESISTOR	51kΩ 1/16W J	
R930	NRSA63J-0R0X	MG RESISTOR	0Ω 1/10W J	
R937	NRS181J-221X	MG RESISTOR	220Ω 1/8W J	
R939	NRS181J-153X	MG RESISTOR	15kΩ 1/8W J	
R940	NRSA63J-823X	MG RESISTOR	82kΩ 1/16W J	
R971	NRS181J-332X	MG RESISTOR	3.3kΩ 1/8W J	
R976	NRSA02J-273X	MG RESISTOR	27kΩ 1/10W J	
R977	NRSA02J-123X	MG RESISTOR	12kΩ 1/10W J	
L1	NQL093K-R47X	COIL	0.47uH K	
L3	QQL213M-R22Z	COIL	0.22uH M	
L4	QQR1813-001	COIL		
L5	QQL244J-561Z	COIL	560uH J	

△ Symbol No.	Part No.	Part Name	Description	Local
L6	QQL244J-561Z	COIL	560uH J	
L7	QQL244J-4R7Z	P COIL	4.7uH J	
L8	QQL244J-4R7Z	P COIL	4.7uH J	
L701	QQL244J-4R7Z	P COIL	4.7uH J	
L702	QQL244J-4R7Z	P COIL	4.7uH J	
△ L901	QQR1852-001	CHOKO COIL		
△ L901	or QQR0703-001	CHOKO COIL		
L931	QQL92AK-330Z	COIL	33uH K	
L932	NQR0007-002X	FERRITE BEADS		
L933	NQLH25M-4R7X	COIL	4.7uH M	
CN501	QGB2027ME-28	CONNECTOR	B-B (1-28)	
CN701	QGZ1101J1-24	CONNECTOR	(1-24)	
CN703	QNS0283-001	STEERING REMOTE		A,C,D,E,F
CN901	QNZ0607-001	CAR CONNECTOR		
J1	QNB0190-001	ANT TERMINAL		
J321	QNN0832-001	PIN JACK		A
J321	QNN0802-001	PIN JACK		B,C,D,E,F,G,H,I,J,K,L,M,N,O
J801	QNZ0095-001	CONNECTOR		
K161	NRSA02J-0R0X	MG RESISTOR	0Ω 1/10W J	
K162	NRSA02J-0R0X	MG RESISTOR	0Ω 1/10W J	
K163	NRSA02J-0R0X	MG RESISTOR	0Ω 1/10W J	
S701	QSW0648-001Z	TACT SWITCH		
X1	QAX0928-001Z	CRYSTAL		
X71	QAX0926-001Z	CRYSTAL		C,D,E,F
X701	QAX0667-001Z	C RESONATOR	8.000MHz	
X702	QAX0401-001	CRYSTAL	32.768KHz	

Old Switch board

Block No. [0][2]

△ Symbol No.	Part No.	Part Name	Description	Local
IC601	NCP5623DTBR2G-X	IC		
IC661	PTC6526LQ-L	IC		
IC681	NJL29H380A	REMOCON RCV		
Q601	2SC1623A/5-6/-X	TRANSISTOR		
Q601	or 2SC3928A/QR/-X	TRANSISTOR		
Q602	UNR9211G-X	TRANSISTOR		
Q602	or DTC114EEB-X	TRANSISTOR		
Q604	2SA2174G-X	TRANSISTOR		
Q604	or 2SA1774/QR/-X	TRANSISTOR		
Q605	UN2222-X	IC		
Q605	or DTD143EK-X	TRANSISTOR		
Q607	2SA2174G-X	TRANSISTOR		
Q607	or 2SA1774/QR/-X	TRANSISTOR		
Q608	UN2222-X	IC		
Q608	or DTD143EK-X	TRANSISTOR		
Q610	2SA2174G-X	TRANSISTOR		
Q610	or 2SA1774/QR/-X	TRANSISTOR		
Q611	UN2222-X	IC		
Q611	or DTD143EK-X	TRANSISTOR		
D601	NSSM065T-X	LED		
D603	NSSM065T-X	LED		
D604	NSSM065T-X	LED		
D605	NSSM065T-X	LED		
D616	UDZW5.1B-X	SB DIODE		
D616	or MA8051/M/-X	Z DIODE		
D617	UDZW5.1B-X	SB DIODE		
D617	or MA8051/M/-X	Z DIODE		
D630	LHQ974/LM/-X	LED		
D631	LHQ974/LM/-X	LED		
D632	LHQ974/LM/-X	LED		
D650	MA8056/M/-X	Z DIODE		
D650	or UDZW5.6B-X	Z DIODE		
D661	MA111-X	SI DIODE		
D661	or 1SS355W-X	DIODE		
C604	NCB31CK-105X	C CAPACITOR	1uF 16V K	
C650	NCB31CK-104X	C CAPACITOR	0.1uF 16V K	
C651	NBE21CM-106X	TA E CAPACITOR	10uF 16V M	

△ Symbol No.	Part No.	Part Name	Description	Local
C655	NCJ11EK-106X-R	C CAPACITOR	10uF 25V	
C661	NCB31CK-105X	C CAPACITOR	1uF 16V K	
C662	NDC31HJ-151X	C CAPACITOR	150pF 50V J	
C663	NCB31CK-223X	C CAPACITOR	0.022uF 16V K	
C665	NCB31CK-104X	C CAPACITOR	0.1uF 16V K	
C666	NCB31CK-104X	C CAPACITOR	0.1uF 16V K	
C682	NCB31EK-104X	C CAPACITOR	0.1uF 25V K	
C684	NCB31HK-472X	C CAPACITOR	4700pF 50V K	
C685	NCB31HK-472X	C CAPACITOR	4700pF 50V K	
R601	NRSA63J-821X	MG RESISTOR	820Ω 1/16W J	
R602	NRSA63J-821X	MG RESISTOR	820Ω 1/16W J	
R603	NRSA63J-122X	MG RESISTOR	1.2kΩ 1/16W J	
R604	NRSA63J-182X	MG RESISTOR	1.8kΩ 1/16W J	
R605	NRSA63J-272X	MG RESISTOR	2.7kΩ 1/16W J	
R606	NRSA63J-392X	MG RESISTOR	3.9kΩ 1/16W J	
R607	NRSA63J-392X	MG RESISTOR	3.9kΩ 1/16W J	
R608	NRSA63J-821X	MG RESISTOR	820Ω 1/16W J	
R609	NRSA63J-821X	MG RESISTOR	820Ω 1/16W J	
R610	NRSA63J-122X	MG RESISTOR	1.2kΩ 1/16W J	
R611	NRSA63J-182X	MG RESISTOR	1.8kΩ 1/16W J	
R612	NRSA63J-272X	MG RESISTOR	2.7kΩ 1/16W J	
R613	NRSA63J-103X	MG RESISTOR	10kΩ 1/16W J	
R614	NRSA63F-154X	MG RESISTOR	150kΩ 1/16W F	
R615	NRSA63J-101X	MG RESISTOR	100Ω 1/16W J	
R618	NRSA63J-101X	MG RESISTOR	100Ω 1/16W J	
R626	NRSA63J-0R0X	MG RESISTOR	0Ω 1/10W J	
R630	NRSA63J-271X	MG RESISTOR	270Ω 1/16W J	
R631	NRS181J-471X	MG RESISTOR	470Ω 1/8W J	
R634	NRSA63J-681X	MG RESISTOR	680Ω 1/16W J	
R636	NRSA63J-222X	MG RESISTOR	2.2kΩ 1/16W J	
R637	NRSA63J-222X	MG RESISTOR	2.2kΩ 1/16W J	
R638	NRSA63J-222X	MG RESISTOR	2.2kΩ 1/16W J	
R644	NRSA63J-122X	MG RESISTOR	1.2kΩ 1/16W J	
R645	NRSA63J-122X	MG RESISTOR	1.2kΩ 1/16W J	
R646	NRSA63J-162X	MG RESISTOR	1.6kΩ 1/16W J	
R647	NRSA63J-911X	MG RESISTOR	910Ω 1/16W J	
R648	NRSA63J-911X	MG RESISTOR	910Ω 1/16W J	
R649	NRSA63J-122X	MG RESISTOR	1.2kΩ 1/16W J	
R651	NRSA63J-102X	MG RESISTOR	1kΩ 1/16W J	
R652	NRSA63J-0R0X	MG RESISTOR	0Ω 1/10W J	
R656	NRS181J-331X	MG RESISTOR	330Ω 1/8W J	
R657	NRS181J-331X	MG RESISTOR	330Ω 1/8W J	
R658	NRS181J-621X	MG RESISTOR	620Ω 1/8W J	
R660	NRSA63J-394X	MG RESISTOR	390kΩ 1/16W J	
R661	NRSA63J-102X	MG RESISTOR	1kΩ 1/16W J	
R662	NRSA63J-102X	MG RESISTOR	1kΩ 1/16W J	
R663	NRSA63J-102X	MG RESISTOR	1kΩ 1/16W J	
R664	NRSA63J-224X	MG RESISTOR	220kΩ 1/16W J	
R665	NRSA63J-101X	MG RESISTOR	100Ω 1/16W J	
R666	NRSA63J-101X	MG RESISTOR	100Ω 1/16W J	
R667	NRSA63J-101X	MG RESISTOR	100Ω 1/16W J	
R670	NRSA63J-103X	MG RESISTOR	10kΩ 1/16W J	
R671	NRSA63J-103X	MG RESISTOR	10kΩ 1/16W J	
R672	NRSA63J-101X	MG RESISTOR	100Ω 1/16W J	
R673	NRSA63J-101X	MG RESISTOR	100Ω 1/16W J	
R681	NRSA63J-471X	MG RESISTOR	470Ω 1/16W J	
R682	NRSA63J-102X	MG RESISTOR	1kΩ 1/16W J	
R6043	NRSA63J-0R0X	MG RESISTOR	0Ω 1/10W J	
R6044	NRSA63J-0R0X	MG RESISTOR	0Ω 1/10W J	
L602	NQR0536-001X	CHOKE COIL		
CJ601	QGZ1101K1-24	CONNECTOR	(1-24)	
CN603	QNZ1006-001	USB JACK		
J601	QNS0215-001	3.5 JACK		
JS686	QSW1263-001	ROTARY ENCODER		
K670	NQR0007-002X	FERRITE BEADS		
K671	NQR0007-002X	FERRITE BEADS		
K672	NQR0007-002X	FERRITE BEADS		
K673	NRSA02J-0R0X	MG RESISTOR	0Ω 1/10W J	
S601	NSW0124-001X	TACT SW		
S602	NSW0316-001X	TACT SWITCH		
S603	NSW0316-001X	TACT SWITCH		
S604	NSW0316-001X	TACT SWITCH		
S605	NSW0316-001X	TACT SWITCH		
S606	NSW0316-001X	TACT SWITCH		
S607	NSW0316-001X	TACT SWITCH		

△ Symbol No.	Part No.	Part Name	Description	Local
S608	NSW0316-001X	TACT SWITCH		
S609	NSW0316-001X	TACT SWITCH		
S610	NSW0316-001X	TACT SWITCH		
S611	NSW0316-001X	TACT SWITCH		
S612	NSW0316-001X	TACT SWITCH		

Old Mecha control board

Block No. [0][3]

△ Symbol No.	Part No.	Part Name	Description	Local
IC301	MN6627946JC	IC(MCU)		
IC302	BR24L16F-W-X	IC(DIGITAL)		
IC303	MFI341S2162-X	IC		
IC501	LA6565-X	IC		
Q101	2SC3928A/R/-X	TRANSISTOR		
Q201	2SC3928A/R/-X	TRANSISTOR		
Q211	PS1191RB22/BC/X	PHOTO TRANSISTOR		
Q212	PS1191RB22/BC/X	PHOTO TRANSISTOR		
Q301	ISA1530AC1/RS/X	TRANSISTOR		
Q302	RT1N441C-X	TRANSISTOR		
Q303	RT1N441C-X	TRANSISTOR		
Q501	2SB1424/R/-W	TRANSISTOR		
D101	AN1105W21/AB/-X	IR LED		
D201	AN1105W21/AB/-X	IR LED		
D501	1SR154-400-X	SI DIODE		
D502	1SR154-400-X	SI DIODE		
D503	1SR154-400-X	SI DIODE		
C101	NCB31CK-104X	C CAPACITOR	0.1uF 16V K	
C102	NCB31CK-104X	C CAPACITOR	0.1uF 16V K	
C103	NCB31CK-104X	C CAPACITOR	0.1uF 16V K	
C104	NCB31CK-104X	C CAPACITOR	0.1uF 16V K	
C201	NCB31CK-104X	C CAPACITOR	0.1uF 16V K	
C301	NEAF0JM-226X	E CAPACITOR	22uF 6.3V M	
C302	NCB31CK-104X	C CAPACITOR	0.1uF 16V K	
C303	NEAF0JM-476X	E CAPACITOR	47uF 6.3V M	
C304	NCB31CK-104X	C CAPACITOR	0.1uF 16V K	
C305	NCB31CK-104X	C CAPACITOR	0.1uF 16V K	
C306	NCB31CK-104X	C CAPACITOR	0.1uF 16V K	
C307	NCB31CK-334X	C CAPACITOR	0.33uF 16V K	
C308	NCB31HK-102X	C CAPACITOR	1000pF 50V K	
C309	NCB31EK-823X	C CAPACITOR	0.082uF 25V K	
C310	NCB31HK-102X	C CAPACITOR	1000pF 50V K	
C311	NCB31CK-104X	C CAPACITOR	0.1uF 16V K	
C312	NCB31HK-153X	C CAPACITOR	0.015uF 50V K	
C313	NCJ21CK-475X-R	C CAPACITOR	4.7uF 16V K	
C314	NCB31HK-332X	C CAPACITOR	3300pF 50V K	
C315	NEAF0JM-476X	E CAPACITOR	47uF 6.3V M	
C316	NEAF0JM-476X	E CAPACITOR	47uF 6.3V M	
C317	NCB31HK-223X	C CAPACITOR	0.022uF 50V K	
C319	NCB31CK-334X	C CAPACITOR	0.33uF 16V K	
C321	NCB31HK-272X	C CAPACITOR	2700pF 50V K	
C322	NCB31CK-154X	C CAPACITOR	0.15uF 16V K	
C323	NEAF0JM-476X	E CAPACITOR	47uF 6.3V M	
C324	NCB31CK-104X	C CAPACITOR	0.1uF 16V K	
C325	NCJ20JK-106X-R	C CAPACITOR	10uF 6.3V K	
C326	NCJ20JK-106X-R	C CAPACITOR	10uF 6.3V K	
C327	NCB31CK-104X	C CAPACITOR	0.1uF 16V K	
C328	NCB31HK-681X	C CAPACITOR	680pF 50V K	
C329	NCB31CK-104X	C CAPACITOR	0.1uF 16V K	
C330	NCJ20JK-106X-R	C CAPACITOR	10uF 6.3V K	
C331	NCJ20JK-106X-R	C CAPACITOR	10uF 6.3V K	
C332	NCJ20JK-106X-R	C CAPACITOR	10uF 6.3V K	
C334	NCB31CK-104X	C CAPACITOR	0.1uF 16V K	
C335	NCB31CK-104X	C CAPACITOR	0.1uF 16V K	
C336	NCB31CK-104X	C CAPACITOR	0.1uF 16V K	
C337	NCB31CK-104X	C CAPACITOR	0.1uF 16V K	
C338	NCB31CK-104X	C CAPACITOR	0.1uF 16V K	
C339	NCB31CK-104X	C CAPACITOR	0.1uF 16V K	
C340	NCB31CK-104X	C CAPACITOR	0.1uF 16V K	

△ Symbol No.	Part No.	Part Name	Description	Local	△ Symbol No.	Part No.	Part Name	Description	Local
C341	NDC31HJ-270X	C CAPACITOR	27pF 50V J		R342	NRSA63J-0R0X	MG RESISTOR	0Ω 1/16W J	
C342	NDC31HJ-270X	C CAPACITOR	27pF 50V J		R343	NRSA63J-472X	MG RESISTOR	4.7kΩ 1/16W J	
C343	NCB31CK-104X	C CAPACITOR	0.1uF 16V K		R345	NRSA63J-472X	MG RESISTOR	4.7kΩ 1/16W J	
C344	NCJ20JK-106X-R	C CAPACITOR	10uF 6.3V K		R349	NRSA63J-0R0X	MG RESISTOR	0Ω 1/16W J	
C345	NCB31CK-104X	C CAPACITOR	0.1uF 16V K		R361	NRSA63J-103X	MG RESISTOR	10kΩ 1/16W J	
C346	NCB31CK-104X	C CAPACITOR	0.1uF 16V K		R362	NRSA63J-221X	MG RESISTOR	220Ω 1/16W J	
C347	NCB31CK-104X	C CAPACITOR	0.1uF 16V K		R371	NRSA63J-0R0X	MG RESISTOR	0Ω 1/16W J	
C351	NDC31HJ-270X	C CAPACITOR	27pF 50V J		R501	NRS125J-100X	MG RESISTOR	10Ω 1/2W J	
C352	NDC31HJ-270X	C CAPACITOR	27pF 50V J		R503	NRSA63J-822X	MG RESISTOR	8.2kΩ 1/16W J	
C373	NCB31CK-104X	C CAPACITOR	0.1uF 16V K		R504	NRSA63J-512X	MG RESISTOR	5.1kΩ 1/16W J	
C392	NCB31CK-104X	C CAPACITOR	0.1uF 16V K		R505	NRSA63J-333X	MG RESISTOR	33kΩ 1/16W J	
C393	NCB31CK-104X	C CAPACITOR	0.1uF 16V K		R506	NRSA63J-683X	MG RESISTOR	68kΩ 1/16W J	
C394	NCB31CK-104X	C CAPACITOR	0.1uF 16V K		R507	NRSA63J-682X	MG RESISTOR	6.8kΩ 1/16W J	
C395	NCB31CK-104X	C CAPACITOR	0.1uF 16V K		R508	NRSA63J-153X	MG RESISTOR	15kΩ 1/16W J	
C501	NEHN1EM-476X	E CAPACITOR	47uF 25V M		R509	NRSA63J-183X	MG RESISTOR	18kΩ 1/16W J	
C502	NCB31CK-104X	C CAPACITOR	0.1uF 16V K		R510	NRSA63J-683X	MG RESISTOR	68kΩ 1/16W J	
C503	NDC31HJ-680X	C CAPACITOR	68pF 50V J		R511	NRSA63J-103X	MG RESISTOR	10kΩ 1/16W J	
C511	NCB31HK-682X	C CAPACITOR	6800pF 50V K		R512	NRSA63J-153X	MG RESISTOR	15kΩ 1/16W J	
C512	NCB31HK-222X	C CAPACITOR	2200pF 50V K		R513	NRSA63J-822X	MG RESISTOR	8.2kΩ 1/16W J	
C513	NCB31HK-272X	C CAPACITOR	2700pF 50V K		R514	NRSA63J-133X	MG RESISTOR	13kΩ 1/16W J	
C514	NCB31HK-122X	C CAPACITOR	1200pF 50V K		R515	NRSA63J-562X	MG RESISTOR	5.6kΩ 1/16W J	
C531	NEHLOJM-107X	E CAPACITOR	100uF 6.3V M		R516	NRSA63J-562X	MG RESISTOR	5.6kΩ 1/16W J	
C532	NCB31CK-104X	C CAPACITOR	0.1uF 16V K		R519	NRSA63J-822X	MG RESISTOR	8.2kΩ 1/16W J	
C551	NEHN1AM-107X	E CAPACITOR	100uF 10V M		R520	NRSA63J-822X	MG RESISTOR	8.2kΩ 1/16W J	
					R521	NRSA63J-822X	MG RESISTOR	8.2kΩ 1/16W J	
R101	NRSA63J-391X	MG RESISTOR	390Ω 1/16W J		R522	NRSA63J-822X	MG RESISTOR	8.2kΩ 1/16W J	
R102	NRSA63J-822X	MG RESISTOR	8.2kΩ 1/16W J		R523	NRSA63J-822X	MG RESISTOR	8.2kΩ 1/16W J	
R103	NRSA63J-184X	MG RESISTOR	180kΩ 1/16W J		R524	NRSA63J-822X	MG RESISTOR	8.2kΩ 1/16W J	
R104	NRSA63J-184X	MG RESISTOR	180kΩ 1/16W J		R525	NRSA63J-473X	MG RESISTOR	47kΩ 1/16W J	
R105	NRSA63J-183X	MG RESISTOR	18kΩ 1/16W J						
R201	NRSA63J-391X	MG RESISTOR	390Ω 1/16W J		CN101	QGB2027L5-28X	CONNECTOR	B-B (1-28)	
R203	NRSA63J-184X	MG RESISTOR	180kΩ 1/16W J		CN102	QGF0522F3-15W	CONNECTOR	FFC/FPC (1-15)	
R204	NRSA63J-184X	MG RESISTOR	180kΩ 1/16W J		K101	NRSA63J-0R0X	MG RESISTOR	0Ω 1/16W J	
R205	NRSA63J-153X	MG RESISTOR	15kΩ 1/16W J		K102	NRSA63J-0R0X	MG RESISTOR	0Ω 1/16W J	
R206	NRSA63J-473X	MG RESISTOR	47kΩ 1/16W J		K103	NRSA63J-0R0X	MG RESISTOR	0Ω 1/16W J	
R207	NRSA63J-473X	MG RESISTOR	47kΩ 1/16W J		SW1	NSW0291-001X	DETECT SWITCH		
R214	NRSA63D-153X	MG RESISTOR	15kΩ 1/16W D		X301	NAX0375-001X	CRYSTAL	16.9344MHz	
R215	NRSA63D-153X	MG RESISTOR	15kΩ 1/16W D		X302	NAX0367-001X	CRYSTAL		
R216	NRS181F-300X	MG RESISTOR	30Ω 1/8W F						
R217	NRS181F-300X	MG RESISTOR	30Ω 1/8W F						
R228	NRSA63J-103X	MG RESISTOR	10kΩ 1/16W J						
R229	NRSA63J-103X	MG RESISTOR	10kΩ 1/16W J						
R230	NRSA63J-103X	MG RESISTOR	10kΩ 1/16W J						
R241	NRSA63J-473X	MG RESISTOR	47kΩ 1/16W J						
R242	NRSA63J-102X	MG RESISTOR	1kΩ 1/16W J						
R301	NRSA63J-100X	MG RESISTOR	10Ω 1/16W J						
R302	NRSA63J-473X	MG RESISTOR	47kΩ 1/16W J						
R304	NRSA63J-100X	MG RESISTOR	10Ω 1/16W J						
R307	NRSA63J-102X	MG RESISTOR	1kΩ 1/16W J						
R308	NRSA63J-104X	MG RESISTOR	100kΩ 1/16W J						
R309	NRSA63J-104X	MG RESISTOR	100kΩ 1/16W J						
R310	NRSA63J-473X	MG RESISTOR	47kΩ 1/16W J						
R311	NRSA63J-101X	MG RESISTOR	100Ω 1/16W J						
R312	NRSA63J-101X	MG RESISTOR	100Ω 1/16W J						
R313	NRSA63J-101X	MG RESISTOR	100Ω 1/16W J						
R314	NRSA63J-272X	MG RESISTOR	2.7kΩ 1/16W J						
R315	NRSA63J-821X	MG RESISTOR	820Ω 1/16W J						
R316	NRSA63J-823X	MG RESISTOR	82kΩ 1/16W J						
R317	NRSA63J-473X	MG RESISTOR	47kΩ 1/16W J						
R318	NRSA63J-473X	MG RESISTOR	47kΩ 1/16W J						
R319	NRSA63J-0R0X	MG RESISTOR	0Ω 1/16W J						
R320	NRSA63J-0R0X	MG RESISTOR	0Ω 1/16W J						
R321	NRSA63J-0R0X	MG RESISTOR	0Ω 1/16W J						
R322	NRSA63J-822X	MG RESISTOR	8.2kΩ 1/16W J						
R323	NRSA63J-822X	MG RESISTOR	8.2kΩ 1/16W J						
R324	NRSA63J-473X	MG RESISTOR	47kΩ 1/16W J						
R325	NRSA02F-100X	MG RESISTOR	10Ω 1/10W F						
R326	NRSA02F-100X	MG RESISTOR	10Ω 1/10W F						
R327	NRSA63J-101X	MG RESISTOR	100Ω 1/16W J						
R328	NRSA63J-101X	MG RESISTOR	100Ω 1/16W J						
R329	NRSA63J-101X	MG RESISTOR	100Ω 1/16W J						
R330	NRSA63J-473X	MG RESISTOR	47kΩ 1/16W J						
R331	NRSA63J-151X	MG RESISTOR	150Ω 1/16W J						
R332	NRSA63J-105X	MG RESISTOR	1MΩ 1/16W J						
R333	NRSA63J-221X	MG RESISTOR	220Ω 1/16W J						
R334	NRSA63J-473X	MG RESISTOR	47kΩ 1/16W J						
R336	NRSA63J-330X	MG RESISTOR	33Ω 1/16W J						
R337	NRSA63J-473X	MG RESISTOR	47kΩ 1/16W J						

Main board

Block No. [0][4]

△ Symbol No.	Part No.	Part Name	Description	Local
△ IC1	TEF6606T/V5-X	IC		
△ IC71	LC72725KM-X	IC		C,D,E,F
IC161	TDA7718-X	IC		
△ IC301	TDA7851A	IC		
IC381	NJM2160BV-X	IC		A
IC401	TPS2051BD-X	IC		
△ IC701	MN101E16YFE	IC		A,B,G,H,I,J,K, L,M,N,O,P
△ IC701	MN101E16YFF	IC		C,D,E,F
IC702	S-80824CNNB-G-W	IC		
IC702	or IC-PST3424U-X	IC		
IC771	S-24CS04AFJ-G-X	IC		A,B,G,H,I,J,K, L,M,N,O,P
IC771	S-24CS16A0I-G-X	IC		C,D,E,F
IC801	74AHCT126PW-X	IC		
△ IC901	AN34002A	REGULATOR IC		
△ IC931	BD9007HFP-W	IC		
Q331	IMX9-W	PAIR TRANSISTOR		
Q781	RT1P141C-X	DIGI TRANSISTOR		
Q781	or UN2111-X	TRANSISTOR		
Q782	or 2SC3928A/QR/-X	TRANSISTOR		
Q782	2SC1623A/5-6/-X	TRANSISTOR		
Q784	RT1P141C-X	DIGI TRANSISTOR		
Q784	or UN2111-X	TRANSISTOR		
Q881	RT1N141C-X	DIGI TRANSISTOR		
Q881	or UN2211-X	TRANSISTOR		
Q891	RT1N141C-X	DIGI TRANSISTOR		C,D,E,F
Q891	or UN2211-X	TRANSISTOR		C,D,E,F
Q976	RT1N141C-X	DIGI TRANSISTOR		
Q976	or UN2211-X	TRANSISTOR		

△ Symbol No.	Part No.	Part Name	Description	Local	△ Symbol No.	Part No.	Part Name	Description	Local
Q977	or ISA1530AC1/QR/X	TRANSISTOR			C78	NCB31HK-122X	C CAPACITOR	1200pF 50V K	C,D,E,F
Q977	2SA812A/5-6/-X	TRANSISTOR			C161	NCB31AK-105X	C CAPACITOR	1uF 10V K	
Q978	or 2SC3928A/QR/-X	TRANSISTOR			C162	QEKJ1HM-105Z	E CAPACITOR	1uF 50V M	
Q978	2SC1623A/5-6/-X	TRANSISTOR			C164	NCB31AK-105X	C CAPACITOR	1uF 10V K	
D331	MC2836-X	DIODE			C165	NCB31AK-105X	C CAPACITOR	1uF 10V K	
D331	or MA152WA-X	DIODE			C166	NDC31HJ-560X	C CAPACITOR	56pF 50V J	
D711	UDZW6.2B-X	Z DIODE		A,C,D,E,F	C171	NCB31AK-105X	C CAPACITOR	1uF 10V K	
D711	or MA8062/M/-X	Z DIODE		A,C,D,E,F	C172	QEKJ1HM-105Z	E CAPACITOR	1uF 50V M	
D712	1SS355W-X	DIODE			C174	NCB31AK-105X	C CAPACITOR	1uF 10V K	
D712	or MA111-X	SI DIODE			C176	NDC31HJ-560X	C CAPACITOR	56pF 50V J	
D715	UDZW5.1B-X	SB DIODE			C177	NDC31HJ-560X	C CAPACITOR	56pF 50V J	
D715	or MA8051/M/-X	Z DIODE			C178	QTE1C57-106Z	E CAPACITOR	10uF 16V	
D716	UDZW5.1B-X	SB DIODE			C183	QEKJ1AM-227Z	E CAPACITOR	220uF 10V M	
D716	or MA8051/M/-X	Z DIODE			C184	NCB31AK-105X	C CAPACITOR	1uF 10V K	
D717	UDZW5.1B-X	SB DIODE			C301	QFV91HJ-474Z	MF CAPACITOR	0.47uF 50V J	
D717	or MA8051/M/-X	Z DIODE			C302	QFV91HJ-474Z	MF CAPACITOR	0.47uF 50V J	
D717	or MA8051/M/-X	Z DIODE			C311	QFV91HJ-474Z	MF CAPACITOR	0.47uF 50V J	
D718	UDZW5.1B-X	SB DIODE			C312	QFV91HJ-474Z	MF CAPACITOR	0.47uF 50V J	
D718	or MA8051/M/-X	Z DIODE			C315	NCB31AK-105X	C CAPACITOR	1uF 10V K	
D719	UDZW5.1B-X	SB DIODE			C316	QEKJ1HM-475Z	E CAPACITOR	4.7uF 50V M	
D719	or MA8051/M/-X	Z DIODE			C317	QTE1C57-476Z	E CAPACITOR	47uF 16V	
D720	UDZW5.1B-X	SB DIODE			C318	NCB21AK-225X-A	C CAPACITOR	2.2uF 10V K	
D720	or MA8051/M/-X	Z DIODE			C319	NCB31EK-223X	C CAPACITOR	0.022uF 25V K	
D781	1SS355W-X	DIODE			C320	NCB31EK-223X	C CAPACITOR	0.022uF 25V K	
D781	or MA111-X	SI DIODE			C322	NCB31HK-103X	C CAPACITOR	0.01uF 50V K	
D784	UDZW11B-X	Z DIODE			C323	NCB31HK-103X	C CAPACITOR	0.01uF 50V K	
D784	or MA8110/M/-X	Z DIODE			C324	NCB31HK-103X	C CAPACITOR	0.01uF 50V K	
D785	1SS355W-X	DIODE			C326	QEKJ1CM-226Z	E CAPACITOR	22uF 16V M	
D785	or MA111-X	SI DIODE			C340	NDC31HJ-820X	C CAPACITOR	82pF 50V J	
D851	MA22F20-X	SB DIODE		G,H,I,J,K,L,M, N,O	C345	NDC31HJ-560X	C CAPACITOR	56pF 50V J	
D852	MA22D23-X	SB DIODE		G,H,I,J,K,L,M, N,O	C346	NDC31HJ-560X	C CAPACITOR	56pF 50V J	
D852	or RB160M-30-X	SB DIODE		G,H,I,J,K,L,M, N,O	C347	NDC31HJ-560X	C CAPACITOR	56pF 50V J	
D852	or CRS03-W	SB DIODE		G,H,I,J,K,L,M, N,O	C348	NDC31HJ-560X	C CAPACITOR	56pF 50V J	
D891	MC2836-X	DIODE			C381	QEKJ1HM-475Z	E CAPACITOR	4.7uF 50V M	
D891	or MA152WA-X	DIODE		C,D,E,F	C382	QEKJ1HM-475Z	E CAPACITOR	4.7uF 50V M	
D901	1N5401-F64	SI DIODE		C,D,E,F	C383	QEKJ1HM-475Z	E CAPACITOR	4.7uF 50V M	A
D901	or 1N5401-TU-15	SI DIODE			C384	QEKJ1HM-475Z	E CAPACITOR	4.7uF 50V M	A
D902	GS1J-LTP-X	DIODE		C,D,E,F	C385	NCB31EK-104X	C CAPACITOR	0.1uF 25V K	A
D931	RSX201L-30-X	SB DIODE		A,B,G,H,I,J,K, L,M,N,O,P	C386	NCB31EK-104X	C CAPACITOR	0.1uF 25V K	A
D932	MA22D23-X	SB DIODE		C,D,E,F	C387	NCB31HK-152X	C CAPACITOR	1500pF 50V K	A
D933	MA22D23-X	SB DIODE		C,D,E,F	C388	NCB31HK-152X	C CAPACITOR	1500pF 50V K	A
D971	MA22F20-X	SB DIODE			C389	QEKJ1CM-107Z	E CAPACITOR	100uF 16V M	A
D972	MA22D23-X	SB DIODE			C390	QEKJ1CM-107Z	E CAPACITOR	100uF 16V M	A
D972	or RB160M-30-X	SB DIODE			C392	QEKJ1CM-106Z	E CAPACITOR	10uF 16V M	A
D972	or CRS03-W	SB DIODE			C401	NDC31HJ-820X	C CAPACITOR	82pF 50V J	A,B,G,H,I,J,K, L,M,N,O,P
C1	NCB31HK-102X	C CAPACITOR	1000pF 50V K		C402	NDC31HJ-101X	C CAPACITOR	100pF 50V J	
C2	NDC31HJ-5R6X	C CAPACITOR	5.6pF 50V J		C418	NDC31HJ-270X	C CAPACITOR	27pF 50V J	
C3	NCB31HK-102X	C CAPACITOR	1000pF 50V K		C419	NDC31HJ-270X	C CAPACITOR	27pF 50V J	
C4	NCB31AK-224X	C CAPACITOR	0.22uF 10V K		C583	NCB31HK-332X	C CAPACITOR	3300pF 50V K	
C5	NDC31HJ-150X	C CAPACITOR	15pF 50V J		C584	NCB31HK-332X	C CAPACITOR	3300pF 50V K	
C6	NDC31HJ-220X	C CAPACITOR	22pF 50V J		C585	QTE1H64-225Z	E CAPACITOR	2.2uF 50V	
C10	NCB31AK-105X	C CAPACITOR	1uF 10V K		C586	QTE1H64-225Z	E CAPACITOR	2.2uF 50V	
C11	NCB31HK-103X	C CAPACITOR	0.01uF 50V K		C587	NDC31HJ-331X	C CAPACITOR	330pF 50V J	
C12	NCB31HK-103X	C CAPACITOR	0.01uF 50V K		C588	NDC31HJ-331X	C CAPACITOR	330pF 50V J	
C13	NCB31AK-105X	C CAPACITOR	1uF 10V K		C703	NDC31HJ-200X	C CAPACITOR	20pF 50V J	
C14	NCB31AK-224X	C CAPACITOR	0.22uF 10V K		C704	NDC31HJ-200X	C CAPACITOR	20pF 50V J	
C15	NCB31CK-104X	C CAPACITOR	0.1uF 16V K		C706	NDC31HJ-821X	C CAPACITOR	820pF 50V J	
C16	NCB31HK-103X	C CAPACITOR	0.01uF 50V K		C707	QEKJ1CM-107Z	E CAPACITOR	100uF 16V M	
C17	NCB31CK-104X	C CAPACITOR	0.1uF 16V K		C708	NCB31CK-104X	C CAPACITOR	0.1uF 16V K	
C18	NCB31HK-103X	C CAPACITOR	0.01uF 50V K		C709	NCB31CK-104X	C CAPACITOR	0.1uF 16V K	
C19	NCB31CK-104X	C CAPACITOR	0.1uF 16V K		C710	NDC31HJ-101X	C CAPACITOR	100pF 50V J	A,C,D,E,F
C22	NDC31HJ-150X	C CAPACITOR	15pF 50V J		C711	QEKJ0JM-476Z	E CAPACITOR	47uF 6.3V M	
C23	NCB31CK-104X	C CAPACITOR	0.1uF 16V K		C714	NCB31CK-104X	C CAPACITOR	0.1uF 16V K	
C24	NCB31HK-103X	C CAPACITOR	0.01uF 50V K		C715	NCB31CK-104X	C CAPACITOR	0.1uF 16V K	
C25	NCB31HK-103X	C CAPACITOR	0.01uF 50V K		C717	NDC31HJ-821X	C CAPACITOR	820pF 50V J	
C26	QEKJ1CM-107Z	E CAPACITOR	100uF 16V M		C718	NCB31CK-104X	C CAPACITOR	0.1uF 16V K	
C32	NDC31HJ-2R0X	C CAPACITOR	2pF 50V J		C719	QERF1AM-107Z	E CAPACITOR	100uF 10V M	
C71	NDC31HJ-561X	C CAPACITOR	560pF 50V J	C,D,E,F	C720	NDC31HJ-820X	C CAPACITOR	82pF 50V J	
C72	NDC31HJ-331X	C CAPACITOR	330pF 50V J	C,D,E,F	C721	NCB31CK-104X	C CAPACITOR	0.1uF 16V K	
C73	QEKJ1EM-106Z	E CAPACITOR	10uF 25V M	C,D,E,F	C722	QERF1EM-475Z	E CAPACITOR	4.7uF 25V M	
C74	NDC31HJ-330X	C CAPACITOR	33pF 50V J	C,D,E,F	C728	NCB31AK-105X	C CAPACITOR	1uF 10V K	
C75	NDC31HJ-330X	C CAPACITOR	33pF 50V J	C,D,E,F	C729	NCB31HK-392X	C CAPACITOR	3900pF 50V K	
C76	NCB31HK-103X	C CAPACITOR	0.01uF 50V K	C,D,E,F	C730	NCB31HK-392X	C CAPACITOR	3900pF 50V K	
					C732	NCB31HK-122X	C CAPACITOR	1200pF 50V K	
					C734	NDC31HJ-560X	C CAPACITOR	56pF 50V J	
					C735	NDC31HJ-560X	C CAPACITOR	56pF 50V J	
					C742	NDC31HJ-560X	C CAPACITOR	56pF 50V J	C,D,E,F

△ Symbol No.	Part No.	Part Name	Description	Local	△ Symbol No.	Part No.	Part Name	Description	Local
C771	NCB31CK-473X	C CAPACITOR	0.047uF 16V K		R383	NRSA63J-104X	MG RESISTOR	100kΩ 1/16W J	A
C781	QEKJ0JM-107Z	E CAPACITOR	100uF 6.3V M		R384	NRSA63J-104X	MG RESISTOR	100kΩ 1/16W J	A
C784	QEKJ1CM-107Z	E CAPACITOR	100uF 16V M		R385	NRSA63J-223X	MG RESISTOR	22kΩ 1/16W J	A
C801	NCB31CK-473X	C CAPACITOR	0.047uF 16V K		R386	NRSA63J-223X	MG RESISTOR	22kΩ 1/16W J	A
C851	QEKJ1EM-106Z	E CAPACITOR	10uF 25V M	G,H,I,J,K,L,M, N,O	R387	NRSA63J-333X	MG RESISTOR	33kΩ 1/16W J	A
C852	NCB31CK-224X	C CAPACITOR	0.22uF 16V K	G,H,I,J,K,L,M, N,O	R388	NRSA63J-333X	MG RESISTOR	33kΩ 1/16W J	A
C881	QERF1CM-226Z	E CAPACITOR	22uF 16V M		R389	NRSA63J-0R0X	MG RESISTOR	0Ω 1/10W J	B,C,D,E,F,G,H, I,J,K,L,M,N,O, P
C891	NCB31CK-104X	C CAPACITOR	0.1uF 16V K	C,D,E,F	R390	NRSA63J-0R0X	MG RESISTOR	0Ω 1/10W J	B,C,D,E,F,G,H, I,J,K,L,M,N,O, P
C901	QEZ0870-278	E CAPACITOR	2700uF		R583	NRSA63J-153X	MG RESISTOR	15kΩ 1/16W J	
C903	QEKJ1CM-476Z	E CAPACITOR	47uF 16V M		R584	NRSA63J-153X	MG RESISTOR	15kΩ 1/16W J	
C905	QEKJ1CM-476Z	E CAPACITOR	47uF 16V M		R585	NRSA63J-102X	MG RESISTOR	1kΩ 1/16W J	
C906	NCB31HK-103X	C CAPACITOR	0.01uF 50V K		R586	NRSA63J-102X	MG RESISTOR	1kΩ 1/16W J	
C907	QEKJ1AM-107Z	E CAPACITOR	100uF 10V M		R587	NRSA63J-183X	MG RESISTOR	18kΩ 1/16W J	
C908	QEKJ1EM-475Z	E CAPACITOR	4.7uF 25V M		R588	NRSA63J-183X	MG RESISTOR	18kΩ 1/16W J	
C909	QEKJ0JM-227Z	E CAPACITOR	220uF 6.3V M	A,B,C,D,E,F,P	R701	NRSA63J-103X	MG RESISTOR	10kΩ 1/16W J	
C909	QERF0JM-337Z	E CAPACITOR	330uF 6.3V M	G,H,I,J,K,L,M, N,O	R702	NRSA63J-103X	MG RESISTOR	10kΩ 1/16W J	
C910	QEKJ1EM-106Z	E CAPACITOR	10uF 25V M		R703	NRSA63J-104X	MG RESISTOR	100kΩ 1/16W J	
C912	NCB31HK-103X	C CAPACITOR	0.01uF 50V K		R704	NRSA63J-104X	MG RESISTOR	100kΩ 1/16W J	
C913	QEKJ1EM-106Z	E CAPACITOR	10uF 25V M		R708	NRSA63J-104X	MG RESISTOR	100kΩ 1/16W J	A,B,P
C916	NCB31HK-103X	C CAPACITOR	0.01uF 50V K		R709	NRSA63J-473X	MG RESISTOR	47kΩ 1/16W J	C,D,E,F,G,H,I, J,K,L,M,N,O
C918	NCB31HK-104X	C CAPACITOR	0.1uF 50V K		R711	NRSA63J-473X	MG RESISTOR	47kΩ 1/16W J	
C928	NCB31HK-472X	C CAPACITOR	4700pF 50V K		R712	NRSA63J-331X	MG RESISTOR	330Ω 1/16W J	
C931	QEZ0595-477Z	E CAPACITOR	470uF 25V M	A,B,G,H,I,J,K, L,M,N,O,P	R714	NRSA63J-0R0X	MG RESISTOR	0Ω 1/10W J	
C931	QETN1VM-477Z-S	E CAPACITOR	470uF 35V M	C,D,E,F	R717	NRSA63J-102X	MG RESISTOR	1kΩ 1/16W J	
C932	QBZ0006-337Z	TA E CAPACITOR	330uF		R718	NRSA63J-102X	MG RESISTOR	1kΩ 1/16W J	
C933	NCB31HK-152X	C CAPACITOR	1500pF 50V K		R719	NRSA63J-102X	MG RESISTOR	1kΩ 1/16W J	
C937	NCB31AK-105X	C CAPACITOR	1uF 10V K		R720	NRSA63J-102X	MG RESISTOR	1kΩ 1/16W J	
C938	NCJ21EK-225X-D	C CAPACITOR	2.2uF 25V K		R721	NRSA63J-102X	MG RESISTOR	1kΩ 1/16W J	
C940	NDC31HJ-180X	C CAPACITOR	18pF 50V J		R722	NRS181J-102X	MG RESISTOR	1kΩ 1/8W J	
C971	NCB31EK-104X	C CAPACITOR	0.1uF 25V K		R723	NRSA63J-102X	MG RESISTOR	1kΩ 1/16W J	
C992	NDC31HJ-220X	C CAPACITOR	22pF 50V J		R724	NRSA63J-102X	MG RESISTOR	1kΩ 1/16W J	
R2	NRSA63J-824X	MG RESISTOR	820kΩ 1/16W J		R725	NRSA63J-102X	MG RESISTOR	1kΩ 1/16W J	
R4	NRSA63J-472X	MG RESISTOR	4.7kΩ 1/16W J		R726	NRSA63J-273X	MG RESISTOR	27kΩ 1/16W J	
R5	NRS181J-220X	MG RESISTOR	22Ω 1/8W J		R727	NRSA63J-122X	MG RESISTOR	1.2kΩ 1/16W J	
R6	NRSA63J-101X	MG RESISTOR	100Ω 1/16W J		R728	NRSA63J-102X	MG RESISTOR	1kΩ 1/16W J	
R7	NRSA63J-101X	MG RESISTOR	100Ω 1/16W J		R730	NRSA63J-102X	MG RESISTOR	1kΩ 1/16W J	
R10	NRSA63J-0R0X	MG RESISTOR	0Ω 1/10W J		R731	NRSA63J-101X	MG RESISTOR	100Ω 1/16W J	
R11	NRS181J-4R7X	MG RESISTOR	4.7Ω 1/8W J		R732	NRSA63J-473X	MG RESISTOR	47kΩ 1/16W J	
R12	NRZ0084-0R0X	MG RESISTOR	0Ω	C,D,E,F	R733	NRSA63J-473X	MG RESISTOR	47kΩ 1/16W J	
R14	NRSA63J-472X	MG RESISTOR	4.7kΩ 1/16W J		R734	NRSA63J-471X	MG RESISTOR	470Ω 1/16W J	
R15	NRSA63J-472X	MG RESISTOR	4.7kΩ 1/16W J		R736	NRSA63J-561X	MG RESISTOR	560Ω 1/16W J	
R71	NRSA63J-0R0X	MG RESISTOR	0Ω 1/10W J	C,D,E,F	R737	NRSA63J-561X	MG RESISTOR	560Ω 1/16W J	
R72	NRSA63J-222X	MG RESISTOR	2.2kΩ 1/16W J	C,D,E,F	R738	NRSA63J-561X	MG RESISTOR	560Ω 1/16W J	
R73	NRSA63J-222X	MG RESISTOR	2.2kΩ 1/16W J	C,D,E,F	R739	NRSA63J-101X	MG RESISTOR	100Ω 1/16W J	
R74	NRSA02J-101X	MG RESISTOR	100Ω 1/10W J	C,D,E,F	R740	NRSA63J-561X	MG RESISTOR	560Ω 1/16W J	
R81	NRSA63J-153X	MG RESISTOR	15kΩ 1/16W J	A,B,P	R741	NRSA63J-101X	MG RESISTOR	100Ω 1/16W J	
R81	NRSA63J-682X	MG RESISTOR	6.8kΩ 1/16W J	C,D,E,F,G,H,I, J,K,L,M,N,O	R742	NRSA63J-101X	MG RESISTOR	100Ω 1/16W J	
R82	NRSA63J-822X	MG RESISTOR	8.2kΩ 1/16W J	A,B,P	R743	NRSA63J-101X	MG RESISTOR	100Ω 1/16W J	C,D,E,F
R82	NRSA63J-682X	MG RESISTOR	6.8kΩ 1/16W J	C,D,E,F,G,H,I, J,K,L,M,N,O	R744	NRSA63J-101X	MG RESISTOR	100Ω 1/16W J	
R91	NRSA63J-153X	MG RESISTOR	15kΩ 1/16W J	A,B,P	R745	NRSA63J-271X	MG RESISTOR	270Ω 1/16W J	C,D,E,F
R91	NRSA63J-682X	MG RESISTOR	6.8kΩ 1/16W J	C,D,E,F,G,H,I, J,K,L,M,N,O	R746	NRSA63J-104X	MG RESISTOR	100kΩ 1/16W J	
R92	NRSA63J-822X	MG RESISTOR	8.2kΩ 1/16W J	A,B,P	R747	NRSA63J-103X	MG RESISTOR	10kΩ 1/16W J	
R92	NRSA63J-682X	MG RESISTOR	6.8kΩ 1/16W J	C,D,E,F,G,H,I, J,K,L,M,N,O	R748	NRSA63J-122X	MG RESISTOR	1.2kΩ 1/16W J	
R161	NRSA63J-472X	MG RESISTOR	4.7kΩ 1/16W J		R749	NRSA63J-102X	MG RESISTOR	1kΩ 1/16W J	
R162	NRSA63J-472X	MG RESISTOR	4.7kΩ 1/16W J		R750	NRS181J-104X	MG RESISTOR	100kΩ 1/8W J	
R171	NRSA63J-101X	MG RESISTOR	100Ω 1/16W J		R752	NRSA63J-472X	MG RESISTOR	4.7kΩ 1/16W J	
R172	NRSA63J-101X	MG RESISTOR	100Ω 1/16W J		R753	NRSA63J-472X	MG RESISTOR	4.7kΩ 1/16W J	
R305	NRSA63J-102X	MG RESISTOR	1kΩ 1/16W J		R755	NRSA63J-472X	MG RESISTOR	4.7kΩ 1/16W J	
R309	NRS181J-100X	MG RESISTOR	10Ω 1/8W J		R756	NRSA63J-472X	MG RESISTOR	4.7kΩ 1/16W J	
R310	NRSA63J-472X	MG RESISTOR	4.7kΩ 1/16W J		R757	NRSA63J-122X	MG RESISTOR	1.2kΩ 1/16W J	
R341	NRSA63J-222X	MG RESISTOR	2.2kΩ 1/16W J		R758	NRSA63J-473X	MG RESISTOR	47kΩ 1/16W J	
R342	NRSA63J-821X	MG RESISTOR	820Ω 1/16W J		R760	NRSA63J-122X	MG RESISTOR	1.2kΩ 1/16W J	
R343	NRSA02J-101X	MG RESISTOR	100Ω 1/10W J		R761	NRSA63J-122X	MG RESISTOR	1.2kΩ 1/16W J	
R344	NRSA63J-473X	MG RESISTOR	47kΩ 1/16W J		R762	NRSA63J-122X	MG RESISTOR	1.2kΩ 1/16W J	
R351	NRSA63J-222X	MG RESISTOR	2.2kΩ 1/16W J		R763	NRSA63J-823X	MG RESISTOR	82kΩ 1/16W J	
R352	NRSA63J-821X	MG RESISTOR	820Ω 1/16W J		R764	NRSA63J-823X	MG RESISTOR	82kΩ 1/16W J	
R353	NRSA02J-101X	MG RESISTOR	100Ω 1/10W J		R765	NRSA63J-472X	MG RESISTOR	4.7kΩ 1/16W J	
R354	NRSA63J-473X	MG RESISTOR	47kΩ 1/16W J		R766	NRS181J-472X	MG RESISTOR	4.7kΩ 1/8W J	
R381	NRSA63J-102X	MG RESISTOR	1kΩ 1/16W J	A	R767	NRSA63J-473X	MG RESISTOR	47kΩ 1/16W J	
R382	NRSA63J-102X	MG RESISTOR	1kΩ 1/16W J	A	R768	NRSA63J-472X	MG RESISTOR	4.7kΩ 1/16W J	
					R770	NRSA63J-222X	MG RESISTOR	2.2kΩ 1/16W J	A,B,C,D,E,F,P
					R771	NRSA63J-271X	MG RESISTOR	270Ω 1/16W J	
					R772	NRSA63J-271X	MG RESISTOR	270Ω 1/16W J	
					R773	NRSA63J-223X	MG RESISTOR	22kΩ 1/16W J	A,B,C,D,E,F,P

△ Symbol No.	Part No.	Part Name	Description	Local
R774	NRSA63J-473X	MG RESISTOR	47kΩ 1/16W J	
R775	NRSA63J-222X	MG RESISTOR	2.2kΩ 1/16W J	
R777	NRSA63J-103X	MG RESISTOR	10kΩ 1/16W J	
R779	NRSA63J-101X	MG RESISTOR	100Ω 1/16W J	
R781	NRSA63J-473X	MG RESISTOR	47kΩ 1/16W J	
R782	NRSA63J-472X	MG RESISTOR	4.7kΩ 1/16W J	
R783	NRSA63J-103X	MG RESISTOR	10kΩ 1/16W J	
R784	NRSA63J-0R0X	MG RESISTOR	0Ω 1/10W J	
R801	NRSA63J-102X	MG RESISTOR	1kΩ 1/16W J	
R802	NRSA63J-104X	MG RESISTOR	100kΩ 1/16W J	
R803	NRSA63J-682X	MG RESISTOR	6.8kΩ 1/16W J	
R804	NRSA63J-392X	MG RESISTOR	3.9kΩ 1/16W J	
R805	NRS181J-0R0X	MG RESISTOR	0Ω 1/8W J	
R806	NRS181J-102X	MG RESISTOR	1kΩ 1/8W J	
R807	NRSA63J-104X	MG RESISTOR	100kΩ 1/16W J	
R808	NRSA63J-101X	MG RESISTOR	100Ω 1/16W J	
R809	NRSA63J-473X	MG RESISTOR	47kΩ 1/16W J	
R810	NRSA63J-392X	MG RESISTOR	3.9kΩ 1/16W J	
R811	NRSA63J-682X	MG RESISTOR	6.8kΩ 1/16W J	
R812	NRSA63J-104X	MG RESISTOR	100kΩ 1/16W J	
R813	NRSA63J-102X	MG RESISTOR	1kΩ 1/16W J	
R814	NRSA63J-101X	MG RESISTOR	100Ω 1/16W J	
R819	NRSA63J-473X	MG RESISTOR	47kΩ 1/16W J	
R851	NRSA63J-103X	MG RESISTOR	10kΩ 1/16W J	G,H,I,J,K,L,M, N,O
R881	NRSA63J-473X	MG RESISTOR	47kΩ 1/16W J	
R882	NRSA63J-472X	MG RESISTOR	4.7kΩ 1/16W J	
R891	NRSA63J-102X	MG RESISTOR	1kΩ 1/16W J	C,D,E,F
R892	NRSA63J-473X	MG RESISTOR	47kΩ 1/16W J	C,D,E,F
R901	QRE141J-103Y	C RESISTOR	10kΩ 1/4W J	
R902	NRS181J-0R0X	MG RESISTOR	0Ω 1/8W J	
R903	NRSA02J-472X	MG RESISTOR	4.7kΩ 1/10W J	
R928	NRSA63J-753X	MG RESISTOR	75kΩ 1/16W J	
R929	NRSA63J-513X	MG RESISTOR	51kΩ 1/16W J	
R930	NRSA63J-0R0X	MG RESISTOR	0Ω 1/10W J	
R937	NRS181J-221X	MG RESISTOR	220Ω 1/8W J	
R939	NRS181J-153X	MG RESISTOR	15kΩ 1/8W J	
R940	NRSA63J-823X	MG RESISTOR	82kΩ 1/16W J	
R971	NRS181J-332X	MG RESISTOR	3.3kΩ 1/8W J	
R976	NRSA02J-273X	MG RESISTOR	27kΩ 1/10W J	
R977	NRSA02J-123X	MG RESISTOR	12kΩ 1/10W J	
L1	NQL093K-R47X	COIL	0.47uH K	
L2	NQL093K-1R8X	COIL	1.8uH K	
L3	QQL213M-R22Z	COIL	0.22uH M	
L4	QQR1813-001	COIL		
L5	QQL244J-561Z	COIL	560uH J	
L6	QQL244J-561Z	COIL	560uH J	
L8	QQL244K-4R7Z	COIL	4.7uH K	
L161	NQL553J-27NX	COIL	27nH J	
L701	QQL244K-4R7Z	COIL	4.7uH K	
L702	QQL244K-4R7Z	COIL	4.7uH K	
△ L901	QQR1852-001	CHOKE COIL		
△ L901	or QQR0703-001	CHOKE COIL		
L931	QQL92AK-330Z	COIL	33uH K	
L932	NQR0007-002X	FERRITE BEADS		
L933	NQLH25M-4R7X	COIL	4.7uH M	
CN501	QGB2027ME-28	CONNECTOR	B-B (1-28)	
CN701	QGZ1101J1-24	CONNECTOR	(1-24)	
CN703	QNS0283-001	STEERING REMOTE		A,C,D,E,F
CN901	QNZ0607-001	CAR CONNECTOR		
J1	QNB0190-001	ANT TERMINAL		
J321	QNN0832-001	PIN JACK		A
J321	QNN0802-001	PIN JACK		B,C,D,E,F,G,H I,J,K,L,M,N,O ,P
J801	QNZ0095-001	CONNECTOR		
S701	QSW0648-001Z	TACT SWITCH		
X1	QAX0928-001Z	CRYSTAL		
X71	QAX0926-001Z	CRYSTAL		C,D,E,F
X701	QAX0667-001Z	C RESONATOR	8.000MHz	
X702	QAX0401-001	CRYSTAL	32.768KHz	

Switch board

Block No. [0][5]

△ Symbol No.	Part No.	Part Name	Description	Local
IC601	NCP5623DTBR2G-X	IC		
IC661	PTC6526LQ-L	IC		
IC681	NJL29H380A	REMOCON RCV		A,B,C,D,E,F, G,H,I,J,K,L, M,N,O P
IC681	KSM-2003TN2M	REMOCON RCV		
Q601	2SC1623A/5-6/-X	TRANSISTOR		
Q601	or 2SC3928A/QR/-X	TRANSISTOR		
Q602	UNR9211G-X	TRANSISTOR		
Q602	or DTC114EEB-X	TRANSISTOR		
Q604	2SA2174G-X	TRANSISTOR		
Q604	or 2SA1774/QR/-X	TRANSISTOR		
Q605	UN2222-X	IC		
Q605	or DTD143EK-X	TRANSISTOR		
Q607	2SA2174G-X	TRANSISTOR		
Q607	or 2SA1774/QR/-X	TRANSISTOR		
Q608	UN2222-X	IC		
Q608	or DTD143EK-X	TRANSISTOR		
Q610	2SA2174G-X	TRANSISTOR		
Q610	or 2SA1774/QR/-X	TRANSISTOR		
Q611	UN2222-X	IC		
Q611	or DTD143EK-X	TRANSISTOR		
D601	NSSM065T-X	LED		
D603	NSSM065T-X	LED		
D604	NSSM065T-X	LED		
D605	NSSM065T-X	LED		
D616	UDZW5.1B-X	SB DIODE		
D616	or MA8051M/-X	Z DIODE		
D617	UDZW5.1B-X	SB DIODE		
D617	or MA8051M/-X	Z DIODE		
D630	LHQ974/LM/-X	LED		
D631	LHQ974/LM/-X	LED		
D632	LHQ974/LM/-X	LED		
D650	MA8056M/-X	Z DIODE		
D650	or UDZW5.6B-X	Z DIODE		
D661	MA111-X	SI DIODE		
D661	or 1SS355W-X	DIODE		
C604	NCB31CK-105X	C CAPACITOR	1uF 16V K	
C650	NCB31CK-104X	C CAPACITOR	0.1uF 16V K	
C651	NBE21CM-106X	TA E CAPACITOR	10uF 16V M	
C655	NCJ11EK-106X-R	C CAPACITOR	10uF 25V	
C661	NCB31CK-105X	C CAPACITOR	1uF 16V K	
C662	NDC31HJ-151X	C CAPACITOR	150pF 50V J	
C663	NCB31CK-223X	C CAPACITOR	0.022uF 16V K	
C665	NCB31CK-104X	C CAPACITOR	0.1uF 16V K	
C666	NCB31CK-104X	C CAPACITOR	0.1uF 16V K	
C682	NCB31EK-104X	C CAPACITOR	0.1uF 25V K	
C684	NCB31HK-472X	C CAPACITOR	4700pF 50V K	
C685	NCB31HK-472X	C CAPACITOR	4700pF 50V K	
R601	NRSA63J-821X	MG RESISTOR	820Ω 1/16W J	
R602	NRSA63J-821X	MG RESISTOR	820Ω 1/16W J	
R603	NRSA63J-122X	MG RESISTOR	1.2kΩ 1/16W J	
R604	NRSA63J-182X	MG RESISTOR	1.8kΩ 1/16W J	
R605	NRSA63J-272X	MG RESISTOR	2.7kΩ 1/16W J	
R606	NRSA63J-392X	MG RESISTOR	3.9kΩ 1/16W J	
R607	NRSA63J-392X	MG RESISTOR	3.9kΩ 1/16W J	
R608	NRSA63J-821X	MG RESISTOR	820Ω 1/16W J	
R609	NRSA63J-821X	MG RESISTOR	820Ω 1/16W J	
R610	NRSA63J-122X	MG RESISTOR	1.2kΩ 1/16W J	
R611	NRSA63J-182X	MG RESISTOR	1.8kΩ 1/16W J	
R612	NRSA63J-272X	MG RESISTOR	2.7kΩ 1/16W J	
R613	NRSA63J-103X	MG RESISTOR	10kΩ 1/16W J	
R614	NRSA63F-154X	MG RESISTOR	150kΩ 1/16W F	
R615	NRSA63J-101X	MG RESISTOR	100Ω 1/16W J	
R618	NRSA63J-101X	MG RESISTOR	100Ω 1/16W J	
R626	NRSA63J-0R0X	MG RESISTOR	0Ω 1/10W J	
R630	NRSA63J-271X	MG RESISTOR	270Ω 1/16W J	
R631	NRS181J-471X	MG RESISTOR	470Ω 1/8W J	
R634	NRSA63J-681X	MG RESISTOR	680Ω 1/16W J	
R636	NRSA63J-222X	MG RESISTOR	2.2kΩ 1/16W J	

△ Symbol No.	Part No.	Part Name	Description	Local
R637	NRSA63J-222X	MG RESISTOR	2.2kΩ 1/16W J	
R638	NRSA63J-222X	MG RESISTOR	2.2kΩ 1/16W J	
R644	NRSA63J-122X	MG RESISTOR	1.2kΩ 1/16W J	
R645	NRSA63J-122X	MG RESISTOR	1.2kΩ 1/16W J	
R646	NRSA63J-162X	MG RESISTOR	1.6kΩ 1/16W J	
R647	NRSA63J-911X	MG RESISTOR	910Ω 1/16W J	
R648	NRSA63J-911X	MG RESISTOR	910Ω 1/16W J	
R649	NRSA63J-122X	MG RESISTOR	1.2kΩ 1/16W J	
R651	NRSA63J-102X	MG RESISTOR	1kΩ 1/16W J	
R652	NRSA63J-0R0X	MG RESISTOR	0Ω 1/10W J	
R656	NRS181J-331X	MG RESISTOR	330Ω 1/8W J	
R657	NRS181J-331X	MG RESISTOR	330Ω 1/8W J	
R658	NRS181J-621X	MG RESISTOR	620Ω 1/8W J	
R660	NRSA63J-394X	MG RESISTOR	390kΩ 1/16W J	
R661	NRSA63J-102X	MG RESISTOR	1kΩ 1/16W J	
R662	NRSA63J-102X	MG RESISTOR	1kΩ 1/16W J	
R663	NRSA63J-102X	MG RESISTOR	1kΩ 1/16W J	
R664	NRSA63J-224X	MG RESISTOR	220kΩ 1/16W J	
R665	NRSA63J-101X	MG RESISTOR	100Ω 1/16W J	
R666	NRSA63J-101X	MG RESISTOR	100Ω 1/16W J	
R667	NRSA63J-101X	MG RESISTOR	100Ω 1/16W J	
R670	NRSA63J-103X	MG RESISTOR	10kΩ 1/16W J	
R671	NRSA63J-103X	MG RESISTOR	10kΩ 1/16W J	
R672	NRSA63J-101X	MG RESISTOR	100Ω 1/16W J	
R673	NRSA63J-101X	MG RESISTOR	100Ω 1/16W J	
R681	NRSA63J-471X	MG RESISTOR	470Ω 1/16W J	
R682	NRSA63J-102X	MG RESISTOR	1kΩ 1/16W J	
R6043	NRSA63J-0R0X	MG RESISTOR	0Ω 1/10W J	
R6044	NRSA63J-0R0X	MG RESISTOR	0Ω 1/10W J	
L602	NQR0536-001X	CHOKO COIL		
CJ601	QGZ1101K1-24	CONNECTOR	(1-24)	
CN603	QNZ1006-001	USB JACK		
J601	QNS0215-001	3.5 JACK		A,B,C,D,E,F, G,H,I,J,K,L, M,N,O P
J601	QNS0280-001	3.5 JACK		
JS686	QSW1263-001	ROTARY ENCODER		
K670	NQR0007-002X	FERRITE BEADS		A,B,G,H,I,J, K,L,M,N,O,P
K670	NRSA02J-0R0X	MG RESISTOR	0Ω 1/10W J	C,D,E,F
K671	NQR0007-002X	FERRITE BEADS		A,B,G,H,I,J, K,L,M,N,O,P
K671	NRSA02J-0R0X	MG RESISTOR	0Ω 1/10W J	C,D,E,F
K672	NQR0007-002X	FERRITE BEADS		A,B,G,H,I,J, K,L,M,N,O,P C,D,E,F
K672	NRSA02J-0R0X	MG RESISTOR	0Ω 1/10W J	
K673	NRSA02J-0R0X	MG RESISTOR	0Ω 1/10W J	
S601	NSW0124-001X	TACT SW		
S602	NSW0316-001X	TACT SWITCH		
S603	NSW0316-001X	TACT SWITCH		
S604	NSW0316-001X	TACT SWITCH		
S605	NSW0316-001X	TACT SWITCH		
S606	NSW0316-001X	TACT SWITCH		
S607	NSW0316-001X	TACT SWITCH		
S608	NSW0316-001X	TACT SWITCH		
S609	NSW0316-001X	TACT SWITCH		
S610	NSW0316-001X	TACT SWITCH		
S611	NSW0316-001X	TACT SWITCH		
S612	NSW0316-001X	TACT SWITCH		

Mecha control board

Block No. [0][6]

△ Symbol No.	Part No.	Part Name	Description	Local
IC301	MN6627946JC	IC(MCU)		
IC302	BR24516F-W-X	IC(DIGITAL)		
IC303	MF1341S2162-X	IC		
IC501	LA6565-X	IC		
Q101	2SC3928A/R/-X	TRANSISTOR		
Q201	2SC3928A/R/-X	TRANSISTOR		

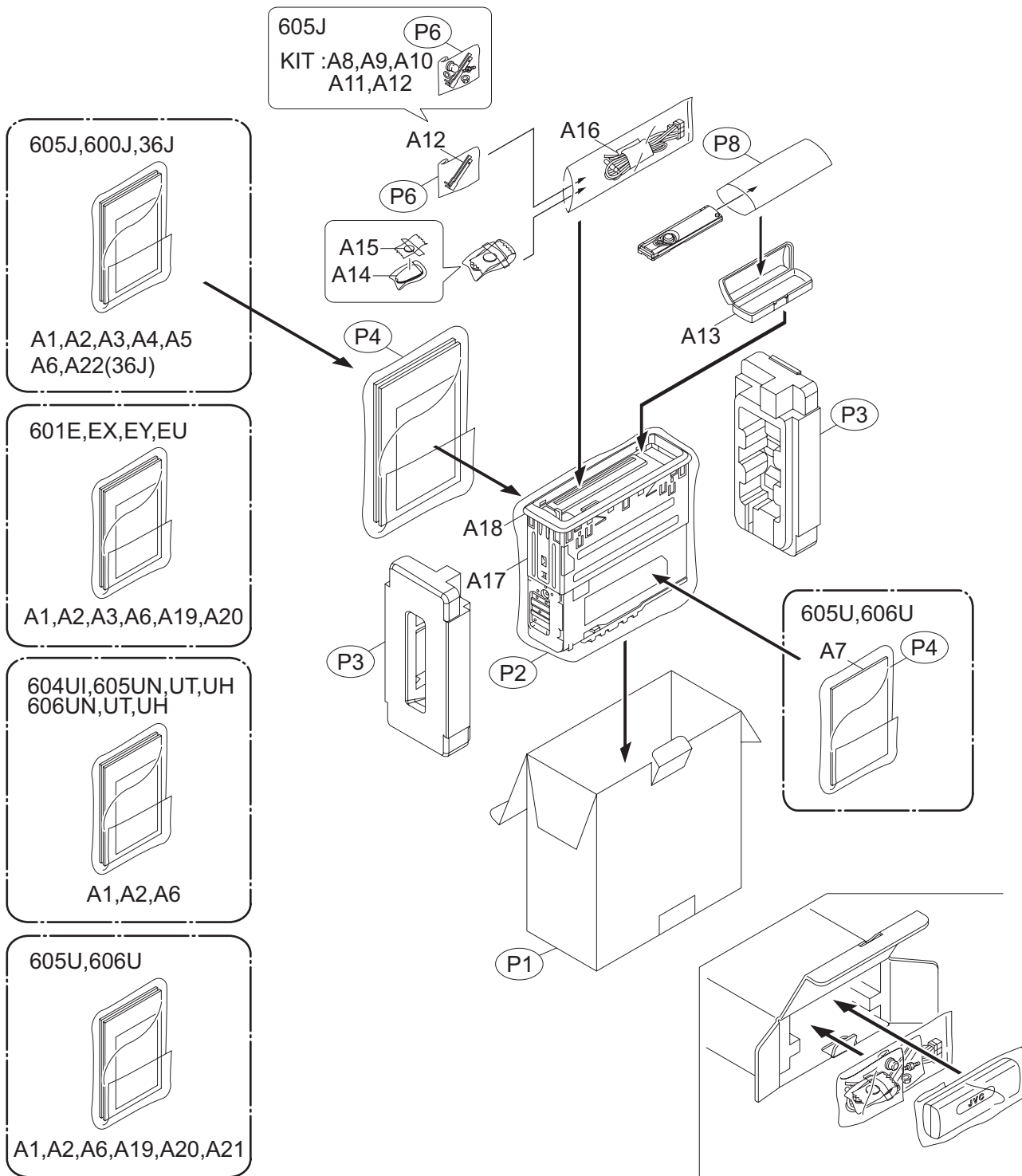
△ Symbol No.	Part No.	Part Name	Description	Local
Q211	PS1191RB22/BC/X	PHOTO TRANSISTOR		
Q212	PS1191RB22/BC/X	PHOTO TRANSISTOR		
Q301	ISA1530AC1/RS/X	TRANSISTOR		
Q302	RT1N441C-X	TRANSISTOR		
Q303	RT1N441C-X	TRANSISTOR		
Q501	2SB1424/R/-W	TRANSISTOR		
D101	AN1105W21/AB/-X	IR LED		
D201	AN1105W21/AB/-X	IR LED		
D501	1SR154-400-X	SI DIODE		
D502	1SR154-400-X	SI DIODE		
D503	1SR154-400-X	SI DIODE		
C101	NCB31CK-104X	C CAPACITOR	0.1uF 16V K	
C102	NCB31CK-104X	C CAPACITOR	0.1uF 16V K	
C103	NCB31CK-104X	C CAPACITOR	0.1uF 16V K	
C104	NCB31CK-104X	C CAPACITOR	0.1uF 16V K	
C201	NCB31CK-104X	C CAPACITOR	0.1uF 16V K	
C301	NEAF0JM-226X	E CAPACITOR	22uF 6.3V M	
C302	NCB31CK-104X	C CAPACITOR	0.1uF 16V K	
C303	NEAF0JM-476X	E CAPACITOR	47uF 6.3V M	
C304	NCB31CK-104X	C CAPACITOR	0.1uF 16V K	
C305	NCB31CK-104X	C CAPACITOR	0.1uF 16V K	
C306	NCB31CK-104X	C CAPACITOR	0.1uF 16V K	
C307	NCB31CK-334X	C CAPACITOR	0.33uF 16V K	
C308	NCB31HK-102X	C CAPACITOR	1000pF 50V K	
C309	NCB31EK-823X	C CAPACITOR	0.082uF 25V K	
C310	NCB31HK-102X	C CAPACITOR	1000pF 50V K	
C311	NCB31CK-104X	C CAPACITOR	0.1uF 16V K	
C312	NCB31HK-153X	C CAPACITOR	0.015uF 50V K	
C313	NCJ21CK-475X-R	C CAPACITOR	4.7uF 16V K	
C314	NCB31HK-332X	C CAPACITOR	3300pF 50V K	
C315	NEAF0JM-476X	E CAPACITOR	47uF 6.3V M	
C316	NEAF0JM-476X	E CAPACITOR	47uF 6.3V M	
C317	NCB31HK-223X	C CAPACITOR	0.022uF 50V K	
C319	NCB31CK-334X	C CAPACITOR	0.33uF 16V K	
C321	NCB31HK-272X	C CAPACITOR	2700pF 50V K	
C322	NCB31CK-154X	C CAPACITOR	0.15uF 16V K	
C323	NEAF0JM-476X	E CAPACITOR	47uF 6.3V M	
C324	NCB31CK-104X	C CAPACITOR	0.1uF 16V K	
C325	NCJ20JK-106X-R	C CAPACITOR	10uF 6.3V K	
C326	NCJ20JK-106X-R	C CAPACITOR	10uF 6.3V K	
C327	NCB31CK-104X	C CAPACITOR	0.1uF 16V K	
C328	NCB31HK-681X	C CAPACITOR	680pF 50V K	
C329	NCB31CK-104X	C CAPACITOR	0.1uF 16V K	
C330	NCJ20JK-106X-R	C CAPACITOR	10uF 6.3V K	
C331	NCJ20JK-106X-R	C CAPACITOR	10uF 6.3V K	
C332	NCJ20JK-106X-R	C CAPACITOR	10uF 6.3V K	
C334	NCB31CK-104X	C CAPACITOR	0.1uF 16V K	
C335	NCB31CK-104X	C CAPACITOR	0.1uF 16V K	
C336	NCB31CK-104X	C CAPACITOR	0.1uF 16V K	
C337	NCB31CK-104X	C CAPACITOR	0.1uF 16V K	
C338	NCB31CK-104X	C CAPACITOR	0.1uF 16V K	
C339	NCB31CK-104X	C CAPACITOR	0.1uF 16V K	
C341	NDC31HJ-270X	C CAPACITOR	27pF 50V J	
C342	NDC31HJ-270X	C CAPACITOR	27pF 50V J	
C345	NCB31CK-104X	C CAPACITOR	0.1uF 16V K	
C346	NCB31CK-104X	C CAPACITOR	0.1uF 16V K	
C351	NDC31HJ-270X	C CAPACITOR	27pF 50V J	
C352	NDC31HJ-270X	C CAPACITOR	27pF 50V J	
C373	NCB31CK-104X	C CAPACITOR	0.1uF 16V K	
C392	NCB31CK-104X	C CAPACITOR	0.1uF 16V K	
C393	NCB31CK-104X	C CAPACITOR	0.1uF 16V K	
C394	NCB31CK-104X	C CAPACITOR	0.1uF 16V K	
C395	NCB31CK-104X	C CAPACITOR	0.1uF 16V K	
C501	NEHN1EM-476X	E CAPACITOR	47uF 25V M	
C502	NCB31CK-104X	C CAPACITOR	0.1uF 16V K	
C503	NDC31HJ-680X	C CAPACITOR	68pF 50V J	
C511	NCB31HK-682X	C CAPACITOR	6800pF 50V K	
C512	NCB31HK-222X	C CAPACITOR	2200pF 50V K	
C513	NCB31HK-272X	C CAPACITOR	2700pF 50V K	
C514	NCB31HK-122X	C CAPACITOR	1200pF 50V K	
C531	NEHLOJM-107X	E CAPACITOR	100uF 6.3V M	
C532	NCB31CK-104X	C CAPACITOR	0.1uF 16V K	
C534	NCB31HK-102X	C CAPACITOR	1000pF 50V K	
C551	NEHN1AM-107X	E CAPACITOR	100uF 10V M	

△ Symbol No.	Part No.	Part Name	Description	Local	△ Symbol No.	Part No.	Part Name	Description	Local
R101	NRSA63J-391X	MG RESISTOR	390Ω 1/16W J		CN101	QGB2027L5-28X	CONNECTOR	B-B (1-28)	
R102	NRSA63J-822X	MG RESISTOR	8.2kΩ 1/16W J		CN102	QGF0522F3-15W	CONNECTOR	FFC/FPC (1-15)	
R103	NRSA63J-184X	MG RESISTOR	180kΩ 1/16W J		K101	NRSA63J-0R0X	MG RESISTOR	0Ω 1/10W J	
R104	NRSA63J-184X	MG RESISTOR	180kΩ 1/16W J		K102	NRSA63J-0R0X	MG RESISTOR	0Ω 1/10W J	
R105	NRSA63J-183X	MG RESISTOR	18kΩ 1/16W J		K103	NRSA63J-0R0X	MG RESISTOR	0Ω 1/10W J	
R201	NRSA63J-391X	MG RESISTOR	390Ω 1/16W J		SW1	NSW0291-001X	DETECT SWITCH		
R203	NRSA63J-184X	MG RESISTOR	180kΩ 1/16W J		X301	NAX0375-001X	CRYSTAL	16.9344MHz	
R204	NRSA63J-184X	MG RESISTOR	180kΩ 1/16W J		X302	NAX0367-001X	CRYSTAL		
R205	NRSA63J-153X	MG RESISTOR	15kΩ 1/16W J						
R206	NRSA63J-473X	MG RESISTOR	47kΩ 1/16W J						
R207	NRSA63J-473X	MG RESISTOR	47kΩ 1/16W J						
R214	NRSA63D-153X	MG RESISTOR	15kΩ 1/16W D						
R215	NRSA63D-153X	MG RESISTOR	15kΩ 1/16W D						
R216	NRS181F-300X	MG RESISTOR	30Ω 1/8W F						
R217	NRS181F-300X	MG RESISTOR	30Ω 1/8W F						
R228	NRSA63J-103X	MG RESISTOR	10kΩ 1/16W J						
R229	NRSA63J-103X	MG RESISTOR	10kΩ 1/16W J						
R230	NRSA63J-103X	MG RESISTOR	10kΩ 1/16W J						
R241	NRSA63J-473X	MG RESISTOR	47kΩ 1/16W J						
R242	NRSA63J-102X	MG RESISTOR	1kΩ 1/16W J						
R301	NRSA63J-100X	MG RESISTOR	10Ω 1/16W J						
R302	NRSA63J-473X	MG RESISTOR	47kΩ 1/16W J						
R304	NRSA63J-100X	MG RESISTOR	10Ω 1/16W J						
R307	NRSA63J-102X	MG RESISTOR	1kΩ 1/16W J						
R310	NRSA63J-473X	MG RESISTOR	47kΩ 1/16W J						
R311	NRSA63J-101X	MG RESISTOR	100Ω 1/16W J						
R312	NRSA63J-101X	MG RESISTOR	100Ω 1/16W J						
R313	NRSA63J-101X	MG RESISTOR	100Ω 1/16W J						
R314	NRSA63J-272X	MG RESISTOR	2.7kΩ 1/16W J						
R315	NRSA63J-821X	MG RESISTOR	820Ω 1/16W J						
R316	NRSA63J-823X	MG RESISTOR	82kΩ 1/16W J						
R317	NRSA63J-473X	MG RESISTOR	47kΩ 1/16W J						
R318	NRSA63J-473X	MG RESISTOR	47kΩ 1/16W J						
R319	NRSA63J-0R0X	MG RESISTOR	0Ω 1/10W J						
R320	NRSA63J-0R0X	MG RESISTOR	0Ω 1/10W J						
R321	NRSA63J-0R0X	MG RESISTOR	0Ω 1/10W J						
R322	NRSA63J-822X	MG RESISTOR	8.2kΩ 1/16W J						
R323	NRSA63J-822X	MG RESISTOR	8.2kΩ 1/16W J						
R324	NRSA63J-473X	MG RESISTOR	47kΩ 1/16W J						
R325	NRSA02F-100X	MG RESISTOR	10Ω 1/10W F						
R326	NRSA02F-100X	MG RESISTOR	10Ω 1/10W F						
R330	NRSA63J-473X	MG RESISTOR	47kΩ 1/16W J						
R331	NRSA63J-151X	MG RESISTOR	150Ω 1/16W J						
R332	NRSA63J-105X	MG RESISTOR	1MΩ 1/16W J						
R333	NRSA63J-221X	MG RESISTOR	220Ω 1/16W J						
R334	NRSA63J-473X	MG RESISTOR	47kΩ 1/16W J						
R336	NRSA63J-330X	MG RESISTOR	33Ω 1/16W J						
R337	NRSA63J-473X	MG RESISTOR	47kΩ 1/16W J						
R342	NRSA63J-0R0X	MG RESISTOR	0Ω 1/10W J						
R343	NRSA63J-472X	MG RESISTOR	4.7kΩ 1/16W J						
R345	NRSA63J-472X	MG RESISTOR	4.7kΩ 1/16W J						
R349	NRSA63J-0R0X	MG RESISTOR	0Ω 1/10W J						
R361	NRSA63J-103X	MG RESISTOR	10kΩ 1/16W J						
R362	NRSA63J-221X	MG RESISTOR	220Ω 1/16W J						
R371	NRSA63J-0R0X	MG RESISTOR	0Ω 1/10W J						
R501	NRS125J-100X	MG RESISTOR	10Ω 1/2W J						
R503	NRSA63J-822X	MG RESISTOR	8.2kΩ 1/16W J						
R504	NRSA63J-512X	MG RESISTOR	5.1kΩ 1/16W J						
R505	NRSA63J-333X	MG RESISTOR	33kΩ 1/16W J						
R506	NRSA63J-683X	MG RESISTOR	68kΩ 1/16W J						
R507	NRSA63J-682X	MG RESISTOR	6.8kΩ 1/16W J						
R508	NRSA63J-153X	MG RESISTOR	15kΩ 1/16W J						
R509	NRSA63J-183X	MG RESISTOR	18kΩ 1/16W J						
R510	NRSA63J-683X	MG RESISTOR	68kΩ 1/16W J						
R511	NRSA63J-103X	MG RESISTOR	10kΩ 1/16W J						
R512	NRSA63J-153X	MG RESISTOR	15kΩ 1/16W J						
R513	NRSA63J-822X	MG RESISTOR	8.2kΩ 1/16W J						
R514	NRSA63J-133X	MG RESISTOR	13kΩ 1/16W J						
R515	NRSA63J-562X	MG RESISTOR	5.6kΩ 1/16W J						
R516	NRSA63J-562X	MG RESISTOR	5.6kΩ 1/16W J						
R519	NRSA63J-822X	MG RESISTOR	8.2kΩ 1/16W J						
R520	NRSA63J-822X	MG RESISTOR	8.2kΩ 1/16W J						
R521	NRSA63J-822X	MG RESISTOR	8.2kΩ 1/16W J						
R522	NRSA63J-822X	MG RESISTOR	8.2kΩ 1/16W J						
R523	NRSA63J-822X	MG RESISTOR	8.2kΩ 1/16W J						
R524	NRSA63J-822X	MG RESISTOR	8.2kΩ 1/16W J						
R525	NRSA63J-473X	MG RESISTOR	47kΩ 1/16W J						

Packing materials and accessories parts list

Block No. **M 3 M M**

No additional / supplemental order of WARRANTY CARDS are available.



The parts without symbol number are not service.

Packing and Accessories

Block No. [M][3][M][M]

△ Symbol No.	Part No.	Part Name	Description	Local
A 1	GET0580-001A	INST BOOK	ENG FRE SPA	A,B
A 1	GET0581-001A	INST BOOK	GER FRE ITA	C
A 1	GET0581-003A	INST BOOK	ENG FRE	D,F
A 1	GET0581-006A	INST BOOK	ENG GER RUS GRE	E
A 1	GET0578-001A	INST BOOK	ENG	G
A 1	GET0577-001A	INST BOOK	ENG THA	H,K,L,O
A 1	GET0577-004A	INST BOOK	ENG INA	I,M
A 1	GET0577-005A	INST BOOK	ENG CHI(TAIWAN)	J,N
A 1	GET0643-001A	INST BOOK	ENG SPA	P
A 2	GET0580-002A	INSTALL MANUAL	ENG FRE SPA	A
A 2	GET0580-002B	INSTALL MANUAL	ENG FRE SPA	B
A 2	GET0581-008A	INSTALL MANUAL	GER FRE ITA	C
A 2	GET0581-010A	INSTALL MANUAL	ENG FRE	D,F
A 2	GET0581-013A	INSTALL MANUAL	ENG GER RUS GRE	E
A 2	GET0578-002B	INSTALL MANUAL	ENG	G
A 2	GET0577-006B	INSTALL MANUAL	ENG THA	H,K,L,O
A 2	GET0577-009B	INSTALL MANUAL	ENG INA	I,M
A 2	GET0577-010B	INSTALL MANUAL	ENG CHI(TAIWAN)	J,N
A 2	GET0643-002A	INSTALL MANUAL	ENG SPA	P
A 3	-----	WARRANTY CARD	BT-52008-1	A,B,P
A 3	-----	WARRANTY CARD	BT-54038-1	C,D,E
A 4	-----	WARRANTY CARD	BT-51029-3	A
A 4	-----	WARRANTY CARD	BT-51018-6	B,P
A 5	BT-51044-1	REGIS. CARD		A,B,P
A 6	LVT1672-002A	INST SHEET		
A 7	GET0577-002A	INST BOOK	ARA KOR CHI(TAIWAN) PER	H,L
A 8	VKZ4027-202	PLUG NUT		A
A 9	GE40426-002A	MOUNT BOLT		A
A 10	VKZ4328-003	LOCK NUT		A
A 11	QYWWS53A008ZA	WASHER	0mm/5.3mm x	A
A 12	GE40130-002A	HOOK	(x2)	
A 13	GE32320-001A	HARD CASE ASSY		
A 14	RM-RK50C	REMOCON UNIT		A,B,C,D,E,F,G,I,J,K,M,N,P
A 14	RM-RK50I	REMOCON UNIT		H,L,O
A 15	-----	LITHIUM BATTERY		
A 16	QAM1143-001	POWER CORD		A,B,P
A 16	QAM1150-002	POWER CORD		C,D,E,F
A 16	QAM1146-001	POWER CORD		G,H,I,J,K,L,M,N,O
A 17	GE20137-003A	MOUNTING SLEEVE		A
A 17	GE20137-008A	MOUNTING SLEEVE		B,C,D,E,F,G,H,I,J,K,L,M,N,O,P
A 18	GE20235-001A	TRIM PLATE		A,B,L,M,N,O
A 18	GE20204-008A	TRIM PLATE		C,D,E,F
A 18	GE20235-012A	TRIM PLATE		G,H,K
A 18	GE20235-005A	TRIM PLATE		I,J
A 18	GE20235-014A	TRIM PLATE		P
A 19	GET0581-002A	INST BOOK	SPA POR	C
A 19	GET0581-004A	INST BOOK	DUT DAN FIN SWE	D
A 19	GET0581-007A	INST BOOK	HUN CZE POL	E
A 19	GET0581-005A	INST BOOK	RUS SPA PER TUR	F
A 19	GET0577-003A	INST BOOK	RUS	H,L
A 20	GET0581-009A	INSTALL MANUAL	SPA POR	C
A 20	GET0581-011A	INSTALL MANUAL	DUT DAN FIN SWE	D
A 20	GET0581-014A	INSTALL MANUAL	HUN CZE POL	E
A 20	GET0581-012A	INSTALL MANUAL	RUS SPA PER TUR	F
A 20	GET0577-007B	INSTALL MANUAL	ARA KOR CHI(TAIWAN) PER	H,L
A 21	GET0577-008B	INSTALL MANUAL	RUS	H,L
A 22	GET0222-001A	TAG CAUTION SH		P
KIT	SRW-MA372	SCREW PARTS KIT	A8 A9 A10 A11 A12	A
P 1	GE33460-003A	CARTON		A
P 1	GE33463-004A	CARTON		B
P 1	GE33466-001A	CARTON		C,D,E,F
P 1	GE33454-003A	CARTON		G
P 1	GE33451-004A	CARTON		H,I,J,K
P 1	GE33526-003A	CARTON		L,M,N,O
P 1	GE33876-001A	CARTON		P
P 2	QPC03004315PB	POLY BAG	30cm x 43cm	
P 3	GE10247-001A	CUSHION		A,B,G,H,I,J,K,L,M,N,O,P
P 3	GE10249-001A	CUSHION		C,D,E,F
P 4	FSPG4002-001	POLY BAG		A,B,C,D,E,F,G,I,J,K,M,N,O,P
P 4	FSPG4002-001	POLY BAG	(x2)	H,L
P 6	QPA00801205	POLY BAG	8cm x 12cm	
P 8	QPC01002515	POLY BAG	10cm x 25cm	

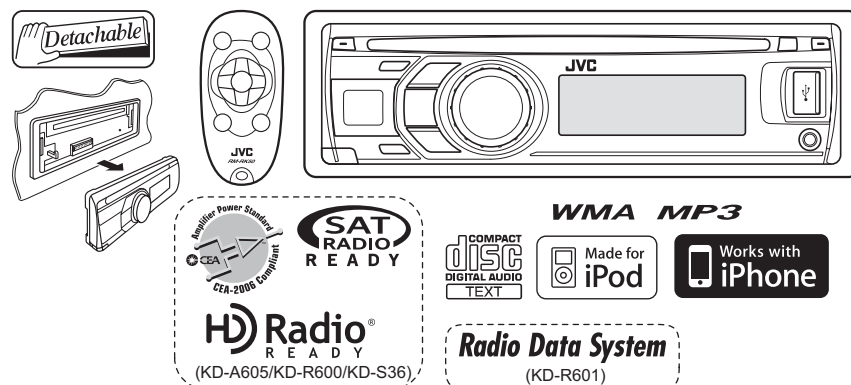
JVC

SCHEMATIC DIAGRAMS

CD RECEIVER

**KD-A605J, KD-R600J, KD-R601E,
KD-R601EX, KD-R601EY, KD-R601EU,
KD-R604UI, KD-R605U, KD-R605UN,
KD-R605UT, KD-R605UH, KD-R606U,
KD-R606UN, KD-R606UT,
KD-R606UH, KD-S36J**

DVD-ROM No.SML2009Q1



Lead free solder used in the board (material : Sn-Ag-Cu, melting point : 219 Centigrade)

Lead free solder used in the board (material : Sn-Cu, melting point : 230 Centigrade)

Contents

Block diagram	2-1
Standard schematic diagrams	2-2
Printed circuit boards	2-8 to 10

Safety precaution

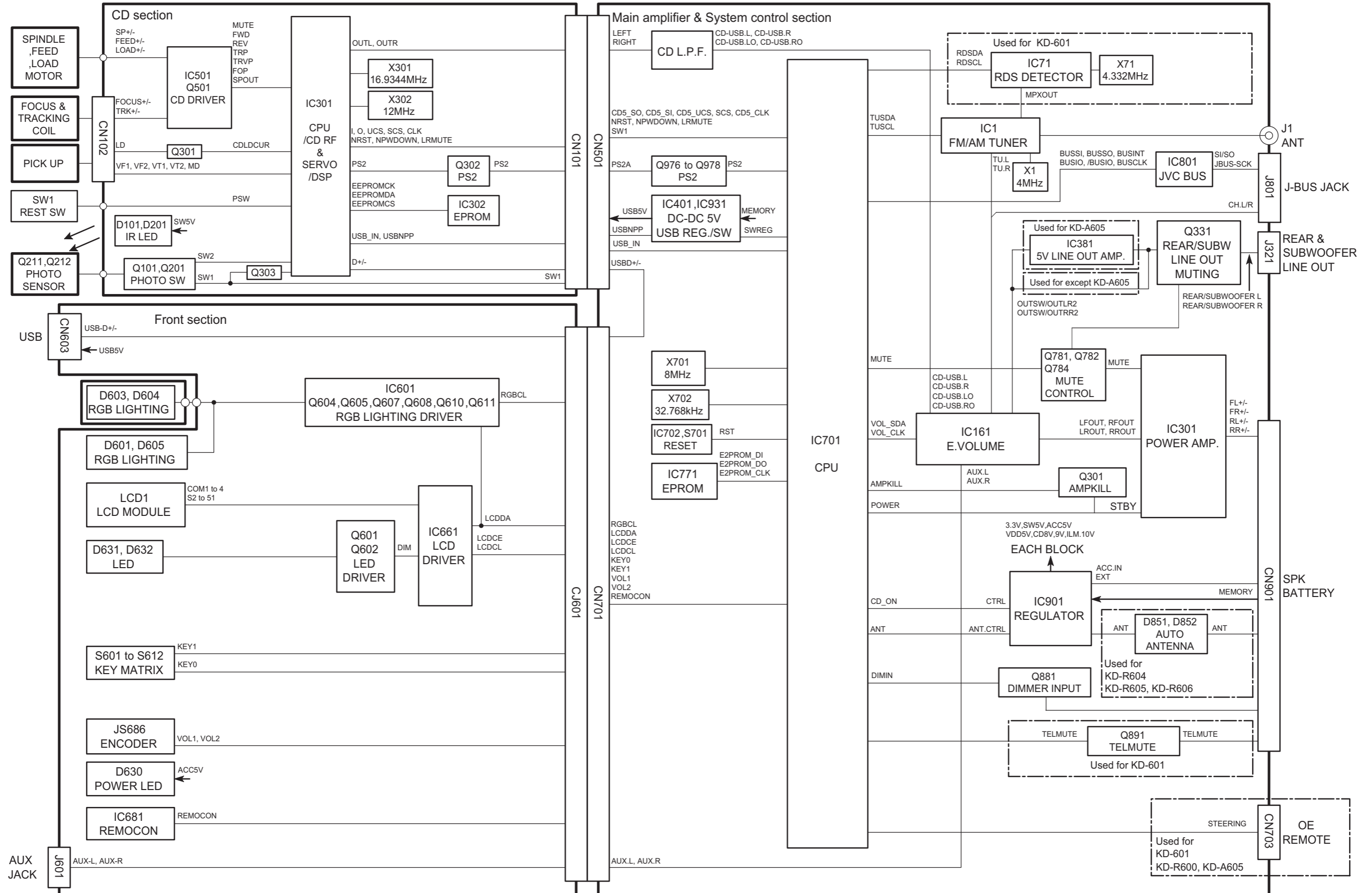


CAUTION Burrs formed during molding may be left over on some parts of the chassis. Therefore, pay attention to such burrs in the case of performing repair of this system.



CAUTION Please use enough caution not to see the beam directly or touch it in case of an adjustment or operation check.

Block diagram

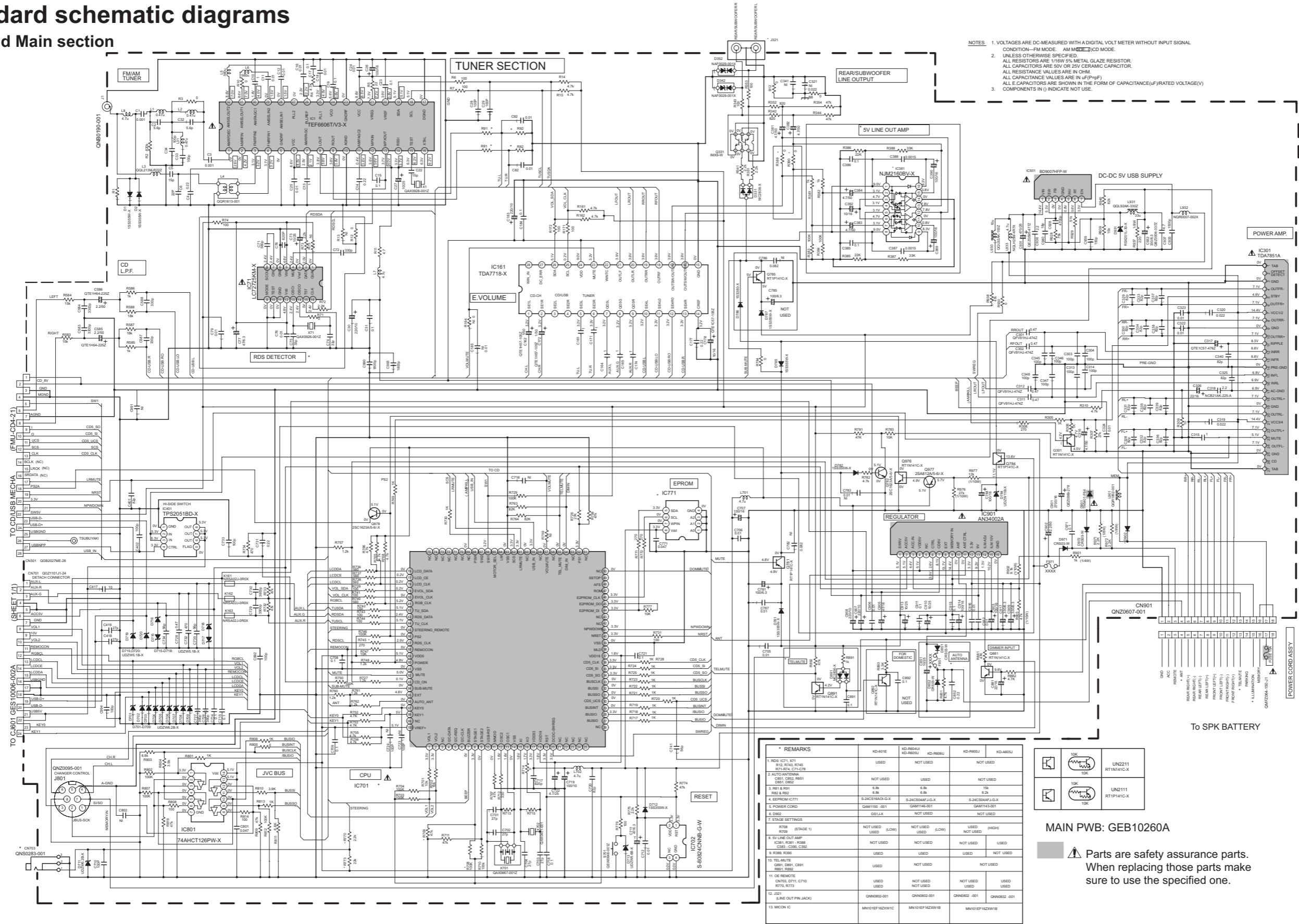


Standard schematic diagrams

Old Main section

To Old CD section
CN101

To Old LCD & Key control section
sectionion C-J601



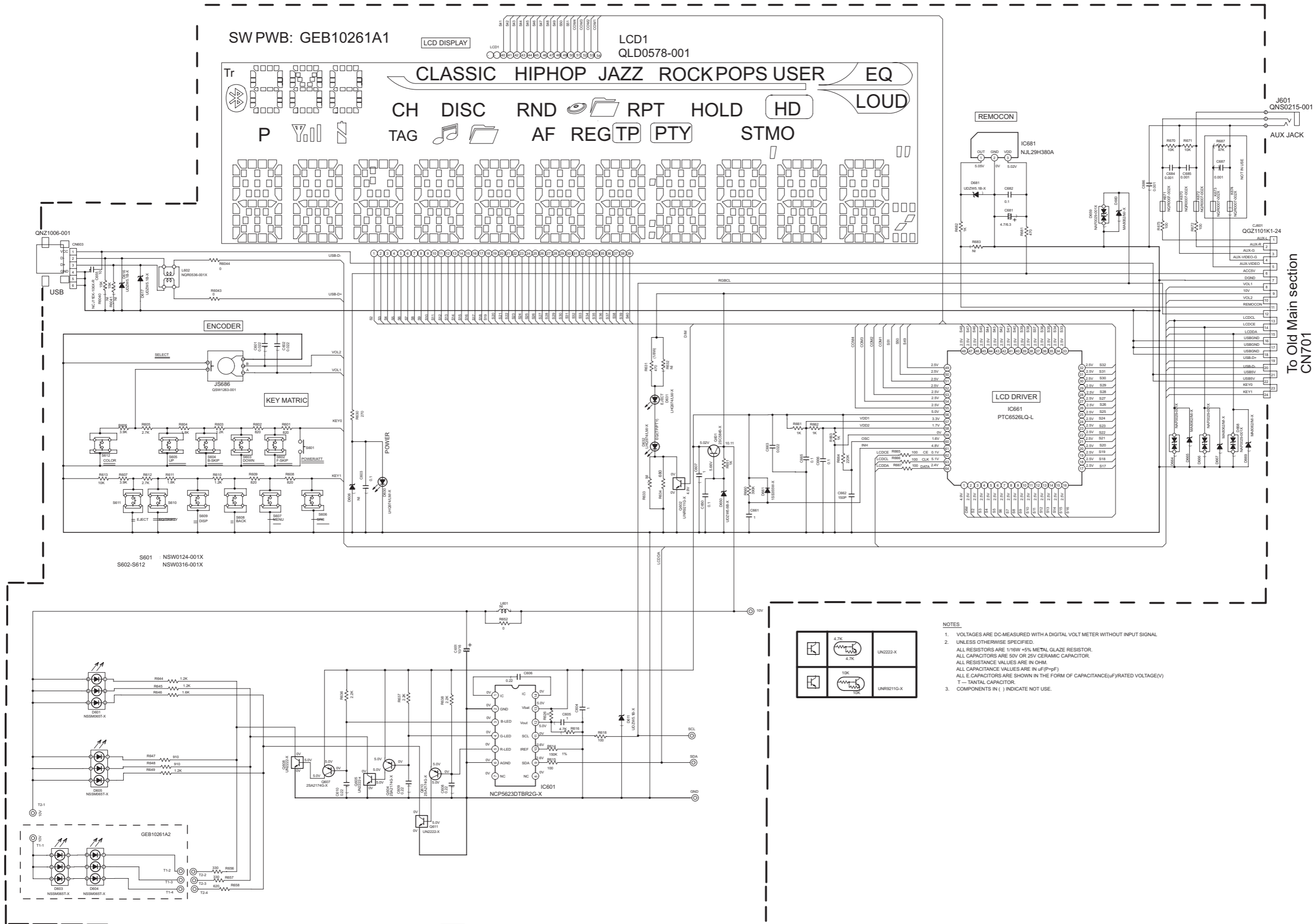
- NOTES
1. VOLTAGES ARE DC-MEASURED WITH A DIGITAL VOLT METER WITHOUT INPUT SIGNAL. CONDITION—FM MODE. AM MODE (CD MODE).
 2. UNLESS OTHERWISE SPECIFIED, ALL RESISTORS ARE 1/16W 5% METAL GLAZE RESISTOR. ALL CAPACITORS ARE 50V OR 25V CERAMIC CAPACITOR. ALL RESISTANCE VALUES ARE IN OHM. ALL CAPACITANCE VALUES ARE IN μ F (P-PF). ALL E-CAPACITORS ARE SHOWN IN THE FORM OF CAPACITANCE(μ F)/RATED VOLTAGE(V).
 3. COMPONENTS IN () INDICATE NOT USE.

REMARKS	KD-601E	KD-R04LJ KD-R05U	KD-R06U	KD-R06J	KD-R06U
1. RDS: IC71, X71 R71, R74, R74B R71, R74, C71, C7B	USED	NOT USED	NOT USED	NOT USED	NOT USED
2. AUTO ANTENNA C81, C82, R81	NOT USED	USED	NOT USED	NOT USED	NOT USED
3. R81 & R81 R82 & R82	6.8k	6.8k	15k	8.2k	
4. EEPROM IC771	S-24C32ANF-G-X	S-24C32ANF-J-G-X	S-24C32ANF-G-X	S-24C32ANF-G-X	
5. POWER CARD C801, C802, C803	GAM115B-001	GAM115B-001	GAM115B-001	GAM115B-001	
6. C802	GR1-A	NOT USED	NOT USED	NOT USED	
7. STAGE SETTINGS					
R758 (STAGE 1)	NOT USED (LOW)	NOT USED (LOW)	USED (HIGH)	USED (HIGH)	
8. 5V LINE OUT AMP IC81, R81, R388 C81, C82, C83	NOT USED	NOT USED	NOT USED	USED	
9. R388, R389	USED	USED	USED	NOT USED	
10. TELMUTE C81, C82, C83 R81, R82	USED	NOT USED	NOT USED	NOT USED	
11. OE REMOTE C81, C71, C710 R71, R73	USED	NOT USED	NOT USED	USED	
12. J21 LINE OUT PIN JACK	QNS082-001	QNS082-001	QNS082-001	QNS082-001	
13. MICOR IC	MN101F162W1C	MN101F162W1B	MN101F162W1B		

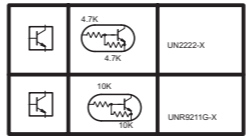
MAIN PWB: GEB10260A

Parts are safety assurance parts.
When replacing those parts make
sure to use the specified one.

Old LCD & Key control sectionion

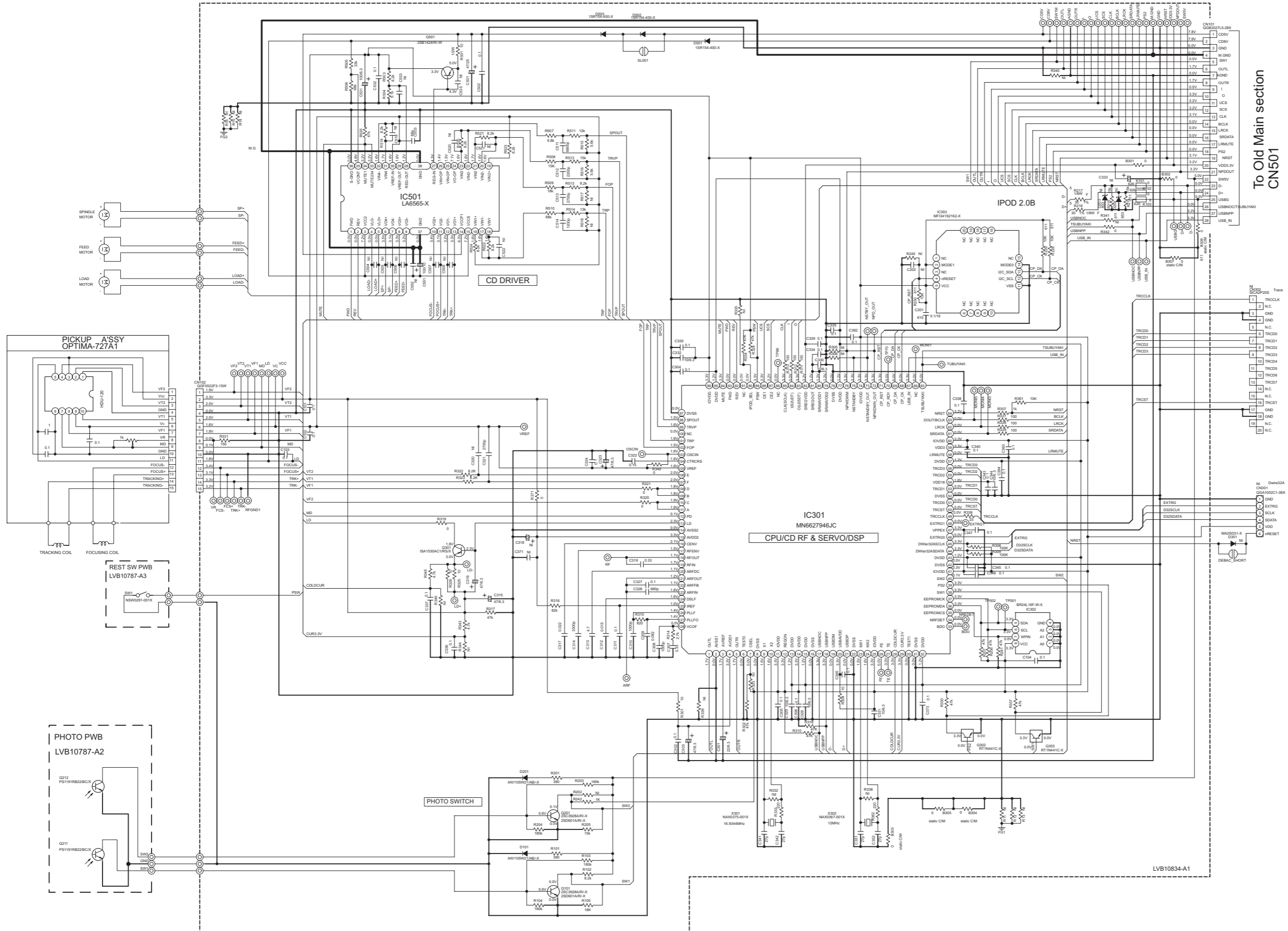


S601 - NSW0124-001X
S602-S612 - NSW0316-001X



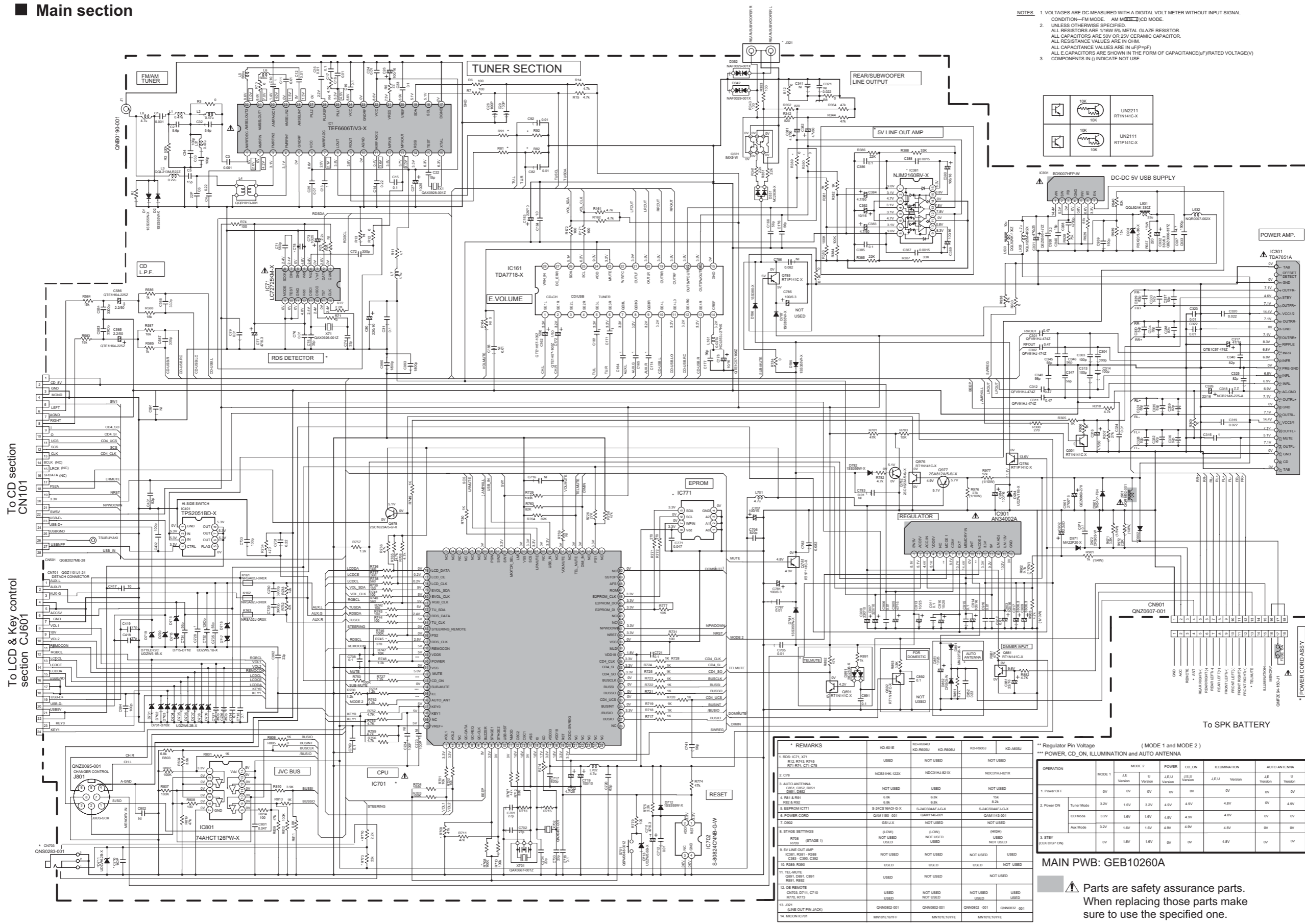
- NOTES
1. VOLTAGES ARE DC-MEASURED WITH A DIGITAL VOLT METER WITHOUT INPUT SIGNAL UNLESS OTHERWISE SPECIFIED.
 2. ALL RESISTORS ARE 1/16W +5% METAL GLAZE RESISTOR. ALL CAPACITORS ARE 50V OR 25V CERAMIC CAPACITOR. ALL RESISTANCE VALUES ARE IN OHM. ALL CAPACITANCE VALUES ARE IN uF (p=pf)
 3. COMPONENTS IN () INDICATE NOT USE.

Old CD section

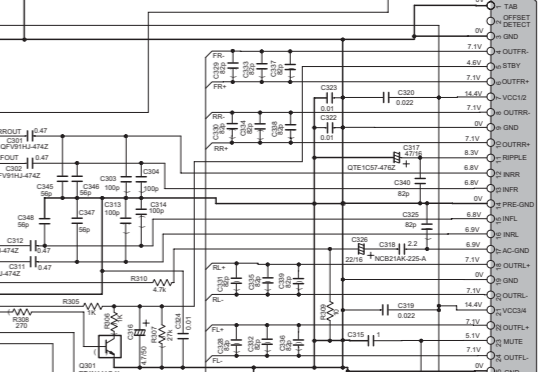
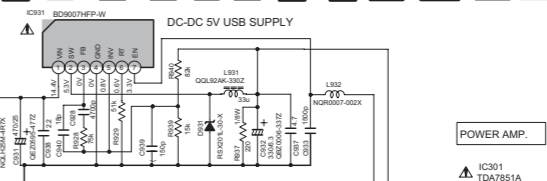


To Old Main section
CN501

Main section



- NOTES**
1. VOLTAGES ARE DC-MEASURED WITH A DIGITAL VOLT METER WITHOUT INPUT SIGNAL.
 2. CONDITION—FM MODE. AM MODE. JCD MODE. UNLESS OTHERWISE SPECIFIED. ALL RESISTORS ARE 1/16W 5% METAL GLAZE RESISTOR. ALL CAPACITORS ARE 50V OR 25V CERAMIC CAPACITOR. ALL RESISTANCE VALUES ARE IN OHM. ALL CAPACITANCE VALUES ARE IN uF(p-pF). ALL CAPACITORS ARE SHOWN IN THE FORM OF CAPACITANCE(uF/RATED VOLTAGE(V)). COMPONENTS IN () INDICATE NOT USE.
 - 3.



To CD section
CN101

To LCD & Key control
section CJ601

To SPK BATTERY

REMARKS

	KD-601E	KD-601E	KD-601E	KD-601E	KD-601E
1. RDS (CT1, X71, R72, R743, R745, RTN14C1, CT1, CT8)	USED	NOT USED	NOT USED	NOT USED	NOT USED
2. C78	NCB19K-02X	NCB19K-02X	NCB19K-02X	NCB19K-02X	NCB19K-02X
3. AUTO ANTENNA (C81, C82, R81, R82)	NOT USED	USED	NOT USED	NOT USED	NOT USED
4. R81 & R91	6.8K	6.8K	6.8K	15K	15K
5. EPROM (C771, S-34023A01-G-0, S-34023A01-G-0, S-34023A01-G-0)	QAM1143-001	QAM1143-001	QAM1143-001	QAM1143-001	QAM1143-001
6. POWER CORD	QAM1143-001	QAM1143-001	QAM1143-001	QAM1143-001	QAM1143-001
7. D802	G81A-X	NOT USED	NOT USED	NOT USED	NOT USED
8. STAGE SETTINGS (R708 (STAGE 1), R709)	NOT USED	LOW	NOT USED	NOT USED	NOT USED
9. 5V LINE OUT AMP (C81, R81, R388, C81, C86, C82)	NOT USED	NOT USED	NOT USED	NOT USED	NOT USED
10. R389, R390	USED	USED	USED	USED	USED
11. TELMUTE (R81, R81, C81, R81, R82)	USED	NOT USED	NOT USED	NOT USED	NOT USED
12. OE REMOTE (CN703, D711, C710, R775, R773)	USED	USED	NOT USED	NOT USED	USED
13. J321	QNH002-001	QNH002-001	QNH002-001	QNH002-001	QNH002-001
14. MICON (C791)	MN101E19VF	MN101E19VF	MN101E19VF	MN101E19VF	MN101E19VF

Regulator Pin Voltage (MODE 1 and MODE 2)

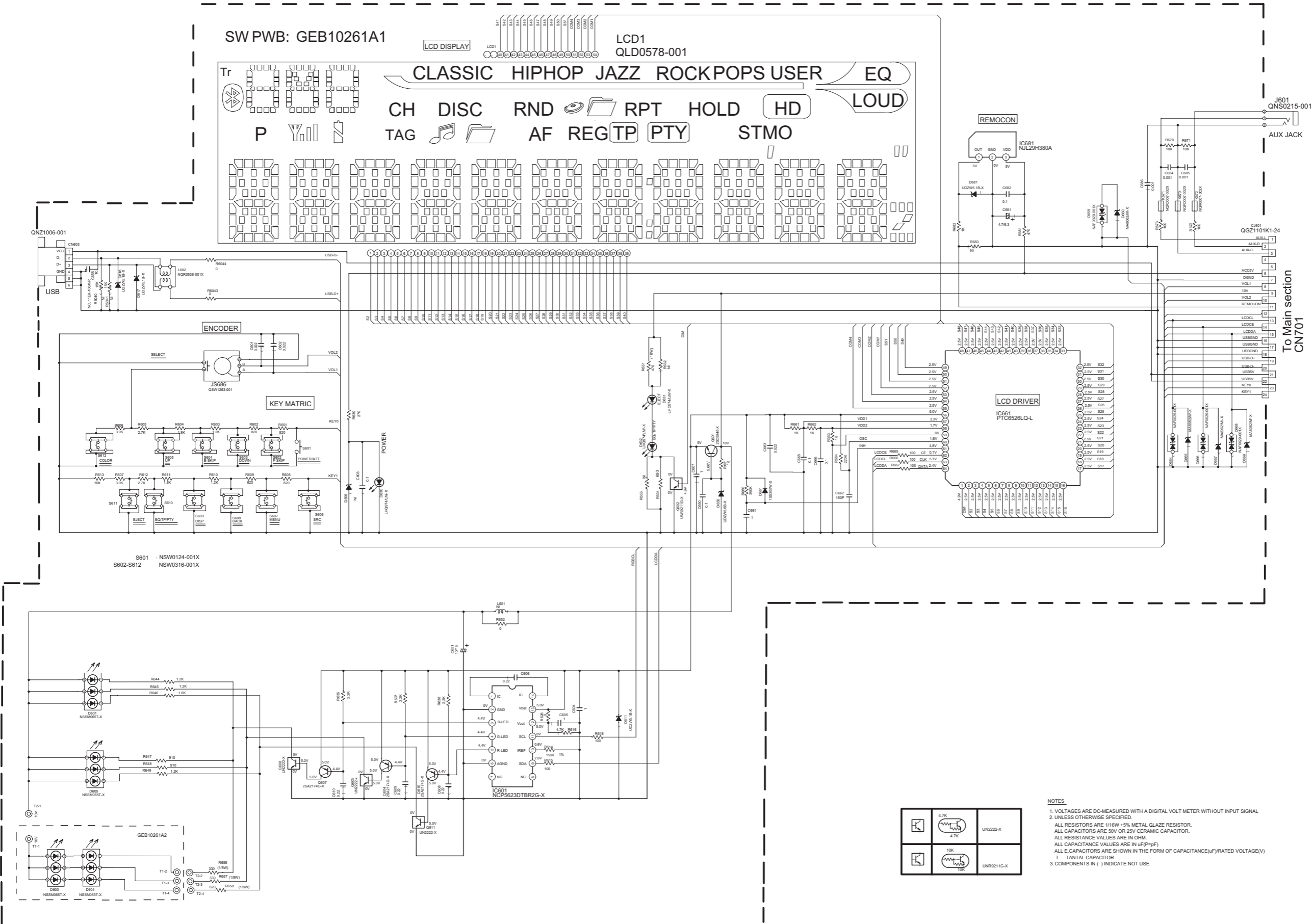
*** POWER, CD_ON, ILLUMINATION and AUTO ANTENNA

OPERATION	MODE 1		MODE 2		POWER	CD_ON	ILLUMINATION	AUTO ANTENNA
	J.E.U. Version	U. Version	J.E.U. Version	U. Version				
1. Power OFF	0V	0V	0V	0V	0V	0V	0V	0V
2. Power ON	Tuner Mode	3.2V	1.6V	3.2V	4.9V	4.9V	4.8V	0V
3. STBY (CLK DISP ON)	CD Mode	3.2V	1.6V	1.6V	4.9V	4.9V	4.8V	0V
	Aux Mode	3.2V	1.6V	1.6V	4.9V	4.9V	4.8V	0V

MAIN PWB: GEB10260A

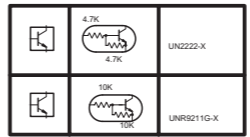
▲ Parts are safety assurance parts. When replacing those parts make sure to use the specified one.

■ LCD & Key control sectionion

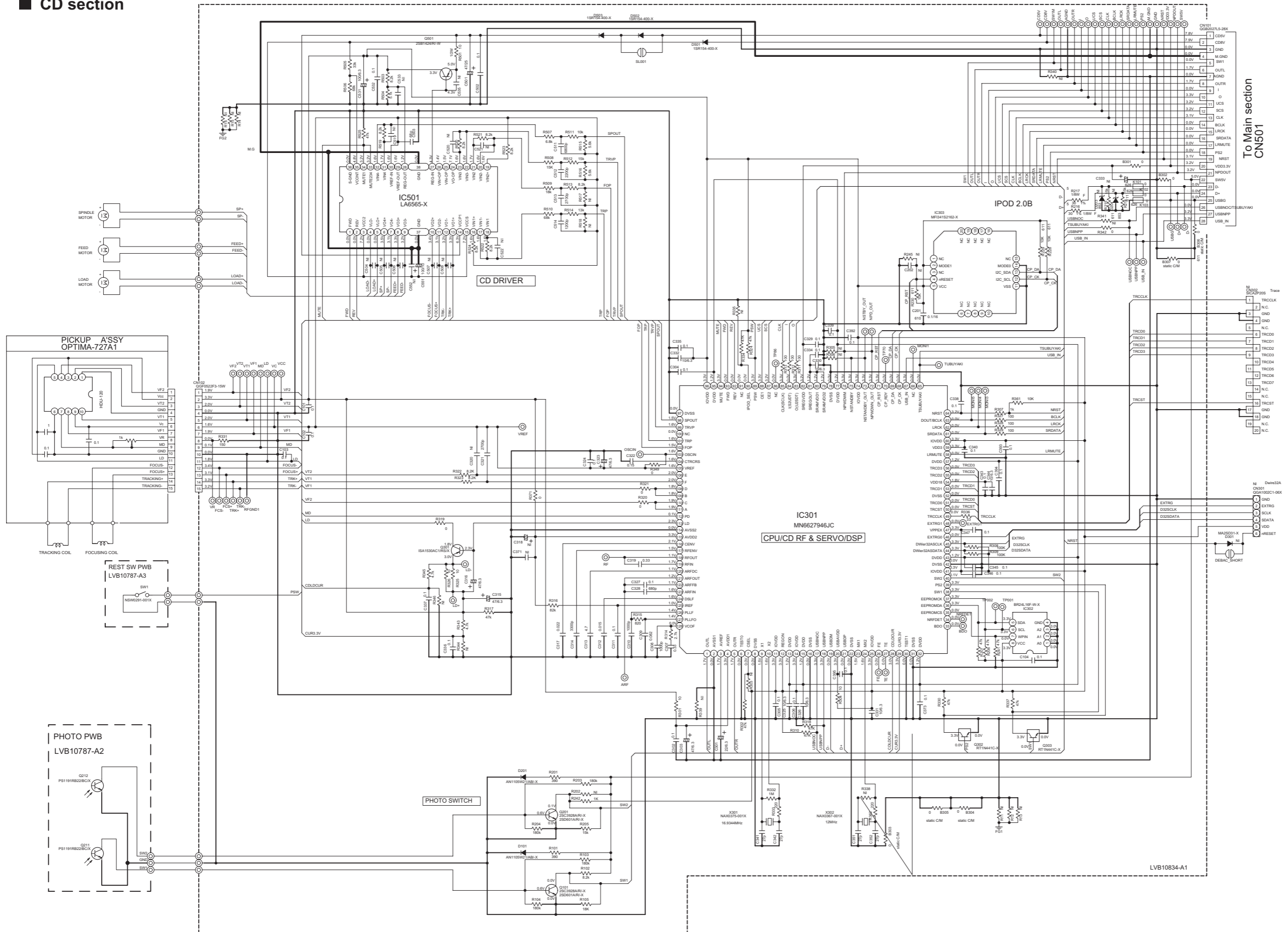


NOTES

1. VOLTAGES ARE DC-MEASURED WITH A DIGITAL VOLT METER WITHOUT INPUT SIGNAL
2. UNLESS OTHERWISE SPECIFIED.
- ALL RESISTORS ARE 1/16W +5% METAL GLAZE RESISTOR.
- ALL CAPACITORS ARE 50V OR 25V CERAMIC CAPACITOR.
- ALL RESISTANCE VALUES ARE IN OHM.
- ALL CAPACITANCE VALUES ARE IN uF(pF)
- ALL E-CAPACITORS ARE SHOWN IN THE FORM OF CAPACITANCE(uF)/RATED VOLTAGE(V)
- T — TANTALUM CAPACITOR
3. COMPONENTS IN () INDICATE NOT USE.



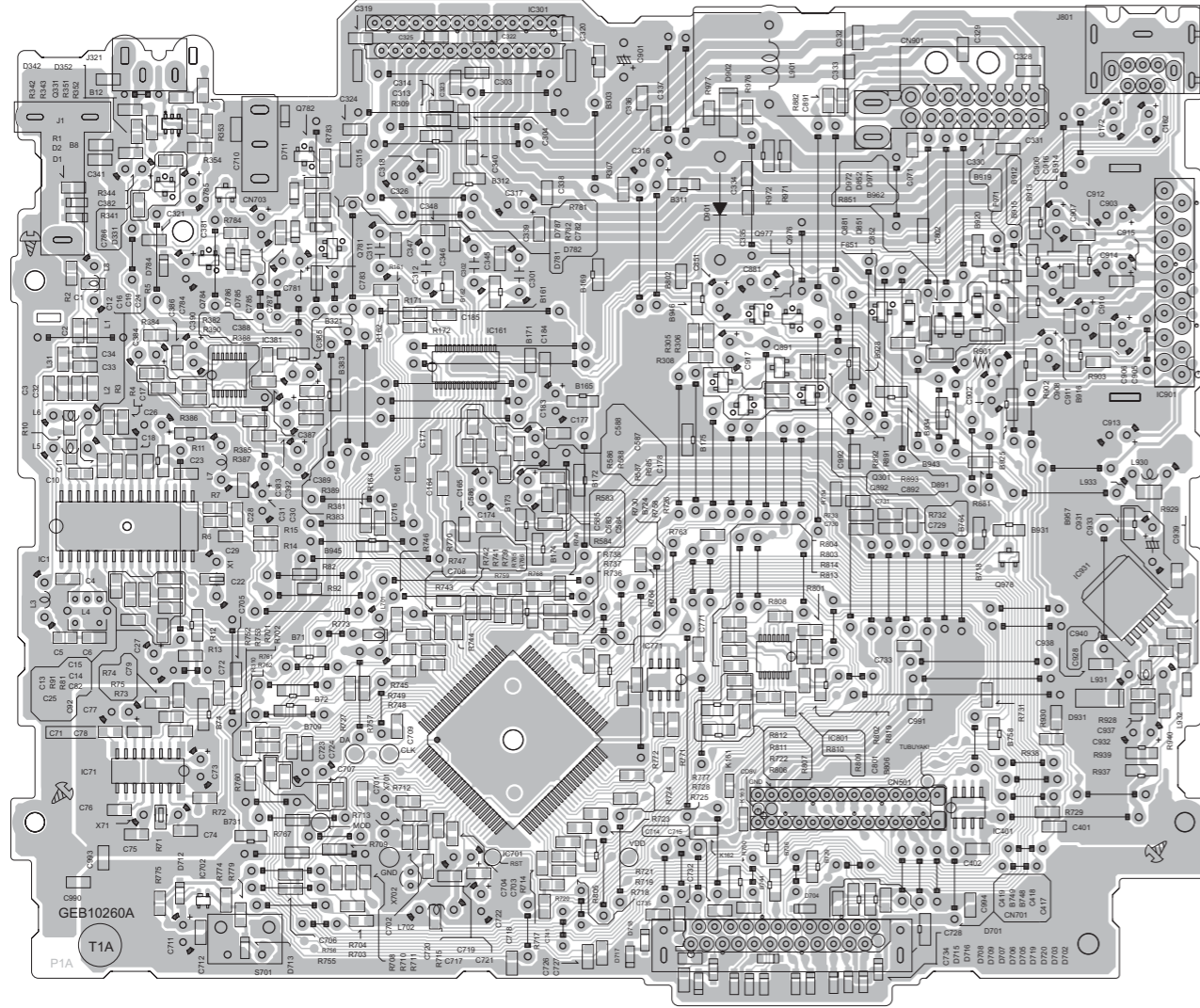
■ CD section



Printed circuit boards

Old Main board

(Lead free solder used in the board (material : Sn-Ag-Cu, melting point : 219 Centigrade))
 (Lead free solder used in the board (material : Sn-Cu, melting point : 230 Centigrade))



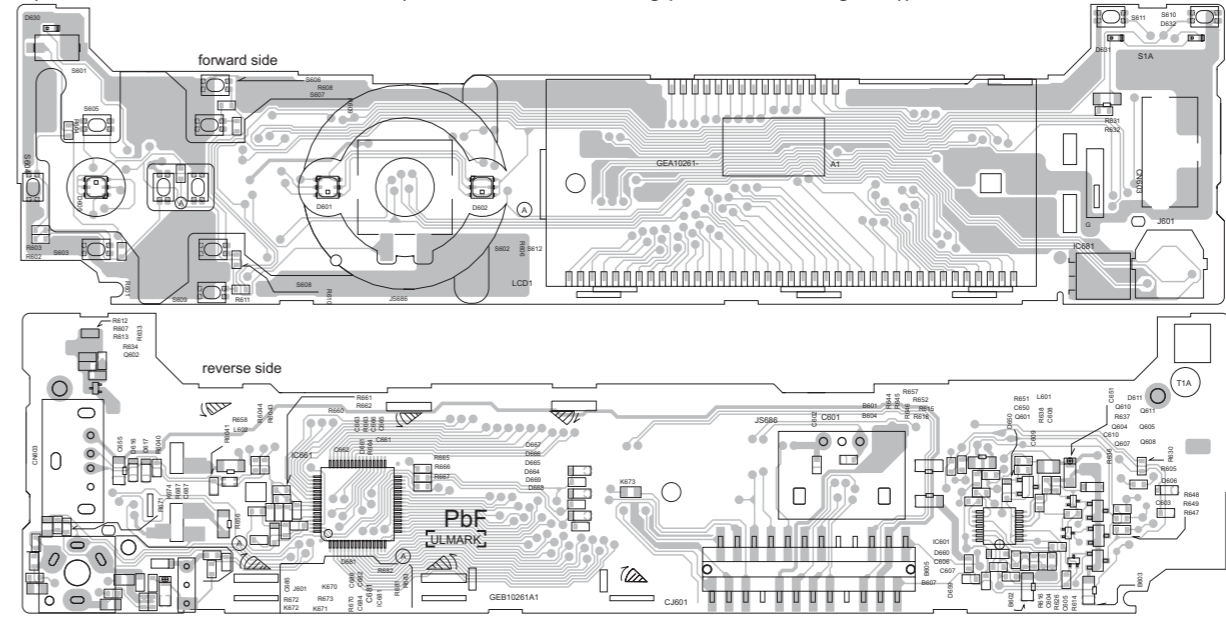
Old LED board

(Lead free solder used in the board (material : Sn-Ag-Cu, melting point : 219 Centigrade))
 (Lead free solder used in the board (material : Sn-Cu, melting point : 230 Centigrade))



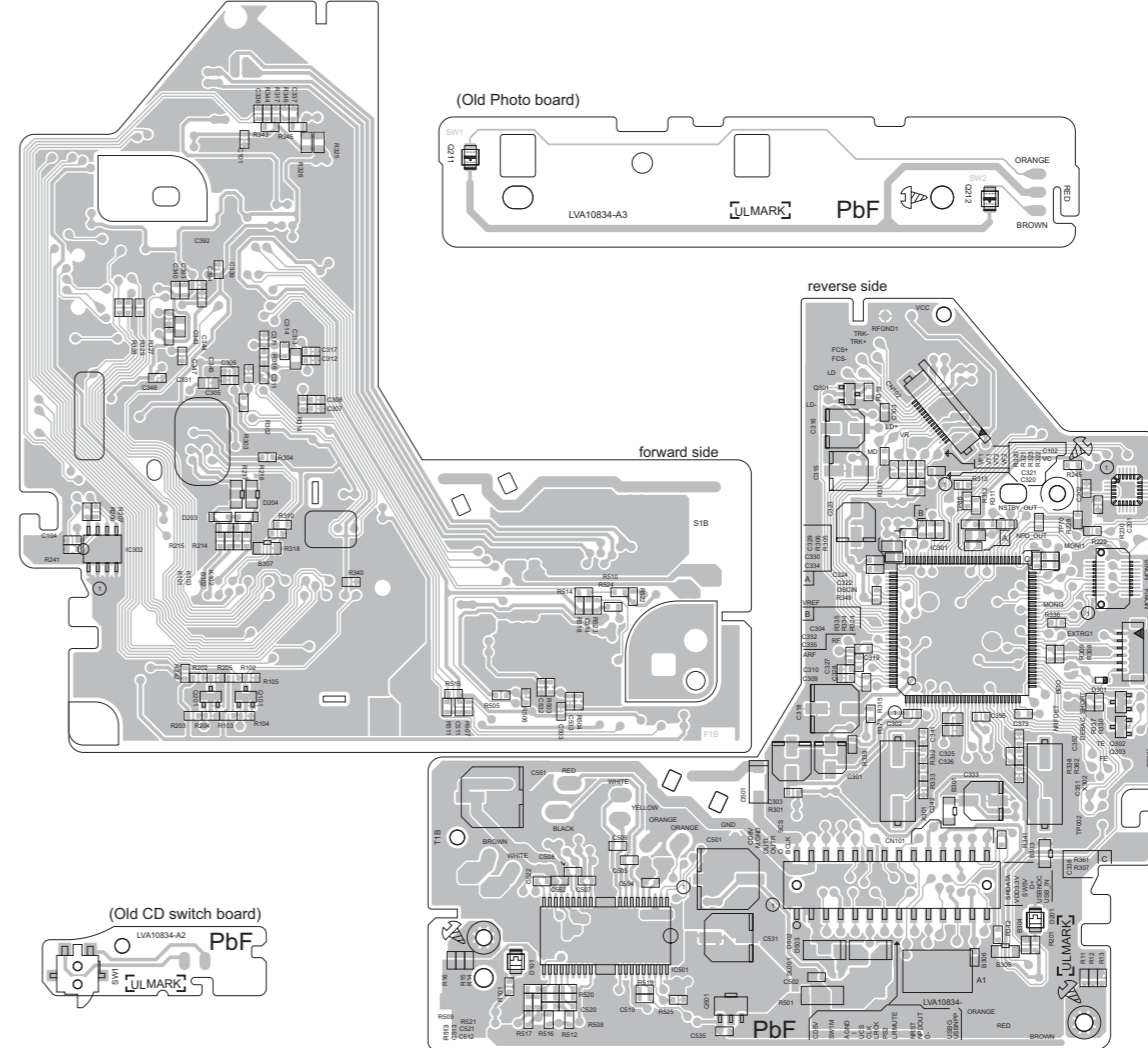
Old Switch board

(Lead free solder used in the board (material : Sn-Ag-Cu, melting point : 219 Centigrade))
 (Lead free solder used in the board (material : Sn-Cu, melting point : 230 Centigrade))

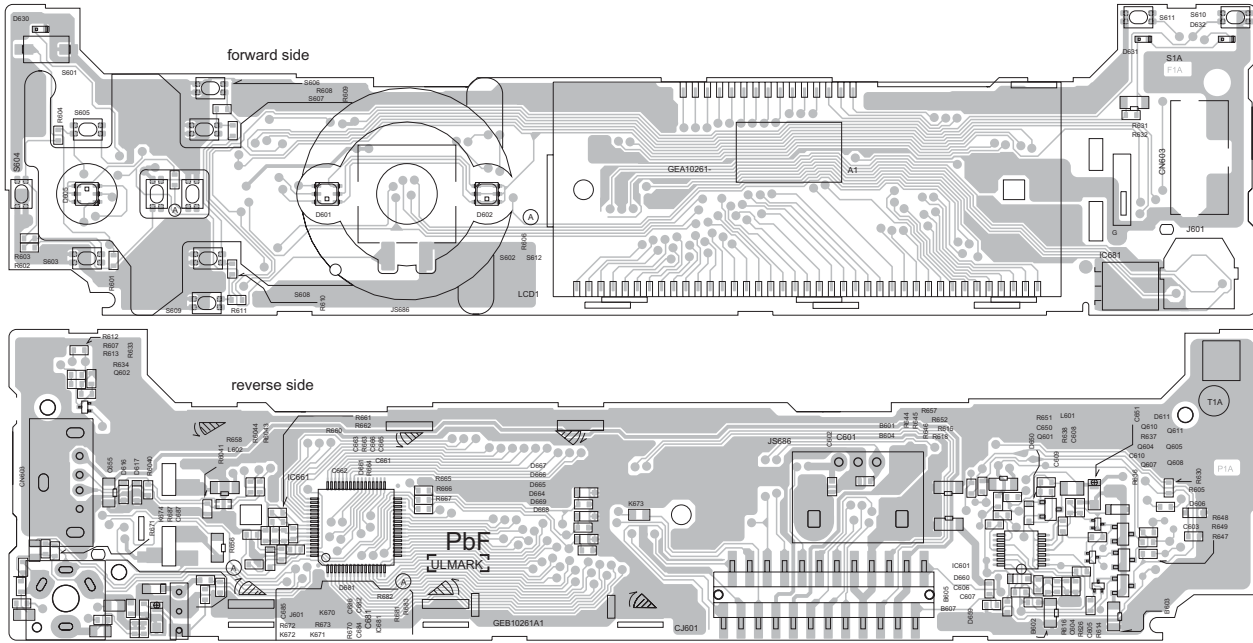


Old CD board

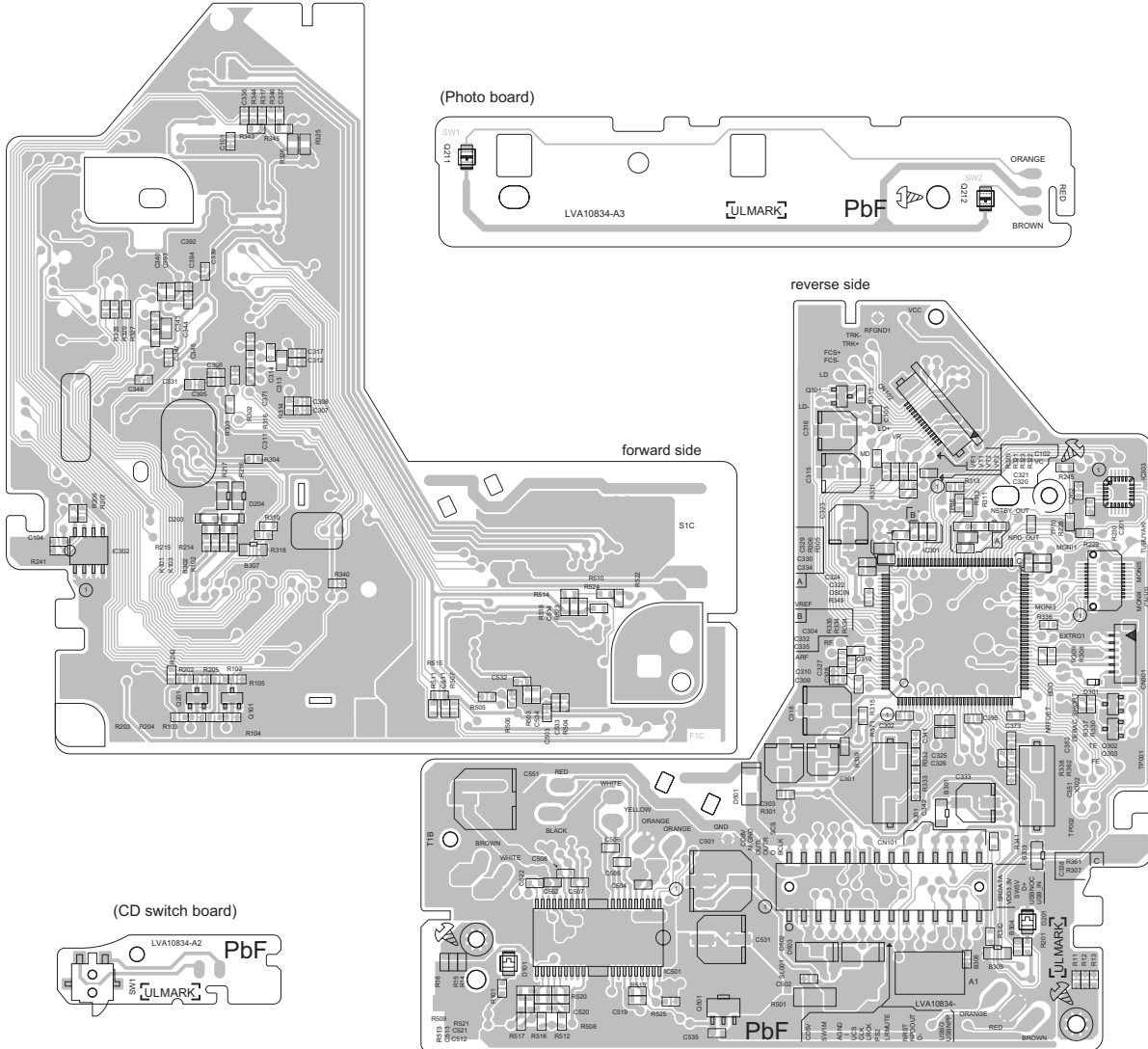
(Lead free solder used in the board (material : Sn-Ag-Cu, melting point : 219 Centigrade))
 (Lead free solder used in the board (material : Sn-Cu, melting point : 230 Centigrade))



■ **Switch board** (Lead free solder used in the board (material : Sn-Ag-Cu, melting point : 219 Centigrade))
 (Lead free solder used in the board (material : Sn-Cu, melting point : 230 Centigrade))



■ **CD board** (Lead free solder used in the board (material : Sn-Ag-Cu, melting point : 219 Centigrade))
 (Lead free solder used in the board (material : Sn-Cu, melting point : 230 Centigrade))



< MEMO >



Victor Company of Japan, Limited

Mobile Entertainment Division 10-1, 1chome, Ohwatari-machi, Maebashi-city, Gumma-ken, 371-8543, Japan