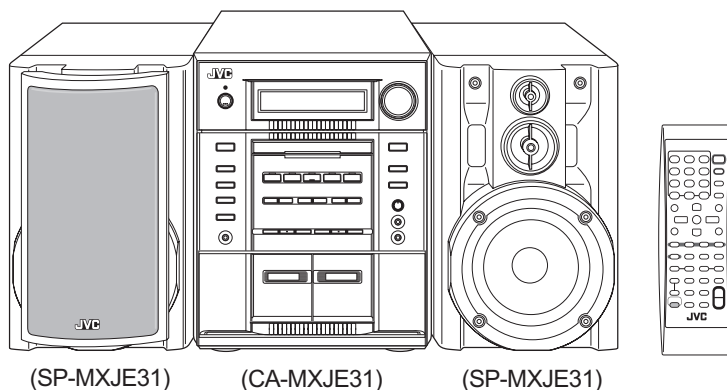
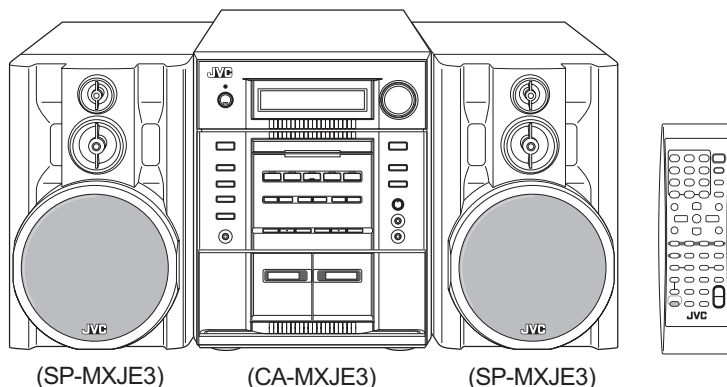


JVC

SERVICE MANUAL

COMPACT COMPONENT SYSTEM

MX-JE3, MX-JE31



| MX-JE3 | |
|--------------------|-----------------------------|
| Area suffix | |
| US ----- | Singapore |
| UW ----- | Brazil, Mexico, Peru |
| UX ----- | Saudi Arabia |
| UY ----- | Argentina |
| UG --- | Turkey, South Africa, Egypt |
| UE ----- | Turkey |
| UN ----- | Asean |

| MX-JE31 | |
|--------------------|-----------------------------|
| Area suffix | |
| UX ----- | Saudi Arabia |
| UG --- | Turkey, South Africa, Egypt |
| UN ----- | Asean |



TABLE OF CONTENTS

| | | |
|---|-------------------------------------|------|
| 1 | PRECAUTION | 1-3 |
| 2 | SPECIFIC SERVICE INSTRUCTIONS | 1-6 |
| 3 | DISASSEMBLY | 1-7 |
| 4 | ADJUSTMENT | 1-34 |
| 5 | TROUBLESHOOTING | 1-41 |

SPECIFICATION

| | | | |
|-----------------------|--------------------------------------|---|--|
| Amplifier section | Output Power | | 80 W per channel, min. RMS, driven into 6 Ω at 1 kHz with no more than 10% total harmonic distortion. |
| | Digital output | OPTICAL DIGITAL OUTPUT | -21 dBm to -15 dBm (660 nm ±30 nm) |
| | Audio input sensitivity/ Impedance*1 | AUX | 300 mV/47 kΩ |
| | | MIC 1/2 | 3.0 mV/50 kΩ |
| | VIDEO OUT | Color system | NTSC/PAL selectable |
| | | VIDEO (composite) | 1 V(p-p)/75Ω |
| S-VIDEO | | Y (luminance) : 1 V(p-p)/75Ω C (chrominance, burst) : 0.286 V(p-p)/75Ω | |
| Speaker Terminals | | 6 Ω - 16 Ω (Main speakers) | |
| Tuner section | FM tuning range | | 87.50 MHz - 108.00 MHz |
| | AM (MW) tuning range | | 531 kHz - 1 710 kHz (at 9 kHz) 530 kHz - 1 710 kHz (at 10 kHz) |
| | For Saudi Arabia only | | 531 kHz - 1 602 kHz (at 9 kHz) 530 kHz - 1 600 kHz (at 10 kHz) |
| Disc player section | Playable disc | | DVD Video/CD/VCD/SVCD CD-R/CD-RW (recorded in Audio CD/ Video CD/ Super Video CD/ MP3/ WMA/ JPEG format) DVD-R/DVD-RW (recorded in video format) |
| | Dynamic range | | 90 dB |
| | Horizontal resolution | | 500 lines |
| | Wow and flutter | | Immeasurable |
| Cassette deck section | Frequency response Normal (type I) | | 50 Hz - 14 000 Hz |
| | Wow and flutter | | 0.15% (WRMS) |
| General | Power requirement | | AC 110 V / AC 127 V / AC 220 V / AC 230 V - AC 240 V , (adjustable with the voltage selector), 50 Hz / 60 Hz |
| | Power consumption | | 125 W (at operation) (MX-JE3/JE31) 17 W (on standby) |
| | Dimensions (approx.) | | 265 mm × 335 mm × 352 mm (W/H/D) |
| | Mass (approx.) | | 8.0 kg |
| Speakers | Type | | 3-Way 3-Speaker Bass Reflex Type (Magnetically Shielded type) |
| | Speakers | Woofer | 15 cm cone × 1 |
| | | Midrange | 5 cm cone × 1 |
| | | Tweeter | 2 cm dome × 1 |
| | Power handling capacity | | 80 W |
| | Impedance | | 6 Ω |
| | Frequency range | | 42 Hz - 29 000 Hz |
| | Sound pressure level | | 83 dB/W·m |
| | Dimensions (approx.) | | JE31: 205 mm × 335 mm × 250 mm (W/H/D) JE3: 205 mm × 335 mm × 232 mm (W/H/D) |
| Mass (approx.) | | JE31: 3.6 kg each JE3: 3.5 kg each | |

*1: Measured at 1 kHz, with tape recording signal 300 mV

Design and specifications are subject to change without notice.

SECTION 1 PRECAUTION

1.1 Safety Precautions

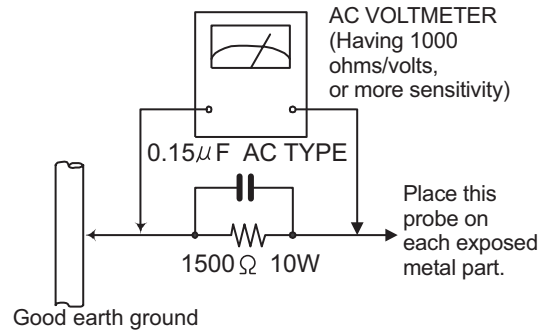
- (1) This design of this product contains special hardware and many circuits and components specially for safety purposes. For continued protection, no changes should be made to the original design unless authorized in writing by the manufacturer. Replacement parts must be identical to those used in the original circuits. Services should be performed by qualified personnel only.
- (2) Alterations of the design or circuitry of the product should not be made. Any design alterations of the product should not be made. Any design alterations or additions will void the manufacturer's warranty and will further relieve the manufacturer of responsibility for personal injury or property damage resulting therefrom.
- (3) Many electrical and mechanical parts in the products have special safety-related characteristics. These characteristics are often not evident from visual inspection nor can the protection afforded by them necessarily be obtained by using replacement components rated for higher voltage, wattage, etc. Replacement parts which have these special safety characteristics are identified in the Parts List of Service Manual. Electrical components having such features are identified by shading on the schematics and by (Δ) on the Parts List in the Service Manual. The use of a substitute replacement which does not have the same safety characteristics as the recommended replacement parts shown in the Parts List of Service Manual may create shock, fire, or other hazards.
- (4) The leads in the products are routed and dressed with ties, clamps, tubings, barriers and the like to be separated from live parts, high temperature parts, moving parts and/or sharp edges for the prevention of electric shock and fire hazard. When service is required, the original lead routing and dress should be observed, and it should be confirmed that they have been returned to normal, after reassembling.
- (5) Leakage shock hazard testing

After reassembling the product, always perform an isolation check on the exposed metal parts of the product (antenna terminals, knobs, metal cabinet, screw heads, headphone jack, control shafts, etc.) to be sure the product is safe to operate without danger of electrical shock. Do not use a line isolation transformer during this check.

- Plug the AC line cord directly into the AC outlet. Using a "Leakage Current Tester", measure the leakage current from each exposed metal part of the cabinet, particularly any exposed metal part having a return path to the chassis, to a known good earth ground. Any leakage current must not exceed 0.5mA AC (r.m.s.).
- Alternate check method
Plug the AC line cord directly into the AC outlet. Use an AC voltmeter having, 1,000 Ω per volt or more sensitivity in the following manner. Connect a 1,500 Ω 10W resistor paralleled by a 0.15 μ F AC-type capacitor between an exposed metal part and a known good earth ground. Measure the AC voltage across the resistor with the AC

voltmeter.

Move the resistor connection to each exposed metal part, particularly any exposed metal part having a return path to the chassis, and measure the AC voltage across the resistor. Now, reverse the plug in the AC outlet and repeat each measurement. Voltage measured any must not exceed 0.75 V AC (r.m.s.). This corresponds to 0.5 mA AC (r.m.s.).



1.2 Warning

- (1) This equipment has been designed and manufactured to meet international safety standards.
- (2) It is the legal responsibility of the repairer to ensure that these safety standards are maintained.
- (3) Repairs must be made in accordance with the relevant safety standards.
- (4) It is essential that safety critical components are replaced by approved parts.
- (5) If mains voltage selector is provided, check setting for local voltage.

1.3 Caution

Burrs formed during molding may be left over on some parts of the chassis.

Therefore, pay attention to such burrs in the case of pre-forming repair of this system.

1.4 Critical parts for safety

In regard with component parts appearing on the silk-screen printed side (parts side) of the PWB diagrams, the parts that are printed over with black such as the resistor (■), diode (■) and ICP (●) or identified by the " Δ " mark nearby are critical for safety. When replacing them, be sure to use the parts of the same type and rating as specified by the manufacturer. (This regulation does not Except the J and C version)

1.5 Preventing static electricity

Electrostatic discharge (ESD), which occurs when static electricity stored in the body, fabric, etc. is discharged, can destroy the laser diode in the traverse unit (optical pickup). Take care to prevent this when performing repairs.

1.5.1 Grounding to prevent damage by static electricity

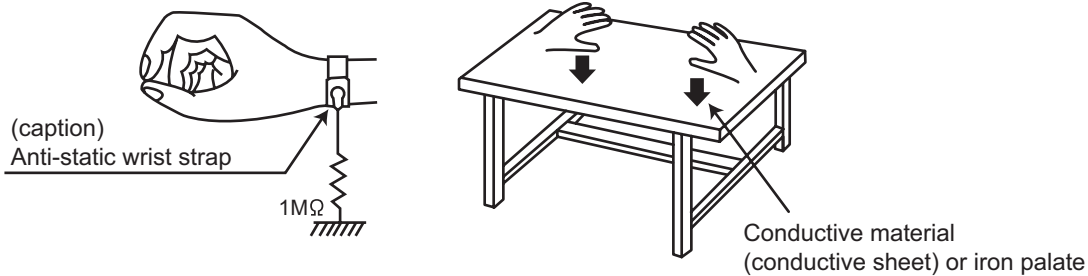
Static electricity in the work area can destroy the optical pickup (laser diode) in devices such as laser products. Be careful to use proper grounding in the area where repairs are being performed.

(1) Ground the workbench

Ground the workbench by laying conductive material (such as a conductive sheet) or an iron plate over it before placing the traverse unit (optical pickup) on it.

(2) Ground yourself

Use an anti-static wrist strap to release any static electricity built up in your body.



(3) Handling the optical pickup

- In order to maintain quality during transport and before installation, both sides of the laser diode on the replacement optical pickup are shorted. After replacement, return the shorted parts to their original condition. (Refer to the text.)
- Do not use a tester to check the condition of the laser diode in the optical pickup. The tester's internal power source can easily destroy the laser diode.

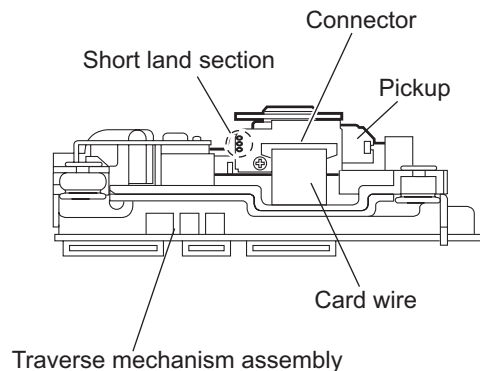
1.6 Handling the traverse unit (optical pickup)

- (1) Do not subject the traverse unit (optical pickup) to strong shocks, as it is a sensitive, complex unit.
- (2) Cut off the shorted part of the flexible cable using nippers, etc. after replacing the optical pickup. For specific details, refer to the replacement procedure in the text. Remove the anti-static pin when replacing the traverse unit. Be careful not to take too long a time when attaching it to the connector.
- (3) Handle the flexible cable carefully as it may break when subjected to strong force.
- (4) It is not possible to adjust the semi-fixed resistor that adjusts the laser power. Do not turn it.

1.7 Attention when traverse unit is decomposed

***Please refer to "Disassembly method" in the text for the pickup unit.**

- Apply solder to the short land sections before the flexible wire is disconnected from the connector on the servo board. (If the flexible wire is disconnected without applying solder, the pickup may be destroyed by static electricity.)
- In the assembly, be sure to remove solder from the short land sections after connecting the flexible wire.



1.8 Important for laser products

1.CLASS 1 LASER PRODUCT


2.DANGER : Invisible laser radiation when open and interlock failed or defeated. Avoid direct exposure to beam.

3.CAUTION : There are no serviceable parts inside the Laser Unit. Do not disassemble the Laser Unit. Replace the complete Laser Unit if it malfunctions.

4.CAUTION : The CD,MD and DVD player uses invisible laser radiation and is equipped with safety switches which prevent emission of radiation when the drawer is open and the safety interlocks have failed or are defeated. It is dangerous to defeat the safety switches.

5.CAUTION : If safety switches malfunction, the laser is able to function.

6.CAUTION : Use of controls, adjustments or performance of procedures other than those specified here in may result in hazardous radiation exposure.

 **CAUTION** Please use enough caution not to see the beam directly or touch it in case of an adjustment or operation check.

CAUTION : Visible and invisible laser radiation when open and interlock failed or defeated.
AVOID DIRECT EXPOSURE TO BEAM.

ADVARSEL : Synlig og usynlig laserstråling når maskinen er åben eller interlocken fejler. Undgå direkte eksponering til stråling.

VARNING : Synlig och osynlig laserstråling när den öppnas och spärren är urkopplad. Betrakta ej strålen.

VARO : Avattaessa ja suojalukitus ohitettuna tai viallisena olet alltiina näkyvälle ja näkymättömälle lasersäteilylle. Vältä säteen kohdistumista suoraan itseesi.

REPRODUCTION AND POSITION OF LABELS

WARNING LABEL

| | | | |
|---|--|---|---|
| CAUTION : Visible and invisible laser radiation when open and interlock failed or defeated. AVOID DIRECT EXPOSURE TO BEAM. (e) | ADVARSEL : Synlig og usynlig laserstråling når maskinen er åben eller interlocken fejler. Undgå direkte eksponering til stråling. (d) | VARNING : Synlig och osynlig laserstråling när den öppnas och spärren är urkopplad. Betrakta ej strålen. (s) | VARO : Avattaessa ja suojalukitus ohitettuna tai viallisena olet alltiina näkyvälle ja näkymättömälle lasersäteilylle. Vältä säteen kohdistumista suoraan itseesi. (f) |
|---|--|---|---|

CLASS 1
LASER PRODUCT

| | |
|---|---|
| CAUTION : Visible and invisible laser radiation when open and interlock failed or defeated. AVOID DIRECT EXPOSURE TO BEAM. (e) | VARO : Avattaessa ja suojalukitus ohitettuna tai viallisena olet alltiina näkyvälle ja näkymättömälle lasersäteilylle. Vältä säteen kohdistumista suoraan itseesi. (f) |
| VARNING : Synlig och osynlig laserstråling när den öppnas och spärren är urkopplad. Betrakta ej strålen. (s) | ADVARSEL : Synlig og usynlig laserstråling når maskinen er åben eller interlocken fejler. Undgå direkte eksponering til stråling. (d) |

SECTION 2 SPECIFIC SERVICE INSTRUCTIONS

This service manual does not describe SPECIFIC SERVICE INSTRUCTIONS.

SECTION 3 DISASSEMBLY

3.1 Main body section

3.1.1 Removing the metal cover

(See Figs.1 to 3)

- (1) From the both sides of the main body, remove the two screws **A** attaching the metal cover. (See Figs.1 and 2.)
- (2) From the back side of the main body, remove the six screws **B** attaching the metal cover. (See Fig.3.)
- (3) Remove the metal cover from the main body while lifting the rear section of the metal cover in the direction of the arrow. (See Figs.1 and 2.)

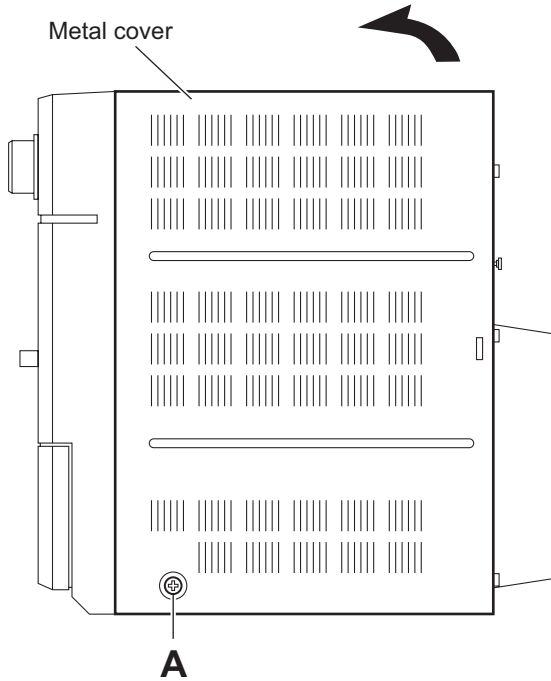


Fig.1

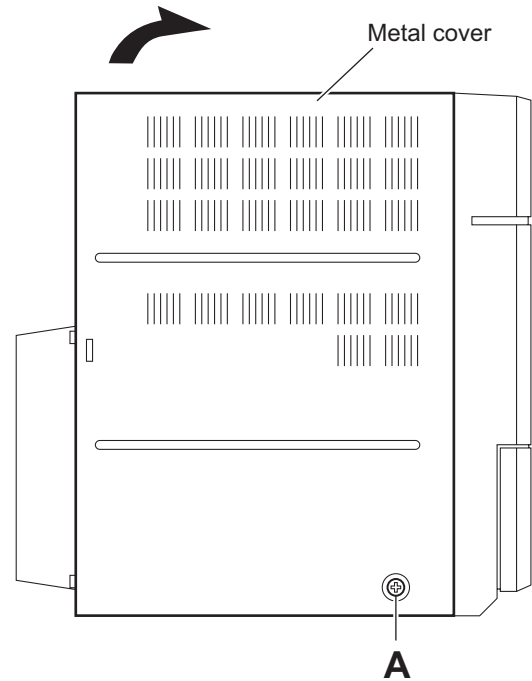


Fig.2

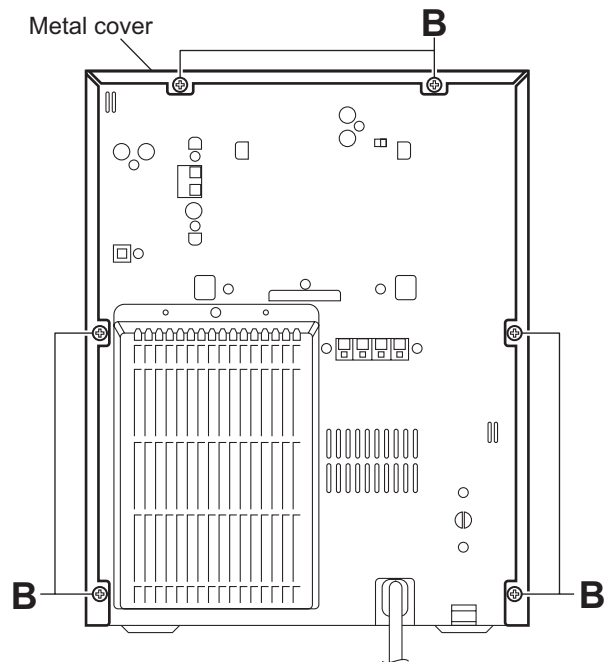


Fig.3

3.1.2 Removing the front panel assembly (See Figs.4 to 7)

- Remove the metal cover.

- (1) From the right side of the main body, remove the screw **C** attaching the earth wires on the reverse side of the main board. (See Fig.4.)

Reference:

After attaching the earth wires, fix them with a spacer as before. (See Fig.4.)

- (2) Remove the plastic rivet attaching the main board. (See Fig.4.)
- (3) From the inside of the main body, disconnect the card wires from the connectors (CN303, CN860, CN880) on the forward side of the main board. (See Fig.4.)
- (4) Remove the wire clamp fixing the wires and disconnect the wires from the connector (CN301, CN302) on the forward side of the main board. (See Fig.5.)

Reference:

After connecting the wires to the connectors, fix the wires with the wire clamp as before. (See Fig.5.)

- (5) From the left side of the main body, disconnect the parallel wire from the connector CN103 on the transformer board. (See Fig.5.)
- (6) Disconnect the wire from the connector CN119 on the transformer board. (See Fig.5.)

Reference:

After connecting the wire, pass the wire through the slot **b** of the holder board as before. (See Fig.5.)

- (7) Remove the tie band fixing the wire and disconnect the wire from the connector CN106 on the speaker terminal board. (See Fig.5.)

Reference:

- After connecting the wire, fix the wire with a new tie band as before. (See Fig.5.)
- After connecting the wire, pass the wire through the slot **b** of the holder board as before. (See Fig.5.)

- (8) From the top side of the main body, remove the two screws **D** attaching the front panel assembly to the main body. (See Fig.6.)
- (9) From the bottom side of the main body, remove the three screws **E** and two screws **F** attaching the front panel assembly. (See Fig.7.)
- (10) Release the claws **a** and remove the front panel assembly from the main body in the direction of the arrow. (See Fig.7.)

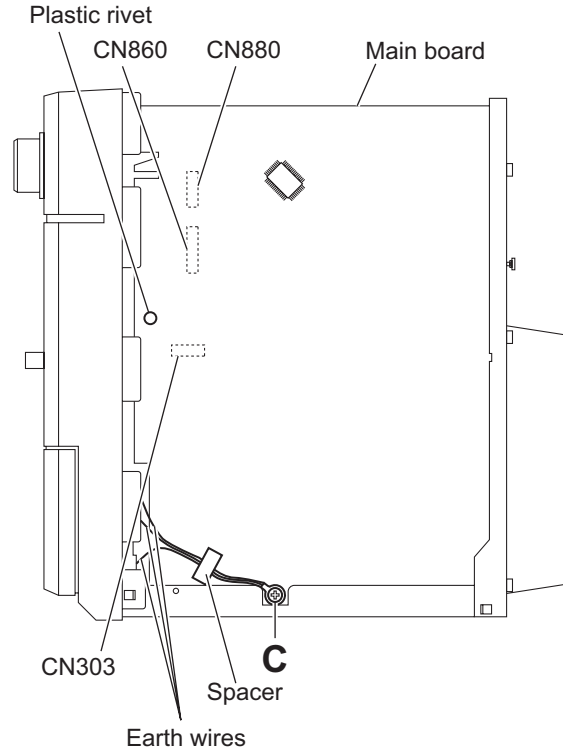


Fig.4

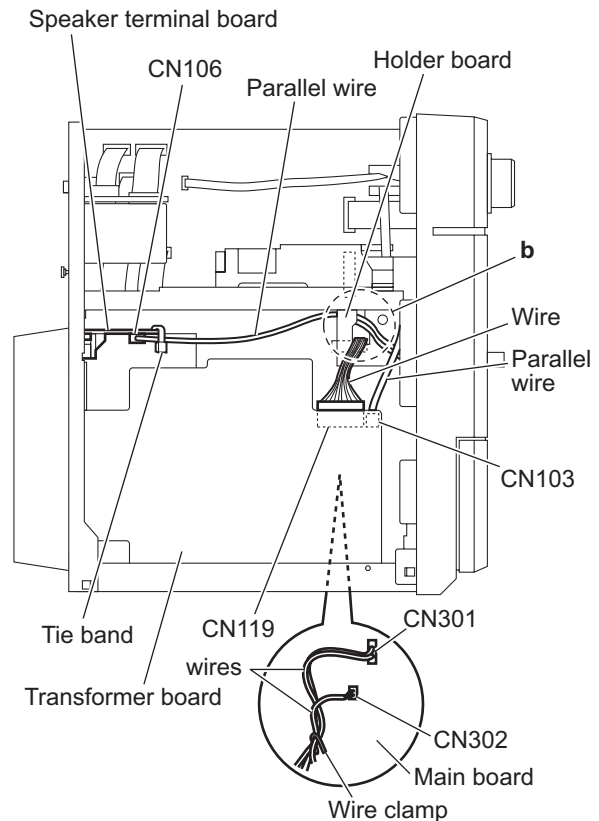


Fig.5

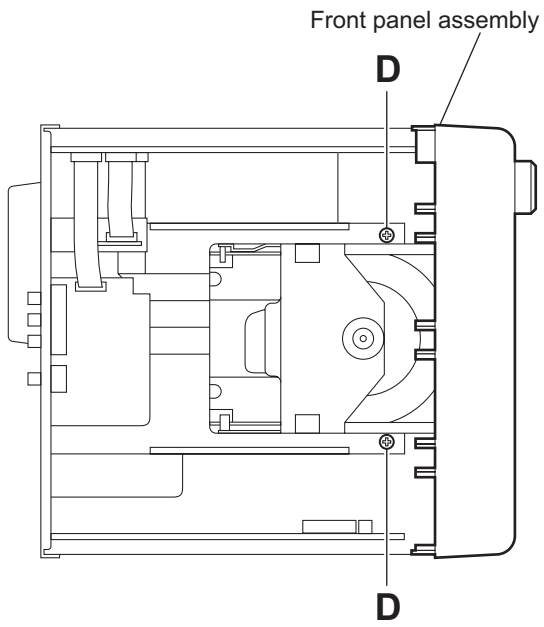


Fig.6

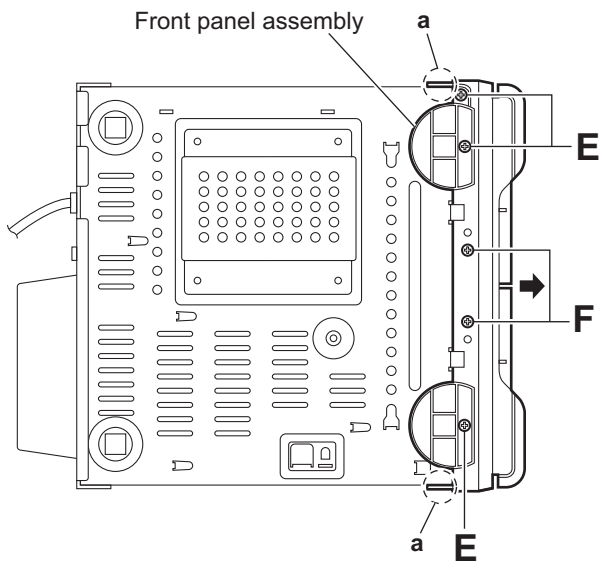


Fig.7

3.1.3 Removing the tuner (See Figs.8 and 9.)

- Remove the metal cover.
 - (1) From the top side of the main body, disconnect the card wire from the connector [CN21](#) on the main board. (See Fig.8.)
 - (2) From the back side of the main body, remove the two screws **G** attaching the tuner to the rear panel. (See Fig.9.)

3.1.4 Removing the video board (See Figs.8 and 9.)

- Remove the metal cover.
 - (1) From the top side of the main body, disconnect the card wire from the connector [CN410](#) on the main board. (See Fig.8.)
 - (2) From the back side of the main body, remove the screw **H** attaching the video board to the rear panel. (See Fig.9.)

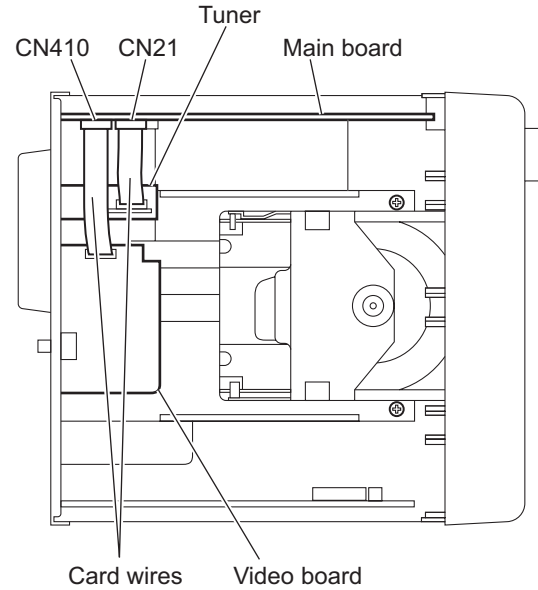


Fig.8

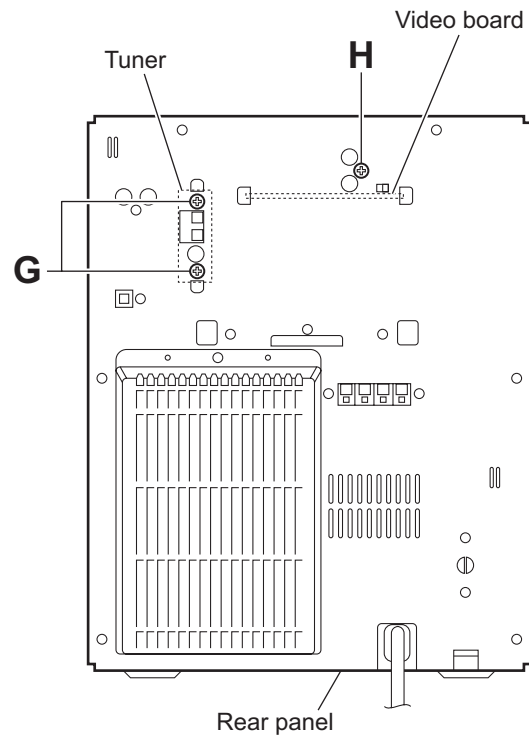


Fig.9

3.1.5 Removing the rear panel (See Figs.10 and 11)

- Remove the metal cover.
 - (1) From the back side of the main body, remove the screw **J** attaching the rear cover. (See Fig.10.)
 - (2) Release the sections **c** and remove the rear cover from the rear panel. (See Fig.10.)
 - (3) Remove the two screws **K** and fifteen screws **L** attaching the rear panel. (See Fig.11.)

Reference:

Remove the tuner and video board as required. (See Figs.8 and 9.)

- (4) From the both sides of the main body, release the sections **d** of the center chassis in the direction of the arrow and release the joints **e** attaching the rear panel to the bottom chassis. (See Fig. 11.)

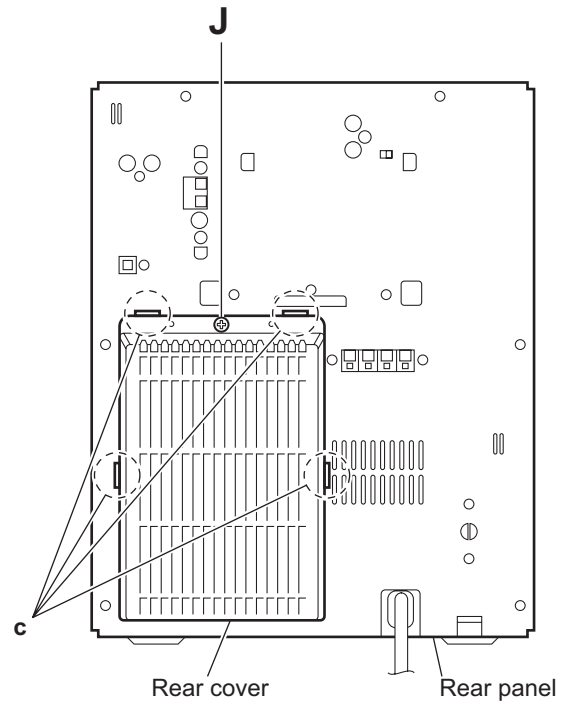


Fig.10

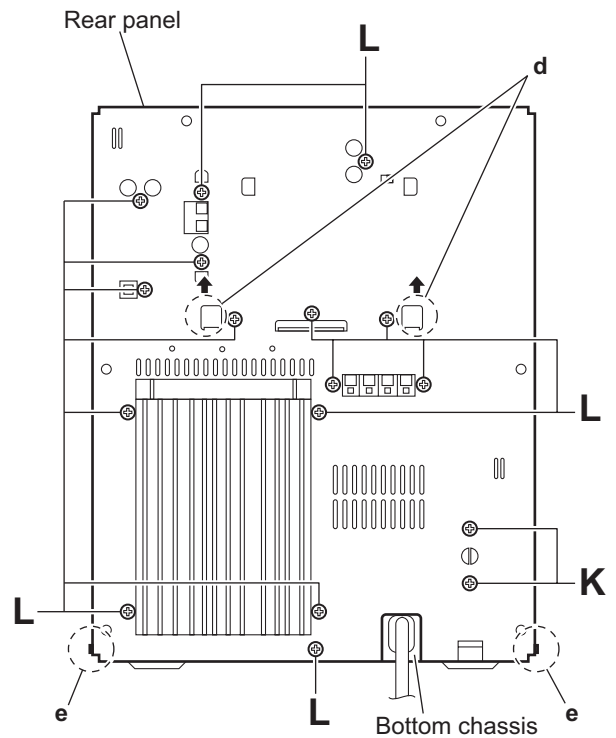


Fig.11

3.1.6 Removing the DVD mechanism assembly (See Figs.12 and 13)

- Remove the metal cover, tuner and video board.
 - From the top side of the main body, remove the three screws **M** attaching the DVD mechanism assembly on the center chassis. (See Fig.12.)
 - From the forward side of the main board, disconnect the card wires from the connectors ([CN11](#), [CN511](#), [CN513](#)). (See Fig.12.)

Reference:

When reassembly, pass the card wire through the section **f** of the main board before connecting the card wire to the connector [CN11](#). (See Fig.12.)

- Remove the spacers fixing the card wires. (See Fig.12.)

Reference:

After connecting the card wires, fix them with the spacers as before. (See Fig.12.)

- From the inside of the main body, take out the DVD mechanism assembly.
- Remove the tray fitting from the DVD mechanism assembly in the direction of the arrow. (See Fig.13.)

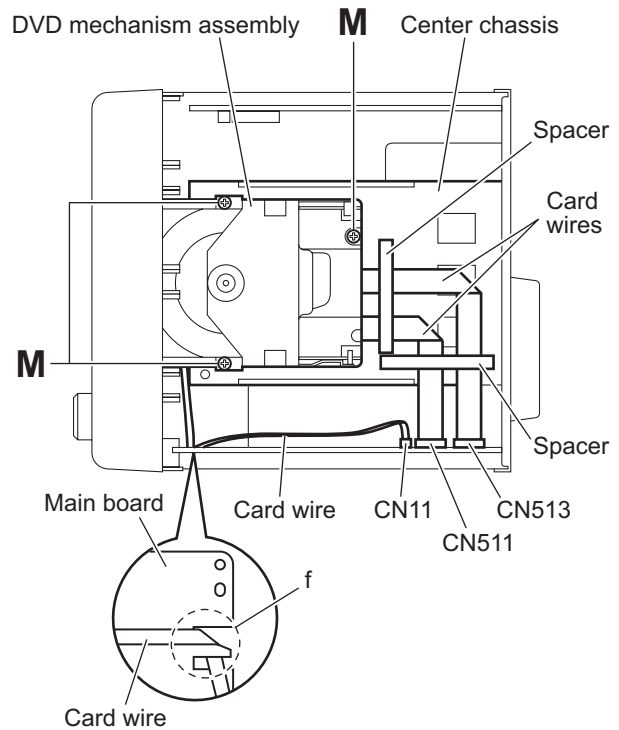


Fig.12

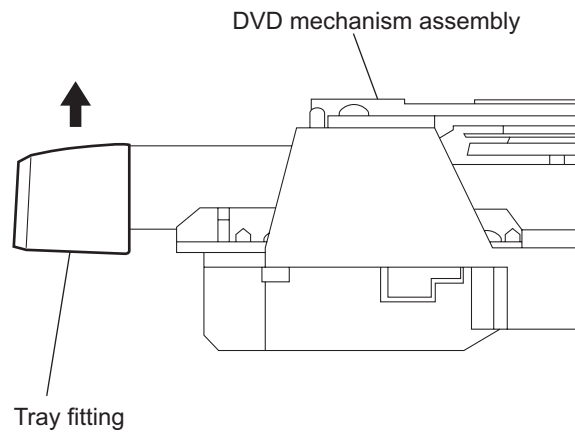


Fig.13

3.1.7 Removing the main board (See Figs.14 and 15)

- Remove the metal cover, tuner, video board and rear panel.
- (1) From the right side of the main body, remove the screw **N** attaching the earth wires on the reverse side of the main board. (See Fig.14.)

Reference:

After attaching the earth wires, fix them with a spacer as before. (See Fig.14.)

- (2) Remove the plastic rivet attaching the main board. (See Fig.14.)
- (3) From the inside of the main body, disconnect the card wires from the connectors (CN11, CN303, CN511, CN513, CN860, CN880) on the forward side of the main board. (See Figs.14 and 15.)

Reference:

When reassembly, pass the card wire through the section **f** of the main board before connecting the card wire to the connector **CN11**. (See Fig.14.)

- (4) Remove the wire clamp fixing the wires and disconnect the wires from the connector (CN301, CN302) on the forward side of the main board. (See Fig.15.)

Reference:

After connecting the wires to the connectors, fix the wires with the wire clamp as before. (See Fig.15.)

- (5) Disconnect the parallel wire from the connectors (CN220, CN221) on the main board. (See Fig.15.)
- (6) Release the lock **g** of the connector **CN216** on the main board in the direction of the arrow 1 and disconnect the main board from the connector **CN216** on the speaker terminal board toward this side. (See Fig.14.)

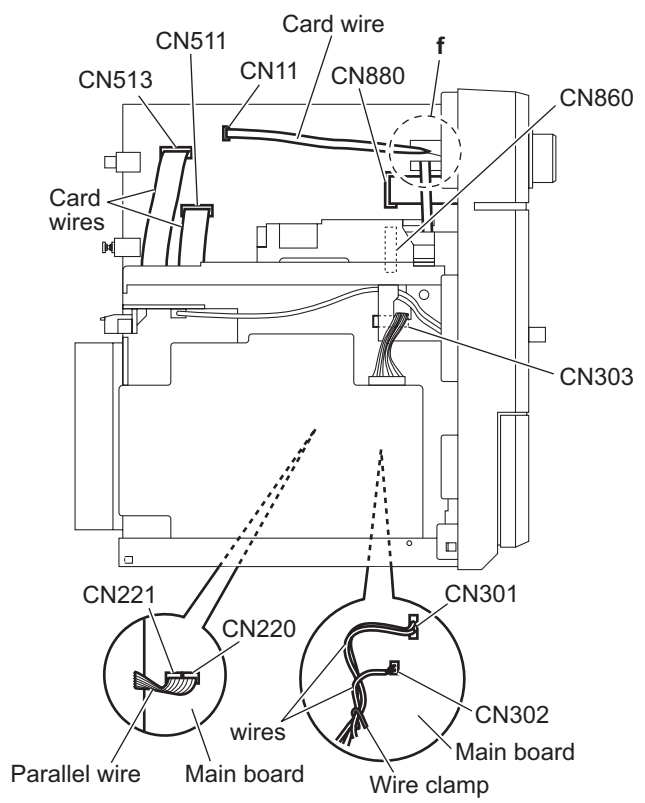
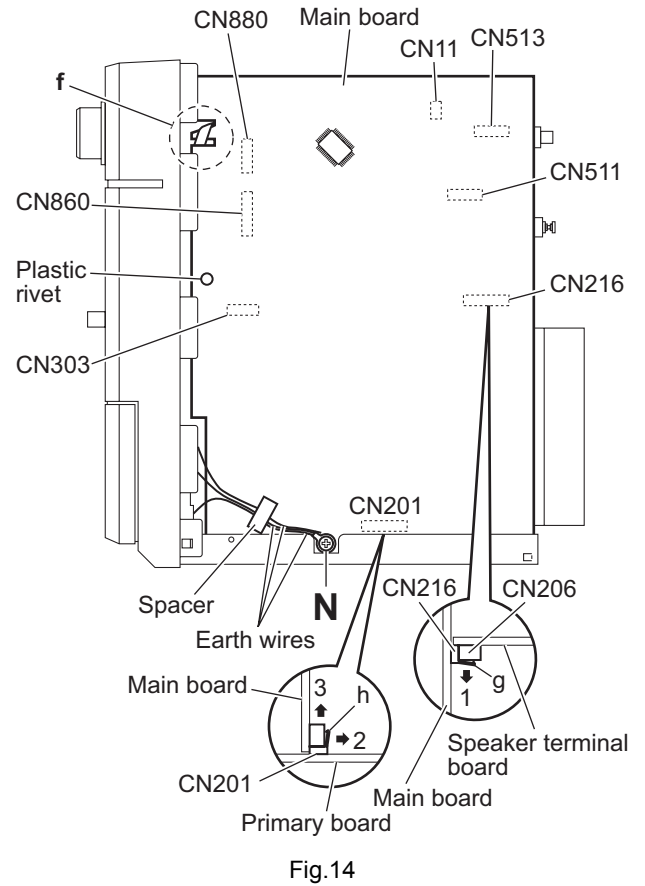
Note:

When releasing the lock **g**, take care not to break it. (See Fig.14.)

- (7) Release the lock **h** of the connector **CN201** on the primary board in the direction of the arrow 2 and disconnect the main board from the connector **CN201** in the direction of the arrow 3. (See Fig.14.)

Note:

When releasing the lock **h**, take care not to break it. (See Fig.14.)



3.1.8 Removing the center chassis assembly (See Fig.16)

- Remove the metal cover, tuner, video board and rear panel.
 - From the top side of the main body, disconnect the card wires from the connectors (CN11, CN511, CN513) on the main board.

Reference:

When reassembly, pass the card wire through the section **f** of the main board before connecting the card wire to the connector **CN11**.

- Remove the two screws **P** attaching the center chassis assembly.
- Take out the center chassis assembly with the DVD mechanism assembly from the main body.

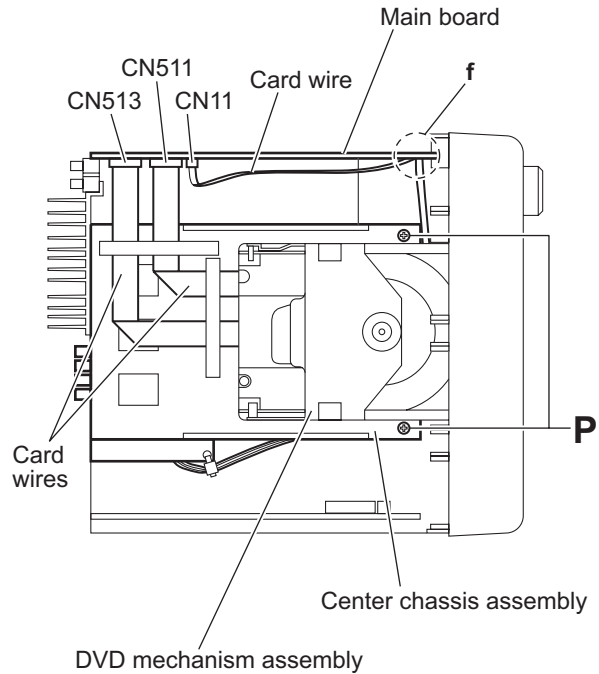


Fig.16

3.1.9 Removing the transformer board (See Fig.17)

- Remove the metal cover, tuner, video board, rear panel and center chassis assembly.
 - From the top side of the main body, disconnect the wires from the connectors (CN119, CN250) on the transformer board.
 - Disconnect the parallel wire from the connector **CN103** on the transformer board.
 - Remove the four screws **Q** attaching the transformer board and take out the transformer board from the main board.

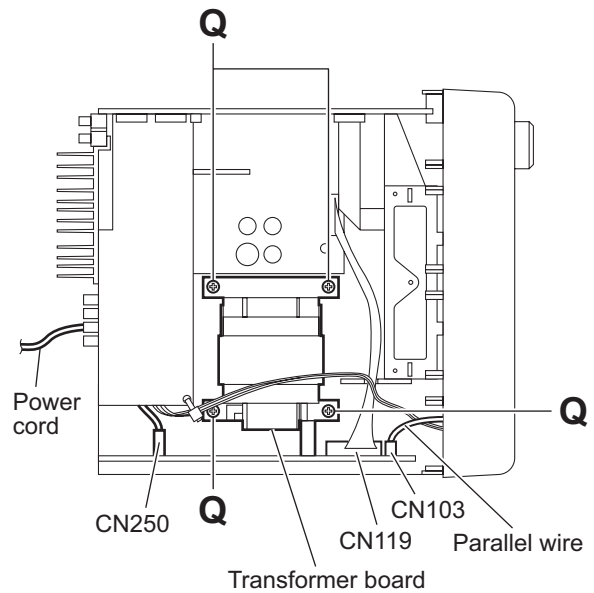


Fig.17

3.1.10 Removing the speaker terminal board (See Fig.18.)

- Remove the metal cover, tuner, video board, rear panel, main board and center chassis assembly.
 - From the top side of the main body, remove the tie band fixing the parallel wire.

Reference:

After connecting the parallel wire, fix it with the new tie band.

- Disconnect the parallel wire from the connector [CN106](#) on the speaker terminal board.
- Release the locks ([i](#), [j](#)) of the connectors ([CN205](#), [CN214](#)) and disconnect the speaker terminal board in an upward direction.

Note:

When releasing the locks ([i](#), [j](#)), take care not to break them.

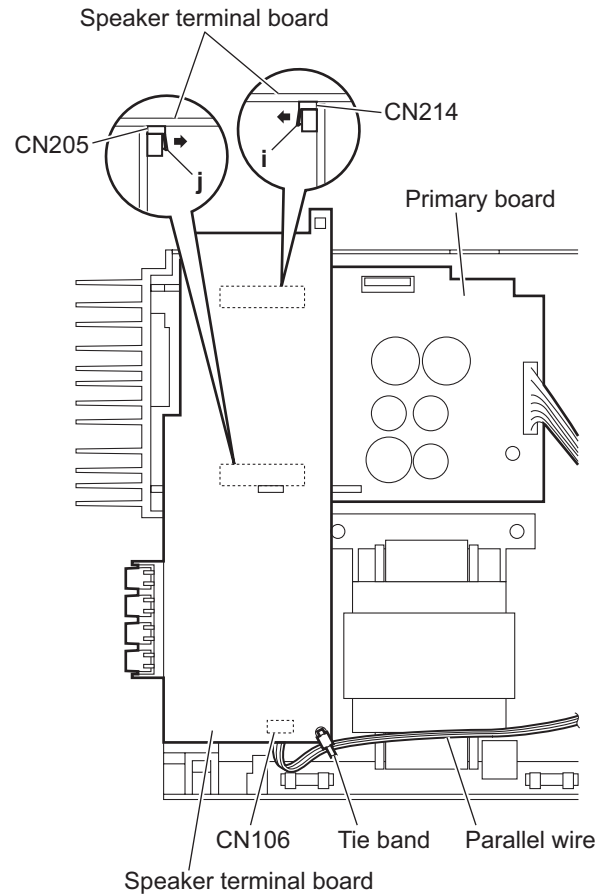


Fig.18

3.1.11 Removing the regulator board and main amplifier board (See Figs.19 and 20)

- Remove the metal cover, tuner, video board, rear panel, main board, center chassis assembly and speaker terminal board.
- (1) From the top side of the main body, disconnect the regulator and main amplifier boards in an upward direction while releasing the locks (**k**, **m**) of the connectors ([CN202](#), [CN203](#)) on the primary board. (See Fig.19.)

Note:

- When releasing the locks (**k**, **m**), take care not to break them. (See Fig.19.)
- (2) Take out the regulator and main amplifier boards at the same time from the main body.
- (3) Remove the two screws **R** attaching the leaf spring to the heat sink and remove the regulator board from the heat sink. (See Fig.20.)
- (4) Remove the two screws **R** attaching the main amplifier board to the heat sink. (See Fig.20.)

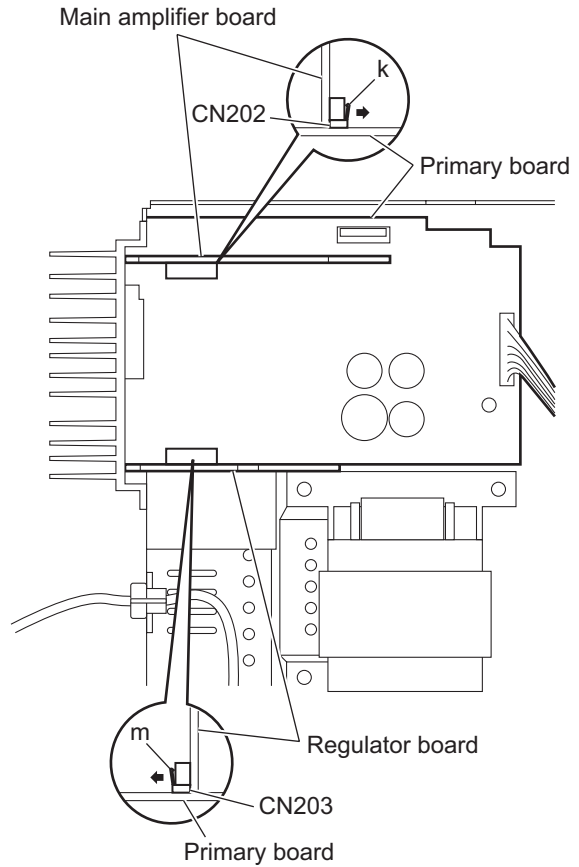


Fig.19

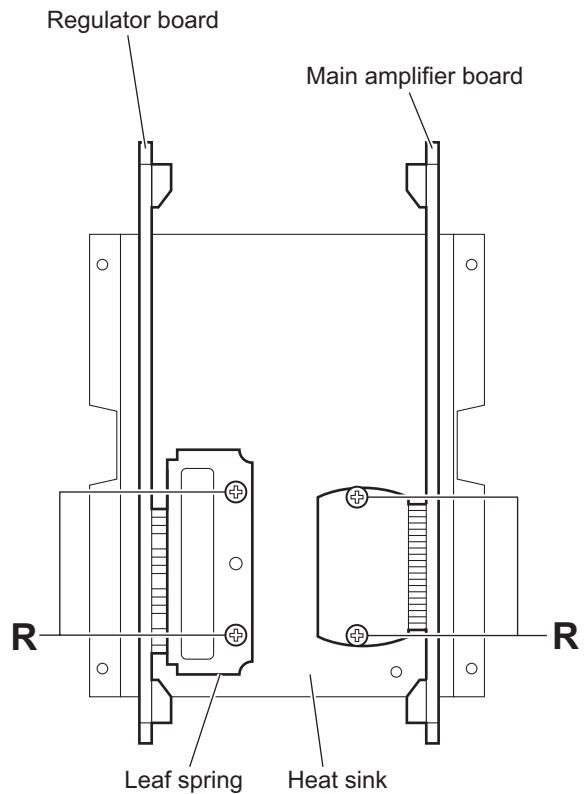


Fig.20

3.1.12 Removing the primary board (See Fig.21)

- Remove the metal cover, tuner, video board, rear panel, main board, center chassis assembly, speaker terminal board, regulator board and main amplifier board.

(1) From the top side of the main body, disconnect the wire from the connector [CN119](#) on the transformer board.

Reference:

Pass the wire through the slot **n** of the holder board before connecting the wire to the connector.

- (2) Remove the screw **S** attaching the primary board on the bottom chassis.
- (3) Remove the section **p** of the primary board and take out the primary board from the bottom chassis.

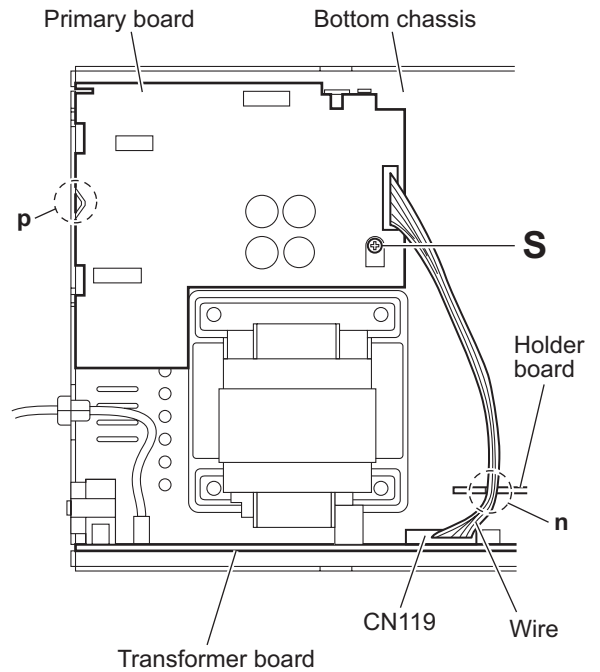


Fig.21

3.1.13 Removing the FL board
(See Figs.22 and 23)

- Remove the metal cover and front panel assembly.
 - From the front side of the front panel assembly, pull the volume knob out of the front panel assembly. (See Fig.22.)
 - From the inside of the front panel assembly, remove the six screws **T** attaching the FL board. (See Fig.23.)
 - Release the claws **q** in the direction of the arrow and take out the FL board from the front panel assembly. (See Fig.23.)

3.1.14 Removing the switch board
(See Figs.22 to 24)

- Remove the metal cover and front panel assembly.
 - From the front side of the front panel assembly, pull the microphone knob out of the front panel assembly. (See Fig.22.)
 - From the inside of the front panel assembly, remove the three screws **U** and screw **U'** attaching the stay bracket. (See Fig.23.)

Reference:

When attaching the screw **U'**, attach the earth wire with it. (See Fig.23.)

- From the inside of the front panel assembly, remove the eleven screws **V** attaching the switch board. (See Fig.24.)
- Take out the switch board from the front panel assembly.

3.1.15 Removing the cassette mechanism assembly
(See Fig.24)

- Remove the metal cover and front panel assembly.
 - From the inside of the front panel assembly, remove the three screws **W**, screw **W'** and two screws **X** attaching the cassette mechanism assembly.
 - Take out the cassette mechanism assembly from the front panel assembly.

Reference:

- When attaching the screw **W'**, attach the earth wire with it.
- When attaching the screws **X**, attach the swing cam (L)/(R) with them.

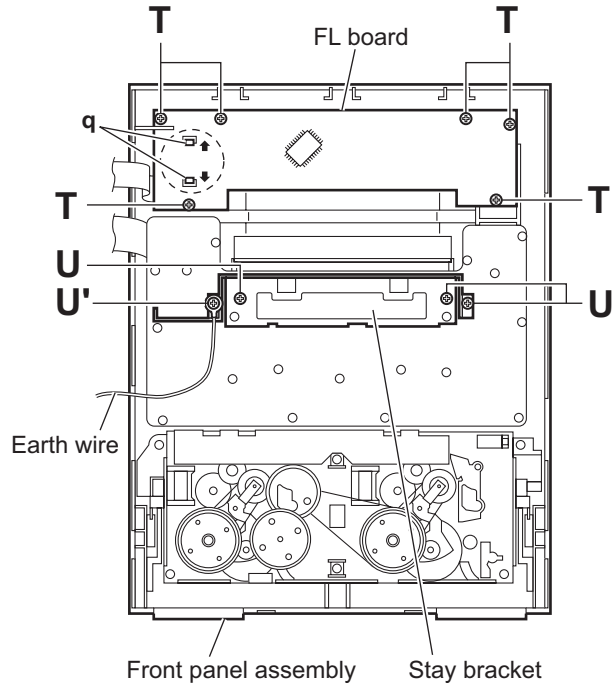


Fig.23

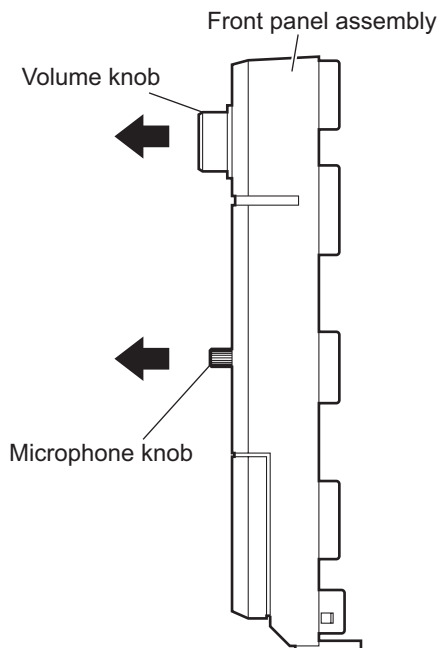


Fig.22

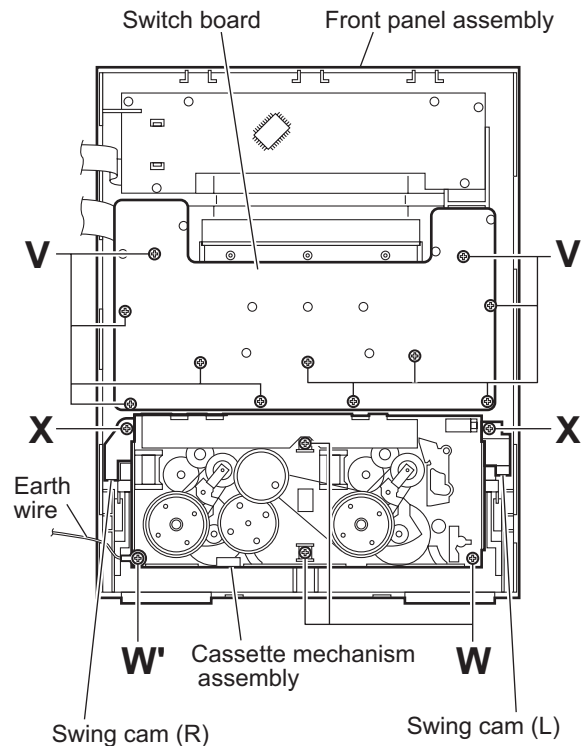


Fig.24

3.2 DVD mechanism section

- Remove the DVD mechanism assembly from the main body.
(See "3.1.6 Removing the DVD mechanism assembly".)

3.2.1 Removing the clamber base

(See Fig.1)

- (1) From the top side of the DVD mechanism assembly, remove the two screws **A** attaching the clamber base.
- (2) Lift the clamber base in an upward direction to remove it from the projections **a** of the DVD mechanism assembly.
- (3) Slide the clamber base in the direction of the arrow and remove it from the joints **b**.

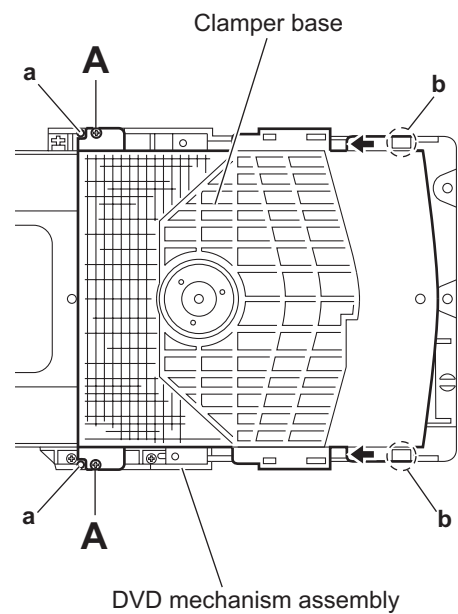


Fig.1

3.2.2 Removing the tray assembly

(See Fig.2)

- (1) From the top side of the DVD mechanism assembly, remove the two screws **B** attaching the shaft guide of the tray assembly.
- (2) Remove the tray assembly from the projections **c** of the DVD mechanism assembly and take out the tray assembly.

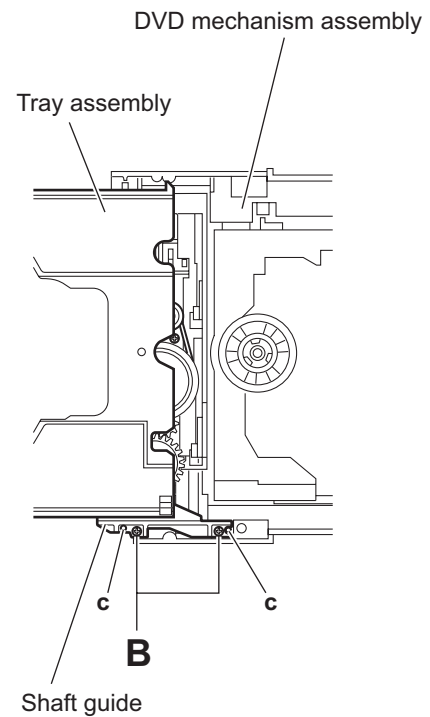


Fig.2

3.2.3 Removing the traverse mechanism assembly (See Figs.3)

- (1) From the bottom side of the DVD mechanism assembly, remove the four screws **C** attaching the traverse mechanism assembly.
- (2) Take out the traverse mechanism assembly with the DVD module board.

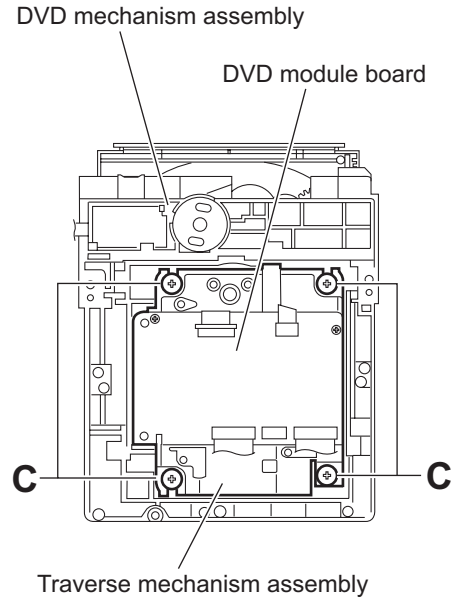


Fig.3

3.2.4 Removing the DVD module board (See Figs.4 and 5)

- Remove the traverse mechanism assembly.
 - (1) From the side of the traverse mechanism assembly, solder the short land sections **d** on the pickup. (See Fig.4.)
 - (2) From the bottom side of the traverse mechanism assembly, release the lock of the connector **CN101** on the DVD module board in the direction of the arrow 1 and disconnect the card wire. (See Fig.5.)

Caution:

- Solder the short land sections **d** on the pickup before disconnecting the card wire from the connector **CN101** on the DVD module board. If the card wire is disconnected without attaching solder, the pickup may be destroyed by static electricity. (See Figs.4 and 5.)
- When attaching the DVD module board, be sure to remove solders from the short land sections **d** after connecting the card wire to the connector **CN101** on the DVD module board. (See Figs.4 and 5.)

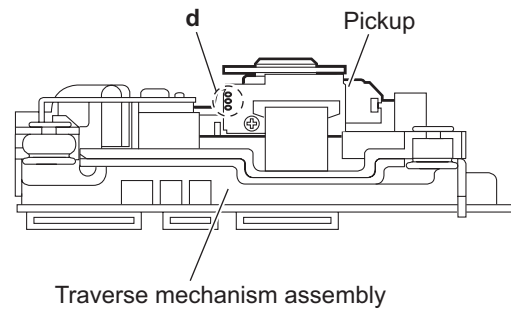


Fig.4

- (3) Disconnect the card wire from the connector **CN201** on the DVD module board. (See Fig.5.)
- (4) Remove the two screws **D** attaching the DVD module board. (See Fig.5.)
- (5) Remove the DVD module board from the projection **e** in an upward direction and remove the engagement section **g** in the direction 3 while removing the engagement section **f** in the direction of the arrow 2. (See Fig.5.)

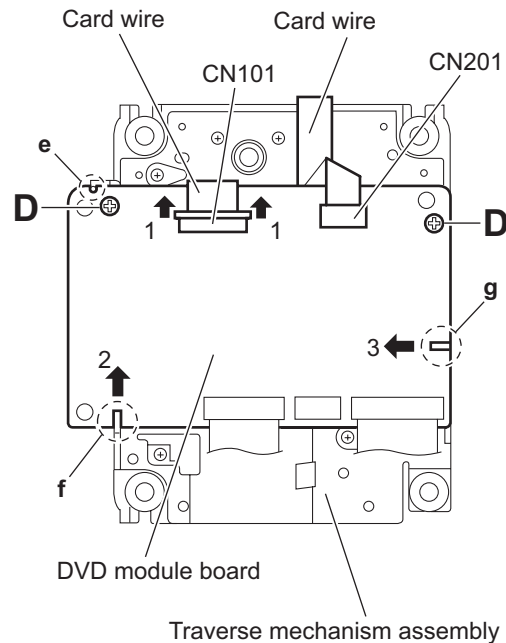


Fig.5

3.2.5 Removing the pickup (See Figs.4,6 to 8)

- Remove the traverse mechanism assembly.

- (1) From the side of the traverse mechanism assembly, solder the short land sections **d** on the pickup. (See Fig.4.)
- (2) Release the lock of the connector on the pickup in the direction of the arrow and disconnect the card wire. (See Fig.6.)

Caution:

- Solder the short land sections **d** on the pickup before disconnecting the card wire from the connector on the pickup. If the card wire is disconnected without attaching solder, the pickup may be destroyed by static electricity. (See Figs.4 and 6.)
- When attaching the pickup, be sure to remove solders from the short land sections **d** after connecting the card wire to the connector on the pickup. (See Figs.4 and 6.)

- (3) Remove the screw **E** attaching the plate and thrust spring. (See Fig.6.)
- (4) Remove the engagement section **h** attaching the plate to the feed holder and remove the plate. (See Fig.6.)
- (5) Remove the engagement sections (**i, j**), remove the thrust spring. (See Fig.6.)
- (6) Remove the shaft of the pickup from the section **k** on the traverse mechanism assembly and remove the shaft from the section **m** while moving it in the direction of the arrow. (See Fig.7.)
- (7) Remove the pickup from the section **n** of the traverse mechanism assembly and take out the pickup with the shaft. (See fig.7.)
- (8) From the bottom side of the pickup, remove the two screws **F** attaching the SW actuator and lead spring. (See Fig.8.)
- (9) Pull the shaft out of the pickup. (See Fig.8.)

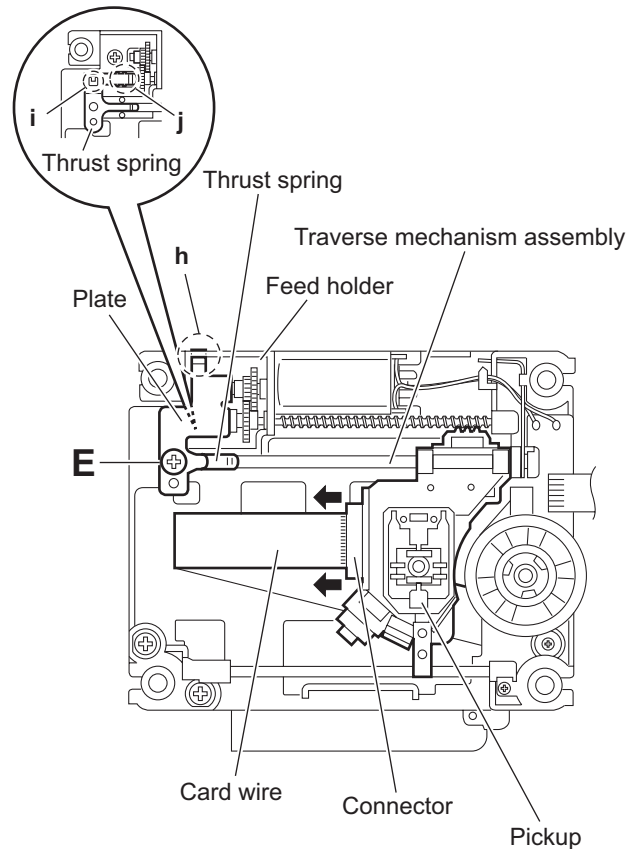


Fig.6

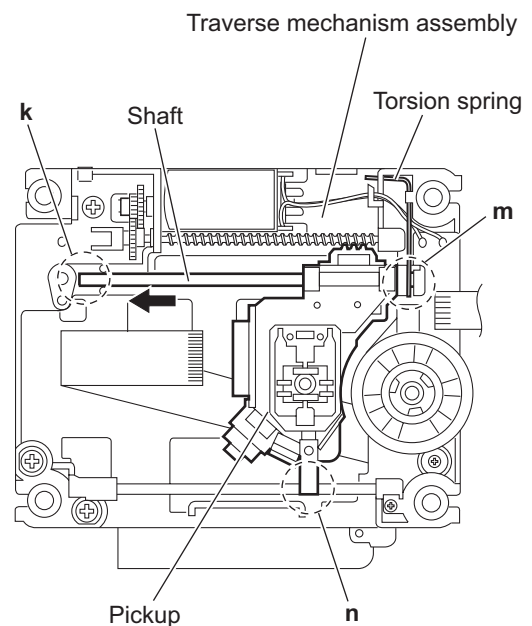


Fig.7

3.2.6 Attaching the pickup (See Figs.4,6 to 9)

- See "3.2.5 Removing the pickup".

- (1) Attach the shaft, SW actuator and lead spring to the pickup.
(See Fig.8.)
- (2) Align the pickup to the section **n** of the traverse mechanism assembly first and set the both ends of the shaft of the pick-up in the sections (**k**, **m**) of the traverse mechanism assembly. (See Fig.7.)

Note:

When attaching the shaft to the section **m**, attach it under the torsion spring. (See Fig.7.)

- (3) Attach the plate and thrust spring. (See Fig.6.)
- (4) Remove solders from the short land sections **d** after connecting the card wire to the connector on the pickup. (See Figs.4 and 6.)
- (5) Turn the feed gear M in the direction of the arrow 1 to move the pickup in the direction of the arrow 2. (See Fig.9.)

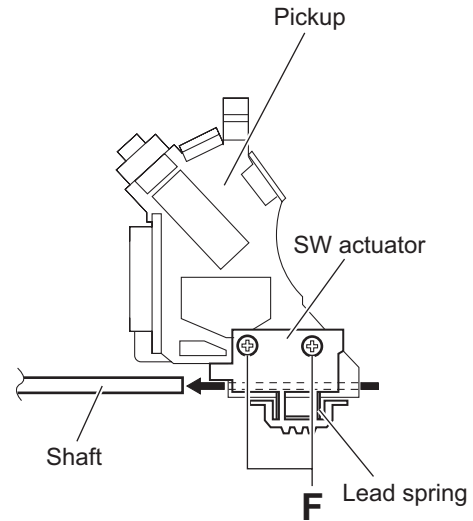


Fig.8

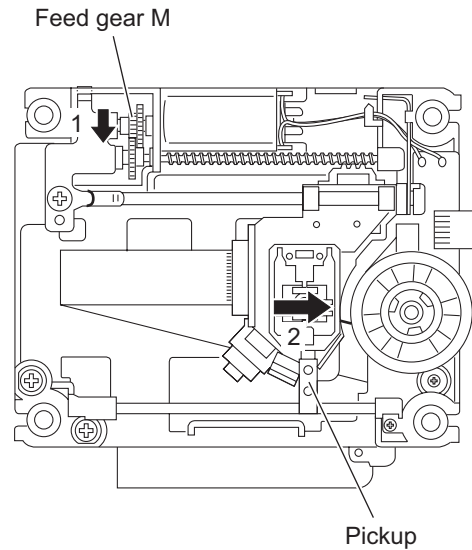


Fig.9

3.2.7 Removing the feed motor (See Figs.10 to 12)

- Remove the traverse mechanism assembly.
 - From the top side of the traverse mechanism assembly, remove the screw **G** attaching the plate and thrust spring. (See Fig.10.)
 - Remove the engagement section **p** attaching the plate to the feed holder and remove the plate. (See Fig.10.)
 - Remove the engagement sections (**q, r**), remove the thrust spring. (See Fig.10.)
 - Remove the wires from the soldered section **s** on the spindle motor board. (See Fig.11.)

Reference:

When attaching the feed motor, pass the wire through the section **t** on the spindle base. (See Fig.11.)

- Remove the feed holder, feed motor, lead screw, feed gear E and feed gear M at the same time after removing the three screws **H** attaching the feed holder. (See Fig.11.)
- From the side of the feed holder, remove the two screws **J** attaching the feed motor. (See Fig.12.)

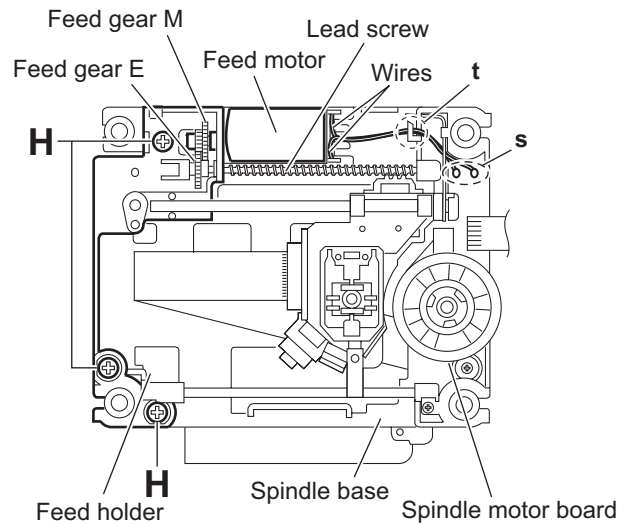


Fig.11

3.2.8 Removing the spindle motor board (See Figs.11 and 13)

- Remove the traverse mechanism assembly and DVD module board.
 - From the top side of the traverse mechanism assembly, remove the wires from the soldered section **s** on the spindle motor board. (See Fig.11.)
 - From the bottom side of the traverse mechanism assembly, remove the three screws **K** attaching the spindle motor board. (See Fig.13.)

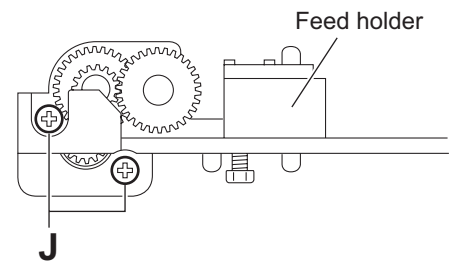


Fig.12

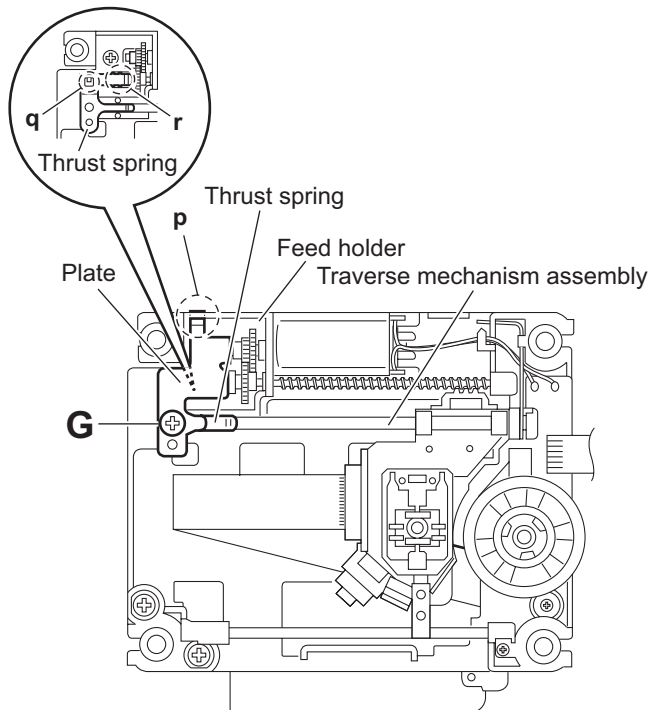


Fig.10

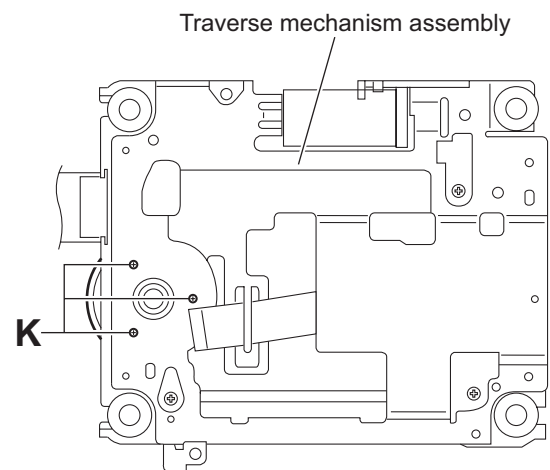


Fig.13

3.2.9 Removing the switch board (See Fig.14.)

- (1) From the bottom side of the DVD mechanism assembly, remove the screw **L** attaching the switch board.
- (2) Disconnect the card wire from the connector **CN1** on the switch board.
- (3) Remove the wires from the soldered section **u** on the switch board.
- (4) Lift the switch board while pressing the claw **v** of the DVD mechanism assembly in the direction of the arrow and remove it from the section **w**.

Reference:

Put the wires on the section **x** after attaching the switch board to the DVD mechanism assembly.

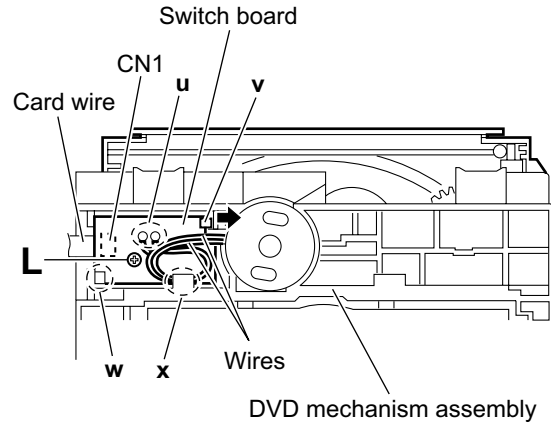


Fig.14

3.2.10 Removing the motor (See Figs.14 and 15)

- Remove the clamber base and tray assembly.

- (1) From the bottom side of the DVD mechanism assembly, remove the wires from the soldered section **u** on the switch board. (See Fig.14.)
- (2) From the top side of the DVD mechanism assembly, remove the belt from the motor pulley. (See Fig.15.)

Note:

Take care not to attach grease on the belt.

- (3) Remove the two screws **M** attaching the motor to the DVD mechanism assembly and take out the motor from the bottom side of the DVD mechanism assembly. (See Fig.15.)

Reference:

Put the wires on the section **x** after attaching the motor to the DVD mechanism assembly. (See Fig.14.)

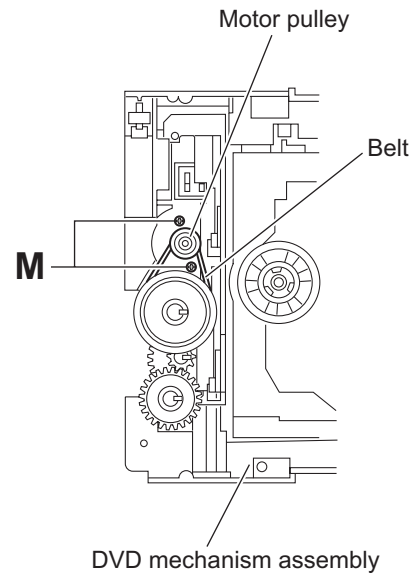


Fig.15

3.3 Cassette mechanism assembly section

- Prior to performing the following procedures, remove the cassette mechanism assembly.
(See "3.1.16 Removing the cassette mechanism assembly".)

3.3.1 Removing the main motor and replacing the main belts (See Figs.1 and 2)

- (1) From the front side of the cassette mechanism assembly, remove the two screws **A** attaching the main motor. (See Fig.1.)
- (2) From the back side of the cassette mechanism assembly, remove the wires from the soldered sections **a** on the switch board. (See Fig.2.)

Caution:

After reassembling, check the direction of the main motor and polarity of the wires. (See Fig.2.)

- (3) Remove the main motor and main belts. (See Fig.2.)

Note:

When attaching the main belts, take care not to attach grease on the main belts.

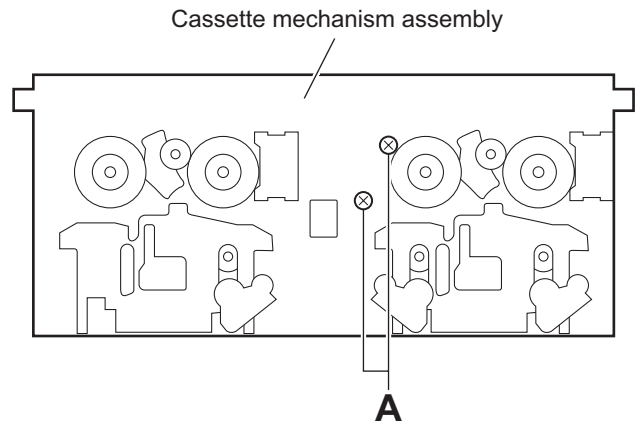


Fig.1

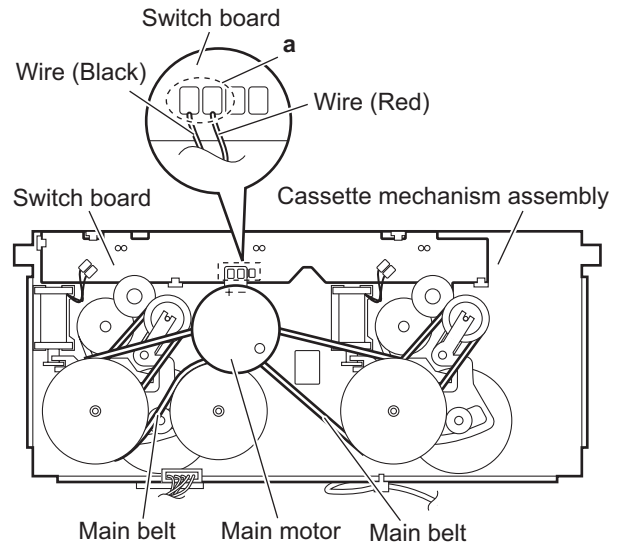


Fig.2

3.3.2 Replacing the F/R belts (See Fig.3)

- Prior to performing the following procedures, remove the main motor and main belts.
- Remove the wires of the main motor as required.
From the back side of the cassette mechanism assembly, remove the F/R belts from the flywheel 1 and flywheel 2.

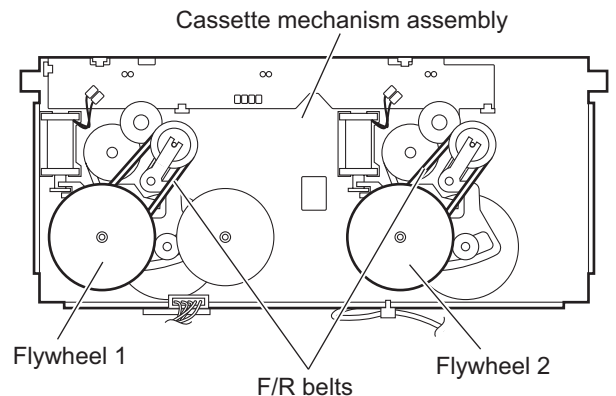


Fig.3

3.3.3 Removing the clutch assemblies (See Figs.4 to 7)

- Prior to performing the following procedures, remove the main motor, main belts and F/R belts.
- Remove the wires of the main motor as required.
- (1) From the front side of the cassette mechanism assembly, remove the three slit washers attaching the flywheel 1, flywheel 2 and flywheel 3. (See Fig.4.)
- (2) From the back side of the cassette mechanism assembly, pull out the flywheel 1, flywheel 2 and flywheel 3. (See Fig.5.)
- (3) Remove the stoppers in an upward direction. (See Fig.5.)
- (4) Remove the springs from the sections **b**. (See Fig.6.)
- (5) Release the claws **c** in the direction of the arrow, remove the plates and pulleys. (See Fig.6.)
- (6) Release the claws **d** in the direction of the arrow, remove the guide arms. (See Fig.7.)

Note:

When attaching the guide arms, attach the springs with them as before. (See Fig.7.)

- (7) Remove the cam gears in an upward direction. (See Fig.7.)
- (8) Take out the clutch assemblies from the cassette mechanism assembly. (See Fig.7.)

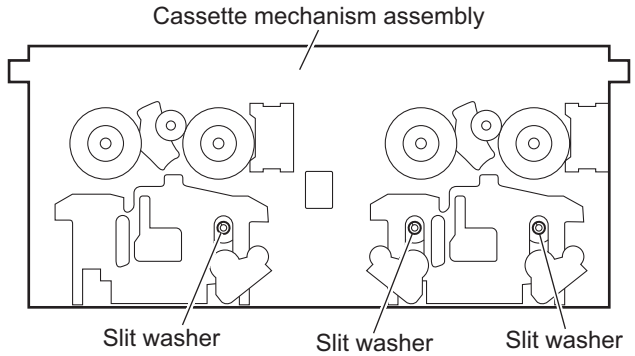


Fig.4

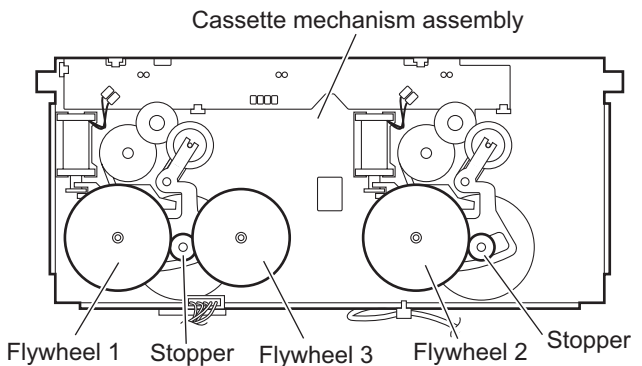


Fig.5

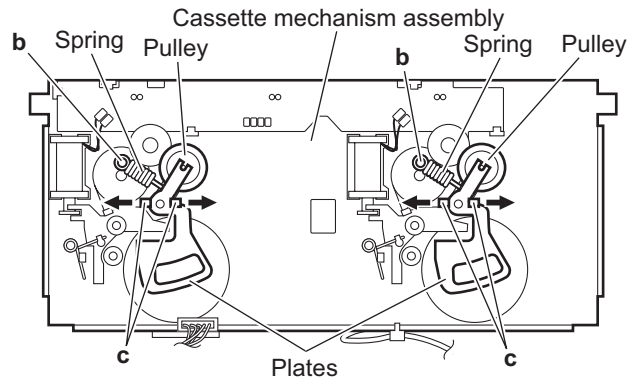


Fig.6

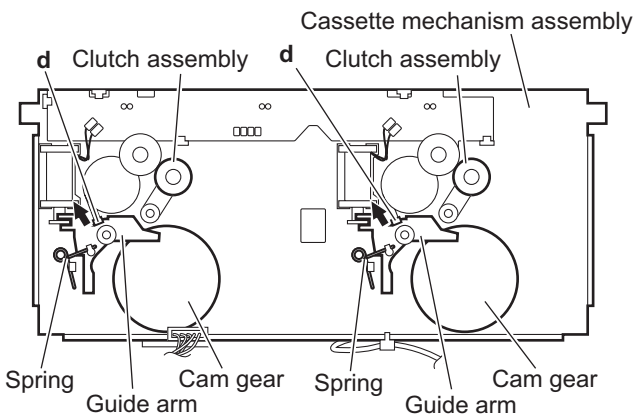


Fig.7

3.3.4 Removing the leaf switches

(See Fig.8)

- (1) From the back side of the cassette mechanism assembly, remove the solders from the soldered sections **e** attaching the leaf switches on the switch board.
- (2) From the front side of the cassette mechanism assembly, pull out the leaf switches.

3.3.5 Removing the switch board

(See Fig.8)

- (1) From the back side of the cassette mechanism assembly, remove the solders from the soldered sections (**f, g**) connecting the wires.

Note:

After reassembling, check the polarity of the wires.

- (2) Release the claws **h** in the direction of the arrow and remove the switch board from the cassette mechanism assembly.

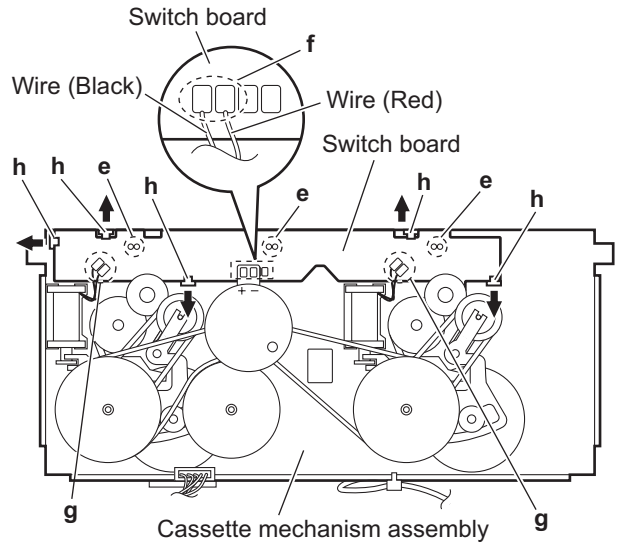


Fig.8

3.3.6 Removing the PB head block

(See Fig.9)

- (1) From the bottom side of the cassette mechanism assembly, remove the tie band fixing the wire.

Reference:

After reassembling, fix the wire with a new tie band as before.

- (2) From the front side of the cassette mechanism assembly, release the claw **i** in the direction of the arrow 1 and pull out the pinch roller in an upward direction.
- (3) Remove the screw **B** attaching the PB head.
- (4) Remove the spring from the section **j**.
- (5) Move the PB head block in the direction of the arrow 2 and remove the hooks **k** from the PB head block.
- (6) Take out the PB head block from the cassette mechanism assembly.

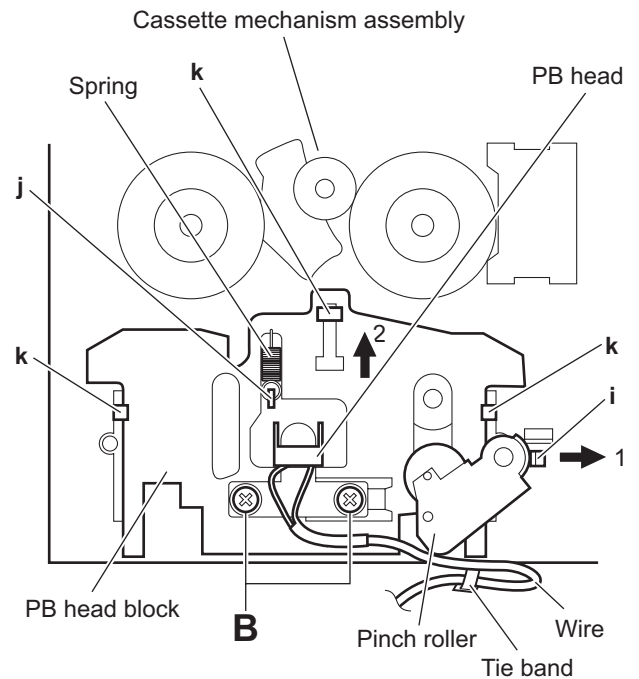


Fig.9

3.3.7 Removing the R/P head block (See Fig.10)

- (1) From the front side of the cassette mechanism assembly, release the claw **m** in the direction of the arrow 1 and pull out the pinch roller L in an upward direction.
- (2) Release the claw **n** in the direction of the arrow 2 and pull out the pinch roller R in an upward direction.
- (3) From the bottom side of the cassette mechanism assembly, remove the screw **C** attaching the R/P head board.
- (4) From the front side of the cassette mechanism assembly, remove the two screws **D** attaching the R/P head.
- (5) Take out the R/P head block (R/P head and R/P head board) from the cassette mechanism assembly.

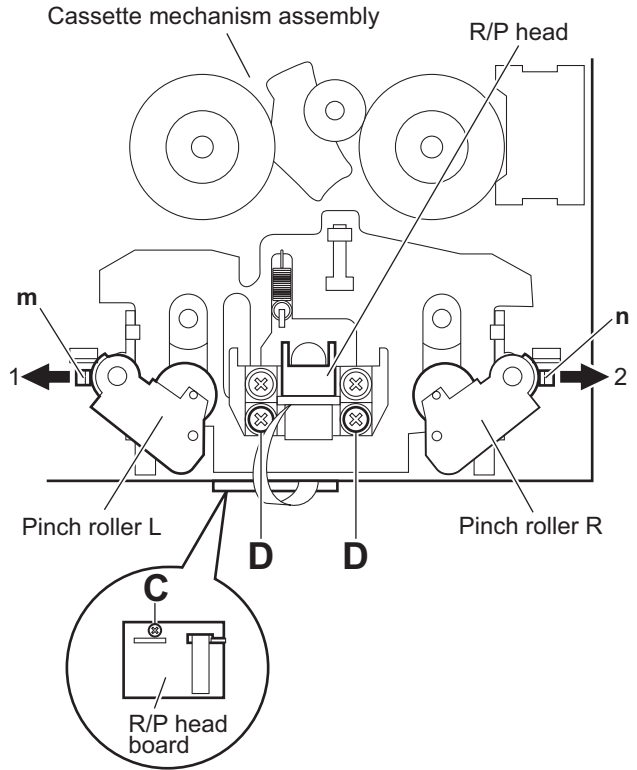


Fig.10

3.4 Speaker section (For MX-JE3)

3.4.1 Removing the front panel assembly (See Figs.1 to 3)

- (1) Insert the tip of a flat-bladed screwdriver or similar tool into the space between the speaker main body and front panel assembly, and lift the front panel assembly little by little to remove the joint sections a. (See Figs.1 and 2.)

Note:

To prevent damaging the front panel assembly and speaker main body, insert cushioning plates etc. into the space between the speaker main body and front panel assembly. (See Fig.2.)

- (2) From the inside of the front panel assembly, disconnect the gray and black wires from the terminals of the tweeter. (See Fig.3.)

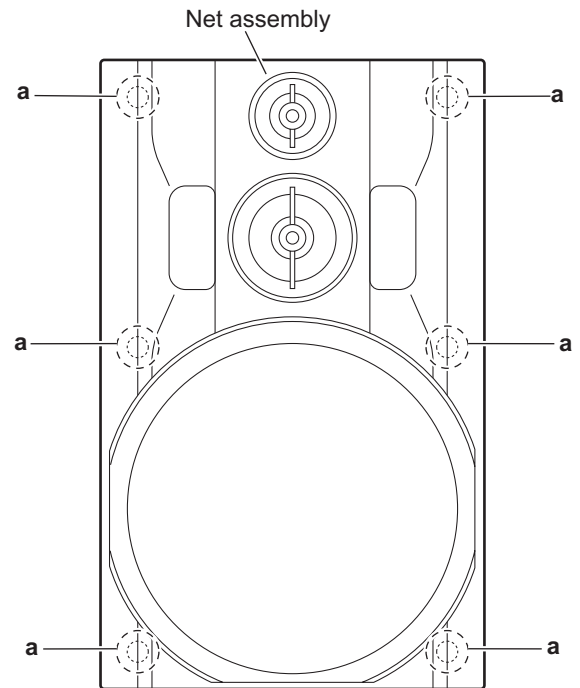


Fig.1

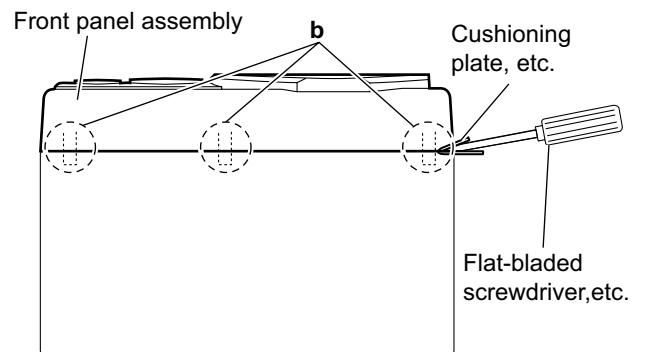


Fig.2

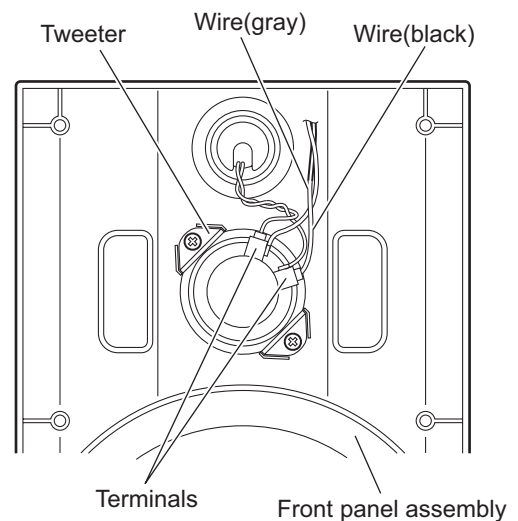


Fig.3

3.4.2 Removing the speaker (See Figs.4 and 5)

- Remove the front panel assembly.
 - From the front side of the speaker main body, remove the four screws **A** attaching the speaker. (See Fig.4.)
 - Take out the speaker from the speaker main body and disconnect the wires (red/black, gray/black) from the terminal of the speaker. (See Fig.5.)

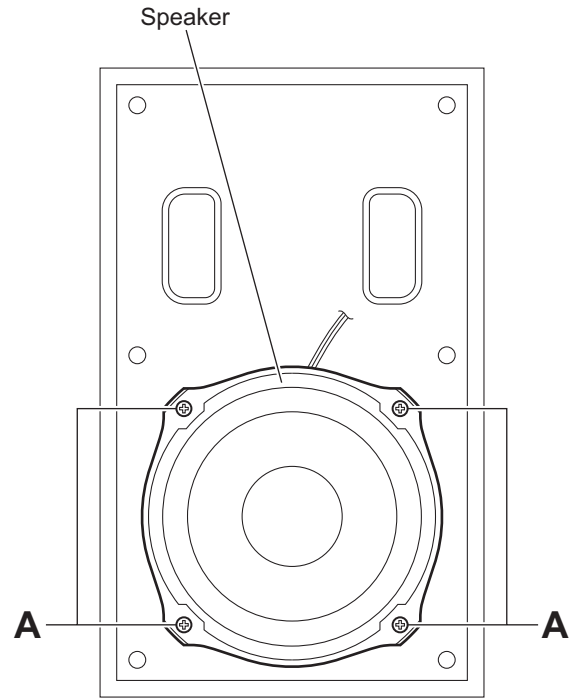


Fig.4

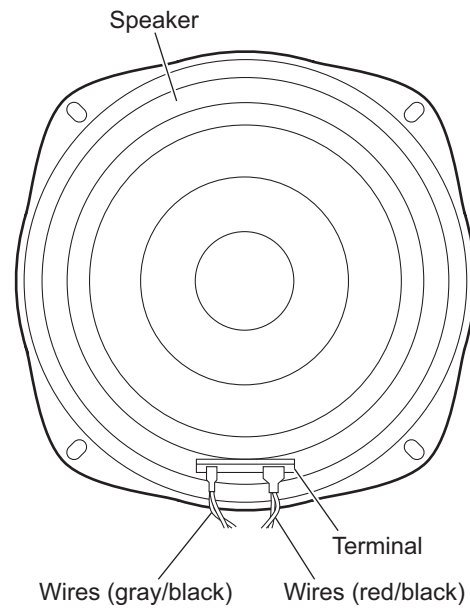


Fig.5

3.5 Speaker section (For MX-JE31)

3.5.1 Removing the net assembly (See Fig.1)

From the front side of the speaker main body, remove the sections **a** of the net assembly toward this side.

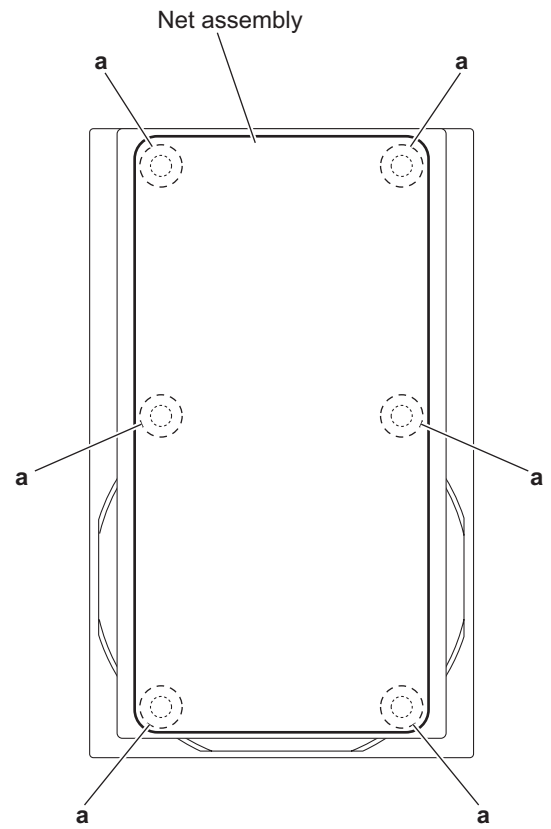


Fig.1

3.5.2 Removing the front panel assembly (See Figs.2 to 4)

- Remove the net assembly as required.

(1) Insert the tip of a flat-bladed screwdriver or similar tool into the space between the speaker main body and front panel assembly, and lift the front panel assembly little by little to remove the sections **b**. (See Figs.2 and 3.)

Note:

To prevent damaging the front panel assembly and speaker main body, insert cushioning plates etc. into the space between the speaker main body and front panel assembly. (See Fig.3.)

(2) From the inside of the front panel assembly, disconnect the gray and black wires from the terminals of the tweeter. (See Fig.4.)

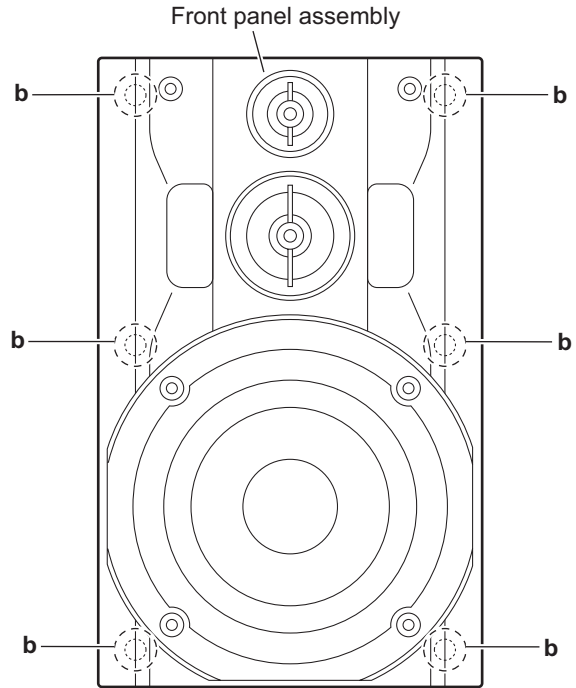


Fig.2

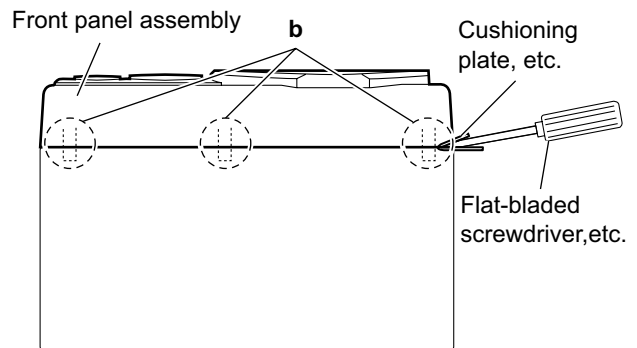


Fig.3

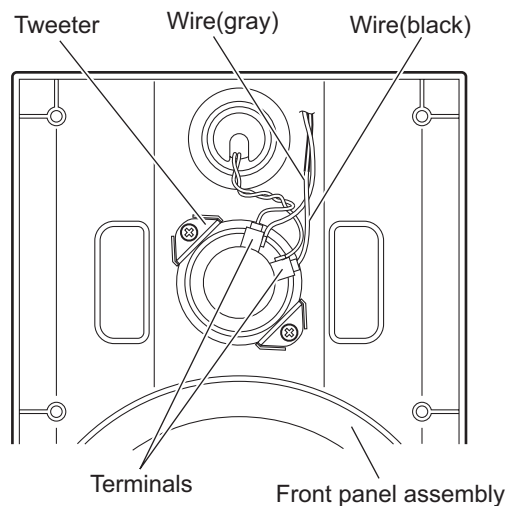


Fig.4

3.5.3 Removing the speaker (See Figs.5 and 6)

- Remove the front panel assembly.
 - From the front side of the speaker main body, remove the four screws **A** attaching the speaker. (See Fig.5.)
 - Take out the speaker from the speaker main body and disconnect the wires (red/black, gray/black) from the terminal of the speaker. (See Fig.6.)

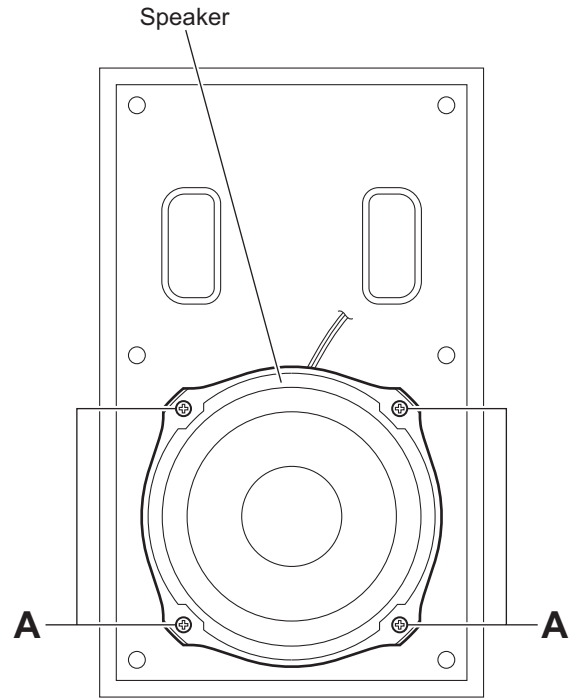


Fig.5

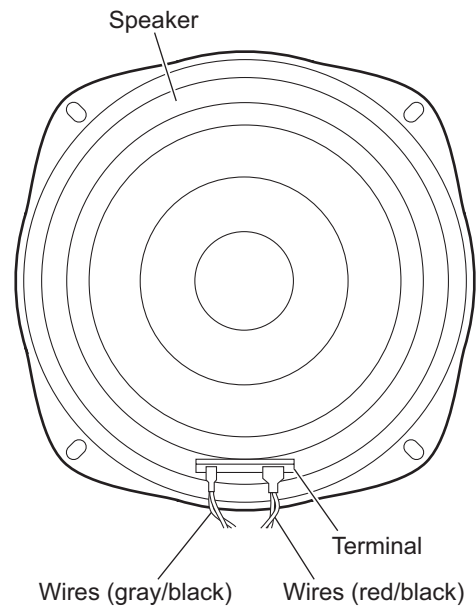


Fig.6

SECTION 4 ADJUSTMENT

4.1 Measurement Instruments Required for Adjustment

- (1) Low frequency oscillator
This oscillator should have a capacity to output 0dBs to 600Ω at an oscillation frequency of 50Hz-20kHz.
- (2) Attenuator impedance : 600Ω
- (3) Electronic voltmeter
- (4) Distortion meter
- (5) Frequency counter
- (6) Wow & flutter meter
- (7) Test tape
VT703 : Head azimuth
- (8) Blank tape
TYPE I : AC-514
- (9) Test disc: VT-501, CTS-1000

4.2 Measurement conditons

Power supply voltage:

AC110V / AC127V / AC220V / AC230V to AC240V
50Hz / 60Hz (Adjustable with the voltage selector)

Reference output: Speaker : 0.775V/4Ω
Headphone : 0.077V/32Ω

Reference frequency and input level: 1kHz, AUX : -8dBs

Measurement output terminal: at Speaker J200

Load resistance: 4Ω

4.2.1 Radio Input signal

AM frequency: 400Hz
AM modulation: 30%
FM frequency: 400Hz
FM frequency deviation: 22.5kHz

4.2.2 Tuner section

FM Band cover: 87.5 - 108.0MHz

AM Band cover: 531 - 1,710kHz (at 9kHz)

530 - 1,710kHz (at 10kHz)

531 - 1,602kHz (at 9kHz) : UX version only

530 - 1,600kHz (at 10kHz) : UX version only

Voltage applied to tuner: +B : DC5.7V

VT : DC 12V

Reference measurement output: 26.1mV(0.28V)/3Ω

Input positions: AM : Standard loop antenna

FM : TP1 (hot) and TP2 (GND)

4.2.3 Standard measurement position of volume

Function switch to Tape

Beat cut switch to Cut

Super Bass/Active hyper Bass to OFF

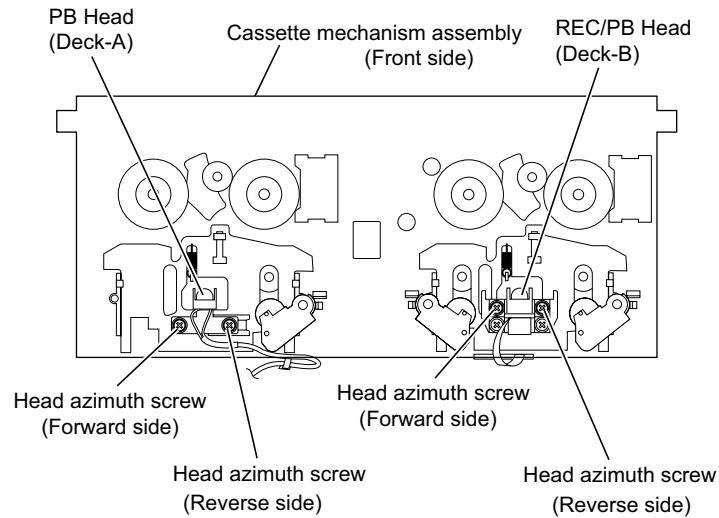
Bass Treble to Center

Adjustment of main volume to reference output VOL : 28

Precautions for measurement

- (1) Apply 30pF and 33kΩ to the IF sweeper output side and 0.082μ F and 100kΩ in series to the sweeper input side.
- (2) The IF sweeper output level should be made as low as possible within the adjustable range.
- (3) Since the IF sweeper is a fixed device, there is no need to adjust this sweeper.
- (4) Since a ceramic oscillator is used, there is no need to perform any MIX adjustment.
- (5) Since a fixed coil is used, there is no need to adjust the FM tracking.
- (6) The input and output earth systems are separated. In case of simultaneously measuring the voltage in both of the input and output systems with an electronic voltmeter for two channels, therefore, the earth should be connected particularly carefully.
- (7) In the case of BTL connection amp., the minus terminal of speaker is not for earthing. Therefore, be sure not to connect any other earth terminal to this terminal. This system is of an BTL system.
- (8) For connecting a dummy resistor when measuring the output, use the wire with a greater code size.
- (9) Whenever any mixed tape is used, use the band pass filter (DV-12).

4.3 Arrangement of adjusting positions



4.4 Tape recorder section

| Items | Measurement conditions | Measurement method | Standard values | Adjusting positions |
|------------------------------------|---|---|------------------|--|
| Cassette Head Azimuth Alignments | Test tape :VT703 (10kHz) Measurement output terminal :Left and Right speaker output (6-ohm loaded) or Headphone Output (32-ohm loaded) | 1. Playback the test tape VT703 (10kHz) or equivalent. 2. Adjust the head azimuth screw to obtain maximum output and both output of L / R is in 3dB. 3. Put on the screw lock paint after alignments. | Maximum output | Adjust the head azimuth screw only when the head has been changed. |
| Recording Bias Frequency Alignment | Test tape :TYPE I AC-514 Measurement output terminal :Erase head terminal (CN308 8-Pin) | 1. Insert the recording tape in deck-B. 2. Starting the recording. 3. Adjust the oscillation frequency to 80kHz \pm 3kHz by core of Oscillation coil of L301. | 80kHz \pm 3kHz | Use the High-Impedance Probe or Frequency counter input. |

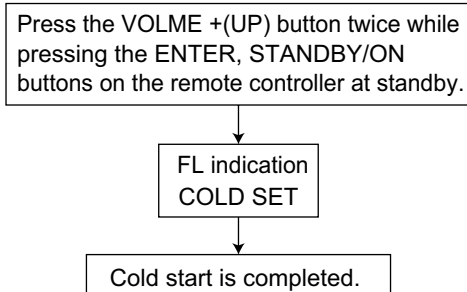
4.5 Service mode

4.5.1 Confirming contents

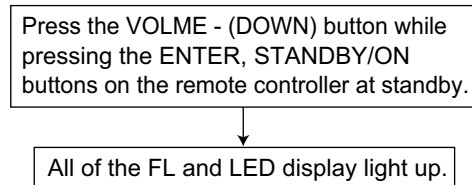
- (1) Cold start
- (2) FL display and LED display check
- (3) System ROM number, firmware version and region check
- (4) Change AM frequency step 9kHz/10kHz (Toggle)
- (5) Tray LOCK/UNLOCK (Toggle)
- (6) System micon cold start
- (7) System micon soft reset
- (8) Setting of DVD NTSC mode
- (9) DVD test mode

4.5.2 Confirming methods

1. Cold start



2. FL display and LED display check



- * Indication returns to normal indication by doing the same operation again.
- * This confirmation is possible in a power on state.

3. System ROM number, firmware version and region check



* If there is not the button input, each indication returns to normal indication automatically.

4. Change AM frequency step 9kHz/10kHz (Toggle)

Press the STANDBY/ON button while pressing the STOP button on the main unit at standby.

FL indication ## : 9K or 10K
AM ##

Setting of AM frequency is completed.

* AM frequency changes by the same operation again.

5. Tray LOCK/UNLOCK (Toggle)

Press the OPEN/CLOSE button while pressing the STOP button on the main unit at standby.

FL indication XXXXX : LOCKED or UNLOCKED
XXXXX

Setting of tray LOCK/UNLOCK is completed.

* Setting of LOCK/UNLOCK changes by the same operation again.

6. System micon cold start

Insert the power cord in an outlet while pressing the CANCEL and ◀ buttons on the main unit.

This unit returns to initial setting.

7. System micon soft reset

Press the STANDBY/ON button while pressing the CANCEL and PAUSE buttons on the main unit at standby.

System micon is initialized.

8. Setting of DVD NTSC mode

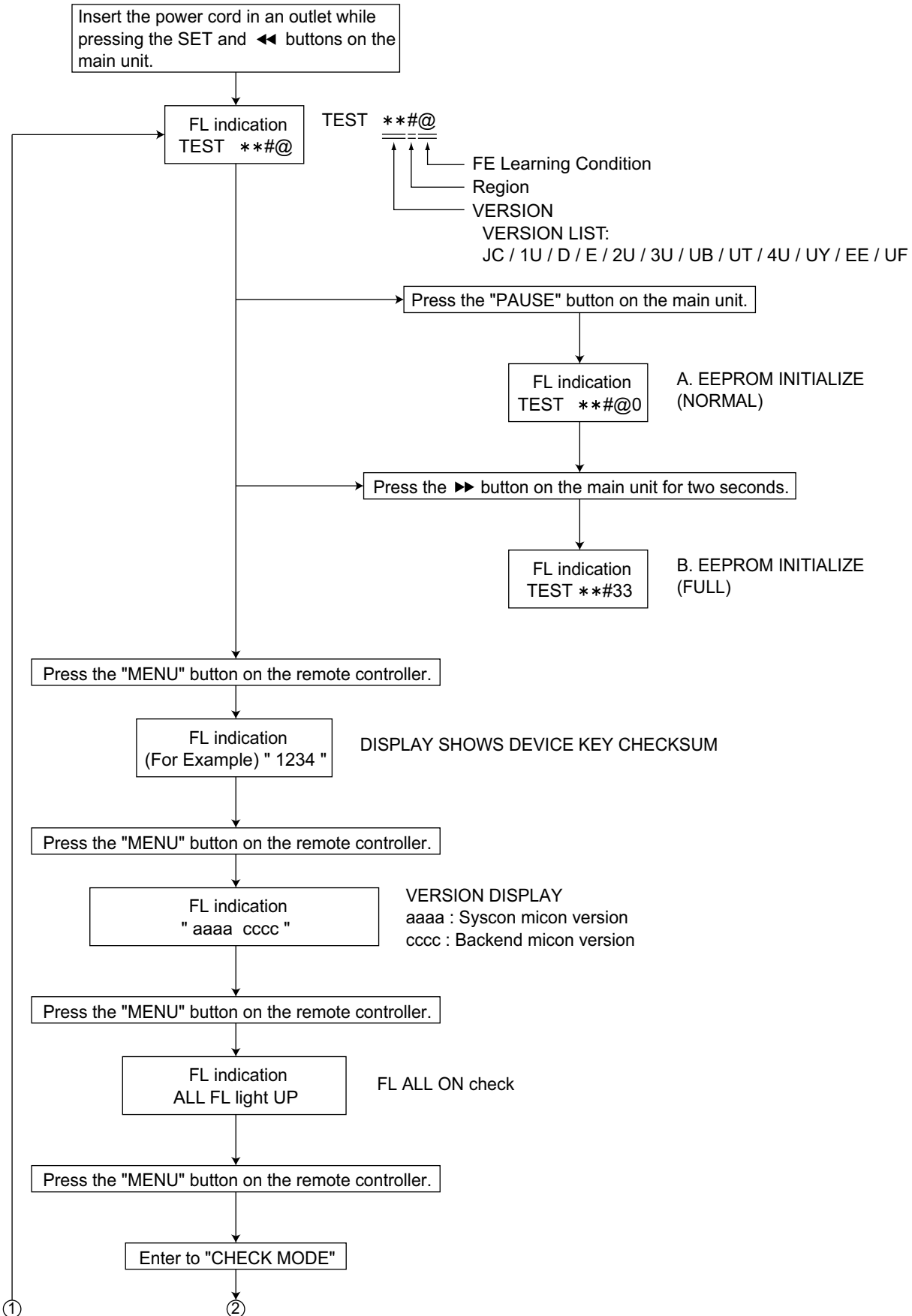
Insert the power cord in an outlet while pressing the SET and ▶▶ buttons on the main unit.

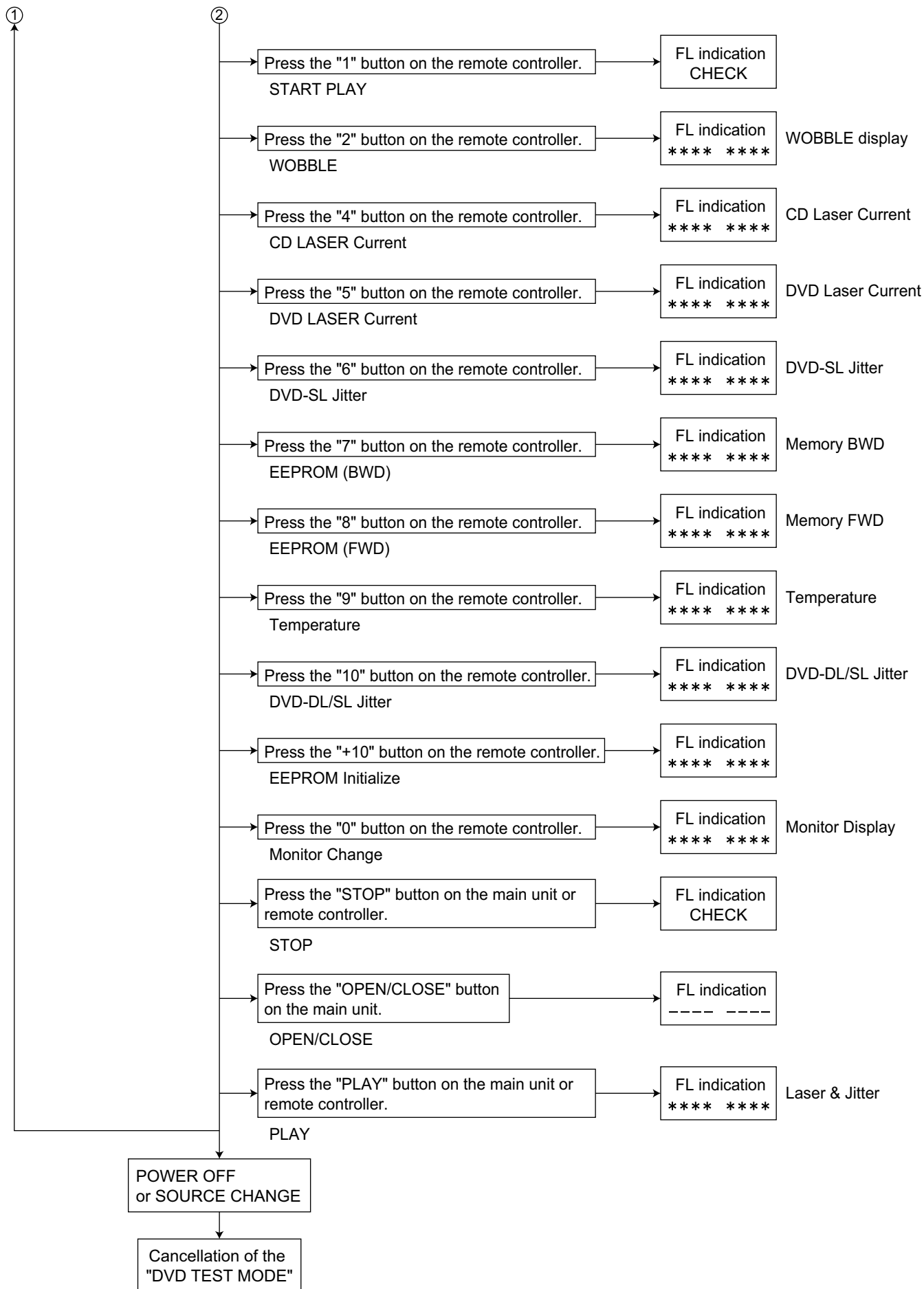
Press the STANDBY/ON button on the main unit at standby.

Setting of DVD NTSC mode is completed.

* This setting is maintained after having been cut off.

9. DVD test mode





4.5.3 Indicating check for FL display

| Function | FL display | | | | | | | | | | Note | |
|---|------------|---|---|---|---|---|---|---|---|---|------|--|
| DVD TEST MODE TEST START (Version info) | T | E | S | T | * | * | # | @ | | | | By AC cord on with holding SET and ◀◀ ** : VERSION @ : FE learning condition # : REGION |
| A. EEPROM INITIALIZE (NORMAL) | T | E | S | T | * | * | # | @ | | | | By pressing PAUSE (Front) |
| | T | E | S | T | * | * | # | @ | 0 | | | |
| B. EEPROM INITIALIZE (FULL) | T | E | S | T | * | * | # | @ | | | | By pressing and holding ▶▶ (Front) for 2-sec |
| | T | E | S | T | * | * | # | @ | 3 | 3 | | |
| ① DEVICE KEY DISPLAY | | | | | 1 | 2 | 3 | 4 | | | | By pressing MENU (Remote) |
| ② VERSION DISPLAY | a | a | a | a | | | c | c | c | c | | By pressing MENU (Remote) aaaa: Syscon, cccc: Backend |
| ③ FL ALL ON | ■ | ■ | ■ | ■ | ■ | ■ | ■ | ■ | ■ | ■ | | By pressing MENU (Remote) |
| ④ CHECK MODE | | | | | C | H | E | C | K | | | By pressing MENU (Remote) |
| START PLAY | | | | | C | H | E | C | K | | | By pressing 1 (Remote) |
| WOBBLE | * | * | * | * | * | * | * | * | * | * | * | By pressing 2 (Remote) |
| CD LASER current | * | * | * | * | * | * | * | * | * | * | * | By pressing 4 (Remote) |
| DVD LASER current | * | * | * | * | * | * | * | * | * | * | * | By pressing 5 (Remote) |
| DVD-SL jitter | * | * | * | * | * | * | * | * | * | * | * | By pressing 6 (Remote) |
| EEPROM (BWD) | * | * | * | * | * | * | * | * | * | * | * | By pressing 7 (Remote) |
| EEPROM (FWD) | * | * | * | * | * | * | * | * | * | * | * | By pressing 8 (Remote) |
| Temperature | * | * | * | * | * | * | * | * | * | * | * | By pressing 9 (Remote) |
| DVD-DL/SL jitter | * | * | * | * | * | * | * | * | * | * | * | By pressing 10 (Remote) |
| EEPROM initialize | * | * | * | * | * | * | * | * | * | * | * | By pressing +10 (Remote) |
| Monitor change | * | * | * | * | * | * | * | * | * | * | * | By pressing 0 (Remote) |
| STOP | | | | | C | H | E | C | K | | | By pressing STOP (Front or Remote) |
| OPEN/CLOSE | - | - | - | - | - | - | - | - | - | - | - | By pressing OPEN/CLOSE (Front) |
| PLAY | * | * | * | * | * | * | * | * | * | * | * | By pressing PLAY (Front or Remote) Laser & Jitter |

SECTION 5 TROUBLESHOOTING

This service manual does not describe TROUBLESHOOTING.



JVC

Victor Company of Japan, Limited
AV & MULTIMEDIA COMPANY AUDIO/VIDEO SYSTEMS CATEGORY 10-1,1chome,Ohwatari-machi,Maebashi-city,371-8543,Japan

(No.MB385)

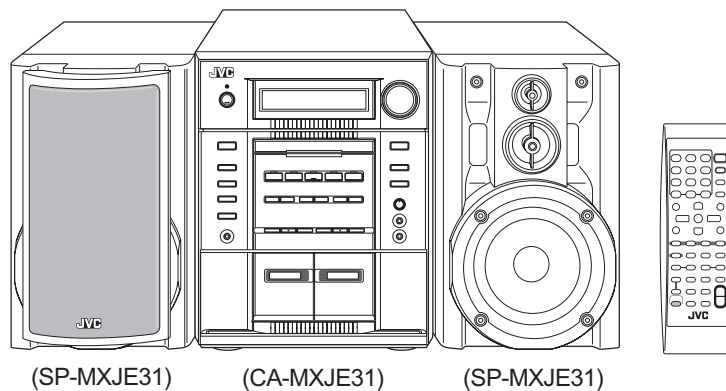
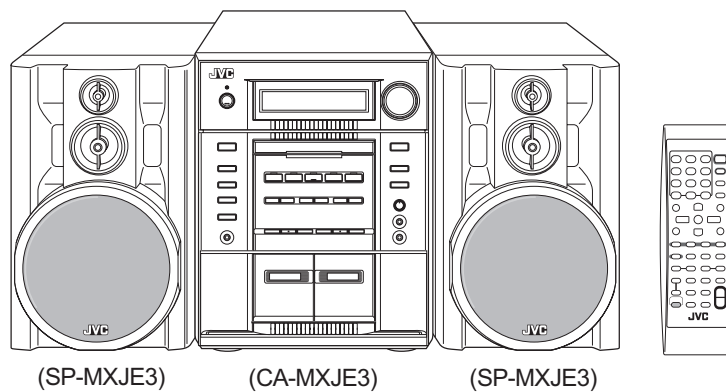
JVC

SCHEMATIC DIAGRAMS

COMPACT COMPONENT SYSTEM

MX-JE3, MX-JE31

CD-ROM No.SML200504



| MX-JE3 | |
|-------------|---------------------------------|
| Area suffix | |
| US | ----- Singapore |
| UW | ----- Brazil, Mexico, Peru |
| UX | ----- Saudi Arabia |
| UY | ----- Argentina |
| UG | --- Turkey, South Africa, Egypt |
| UE | ----- Turkey |
| UN | ----- Asean |

| MX-JE31 | |
|-------------|---------------------------------|
| Area suffix | |
| UX | ----- Saudi Arabia |
| UG | --- Turkey, South Africa, Egypt |
| UN | ----- Asean |

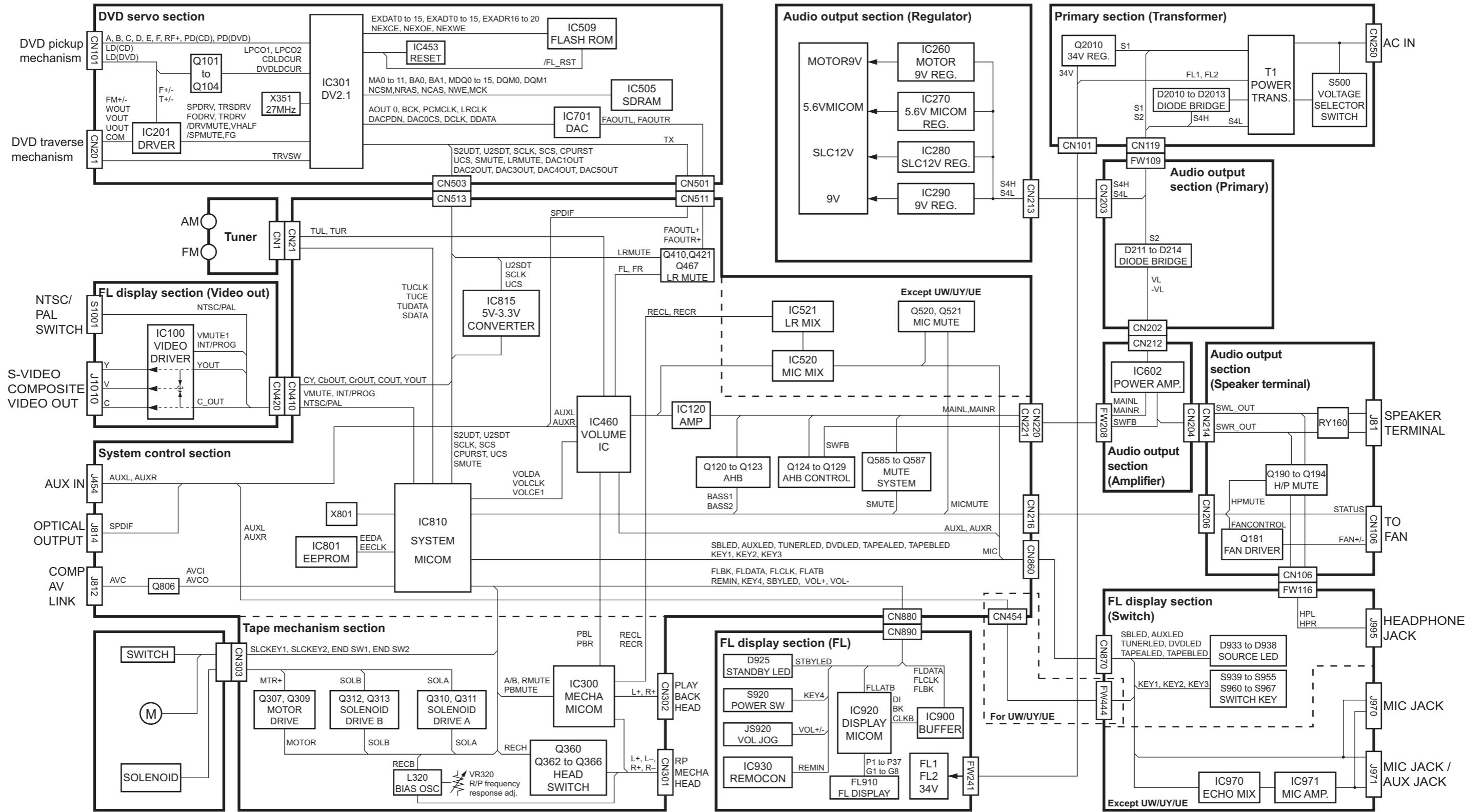


Contents

| | | |
|-----------------------------|-------|-----------|
| Block diagram | ----- | 2-1 |
| Standard schematic diagrams | ----- | 2-2 |
| Printed circuit boards | ----- | 2-9 to 13 |

In regard with component parts appearing on the silk-screen printed side (parts side) of the PWB diagrams, the parts that are printed over with black such as the resistor (■), diode (⊣) and ICP (●) or identified by the "⚠" mark nearby are critical for safety.

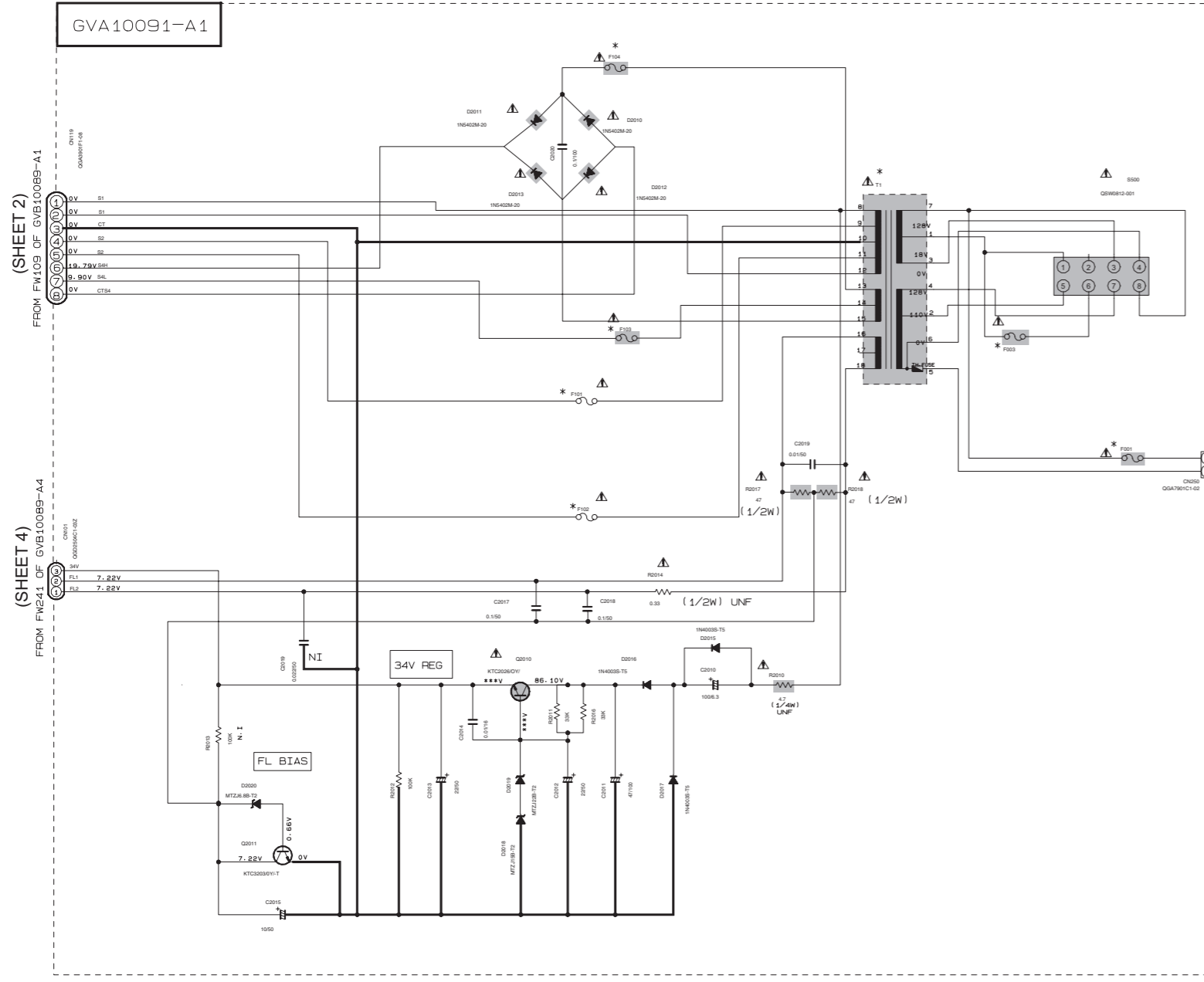
Block diagram



Standard schematic diagrams

Primary section

POWER SUPPLY BLOCK
 AC110V/127V/220V/230V-240V ~ 50Hz/60Hz
 US/UX/UY/EE/UN/UW/UG/UE



EXPLANATION OF OVERALL SCHEMATIC

MODEL MX-JE3/MX-JE31

| SHEET NUMBER | DESCRIPTION |
|--------------|--|
| 1 | PRIMARY BOARD WITH MAIN TRANSFORMER |
| 2 | DC REGULATOR/AUDIO OUTPUT |
| 3 | EXTERNAL INPUT, SOURCE SELECTOR SWITCH, SYSTEM CONTROL |
| 4 | FL DISPLAY, USER CONTROL KEYS, VIDEO OUTPUT, MIC CIRCUIT |
| 5 | TAPE CIRCUIT, MECHANISM CONTROL |
| 6 | DVD SYSTEM CONTROL (1/2) |
| 7 | DVD SYSTEM CONTROL (2/2) |

VERSION CODE

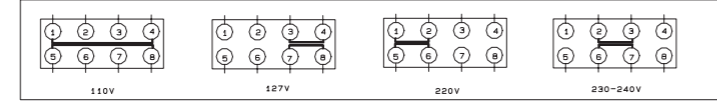
| | | |
|----|---|--|
| UN | : | ASEAN |
| UX | : | SAUDI ARABIA |
| UE | : | TURKEY |
| EE | : | RUSSIA |
| UW | : | SOUTH AMERICA |
| UY | : | ARGENTINA |
| UG | : | SOUTH AFRICA |
| B | : | UK |
| E | : | EUROPE |
| EN | : | NORTH EUROPE |
| EV | : | POLAND, HUNGARY |
| US | : | SINGAPORE AND UNIVERSAL EXCEPT ALL ABOVE |

* NOTE:
 1. FOR MX-JE3/MX-JE31, POWER TRANS. IS QGT0479-001.
 FOR MX-JE5, POWER TRANS. IS QGT0480-001.

2.

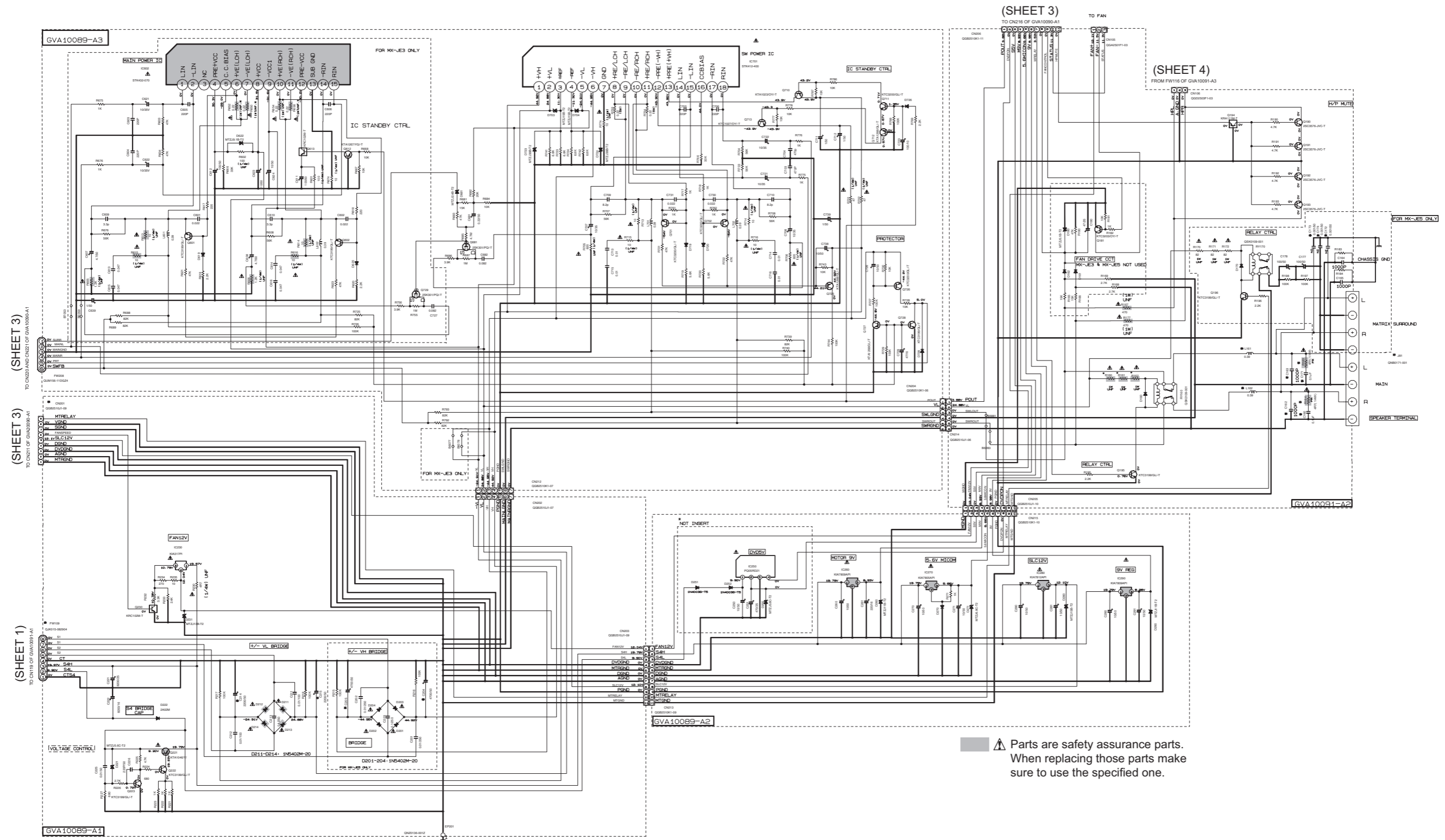
| REF NO. | MX-JE3, 31 | MX-JE5 |
|---------|--------------|--------------|
| F001 | T3. 15AL | T3. 15AL |
| F003 | T2AL | T2AL |
| F101 | - | T3. 15AL |
| F102 | - | T3. 15AL |
| F103 | T2AL | T2AL |
| F104 | T3. 15AL | T3. 15AL |
| CN119 | GGA3901F1-06 | GGA3901F1-08 |

VOLTAGE SELECTOR LOCATION



▲ Parts are safety assurance parts.
 When replacing those parts make sure to use the specified one.

Audio output section

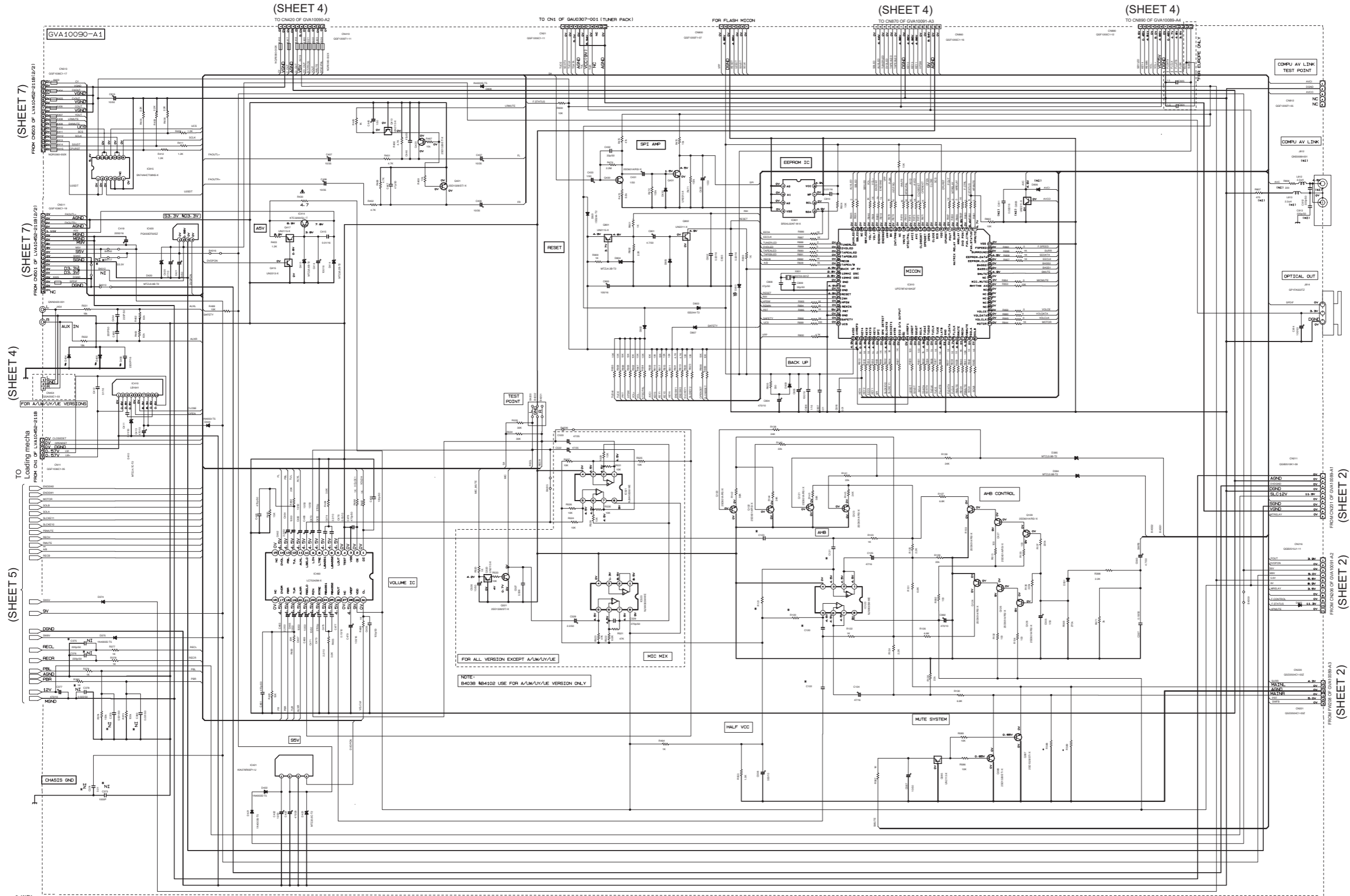


⚠ Parts are safety assurance parts. When replacing those parts make sure to use the specified one.

NOTES
 1. VOLTAGES ARE DC-MEASURED WITH A DIGITAL VOLT METER OR OSCILLOSCOPE WITHOUT INPUT SIGNAL.
 CONDITION --- AUX MODE, VOL. HIGH, BASS OFF
 2. VALUES OTHERWISE SPECIFIED
 RESISTORS ARE 1/4W ± 5% CARBON RESISTOR.
 ALL RESISTANCE VALUES ARE IN OHMS (Ω).
 ALL CAPACITORS ARE CERAMIC CAPACITOR OR MYLAR CAPACITOR.
 ALL CAPACITANCE VALUES ARE IN PICOFARADS (pF).
 ALL INDUCTANCE VALUES ARE IN MILLIHENRYS (mH).
 ALL CAPACITORS ARE SHOWN IN THE FORM OF CAPACITANCE (μF/RATED VOLTAGE (V)).
 ALL DIMENSIONS ARE IN MILLIMETERS (mm).

| MARK | VER | UE | OTHERS | MODEL | PART NO. | MX-JE3/MX-JE31 |
|------|------------|------------|--------|------------------|----------|----------------|
| | L161, L162 | 0.39 | SHORT | R160, R161, R162 | | 330 |
| | C162, C163 | 0.0033μ | 1000P | C214, C215 | | 2200/50 |
| | C160, C161 | 0.1μ | none | | | |
| | R163, R164 | 4.7 (1/4W) | none | | | |
| | C204, C205 | 1000P | 1000P | | | |

System control section



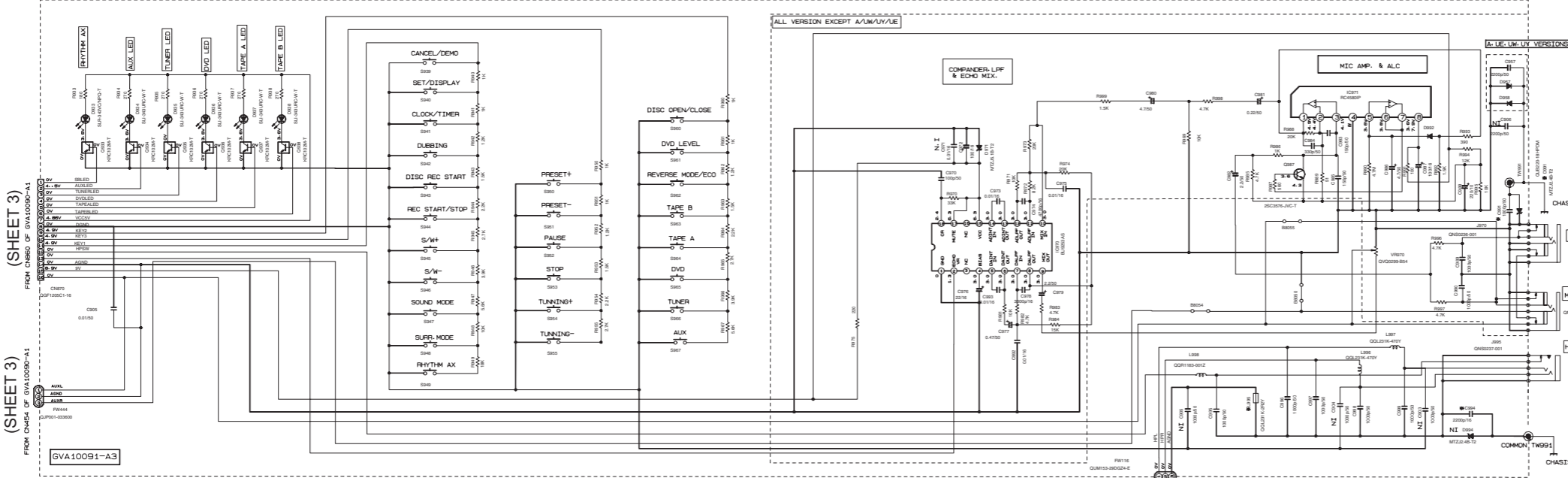
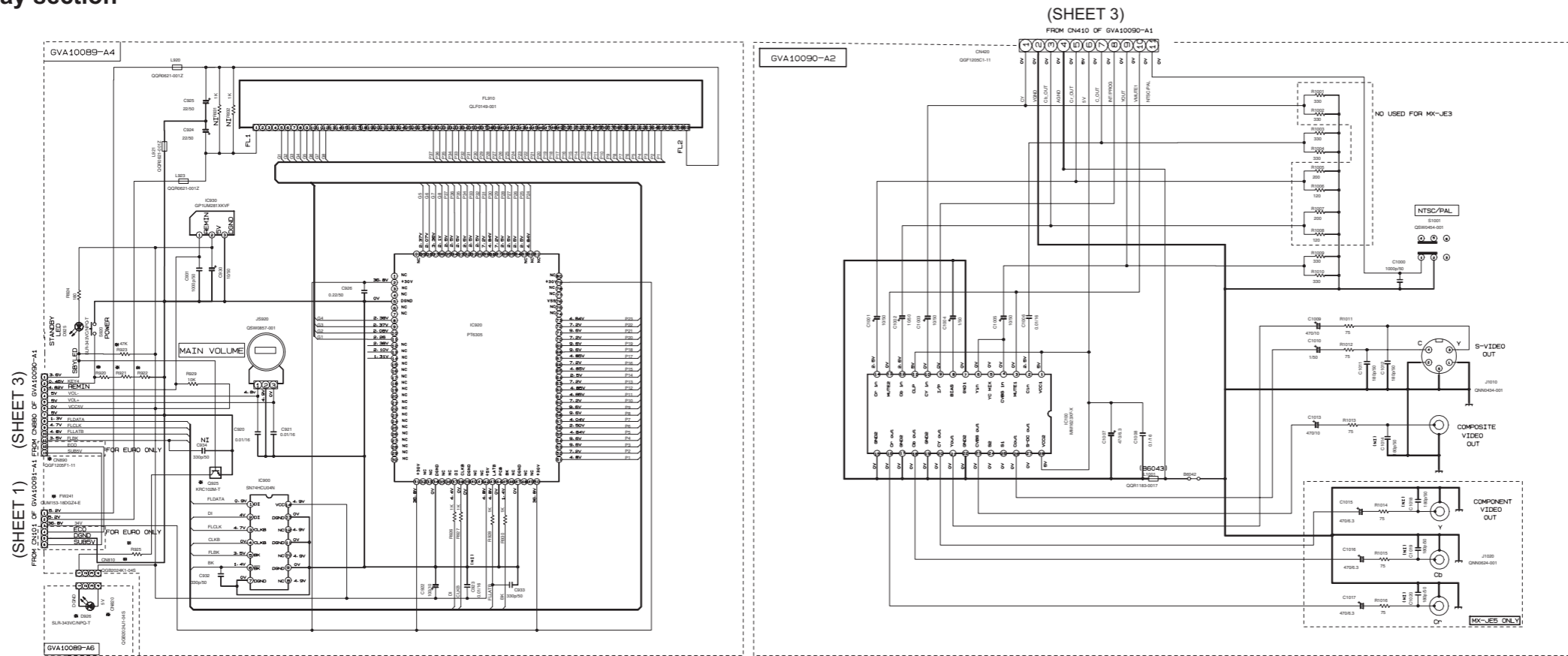
NOTE:
B4038 MB4102 USE FOR A/LW/M/Y/E VERSION ONLY

FOR ALL VERSION EXCEPT A/LW/M/Y/E

| REF. NO. | MODEL | MARKING |
|-----------|-------|----------|
| R568/R569 | 51K | KX-E3/31 |
| R120/R121 | 200K | |
| C120/C121 | 0.1μF | |
| C122/C123 | 0.1μF | |

NOTES:
1. VOLTAGES ARE DC-MEASURED WITH A DIGITAL VOLTMETER OR OSCILLOSCOPE WITHOUT INPUT SIGNAL.
CONDITION — A/B: MUTE; VOL: 50% BASS OFF.
2. VALUES OTHERWISE SPECIFIED:
RESISTORS ARE 1% TOLERANCE CARBON RESISTOR.
ALL RESISTANCE VALUES ARE IN OHMS.
ALL CAPACITORS ARE CERAMIC CAPACITOR OR POLYMER CAPACITOR.
ALL CAPACITANCE VALUES ARE IN nF (10⁻⁹F).
ALL INDUCTANCE VALUES ARE IN mH (10⁻³H).
ALL E-CAPACITORS ARE SHOWN IN THE FORM OF CAPACITANCE (μF) / RATED VOLTAGE (V).
ALL DIMENSIONS ARE IN MILLIMETERS.
3. NE — COMPONENT NOT SHOWN

FL display section



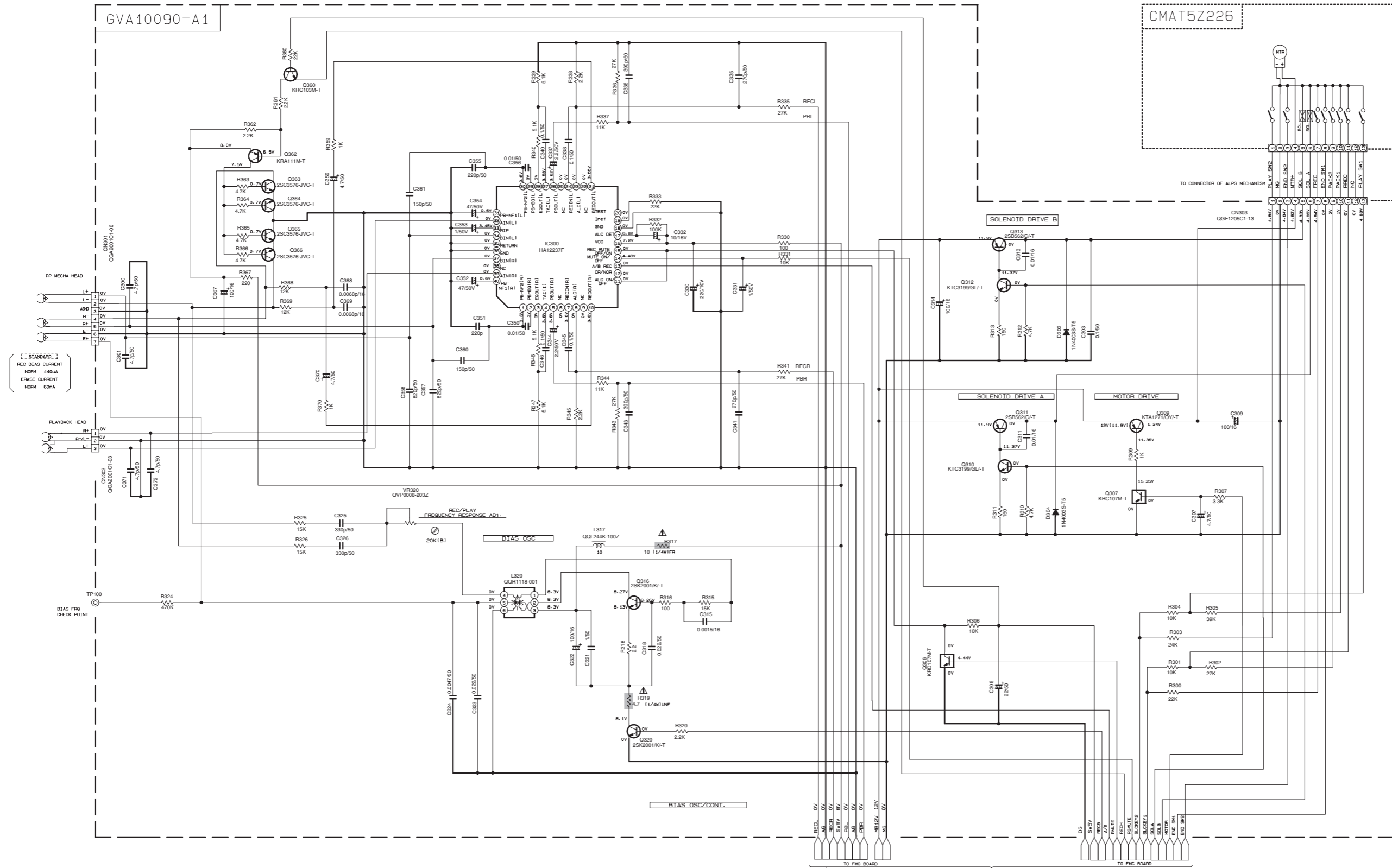
| MARK | VERSION | US | UN | UG/LX | UM/LY | EE | UG/LX | REMARK |
|------|--------------|-------------------|-------------------|-------------------|-------------|-------------|-------------------|---------------------------|
| | R920 (B8003) | 1K | 2K | 2K | 4.7K | 4.7K | 2K | VERSION SETTING FOR KEY 4 |
| | R921 (B8005) | SHORT | SHORT | 1.2K | SHORT | 2.2K | 1.2K | VERSION SETTING FOR KEY 4 |
| | R922 (B8006) | SHORT | SHORT | SHORT | 2.7K | SHORT | SHORT | VERSION SETTING FOR KEY 4 |
| | CN810 | NONE | NONE | NONE | NONE | NONE | NONE | |
| | CN820 | NONE | NONE | NONE | NONE | NONE | NONE | |
| | CN826 | NONE | NONE | NONE | NONE | NONE | NONE | |
| | J971 | QNS0236-001 (MIC) | QNS0236-001 (MIC) | QNS0236-001 (MIC) | QNS0236-001 | QNS0236-001 | QNS0236-001 (MIC) | |
| | R925 | NONE | NONE | NONE | NONE | NONE | NONE | |
| | CN800 | NONE | NONE | NONE | NONE | NONE | NONE | |
| | CN890 | | | | | | | QGF1205F-1-11 |
| | L995 | | | | | | | NONE |
| | C994 (B8056) | | | | | | | SHORT |

(SHEET 3)

(SHEET 2)

NOTES
 1. VOLTAGES ARE DC-MEASURED WITH A DIGITAL VOLT METER OR OSCILLOSCOPE WITHOUT INPUT SIGNAL.
 CONNECTION — AUX MODE: VOL NORM, BASS OFF
 2. VALUES OTHERWISE SPECIFIED
 RESISTORS ARE 1/4W ± 5% CARBON RESISTOR.
 ALL RESISTANCE VALUES ARE IN OHMS (Ω).
 ALL CAPACITORS ARE CERAMIC CAPACITOR OR MYLAR CAPACITOR.
 ALL CAPACITANCE VALUES ARE IN μF (μF).
 ALL INDUCTANCE VALUES ARE IN mH (mH).
 ALL S-CAPACITORS ARE SHOWN IN THE FORM OF CAPACITANCE (μF)/(RATED VOLTAGE (V)).
 ALL DIODES ARE 1N914-T.
 ALL TACT SWITCHES ARE QSM121-0012

■ Tape mechanism section



NOTES

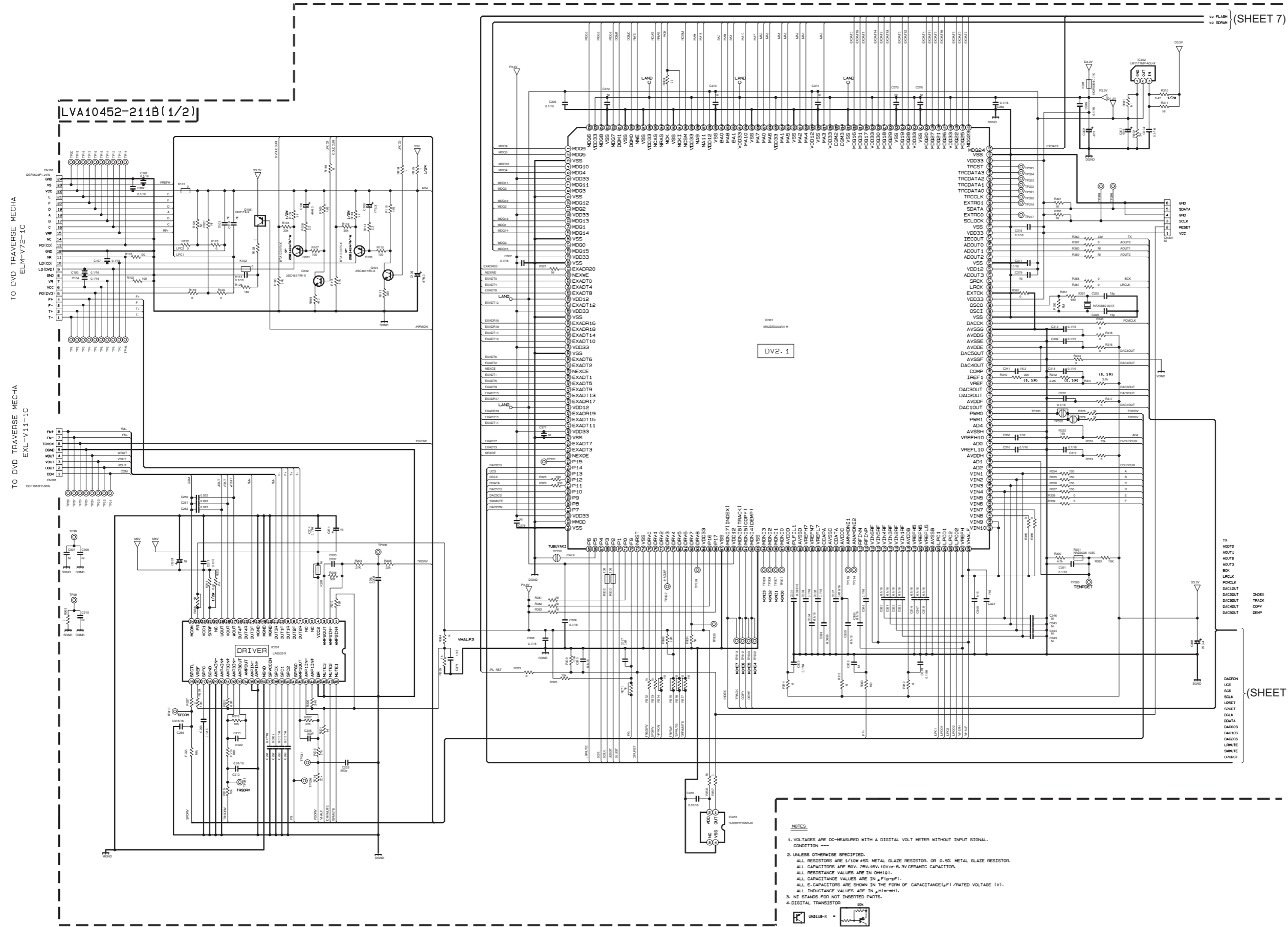
1. VOLTAGES ARE DC-MEASURED WITH A DIGITAL VOLT METER OR OSCILLOSCOPE WITHOUT INPUT SIGNAL. CONDITION: MECHA STOP MODE.

2. UNLESS OTHERWISE SPECIFIED, RESISTORS ARE 1/10W ±5% METAL GLAZE RESISTOR. ALL RESISTANCE VALUES ARE IN Ω(M|k|). ALL CAPACITANCE VALUES ARE IN #F(P|n|μF). ALL INDUCTANCE VALUES ARE IN #H(m|μH). ALL E. CAPACITORS ARE SHOWN IN THE FORM OF CAPACITANCE (#F|/RATED VOLTAGE (V)). POLYPROPYLENE CAPACITOR

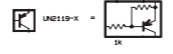
(SHEET 3)

▲ Parts are safety assurance parts. When replacing those parts make sure to use the specified one.

DVD servo section (1/2)



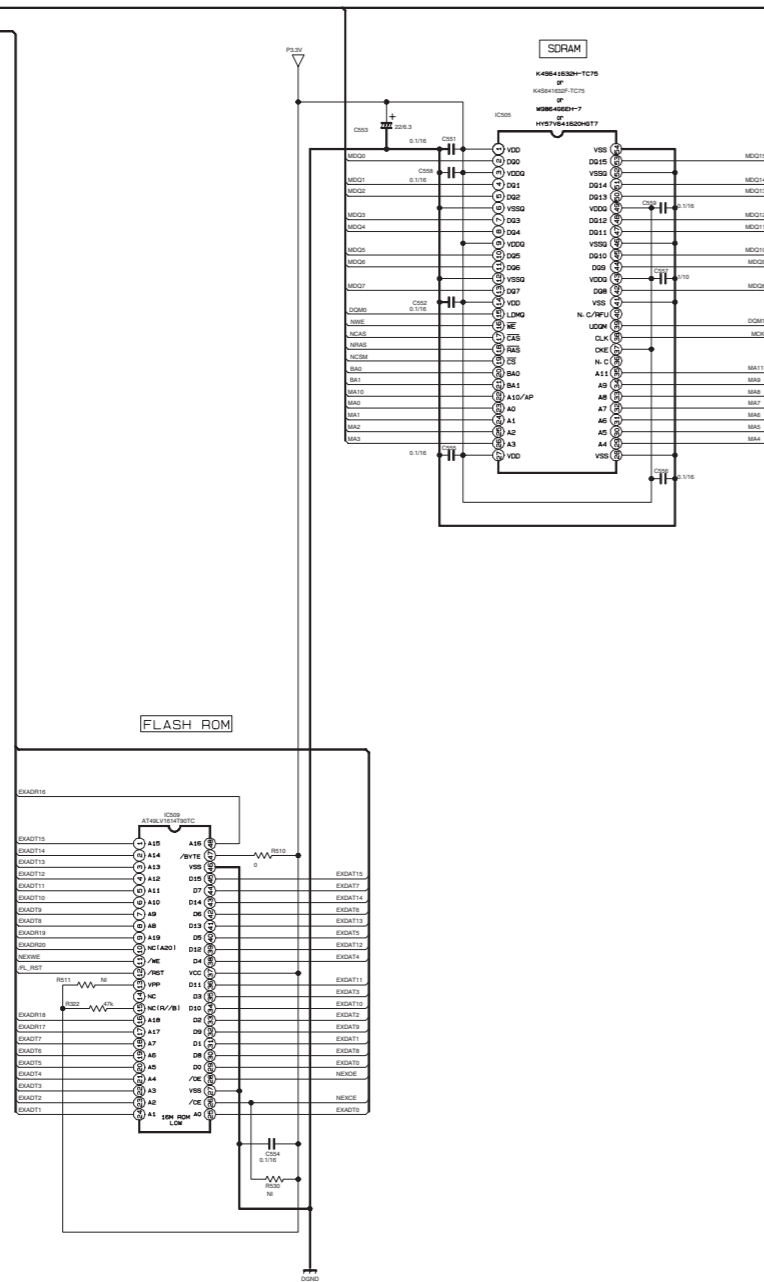
- NOTES**
1. VOLTAGES ARE DC-MEASURED WITH A DIGITAL VOLT METER WITHOUT INPUT SIGNAL-CONDITION ---
 2. UNLESS OTHERWISE SPECIFIED:
 ALL RESISTORS ARE 1/4W 45% METAL GLAZE RESISTOR OR 0.5W METAL GLAZE RESISTOR.
 ALL CAPACITORS ARE 50V, 25V, 16V, 10V OR 6.3V CERAMIC CAPACITOR.
 ALL RESISTANCE VALUES ARE IN OHM(G).
 ALL CAPACITANCE VALUES ARE IN pF(nF).
 ALL C CAPACITORS ARE SHOWN IN THE FORM OF CAPACITANCE(μF)/RATED VOLTAGE (V).
 ALL INDUCTANCE VALUES ARE IN mH(mH).
 3. NI STANDS FOR NOT INSERTED PARTS.
 4. DIGITAL TRANSISTOR



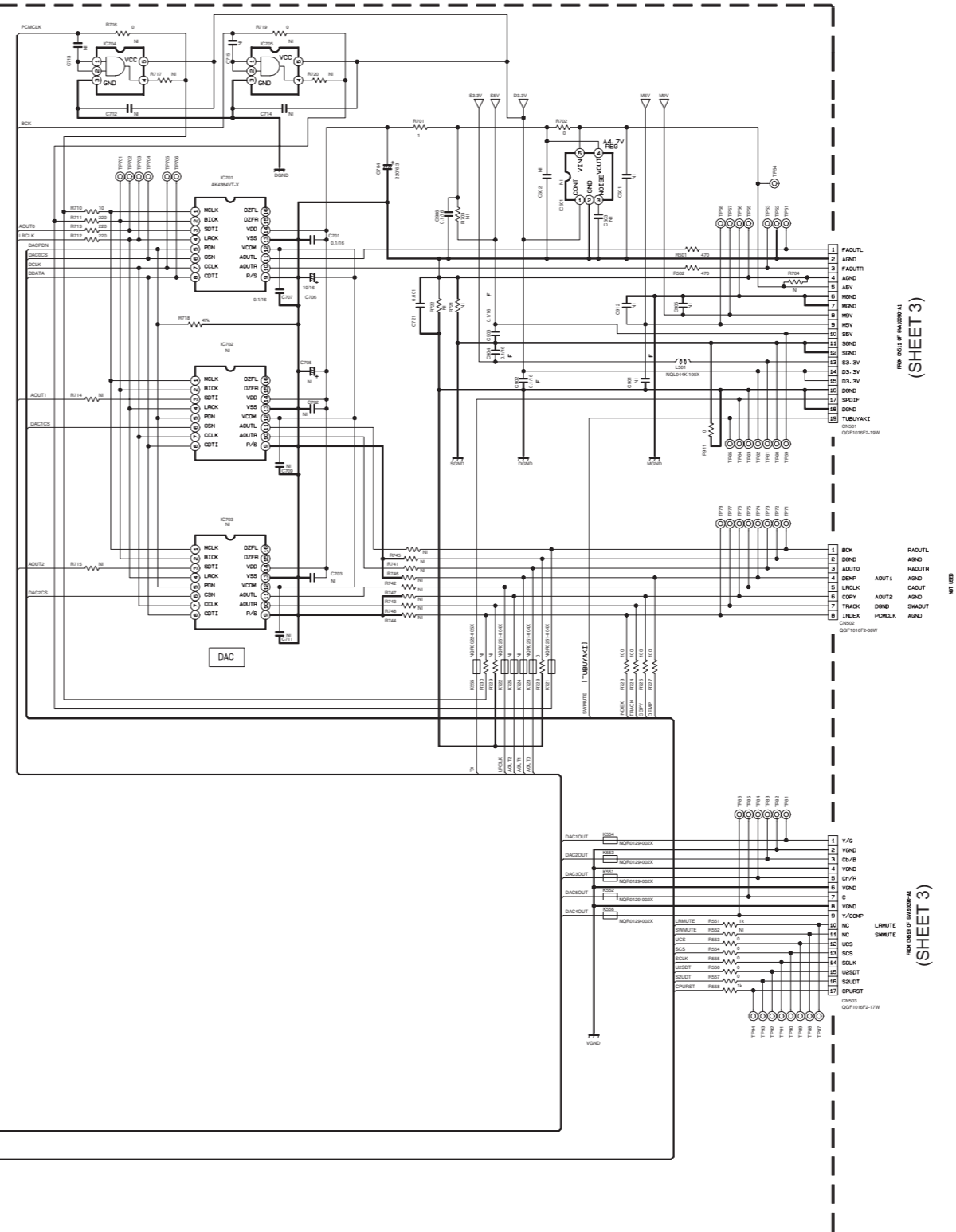
DVD servo section (2/2)

LVA10452-211B (2/2)

(SHEET 6)



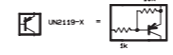
(SHEET 6)



(SHEET 3)

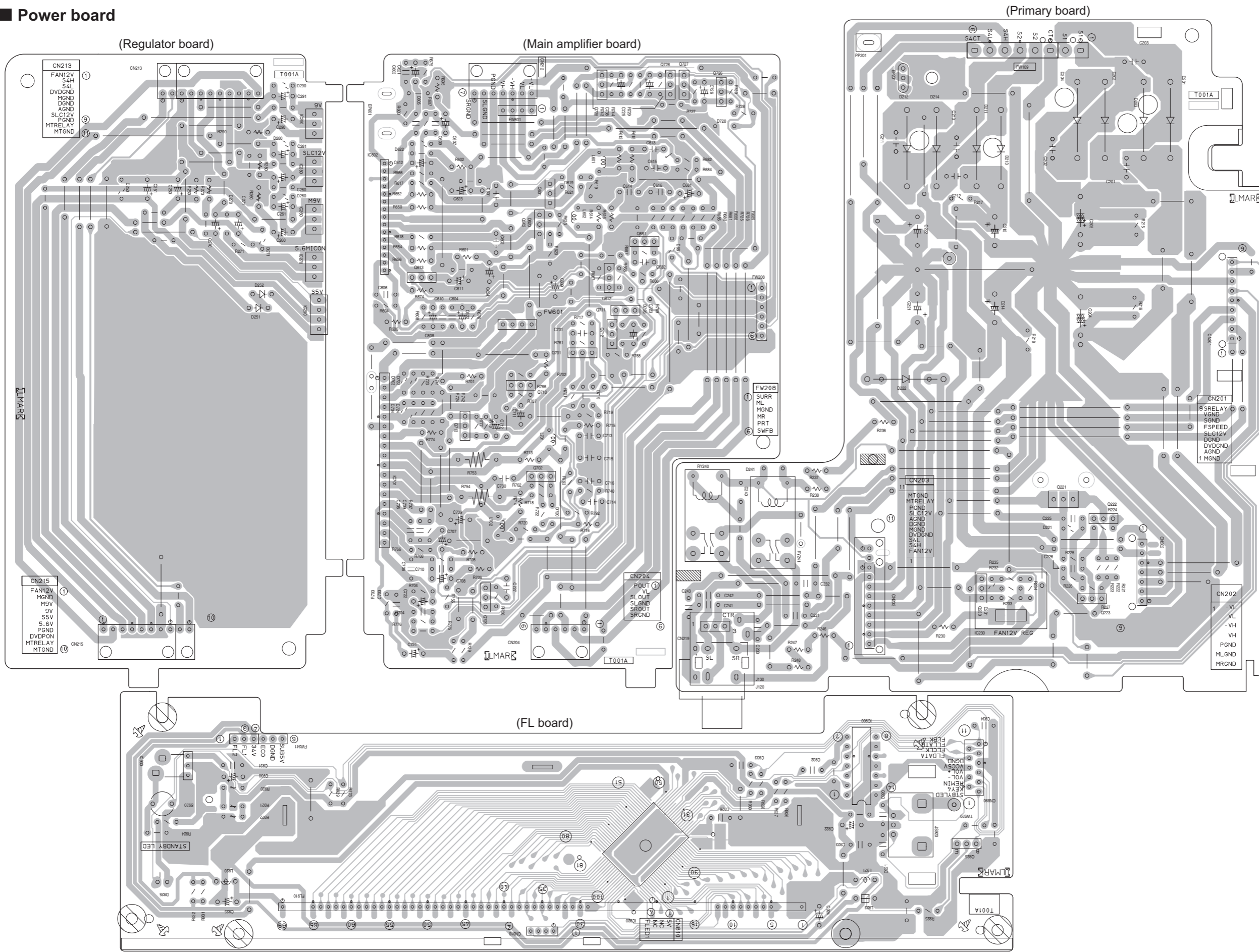
(SHEET 3)

- NOTES
1. VOLTAGES ARE DC-MEASURED WITH A DIGITAL VOLT METER WITHOUT INPUT SIGNAL. CONDITION —
 2. UNLESS OTHERWISE SPECIFIED:
ALL RESISTORS ARE 1/10W 450 METAL GLAZE RESISTOR, OR 0.5X METAL GLAZE RESISTOR.
ALL CAPACITORS ARE 50V, 25V, 16V, 10V OR 6.3V CERAMIC CAPACITOR.
ALL RESISTANCE VALUES ARE IN OHM(S).
ALL CAPACITANCE VALUES ARE IN pF(OR nF).
ALL E-CAPACITORS ARE SHOWN IN THE FORM OF CAPACITANCE(μF)/RATED VOLTAGE (V).
ALL INDUCTANCE VALUES ARE IN μH(OR mH).
3. NI STANDS FOR NOT INSERTED PARTS.
 4. DIGITAL TRANSISTOR



Printed circuit boards

Power board



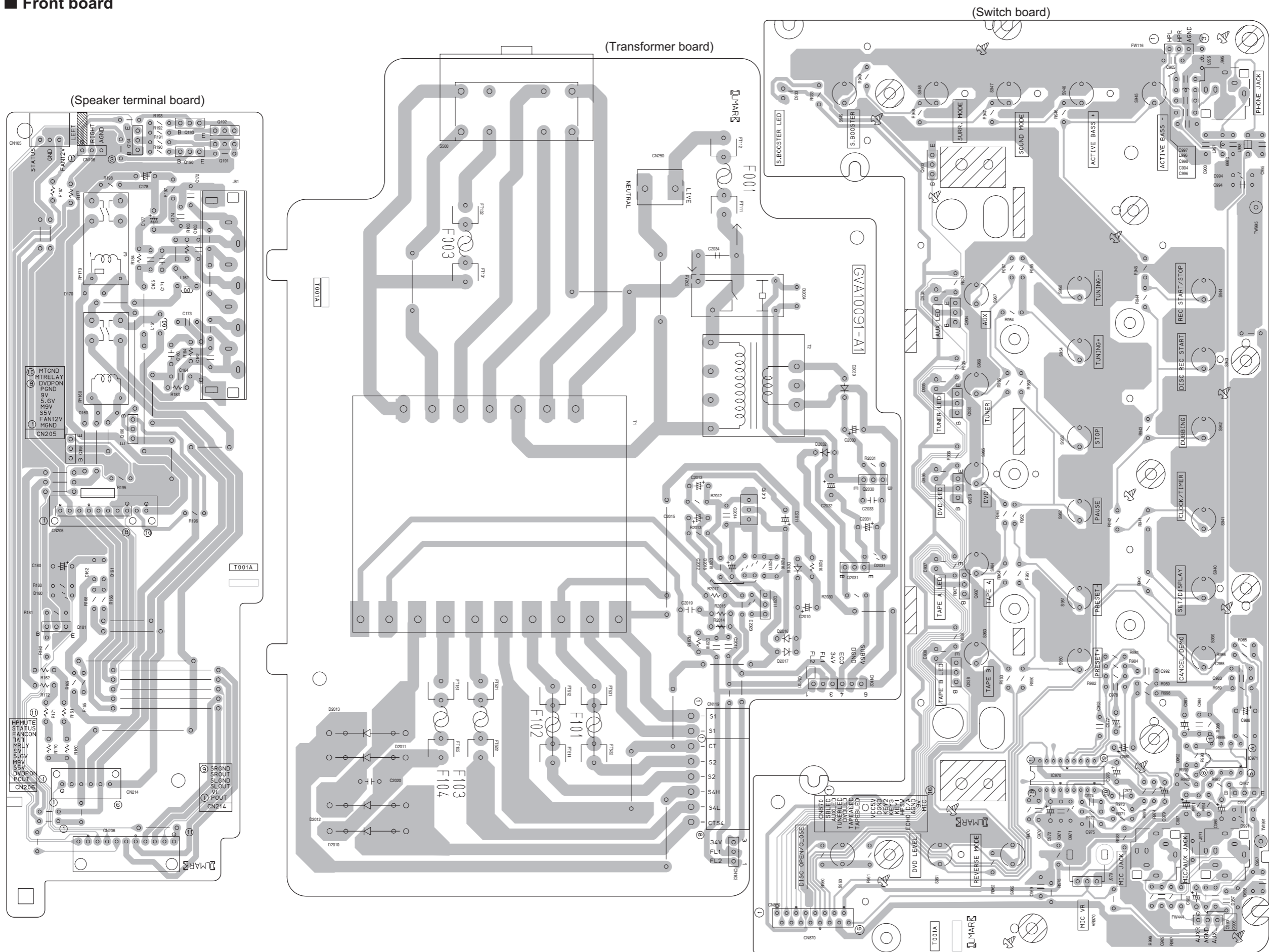
Input board



(Video board)

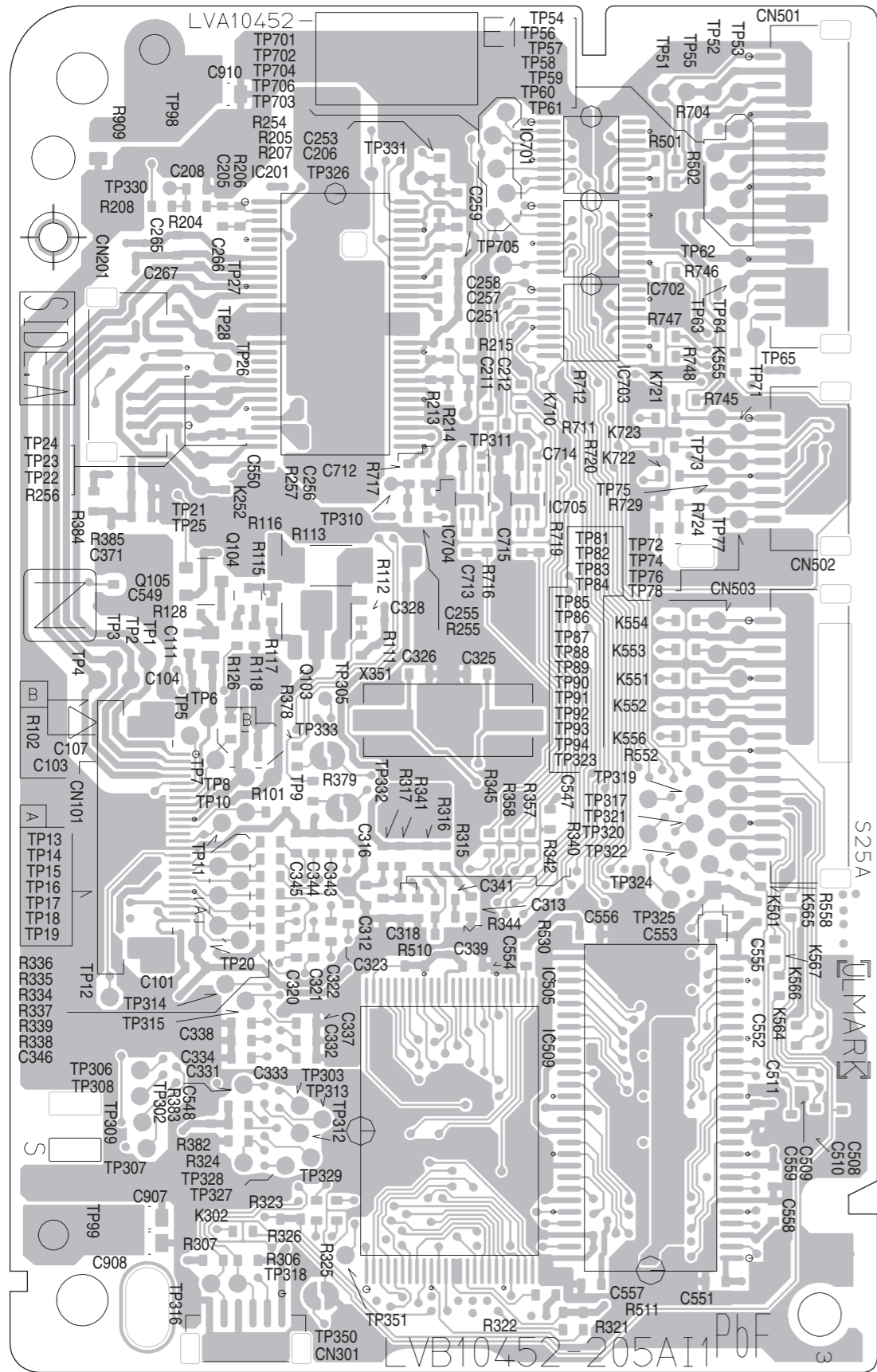
(Main board)

■ Front board

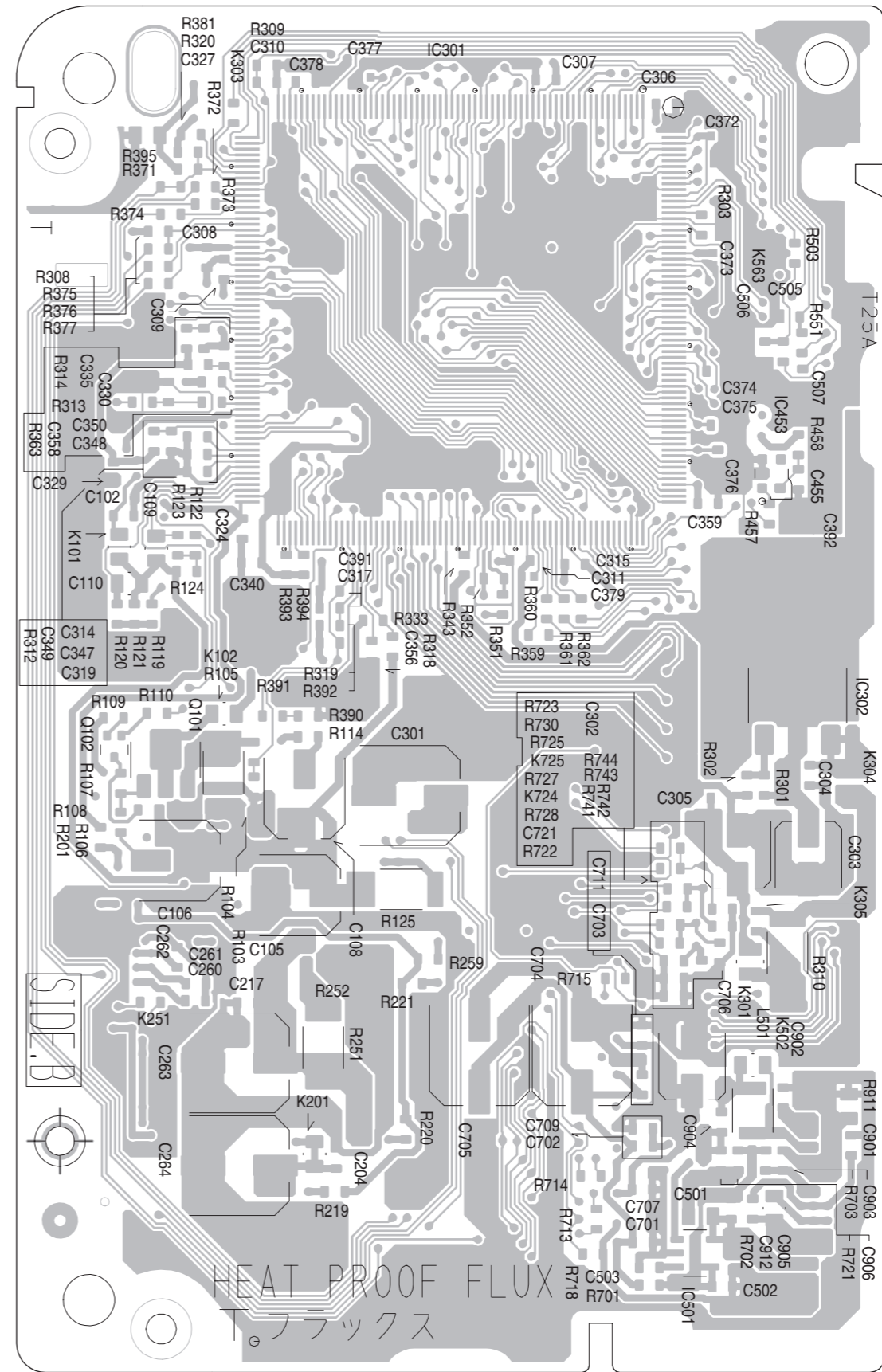


■ DVD module board

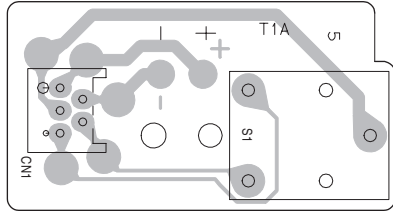
Forward side



Reverse side



■ DVD loading switch board



JVC

Victor Company of Japan, Limited

AV & MULTIMEDIA COMPANY AUDIO/VIDEO SYSTEMS CATEGORY 10-1, 1chome, Ohwatari-machi, Maebashi-city, 371-8543, Japan

(No.MB385SCH)



Printed in Japan
VPT

PARTS LIST

[MX-JE3] [MX-JE31]

* All printed circuit boards and its assemblies are not available as service parts.

MX-JE3

Area suffix

US ----- Singapore
UW ----- Brazil, Mexico, Peru
UX ----- Saudi Arabia
UY ----- Argentina
UG - Turkey, South Africa, Egypt
UE----- Turkey
UN ----- Aseans

MX-JE31

Area suffix

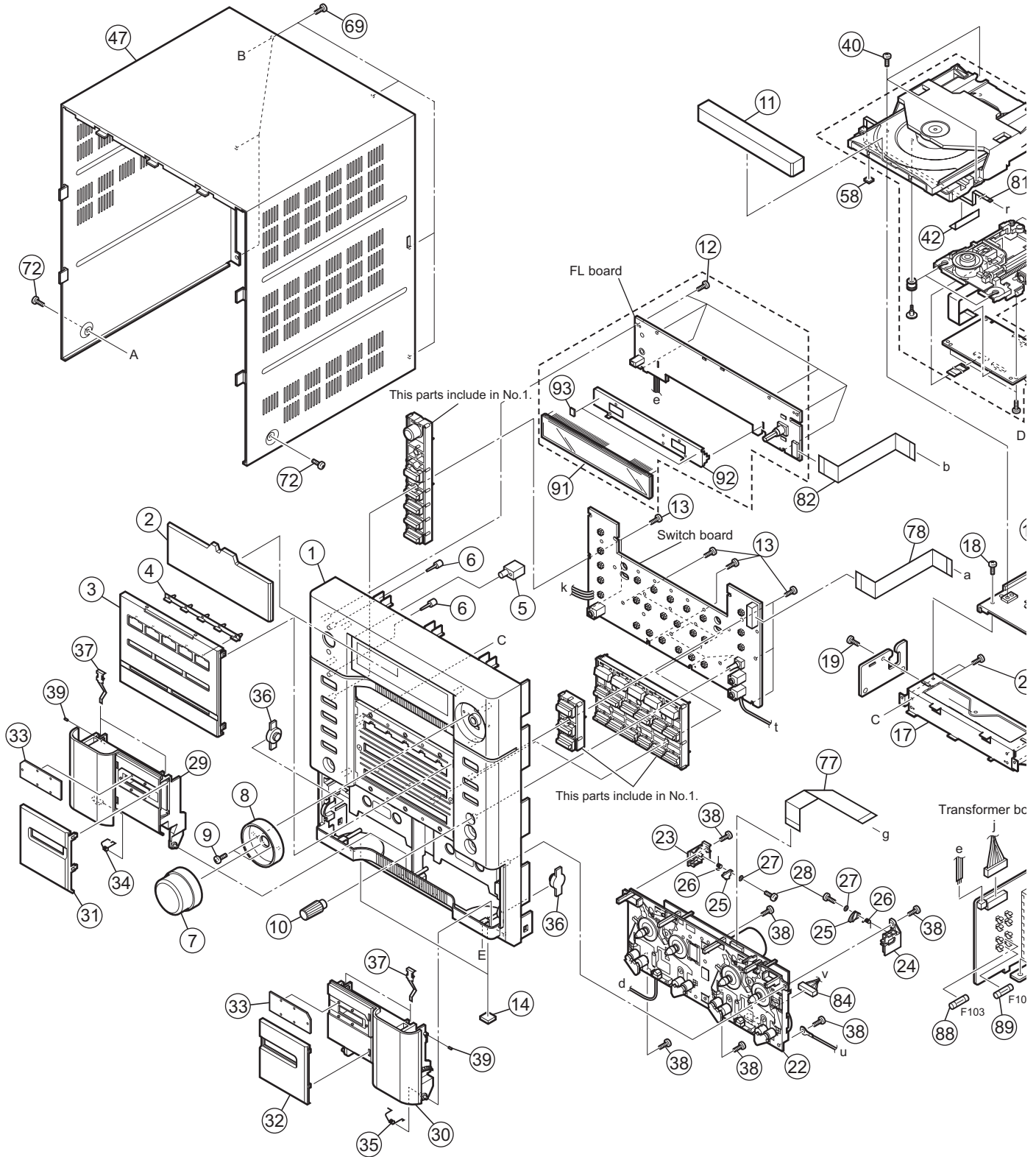
UX ----- Saudi Arabia
UG - Turkey, South Africa, Egypt
UN ----- Aseans

- Contents -

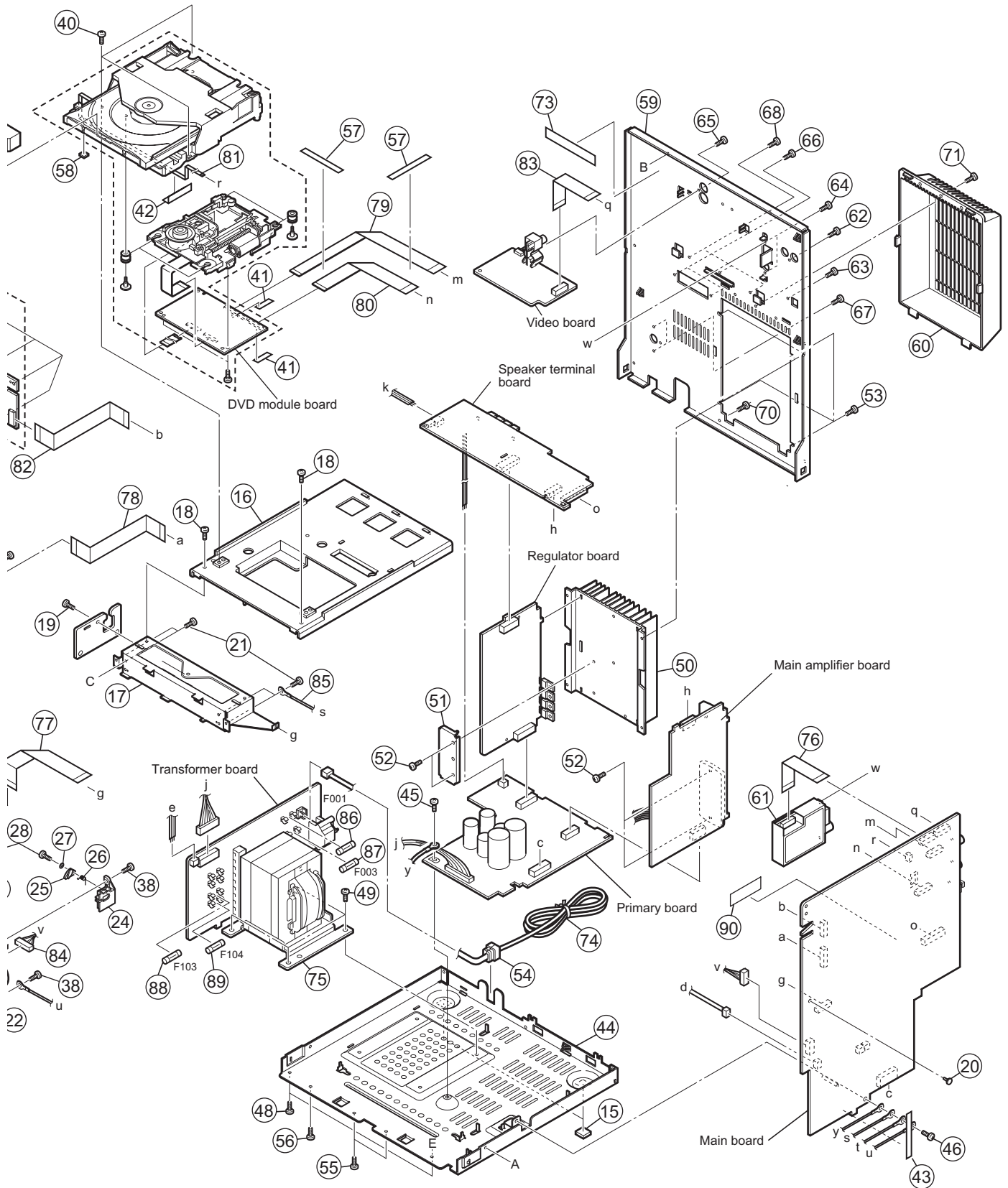
| | |
|--|------|
| Exploded view of general assembly and parts list (Block No.M1) | 3- 2 |
| DVD mechanism assembly and parts list(Block No.MJ) | 3- 6 |
| DVD loading base assembly and parts list (Block No.MN) | 3- 8 |
| Electrical parts list (Block No.01~05) | 3-10 |
| Packing materials and accessories parts list (Block No.M3) | 3-22 |

Exploded view of general assembly and parts list

Block No. **M 1 M M**



No. M 1 M M



General Assembly

Block No. [M][1][M][M]

| △ Symbol No. | Part No. | Part Name | Description | Local |
|--------------|---------------|------------------|-----------------|---|
| 1 | GV10220-022A | FRONT PANEL ASSY | | JE31UG,JE31UN,JE31UX |
| 1 | GV10220-019A | FRONT PANEL ASSY | | JE3UG,JE3UN,JE3US,JE3UX |
| 1 | GV10220-021A | FRONT PANEL ASSY | | JE3UE,JE3UW,JE3UY |
| 2 | GV30576-007A | FL LENS | | |
| 3 | GV20277-007A | FRONT COVER | | JE31UG,JE31UN,JE31UX |
| 3 | GV20277-008A | FRONT COVER | | JE3UE,JE3UG,JE3UN,JE3US,JE3UW,JE3UX JE3UY |
| 4 | GV30577-001A | FUNC.INDICATOR | | |
| 5 | GV40485-002A | REMOTE LENS | | |
| 6 | GV40486-002A | INDICATOR LENS | (x2) | |
| 7 | GV30580-001A | VOLUME KNOB | | |
| 8 | LV42979-003A | VOLUME RING | | |
| 9 | QYSDSF2608ZA | TAP SCREW | M2.6 x 8mm(x2) | |
| 10 | GV40083-004A | MIC.KNOB | | JE31UG,JE31UN,JE31UX,JE3UG,JE3UN,JE3USJ E3UX |
| 11 | GV30583-006A | TRAY FITTING | | JE31UG,JE31UN,JE31UX |
| 11 | GV30583-005A | TRAY FITTING | | JE3UE,JE3UG,JE3UN,JE3US,JE3UW,JE3UX JE3UY |
| 12 | QYSDSF2608ZA | TAP SCREW | M2.6 x 8mm(x6) | |
| 13 | QYSDSF2608ZA | TAP SCREW | M2.6 x 8mm(x11) | |
| 14 | GV40246-001A | FOOT SPACER | (x2) | |
| 15 | GV40246-002A | FOOT SPACER | (x2) | |
| 16 | GV10206-003A | CENTER CHASSIS | | |
| 17 | GV20275-001A | STAY BRACKET | | |
| 18 | QYSBSG3008ZA | TAP SCREW | M3 x 8mm(x2) | |
| 19 | QYSBSG3008ZA | TAP SCREW | M3 x 8mm | |
| 20 | E310243-002 | PLASTIC RIVET | | |
| 21 | QYSDSF2608ZA | TAP SCREW | M2.6 x 8mm(x4) | |
| 22 | QAL0700-001 | MECHA ASSY | | |
| 23 | GV40496-001A | SWING CAM(L) | | |
| 24 | GV40497-001A | SWING CAM(R) | | |
| 25 | GV40501-001A | SWING CAM | (x2) | |
| 26 | GV40502-002A | SPRING | (x2) | |
| 27 | GV40503-001A | WASHER | (x2) | |
| 28 | GV40504-002A | SCREW | (x2) | |
| 29 | GV10204-002A | CASS.HOLDER(L) | | |
| 30 | GV10205-002A | CASS.HOLDER(R) | | |
| 31 | GV20278-006A | CASS.COVER (L) | | JE31UG,JE31UN,JE31UX |
| 31 | GV20278-003A | CASS.COVER (L) | | JE3UE,JE3UG,JE3UN,JE3US,JE3UW,JE3UX, E3UY |
| 32 | GV20279-006A | CASS.COVER (R) | | JE31UG,JE31UN,JE31UX |
| 32 | GV20279-003A | CASS.COVER (R) | | JE3UE,JE3UG,JE3UN,JE3US,JE3UW,JE3UX JE3UY |
| 33 | GV40487-001A | CASS.LENS | (x2) | |
| 34 | GV40489-001A | DOOR SPRING | | |
| 35 | GV40490-001A | DOOR SPRING(R) | | |
| 36 | GV40034-001A | DAMPER ASSY. | (x2) | |
| 37 | VKY4180-401 | CASSETTE SPRING | (x4) | |
| 38 | QYSBSF3010ZA | TAP SCREW | M3 x 10mm(x6) | |
| 39 | GV40515-001A | METAL PIN | (x2) | |
| 40 | QYSBSF3012ZA | TAP SCREW | M3 x 12mm(x3) | |
| 41 | LV30225-011A | SPACER | (x2) | |
| 42 | LV30225-011A | SPACER | | |
| 43 | GV30349-003A | SPACER | | |
| 44 | GV10209-002A | BOTTOM CHASSIS | | |
| 45 | QYSBSGG3008EA | TAP SCREW | M3 x 8mm | |
| 46 | QYSBSGG3008EA | TAP SCREW | M3 x 8mm | |
| 47 | GV10217-005A | METAL COVER | | |
| 48 | QYSBSG3010ZA | TAP SCREW | M3 x 10mm(x2) | |
| 49 | QYSDSTL4008EA | TAP SCREW | M4 x 8mm(x4) | |
| 50 | GV30581-002A | HEAT SINK | | |
| 51 | GV40488-001A | LEAF SPRING | | |
| 52 | QYSBSG3014EA | TAP SCREW | M3 x 14mm(x4) | |
| 53 | QYSBSGY3008EA | TAP SCREW | M3 x 8mm(x4) | |
| 54 | QZW0033-001 | STRAIN RELIEF | | |
| 55 | QYSST3006ZA | TAP SCREW | M3 x 6mm(x2) | |
| 56 | QYSBSG3010ZA | TAP SCREW | M3 x 10mm | |
| 57 | GV30349-003A | SPACER | (x2) | |
| 58 | E3400-431 | SPECER | | |
| 59 | GV10207-033A | REAR PANEL | | JE31UN |
| 59 | GV10207-032A | REAR PANEL | | JE31UG,JE31UX |
| 59 | GV10207-030A | REAR PANEL | | JE3UE |
| 59 | GV10207-027A | REAR PANEL | | JE3UN,JE3US |
| 59 | GV10207-031A | REAR PANEL | | JE3UW |
| 59 | GV10207-026A | REAR PANEL | | JE3UG,JE3UX |
| 59 | GV10207-028A | REAR PANEL | | JE3UY |

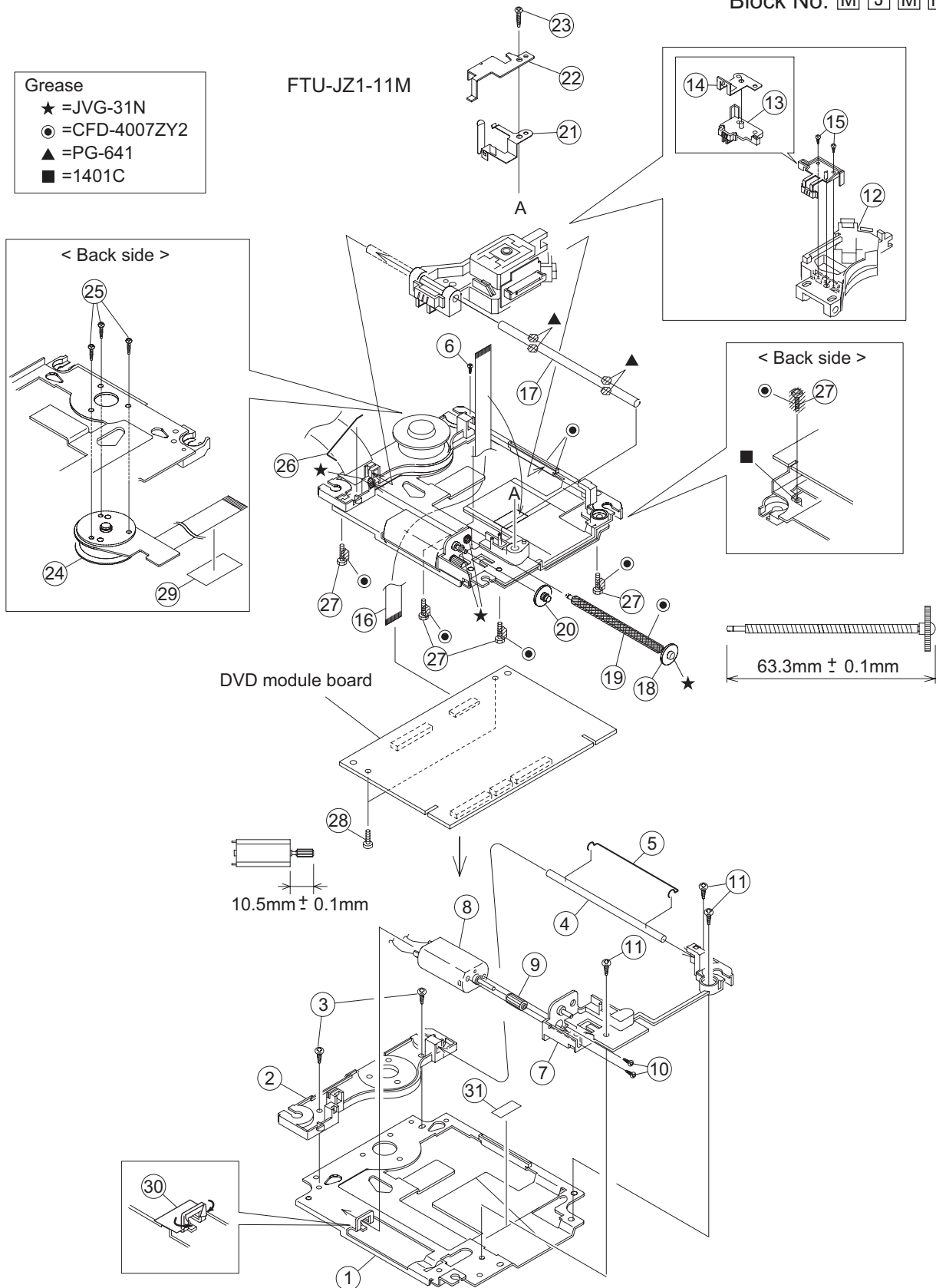
| △ | Symbol No. | Part No. | Part Name | Description | Local |
|---|------------|-----------------|----------------|---------------|---|
| | 60 | GV10208-001A | REAR COVER | | |
| | 61 | QAU0278-003 | TUNER | | JE3UE |
| | 61 | QAU0307-003 | TUNER | | JE31UG,JE31UN,JE31UX,JE3UG,JE3UN,JE3USJ E3UW,JE3UX,JE3UY |
| | 62 | QYSBSGY3008EA | TAP SCREW | M3 x 8mm | JE31UG,JE31UN,JE31UX,JE3UG,JE3UN,JE3USJ E3UX |
| | 63 | QYSBSGY3008EA | TAP SCREW | M3 x 8mm | |
| | 64 | QYSBSGY3008EA | TAP SCREW | M3 x 8mm(x2) | |
| | 65 | QYSBSGY3008EA | TAP SCREW | M3 x 8mm | |
| | 66 | QYSBSGY3008EA | TAP SCREW | M3 x 8mm(x2) | |
| | 67 | QYSBSF3012EA | TAP SCREW | M3 x 12mm(x2) | |
| | 68 | QYSBSGY3008EA | TAP SCREW | M3 x 8mm(x3) | |
| | 69 | QYSBSGY3008EA | TAP SCREW | M3 x 8mm(x6) | |
| | 70 | QYSBSGY3008EA | TAP SCREW | M3 x 8mm | |
| | 71 | QYSBSGY3008EA | TAP SCREW | M3 x 8mm | |
| | 72 | QYSDSG3006NA | TAP SCREW | M3 x 6mm(x2) | |
| | 73 | LV41843-002A | LASER CAUTION | | |
| △ | 74 | QMPK210-205-JN | POWER CORD(EU) | 2.05m BLACK | JE31UG,JE31UN,JE31UX,JE3UE,JE3UG,JE3UNJ E3US,JE3UW,JE3UX |
| △ | 74 | QMPR300-200-JC | POWER CORD | 2m BLACK | JE3UY |
| △ | 75 | QQT0479-001 | POWER TRANSF | | |
| | 76 | QUQH12-1108AJ-E | FFC WIRE | 11pin 8cm | |
| | 77 | QUQH12-1314AJ-E | FFC WIRE | 13pin 14cm | |
| | 78 | QUQH12-1614BJ-E | FFC WIRE | 16pin 14cm | |
| | 79 | QUQH10-1730BJ-E | FFC WIRE | 17pin 30cm | |
| | 80 | QUQH10-1920BJ-E | FFC WIRE | 19pin 20cm | |
| | 81 | QUQH10-0541BJ-E | FFC WIRE | 5pin 41cm | |
| | 82 | QUQH12-1111AJ-E | FFC WIRE | 11pin 11cm | |
| | 83 | QUQH12-1110AJ-E | FFC WIRE | 11pin 10cm | |
| | 84 | WJN0074-005A-E | SIGNAL WIRE | | |
| | 85 | WJZ0137-001A-E | S.WIRE | | JE31UG,JE31UN,JE31UX,JE3UG,JE3UN,JE3USJ E3UW,JE3UX,JE3UY |
| △ | 86 | QMF51W2-3R15-J8 | FUSE | 3.15A AC250V | |
| △ | 87 | QMF51W2-2R0-J8 | FUSE | 2A AC250V | |
| △ | 88 | QMF51W2-2R0-J8 | FUSE | 2A AC250V | |
| △ | 89 | QMF51W2-3R15-J8 | FUSE | 3.15A AC250V | |
| | 90 | LV30225-011A | SPACER | | JE3UE,JE3UW,JE3UY |
| | 91 | QLF0149-001 | FL TUBE | | |
| | 92 | GV30507-001A | FL HOLDER | | |
| | 93 | GV30349-021A | SPACER | (x2) | |

DVD mechanism assembly and parts list

Block No. M J M M

- Grease
- ★ =JVG-31N
 - =CFD-4007ZY2
 - ▲ =PG-641
 - =1401C

FTU-JZ1-11M



The parts without symbol number are not service.

DVD mechanism

Block No. [M][J][M][M]

| △ | Symbol No. | Part No. | Part Name | Description | Local |
|---|------------|---------------|----------------|----------------|-------|
| | 1 | LV21814-001A | MECHA BASE | | |
| | 2 | LE20731-001A | SPINDLE BASE | | |
| | 3 | QYSDST2605M | TAP SCREW | M2.6 x 5mm(x2) | |
| | 4 | LE40931-001A | SHAFT | | |
| | 5 | LE40995-001A | BAR SPRING | | |
| | 6 | QYSPSTU2080M | TAP SCREW | M2 x 8mm | |
| | 7 | LE20730-002A | FEED HOLDER | | |
| | 8 | QAR0165-001 | FEED MOTOR | | |
| | 9 | LV41510-201A | FEED GEAR T | | |
| | 10 | QYSPSPU2040M | SCREW | M2 x 4mm(x2) | |
| | 11 | QYSDST2605M | TAP SCREW | M2.6 x 5mm(x3) | |
| | 12 | QAL0577-001 | P.UP | | |
| | 13 | LE20732-001A | SW ACTUATOR | | |
| | 14 | LE31093-001A | LEAD SPRING | | |
| | 15 | QYSPSFU1740Z | TAP SCREW | M1.7 x 4mm(x2) | |
| | 16 | QUQ105-2412AC | FFC WIRE | 24pin 12cm | |
| | 17 | LE40931-001A | SHAFT | | |
| | 18 | LE40855-002A | FEED GEAR E | | |
| | 19 | LV41517-003A | LEAD SCREW | | |
| | 20 | LE40930-001A | FEED GEAR M | | |
| | 21 | LE40928-002A | THURUST SPRING | | |
| | 22 | LE40927-002A | PLATE | | |
| | 23 | QYSDST2614Z | TAP SCREW | M2.6 x 14mm | |
| | 24 | QAR0334-001 | S.MOTOR | | |
| | 25 | QYSPSPU1760Z | SCREW | M1.7 x 6mm(x3) | |
| | 26 | LE40994-001A | T.SPRING | | |
| | 27 | LE40858-002A | SPECIAL SCREW | (x4) | |
| | 28 | QYSDST2004Z | TAP SCREW | M2 x 4mm(x2) | |
| | 29 | LV30225-0X6A | SPACER | | |
| | 30 | LV30225-0X5A | SPACER | | |
| | 31 | LV44007-001A | TAPE | | |

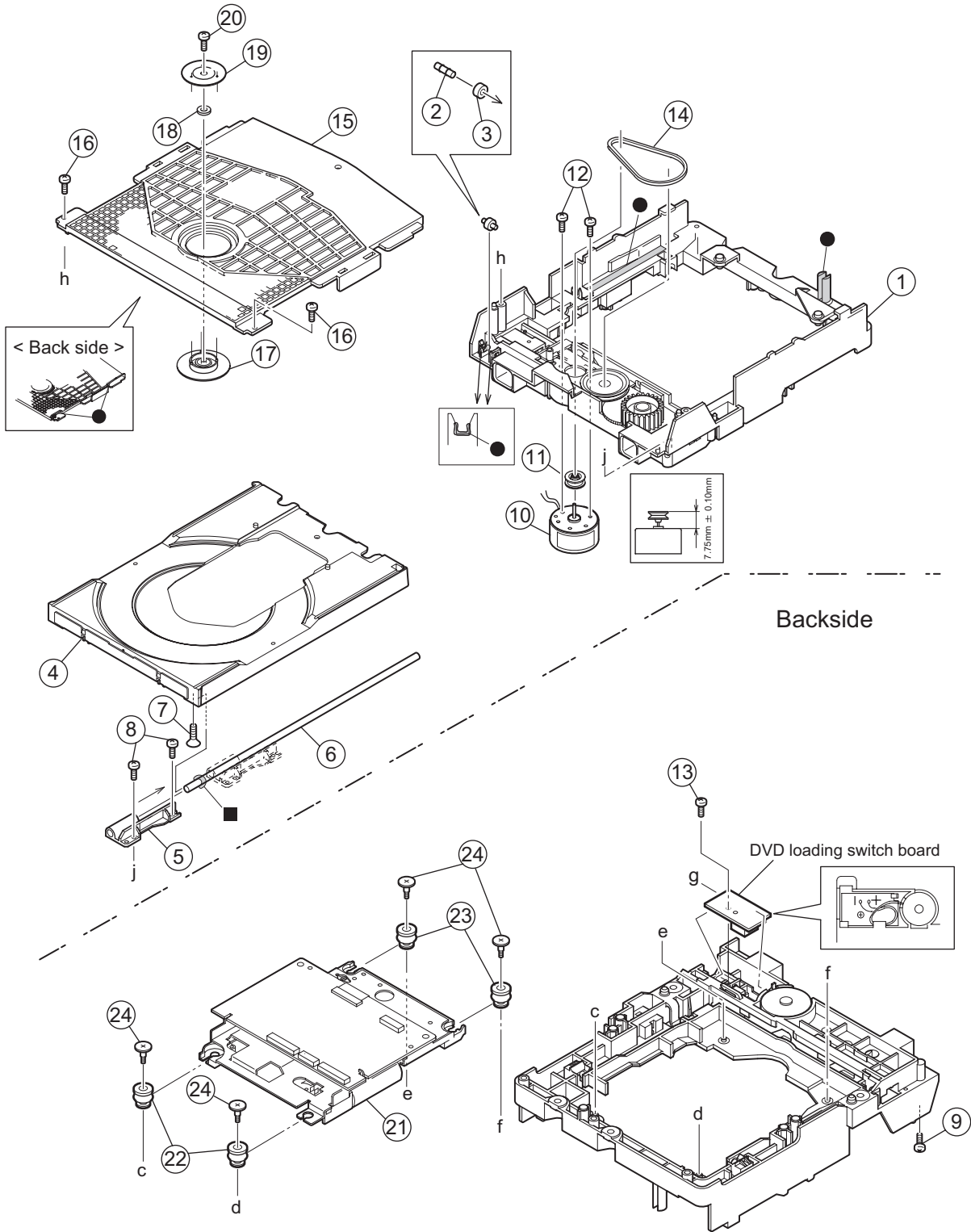
DVD loading base assembly and parts list

FMU-MZ1-11M

Block No. M N M M

Grease

- JBS-1003
- JVG-450



The parts without symbol number are not service.

DVD loading base

Block No. [M][N][M][M]

| △ Symbol No. | Part No. | Part Name | Description | Local |
|--------------|---------------|-----------------|----------------|-------|
| 1 | LV11065-002A | LOADER SUB ASSY | | |
| 2 | E407140-001SS | C.D ROLLER | | |
| 3 | E407149-001SS | RUBBER TUBE | | |
| 4 | LV10979-002A | TRAY | | |
| 5 | LV35499-001A | SHAFT GUIDE | | |
| 6 | LV44022-001A | SHAFT | | |
| 7 | QYSSSF2008ZA | TAP SCREW | M2 x 8mm | |
| 8 | QYSDSF2008ZA | TAP SCREW | M2 x 8mm(x2) | |
| 9 | LV41741-004A | SPECIAL SCREW | | |
| 10 | QAR0197-001 | MOTOR | | |
| 11 | LV43844-002A | MOTOR PULLEY | | |
| 12 | QYSPSPU1730ZA | SCREW | M1.7 x 3mm(x2) | |
| 13 | QYSDSF2008ZA | TAP SCREW | M2 x 8mm | |
| 14 | LV43974-001A | BELT | | |
| 15 | LV21852-003A | CLAMPER BASE | | |
| 16 | QYSDSF2008ZA | TAP SCREW | M2 x 8mm(x2) | |
| 17 | LV35056-002A | DVD CLAMPER | | |
| 18 | LV42930-003A | P.C.MAGNET | | |
| 19 | LV43848-001A | YOKE | | |
| 20 | LE40906-002A | SPECIAL SCREW | | |
| 21 | ----- | DVD TRAMECHA UN | | |
| 22 | LE40900-003A | INSULATOR | (x2) | |
| 23 | LE40900-005A | INSULATOR | (x2) | |
| 24 | LE40901-002A | SPECIAL SCREW | (x4) | |

Electrical parts list

Power board

Block No. [0][1]

| △ Symbol No. | Part No. | Part Name | Description | Local |
|--------------|-----------------|-----------------|---------------|----------------------|
| △ IC260 | KIA7809API | IC | | |
| △ IC270 | KIA7805API | IC | | |
| △ IC280 | KIA7812API | IC | | |
| △ IC290 | KIA7809API | IC | | |
| △ IC602 | STK432-070 | IC | | |
| IC900 | SN74HCU04N | FL DRIVER | | |
| IC920 | PT6305 | FL DRIVER | | |
| IC930 | GP1UM281XKVF | IR DETECT UNIT | | |
| △ Q221 | KTA1046Y/ | TRANSISTOR | | |
| Q222 | KTC3199/GLJ-T | TRANSISTOR | | |
| Q223 | KTC3199/GLJ-T | TRANSISTOR | | |
| Q601 | KTC3199/GLJ-T | TRANSISTOR | | |
| Q602 | KTC3199/GLJ-T | TRANSISTOR | | |
| Q612 | KTA1267/YGJ-T | TRANSISTOR | | |
| Q613 | KRC102M-T | DIGI TRANSISTOR | | |
| Q681 | 2SK301/PQJ-T | TRANSISTOR | | |
| Q725 | KTA1267/YGJ-T | TRANSISTOR | | |
| Q726 | KTC3199/GLJ-T | TRANSISTOR | | |
| Q727 | KTA1267/YGJ-T | TRANSISTOR | | |
| Q728 | KTC3199/GLJ-T | TRANSISTOR | | |
| △ D211 | 1N5402M-20 | DIODE | | |
| △ D212 | 1N5402M-20 | DIODE | | |
| △ D213 | 1N5402M-20 | DIODE | | |
| △ D214 | 1N5402M-20 | DIODE | | |
| D221 | MTZJ5.6C-T2 | Z DIODE | | |
| D222 | 2A02-M | DIODE | | |
| D260 | MTZJ11B-T2 | Z DIODE | | |
| D270 | 1SS133-T2 | SI DIODE | | |
| D271 | MTZJ6.8C-T2 | Z DIODE | | |
| D280 | MTZJ15B-T2 | Z DIODE | | |
| D290 | MTZJ11B-T2 | Z DIODE | | |
| D619 | 1SS133-T2 | SI DIODE | | |
| D620 | 1SS133-T2 | SI DIODE | | |
| D622 | MTZJ9.1B-T2 | Z DIODE | | |
| D681 | MTZJ2.4B-T2 | Z DIODE | | |
| D728 | 1SS133-T2 | SI DIODE | | |
| D925 | SLR-343VC/NPQ-T | LED | | |
| C204 | QEZO726-688 | E CAPACITOR | 6800uF | |
| C205 | QEZO726-688 | E CAPACITOR | 6800uF | |
| C213 | QFKC2EK-104Z | MM CAPACITOR | 0.1uF 250V K | |
| C214 | QETM1HM-338 | E CAPACITOR | 3300uF 50V M | JE31U N,JE3 UN |
| C215 | QETM1HM-338 | E CAPACITOR | 3300uF 50V M | JE31U N,JE3 UN |
| C221 | QETM1EM-688 | E CAPACITOR | 6800uF 25V M | |
| C222 | QEZO724-828 | E CAPACITOR | 8200uF | |
| C225 | QCBB1HK-103Y | C CAPACITOR | 0.01uF 50V K | |
| C226 | QCBB1HK-221Y | C CAPACITOR | 220pF 50V K | |
| C260 | QETN1HM-106Z | E CAPACITOR | 10uF 50V M | |
| C261 | QETN1CM-227Z | E CAPACITOR | 220uF 16V M | |
| C270 | QETN1HM-106Z | E CAPACITOR | 10uF 50V M | |
| C271 | QETN1HM-106Z | E CAPACITOR | 10uF 50V M | |
| C280 | QETN1HM-106Z | E CAPACITOR | 10uF 50V M | |
| C281 | QETN1HM-106Z | E CAPACITOR | 10uF 50V M | |
| C290 | QETN1HM-106Z | E CAPACITOR | 10uF 50V M | |
| C291 | QETN1HM-106Z | E CAPACITOR | 10uF 50V M | |
| C601 | QFLC1HJ-223Z | M CAPACITOR | 0.022uF 50V J | |
| C602 | QFLC1HJ-223Z | M CAPACITOR | 0.022uF 50V J | |
| C603 | QCBB1HK-221Y | C CAPACITOR | 220pF 50V K | |
| C604 | QCBB1HK-221Y | C CAPACITOR | 220pF 50V K | |
| C605 | QCBB1HK-221Y | C CAPACITOR | 220pF 50V K | |
| C606 | QCBB1HK-221Y | C CAPACITOR | 220pF 50V K | |
| C607 | QTE1C06-476Z | E CAPACITOR | 47uF 16V | |
| C608 | QTE1C06-476Z | E CAPACITOR | 47uF 16V | |
| C609 | QCSB1HK-3R3Y | C CAPACITOR | 3.3pF 50V K | |
| C610 | QCSB1HK-3R3Y | C CAPACITOR | 3.3pF 50V K | |
| C611 | QETN1HM-107Z | E CAPACITOR | 100uF 50V M | |
| C612 | QETN1HM-107Z | E CAPACITOR | 100uF 50V M | |

| △ Symbol No. | Part No. | Part Name | Description | Local |
|--------------|----------|--------------|----------------|---------------|
| | C613 | QFLC1HJ-473Z | M CAPACITOR | 0.047uF 50V J |
| | C614 | QFLC1HJ-473Z | M CAPACITOR | 0.047uF 50V J |
| | C615 | QFLC1HJ-473Z | M CAPACITOR | 0.047uF 50V J |
| | C616 | QFLC1HJ-473Z | M CAPACITOR | 0.047uF 50V J |
| | C621 | QTE1V06-106Z | E CAPACITOR | 10uF 35V |
| | C622 | QTE1V06-106Z | E CAPACITOR | 10uF 35V |
| | C623 | QTE1H28-106Z | E CAPACITOR | 10uF 50V |
| | C624 | QTE1H28-106Z | E CAPACITOR | 10uF 50V |
| | C639 | QETN1HM-105Z | E CAPACITOR | 1uF 50V M |
| | C681 | QETN1HM-224Z | E CAPACITOR | 0.22uF 50V M |
| | C682 | QFLC1HJ-823Z | M CAPACITOR | 0.082uF 50V J |
| | C726 | QETN1HM-106Z | E CAPACITOR | 10uF 50V M |
| | C729 | QETN1EM-476Z | E CAPACITOR | 47uF 25V M |
| | C738 | QETN1HM-106Z | E CAPACITOR | 10uF 50V M |
| | C920 | QDYB1CM-103Y | C CAPACITOR | 0.01uF 16V M |
| | C921 | QDYB1CM-103Y | C CAPACITOR | 0.01uF 16V M |
| | C922 | QEK1AM-107Z | E CAPACITOR | 100uF 10V M |
| | C924 | QEK1HM-226Z | E CAPACITOR | 22uF 50V M |
| | C925 | QETN1HM-226Z | E CAPACITOR | 22uF 50V M |
| | C926 | QCBB1HK-223Y | C CAPACITOR | 0.022uF 50V K |
| | C930 | QETN1HM-106Z | E CAPACITOR | 10uF 50V M |
| | C931 | QDGB1HK-102Y | C CAPACITOR | 1000pF 50V K |
| | C932 | QCBB1HK-331Y | C CAPACITOR | 330pF 50V K |
| | C933 | QCBB1HK-331Y | C CAPACITOR | 330pF 50V K |
| | R215 | QRE141J-223Y | C RESISTOR | 22kΩ 1/4W J |
| | R216 | QRE141J-223Y | C RESISTOR | 22kΩ 1/4W J |
| | R221 | QRE141J-102Y | C RESISTOR | 1kΩ 1/4W J |
| | R222 | QRE141J-102Y | C RESISTOR | 1kΩ 1/4W J |
| | R223 | QRE141J-102Y | C RESISTOR | 1kΩ 1/4W J |
| | R224 | QRE141J-681Y | C RESISTOR | 680Ω 1/4W J |
| | R225 | QRE141J-472Y | C RESISTOR | 4.7kΩ 1/4W J |
| | R226 | QRE141J-272Y | C RESISTOR | 2.7kΩ 1/4W J |
| | R227 | QRE141J-681Y | C RESISTOR | 680Ω 1/4W J |
| | R271 | QRE141J-102Y | C RESISTOR | 1kΩ 1/4W J |
| | R601 | QRJ146J-101X | UNF C RESISTOR | 100Ω 1/4W J |
| | R602 | QRJ146J-101X | UNF C RESISTOR | 100Ω 1/4W J |
| | R603 | QRE141J-473Y | C RESISTOR | 47kΩ 1/4W J |
| | R604 | QRE141J-473Y | C RESISTOR | 47kΩ 1/4W J |
| | △ R605 | QRJ146J-122X | UNF C RESISTOR | 1.2kΩ 1/4W J |
| | △ R606 | QRJ146J-122X | UNF C RESISTOR | 1.2kΩ 1/4W J |
| | R607 | QRE141J-563Y | C RESISTOR | 56kΩ 1/4W J |
| | R608 | QRE141J-563Y | C RESISTOR | 56kΩ 1/4W J |
| | △ R613 | QRJ146J-100X | UNF C RESISTOR | 10Ω 1/4W J |
| | △ R614 | QRJ146J-100X | UNF C RESISTOR | 10Ω 1/4W J |
| | △ R615 | QRJ146J-100X | UNF C RESISTOR | 10Ω 1/4W J |
| | △ R616 | QRJ146J-100X | UNF C RESISTOR | 10Ω 1/4W J |
| | R617 | QRE141J-221Y | C RESISTOR | 220Ω 1/4W J |
| | R618 | QRE141J-221Y | C RESISTOR | 220Ω 1/4W J |
| | R619 | QRE141J-222Y | C RESISTOR | 2.2kΩ 1/4W J |
| | R620 | QRE141J-222Y | C RESISTOR | 2.2kΩ 1/4W J |
| | R621 | QRE141J-473Y | C RESISTOR | 47kΩ 1/4W J |
| | R623 | QRE141J-473Y | C RESISTOR | 47kΩ 1/4W J |
| | △ R650 | QRT01DJ-R22X | MF RESISTOR | 0.22Ω 1W J |
| | △ R652 | QRT01DJ-R22X | MF RESISTOR | 0.22Ω 1W J |
| | △ R654 | QRT01DJ-R22X | MF RESISTOR | 0.22Ω 1W J |
| | △ R656 | QRT01DJ-R22X | MF RESISTOR | 0.22Ω 1W J |
| | R666 | QRE141J-333Y | C RESISTOR | 33kΩ 1/4W J |
| | R667 | QRE141J-103Y | C RESISTOR | 10kΩ 1/4W J |
| | R668 | QRE141J-103Y | C RESISTOR | 10kΩ 1/4W J |
| | R674 | QRJ146J-100X | UNF C RESISTOR | 10Ω 1/4W J |
| | R675 | QRE141J-102Y | C RESISTOR | 1kΩ 1/4W J |
| | R676 | QRE141J-102Y | C RESISTOR | 1kΩ 1/4W J |
| | R681 | QRE141J-153Y | C RESISTOR | 15kΩ 1/4W J |
| | R682 | QRE141J-203Y | C RESISTOR | 20kΩ 1/4W J |
| | R683 | QRE141J-473Y | C RESISTOR | 47kΩ 1/4W J |
| | R684 | QRE141J-103Y | C RESISTOR | 10kΩ 1/4W J |
| | R685 | QRE141J-475Y | C RESISTOR | 4.7MΩ 1/4W J |
| | R686 | QRE141J-392Y | C RESISTOR | 3.9kΩ 1/4W J |
| | R687 | QRE141J-105Y | C RESISTOR | 1MΩ 1/4W J |
| | R688 | QRE141J-823Y | C RESISTOR | 82kΩ 1/4W J |
| | R689 | QRE141J-823Y | C RESISTOR | 82kΩ 1/4W J |
| | R725 | QRE141J-823Y | C RESISTOR | 82kΩ 1/4W J |
| | R726 | QRE141J-104Y | C RESISTOR | 100kΩ 1/4W J |
| | R727 | QRE141J-104Y | C RESISTOR | 100kΩ 1/4W J |
| | R728 | QRE141J-103Y | C RESISTOR | 10kΩ 1/4W J |

| △ Symbol No. | Part No. | Part Name | Description | Local | △ Symbol No. | Part No. | Part Name | Description | Local |
|--------------|--------------|--------------|----------------|--------|--------------|--------------|--------------|---------------|--------|
| D551 | 1SS133-T2 | SI DIODE | | | C369 | QDXB1CM-682Y | C CAPACITOR | 6800pF 16V M | |
| D801 | 1SS244-T2 | SI DIODE | | | C370 | QETN1HM-475Z | E CAPACITOR | 4.7uF 50V M | |
| D802 | 1SS133-T2 | SI DIODE | | | C371 | QCSB1HK-4R7Y | C CAPACITOR | 4.7pF 50V K | |
| D803 | 1SS244-T2 | SI DIODE | | | C372 | QCSB1HK-4R7Y | C CAPACITOR | 4.7pF 50V K | |
| D804 | MTZJ4.3B-T2 | Z DIODE | | | C373 | QCBB1HK-103Y | C CAPACITOR | 0.01uF 50V K | JE3UE |
| D805 | 1SS133-T2 | SI DIODE | | | C374 | QCBB1HK-103Y | C CAPACITOR | 0.01uF 50V K | JE3UE |
| D807 | 1SS133-T2 | SI DIODE | | | C375 | QCBB1HK-221Y | C CAPACITOR | 220pF 50V K | JE3UE |
| D808 | 1N4003S-T5 | SI DIODE | | | C376 | QCBB1HK-221Y | C CAPACITOR | 220pF 50V K | JE3UE |
| D809 | 1SS133-T2 | SI DIODE | | | C377 | QETN1AM-477Z | E CAPACITOR | 470uF 10V M | |
| D862 | 1SS133-T2 | SI DIODE | | | C378 | QCBB1HK-223Y | C CAPACITOR | 0.022uF 50V K | JE3UE |
| C120 | QFZ0225-473Z | MYLAR CAPA | 0.047uF | | C379 | QDGB1HK-102Y | C CAPACITOR | 1000pF 50V K | JE3UE |
| C121 | QFZ0225-473Z | MYLAR CAPA | 0.047uF | | C380 | QDGB1HK-102Y | C CAPACITOR | 1000pF 50V K | JE3UE |
| C122 | QFZ0225-473Z | MYLAR CAPA | 0.047uF | | C397 | QFVF1HJ-224Z | MF CAPACITOR | 0.22uF 50V J | |
| C123 | QFZ0225-473Z | MYLAR CAPA | 0.047uF | | C406 | QTE1V06-106Z | E CAPACITOR | 10uF 35V | |
| C124 | QTE1C06-476Z | E CAPACITOR | 47uF 16V | | C407 | QTE1V06-106Z | E CAPACITOR | 10uF 35V | |
| C125 | QTE1C06-476Z | E CAPACITOR | 47uF 16V | | C408 | NDC31HJ-101X | C CAPACITOR | 100pF 50V J | |
| C300 | QCSB1HK-4R7Y | C CAPACITOR | 4.7pF 50V K | | C409 | NDC31HJ-101X | C CAPACITOR | 100pF 50V J | |
| C301 | QCSB1HK-4R7Y | C CAPACITOR | 4.7pF 50V K | | C411 | NCB31HK-103X | C CAPACITOR | 0.01uF 50V K | |
| C302 | QDGB1HK-102Y | C CAPACITOR | 1000pF 50V K | JE3UE | C412 | NCF31CZ-104X | C CAPACITOR | 0.1uF 16V Z | |
| C303 | QFLC1HJ-104Z | M CAPACITOR | 0.1uF 50V J | | C413 | QETN1AM-477Z | E CAPACITOR | 470uF 10V M | |
| C306 | QETN1HM-226Z | E CAPACITOR | 22uF 50V M | | C414 | QTE1C06-476Z | E CAPACITOR | 47uF 16V | |
| C307 | QETN1HM-475Z | E CAPACITOR | 4.7uF 50V M | | C415 | NCB31HK-103X | C CAPACITOR | 0.01uF 50V K | |
| C308 | QCBB1HK-103Y | C CAPACITOR | 0.01uF 50V K | JE3UE | C420 | QETN1EM-476Z | E CAPACITOR | 47uF 25V M | |
| C309 | QETN1CM-107Z | E CAPACITOR | 100uF 16V M | | C421 | QETN1HM-106Z | E CAPACITOR | 10uF 50V M | |
| C311 | QDYB1CM-103Y | C CAPACITOR | 0.01uF 16V M | | C422 | QETN1HM-106Z | E CAPACITOR | 10uF 50V M | |
| C313 | QDYB1CM-103Y | C CAPACITOR | 0.01uF 16V M | | C423 | QETN1CM-477Z | E CAPACITOR | 470uF 16V M | |
| C314 | QETN1CM-107Z | E CAPACITOR | 100uF 16V M | | C430 | QETN1HM-105Z | E CAPACITOR | 1uF 50V M | |
| C315 | QDXB1CM-152Y | C CAPACITOR | 1500pF 16V M | | C431 | QETN1HM-105Z | E CAPACITOR | 1uF 50V M | |
| C318 | QCBB1HK-223Y | C CAPACITOR | 0.022uF 50V K | | C432 | NDC31HJ-330X | C CAPACITOR | 33pF 50V J | |
| C321 | QCFB1HZ-104Y | C CAPACITOR | 0.1uF 50V Z | | C433 | QETN1HM-105Z | E CAPACITOR | 1uF 50V M | |
| C322 | QETN1CM-107Z | E CAPACITOR | 100uF 16V M | | C436 | QTE1V06-106Z | E CAPACITOR | 10uF 35V | |
| C323 | QFG32AJ-223Z | PP CAPACITOR | 0.022uF 100V J | | C437 | QTE1V06-106Z | E CAPACITOR | 10uF 35V | |
| C324 | QFLC1HJ-472Z | M CAPACITOR | 4700pF 50V J | | C445 | QETN1HM-105Z | E CAPACITOR | 1uF 50V M | |
| C325 | QCBB1HK-331Y | C CAPACITOR | 330pF 50V K | | C446 | QCBB1HK-331Y | C CAPACITOR | 330pF 50V K | |
| C326 | QCBB1HK-331Y | C CAPACITOR | 330pF 50V K | | C447 | QCBB1HK-331Y | C CAPACITOR | 330pF 50V K | |
| C330 | QETN1AM-227Z | E CAPACITOR | 220uF 10V M | | C454 | NCB31HK-221X | C CAPACITOR | 220pF 50V K | |
| C331 | QETN1HM-105Z | E CAPACITOR | 1uF 50V M | | C455 | NCB31HK-221X | C CAPACITOR | 220pF 50V K | |
| C332 | QETN1HM-106Z | E CAPACITOR | 10uF 50V M | | | | | | JE31U |
| C334 | NCS21HJ-821X | C CAPACITOR | 820pF 50V J | | | | | | G,JE31 |
| C335 | QCBB1HK-271Y | C CAPACITOR | 270pF 50V K | | C456 | NCB31HK-222X | C CAPACITOR | 2200pF 50V K | UN,JE |
| C336 | QCBB1HK-391Y | C CAPACITOR | 390pF 50V K | | | | | | 31UX,J |
| C337 | QETN1HM-225Z | E CAPACITOR | 2.2uF 50V M | | | | | | E3UG,J |
| C338 | QFLA1HJ-104Z | M CAPACITOR | 0.1uF 50V J | | C460 | NCB31HK-471X | C CAPACITOR | 470pF 50V K | E3UN, |
| C339 | NCS21HJ-821X | C CAPACITOR | 820pF 50V J | | C461 | NCB31HK-471X | C CAPACITOR | 470pF 50V K | JE3US, |
| C340 | QFLA1HJ-104Z | M CAPACITOR | 0.1uF 50V J | | C462 | QETN1HM-225Z | E CAPACITOR | 2.2uF 50V M | JE3UX, |
| C341 | QCBB1HK-271Y | C CAPACITOR | 270pF 50V K | | C463 | QETN1HM-225Z | E CAPACITOR | 2.2uF 50V M | JE3UW, |
| C343 | QCBB1HK-391Y | C CAPACITOR | 390pF 50V K | | C464 | QETN1HM-106Z | E CAPACITOR | 10uF 50V M | ,JE3UX |
| C344 | QETN1HM-225Z | E CAPACITOR | 2.2uF 50V M | | C465 | QETN1HM-106Z | E CAPACITOR | 10uF 50V M | ,JE3UY |
| C345 | QFLA1HJ-104Z | M CAPACITOR | 0.1uF 50V J | | C466 | QETN1HM-106Z | E CAPACITOR | 10uF 50V M | |
| C346 | QFLA1HJ-104Z | M CAPACITOR | 0.1uF 50V J | | C467 | QETN1HM-106Z | E CAPACITOR | 10uF 50V M | |
| C350 | QCBB1HK-103Y | C CAPACITOR | 0.01uF 50V K | | C468 | QTE1H28-106Z | E CAPACITOR | 10uF 50V | |
| | | | | JE31U | C469 | QTE1H28-106Z | E CAPACITOR | 10uF 50V | |
| | | | | G,JE31 | C470 | QTE1H28-106Z | E CAPACITOR | 10uF 50V | |
| | | | | UN,JE | C471 | QTE1H28-106Z | E CAPACITOR | 10uF 50V | |
| C351 | QCBB1HK-221Y | C CAPACITOR | 220pF 50V K | 31UX,J | C472 | QFLC1HJ-272Z | M CAPACITOR | 2700pF 50V J | |
| | | | | E3UG,J | C473 | QFLC1HJ-272Z | M CAPACITOR | 2700pF 50V J | |
| | | | | E3UN, | C474 | QTE1V06-106Z | E CAPACITOR | 10uF 35V | |
| | | | | JE3US, | C475 | QTE1V06-106Z | E CAPACITOR | 10uF 35V | |
| | | | | JE3UW | C476 | QFVF1HJ-224Z | MF CAPACITOR | 0.22uF 50V J | |
| | | | | ,JE3UX | C477 | QFVF1HJ-224Z | MF CAPACITOR | 0.22uF 50V J | |
| | | | | ,JE3UY | C478 | NCB31HK-471X | C CAPACITOR | 470pF 50V K | |
| C352 | QETN1HM-476Z | E CAPACITOR | 47uF 50V M | | C479 | QTE1C28-107Z | E CAPACITOR | 100uF 16V | |
| C353 | QETN1HM-105Z | E CAPACITOR | 1uF 50V M | | C508 | QETN1AM-337Z | E CAPACITOR | 330uF 10V M | |
| C354 | QETN1HM-476Z | E CAPACITOR | 47uF 50V M | | | | | | JE31U |
| | | | | JE31U | | | | | G,JE31 |
| | | | | UN,JE | | | | | 31UX,J |
| C355 | QCBB1HK-221Y | C CAPACITOR | 220pF 50V K | 31UX,J | | | | | E3UG,J |
| | | | | E3UN, | C526 | QETN1HM-106Z | E CAPACITOR | 10uF 50V M | E3UN, |
| | | | | JE3US, | | | | | JE3US, |
| | | | | JE3UW | | | | | JE3UX, |
| | | | | ,JE3UX | | | | | JE3UY |
| | | | | ,JE3UY | | | | | |
| C356 | QCBB1HK-103Y | C CAPACITOR | 0.01uF 50V K | | C527 | NCB21HK-683X | C CAPACITOR | 0.068uF 50V K | |
| C357 | NCS21HJ-821X | C CAPACITOR | 820pF 50V J | | C528 | QFLC1HJ-103Z | M CAPACITOR | 0.01uF 50V J | |
| C358 | NCS21HJ-821X | C CAPACITOR | 820pF 50V J | | | | | | |
| C359 | QETN1HM-475Z | E CAPACITOR | 4.7uF 50V M | | | | | | |
| C360 | QCBB1HK-151Y | C CAPACITOR | 150pF 50V K | JE3UE | | | | | |
| C361 | QCBB1HK-151Y | C CAPACITOR | 150pF 50V K | JE3UE | | | | | |
| C367 | QETN1CM-107Z | E CAPACITOR | 100uF 16V M | | | | | | |
| C368 | QDXB1CM-682Y | C CAPACITOR | 6800pF 16V M | | | | | | |

| △ Symbol No. | Part No. | Part Name | Description | Local | △ Symbol No. | Part No. | Part Name | Description | Local |
|--------------|----------|-----------|-------------|--------|--------------|--------------|----------------|---------------|-------|
| | | | | JE31U | R144 | NRSA63J-243X | MG RESISTOR | 24kΩ 1/16W J | |
| | | | | G,JE31 | R145 | NRSA63J-243X | MG RESISTOR | 24kΩ 1/16W J | |
| | | | | UN,JE | R300 | QRE141J-223Y | C RESISTOR | 22kΩ 1/4W J | |
| | | | | 31UX,J | R301 | QRE141J-103Y | C RESISTOR | 10kΩ 1/4W J | |
| | | | | E3UG,J | R302 | QRE141J-273Y | C RESISTOR | 27kΩ 1/4W J | |
| | | | | E3UN, | R303 | QRE141J-243Y | C RESISTOR | 24kΩ 1/4W J | |
| | | | | JE3US, | R304 | QRE141J-103Y | C RESISTOR | 10kΩ 1/4W J | |
| | | | | JE3UX | R305 | QRE141J-393Y | C RESISTOR | 39kΩ 1/4W J | |
| | | | | JE31U | R306 | QRE141J-103Y | C RESISTOR | 10kΩ 1/4W J | |
| | | | | G,JE31 | R307 | QRE141J-332Y | C RESISTOR | 3.3kΩ 1/4W J | |
| | | | | UN,JE | R309 | QRE141J-102Y | C RESISTOR | 1kΩ 1/4W J | |
| | | | | 31UX,J | R310 | QRE141J-472Y | C RESISTOR | 4.7kΩ 1/4W J | |
| | | | | E3UG,J | R311 | QRE141J-151Y | C RESISTOR | 150Ω 1/4W J | |
| | | | | E3UN, | R312 | QRE141J-472Y | C RESISTOR | 4.7kΩ 1/4W J | |
| | | | | JE3US, | R313 | QRE141J-151Y | C RESISTOR | 150Ω 1/4W J | |
| | | | | JE3UX | R315 | QRE141J-153Y | C RESISTOR | 15kΩ 1/4W J | |
| | | | | JE31U | R316 | QRE141J-101Y | C RESISTOR | 100Ω 1/4W J | |
| | | | | G,JE31 | △ R317 | QRZ9005-100X | FUSI RESISTOR | 10Ω | |
| | | | | UN,JE | R318 | QRE141J-2R2Y | C RESISTOR | 2.2Ω 1/4W J | |
| | | | | 31UX,J | △ R319 | QRJ146J-4R7X | UNF C RESISTOR | 4.7Ω 1/4W J | |
| | | | | E3UG,J | R320 | QRE141J-222Y | C RESISTOR | 2.2kΩ 1/4W J | |
| | | | | E3UN, | R324 | QRE141J-474Y | C RESISTOR | 470kΩ 1/4W J | |
| | | | | JE3US, | R325 | QRE141J-153Y | C RESISTOR | 15kΩ 1/4W J | |
| | | | | JE3UX | R326 | QRE141J-153Y | C RESISTOR | 15kΩ 1/4W J | |
| | | | | JE31U | R330 | QRE141J-101Y | C RESISTOR | 100Ω 1/4W J | |
| | | | | G,JE31 | R332 | QRE141J-104Y | C RESISTOR | 100kΩ 1/4W J | |
| | | | | UN,JE | R333 | QRE141J-223Y | C RESISTOR | 22kΩ 1/4W J | |
| | | | | 31UX,J | R335 | QRE141J-273Y | C RESISTOR | 27kΩ 1/4W J | |
| | | | | E3UG,J | R336 | QRE141J-273Y | C RESISTOR | 27kΩ 1/4W J | |
| | | | | E3UN, | R337 | QRE141J-113Y | C RESISTOR | 11kΩ 1/4W J | |
| | | | | JE3US, | R338 | QRE141J-222Y | C RESISTOR | 2.2kΩ 1/4W J | |
| | | | | JE3UX | R339 | QRE141J-512Y | C RESISTOR | 5.1kΩ 1/4W J | |
| | | | | JE31U | R340 | QRE141J-512Y | C RESISTOR | 5.1kΩ 1/4W J | |
| | | | | G,JE31 | R341 | QRE141J-273Y | C RESISTOR | 27kΩ 1/4W J | |
| | | | | UN,JE | R343 | QRE141J-273Y | C RESISTOR | 27kΩ 1/4W J | |
| | | | | 31UX,J | R344 | QRE141J-113Y | C RESISTOR | 11kΩ 1/4W J | |
| | | | | E3UG,J | R345 | QRE141J-222Y | C RESISTOR | 2.2kΩ 1/4W J | |
| | | | | E3UN, | R346 | QRE141J-512Y | C RESISTOR | 5.1kΩ 1/4W J | |
| | | | | JE3US, | R347 | QRE141J-512Y | C RESISTOR | 5.1kΩ 1/4W J | |
| | | | | JE3UX | R359 | QRE141J-102Y | C RESISTOR | 1kΩ 1/4W J | |
| | | | | JE31U | R360 | QRE141J-223Y | C RESISTOR | 22kΩ 1/4W J | |
| | | | | G,JE31 | R361 | QRE141J-222Y | C RESISTOR | 2.2kΩ 1/4W J | |
| | | | | UN,JE | R362 | QRE141J-222Y | C RESISTOR | 2.2kΩ 1/4W J | |
| | | | | 31UX,J | R363 | QRE141J-472Y | C RESISTOR | 4.7kΩ 1/4W J | |
| | | | | E3UG,J | R364 | QRE141J-472Y | C RESISTOR | 4.7kΩ 1/4W J | |
| | | | | E3UN, | R365 | QRE141J-472Y | C RESISTOR | 4.7kΩ 1/4W J | |
| | | | | JE3US, | R366 | QRE141J-472Y | C RESISTOR | 4.7kΩ 1/4W J | |
| | | | | JE3UX | R367 | QRE141J-221Y | C RESISTOR | 220Ω 1/4W J | |
| | | | | JE31U | R368 | QRE141J-123Y | C RESISTOR | 12kΩ 1/4W J | |
| | | | | G,JE31 | R369 | QRE141J-123Y | C RESISTOR | 12kΩ 1/4W J | |
| | | | | UN,JE | R370 | QRE141J-102Y | C RESISTOR | 1kΩ 1/4W J | |
| | | | | 31UX,J | R373 | QRE141J-104Y | C RESISTOR | 100kΩ 1/4W J | |
| | | | | E3UG,J | R374 | QRE141J-104Y | C RESISTOR | 100kΩ 1/4W J | |
| | | | | E3UN, | R377 | QRE141J-102Y | C RESISTOR | 1kΩ 1/4W J | |
| | | | | JE3US, | R378 | QRE141J-102Y | C RESISTOR | 1kΩ 1/4W J | |
| | | | | JE3UX | R379 | QRE141J-102Y | C RESISTOR | 1kΩ 1/4W J | |
| | | | | JE31U | R380 | QRE141J-102Y | C RESISTOR | 1kΩ 1/4W J | |
| | | | | G,JE31 | R398 | NRSA63J-222X | MG RESISTOR | 2.2kΩ 1/16W J | |
| | | | | UN,JE | R403 | NRSA63J-122X | MG RESISTOR | 1.2kΩ 1/16W J | |
| | | | | 31UX,J | R405 | NRSA63J-222X | MG RESISTOR | 2.2kΩ 1/16W J | |
| | | | | E3UG,J | R406 | NRSA63J-222X | MG RESISTOR | 2.2kΩ 1/16W J | |
| | | | | E3UN, | R408 | NRSA63J-222X | MG RESISTOR | 2.2kΩ 1/16W J | |
| | | | | JE3US, | R409 | NRSA63J-122X | MG RESISTOR | 1.2kΩ 1/16W J | |
| | | | | JE3UX | R411 | NRSA63J-122X | MG RESISTOR | 1.2kΩ 1/16W J | |
| | | | | JE31U | R412 | NRSA63J-122X | MG RESISTOR | 1.2kΩ 1/16W J | |
| | | | | G,JE31 | R430 | QRZ9006-4R7X | F.RESISTOR | 4.7Ω 1/4W J | |
| | | | | UN,JE | R451 | NRSA63J-472X | MG RESISTOR | 4.7kΩ 1/16W J | |
| | | | | 31UX,J | R452 | NRSA63J-472X | MG RESISTOR | 4.7kΩ 1/16W J | |
| | | | | E3UG,J | R462 | NRSA63J-823X | MG RESISTOR | 82kΩ 1/16W J | |
| | | | | E3UN, | R463 | NRSA63J-823X | MG RESISTOR | 82kΩ 1/16W J | |
| | | | | JE3US, | R464 | NRSA63J-102X | MG RESISTOR | 1kΩ 1/16W J | |
| | | | | JE3UX | R465 | NRSA63J-102X | MG RESISTOR | 1kΩ 1/16W J | |
| | | | | JE31U | R466 | NRSA63J-472X | MG RESISTOR | 4.7kΩ 1/16W J | |
| | | | | G,JE31 | R467 | NRSA63J-103X | MG RESISTOR | 10kΩ 1/16W J | |
| | | | | UN,JE | R468 | NRSA63J-472X | MG RESISTOR | 4.7kΩ 1/16W J | |
| | | | | 31UX,J | R469 | NRSA63J-103X | MG RESISTOR | 10kΩ 1/16W J | |
| | | | | E3UG,J | R470 | NRSA63J-103X | MG RESISTOR | 10kΩ 1/16W J | |
| | | | | E3UN, | R471 | NRSA63J-104X | MG RESISTOR | 100kΩ 1/16W J | |
| | | | | JE3US, | | | | | |
| | | | | JE3UX | | | | | |
| | | | | JE31U | | | | | |
| | | | | G,JE31 | | | | | |
| | | | | UN,JE | | | | | |
| | | | | 31UX,J | | | | | |
| | | | | E3UG,J | | | | | |
| | | | | E3UN, | | | | | |
| | | | | JE3US, | | | | | |
| | | | | JE3UX | | | | | |
| | | | | JE31U | | | | | |
| | | | | G,JE31 | | | | | |
| | | | | UN,JE | | | | | |
| | | | | 31UX,J | | | | | |
| | | | | E3UG,J | | | | | |
| | | | | E3UN, | | | | | |
| | | | | JE3US, | | | | | |
| | | | | JE3UX | | | | | |
| | | | | JE31U | | | | | |
| | | | | G,JE31 | | | | | |
| | | | | UN,JE | | | | | |
| | | | | 31UX,J | | | | | |
| | | | | E3UG,J | | | | | |
| | | | | E3UN, | | | | | |
| | | | | JE3US, | | | | | |
| | | | | JE3UX | | | | | |
| | | | | JE31U | | | | | |
| | | | | G,JE31 | | | | | |
| | | | | UN,JE | | | | | |
| | | | | 31UX,J | | | | | |
| | | | | E3UG,J | | | | | |
| | | | | E3UN, | | | | | |
| | | | | JE3US, | | | | | |
| | | | | JE3UX | | | | | |
| | | | | JE31U | | | | | |
| | | | | G,JE31 | | | | | |
| | | | | UN,JE | | | | | |
| | | | | 31UX,J | | | | | |
| | | | | E3UG,J | | | | | |
| | | | | E3UN, | | | | | |
| | | | | JE3US, | | | | | |
| | | | | JE3UX | | | | | |
| | | | | JE31U | | | | | |
| | | | | G,JE31 | | | | | |
| | | | | UN,JE | | | | | |
| | | | | 31UX,J | | | | | |
| | | | | E3UG,J | | | | | |
| | | | | E3UN, | | | | | |
| | | | | JE3US, | | | | | |
| | | | | JE3UX | | | | | |
| | | | | JE31U | | | | | |
| | | | | G,JE31 | | | | | |
| | | | | UN,JE | | | | | |
| | | | | 31UX,J | | | | | |
| | | | | E3UG,J | | | | | |
| | | | | E3UN, | | | | | |
| | | | | JE3US, | | | | | |
| | | | | JE3UX | | | | | |
| | | | | JE31U | | | | | |
| | | | | G,JE31 | | | | | |
| | | | | UN,JE | | | | | |
| | | | | 31UX,J | | | | | |
| | | | | E3UG,J | | | | | |
| | | | | E3UN, | | | | | |
| | | | | JE3US, | | | | | |
| | | | | JE3UX | | | | | |
| | | | | JE31U | | | | | |
| | | | | G,JE31 | | | | | |
| | | | | UN,JE | | | | | |
| | | | | 31UX,J | | | | | |
| | | | | E3UG,J | | | | | |
| | | | | E3UN, | | | | | |
| | | | | JE3US, | | | | | |
| | | | | JE3UX | | | | | |
| | | | | JE31U | | | | | |
| | | | | G,JE31 | | | | | |
| | | | | UN,JE | | | | | |
| | | | | 31UX,J | | | | | |
| | | | | E3UG,J | | | | | |
| | | | | E3UN, | | | | | |
| | | | | JE3US, | | | | | |
| | | | | JE3UX | | | | | |
| | | | | | | | | | |

| △ Symbol No. | Part No. | Part Name | Description | Local | △ Symbol No. | Part No. | Part Name | Description | Local |
|--------------|--------------|-------------|---------------|--------|--------------|--------------|-------------|---------------|--------|
| R472 | NRSA63J-104X | MG RESISTOR | 100kΩ 1/16W J | | | | | | JE31U |
| R473 | NRSA63J-682X | MG RESISTOR | 6.8kΩ 1/16W J | | | | | | G,JE31 |
| R474 | NRSA63J-225X | MG RESISTOR | 2.2MΩ 1/16W J | | | | | | UN,JE |
| R475 | NRSA63J-473X | MG RESISTOR | 47kΩ 1/16W J | | R530 | NRSA63J-103X | MG RESISTOR | 10kΩ 1/16W J | 31UX,J |
| R480 | NRSA63J-153X | MG RESISTOR | 15kΩ 1/16W J | | | | | | E3UG,J |
| R481 | NRSA63J-153X | MG RESISTOR | 15kΩ 1/16W J | | | | | | E3UN, |
| R482 | NRSA63J-203X | MG RESISTOR | 20kΩ 1/16W J | | | | | | JE3US, |
| R483 | NRSA63J-203X | MG RESISTOR | 20kΩ 1/16W J | | | | | | JE3UX |
| R484 | NRSA63J-362X | MG RESISTOR | 3.6kΩ 1/16W J | | R531 | NRSA63J-103X | MG RESISTOR | 10kΩ 1/16W J | JE31U |
| R485 | NRSA63J-362X | MG RESISTOR | 3.6kΩ 1/16W J | | | | | | G,JE31 |
| R486 | NRSA63J-102X | MG RESISTOR | 1kΩ 1/16W J | | | | | | UN,JE |
| R487 | NRSA63J-102X | MG RESISTOR | 1kΩ 1/16W J | | | | | | 31UX,J |
| R488 | NRSA63J-102X | MG RESISTOR | 1kΩ 1/16W J | | | | | | E3UG,J |
| R489 | NRSA63J-103X | MG RESISTOR | 10kΩ 1/16W J | | | | | | E3UN, |
| | | | | JE31U | R533 | NRSA63J-103X | MG RESISTOR | 10kΩ 1/16W J | JE3US, |
| | | | | G,JE31 | | | | | JE3UX |
| | | | | UN,JE | | | | | 31UX,J |
| R520 | NRSA63J-102X | MG RESISTOR | 1kΩ 1/16W J | 31UX,J | | | | | E3UG,J |
| | | | | E3UG,J | R534 | NRSA63J-303X | MG RESISTOR | 30kΩ 1/16W J | E3UN, |
| | | | | E3UN, | R535 | NRSA63J-303X | MG RESISTOR | 30kΩ 1/16W J | JE3US, |
| | | | | JE3US, | R551 | NRSA63J-183X | MG RESISTOR | 18kΩ 1/16W J | JE3UX |
| | | | | JE3UX | R552 | NRSA63J-183X | MG RESISTOR | 18kΩ 1/16W J | JE31U |
| | | | | JE31U | R553 | NRSA63J-132X | MG RESISTOR | 1.3kΩ 1/16W J | G,JE31 |
| | | | | UN,JE | R566 | NRSA63J-753X | MG RESISTOR | 75kΩ 1/16W J | UN,JE |
| R521 | NRSA63J-473X | MG RESISTOR | 47kΩ 1/16W J | 31UX,J | R566 | NRSA63J-753X | MG RESISTOR | 75kΩ 1/16W J | 31UX,J |
| | | | | E3UG,J | R571 | NRSA63J-332X | MG RESISTOR | 3.3kΩ 1/16W J | E3UG,J |
| | | | | E3UN, | R585 | NRSA63J-103X | MG RESISTOR | 10kΩ 1/16W J | E3UN, |
| | | | | E3UN, | R586 | NRSA63J-103X | MG RESISTOR | 10kΩ 1/16W J | JE3US, |
| | | | | JE3US, | R587 | NRSA63J-102X | MG RESISTOR | 1kΩ 1/16W J | JE3UX |
| | | | | JE3UX | R588 | QRE141J-513Y | C RESISTOR | 51kΩ 1/4W J | JE31U |
| | | | | JE31U | R589 | QRE141J-513Y | C RESISTOR | 51kΩ 1/4W J | G,JE31 |
| R522 | NRSA63J-123X | MG RESISTOR | 12kΩ 1/16W J | UN,JE | R800 | NRSA63J-102X | MG RESISTOR | 1kΩ 1/16W J | UN,JE |
| | | | | 31UX,J | R801 | NRSA63J-102X | MG RESISTOR | 1kΩ 1/16W J | 31UX,J |
| | | | | E3UG,J | R802 | NRSA63J-222X | MG RESISTOR | 2.2kΩ 1/16W J | E3UG,J |
| | | | | E3UN, | R803 | NRSA63J-102X | MG RESISTOR | 1kΩ 1/16W J | E3UN, |
| | | | | JE3US, | R804 | NRSA63J-103X | MG RESISTOR | 10kΩ 1/16W J | JE3US, |
| | | | | JE3UX | R805 | NRSA63J-331X | MG RESISTOR | 330Ω 1/16W J | JE3UX |
| | | | | JE31U | R810 | NRSA63J-102X | MG RESISTOR | 1kΩ 1/16W J | JE31U |
| | | | | G,JE31 | R811 | NRSA63J-103X | MG RESISTOR | 10kΩ 1/16W J | G,JE31 |
| | | | | UN,JE | R812 | NRSA63J-102X | MG RESISTOR | 1kΩ 1/16W J | UN,JE |
| R523 | NRSA63J-473X | MG RESISTOR | 47kΩ 1/16W J | 31UX,J | R814 | NRSA63J-102X | MG RESISTOR | 1kΩ 1/16W J | 31UX,J |
| | | | | E3UG,J | R815 | NRSA63J-103X | MG RESISTOR | 10kΩ 1/16W J | E3UG,J |
| | | | | E3UN, | R816 | NRSA63J-102X | MG RESISTOR | 1kΩ 1/16W J | E3UN, |
| | | | | E3UN, | R817 | NRSA63J-103X | MG RESISTOR | 10kΩ 1/16W J | JE3US, |
| | | | | JE3US, | R818 | NRSA63J-102X | MG RESISTOR | 1kΩ 1/16W J | JE3UX |
| | | | | JE3UX | R819 | NRSA63J-472X | MG RESISTOR | 4.7kΩ 1/16W J | JE31U |
| | | | | JE31U | R820 | NRSA63J-102X | MG RESISTOR | 1kΩ 1/16W J | G,JE31 |
| R524 | NRSA63J-103X | MG RESISTOR | 10kΩ 1/16W J | UN,JE | R821 | NRSA63J-472X | MG RESISTOR | 4.7kΩ 1/16W J | UN,JE |
| | | | | 31UX,J | R822 | NRSA63J-102X | MG RESISTOR | 1kΩ 1/16W J | 31UX,J |
| | | | | E3UG,J | R823 | NRSA63J-103X | MG RESISTOR | 10kΩ 1/16W J | E3UG,J |
| | | | | E3UN, | R824 | NRSA63J-102X | MG RESISTOR | 1kΩ 1/16W J | E3UN, |
| | | | | E3UN, | R825 | NRSA63J-103X | MG RESISTOR | 10kΩ 1/16W J | JE3US, |
| | | | | JE3US, | R826 | NRSA63J-103X | MG RESISTOR | 10kΩ 1/16W J | JE3UX |
| | | | | JE3UX | R827 | NRSA63J-102X | MG RESISTOR | 1kΩ 1/16W J | JE31U |
| R525 | NRSA63J-103X | MG RESISTOR | 10kΩ 1/16W J | UN,JE | R828 | NRSA63J-102X | MG RESISTOR | 1kΩ 1/16W J | G,JE31 |
| | | | | 31UX,J | R829 | NRSA63J-101X | MG RESISTOR | 100Ω 1/16W J | UN,JE |
| | | | | E3UG,J | R830 | NRSA63J-103X | MG RESISTOR | 10kΩ 1/16W J | 31UX,J |
| | | | | E3UN, | R831 | NRSA63J-101X | MG RESISTOR | 100Ω 1/16W J | E3UG,J |
| | | | | E3UN, | R832 | NRSA63J-102X | MG RESISTOR | 1kΩ 1/16W J | E3UN, |
| | | | | JE3US, | R833 | NRSA63J-103X | MG RESISTOR | 10kΩ 1/16W J | JE3US, |
| | | | | JE3UX | R834 | NRSA63J-102X | MG RESISTOR | 1kΩ 1/16W J | JE3UX |
| | | | | JE31U | R835 | NRSA63J-102X | MG RESISTOR | 1kΩ 1/16W J | JE31U |
| | | | | G,JE31 | R836 | NRSA63J-102X | MG RESISTOR | 1kΩ 1/16W J | G,JE31 |
| | | | | UN,JE | R837 | NRSA63J-102X | MG RESISTOR | 1kΩ 1/16W J | UN,JE |
| R526 | NRSA63J-103X | MG RESISTOR | 10kΩ 1/16W J | 31UX,J | R838 | NRSA63J-102X | MG RESISTOR | 1kΩ 1/16W J | 31UX,J |
| | | | | E3UG,J | R839 | NRSA63J-102X | MG RESISTOR | 1kΩ 1/16W J | E3UG,J |
| | | | | E3UN, | R840 | NRSA63J-102X | MG RESISTOR | 1kΩ 1/16W J | E3UN, |
| | | | | E3UN, | R841 | NRSA63J-103X | MG RESISTOR | 10kΩ 1/16W J | JE3US, |
| | | | | JE3US, | R842 | NRSA63J-102X | MG RESISTOR | 1kΩ 1/16W J | JE3UX |
| | | | | JE3UX | R843 | NRSA63J-102X | MG RESISTOR | 1kΩ 1/16W J | JE31U |
| | | | | JE31U | R844 | NRSA63J-102X | MG RESISTOR | 1kΩ 1/16W J | G,JE31 |
| | | | | G,JE31 | R846 | NRSA63J-102X | MG RESISTOR | 1kΩ 1/16W J | UN,JE |
| | | | | UN,JE | R847 | NRSA63J-103X | MG RESISTOR | 10kΩ 1/16W J | 31UX,J |
| R527 | NRSA63J-103X | MG RESISTOR | 10kΩ 1/16W J | 31UX,J | R853 | NRSA63J-103X | MG RESISTOR | 10kΩ 1/16W J | E3UG,J |
| | | | | E3UG,J | R856 | NRSA63J-102X | MG RESISTOR | 1kΩ 1/16W J | E3UN, |
| | | | | E3UN, | R857 | NRSA63J-102X | MG RESISTOR | 1kΩ 1/16W J | JE3US, |
| | | | | E3UN, | R858 | NRSA63J-102X | MG RESISTOR | 1kΩ 1/16W J | JE3UX |
| | | | | JE3US, | | | | | |
| | | | | JE3UX | | | | | |

| △ Symbol No. | Part No. | Part Name | Description | Local | △ Symbol No. | Part No. | Part Name | Description | Local |
|--------------|--------------|-------------|--------------|---|--------------|--------------|-------------|--------------|--|
| D958 | 1SS133-T2 | SI DIODE | | JE3UE, JE3UW ,JE3UY | | | | | JE31U G,JE31 UN,JE |
| D971 | MTZJ5.1B-T2 | Z DIODE | | JE31U G,JE31 UN,JE 31UX,J E3UG,J E3UN, JE3US, JE3UX | C974 | QDXB1CM-472Y | C CAPACITOR | 4700pF 16V M | 31UX,J E3UG,J E3UN, JE3US, JE3UX |
| D991 | MTZJ2.4B-T2 | Z DIODE | | JE31U G,JE31 UN,JE 31UX,J E3UG,J E3UN, JE3US, JE3UX | C975 | QDYB1CM-103Y | C CAPACITOR | 0.01uF 16V M | JE31U G,JE31 UN,JE 31UX,J E3UG,J E3UN, JE3US, JE3UX |
| D992 | 1SS133-T2 | SI DIODE | | JE31U G,JE31 UN,JE 31UX,J E3UG,J E3UN, JE3US, JE3UX | C976 | QEKC1CM-226Z | E CAPACITOR | 22uF 16V M | JE31U G,JE31 UN,JE 31UX,J E3UG,J E3UN, JE3US, JE3UX |
| △ D2010 | 1N5402M-20 | DIODE | | | C977 | QEKC1HM-474Z | E CAPACITOR | 0.47uF 50V M | JE31U G,JE31 UN,JE 31UX,J E3UG,J E3UN, JE3US, JE3UX |
| △ D2011 | 1N5402M-20 | DIODE | | | | | | | JE31U G,JE31 UN,JE |
| △ D2012 | 1N5402M-20 | DIODE | | | | | | | 31UX,J E3UG,J E3UN, JE3US, JE3UX |
| △ D2013 | 1N5402M-20 | DIODE | | | | | | | JE31U G,JE31 UN,JE |
| D2015 | 1N4003S-T5 | SI DIODE | | | | | | | 31UX,J E3UG,J E3UN, JE3US, JE3UX |
| D2016 | 1N4003S-T5 | SI DIODE | | | C978 | QDXB1CM-332Y | C CAPACITOR | 3300pF 16V M | JE31U G,JE31 UN,JE |
| D2017 | 1N4003S-T5 | SI DIODE | | | | | | | 31UX,J E3UG,J E3UN, JE3US, JE3UX |
| D2018 | MTZJ15B-T2 | Z DIODE | | | | | | | JE31U G,JE31 UN,JE |
| D2019 | MTZJ22B-T2 | Z DIODE | | | | | | | 31UX,J E3UG,J E3UN, JE3US, JE3UX |
| D2020 | MTZJ6.8B-T2 | Z DIODE | | | | | | | JE31U G,JE31 UN,JE |
| C160 | QFLC1HJ-104Z | M CAPACITOR | 0.1uF 50V J | JE3UE | | | | | 31UX,J E3UG,J E3UN, JE3US, JE3UX |
| C162 | QCBB1HK-332Y | C CAPACITOR | 3300pF 50V K | JE3UE JE31U G,JE31 UN,JE 31UX,J E3UG,J E3UN, JE3US, JE3UW ,JE3UX ,JE3UY | C979 | QETN1HM-225Z | E CAPACITOR | 2.2uF 50V M | JE31U G,JE31 UN,JE 31UX,J E3UG,J E3UN, JE3US, JE3UX |
| C162 | QDGB1HK-102Y | C CAPACITOR | 1000pF 50V K | JE3UE JE31U G,JE31 UN,JE 31UX,J E3UG,J E3UN, JE3US, JE3UW ,JE3UX ,JE3UY | | | | | JE31U G,JE31 UN,JE |
| C163 | QCBB1HK-332Y | C CAPACITOR | 3300pF 50V K | JE3UE JE31U G,JE31 UN,JE 31UX,J E3UG,J E3UN, JE3US, JE3UW ,JE3UX ,JE3UY | C980 | QEKC1HM-475Z | E CAPACITOR | 4.7uF 50V M | 31UX,J E3UG,J E3UN, JE3US, JE3UX |
| C163 | QDGB1HK-102Y | C CAPACITOR | 1000pF 50V K | JE3UE JE31U G,JE31 UN,JE 31UX,J E3UG,J E3UN, JE3US, JE3UW ,JE3UX ,JE3UY | C981 | QEKC1HM-224Z | E CAPACITOR | 0.22uF 50V M | JE31U G,JE31 UN,JE 31UX,J E3UG,J E3UN, JE3US, JE3UX |
| C164 | QDGB1HK-102Y | C CAPACITOR | 1000pF 50V K | | | | | | JE31U G,JE31 UN,JE |
| C165 | QDGB1HK-102Y | C CAPACITOR | 1000pF 50V K | | | | | | 31UX,J E3UG,J E3UN, JE3US, JE3UX |
| C171 | QFLC1HJ-104Z | M CAPACITOR | 0.1uF 50V J | JE3UE | C982 | QETN1HM-225Z | E CAPACITOR | 2.2uF 50V M | JE31U G,JE31 UN,JE 31UX,J E3UG,J E3UN, JE3US, JE3UX |
| C180 | QETN1CM-107Z | E CAPACITOR | 100uF 16V M | | | | | | JE31U G,JE31 UN,JE |
| C957 | QCBB1HK-222Y | C CAPACITOR | 2200pF 50V K | JE3UE JE3UW ,JE3UY JE31U G,JE31 UN,JE 31UX,J E3UG,J E3UN, JE3US, JE3UX | C983 | QCBB1HK-151Y | C CAPACITOR | 150pF 50V K | JE31U G,JE31 UN,JE 31UX,J E3UG,J E3UN, JE3US, JE3UX |
| C970 | QCBB1HK-101Y | C CAPACITOR | 100pF 50V K | JE3UE JE3UW ,JE3UY JE31U G,JE31 UN,JE 31UX,J E3UG,J E3UN, JE3US, JE3UX | | | | | JE31U G,JE31 UN,JE |
| C972 | QETN1CM-107Z | E CAPACITOR | 100uF 16V M | JE3UE JE3UW ,JE3UY JE31U G,JE31 UN,JE 31UX,J E3UG,J E3UN, JE3US, JE3UX | C984 | QCBB1HK-331Y | C CAPACITOR | 330pF 50V K | 31UX,J E3UG,J E3UN, JE3US, JE3UX |
| C973 | QDYB1CM-103Y | C CAPACITOR | 0.01uF 16V M | JE3UE JE3UW ,JE3UY JE31U G,JE31 UN,JE 31UX,J E3UG,J E3UN, JE3US, JE3UX | C985 | QCBB1HK-151Y | C CAPACITOR | 150pF 50V K | JE31U G,JE31 UN,JE 31UX,J E3UG,J E3UN, JE3US, JE3UX |

| △ Symbol No. | Part No. | Part Name | Description | Local | △ Symbol No. | Part No. | Part Name | Description | Local |
|--------------|--------------|--------------|---------------|------------|--------------|--------------|------------|--------------|-------|
| C986 | QETN1HM-475Z | E CAPACITOR | 4.7uF 50V M | JE31U | R934 | QRE141J-271Y | C RESISTOR | 270Ω 1/4W J | |
| | | | | G,JE31 | R935 | QRE141J-271Y | C RESISTOR | 270Ω 1/4W J | |
| | | | | UN,JE | R936 | QRE141J-271Y | C RESISTOR | 270Ω 1/4W J | |
| | | | | 31UX,J | R937 | QRE141J-271Y | C RESISTOR | 270Ω 1/4W J | |
| | | | | E3UG,J | R938 | QRE141J-271Y | C RESISTOR | 270Ω 1/4W J | |
| C987 | QETN1CM-107Z | E CAPACITOR | 100uF 16V M | E3UN, | R940 | QRE141J-102Y | C RESISTOR | 1kΩ 1/4W J | |
| | | | | JE3US, | R941 | QRE141J-102Y | C RESISTOR | 1kΩ 1/4W J | |
| | | | | JE3UX | R942 | QRE141J-122Y | C RESISTOR | 1.2kΩ 1/4W J | |
| | | | | JE31U | R943 | QRE141J-152Y | C RESISTOR | 1.5kΩ 1/4W J | |
| | | | | G,JE31 | R944 | QRE141J-222Y | C RESISTOR | 2.2kΩ 1/4W J | |
| | | | | UN,JE | R945 | QRE141J-272Y | C RESISTOR | 2.7kΩ 1/4W J | |
| | | | | 31UX,J | R946 | QRE141J-392Y | C RESISTOR | 3.9kΩ 1/4W J | |
| | | | | E3UG,J | R947 | QRE141J-562Y | C RESISTOR | 5.6kΩ 1/4W J | |
| | | | | E3UN, | R948 | QRE141J-103Y | C RESISTOR | 10kΩ 1/4W J | |
| | | | | JE3US, | R949 | QRE141J-183Y | C RESISTOR | 18kΩ 1/4W J | |
| JE3UX | R950 | QRE141J-102Y | C RESISTOR | 1kΩ 1/4W J | | | | | |
| C988 | QEKC1AM-227Z | E CAPACITOR | 220uF 10V M | JE31U | R951 | QRE141J-102Y | C RESISTOR | 1kΩ 1/4W J | |
| | | | | G,JE31 | R952 | QRE141J-122Y | C RESISTOR | 1.2kΩ 1/4W J | |
| | | | | UN,JE | R953 | QRE141J-152Y | C RESISTOR | 1.5kΩ 1/4W J | |
| | | | | 31UX,J | R954 | QRE141J-222Y | C RESISTOR | 2.2kΩ 1/4W J | |
| | | | | E3UG,J | R955 | QRE141J-272Y | C RESISTOR | 2.7kΩ 1/4W J | |
| | | | | E3UN, | R960 | QRE141J-102Y | C RESISTOR | 1kΩ 1/4W J | |
| | | | | JE3US, | R961 | QRE141J-102Y | C RESISTOR | 1kΩ 1/4W J | |
| | | | | JE3UX | R962 | QRE141J-122Y | C RESISTOR | 1.2kΩ 1/4W J | |
| | | | | JE31U | R963 | QRE141J-152Y | C RESISTOR | 1.5kΩ 1/4W J | |
| | | | | G,JE31 | R964 | QRE141J-222Y | C RESISTOR | 2.2kΩ 1/4W J | |
| C989 | QDGB1HK-102Y | C CAPACITOR | 1000pF 50V K | UN,JE | R965 | QRE141J-272Y | C RESISTOR | 2.7kΩ 1/4W J | |
| | | | | 31UX,J | R966 | QRE141J-392Y | C RESISTOR | 3.9kΩ 1/4W J | |
| | | | | E3UG,J | R967 | QRE141J-562Y | C RESISTOR | 5.6kΩ 1/4W J | |
| | | | | E3UN, | | | | | |
| | | | | JE3US, | | | | | |
| | | | | JE3UX | | | | | |
| | | | | JE31U | | | | | |
| | | | | G,JE31 | | | | | |
| | | | | UN,JE | | | | | |
| | | | | 31UX,J | | | | | |
| C990 | QDGB1HK-102Y | C CAPACITOR | 1000pF 50V K | E3UG,J | | | | | |
| | | | | E3UN, | | | | | |
| | | | | JE3US, | | | | | |
| | | | | JE3UX | | | | | |
| | | | | JE31U | | | | | |
| | | | | G,JE31 | | | | | |
| | | | | UN,JE | | | | | |
| | | | | 31UX,J | | | | | |
| | | | | E3UG,J | | | | | |
| | | | | E3UN, | | | | | |
| C991 | QDGB1HK-102Y | C CAPACITOR | 1000pF 50V K | JE3US, | | | | | |
| | | | | JE3UX | | | | | |
| | | | | JE31U | | | | | |
| | | | | G,JE31 | | | | | |
| | | | | UN,JE | | | | | |
| | | | | 31UX,J | | | | | |
| | | | | E3UG,J | | | | | |
| | | | | E3UN, | | | | | |
| | | | | JE3US, | | | | | |
| | | | | JE3UX | | | | | |
| C992 | QDYB1CM-103Y | C CAPACITOR | 0.01uF 16V M | JE31U | R969 | QRE141J-103Y | C RESISTOR | 10kΩ 1/4W J | |
| | | | | G,JE31 | | | | | |
| | | | | UN,JE | | | | | |
| | | | | 31UX,J | | | | | |
| | | | | E3UG,J | | | | | |
| | | | | E3UN, | | | | | |
| | | | | JE3US, | | | | | |
| | | | | JE3UX | | | | | |
| | | | | JE31U | | | | | |
| | | | | G,JE31 | | | | | |
| C993 | QDYB1CM-103Y | C CAPACITOR | 0.01uF 16V M | UN,JE | | | | | |
| | | | | 31UX,J | | | | | |
| | | | | E3UG,J | | | | | |
| | | | | E3UN, | | | | | |
| | | | | JE3US, | | | | | |
| | | | | JE3UX | | | | | |
| | | | | JE31U | | | | | |
| | | | | G,JE31 | | | | | |
| | | | | UN,JE | | | | | |
| | | | | 31UX,J | | | | | |
| C995 | QDGB1HK-102Y | C CAPACITOR | 1000pF 50V K | E3UG,J | R971 | QRE141J-103Y | C RESISTOR | 10kΩ 1/4W J | |
| | | | | E3UN, | | | | | |
| | | | | JE3US, | | | | | |
| | | | | JE3UX | | | | | |
| | | | | JE31U | | | | | |
| | | | | G,JE31 | | | | | |
| | | | | UN,JE | | | | | |
| | | | | 31UX,J | | | | | |
| | | | | E3UG,J | | | | | |
| | | | | E3UN, | | | | | |
| C996 | QDGB1HK-102Y | C CAPACITOR | 1000pF 50V K | JE3US, | | | | | |
| | | | | JE3UX | | | | | |
| | | | | JE31U | | | | | |
| | | | | G,JE31 | | | | | |
| | | | | UN,JE | | | | | |
| | | | | 31UX,J | | | | | |
| | | | | E3UG,J | | | | | |
| | | | | E3UN, | | | | | |
| | | | | JE3US, | | | | | |
| | | | | JE3UX | | | | | |
| C997 | QDGB1HK-102Y | C CAPACITOR | 1000pF 50V K | JE31U | | | | | |
| | | | | G,JE31 | | | | | |
| | | | | UN,JE | | | | | |
| | | | | 31UX,J | | | | | |
| | | | | E3UG,J | | | | | |
| | | | | E3UN, | | | | | |
| | | | | JE3US, | | | | | |
| | | | | JE3UX | | | | | |
| | | | | JE31U | | | | | |
| | | | | G,JE31 | | | | | |
| C998 | QDGB1HK-102Y | C CAPACITOR | 1000pF 50V K | UN,JE | | | | | |
| | | | | 31UX,J | | | | | |
| | | | | E3UG,J | | | | | |
| | | | | E3UN, | | | | | |
| | | | | JE3US, | | | | | |
| | | | | JE3UX | | | | | |
| | | | | JE31U | | | | | |
| | | | | G,JE31 | | | | | |
| | | | | UN,JE | | | | | |
| | | | | 31UX,J | | | | | |
| C999 | QDGB1HK-102Y | C CAPACITOR | 1000pF 50V K | E3UG,J | | | | | |
| | | | | E3UN, | | | | | |
| | | | | JE3US, | | | | | |
| | | | | JE3UX | | | | | |
| | | | | JE31U | | | | | |
| | | | | G,JE31 | | | | | |
| | | | | UN,JE | | | | | |
| | | | | 31UX,J | | | | | |
| | | | | E3UG,J | | | | | |
| | | | | E3UN, | | | | | |
| C2010 | QETN1JM-107Z | E CAPACITOR | 100uF 63V M | JE3US, | | | | | |
| | | | | JE3UX | | | | | |
| | | | | JE31U | | | | | |
| | | | | G,JE31 | | | | | |
| | | | | UN,JE | | | | | |
| | | | | 31UX,J | | | | | |
| | | | | E3UG,J | | | | | |
| | | | | E3UN, | | | | | |
| | | | | JE3US, | | | | | |
| | | | | JE3UX | | | | | |
| C2011 | QETN2AM-476Z | E CAPACITOR | 47uF 100V M | JE31U | | | | | |
| | | | | G,JE31 | | | | | |
| | | | | UN,JE | | | | | |
| | | | | 31UX,J | | | | | |
| | | | | E3UG,J | | | | | |
| | | | | E3UN, | | | | | |
| | | | | JE3US, | | | | | |
| | | | | JE3UX | | | | | |
| | | | | JE31U | | | | | |
| | | | | G,JE31 | | | | | |
| C2012 | QETN1HM-226Z | E CAPACITOR | 22uF 50V M | UN,JE | | | | | |
| | | | | 31UX,J | | | | | |
| | | | | E3UG,J | | | | | |
| | | | | E3UN, | | | | | |
| | | | | JE3US, | | | | | |
| | | | | JE3UX | | | | | |
| | | | | JE31U | | | | | |
| | | | | G,JE31 | | | | | |
| | | | | UN,JE | | | | | |
| | | | | 31UX,J | | | | | |
| C2013 | QETN1HM-226Z | E CAPACITOR | 22uF 50V M | E3UG,J | | | | | |
| | | | | E3UN, | | | | | |
| | | | | JE3US, | | | | | |
| | | | | JE3UX | | | | | |
| | | | | JE31U | | | | | |
| | | | | G,JE31 | | | | | |
| | | | | UN,JE | | | | | |
| | | | | 31UX,J | | | | | |
| | | | | E3UG,J | | | | | |
| | | | | E3UN, | | | | | |
| C2014 | QDYB1CM-103Y | C CAPACITOR | 0.01uF 16V M | JE3US, | | | | | |
| | | | | JE3UX | | | | | |
| | | | | JE31U | | | | | |
| | | | | G,JE31 | | | | | |
| | | | | UN,JE | | | | | |
| | | | | 31UX,J | | | | | |
| | | | | E3UG,J | | | | | |
| | | | | E3UN, | | | | | |
| | | | | JE3US, | | | | | |
| | | | | JE3UX | | | | | |
| C2015 | QETN1HM-106Z | E CAPACITOR | 10uF 50V M | JE31U | | | | | |
| | | | | G,JE31 | | | | | |
| | | | | UN,JE | | | | | |
| | | | | 31UX,J | | | | | |
| | | | | E3UG,J | | | | | |
| | | | | E3UN, | | | | | |
| | | | | JE3US, | | | | | |
| | | | | JE3UX | | | | | |
| | | | | JE31U | | | | | |
| | | | | G,JE31 | | | | | |
| C2017 | QCBB1HK-223Y | C CAPACITOR | 0.022uF 50V K | UN,JE | | | | | |
| | | | | 31UX,J | | | | | |
| | | | | E3UG,J | | | | | |
| | | | | E3UN, | | | | | |
| | | | | JE3US, | | | | | |
| | | | | JE3UX | | | | | |
| | | | | JE31U | | | | | |
| | | | | G,JE31 | | | | | |
| | | | | UN,JE | | | | | |
| | | | | 31UX,J | | | | | |
| C2018 | QCBB1HK-223Y | C CAPACITOR | 0.022uF 50V K | E3UG,J | | | | | |
| | | | | E3UN, | | | | | |
| | | | | JE3US, | | | | | |
| | | | | JE3UX | | | | | |
| | | | | JE31U | | | | | |
| | | | | G,JE31 | | | | | |
| | | | | UN,JE | | | | | |
| | | | | 31UX,J | | | | | |
| | | | | E3UG,J | | | | | |
| | | | | E3UN, | | | | | |
| C2019 | QFVF1HJ-104Z | MF CAPACITOR | 0.1uF 50V J | JE3US, | | | | | |
| | | | | JE3UX | | | | | |
| | | | | JE31U | | | | | |
| | | | | G,JE31 | | | | | |
| | | | | UN,JE | | | | | |
| | | | | 31UX,J | | | | | |
| | | | | E3UG,J | | | | | |
| | | | | E3UN, | | | | | |
| | | | | JE3US, | | | | | |
| | | | | JE3UX | | | | | |
| C2020 | QFLC2AJ-103Z | M CAPACITOR | 0.01uF 100V J | JE31U | | | | | |
| | | | | G,JE31 | | | | | |
| | | | | UN,JE | | | | | |
| | | | | 31UX,J | | | | | |
| | | | | E3UG,J | | | | | |
| | | | | E3UN, | | | | | |
| | | | | JE3US, | | | | | |
| | | | | JE3UX | | | | | |
| | | | | JE31U | | | | | |
| | | | | G,JE31 | | | | | |
| △ R160 | QRL01DJ-331X | OMF RESISTOR | 330Ω 1W J | UN,JE | | | | | |
| | | | | 31UX,J | | | | | |
| | | | | E3UG,J | | | | | |
| | | | | E3UN, | | | | | |
| | | | | JE3US, | | | | | |
| | | | | JE3UX | | | | | |
| | | | | JE31U | | | | | |
| | | | | G,JE31 | | | | | |

| △ Symbol No. | Part No. | Part Name | Description | Local | △ Symbol No. | Part No. | Part Name | Description | Local |
|--------------|--------------|------------|--------------|--|--------------|-----------------|----------------|-----------------|--|
| R981 | QRE141J-103Y | C RESISTOR | 10kΩ 1/4W J | JE31U G,JE31 UN,JE 31UX,J E3UG,J E3UN, JE3US, JE3UX JE31U G,JE31 UN,JE 31UX,J E3UG,J E3UN, JE3US, JE3UX | R993 | QRE141J-391Y | C RESISTOR | 390Ω 1/4W J | JE31U G,JE31 UN,JE 31UX,J E3UG,J E3UN, JE3US, JE3UX JE31U G,JE31 UN,JE 31UX,J E3UG,J E3UN, JE3US, JE3UX |
| R982 | QRE141J-472Y | C RESISTOR | 4.7kΩ 1/4W J | JE31U G,JE31 UN,JE 31UX,J E3UG,J E3UN, JE3US, JE3UX | R994 | QRE141J-123Y | C RESISTOR | 12kΩ 1/4W J | JE31U G,JE31 UN,JE 31UX,J E3UG,J E3UN, JE3US, JE3UX |
| R983 | QRE141J-472Y | C RESISTOR | 4.7kΩ 1/4W J | JE31U G,JE31 UN,JE 31UX,J E3UG,J E3UN, JE3US, JE3UX | R995 | QRE141J-103Y | C RESISTOR | 10kΩ 1/4W J | JE31U G,JE31 UN,JE 31UX,J E3UG,J E3UN, JE3US, JE3UX |
| R984 | QRE141J-153Y | C RESISTOR | 15kΩ 1/4W J | JE31U G,JE31 UN,JE 31UX,J E3UG,J E3UN, JE3US, JE3UX | R996 | QRE141J-472Y | C RESISTOR | 4.7kΩ 1/4W J | JE31U G,JE31 UN,JE 31UX,J E3UG,J E3UN, JE3US, JE3UX |
| R985 | QRE141J-472Y | C RESISTOR | 4.7kΩ 1/4W J | JE31U G,JE31 UN,JE 31UX,J E3UG,J E3UN, JE3US, JE3UX | R997 | QRE141J-472Y | C RESISTOR | 4.7kΩ 1/4W J | JE31U G,JE31 UN,JE 31UX,J E3UG,J E3UN, JE3US, JE3UX |
| R986 | QRE141J-102Y | C RESISTOR | 1kΩ 1/4W J | JE31U G,JE31 UN,JE 31UX,J E3UG,J E3UN, JE3US, JE3UX | R998 | QRE141J-472Y | C RESISTOR | 4.7kΩ 1/4W J | JE31U G,JE31 UN,JE 31UX,J E3UG,J E3UN, JE3US, JE3UX |
| R987 | QRE141J-561Y | C RESISTOR | 560Ω 1/4W J | JE31U G,JE31 UN,JE 31UX,J E3UG,J E3UN, JE3US, JE3UX | R999 | QRE141J-152Y | C RESISTOR | 1.5kΩ 1/4W J | JE31U G,JE31 UN,JE 31UX,J E3UG,J E3UN, JE3US, JE3UX |
| R988 | QRE141J-203Y | C RESISTOR | 20kΩ 1/4W J | JE31U G,JE31 UN,JE 31UX,J E3UG,J E3UN, JE3US, JE3UX | △ R2010 | QRJ146J-4R7X | UNF C RESISTOR | 4.7Ω 1/4W J | |
| | | | | | R2011 | QRE141J-333Y | C RESISTOR | 33kΩ 1/4W J | |
| | | | | | R2012 | QRE141J-103Y | C RESISTOR | 10kΩ 1/4W J | |
| | | | | | R2016 | QRE141J-333Y | C RESISTOR | 33kΩ 1/4W J | |
| | | | | | △ R2017 | QRK126J-470X | UNF C RESISTOR | 47Ω 1/2W J | |
| | | | | | △ R2018 | QRK126J-470X | UNF C RESISTOR | 47Ω 1/2W J | |
| R989 | QRE141J-510Y | C RESISTOR | 51Ω 1/4W J | JE31U G,JE31 UN,JE 31UX,J E3UG,J E3UN, JE3US, JE3UX | VR970 | QVQ0299-B54 | V RESISTOR | | JE31U G,JE31 UN,JE 31UX,J E3UG,J E3UN, JE3US, JE3UX |
| R990 | QRE141J-475Y | C RESISTOR | 4.7MΩ 1/4W J | JE31U G,JE31 UN,JE 31UX,J E3UG,J E3UN, JE3US, JE3UX | L996 | QQL231K-470Y | COIL | 47uH K | |
| | | | | | L997 | QQL231K-470Y | COIL | 47uH K | |
| | | | | | L998 | QQR0621-001Z | COIL | | |
| R991 | QRE141J-101Y | C RESISTOR | 100Ω 1/4W J | JE31U G,JE31 UN,JE 31UX,J E3UG,J E3UN, JE3US, JE3UX | CN103 | QGD2504C1-03Z | CONNECTOR | (1-3) | |
| | | | | | CN106 | QGD2503F1-03 | CONNECTOR | (1-3) | |
| | | | | | CN119 | QGA3901F1-06 | CONNECTOR | W-B (1-6) | |
| | | | | | CN205 | QGB2510J1-08 | CONNECTOR | B-B (1-8) | |
| | | | | | CN206 | QGB2510K1-11 | CONNECTOR | B-B (1-11) | |
| | | | | | CN214 | QGB2510J1-06 | CONNECTOR | B-B (1-6) | |
| | | | | | CN250 | QGA7901C1-02 | CONNECTOR | W-B (1-2) | |
| | | | | | CN870 | QGF1205C1-16 | CONNECTOR | FFC/FFPC (1-16) | |
| R992 | QRE141J-152Y | C RESISTOR | 1.5kΩ 1/4W J | JE31U G,JE31 UN,JE 31UX,J E3UG,J E3UN, JE3US, JE3UX | FT111 | QNG0003-001Z | FUSE CLIP | | |
| | | | | | FT112 | QNG0003-001Z | FUSE CLIP | | |
| | | | | | FT131 | QNG0003-001Z | FUSE CLIP | | |
| | | | | | FT132 | QNG0003-001Z | FUSE CLIP | | |
| | | | | | FT151 | QNG0003-001Z | FUSE CLIP | | |
| | | | | | FT152 | QNG0003-001Z | FUSE CLIP | | |
| | | | | | FT521 | QNG0003-001Z | FUSE CLIP | | |
| | | | | | FT522 | QNG0003-001Z | FUSE CLIP | | |
| | | | | | FW116 | QUM153-29DGZ4-E | FLAT WIRE | | |

| △ Symbol No. | Part No. | Part Name | Description | Local | △ Symbol No. | Part No. | Part Name | Description | Local |
|--------------|-----------------|----------------|-------------|--|--------------|--------------|-------------|---------------|-------|
| FW444 | QJP001-033600-E | FLAT WIRE | | JE3UE, JE3UW, JE3UY | C111 | NCB31CK-104X | C CAPACITOR | 0.1uF 16V K | |
| J81 | QNB0089-001 | SPK.TERMINAL | | | C204 | NCB31CK-104X | C CAPACITOR | 0.1uF 16V K | |
| J970 | QNS0236-001 | PHONE JACK | | JE31U G,JE31 UN,JE 31UX,J E3UG,J E3UN, JE3US, JE3UX | C205 | NCB31HK-271X | C CAPACITOR | 270pF 50V K | |
| J971 | QNS0236-001 | PHONE JACK | | JE31U G,JE31 UN,JE 31UX,J E3UG,J E3UN, JE3US, JE3UX | C206 | NDC31HJ-151X | C CAPACITOR | 150pF 50V J | |
| J971 | QNS0235-001 | PHONE JACK | | JE3UE, JE3UW, JE3UY | C208 | NCB31HK-561X | C CAPACITOR | 560pF 50V K | |
| J995 | QNS0237-001 | PHONE JACK | | | C211 | NCB31HK-223X | C CAPACITOR | 0.022uF 50V K | |
| RY160 | QSK0109-001 | RELAY | | | C212 | NCB31CK-103X | C CAPACITOR | 0.01uF 16V K | |
| △ S500 | QSW0812-001 | VOLTAGE SWITCH | | | C217 | NCB31CK-104X | C CAPACITOR | 0.1uF 16V K | |
| S939 | QSW1121-001Z | PUSH SW I.M | | | C251 | NCB31AK-474X | C CAPACITOR | 0.47uF 10V K | |
| S940 | QSW1121-001Z | PUSH SW I.M | | | C253 | NCB31HK-561X | C CAPACITOR | 560pF 50V K | |
| S941 | QSW1121-001Z | PUSH SW I.M | | | C255 | NCB31CK-153X | C CAPACITOR | 0.015uF 16V K | |
| S942 | QSW1121-001Z | PUSH SW I.M | | | C256 | NCB31CK-104X | C CAPACITOR | 0.1uF 16V K | |
| S943 | QSW1121-001Z | PUSH SW I.M | | | C257 | NCB31HK-822X | C CAPACITOR | 8200pF 50V K | |
| S944 | QSW1121-001Z | PUSH SW I.M | | | C258 | NCB31CK-153X | C CAPACITOR | 0.015uF 16V K | |
| S945 | QSW1121-001Z | PUSH SW I.M | | | C259 | NCB31CK-153X | C CAPACITOR | 0.015uF 16V K | |
| S946 | QSW1121-001Z | PUSH SW I.M | | | C260 | NCB31EK-223X | C CAPACITOR | 0.022uF 25V K | |
| S947 | QSW1121-001Z | PUSH SW I.M | | | C261 | NCB31EK-223X | C CAPACITOR | 0.022uF 25V K | |
| S948 | QSW1121-001Z | PUSH SW I.M | | | C262 | NCB31EK-223X | C CAPACITOR | 0.022uF 25V K | |
| S949 | QSW1121-001Z | PUSH SW I.M | | | C264 | NEA70JM-227X | E CAPACITOR | 220uF 6.3V M | |
| S950 | QSW1121-001Z | PUSH SW I.M | | | C265 | NDC31HJ-221X | C CAPACITOR | 220pF 50V J | |
| S951 | QSW1121-001Z | PUSH SW I.M | | | C266 | NDC31HJ-221X | C CAPACITOR | 220pF 50V J | |
| S952 | QSW1121-001Z | PUSH SW I.M | | | C267 | NCB31CK-103X | C CAPACITOR | 0.01uF 16V K | |
| S953 | QSW1121-001Z | PUSH SW I.M | | | C301 | NEA70GM-227X | E CAPACITOR | 220uF 4V M | |
| S954 | QSW1121-001Z | PUSH SW I.M | | | C302 | NEA70GM-476X | E CAPACITOR | 47uF 4V M | |
| S955 | QSW1121-001Z | PUSH SW I.M | | | C303 | NEA70GM-476X | E CAPACITOR | 47uF 4V M | |
| S960 | QSW1121-001Z | PUSH SW I.M | | | C304 | NCB30JK-105X | C CAPACITOR | 1uF 6.3V K | |
| S961 | QSW1121-001Z | PUSH SW I.M | | | C305 | NCB31CK-104X | C CAPACITOR | 0.1uF 16V K | |
| S962 | QSW1121-001Z | PUSH SW I.M | | | C306 | NCB31CK-104X | C CAPACITOR | 0.1uF 16V K | |
| S963 | QSW1121-001Z | PUSH SW I.M | | | C307 | NCB31CK-104X | C CAPACITOR | 0.1uF 16V K | |
| S964 | QSW1121-001Z | PUSH SW I.M | | | C308 | NCB31CK-104X | C CAPACITOR | 0.1uF 16V K | |
| S965 | QSW1121-001Z | PUSH SW I.M | | | C309 | NCB31CK-104X | C CAPACITOR | 0.1uF 16V K | |
| S966 | QSW1121-001Z | PUSH SW I.M | | | C310 | NCB31CK-104X | C CAPACITOR | 0.1uF 16V K | |
| S967 | QSW1121-001Z | PUSH SW I.M | | | C311 | NCB31CK-104X | C CAPACITOR | 0.1uF 16V K | |

DVD module board

Block No. [0][4]

| △ Symbol No. | Part No. | Part Name | Description | Local | △ Symbol No. | Part No. | Part Name | Description | Local |
|--------------|-----------------|-------------|-------------|-------|--------------|--------------|-------------|---------------|-------|
| IC201 | LA6502-X | IC | | | C312 | NCB31CK-104X | C CAPACITOR | 0.1uF 16V K | |
| IC301 | MN2DS0003AA-H | IC | | | C313 | NCB31CK-104X | C CAPACITOR | 0.1uF 16V K | |
| IC302 | LM1117MP-ADJ-X | IC | | | C314 | NCB31CK-104X | C CAPACITOR | 0.1uF 16V K | |
| IC453 | S-80827CNNB-W | IC | | | C315 | NCB31CK-104X | C CAPACITOR | 0.1uF 16V K | |
| IC505 | K4S641632H-UC75 | IC | | | C316 | NCB31CK-104X | C CAPACITOR | 0.1uF 16V K | |
| IC509 | AT49BV162AT70TI | IC (FLASH) | | | C317 | NCB31CK-104X | C CAPACITOR | 0.1uF 16V K | |
| IC701 | AK4384VT-X | IC | | | C318 | NCB31CK-104X | C CAPACITOR | 0.1uF 16V K | |
| Q101 | KTA1001/Y/-X | TRANSISTOR | | | C319 | NCB31CK-104X | C CAPACITOR | 0.1uF 16V K | |
| Q102 | 2SC4617/R/-X | TRANSISTOR | | | C320 | NCB31CK-104X | C CAPACITOR | 0.1uF 16V K | |
| Q103 | KTA1001/Y/-X | TRANSISTOR | | | C321 | NCB31CK-104X | C CAPACITOR | 0.1uF 16V K | |
| Q104 | 2SC4617/R/-X | TRANSISTOR | | | C322 | NCB31CK-104X | C CAPACITOR | 0.1uF 16V K | |
| Q105 | UN2119-X | TRANSISTOR | | | C323 | NCB31CK-104X | C CAPACITOR | 0.1uF 16V K | |
| C101 | NCB31CK-104X | C CAPACITOR | 0.1uF 16V K | | C324 | NCB30JK-105X | C CAPACITOR | 1uF 6.3V K | |
| C102 | NCB31CK-104X | C CAPACITOR | 0.1uF 16V K | | C325 | NDC31HJ-180X | C CAPACITOR | 18pF 50V J | |
| C103 | NCB31CK-104X | C CAPACITOR | 0.1uF 16V K | | C326 | NDC31HJ-150X | C CAPACITOR | 15pF 50V J | |
| C104 | NCB31CK-104X | C CAPACITOR | 0.1uF 16V K | | C327 | NCB31HK-103X | C CAPACITOR | 0.01uF 50V K | |
| C105 | NEA70JM-476X | E CAPACITOR | 47uF 6.3V M | | C330 | NCB31CK-104X | C CAPACITOR | 0.1uF 16V K | |
| C106 | NEA70JM-476X | E CAPACITOR | 47uF 6.3V M | | C331 | NCB31CK-333X | C CAPACITOR | 0.033uF 16V K | |
| C107 | NCB31CK-104X | C CAPACITOR | 0.1uF 16V K | | C332 | NCB31CK-104X | C CAPACITOR | 0.1uF 16V K | |
| C108 | NEA70JM-476X | E CAPACITOR | 47uF 6.3V M | | C333 | NCB31CK-104X | C CAPACITOR | 0.1uF 16V K | |
| | | | | | C334 | NCB31CK-104X | C CAPACITOR | 0.1uF 16V K | |
| | | | | | C335 | NCB31CK-104X | C CAPACITOR | 0.1uF 16V K | |
| | | | | | C337 | NCB31CK-183X | C CAPACITOR | 0.018uF 16V K | |
| | | | | | C338 | NCB31HK-562X | C CAPACITOR | 5600pF 50V K | |
| | | | | | C339 | NCB31CK-104X | C CAPACITOR | 0.1uF 16V K | |
| | | | | | C340 | NCB30JK-105X | C CAPACITOR | 1uF 6.3V K | |
| | | | | | C341 | NCB30JK-105X | C CAPACITOR | 1uF 6.3V K | |
| | | | | | C347 | NCB31CK-104X | C CAPACITOR | 0.1uF 16V K | |
| | | | | | C348 | NCB31CK-104X | C CAPACITOR | 0.1uF 16V K | |
| | | | | | C349 | NCB31CK-104X | C CAPACITOR | 0.1uF 16V K | |
| | | | | | C350 | NCB31CK-104X | C CAPACITOR | 0.1uF 16V K | |
| | | | | | C356 | NCB30JK-105X | C CAPACITOR | 1uF 6.3V K | |
| | | | | | C359 | NCB31CK-104X | C CAPACITOR | 0.1uF 16V K | |
| | | | | | C371 | NCB30JK-105X | C CAPACITOR | 1uF 6.3V K | |
| | | | | | C374 | NCB31CK-104X | C CAPACITOR | 0.1uF 16V K | |
| | | | | | C391 | NCB31CK-104X | C CAPACITOR | 0.1uF 16V K | |
| | | | | | C392 | NCB31CK-104X | C CAPACITOR | 0.1uF 16V K | |
| | | | | | C455 | NCB31CK-103X | C CAPACITOR | 0.01uF 16V K | |
| | | | | | C505 | NDC31HJ-330X | C CAPACITOR | 33pF 50V J | |
| | | | | | C506 | NDC31HJ-330X | C CAPACITOR | 33pF 50V J | |
| | | | | | C507 | NDC31HJ-330X | C CAPACITOR | 33pF 50V J | |
| | | | | | C508 | NDC31HJ-330X | C CAPACITOR | 33pF 50V J | |
| | | | | | C509 | NDC31HJ-330X | C CAPACITOR | 33pF 50V J | |
| | | | | | C510 | NDC31HJ-330X | C CAPACITOR | 33pF 50V J | |
| | | | | | C547 | NCB31CK-104X | C CAPACITOR | 0.1uF 16V K | |

| △ Symbol No. | Part No. | Part Name | Description | Local | △ Symbol No. | Part No. | Part Name | Description | Local |
|--------------|--------------|----------------|---------------|-------|--------------|---------------|---------------|----------------|-------|
| C551 | NCB31CK-104X | C CAPACITOR | 0.1uF 16V K | | R325 | NRSA63J-331X | MG RESISTOR | 330Ω 1/16W J | |
| C552 | NCB31CK-104X | C CAPACITOR | 0.1uF 16V K | | R326 | NRSA63J-331X | MG RESISTOR | 330Ω 1/16W J | |
| C553 | NBE20JM-226X | TA E CAPACITOR | 22uF 6.3V M | | R333 | NRSA63J-163X | MG RESISTOR | 16kΩ 1/16W J | |
| C554 | NCB31CK-104X | C CAPACITOR | 0.1uF 16V K | | R334 | NRSA63J-151X | MG RESISTOR | 150Ω 1/16W J | |
| C555 | NCB31CK-104X | C CAPACITOR | 0.1uF 16V K | | R335 | NRSA63J-151X | MG RESISTOR | 150Ω 1/16W J | |
| C556 | NCB31CK-104X | C CAPACITOR | 0.1uF 16V K | | R336 | NRSA63J-151X | MG RESISTOR | 150Ω 1/16W J | |
| C557 | NCF31AZ-105X | C CAPACITOR | 1uF 10V Z | | R337 | NRSA63J-151X | MG RESISTOR | 150Ω 1/16W J | |
| C558 | NCB31CK-104X | C CAPACITOR | 0.1uF 16V K | | R338 | NRSA63J-0R0X | MG RESISTOR | 0Ω 1/16W J | |
| C559 | NCB31CK-104X | C CAPACITOR | 0.1uF 16V K | | R339 | NRSA63J-0R0X | MG RESISTOR | 0Ω 1/16W J | |
| C701 | NCB31CK-104X | C CAPACITOR | 0.1uF 16V K | | R340 | NRSA63D-303X | MG RESISTOR | 30kΩ 1/16W D | |
| C704 | NEA70JM-227X | E CAPACITOR | 220uF 6.3V M | | R341 | NRSA63D-362X | MG RESISTOR | 3.6kΩ 1/16W D | |
| C706 | NEA71CM-106X | E CAPACITOR | 10uF 16V M | | R342 | NRSA63D-222X | MG RESISTOR | 2.2kΩ 1/16W D | |
| C707 | NCB31CK-104X | C CAPACITOR | 0.1uF 16V K | | R343 | NRSA63J-0R0X | MG RESISTOR | 0Ω 1/16W J | |
| C721 | NCB31HK-102X | C CAPACITOR | 1000pF 50V K | | R344 | NRSA63J-6R8X | MG RESISTOR | 6.8Ω 1/16W J | |
| C902 | NCB31CK-104X | C CAPACITOR | 0.1uF 16V K | | R345 | NRSA63J-221X | MG RESISTOR | 220Ω 1/16W J | |
| C903 | NCB31CK-104X | C CAPACITOR | 0.1uF 16V K | | R351 | NRSA63J-681X | MG RESISTOR | 680Ω 1/16W J | |
| C904 | NCB31CK-104X | C CAPACITOR | 0.1uF 16V K | | R352 | NRSA63J-105X | MG RESISTOR | 1MΩ 1/16W J | |
| C906 | NCB31CK-104X | C CAPACITOR | 0.1uF 16V K | | R357 | NRSA63J-0R0X | MG RESISTOR | 0Ω 1/16W J | |
| | | | | | R358 | NRSA63J-0R0X | MG RESISTOR | 0Ω 1/16W J | |
| R101 | NRSA63J-101X | MG RESISTOR | 100Ω 1/16W J | | R361 | NRSA63J-0R0X | MG RESISTOR | 0Ω 1/16W J | |
| R102 | NRSA63J-101X | MG RESISTOR | 100Ω 1/16W J | | R362 | NRSA63J-331X | MG RESISTOR | 330Ω 1/16W J | |
| R103 | NRSA63J-243X | MG RESISTOR | 24kΩ 1/16W J | | R363 | NRSA63J-151X | MG RESISTOR | 150Ω 1/16W J | |
| R104 | NRSA63J-303X | MG RESISTOR | 30kΩ 1/16W J | | R372 | NRSA63J-102X | MG RESISTOR | 1kΩ 1/16W J | |
| R105 | NRS125J-270X | MG RESISTOR | 27Ω 1/2W J | | R373 | NRSA63J-102X | MG RESISTOR | 1kΩ 1/16W J | |
| R106 | NRSA63J-2R2X | MG RESISTOR | 2.2Ω 1/16W J | | R374 | NRSA63J-102X | MG RESISTOR | 1kΩ 1/16W J | |
| R107 | NRSA63J-101X | MG RESISTOR | 100Ω 1/16W J | | R375 | NRSA63J-102X | MG RESISTOR | 1kΩ 1/16W J | |
| R108 | NRSA63J-471X | MG RESISTOR | 470Ω 1/16W J | | R376 | NRSA63J-102X | MG RESISTOR | 1kΩ 1/16W J | |
| R109 | NRSA63J-471X | MG RESISTOR | 470Ω 1/16W J | | R377 | NRSA63J-102X | MG RESISTOR | 1kΩ 1/16W J | |
| R110 | NRSA63J-0R0X | MG RESISTOR | 0Ω 1/16W J | | R378 | NRSA63J-102X | MG RESISTOR | 1kΩ 1/16W J | |
| R111 | NRSA63J-243X | MG RESISTOR | 24kΩ 1/16W J | | R379 | NRSA63J-102X | MG RESISTOR | 1kΩ 1/16W J | |
| R112 | NRSA63J-303X | MG RESISTOR | 30kΩ 1/16W J | | R384 | NRSA63J-102X | MG RESISTOR | 1kΩ 1/16W J | |
| R113 | NRS125J-270X | MG RESISTOR | 27Ω 1/2W J | | R385 | NRSA63J-102X | MG RESISTOR | 1kΩ 1/16W J | |
| R114 | NRSA63J-2R2X | MG RESISTOR | 2.2Ω 1/16W J | | R390 | NRSA63J-472X | MG RESISTOR | 4.7kΩ 1/16W J | |
| R115 | NRSA63J-101X | MG RESISTOR | 100Ω 1/16W J | | R391 | NAD0025-103X | N THERMISTOR | 10kΩ | |
| R116 | NRSA63J-471X | MG RESISTOR | 470Ω 1/16W J | | R392 | NRSA63J-103X | MG RESISTOR | 10kΩ 1/16W J | |
| R117 | NRSA63J-331X | MG RESISTOR | 330Ω 1/16W J | | R393 | NRSA63J-0R0X | MG RESISTOR | 0Ω 1/16W J | |
| R118 | NRSA63J-0R0X | MG RESISTOR | 0Ω 1/16W J | | R394 | NRSA63J-0R0X | MG RESISTOR | 0Ω 1/16W J | |
| R119 | NRSA63J-0R0X | MG RESISTOR | 0Ω 1/16W J | | R395 | NRSA02J-0R0X | MG RESISTOR | 0Ω 1/10W J | |
| R120 | NRSA63J-0R0X | MG RESISTOR | 0Ω 1/16W J | | R457 | NRSA63J-0R0X | MG RESISTOR | 0Ω 1/16W J | |
| R122 | NRSA63J-0R0X | MG RESISTOR | 0Ω 1/16W J | | R458 | NRSA63J-102X | MG RESISTOR | 1kΩ 1/16W J | |
| R123 | NRSA63J-0R0X | MG RESISTOR | 0Ω 1/16W J | | R501 | NRSA63J-471X | MG RESISTOR | 470Ω 1/16W J | |
| R125 | NRS125J-1R0X | MG RESISTOR | 1Ω 1/2W J | | R502 | NRSA63J-471X | MG RESISTOR | 470Ω 1/16W J | |
| R126 | NRSA02J-101X | MG RESISTOR | 100Ω 1/10W J | | R503 | NRSA63J-101X | MG RESISTOR | 100Ω 1/16W J | |
| R128 | NRSA63J-0R0X | MG RESISTOR | 0Ω 1/16W J | | R530 | NRSA63J-103X | MG RESISTOR | 10kΩ 1/16W J | |
| R204 | NRSA63J-273X | MG RESISTOR | 27kΩ 1/16W J | | R551 | NRSA63J-102X | MG RESISTOR | 1kΩ 1/16W J | |
| R205 | NRSA63J-273X | MG RESISTOR | 27kΩ 1/16W J | | R558 | NRSA63J-102X | MG RESISTOR | 1kΩ 1/16W J | |
| R206 | NRSA63J-303X | MG RESISTOR | 30kΩ 1/16W J | | R701 | NRSA63J-100X | MG RESISTOR | 10Ω 1/16W J | |
| R207 | NRSA63J-473X | MG RESISTOR | 47kΩ 1/16W J | | R702 | NRSA63J-0R0X | MG RESISTOR | 0Ω 1/16W J | |
| R208 | NRSA63J-223X | MG RESISTOR | 22kΩ 1/16W J | | R711 | NRSA63J-221X | MG RESISTOR | 220Ω 1/16W J | |
| R213 | NRSA63J-103X | MG RESISTOR | 10kΩ 1/16W J | | R712 | NRSA63J-221X | MG RESISTOR | 220Ω 1/16W J | |
| R214 | NRSA63J-103X | MG RESISTOR | 10kΩ 1/16W J | | R713 | NRSA63J-221X | MG RESISTOR | 220Ω 1/16W J | |
| R215 | NRSA63J-103X | MG RESISTOR | 10kΩ 1/16W J | | R716 | NRSA63J-0R0X | MG RESISTOR | 0Ω 1/16W J | |
| R219 | NRSA63J-183X | MG RESISTOR | 18kΩ 1/16W J | | R718 | NRSA63J-473X | MG RESISTOR | 47kΩ 1/16W J | |
| R220 | NRSA63J-243X | MG RESISTOR | 24kΩ 1/16W J | | R719 | NRSA63J-0R0X | MG RESISTOR | 0Ω 1/16W J | |
| R221 | NRSA63J-682X | MG RESISTOR | 6.8kΩ 1/16W J | | R723 | NRSA63J-101X | MG RESISTOR | 100Ω 1/16W J | |
| R251 | NRS125J-R47X | MG RESISTOR | 0.47Ω 1/2W J | | R724 | NRSA63J-101X | MG RESISTOR | 100Ω 1/16W J | |
| R252 | NRSA63J-2R2X | MG RESISTOR | 2.2Ω 1/16W J | | R725 | NRSA63J-101X | MG RESISTOR | 100Ω 1/16W J | |
| R254 | NRSA63J-203X | MG RESISTOR | 20kΩ 1/16W J | | R727 | NRSA63J-101X | MG RESISTOR | 100Ω 1/16W J | |
| R255 | NRSA63J-103X | MG RESISTOR | 10kΩ 1/16W J | | R728 | NRSA63J-0R0X | MG RESISTOR | 0Ω 1/16W J | |
| R257 | NRSA63J-0R0X | MG RESISTOR | 0Ω 1/16W J | | R909 | NRSA02J-0R0X | MG RESISTOR | 0Ω 1/10W J | |
| R259 | NRSA63J-103X | MG RESISTOR | 10kΩ 1/16W J | | R911 | NRSA02J-0R0X | MG RESISTOR | 0Ω 1/10W J | |
| R302 | NRSA63J-240X | MG RESISTOR | 24Ω 1/16W J | | | | | | |
| R303 | NRSA63J-101X | MG RESISTOR | 100Ω 1/16W J | | L501 | NQL044K-100X | COIL | 0.26Ω 10uH K | |
| R306 | NRSA63J-102X | MG RESISTOR | 1kΩ 1/16W J | | | | | | |
| R307 | NRSA63J-102X | MG RESISTOR | 1kΩ 1/16W J | | CN101 | QGF0523F1-24W | CONNECTOR | FFC/FPC (1-24) | |
| R308 | NRSA63J-223X | MG RESISTOR | 22kΩ 1/16W J | | CN201 | QGF1016F2-08W | CONNECTOR | FFC/FPC (1-8) | |
| R309 | NRSA63J-104X | MG RESISTOR | 100kΩ 1/16W J | | CN501 | QGF1016F2-19W | CONNECTOR | FFC/FPC (1-19) | |
| R310 | NRS125J-R47X | MG RESISTOR | 0.47Ω 1/2W J | | CN502 | QGF1016F2-08W | CONNECTOR | FFC/FPC (1-8) | |
| R312 | NRSA63J-0R0X | MG RESISTOR | 0Ω 1/16W J | | CN503 | QGF1016F2-17W | CONNECTOR | FFC/FPC (1-17) | |
| R313 | NRSA63J-0R0X | MG RESISTOR | 0Ω 1/16W J | | K101 | NRSA02J-0R0X | MG RESISTOR | 0Ω 1/10W J | |
| R314 | NRSA63J-0R0X | MG RESISTOR | 0Ω 1/16W J | | K102 | NRSA02J-0R0X | MG RESISTOR | 0Ω 1/10W J | |
| R315 | NRSA63J-0R0X | MG RESISTOR | 0Ω 1/16W J | | K251 | NRSA63J-0R0X | MG RESISTOR | 0Ω 1/16W J | |
| R316 | NRSA63J-0R0X | MG RESISTOR | 0Ω 1/16W J | | K252 | NRSA63J-102X | MG RESISTOR | 1kΩ 1/16W J | |
| R317 | NRSA63J-0R0X | MG RESISTOR | 0Ω 1/16W J | | K301 | NQR0354-001X | FERRITE BEADS | | |
| R318 | NRSA63J-333X | MG RESISTOR | 33kΩ 1/16W J | | K302 | NRSA63J-101X | MG RESISTOR | 100Ω 1/16W J | |
| R319 | NRSA63J-0R0X | MG RESISTOR | 0Ω 1/16W J | | K303 | NRSA63J-101X | MG RESISTOR | 100Ω 1/16W J | |
| R320 | NRSA63J-103X | MG RESISTOR | 10kΩ 1/16W J | | K304 | NQR0502-001X | FERRITE BEADS | | |
| R322 | NRSA63J-473X | MG RESISTOR | 47kΩ 1/16W J | | K501 | NQR0129-002X | FERRITE BEADS | | |

| △ Symbol No. | Part No. | Part Name | Description | Local |
|--------------|--------------|---------------|-------------|-------|
| K551 | NQR0129-002X | FERRITE BEADS | | |
| K552 | NQR0129-002X | FERRITE BEADS | | |
| K553 | NQR0129-002X | FERRITE BEADS | | |
| K554 | NQR0129-002X | FERRITE BEADS | | |
| K555 | NQR0022-005X | FERRITE BEADS | | |
| K556 | NQR0129-002X | FERRITE BEADS | | |
| K563 | NQR0129-002X | FERRITE BEADS | | |
| K564 | NQR0129-002X | FERRITE BEADS | | |
| K565 | NQR0129-002X | FERRITE BEADS | | |
| K566 | NQR0129-002X | FERRITE BEADS | | |
| K567 | NQR0129-002X | FERRITE BEADS | | |
| K710 | NQR0129-002X | FERRITE BEADS | | |
| K721 | NQR0251-004X | FERRITE BEADS | | |
| K722 | NQR0251-004X | FERRITE BEADS | | |
| K723 | NQR0251-004X | FERRITE BEADS | | |
| X351 | NAX0550-001X | CRYSTAL | 27.000MHz | |

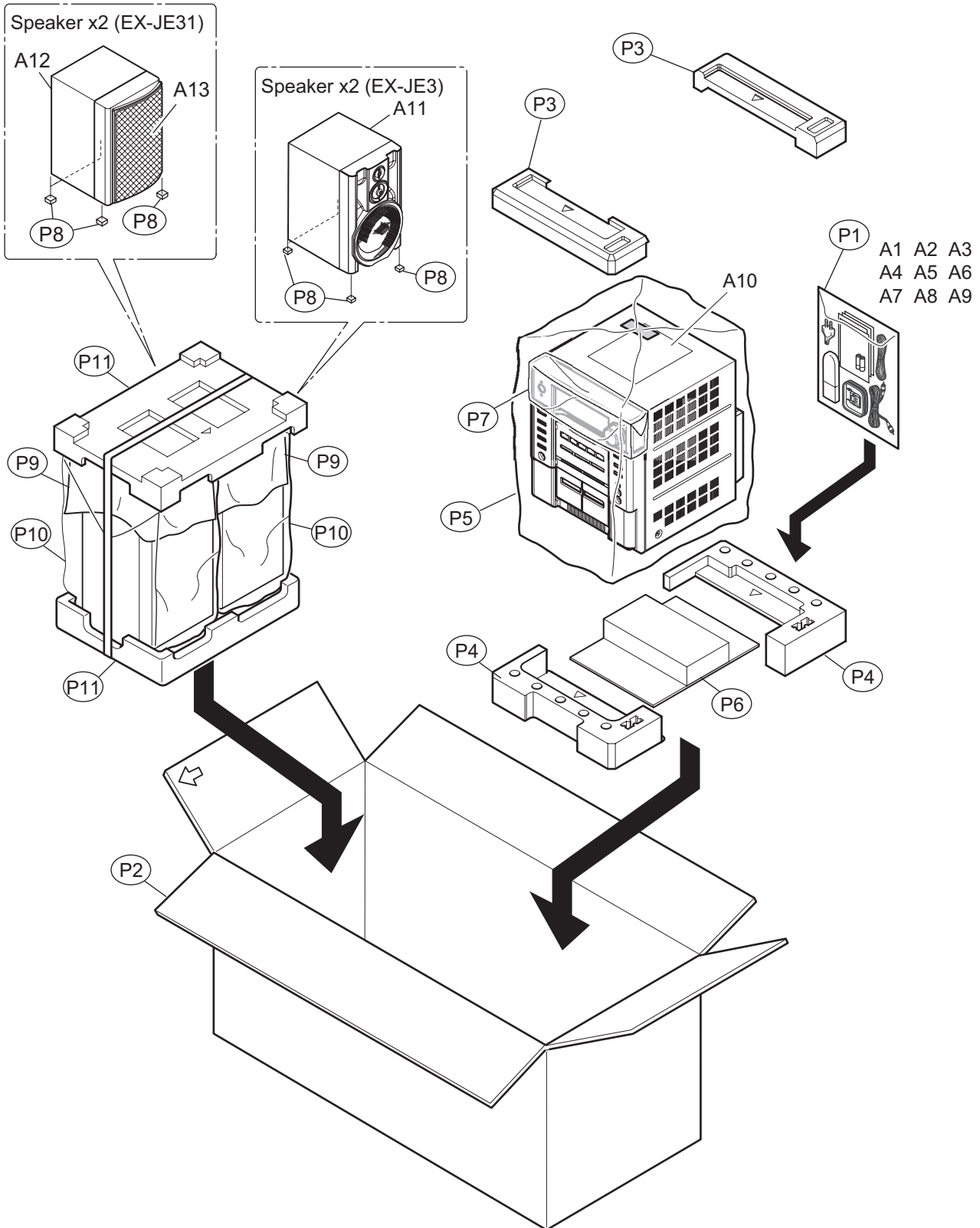
DVD loading switch board

Block No. [0][5]

| △ Symbol No. | Part No. | Part Name | Description | Local |
|--------------|--------------|---------------|---------------|-------|
| CN1 | QGF1016F3-05 | CONNECTOR | FFC/FPC (1-5) | |
| S1 | QSW1074-001 | DETECT SWITCH | | |

Packing materials and accessories parts list

Block No. M 3 M M



Packing and Accessories

Block No. [M][3][M][M]

| △ | Symbol No. | Part No. | Part Name | Description | Local |
|---|------------|-----------------|------------------|-------------|--|
| | A 1 | QAL0014-001 | AM LOOP ANT | | |
| | A 2 | QAL0457-001 | ANT.WIRE | | |
| △ | A 3 | QAM0112-002 | PLUG ADAPTOR | | JE31UN,JE3UE,JE3UN,JE3US,JE3UW |
| | A 4 | QAM0216-001 | SIGNAL CORD | | |
| | A 5 | RM-SMXJE3U | REMOCON | | JE31UG,JE31UN,JE31UX,JE3UG,JE3UN,JE3US,JE3UX |
| | A 5 | RM-SMXJE3A | REMOCON | | JE3UE,JE3UW,JE3UY |
| | A 6 | ----- | BATTERY | (x2) | |
| | A 7 | GVT0145-001A | INST BOOK | ENG | JE31UG,JE31UN,JE31UX,JE3UG,JE3UN,JE3US,JE3UX |
| | A 7 | GVT0145-002A | INST BOOK | ENG | JE3UE,JE3UW,JE3UY |
| | A 8 | GVT0145-005A | INST BOOK | TUR | JE3UE |
| | A 8 | GVT0145-003A | INST BOOK | ENG | JE31UN,JE3UN,JE3US |
| | A 8 | GVT0145-004A | INST BOOK | ARA PER | JE31UG,JE31UX,JE3UG,JE3UX |
| | A 8 | GVT0145-006A | INST BOOK | SPA POR | JE3UW,JE3UY |
| | A 9 | GV40524-001B | NOTICE SHEET | | JE31UG,JE31UN,JE31UX,JE3UE,JE3UG,JE3UN,JE3US,JE3UX |
| | A 9 | GV40524-002A | NOTICE SHEET | | JE3UW,JE3UY |
| | A 10 | GV40631-001A | NOTICE SHEET | | JE31UN,JE3UN |
| | A 11 | SPMXJE3K-SPBOX | SPK WITH BOX | (x2) | JE3US,JE3UW,JE3UX,JE3UY,JE3UG,JE3UE,JE3UN |
| | A 12 | SPMXJE31U-SPBOX | SPK WITH BOX-F | (x2) | JE31UX,JE31UG,JE31UW |
| | A 13 | J201-XJE311S-40 | SPK NET | (x2) | JE31UX,JE31UG,JE31UW |
| | P 1 | QPC02503515P | POLY BAG | 25cm x 35cm | |
| | P 2 | GV30735-003A | CARTON ASSY. | | JE31UN |
| | P 2 | GV30735-004A | CARTON ASSY. | | JE31UG,JE31UX |
| | P 2 | GV30714-009A | CARTON ASSY. | | JE3UE |
| | P 2 | GV30714-006A | CARTON ASSY. | | JE3UN,JE3US |
| | P 2 | GV30714-007A | CARTON ASSY. | | JE3UG,JE3UX |
| | P 2 | GV30714-008A | CARTON ASSY. | | JE3UW,JE3UY |
| | P 3 | GV10223-001A | CUSHION (TOP) | | |
| | P 4 | GV10224-001A | CUSHION (BOTTOM) | | |
| | P 5 | QPC06507030P | POLY BAG | 65cm x 70cm | |
| | P 6 | GV30778-001A | SPACER | | |
| | P 7 | GV40437-003A | CLOTH | | |
| | P 8 | 441-802104-00 | LEG CUSHION | (x2) | |
| | P 9 | 715-250031-00 | MIRAMAT SHEET | (x2) | |
| | P 10 | 700-120034-20 | HDPE BAG | (x2) | |
| | P 11 | 720-MXJE3F-00 | CUSHION | (x2) | |
| | P 11 | 720-MXJE5F-00 | CUSHION | (x2) | |