

# PARTS LIST

[ UX-A7DVD ]

\* All printed circuit boards and its assemblies are not available as service parts.

## Area suffix

US	-----	Singapore
UN	-----	Asean

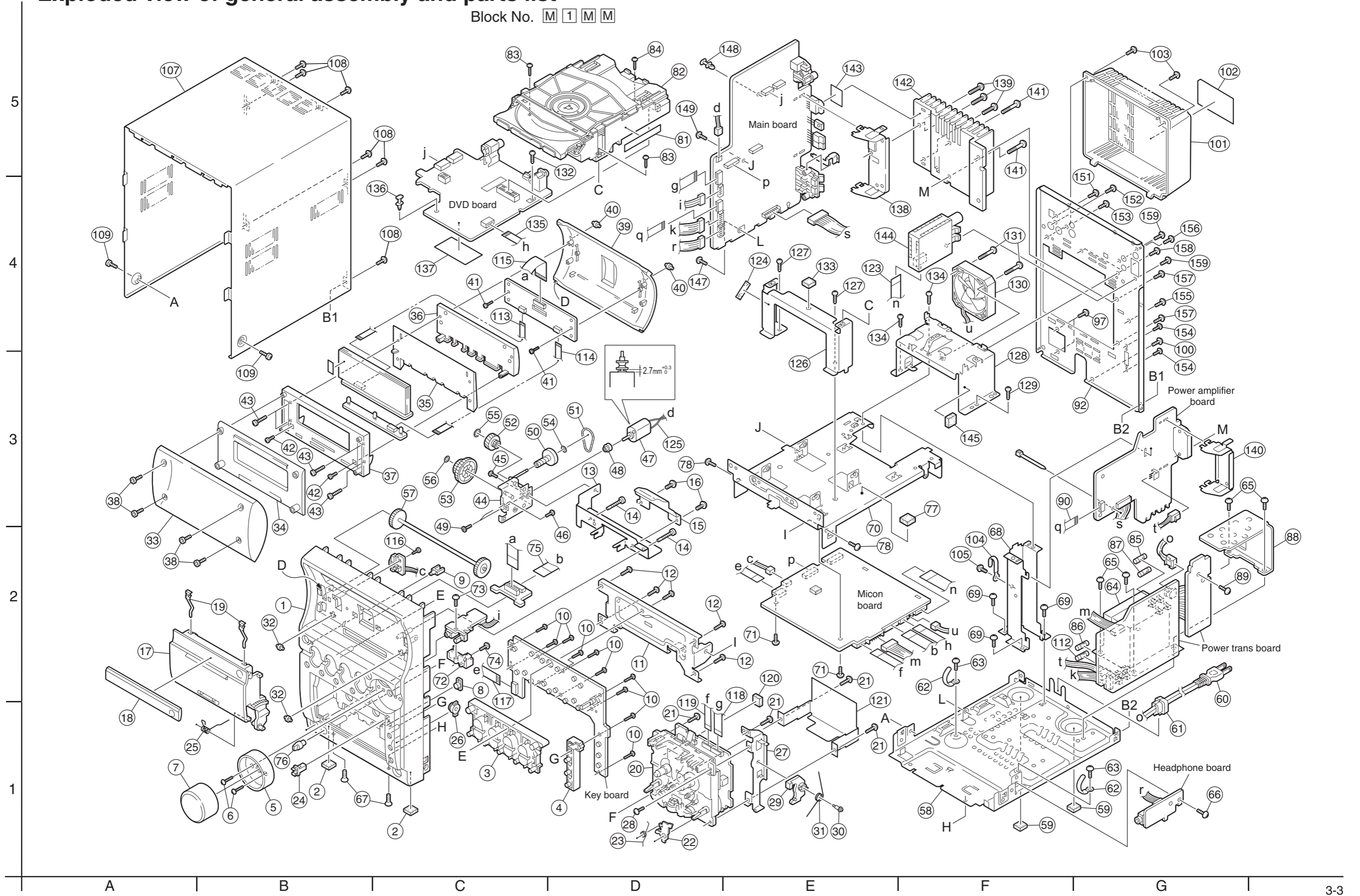
## - Contents -

Exploded view of general assembly and parts list (Block No.M1)	-----	3- 3
Speaker assembly and parts list (Block No.M2)	-----	3- 6
DVD mechanism assembly and parts list (Block No.MJ)	-----	3- 7
DVD Loading mechanism assembly and parts list (Block No.MN)	-----	3- 9
Cassette mechanism assembly and parts list (Block No.MP)	-----	3-11
Electrical parts list (Block No.01~07)	-----	3-13
Packing materials and accessories parts list (Block No.M3,M5)	-----	3-28

< MEMO >

# Exploded view of general assembly and parts list

Block No. **M 1 M M**



## ■ Parts list (General assembly)

Block No. M1MM

△	Item	Parts number	Parts name	Q'ty	Description	Area
	1	LV10667-008A	FRONT PANEL	1	ABS/SPRAY/PAD3	
	2	LV40301-001A	FELT SPACER	2	FOOT	
	3	LV21252-004A	MAIN BUTTON	1	ABS/PAINT/H.STM	
	4	LV33551-001A	REC BUTTON	1	PS/SPRAY	
	5	LV42979-001A	VOL RING	1	ABS/PLATING	
	6	QYSBSF2608Z	T.SCREW	2	VOL RING+F.PANEL	
	7	LV33553-001A	VOL KNOB	1	ABS/PLATING	
	8	E408131-001SM	REMOTE LENS	1	ABS	
	9	LV41550-001A	INDICATOR	1	PS CLEAR	
	10	QYSBSF2608Z	T.SCREW	10	SW PWB	
	11	LV21253-001A	MD STAY BKT	1	EGC T1.0	
	12	QYSBSF2608Z	T.SCREW	5	MD STAY BKT+F.PANEL	
	13	LV33733-001A	FRONT STAY BKT	1	EGC T1.0	
	14	LV43128-001A	SPECIAL SCREW	2	F.S.BKT+F.PANEL	
	15	LV34034-001A	FFC BARRIER	1	FRONT STAY BKT	
	16	QYSBST2604Z	T.SCREW	2	FFC BARRIER+F.S.BKT	
	17	LV10668-007A	CASS DOOR	1	ABS/SPRAY/SILK1	
	18	LV33555-003A	CASS LENS	1	PMMA/H.STMP/SIL	
	19	VKY4180-401	CASSETTE SPRING	2		
	20	-----	CASSETTE MECHANISM	1		
	21	QYSBSF3012Z	SCREW	4	CASS.MECHA+F.PANEL	
	22	VKL7850-002	EJECT SAFTY(R)	1		
	23	VKW5258-003	TORSION SPRING	1		
	24	GV40220-001A	LACH	1		
	25	LV43142-001A	DOOR SPRING	1	CASS.DOOR	
	26	GV40034-001A	DAMPER ASSY	1		
	27	GV30268-001A	MECHA BRACKET	1		
	28	QYSBSG3008Z	T.SCREW	1	M.BKT+CASS.MECHA	
	29	GV40278-001A	SAFTY ARM	1		
	30	VKZ4341-205	SPECIAL SCREW	1	S.ARM+M.BKT	
	31	GV40279-001A	ARM SPRING	1		
	32	GV40269-001A	ROLLER	2	FRONT PANEL	
	33	LV21254-008A	FRONT LENS	1	PMMA/SILK X1	
	34	LV33734-003A	FL LENS	1	GPPS/SILK/HOT S	
	35	LV33557-002A	LED LENS	1	PMMA/EMBOSS	
	36	LV33558-001A	LENS HOLDER	1	ABS/WHITE	
	37	LV33559-001A	FL COVER	1	PS/SPRAY	
	38	LV40744-001A	SOCKET BOLT	4	F.LENS+F.CASE	
	39	LV21255-004A	FRONT CASE	1	PS	
	40	GV40269-001A	ROLLER	2	F.CASE	
	41	QYSDSF2006Z	SCREW	2	F.CASE+PWB	
	42	QYSDSF2006Z	SCREW	2	FL COVER+LENS HOLDER	
	43	QYSDSF2612Z	SCREW	4	F.CASE+FL COVER	
	44	LV33560-001A	MOTOR BKT ASSY	1		
	45	QYSBST2604Z	T.SCREW	1	M.BKT+F.STY BKT	
	46	QYSBSF2608Z	T.SCREW	1	M.BKT+F.PANEL	
	47	QAR0219-001	LOADING MOTOR	1		
	48	LV41341-001A	MOTOR PULLEY	1	POM	

## ■ Parts list (General assembly)

Block No. M1MM

△	Item	Parts number	Parts name	Q'ty	Description	Area
	49	QYSPSPT2020Z	MINI SCREW	2	MOTOR+M.BKT ASSY	
	50	LV42525-001A	PULLY WORM	1	POM	
	51	LV42972-001A	BELT	1		
	52	LV42491-001A	GEAR4	1	POM	
	53	LV33561-001A	GEAR A	1	POM	
	54	WDL163225-0	SLIT WASHER	1	WORM	
	55	LV42701-001A	WASHER	1	GEAR4	
	56	WDM214540	WASHER	1	GEAR A	
	57	LV33602-001A	ROD GEAR	1		
	58	LV10669-002A	BOTTOM CHASSIS	1	EGC T1.0	
	59	LV40301-002A	FELT SPACER	2	FOOT(BOTTOM C)	
△	60	QMPK200-200-JD	POWER CORD	1		
△	61	QZW0033-001	STRAIN RELIEF	1		
	62	VKZ4001-111S	WIRE CLAMP	2	HP/TRANS WIRE	
	63	QYSBST3006Z	T.SCREW	2	WIRE CLAMP+B.CHASS	
△	64	QQT0377-003	POWER TRANS	1	MAIN TRANS T9001	
	65	QYSBST4006Z	T.SCREW	4	TRANS+B.CHASS	
	66	QYSBST3006Z	T.SCREW	1	HP PWB+B.CHASS	
	67	QYSSST3006Z	SCREW	2	F.PANEL+B.CHASS	
	68	LV33737-001A	C CHASSISS BKT	1	EGC T1.0	
	69	QYSBSG3006E	T.SCREW	3	C.C.BKT+B.CHASS	
	70	LV10697-001A	CENTER CHASSISS	1	EGC T1.0	
	71	QYSBST3006Z	T.SCREW	2	MICON PWB+C.CHASS	
	72	LV33747-001A	JACK HOLDER	1	MIC PWB	
	73	QYSBSF2608Z	T.SCREW	1	J.HOLDER+MIC PWB	
	74	QYSBSF2608Z	T.SCREW	1	MIC PWB SA+F.PANEL	
	75	QUQH10-1922BJ	FFC WIRE	1	MOVE JON - MICON	
	76	VXL4431-004	VOL KNOB	1	MIC VOL	
	77	VYSH101-009	SPACER	1		
	78	QYSBST3006Z	T.SCREW	2	MD STY BKT+C.CHASS	
	81	LV41843-002A	LASER CAUTION	1	DVD MECHA SIDE	
	82	-----	DVD MECHANISM	1	SUB MICON PWB	
	83	QYSBSG3010Z	T.SCREW	2	CD BKT(F)+DVD MECHA	
	84	QYSBSG3010Z	T.SCREW	1	CD BKT(R)+DVD MECHA	
△	85	QMF51W2-2R5-J8	FUSE	1	2.5A/250V F9001	
△	86	QMF51W2-4R0-J8	FUSE	1	4A/250V F9002	
△	87	QMF51W2-1R25-J8	FUSE	1	1.25A/250V F9004	
	88	LV34125-001A	WIRE BARRIER	1		
	89	QYSBST3006Z	T.SCREW	1	VOL SELE PWB	
	90	QUQH12-0810BJ	FFC WIRE	1	MAIN - AMP	
	92	LV21322-004A	REAR PANEL	1	EGC T0.8	
	97	QYSBSGY3008E	SPECIAL SCREW	2	SPK+R.PANEL	
	100	QYSBSGY3008E	SPECIAL SCREW	1	BTM CHASS+R.PANEL	
	101	GV10068-003A	REAR COVER	1		UN
		GV10068-002A	REAR COVER	1		US
	102	LV33744-004A	RATING LABEL	1		
	103	QYSBSGY3008E	SPECIAL SCREW	2	R.COVER+R.PANEL	
	104	VKZ4001-111S	WIRE CLAMP	1	AMP-MAIN WIRE	

**Parts list (General assembly)**

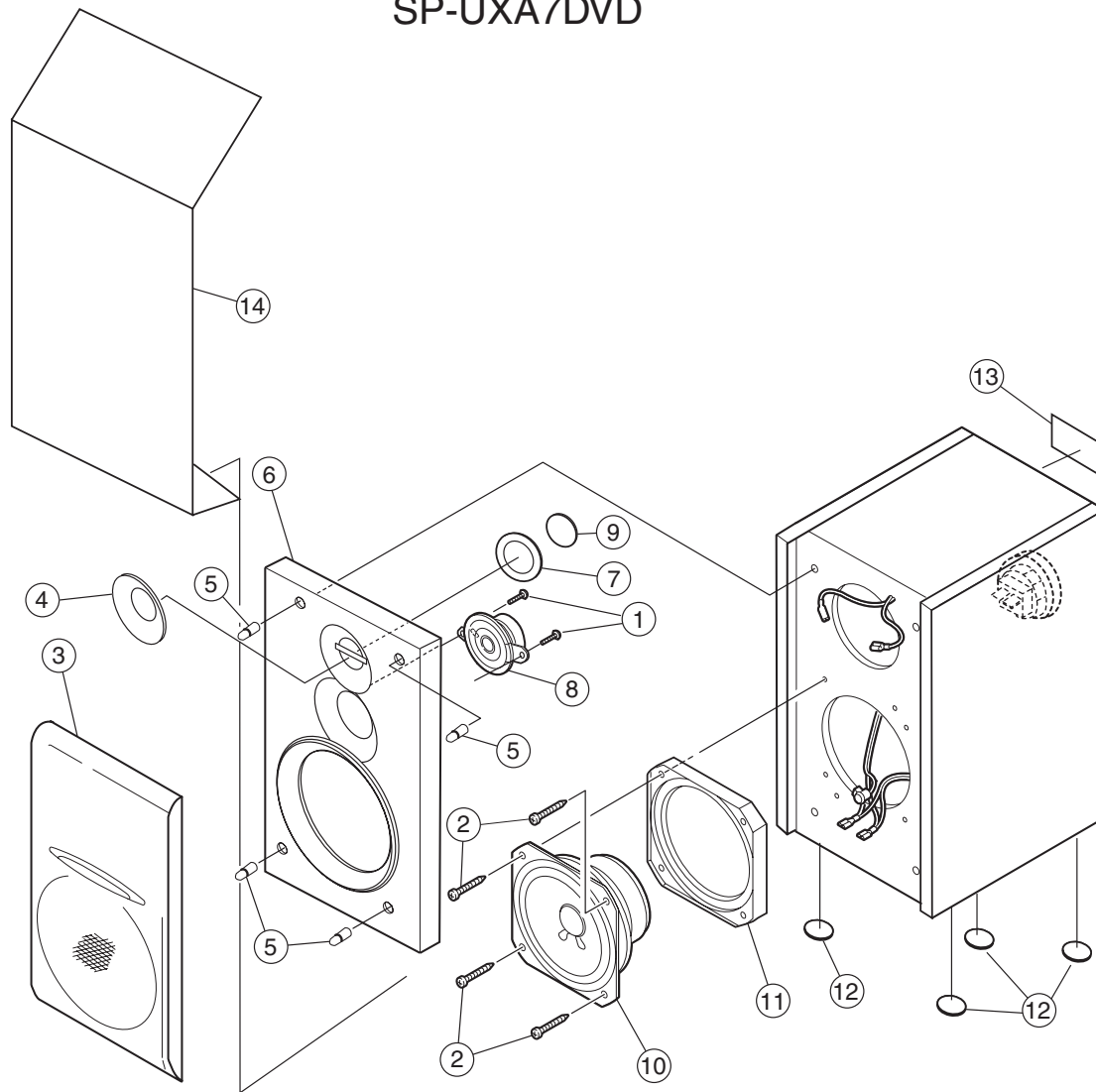
Block No. M1MM

△	Item	Parts number	Parts name	Q'ty	Description	Area
	105	QYSBSG3006E	T.SCREW	1	W.CLAMP+C.C.BKT	
	107	LV21258-005A/S/	METAL COVER	1	EGC T0.6	
	108	QYSBSGY3008E	SPECIAL SCREW	6	M.COVER+R.PANEL	
	109	QYSDSG3006N	T.SCREW	2	M.COVER SIDE	
△	112	QMF51W2-2R0-J8	FUSE	1	2A/250V F9003	
	113	QUQ410-0908CF	FFC WIRE	1	FL - FL JOIN	
	114	QUQH10-1006AJ	FFC WIRE	1	LED - FL JOIN	
	115	QUQ610-1910BJ	FFC WIRE	1	FL JON-MOVE JON	
	116	QYSBSF2608Z	T.SCREW	1	F.PANEL+O/C SW	
	117	QUQH12-0912AJ	FFC WIRE	1	KEY - MICON	
	118	QUQH12-1016AJ	FFC WIRE	1	SLC - MAIN	
	119	QUQH12-0913AJ	FFC WIRE	1	SLC - MICON	
	120	LV30225-0J1A	SPACER	1	SHIELD + CASS.MECHA	
	121	LV34035-001A	SHIELD	1	CASS.MECHA	
	123	QUQH12-1114BJ	FFC WIRE	1	TUNER - MICON	
	124	LV30225-011A	SPACER	1	O/C & MOTOR WIRE	
	125	WJM0195-004A	E-SI C WIRE C-F	1	MOTOR - MICON	
	126	LV33735-001A	CD BKT(FRONT)	1	EGC T1.0	
	127	QYSBST3006Z	T.SCREW	2	CD BKT(F)+C.CHASS	
	128	LV33736-001A	CD BKT(REAR)	1	EGC T1.0	
	129	QYSBSG3006E	T.SCREW	1	CD BKT(R)+C.CHASS	
	130	QAR0124-001	FAN MOTOR	1	COPAL	
	131	QYSBSG3020Z	TAP SCREW	2	FAN+CD BKT(R)	
	132	QYSBSG3010Z	T.SCREW	1	DVD PWB+CD BKT(R)	
	133	VYSH101-009	SPACER	1	FL-MICON FF	
	134	QYSBSG3006E	T.SCREW	2	C.C.BKT+C.CHASS	
	135	QUQH12-0812AJ	FFC WIRE	1	MD - CD	
	136	QZW0036-003	PC SUPPORT	1	SUB MICON PWB	
	137	LV30225-0G6A	SPACER	1	SUB MICON PA	
	138	LV33742-001A	IC BRACKET(REG)	1	EGC T1.0	
	139	QYSBSG3014E	T.SCREW	3	IC BKT(REG)+IC	
	140	LV33743-001A	IC BRACKET(PWR)	1	EGC T1.0	
	141	QYSBSG3020Z	TAP SCREW	2	IC BKT(PWR)+IC	
	142	LV33740-001A	HEAT SINK(A)	1	AL	
	143	LV43100-001A	MICA SHEET	1	HEAT SINK	
	144	QAU0279-002	TUNER	1	TU 1	
	145	VYSH101-009	SPACER	1	TUNER FFC	
	147	QYSBSG3014E	T.SCREW	1	MAIN PWB+B.CHASS	
	148	QZW0036-001	PC SUPPORT	1	MAIN PWB PAT	
	149	QYSBSG3006E	T.SCREW	1	MAIN PWB+C.CHASS	
	151	QYSBSGY3008E	SPECIAL SCREW	1	OPT OUT+R.PANEL	
	152	QYSBSGY3008E	SPECIAL SCREW	1	VIDEO OUT+R.PANEL	
	153	QYSBSGY3008E	SPECIAL SCREW	1	COMPU LINK+R.PANEL	
	154	QYSBSF2608E	SCREW	2	VOL SEL+R.PANEL	
	155	QYSBSGY3008E	SPECIAL SCREW	1	C.CHASS+R.PANEL	
	156	QYSBSGY3008E	SPECIAL SCREW	1	AUX+R.PANEL	
	157	QYSBSGY3008E	SPECIAL SCREW	2	HEAT SINK+R.PANEL	
	158	QYSBSGY3008E	SPECIAL SCREW	2	CD BKT(R)+R.PANEL	
	159	QYSBSGY3008E	SPECIAL SCREW	2	TUNER+R.PANEL	

# Speaker assembly and parts list

Block No. M 2 M M

SP-UXA7DVD



## ■ Parts list (Speaker assembly)

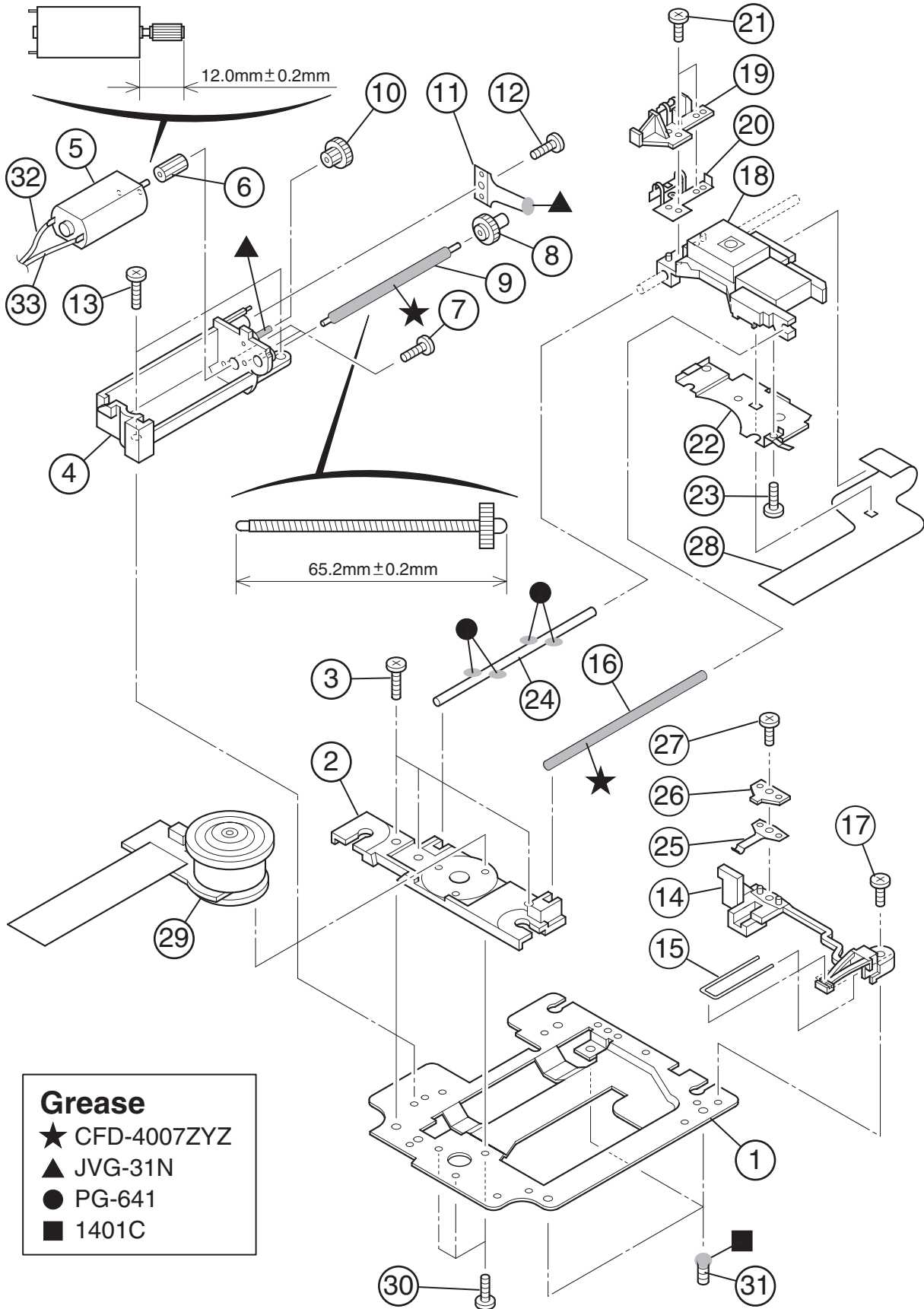
Block No. M2MM

▲	Item	Parts number	Parts name	Q'ty	Description	Area
	1	Z11ML0201	SCREW	4		
	2	Z11ML0101	SCREW	8		
	3	Z11BK0201	GRILLE FRAME	2		
	4	Z11LQ0001	ALUMINIUM RING	2		
	5	SD5-CX0001	LATCH	8		
	6	Z11MB0101	FRONT PANEL	2		
	7	Z11FC0001	PIEZO CAP	2		
	8	Z11TW0001	TWEETER	2		
	9	Z11FM0001	PIEZO ELEMENT	2		
	10	A10WF0001	WOOFER	2		
	11	Z11TZ0001	WOOFER HOLDER	2		
	12	A10JD0001	FOOT MAT	8		
	13	A7DHT0201	RATING LABEL	2		
	14	Z11KS0001	PROTECT SHEET	2		

# DVD mechanism assembly and parts list

Block No. M J M M

EXL-V73-1YPC



- | Grease |             |
|--------|-------------|
| ★      | CFD-4007ZYZ |
| ▲      | JVG-31N     |
| ●      | PG-641      |
| ■      | 1401C       |

## ■ Parts list (DVD mechanism)

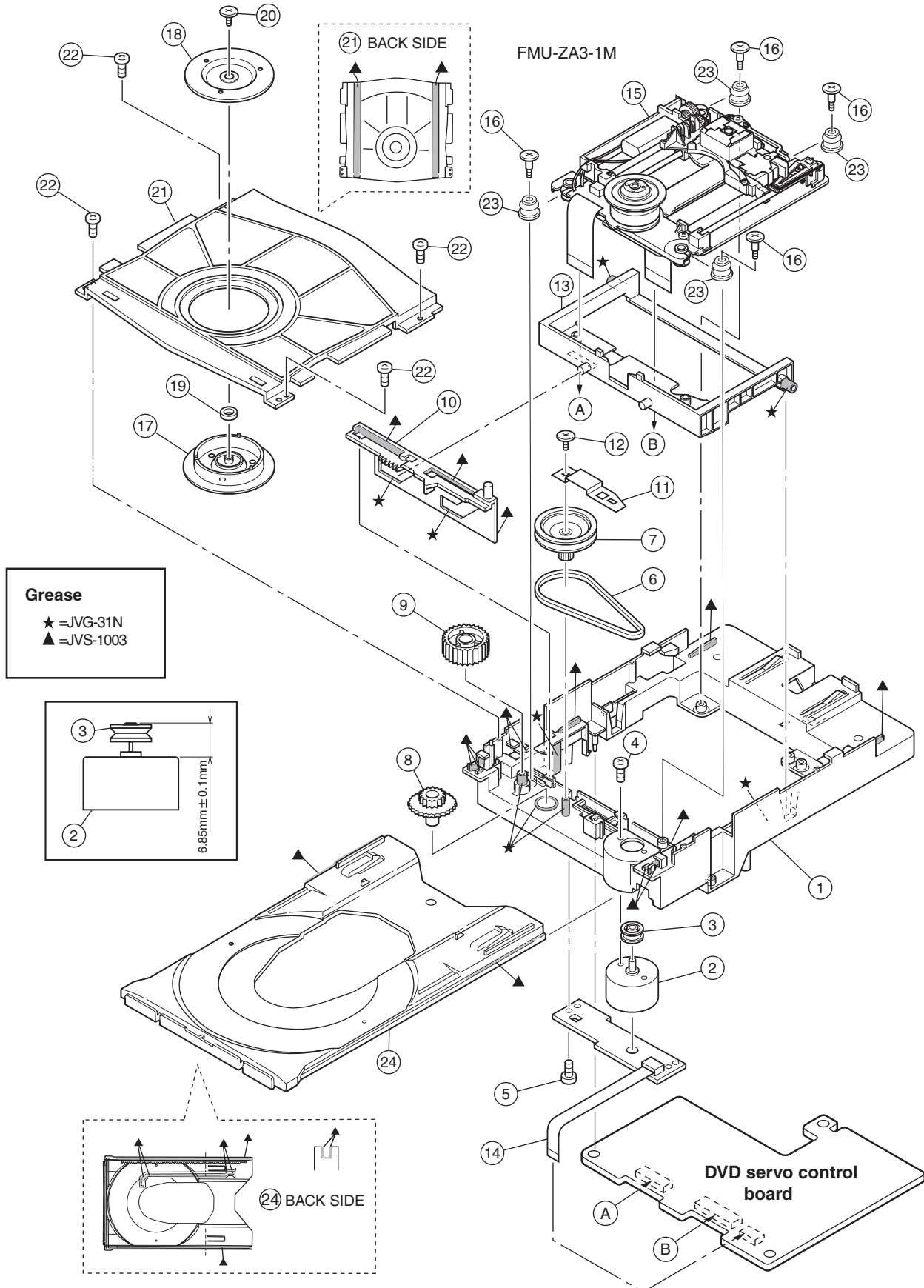
Block No. MJMM

△	Item	Parts number	Parts name	Q'ty	Description	Area
	1	LE20520-002A	MECHA.BASE	1		
	2	LE20516-001A	SPINDLE BASE	1		
	3	QYSDST2605M	SCREW	3		
	4	LE30909-001A	FEED HOLDER ASSY	1		
	5	QAR0165-001	FEED MOTOR	1		
	6	LV41510-001A	FEED GEAR T	1		
	7	QYSPSPU2040M	SCREW	2		
	8	LV41512-001A	FEED GEAR E	1		
	9	LV41517-003A	LEAD SCREW	1		
	10	LV41511-002A	FEED GEAR M	1		
	11	LE40742-001A	THRUST SPRING	1		
	12	QYSDSF2005Z	SCREW	1		
	13	QYSDST2605M	SCREW	2		
	14	LE20517-001A	SHAFT HOLDER	1		
	15	LE40744-001A	BAR SPRING(1)	1		
	16	LV41121-002A	SHAFT	1		
	17	QYSDST2605M	SCREW	1		
	18	QAL0452-001	PICK UP	1		
	19	LE20519-001A	SW.ACTUATOR	1		
	20	LE30886-001A	LEAD SPRING	1		
	21	QYSPSFU1740Z	SCREW	2		
	22	LE30888-003A	P.U.SPRING	1		
	23	QYSPSGU1430Z	SCREW	1		
	24	LV41121-002A	SHAFT	1		
	25	LE40743-001A	T.SPRING(S)	1		
	26	LE40774-001A	PLATE	1		
	27	QYSDST2606Z	SCREW	1		
	28	QAL0284-001	FPC	1		
	29	QAR0241-001	SPINDLE MOTOR	1		
	30	QYSPSPU1760Z	SCREW	3		
	31	QYYASPF2608N	HEX SCREW	3		
	32	QUB549-05A1A1	SIN TWIST WIRE	1		
	33	QUB544-05A1A1	SIN TWIST WIRE	1		



# DVD Loading mechanism assembly and parts list

Block No. **M** **N** **M** **M**



## ■ Parts list (DVD Loading mechanism)

Block No. MNMM

△	Item	Parts number	Parts name	Q'ty	Description	Area
	1	LV10454-007A	LOADING BASE	1		
	2	QAR0164-001	MOTOR	1		
	3	LV42087-001A	MOTOR PULLEY	1		
	4	QYSPSPU1730Z	SCREW	1		
	5	VKZ4777-003	MINI SCREW	1		
	6	LV42209-001A	BELT	1		
	7	LV42084-002A	PULLEY GEAR	1		
	8	LV42085-002A	MIDDLE GEAR	1		
	9	LV42086-001A	IDLE GEAR	1		
	10	LV32514-002A	SLIDE CAM	1		
	11	LV42348-001A	GEAR BRACKET	1		
	12	VKZ4777-003	MINI SCREW	1		
	13	LV20912-002A	ELEVATOR	1		
	14	QUQ110-0610AJ	FFC WIRE	1		
	15	-----	DVD TRAVERSE MECHA	1		
	16	LV43254-001A	SPECIAL SCREW	4		
	17	LV32417-001A	CLAMPER	1		
	18	LV42089-002A	YOKE MOUNT	1		
	19	LV41118-003A	MAGNET	1		
	20	LV41741-001A	SPECIAL SCREW	1		
	21	LV20913-002A	CLAMPER BASE	1		
	22	QYSBSF2008Z	TAPPING SCREW	4		
	23	LV41659-001A	INSULATOR	4		
	24	LV10455-002A-CK	TRAY	1		

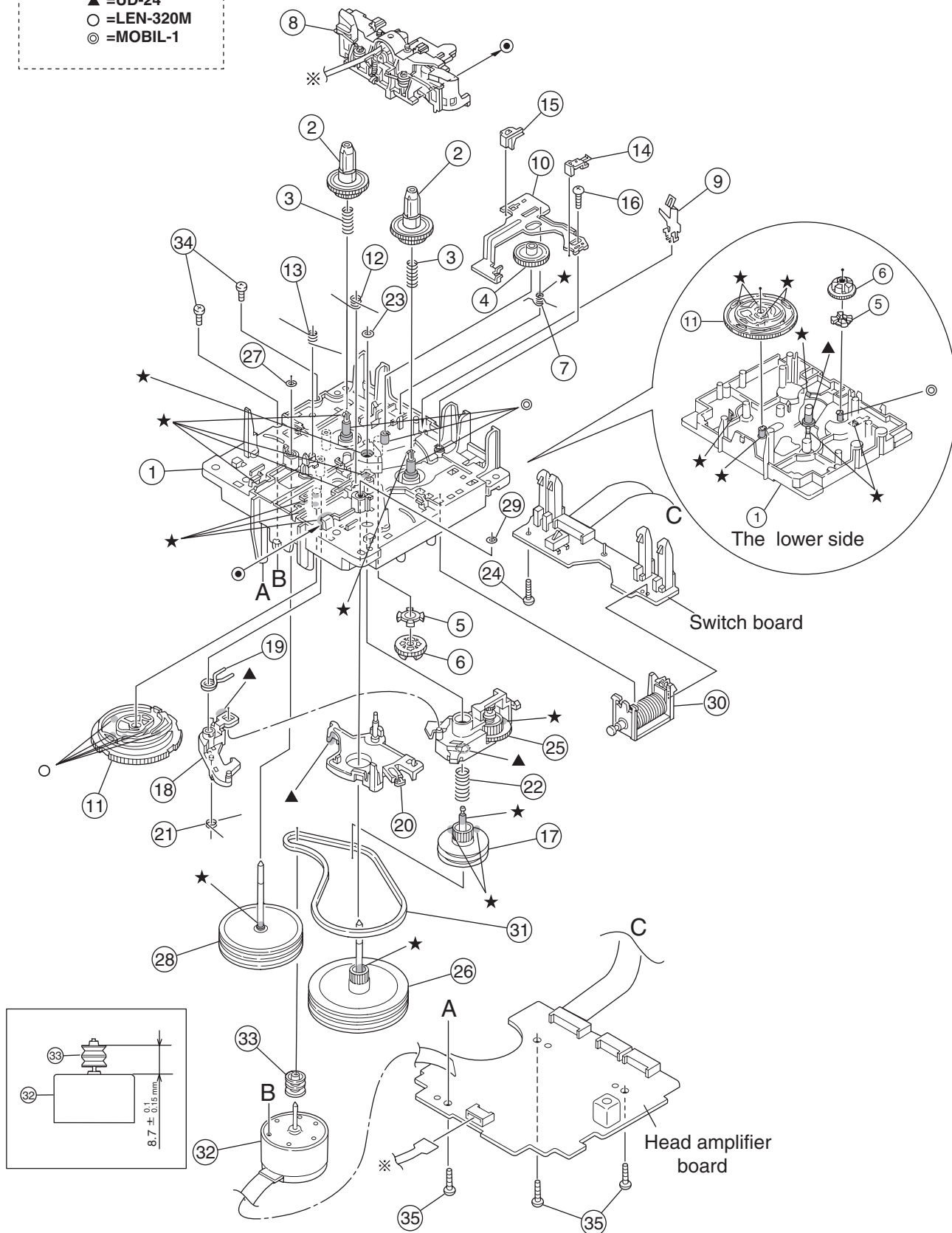
# Cassette mechanism assembly and parts list

Block No. **M P M M**

SLC-S202M

**Grease**

- ★ =EM-30L
- ▲ =UD-24
- =LEN-320M
- ◎ =MOBIL-1



## ■ Parts list (Cassette mechanism)

Block No. MPMM

△	Item	Parts number	Parts name	Q'ty	Description	Area
	1	VKS1165-00L	CHASSIS B. ASSY	1		
	2	VKS2274-002	REEL GEAR	2		
	3	VKW5286-002	B.T. SPRING	2		
	4	VKS5559-001	PLAY IDLE GEAR	1		
	5	VKS5595-002	BLIND	1		
	6	VKS5560-003	FR IDLE GEAR	1		
	7	LV42013-001A	EARTH SPRING	1		
	8	SLC-RP3SVM	HEAD MOUNT ASSY	1		
	9	VKY3149-002	CASSETTE SP.	1		
	10	LV31786-001A	PLAY SW LEVER	1		
	11	VKS1166-004	CONTROL CAM	1		
	12	VKW5279-002	HEAD BASE SP(R)	1		
	13	VKW5280-001	HEAD BASE SP(L)	1		
	14	LV41584-001A	BRAKE(R)	1		
	15	LV41585-003A	BRAKE(L)	1		
	16	QYSBSF2005Z	T.SCREW	1		
	17	VKS5603-00G	MAIN PULLEY ASSY	1		
	18	VKS3785-001MM	FR ARM	1		
	19	VKW5284-002	SWING SPRING	1		
	20	VKS2278-003	TRIGGER ARM	1		
	21	VKW5301-001	FR SPRING	1		
	22	VKW5266-001	ELEVATOR SPRING	1		
	23	WDL214025	WASHER	1		
	24	QYSBSF2005Z	T.SCREW	1		
	25	VKS3786-00G	CLUTCH ASS'Y	1		
	26	VKF3205-00B	F.WHEEL ASSY(R)	1		
	27	WDL183425	SLIT WASHER	1		
	28	VKF3207-00C	F.WHEEL ASSY(L)	1		
	29	WDL173525-6	SLIT WASHER	1		
	30	VKZ3174-00B	DC SOLENOID	1		
	31	LV42836-001A	CAPSTAN BELT	1		
	32	MSI-5U2LWA	D.C.MOTOR ASS'Y	1		
	33	VKR4761-003	MOTOR PULLEY	1		
	34	QYSPSP2604Z	SCREW	2		
	35	QYSBSF2608Z	T.SCREW	3	FOR P.W.B.	

## ■ Electrical parts list (Main board)

Block No. 01

△	Item	Parts number	Parts name	Remarks	Area
	CN111	QGA3901F1-03	3P CONNECTOR		
	CN122	QGF1205F1-08	CONNECTOR		
	CN301	QGF1201F3-10	CONNECTOR		
	CN303	QGB1214J1-12S	CONNECTOR	DVD JOINT	
	CN304	QGB1214J1-10S	CONNECTOR	DVD JOINT	
	CN305	QGB1214J1-18S	CONNECTOR	MICOM	
	CN306	QGB1214J1-18S	CONNECTOR	MICOM	
	CN307	QGA2501F1-06	CONNECTOR	TRANS	
	CN308	QGA2501F1-04	CONNECTOR	MIC	
	CN310	QGA2501F1-05	CONNECTOR		
	CN311	QGA2501C1-09	9P CONNECTOR		
	CN312	QGF1205F1-08	CONNECTOR		
	CN511	QGB1214K1-12S	CONNECTOR	MAIN	
	CN512	QGB1214K1-10S	CONNECTOR	MAIN	
	CN513	QGB2027M9-10	CONNECTOR	DVD	
	CN514	QGB2027M9-26	CONNECTOR	DVD	
	CN515	QGF1205F1-08	CONNECTOR	U-COM	
	CN710	QGA2001F1-02	CONNECTOR	MOVING MOTOR	
	C1101	QCSB1HK-3R3Y	C CAPACITOR	3.3PF 10% 50V	
	C1102	QCBB1HK-221Y	C CAPACITOR	220PF 10% 50V	
	C1103	QENB1VM-476	E CAPACITOR	47MF 20% 35V	
	C1104	QCBB1HK-101Y	C CAPACITOR	100PF 10% 50V	
	C1105	QENC1HM-106Z	NP E CAPACITOR	10MF 20% 50V	
	C1111	QFVF1HJ-684Z	MF CAPACITOR	.68MF 5% 50V	
	C1201	QCSB1HK-3R3Y	C CAPACITOR	3.3PF 10% 50V	
	C1202	QCBB1HK-221Y	C CAPACITOR	220PF 10% 50V	
	C1203	QENB1VM-476	E CAPACITOR	47MF 20% 35V	
	C1204	QCBB1HK-101Y	C CAPACITOR	100PF 10% 50V	
	C1205	QENC1HM-106Z	NP E CAPACITOR	10MF 20% 50V	
	C1211	QFVF1HJ-684Z	MF CAPACITOR	.68MF 5% 50V	
	C1301	QENB1HM-107	E CAPACITOR	100MF 20% 50V	
	C1302	QENB1HM-107	E CAPACITOR	100MF 20% 50V	
	C1303	QFLC1HJ-104Z	M CAPACITOR	.10MF 5% 50V	
	C1304	QFLC1HJ-104Z	M CAPACITOR	.10MF 5% 50V	
	C1305	QETN1HM-106Z	E CAPACITOR	10MF 20% 50V	
	C1311	QETN1HM-106Z	E CAPACITOR	10MF 20% 50V	
	C1312	QETN1EM-476Z	E CAPACITOR	47MF 20% 25V	
	C1322	QEZ0589-478	E CAPACITOR	4700MF	
	C1324	QEZ0589-478	E CAPACITOR	4700MF	
	C2002	QCZ0202-155Z	ML C CAPACITOR	1.5MF	
	C2003	QCZ0202-155Z	ML C CAPACITOR	1.5MF	
	C2004	QETL1AM-477	E CAPACITOR	470MF 20% 10V	
	C2007	NCS31HJ-471X	C CAPACITOR		
	C2008	QCZ0202-155Z	ML C CAPACITOR	1.5MF	
	C2009	QFLC1HJ-103Z	M CAPACITOR	.010MF 5% 50V	
	C2010	QFVF1HJ-224Z	MF CAPACITOR	.22MF 5% 50V	
	C2011	QEKC0JM-107Z	E CAPACITOR	100MF 20% 6.3V	
	C2012	QCZ0202-155Z	ML C CAPACITOR	1.5MF	
	C2013	QETL1AM-477	E CAPACITOR	470MF 20% 10V	
	C2101	QFLC1HJ-392Z	M CAPACITOR	3900PF 5% 50V	
	C2102	QFLC1HJ-392Z	M CAPACITOR	3900PF 5% 50V	
	C2103	QFLC1HJ-333Z	M CAPACITOR	.033MF 5% 50V	
	C2104	QFLC1HJ-333Z	M CAPACITOR	.033MF 5% 50V	
	C2105	QFLC1HJ-181Z	M CAPACITOR	180PF 5% 50V	
	C2106	QFLC1HJ-181Z	M CAPACITOR	180PF 5% 50V	
	C2131	QER61CM-226Z	E CAPACITOR	22MF 20% 16V	
	C2132	QER61CM-226Z	E CAPACITOR	22MF 20% 16V	
	C2133	QFLC1HJ-562Z	M CAPACITOR	5600PF 5% 50V	
	C2134	QFLC1HJ-562Z	M CAPACITOR	5600PF 5% 50V	
	C2301	QFLC1HJ-223Z	M CAPACITOR	.022MF 5% 50V	
	C2302	QFLC1HJ-223Z	M CAPACITOR	.022MF 5% 50V	

△	Item	Parts number	Parts name	Remarks	Area
	C2303	QFLC1HJ-223Z	M CAPACITOR	.022MF 5% 50V	
	C2304	QFLC1HJ-223Z	M CAPACITOR	.022MF 5% 50V	
	C2305	QETM1EM-478	E CAPACITOR	4700MF 20% 25V	
	C2306	NCS31HJ-221X	C CAPACITOR		
	C2307	NCB31HK-103X	C CAPACITOR		
	C2309	QFVF1HJ-105Z	MF CAPACITOR	1.0MF 5% 50V	
	C2310	QETN1CM-107Z	E CAPACITOR	100MF 20% 16V	
	C2311	QETN1CM-107Z	E CAPACITOR	100MF 20% 16V	
	C2312	QETN1CM-107Z	E CAPACITOR	100MF 20% 16V	
	C2313	QTE1C06-107Z	E CAPACITOR		
	C2314	NCB31HK-102X	C CAPACITOR		
	C2315	QETN1CM-108Z	E CAPACITOR	1000MF 20% 16V	
	C2317	QETM1CM-688	E CAPACITOR	6800MF 20% 16V	
	C2318	QETN1EM-476Z	E CAPACITOR	47MF 20% 25V	
	C2501	QETN1HM-106Z	E CAPACITOR	10MF 20% 50V	
	C2502	NCB31HK-103X	C CAPACITOR		
	C2503	QETN1CM-107Z	E CAPACITOR	100MF 20% 16V	
	C2801	QETN1HM-106Z	E CAPACITOR	10MF 20% 50V	
	C2802	NCB31HK-103X	C CAPACITOR		
	C2803	QETN1CM-107Z	E CAPACITOR	100MF 20% 16V	
	C3101	QETN1HM-475Z	E CAPACITOR	4.7MF 20% 50V	
	C3103	QTE1H15-106Z	E CAPACITOR		
	C3104	QETN1HM-475Z	E CAPACITOR	4.7MF 20% 50V	
	C3106	QETN1HM-475Z	E CAPACITOR	4.7MF 20% 50V	
	C3107	QFLC1HJ-153Z	M CAPACITOR	.015MF 5% 50V	
	C3108	QETN1HM-475Z	E CAPACITOR	4.7MF 20% 50V	
	C3109	QFG32AJ-272Z	PP CAPACITOR	2700PF 5% 100V	
	C3110	QFVF1HJ-104Z	MF CAPACITOR	.10MF 5% 50V	
	C3111	QFVF1HJ-104Z	MF CAPACITOR	.10MF 5% 50V	
	C3112	QFVF1HJ-184Z	MF CAPACITOR	.18MF 5% 50V	
	C3113	QFVF1HJ-184Z	MF CAPACITOR	.18MF 5% 50V	
	C3114	QFVF1HJ-823Z	MF CAPACITOR	.082MF 5% 50V	
	C3115	QETN1HM-106Z	E CAPACITOR	10MF 20% 50V	
	C3116	QFVF1HJ-274Z	MF CAPACITOR	(B1033)	
	C3117	QFVF1HJ-823Z	MF CAPACITOR	.082MF 5% 50V	
	C3118	QTE1V06-106Z	E CAPACITOR		
	C3119	QETN1HM-475Z	E CAPACITOR	4.7MF 20% 50V	
	C3121	QTE1V06-106Z	E CAPACITOR		
	C3122	NCS31HJ-150X	C CAPACITOR		
	C3132	NCB31HK-103X	C CAPACITOR		
	C3133	NCB31HK-332X	C CAPACITOR		
	C3134	NCS31HJ-221X	C CAPACITOR		
	C3135	NCF31CZ-104X	C CAPACITOR		
	C3136	NCB31EK-104X	C CAPACITOR		
	C3161	NCS31HJ-221X	C CAPACITOR		
	C3201	QETN1HM-475Z	E CAPACITOR	4.7MF 20% 50V	
	C3203	QTE1H15-106Z	E CAPACITOR		
	C3204	QETN1HM-475Z	E CAPACITOR	4.7MF 20% 50V	
	C3206	QETN1HM-475Z	E CAPACITOR	4.7MF 20% 50V	
	C3207	QFLC1HJ-153Z	M CAPACITOR	.015MF 5% 50V	
	C3208	QETN1HM-475Z	E CAPACITOR	4.7MF 20% 50V	
	C3209	QFG32AJ-272Z	PP CAPACITOR	2700PF 5% 100V	
	C3210	QFVF1HJ-104Z	MF CAPACITOR	.10MF 5% 50V	
	C3211	QFVF1HJ-104Z	MF CAPACITOR	.10MF 5% 50V	
	C3212	QFVF1HJ-184Z	MF CAPACITOR	.18MF 5% 50V	
	C3213	QFVF1HJ-184Z	MF CAPACITOR	.18MF 5% 50V	
	C3214	QFVF1HJ-823Z	MF CAPACITOR	.082MF 5% 50V	
	C3215	QETN1HM-106Z	E CAPACITOR	10MF 20% 50V	
	C3216	QFVF1HJ-274Z	MF CAPACITOR	(B1033)	
	C3217	QFVF1HJ-823Z	MF CAPACITOR	.082MF 5% 50V	
	C3218	QTE1V06-106Z	E CAPACITOR		

## ■ Electrical parts list (Main board)

Block No. 01

△	Item	Parts number	Parts name	Remarks	Area	△	Item	Parts number	Parts name	Remarks	Area
	C3219	QETN1HM-475Z	E CAPACITOR	4.7MF 20% 50V			C6098	NCB31EK-104X	C CAPACITOR		
	C3221	QTE1V06-106Z	E CAPACITOR				C6099	NCB31EK-104X	C CAPACITOR		
	C3222	NCS31HJ-150X	C CAPACITOR				C7401	QETN1CM-107Z	E CAPACITOR	100MF 20% 16V	
	C3232	NCB31HK-103X	C CAPACITOR				C7403	QCB31HK-103Y	C CAPACITOR	.010MF 10% 50V	
	C3233	NCB31HK-332X	C CAPACITOR				C7404	QCFB1HZ-105Y	C CAPACITOR	1.0MF +80:-20%	
	C3234	NCS31HJ-221X	C CAPACITOR				D1111	1SS133-T2	SI DIODE		
	C3235	NCF31CZ-104X	C CAPACITOR				D1112	1SS133-T2	SI DIODE		
	C3236	NCB31EK-104X	C CAPACITOR				D1211	1SS133-T2	SI DIODE		
	C3261	NCS31HJ-221X	C CAPACITOR				D1212	1SS133-T2	SI DIODE		
	C3301	QETN1HM-226Z	E CAPACITOR	22MF 20% 50V			D1301	1SS133-T2	SI DIODE		
	C3302	QETN1CM-107Z	E CAPACITOR	100MF 20% 16V			D1302	1SS133-T2	SI DIODE		
	C3321	QETN1EM-476Z	E CAPACITOR	47MF 20% 25V			D1311	1SS133-T2	SI DIODE		
	C3322	QETN1CM-107Z	E CAPACITOR	100MF 20% 16V			D2021	1SS133-T2	SI DIODE		
	C3334	QETN1HM-105Z	E CAPACITOR	1.0MF 20% 50V		△	D2301	1N5401-TM	DIODE		
	C3335	QETN1HM-105Z	E CAPACITOR	1.0MF 20% 50V		△	D2302	1N5401-TM	DIODE		
	C3336	NCB31HK-103X	C CAPACITOR			△	D2303	1N5401-TM	DIODE		
	C3337	QETN1HM-226Z	E CAPACITOR	22MF 20% 50V		△	D2304	1N5401-TM	DIODE		
	C3338	QETN1HM-226Z	E CAPACITOR	22MF 20% 50V			D2306	MTZJ9.1C-T2	ZENER DIODE		
	C3341	QETN1HM-105Z	E CAPACITOR	1.0MF 20% 50V			D2307	1SS133-T2	SI DIODE		
	C3342	QETN1HM-106Z	E CAPACITOR	10MF 20% 50V			D2309	MTZJ9.1A-T2	ZENER DIODE		
	C3351	QETN1HM-225Z	E CAPACITOR	2.2MF 20% 50V			D2310	1SS133-T2	SI DIODE		
	C3352	NCB31HK-103X	C CAPACITOR				D2311	MTZJ5.1A-T2	ZENER DIODE		
	C3353	NCB31HK-332X	C CAPACITOR				D2312	MA152WK-X	SI DIODE		
	C3354	QFVF1HJ-474Z	MF CAPACITOR	.47MF 5% 50V			D2313	MTZJ10B-T2	ZENER DIODE		
	C3355	NCB31HK-103X	C CAPACITOR				D2315	1SS133-T2	SI DIODE		
	C3356	QETN1HM-226Z	E CAPACITOR	22MF 20% 50V			D2316	1SS133-T2	SI DIODE		
	C3357	NCB31HK-103X	C CAPACITOR				D2317	1SS133-T2	SI DIODE		
	C3358	NCB31HK-472X	C CAPACITOR				D2319	MTZJ10B-T2	ZENER DIODE		
	C3359	NCB31HK-103X	C CAPACITOR				D2321	1SS133-T2	SI DIODE		
	C3360	NCS31HJ-101X	C CAPACITOR				D2322	1SS133-T2	SI DIODE		
	C3361	QETN1AM-107Z	E CAPACITOR	100MF 20% 10V			D2501	1SS133-T2	SI DIODE		
	C3362	NCF31CZ-104X	C CAPACITOR				D2503	1SS133-T2	SI DIODE		
	C3363	QETN1HM-335Z	E CAPACITOR	3.3MF 20% 50V			D2801	1SS133-T2	SI DIODE		
	C3364	NCB31EK-104X	C CAPACITOR				D2802	1SS133-T2	SI DIODE		
	C3365	NCB31HK-103X	C CAPACITOR			△	D3331	1N5401-TM	DIODE		
	C3369	NCF21CZ-105X	C CAPACITOR				D3332	MTZJ10B-T2	ZENER DIODE		
	C3393	QETN1EM-476Z	E CAPACITOR	47MF 20% 25V			D3333	MTZJ12B-T2	ZENER DIODE		
	C5101	QERF1AM-107Z	E CAPACITOR	100MF 20% 10V			D3341	1SS133-T2	SI DIODE		
	C5102	NCF31CZ-104X	C CAPACITOR				D3351	MTZJ5.1B-T2	ZENER DIODE		
	C5103	NCF31CZ-104X	C CAPACITOR				D3371	1N4003S-T5	SI DIODE		
	C5201	NCS31HJ-331X	C CAPACITOR				D3372	1N4003S-T5	SI DIODE		
	C5301	QER61AM-107Z	E CAPACITOR	100MF 20% 10V			D5201	1SS133-T2	SI DIODE		
	C5302	NCF31CZ-104X	C CAPACITOR				D5301	RD2.4ES/B1-T2	ZENER DIODE		
	C5303	QER61AM-107Z	E CAPACITOR	100MF 20% 10V			D6091	MTZJ6.2C-T2	ZENER DIODE		
	C5304	NCF31CZ-104X	C CAPACITOR				D7401	1N4003S-T5	SI DIODE		
	C6001	QETN1AM-477Z	E CAPACITOR	470MF 20% 10V			D7402	1N4003S-T5	SI DIODE		
	C6002	NCF31CZ-104X	C CAPACITOR				D7403	MTZJ5.6C-T2	ZENER DIODE		
	C6003	QFV61HJ-104Z	MF CAPACITOR	.10MF 5% 50V			D7405	1N4003S-T5	SI DIODE		
	C6004	NCB31CK-104X	C CAPACITOR				EP332	QNZ0136-001Z	EARTH PLATE		
	C6005	QFV61HJ-104Z	MF CAPACITOR	.10MF 5% 50V			EP601	QNZ0136-001Z	EARTH PLATE		
	C6006	QFV61HJ-104Z	MF CAPACITOR	.10MF 5% 50V		△	IC111	STK402-050	IC(HYBRID)	POWER AMP	
	C6007	QFV61HJ-104Z	MF CAPACITOR	.10MF 5% 50V			IC202	MN35505-X	IC	DAC	
	C6008	QFV61HJ-104Z	MF CAPACITOR	.10MF 5% 50V			IC211	NJM4580M-X	IC		
	C6009	QETN1AM-477Z	E CAPACITOR	470MF 20% 10V		△	IC212	L4909	REGULATOR IC		
	C6051	NCS31HJ-101X	C CAPACITOR				IC311	LC75345M-X	IC		
	C6091	QETN0JM-477Z	E CAPACITOR	470MF 20% 6.3V			IC321	BA15218F-XE	IC		
	C6092	QETN0JM-477Z	E CAPACITOR	470MF 20% 6.3V			IC351	BU9253FS-X	IC		
	C6093	NCB31CK-104X	C CAPACITOR				IC392	GP1FA550TZ	OPT TRANSMITTER		
	C6094	NCS31HJ-181X	C CAPACITOR				IC511	MN101C49GKZ	IC	MASK	
	C6096	NCS31HJ-181X	C CAPACITOR				IC601	LA73054-X	IC		
	C6097	NCS31HJ-181X	C CAPACITOR				IC741	LB1641	IC		

## ■ Electrical parts list (Main board)

Block No. 01

△	Item	Parts number	Parts name	Remarks	Area	△	Item	Parts number	Parts name	Remarks	Area
	J3002	QNB0117-001	SPK TERMINAL				RY331	QSK0109-001	RELAY	SPK	
	J3004	QNN0215-001	PIN JACK				R1101	QRE141J-683Y	C RESISTOR	68K 5% 1/4W	
	J6003	QNN0434-001	PIN JACK				R1102	QRJ146J-681X	UNF C RESISTOR	1/4W	
	J6004	QNS0009-001	3.5 JACK				R1103	QRE141J-683Y	C RESISTOR	68K 5% 1/4W	
△	K2001	QQR0621-001Z	FERRITE BEADS				R1104	QRE141J-181Y	C RESISTOR	180 5% 1/4W	
△	K2002	QQR0621-001Z	FERRITE BEADS				R1105	QRE141J-104Y	C RESISTOR	100K 5% 1/4W	
△	K2003	QQR0621-001Z	FERRITE BEADS				R1106	QRE141J-682Y	C RESISTOR	6.8K 5% 1/4W	
△	K2004	QQR0621-001Z	FERRITE BEADS				R1107	QRE141J-102Y	C RESISTOR	1.0K 5% 1/4W	
△	K2005	QQR0621-001Z	FERRITE BEADS	=B1168		△	R1111	QRT01DJ-R33X	MF RESISTOR	1W	
△	K2006	QQR0621-001Z	FERRITE BEADS			△	R1112	QRT01DJ-R33X	MF RESISTOR	1W	
△	K2008	NQR0022-002X	FERRITE BEADS			△	R1113	QRJ146J-4R7X	UNF C RESISTOR	1/4W	
△	K2009	NQR0022-002X	FERRITE BEADS				R1114	QRE141J-102Y	C RESISTOR	1.0K 5% 1/4W	
△	K3391	QQR0621-001Z	FERRITE BEADS				R1115	QRE141J-183Y	C RESISTOR	18K 5% 1/4W	
△	K5001	QQR0621-001Z	FERRITE BEADS				R1116	QRE141J-473Y	C RESISTOR	47K 5% 1/4W	
△	K6001	QQR0621-001Z	FERRITE BEADS				R1117	NRSA63J-682X	MG RESISTOR		
△	K6091	QQR0621-001Z	FERRITE BEADS				R1118	NRSA63J-102X	MG RESISTOR		
	L1111	QQLZ005-R45	INDUCTOR				R1201	QRE141J-683Y	C RESISTOR	68K 5% 1/4W	
	L1211	QQLZ005-R45	INDUCTOR				R1202	QRJ146J-681X	UNF C RESISTOR	1/4W	
	L3131	QQR0797-001	INDUCTOR				R1203	QRE141J-683Y	C RESISTOR	68K 5% 1/4W	
	L3231	QQR0797-001	INDUCTOR				R1204	QRE141J-181Y	C RESISTOR	180 5% 1/4W	
△	L3392	QQL244K-4R7Z	INDUCTOR				R1205	QRE141J-104Y	C RESISTOR	100K 5% 1/4W	
	Q1101	2SC3576-JVC-T	TRANSISTOR				R1206	QRE141J-682Y	C RESISTOR	6.8K 5% 1/4W	
	Q1111	KTA1268/GL-T	TRANSISTOR				R1207	QRE141J-102Y	C RESISTOR	1.0K 5% 1/4W	
	Q1201	2SC3576-JVC-T	TRANSISTOR			△	R1211	QRT01DJ-R33X	MF RESISTOR	1W	
	Q1211	KTA1268/GL-T	TRANSISTOR			△	R1212	QRT01DJ-R33X	MF RESISTOR	1W	
	Q1301	KTC3199/GL-T	TRANSISTOR			△	R1213	QRJ146J-4R7X	UNF C RESISTOR	1/4W	
	Q1302	UN2111-X	TRANSISTOR				R1214	QRE141J-102Y	C RESISTOR	1.0K 5% 1/4W	
	Q1303	UN2113-X	TRANSISTOR				R1215	QRE141J-183Y	C RESISTOR	18K 5% 1/4W	
	Q1304	UN2216-X	TRANSISTOR				R1216	QRE141J-473Y	C RESISTOR	47K 5% 1/4W	
	Q1311	2SA733/QP-T	TRANSISTOR				R1217	NRSA63J-682X	MG RESISTOR		
	Q1312	2SC945/QP-T	TRANSISTOR				R1218	NRSA63J-102X	MG RESISTOR		
	Q1313	KTC3199/GL-T	TRANSISTOR			△	R1301	QRZ9005-101X	F RESISTOR	1/4W	
	Q2021	KTA1267/YG-T	TRANSISTOR			△	R1302	QRZ9005-101X	F RESISTOR	1/4W	
	Q2022	UN2214-X	TRANSISTOR			△	R1303	QRZ9005-101X	F RESISTOR	1/4W	
	Q2023	UN2111-X	TRANSISTOR				R1304	QRE141J-103Y	C RESISTOR	10K 5% 1/4W	
△	Q2301	KTA1046/Y	TRANSISTOR				R1305	QRE141J-103Y	C RESISTOR	10K 5% 1/4W	
	Q2302	KTC3875/YG-X	TRANSISTOR				R1306	QRE141J-473Y	C RESISTOR	47K 5% 1/4W	
	Q2303	KTC3875/YG-X	TRANSISTOR				R1307	QRE141J-123Y	C RESISTOR	12K 5% 1/4W	
	Q2304	UN2216-X	TRANSISTOR				R1308	NRSA63J-103X	MG RESISTOR		
	Q2305	KTC3199/GL-T	TRANSISTOR				R1309	NRSA63J-103X	MG RESISTOR		
△	Q2501	KTA1046/Y	TRANSISTOR				R1311	QRE141J-103Y	C RESISTOR	10K 5% 1/4W	
	Q2502	KTC3875/YG-X	TRANSISTOR				R1312	QRE141J-103Y	C RESISTOR	10K 5% 1/4W	
△	Q2801	KTB772/Y	TRANSISTOR				R1313	QRE141J-104Y	C RESISTOR	100K 5% 1/4W	
	Q2802	KTC3875/YG-X	TRANSISTOR				R1314	QRE141J-104Y	C RESISTOR	100K 5% 1/4W	
	Q3131	2SC3576-JVC-T	TRANSISTOR				R1315	QRE141J-104Y	C RESISTOR	100K 5% 1/4W	
	Q3141	KTC3875/YG-X	TRANSISTOR				R1316	QRE141J-823Y	C RESISTOR	82K 5% 1/4W	
	Q3231	2SC3576-JVC-T	TRANSISTOR				R1317	NRSA63J-823X	MG RESISTOR		
	Q3241	KTC3875/YG-X	TRANSISTOR				R1318	NRSA63J-822X	MG RESISTOR		
	Q3331	UN2111-X	TRANSISTOR				R2005	QRE141J-101Y	C RESISTOR	100 5% 1/4W	
	Q3332	KTC3199/GL-T	TRANSISTOR				R2006	QRE141J-221Y	C RESISTOR	220 5% 1/4W	
△	Q3333	KTA1046/Y	TRANSISTOR				R2007	QRE141J-560Y	C RESISTOR	56 5% 1/4W	
	Q3341	KTC3875/YG-X	TRANSISTOR				R2010	NRSA63D-332X	MG RESISTOR		
	Q3351	UN2115-X	D TRANSISTOR				R2011	QRE141J-221Y	C RESISTOR	220 5% 1/4W	
	Q3352	UN2115-X	D TRANSISTOR				R2021	NRSA63J-103X	MG RESISTOR		
	Q3353	UN2115-X	D TRANSISTOR				R2022	NRSA63J-102X	MG RESISTOR		
	Q5201	UN2214-X	TRANSISTOR				R2023	NRSA63J-103X	MG RESISTOR		
	Q5301	KTD863/Y-T	TRANSISTOR				R2024	NRSA63J-681X	MG RESISTOR		
	Q5401	UN2214-X	TRANSISTOR				R2025	NRSA63J-222X	MG RESISTOR		
	Q5402	UN2214-X	TRANSISTOR				R2101	NRSA63D-243X	MG RESISTOR		
	Q5403	UN2214-X	TRANSISTOR				R2102	NRSA63D-243X	MG RESISTOR		
	Q5404	UN2214-X	TRANSISTOR				R2103	NRSA63D-243X	MG RESISTOR		

■ Electrical parts list (Main board)

Block No. 01

Item	Parts number	Parts name	Remarks	Area
R2104	NRSA63D-243X	MG RESISTOR		
R2105	NRSA63D-163X	MG RESISTOR		
R2106	NRSA63D-163X	MG RESISTOR		
R2107	NRSA63D-163X	MG RESISTOR		
R2108	NRSA63D-163X	MG RESISTOR		
R2109	NRSA63J-162X	MG RESISTOR		
R2110	NRSA63J-162X	MG RESISTOR		
R2111	NRSA63J-162X	MG RESISTOR		
R2112	NRSA63J-162X	MG RESISTOR		
R2113	NRSA63J-163X	MG RESISTOR		
R2114	NRSA63J-163X	MG RESISTOR		
R2115	NRSA63J-162X	MG RESISTOR		
R2116	NRSA63J-162X	MG RESISTOR		
R2117	NRSA63J-162X	MG RESISTOR		
R2118	NRSA63J-162X	MG RESISTOR		
R2119	NRSA63J-562X	MG RESISTOR		
R2120	NRSA63J-562X	MG RESISTOR		
R2131	QRE141J-151Y	C RESISTOR	150 5% 1/4W	
R2132	QRE141J-151Y	C RESISTOR	150 5% 1/4W	
R2133	NRSA63J-122X	MG RESISTOR		
R2134	NRSA63J-122X	MG RESISTOR		
R2301	QRE141J-102Y	C RESISTOR	1.0K 5% 1/4W	
R2302	QRE141J-102Y	C RESISTOR	1.0K 5% 1/4W	
R2303	QRE141J-102Y	C RESISTOR	1.0K 5% 1/4W	
R2304	NRSA63J-681X	MG RESISTOR		
R2305	NRSA63J-472X	MG RESISTOR		
R2306	NRSA63J-272X	MG RESISTOR		
R2307	NRSA63J-272X	MG RESISTOR		
R2308	NRSA63J-103X	MG RESISTOR		
R2310	NRSA63J-122X	MG RESISTOR		
R2311	NRSA63J-472X	MG RESISTOR		
R2312	NRSA63J-162X	MG RESISTOR		
R2313	NRSA63J-912X	MG RESISTOR		
R2314	NRSA63J-152X	MG RESISTOR		
R2315	NRSA63J-822X	MG RESISTOR		
R2316	NRSA63J-122X	MG RESISTOR		
R2317	NRSA63J-271X	MG RESISTOR		
R2319	QRE141J-182Y	C RESISTOR	1.8K 5% 1/4W	
R2501	NRSA63J-912X	MG RESISTOR		
R2502	QRE141J-101Y	C RESISTOR	100 5% 1/4W	
R2503	NRSA63J-103X	MG RESISTOR		
R2504	NRSA63J-822X	MG RESISTOR		
R2505	NRSA63J-472X	MG RESISTOR		
R2801	NRSA63J-272X	MG RESISTOR		
R2802	QRE141J-681Y	C RESISTOR	1/4W	
R2803	NRSA63J-222X	MG RESISTOR		
R3101	NRSA63J-184X	MG RESISTOR		
R3102	NRSA63J-182X	MG RESISTOR		
R3103	NRSA63J-182X	MG RESISTOR		
R3104	NRSA63J-752X	MG RESISTOR		
R3105	NRSA63J-752X	MG RESISTOR		
R3106	NRSA63J-242X	MG RESISTOR		
R3107	NRSA63J-222X	MG RESISTOR		
R3108	NRSA63J-182X	MG RESISTOR		
R3109	NRSA63J-472X	MG RESISTOR		
R3110	NRSA63J-473X	MG RESISTOR		
R3121	NRSA63J-224X	MG RESISTOR		
R3122	NRSA63J-154X	MG RESISTOR		
R3123	NRSA63J-224X	MG RESISTOR		
R3124	NRSA63J-473X	MG RESISTOR		
R3131	NRSA63J-103X	MG RESISTOR		

Item	Parts number	Parts name	Remarks	Area
R3132	QRE141J-221Y	C RESISTOR	220 5% 1/4W	
R3133	QRL01DJ-391X	OMF RESISTOR	1W	
R3136	QRZ9006-4R7X	F RESISTOR	1/4W	
R3141	NRSA63J-153X	MG RESISTOR		
R3142	NRSA63J-103X	MG RESISTOR		
R3161	NRSA63J-393X	MG RESISTOR		
R3162	NRSA63J-103X	MG RESISTOR		
R3171	NRSA63J-332X	MG RESISTOR		
R3172	NRSA63J-222X	MG RESISTOR		
R3173	NRSA63J-123X	MG RESISTOR		
R3201	NRSA63J-184X	MG RESISTOR		
R3202	NRSA63J-182X	MG RESISTOR		
R3203	NRSA63J-182X	MG RESISTOR		
R3204	NRSA63J-752X	MG RESISTOR		
R3205	NRSA63J-752X	MG RESISTOR		
R3206	NRSA63J-242X	MG RESISTOR		
R3207	NRSA63J-222X	MG RESISTOR		
R3208	NRSA63J-182X	MG RESISTOR		
R3209	NRSA63J-472X	MG RESISTOR		
R3210	NRSA63J-473X	MG RESISTOR		
R3221	NRSA63J-224X	MG RESISTOR		
R3222	NRSA63J-154X	MG RESISTOR		
R3223	NRSA63J-224X	MG RESISTOR		
R3224	NRSA63J-473X	MG RESISTOR		
R3231	NRSA63J-103X	MG RESISTOR		
R3232	QRE141J-221Y	C RESISTOR	220 5% 1/4W	
R3233	QRL01DJ-391X	OMF RESISTOR	1W	
R3236	QRZ9006-4R7X	F RESISTOR	1/4W	
R3241	NRSA63J-153X	MG RESISTOR		
R3242	NRSA63J-103X	MG RESISTOR		
R3261	NRSA63J-393X	MG RESISTOR		
R3262	NRSA63J-103X	MG RESISTOR		
R3271	NRSA63J-332X	MG RESISTOR		
R3272	NRSA63J-222X	MG RESISTOR		
R3273	NRSA63J-123X	MG RESISTOR		
R3301	QRE141J-101Y	C RESISTOR	100 5% 1/4W	
R3302	NRSA63J-222X	MG RESISTOR		
R3303	NRSA63J-222X	MG RESISTOR		
R3304	NRSA63J-222X	MG RESISTOR		
R3321	QRE141J-101Y	C RESISTOR	100 5% 1/4W	
R3322	NRSA63J-103X	MG RESISTOR		
R3323	NRSA63J-103X	MG RESISTOR		
R3331	NRSA63J-223X	MG RESISTOR		
R3332	NRSA63J-152X	MG RESISTOR		
R3333	NRSA63J-104X	MG RESISTOR		
R3334	QRZ9005-331X	F RESISTOR	1/4W	
R3335	NRSA63J-123X	MG RESISTOR		
R3336	QRZ9006-4R7X	F RESISTOR	1/4W	
R3341	NRSA63J-104X	MG RESISTOR		
R3342	NRSA63J-271X	MG RESISTOR		
R3343	NRSA63J-513X	MG RESISTOR		
R3351	NRSA63J-203X	MG RESISTOR		
R3352	NRSA63J-153X	MG RESISTOR		
R3353	NRSA63J-472X	MG RESISTOR		
R3354	NRSA63J-103X	MG RESISTOR		
R3355	NRSA63J-203X	MG RESISTOR		
R3356	NRSA63J-102X	MG RESISTOR		
R3357	NRSA63J-562X	MG RESISTOR		
R3358	NRSA63J-203X	MG RESISTOR		
R3359	NRSA63J-272X	MG RESISTOR		
R3360	NRSA63J-223X	MG RESISTOR		



## ■ Electrical parts list (Main board)

Block No. 01

△	Item	Parts number	Parts name	Remarks	Area
	R3361	NRSA63J-333X	MG RESISTOR		
	R3362	NRSA63J-103X	MG RESISTOR		
	R3363	NRSA63J-822X	MG RESISTOR		
	R3364	NRSA63J-203X	MG RESISTOR		
	R3365	QRE141J-221Y	C RESISTOR	220 5% 1/4W	
	R3366	NRSA63J-223X	MG RESISTOR		
	R3393	NRSA63J-101X	MG RESISTOR		
	R5001	NRSA63J-102X	MG RESISTOR		
	R5002	NRSA63J-101X	MG RESISTOR		
	R5003	NRSA63J-101X	MG RESISTOR		
	R5004	NRSA63J-101X	MG RESISTOR		
	R5005	NRSA63J-101X	MG RESISTOR		
	R5006	NRSA63J-101X	MG RESISTOR		
	R5007	NRSA63J-101X	MG RESISTOR		
	R5008	NRSA63J-101X	MG RESISTOR		
	R5009	NRSA63J-101X	MG RESISTOR		
	R5010	NRSA63J-101X	MG RESISTOR		
	R5011	NRSA63J-102X	MG RESISTOR		
	R5012	NRSA63J-102X	MG RESISTOR		
	R5013	NRSA63J-102X	MG RESISTOR		
	R5015	NRSA63J-101X	MG RESISTOR		
	R5016	NRSA63J-101X	MG RESISTOR		
	R5017	NRSA63J-101X	MG RESISTOR		
	R5018	NRSA63J-101X	MG RESISTOR		
	R5019	NRSA63J-102X	MG RESISTOR		
	R5022	NRSA63J-103X	MG RESISTOR		
	R5023	NRSA63J-101X	MG RESISTOR		
	R5024	NRSA63J-101X	MG RESISTOR		
	R5025	NRSA63J-103X	MG RESISTOR		
	R5026	NRSA63J-101X	MG RESISTOR		
	R5027	NRSA63J-101X	MG RESISTOR		
	R5028	NRSA63J-101X	MG RESISTOR		
	R5029	NRSA63J-101X	MG RESISTOR		
	R5030	NRSA63J-101X	MG RESISTOR		
	R5032	NRSA63J-472X	MG RESISTOR		
	R5033	NRSA63J-222X	MG RESISTOR		
	R5034	NRSA63J-222X	MG RESISTOR		
	R5035	NRSA63J-102X	MG RESISTOR		
	R5038	NRSA63J-103X	MG RESISTOR		
	R5041	NRSA63J-472X	MG RESISTOR		
	R5044	NRSA63J-472X	MG RESISTOR		
	R5051	NRSA63J-103X	MG RESISTOR		
	R5052	NAD0025-103X	N THERMISTOR		
	R5055	NRSA63J-103X	MG RESISTOR		
	R5056	NRSA63J-562X	MG RESISTOR		
	R5101	NRSA63J-105X	MG RESISTOR		
	R5201	NRSA63J-103X	MG RESISTOR		
	R5202	NRSA63J-221X	MG RESISTOR		
	R5301	NRSA63J-910X	MG RESISTOR		
	R5310	NRSA63J-2R2X	MG RESISTOR	(B1001)	
	R5401	NRSA63J-822X	MG RESISTOR		
	R5402	NRSA63J-822X	MG RESISTOR		
	R5403	NRSA63J-822X	MG RESISTOR		
	R5404	NRSA63J-822X	MG RESISTOR		
	R6001	NRSA63J-560X	MG RESISTOR		
	R6002	NRSA63J-103X	MG RESISTOR		
	R6003	NRSA63J-103X	MG RESISTOR		
	R6004	NRSA63J-560X	MG RESISTOR		
	R6005	NRSA63J-560X	MG RESISTOR		
	R6006	NRSA63J-390X	MG RESISTOR		
	R6007	NRSA63J-121X	MG RESISTOR		

△	Item	Parts number	Parts name	Remarks	Area
	R6008	NRSA63J-121X	MG RESISTOR		
	R6009	NRSA63J-121X	MG RESISTOR		
	R6011	NRSA63J-103X	MG RESISTOR		
	R6012	NRSA63J-103X	MG RESISTOR		
	R6021	NRSA63J-101X	MG RESISTOR		
	R6022	QRE141J-221Y	C RESISTOR	220 5% 1/4W	
	R6091	NRSA63J-750X	MG RESISTOR		
	R6092	NRSA63J-750X	MG RESISTOR		
	R6093	NRSA63J-750X	MG RESISTOR		
	R6096	NRSA63J-101X	MG RESISTOR		
	R6097	NRSA63J-101X	MG RESISTOR		
	R7402	NRSA63J-222X	MG RESISTOR		
	R7403	NRSA63J-222X	MG RESISTOR		
	R7404	QRE141J-120Y	C RESISTOR	12 5% 1/4W	
	R7405	QRE141J-120Y	C RESISTOR	12 5% 1/4W	
	R7406	QRE141J-120Y	C RESISTOR	12 5% 1/4W	
	R7407	QRE141J-120Y	C RESISTOR	12 5% 1/4W	
	S6051	QSW0454-001	SWITCH	VIDEO SELECTOR	
	W 121	QJK027-091704	SIN CR C-B WIRE	AMP - MAIN	
	W 310	QUB130-05A2A2	WIRE		
	X5001	QAX0667-001Z	RESONATOR	8MHZ	

## ■ Electrical parts list (Micon board)

Block No. 02

△	Item	Parts number	Parts name	Remarks	Area
	CN441	QGF1036C1-19	FFC/FPC CONNECTOR		
	CN442	QGF1036F1-19	FFC/FPC CONNECTOR		
	CN451	QGF1036F1-09	FFC/FPC CONNECTOR	FL	
	CN452	QGF1036F1-10	CONNECTOR	LED	
	CN453	QGF1036F1-19	FFC/FPC CONNECTOR	MICKY	
	CN461	QGF1036F1-10	CONNECTOR		
	CN471	QGF1036F1-09	FFC/FPC CONNECTOR		
	CN701	QGA2501F1-07	CONNECTOR	TRANS	
	CN702	QGF1205F1-08	CONNECTOR	DVD JOINT	
	CN703	QGA2001F1-04	CONNECTOR	PANEL SW	
	CN704	QGF1205F1-09	CONNECTOR	KEY	
	CN705	QGF1205F1-09	CONNECTOR	SLC	
	CN706	QGB1214K1-18S	CONNECTOR	MAIN	
	CN707	QGB1214K1-18S	CONNECTOR	MAIN	
	CN708	QGF1036F1-19	CONNECTOR	CHUKEI1	
	CN709	QGF1205F1-11	CONNECTOR	TUNER	
	CN711	QGA2501F1-02	CONNECTOR	FAN	
	CN851	QGF1205F1-09	CONNECTOR	SILVER	
	C3131	NDC31HJ-101X	C CAPACITOR		
	C3231	NDC31HJ-101X	C CAPACITOR		
	C3331	NDC31HJ-101X	C CAPACITOR		
	C4401	QER61HM-106Z	E CAPACITOR	10MF 20% 50V	
	C4502	NCB31HK-103X	C CAPACITOR		
	C4505	NCB31HK-103X	C CAPACITOR		
	C4507	NCS31HJ-471X	C CAPACITOR		
	C4508	NCS31HJ-101X	C CAPACITOR		
	C4509	NCS31HJ-101X	C CAPACITOR		
	C4510	NCS31HJ-101X	C CAPACITOR		
	C7007	NCB31HK-102X	C CAPACITOR		
	C7041	NCS31HJ-220X	C CAPACITOR		
	C7042	NCS31HJ-220X	C CAPACITOR		
	C7043	NCB31HK-103X	C CAPACITOR		
	C7051	NCB31HK-103X	C CAPACITOR		
	C7101	QCFB1HZ-105Y	C CAPACITOR	1.0MF +80:-20%	
	C7102	QETN1CM-107Z	E CAPACITOR	100MF 20% 16V	
	C7311	QETN1HM-475Z	E CAPACITOR	4.7MF 20% 50V	
	C7312	QETN1HM-225Z	E CAPACITOR	2.2MF 20% 50V	
	C7321	QETN0JM-228Z	E CAPACITOR	2200MF 20% 6.3V	
	C7331	NCB31HK-103X	C CAPACITOR		
	C7341	QETN1HM-106Z	E CAPACITOR	10MF 20% 50V	
	C7351	QETN1HM-475Z	E CAPACITOR	4.7MF 20% 50V	
	C7361	QETN1EM-476Z	E CAPACITOR	47MF 20% 25V	
	C7362	QETN1EM-476Z	E CAPACITOR	47MF 20% 25V	
	C7701	QETN1EM-476Z	E CAPACITOR	47MF 20% 25V	
	C7702	QETN1EM-476Z	E CAPACITOR	47MF 20% 25V	
	C7703	QETN1EM-476Z	E CAPACITOR	47MF 20% 25V	
	C7704	QETN1EM-476Z	E CAPACITOR	47MF 20% 25V	
	C7705	QETN1EM-476Z	E CAPACITOR	47MF 20% 25V	
	C7706	QETN1EM-476Z	E CAPACITOR	47MF 20% 25V	
	C7707	QETN1EM-476Z	E CAPACITOR	47MF 20% 25V	
	C7708	QETN1EM-476Z	E CAPACITOR	47MF 20% 25V	
	C7709	QETN1EM-476Z	E CAPACITOR	47MF 20% 25V	
	C7751	QETN1HM-105Z	E CAPACITOR	1.0MF 20% 50V	
	C7752	QETN1HM-105Z	E CAPACITOR	1.0MF 20% 50V	
	C7753	QETN1CM-107Z	E CAPACITOR	100MF 20% 16V	
	C7851	NCB31HK-103X	C CAPACITOR		
	C7852	NCB31HK-103X	C CAPACITOR		
	C7901	QETN1CM-107Z	E CAPACITOR	100MF 20% 16V	
	C7951	QETN1HM-107Z	E CAPACITOR	100MF 20% 50V	
	C7952	QETN1JM-476Z	E CAPACITOR	47MF 20% 63V	
	C7953	NCB31HK-103X	C CAPACITOR		

△	Item	Parts number	Parts name	Remarks	Area
	C7954	QETN1HM-474Z	E CAPACITOR	.47MF 20% 50V	
	C7958	QETN1HM-475Z	E CAPACITOR	4.7MF 20% 50V	
	C7961	QFLC1HJ-104Z	M CAPACITOR	.10MF 5% 50V	
	C8601	NCB31HK-102X	C CAPACITOR		
	C8602	QEKC1CM-226Z	E CAPACITOR	22MF 20% 16V	
	C9501	QEKC1HM-474Z	E CAPACITOR	.47MF 20% 50V	
	C9502	NCS31HJ-470X	C CAPACITOR		
	C9503	QEKC1HM-475Z	E CAPACITOR	4.7MF 20% 50V	
	C9504	QEKC1HM-226Z	E CAPACITOR	22MF 20% 50V	
	C9505	QEKC1HM-335Z	E CAPACITOR	3.3MF 20% 50V	
	C9506	QEKC1HM-224Z	E CAPACITOR	.22MF 20% 50V	
	C9508	QETN1HM-336Z	E CAPACITOR	33MF 20% 50V	
	C9509	QEKC1EM-476Z	E CAPACITOR	47MF 20% 25V	
	C9510	QETN1HM-105Z	E CAPACITOR	1.0MF 20% 50V	
	DI471	QLF0107-001	FL TUBE		
	D4601	NSTM515AS	LED	MDA5V	
	D4611	NSTM515AS	LED	MDA5V	
	D4621	NSTM515AS	LED	MDA5V	
	D7036	1SS133-T2	SI DIODE		
	D7054	MTZJ5.6B-T2	ZENER DIODE		
	D7055	1SS133-T2	SI DIODE		
	D7088	1SS133-T2	SI DIODE		
	D7089	MA700A-T2	SB DIODE		
	D7301	1SS133-T2	SI DIODE		
	D7302	MTZJ5.1C-T2	ZENER DIODE		
	D7303	1SS133-T2	SI DIODE		
	D7311	1SS133-T2	SI DIODE		
	D7321	1SS133-T2	SI DIODE		
	D7341	1SS133-T2	SI DIODE		
	D7361	MTZJ3.9B-T2	ZENER DIODE		
	D7901	MTZJ5.6B-T2	ZENER DIODE		
	D7902	1N4003S-T5	SI DIODE		
	D7903	MTZJ8.2B-T2	ZENER DIODE		
△	D7951	1N4003S-T5	SI DIODE		
△	D7952	1N4003S-T5	SI DIODE		
△	D7953	1N4003S-T5	SI DIODE		
	D7954	MTZJ20C-T2	ZENER DIODE		
	D7955	MTZJ5.1C-T2	ZENER DIODE		
	D7956	MTZJ20C-T2	ZENER DIODE		
	D8603	SLR-342VC-T	LED		
	D9501	1SS133-T2	SI DIODE		
	D9502	1SS133-T2	SI DIODE		
	EP331	QNZ0136-001Z	EARTH PLATE		
	IC701	UPD784215AGF519	IC(MCU)	MASK	
	IC861	GP1UM2611X	IR DETECT UNIT		
	IC951	BA15218F-XE	IC		
	JS861	QSW0975-001	ROTARY ENCODER		
	J3001	QNS0177-001	JACK		
	J3003	QNS0072-001	HEADPHONE JACK		
△	K3131	QQR0621-001Z	FERRITE BEADS		
△	K3231	QQR0621-001Z	FERRITE BEADS		
△	K3331	QQR0621-001Z	FERRITE BEADS		
△	K7001	QQR0621-001Z	FERRITE BEADS		
△	K7074	QQR0621-001Z	FERRITE BEADS		
△	K7075	QQR0621-001Z	FERRITE BEADS		
△	K9501	QQR0621-001Z	FERRITE BEADS		
	L7001	QLL244K-100Z	INDUCTOR		
	L7051	QLL244K-100Z	INDUCTOR		
	Q7035	UN2111-X	TRANSISTOR		
	Q7046	UN2214-X	TRANSISTOR		
	Q7068	UN2214-X	TRANSISTOR		

## ■ Electrical parts list (Micon board)

Block No. 02

△	Item	Parts number	Parts name	Remarks	Area
	Q7301	2SD601A/RS/-X	TRANSISTOR		
	Q7311	UN2211-X	TRANSISTOR		
	Q7331	2SD601A/RS/-X	TRANSISTOR		
	Q7341	KTA1267/YG/-T	TRANSISTOR		
	Q7342	UN2211-X	TRANSISTOR		
	Q7351	2SB709A/R/-X	TRANSISTOR		
	Q7352	UN2211-X	TRANSISTOR		
	Q7361	KTC3199/GL/-T	TRANSISTOR		
	Q7362	UN2111-X	TRANSISTOR		
	Q7363	UN2211-X	TRANSISTOR		
	Q7402	KTC3875/YG/-X	TRANSISTOR		
	Q7701	KTC3199/GL/-T	TRANSISTOR		
	Q7702	KTC3199/GL/-T	TRANSISTOR		
	Q7703	KTC3199/GL/-T	TRANSISTOR		
	Q7704	KTC3199/GL/-T	TRANSISTOR		
	Q7705	KTC3199/GL/-T	TRANSISTOR		
	Q7706	KTC3199/GL/-T	TRANSISTOR		
	Q7707	KTC3199/GL/-T	TRANSISTOR		
	Q7708	KTC3199/GL/-T	TRANSISTOR		
	Q7709	KTC3199/GL/-T	TRANSISTOR		
	Q7901	KTB772/Y/	TRANSISTOR		
	Q7902	KTC3875/YG/-X	TRANSISTOR		
	Q7903	KTC3875/YG/-X	TRANSISTOR		
	Q7951	KTD863/Y/-T	TRANSISTOR		
	Q7952	KTA1268/GL/-T	TRANSISTOR		
	Q7953	KTC3200/GL/-T	TRANSISTOR		
	Q8602	UN2111-X	TRANSISTOR		
	Q9501	KTC3875/YG/-X	TRANSISTOR		
	Q9502	KTC3875/YG/-X	TRANSISTOR		
	R4701	QRE141J-101Y	C RESISTOR	100 5% 1/4W	
	R7002	NRSA63J-103X	MG RESISTOR		
	R7004	NRSA63J-222X	MG RESISTOR		
	R7005	NRSA63J-222X	MG RESISTOR		
	R7007	NRSA63J-102X	MG RESISTOR		
	R7008	NRSA63J-222X	MG RESISTOR		
	R7010	NRSA63J-222X	MG RESISTOR		
	R7011	NRSA63J-222X	MG RESISTOR		
	R7012	NRSA63J-103X	MG RESISTOR		
	R7013	NRSA63J-102X	MG RESISTOR		
	R7014	NRSA63J-222X	MG RESISTOR		
	R7016	QRE141J-223Y	C RESISTOR	22K 5% 1/4W	
	R7017	QRE141J-223Y	C RESISTOR	22K 5% 1/4W	
	R7018	QRE141J-222Y	C RESISTOR	2.2K 5% 1/4W	
	R7019	QRE141J-222Y	C RESISTOR	2.2K 5% 1/4W	
	R7020	QRE141J-103Y	C RESISTOR	10K 5% 1/4W	
	R7021	NRSA63J-222X	MG RESISTOR		
	R7022	NRSA63J-103X	MG RESISTOR		
	R7023	NRSA63J-222X	MG RESISTOR		
	R7025	NRSA63J-222X	MG RESISTOR		
	R7026	NRSA63J-222X	MG RESISTOR		
	R7027	NRSA63J-102X	MG RESISTOR		
	R7029	NRSA63J-222X	MG RESISTOR		
	R7030	NRSA63J-222X	MG RESISTOR		
	R7031	NRSA63J-222X	MG RESISTOR		
	R7032	NRSA63J-222X	MG RESISTOR		
	R7033	NRSA63J-223X	MG RESISTOR		
	R7034	NRSA63J-102X	MG RESISTOR		
	R7035	NRSA63J-102X	MG RESISTOR		
	R7036	NRSA63J-102X	MG RESISTOR		
	R7038	NRSA63J-105X	MG RESISTOR		
	R7043	NRSA63J-102X	MG RESISTOR		

△	Item	Parts number	Parts name	Remarks	Area
	R7044	NRSA63J-222X	MG RESISTOR		
	R7046	NRSA63J-102X	MG RESISTOR		
	R7047	NRSA63J-222X	MG RESISTOR		
	R7048	NRSA63J-222X	MG RESISTOR		
	R7049	NRSA63J-222X	MG RESISTOR		
	R7054	NRSA63J-222X	MG RESISTOR		
	R7055	NRSA63J-222X	MG RESISTOR		
	R7056	NRSA63J-222X	MG RESISTOR		
	R7057	NRSA63J-222X	MG RESISTOR		
	R7058	NRSA63J-222X	MG RESISTOR		
	R7059	NRSA63J-222X	MG RESISTOR		
	R7060	NRSA63J-392X	MG RESISTOR		
	R7062	NRSA63J-222X	MG RESISTOR		
	R7063	NRSA63J-222X	MG RESISTOR		
	R7067	NRSA63J-222X	MG RESISTOR		
	R7068	NRSA63J-222X	MG RESISTOR		
	R7069	NRSA63J-101X	MG RESISTOR		
	R7070	NRSA63J-101X	MG RESISTOR		
	R7071	NRSA63J-101X	MG RESISTOR		
	R7072	NRSA63J-222X	MG RESISTOR		
	R7073	NRSA63J-222X	MG RESISTOR		
	R7074	NRSA63J-101X	MG RESISTOR		
	R7075	NRSA63J-101X	MG RESISTOR		
	R7076	NRSA63J-222X	MG RESISTOR		
	R7077	NRSA63J-222X	MG RESISTOR		
	R7078	NRSA63J-222X	MG RESISTOR		
	R7079	NRSA63J-222X	MG RESISTOR		
	R7080	NRSA63J-222X	MG RESISTOR		
	R7081	NRSA63J-222X	MG RESISTOR		
	R7082	QRE141J-222Y	C RESISTOR	2.2K 5% 1/4W	
	R7083	QRE141J-222Y	C RESISTOR	2.2K 5% 1/4W	
	R7084	QRE141J-222Y	C RESISTOR	2.2K 5% 1/4W	
	R7086	NRSA63J-562X	MG RESISTOR		
	R7087	NRSA63J-222X	MG RESISTOR		
	R7089	NRSA63J-101X	MG RESISTOR		
	R7090	NRSA63J-101X	MG RESISTOR		
	R7091	NRSA63J-562X	MG RESISTOR		
	R7092	NRSA63J-562X	MG RESISTOR		
	R7093	NRSA63J-562X	MG RESISTOR		
	R7094	NRSA63J-562X	MG RESISTOR		
	R7095	NRSA63J-562X	MG RESISTOR		
	R7096	NRSA63J-562X	MG RESISTOR		
	R7097	NRSA63J-562X	MG RESISTOR		
	R7098	NRSA63J-562X	MG RESISTOR		
	R7099	NRSA63J-562X	MG RESISTOR		
	R7107	NRSA63J-473X	MG RESISTOR		
	R7123	NRSA63J-473X	MG RESISTOR		
	R7125	NRSA63J-473X	MG RESISTOR		
	R7126	NRSA63J-473X	MG RESISTOR		
	R7129	NRSA63J-103X	MG RESISTOR		
	R7130	NRSA63J-103X	MG RESISTOR		
	R7131	NRSA63J-103X	MG RESISTOR		
	R7146	NRSA63J-183X	MG RESISTOR		
	R7147	NRSA63J-823X	MG RESISTOR	PHOTO GR->YG	
	R7154	NRSA63J-103X	MG RESISTOR		
	R7156	NRSA63J-103X	MG RESISTOR		
	R7157	NRSA63J-103X	MG RESISTOR		
	R7158	NRSA63J-103X	MG RESISTOR		
	R7159	NRSA63J-103X	MG RESISTOR		
	R7160	NRSA63J-332X	MG RESISTOR		
	R7168	NRSA63J-183X	MG RESISTOR		

■ Electrical parts list (Micon board)

Block No. 02

△	Item	Parts number	Parts name	Remarks	Area
	R7179	NRSA63J-103X	MG RESISTOR		
	R7187	NRSA63J-473X	MG RESISTOR		
	R7301	NRSA63J-473X	MG RESISTOR		
	R7302	NRSA63J-333X	MG RESISTOR		
	R7303	NRSA63J-104X	MG RESISTOR		
	R7311	NRSA63J-103X	MG RESISTOR		
	R7312	NRSA63J-103X	MG RESISTOR		
	R7321	QRE141J-331Y	C RESISTOR	330 5% 1/4W	
	R7331	NRSA63J-823X	MG RESISTOR		
	R7332	NRSA63J-394X	MG RESISTOR		
	R7333	NRSA63J-104X	MG RESISTOR		
	R7341	NRSA63J-103X	MG RESISTOR		
	R7342	NRSA63J-473X	MG RESISTOR		
	R7351	NRSA63J-102X	MG RESISTOR		
	R7352	NRSA63J-103X	MG RESISTOR		
△	R7361	QRE141J-100Y	C RESISTOR	10 5% 1/4W	
	R7362	NRSA63J-331X	MG RESISTOR		
	R7363	NRSA63J-103X	MG RESISTOR		
	R7411	NRSA63J-391X	MG RESISTOR		
	R7412	NRSA63J-103X	MG RESISTOR		
	R7702	NRSA63J-391X	MG RESISTOR		
	R7703	NRSA63J-391X	MG RESISTOR		
	R7705	NRSA63J-391X	MG RESISTOR		
	R7706	NRSA63J-391X	MG RESISTOR		
	R7707	NRSA63J-431X	MG RESISTOR		
	R7708	NRSA63J-431X	MG RESISTOR		
	R7709	NRSA63J-431X	MG RESISTOR		
	R7710	NRSA63J-431X	MG RESISTOR		
	R7712	NRSA63J-391X	MG RESISTOR		
	R7713	NRSA63J-391X	MG RESISTOR		
	R7715	NRSA63J-391X	MG RESISTOR		
	R7716	NRSA63J-391X	MG RESISTOR		
	R7717	NRSA63J-431X	MG RESISTOR		
	R7718	NRSA63J-431X	MG RESISTOR		
	R7719	NRSA63J-431X	MG RESISTOR		
	R7720	NRSA63J-431X	MG RESISTOR		
	R7722	NRSA63J-391X	MG RESISTOR		
	R7723	NRSA63J-391X	MG RESISTOR		
	R7725	NRSA63J-391X	MG RESISTOR		
	R7726	NRSA63J-391X	MG RESISTOR		
	R7727	NRSA63J-431X	MG RESISTOR		
	R7728	NRSA63J-431X	MG RESISTOR		
	R7729	NRSA63J-431X	MG RESISTOR		
	R7730	NRSA63J-431X	MG RESISTOR		
	R7901	NRSA63J-103X	MG RESISTOR		
	R7902	QRE141J-102Y	C RESISTOR	1.0K 5% 1/4W	
	R7903	NRSA63J-102X	MG RESISTOR		
	R7904	NRSA63J-102X	MG RESISTOR		
△	R7905	QRE141J-2R2Y	C RESISTOR	2.2 5% 1/4W	
△	R7951	QRZ9006-4R7X	F RESISTOR	1/4W	
	R7952	NRSA63J-123X	MG RESISTOR		
△	R7954	QRZ9005-220X	F RESISTOR	1/4W	
	R7955	NRSA63J-104X	MG RESISTOR		
	R7958	QRE141J-153Y	C RESISTOR	15K 5% 1/4W	
	R7959	QRE141J-153Y	C RESISTOR	15K 5% 1/4W	
	R7961	QRK126J-470X	C RESISTOR	1W	
	R7962	QRK126J-470X	C RESISTOR	1W	
	R8501	NRSA63J-202X	MG RESISTOR		
	R8502	NRSA63J-122X	MG RESISTOR		
	R8503	NRSA63J-152X	MG RESISTOR		
	R8504	NRSA63J-222X	MG RESISTOR		

△	Item	Parts number	Parts name	Remarks	Area
	R8505	NRSA63J-272X	MG RESISTOR		
	R8506	NRSA63J-392X	MG RESISTOR		
	R8507	NRSA63J-562X	MG RESISTOR		
	R8508	NRSA63J-103X	MG RESISTOR		
	R8511	NRSA63J-202X	MG RESISTOR		
	R8512	NRSA63J-122X	MG RESISTOR		
	R8513	NRSA63J-152X	MG RESISTOR		
	R8514	NRSA63J-222X	MG RESISTOR		
	R8515	NRSA63J-272X	MG RESISTOR		
	R8516	NRSA63J-392X	MG RESISTOR		
	R8517	NRSA63J-562X	MG RESISTOR		
	R8603	NRSA63J-561X	MG RESISTOR		
	R9501	NRSA63J-104X	MG RESISTOR		
	R9502	NRSA63J-102X	MG RESISTOR		
	R9503	NRSA63J-103X	MG RESISTOR		
	R9504	NRSA63J-564X	MG RESISTOR		
	R9505	NRSA63J-222X	MG RESISTOR		
	R9506	QRE141J-101Y	C RESISTOR	100 5% 1/4W	
	R9507	NRSA63J-103X	MG RESISTOR		
	R9508	NRSA63J-102X	MG RESISTOR		
	R9509	NRSA63J-224X	MG RESISTOR		
	R9510	NRSA63J-103X	MG RESISTOR		
	R9513	NRSA63J-102X	MG RESISTOR		
	R9514	NRSA63J-103X	MG RESISTOR		
	R9515	NRSA63J-154X	MG RESISTOR		
	R9516	NRSA63J-154X	MG RESISTOR		
	S4801	QSW0933-001	DETECT SWITCH	PANEL	
	S4802	QSW0933-001	DETECT SWITCH	PANEL	
	S8501	QSW0651-001Z	TACT SWITCH	B.SKIP	
	S8502	QSW0651-001Z	TACT SWITCH	DVD PLAY	
	S8503	QSW0651-001Z	TACT SWITCH	STOP	
	S8504	QSW0651-001Z	TACT SWITCH	TAPE PLAY	
	S8505	QSW0651-001Z	TACT SWITCH	F.SKIP	
	S8506	QSW0651-001Z	TACT SWITCH	FM/AM	
	S8507	QSW0651-001Z	TACT SWITCH	3D PHONIC	
	S8508	QSW0651-001Z	TACT SWITCH	BASS	
	S8509	QSW0651-001Z	TACT SWITCH	AHB	
	S8511	QSW0651-001Z	TACT SWITCH	DVD OP/CL	
	S8512	QSW0651-001Z	TACT SWITCH	REV.MODE	
	S8513	QSW0651-001Z	TACT SWITCH	AUX	
	S8514	QSW0651-001Z	TACT SWITCH	TREBLE	
	S8515	QSW0651-001Z	TACT SWITCH	COLOR	
	S8516	QSW0651-001Z	TACT SWITCH	DIMMER	
	S8517	QSW0651-001Z	TACT SWITCH	SLEEP	
	S8518	QSW0651-001Z	TACT SWITCH	REC	
	S8601	QSW0651-001Z	TACT SWITCH	POWER	
	VR951	QVQ0112-B24	V RESISTOR	MIC VR	
	W 318	QJK008-041204	SIN CR C-B WIRE	MIC - MAIN	
	W 320	QJK008-052400	SIN CR C-B WIRE	HP - MAIN	
	W 777	QUB350-05Z3Z3	SIN TWIST WIRE	W777-W778	
	W4801	QJB002-041504	SIN ID C-B WIRE	PANL SW - MICON	
	X7001	QAX0401-001	CRYSTAL	32KHZ	
	X7002	QAX0667-001Z	RESONATOR	8MHZ	

## ■ Electrical parts list (Trans board)

Block No. 03

△	Item	Parts number	Parts name	Remarks	Area
	CN901	QGA7901C1-02	CONNECTOR	POWER CORD	
	C9321	QFVF1HJ-104Z	MF CAPACITOR	.10MF 5% 50V	
	C9323	QFVF1HJ-104Z	MF CAPACITOR	.10MF 5% 50V	
△	D9321	1N5402M-20	DIODE		
△	D9322	1N5402M-20	DIODE		
△	D9323	1N5402M-20	DIODE		
△	D9324	1N5402M-20	DIODE		
△	FT911	QNG0003-001Z	FUSE CLIP		
△	FT912	QNG0003-001Z	FUSE CLIP		
△	FT921	QNG0003-001Z	FUSE CLIP		
△	FT922	QNG0003-001Z	FUSE CLIP		
△	FT931	QNG0003-001Z	FUSE CLIP		
△	FT932	QNG0003-001Z	FUSE CLIP		
△	FT941	QNG0003-001Z	FUSE CLIP		
△	FT942	QNG0003-001Z	FUSE CLIP		
△	LF901	QQR1321-001	LINE FILTER		
△	S9001	QSW0838-001	VOLTAGE SWITCH		
	W 1	QUB101-16PPPP	SIN TWIST WIRE		
	W 2	QUB102-15PPPP	SIN TWIST WIRE		
	W 3	QUB103-14PPPP	SIN TWIST WIRE		
	W 4	QUB104-13PPPP	SIN TWIST WIRE		
	W 6	QUB106-14PPPP	SIN TWIST WIRE		
	W 7	QUB107-12PPPP	SIN TWIST WIRE		
	W 8	QUB108-12PPPP	SIN TWIST WIRE		
	W 9	QUB109-11PPPP	SIN TWIST WIRE		
	W 10	QUB100-10PPPP	SIN TWIST WIRE		
	W 921	QJK015-033003	SIN CR C-B WIRE	TRANS - AMP	
	W 922	WJK0023-002A	E-SI C WIRE C-B	TRANS - MAIN	
	W 923	QJK008-070702	SIN CR C-B WIRE	TRANS - MICON	

**■ Electrical parts list (DVD Servo control board) Block No. 04**

△	Item	Parts number	Parts name	Remarks	Area	△	Item	Parts number	Parts name	Remarks	Area
C	1	NCB31CK-104X	C CAPACITOR			C	263	NCB31CK-104X	C CAPACITOR		
C	2	NCB31CK-104X	C CAPACITOR			C	264	NCB31CK-103X	C CAPACITOR		
C	3	NCB31CK-104X	C CAPACITOR			C	301	NCB31CK-104X	C CAPACITOR		
C	4	NCB31CK-104X	C CAPACITOR			C	302	NCB31CK-104X	C CAPACITOR		
C	5	NCB31CK-104X	C CAPACITOR			C	303	NCB31CK-104X	C CAPACITOR		
C	6	NCB31CK-104X	C CAPACITOR			C	304	NEA70GM-107X	E CAPACITOR		
C	10	NCS31HJ-470X	C CAPACITOR			C	306	NEA70GM-107X	E CAPACITOR		
C	105	NEA70JM-476X	E CAPACITOR			C	308	NEA70GM-107X	E CAPACITOR		
C	106	NEA70JM-476X	E CAPACITOR			C	310	NCB31CK-104X	C CAPACITOR		
C	109	NCB21CK-154X	C CAPACITOR			C	311	NCB31HK-561X	C CAPACITOR		
C	110	NCS31HJ-221X	C CAPACITOR			C	312	NCB31HK-561X	C CAPACITOR		
C	111	NCB31CK-104X	C CAPACITOR			C	313	NCB31HK-561X	C CAPACITOR		
C	112	NCB31CK-104X	C CAPACITOR			C	314	NCB31HK-331X	C CAPACITOR		
C	113	NEA70JM-226X	E CAPACITOR			C	315	NCB31HK-471X	C CAPACITOR		
C	115	NCB31CK-104X	C CAPACITOR			C	316	NCB31HK-271X	C CAPACITOR		
C	116	NCB31CK-104X	C CAPACITOR			C	317	NCS31HJ-121X	C CAPACITOR		
C	117	NCB31CK-473X	C CAPACITOR			C	318	NCB31CK-104X	C CAPACITOR		
C	118	NCB31CK-273X	C CAPACITOR			C	319	NCB31HK-102X	C CAPACITOR		
C	119	NCB31HK-561X	C CAPACITOR			C	320	NCB31HK-102X	C CAPACITOR		
C	120	NCB31HK-561X	C CAPACITOR			C	321	NCB31HK-102X	C CAPACITOR		
C	121	NCB31CK-104X	C CAPACITOR			C	322	NCB31HK-562X	C CAPACITOR		
C	122	NCS31HJ-120X	C CAPACITOR			C	323	NCB31HK-102X	C CAPACITOR		
C	123	NCB31CK-104X	C CAPACITOR			C	324	NCB31CK-104X	C CAPACITOR		
C	124	NCS31HJ-470X	C CAPACITOR			C	325	NCS31HJ-470X	C CAPACITOR		
C	125	NCB31HK-271X	C CAPACITOR			C	326	NCB31CK-183X	C CAPACITOR		
C	126	NCB31CK-104X	C CAPACITOR			C	327	NCB31HK-102X	C CAPACITOR		
C	127	NCB31CK-104X	C CAPACITOR			C	328	NCB31CK-104X	C CAPACITOR		
C	128	NCB31CK-104X	C CAPACITOR			C	329	NCB31CK-103X	C CAPACITOR		
C	129	NCB31HK-472X	C CAPACITOR			C	330	NCB31CK-104X	C CAPACITOR		
C	135	NEA70JM-476X	E CAPACITOR			C	331	NCB31CK-103X	C CAPACITOR		
C	137	NEA70GM-476X	E CAPACITOR			C	332	NCB21CK-105X	C CAPACITOR		
C	138	NCB21CK-105X	C CAPACITOR			C	333	NCB31AK-154X	C CAPACITOR		
C	139	NCB21CK-105X	C CAPACITOR			C	334	NCB31CK-104X	C CAPACITOR		
C	141	NCB31CK-104X	C CAPACITOR			C	337	NCB31CK-104X	C CAPACITOR		
C	142	NCB31CK-104X	C CAPACITOR			C	338	NCB31CK-104X	C CAPACITOR		
C	143	NCB31CK-104X	C CAPACITOR			C	339	NCB31CK-104X	C CAPACITOR		
C	144	NCB31CK-103X	C CAPACITOR			C	340	NCB31CK-104X	C CAPACITOR		
C	146	NCB31CK-104X	C CAPACITOR			C	341	NCB31CK-104X	C CAPACITOR		
C	201	NEA70JM-226X	E CAPACITOR			C	342	NCB31CK-104X	C CAPACITOR		
C	203	NCB31CK-104X	C CAPACITOR			C	343	NCB31CK-104X	C CAPACITOR		
C	204	NCB31CK-104X	C CAPACITOR			C	344	NCB31CK-104X	C CAPACITOR		
C	205	NCS31HJ-121X	C CAPACITOR			C	345	NCB31CK-104X	C CAPACITOR		
C	207	NCB31HK-391X	C CAPACITOR			C	346	NCB31CK-104X	C CAPACITOR		
C	208	NCB31HK-391X	C CAPACITOR			C	347	NCB31CK-104X	C CAPACITOR		
C	211	NCB31HK-223X	C CAPACITOR			C	348	NCB31CK-104X	C CAPACITOR		
C	212	NCB31CK-103X	C CAPACITOR			C	349	NCB31CK-104X	C CAPACITOR		
C	215	NCB31CK-104X	C CAPACITOR			C	350	NCB31CK-104X	C CAPACITOR		
C	216	NCB30JK-105X	C CAPACITOR			C	401	NEA70GM-476X	E CAPACITOR		
C	217	NCB31CK-104X	C CAPACITOR			C	402	NCB31CK-104X	C CAPACITOR		
C	218	NCB30JK-105X	C CAPACITOR			C	403	NCB31CK-104X	C CAPACITOR		
C	251	NCB31CK-104X	C CAPACITOR			C	404	NCB31CK-104X	C CAPACITOR		
C	252	NEA71AM-336X	E CAPACITOR			C	405	NCB31CK-104X	C CAPACITOR		
C	253	NCB31CK-104X	C CAPACITOR			C	406	NCB31CK-104X	C CAPACITOR		
C	255	NCB31CK-223X	C CAPACITOR			C	407	NCB31CK-104X	C CAPACITOR		
C	256	NCB31CK-104X	C CAPACITOR			C	411	NCB31CK-104X	C CAPACITOR		
C	257	NCB31CK-104X	C CAPACITOR			C	450	NCB31CK-104X	C CAPACITOR		
C	258	NCB31CK-104X	C CAPACITOR			C	453	NCB31CK-104X	C CAPACITOR		
C	259	NCB31CK-104X	C CAPACITOR			C	454	NCB31CK-104X	C CAPACITOR		
C	260	NCB31CK-104X	C CAPACITOR			C	501	NCB31CK-104X	C CAPACITOR		
C	261	NCB31CK-104X	C CAPACITOR			C	502	NCB31CK-104X	C CAPACITOR		
C	262	NCB31CK-104X	C CAPACITOR			C	503	NCB31CK-104X	C CAPACITOR		

■ Electrical parts list (DVD Servo control board) Block No. 04

△	Item	Parts number	Parts name	Remarks	Area	△	Item	Parts number	Parts name	Remarks	Area
	C 504	NCB31CK-104X	C CAPACITOR				K 101	NQR0007-002X	FERRITE BEADS		
	C 505	NCB31CK-104X	C CAPACITOR				K 301	NQR0007-002X	FERRITE BEADS		
	C 506	NCB31CK-104X	C CAPACITOR				K 302	NQR0007-002X	FERRITE BEADS		
	C 507	NCB31CK-104X	C CAPACITOR				K 303	NQR0007-002X	FERRITE BEADS		
	C 508	NCB31CK-104X	C CAPACITOR				K 304	NQR0007-002X	FERRITE BEADS		
	C 509	NCB31CK-104X	C CAPACITOR				K 401	NQR0007-002X	FERRITE BEADS		
	C 510	NCB31CK-104X	C CAPACITOR				K 402	NQR0007-002X	FERRITE BEADS		
	C 511	NCB31CK-104X	C CAPACITOR				K 501	NQR0007-002X	FERRITE BEADS		
	C 512	NCB31CK-104X	C CAPACITOR				K 502	NQR0007-002X	FERRITE BEADS		
	C 513	NCB31CK-104X	C CAPACITOR				K 504	NQR0201-001X	FERRITE BEADS		
	C 514	NCB31CK-104X	C CAPACITOR				K 505	NQR0269-001X	FERRITE BEADS		
	C 515	NCB31CK-104X	C CAPACITOR				K 506	NQR0007-002X	FERRITE BEADS		
	C 516	NCB31CK-104X	C CAPACITOR				K 561	NQR0007-002X	FERRITE BEADS		
	C 517	NCB31CK-104X	C CAPACITOR				K 562	NQR0007-002X	FERRITE BEADS		
	C 518	NCB31CK-104X	C CAPACITOR				K 563	NQR0007-002X	FERRITE BEADS		
	C 520	NCB31CK-104X	C CAPACITOR				K 565	NQR0007-002X	FERRITE BEADS		
	C 522	NCB31CK-104X	C CAPACITOR				K 571	NQR0007-002X	FERRITE BEADS		
	C 524	NCB31CK-104X	C CAPACITOR				K 575	NQR0007-002X	FERRITE BEADS		
	C 525	NCB31CK-104X	C CAPACITOR				K 577	NQR0007-002X	FERRITE BEADS		
	C 526	NCB31CK-104X	C CAPACITOR				K 578	NQR0007-002X	FERRITE BEADS		
	C 527	NCB31CK-104X	C CAPACITOR				K 579	NQR0007-002X	FERRITE BEADS		
	C 528	NCB31CK-104X	C CAPACITOR				Q 101	KTA1001/Y/-X	TRANSISTOR		
	C 529	NCB31CK-104X	C CAPACITOR				Q 102	KTA1001/Y/-X	TRANSISTOR		
	C 530	NEA70GM-107X	E CAPACITOR				Q 103	DTA144EE-X	DIGI TRANSISTOR		
	C 531	NCB31CK-104X	C CAPACITOR				R 101	NRSA63J-333X	MG RESISTOR		
	C 533	NCB31CK-104X	C CAPACITOR				R 102	NRSA63J-223X	MG RESISTOR		
	C 534	NEA70GM-107X	E CAPACITOR				R 103	NRSA63J-223X	MG RESISTOR		
	C 535	NCB31CK-104X	C CAPACITOR				R 104	NRS125J-270X	MG RESISTOR		
	C 536	NCB31CK-103X	C CAPACITOR				R 105	NRS125J-270X	MG RESISTOR		
	C 539	NCB31CK-104X	C CAPACITOR				R 106	NRSA63J-273X	MG RESISTOR		
	C 540	NEA70GM-476X	E CAPACITOR				R 107	NRSA63J-273X	MG RESISTOR		
	C 541	NCB31CK-104X	C CAPACITOR				R 108	NRSA63J-682X	MG RESISTOR		
	C 544	NCB31CK-104X	C CAPACITOR				R 109	NRSA63J-102X	MG RESISTOR		
	C 547	NCB31CK-104X	C CAPACITOR				R 110	NRSA63J-333X	MG RESISTOR		
	C 556	NEA70GM-107X	E CAPACITOR				R 111	NRVA63D-243X	MG RESISTOR		
	C 566	NCB31CK-104X	C CAPACITOR				R 112	NRSA63J-822X	MG RESISTOR		
	C 567	NEA70GM-476X	E CAPACITOR				R 113	NRSA63J-103X	MG RESISTOR		
	C 571	NEA70JM-226X	E CAPACITOR				R 114	NRSA63J-0R0X	MG RESISTOR		
	C 572	NCB31CK-104X	C CAPACITOR				R 115	NRSA63J-0R0X	MG RESISTOR		
	C 573	NCB31CK-104X	C CAPACITOR				R 116	NRSA63J-0R0X	MG RESISTOR		
	CN101	QGF0522F1-30W	FFC/FPC CONNECTOR	PU			R 117	NRSA63J-0R0X	MG RESISTOR		
	CN201	QGF1016F2-15W	CONNECTOR	PU			R 119	NRSA63J-2R2X	MG RESISTOR		
	CN202	QGF1016F2-06W	CONNECTOR	PU			R 120	NRSA63J-2R2X	MG RESISTOR		
	CN502	QGB2027L1-10X	W TO B CONNECTOR	SYSTEM			R 125	NRSA63J-105X	MG RESISTOR		
	CN503	QGB2027L1-26X	B TO B CONNECTOR	SYSTEM			R 126	NRSA63J-105X	MG RESISTOR		
	D 101	RB521S-30-X	SB DIODE				R 127	NRSA63J-222X	MG RESISTOR		
	D 202	1SS355-X	DIODE				R 128	NRS125J-1R0X	MG RESISTOR		
	D 501	1SR154-400-X	DIODE				R 129	NRS125J-1R0X	MG RESISTOR		
	IC101	AN8703FH-V	IC				R 130	NRSA63J-182X	MG RESISTOR		
	IC201	BA5983FM-X	IC				R 201	NRSA63J-470X	MG RESISTOR		
	IC251	BA6664FM-X	LSI				R 202	NRS125J-1R0X	MG RESISTOR		
	IC301	MN103S28EGA	IC				R 203	NRSA63J-0R0X	MG RESISTOR		
	IC401	MN102L62GMA1	IC(MCU)	MASK			R 204	NRSA63J-273X	MG RESISTOR		
	IC402	MR27V1602EUMTPX	IC	MASK			R 205	NRSA63J-273X	MG RESISTOR		
	IC451	AK93C65AF-X	IC				R 206	NRSA63J-303X	MG RESISTOR		
	IC454	74VHC74MTC-X	IC				R 207	NRSA63J-303X	MG RESISTOR		
	IC455	74VHC00MTC-X	IC				R 208	NRSA63J-223X	MG RESISTOR		
	IC501	ZIVA-4.1-PB0	IC				R 209	NRSA63J-223X	MG RESISTOR		
	IC503	74VHC00MTC-X	IC				R 210	NRSA63J-242X	MG RESISTOR		
	IC504	K4S641632F-TC75	IC				R 211	NRSA63J-242X	MG RESISTOR		
	IC571	CS5960AT-X	IC				R 212	NRSA63J-103X	MG RESISTOR		

**■ Electrical parts list (DVD Servo control board) Block No. 04**

△	Item	Parts number	Parts name	Remarks	Area
	R 213	NRSA63J-103X	MG RESISTOR		
	R 214	NRSA63J-103X	MG RESISTOR		
	R 215	NRSA63J-103X	MG RESISTOR		
	R 216	NRSA63J-912X	MG RESISTOR		
	R 217	NRSA63J-201X	MG RESISTOR		
	R 218	NRSA63J-221X	MG RESISTOR		
	R 219	NRSA63J-183X	MG RESISTOR		
	R 220	NRSA63J-183X	MG RESISTOR		
	R 221	NRSA63J-682X	MG RESISTOR		
	R 222	NRSA63J-103X	MG RESISTOR		
	R 223	NRSA63J-912X	MG RESISTOR		
	R 251	NRS125J-R47X	MG RESISTOR		
	R 252	NRSA63J-2R2X	MG RESISTOR		
	R 253	NRSA63J-0R0X	MG RESISTOR		
	R 254	NRSA63J-203X	MG RESISTOR		
	R 255	NRSA63J-103X	MG RESISTOR		
	R 256	NRSA63J-470X	MG RESISTOR		
	R 258	NRSA63J-0R0X	MG RESISTOR		
	R 259	NRSA63J-103X	MG RESISTOR		
	R 301	NRSA63J-473X	MG RESISTOR		
	R 302	NRSA63J-473X	MG RESISTOR		
	R 303	NRSA63J-473X	MG RESISTOR		
	R 304	NRSA63J-473X	MG RESISTOR		
	R 305	NRSA63J-473X	MG RESISTOR		
	R 306	NRSA63J-473X	MG RESISTOR		
	R 307	NRSA63J-473X	MG RESISTOR		
	R 308	NRSA63J-0R0X	MG RESISTOR		
	R 309	NRSA63J-473X	MG RESISTOR		
	R 313	NRSA63J-473X	MG RESISTOR		
	R 317	NRSA63J-473X	MG RESISTOR		
	R 319	NRSA63J-473X	MG RESISTOR		
	R 320	NRSA63J-0R0X	MG RESISTOR		
	R 321	NRSA63J-473X	MG RESISTOR		
	R 322	NRSA63J-0R0X	MG RESISTOR		
	R 323	NRSA63J-473X	MG RESISTOR		
	R 324	NRSA63J-473X	MG RESISTOR		
	R 325	NRSA63J-123X	MG RESISTOR		
	R 326	NRSA63J-473X	MG RESISTOR		
	R 327	NRSA63J-105X	MG RESISTOR		
	R 328	NRSA63J-153X	MG RESISTOR		
	R 329	NRSA63J-473X	MG RESISTOR		
	R 330	NRSA63J-473X	MG RESISTOR		
	R 331	NRSA63J-473X	MG RESISTOR		
	R 332	NRSA63J-102X	MG RESISTOR		
	R 333	NRSA63J-682X	MG RESISTOR		
	R 334	NRSA63J-102X	MG RESISTOR		
	R 336	NRSA63J-273X	MG RESISTOR		
	R 337	NRSA63J-273X	MG RESISTOR		
	R 338	NRSA63J-472X	MG RESISTOR		
	R 339	NRSA63J-472X	MG RESISTOR		
	R 340	NRSA63J-103X	MG RESISTOR		
	R 341	NRSA63J-562X	MG RESISTOR		
	R 402	NRSA63J-472X	MG RESISTOR		
	R 403	NRSA63J-0R0X	MG RESISTOR		
	R 406	NRSA63J-0R0X	MG RESISTOR		
	R 408	NRSA63J-0R0X	MG RESISTOR		
	R 411	NRSA63J-472X	MG RESISTOR		
	R 413	NRSA63J-472X	MG RESISTOR		
	R 414	NRSA63J-472X	MG RESISTOR		
	R 421	NRSA63J-0R0X	MG RESISTOR		
	R 422	NRSA63J-472X	MG RESISTOR		

△	Item	Parts number	Parts name	Remarks	Area
	R 423	NRSA63J-472X	MG RESISTOR		
	R 424	NRSA63J-472X	MG RESISTOR		
	R 427	NRSA63J-0R0X	MG RESISTOR		
	R 428	NRSA63J-472X	MG RESISTOR		
	R 431	NRSA63J-472X	MG RESISTOR		
	R 432	NRSA63J-472X	MG RESISTOR		
	R 453	NRSA63J-102X	MG RESISTOR		
	R 501	NRSA63J-102X	MG RESISTOR		
	R 502	NRSA63J-472X	MG RESISTOR		
	R 504	NRSA63J-330X	MG RESISTOR		
	R 506	NRSA63J-330X	MG RESISTOR		
	R 507	NRSA63J-330X	MG RESISTOR		
	R 508	NRSA63J-330X	MG RESISTOR		
	R 509	NRSA63J-330X	MG RESISTOR		
	R 510	NRSA63J-330X	MG RESISTOR		
	R 511	NRSA63J-330X	MG RESISTOR		
	R 512	NRSA63J-330X	MG RESISTOR		
	R 513	NRSA63J-330X	MG RESISTOR		
	R 514	NRSA63J-330X	MG RESISTOR		
	R 515	NRSA63J-330X	MG RESISTOR		
	R 516	NRSA63J-330X	MG RESISTOR		
	R 517	NRSA63J-330X	MG RESISTOR		
	R 518	NRSA63J-330X	MG RESISTOR		
	R 519	NRSA63J-330X	MG RESISTOR		
	R 520	NRSA63J-330X	MG RESISTOR		
	R 521	NRSA63J-330X	MG RESISTOR		
	R 522	NRSA63J-330X	MG RESISTOR		
	R 524	NRSA63J-181X	MG RESISTOR		
	R 527	NRSA63J-181X	MG RESISTOR		
	R 528	NRSA63J-102X	MG RESISTOR		
	R 529	NRSA63J-181X	MG RESISTOR		
	R 532	NRSA63J-102X	MG RESISTOR		
	R 533	NRSA63J-330X	MG RESISTOR		
	R 534	NRSA63J-330X	MG RESISTOR		
	R 535	NRSA63J-330X	MG RESISTOR		
	R 536	NRSA63J-330X	MG RESISTOR		
	R 537	NRSA63J-330X	MG RESISTOR		
	R 538	NRSA63J-330X	MG RESISTOR		
	R 539	NRSA63J-330X	MG RESISTOR		
	R 540	NRSA63J-330X	MG RESISTOR		
	R 541	NRSA63J-0R0X	MG RESISTOR		
	R 542	NRSA63J-0R0X	MG RESISTOR		
	R 543	NRSA63J-0R0X	MG RESISTOR		
	R 545	NRSA63J-472X	MG RESISTOR		
	R 546	NRSA63J-181X	MG RESISTOR		
	R 547	NRSA63J-222X	MG RESISTOR		
	R 548	NRSA63J-332X	MG RESISTOR		
	R 551	NRSA63J-0R0X	MG RESISTOR		
	R 552	NRSA63J-0R0X	MG RESISTOR		
	R 555	NRSA02J-0R0X	MG RESISTOR		
	R 571	NRSA63J-330X	MG RESISTOR		
	R 572	NRSA63J-0R0X	MG RESISTOR		
	R 573	NRSA63J-0R0X	MG RESISTOR		
	R 575	NRSA63J-103X	MG RESISTOR		
	R 576	NRSA63J-103X	MG RESISTOR		
	R 577	NRSA63J-470X	MG RESISTOR		
	X 571	NAX0513-001X	CRYSTAL		



■ Electrical parts list (DVD Loading motor board) Block No. 05

△	Item	Parts number	Parts name	Remarks	Area
	CN 1	QGF1016F3-06	CONNECTOR		
	S 1	QSW0910-002	SWITCH		
	S 2	QSW0910-002	SWITCH		

■ Electrical parts list (Head amplifier board) Block No. 06

△	Item	Parts number	Parts name	Remarks	Area
	CN 1	QGF1205F1-09	CONNECTOR		
	D 1	1SR139-400-T2	SI DIODE		
	IC 1	SG-105F3-BB,C	PHOTO SENSER		
	P 1	QNZ0104-001	POST PIN		
	SW 1	QSW0832-001	LEAF SWITCH		
	SW 2	QSW0832-001	LEAF SWITCH		
	SW 5	QSW0832-001	LEAF SWITCH		
	SW 6	QSW0859-001	SW		

■ Electrical parts list (Cassette switch board) Block No. 07

△	Item	Parts number	Parts name	Remarks	Area
	C 101	QDGB1HK-821Y	C CAPACITOR		
	C 102	QDYB1CM-103Y	C CAPACITOR		
	C 103	QFLA1HJ-104Z	M CAPACITOR	.10MF 5% 50V	
	C 104	QCBB1HK-221Y	C CAPACITOR	220PF 10% 50V	
	C 105	QCBB1HK-391Y	C CAPACITOR	390PF 10% 50V	
	C 106	QERF1HM-225Z	E CAPACITOR	2.2MF 20% 50V	
	C 107	QCBB1HK-561Y	C CAPACITOR	560PF 10% 50V	
	C 109	QEKJ1EM-475Z	E CAPACITOR	4.7MF 20% 25V	
	C 110	QDYB1CM-682Y	C CAPACITOR		
	C 113	QFLA1HJ-104Z	M CAPACITOR	.10MF 5% 50V	
	C 121	QCBB1HK-331Y	C CAPACITOR	330PF 10% 50V	
	C 201	QDGB1HK-821Y	C CAPACITOR		
	C 202	QDYB1CM-103Y	C CAPACITOR		
	C 203	QFLA1HJ-104Z	M CAPACITOR	.10MF 5% 50V	
	C 204	QCBB1HK-221Y	C CAPACITOR	220PF 10% 50V	
	C 205	QCBB1HK-391Y	C CAPACITOR	390PF 10% 50V	
	C 206	QERF1HM-225Z	E CAPACITOR	2.2MF 20% 50V	
	C 207	QCBB1HK-561Y	C CAPACITOR	560PF 10% 50V	
	C 209	QEKJ1EM-475Z	E CAPACITOR	4.7MF 20% 25V	
	C 210	QDYB1CM-682Y	C CAPACITOR		
	C 213	QFLA1HJ-104Z	M CAPACITOR	.10MF 5% 50V	
	C 221	QCBB1HK-331Y	C CAPACITOR	330PF 10% 50V	
	C 300	QEKJ1HM-105Z	E CAPACITOR	1.0MF 20% 50V	
	C 301	QEKJ1AM-107Z	E CAPACITOR	100MF 20% 10V	
	C 304	QEKJ1CM-106Z	E CAPACITOR	10MF 20% 16V	
	C 306	QEKJ1AM-107Z	E CAPACITOR	100MF 20% 10V	
	C 307	QDYB1CM-103Y	C CAPACITOR		
	C 308	QDXB1CM-152Y	C CAPACITOR		
	C 310	QCBB1HK-223Y	C CAPACITOR	.022MF 10% 50V	
	C 313	QEKJ1AM-107Z	E CAPACITOR	100MF 20% 10V	
	C 314	QCFB1HZ-105Y	C CAPACITOR	1.0MF +80:-20%	
	C 316	QFG32AJ-223Z	PP CAPACITOR	.022MF 5% 100V	
	C 319	QFLC1HJ-472Z	M CAPACITOR	4700PF 5% 50V	
	C 331	QEKJ1CM-476Z	E CAPACITOR	47MF 20% 16V	
	C 340	QEKJ1CM-476Z	E CAPACITOR	47MF 20% 16V	
	C 341	QEKJ1HM-105Z	E CAPACITOR	1.0MF 20% 50V	
	C 342	QEKJ1CM-476Z	E CAPACITOR	47MF 20% 16V	
	C 371	QEKJ1EM-475Z	E CAPACITOR	4.7MF 20% 25V	
	C 374	QEKJ1AM-107Z	E CAPACITOR	100MF 20% 10V	
	C 376	QDYB1CM-103Y	C CAPACITOR		
	CN 31	QGF1205F1-06	CONNECTOR		
	CN 32	QGF1205F1-09	CONNECTOR		
	CN 33	QGF1205F1-09	CONNECTOR		
	CN 34	QGF1201F3-10	CONNECTOR		
	D 340	MTZJ5.1B-T2	ZENER DIODE		
	D 375	MTZJ5.1B-T2	ZENER DIODE		
	FW100	QUM024-07A2Z3	FLAT WIRE		
	H 32	GV40397-001A	IC HOLDER		
	IC 32	HA12238F	IC		
	IC 33	CD4094BC	IC		
	L 301	QQR1118-002	BIAS COIL		
	L 303	QQL244K-100Z	INDUCTOR		
	Q 302	2SC2001/K-T	TRANSISTOR		
	Q 305	2SC2001/K-T	TRANSISTOR		
	Q 342	KRA111M-T	D TRANSISTOR		
	Q 343	2SC3576-JVC-T	TRANSISTOR		
	Q 344	2SC3576-JVC-T	TRANSISTOR		
	Q 345	2SC3576-JVC-T	TRANSISTOR		
	Q 346	2SC3576-JVC-T	TRANSISTOR		
	Q 347	KRC107M-T	D TRANSISTOR		
	Q 371	KTA1271/OY-T	TRANSISTOR		

△	Item	Parts number	Parts name	Remarks	Area
	Q 372	KRC107M-T	D TRANSISTOR		
	Q 375	2SB562/CJ-T	TRANSISTOR		
	Q 376	KTC3199/GL-T	TRANSISTOR		
	R 101	QRE141J-512Y	C RESISTOR	5.1K 5% 1/4W	
	R 102	QRE141J-512Y	C RESISTOR	5.1K 5% 1/4W	
	R 104	QRE141J-222Y	C RESISTOR	2.2K 5% 1/4W	
	R 105	QRE141J-432Y	C RESISTOR	4.3K 5% 1/4W	
	R 106	QRE141J-113Y	C RESISTOR	11K 5% 1/4W	
	R 107	QRE141J-153Y	C RESISTOR	15K 5% 1/4W	
	R 108	QRE141J-123Y	C RESISTOR	12K 5% 1/4W	
	R 110	QRE141J-103Y	C RESISTOR	10K 5% 1/4W	
	R 116	QRE141J-102Y	C RESISTOR	1.0K 5% 1/4W	
	R 121	QRE141J-153Y	C RESISTOR	15K 5% 1/4W	
	R 201	QRE141J-512Y	C RESISTOR	5.1K 5% 1/4W	
	R 202	QRE141J-512Y	C RESISTOR	5.1K 5% 1/4W	
	R 204	QRE141J-222Y	C RESISTOR	2.2K 5% 1/4W	
	R 205	QRE141J-432Y	C RESISTOR	4.3K 5% 1/4W	
	R 206	QRE141J-113Y	C RESISTOR	11K 5% 1/4W	
	R 207	QRE141J-153Y	C RESISTOR	15K 5% 1/4W	
	R 208	QRE141J-123Y	C RESISTOR	12K 5% 1/4W	
	R 210	QRE141J-103Y	C RESISTOR	10K 5% 1/4W	
	R 216	QRE141J-102Y	C RESISTOR	1.0K 5% 1/4W	
	R 221	QRE141J-153Y	C RESISTOR	15K 5% 1/4W	
	R 301	QRE141J-221Y	C RESISTOR	220 5% 1/4W	
	R 302	QRE141J-222Y	C RESISTOR	2.2K 5% 1/4W	
	R 303	QRE141J-222Y	C RESISTOR	2.2K 5% 1/4W	
	R 304	QRJ146J-101X	UNF C RESISTOR	100 5% 1/4W	
	R 305	QRE141J-103Y	C RESISTOR	10K 5% 1/4W	
	R 306	QRE141J-472Y	C RESISTOR	4.7K 5% 1/4W	
	R 310	QRJ146J-4R7X	UNF C RESISTOR	4.7 5% 1/4W	
	R 313	QRE141J-2R2Y	C RESISTOR	2.2 5% 1/4W	
	R 314	QRE141J-153Y	C RESISTOR	15K 5% 1/4W	
	R 315	QRE141J-101Y	C RESISTOR	100 5% 1/4W	
	R 327	QRE141J-474Y	C RESISTOR	470K 5% 1/4W	
	R 335	QRE141J-222Y	C RESISTOR	2.2K 5% 1/4W	
	R 336	QRE141J-223Y	C RESISTOR	22K 5% 1/4W	
	R 337	QRE141J-332Y	C RESISTOR	3.3K 5% 1/4W	
	R 338	QRE141J-392Y	C RESISTOR	3.9K 5% 1/4W	
	R 339	QRE141J-105Y	C RESISTOR	1.0M 5% 1/4W	
	R 340	QRE141J-681Y	C RESISTOR	680 5% 1/4W	
	R 341	QRE141J-123Y	C RESISTOR	12K 5% 1/4W	
	R 342	QRE141J-243Y	C RESISTOR	24K 5% 1/4W	
	R 343	QRE141J-183Y	C RESISTOR	18K 5% 1/4W	
	R 344	QRE141J-472Y	C RESISTOR	4.7K 5% 1/4W	
	R 345	QRE141J-472Y	C RESISTOR	4.7K 5% 1/4W	
	R 346	QRE141J-472Y	C RESISTOR	4.7K 5% 1/4W	
	R 347	QRE141J-103Y	C RESISTOR	10K 5% 1/4W	
	R 353	QRJ146J-100X	UNF C RESISTOR	10 5% 1/4W	
	R 371	QRE141J-123Y	C RESISTOR	12K 5% 1/4W	
	R 372	QRE141J-102Y	C RESISTOR	1.0K 5% 1/4W	
	R 375	QRE141J-151Y	C RESISTOR	150 5% 1/4W	
	R 376	QRE141J-472Y	C RESISTOR	4.7K 5% 1/4W	
	VR 31	QVP0008-203Z	SEMI V RESISTOR		
	VR 37	QVP0077-103Z	SEMI V RESISTOR		

< MEMO >

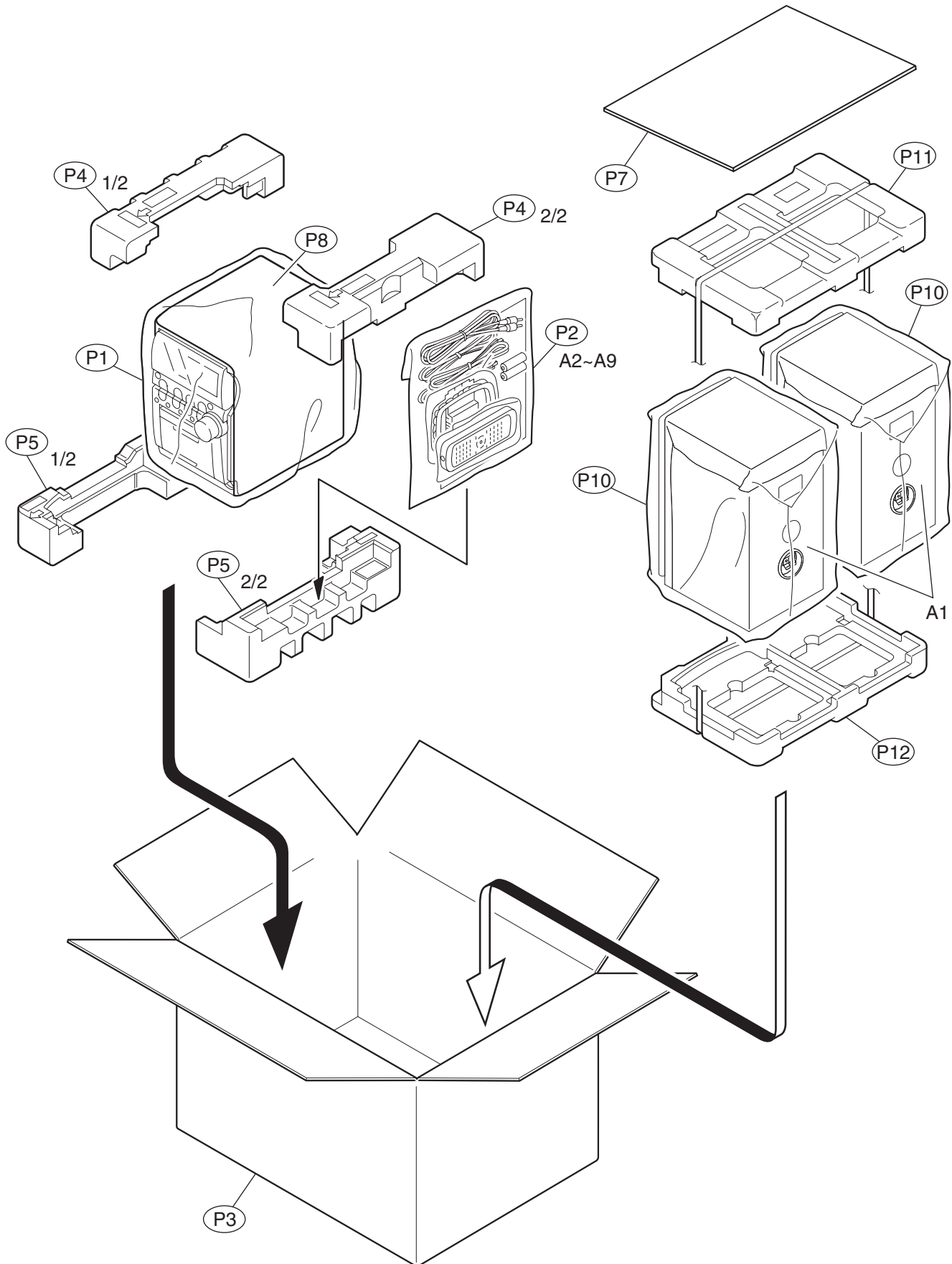
# Packing materials and accessories parts list

Block No. 

M	3	M	M
---	---	---	---

Block No. 

M	5	M	M
---	---	---	---



**Parts list (Packing)**

Block No. M3MM

△	Item	Parts number	Parts name	Q'ty	Description	Area
	P 1	QPC05006515P	POLY BAG	1	SET	
	P 2	QPC02505010P	POLY BAG	1	ACCESSORIES	
	P 3	LV33746-002A	CARTON	1		
	P 4	LV21323-001A	CUSHION(TOP)	1	TOP L/R	
	P 5	LV21324-001A	CUSHION(BTM)	1	BTM L/R	
	P 7	LV33569-003A	CARTON SHEET	1		
	P 8	QPR03508005H	POLY SHEET	1		
	P 10	Z11KO0001	POLY BAG	2	SPEAKER	
	P 11	LV21368-001A	POLYFOAM(TOP)	1	SPEAKER	
	P 12	LV21368-002A	POLYFOAM(BTM)	1	SPEAKER	

**Parts list (Accessories)**

Block No. M5MM

△	Item	Parts number	Parts name	Q'ty	Description	Area
	A 1	UXA7DVK-SPBOX	SPK.WITH BOX	2	SPEAKER	
	A 2	QAL0457-001	ANT.WIRE	1		
	A 3	QAL0014-001	AM LOOP ANT	1		
	A 4	LVT0954-007A	INST BOOK	1	ENG,CHI(PEKIN)	
	A 5	RM-SUXA7DVDU	REMOCON	1		
	A 6	-----	BATTERY	2		
	A 7	QAM0339-001	SPEAKER CORD	2		
	A 8	QAM0216-001	SIGNAL CORD	1	COMPOSIT	
△	A 9	QAM0060-002	SIEMENS PLUG	1		