

**DIRECT VENT GAS FIRED WATER HEATER****⚠ WARNING:**

Improper installation, adjustment, alteration, service, or maintenance can cause injury or property damage. Refer to this manual. For assistance or additional information, consult a qualified installer, service agency, or the gas utility.

**⚠ FOR YOUR SAFETY**

- Do not store or use gasoline or other flammable vapours and liquids in the vicinity of this or any other appliance.
- Installation and service must be performed by a qualified installer, service agency or the gas utility.

**⚠ WARNING:**

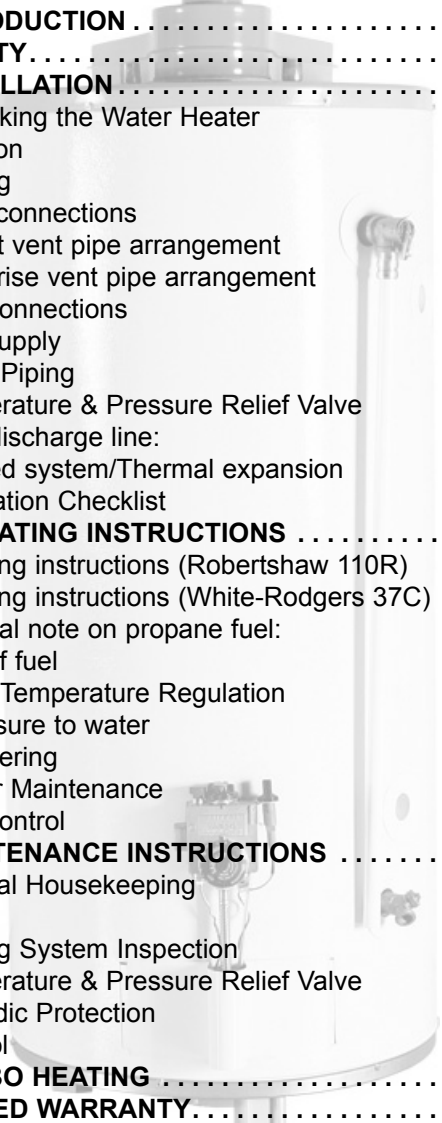
If the information in these instructions is not followed exactly, a fire or explosion may result causing property damage, personal injury or death.

**WHAT TO DO IF YOU SMELL GAS**

- Do not try to light any appliance.
- Do not touch any electrical switch; do not use any phone in your building.
- Immediately call your gas supplier from a neighbor's phone. Follow the gas supplier's instructions.
- If you cannot reach your gas supplier, call the fire department.



TABLE OF CONTENTS



<b>I) INTRODUCTION</b> .....	<b>3</b>
<b>II) SAFETY</b> .....	<b>3</b>
<b>III) INSTALLATION</b> .....	<b>5</b>
Unpacking the Water Heater	5
Location	5
Venting	6
Vent connections	
Offset vent pipe arrangement	
High rise vent pipe arrangement	
Gas Connections	9
Gas Supply	9
Water Piping	9
Temperature & Pressure Relief Valve	10
The discharge line:	
Closed system/Thermal expansion	
Installation Checklist	10
<b>IV) OPERATING INSTRUCTIONS</b> .....	<b>11</b>
Lighting instructions (Robertshaw 110R)	
Lighting instructions (White-Rodgers 37C)	
Special note on propane fuel:	
Out of fuel	
Water Temperature Regulation	13
Exposure to water	
Tampering	
Burner Maintenance	13
Gas Control	13
<b>V) MAINTENANCE INSTRUCTIONS</b> .....	<b>14</b>
General Housekeeping	14
Tank	14
Venting System Inspection	14
Temperature & Pressure Relief Valve	14
Cathodic Protection	14
Control	14
<b>VI) COMBO HEATING</b> .....	<b>15</b>
<b>LIMITED WARRANTY</b> .....	<b>16</b>

**RETAIN THESE INSTRUCTIONS IN A SAFE LOCATION FOR FUTURE REFERENCE**

## Your safety and the safety of others is very important.

We have provided many important safety messages in this manual and on your appliance. Always read and obey all safety messages.



This is the safety alert symbol.

This symbol alerts you to potential hazards that can kill or hurt you and others. All safety messages will follow the safety alert symbol and either the word "DANGER" or "WARNING".



**DANGER** You can be killed or seriously injured if you don't immediately follow instructions.



**WARNING** You can be killed or seriously injured if you don't follow instructions.

All safety messages will tell you what the potential hazard is, tell you how to reduce the chance of injury, and tell you what can happen if the instructions are not followed.

### I) INTRODUCTION

Thank you for purchasing this water heater. Properly installed and maintained, it will provide years of trouble free service. This manual gives instructions for the proper installation, safe operation and maintenance of this water heater. It is your responsibility to ensure that your water heater is properly installed and cared for.

The warranty on this water heater is applicable only when the water heater is installed and operated in accordance with these instructions. The manufacturer of this water heater will not be liable for any injury or property damage resulting from failure to comply with these instructions. Protect your warranty: Regularly maintain your water heater as detailed in the service and maintenance section of this manual.

#### Consumer Responsibilities

This manual has been prepared to acquaint you with the installation, operation and maintenance of your gas fired water heater and provide important safety information in these areas. It is your responsibility to ensure that your water heater is properly installed and cared for.

**FAILURE TO FOLLOW THE INSTRUCTIONS IN THIS MANUAL MAY RESULT IN SERIOUS BODILY INJURY AND/OR PROPERTY DAMAGE. THOROUGHLY READ AND UNDERSTAND ALL INSTRUCTIONS BEFORE YOU ATTEMPT TO INSTALL, OPERATE OR MAINTAIN THIS HEATER.**

Installation and service requires trade knowledge in the areas of plumbing, electricity, venting, air supply and gas supply. If you lack these skills or have difficulty understanding these instructions, you should not proceed. Enlist the help of a qualified service technician to install this water heater.

Examples of qualified service technicians include those trained in the plumbing and heating industry, local gas utility personnel or an authorized service person.

Service to the system should only be performed by a qualified service technician.

The manufacturer and seller of this water heater will not assume any liability for any property damage, personal injury or death resulting from improper sizing, installation or failure to comply with these instructions.

The warranty on this water heater is in effect only when the water heater is installed and operated in accordance with these instructions. A data plate identifying your water heater can be found above the gas control/thermostat. When referring to your water heater, always have the information listed on the data plate readily available.

**Protect your warranty:** Regularly service your water heater as directed in the "Maintenance" section of this manual.

Retain your original receipt as proof of purchase.

**Do not discard this manual. You or future users of this water heater will need it for reference.**

### II) SAFETY

This water heater is design-certified by CSA International as a direct vented water heater.

In addition to the installation instructions found in this manual, the water heater must be installed in accordance with all local and provincial or state codes or, in the absence of such, with the latest editions of the following specifications.

**"Natural Gas and Propane Installation Code" CAN/CSA-B149.1 and "Canadian Electrical Code (CAN/CSA C22.1), Part I"** available from:

Canadian Standards Association,  
5060 Spectrum Way,  
Mississauga, Ontario, Canada  
L4W 5N6

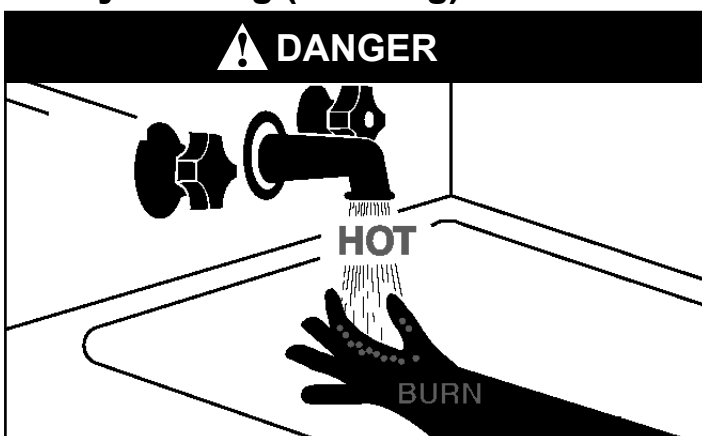
Check your phone listings for the local authorities having jurisdiction over your installation.

## Safety Warning (Flammable Vapours)



There is a risk of property damage, personal injury or death from the by-products of combustion (e.g., flue gases), in using fuel-burning appliances such as water heaters. Areas that may not be suitable for water heater installation include those where flammable liquids, gasoline, solvents, adhesives etc. are stored, or where engine-driven equipment or vehicles are stored, operated or repaired. These, and similar products, should not be stored or used near the water heater or air intake. Due to the nature of air movement, flammable vapours can be carried some distance from the point of storage. The gas-fired water heater igniter or burner flame can ignite these vapours causing a flashback, fire or explosion, which may result in severe property damage, serious personal injury or death. If flammable liquids or vapours have spilled or leaked in the area of the water heater, leave the area immediately and call the fire department from a neighbor's home. Do not attempt to clean the spill until all ignition sources have been extinguished.

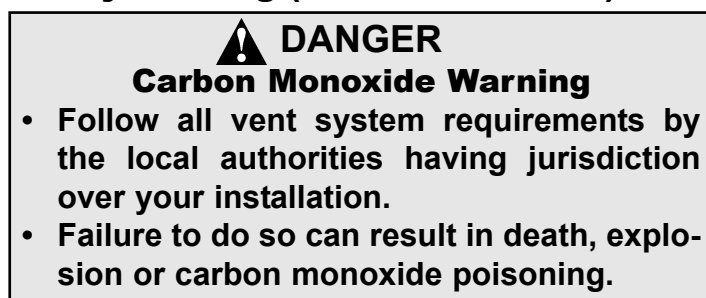
## Safety Warning (Scalding)



Hot water produced by this appliance can cause severe burns due to scalding. The hazard is increased for young children, the aged or the disabled when water temperatures exceed 52°C (125°F). Use tempering valves, also known as mixing valves, in the hot water system to reduce the risk of scalding at point-of-use such as lavatories, sinks and bathing facilities. Such precautions must be followed when

this heater is operated in combination with dishwashing or space heating applications.

## Safety Warning (Carbon Monoxide)

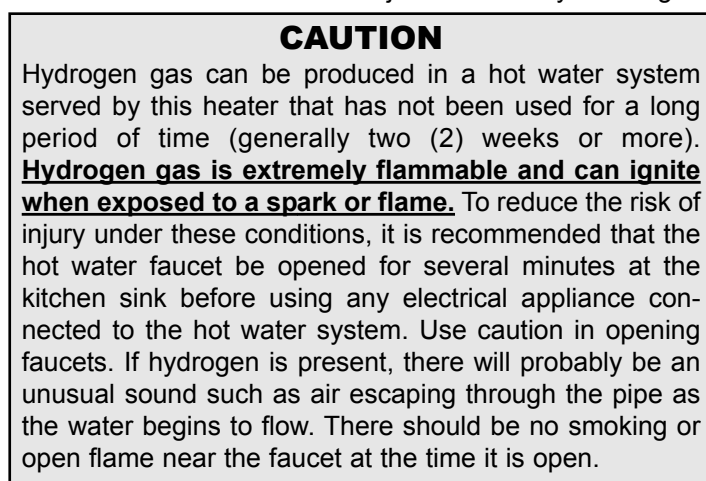


## Relief Valve Requirements (T&P)

All water heaters must be fitted with a proper temperature and pressure relief valve. These valves must be certified as meeting the requirements of the "Standard For Relief Valves For Hot Water Supply Systems, ANSI Z21.22/CSA 4.4".

If this water heater has been exposed to flooding, freezing, fire or any unusual condition, do not put it into operation until it has been inspected and approved by a qualified service technician.

**THESE CONDITIONS CAN RESULT IN UNSEEN INTERNAL DAMAGE** and are not subject to warranty coverage.



### III) INSTALLATION

#### Unpacking the Water Heater



#### WARNING

##### Excessive Weight Hazard

Use two or more people to move and install water heater. Failure to do so can result in back or other injury.

**Important:** Do not remove any permanent instructions, labels, or the data label from outside of the water heater or on the inside of panels.

- Remove exterior packaging and place installation components aside.
- Inspect all parts for damage prior to installation and start-up.
- Completely read all instructions before attempting to assemble and install this product.

If you observe damage to the water heater or any of its components, **DO NOT ASSEMBLE OR INSTALL IT OR MAKE ANY ATTEMPT TO FIX THE DAMAGED PART(S)**. Contact the place of purchase for further instructions.

- After installation, dispose of packaging material in the proper manner.

#### Location

Generally, the location selected should be as close to the wall as practical and as centralized with the piping system as possible. Heater should be located in an area not subject to freezing temperatures.

The water heater should be located so that the controls and drain are easily accessible.

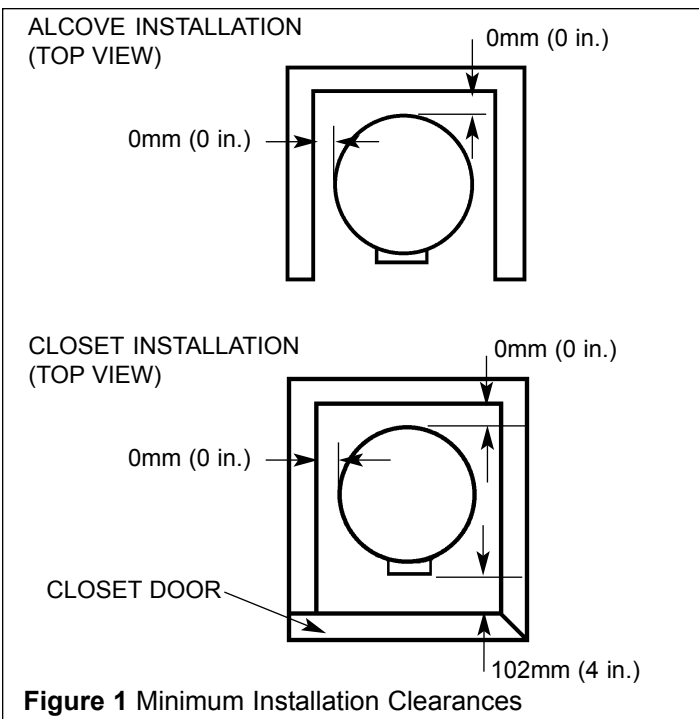
#### IMPORTANT:

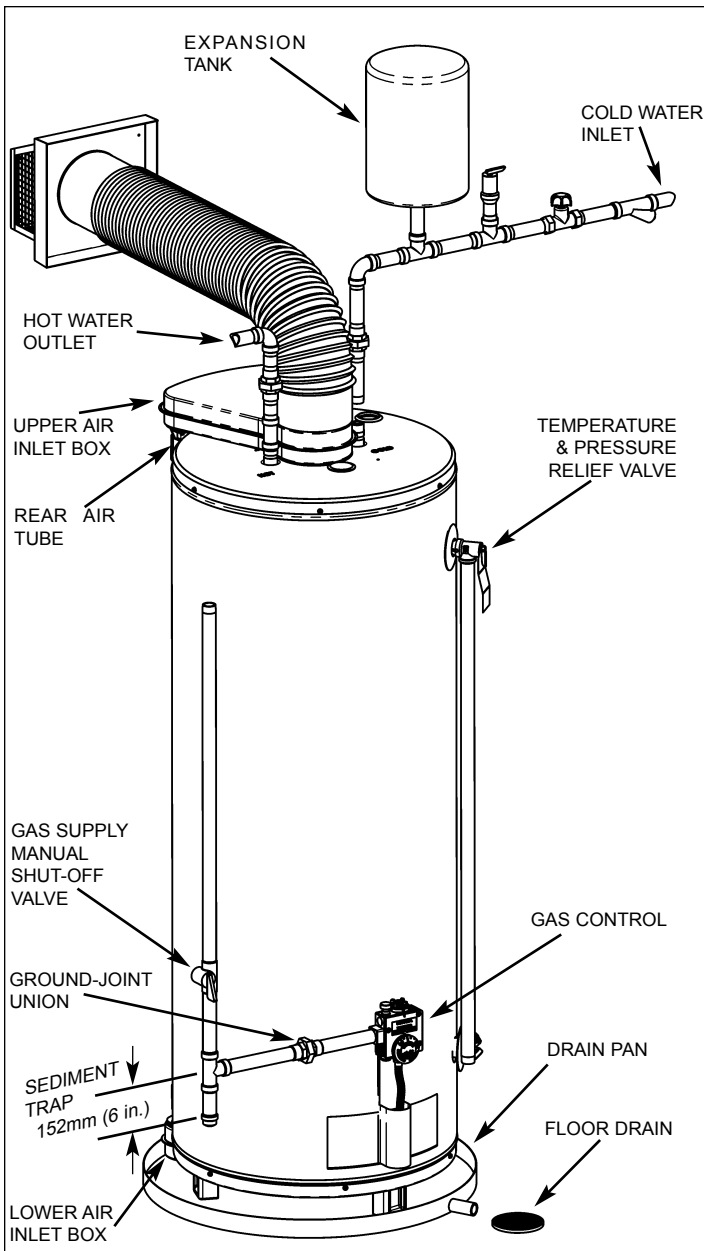
This water heater must be installed strictly in accordance with the instructions enclosed, and local electrical, fuel and building codes. It is possible that connections to the water heater, or the water heater itself, may develop leaks. IT IS THEREFORE IMPERATIVE that the water heater be installed so that any leakage of the tank or related water piping is directed to an adequate drain in such a manner that it cannot damage the building, furniture, floor covering, adjacent areas, lower floors of the structure or other property subject to water damage. This is particularly important if the water heater is installed in a multi-story building, on finished flooring or carpeted surfaces. GSW WILL NOT ASSUME ANY LIABILITY for damage caused by water leaking from the water heater, pressure relief valve, or related fittings. Select a location as centralized within the piping system as possible. In any location selected, it is recommended that a suitable drain pan be installed under the water heater. This pan must limit the water level to a MAXIMUM depth of 45mm (1 3/4 in.) and have a diameter that is a minimum of 50mm (2 in.) greater than the diameter of the water heater. Suitable piping shall connect the drain pan to a properly operating floor drain.

**CAUTION:** When this water heater is installed directly on carpeting, carpeting must be protected by a metal or wood panel beneath the appliance extending beyond the full width and depth of the appliance by at least 76mm (3 in.) in any direction, or if the appliance is installed in an alcove or closet, the entire floor must be covered by the panel. The panel must be strong enough to carry the weight of the heater when full of water. Failure to heed this warning may result in a fire hazard.

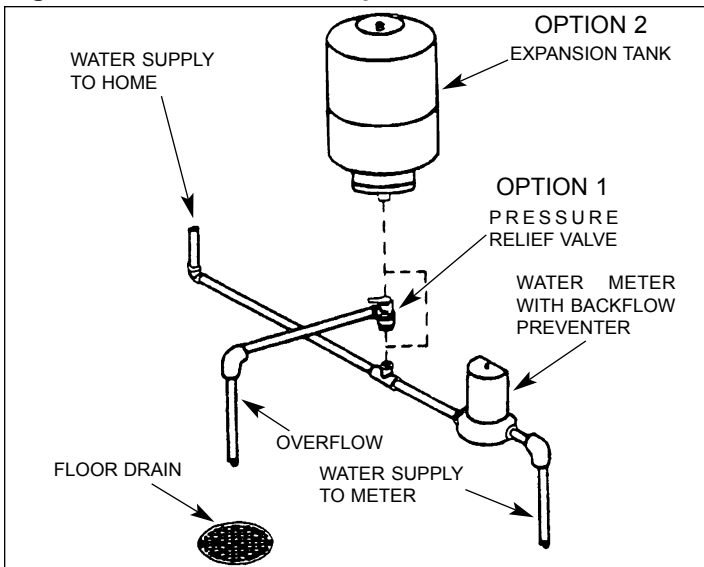
Minimum clearances between the heater and combustible/non combustible materials are 0mm (0 in.) at the sides and rear; 508mm (20 in.) from the top of water heater and 25mm (1 in.) around the vent pipe. A minimum of 915mm (3 ft.) of clearance is required at the front (control) side of the heater for service.

For a closet installation, the door at burner side should be openable and a minimum of 102mm (4 in.) clearance is needed. Water heater is certified for installation on a combustible floor (see Figure 1).





**Figure 2A - Installation Components.**

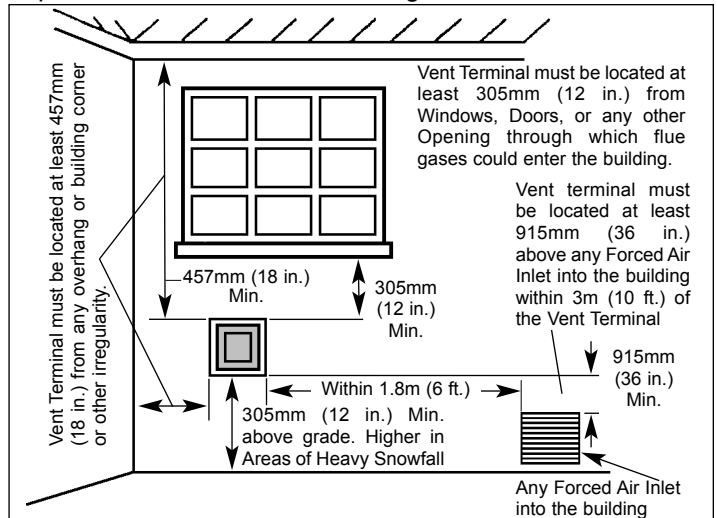


**Figure 2B - Installation Options.**

Figure 2B shows the location of a pressure relief and/or expansion tank if a check valve or pressure-reducing valve is in the cold water supply to the house. Use OPTION 1 or 2 whichever is more convenient. If pressure relief valve is used, select one with a setting 172 kPa (25 psi) below the T&P valve rating at tank.

### Venting

Make certain to observe the vent location limitations complying with the "Natural Gas and Propane Installation Code" CAN/CSA-B149.1 or "National Fuel Gas Code" ANSI Z223.1 (NFPA 54) and/or local codes. There is some important information shown in Figure 3.



**Figure 3 - Vent Location Limitations**

For a second or more direct vent unit, the distance between vent terminals must have a minimum of 305mm (12 in.).  
**INSPECT SHIPMENT** — There may be hidden damage caused by transit. Check to be certain all parts of the venting system, as shown in Figures 3A through 3M, are present. Inspect the upper and lower air inlet boxes, rear air tube and all parts of the venting system (see Figure 2A).

### CAUTION

If there are any damaged parts, DO NOT install this water heater. Report any shortage to your distributor and damage to your carrier.

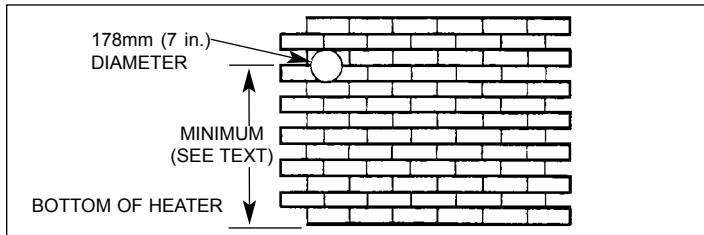
**Note:** The four fasteners that are required to secure the vent terminal to the exterior wall are not provided. These should be screw type (not nails) chosen for the type of construction and obtained locally.

### CAUTION

Cut edges of corrugated (flex) pipe are extremely sharp. Wear gloves when handling.

## Vent connections

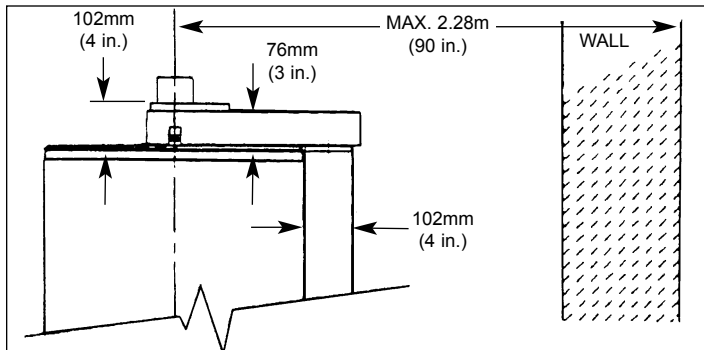
After the location for the vent terminal has been selected as outlined in Figure 3, use the following illustrations for installation:



**Figure 3A - Locating Clearance Hole For Vent.**

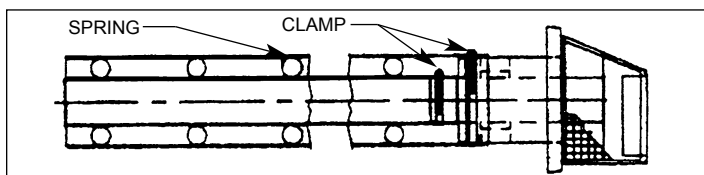
Cut a clearance hole, approximately 178mm (7 in.) in diameter, through the exterior wall for the vent assembly. The minimum height should not be less than 1.72m (68 in.) for 40 gal. models and not less than 1.93m (76 in.) for 50 gal. models, as measured from the hole center to bottom of water heater. The maximum height recommended is 2.28m (90 in.) or in compliance with Figure 3M.

\* If the exterior wall is less than 356mm (14 in.) thick, the clearance from the vent to combustible materials within the hole can be 0mm (0 in.). If the wall thickness exceeds 356mm (14 in.), maintain a clearance of 25mm (1 in.) to combustible materials within the hole.



**Figure 3B - Moving Water Heater To Its Final Installed Location.**

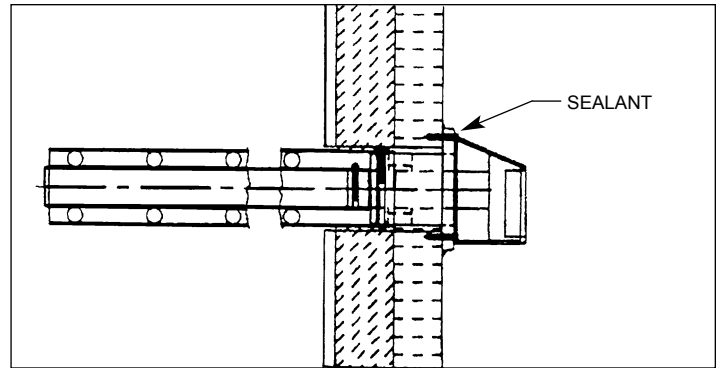
Move the water heater to its final installed location. Make certain clearances from combustible material are observed. The maximum distance from center of water heater to out-



side wall must not be more than 2.28m (90 in.).

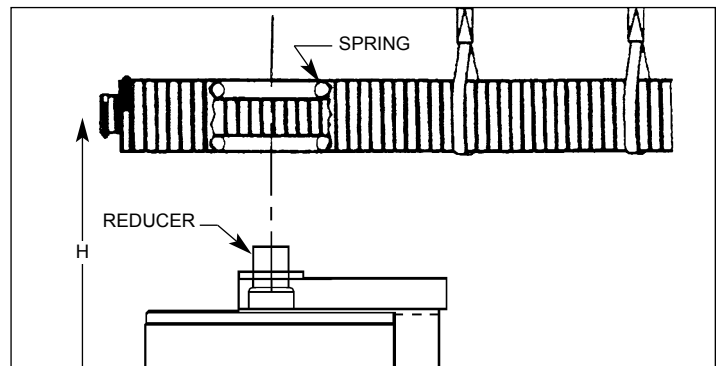
**Figure 3C - Vent Assembly.**

The vent pipe and terminal are assembled by the manufacturer as shown in Figure 3C. There are springs fastened inside the corrugated pipe. When the vent pipes are pulled to a required length, the distances between the springs will still be equally spaced.



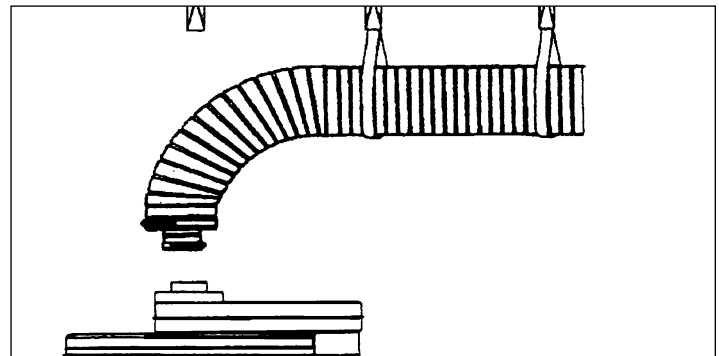
**Figure 3D - Securing Vent Termination Assembly To The Exterior Wall.**

Introduce the 152mm (6 in.) pipe through the clearance hole from exterior wall then secure the vent terminal to the exterior wall with 4 screw anchors appropriate for the type of wall construction. Caulk the junction of the vent terminal base plate and the exterior wall with exterior type silicone sealant.



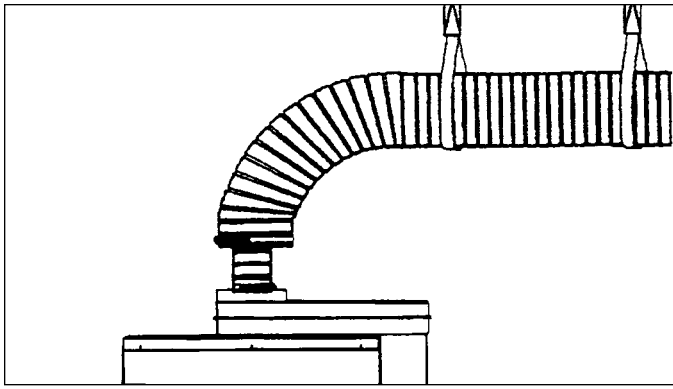
**Figure 3E - Uncompressing Corrugated Tubing.**

1. Pull the 80mm (3-1/8 in.) corrugated pipe towards the water heater and leave some length over the water heater's center for bending.
2. Pull the 152mm (6 in.) corrugated pipe toward the water heater and leave it 25mm (1 in.) shorter than 80mm (3-1/8 in.) pipe.
3. Make sure there are two springs evenly spaced at the bend in the pipe.
4. Use metal hangers to keep vent pipe level or with a slope upward from the heater to terminal.



**Figure 3F**

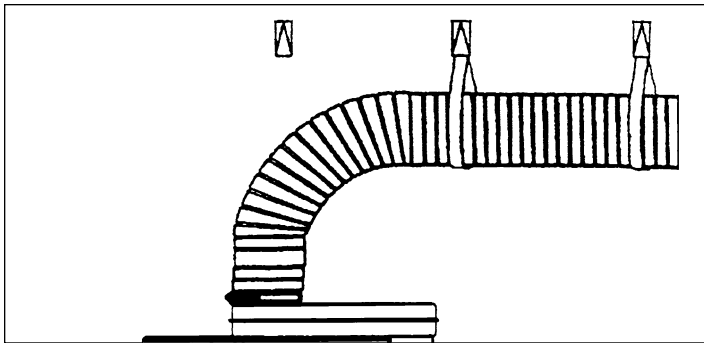
Bend the 80mm (3-1/8 in.) and 152mm (6 in.) corrugated pipe all together toward the water heater's flue connection.



**Figure 3G**

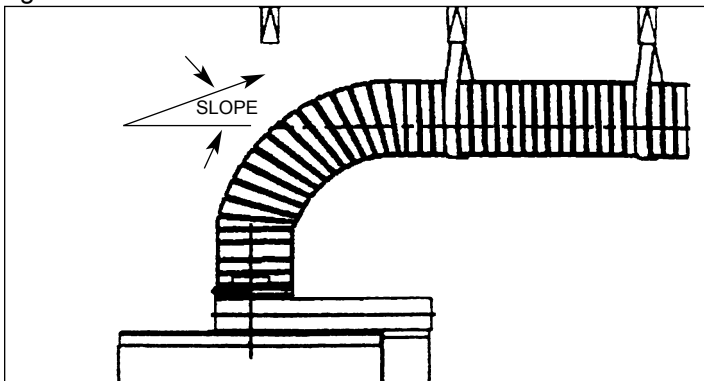
Pull and connect the 80mm (3-1/8 in.) corrugated pipe to the water heater's flue tube reducer with hi-temp red silicone and gear clamp. Make sure this connection is tight and leak proof.

\*The sealant between 80mm (3-1/8 in.) corrugated pipe and water heater's flue tube reducer must be hi-temp red silicone or other material suitable for 315°C (600°F) continuous service.



**Figure 3H**

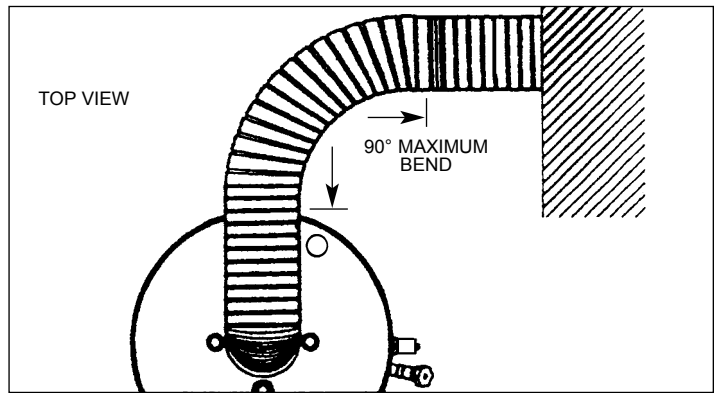
Apply silicone around 152mm (6 in.) collar on air manifold box. Pull corrugated vent tube all the way on to collar and secure with one sheet metal screw (approx. 19mm (3/4 in.) up from edge of vent tube. Pull gear clamp past screw and tighten.



**Figure 3J**

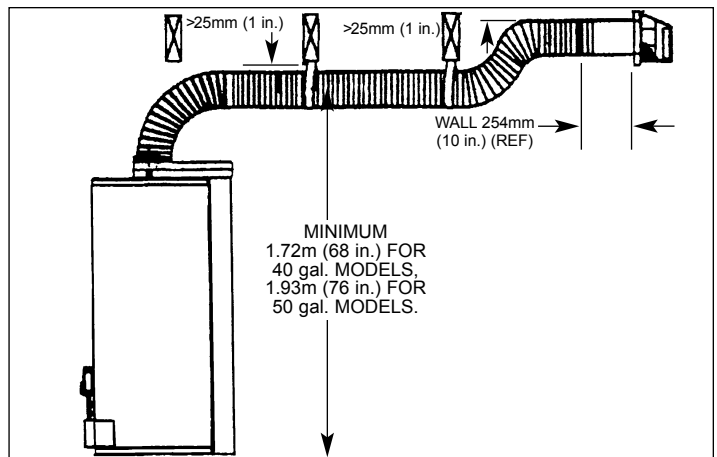
Check the vent pipe's level or slope again, and adjust if required.

## Offset vent pipe arrangement



**Figure 3K - CONDITION 1**

Where a straight vent pipe arrangement is impossible, a horizontal 90 degree maximum bend can be made. Use the water heater casing outer diameter as a template to form the corrugated pipe.



**Figure 3L - CONDITION 2**

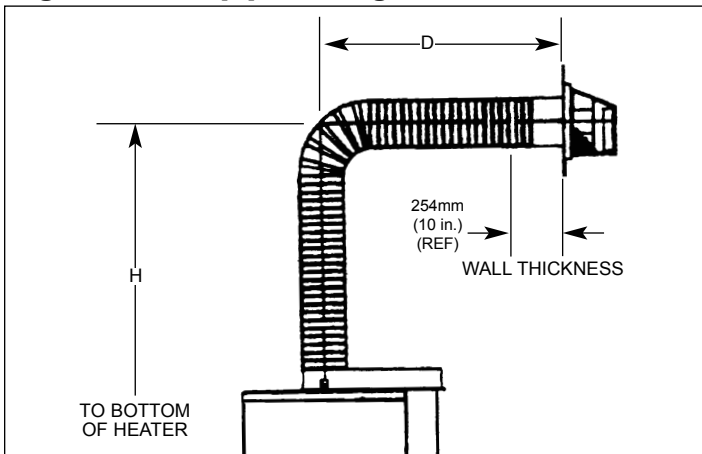
Where floor joists impede venting, a rise to complete the vent termination is possible. All installations require 25mm (1 in.) clearance to combustibles.

### Note:

- The maximum horizontal vent pipe length of 2.28m (90 in.) minus wall thickness should be considered when installing an offset vent arrangement.
- Do not combine condition 1 (3K) with condition 2 (3L) in the same installation.



## High rise vent pipe arrangement



**Figure 3M**

When the height H (From vent terminal center line to bottom of heater) is over 2.28m (90 in.), it is a high rise vent pipe arrangement. In this case, the minimum distance "D" from the center of the water heater to the outside wall surface is 560mm (22 in.), and the maximum height of "H" is 3.66m (12 ft.).

## Gas Connections

Install the gas piping as indicated in Figure 2A. Use only new pipe and fittings with sound, clean-cut pipe threads. Sealing compound must conform to the applicable code for pipe sealing compound approved for use with natural gas and propane. Use gas piping of adequate sizing to ensure full gas input. All piping must comply with all local codes. In the absence of local codes, piping must comply with the rules stated by the applicable "**Natural Gas and Propane Installation Code**" CAN/CSA-B149.1 or "**National Fuel Gas Code**" ANSI Z223.1 (NFPA 54). The final connection to the gas control valve is made using 1/2" NPT pipe.

Inlet gas pressure to the appliance must not exceed the gas pressures marked on the rating plate; 7.0 in. w.c. (1.7 kPa) for natural gas, 14 in. w.c. (3.5 kPa) for L.P. gas. The minimum supply pressure for the purpose of input adjustment is 1 in. w.c. (0.25 kPa) above manifold pressure.

The appliance and its individual shut-off valve must be disconnected from the gas supply piping system during any pressure testing of that system at test pressure in excess of 14 in. w.c. (3.5 kPa).

The appliance must be isolated from the gas supply piping system by closing its individual manual shut-off valve during any pressure testing of the gas supply piping system at test pressures equal to, or less than 14 in. w.c. (3.5 kPa).

The appliance and its gas connection must be leak tested before placing the appliance in operation. It is important to have a readily accessible manual shut-off valve in the gas line supplying the water heater. This shut-off valve must be close to the heater. In addition, a drip leg must be installed ahead of the gas control valve to help trap sediment and foreign material.

A ground-joint union must be installed ahead of the gas

valve to permit easy removal of the unit. All leak testing must be done with a soapy water solution.

**NEVER USE A MATCH OR OPEN FLAME TO TEST FOR GAS LEAKS. A FIRE OR EXPLOSION COULD RESULT.**

## Gas Supply

**⚠ DANGER**



### Explosion Hazard

- Use a new CSA approved gas supply line.
- Install a gas supply shut-off valve.
- Do not connect a natural gas water heater to a L.P. gas supply.
- Do not connect a L.P. gas water heater to a natural gas supply
- Failure to follow these instructions can result in death, an explosion or carbon monoxide poisoning.

**Read the data plate to be sure the water heater is made for the type of gas you will be using in your home.** This information will be found on the data plate located above the gas control valve. If the information does not agree with the type of gas available, do not install or attempt to start. Call your dealer.

**Note:** An odourant is added by the gas supplier to the gas used by this water heater. This odourant may fade over an extended period of time. Do not depend upon this odourant as an indication of leaking gas.

## Water Piping

Pipes and fittings should be installed in compliance with the installation drawing. Check for dip tube in cold water fitting before connection of hot and cold water lines. It is recommended that a shut-off valve be located in the cold-water supply line in close proximity to the cold water inlet of the water heater. Show the user where this water shut-off valve is installed and how to use it to shut the water supply to the heater off.

Connect the cold water supply (3/4" NPT) to the fitting marked "COLD", the hot water outlet (3/4" NPT) to the fitting marked "HOT". Do not apply heat to either of these fittings as they contain a nonmetallic tube. Solder the pipe to an adapter before attaching the adapter to the hot and cold water fittings. When making these connections, always use a good grade of pipe joint compound and be certain that all fittings are tight. See installation drawing (Figure 2A).

After piping has been installed, allow tank to fill with water and check connections for leaks. To ensure complete filling of the tank, allow air to exit by opening the nearest hot water faucet until a constant flow of water is obtained.

## Temperature & Pressure Relief Valve

For protection against excessive pressure and/or temperatures, a temperature and pressure relief valve has been installed in the water heater.

ANY REPLACEMENT VALVE MUST NOT EXCEED THE TEMPERATURE AND PRESSURE RATING. FAILURE TO INSTALL AND MAINTAIN A NEW, PROPERLY LISTED TEMPERATURE AND PRESSURE RELIEF VALVE WILL RELEASE THE MANUFACTURER FROM ANY CLAIMS WHICH MIGHT RESULT FROM EXCESSIVE TEMPERATURE OR WATER PRESSURE.

Pressure rating of the valve must not exceed the working pressure shown on the rating plate of the water heater. The discharge capacity must be equal to or greater than the input to the water heater. Temperature and Pressure Relief valve piping must terminate 152mm (6 in.), no more than 305mm (12 in.) (reference the applicable code) above a floor drain or external to the building. Do not thread, cap, or plug the end of this discharge line. Be certain that no contact is made with any live electrical part. Do not connect discharge line directly to drain (see Figure 2A). To prevent bodily injury, hazard to life or damage to property, the relief valve must be allowed to discharge water in the event of excessive temperature or pressure developing in the water heater. The function of the temperature and pressure relief valve is to discharge water in quantities should circumstances demand. If the discharge pipe is not directed to drain as shown in Figure 2A, or other suitable means, the water flow may cause property damage.

### The discharge line:

1. must not be smaller than the outlet pipe size of the relief valve,
2. must not be plugged or blocked,
3. must be material capable of withstanding 99°C (210°F) without distortion,
4. must be installed so as to allow complete drainage of both temperature and pressure relief valve,
5. must terminate at an adequate drain, and

### WARNING

**Do not attempt to operate this water heater with the cold water inlet valve closed. Manually operate the Temperature and Pressure Relief valve at least once a year. Standing clear of the outlet (discharge water may be hot), lift and release the lever handle on the Temperature and Pressure Relief valve to make the valve operate freely. NEVER OPERATE THE HEATER IF IT IS NOT COMPLETELY FILLED WITH WATER. TO MAKE SURE THE HEATER IS FILLED, OPEN A HOT WATER TAP UNTIL A FULL FLOW OF WATER IS VISIBLE WITH NO AIR ESCAPING.**

6. must not have any valve between the relief valve and the water heater.

### Closed system/Thermal expansion

Periodic discharge of the temperature and pressure relief valve may be due to thermal expansion in a closed water supply system. The water utility supply meter may contain a check valve, backflow preventer or water pressure-reducing valve. This will create a closed water system. During the heating cycle of the water heater, the water expands causing pressure inside the water heater to increase. This may cause the temperature and pressure relief valve to discharge small quantities of hot water. To prevent this, it is recommended that a diaphragm-type expansion tank (suitable for potable water) be installed on the cold water supply line. The expansion tank must have a minimum capacity of 5.6 litres (1.5 US gallons) for every 190 litres (50 US gallons) of stored water and be rated at the working pressure of the water heater. Contact the local water supplier or plumbing inspector for information on other methods to control this situation.

**Important: Do not plug or remove the temperature and pressure relief valve.**

### Installation Checklist

Check Here

1. Have the vent location limitations and minimum height for vent termination and maximum vent length been checked?
2. Are the terminal and vent pipes installed and sealed properly?
3. Has the gas piping been leak tested?
4. Is there 508mm (20 in.) at the top and 25mm (1 in.) around the vent pipe?
5. Have you taken steps to prevent water damage in case of leaks?
6. Is the diptube installed in the cold water inlet connection?
7. Is the water heater completely filled with water?
8. Does the gas piping conform with the recommendations of your Local Gas Utility Company?
9. Is the vent terminal opening unobstructed?
10. Is a temperature and pressure relief valve installed?
11. Is the drain pipe from the T&P valve unobstructed?
12. Has all plastic and cardboard packaging material been removed from the heater and venting?

**If the answer to all of the questions above is "Yes", read the Operating Instructions and proceed with lighting the heater.**

## IV) OPERATING INSTRUCTIONS

### Lighting instructions (Robertshaw 110R)

#### FOR YOUR SAFETY READ BEFORE OPERATING

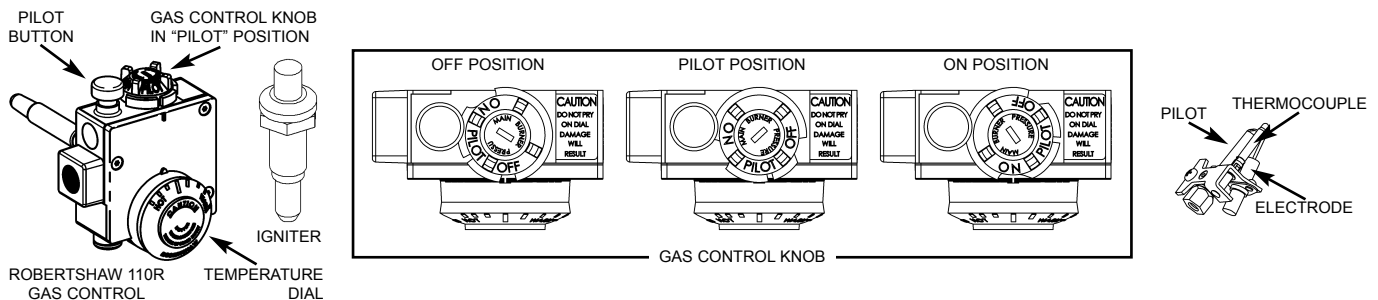
**WARNING:** If you do not follow these instructions exactly, a fire or explosion may result causing property damage, personal injury or loss of life.




- A. This appliance has a pilot which must be lighted by igniter. When lighting a pilot, follow these instructions exactly.  
B. **BEFORE OPERATING** smell all around the appliance area for gas. Be sure to smell next to the floor because some gas is heavier than air and will settle on the floor.

#### WHAT TO DO IF YOU SMELL GAS

- Do not try to light any appliance.
  - Do not touch any electric switch; do not use any phone in your building.
  - Immediately call your gas supplier from a neighbor's phone. Follow the gas supplier's instructions.
  - If you cannot reach your gas supplier, call the fire department.
- C. Use only your hand to turn the gas control knob. Never use tools. If the knob will not turn by hand, don't try to repair it, call a qualified service technician. Force or attempted repair may result in a fire or explosion.  
D. Do not use this appliance if any part has been under water. Immediately call a qualified service technician to inspect the appliance and to replace any part of the control system and any gas control which has been under water.


#### LIGHTING AND OPERATING INSTRUCTIONS



1. **STOP!** Read all safety labels on the water heater before operation.
2. Remove the outer door.
3. Turn the temperature dial counter-clockwise  to its lowest setting.
4. Turn gas control knob clockwise  to the "OFF" position.
5. To clear any gas that may have accumulated wait ten (10) minutes. If you then smell gas, STOP! Follow instruction "B" described above.
6. Turn the gas control knob counter-clockwise  to "PILOT".
7. Depress the pilot button all the way in and IMMEDIATELY depress the igniter button until you hear a loud click. Observe the pilot through the view port. Do not release the pilot button. Repeat immediately if pilot does not light on the first try. If the pilot does not light by the fourth attempt with the igniter, repeat steps 3-6. Continue to hold the button for about (1) minute after the pilot is lit. Release the pilot button and it will pop back up. Pilot should remain lit. If the pilot light goes out, repeat steps 3-7.

**IMPORTANT:** If the pilot will not stay lit after several tries, turn gas control knob to "OFF" and call your service technician or gas supplier.

**IMPORTANT:** If the pilot button does not pop up to its original position when released, stop and immediately shut off the gas at the line valve or tank. Call your service technician or gas supplier.

8. Turn the gas control knob counter-clockwise  to "ON".
9. Set the temperature dial to the desired setting.
10. Replace the outer door.

#### TO TURN OFF GAS TO APPLIANCE

1. Set the thermostat to lowest setting. Turn counter-clockwise .
2. Turn the gas control knob "OFF". Rotate clockwise.

70935.1

## Lighting instructions (White-Rodgers 37C)

### FOR YOUR SAFETY READ BEFORE OPERATING

**WARNING:** If you do not follow these instructions exactly, a fire or explosion may result causing property damage, personal injury or loss of life.

- A. This appliance has a pilot that is lit by a piezo-electric spark gas ignition system. Do not open the inner door of the appliance and try to light the pilot by hand.
- B. **BEFORE OPERATING** smell all around the appliance area for gas. Be sure to smell next to the floor because some gases are heavier than air and will settle on the floor.

#### WHAT TO DO IF YOU SMELL GAS

- Do not try to light any appliance.
  - Do not touch any electric switch; do not use any phone in your building.
  - Immediately call your gas supplier from a neighbour's phone. Follow the gas supplier's instructions.
  - If you cannot reach your gas supplier, call fire department.
- C. Use only your hand to push in or turn the gas control knob. Never use tools. If the knob will not push in or turn by hand, don't try to repair it, call a qualified service technician. Force or attempted repair may result in a fire or explosion.
- D. Do not use this appliance if any part has been under water. Immediately call a qualified service technician to inspect the appliance and to replace any part of the control system and any gas control which has been under water.

### LIGHTING AND OPERATING INSTRUCTIONS

1. STOP! Read the safety information above on this label.
2. Set the thermostat to lowest setting.
3. This appliance has a pilot that is lit by a spark gas ignition system. Do not try to light the pilot by hand.
4. Remove the outer burner door.
5. Push the gas control knob down slightly and turn clockwise ↻ to "OFF" (see Figure "A").

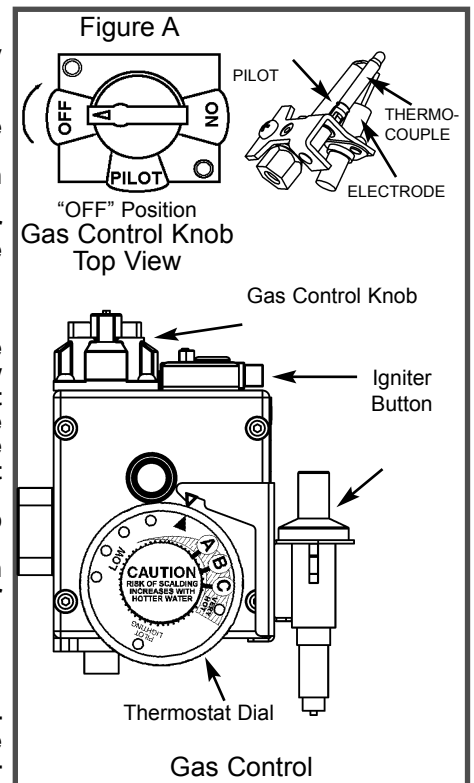
**NOTE:** Knob CANNOT be turned from "PILOT" to "OFF" unless it is pushed down slightly. Do not force.

6. Wait ten (10) minutes to clear out any gas. Then smell for gas, including near the floor. If you smell gas, STOP! Follow "B" in the safety information above on this label. If you don't smell gas, go to the next step.
7. Make sure the water heater is filled with water.
8. Turn gas control knob counterclockwise ↻ to "PILOT" (see Figure "A").
9. Depress the gas control knob all the way in and IMMEDIATELY depress the igniter button until you hear a loud click. Observe the pilot through the view port. Do not release the gas control knob. Repeat immediately if pilot does not light on the first try. If the pilot does not light by the fourth attempt with the igniter, repeat steps 5-9. Continue to hold the button for about one (1) minute after the pilot is lit. Release the gas control knob and it will pop back up. Pilot should remain lit. If the pilot light goes out, repeat steps 5-9.

**IMPORTANT:** If the pilot will not stay lit after several tries, turn gas control knob to "OFF" and call your service technician or gas supplier.

**IMPORTANT:** If the gas control knob does not pop up to its original position when released, stop and immediately shut off the gas at the line valve or tank. Call your service technician or gas supplier.

10. Turn gas control knob counter-clockwise ↻ to "ON" (see Figure "A").
11. Once the pilot flame is established replace the outer burner door.
12. Set thermostat to desired setting.
13. If the pilot will not stay lit after several tries, turn the gas control knob clockwise ↻ to "OFF" (see Figure "A"). If the appliance will not operate, follow the instructions "To Turn Off Gas To Appliance" and call a qualified service technician or gas supplier.



### TO TURN OFF GAS TO APPLIANCE

1. Set thermostat to the lowest setting (PILOT LIGHTING).
2. Push the gas control knob down slightly and clockwise ↻ to the "OFF" position. Do not force.

### Special note on propane fuel:

**⚠ DANGER**



#### Explosion Hazard

To clear accumulated LP gas before attempting to light or re-light pilot:

- Open burner door by loosening the two mounting screws and pulling door back approximately 1/2" away from combustion chamber.
- Allow ventilation of combustion chamber for ten minutes.
- Close burner door. Refer to warning below.

Failure to do so can result in death, explosion, or fire.

#### L.P. GAS IS HEAVIER THAN AIR

Should there be a leak in the system, the gas will settle at FLOOR LEVEL. Basements, crawl spaces, closets and areas below ground level will serve as pockets for the accumulation of the gas.

#### Out of fuel

When your L.P. tank runs out of fuel, turn off gas at all gas appliances. After L.P. tank is refilled, all appliances must be re-lit according to the manufacturers instructions.

#### Water Temperature Regulation

The thermostat is adjusted to its lowest temperature position when shipped from the factory. The temperature of the water can be selected by setting of the temperature dial. The "LOW" position on the thermostat is the preferred starting point for setting the temperature/control knob (approximately 50°C (120°F)). The lowest setting will maintain the minimum water temperature if you are going away for an extended period. The burner may be extinguished if operat-

**⚠ DANGER**



#### Explosion Hazard

Tighten both manifold door screws securely. Remove any fiberglass between gasket and combustion chamber.

Replace view port if glass is missing or damaged.

Replace door gasket if damaged.

Failure to do so can result in death, explosion, or fire.

ed below this temperature.

Energy conservation is a consideration when selecting the water temperature setting.

HIGHER SETTING INCREASES THE RISK OF SCALD INJURY

In households with children or invalids and/or elderly persons, select a lower temperature setting. To reduce the risk of scalding, valves for reducing the point of discharge water temperature by mixing in branch water lines are available. Please consult a licensed plumber or plumbing authority.

#### Exposure to water

##### IMPORTANT:

Should the water heater be subjected to flooding, fire, or other unusual condition, turn off gas at the manual gas shut-off valve and water at the inlet valve to the heater. Do not put the heater in operation until it has been thoroughly checked by a qualified gas technician.

#### Tampering

Tampering with the thermostat, gas valve or temperature pressure relief valve is DANGEROUS and voids all warranties. Only qualified personnel should service these components.

#### Burner Maintenance

At least every three (3) months, check the burner and pilot flames. The burner flames must be a soft blue flame with no yellow tips. Yellow tips indicate a carbonizing flame which can, depending on severity, deposit carbon (soot) on the combustion chamber and flue passages. A sheet metal burner is used on natural gas models (see Figure 4).

The sheet metal burner for Natural Gas has no external air adjustment. It is fully self-compensating and no outside adjustment is required. Observe the flame pattern. Ensure that no debris has fallen on top of the burner and no foreign objects have been introduced into the combustion chamber. Ensure that the vent terminal openings are not obstructed and the inner door to the combustion chamber is closed.

#### Gas Control

For gas control replacement, contact your local gas utility, or a qualified serviceman. The replacement control must be a manufacturer's approved replacement for the control which has been removed.

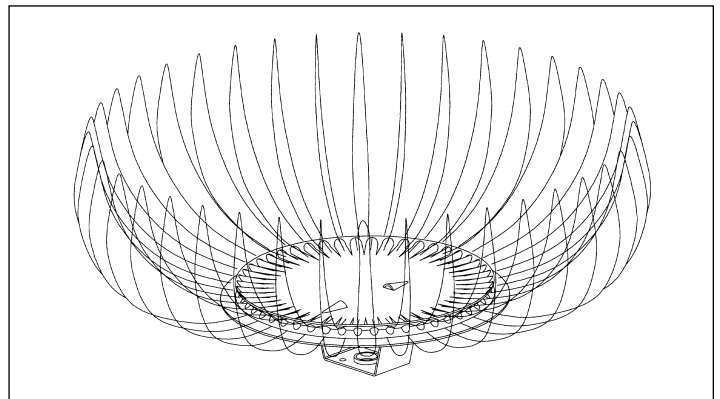


Figure 4

## V) MAINTENANCE INSTRUCTIONS

### General Housekeeping

As a precaution against fire, and to maintain an adequate flow of combustion air to the heater:

- keep the appliance area clear and free from combustible material, gasoline, and other flammable vapours and liquids.
- keep the terminal openings unobstructed.
- do not pile cartons, paper or combustible material on top of the heater.

### Tank

Drain at least a pail of water from the drain valve once a month. Some deposit will be washed out of the tank. If larger particles, resembling coarse sand are washed out, or if the drain becomes clogged while draining, an excess of lime deposit has settled on the tank bottom and it is time to do a major tank cleaning. Consult your local Gas Utility or a qualified serviceman.

### Venting System Inspection

Every 3 months, when inspecting the burner flame, an inspection of the venting system should be made.

Check:

1. That the vent terminal is securely attached and free of obstruction.
2. The air pipe to make certain its components are securely fastened, sealed and are in good condition.
3. That the inner door on water heater is securely fastened.

CORRECT ANY DEFECTS IMMEDIATELY.

### Temperature & Pressure Relief Valve

#### CAUTION

**The water flowing from the valve will be HOT.**

Keep hands and feet away from the stream of water. Take care that the discharging water does not damage any flooring, carpeting or other parts of the building which may be damaged by water.

See also section on T&P valve in the installation section.

The Temperature and Pressure Relief Valve (T&P valve) is a part of the safety equipment on the water heater. In order to keep the T&P valve functioning properly, operate the valve at least once a year by lifting the manual lever until water discharges from the overflow pipe.

### Cathodic Protection

Depending on the model, one or two magnesium anodes are factory installed inside the tank to provide corrosion protection and to extend tank life. Permanent removal of the anode(s) for any purpose will void the warranty. Read the warranty attached to this water heater for a full explanation of the time period that parts and the heater are warranted. It is advisable to inspect the condition of the anode(s) at certain intervals. A two (2) year period may be a guide to begin

with. The life of the anode depends on many factors and can differ greatly from one location to another.

To remove an anode, proceed as follows:

1. Turn the gas off at the inlet to the heater.
2. Turn water off at the cold-water inlet valve.
3. Open a nearby hot water tap.
4. Drain approximately one pail full of water from the heater.
5. With a 1-1/16 in. hexagon socket wrench, loosen the anode from the fitting in the tank top.

**Note:** The anode has been factory installed using a power tool. It will be necessary for a second person to restrain the heater. A few sharp blows on the handle of the socket wrench will loosen the anode nut.

If an impact wrench (power drive) is available, this is an easy way to remove an anode.

6. Lift the anode up and inspect. There should be at least 10mm (3/8 in.) to 12mm (1/2 in.) of anode diameter left. The surface may be rough, full of pits and crevices, but this is normal. If there is less than approximately 10mm (3/8 in.) diameter left, the anode needs to be replaced.
7. Apply a good grade of pipe dope to the threads of the anode adapter and screw securely into the tank top.
8. Open a hot water faucet and the cold water inlet valve and fill tank.
9. Check for leaks.
10. Relight burner by following lighting instructions on the side of the water heater (and also included in this manual).

Water supply conditions may vary depending on the region where this water heater is installed, and in some cases the water may have an adverse effect on the operation of the anode. If a sulphurous, or "rotten egg" smell is noticeable in the hot water supplied by this heater, it is an indication that the water source is not compatible with the magnesium anode which is factory installed. Replace the anode with an aluminum anode or add a water treatment system to remove sulphur from the water supply.

### Control

If the heater or the controls have been subjected to flooding, shut off the gas at the manual shut-off valve to the heater and call your gas company.

The heater operates under a fully automatic control. Once the desired water temperature has been selected, the gas control will maintain that temperature within close limits.

**DO NOT TAMPER WITH THE GAS CONTROL!**

## VI) COMBO HEATING

When using this water heater in the application of a combination space and potable water heating system, be sure to follow instructions provided with the water heater and the manual shipped with the air handler.

NOTE the following warnings:

1. The piping and components connected to the water heater for the space heating applications shall be suitable for use with potable water. The system should be installed with new, non-ferrous piping. Do not use piping, pumps, valves, fittings, solder, gluing and pipe sealant that are not completely compatible with potable water.
2. A water heater which will be used to supply potable water must not be connected to any heating system or components previously used with a non-potable water heating appliance. Do not use: piping that has been treated; broiler seal chromates; or other chemicals.
3. Do not use this heater as a replacement for an existing boiler installation.
4. Do not introduce toxic chemicals such as those used for boiler treatment, into the potable water used for space heating.
5. If the space heating water system requires water with temperatures in excess of 60°C (140°F), a mixing valve or other means must be installed in the potable hot water supply to temper the water and reduce scald hazard potential.
6. If the heater is installed with a back-flow preventer on the incoming water line or in a closed system, a diaphragm-type expansion tank must be installed in the system to prevent weeping due to expansion (see Figure 2B).

7. Proper sizing of the water heater for the given space and potable heating application is essential to ensure adequate heating capacity. The sizing and installation of such combination system must be performed by qualified personnel and be in accordance with public utility requirements and/or Codes having jurisdiction.

The sizing of the water heater should be based on the design heat loss of the structure to be heated plus the potable water requirements.

IT IS IMPORTANT THAT THE WATER HEATER USED BE OVERSIZED TO ALLOW ADEQUATE HEATING AND POTABLE WATER HEATING CAPACITY.

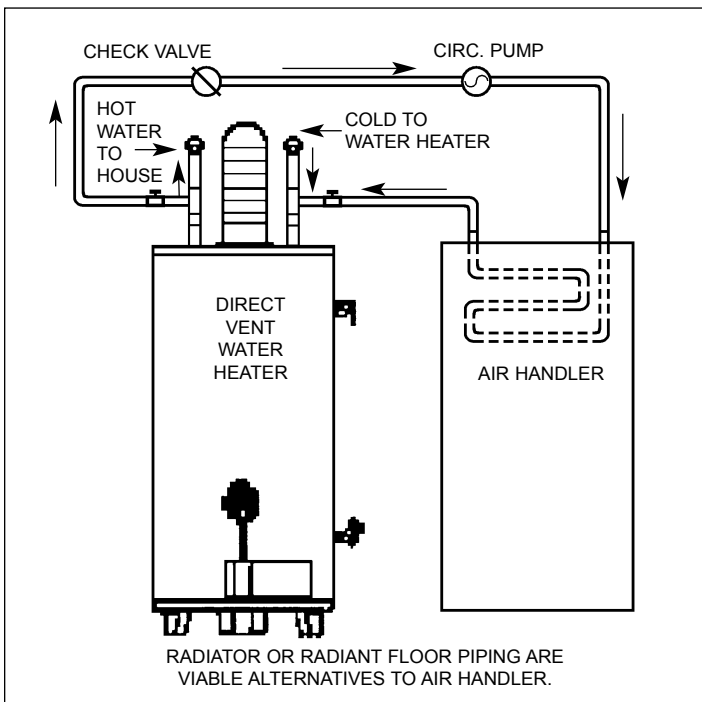


Figure 5

## LIMITED WARRANTY

See Rating Label Serial Number prefix for  
Warranty Code.

Warranty Code: P R S T U V W Y  
Warranty Years: 3 5 6 7 8 9 10 12

### RESIDENTIAL STORAGE TANK TYPE WATER HEATER FOR INSTALLATION IN A SINGLE FAMILY DWELLING

#### A. WHO IS COVERED.

GSW WATER HEATING AND ITS SUPPLIERS, (herein collectively referred to as "Manufacturer") warrants only to the original consumer purchaser (hereinafter "Owner") of the water heater, within the boundaries of continental United States, or Canada, or their territories, so long as he or she continuously occupies the single family dwelling in which this water heater is initially installed for the period specified below. This warranty is not transferable. This warranty is reduced to one year if the water heater is used in a commercial, or industrial application, or if the water heater is used to supply more than one dwelling unit. Consumers must retain point-of-sale proof of purchase to validate warranty entitlement.

#### B. WHEN IT IS COVERED.

The water heater is warranted only when it is installed, operated and maintained in accordance with the printed instructions accompanying the water heater. The water heater shall/must be installed in such a manner that, if the tank or any connection thereto should leak, the resulting flow of water will not cause damage to the area in which it is installed. The water heater's temperature and pressure relief valve must be piped to the nearest drain to avoid damage in the event the valve is actuated. For detailed instructions read the manual accompanying the water heater and review drawings in the manual.

#### C. WHAT THE MANUFACTURER WILL DO AND THE PERIOD OF COVERAGE.

1. **The Inner Tank.** If the inner tank leaks within the warranty period shown in the table at the top of this page after the original installation, Manufacturer will furnish a new water heater of Manufacturer's then prevailing comparable model. If industry standards, regulatory changes, product improvements or product obsolescence prohibits Manufacturer from furnishing an identical model replacement water heater under this warranty, the Owner will be furnished with a new water heater of comparable capacity; however, the Owner will be charged for the additional value of the item(s) which Manufacturer has incorporated in the replacement water heater. A prior authorization number must be obtained from the Manufacturer before replacing the water heater. This warranty is limited to one replacement water heater at the original installation site.
2. **Component Part.** If any component part other than the inner tank proves to Manufacturer's satisfaction to be defective in material or workmanship within one (1) year, the Manufacturer will furnish the Owner with a replacement for the defective part(s). This warranty is limited to one replacement component part for each original part.
3. **Return of Defective Water Heater and Component Parts.** Manufacturer reserves the right to examine the alleged defect in the water heater or component part(s), and it will be the Owner's obligation (See paragraph D.5) to return the water heater and/or component part(s) to the Manufacturer.
  - a. When returning a water heater it must include all component parts and the data plate label.
  - b. When returning component part(s), they must be individually tagged and identified with the water heater's product number, model number, serial number, date of purchase and date of installation.
  - c. THERE ARE NO WARRANTIES WHICH EXTEND BEYOND THE DESCRIPTION ON THE FACE HEREOF. THIS EXPRESS WARRANTY IS, WHERE PERMITTED BY LAW, IN LIEU OF AND EXCLUDES AND REPLACES ALL OTHER CONDITIONS, WARRANTIES, GUARANTEES, REPRESENTATIONS, OBLIGATIONS OR LIABILITIES OF THE MANUFACTURER OF ANY NATURE OR KIND, EXPRESS OR IMPLIED, HOWEVER ARISING (WHETHER BY CONTRACT, CONDUCT, STATEMENT, STATUTE, NEGLIGENCE, PRINCIPLES OF MANUFACTURER'S LIABILITY, OPERATION OF LAW OR OTHERWISE) WITH RESPECT TO THE UNIT OR ITS FITNESS FOR A PARTICULAR PURPOSE, MERCHANTABILITY, INSTALLATION, OPERATION, REPAIR OR REPLACEMENT. THE MANUFACTURER EXPRESSLY DISCLAIMS ANY AND ALL IMPLIED WARRANTIES. IN NO EVENT WILL THE MANUFACTURER'S LIABILITIES EXCEED THE COST OF THE DEFECTIVE PART(S) OR UNIT.

#### D. WHAT THIS WARRANTY DOES NOT COVER.

1. The Unit must not be installed where water damage can result from a leak, while provision(s) shall be made for directing any water escaping from the Unit, to a properly operating drainpipe. As all units of this type may eventually leak, you must protect against any potential water damage. The Manufacturer accepts no responsibility for such damage, nor any incidental or consequential loss, nor damage(s) related thereto, suffered by the Owner of the Unit nor by any third party.
2. Manufacturer shall not be liable under this warranty and this warranty shall be void and have no effect if the following events occur:
  - a. The water heater or any of its component parts have been subject to misuse, alteration, neglect or accident; or
  - b. The water heater has not been installed in accordance with the applicable local plumbing and/or building code(s) and/or regulations or in their absence, with the latest edition of the Natural Gas and Propane Installation Code, and/or the Canadian Electrical Code; or
  - c. The water heater is not installed, operated and maintained in accordance with the Manufacturer's instructions; or



- d. The water heater or any of its component parts are damaged or fails from operation with an empty or partially empty tank (such as, but not limited to elements burned out in a dry tank); or
  - e. The water heater or any part has been under water; or
  - f. The water heater is exposed to highly corrosive atmospheric conditions. No warranty extends, for example, and without limitation of the foregoing, to Units exposed to: salts, chemicals, exhausts, pollutants or contaminants; or
  - g. The water heater is not continuously supplied with potable water; or
  - h. The water heater replacement is requested for reasons of noise, taste, odor, discoloration and/or rust; or
  - i. The water heater is operated at temperatures exceeding the maximum setting of the thermostat and/or high limit control provided by the Manufacturer, or at water pressures exceeding the pressure reading stated on the Unit; or
  - j. The water heater is operated without an operating anode; or
  - k. The water heater is supplied or operated with deionized water; or
  - l. The water heater is removed from its original installation location; or
  - m. The water heater is installed outdoors (this water heater is intended only for indoor installation); or
  - n. The water heater is converted, or is attempted to be converted, from one voltage or wattage to another, if an electric water heater, or from one type gas to another, if a gas water heater; or
  - o. The water heater has not been fired at the factory rated input and fuel for which it was factory built; or
  - p. The water heater or any of its component parts fail due to sediment build-up; or
  - q. The water heater does not have installed a properly operating temperature and pressure relief valve, certified to ANSI Z21.22/CSA "Requirements for Relief Valves for Hot Water Supply Systems"; or
  - r. The water heater or any of its component parts fail because of fire, floods, lightening, or any other act of God, or any other contingency beyond the control of the Manufacturer; or
  - s. The water heater is installed in a closed system without adequate provision for thermal expansion.
3. Except when specifically prohibited by the applicable law, the Owner, and not the Manufacturer, shall be liable for and shall pay for all charges for labour or other expenses incurred in the removal, repair or replacement of the water heater or any component part(s) claimed to be defective or any expense incurred to remedy any defect in the product. Such charges may include, but are not necessarily limited to:
    - a. All freight, shipping, handling and delivery costs of forwarding a new water heater or replacement part(s) to the Owner.
    - b. All costs necessary or incidental in removing the defective water heater or component part(s) and installing a new water heater or component part(s).
    - c. Any material required to complete, and/or permits required for, installation of a new water heater or replacement part(s), and
    - d. All costs necessary or incidental in returning the defective water heater or component part(s) to a location designated by the Manufacturer.
  4. The terms of this Limited Warranty cannot be modified by any person, whether or not he/she claims to represent or act on behalf of the Manufacturer.
- E. HOW THE ORIGINAL OWNER CAN MAKE A WARRANTY CLAIM.
1. The Owner should submit the warranty claim directly to Manufacturer's Service Department, at the address or phone number listed below, and Manufacturer will arrange for the handling of the claim.
  2. Whenever any inquiry or request is made, be sure to include the water heater's catalogue number, model number, serial number, date of purchase, date of installation, and location of installation.

This warranty and the Manufacturer's obligations shall be construed and determined in accordance with the laws of both the Province of Ontario, and of Canada in force therein. This Warranty does not affect specific legal rights of a consumer under applicable law, except to the extent that such rights may be waived or replaced, and the provisions hereof are deemed to be amended to the extent necessary. The unenforceability of any provision, in whole or in part, of this Certificate shall not affect the remaining provisions. Any and all repair and/or replacement of part(s) or Unit are the sole and exclusive remedy available against the Manufacturer.

GSW Water Heating  
 599 Hill Street West  
 Fergus, ON Canada N1M 2X1  
 Should you have any questions please  
 Email us at [techsupport@gsw-wh.com](mailto:techsupport@gsw-wh.com) or  
 Visit our websites: [www.gsw-wh.com](http://www.gsw-wh.com) or  
[www.johnwoodwaterheaters.com](http://www.johnwoodwaterheaters.com) or  
 Call our Technical Support line at  
 1-888-GSW-TECH (479-8324)