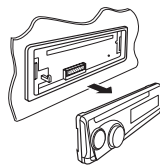


JVC

SERVICE MANUAL

CD RECEIVER

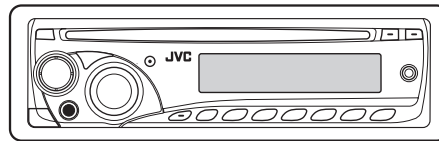
**KD-G140J, KD-G240J, KD-G244UI, KD-G245U, KD-G245UN,
KD-G245UT, KD-G245UH, KD-G248UF, KD-G341E,
KD-G341EX, KD-G341EY, KD-G341EU, KD-G342E,
KD-G342EX, KD-G342EY, KD-G342EU, KD-G343E, KD-G343EX,
KD-G343EY, KD-G343EU, KD-G347SEE, KD-G347BEE,
KD-G394UI, KD-G395U, KD-G395UN, KD-G395UT, KD-G395UH,
KD-G396U, KD-G396UN, KD-G396UT, KD-G396UH,
KD-G398UF, KD-G396SUI, KD-G299UR**



only for
KD-G140/KD-G240
KD-G394/KD-G395
KD-G396/KD-G398
KD-G299

WMA MP3

only for
KD-G240/KD-G341/KD-G342
KD-G343/KD-G347/KD-G394
KD-G395/KD-G396/KD-G398
KD-G299



only for
KD-G347



only for
KD-G341
KD-G342
KD-G343
KD-G347



only for
KD-G140
KD-G240
KD-G299

Lead free solder used in the board (material : Sn-Ag-Cu, melting point : 219 Centigrade)
Lead free solder used in the board (material : Sn-Cu, melting point : 230 Centigrade)

TABLE OF CONTENTS

1	PRECAUTION	1-8
2	SPECIFIC SERVICE INSTRUCTIONS	1-11
3	DISASSEMBLY	1-12
4	ADJUSTMENT	1-24
5	TROUBLESHOOTING	1-25

SPECIFICATION

KD-G140/KD-G240

Audio amplifier section		
Power Output		20 W RMS × 4 Channels at 4 Ω and < or = 1% THD+N
Signal to Noise Ratio		80 dBA (reference: 1 W into 4 Ω)
Load Impedance		4 Ω (4 Ω to 8 Ω allowance)
Tone Control Range	Bass	±12 dB at 60 Hz
	Mid-range	±12 dB at 1 kHz
	Treble	±12 dB at 7.5 kHz
Frequency Response		40 Hz to 20 000 Hz
Line-Out Level/Impedance		2.5 V/20 kΩ load (full scale)
Output Impedance		1 kΩ
Subwoofer-Out Level/Impedance		2.5 V/20 kΩ load (full scale)
Tuner section		
Frequency Range	FM	87.5 MHz to 107.9 MHz (with channel interval set to 100 kHz or 200 kHz) 87.5 MHz to 108.0 MHz (with channel interval set to 50 kHz)
	AM	530 kHz to 1 710 kHz (with channel interval set to 10 kHz) 531 kHz to 1 602 kHz (with channel interval set to 9 kHz)
FM Tuner	Usable Sensitivity	11.3 dBf (1.0 μV/75 Ω)
	50 dB Quieting Sensitivity	16.3 dBf (1.8 μV/75 Ω)
	Alternate Channel Selectivity (400 kHz)	65 dB
	Frequency Response	40 Hz to 15 000 Hz
	Stereo Separation	35 dB
AM Tuner	Sensitivity/Selectivity	20 μV/35 dB
CD player section		
Type		Compact disc player
Signal Detection System		Non-contact optical pickup (semiconductor laser)
Number of channels		2 channels (stereo)
Frequency Response		5 Hz to 20 000 Hz
Dynamic Range		93 dB
Signal-to-Noise Ratio		98 dB
Wow and Flutter		Less than measurable limit
MP3 Decoding Format (for KD-G240)	Max. Bit Rate	MPEG1/2 Audio Layer 3
		320 kbps
WMA (Windows Media® Audio) Decoding Format (for KD-G240)	Max. Bit Rate	192 kbps
General		
Power Requirement	Operating Voltage	DC 14.4 V (11 V to 16 V allowance)
Grounding System		Negative ground
Allowable Operating Temperature		0°C to +40°C (32°F to 104°F)
Dimensions (W × H × D)	Installation Size (approx.)	182 mm × 52 mm × 160 mm (7-3/16" × 2-1/16" × 6-5/16")
	Panel Size (approx.)	188 mm × 58 mm × 5 mm (7-7/16" × 2-5/16" × 1/4")
	Mass (approx.)	1.3 kg (2.9 lbs) (excluding accessories)

Design and specifications are subject to change without notice.

KD-G244/KD-G245/KD-G248/KD-G394/KD-G395/KD-G396/KD-G398

Audio amplifier section		
Maximum Power Output: Front/Rear		50 W per channel
Continuous Power Output (RMS): Front/Rear		19 W per channel into 4 Ω 40 Hz to 20 000 Hz at no more than 0.8% total harmonic distortion.
Load Impedance		4 Ω (4 Ω to 8 Ω allowance)
Tone Control Range	Bass	±12 dB at 60 Hz
	Mid-range	±12 dB at 1 kHz
	Treble	±12 dB at 7.5 kHz
Frequency Response		40 Hz to 20 000 Hz
Signal-to-Noise Ratio		70 dB
Line-Out Level/Impedance (for KD-G395/KD-G396/KD-G398)		2.5 V/20 kΩ load (full scale)
Output Impedance (for KD-G395/KD-G396/KD-G398)		1 kΩ
Other Terminal (except for KD-G248/KD-G398)		AUX (auxiliary) input jack
Tuner section		
Frequency Range	FM	87.5 MHz to 108.0 MHz
	AM	531 kHz to 1 602 kHz
FM Tuner	Usable Sensitivity	11.3 dBf (1.0 μV/75 Ω)
	50 dB Quieting Sensitivity	16.3 dBf (1.8 μV/75 Ω)
	Alternate Channel Selectivity (400 kHz)	65 dB
	Frequency Response	40 Hz to 15 000 Hz
	Stereo Separation	(for KD-G244/KD-G394) 35 dB (for others) 30 dB
AM Tuner	Sensitivity/Selectivity	20 μV/35 dB
CD player section		
Type		Compact disc player
Signal Detection System		Non-contact optical pickup (semiconductor laser)
Number of channels		2 channels (stereo)
Frequency Response		5 Hz to 20 000 Hz
Dynamic Range		93 dB
Signal-to-Noise Ratio		98 dB
Wow and Flutter		Less than measurable limit
MP3 Decoding Format (MPEG1/2 Audio Layer 3) (for KD-G395/KD-G396/KD-G398)	Max. Bit Rate	320 kbps
WMA (Windows Media® Audio) Decoding Format (for KD-G395/KD-G396/KD-G398)	Max. Bit Rate	192 kbps
General		
Power Requirement	Operating Voltage	DC 14.4 V (11 V to 16 V allowance)
Grounding System		Negative ground
Allowable Operating Temperature		0°C to +40°C
Dimensions (W × H × D)	Installation Size (approx.)	182 mm × 52 mm × 160 mm
	Panel Size (approx.)	188 mm × 58 mm × 5 mm
	Mass (approx.)	1.3 kg (excluding accessories)

Design and specifications are subject to change without notice.

KD-G341/KD-G342/KD-G343

Audio amplifier section		
Maximum Power Output: Front/Rear		50 W per channel
Continuous Power Output (RMS): Front/Rear		19 W per channel into 4 Ω 40 Hz to 20 000 Hz at no more than 0.8% total harmonic distortion.
Load Impedance		4 Ω (4 Ω to 8 Ω allowance)
Tone Control Range	Bass	± 12 dB at 100 Hz
	Treble	± 12 dB at 10 kHz
Frequency Response		40 Hz to 20 000 Hz
Signal-to-Noise Ratio		70 dB
Line-Out Level/Impedance		2.5 V/20 k Ω load (full scale)
Output Impedance		1 k Ω
Other Terminal		AUX (auxiliary) input jack
Tuner section		
Frequency Range	FM	87.5 MHz to 108.0 MHz
	AM	MW: 522 kHz to 1 620 kHz LW: 144 kHz to 279 kHz
FM Tuner	Usable Sensitivity	11.3 dBf (1.0 μ V/75 Ω)
	50 dB Quieting Sensitivity	16.3 dBf (1.8 μ V/75 Ω)
	Alternate Channel Selectivity (400 kHz)	65 dB
	Frequency Response	40 Hz to 15 000 Hz
	Stereo Separation	30 dB
MW Tuner	Sensitivity/Selectivity	20 μ V/35 dB
LW Tuner	Sensitivity	50 μ V
CD player section		
Type		Compact disc player
Signal Detection System		Non-contact optical pickup (semiconductor laser)
Number of channels		2 channels (stereo)
Frequency Response		5 Hz to 20 000 Hz
Dynamic Range		93 dB
Signal-to-Noise Ratio		98 dB
Wow and Flutter		Less than measurable limit
MP3 Decoding Format (MPEG1/2 Audio Layer 3)	Max. Bit Rate	320 kbps
WMA (Windows Media® Audio) Decoding Format	Max. Bit Rate	192 kbps
General		
Power Requirement	Operating Voltage	DC 14.4 V (11 V to 16 V allowance)
Grounding System		Negative ground
Allowable Operating Temperature		0°C to +40°C
Dimensions (W \times H \times D)	Installation Size (approx.)	182 mm \times 52 mm \times 160 mm
	Panel Size (approx.)	188 mm \times 58 mm \times 13 mm
	Mass (approx.)	1.3 kg (excluding accessories)

Design and specifications are subject to change without notice.

KD-G347

Audio amplifier section		
Maximum Power Output: Front/Rear		50 W per channel
Continuous Power Output (RMS): Front/Rear		19 W per channel into 4 Ω 40 Hz to 20 000 Hz at no more than 0.8% total harmonic distortion.
Load Impedance		4 Ω (4 Ω to 8 Ω allowance)
Tone Control Range	Bass	± 12 dB at 100 Hz
	Treble	± 12 dB at 10 kHz
Frequency Response		40 Hz to 20 000 Hz
Signal-to-Noise Ratio		70 dB
Other Terminal		AUX (auxiliary) input jack
Tuner section		
Frequency Range	FM1/2	87.5 MHz to 108.0 MHz
	FM3	65.00 MHz to 74.00 MHz
	AM	MW: 522 kHz to 1 620 kHz LW: 144 kHz to 279 kHz
FM Tuner	Usable Sensitivity	11.3 dBf (1.0 μ V/75 Ω)
	50 dB Quieting Sensitivity	16.3 dBf (1.8 μ V/75 Ω)
	Alternate Channel Selectivity (400 kHz)	65 dB
	Frequency Response	40 Hz to 15 000 Hz
	Stereo Separation	30 dB
MW Tuner	Sensitivity/Selectivity	20 μ V/35 dB
LW Tuner	Sensitivity	50 μ V
CD player section		
Type		Compact disc player
Signal Detection System		Non-contact optical pickup (semiconductor laser)
Number of channels		2 channels (stereo)
Frequency Response		5 Hz to 20 000 Hz
Dynamic Range		93 dB
Signal-to-Noise Ratio		98 dB
Wow and Flutter		Less than measurable limit
MP3 Decoding Format (MPEG1/2 Audio Layer 3)	Max. Bit Rate	320 kbps
WMA (Windows Media® Audio) Decoding Format	Max. Bit Rate	192 kbps
General		
Power Requirement	Operating Voltage	DC 14.4 V (11 V to 16 V allowance)
Grounding System		Negative ground
Allowable Operating Temperature		0°C to +40°C
Dimensions (W \times H \times D)	Installation Size (approx.)	182 mm \times 52 mm \times 160 mm
	Panel Size (approx.)	188 mm \times 58 mm \times 13 mm
	Mass (approx.)	1.3 kg (excluding accessories)

Design and specifications are subject to change without notice.

KD-G396

AUDIO AMPLIFIER SECTION		
Maximum Power Output	Front/Rear	50 W per channel
Continuous Power Output (RMS)	Front/Rear	19 W per channel into 4 Ω 40 Hz to 20 000 Hz at no more than 0.8% total harmonic distortion.
Load Impedance		4 Ω (4 Ω to 8 Ω allowance)
Tone Control Range	Bass	± 12 dB at 60 Hz
	Mid-range	± 12 dB at 1 kHz
	Treble	± 12 dB at 7.5 kHz
Frequency Response		40 Hz to 20 000 Hz
Signal-to-Noise Ratio		70 dB
Line-Out Level/Impedance		2.5 V/20 k Ω load (full scale)
Output Impedance		1 k Ω
Other Terminal		AUX (auxiliary) input jack
TUNER SECTION		
Frequency Range	FM	87.5 MHz to 108.0 MHz
	AM	531 kHz to 1 602 kHz
FM Tuner	Usable Sensitivity	11.3 dBf (1.0 μ V/75 Ω)
	50 dB Quieting Sensitivity	16.3 dBf (1.8 μ V/75 Ω)
	Alternate Channel Selectivity (400 kHz)	65 dB
	Frequency Response	40 Hz to 15 000 Hz
	Stereo Separation	30 dB
AM Tuner	Sensitivity/Selectivity	20 μ V/35 dB
CD PLAYER SECTION		
Type		Compact disc player
Signal Detection System		Non-contact optical pickup (semiconductor laser)
Number of Channels		2 channels (stereo)
Frequency Response		5 Hz to 20 000 Hz
Dynamic Range		93 dB
Signal-to-Noise Ratio		98 dB
Wow and Flutter		Less than measurable limit
MP3 Decoding Format (MPEG1/2 Audio Layer 3)		Max. Bit Rate: 320 kbps
WMA (Windows Media [®] Audio) Decoding Format		Max. Bit Rate: 192 kbps
GENERAL		
Power Requirement	Operating Voltage	DC 14.4 V (11 V to 16 V allowance)
Grounding System		Negative ground
Allowable Operating Temperature		0°C to +40°C
Dimensions (W \times H \times D) (approx.)	Installation Size	178 mm \times 50 mm \times 160 mm
	Panel Size	178 mm \times 50 mm \times 17 mm
Mass		1.3 kg (excluding accessories)

Design and specifications are subject to change without notice.


KD-G299

Audio amplifier section		
Power Output		20 W RMS × 4 Channels at 4 Ω and < or = 1% THD+N
Signal to Noise Ratio		80 dBA (reference: 1 W into 4 Ω)
Load Impedance		4 Ω (4 Ω to 8 Ω allowance)
Tone Control Range	Bass	±12 dB at 60 Hz
	Mid-range	±12 dB at 1 kHz
	Treble	±12 dB at 7.5 kHz
Frequency Response		40 Hz to 20 000 Hz
Line-Out Level/Impedance		2.5 V/20 kΩ load (full scale)
Output Impedance		1 kΩ
Subwoofer-Out Level/Impedance		2.5 V/20 kΩ load (full scale)
Tuner section		
Frequency Range	FM	87.5 MHz to 107.9 MHz (with channel interval set to 100 kHz or 200 kHz) 87.5 MHz to 108.0 MHz (with channel interval set to 50 kHz)
	AM	530 kHz to 1 710 kHz (with channel interval set to 10 kHz) 531 kHz to 1 602 kHz (with channel interval set to 9 kHz)
FM Tuner	Usable Sensitivity	11.3 dBf (1.0 μV/75 Ω)
	50 dB Quieting Sensitivity	16.3 dBf (1.8 μV/75 Ω)
	Alternate Channel Selectivity (400 kHz)	65 dB
	Frequency Response	40 Hz to 15 000 Hz
	Stereo Separation	35 dB
AM Tuner	Sensitivity/Selectivity	20 μV/35 dB
CD player section		
Type		Compact disc player
Signal Detection System		Non-contact optical pickup (semiconductor laser)
Number of channels		2 channels (stereo)
Frequency Response		5 Hz to 20 000 Hz
Dynamic Range		93 dB
Signal-to-Noise Ratio		98 dB
Wow and Flutter		Less than measurable limit
MP3 Decoding Format	Max. Bit Rate	MPEG1/2 Audio Layer 3
		320 kbps
WMA (Windows Media® Audio) Decoding Format	Max. Bit Rate	192 kbps
General		
Power Requirement	Operating Voltage	DC 14.4 V (11 V to 16 V allowance)
Grounding System		Negative ground
Allowable Operating Temperature		0°C to +40°C (32°F to 104°F)
Dimensions (W × H × D)	Installation Size (approx.)	182 mm × 52 mm × 160 mm (7-3/16" × 2-1/16" × 6-5/16")
	Panel Size (approx.)	188 mm × 58 mm × 5 mm (7-7/16" × 2-5/16" × 1/4")
	Mass (approx.)	1.3 kg (2.9 lbs) (excluding accessories)

Design and specifications are subject to change without notice.

SECTION 1 PRECAUTION

1.1 Safety Precautions

 **CAUTION** Burrs formed during molding may be left over on some parts of the chassis. Therefore, pay attention to such burrs in the case of performing repair of this system.

 **CAUTION** Please use enough caution not to see the beam directly or touch it in case of an adjustment or operation check.

1.2 Preventing static electricity

Electrostatic discharge (ESD), which occurs when static electricity stored in the body, fabric, etc. is discharged, can destroy the laser diode in the traverse unit (optical pickup). Take care to prevent this when performing repairs.

1.2.1 Grounding to prevent damage by static electricity

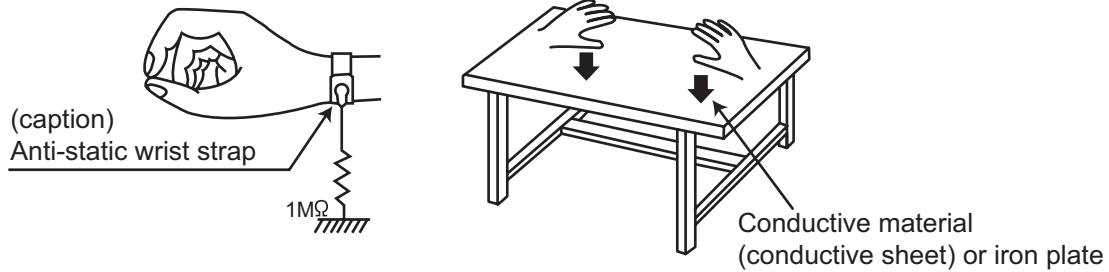
Static electricity in the work area can destroy the optical pickup (laser diode) in devices such as laser products. Be careful to use proper grounding in the area where repairs are being performed.

(1) Ground the workbench

Ground the workbench by laying conductive material (such as a conductive sheet) or an iron plate over it before placing the traverse unit (optical pickup) on it.

(2) Ground yourself

Use an anti-static wrist strap to release any static electricity built up in your body.



(3) Handling the optical pickup

- In order to maintain quality during transport and before installation, both sides of the laser diode on the replacement optical pickup are shorted. After replacement, return the shorted parts to their original condition. (Refer to the text.)
- Do not use a tester to check the condition of the laser diode in the optical pickup. The tester's internal power source can easily destroy the laser diode.

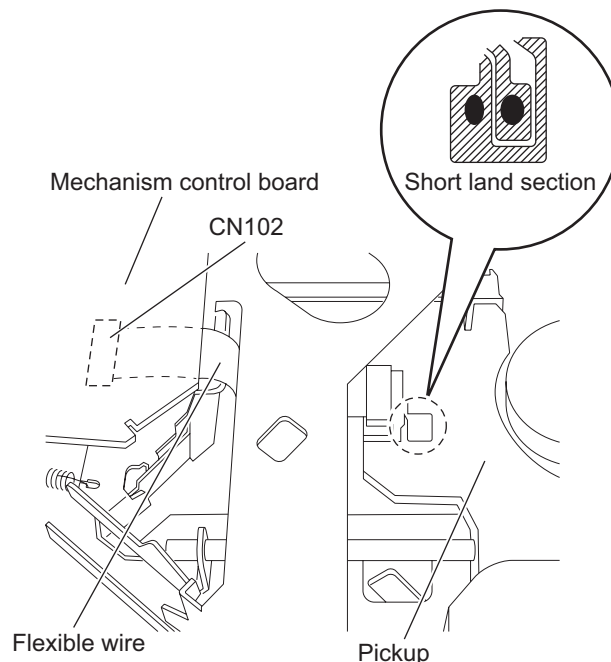
1.3 Handling the traverse unit (optical pickup)

- (1) Do not subject the traverse unit (optical pickup) to strong shocks, as it is a sensitive, complex unit.
- (2) Cut off the shorted part of the flexible cable using nippers, etc. after replacing the optical pickup. For specific details, refer to the replacement procedure in the text. Remove the anti-static pin when replacing the traverse unit. Be careful not to take too long a time when attaching it to the connector.
- (3) Handle the flexible cable carefully as it may break when subjected to strong force.
- (4) It is not possible to adjust the semi-fixed resistor that adjusts the laser power. Do not turn it.

1.4 Attention when traverse unit is decomposed

***Please refer to "Disassembly method" in the text for the pickup unit.**

- Apply solder to the short land before the card wire is disconnected from the connector on the pickup unit. (If the card wire is disconnected without applying solder, the pickup may be destroyed by static electricity.)
- In the assembly, be sure to remove solder from the short land after connecting the card wire.



1.5 Important for laser products

1.CLASS 1 LASER PRODUCT

2.CAUTION :

(For U.S.A.) Visible and/or invisible class II laser radiation when open. Do not stare into beam.

(Others) Visible and/or invisible class 1M laser radiation when open. Do not view directly with optical instruments.

3.CAUTION : Visible and/or invisible laser radiation when open and inter lock failed or defeated. Avoid direct exposure to beam.

4.CAUTION : This laser product uses visible and/or invisible laser radiation and is equipped with safety switches which prevent emission of radiation when the drawer is open and the safety interlocks have failed or are defeated. It is dangerous to defeat the safety switches.

(For U.S.A.)

CAUTION : Visible and/or invisible class II laser radiation when open. Do not stare into beam.

(Others)

CAUTION : Visible and/or invisible class 1M laser radiation when open. Do not view directly with optical instruments

ACHTUNG: Sichtbare und/oder unsichtbare Laserstrahlung der Klasse 1M bei offenen Abdeckungen. Nicht direkt mit optischen Instrumenten betrachten.

ATTENTION: Rayonnement laser visible et/ou invisible de classe 1M une fois ouvert. Ne pas regarder directement avec des instruments optiques.

VOORZICHTIG: Zichtbare en/of onzichtbare klasse 1M laserstralen indien geopend. Bekijk niet direct met optische instrumenten.

ATTENZIONE: Radiazione laser in classe 1M visibile e/o invisibile quando aperto. Non osservare direttamente con strumenti ottici.

WARNING: Synlig och/eller osynlig laserstrålning, klass 1M, när denna del är öppnad. Betrakta ej strålen med optiska instrument.

VARO! Avattaessa olet alttiina nakyyvalle ja/tai näkymättömälle luokan 1M lasersateilylle. Älä tarkastele sitä optisen laitteen läpi.

ADVASEL: Synlig og/eller usynlig klasse 1M-laserstråling ved åbning. Se ikke direkte med optiske instrumenter.

AVISO: Radiación láser de clase 1M visible y/o invisible cuando está abierto. No mirar directamente con instrumental óptico.

PRECAUÇÃO: Radiação laser de classe 1M visível e/ou invisível quando aberto. Não olhe diretamente com instrumentos ópticos.

5.CAUTION : If safety switches malfunction, the laser is able to function.

6.CAUTION : Use of controls, adjustments or performance of procedures other than those specified here in may result in hazardous radiation exposure.



CAUTION Please use enough caution not to see the beam directly or touch it in case of an adjustment or operation check.

PRECAUÇÃO: Radiação laser de classe 1M visível e/ou invisível quando aberto. Não olhe diretamente com instrumentos ópticos.

ПРЕДУПРЕЖДЕНИЕ: В открытом состоянии происходит видимое и/или невидимое излучение лазера класса 1M. Не смотрите непосредственно в оптические инструменты.

UWAGA: Otwarcie spowoduje narażenie na widzialne i/lub niewidzialne promieniowanie lasera klasy 1M. Nie patrzeć bezpośrednio w przyrządy optyczne.

UPOZORNĚNÍ: Při otevření vydává viditelné popř. neviditelné laserové ozáření třídy 1M. Nedívejte se do otvoru přímo s optickými nástroji.

FIGYELMEZTETÉS: Látható és/vagy láthatatlan 1M osztályú sugárzás nyitott állapotban. Ne nézze közvetlenül optikai műszerekkel.

注意: 打開蓋板可能會產生可見或不可見的 1M 級鐳射。不要使用光學儀器直接進行窺視。

注意: 打开蓋板可能会产生可见或不可见的 1M 级辐射。不要使用光学仪器直接进行窥视。

تنبيه: يوجد إشعاع ليزري مرئي و/أو غير مرئي من الفئة 1M عندما يكون الجهاز مفتوحاً. تجنب النظر مباشرة داخل الجهاز باستخدام أدوات بصرية.

احتياط: هنگامی که باز گردد، تشعشع مرئی و یا نامرئی کلاس 1M لیزر وجود دارد. با لوازم چشمی مستقیماً به آن نگاه نکنید.

주의: 개방하면 가시 및/또는 비가시 클래스 1M 레이저 방사선이 나옵니다. 광학 기구로 직접 들여다보지 마십시오.

REPRODUCTION AND POSITION OF LABELS and PRINT WARNING LABEL and PRINT



CAUTION VISIBLE AND/OR INVISIBLE CLASS 1M LASER RADIATION WHEN OPEN. DO NOT VIEW DIRECTLY WITH OPTICAL INSTRUMENTS. IEC60825-1:2001 (ENG)	ATTENTION RAYONNEMENT LASER VISIBLE ET/OU INVISIBLE DE CLASSE 1M UNE FOIS OUVERT. NE PAS REGARDER DIRECTEMENT AVEC DES INSTRUMENTS OPTIQUES. (FRA)	AVISO RADIACIÓN LASER DE CLASE 1M VISIBLE Y/O INVISIBLE CUANDO ESTÁ ABIERTO. NO MIRAR DIRECTAMENTE CON INSTRUMENTAL ÓPTICO. (ESP)	WARNING SYNLIG OCH/ELLER OSYNLIG LASERSTRÅLNING, KLASS 1M, NÄR DENNA DEL ÄR ÖPPNAD. BETRAKTA EJ STRÅLEN MED OPTISKA INSTRUMENT. (SWE)	注意 ニモ見なくと可視 及び/または不可視 のクラス1M レーザー放射が 出ます。 光学装置で直接 見ないでください。 (JPN)	CAUTION VISIBLE AND/OR INVISIBLE CLASS II LASER RADIATION WHEN OPEN. DO NOT STARE INTO BEAM. FDA 21 CFR (ENG) LV44633-003A
--	--	---	---	--	---

SECTION 2
SPECIFIC SERVICE INSTRUCTIONS

This service manual does not describe SPECIFIC SERVICE INSTRUCTIONS.

SECTION 3 DISASSEMBLY

3.1 Main body (used figure is KD-G341)

3.1.1 Removing the FRONT CHASSIS assembly (See Fig.1)

- (1) Disengage the four hooks **a** engaged the both side of the FRONT CHASSIS assembly.

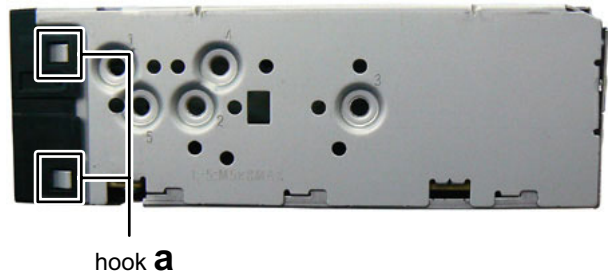


Fig.1

3.1.2 Removing the HEAT SINK (See Fig.2, 3)

- (1) Remove the three screws **A** and the two screws **B** attaching the HEAT SINK. (See Fig.2)
- (2) Remove the two screws **C** and the one screw **D** attaching the HEAT SINK. (See Fig.3)

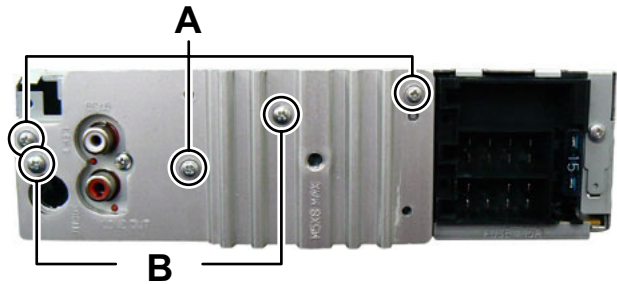


Fig.2

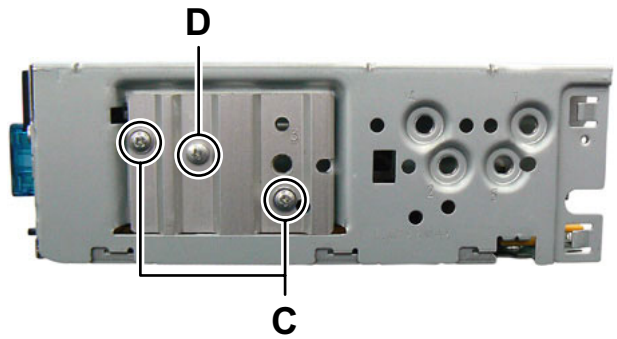


Fig.3

3.1.3 Removing the BOTTOM COVER (See Fig.4)

- (1) Remove the one screw **E** attaching the BOTTOM COVER.
- (2) Slide the BOTTOM COVER to backward.



Fig.4

3.1.4 Removing the MAIN BOARD assembly (See Fig.5)

- (1) Remove the two screws **F** attaching the MAIN BOARD assembly.
- (2) Disconnect the connector **CN501** connected to MAIN BOARD assembly and CD MECHANISM assembly.

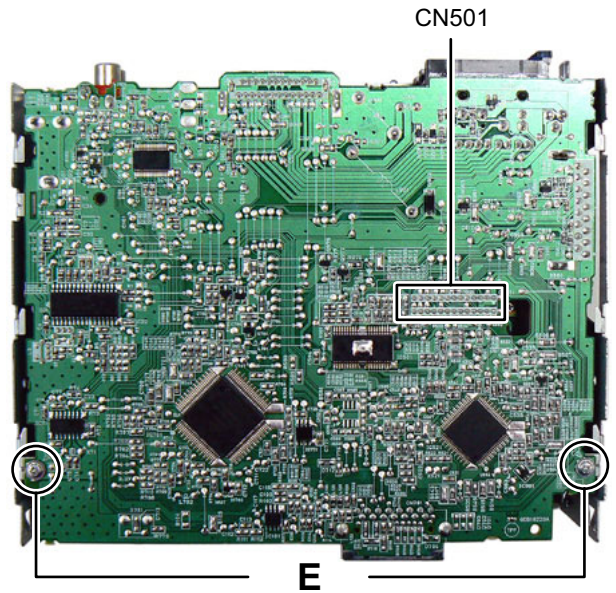


Fig.5

3.1.5 Removing the CD MECHANISM assembly (See Fig.6)

- (1) Remove the three screws **G** attaching the CD MECHANISM assembly.

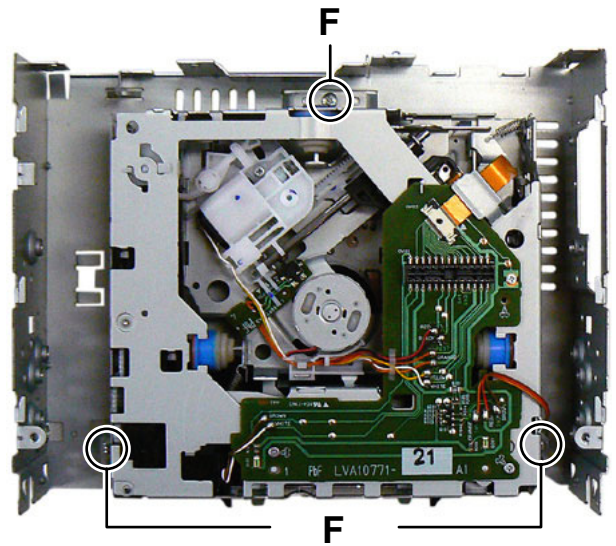


Fig.6

3.1.6 Removing the SWITCH BOARD assembly (See Fig.7)

- (1) Remove the VOLUME KNOB.
- (2) Remove the four screws **H** attaching the REAR COVER.
- (3) Disengage the nine hooks **b** engaged the REAR COVER.

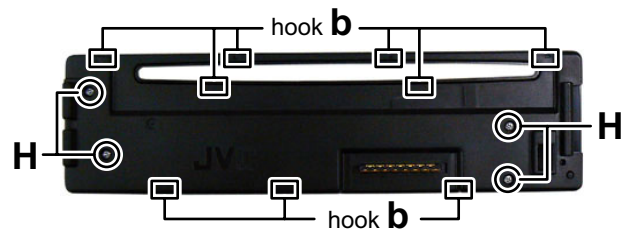


Fig.7

3.2 CD MECHANISM assembly section

- Remove the CD MECHANISM assembly from the main body.

3.2.1 Removing the MECHANISM CONTROL BOARD assembly (See Fig.1 and 2)

- (1) From the bottom side of CD MECHANISM assembly, remove the solders from the soldered sections (a, b and c) on the MECHANISM CONTROL BOARD assembly. (See Fig.1.)
- (2) Remove the three screws **A** and one screw **B** attaching the MECHANISM CONTROL BOARD assembly. (See Fig.1.)
- (3) Solder the short land sections on the pickup. (See Fig.2.)

Caution:

- Solder the short land sections on the pickup before disconnecting the flexible wire from the connector [CN102](#) on the MECHANISM CONTROL BOARD assembly. If the card wire is disconnected without attaching solder, the pickup may be destroyed by static electricity. (See Fig.2.)
- When attaching the MECHANISM CONTROL BOARD assembly, remove the solders from the short land sections after connecting the flexible wire to the connector [CN102](#) on the MECHANISM CONTROL BOARD assembly.

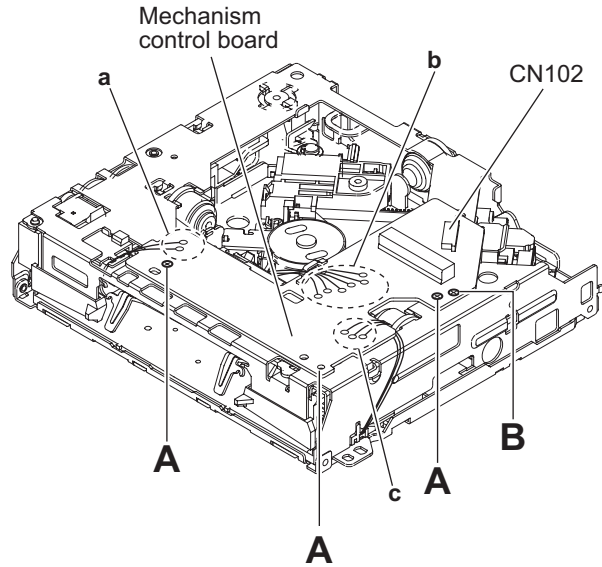


Fig.1

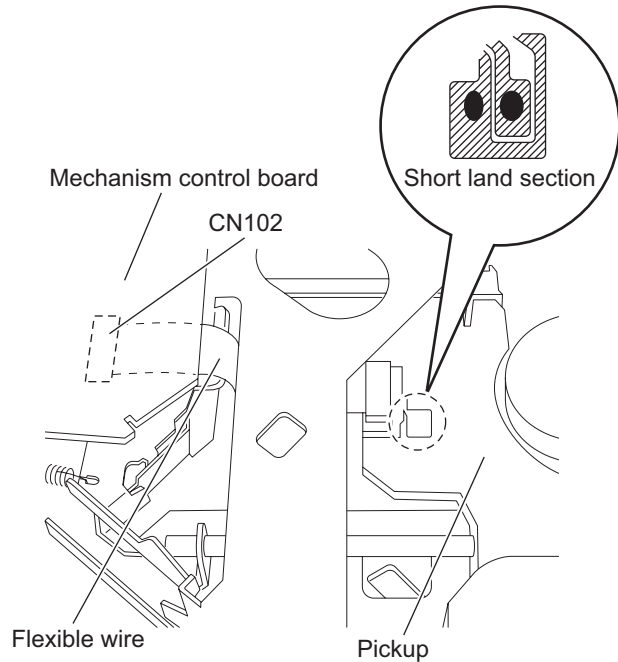


Fig.2

3.2.2 Removing the top cover (See Fig.3 to 5)

- Remove the MECHANISM CONTROL BOARD assembly.
 - From the front side of the CD MECHANISM assembly, change the hook position of the two roller springs. (See Fig.3.)
 - From the side of the CD MECHANISM assembly, remove the six screws **C** attaching the top cover. (See Fig.3 and 4.)
 - Take out the top cover in an upward direction. (See Fig.5.)

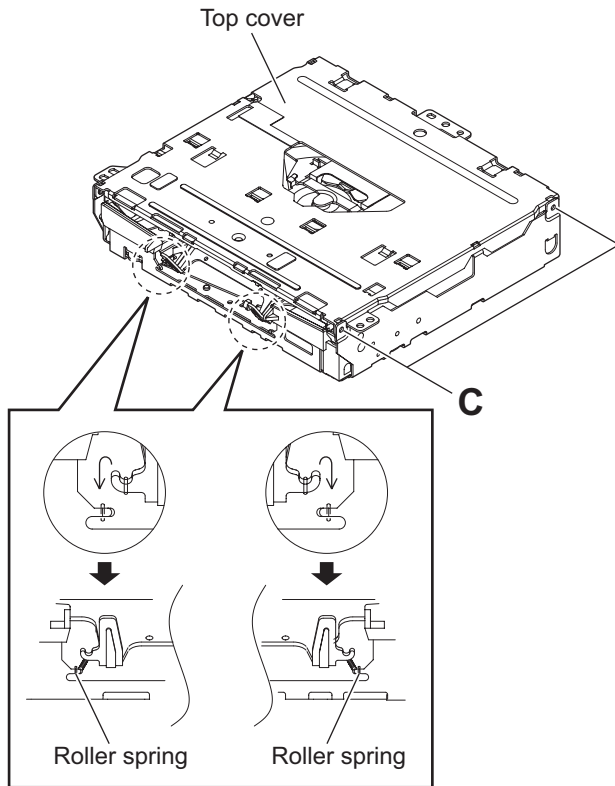


Fig.3

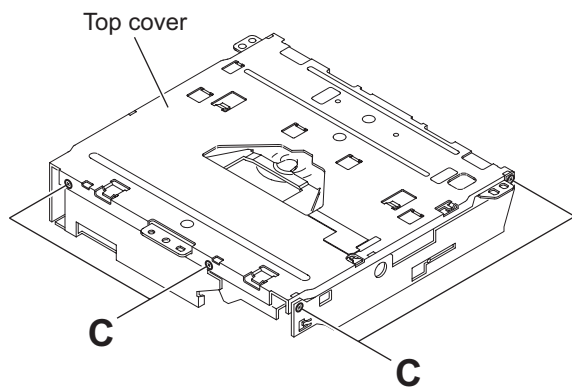


Fig.4

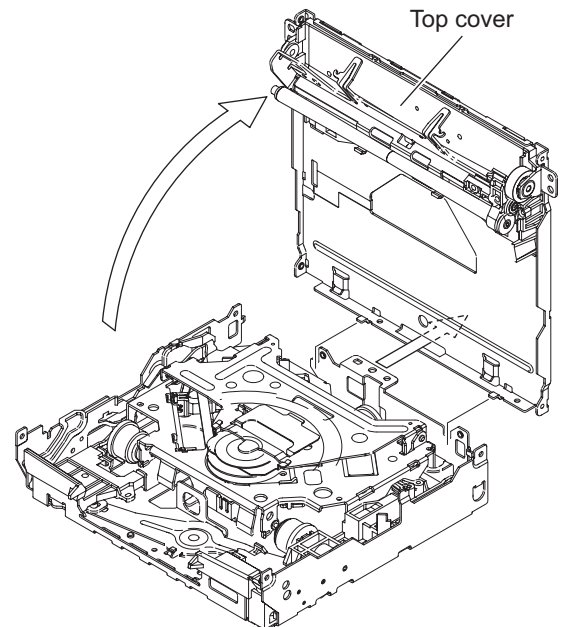


Fig.5

3.2.3 Removing the roller (See Fig.6)

- Remove the MECHANISM CONTROL BOARD assembly and top cover.

- From the bottom side of the top cover, remove the screw **D** attaching the gear holder.
- Remove the R.holder assembly from disc plate, and then take out the roller from R.holder assembly in the direction of the arrow.

Reference:

When attaching the R.ACT gear (2) and R.ACT gear (3), apply grease to the section **d** of R.holder assembly.

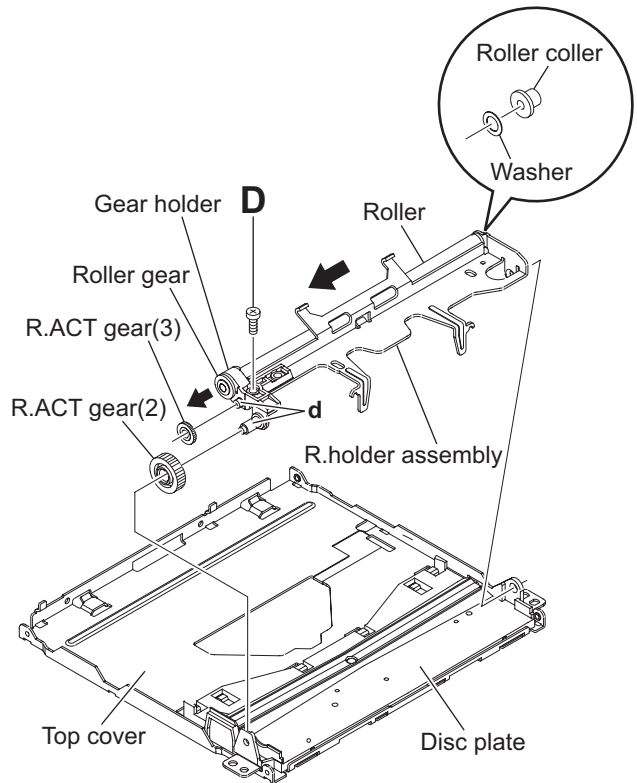


Fig.6

3.2.4 Removing the PHOTO BOARD assembly (See Fig.7 and 8)

- Remove the MECHANISM CONTROL BOARD assembly and top cover.

- From the bottom side of the top cover, release the projection **e** from the notch of the disc plate. (See Fig.7.)
- Take out the disc plate in the direction of the arrow. (See Fig.7.)
- From the reverse side of the disc plate, remove the screw **E** attaching the PHOTO BOARD assembly. (See Fig.8.)

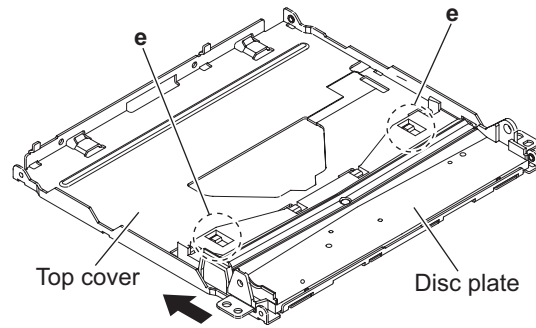


Fig.7

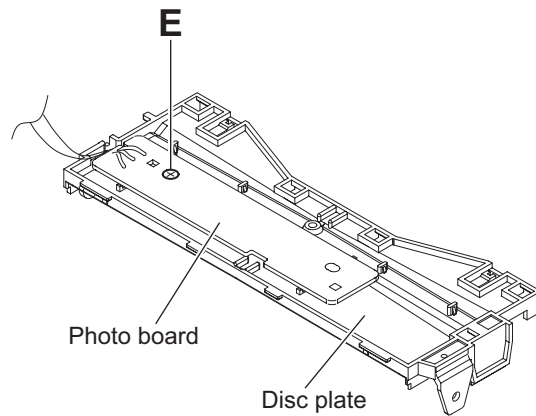


Fig.8

3.2.5 Removing the mechanism section (See Fig.9 and 10)

- Remove the MECHANISM CONTROL BOARD assembly and top cover.
- (1) From the top side of the CD MECHANISM assembly, remove the two screws **F** attaching the loading motor assembly. (See Fig.9.)
- (2) Remove the two roller springs on the top side of the mecha frame. (See Fig.9.)
- (3) Remove the four SUS springs on the top side of the mecha frame. (See Fig.9.)
- (4) Remove the link spring on the top side of the mecha frame. (See Fig.10.)
- (5) Release section **f** of the three dampers from the mecha frame. (See Fig.10.)

Reference:

When attaching the roller spring and SUS spring, keep direction before remove.

- (6) Move the slide cam (R) assembly in the direction of the arrow, and then take out the mechanism section in an upward direction. (See Fig.10.)

Reference:

When attaching the mechanism section, apply grease to the section **g**. (See Fig.10.)

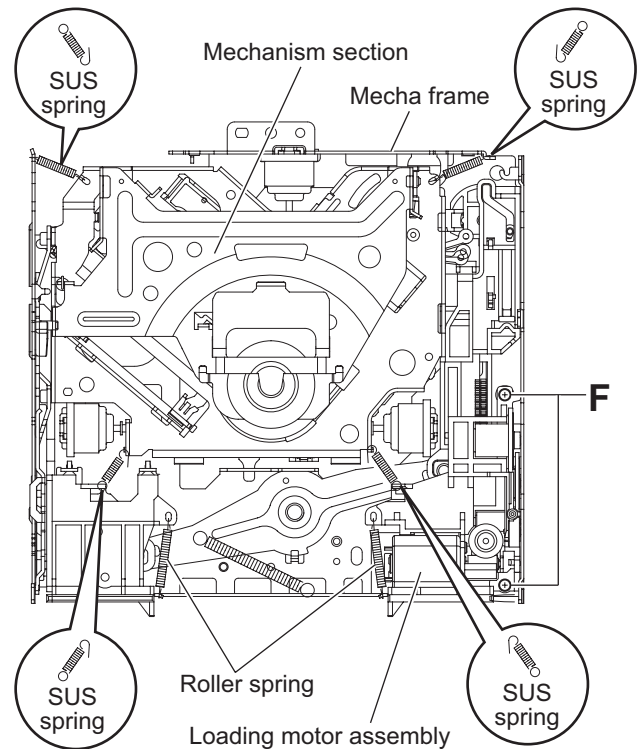


Fig.9

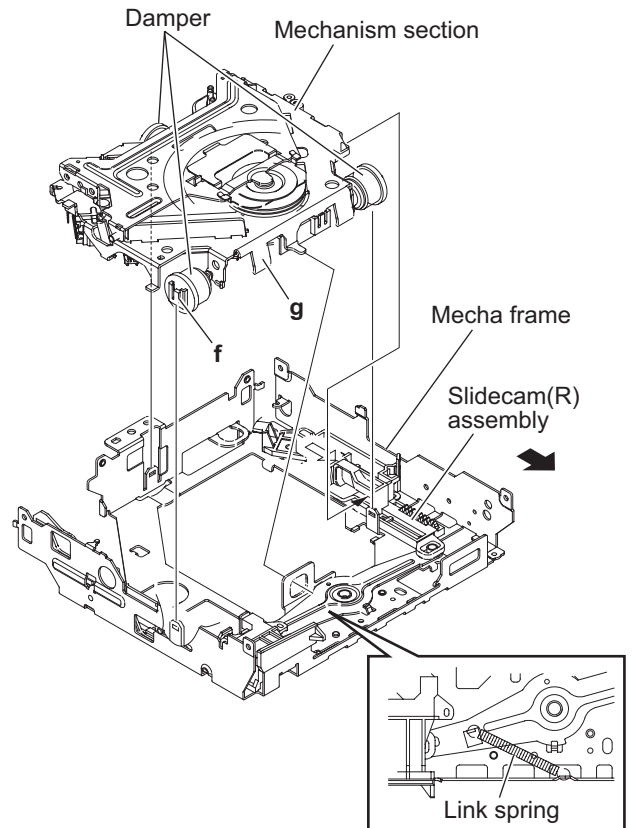


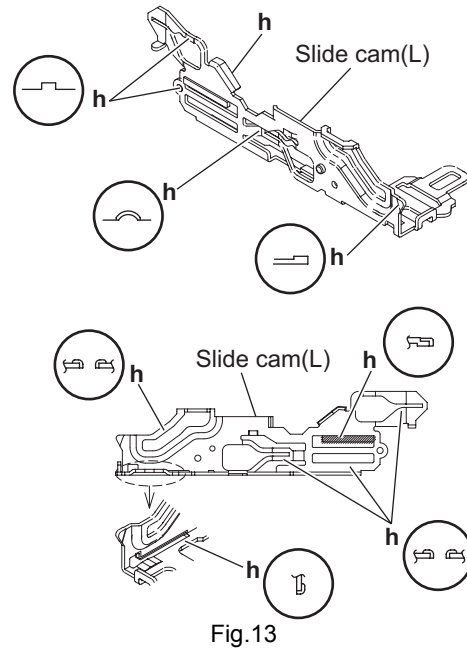
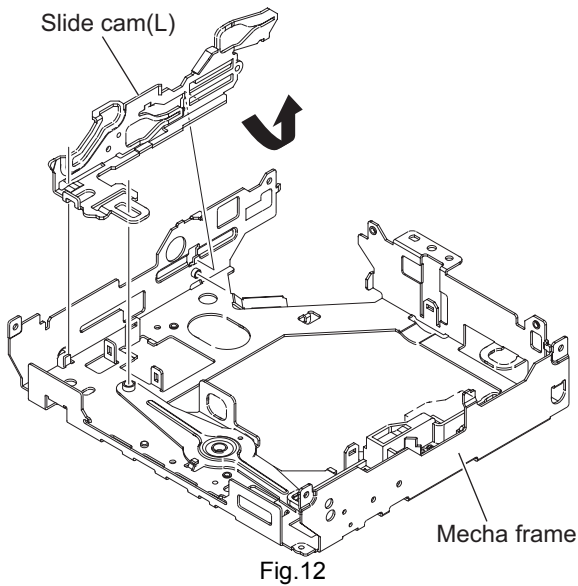
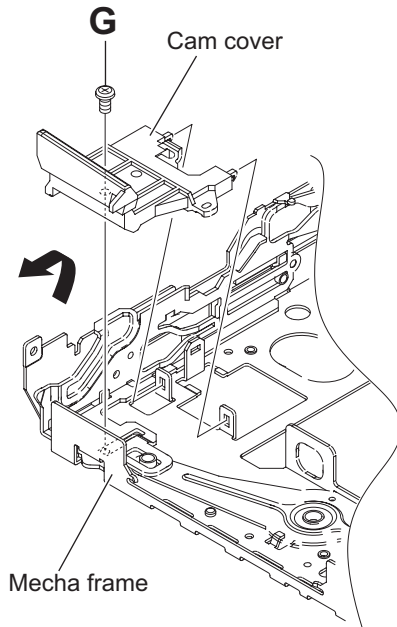
Fig.10

3.2.6 Removing the slide cam (L) (See Fig.11 to 13)

- Remove the MECHANISM CONTROL BOARD assembly, top cover and mechanism section.
 - From the top side of the mecha frame, remove the screw **G** attaching the cam cover. (See Fig.11.)
 - Take out the cam cover from mecha frame in an upward direction. (See Fig.11.)
 - Take out the slide cam (L) in the direction of the arrow. (See Fig.12.)

Reference:

When attaching the slide cam (L), apply grease to the section **h**. (See Fig.13.)



3.2.7 Removing the F.lock lever and slide cam (R) (See Fig.14 and 15)

- Remove the MECHANISM CONTROL BOARD assembly, top cover and mechanism section.
 - From the top side of the mecha frame, take out the slide cam (R) assembly in an upward direction. (See Fig.14.)
 - Rotate the F.lock lever in the direction of the arrow 1, and then take out the direction of the arrow 2. (See Fig.14.)

Reference:

When attaching the slide cam (R) assembly, the f.lock lever and the link arm apply grease to the section **h**. (See Fig.14 and 15.)

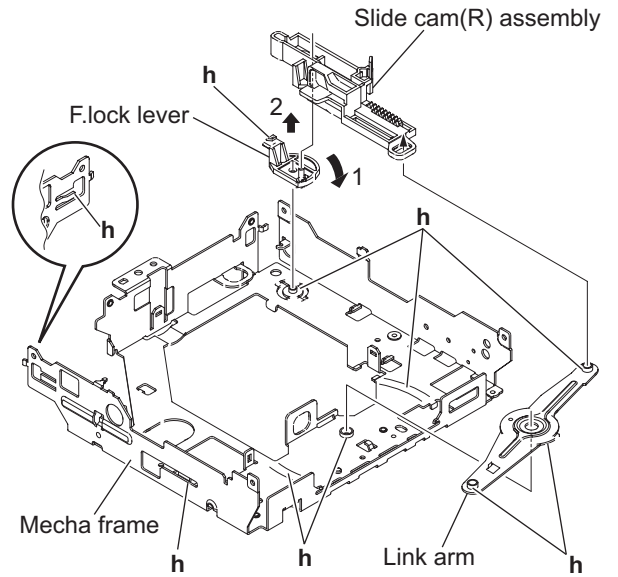


Fig.14

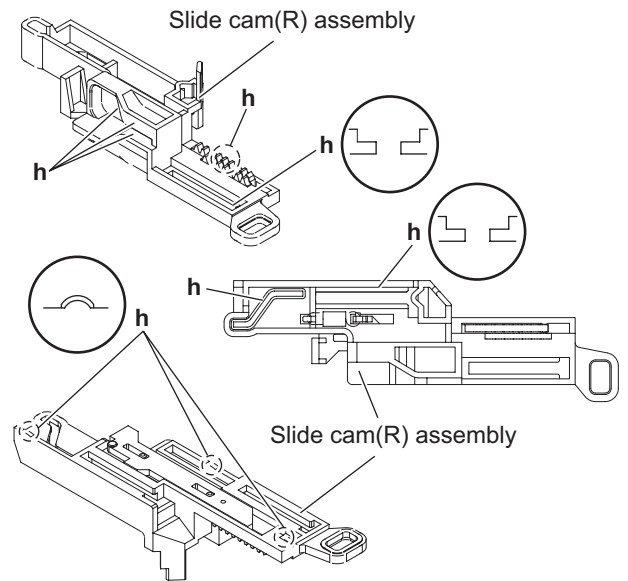


Fig.15

3.2.8 Removing the damper (See Fig.16)

- Remove the MECHANISM CONTROL BOARD assembly, top cover and mechanism section.

From the mechanism section, pull out the three dampers in the direction of the arrow.

Reference:

Before inserting the shaft to the dampers, apply IPA to the pocket **j** of damper.

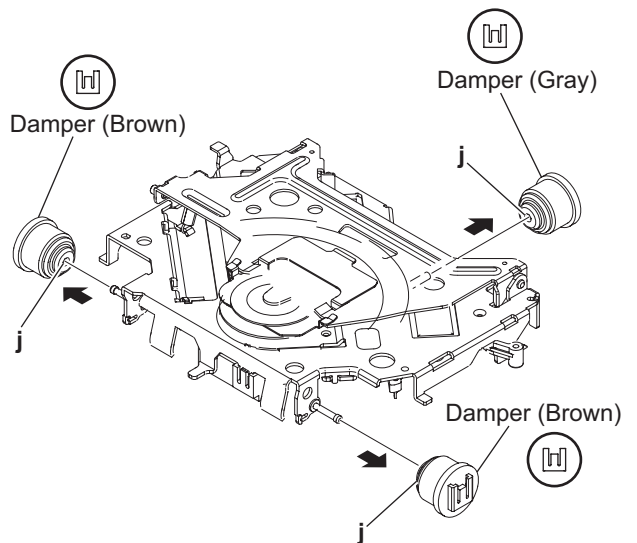


Fig.16

3.2.9 Removing the clamper assembly (See Fig.17)

- Remove the MECHANISM CONTROL BOARD assembly, top cover and mechanism section.
 - (1) From the top side of the mechanism section, release the clamper spring.
 - (2) Move the clamper assembly in the direction of the arrow, and then release the joints (**k** and **m**).
 - (3) Take out the clamper assembly from the T.M chassis assembly.

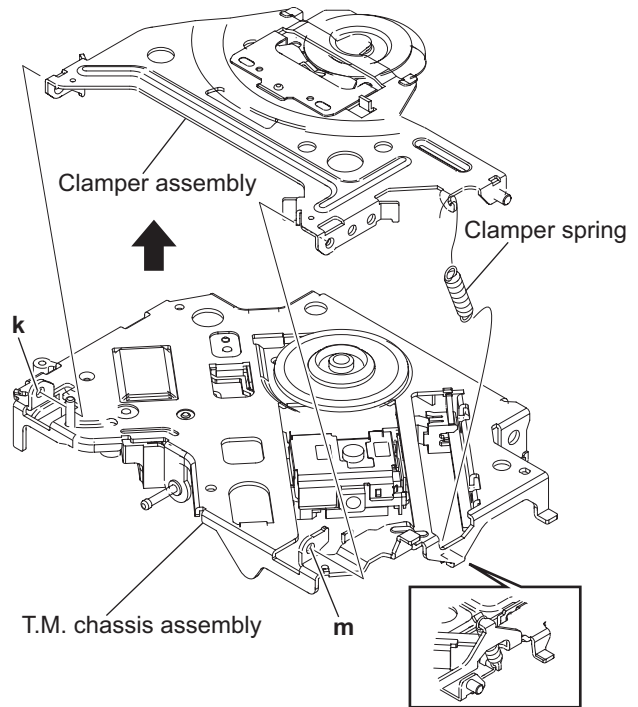


Fig.17

3.2.10 Removing the feed motor (See Fig.18 and 19)

- Remove the MECHANISM CONTROL BOARD assembly, top cover, mechanism section and clamber assembly.
 - From the bottom side of the T.M chassis assembly, remove the two screws **H** attaching the feed motor assembly. (See Fig.18.)
 - Remove the two screws **J** attaching the feed motor to f.motor holder. (See Fig.19.)

Reference:

When attaching the f. wheel gear, trigger arm and feed motor, apply grease to the sections (**n**, **p** and **q**). (See Fig.18 and 19.)

3.2.11 Removing the SWITCH BOARD assembly (See Fig.18)

- Remove the MECHANISM CONTROL BOARD assembly, top cover, mechanism section, clamber assembly and feed motor assembly. From the bottom side of the T.M chassis assembly, take out the SWITCH BOARD assembly in an upward direction from T.M chassis assembly.

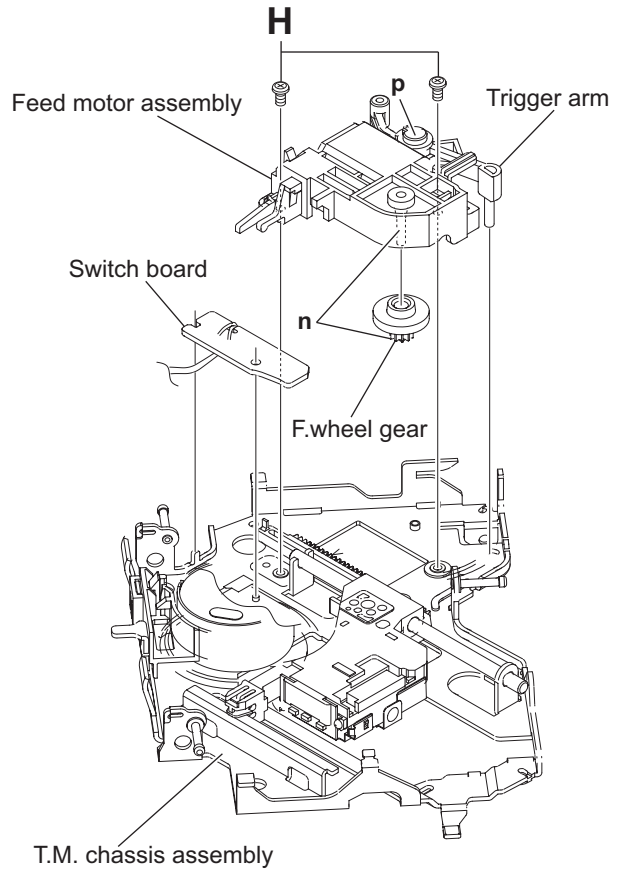


Fig.18

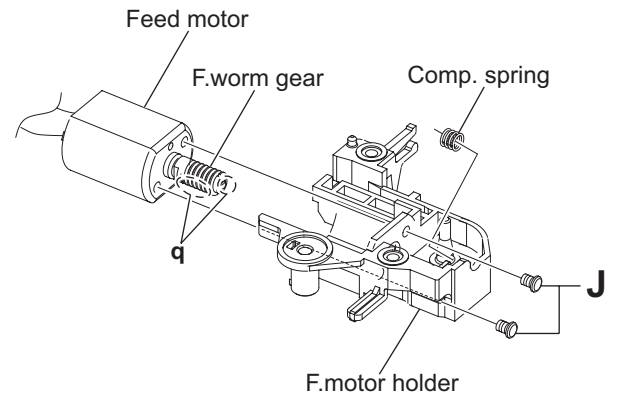


Fig.19

3.2.12 Removing the loading motor (See Fig.20)

- Remove the MECHANISM CONTROL BOARD assembly, top cover, mechanism section and clamber assembly.
 - From the right side of the L.M base assembly, remove the two screws **K** attaching the loading motor.
 - Take out the loading motor in the direction of the arrow from the L.M base assembly.

Reference:

When attaching the loading motor, apply grease to the section **r**.

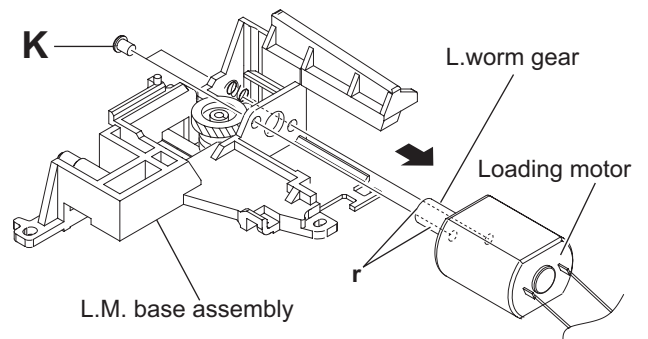


Fig.20

3.2.13 Removing the pickup assembly (See Fig.21 to 22)

- Remove the MECHANISM CONTROL BOARD assembly, top cover, mechanism section, clamber assembly and feed motor assembly.

Caution:

- Do not touch section **u** on the pickup assembly. (See Fig.21 and 22.)
- From the bottom side of the T.M chassis assembly, move the pickup assembly in the direction of the arrow from the T.M chassis assembly. (See Fig.21.)
 - Pull out the main shaft. (See Fig.21.)
 - Remove the screw **M** attaching the pickup to the rack plate. (See Fig.22.)

Reference:

When attaching the loading motor, apply grease to the sections **s** and **t**. (See Fig.21.)

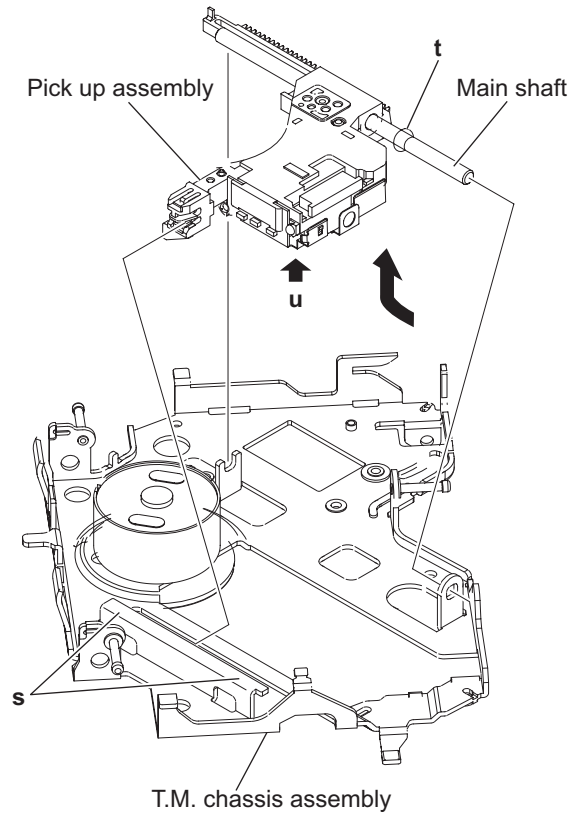


Fig.21

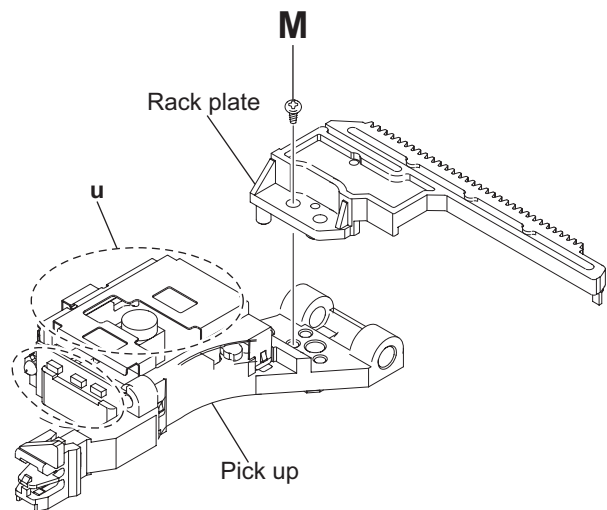


Fig.22

3.2.14 Removing the spindle motor (See Fig.23 and 24)

- Remove the MECHANISM CONTROL BOARD assembly, top cover, mechanism section, clamber assembly, feed motor assembly and pickup assembly.

- From the top side of the T.M chassis assembly, remove the CD T.table assembly from the spindle motor. (See Fig.23.)
- Remove the two screws **N** attaching the spindle motor. (See Fig.23.)
- Take out the spindle motor from the bottom side of the T.M chassis assembly. (See Fig.23.)

Reference:

When attaching the CD T.table assembly to the spindle motor shaft, apply loctite 460 to inside the CD T.table assembly. (See Fig.24.)

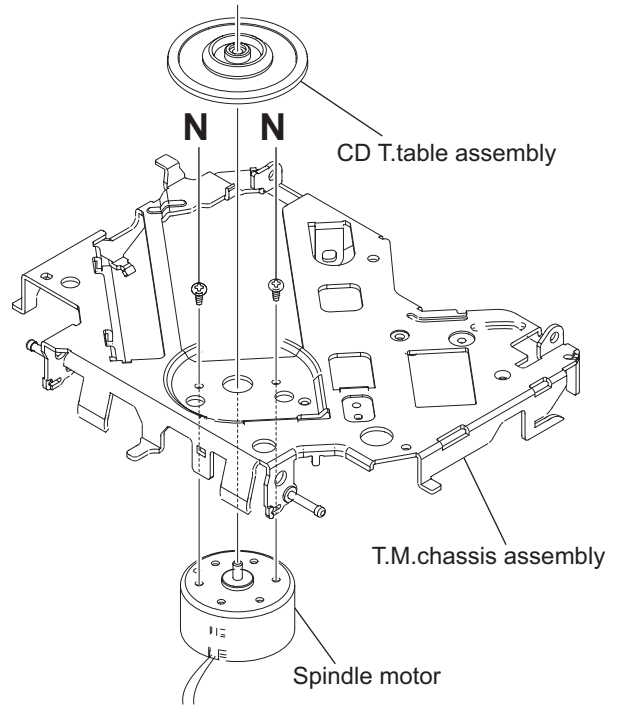


Fig.23

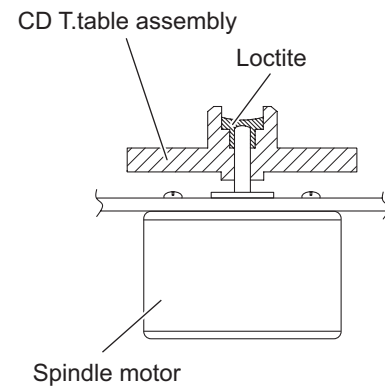


Fig.24

SECTION 4 ADJUSTMENT

4.1 Adjustment method

■ Test instruments required for adjustment

- (1) Digital oscilloscope (100MHz)
- (2) Electric voltmeter
- (3) Digital tester
- (4) Tracking offset meter
- (5) Test Disc JVC :CTS-1000
- (6) Extension cable for check
EXTGS004-26PL x 1

■ Standard volume position

Balance and Bass & Treble volume : Indication "0"
Loudness : OFF

■ How to connect the extension cable for adjusting

Caution:

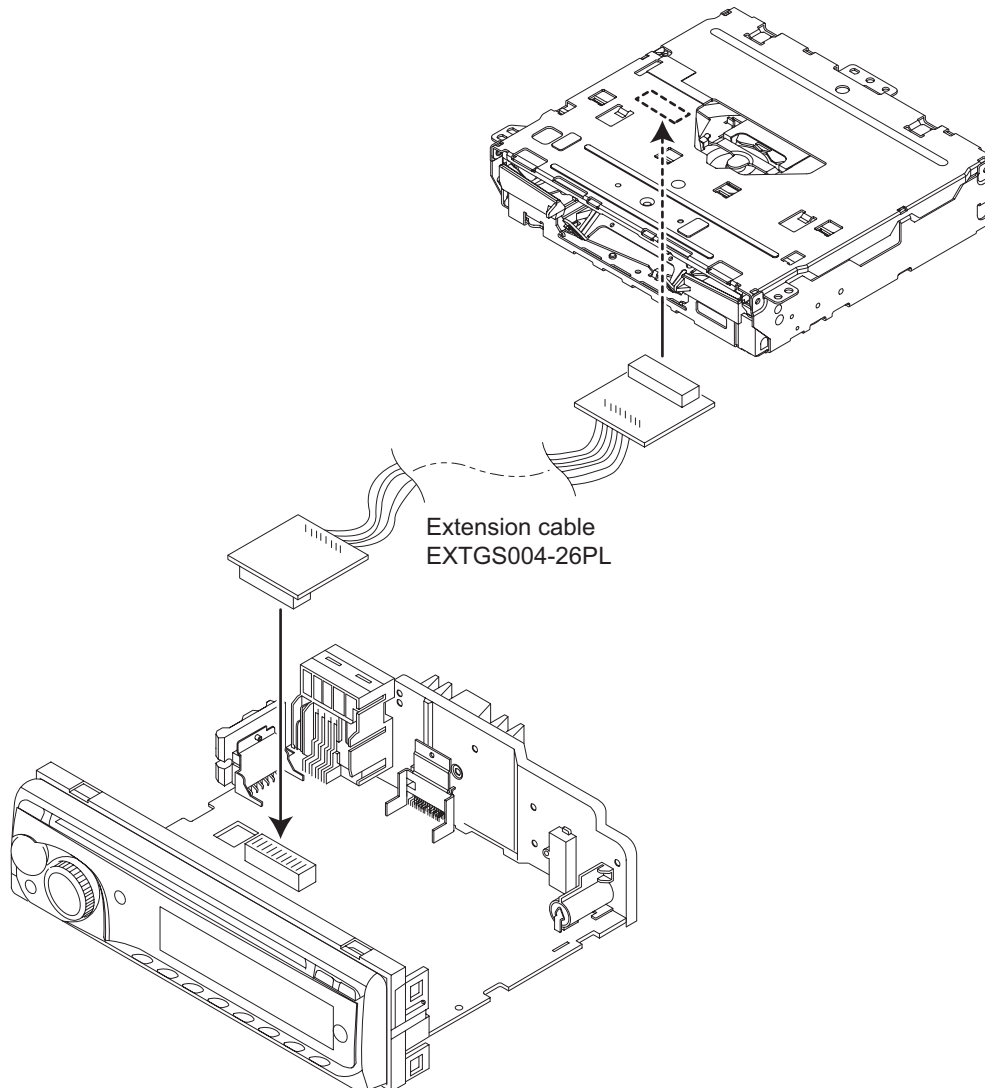
Be sure to attach the heat sink and rear bracket onto the power amplifier IC and regulator IC respectively, before supply the power. If voltage is applied without attaching these parts, the power amplifier IC and regulator IC will be destroyed by heat.

■ Standard measuring conditions

Power supply voltage DC14.4V(10.5 to 16V)
Load impedance 20K.(2 Speakers connection)
Output Level Line out 2.5V (Vol. MAX)

■ Dummy load

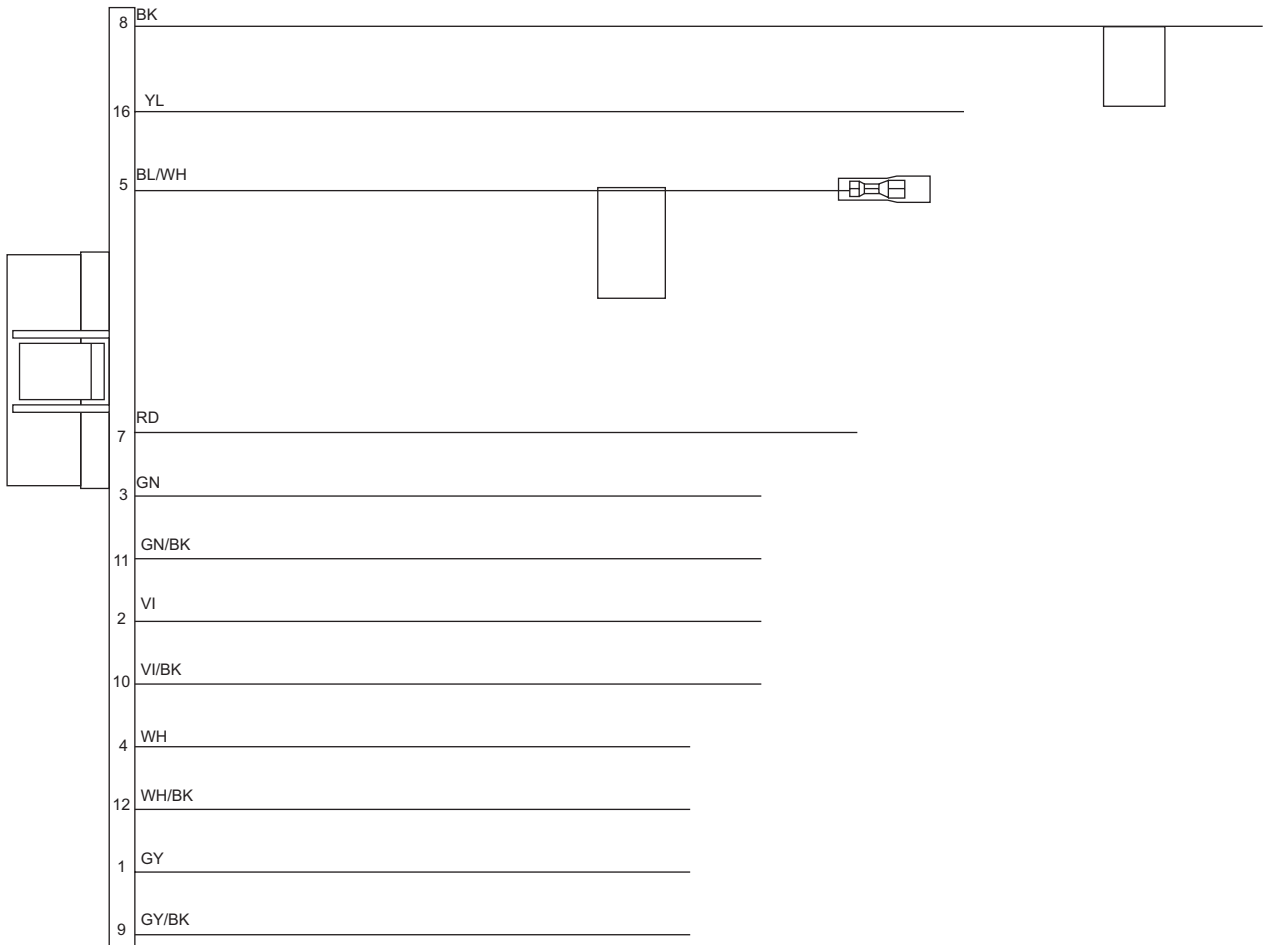
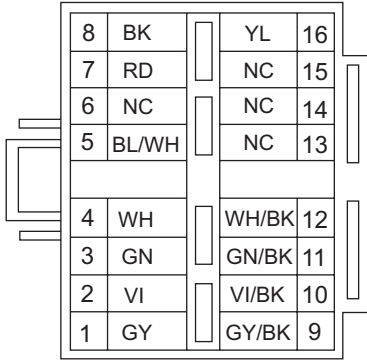
Exclusive dummy load should be used for AM, and FM. For FM dummy load, there is a loss of 6dB between SSG output and antenna input. The loss of 6dB need not be considered since direct reading of figures are applied in this working standard.



SECTION 5 TROUBLESHOOTING

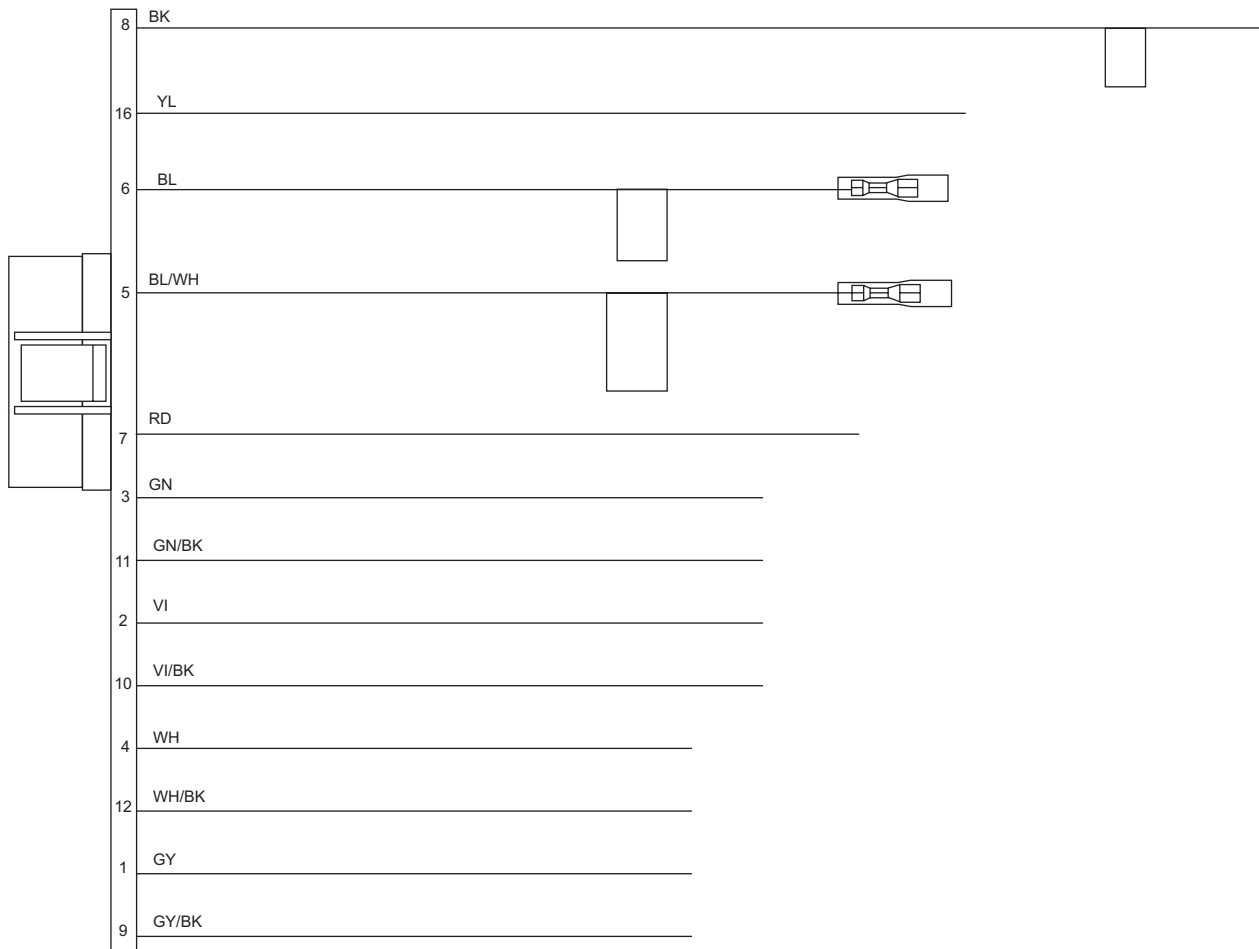
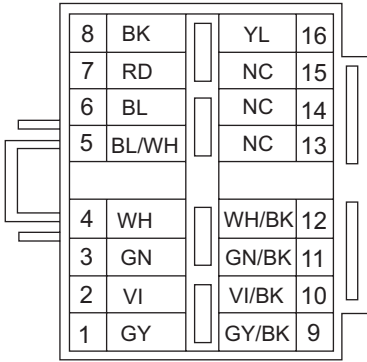
5.1 16 PIN CORD DIAGRAM (for KD-G140, KD-G240)

BK	Black	GN	Green
RD	Red	VI	Violet
BL	Blue	GY	Gray
WH	White	YL	Yellow

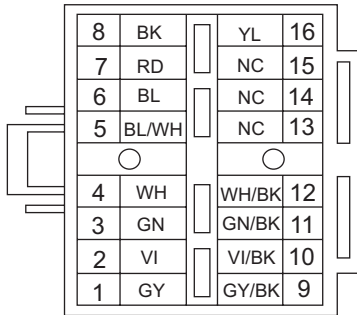


5.2 16 PIN CORD DIAGRAM (for Asia except KD-G248UF, KD-G398UF)

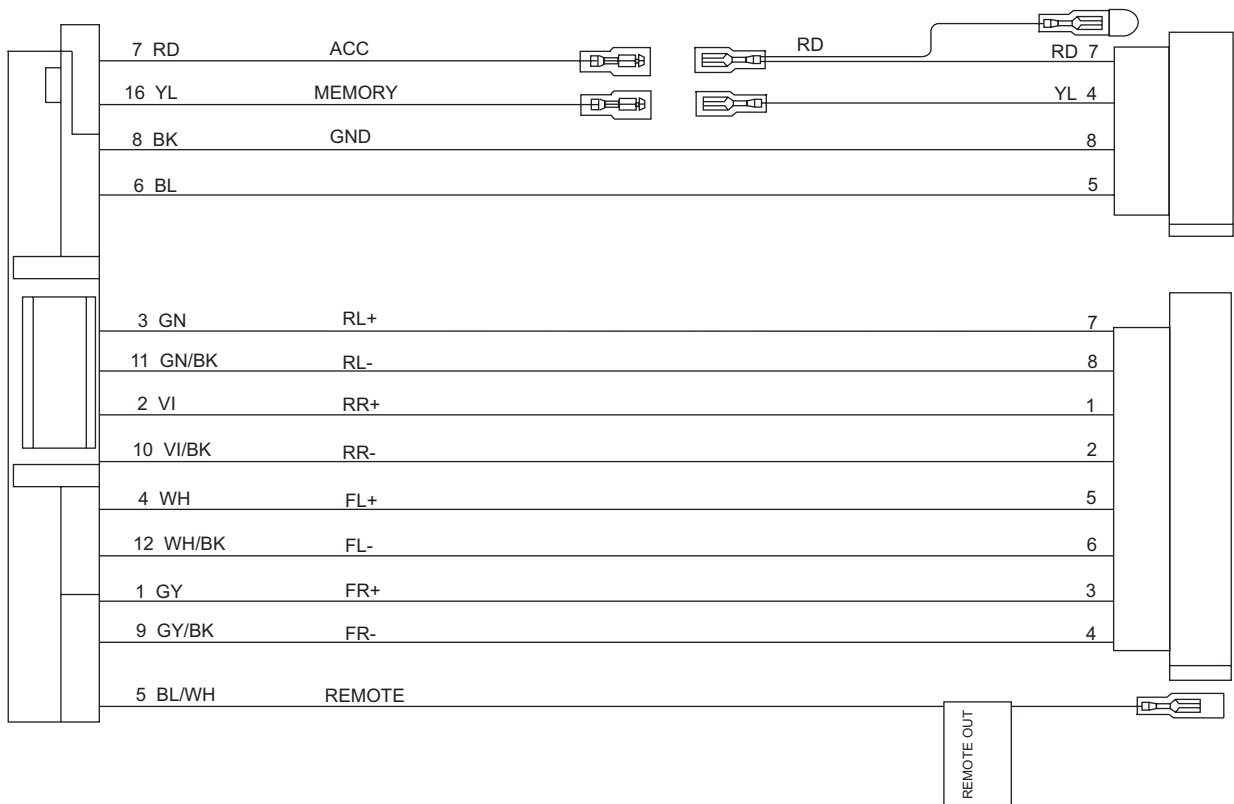
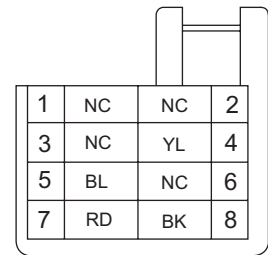
BK	Black	GN	Green
RD	Red	VI	Violet
BL	Blue	GY	Gray
WH	White	YL	Yellow



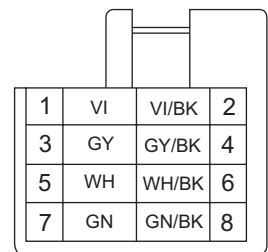
5.3 16 PIN CORD DIAGRAM (for KD-G248UF, KD-G398UF)



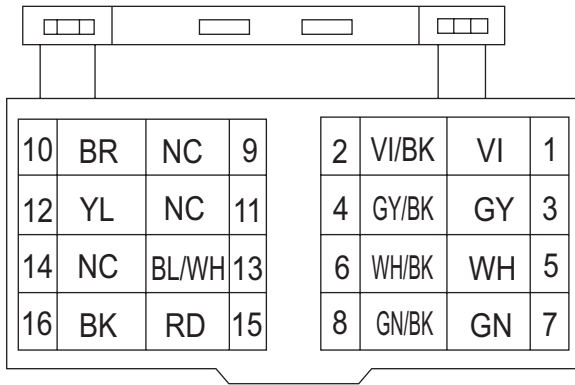
BK	Black	GN	Green
RD	Red	VI	Violet
BL	Blue	GY	Gray
WH	White	YL	Yellow



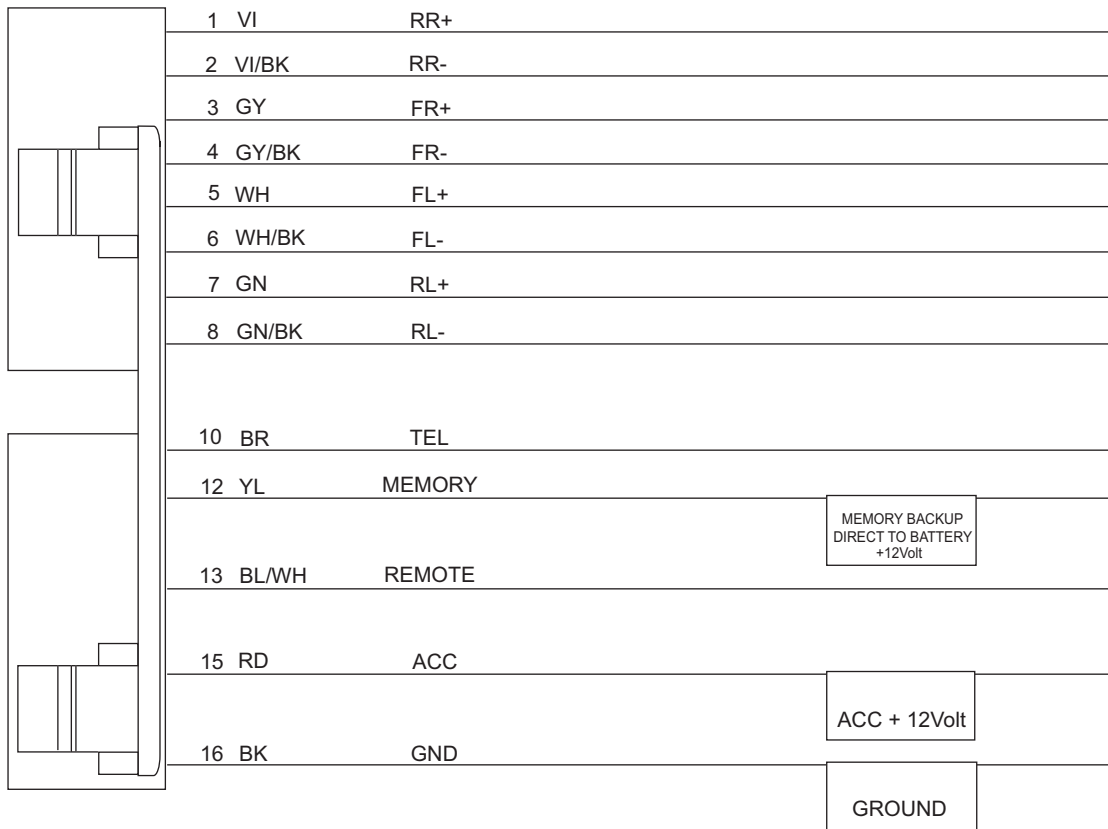
RR	Rear Right	REMOTE	Remote out
FR	Front Right	ACC	ACC Line
FL	Front Left	MEMORY	Memory Backup Battery+
RL	Rear Left	GND	Ground
ANT	Auto Antenna		



5.4 16 PIN CORD DIAGRAM (for Europe)

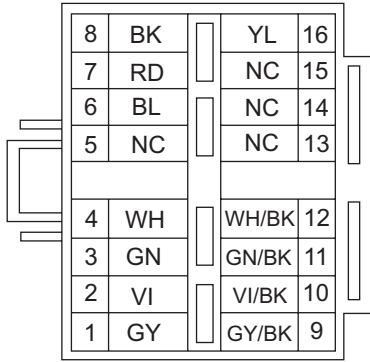


BK	Black	GN	Green
RD	Red	VI	Violet
BL	Blue	GY	Gray
WH	White	YL	Yellow
BR	Brown		

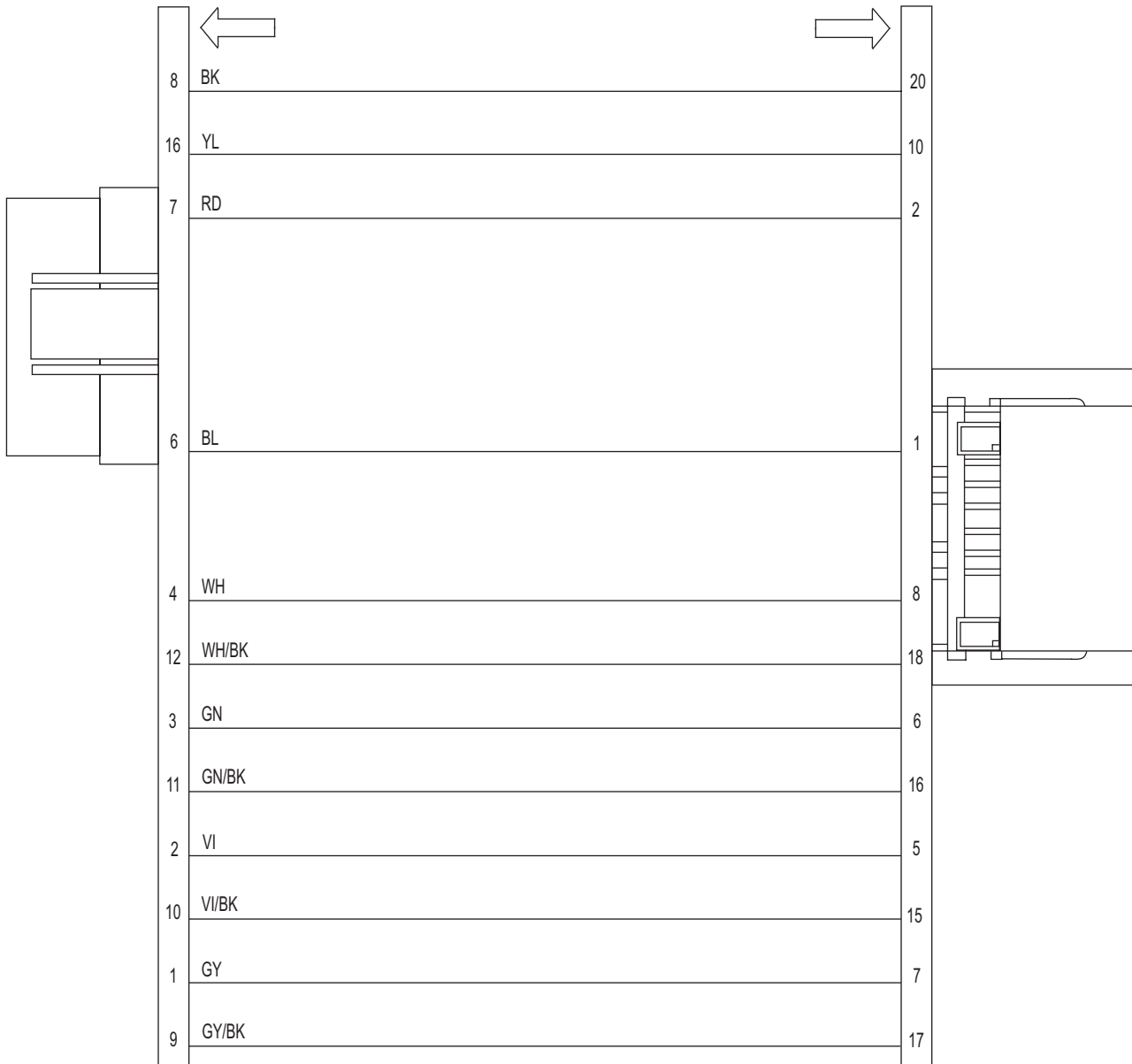
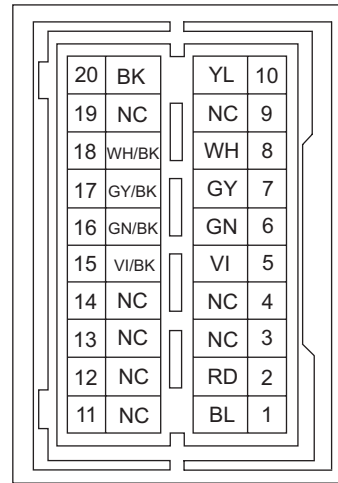


RR	Rear Right	ANT	Auto Antenna
FR	Front Right	ACC	ACC Line
FL	Front Left	TEL	Telephone Muting
RL	Rear Left	GND	Ground
REMOTE	Remote out	MEMORY	Memory Backup Battery+

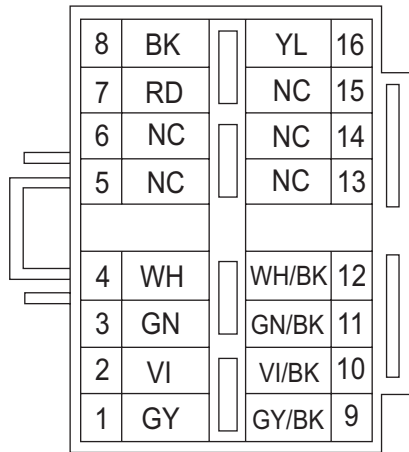
5.5 16 PIN CORD DIAGRAM (for KD-G396S)



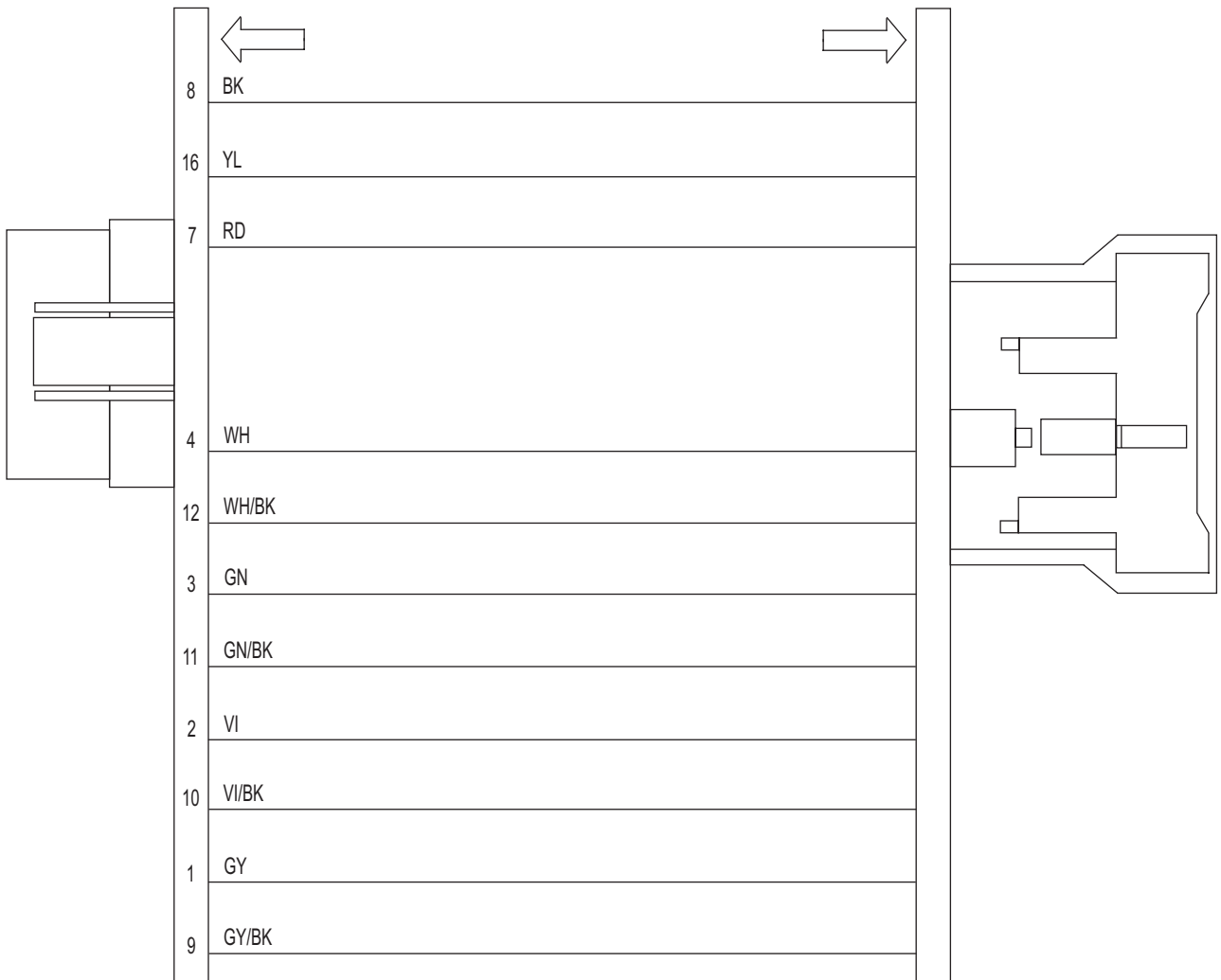
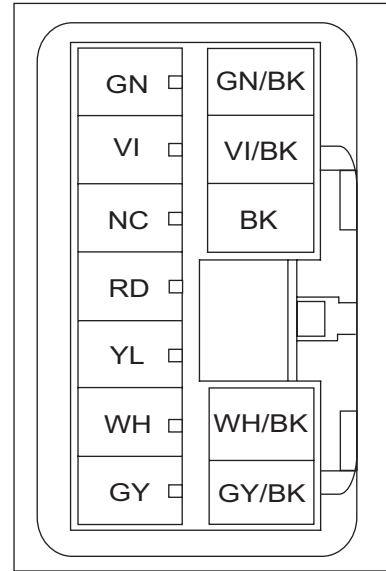
GY	Gray	BL	Blue
VI	Violet	RD	Red
GN	Green	BK	Black
WH	White	YL	Yellow



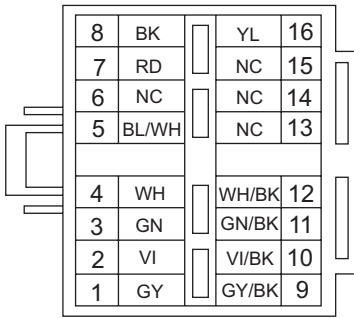
5.6 16 PIN CORD DIAGRAM (for KD-G396S)



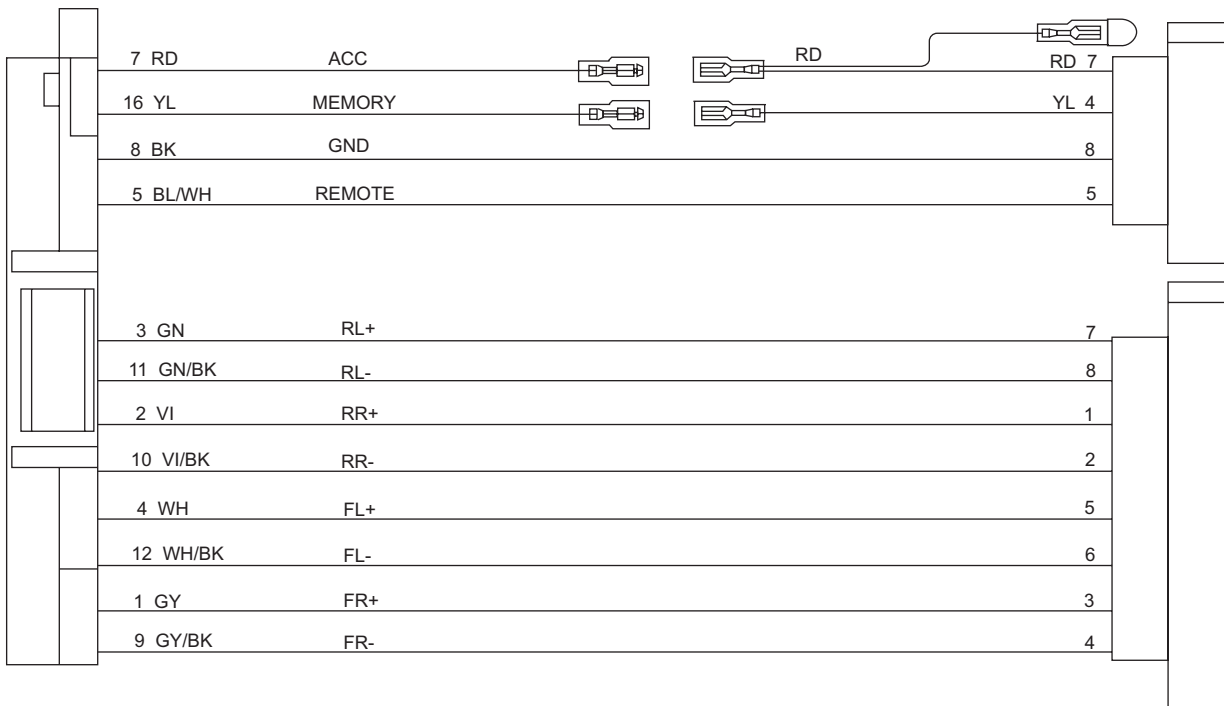
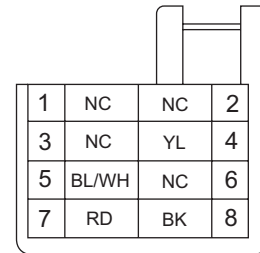
GY	Gray	RD	Red
VI	Violet	BK	Black
GN	Green	YL	Yellow
WH	White		



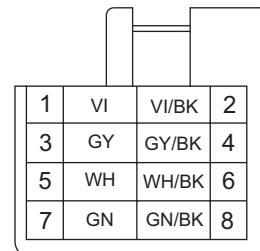
5.7 16 PIN CORD DIAGRAM (for KD-G299)



BK	Black	GN	Green
RD	Red	VI	Violet
BL	Blue	GY	Gray
WH	White	YL	Yellow



RR	Rear Right	REMOTE	Remote out
FR	Front Right	ACC	ACC Line
FL	Front Left	MEMORY	Memory Backup Battery+
RL	Rear Left	GND	Ground





JVC

Victor company of Japan, Limited
Mobile Entertainment Business Group Mobile Entertainment Category 10-1,1chome,Ohwatari-machi,Maebashi-city,371-8543,Japan

(No.MA372<Rev.002>)

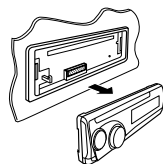
JVC

SCHEMATIC DIAGRAMS

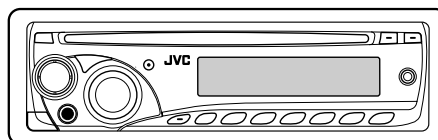
CD RECEIVER

**KD-G140J, KD-G240J, KD-G244UI, KD-G245U
KD-G245UN, KD-G245UT, KD-G245UH, KD-G248UF
KD-G341E, KD-G341EX, KD-G341EY, KD-G341EU
KD-G342E, KD-G342EX, KD-G342EY, KD-G342EU
KD-G343E, KD-G343EX, KD-G343EY, KD-G343EU
KD-G347SEE, KD-G347BEE, KD-G394UI, KD-G395U
KD-G395UN, KD-G395UT, KD-G395UH, KD-G396U
KD-G396UN, KD-G396UT, KD-G396UH, KD-G398UF
KD-G396SUI, KD-G299UR**

DVD-ROM No.SML2008Q1



only for
KD-G140/KD-G240
KD-G394/KD-G395
KD-G396/KD-G398
KD-G299



only for
KD-G347



only for
KD-G341
KD-G342
KD-G343
KD-G347

WMA MP3

only for
KD-G240/KD-G341/KD-G342
KD-G343/KD-G347/KD-G394
KD-G395/KD-G396/KD-G398
KD-G299



only for
KD-G140
KD-G240
KD-G299

Lead free solder used in the board (material : Sn-Ag-Cu, melting point : 219 Centigrade)

Lead free solder used in the board (material : Sn-Cu, melting point : 230 Centigrade)

Contents

Block diagram	2-1
Standard schematic diagrams	2-3
Printed circuit boards	2-8

Safety precaution

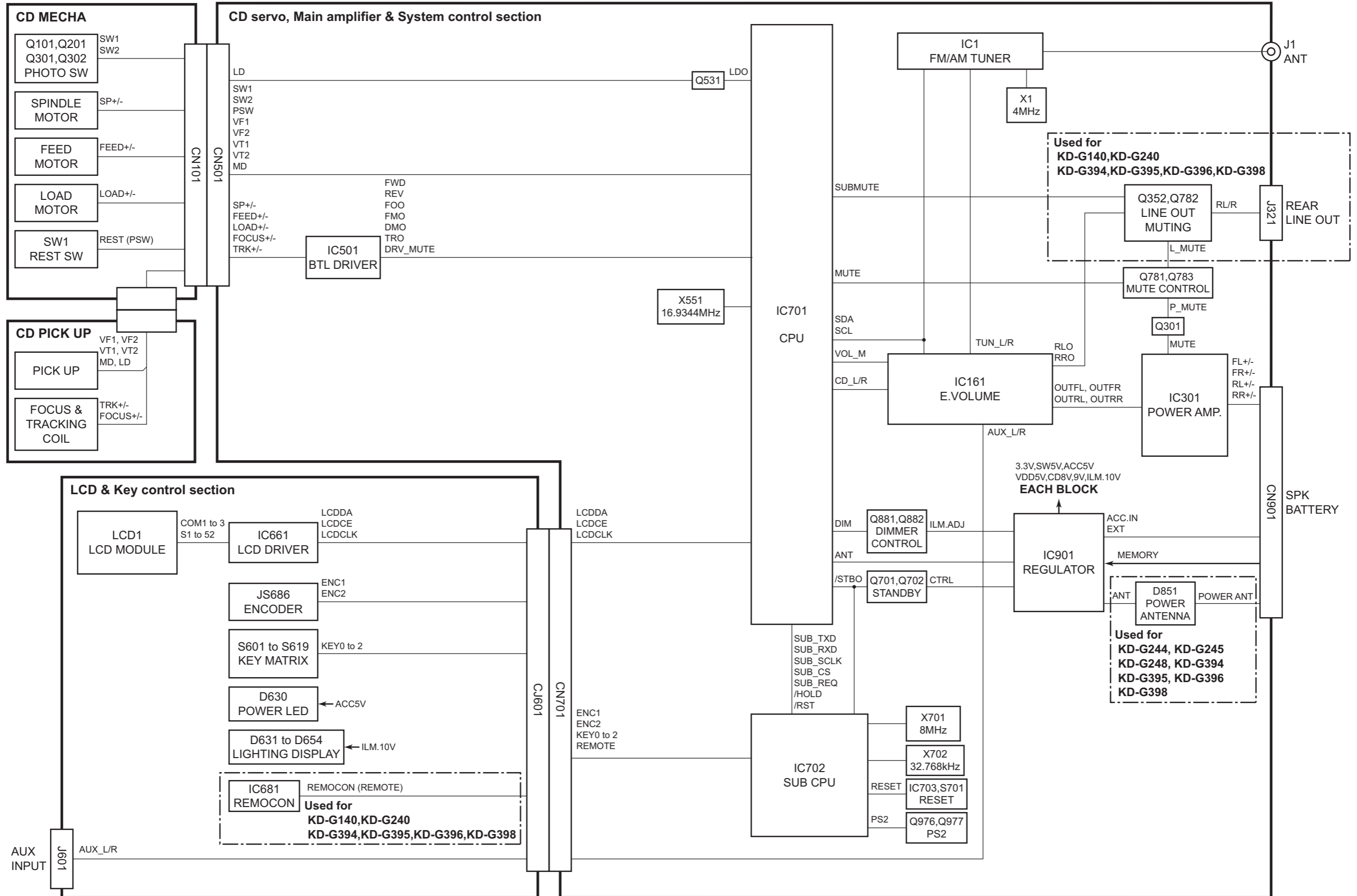


CAUTION Burrs formed during molding may be left over on some parts of the chassis. Therefore, pay attention to such burrs in the case of performing repair of this system.

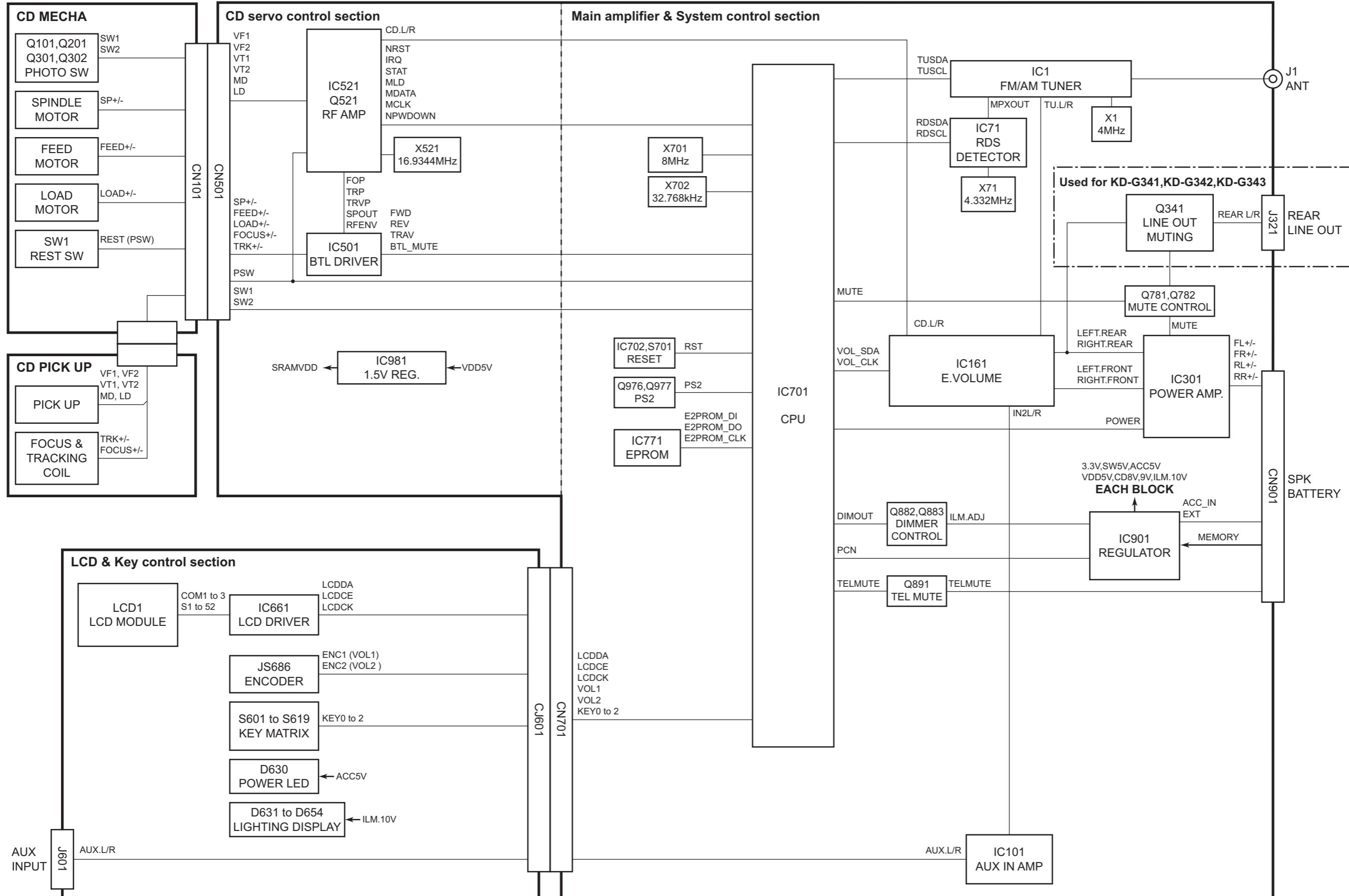


CAUTION Please use enough caution not to see the beam directly or touch it in case of an adjustment or operation check.

Block diagram (For KD-G140, KD-G240, KD-G244, KD-G245, KD-G248, KD-G394, KD-G395, KD-G396 and KD-G398)

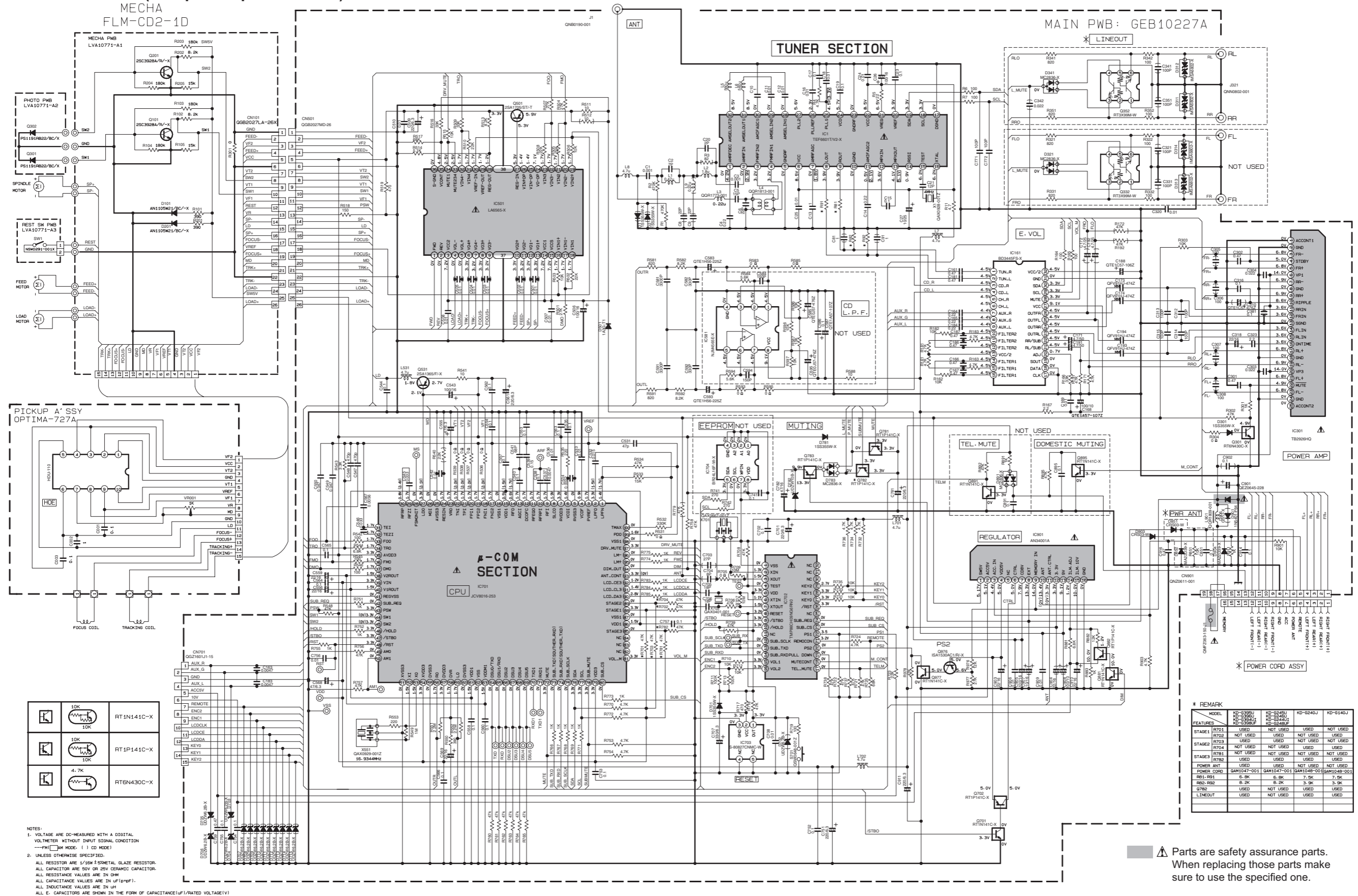


Block diagram (For KD-G341, KD-G342, KD-G343, KD-G347S and KD-G347B)

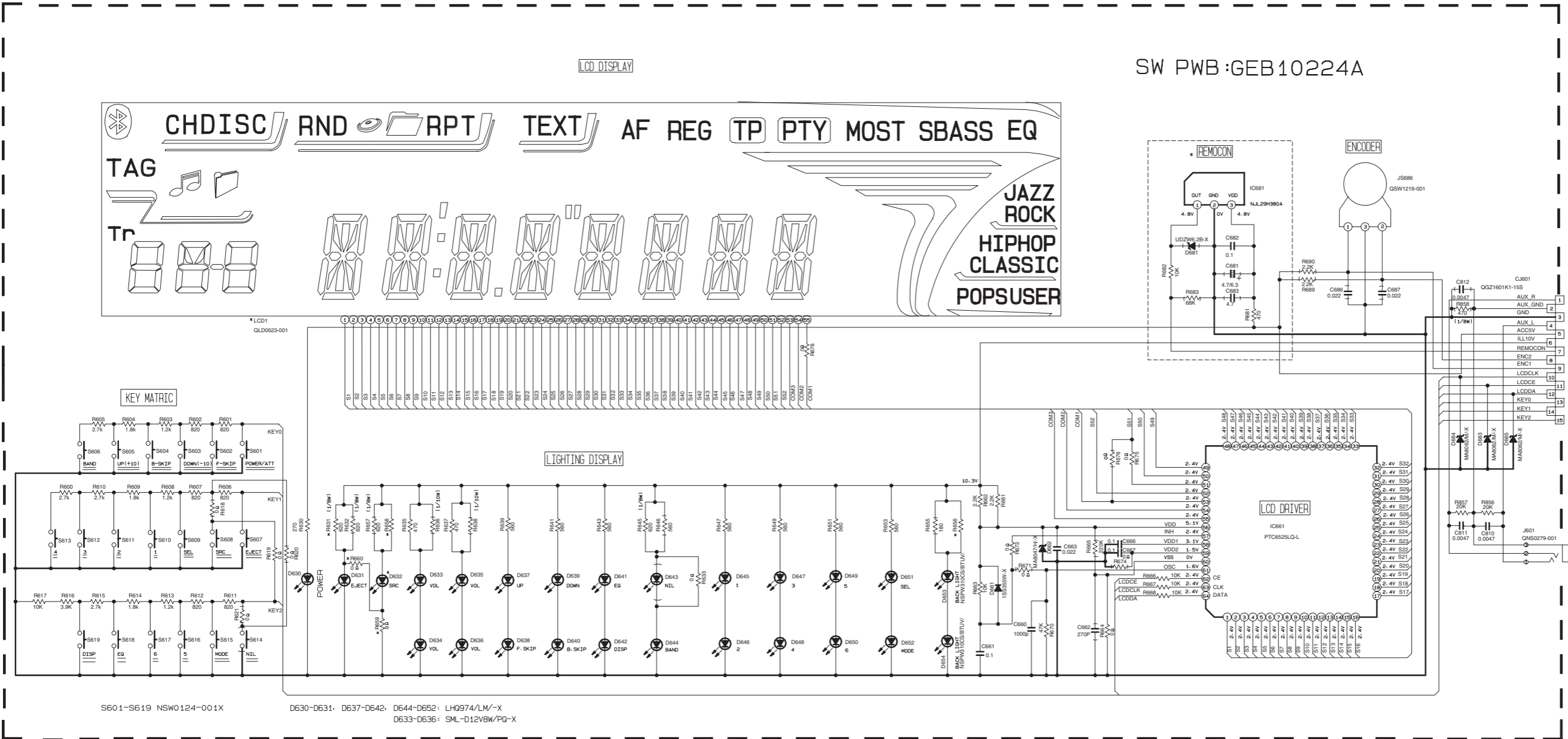


Standard schematic diagrams

Main section (except European version)



■ LCD & Key control section (except European version)



S601-S619 NSW0124-001X

D630-D631, D637-D642, D644-D652: LH974/LM-X
D633-D636: SML-D12V8W/PQ-X

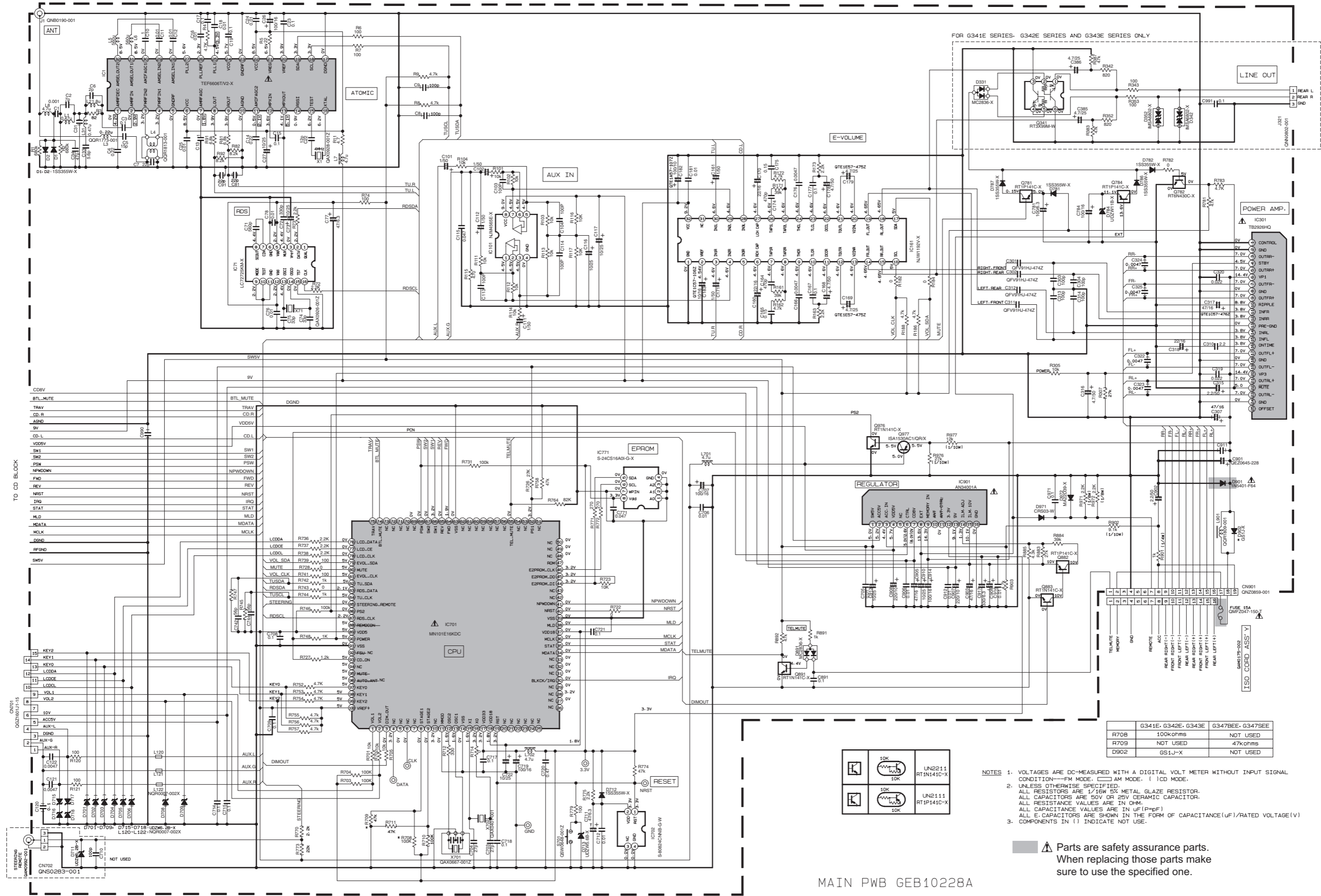
REMARKS

	KD-G395U	KD-G140J	KD-G245U	KD-G244U1
	KD-G396U	KD-G240J	SERIES	KD-G248UF
	KD-G394U1			
	KD-G396UF			
LED BRIGHTNESS	D632 1.3K	NEC88205/WPGR/X 1.3K	NEC88205/WPGR/X 560	LH974/LM-X 560
	D659 IN USE	IN USE	NOT IN USE	NOT IN USE
	D660 NOT IN USE	NOT IN USE	IN USE	IN USE
	D631 IN USE	IN USE	NOT IN USE	NOT IN USE
	D656 200	180	200	200
REMOCON	IN USE	IN USE	NOT IN USE	NOT IN USE
LCD	QLD0523-001	QLD0530-001	QLD0523-001	QLD0523-001

NOTES

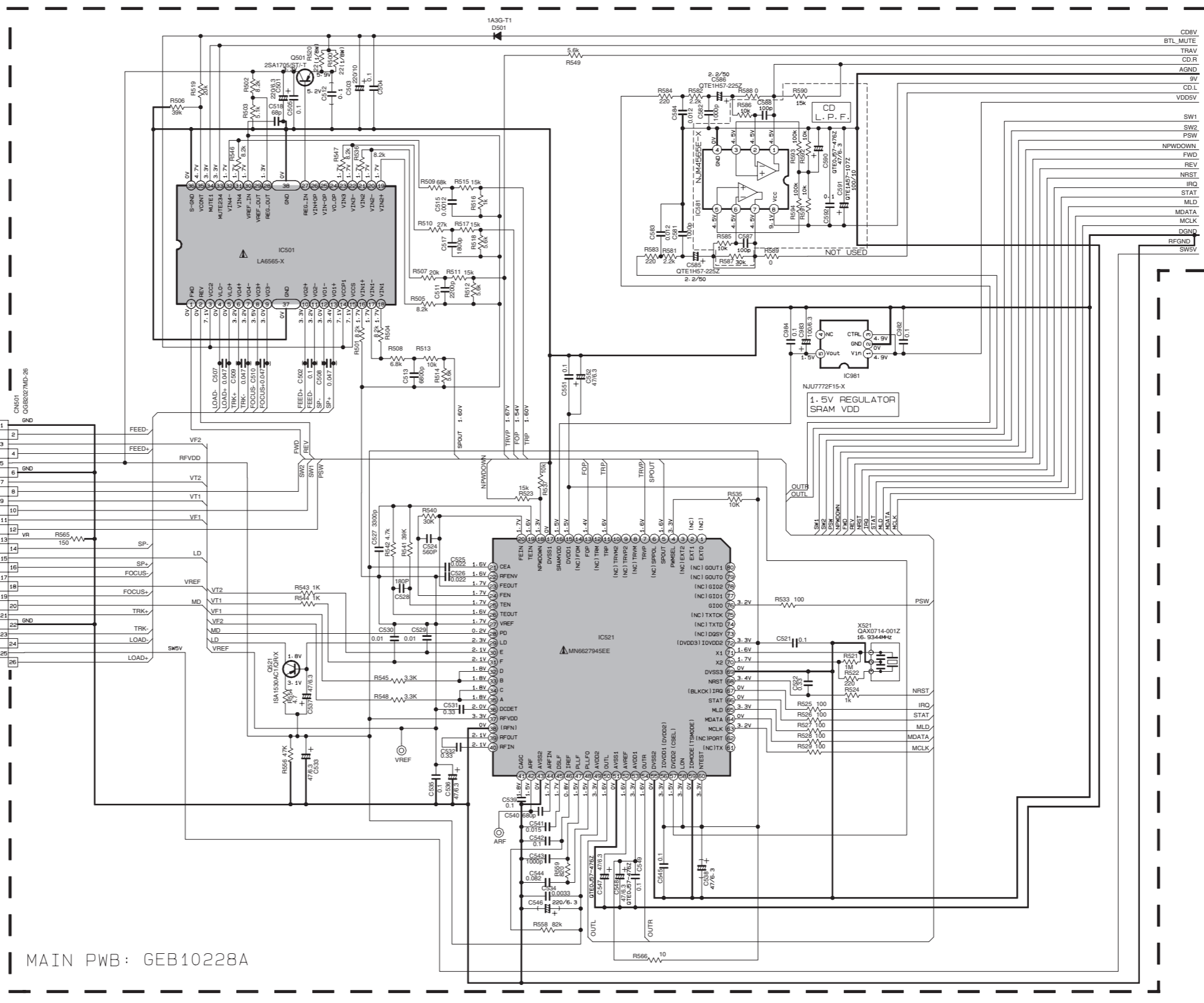
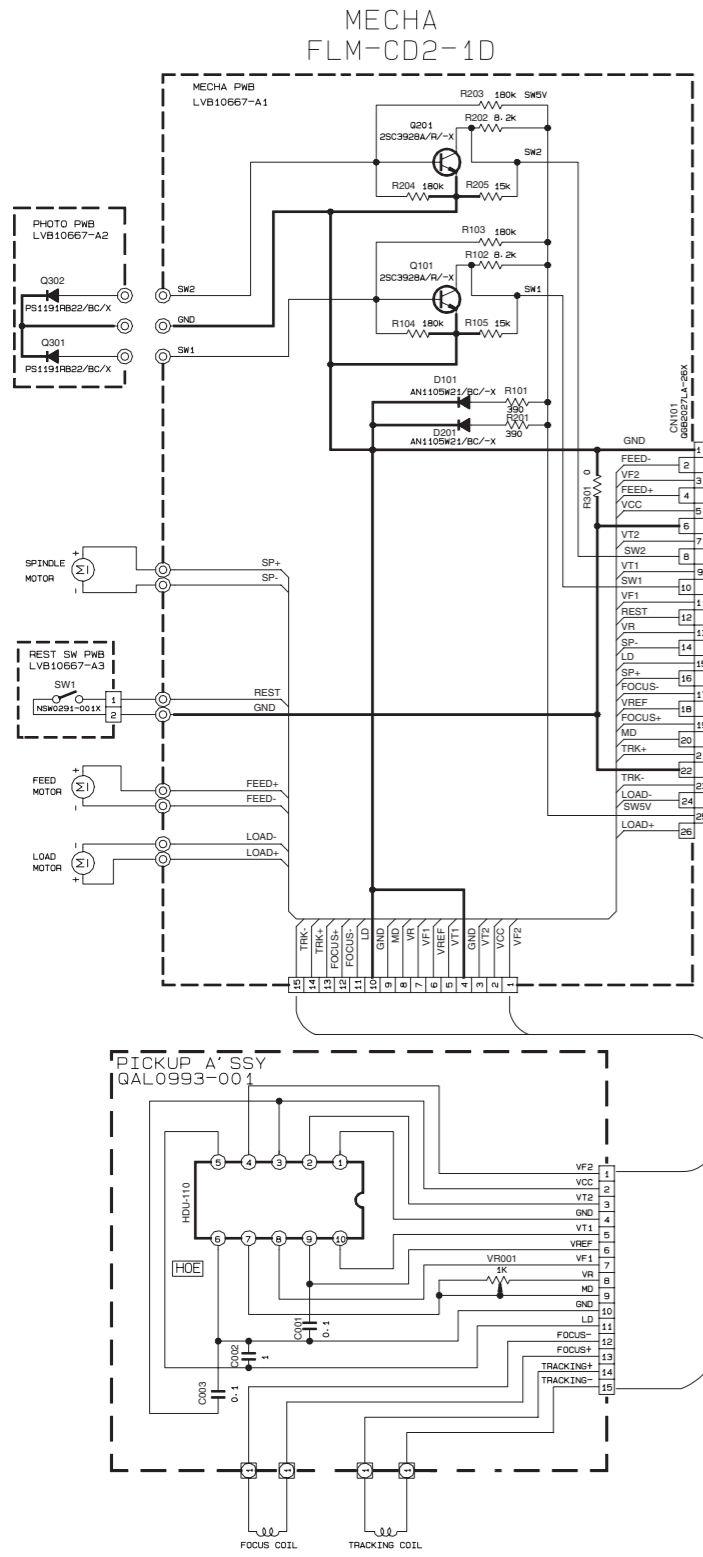
- VOLTAGES ARE DC-MEASURED WITH A DIGITAL VOLT METER WITHOUT INPUT SIGNAL.
- UNLESS OTHERWISE SPECIFIED.
ALL RESISTORS ARE 1/16W ±5% METAL GLAZE RESISTOR.
ALL CAPACITORS ARE 50V OR 25V CERAMIC CAPACITOR.
ALL RESISTANCE VALUES ARE IN ΩM.
ALL CAPACITANCE VALUES ARE IN uF(p=pF)
ALL E. CAPACITORS ARE SHOWN IN THE FORM OF CAPACITANCE(uF)/RATED VOLTAGE(V)
T --- TANTAL CAPACITOR.
- COMPONENTS IN () INDICATE NOT USE.

Main section (for European version)



MAIN PWB GEB10228A

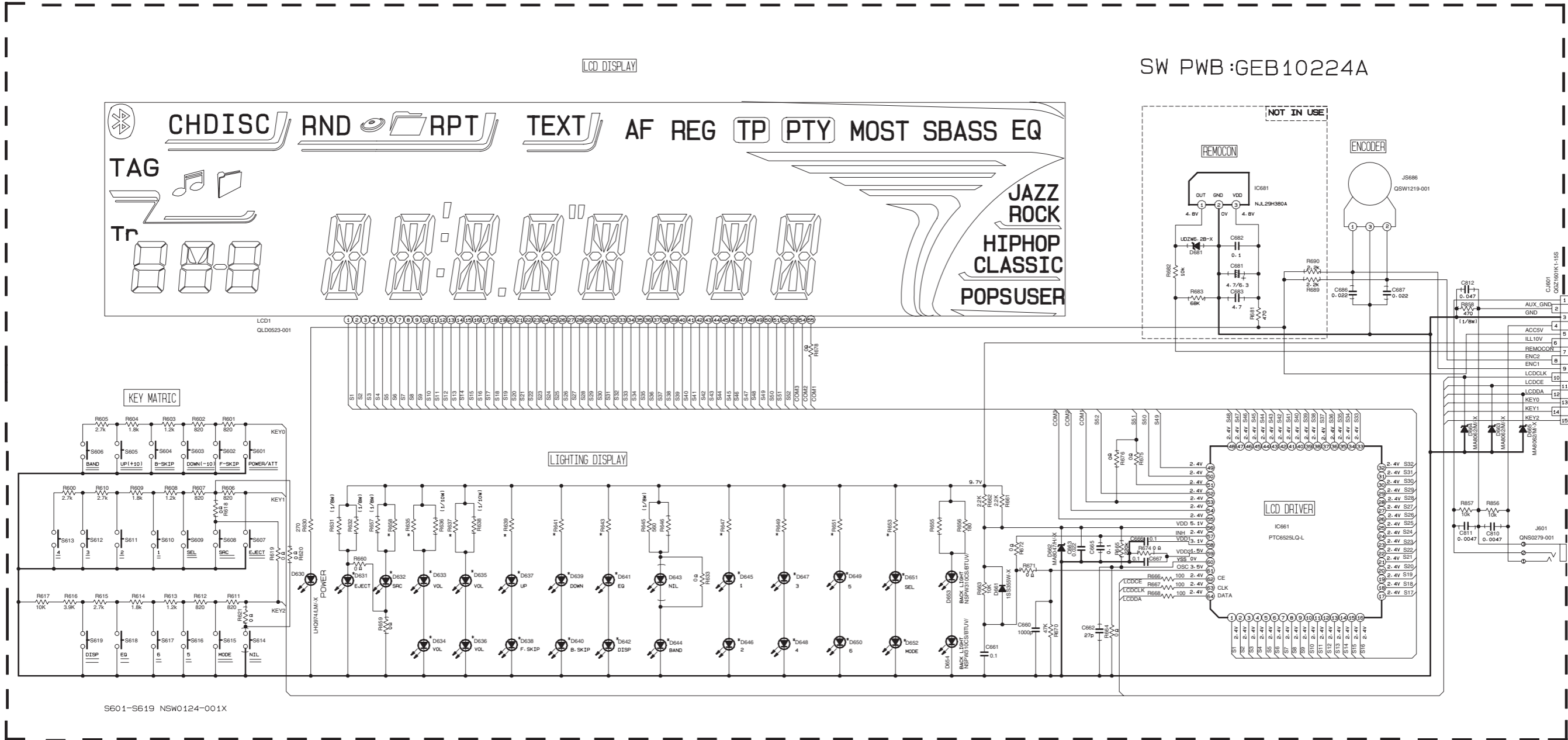
■ CD section (for European version)



- NOTES:
- VOLTAGE ARE DC-MEASURED WITH A DIGITAL VOLTMETER WITHOUT INPUT SIGNAL CONDITION — CD MODE.
 - UNLESS OTHERWISE SPECIFIED, ALL RESISTOR ARE 1/16W ±5% METAL GLAZE RESISTOR. ALL CAPACITOR ARE 50V OR 25V CERAMIC CAPACITOR. ALL RESISTANCE VALUES ARE IN OHM. ALL CAPACITANCE VALUES ARE IN uF (p=PF). ALL INDUCTANCE VALUES ARE IN uH. ALL E. CAPACITORS ARE SHOWN IN THE FORM OF CAPACITANCE(uF)/RATED VOLTAGE(V)

▲ Parts are safety assurance parts. When replacing those parts make sure to use the specified one.

■ LCD & Key control section (for European version)



*REMARKS	KD-G341E	KD-G342E KD-G343E KD-G347BEE KD-G347SEE
D631-D642 D644-D652	LNJ30808/1-3/X	LS097L/KL-/X
R635-R637	390Ω	430Ω
R639-R641-R647 R649-R651-R653	430Ω	510Ω
R643-R658	390Ω	510Ω

NOTES

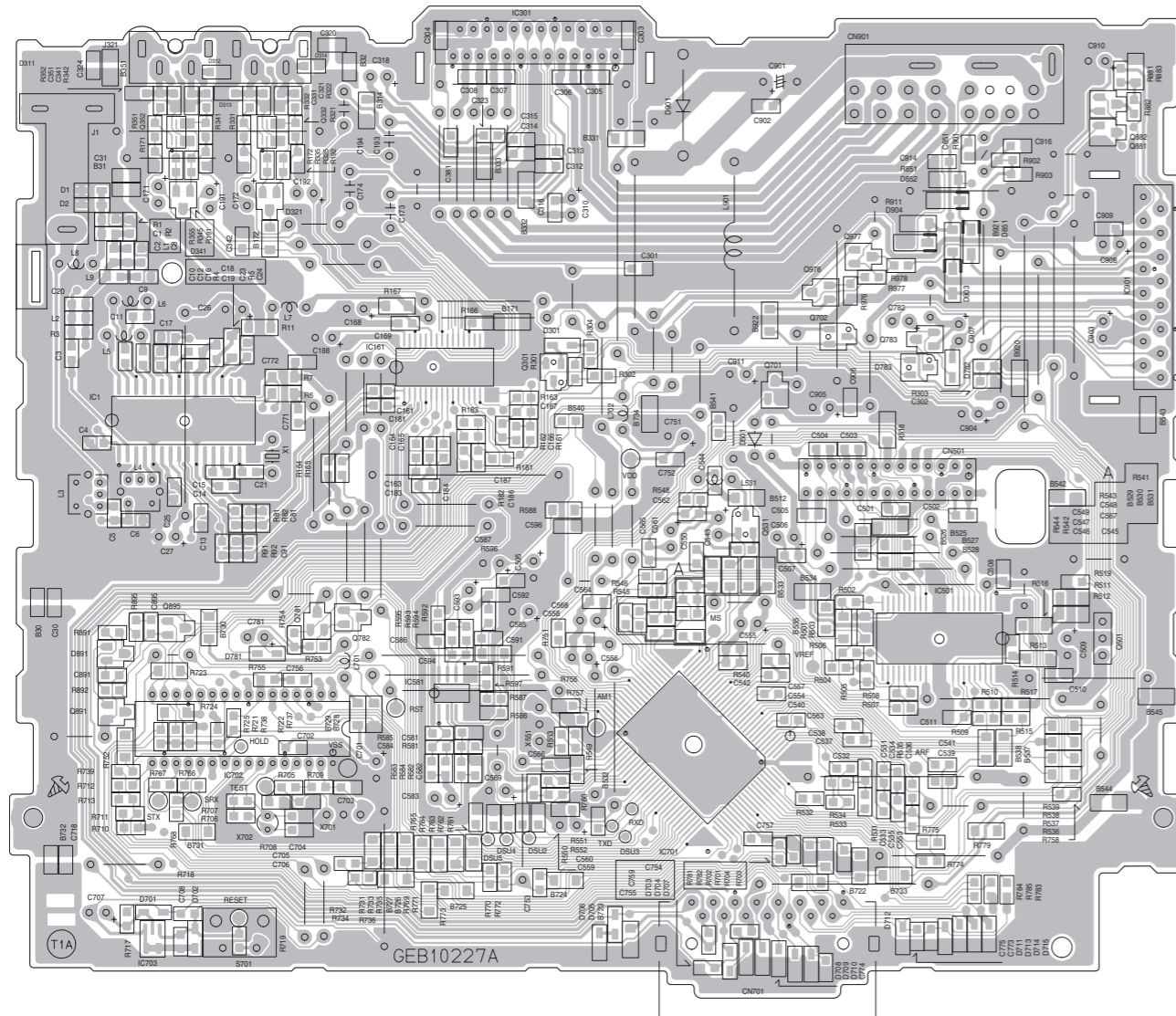
- VOLTAGES ARE DC-MEASURED WITH A DIGITAL VOLT METER WITHOUT INPUT SIGNAL.
- UNLESS OTHERWISE SPECIFIED, ALL RESISTORS ARE 1/16W ±5% METAL GLAZE RESISTOR. ALL CAPACITORS ARE 50V OR 25V CERAMIC CAPACITOR. ALL RESISTANCE VALUES ARE IN OHM. ALL CAPACITANCE VALUES ARE IN uF(P=pF) ALL E. CAPACITORS ARE SHOWN IN THE FORM OF CAPACITANCE(uF)/RATED VOLTAGE(V) T --- TANTALUM CAPACITOR.
- COMPONENTS IN () INDICATE NOT USE.

Printed circuit boards

■ Main board (except European version)

Lead free solder used in the board (material : Sn-Ag-Cu, melting point : 219 Centigrade)

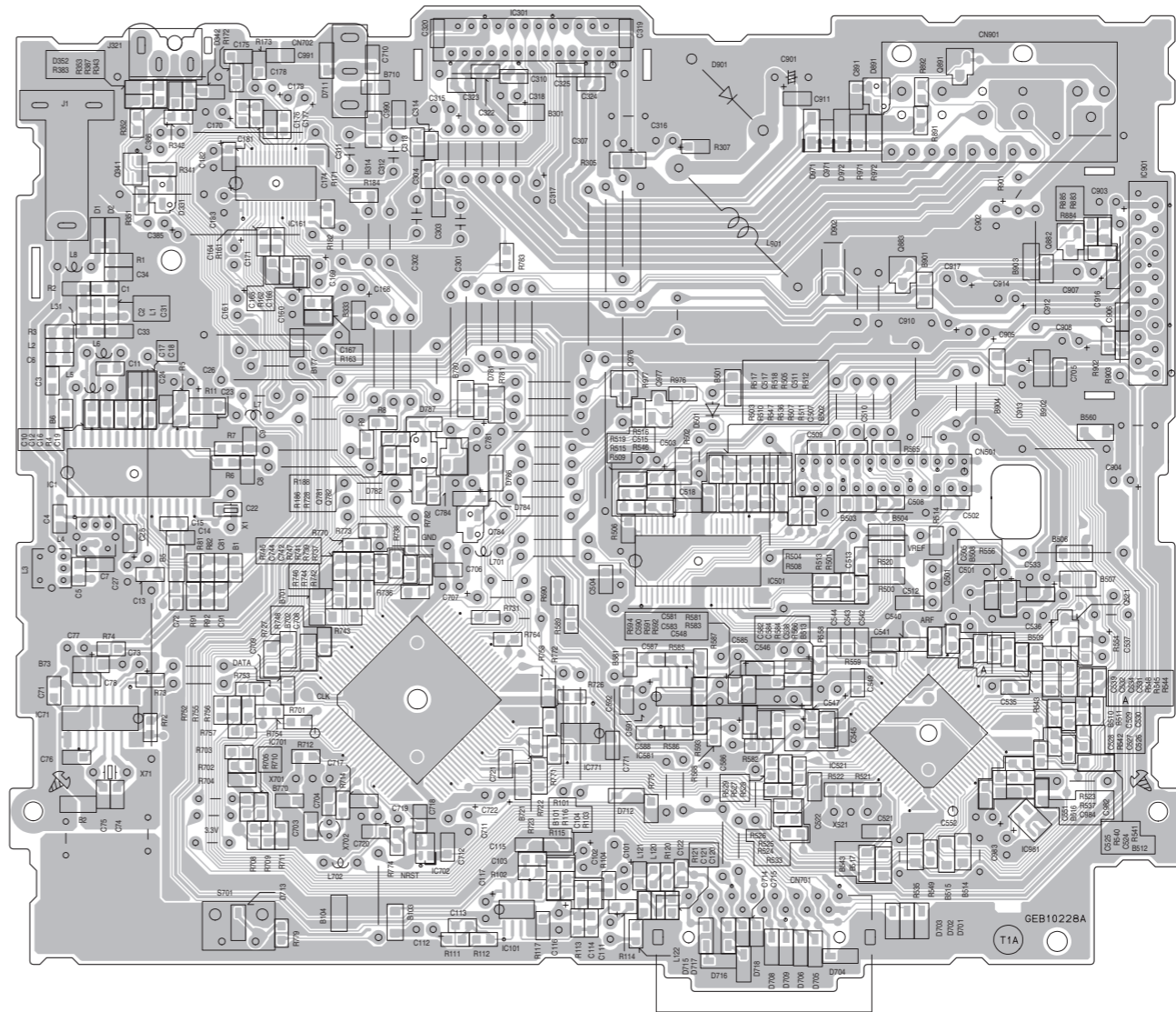
Lead free solder used in the board (material : Sn-Cu, melting point : 230 Centigrade)



■ Main board (for European version)

Lead free solder used in the board (material : Sn-Ag-Cu, melting point : 219 Centigrade)

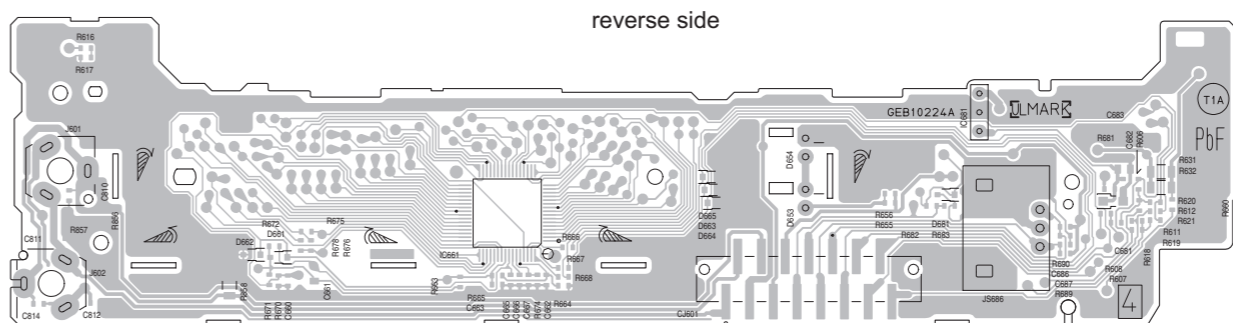
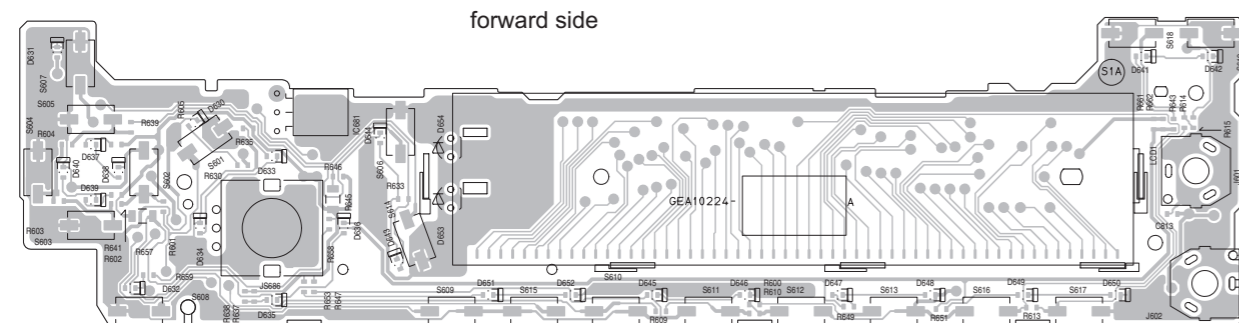
Lead free solder used in the board (material : Sn-Cu, melting point : 230 Centigrade)



■ Switch board (common use)

Lead free solder used in the board (material : Sn-Ag-Cu, melting point : 219 Centigrade)

Lead free solder used in the board (material : Sn-Cu, melting point : 230 Centigrade)



< MEMO >

JVC

Victor Company of Japan, Limited

Mobile Entertainment Business Group Mobile Entertainment Category 10-1, 1chome, Ohwatari-machi, Maebashi-city, Gumma-ken, 371-8543, Japan

(No.MA372SCH<Rev.002>)



Printed in Japan
VPT

PARTS LIST

KD-G140J,KD-G240J,KD-G244UI
KD-G245U,KD-G245UN,KD-G245UT
KD-G245UH,KD-G248UF,KD-G341E
KD-G341EX,KD-G341EY,KD-G341EU
KD-G342E,KD-G342EX,KD-G342EY
KD-G342EU,KD-G343E,KD-G343EX
KD-G343EY,KD-G343EU,KD-G347SEE
KD-G347BEE,KD-G394UI,KD-G395U
KD-G395UN,KD-G395UT,KD-G395UH
KD-G396U,KD-G396UN,KD-G396UT
KD-G396UH,KD-G398UF
KD-G396SUI,KD-G299UR

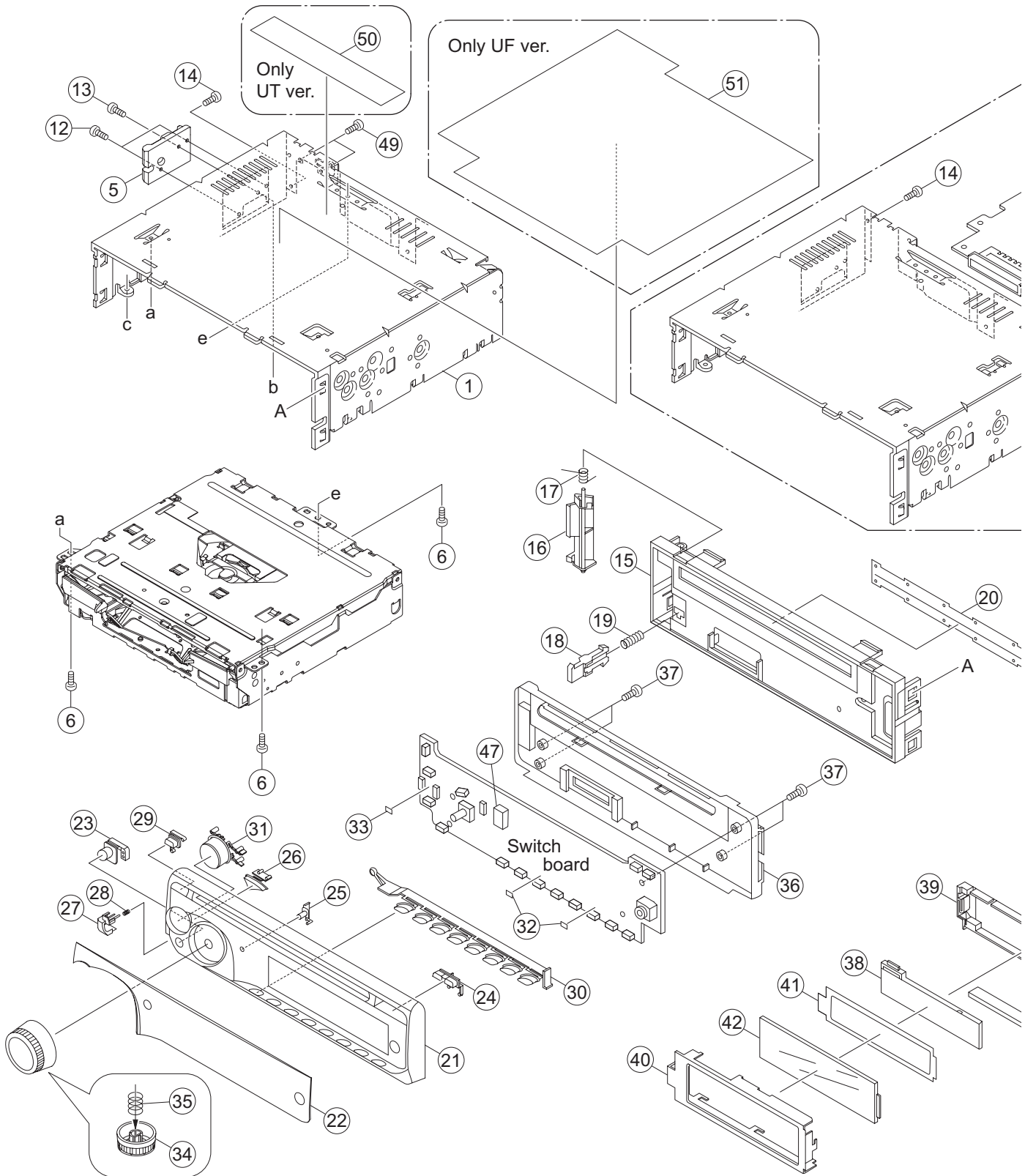
* All printed circuit boards and its assemblies are not available as service parts.

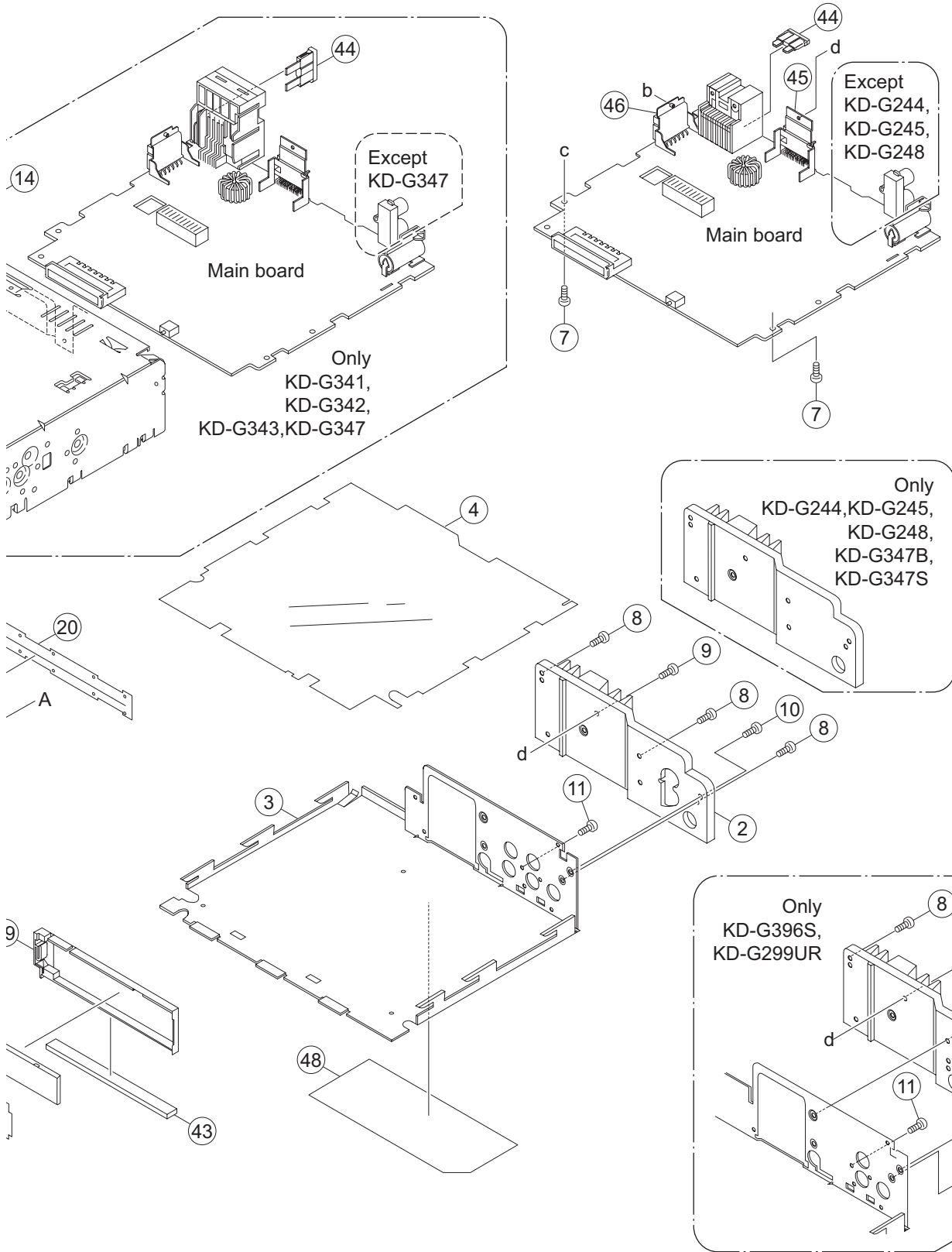
- Contents -

Exploded view of general assembly and parts list (Block No.M1)	3- 2
CD mechanism assembly and parts list (Block No.MB)	3- 7
Electrical parts list (Block No.01~05)	3- 9
Packing materials and accessories parts list (Block No.M3)	3-24

Exploded view of general assembly and parts list

Block No. **M 1 M M**





The parts without symbol number are not service.

General Assembly

Block No. [M][1][M][M]

△	Symbol No.	Part No.	Part Name	Description	Local
	1	GE10216-002A	TOP CHASSIS		G140J,G240J,G244UI,G245U,G245UN,G245UT,G245UH,G248UF,G394UI,G395U,G395UN,G395UT,G395UH,G396U,G396UN,G396UT,G396UH,G398UF,G299UR
	1	GE10216-004A	TOP CHASSIS		KD-G341E,EX,EY,EU,KD-G342E,EX,EY,EU,KD-G343E,EX,EY,EU,KD-G347SEE,KD-G347BEE
	1	GE10216-009A	TOP CHASSIS		G396SUI
	2	GE32823-002A	HEAT SINK		G140J,G240J,G341E,G341EX,G342EY,G341EU,G342E,G342EX,G341EY,G342EU,G343E,G343EX,G343EY,G343EU,G394UI,G395U,G395UN,G395UT,G395UH,G396U,G396UN,G396UT,N,G396UH,G398UF
	2	GE32823-006A	HEAT SINK		G244UI,G245U,G245UN,G245UT,G245UH,G248UF,G347BEE,G347SEE
	2	GE33234-001A	HEAT SINK		G396SUI,G299UR
	3	GE20228-001A	BOTTOM COVER		G140J,G240J,G244UI,G245U,G245UN,G245UT,G245UH,G248UF,G341E,G341EX,G342EY,G341EU,G342E,G342EX,G341EY,G342EU,G343E,G343EX,G343EY,G343EU,G347BEE,G347SEE,G394UI,G395U,G395UN,G395UT,G395UH,G396U,G396UN,G396UT,G396UH,G398UF
	3	GE20232-002A	BOTTOM COVER		G396SUI,G299UR
	4	GE32830-002A	INSULATOR		
	5	GE40395-001A	SIDE PANEL		
	6	QYSDST2604ZA	TAP SCREW	M2.6 x 4mm(x3)	
	7	GE40377-002A	SCREW	(x2)	
	8	GE40377-001A	SCREW	(x3)	G140J,G240J,G244UI,G245U,G245UN,G245UT,G245UH,G248UF,G341E,G341EX,G342EY,G341EU,G342E,G342EX,G341EY,G342EU,G343E,G343EX,G343EY,G343EU,G347BEE,G347SEE,G394UI,G395U,G395UN,G395UT,G395UH,G396U,G396UN,G396UT,G396UH,G398UF
	8	GE40377-001A	SCREW	(x2)	G396SUI,G299UR
	9	QYSDST2610ZA	TAP SCREW	M2.6 x 10mm	
	10	QYSDST2610ZA	TAP SCREW	M2.6 x 10mm	G140J,G240J,G244UI,G245U,G245UN,G245UT,G245UH,G248UF,G341E,G341EX,G342EY,G341EU,G342E,G342EX,G341EY,G342EU,G343E,G343EX,G343EY,G343EU,G347BEE,G347SEE,G394UI,G395U,G395UN,G395UT,G395UH,G396U,G396UN,G396UT,G396UH,G398UF
	10	QYSDST2606ZA	TAP SCREW	M2.6 x 6mm	G396SUI,G299UR
	11	QYSDSF2606ZA	TAP SCREW	M2.6 x 6mm	G140J,G240J,G341E,G341EX,G342EY,G341EU,G342E,G342EX,G341EY,G342EU,G343E,G343EX,G343EY,G343EU,G394UI,G395U,G395UN,G395UT,G395UH,G396U,G396UN,G396UT,G396UH,G398UF
	12	GE40377-002A	SCREW	(x2)	
	13	QYSDST2608ZA	TAP SCREW	M2.6 x 8mm	
	14	QYSDST2604ZA	TAP SCREW	M2.6 x 4mm	
	15	GE10215-001A	FRONT CHASSIS		
	16	GE32350-002A	LOCK LEVER		
	17	GE40368-002A	TORSION SPRING		
	18	GE32810-001A	RELEASE LEVER		
	19	GE30999-004A	COMP.SPRING		
	20	GE40400-001A	BLIND		
	21	GE32865-004A	F.PANEL LO ASSY		G140J,G244UI,G245U,G245UN,G245UT,G245UH
	21	GE32865-001A	F.PANEL LO ASSY		G240J,G342EY,G342E,G342EX,G342EU,G396U,G396UN,G396UT,G396UH,G398UF,G396SUI,G299UR
	21	GE32865-003A	F.PANEL LO ASSY		G248UF,G347BEE
	21	GE32865-005A	F.PANEL LO ASSY		G341E,G341EX,G341EU,G341EY,G343E,G343EX,G343EY,G343EU,G394UI,G395U,G395UN,G395UT,G395UH
	21	GE32865-002A	F.PANEL LO ASSY		G347SEE
	22	GE32867-024A	FINDER ASSY		G140J
	22	GE32867-028A	FINDER ASSY		G240J
	22	GE32867-009A	FINDER ASSY		G244UI
	22	GE32867-023A	FINDER ASSY		G245U,G245UN,G245UT,G245UH
	22	GE32867-011A	FINDER ASSY		G248UF
	22	GE32867-027A	FINDER ASSY		G341E,G341EX,G341EU,G341EY
	22	GE32867-025A	FINDER ASSY		G342EY,G342E,G342EX,G342EU
	22	GE32867-020A	FINDER ASSY		G343E,G343EX,G343EY,G343EU
	22	GE32867-029A	FINDER ASSY		G347BEE

△	Symbol No.	Part No.	Part Name	Description	Local
	22	GE32867-021A	FINDER ASSY		G347SEE
	22	GE32867-007A	FINDER ASSY		G394UI
	22	GE32867-022A	FINDER ASSY		G395U,G395UN,G395UT,G395UH
	22	GE32867-026A	FINDER ASSY		G396U,G396UN,G396UT,G396UH,G396SUI
	22	GE32867-008A	FINDER ASSY		G398UF
	22	GE32867-042A	FINDER ASSY		G299UR
	23	GE32812-011A	I BTN		G140J,G394UI,G395U,G395UN,G395UT,G395UH,G396U,G396UN,G396UT,G396UH,G396SUI
	23	GE32812-008A	I BTN		G240J,G398UF,G299UR
	23	GE32812-014A	I BTN		G244UI,G245U,G245UN,G245UT,G245UH,G341E,G341EX,G341EU,G341EY,G343E,G343EX,G343EY,G343EU,G347SEE
	23	GE32812-013A	I BTN		G248UF,G342EY,G342E,G342EX,G342EU,G347BEE
	24	GE32814-001A	BAND EQ BTN		
	25	GE32815-001A	PUSH BTN		
	26	GE32816-007A	POWER BTN		G140J
	26	GE32816-005A	POWER BTN		G240J,G342EY,G342E,G342EX,G342EU,G398UF,G299UR
	26	GE32816-002A	POWER BTN		G244UI,G245U,G245UN,G245UT,G245UH,G396U,G396UN,G396UT,G396UH,G396SUI
	26	GE32816-006A	POWER BTN		G248UF,G347BEE
	26	GE32816-001A	POWER BTN		G341E,G341EX,G341EU,G341EY,G343E,G343EX,G343EY,G343EU,G394UI,G395U,G395UN,G395UT,G395UH
	26	GE32816-004A	POWER BTN		G347SEE
	27	GE32817-004A	DETACH BTN		G140J,G244UI,G245U,G245UN,G245UT,G245UH
	27	GE32817-001A	DETACH BTN		G240J,G342EY,G342E,G342EX,G342EU,G396U,G396UN,G396UT,G396UH,G398UF,G396SUI,G299UR
	27	GE32817-003A	DETACH BTN		G248UF,G347BEE
	27	GE32817-005A	DETACH BTN		G341E,G341EX,G341EU,G341EY,G343E,G343EX,G343EY,G343EU,G394UI,G395U,G395UN,G395UT,G395UH
	27	GE32817-002A	DETACH BTN		G347SEE
	28	GE30999-006A	COMP.SPRING		
	29	GE32818-001A	EJECT BTN		
	30	GE20233-001A	PRESET BTN LOW		G140J,G240J,G248UF,G342EY,G342E,G342EX,G342EU,G396U,G396UN,G396UT,G396UH,G396SUI,G299UR
	30	GE20227-001A	PRESET BTN HI		G244UI,G245U,G245UN,G245UT,G245UH,G341E,G341EX,G341EU,G341EY,G343E,G343EX,G343EY,G343EU,G347SEE,G394UI,G395U,G395UN,G395UT,G395UH,G398UF
	31	GE32827-002A	NAVI BTN LOW		G140J,G244UI,G245U,G245UN,G245UT,G245UH,G341E,G341EX,G341EU,G341EY,G343E,G343EX,G343EY,G343EU,G347SEE,G394UI,G395U,G395UN,G395UT,G395UH,G396U,G396UN,G396UT,G396UH,G396SUI
	31	GE32827-001A	NAVI BTN LOW		G240J,G248UF,G398UF,G299UR
	31	GE32827-003A	NAVI BTN LOW		G342EY,G342E,G342EX,G342EU
	31	GE32827-004A	NAVI BTN LOW		G347BEE
	32	FSYH4036-069	SHEET	(x2)	
	33	FSYH4036-053	SHEET		
	34	GE32822-002A	VOL KNOB LOW		G140J,G244UI,G245U,G245UN,G245UT,G245UH,G341E,G341EX,G341EU,G341EY,G343E,G343EX,G343EY,G343EU,G347BEE,G347SEE,G394UI,G395U,G395UN,G395UT,G395UH,G396U,G396UN,G396UT,G396UH,G396SUI
	34	GE32822-001A	VOL KNOB LOW		G240J,G248UF,G342EY,G342E,G342EX,G342EU,G398UF,G299UR
	35	GE40127-005A	KNOB SPRING		
	36	GE10214-001A	REAR COVER		
	37	VKZ4777-010	MINI SCREW	(x4)	
	38	GE32819-001A	LCD LENS		
	39	GE32820-001A	LENS CASE		
	40	GE32821-001A	LCD CASE		
	41	GE40397-002A	LIGHTING SHEET		
	42	QLD0530-001	LCD MODULE		G140J,G240J,G299UR
	42	QLD0523-001	LCD MODULE		G244UI,G245U,G245UN,G245UT,G245UH,G248UF,G341E,G341EX,G342EY,G341EU,G342E,G342EX,G341EY,G342EU,G343E,G343EX,G343EY,G343EU,G347BEE,G347SEE,G394UI,G395U,G395UN,G395UT,G395UH,G396U,G396UN,G396UT,G396UH,G398UF,G396SUI
△	43	QNZ0950-001	RUBBER CONNECTO		
	44	QMFZ063-150-J1	FUSE	15A	
	45	GE40354-001A	IC BRACKET		

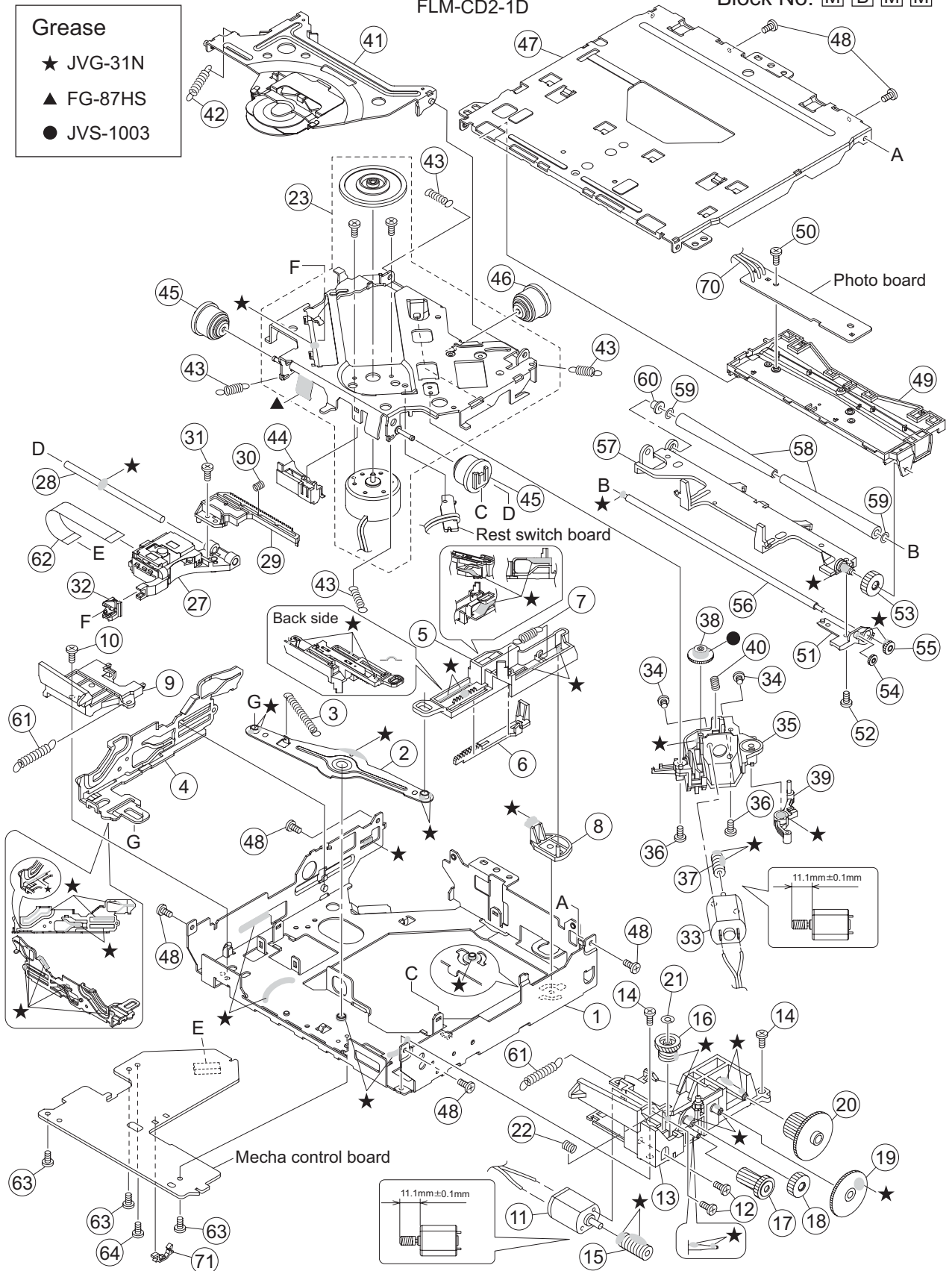
Symbol No.	Part No.	Part Name	Description	Local
46	GE40396-001A	REG BRACKET		G140J,G240J,G244UI,G245U,G245UN,G245UT,G245UH,G248UF,G341E,G341EX,G342EY,G341EU,G342E,G342EX,G341EY,G342EU,G343E,G343EX,G343EY,G343EU,G347BEE,G347SEE,G394UI,G395U,G395UN,G395UT,G395UH,G396U,G396UN,G396UT,G396UH,G398UF G396SUI,G299UR
46	GE40396-002A	REG BRACKET		
47	GE30854-001A	LED HOLDER		
48	GE32878-001A	NAME PLATE		G140J
48	GE32930-001A	NAME PLATE		G240J
48	GE32933-001A	NAME PLATE		G244UI
48	GE32882-001A	NAME PLATE		G245U,G245UN,G245UT,G245UH
48	GE32936-001A	NAME PLATE		G248UF
48	GE32875-001A	NAME PLATE		G341E,G341EX,G341EU,G341EY
48	GE32909-001A	NAME PLATE		G342EY,G342E,G342EX,G342EU
48	GE32912-001A	NAME PLATE		G343E,G343EX,G343EY,G343EU
48	GE32915-001A	NAME PLATE		G347BEE
48	GE32918-001A	NAME PLATE		G347SEE
48	GE32939-001A	NAME PLATE		G394UI
48	GE32885-001A	NAME PLATE		G395U,G395UN,G395UT,G395UH
48	GE33056-001A	NAME PLATE		G396U,G396UN,G396UT,G396UH
48	GE32942-001A	NAME PLATE		G398UF
48	GE33257-001A	NAME PLATE		G396SUI
49	QYSDSF2606ZA	TAP SCREW	M2.6 x 6mm(x2)	G140J,G240J,G244UI,G245U,G245UN,G245UT,G245UH,G248UF,G394UI,G395U,G395UN,G395UT,G395UH,G396U,G396UN,G396UT,G396UH,G398UF,G396SUI,G299UR
50	GE31574-074A	UT LABEL		G245UT
50	GE31574-075A	UT LABEL		G395UT
50	GE31574-076A	UT LABEL		G396UT
51	GE33135-001A	TOP SHEET		G248UF,G398UF
52	QYSDST2606ZA	TAP SCREW	M2.6 x 6mm	G299UR

CD mechanism assembly and parts list

- Grease
- ★ JVG-31N
 - ▲ FG-87HS
 - JVS-1003

FLM-CD2-1D

Block No. M B M M



The parts without symbol number are not service.

CD mechanism

Block No. [M][B][M][M]

△	Symbol No.	Part No.	Part Name	Description	Local
	1	LV11256-001A	MECHA FRAME		
	2	LV36800-001A	LINK ARM		
	3	LV44658-001A	LINK SPRING		
	4	LV22300-001A	SLIDE CAM(L)		
	5	LV22298-002A	SLIDE CAM(R)		
	6	LV36802-001A	LOAD RACK		
	7	LV44552-001A	RETURN SPRING		
	8	LV36803-002A	F LOCK LEVER		
	9	LV36804-002A	CAM COVER		
	10	VKZ4539-054	MINI SCREW		
	11	QAR0373-002	MOTOR		
	12	QYSPSPT2025MA	SCREW	M2 x 2.5mm(x2)	
	13	LV36903-002A	L.M.BASE ASSY		
	14	VKZ4539-054	MINI SCREW	(x2)	
	15	LV36806-001A	L.WORM GEAR		
	16	LV36805-001A	M WHEEL GEAR		
	17	LV36807-001A	A WHEEL GEAR		
	18	LV36808-001A	R.ACT GEAR(1)		
	19	LV36809-001A	LOAD ACT GEAR		
	20	LV36810-001A	LOADING GEAR		
	21	QYWDL1230250	SLIT WASHER	3mm/1.2mm x 0.25mm	
	22	LV44589-002A	COMPRESSION SPRING		
	23	CM-FLMCD1D	SPINDLE MOTOR ASSY		
	27	QAL0993-001	PICK UP		
	28	LV44555-001A	MAIN SHAFT		
	29	LV36799-001A	RACK PLATE		
	30	LV44640-001A	RACK SPRING		
	31	QYSPSGT1745ZA	TAP SCREW	M1.7 x 4.5mm	
	32	LV36813-001A	SUB GUIDE CAP		
	33	QAR0144-003	MOTOR	2.0V DC	
	34	QYSPSPT2025MA	SCREW	M2 x 2.5mm(x2)	
	35	LV22296-001A	F.MOTOR HOLDER		
	36	VKZ4539-054	MINI SCREW	(x2)	
	37	LV36814-001A	F.WORM GEAR		
	38	LV36815-001A	F.WHEEL GEAR		
	39	LV36816-001A	TRIGGER ARM		
	40	LV44589-002A	COMPRESSION SPRING		
	41	LV37326-001A	CLAMPER ASSY		
	42	LV44557-002A	CLAMPER SPRING		
	43	LV44558-001A	SUS SPRING	(x4)	
	44	LV36820-001A	WIRE HOLDER		
	45	LV36904-001A	DAMPER	(x2)	
	46	LV37061-001A	DAMPER	(x2)	
	47	LV11260-002A	TOP COVER		
	48	VKZ4539-054	MINI SCREW	(x6)	
	49	LV11264-003A	DISC PLATE		
	50	LV44586-001A	SPECIAL SCREW		
	51	LV36801-001A	GEAR HOLDER		
	52	VKZ4539-054	MINI SCREW		
	53	LV36821-001A	R.ACT GEAR(2)		
	54	LV36822-001A	R.ACT GEAR(3)		
	55	LV36823-001A	ROLLER GEAR		
	56	LV44559-002A	ROLLER SHAFT		
	57	LV22325-001A	R.HOLDER ASSY		
	58	LV44560-001A	ROLLER	(x2)	
	59	LV44590-001A	WASHER	(x2)	
	60	LV44561-001A	ROLLER COLLAR		
	61	LV44562-002A	ROLLER SPRING	(x2)	
	62	QAL0817-003	FPC		
	63	VKZ4539-054	MINI SCREW	(x3)	
	64	VKZ4539-054	MINI SCREW		
	70	WJS0085-001A-E	E-FL/RB WIRE		
	71	LV34916-001A	WIRE CLAMP		

Electrical parts list

Main board

(Except KD-G341E,EX,EY,EU,
KD-G342E,EX,EY,EU,
KD-G343E,EX,EY,EU,KD-G347SEE,
KD-G347BEE)

Block No. [0][1]

△ Symbol No.	Part No.	Part Name	Description	Local
△ IC1	TEF6601T/V2-X	IC		
IC161	BD3445FS-X	IC		
△ IC301	TB2926HQ	IC		
△ IC501	LA6565-X	IC		
△ IC701	JCV8016-253	IC		G140J,G240J,G244UI,G245U,G245UN,G245UT,G245UH,G248UF,G394UI,G395U,G395UN,G395UT,G395UH,G396U,G396UN,G396UT,G396UH,G398UF,G396SUI,G299UR
△ IC701	JCV8016-254	IC		
IC702	TMP86CH09NG6RN0	IC		
IC703	S-80827CNMC-W	IC		
△ IC901	AN34001A	REGULATOR IC		
Q301	RT6N430C-X	TRANSISTOR		G140J,G240J,G244UI,G245U,G245UN,G245UT,G245UH,G248UF,G394UI,G395U,G395UN,G395UT,G395UH,G396U,G396UN,G396UT,G396UH,G398UF,G396SUI,G299UR
Q301	2SC3928A/QR/-X	TRANSISTOR		
Q301	or 2SD601A/QR/-X	TRANSISTOR		
Q301	2SD601A/R/-X	TRANSISTOR		
Q352	RT3X99M-X	TRANSISTOR		G140J,G240J,G394UI,G395U,G395UN,G395UT,G395UH,G396U,G396UN,G396UT,G396UH,G398UF,G396SUI,G299UR
Q501	2SA1705/ST-T	TRANSISTOR		
Q531	2SA1365/F/-X	TRANSISTOR		
Q701	RT1N141C-X	DIGI TRANSISTOR		
Q701	or UN2211-X	TRANSISTOR		
Q702	RT1P141C-X	DIGI TRANSISTOR		
Q702	or UN2111-X	TRANSISTOR		
Q781	RT1P141C-X	DIGI TRANSISTOR		
Q781	or UN2111-X	TRANSISTOR		
Q782	RT1P141C-X	DIGI TRANSISTOR		G140J,G240J,G394UI,G395U,G395UN,G395UT,G395UH,G396U,G396UN,G396UT,G396UH,G398UF,G396SUI,G299UR
Q782	or UN2111-X	TRANSISTOR		G140J,G240J,G394UI,G395U,G395UN,G395UT,G395UH,G396U,G396UN,G396UT,G396UH,G398UF,G396SUI,G299UR

△ Symbol No.	Part No.	Part Name	Description	Local
Q783	RT1P141C-X	DIGI TRANSISTOR		
Q783	or UN2111-X	TRANSISTOR		
Q881	RT1N141C-X	DIGI TRANSISTOR		
Q881	or UN2211-X	TRANSISTOR		
Q882	RT1P141C-X	DIGI TRANSISTOR		
Q882	or UN2111-X	TRANSISTOR		
Q976	ISA1530AC1/R/-X	TRANSISTOR		
Q976	or 2SB709A/QR/-X	TRANSISTOR		
Q977	RT1N141C-X	DIGI TRANSISTOR		
Q977	or UN2211-X	TRANSISTOR		
D301	MA111-X	SI DIODE		
D301	or 1SS355W-X	DIODE		
D311	IMSA6802-X	C CAPACITOR		G140J,G240J,G394UI,G395U,G395UN,G395UT,G395UH,G396U,G396UN,G396UT,G396UH,G398UF,G396SUI,G299UR
D311	NAF0029-001X	DIODE	V	G140J,G240J,G394UI,G395U,G395UN,G395UT,G395UH,G396U,G396UN,G396UT,G396UH,G398UF,G396SUI,G299UR
D312	IMSA6802-X	C CAPACITOR		G140J,G240J,G394UI,G395U,G395UN,G395UT,G395UH,G396U,G396UN,G396UT,G396UH,G398UF,G396SUI,G299UR
D312	NAF0029-001X	DIODE	V	G140J,G240J,G394UI,G395U,G395UN,G395UT,G395UH,G396U,G396UN,G396UT,G396UH,G398UF,G396SUI,G299UR
D341	MC2836-X	DIODE		G140J,G240J,G394UI,G395U,G395UN,G395UT,G395UH,G396U,G396UN,G396UT,G396UH,G398UF,G396SUI,G299UR
D341	or MA152WA-X	DIODE		G140J,G240J,G394UI,G395U,G395UN,G395UT,G395UH,G396U,G396UN,G396UT,G396UH,G398UF,G396SUI,G299UR
D501	1A3G-T1	SI DIODE		
D701	1SS355W-X	DIODE		G140J,G240J,G244UI,G245U,G245UN,G245UT,G245UH,G248UF,G394UI,G395U,G395UN,G395UT,G395UH,G396U,G396UN,G396UT,G396UH,G398UF,G396SUI,G299UR
D701	or MA111-X	SI DIODE		G140J,G240J,G244UI,G245U,G245UN,G245UT,G245UH,G248UF,G394UI,G395U,G395UN,G395UT,G395UH,G396U,G396UN,G396UT,G396UH,G398UF,G396SUI,G299UR
D701	or 1SS355W-X	DIODE		G140J,G240J,G244UI,G245U,G245UN,G245UT,G245UH,G248UF,G394UI,G395U,G395UN,G395UT,G395UH,G396U,G396UN,G396UT,G396UH,G398UF,G396SUI,G299UR
D701	MA111-X	SI DIODE		G140J,G240J,G244UI,G245U,G245UN,G245UT,G245UH,G248UF,G394UI,G395U,G395UN,G395UT,G395UH,G396U,G396UN,G396UT,G396UH,G398UF,G396SUI,G299UR

△ Symbol No.	Part No.	Part Name	Description	Local	△ Symbol No.	Part No.	Part Name	Description	Local
D703	UDZW6.2B-X	Z DIODE	G140J,G240J,G244UI,G245U,G245UN,G245UT,G245UH,G248UF,G394UI,G395U,G395UN,G395UT,G395UH,G396U,G396UN,G396UT,G396UH,G398UF,G396SUI		D706	or MA8062/M/-X	Z DIODE	G140J,G240J,G244UI,G245U,G245UN,G245UT,G245UH,G248UF,G394UI,G395U,G395UN,G395UT,G395UH,G396U,G396UN,G396UT,G396UH,G398UF,G396SUI	
D703	or MA8062/M/-X	Z DIODE	G140J,G240J,G244UI,G245U,G245UN,G245UT,G245UH,G248UF,G394UI,G395U,G395UN,G395UT,G395UH,G396U,G396UN,G396UT,G396UH,G398UF,G396SUI		D706	or UDZW6.2B-X	Z DIODE	G299UR	G299UR
D703	or UDZW6.2B-X	Z DIODE	G299UR		D706	MA8062/M/-X	Z DIODE	G299UR	
D703	MA8062/M/-X	Z DIODE	G299UR		D781	MA111-X	SI DIODE		
D704	UDZW6.2B-X	Z DIODE	G140J,G240J,G244UI,G245U,G245UN,G245UT,G245UH,G248UF,G394UI,G395U,G395UN,G395UT,G395UH,G396U,G396UN,G396UT,G396UH,G398UF,G396SUI		D781	or 1SS355W-X	DIODE		
D703	or UDZW6.2B-X	Z DIODE	G299UR		D782	MA8100/M/-X	Z DIODE		
D703	MA8062/M/-X	Z DIODE	G299UR		D782	or UDZW10B-X	Z DIODE		
D704	UDZW6.2B-X	Z DIODE	G140J,G240J,G244UI,G245U,G245UN,G245UT,G245UH,G248UF,G394UI,G395U,G395UN,G395UT,G395UH,G396U,G396UN,G396UT,G396UH,G398UF,G396SUI		D783	MC2836-X	DIODE		
D703	or UDZW6.2B-X	Z DIODE	G299UR		D783	or MA152WA-X	DIODE		
D703	MA8062/M/-X	Z DIODE	G299UR		D851	MA22D23-X	SB DIODE	G244UI,G245U,G245UN,G245UT,G245UH,G248UF,G394UI,G395U,G395UN,G395UT,G395UH,G396U,G396UN,G396UT,G396UH,G398UF,G396SUI	
D704	UDZW6.2B-X	Z DIODE	G140J,G240J,G244UI,G245U,G245UN,G245UT,G245UH,G248UF,G394UI,G395U,G395UN,G395UT,G395UH,G396U,G396UN,G396UT,G396UH,G398UF,G396SUI		D851	or RB160M-30-X	SB DIODE	G244UI,G245U,G245UN,G245UT,G245UH,G248UF,G394UI,G395U,G395UN,G395UT,G395UH,G396U,G396UN,G396UT,G396UH,G398UF,G396SUI	
D703	or MA8062/M/-X	Z DIODE	G140J,G240J,G244UI,G245U,G245UN,G245UT,G245UH,G248UF,G394UI,G395U,G395UN,G395UT,G395UH,G396U,G396UN,G396UT,G396UH,G398UF,G396SUI		D851	or CRS03-W	SB DIODE	G244UI,G245U,G245UN,G245UT,G245UH,G248UF,G394UI,G395U,G395UN,G395UT,G395UH,G396U,G396UN,G396UT,G396UH,G398UF,G396SUI	
D704	or UDZW6.2B-X	Z DIODE	G299UR		D851	or MA22D39-X	SB DIODE	G244UI,G245U,G245UN,G245UT,G245UH,G248UF,G394UI,G395U,G395UN,G395UT,G395UH,G396U,G396UN,G396UT,G396UH,G398UF,G396SUI	
D704	MA8062/M/-X	Z DIODE	G299UR		D852	△ MA22D39-X	SB DIODE	G244UI,G245U,G245UN,G245UT,G245UH,G248UF,G394UI,G395U,G395UN,G395UT,G395UH,G396U,G396UN,G396UT,G396UH,G398UF,G396SUI	
D705	UDZW6.2B-X	Z DIODE	G140J,G240J,G244UI,G245U,G245UN,G245UT,G245UH,G248UF,G394UI,G395U,G395UN,G395UT,G395UH,G396U,G396UN,G396UT,G396UH,G398UF,G396SUI		△ D901	1N5401-TU-15	SI DIODE	G140J,G240J,G244UI,G245U,G245UN,G245UT,G245UH,G248UF,G394UI,G395U,G395UN,G395UT,G395UH,G396U,G396UN,G396UT,G396UH,G398UF,G396SUI	
D703	or MA8062/M/-X	Z DIODE	G140J,G240J,G244UI,G245U,G245UN,G245UT,G245UH,G248UF,G394UI,G395U,G395UN,G395UT,G395UH,G396U,G396UN,G396UT,G396UH,G398UF,G396SUI		△ D901	or 1N5401-F64	SI DIODE	G140J,G240J,G244UI,G245U,G245UN,G245UT,G245UH,G248UF,G394UI,G395U,G395UN,G395UT,G395UH,G396U,G396UN,G396UT,G396UH,G398UF,G396SUI	
D703	MA8062/M/-X	Z DIODE	G140J,G240J,G244UI,G245U,G245UN,G245UT,G245UH,G248UF,G394UI,G395U,G395UN,G395UT,G395UH,G396U,G396UN,G396UT,G396UH,G398UF,G396SUI		△ D901	or 1N5401-TU-15	SI DIODE	G299UR	G299UR
D705	UDZW6.2B-X	Z DIODE	G140J,G240J,G244UI,G245U,G245UN,G245UT,G245UH,G248UF,G394UI,G395U,G395UN,G395UT,G395UH,G396U,G396UN,G396UT,G396UH,G398UF,G396SUI		△ D901	1N5401-F64	SI DIODE	G299UR	G299UR
D705	or UDZW6.2B-X	Z DIODE	G140J,G240J,G244UI,G245U,G245UN,G245UT,G245UH,G248UF,G394UI,G395U,G395UN,G395UT,G395UH,G396U,G396UN,G396UT,G396UH,G398UF,G396SUI		△ D901	or 1N5401-TU-15	SI DIODE	G299UR	G299UR
D705	MA8062/M/-X	Z DIODE	G140J,G240J,G244UI,G245U,G245UN,G245UT,G245UH,G248UF,G394UI,G395U,G395UN,G395UT,G395UH,G396U,G396UN,G396UT,G396UH,G398UF,G396SUI		△ D901	1N5401-F64	SI DIODE	G299UR	G299UR
D706	UDZW6.2B-X	Z DIODE	G140J,G240J,G244UI,G245U,G245UN,G245UT,G245UH,G248UF,G394UI,G395U,G395UN,G395UT,G395UH,G396U,G396UN,G396UT,G396UH,G398UF,G396SUI		D903	MA22D23-X	SB DIODE		
					D903	or RB160M-30-X	SB DIODE		
					D903	or CRS03-W	SB DIODE		
					D904	MA22D39-X	SB DIODE		

△ Symbol No.	Part No.	Part Name	Description	Local	△ Symbol No.	Part No.	Part Name	Description	Local
C1	NCB31HK-102X	C CAPACITOR	1000pF 50V K		C508	NCB31EK-103X	C CAPACITOR	0.01uF 25V K	
C2	NDC31HJ-7R0X	C CAPACITOR	7pF 50V J		C509	QEKJ0JM-227Z	E CAPACITOR	220uF 6.3V M	
C3	NCB31HK-102X	C CAPACITOR	1000pF 50V K		C510	NCB31EK-103X	C CAPACITOR	0.01uF 25V K	
C4	NCB31AK-224X	C CAPACITOR	0.22uF 10V K		C531	NDC31HJ-470X	C CAPACITOR	47pF 50V J	
C5	NDC31HJ-150X	C CAPACITOR	15pF 50V J		C532	NCB31CK-153X	C CAPACITOR	0.015uF 16V K	
C6	NDC31HJ-220X	C CAPACITOR	22pF 50V J		C533	NCB31HK-103X	C CAPACITOR	0.01uF 50V K	
C10	NCB21AK-105X	C CAPACITOR	1uF 10V K		C534	NCB31HK-222X	C CAPACITOR	2200pF 50V K	
C11	NCB31HK-103X	C CAPACITOR	0.01uF 50V K		C535	NCB31CK-104X	C CAPACITOR	0.1uF 16V K	
C12	NCB31HK-103X	C CAPACITOR	0.01uF 50V K		C536	NCB31HK-103X	C CAPACITOR	0.01uF 50V K	
C13	NCB21AK-105X	C CAPACITOR	1uF 10V K		C537	NCB31HK-472X	C CAPACITOR	4700pF 50V K	
C14	NCB31AK-224X	C CAPACITOR	0.22uF 10V K		C538	NCB31CK-104X	C CAPACITOR	0.1uF 16V K	
C15	NCB31CK-104X	C CAPACITOR	0.1uF 16V K		C539	NCB31AK-154X	C CAPACITOR	0.15uF 10V K	
C16	NCB31HK-103X	C CAPACITOR	0.01uF 50V K		C540	NCB31CK-104X	C CAPACITOR	0.1uF 16V K	
C17	NCB31CK-104X	C CAPACITOR	0.1uF 16V K		C541	NDC31HJ-680X	C CAPACITOR	68pF 50V J	
C18	NCB31HK-103X	C CAPACITOR	0.01uF 50V K		C542	NCB31HK-103X	C CAPACITOR	0.01uF 50V K	
C19	NCB31CK-104X	C CAPACITOR	0.1uF 16V K		C543	QEKJ1CM-107Z	E CAPACITOR	100uF 16V M	
C20	NDC31HJ-2R0X	C CAPACITOR	2pF 50V J		C544	NCB31CK-104X	C CAPACITOR	0.1uF 16V K	
C21	NDC31HJ-120X	C CAPACITOR	12pF 50V J		C545	NCB31HK-333X	C CAPACITOR	0.033uF 50V K	
C23	NCB31CK-104X	C CAPACITOR	0.1uF 16V K		C546	NCB31HK-333X	C CAPACITOR	0.033uF 50V K	
C24	NCB31HK-103X	C CAPACITOR	0.01uF 50V K		C547	NDC31HJ-471X	C CAPACITOR	470pF 50V J	
C25	NCB31HK-103X	C CAPACITOR	0.01uF 50V K		C548	NDC31HJ-471X	C CAPACITOR	470pF 50V J	
C26	QEKJ1CM-107Z	E CAPACITOR	100uF 16V M		C549	NCB31CK-473X	C CAPACITOR	0.047uF 16V K	
C27	QEKJ1EM-106Z	E CAPACITOR	10uF 25V M		C550	NCB31CK-473X	C CAPACITOR	0.047uF 16V K	
C30	NCB31HK-223X	C CAPACITOR	0.022uF 50V K		C553	NCB31CK-104X	C CAPACITOR	0.1uF 16V K	
C30	NCB31EK-223X	C CAPACITOR	0.022uF 25V K	G396SUI,G299UR	C554	NCB31CK-104X	C CAPACITOR	0.1uF 16V K	
C161	NCB31AK-474X	C CAPACITOR	0.47uF 10V K		C555	QEKJ0JM-476Z	E CAPACITOR	47uF 6.3V M	
C163	NCB31HK-472X	C CAPACITOR	4700pF 50V K		C556	QEKJ1CM-226Z	E CAPACITOR	22uF 16V M	
C164	NCB31AK-224X	C CAPACITOR	0.22uF 10V K		C557	NCB31EK-104X	C CAPACITOR	0.1uF 25V K	
C165	NCB31AK-224X	C CAPACITOR	0.22uF 10V K		C558	NCB31CK-104X	C CAPACITOR	0.1uF 16V K	
C166	NCB31AK-474X	C CAPACITOR	0.47uF 10V K		C559	QEKJ1CM-226Z	E CAPACITOR	22uF 16V M	
C167	NCB31AK-474X	C CAPACITOR	0.47uF 10V K		C560	NCB31CK-104X	C CAPACITOR	0.1uF 16V K	
C168	QTE1A57-107Z	E CAPACITOR	100uF 10V		C561	QEKJ0JM-227Z	E CAPACITOR	220uF 6.3V M	
C169	NCB31HK-103X	C CAPACITOR	0.01uF 50V K		C562	NCB31CK-104X	C CAPACITOR	0.1uF 16V K	
C171	QEKJ1HM-475Z	E CAPACITOR	4.7uF 50V M	G140J,G240J,G394UI,G395U,G395UN,G395UT,G395UH,G396U,G396UN,G396UT,G396UH,G398UF,G396SUI,G299UR	C563	NCB31CK-104X	C CAPACITOR	0.1uF 16V K	
C173	QFV91HJ-474Z	MF CAPACITOR	0.47uF 50V J		C564	NCB31CK-104X	C CAPACITOR	0.1uF 16V K	
C174	QFV91HJ-474Z	MF CAPACITOR	0.47uF 50V J		C565	NCB31CK-104X	C CAPACITOR	0.1uF 16V K	
C181	NCB31AK-474X	C CAPACITOR	0.47uF 10V K		C566	NCB31CK-104X	C CAPACITOR	0.1uF 16V K	
C183	NCB31HK-472X	C CAPACITOR	4700pF 50V K		C567	NCB31HK-562X	C CAPACITOR	5600pF 50V K	
C184	NCB31AK-224X	C CAPACITOR	0.22uF 10V K		C568	QEKJ0JM-476Z	E CAPACITOR	47uF 6.3V M	
C186	NCB31AK-474X	C CAPACITOR	0.47uF 10V K		C569	QEKJ1CM-226Z	E CAPACITOR	22uF 16V M	
C187	NCB31AK-474X	C CAPACITOR	0.47uF 10V K		C581	NCB31HK-332X	C CAPACITOR	3300pF 50V K	
C188	QTE1C57-106Z	E CAPACITOR	10uF 16V		C582	NDC31HJ-331X	C CAPACITOR	330pF 50V J	
C191	QEKJ1HM-475Z	E CAPACITOR	4.7uF 50V M	G140J,G240J,G394UI,G395U,G395UN,G395UT,G395UH,G396U,G396UN,G396UT,G396UH,G398UF,G396SUI,G299UR	C583	QTE1H57-225Z	E CAPACITOR	2.2uF 50V	
C193	QFV91HJ-474Z	MF CAPACITOR	0.47uF 50V J		C591	NCB31HK-332X	C CAPACITOR	3300pF 50V K	
C194	QFV91HJ-474Z	MF CAPACITOR	0.47uF 50V J		C592	NDC31HJ-331X	C CAPACITOR	330pF 50V J	
C301	NCB31AK-474X	C CAPACITOR	0.47uF 10V K		C593	QTE1H57-225Z	E CAPACITOR	2.2uF 50V	
C302	NCB31AK-474X	C CAPACITOR	0.47uF 10V K		C596	NDC31HJ-101X	C CAPACITOR	100pF 50V J	
C303	NCB31EK-223X	C CAPACITOR	0.022uF 25V K		C701	QEKJ0JM-227Z	E CAPACITOR	220uF 6.3V M	
C304	NCB31EK-223X	C CAPACITOR	0.022uF 25V K		C702	NCB31CK-104X	C CAPACITOR	0.1uF 16V K	
C310	QTE1C57-476Z	E CAPACITOR	47uF 16V		C705	NDC31HJ-180X	C CAPACITOR	18pF 50V J	
C312	NDC31HJ-101X	C CAPACITOR	100pF 50V J		C706	NDC31HJ-180X	C CAPACITOR	18pF 50V J	
C313	NDC31HJ-101X	C CAPACITOR	100pF 50V J		C707	QERF0JM-337Z	E CAPACITOR	330uF 6.3V M	
C314	NDC31HJ-101X	C CAPACITOR	100pF 50V J		C708	NCB31EK-103X	C CAPACITOR	0.01uF 25V K	
C315	NDC31HJ-101X	C CAPACITOR	100pF 50V J		C718	NCB31HK-223X	C CAPACITOR	0.022uF 25V K	G140J,G240J,G244UI,G245U,G245UN,G245UT,G245UH,G248UF,G394UI,G395U,G395UN,G395UT,G395UH,G396U,G396UN,G396UT,G396UH,G398UF
C316	NCB31HK-104X	C CAPACITOR	0.1uF 50V K						G396SUI,G299UR
C316	NCB31EK-104X	C CAPACITOR	0.1uF 25V K	G396SUI,G299UR					
C318	QEKJ1CM-226Z	E CAPACITOR	22uF 16V M						
C320	NCB31HK-103X	C CAPACITOR	0.01uF 50V K		C751	QEKJ0JM-227Z	E CAPACITOR	220uF 6.3V M	
C323	NCB21AK-225X-A	C CAPACITOR	2.2uF 10V K		C752	NCB31CK-104X	C CAPACITOR	0.1uF 16V K	
C381	NCB31HK-104X	C CAPACITOR	0.1uF 50V K		C753	NCB31CK-104X	C CAPACITOR	0.1uF 16V K	
C381	NCB31EK-104X	C CAPACITOR	0.1uF 25V K	G396SUI,G299UR	C754	NCB31CK-104X	C CAPACITOR	0.1uF 16V K	
C506	QEKJ1CM-107Z	E CAPACITOR	100uF 16V M		C755	NCB31CK-104X	C CAPACITOR	0.1uF 16V K	
C507	NCB31EK-103X	C CAPACITOR	0.01uF 25V K		C756	NCB31HK-103X	C CAPACITOR	0.01uF 50V K	
					C757	NCB31CK-104X	C CAPACITOR	0.1uF 16V K	
					C759	NCB31AK-474X	C CAPACITOR	0.47uF 10V K	
					C771	NDC31HJ-101X	C CAPACITOR	100pF 50V J	
					C772	NDC31HJ-101X	C CAPACITOR	100pF 50V J	
					C781	QEKJ0JM-227Z	E CAPACITOR	220uF 6.3V M	
					C782	QEKJ1CM-476Z	E CAPACITOR	47uF 16V M	

△ Symbol No.	Part No.	Part Name	Description	Local	△ Symbol No.	Part No.	Part Name	Description	Local
C851	NCB31HK-104X	C CAPACITOR	0.1uF 50V K	G244UI,G245U, G245UN,G245U T,G245UH,G248 UF,G394UI,G39 5U,G395UN,G3 95UT,G395UH, G396U,G396UN ,G396UT,G396U H,G398UF	R91	NRSA63J-682X	MG RESISTOR	6.8kΩ 1/16W J	G244UI,G245U, G245UN,G245U T,G245UH,G248 UF,G394UI,G39 5U,G395UN,G3 95UT,G395UH, G396U,G396UN ,G396UT,G396U H,G398UF,G396 SUI
C851	NCB31EK-104X	C CAPACITOR	0.1uF 25V K	G396SUI	R92	NRSA63J-392X	MG RESISTOR	3.9kΩ 1/16W J	G140J,G240J,G 299UR
C901	QEZ0645-228	E CAPACITOR	2200uF 16V M	G140J,G240J,G 244UI,G245U,G 245UN,G245UT, G245UH,G248U F,G394UI,G395 U,G395UN,G39 5UT,G395UH,G 396U,G396UN, G396UT,G396U H,G398UF	R92	NRSA63J-822X	MG RESISTOR	8.2kΩ 1/16W J	G244UI,G245U, G245UN,G245U T,G245UH,G248 UF,G394UI,G39 5U,G395UN,G3 95UT,G395UH, G396U,G396UN ,G396UT,G396U H,G398UF,G396 SUI
C901	QEZ0870-228	E CAPACITOR	2200uF	G396SUI,G299 UR	R161	NRSA63J-472X	MG RESISTOR	4.7kΩ 1/16W J	
C902	NCB31HK-104X	C CAPACITOR	0.1uF 50V K	G140J,G240J,G 244UI,G245U,G 245UN,G245UT, G245UH,G248U F,G394UI,G395 U,G395UN,G39 5UT,G395UH,G 396U,G396UN, G396UT,G396U H,G398UF	R162	NRSA63J-103X	MG RESISTOR	10kΩ 1/16W J	
C902	NCB31EK-104X	C CAPACITOR	0.1uF 25V K	G396SUI,G299 UR	R163	NRSA63J-472X	MG RESISTOR	4.7kΩ 1/16W J	
C903	QEKJ1CM-226Z	E CAPACITOR	22uF 16V M		R164	NRSA63J-101X	MG RESISTOR	100Ω 1/16W J	
C905	QEKJ1CM-107Z	E CAPACITOR	100uF 16V M		R165	NRSA63J-101X	MG RESISTOR	100Ω 1/16W J	
C906	NCB31HK-103X	C CAPACITOR	0.01uF 50V K		R166	NRSA63J-333X	MG RESISTOR	33kΩ 1/16W J	
C909	NCB31HK-103X	C CAPACITOR	0.01uF 50V K		R167	NRS181J-2R2X	MG RESISTOR	2.2Ω 1/8W J	
C910	QEKJ1CM-226Z	E CAPACITOR	22uF 16V M		R171	NRSA63J-473X	MG RESISTOR	47kΩ 1/16W J	G140J,G240J,G 394UI,G395U,G 395UN,G395UT, G395UH,G396U ,G396UN,G396 UT,G396UH,G3 98UF,G396SUI, G299UR
C911	QEKJ0JM-227Z	E CAPACITOR	220uF 6.3V M		R181	NRSA63J-472X	MG RESISTOR	4.7kΩ 1/16W J	
C914	NCB31EK-104X	C CAPACITOR	0.1uF 25V K		R182	NRSA63J-103X	MG RESISTOR	10kΩ 1/16W J	
C916	NCB21EK-474X	C CAPACITOR	0.47uF 25V K		R183	NRSA63J-472X	MG RESISTOR	4.7kΩ 1/16W J	
R1	NRSA63J-474X	MG RESISTOR	470kΩ 1/16W J		R191	NRSA63J-473X	MG RESISTOR	47kΩ 1/16W J	G140J,G240J,G 394UI,G395U,G 395UN,G395UT, G395UH,G396U ,G396UN,G396 UT,G396UH,G3 98UF,G396SUI, G299UR
R2	NRSA63J-474X	MG RESISTOR	470kΩ 1/16W J		R301	NRSA63J-102X	MG RESISTOR	1kΩ 1/16W J	
R4	NRSA63J-472X	MG RESISTOR	4.7kΩ 1/16W J		R302	NRSA63J-473X	MG RESISTOR	47kΩ 1/16W J	
R5	NRS181J-220X	MG RESISTOR	22Ω 1/8W J		R303	NRSA63J-103X	MG RESISTOR	10kΩ 1/16W J	
R6	NRS181J-101X	MG RESISTOR	100Ω 1/8W J		R304	NRSA63J-0R0X	MG RESISTOR	0Ω 1/16W J	G140J,G240J,G 244UI,G245U,G 245UN,G245UT, G245UH,G248U F,G394UI,G395 U,G395UN,G39 5UT,G395UH,G 396U,G396UN, G396UT,G396U H,G398UF
R7	NRS181J-101X	MG RESISTOR	100Ω 1/8W J		R304	NRSA63J-472X	MG RESISTOR	4.7kΩ 1/16W J	G396SUI,G299 UR
R11	NRS181J-4R7X	MG RESISTOR	4.7Ω 1/8W J		R341	NRSA63J-821X	MG RESISTOR	820Ω 1/16W J	G140J,G240J,G 394UI,G395U,G 395UN,G395UT, G395UH,G396U ,G396UN,G396 UT,G396UH,G3 98UF,G396SUI, G299UR
R81	NRSA63J-752X	MG RESISTOR	7.5kΩ 1/16W J	G140J,G240J,G 299UR	R342	NRSA63J-101X	MG RESISTOR	100Ω 1/16W J	G140J,G240J,G 394UI,G395U,G 395UN,G395UT, G395UH,G396U ,G396UN,G396 UT,G396UH,G3 98UF,G396SUI, G299UR
R81	NRSA63J-682X	MG RESISTOR	6.8kΩ 1/16W J	G244UI,G245U, G245UN,G245U T,G245UH,G248 UF,G394UI,G39 5U,G395UN,G3 95UT,G395UH, G396U,G396UN ,G396UT,G396U H,G398UF,G396 SUI	R304	NRSA63J-472X	MG RESISTOR	4.7kΩ 1/16W J	G396SUI,G299 UR
R82	NRSA63J-392X	MG RESISTOR	3.9kΩ 1/16W J	G140J,G240J,G 299UR	R341	NRSA63J-821X	MG RESISTOR	820Ω 1/16W J	G140J,G240J,G 394UI,G395U,G 395UN,G395UT, G395UH,G396U ,G396UN,G396 UT,G396UH,G3 98UF,G396SUI, G299UR
R82	NRSA63J-822X	MG RESISTOR	8.2kΩ 1/16W J	G244UI,G245U, G245UN,G245U T,G245UH,G248 UF,G394UI,G39 5U,G395UN,G3 95UT,G395UH, G396U,G396UN ,G396UT,G396U H,G398UF,G396 SUI	R342	NRSA63J-101X	MG RESISTOR	100Ω 1/16W J	G140J,G240J,G 394UI,G395U,G 395UN,G395UT, G395UH,G396U ,G396UN,G396 UT,G396UH,G3 98UF,G396SUI, G299UR
R91	NRSA63J-752X	MG RESISTOR	7.5kΩ 1/16W J	G140J,G240J,G 299UR					G140J,G240J,G 394UI,G395U,G 395UN,G395UT, G395UH,G396U ,G396UN,G396 UT,G396UH,G3 98UF,G396SUI, G299UR

△ Symbol No.	Part No.	Part Name	Description	Local	△ Symbol No.	Part No.	Part Name	Description	Local
R351	NRSA63J-821X	MG RESISTOR	820Ω 1/16W J	G140J,G240J,G394UI,G395U,G395UN,G395UT,G395UH,G396U,G396UN,G396UT,G396UH,G398UF,G396SUI,G299UR	R703	NRS181J-473X	MG RESISTOR	47kΩ 1/8W J	G244UI,G245U,G245UN,G245UT,G245UH,G248UF,G394UI,G395U,G395UN,G395UT,G395UH,G396UN,G396UT,G396UH,G398UF,G396SUI
R352	NRSA63J-101X	MG RESISTOR	100Ω 1/16W J	G140J,G240J,G394UI,G395U,G395UN,G395UT,G395UH,G396U,G396UN,G396UT,G396UH,G398UF,G396SUI,G299UR	R704	NRSA63J-473X	MG RESISTOR	47kΩ 1/16W J	G140J,G240J,G299UR
R501	NRS181J-273X	MG RESISTOR	27kΩ 1/8W J		R705	NRSA63J-0R0X	MG RESISTOR	0Ω 1/16W J	
R502	NRSA63J-223X	MG RESISTOR	22kΩ 1/16W J		R706	NRSA63J-473X	MG RESISTOR	47kΩ 1/16W J	
R503	NRS181J-103X	MG RESISTOR	10kΩ 1/8W J		R707	NRSA63J-106X	MG RESISTOR	10MΩ 1/16W J	
R504	NRSA63J-273X	MG RESISTOR	27kΩ 1/16W J		R708	NRSA63J-473X	MG RESISTOR	47kΩ 1/16W J	
R505	NRSA63J-223X	MG RESISTOR	22kΩ 1/16W J		R710	NRSA63J-103X	MG RESISTOR	10kΩ 1/16W J	
R506	NRSA63J-103X	MG RESISTOR	10kΩ 1/16W J		R711	NRSA63J-104X	MG RESISTOR	100kΩ 1/16W J	
R507	NRSA63J-273X	MG RESISTOR	27kΩ 1/16W J		R712	NRSA63J-103X	MG RESISTOR	10kΩ 1/16W J	
R508	NRSA63J-223X	MG RESISTOR	22kΩ 1/16W J		R713	NRSA63J-104X	MG RESISTOR	100kΩ 1/16W J	
R509	NRSA63J-333X	MG RESISTOR	33kΩ 1/16W J		R717	NRSA63J-471X	MG RESISTOR	470Ω 1/16W J	
R510	NRSA63J-223X	MG RESISTOR	22kΩ 1/16W J		R718	NRSA63J-473X	MG RESISTOR	47kΩ 1/16W J	
R511	NRS181J-100X	MG RESISTOR	10Ω 1/8W J		R719	NRSA63J-101X	MG RESISTOR	100Ω 1/16W J	
R513	NRS181J-822X	MG RESISTOR	8.2kΩ 1/8W J		R721	NRSA63J-473X	MG RESISTOR	47kΩ 1/16W J	
R514	NRSA63J-512X	MG RESISTOR	5.1kΩ 1/16W J		R722	NRSA63J-473X	MG RESISTOR	47kΩ 1/16W J	
R515	NRSA63J-103X	MG RESISTOR	10kΩ 1/16W J		R723	NRS181J-223X	MG RESISTOR	22kΩ 1/8W J	
R516	NRS181J-333X	MG RESISTOR	33kΩ 1/8W J		R724	NRS181J-472X	MG RESISTOR	4.7kΩ 1/8W J	G140J,G240J,G394UI,G395U,G395UN,G395UT,G395UH,G396U,G396UN,G396UT,G396UH,G398UF,G396SUI,G299UR
R517	NRSA63J-683X	MG RESISTOR	68kΩ 1/16W J		R724	NRS181J-0R0X	MG RESISTOR	0Ω 1/8W J	G244UI,G245U,G245UN,G245UT,G245UH,G248UF
R518	NRS181J-151X	MG RESISTOR	150Ω 1/8W J		R725	NRSA63J-683X	MG RESISTOR	68kΩ 1/16W J	
R519	NRSA63J-471X	MG RESISTOR	470Ω 1/16W J		R731	NRS181J-103X	MG RESISTOR	10kΩ 1/8W J	
R531	NRSA63J-0R0X	MG RESISTOR	0Ω 1/16W J		R732	NRSA63J-472X	MG RESISTOR	4.7kΩ 1/16W J	
R532	NRSA63J-334X	MG RESISTOR	330kΩ 1/16W J		R733	NRS181J-103X	MG RESISTOR	10kΩ 1/8W J	
R533	NRSA63J-153X	MG RESISTOR	15kΩ 1/16W J		R734	NRSA63J-472X	MG RESISTOR	4.7kΩ 1/16W J	
R534	NRSA63J-473X	MG RESISTOR	47kΩ 1/16W J		R735	NRS181J-103X	MG RESISTOR	10kΩ 1/8W J	
R535	NRSA63J-221X	MG RESISTOR	220Ω 1/16W J		R736	NRS181J-472X	MG RESISTOR	4.7kΩ 1/8W J	
R536	NRS181J-0R0X	MG RESISTOR	0Ω 1/8W J		R737	NRSA63J-473X	MG RESISTOR	47kΩ 1/16W J	
R537	NRS181J-0R0X	MG RESISTOR	0Ω 1/8W J		R738	NRSA63J-473X	MG RESISTOR	47kΩ 1/16W J	
R538	NRS181J-0R0X	MG RESISTOR	0Ω 1/8W J		R751	NRSA63J-102X	MG RESISTOR	1kΩ 1/16W J	
R539	NRS181J-0R0X	MG RESISTOR	0Ω 1/8W J		R752	NRS181J-102X	MG RESISTOR	1kΩ 1/8W J	
R541	NRSA02J-100X	MG RESISTOR	10Ω 1/10W J		R753	NRSA63J-472X	MG RESISTOR	4.7kΩ 1/16W J	
R542	NRSA63J-101X	MG RESISTOR	100Ω 1/16W J		R754	NRSA63J-472X	MG RESISTOR	4.7kΩ 1/16W J	
R543	NRSA63J-332X	MG RESISTOR	3.3kΩ 1/16W J		R755	NRSA63J-102X	MG RESISTOR	1kΩ 1/16W J	
R544	NRSA63J-682X	MG RESISTOR	6.8kΩ 1/16W J		R756	NRSA63J-473X	MG RESISTOR	47kΩ 1/16W J	
R545	NRSA63J-101X	MG RESISTOR	100Ω 1/16W J		R757	NRSA63J-473X	MG RESISTOR	47kΩ 1/16W J	
R546	NRSA63J-101X	MG RESISTOR	100Ω 1/16W J		R758	NRSA63J-473X	MG RESISTOR	47kΩ 1/16W J	
R548	NRSA63J-473X	MG RESISTOR	47kΩ 1/16W J		R760	NRSA63J-473X	MG RESISTOR	47kΩ 1/16W J	
R549	NRSA63J-105X	MG RESISTOR	1MΩ 1/16W J		R761	NRSA63J-473X	MG RESISTOR	47kΩ 1/16W J	
R550	NRSA63J-391X	MG RESISTOR	390Ω 1/16W J		R762	NRSA63J-473X	MG RESISTOR	47kΩ 1/16W J	
R551	NRSA63J-225X	MG RESISTOR	2.2MΩ 1/16W J		R763	NRSA63J-473X	MG RESISTOR	47kΩ 1/16W J	
R552	NRSA63J-225X	MG RESISTOR	2.2MΩ 1/16W J		R764	NRSA63J-473X	MG RESISTOR	47kΩ 1/16W J	
R553	NRSA63J-221X	MG RESISTOR	220Ω 1/16W J		R765	NRSA63J-473X	MG RESISTOR	47kΩ 1/16W J	
R581	NRSA63J-821X	MG RESISTOR	820Ω 1/16W J		R766	NRSA63J-102X	MG RESISTOR	1kΩ 1/16W J	
R582	NRSA63J-822X	MG RESISTOR	8.2kΩ 1/16W J		R767	NRSA63J-102X	MG RESISTOR	1kΩ 1/16W J	
R583	NRSA63J-0R0X	MG RESISTOR	0Ω 1/16W J		R768	NRSA63J-102X	MG RESISTOR	1kΩ 1/16W J	
R585	NRSA63J-0R0X	MG RESISTOR	0Ω 1/16W J		R769	NRS181J-102X	MG RESISTOR	1kΩ 1/8W J	
R591	NRS181J-821X	MG RESISTOR	820Ω 1/8W J		R770	NRSA63J-472X	MG RESISTOR	4.7kΩ 1/16W J	
R592	NRSA63J-822X	MG RESISTOR	8.2kΩ 1/16W J		R771	NRS181J-102X	MG RESISTOR	1kΩ 1/8W J	
R593	NRSA63J-0R0X	MG RESISTOR	0Ω 1/16W J		R772	NRSA63J-472X	MG RESISTOR	4.7kΩ 1/16W J	
R595	NRSA63J-0R0X	MG RESISTOR	0Ω 1/16W J		R773	NRS181J-102X	MG RESISTOR	1kΩ 1/8W J	
R701	NRS181J-473X	MG RESISTOR	47kΩ 1/8W J	G240J,G394UI,G395U,G395UN,G395UT,G395UH,G396U,G396UN,G396UT,G396UH,G398UF,G396SUI,G299UR	R774	NRSA63J-102X	MG RESISTOR	1kΩ 1/16W J	
R702	NRSA63J-473X	MG RESISTOR	47kΩ 1/16W J	G140J,G244UI,G245U,G245UN,G245UT,G245UH,G248UF	R775	NRSA63J-102X	MG RESISTOR	1kΩ 1/16W J	
					R782	NRSA63J-473X	MG RESISTOR	47kΩ 1/16W J	
					R783	NRSA63J-102X	MG RESISTOR	1kΩ 1/16W J	
					R784	NRSA63J-102X	MG RESISTOR	1kΩ 1/16W J	
					R785	NRSA63J-102X	MG RESISTOR	1kΩ 1/16W J	

△ Symbol No.	Part No.	Part Name	Description	Local	△ Symbol No.	Part No.	Part Name	Description	Local
R851	NRS181J-103X	MG RESISTOR	10kΩ 1/8W J	G244UI,G245U, G245UN,G245U T,G245UH,G248 UF,G394UI,G39 5U,G395UN,G3 95UT,G395UH, G396U,G396UN ,G396UT,G396U H,G398UF,G396 SUI		△ IC901	AN34001A	REGULATOR IC	
R881	NRSA63J-682X	MG RESISTOR	6.8kΩ 1/16W J		IC981	NJU7772F15-X	IC		
R882	NRSA63J-123X	MG RESISTOR	12kΩ 1/16W J		Q341	RT3X99M-X	TRANSISTOR		G341E,G341 EX,G342EY, G341EU,G34 2E,G342EX, G341EY,G34 2EU,G343E, G343EX,G34 3EY,G343EU
R883	NRS181J-102X	MG RESISTOR	1kΩ 1/8W J		Q501	2SA1705/ST-T	TRANSISTOR		
R901	QRE141J-103Y	C RESISTOR	10kΩ 1/4W J		Q521	ISA1530AC1/R/-X	TRANSISTOR		
R903	NRSA63J-472X	MG RESISTOR	4.7kΩ 1/16W J		Q521	or 2SB709A/QR/-X	TRANSISTOR		
R911	NRS181J-102X	MG RESISTOR	1kΩ 1/8W J		Q781	RT1P141C-X	DIGI TRANSISTOR		
R976	NRSA63J-123X	MG RESISTOR	12kΩ 1/16W J		Q781	or UN2111-X	TRANSISTOR		
R977	NRSA63J-273X	MG RESISTOR	27kΩ 1/16W J		Q782	RT6N430C-X	TRANSISTOR		
R978	NRSA63J-473X	MG RESISTOR	47kΩ 1/16W J		Q784	RT1P141C-X	DIGI TRANSISTOR		
L1	NQL093K-R47X	COIL	0.47uH K		Q784	or UN2111-X	TRANSISTOR		
L2	NQL093K-1R8X	COIL	1.8uH K		Q882	RT1P141C-X	DIGI TRANSISTOR		
L3	QQR1773-001	COIL			Q882	or UN2111-X	TRANSISTOR		
L4	QQR1813-001	COIL			Q883	RT1N141C-X	DIGI TRANSISTOR		
L5	QQL244J-561Z	COIL	560uH J		Q883	or UN2211-X	TRANSISTOR		
L6	QQL244J-561Z	COIL	560uH J		Q891	RT1N141C-X	DIGI TRANSISTOR		
L7	QQL244J-4R7Z	P COIL	4.7uH J		Q891	or UN2211-X	TRANSISTOR		
L8	QQL244J-4R7Z	P COIL	4.7uH J		Q976	RT1N141C-X	DIGI TRANSISTOR		
L531	QQL244J-4R7Z	P COIL	4.7uH J		Q976	or UN2211-X	TRANSISTOR		
L701	QQL244J-4R7Z	P COIL	4.7uH J		Q977	ISA1530AC1/R/-X	TRANSISTOR		
L702	QQL244J-4R7Z	P COIL	4.7uH J		Q977	or 2SB709A/QR/-X	TRANSISTOR		
L901	QQR1809-001	CHOKO COIL			D1	MA111-X	SI DIODE		
CN501	QGB2027MD-26	CONNECTOR	B-B (1-26)		D1	or 1SS355W-X	DIODE		
CN701	QGZ1601J1-15	CONNECTOR	(1-15)		D2	MA111-X	SI DIODE		
CN901	QNZ0611-001	CONNECTOR	16P		D2	or 1SS355W-X	DIODE		
J1	QNB0190-001	ANTENNA JACK			D331	MC2836-X	DIODE		G341E,G341 EX,G342EY, G341EU,G34 2E,G342EX, G341EY,G34 2EU,G343E, G343EX,G34 3EY,G343EU
J321	QNN0802-001	PIN JACK		G140J,G240J,G 394UI,G395U,G 395UN,G395UT, G395UH,G396U ,G396UN,G396 UT,G396UH,G3 98UF,G396SUI, G299UR					
S701	QSW0648-001Z	TACT SWITCH							
X1	QAX0928-001Z	CRYSTAL			D331	or MA152WA-X	DIODE		G341E,G341 EX,G342EY, G341EU,G34 2E,G342EX, G341EY,G34 2EU,G343E, G343EX,G34 3EY,G343EU
X551	QAX0929-001Z	C RESONATOR							
X701	QAX0667-001Z	C RESONATOR	8.000MHz						
X702	QAX0401-001	CRYSTAL	32.768KHz		D342	IMSA6802-X	C CAPACITOR		G341E,G341 EX,G342EY, G341EU,G34 2E,G342EX, G341EY,G34 2EU,G343E, G343EX,G34 3EY,G343EU
					D352	IMSA6802-X	C CAPACITOR		G341E,G341 EX,G342EY, G341EU,G34 2E,G342EX, G341EY,G34 2EU,G343E, G343EX,G34 3EY,G343EU

Main board

**(Only KD-G341E,EX,EY,EU,
KD-G342E,EX,EY,EU,
KD-G343E,EX,EY,EU,KD-G347SEE,
KD-G347BEE)**

Block No. [0][2]

△ Symbol No.	Part No.	Part Name	Description	Local	△ Symbol No.	Part No.	Part Name	Description	Local
△ IC1	TEF6606T/V2-X	IC			D501	1A3G-T1	SI DIODE		
IC71	LC72725KM-X	IC			D712	MA111-X	SI DIODE		
IC101	NJM4565E-X	IC			D712	or 1SS355W-X	DIODE		
IC161	NJW1192V-X	IC			D713	MA8056/M/-X	Z DIODE		
△ IC301	TB2926HQ	IC			D713	or UDZW5.6B-X	Z DIODE		
△ IC501	LA6565-X	IC			D715	MA8062/M/-X	Z DIODE		
△ IC521	MN6627945EE	IC			D715	or UDZW6.2B-X	Z DIODE		
△ IC701	MN101E16KDC	IC			D716	MA8062/M/-X	Z DIODE		
IC702	S-80824CNNB-G-W	IC			D716	or UDZW6.2B-X	Z DIODE		
IC702	or IC-PST3424U-X	IC			D717	MA8062/M/-X	Z DIODE		
IC771	S-24CS16A0I-G-X	IC			D717	or UDZW6.2B-X	Z DIODE		

△ Symbol No.	Part No.	Part Name	Description	Local	△ Symbol No.	Part No.	Part Name	Description	Local
D718	MA8062/M-X	Z DIODE			C78	NCB31HK-103X	C CAPACITOR	0.01uF 50V K	
D718	or UDZW6.2B-X	Z DIODE			C101	QEKJ1HM-105Z	E CAPACITOR	1uF 50V M	
D781	MA111-X	SI DIODE			C102	QEKJ1HM-105Z	E CAPACITOR	1uF 50V M	
D781	or 1SS355W-X	DIODE			C103	NDC31HK-101X	C CAPACITOR	100pF 50V K	
D782	MA111-X	SI DIODE			C104	NDC31HK-101X	C CAPACITOR	100pF 50V K	
D782	or 1SS355W-X	DIODE			C111	QEKJ1HM-105Z	E CAPACITOR	1uF 50V M	
D784	MA8110/M-X	Z DIODE			C112	QEKJ1HM-105Z	E CAPACITOR	1uF 50V M	
D784	or UDZW11B-X	Z DIODE			C113	NDC31HK-101X	C CAPACITOR	100pF 50V K	
D786	MA111-X	SI DIODE			C114	NDC31HK-101X	C CAPACITOR	100pF 50V K	
D786	or 1SS355W-X	DIODE			C115	NCB31EK-473X	C CAPACITOR	0.047uF 25V K	
D787	MA111-X	SI DIODE			C116	QEKJ1EM-106Z	E CAPACITOR	10uF 25V M	
D787	or 1SS355W-X	DIODE			C117	QEKJ1EM-106Z	E CAPACITOR	10uF 25V M	
D891	MC2836-X	DIODE			C121	NCB31HK-472X	C CAPACITOR	4700pF 50V K	
D891	or MA152WA-X	DIODE			C122	NCB31HK-472X	C CAPACITOR	4700pF 50V K	
△ D901	1N5401-F64	SI DIODE		G341E,G341 EX,G342EY, G341EU,G34 2E,G342EX, G341EY,G34 2EU,G343E, G343EX,G34 3EY,G343EU ,G347BEE,G 347SEE,G39 8UF	C160	QEKJ1CM-226Z	E CAPACITOR	22uF 16V M	
△ D901	or 1N5401-TU-15	SI DIODE		G341E,G341 EX,G342EY, G341EU,G34 2E,G342EX, G341EY,G34 2EU,G343E, G343EX,G34 3EY,G343EU ,G347BEE,G 347SEE,G39 8UF	C161	QTE1H57-105Z	E CAPACITOR	1uF 50V	
D902	GS1J-X	DIODE		G341E,G341 EX,G342EY, G341EU,G34 2E,G342EX, G341EY,G34 2EU,G343E, G343EX,G34 3EY,G343EU ,G347BEE,G 347SEE,G39 8UF	C164	NCB31HK-471X	C CAPACITOR	470pF 50V K	
D971	MA22D23-X	SB DIODE		G341E,G341 EX,G342EY, G341EU,G34 2E,G342EX, G341EY,G34 2EU,G343E, G343EX,G34 3EY,G343EU ,G347BEE,G 347SEE,G39 8UF	C165	NCB31AK-154X	C CAPACITOR	0.15uF 10V K	
D971	or RB160M-30-X	SB DIODE		G341E,G341 EX,G342EY, G341EU,G34 2E,G342EX, G341EY,G34 2EU,G343E, G343EX,G34 3EY,G343EU ,G347BEE,G 347SEE,G39 8UF	C166	NCB31HK-472X	C CAPACITOR	4700pF 50V K	
D971	or CRS03-W	SB DIODE		G341E,G341 EX,G342EY, G341EU,G34 2E,G342EX, G341EY,G34 2EU,G343E, G343EX,G34 3EY,G343EU ,G347BEE,G 347SEE,G39 8UF	C167	NCB31CK-104X	C CAPACITOR	0.1uF 16V K	
D972	MA22D39-X	SB DIODE		G341E,G341 EX,G342EY, G341EU,G34 2E,G342EX, G341EY,G34 2EU,G343E, G343EX,G34 3EY,G343EU ,G347BEE,G 347SEE,G39 8UF	C168	QEKJ1HM-475Z	E CAPACITOR	4.7uF 50V M	
C1	NCB31HK-102X	C CAPACITOR	1000pF 50V K		C169	QTE1E57-475Z	E CAPACITOR	4.7uF 25V	
C2	NDC31HJ-7R0X	C CAPACITOR	7pF 50V J		C170	QEKJ1CM-226Z	E CAPACITOR	22uF 16V M	
C3	NCB31HK-104X	C CAPACITOR	0.1uF 50V K		C171	QTE1H57-105Z	E CAPACITOR	1uF 50V	
C4	NCB31AK-224X	C CAPACITOR	0.22uF 10V K		C174	NCB31HK-471X	C CAPACITOR	470pF 50V K	
C5	NDC31HJ-150X	C CAPACITOR	15pF 50V J		C175	NCB31AK-154X	C CAPACITOR	0.15uF 10V K	
C6	NDC31HJ-2R0X	C CAPACITOR	2pF 50V J		C176	NCB31HK-472X	C CAPACITOR	4700pF 50V K	
C7	NDC31HJ-220X	C CAPACITOR	22pF 50V J		C177	NCB31CK-104X	C CAPACITOR	0.1uF 16V K	
C10	NCB21AK-105X	C CAPACITOR	1uF 10V K		C178	QEKJ1HM-475Z	E CAPACITOR	4.7uF 50V M	
C11	NCB31HK-103X	C CAPACITOR	0.01uF 50V K		C179	QTE1E57-475Z	E CAPACITOR	4.7uF 25V	
C12	NCB31HK-103X	C CAPACITOR	0.01uF 50V K		C181	NCB31HK-103X	C CAPACITOR	0.01uF 50V K	
C13	NCB21AK-105X	C CAPACITOR	1uF 10V K		C182	QTE1A57-107Z	E CAPACITOR	100uF 10V	
C14	NCB31AK-224X	C CAPACITOR	0.22uF 10V K		C183	QTE1C57-106Z	E CAPACITOR	10uF 16V	
C15	NCB31CK-104X	C CAPACITOR	0.1uF 16V K		C301	QFV91HJ-474Z	MF CAPACITOR	0.47uF 50V J	
C16	NCB31HK-103X	C CAPACITOR	0.01uF 50V K		C302	QFV91HJ-474Z	MF CAPACITOR	0.47uF 50V J	
C17	NCB31CK-104X	C CAPACITOR	0.1uF 16V K		C303	NDC31HJ-101X	C CAPACITOR	100pF 50V J	
C18	NCB31HK-103X	C CAPACITOR	0.01uF 50V K		C304	NDC31HJ-101X	C CAPACITOR	100pF 50V J	
C19	NCB31CK-104X	C CAPACITOR	0.1uF 16V K		C310	NCB21AK-225X-A	C CAPACITOR	2.2uF 10V K	
C22	NDC31HJ-120X	C CAPACITOR	12pF 50V J		C311	QFV91HJ-474Z	MF CAPACITOR	0.47uF 50V J	
C23	NCB31CK-104X	C CAPACITOR	0.1uF 16V K		C312	QFV91HJ-474Z	MF CAPACITOR	0.47uF 50V J	
C24	NCB31HK-103X	C CAPACITOR	0.01uF 50V K		C313	NDC31HJ-101X	C CAPACITOR	100pF 50V J	
C25	NCB31HK-103X	C CAPACITOR	0.01uF 50V K		C314	NDC31HJ-101X	C CAPACITOR	100pF 50V J	
C26	QEKJ1CM-107Z	E CAPACITOR	100uF 16V M		C315	QEKJ1HM-225Z	E CAPACITOR	2.2uF 50V M	
C27	QEKJ1EM-106Z	E CAPACITOR	10uF 25V M		C316	QEKJ1HM-475Z	E CAPACITOR	4.7uF 50V M	
C33	NDC31HJ-5R6X	C CAPACITOR	5.6pF 50V J		C317	QTE1C57-476Z	E CAPACITOR	47uF 16V	
C34	NDC31HJ-470X	C CAPACITOR	47pF 50V J		C318	QEKJ1CM-226Z	E CAPACITOR	22uF 16V M	
C71	NDC31HJ-561X	C CAPACITOR	560pF 50V J		C319	NCB31EK-223X	C CAPACITOR	0.022uF 25V K	
C72	NDC31HJ-331X	C CAPACITOR	330pF 50V J		C320	NCB31EK-223X	C CAPACITOR	0.022uF 25V K	
C73	QEKJ1EM-106Z	E CAPACITOR	10uF 25V M		C385	QEKJ1HM-475Z	E CAPACITOR	4.7uF 50V M	G341E,G341 EX,G342EY, G341EU,G34 2E,G342EX, G341EY,G34 2EU,G343E, G343EX,G34 3EY,G343EU
C74	NDC31HJ-330X	C CAPACITOR	33pF 50V J		C386	QEKJ1HM-475Z	E CAPACITOR	4.7uF 50V M	G341E,G341 EX,G342EY, G341EU,G34 2E,G342EX, G341EY,G34 2EU,G343E, G343EX,G34 3EY,G343EU
C75	NDC31HJ-330X	C CAPACITOR	33pF 50V J		C501	QEKJ0JM-227Z	E CAPACITOR	220uF 6.3V M	
C76	NCB31HK-103X	C CAPACITOR	0.01uF 50V K		C503	QEKJ1AM-227Z	E CAPACITOR	220uF 10V M	
C77	QEKJ0JM-476Z	E CAPACITOR	47uF 6.3V M		C504	NCB31EK-104X	C CAPACITOR	0.1uF 25V K	
					C505	NCB31EK-104X	C CAPACITOR	0.1uF 25V K	
					C507	NCB31CK-473X	C CAPACITOR	0.047uF 16V K	
					C511	NCB31HK-222X	C CAPACITOR	2200pF 50V K	
					C513	NCB31HK-682X	C CAPACITOR	6800pF 50V K	
					C515	NCB31HK-122X	C CAPACITOR	1200pF 50V K	
					C517	NCB31HK-182X	C CAPACITOR	1800pF 50V K	
					C518	NDC31HJ-680X	C CAPACITOR	68pF 50V J	
					C521	NCB31EK-104X	C CAPACITOR	0.1uF 25V K	
					C522	NCB31AK-334X	C CAPACITOR	0.33uF 10V K	
					C524	NDC31HJ-561X	C CAPACITOR	560pF 50V J	
					C525	NCB31CK-223X	C CAPACITOR	0.022uF 16V K	
					C526	NCB31CK-223X	C CAPACITOR	0.022uF 16V K	
					C527	NCB31EK-332X	C CAPACITOR	3300pF 25V K	

△ Symbol No.	Part No.	Part Name	Description	Local	△ Symbol No.	Part No.	Part Name	Description	Local
C528	NDC31HJ-181X	C CAPACITOR	180pF 50V J		R4	NRSA63J-472X	MG RESISTOR	4.7kΩ 1/16W J	
C529	NCB31HK-103X	C CAPACITOR	0.01uF 50V K		R5	NRS181J-220X	MG RESISTOR	22Ω 1/8W J	
C530	NCB31HK-103X	C CAPACITOR	0.01uF 50V K		R6	NRSA63J-101X	MG RESISTOR	100Ω 1/16W J	
C531	NCB31AK-334X	C CAPACITOR	0.33uF 10V K		R7	NRSA63J-101X	MG RESISTOR	100Ω 1/16W J	
C532	NCB31AK-334X	C CAPACITOR	0.33uF 10V K		R8	NRSA63J-472X	MG RESISTOR	4.7kΩ 1/16W J	
C533	QEKJ0JM-476Z	E CAPACITOR	47uF 6.3V M		R9	NRSA63J-472X	MG RESISTOR	4.7kΩ 1/16W J	
C534	NCB31EK-332X	C CAPACITOR	3300pF 25V K		R11	NRS181J-4R7X	MG RESISTOR	4.7Ω 1/8W J	
C535	NCB31EK-104X	C CAPACITOR	0.1uF 25V K		R72	NRSA63J-222X	MG RESISTOR	2.2kΩ 1/16W J	
C536	QEKJ0JM-476Z	E CAPACITOR	47uF 6.3V M		R73	NRSA63J-222X	MG RESISTOR	2.2kΩ 1/16W J	
C537	QEKJ0JM-476Z	E CAPACITOR	47uF 6.3V M		R74	NRSA02J-101X	MG RESISTOR	100Ω 1/10W J	
C539	NCB31EK-104X	C CAPACITOR	0.1uF 25V K		R81	NRSA63J-682X	MG RESISTOR	6.8kΩ 1/16W J	
C540	NCS31HJ-681X	C CAPACITOR	680pF 50V J		R82	NRSA63J-822X	MG RESISTOR	8.2kΩ 1/16W J	
C541	NCB31EK-153X	C CAPACITOR	0.015uF 25V K		R91	NRSA63J-682X	MG RESISTOR	6.8kΩ 1/16W J	
C542	NCB31EK-104X	C CAPACITOR	0.1uF 25V K		R92	NRSA63J-822X	MG RESISTOR	8.2kΩ 1/16W J	
C543	NCB31HK-102X	C CAPACITOR	1000pF 50V K		R101	NRSA63J-103X	MG RESISTOR	10kΩ 1/16W J	
C544	NCB31EK-823X	C CAPACITOR	0.082uF 25V K		R102	NRSA63J-103X	MG RESISTOR	10kΩ 1/16W J	
C545	NCB31EK-104X	C CAPACITOR	0.1uF 25V K		R103	NRSA63J-103X	MG RESISTOR	10kΩ 1/16W J	
C547	QTE0J57-476Z	E CAPACITOR	47uF 6.3V		R104	NRSA63J-103X	MG RESISTOR	10kΩ 1/16W J	
C548	QTE0J57-476Z	E CAPACITOR	47uF 6.3V		R111	NRSA63J-103X	MG RESISTOR	10kΩ 1/16W J	
C549	NCB31EK-104X	C CAPACITOR	0.1uF 25V K		R112	NRSA63J-103X	MG RESISTOR	10kΩ 1/16W J	
C551	NCB31EK-104X	C CAPACITOR	0.1uF 25V K		R113	NRSA63J-103X	MG RESISTOR	10kΩ 1/16W J	
C552	QEKJ0JM-476Z	E CAPACITOR	47uF 6.3V M		R114	NRSA63J-103X	MG RESISTOR	10kΩ 1/16W J	
C581	NDC31HJ-102X	C CAPACITOR	1000pF 50V J		R115	NRSA63J-471X	MG RESISTOR	470Ω 1/16W J	
C582	NDC31HJ-102X	C CAPACITOR	1000pF 50V J		R116	NRSA63J-103X	MG RESISTOR	10kΩ 1/16W J	
C583	NCB31HK-123X	C CAPACITOR	0.012uF 50V K		R117	NRSA63J-103X	MG RESISTOR	10kΩ 1/16W J	
C584	NCB31HK-123X	C CAPACITOR	0.012uF 50V K		R120	NRSA63J-101X	MG RESISTOR	100Ω 1/16W J	
C585	QTE1H57-225Z	E CAPACITOR	2.2uF 50V		R121	NRSA63J-101X	MG RESISTOR	100Ω 1/16W J	
C586	QTE1H57-225Z	E CAPACITOR	2.2uF 50V		R161	NRSA63J-393X	MG RESISTOR	39kΩ 1/16W J	
C703	NDC31HJ-270X	C CAPACITOR	27pF 50V J		R162	NRSA63J-472X	MG RESISTOR	4.7kΩ 1/16W J	
C704	NDC31HJ-270X	C CAPACITOR	27pF 50V J		R163	NRSA63J-222X	MG RESISTOR	2.2kΩ 1/16W J	
C705	NCB31EK-103X	C CAPACITOR	0.01uF 25V K		R171	NRSA63J-393X	MG RESISTOR	39kΩ 1/16W J	
C706	NCB31EK-103X	C CAPACITOR	0.01uF 25V K		R172	NRSA63J-472X	MG RESISTOR	4.7kΩ 1/16W J	
C707	QEKJ1CM-107Z	E CAPACITOR	100uF 16V M		R173	NRSA63J-222X	MG RESISTOR	2.2kΩ 1/16W J	
C708	NCB31CK-104X	C CAPACITOR	0.1uF 16V K		R182	NRSA63J-0R0X	MG RESISTOR	0Ω 1/16W J	
C709	NCB31CK-104X	C CAPACITOR	0.1uF 16V K		R184	NRSA63J-0R0X	MG RESISTOR	0Ω 1/16W J	
C711	QTE0J57-476Z	E CAPACITOR	47uF 6.3V		R186	NRSA63J-472X	MG RESISTOR	4.7kΩ 1/16W J	
C712	NCB31HK-103X	C CAPACITOR	0.01uF 50V K		R188	NRSA63J-472X	MG RESISTOR	4.7kΩ 1/16W J	
C714	NCB31CK-104X	C CAPACITOR	0.1uF 16V K		R305	NRS181J-103X	MG RESISTOR	10kΩ 1/8W J	
C715	NCB31CK-104X	C CAPACITOR	0.1uF 16V K		R342	NRSA63J-821X	MG RESISTOR	820Ω 1/16W J	G341E,G341EX,G342EY,G341EU,G342E,G342EX,G341EY,G342EU,G343E,G343EX,G343EY,G343EU
C717	NCB31CK-104X	C CAPACITOR	0.1uF 16V K						
C718	NCB31CK-104X	C CAPACITOR	0.1uF 16V K						
C719	QEKJ1CM-107Z	E CAPACITOR	100uF 16V M						
C720	NCB31AK-474X	C CAPACITOR	0.47uF 10V K						
C721	NCB31CK-104X	C CAPACITOR	0.1uF 16V K						
C722	QEKJ1EM-106Z	E CAPACITOR	10uF 25V M						
C742	NDC31HJ-560X	C CAPACITOR	56pF 50V J		R343	NRSA63J-101X	MG RESISTOR	100Ω 1/16W J	G341E,G341EX,G342EY,G341EU,G342E,G342EX,G341EY,G342EU,G343E,G343EX,G343EY,G343EU
C744	NDC31HJ-560X	C CAPACITOR	56pF 50V J						
C771	NCB31EK-473X	C CAPACITOR	0.047uF 25V K						
C781	QEKJ0JM-107Z	E CAPACITOR	100uF 6.3V M						
C784	QEKJ1CM-107Z	E CAPACITOR	100uF 16V M						
C891	NCB31EK-104X	C CAPACITOR	0.1uF 25V K						
C901	QEZ0645-228	E CAPACITOR	2200uF 16V M						
C902	QEKJ1HM-225Z	E CAPACITOR	2.2uF 50V M						
C903	QEKJ1CM-476Z	E CAPACITOR	47uF 16V M		R352	NRSA63J-821X	MG RESISTOR	820Ω 1/16W J	G341E,G341EX,G342EY,G341EU,G342E,G342EX,G341EY,G342EU,G343E,G343EX,G343EY,G343EU
C905	QEKJ1CM-476Z	E CAPACITOR	47uF 16V M						
C906	NCB31HK-103X	C CAPACITOR	0.01uF 50V K						
C907	QEKJ1AM-227Z	E CAPACITOR	220uF 10V M						
C908	QEKJ1AM-227Z	E CAPACITOR	220uF 10V M						
C910	QEKJ1EM-106Z	E CAPACITOR	10uF 25V M						
C912	NCB31HK-103X	C CAPACITOR	0.01uF 50V K						
C913	QEKJ1EM-106Z	E CAPACITOR	10uF 25V M		R353	NRSA63J-101X	MG RESISTOR	100Ω 1/16W J	G341E,G341EX,G342EY,G341EU,G342E,G342EX,G341EY,G342EU,G343E,G343EX,G343EY,G343EU
C914	QEKJ1CM-107Z	E CAPACITOR	100uF 16V M						
C916	NCB31HK-103X	C CAPACITOR	0.01uF 50V K						
C917	QERF0JM-337Z	E CAPACITOR	330uF 6.3V M						
C971	NCB31EK-104X	C CAPACITOR	0.1uF 25V K						
C982	NCB31EK-104X	C CAPACITOR	0.1uF 25V K						
C983	QEKJ0JM-107Z	E CAPACITOR	100uF 6.3V M						
C984	NCB31EK-104X	C CAPACITOR	0.1uF 25V K		R383	NRSA63J-473X	MG RESISTOR	47kΩ 1/16W J	G341E,G341EX,G342EY,G341EU,G342E,G342EX,G341EY,G342EU,G343E,G343EX,G343EY,G343EU
C991	NCB31HK-104X	C CAPACITOR	0.1uF 50V K	G341E,G341EX,G342EY,G341EU,G342E,G342EX,G341EY,G342EU,G343E,G343EX,G343EY,G343EU					
R1	NRSA63J-684X	MG RESISTOR	680kΩ 1/16W J						
R2	NRSA63J-684X	MG RESISTOR	680kΩ 1/16W J						

△ Symbol No.	Part No.	Part Name	Description	Local	△ Symbol No.	Part No.	Part Name	Description	Local
R387	NRSA63J-473X	MG RESISTOR	47kΩ 1/16W J	G341E,G341EX,G342EY,G341EU,G342E,G342EX,G341EY,G342EU,G343E,G343EX,G343EY,G343EU	R714	NRSA63J-0R0X	MG RESISTOR	0Ω 1/16W J	
R500	NRS181J-220X	MG RESISTOR	22Ω 1/8W J		R722	NRS181J-0R0X	MG RESISTOR	0Ω 1/8W J	
R501	NRSA63J-822X	MG RESISTOR	8.2kΩ 1/16W J		R723	NRSA63J-103X	MG RESISTOR	10kΩ 1/16W J	
R502	NRS181J-822X	MG RESISTOR	8.2kΩ 1/8W J		R726	NRSA63J-273X	MG RESISTOR	27kΩ 1/16W J	
R503	NRSA63J-512X	MG RESISTOR	5.1kΩ 1/16W J		R727	NRS181J-122X	MG RESISTOR	1.2kΩ 1/8W J	
R504	NRSA63J-822X	MG RESISTOR	8.2kΩ 1/16W J		R728	NRSA63J-0R0X	MG RESISTOR	0Ω 1/16W J	
R505	NRSA63J-822X	MG RESISTOR	8.2kΩ 1/16W J		R731	NRSA63J-104X	MG RESISTOR	100kΩ 1/16W J	
R506	NRSA63J-393X	MG RESISTOR	39kΩ 1/16W J		R736	NRSA63J-222X	MG RESISTOR	2.2kΩ 1/16W J	
R507	NRSA63J-203X	MG RESISTOR	20kΩ 1/16W J		R737	NRSA63J-222X	MG RESISTOR	2.2kΩ 1/16W J	
R508	NRSA63J-682X	MG RESISTOR	6.8kΩ 1/16W J		R738	NRSA63J-222X	MG RESISTOR	2.2kΩ 1/16W J	
R509	NRSA63J-683X	MG RESISTOR	68kΩ 1/16W J		R739	NRSA63J-101X	MG RESISTOR	100Ω 1/16W J	
R510	NRSA63J-273X	MG RESISTOR	27kΩ 1/16W J		R741	NRSA63J-101X	MG RESISTOR	100Ω 1/16W J	
R511	NRSA63J-153X	MG RESISTOR	15kΩ 1/16W J		R742	NRSA63J-102X	MG RESISTOR	1kΩ 1/16W J	
R512	NRSA63J-562X	MG RESISTOR	5.6kΩ 1/16W J		R743	NRS181J-0R0X	MG RESISTOR	0Ω 1/8W J	
R513	NRSA63J-103X	MG RESISTOR	10kΩ 1/16W J		R744	NRSA63J-102X	MG RESISTOR	1kΩ 1/16W J	
R514	NRSA63J-562X	MG RESISTOR	5.6kΩ 1/16W J		R746	NRSA63J-104X	MG RESISTOR	100kΩ 1/16W J	
R515	NRSA63J-153X	MG RESISTOR	15kΩ 1/16W J		R748	NRS181J-102X	MG RESISTOR	1kΩ 1/8W J	
R516	NRSA63J-102X	MG RESISTOR	1kΩ 1/16W J		R752	NRSA63J-472X	MG RESISTOR	4.7kΩ 1/16W J	
R517	NRSA63J-153X	MG RESISTOR	15kΩ 1/16W J		R753	NRSA63J-472X	MG RESISTOR	4.7kΩ 1/16W J	
R518	NRSA63J-562X	MG RESISTOR	5.6kΩ 1/16W J		R754	NRSA63J-472X	MG RESISTOR	4.7kΩ 1/16W J	
R519	NRSA63J-203X	MG RESISTOR	20kΩ 1/16W J		R755	NRSA63J-472X	MG RESISTOR	4.7kΩ 1/16W J	
R520	NRS181J-220X	MG RESISTOR	22Ω 1/8W J		R756	NRSA63J-472X	MG RESISTOR	4.7kΩ 1/16W J	
R521	NRSA63J-105X	MG RESISTOR	1MΩ 1/16W J		R757	NRSA63J-472X	MG RESISTOR	4.7kΩ 1/16W J	
R522	NRSA63J-221X	MG RESISTOR	220Ω 1/16W J		R758	NRSA63J-473X	MG RESISTOR	47kΩ 1/16W J	
R523	NRSA63J-153X	MG RESISTOR	15kΩ 1/16W J		R764	NRSA63J-823X	MG RESISTOR	82kΩ 1/16W J	
R524	NRSA63J-102X	MG RESISTOR	1kΩ 1/16W J		R771	NRSA63J-271X	MG RESISTOR	270Ω 1/16W J	
R525	NRSA63J-101X	MG RESISTOR	100Ω 1/16W J		R772	NRSA63J-271X	MG RESISTOR	270Ω 1/16W J	
R526	NRSA63J-101X	MG RESISTOR	100Ω 1/16W J		R774	NRSA63J-473X	MG RESISTOR	47kΩ 1/16W J	
R527	NRSA63J-101X	MG RESISTOR	100Ω 1/16W J		R775	NRSA63J-222X	MG RESISTOR	2.2kΩ 1/16W J	
R528	NRSA63J-101X	MG RESISTOR	100Ω 1/16W J		R779	NRSA63J-101X	MG RESISTOR	100Ω 1/16W J	
R529	NRSA63J-101X	MG RESISTOR	100Ω 1/16W J		R781	NRS181J-473X	MG RESISTOR	47kΩ 1/8W J	
R533	NRSA63J-101X	MG RESISTOR	100Ω 1/16W J		R782	NRSA63J-0R0X	MG RESISTOR	0Ω 1/16W J	
R535	NRS181J-103X	MG RESISTOR	10kΩ 1/8W J		R783	NRSA63J-472X	MG RESISTOR	4.7kΩ 1/16W J	
R536	NRSA63J-822X	MG RESISTOR	8.2kΩ 1/16W J		R883	NRSA63J-273X	MG RESISTOR	27kΩ 1/16W J	
R537	NRSA63J-103X	MG RESISTOR	10kΩ 1/16W J		R884	NRSA63J-393X	MG RESISTOR	39kΩ 1/16W J	
R540	NRSA63J-303X	MG RESISTOR	30kΩ 1/16W J		R885	NRSA63J-432X	MG RESISTOR	4.3kΩ 1/16W J	
R541	NRSA63J-393X	MG RESISTOR	39kΩ 1/16W J		R891	NRSA63J-102X	MG RESISTOR	1kΩ 1/16W J	
R542	NRSA63J-472X	MG RESISTOR	4.7kΩ 1/16W J		R892	NRSA63J-473X	MG RESISTOR	47kΩ 1/16W J	
R543	NRSA63J-102X	MG RESISTOR	1kΩ 1/16W J		R901	QRE141J-102Y	C RESISTOR	1kΩ 1/4W J	
R544	NRSA63J-102X	MG RESISTOR	1kΩ 1/16W J		R902	NRSA02J-912X	MG RESISTOR	9.1kΩ 1/10W J	
R545	NRSA63J-332X	MG RESISTOR	3.3kΩ 1/16W J		R903	NRSA02J-472X	MG RESISTOR	4.7kΩ 1/10W J	
R546	NRSA63J-822X	MG RESISTOR	8.2kΩ 1/16W J		R971	NRS181J-222X	MG RESISTOR	2.2kΩ 1/8W J	
R547	NRSA63J-822X	MG RESISTOR	8.2kΩ 1/16W J		R972	NRS181J-222X	MG RESISTOR	2.2kΩ 1/8W J	
R548	NRSA63J-332X	MG RESISTOR	3.3kΩ 1/16W J		R976	NRSA02J-273X	MG RESISTOR	27kΩ 1/10W J	
R549	NRSA63J-562X	MG RESISTOR	5.6kΩ 1/16W J		R977	NRSA02J-123X	MG RESISTOR	12kΩ 1/10W J	
R554	NRSA63J-4R7X	MG RESISTOR	4.7Ω 1/16W J		L1	NQL093K-R47X	COIL	0.47uH K	
R556	NRSA63J-473X	MG RESISTOR	47kΩ 1/16W J		L2	NQL093K-1R8X	COIL	1.8uH K	
R558	NRSA63J-823X	MG RESISTOR	82kΩ 1/16W J		L3	QQR1773-001	COIL		
R559	NRSA63J-821X	MG RESISTOR	820Ω 1/16W J		L4	QQR1813-001	COIL		
R565	NRSA63J-151X	MG RESISTOR	150Ω 1/16W J		L5	QQL244J-561Z	COIL	560uH J	
R566	NRSA63J-100X	MG RESISTOR	10Ω 1/16W J		L6	QQL244J-561Z	COIL	560uH J	
R581	NRSA63J-222X	MG RESISTOR	2.2kΩ 1/16W J		L7	QQL244J-4R7Z	P COIL	4.7uH J	
R582	NRSA63J-222X	MG RESISTOR	2.2kΩ 1/16W J		L8	QQL244J-4R7Z	P COIL	4.7uH J	
R583	NRSA63J-221X	MG RESISTOR	220Ω 1/16W J		L31	NQL093K-R47X	COIL	0.47uH K	
R584	NRSA63J-221X	MG RESISTOR	220Ω 1/16W J		L120	NQR0007-002X	FERRITE BEADS		
R588	NRSA63J-0R0X	MG RESISTOR	0Ω 1/16W J		L121	NQR0007-002X	FERRITE BEADS		
R589	NRSA63J-0R0X	MG RESISTOR	0Ω 1/16W J		L122	NQR0007-002X	FERRITE BEADS		
R701	NRSA63J-103X	MG RESISTOR	10kΩ 1/16W J		L701	QQL244J-4R7Z	P COIL	4.7uH J	
R702	NRSA63J-103X	MG RESISTOR	10kΩ 1/16W J		L702	QQL244J-4R7Z	P COIL	4.7uH J	
R703	NRSA63J-104X	MG RESISTOR	100kΩ 1/16W J		L901	QQR1809-001	CHOKE COIL		
R704	NRSA63J-104X	MG RESISTOR	100kΩ 1/16W J		CN501	QGB2027MD-26	CONNECTOR	B-B (1-26)	
R705	NRSA63J-103X	MG RESISTOR	10kΩ 1/16W J		CN701	QGZ1601J1-15	CONNECTOR	(1-15)	
R708	NRSA63J-104X	MG RESISTOR	100kΩ 1/16W J	G341E,G341EX,G342EY,G341EU,G342E,G342EX,G341EY,G342EU,G343E,G343EX,G343EY,G343EU	CN901	QNZ0859-001	CAR CONNECTOR		
R709	NRSA63J-473X	MG RESISTOR	47kΩ 1/16W J	G347BEE,G347SEE	J1	QNB0190-001	ANTENNA JACK		G341E,G341EX,G342EY,G341EU,G342E,G342EX,G341EY,G342EU,G343E,G343EX,G343EY,G343EU
R712	NRSA63J-331X	MG RESISTOR	330Ω 1/16W J		J321	QNN0802-001	PIN JACK		
					S701	QSW0648-001Z	TACT SWITCH		
					X1	QAX0928-001Z	CRYSTAL		
					X71	QAX0926-001Z	CRYSTAL		
					X521	QAX0714-001Z	C RESONATOR	16.000MHz	

△ Symbol No.	Part No.	Part Name	Description	Local
X701	QAX0667-001Z	C RESONATOR	8.000MHz	
X702	QAX0401-001	CRYSTAL	32.768KHz	

**Switch board
(Except KD-G341E,EX,EY,EU,
KD-G342E,EX,EY,EU,
KD-G343E,EX,EY,EU,KD-G347SEE,
KD-G347BEE)**

Block No. [0][3]

△ Symbol No.	Part No.	Part Name	Description	Local
IC661	PTC6525LQ-L	IC		
IC681	NJL29H380A	REMOCON RCV		G140J,G240J, G394UI,G395U, G395UN,G395 UT,G395UH,G3 96U,G396UN,G 396UT,G396UH ,G398UF G396SUI,G299 UR
IC681	RPM7338-V4	RM.RECEIVER		
D630	LHQ974/LM-X	LED		
D631	LHQ974/LM-X	LED		
D632	NECBB205/WPQR/X	LED		G140J,G240J, G394UI,G395U, G395UN,G395 UT,G395UH,G3 96U,G396UN,G 396UT,G396UH ,G398UF,G396 SUI,G299UR
D632	LHQ974/LM-X	LED		G244UI,G245U, G245UN,G245 UT,G245UH,G2 48UF
D633	SML-D12V8W/PQ-X	LED		
D634	SML-D12V8W/PQ-X	LED		
D635	SML-D12V8W/PQ-X	LED		
D636	SML-D12V8W/PQ-X	LED		
D637	LHQ974/LM-X	LED		
D638	LHQ974/LM-X	LED		
D639	LHQ974/LM-X	LED		
D640	LHQ974/LM-X	LED		
D641	LHQ974/LM-X	LED		
D642	LHQ974/LM-X	LED		
D644	LHQ974/LM-X	LED		
D645	LHQ974/LM-X	LED		
D646	LHQ974/LM-X	LED		
D647	LHQ974/LM-X	LED		
D648	LHQ974/LM-X	LED		
D649	LHQ974/LM-X	LED		
D650	LHQ974/LM-X	LED		
D651	LHQ974/LM-X	LED		
D652	LHQ974/LM-X	LED		
D653	NSPW310CS/BTUV/	WHITE LED		
D654	NSPW310CS/BTUV/	WHITE LED		
D661	1SS355W-X	DIODE		G140J,G240J, G244UI,G245U, G245UN,G245 UT,G245UH,G2 48UF,G394UI,G 395U,G395UN, G395UT,G395U H,G396U,G396 UN,G396UT,G3 96UH,G398UF, G396SUI

△ Symbol No.	Part No.	Part Name	Description	Local
D661	or MA111-X	SI DIODE		G140J,G240J, G244UI,G245U, G245UN,G245 UT,G245UH,G2 48UF,G394UI,G 395U,G395UN, G395UT,G395U H,G396U,G396 UN,G396UT,G3 96UH,G398UF, G396SUI G299UR G299UR
D661	or 1SS355W-X	DIODE		
D661	MA111-X	SI DIODE		
D662	MA8047/H/-X	Z DIODE		G140J,G240J, G244UI,G245U, G245UN,G245 UT,G245UH,G2 48UF,G394UI,G 395U,G395UN, G395UT,G395U H,G396U,G396 UN,G396UT,G3 96UH,G398UF G396SUI,G299 UR
D662	MA8051/M/-X	Z DIODE		
D662	or UDZW5.1B-X	SB DIODE		
D663	MA8062/M/-X	Z DIODE		G140J,G240J, G244UI,G245U, G245UN,G245 UT,G245UH,G2 48UF,G394UI,G 395U,G395UN, G395UT,G395U H,G396U,G396 UN,G396UT,G3 96UH,G398UF G140J,G240J, G244UI,G245U, G245UN,G245 UT,G245UH,G2 48UF,G394UI,G 395U,G395UN, G395UT,G395U H,G396U,G396 UN,G396UT,G3 96UH,G398UF
D663	or UDZW6.2B-X	Z DIODE		G140J,G240J, G244UI,G245U, G245UN,G245 UT,G245UH,G2 48UF,G394UI,G 395U,G395UN, G395UT,G395U H,G396U,G396 UN,G396UT,G3 96UH,G398UF
D664	MA8062/M/-X	Z DIODE		G140J,G240J, G244UI,G245U, G245UN,G245 UT,G245UH,G2 48UF,G394UI,G 395U,G395UN, G395UT,G395U H,G396U,G396 UN,G396UT,G3 96UH,G398UF
D664	or UDZW6.2B-X	Z DIODE		G140J,G240J, G244UI,G245U, G245UN,G245 UT,G245UH,G2 48UF,G394UI,G 395U,G395UN, G395UT,G395U H,G396U,G396 UN,G396UT,G3 96UH,G398UF
D665	MA8062/M/-X	Z DIODE		G140J,G240J, G244UI,G245U, G245UN,G245 UT,G245UH,G2 48UF,G394UI,G 395U,G395UN, G395UT,G395U H,G396U,G396 UN,G396UT,G3 96UH,G398UF
D665	or UDZW6.2B-X	Z DIODE		G140J,G240J, G244UI,G245U, G245UN,G245 UT,G245UH,G2 48UF,G394UI,G 395U,G395UN, G395UT,G395U H,G396U,G396 UN,G396UT,G3 96UH,G398UF

△ Symbol No.	Part No.	Part Name	Description	Local	△ Symbol No.	Part No.	Part Name	Description	Local
C660	NDC31HJ-102X	C CAPACITOR	1000pF 50V J		R659	NRSA63J-0R0X	MG RESISTOR	0Ω 1/16W J	G140J,G240J, G394UI,G395U, G395UN,G395 UT,G395UH,G3 96U,G396UN,G 396UT,G396UH ,G398UF,G396 SUI,G299UR
C661	NCB21CK-104X	C CAPACITOR	0.1uF 16V K		R660	NRSA63J-0R0X	MG RESISTOR	0Ω 1/16W J	G244UI,G245U, G245UN,G245 UT,G245UH,G2 48UF,G394UI,G 395U,G395UN, G395UT,G395U H,G396U,G396 UN,G396UT,G3 96UH,G398UF
C663	NCB31CK-223X	C CAPACITOR	0.022uF 16V K		R661	NRSA63J-222X	MG RESISTOR	2.2kΩ 1/16W J	G140J,G240J, G244UI,G245U, G245UN,G245 UT,G245UH,G2 48UF,G394UI,G 395U,G395UN, G395UT,G395U H,G396U,G396 UN,G396UT,G3 96UH,G398UF
C666	NCB31CK-104X	C CAPACITOR	0.1uF 16V K		R662	NRSA63J-222X	MG RESISTOR	2.2kΩ 1/16W J	G140J,G240J, G244UI,G245U, G245UN,G245 UT,G245UH,G2 48UF,G394UI,G 395U,G395UN, G395UT,G395U H,G396U,G396 UN,G396UT,G3 96UH,G398UF
C667	NCB31CK-104X	C CAPACITOR	0.1uF 16V K		R666	NRSA63J-103X	MG RESISTOR	10kΩ 1/16W J	G140J,G240J, G394UI,G395U, G395UN,G395 UT,G395UH,G3 96U,G396UN,G 396UT,G396UH ,G398UF,G396 SUI,G299UR
C682	NCB31HK-104X	C CAPACITOR	0.1uF 50V K	G140J,G240J, G394UI,G395U, G395UN,G395 UT,G395UH,G3 96U,G396UN,G 396UT,G396UH ,G398UF,G396 SUI,G299UR	R667	NRSA63J-103X	MG RESISTOR	10kΩ 1/16W J	G140J,G240J, G394UI,G395U, G395UN,G395 UT,G395UH,G3 96U,G396UN,G 396UT,G396UH ,G398UF,G396 SUI,G299UR
C682	NCB31EK-104X	C CAPACITOR	0.1uF 25V K	G140J,G240J, G394UI,G395U, G395UN,G395 UT,G395UH,G3 96U,G396UN,G 396UT,G396UH ,G398UF,G396 SUI,G299UR	R668	NRSA63J-103X	MG RESISTOR	10kΩ 1/16W J	G140J,G240J, G394UI,G395U, G395UN,G395 UT,G395UH,G3 96U,G396UN,G 396UT,G396UH ,G398UF,G396 SUI,G299UR
C810	NCB31HK-472X	C CAPACITOR	4700pF 50V K		R670	NRSA63J-473X	MG RESISTOR	47kΩ 1/16W J	G140J,G240J, G394UI,G395U, G395UN,G395 UT,G395UH,G3 96U,G396UN,G 396UT,G396UH ,G398UF,G396 SUI,G299UR
C811	NCB31HK-472X	C CAPACITOR	4700pF 50V K		R672	NRSA63J-0R0X	MG RESISTOR	0Ω 1/16W J	G140J,G240J, G394UI,G395U, G395UN,G395 UT,G395UH,G3 96U,G396UN,G 396UT,G396UH ,G398UF,G396 SUI,G299UR
R600	NRSA63J-272X	MG RESISTOR	2.7kΩ 1/16W J		R675	NRSA63J-0R0X	MG RESISTOR	0Ω 1/16W J	G140J,G240J, G394UI,G395U, G395UN,G395 UT,G395UH,G3 96U,G396UN,G 396UT,G396UH ,G398UF,G396 SUI,G299UR
R601	NRSA63J-821X	MG RESISTOR	820Ω 1/16W J		R678	NRSA63J-0R0X	MG RESISTOR	0Ω 1/16W J	G140J,G240J, G394UI,G395U, G395UN,G395 UT,G395UH,G3 96U,G396UN,G 396UT,G396UH ,G398UF,G396 SUI,G299UR
R602	NRSA63J-821X	MG RESISTOR	820Ω 1/16W J		R681	NRSA63J-471X	MG RESISTOR	470Ω 1/16W J	G140J,G240J, G394UI,G395U, G395UN,G395 UT,G395UH,G3 96U,G396UN,G 396UT,G396UH ,G398UF,G396 SUI,G299UR
R603	NRSA63J-122X	MG RESISTOR	1.2kΩ 1/16W J		R682	NRSA63J-103X	MG RESISTOR	10kΩ 1/16W J	G140J,G240J, G394UI,G395U, G395UN,G395 UT,G395UH,G3 96U,G396UN,G 396UT,G396UH ,G398UF,G396 SUI,G299UR
R604	NRSA63J-182X	MG RESISTOR	1.8kΩ 1/16W J		R856	NRSA63J-203X	MG RESISTOR	20kΩ 1/16W J	G140J,G240J, G394UI,G395U, G395UN,G395 UT,G395UH,G3 96U,G396UN,G 396UT,G396UH ,G398UF,G396 SUI,G299UR
R605	NRSA63J-272X	MG RESISTOR	2.7kΩ 1/16W J		R857	NRSA63J-203X	MG RESISTOR	20kΩ 1/16W J	G140J,G240J, G394UI,G395U, G395UN,G395 UT,G395UH,G3 96U,G396UN,G 396UT,G396UH ,G398UF,G396 SUI,G299UR
R606	NRSA63J-821X	MG RESISTOR	820Ω 1/16W J		CJ601	QGZ1601K1-15S	CONNECTOR	(1-15)	G140J,G240J, G244UI,G245U, G245UN,G245 UT,G245UH,G2 48UF,G394UI,G 395U,G395UN, G395UT,G395U H,G396U,G396 UN,G396UT,G3 96UH,G398UF
R607	NRSA63J-821X	MG RESISTOR	820Ω 1/16W J		J601	QNS0279-001	AUX JACK		G140J,G240J, G244UI,G245U, G245UN,G245 UT,G245UH,G2 48UF,G394UI,G 395U,G395UN, G395UT,G395U H,G396U,G396 UN,G396UT,G3 96UH,G398UF
R608	NRSA63J-122X	MG RESISTOR	1.2kΩ 1/16W J		J601	QNS0245-001	AUX JACK		G140J,G240J, G244UI,G245U, G245UN,G245 UT,G245UH,G2 48UF,G394UI,G 395U,G395UN, G395UT,G395U H,G396U,G396 UN,G396UT,G3 96UH,G398UF
R609	NRSA63J-182X	MG RESISTOR	1.8kΩ 1/16W J		JS686	QSW1219-001	ENCODER		G140J,G240J, G244UI,G245U, G245UN,G245 UT,G245UH,G2 48UF,G394UI,G 395U,G395UN, G395UT,G395U H,G396U,G396 UN,G396UT,G3 96UH,G398UF
R610	NRSA63J-272X	MG RESISTOR	2.7kΩ 1/16W J		S601	NSW0124-001X	TACT SW		G140J,G240J, G244UI,G245U, G245UN,G245 UT,G245UH,G2 48UF,G394UI,G 395U,G395UN, G395UT,G395U H,G396U,G396 UN,G396UT,G3 96UH,G398UF
R611	NRSA63J-821X	MG RESISTOR	820Ω 1/16W J		S602	NSW0124-001X	TACT SW		G140J,G240J, G244UI,G245U, G245UN,G245 UT,G245UH,G2 48UF,G394UI,G 395U,G395UN, G395UT,G395U H,G396U,G396 UN,G396UT,G3 96UH,G398UF
R612	NRSA63J-821X	MG RESISTOR	820Ω 1/16W J		S603	NSW0124-001X	TACT SW		G140J,G240J, G244UI,G245U, G245UN,G245 UT,G245UH,G2 48UF,G394UI,G 395U,G395UN, G395UT,G395U H,G396U,G396 UN,G396UT,G3 96UH,G398UF
R613	NRSA63J-122X	MG RESISTOR	1.2kΩ 1/16W J		S604	NSW0124-001X	TACT SW		G140J,G240J, G244UI,G245U, G245UN,G245 UT,G245UH,G2 48UF,G394UI,G 395U,G395UN, G395UT,G395U H,G396U,G396 UN,G396UT,G3 96UH,G398UF
R614	NRSA63J-182X	MG RESISTOR	1.8kΩ 1/16W J		S605	NSW0124-001X	TACT SW		G140J,G240J, G244UI,G245U, G245UN,G245 UT,G245UH,G2 48UF,G394UI,G 395U,G395UN, G395UT,G395U H,G396U,G396 UN,G396UT,G3 96UH,G398UF
R615	NRSA63J-272X	MG RESISTOR	2.7kΩ 1/16W J		S606	NSW0124-001X	TACT SW		G140J,G240J, G244UI,G245U, G245UN,G245 UT,G245UH,G2 48UF,G394UI,G 395U,G395UN, G395UT,G395U H,G396U,G396 UN,G396UT,G3 96UH,G398UF
R616	NRSA63J-392X	MG RESISTOR	3.9kΩ 1/16W J		S607	NSW0124-001X	TACT SW		G140J,G240J, G244UI,G245U, G245UN,G245 UT,G245UH,G2 48UF,G394UI,G 395U,G395UN, G395UT,G395U H,G396U,G396 UN,G396UT,G3 96UH,G398UF
R617	NRSA63J-103X	MG RESISTOR	10kΩ 1/16W J						
R619	NRSA63J-0R0X	MG RESISTOR	0Ω 1/16W J						
R630	NRSA63J-271X	MG RESISTOR	270Ω 1/16W J						
R631	NRS181J-621X	MG RESISTOR	620Ω 1/8W J	G140J,G240J, G394UI,G395U, G395UN,G395 UT,G395UH,G3 96U,G396UN,G 396UT,G396UH ,G398UF,G396 SUI,G299UR					
R633	NRSA63J-0R0X	MG RESISTOR	0Ω 1/16W J						
R635	NRSA63J-471X	MG RESISTOR	470Ω 1/16W J						
R637	NRSA63J-471X	MG RESISTOR	470Ω 1/16W J						
R639	NRSA63J-561X	MG RESISTOR	560Ω 1/16W J						
R641	NRSA63J-561X	MG RESISTOR	560Ω 1/16W J						
R643	NRSA63J-561X	MG RESISTOR	560Ω 1/16W J						
R645	NRS181J-621X	MG RESISTOR	620Ω 1/8W J						
R647	NRSA63J-561X	MG RESISTOR	560Ω 1/16W J						
R649	NRSA63J-561X	MG RESISTOR	560Ω 1/16W J						
R651	NRSA63J-561X	MG RESISTOR	560Ω 1/16W J						
R653	NRSA63J-561X	MG RESISTOR	560Ω 1/16W J						
R656	NRSA63J-181X	MG RESISTOR	180Ω 1/16W J	G140J,G240J, G299UR					
R656	NRSA63J-201X	MG RESISTOR	200Ω 1/16W J	G244UI,G245U, G245UN,G245 UT,G245UH,G2 48UF,G394UI,G 395U,G395UN, G395UT,G395U H,G396U,G396 UN,G396UT,G3 96UH,G398UF, G396SUI					
R658	NRSA63J-132X	MG RESISTOR	1.3kΩ 1/16W J	G140J,G240J, G394UI,G395U, G395UN,G395 UT,G395UH,G3 96U,G396UN,G 396UT,G396UH ,G398UF,G396 SUI,G299UR					
R658	NRSA63J-561X	MG RESISTOR	560Ω 1/16W J	G244UI,G245U, G245UN,G245 UT,G245UH,G2 48UF					

△ Symbol No.	Part No.	Part Name	Description	Local
S608	NSW0124-001X	TACT SW		
S609	NSW0124-001X	TACT SW		
S610	NSW0124-001X	TACT SW		
S611	NSW0124-001X	TACT SW		
S612	NSW0124-001X	TACT SW		
S613	NSW0124-001X	TACT SW		
S615	NSW0124-001X	TACT SW		
S616	NSW0124-001X	TACT SW		
S617	NSW0124-001X	TACT SW		
S618	NSW0124-001X	TACT SW		
S619	NSW0124-001X	TACT SW		

**Switch board
(Only KD-G341E,EX,EY,EU,
KD-G342E,EX,EY,EU,
KD-G343E,EX,EY,EU,KD-G347SEE,
KD-G347BEE)**

Block No. [0][4]

△ Symbol No.	Part No.	Part Name	Description	Local
IC661	PTC6525LQ-L	IC		
D630	LHQ974/LM/-X	LED		
D631	LNJ308G81/1-3/X	LED	GREEN	G341E,G341EX, G341EU,G341EY
D631	LSQ971/KL/-X	LED		G342EY,G342E,G 342EX,G342EU, G343E,G343EX, G343EY,G343EU, G347BEE,G347S EE
D632	LNJ308G81/1-3/X	LED	GREEN	G341E,G341EX, G341EU,G341EY
D632	LSQ971/KL/-X	LED		G342EY,G342E,G 342EX,G342EU, G343E,G343EX, G343EY,G343EU, G347BEE,G347S EE
D633	LNJ308G81/1-3/X	LED	GREEN	G341E,G341EX, G341EU,G341EY
D633	LSQ971/KL/-X	LED		G342EY,G342E,G 342EX,G342EU, G343E,G343EX, G343EY,G343EU, G347BEE,G347S EE
D634	LNJ308G81/1-3/X	LED	GREEN	G341E,G341EX, G341EU,G341EY
D634	LSQ971/KL/-X	LED		G342EY,G342E,G 342EX,G342EU, G343E,G343EX, G343EY,G343EU, G347BEE,G347S EE
D635	LNJ308G81/1-3/X	LED	GREEN	G341E,G341EX, G341EU,G341EY
D635	LSQ971/KL/-X	LED		G342EY,G342E,G 342EX,G342EU, G343E,G343EX, G343EY,G343EU, G347BEE,G347S EE
D636	LNJ308G81/1-3/X	LED	GREEN	G341E,G341EX, G341EU,G341EY
D636	LSQ971/KL/-X	LED		G342EY,G342E,G 342EX,G342EU, G343E,G343EX, G343EY,G343EU, G347BEE,G347S EE

△ Symbol No.	Part No.	Part Name	Description	Local
D637	LNJ308G81/1-3/X	LED	GREEN	G341E,G341EX, G341EU,G341EY
D637	LSQ971/KL/-X	LED		G342EY,G342E,G 342EX,G342EU, G343E,G343EX, G343EY,G343EU, G347BEE,G347S EE
D638	LNJ308G81/1-3/X	LED	GREEN	G341E,G341EX, G341EU,G341EY
D638	LSQ971/KL/-X	LED		G342EY,G342E,G 342EX,G342EU, G343E,G343EX, G343EY,G343EU, G347BEE,G347S EE
D639	LNJ308G81/1-3/X	LED	GREEN	G341E,G341EX, G341EU,G341EY
D639	LSQ971/KL/-X	LED		G342EY,G342E,G 342EX,G342EU, G343E,G343EX, G343EY,G343EU, G347BEE,G347S EE
D640	LNJ308G81/1-3/X	LED	GREEN	G341E,G341EX, G341EU,G341EY
D640	LSQ971/KL/-X	LED		G342EY,G342E,G 342EX,G342EU, G343E,G343EX, G343EY,G343EU, G347BEE,G347S EE
D641	LNJ308G81/1-3/X	LED	GREEN	G341E,G341EX, G341EU,G341EY
D641	LSQ971/KL/-X	LED		G342EY,G342E,G 342EX,G342EU, G343E,G343EX, G343EY,G343EU, G347BEE,G347S EE
D642	LNJ308G81/1-3/X	LED	GREEN	G341E,G341EX, G341EU,G341EY
D642	LSQ971/KL/-X	LED		G342EY,G342E,G 342EX,G342EU, G343E,G343EX, G343EY,G343EU, G347BEE,G347S EE
D644	LNJ308G81/1-3/X	LED	GREEN	G341E,G341EX, G341EU,G341EY
D644	LSQ971/KL/-X	LED		G342EY,G342E,G 342EX,G342EU, G343E,G343EX, G343EY,G343EU, G347BEE,G347S EE
D645	LNJ308G81/1-3/X	LED	GREEN	G341E,G341EX, G341EU,G341EY
D645	LSQ971/KL/-X	LED		G342EY,G342E,G 342EX,G342EU, G343E,G343EX, G343EY,G343EU, G347BEE,G347S EE
D646	LNJ308G81/1-3/X	LED	GREEN	G341E,G341EX, G341EU,G341EY
D646	LSQ971/KL/-X	LED		G342EY,G342E,G 342EX,G342EU, G343E,G343EX, G343EY,G343EU, G347BEE,G347S EE
D647	LNJ308G81/1-3/X	LED	GREEN	G341E,G341EX, G341EU,G341EY
D647	LSQ971/KL/-X	LED		G342EY,G342E,G 342EX,G342EU, G343E,G343EX, G343EY,G343EU, G347BEE,G347S EE
D648	LNJ308G81/1-3/X	LED	GREEN	G341E,G341EX, G341EU,G341EY

△ Symbol No.	Part No.	Part Name	Description	Local	△ Symbol No.	Part No.	Part Name	Description	Local
D648	LSQ971/KLJ-X	LED		G342EY,G342E,G342EX,G342EU,G343E,G343EX,G343EY,G343EU,G347BEE,G347S EE	R635	NRSA63J-431X	MG RESISTOR	430Ω 1/16W J	G342EY,G342E,G342EX,G342EU,G343E,G343EX,G343EY,G343EU,G347BEE,G347S EE
D649	LNJ308G81/1-3/X	LED	GREEN	G341E,G341EX,G341EU,G341EY	R637	NRSA63J-391X	MG RESISTOR	390Ω 1/16W J	G341E,G341EX,G341EU,G341EY
D649	LSQ971/KLJ-X	LED		G342EY,G342E,G342EX,G342EU,G343E,G343EX,G343EY,G343EU,G347BEE,G347S EE	R637	NRSA63J-431X	MG RESISTOR	430Ω 1/16W J	G342EY,G342E,G342EX,G342EU,G343E,G343EX,G343EY,G343EU,G347BEE,G347S EE
D650	LNJ308G81/1-3/X	LED	GREEN	G341E,G341EX,G341EU,G341EY	R639	NRSA63J-431X	MG RESISTOR	430Ω 1/16W J	G341E,G341EX,G341EU,G341EY
D650	LSQ971/KLJ-X	LED		G342EY,G342E,G342EX,G342EU,G343E,G343EX,G343EY,G343EU,G347BEE,G347S EE	R639	NRSA63J-511X	MG RESISTOR	510Ω 1/16W J	G342EY,G342E,G342EX,G342EU,G343E,G343EX,G343EY,G343EU,G347BEE,G347S EE
D651	LNJ308G81/1-3/X	LED	GREEN	G341E,G341EX,G341EU,G341EY	R641	NRSA63J-431X	MG RESISTOR	430Ω 1/16W J	G341E,G341EX,G341EU,G341EY
D651	LSQ971/KLJ-X	LED		G342EY,G342E,G342EX,G342EU,G343E,G343EX,G343EY,G343EU,G347BEE,G347S EE	R641	NRSA63J-511X	MG RESISTOR	510Ω 1/16W J	G342EY,G342E,G342EX,G342EU,G343E,G343EX,G343EY,G343EU,G347BEE,G347S EE
D652	LNJ308G81/1-3/X	LED	GREEN	G341E,G341EX,G341EU,G341EY	R643	NRSA63J-391X	MG RESISTOR	390Ω 1/16W J	G341E,G341EX,G341EU,G341EY
D652	LSQ971/KLJ-X	LED		G342EY,G342E,G342EX,G342EU,G343E,G343EX,G343EY,G343EU,G347BEE,G347S EE	R643	NRSA63J-511X	MG RESISTOR	510Ω 1/16W J	G342EY,G342E,G342EX,G342EU,G343E,G343EX,G343EY,G343EU,G347BEE,G347S EE
D653	NSPW310CS/BTUV/	WHITE LED			R645	NRS181J-561X	MG RESISTOR	560Ω 1/8W J	
D654	NSPW310CS/BTUV/	WHITE LED			R647	NRSA63J-431X	MG RESISTOR	430Ω 1/16W J	G341E,G341EX,G341EU,G341EY
D661	MA111-X	SI DIODE			R647	NRSA63J-511X	MG RESISTOR	510Ω 1/16W J	G342EY,G342E,G342EX,G342EU,G343E,G343EX,G343EY,G343EU,G347BEE,G347S EE
D661	or 1SS355W-X	DIODE			R649	NRSA63J-431X	MG RESISTOR	430Ω 1/16W J	G341E,G341EX,G341EU,G341EY
D662	MA8047/H-X	Z DIODE			R649	NRSA63J-511X	MG RESISTOR	510Ω 1/16W J	G342EY,G342E,G342EX,G342EU,G343E,G343EX,G343EY,G343EU,G347BEE,G347S EE
D663	MA8062/M-X	Z DIODE			R651	NRSA63J-431X	MG RESISTOR	430Ω 1/16W J	G341E,G341EX,G341EU,G341EY
D663	or UDZW6.2B-X	Z DIODE			R651	NRSA63J-511X	MG RESISTOR	510Ω 1/16W J	G342EY,G342E,G342EX,G342EU,G343E,G343EX,G343EY,G343EU,G347BEE,G347S EE
D664	MA8062/M-X	Z DIODE			R653	NRSA63J-431X	MG RESISTOR	430Ω 1/16W J	G341E,G341EX,G341EU,G341EY
D664	or UDZW6.2B-X	Z DIODE			R653	NRSA63J-511X	MG RESISTOR	510Ω 1/16W J	G342EY,G342E,G342EX,G342EU,G343E,G343EX,G343EY,G343EU,G347BEE,G347S EE
D665	MA8062/M-X	Z DIODE			R655	NRSA63J-181X	MG RESISTOR	180Ω 1/16W J	
D665	or UDZW6.2B-X	Z DIODE			R658	NRSA63J-391X	MG RESISTOR	390Ω 1/16W J	G341E,G341EX,G341EU,G341EY
C660	NDC31HJ-102X	C CAPACITOR	1000pF 50V J		R658	NRSA63J-511X	MG RESISTOR	510Ω 1/16W J	G342EY,G342E,G342EX,G342EU,G343E,G343EX,G343EY,G343EU,G347BEE,G347S EE
C661	NCB21CK-104X	C CAPACITOR	0.1uF 16V K		R660	NRSA63J-0R0X	MG RESISTOR	0Ω 1/16W J	
C663	NCB31CK-223X	C CAPACITOR	0.022uF 16V K		R661	NRSA63J-222X	MG RESISTOR	2.2kΩ 1/16W J	
C666	NCB31CK-104X	C CAPACITOR	0.1uF 16V K		R662	NRSA63J-222X	MG RESISTOR	2.2kΩ 1/16W J	
C667	NCB31CK-104X	C CAPACITOR	0.1uF 16V K		R663	NRSA63J-103X	MG RESISTOR	10kΩ 1/16W J	
R600	NRSA63J-272X	MG RESISTOR	2.7kΩ 1/16W J		R664	NRSA63J-0R0X	MG RESISTOR	0Ω 1/16W J	
R601	NRSA63J-821X	MG RESISTOR	820Ω 1/16W J						G341E,G341EX,G341EU,G341EY
R602	NRSA63J-821X	MG RESISTOR	820Ω 1/16W J						
R603	NRSA63J-122X	MG RESISTOR	1.2kΩ 1/16W J						
R604	NRSA63J-182X	MG RESISTOR	1.8kΩ 1/16W J						
R605	NRSA63J-272X	MG RESISTOR	2.7kΩ 1/16W J						
R606	NRSA63J-821X	MG RESISTOR	820Ω 1/16W J						
R607	NRSA63J-821X	MG RESISTOR	820Ω 1/16W J						
R608	NRSA63J-122X	MG RESISTOR	1.2kΩ 1/16W J						
R609	NRSA63J-182X	MG RESISTOR	1.8kΩ 1/16W J						
R610	NRSA63J-272X	MG RESISTOR	2.7kΩ 1/16W J						
R611	NRSA63J-821X	MG RESISTOR	820Ω 1/16W J						
R612	NRSA63J-821X	MG RESISTOR	820Ω 1/16W J						
R613	NRSA63J-122X	MG RESISTOR	1.2kΩ 1/16W J						
R614	NRSA63J-182X	MG RESISTOR	1.8kΩ 1/16W J						
R615	NRSA63J-272X	MG RESISTOR	2.7kΩ 1/16W J						
R616	NRSA63J-392X	MG RESISTOR	3.9kΩ 1/16W J						
R617	NRSA63J-103X	MG RESISTOR	10kΩ 1/16W J						
R619	NRSA63J-0R0X	MG RESISTOR	0Ω 1/16W J						
R630	NRSA63J-271X	MG RESISTOR	270Ω 1/16W J						
R633	NRSA63J-0R0X	MG RESISTOR	0Ω 1/16W J						
R635	NRSA63J-391X	MG RESISTOR	390Ω 1/16W J						

Symbol No.	Part No.	Part Name	Description	Local
R666	NRSA63J-101X	MG RESISTOR	100Ω 1/16W J	
R667	NRSA63J-101X	MG RESISTOR	100Ω 1/16W J	
R668	NRSA63J-101X	MG RESISTOR	100Ω 1/16W J	
R670	NRSA63J-473X	MG RESISTOR	47kΩ 1/16W J	
R672	NRSA63J-0R0X	MG RESISTOR	0Ω 1/16W J	
R675	NRSA63J-0R0X	MG RESISTOR	0Ω 1/16W J	
R678	NRSA63J-0R0X	MG RESISTOR	0Ω 1/16W J	
R856	NRSA63J-103X	MG RESISTOR	10kΩ 1/16W J	
R857	NRSA63J-103X	MG RESISTOR	10kΩ 1/16W J	
CJ601	QGZ1601K1-15S	CONNECTOR	(1-15)	
J601	QNS0279-001	AUX JACK		
JS686	QSW1219-001	ENCODER		
S601	NSW0124-001X	TACT SW		
S602	NSW0124-001X	TACT SW		
S603	NSW0124-001X	TACT SW		
S604	NSW0124-001X	TACT SW		
S605	NSW0124-001X	TACT SW		
S606	NSW0124-001X	TACT SW		
S607	NSW0124-001X	TACT SW		
S608	NSW0124-001X	TACT SW		
S609	NSW0124-001X	TACT SW		
S610	NSW0124-001X	TACT SW		
S611	NSW0124-001X	TACT SW		
S612	NSW0124-001X	TACT SW		
S613	NSW0124-001X	TACT SW		
S615	NSW0124-001X	TACT SW		
S616	NSW0124-001X	TACT SW		
S617	NSW0124-001X	TACT SW		
S618	NSW0124-001X	TACT SW		
S619	NSW0124-001X	TACT SW		

Mecha control board

Block No. [0][5]

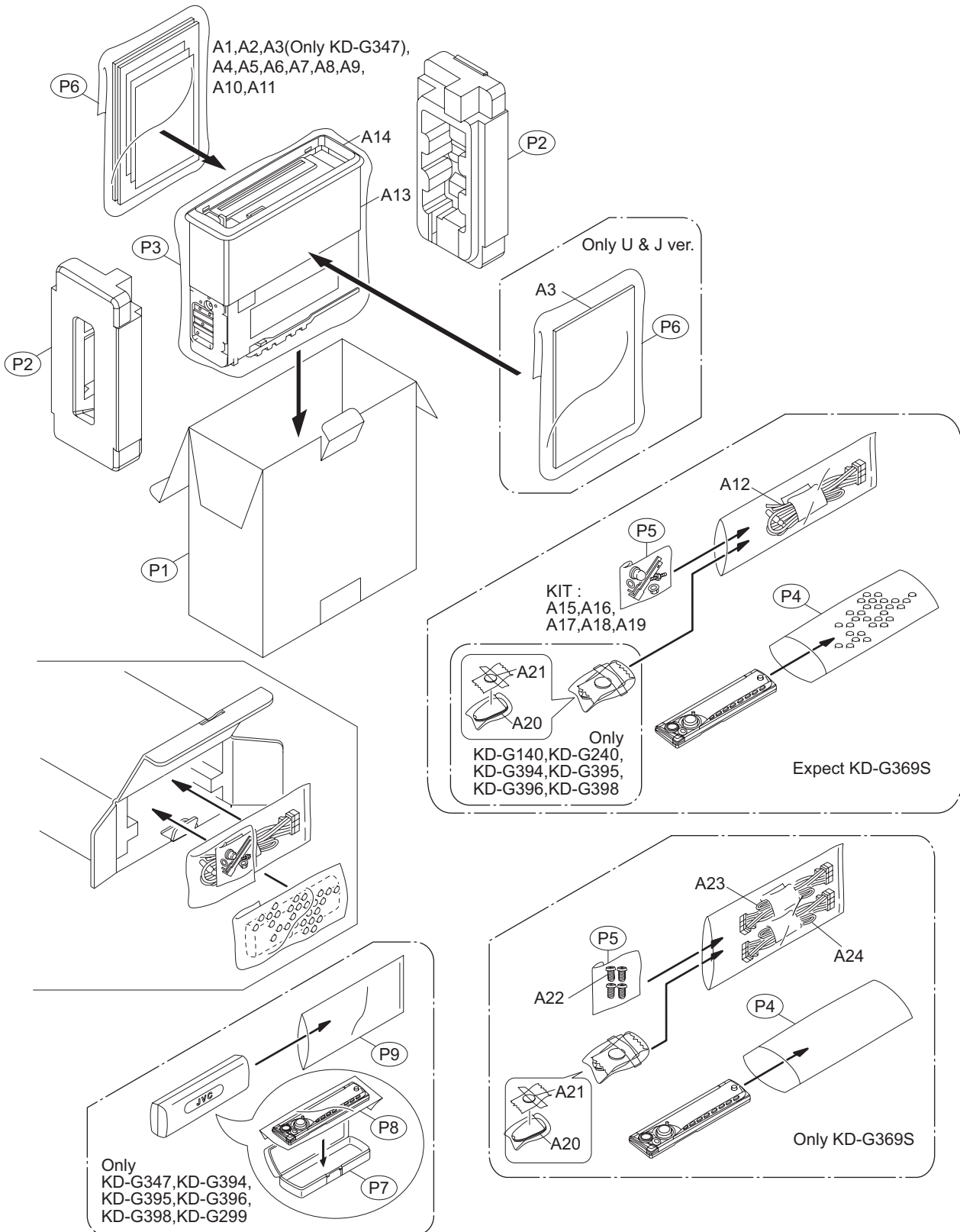
Symbol No.	Part No.	Part Name	Description	Local
Q101	2SC3928A/R/-X	TRANSISTOR		
Q201	2SC3928A/R/-X	TRANSISTOR		
Q301	PS1191RB22/BC/X	PHOTO TRANSISTOR		
Q302	PS1191RB22/BC/X	PHOTO TRANSISTOR		
D101	AN1105W21/AB/-X	IR LED		
D201	AN1105W21/AB/-X	IR LED		
R101	NRSA02J-391X	MG RESISTOR	390Ω 1/10W J	
R102	NRSA63J-822X	MG RESISTOR	8.2kΩ 1/16W J	
R103	NRSA63J-184X	MG RESISTOR	180kΩ 1/16W J	
R104	NRSA63J-184X	MG RESISTOR	180kΩ 1/16W J	
R105	NRSA63J-153X	MG RESISTOR	15kΩ 1/16W J	
R201	NRSA02J-391X	MG RESISTOR	390Ω 1/10W J	
R202	NRSA63J-822X	MG RESISTOR	8.2kΩ 1/16W J	
R203	NRSA63J-184X	MG RESISTOR	180kΩ 1/16W J	
R204	NRSA63J-184X	MG RESISTOR	180kΩ 1/16W J	
R205	NRSA63J-153X	MG RESISTOR	15kΩ 1/16W J	
CN101	QGB2027LA-26X	CONNECTOR	B-B (1-26)	
CN102	QGF0522F3-15W	CONNECTOR	FFC/FPC (1-15)	
SW1	NSW0291-001X	DETECT SWITCH		

<MEMO>

Packing materials and accessories parts list

Block No. **M 3 M M**

No additional / supplemental order of WARRANTY CARDS are available.



The parts without symbol number are not service.

Packing and Accessories

Block No. [M][3][M][M]

△ Symbol No.	Part No.	Part Name	Description	Local
A 1	GET0485-001B	INST BOOK	ENG	G140J,G240J
A 1	GET0493-001A	INST BOOK	ENG	G244UI,G394UI
A 1	GET0486-001A	INST BOOK	ENG THA	G245U,G245UH,G395U,G395UH,G396U,G396UH
A 1	GET0486-004A	INST BOOK	ENG INA	G245UN,G395UN,G396UN
A 1	GET0486-005A	INST BOOK	ENG CHI(TAIWAN)	G245UT,G395UT,G396UT
A 1	GET0494-001A	INST BOOK	CHI(PEKIN)	G248UF,G398UF
A 1	GET0484-001A	INST.BOOK	GER FRE ITA	G341E,G342E,G343E
A 1	GET0484-003A	INST BOOK	ENG FRE	G341EX,G341EU,G342EX,G342EU,G343EX,G343EU
A 1	GET0484-006A	INST BOOK	ENG GER RUS	G342EY,G341EY,G343EY
A 1	GET0491-001A	INST BOOK	ENG	G347BEE,G347SEE
A 1	GET0554-001A	INST BOOK	ENG	G396SUI
A 2	GET0485-003B	INST BOOK	FRE	G140J,G240J
A 2	GET0486-003A	INST BOOK	RUS	G245U,G395U,G396U
A 2	GET0484-002A	INST.BOOK	SPA POR GRE	G341E,G342E,G343E
A 2	GET0484-004A	INST BOOK	DUT DAN FIN SWE	G341EX,G342EX,G343EX
A 2	GET0484-007A	INST BOOK	HUN CZE POL	G342EY,G341EY,G343EY
A 2	GET0484-005A	INST BOOK	RUS SPA PER TUR	G341EU,G342EU,G343EU
A 2	GET0491-002A	INST BOOK	RUS	G347BEE,G347SEE
A 3	GET0485-002B	INST BOOK	SPA	G140J,G240J
A 3	GET0486-002A	INST BOOK	ARE KOR CHI(TAIWAN) PER	G245U,G395U,G396U
A 3	GET0491-003A	INST BOOK	UKR	G347BEE,G347SEE
A 4	GET0486-006A	INST.MANUAL	ENG THA	G245U,G245UH,G395U,G395UH,G396U,G396UH
A 4	GET0486-009A	INST.MANUAL	ENG INA	G245UN,G395UN,G396UN
A 4	GET0486-010A	INST.MANUAL	ENG CHI(TAIWAN)	G245UT,G395UT,G396UT
A 4	GET0484-008A	INST.MANUAL	GER FRE ITA	G341E,G342E,G343E
A 4	GET0484-010A	INST.MANUAL	ENG FRE	G341EX,G341EU,G342EX,G342EU,G343EX,G343EU
A 4	GET0484-013A	INST.MANUAL	ENG GER RUS	G342EY,G341EY,G343EY
A 5	GET0486-007A	INST.MANUAL	ARA KOR CHI(TAIWAN) PER	G245U,G395U,G396U
A 5	GET0484-009A	INST.MANUAL	SPA POR GRE	G341E,G342E,G343E
A 5	GET0484-011A	INST.MANUAL	DUT DAN FIN SWE	G341EX,G342EX,G343EX
A 5	GET0484-014A	INST.MANUAL	HUN CZE POL	G342EY,G341EY,G343EY
A 5	GET0484-012A	INST.MANUAL	RUS SPA PER TUR	G341EU,G342EU,G343EU
A 6	GET0486-008A	INST.MANUAL	RUS	G245U,G395U,G396U
A 7	-----	WARRANTY CARD	BT-52007-1	G140J,G240J
A 7	-----	WARRANTY CARD	BT-54032-1	G341E,G341EX,G342EY,G342E,G342EX,G341EY,G343E,G343EX,G343EY,G347BEE,G347SEE
A 8	-----	WARRANTY CARD	BT-51018-5	G140J,G240J
A 9	BT-51041-1	REGIS. CARD		G140J,G240J
A 10	VND3046-001	SERIAL TICKET		G341E,G341EX,G342EY,G342E,G342EX,G341EY,G343E,G343EX,G343EY,G347BEE,G347SEE
A 11	VND3050-002	IDENTITY CARD		G341E,G341EX,G342EY,G342E,G342EX,G341EY,G343E,G343EX,G343EY
A 12	QAM1048-001	16P CORD ASSY		G140J,G240J
A 12	QAM1047-001	16P CORD ASSY		G244UI,G245U,G245UN,G245UT,G245UH,G394UI,G395U,G395UN,G395UT,G395UH,G396U,G396UN,G396UT,G396UH
A 12	QAM0677-001	ISO ADAPTOR		G248UF,G398UF
A 12	QAM0175-002	CAR CABLE		KD-G341E,EX,EY,EU,KD-G342E,EX,EY,EU,KD-G343E,EX,EY,EU,KD-G347SEE,KD-G347BEE
A 12	QAM0089-002	ISO CABLE		G299UR
A 13	GE20137-003A	MOUNTING SLEEVE		
A 14	GE20235-004A	TRIM PLATE		G140J,G244UI,G245U,G245UN,G245UT,G245UH
A 14	GE20235-001A	TRIM PLATE		G240J,G396U,G396UN,G396UT,G396UH,G398UF,G299UR
A 14	GE20235-003A	TRIM PLATE		G248UF
A 14	GE20204-015A	TRIM PLATE		G341E,G341EX,G341EU,G341EY,G343E,G343EX,G343EY,G343EU
A 14	GE20204-008A	TRIM PLATE		G342EY,G342E,G342EX,G342EU
A 14	GE20204-201A	TRIM PLATE		G347BEE
A 14	GE20204-007A	TRIM PLATE		G347SEE
A 14	GE20235-005A	TRIM PLATE		G394UI,G395U,G395UN,G395UT,G395UH
A 14	GE32259-001A	TRIM PROTECTOR		G396SUI
A 15	VKZ4027-202	PLUG NUT		

Symbol No.	Part No.	Part Name	Description	Local
A 16	GE40426-001A	MOUNT BOLT		G140J,G240J,G244UI,G245U,G245UN,G245UT,G245UH,G248UF,G341E,G341EX,G342EY,G341EU,G342E,G342EX,G341EY,G342EU,G343E,G343EX,G343EY,G343EU,G347BEE,G347SEE,G394UI,G395U,G395UN,G395UT,G395UH,G396U,G396UN,G396UT,G396UH,G398UF,G299UR
A 16	GE40426-002A	MOUNT BOLT		
A 17	VKZ4328-003	LOCK NUT		
A 18	QYWWS53A008ZA	WASHER	0mm/5.3mm x	
A 19	GE40130-002A	HOOK	(x2)	
A 20	RM-RK50C	REMOCON		G140J,G240J,G394UI,G395U,G395UN,G395UT,G395UH,G396U,G396UN,G396UT,G396UH,G398UF,G396SUI
A 20	RM-RK50I	REMOCON		
A 21	-----	BATTERY	3V	G140J,G240J,G394UI,G395U,G395UN,G395UT,G395UH,G396U,G396UN,G396UT,G396UH,G398UF,G396SUI
A 22	QYSDSP5008ZA	SCREW	M5 x 8mm(x4)	G396SUI
A 23	QAM1124-001	16PIN TO 20PIN		G396SUI
A 24	QAM1125-001	16PIN TO 12PIN		G396SUI
KIT	SRW-MA372	SCREW PARTS KIT	A15 A16 A17 A18 A19	
P 1	GE32879-002A	CARTON		G140J
P 1	GE32931-001A	CARTON		G240J
P 1	GE32934-001A	CARTON		G244UI
P 1	GE32883-001A	CARTON		G245U,G245UN,G245UT,G245UH
P 1	GE33200-001A	CARTON		G248UF
P 1	GE32876-002A	CARTON		G341E,G341EX,G341EU,G341EY
P 1	GE32910-001A	CARTON		G342EY,G342E,G342EX,G342EU
P 1	GE32913-001A	CARTON		G343E,G343EX,G343EY,G343EU
P 1	GE32916-001A	CARTON		G347BEE
P 1	GE32919-001A	CARTON		G347SEE
P 1	GE32940-001A	CARTON		G394UI
P 1	GE32886-002A	CARTON		G395U,G395UN,G395UT,G395UH
P 1	GE33057-001A	CARTON		G396U,G396UN,G396UT,G396UH
P 1	GE33201-001A	CARTON		G398UF
P 1	GE33258-002A	CARTON		G396SUI
P 2	GE10218-001A	EPS CUSHION		G140J,G240J,G244UI,G245U,G245UN,G245UT,G245UH,G248UF,G394UI,G395U,G395UN,G395UT,G395UH,G396U,G396UN,G396UT,G396UH,G398UF
P 2	GE10220-001A	EPS CUSHION		KD-G341E,EX,EY,EU,KD-G342E,EX,EY,EU,KD-G343E,EX,EY,EU,KD-G347SEE,KD-G347BEE
P 2	GE10237-001A	CUSHION		G396SUI
P 3	QPC03004315PB	POLY BAG	30cm x 43cm	
P 4	GE40276-003A	POLY BAG		G140J,G240J,G244UI,G245U,G245UN,G245UT,G245UH,G248UF,G341E,G341EX,G342EY,G341EU,G342E,G342EX,G341EY,G342EU,G343E,G343EX,G343EY,G343EU
P 4	FSPG4002-001	POLY BAG		G396SUI
P 5	QPA00801205	POLY BAG	8cm x 12cm	
P 6	FSPG4002-001	POLY BAG	(x2)	
P 6	FSPG4002-001	POLY BAG		G140J,G240J,G245U,G395U,G396U,G244UI,G245UN,G245UT,G245UH,G248UF,G341E,G341EX,G342EY,G341EU,G342E,G342EX,G341EY,G342EU,G343E,G343EX,G343EY,G343EU,G347BEE,G347SEE,G394UI,G395UN,G395UT,G395UH,G396U,G396UN,G396UT,G396UH,G398UF
P 7	GE32320-001A	HARD CASE ASSY		G394UI,G395U,G395UN,G395UT,G395UH,G396U,G396UN,G396UT,G396UH,G398UF,G299UR
P 8	QPA01003003	POLY BAG	10cm x 30cm	G394UI,G395U,G395UN,G395UT,G395UH,G396U,G396UN,G396UT,G396UH,G398UF
P 9	QPC01002515	POLY BAG	10cm x 25cm	G394UI,G395U,G395UN,G395UT,G395UH,G396U,G396UN,G396UT,G396UH,G398UF