

# SERVICE MANUAL

# SE-1 CHASSIS

<i>MODEL</i>	<i>COMMANDER</i>	<i>DEST</i>	<i>MODEL</i>	<i>COMMANDER</i>	<i>DEST</i>
<b><i>KDL-26U2000</i></b>	<i>RM-ED007</i>	<i>AEP</i>	<b><i>KDL-26U2000</i></b>	<i>RM-ED007</i>	<i>UK</i>
<b><i>KDL-32U2000</i></b>	<i>RM-ED007</i>	<i>AEP</i>	<b><i>KDL-32U2000</i></b>	<i>RM-ED007</i>	<i>UK</i>
<b><i>KDL-40U2000</i></b>	<i>RM-ED007</i>	<i>AEP</i>	<b><i>KDL-40U2000</i></b>	<i>RM-ED007</i>	<i>UK</i>



KDL-26U2000 / KDL-32U2000 / KDL-40U2000



RM-ED007

FLAT PANEL COLOR TV  
**SONY**®

**TABLE OF CONTENTS**

<i>Section</i>	<i>Title</i>	<i>Page</i>	<i>Section</i>	<i>Title</i>	<i>Page</i>
	Caution .....	3	<b>4. DIAGRAMS</b>		
	Specifications .....	4	4-1. Block Diagrams(1) .....		27
	Connectors .....	6		Block Diagrams(2) .....	28
	Self Diagnosis .....	7		Block Diagrams(3) .....	29
				Block Diagrams(4) .....	30
<b>1. GENERAL</b> .....		8		Block Diagrams(5) .....	31
<b>2. DISASSEMBLY</b>			4-2. Circuit Board Location .....		31
2-1. Stand Removal .....		17	4-3. Schematic Diagrams and Printed Wiring		
2-2. Rear Cover Removal .....		17	Boards .....		31
2-3. Speaker Removal .....		18	A1/A1P Board Schematic Diagram .....		32
2-4. A1/A1P Board Removal .....		18	A1/A1P Printed Wiring Board .....		35
2-5. BDT Board Removal .....		19	BDT Board Schematic Diagram .....		36
2-6. G1/G2 Board Removal .....		19	BDT Printed Wiring Board .....		47
2-7. H1/H1P Board Removal .....		20	G1 Board Schematic Diagram		
2-8. H2/H2P Board Removal .....		20	(KDL-26U2000, KDL-32U2000) .....		49
2-9. H3/H3P Board Removal .....		21	G1 Printed Wiring Board		
2-10. Bracket Removal .....		21	(KDL-26U2000, KDL-32U2000) .....		51
2-11. LCD Panel Removal .....		22	G2 Board Schematic Diagram (KDL-40U2000)		53
<b>3. CIRCUIT ADJUSTMENTS</b>			G2 Printed Wiring Board (KDL-40U2000) .....		55
3-1. Electrical Adjustments .....		23	H1/H1P Board Schematic Diagram .....		57
3-2. Test Mode 2 .....		25	H1/H1P Printed Wiring Board .....		58
3-3. TT OSD Labels .....		26	H2/H2P Board Schematic Diagram .....		57
			H2/H2P Printed Wiring Board .....		58
			H3/H3P Board Schematic Diagram .....		57
			H3/H3P Printed Wiring Board .....		58
			4-4. Semiconductors .....		59
			<b>5. EXPLODED VIEWS</b>		
			5-1. Chassis .....		61
			5-2. Stand, Rear Cover, Power Leads .....		62
			<b>6. ELECTRICAL PARTS LIST</b> .....		63

**WARNING !!**

AN ISOLATION TRANSFORMER SHOULD BE USED DURING ANY SERVICE WORK TO AVOID POSSIBLE SHOCK HAZARD DUE TO LIVE CHASSIS, THE CHASSIS OF THIS RECEIVER IS DIRECTLY CONNECTED TO THE POWER LINE.

**SAFETY-RELATED COMPONENT WARNING !!**

COMPONENTS IDENTIFIED BY SHADING AND MARKED  $\Delta$  ON THE SCHEMATIC DIAGRAMS, EXPLODED VIEWS AND IN THE PARTS LIST ARE CRITICAL FOR SAFE OPERATION. REPLACE THESE COMPONENTS WITH SONY PARTS WHOSE PART NUMBERS APPEAR AS SHOWN IN THIS MANUAL OR IN SUPPLEMENTS PUBLISHED BY SONY.

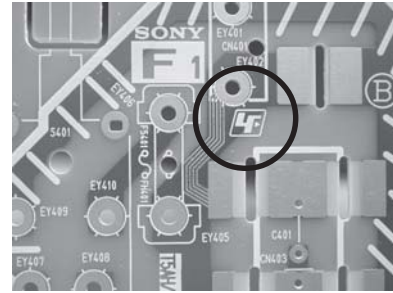
# CAUTION

## Lead Free Soldered Boards

The circuit boards used in these models have been processed using Lead Free Solder. The boards are identified by the LF logo located close to the board designation e.g. F1, H1 etc [ see examples ]. The servicing of these boards requires special precautions to be taken as outlined below.



example 1



example 2



It is strongly recommended to use Lead Free Solder material in order to guarantee optimal quality of new solder joints. Lead Free Solder is available under the following part numbers :

Partnumber	Diameter	Remarks
7-640-005-19	0.3mm	0.25Kg
7-640-005-20	0.4mm	0.50Kg
7-640-005-21	0.5mm	0.50Kg
7-640-005-22	0.6mm	0.25Kg
7-640-005-23	0.8mm	1.00Kg
7-640-005-24	1.0mm	1.00Kg
7-640-005-25	1.2mm	1.00Kg
7-640-005-26	1.6mm	1.00Kg

Due to the higher melting point of Lead Free Solder the soldering iron tip temperature needs to be set to 370 degrees centigrade. This requires soldering equipment capable of accurate temperature control coupled with a good heat recovery characteristics.

For more information on the use of Lead Free Solder, please refer to <http://www.sony-training.com>


ITEM MODEL	Television System	Stereo System	Channel Coverage	Color System
E	B/G/H, D/K, I, L, DVB-T	GERMAN/NICAM Stereo	VHF : E02-E12 UHF : E21-E69 CATV : S01-S20 HYPER : S21-S41 D/K : R1-R12, R21-R69 L : F2-F10, B-Q, F21-F69 I : UHF B21-B69	PAL, SECAM NTSC 3.58/4.43 (VIDEO ONLY) MPEG-2 MP@ML
U	I, DVB-T	NICAM Stereo	UHF : B21-B69	PAL, SECAM NTSC 3.58/4.43 (VIDEO ONLY) MPEG-2 MP@ML

Projected Picture Size	LCD (Liquid Crystal Display) Panel KDL-26U2000 (26inches) KDL-32U2000 (32inches) KDL-40U2000 (40inches).	<b>Sound Output</b>	
		Right and Left speaker Sub-woofer	2 x 10W (RMS)
<b>Input/Output Terminals [REAR]</b>		<b>General Specifications</b>	
AV1: 21-pin Euro connector (CENELEC standard)	Inputs for Audio and Video signals. Inputs for RGB. Outputs of TV Video and Audio signals.	Power Requirements	220 - 240V
		Power Consumption/ Standby	KDL-26U2000: Approx. 105W or less/1W or less  KDL-32U2000: Approx. 160W or less/1W or less  KDL-40U2000: Approx. 180W or less/1W or less
AV2: 21-pin Euro connector (CENELEC standard)	Inputs for Audio and Video signals. Inputs for RGB. Outputs of Video and Audio signals (Selectable). SmartLink interface.	Dimensions	KDL-26U2000: Approx. 663x503x220mm (With stand) Approx. 663x472x128mm (Without stand)  KDL-32U2000: Approx. 797x580x220mm (With stand) Approx. 797x548x125mm (Without stand)  KDL-40U2000: Approx. 988x687x270mm (With stand) Approx. 988x653x128mm (Without stand)
		Weight	KDL-26U2000: Approx. 12kg (With stand) Approx. 10kg (Without stand)  KDL-32U2000: Approx. 16kg (With stand) Approx. 14kg (Without stand)  KDL-40U2000: Approx. 24kg (With stand) Approx. 21kg (Without stand)
AV3: Phono Jacks	Y:1 Vp-p, 75 ohms, 0.3V negative sync P <sub>B</sub> /C <sub>B</sub> :0.7 Vp-p,75 ohms P <sub>R</sub> /C <sub>R</sub> :0.7 Vp-p,75 ohms Audio Input Jacks: 500mV rms, 47Kohms	Supplied Accessories	RM-ED007 Remote Commander (1) IEC designated R06 battery (2) Cable Holder (1) (KDL-40U2000 only) Support Belt (1) and Screws (2)
HDMI Input	HDMI Connector.	Other Features	IDTV, High Picture Quality WXGA, 3D Comb Filter, BBE Digital, Virtual Dolby Surround, HDMI Input, PC Input (HD15), Video Label, Channel Return, Sleep Timer, Fanless Design.
PC Input	15 Pin D-Sub Connector.		
CAM	Conditional Access Module		
<b>Input/Output Terminals [SIDE]</b>		<b>Remote control system : Infrared control</b>	
Headphone jack	Stereo mini jack	Power requirements	3V dc 2 batteries IEC designation R06 (size AA)
Audio input	Phono jacks		
Video input	Phono jack		
S Video input	4 pin mini DIN		
<b>Design and specifications are subject to change without notice.</b>			



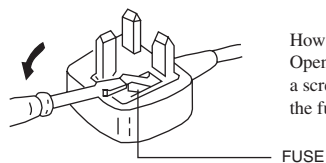
Model Name Item	KDL-26U2000 KDL-32U2000 KDL-40U2000 (AEP)	KDL-26U2000 KDL-32U2000 KDL-40U2000 (UK)
PAP	OFF	OFF
PAT	OFF	OFF
RGB Priority	ON	ON
Sub Woofer	OFF	OFF
Scart 1	ON	ON
Scart 2	ON	ON
Front in (4)	ON	ON
Projector	OFF	OFF
Norm B/G	ON	OFF
Norm I	ON	ON
Norm D/K	ON	OFF
Norm AUS	OFF	OFF
Norm L	ON	OFF
Norm SAT	OFF	OFF
Norm M	OFF	OFF
Teletext	ON	ON
Nicam Stereo	ON	ON

### WARNING (UK Models only)

The flexible mains lead is supplied connected to a **B.S. 1363** fused plug having a fuse of **10 AMP** rating. Should the fuse need to be replaced, use a **10AMP FUSE** approved by ASTA to **BS 1362**, ie one that carries the  mark.

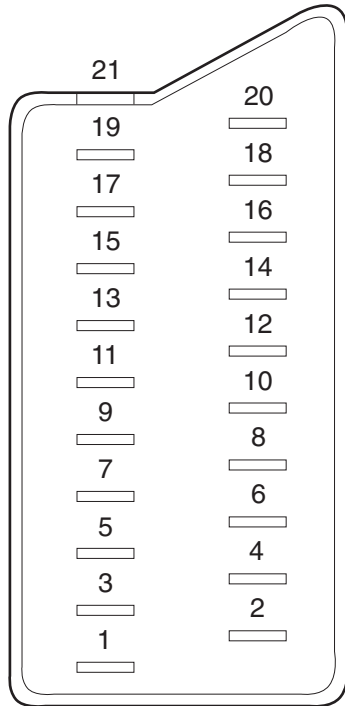
IF THE PLUG SUPPLIED WITH THIS APPLIANCE IS NOT SUITABLE FOR THE OUTLET SOCKETS IN YOUR HOME, IT SHOULD BE CUT OFF AND AN APPROPRIATE PLUG FITTED. THE PLUG SEVERED FROM THE MAINS LEAD MUST BE DESTROYED AS A PLUG WITH BARED WIRES IS DANGEROUS IF ENGAGED IN A LIVE SOCKET.

When an alternative type of plug is used, it should be fitted with a **10 AMP FUSE**, otherwise the circuit should be protected by a **10AMP FUSE** at the distribution board.



How to replace the fuse.  
Open the fuse compartment with a screwdriver blade and replace the fuse.

21 pin connector



Pin No	1	2	Signal	Signal level
1	○	○	Audio output B (right)	Standard level : 0.5V rms Output impedance : Less than 1kohm*
2	○	○	Audio input B (right)	Standard level : 0.5V rms Output impedance : More than 10kohm*
3	○	○	Audio output A (left)	Standard level : 0.5V rms Output impedance : Less than 1kohm*
4	○	○	Ground (audio)	
5	○	○	Ground (blue)	
6	○	○	Audio input A (left)	Standard level : 0.5V rms Output impedance : More than 10kohm*
7	○	○	Blue input	0.7 +/- 3dB, 75 ohms positive
8	○	○	Function select (AV control)	High state (9.5-12V) : Part mode Low state (0-2V) : TV mode Input impedance : More than 10K ohms Input capacitance : Less than 2nF
9	○	○	Ground (green)	
10	●	○	AVlink	
11	○	○	Green	Green signal : 0.7 +/- 3dB, 75 ohms, positive
12	●	●	Open	
13	○	○	Ground (red)	
14	○	○	Ground (blanking)	
15	○	○	Red input	0.7 +/- 3dB, 75 ohms, positive
	-	-	(S signal Chroma input)	0.3 +/- 3dB, 75 ohms, positive
16	○	○	Blanking input (Ys signal)	High state (1-3V) Low state (0-0.4V) Input impedance : 75 ohms
17	○	○	Ground (video output)	
18	○	○	Ground (video input)	
19	○	○	Video output	1V +/- 3dB, 75ohms, positive sync 0.3V (-3+10dB)
20	○	○	Video input	1V +/- 3dB, 75ohms, positive sync 0.3V (-3+10dB)
	-	-	Video input Y (S signal)	1V +/- 3dB, 75ohms, positive sync 0.3V (-3+10dB)
21	○	○	Common ground (plug, shield)	

○ Connected      ● Not Connected (open)      \* at 20Hz - 20kHz

Rear Connection Panel



Side Connection Panel



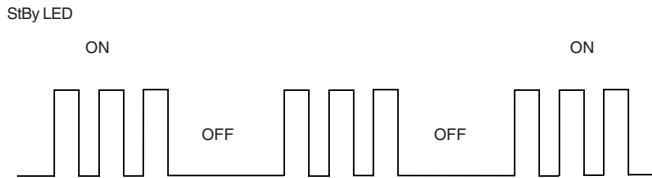
S-Video socket

S Video socket pin configuration		
Pin No	Signal	Signal Level
1	Ground	-
2	Ground	-
3	Y (S signal) input	1V +/- 3dB 75ohm, positive Sync. 0.3V -3 +10dB
4	C (S signal) input	0.3V +/- 3dB 75ohm, positive Sync.

# SE-1 SELF DIAGNOSTIC SOFTWARE

The identification of errors within the SE-1 chassis is triggered in one of two ways :- 1: Busy or 2: Device failure to respond to IIC. In the event of one of these situations arising the software will first try to release the bus if busy (Failure to do so will report with a continuous flashing LED) and then communicate with each device in turn to establish if a device is faulty. If a device is found to be faulty the relevant device number will be displayed through the LED (Series of flashes which must be counted).

**Flash Timing Example : e.g. error number 3**



### LED Error Code

Error Message	LED Code	Checked	Action
Power Supply Protection Error	03	In Normal mode.	Goes into standby. LED flashes 3 times.
Panel Error	04	In Normal mode.	Goes into standby. LED flashes 4 times.
NVM Error	05	In Initialisation state.	Adds error to Error Menu. LED flashes 5 times in factory mode.
IIC Error	06	In Initialisation state.	Adds error to Error Menu. LED flashes 6 times in factory mode.
HDMI Error	07	In Initialisation state.	Adds error to Error Menu. LED flashes 7 times in factory mode.
Digital Error	08	In Initialisation state.	Adds error to Error Menu. LED flashes 8 times in factory mode.
Tuner Error	09	In Initialisation state.	Adds error to Error Menu. LED flashes 9 times in factory mode.
Sound Processor Error	10	In Initialisation state.	Adds error to Error Menu. LED flashes 10 times in factory mode.
Video Processor (VCTP) Error	11	In Initialisation state.	Adds error to Error Menu. LED flashes 11 times in factory mode.
Port Expander Error	12	In Initialisation state.	Adds error to Error Menu. LED flashes 12 times in factory mode.
RTC IC Error	14	In Initialisation state.	Adds error to Error Menu. LED flashes 14 times in factory mode.

The operating instructions mentioned here are partial abstracts from the Operating Instruction Manual. The page numbers of the Operating Instruction Manual remain as in the manual.

## 1: Checking the accessories

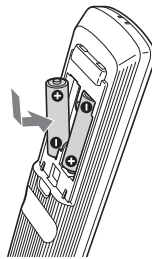
- Remote RM-ED007 (1)
- Size AA batteries (R6 type) (2)
- Cable holder (1) (only for KDL-40J2000)



Support belt (1) and screws (2)



To insert batteries into the remote

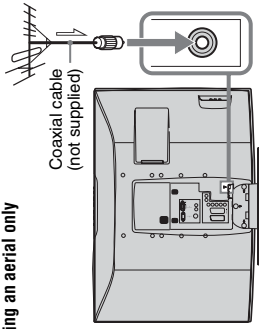


### Notes

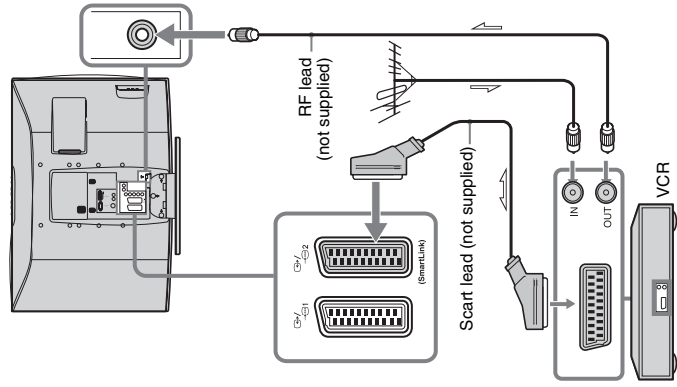
- Observe the correct polarity when inserting batteries.
- Dispose of batteries in an environmentally friendly way. Certain regions may regulate disposal of the battery. Please consult your local authority.
- Do not use different types of batteries together or mix old and new batteries.
- Handle the remote with care. Do not drop or step on it, or spill liquid of any kind onto it.
- Do not place the remote in a location near a heat source, or in a place subject to direct sunlight, or in a damp room.

## 2: Connecting an aerial/VCR

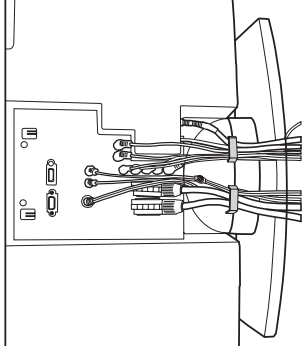
Connecting an aerial only



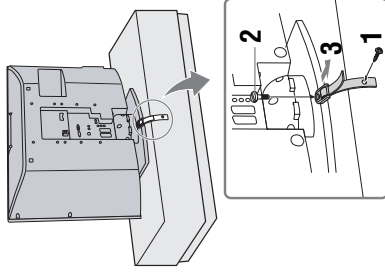
Connecting an aerial and VCR



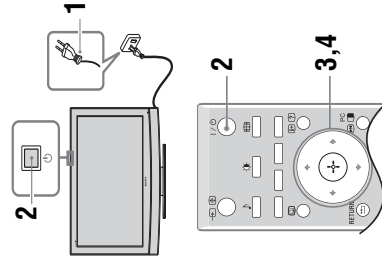
## 3: Bundling the cables



## 4: Preventing the TV from toppling over



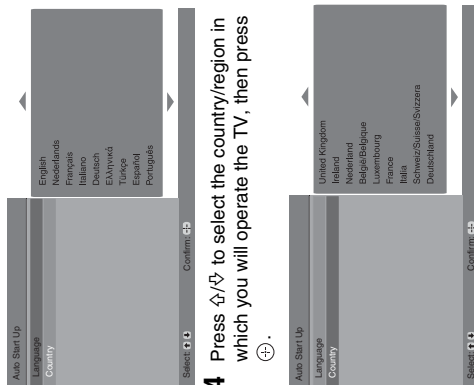
## 5: Selecting the language and country/region



- 1 Connect the TV to your mains socket (220-240V AC, 50Hz).
- 2 Press **⏻** on the TV (top side).  
When you switch on the TV for the first time, the Language menu appears on the screen.  
When the TV is in standby mode (the **⏻** (standby) indicator on the TV (front) is red), press **⏻** on the remote to switch on the TV.

*Continued*

- 3** Press  $\uparrow/\downarrow$  to select the language displayed on the menu screens, then press  $\odot$ .

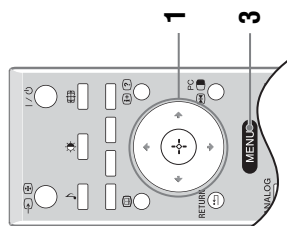


- 4** Press  $\uparrow/\downarrow$  to select the country/region in which you will operate the TV, then press  $\odot$ .

If the country/region in which you want to use the TV does not appear in the list, select “-” instead of a country/region. The message confirming the TV start auto-tuning appears on the screen, then go to “6: Auto-tuning the TV”.

## 6: Auto-tuning the TV

After selecting the language and country/region, a message confirming the TV start auto-tuning appears on the screen. The TV will now search for and store all available TV channels.



- 1** Press  $\odot$  to select “OK”, then press  $\oplus$ .



The TV starts searching for all available digital channels, followed by all available analogue channels. This may take some time, please be patient and do not press any buttons on the TV or remote.

**If a message appears for you to confirm the aerial connections**

No digital or analogue channels were found. Check all the aerial connections and press  $\oplus$  to start auto-tuning again.

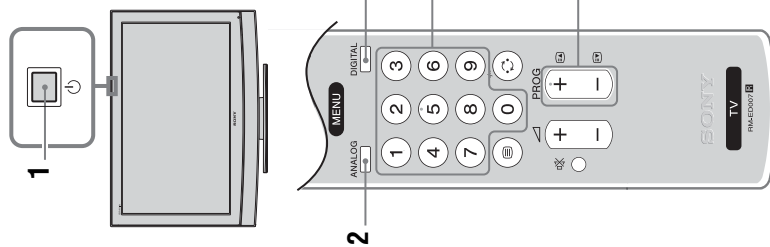
- 2** When the Programme Sorting menu appears on the screen, follow the steps of “Programme Sorting” (page 25).

If you do not wish to change the order in which the analogue channels are stored on the TV, go to step 3.

- 3** Press MENU to exit.

The TV has now tuned in all the available channels.

## Watching TV



- 1** Press  $\odot$  on the TV (top side) to switch on the TV.

When the TV is in standby mode (the  $\odot$  (standby) indicator on the TV (front) is red), press  $\mathbf{I}/\odot$  on the remote to switch on the TV.

- 2** Press DIGITAL to switch to digital mode or ANALOG to switch to analogue mode. The channels available vary depending on the mode.

- 3** Press the number buttons or PROG  $\uparrow/\downarrow$  to select a TV channel.

To select channel numbers 10 and above using the number buttons, enter the second and third digits within two seconds.

To select a digital channel using the Digital Electronic Programme Guide (EPG), see page 15.

### In digital mode

An information banner appears briefly. The following icons may be indicated on the banner.

- : Radio service
- : Scrambled/Subscription service
- : Multiple audio languages available
- : Subtitles available
- : Subtitles available for the hearing impaired
- : Recommended minimum age for current programme (from 4 to 18 years)
- : Parental Lock
- : Current programme is being recorded

### Additional operations

To	Do this
Turn off the TV temporarily (Standby mode)	Press $\mathbf{I}/\odot$ .
Turn on the TV from Standby mode without sound	Press $\mathbf{I}/\odot$ . Press $\uparrow/\downarrow$ to set the volume level.
Turn off the TV	Press $\odot$ on the TV (top side).
Adjust the volume	Press $\leftarrow$ + (increase) / - (decrease).
Mute the sound	Press $\mathbf{M}$ . Press again to restore.
Access the Programme index table (in analogue mode only)	Press $\oplus$ . To select an analogue channel, press $\uparrow/\downarrow$ , then press $\oplus$ . To access the Input signal index table, see page 18.

## Checking the Digital Electronic Programme Guide (EPG) DV3



- 1 In digital mode, press **[OK]** to display the Digital Electronic Programme Guide (EPG).
- 2 Perform the desired operation, as shown in the following table.

**Note**  
Programme information will only be displayed if the TV station is transmitting it.

### Digital Electronic Programme Guide (EPG)

To	Do this
Turn off the EPG	Press <b>[EXIT]</b> .
Move through the EPG	Press <b>[Left]</b> / <b>[Right]</b> / <b>[Up]</b> / <b>[Down]</b> .
Watch a current programme	Press <b>[OK]</b> while the current programme is selected.
Sort the programme information by category – Category list	<ol style="list-style-type: none"> <li>1 Press the blue button.</li> <li>2 Press <b>[Left]</b>/<b>[Right]</b>/<b>[Up]</b>/<b>[Down]</b> to select a category. The category name is displayed on the side. The categories available include: "Favourite"; Contains all the channels that have been stored in the Favourite list (page 17). "All Categories"; Contains all available channels. "News"; Contains all news channels.</li> <li>3 Press <b>[OK]</b>. The Digital Electronic Programme Guide (EPG) now only displays the current programmes from the category selected.</li> </ol>

Set a programme to be recorded – Timer REC

- 1 Press **[Left]**/**[Right]**/**[Up]**/**[Down]** to select the future programme you want to record.
- 2 Press **[OK]**.
- 3 Press **[Left]**/**[Right]** to select "Timer REC".
- 4 Press **[OK]** to set the TV and your VCR timers.  
A **[TV]** symbol appears by that programme's information. The **[TV]** indicator on the TV (front) lights up.

#### Notes

- You can set VCR timer recording on the TV only for Smartlink compatible VCRs. If your VCR is not Smartlink compatible, a message will be displayed to remind you to set your VCR timer.
- Once a recording has begun, you can switch the TV to standby mode, but do not switch off the TV completely or the recording may be cancelled.
- If an age restriction for programmes has been selected, a message asking for pin code will appear on the screen. For more details refer to "Parental Lock" on page 29.

## Viewing pictures from connected equipment

Switch on the connected equipment, then perform one of the following operation.

**For equipment connected to the scart sockets using a fully-wired 21-pin scart lead**

Start playback on the connected equipment. The picture from the connected equipment appears on the screen.

**For an auto-tuned VCR (page 4)**

In analogue mode, press PROG +/-, or the number buttons, to select the video channel.

**For other connected equipment**

Press **[Left]**/**[Right]**/**[Up]**/**[Down]** repeatedly until the correct input symbol (see below) appears on the screen.

**[AV1]**/**[AV2]**/**[AV1]**, **[AV2]**/**[AV2]**/**[AV2]**:

Audio/video or RGB input signal through the scart socket **[AV1]**/**[AV2]** or 2. **[AV1]** appears only if an RGB source has been connected.

**[AV3]**:

Component input signal through the Y, Pb/Cb, Pr/Cr sockets **[AV3]**/**[AV3]** 3, and audio input signal through the L, R sockets **[AV3]**/**[AV3]** 3.

**[AV4/S]**/**[AV4]**:

Video input signal through the video socket **[AV4]**, and audio input signal through the L (MONO), R audio sockets **[AV4]**, **[AV4]** appears only if the equipment is connected to the S video socket **[AV4]** instead of the video socket **[AV4]**, and S video input signal is input through the S video socket **[AV4]**.

**[AV5]**:

RGB input signal through the PC connectors **[AV5]**, and audio input signal through the socket **[AV5]**.

**[AV6]**:

Digital audio/video signal is input through the HDMI IN 6 socket. A audio input signal is analogue only if the equipment has been connected using the DVI and audio out socket.

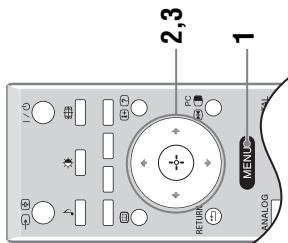
### Additional operations

To	Do this
Return to the normal TV operation	Press DIGITAL or ANALOG.

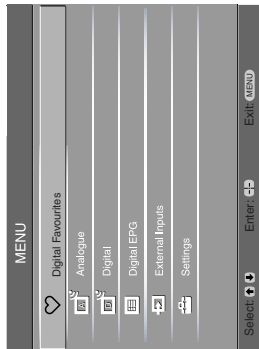
To	Do this
Access the Input signal index table	Press <b>[OK]</b> to access the Input signal index table. (Then, only in analogue mode, press <b>[Left]</b> .) To select an input source, press <b>[Left]</b> , then press <b>[OK]</b> .

## Navigating through menus

"MENU" allows you to enjoy various convenient features of this TV. You can easily select channels or external inputs with the remote. Also, settings for your TV can be changed easily using "MENU".



**1** Press MENU to display the menu.

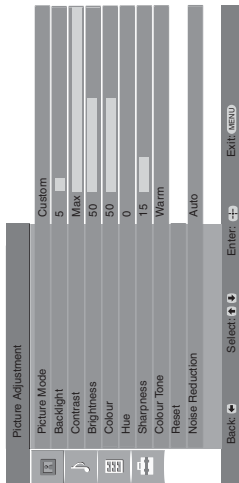


**2** Press  $\uparrow/\downarrow$  to select an option.

**3** Press  $\rightarrow$  to confirm a selected option.  
To exit the menu, press MENU.

## Picture Adjustment menu

You can select the options listed below on the Picture menu. To select options in "Settings", see "Navigating through menus" (page 19).



### Picture Mode

Selects the picture mode.

- "Vivid": For enhanced picture contrast and sharpness.
- "Standard": For standard picture. Recommended for home entertainment.
- "Custom": Allows you to store your preferred settings.

### Backlight

Adjusts the brightness of the backlight.

### Contrast

Increases or decreases picture contrast.

### Brightness

Brightens or darkens the picture.

### Colour

Increases or decreases colour intensity.

### Hue

Increases or decreases the green tones.

#### Tip

"Hue" can only be adjusted for an NTSC colour signal (e.g., U.S.A. video tapes).

### Sharpness

Sharpens or softens the picture.

### Colour Tone

Adjusts the whiteness of the picture.

- "Cool": Gives the white colours a blue tint.
- "Neutral": Gives the white colours a neutral tint.
- "Warm": Gives the white colours a red tint.

#### Tip

"Warm" can only be selected when you set "Picture Mode" to "Custom".








### Reset

Resets all picture settings except "Picture Mode" to the factory settings.

### Noise Reduction

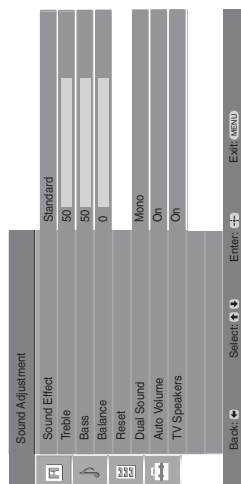
Reduces the picture noise (snowy picture) in a weak broadcast signal.

- "Auto": Automatically reduces the picture noise.
- "High/Mid/Low": Modifies the effect of the noise reduction.

Menu	Description
 Digital Favourites (in digital mode only)	Launches the Favourite list. For details about settings, see page 17.
 TV List (in analogue mode only)	Allows you to select TV programs from a list of channel labels. <ul style="list-style-type: none"> <li>• To watch the desired channel, select the channel, then press <math>\rightarrow</math>.</li> <li>• To assign a label to a program, see page 26.</li> </ul>
 Analogue (in digital mode only)	Returns to the last viewed analogue channel.
 Digital (in digital mode only)	Returns to the last viewed digital channel.
 Digital EPG (in digital mode only)	Launches the Digital Electronic Programme Guide (EPG). For details about settings, see page 15.
 External Inputs	Selects equipment connected to your TV. <ul style="list-style-type: none"> <li>• To watch the desired external input, select the input source, then press <math>\rightarrow</math>.</li> <li>• To assign a label to an external input, see page 25.</li> </ul>
 Settings	Opens the Settings menu screen where most of advanced settings and adjustments are performed. Select a menu icon, select an option and make the desired change or adjustment using $\uparrow/\downarrow/\rightarrow/\leftarrow$ . For details about settings, see page 20 to 29.

## Sound Adjustment menu

You can select the options listed below on the Sound menu. To select options in "Settings", see "Navigating through menus" (page 19).



### Sound Effect

Selects the sound mode.

- "Standard": Enhances clarity, detail, and sound presence by using "BBE High definition Sound System."
- "Dynamic": intensifies clarity and sound presence for better intelligibility and musical realism by using the "BBE High definition Sound System."
- "BBE VIVA": BBE VIVA Sound provides musically accurate natural 3D image with Hi-Fi sound. The clarity of the sound is improved by BBE while the width depth and height of sound image are expanded by BBE's proprietary 3D sound process. BBE VIVA Sound is compatible with all TV programs including news, music, dramas, movies, sports and electronic games.
- "Dolby Virtual": Uses the TV speakers to simulate the surround effect produced by a multi channel system.
- "Off": Flat response.

#### Tips

- You can change sound effect by pressing  $\downarrow$  repeatedly.
- If you set "Auto Volume" to "On", "Dolby Virtual" changes to "Standard".

### Treble

Adjusts higher-pitched sounds.

### Bass

Adjusts lower-pitched sounds.

### Balance

Emphasizes left or right speaker balance.

### Reset

Resets all the sound settings to the factory settings.

### Dual Sound

Selects the sound from the speaker for a stereo or bilingual broadcast.

- "Stereo", "Mono": For a stereo broadcast.
- "A"/"B"/"Mono": For a bilingual broadcast, select "A" for sound channel 1, "B" for sound channel 2, or "Mono" for a mono channel, if available.

#### Tip

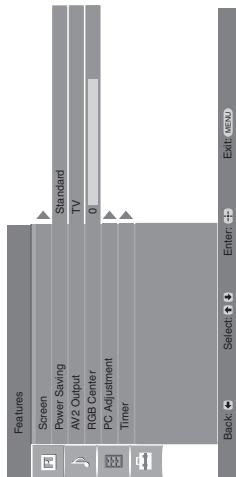
If you select other equipment connected to the TV, set "Dual Sound" to "Stereo", "A" or "B".

### Auto Volume

Keeps a constant volume level even when volume level gaps occur (e.g., adverts tend to be louder than programmes).

## Features menu

You can select the options listed below on the Features menu. To select options in "Settings", see "Navigating through menus" (page 19).



### Screen

Changes the screen format.

- "Auto Format": Automatically changes the screen format according to the broadcast signal.
- "Screen Format": For details about the screen format, see page 14
- "Vertical Size": Adjusts the vertical size of the picture when the screen format is set to Smart.

#### Tips

- Even if you have selected "On" or "Off" in "Auto Format", you can always modify the format of the screen by pressing  $\uparrow$  repeatedly.
- "Auto Format" is available for PAL and SECAM signals only.

### Power Saving

Selects the power saving mode to reduce the power consumption of the TV.

- "Standard": Default settings.
- "Reduce": Reduces the power consumption of the TV.
- "Picture Off": Switches off the picture. You can listen to the sound with the picture off.

### AV/2 Output

Sets a signal to be output through the socket labelled  $\text{AV}/\text{2}$  on the rear of the TV. If you connect a YCR to the  $\text{AV}/\text{2}$  socket, you can then record from the equipment connected to other sockets of the TV.

- "TV": Outputs a broadcast.
- "Auto": Outputs whatever is being viewed on the screen.

### RGB Center

Adjusts the horizontal picture position so that the picture is in the middle of the screen.

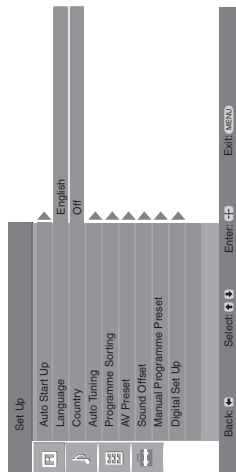
#### Tip

This option is only available if an RGB source has been connected to the Scarts connectors  $\text{AV}/\text{2}$  1 or  $\text{AV}/\text{2}$  2 on the rear of the TV.



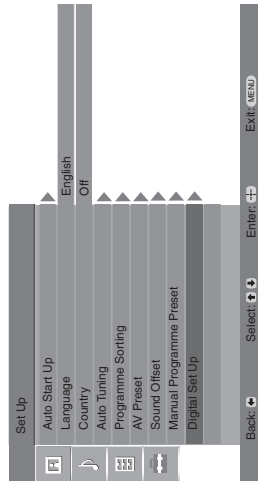
## Set-up menu

You can select the options listed below on the Set-up menu. To select options in "Settings", see "Navigating through menus" (page 19).



## Digital Set-up menu DVB

You can change/set the digital settings using the Digital Set-up menu. To select options in "Settings", see "Navigating through menus" (page 19).



### Auto Start-up

Starts the "first time operation menu" to select the language and country/region, and tune in all available digital and analogue channels. Usually, you do not need to do this operation because the language and country/region will have been selected and channels already tuned when the TV was first installed (page 5, 6). However, this option allows you to repeat the process (e.g., to retune the TV after moving house, or to search for new channels that have been launched by broadcasters).

### Language

Selects the language in which the menus are displayed.

### Country

Selects the country/region where you operate the TV.

#### Tip

The country/region in which you want to use the TV does not appear in the list, select "Off" instead of a country/region.

### Auto Tuning

Tunes in all the available analogue channels. Usually you do not need to do this operation because the channels are already tuned when the TV was first installed (page 5, 6). However, this option allows you to repeat the process (e.g., to retune the TV after moving house, or to search for new channels that have been launched by broadcasters).

### Programme Sorting

Changes the order in which the analogue channels are stored on the TV.

- 1 Press  $\leftarrow/\rightarrow$  to select the channel you want to move to a new position, then press  $\oplus$ .
- 2 Press  $\leftarrow/\rightarrow$  to select the new position for your channel, then press  $\oplus$ .

### AV Preset

Assigns a name to any equipment connected to the side and rear sockets. The name will be displayed briefly on the screen when the equipment is selected. You can skip an input source that is not connected to any equipment.

- 1 Press  $\leftarrow/\rightarrow$  to select the desired input source, then press  $\oplus$ .
- 2 Press  $\leftarrow/\rightarrow$  to select the desired option below, then press  $\oplus$ .
  - "Equipment labels": Uses one of the preset labels to assign a name to connected equipment.
  - "Edit": Creates your own label.
  - "Skip": Skips an input source that is not connected to any equipment when you press  $\leftarrow/\rightarrow$  to select the input source.

### Sound Offset

Sets an independent volume level to each equipment connected to the TV.

## Digital Tuning

Displays the "Digital Tuning" menu.

### Digital Auto Tuning

Tunes in all the available digital channels. Usually you do not need to do this operation because the channels are already tuned when the TV was first installed (page 5). However, this option allows you to repeat the process (e.g., to retune the TV after moving house, or to search for new channels that have been launched by broadcasters).

### Programme List Edit

Removes any unwanted digital channels stored on the TV, and changes the order of the digital channels stored on the TV.

- 1 Press  $\leftarrow/\rightarrow$  to select the channel you want to remove or move to a new position.
  - If you know the programme number (frequency)**  
Press the number buttons to enter the three-digit programme number of the broadcast you want.
- 2 Remove or change the order of the digital channels as follows:
  - To remove the digital channel**  
Press  $\ominus$ . A message that confirms whether the selected digital channel is to be deleted appears. Press  $\leftarrow$  to select "Yes", then press  $\oplus$ .
  - To change the order of the digital channels**  
Press  $\leftarrow$ , then press  $\leftarrow/\rightarrow$  to select the new position for the channel and press  $\leftarrow$ . Repeat the procedure in steps 1 and 2 to move other channels if required.

### Digital Manual Tuning

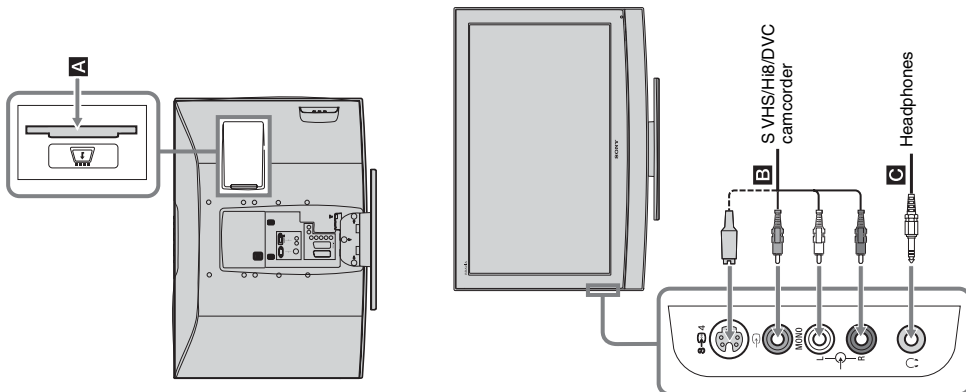
Tunes the digital channels manually.

- 1 Press the number button to select the channel number you want to manually tune, then press  $\leftarrow/\rightarrow$  to tune the channel.
  - 2 When the available channels are found, press  $\leftarrow/\rightarrow$  to select the channel you want to store, then press  $\oplus$ .
  - 3 Press  $\leftarrow/\rightarrow$  to select the programme number where you want to store the new channel, then press  $\oplus$ .
- Repeat the procedure above to tune other channels manually.

## Connecting optional equipment

You can connect a wide range of optional equipment to your TV. Connecting cables are not supplied.

### Connecting to the TV (side)



#### To connect

**Conditional Access Module (CAM) A**  
To use Pay Per View services. For details, refer to the instruction manual supplied with your CAM. To use the CAM, remove the rubber cover from the CAM slot. Switch off the TV when inserting your CAM into the CAM slot. When you do not use the CAM, we recommend that you replace the cover on the CAM slot.

#### S VHS/Hi8/DVC camcorder B

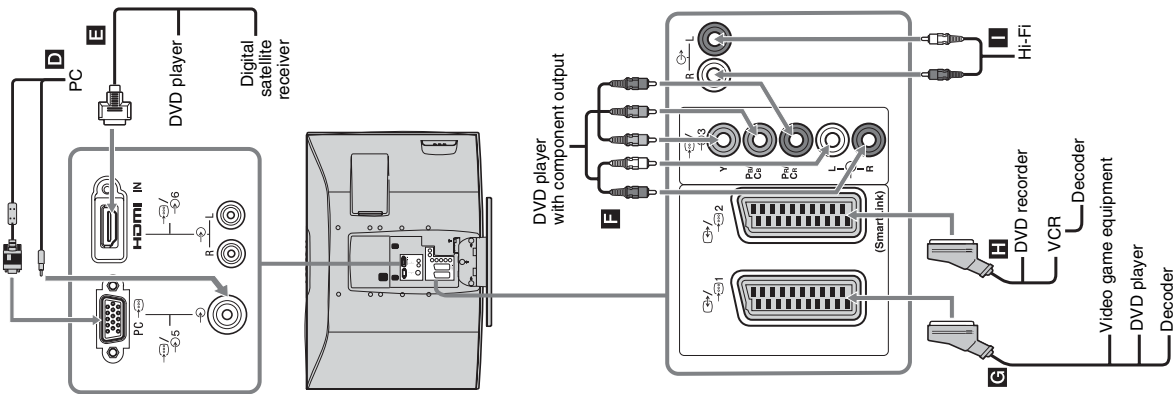
Connect to the S video socket S-4 or the video socket V-4, and the audio sockets L-4 and R-4. To avoid picture noise, do not connect the camcorder to the video socket V-4 and the S video socket S-4 at the same time. If you connect mono equipment, connect to the L socket L-4, and set "Dual Sound" to "A" (page 21).

#### Headphones C

Connect to the L socket to listen to sound from the TV on headphones.

*Continued*

### Connecting to the TV (rear)



#### To connect

**PC D**  
Connect to the PC IN port. It is recommended to use a PC cable with ferrites.

**Digital satellite receiver or DVD player E**  
Connect to the HDMI IN 6 socket if the equipment has a HDMI socket. The digital video and audio signals are input from the equipment. If the equipment has a DVI socket, connect the DVI socket to the HDMI IN 6 socket through a DVI - HDMI adaptor interface (not supplied), and connect the equipment's audio out sockets to the audio in HDMI IN 6 sockets.

#### Notes

- The HDMI sockets only support the following Video inputs: 480i, 480p, 576i, 576p, 720p and 1080i. To connect a PC, please use the PC input socket.
- Use HDMI certified cable with HDMI logo.

**DVD player with component output F**  
Connect to the component sockets and the audio sockets.

**Video game equipment, DVD player or decoder G**  
Connect to the smart socket. When you connect the decoder, the scrambled signal from the TV tuner is output to the decoder, then the unscrambled signal is output from the decoder.

**DVD recorder or VCR that supports SmartLink H**  
Connect to the smart socket. SmartLink is a direct link between the TV and a VCR/DVD recorder.

**Hi-Fi audio equipment I**  
Connect to the audio output sockets to listen to the sound from the TV on Hi-Fi audio equipment.

# Specifications

## Display Unit

Power Requirements:  
220-240 V AC, 50 Hz

Screen Size:  
KDL-40U2000: 40 inches  
KDL-32U2000: 32 inches  
KDL-26U2000: 26 inches

Display Resolution:  
1,366 dots (horizontal) x 768 lines (vertical)

Power Consumption:  
KDL-40U2000: 180 W or less  
KDL-32U2000: 160 W or less  
KDL-26U2000: 105 W or less

Standby Power Consumption:  
1 W or less

Dimensions (w x h x d):  
KDL-40U2000:  
Approx. 988 x 687 x 270 mm (with stand)  
Approx. 988 x 653 x 128 mm (without stand)

KDL-32U2000:  
Approx. 797 x 580 x 220 mm (with stand)  
Approx. 797 x 548 x 125 mm (without stand)

KDL-26U2000:  
Approx. 663 x 503 x 220 mm (with stand)  
Approx. 663 x 472 x 128 mm (without stand)

## Mass:

KDL-40U2000:  
Approx. 24 kg (with stand)  
Approx. 21 kg (without stand)

KDL-32U2000:  
Approx. 16 kg (with stand)  
Approx. 14 kg (without stand)

KDL-26U2000:  
Approx. 12 kg (with stand)  
Approx. 10 kg (without stand)

## Panel System

LCD (Liquid Crystal Display) Panel

## TV System

Analogue: Depending on your country/region selection:  
B/G/H, D/K, L, I

Digital: DVB-T

## Colour/Video System

Analogue: PAL, SECAM  
NTSC 3.58, 4.43 (only Video In)

Digital: MPEG-2 MP@ML

## Aerial

75 ohm external terminal for VHF/UHF

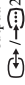
## Channel Coverage

Analogue: VHF: E2-E12  
E21-E69  
UHF: S1-S20  
CATV: S1-S41  
HYPER: S21-S41  
D/K: R1-R12, R21-R69

Digital: F2-F10, B-Q, F21-F69  
UHF B21-B69  
VHF/UHF

## Terminals

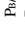
 21-pin Smart connector (CENELEC standard) including audio/video input, RGB input, and TV audio/video output.

 2 (SmartLink)


 21-pin Smart connector (CENELEC standard) including audio/video input, RGB input, selectable audio/video output, and SmartLink interface.


 Supported formats: 1080i, 720p, 576p, 576i, 480p, 480i

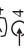
Y: 1 Vp-p, 75 ohms, 0.3V negative sync  
Pb/Cb: 0.7 Vp-p, 75 ohms

 PC Audio input (phono jacks)  
500 mVrms


Impedance: 47 kilo ohms

 S-video input (4-pin mini DIN)

 Video input (phono jack)

 Audio input (phono jacks)


 Audio output (Left/Right) (phono jacks)

 PC Input (15 Dsub) (see page 31)

G: 0.7 Vp-p, 75 ohms, non Sync on Green  
B: 0.7 Vp-p, 75 ohms, non Sync on Green

R: 0.7 Vp-p, 75 ohms, non Sync on Green

HD: 1.5 Vp-p  
VD: 1.5 Vp-p

 PC audio input (minijack)

HDMI IN 6  
Video: 1080i, 720p, 576p, 576i, 480p, 480i

Audio: Two channel linear PCM  
32, 44.1 and 48 kHz, 16, 20 and 24 bits,  
or analogue audio input (phono jacks)

 Headphones jack  
 CAM (Conditional Access Module) slot

## Sound Output

KDL-40U2000: 10 W + 10 W (RMS)  
KDL-32U2000: 10 W + 10 W (RMS)  
KDL-26U2000: 10 W + 10 W (RMS)

## Supplied Accessories

Refer to "1: Checking the accessories" on page 4.

## Optional Accessories

- Wall-Mount Bracket  
SU-WL51 (for KDL-40U2000)  
SU-WL31 (for KDL-32U2000 / KDL-26U2000)

Design and specifications are subject to change without notice.

## PC Input Signal Reference Chart

Signals	Horizontal (Pixel)	Vertical (Line)	Horizontal frequency (kHz)	Vertical frequency (Hz)	Standard
VGA	640	480	31.5	60	VGA
SVGA	800	600	37.9	60	VESA Guidelines
XGA	1024	768	48.4	60	VESA Guidelines
WXGA	1280	768	47.4	60	VESA
	1280	768	47.8	60	VESA

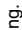
- This TV's PC input does not support Sync on Green or Composite Sync.
- This TV's PC input does not support interlaced signals.
- This TV's PC input supports signals in the above chart with a 60 Hz vertical frequency. For other signals, you will see the message "NO SYNC".

## Troubleshooting

Check whether the  (standby) indicator is flashing in red.

### When it is flashing

The self-diagnosis function is activated.

1 Measure how long the  (standby) indicator flashes and stops flashing.









For example, the indicator flashes for two seconds, stops flashing for one second, and flashes for two seconds.

2 Press  on the TV (top side) to switch it off, disconnect the mains lead, and inform your dealer or Sony service centre of how the indicator flashes (duration and interval).

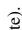
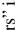
### When it is not flashing

- 1 Check the items in the tables below.
- 2 If the problem still persists, have your TV serviced by qualified service personnel.

## Picture

Problem	Cause/Remedy
No picture (screen is dark) and no sound	<ul style="list-style-type: none"> <li>• Check the aerial connection.</li> <li>• Connect the TV to the mains, and press  on the TV (top side).</li> <li>• If the  (standby) indicator lights up in red, press .</li> </ul>
No picture or no menu information from equipment connected to the scarts or HDMI IN socket	<ul style="list-style-type: none"> <li>• Check that the optional equipment is on and press  repeatedly until the correct input symbol is displayed on the screen.</li> <li>• Check the connection between the optional equipment and the TV.</li> <li>• When connecting any equipment to the HDMI IN 6 socket or when changing the resolution, some dots can appear blinking on the screen for a few seconds. HDMI signal decoding is in progress and it does not indicate a malfunction.</li> </ul>
Double images or ghosting	<ul style="list-style-type: none"> <li>• Check aerial/cable connections.</li> <li>• Check the aerial location and direction.</li> </ul>
Only snow and noise appear on the screen	<ul style="list-style-type: none"> <li>• Check if the aerial is broken or bent.</li> <li>• Check if the aerial has reached the end of its serviceable life (three to five years in normal use, one to two years at the seaside).</li> </ul>
Distorted picture (dotted lines or stripes)	<ul style="list-style-type: none"> <li>• Keep the TV away from electrical noise sources such as cars, motorcycles, hair-dryers or optical equipment.</li> <li>• When installing optional equipment, leave some space between the optional equipment and the TV.</li> <li>• Make sure that the aerial is connected using the supplied coaxial cable.</li> <li>• Keep the aerial cable away from other connecting cables.</li> </ul>
Picture noise when viewing a TV channel	<ul style="list-style-type: none"> <li>• Select "Manual Programme Preset" in the "Set-Up" menu and adjust "APT" (Automatic Fine Tuning) to obtain better picture reception (page 26).</li> </ul>
Some tiny black points and/or bright points on the screen	<ul style="list-style-type: none"> <li>• The picture of a display unit is composed of pixels. Tiny black points and/or bright points (pixels) on the screen do not indicate a malfunction.</li> </ul>
No colour on programmes	<ul style="list-style-type: none"> <li>• Select "Reset" in the "Picture Adjustment" menu to return to the factory settings (page 20).</li> </ul>
No colour or irregular colour when viewing a signal from the Y, Pb/Cb, Pr/Cr jacks of  or the Y, Pb/Cb, Pr/Cr jacks of 	<ul style="list-style-type: none"> <li>• Check the connection of the Y, Pb/Cb, Pr/Cr jacks of .</li> <li>• Make sure that the Y, Pb/Cb, Pr/Cr jacks of  are firmly seated in their respective sockets.</li> </ul>

## Sound

Problem	Cause/Remedy
No sound, but good picture	<ul style="list-style-type: none"> <li>• Press  or  (Mute).</li> <li>• Check that "TV Speakers" is set to "On" in the "Sound Adjustment" menu (page 22).</li> </ul>
Noisy sound	<ul style="list-style-type: none"> <li>• See the "Picture noise" causes/remedies on page 34.</li> </ul>

## Channels

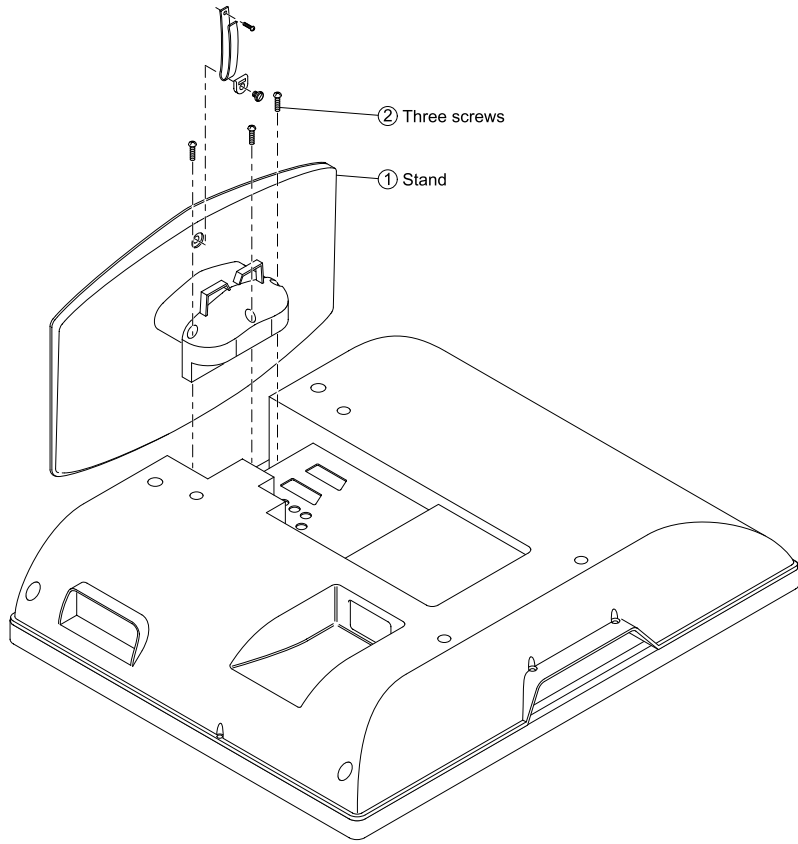
Problem	Cause/Remedy
The desired channel cannot be selected	<ul style="list-style-type: none"> <li>• Switch between digital and analogue mode and select the desired digital/analogue channel.</li> </ul>
Some channels are blank	<ul style="list-style-type: none"> <li>• Scrambled/Subscription only channel. Subscribe to the Pay Per View service.</li> <li>• Channel is used only for data (no picture or sound).</li> <li>• Contact the broadcaster for transmission details.</li> </ul>
Digital channel is not displayed	<ul style="list-style-type: none"> <li>• Check that the aerial is plugged directly into the TV (not through other equipment).</li> <li>• Contact a local installer to find out if digital transmissions are provided in your area.</li> <li>• Upgrade to a higher gain aerial.</li> </ul>

## General

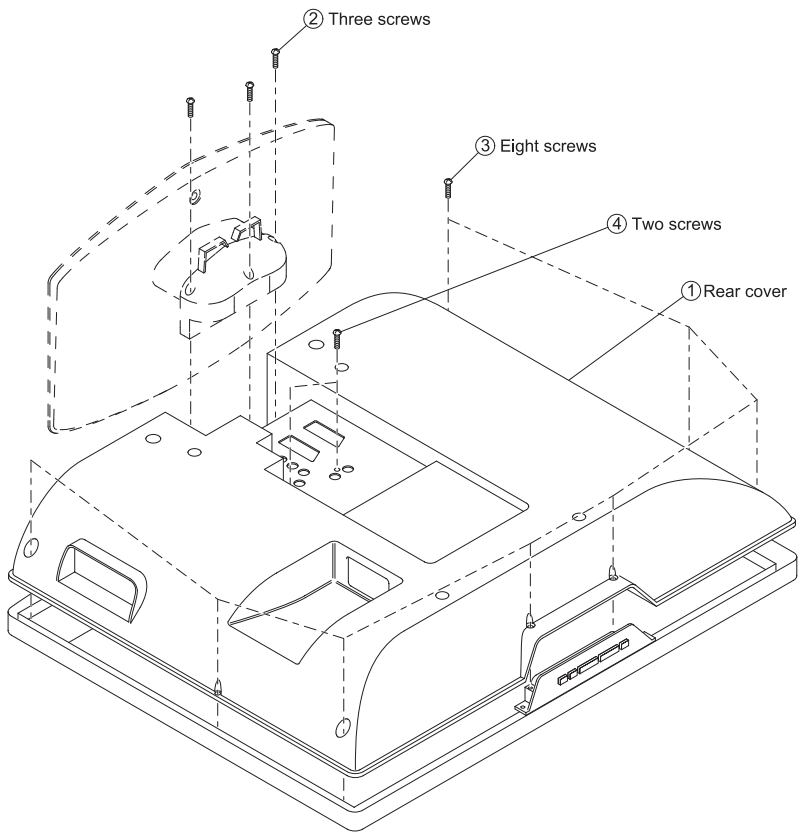
Problem	Cause/Remedy
The TV turns off automatically (the TV enters standby mode)	<ul style="list-style-type: none"> <li>• Check if the "Sleep Timer" is activated, or confirm the setting of "Off Time" (page 24).</li> <li>• If no signal is received and no operation is performed in the TV mode for 10 minutes, the TV automatically switches to standby mode.</li> </ul>
The TV turns on automatically	<ul style="list-style-type: none"> <li>• Check if the "On Time" is activated (page 24).</li> </ul>
Some input sources cannot be selected	<ul style="list-style-type: none"> <li>• Select "AV Preset" in the "Set-up" menu and cancel "Skip" of the input source (page 25).</li> </ul>
The remote does not function	<ul style="list-style-type: none"> <li>• Replace the batteries.</li> </ul>

# SECTION 2 DISASSEMBLY

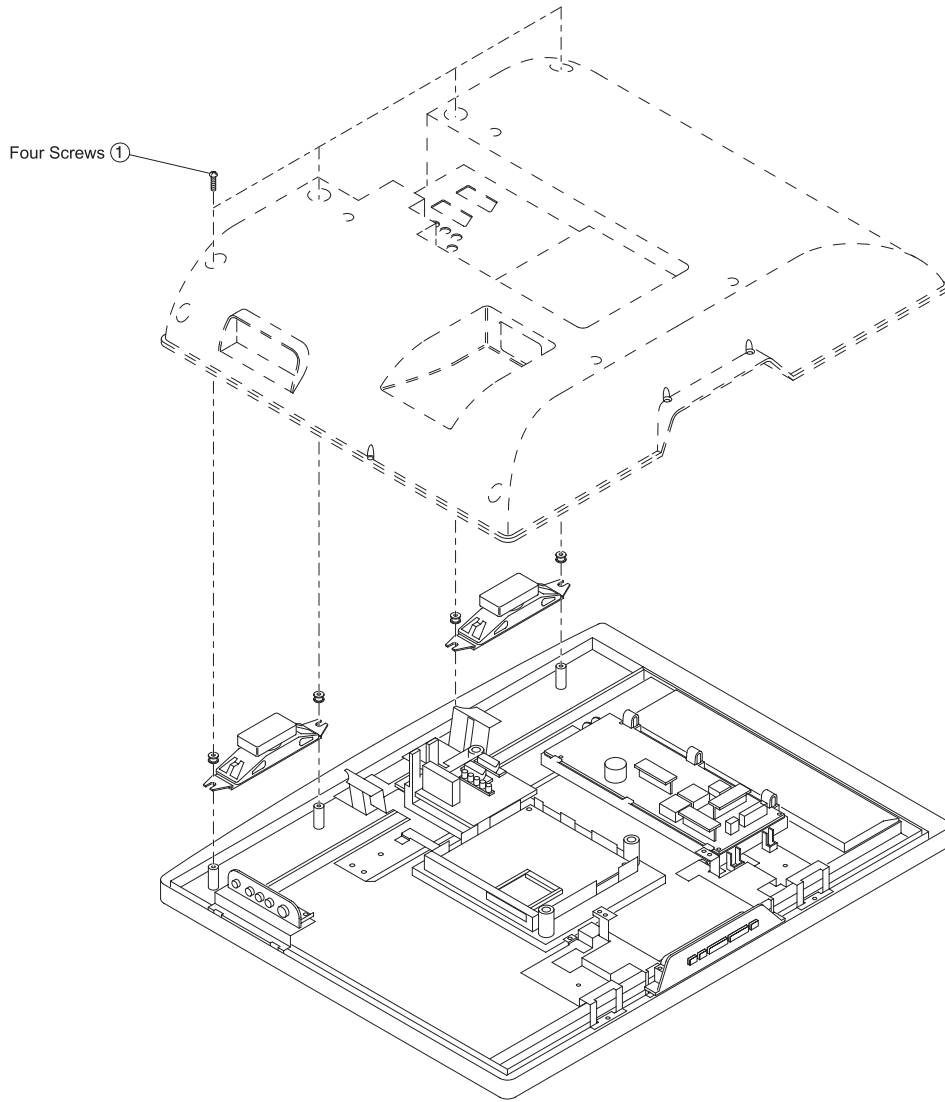
## 2-1. STAND REMOVAL



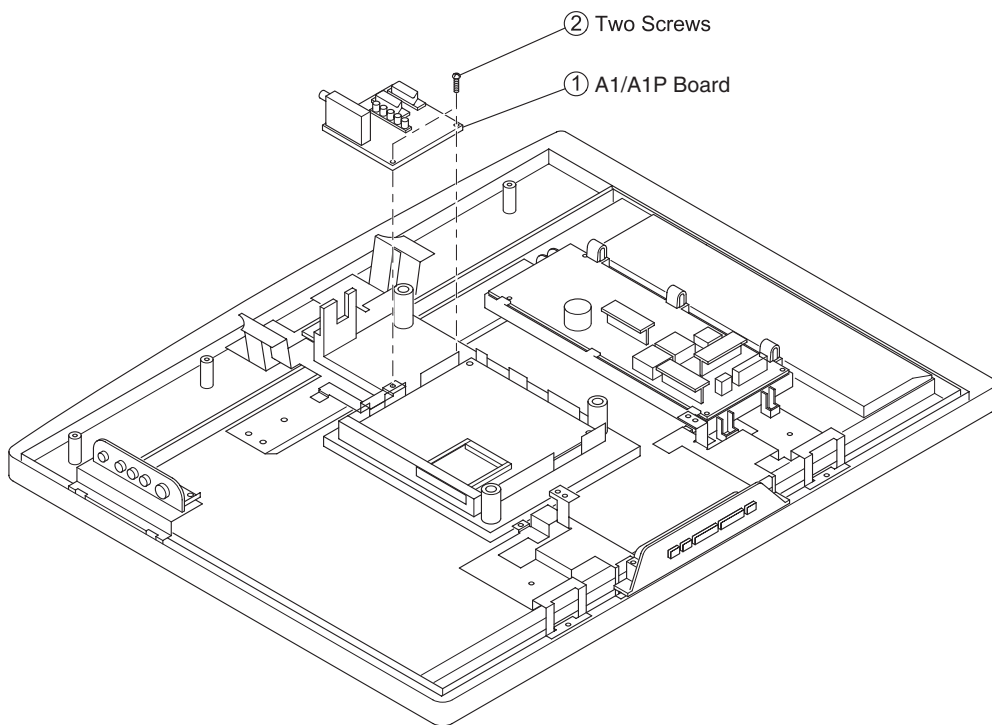
## 2-2. REAR COVER REMOVAL



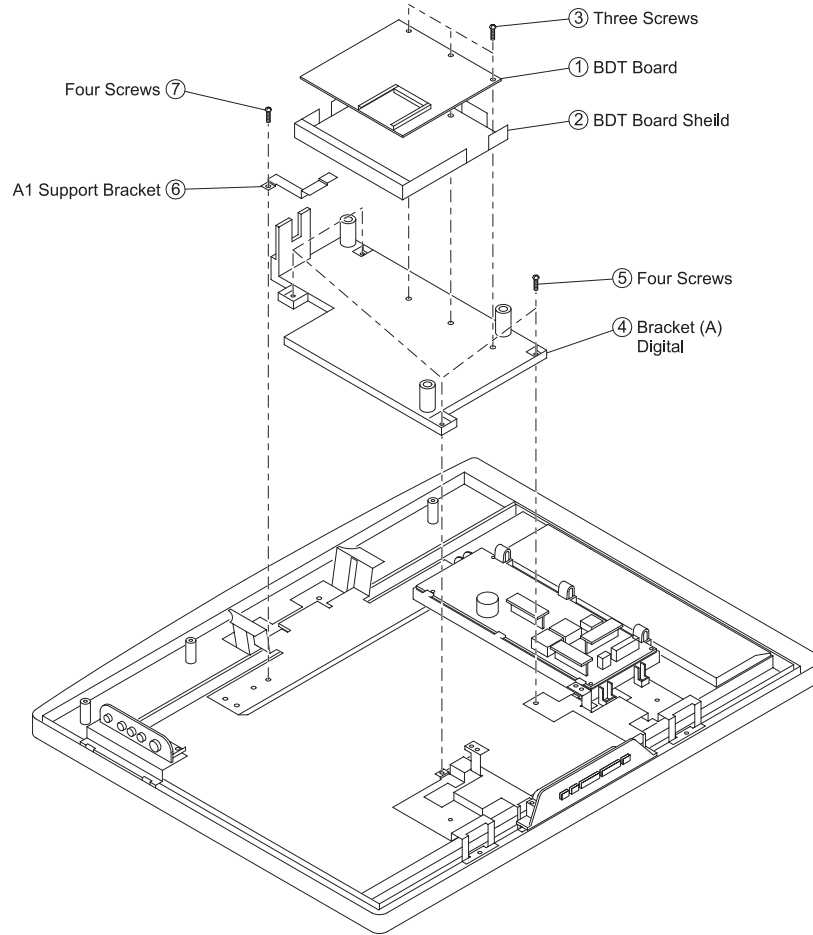
### 2-3. SPEAKER REMOVAL



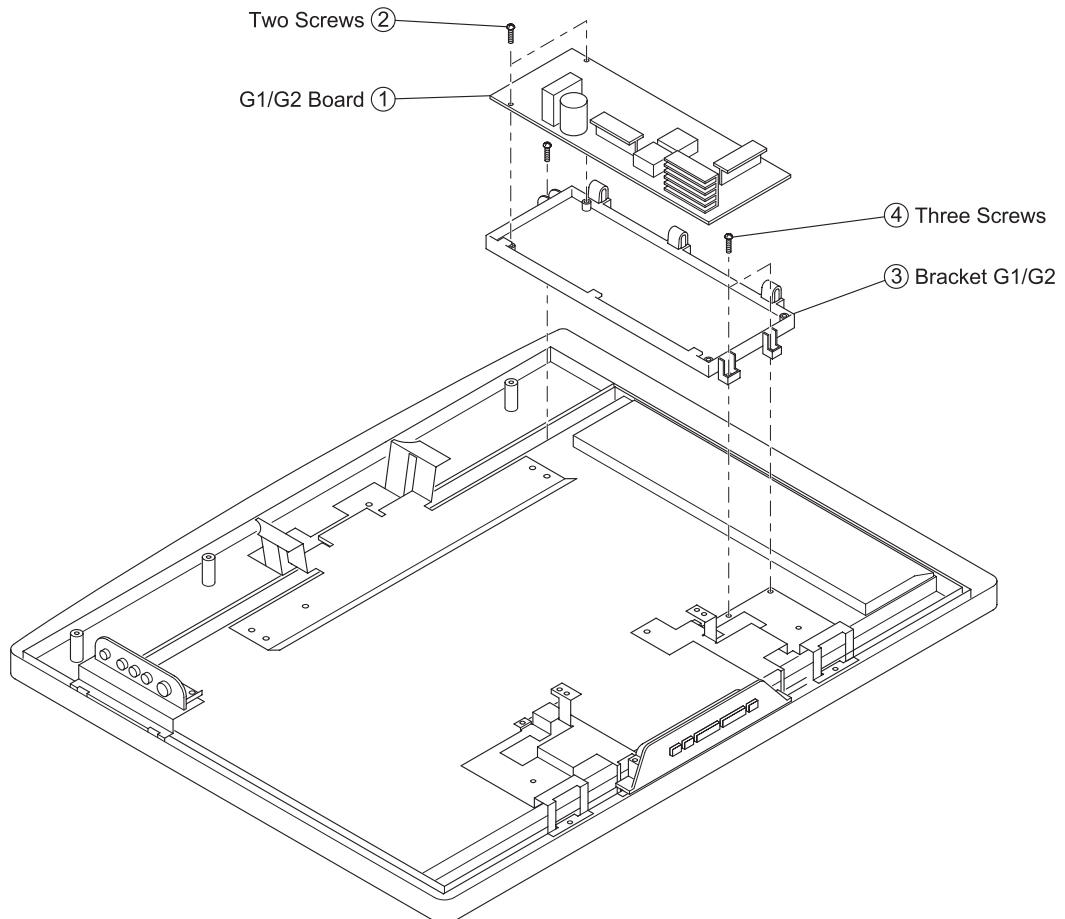
### 2-4. A1/A1P BOARD REMOVAL



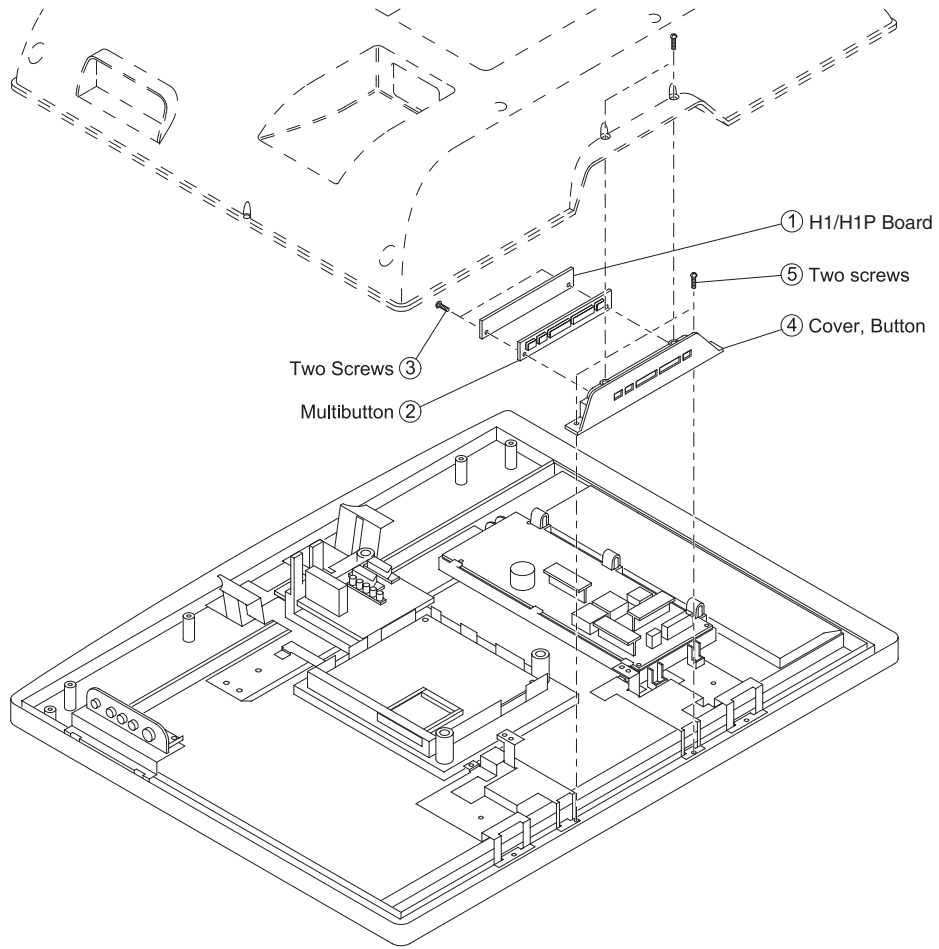
## 2-5. BDT BOARD REMOVAL



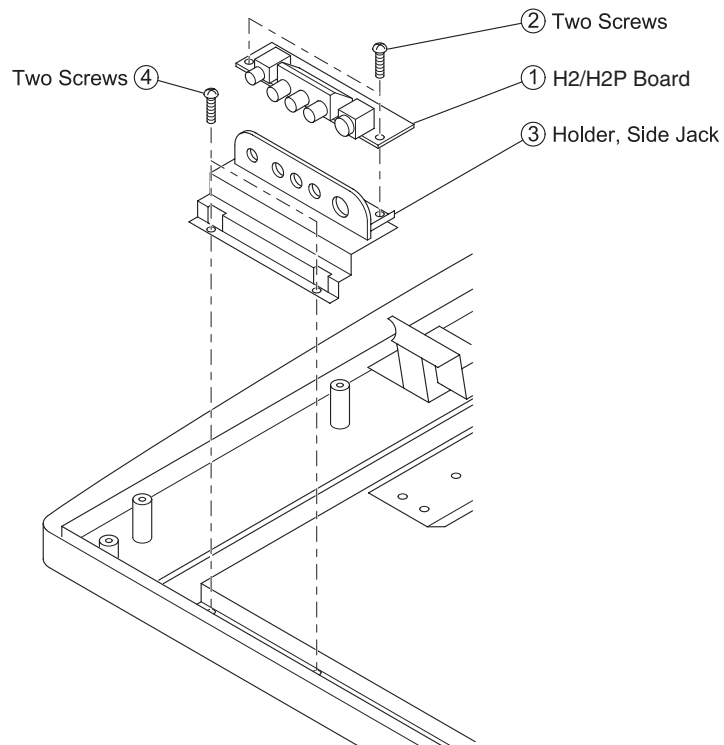
## 2-6. G1/G2 BOARD REMOVAL



**2-7. H1/H1P BOARD REMOVAL**

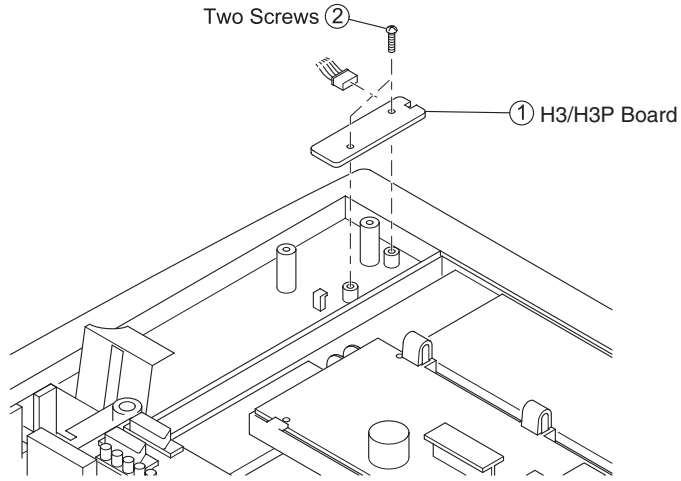


**2-8. H2/H2P BOARD REMOVAL**

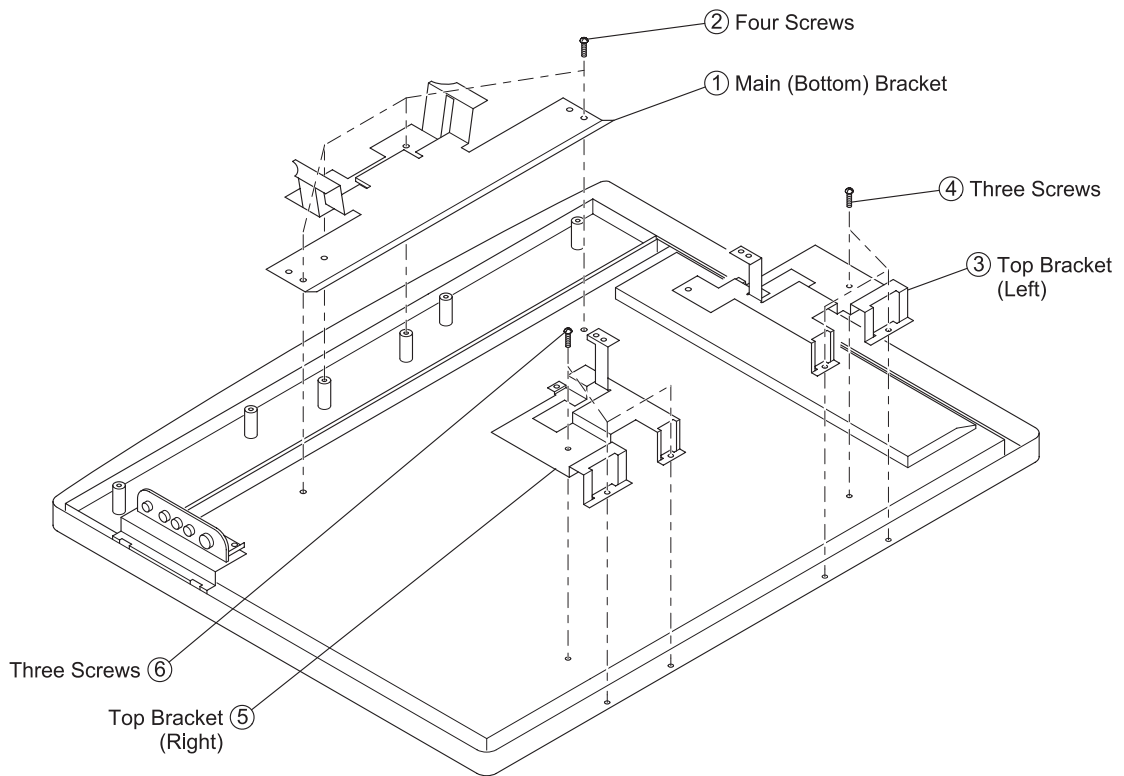




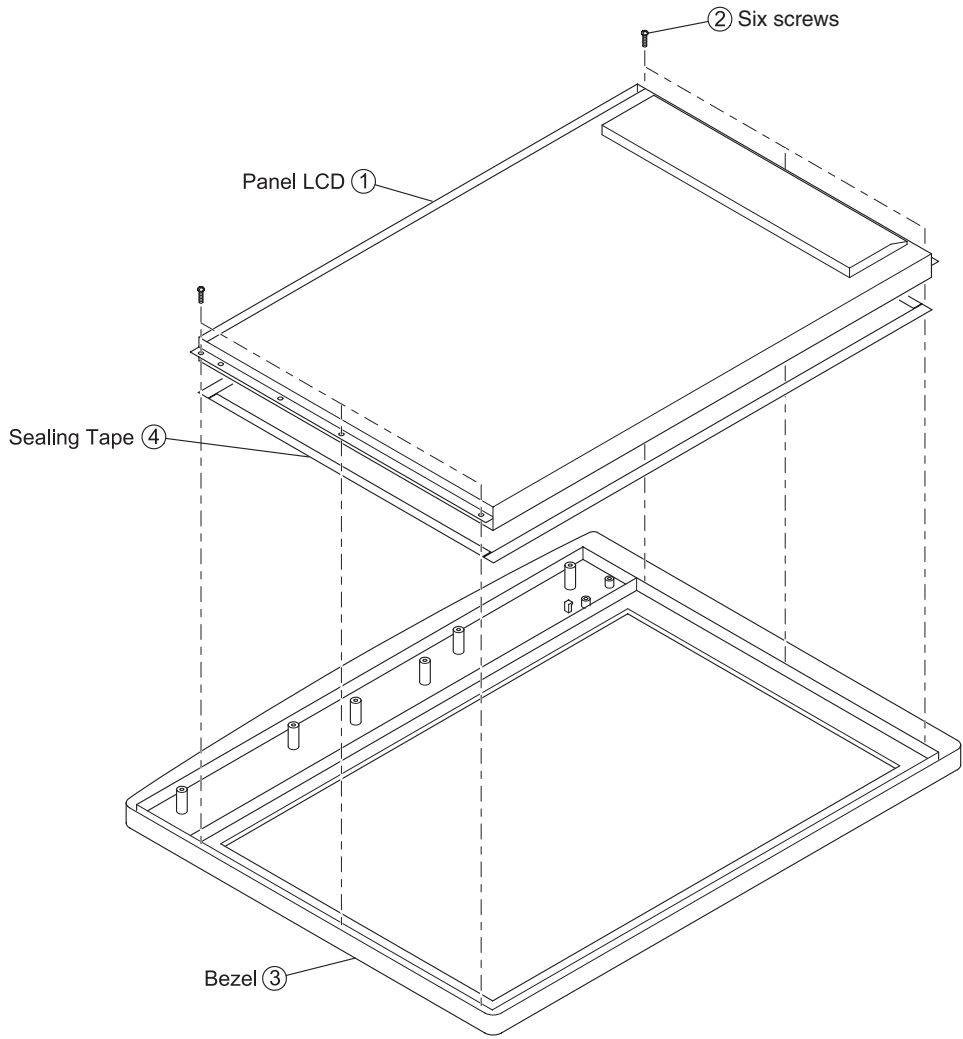
2-9. H3/H3P BOARD REMOVAL



2-10. BRACKET REMOVAL



2-11. LCD PANEL REMOVAL



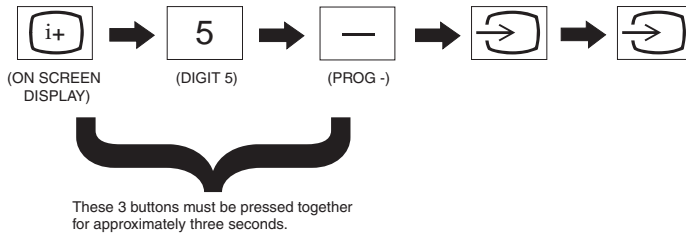
## SECTION 3 CIRCUIT ADJUSTMENTS

### 3-1. Electrical Adjustments

Service adjustments to this model can be performed using the supplied remote Commander RM-ED007.

#### How to enter into the Service Mode

1. Turn on the main power switch.
2. Press the following sequence of buttons on the Remote Commander.



'TT—' will appear in the upper right corner of the screen. Other status information will also be displayed (See 3-3 Page 26).

3. Press 'MENU' on the remote commander to obtain the following menu on the screen.

BACKLIGHT
HDMI
SOUND
IF ADJUST
SERVICE MENU
ERROR MENU
SE1 v0.18 Mar06
FACTORY DATA: 11111111
SERIAL NUMBER: 4294967295a
WORKING TIME: 3:50

4. Move to the corresponding adjustment item using the up or down arrow buttons on the Remote Commander.
5. Press the right arrow button to enter into the required menu item.
6. Press the 'Menu' button on the Remote Commander to quit the Service Mode when all adjustments have been completed.

**Note :**

- After carrying out the service adjustments, to prevent the customer accessing the 'Service Menu' switch the TV set OFF and then ON.

BACKLIGHT		
BACKLIGHT	(0, 255)	160
U BACKLIGHT	(0, 10)	10
BL SETUDEN	(0, 255)	28
BL BOTTOM	(0, 255)	28
ECO MODE	(0, 1)	1
DIMMER	(0, 255)	160

HDMI		
Version	(0, 255)	36
Video Mode	(0, 255)	10
VAI2	(0, 255)	0
VAI3	(0, 255)	0
TRA_CAL	(0, 255)	24
Vper MSB	(0, 255)	0
Vper ISB	(0, 255)	0
Hper MSB	(0, 255)	0
HS Width MSB	(0, 255)	0
STM LSB	(0, 255)	48
Ri (MSB)	(0, 255)	205
Ri (LSB)	(0, 255)	69
Aksv_0	(0, 255)	0
Aksv_1	(0, 255)	0
Aksv_2	(0, 255)	0
Aksv_3	(0, 255)	0
Aksv_4	(0, 255)	0
An_0	(0, 255)	0
An_1	(0, 255)	0
An_2	(0, 255)	0
An_3	(0, 255)	0
An_4	(0, 255)	0
An_5	(0, 255)	0
An_6	(0, 255)	0
An_7	(0, 255)	0
Pj	(0, 255)	220
Ainfo	(0, 255)	0
Flags	(0, 255)	20
AVI Type	(0, 255)	0
AVI Version	(0, 255)	0
AVI Length	(0, 255)	0
AVI Checksum	(0, 255)	0
AVI Byte1	(0, 255)	0
AVI Byte2	(0, 255)	0
AVI Byte3	(0, 255)	0
AVI Byte4	(0, 255)	0
AVI Byte5	(0, 255)	0
AVI Byte6	(0, 255)	0
AVI Byte7	(0, 255)	0
AVI Byte8	(0, 255)	0
AVI Byte9	(0, 255)	0
AVI Byte10	(0, 255)	0
AVI Byte11	(0, 255)	0
AVI Byte12	(0, 255)	0
AVI Byte13	(0, 255)	0

SOUND		
M-N	(0, 511)	192
M-D	(-128, -1)	-20
M-S	(+0, +127)	+20
S-M	(+0, +127)	+10
D-M	(-128, -1)	-10
N-M	(0, 1023)	496
Effect Mode	(+0, +2)	+2
BBE Mode	(-0, +127)	+0
BBE Vol main	(+0, +255)	+6
BBE Vol res	(+0, +7)	+3
B1	(-96, +96)	+0
B2	(-96, +96)	+8
B3	(-96, +96)	+7
B4	(-96, +96)	+8
B5	(-96, +96)	-28
Loudness	(+0, +68)	-11
MB_STR	(+0, -127)	+0
MB_LIM	(-32, +0)	+0
MB_HMC	(+0, +127)	-15
MB_LP	(+5, +30)	-24
MB_HP	(+3, +30)	-20
SUBW_FREQ	(+5, +40)	+30
NICAM C AD	00000	
NICAM Error	(0, 2047)	2047
Stereo	(-128, +127)	+0
Status	0000000110	

SERVICE MENU		
NORM_PAL_RD_H	(+0, +1)	+3
NORM_PAL_RD_L	(+0, +255)	+0
NORM_PAL_GD_H	(+0, +1)	+3
NORM_PAL_GD_L	(+0, +255)	+0
NORM_PAL_BD_H	(+0, +1)	+3
NORM_PAL_BD_L	(+0, +255)	+0
NORM_PAL_RC_H	(+0, +3)	+0
NORM_PAL_RC_L	(+0, +255)	+0
NORM_PAL_GC_H	(+0, +3)	+0
NORM_PAL_GC_L	(+0, +255)	+0
NORM_PAL_BC_H	(+0, +3)	+0
NORM_PAL_BC_L	(+0, +255)	+0
SECAM_OFF_RD	(-128, +128)	+0
SECAM_OFF_GD	(-128, +128)	+0
SECAM_OFF_BD	(-128, +128)	+0
SECAM_OFF_RC	(-128, +128)	+0
SECAM_OFF_GC	(-128, +128)	+0
SECAM_OFF_BC	(-128, +128)	+0
WARM_OFF_RD	(-128, +128)	+50
WARM_OFF_GD	(-128, +128)	+0
WARM_OFF_BD	(-128, +128)	-50
WARM_OFF_RC	(-128, +128)	+0
WARM_OFF_GC	(-128, +128)	+0
WARM_OFF_BC	(-128, +128)	+0
COOL_OFF_RD	(-128, +128)	-50
COOL_OFF_GD	(-128, +128)	+0
COOL_OFF_BD	(-128, +128)	+50
COOL_OFF_RC	(-128, +128)	+0
COOL_OFF_GC	(-128, +128)	+0
COOL_OFF_BC	(-128, +128)	+0
NTSC_OFF_RD	(-128, +128)	-1
NTSC_OFF_GD	(-128, +128)	+0
NTSC_OFF_BD	(-128, +128)	+0
NTSC_OFF_RC	(-128, +128)	+0
NTSC_OFF_GC	(-128, +128)	+0
NTSC_OFF_BC	(-128, +128)	+0

IF ADJUST		
Automute		0
Audio Gain		0
L Gating		0
Coincidence		0
AFT window		1
AFT Status	0111	
AGC TOP	(-16, +15)	-5

ERROR MENU		
E02: Reserved	(0, 255)	0
E03: DC Fail	(0, 255)	0
E04: PANEL DET	(0, 255)	2
E05: NVM	(0, 255)	0
E06: IIC	(0, 255)	0
E07: HDMI	(0, 255)	2
E08: DIGITAL	(0, 255)	0
E09: TUNER	(0, 255)	0
E10: SP	(0, 255)	0
E11: VCTP	(0, 255)	0
E12: PEXP	(0, 255)	47
E13: RTC	(0, 255)	0
WORKING TIME		
HOURS	(0, 65535)	4
MINUTES	(0, 59)	38

**3-2. TEST MODE 2**

Test Mode 2 is available by setting the TV for operation in Service Mode [ As shown on Page 23 ] , OSD 'TT' appears. The functions described below are available by selecting the two numbers. To release the 'Test mode 2', press 00, 10, 20 ... twice or switch the TV set into Stand-by mode. In 'TT Menu' mode, it is possible to remove the Menu from the screen by pressing the Speaker Off button once. Pressing the Speaker OFF button a second time will cause the Menu to reappear. The function is kept even when the menu is not displayed on screen !!.

00	'TT' mode off
01	Set picture level to maximum
02	Set picture level to minimum
03	Set volume to 35%
04	Set volume to 50%
05	Set volume to 65%
06	Set volume to 80%
07	Ageing mode on
08	Shipping Condition
16	Picture level 50%
19	Factory mode enable/disable
24	U Destination
25	AEP Destination
27	CBA mode toggle (ON/OFF)
31	ECS mode toggle (ON/OFF)
32	Set BCN channels preset
33	FILMODE toggle (ON/OFF)
34	Set INY channels preset
35	INSERT or SWAP sorting
37	Hotel mode
38	OTRUM mode
39	Enable Digital Test
41	Re-initialise NVM
43	Select Dual Sound A
44	Select Dual Sound B
45	Select Dual Sound Mono
46	Select Dual Sound Stereo
48	Set NVM as non-virgin
49	Set NVM as virgin
51	PAL autoadjustment
52	RGB autoadjustment
53	SECAM autoadjustment
54	Watchdog toggle

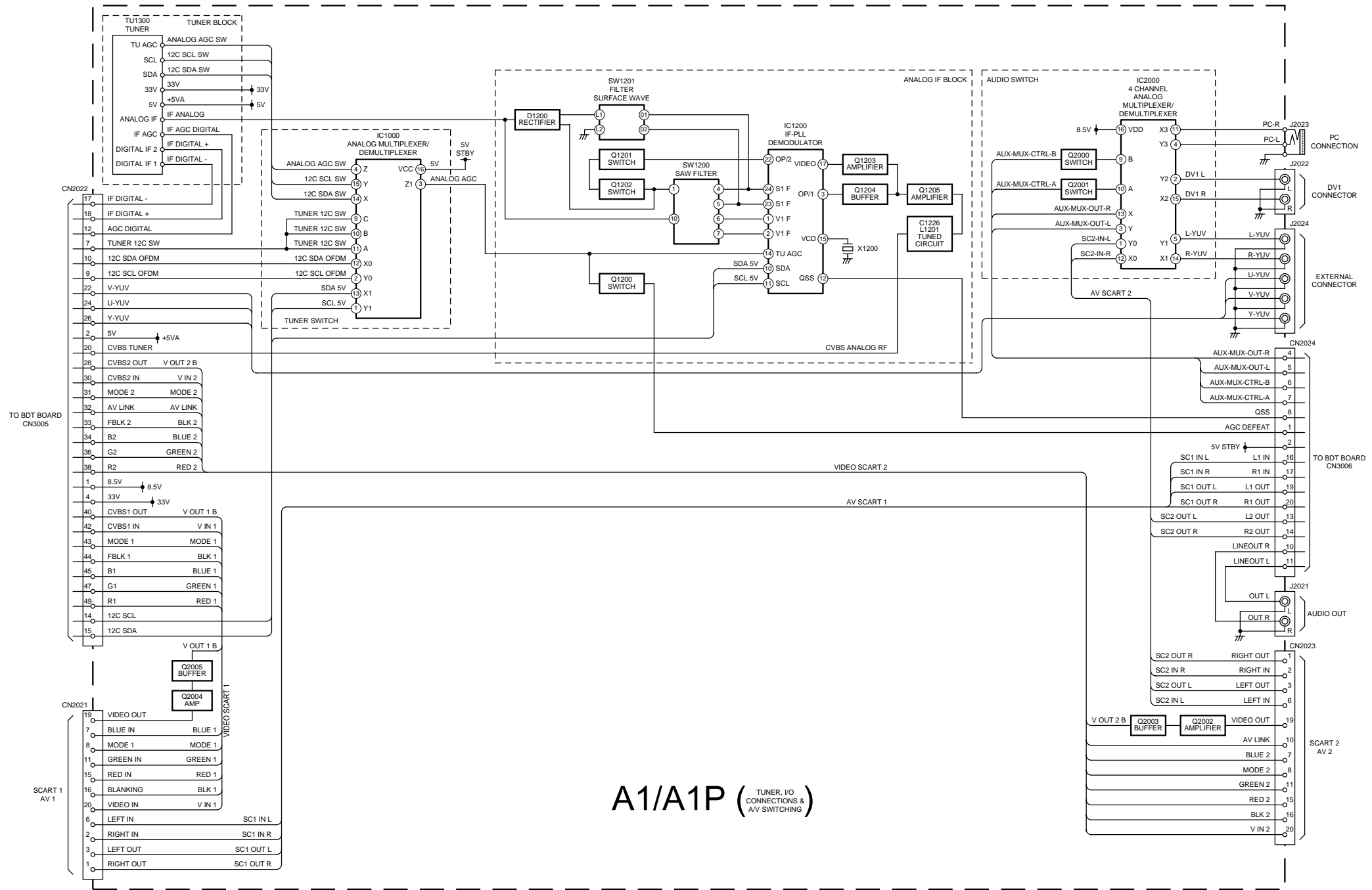
55	Toggle tuner selection
56	Reset all channel attenuations
58	Chip select toggle
59	Visual I2C toggle
61	Auto AGC
62	Toggle digital mode flag
63	AM from baseband or from RF
64	Set 40" settings
67	MSP Auto Carrier Mute function enable/disable
71	Set 19" settings (Not Applicable)
72	Set 23" settings (Not Applicable)
73	Set 26" settings
74	Set 32" settings
75	Set centred balance
76	Set volume to max
77	Set volume to min
78	Set balance full left
79	Set balance full right
81	Digital BER display
82	Digital Service menu
83	Digital colour bar output from DENC
84	TS CI path through
85	Digital tuner power down
86	Switch between two digital SW banks
87	Local keys test
88	Digital shipping conditions
89	LED test
92	PC Monitor mode
93	I2S / Analogue audio used for Digital sound
96	Digital debug output: enable/disable
97	Digital 656 output: enable/disable
98	Digital Auto Reset function: enable/disable
99	Display Error and Working Time menu

**3-3. TT OSD Labels**

		(1) 3	2		A	E	P	(2)			(3)	T	T	-	-		
(4)	E	C	S		(5) C	B	A				(6)	N	o	r	m		
(7)	D	D	C		(8) E			O	H	D	C	M	S				
								(9)	(10)	(11)	(12)	(13)	(14)				
	C	L	K		-	W		C	V								
					(15)	(16)		(17)	(18)								

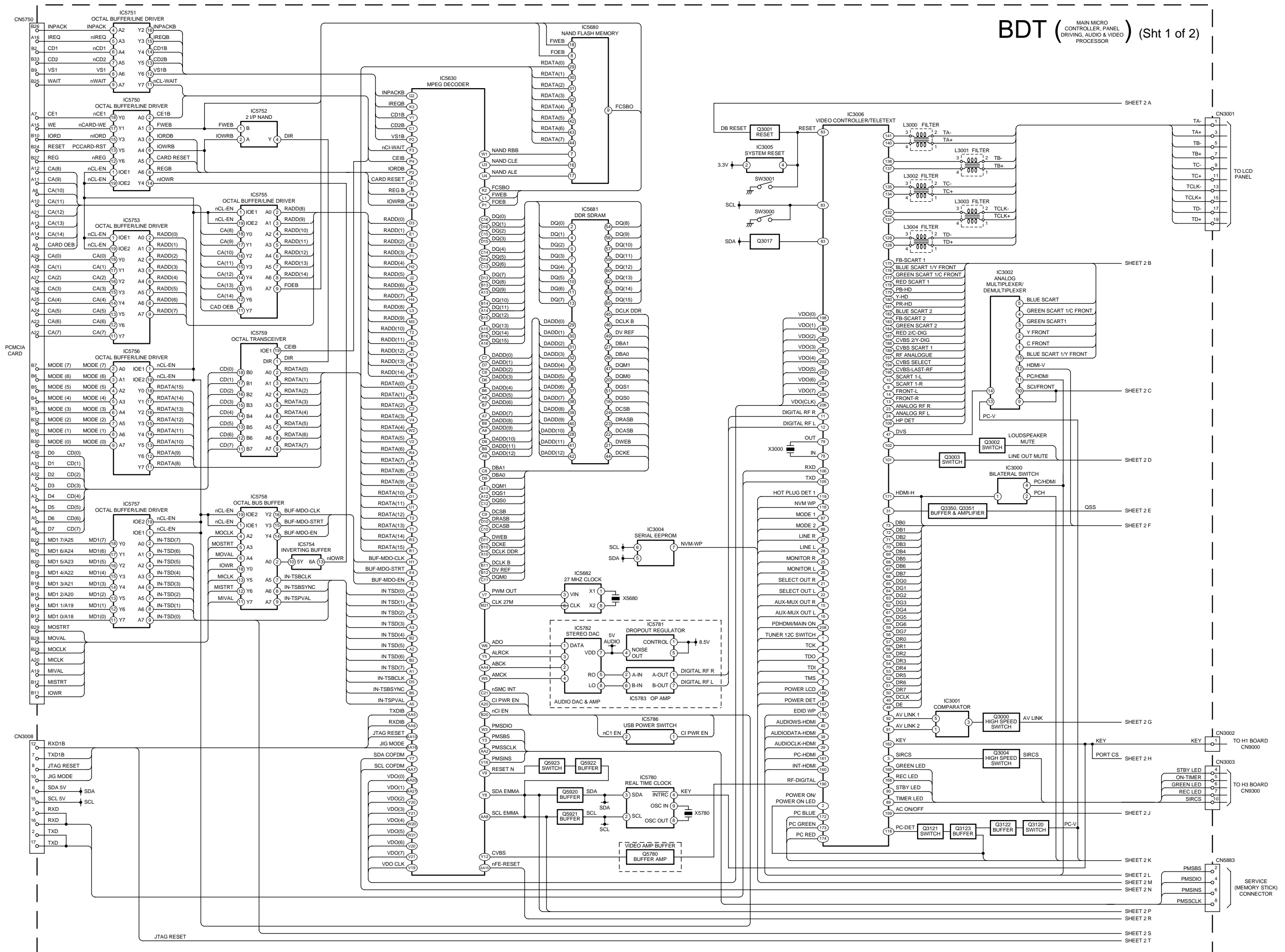
1. Model configuration.
2. Model destination.
3. Command prompt.
4. ECS enabled/disabled (TT31).
5. CBA is shown when the TV set is in CBA mode (This mode is available from Factory mode).
6. Normal or Factory mode (TT19).
7. DDC enabled/disabled (TT65).
8. E is shown when EDID WP is enabled; - is shown otherwise (TT66).
9. O is shown when OTRUM is enabled; - is shown otherwise (TT38).
10. H is shown when Hotel mode is enabled; - is shown otherwise (TT37).
11. D is shown when Digital mode is enabled; A is shown when Analogue mode is enabled (TT62).
12. C (Default value) is shown when MSP Auto Carrier Mute function is enabled; - is shown otherwise.
13. M (Default value) is shown when AM sound is demodulated in MSP; A is shown when AFRIC demodulator is used.
14. S is shown when a SONY tuner is selected; P is shown when a PHILIPS tuner is selected (TT55).
15. V is shown when Visual I2C is enabled; - is shown otherwise (TT55).
16. W is shown when Watchdog is enabled; - is shown otherwise (TT55).
17. C is shown when Chip Select is enabled; - is shown otherwise (TT55).
18. V is shown when Visual I2C is enabled; - is shown otherwise (TT55).

4-1. BLOCK DIAGRAMS (1)



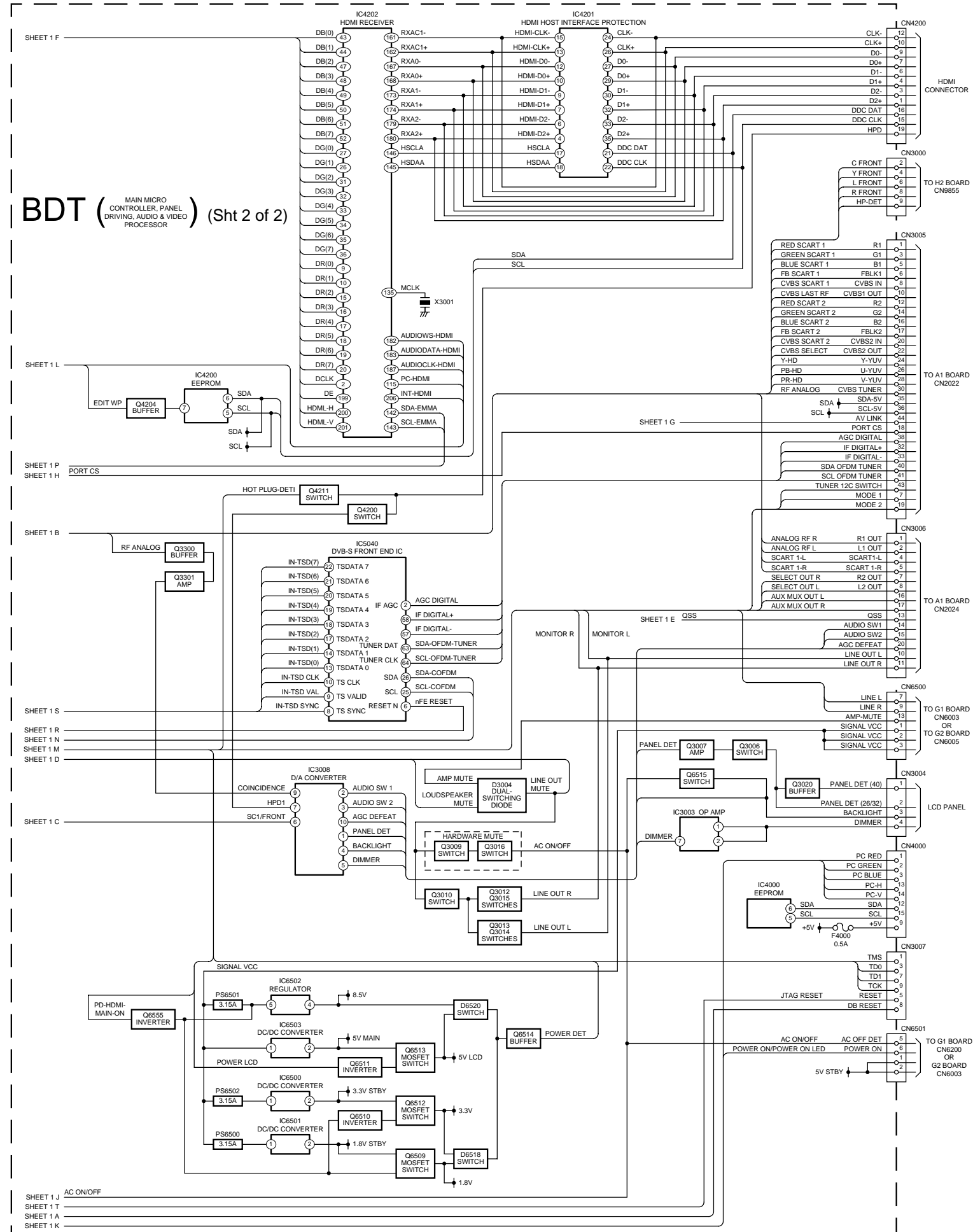
4-1. BLOCK DIAGRAMS (2)

BDT ( MAIN MICRO CONTROLLER, PANEL DRIVING, AUDIO & VIDEO PROCESSOR ) (Sht 1 of 2)

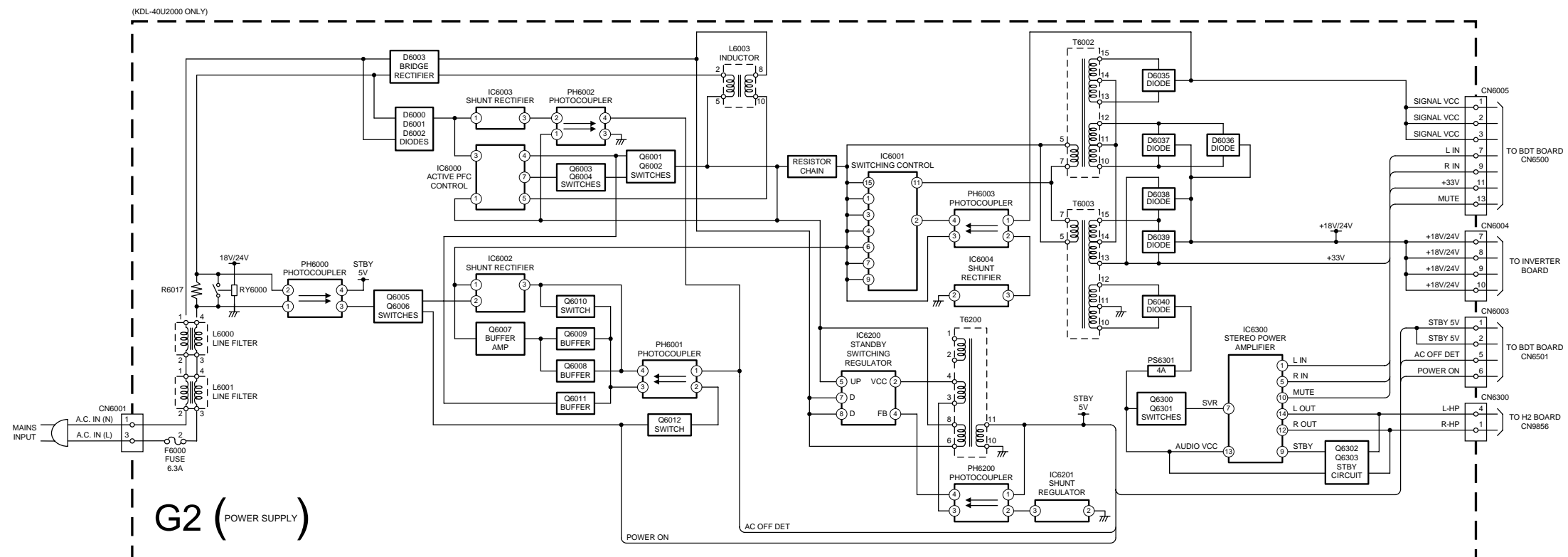
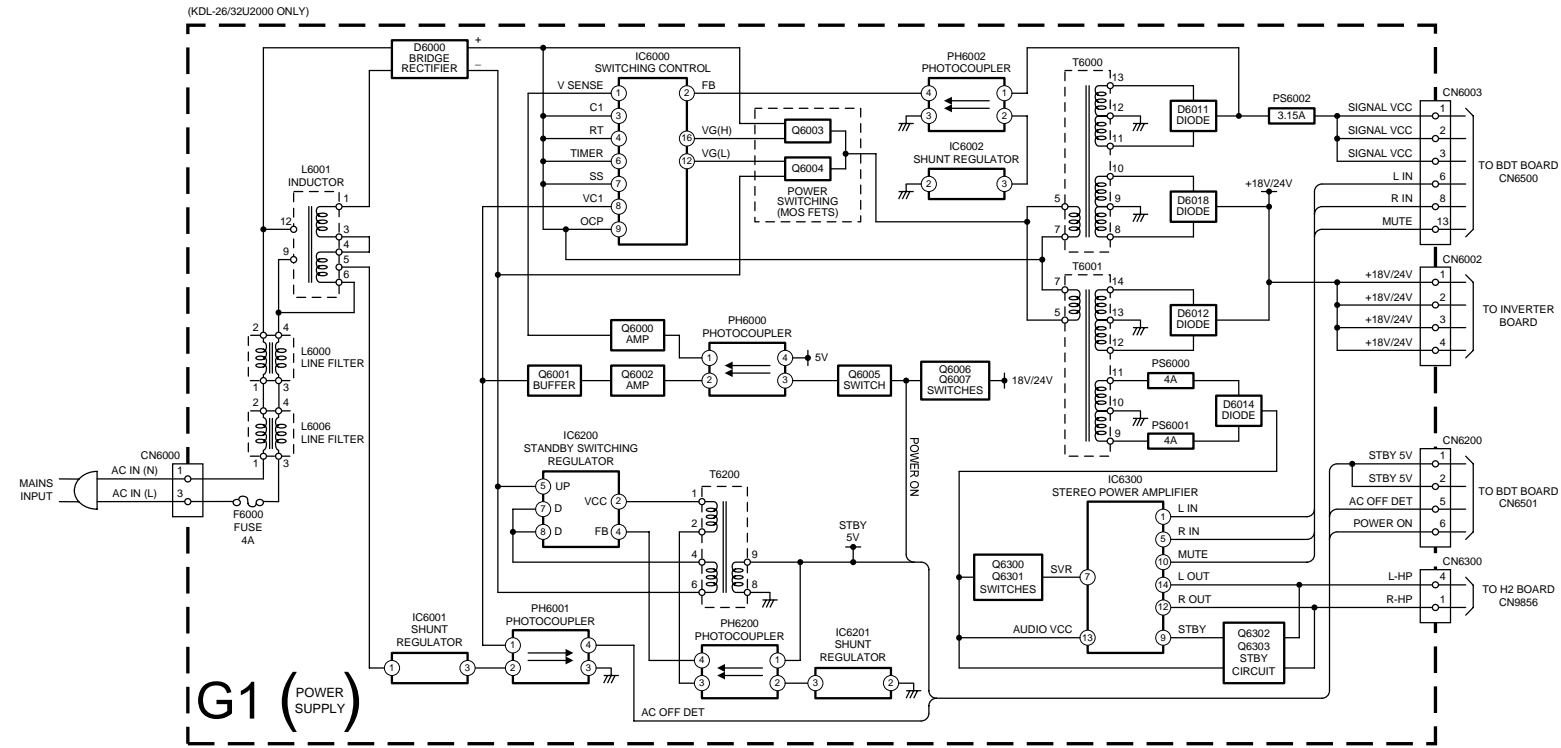




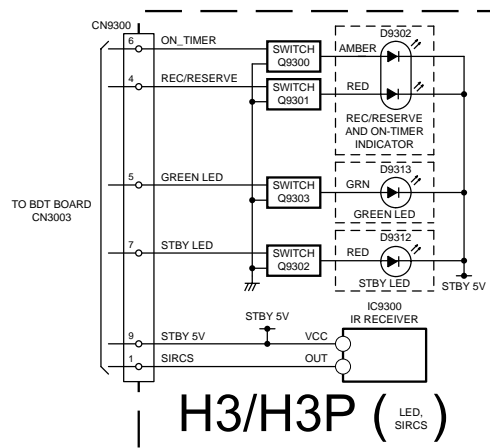
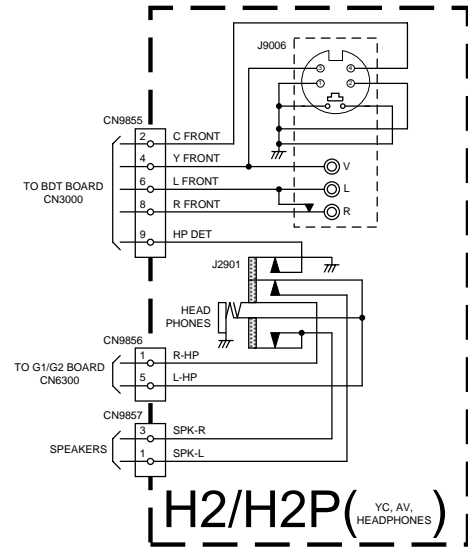
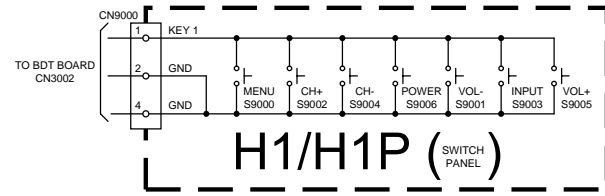
4-1. BLOCK DIAGRAMS (3)



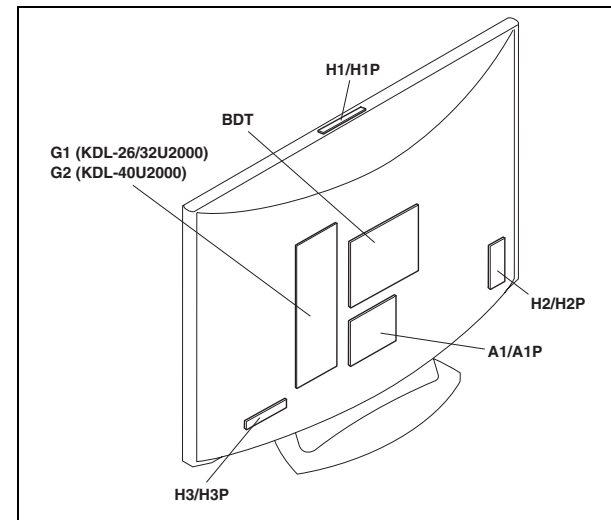
4-1. BLOCK DIAGRAMS (4)



#### 4-1. BLOCK DIAGRAMS (5)



#### 4-2. CIRCUIT BOARD LOCATION



#### 4-3. SCHEMATIC DIAGRAMS AND PRINTED WIRING BOARDS

##### Note :

- All capacitors are in  $\mu\text{F}$  unless otherwise noted.
- $\text{pF}$  :  $\mu\mu\text{F}$  50WV or less are not indicated except for electrolytic types.
- Indication of resistance, which does not have one for rating electrical power, is as follows.

Pitch : 5mm  
Electrical power rating : 1/4W

- Chip resistors are 1/10W
- All resistors are in ohms.
- k = 1000 ohms, M = 1000,000 ohms

- : nonflammable resistor.
- : fusible resistor.
- : internal component.
- : panel designation or adjustment for repair.

- All variable and adjustable resistors have characteristic curve B, unless otherwise noted.
- All voltages are in Volts.
- Readings are taken with a 10Mohm digital multimeter.
- Readings are taken with a color bar input signal.
- Voltage variations may be noted due to normal production tolerances.

- : B + bus.
- : B - bus.
- : RF signal path.
- : earth - ground.
- : earth - chassis.

#### Reference Information

RESISTOR	RN	: METAL FILM
	RC	: SOLID
	FPRD	: NON FLAMMABLE CARBON
	FUSE	: NON FLAMMABLE FUSIBLE
	RS	: NON FLAMMABLE METAL OXIDE
	RB	: NON FLAMMABLE CEMENT
	RW	: NON FLAMMABLE WIREWOUND
		: ADJUSTMENT RESISTOR
COIL	LF-8L	: MICRO INDUCTOR
CAPACITOR	TA	: TANTALUM
	PS	: STYROL
	PP	: POLYPROPYLENE
	PT	: MYLAR
	MPS	: METALIZED POLYESTER
	MPP	: METALIZED POLYPROPYLENE
	ALB	: BIPOLAR
	ALT	: HIGH TEMPERATURE
	ALR	: HIGH RIPPLE

**Note :** The components identified by shading and marked  $\Delta$  are critical for safety. Replace only with the part numbers specified in the parts list.

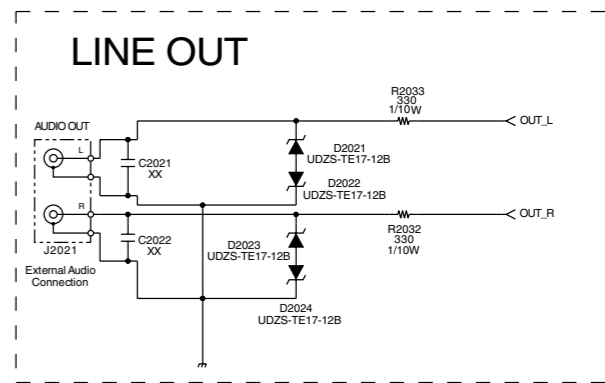
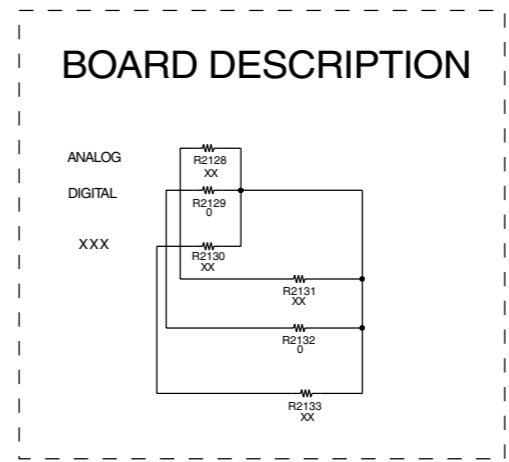
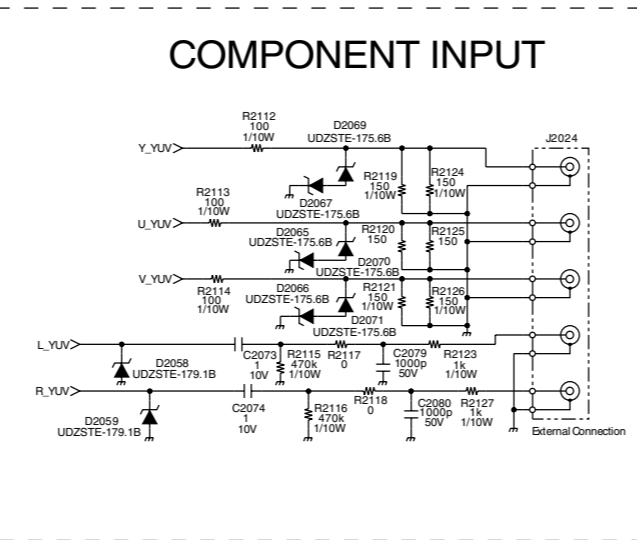
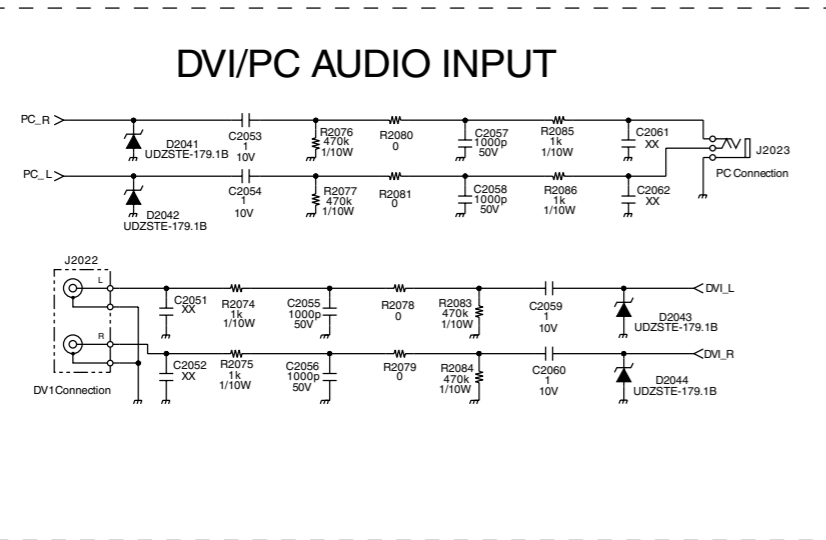
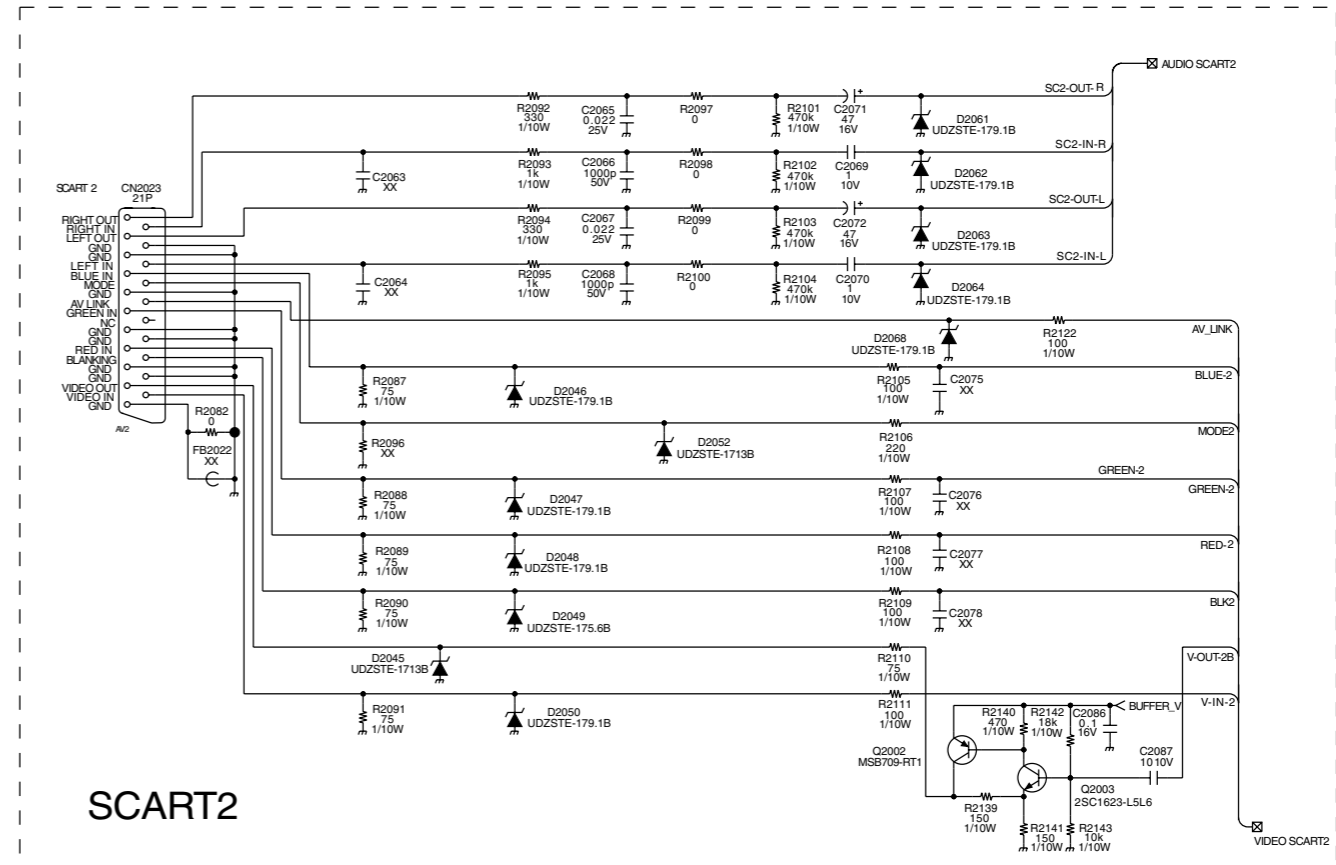
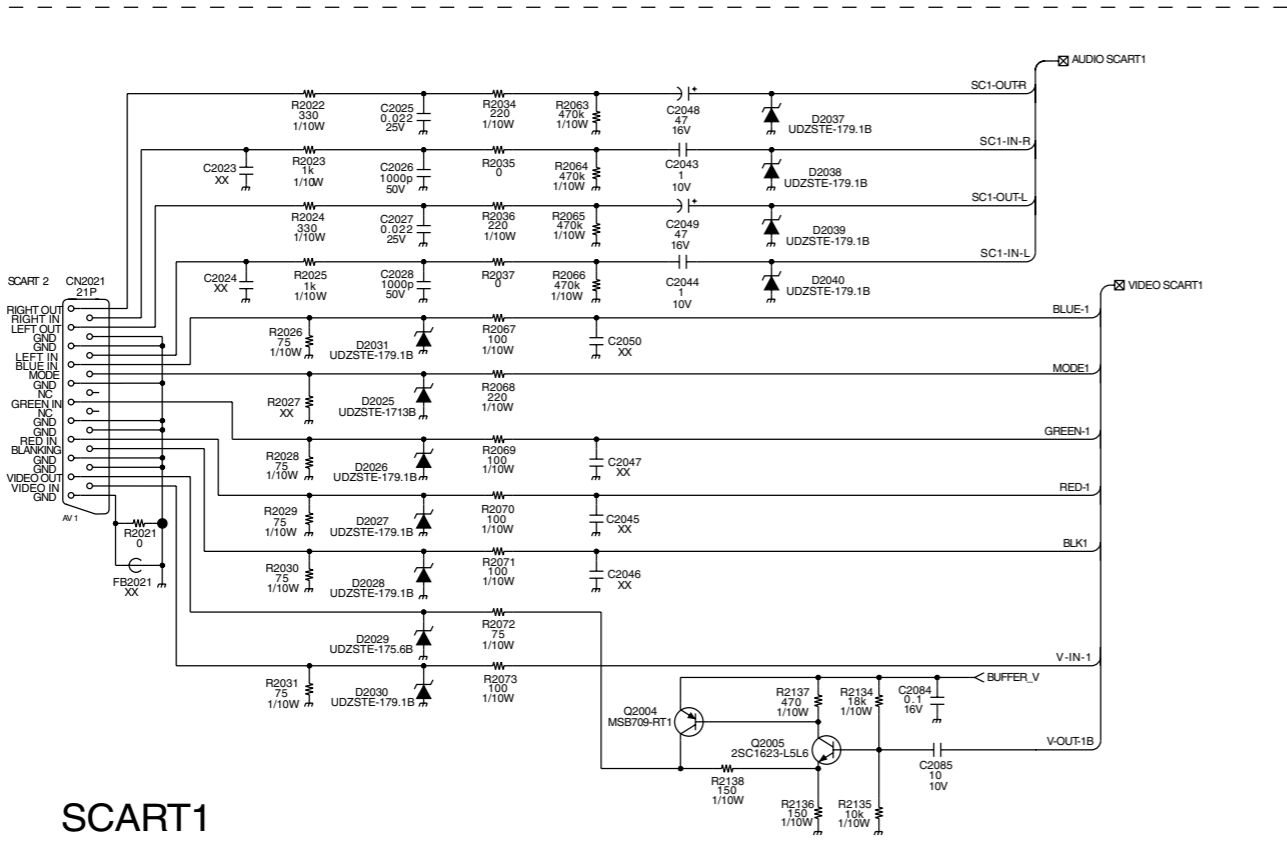
**Note :** Les composants identifiés par une trame et par une marque  $\Delta$  sont d'une importance critique pour la sécurité. Ne les remplacer que par des pièces de numéro spécifié.

##### Note :

- CVBS and RGB waveforms are measured using a PAL colour bar input to Scart1. Y, U, V waveforms are measured using a PAL colour bar input to component sockets (Y, Pb/Cb, Pr/Cr).

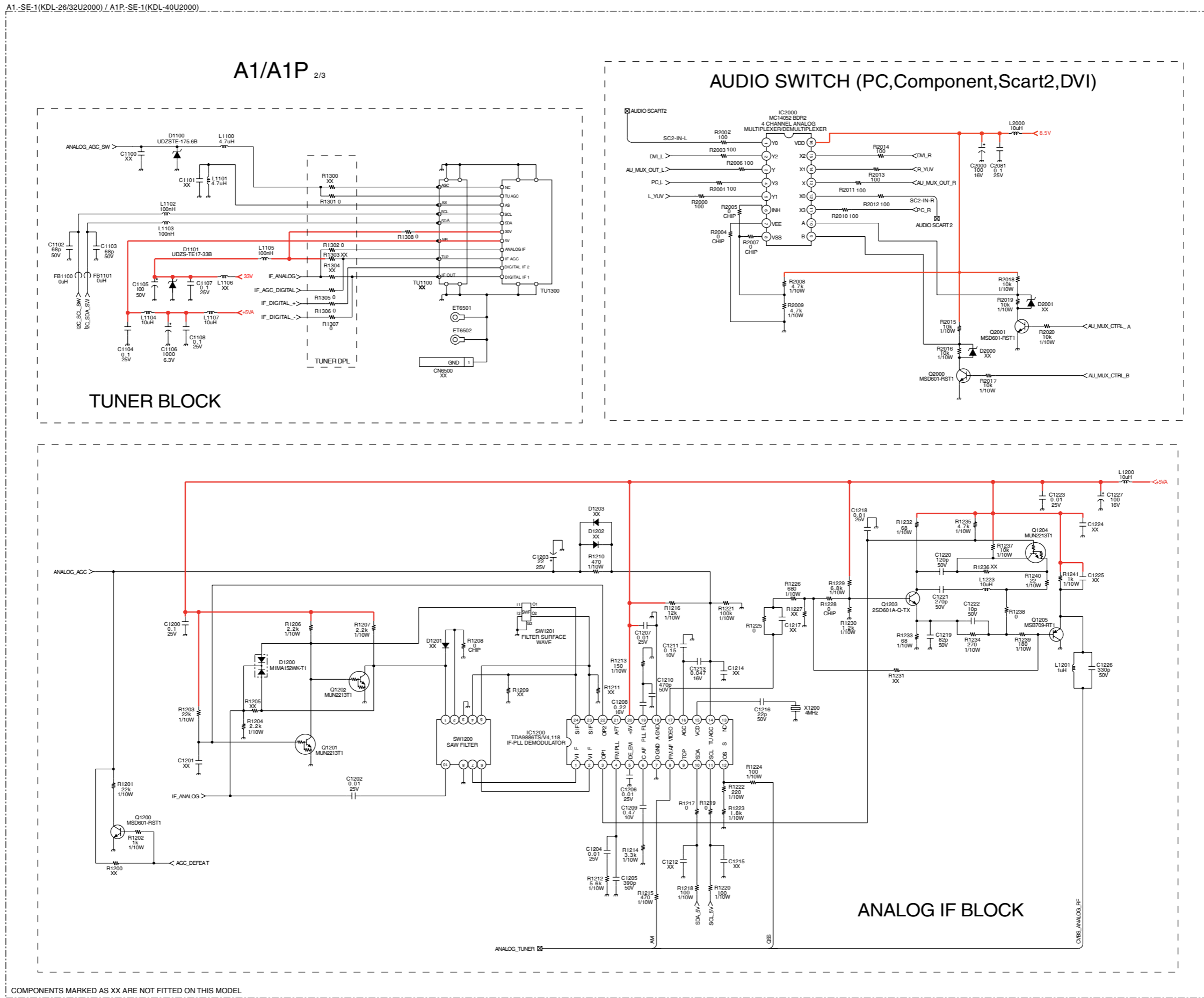
A B C D E F G H I J K L M N O

A1.-SE-1(KDL-26/32U2000) / A1P-SE-1(KDL-40U2000)

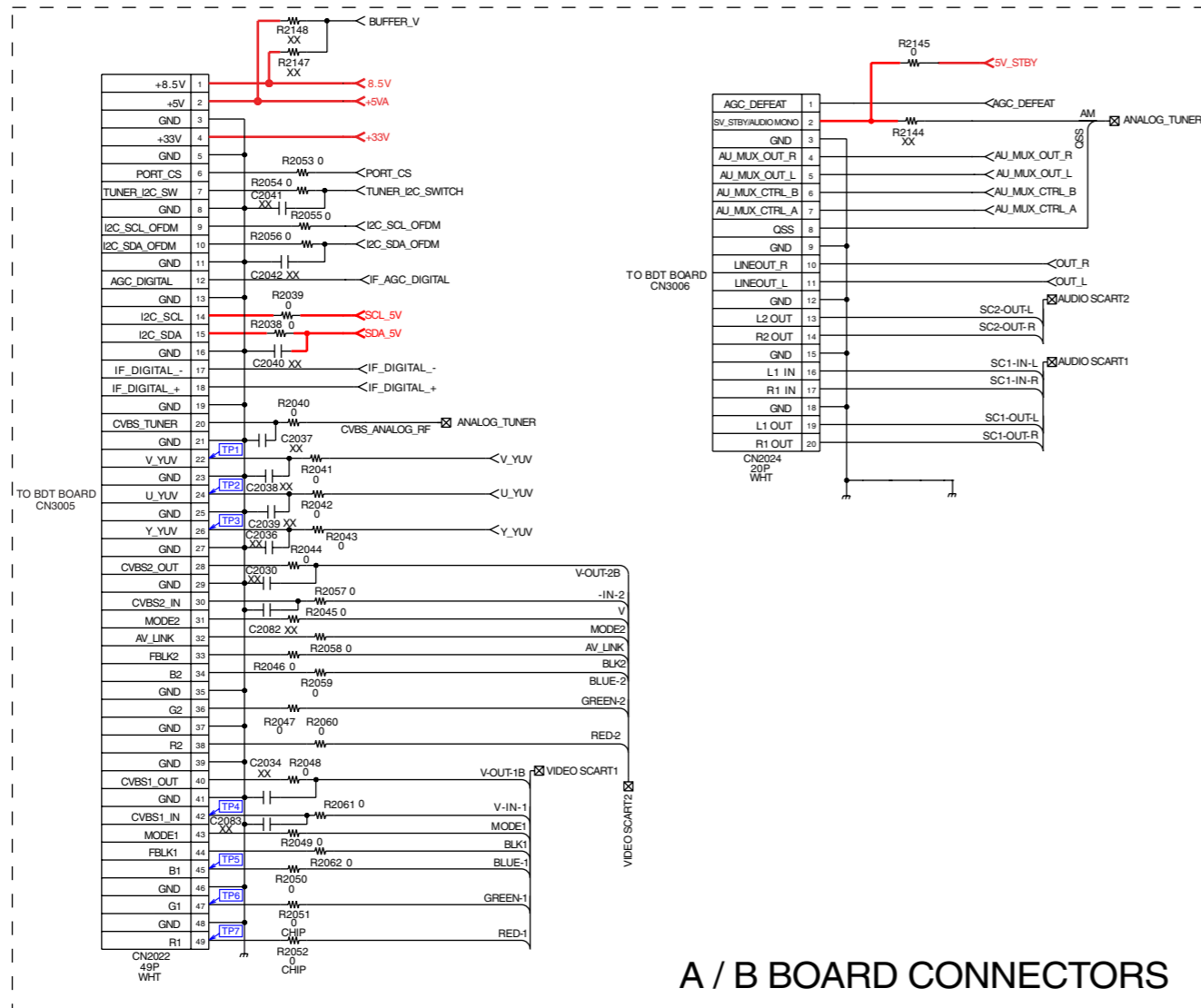


A1/A1P 1/3 TUNER, I/O CONNECTORS & AV SWITCHING

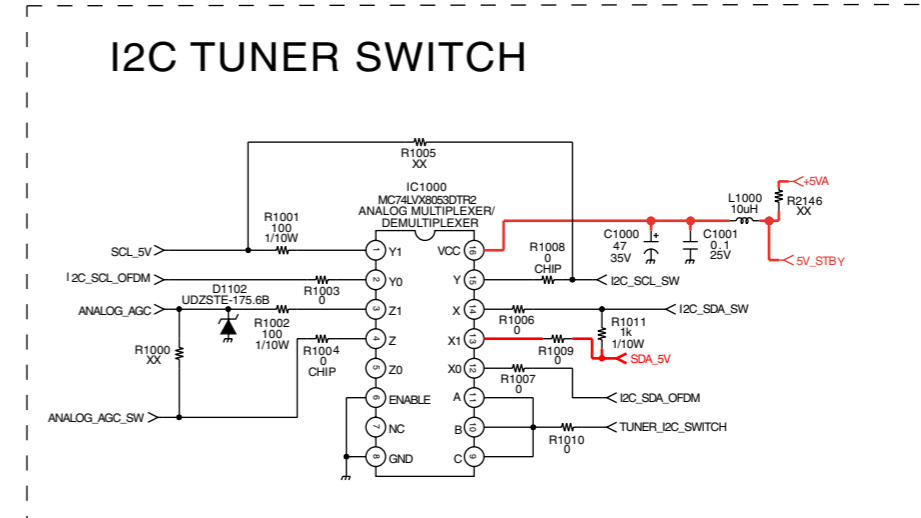
COMPONENTS MARKED AS XX ARE NOT FITTED ON THIS MODEL



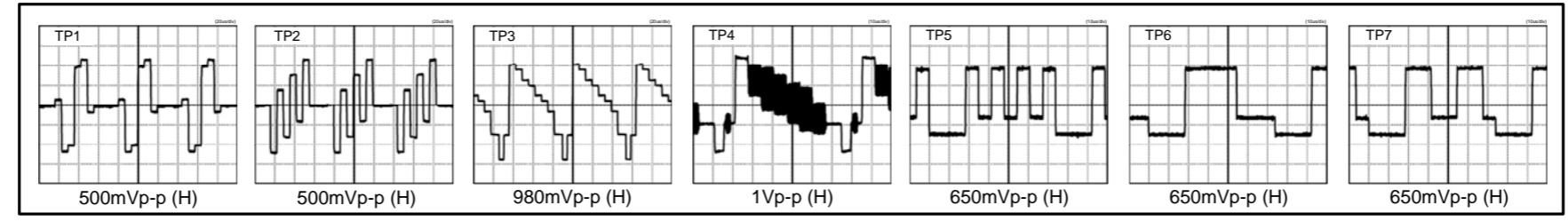
A1-SE-1(KDL-26/32U2000) / A1P-SE-1(KDL-40U2000)



A1/A1P 3/3

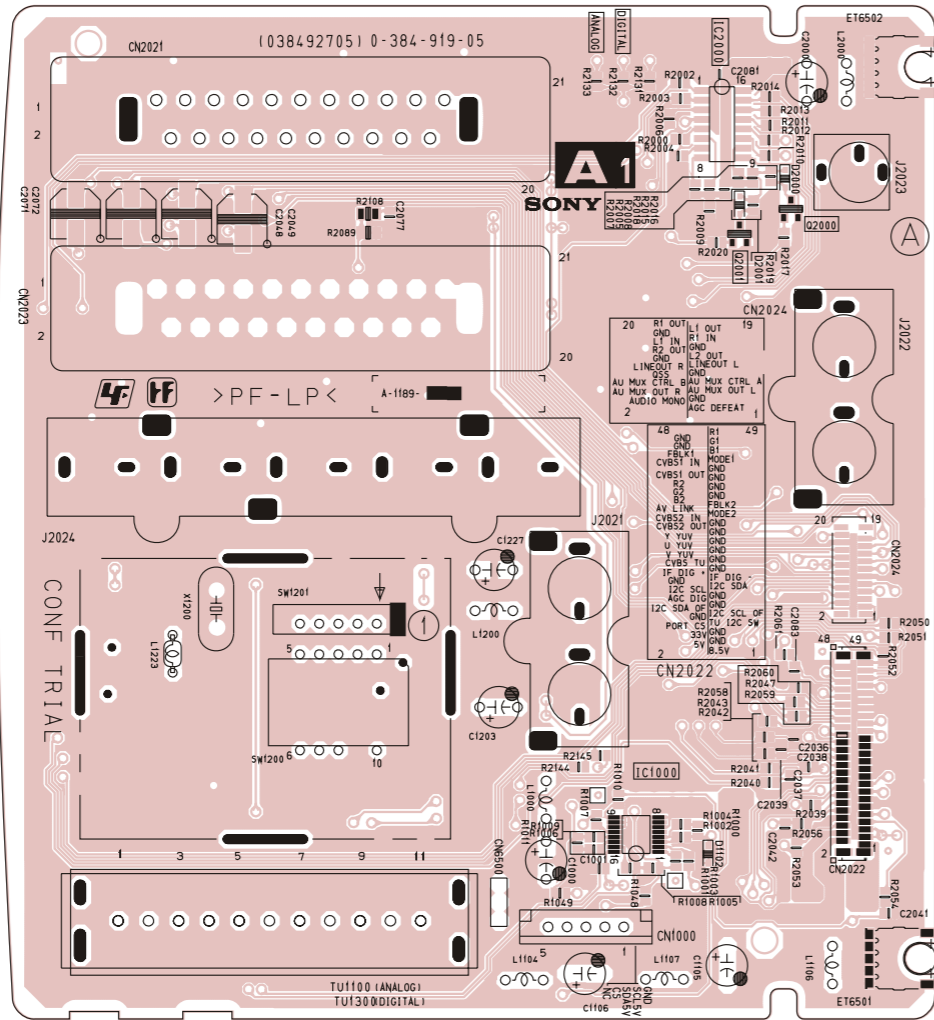


A1/A1P (3/3) Board Waveforms



COMPONENTS MARKED AS XX ARE NOT FITTED ON THIS MODEL

~ A1/A1P Printed Wiring Board Conductor Side A ~



~ A1/A1P Printed Wiring Board Conductor Side B ~

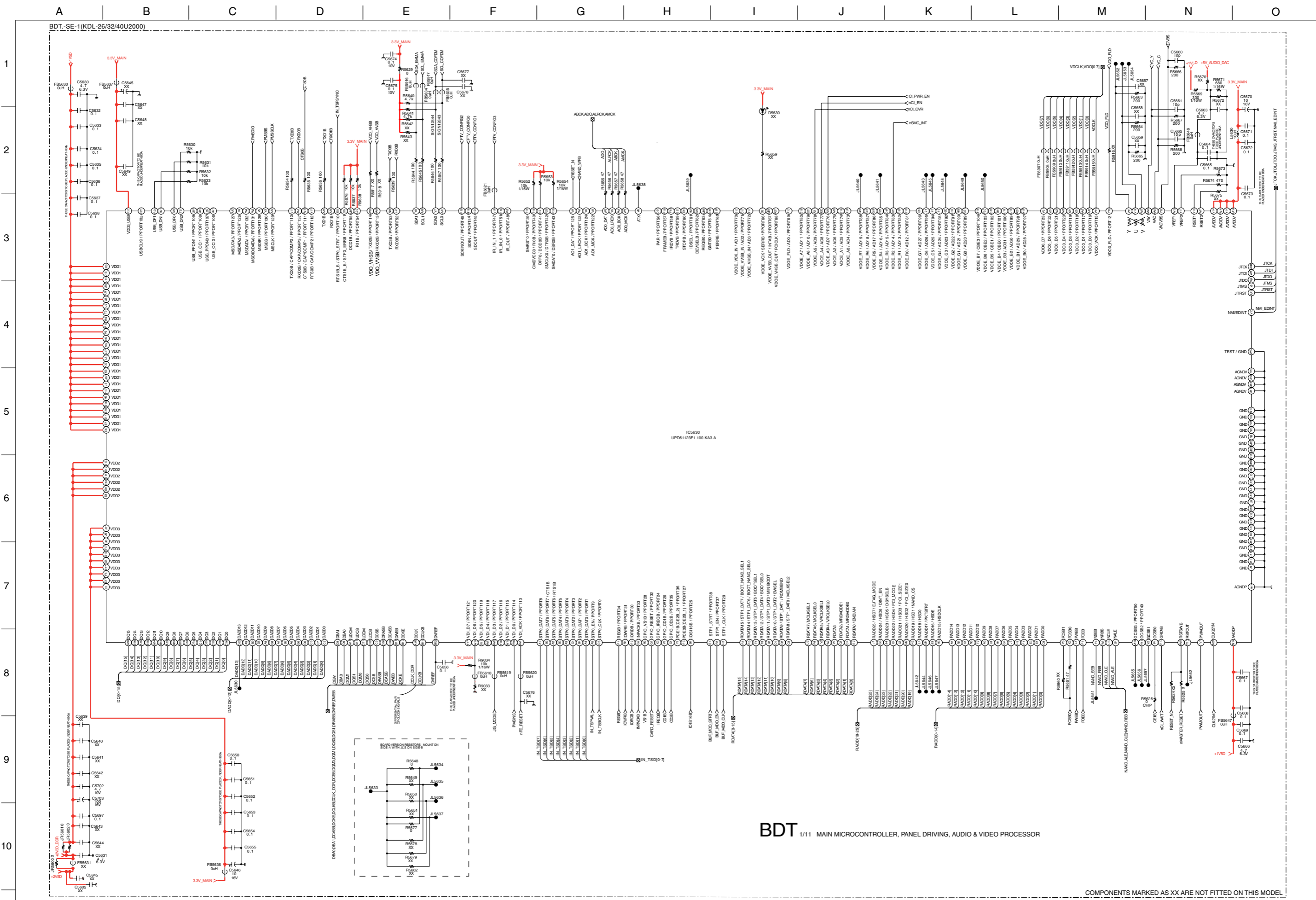
~ A1/A1P Board Semiconductor Voltage Table ~

Ref	(e)(s)	(b)(g)	(c)(d)
Q2000	0	0.4	8.4
Q2001	0	0.7	0

~ A1/A1P Board IC Voltage Table ~

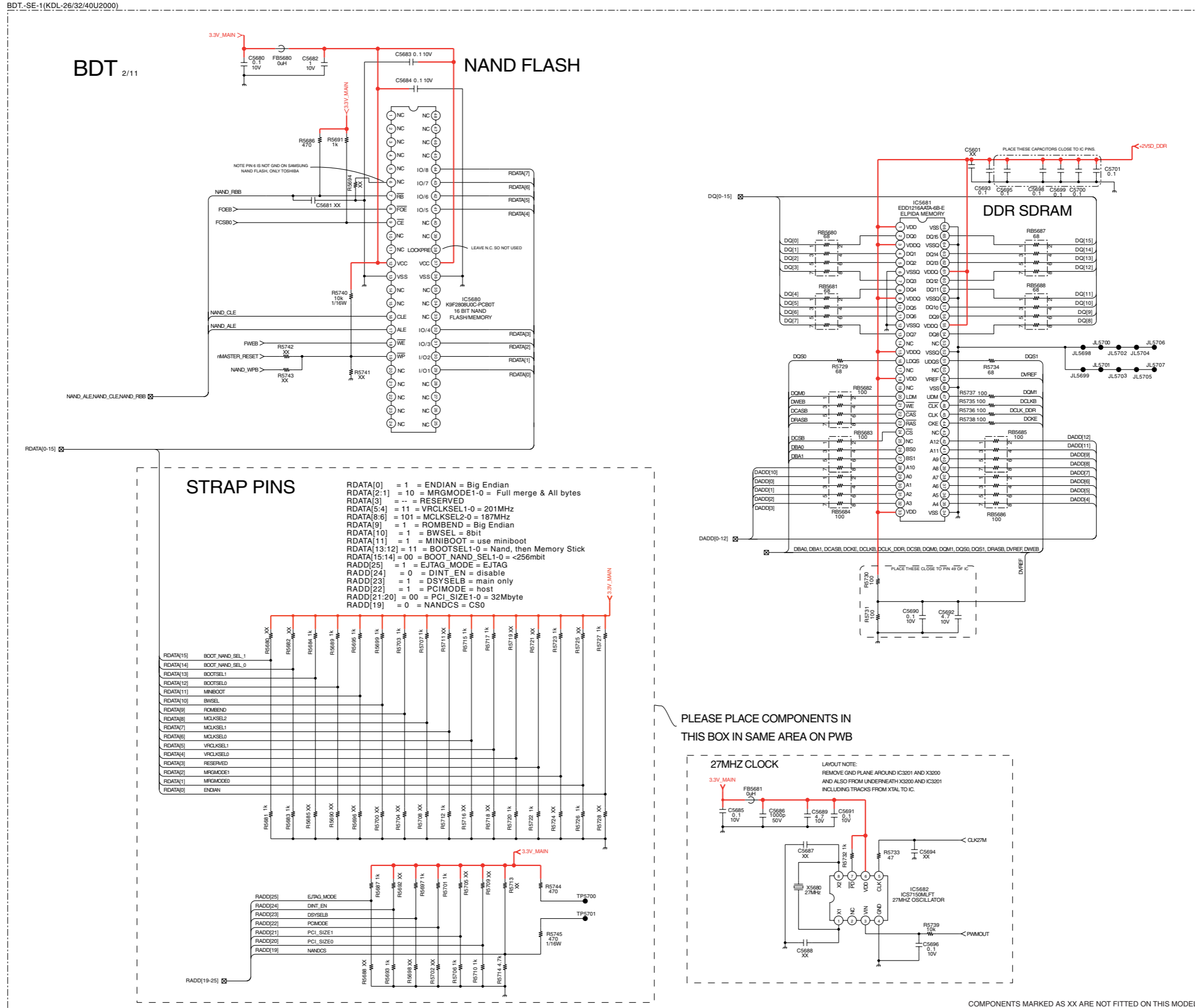
Ref No	Pin No	Volts (V)	Ref No	Pin No	Volts (V)	Ref No	Pin No	Volts (V)
IC1000	1	3.7	IC1000	13-15	3.6	IC2000	8	4.2
	2	3.2		16	5.0		9	8.5
	3-4	2.3	IC2000	1-5	0		10	4.3
	5-8	0		6	4.2		11-15	0
	9-12	3.2		7	0		16	8.5





**BDT** 1/11 MAIN MICROCONTROLLER, PANEL DRIVING, AUDIO & VIDEO PROCESSOR

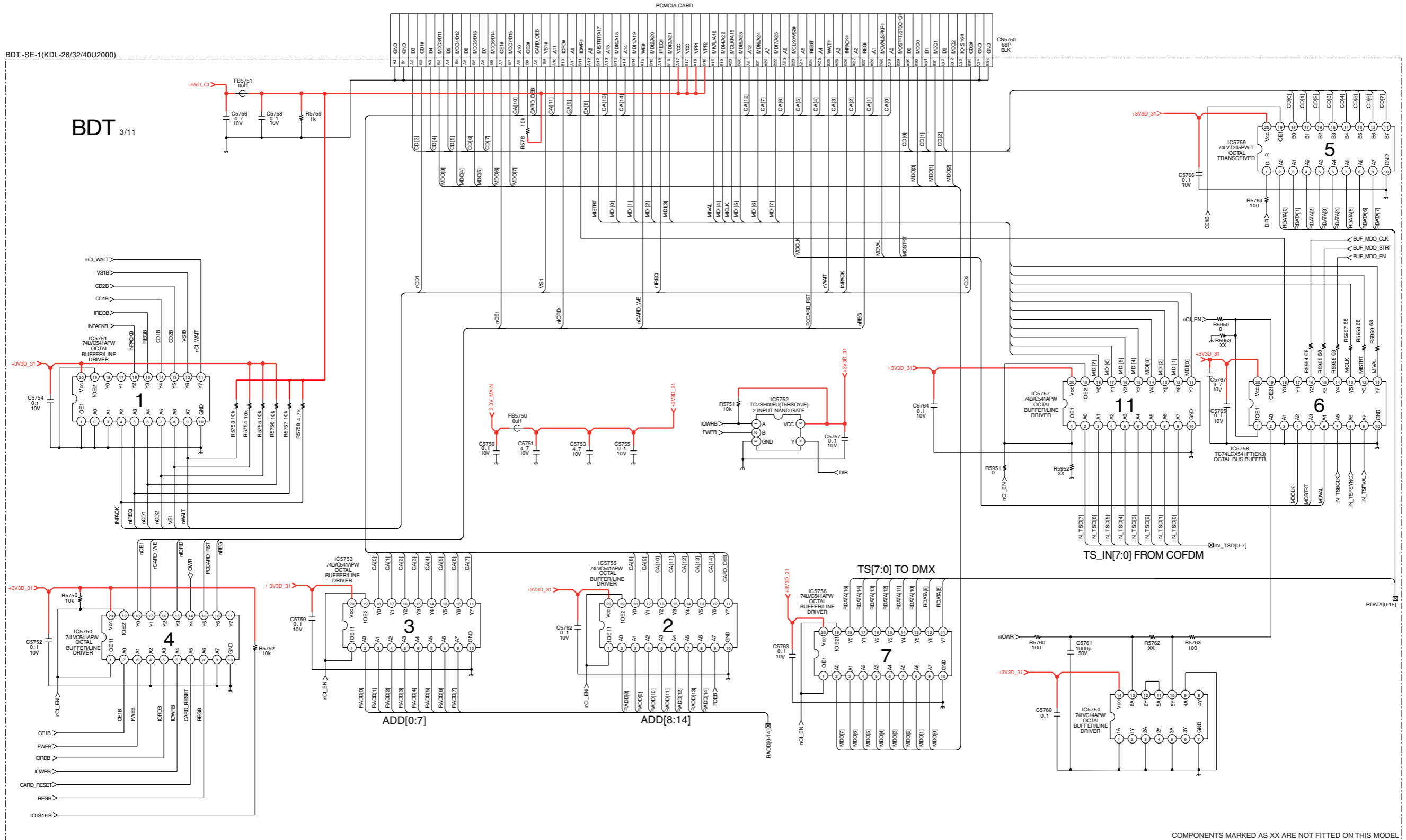




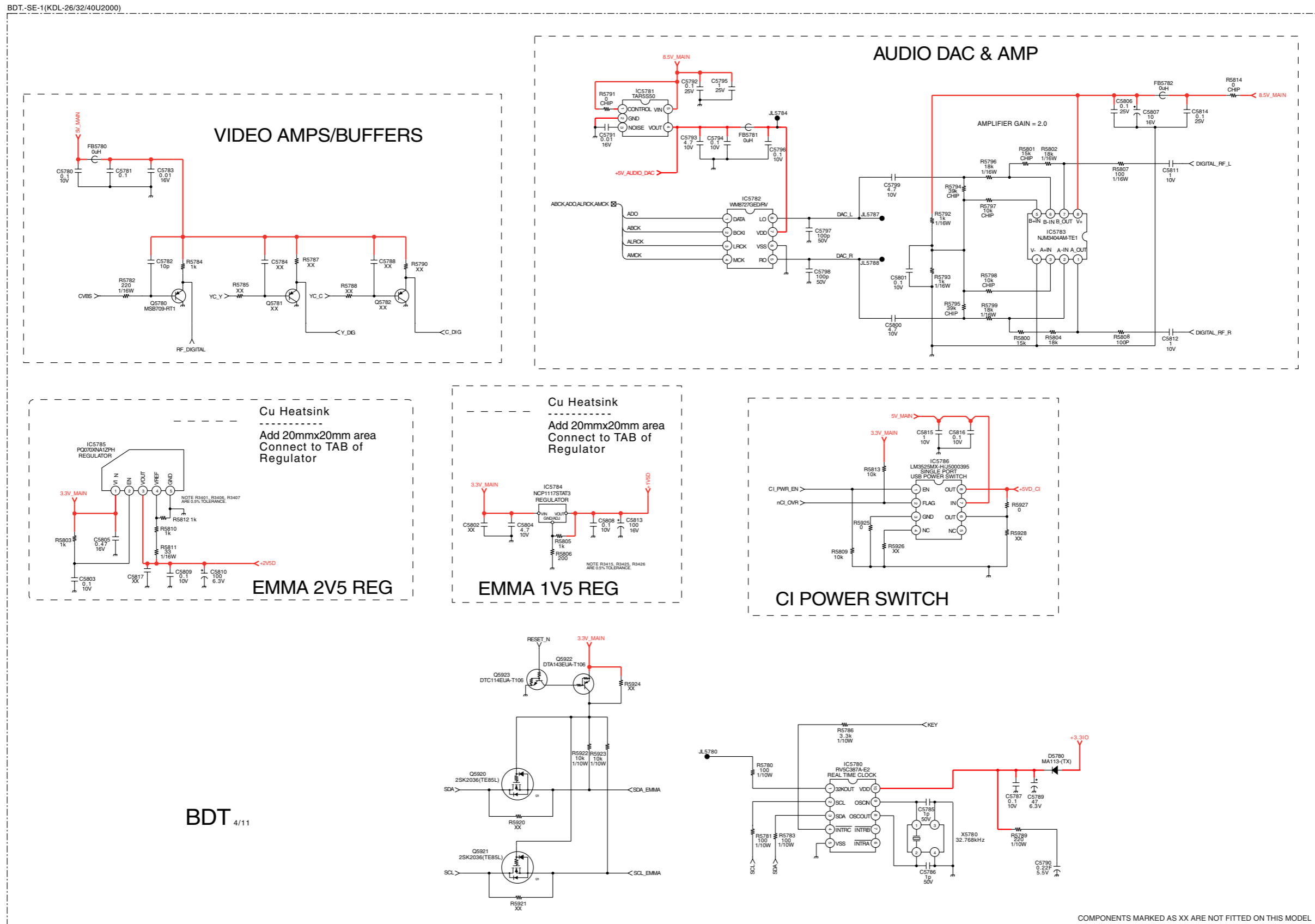
~ BDT Board Schematic Diagram [ Main Microcontroller, Panel Driving, Audio & Video Processor ] Page 2/11 ~

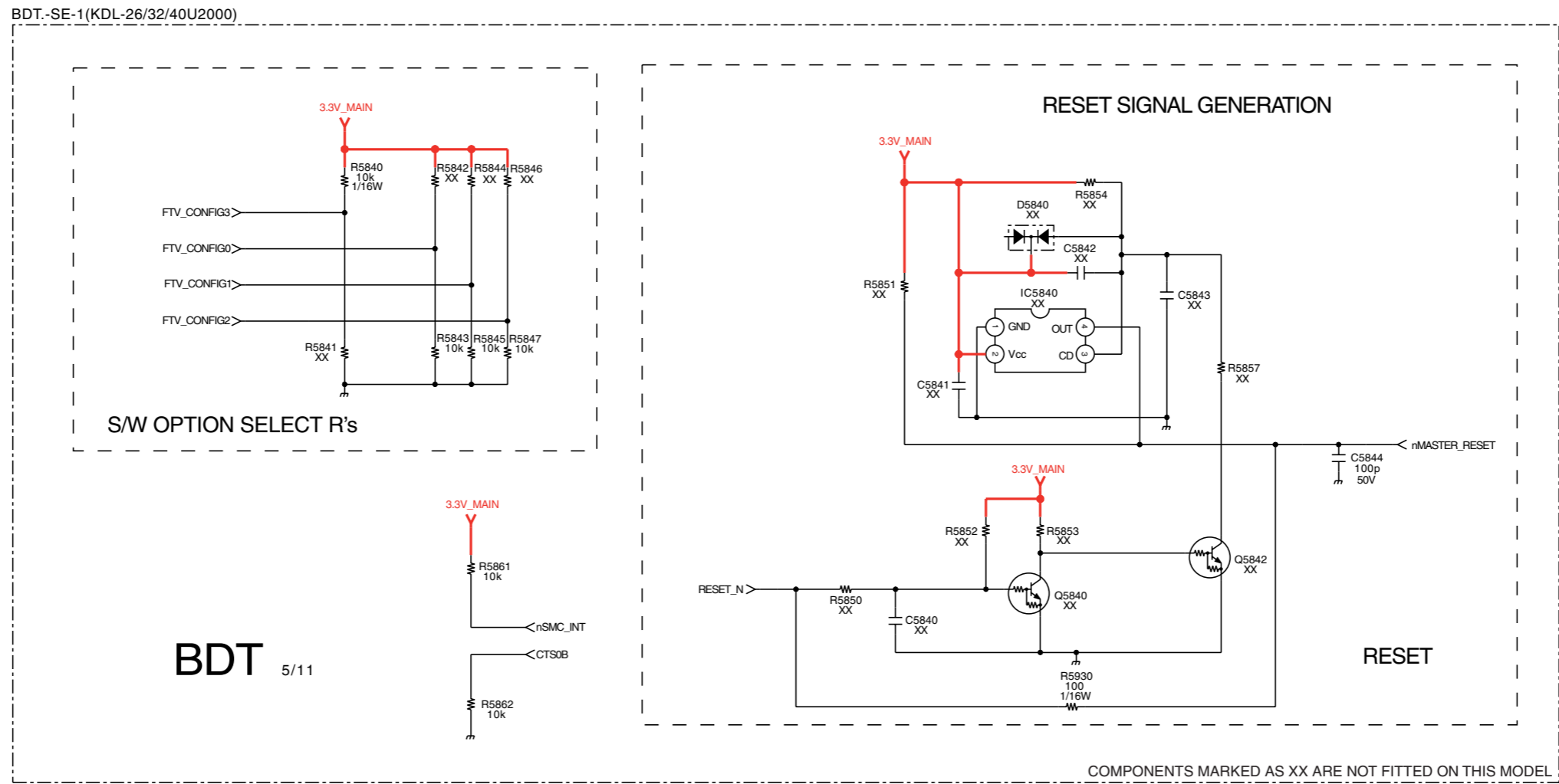
A B C D E F G H I J K L M N O

1  
2  
3  
4  
5  
6  
7  
8  
9  
10  
11



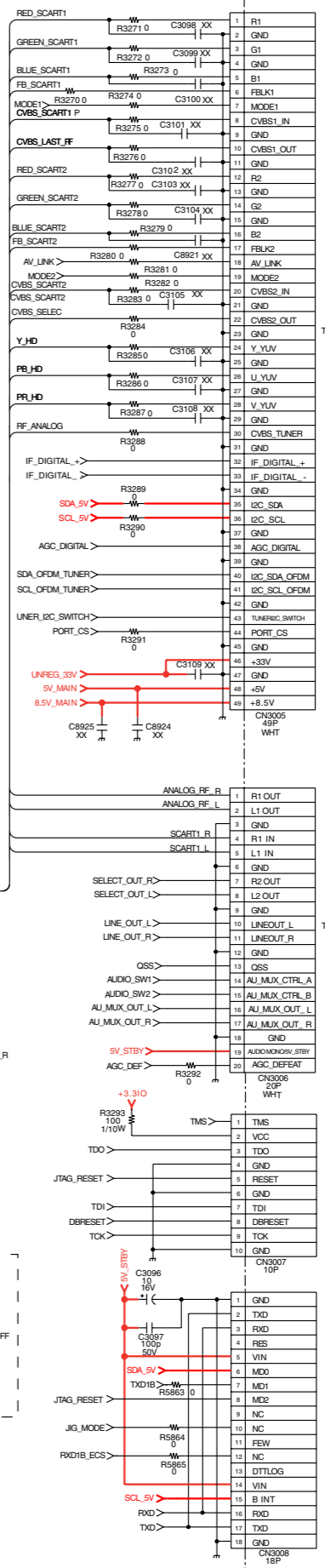
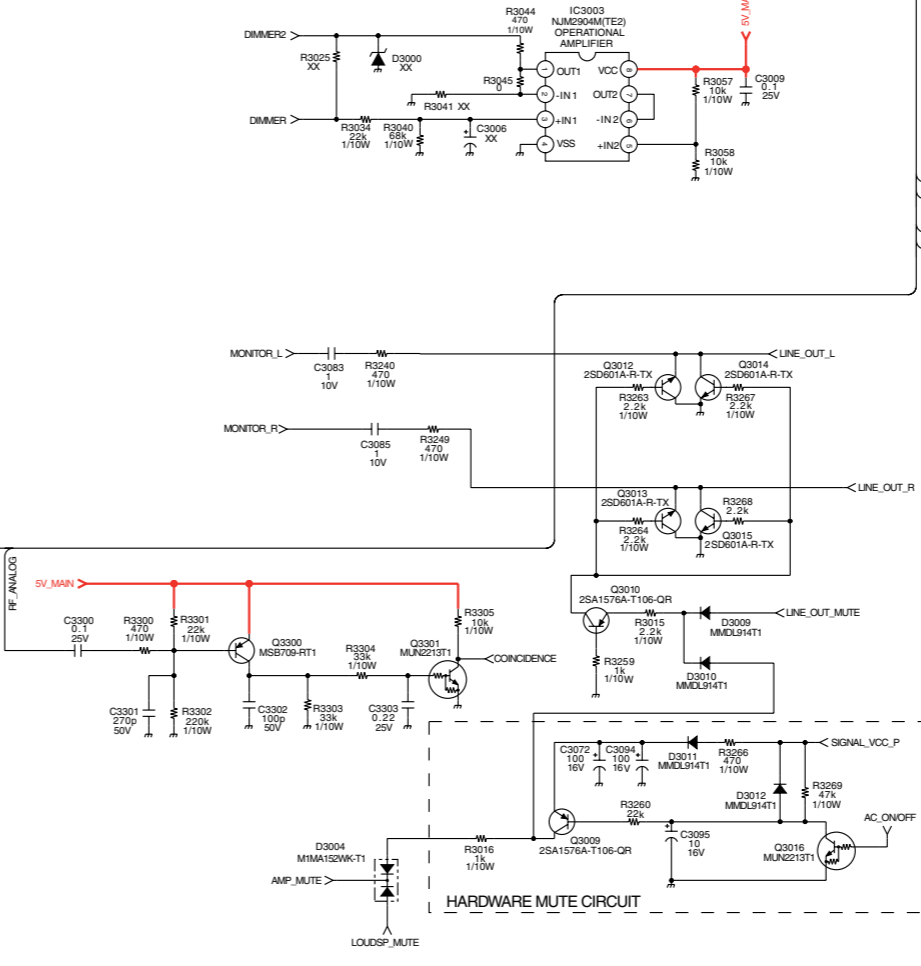
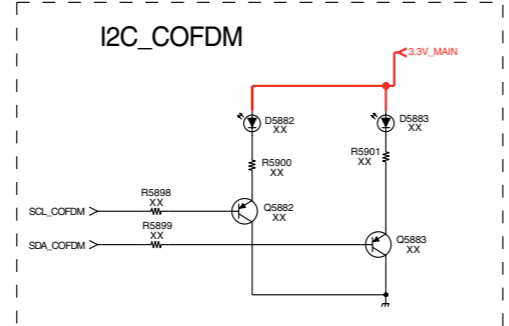
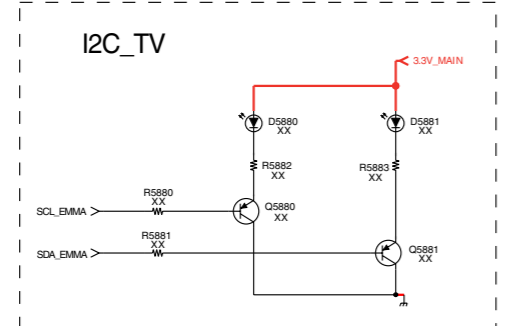
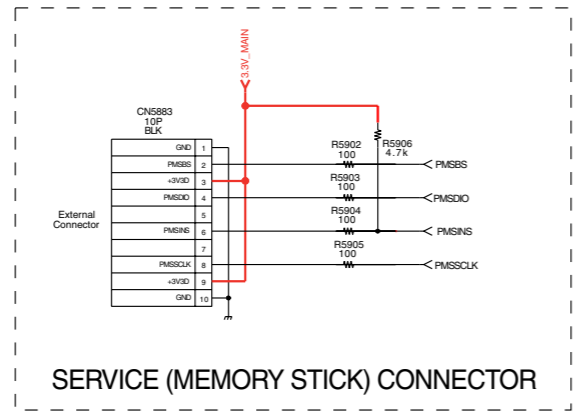
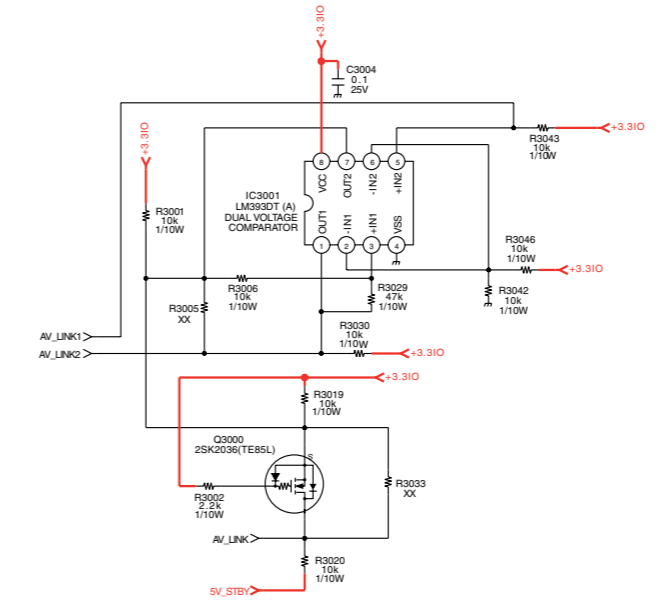
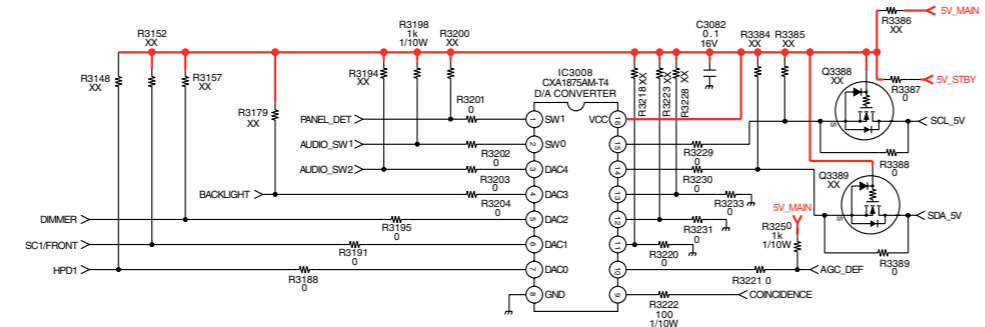
COMPONENTS MARKED AS XX ARE NOT FITTED ON THIS MODEL





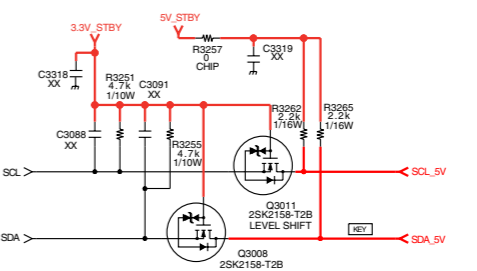
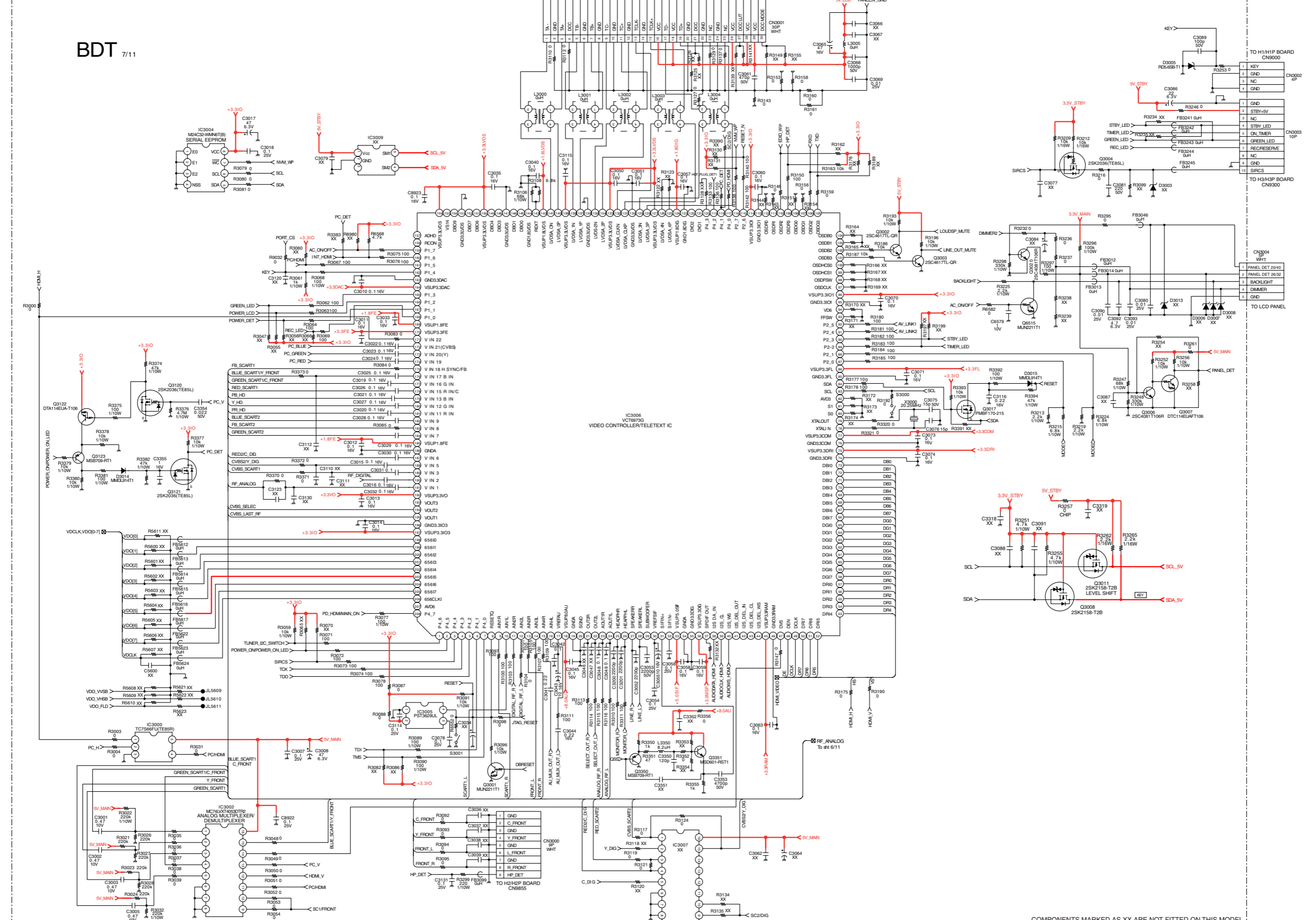
BDT-SE-1 (KDL-26/32/40U2000)

**BDT** 6/11



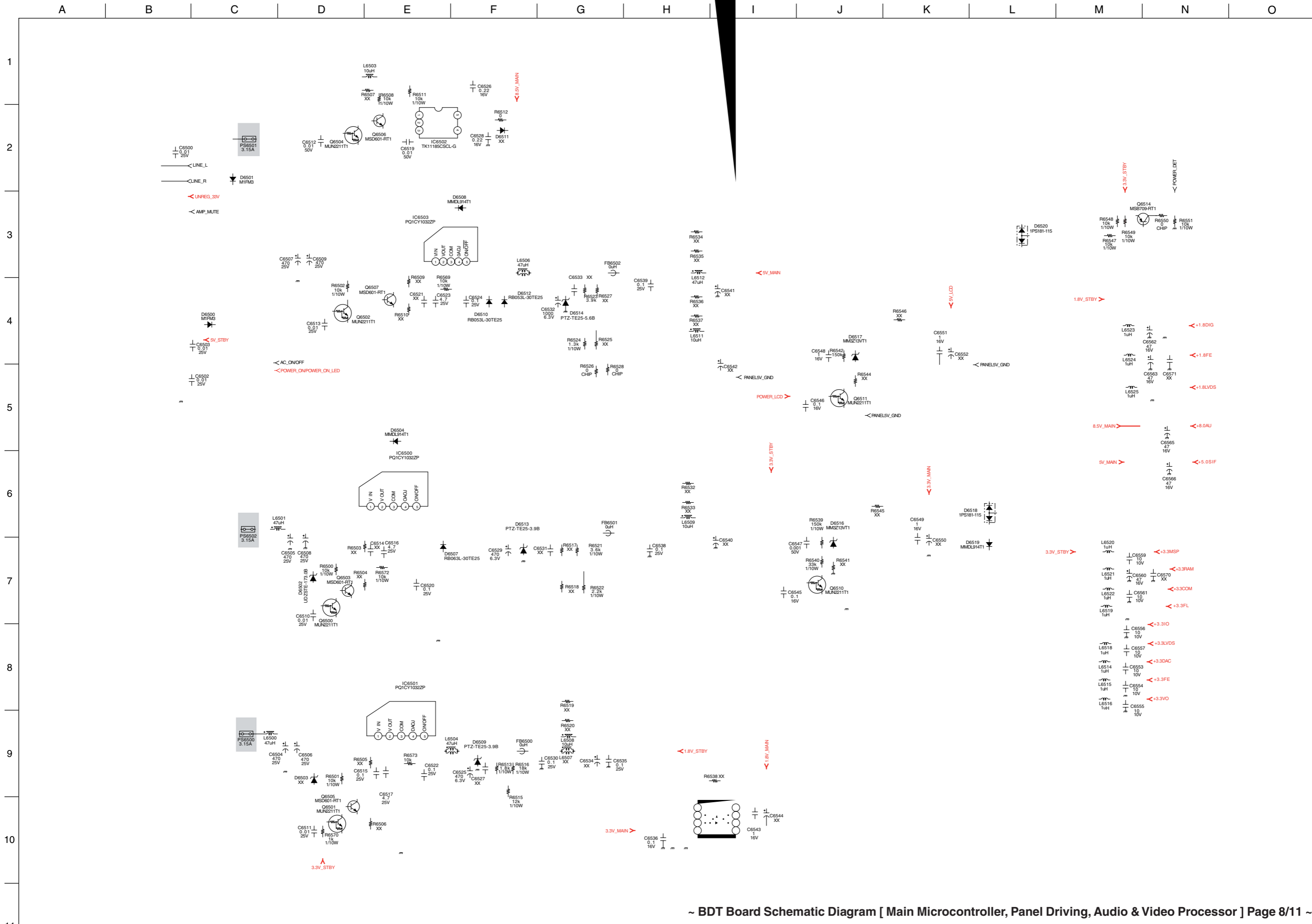
COMPONENTS MARKED AS XX ARE NOT FITTED ON THIS MODEL

BDT 7/11



COMPONENTS MARKED AS XX ARE NOT FITTED ON THIS MODEL

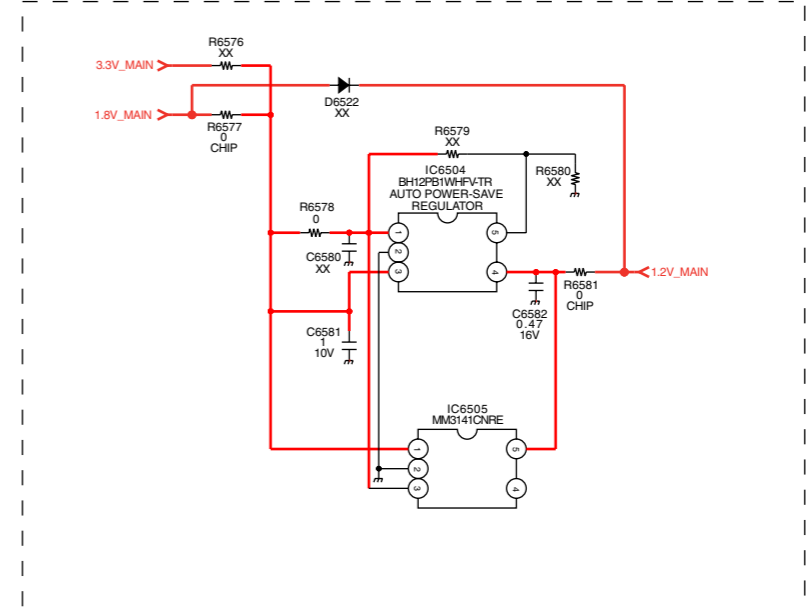
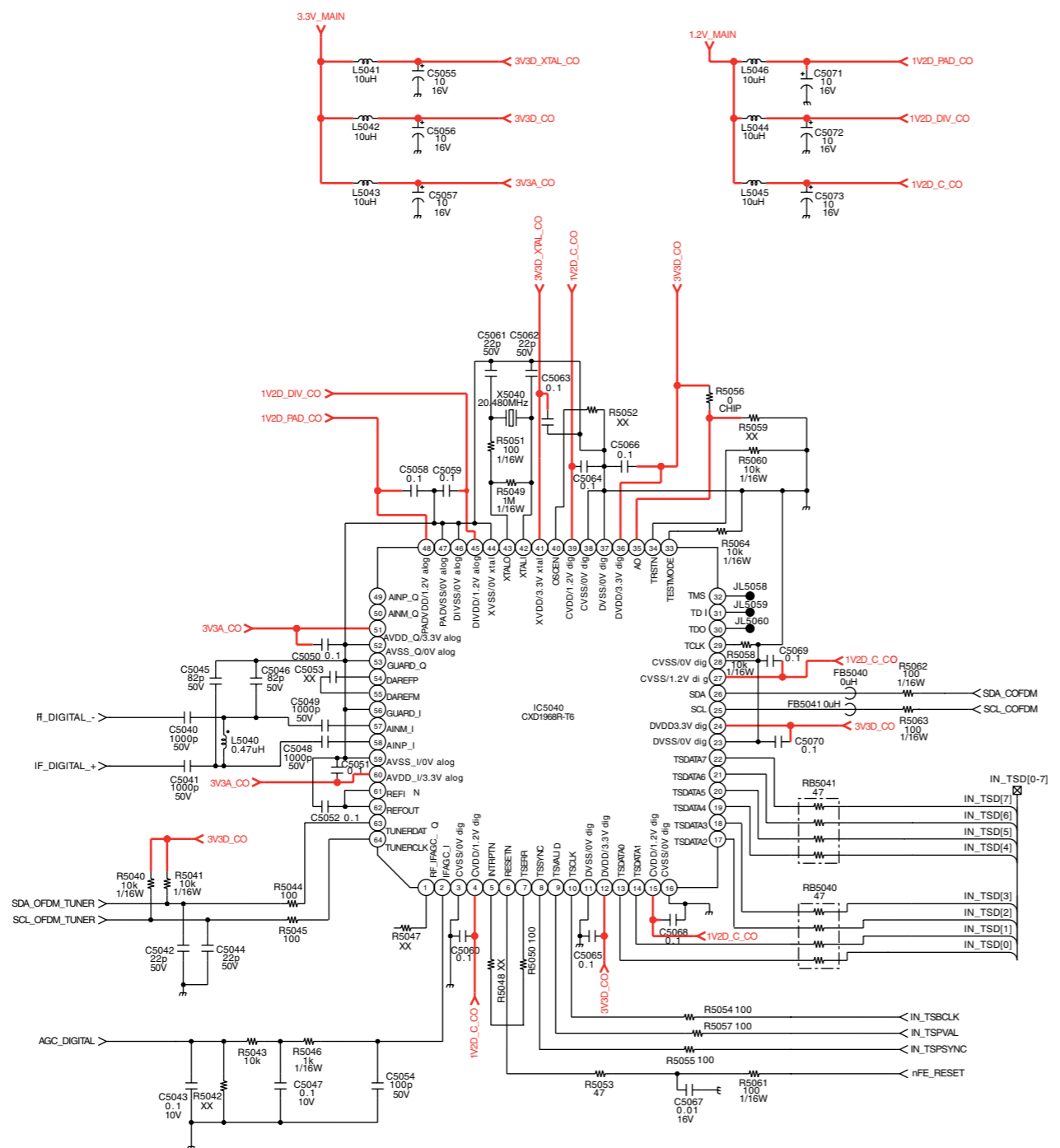




~ BDT Board Schematic Diagram [ Main Microcontroller, Panel Driving, Audio & Video Processor ] Page 8/11 ~

BDT-SE-1(KDL-26/32/40U2000)

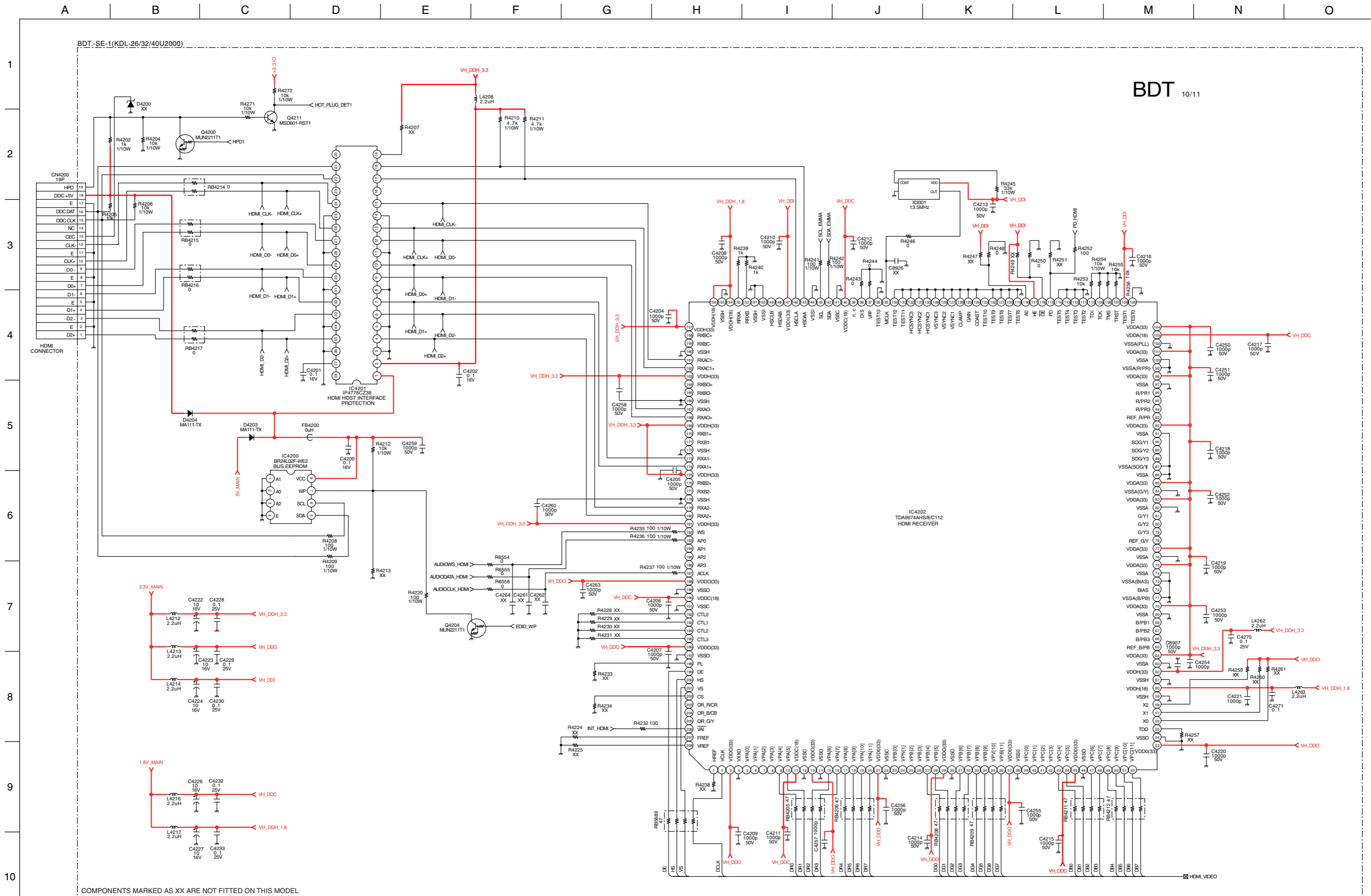
### CXD1968R (COFDM DEMODULATOR BLOCK)



BDT 9/11

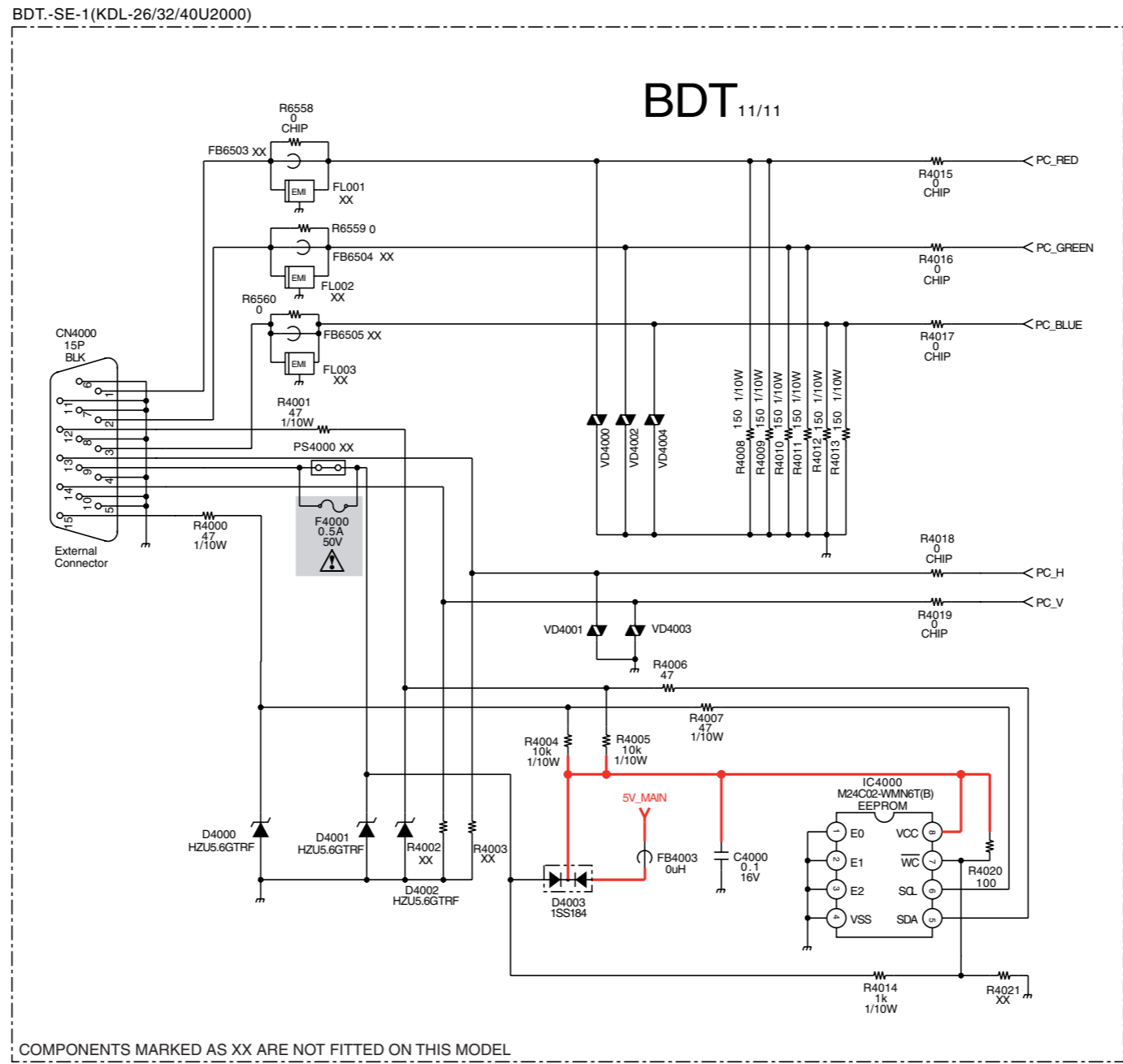
COMPONENTS MARKED AS XX ARE NOT FITTED ON THIS MODEL





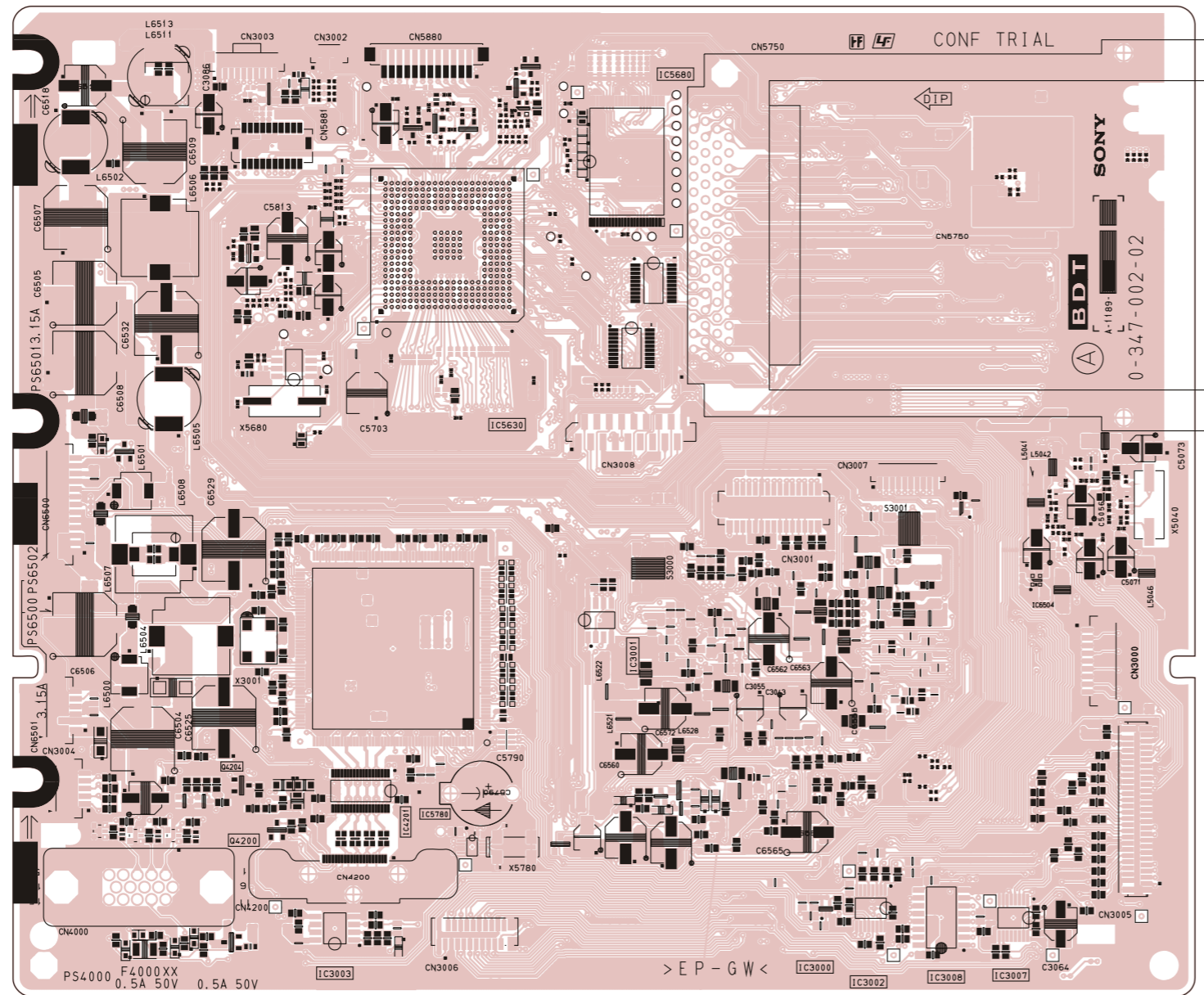
BDT 10/11

~ BDT Board Schematic Diagram [ Main Microcontroller, Panel Driving, Audio & Video Processor ] Page 10/11 ~



~ BDT Board Schematic Diagram [ Main Microcontroller, Panel Driving, Audio & Video Processor ] Page 11/11 ~

~ BDT Printed Wiring Board Conductor Side A ~



~ BDT Board Semiconductor Voltage Table ~

~ BDT Board IC Voltage Table ~

1

2

3

4

5

6

7

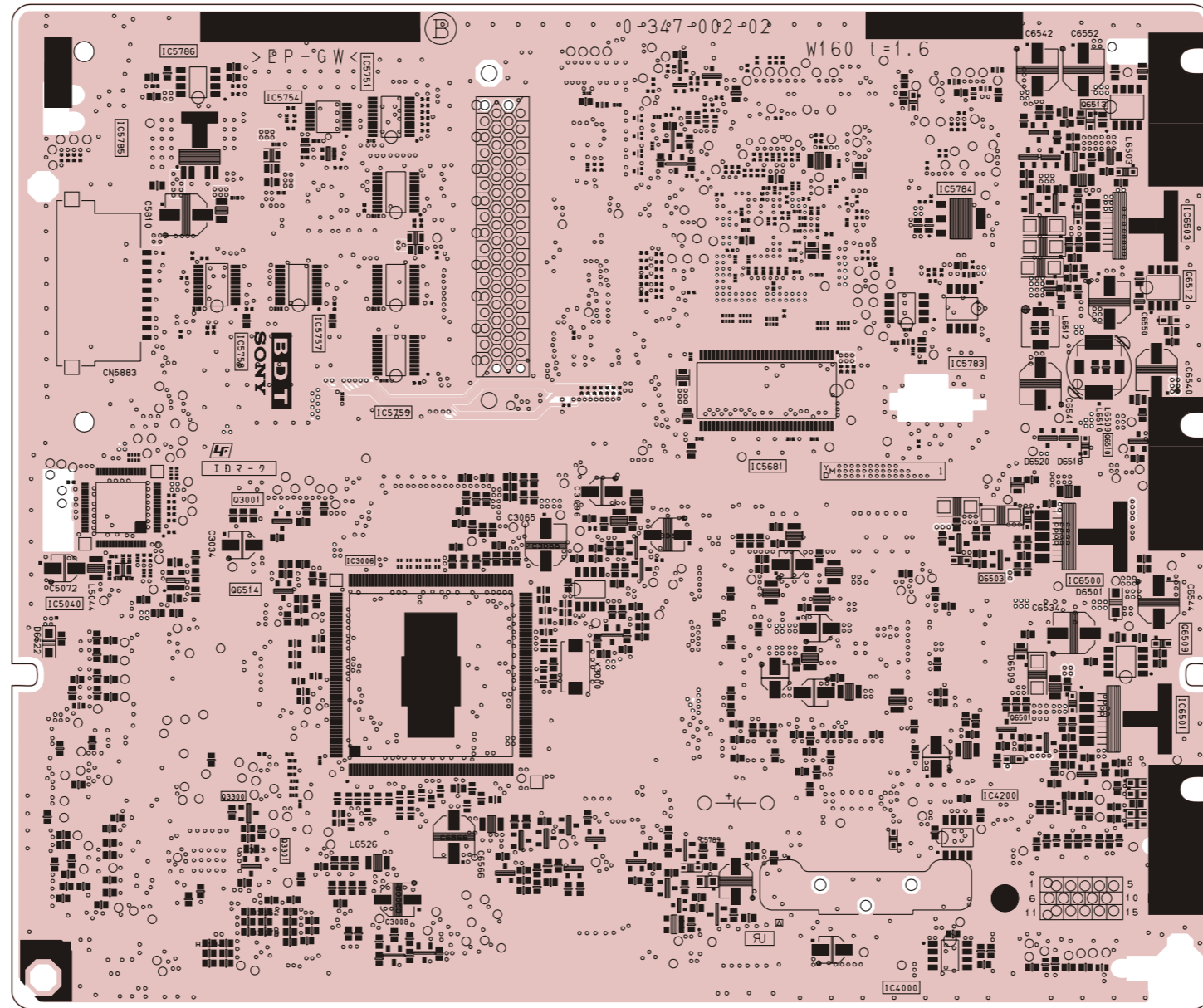
8

9

10

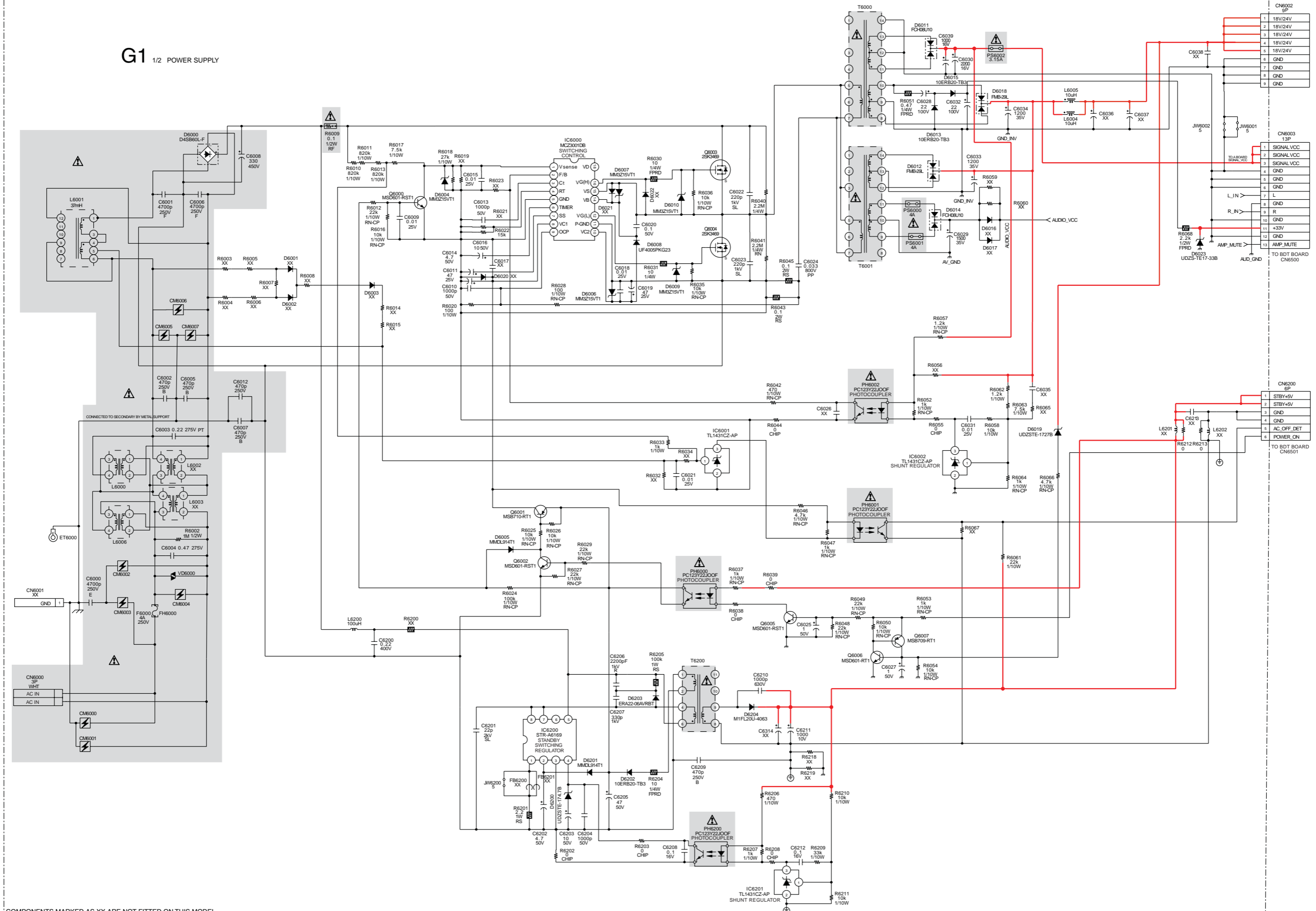
11

~ BDT Printed Wiring Board Conductor Side B ~

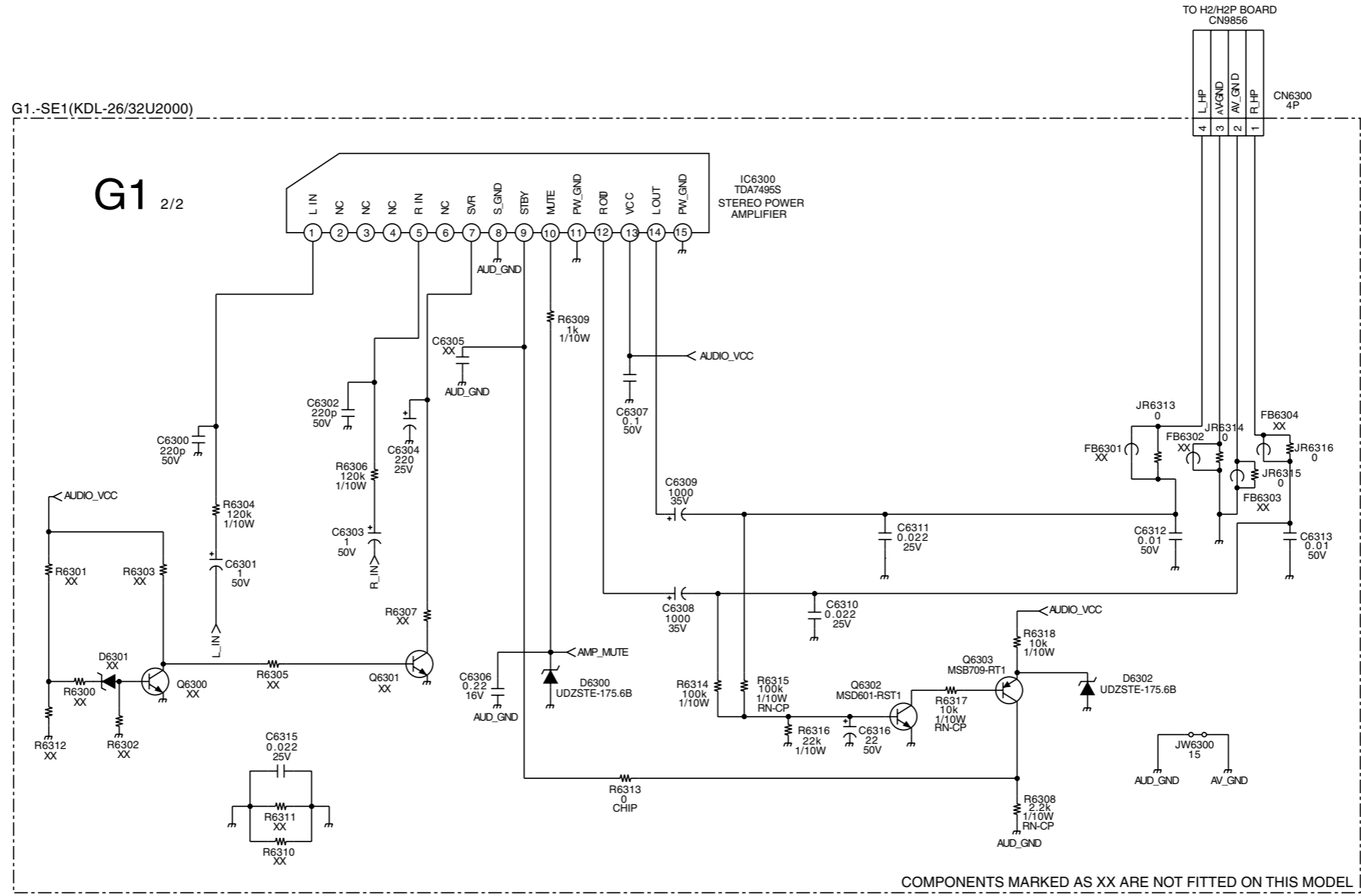


G1-SE1(KDL-26/32U2000)

**G1** 1/2 POWER SUPPLY



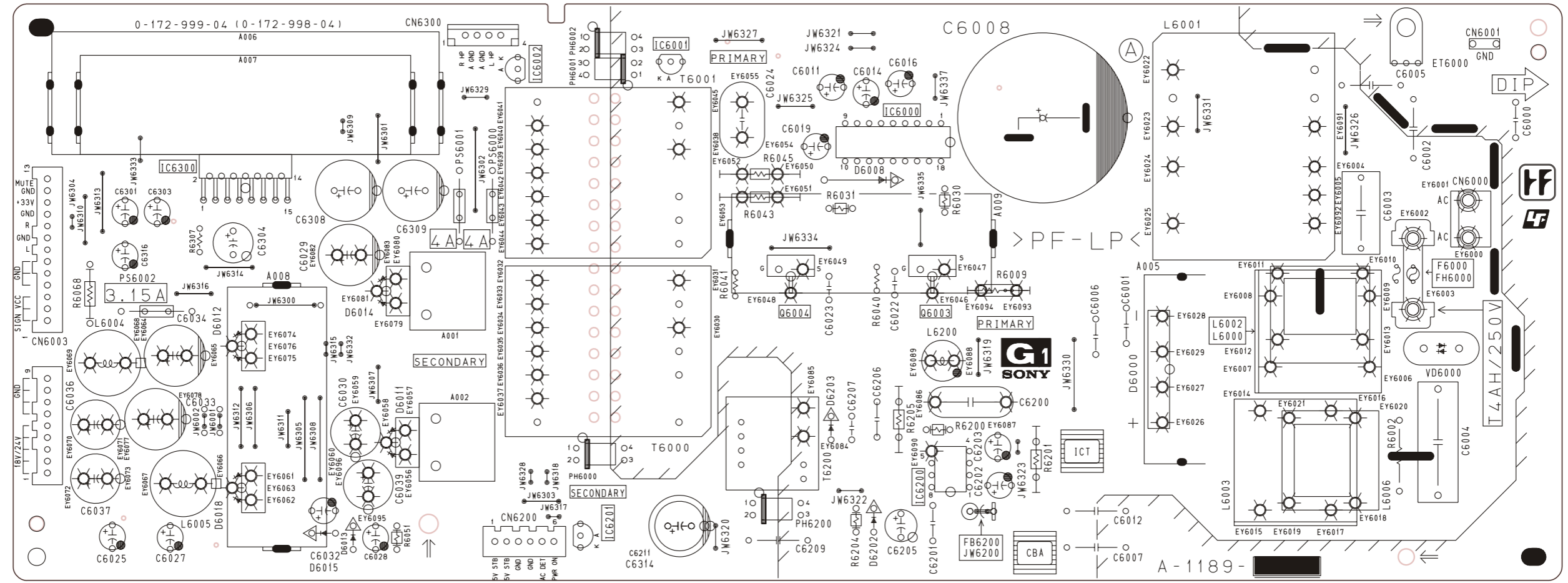
COMPONENTS MARKED AS XX ARE NOT FITTED ON THIS MODEL



~ G1 Board Schematic Diagram [ Power Supply ] Page 2/2 ~



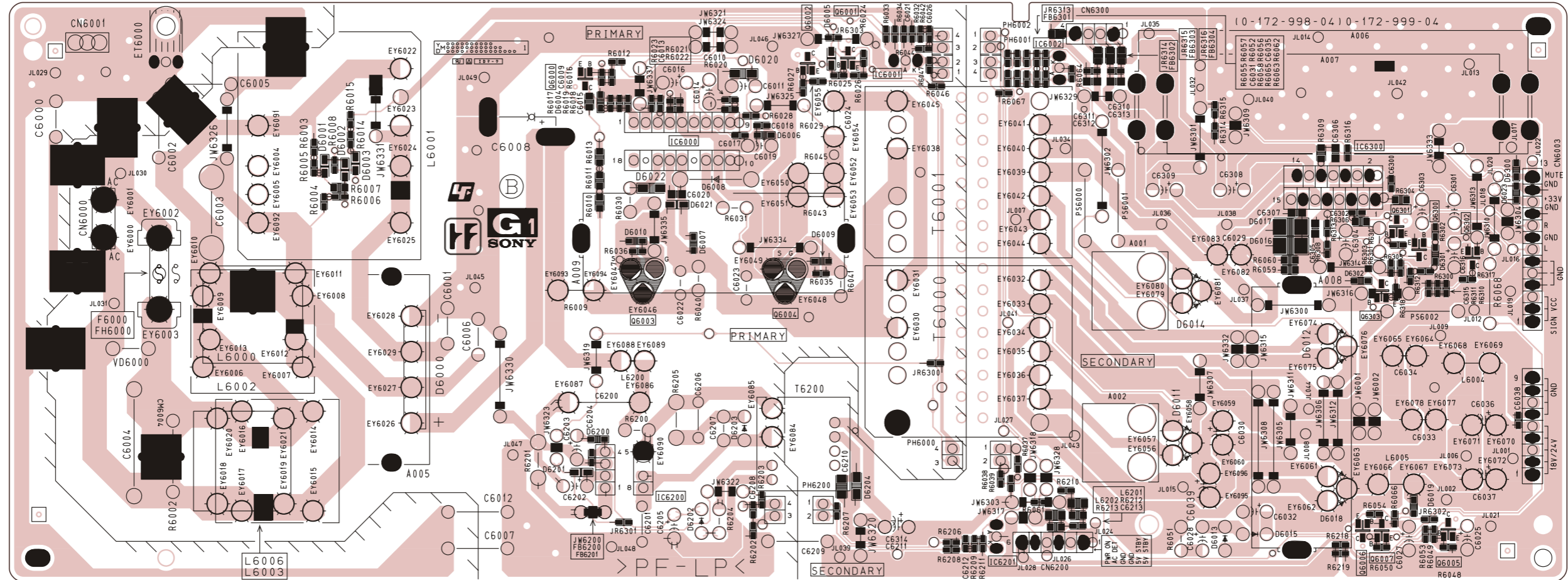
~ G1 Printed Wiring Board Conductor Side A ~



~ G1 Board Semiconductor Location Table Side A ~

DIODE	D6014	D - 5	IC	IC6201	F - 7
D6000	K - 6	D6015	D - 7	IC6000	I - 3
D6008	I - 4	D6018	C - 7	IC6001	G - 3
D6011	E - 6	D6202	I - 7	IC6002	F - 3
D6013	D - 7	D6203	H - 6	IC6200	I - 6
					<b>TRANSISTOR</b>
				Q6003	I - 5
				Q6004	H - 5

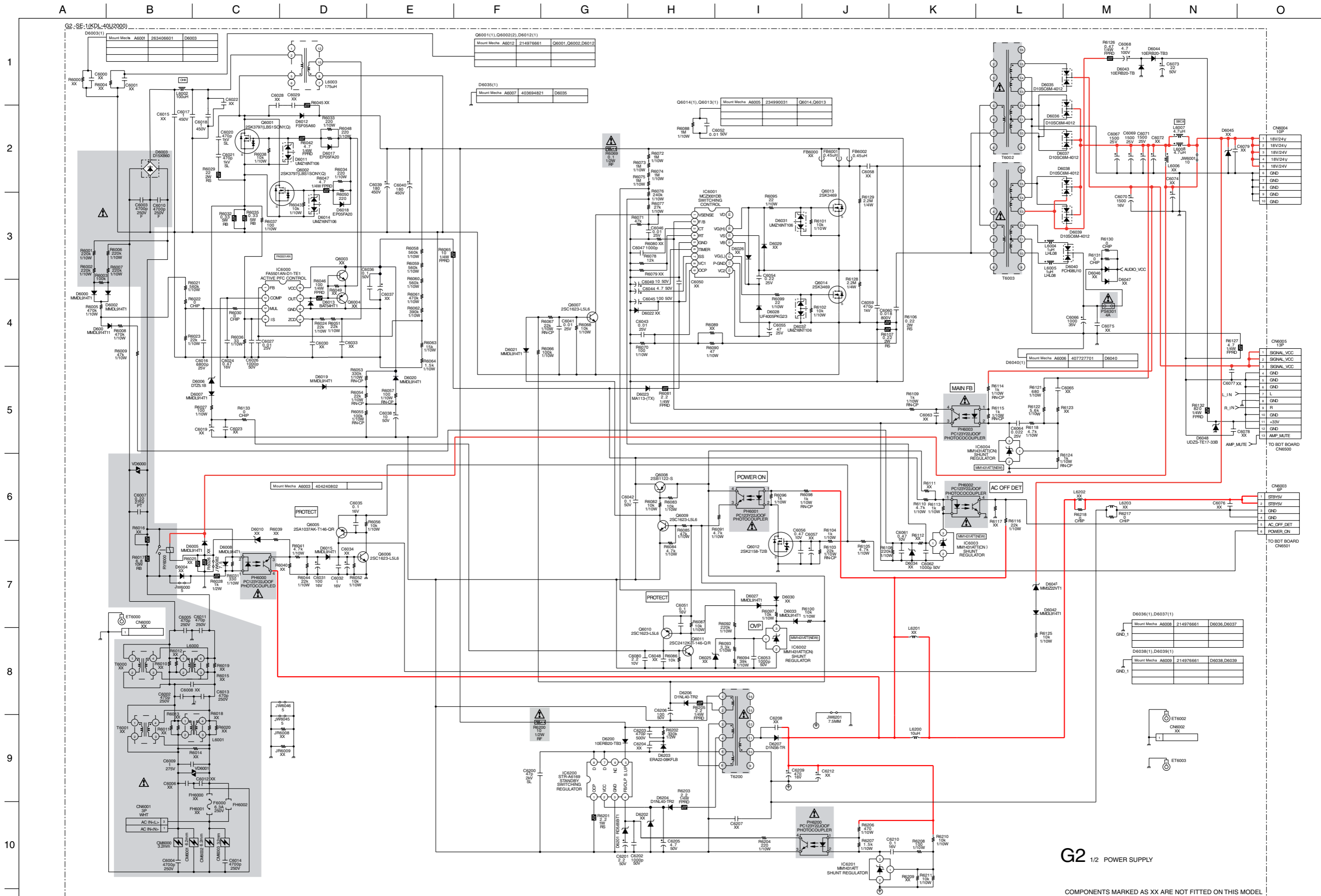
~ G1 Printed Wiring Board Conductor Side B ~



~ G1 Board Semiconductor Location Table Side B ~

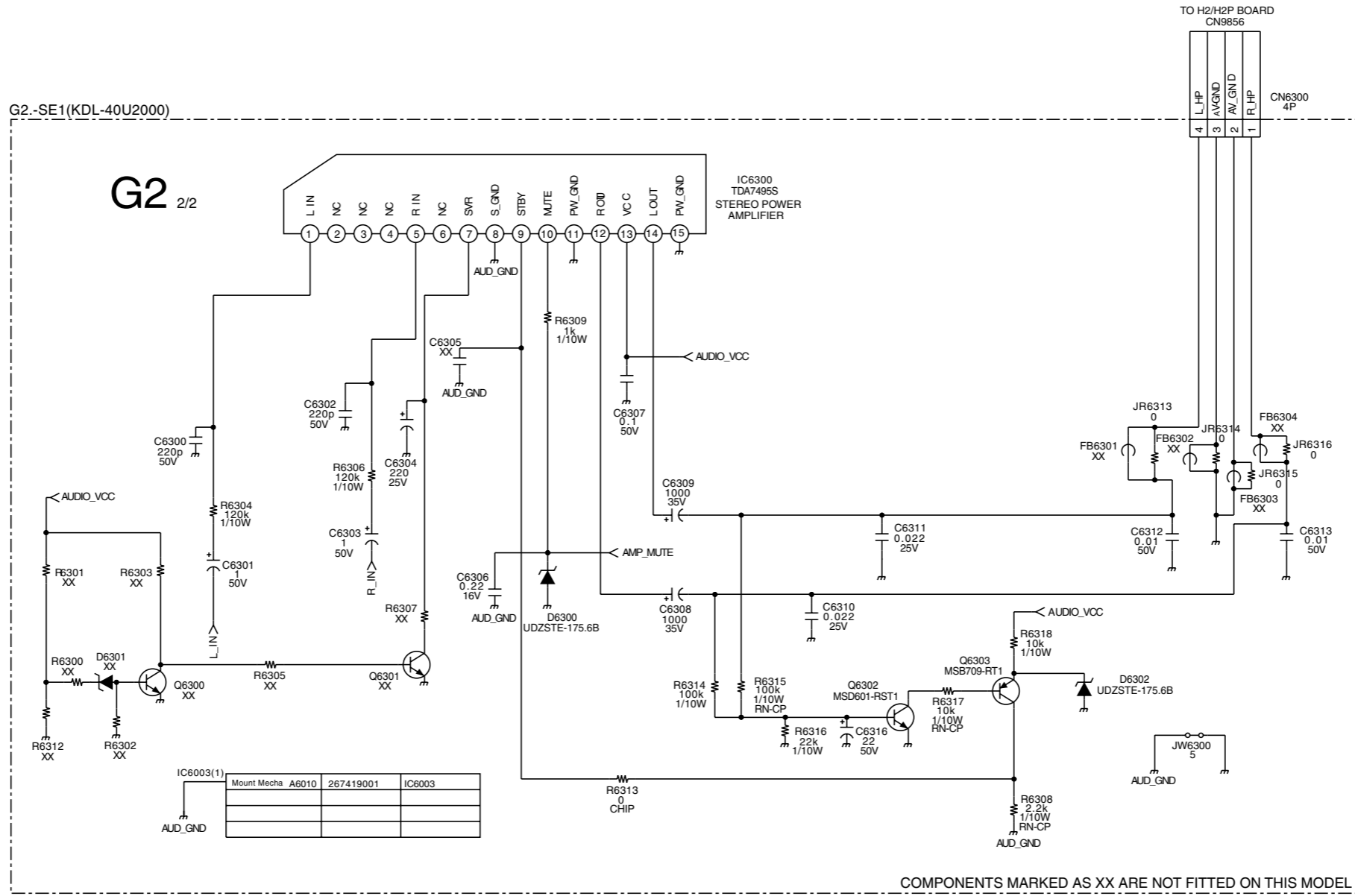
DIODE	D6007	G - 4	D6012	L - 5	D6018	M - 7	D6203	H - 6	IC6001	I - 3	TRANSISTOR	Q6005	N - 7		
D6000	E - 6	D6008	G - 4	D6013	L - 7	D6019	M - 6	D6300	N - 4	IC6002	J - 3	Q6006	M - 7		
D6004	F - 3	D6009	H - 5	D6014	K - 5	D6200	F - 6	D6302	M - 5	IC6200	G - 7	Q6007	M - 7		
D6005	H - 3	D6010	G - 4	D6015	L - 7	D6201	F - 6	IC	IC6201	J - 7	Q6002	H - 3	Q6302	N - 4	
D6006	H - 4	D6011	K - 6	D6016	L - 4	D6202	G - 7		IC6000	G - 4	IC6300	M - 4	Q6004	H - 5	Q6303





G2 1/2 POWER SUPPLY

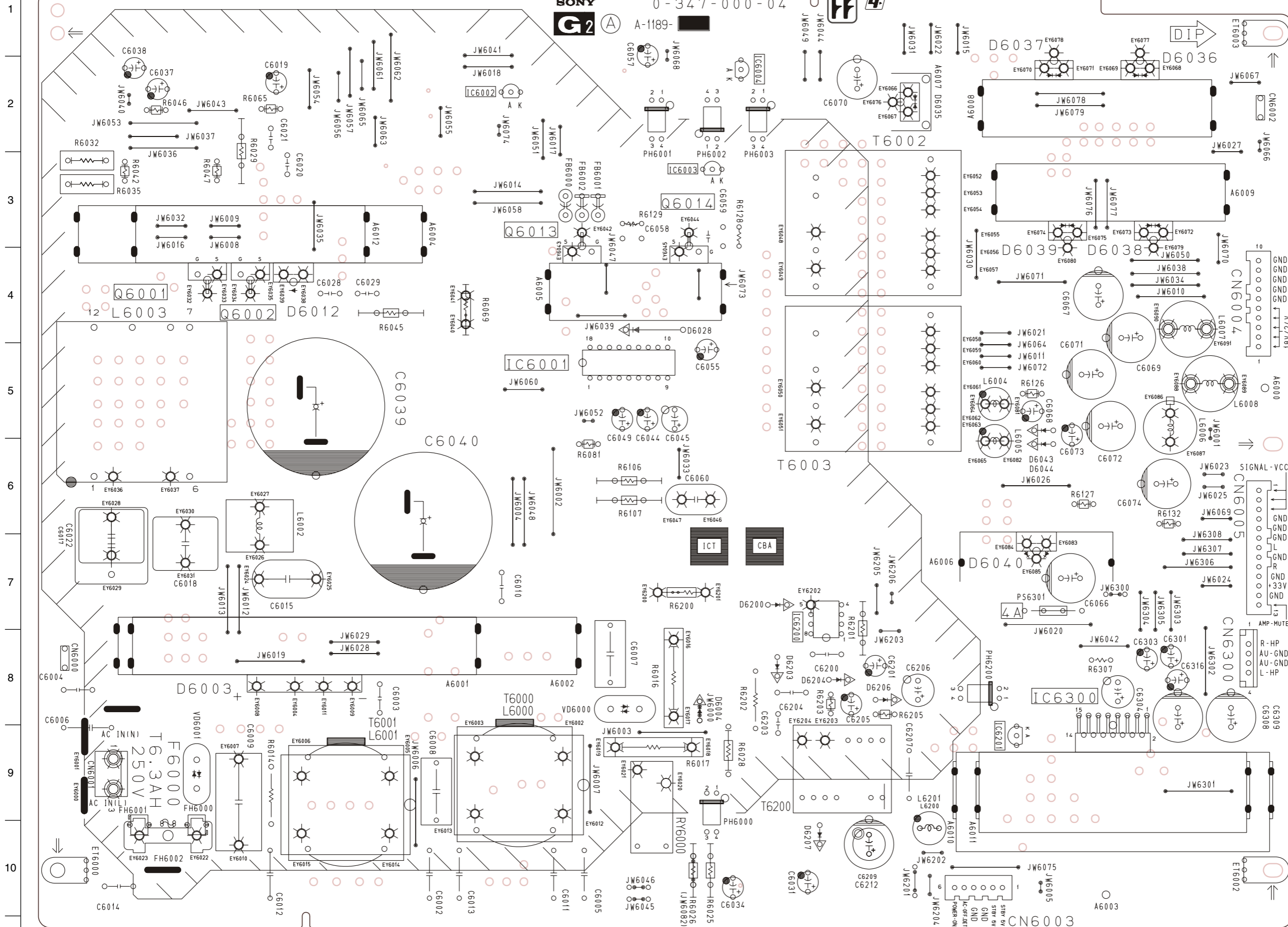
COMPONENTS MARKED AS XX ARE NOT FITTED ON THIS MODEL



~ G2 Board Schematic Diagram [ Power Supply ] Page 2/2 ~

~ G2 Printed Wiring Board Conductor Side A ~

~ G2 Board Semiconductor Location Table Side A ~

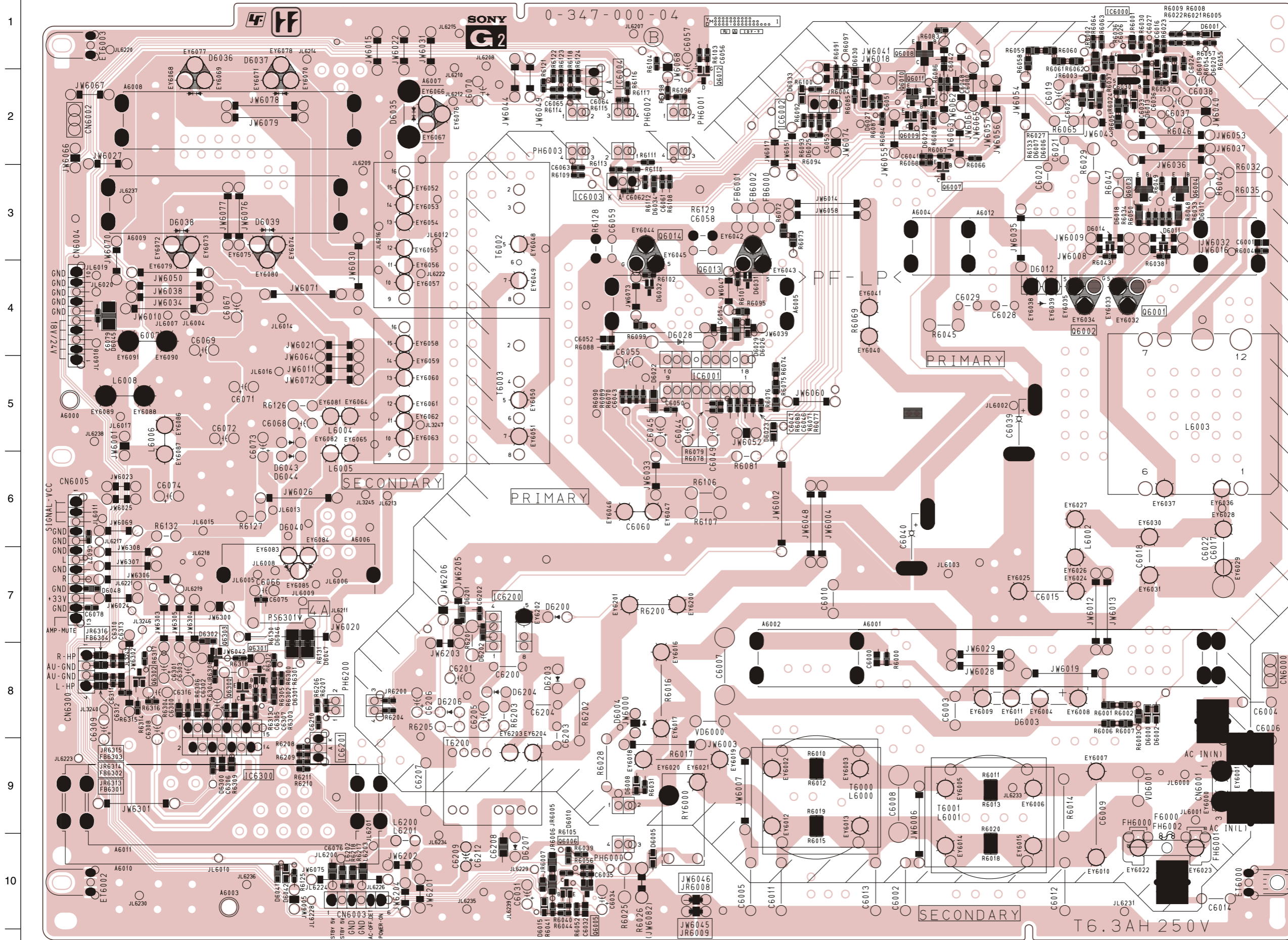


DIODE		D6206	I - 8
D6003	B - 8	D6207	I - 9
D6004	H - 8	<b>IC</b>	
D6012	D - 4	IC6001	F - 5
D6028	H - 4	IC6002	E - 2
D6036	M - 2	IC6003	G - 3
D6037	K - 2	IC6004	H - 2
D6038	L - 3	IC6200	I - 7
D6039	K - 3	IC6201	K - 8
D6040	K - 7	IC6300	K - 8
D6043	K - 6	<b>TRANSISTOR</b>	
D6044	K - 6	Q6001	B - 4
D6200	H - 7	Q6002	C - 4
D6203	H - 8	Q6013	F - 3
D6204	I - 8	Q6014	G - 3



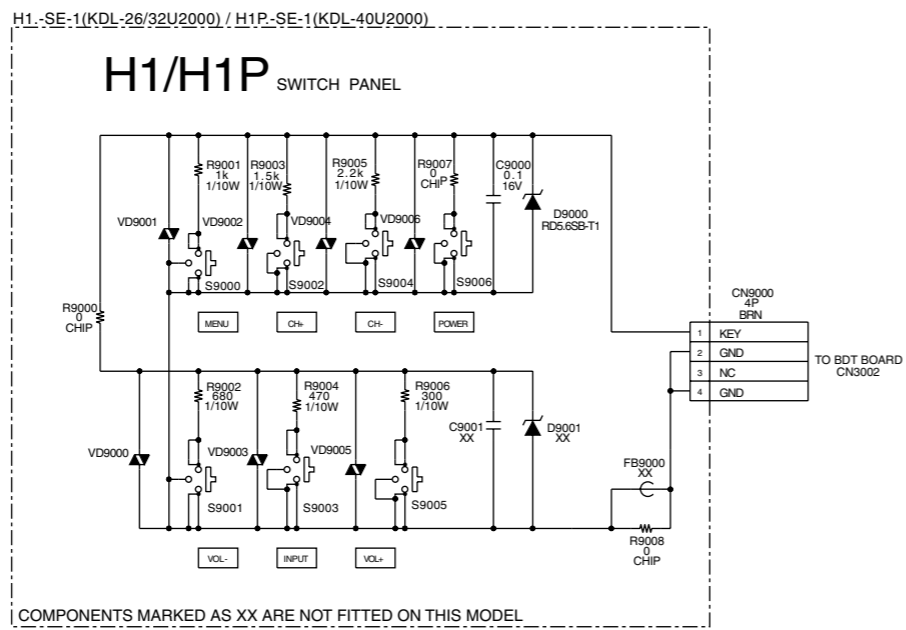
~ G2 Printed WiringBoard Conductor Side B ~

~ G2 Board Semiconductor Location Table Side B ~

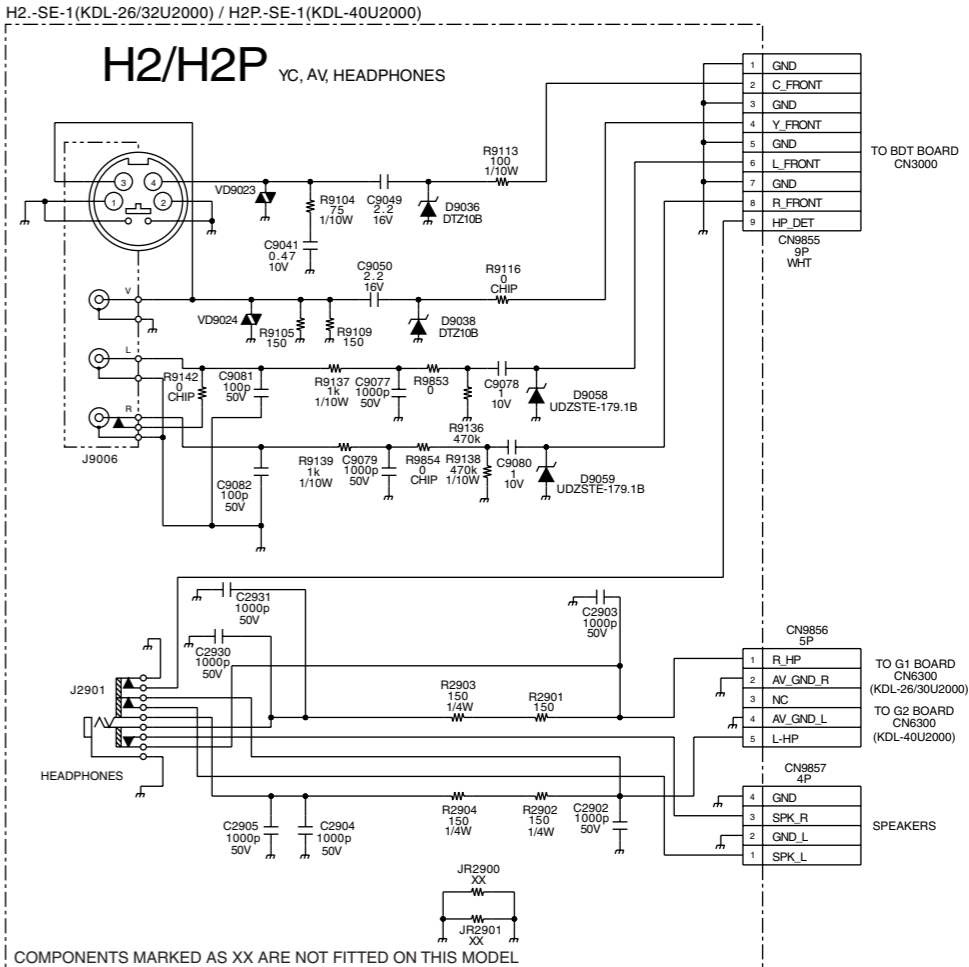


DIODE		IC	
D6000	L - 8	D6200	F - 7
D6001	M - 1	D6203	F - 8
D6002	L - 8	D6204	F - 8
D6005	G - 9	D6206	E - 8
D6006	K - 2	D6207	F - 10
D6007	K - 2	D6300	B - 9
D6008	G - 9	D6302	B - 7
D6011	M - 3	<b>IC</b>	
D6013	L - 2	IC6000	L - 1
D6014	L - 3	IC6001	H - 5
D6015	F - 10	IC6002	H - 2
D6017	M - 3	IC6003	F - 3
D6018	L - 3	IC6004	G - 2
D6019	M - 1	IC6200	E - 7
D6020	M - 1	IC6201	D - 9
D6021	J - 2	IC6300	C - 9
D6023	H - 5	<b>TRANSISTOR</b>	
D6027	I - 2	Q6001	L - 4
D6028	G - 4	Q6002	L - 4
D6031	H - 4	Q6003	L - 3
D6032	G - 4	Q6004	M - 3
D6033	I - 2	Q6005	F - 10
D6035	D - 2	Q6006	F - 10
D6036	B - 2	Q6007	J - 3
D6037	C - 2	Q6008	J - 2
D6038	B - 3	Q6009	J - 2
D6039	C - 3	Q6010	J - 2
D6040	C - 6	Q6011	J - 2
D6041	C - 10	Q6012	H - 2
D6042	C - 10	Q6013	H - 4
D6043	C - 6	Q6014	G - 3
D6044	C - 6	Q6302	B - 8
		Q6303	C - 7

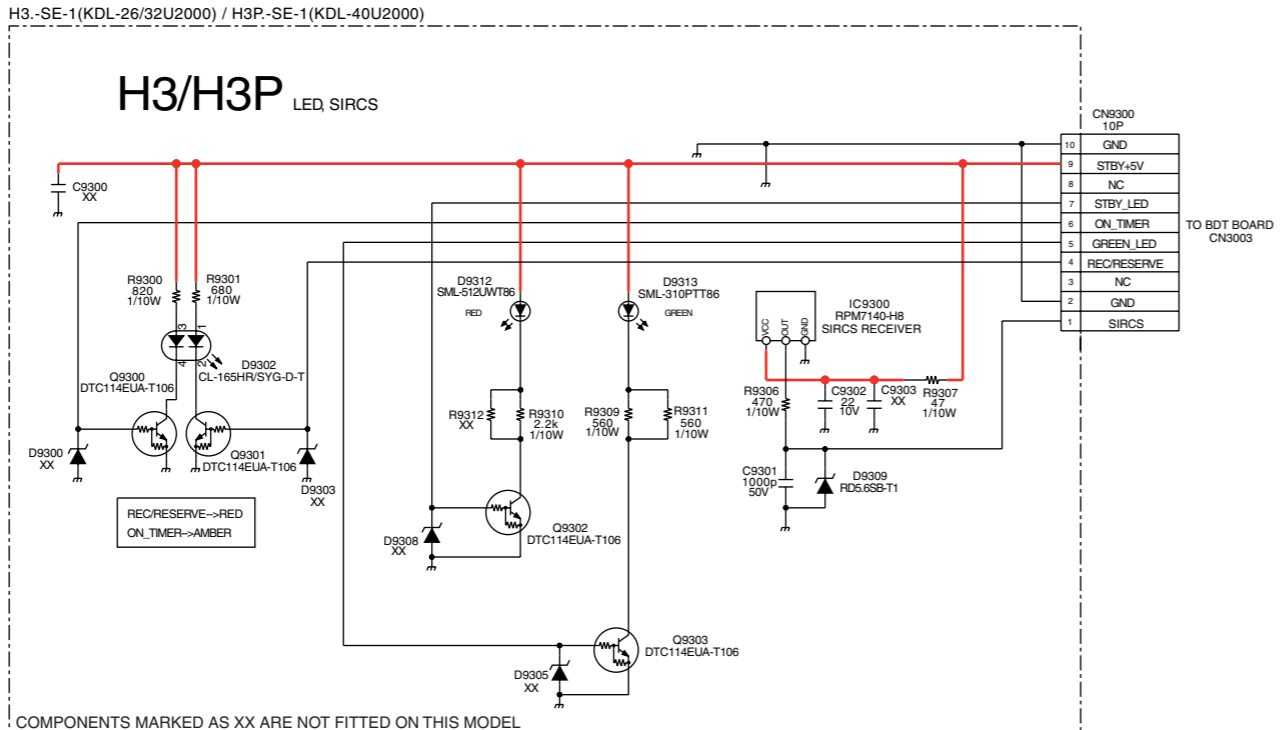
~ H1/H1P Board Schematic Diagram [ Switch Panel ] ~



~ H2/H2P Board Schematic Diagram [ YC, AV, Headphones ] ~



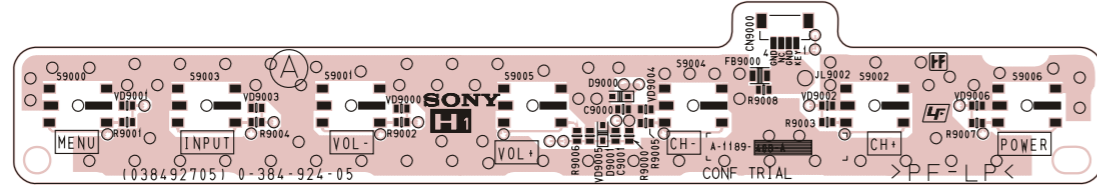
~ H3/H3P Board Schematic Diagram [ Led, Sircs ] ~



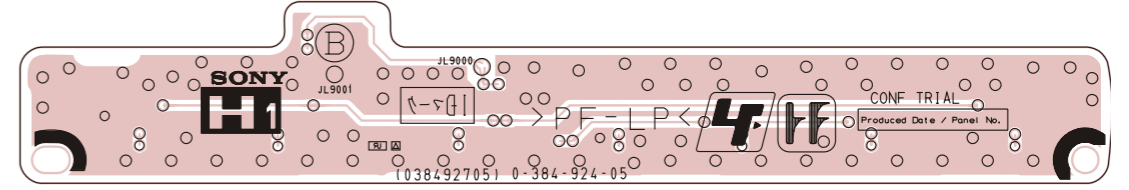
A B C D E F G H I J K L M N O

1  
2  
3  
4  
5  
6  
7  
8  
9  
10  
11

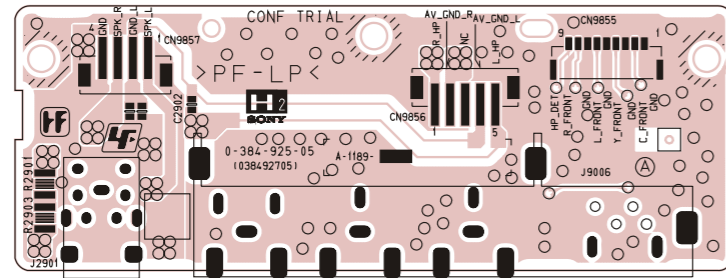
~ H1/H1P Printed Wiring Board Conductor Side A ~



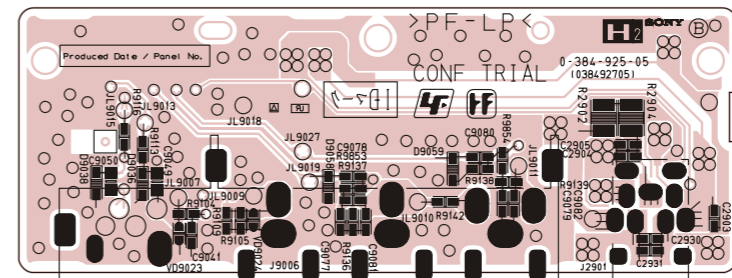
~ H1/H1P Printed Wiring Board Conductor Side B ~



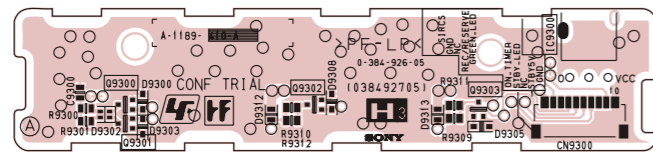
~ H2/H2P Printed Wiring Board Conductor Side A ~



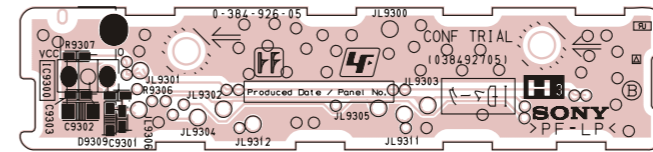
~ H2/H2P Printed Wiring Board Conductor Side B ~



~ H3/H3P Printed Wiring Board Conductor Side A ~

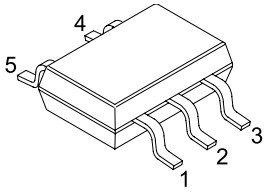


~ H3/H3P Printed Wiring Board Conductor Side B ~

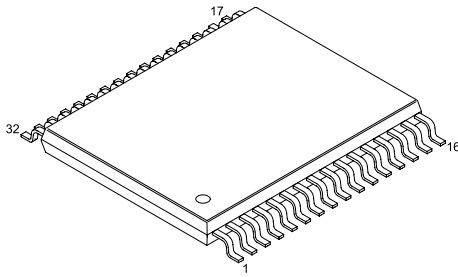


**4-4. SEMICONDUCTORS**

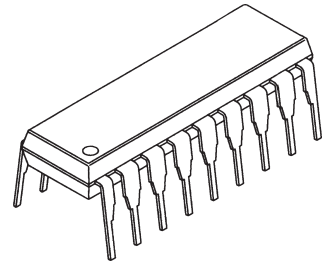
74LVC14APW  
74LVC541APW



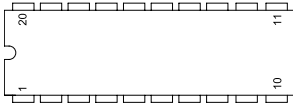
K9F2808U0C-PCB0T



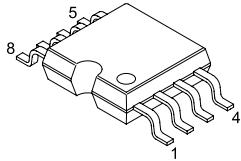
MCZ3001DB



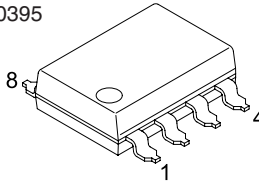
74LVT245PW-T



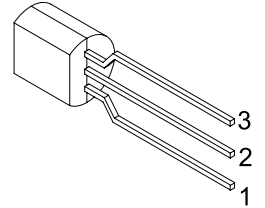
BR24L02F-WE2



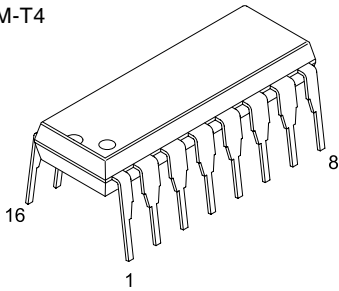
LM3525MX-H/J5000395



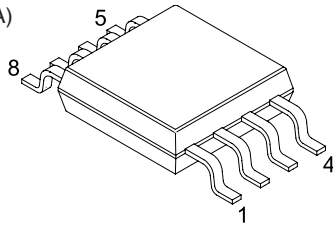
MM1431ATT  
MM1431ATT(CN)



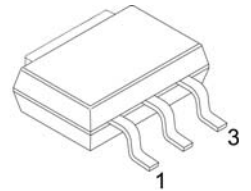
CXA1875AM-T4



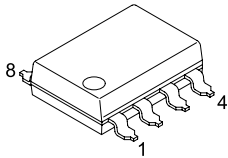
LM393DT (A)



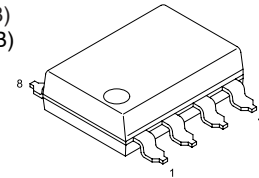
NCP1117STAT3



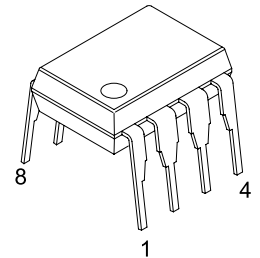
FA5501AN-D1-TE1



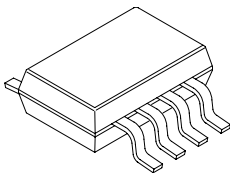
M24C02-WMN6T(B)  
M24C32-WMN6T(B)



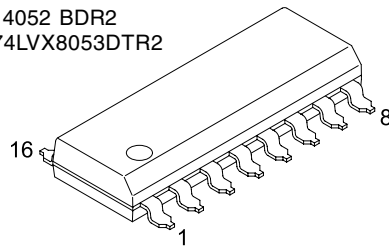
NJM2904M



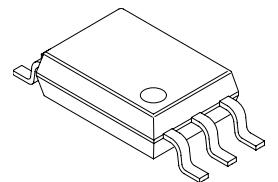
ICS7150MLFT



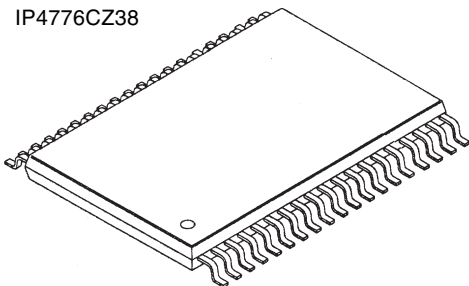
MC14052 BDR2  
MC74LVX8053DTR2



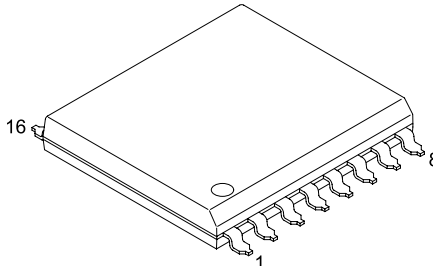
NJM3404AM-T1



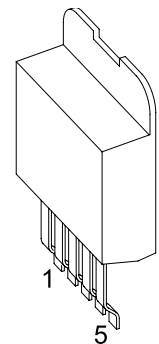
IP4776CZ38



MC74LVXT4053DTR2

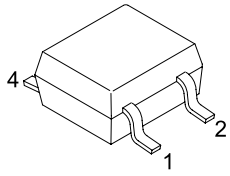


PQ070XNA1ZPH  
PQ1CY1032ZP

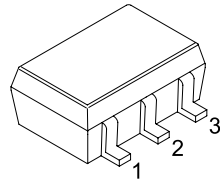




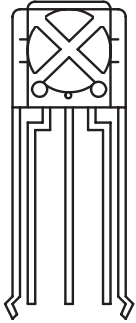
PST3629UL



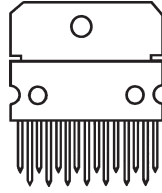
TC7SH00FU (T5RSOYJF)



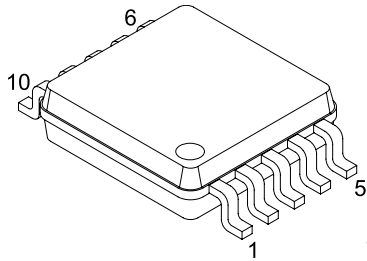
RPM7140-H8



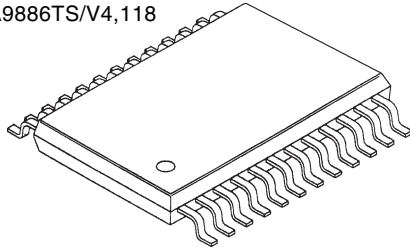
TDA7495S



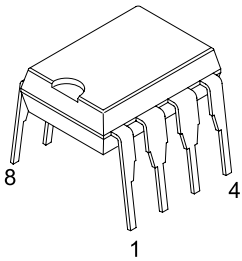
RV5C387A-E2-FB



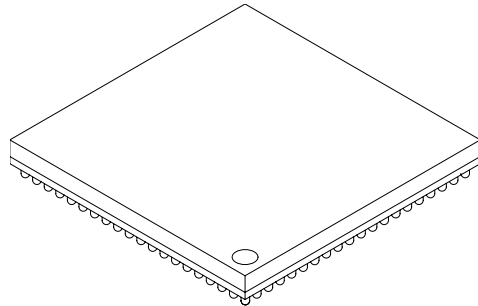
TDA9886TS/V4,118



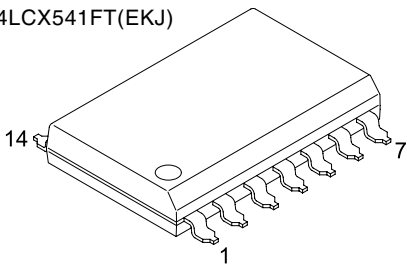
STR-A6169  
TL1431CZ-AP



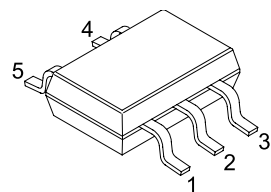
TDA9974AHS/8/C112  
UPD61123F1-100-KA3-A  
VCT6973G



TC74LCX541FT(EKJ)



TAR5S50(TE85R)  
TC7S66FU  
TK11185CSCL-G





# SECTION 5 EXPLODED VIEWS

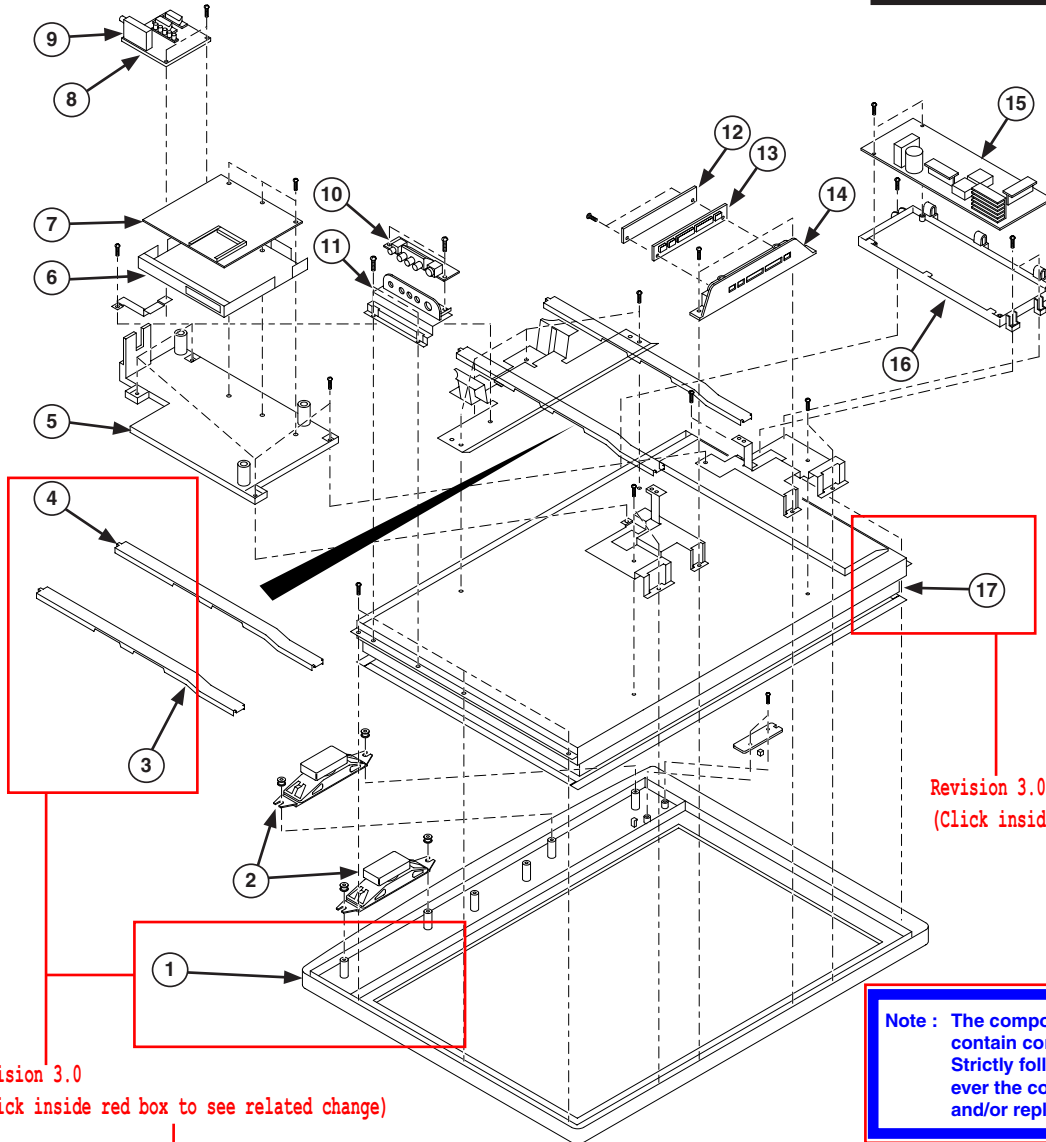
## NOTE :

- Items with no part number and no description are not stocked because they are seldom required for routine service.
- The construction parts of an assembled part are indicated with a collation number in the remarks column.
- Items marked “\*” are not stocked since they are seldom required for routine service. Some delay should be anticipated when ordering these items.

**Note :** Les composants identifiés par une trame et par une marque Δ sont d'une importance critique pour la sécurité. Ne les remplacer que par des pièces du numéro spécifié.

**Note :** The components identified by shading and marked Δ are critical for safety. Replace only with the part numbers specified in the parts list.

## 5-1. CHASSIS



Revision 3.0  
(Click inside red box to see related change)

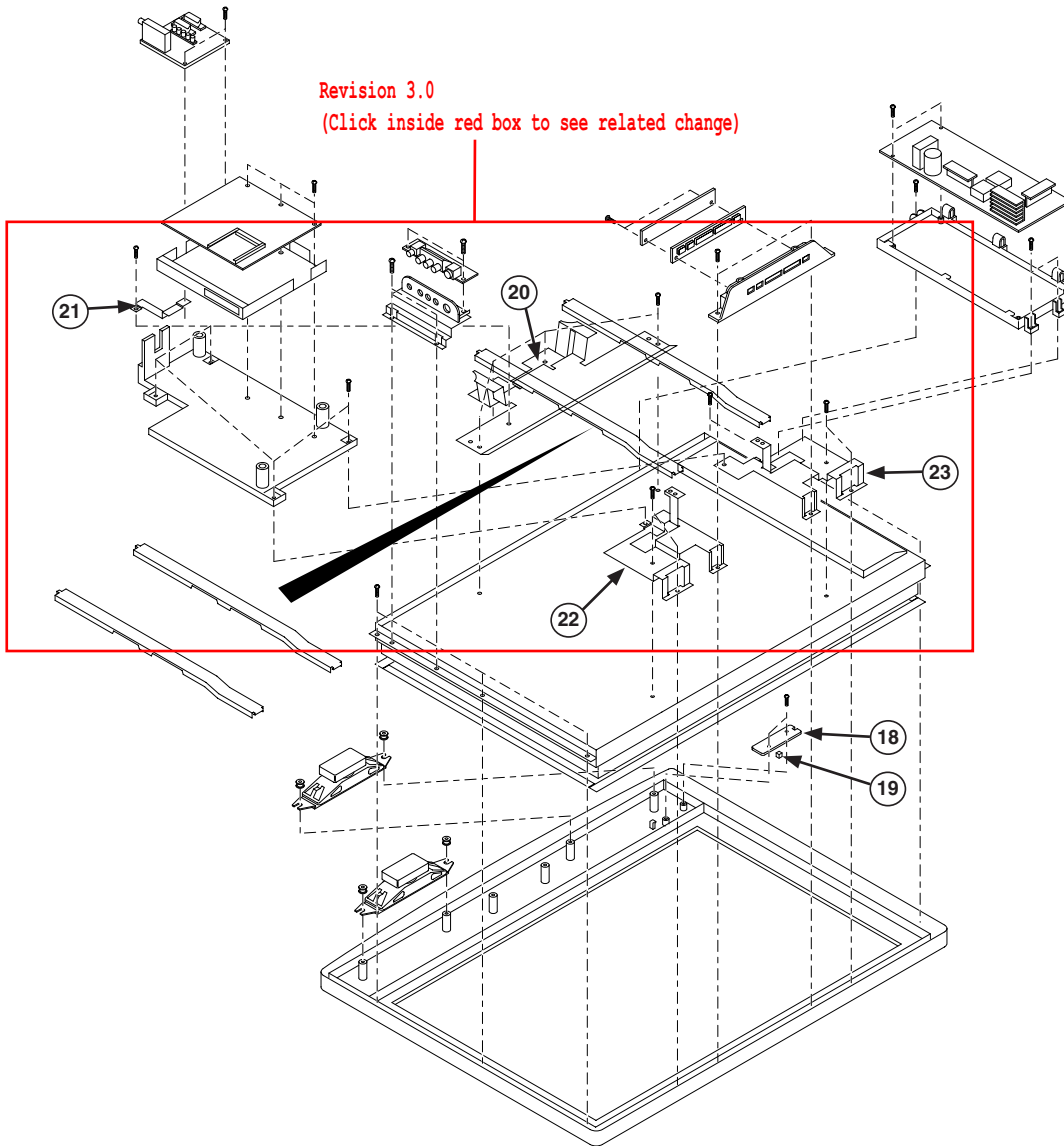
Revision 3.0  
(Click inside red box to see related change)

**Note :** The components identified by mark Δ contain confidential information. Strictly follow the instructions when ever the components are repaired and/or replaced.

REF.NO.	PART.NO	DESCRIPTION	REMARK	REF.NO.	PART.NO	DESCRIPTION	REMARK
1	X-2109-945-1	BEZEL ASSY (26) SILVER (26U2000UK/AEP)		10	*A-1189-409-A	H2 BOARD, COMPLETE (26/32U2000UK/AEP)	
	X-2177-005-1	BEZEL ASSY (26) GREY (26U2000UK/AEP)			*A-1202-964-A	H2P BOARD, COMPLETE (40U2000UK/AEP)	
	X-2109-674-1	BEZEL ASSY (32) SILVER (32U2000UK/AEP)		11	*2-679-988-01	HOLDER, SIDE JACK (26) (26U2000UK/AEP)	
	X-2176-987-1	BEZEL ASSY (32) GREY (32U2000UK/AEP)			*2-674-302-01	HOLDER, SIDE JACK (32) (32U2000UK/AEP)	
	X-2109-938-1	BEZEL ASSY (40) SILVER (40U2000UK/AEP)			*2-679-989-01	HOLDER, SIDE JACK (40) (40U2000UK/AEP)	
	X-2177-008-1	BEZEL ASSY (40) GREY (40U2000UK/AEP)		12	*A-1189-408-A	H1 BOARD, COMPLETE (26/32U2000UK/AEP)	
2	1-826-479-11	LOUDSPEAKER (4.2X15CM) (26/32U2000UK/AEP)			*A-1202-963-A	H1P BOARD, COMPLETE (40U2000UK/AEP)	
	1-826-478-11	LOUDSPEAKER (4.2X24CM) (40U2000UK/AEP)		13	2-674-197-01	BUTTON, MULTI	
3	*2-674-183-01	VESA BRACKET (26/32U2000UK/AEP)		14	2-674-196-01	COVER, BUTTON	
	*X-2109-059-3	VESA BRACKET (40) R ASSY (40U2000UK/AEP)		15	*A-1189-415-A	G1 BOARD, COMPLETE (26/32U2000UK/AEP)	
4	*2-674-183-01	VESA BRACKET (26/32U2000UK/AEP)			*A-1189-416-A	G2 BOARD, COMPLETE (40U2000UK/AEP)	
	*X-2109-058-3	VESA BRACKET (40) L ASSY (40U2000UK/AEP)		16	*2-674-181-11	BRACKET G1 (26U2000UK/AEP)	
5	*2-679-993-01	BRACKET (A) DIG			*2-674-181-01	BRACKET G1 (32U2000UK/AEP)	
6	*2-674-192-01	BRACKET, TERMINAL SIDE			*2-674-180-01	BRACKET G2 (40U2000UK/AEP)	
7	Δ *A-1198-236-A	BDT BOARD, COMPLETE (40U2000UK/AEP)		17	1-802-187-11	LCD PANEL (26 WXGA TFT) (26U2000UK/AEP)	
8	*A-1189-407-A	A1 BOARD, COMPLETE (26/32U2000UK/AEP)			1-802-188-11	LCD PANEL (32 WXGA TFT) (32U2000UK/AEP)	
	*A-1202-962-A	A1P BOARD, COMPLETE (40U2000UK/AEP)			1-802-386-21	LCD PANEL (40 WXGA TFT) (40U2000UK/AEP)	
9	8-597-585-00	TUNER, FSS BTP-HC401					

Revision 3.0  
(Click inside red box to see related change)

## 5-1. CHASSIS Cont.



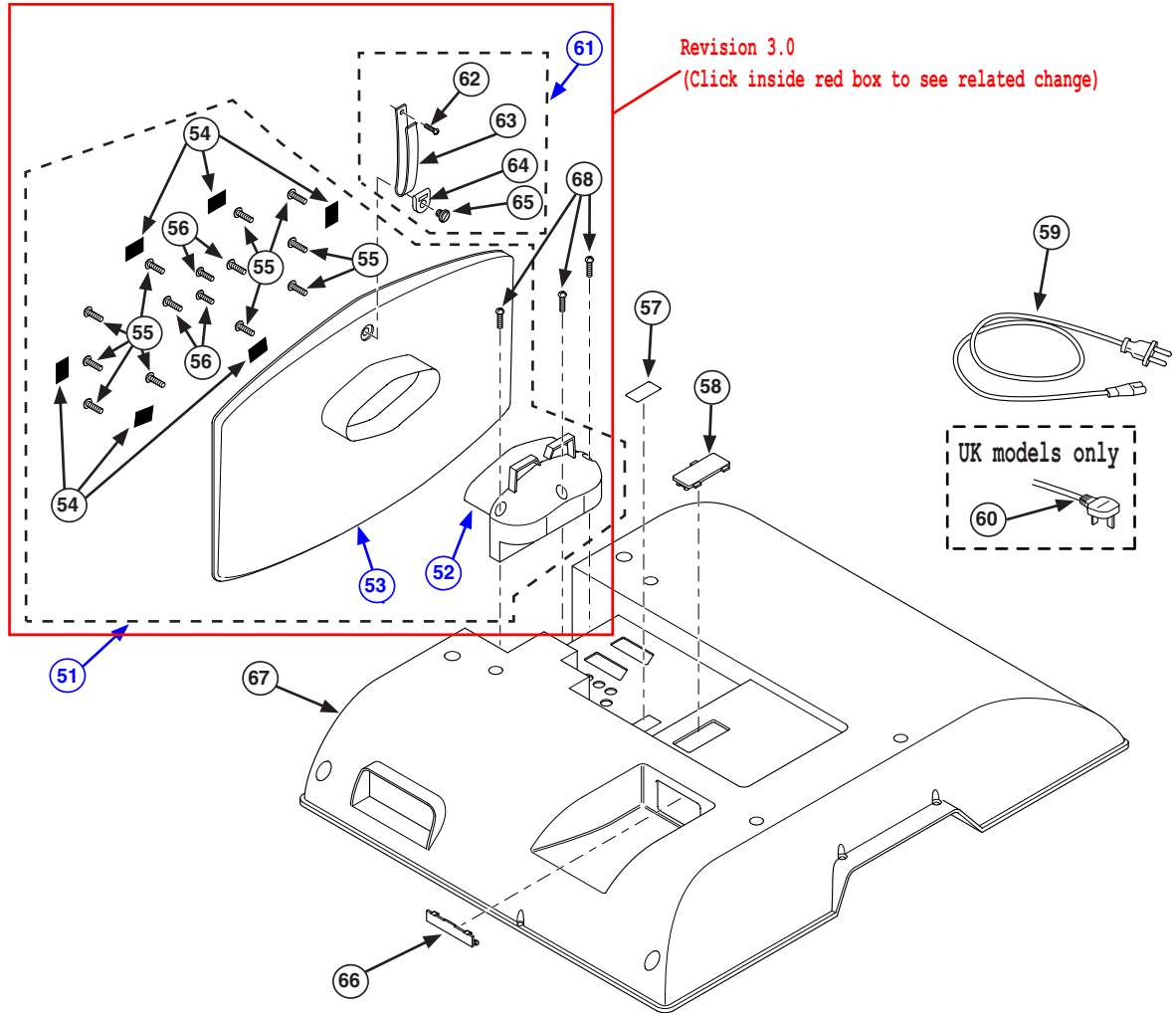
REF.NO.	PART.NO	DESCRIPTION	REMARK	REF.NO.	PART.NO	DESCRIPTION	REMARK
18	*A-1189-410-A	H3 BOARD, COMPLETE (26/32U2000UK/AEP)					
	*A-1202-965-A	H3P BOARD, COMPLETE (40U2000UK/AEP)					
19	2-674-189-01	GUIDE, LIGHT					
20	NOT SERVICEABLE PART						
21	NOT SERVICEABLE PART						
22	NOT SERVICEABLE PART						
23	NOT SERVICEABLE PART						

Revision 3.0  
(Click inside red box to see related change)

**Note :** Les composants identifiés par une trame et par une marque Δ sont d'une importance critique pour la sécurité. Ne les remplacer que par des pièces du numéro spécifié.

**Note :** The components identified by shading and marked Δ are critical for safety. Replace only with the part numbers specified in the parts list.

## 5-2. STAND, REAR COVER, POWER LEADS



Revision 3.0  
(Click inside red box to see related change)

Revision 3.0  
(Click inside red box to see related change)

Revision 3.0  
(Click inside red box to see related change)

REF.NO.	PART.NO	DESCRIPTION	REMARK	REF.NO.	PART.NO	DESCRIPTION	REMARK
51	*X-2177-004-1	STAND (M) ASSY 26	(26U2000UK/AEP) 52-56	59	Δ 1-832-132-11	POWER SUPPLY CORD (26/32/40U2000AEP)	
	*X-2176-991-1	STAND (M) ASSY 32	(32U2000UK/AEP) 52-56	60	Δ 1-832-170-11	POWER SUPPLY CORD (UK PLUG)	
	*X-2177-007-1	STAND (L) ASSY 40	(40U2000UK/AEP) 52-56			(26/32/40U2000UK)	
52	*2-674-301-11	NECK, STAND	(26U2000UK/AEP)	61	*X-2102-511-2	BAG ASSY, RUDDER LOCK	(62-65)
	*2-674-301-01	NECK, STAND	(32U2000UK/AEP)	62	*2-580-663-01	SCREW, WOOD 3.8X20	
	*2-674-301-22	NECK, STAND	(40U2000UK/AEP)	63	*2-591-689-01	BELT	
53	2-674-194-21	COVER, STAND (M)	(26/32U2000UK/AEP)	64	*2-591-688-02	RUDDER LOCK	
	2-674-314-01	COVER, STAND (L)	(40U2000UK/AEP)	65	*2-593-320-02	SCREW, COIN (M6X18)	
54	4-100-951-02	FOOT, STAND		66	2-667-975-01	COVER, PCMCIA	
55	2-580-644-01	SCREW, KTP2 3X8	(26/32U2000UK/AEP)	67	2-674-304-03	COVER, REAR (26)	(26U2000UK/AEP)
	2-580-647-01	SCREW, KTP2 4X12	(40U2000UK/AEP)		2-674-191-03	COVER, REAR (32)	(32U2000UK/AEP)
56	2-580-640-01	SCREW, +BVTP2 4X16			2-674-312-01	COVER, REAR (40)	(40U2000UK/AEP)
57	2-021-173-12	COVER, ECS (20)		68	2-580-608-01	SCREW, +PSW M5X16	(26/32U2000UK/AEP)
58	2-667-973-02	COVER, SERVICE C			2-580-609-01	SCREW, +PSW M5X25	(40U2000UK/AEP)

# SECTION 6 ELECTRICAL PARTS LIST

## PARTS LISTING TABLE OF CONTENTS

	<u>Page</u>
A1/A1P BOARD COMPLETE Parts List : .....	65
H2/H2P BOARD COMPLETE Parts List : .....	68
H3/H3P BOARD COMPLETE Parts List : .....	69
G2 BOARD COMPLETE Parts List : KDL-40U2000 only.....	69
H1/H1P BOARD COMPLETE Parts List : .....	73
BDT BOARD COMPLETE Parts List : .....	73
G1 BOARD COMPLETE Parts List : KDL-26U2000 & KDL-32U2000 only.....	85
MISCELLANEOUS : .....	88
ACCESSORIES AND CONNECTORS : .....	88
REMOTE COMMANDER : .....	88

**Note:** The BDT Board is regarded as a non service item for exchange only if there is a fault with either IC3006 or IC5630.

**Note :** Items marked “\*” are not stocked since they are seldom required for routine service. Some delay should be anticipated when ordering these items.  
Parts indicated (XX) on the Schematic Diagram are not used in this model and therefore do not appear in the Parts List.

REF.NO.	PART.NO	DESCRIPTION	REMARK	REF.NO.	PART.NO	DESCRIPTION	REMARK
*A-1189-407-A A1 Board Complete (KDL-26/32U2000)							
*A-1202-962-A A1P Board Complete (KDL-40U2000)							
	*2-586-040-02	SHIELD CASE, IFOB (MAIN)		C2056	1-162-964-11	CERAMIC CHIP 0.001UF	10.00% 50V
	*2-586-041-01	SHIELD CASE, IFOB (TOP)		C2057	1-162-964-11	CERAMIC CHIP 0.001UF	10.00% 50V
	*2-586-042-02	SHIELD CASE, IFOB (BOTTOM)		C2058	1-162-964-11	CERAMIC CHIP 0.001UF	10.00% 50V
< CAPACITOR >				C2059	1-165-908-11	CERAMIC CHIP 1UF	10% 10V
C1000	1-126-947-11	ELECT 47UF	20.00% 35V	C2060	1-165-908-11	CERAMIC CHIP 1UF	10% 10V
C1001	1-164-156-11	CERAMIC CHIP 0.1UF	25V	C2065	1-164-227-11	CERAMIC CHIP 0.022UF	10.00% 25V
C1102	1-162-925-11	CERAMIC CHIP 68PF	5.00% 50V	C2066	1-162-964-11	CERAMIC CHIP 0.001UF	10.00% 50V
C1103	1-162-925-11	CERAMIC CHIP 68PF	5.00% 50V	C2067	1-164-227-11	CERAMIC CHIP 0.022UF	10.00% 25V
C1104	1-164-156-11	CERAMIC CHIP 0.1UF	25V	C2068	1-162-964-11	CERAMIC CHIP 0.001UF	10.00% 50V
C1105	1-126-968-11	ELECT 100UF	20.00% 50V	C2069	1-165-908-11	CERAMIC CHIP 1UF	10% 10V
C1106	1-126-916-11	ELECT 1000UF	20.00% 6.3V	C2070	1-165-908-11	CERAMIC CHIP 1UF	10% 10V
C1107	1-164-156-11	CERAMIC CHIP 0.1UF	25V	C2071	1-126-396-11	ELECT CHIP 47UF	20.00% 16V
C1108	1-164-156-11	CERAMIC CHIP 0.1UF	25V	C2072	1-126-396-11	ELECT CHIP 47UF	20.00% 16V
C1200	1-164-156-11	CERAMIC CHIP 0.1UF	25V	C2073	1-165-908-11	CERAMIC CHIP 1UF	10% 10V
C1202	1-162-970-11	CERAMIC CHIP 0.01UF	10.00% 25V	C2074	1-165-908-11	CERAMIC CHIP 1UF	10% 10V
C1203	1-104-662-91	ELECT 22UF	20.00% 25V	C2079	1-162-964-11	CERAMIC CHIP 0.001UF	10.00% 50V
C1204	1-162-970-11	CERAMIC CHIP 0.01UF	10.00% 25V	C2080	1-162-964-11	CERAMIC CHIP 0.001UF	10.00% 50V
C1205	1-164-392-11	CERAMIC CHIP 390PF	5.00% 50V	C2081	1-164-156-11	CERAMIC CHIP 0.1UF	25V
C1206	1-162-970-11	CERAMIC CHIP 0.01UF	10.00% 25V	C2084	1-107-826-11	CERAMIC CHIP 0.1UF	10.00% 16V
C1207	1-162-970-11	CERAMIC CHIP 0.01UF	10.00% 25V	C2085	1-117-370-11	CERAMIC CHIP 10UF	10V
C1208	1-127-715-91	CERAMIC CHIP 0.22UF	10% 16V	C2086	1-107-826-11	CERAMIC CHIP 0.1UF	10.00% 16V
C1209	1-125-891-11	CERAMIC CHIP 0.47UF	10.00% 10V	C2087	1-117-370-11	CERAMIC CHIP 10UF	10V
C1210	1-164-315-11	CERAMIC CHIP 470PF	5.00% 50V	< CONNECTOR >			
C1211	1-131-664-91	CERAMIC CHIP 0.15UF	10% 10V	CN2021	*1-417-602-11	SOCKET 21PIN	
C1213	1-165-176-11	CERAMIC CHIP 0.047UF	10.00% 16V	CN2022	1-819-390-51	FFC/FPC CONNECTOR (ZIF) 49P	
C1216	1-162-919-11	CERAMIC CHIP 22PF	5.00% 50V	CN2023	*1-417-602-11	SOCKET 21PIN	
C1218	1-162-970-11	CERAMIC CHIP 0.01UF	10.00% 25V	CN2024	1-820-255-51	FFC/FPC CONNECTOR (ZIF) 20P	
C1219	1-162-926-11	CERAMIC CHIP 82PF	5.00% 50V	< DIODE >			
C1220	1-162-928-11	CERAMIC CHIP 120PF	5.00% 50V	D1100	8-719-069-55	DIODE UDZSTE-175.6B	
C1221	1-164-388-91	CERAMIC CHIP 270PF	5.00% 50V	D1101	8-719-083-87	DIODE UDZS-TE17-33B	
C1222	1-162-915-11	CERAMIC CHIP 10PF	0.50PF 50V	D1102	8-719-069-55	DIODE UDZSTE-175.6B	
C1223	1-162-970-11	CERAMIC CHIP 0.01UF	10.00% 25V	D1200	8-719-050-38	DIODE M1M152WK-T1	
C1226	1-162-961-11	CERAMIC CHIP 330PF	10.00% 50V	D2021	8-719-083-82	DIODE UDZS-TE17-12B	
C1227	1-126-933-11	ELECT 100UF	20.00% 16V	D2022	8-719-083-82	DIODE UDZS-TE17-12B	
C2000	1-126-933-11	ELECT 100UF	20.00% 16V	D2023	8-719-083-82	DIODE UDZS-TE17-12B	
C2025	1-164-227-11	CERAMIC CHIP 0.022UF	10.00% 25V	D2024	8-719-083-82	DIODE UDZS-TE17-12B	
C2026	1-162-964-11	CERAMIC CHIP 0.001UF	10.00% 50V	D2025	8-719-083-63	DIODE UDZSTE-1713B	
C2027	1-164-227-11	CERAMIC CHIP 0.022UF	10.00% 25V	D2026	8-719-069-60	DIODE UDZSTE-179.1B	
C2028	1-162-964-11	CERAMIC CHIP 0.001UF	10.00% 50V	D2027	8-719-069-60	DIODE UDZSTE-179.1B	
C2043	1-165-908-11	CERAMIC CHIP 1UF	10% 10V	D2028	8-719-069-60	DIODE UDZSTE-179.1B	
C2044	1-165-908-11	CERAMIC CHIP 1UF	10% 10V	D2029	8-719-069-55	DIODE UDZSTE-175.6B	
C2048	1-126-396-11	ELECT CHIP 47UF	20.00% 16V	D2030	8-719-069-60	DIODE UDZSTE-179.1B	
C2049	1-126-396-11	ELECT CHIP 47UF	20.00% 16V	D2031	8-719-069-60	DIODE UDZSTE-179.1B	
C2053	1-165-908-11	CERAMIC CHIP 1UF	10% 10V	D2037	8-719-069-60	DIODE UDZSTE-179.1B	
C2054	1-165-908-11	CERAMIC CHIP 1UF	10% 10V	D2038	8-719-069-60	DIODE UDZSTE-179.1B	
C2055	1-162-964-11	CERAMIC CHIP 0.001UF	10.00% 50V	D2039	8-719-069-60	DIODE UDZSTE-179.1B	
				D2040	8-719-069-60	DIODE UDZSTE-179.1B	
				D2041	8-719-069-60	DIODE UDZSTE-179.1B	

REF.NO.	PART.NO	DESCRIPTION	REMARK	REF.NO.	PART.NO	DESCRIPTION	REMARK
D2042	8-719-069-60	DIODE UDZSTE-179.1B		L1104	1-414-934-21	INDUCTOR	10UH
D2043	8-719-069-60	DIODE UDZSTE-179.1B		L1105	1-414-580-21	INDUCTOR	100NH
D2044	8-719-069-60	DIODE UDZSTE-179.1B		L1107	1-414-934-21	INDUCTOR	10UH
D2045	8-719-083-63	DIODE UDZSTE-1713B		L1200	1-414-934-21	INDUCTOR	10UH
D2046	8-719-069-60	DIODE UDZSTE-179.1B		L1201	1-410-993-42	INDUCTOR	1UH
D2047	8-719-069-60	DIODE UDZSTE-179.1B		L1223	1-410-509-11	INDUCTOR	10UH
D2048	8-719-069-60	DIODE UDZSTE-179.1B		L2000	1-414-934-21	INDUCTOR	10UH
D2049	8-719-069-55	DIODE UDZSTE-175.6B		< TRANSISTOR >			
D2050	8-719-069-60	DIODE UDZSTE-179.1B		Q1200	8-729-010-29	TRANSISTOR MSD601-RST1	
D2052	8-719-083-63	DIODE UDZSTE-1713B		Q1201	8-729-421-19	TRANSISTOR UN2213	
D2058	8-719-069-60	DIODE UDZSTE-179.1B		Q1202	8-729-421-19	TRANSISTOR UN2213	
D2059	8-719-069-60	DIODE UDZSTE-179.1B		Q1203	8-729-422-33	TRANSISTOR 2SD601A-Q-TX	
D2061	8-719-069-60	DIODE UDZSTE-179.1B		Q1204	8-729-421-19	TRANSISTOR UN2213	
D2062	8-719-069-60	DIODE UDZSTE-179.1B		Q1205	8-729-010-05	TRANSISTOR MSB709-RT1	
D2063	8-719-069-60	DIODE UDZSTE-179.1B		Q2000	8-729-010-29	TRANSISTOR MSD601-RST1	
D2064	8-719-069-60	DIODE UDZSTE-179.1B		Q2001	8-729-010-29	TRANSISTOR MSD601-RST1	
D2065	8-719-069-55	DIODE UDZSTE-175.6B		Q2002	8-729-010-05	TRANSISTOR MSB709-RT1	
D2066	8-719-069-55	DIODE UDZSTE-175.6B		Q2003	8-729-120-28	TRANSISTOR 2SC1623-L5L6	
D2067	8-719-069-55	DIODE UDZSTE-175.6B		Q2004	8-729-010-05	TRANSISTOR MSB709-RT1	
D2068	8-719-069-60	DIODE UDZSTE-179.1B		Q2005	8-729-120-28	TRANSISTOR 2SC1623-L5L6	
D2069	8-719-069-55	DIODE UDZSTE-175.6B		< RESISTOR >			
D2070	8-719-069-55	DIODE UDZSTE-175.6B		R1001	1-216-809-11	METAL CHIP	100 5% 1/10W
D2071	8-719-069-55	DIODE UDZSTE-175.6B		R1002	1-216-809-11	METAL CHIP	100 5% 1/10W
< EARTH TERMINAL >				R1003	1-216-864-11	SHORT CHIP	0
ET6501	1-780-336-11	EARTH TERMINAL		R1004	1-216-864-11	SHORT CHIP	0
ET6502	1-780-336-11	EARTH TERMINAL		R1006	1-216-864-11	SHORT CHIP	0
< FERRITE BEAD >				R1007	1-216-864-11	SHORT CHIP	0
FB1100	1-469-185-11	FERRITE	0UH	R1008	1-216-864-11	SHORT CHIP	0
FB1101	1-469-185-11	FERRITE	0UH	R1009	1-216-864-11	SHORT CHIP	0
< IC >				R1010	1-216-864-11	SHORT CHIP	0
IC1000	6-704-465-01	IC MC74LVX8053DTR2		R1101	1-216-049-11	RES-CHIP	1K 5% 1/10W
IC1200	6-704-747-01	IC TDA9886TS/V4,118		R1201	1-216-837-11	METAL CHIP	22K 5% 1/10W
IC2000	8-759-385-76	IC MC14052 BDR2		R1202	1-216-821-11	METAL CHIP	1K 5% 1/10W
< SOCKET >				R1203	1-216-837-11	METAL CHIP	22K 5% 1/10W
J2021	1-819-327-11	PHONO JACK 2P		R1204	1-216-825-11	METAL CHIP	2.2K 5% 1/10W
J2022	1-819-327-11	PHONO JACK 2P		R1206	1-216-825-11	METAL CHIP	2.2K 5% 1/10W
J2023	1-820-021-11	JACK		R1207	1-216-825-11	METAL CHIP	2.2K 5% 1/10W
J2024	1-819-354-11	PHONO JACK 5P		R1208	1-216-864-11	SHORT CHIP	0
< COIL >				R1210	1-216-817-11	METAL CHIP	470 5% 1/10W
L1000	1-414-934-21	INDUCTOR	10UH	R1212	1-216-830-11	METAL CHIP	5.6K 5% 1/10W
L1100	1-412-987-31	INDUCTOR	4.7UH	R1213	1-216-811-11	METAL CHIP	150 5% 1/10W
L1101	1-412-987-31	INDUCTOR	4.7UH	R1214	1-216-827-11	METAL CHIP	3.3K 5% 1/10W
L1102	1-414-580-21	INDUCTOR	100NH	R1215	1-216-817-11	METAL CHIP	470 5% 1/10W
L1103	1-414-580-21	INDUCTOR	100NH	R1216	1-216-834-11	METAL CHIP	12K 5% 1/10W
				R1217	1-216-864-11	SHORT CHIP	0
				R1218	1-216-809-11	METAL CHIP	100 5% 1/10W
				R1219	1-216-864-11	SHORT CHIP	0



REF.NO.	PART.NO	DESCRIPTION	REMARK			REF.NO.	PART.NO	DESCRIPTION	REMARK		
R1220	1-216-809-11	METAL CHIP	100	5%	1/10W	R2025	1-216-049-11	RES-CHIP	1K	5%	1/10W
R1221	1-216-845-11	METAL CHIP	100K	5%	1/10W	R2026	1-216-022-00	RES-CHIP	75	5%	1/10W
R1222	1-216-813-11	METAL CHIP	220	5%	1/10W	R2028	1-216-022-00	RES-CHIP	75	5%	1/10W
R1223	1-216-824-11	METAL CHIP	1.8K	5%	1/10W	R2029	1-216-022-00	RES-CHIP	75	5%	1/10W
R1224	1-216-809-11	METAL CHIP	100	5%	1/10W	R2030	1-216-022-00	RES-CHIP	75	5%	1/10W
R1225	1-216-864-11	SHORT CHIP	0			R2031	1-216-022-00	RES-CHIP	75	5%	1/10W
R1226	1-216-819-11	METAL CHIP	680	5%	1/10W	R2032	1-216-815-11	METAL CHIP	330	5%	1/10W
R1228	1-216-864-11	SHORT CHIP	0			R2033	1-216-815-11	METAL CHIP	330	5%	1/10W
R1229	1-218-867-11	METAL CHIP	6.8K	0.5%	1/10W	R2034	1-216-813-11	METAL CHIP	220	5%	1/10W
R1230	1-216-822-11	METAL CHIP	1.2K	5%	1/10W	R2035	1-216-864-11	SHORT CHIP	0		
R1232	1-216-807-11	METAL CHIP	68	5%	1/10W	R2036	1-216-813-11	METAL CHIP	220	5%	1/10W
R1233	1-216-807-11	METAL CHIP	68	5%	1/10W	R2037	1-216-864-11	SHORT CHIP	0		
R1234	1-216-814-11	METAL CHIP	270	5%	1/10W	R2038	1-216-864-11	SHORT CHIP	0		
R1235	1-216-829-11	METAL CHIP	4.7K	5%	1/10W	R2039	1-216-864-11	SHORT CHIP	0		
R1237	1-216-833-11	METAL CHIP	10K	5%	1/10W	R2040	1-216-864-11	SHORT CHIP	0		
R1238	1-216-864-11	SHORT CHIP	0			R2041	1-216-864-11	SHORT CHIP	0		
R1239	1-216-812-11	METAL CHIP	180	5%	1/10W	R2042	1-216-864-11	SHORT CHIP	0		
R1240	1-216-801-11	METAL CHIP	22	5%	1/10W	R2043	1-216-864-11	SHORT CHIP	0		
R1241	1-216-821-11	METAL CHIP	1K	5%	1/10W	R2044	1-216-864-11	SHORT CHIP	0		
R1301	1-216-864-11	SHORT CHIP	0			R2045	1-216-864-11	SHORT CHIP	0		
R1302	1-216-864-11	SHORT CHIP	0			R2046	1-216-864-11	SHORT CHIP	0		
R1305	1-216-864-11	SHORT CHIP	0			R2047	1-216-864-11	SHORT CHIP	0		
R1306	1-216-864-11	SHORT CHIP	0			R2048	1-216-864-11	SHORT CHIP	0		
R1307	1-216-864-11	SHORT CHIP	0			R2049	1-216-864-11	SHORT CHIP	0		
R1308	1-216-864-11	SHORT CHIP	0			R2050	1-216-864-11	SHORT CHIP	0		
R2000	1-216-809-11	METAL CHIP	100	5%	1/10W	R2051	1-216-864-11	SHORT CHIP	0		
R2001	1-216-809-11	METAL CHIP	100	5%	1/10W	R2052	1-216-864-11	SHORT CHIP	0		
R2002	1-216-809-11	METAL CHIP	100	5%	1/10W	R2053	1-216-864-11	SHORT CHIP	0		
R2003	1-216-809-11	METAL CHIP	100	5%	1/10W	R2054	1-216-864-11	SHORT CHIP	0		
R2004	1-216-864-11	SHORT CHIP	0			R2055	1-216-864-11	SHORT CHIP	0		
R2005	1-216-864-11	SHORT CHIP	0			R2056	1-216-864-11	SHORT CHIP	0		
R2006	1-216-809-11	METAL CHIP	100	5%	1/10W	R2057	1-216-864-11	SHORT CHIP	0		
R2007	1-216-864-11	SHORT CHIP	0			R2058	1-216-864-11	SHORT CHIP	0		
R2008	1-216-829-11	METAL CHIP	4.7K	5%	1/10W	R2059	1-216-864-11	SHORT CHIP	0		
R2009	1-216-829-11	METAL CHIP	4.7K	5%	1/10W	R2060	1-216-864-11	SHORT CHIP	0		
R2010	1-216-809-11	METAL CHIP	100	5%	1/10W	R2061	1-216-864-11	SHORT CHIP	0		
R2011	1-216-809-11	METAL CHIP	100	5%	1/10W	R2062	1-216-864-11	SHORT CHIP	0		
R2012	1-216-809-11	METAL CHIP	100	5%	1/10W	R2063	1-216-853-11	METAL CHIP	470K	5%	1/10W
R2013	1-216-809-11	METAL CHIP	100	5%	1/10W	R2064	1-216-853-11	METAL CHIP	470K	5%	1/10W
R2014	1-216-809-11	METAL CHIP	100	5%	1/10W	R2065	1-216-853-11	METAL CHIP	470K	5%	1/10W
R2015	1-216-833-11	METAL CHIP	10K	5%	1/10W	R2066	1-216-853-11	METAL CHIP	470K	5%	1/10W
R2016	1-216-833-11	METAL CHIP	10K	5%	1/10W	R2067	1-216-025-11	RES-CHIP	100	5%	1/10W
R2017	1-216-833-11	METAL CHIP	10K	5%	1/10W	R2068	1-216-033-00	RES-CHIP	220	5%	1/10W
R2018	1-216-833-11	METAL CHIP	10K	5%	1/10W	R2069	1-216-025-11	RES-CHIP	100	5%	1/10W
R2019	1-216-833-11	METAL CHIP	10K	5%	1/10W	R2070	1-216-025-11	RES-CHIP	100	5%	1/10W
R2020	1-216-833-11	METAL CHIP	10K	5%	1/10W	R2071	1-216-025-11	RES-CHIP	100	5%	1/10W
R2021	1-216-295-91	SHORT CHIP	0			R2072	1-216-022-00	RES-CHIP	75	5%	1/10W
R2022	1-216-815-11	METAL CHIP	330	5%	1/10W	R2073	1-216-025-11	RES-CHIP	100	5%	1/10W
R2023	1-216-049-11	RES-CHIP	1K	5%	1/10W	R2074	1-216-049-11	RES-CHIP	1K	5%	1/10W
R2024	1-216-815-11	METAL CHIP	330	5%	1/10W	R2075	1-216-049-11	RES-CHIP	1K	5%	1/10W





**Note :** The components identified by shading and marked  $\Delta$  are critical for safety. Replace only with the part numbers specified in the parts list.

**H2/H2P**

**H3/H3P**

**G2**

REF.NO.	PART.NO	DESCRIPTION	REMARK	REF.NO.	PART.NO	DESCRIPTION	REMARK
< DIODE >				< TRANSISTOR >			
D9036	8-719-977-28	DIODE DTZ10B		Q9300	8-729-907-00	TRANSISTOR DTC114EU	
D9038	8-719-977-28	DIODE DTZ10B		Q9301	8-729-907-00	TRANSISTOR DTC114EU	
D9058	8-719-069-60	DIODE UDZSTE-179.1B		Q9302	8-729-907-00	TRANSISTOR DTC114EU	
D9059	8-719-069-60	DIODE UDZSTE-179.1B		Q9303	8-729-907-00	TRANSISTOR DTC114EU	
< SOCKET >				< RESISTOR >			
J2901	1-750-264-31	JACK		R9300	1-216-820-11	METAL CHIP 820 5%	1/10W
J9006	1-794-442-21	TERMINAL BLOCK (LIGHT ANGLE),S		R9301	1-216-819-11	METAL CHIP 680 5%	1/10W
< RESISTOR >				R9306	1-216-817-11	METAL CHIP 470 5%	1/10W
R2901	1-220-259-11	METAL CHIP 150 5%	1/4W	R9307	1-216-805-11	METAL CHIP 47 5%	1/10W
R2902	1-220-259-11	METAL CHIP 150 5%	1/4W	R9309	1-216-818-11	METAL CHIP 560 5%	1/10W
R2903	1-220-259-11	METAL CHIP 150 5%	1/4W	R9310	1-216-825-11	METAL CHIP 2.2K 5%	1/10W
R2904	1-220-259-11	METAL CHIP 150 5%	1/4W	R9311	1-216-818-11	METAL CHIP 560 5%	1/10W
R9104	1-218-285-11	METAL CHIP 75 5%	1/10W	<b>*A-1189-416-A G2 Board Complete (KDL-40U2000 only)</b>			
R9105	1-216-811-11	METAL CHIP 150 5%	1/10W	4-382-854-11	SCREW (M3X10), P, SW (+)		
R9109	1-216-811-11	METAL CHIP 150 5%	1/10W	< CAPACITOR >			
R9113	1-216-809-11	METAL CHIP 100 5%	1/10W	C6002	$\Delta$ 1-119-892-51	CERAMIC 470PF	10.00% 250V
R9116	1-216-864-11	SHORT CHIP 0		C6003	$\Delta$ 1-161-964-91	CERAMIC 0.0047UF	250V
R9136	1-216-853-11	METAL CHIP 470K 5%	1/10W	C6004	$\Delta$ 1-113-924-11	CERAMIC 0.0047UF	20.00% 250V
R9137	1-216-821-11	METAL CHIP 1K 5%	1/10W	C6005	$\Delta$ 1-119-892-51	CERAMIC 470PF	10.00% 250V
R9138	1-216-853-11	METAL CHIP 470K 5%	1/10W	C6007	$\Delta$ 1-165-529-11	MYLAR 0.22UF	10 275V
R9139	1-216-821-11	METAL CHIP 1K 5%	1/10W	C6009	$\Delta$ 1-165-531-11	MYLAR 1UF	10 275V
R9142	1-216-864-11	SHORT CHIP 0		C6010	$\Delta$ 1-161-964-91	CERAMIC 0.0047UF	250V
R9853	1-216-864-11	SHORT CHIP 0		C6011	$\Delta$ 1-119-892-51	CERAMIC 470PF	10.00% 250V
R9854	1-216-864-11	SHORT CHIP 0		C6013	$\Delta$ 1-119-892-51	CERAMIC 470PF	10.00% 250V
< VARISTOR >				C6014	$\Delta$ 1-113-924-11	CERAMIC 0.0047UF	20.00% 250V
VD9023	1-803-974-21	VARISTOR, CHIP (1608)		C6016	1-162-969-11	CERAMIC CHIP 0.0068UF	10.00% 25V
VD9024	1-803-974-21	VARISTOR, CHIP (1608)		C6017	1-117-227-11	MYLAR 1UF	10.00% 450V
<b>*A-1189-410-A H3 Board Complete (KDL-26/32U2000)</b>				C6018	1-117-227-11	MYLAR 1UF	10.00% 450V
<b>*A-1202-965-A H3P Board Complete (KDL-40U2000)</b>				C6020	1-100-613-81	CERAMIC 470PF	5% 1KV
< CAPACITOR >				C6021	1-100-613-81	CERAMIC 470PF	5% 1KV
C9301	1-162-964-11	CERAMIC CHIP 0.001UF	10.00% 50V	C6024	1-107-823-11	CERAMIC CHIP 0.47UF	10.00% 16V
C9302	1-119-667-11	CERAMIC CHIP 22UF	10V	C6026	1-162-964-11	CERAMIC CHIP 0.001UF	10.00% 50V
< CONNECTOR >				C6027	1-162-970-11	CERAMIC CHIP 0.01UF	10.00% 25V
CN9300	1-770-627-21	PIN, CONNECTOR 10P		C6031	1-107-882-91	ELECT 100UF	20% 16V
< DIODE >				C6032	1-127-573-11	CERAMIC CHIP 1UF	10% 16V
D9302	8-719-085-26	DIODE CL-165HR/SYG-D-T		C6035	1-107-826-11	CERAMIC CHIP 0.1UF	10.00% 16V
D9309	8-719-036-94	DIODE RD5.6SB-T1		C6036	1-115-339-11	CERAMIC CHIP 0.1UF	10.00% 50V
D9312	6-500-817-01	DIODE (LED) SML-512UWT86		C6038	1-107-906-11	ELECT 10UF	20% 50V
D9313	8-719-078-21	DIODE SML-310PTT86		C6039	1-135-361-11	ELECT (BLOCK) 180UF	20% 450V
< IC >				C6040	1-135-361-11	ELECT (BLOCK) 180UF	20% 450V
IC9300	6-600-271-01	IC RPM7140-H8		C6041	1-162-970-11	CERAMIC CHIP 0.01UF	10.00% 25V
				C6042	1-115-339-11	CERAMIC CHIP 0.1UF	10.00% 50V
				C6043	1-162-970-11	CERAMIC CHIP 0.01UF	10.00% 25V
				C6044	1-107-905-11	ELECT 4.7UF	20% 50V
				C6045	1-107-910-11	ELECT 100UF	20% 50V

Note : The components identified by shading and marked  $\Delta$  are critical for safety. Replace only with the part numbers specified in the parts list.

G2

REF.NO.	PART.NO	DESCRIPTION	REMARK	REF.NO.	PART.NO	DESCRIPTION	REMARK
C6046	1-162-970-11	CERAMIC CHIP 0.01UF	10.00% 25V			< DIODE >	
C6047	1-100-831-91	CERAMIC CHIP 0.001UF	2% 50V				
C6049	1-107-906-11	ELECT 10UF	20% 50V	D6000	8-719-081-97	DIODE MMDL914T1	
C6051	1-107-826-11	CERAMIC CHIP 0.1UF	10.00% 16V	D6001	8-719-081-97	DIODE MMDL914T1	
C6052	1-163-021-91	CERAMIC CHIP 0.01UF	10.00% 50V	D6002	8-719-081-97	DIODE MMDL914T1	
C6053	1-162-964-11	CERAMIC CHIP 0.001UF	10.00% 50V	D6003	8-719-054-89	DIODE D15XB60	
C6054	1-115-340-11	CERAMIC CHIP 0.22UF	10.00% 25V	D6005	8-719-081-97	DIODE MMDL914T1	
C6055	1-107-888-11	ELECT 47UF	20% 25V	D6006	8-719-976-99	DIODE DTZ5.1B	
C6056	1-125-891-11	CERAMIC CHIP 0.47UF	10.00% 10V	D6007	8-719-081-97	DIODE MMDL914T1	
C6059	1-100-613-81	CERAMIC 470PF	5% 1KV	D6008	8-719-081-97	DIODE MMDL914T1	
C6060	1-100-310-11	FILM 18000PF	3% 800V	D6011	6-501-043-01	DIODE UMZ16NT106	
C6061	1-125-891-11	CERAMIC CHIP 0.47UF	10.00% 10V	D6012	8-719-054-59	DIODE FSF05A60	
C6062	1-162-964-11	CERAMIC CHIP 0.001UF	10.00% 50V	D6013	6-500-137-01	DIODE BAT54HT1	
C6064	1-164-227-11	CERAMIC CHIP 0.022UF	10.00% 25V	D6014	6-501-043-01	DIODE UMZ16NT106	
C6066	1-128-959-31	ELECT 1000UF	20% 35V	D6015	8-719-081-97	DIODE MMDL914T1	
C6067	1-112-242-21	ELECT 1500UF	20% 25V	D6017	6-500-108-01	DIODE EP05FA20	
C6068	1-107-928-11	ELECT 4.7UF	20% 100V	D6018	6-500-108-01	DIODE EP05FA20	
C6069	1-112-242-21	ELECT 1500UF	20% 25V	D6019	8-719-081-97	DIODE MMDL914T1	
C6070	1-112-229-21	ELECT 1500UF	20% 16V	D6020	8-719-081-97	DIODE MMDL914T1	
C6071	1-112-242-21	ELECT 1500UF	20% 25V	D6021	8-719-081-97	DIODE MMDL914T1	
C6073	1-107-907-11	ELECT 22UF	20% 50V	D6023	8-719-041-97	DIODE MA113-(TX)	
C6080	1-125-889-91	CERAMIC CHIP 2.2UF	10% 10V	D6027	8-719-081-97	DIODE MMDL914T1	
C6200	1-107-974-11	CERAMIC 47PF	5.00% 2KV	D6028	8-719-979-64	DIODE UF4005/23	
C6201	1-107-903-11	ELECT 2.2UF	20% 50V	D6031	6-501-043-01	DIODE UMZ16NT106	
C6202	1-162-964-11	CERAMIC CHIP 0.001UF	10.00% 50V	D6032	6-501-043-01	DIODE UMZ16NT106	
C6203	1-165-127-11	CERAMIC 470PF	10.00% 500V	D6033	8-719-081-97	DIODE MMDL914T1	
C6205	1-107-905-11	ELECT 4.7UF	20% 50V	D6035	8-719-057-96	DIODE D10SC6M-4012	
C6206	1-107-910-11	ELECT 100UF	20% 50V	D6036	8-719-057-96	DIODE D10SC6M-4012	
C6209	1-165-729-31	ELECT 470UF	20% 16V	D6037	8-719-057-96	DIODE D10SC6M-4012	
C6210	1-107-826-11	CERAMIC CHIP 0.1UF	10.00% 16V	D6038	8-719-057-96	DIODE D10SC6M-4012	
C6300	1-164-230-11	CERAMIC CHIP 220PF	5.00% 50V	D6039	8-719-057-96	DIODE D10SC6M-4012	
C6301	1-126-960-11	ELECT 1UF	20.00% 50V	D6040	6-501-505-01	DIODE FCH08U10	
C6302	1-164-230-11	CERAMIC CHIP 220PF	5.00% 50V	D6041	8-719-082-04	DIODE MM3Z22VT1	
C6303	1-126-960-11	ELECT 1UF	20.00% 50V	D6042	8-719-081-97	DIODE MMDL914T1	
C6304	1-104-666-11	ELECT 220UF	20.00% 25V	D6043	6-500-567-31	DIODE 10ERB20-TB3	
C6306	1-164-489-11	CERAMIC CHIP 0.22UF	10.00% 16V	D6044	6-500-567-31	DIODE 10ERB20-TB3	
C6307	1-115-339-11	CERAMIC CHIP 0.1UF	10.00% 50V	D6048	8-719-083-87	DIODE UDZS-TE17-33B	
C6308	1-126-952-11	ELECT 1000UF	20.00% 35V	D6200	6-500-567-31	DIODE 10ERB20-TB3	
C6309	1-126-952-11	ELECT 1000UF	20.00% 35V	D6201	8-719-036-94	DIODE RD5.6SB-T1	
C6310	1-164-227-11	CERAMIC CHIP 0.022UF	10.00% 25V	D6203	6-500-849-01	DIODE ERA22-08KFLB	
C6311	1-164-227-11	CERAMIC CHIP 0.022UF	10.00% 25V	D6204	8-719-052-90	DIODE D1NL40-TA2	
C6312	1-163-021-91	CERAMIC CHIP 0.01UF	10.00% 50V	D6206	8-719-052-90	DIODE D1NL40-TA2	
C6313	1-163-021-91	CERAMIC CHIP 0.01UF	10.00% 50V	D6207	8-719-032-12	DIODE D1NS6	
C6316	1-107-907-11	ELECT 22UF	20% 50V	D6300	8-719-069-55	DIODE UDZSTE-175.6B	
		< CONNECTOR >		D6302	8-719-069-55	DIODE UDZSTE-175.6B	
CN6001 $\Delta$	*1-691-960-11	PIN, CONNECTOR (PC BOARD) 3P				< TERMINAL BOARD >	
CN6003	*1-785-703-21	PIN, CONNECTOR (PC BOARD) 6P		ET6000	1-537-770-21	TERMINAL BOARD, GROUND	
CN6004	*1-785-706-11	PIN, CONNECTOR (PC BOARD) 10P		ET6002	1-537-770-21	TERMINAL BOARD, GROUND	
CN6005	*1-793-235-11	PIN, CONNECTOR (PC BOARD) 13P		ET6003	1-537-770-21	TERMINAL BOARD, GROUND	
CN6300	*1-564-507-11	PLUG, CONNECTOR 4P					

**Note :** The components identified by shading and marked  $\Delta$  are critical for safety. Replace only with the part numbers specified in the parts list.

**G2**

REF.NO.	PART.NO	DESCRIPTION	REMARK	REF.NO.	PART.NO	DESCRIPTION	REMARK
< FUSE >							
F6000	$\Delta$ 1-576-233-51	FUSE	6.3A 250V	Q6010	8-729-026-49	TRANSISTOR 2SA1037AK-T146-R	
FH6002	$\Delta$ 1-533-725-11	FUSE HOLDER		Q6011	8-729-120-28	TRANSISTOR 2SC1623-L5L6	
< FERRITE BEAD >							
FB6001	1-410-396-41	FERRITE	0.45UH	Q6012	8-729-045-62	TRANSISTOR 2SK2158-T2B	
FB6002	1-410-396-41	FERRITE	0.45UH	Q6013	6-551-545-01	TRANSISTOR 2SK3469-01MR-F111	
< IC >							
IC6000	6-709-192-01	IC FA5501AN-D1-TE1		Q6014	6-551-545-01	TRANSISTOR 2SK3469-01MR-F111	
IC6001	6-705-810-01	IC MCZ3001DB		Q6302	8-729-010-29	TRANSISTOR MSD601-RST1	
IC6002	6-709-368-01	IC MM1431ATT (CN)		Q6303	8-729-010-05	TRANSISTOR MSB709-RT1	
IC6003	6-709-368-01	IC MM1431ATT (CN)		< RESISTOR >			
IC6004	6-709-368-01	IC MM1431ATT (CN)		JR6313	1-216-295-91	SHORT CHIP	0
IC6200	6-600-279-01	IC STR-A6169		JR6314	1-216-295-91	SHORT CHIP	0
IC6201	8-759-682-42	IC MM1431ATT		JR6315	1-216-295-91	SHORT CHIP	0
IC6300	8-759-831-57	IC TDA7495S		JR6316	1-216-295-91	SHORT CHIP	0
< COIL >							
L6000	$\Delta$ 1-456-856-21	LINE FILTER COIL		R6001	$\Delta$ 1-218-760-11	METAL CHIP	220K 0.5% 1/10W
L6001	$\Delta$ 1-456-856-21	LINE FILTER COIL		R6002	$\Delta$ 1-218-760-11	METAL CHIP	220K 0.5% 1/10W
L6002	1-457-218-11	INDUCTOR	100UH	R6003	$\Delta$ 1-208-830-11	METAL CHIP	100K 0.5% 1/10W
L6003	1-457-141-11	INDUCTOR	175UH	R6005	1-218-911-11	METAL CHIP	470K 0.5% 1/10W
L6004	1-414-487-41	INDUCTOR	1UH	R6006	$\Delta$ 1-218-760-11	METAL CHIP	220K 0.5% 1/10W
L6005	1-414-487-41	INDUCTOR	1UH	R6007	$\Delta$ 1-218-760-11	METAL CHIP	220K 0.5% 1/10W
L6007	1-457-239-11	INDUCTOR	4.7UH	R6008	1-218-911-11	METAL CHIP	470K 0.5% 1/10W
L6008	1-457-239-11	INDUCTOR	4.7UH	R6009	1-218-887-11	METAL CHIP	47K 0.5% 1/10W
L6200	1-414-934-21	INDUCTOR	10UH	R6017	$\Delta$ 1-240-251-11	METAL	6.8 5% 10W
< PHOTOCOUPLER >							
PH6000	$\Delta$ 6-600-187-01	PHOTO COUPLER	PC123Y22J00F	R6021	1-218-913-91	METAL CHIP	560K 0.5% 1/10W
PH6001	$\Delta$ 6-600-187-01	PHOTO COUPLER	PC123Y22J00F	R6022	1-216-864-11	SHORT CHIP	0
PH6002	$\Delta$ 6-600-187-01	PHOTO COUPLER	PC123Y22J00F	R6023	1-218-879-11	METAL CHIP	22K 0.5% 1/10W
PH6003	$\Delta$ 6-600-187-01	PHOTO COUPLER	PC123Y22J00F	R6024	1-208-814-91	METAL CHIP	22K 0.5% 1/10W
PH6200	$\Delta$ 6-600-187-01	PHOTO COUPLER	PC123Y22J00F	R6027	1-218-823-11	METAL CHIP	100 0.5% 1/10W
< PROTECTOR MODULE >							
PS6301	$\Delta$ 1-533-596-21	IC LINK	4A 90V	R6028	1-247-752-11	CARBON	1K 5% 1/2W
< TRANSISTOR >							
Q6001	6-551-403-01	TRANSISTOR 2SK3797 (LBS1SONY.)		R6029	1-215-882-21	METAL OXIDE	22 5% 2W
Q6002	6-551-403-01	TRANSISTOR 2SK3797 (LBS1SONY.)		R6030	1-216-864-11	SHORT CHIP	0
Q6003	8-729-807-17	TRANSISTOR 2SD1621-S		R6031	1-218-835-11	METAL CHIP	330 0.5% 1/10W
Q6004	8-729-804-41	TRANSISTOR 2SB1122-S		R6032	1-217-157-00	METAL	0.33 10% 5W
Q6005	8-729-026-49	TRANSISTOR 2SA1037AK-T146-R		R6033	1-216-813-11	METAL CHIP	220 5% 1/10W
Q6006	8-729-120-28	TRANSISTOR 2SC1623-L5L6		R6034	1-216-813-11	METAL CHIP	220 5% 1/10W
Q6007	8-729-120-28	TRANSISTOR 2SC1623-L5L6		R6035	1-217-157-00	METAL	0.33 10% 5W
Q6008	8-729-804-41	TRANSISTOR 2SB1122-S		R6036	1-211-981-11	METAL CHIP	33 0.5% 1/10W
Q6009	8-729-120-28	TRANSISTOR 2SC1623-L5L6		R6037	1-218-823-11	METAL CHIP	100 0.5% 1/10W
				R6038	1-216-833-11	METAL CHIP	10K 5% 1/10W
				R6041	1-216-829-11	METAL CHIP	4.7K 5% 1/10W
				R6042	1-249-389-11	CARBON	4.7 5% 1/4W
				R6043	1-216-833-11	METAL CHIP	10K 5% 1/10W
				R6044	1-216-837-11	METAL CHIP	22K 5% 1/10W
				R6046	1-249-405-11	CARBON	100 5% 1/4W
				R6047	1-249-389-11	CARBON	4.7 5% 1/4W
				R6048	1-216-813-11	METAL CHIP	220 5% 1/10W
				R6050	1-216-813-11	METAL CHIP	220 5% 1/10W
				R6051	1-208-814-91	METAL CHIP	22K 0.5% 1/10W
				R6052	1-216-833-11	METAL CHIP	10K 5% 1/10W
				R6053	1-218-907-11	METAL CHIP	330K 0.5% 1/10W





**Note :** The components identified by shading and marked  $\Delta$  are critical for safety. Replace only with the part numbers specified in the parts list.

**G2 H1/H1P BDT**

REF.NO.	PART.NO	DESCRIPTION	REMARK	REF.NO.	PART.NO	DESCRIPTION	REMARK
< TRANSFORMER >				VD9006	1-803-974-21	VARISTOR, CHIP	(1608)
T6002	$\Delta$ 1-443-983-11	CONVERTER TRANSFORMER (PIT)		<b>*A-1198-236-A BDT Board Complete</b>			
T6003	$\Delta$ 1-443-986-11	CONVERTER TRANSFORMER (PIT)		< CAPACITOR >			
T6200	$\Delta$ 1-443-313-21	TRANSFORMER, CONVERTER (SBT)		C3001	1-125-891-11	CERAMIC CHIP 0.47UF	10.00% 10V
< VARISTOR >				C3002	1-125-891-11	CERAMIC CHIP 0.47UF	10.00% 10V
VD6000	$\Delta$ 1-804-995-11	VARISTOR		C3003	1-125-891-11	CERAMIC CHIP 0.47UF	10.00% 10V
VD6001	$\Delta$ 1-804-995-11	VARISTOR		C3004	1-164-156-11	CERAMIC CHIP 0.1UF	25V
<b>*A-1189-408-A H1 Board Complete (KDL-26/32U2000)</b>				C3005	1-125-891-11	CERAMIC CHIP 0.47UF	10.00% 10V
<b>*A-1202-963-A H1P Board Complete (KDL-40U2000)</b>				C3007	1-164-156-11	CERAMIC CHIP 0.1UF	25V
< CAPACITOR >				C3008	1-126-205-11	ELECT CHIP 47UF	20.00% 6.3V
C9000	1-107-826-11	CERAMIC CHIP 0.1UF	10.00% 16V	C3009	1-164-156-11	CERAMIC CHIP 0.1UF	25V
< CONNECTOR >				C3010	1-107-826-11	CERAMIC CHIP 0.1UF	10.00% 16V
CN9000	1-778-507-21	PIN, CONNECTOR (PC BOARD) 4P		C3011	1-107-826-11	CERAMIC CHIP 0.1UF	10.00% 16V
< DIODE >				C3012	1-107-826-11	CERAMIC CHIP 0.1UF	10.00% 16V
D9000	8-719-036-94	DIODE RD5.6SB-T1		C3013	1-107-826-11	CERAMIC CHIP 0.1UF	10.00% 16V
< RESISTOR >				C3014	1-107-826-11	CERAMIC CHIP 0.1UF	10.00% 16V
R9000	1-216-864-11	SHORT CHIP	0	C3015	1-107-826-11	CERAMIC CHIP 0.1UF	10.00% 16V
R9001	1-218-847-11	METAL CHIP	1K 0.5% 1/10W	C3016	1-107-826-11	CERAMIC CHIP 0.1UF	10.00% 16V
R9002	1-218-843-11	METAL CHIP	680 0.5% 1/10W	C3017	1-126-205-11	ELECT CHIP 47UF	20.00% 6.3V
R9003	1-218-851-11	METAL CHIP	1.5K 0.5% 1/10W	C3018	1-164-156-11	CERAMIC CHIP 0.1UF	25V
R9004	1-218-839-11	METAL CHIP	470 0.5% 1/10W	C3019	1-107-826-11	CERAMIC CHIP 0.1UF	10.00% 16V
R9005	1-218-855-11	METAL CHIP	2.2K 0.5% 1/10W	C3020	1-107-826-11	CERAMIC CHIP 0.1UF	10.00% 16V
R9006	1-218-834-11	METAL CHIP	300 0.5% 1/10W	C3021	1-107-826-11	CERAMIC CHIP 0.1UF	10.00% 16V
R9007	1-216-864-11	SHORT CHIP	0	C3022	1-107-826-11	CERAMIC CHIP 0.1UF	10.00% 16V
R9008	1-216-864-11	SHORT CHIP	0	C3023	1-107-826-11	CERAMIC CHIP 0.1UF	10.00% 16V
< SWITCH >				C3024	1-107-826-11	CERAMIC CHIP 0.1UF	10.00% 16V
S9000	1-572-595-11	SWITCH, TACTIL (REFLOW TYPE)		C3025	1-107-826-11	CERAMIC CHIP 0.1UF	10.00% 16V
S9001	1-572-595-11	SWITCH, TACTIL (REFLOW TYPE)		C3026	1-107-826-11	CERAMIC CHIP 0.1UF	10.00% 16V
S9002	1-572-595-11	SWITCH, TACTIL (REFLOW TYPE)		C3027	1-107-826-11	CERAMIC CHIP 0.1UF	10.00% 16V
S9003	1-572-595-11	SWITCH, TACTIL (REFLOW TYPE)		C3028	1-107-826-11	CERAMIC CHIP 0.1UF	10.00% 16V
S9004	1-572-595-11	SWITCH, TACTIL (REFLOW TYPE)		C3029	1-107-826-11	CERAMIC CHIP 0.1UF	10.00% 16V
S9005	1-572-595-11	SWITCH, TACTIL (REFLOW TYPE)		C3030	1-107-826-11	CERAMIC CHIP 0.1UF	10.00% 16V
S9006	1-572-595-11	SWITCH, TACTIL (REFLOW TYPE)		C3031	1-107-826-11	CERAMIC CHIP 0.1UF	10.00% 16V
< VARISTOR >				C3032	1-107-826-11	CERAMIC CHIP 0.1UF	10.00% 16V
VD9000	1-803-974-21	VARISTOR, CHIP	(1608)	C3033	1-107-826-11	CERAMIC CHIP 0.1UF	10.00% 16V
VD9001	1-803-974-21	VARISTOR, CHIP	(1608)	C3035	1-107-826-11	CERAMIC CHIP 0.1UF	10.00% 16V
VD9002	1-803-974-21	VARISTOR, CHIP	(1608)	C3040	1-107-826-11	CERAMIC CHIP 0.1UF	10.00% 16V
VD9003	1-803-974-21	VARISTOR, CHIP	(1608)	C3041	1-127-715-91	CERAMIC CHIP 0.22UF	10% 16V
VD9004	1-803-974-21	VARISTOR, CHIP	(1608)	C3042	1-107-826-11	CERAMIC CHIP 0.1UF	10.00% 16V
VD9005	1-803-974-21	VARISTOR, CHIP	(1608)	C3043	1-126-394-11	ELECT CHIP 10UF	20.00% 16V
				C3044	1-127-715-91	CERAMIC CHIP 0.22UF	10% 16V
				C3045	1-107-826-11	CERAMIC CHIP 0.1UF	10.00% 16V
				C3048	1-107-826-11	CERAMIC CHIP 0.1UF	10.00% 16V
				C3049	1-107-826-11	CERAMIC CHIP 0.1UF	10.00% 16V
				C3050	1-107-826-11	CERAMIC CHIP 0.1UF	10.00% 16V
				C3051	1-107-826-11	CERAMIC CHIP 0.1UF	10.00% 16V
				C3052	1-162-966-11	CERAMIC CHIP 0.0022UF	10.00% 50V
				C3053	1-162-966-11	CERAMIC CHIP 0.0022UF	10.00% 50V



REF.NO.	PART.NO	DESCRIPTION	REMARK	REF.NO.	PART.NO	DESCRIPTION	REMARK
C3054	1-164-004-11	CERAMIC CHIP 0.1UF	10.00% 25V	C4201	1-107-826-11	CERAMIC CHIP 0.1UF	10.00% 16V
C3055	1-124-779-00	ELECT CHIP 10UF	20.00% 16V	C4202	1-107-826-11	CERAMIC CHIP 0.1UF	10.00% 16V
C3056	1-164-004-11	CERAMIC CHIP 0.1UF	10.00% 25V	C4204	1-162-964-11	CERAMIC CHIP 0.001UF	10.00% 50V
C3057	1-107-826-11	CERAMIC CHIP 0.1UF	10.00% 16V	C4205	1-162-964-11	CERAMIC CHIP 0.001UF	10.00% 50V
C3058	1-107-826-11	CERAMIC CHIP 0.1UF	10.00% 16V	C4206	1-162-964-11	CERAMIC CHIP 0.001UF	10.00% 50V
C3059	1-107-826-11	CERAMIC CHIP 0.1UF	10.00% 16V	C4207	1-162-964-11	CERAMIC CHIP 0.001UF	10.00% 50V
C3060	1-107-826-11	CERAMIC CHIP 0.1UF	10.00% 16V	C4208	1-162-964-11	CERAMIC CHIP 0.001UF	10.00% 50V
C3061	1-162-962-11	CERAMIC CHIP 470PF	10.00% 50V	C4209	1-162-964-11	CERAMIC CHIP 0.001UF	10.00% 50V
C3063	1-107-826-11	CERAMIC CHIP 0.1UF	10.00% 16V	C4210	1-162-964-11	CERAMIC CHIP 0.001UF	10.00% 50V
C3065	1-126-396-11	ELECT CHIP 47UF	20.00% 16V	C4211	1-162-964-11	CERAMIC CHIP 0.001UF	10.00% 50V
C3068	1-162-964-11	CERAMIC CHIP 0.001UF	10.00% 50V	C4212	1-162-964-11	CERAMIC CHIP 0.001UF	10.00% 50V
C3069	1-162-970-11	CERAMIC CHIP 0.01UF	10.00% 25V	C4213	1-162-964-11	CERAMIC CHIP 0.001UF	10.00% 50V
C3070	1-107-826-11	CERAMIC CHIP 0.1UF	10.00% 16V	C4214	1-162-964-11	CERAMIC CHIP 0.001UF	10.00% 50V
C3071	1-107-826-11	CERAMIC CHIP 0.1UF	10.00% 16V	C4215	1-162-964-11	CERAMIC CHIP 0.001UF	10.00% 50V
C3072	1-117-681-11	ELECT CHIP 100UF	20.00% 16V	C4216	1-162-964-11	CERAMIC CHIP 0.001UF	10.00% 50V
C3073	1-107-826-11	CERAMIC CHIP 0.1UF	10.00% 16V	C4217	1-162-964-11	CERAMIC CHIP 0.001UF	10.00% 50V
C3074	1-107-826-11	CERAMIC CHIP 0.1UF	10.00% 16V	C4218	1-162-964-11	CERAMIC CHIP 0.001UF	10.00% 50V
C3075	1-162-917-11	CERAMIC CHIP 15PF	5.00% 50V	C4219	1-162-964-11	CERAMIC CHIP 0.001UF	10.00% 50V
C3076	1-162-917-11	CERAMIC CHIP 15PF	5.00% 50V	C4220	1-162-964-11	CERAMIC CHIP 0.001UF	10.00% 50V
C3078	1-100-566-91	CERAMIC CHIP 0.1UF	10.00% 25V	C4221	1-162-964-11	CERAMIC CHIP 0.001UF	10.00% 50V
C3080	1-162-970-11	CERAMIC CHIP 0.01UF	10.00% 25V	C4222	1-124-779-00	ELECT CHIP 10UF	20.00% 16V
C3081	1-164-230-11	CERAMIC CHIP 220PF	5.00% 50V	C4223	1-124-779-00	ELECT CHIP 10UF	20.00% 16V
C3082	1-107-826-11	CERAMIC CHIP 0.1UF	10.00% 16V	C4224	1-124-779-00	ELECT CHIP 10UF	20.00% 16V
C3083	1-165-908-11	CERAMIC CHIP 1UF	10% 10V	C4226	1-124-779-00	ELECT CHIP 10UF	20.00% 16V
C3085	1-165-908-11	CERAMIC CHIP 1UF	10% 10V	C4227	1-124-779-00	ELECT CHIP 10UF	20.00% 16V
C3086	1-126-390-11	ELECT CHIP 22UF	20.00% 6.3V	C4228	1-100-566-91	CERAMIC CHIP 0.1UF	10.00% 25V
C3089	1-162-927-11	CERAMIC CHIP 100PF	5.00% 50V	C4229	1-100-566-91	CERAMIC CHIP 0.1UF	10.00% 25V
C3090	1-162-970-11	CERAMIC CHIP 0.01UF	10.00% 25V	C4230	1-100-566-91	CERAMIC CHIP 0.1UF	10.00% 25V
C3092	1-127-760-11	CERAMIC CHIP 4.7UF	10% 6.3V	C4232	1-100-566-91	CERAMIC CHIP 0.1UF	10.00% 25V
C3093	1-162-970-11	CERAMIC CHIP 0.01UF	10.00% 25V	C4233	1-100-566-91	CERAMIC CHIP 0.1UF	10.00% 25V
C3094	1-117-681-11	ELECT CHIP 100UF	20.00% 16V	C4250	1-162-964-11	CERAMIC CHIP 0.001UF	10.00% 50V
C3095	1-124-779-00	ELECT CHIP 10UF	20.00% 16V	C4251	1-162-964-11	CERAMIC CHIP 0.001UF	10.00% 50V
C3096	1-124-779-00	ELECT CHIP 10UF	20.00% 16V	C4252	1-162-964-11	CERAMIC CHIP 0.001UF	10.00% 50V
C3097	1-162-927-11	CERAMIC CHIP 100PF	5.00% 50V	C4253	1-162-964-11	CERAMIC CHIP 0.001UF	10.00% 50V
C3114	1-100-566-91	CERAMIC CHIP 0.1UF	10.00% 25V	C4254	1-162-964-11	CERAMIC CHIP 0.001UF	10.00% 50V
C3115	1-107-826-11	CERAMIC CHIP 0.1UF	10.00% 16V	C4255	1-162-964-11	CERAMIC CHIP 0.001UF	10.00% 50V
C3116	1-127-715-91	CERAMIC CHIP 0.22UF	10% 16V	C4256	1-162-964-11	CERAMIC CHIP 0.001UF	10.00% 50V
C3131	1-100-566-91	CERAMIC CHIP 0.1UF	10.00% 25V	C4257	1-162-964-11	CERAMIC CHIP 0.001UF	10.00% 50V
C3200	1-162-966-11	CERAMIC CHIP 0.0022UF	10.00% 50V	C4258	1-162-964-11	CERAMIC CHIP 0.001UF	10.00% 50V
C3201	1-162-966-11	CERAMIC CHIP 0.0022UF	10.00% 50V	C4259	1-162-964-11	CERAMIC CHIP 0.001UF	10.00% 50V
C3300	1-164-004-11	CERAMIC CHIP 0.1UF	10.00% 25V	C4260	1-162-964-11	CERAMIC CHIP 0.001UF	10.00% 50V
C3301	1-164-388-91	CERAMIC CHIP 270PF	5.00% 50V	C4263	1-162-964-11	CERAMIC CHIP 0.001UF	10.00% 50V
C3302	1-162-927-11	CERAMIC CHIP 100PF	5.00% 50V	C4270	1-100-566-91	CERAMIC CHIP 0.1UF	10.00% 25V
C3303	1-115-340-11	CERAMIC CHIP 0.22UF	10.00% 25V	C4271	1-100-566-91	CERAMIC CHIP 0.1UF	10.00% 25V
C3350	1-162-928-11	CERAMIC CHIP 120PF	5.00% 50V	C5040	1-164-937-11	CERAMIC CHIP 0.001UF	10.00% 50V
C3353	1-162-968-11	CERAMIC CHIP 0.0047UF	10.00% 50V	C5041	1-164-937-11	CERAMIC CHIP 0.001UF	10.00% 50V
C3354	1-163-037-11	CERAMIC CHIP 0.022UF	10.00% 50V	C5042	1-164-858-11	CERAMIC CHIP 22PF	5.00% 50V
C3355	1-127-573-11	CERAMIC CHIP 1UF	10% 16V	C5043	1-125-777-11	CERAMIC CHIP 0.1UF	10.00% 10V
C4000	1-107-826-11	CERAMIC CHIP 0.1UF	10.00% 16V	C5044	1-164-858-11	CERAMIC CHIP 22PF	5.00% 50V
C4200	1-107-826-11	CERAMIC CHIP 0.1UF	10.00% 16V	C5045	1-164-872-11	CERAMIC CHIP 82PF	5.00% 50V

REF.NO.	PART.NO	DESCRIPTION	REMARK	REF.NO.	PART.NO	DESCRIPTION	REMARK
C5046	1-164-872-11	CERAMIC CHIP 82PF	5.00% 50V	C5666	1-127-760-11	CERAMIC CHIP 4.7UF	10% 6.3V
C5047	1-125-777-11	CERAMIC CHIP 0.1UF	10.00% 10V	C5667	1-125-777-11	CERAMIC CHIP 0.1UF	10.00% 10V
C5048	1-164-937-11	CERAMIC CHIP 0.001UF	10.00% 50V	C5668	1-125-777-11	CERAMIC CHIP 0.1UF	10.00% 10V
C5049	1-164-937-11	CERAMIC CHIP 0.001UF	10.00% 50V	C5669	1-125-777-11	CERAMIC CHIP 0.1UF	10.00% 10V
C5050	1-125-777-11	CERAMIC CHIP 0.1UF	10.00% 10V	C5670	1-126-394-00	ELECT CHIP 10UF	20.00% 16V
C5051	1-125-777-11	CERAMIC CHIP 0.1UF	10.00% 10V	C5671	1-125-777-11	CERAMIC CHIP 0.1UF	10.00% 10V
C5052	1-125-777-11	CERAMIC CHIP 0.1UF	10.00% 10V	C5672	1-125-777-11	CERAMIC CHIP 0.1UF	10.00% 10V
C5054	1-164-874-11	CERAMIC CHIP 100PF	5.00% 50V	C5673	1-125-777-11	CERAMIC CHIP 0.1UF	10.00% 10V
C5055	1-124-779-00	ELECT CHIP 10UF	20.00% 16V	C5674	1-100-907-11	CERAMIC CHIP 0.1UF	10% 10V
C5056	1-124-779-00	ELECT CHIP 10UF	20.00% 16V	C5675	1-100-907-11	CERAMIC CHIP 0.1UF	10% 10V
C5057	1-124-779-00	ELECT CHIP 10UF	20.00% 16V	C5680	1-125-777-11	CERAMIC CHIP 0.1UF	10.00% 10V
C5058	1-125-777-11	CERAMIC CHIP 0.1UF	10.00% 10V	C5682	1-165-908-11	CERAMIC CHIP 1UF	10% 10V
C5059	1-125-777-11	CERAMIC CHIP 0.1UF	10.00% 10V	C5683	1-125-777-11	CERAMIC CHIP 0.1UF	10.00% 10V
C5060	1-125-777-11	CERAMIC CHIP 0.1UF	10.00% 10V	C5684	1-125-777-11	CERAMIC CHIP 0.1UF	10.00% 10V
C5061	1-164-858-11	CERAMIC CHIP 22PF	5.00% 50V	C5685	1-125-777-11	CERAMIC CHIP 0.1UF	10.00% 10V
C5062	1-164-858-11	CERAMIC CHIP 22PF	5.00% 50V	C5686	1-164-937-11	CERAMIC CHIP 0.001UF	10.00% 50V
C5063	1-125-777-11	CERAMIC CHIP 0.1UF	10.00% 10V	C5689	1-117-720-11	CERAMIC CHIP 4.7UF	10V
C5064	1-125-777-11	CERAMIC CHIP 0.1UF	10.00% 10V	C5690	1-125-777-11	CERAMIC CHIP 0.1UF	10.00% 10V
C5065	1-125-777-11	CERAMIC CHIP 0.1UF	10.00% 10V	C5691	1-125-777-11	CERAMIC CHIP 0.1UF	10.00% 10V
C5066	1-125-777-11	CERAMIC CHIP 0.1UF	10.00% 10V	C5692	1-117-720-11	CERAMIC CHIP 4.7UF	10V
C5067	1-164-943-81	CERAMIC CHIP 0.01UF	10.00% 16V	C5693	1-125-777-11	CERAMIC CHIP 0.1UF	10.00% 10V
C5068	1-125-777-11	CERAMIC CHIP 0.1UF	10.00% 10V	C5695	1-125-777-11	CERAMIC CHIP 0.1UF	10.00% 10V
C5069	1-125-777-11	CERAMIC CHIP 0.1UF	10.00% 10V	C5696	1-125-777-11	CERAMIC CHIP 0.1UF	10.00% 10V
C5070	1-125-777-11	CERAMIC CHIP 0.1UF	10.00% 10V	C5697	1-125-777-11	CERAMIC CHIP 0.1UF	10.00% 10V
C5071	1-124-779-00	ELECT CHIP 10UF	20.00% 16V	C5698	1-125-777-11	CERAMIC CHIP 0.1UF	10.00% 10V
C5072	1-124-779-00	ELECT CHIP 10UF	20.00% 16V	C5699	1-125-777-11	CERAMIC CHIP 0.1UF	10.00% 10V
C5073	1-124-779-00	ELECT CHIP 10UF	20.00% 16V	C5700	1-125-777-11	CERAMIC CHIP 0.1UF	10.00% 10V
C5630	1-127-760-11	CERAMIC CHIP 4.7UF	10% 6.3V	C5701	1-125-777-11	CERAMIC CHIP 0.1UF	10.00% 10V
C5631	1-127-760-11	CERAMIC CHIP 4.7UF	10% 6.3V	C5702	1-117-720-11	CERAMIC CHIP 4.7UF	10V
C5632	1-125-777-11	CERAMIC CHIP 0.1UF	10.00% 10V	C5703	1-117-681-11	ELECT CHIP 100UF	20.00% 16V
C5633	1-125-777-11	CERAMIC CHIP 0.1UF	10.00% 10V	C5750	1-125-777-11	CERAMIC CHIP 0.1UF	10.00% 10V
C5634	1-125-777-11	CERAMIC CHIP 0.1UF	10.00% 10V	C5751	1-117-720-11	CERAMIC CHIP 4.7UF	10V
C5635	1-125-777-11	CERAMIC CHIP 0.1UF	10.00% 10V	C5752	1-125-777-11	CERAMIC CHIP 0.1UF	10.00% 10V
C5636	1-125-777-11	CERAMIC CHIP 0.1UF	10.00% 10V	C5753	1-117-720-11	CERAMIC CHIP 4.7UF	10V
C5637	1-125-777-11	CERAMIC CHIP 0.1UF	10.00% 10V	C5754	1-125-777-11	CERAMIC CHIP 0.1UF	10.00% 10V
C5638	1-125-777-11	CERAMIC CHIP 0.1UF	10.00% 10V	C5755	1-125-777-11	CERAMIC CHIP 0.1UF	10.00% 10V
C5646	1-126-394-11	ELECT CHIP 10UF	20.00% 16V	C5756	1-117-720-11	CERAMIC CHIP 4.7UF	10V
C5650	1-125-777-11	CERAMIC CHIP 0.1UF	10.00% 10V	C5757	1-125-777-11	CERAMIC CHIP 0.1UF	10.00% 10V
C5651	1-125-777-11	CERAMIC CHIP 0.1UF	10.00% 10V	C5758	1-125-777-11	CERAMIC CHIP 0.1UF	10.00% 10V
C5652	1-125-777-11	CERAMIC CHIP 0.1UF	10.00% 10V	C5759	1-125-777-11	CERAMIC CHIP 0.1UF	10.00% 10V
C5653	1-125-777-11	CERAMIC CHIP 0.1UF	10.00% 10V	C5760	1-125-777-11	CERAMIC CHIP 0.1UF	10.00% 10V
C5654	1-125-777-11	CERAMIC CHIP 0.1UF	10.00% 10V	C5761	1-164-937-11	CERAMIC CHIP 0.001UF	10.00% 50V
C5655	1-125-777-11	CERAMIC CHIP 0.1UF	10.00% 10V	C5762	1-125-777-11	CERAMIC CHIP 0.1UF	10.00% 10V
C5656	1-125-777-11	CERAMIC CHIP 0.1UF	10.00% 10V	C5763	1-125-777-11	CERAMIC CHIP 0.1UF	10.00% 10V
C5660	1-164-850-11	CERAMIC CHIP 10PF	0.50PF 50V	C5764	1-125-777-11	CERAMIC CHIP 0.1UF	10.00% 10V
C5661	1-164-850-11	CERAMIC CHIP 10PF	0.50PF 50V	C5765	1-125-777-11	CERAMIC CHIP 0.1UF	10.00% 10V
C5662	1-164-850-11	CERAMIC CHIP 10PF	0.50PF 50V	C5766	1-125-777-11	CERAMIC CHIP 0.1UF	10.00% 10V
C5663	1-127-760-11	CERAMIC CHIP 4.7UF	10% 6.3V	C5767	1-117-720-11	CERAMIC CHIP 4.7UF	10V
C5664	1-125-777-11	CERAMIC CHIP 0.1UF	10.00% 10V	C5780	1-125-777-11	CERAMIC CHIP 0.1UF	10.00% 10V
C5665	1-125-777-11	CERAMIC CHIP 0.1UF	10.00% 10V	C5781	1-125-777-11	CERAMIC CHIP 0.1UF	10.00% 10V

REF.NO.	PART.NO	DESCRIPTION	REMARK	REF.NO.	PART.NO	DESCRIPTION	REMARK
C5782	1-164-850-11	CERAMIC CHIP 10PF	0.50PF 50V	C6518	1-126-396-11	ELECT CHIP 47UF	20.00% 16V
C5783	1-164-943-81	CERAMIC CHIP 0.01UF	10.00% 16V	C6519	1-162-974-11	CERAMIC CHIP 0.01UF	50V
C5785	1-164-840-11	CERAMIC CHIP 1PF	0.25PF 50V	C6520	1-100-566-91	CERAMIC CHIP 0.1UF	10.00% 25V
C5786	1-164-840-11	CERAMIC CHIP 1PF	0.25PF 50V	C6522	1-100-566-91	CERAMIC CHIP 0.1UF	10.00% 25V
C5787	1-125-777-11	CERAMIC CHIP 0.1UF	10.00% 10V	C6523	1-100-911-11	CERAMIC CHIP 4.7UF	10% 25V
C5789	1-126-205-11	ELECT CHIP 47UF	20.00% 6.3V	C6524	1-100-566-91	CERAMIC CHIP 0.1UF	10.00% 25V
C5790	1-104-905-11	DOUBLE LAYER 0.22F	5.5V	C6525	1-165-671-21	ELECT CHIP 470UF	20% 6.3V
C5791	1-164-943-81	CERAMIC CHIP 0.01UF	10.00% 16V	C6526	1-127-715-91	CERAMIC CHIP 0.22UF	10% 16V
C5792	1-100-566-91	CERAMIC CHIP 0.1UF	10.00% 25V	C6528	1-127-715-91	CERAMIC CHIP 0.22UF	10% 16V
C5793	1-117-720-11	CERAMIC CHIP 4.7UF	10V	C6529	1-165-671-21	ELECT CHIP 470UF	20% 6.3V
C5794	1-125-777-11	CERAMIC CHIP 0.1UF	10.00% 10V	C6530	1-100-566-91	CERAMIC CHIP 0.1UF	10.00% 25V
C5795	1-165-822-91	CERAMIC CHIP 1UF	25V	C6532	1-110-530-11	ELECT CHIP 1000UF	20% 6.3V
C5796	1-125-777-11	CERAMIC CHIP 0.1UF	10.00% 10V	C6535	1-100-566-91	CERAMIC CHIP 0.1UF	10.00% 25V
C5797	1-164-874-11	CERAMIC CHIP 100PF	5.00% 50V	C6536	1-107-826-11	CERAMIC CHIP 0.1UF	10.00% 16V
C5798	1-164-874-11	CERAMIC CHIP 100PF	5.00% 50V	C6538	1-100-566-91	CERAMIC CHIP 0.1UF	10.00% 25V
C5799	1-117-720-11	CERAMIC CHIP 4.7UF	10V	C6539	1-100-566-91	CERAMIC CHIP 0.1UF	10.00% 25V
C5800	1-117-720-11	CERAMIC CHIP 4.7UF	10V	C6543	1-127-573-11	CERAMIC CHIP 1UF	10% 16V
C5801	1-125-777-11	CERAMIC CHIP 0.1UF	10.00% 10V	C6545	1-107-826-11	CERAMIC CHIP 0.1UF	10.00% 16V
C5803	1-125-777-11	CERAMIC CHIP 0.1UF	10.00% 10V	C6546	1-107-826-11	CERAMIC CHIP 0.1UF	10.00% 16V
C5804	1-117-720-11	CERAMIC CHIP 4.7UF	10V	C6547	1-162-964-11	CERAMIC CHIP 0.001UF	10% 50V
C5805	1-107-823-11	CERAMIC CHIP 0.47UF	10.00% 16V	C6548	1-127-573-11	CERAMIC CHIP 1UF	10% 16V
C5806	1-100-597-91	CERAMIC CHIP 0.1UF	10% 25V	C6549	1-127-573-11	CERAMIC CHIP 1UF	10% 16V
C5807	1-126-394-11	ELECT CHIP 10UF	20.00% 16V	C6551	1-127-573-11	CERAMIC CHIP 1UF	10% 16V
C5808	1-125-777-11	CERAMIC CHIP 0.1UF	10.00% 10V	C6553	1-117-370-11	CERAMIC CHIP 10UF	10V
C5809	1-125-777-11	CERAMIC CHIP 0.1UF	10.00% 10V	C6554	1-117-370-11	CERAMIC CHIP 10UF	10V
C5810	1-126-206-11	ELECT CHIP 100UF	20.00% 6.3V	C6555	1-117-370-11	CERAMIC CHIP 10UF	10V
C5811	1-165-908-11	CERAMIC CHIP 1UF	10% 10V	C6556	1-117-370-11	CERAMIC CHIP 10UF	10V
C5812	1-165-908-11	CERAMIC CHIP 1UF	10% 10V	C6557	1-117-370-11	CERAMIC CHIP 10UF	10V
C5813	1-135-366-11	ELECT CHIP 100UF	20% 16V	C6558	1-100-911-11	CERAMIC CHIP 4.7UF	10.00% 25V
C5814	1-100-597-91	CERAMIC CHIP 0.1UF	10% 25V	C6559	1-117-370-11	CERAMIC CHIP 10UF	10V
C5815	1-165-908-11	CERAMIC CHIP 1UF	10% 10V	C6560	1-126-396-11	ELECT CHIP 47UF	20.00% 16V
C5816	1-125-777-11	CERAMIC CHIP 0.1UF	10.00% 10V	C6561	1-117-370-11	CERAMIC CHIP 10UF	10V
C5844	1-164-874-11	CERAMIC CHIP 100PF	5.00% 50V	C6562	1-126-396-11	ELECT CHIP 47UF	20.00% 16V
C6500	1-162-970-11	CERAMIC CHIP 0.01UF	10.00% 25V	C6563	1-126-396-11	ELECT CHIP 47UF	20.00% 16V
C6501	1-162-974-11	CERAMIC CHIP 0.01UF	50V	C6564	1-100-911-11	CERAMIC CHIP 4.7UF	10.00% 25V
C6502	1-162-970-11	CERAMIC CHIP 0.01UF	10.00% 25V	C6565	1-126-396-11	ELECT CHIP 47UF	20.00% 16V
C6503	1-162-970-11	CERAMIC CHIP 0.01UF	10.00% 25V	C6566	1-126-396-11	ELECT CHIP 47UF	20.00% 16V
C6504	1-137-894-21	ELECT CHIP 470UF	20% 25V	C6567	1-100-911-11	CERAMIC CHIP 4.7UF	10% 25V
C6505	1-137-894-21	ELECT CHIP 470UF	20% 25V	C6572	1-126-396-11	ELECT CHIP 47UF	20.00% 16V
C6506	1-137-894-21	ELECT CHIP 470UF	20% 25V	C6579	1-165-908-11	CERAMIC CHIP 1UF	10% 10V
C6507	1-137-894-21	ELECT CHIP 470UF	20% 25V	C6581	1-109-982-11	CERAMIC CHIP 1UF	10.00% 10V
C6508	1-137-894-21	ELECT CHIP 470UF	20% 25V	C6582	1-107-823-11	CERAMIC CHIP 0.47UF	10.00% 16V
C6509	1-137-894-21	ELECT CHIP 470UF	20% 25V	C8907	1-162-964-11	CERAMIC CHIP 0.001UF	10.00% 50V
C6510	1-162-970-11	CERAMIC CHIP 0.01UF	10.00% 25V	C8922	1-164-156-11	CERAMIC CHIP 0.1UF	25V
C6511	1-162-970-11	CERAMIC CHIP 0.01UF	10.00% 25V	C8923	1-107-826-11	CERAMIC CHIP 0.1UF	10.00% 16V
C6512	1-162-974-11	CERAMIC CHIP 0.01UF	50V	< CONNECTOR >			
C6513	1-162-970-11	CERAMIC CHIP 0.01UF	10.00% 25V	CN3000	*1-819-335-11	HEADER ASSEMBLY FOR PWB, 9P	
C6515	1-100-566-91	CERAMIC CHIP 0.1UF	10.00% 25V	CN3001	*1-818-656-21	HEADER ASSEMBLY 30P	
C6516	1-100-911-11	CERAMIC CHIP 4.7UF	10% 25V	CN3002	1-779-884-11	CONNECTOR 4P	
C6517	1-100-911-11	CERAMIC CHIP 4.7UF	10% 25V				

**Note :** The components identified by shading and marked  $\Delta$  are critical for safety. Replace only with the part numbers specified in the parts list.

**BDT**

REF.NO.	PART.NO	DESCRIPTION	REMARK	REF.NO.	PART.NO	DESCRIPTION	REMARK
CN3003	1-820-187-11	HEADER ASSEMBLY (PRINT PWB)10P				< FUSE >	
CN3004	*1-819-333-11	HEADER ASSEMBLY FOR PWB 5P					
CN3005	1-819-390-51	FFC/FPC CONNECTOR (ZIF) 49P		E4000	$\Delta$ 1-576-646-11	FUSE	0.5A 50V
CN3006	1-820-255-51	FFC/FPC CONNECTOR (ZIF) 20P				< FERRITE BEAD >	
CN3007	1-784-254-11	CONNECTOR 10P					
CN3008	1-779-936-51	CONNECTOR, FFC/FPC 18P		FB3012	1-414-445-11	FERRITE	Ouh
CN4000	*1-817-804-11	CONNECTOR, D SUB 15P		FB3013	1-414-445-11	FERRITE	Ouh
CN4200	*1-820-208-11	HDMI CONNECTOR		FB3014	1-414-445-11	FERRITE	Ouh
CN5750	*1-793-769-21	CONNECTOR, CARD (PCMCIA CARD)		FB3046	1-414-445-11	FERRITE	Ouh
CN5883	1-820-209-11	MEMORY STICK CONNECTOR		FB3099	1-414-760-21	FERRITE	Ouh
CN6500	*1-819-441-11	PWB HEADER, 13P		FB3241	1-414-760-21	FERRITE	Ouh
CN6501	*1-819-474-11	HEADER ASSEMBLY FOR PWB 6P		FB3242	1-414-760-21	FERRITE	Ouh
		< DIODE >		FB3243	1-414-760-21	FERRITE	Ouh
D3004	8-719-050-38	DIODE M1MA152WK-T1		FB3244	1-414-760-21	FERRITE	Ouh
D3005	8-719-036-94	DIODE RD5.6SB-T1		FB3245	1-414-760-21	FERRITE	Ouh
D3009	8-719-081-97	DIODE MMDL914T1		FB4003	1-400-141-22	FERRITE	Ouh
D3010	8-719-081-97	DIODE MMDL914T1		FB4200	1-414-234-22	FERRITE	Ouh
D3011	8-719-081-97	DIODE MMDL914T1		FB5040	1-400-244-11	FERRITE	Ouh
D3012	8-719-081-97	DIODE MMDL914T1		FB5041	1-400-244-11	FERRITE	Ouh
D3014	8-719-081-97	DIODE MMDL914T1		FB5612	1-400-833-21	FERRITE	Ouh
D3015	8-719-081-97	DIODE MMDL914T1		FB5613	1-400-833-21	FERRITE	Ouh
D4000	8-719-073-39	DIODE HZU5.6GTRF		FB5614	1-400-833-21	FERRITE	Ouh
D4001	8-719-073-39	DIODE HZU5.6GTRF		FB5615	1-400-833-21	FERRITE	Ouh
D4002	8-719-073-39	DIODE HZU5.6GTRF		FB5616	1-400-833-21	FERRITE	Ouh
D4003	8-719-801-78	DIODE 1SS184		FB5617	1-400-833-21	FERRITE	Ouh
D4203	8-719-404-50	DIODE MA111-TX		FB5618	1-400-807-21	FERRITE	Ouh
D4204	8-719-404-50	DIODE MA111-TX		FB5619	1-400-807-21	FERRITE	Ouh
D5780	8-719-041-97	DIODE MA113-(TX)		FB5620	1-400-807-21	FERRITE	Ouh
D6500	8-719-081-67	DIODE M1FM3		FB5621	1-400-807-21	FERRITE	Ouh
D6501	8-719-081-67	DIODE M1FM3		FB5622	1-400-833-21	FERRITE	Ouh
D6502	6-500-696-01	DIODE UDZSTE-173.0B		FB5623	1-400-833-21	FERRITE	Ouh
D6504	8-719-081-97	DIODE MMDL914T1		FB5624	1-400-833-21	FERRITE	Ouh
D6505	8-719-081-97	DIODE MMDL914T1		FB5630	1-469-869-21	FERRITE	Ouh
D6506	6-501-336-01	DIODE RSX201L-30TE25		FB5634	1-400-244-11	FERRITE	Ouh
D6507	8-719-080-41	DIODE RB063L-30TE25		FB5635	1-400-244-11	FERRITE	Ouh
D6508	8-719-081-97	DIODE MMDL914T1		FB5636	1-469-869-21	FERRITE	Ouh
D6509	6-500-294-01	DIODE PTZ-TE25-3.9B		FB5637	1-469-869-21	FERRITE	Ouh
D6510	6-500-253-01	DIODE RB053L-30TE25		FB5646	1-400-834-11	FERRITE	Ouh
D6512	6-500-253-01	DIODE RB053L-30TE25		FB5647	1-469-869-21	FERRITE	Ouh
D6513	6-500-294-01	DIODE PTZ-TE25-3.9B		FB5680	1-400-244-11	FERRITE	Ouh
D6514	6-500-295-01	DIODE PTZ-TE25-5.6B		FB5681	1-400-244-11	FERRITE	Ouh
D6515	8-719-083-63	DIODE UDZSTE-1713B		FB5750	1-469-869-21	FERRITE	Ouh
D6516	8-719-081-99	DIODE MM3Z13VT1		FB5751	1-469-869-21	FERRITE	Ouh
D6517	8-719-081-99	DIODE MM3Z13VT1		FB5780	1-400-244-11	FERRITE	Ouh
D6518	8-719-066-10	DIODE 1PS181-115		FB5781	1-400-244-11	FERRITE	Ouh
D6519	8-719-081-97	DIODE MMDL914T1		FB5782	1-400-244-11	FERRITE	Ouh
D6520	8-719-066-10	DIODE 1PS181-115		FB5907	1-400-834-11	FERRITE	Ouh
				FB5908	1-400-834-11	FERRITE	Ouh
				FB5909	1-400-834-11	FERRITE	Ouh
				FB5910	1-400-834-11	FERRITE	Ouh

REF.NO.	PART.NO	DESCRIPTION	REMARK	REF.NO.	PART.NO	DESCRIPTION	REMARK
FB5911	1-400-834-11	FERRITE	OUH	IC6504	6-709-240-01	IC BH12PB1WHFV-TR	
FB5912	1-400-834-11	FERRITE	OUH	IC6505	6-709-932-01	IC MM3141CNRE	
FB5913	1-400-834-11	FERRITE	OUH			< COIL >	
FB5914	1-400-834-11	FERRITE	OUH				
FB5915	1-400-834-11	FERRITE	OUH				
				L3000	1-456-984-11	INDUCTOR	OUH
FB5916	1-400-244-11	FERRITE	OUH	L3001	1-456-984-11	INDUCTOR	OUH
FB5917	1-400-244-11	FERRITE	OUH	L3002	1-456-984-11	INDUCTOR	OUH
FB6500	1-469-324-21	FERRITE	OUH	L3003	1-456-984-11	INDUCTOR	OUH
FB6501	1-469-324-21	FERRITE	OUH	L3004	1-456-984-11	INDUCTOR	OUH
FB6502	1-469-775-21	FERRITE	OUH				
	< IC >			L3005	1-400-180-21	FERRITE	OUH
IC3000	8-759-082-60	IC TC7S66FU		L3350	1-412-990-41	INDUCTOR	8.2UH
IC3001	6-706-419-01	IC LM393DT (A)		L4208	1-414-394-11	INDUCTOR	2.2UH
IC3002	6-701-173-01	IC MC74LVXT4053DTR2		L4212	1-414-394-11	INDUCTOR	2.2UH
IC3003	8-759-701-01	IC NJM2904M		L4213	1-414-394-11	INDUCTOR	2.2UH
IC3004	6-704-573-01	IC M24C32-WMN6T (B)					
IC3005	6-703-175-01	IC PST3629UL		L4214	1-414-394-11	INDUCTOR	2.2UH
IC3006	6-806-613-01	IC VCT6973G		L4216	1-414-394-11	INDUCTOR	2.2UH
IC3008	8-752-072-94	IC CXA1875AM-T4		L4217	1-414-394-11	INDUCTOR	2.2UH
IC4000	6-704-600-01	IC M24C02-WMN6T (B)		L4262	1-414-394-11	INDUCTOR	2.2UH
IC4200	6-704-001-01	IC BR24L02F-WE2		L4263	1-414-394-11	INDUCTOR	2.2UH
				L5040	1-469-842-21	INDUCTOR	0.47UH
IC4201	6-709-806-01	IC IP4776CZ38		L5041	1-412-058-11	INDUCTOR	10UH
IC4202	6-709-602-01	IC TDA9974AHS/8/C112		L5042	1-412-058-11	INDUCTOR	10UH
IC5040	8-753-264-52	IC CXD1968R-T6		L5043	1-412-058-11	INDUCTOR	10UH
IC5630	6-709-214-01	IC UPD61123F1-100-KA3-A		L5044	1-412-058-11	INDUCTOR	10UH
IC5680	6-705-336-01	IC K9F2808U0C-PCB0T					
IC5681	6-707-809-01	IC EDD1216AATA-6B-E		L5045	1-412-058-11	INDUCTOR	10UH
IC5682	6-708-916-01	IC ICS7150MLFT		L5046	1-412-058-11	INDUCTOR	10UH
IC5750	8-759-644-48	IC 74LVC541APW		L5630	1-414-398-11	INDUCTOR	10UH
IC5751	8-759-644-48	IC 74LVC541APW		L6500	1-416-511-11	INDUCTOR	47UH
IC5752	6-706-482-01	IC TC7SH00FU (T5RSOYJF)		L6501	1-416-511-11	INDUCTOR	47UH
IC5753	8-759-644-48	IC 74LVC541APW					
IC5754	6-708-132-01	IC 74LVC14APW		L6502	1-457-242-11	INDUCTOR	OUH
IC5755	8-759-644-48	IC 74LVC541APW		L6503	1-414-398-11	INDUCTOR	10UH
IC5756	8-759-644-48	IC 74LVC541APW		L6504	1-424-976-21	INDUCTOR	47UH
IC5757	8-759-644-48	IC 74LVC541APW		L6505	1-457-242-11	INDUCTOR	OUH
IC5758	6-707-853-01	IC TC74LCX541FT (EKJ)		L6506	1-424-976-21	INDUCTOR	47UH
IC5759	8-759-298-91	IC 74LVT245PW-T					
IC5780	6-700-108-01	IC RV5C387A-E2-FB		L6508	1-424-922-21	INDUCTOR	10UH
IC5781	6-703-271-01	IC TAR5S50 (TE85R)		L6509	1-424-922-21	INDUCTOR	10UH
IC5782	6-707-808-01	IC WM8727GED/RV		L6511	1-424-922-21	INDUCTOR	10UH
IC5783	8-759-701-40	IC NJM3404AM-T1		L6512	1-416-511-11	INDUCTOR	47UH
IC5784	6-706-106-01	IC NCP1117STAT3		L6514	1-412-026-11	INDUCTOR	1UH
IC5785	6-708-603-01	IC PQ070XNA1ZPH					
IC5786	6-705-790-01	IC LM3525MX-H/J5000395		L6515	1-412-026-11	INDUCTOR	1UH
IC6500	6-702-142-01	IC PQ1CY1032ZP		L6516	1-412-026-11	INDUCTOR	1UH
IC6501	6-702-142-01	IC PQ1CY1032ZP		L6517	1-414-394-11	INDUCTOR	2.2UH
IC6502	6-706-046-01	IC TK11185CSCL-G		L6518	1-412-026-11	INDUCTOR	1UH
IC6503	6-702-142-01	IC PQ1CY1032ZP		L6519	1-412-026-11	INDUCTOR	1UH
				L6520	1-412-026-11	INDUCTOR	1UH
				L6521	1-412-026-11	INDUCTOR	1UH
				L6522	1-412-026-11	INDUCTOR	1UH
				L6523	1-412-026-11	INDUCTOR	1UH
				L6524	1-412-026-11	INDUCTOR	1UH
				L6525	1-412-026-11	INDUCTOR	1UH



**Note :** The components identified by shading and marked  $\Delta$  are critical for safety. Replace only with the part numbers specified in the parts list.

**BDT**

REF.NO.	PART.NO	DESCRIPTION	REMARK	REF.NO.	PART.NO	DESCRIPTION	REMARK
L6526	1-414-394-11	INDUCTOR	2.2UH	Q6506	8-729-010-25	TRANSISTOR MSD601-RT1	
L6527	1-414-394-11	INDUCTOR	2.2UH	Q6507	8-729-010-25	TRANSISTOR MSD601-RT1	
L6528	1-412-026-11	INDUCTOR	1UH	Q6509	8-729-046-04	TRANSISTOR FDS6690A	
< PROTECTOR MODULE >				Q6510	8-729-421-22	TRANSISTOR UN2211	
PS6500	$\Delta$ 1-576-736-41	IC LINK	3.15A 24V	Q6511	8-729-421-22	TRANSISTOR UN2211	
PS6501	$\Delta$ 1-576-736-41	IC LINK	3.15A 24V	Q6512	6-550-369-01	TRANSISTOR TPC8109 (TE12L)	
PS6502	$\Delta$ 1-576-736-41	IC LINK	3.15A 24V	Q6513	6-550-369-01	TRANSISTOR TPC8109 (TE12L)	
< TRANSISTOR >				Q6514	8-729-010-05	TRANSISTOR MSB709-RT1	
Q3000	8-729-028-28	TRANSISTOR 2SK2036 (TE85L)		Q6515	8-729-421-22	TRANSISTOR UN2211	
Q3001	8-729-421-22	TRANSISTOR UN2211		Q6555	8-729-421-22	TRANSISTOR UN2211	
Q3002	8-729-927-99	TRANSISTOR 2SC4617R		< RESISTOR >			
Q3003	8-729-927-99	TRANSISTOR 2SC4617R		JR5600	1-216-295-91	SHORT CHIP	0
Q3004	8-729-028-28	TRANSISTOR 2SK2036 (TE85L)		JR5601	1-218-990-81	SHORT CHIP	0
Q3006	8-729-905-35	TRANSISTOR 2SC4081-R		JR5602	1-218-990-81	SHORT CHIP	0
Q3007	6-550-549-01	TRANSISTOR DTC114EUAFT106		R3000	1-216-864-11	SHORT CHIP	0
Q3008	8-729-045-62	TRANSISTOR 2SK2158-T2B		R3001	1-216-833-11	METAL CHIP	10K 5% 1/10W
Q3009	8-729-026-53	TRANSISTOR 2SA1576A-T106-QR		R3002	1-216-825-11	METAL CHIP	2.2K 5% 1/10W
Q3010	8-729-026-53	TRANSISTOR 2SA1576A-T106-QR		R3003	1-216-864-11	SHORT CHIP	0
Q3011	8-729-045-62	TRANSISTOR 2SK2158-T2B		R3004	1-216-864-11	SHORT CHIP	0
Q3012	8-729-422-29	TRANSISTOR 2SD601A-S		R3006	1-216-833-11	METAL CHIP	10K 5% 1/10W
Q3013	8-729-422-29	TRANSISTOR 2SD601A-S		R3015	1-216-825-11	METAL CHIP	2.2K 5% 1/10W
Q3014	8-729-422-29	TRANSISTOR 2SD601A-S		R3016	1-216-821-11	METAL CHIP	1K 5% 1/10W
Q3015	8-729-422-29	TRANSISTOR 2SD601A-S		R3019	1-216-833-11	METAL CHIP	10K 5% 1/10W
Q3016	8-729-421-19	TRANSISTOR UN2213		R3020	1-216-833-11	METAL CHIP	10K 5% 1/10W
Q3017	8-729-050-10	TRANSISTOR PMBF170-215		R3021	1-216-849-11	METAL CHIP	220K 5% 1/10W
Q3020	8-729-905-35	TRANSISTOR 2SC4081-R		R3022	1-216-849-11	METAL CHIP	220K 5% 1/10W
Q3120	8-729-028-28	TRANSISTOR 2SK2036 (TE85L)		R3023	1-216-849-11	METAL CHIP	220K 5% 1/10W
Q3121	8-729-028-28	TRANSISTOR 2SK2036 (TE85L)		R3024	1-216-849-11	METAL CHIP	220K 5% 1/10W
Q3122	8-729-028-73	TRANSISTOR DTA114EUA-T106		R3026	1-216-849-11	METAL CHIP	220K 5% 1/10W
Q3123	8-729-010-05	TRANSISTOR MSB709-RT1		R3027	1-216-849-11	METAL CHIP	220K 5% 1/10W
Q3300	8-729-010-05	TRANSISTOR MSB709-RT1		R3028	1-216-849-11	METAL CHIP	220K 5% 1/10W
Q3301	8-729-421-19	TRANSISTOR UN2213		R3029	1-216-841-11	METAL CHIP	47K 5% 1/10W
Q3350	8-729-010-05	TRANSISTOR MSB709-RT1		R3030	1-216-833-11	METAL CHIP	10K 5% 1/10W
Q3351	8-729-010-29	TRANSISTOR MSD601-RST1		R3031	1-216-864-11	SHORT CHIP	0
Q4200	8-729-421-22	TRANSISTOR UN2211		R3032	1-216-849-11	METAL CHIP	220K 5% 1/10W
Q4204	8-729-421-22	TRANSISTOR UN2211		R3034	1-218-879-11	METAL CHIP	22K 0.5% 1/10W
Q4211	8-729-010-29	TRANSISTOR MSD601-RST1		R3035	1-216-864-11	SHORT CHIP	0
Q5780	8-729-010-05	TRANSISTOR MSB709-RT1		R3036	1-216-864-11	SHORT CHIP	0
Q5920	8-729-028-28	TRANSISTOR 2SK2036 (TE85L)		R3037	1-216-864-11	SHORT CHIP	0
Q5921	8-729-028-28	TRANSISTOR 2SK2036 (TE85L)		R3038	1-216-864-11	SHORT CHIP	0
Q5922	8-729-028-86	TRANSISTOR DTA143EUA-T106		R3039	1-216-864-11	SHORT CHIP	0
Q5923	8-729-907-00	TRANSISTOR DTC114EU		R3040	1-218-891-11	METAL CHIP	68K 0.5% 1/10W
Q6500	8-729-421-22	TRANSISTOR UN2211		R3042	1-216-833-11	METAL CHIP	10K 5% 1/10W
Q6501	8-729-421-22	TRANSISTOR UN2211		R3043	1-216-833-11	METAL CHIP	10K 5% 1/10W
Q6502	8-729-421-22	TRANSISTOR UN2211		R3044	1-216-817-11	METAL CHIP	470 5% 1/10W
Q6503	8-729-010-25	TRANSISTOR MSD601-RT1		R3045	1-216-864-11	SHORT CHIP	0
Q6504	8-729-421-22	TRANSISTOR UN2211		R3046	1-216-833-11	METAL CHIP	10K 5% 1/10W
Q6505	8-729-010-25	TRANSISTOR MSD601-RT1		R3048	1-216-864-11	SHORT CHIP	0
				R3049	1-216-864-11	SHORT CHIP	0



REF.NO.	PART.NO	DESCRIPTION	REMARK	REF.NO.	PART.NO	DESCRIPTION	REMARK
R3050	1-216-864-11	SHORT CHIP	0	R3110	1-216-864-11	SHORT CHIP	0
R3051	1-216-864-11	SHORT CHIP	0	R3111	1-218-823-11	METAL CHIP	100 0.5% 1/10W
R3052	1-216-864-11	SHORT CHIP	0	R3112	1-216-864-11	SHORT CHIP	0
R3053	1-216-864-11	SHORT CHIP	0	R3113	1-218-823-11	METAL CHIP	100 0.5% 1/10W
R3054	1-216-864-11	SHORT CHIP	0	R3114	1-218-823-11	METAL CHIP	100 0.5% 1/10W
R3057	1-216-833-11	METAL CHIP	10K 5% 1/10W	R3115	1-218-823-11	METAL CHIP	100 0.5% 1/10W
R3058	1-216-833-11	METAL CHIP	10K 5% 1/10W	R3116	1-218-823-11	METAL CHIP	100 0.5% 1/10W
R3059	1-216-833-11	METAL CHIP	10K 5% 1/10W	R3117	1-216-864-11	SHORT CHIP	0
R3061	1-218-847-11	METAL CHIP	1K 0.5% 1/10W	R3119	1-216-864-11	SHORT CHIP	0
R3062	1-216-809-11	METAL CHIP	100 5% 1/10W	R3121	1-216-864-11	SHORT CHIP	0
R3063	1-216-809-11	METAL CHIP	100 5% 1/10W	R3124	1-216-864-11	SHORT CHIP	0
R3064	1-216-809-11	METAL CHIP	100 5% 1/10W	R3127	1-216-864-11	SHORT CHIP	0
R3067	1-216-809-11	METAL CHIP	100 5% 1/10W	R3129	1-216-864-11	SHORT CHIP	0
R3068	1-216-809-11	METAL CHIP	100 5% 1/10W	R3133	1-216-809-11	METAL CHIP	100 5% 1/10W
R3069	1-216-809-11	METAL CHIP	100 5% 1/10W	R3136	1-216-809-11	METAL CHIP	100 5% 1/10W
R3071	1-216-809-11	METAL CHIP	100 5% 1/10W	R3137	1-216-864-11	SHORT CHIP	0
R3072	1-216-809-11	METAL CHIP	100 5% 1/10W	R3138	1-216-809-11	METAL CHIP	100 5% 1/10W
R3073	1-216-809-11	METAL CHIP	100 5% 1/10W	R3140	1-216-809-11	METAL CHIP	100 5% 1/10W
R3074	1-216-809-11	METAL CHIP	100 5% 1/10W	R3142	1-216-809-11	METAL CHIP	100 5% 1/10W
R3075	1-216-809-11	METAL CHIP	100 5% 1/10W	R3143	1-216-864-11	SHORT CHIP	0
R3076	1-216-809-11	METAL CHIP	100 5% 1/10W	R3146	1-216-864-11	SHORT CHIP	0
R3077	1-216-809-11	METAL CHIP	100 5% 1/10W	R3147	1-216-864-11	SHORT CHIP	0
R3078	1-216-809-11	METAL CHIP	100 5% 1/10W	R3150	1-216-809-11	METAL CHIP	100 5% 1/10W
R3079	1-216-864-11	SHORT CHIP	0	R3153	1-216-864-11	SHORT CHIP	0
R3080	1-216-864-11	SHORT CHIP	0	R3156	1-216-864-11	SHORT CHIP	0
R3081	1-216-864-11	SHORT CHIP	0	R3158	1-216-864-11	SHORT CHIP	0
R3083	1-216-864-11	SHORT CHIP	0	R3159	1-216-864-11	SHORT CHIP	0
R3084	1-216-864-11	SHORT CHIP	0	R3160	1-216-864-11	SHORT CHIP	0
R3085	1-216-864-11	SHORT CHIP	0	R3161	1-216-864-11	SHORT CHIP	0
R3087	1-216-864-11	SHORT CHIP	0	R3163	1-216-833-11	METAL CHIP	10K 5% 1/10W
R3088	1-216-864-11	SHORT CHIP	0	R3175	1-216-864-11	SHORT CHIP	0
R3089	1-216-809-11	METAL CHIP	100 5% 1/10W	R3177	1-216-809-11	METAL CHIP	100 5% 1/10W
R3090	1-216-809-11	METAL CHIP	100 5% 1/10W	R3178	1-216-809-11	METAL CHIP	100 5% 1/10W
R3091	1-216-833-11	METAL CHIP	10K 5% 1/10W	R3180	1-216-809-11	METAL CHIP	100 5% 1/10W
R3092	1-216-864-11	SHORT CHIP	0	R3181	1-216-809-11	METAL CHIP	100 5% 1/10W
R3093	1-216-864-11	SHORT CHIP	0	R3182	1-216-809-11	METAL CHIP	100 5% 1/10W
R3094	1-216-864-11	SHORT CHIP	0	R3183	1-216-809-11	METAL CHIP	100 5% 1/10W
R3095	1-216-864-11	SHORT CHIP	0	R3184	1-216-809-11	METAL CHIP	100 5% 1/10W
R3096	1-216-833-11	METAL CHIP	10K 5% 1/10W	R3185	1-216-809-11	METAL CHIP	100 5% 1/10W
R3097	1-218-823-11	METAL CHIP	100 0.5% 1/10W	R3186	1-216-833-11	METAL CHIP	10K 5% 1/10W
R3098	1-216-864-11	SHORT CHIP	0	R3187	1-216-833-11	METAL CHIP	10K 5% 1/10W
R3100	1-218-823-11	METAL CHIP	100 0.5% 1/10W	R3188	1-216-864-11	SHORT CHIP	0
R3101	1-218-823-11	METAL CHIP	100 0.5% 1/10W	R3190	1-216-864-11	SHORT CHIP	0
R3103	1-218-823-11	METAL CHIP	100 0.5% 1/10W	R3191	1-216-864-11	SHORT CHIP	0
R3104	1-216-864-11	SHORT CHIP	0	R3192	1-216-864-11	SHORT CHIP	0
R3105	1-218-823-11	METAL CHIP	100 0.5% 1/10W	R3193	1-216-833-11	METAL CHIP	10K 5% 1/10W
R3106	1-218-891-11	METAL CHIP	68K 0.5% 1/10W	R3195	1-216-864-11	SHORT CHIP	0
R3107	1-218-823-11	METAL CHIP	100 0.5% 1/10W	R3196	1-216-833-11	METAL CHIP	10K 5% 1/10W
R3108	1-218-867-11	METAL CHIP	6.8K 0.5% 1/10W	R3198	1-218-847-11	METAL CHIP	1K 0.5% 1/10W
R3109	1-218-823-11	METAL CHIP	100 0.5% 1/10W	R3201	1-216-864-11	SHORT CHIP	0

REF.NO.	PART.NO	DESCRIPTION	REMARK	REF.NO.	PART.NO	DESCRIPTION	REMARK
R3202	1-216-864-11	SHORT CHIP	0	R3276	1-216-864-11	SHORT CHIP	0
R3203	1-216-864-11	SHORT CHIP	0	R3277	1-216-864-11	SHORT CHIP	0
R3204	1-216-864-11	SHORT CHIP	0	R3278	1-216-864-11	SHORT CHIP	0
R3209	1-218-965-11	RES-CHIP	10K 5% 1/16W	R3279	1-216-864-11	SHORT CHIP	0
R3212	1-218-965-11	RES-CHIP	10K 5% 1/16W	R3280	1-216-864-11	SHORT CHIP	0
R3213	1-216-825-11	METAL CHIP	2.2K 5% 1/10W	R3281	1-216-864-11	SHORT CHIP	0
R3215	1-218-867-11	METAL CHIP	6.8K 0.5% 1/10W	R3282	1-216-864-11	SHORT CHIP	0
R3216	1-216-864-11	SHORT CHIP	0	R3283	1-216-864-11	SHORT CHIP	0
R3219	1-216-825-11	METAL CHIP	2.2K 5% 1/10W	R3284	1-216-864-11	SHORT CHIP	0
R3220	1-216-864-11	SHORT CHIP	0	R3285	1-216-864-11	SHORT CHIP	0
R3221	1-216-864-11	SHORT CHIP	0	R3286	1-216-864-11	SHORT CHIP	0
R3222	1-216-809-11	METAL CHIP	100 5% 1/10W	R3287	1-216-864-11	SHORT CHIP	0
R3224	1-218-867-11	METAL CHIP	6.8K 0.5% 1/10W	R3288	1-216-864-11	SHORT CHIP	0
R3225	1-216-825-11	METAL CHIP	2.2K 5% 1/10W	R3289	1-216-864-11	SHORT CHIP	0
R3229	1-216-864-11	SHORT CHIP	0	R3290	1-216-864-11	SHORT CHIP	0
R3230	1-216-864-11	SHORT CHIP	0	R3291	1-216-864-11	SHORT CHIP	0
R3231	1-216-864-11	SHORT CHIP	0	R3292	1-216-864-11	SHORT CHIP	0
R3232	1-216-864-11	SHORT CHIP	0	R3293	1-216-809-11	METAL CHIP	100 5% 1/10W
R3233	1-216-864-11	SHORT CHIP	0	R3295	1-216-864-11	SHORT CHIP	0
R3236	1-216-864-11	SHORT CHIP	0	R3296	1-216-845-11	METAL CHIP	100K 5% 1/10W
R3237	1-216-864-11	SHORT CHIP	0	R3297	1-216-809-11	METAL CHIP	100 5% 1/10W
R3240	1-216-817-11	METAL CHIP	470 5% 1/10W	R3298	1-216-851-11	METAL CHIP	330K 5% 1/10W
R3246	1-216-864-11	SHORT CHIP	0	R3299	1-216-813-11	METAL CHIP	220 5% 1/10W
R3247	1-216-843-11	METAL CHIP	68K 5% 1/10W	R3300	1-216-817-11	METAL CHIP	470 5% 1/10W
R3248	1-216-851-11	METAL CHIP	330K 5% 1/10W	R3301	1-216-837-11	METAL CHIP	22K 5% 1/10W
R3249	1-216-817-11	METAL CHIP	470 5% 1/10W	R3302	1-216-849-11	METAL CHIP	220K 5% 1/10W
R3250	1-216-821-11	METAL CHIP	1K 5% 1/10W	R3303	1-216-839-11	METAL CHIP	33K 5% 1/10W
R3251	1-216-829-11	METAL CHIP	4.7K 5% 1/10W	R3304	1-216-839-11	METAL CHIP	33K 5% 1/10W
R3252	1-216-833-11	METAL CHIP	10K 5% 1/10W	R3305	1-216-833-11	METAL CHIP	10K 5% 1/10W
R3253	1-216-864-11	SHORT CHIP	0	R3310	1-216-809-11	METAL CHIP	100 5% 1/10W
R3255	1-216-829-11	METAL CHIP	4.7K 5% 1/10W	R3311	1-216-809-11	METAL CHIP	100 5% 1/10W
R3256	1-216-833-11	METAL CHIP	10K 5% 1/10W	R3320	1-216-864-11	SHORT CHIP	0
R3257	1-218-990-81	SHORT CHIP	0	R3321	1-216-864-11	SHORT CHIP	0
R3259	1-216-821-11	METAL CHIP	1K 5% 1/10W	R3350	1-216-821-11	METAL CHIP	1K 5% 1/10W
R3260	1-216-837-11	METAL CHIP	22K 5% 1/10W	R3351	1-216-805-11	METAL CHIP	47 5% 1/10W
R3261	1-216-864-11	SHORT CHIP	0	R3352	1-216-864-11	SHORT CHIP	0
R3262	1-218-957-11	RES-CHIP	2.2K 5% 1/16W	R3355	1-216-821-11	METAL CHIP	1K 5% 1/10W
R3263	1-216-825-11	METAL CHIP	2.2K 5% 1/10W	R3356	1-216-864-11	SHORT CHIP	0
R3264	1-216-825-11	METAL CHIP	2.2K 5% 1/10W	R3370	1-216-864-11	SHORT CHIP	0
R3265	1-218-957-11	RES-CHIP	2.2K 5% 1/16W	R3371	1-216-864-11	SHORT CHIP	0
R3266	1-216-817-11	METAL CHIP	470 5% 1/10W	R3372	1-216-864-11	SHORT CHIP	0
R3267	1-216-825-11	METAL CHIP	2.2K 5% 1/10W	R3373	1-216-864-11	SHORT CHIP	0
R3268	1-216-825-11	METAL CHIP	2.2K 5% 1/10W	R3374	1-216-841-11	METAL CHIP	47K 5% 1/10W
R3269	1-216-841-11	METAL CHIP	47K 5% 1/10W	R3375	1-216-809-11	METAL CHIP	100 5% 1/10W
R3270	1-216-864-11	SHORT CHIP	0	R3376	1-220-397-11	METAL CHIP	4.7M 5% 1/10W
R3271	1-216-864-11	SHORT CHIP	0	R3377	1-216-833-11	METAL CHIP	10K 5% 1/10W
R3272	1-216-864-11	SHORT CHIP	0	R3378	1-216-833-11	METAL CHIP	10K 5% 1/10W
R3273	1-216-864-11	SHORT CHIP	0	R3379	1-216-833-11	METAL CHIP	10K 5% 1/10W
R3274	1-216-864-11	SHORT CHIP	0	R3380	1-216-833-11	METAL CHIP	10K 5% 1/10W
R3275	1-216-864-11	SHORT CHIP	0	R3381	1-216-809-11	METAL CHIP	100 5% 1/10W

REF.NO.	PART.NO	DESCRIPTION	REMARK			REF.NO.	PART.NO	DESCRIPTION	REMARK		
R3382	1-216-841-11	METAL CHIP	47K	5%	1/10W	R4252	1-216-809-11	METAL CHIP	100	5%	1/10W
R3387	1-216-864-11	SHORT CHIP	0			R4253	1-216-833-11	METAL CHIP	10K	5%	1/10W
R3388	1-216-864-11	SHORT CHIP	0			R4254	1-216-833-11	METAL CHIP	10K	5%	1/10W
R3389	1-216-864-11	SHORT CHIP	0			R4255	1-216-833-11	METAL CHIP	10K	5%	1/10W
R3392	1-216-809-11	METAL CHIP	100	5%	1/10W	R4256	1-216-833-11	METAL CHIP	10K	5%	1/10W
R3393	1-216-833-11	METAL CHIP	10K	5%	1/10W	R4271	1-216-833-11	METAL CHIP	10K	5%	1/10W
R3394	1-216-841-11	METAL CHIP	47K	5%	1/10W	R4272	1-216-833-11	METAL CHIP	10K	5%	1/10W
R4000	1-216-805-11	METAL CHIP	47	5%	1/10W	R5040	1-218-965-11	RES-CHIP	10K	5%	1/16W
R4001	1-216-805-11	METAL CHIP	47	5%	1/10W	R5041	1-218-965-11	RES-CHIP	10K	5%	1/16W
R4004	1-216-833-11	METAL CHIP	10K	5%	1/10W	R5043	1-218-965-11	RES-CHIP	10K	5%	1/16W
R4005	1-216-833-11	METAL CHIP	10K	5%	1/10W	R5044	1-218-941-81	RES-CHIP	100	5%	1/16W
R4006	1-216-805-11	METAL CHIP	47	5%	1/10W	R5045	1-218-941-81	RES-CHIP	100	5%	1/16W
R4007	1-216-805-11	METAL CHIP	47	5%	1/10W	R5046	1-218-953-11	RES-CHIP	1K	5%	1/16W
R4008	1-218-827-11	METAL CHIP	150	0.5%	1/10W	R5049	1-218-989-11	RES-CHIP	1M	5%	1/16W
R4009	1-218-827-11	METAL CHIP	150	0.5%	1/10W	R5050	1-218-941-81	RES-CHIP	100	5%	1/16W
R4010	1-218-827-11	METAL CHIP	150	0.5%	1/10W	R5051	1-218-941-81	RES-CHIP	100	5%	1/16W
R4011	1-218-827-11	METAL CHIP	150	0.5%	1/10W	R5053	1-218-937-11	RES-CHIP	47	5%	1/16W
R4012	1-218-827-11	METAL CHIP	150	0.5%	1/10W	R5054	1-218-941-81	RES-CHIP	100	5%	1/16W
R4013	1-218-827-11	METAL CHIP	150	0.5%	1/10W	R5055	1-218-941-81	RES-CHIP	100	5%	1/16W
R4014	1-216-821-11	METAL CHIP	1K	5%	1/10W	R5056	1-216-864-11	SHORT CHIP	0		
R4015	1-216-864-11	SHORT CHIP	0			R5057	1-218-941-81	RES-CHIP	100	5%	1/16W
R4016	1-216-864-11	SHORT CHIP	0			R5058	1-218-965-11	RES-CHIP	10K	5%	1/16W
R4017	1-216-864-11	SHORT CHIP	0			R5060	1-218-965-11	RES-CHIP	10K	5%	1/16W
R4018	1-216-864-11	SHORT CHIP	0			R5061	1-218-941-81	RES-CHIP	100	5%	1/16W
R4019	1-216-864-11	SHORT CHIP	0			R5062	1-218-941-81	RES-CHIP	100	5%	1/16W
R4020	1-216-845-11	METAL CHIP	100K	5%	1/10W	R5063	1-218-941-81	RES-CHIP	100	5%	1/16W
R4202	1-216-821-11	METAL CHIP	1K	5%	1/10W	R5064	1-218-965-11	RES-CHIP	10K	5%	1/16W
R4204	1-216-833-11	METAL CHIP	10K	5%	1/10W	R5625	1-218-990-81	SHORT CHIP	0		
R4205	1-218-871-11	METAL CHIP	10K	0.5%	1/10W	R5626	1-218-990-81	SHORT CHIP	0		
R4206	1-218-871-11	METAL CHIP	10K	0.5%	1/10W	R5629	1-218-990-81	SHORT CHIP	0		
R4208	1-216-809-11	METAL CHIP	100	5%	1/10W	R5630	1-218-965-11	RES-CHIP	10K	5%	1/16W
R4209	1-216-809-11	METAL CHIP	100	5%	1/10W	R5631	1-218-965-11	RES-CHIP	10K	5%	1/16W
R4210	1-216-829-11	METAL CHIP	4.7K	5%	1/10W	R5632	1-218-965-11	RES-CHIP	10K	5%	1/16W
R4211	1-216-829-11	METAL CHIP	4.7K	5%	1/10W	R5633	1-218-965-11	RES-CHIP	10K	5%	1/16W
R4212	1-216-833-11	METAL CHIP	10K	5%	1/10W	R5634	1-218-941-81	RES-CHIP	100	5%	1/16W
R4220	1-216-809-11	METAL CHIP	100	5%	1/10W	R5635	1-218-941-81	RES-CHIP	100	5%	1/16W
R4232	1-216-809-11	METAL CHIP	100	5%	1/10W	R5636	1-218-941-81	RES-CHIP	100	5%	1/16W
R4235	1-216-809-11	METAL CHIP	100	5%	1/10W	R5637	1-218-965-11	RES-CHIP	10K	5%	1/16W
R4236	1-216-809-11	METAL CHIP	100	5%	1/10W	R5638	1-218-965-11	RES-CHIP	10K	5%	1/16W
R4237	1-216-809-11	METAL CHIP	100	5%	1/10W	R5639	1-218-941-81	RES-CHIP	100	5%	1/16W
R4239	1-218-847-11	METAL CHIP	1K	0.5%	1/10W	R5640	1-218-961-11	RES-CHIP	4.7K	5%	1/16W
R4240	1-218-847-11	METAL CHIP	1K	0.5%	1/10W	R5641	1-218-961-11	RES-CHIP	4.7K	5%	1/16W
R4241	1-216-809-11	METAL CHIP	100	5%	1/10W	R5644	1-218-941-81	RES-CHIP	100	5%	1/16W
R4242	1-216-809-11	METAL CHIP	100	5%	1/10W	R5645	1-218-941-81	RES-CHIP	100	5%	1/16W
R4243	1-216-864-11	SHORT CHIP	0			R5646	1-218-941-81	RES-CHIP	100	5%	1/16W
R4244	1-216-864-11	SHORT CHIP	0			R5647	1-218-941-81	RES-CHIP	100	5%	1/16W
R4245	1-216-839-11	METAL CHIP	33K	5%	1/10W	R5648	1-216-864-11	SHORT CHIP	0		
R4246	1-216-864-11	SHORT CHIP	0			R5652	1-218-965-11	RES-CHIP	10K	5%	1/16W
R4248	1-216-864-11	SHORT CHIP	0			R5653	1-218-965-11	RES-CHIP	10K	5%	1/16W
R4250	1-216-864-11	SHORT CHIP	0			R5654	1-218-965-11	RES-CHIP	10K	5%	1/16W

REF.NO.	PART.NO	DESCRIPTION	REMARK			REF.NO.	PART.NO	DESCRIPTION	REMARK		
R5655	1-218-937-11	RES-CHIP	47	5%	1/16W	R5737	1-218-941-81	RES-CHIP	100	5%	1/16W
R5656	1-218-937-11	RES-CHIP	47	5%	1/16W	R5738	1-218-941-81	RES-CHIP	100	5%	1/16W
R5657	1-218-937-11	RES-CHIP	47	5%	1/16W	R5739	1-218-965-11	RES-CHIP	10K	5%	1/16W
R5658	1-218-937-11	RES-CHIP	47	5%	1/16W	R5740	1-218-965-11	RES-CHIP	10K	5%	1/16W
R5661	1-218-937-11	RES-CHIP	47	5%	1/16W	R5744	1-218-949-11	RES-CHIP	470	5%	1/16W
R5663	1-220-174-11	RES-CHIP	200	5%	1/16W	R5745	1-218-949-11	RES-CHIP	470	5%	1/16W
R5664	1-220-174-11	RES-CHIP	200	5%	1/16W	R5750	1-218-965-11	RES-CHIP	10K	5%	1/16W
R5665	1-220-174-11	RES-CHIP	200	5%	1/16W	R5751	1-218-965-11	RES-CHIP	10K	5%	1/16W
R5666	1-220-174-11	RES-CHIP	200	5%	1/16W	R5752	1-218-965-11	RES-CHIP	10K	5%	1/16W
R5667	1-220-174-11	RES-CHIP	200	5%	1/16W	R5753	1-218-965-11	RES-CHIP	10K	5%	1/16W
R5668	1-220-174-11	RES-CHIP	200	5%	1/16W	R5754	1-218-965-11	RES-CHIP	10K	5%	1/16W
R5669	1-208-671-11	METAL CHIP	330	0.5%	1/16W	R5755	1-218-965-11	RES-CHIP	10K	5%	1/16W
R5671	1-208-679-11	METAL CHIP	680	0.5%	1/16W	R5756	1-218-965-11	RES-CHIP	10K	5%	1/16W
R5673	1-218-990-81	SHORT CHIP	0			R5757	1-218-965-11	RES-CHIP	10K	5%	1/16W
R5674	1-208-675-11	METAL CHIP	470	0.5%	1/16W	R5758	1-218-961-11	RES-CHIP	4.7K	5%	1/16W
R5676	1-218-965-11	RES-CHIP	10K	5%	1/16W	R5759	1-218-953-11	RES-CHIP	1K	5%	1/16W
R5677	1-216-864-11	SHORT CHIP	0			R5760	1-218-941-81	RES-CHIP	100	5%	1/16W
R5681	1-218-953-11	RES-CHIP	1K	5%	1/16W	R5761	1-218-965-11	RES-CHIP	10K	5%	1/16W
R5683	1-218-953-11	RES-CHIP	1K	5%	1/16W	R5763	1-218-941-81	RES-CHIP	100	5%	1/16W
R5684	1-218-953-11	RES-CHIP	1K	5%	1/16W	R5764	1-218-941-81	RES-CHIP	100	5%	1/16W
R5686	1-218-949-11	RES-CHIP	470	5%	1/16W	R5780	1-216-809-11	METAL CHIP	100	5%	1/10W
R5687	1-218-953-11	RES-CHIP	1K	5%	1/16W	R5781	1-216-809-11	METAL CHIP	100	5%	1/10W
R5689	1-218-953-11	RES-CHIP	1K	5%	1/16W	R5782	1-218-945-11	RES-CHIP	220	5%	1/16W
R5691	1-218-953-11	RES-CHIP	1K	5%	1/16W	R5783	1-216-809-11	METAL CHIP	100	5%	1/10W
R5693	1-218-953-11	RES-CHIP	1K	5%	1/16W	R5784	1-218-953-11	RES-CHIP	1K	5%	1/16W
R5695	1-218-953-11	RES-CHIP	1K	5%	1/16W	R5786	1-218-859-11	METAL CHIP	3.3K	0.5%	1/10W
R5697	1-218-953-11	RES-CHIP	1K	5%	1/16W	R5789	1-216-813-11	METAL CHIP	220	5%	1/10W
R5699	1-218-953-11	RES-CHIP	1K	5%	1/16W	R5791	1-218-990-81	SHORT CHIP	0		
R5701	1-218-953-11	RES-CHIP	1K	5%	1/16W	R5792	1-208-683-11	METAL CHIP	1K	0.5%	1/16W
R5703	1-218-953-11	RES-CHIP	1K	5%	1/16W	R5793	1-208-683-11	METAL CHIP	1K	0.5%	1/16W
R5706	1-218-953-11	RES-CHIP	1K	5%	1/16W	R5794	1-218-972-11	RES-CHIP	39K	5%	1/16W
R5707	1-218-953-11	RES-CHIP	1K	5%	1/16W	R5795	1-218-972-11	RES-CHIP	39K	5%	1/16W
R5710	1-218-953-11	RES-CHIP	1K	5%	1/16W	R5796	1-218-968-11	RES-CHIP	18K	5%	1/16W
R5712	1-218-953-11	RES-CHIP	1K	5%	1/16W	R5797	1-218-965-11	RES-CHIP	10K	5%	1/16W
R5714	1-218-961-11	RES-CHIP	4.7K	5%	1/16W	R5798	1-218-965-11	RES-CHIP	10K	5%	1/16W
R5715	1-218-953-11	RES-CHIP	1K	5%	1/16W	R5799	1-218-968-11	RES-CHIP	18K	5%	1/16W
R5717	1-218-953-11	RES-CHIP	1K	5%	1/16W	R5800	1-218-967-11	RES-CHIP	15K	5%	1/16W
R5720	1-218-953-11	RES-CHIP	1K	5%	1/16W	R5801	1-218-967-11	RES-CHIP	15K	5%	1/16W
R5722	1-218-953-11	RES-CHIP	1K	5%	1/16W	R5802	1-218-968-11	RES-CHIP	18K	5%	1/16W
R5723	1-218-953-11	RES-CHIP	1K	5%	1/16W	R5803	1-218-953-11	RES-CHIP	1K	5%	1/16W
R5726	1-218-953-11	RES-CHIP	1K	5%	1/16W	R5804	1-218-968-11	RES-CHIP	18K	5%	1/16W
R5727	1-218-953-11	RES-CHIP	1K	5%	1/16W	R5805	1-208-683-11	METAL CHIP	1K	0.5%	1/16W
R5729	1-218-939-11	RES-CHIP	68	5%	1/16W	R5806	1-220-174-11	RES-CHIP	200	5%	1/16W
R5730	1-218-941-11	RES-CHIP	100	5%	1/16W	R5807	1-218-941-81	RES-CHIP	100	5%	1/16W
R5731	1-218-941-11	RES-CHIP	100	5%	1/16W	R5808	1-218-941-81	RES-CHIP	100	5%	1/16W
R5732	1-218-953-11	RES-CHIP	1K	5%	1/16W	R5809	1-218-965-11	RES-CHIP	10K	5%	1/16W
R5733	1-218-937-11	RES-CHIP	47	5%	1/16W	R5810	1-208-683-11	METAL CHIP	1K	0.5%	1/16W
R5734	1-218-939-11	RES-CHIP	68	5%	1/16W	R5811	1-218-935-11	RES-CHIP	33	5%	1/16W
R5735	1-218-941-81	RES-CHIP	100	5%	1/16W	R5812	1-208-683-11	METAL CHIP	1K	0.5%	1/16W
R5736	1-218-941-81	RES-CHIP	100	5%	1/16W	R5813	1-218-965-11	RES-CHIP	10K	5%	1/16W

REF.NO.	PART.NO	DESCRIPTION	REMARK	REF.NO.	PART.NO	DESCRIPTION	REMARK
R5814	1-218-990-81	SHORT CHIP	0	R6547	1-216-833-11	METAL CHIP	10K 5% 1/10W
R5840	1-218-965-11	RES-CHIP	10K 5% 1/16W	R6548	1-216-833-11	METAL CHIP	10K 5% 1/10W
R5843	1-218-965-11	RES-CHIP	10K 5% 1/16W	R6549	1-216-833-11	METAL CHIP	10K 5% 1/10W
R5845	1-218-965-11	RES-CHIP	10K 5% 1/16W	R6550	1-216-864-11	SHORT CHIP	0
R5847	1-218-965-11	RES-CHIP	10K 5% 1/16W	R6551	1-216-833-11	METAL CHIP	10K 5% 1/10W
R5861	1-218-965-11	RES-CHIP	10K 5% 1/16W	R6552	1-216-864-11	SHORT CHIP	0
R5862	1-218-965-11	RES-CHIP	10K 5% 1/16W	R6554	1-216-864-11	SHORT CHIP	0
R5863	1-218-990-81	SHORT CHIP	0	R6555	1-216-864-11	SHORT CHIP	0
R5864	1-218-990-81	SHORT CHIP	0	R6556	1-216-864-11	SHORT CHIP	0
R5865	1-218-990-81	SHORT CHIP	0	R6558	1-216-864-11	SHORT CHIP	0
R5884	1-218-953-11	RES-CHIP	1K 5% 1/16W	R6559	1-216-864-11	SHORT CHIP	0
R5890	1-218-965-11	RES-CHIP	10K 5% 1/16W	R6560	1-216-864-11	SHORT CHIP	0
R5902	1-218-941-81	RES-CHIP	100 5% 1/16W	R6568	1-216-829-11	METAL CHIP	4.7K 5% 1/10W
R5903	1-218-941-81	RES-CHIP	100 5% 1/16W	R6569	1-216-833-11	METAL CHIP	10K 5% 1/10W
R5904	1-218-941-81	RES-CHIP	100 5% 1/16W	R6570	1-216-821-11	METAL CHIP	1K 5% 1/10W
R5905	1-218-941-81	RES-CHIP	100 5% 1/16W	R6572	1-216-833-11	METAL CHIP	10K 5% 1/10W
R5906	1-218-961-11	RES-CHIP	4.7K 5% 1/16W	R6573	1-216-833-11	METAL CHIP	10K 5% 1/10W
R5922	1-216-833-11	METAL CHIP	10K 5% 1/10W	R6574	1-216-797-11	METAL CHIP	10 5% 1/10W
R5923	1-216-833-11	METAL CHIP	10K 5% 1/10W	R6575	1-216-827-11	METAL CHIP	3.3K 5% 1/10W
R5925	1-216-864-11	SHORT CHIP	0	R6577	1-216-864-11	SHORT CHIP	0
R5927	1-216-864-11	SHORT CHIP	0	R6578	1-216-864-11	SHORT CHIP	0
R5930	1-218-941-81	RES-CHIP	100 5% 1/16W	R6581	1-216-864-11	SHORT CHIP	0
R5950	1-218-990-81	SHORT CHIP	0	R6582	1-216-864-11	SHORT CHIP	0
R5951	1-218-990-81	SHORT CHIP	0	R6596	1-216-837-11	METAL CHIP	22K 5% 1/10W
R5954	1-218-939-11	RES-CHIP	68 5% 1/16W	R9032	1-216-864-11	SHORT CHIP	0
R5955	1-218-939-11	RES-CHIP	68 5% 1/16W	R9034	1-218-965-11	RES-CHIP	10K 5% 1/16W
R5956	1-218-939-11	RES-CHIP	68 5% 1/16W	< RESISTOR CHIP >			
R5957	1-218-939-11	RES-CHIP	68 5% 1/16W	RB4205	1-239-409-11	NETWORK RESISTOR (CHIP)	47
R5958	1-218-939-11	RES-CHIP	68 5% 1/16W	RB4206	1-239-409-11	NETWORK RESISTOR (CHIP)	47
R5959	1-218-939-11	RES-CHIP	68 5% 1/16W	RB4208	1-239-409-11	NETWORK RESISTOR (CHIP)	47
R6500	1-216-833-11	METAL CHIP	10K 5% 1/10W	RB4209	1-239-409-11	NETWORK RESISTOR (CHIP)	47
R6501	1-216-833-11	METAL CHIP	10K 5% 1/10W	RB4211	1-239-409-11	NETWORK RESISTOR (CHIP)	47
R6502	1-216-833-11	METAL CHIP	10K 5% 1/10W	RB4212	1-239-409-11	NETWORK RESISTOR (CHIP)	47
R6508	1-216-833-11	METAL CHIP	10K 5% 1/10W	RB4214	1-233-796-11	RES, NETWORK	(1608)
R6511	1-216-833-11	METAL CHIP	10K 5% 1/10W	RB4215	1-233-796-11	RES, NETWORK	(1608)
R6512	1-216-864-11	SHORT CHIP	0	RB4216	1-233-796-11	RES, NETWORK	(1608)
R6513	1-218-853-11	METAL CHIP	1.8K 0.5% 1/10W	RB4217	1-233-796-11	RES, NETWORK	(1608)
R6514	1-218-861-11	METAL CHIP	3.9K 0.5% 1/10W	RB5040	1-234-371-21	RES, NETWORK	47 (1005X4)
R6515	1-218-873-11	METAL CHIP	12K 0.5% 1/10W	RB5041	1-234-371-21	RES, NETWORK	47 (1005X4)
R6516	1-218-877-11	METAL CHIP	18K 0.5% 1/10W	RB5680	1-234-702-11	RES, NETWORK	68 (1005X4)
R6521	1-218-860-11	METAL CHIP	3.6K 0.5% 1/10W	RB5681	1-234-702-11	RES, NETWORK	68 (1005X4)
R6522	1-218-855-11	METAL CHIP	2.2K 0.5% 1/10W	RB5682	1-234-372-11	RES, NETWORK	100 (1005X4)
R6523	1-218-861-11	METAL CHIP	3.9K 0.5% 1/10W	RB5683	1-234-372-11	RES, NETWORK	100 (1005X4)
R6524	1-218-850-11	METAL CHIP	1.3K 0.5% 1/10W	RB5684	1-234-372-11	RES, NETWORK	100 (1005X4)
R6526	1-216-864-11	SHORT CHIP	0	RB5685	1-234-372-11	RES, NETWORK	100 (1005X4)
R6528	1-216-864-11	SHORT CHIP	0	RB5686	1-234-372-11	RES, NETWORK	100 (1005X4)
R6539	1-216-847-11	METAL CHIP	150K 5% 1/10W	RB5687	1-234-702-11	RES, NETWORK	68 (1005X4)
R6540	1-216-839-11	METAL CHIP	33K 5% 1/10W	RB5688	1-234-702-11	RES, NETWORK	68 (1005X4)
R6542	1-216-847-11	METAL CHIP	150K 5% 1/10W				
R6543	1-216-837-11	METAL CHIP	22K 5% 1/10W				



**Note :** The components identified by shading and marked  $\Delta$  are critical for safety. Replace only with the part numbers specified in the parts list.

**BDT G1**

REF.NO.	PART.NO	DESCRIPTION	REMARK	REF.NO.	PART.NO	DESCRIPTION	REMARK
RB5689	1-239-409-11	NETWORK RESISTOR (CHIP) 47		C6027	1-107-902-11	ELECT 1UF	20% 50V
	< SWITCH >			C6028	1-107-930-11	ELECT 22UF	20% 100V
S3000	1-572-921-11	SWITCH, KEY BOARD		C6029	1-128-960-31	ELECT 1500UF	20% 35V
S3001	1-572-921-11	SWITCH, KEY BOARD		C6030	1-128-951-21	ELECT 2200UF	20% 16V
	< VARISTOR >			C6031	1-162-970-11	CERAMIC CHIP 0.01UF	10.00% 25V
VD4000	1-803-974-21	VARISTOR, CHIP (1608)		C6032	1-107-930-11	ELECT 22UF	20% 100V
VD4001	1-803-974-21	VARISTOR, CHIP (1608)		C6033	1-165-744-11	ELECT 1200UF	20% 35V
VD4002	1-803-974-21	VARISTOR, CHIP (1608)		C6034	1-165-744-11	ELECT 1200UF	20% 35V
VD4003	1-803-974-21	VARISTOR, CHIP (1608)		C6039	1-128-950-21	ELECT 1000UF	20% 16V
VD4004	1-803-974-21	VARISTOR, CHIP (1608)		C6200	1-136-201-61	MYLAR 0.22UF	10.00% 400V
	< CRYSTAL >			C6201	1-109-879-11	CERAMIC 22PF	5.00% 2KV
X3000	1-813-531-11	OSCILLATOR, CRYSTAL UNIT		C6202	1-107-905-11	ELECT 4.7UF	20% 50V
X3001	1-813-806-21	OSCILLATOR, CRYSTAL		C6203	1-107-906-11	ELECT 10UF	20% 50V
X5040	1-813-547-11	QUARTZ CRYSTAL UNIT		C6204	1-162-964-11	CERAMIC CHIP 0.001UF	10.00% 50V
X5680	1-813-055-11	QUARTZ CRYSTAL UNIT		C6205	1-107-909-11	ELECT 47UF	20% 50V
X5780	1-781-696-31	VIBRATOR, CRYSTAL		C6206	1-104-331-11	CERAMIC 0.0022UF	10.00% 1KV
<b>*A-1189-415-A G1 Board Complete (KDL-26U2000 &amp; KDL-32U2000 only)</b>				C6207	1-162-115-00	CERAMIC 330PF	10.00% 1KV
	2-409-877-21	WASHER (3X10), RS TITE SPRING		C6208	1-107-826-11	CERAMIC CHIP 0.1UF	10.00% 16V
	< CAPACITOR >			C6209	1-119-892-51	CERAMIC 470PF	10.00% 250V
C6000	$\Delta$ 1-113-924-11	CERAMIC 0.0047UF	20.00% 250V	C6210	1-131-872-91	CERAMIC CHIP 1000PF	10% 630V
C6001	$\Delta$ 1-161-964-91	CERAMIC 0.0047UF	250V	C6211	1-128-945-31	ELECT 1000UF	20% 10V
C6002	$\Delta$ 1-119-892-51	CERAMIC 470PF	10.00% 250V	C6212	1-107-826-11	CERAMIC CHIP 0.1UF	10.00% 16V
C6003	$\Delta$ 1-165-529-11	MYLAR 0.22UF	10 275V	C6300	1-164-230-11	CERAMIC CHIP 220PF	5.00% 50V
C6004	$\Delta$ 1-165-530-11	MYLAR 0.47UF	10 275V	C6301	1-126-960-11	ELECT 1UF	20.00% 50V
C6005	$\Delta$ 1-119-892-51	CERAMIC 470PF	10.00% 250V	C6302	1-164-230-11	CERAMIC CHIP 220PF	5.00% 50V
C6006	$\Delta$ 1-161-964-91	CERAMIC 0.0047UF	250V	C6303	1-126-960-11	ELECT 1UF	20.00% 50V
C6007	$\Delta$ 1-119-892-51	CERAMIC 470PF	10.00% 250V	C6304	1-128-952-31	ELECT 220UF	20.00% 25V
C6008	$\Delta$ 1-117-752-11	ELECT (BLOCK) 330UF	20% 450V	C6306	1-164-489-11	CERAMIC CHIP 0.22UF	10.00% 16V
C6009	1-162-970-11	CERAMIC CHIP 0.01UF	10.00% 25V	C6307	1-115-339-11	CERAMIC CHIP 0.1UF	10.00% 50V
C6010	1-162-964-11	CERAMIC CHIP 0.001UF	10.00% 50V	C6308	1-128-959-31	ELECT 1000UF	20.00% 35V
C6011	1-107-888-11	ELECT 47UF	20% 25V	C6309	1-128-959-31	ELECT 1000UF	20.00% 35V
C6012	$\Delta$ 1-119-892-51	CERAMIC 470PF	10.00% 250V	C6310	1-164-227-11	CERAMIC CHIP 0.022UF	10.00% 25V
C6013	1-100-831-91	CERAMIC CHIP 0.001UF	2% 50V	C6311	1-164-227-11	CERAMIC CHIP 0.022UF	10.00% 25V
C6014	1-107-905-11	ELECT 4.7UF	20% 50V	C6312	1-163-021-91	CERAMIC CHIP 0.01UF	10.00% 50V
C6015	1-162-970-11	CERAMIC CHIP 0.01UF	10.00% 25V	C6313	1-163-021-91	CERAMIC CHIP 0.01UF	10.00% 50V
C6016	1-107-906-11	ELECT 10UF	20% 50V	C6315	1-164-227-11	CERAMIC CHIP 0.022UF	10.00% 25V
C6018	1-162-970-11	CERAMIC CHIP 0.01UF	10.00% 25V	C6316	1-107-907-11	ELECT 22UF	20% 50V
C6019	1-107-888-11	ELECT 47UF	20% 25V		< CONNECTOR >		
C6020	1-115-339-11	CERAMIC CHIP 0.1UF	10.00% 50V	CN6000	$\Delta$ *1-691-960-11	PIN, CONNECTOR (PC BOARD) 3P	
C6021	1-162-970-11	CERAMIC CHIP 0.01UF	10.00% 25V	CN6002	*1-785-705-11	PIN, CONNECTOR (PC BOARD) 9P	
C6022	1-107-824-11	CERAMIC 220PF	5.00% 1KV	CN6003	*1-793-235-11	PIN, CONNECTOR (PC BOARD) 13P	
C6023	1-107-824-11	CERAMIC 220PF	5.00% 1KV	CN6200	*1-785-703-21	PIN, CONNECTOR (PC BOARD) 6P	
C6024	1-165-610-11	FILM 33000PF	3% 800V	CN6300	*1-564-507-11	PLUG, CONNECTOR 4P	
C6025	1-107-902-11	ELECT 1UF	20% 50V		< DIODE >		
				D6000	8-719-510-53	DIODE D4SB60L	
				D6004	8-719-082-03	DIODE MM3Z15VT1	
				D6005	8-719-081-97	DIODE MMDL914T1	
				D6006	8-719-082-03	DIODE MM3Z15VT1	



**Note :** The components identified by shading and marked  $\Delta$  are critical for safety. Replace only with the part numbers specified in the parts list.

**G1**

REF.NO.	PART.NO	DESCRIPTION	REMARK	REF.NO.	PART.NO	DESCRIPTION	REMARK
D6007	8-719-082-03	DIODE MM3Z15VT1		< PROTECTOR MODULE >			
D6008	8-719-979-64	DIODE UF4005/23		PS6000	$\Delta$ 1-533-596-21	IC LINK	4A 90V
D6009	8-719-082-03	DIODE MM3Z15VT1		PS6001	$\Delta$ 1-533-596-21	IC LINK	4A 90V
D6010	8-719-082-03	DIODE MM3Z15VT1		PS6002	$\Delta$ 1-533-595-31	IC LINK	3.15A 90V
D6011	6-501-505-01	DIODE FCH08U10		< TRANSISTOR >			
D6012	8-719-310-56	DIODE FMB-29L		Q6000	8-729-010-29	TRANSISTOR MSD601-RST1	
D6013	6-500-567-31	DIODE 10ERB20-TB3		Q6001	8-729-010-08	TRANSISTOR MSB710-R	
D6014	6-501-505-01	DIODE FCH08U10		Q6002	8-729-010-29	TRANSISTOR MSD601-RST1	
D6015	6-500-567-31	DIODE 10ERB20-TB3		Q6003	6-551-545-01	TRANSISTOR 2SK3469-01MR-F111	
D6018	8-719-310-56	DIODE FMB-29L		Q6004	6-551-545-01	TRANSISTOR 2SK3469-01MR-F111	
D6019	8-719-083-70	DIODE UDZSTE-1727B		Q6005	8-729-010-29	TRANSISTOR MSD601-RST1	
D6023	8-719-083-87	DIODE UDZS-TE17-33B		Q6006	8-729-010-25	TRANSISTOR MSD601-RT1	
D6200	8-719-083-60	DIODE UDZSTE-174.7B		Q6007	8-729-010-05	TRANSISTOR MSB709-RT1	
D6201	8-719-081-97	DIODE MMDL914T1		Q6302	8-729-010-29	TRANSISTOR MSD601-RST1	
D6202	6-500-567-31	DIODE 10ERB20-TB3		Q6303	8-729-010-05	TRANSISTOR MSB709-RT1	
D6203	8-719-948-45	DIODE ERA22-08		< RESISTOR >			
D6204	8-719-080-75	DIODE M1FL20U-4063		JR6313	1-216-295-91	SHORT CHIP	0
D6300	8-719-069-55	DIODE UDZSTE-175.6B		JR6314	1-216-295-91	SHORT CHIP	0
D6302	8-719-069-55	DIODE UDZSTE-175.6B		JR6315	1-216-295-91	SHORT CHIP	0
< TERMINAL BOARD >				JR6316	1-216-295-91	SHORT CHIP	0
ET6000	1-537-770-21	TERMINAL BOARD, GROUND		R6002	$\Delta$ 1-219-759-11	METAL	1M 5% 1/2W
< FUSE >				R6009	$\Delta$ 1-202-933-61	FUSIBLE	0.1 10% 1/2W
F6000	$\Delta$ 1-576-231-51	FUSE	4A 250V	R6010	1-208-852-11	METAL CHIP	820K 0.5% 1/10W
FH6000	$\Delta$ 1-533-725-11	FUSE HOLDER		R6011	1-208-852-11	METAL CHIP	820K 0.5% 1/10W
< IC >				R6012	1-216-837-11	METAL CHIP	22K 5% 1/10W
IC6000	6-705-810-01	IC MC23001DB		R6013	1-208-852-11	METAL CHIP	820K 0.5% 1/10W
IC6001	8-759-586-17	IC TL1431CZ-AP		R6016	1-216-833-11	METAL CHIP	10K 5% 1/10W
IC6002	8-759-586-17	IC TL1431CZ-AP		R6017	1-208-803-11	METAL CHIP	7.5K 0.5% 1/10W
IC6200	6-600-279-01	IC STR-A6169		R6018	1-218-881-11	METAL CHIP	27K 0.5% 1/10W
IC6201	8-759-586-17	IC TL1431CZ-AP		R6020	1-218-823-11	METAL CHIP	100 0.5% 1/10W
IC6300	8-759-831-57	IC TDA7495S		R6022	1-218-875-11	METAL CHIP	15K 0.5% 1/10W
< COIL >				R6024	1-216-845-11	METAL CHIP	100K 5% 1/10W
L6000	$\Delta$ 1-456-507-12	LINE FILTER COIL		R6025	1-216-833-11	METAL CHIP	10K 5% 1/10W
L6001	$\Delta$ 1-457-243-11	INDUCTOR	37MH	R6026	1-216-833-11	METAL CHIP	10K 5% 1/10W
L6004	1-406-971-11	INDUCTOR	10UH	R6027	1-216-837-11	METAL CHIP	22K 5% 1/10W
L6005	1-406-971-11	INDUCTOR	10UH	R6028	1-218-823-11	METAL CHIP	100 0.5% 1/10W
L6006	$\Delta$ 1-456-507-12	LINE FILTER COIL		R6029	1-216-837-11	METAL CHIP	22K 5% 1/10W
L6200	1-412-537-31	INDUCTOR	100UH	R6030	1-249-393-11	CARBON	10 5% 1/4W
< PHOTOCOUPLER >				R6031	1-249-393-11	CARBON	10 5% 1/4W
PH6000	$\Delta$ 6-600-187-01	PHOTO COUPLER	PC123Y22JOOF	R6033	1-216-821-11	METAL CHIP	1K 5% 1/10W
PH6001	$\Delta$ 6-600-187-01	PHOTO COUPLER	PC123Y22JOOF	R6035	1-216-833-11	METAL CHIP	10K 5% 1/10W
PH6002	$\Delta$ 6-600-187-01	PHOTO COUPLER	PC123Y22JOOF	R6036	1-216-833-11	METAL CHIP	10K 5% 1/10W
PH6200	$\Delta$ 6-600-187-01	PHOTO COUPLER	PC123Y22JOOF	R6037	1-216-821-11	METAL CHIP	1K 5% 1/10W
				R6038	1-216-864-11	SHORT CHIP	0
				R6039	1-216-864-11	SHORT CHIP	0
				R6040	1-245-494-21	METAL	2.2M 2% 1/4W
				R6041	1-245-494-21	METAL	2.2M 2% 1/4W

**Note :** The components identified by shading and marked  $\Delta$  are critical for safety. Replace only with the part numbers specified in the parts list.

**G1**

REF.NO.	PART.NO	DESCRIPTION	REMARK	REF.NO.	PART.NO	DESCRIPTION	REMARK
R6042	1-216-817-11	METAL CHIP	470 5% 1/10W			< VARISTOR >	
R6043	1-245-315-71	METAL OXIDE	0.1 5% 2W				
R6044	1-216-864-11	SHORT CHIP	0				
R6045	1-245-315-71	METAL OXIDE	0.1 5% 2W				
R6046	1-216-829-11	METAL CHIP	4.7K 5% 1/10W				
R6047	1-216-821-11	METAL CHIP	1K 5% 1/10W				
R6048	1-216-837-11	METAL CHIP	22K 5% 1/10W				
R6049	1-216-837-11	METAL CHIP	22K 5% 1/10W				
R6050	1-216-833-11	METAL CHIP	10K 5% 1/10W				
R6051	1-249-377-11	CARBON	0.47 5% 1/4W				
R6052	1-216-821-11	METAL CHIP	1K 5% 1/10W				
R6053	1-216-821-11	METAL CHIP	1K 5% 1/10W				
R6054	1-216-833-11	METAL CHIP	10K 5% 1/10W				
R6055	1-216-864-11	SHORT CHIP	0				
R6057	1-216-822-11	METAL CHIP	1.2K 5% 1/10W				
R6058	1-216-833-11	METAL CHIP	10K 5% 1/10W				
R6061	1-216-837-11	METAL CHIP	22K 5% 1/10W				
R6062	1-218-849-11	METAL CHIP	1.2K 0.5% 1/10W				
R6063	1-218-868-11	METAL CHIP	7.5K 0.5% 1/10W				
R6064	1-218-847-11	METAL CHIP	1K 0.5% 1/10W				
R6066	1-216-829-11	METAL CHIP	4.7K 5% 1/10W				
R6068	1-260-332-51	CARBON	2.2K 5% 1/2W				
R6201	1-216-353-00	METAL OXIDE	2.2 5% 1W				
R6202	1-216-864-11	SHORT CHIP	0				
R6203	1-216-864-11	SHORT CHIP	0				
R6204	1-249-393-11	CARBON	10 5% 1/4W				
R6205	1-243-725-21	METAL OXIDE	100K 5% 1W				
R6206	1-216-817-11	METAL CHIP	470 5% 1/10W				
R6207	1-216-821-11	METAL CHIP	1K 5% 1/10W				
R6208	1-216-864-11	SHORT CHIP	0				
R6209	1-216-839-11	METAL CHIP	33K 5% 1/10W				
R6210	1-218-871-11	METAL CHIP	10K 0.5% 1/10W				
R6211	1-218-871-11	METAL CHIP	10K 0.5% 1/10W				
R6212	1-216-295-91	SHORT CHIP	0				
R6213	1-216-295-91	SHORT CHIP	0				
R6304	1-216-864-11	METAL CHIP	120K 5% 1/10W				
R6306	1-216-864-11	METAL CHIP	120K 5% 1/10W				
R6308	1-216-825-11	METAL CHIP	2.2K 5% 1/10W				
R6309	1-216-049-11	RES-CHIP	1K 5% 1/10W				
R6313	1-216-864-11	SHORT CHIP	0				
R6314	1-216-845-11	METAL CHIP	100K 5% 1/10W				
R6315	1-216-845-11	METAL CHIP	100K 5% 1/10W				
R6316	1-216-837-11	METAL CHIP	22K 5% 1/10W				
R6317	1-216-833-11	METAL CHIP	10K 5% 1/10W				
R6318	1-216-833-11	METAL CHIP	10K 5% 1/10W				
		< TRANSFORMER >					
T6000	$\Delta$ 1-445-026-11	CONVERTER TRANSFORMER (PIT)					
T6001	$\Delta$ 1-445-027-11	CONVERTER TRANSFORMER (PIT)					
T6200	$\Delta$ 1-443-312-11	TRANSFORMER, CONVERTER (SBT)					

**Note :** The components identified by shading and marked  $\Delta$  are critical for safety. Replace only with the part numbers specified in the parts list.

REF.NO.	PART.NO	DESCRIPTION	REMARK	REF.NO.	PART.NO	DESCRIPTION	REMARK
<b>MISCELLANEOUS</b>							
	1-826-479-11	LOUDSPEAKER (4.2X15CM) (26/32U2000UK/AEP)			*2-682-331-13	INSTRUCTION MANUAL (ENGLISH) (26/32/40U2000UK)	
	1-826-478-11	LOUDSPEAKER (4.2X24CM) (40U2000UK/AEP)			*2-682-331-23	INSTRUCTION MANUAL (GERMAN/FRENCH/ITALIAN/ DUTCH) (26/32/40U2000AEP)	
	8-597-585-00	TUNER, FSS BTP-HC401			*2-682-331-33	INSTRUCTION MANUAL (SPANISH/PORTUGUESE/ GREEK) (26/32/40U2000AEP)	
	1-802-187-11	LCD PANEL (26 WXGA TFT) (26U2000UK/AEP)			*2-682-331-43	INSTRUCTION MANUAL (ENGLISH/RUSSIAN/POLISH) (26/32/40U2000AEP)	
	1-802-188-11	LCD PANEL (32 WXGA TFT) (32U2000UK/AEP)			*2-682-331-53	INSTRUCTION MANUAL (SWEDISH/DANISH/FINNISH/ NORWEGIAN) (26/32/40U2000AEP)	
					*2-682-331-62	INSTRUCTION MANUAL (ENGLISH/RUSSIAN) (32U2000AEP)	
Revision 3.0	$\Delta$ 1-802-386-21	LCD PANEL (40 WXGA TFT) (40U2000UK/AEP)		Revision 3.0			
	$\Delta$ 1-832-132-11	POWER SUPPLY CORD (26/32/40U2000AEP)			*2-693-044-11	INSTRUCTION MANUAL (ENGLISH) (26/32U2000UK)	
	$\Delta$ 1-832-170-11	POWER SUPPLY CORD (UK PLUG) (26/32/40U2000UK)			*2-693-044-21	INSTRUCTION MANUAL (GERMAN/FRENCH/ITALIAN/ DUTCH) (32U2000AEP)	
<b>ACCESSORIES AND CONNECTORS</b>							
	*1-910-026-42	CONNECTOR ASSY 4P (26/32U2000UK/AEP)			*2-693-044-31	INSTRUCTION MANUAL (SPANISH/PORTUGUESE/ GREEK) (32U2000AEP)	
	*1-910-026-43	CONNECTOR ASSY 4P (40U2000UK/AEP)			*2-693-044-41	INSTRUCTION MANUAL (ENGLISH/RUSSIAN/POLISH) (26U2000AEP)	
	*1-910-026-45	CONNECTOR ASSY 13P (26/32U2000UK/AEP)			*2-693-044-51	INSTRUCTION MANUAL (SWEDISH/DANISH/FINNISH/ NORWEGIAN) (26U2000AEP)	
	*1-910-026-46	CONNECTOR ASSY 14P (40U2000UK/AEP)					
	*1-910-026-48	CONNECTOR ASSY 14P (26U2000UK/AEP)					
	*1-910-026-49	CONNECTOR ASSY 14P (32U2000UK/AEP)					
	*1-910-026-50	CONNECTOR ASSY 14P (40U2000/AEP/UK)					
	*1-910-026-52	CONNECTOR ASSY 6P (40U2000/AEP/UK)					
	*1-910-026-53	CONNECTOR ASSY 6P (26/32U2000UK/AEP)					
	*1-910-026-54	FFC 20P					
	*1-910-026-57	CONNECTOR ASSY 9P					
	*1-910-026-59	SPEAKER HARNESS 26 (32U2000UK)					
	*1-910-026-60	SPEAKER HARNESS 32 (32U2000UK/AEP)					
	*1-910-026-61	SPEAKER HARNESS 40 (40U2000UK/AEP)					
	*1-910-026-62	CONNECTOR ASSY 4P (32U2000UK/AEP)					
	*1-910-026-63	CONNECTOR ASSY 4P (26U2000UK/AEP)					
	*1-910-026-65	CONNECTOR ASSY 10P (26U2000UK/AEP)					
	*1-910-026-66	CONNECTOR ASSY 10P (32U2000UK/AEP)					
	*1-910-026-67	FFC 49P FOLDER (26/32U2000UK/AEP)					
	*1-910-026-68	LVDS FIE-SHLDP 30P (26/32U2000UK/AEP)					
	*1-910-026-69	LVDS FIR-SHLDP 30P (40U2000UK/AEP)					
	*1-910-026-71	CONNECTOR ASSY 4P (40U2000UK/AEP)					
	*1-910-026-72	CONNECTOR ASSY 10P (40U2000UK/AEP)					
	*1-910-033-22	CONNECTOR ASSY 4P (32U2000UK/AEP)					
	1-830-570-41	CABLE, ANTENNA (WITH FILTER) (26U2000AEP)					
Revision 3.0	1-469-778-11	CLAMP, FERRITE (26/32U2000UK/AEP)					
	1-469-778-21	CLAMP, FERRITE (40U2000UK/AEP)					
	1-469-089-11	FILTER, CLAMP (FERRITE CORE) (26/32U2000UK/AEP)					
	2-595-155-01	CLAMP (40U2000UK/AEP)					
	X-2102-511-2	BAG ASSY, RUDDER LOCK					
	2-591-688-02	LOCK, RUDDER					
	2-591-689-01	BELT					
	2-580-663-01	SCREW, WOOD 3.8X20					
	2-593-320-02	SCREW, COIN (M6X18)					
	*4-101-087-02	BAG. PROTECTION CROSS (26U2000UK/AEP)					
				<b>REMOTE COMMANDER</b>			
					1-479-847-11	REMOTE COMMANDER (RM-ED007)	



