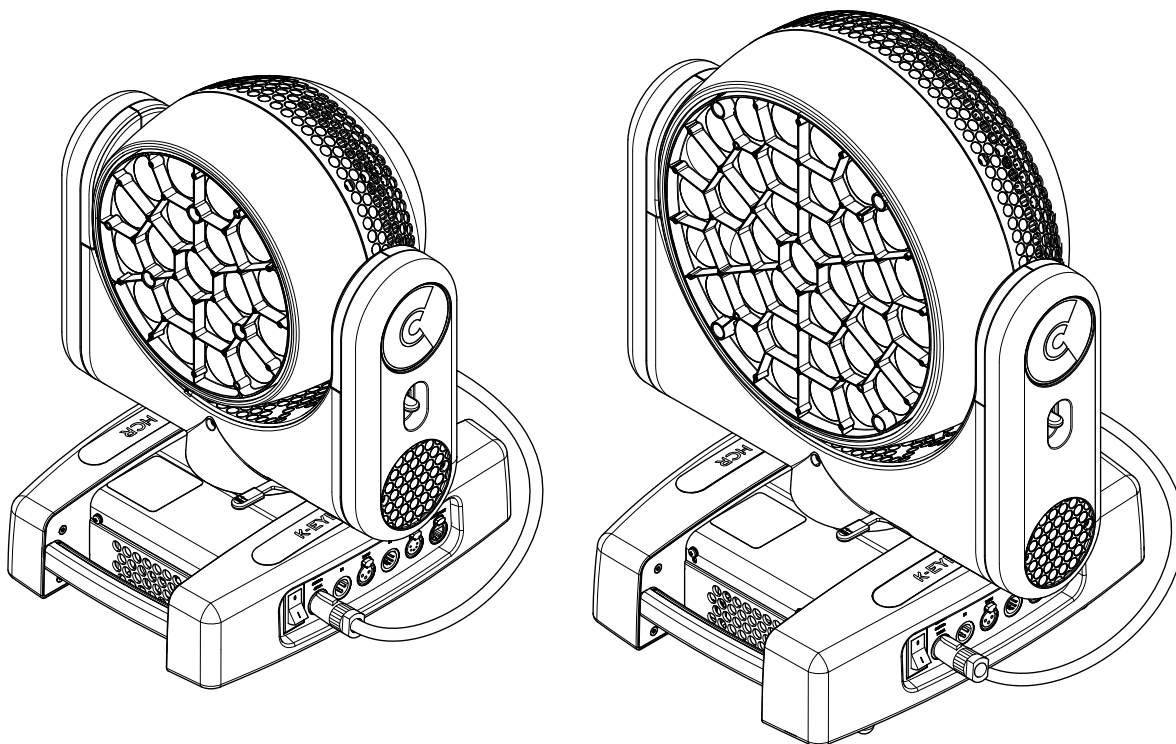


INSTRUCTION MANUAL**PRELIMINARY**

INDEX	
Page	Contents
2	Safety information
3	Unpacking and preparation
4	Installation and start-up
5	Control panel
9	Maintenance
11	Technical information

*Congratulations on choosing a Claypaky product!
 We thank you for your custom.*

Please note that this product, as all the others in the rich Claypaky range, has been designed and made with total quality to ensure excellent performance and best meet your expectations and requirements.

SAFETY INFORMATION

EN

SAFETY INFORMATION

IMPORTANT: Claypaky recommends you carefully read and keep the safety information on this product, also available in digital format at the following link:

<http://www.claypaky.it/en>

Ref: [FIS016 - Safety Information A.leda K-EYE series]

IT

INFORMAZIONI DI SICUREZZA

IMPORTANTE: Claypaky raccomanda di leggere accuratamente e conservare le informazioni di sicurezza relative a questo prodotto, sempre reperibili in versione digitale al seguente link:

<http://www.claypaky.it/en/download>

Rif: [FIS016 - Safety Information A.leda K-EYE series]

DE

INFORMATIONEN ZUR SICHERHEIT

WICHTIG: Claypaky empfiehlt, die Sicherheitsinformationen bezüglich dieses Produkts genau zu lesen und aufzubewahren. Sie sind in Digitalversion immer unter folgendem Link auffindbar:

<http://www.claypaky.it/en/download>

Ref: [FIS016 - Safety Information A.leda K-EYE series]

ES

INFORMACIONES DE SEGURIDAD

IMPORTANTE: Claypaky recomienda leer detenidamente y conservar la información de seguridad relativa a este producto. Además, está disponible una versión digital de la misma en el siguiente enlace:

<http://www.claypaky.it/en/download>

Ref: [FIS016 - Safety Information A.leda K-EYE series]

FR

CONSIGNES DE SÉCURITÉ

IMPORTANT: Claypaky recommande de lire attentivement et de conserver les informations de sécurité relatives à ce produit, disponibles en version digitale au lien suivant:

<http://www.claypaky.it/en/download>

Réf. : [FIS016 - Safety Information A.leda K-EYE series]

RU

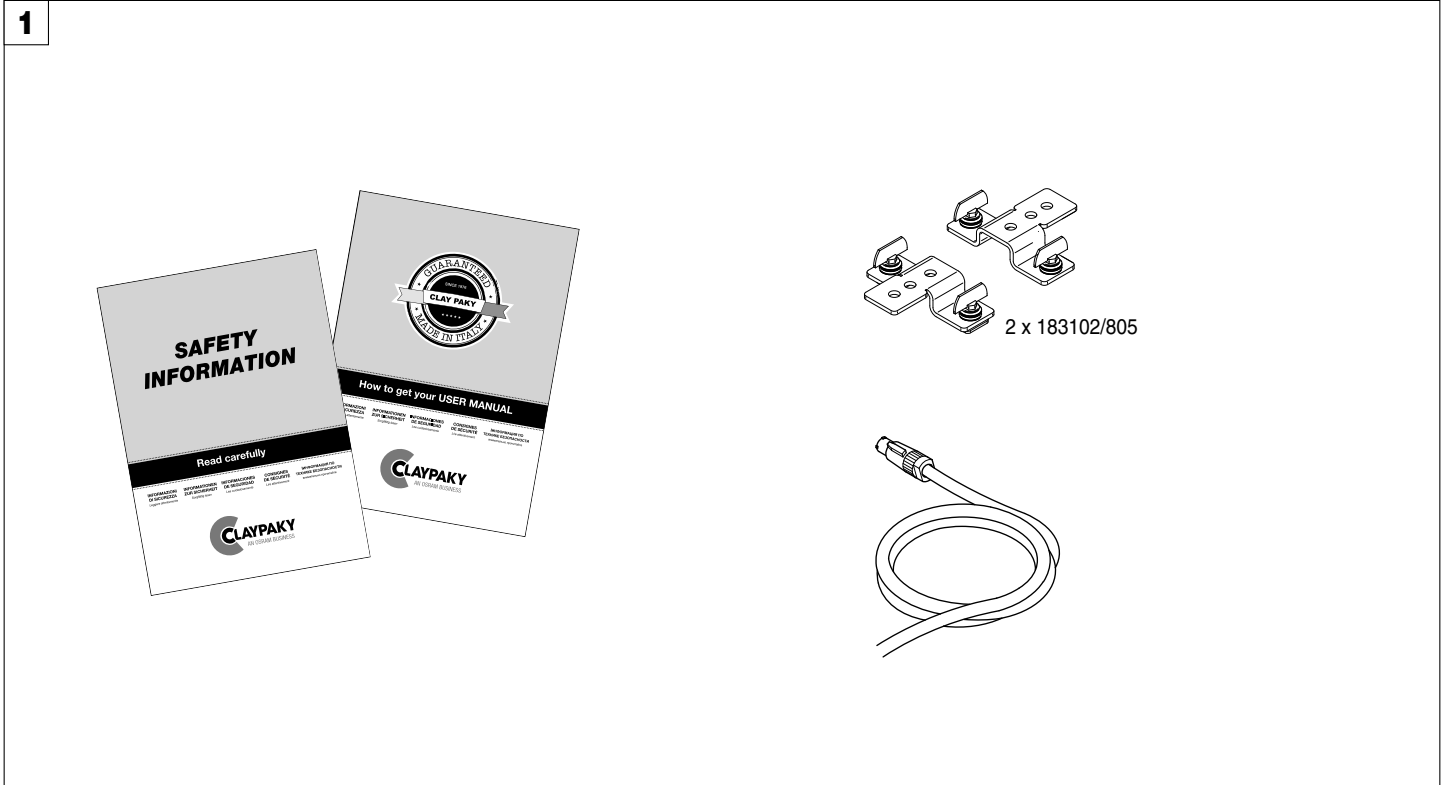
ИНСТРУКЦИЮ ПО ТЕХНИКЕ БЕЗОПАСНОСТИ

ВАЖНО: Claypaky рекомендует внимательно прочитать и сохранить инструкцию по технике безопасности данного изделия, которая всегда доступна в электронном формате по следующей ссылке:

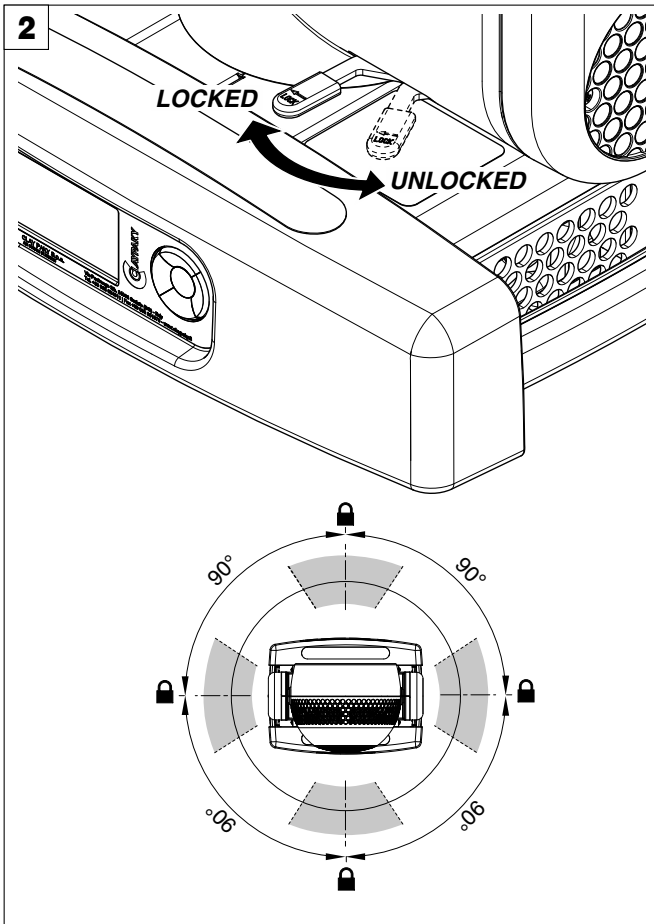
<http://www.claypaky.it/en/download>

Наименование: [FIS016 - Safety Information A.leda K-EYE series]

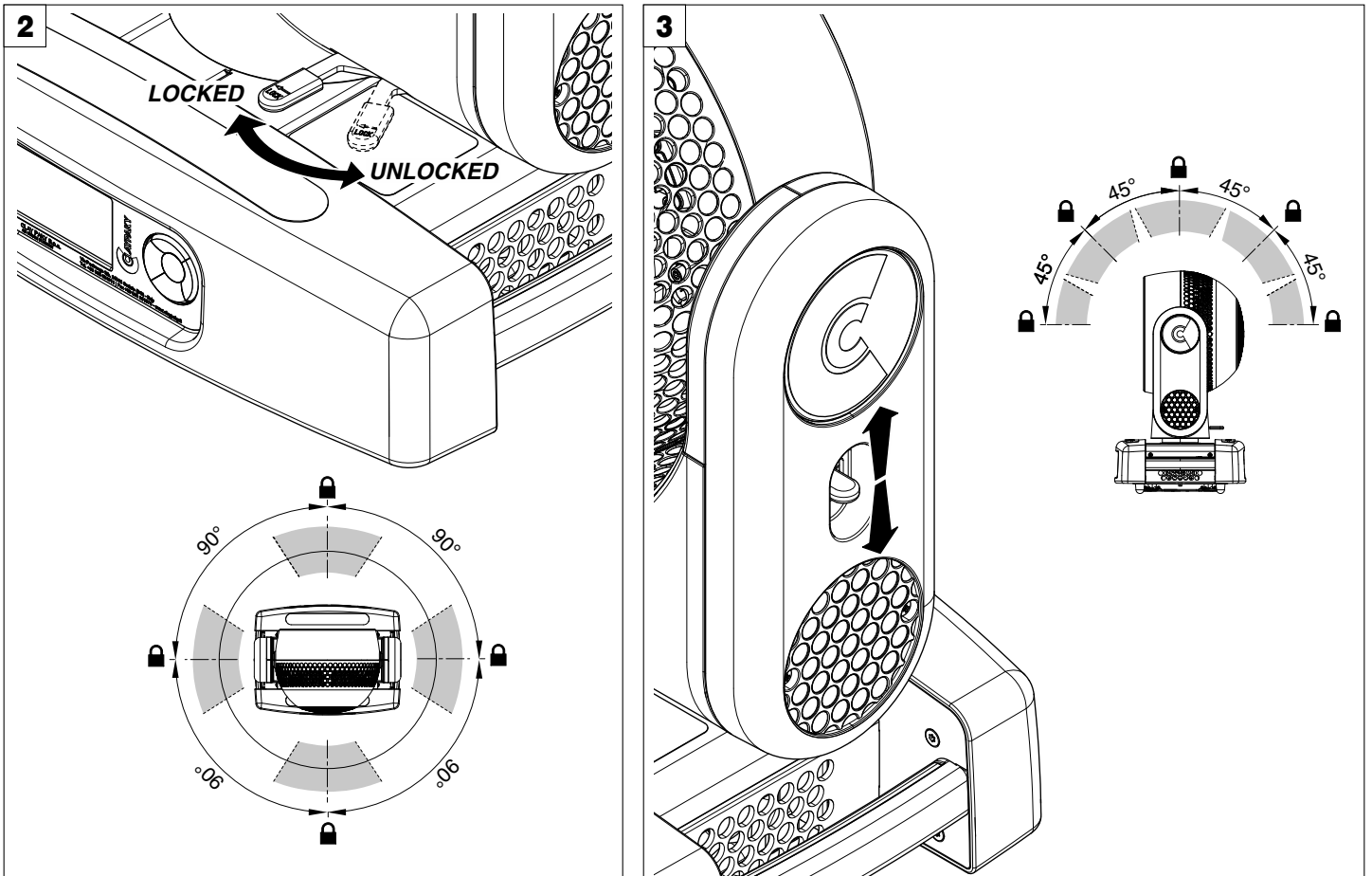
UNPACKING AND PREPARATION



Packing contents - Fig. 1

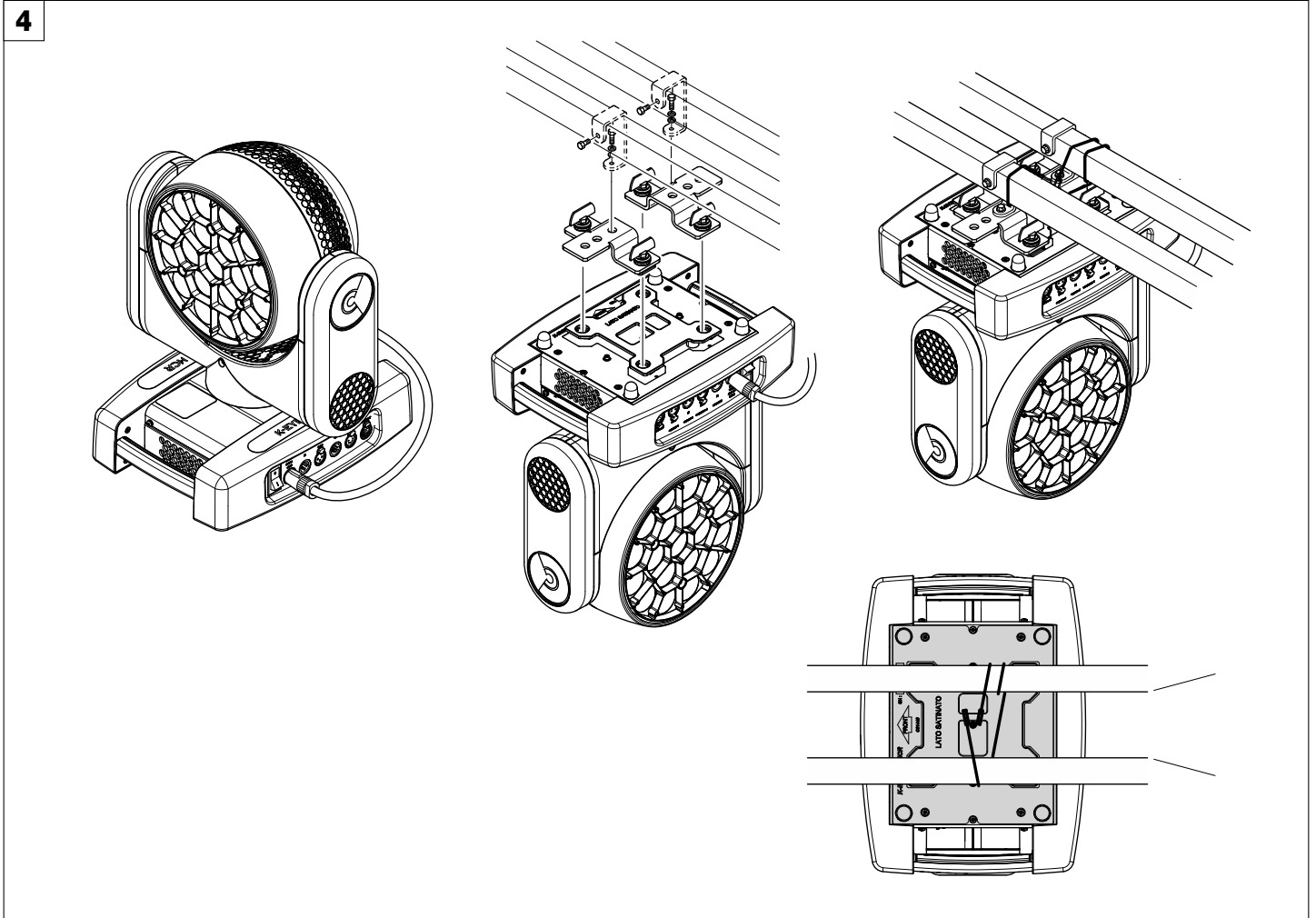


PAN Mechanism Lock and Release (every 90°) - Fig. 2



TILT Mechanism Lock and Release (every 45°) - Fig. 3

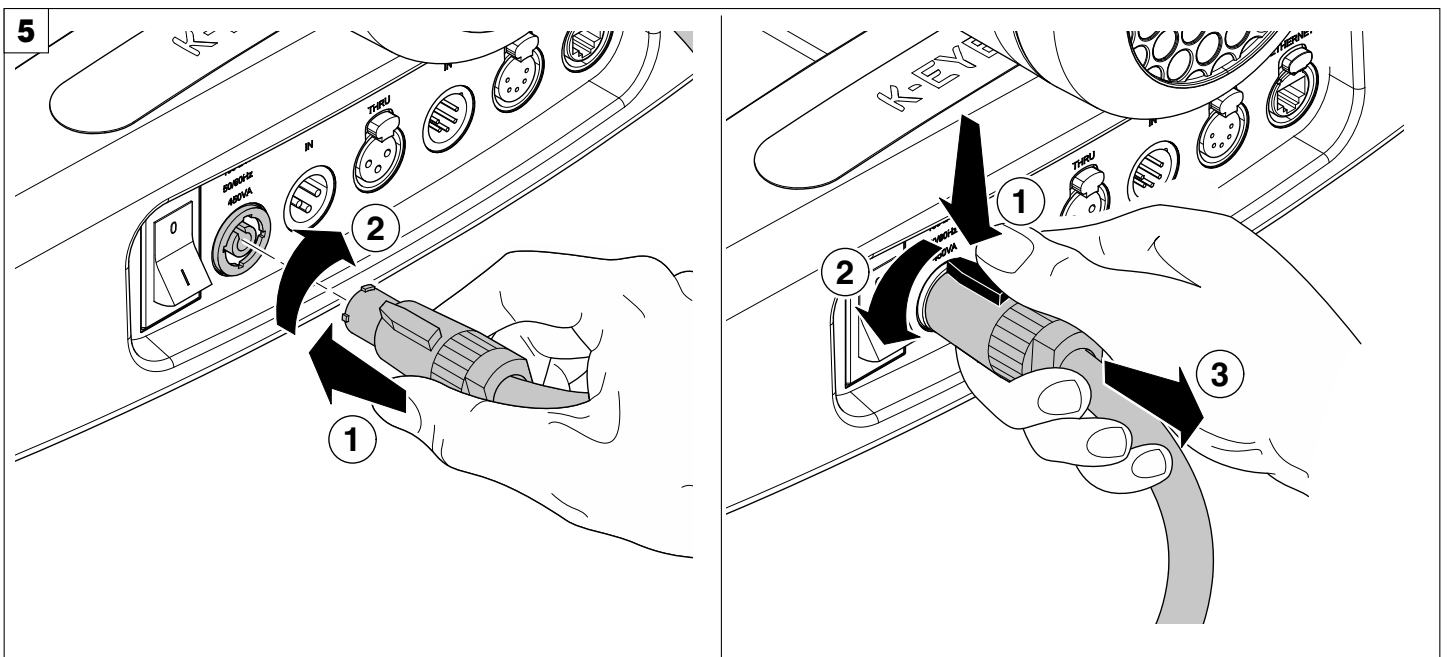
INSTALLATION AND START-UP



Installing the projector - Fig. 4

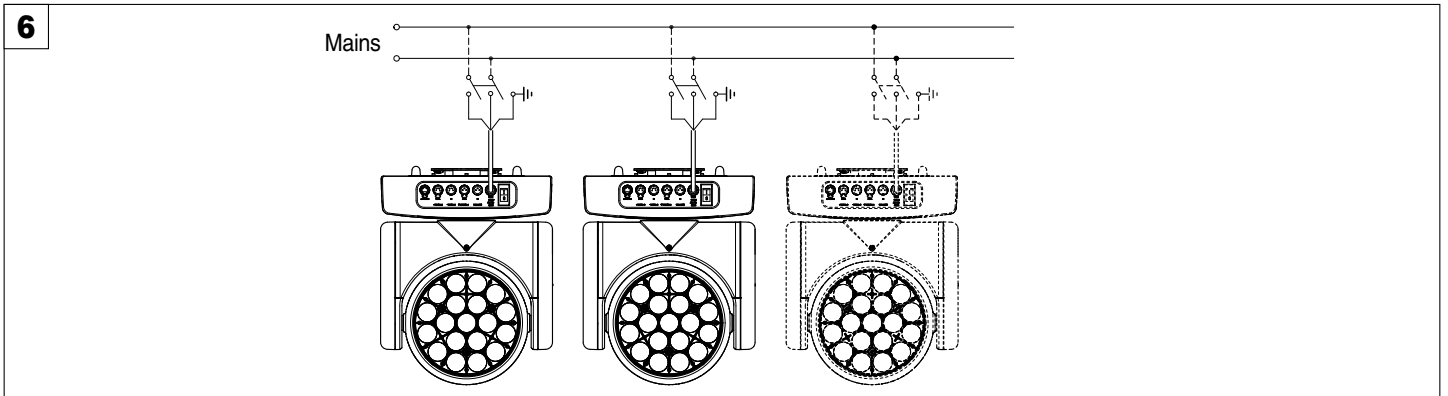
The projector can be installed on the floor resting on special rubber feet, on a truss or on the ceiling or wall.

WARNING: with the exception of when the projector is positioned on the floor, the safety cable must be fitted. (Cod. 105041/003 available on request). This must be securely fixed to the support structure of the projector and then connected to the fixing point at the centre of the base.

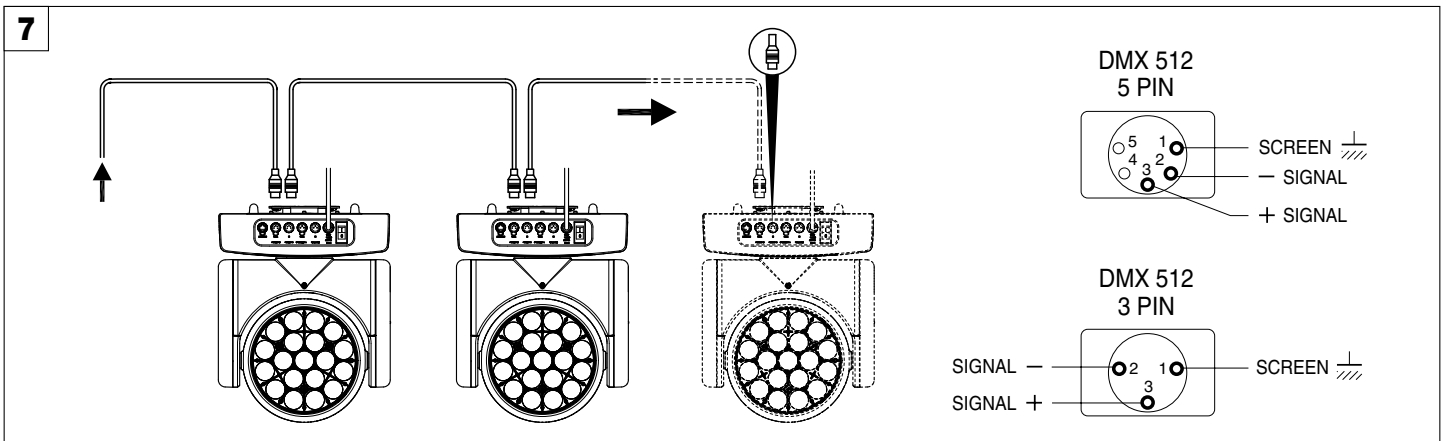


Connecting and disconnecting power cable - Fig. 5

CONTROL PANEL



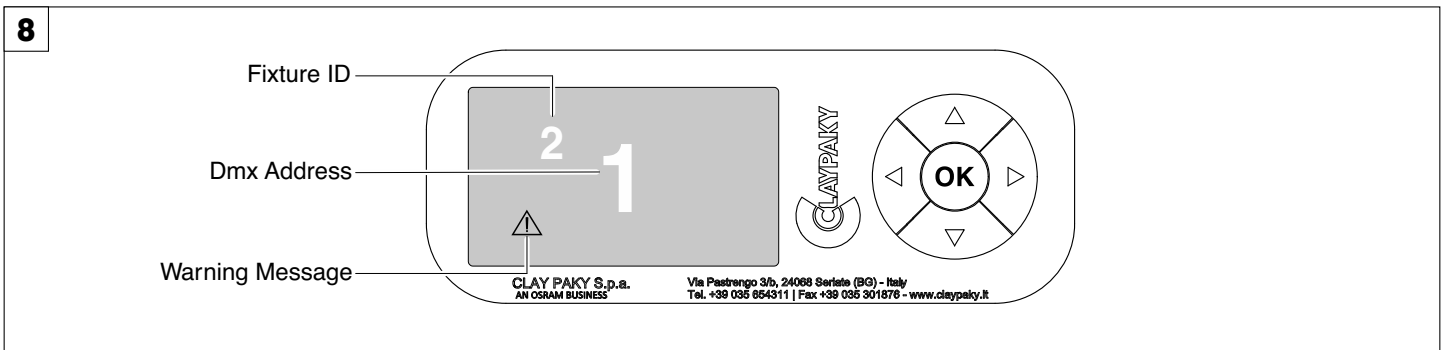
Connecting to the mains supply - Fig. 6



Connecting to the control signal line (DMX) - Fig. 7

Use a cable conforming to specifications EIA RS-485: 2-pole twisted, shielded, 120Ohm characteristic impedance, 22-24 AWG, low capacity. Do not use microphone cable or other cable with characteristics differing from those specified. The end connections must be made using XLR type 3/5-pin male/female connectors. A terminating plug must be inserted into the last projector with a resistance of 120Ohm (minimum 1/4 W) between terminals 2 and 3.

IMPORTANT: The wires must not make contact with each other or with the metal casing of the connectors. The casing itself must be connected to the shield braid and to pin 1 of the connectors.



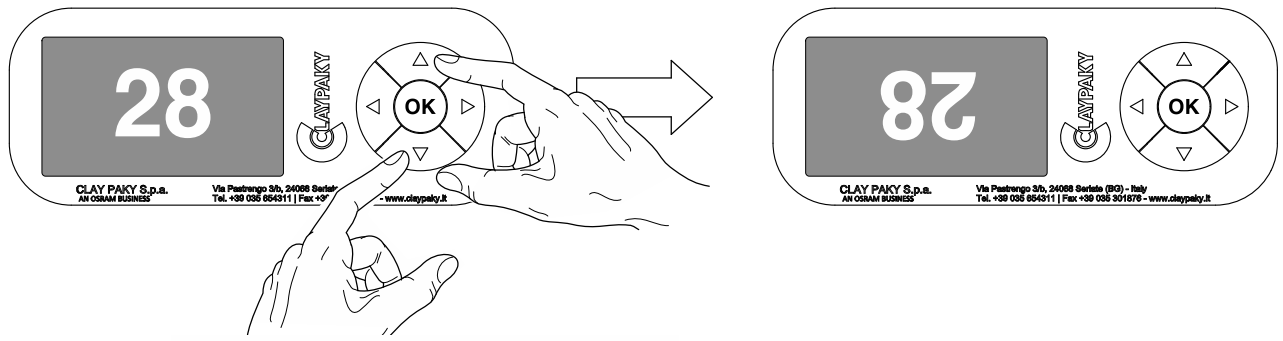
Switching on the projector - Fig. 8

Press the switch. The projector starts resetting the effects. At the same time, the following information scrolls on the display:



	Model K-EYE HCR	Firmware Version X.X.X Date - Hour	xxx (Fixture ID) Dmx Address xxx	System errors E: W:
--	--------------------	--	-------------------------------------	---------------------------------------

On conclusion of resetting in case of absence of the dmx signal, Pan and Tilt move to the "Home" position (Pan 128 bit - Tilt 128 bit). The control panel (Fig. 7) has a display and buttons for the complete programming and management of the projector menu. The display can be in one of two conditions: rest status and setting status. When it is in the rest status, the display shows the projector's DMX address and the Fixture ID address (if set).

During menu setting status, after a wait time (about 30 seconds) without any key having been pressed, the display automatically returns to rest status. It should be noted that when this condition occurs, any possible value that has been modified but not yet confirmed with the **OK** key will be cancelled.



Reversal of the display - Fig. 9

To activate this function, press UP  and DOWN  keys simultaneously while the display is in the rest mode. This status will be memorised and maintained even for the next time it will be switched on. To return to the initial state, repeat the operation all over again.

Setting the projector starting address

On each projector, the starting address must be set for the control signal (addresses from 1 to 512).

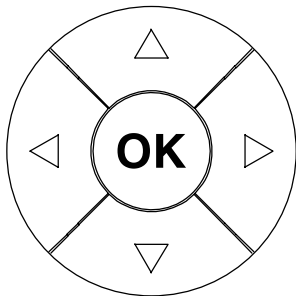
The address can also be set with the projector switched off.

Setting the projector Fixture ID

On each projector, the Fixture ID address must be set for an easy identification of the fixtures in an installation (ID from 1 to 255).

The Fixture ID address can be set with the projector switched off.

Functions of the buttons - Using the menu



Confirms the displayed value, or activates the displayed function, or enters the successive menu.



DOWN

Decreases the value displayed (with auto-repetitions) or passes to the next item in the menu.



UP

Increases the value displayed (with auto-repetitions) or passes to the previous item in a menu.



LEFT



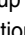



Return to the top level.



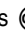
RIGHT

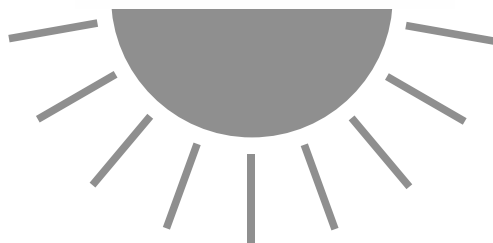
Commute from units, tens, hundreds, in the "Address", "Fixture ID" and "Calibration" menu.

USING THE MENU:

- 1) Press  once – "Main Menu" appears on the display.
- 2) Use the UP  and DOWN  keys to select the menu to be used:
 - Setup (Setup Menu): To set the setting options.
 - Option (Option Menu): To set the operating options
 - Informations (Informations Menu): To read the counters, software version and other information.
 - Manual Control (Manual control Menu): To trigger the test and manual control functions.
 - Test (Test Menu): To check the proper functioning of effects
 - Advanced (Advanced Menu): Access to the "Advanced menu" is recommended for a trained technical personnel.
- 3) Press  to display the first item in the selected menu.
- 4) Use the UP  and DOWN  keys to select the MENU items.

Setting addresses and options with the projector disconnected

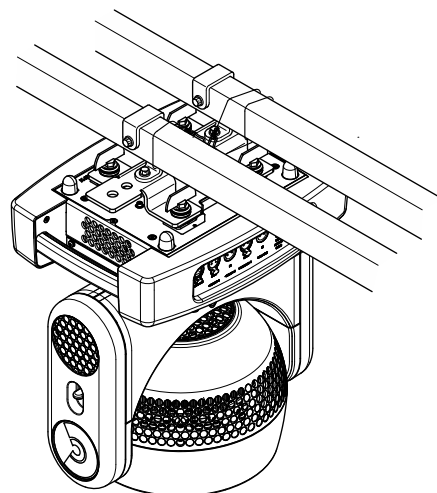
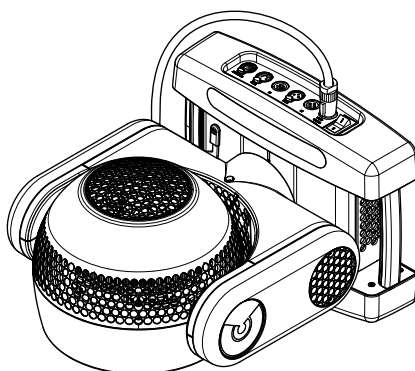
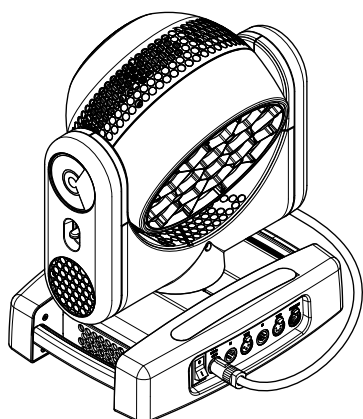
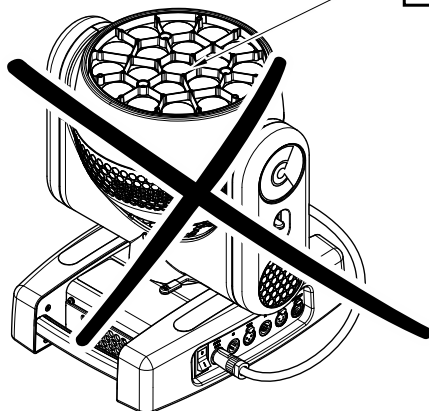
The projector's DMX address, as well as other possible operating options, can also be set when the appliance is disconnected from the electricity supply. All that is needed is to press  to momentarily activate the display and thus access the settings. Once the required operations have been carried out, the display will switch off again after a wait time of 30 seconds.



Light collimation system

This product contains internal light collimation system. Avoid intense light from any angle.

WARNING:
no alcohol



CAUTION:

- To avoid damage to the internal parts of the fixture when the fixture is not working, it is recommended to turn the head down before turning the fixture off, so that the front lenses of the fixture are invested as little as possible from the sun.
- Set Zoom channel to 255-bit before turning off the projector to facilitate the packaging of the projector.
- It is recommended not to use compressed air with more than 4 atmospheres for cleaning the internal parts of the fixture, led board area. This is to avoid damaging electronic components.
- To ensure optimal operation and performance for a long time it is essential to periodically clean the parts subject to dust and grease deposits. The frequency with which the following operations are to be carried out depends on various factors, such as the amount of the effects and the quality of the working environment (air humidity, presence of dust, salinity, etc.).

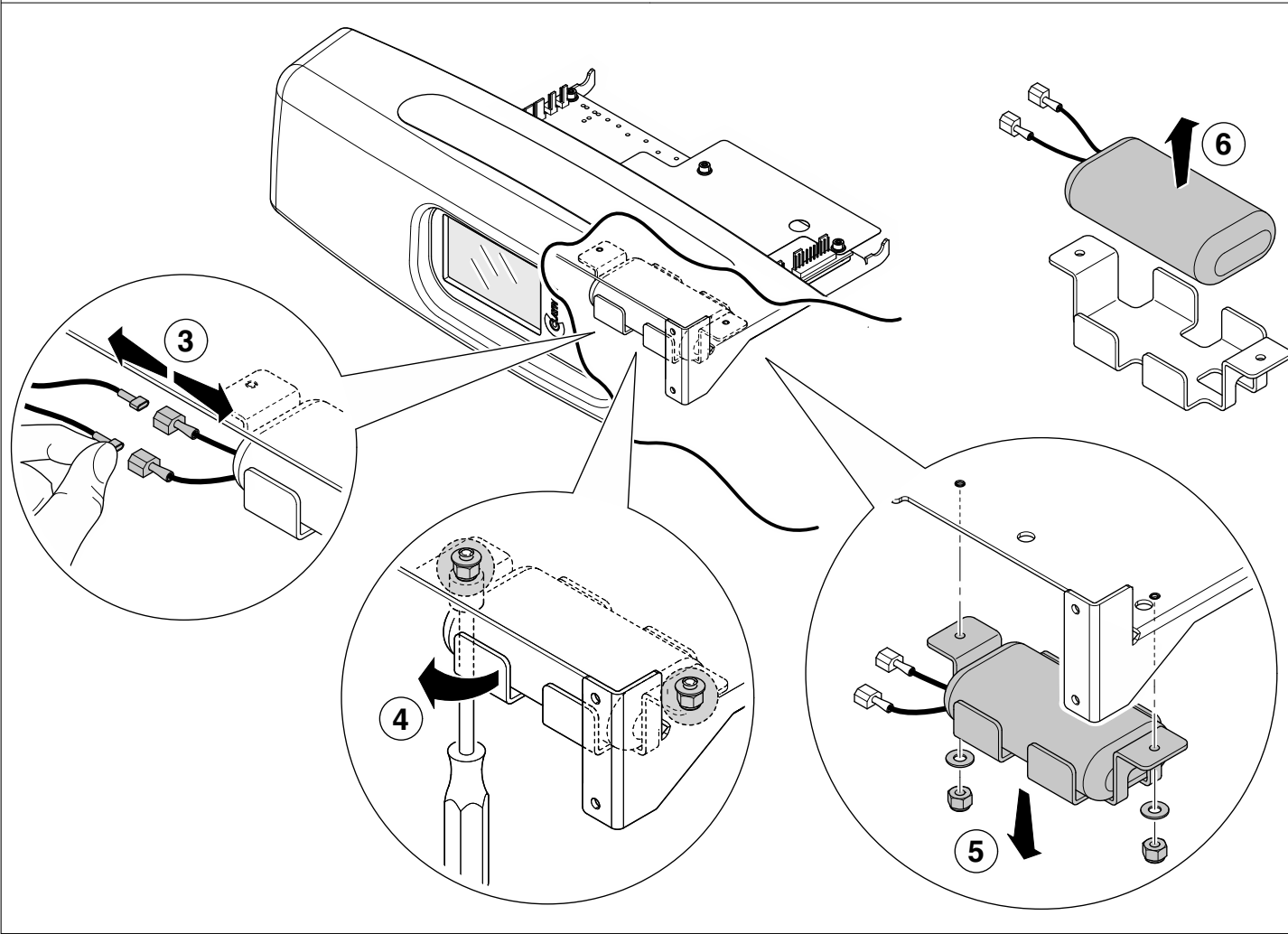
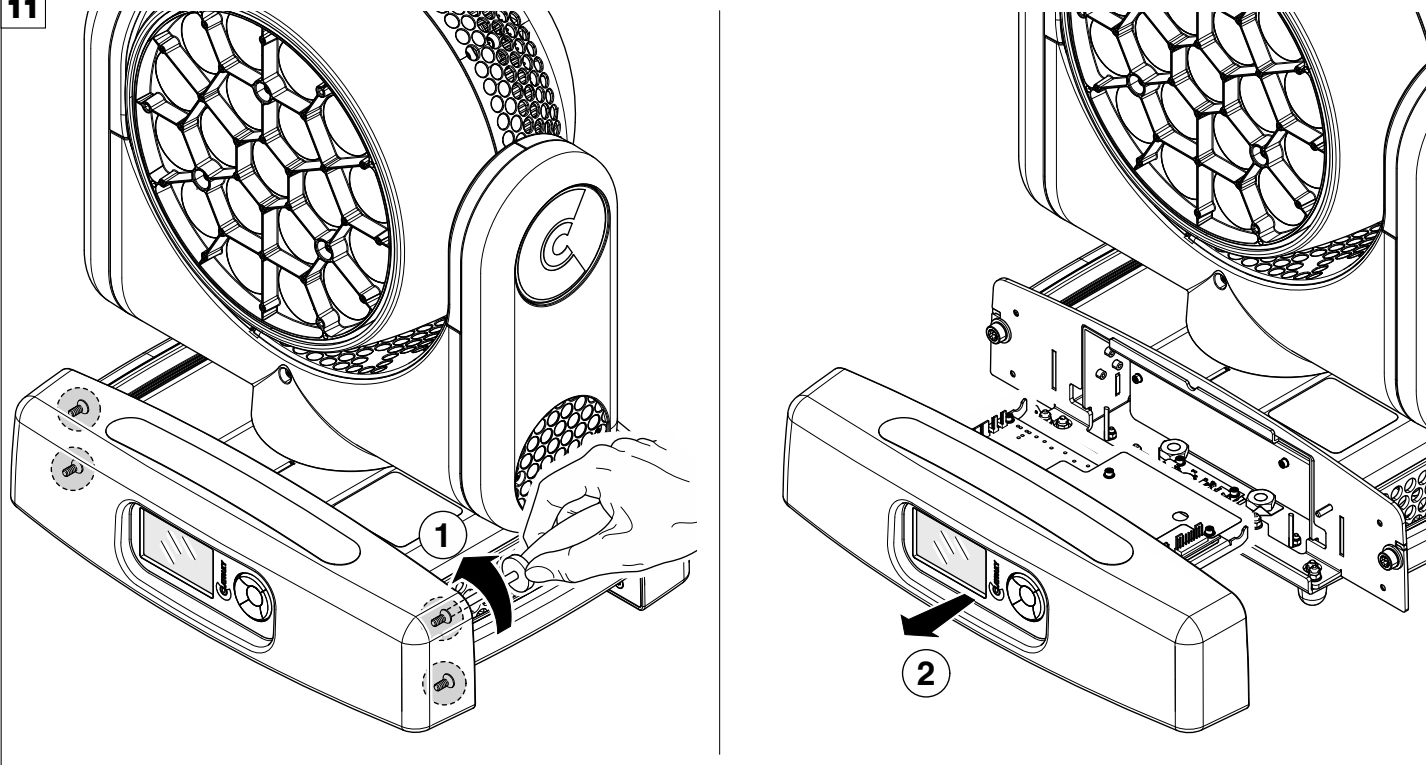
It is recommended that the projector undergoes an annual service by a qualified technician for special maintenance involving at least the following operations:

- General cleaning of internal parts.
- Restoring lubrication of all parts subject to friction, using lubricants specifically supplied by Claypaky.
- General visual check of the internal components, cabling, mechanical parts, etc.
- Electrical, photometric and functional checks; eventual repairs.

Cleaning the lenses

Only use neutral soap and water to clean the lenses, then dry it carefully with a soft, non-abrasive cloth. (WARNING: the use of alcohol or any other detergent could damage the lenses).

11

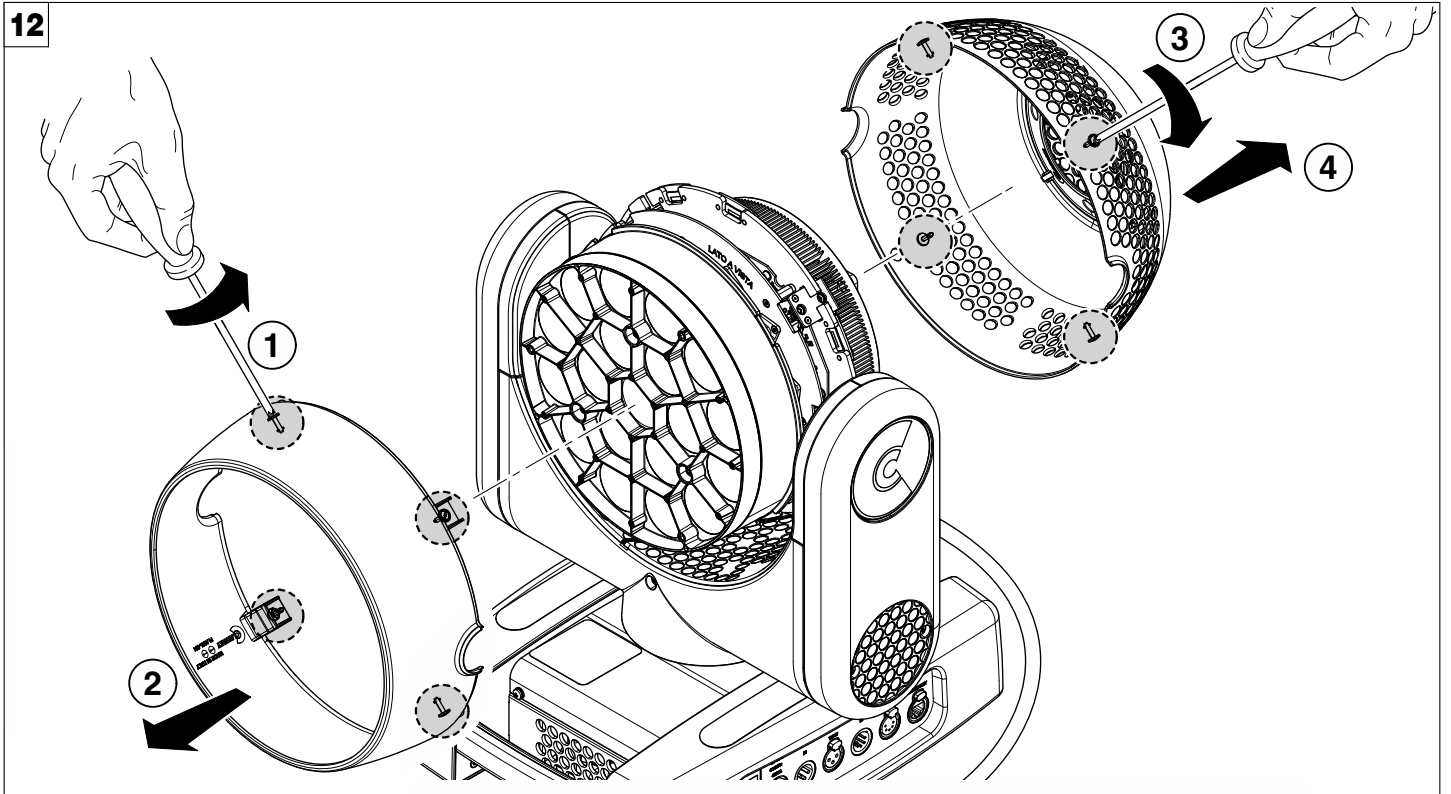


Battery removal - Fig. 11

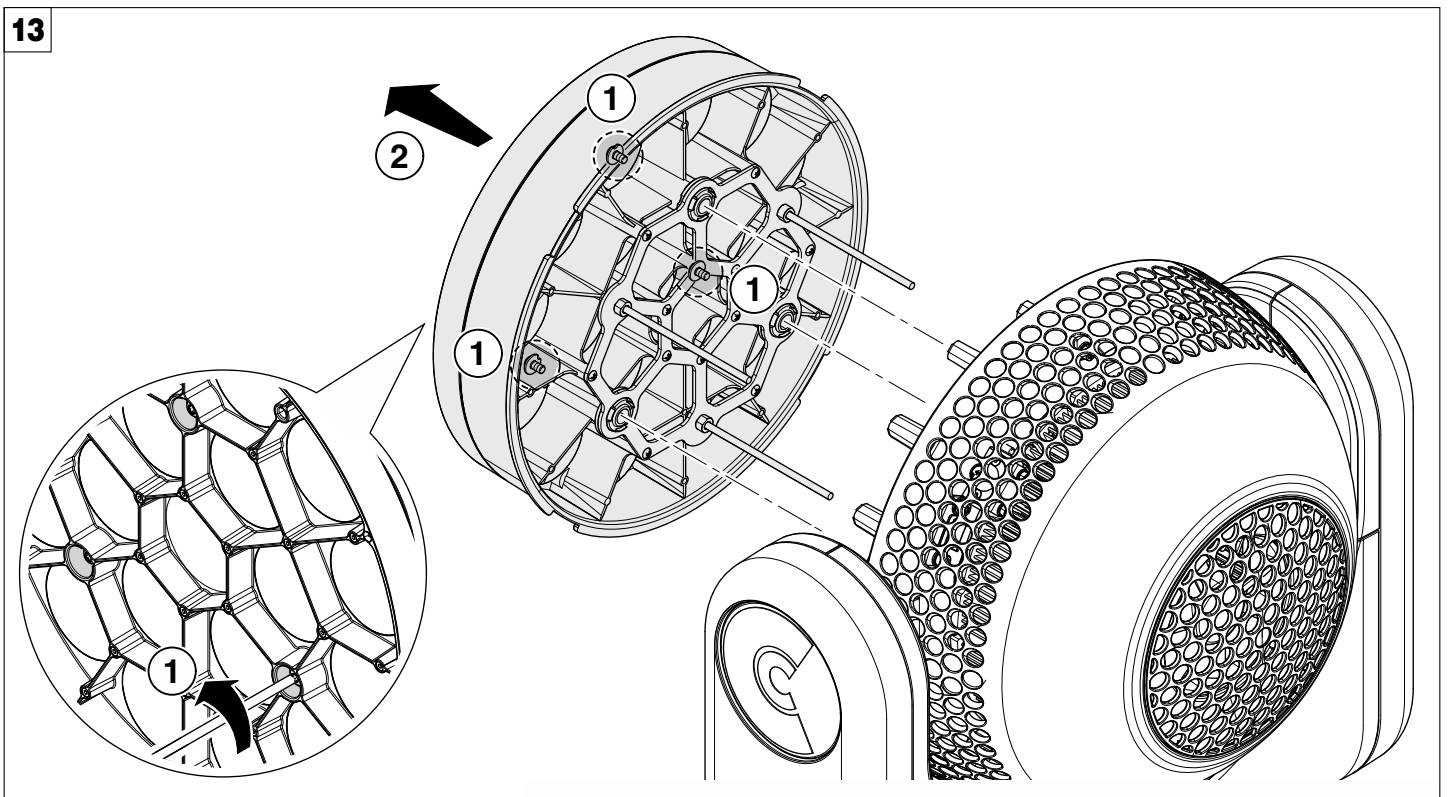


This product contains a rechargeable battery. To preserve the environment, please dispose the battery at the end of its life according to the regulation in force.

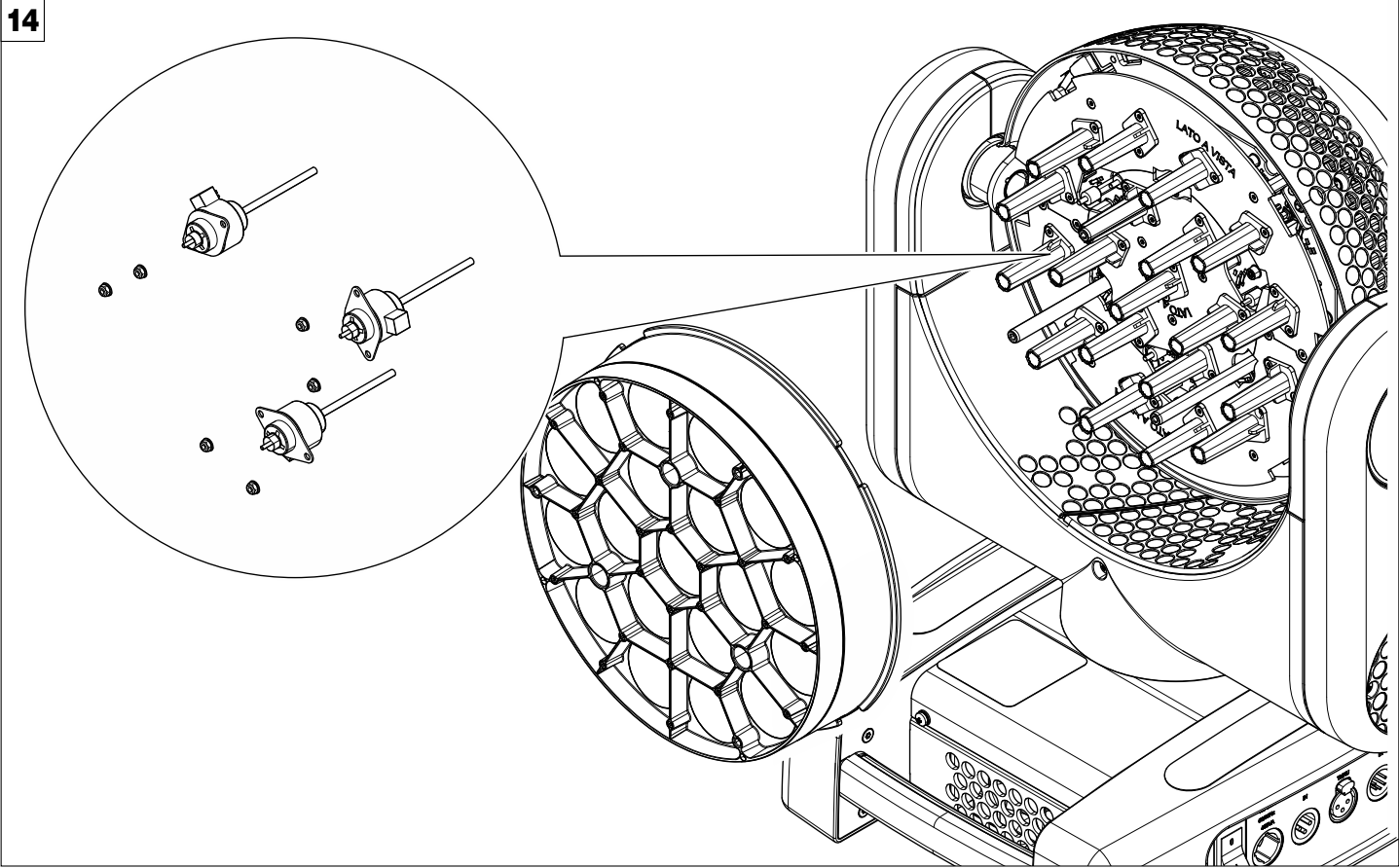
MAINTENANCE



Opening the covers - Fig. 12



Removing/Assembling the lens unit - Fig. 13

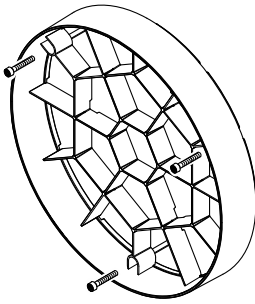


Replacing the line actuator - Fig. 14

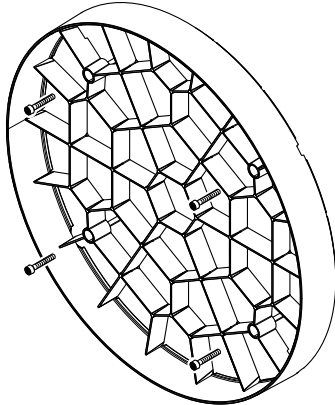
ACCESSORIES

Two accessories are available for additional control of the beam:

TOP HAT
 Motorized Top Hat, which is applied to the front lens and pulls out automatically together with the zoom. It works as frost/gel holder as well.
 C21096 Kit Opzionale Top Hat K-EYE K10 HCR

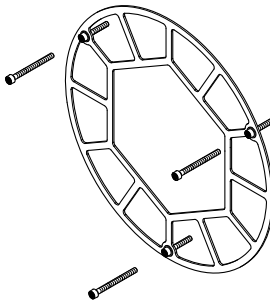


C21097 Kit Opzionale Top Hat K-EYE K20 HCR

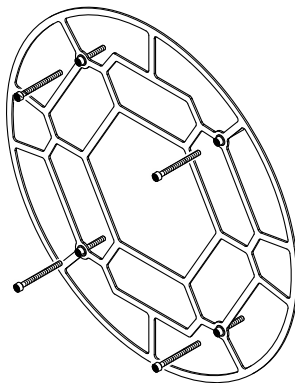


FROST/GEL HOLDER
 You can apply a frost diffuser or a gel by using the optional holder

C21094 Kit telaio per filtro K-EYE K10 HCR



C21095 Kit telaio per filtro K-EYE K20 HCR

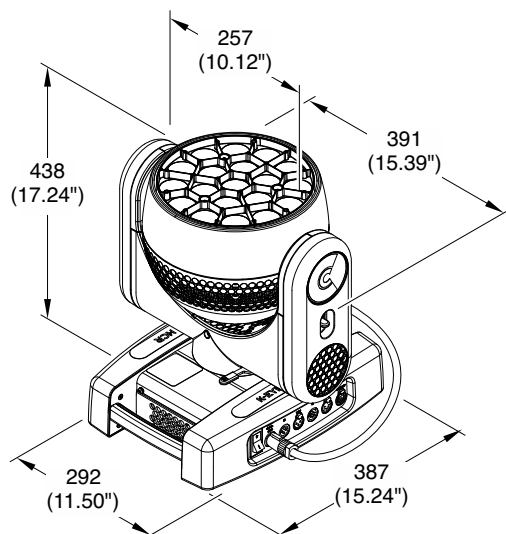
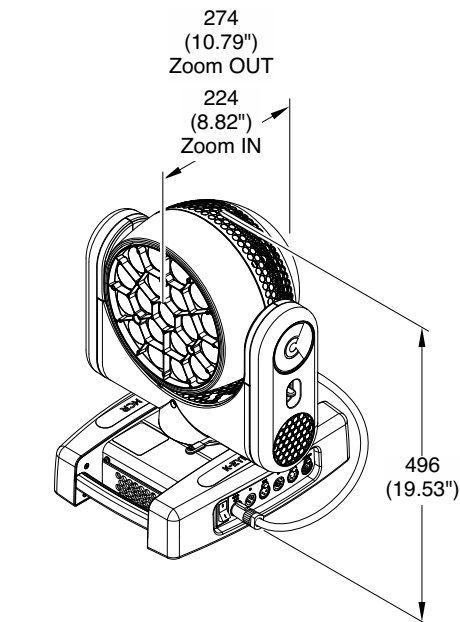


CAUSE AND SOLUTION OF PROBLEMS

THE PROJECTOR WILL NOT SWITCH ON			PROBLEMS
ELECTRONICS NON-OPERATIONAL			
DEFECTIVE PROJECTION			
REDUCED LUMINOSITY			
		POSSIBLE CAUSES	CHECKS AND REMEDIES
●		No mains supply.	Check the power supply voltage.
●	●	LED exhausted or defective.	Call an authorised technician.
●		Signal transmission cable faulty or disconnected.	Replace the cables.
●		Incorrect addressing.	Check addresses (see instructions).
●		Fault in the electronic circuits.	Call an authorised technician.
●		Lenses broken	Call an authorised technician.
●	●	Dust or grease deposited.	Clean (see instructions).

TECHNICAL INFORMATION

K-EYE K10 HCR



POWER SUPPLIES

100/240V 50/60 Hz

INPUT POWER

450 VA

LIGHT SOURCE

Light sources: 6-color LED modules
 LED module: R+G+B+Amber+Cyan+Lime
 Number of LEDs: 19
 LED life expectancy: min. 50,000h
 Total lumen output: 5,500 lumen
 Typical lumen maintenance: 70% @ 50,000 hours
 Typical CRI value > 97 up to 99

OPTICS

Optics featuring 6-color LED module system + rod-bar mixing system + front lens
 6°- 50° linear electronic Zoom

COLOR SYSTEM

Color system: R+G+B+Cyan+Amber+Lime LED module
 Color Temperature control: Linear from 2500K to 8000K (CTO controlled mode plus RAGCB correction)
 Control of the colors: RAW mode, HSL mode, RGB mode, CMY mode

- RAW mode Enable specific control of each color
- HSL mode function is based on algorithm. HSL parameters: HUE, HUE fine, Saturation, Crossfade, Path, Tint
- RGB mode The projectors works in the same way as a classical RGB fixture
- CMY mode The projectors works in the same way as a classical CMY fixture

Halo Emulation 750W, 1000W, 1200W, 2000W, 2500W lamp emulation.
 Gamma Wave: Different chromatic curves for each color
 Macro: Dedicated color macro channel with 80 preselected colors

EFFECTS SECTION

Electronic and linear dimmer, 16 bit
 Strobe 24 flash/sec. Electronic, instant open and blackout. Variable speed pulsation

CONTROL AND PROGRAMMING

27/31 DMX 512 control channels
 Control signal: USITT DMX 512
 Protocols: RDM, WebServer and Art-Net
 Display: Graphic LCD backlit b/w display
 Display battery: Long life self-charging buffer battery
 Pan/Tilt Resolution 16 bit
 Dimmer Resolution 16 bit
 Movement control: vectorial
 DMX signal connection: 3 and 5 pole XLR input and output
 Firmware update: Software upload through DMX input

BODY

Structure in aluminium with die-cast plastic cover
 Handles Two side handles for transportation
 Device locking PAN and TILT mechanisms for transportation
 Optional frame for external gels and frost filters
 Optional top hat (adjustable with the Zoom movement)

MOVING BODY

PAN range: 540°
 TILT range: 210°

ELECTRONICS

Long-life auto-charging buffer battery
 Preset color and graphic effect macros
 Function reset controllable from a central control unit
 Menu-driven internal self-test function
 Electronic check-up of every single parameter with error alarm
 DMX level monitoring on each channel
 Automatic internal data transmission error diagnostics
 Firmware upgrade with no power
 Firmware transfer from one light to another

SAFETY DEVICES

Minimum distance of illuminated objects: 0.2 meters (8")
 Minimum distance from flammable materials: 0.2 meters (8")
 Max ambient temperature: 40°C (104°F)
 Max temperature of the external surface: 90°C (194°F)
 Bipolar circuit breaker with thermal protection
 Automatic break in power supply in case of overheating
 Forced ventilation with axial fans

WORKING POSITION

Working position: Any
 Hanging system: 2x fast-lock omega clamps (1/4 turn) on the base
 Optional 48-51mm, max 300Kg clamps; Ø 4mm, length 680mm safety cable

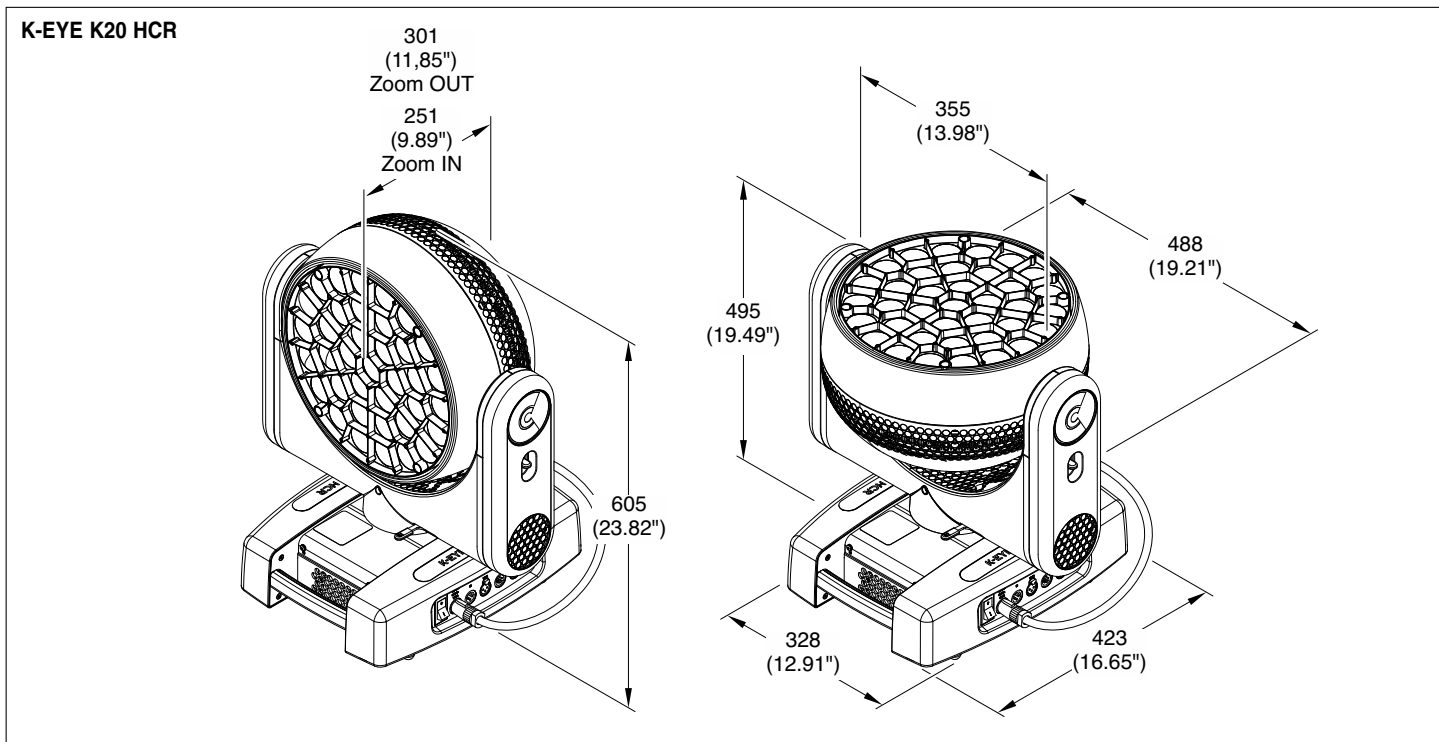
CE MARKING

In conformity with the European Directives:

- 2014/35/EU - Safety of electrical equipment supplied at low voltage (LVD)
- 2014/30/EU - Electromagnetic Compatibility (EMC)
- 2011/65/EU - Restriction of the use of certain hazardous substances (RoHS)
- 2009/125/EC - EcoDesign requirements for Energy-related Products (ErP)

WEIGHT

16.5 Kg (36.38 lbs)



POWER SUPPLIES

100/240V 50/60 Hz

INPUT POWER

750 VA

LIGHT SOURCE

Light sources: 6-color LED modules
 LED module: R+G+B+Amber+Cyan+Lime
 Number of LEDs: 37
 LED life expectancy: min. 50,000h
 Total lumen output: 11,000 lumen
 Typical lumen maintenance: 70% @ 50,000 hours
 Typical CRI value > 97 up to 99

OPTICS

Optics featuring 6-color LED module system + rod-bar mixing system + front lens
 6°- 50° linear electronic Zoom

COLOR SYSTEM

Color system: R+G+B+Cyan+Amber+Lime LED module
 Color Temperature control: Linear from 2500K to 8000K (CTO controlled mode plus RAGCB correction)
 Control of the colors: RAW mode, HSL mode, RGB mode, CMY mode
 - RAW mode Enable specific control of each color
 - HSL mode function is based on algorithm. HSL parameters: HUE, HUE fine, Saturation, Crossfade, Path, Tint
 - RGB mode The projectors works in the same way as a classical RGB fixture
 - CMY mode The projectors works in the same way as a classical CMY fixture
 Halo Emulation 750W, 1000W, 1200W, 2000W, 2500W lamp emulation
 Gamma Wave: Different chromatic curves for each color
 Macro: Dedicated color macro channel with 80 preselected colors

EFFECTS SECTION

Electronic and linear dimmer, 16 bit
 Strobe 24 flash/sec. Electronic, instant open and blackout. Variable speed pulsation

CONTROL AND PROGRAMMING

27/31 DMX 512 control channels
 Control signal: USITT DMX 512
 Protocols: RDM, WebServer and Art-Net
 Display: Graphic LCD backlit b/w display
 Display battery: Long life self-charging buffer battery
 Pan/Tilt Resolution 16 bit
 Dimmer Resolution 16 bit
 Movement control: vectorial
 DMX signal connection: 3 and 5 pole XLR input and output
 Firmware update: Software upload through DMX input

BODY

Structure in aluminium with die-cast plastic cover
 Handles Two side handles for transportation
 Device locking PAN and TILT mechanisms for transportation
 Optional frame for external gels and frost filters
 Optional top hat (adjustable with the Zoom movement)

MOVING BODY

PAN range: 540°
 Resolution: PAN = 2.11° - PAN FINE = 0.008°
 TILT range: 210°
 Resolution: TILT = 0.960° - TILT FINE = 0.004°

ELECTRONICS

Long-life auto-charging buffer battery
 Preset color and graphic effect macros
 Function reset controllable from a central control unit
 Menu-driven internal self-test function
 Electronic check-up of every single parameter with error alarm
 DMX level monitoring on each channel
 Automatic internal data transmission error diagnostics
 Firmware upgrade with no power
 Firmware transfer from one light to another

SAFETY DEVICES

Minimum distance of illuminated objects: 0.2 meters (8")
 Minimum distance from flammable materials: 0.2 meters (8")
 Max ambient temperature: 40°C (104°F)
 Max temperature of the external surface: 90°C (194°F)
 Bipolar circuit breaker with thermal protection
 Automatic break in power supply in case of overheating
 Forced ventilation with axial fans

WORKING POSITION

Working position: Any
 Hanging system: 2x fast-lock omega clamps (1/4 turn) on the base
 Optional 48-51mm, max 300Kg clamps; Ø 4mm, length 680mm safety cable

CE MARKING

In conformity with the European Directives:

- 2014/35/EU - Safety of electrical equipment supplied at low voltage (LVD)
- 2014/30/EU - Electromagnetic Compatibility (EMC)
- 2011/65/EU - Restriction of the use of certain hazardous substances (RoHS)
- 2009/125/EC - EcoDesign requirements for Energy-related Products (ErP)

WEIGHT

22.5 Kg (49.6 lbs)