

89mm Brush DC Motor

FEATURES

- **DC Brush Motor**
- **89mm Diameter**
- **Up to 70.8 oz-in of Torque**
- **Designed for High-Volume Applications**
- **Custom Versions Available**
- **ISO & TS Automotive Certified**



DESCRIPTION

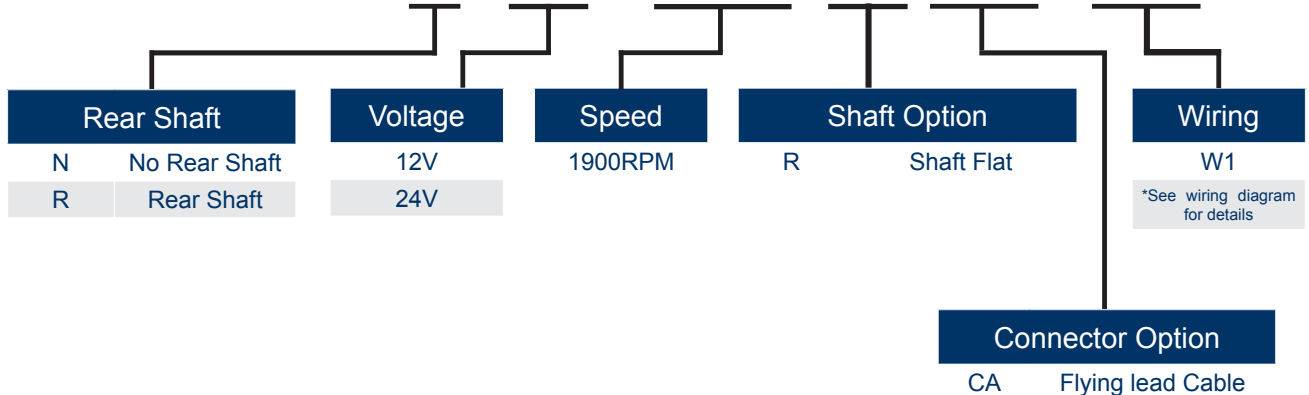
Anaheim Automation's DC motors provide a cost effective solution for your application. The 89mm Brush DC series can be used in many applications such as robotics and medical applications. The 89mm Brush DC series has strong permanent magnets to provide up to 70.8 oz-in of torque. At nominal voltage this motor will up to 2300RPM. Cooling vents on the motor casing are placed optimally for internal cooling of the motor.

SPECIFICATIONS

Model #	No load Speed (RPM)	Rated Speed (RPM)	Rated Current (A)	Starting Current (A)	Rated Torque (oz-in)	Starting Torque (oz-in)	Rated Voltage (VDC)	Approx Weight (lbs)
BDC-168-N-12-2300-R-CA-W1	2300	1900	14	64	70.8	424.85	12	6.9
BDC-168-N-24-2300-R-CA-W1	2300	1900	7	32	70.8	424.85	24	6.9

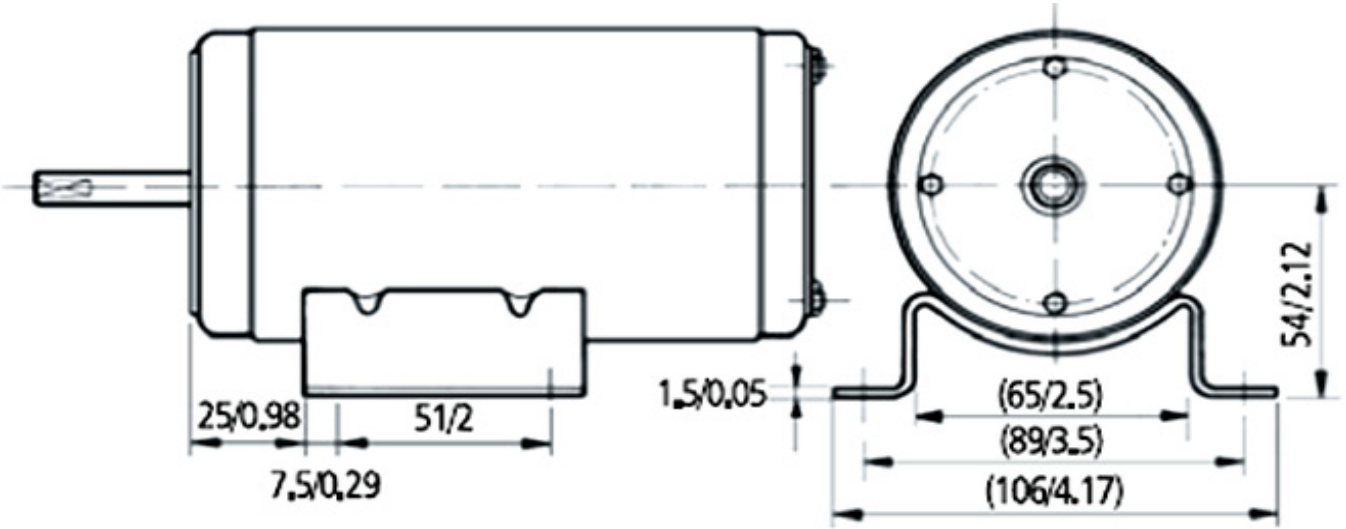
DIMENSIONS

BDC-168-N-12-2300-R-CA-W1



L011094

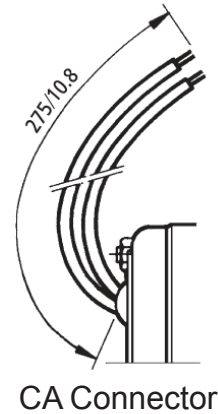
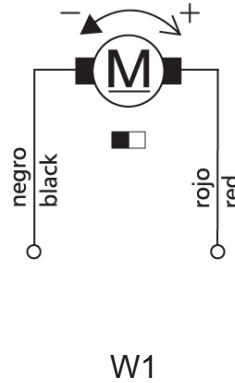
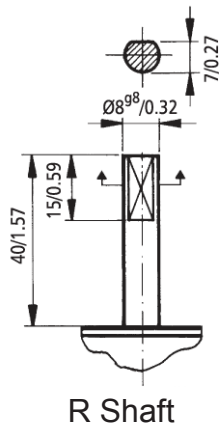
DIMENSIONS



*Units: mm/in

Dimensions in mm/in

WIRING/CONNECTOR OPTIONS



TORQUE CURVE

