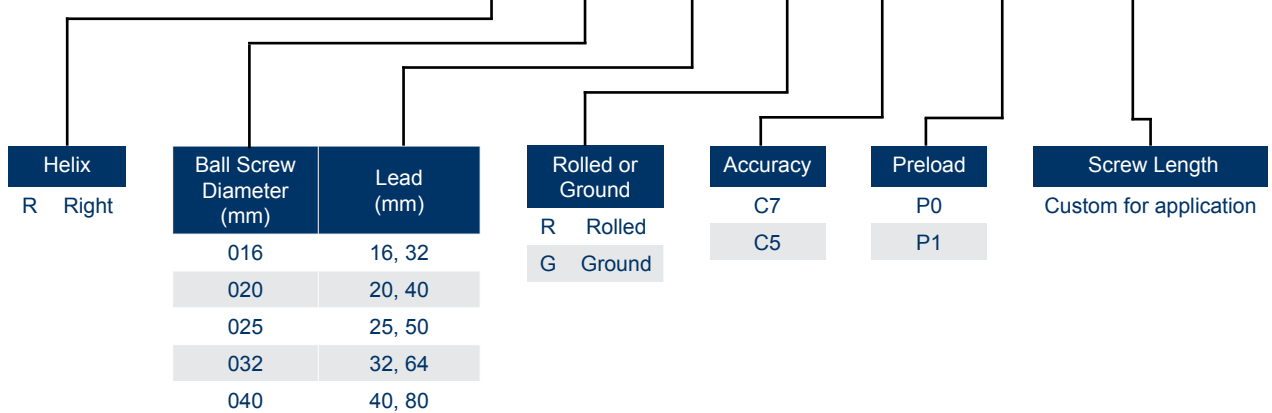


- 16mm to 50mm Screw Diameters
- 16mm to 100mm Leads
- Dynamic Loads to to 10,558 kgf
- Static Loads up to 34,182 kgf
- Available in Right Helix
- C7 and C5 Accuracies
- P1 and P0 Preloads
- Other Accuracies and Preloads available upon request

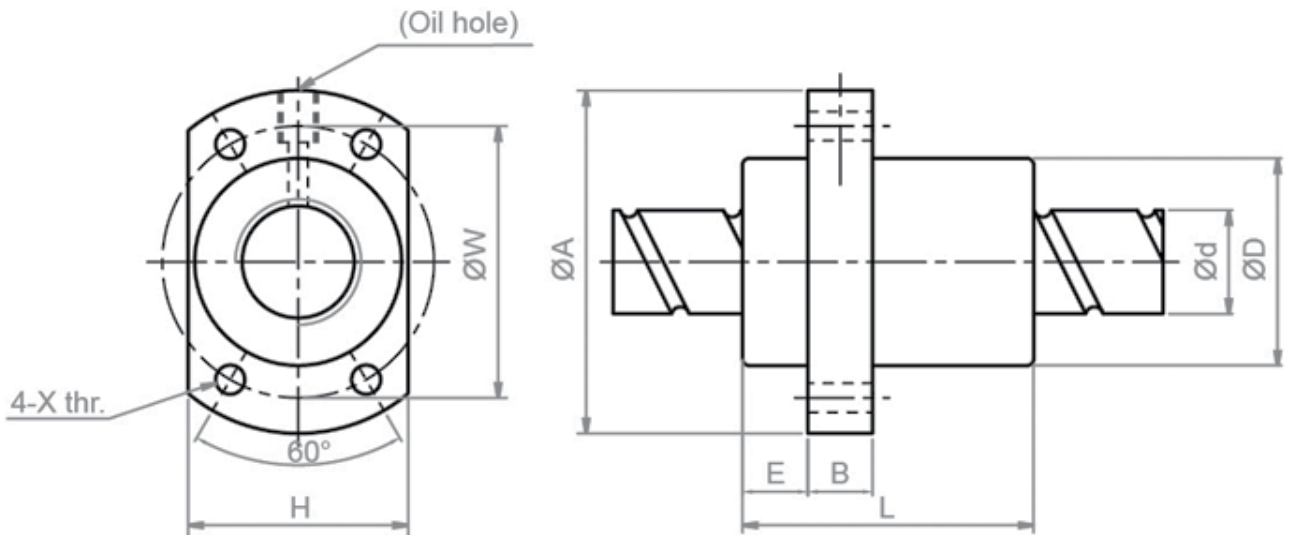


The SFY Series screw diameters range from 16mm to 50mm with leads from 16mm to 100mm. This series can provide dynamic loads up to 10,558 kgf and static loads up to 34,182 kgf. Although, we provide C7 and C5 accuracies and P0 and P1 preloads as our standard, we also have other accuracies and preloads available upon request. The maximum screw length is 6,000mm and we can also customize end journals to best fit your application.

## BSC-AAM-SFYR-16-04-R C7-P0-100



L011189



Units : mm

Model No.	d	l	I: Lead		Da	D	A	E	B	L	X	W	H	Q	n	Ca: Basic Dynamic Rating Load (kgf)		K	H*
			Da	D												Ca	Coa		
SFY1616-5.6	16	16	2.778	32	53	10.1	10	61	4.5	42	34	M6	2.8x2	1568	3968	47	R		
SFY1632-3.6	16	32	2.778	32	53	10.1	10	74.5	4.5	42	34	M6	1.8x2	989	2511	23	R		
SFY2020-5.6	20	20	3.175	39	62	13	10	72	5.5	50	41	M6	2.8x2	2029	5468	56	R		
SFY2040-3.6	20	40	3.175	39	62	13	10	88	5.5	50	41	M6	1.8x2	1311	3592	30	R		
SFY2525-5.6	25	25	3.969	47	74	15	12	89	6.6	60	49	M6	2.8x2	3032	8546	69	R		
SFY2550-3.6	25	50	3.969	47	74	15	12	108	6.6	60	49	M6	1.8x2	1960	5614	32	R		
SFY3232-5.6	32	32	4.762	58	92	17	12	110	9	74	60	M6	2.8x2	4417	13517	88	R		
SFY3264-3.6	32	64	4.762	58	92	17	12	135	9	74	60	M6	1.8x2	2759	8441	46	R		
SFY4040-5.6	40	40	6.35	73	114	19.5	15	139	11	93	75	M6	2.8x2	7065	21874	106	R		
SFY5050-5.6	50	50	7.938	90	135	21.5	20	167	14	112	92	M6	2.8x2	10558	34182	131	R		
SFY4080-3.6	40	80	6.35	73	114	19.5	15	170	11	93	75	M6	1.8x2	4566	14370	50	R		
SFY50100-3.6	50	100	7.938	90	135	21.5	20	211	14	112	92	M6	1.8x2	6824	22455	72	R		

\*PLEASE NOTE - Each standard ball screw includes **one** nut. Additional nuts will be considered a custom request, and will require creation of a special part number.