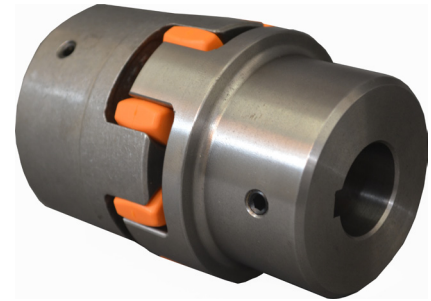


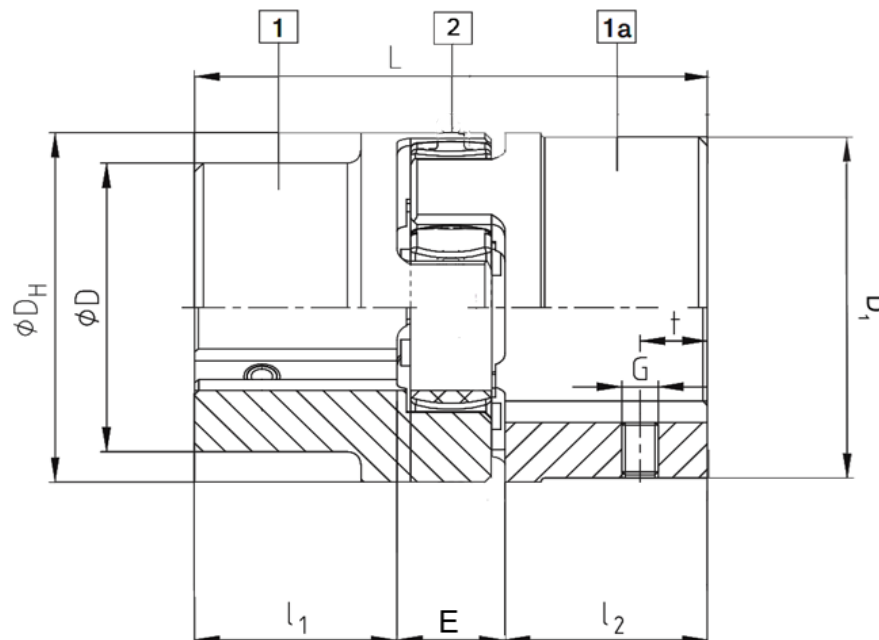
- **High-Quality Spider Design**
- **Handles the Most Demanding Applications**
- **Max Torque of 14,869 in-lb.**
- **Allows for Different Bore Diameters**
- **No Backlash**
- **No Maintenance**
- **Requires Three Individual Part Numbers**
- **Easy Assembly**
- **Wide Variety of Sizes**



ROTEX® couplings are designed to transmit torque between drive and driven components via curved jaw hubs and elastomeric elements commonly known as spiders. The combination between these components provides dampening and accommodation for misalignments. This product is available in a variety of metals, elastomers and mounting configurations to meet your specific needs.

Ordering Guideline: There are three individual part numbers you will need for a complete coupler (i.e., 2 Hubs and 1 Spider). Please choose the hub sizes that match the criteria for your application. In addition to the hubs, you will need to choose a spider, from the spider section.

Customization options are available; allow Anaheim Automation to specify the coupling designed for your application!



L011395

Inch Bores

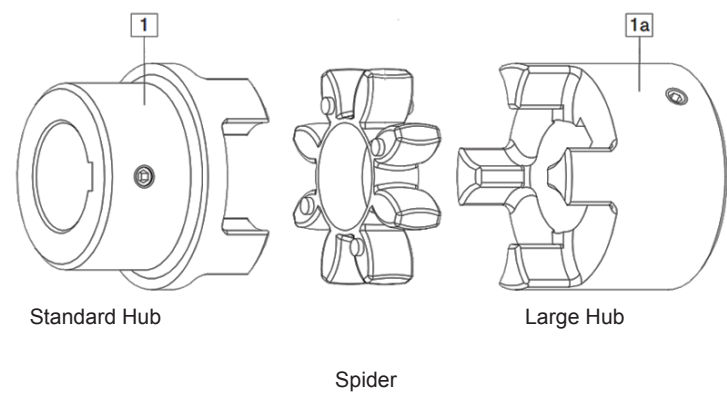
Item	Bore Diameter (in)	Keyway (in)	Hub Design	Outside Diameter D _H , D, D ₁ (in)	Length Thru Bore "L ₁ , L ₂ " (in)	Coupling Length "L" (in)	Setscrew Torque (in-lb)	t (in)	E (in)	G	Material
KTR-BA020423071400	9/16	1/8	1	3.74, 2.95, 3.7	1.97	4.96	89	0.59	1.02	M8	Cast Iron
KTR-BA020423071411	9/16	No Key	1	3.74, 2.95, 3.7	1.97	4.96	89	0.59	1.02	M8	Cast Iron
KTR-BA020423071500	5/8	3/16	1	3.74, 2.95, 3.7	1.97	4.96	89	0.59	1.02	M8	Cast Iron
KTR-BA020426071503	5/8	5/32	1	3.74, 2.95, 3.7	1.97	4.96	89	0.59	1.02	M8	Cast Iron
KTR-BA020423071511	5/8	No Key	1	3.74, 2.95, 3.7	1.97	4.96	89	0.59	1.02	M8	Cast Iron
KTR-BA020423071700	11/16	3/16	1	3.74, 2.95, 3.7	1.97	4.96	89	0.59	1.02	M8	Cast Iron
KTR-BA020423071900	3/4	3/16	1	3.74, 2.95, 3.7	1.97	4.96	89	0.59	1.02	M8	Cast Iron
KTR-BA020423071901	3/4	1/8	1	3.74, 2.95, 3.7	1.97	4.96	89	0.59	1.02	M8	Cast Iron
KTR-BA020423071911	3/4	No Key	1	3.74, 2.95, 3.7	1.97	4.96	89	0.59	1.02	M8	Cast Iron
KTR-BA020423072000	13/16	3/16	1	3.74, 2.95, 3.7	1.97	4.96	89	0.59	1.02	M8	Cast Iron
KTR-BA020423072202	7/8	1/4	1	3.74, 2.95, 3.7	1.97	4.96	89	0.59	1.02	M8	Cast Iron
KTR-BA020423072211	7/8	No Key	1	3.74, 2.95, 3.7	1.97	4.96	89	0.59	1.02	M8	Cast Iron
KTR-BA020423072200	7/8	3/16	1	3.74, 2.95, 3.7	1.97	4.96	89	0.59	1.02	M8	Cast Iron
KTR-BA020423072202	7/8	1/4	1	3.74, 2.95, 3.7	1.97	4.96	89	0.59	1.02	M8	Cast Iron
KTR-BA020423072211	7/8	No Key	1	3.74, 2.95, 3.7	1.97	4.96	89	0.59	1.02	M8	Cast Iron
KTR-BA020423072300	5/16	1/4	1	3.74, 2.95, 3.7	1.97	4.96	89	0.59	1.02	M8	Cast Iron
KTR-BA020423072500	1	1/4	1	3.74, 2.95, 3.7	1.97	4.96	89	0.59	1.02	M8	Cast Iron
KTR-BA020423072502	1	3/16	1	3.74, 2.95, 3.7	1.97	4.96	89	0.59	1.02	M8	Cast Iron
KTR-BA020423072600	1 1/16	1/4	1	3.74, 2.95, 3.7	1.97	4.96	89	0.59	1.02	M8	Cast Iron
KTR-BA020423072800	1 1/8	1/4	1	3.74, 2.95, 3.7	1.97	4.96	89	0.59	1.02	M8	Cast Iron
KTR-BA020423073000	1 3/16	1/4	1	3.74, 2.95, 3.7	1.97	4.96	89	0.59	1.02	M8	Cast Iron
KTR-BA020423073100	1 1/4	1/4	1	3.74, 2.95, 3.7	1.97	4.96	89	0.59	1.02	M8	Cast Iron
KTR-BA020423073102	1 1/4	5/16	1	3.74, 2.95, 3.7	1.97	4.96	89	0.59	1.02	M8	Cast Iron
KTR-BA020423073300	1 5/16	5/16	1	3.74, 2.95, 3.7	1.97	4.96	89	0.59	1.02	M8	Cast Iron
KTR-BA020423073400	1 3/8	5/16	1	3.74, 2.95, 3.7	1.97	4.96	89	0.59	1.02	M8	Cast Iron
KTR-BA020423073401	1 3/8	3/8	1	3.74, 2.95, 3.7	1.97	4.96	89	0.59	1.02	M8	Cast Iron
KTR-BA020423073600	1 7/16	3/8	1	3.74, 2.95, 3.7	1.97	4.96	89	0.59	1.02	M8	Cast Iron
KTR-BA020423073800	1 1/2	3/8	1	3.74, 2.95, 3.7	1.97	4.96	89	0.59	1.02	M8	Cast Iron
KTR-BA020423173802	1 1/2	5/16	1	3.74, 2.95, 3.7	1.97	4.96	89	0.59	1.02	M8	Cast Iron
KTR-BA020423173900	1 9/16	3/8	1	3.74, 2.95, 3.7	1.97	4.96	89	0.59	1.02	M8	Cast Iron
KTR-BA020423174100	1 5/8	3/8	1	3.74, 2.95, 3.7	1.97	4.96	89	0.59	1.02	M8	Cast Iron
KTR-BA020423174200	1 11/16	3/8	1	3.74, 2.95, 3.7	1.97	4.96	89	0.59	1.02	M8	Cast Iron
KTR-BA020423174400	1 3/4	3/8	1a	3.74, 2.95, 3.7	1.97	4.96	89	0.59	1.02	M8	Cast Iron
KTR-BA020423174402	1 3/4	7/16	1a	3.74, 2.95, 3.7	1.97	4.96	89	0.59	1.02	M8	Cast Iron
KTR-BA020423174600	1 13/16	1/2	1a	3.74, 2.95, 3.7	1.97	4.96	89	0.59	1.02	M8	Cast Iron
KTR-BA020423174700	1 7/8	1/2	1a	3.74, 2.95, 3.7	1.97	4.96	89	0.59	1.02	M8	Cast Iron
KTR-BA020423174900	1 5/16	1/2	1a	3.74, 2.95, 3.7	1.97	4.96	89	0.59	1.02	M8	Cast Iron
KTR-BA020423175000	2	1/2	1a	3.74, 2.95, 3.7	1.97	4.96	89	0.59	1.02	M8	Cast Iron
KTR-BA020423175200	2 1/16	1/2	1a	3.74, 2.95, 3.7	1.97	4.96	89	0.59	1.02	M8	Cast Iron
KTR-BA020423175300	2 1/8	1/2	1a	3.74, 2.95, 3.7	1.97	4.96	89	0.59	1.02	M8	Cast Iron

Metric Bores

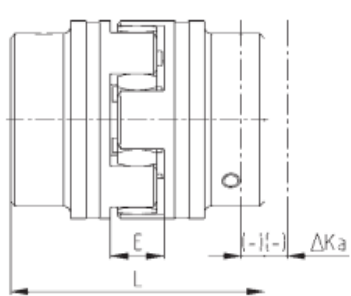
Item	Bore Diameter (mm)	Keyway (mm)	Hub Design	Outside Diameter D _H , D, D _I (mm)	Length Thru Bore "L ₁ L ₂ " (mm)	Coupling Length "L" (mm)	Setscrew Torque (Nm)	t (mm)	E (mm)	G	Material
KTR-BA020423001400	14	5	1	95, 75, 94	50	126	10	20	26	M8	Cast Iron
KTR-BA020423001500	15	5	1	95, 75, 94	50	126	10	20	26	M8	Cast Iron
KTR-BA020423001600	16	5	1	95, 75, 94	50	126	10	20	26	M8	Cast Iron
KTR-BA020423001800	18	6	1	95, 75, 94	50	126	10	20	26	M8	Cast Iron
KTR-BA020423001900	19	6	1	95, 75, 94	50	126	10	20	26	M8	Cast Iron
KTR-BA020423002000	20	6	1	95, 75, 94	50	126	10	20	26	M8	Cast Iron
KTR-BA020423002200	22	6	1	95, 75, 94	50	126	10	20	26	M8	Cast Iron
KTR-BA020423002400	24	8	1	95, 75, 94	50	126	10	20	26	M8	Cast Iron
KTR-BA020423002500	25	8	1	95, 75, 94	50	126	10	20	26	M8	Cast Iron
KTR-BA020423002800	28	8	1	95, 75, 94	50	126	10	20	26	M8	Cast Iron
KTR-BA020423003000	30	8	1	95, 75, 94	50	126	10	20	26	M8	Cast Iron
KTR-BA020423003200	32	10	1	95, 75, 94	50	126	10	20	26	M8	Cast Iron
KTR-BA020423003500	35	10	1	95, 75, 94	50	126	10	20	26	M8	Cast Iron
KTR-BA020423003800	38	10	1	95, 75, 94	50	126	10	20	26	M8	Cast Iron
KTR-BA020423004000	40	12	1	95, 75, 94	50	126	10	20	26	M8	Cast Iron
KTR-BA020423004200	42	12	1	95, 75, 94	50	126	10	20	26	M8	Cast Iron
KTR-BA020423104500	45	14	1	95, 75, 94	50	126	10	20	26	M8	Cast Iron
KTR-BA020423104800	48	14	1a	95, 75, 94	50	126	10	20	26	M8	Cast Iron
KTR-BA020423105000	50	14	1a	95, 75, 94	50	126	10	20	26	M8	Cast Iron
KTR-BA020423105500	55	16	1a	95, 75, 94	50	126	10	20	26	M8	Cast Iron

Spiders

Item	Color	Material	Type/ Hardness	Max Speed (rpm)	Rated Torque (in-lb)	Max Torque (in-lb)	Temperature Rating for Continuous Use
KTR-020421000045	Orange	T-PUR	92 Shore-A	7000	2345.44	4690	-50°C to +120°C
KTR-020421000042	Purple	T-PUR	98 Shore-A	7000	3982.83	7960	-50°C to +120°C
KTR-020421000020	Green	T-PUR	64 Shore-D	7000	4956.41	9910	-50°C to +120°C
KTR-020421000088	White	Polyamide	-	-	6947.83	13,896	-20°C to +180°C

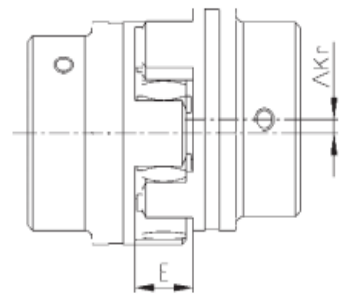


Axial Misalignment ΔK_a

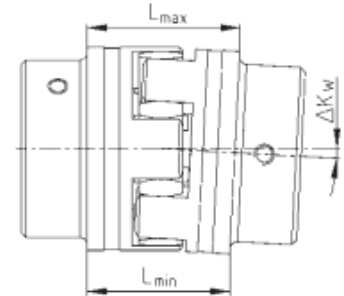


$$L_{max} = L + \Delta K_a$$

Parallel Misalignment ΔK_r



Angular Misalignment ΔK_w [degrees]



$$\Delta K_w [in] = L_{max} - L_{min}$$

ROTEX® Size	14	19	24	28	38	42	48	55	65	75	90
Max. Axial Misalignment ΔK_a [in]	-0.02 +0.04	-0.02 +0.05	-0.02 +0.06	-0.03 +0.06	-0.03 +0.07	-0.04 +0.08	-0.04 +0.08	-0.04 +0.09	-0.04 +0.10	-0.06 +0.12	-0.06 +0.13
Max. Parallel Misalignment at $n=1,800$ rpm ΔK_r [in]	0.006	0.007	0.008	0.009	0.010	0.011	0.013	0.014	0.015	0.017	0.018
Max. Angular Misalignment at $n=1,800$ rpm ΔK_w [Degree]	1.1	1.0	0.8	0.9	0.9	1.0	1.1	1.1	1.1	1.1	1.2
ΔK_w [in]	0.024	0.029	0.031	0.031	0.051	0.067	0.079	0.090	0.102	0.126	0.161

The above misalignment figures for ROTEX® couplings are standard values, taking into account the load of the coupling up to the rated torque T_{KN} and an operating speed $n = 1,800$ RPM along with an ambient temperature of $+180^\circ\text{C}$. For other operating parameters, please ask for KTR-Norm 20240 on misalignments for ROTEX®. The maximum angular and parallel misalignments must not be used concurrently. For example; 70% of the maximum parallel value allows 30% of the maximum angular value. Also, care should be taken to accurately maintain the distance dimension "E", allowing for axial clearance of the coupling while in operation. In case of an axial thrust, the dimension "L" must be taken as a minimum dimension in order to keep the spider free from pressure against the face. Detailed installation instructions are available at www.ktr.com.