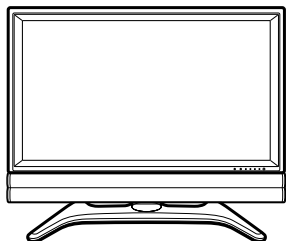


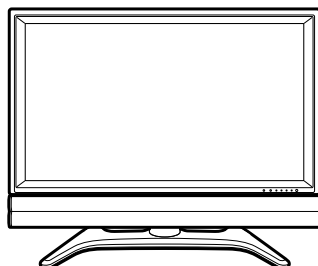
# SHARP

# SERVICE MANUAL

S84Z3LC37GA3E



LC-32GA3E



LC-37GA3E

## LCD COLOUR TELEVISION

# MODELS LC-32GA3E LC-37GA3E

In the interests of user-safety (Required by safety regulations in some countries) the set should be restored to its original condition and only parts identical to those specified should be used.

### CONTENTS

	Page		Page
• IMPORTANT SERVICE SAFETY PRECAUTION .....	2	• TROUBLE SHOOTING TABLE .....	36
• SPECIFICATIONS .....	4	• BLOCK DIAGRAM .....	48
• OPERATION MANUAL .....	5	• OVERALL WIRING DIAGRAM .....	60
• DIMENSIONS .....	12	• PRINTED WIRING BOARD ASSEMBLIES .....	64
• REMOVING OF MAJOR PARTS .....	14	• PARTS LIST .....	100
• ADJUSTMENT PROCEDURE .....	19	• PACKING OF THE SET .....	157
		• SCHEMATIC DIAGRAM .....	D1-D89

## IMPORTANT SERVICE SAFETY PRECAUTION

- Service work should be performed only by qualified service technicians who are thoroughly familiar with all safety checks and the servicing guidelines which follow:

### WARNING

1. For continued safety, no modification of any circuit should be attempted.
2. Disconnect AC power before servicing.

**CAUTION:** FOR CONTINUED PROTECTION AGAINST A RISK OF FIRE REPLACE ONLY WITH SAME FUSE

F1701, F1702 (6.3A, 250V),  
F1703 (2.0A, 250V)  
LC-32GA3E: F7401, F7501 (6.3A, 250V)  
LC-37GA3E: F7401, F7501 (10A, 250V)

### BEFORE RETURNING THE RECEIVER (Fire & Shock Hazard)

Before returning the receiver to the user, perform the following safety checks:

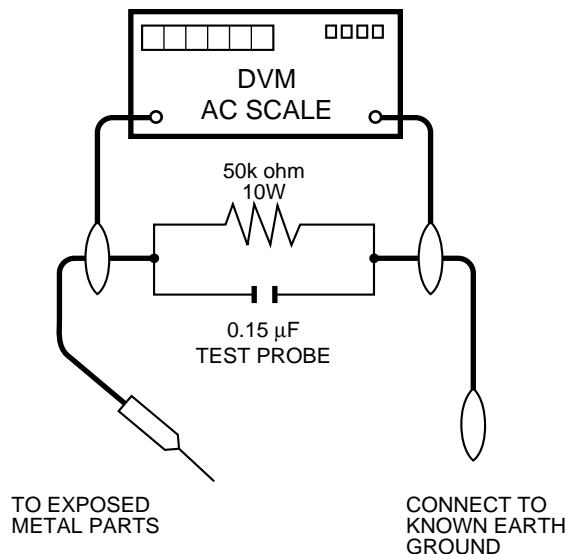
1. Inspect all lead dress to make certain that leads are not pinched, and check that hardware is not lodged between the chassis and other metal parts in the receiver.
2. Inspect all protective devices such as non-metallic control knobs, insulation materials, cabinet backs, adjustment and compartment covers or shields, isolation resistor-capacitor networks, mechanical insulators, etc.
3. To be sure that no shock hazard exists, check for leakage current in the following manner.
  - Plug the AC cord directly into a 220~240 volt AC outlet, and connect the DC power cable into the receiver's DC jack. (Do not use an isolation transformer for this test).
  - Using two clip leads, connect a 50k ohm, 10 watt resistor paralleled by a 0.15 $\mu$ F capacitor in series with all exposed metal cabinet parts and a known earth

ground, such as electrical conduit or electrical ground connected to an earth ground.

- Use an AC voltmeter having with 5000 ohm per volt, or higher, sensitivity or measure the AC voltage drop across the resistor.
- Connect the resistor connection to all exposed metal parts having a return to the chassis (antenna, metal cabinet, screw heads, knobs and control shafts, escutcheon, etc.) and measure the AC voltage drop across the resistor.

All checks must be repeated with the AC cord plug connection reversed. (If necessary, a nonpolarized adaptor plug must be used only for the purpose of completing these checks.)

Any reading of 0.75V rms (this corresponds to 0.5 milliamp. rms AC.) or more is excessive and indicates a potential shock hazard which must be corrected before returning the monitor to the owner.



### SAFETY NOTICE

Many electrical and mechanical parts in LCD television have special safety-related characteristics. These characteristics are often not evident from visual inspection, nor can protection afforded by them be necessarily increased by using replacement components rated for higher voltage, wattage, etc. Replacement parts which have these special safety characteristics are identified in this manual; electrical components having such features are identified by "⚠"

and shaded areas in the **Replacement Parts Lists** and **Schematic Diagrams**.

For continued protection, replacement parts must be identical to those used in the original circuit.

The use of a substitute replacement parts which do not have the same safety characteristics as the factory recommended replacement parts shown in this service manual, may create shock, fire or other hazards.

## Precautions for using lead-free solder

### 1 Employing lead-free solder

PWBs of this model employs lead-free solder. The LF symbol indicates lead-free solder, and is attached on the PWBs and service manuals. The alphabetical character following LF shows the type of lead-free solder.

Example:

**LF**a

Sn-Ag-Cu

Indicates lead-free solder of tin, silver and copper.

### 2 Using lead-free wire solder

When fixing the PWB soldered with the lead-free solder, apply lead-free wire solder. Repairing with conventional lead wire solder may cause damage or accident due to cracks.

As the melting point of lead-free solder (Sn-Ag-Cu) is higher than the lead wire solder by 40°C, we recommend you to use a dedicated soldering bit, if you are not familiar with how to obtain lead-free wire solder or soldering bit, contact our service station or service ranch in your area.

### 3 Soldering

As the melting point of lead-free solder (Sn-Ag-Cu) is about 220°C which is higher than the conventional lead solder by 40°C, and as it has poor solder wettability, you may be apt to keep the soldering bit in contact with the PWB for extended period of time. However, Since the land may be peeled off or the maximum heat-resistance temperature of parts may be exceeded, remove the bit from the PWB as soon as you confirm the steady soldering condition.

Lead-free solder contains more tin, and the end of the soldering bit may be easily corroded. Make sure to turn on and off the power of the bit as required.

if a different type of solder stays on the tip of the soldering bit, it is alloyed with lead-free solder. Clean the bit after every use of it.

When the tip of the soldering bit is blackened during use, file it with steel wool or fine sandpaper.

Be careful when replacing parts with polarity indication on the PWB silk.

Lead-free wire solder for servicing

Part No,	★	Description	Code
ZHNDai123250E	J	φ0.3mm 250g(1roll)	BL
ZHNDai126500E	J	φ0.6mm 500g(1roll)	BK
ZHNDai12801KE	J	φ1.0mm 1kg(1roll)	BM

## SPECIFICATIONS

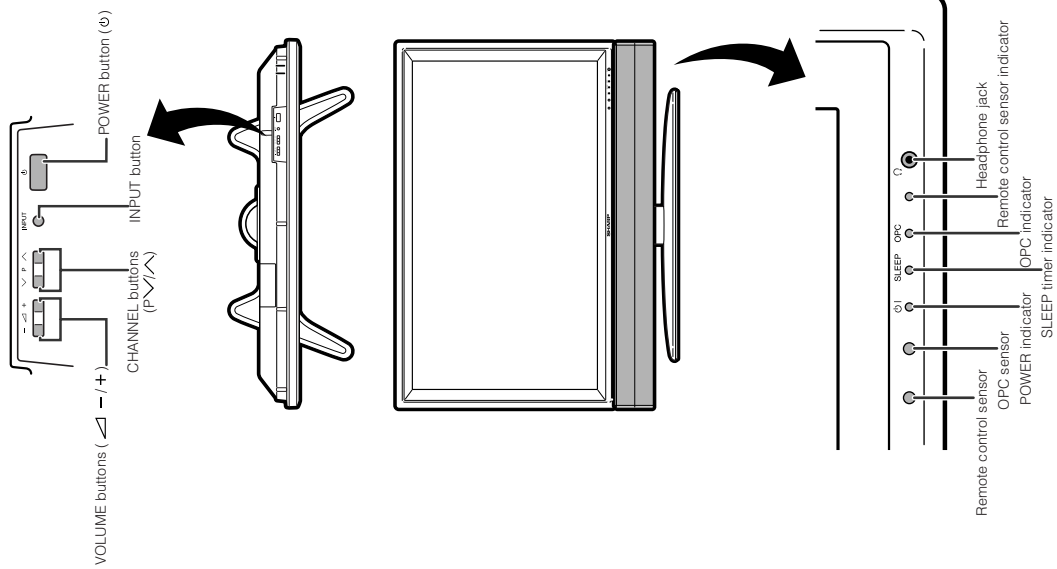
Model		LC-32GA3E	LC-37GA3E
Item		32" LCD COLOUR TV	37" LCD COLOUR TV
LCD panel		32" Advanced Super View & BLACK TFT LCD	37" Advanced Super View & BLACK TFT LCD
Number of dots		3,147,264 dots (1366 × 768 × 3 dots)	
Video Colour System		PAL/SECAM/NTSC 3.58/NTSC 4.43/PAL 60	
TV Function	TV-Standard (CCIR)	B/G, I, D/K, L, L'	
	Receiving Channel	VHF/UHF	E2–E69ch, F2–F10ch, I21–I69ch, IR A–IR Jch
		CATV	Hyper-band, S1–S41ch
	TV-Tuning System	Auto Preset 99 ch, Auto Label, Auto Sort	
STEREO/BILINGUAL		NICAM/A2	
Brightness		450 cd/m <sup>2</sup>	
Viewing angles		H : 170° V : 170°	
Audio amplifier		10W 5 2	
Speakers		Ø 8 cm 2pcs, Ø 2.5 cm 2pcs	
Terminals	Rear	ANTENNA IN	UHF/VHF 75 WDin type
		INPUT 1	SCART (AV input, RGB input, TV output)
		INPUT 2	SCART (AV input/output, Y/C input, AV Link)
		INPUT 3	SCART (AV input/output, Y/C input, RGB input), RCA pin (Component input)
		INPUT 4	S-VIDEO (Y/C input), RCA pin (AV input)
		INPUT 5	Ø 3.5 mm jack (Audio input), DVI-I (DVI-I input)
		AUDIO OUTPUT	RCA pin (Variable/Fixed), switchable with INPUT 4
		DC OUTPUT	DC 9V 7W MAX
		SPEAKER	External speaker output terminal (L and R)
		CENTRE CHANNEL INPUT	RCA pin
	RS-232C	D-sub 9pin male connector	
	Front	Headphones	Ø 3.5mm jack (Audio output)
OSD language		English/German/French/Italian/Spanish/Dutch/Swedish/Portuguese/Finnish/Turkish/Greek/Russian/Polish	
Power Requirement		AC 220–240 V, 50 Hz	
Power Consumption		143 W (3 W Standby) (Method IEC60107)	181 W (3 W Standby) (Method IEC60107)
Weight		16.2 kg (Display only), 19.5 kg (with Display and speaker), 24.1 kg (with Display, speaker and stand)	18.3 kg (Display only), 22 kg (with Display and speaker), 26.6 kg (with Display, speaker and stand)
Accessories		Operation manual, Remote control unit (51), AC cord (51), "AAA" size battery (52)	

- As a part of policy of continuous improvement, SHARP reserves the right to make design and specification changes for product improvement without prior notice. The performance specification figures indicated are nominal values of production units. There may be some deviations from these values in individual units.

# OPERATION MANUAL

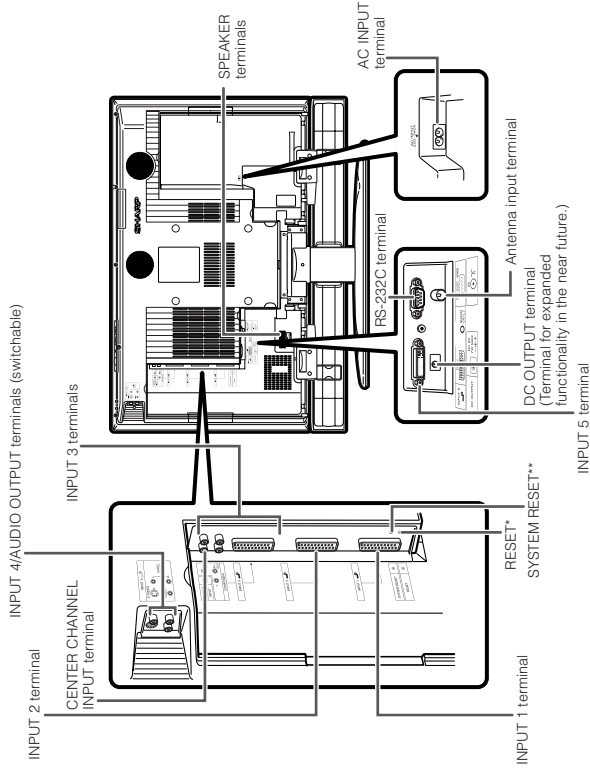
## Part names

TV



\*OPC: Optical Picture Control

TV



\* Press **RESET** if the TV cannot return to its original state after performing various operations.

- AV MODE resets to USER.
- Analogue TV channel resets to channel 1.
- Dual picture resets to normal.
- Audio setting initializes.
- Dolby Virtual resets to Off.
- Image position initializes.

\*\* Press **SYSTEM RESET** if the TV does not operate after starting up.

### NOTE

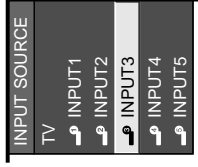
- Pressing **RESET** will not work if the TV is in standby mode (indicator lights red).
- Pressing **RESET** will not delete channel preset and PIN. See page for resetting the PIN when you know it. See page for initializing to the factory preset values when you forget your PIN.

## Using external equipment

You can connect many types of external equipment to your TV, like a decoder, VCR, DVD player, PC, game console and camcorder. To view external source images, select the input source from **INPUT** on the remote control unit or **INPUT** on the Display.

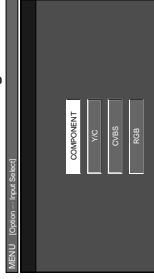
### 1 Displaying a DVD image (Example)

To watch a DVD image, select "INPUT3" from "INPUT SOURCE" menu using **↔** on the remote control unit or **INPUT** on the Display.



Select the desired signal type on "Input Select" in the "Option" menu.

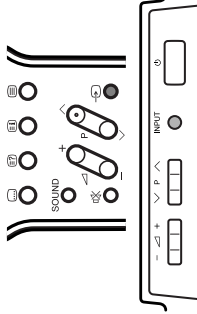
### 2 For INPUT3 signal



The setting is stored and can be selected on the "INPUT SOURCE" menu.

### 1 Displaying an external equipment image

Explanation here is for the setting when connecting DVD to INPUT3 terminal.



### CAUTION

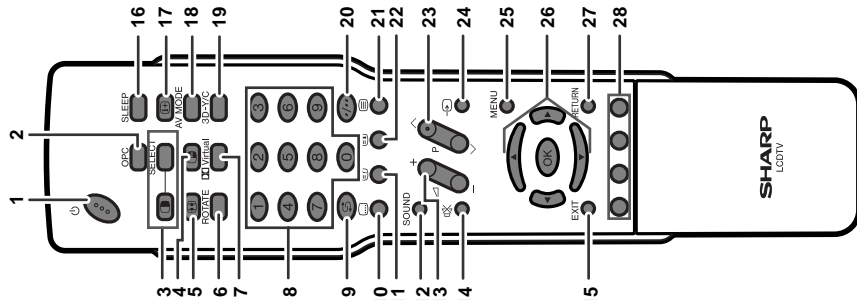
To protect all equipment, always turn off the TV before connecting to a decoder, VCR, DVD player, PC, game console, camcorder or other external equipment.

### NOTE

- See pages for external equipment connection.
- Please refer to the relevant operation manual (DVD player, PC, etc.) carefully before making connections.
- Each time **↔** is pressed, the input source toggles.
- If the image does not come on screen clearly, you may need to change the input signal type setting on the "Input Select" menu.
- Refer to your external equipment operation manual for the signal type.

- 1 **STANDBY/ON**  
To switch the power on and off.
- 2 **OPC**  
To switch the Optical Picture Control on and off.
- 3 **DUAL screen**  
Set the dual picture mode. Press **OK** again to return to normal view.
- 4 **SELECT**  
To select either screen to be active in Dual screen mode.
- 5 **FREEZE/HOLD**  
TV/External input mode: Change the still image mode. The freeze image mode is available when the image on screen is other pages are automatically updated. Press **OK** again to return to the normal image.
- 6 **WIDE MODE**  
TV/External input mode: Change the wide image mode.
- 7 **TELETEXT mode**: Set the area of magnification. (full/upper half/ lower half)
- 8 **ROTATE**  
Rotates the display in every direction.
- 9 **Virtual**  
Select Virtual Dolby Surround settings.
- 10 **TV/External input mode**: Set the channel.
- 11 **TELETEXT mode**: Set the page.
- 12 **Flashback**  
Press to return to the previous image in normal viewing mode. (See page 15.)
- 13 **SUBTITLE for TELETEXT**  
TV/External input mode: To turn the subtitles on and off.
- 14 **Reveal hidden for TELETEXT**  
TELETEXT mode: Display hidden characters.
- 15 **SOUND**  
Select the sound multiplex mode.
- 16 **VOLUME**  
Set the volume.
- 17 **MUTE**  
Mute the sound.
- 18 **EXIT**  
Turn off the On Screen Display.
- 19 **SLEEP**  
Sleep timer.
- 20 **DISPL AY INFORMATION**  
Display the programme information.
- 21 **AV MODE**  
Select a video setting: AV MODE (STANDARD, MOVIE, GAME, USER, DYNAMIC), PC MODE (STANDARD, USER)
- 22 **3D-Y/C**  
to switch the 3D-Y/C function on and off.
- 23 **Digit for channel select**  
Change the digit of the selected TV channel.
- 24 **TELETEXT**  
Select the TELETEXT mode. (all TV image, all TEXT image, TV/ TEXT image)
- 25 **TOP Overview for TELETEXT**  
TELETEXT mode: Display an index page for CEEFAX/FLOF information. TOP Overview for TOP programme.
- 26 **P, P, P, P**  
TV/External input mode: Select the channel or switch to either TV/External input mode.
- 27 **INPUT SOURCE**  
TELETEXT mode: Set the page.
- 28 **INPUT SOURCE**  
Select an input source. (TV, INPUT 1, INPUT 2, INPUT 3, INPUT 4, INPUT 5)
- 29 **MENU**  
Display the menu screen.
- 30 **Cursor**  
Select a desired item on the setting screen.
- 31 **OK**  
Execute a command.
- 32 **RETURN**  
MENU mode: Return to the previous menu screen.
- 33 **Colour (RED/GREEN/YELLOW/BLUE)**  
TELETEXT mode: Select a page.

### Remote control unit



### NOTE

- When using the remote control unit, point it at the Display.

## Using external equipment

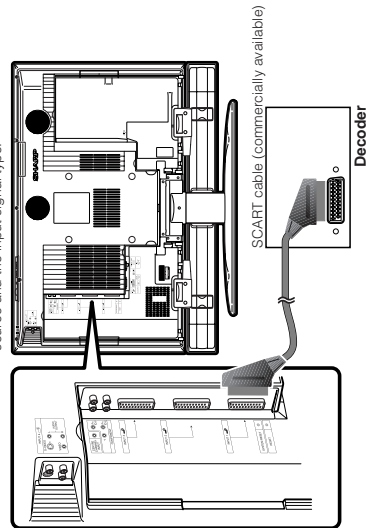
### Connecting a decoder

You can use the INPUT 1 terminal when connecting a decoder and other audiovisual equipment.

#### NOTE

- In cases when the decoder needs to receive signal from the TV, make sure to set "Decoder" to "INPUT 1" in the Programme Setup "Manual Adjust" menu.

To watch an image from this input terminal, you may select the input source and the input signal type.



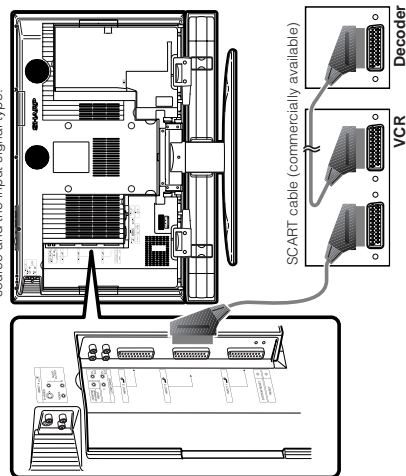
### Connecting a VCR

You can use the INPUT 2 terminal when connecting a VCR and other audiovisual equipment. If your VCR supports TV-VCR advanced "AV Link" systems, you can connect the VCR to the INPUT 2 terminal of the TV using the fully-wired SCART cable.

#### NOTE

- TV-VCR advanced "AV Link" systems may not be compatible with some external sources.
- It is recommended to connect to the INPUT 2 terminal when using a decoder for ground wave signal input with a VCR.
- If INPUT 2 signals preset in auto installation or programme setup, make sure to set "Decoder" to "INPUT 2" in the Programme Setup "Manual Adjust" menu.

To watch an image from this input terminal, you may select the input source and the input signal type.



## Using external equipment

### Using AV Link function

This TV incorporates four typical AV Link functions for smooth connections between the TV and other audiovisual equipment.

#### NOTE

- Only works when the audiovisual equipment is connected to the INPUT 2 terminal on the TV with AV Link via a fully wired SCART.

#### One Touch Play

While the TV is in standby mode, it automatically turns on and plays back the image from the audiovisual source (e.g. VCR, DVD).

#### TV Standby

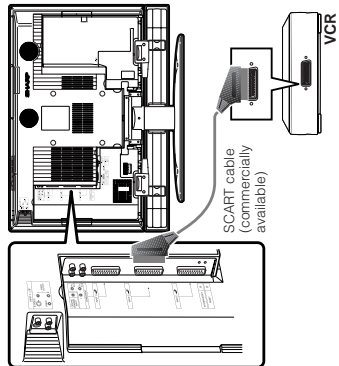
When the connected audiovisual equipment (e.g. VCR, DVD) enters standby mode, so does the TV.

#### WYSIWYR (What You See Is What You Record)

While the remote control unit of the connected VCR has the WYSIWYR button, you can automatically start recording by pressing the WYSIWYR button.

#### Preset Download

Automatically transfers the channel preset information from the tuner on the TV to the one on the connected audiovisual equipment (e.g. VCR) via the INPUT 2 terminal.



#### NOTE

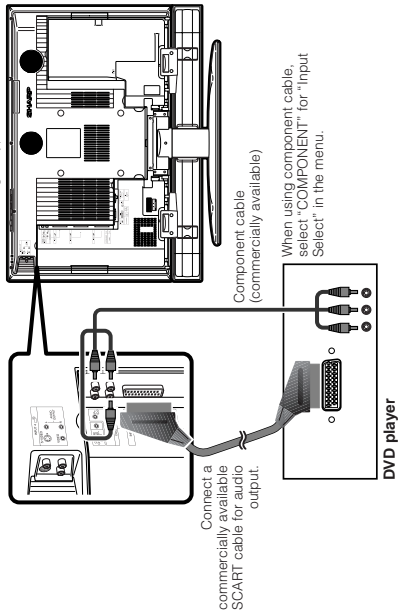
- Refer to operation manuals of each external equipment for the details.

## Using external equipment

### Connecting a DVD player

You can use the INPUT 3 terminal when connecting to a DVD player and other audiovisual equipment.

To watch an image from this input terminal, you may select the input source and the input signal type.

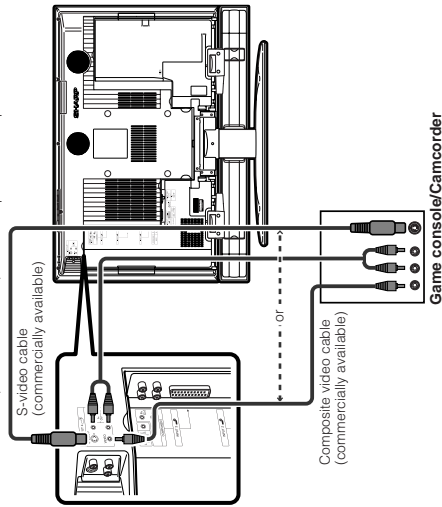


### Connecting a game console or camcorder

A game console, camcorder and some other audiovisual equipment are conveniently connected using the INPUT 4 terminals.

#### NOTE

- The S-video terminal has priority over the video terminals.
- You can also connect the game console to INPUT 1 or 3 terminals to enjoy clearer picture.
- When using INPUT 4 terminals, select "INPUT 4", then "AV Input" in the "Option" menu.



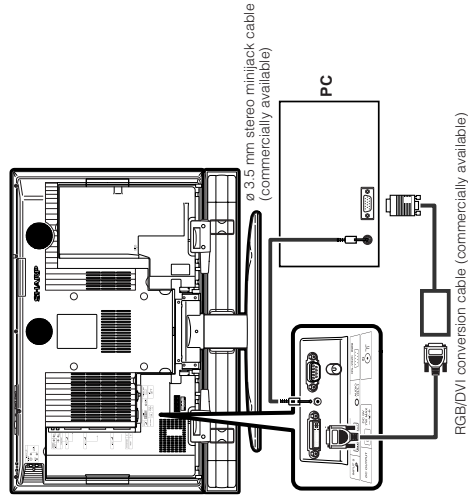
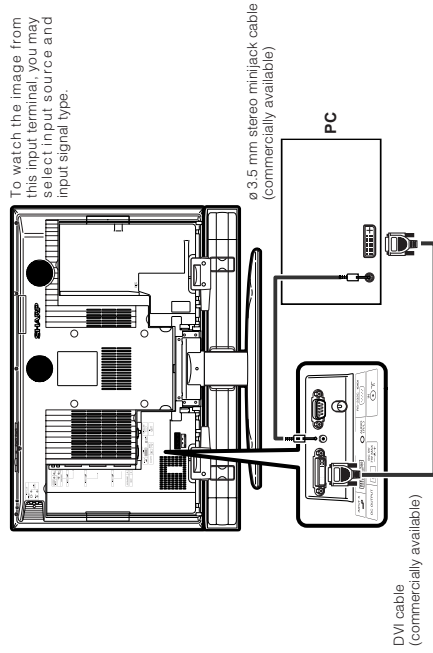
## Using external equipment

### Connecting a PC

Use the INPUT5 terminals to connect a PC.

#### NOTE

- The PC input terminals are DDC1/2B-compatible.
- Refer to page for a list of PC signals compatible with the TV.



#### NOTE

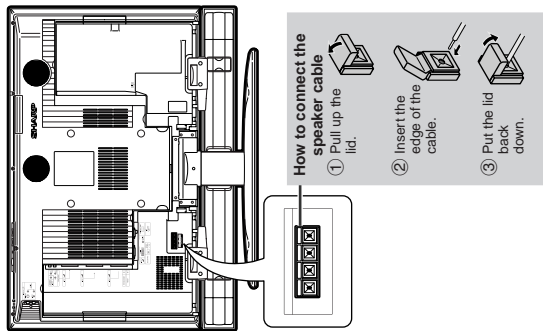
- Macintosh adaptor may be required for use for some Macintosh computers.
- When connecting to a PC, the correct input signal type is automatically detected. If the PC image does not come in clearly, you may need to set the Auto Sync. adjustment in the "Setup" menu.



## Using external equipment

### Connecting external speakers

#### Rear view



Make sure to disconnect the connected speaker cables in advance when connecting external speakers.

Make sure to connect the speaker terminal and cable polarity (+ -) properly.

- The speaker terminals have plus (+) and minus (-) polarity.
- Plus is red and minus is black.
- The cables are also divided into plus and minus.
- When connecting the left/right speakers, be sure to connect the plus/minus terminals with the correct cables.

#### NOTE

- Unplug the AC cord from the AC outlet before installing the speakers.

#### CAUTION

- Make sure external speakers have 4 ohm and 10 watt specifications.
- Connect the plus/minus terminals with the correct cables. Incorrect connection may cause a short.

### External Audio Bypass

External Audio Bypass automatically optimises the audio quality to suit internal (supplied) speaker.

- 1 Press **MENU** and the MENU screen displays.
- 2 Press **▶▶** to select "Setup".
- 3 Press **▲▼** to select "Speaker Setup", and then press **OK**.
- 4 Press **▲▼** to select "External Audio Bypass", and then press **OK**.
- 5 Press **▶▶** to select "Yes" or "No", and then press **OK**.

Selected item	Description
No	Sets the optimum audio for the internal (supplied) speaker. When you are using your own speakers, output the original sound.
Yes	

#### NOTE

- External Audio Bypass is greyed out when Dolby Virtual is set to "On".
- When Dolby Virtual is on, External Audio Bypass automatically sets to "Yes".

## Appendix

### Troubleshooting

Problem	Possible Solution
• No power.	<ul style="list-style-type: none"> <li>• Check if you pressed <b>⏻</b> on the remote control unit.</li> <li>• If the indicator on the Display lights up red, press <b>⏻</b>.</li> <li>• Is the AC cord disconnected?</li> <li>• Has the power been turned on?</li> </ul>
• Unit cannot be operated.	<ul style="list-style-type: none"> <li>• External influences such as lightning, static electricity, etc., may cause improper operation. In this case, operate the unit after first turning the power off, or unplugging the AC cord and re-plugging it in after 1 or 2 minutes.</li> </ul>
• Remote control unit does not operate.	<ul style="list-style-type: none"> <li>• Are batteries inserted with polarity (+, -) aligned?</li> <li>• Are batteries worn out? (Replace with new batteries.)</li> <li>• Are you using it under strong or fluorescent lighting?</li> <li>• Is a fluorescent light illuminated to remote control sensor?</li> </ul>
• Picture is cut off.	<ul style="list-style-type: none"> <li>• Is the image position correct?</li> <li>• Are screen mode adjustments such as picture size made correctly?</li> </ul>
• Strange colour, light colour, or dark, or colour misalignment.	<ul style="list-style-type: none"> <li>• Adjust the picture tone.</li> <li>• Is the room too bright? The picture may look dark in a room that is too bright.</li> <li>• Check the colour system setting.</li> <li>• Check the input signal setting.</li> </ul>
• Power is suddenly turned off.	<ul style="list-style-type: none"> <li>• The unit's internal temperature has increased. Remove any objects blocking vent or clean.</li> <li>• Check the power control setting.</li> <li>• Is sleep timer set?</li> </ul>
• No picture.	<ul style="list-style-type: none"> <li>• Is connection to other components correct?</li> <li>• Has input signal setup been done correctly after connection?</li> <li>• Is the correct input selected?</li> <li>• Is a non-compatible signal being input?</li> <li>• Is picture adjustment correct?</li> <li>• Is the antenna connected properly?</li> <li>• Is "On" selected in "Audio Only"?</li> </ul>
• No sound.	<ul style="list-style-type: none"> <li>• Is the volume too low?</li> <li>• Is "Audio Out (Variable)" selected in "INPUT 4"?</li> <li>• Is the speaker connected properly?</li> <li>• Is "On" selected in "Centre Channel Input"?</li> <li>• Make sure that headphones are not connected.</li> </ul>

### Cautions regarding use in high and low temperature environments

- When the unit is used in a low temperature space (e.g. room, office), the picture may leave trails or appear slightly delayed. This is not a malfunction, and the unit will recover when the temperature returns to normal.
- Do not leave the unit in a hot or cold location. Also, do not leave the unit in a location exposed to direct sunlight or near a heater, as this may cause the cabinet to deform and the LCD panel to malfunction.  
Storage temperature: -20°C to +60°C (-4°F to +140°F).

**RS-232C port specifications**

**PC Control of the System**

- When a program is set, the display can be controlled from the PC using the RS-232C terminal. The input signal (PC/video) can be selected, the volume can be adjusted and various other adjustments and settings can be made, enabling automatic programmed playing.
- Attach an RS-232C cable cross-type (commercially available) to the supplied Din/D-sub RS-232C for the connections.

**NOTE**

- This operation system should be used by a person who is accustomed to using PCs.

**Communication conditions**

Set the RS-232C communications settings on the PC to match the display's communications conditions. The display's communications settings are as follows:

<b>Baud rate:</b>	9,600 bps
<b>Data length:</b>	8 bits
<b>Parity bit:</b>	None
<b>Stop bit:</b>	1 bit
<b>Flow control:</b>	None

**Communication procedure**

Send the control commands from the PC via the RS-232C connector. The Display operates according to the received command and sends a response message to the PC. Do not send multiple commands at the same time. Wait until the PC receives the OK response before sending the next command.

**Command format**

Eight ASCII codes + CR



**Parameter**

Input the parameter values, aligning left, and fill with blank(s) for the remainder. (Be sure that four values are input for the parameter.)

When the input parameter is not within an adjustable range, "ERR" returns. (Refer to "Response code format".)

0			
0	0	0	9
-	3	0	
1	0	0	
0	0	5	5
?			
?	?	?	?

When "?" is input for some commands, the present setting value responds.

**PC compatibility chart**

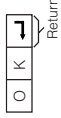
PC/MAC	Resolution	Horizontal Frequency	Vertical Frequency	VESA Standard	
PC	640 x 400	31.5 kHz	60 Hz		
		37.9 kHz	85 Hz	O	
	720 x 400	31.5 kHz	60 Hz		
		37.9 kHz	85 Hz	O	
	VGA	640 x 480	31.5 kHz	60 Hz	O
			37.9 kHz	72 Hz	O
		848 x 480	43.3 kHz	85 Hz	O
			31.5 kHz	60 Hz	O
	SVGA	600 x 600	35.1 kHz	56 Hz	O
			37.9 kHz	60 Hz	O
		1024 x 768	48.1 kHz	72 Hz	O
			46.9 kHz	75 Hz	O
MAC	XGA	53.7 kHz	85 Hz	O	
		48.4 kHz	60 Hz	O	
		56.5 kHz	70 Hz	O	
		60.0 kHz	75 Hz	O	
	WXGA	68.7 kHz	85 Hz	O	
		45.0 kHz	60 Hz		
	SXGA	1280 x 768	48.1 kHz	60 Hz	
		1366 x 768	48.4 kHz	60 Hz	
	MAC13"	1280 x 1024	64.0 kHz	60 Hz	O
		640 x 480	34.9 kHz	67 Hz	
	MAC16"	832 x 624	48.7 kHz	75 Hz	
		1024 x 768	60.2 kHz	75 Hz	

Apple and Macintosh are registered trademarks of Apple Computer, Inc. DDC is a registered trademark of Video Electronics Standards Association. Power Management is a registered trademark of Sun Microsystems, Inc. VGA and XGA are registered trademarks of International Business Machines Co., Inc.

Appendix

Response code format

Normal response



Return code (0DH)

Problem response (communication error or incorrect command)



Return code (0DH)

Commands

CONTROL ITEM	COMMAND	PARAMETER	CONTROL CONTENTS
POWER SETTING	P O W E R	0	POWER OFF (STANDBY)
INPUT SELECTION A	I N P U T	1	INPUT SWITCHING (TOGGLE)
CHANNEL	C H A N N E L	1	TV CHANNEL (FIXED)
CHANNEL UP	C H U P	1	INPUT-5 (1-5)
CHANNEL DOWN	C H D N	1	TV DIRECT CHANNEL (1-99)
INPUT SELECTION B	I N P U T	2	CHANNEL UP
INPUT (CORS)	I N P U T	3	CHANNEL DOWN
INPUT (RGB)	I N P U T	4	INPUT (CORS)
INPUT (CWB)	I N P U T	5	INPUT (RGB)
INPUT (VYC)	I N P U T	6	INPUT (CWB)
INPUT (VCS)	I N P U T	7	INPUT (VYC)
INPUT (RBB)	I N P U T	8	INPUT (VCS)
INPUT (COMPONENT)	I N P U T	9	INPUT (RBB)
INPUT (AUTO)	I N P U T	0	INPUT (COMPONENT)
INPUT (SVIDEO)	I N P U T	1	INPUT (AUTO)
INPUT (VIDEO)	I N P U T	2	INPUT (SVIDEO)
DIGITAL PC	D I G I T A L P C	1	INPUT (VIDEO)
ANALOGUE PC	A N A L O G U E P C	1	DIGITAL PC
ANALOGUE AV	A N A L O G U E A V	1	ANALOGUE PC
TOGGLE	T O G G L E	1	ANALOGUE AV
STANDARD	S T A N D A R D	1	TOGGLE
GAME	G A M E	1	STANDARD
USER	U S E R	1	GAME
DYNAMIC	D Y N A M I C	1	USER
VOLUME (0-60)	V O L U M E	0-60	DYNAMIC

CONTROL ITEM	COMMAND	PARAMETER	CONTROL CONTENTS
POSITION	H P O S	1	H-POSITION(AV) (0-410)
	V P O S	1	V-POSITION(PC) (0-180)
	V P O S	2	V-POSITION(AV) (0-20)
	V P O S	3	V-POSITION(PC) (0-20)
	C L O C K	1	CLOCK (0-180)
	P H A S E	1	PHASE (0-90)
WIDE MODE	W I D E M O D E	1	TOGGLE (AV)
	W I D E M O D E	2	NORMAL (AV)
	W I D E M O D E	3	ZOOM (AV) (AV)
	W I D E M O D E	4	PANORAMA (AV)
	W I D E M O D E	5	FULL (AV)
	W I D E M O D E	6	CINEMA (AV) (AV)
	W I D E M O D E	7	CINEMA (AV) (AV)
	W I D E M O D E	8	NORMAL (PC)
	W I D E M O D E	9	CINEMA (PC)
	W I D E M O D E	0	FULL (PC)
	W I D E M O D E	1	DOT BY DOT (PC)
MUTE	M U T E	0	TOGGLE
	M U T E	1	MUTE
DOLBY VIRTUAL	A C D V I	1	MORE OFF
	A C D V I	2	TOGGLE
	A C D V I	3	ON
DUAL SCREEN	A C D V 2	1	OFF
	A C D V 2	2	DUAL SCREEN/OFF
AUDIO CHANGE	A C H A	1	DUAL SCREEN
SLEEP TIMER	S L E E P T I M E R	0	TOGGLE
	S L E E P T I M E R	1	OFF
	S L E E P T I M E R	2	SLEEP TIMER DOWN
	S L E E P T I M E R	3	SLEEP TIMER 1 HOUR
	S L E E P T I M E R	4	SLEEP TIMER 1 HOUR 30 MIN
	S L E E P T I M E R	5	SLEEP TIMER 2 HOUR
	S L E E P T I M E R	6	SLEEP TIMER 2 HOUR 30 MIN
TEXT	T E X T	0	TEXT OFF
	T E X T	1	TEXT ON (TOGGLE)
	D I R E C T P A G E J M P	1	DIRECT PAGE JUMP (100-899)

NOTE

- If an underbar ( \_ ) appears in the parameter column, enter a space.
- If an asterisk ( \* ) appears, enter a value in the range indicated in brackets under CONTROL CONTENTS.

Basic adjustment settings

TV/AV input mode menu items

List of AV menu items to help you with operations



**OPC**  
 Backlight  
 Contrast  
 Brightness  
 Colour  
 Tint  
 Sharpness  
 Advanced  
 C.M.S.  
 Colour Temp.  
 Black  
 3D-Y/C  
 Monochrome  
 Film Mode  
 I/P Setting



Treble  
 Bass  
 Balance  
 Dolby Virtual



No Signal Off  
 No Operation Off



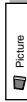
Auto Installation  
 Programme Setup  
 Child Lock  
 Input Label  
 Speaker Setup  
 Position  
 WSS  
 4:3 Mode  
 Rotate  
 Language



Audio Only  
 DNR  
 Input Select  
 INPUT 4  
 Colour System  
 Centre Channel Input

\*PC input mode menu items

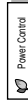
List of PC menu items to help you with operations



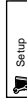
**OPC**  
 Backlight  
 Contrast  
 Brightness  
 Red  
 Green  
 Blue  
 Advanced  
 C.M.S.



Treble  
 Bass  
 Balance  
 Dolby Virtual



Power Management



Speaker Setup  
 Input Signal  
 Auto Sync.  
 Fine Sync.  
 Input Label  
 Rotate  
 Language



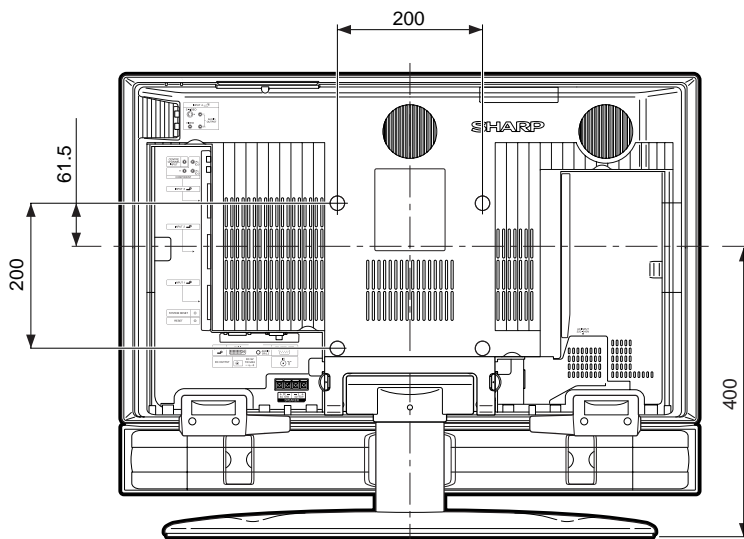
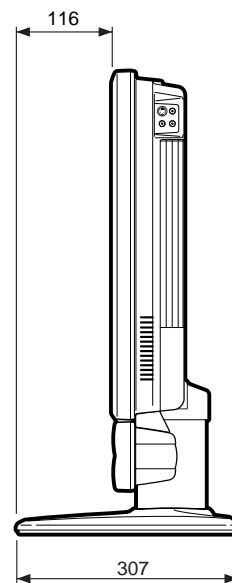
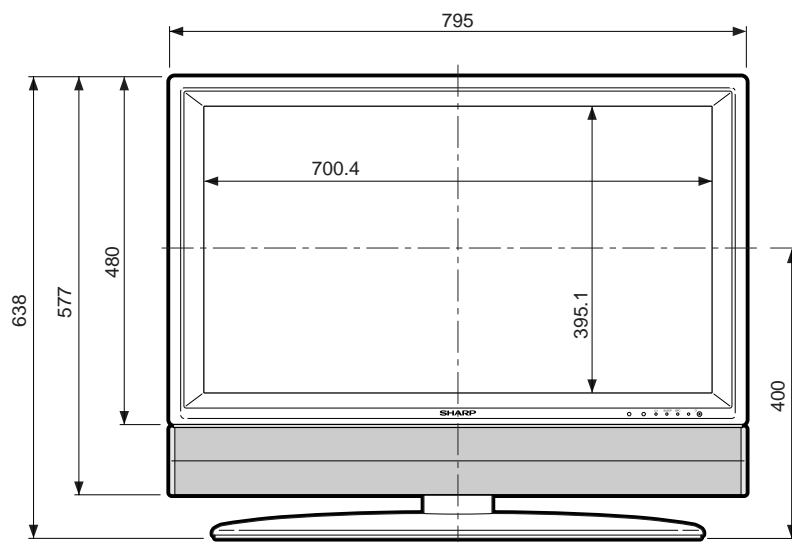
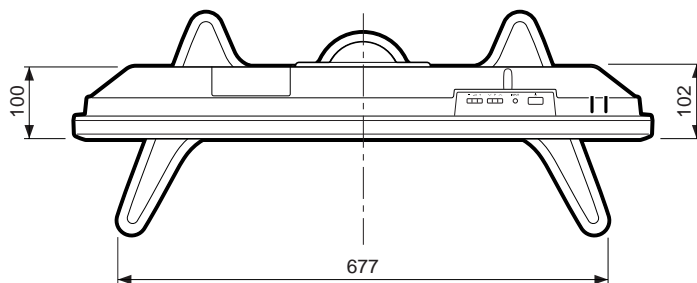
Audio Only  
 Input Select  
 INPUT 4  
 Quick Shoot  
 Centre Channel Input

\*When INPUT5 is set to PC

# DIMENSIONS

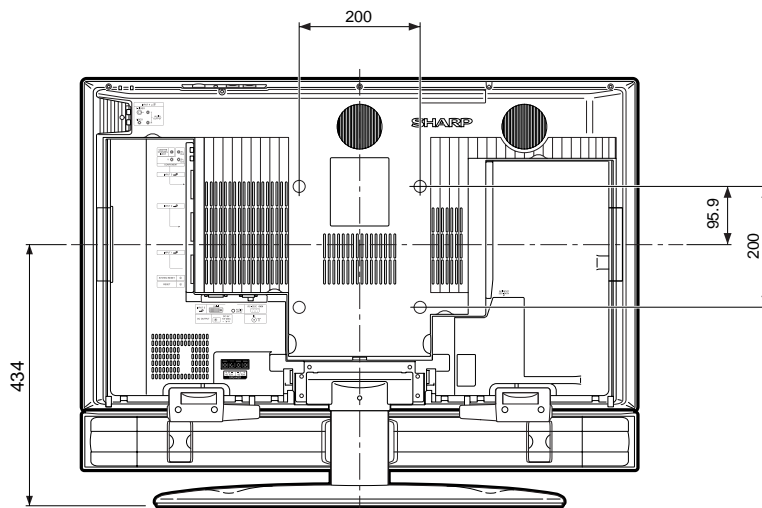
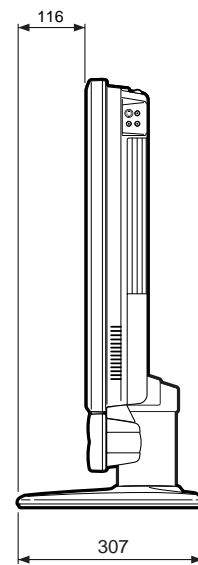
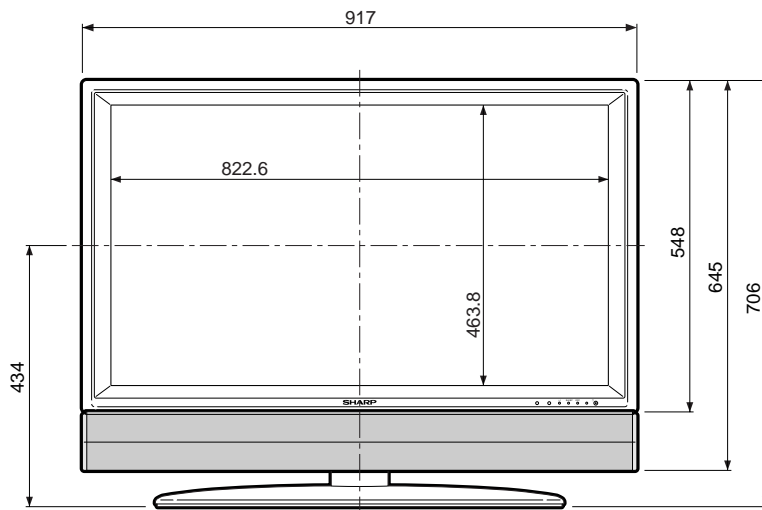
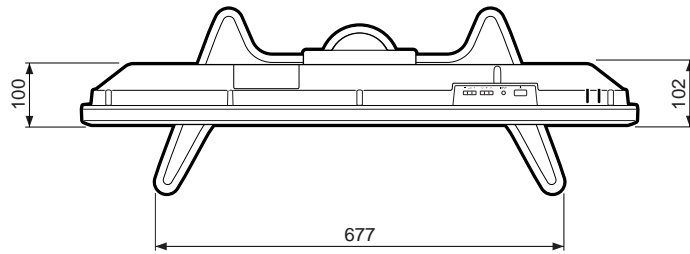
(LC-32GA3E)

Unit : mm



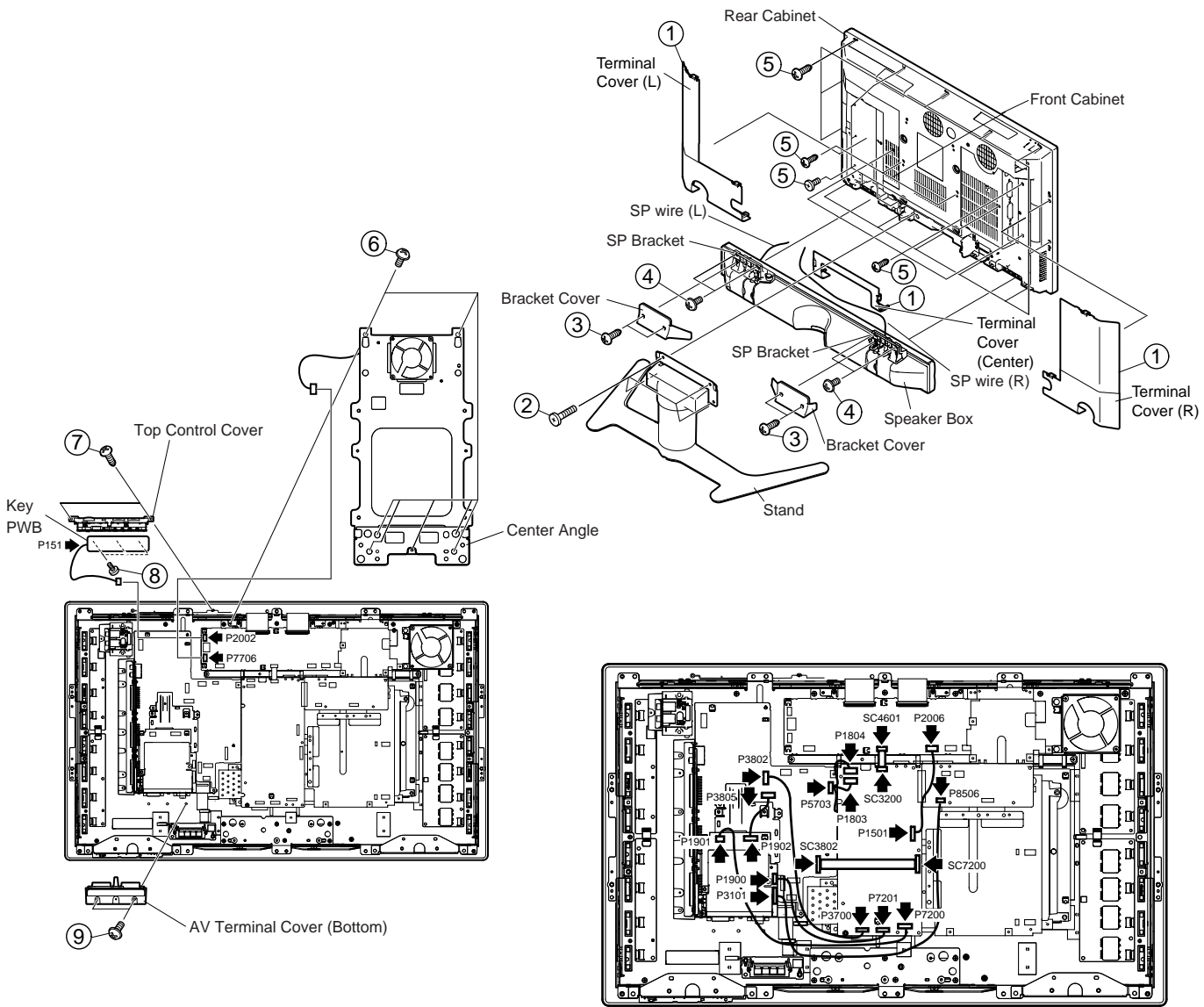
(LC-37GA3E)

Unit : mm



# REMOVING OF MAJOR PARTS

1. Remove the Terminal Covers ① .
2. Remove the 4 lock screws ② and detach the Stand.
3. Remove the 4 lock screws ③ and detach the Bracket Covers.
4. Remove the 4 lock screws ④ and separate the Speaker Box from the set.  
Disconnect SP wire (R) and SP wire (L).
5. Remove the 26 lock screws ⑤ from Rear Cabinet, and detach the Rear Cabinet.
6. Remove the 7 lock screws ⑥ from Center Angle, and detach the Center Angle.
7. Remove the Key PWB
  - 7-1. Remove the 2 lock screws ⑦ from Top Control Cover.
  - 7-2. Remove the 3 lock screws ⑧ from the Key PWB.
8. Remove the 2 lock screws ⑨ from AV Terminal Cover (Bottom) and detach the AV Terminal Cover (Bottom).
9. Disconnect all the connectors from all the PWBs.



10. Remove the Main and CPU PWBs.

10-1. Remove the 6 lock screws (10) from Main PWB Angle, and detach the Main PWB Angle.

10-2. Remove the 10 lock screws (11) and detach the Main and CPU PWBs. Divide Main PWB and CPU PWB.

10-3. Remove the 2 lock screws (12) and detach the CPU PWB Cover.

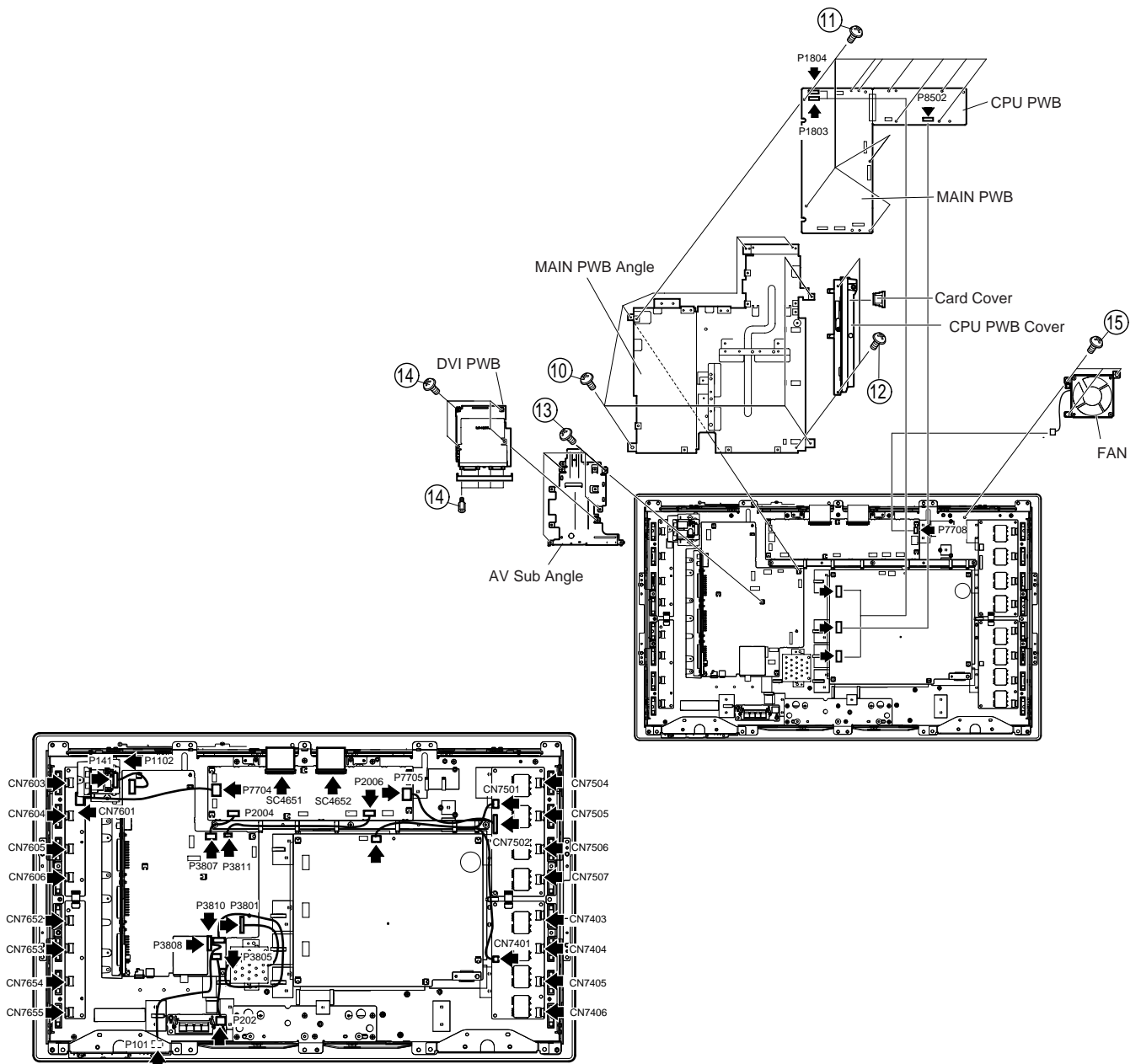
11. Remove the DVI PWB.

11-1. Remove the 4 lock screws (13) from the AV Sub Angle and detach the AV Sub Angle.

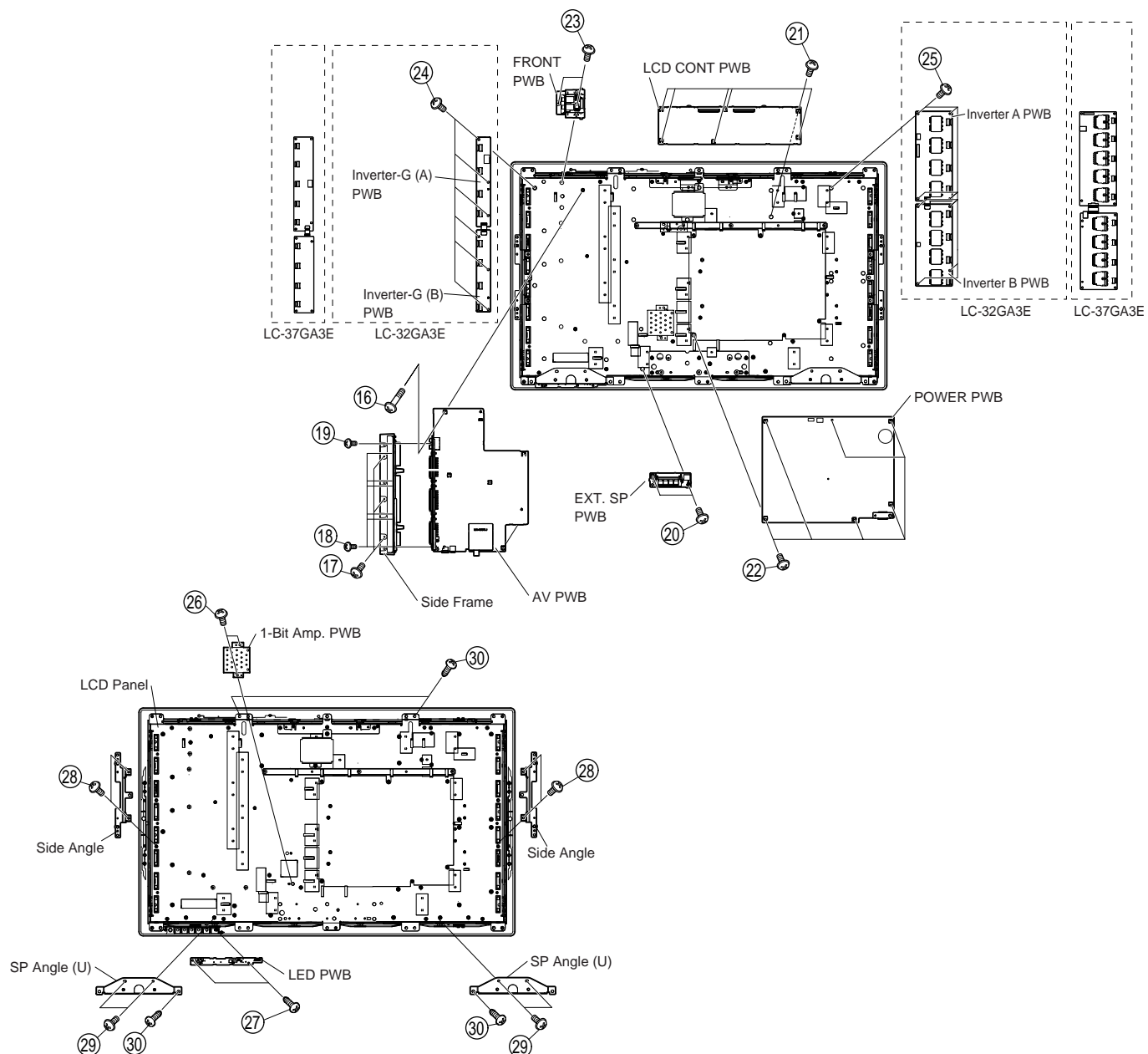
11-2. Remove the 8 lock screws (14) from the DVI PWB and detach the DVI PWB.

12. Remove 3 lock screws (15) from the Fan and detach the Fan.

13. Disconnect all the connectors from all the PWBs.



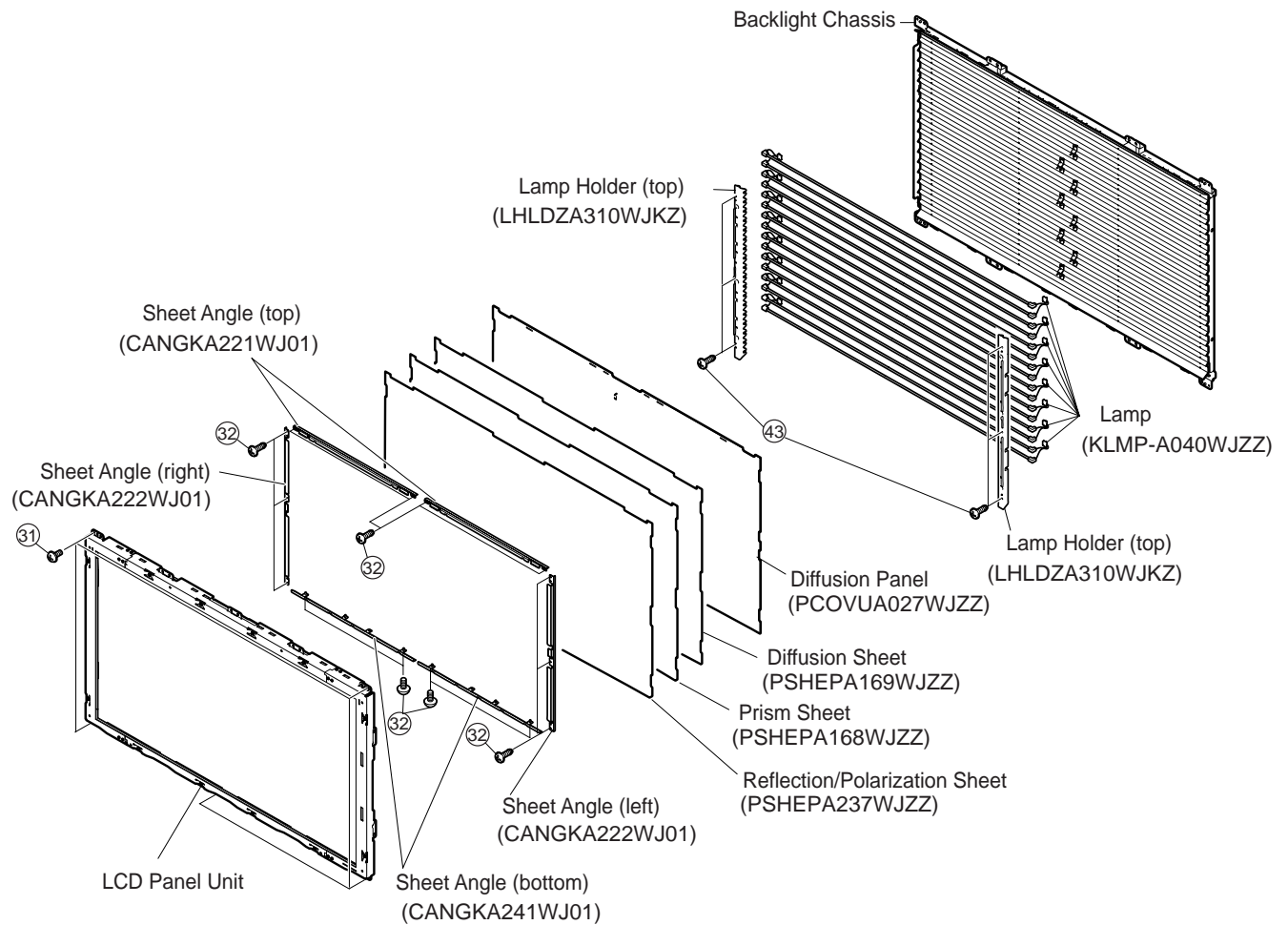
14. Remove the 1 lock screw ①⑥ from AV PWB and remove the 3 lock screws ①⑦ from the Side Frame. Detach the AV PWB.
15. Remove the 6 lock screws ①⑧ and the 1 lock screw ①⑨ from Side Frame. Detach the Side Frame.
16. Remove the 2 lock screws ②⑦ from EXT. SP PWB, and detach the EXT. SP PWB.
17. Remove the 6 lock screws ②① from LCD CONT PWB, and detach the LCD CONT PWB.
18. Remove the 6 lock screws ②② from Power PWB, and detach the Power PWB.
19. Remove the 2 lock screws ②③ from Front PWB, and detach the Front PWB.
20. Remove the 6 lock screws ②④ from INVERTER-G (A) PWB and INVERTER-G (B) PWB. Detach the INVERTER-G (A) PWB and INVERTER-G (B) PWB.
21. Remove the 8 lock screws ②⑤ from INVERTER (A) PWB and INVERTER (B) PWB. Detach the INVERTER (A) PWB and INVERTER (B) PWB.
22. Remove the 2 lock screws ②⑥ from 1-Bit Amp. PWB, and detach the 1-Bit Amp. PWB.
23. Remove the 2 lock screws ②⑦ from LED PWB, and detach the LED PWB.
24. Remove the 4 lock screws ②⑧ from Side Angles, and detach the Side Angles.
25. Remove the 4 lock screws ②⑨ from SP Angle (U).
26. Remove the 4 lock screws ③① and detach the LCD Panel.





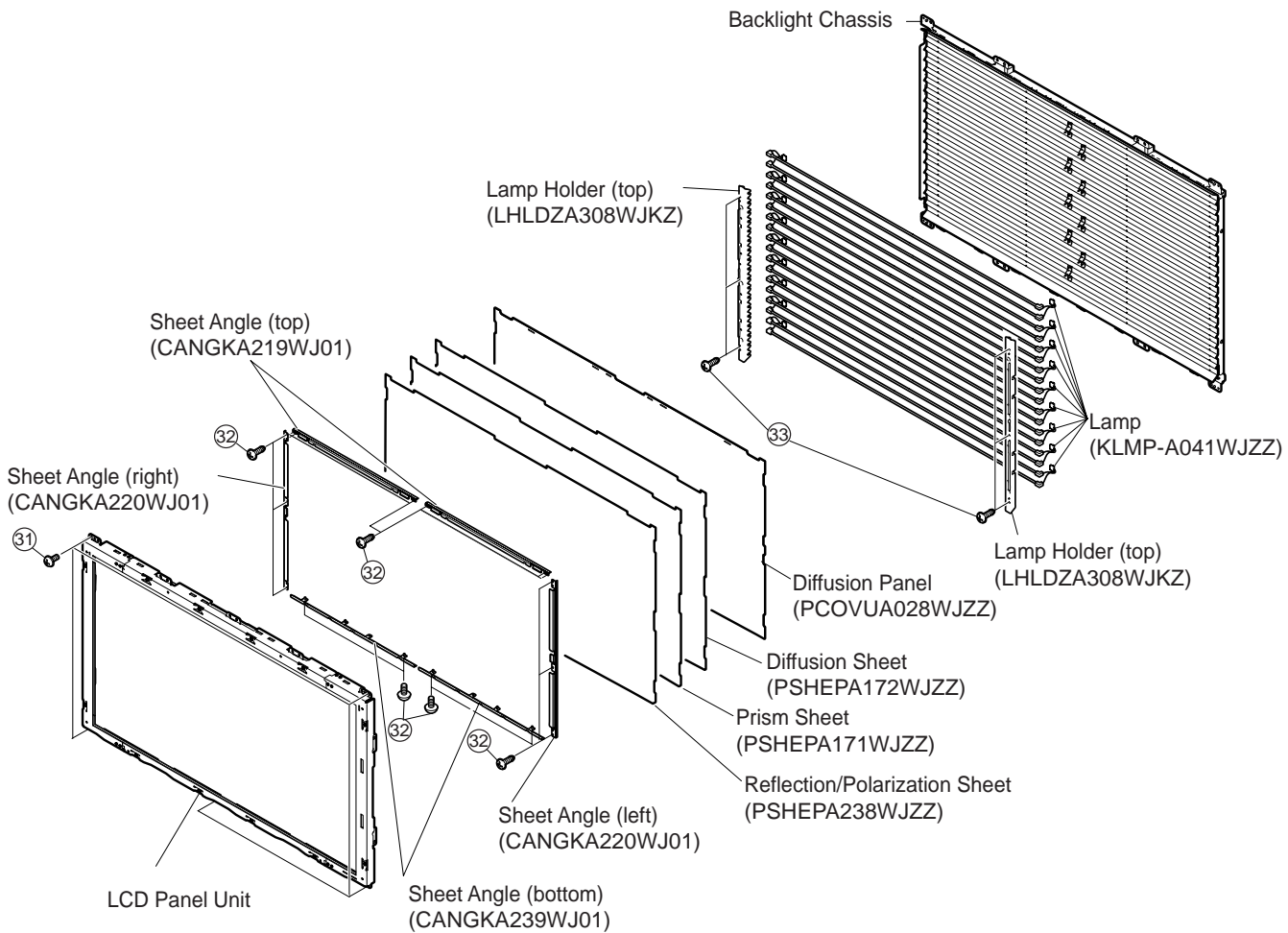
## REMOVING OF LCD PANEL UNIT (LC-32GA3E)

27. Remove 5 screws for fixing the LCD Panel Unit (31).
28. Remove 14 screws for fixing the sheet angle (32) to detach the top, bottom, left, and right sheet angles.
29. Remove the Reflection/Polarization Sheet, Prism Sheet, Diffusion Sheet, and Diffusion Panel.
30. Remove 6 screws for fixing the Lamp Holder (top) (33) to detach the Lamp Holder (top).
31. Remove the Lamps.



## REMOVING OF LCD PANEL UNIT (LC-37GA3E)

27. Remove 5 screws for fixing the LCD Panel Unit (31).
28. Remove 14 screws for fixing the Sheet aAngle (32) to detach the top, bottom, left, and right Sheet Angles.
29. Remove the Reflection/Polarization sheet, Prism sheet, Diffusion sheet, and Diffusion Panel.
30. Remove 6 screws for fixing the Lamp Holder (top) (33) to detach the Lamp Holder (top).
31. Remove the Lamps.



# ADJUSTMENT PROCEDURE

The adjustment values are set to the optimum conditions at the factory before shipping. If a value should become improper or an adjustment is required due to part replacement, make an adjustment according to the following procedure.

## 1. When replacing the PWB and IC, pay attention to the following precautions.

When replacing units below, order those where the software has been written.

DVI unit: DUNTKC595VJ17 for LC-32GA3E / DUNTKC595VJ19 for LC-37GA3E

CPU unit: DUNTKC427VJ21

LCD CONT unit: DUNTKC268VJ89 for LC-32GA3E / DUNTKC268VJ91 for LC-37GA3E

## 2. Upgrading of each microprocessor software

**Caution: Never "POWER OFF" the unit when software upgrade is ongoing.  
Otherwise the system may be damaged beyond recovery.**

### 2-1 Software version upgrade

This unit has main and monitor microcomputer softwares.

These can be rewritten via a general-purpose SD memory card.

The procedures to rewrite the main and monitor microcomputer softwares are described below.

### 2-2 Main software version upgrade

Get ready before you start

- SD memory card of 16MB or higher capacity
- PC running on Windows 98/98SE/ME/2000/XP operating system
- SD memory card reader/writer with USB connectivity and PC card adapter
- SD memory card formatting software  
(Downloadable at [http://panasonic.jp/support/audio/sd/download/sd\\_formatter\\_e.html](http://panasonic.jp/support/audio/sd/download/sd_formatter_e.html))

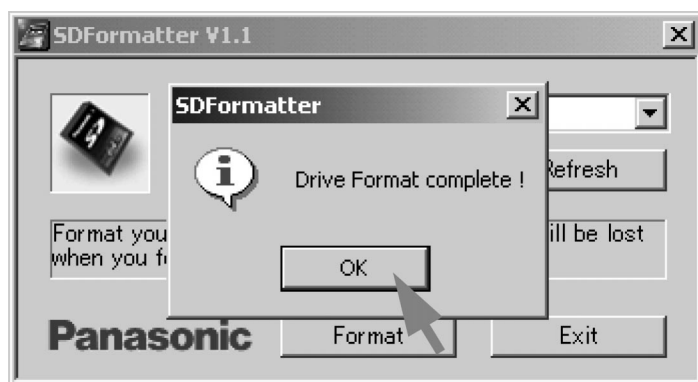
Preparations

To upgrade the main software, it is necessary to get ready the SD card for version upgrade before you start. Follow the steps below and create the SD card for version upgrade.

- ① Insert the SD card into the SD card reader/writer. Start the SD card formatting software. Click [Format].  
(When you have the drive options, select the drive where the SD card is inserted before you proceed.)

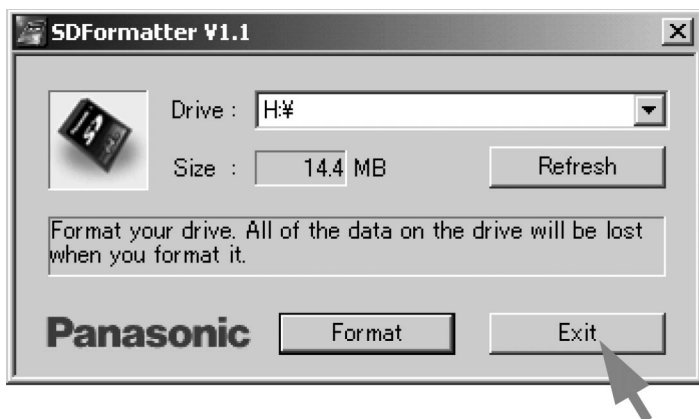


- ② When the formatting is over, the following window appears. Click [OK].



- ③ Click [Exit] to finish the formatting.

Note: When you are done, take out the SD card once to make sure it is finished, and then insert it again.



- ④ Copy the binary image file KA1UAxxx.SDC (named temporarily) for version upgrade to the root directory (folder) of the SD card drive.

Note: In the SD card drive, do not store other folders or unrelated files, or more than one binary image files for version upgrade.

Now the SD card for version upgrade is ready.

How to upgrade the software

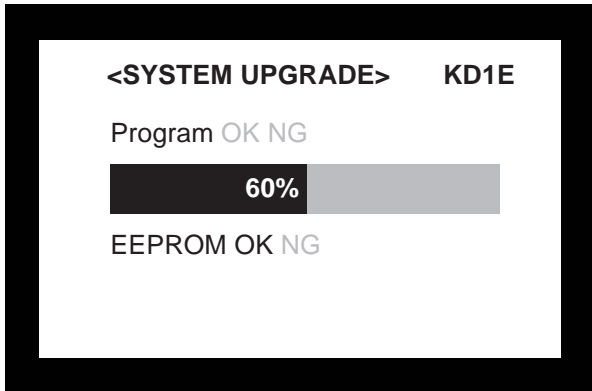
- ① Pull out the AC cord to turn off the TV.
- ② Insert the SD card for version upgrade (prepared as above) into the service socket located below left of the right side cooling fan in the rear of the unit, in a way that the cut corner of the SD card comes at the right-hand side.

Note: If the SD card is inserted in a wrong way, the card will go deep inside the unit beyond retrieval. Take due care to insert the SD card correctly.

- ③ Hold down the "SYSTEM RESET" button at the lower left of the rear of the unit, and plug in the AC cord to turn on the TV.

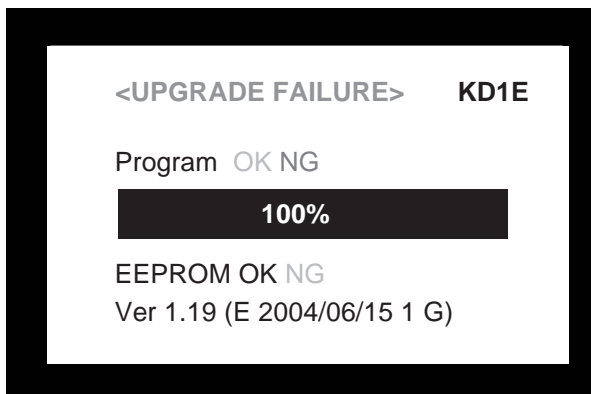
Note: The "SYSTEM RESET" button can be released after the TV turns on.

- ④ Several to ten-odd seconds after the unit starts, the following version upgrade screen appears.

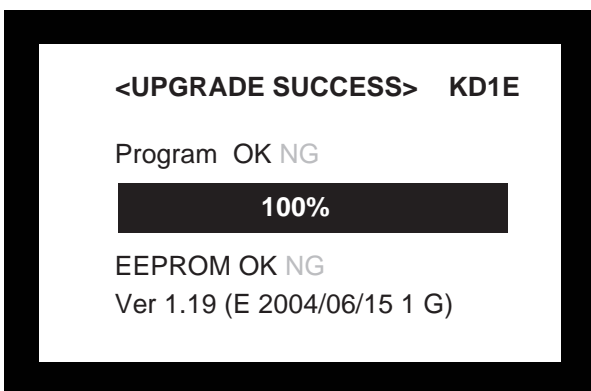


- ⑤ Even a single failure in the process will trigger the upgrade failure screen as shown below. The word "NG" changes to red for the item failed.

Note: In the event of a failure, repeat the upgrading process. If the process repeatedly fails, it is likely that the hardware is troubled.



- ⑥ Upon completion of the whole process, the upgrade success screen as shown below appears. You can check the new software version on this screen. The version information appears after the upgrade is complete.



- ⑦ Shut off the AC power to the unit (unplug the AC cord), and remove the SD card for version upgrade.
- ⑧ Now the software version upgrade is complete.

Note: When you are done with the software version upgrade, start the set, go to the top page of the adjustment process screen and check the main software version information.

## 2-3 Monitor microprocessor software version upgrade

### Get ready before you begin

Get ready the same items as listed in the "Main software version upgrade".

### Preparation

Create the SD card for monitor microprocessor software version upgrade in the same manner as explained in the "Main software version upgrade". Copy the binary image file for monitor microprocessor software version upgrade to the SD card drive.

### How to upgrade the software

During the monitor microprocessor software version upgrade, the progress of upgrading is not shown on the display screen. The upgrading process is seen in the blinking of the power LED.

- ① Pull out the AC cord to turn off the TV.
- ② Insert the SD card for version upgrade (prepared as above) into the service socket located below left of the right side cooling fan in the rear of the unit, in a way that the cut corner of the SD card comes at the right-hand side.

Note: If the SD card is inserted in a wrong way, the card will go deep inside the unit beyond retrieval. Take due care to insert the SD card correctly.

- ③ While depressing the SYSTEM RESET button located below the RS-232C connector in the rear left side of the unit, turn on the AC power (i.e. plug in the AC cord).

Note: After the unit is started, you may release the SYSTEM RESET button.

### Caution!!

**The moment this operation is done, the upgrading of the monitor microprocessor software starts. While the upgrade is ongoing, never power off the unit. Otherwise the upgrade will fail and the system may have a serious damage beyond recovery (inability to start).**

- ④ After the unit startup, the power LED starts blinking in green within several to ten-odd seconds.
- ⑤ Wait until the power LED stops blinking, the unit restarts automatically, and the normal startup screen appears (it will take 2-3 minutes).
- ⑥ Shut off the AC power to the unit (unplug the AC cord), and remove the SD card for version upgrade.
- ⑦ Now the software version upgrade is complete.

Note: When you are done with the software version upgrade, start the set, go to the top page of the adjustment process screen and check the monitor microprocessor software version information.

### 3.Entering and exiting the adjustment process mode

- (1) Before entering the adjustment process mode, press the "RESET" button or execute the AV position RESET in the video adjustment menu.
- (2) Pull out the AC cord to turn off the TV.
- (3) While holding down the "VOL (-)" and "INPUT" keys at a time, press the POWER switch of the main unit to turn on the power.  
The letter "K" appears on the screen.
- (4) Next, hold down the "VOL (-)" and "CH (∨)" keys at a time.  
When multiple lines of blue letters are displayed on the screen, the unit has entered the process adjustment mode.  
If the unit does not enter the process adjustment mode (if the same display as the normal start appears), try again.
- (5) To exit the adjustment process mode after the adjustment is done, unplug the AC cord from the outlet to make a forced shutdown. (When the power was turned off with the remote controller, once unplug the AC cord and plug it again. In this case, wait 10 seconds or so before plugging.)

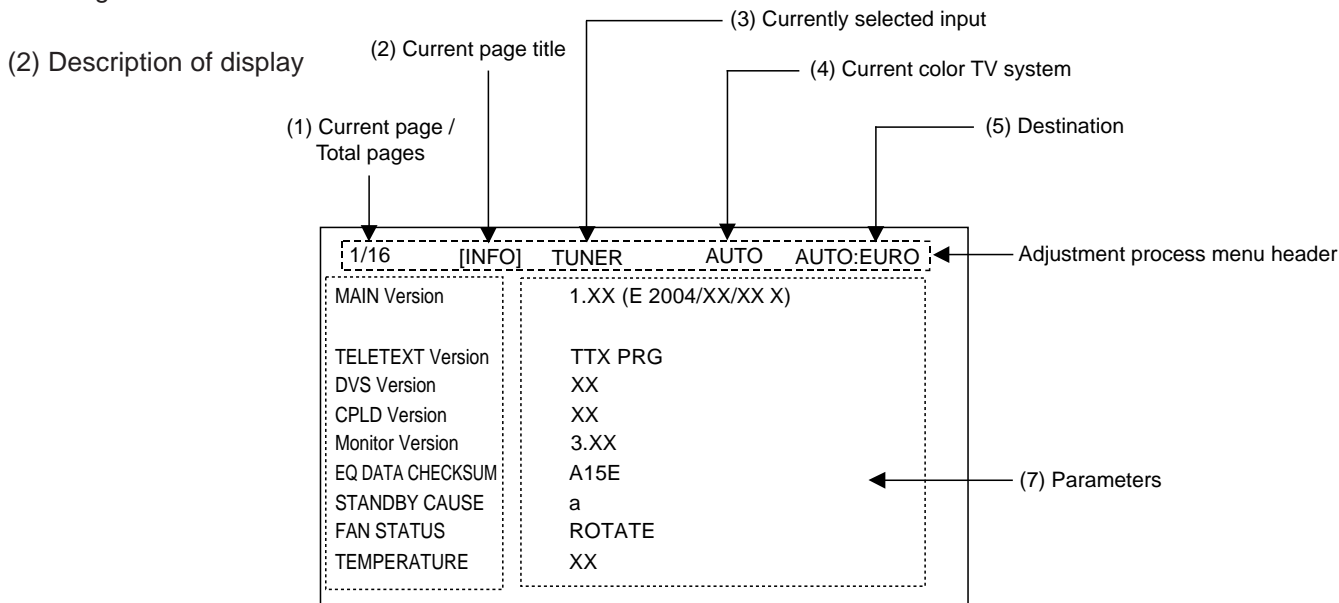
**Caution: Use due care in handling the information described here lest your users should know how to enter the adjustment process mode. If the settings are tampered in this mode, unrecoverable system damage may result.**

### 4.Remote controller key operation and description of display in adjustment process mode

(1) Key operation

Remote controller key	Main unit key	Function
CH (∨/∧)	CH (∨/∧)	Moving an item (line) by one (UP/DOWN)
VOL (+/-)	VOL (+/-)	Changing a selected item setting (+1/-1)
Cursor (UP/DOWN)	_____	Tuning a page (PREVIOUS/NEXT)
Cursor (LEFT/RIGHT)	_____	Changing a selected line setting (+10/-10)
INPUT mark of the R/C (caution required)	INPUT	Input switching (toggle switching) (TUNER→INPUT1→INPUT2→INPUT3→INPUT4→INPUT5)
OK	_____	Executing a function

\* Input mode is switched automatically when relevant adjustment is started so far as the necessary input signal is available.



## 5. List of adjustment process mode menu

The character string in brackets [ ] will appear as a page title in the adjustment process menu header.

Page	Line	Item	Description	Remarks (adjustment detail, etc.)
1		[INFO]		
	1	MAIN Version	Main microprocessor version	Version display
	2	TELETEXT version	Text version	Text microcomputer version display
	3	DVS version	DVS version	DVS version display
	4	CPLD version	CPLD version	CPLD version display
	5	Monitor version	Monitor version	Obtained from the monitor. (Displays panel size and type as well.)
	6	EQ DATA CHECKSUM	Audio data checksum	Audio data checksum display
	7	STANDBY CAUSE	Standby cause	Last status which caused standby
	8	FAN STATUS	Fan status	Fan status ROTATE/STOP (Interval 500msec)
9	TEMPERTURE	TEMPERTURE	Hexadecimal display of the thermistor's value	
2		[INIT]		
	1	INDUSTRY INIT	Initialization to factory settings	Initialization to factory settings (Operations common to the remote control factory setting)
	2	DATA COPY		
	3	HOTELMODE	Hotel mode settings	
	4	Center Acutime	Accumulated operation time	Reset by initialization
	5	RESET	Reset	
	6	BacklightAcutime	Accumulated monitor operation time	Not reset by initialization
	7	RESET	Reset	
	8	VIC XPOS		
	9	VIC YPOS		
	9	VIC COLOR		
10	VIC SIGNAL_TYPE			
11	VIC READ			
3		[PAL MAIN]		
	1	PAL ALL ADJ	PALMAIN+SUB+TUNER	PAL MAIN, SUB and TUNER DAC auto adjustment
	2	PAL MAIN ADJ	Auto ALL	PAL MAIN image auto adjustment
	3	TUNER DAC ADJ		
	4	PAL MAIN CONTRAST	IC402	Contrast
	5	PAL MAIN COLOR GAIN	IC402	Colour gain
	6	PAL SUB CONTRAST	IC601	Contrast
	7	PAL SUB COLOR GAIN	IC601	Colour gain
8	TUNER A DAC	TUNER DAC	Tuner DAC	
4		[PAL SUB]		
	1	PAL SUB ADJ	PAL SUB	PAL SUB Auto Adjustment
	2	PAL SUB CONTRAST	IC601	Contrast
	3	PAL SUB COLOR GAIN	IC601	Colour gain
5		[PAL 2D MAIN]		
	1	PAL 2D MAIN ADJ		
	2	PAL 2D MAIN CONTRAST		
6		[N358 MAIN]		
	1	IBO RS232C TEST		
	2	N358 MAIN ADJ	Auto	Auto N358 MAIN video adjustment
3		[N358 MAIN]		
	3	N358 MAIN CONTRAST	IC402	Contrast
4	N358 MAIN COLOR GAIN	IC402	Colour gain	
7		[COMP15KMAIN]		
	1	COMP15K ALL ADJ	Auto ALL	Auto COMP15K MAIN video adjustment
	2	COMP15K MAIN ADJ		
	3	COMP15K SUB ADJ		
	4	COMP15K MAIN CONTRAST	IC402	Contrast
	5	COMP15K MAIN COLOR GAIN	IC402	Colour gain
	6	COMP15K SUB CONTRAST	IC601	Contrast
7	COMP15K SUB COLOR GAIN	IC601	Colour gain	
8		[HDTV]		
	1	HDTV ADJ		Auto HDTV video adjustment
	2	CONTRAST	IC402	Contrast
3	COLOR GAIN	IC402	Colour gain	
9		[DVI ANALOG]		
	1	DVI ANALOG		Auto DVI Analog video adjustment
	2	R CUTOFF	IC3700	Contrast
	3	G CUTOFF	IC3700	
	4	B CUTOFF	IC3700	
	5	R DRIVE	IC3700	
	6	G DRIVE	IC3700	
7	B DRIVE	IC3700		
10		[DVI DIGITAL]		
	1	DVI DIGITAL		Auto DVI digital video adjustment
	2	R CUTOFF	IC3700	
	3	G CUTOFF	IC3700	
	4	B CUTOFF	IC3700	
	5	R DRIVE	IC3700	
	6	G DRIVE	IC3700	
7	B DRIVE	IC3700		
11		[M GAMMA]		
	1	MONITOR R GAMMA LO		Monitor W/B adjustment
	2	MONITOR G GAMMA LO		
	3	MONITOR B GAMMA LO		
	4	MONITOR R GAMMA HI		
	5	MONITOR G GAMMA HI		
	6	MONITOR B GAMMA HI		
	7	GAMMA WRITE		Writing in monitor gamma table
8	GAMMA RESET		Reset of monitor gamma table	



12	[M GAMMA6 R]		
	1	MONITOR R GAMMA 1	
	2	MONITOR R GAMMA 2	
	3	MONITOR R GAMMA 3	
	4	MONITOR R GAMMA 4	
	5	MONITOR R GAMMA 5	
	6	MONITOR R GAMMA 6	
	7	GAMMA WRITE	Writing in monitor gamma table
	8	GAMMA RESET	Reset of monitor gamma table
13	[M GAMMA6 G]		
	1	MONITOR G GAMMA 1	
	2	MONITOR G GAMMA 2	
	3	MONITOR G GAMMA 3	
	4	MONITOR G GAMMA 4	
	5	MONITOR G GAMMA 5	
	6	MONITOR G GAMMA 6	
	7	GAMMA WRITE	Writing in monitor gamma table
	8	GAMMA RESET	Reset of monitor gamma table
14	[M GAMMA6 B]		
	1	MONITOR B GAMMA 1	
	2	MONITOR B GAMMA 2	
	3	MONITOR B GAMMA 3	
	4	MONITOR B GAMMA 4	
	5	MONITOR B GAMMA 5	
	6	MONITOR B GAMMA 6	
	7	GAMMA WRITE	Writing in monitor gamma table
	8	GAMMA RESET	Reset of monitor gamma table
15	[PATTERN]		
	1	CVIC PATTERN	CVIC-generated internal pattern display
	2	PU PATTERN	SEINE-generated internal pattern display
16	[ETC]		
	1	DATA COPY FOR INH	
		CARD REC INPUT	Permission of card recording by external input source
		EEP SAVE	Storage of adjustment value
		EEP RECOVER	Retrieval of adjustment value
2	AUTO INSTALLATION SW		
3	STANDBY CAUSE RESET		
4	SYS MODEL COUNTRY		
		Saving adjustment value in storage area	
		Retrieving adjustment value from storage area	

## 6. Special features

- \* STANDBY CAUSE (Page 1/16)  
Display of a cause (code) of the last standby  
The cause of the last standby is recorded in EEPROM whenever possible.  
Checking this code will be useful in finding a problem when you repair the troubled set.
- \* EEP SAVE (Page 16/16)  
Storage of EEP adjustment value
- \* EEP RECOVER (Page 16/16)  
Retrieval of EEP adjustment value from storage area

## 7. Video signal adjustment procedure \* Adjustment process mode menu is listed in section 5.

### (1) Signal check

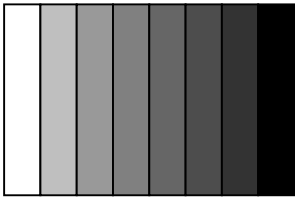
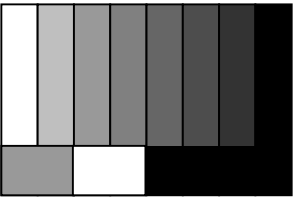
Signal generator level adjustment check (Adjustment to the specified level)

- Composite signal : 0.714Vp-p  $\pm$  0.02Vp-p (Pedestal to white level)
- 15K component signal : Y level : 0.714Vp-p  $\pm$  0.02Vp-p (Pedestal to white level)  
PB, PR level: 0.7Vp-p  $\pm$  0.02Vp-p
- DVI-I (analog RGB) signal : RGB level : 0.714Vp-p  $\pm$  0.02Vp-p (Pedestal to white level)


### (2) Entering the adjustment process mode

Enter the adjustment process mode according to the steps described in section 3.

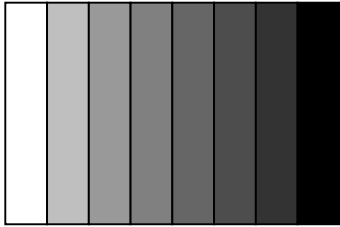
### (3) PAL signal • Tuner adjustment

	Adjustment item	Adjustment conditions	Adjustment procedure
1	Adjustment	[Input signal] Composite full-field colour bar signal and E-12ch RF signal [Input terminal] INPUT3/4 video input terminal and TUNER RF terminal	Supply full-field_colour_bar (color saturation 75%) signal to the video input of INPUT4. Feed the RF signal (by use of E-12ch) to TUNER.  <div style="display: flex; justify-content: space-around; align-items: center;"> <div style="text-align: center;"> <p><b>[Video input signal]</b></p>  <p>↑100% white</p> </div> <div style="text-align: center;"> <p><b>[E-12CH]</b></p>  <p>↑100% white</p> </div> </div>
2	Auto adjustment performance	Page 3/16	Bring the cursor on [■PAL ALL ADJ] and press [OK]. [■PAL ALL ADJ FINISH] appears when finished.

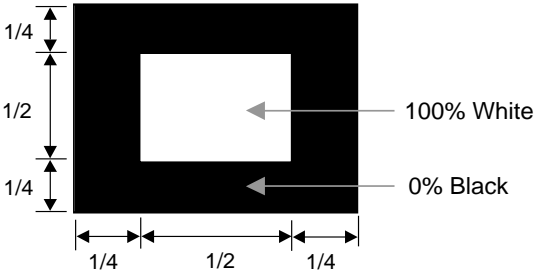
(4) PAL 2DYC adjustment

	Adjustment item	Adjustment conditions	Adjustment procedure
1	Adjustment	[Input signal] Composite full-field colour bar signal [Input terminal] INPUT3/4 video input terminal	Supply full-field_colour_bar (color saturation 75%) signal to the video input of INPUT4.  ↑100% white
2	Auto adjustment performance	Page 5/16	Bring the cursor on [■PAL 2D MAIN ADJ] and press [OK]. [■PAL 2D MAIN ADJ FINISH] appears when finished.

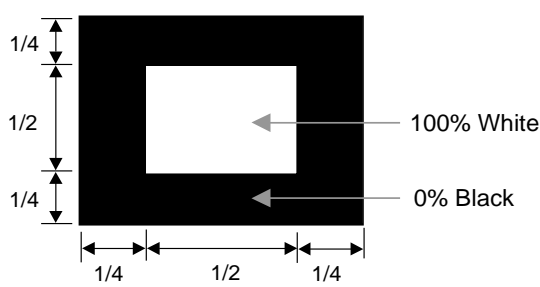
(4) Component 15K signal adjustment

	Adjustment item	Adjustment conditions	Adjustment procedure
1	Adjustment	[Input signal] COMP15k 60Hz full-field colour bar signal [Input terminal] INPUT3 component input terminal	Supply component 15k full-field colour bar (color saturation 100%) signal to the component input terminal of INPUT3.  ↑100% white
2	Auto adjustment performance	Page 7/16	Bring the cursor on [■COMP 15k ALL ADJ] and press [OK]. [■COMP 15k ALL ADJ FINISH] appears when finished.

(6) DVI-I (analog) signal adjustment

	Adjustment item	Adjustment conditions	Adjustment procedure
1	Adjustment	DVI-I (analog)	Supply XGA (1024x768_60Hz) window pattern signal to the DVI-I (analog) input. 
2	Auto adjustment performance	Page 9/16	Bring the cursor on [■DVI ANALOG ADJ] and press [OK]. [■DVI ANALOG ADJ FINISH] appears when finished.

(7) DVI-I (digital) signal adjustment

	Adjustment item	Adjustment conditions	Adjustment procedure
1	Adjustment	DVI-I (digital)	<p>Supply XGA (1024x768_60Hz) window pattern signal to the DVI-I (analog) input.</p> 
2	Auto adjustment performance	Page 10/16	<p>Bring the cursor on [■DVI DIGITAL ADJ] and press [OK]. [■DVI DIGITAL ADJ FINISH] appears when finished.</p>

## 8. Adjustment of white balance

Start up the set and adjust the white balance.

1. Place the set under the following conditions.

AV Mode: [DYNAMIC]

Monochrome: [ON] Black: [OFF]

Feed the component 15k (60Hz) adjustment signal via INPUT3 to display the adjustment screen (High: 70%, Low: 30%).

2. Execute the automatic adjustment.

1) In order for the 70% pattern to become the reference value (page 11/16), adjust the "MONITOR\_R\_GAMMA\_HI", "MONITOR\_G\_GAMMA\_HI" and "MONITOR\_B\_GAMMA\_HI" settings.

2) In order for the 30% pattern to become the reference value (page 11/16), adjust the "MONITOR\_R\_GAMMA\_LO", "MONITOR\_G\_GAMMA\_LO" and "MONITOR\_B\_GAMMA\_LO" settings.

Reference value: [Minolta CA-210]

(525i)

Make adjustments so that  $x=0.272$  and  $y=0.275$ . (70% gray scale)

Make adjustments so that  $x=0.272$  and  $y=0.275$ . (30% gray scale)

## 9. Initialization to factory settings

**Caution: When initialization is performed, all user setting data including the channel settings are initialized. Be cautious when making this adjustment.**

(The adjustments done in the adjustment process mode are not initialized.)

	Adjustment item	Adjustment conditions	Adjustment procedure
1	Initialization		<p>Enter the adjustment process mode. Bring the cursor on to [INDUSTRY INIT] in page 2/16. Select [ON] using the VOLUME [+/-] key and press the [OK] key. Initialization is executed. When the unit automatically exits from the process adjustment mode and the display appears on the TV, initialization is complete. * Never shut off the power during the initialization process.</p>
			<p>The following settings are initialized in this adjustment.</p> <ol style="list-style-type: none"> <li>1. User setting</li> <li>2. Channel data (e.g. broadcast frequencies)</li> <li>3. Operation time</li> <li>4. Maker's optional setting</li> <li>5. Password data</li> </ol>

**After the adjustment, cancel the adjustment process mode.**

**To exit the adjustment process mode, unplug the AC power cable from the outlet to make a forced shutdown. (When the power was turned off with the remote controller, once unplug the power cable and plug it again. In this case, wait 10 seconds or so before plugging.)**

## 10. Display adjustment procedure

### 1. Adjustment procedure

Enter the display process mode and then adjust COM BIAS.

### 2. Entering and exiting the adjustment process mode

(1) Before entering the adjustment process mode, press the "RESET" button or execute the AV position RESET in the menu video adjustment.

(2) Pull out the AC cord to turn off the TV.

(3) While holding down the "VOL (+)" and "CH (∨)" keys at a time, press the "POWER" key of the main unit to turn on the power.

The letter " <K> " appears on the screen.

(4) Press the VOL "+/-" key or CH " ^/∨ " key on the remote control.

Multiple lines of red characters appearing on the display indicate that the unit is now in the adjustment process mode.

When you fail to enter the adjustment process mode (the display is the same as normal startup), retry the procedure.

(5) To exit the adjustment process mode after the adjustment is done, unplug the AC cord from the outlet to make a forced shutdown. (When the power was turned off with the remote controller, once unplug the AC cord and plug it again. In this case, wait 10 seconds or so before plugging.)

**Caution: Use due care in handling the information described here lest your users should know how to enter the adjustment process mode. If the settings are tampered in this mode, unrecoverable system damage may result.**

### 3. Adjustment process mode key operation table

Key	Function 1 (when on the left side of a page)	Function 2 (when changing a numeric value)
Cursor UP	Moving up by one item or moving to the previous page (when at the top)	Incrementing the adjustment value by one or executing the item (in the case of W or R item)
Cursor DOWN	Moving down by one item or moving to the next page (when at the bottom)	Decrementing the adjustment value by one or executing the item (in the case of W or R item)
Cursor RIGHT	Moving to the right by one item or moving to another page (in the case of the initial page)	Moving to the right by one item
Cursor LEFT	Moving to the left by one item or moving to another page (in the case of the initial page)	Moving to the left by one item
OK	Test pattern off	Executing the item (in the case of W or R item)
INPUT mark of the R/C (caution required)	Moving to the next page	Moving to the next page
CH (∧)	Moving up by one item or moving to the previous page (when at the top)	Incrementing the adjustment value by one or executing the item (in the case of W or R item)
CH (∨)	Moving down by one item or moving to the next page (when at the bottom)	Decrementing the adjustment value by one or executing the item (in the case of W or R item)
VOL (+)	Moving to the right by one item or moving to another page (in the case of the initial page)	Moving to the right by one item
VOL (-)	Moving to the left by one item or moving to another page (in the case of the initial page)	Moving to the left by one item

#### 4. COM BIAS adjustment

Shift to the [COM BIAS] item with the cursor UP/DOWN key and select a numeric value with the cursor RIGHT/LEFT key.

Changing the numeric value with the cursor UP/DOWN key will make appear the test pattern. Make an adjustment so that the flicker near the center of the screen is minimized.

Adjusting procedure by use of [RS-232C]

- Get ready the PC with COM port (RS-232C) running on Windows 95/98/ME/2000/XP operating system, as well as the RS-232C cross cable.
- Start the unit with the RS-232C cable connected.
- Start the terminal software. (The freeware readily available on the Internet will do.)
- Make the following settings.
  - Baud rate      9600
  - Data            8 bits
  - Parity           None
  - Stop bit        1 bit
  - Flow control   Not implemented
- If the settings are correct, the terminal software indicates "ERR" against pressing of the "ENTER" key.
- After the settings are done correctly, it is possible to make an adjustment by typing in the command shown in the table below and pressing the "ENTER" key on the keyboard.

Command entry is successful if the terminal software indicates "OK" when the "ENTER" is pressed. If "ERR" is shown, retry to enter the command.

RS232C command table

Command	Function	Remarks
MSET1001	Starting the white balance adjustment	Ending the adjustment with a numeric value other than 1001
MOFR****	Adjusting the R GAMMA L value	Range: 0000~0255
MOFG****	Adjusting the G GAMMA L value	Range: 0000~0255
MOFB****	Adjusting the B GAMMA L value	Range: 0000~0255
MGAR****	Adjusting the R GAMMA H value	Range: 0000~0255
MGAG****	Adjusting the G GAMMA H value	Range: 0000~0255
MGAB****	Adjusting the B GAMMA H value	Range: 0000~0255
MINF0000	Displaying the R GAMMA table	
MINF0001	Displaying the G GAMMA table	
MINF0002	Displaying the B GAMMA table	

5. Lamp error detection

5-1. Feature description

This liquid-crystal colour TV incorporates a lamp error detection feature (lamp error detection) that automatically turns OFF the power for safety under abnormal lamp or lamp circuit conditions.

If anything is wrong with the lamp or lamp circuit or when the lamp error detection feature is activated for some reason, the following will result.

- ① The power of TV main body is turned OFF about six seconds after it is turned ON. (The power LED on the front of the TV turns red from green and keeps blinking in red (ON for 250ms and OFF for 1sec)).
- ② If occurs five times consecutively, it becomes impossible to turn ON the power. (The power LED keeps blinking in red (ON for 250ms and OFF for 1sec)).

5-2. Measures

1) Checking with lamp error detection OFF

Refer to "Entering and exiting the adjustment process mode" in the section 10-2 to enter the display process mode.

If there is a problem with a lamp or a lamp circuit, the lamp will go out. (The power LED is green.)

Then, you can check the operation to see if the lamp and lamp circuit are abnormal.

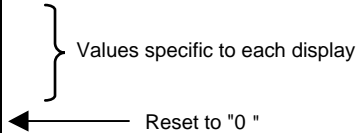
2) Resetting the lamp error count

After you have finished checking whether the lamp and lamp circuit are abnormal, reset the lamp error count. If a lamp error is detected five consecutive times, the power cannot be turned on.

Therefore, move to the [L ERR RESET] line, the 5th line on the first page of the "Display process mode", using the Cursor UP/DOWN key. Then, reset the [L ERR RESET] value using the Cursor RIGHT/LEFT key. In this case, press the Cursor UP/DOWN key to reset it to "0".

Table of contents of adjustment process mode Page 0

	0	1	2	3	4	5	6	7	8	9	A	B	C	D	E	F
0	S	E	R	V	I	C	E		I		3	2	G	A	3	E
1	→	G	R	A	Y	L	E	V	E	L		1	0	0		
2		C	O	M	B	I	A	S				1	9	0		
3		V	L	S	B	I	A	S				0	4	1		
4		L		E	R	R		R	E	S	E	T		0		
5		L	C	D												
6		P	A	T	T	E	R	N								
7		M	O	T	O	R		A	N	D		F	A	N		
8		O	T	H	E	R										
9			V	E	R		M	3	0	1						



After resetting to "0", perform an operational check to ensure that the lamp error detection feature is not activated.



6. List of adjustment process modes (Display)  
(Examples)

Table of contents of adjustment process mode Page 0

	0	1	2	3	4	5	6	7	8	9	A	B	C	D	E	F
0	S	E	R	V	I	C	E		I		3	2	G	A	3	E
1	→	G	R	A	Y	L	E	V	E	L			1	0	0	
2		C	O	M	B	I	A	S					1	9	0	
3		V	L	S	B	I	A	S					0	4	1	
4		L		E	R	R		R	E	S	E	T			0	
5		L	C	D												
6		P	A	T	T	E	R	N								
7		M	O	T	O	R		A	N	D		F	A	N		
8		O	T	H	E	R										
9			V	E	R		M	3	0	1						

LCD Page 1

	0	1	2	3	4	5	6	7	8	9	A	B	C	D
0	L	C	D	1										
1	→	M	O	D	E				6	0	H	z		0
2		P	W	M	C	T	R	L						3
3		P	W	M	F	R	E	Q			1	2	8	9
4		P	W	M	D	U	T	Y	1		0	0	0	0
5		P	W	M	D	U	T	Y	2		0	0	0	0
6		P	H	A	S	E	D	I	F			0	0	0
7		P	C	L	K	1								0
8		P	C	L	K	2								0
9														

LCD Page 2

	0	1	2	3	4	5	6	7	8	9	A	B	C	D
0	L	C	D	2										
1	→	M	O	D	E				6	0	H	z		0
2		Q	S		S	W								1
3		Q	S		D	1					0	8	4	
4		Q	S		D	2					0	9	6	
5		Q	S		D	3					1	0	6	
6		Q	S		D	4					1	1	8	
7		Q	S		D	5					1	3	2	
8		Q	S		D	6					1	4	7	
9		Q	S		D	7					1	6	2	

LCD Page 3

	0	1	2	3	4	5	6	7	8	9	A	B	C	D
0	L	C	D	3										
1	→	O	P	C		0							0	0
2		O	P	C		1							0	5
3		O	P	C		2							0	9
4		O	P	C		3							1	3
5		O	P	C		4							1	8
6		O	P	C		5							2	2
7		O	P	C		6							2	7
8		O	P	C		7							3	1
9		O	P	C		8							3	6

LCD Page 4

	0	1	2	3	4	5	6	7	8	9	A	B	C	D
0	L	C	D	4										
1	→	O	P	C				9						4 0
2		O	P	C			1	0						4 5
3		O	P	C			1	1						4 9
4		O	P	C			1	2						5 3
5		O	P	C			1	3						5 8
6		O	P	C			1	4						6 2
7		O	P	C			1	5						6 7
8		O	P	C			1	6						7 1
9														

LCD Page 5

	0	1	2	3	4	5	6	7	8	9	A	B	C	D
0	L	C	D	5										
1	→	V	H	0							0	1	6	6
2		V	L	0							0	9	4	1
3		V	H	3	1						0	4	1	7
4		V	L	3	1						0	6	9	4
5		V	H	6	3						0	4	7	3
6		V	L	6	3						0	6	2	1
7		V	H	9	5						0	5	0	9
8		V	L	9	5						0	5	0	3
9														

LCD Page 6

	0	1	2	3	4	5	6	7	8	9	A	B	C	D
0	L	C	D	6										
1	→	V	H	1	2	7					0	5	3	5
2		V	L	1	2	7					0	5	5	0
3		V	H	1	5	9					0	5	8	1
4		V	L	1	5	9					0	4	9	5
5		V	H	1	9	1					0	6	2	7
6		V	L	1	9	1					0	4	4	3
7		V	H	2	4	7					0	7	9	5
8		V	L	2	4	7					0	1	5	3
9														

PATTERN Page1

	0	1	2	3	4	5	6	7	8	9	A	B	C	D
0	P	A	T	T	E	R	N	1						
1	→	P	A	T	T	E	R	N	1				0	0
2		P	A	T	T	E	R	N	2				0	0
3		P	A	T	T	E	R	N	3				0	0
4		P	A	T	T	E	R	N	4				0	0
5														
6														
7														
8														
9														

OTHER Page 1

	0	1	2	3	4	5	6	7	8	9	A	B	C	D
0	O	T	H	E	R	1								
1	→	C	L	R		M	O	D	E					0
2												W	0	
3		L	C	D		D	A	T	A		0	0	0	0
4											R	0	W	0
5		E	E	P		C		0	0	0	0	0	0	0
6											R	0	W	0
7														
8														
9														

PATTERN Page 2

	0	1	2	3	4	5	6	7	8	9	A	B	C	D
0	P	A	T	T	E	R	N	2						
1	→	R	E	S	E	R	V	E						0
2		R	E	S	E	R	V	E						0
3														
4														
5														
6														
7														
8														
9														

OTHER Page 2

	0	1	2	3	4	5	6	7	8	9	A	B	C	D	E	F
0	O	T	H	E	R	2			I		3	2	G	A	3	E
1	→	L		E	R	R		S	T	O	P				0	
2		M	O	D	E	L									0	
3		R	E	M	O	C	O	N							0	
4																
5		O	S	T	E	M	P		A	D		0	9	5		
6		O	P	C		A	D					0	0	9		

MOTOR FAN Page 1

	0	1	2	3	4	5	6	7	8	9	A	B	C	D
0	M	O	T	O	R				F	A	N			
1	→	R	E	S	E	R	V	E						0
2		R	E	S	E	R	V	E						0
3		R	E	S	E	R	V	E						0
4		R	E	S	E	R	V	E						0
5		R	E	S	E	R	V	E						0
6		D		S	T	B	Y							2
7		F	A	N		S	T	A	R	T		2	2	4
8		F	A	N		S	T	O	P			2	3	0
9		T	E	M	P		E	R	R			0	5	5

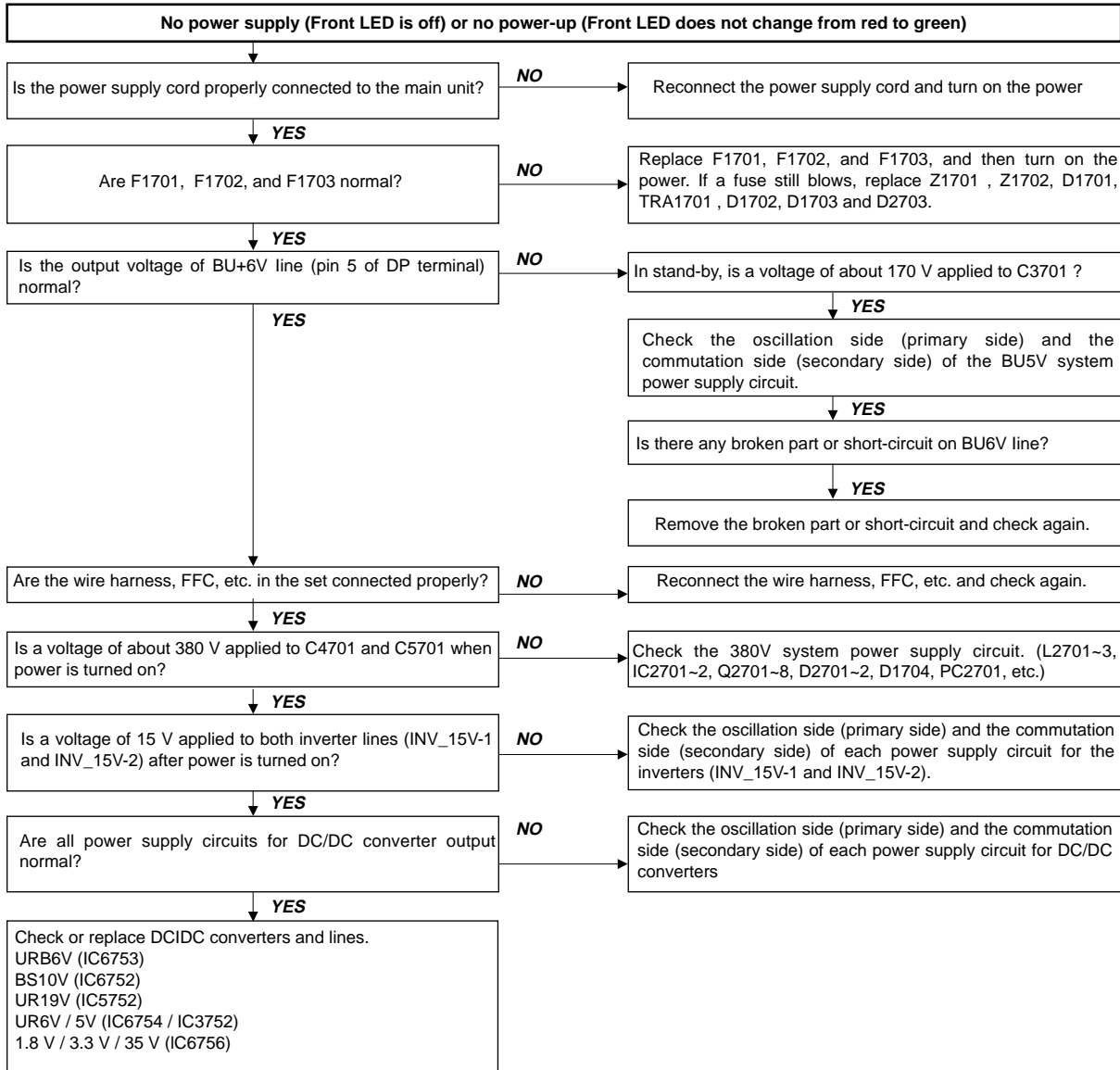
OTHER Page 3

	0	1	2	3	4	5	6	7	8	9	A	B	C	D
0	O	T	H	E	R	3								
1	→	T	I	M	E	O	U	T		O	N			1
2		I	O	7	0		1	0	0	0	0	1	0	1
3		I	O	7	2		1	1	0	0	0	0	1	0
4			0	0	0	0	0	0	0	0	0	0	0	0
5			0	0	0	0	0	0	0	0	0	9	0	3
6		E	T	C		2	0	1	2	2	1	0	1	0
7		R	A	M		E	E	P		4	A		0	0
8		M	I	C	O	M		0	0		0	0	0	0
9														

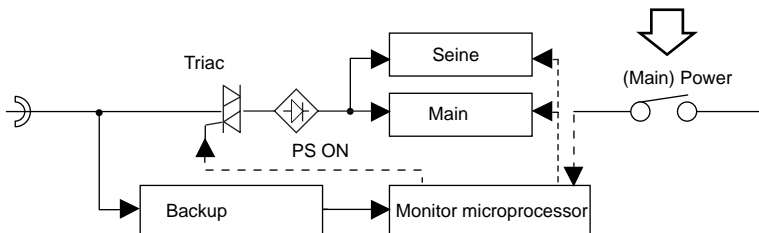
First layer	Page	Item	Setting range	Initial value
Table of contents	1	GRAYLEVEL	0 ~ 255	25
		COM BIAS	0 ~ 255	126
		VLS BIAS	0 ~ 255	23
		L ERR RESET	Totally clear	0
LCD	1	MODE	50Hz,60Hz,PC	60Hz
		PWM CTRL	0 ~ 7	7
		PWM FREQ	0 ~ 4095	1289
		PWM DUTY1	0 ~ 4095	0
		PWM DUTY2	0 ~ 4095	0
		PHASEDIF	0 ~ 255	0
		PCLK1	0 ~ 3	0
		PCLK2	0 ~ 7	0
	2	MODE	50Hz,60Hz,PC	60Hz
		OS SW	0 ~ 1	0
		OS D1	0 ~ 255	110
		OS D2	0 ~ 255	123
		OS D3	0 ~ 255	135
		OS D4	0 ~ 255	135
		OS D5	0 ~ 255	167
		OS D6	0 ~ 255	174
	3	OS D7	0 ~ 255	179
		OPC 0	0 ~ 85	0
		OPC 1	0 ~ 85	11
		OPC 2	0 ~ 85	21
		OPC 3	0 ~ 85	30
		OPC 4	0 ~ 85	38
		OPC 5	0 ~ 85	45
		OPC 6	0 ~ 85	51
	4	OPC 7	0 ~ 85	56
		OPC 8	0 ~ 85	61
		OPC 9	0 ~ 85	66
		OPC 10	0 ~ 85	70
		OPC 11	0 ~ 85	73
		OPC 12	0 ~ 85	76
		OPC 13	0 ~ 85	79
		OPC 14	0 ~ 85	81
	5	OPC 15	0 ~ 85	83
		OPC 16	0 ~ 85	85
		VH 0	0 ~ 1023	124
		VL 0	0 ~ 1023	904
VH 1		0 ~ 1023	359	
VL 1		0 ~ 1023	598	
VH 20		0 ~ 1023	397	
VL 20		0 ~ 1023	579	
6	VH 47	0 ~ 1023	416	
	VL 47	0 ~ 1023	551	
	VH 63	0 ~ 1023	454	
	VL 63	0 ~ 1023	517	
	VH 95	0 ~ 1023	485	
	VL 95	0 ~ 1023	486	
	VH 127	0 ~ 1023	538	
	VL 127	0 ~ 1023	538	
		VH 191	0 ~ 1023	1022
		VL 191	0 ~ 1023	122

# TROUBLE SHOOTING TABLE

<Power supply>



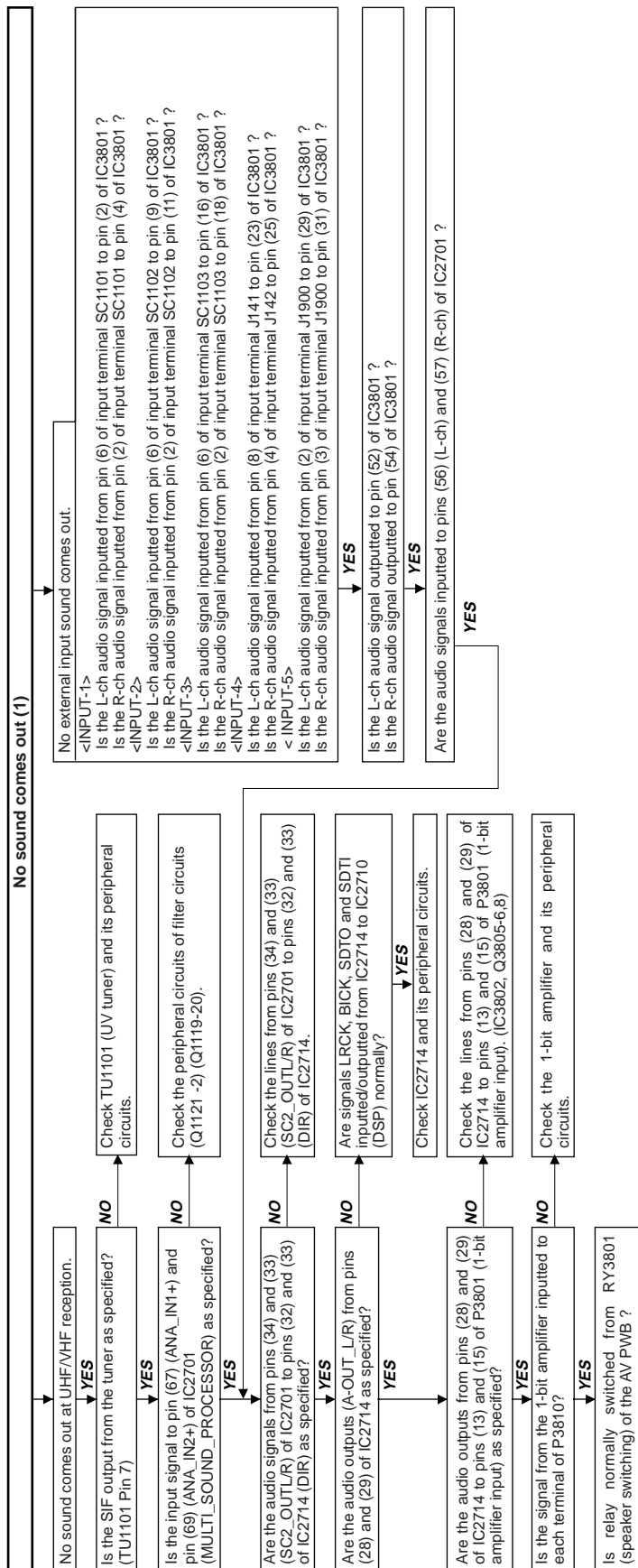
- Power switch: Top panel  
(Main) Power (DC cutoff: Detected by microprocessor)  
[Scheme of power supply system]



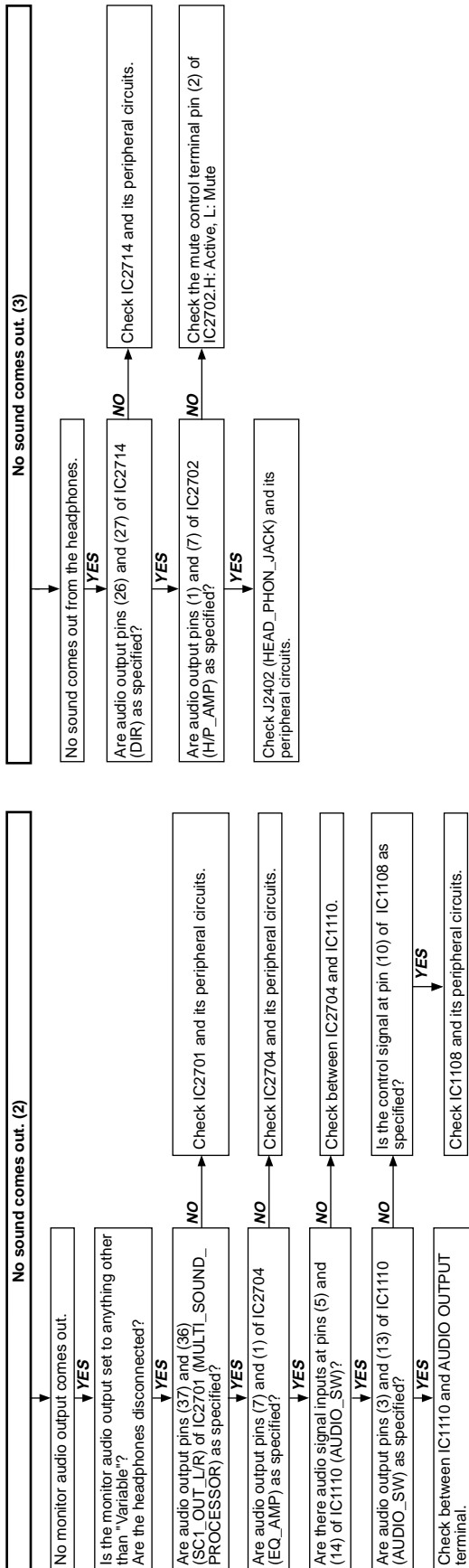
[(Main) Power OFF sequence]

- 1) (Main) Power OFF (DC switch)
- 2) (Main) Power shutoff is detected by the monitor microprocessor port
- 3) Standby request (power cord) is sent to Seine from microprocessor.
- 4) Seine shutdown process
- 5) Reception of shutdown permission from Seine
- 6) Monitor microcomputer turns off the relay to enter the standby mode

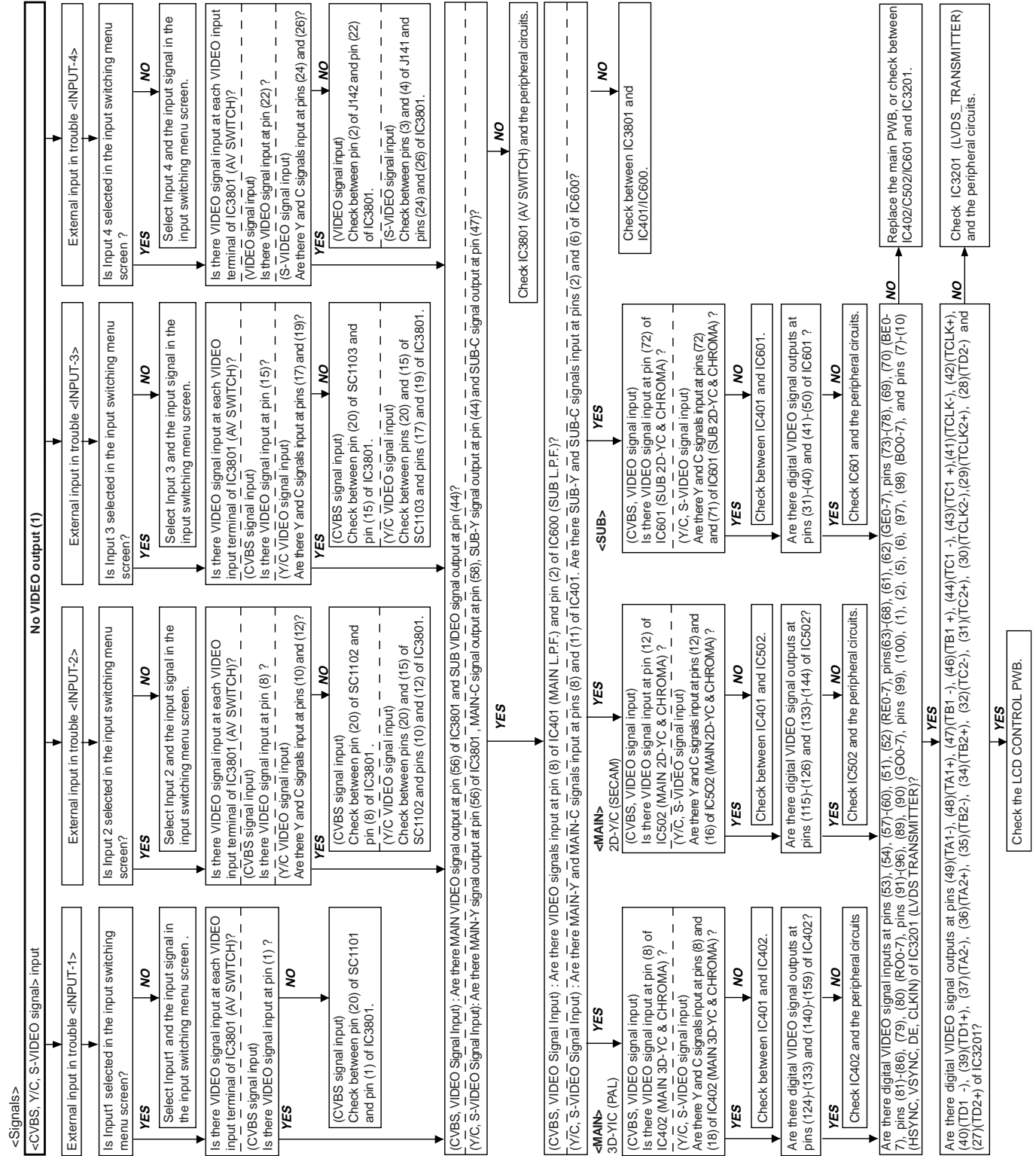
# TROUBLE SHOOTING TABLE (Continued)



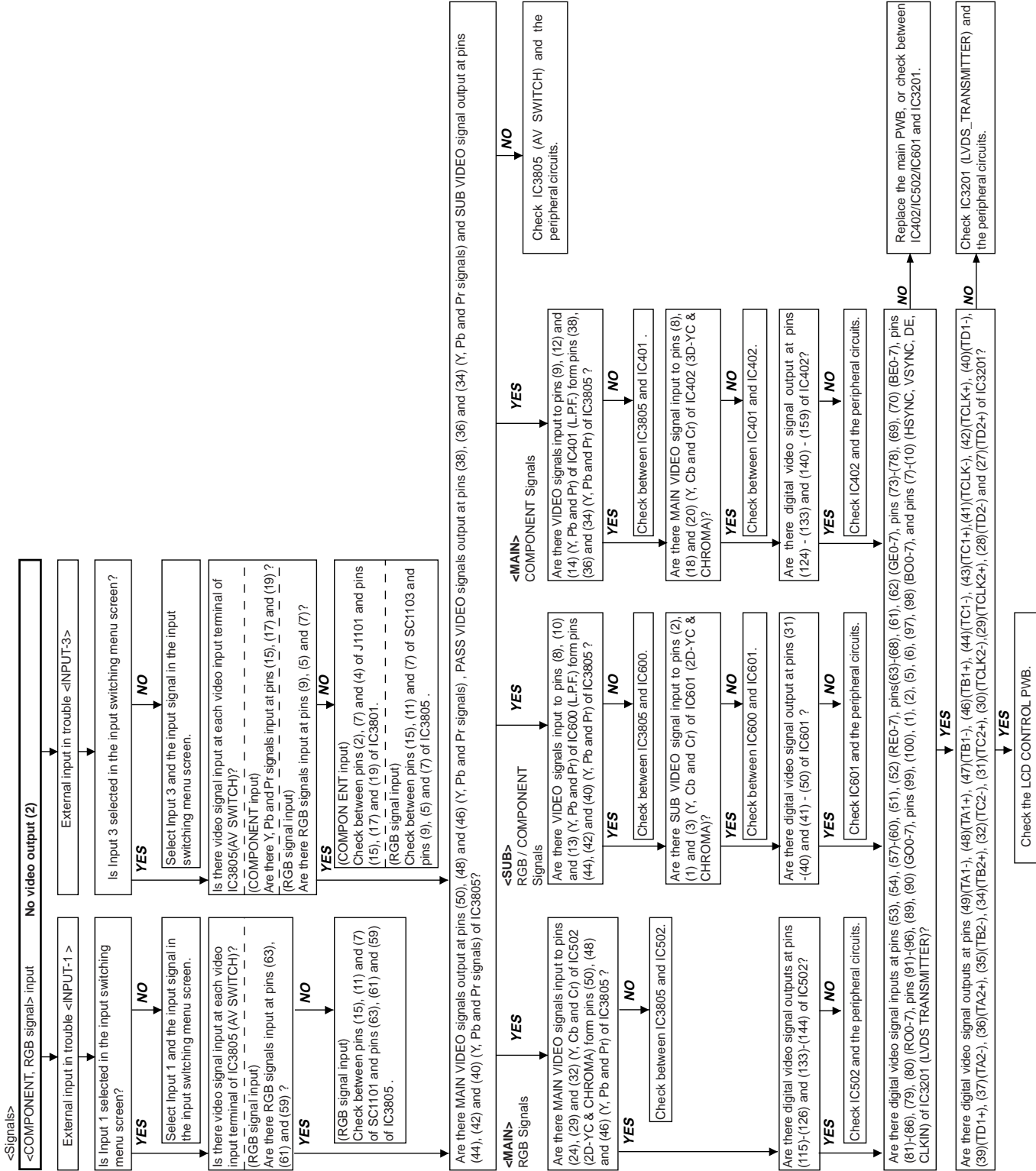
# TROUBLE SHOOTING TABLE (Continued)



# TROUBLE SHOOTING TABLE (Continued)

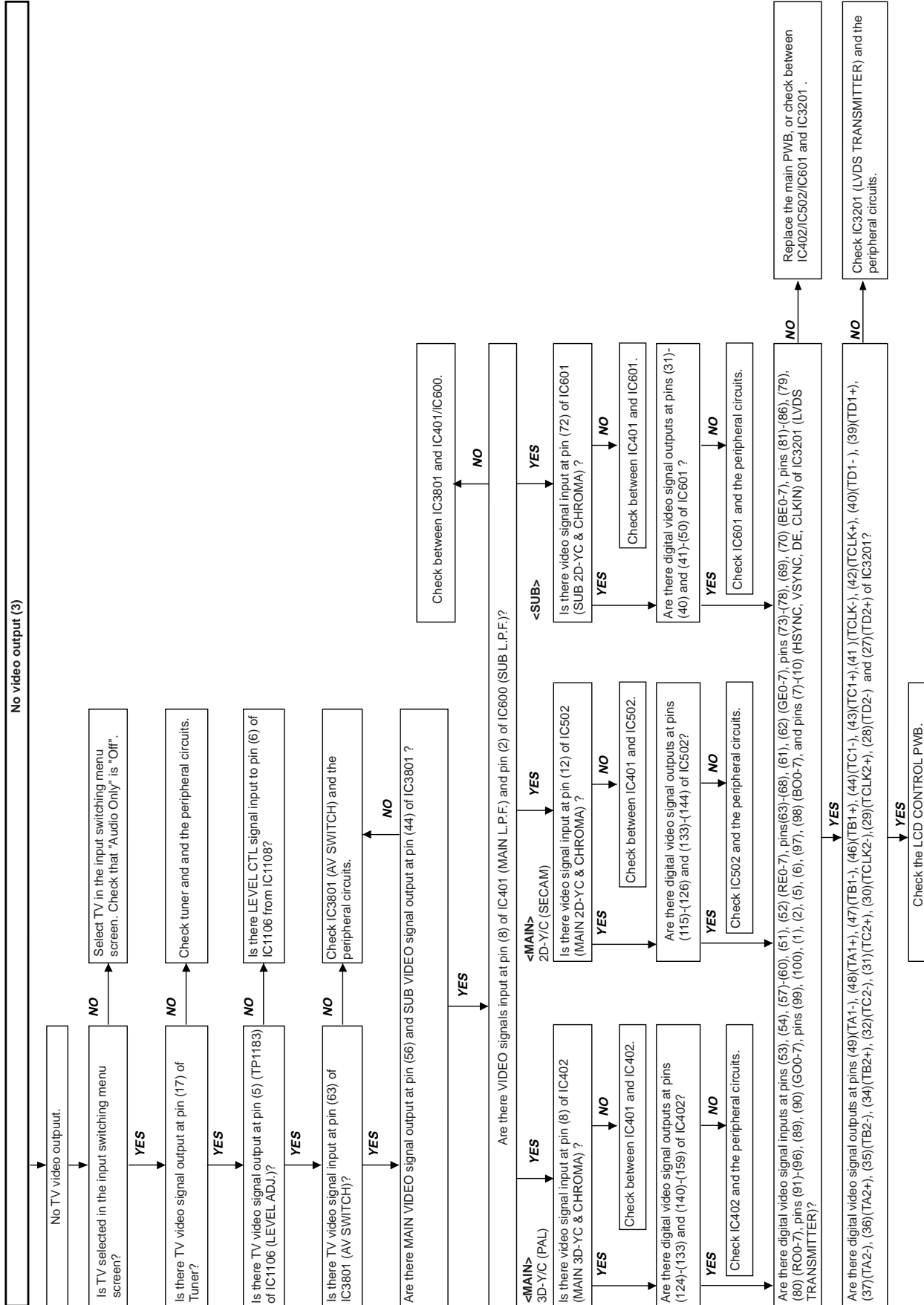


# TROUBLE SHOOTING TABLE (Continued)





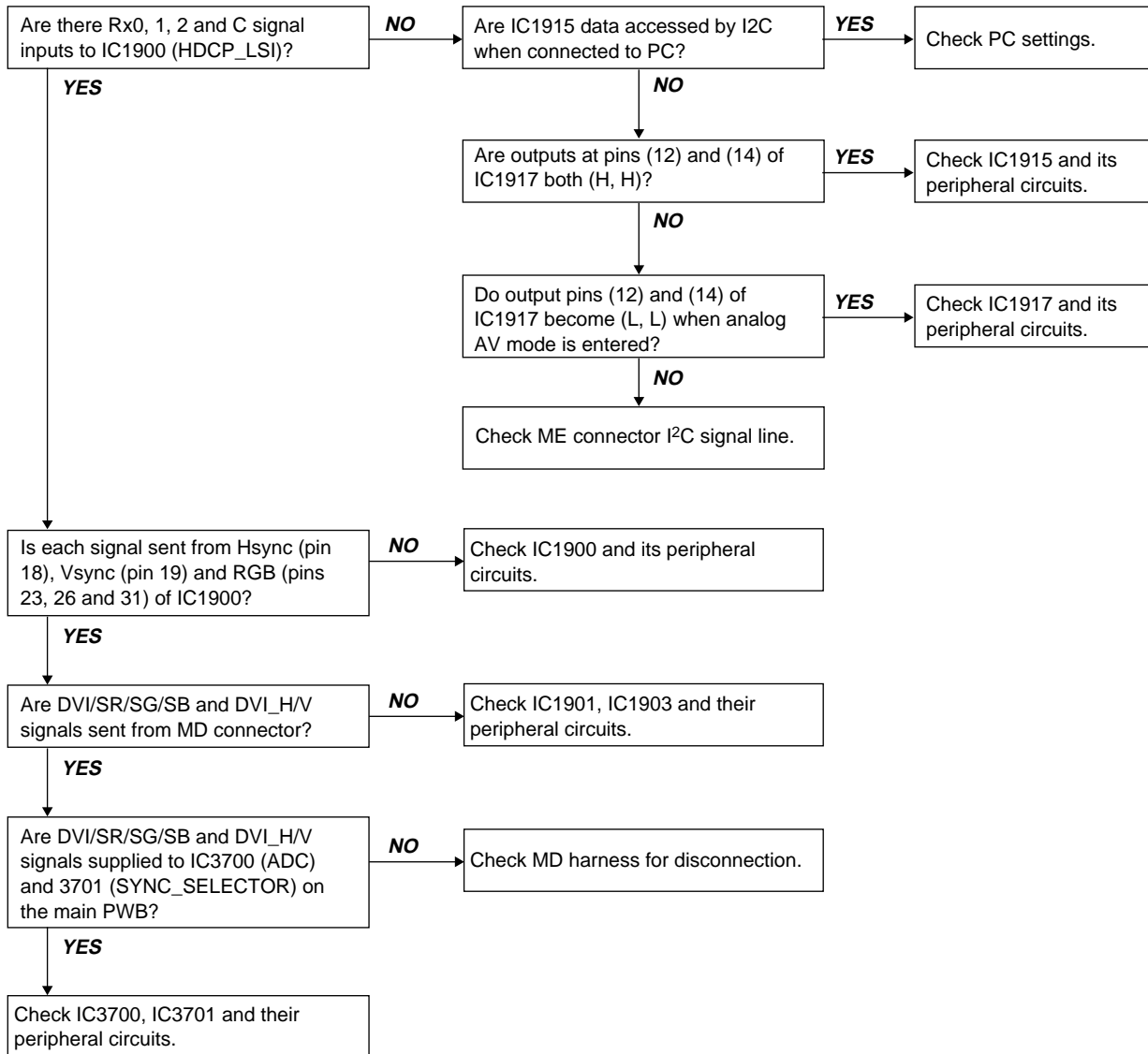
# TROUBLE SHOOTING TABLE (Continued)



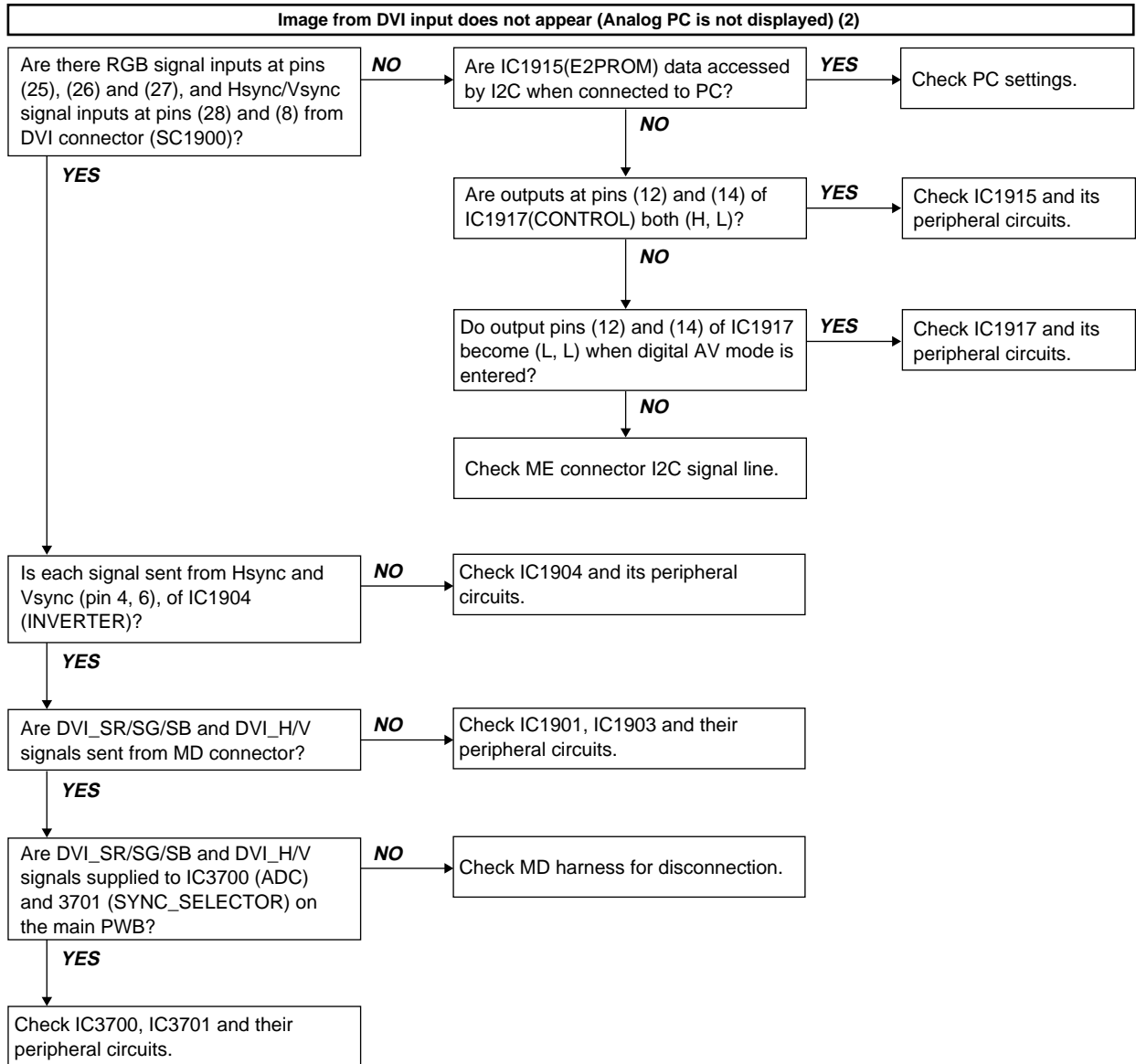
## TROUBLE SHOOTING TABLE (Continued)

<Signal mode>

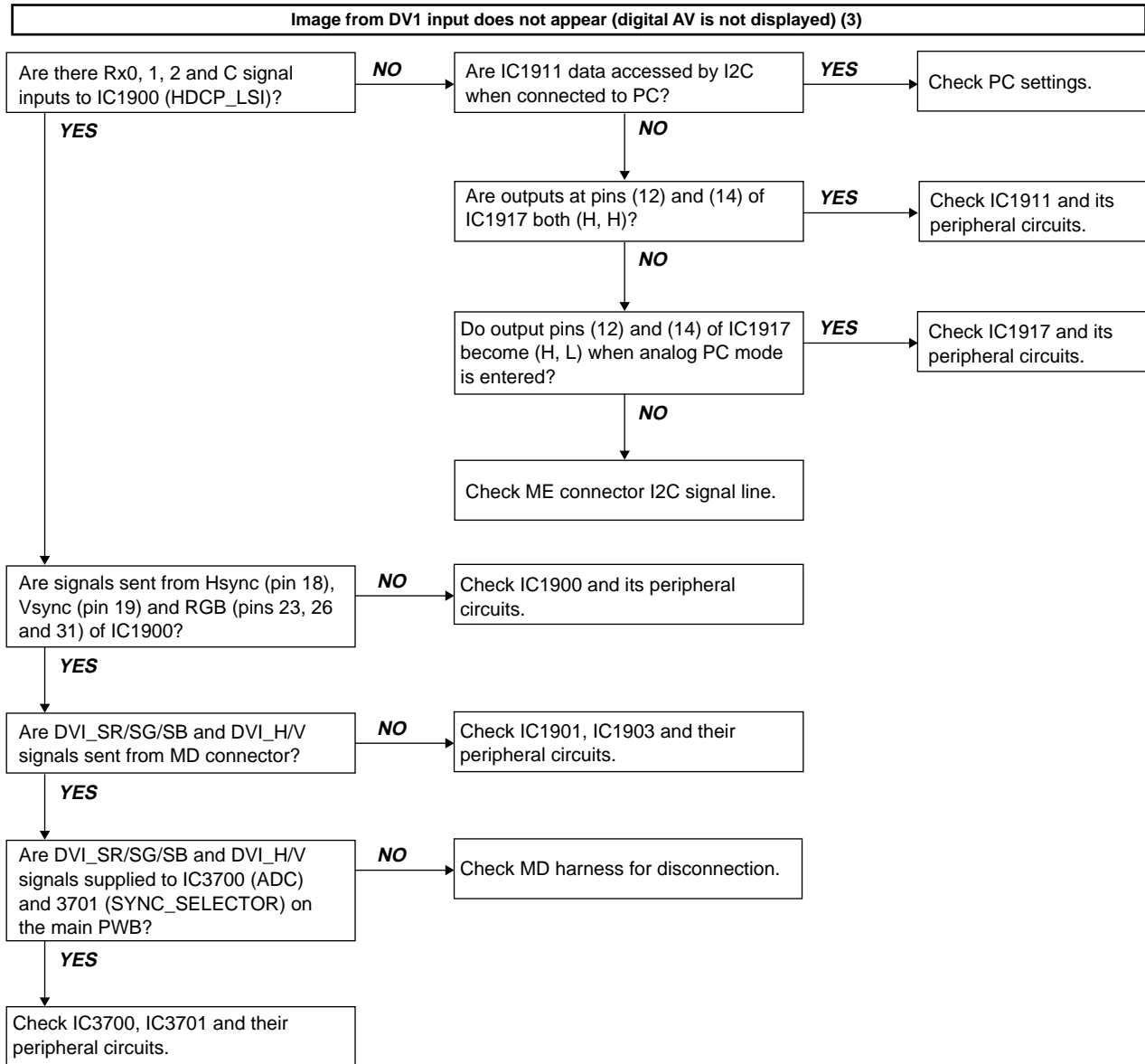
Image from DVI input does not appear (digital PC is not displayed) (1)



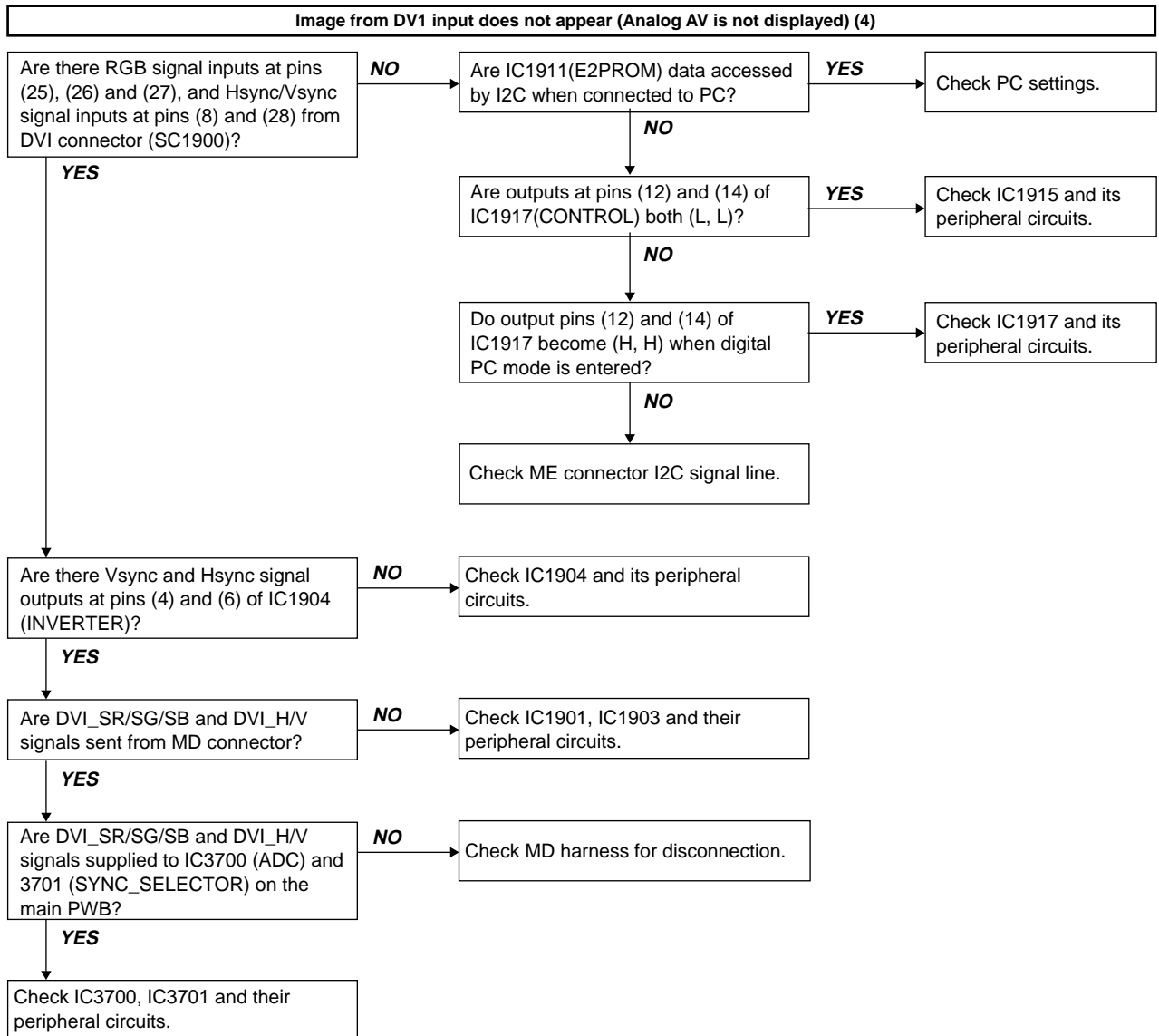
## TROUBLE SHOOTING TABLE (Continued)



## TROUBLE SHOOTING TABLE (Continued)



## TROUBLE SHOOTING TABLE (Continued)



## TROUBLE SHOOTING TABLE (Continued)

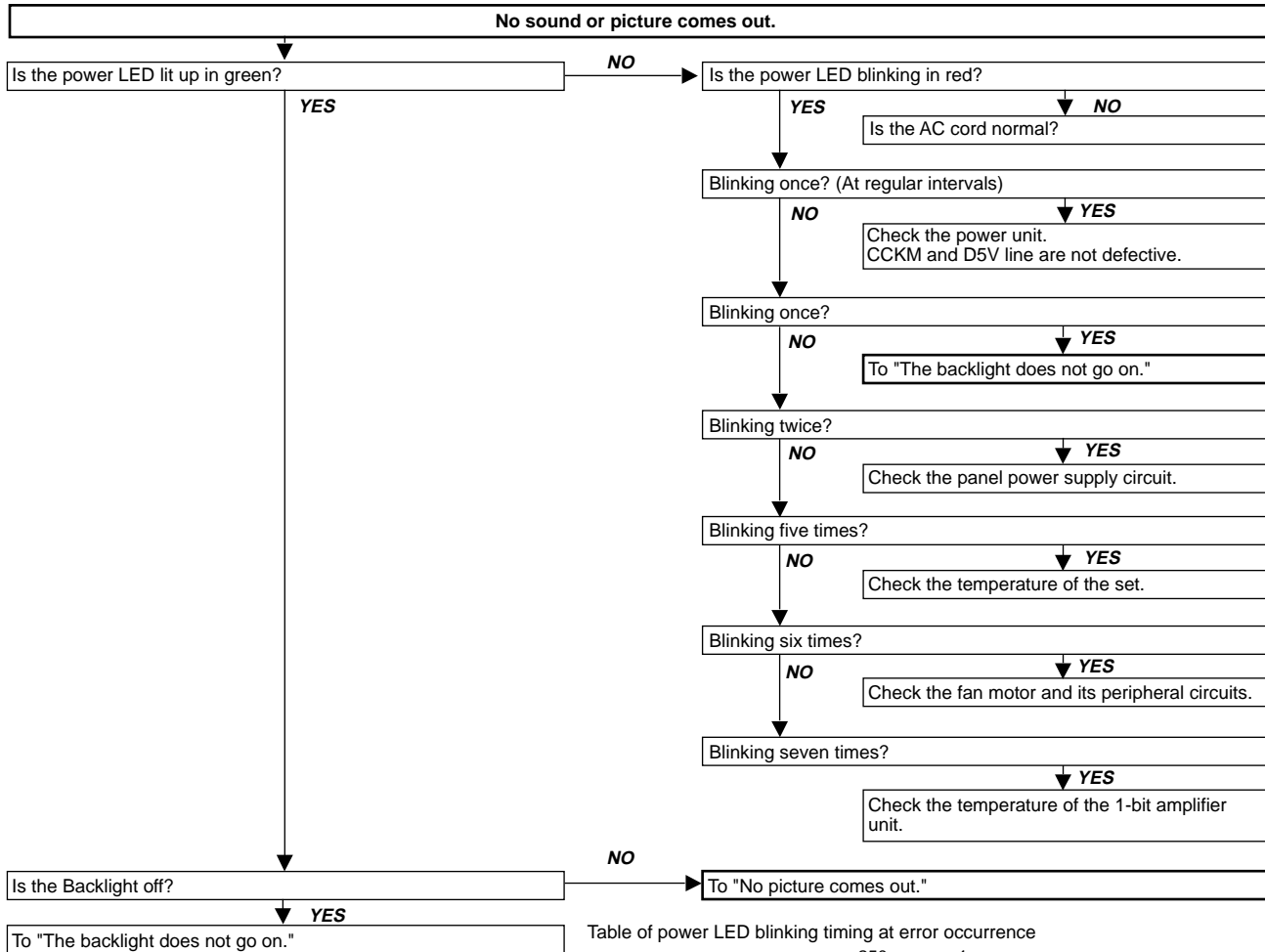
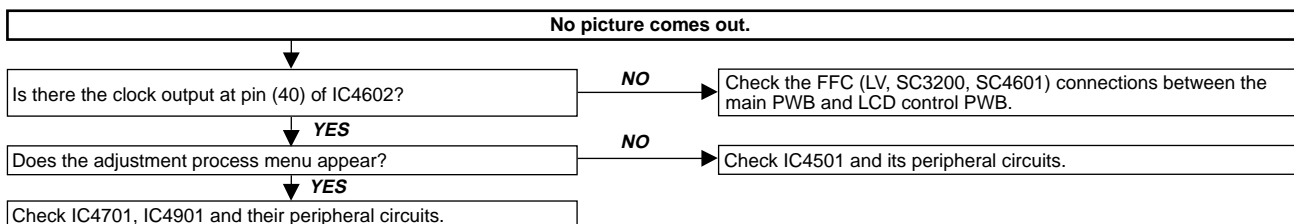


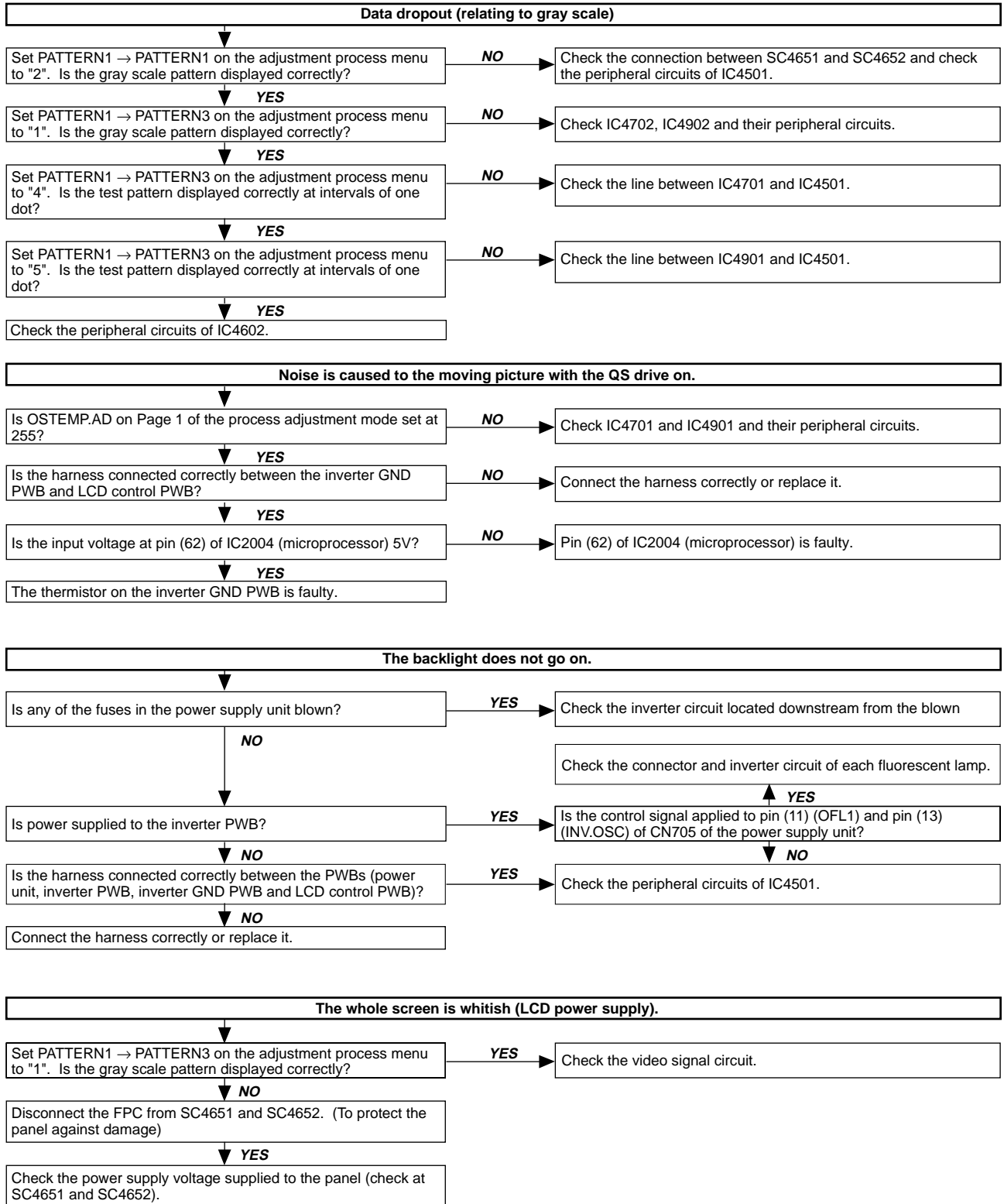
Table of power LED blinking timing at error occurrence



Type of error	Power LED operation (1 cycle)
Power supply error Blinking once: Slow	H: ON L: OFF
Lamp error Blinking once: Fast	H: ON L: OFF
Panel power supply error Blinking twice	H: ON L: OFF
In-set temperature error Blinking five times	H: ON L: OFF
Fan error Blinking six times	H: ON L: OFF

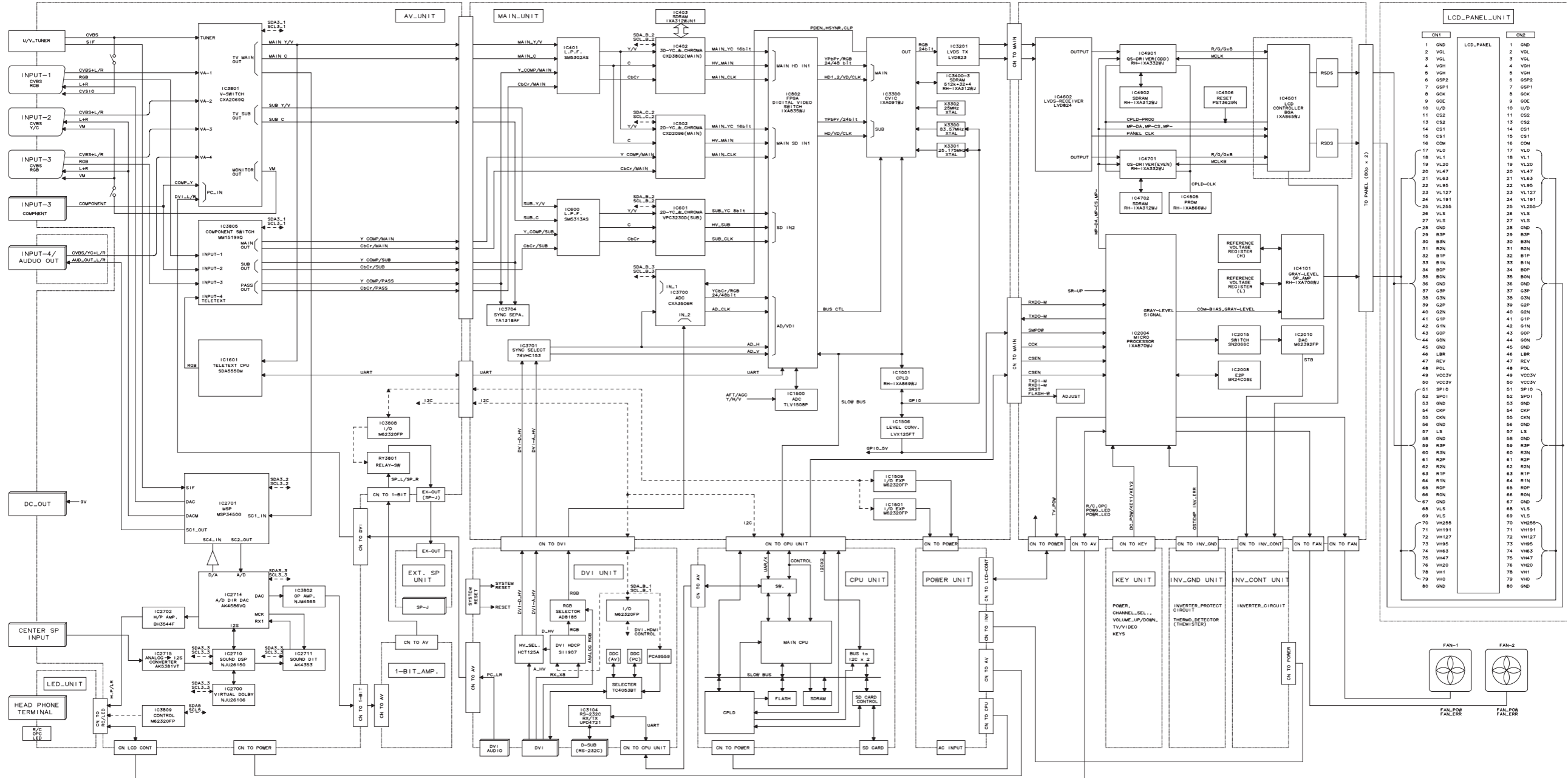


## TROUBLE SHOOTING TABLE (Continued)



# SYSTEM BLOCK DIAGRAM

H  
G  
F  
E  
D  
C  
B  
A

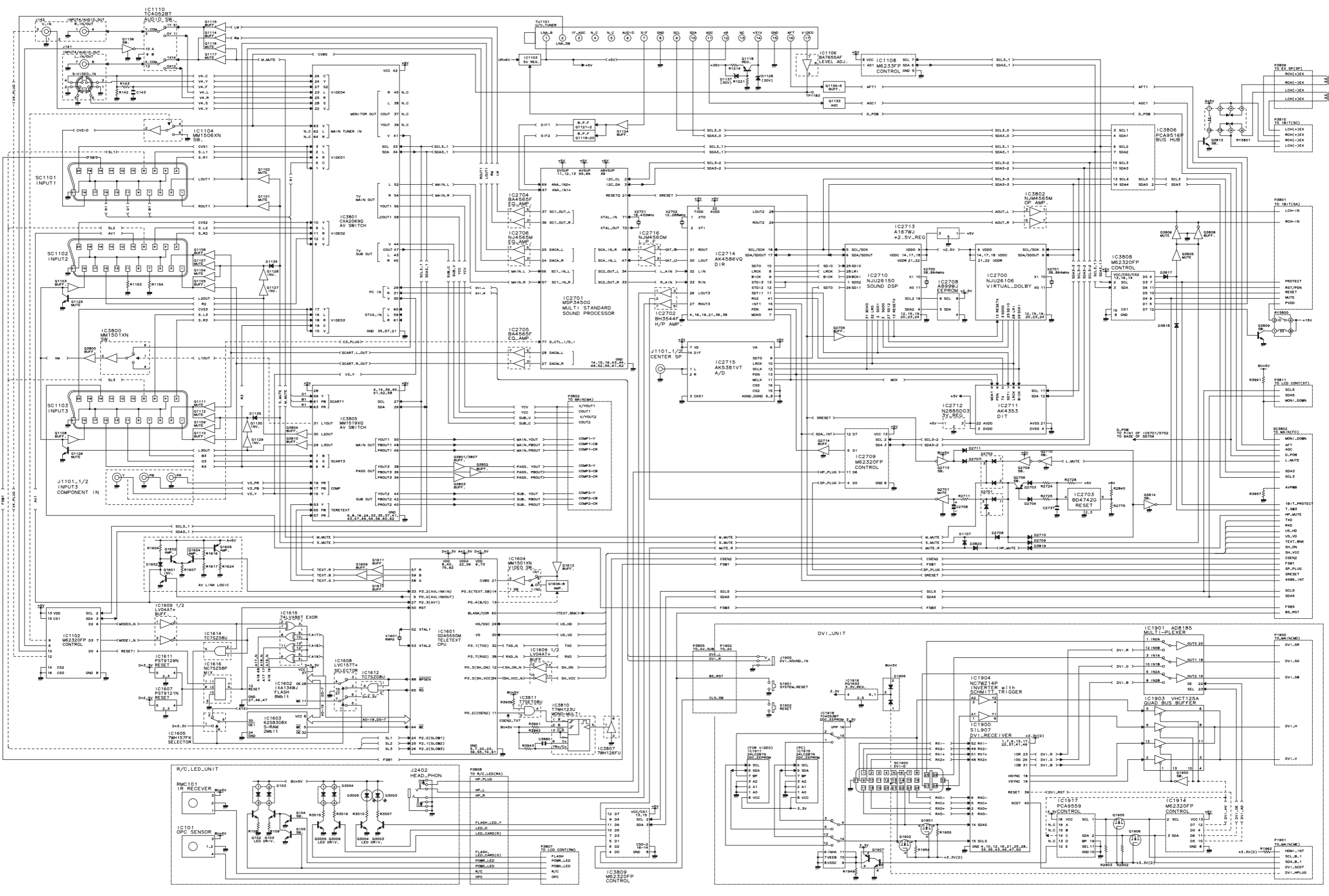


LCD_PANEL_UNIT	
CNT1	CNT2
1 GND	1 GND
2 VGL	2 VGL
3 VGL	3 VGL
4 VGH	4 VGH
5 VGH	5 VGH
6 GSP2	6 GSP2
7 GSP1	7 GSP1
8 GCK	8 GCK
9 GOE	9 GOE
10 U/D	10 U/D
11 CS2	11 CS2
12 CS2	12 CS2
13 CS1	13 CS1
14 CS1	14 CS1
15 CS1	15 CS1
16 COM	16 COM
17 VLO	17 VLO
18 VL1	18 VL1
19 VL20	19 VL20
20 VL47	20 VL47
21 VL63	21 VL63
22 VL85	22 VL85
23 VL127	23 VL127
24 VL191	24 VL191
25 VL255	25 VL255
26 VLS	26 VLS
27 VLS	27 VLS
28 GND	28 GND
29 B3P	29 B3P
30 B3N	30 B3N
31 B2N	31 B2N
32 B1P	32 B1P
33 B1N	33 B1N
34 B0P	34 B0P
35 B0N	35 B0N
36 GND	36 GND
37 G3P	37 G3P
38 G3N	38 G3N
39 G2P	39 G2P
40 G2N	40 G2N
41 G1P	41 G1P
42 G1N	42 G1N
43 G0P	43 G0P
44 G0N	44 G0N
45 GND	45 GND
46 LBR	46 LBR
47 REV	47 REV
48 POL	48 POL
49 VCC3V	49 VCC3V
50 VCC5V	50 VCC5V
51 SP10	51 SP10
52 SP01	52 SP01
53 GND	53 GND
54 CKP	54 CKP
55 CKN	55 CKN
56 GND	56 GND
57 LS	57 LS
58 GND	58 GND
59 R3P	59 R3P
60 R3N	60 R3N
61 R2P	61 R2P
62 R2N	62 R2N
63 R1P	63 R1P
64 R1N	64 R1N
65 R0P	65 R0P
66 R0N	66 R0N
67 GND	67 GND
68 VLS	68 VLS
69 VLS	69 VLS
70 VH255	70 VH255
71 VH191	71 VH191
72 VH127	72 VH127
73 VH85	73 VH85
74 VH63	74 VH63
75 VH47	75 VH47
76 VH20	76 VH20
78 VH1	78 VH1
79 VH0	79 VH0
80 GND	80 GND

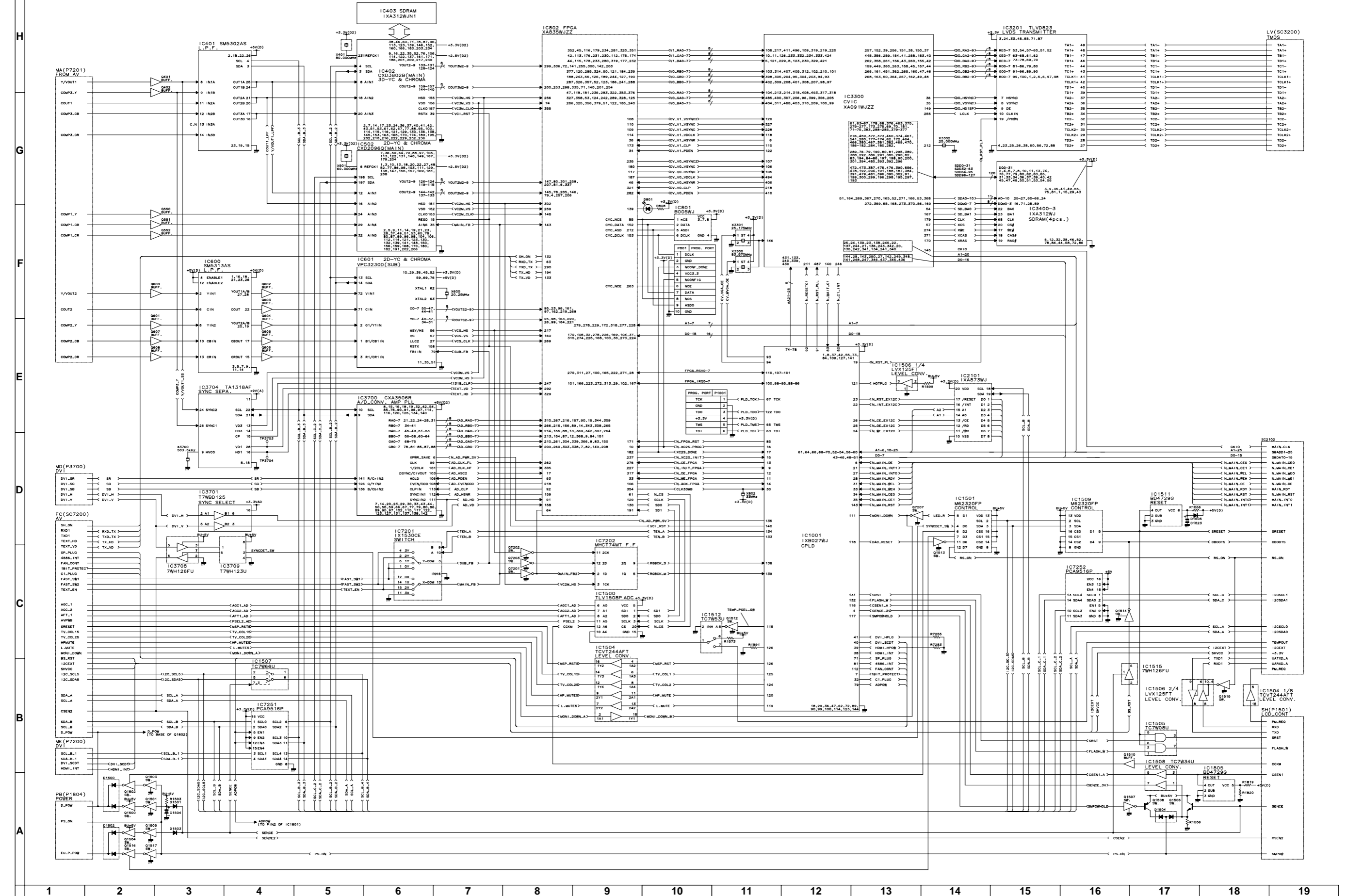


# AV BLOCK DIAGRAM

H  
G  
F  
E  
D  
C  
B  
A

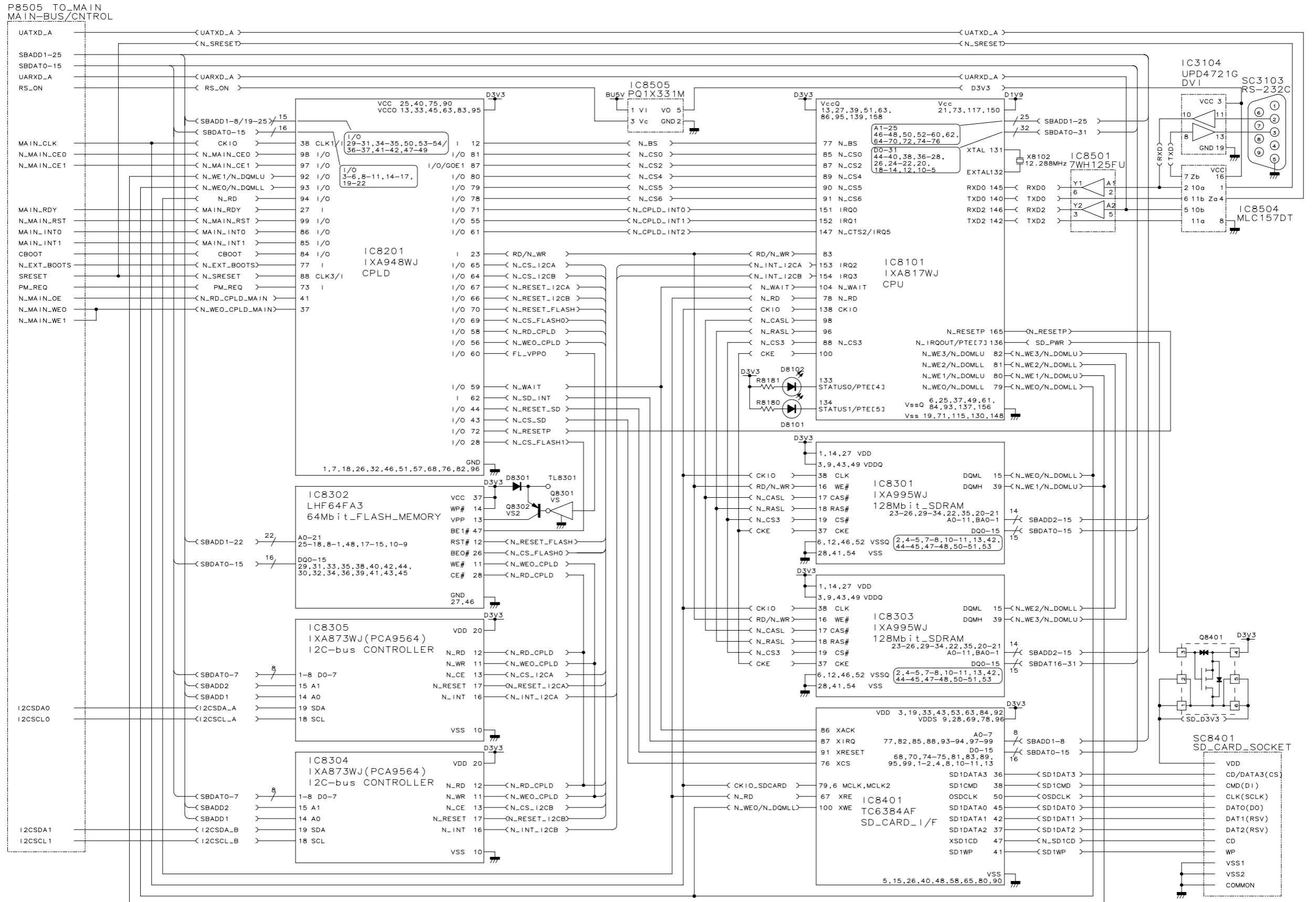


# MAIN BLOCK DIAGRAM

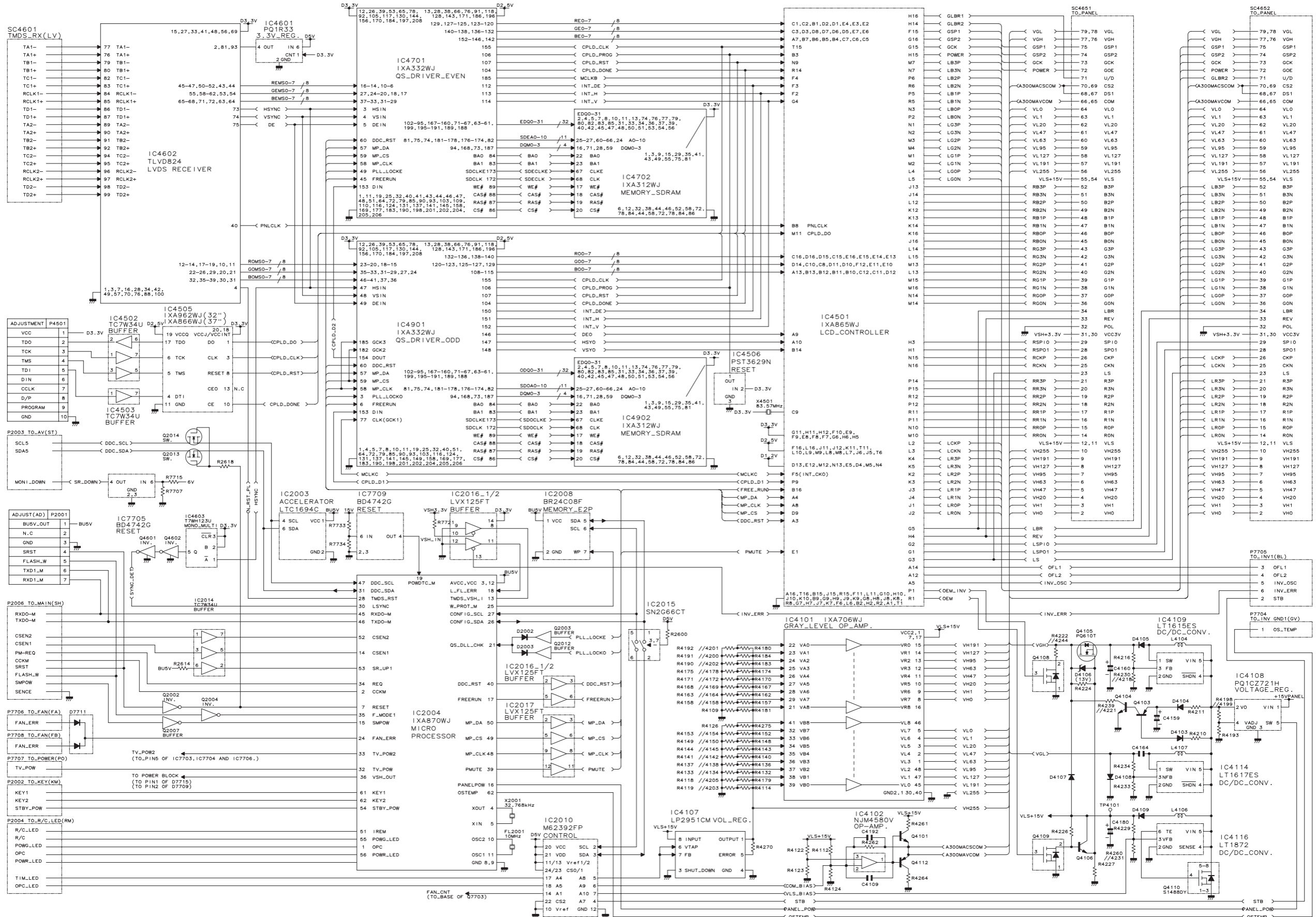


# CPU BLOCK DIAGRAM

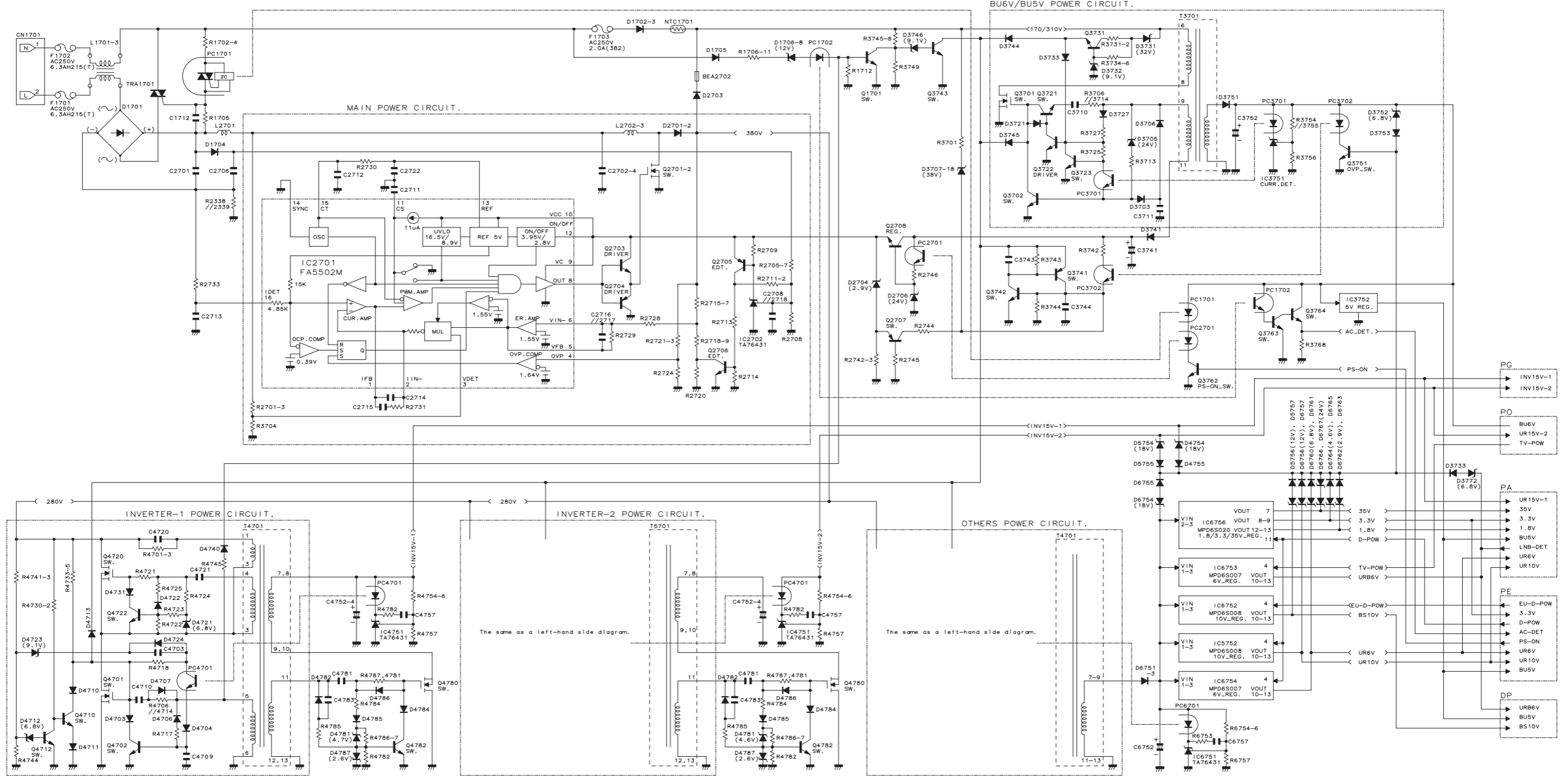
H  
G  
F  
E  
D  
C  
B  
A



# DISPLAY BLOCK DIAGRAM

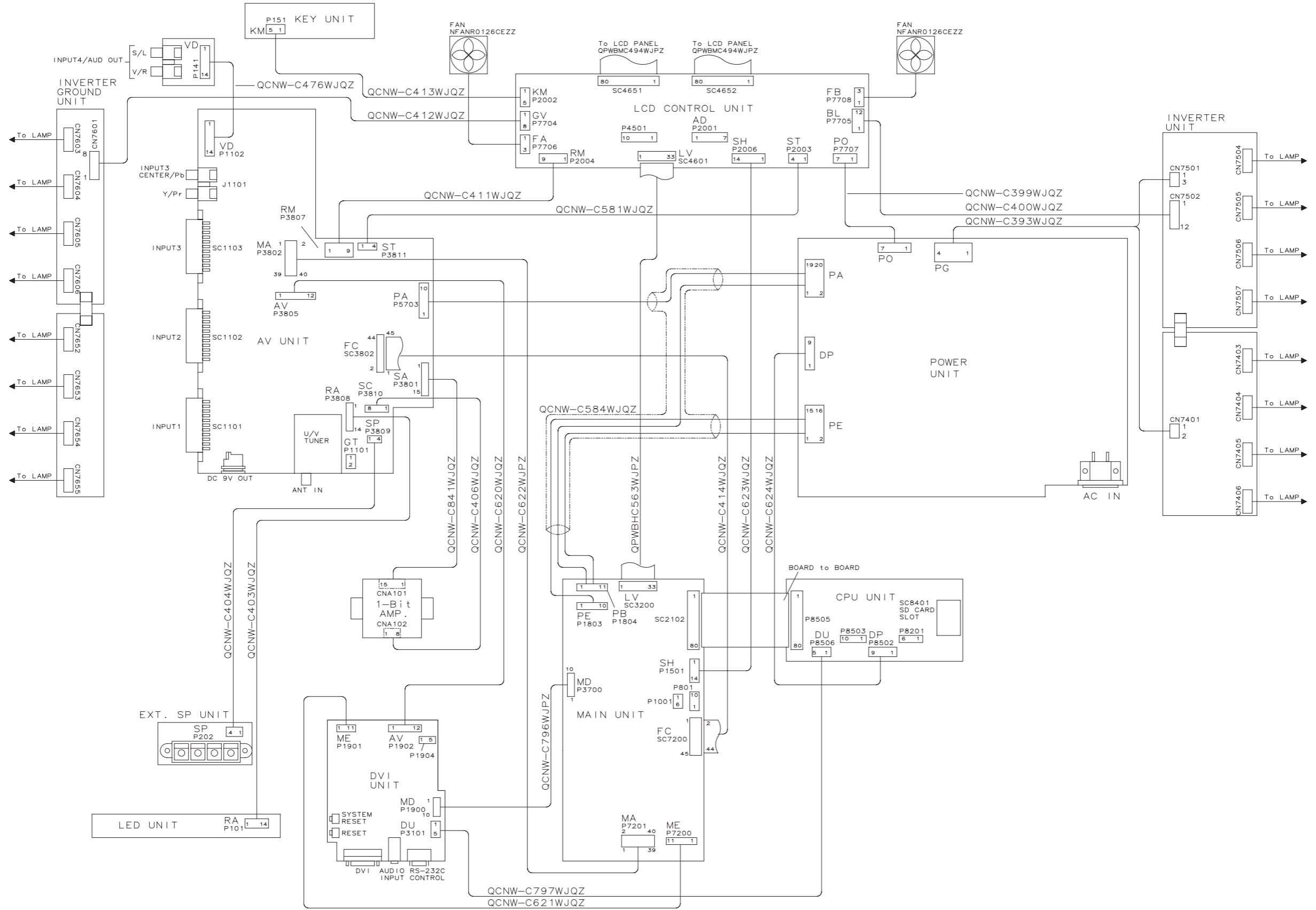


# POWER BLOCK DIAGRAM



# OVERALL WIRING DIAGRAM (LC-32GA3E)

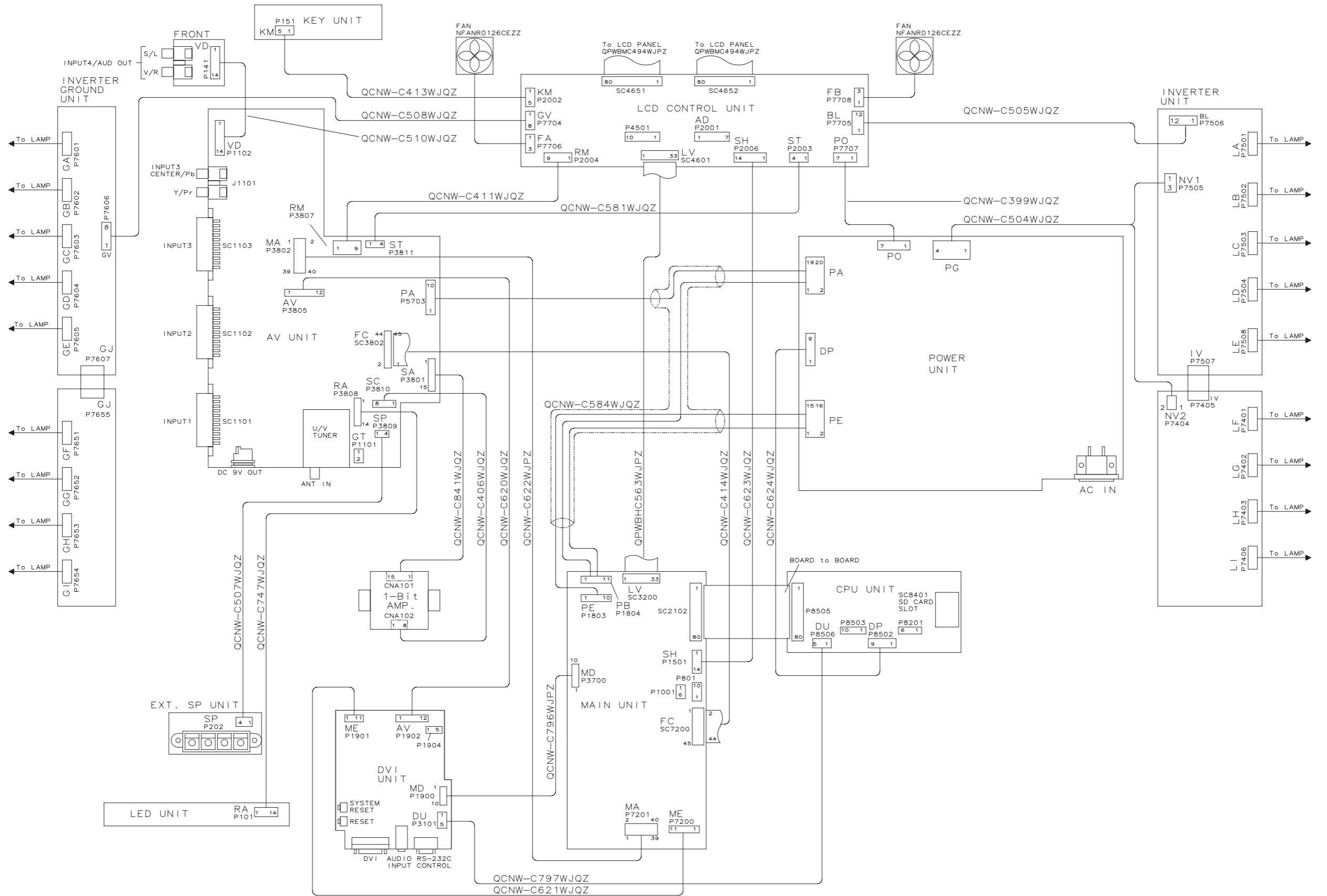
H  
G  
F  
E  
D  
C  
B  
A



1 2 3 4 5 6 7 8 9 10 11 12 13 14 15 16 17 18 19

# OVERALL WIRING DIAGRAM (LC-37GA3E)

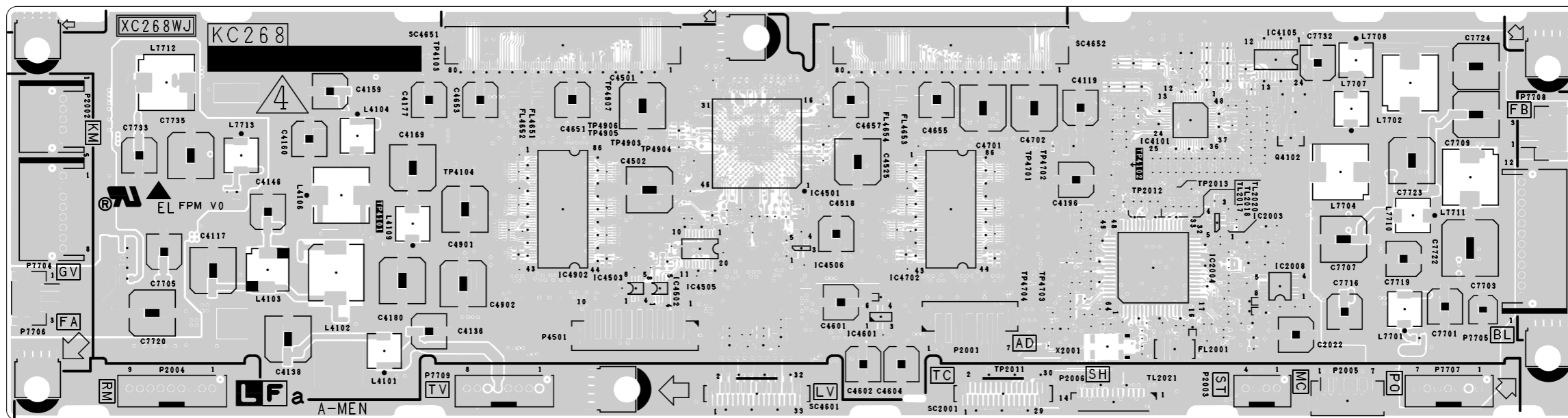
H  
G  
F  
E  
D  
C  
B  
A



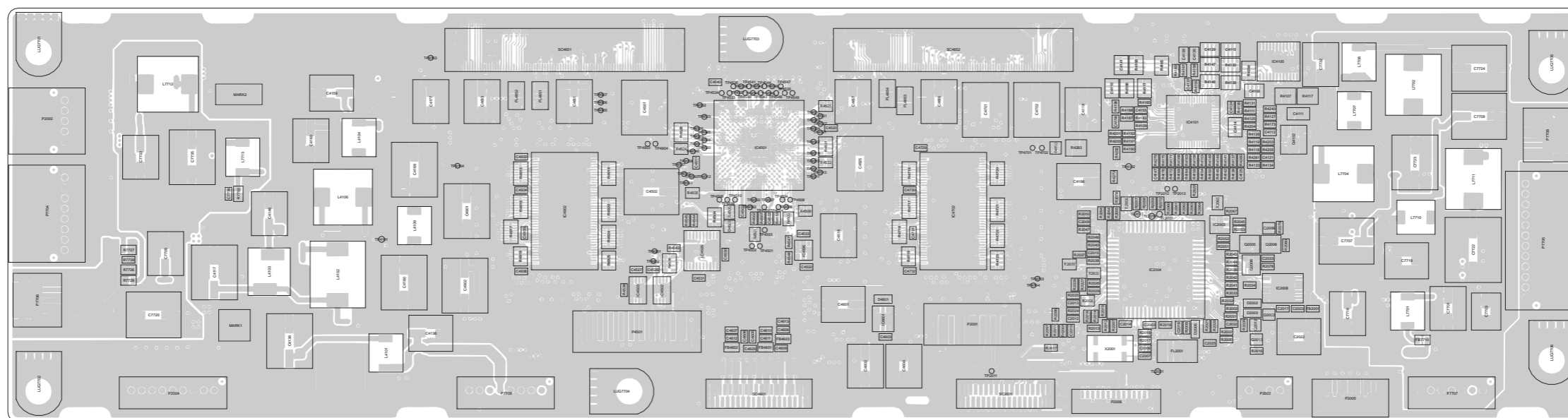
1 2 3 4 5 6 7 8 9 10 11 12 13 14 15 16 17 18 19

# PRINTED WIRING BOARD ASSEMBLIES

H  
G  
F  
E  
D  
C  
B  
A



LCD CONT Unit (Side-A)

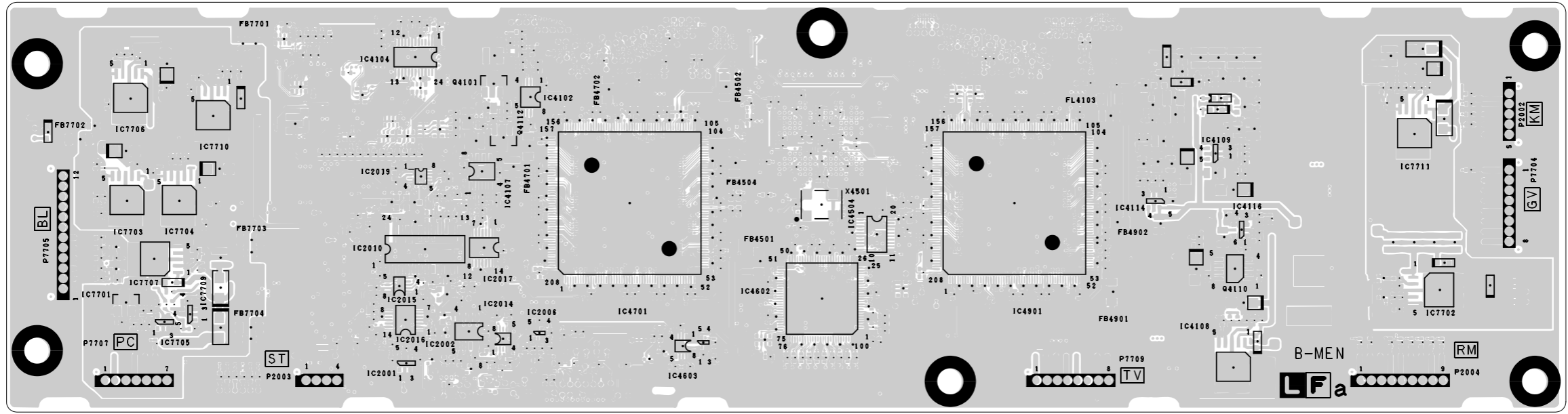


LCD CONT Unit (Chip Parts Side-A)

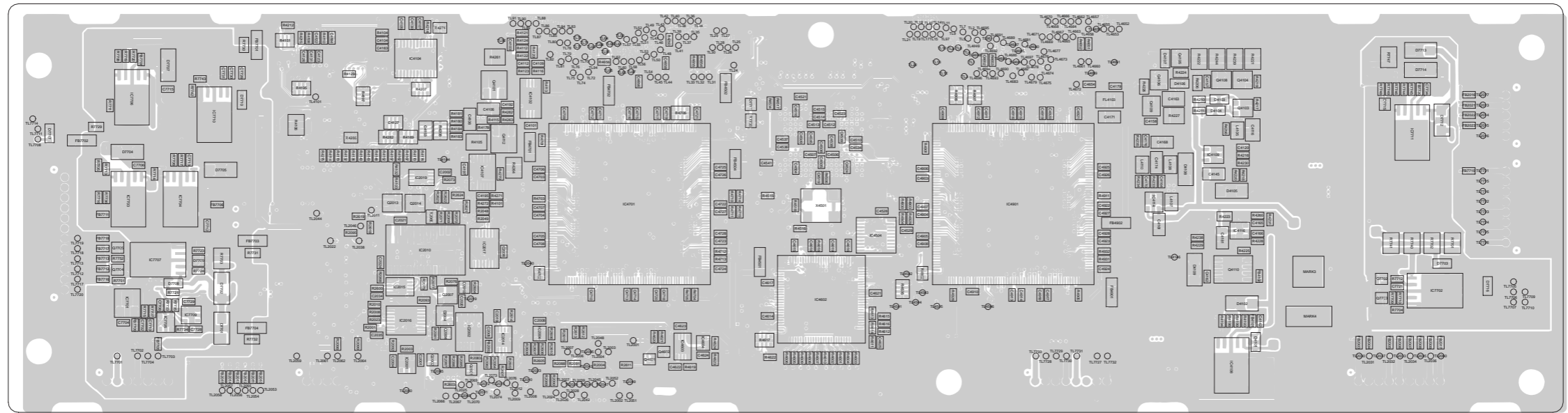
1 2 3 4 5 6 7 8 9 10 11 12 13 14 15 16 17 18 19



H  
G  
F  
E  
D  
C  
B  
A



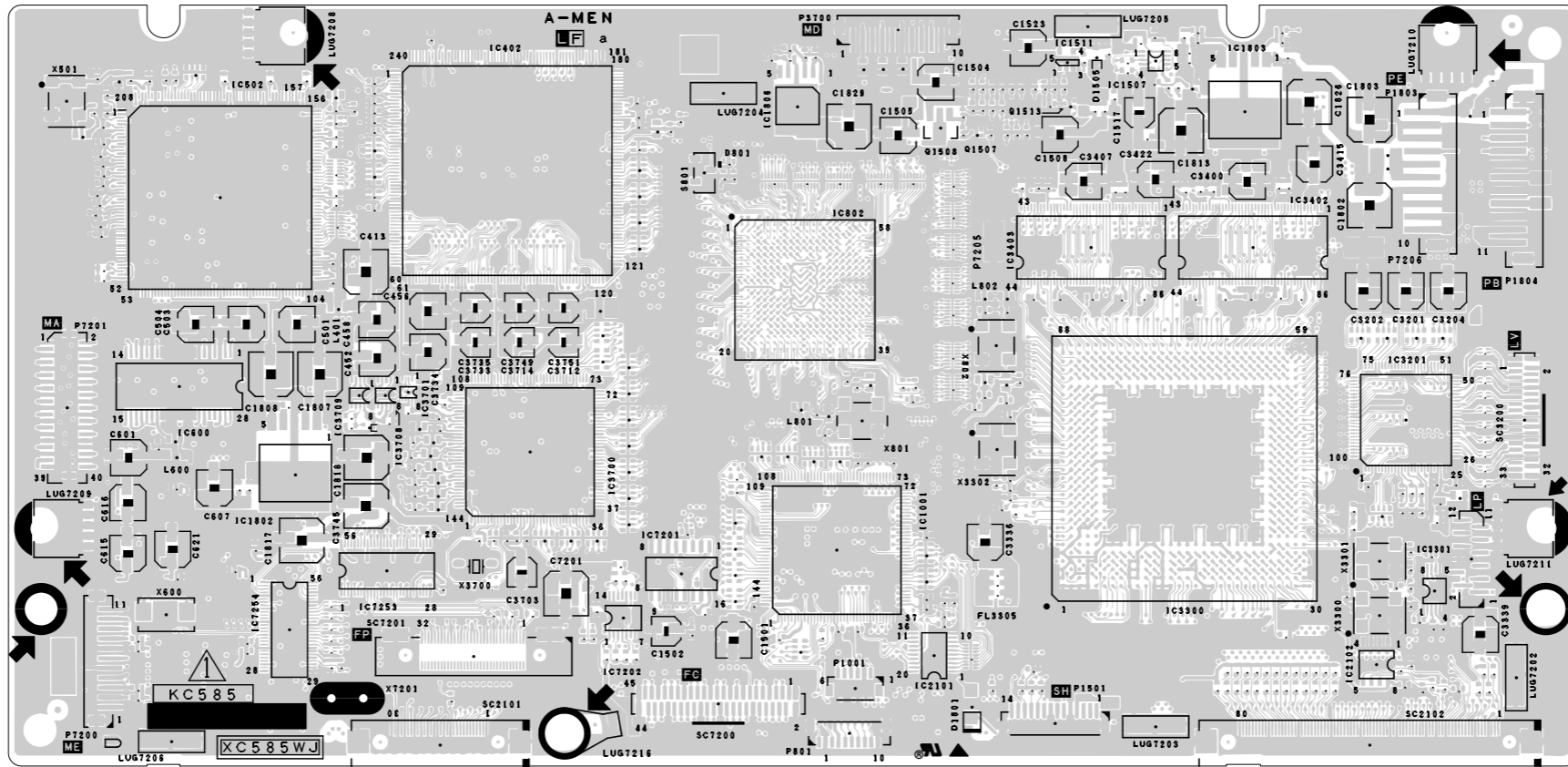
LCD CONT Unit (Side-B)



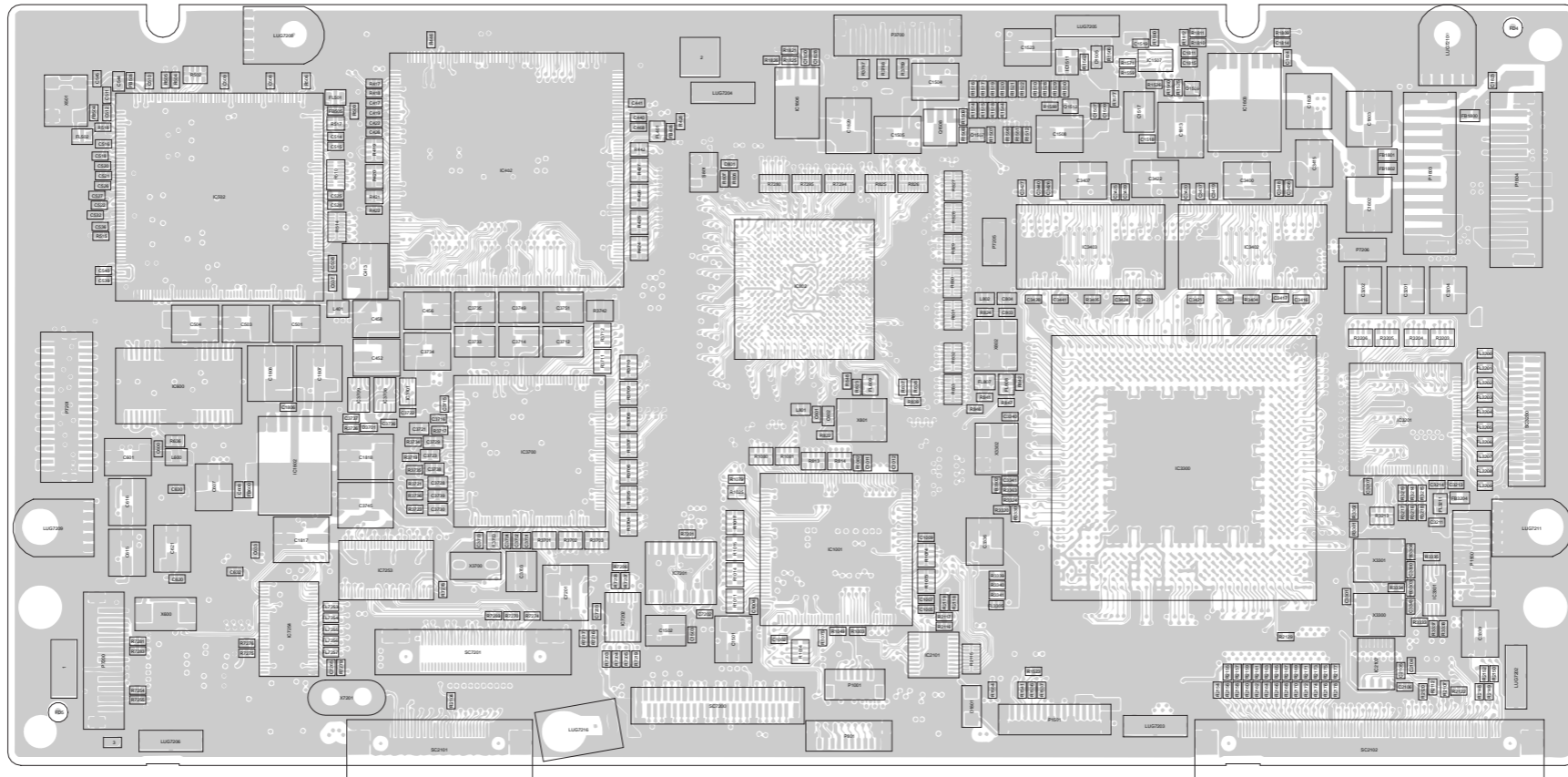
LCD CONT Unit (Chip Parts Side-B)

1 2 3 4 5 6 7 8 9 10 11 12 13 14 15 16 17 18 19

H  
G  
F  
E  
D  
C  
B  
A

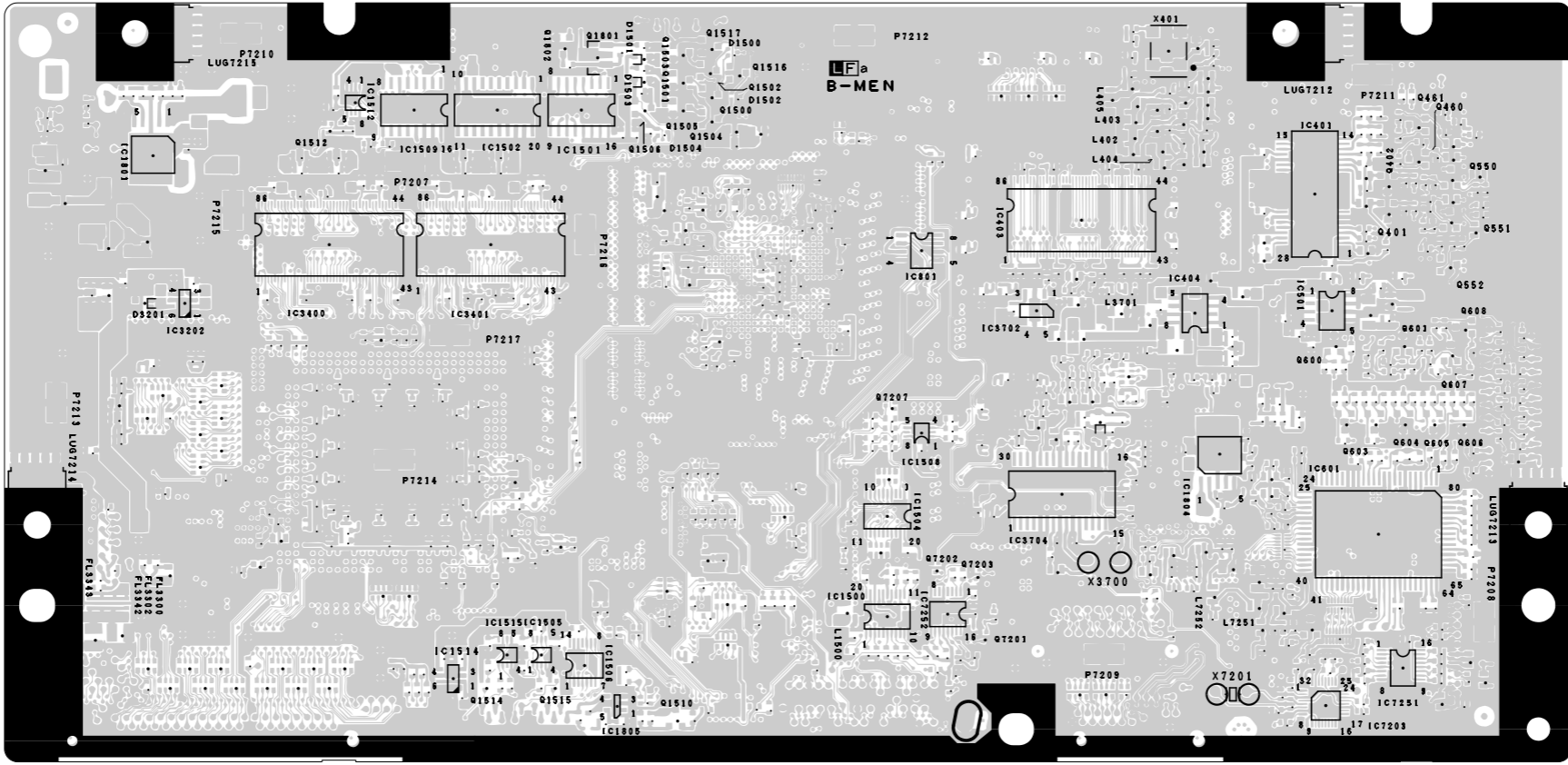


MAIN Unit (Side-A)

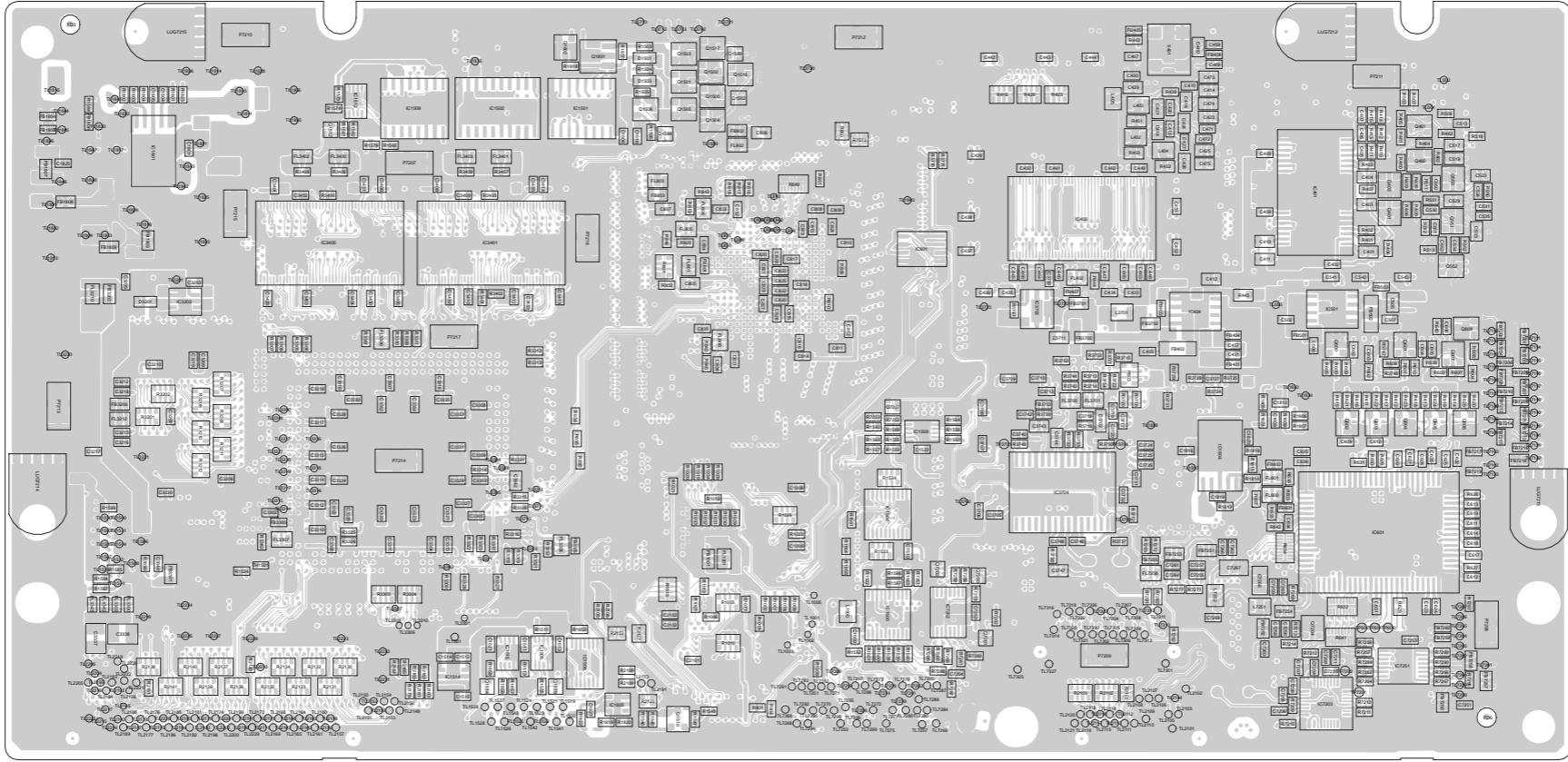


MAIN Unit (Chip Parts Side-A)

1 2 3 4 5 6 7 8 9 10 11 12 13 14 15 16 17 18 19



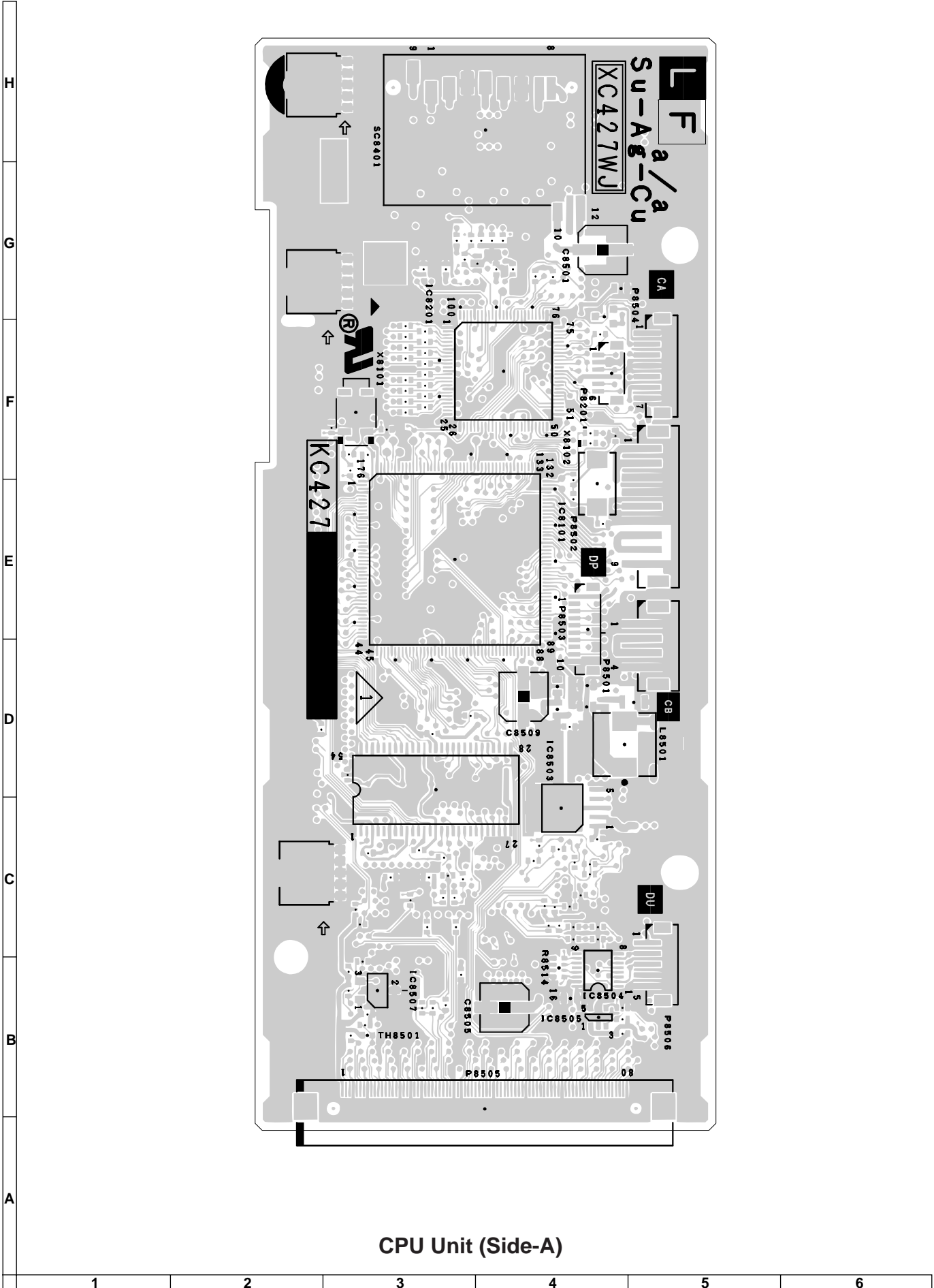
MAIN Unit (Side-B)



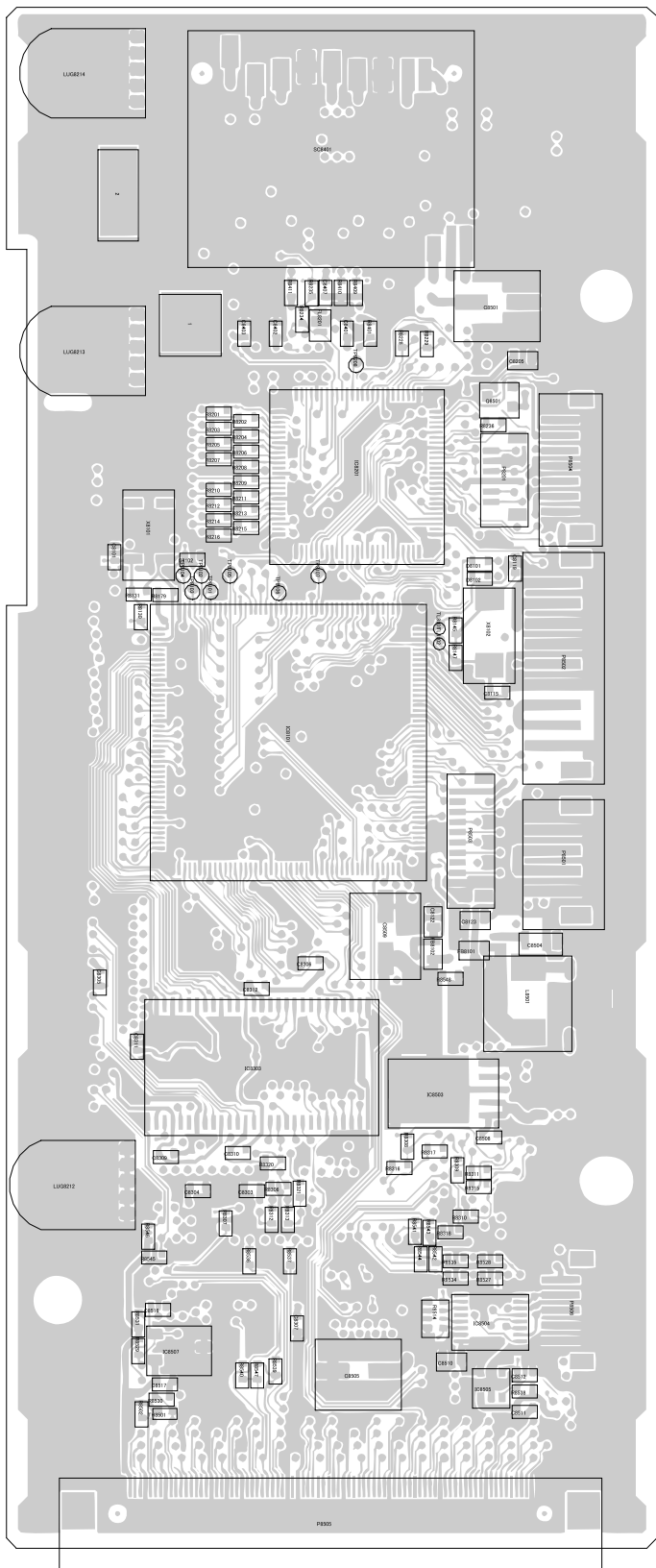
MAIN Unit (Chip Parts Side-B)

H  
G  
F  
E  
D  
C  
B  
A

1 2 3 4 5 6 7 8 9 10 11 12 13 14 15 16 17 18 19



H  
G  
F  
E  
D  
C  
B  
A



CPU Unit (Chip Parts Side-A)

1 2 3 4 5 6

H

G

F

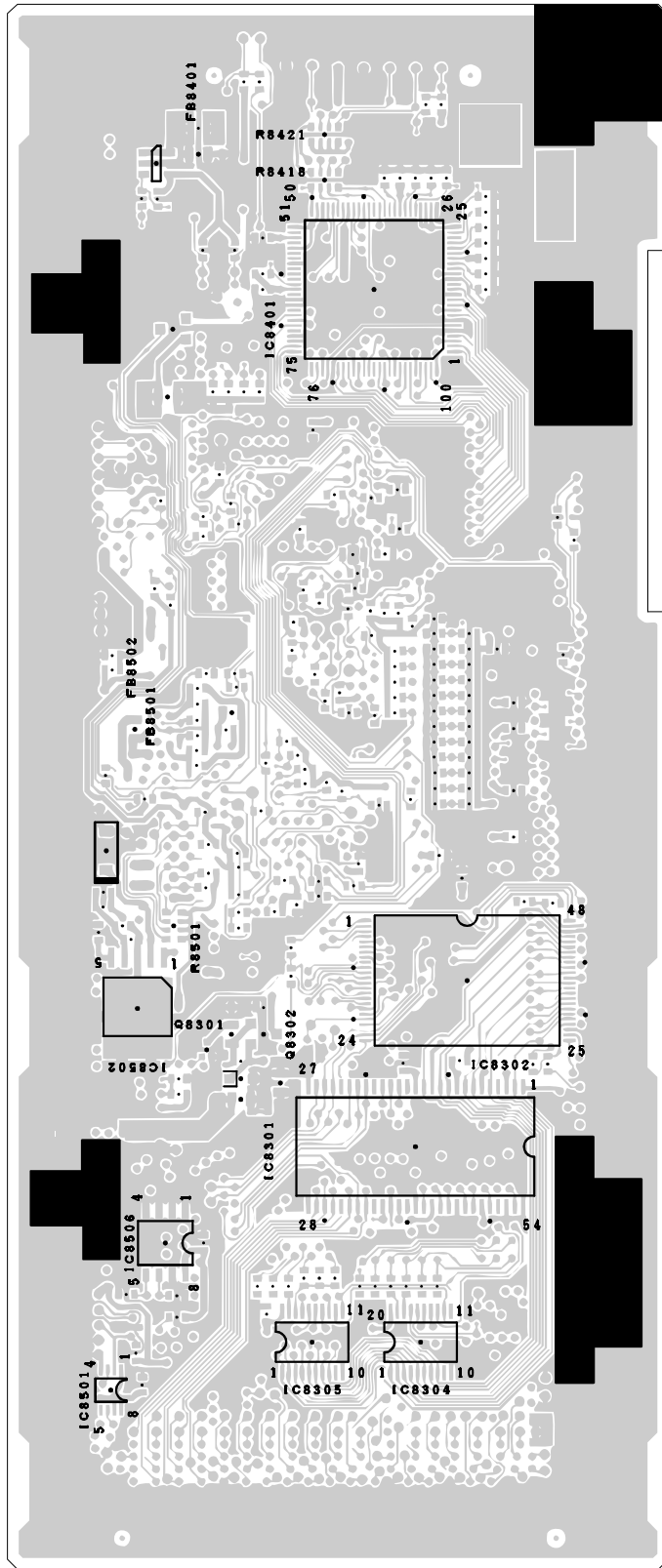
E

D

C

B

A



CPU Unit (Side-B)

1

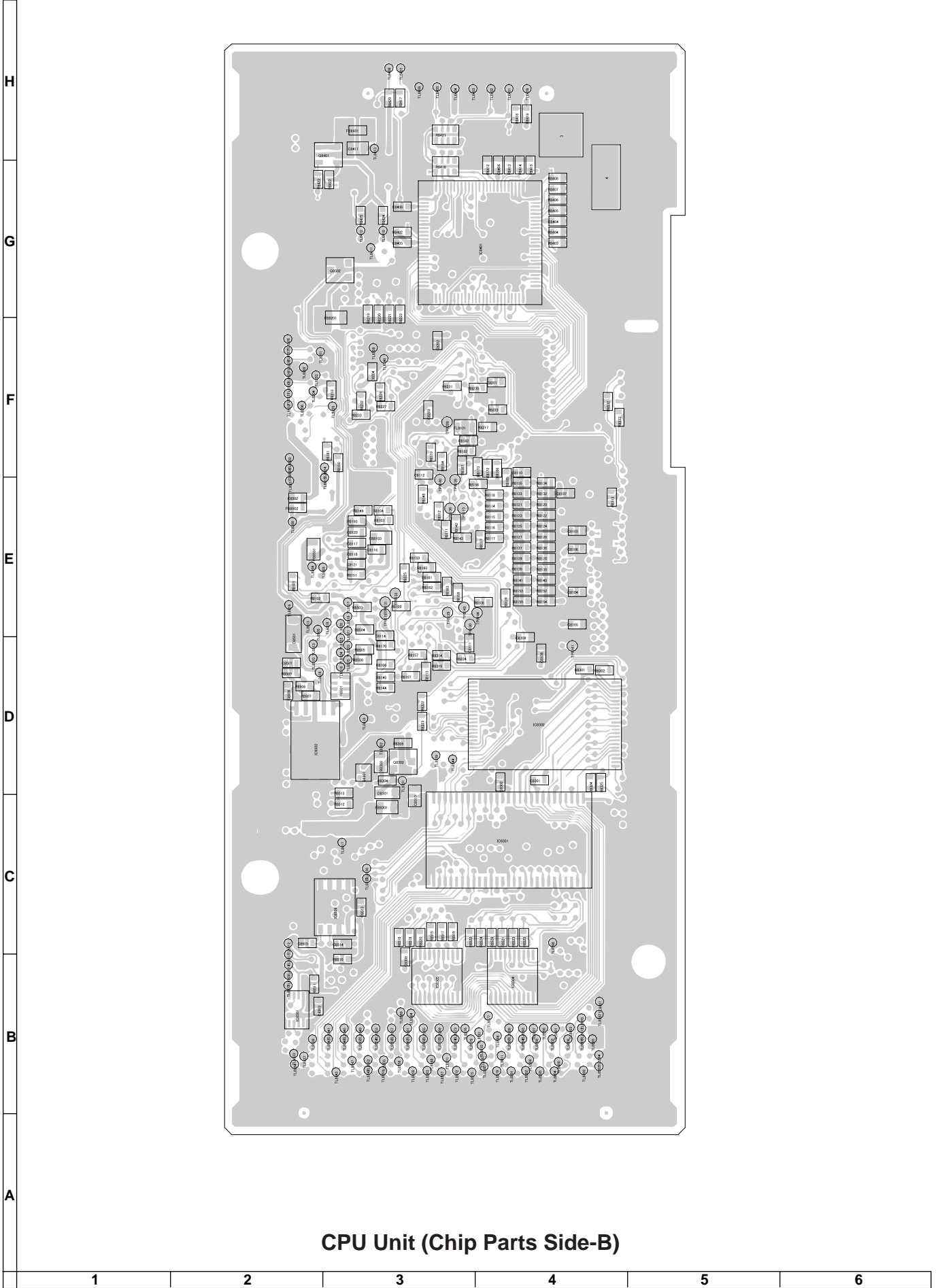
2

3

4

5

6



CPU Unit (Chip Parts Side-B)



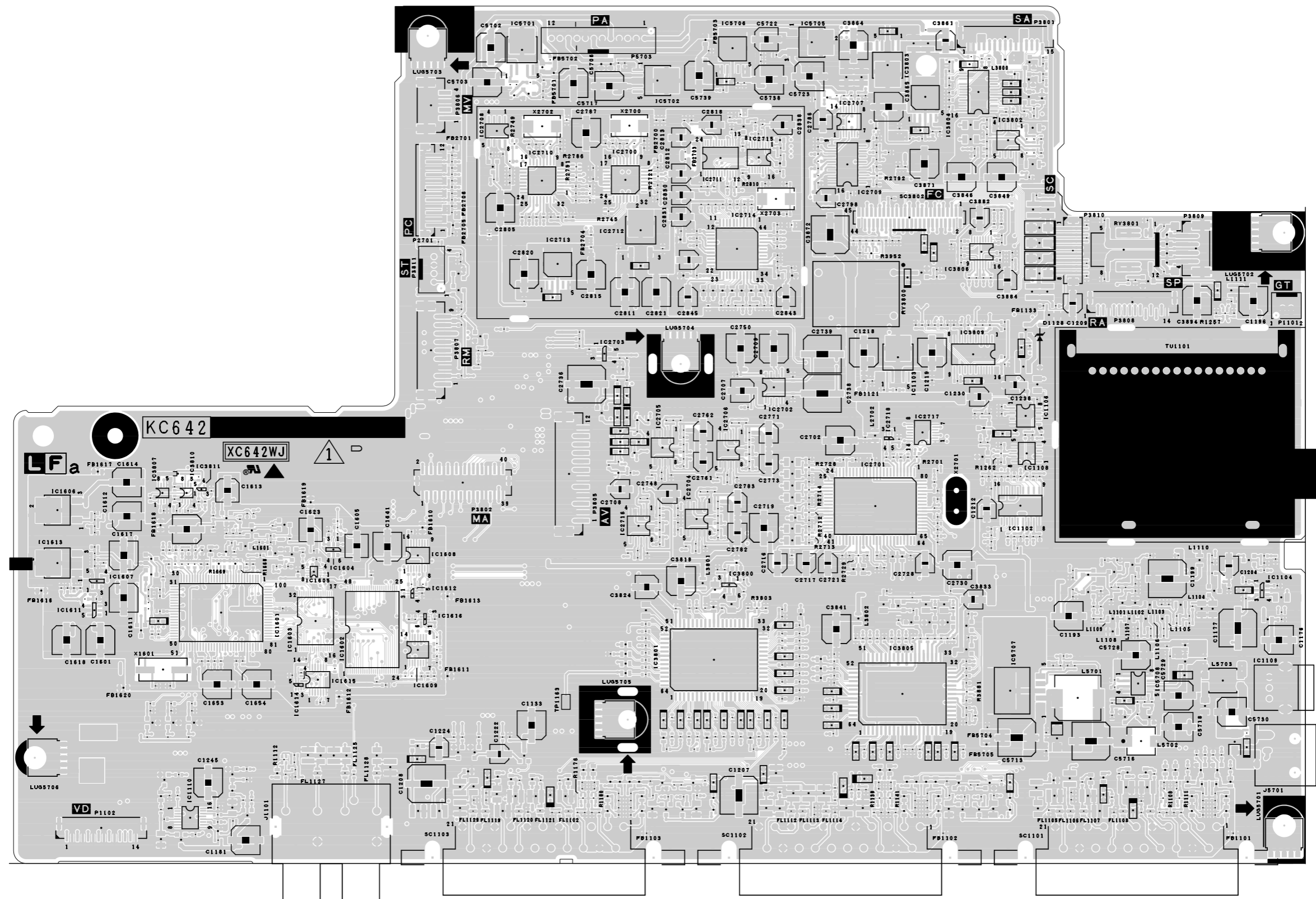




**DVI Unit (Side-B)**

**DVI Unit (Chip Parts Side-B)**

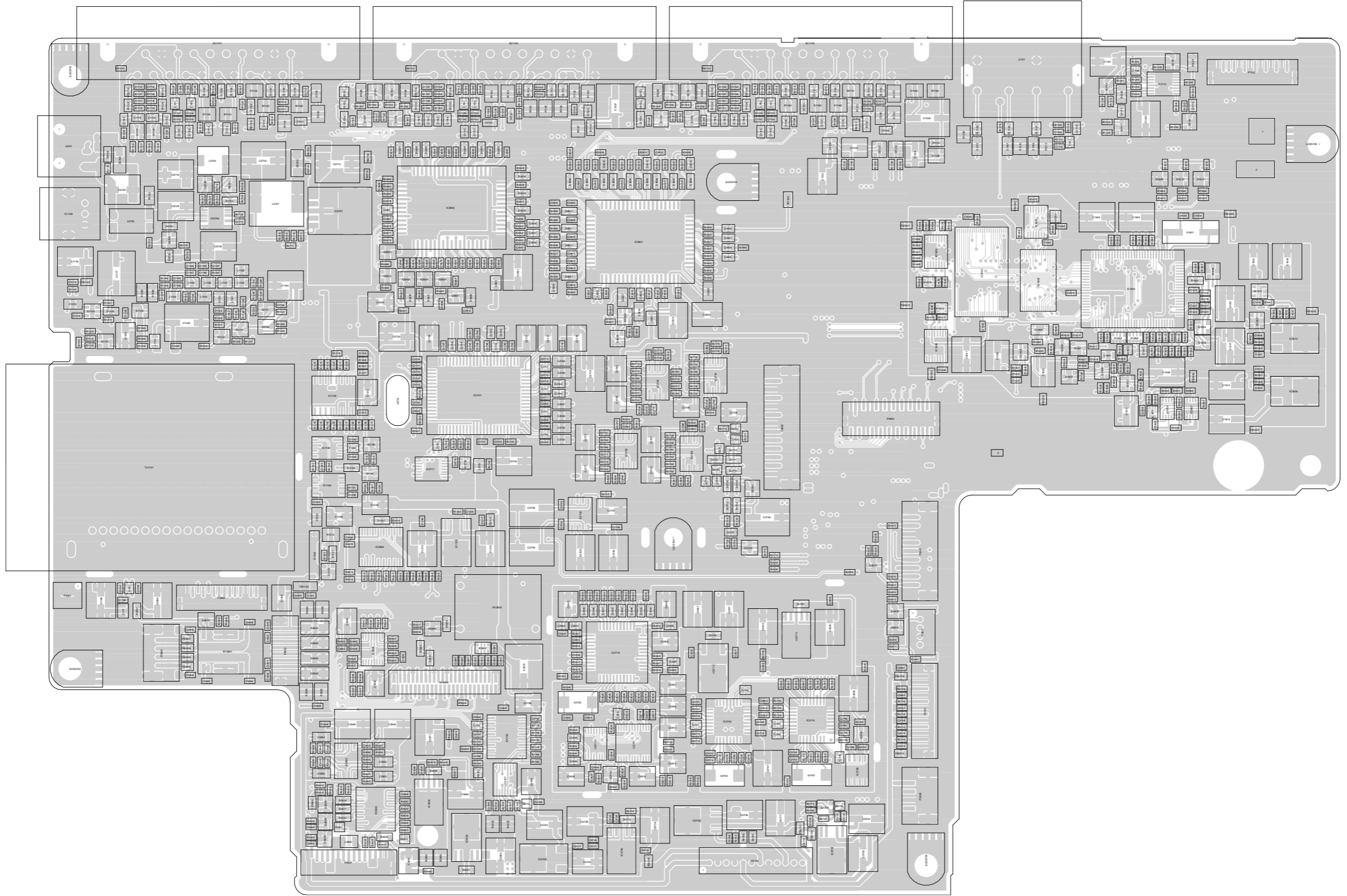
H  
G  
F  
E  
D  
C  
B  
A



AV Unit (Side-A)

1 2 3 4 5 6 7 8 9 10 11 12 13 14 15 16 17 18 19

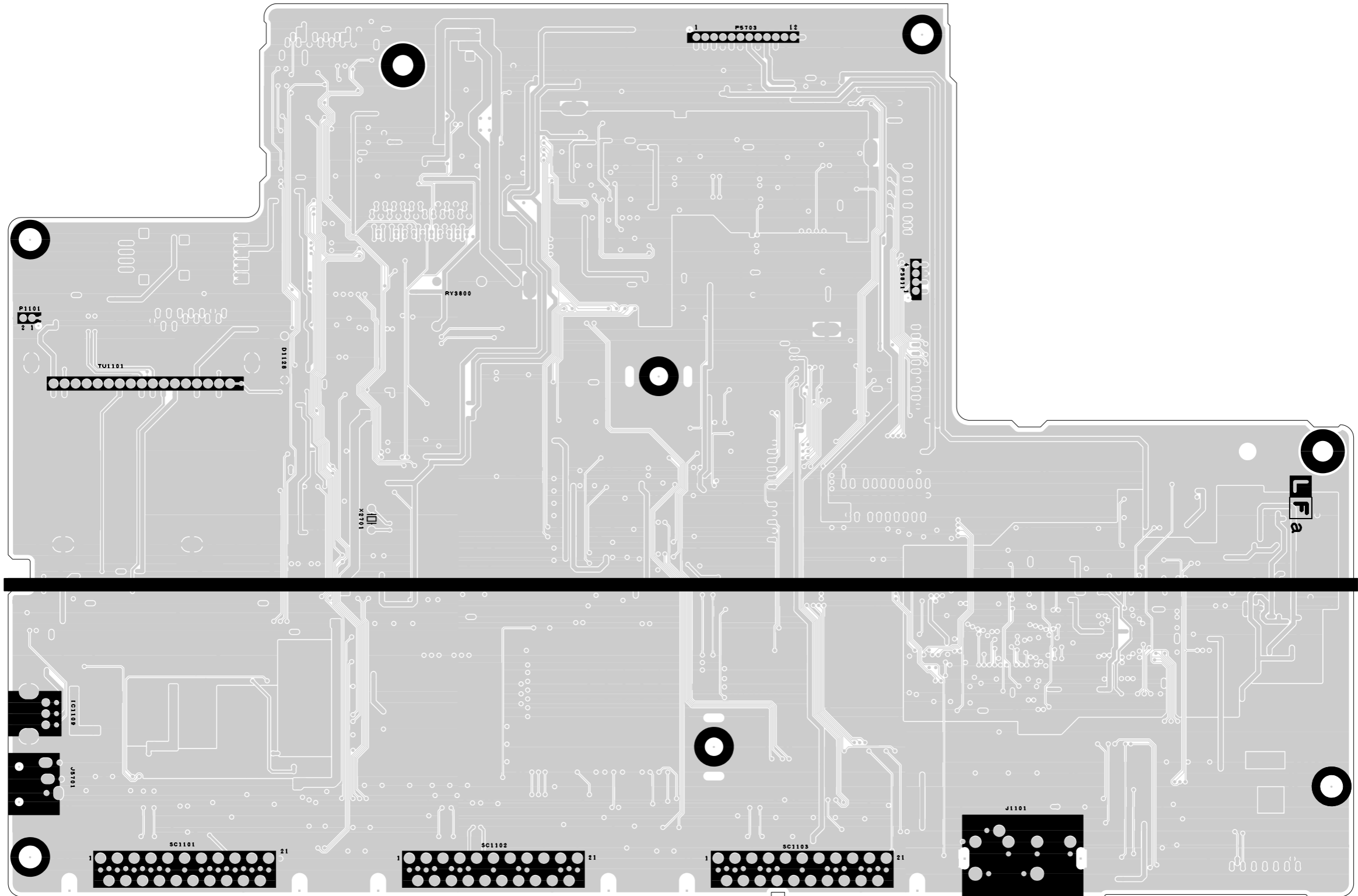
H  
G  
F  
E  
D  
C  
B  
A



AV Unit (Chip Parts Side-A)

1 2 3 4 5 6 7 8 9 10 11 12 13 14 15 16 17 18 19

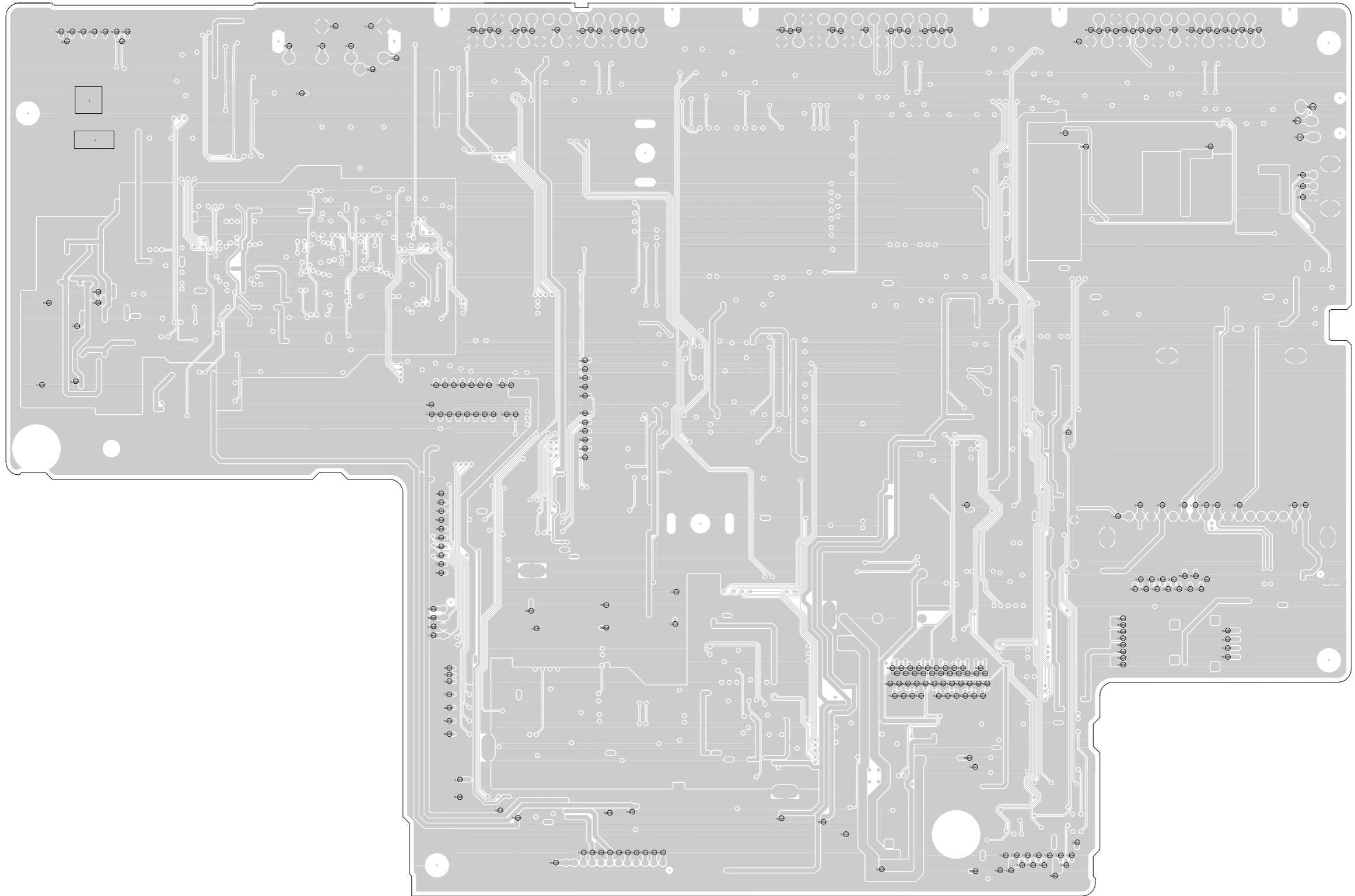
H  
G  
F  
E  
D  
C  
B  
A



AV Unit (Side-B)

1 2 3 4 5 6 7 8 9 10 11 12 13 14 15 16 17 18 19

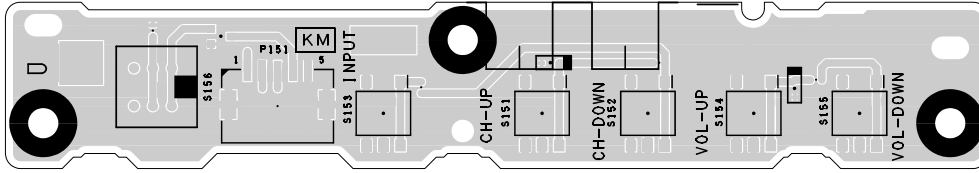
H  
G  
F  
E  
D  
C  
B  
A



AV Unit (Chip Parts Side-B)

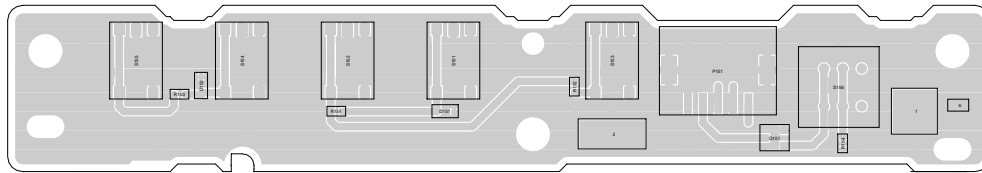
1 2 3 4 5 6 7 8 9 10 11 12 13 14 15 16 17 18 19

H



KEY Unit (Side-A)

G

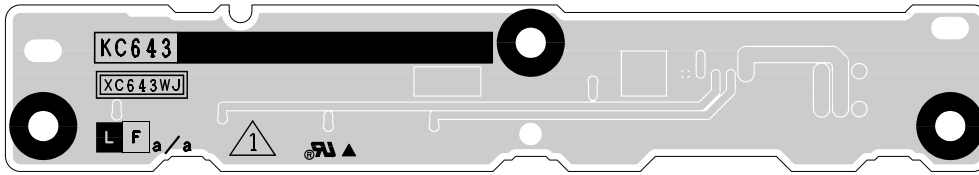


KEY Unit (Chip Parts Side-A)

F

E

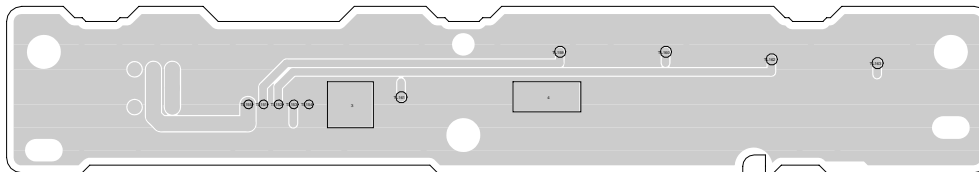
D



KEY Unit (Side-B)

C

B



KEY Unit (Chip Parts Side-B)

A

1

2

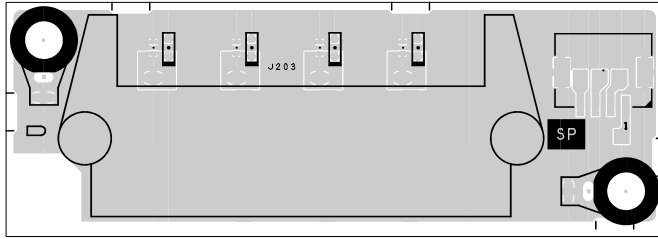
3

4

5

6

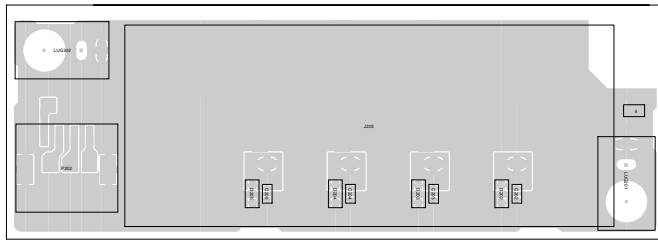
H



**EXT-SP Unit (Parts Side-A)**

G

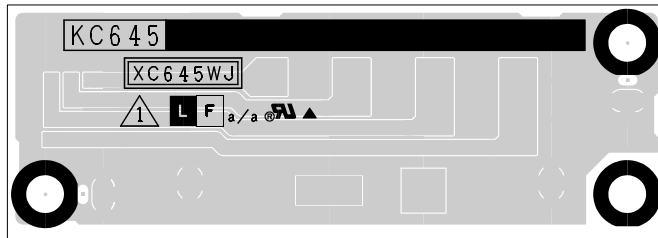
F



**EXT-SP Unit (Chip Parts Side-A)**

E

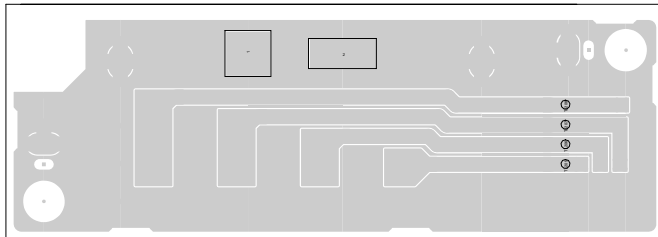
D



**EXT-SP Unit (Parts Side-B)**

C

B



**EXT-SP Unit (Chip Parts Side-B)**

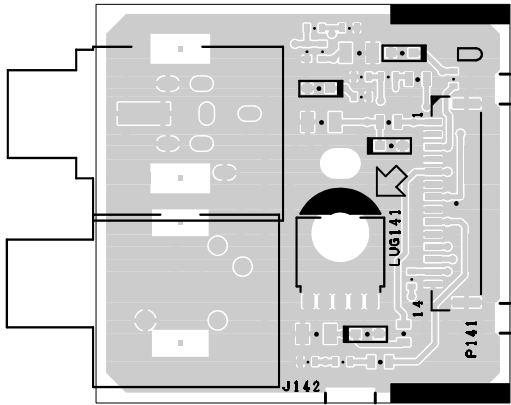
A

1	2	3	4	5	6
---	---	---	---	---	---

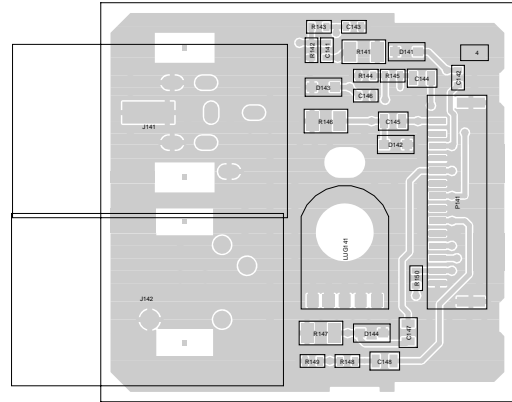
H

G

F



FRONT Unit (Parts Side-A)

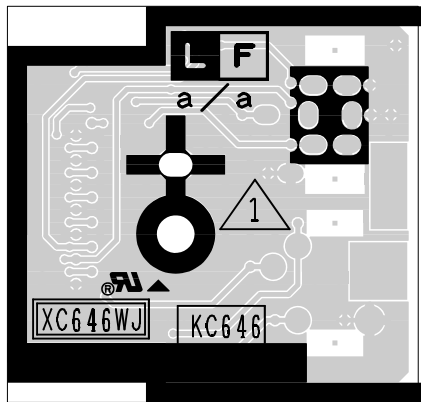


FRONT Unit (Chip Parts Side-A)

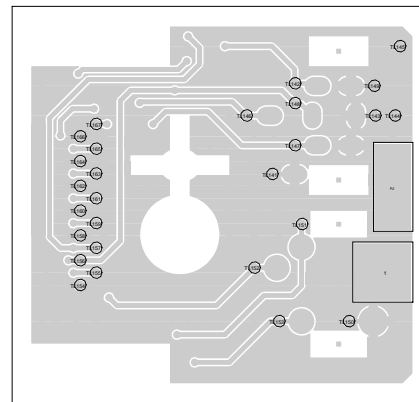
E

D

C



FRONT Unit (Parts Side-B)



FRONT Unit (Chip Parts Side-B)

B

A

1

2

3

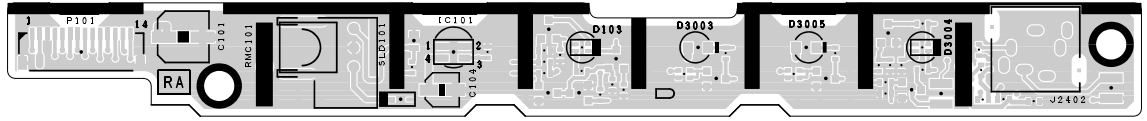
4

5

6



H



LED Unit (Parts Side-A)

G

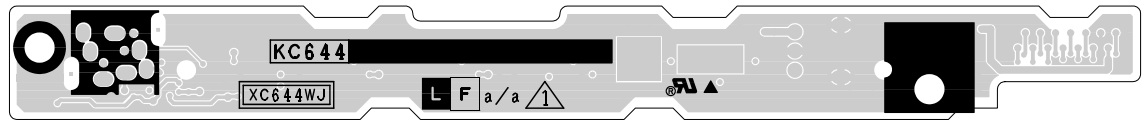
F



LED Unit (Chip Parts Side-A)

E

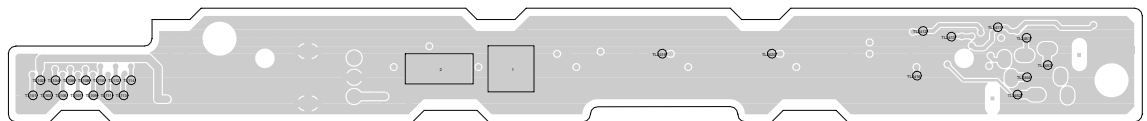
D



LED Unit (Parts Side-B)

C

B

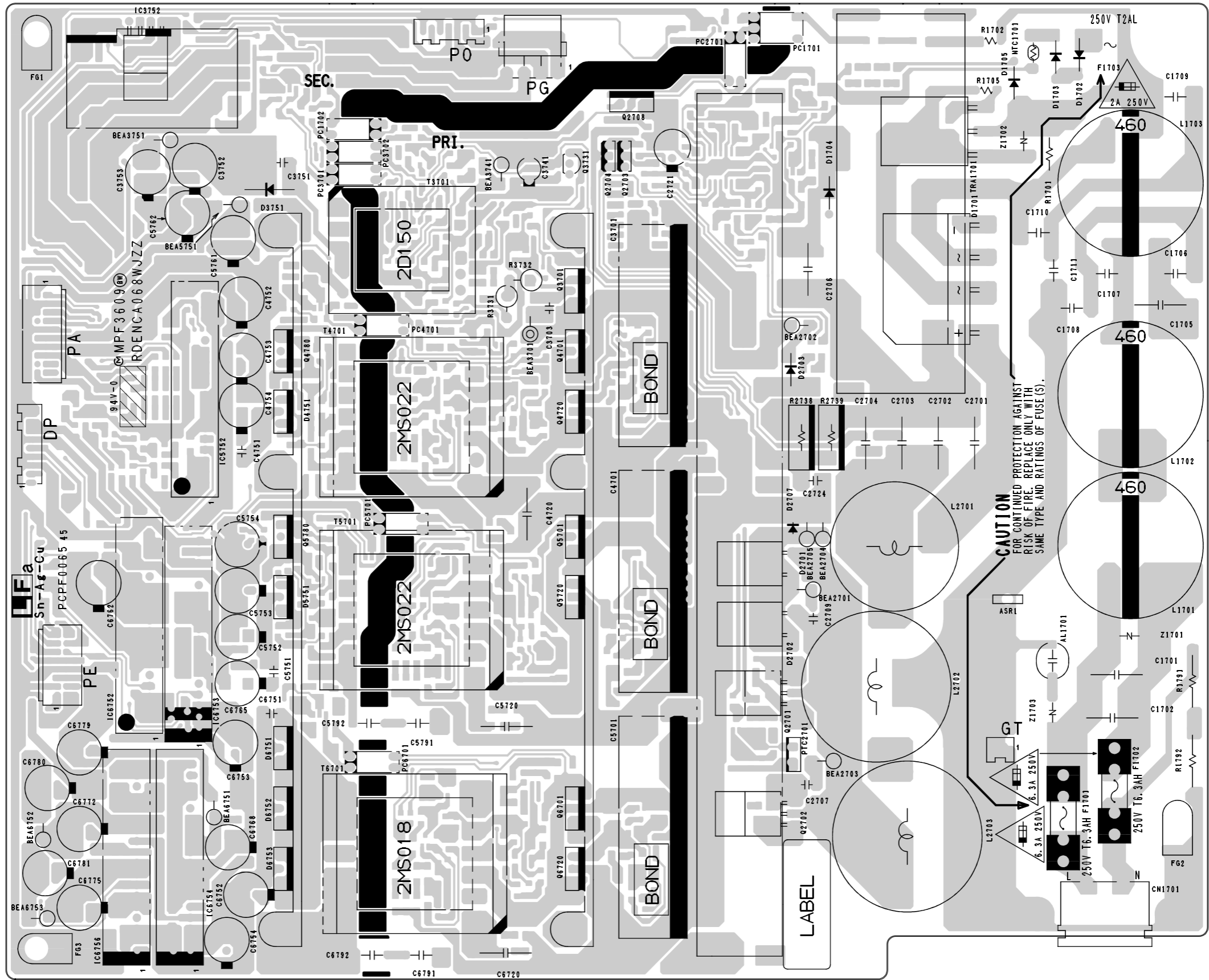


LED Unit (Chip Parts Side-B)

A

1	2	3	4	5	6
---	---	---	---	---	---

H  
G  
F  
E  
D  
C  
B  
A



POWER Unit (Side-A)

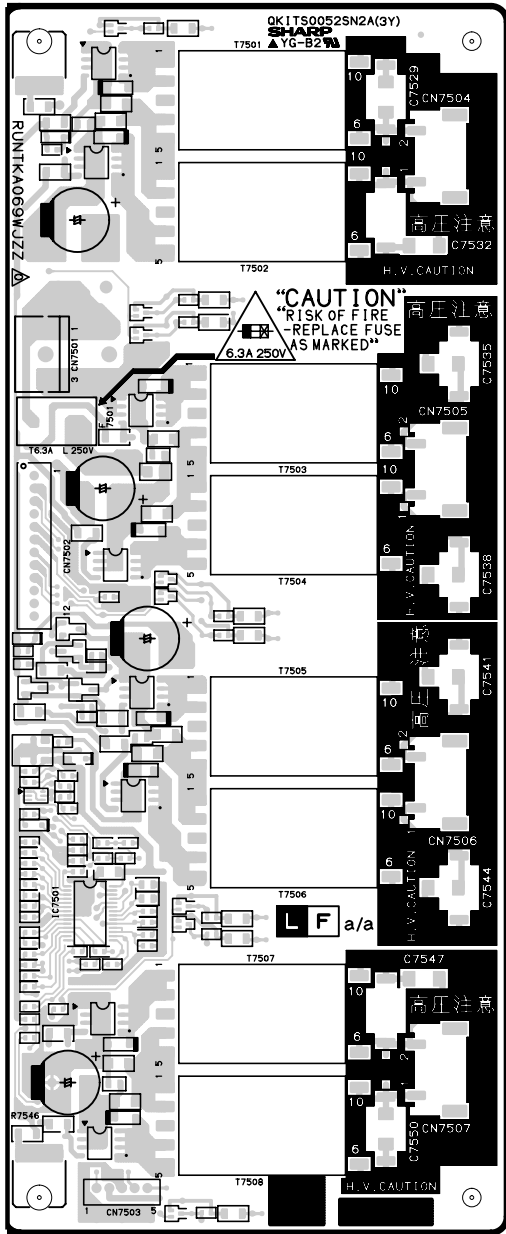
1 2 3 4 5 6 7 8 9 10 11 12 13 14 15 16 17 18 19



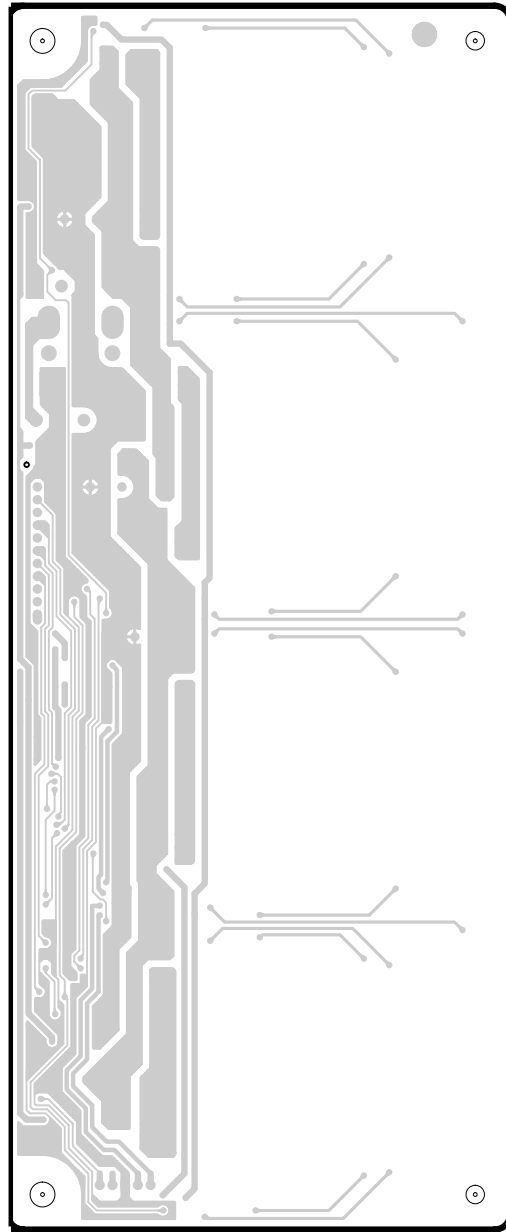
POWER Unit (Side-B)

(LC-32GA3E)

H  
G  
F  
E  
D  
C  
B  
A



**INVERTER-Unit (A)**  
**(Component Parts Side)**

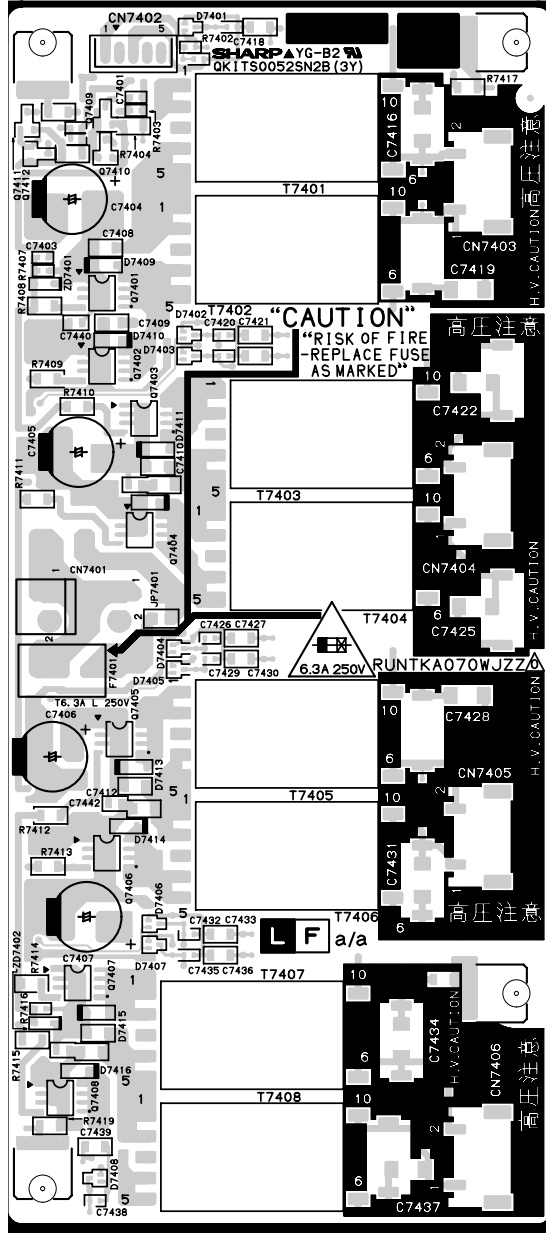


**INVERTER-Unit (A)**  
**(Wiring Side)**

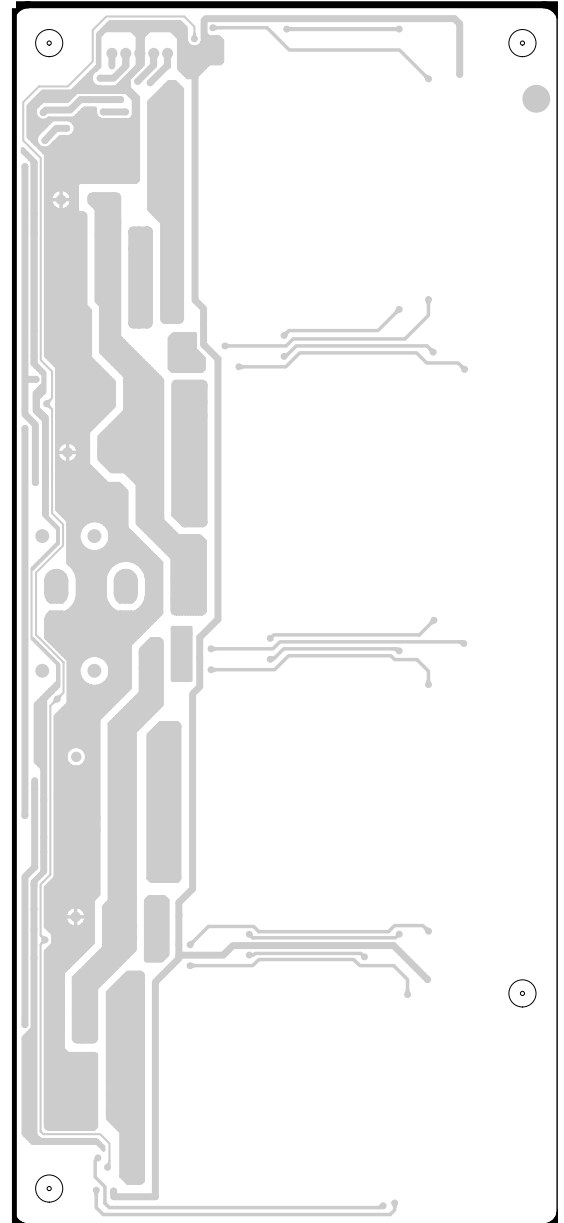
1 2 3 4 5 6

(LC-32GA3E)

H  
G  
F  
E  
D  
C  
B  
A



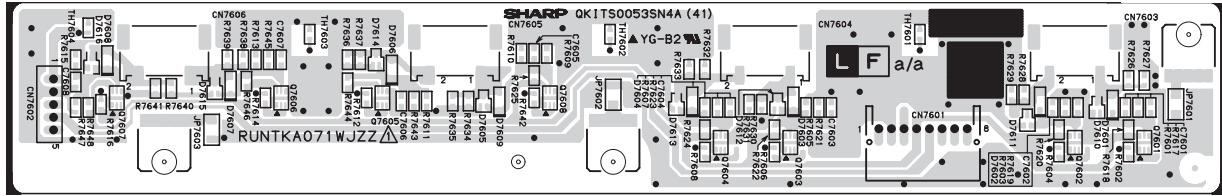
INVERTER-Unit (B)  
(Component Parts Side)



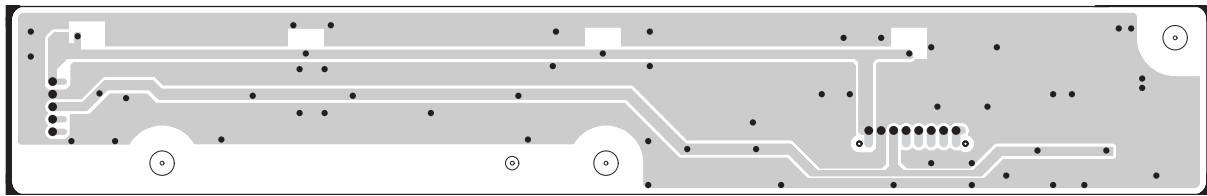
INVERTER-Unit (B)  
(Wiring Side)

1 2 3 4 5 6

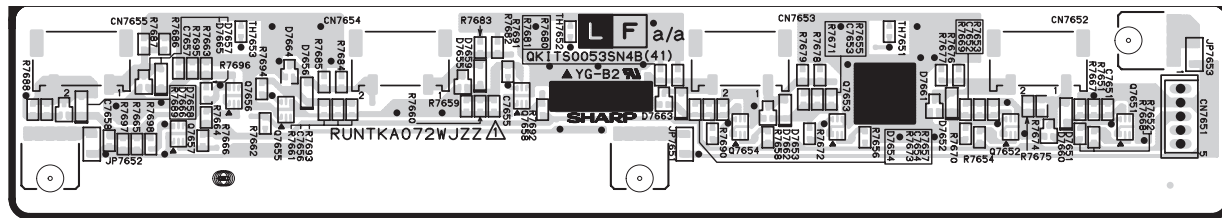
(LC-32GA3E)



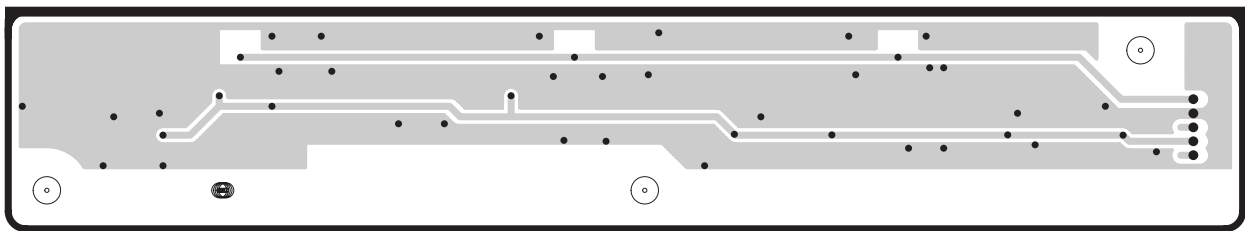
**INVERTER-G-Unit (A)  
(Component Parts Side)**



**INVERTER-G-Unit (A)  
(Wiring Side)**



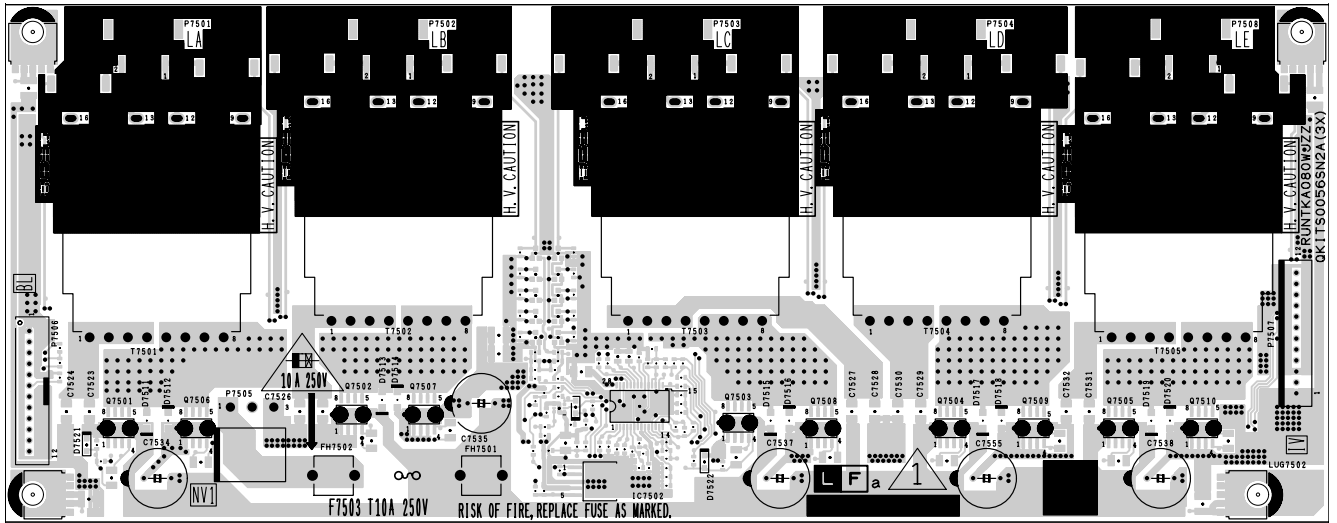
**INVERTER-G-Unit (B)  
(Component Parts Side)**



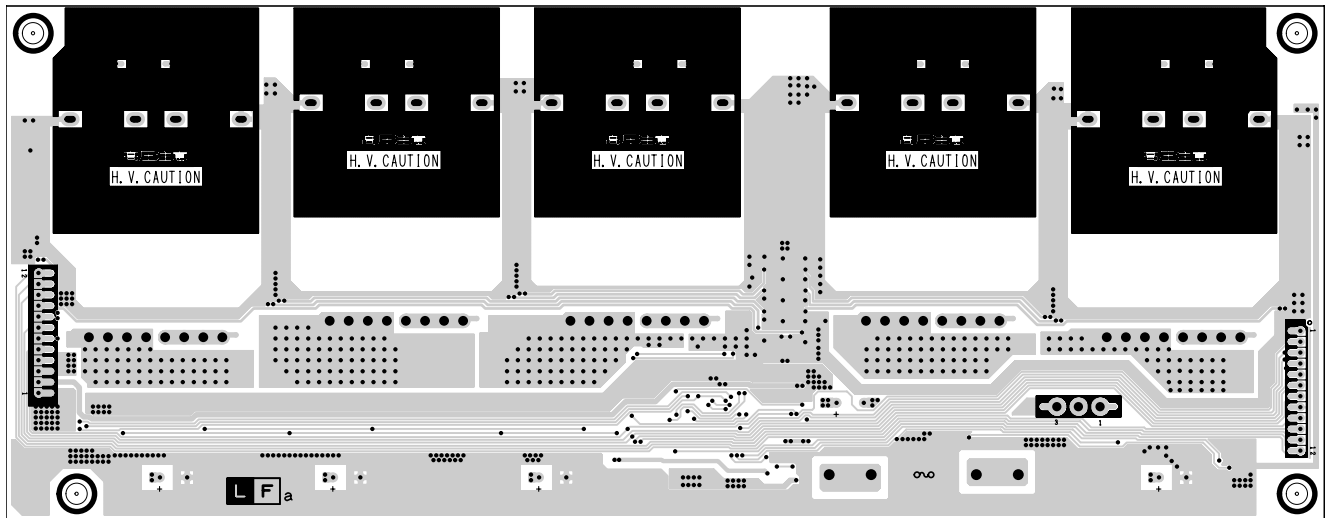
**INVERTER-G-Unit (B)  
(Wiring Side)**

(LC-37GA3E)

H  
G  
F  
E  
D  
C  
B  
A



**INVERTER-Unit (A)  
(Component Side)**



**INVERTER-Unit (A)  
(Chip Parts Side)**

1 2 3 4 5 6

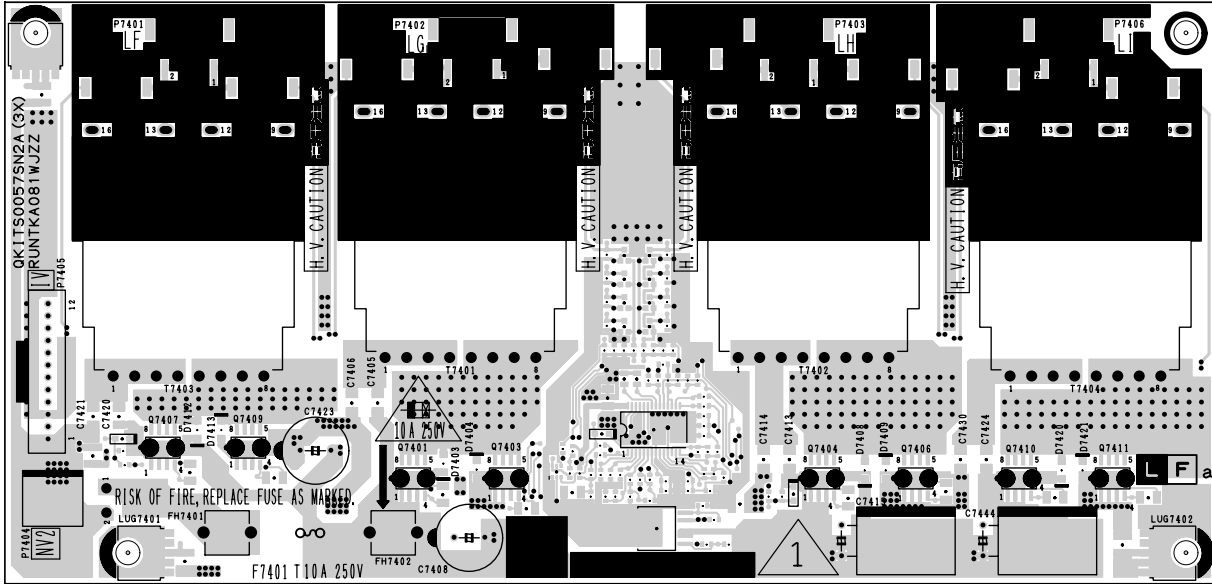
(LC-37GA3E)

H

G

F

E



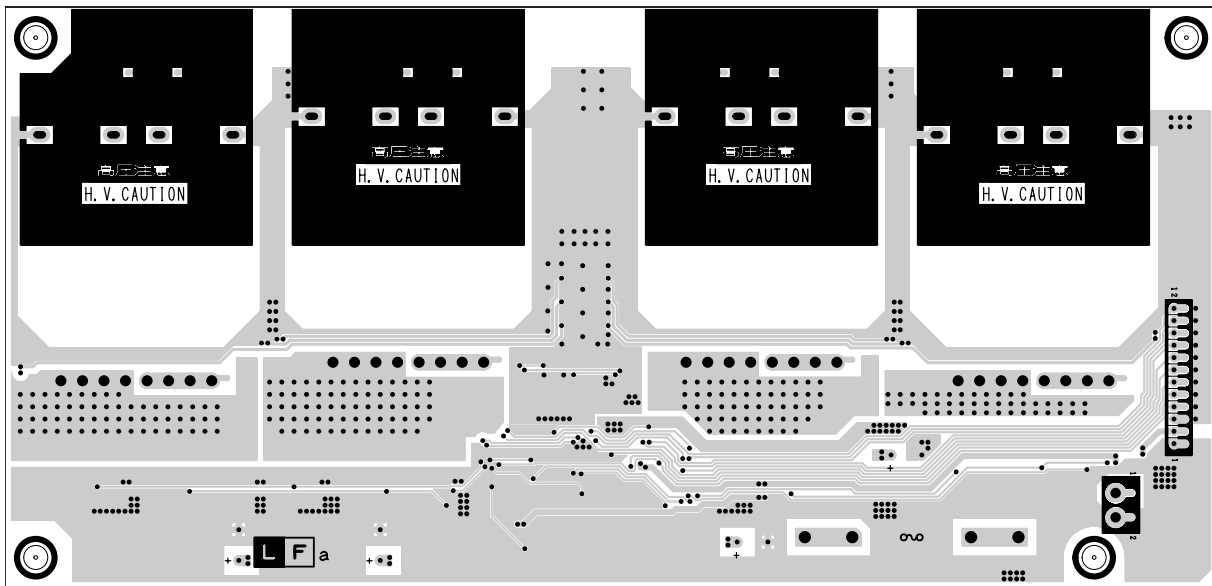
INVERTER-Unit (B)  
(Component Side)

D

C

B

A



INVERTER-Unit (B)  
(Chip Parts Side)

1

2

3

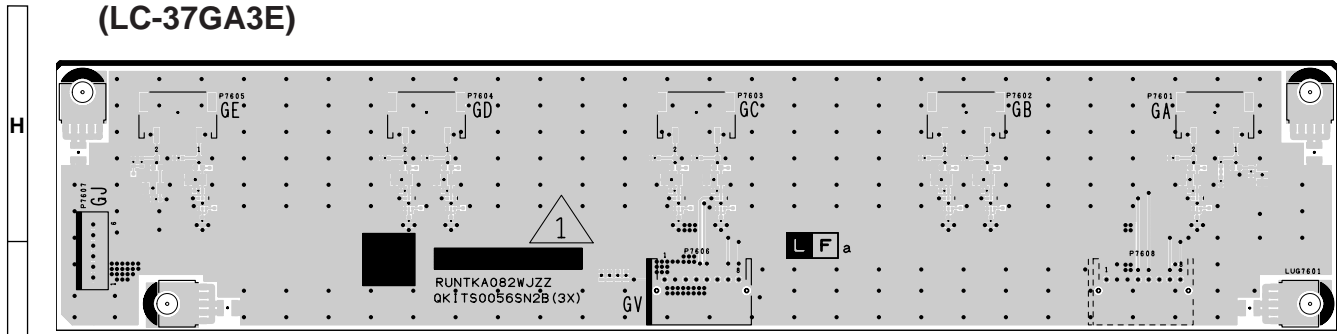
4

5

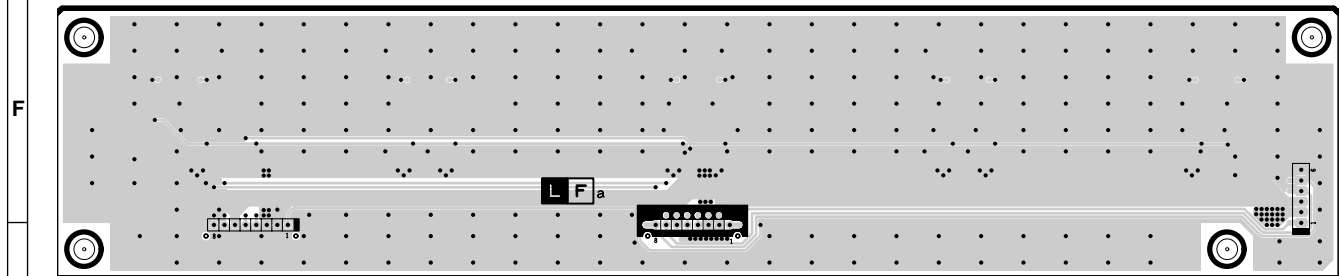
6



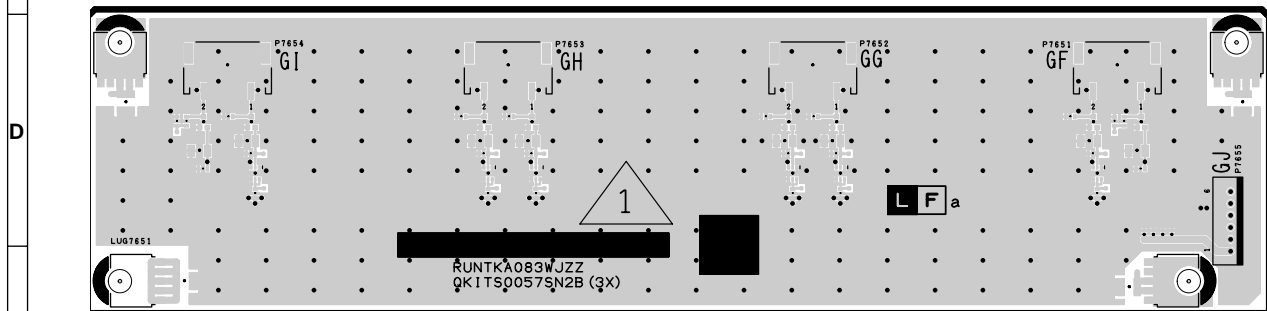
(LC-37GA3E)



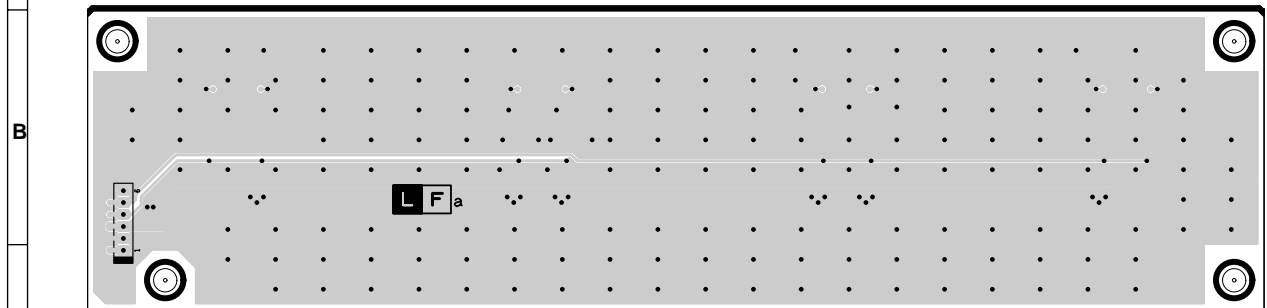
**INVERTER-G-Unit (A)**  
**(Component Parts Side)**



**INVERTER-G-Unit (A)**  
**(Wiring Side)**



**INVERTER-G-Unit (B)**  
**(Component Parts Side)**



**INVERTER-G-Unit (A)**  
**(Wiring Side)**

1	2	3	4	5	6
---	---	---	---	---	---

# PARTS LIST

## PARTS REPLACEMENT

Replacement parts which have these special safety characteristics identified in this manual; electrical components having such features are identified by  $\Delta$  and shaded areas in the Replacement Parts Lists and Schematic Diagrams. The use of a substitute replacement part which does not have the same safety characteristic as the factory recommended replacement parts shown in this service manual may create shock, fire or other hazards.

### "HOW TO ORDER REPLACEMENT PARTS"

To have your order filled promptly and correctly, please furnish the following informations.

- |                 |                |
|-----------------|----------------|
| 1. MODEL NUMBER | 2. REF. NO.    |
| 3. PART NO.     | 4. DESCRIPTION |

★ MARK: SPARE PARTS-DELIVERY SECTION

Ref. No.	Part No.	★	Description	Code
----------	----------	---	-------------	------

## PRINTED WIRING BOARD ASSEMBLIES (NOT REPLACEMENT ITEM)

### (LC-32GA3E)

DUNTKC268VJ89	J	—	LCD CONT Unit	CH
DUNTKC427VJ21	—	—	CPU Unit	—
DUNTKC585VJ13	J	—	MAIN Unit (LC-32GA3E)	CR
DUNTKC585VJ14	J	—	MAIN Unit (LC-32GA3K)	CR
DUNTKC585VJ19	J	—	MAIN Unit (LC-32GA3F)	CR
DUNTKC585VJ34	J	—	MAIN Unit (LC-32GA3I)	CR
DUNTKC585VJ36	J	—	MAIN Unit (LC-32GA3R)	CR
DUNTKC595VJ17	—	—	DVI Unit	—
DUNTKC642UJ01	—	—	AV Unit (LC-32GA3E/I/R)	—
DUNTKC642UJ02	—	—	AV Unit (LC-32GA3K)	—
DUNTKC642UJ03	—	—	AV Unit (LC-32GA3F)	—
DUNTKC643UJ01	—	—	KEY Unit (LC-32GA3E/I/R)	—
DUNTKC643UJ02	—	—	KEY Unit (LC-32GA3K)	—
DUNTKC643UJ03	—	—	KEY Unit (LC-32GA3F)	—
DUNTKC644UJ01	—	—	LED Unit (LC-32GA3E/I/R)	—
DUNTKC644UJ02	—	—	LED Unit (LC-32GA3K)	—
DUNTKC644UJ03	—	—	LED Unit (LC-32GA3F)	—
DUNTKC645UJ01	—	—	EXT. SP Unit (LC-32GA3E/I/R)	—
DUNTKC645UJ02	—	—	EXT. SP Unit (LC-32GA3K)	—
DUNTKC645UJ03	—	—	EXT. SP Unit (LC-32GA3F)	—
DUNTKC646UJ01	—	—	FRONT Unit (LC-32GA3E/I/R)	—
DUNTKC646UJ02	—	—	FRONT Unit (LC-32GA3K)	—
DUNTKC646UJ03	—	—	FRONT Unit (LC-32GA3F)	—
RDENCA068WJZZ	—	—	Power-Unit	—
RUNTKA069WJZZ	—	—	INVERTER-Unit(A)	—
RUNTKA070WJZZ	—	—	INVERTER-Unit(B)	—
RUNTKA071WJZZ	—	—	INVERTER-G-Unit(A)	—
RUNTKA072WJZZ	—	—	INVERTER-G-Unit(B)	—
B2SX4102BT	J	—	1BIT AMP. Unit	BL

### (LC-37GA3E)

DUNTKC268VJ91	J	—	LCD CONT Unit	CH
DUNTKC427VJ21	—	—	CPU Unit	—
DUNTKC585VJ21	J	—	MAIN Unit (LC-37GA3E)	CR
DUNTKC585VJ22	J	—	MAIN Unit (LC-37GA3K)	CR
DUNTKC585VJ23	J	—	MAIN Unit (LC-37GA3F)	CR
DUNTKC585VJ39	J	—	MAIN Unit (LC-37GA3I)	CR
DUNTKC585VJ40	J	—	MAIN Unit (LC-37GA3R)	CR
DUNTKC595VJ19	—	—	DVI Unit	—
DUNTKC642UJ07	—	—	AV Unit (LC-37GA3E/I/R)	—
DUNTKC642UJ08	—	—	AV Unit (LC-37GA3K)	—
DUNTKC642UJ10	—	—	AV Unit (LC-37GA3F)	—
DUNTKC643UJ07	—	—	KEY Unit (LC-37GA3E/I/R)	—
DUNTKC643UJ08	—	—	KEY Unit (LC-37GA3K)	—
DUNTKC643UJ10	—	—	KEY Unit (LC-37GA3F)	—
DUNTKC644UJ07	—	—	LED Unit (LC-37GA3E/I/R)	—

Ref. No.	Part No.	★	Description	Code
DUNTKC644UJ08	—	—	LED Unit (LC-37GA3K)	—
DUNTKC644UJ10	—	—	LED Unit (LC-37GA3F)	—
DUNTKC645UJ07	—	—	EXT. SP Unit (LC-37GA3E/I/R)	—
DUNTKC645UJ08	—	—	EXT. SP Unit (LC-37GA3K)	—
DUNTKC645UJ10	—	—	EXT. SP Unit (LC-37GA3F)	—
DUNTKC646UJ07	—	—	FRONT Unit (LC-37GA3E/I/R)	—
DUNTKC646UJ08	—	—	FRONT Unit (LC-37GA3K)	—
DUNTKC646UJ10	—	—	FRONT Unit (LC-37GA3F)	—
RDENCA068WJZZ	—	—	Power-Unit	—
RUNTKA080WJZZ	—	—	INVERTER-Unit (A)	—
RUNTKA081WJZZ	—	—	INVERTER-Unit (B)	—
RUNTKA082WJZZ	—	—	INVERTER-G-Unit (A)	—
RUNTKA083WJZZ	—	—	INVERTER-G-Unit (B)	—
B2SX4102BT	J	—	1BIT AMP. Unit	BL

## LCD PANEL

NOTE: THE PARTS HERE SHOWN ARE SUPPLIED AS AN ASSEMBLY BUT NOT INDEPENDENTLY.

RLCDDTA028WJZZ	J	—	32" LCD Panel Unit (LC-32GA3E/K/F/I)	ER
RLCDDTA027WJZZ	J	—	37" LCD Panel Unit (LC-37GA3E/K/F/I)	FS

## DUNTKC268VJ89 (LC-32GA3E) DUNTKC268VJ91 (LC-37GA3E) LCD CONT Unit

### INTEGRATED CIRCUITS

IC2001	VHiBD4742G+-1Y	J	BD4742G-TR	AD
IC2003	VHiLTC1694C-1Y	J	LTC1694CS5#TR	AM
IC2004	RH-iXA870WJN4Q	J	Micro Processor	AZ
IC2006	VHiT7SET32U-1Y	J	TC7SET32FU	AD
IC2008	VHiBR24C08F-1Y	J	BR24C08F-E2 (LC-32GA3E/K/F/I)	AF
IC2008	VHiBR24L08F-1Y	J	BR24L08F-WE2 (LC-37GA3E/K/F/I)	AE
IC2010	VHiM62392FP-1Y	J	M62392FP	AM
IC2014	VHiTC7W34U-1Y	J	TC7W34FU	AE
IC2015	VHiSN2G66CT-1Y	J	SN74AHC2G66HDC	AE
IC2016	VHiLVX125FT-1Y	J	TC74LVX125FT	AG
IC2017	VHiLVX125FT-1Y	J	TC74LVX125FT	AG
IC2019	VHiLVX125FT-1Y	J	TC74LVX125FT (LC-37GA3E/K/F/I)	AG
IC4101	RH-iXA706WJZZQ	J	IR3E12M1	AN
IC4102	VHiNJM4580V-1Y	J	NJM4580V	AE
IC4107	VHiLP2951CM-1Y	J	LT2951CMX	AL
IC4108	VHiPQ1CZ41H-1Y	J	PQ1CZ41H2ZP	AG
IC4109	VHiLT1615ES-1Y	J	LT1615ES5	AP
IC4114	VHiLT1617ES-1Y	J	LT1617ES5	AP
IC4116	VHiLTC1872+-1Y	J	LTC1872ES6	AR
IC4501	RH-iXA865WJZZQ	J	XC3S200-4FT256 (LC-32GA3E/K/F/I)	BH
IC4501	RH-iXB003WJZZQ	J	I.C. (LC-37GA3E/K/F/I)	BB
IC4502	VHiTC7W34U-1Y	J	TC7W34FU (LC-32GA3E/K/F/I)	AE
IC4503	VHiTC7W34U-1Y	J	TC7W34FU (LC-32GA3E/K/F/I)	AE
IC4505	RH-iXA962WJN3Y	J	XCF045V020C (LC-32GA3E/K/F/I)	AY
IC4506	VHiPST3629N-1Y	J	PST3629NR (LC-32GA3E/K/F/I)	AD
IC4601	VHiPQ1R33/-1Y	J	PQ1R33 (LC-32GA3E/K/F/I)	AE
IC4601	RH-iXB001WJZZQ	J	I.C. (LC-37GA3E/K/F/I)	BD
IC4602	VHiTLVD824+-1Q	J	THC63LVD824 (LC-32GA3E/K/F/I)	AY
IC4602	RH-iXB227WJZZY	J	I.C. (LC-37GA3E/K/F/I)	AM
IC4603	VHiT7WH123U-1Y	J	TC7WH123FU	AD
IC4701	RH-iXA332WJZZQ	J	XC2S150-5PQ208 (LC-32GA3E/K/F/I)	BM

Ref. No.	Part No.	★	Description	Code	Ref. No.	Part No.	★	Description	Code
<b>DUNTKC268VJ89 (LC-32GA3E)</b>					<b>DUNTKC268VJ91 (LC-37GA3E)</b>				
<b>LCD CONT Unit (Continued)</b>									
IC4702	RH-iXA312WJN1Q	J	MT48LC2M32B2TG (LC-32GA3E/K/F/I)	AX	D4601	VHD1SS355/-1Y	J	1SS355 (LC-32GA3E/K/F/I)	AB
IC4901	RH-iXA332WJZZQ	J	XC2S150-5PQ208 (LC-32GA3E/K/F/I)	BM	D7703	VHDHSU119/-1Y	J	HSU119	AB
IC4901	RH-iXB002WJZZQ	J	KZ4E064311TFP (LC-37GA3E/K/F/I)	BB	D7704	VHDSFPB54//2EY	J	SFPB54	AC
IC4902	RH-iXA312WJN1Q	J	MT48LC2M32B2TG (LC-32GA3E/K/F/I)	AX	D7705	VHDSFPB54//2EY	J	SFPB54	AC
IC4902	RH-iXA986WJZZQ	J	MS81V2600-12TB (LC-37GA3E/K/F/I)	BB	D7707	VHDSFPB54//2EY	J	SFPB54	AC
IC4903	RH-iXB228WJZZY	J	I.C. (LC-37GA3E/K/F/I)	AL	D7710	VHDHSU119/-1Y	J	HSU119 (LC-32GA3E/K/F/I)	AB
IC7701	VHiAN8005M/-1Y	J	AN8005M	AD	D7711	VHDDAN222/-1Y	J	DAN222	AA
IC7702	VHiPQ20WZ11-1Y	J	PQ20WZ1U	AF	D7712	VHDSC8024/-1Y	J	SC8024	AC
IC7703	VHiPQ1CZ21H-1Y	J	PQ1CZ21H2ZP	AH	D7713	VHDSC8024/-1Y	J	SC8024	AC
IC7704	VHiPQ1CZ21H-1Y	J	PQ1CZ21H2ZP	AH	D7714	VHDSFPB54//2EY	J	SFPB54	AC
IC7705	VHiBD4742G+-1Y	J	BD4742G-TR	AD	D7715	VHDDAN222/-1Y	J	DAN222	AA
IC7706	VHiPQ1CZ21H-1Y	J	PQ1CZ21H2ZP	AH	D7716	RH-EX1264CEZZY	J	Zener Diode, 10V	AB
IC7709	VHiBD4742G+-1Y	J	BD4742G-TR	AD	D7717	RH-EX1264CEZZY	J	Zener Diode, 10V	AB
IC7710	VHiPQ015YZ5-1Y	J	PQ015YZ5MZP (LC-32GA3E/K/F/I)	AF	D7718	VHD1SS355/-1Y	J	1SS355 (LC-37GA3E/K/F/I)	AB
IC7711	VHiPQ1CZ21H-1Y	J	PQ1CZ21H2ZP	AH	D7719	VHD1SS355/-1Y	J	1SS355 (LC-37GA3E/K/F/I)	AB
<b>TRANSISTORS</b>					<b>PACKAGED CIRCUITS</b>				
Q2002	VSDTC144EE/-1Y	J	DTC144EE	AA	X2001	RCRSC0032TAZZY	J	Crystal	AG
Q2003	VSDTC144EE/-1Y	J	DTC144EE	AA	X4501	RCRZA025WJZZY	J	Crystal, 83.57MHz (LC-32GA3E/K/F/I)	AM
Q2004	VSDTC144EE/-1Y	J	DTC144EE	AA	X4601	RCRUAA048WJZZY	J	Crystal (LC-37GA3E/K/F/I)	AK
Q2007	VS2SC3928AR-1Y	J	2SC3928AR	AB	<b>COIL AND FILTERS</b>				
Q2011	VSDTC144EE/-1Y	J	DTC144EE (LC-37GA3E/K/F/I)	AA	FL2001	RFILZ0169TAZZY	J	Filter	AD
Q2012	VSDTC144EE/-1Y	J	DTC144EE	AA	FL4103	RFILNA002WJZZY	J	Filter	AD
Q2013	VS2SK536///-1Y	J	2SK536	AE	FL4651	RFILNA002WJZZY	J	Filter	AD
Q2014	VS2SK536///-1Y	J	2SK536	AE	FL4652	RFILNA002WJZZY	J	Filter	AD
Q2015	VSDTC144EE/-1Y	J	DTC144EE (LC-37GA3E/K/F/I)	AA	FL4653	RFILNA002WJZZY	J	Filter	AD
Q4101	VS2SD1664Q+-1Y	J	2SD1664Q	AC	FL4654	RFILNA002WJZZY	J	Filter	AD
Q4103	VS2SA1530AR-1Y	J	2SA1530AR	AB	L4101	RCILP0343TAZZY	J	Coil	AD
Q4104	VS2SC3928AR-1Y	J	2SC3928AR	AB	L4102	RCILCA039WJZZY	J	Coil	AF
Q4105	VSTP0610T+++1Y	J	TP0610T	AD	L4103	RCILP0355TAZZY	J	Coil	AD
Q4106	VS2SC3928AR-1Y	J	2SC3928AR	AB	L4104	RCILP0343TAZZY	J	Coil	AD
Q4108	VS2SK1826+++1Y	J	2SK1826	AC	L4105	VPD9M4R7J1R4NY	J	Peaking 4.7µH	AB
Q4109	VS2SK1826+++1Y	J	2SK1826	AC	L4106	RCILPA001WJZZY	J	Coil	AF
Q4110	VSSI4884DY+-1Y	J	Si4884DY	AG	L4107	VPBWM220K1R2NY	J	Peaking 22µH	AC
Q4112	VS2SB1132Q/-1Y	J	2SB1132Q	AC	L4108	VPBWM220K1R2NY	J	Peaking 22µH	AC
Q4601	VSDTC144EE/-1Y	J	DTC144EE (LC-32GA3E/K/F/I)	AA	L4109	RCILP0343TAZZY	J	Coil	AD
Q4602	VSDTC144EE/-1Y	J	DTC144EE (LC-32GA3E/K/F/I)	AA	L4110	VPD9M4R7J1R4NY	J	Peaking 4.7µH	AB
Q7701	VSDTC114EE/-1Y	J	DTC114EE (LC-37GA3E/K/F/I)	AB	L7701	RCILP0343TAZZY	J	Coil	AD
Q7702	VSDTA114EE/-1Y	J	DTA114EE	AB	L7702	RCILP0303TAZZY	J	Coil	AG
Q7703	VSDTC114EE/-1Y	J	DTC114EE	AB	L7704	RCILP0301TAZZY	J	Coil (LC-32GA3E/K/F/I)	AF
<b>DIODES</b>					L7704	RCILP0303TAZZY	J	Coil (LC-37GA3E/K/F/I)	AG
D2002	VHD1SS355/-1Y	J	1SS355 (LC-32GA3E/K/F/I)	AB	L7707	RCILP0343TAZZY	J	Coil	AD
D2003	VHD1SS355/-1Y	J	1SS355 (LC-32GA3E/K/F/I)	AB	L7708	RCILP0343TAZZY	J	Coil	AD
D2004	VHDMA157A/-1Y	J	MA157A	AC	L7710	RCILP0343TAZZY	J	Coil	AD
D2005	VHD1SS355/-1Y	J	1SS355	AB	L7711	RCILP0305TAZZY	J	Coil	AE
D2006	RH-EXA092WJZZY	J	Zener Diode (LC-37GA3E/K/F/I)	AB	L7712	RCILP0305TAZZY	J	Coil	AE
D4101	VHDHSU119/-1Y	J	HSU119	AB	L7713	RCILP0343TAZZY	J	Coil	AD
D4102	VHDSFPB74//2EY	J	SFPB74	AD	<b>CAPACITORS</b>				
D4103	VHDHSU119/-1Y	J	HSU119	AB	C2001	VCKYCY1EF104ZY	J	0.1 25V Ceramic	AA
D4104	VHDHSU119/-1Y	J	HSU119	AB	C2002	VCKYCY1EF104ZY	J	0.1 25V Ceramic (LC-37GA3E/K/F/I)	AA
D4105	VHDSFPB54//2EY	J	SFPB54	AC	C2003	VCKYCY1EF104ZY	J	0.1 25V Ceramic	AA
D4106	RH-EX1274CEZZY	J	Zener Diode, 13V	AB	C2004	VCKYCY1EF104ZY	J	0.1 25V Ceramic	AA
D4107	VHDHSU119/-1Y	J	HSU119	AB	C2006	VCCCCY1HH220JY	J	22p 50V Ceramic	AA
D4108	VHDSFPB54//2EY	J	SFPB54	AC	C2007	VCCCCY1HH220JY	J	22p 50V Ceramic	AA
D4109	VHDSFPB74//2EY	J	SFPB74	AD	C2008	VCKYCY1EF104ZY	J	0.1 25V Ceramic	AA
D4110	VHDDA221///-1Y	J	DA221	AB	C2009	VCKYCY1HB102KY	J	1000p 50V Ceramic	AA
D4501	VHDDAN222//1Y	J	DAN222	AA	C2010	VCKYCY1HB103KY	J	0.01 50V Ceramic	AA
					C2012	VCKYCY1HB102KY	J	1000p 50V Ceramic	AA
					C2013	VCKYCY1HB102KY	J	1000p 50V Ceramic	AA
					C2014	VCKYCY1EF104ZY	J	0.1 25V Ceramic	AA
					C2015	VCKYCY1EF104ZY	J	0.1 25V Ceramic	AA
					C2016	VCKYCY1EF104ZY	J	0.1 25V Ceramic	AA
					C2017	VCKYCY1EF104ZY	J	0.1 25V Ceramic	AA
					C2019	VCKYCY1EF104ZY	J	0.1 25V Ceramic	AA
					C2020	VCKYCY1HB103KY	J	0.01 50V Ceramic	AA
					C2021	VCKYCY1EF104ZY	J	0.1 25V Ceramic	AA
					C2022	VCEASY1CN107MY	J	100 16V Electrolytic	AC
					C2023	VCKYCY1EF104ZY	J	0.1 25V Ceramic	AA
					C2024	VCCCCY1HH102JY	J	1000p 50V Ceramic	AB
					C2025	VCKYCY1HB103KY	J	0.01 50V Ceramic	AA
					C2032	VCKYCY1EF104ZY	J	0.1 25V Ceramic	AA

Ref. No.	Part No.	★	Description	Code	Ref. No.	Part No.	★	Description	Code
<b>DUNTKC268VJ89 (LC-32GA3E)</b>					<b>DUNTKC268VJ91 (LC-37GA3E)</b>				
<b>LCD CONT Unit (Continued)</b>									
C2034	VCKYCY1EF104ZY	J	0.1 25V Ceramic	AA	C4177	VCAAP1DJ226MY	J	22 20V Electrolytic	AF
C2035	VCKYCY1EF104ZY	J	0.1 25V Ceramic	AA	C4179	VCKYCY1EF104ZY	J	0.1 25V Ceramic	AA
C2036	VCKYCY1EF104ZY	J	0.1 25V Ceramic	AA	C4180	VCEASY1EN227MY	J	220 25V Electrolytic	AD
C4101	VCKYCY1EF104ZY	J	0.1 25V Ceramic	AA	C4181	RC-KZ0070TAZZY	J	4.7 16V Ceramic	AD
C4102	RC-KZA097WJZZY	J	1 16V Ceramic (LC-37GA3E/K/F/I)	AD	C4183	VCKYCY1EF104ZY	J	0.1 25V Ceramic (LC-32GA3E/K/F/I)	AA
C4103	VCKYCY1EF104ZY	J	0.1 25V Ceramic	AA	C4184	VCKYCY1EF104ZY	J	0.1 25V Ceramic (LC-32GA3E/K/F/I)	AA
C4104	VCKYCY1EF104ZY	J	0.1 25V Ceramic (LC-32GA3E/K/F/I)	AA	C4192	VCKYCY1HB152KY	J	1500p 50V Ceramic	AA
C4105	VCKYCY1EF104ZY	J	0.1 25V Ceramic (LC-32GA3E/K/F/I)	AA	C4195	VCKYCY1EF104ZY	J	0.1 25V Ceramic	AA
C4106	RC-KZ0070TAZZY	J	4.7 16V Ceramic	AD	C4196	VCEASX1VN226MY	J	22 35V Electrolytic	AC
C4107	VCKYCY1EF104ZY	J	0.1 25V Ceramic (LC-32GA3E/K/F/I)	AA	C4197	VCKYCY1EF104ZY	J	0.1 25V Ceramic	AA
C4108	RC-KZ0070TAZZY	J	4.7 16V Ceramic	AD	C4501	VCAAP0JJ227MY	J	220 6.3V Electrolytic (LC-32GA3E/K/F/I)	AG
C4109	VCCCCY1HH680JY	J	68p 50V Ceramic	AA	C4501	VCEASY0JN476MY	J	47 6.3V Electrolytic (LC-37GA3E/K/F/I)	AC
C4110	RC-KZA097WJZZY	J	1 16V Ceramic	AD	C4502	VCAAP0JJ227MY	J	220 6.3V Electrolytic (LC-32GA3E/K/F/I)	AG
C4112	VCKYCY1EF104ZY	J	0.1 25V Ceramic	AA	C4502	VCKYCY1EF104ZY	J	0.1 25V Ceramic (LC-37GA3E/K/F/I)	AA
C4114	RC-KZA097WJZZY	J	1 16V Ceramic	AD	C4503	VCKYCY1EF104ZY	J	0.1 25V Ceramic (LC-32GA3E/K/F/I)	AA
C4115	RC-KZA097WJZZY	J	1 16V Ceramic	AD	C4503	VCKYCY1HB102KY	J	1000p 50V Ceramic (LC-37GA3E/K/F/I)	AA
C4116	RC-KZA047WJZZY	J	1 50V Ceramic	AC	C4504	VCKYCY1HB472KY	J	4700p 50V Ceramic (LC-32GA3E/K/F/I)	AA
C4117	VCEASY1CN477MY	J	470 16V Electrolytic	AD	C4504	VCEASY0JN476MY	J	47 6.3V Electrolytic (LC-37GA3E/K/F/I)	AC
C4119	VCAAP1DJ226MY	J	22 20V Electrolytic	AF	C4505	VCKYCY1EF104ZY	J	0.1 25V Ceramic	AA
C4120	VCCCCY1HH5R0CY	J	5p 50V Ceramic	AA	C4506	VCKYCY1HB103KY	J	0.01 50V Ceramic (LC-32GA3E/K/F/I)	AA
C4121	VCKYCY1EF104ZY	J	0.1 25V Ceramic (LC-37GA3E/K/F/I)	AA	C4506	VCKYCY1HB102KY	J	1000p 50V Ceramic (LC-37GA3E/K/F/I)	AA
C4122	VCKYCY1EF104ZY	J	0.1 25V Ceramic (LC-32GA3E/K/F/I)	AA	C4507	VCKYCY1HB472KY	J	4700p 50V Ceramic (LC-32GA3E/K/F/I)	AA
C4123	VCKYCY1EF104ZY	J	0.1 25V Ceramic (LC-32GA3E/K/F/I)	AA	C4507	VCEASY0JN476MY	J	47 6.3V Electrolytic (LC-37GA3E/K/F/I)	AC
C4124	VCCCCY1HH680JY	J	68p 50V Ceramic	AA	C4508	VCKYCY1HB472KY	J	4700p 50V Ceramic (LC-32GA3E/K/F/I)	AA
C4125	VCKYCY1EF104ZY	J	0.1 25V Ceramic (LC-37GA3E/K/F/I)	AA	C4508	VCKYCY1EF104ZY	J	0.1 25V Ceramic (LC-37GA3E/K/F/I)	AA
C4126	VCKYCY1EF104ZY	J	0.1 25V Ceramic (LC-32GA3E/K/F/I)	AA	C4509	VCKYCY1EF104ZY	J	0.1 25V Ceramic (LC-32GA3E/K/F/I)	AA
C4127	RC-KZA097WJZZY	J	1 16V Ceramic (LC-37GA3E/K/F/I)	AD	C4509	VCKYCY1HB102KY	J	1000p 50V Ceramic (LC-37GA3E/K/F/I)	AA
C4129	RC-KZA097WJZZY	J	1 16V Ceramic	AD	C4510	VCKYCY1HB472KY	J	4700p 50V Ceramic (LC-32GA3E/K/F/I)	AA
C4130	VCKYCY1EF104ZY	J	0.1 25V Ceramic (LC-32GA3E/K/F/I)	AA	C4510	VCKYCY1EF104ZY	J	0.1 25V Ceramic (LC-37GA3E/K/F/I)	AA
C4131	VCKYCY1EF104ZY	J	0.1 25V Ceramic (LC-32GA3E/K/F/I)	AA	C4511	VCKYCY1EF104ZY	J	0.1 25V Ceramic	AA
C4135	VCKYTV1CB105KY	J	1 16V Ceramic	AC	C4512	VCKYCY1EF104ZY	J	0.1 25V Ceramic (LC-32GA3E/K/F/I)	AA
C4136	VCAAP1DJ226MY	J	22 20V Electrolytic	AF	C4512	VCCCCY1HH331JY	J	330p 50V Ceramic (LC-37GA3E/K/F/I)	AA
C4137	VCKYCY1EF104ZY	J	0.1 25V Ceramic	AA	C4513	VCKYCY1EF104ZY	J	0.1 25V Ceramic (LC-32GA3E/K/F/I)	AA
C4138	VCEASY1EN227MY	J	220 25V Electrolytic	AD	C4513	VCCCCY1HH331JY	J	330p 50V Ceramic (LC-37GA3E/K/F/I)	AA
C4139	VCKYTV1CB105KY	J	1 16V Ceramic	AC	C4514	VCKYCY1HB472KY	J	4700p 50V Ceramic (LC-32GA3E/K/F/I)	AA
C4141	RC-KZA097WJZZY	J	1 16V Ceramic	AD	C4514	VCKYCY1EF104ZY	J	0.1 25V Ceramic (LC-37GA3E/K/F/I)	AA
C4142	VCKYCY1HB102KY	J	1000p 50V Ceramic	AA	C4515	VCKYCY1HB472KY	J	4700p 50V Ceramic (LC-32GA3E/K/F/I)	AA
C4145	RC-KZ0070TAZZY	J	4.7 16V Ceramic	AD	C4515	VCKYCY1EF104ZY	J	0.1 25V Ceramic (LC-37GA3E/K/F/I)	AA
C4146	VCAAP1CJ396MY	J	39 16V Electrolytic	AF	C4516	VCKYCY1HB472KY	J	4700p 50V Ceramic (LC-32GA3E/K/F/I)	AA
C4147	VCKYCY1EF104ZY	J	0.1 25V Ceramic (LC-37GA3E/K/F/I)	AA	C4516	VCKYCY1HB103KY	J	0.01 50V Ceramic (LC-37GA3E/K/F/I)	AA
C4153	RC-KZA097WJZZY	J	1 16V Ceramic	AD	C4517	VCKYCY1EF104ZY	J	0.1 25V Ceramic (LC-37GA3E/K/F/I)	AA
C4155	VCKYCY1EF104ZY	J	0.1 25V Ceramic	AA	C4518	VCEASX1CN476MY	J	47 16V Electrolytic (LC-32GA3E/K/F/I)	AC
C4156	VCKYCY1EF104ZY	J	0.1 25V Ceramic	AA	C4518	VCKYCY1EF104ZY	J	0.1 25V Ceramic (LC-37GA3E/K/F/I)	AA
C4159	VCEASY1EN476MY	J	47 25V Electrolytic	AC					
C4160	VCEASY1HN106MY	J	10 50V Electrolytic	AC					
C4161	RC-KZ0070TAZZY	J	4.7 16V Ceramic	AD					
C4162	VCCCCY1HH391JY	J	390p 50V Ceramic	AB					
C4163	RC-KZA047WJZZY	J	1 50V Ceramic	AC					
C4164	VCKYCY1CF224ZY	J	0.22 16V Ceramic	AB					
C4165	VCCCCY1HH101JY	J	100p 50V Ceramic	AA					
C4166	VCCCCY1HH221JY	J	220p 50V Ceramic	AA					
C4168	RC-KZ0053TAZZY	J	10 10V Ceramic	AD					
C4169	VCAAP1DJ396MY	J	39 20V Electrolytic	AF					
C4170	VCCCCY1HH101JY	J	100p 50V Ceramic	AA					
C4174	RC-KZ0053TAZZY	J	10 10V Ceramic	AD					
C4176	VCKYCY1EF104ZY	J	0.1 25V Ceramic	AA					

Ref. No.	Part No.	★	Description	Code	Ref. No.	Part No.	★	Description	Code
<b>DUNTKC268VJ89 (LC-32GA3E)</b>					C4603	VCKYCY1HB102KY	J	1000p 50V Ceramic (LC-37GA3E/K/F/I)	AA
<b>DUNTKC268VJ91 (LC-37GA3E)</b>					C4604	VCEASX1CN476MY	J	47 16V Electrolytic (LC-32GA3E/K/F/I)	AC
<b>LCD CONT Unit (Continued)</b>					C4604	VCKYCY1HB103KY	J	0.01 50V Ceramic (LC-37GA3E/K/F/I)	AA
C4519	VCKYCY1EF104ZY	J	0.1 25V Ceramic (LC-32GA3E/K/F/I)	AA	C4605	VCKYCY1EF104ZY	J	0.1 25V Ceramic (LC-32GA3E/K/F/I)	AA
C4519	VCCCCY1HH331JY	J	330p 50V Ceramic (LC-37GA3E/K/F/I)	AA	C4605	VCKYCY1HB103KY	J	0.01 50V Ceramic (LC-37GA3E/K/F/I)	AA
C4520	VCKYCY1EF104ZY	J	0.1 25V Ceramic (LC-32GA3E/K/F/I)	AA	C4606	VCKYCY1EF104ZY	J	0.1 25V Ceramic (LC-32GA3E/K/F/I)	AA
C4520	VCCCCY1HH331JY	J	330p 50V Ceramic (LC-37GA3E/K/F/I)	AA	C4606	VCKYCY1HB103KY	J	0.01 50V Ceramic (LC-37GA3E/K/F/I)	AA
C4521	VCKYCY1EF104ZY	J	0.1 25V Ceramic	AA	C4607	VCKYCY1EF104ZY	J	0.1 25V Ceramic (LC-32GA3E/K/F/I)	AA
C4522	VCKYCY1EF104ZY	J	0.1 25V Ceramic (LC-32GA3E/K/F/I)	AA	C4607	VCKYCY1HB103KY	J	0.01 50V Ceramic (LC-37GA3E/K/F/I)	AA
C4522	VCEASY0JN476MY	J	47 6.3V Electrolytic (LC-37GA3E/K/F/I)	AC	C4608	VCKYCY1EF104ZY	J	0.1 25V Ceramic (LC-32GA3E/K/F/I)	AA
C4523	VCKYCY1HB472KY	J	4700p 50V Ceramic (LC-32GA3E/K/F/I)	AA	C4608	VCKYCY1HB103KY	J	0.01 50V Ceramic (LC-37GA3E/K/F/I)	AA
C4523	VCKYCY1EF104ZY	J	0.1 25V Ceramic (LC-37GA3E/K/F/I)	AA	C4609	VCKYCY1HB103KY	J	0.01 50V Ceramic	AA
C4524	VCKYCY1HB472KY	J	4700p 50V Ceramic (LC-32GA3E/K/F/I)	AA	C4610	VCKYCY1HB102KY	J	1000p 50V Ceramic (LC-32GA3E/K/F/I)	AA
C4524	VCKYCY1HB102KY	J	1000p 50V Ceramic (LC-37GA3E/K/F/I)	AA	C4610	VCKYCY1EF104ZY	J	0.1 25V Ceramic (LC-37GA3E/K/F/I)	AA
C4525	VCAAP0JJ227MY	J	220 6.3V Electrolytic (LC-32GA3E/K/F/I)	AG	C4611	VCKYCY1EF104ZY	J	0.1 25V Ceramic (LC-32GA3E/K/F/I)	AA
C4525	VCCCCY1HH331JY	J	330p 50V Ceramic (LC-37GA3E/K/F/I)	AA	C4611	VCKYCY1HB103KY	J	0.01 50V Ceramic (LC-37GA3E/K/F/I)	AA
C4526	VCKYCY1EF104ZY	J	0.1 25V Ceramic	AA	C4612	VCKYCY1HB102KY	J	1000p 50V Ceramic (LC-32GA3E/K/F/I)	AA
C4527	VCKYCY1EF104ZY	J	0.1 25V Ceramic	AA	C4612	VCKYCY1HB103KY	J	0.01 50V Ceramic (LC-37GA3E/K/F/I)	AA
C4528	VCKYCY1EF104ZY	J	0.1 25V Ceramic (LC-32GA3E/K/F/I)	AA	C4613	VCKYCY1HB102KY	J	1000p 50V Ceramic (LC-32GA3E/K/F/I)	AA
C4528	VCKYCY1HB103KY	J	0.01 50V Ceramic (LC-37GA3E/K/F/I)	AA	C4613	VCKYCY1HB103KY	J	0.01 50V Ceramic (LC-37GA3E/K/F/I)	AA
C4529	VCKYCY1EF104ZY	J	0.1 25V Ceramic (LC-32GA3E/K/F/I)	AA	C4614	VCKYCY1HB103KY	J	0.01 50V Ceramic (LC-32GA3E/K/F/I)	AA
C4529	VCCCCY1HH331JY	J	330p 50V Ceramic (LC-37GA3E/K/F/I)	AA	C4614	VCKYCY1HB102KY	J	1000p 50V Ceramic (LC-37GA3E/K/F/I)	AA
C4530	VCKYCY1EF104ZY	J	0.1 25V Ceramic (LC-32GA3E/K/F/I)	AA	C4615	VCKYCY1HB103KY	J	0.01 50V Ceramic	AA
C4530	VCCCCY1HH331JY	J	330p 50V Ceramic (LC-37GA3E/K/F/I)	AA	C4616	VCKYCY1HB103KY	J	0.01 50V Ceramic (LC-32GA3E/K/F/I)	AA
C4531	VCKYCY1EF104ZY	J	0.1 25V Ceramic	AA	C4616	VCKYCY1HB102KY	J	1000p 50V Ceramic (LC-37GA3E/K/F/I)	AA
C4532	VCKYCY1EF104ZY	J	0.1 25V Ceramic	AA	C4617	VCKYCY1HB103KY	J	0.01 50V Ceramic	AA
C4533	VCKYCY1CB104KY	J	0.1 16V Ceramic (LC-32GA3E/K/F/I)	AB	C4618	VCKYCY1HB103KY	J	0.01 50V Ceramic	AA
C4533	VCKYCY1EF104ZY	J	0.1 25V Ceramic (LC-37GA3E/K/F/I)	AA	C4619	VCKYCY1HB103KY	J	0.01 50V Ceramic (LC-32GA3E/K/F/I)	AA
C4534	VCKYCY1HB472KY	J	4700p 50V Ceramic (LC-32GA3E/K/F/I)	AA	C4619	VCKYCY1EF104ZY	J	0.1 25V Ceramic (LC-37GA3E/K/F/I)	AA
C4535	VCKYCY1HB472KY	J	4700p 50V Ceramic (LC-32GA3E/K/F/I)	AA	C4620	VCKYCY1HB103KY	J	0.01 50V Ceramic (LC-32GA3E/K/F/I)	AA
C4536	VCKYCY1HB472KY	J	4700p 50V Ceramic (LC-32GA3E/K/F/I)	AA	C4620	VCEASY0JN476MY	J	47 6.3V Electrolytic (LC-37GA3E/K/F/I)	AC
C4537	VCKYCY1EF104ZY	J	0.1 25V Ceramic (LC-32GA3E/K/F/I)	AA	C4621	VCKYCY1HB103KY	J	0.01 50V Ceramic (LC-32GA3E/K/F/I)	AA
C4538	VCKYCY1EF104ZY	J	0.1 25V Ceramic (LC-32GA3E/K/F/I)	AA	C4621	VCKYCY1EF104ZY	J	0.1 25V Ceramic (LC-37GA3E/K/F/I)	AA
C4539	VCKYCY1EF104ZY	J	0.1 25V Ceramic (LC-32GA3E/K/F/I)	AA	C4622	VCKYCY1HB102KY	J	1000p 50V Ceramic (LC-32GA3E/K/F/I)	AA
C4540	VCCCCY1HH101JY	J	100p 50V Ceramic (LC-32GA3E/K/F/I)	AA	C4622	VCEASY0JN476MY	J	47 6.3V Electrolytic (LC-37GA3E/K/F/I)	AC
C4601	VCEASX1CN476MY	J	47 16V Electrolytic (LC-32GA3E/K/F/I)	AC	C4623	VCKYCY1EF104ZY	J	0.1 25V Ceramic	AA
C4601	VCEASY0JN476MY	J	47 6.3V Electrolytic (LC-37GA3E/K/F/I)	AC	C4624	VCKYCY1HB102KY	J	1000p 50V Ceramic (LC-37GA3E/K/F/I)	AA
C4602	VCEASX1CN476MY	J	47 16V Electrolytic (LC-32GA3E/K/F/I)	AC	C4625	VCKYCY1EF104ZY	J	0.1 25V Ceramic (LC-37GA3E/K/F/I)	AA
C4602	VCKYCY1EF104ZY	J	0.1 25V Ceramic (LC-37GA3E/K/F/I)	AA	C4626	VCKYCY1HB103KY	J	0.01 50V Ceramic (LC-37GA3E/K/F/I)	AA
C4603	VCKYCY1EF104ZY	J	0.1 25V Ceramic (LC-32GA3E/K/F/I)	AA	C4651	VCAAP0JJ107MY	J	100 6.3V Electrolytic	AF
					C4652	VCKYCY1EF104ZY	J	0.1 25V Ceramic	AA

Ref. No.	Part No.	★	Description	Code	Ref. No.	Part No.	★	Description	Code
<b>DUNTKC268VJ89 (LC-32GA3E)</b>					<b>DUNTKC268VJ91 (LC-37GA3E)</b>				
<b>LCD CONT Unit (Continued)</b>									
C4653	VCAAP1DJ226MY	J	22 20V Electrolytic	AF	C4901	VCAAP0JJ227MY	J	220 6.3V Electrolytic (LC-32GA3E/K/F/I)	AG
C4654	VCKYCY1EF104ZY	J	0.1 25V Ceramic	AA	C4901	VCEASY0JN476MY	J	47 6.3V Electrolytic (LC-37GA3E/K/F/I)	AC
C4655	VCAAP0JJ107MY	J	100 6.3V Electrolytic	AF	C4902	VCAAP0JJ227MY	J	220 6.3V Electrolytic (LC-32GA3E/K/F/I)	AG
C4656	VCKYCY1EF104ZY	J	0.1 25V Ceramic	AA	C4902	VCKYCY1EF104ZY	J	0.1 25V Ceramic (LC-37GA3E/K/F/I)	AA
C4657	VCAAP1DJ226MY	J	22 20V Electrolytic	AF	C4903	VCKYCY1EF104ZY	J	0.1 25V Ceramic (LC-32GA3E/K/F/I)	AA
C4658	VCKYCY1EF104ZY	J	0.1 25V Ceramic	AA	C4903	VCKYCY1HB102KY	J	1000p 50V Ceramic (LC-37GA3E/K/F/I)	AA
C4701	VCAAP0JJ227MY	J	220 6.3V Electrolytic (LC-32GA3E/K/F/I)	AG	C4904	VCKYCY1EF104ZY	J	0.1 25V Ceramic	AA
C4702	VCAAP0JJ227MY	J	220 6.3V Electrolytic (LC-32GA3E/K/F/I)	AG	C4905	VCKYCY1EF104ZY	J	0.1 25V Ceramic	AA
C4703	VCKYCY1EF104ZY	J	0.1 25V Ceramic (LC-32GA3E/K/F/I)	AA	C4906	VCKYCY1EF104ZY	J	0.1 25V Ceramic	AA
C4704	VCKYCY1EF104ZY	J	0.1 25V Ceramic (LC-32GA3E/K/F/I)	AA	C4907	VCKYCY1EF104ZY	J	0.1 25V Ceramic	AA
C4705	VCKYCY1EF104ZY	J	0.1 25V Ceramic (LC-32GA3E/K/F/I)	AA	C4908	VCKYCY1EF104ZY	J	0.1 25V Ceramic	AA
C4706	VCKYCY1EF104ZY	J	0.1 25V Ceramic (LC-32GA3E/K/F/I)	AA	C4909	VCKYCY1EF104ZY	J	0.1 25V Ceramic	AA
C4707	VCKYCY1EF104ZY	J	0.1 25V Ceramic (LC-32GA3E/K/F/I)	AA	C4910	VCKYCY1EF104ZY	J	0.1 25V Ceramic (LC-32GA3E/K/F/I)	AA
C4708	VCKYCY1EF104ZY	J	0.1 25V Ceramic (LC-32GA3E/K/F/I)	AA	C4910	VCKYCY1HB103KY	J	0.01 50V Ceramic (LC-37GA3E/K/F/I)	AA
C4709	VCKYCY1EF104ZY	J	0.1 25V Ceramic (LC-32GA3E/K/F/I)	AA	C4911	VCKYCY1EF104ZY	J	0.1 25V Ceramic	AA
C4710	VCKYCY1EF104ZY	J	0.1 25V Ceramic (LC-32GA3E/K/F/I)	AA	C4912	VCKYCY1EF104ZY	J	0.1 25V Ceramic (LC-32GA3E/K/F/I)	AA
C4711	VCKYCY1EF104ZY	J	0.1 25V Ceramic (LC-32GA3E/K/F/I)	AA	C4912	VCCCCY1HH331JY	J	330p 50V Ceramic (LC-37GA3E/K/F/I)	AA
C4712	VCKYCY1EF104ZY	J	0.1 25V Ceramic (LC-32GA3E/K/F/I)	AA	C4913	VCKYCY1EF104ZY	J	0.1 25V Ceramic	AA
C4713	VCKYCY1EF104ZY	J	0.1 25V Ceramic (LC-32GA3E/K/F/I)	AA	C4914	VCKYCY1EF104ZY	J	0.1 25V Ceramic (LC-32GA3E/K/F/I)	AA
C4714	VCKYCY1EF104ZY	J	0.1 25V Ceramic (LC-32GA3E/K/F/I)	AA	C4914	VCKYCY1HB103KY	J	0.01 50V Ceramic (LC-37GA3E/K/F/I)	AA
C4715	VCKYCY1EF104ZY	J	0.1 25V Ceramic (LC-32GA3E/K/F/I)	AA	C4915	VCKYCY1EF104ZY	J	0.1 25V Ceramic (LC-32GA3E/K/F/I)	AA
C4716	VCKYCY1EF104ZY	J	0.1 25V Ceramic (LC-32GA3E/K/F/I)	AA	C4915	VCCCCY1HH331JY	J	330p 50V Ceramic (LC-37GA3E/K/F/I)	AA
C4717	VCKYCY1EF104ZY	J	0.1 25V Ceramic (LC-32GA3E/K/F/I)	AA	C4916	VCKYCY1EF104ZY	J	0.1 25V Ceramic (LC-32GA3E/K/F/I)	AA
C4718	VCKYCY1EF104ZY	J	0.1 25V Ceramic (LC-32GA3E/K/F/I)	AA	C4916	VCKYCY1HB102KY	J	1000p 50V Ceramic (LC-37GA3E/K/F/I)	AA
C4719	VCKYCY1EF104ZY	J	0.1 25V Ceramic (LC-32GA3E/K/F/I)	AA	C4917	VCKYCY1EF104ZY	J	0.1 25V Ceramic	AA
C4720	VCKYCY1EF104ZY	J	0.1 25V Ceramic (LC-32GA3E/K/F/I)	AA	C4918	VCKYCY1EF104ZY	J	0.1 25V Ceramic (LC-32GA3E/K/F/I)	AA
C4721	VCKYCY1EF104ZY	J	0.1 25V Ceramic (LC-32GA3E/K/F/I)	AA	C4918	VCEASY0JN476MY	J	47 6.3V Electrolytic (LC-37GA3E/K/F/I)	AC
C4722	VCKYCY1EF104ZY	J	0.1 25V Ceramic (LC-32GA3E/K/F/I)	AA	C4919	VCKYCY1EF104ZY	J	0.1 25V Ceramic	AA
C4723	VCKYCY1EF104ZY	J	0.1 25V Ceramic (LC-32GA3E/K/F/I)	AA	C4920	VCKYCY1EF104ZY	J	0.1 25V Ceramic	AA
C4724	VCKYCY1EF104ZY	J	0.1 25V Ceramic (LC-32GA3E/K/F/I)	AA	C4921	VCKYCY1EF104ZY	J	0.1 25V Ceramic (LC-32GA3E/K/F/I)	AA
C4725	VCKYCY1EF104ZY	J	0.1 25V Ceramic (LC-32GA3E/K/F/I)	AA	C4921	VCKYCY1HB102KY	J	1000p 50V Ceramic (LC-37GA3E/K/F/I)	AA
C4726	VCKYCY1EF104ZY	J	0.1 25V Ceramic (LC-32GA3E/K/F/I)	AA	C4922	VCKYCY1EF104ZY	J	0.1 25V Ceramic	AA
C4727	VCKYCY1EF104ZY	J	0.1 25V Ceramic (LC-32GA3E/K/F/I)	AA	C4923	VCKYCY1EF104ZY	J	0.1 25V Ceramic	AA
C4728	VCKYCY1EF104ZY	J	0.1 25V Ceramic (LC-32GA3E/K/F/I)	AA	C4924	VCKYCY1EF104ZY	J	0.1 25V Ceramic	AA
C4729	VCKYCY1EF104ZY	J	0.1 25V Ceramic (LC-32GA3E/K/F/I)	AA	C4925	VCKYCY1EF104ZY	J	0.1 25V Ceramic	AA
C4730	VCKYCY1EF104ZY	J	0.1 25V Ceramic (LC-32GA3E/K/F/I)	AA	C4926	VCKYCY1EF104ZY	J	0.1 25V Ceramic	AA
C4731	VCKYCY1EF104ZY	J	0.1 25V Ceramic (LC-32GA3E/K/F/I)	AA	C4927	VCKYCY1EF104ZY	J	0.1 25V Ceramic	AA
C4732	VCKYCY1EF104ZY	J	0.1 25V Ceramic (LC-32GA3E/K/F/I)	AA	C4928	VCKYCY1EF104ZY	J	0.1 25V Ceramic	AA
					C4929	VCKYCY1EF104ZY	J	0.1 25V Ceramic (LC-37GA3E/K/F/I)	AA
					C4930	VCKYCY1EF104ZY	J	0.1 25V Ceramic (LC-37GA3E/K/F/I)	AA
					C4931	VCEASY0JN476MY	J	47 6.3V Electrolytic (LC-37GA3E/K/F/I)	AC
					C4932	VCKYCY1EF104ZY	J	0.1 25V Ceramic (LC-37GA3E/K/F/I)	AA
					C4933	VCKYCY1EF104ZY	J	0.1 25V Ceramic	AA
					C4934	VCKYCY1EF104ZY	J	0.1 25V Ceramic	AA
					C4935	VCKYCY1EF104ZY	J	0.1 25V Ceramic	AA
					C4936	VCKYCY1EF104ZY	J	0.1 25V Ceramic (LC-32GA3E/K/F/I)	AA
					C4936	VCEASY0JN107MY	J	100 6.3V Electrolytic (LC-37GA3E/K/F/I)	AC
					C4937	VCKYCY1EF104ZY	J	0.1 25V Ceramic (LC-37GA3E/K/F/I)	AA

Ref. No.	Part No.	★	Description	Code	Ref. No.	Part No.	★	Description	Code
<b>DUNTKC268VJ89 (LC-32GA3E)</b>					R2004	VRS-CY1JF101JY	J	100 1/16W	Metal Oxide AA
<b>DUNTKC268VJ91 (LC-37GA3E)</b>					R2005	VRS-CY1JF101JY	J	100 1/16W	Metal Oxide AA
<b>LCD CONT Unit (Continued)</b>					R2006	VRS-CJ1JF333JY	J	33k 1/16W	Metal Oxide AA
C4938	VCKYCY1HB102KY	J	1000p 50V Ceramic (LC-37GA3E/K/F/I)	AA	R2007	VRS-CY1JF101JY	J	100 1/16W	Metal Oxide AA
C4939	VCKYCY1EF104ZY	J	0.1 25V Ceramic (LC-37GA3E/K/F/I)	AA	R2008	VRS-CY1JF223JY	J	22k 1/16W	Metal Oxide AA
C4940	VCKYCY1EF104ZY	J	0.1 25V Ceramic (LC-37GA3E/K/F/I)	AA	R2009	VRS-CY1JF101JY	J	100 1/16W	Metal Oxide AA
C4941	VCKYCY1EF104ZY	J	0.1 25V Ceramic (LC-37GA3E/K/F/I)	AA	R2010	VRS-CY1JF223JY	J	22k 1/16W	Metal Oxide AA
C4942	VCKYCY1EF104ZY	J	0.1 25V Ceramic (LC-37GA3E/K/F/I)	AA	R2011	VRS-CY1JF103JY	J	10k 1/16W	Metal Oxide AA
C4943	VCKYCY1EF104ZY	J	0.1 25V Ceramic (LC-37GA3E/K/F/I)	AA	R2012	VRS-CY1JF102JY	J	1k 1/16W	Metal Oxide AA
C4944	VCKYCY1HB103KY	J	0.01 50V Ceramic (LC-37GA3E/K/F/I)	AA	R2013	VRS-CY1JF393JY	J	39k 1/16W	Metal Oxide AA
C4945	VCKYCY1EF104ZY	J	0.1 25V Ceramic (LC-37GA3E/K/F/I)	AA	R2014	VRS-CY1JF223JY	J	22k 1/16W	Metal Oxide AA
C4946	VCKYCY1EF104ZY	J	0.1 25V Ceramic (LC-37GA3E/K/F/I)	AA				(LC-32GA3E/K/F/I)	
C4947	VCKYCY1EF104ZY	J	0.1 25V Ceramic (LC-37GA3E/K/F/I)	AA	R2014	VRS-CY1JF103JY	J	10k 1/16W	Metal Oxide AA
C4948	VCKYCY1EF104ZY	J	0.1 25V Ceramic (LC-37GA3E/K/F/I)	AA				(LC-37GA3E/K/F/I)	
C4949	VCKYCY1HB103KY	J	0.01 50V Ceramic (LC-37GA3E/K/F/I)	AA	R2016	VRS-CY1JF103JY	J	10k 1/16W	Metal Oxide AA
C4950	VCKYCY1EF104ZY	J	0.1 25V Ceramic (LC-37GA3E/K/F/I)	AA				(LC-32GA3E/K/F/I)	
C4951	VCKYCY1EF104ZY	J	0.1 25V Ceramic (LC-37GA3E/K/F/I)	AA	R2016	VRS-CY1JF223JY	J	22k 1/16W	Metal Oxide AA
C4952	VCKYCY1EF104ZY	J	0.1 25V Ceramic (LC-37GA3E/K/F/I)	AA				(LC-37GA3E/K/F/I)	
C4953	VCKYCY1EF104ZY	J	0.1 25V Ceramic (LC-37GA3E/K/F/I)	AA	R2017	VRS-CY1JF394JY	J	390k 1/16W	Metal Oxide AA
C7701	VCEASY1CN107MY	J	100 16V Electrolytic	AC	R2018	VRS-CY1JF106JY	J	10M 1/16W	Metal Oxide AA
C7702	VCKYCY1EF104ZY	J	0.1 25V Ceramic	AA	R2019	VRS-CY1JF105JY	J	1M 1/16W	Metal Oxide AA
C7703	VCEASY1CN226MY	J	22 16V Electrolytic	AC	R2020	VRS-CY1JF101JY	J	100 1/16W	Metal Oxide AA
C7704	VCKYCY1EF104ZY	J	0.1 25V Ceramic	AA	R2021	VRS-CY1JF101JY	J	100 1/16W	Metal Oxide AA
C7705	VCEASY1EN107MY	J	100 25V Electrolytic	AC	R2022	VRS-CY1JF101JY	J	100 1/16W	Metal Oxide AA
C7706	VCCCCY1HH681JY	J	680p 50V Ceramic	AB	R2023	VRS-CY1JF104JY	J	100k 1/16W	Metal Oxide AA
C7707	VCEASY1EN227MY	J	220 25V Electrolytic	AD	R2024	VRS-CY1JF102JY	J	1k 1/16W	Metal Oxide AA
C7708	VCKYCY1EF104ZY	J	0.1 25V Ceramic	AA	R2025	VRS-CY1JF102JY	J	1k 1/16W	Metal Oxide AA
C7709	VCEASY1EN227MY	J	220 25V Electrolytic	AD	R2026	VRS-CY1JF223JY	J	22k 1/16W	Metal Oxide AA
C7710	VCKYCY1EF104ZY	J	0.1 25V Ceramic	AA	R2031	VRS-CY1JF101JY	J	100 1/16W	Metal Oxide AA
C7712	VCKYCY1EF104ZY	J	0.1 25V Ceramic	AA	R2036	VRS-CY1JF223JY	J	22k 1/16W	Metal Oxide AA
C7713	VCCCCY1HH681JY	J	680p 50V Ceramic	AB	R2037	VRS-CY1JF333JY	J	33k 1/16W	Metal Oxide AA
C7715	VCCCCY1HH681JY	J	680p 50V Ceramic	AB	R2038	VRS-CY1JF102JY	J	1k 1/16W	Metal Oxide AA
C7720	VCEASY1CN337MY	J	330 16V Electrolytic	AD	R2039	VRS-CJ1JF101JY	J	100 1/16W	Metal Oxide AA
C7721	VCKYCY1EF104ZY	J	0.1 25V Ceramic	AA	R2040	VRS-CY1JF101JY	J	100 1/16W	Metal Oxide AA
C7722	VCEASY1EN477MY	J	470 25V Electrolytic	AE	R2041	VRS-CY1JF101JY	J	100 1/16W	Metal Oxide AA
C7723	VCEASY1CN477MY	J	470 16V Electrolytic	AD	R2042	VRS-CY1JF101JY	J	100 1/16W	Metal Oxide AA
C7724	VCEASY1CN477MY	J	470 16V Electrolytic	AD	R2043	VRS-CY1JF101JY	J	100 1/16W	Metal Oxide AA
C7726	VCKYCY1EF104ZY	J	0.1 25V Ceramic	AA	R2044	VRS-CY1JF472JY	J	4.7k 1/16W	Metal Oxide AA
C7728	VCKYCY1EF104ZY	J	0.1 25V Ceramic	AA	R2045	VRS-CY1JF472JY	J	4.7k 1/16W	Metal Oxide AA
C7729	VCKYCY1EF104ZY	J	0.1 25V Ceramic	AA	R2046	VRS-CY1JF101JY	J	100 1/16W	Metal Oxide AA
C7730	VCKYCY1CF334ZY	J	0.33 16V Ceramic (LC-32GA3E/K/F/I)	AB	R2047	VRS-CY1JF272JY	J	2.7k 1/16W	Metal Oxide AA
C7731	VCKYCY1CF334ZY	J	0.33 16V Ceramic (LC-32GA3E/K/F/I)	AB	R2048	VRS-CY1JF101JY	J	100 1/16W	Metal Oxide AA
C7732	VCEASY1CN107MY	J	100 16V Electrolytic (LC-32GA3E/K/F/I)	AC	R2049	VRS-CY1JF101JY	J	100 1/16W	Metal Oxide AA
C7733	VCEASY1EN107MY	J	100 25V Electrolytic	AC	R2050	VRS-CY1JF683JY	J	68k 1/16W	Metal Oxide AA
C7734	VCCCCY1HH681JY	J	680p 50V Ceramic	AB	R2051	VRS-CY1JF101JY	J	100 1/16W	Metal Oxide AA
C7735	VCEASY1CN477MY	J	470 16V Electrolytic	AD	R2052	VRS-CY1JF101JY	J	100 1/16W	Metal Oxide AA
C7736	VCKYCY1EF104ZY	J	0.1 25V Ceramic	AA	R2053	VRS-CY1JF223JY	J	22k 1/16W	Metal Oxide AA
C7737	VCKYCY1EF104ZY	J	0.1 25V Ceramic (LC-37GA3E/K/F/I)	AA	R2054	VRS-CY1JF101JY	J	100 1/16W	Metal Oxide AA
<b>RESISTORS</b>					R2055	VRS-CY1JF472JY	J	4.7k 1/16W	Metal Oxide AA
R2002	VRS-CY1JF473JY	J	47k 1/16W Metal Oxide (LC-32GA3E/K/F/I)	AA	R2056	VRS-CJ1JF101JY	J	100 1/16W	Metal Oxide AA
R2003	VRS-CY1JF223JY	J	22k 1/16W Metal Oxide	AA	R2060	VRS-CY1JF000JY	J	0 1/16W	Metal Oxide AA
					R2061	VRS-CY1JF101JY	J	100 1/16W	Metal Oxide AA
					R2062	VRS-CY1JF101JY	J	100 1/16W	Metal Oxide AA
								(LC-32GA3E/K/F/I)	
					R2063	VRS-CY1JF101JY	J	100 1/16W	Metal Oxide AA
					R2064	VRS-CY1JF101JY	J	100 1/16W	Metal Oxide AA
					R2065	VRS-CJ1JF101JY	J	100 1/16W	Metal Oxide AA
					R2066	VRS-CJ1JF101JY	J	100 1/16W	Metal Oxide AA
					R2068	VRS-CY1JF103JY	J	10k 1/16W	Metal Oxide AA
								(LC-32GA3E/K/F/I)	
					R2069	VRS-CY1JF000JY	J	0 1/16W	Metal Oxide AA
								(LC-37GA3E/K/F/I)	
					R2070	VRS-CY1JF000JY	J	0 1/16W	Metal Oxide AA
								(LC-32GA3E/K/F/I)	
					R2071	VRS-CY1JF000JY	J	0 1/16W	Metal Oxide AA
								(LC-37GA3E/K/F/I)	
					R2072	VRS-CY1JF223JY	J	22k 1/16W	Metal Oxide AA
					R2073	VRS-CY1JF000JY	J	0 1/16W	Metal Oxide AA
					R2074	VRS-CY1JF473JY	J	47k 1/16W	Metal Oxide AA
					R2075	VRS-CY1JF222JY	J	2.2k 1/16W	Metal Oxide AA
					R2076	VRS-CY1JF101JY	J	100 1/16W	Metal Oxide AA
					R2077	VRS-CY1JF102JY	J	1k 1/16W	Metal Oxide AA
					R2081	VRS-CY1JF223JY	J	22k 1/16W	Metal Oxide AA
					R2088	VRS-CY1JF101JY	J	100 1/16W	Metal Oxide AA
					R2089	VRS-CY1JF101JY	J	100 1/16W	Metal Oxide AA
					R2092	VRS-CY1JF223JY	J	22k 1/16W	Metal Oxide AA

Ref. No.	Part No.	★	Description	Code
<b>DUNTKC268VJ89 (LC-32GA3E)</b>				
<b>DUNTKC268VJ91 (LC-37GA3E)</b>				
<b>LCD CONT Unit (Continued)</b>				
R2093	VRS-CY1JF332JY	J	3.3k 1/16W Metal Oxide	AA
R2095	VRS-CY1JF223JY	J	22k 1/16W Metal Oxide	AA
R2098	VRS-CY1JF101JY	J	100 1/16W Metal Oxide	AA
R2099	VRS-CY1JF101JY	J	100 1/16W Metal Oxide	AA
R2600	VRS-CY1JF103JY	J	10k 1/16W Metal Oxide	AA
R2601	VRS-CY1JF101JY	J	100 1/16W Metal Oxide	AA
R2602	VRS-CY1JF472JY	J	4.7k 1/16W Metal Oxide	AA
R2603	VRS-CY1JF101JY	J	100 1/16W Metal Oxide	AA
R2604	VRS-CY1JF100JY	J	10 1/16W Metal Oxide	AA
R2607	VRS-CY1JF220JY	J	22 1/16W Metal Oxide	AA
R2608	VRS-CY1JF220JY	J	22 1/16W Metal Oxide	AA
R2609	VRS-CY1JF104JY	J	100k 1/16W Metal Oxide	AA
R2610	VRS-CY1JF104JY	J	100k 1/16W Metal Oxide	AA
R2611	VRS-CY1JF101JY	J	100 1/16W Metal Oxide	AA
R2612	VRS-CY1JF822FY	J	8.2k 1/16W Metal Oxide	AA
R2613	VRS-CY1JF222FY	J	2.2k 1/16W Metal Oxide	AA
R2614	VRS-CY1JF104JY	J	100k 1/16W Metal Oxide	AA
R2616	VRS-CY1JF103JY	J	10k 1/16W Metal Oxide	AA
R2617	VRS-CY1JF472JY	J	4.7k 1/16W Metal Oxide	AA
R2618	VRS-CY1JF220JY	J	22 1/16W Metal Oxide	AA
R2620	VRS-CY1JF104JY	J	100k 1/16W Metal Oxide	AA
R2621	VRS-CY1JF101JY	J	100 1/16W Metal Oxide	AA
R2623	VRS-CY1JF220JY	J	22 1/16W Metal Oxide	AA
R2624	VRS-CY1JF101JY	J	100 1/16W Metal Oxide	AA
R2625	VRS-CY1JF101JY	J	100 1/16W Metal Oxide (LC-37GA3E/K/F/I)	AA
R2629	VRS-CY1JF000JY	J	0 1/16W Metal Oxide (LC-37GA3E/K/F/I)	AA
R2630	VRS-CY1JF472JY	J	4.7k 1/16W Metal Oxide (LC-37GA3E/K/F/I)	AA
R2631	VRS-CY1JF472JY	J	4.7k 1/16W Metal Oxide (LC-37GA3E/K/F/I)	AA
R2633	VRS-CY1JF101JY	J	100 1/16W Metal Oxide (LC-37GA3E/K/F/I)	AA
R2634	VRS-CY1JF101JY	J	100 1/16W Metal Oxide (LC-37GA3E/K/F/I)	AA
R2636	VRS-CY1JF102JY	J	1k 1/16W Metal Oxide (LC-37GA3E/K/F/I)	AA
R2637	VRS-CY1JF103JY	J	10k 1/16W Metal Oxide (LC-37GA3E/K/F/I)	AA
R2638	VRS-CY1JF223JY	J	22k 1/16W Metal Oxide (LC-37GA3E/K/F/I)	AA
R2639	VRS-CY1JF100JY	J	10 1/16W Metal Oxide (LC-37GA3E/K/F/I)	AA
R2640	VRS-CY1JF472JY	J	4.7k 1/16W Metal Oxide (LC-37GA3E/K/F/I)	AA
R2641	VRS-CY1JF472JY	J	4.7k 1/16W Metal Oxide (LC-37GA3E/K/F/I)	AA
R2642	VRS-CY1JF101JY	J	100 1/16W Metal Oxide (LC-37GA3E/K/F/I)	AA
R4101	VRS-CY1JF102FY	J	1k 1/16W Metal Oxide	AA
R4102	VRS-CY1JF123FY	J	12k 1/16W Metal Oxide	AA
R4103	VRS-CY1JF472FY	J	4.7k 1/16W Metal Oxide	AA
R4109	VRS-CY1JF562FY	J	5.6k 1/16W Metal Oxide	AA
R4112	VRS-CY1JF153FY	J	15k 1/16W Metal Oxide	AA
R4113	VRS-CY1JF330JY	J	33 1/16W Metal Oxide	AA
R4114	VRS-CY1JF623FY	J	62k 1/16W Metal Oxide (LC-32GA3E/K/F/I)	AA
R4114	VRS-CY1JF683FY	J	68k 1/16W Metal Oxide (LC-37GA3E/K/F/I)	AA
R4115	VRS-CY1JF000JY	J	0 1/16W Metal Oxide	AA
R4118	VRS-CY1JF163FY	J	16k 1/16W Metal Oxide	AA
R4119	VRS-CY1JF472FY	J	4.7k 1/16W Metal Oxide (LC-32GA3E/K/F/I)	AA
R4119	VRS-CY1JF362FY	J	3.6k 1/16W Metal Oxide (LC-37GA3E/K/F/I)	AA
R4120	VRS-CY1JF103JY	J	10k 1/16W Metal Oxide	AA
R4121	VRS-CY1JF332FY	J	3.3k 1/16W Metal Oxide	AA
R4122	VRS-CY1JF682FY	J	6.8k 1/16W Metal Oxide	AA
R4123	VRS-CY1JF332FY	J	3.3k 1/16W Metal Oxide	AA

Ref. No.	Part No.	★	Description	Code
R4124	VRS-CY1JF392FY	J	3.9k 1/16W Metal Oxide	AA
R4125	VRS-CY1JF332FY	J	3.3k 1/16W Metal Oxide	AA
R4126	VRS-CY1JF682FY	J	6.8k 1/16W Metal Oxide	AA
R4129	VRS-CY1JF330FY	J	33 1/16W Metal Oxide (LC-32GA3E/K/F/I)	AA
R4130	VRS-CH1JF100JY	J	10 1/16W Metal Oxide	AA
R4132	VRS-CY1JF913FY	J	91k 1/16W Metal Oxide (LC-32GA3E/K/F/I)	AA
R4132	VRS-CY1JF753FY	J	75k 1/16W Metal Oxide (LC-37GA3E/K/F/I)	AA
R4133	VRS-CY1JF333FY	J	33k 1/16W Metal Oxide (LC-32GA3E/K/F/I)	AA
R4133	VRS-CY1JF273FY	J	27k 1/16W Metal Oxide (LC-37GA3E/K/F/I)	AA
R4134	VRS-CY1JF221FY	J	220 1/16W Metal Oxide (LC-32GA3E/K/F/I)	AA
R4134	VRS-CY1JF751FY	J	750 1/16W Metal Oxide (LC-37GA3E/K/F/I)	AA
R4135	VRS-CY1JF103FY	J	10k 1/16W Metal Oxide	AA
R4136	VRS-CY1JF393FY	J	39k 1/16W Metal Oxide (LC-32GA3E/K/F/I)	AA
R4136	VRS-CY1JF683FY	J	68k 1/16W Metal Oxide (LC-37GA3E/K/F/I)	AA
R4137	VRS-CY1JF163FY	J	16k 1/16W Metal Oxide (LC-32GA3E/K/F/I)	AA
R4137	VRS-CY1JF273FY	J	27k 1/16W Metal Oxide (LC-37GA3E/K/F/I)	AA
R4138	VRS-CY1JF160FY	J	16 1/16W Metal Oxide (LC-32GA3E/K/F/I)	AA
R4138	VRS-CY1JF122FY	J	1.2k 1/16W Metal Oxide (LC-37GA3E/K/F/I)	AA
R4139	VRS-CH1JF330JY	J	33 1/16W Metal Oxide	AA
R4140	VRS-CY1JF393FY	J	39k 1/16W Metal Oxide (LC-32GA3E/K/F/I)	AA
R4140	VRS-CY1JF623FY	J	62k 1/16W Metal Oxide (LC-37GA3E/K/F/I)	AA
R4141	VRS-CY1JF183FY	J	18k 1/16W Metal Oxide (LC-32GA3E/K/F/I)	AA
R4141	VRS-CY1JF273FY	J	27k 1/16W Metal Oxide (LC-37GA3E/K/F/I)	AA
R4142	VRS-CY1JF101FY	J	100 1/16W Metal Oxide (LC-32GA3E/K/F/I)	AD
R4142	VRS-CY1JF122FY	J	1.2k 1/16W Metal Oxide (LC-37GA3E/K/F/I)	AA
R4143	VRS-CY1JF333FY	J	33k 1/16W Metal Oxide (LC-32GA3E/K/F/I)	AA
R4143	VRS-CY1JF563FY	J	56k 1/16W Metal Oxide (LC-37GA3E/K/F/I)	AA
R4144	VRS-CY1JF163FY	J	16k 1/16W Metal Oxide (LC-32GA3E/K/F/I)	AA
R4144	VRS-CY1JF273FY	J	27k 1/16W Metal Oxide (LC-37GA3E/K/F/I)	AA
R4145	VRS-CY1JF431FY	J	430 1/16W Metal Oxide (LC-32GA3E/K/F/I)	AA
R4145	VRS-CY1JF102FY	J	1k 1/16W Metal Oxide (LC-37GA3E/K/F/I)	AA
R4146	VRS-CH1JF330JY	J	33 1/16W Metal Oxide	AA
R4147	VRS-CH1JF100JY	J	10 1/16W Metal Oxide	AA
R4148	VRS-CY1JF473FY	J	47k 1/16W Metal Oxide (LC-32GA3E/K/F/I)	AA
R4148	VRS-CY1JF683FY	J	68k 1/16W Metal Oxide (LC-37GA3E/K/F/I)	AA
R4149	VRS-CY1JF273FY	J	27k 1/16W Metal Oxide (LC-32GA3E/K/F/I)	AA
R4149	VRS-CY1JF393FY	J	39k 1/16W Metal Oxide (LC-37GA3E/K/F/I)	AA
R4150	VRS-CY1JF391FY	J	390 1/16W Metal Oxide (LC-32GA3E/K/F/I)	AA
R4150	VRS-CY1JF221FY	J	220 1/16W Metal Oxide (LC-37GA3E/K/F/I)	AA
R4151	VRS-CH1JF101JY	J	100 1/16W Metal Oxide (LC-32GA3E/K/F/I)	AA
R4152	VRS-CY1JF333FY	J	33k 1/16W Metal Oxide (LC-32GA3E/K/F/I)	AA
R4152	VRS-CY1JF163FY	J	16k 1/16W Metal Oxide (LC-37GA3E/K/F/I)	AA



Ref. No.	Part No.	★	Description	Code	Ref. No.	Part No.	★	Description	Code
<b>DUNTKC268VJ89 (LC-32GA3E)</b>					R4176	VRS-CY1JF361FY	J	360 1/16W Metal Oxide (LC-32GA3E/K/F/I)	AA
<b>DUNTKC268VJ91 (LC-37GA3E)</b>					R4176	VRS-CY1JF681FY	J	680 1/16W Metal Oxide (LC-37GA3E/K/F/I)	AA
<b>LCD CONT Unit (Continued)</b>					R4177	VRS-CH1JF330JY	J	33 1/16W Metal Oxide	AA
R4153	VRS-CY1JF333FY	J	33k 1/16W Metal Oxide (LC-32GA3E/K/F/I)	AA	R4178	VRS-CY1JF000JY	J	0 1/16W Metal Oxide	AA
R4153	VRS-CY1JF153FY	J	15k 1/16W Metal Oxide (LC-37GA3E/K/F/I)	AA	R4179	VRS-CY1JF513FY	J	51k 1/16W Metal Oxide	AA
R4154	VRS-CY1JF431FY	J	430 1/16W Metal Oxide (LC-32GA3E/K/F/I)	AA	R4180	VRS-CY1JF392FY	J	3.9k 1/16W Metal Oxide (LC-32GA3E/K/F/I)	AA
R4154	VRS-CY1JF102FY	J	1k 1/16W Metal Oxide (LC-37GA3E/K/F/I)	AA	R4180	VRS-CY1JF332FY	J	3.3k 1/16W Metal Oxide (LC-37GA3E/K/F/I)	AA
R4155	VRS-CY1JF330FY	J	33 1/16W Metal Oxide	AA	R4181	VRS-CY1JF682FY	J	6.8k 1/16W Metal Oxide	AA
R4156	VRS-CY1JF100JY	J	10 1/16W Metal Oxide	AA	R4182	VRS-CY1JF103FY	J	10k 1/16W Metal Oxide	AA
R4157	VRS-CY1JF163FY	J	16k 1/16W Metal Oxide (LC-32GA3E/K/F/I)	AA	R4183	VRS-CY1JF183FY	J	18k 1/16W Metal Oxide (LC-32GA3E/K/F/I)	AA
R4157	VRS-CY1JF563FY	J	56k 1/16W Metal Oxide (LC-37GA3E/K/F/I)	AA	R4183	VRS-CY1JF123FY	J	12k 1/16W Metal Oxide (LC-37GA3E/K/F/I)	AA
R4158	VRS-CY1JF183FY	J	18k 1/16W Metal Oxide (LC-32GA3E/K/F/I)	AA	R4184	VRS-CY1JF133FY	J	13k 1/16W Metal Oxide (LC-32GA3E/K/F/I)	AA
R4158	VRS-CY1JF623FY	J	62k 1/16W Metal Oxide (LC-37GA3E/K/F/I)	AA	R4184	VRS-CY1JF273FY	J	27k 1/16W Metal Oxide (LC-37GA3E/K/F/I)	AA
R4159	VRS-CY1JF681FY	J	680 1/16W Metal Oxide (LC-32GA3E/K/F/I)	AA	R4185	VRS-CY1JF330FY	J	33 1/16W Metal Oxide (LC-32GA3E/K/F/I)	AA
R4159	VRS-CY1JF362FY	J	3.6k 1/16W Metal Oxide (LC-37GA3E/K/F/I)	AA	R4186	VRS-CH1JF100JY	J	10 1/16W Metal Oxide	AA
R4160	VRS-CY1JF330FY	J	33 1/16W Metal Oxide	AA	R4187	VRS-CY1JF100JY	J	10 1/16W Metal Oxide	AA
R4161	VRS-CY1JF100JY	J	10 1/16W Metal Oxide	AA	R4188	VRS-CY1JF102FY	J	1k 1/16W Metal Oxide	AA
R4162	VRS-CY1JF273FY	J	27k 1/16W Metal Oxide (LC-32GA3E/K/F/I)	AA	R4190	VRS-CY1JF563FY	J	56k 1/16W Metal Oxide (LC-32GA3E/K/F/I)	AA
R4162	VRS-CY1JF333FY	J	33k 1/16W Metal Oxide (LC-37GA3E/K/F/I)	AA	R4190	VRS-CY1JF333FY	J	33k 1/16W Metal Oxide (LC-37GA3E/K/F/I)	AA
R4163	VRS-CY1JF563FY	J	56k 1/16W Metal Oxide (LC-32GA3E/K/F/I)	AA	R4191	VRS-CY1JF473FY	J	47k 1/16W Metal Oxide (LC-32GA3E/K/F/I)	AA
R4163	VRS-CY1JF683FY	J	68k 1/16W Metal Oxide (LC-37GA3E/K/F/I)	AA	R4191	VRS-CY1JF913FY	J	91k 1/16W Metal Oxide (LC-37GA3E/K/F/I)	AA
R4164	VRS-CY1JF621FY	J	620 1/16W Metal Oxide (LC-32GA3E/K/F/I)	AA	R4192	VRS-CY1JF623FY	J	62k 1/16W Metal Oxide (LC-32GA3E/K/F/I)	AA
R4164	VRS-CY1JF331FY	J	330 1/16W Metal Oxide (LC-37GA3E/K/F/I)	AA	R4192	VRS-CY1JF473FY	J	47k 1/16W Metal Oxide (LC-37GA3E/K/F/I)	AA
R4165	VRS-CH1JF330JY	J	33 1/16W Metal Oxide	AA	R4193	VRS-CY1JF102JY	J	1k 1/16W Metal Oxide	AA
R4166	VRS-CH1JF100JY	J	10 1/16W Metal Oxide	AA	R4194	VRS-CY1JF121JY	J	120 1/16W Metal Oxide	AA
R4167	VRS-CY1JF123FY	J	12k 1/16W Metal Oxide (LC-32GA3E/K/F/I)	AA	R4196	VRS-CY1JF750FY	J	75 1/16W Metal Oxide	AA
R4167	VRS-CY1JF273FY	J	27k 1/16W Metal Oxide (LC-37GA3E/K/F/I)	AA	R4198	VRS-CY1JF562FY	J	5.6k 1/16W Metal Oxide	AA
R4168	VRS-CY1JF273FY	J	27k 1/16W Metal Oxide (LC-32GA3E/K/F/I)	AA	R4199	VRS-CY1JF104JY	J	100k 1/16W Metal Oxide	AA
R4168	VRS-CY1JF623FY	J	62k 1/16W Metal Oxide (LC-37GA3E/K/F/I)	AA	R4200	VRS-CY1JF121FY	J	120 1/16W Metal Oxide (LC-32GA3E/K/F/I)	AA
R4169	VRS-CY1JF391FY	J	390 1/16W Metal Oxide (LC-32GA3E/K/F/I)	AA	R4200	VRS-CY1JF222FY	J	2.2k 1/16W Metal Oxide (LC-37GA3E/K/F/I)	AA
R4169	VRS-CY1JF471FY	J	470 1/16W Metal Oxide (LC-37GA3E/K/F/I)	AA	R4201	VRS-CY1JF621FY	J	620 1/16W Metal Oxide (LC-32GA3E/K/F/I)	AA
R4170	VRS-CY1JF153FY	J	15k 1/16W Metal Oxide (LC-32GA3E/K/F/I)	AA	R4201	VRS-CY1JF332FY	J	3.3k 1/16W Metal Oxide (LC-37GA3E/K/F/I)	AA
R4170	VRS-CY1JF183FY	J	18k 1/16W Metal Oxide (LC-37GA3E/K/F/I)	AA	R4202	VRS-CY1JF151FY	J	150 1/16W Metal Oxide (LC-32GA3E/K/F/I)	AA
R4171	VRS-CY1JF393FY	J	39k 1/16W Metal Oxide (LC-32GA3E/K/F/I)	AA	R4202	VRS-CY1JF272FY	J	2.7k 1/16W Metal Oxide (LC-37GA3E/K/F/I)	AA
R4171	VRS-CY1JF433FY	J	43k 1/16W Metal Oxide (LC-37GA3E/K/F/I)	AA	R4203	VRS-CY1JF121FY	J	120 1/16W Metal Oxide (LC-32GA3E/K/F/I)	AA
R4172	VRS-CY1JF111FY	J	110 1/16W Metal Oxide (LC-32GA3E/K/F/I)	AA	R4203	VRS-CY1JF751FY	J	750 1/16W Metal Oxide (LC-37GA3E/K/F/I)	AA
R4172	VRS-CY1JF911FY	J	910 1/16W Metal Oxide (LC-37GA3E/K/F/I)	AA	R4204	VRS-CY1JF682FY	J	6.8k 1/16W Metal Oxide	AA
R4174	VRS-CY1JF103FY	J	10k 1/16W Metal Oxide (LC-32GA3E/K/F/I)	AA	R4205	VRS-CY1JF820FY	J	82 1/16W Metal Oxide (LC-32GA3E/K/F/I)	AA
R4174	VRS-CY1JF183FY	J	18k 1/16W Metal Oxide (LC-37GA3E/K/F/I)	AA	R4205	VRS-CY1JF471FY	J	470 1/16W Metal Oxide (LC-37GA3E/K/F/I)	AA
R4175	VRS-CY1JF273FY	J	27k 1/16W Metal Oxide (LC-32GA3E/K/F/I)	AA	R4206	VRS-TV1JD102JY	J	1k 1/16W Metal Oxide	AA
R4175	VRS-CY1JF473FY	J	47k 1/16W Metal Oxide (LC-37GA3E/K/F/I)	AA	R4208	VRS-CH1JF100JY	J	10 1/16W Metal Oxide (LC-37GA3E/K/F/I)	AA
					R4209	VRS-TW2ED221JY	J	220 1/4W Metal Oxide (LC-37GA3E/K/F/I)	AB
					R4210	VRS-CY1JF103JY	J	10k 1/16W Metal Oxide	AA
					R4211	VRS-CY1JF103JY	J	10k 1/16W Metal Oxide	AA
					R4212	VRS-CY1JF101JY	J	100 1/16W Metal Oxide (LC-32GA3E/K/F/I)	AA
					R4213	VRS-TW2ED221JY	J	220 1/4W Metal Oxide (LC-37GA3E/K/F/I)	AB

Ref. No.	Part No.	★	Description	Code
<b>DUNTKC268VJ89 (LC-32GA3E)</b>				
<b>DUNTKC268VJ91 (LC-37GA3E)</b>				
<b>LCD CONT Unit (Continued)</b>				
R4216	VRS-CY1JF105FY	J	1M 1/16W Metal Oxide	AA
R4217	VRS-CY1JF103JY	J	10k 1/16W Metal Oxide	AA
R4218	VRS-CY1JF393FY	J	39k 1/16W Metal Oxide	AA
R4219	VRS-CY1JF103JY	J	10k 1/16W Metal Oxide	AA
R4220	VRS-CY1JF105FY	J	1M 1/16W Metal Oxide	AA
R4221	VRS-TW2ED153JY	J	15k 1/4W Metal Oxide	AA
R4222	VRS-TW2ED562JY	J	5.6k 1/4W Metal Oxide	AB
R4223	RR-NZ0027TAZZY	J	Resistor AC	
R4224	VRS-TV1JD222JY	J	2.2k 1/16W Metal Oxide	AA
R4225	VRS-CY1JF000JY	J	0 1/16W Metal Oxide	AA
R4226	VRS-TV1JD222JY	J	2.2k 1/16W Metal Oxide	AA
R4227	VRS-TW2ED821JY	J	820 1/4W Metal Oxide	AB
R4228	VRS-CY1JF103JY	J	10k 1/16W Metal Oxide	AA
R4229	VRS-CY1JF105FY	J	1M 1/16W Metal Oxide	AA
R4230	VRS-CY1JF202FY	J	2k 1/16W Metal Oxide	AA
R4231	VRS-CY1JF513FY	J	51k 1/16W Metal Oxide	AA
R4233	VRS-CY1JF393FY	J	39k 1/16W Metal Oxide	AA
R4234	VRS-CY1JF154FY	J	150k 1/16W Metal Oxide	AA
R4235	VRS-CY1JF104JY	J	100k 1/16W Metal Oxide	AA
R4238	VRS-CY1JF105JY	J	1M 1/16W Metal Oxide	AA
R4239	VRS-TW2ED682JY	J	6.8k 1/4W Metal Oxide	AA
R4241	VRS-TW2ED221JY	J	220 1/4W Metal Oxide	AB
R4242	VRS-TW2ED221JY	J	220 1/4W Metal Oxide (LC-32GA3E/K/F/I)	AB
R4244	VRS-TW2ED562JY	J	5.6k 1/4W Metal Oxide	AB
R4250	VRS-CY1JF100JY	J	10 1/16W Metal Oxide	AA
R4256	VRS-CY1JF104JY	J	100k 1/16W Metal Oxide	AA
R4260	VRS-CY1JF332FY	J	3.3k 1/16W Metal Oxide	AA
R4261	VRS-TW2ED101JY	J	100 1/4W Metal Oxide	AA
R4262	VRS-CY1JF103JY	J	10k 1/16W Metal Oxide	AA
R4263	VRS-CY1JF330JY	J	33 1/16W Metal Oxide	AA
R4264	VRS-TW2ED101JY	J	100 1/4W Metal Oxide	AA
R4270	VRS-CY1JF104JY	J	100k 1/16W Metal Oxide	AA
R4271	VRS-CY1JF911FY	J	910 1/16W Metal Oxide	AA
R4272	VRS-CY1JF243FY	J	24k 1/16W Metal Oxide	AA
R4273	VRS-CY1JF513JY	J	51k 1/16W Metal Oxide	AA
R4274	VRS-CJ1JF101JY	J	100 1/16W Metal Oxide (LC-32GA3E/K/F/I)	AA
R4275	VRS-CY1JF562FY	J	5.6k 1/16W Metal Oxide	AA
R4279	VRS-CY1JF100JY	J	10 1/16W Metal Oxide (LC-37GA3E/K/F/I)	AA
R4280	VRS-CY1JF100JY	J	10 1/16W Metal Oxide (LC-37GA3E/K/F/I)	AA
R4281	VRS-CY1JF100JY	J	10 1/16W Metal Oxide (LC-37GA3E/K/F/I)	AA
R4282	VRS-CH1JF100JY	J	10 1/16W Metal Oxide (LC-37GA3E/K/F/I)	AA
R4286	VRS-CJ1JF100JY	J	10 1/16W Metal Oxide (LC-37GA3E/K/F/I)	AA
R4288	VRS-CH1JF100JY	J	10 1/16W Metal Oxide (LC-37GA3E/K/F/I)	AA
R4501	VRS-CJ1JF101JY	J	100 1/16W Metal Oxide (LC-32GA3E/K/F/I)	AA
R4501	VRS-CY1JF100JY	J	10 1/16W Metal Oxide (LC-37GA3E/K/F/I)	AA
R4502	VRS-CY1JF472JY	J	4.7k 1/16W Metal Oxide (LC-32GA3E/K/F/I)	AA
R4502	VRS-CH1JF100JY	J	10 1/16W Metal Oxide (LC-37GA3E/K/F/I)	AA
R4503	VRS-CJ1JF101JY	J	100 1/16W Metal Oxide (LC-32GA3E/K/F/I)	AA
R4504	VRS-CH1JF101JY	J	100 1/16W Metal Oxide (LC-32GA3E/K/F/I)	AA
R4505	VRS-CJ1JF101JY	J	100 1/16W Metal Oxide (LC-32GA3E/K/F/I)	AA
R4505	VRS-CY1JF000JY	J	0 1/16W Metal Oxide (LC-37GA3E/K/F/I)	AA
R4506	VRS-CY1JF101JY	J	100 1/16W Metal Oxide (LC-32GA3E/K/F/I)	AA

Ref. No.	Part No.	★	Description	Code
R4506	VRS-CY1JF000JY	J	0 1/16W Metal Oxide (LC-37GA3E/K/F/I)	AA
R4507	VRS-CY1JF472JY	J	4.7k 1/16W Metal Oxide (LC-32GA3E/K/F/I)	AA
R4507	VRS-CJ1JF101JY	J	100 1/16W Metal Oxide (LC-37GA3E/K/F/I)	AA
R4508	VRS-CJ1JF472JY	J	4.7k 1/16W Metal Oxide (LC-32GA3E/K/F/I)	AA
R4508	VRS-CY1JF330JY	J	33 1/16W Metal Oxide (LC-37GA3E/K/F/I)	AA
R4509	VRS-CJ1JF472JY	J	4.7k 1/16W Metal Oxide (LC-32GA3E/K/F/I)	AA
R4509	VRS-CY1JF101FY	J	100 1/16W Metal Oxide (LC-37GA3E/K/F/I)	AD
R4510	VRS-CY1JF330JY	J	33 1/16W Metal Oxide (LC-32GA3E/K/F/I)	AA
R4510	VRS-CY1JF101FY	J	100 1/16W Metal Oxide (LC-37GA3E/K/F/I)	AD
R4511	VRS-CY1JF101FY	J	100 1/16W Metal Oxide (LC-37GA3E/K/F/I)	AD
R4512	VRS-CY1JF101FY	J	100 1/16W Metal Oxide (LC-37GA3E/K/F/I)	AD
R4513	VRS-CY1JF101FY	J	100 1/16W Metal Oxide (LC-37GA3E/K/F/I)	AD
R4514	VRS-CY1JF000JY	J	0 1/16W Metal Oxide (LC-37GA3E/K/F/I)	AA
R4515	VRS-CY1JF560JY	J	56 1/16W Metal Oxide (LC-32GA3E/K/F/I)	AA
R4516	VRS-CY1JF560JY	J	56 1/16W Metal Oxide (LC-32GA3E/K/F/I)	AA
R4516	VRS-CY1JF133FY	J	13k 1/16W Metal Oxide (LC-37GA3E/K/F/I)	AA
R4517	VRS-CY1JF000JY	J	0 1/16W Metal Oxide (LC-32GA3E/K/F/I)	AA
R4518	VRS-CY1JF000JY	J	0 1/16W Metal Oxide (LC-37GA3E/K/F/I)	AA
R4519	VRS-CH1JF330JY	J	33 1/16W Metal Oxide (LC-37GA3E/K/F/I)	AA
R4520	VRS-CJ1JF330JY	J	33 1/16W Metal Oxide (LC-37GA3E/K/F/I)	AA
R4521	VRS-CJ1JF330JY	J	33 1/16W Metal Oxide (LC-37GA3E/K/F/I)	AA
R4522	VRS-CY1JF101JY	J	100 1/16W Metal Oxide (LC-37GA3E/K/F/I)	AA
R4523	VRS-CH1JF330JY	J	33 1/16W Metal Oxide (LC-37GA3E/K/F/I)	AA
R4524	VRS-CJ1JF330JY	J	33 1/16W Metal Oxide	AA
R4525	VRS-CJ1JF330JY	J	33 1/16W Metal Oxide (LC-32GA3E/K/F/I)	AA
R4525	VRS-CY1JF330JY	J	33 1/16W Metal Oxide (LC-37GA3E/K/F/I)	AA
R4526	VRS-CH1JF330JY	J	33 1/16W Metal Oxide (LC-32GA3E/K/F/I)	AA
R4526	VRS-CY1JF330JY	J	33 1/16W Metal Oxide (LC-37GA3E/K/F/I)	AA
R4527	VRS-CY1JF330JY	J	33 1/16W Metal Oxide (LC-37GA3E/K/F/I)	AA
R4528	VRS-CY1JF330JY	J	33 1/16W Metal Oxide (LC-37GA3E/K/F/I)	AA
R4529	VRS-CY1JF103JY	J	10k 1/16W Metal Oxide (LC-37GA3E/K/F/I)	AA
R4531	VRS-CH1JF330JY	J	33 1/16W Metal Oxide (LC-32GA3E/K/F/I)	AA
R4532	VRS-CJ1JF330JY	J	33 1/16W Metal Oxide (LC-32GA3E/K/F/I)	AA
R4534	VRS-CY1JF101JY	J	100 1/16W Metal Oxide (LC-32GA3E/K/F/I)	AA
R4535	VRS-CH1JF472JY	J	4.7k 1/16W Metal Oxide (LC-32GA3E/K/F/I)	AA
R4536	VRS-CH1JF472JY	J	4.7k 1/16W Metal Oxide (LC-32GA3E/K/F/I)	AA
R4538	VRS-CY1JF472JY	J	4.7k 1/16W Metal Oxide (LC-32GA3E/K/F/I)	AA
R4543	VRS-CY1JF000JY	J	0 1/16W Metal Oxide (LC-32GA3E/K/F/I)	AA

Ref. No.	Part No.	★	Description	Code	Ref. No.	Part No.	★	Description	Code
<b>DUNTKC268VJ89 (LC-32GA3E)</b>					R4630	VRS-CY1JF472JY	J	4.7k 1/16W Metal Oxide (LC-37GA3E/K/F/I)	AA
<b>DUNTKC268VJ91 (LC-37GA3E)</b>					R4631	VRS-CY1JF472JY	J	4.7k 1/16W Metal Oxide (LC-37GA3E/K/F/I)	AA
<b>LCD CONT Unit (Continued)</b>					R4632	VRS-CY1JF103JY	J	10k 1/16W Metal Oxide (LC-37GA3E/K/F/I)	AA
R4544	VRS-CY1JF102JY	J	1k 1/16W Metal Oxide (LC-32GA3E/K/F/I)	AA	R4637	VRS-CY1JF101JY	J	100 1/16W Metal Oxide (LC-37GA3E/K/F/I)	AA
R4545	VRS-CY1JF331JY	J	330 1/16W Metal Oxide (LC-32GA3E/K/F/I)	AA	R4639	VRS-CY1JF103JY	J	10k 1/16W Metal Oxide (LC-37GA3E/K/F/I)	AA
R4546	VRS-CY1JF103JY	J	10k 1/16W Metal Oxide (LC-32GA3E/K/F/I)	AA	R4640	VRS-CY1JF000JY	J	0 1/16W Metal Oxide (LC-37GA3E/K/F/I)	AA
R4547	VRS-CY1JF101JY	J	100 1/16W Metal Oxide (LC-32GA3E/K/F/I)	AA	R4642	VRS-CY1JF000JY	J	0 1/16W Metal Oxide (LC-37GA3E/K/F/I)	AA
R4601	VRS-CY1JF101FY	J	100 1/16W Metal Oxide	AD	R4651	VRS-CY1JF000JY	J	0 1/16W Metal Oxide	AA
R4602	VRS-CY1JF101FY	J	100 1/16W Metal Oxide	AD	R4652	VRS-CY1JF000JY	J	0 1/16W Metal Oxide	AA
R4603	VRS-CY1JF101FY	J	100 1/16W Metal Oxide	AD	R4653	VRS-CY1JF000JY	J	0 1/16W Metal Oxide	AA
R4604	VRS-CY1JF101FY	J	100 1/16W Metal Oxide	AD	R4654	VRS-CY1JF000JY	J	0 1/16W Metal Oxide	AA
R4605	VRS-CY1JF101FY	J	100 1/16W Metal Oxide	AD	R4655	VRS-CY1JF000JY	J	0 1/16W Metal Oxide	AA
R4606	VRS-CY1JF101FY	J	100 1/16W Metal Oxide	AD	R4656	VRS-CY1JF000JY	J	0 1/16W Metal Oxide	AA
R4607	VRS-CY1JF101FY	J	100 1/16W Metal Oxide	AD	R4701	VRS-CY1JF472JY	J	4.7k 1/16W Metal Oxide (LC-32GA3E/K/F/I)	AA
R4608	VRS-CY1JF101FY	J	100 1/16W Metal Oxide	AD	R4702	VRS-CJ1JF472JY	J	4.7k 1/16W Metal Oxide (LC-32GA3E/K/F/I)	AA
R4609	VRS-CY1JF101FY	J	100 1/16W Metal Oxide	AD	R4703	VRS-CY1JF472JY	J	4.7k 1/16W Metal Oxide (LC-32GA3E/K/F/I)	AA
R4610	VRS-CY1JF101FY	J	100 1/16W Metal Oxide	AD	R4704	VRS-CY1JF000JY	J	0 1/16W Metal Oxide (LC-32GA3E/K/F/I)	AA
R4611	VRS-CY1JF103JY	J	10k 1/16W Metal Oxide (LC-37GA3E/K/F/I)	AA	R4705	VRS-CY1JF102JY	J	1k 1/16W Metal Oxide (LC-32GA3E/K/F/I)	AA
R4613	VRS-CY1JF473JY	J	47k 1/16W Metal Oxide (LC-32GA3E/K/F/I)	AA	R4706	VRS-CH1JF101JY	J	100 1/16W Metal Oxide (LC-32GA3E/K/F/I)	AA
R4614	VRS-CY1JF473JY	J	47k 1/16W Metal Oxide (LC-32GA3E/K/F/I)	AA	R4710	VRS-CY1JF472JY	J	4.7k 1/16W Metal Oxide (LC-32GA3E/K/F/I)	AA
R4614	VRS-CJ1JF100JY	J	10 1/16W Metal Oxide (LC-37GA3E/K/F/I)	AA	R4711	VRS-CY1JF472JY	J	4.7k 1/16W Metal Oxide (LC-32GA3E/K/F/I)	AA
R4615	VRS-CH1JF100JY	J	10 1/16W Metal Oxide (LC-37GA3E/K/F/I)	AA	R4712	VRS-CY1JF000JY	J	0 1/16W Metal Oxide (LC-32GA3E/K/F/I)	AA
R4616	VRS-CH1JF680JY	J	68 1/16W Metal Oxide (LC-37GA3E/K/F/I)	AA	R4713	VRS-CY1JF000JY	J	0 1/16W Metal Oxide (LC-32GA3E/K/F/I)	AA
R4617	VRS-CH1JF330JY	J	33 1/16W Metal Oxide (LC-32GA3E/K/F/I)	AA	R4714	VRS-CY1JF000JY	J	0 1/16W Metal Oxide (LC-32GA3E/K/F/I)	AA
R4617	VRS-CH1JF100JY	J	10 1/16W Metal Oxide (LC-37GA3E/K/F/I)	AA	R4715	VRS-CY1JF000JY	J	0 1/16W Metal Oxide (LC-32GA3E/K/F/I)	AA
R4618	VRS-CY1JF330JY	J	33 1/16W Metal Oxide (LC-32GA3E/K/F/I)	AA	R4716	VRK-CD1JJ390JY	J	39 1/16W Metal Composition (LC-32GA3E/K/F/I)	AC
R4618	VRS-CY1JF473JY	J	47k 1/16W Metal Oxide (LC-37GA3E/K/F/I)	AA	R4717	VRK-CD1JJ390JY	J	39 1/16W Metal Composition (LC-32GA3E/K/F/I)	AC
R4619	VRS-CY1JF223JY	J	22k 1/16W Metal Oxide (LC-32GA3E/K/F/I)	AA	R4718	VRK-CD1JJ390JY	J	39 1/16W Metal Composition (LC-32GA3E/K/F/I)	AC
R4619	VRS-CH1JF680JY	J	68 1/16W Metal Oxide (LC-37GA3E/K/F/I)	AA	R4719	VRS-CH1JF390JY	J	39 1/16W Metal Oxide (LC-32GA3E/K/F/I)	AA
R4620	VRS-CY1JF472JY	J	4.7k 1/16W Metal Oxide (LC-32GA3E/K/F/I)	AA	R4720	VRK-CD1JJ390JY	J	39 1/16W Metal Composition (LC-32GA3E/K/F/I)	AC
R4620	VRS-CY1JF270JY	J	27 1/16W Metal Oxide (LC-37GA3E/K/F/I)	AA	R4721	VRK-CD1JJ390JY	J	39 1/16W Metal Composition (LC-32GA3E/K/F/I)	AC
R4621	VRS-CY1JF472JY	J	4.7k 1/16W Metal Oxide (LC-32GA3E/K/F/I)	AA	R4722	VRK-CD1JJ390JY	J	39 1/16W Metal Composition (LC-32GA3E/K/F/I)	AC
R4621	VRS-CY1JF270JY	J	27 1/16W Metal Oxide (LC-37GA3E/K/F/I)	AA	R4723	VRS-CH1JF390JY	J	39 1/16W Metal Oxide (LC-32GA3E/K/F/I)	AA
R4622	VRS-CY1JF000JY	J	0 1/16W Metal Oxide (LC-32GA3E/K/F/I)	AA	R4901	VRS-CY1JF472JY	J	4.7k 1/16W Metal Oxide (LC-32GA3E/K/F/I)	AA
R4622	VRS-CH1JF680JY	J	68 1/16W Metal Oxide (LC-37GA3E/K/F/I)	AA	R4901	VRS-CH1JF100JY	J	10 1/16W Metal Oxide (LC-37GA3E/K/F/I)	AA
R4623	VRS-CY1JF101JY	J	100 1/16W Metal Oxide (LC-32GA3E/K/F/I)	AA	R4902	VRS-CJ1JF472JY	J	4.7k 1/16W Metal Oxide (LC-32GA3E/K/F/I)	AA
R4623	VRS-CH1JF680JY	J	68 1/16W Metal Oxide (LC-37GA3E/K/F/I)	AA	R4902	VRS-CH1JF100JY	J	10 1/16W Metal Oxide (LC-37GA3E/K/F/I)	AA
R4624	VRS-CH1JF680JY	J	68 1/16W Metal Oxide (LC-37GA3E/K/F/I)	AA	R4903	VRS-CY1JF472JY	J	4.7k 1/16W Metal Oxide (LC-32GA3E/K/F/I)	AA
R4625	VRS-CH1JF680JY	J	68 1/16W Metal Oxide (LC-37GA3E/K/F/I)	AA					
R4626	VRS-CH1JF680JY	J	68 1/16W Metal Oxide (LC-37GA3E/K/F/I)	AA					
R4627	VRS-CH1JF680JY	J	68 1/16W Metal Oxide (LC-37GA3E/K/F/I)	AA					
R4628	VRS-CY1JF223JY	J	22k 1/16W Metal Oxide (LC-37GA3E/K/F/I)	AA					
R4629	VRS-CY1JF472JY	J	4.7k 1/16W Metal Oxide (LC-37GA3E/K/F/I)	AA					

Ref. No.	Part No.	★	Description	Code
<b>DUNTKC268VJ89 (LC-32GA3E)</b>				
<b>DUNTKC268VJ91 (LC-37GA3E)</b>				
<b>LCD CONT Unit (Continued)</b>				
R4903	VRS-CY1JF100JY	J	10 1/16W Metal Oxide (LC-37GA3E/K/F/I)	AA
R4904	VRS-CY1JF472JY	J	4.7k 1/16W Metal Oxide (LC-32GA3E/K/F/I)	AA
R4904	VRS-CH1JF100JY	J	10 1/16W Metal Oxide (LC-37GA3E/K/F/I)	AA
R4905	VRS-CY1JF000JY	J	0 1/16W Metal Oxide (LC-32GA3E/K/F/I)	AA
R4905	VRS-CY1JF100JY	J	10 1/16W Metal Oxide (LC-37GA3E/K/F/I)	AA
R4906	VRS-CH1JF101JY	J	100 1/16W Metal Oxide (LC-32GA3E/K/F/I)	AA
R4906	VRS-CH1JF470JY	J	47 1/16W Metal Oxide (LC-37GA3E/K/F/I)	AA
R4907	VRS-CH1JF101JY	J	100 1/16W Metal Oxide (LC-32GA3E/K/F/I)	AA
R4907	VRS-CH1JF470JY	J	47 1/16W Metal Oxide (LC-37GA3E/K/F/I)	AA
R4908	VRS-CH1JF470JY	J	47 1/16W Metal Oxide (LC-37GA3E/K/F/I)	AA
R4909	VRS-CH1JF470JY	J	47 1/16W Metal Oxide (LC-37GA3E/K/F/I)	AA
R4910	VRS-CH1JF470JY	J	47 1/16W Metal Oxide (LC-37GA3E/K/F/I)	AA
R4911	VRS-CY1JF472JY	J	4.7k 1/16W Metal Oxide (LC-32GA3E/K/F/I)	AA
R4911	VRS-CH1JF470JY	J	47 1/16W Metal Oxide (LC-37GA3E/K/F/I)	AA
R4912	VRS-CH1JF470JY	J	47 1/16W Metal Oxide (LC-37GA3E/K/F/I)	AA
R4913	VRS-CY1JF100JY	J	10 1/16W Metal Oxide (LC-37GA3E/K/F/I)	AA
R4914	VRS-CJ1JF470JY	J	47 1/16W Metal Oxide (LC-37GA3E/K/F/I)	AA
R4915	VRK-CD1JJ390JY	J	39 1/16W Metal Composition (LC-32GA3E/K/F/I)	AC
R4915	VRS-CJ1JF470JY	J	47 1/16W Metal Oxide (LC-37GA3E/K/F/I)	AA
R4916	VRK-CD1JJ390JY	J	39 1/16W Metal Composition (LC-32GA3E/K/F/I)	AC
R4916	VRS-CH1JF470JY	J	47 1/16W Metal Oxide (LC-37GA3E/K/F/I)	AA
R4917	VRK-CD1JJ390JY	J	39 1/16W Metal Composition (LC-32GA3E/K/F/I)	AC
R4917	VRS-CH1JF470JY	J	47 1/16W Metal Oxide (LC-37GA3E/K/F/I)	AA
R4918	VRS-CH1JF390JY	J	39 1/16W Metal Oxide (LC-32GA3E/K/F/I)	AA
R4918	VRS-CH1JF470JY	J	47 1/16W Metal Oxide (LC-37GA3E/K/F/I)	AA
R4919	VRK-CD1JJ390JY	J	39 1/16W Metal Composition (LC-32GA3E/K/F/I)	AC
R4919	VRS-CH1JF470JY	J	47 1/16W Metal Oxide (LC-37GA3E/K/F/I)	AA
R4920	VRK-CD1JJ390JY	J	39 1/16W Metal Composition (LC-32GA3E/K/F/I)	AC
R4920	VRS-CH1JF470JY	J	47 1/16W Metal Oxide (LC-37GA3E/K/F/I)	AA
R4922	VRS-CY1JF103JY	J	10k 1/16W Metal Oxide (LC-37GA3E/K/F/I)	AA
R4923	VRS-CY1JF000JY	J	0 1/16W Metal Oxide (LC-37GA3E/K/F/I)	AA
R4924	VRK-CD1JJ390JY	J	39 1/16W Metal Composition (LC-32GA3E/K/F/I)	AC

Ref. No.	Part No.	★	Description	Code
R4924	VRS-CY1JF472JY	J	4.7k 1/16W Metal Oxide (LC-37GA3E/K/F/I)	AA
R4925	VRS-CH1JF390JY	J	39 1/16W Metal Oxide (LC-32GA3E/K/F/I)	AA
R4926	VRS-CY1JF102JY	J	1k 1/16W Metal Oxide (LC-32GA3E/K/F/I)	AA
R4929	VRS-CY1JF000JY	J	0 1/16W Metal Oxide (LC-32GA3E/K/F/I)	AA
R4930	VRS-CY1JF000JY	J	0 1/16W Metal Oxide (LC-32GA3E/K/F/I)	AA
R7701	VRS-TW2ED101JY	J	100 1/4W Metal Oxide	AA
R7702	VRS-TW2ED101JY	J	100 1/4W Metal Oxide	AA
R7704	VRS-CY1JF202FY	J	2k 1/16W Metal Oxide	AA
R7705	VRS-CY1JF102FY	J	1k 1/16W Metal Oxide	AA
R7706	VRS-CY1JF102FY	J	1k 1/16W Metal Oxide	AA
R7707	VRS-CY1JF682FY	J	6.8k 1/16W Metal Oxide	AA
R7708	VRS-CY1JF102FY	J	1k 1/16W Metal Oxide	AA
R7709	VRS-CY1JF432FY	J	4.3k 1/16W Metal Oxide	AA
R7710	VRS-CY1JF753FY	J	75k 1/16W Metal Oxide	AA
R7711	VRS-CY1JF101JY	J	100 1/16W Metal Oxide	AA
R7712	VRS-CY1JF103FY	J	10k 1/16W Metal Oxide	AA
R7713	VRS-CY1JF101JY	J	100 1/16W Metal Oxide	AA
R7714	VRS-CY1JF101JY	J	100 1/16W Metal Oxide	AA
R7715	VRS-CY1JF222FY	J	2.2k 1/16W Metal Oxide	AA
R7716	VRS-CY1JF562FY	J	5.6k 1/16W Metal Oxide	AA
R7717	VRS-CY1JF102FY	J	1k 1/16W Metal Oxide (LC-32GA3E/K/F/I)	AA
R7717	VRS-CY1JF332FY	J	3.3k 1/16W Metal Oxide (LC-37GA3E/K/F/I)	AA
R7719	VRS-CY1JF332FY	J	3.3k 1/16W Metal Oxide	AA
R7720	VRS-CY1JF332FY	J	3.3k 1/16W Metal Oxide	AA
R7721	VRS-CY1JF101JY	J	100 1/16W Metal Oxide	AA
R7729	VRS-TV1JD000JY	J	0 1/16W Metal Oxide	AA
R7730	VRS-TV1JD000JY	J	0 1/16W Metal Oxide	AA
R7731	VRS-TV1JD000JY	J	0 1/16W Metal Oxide	AA
R7732	VRS-TV1JD000JY	J	0 1/16W Metal Oxide	AA
R7733	VRS-CY1JF332JY	J	3.3k 1/16W Metal Oxide	AA
R7734	VRS-CY1JF152JY	J	1.5k 1/16W Metal Oxide	AA
R7735	VRS-CY1JF223JY	J	22k 1/16W Metal Oxide	AA
R7736	VRS-CY1JF622FY	J	6.2k 1/16W Metal Oxide	AA
R7738	VRS-CJ1JF223JY	J	22k 1/16W Metal Oxide	AA
R7740	VRS-TW2ED101JY	J	100 1/4W Metal Oxide	AA
R7741	VRS-TW2ED101JY	J	100 1/4W Metal Oxide	AA
R7742	VRS-CY1JF102FY	J	1k 1/16W Metal Oxide (LC-32GA3E/K/F/I)	AA
R7743	VRS-CY1JF201FY	J	200 1/16W Metal Oxide (LC-32GA3E/K/F/I)	AA
R7744	VRS-CY1JF332FY	J	3.3k 1/16W Metal Oxide	AA
R7745	VRS-CY1JF102FY	J	1k 1/16W Metal Oxide	AA
R7746	VRS-CY1JF332FY	J	3.3k 1/16W Metal Oxide	AA
R7747	VRS-TW2ED330JY	J	33 1/4W Metal Oxide	AA
R7748	VRS-CY1JF103JY	J	10k 1/16W Metal Oxide	AA
R7749	VRS-CY1JF103JY	J	10k 1/16W Metal Oxide	AA
R7750	VRS-TV1JD000JY	J	0 1/16W Metal Oxide	AA
R7751	VRS-CY1JF101JY	J	100 1/16W Metal Oxide	AA
R7752	VRS-CY1JF101JY	J	100 1/16W Metal Oxide	AA
R7753	VRS-CY1JF332FY	J	3.3k 1/16W Metal Oxide (LC-37GA3E/K/F/I)	AA
R7755	VRS-TV1JD000JY	J	0 1/16W Metal Oxide (LC-37GA3E/K/F/I)	AA
R7756	VRS-TV1JD000JY	J	0 1/16W Metal Oxide (LC-37GA3E/K/F/I)	AA
R7759	VRS-TV1JD000JY	J	0 1/16W Metal Oxide (LC-37GA3E/K/F/I)	AA
R7760	VRS-TW2ED221JY	J	220 1/4W Metal Oxide (LC-37GA3E/K/F/I)	AB
R7761	VRS-TW2ED221JY	J	220 1/4W Metal Oxide (LC-37GA3E/K/F/I)	AB
R7762	VRS-TW2ED221JY	J	220 1/4W Metal Oxide (LC-37GA3E/K/F/I)	AB
R7763	VRS-TW2ED221JY	J	220 1/4W Metal Oxide (LC-37GA3E/K/F/I)	AB
R7764	VRS-TW2ED221JY	J	220 1/4W Metal Oxide (LC-37GA3E/K/F/I)	AB
R7765	VRS-TW2ED221JY	J	220 1/4W Metal Oxide (LC-37GA3E/K/F/I)	AB

Ref. No.	Part No.	★	Description	Code	Ref. No.	Part No.	★	Description	Code
<b>DUNTKC268VJ89 (LC-32GA3E)</b>					FB4902	RBLN-0095CEZZY	J	Ferrite Bead (LC-32GA3E/K/F/I)	AD
<b>DUNTKC268VJ91 (LC-37GA3E)</b>					FB4902	RBLN-0210TAZZY	J	Ferrite Bead (LC-37GA3E/K/F/I)	AB
<b>LCD CONT Unit (Continued)</b>					FB4903	RBLN-0210TAZZY	J	Ferrite Bead (LC-37GA3E/K/F/I)	AB
R7766	VRS-TW2ED221JY	J	220 1/4W Metal Oxide (LC-37GA3E/K/F/I)	AB	FB4904	RBLN-0210TAZZY	J	Ferrite Bead (LC-37GA3E/K/F/I)	AB
R7767	VRS-TW2ED221JY	J	220 1/4W Metal Oxide (LC-37GA3E/K/F/I)	AB	FB7705	RBLN-A005WJZZY	J	Ferrite Bead	AA
R7768	VRS-TW2ED1R0JY	J	1 1/4W Metal Oxide (LC-37GA3E/K/F/I)	AB	FB7706	RBLN-0252TAZZY	J	Ferrite Bead	AA
R7769	VRS-TW2ED1R0JY	J	1 1/4W Metal Oxide (LC-37GA3E/K/F/I)	AB	FB7708	RBLN-0252TAZZY	J	Ferrite Bead	AA
R7770	VRS-CY1JF103JY	J	10k 1/16W Metal Oxide (LC-37GA3E/K/F/I)	AA	FB7709	RBLN-A005WJZZY	J	Ferrite Bead	AA
R7771	VRS-CY1JF473JY	J	47k 1/16W Metal Oxide (LC-37GA3E/K/F/I)	AA	FB7710	RBLN-0210TAZZY	J	Ferrite Bead	AB
<b>MISCELLANEOUS PARTS</b>					FB7711	RBLN-0252TAZZY	J	Ferrite Bead	AA
FB2001	RBLN-0006TAZZY	J	Ferrite Bead	AB	FB7712	RBLN-A005WJZZY	J	Ferrite Bead	AA
FB2003	RBLN-A005WJZZY	J	Ferrite Bead	AA	FB7713	RBLN-A005WJZZY	J	Ferrite Bead	AA
FB2004	RBLN-A005WJZZY	J	Ferrite Bead	AA	FB7716	RBLN-A005WJZZY	J	Ferrite Bead	AA
FB2005	RBLN-A005WJZZY	J	Ferrite Bead	AA	FB7717	RBLN-A005WJZZY	J	Ferrite Bead	AA
FB2006	RBLN-A005WJZZY	J	Ferrite Bead	AA	FB7718	RBLN-A005WJZZY	J	Ferrite Bead	AA
FB2007	RBLN-A005WJZZY	J	Ferrite Bead	AA	FB7719	RBLN-A005WJZZY	J	Ferrite Bead	AA
FB2008	RBLN-A005WJZZY	J	Ferrite Bead	AA	FB7720	RBLN-0252TAZZY	J	Ferrite Bead	AA
FB2009	RBLN-A005WJZZY	J	Ferrite Bead	AA	P2001	QPLGN0544FJZZY	J	Plug, 7pin(AD)	AD
FB2016	RBLN-A005WJZZY	J	Ferrite Bead	AA	P2002	QPLGNA059WJZZ	J	Plug, 5pin(KM) (LC-32GA3E/K/F/I)	AC
FB2017	RBLN-A005WJZZY	J	Ferrite Bead	AA	P2002	QPLGNA161WJZZY	J	Plug, 5pin(KM) (LC-37GA3E/K/F/I)	AE
FB2021	RBLN-A005WJZZY	J	Ferrite Bead	AA	P2003	QPLGNA043WJZZ	J	Plug, 4pin(ST) (LC-32GA3E/K/F/I)	AB
FB2022	RBLN-A005WJZZY	J	Ferrite Bead	AA	P2003	QPLGNA173WJZZY	J	Plug, 4pin(ST) (LC-37GA3E/K/F/I)	AD
FB2023	RBLN-A005WJZZY	J	Ferrite Bead	AA	P2004	QPLGNA048WJZZ	J	Plug, 9pin(RM) (LC-32GA3E/K/F/I)	AC
FB4101	RBLN-0252TAZZY	J	Ferrite Bead	AA	P2004	QPLGNA178WJZZY	J	Plug, 9pin(RM) (LC-37GA3E/K/F/I)	AE
FB4102	RBLN-0252TAZZY	J	Ferrite Bead	AA	P2006	QPLGN0064CEZZY	J	Plug, 14pin(SH)	AE
FB4501	RBLN-0095CEZZY	J	Ferrite Bead (LC-32GA3E/K/F/I)	AD	P4501	QPLGN0547FJZZY	J	Plug, 10pin (LC-32GA3E/K/F/I)	AE
FB4501	RBLN-0210TAZZY	J	Ferrite Bead (LC-37GA3E/K/F/I)	AB	P7704	QPLGNA062WJZZ	J	Plug, 8pin(GV) (LC-32GA3E/K/F/I)	AC
FB4502	RBLN-0095CEZZY	J	Ferrite Bead (LC-32GA3E/K/F/I)	AD	P7704	QPLGNA164WJZZY	J	Plug, 8pin(GV) (LC-37GA3E/K/F/I)	AE
FB4502	RBLN-0210TAZZY	J	Ferrite Bead (LC-37GA3E/K/F/I)	AB	P7705	QPLGNA066WJZZ	J	Plug, 12pin(BL) (LC-32GA3E/K/F/I)	AD
FB4503	RBLN-0210TAZZY	J	Ferrite Bead (LC-37GA3E/K/F/I)	AB	P7705	QPLGNA168WJZZY	J	Plug, 12pin(BL) (LC-37GA3E/K/F/I)	AF
FB4504	RBLN-0095CEZZY	J	Ferrite Bead (LC-32GA3E/K/F/I)	AD	P7706	QPLGN0175FJZZY	J	Plug, 3pin(FA)	AC
FB4504	RBLN-0210TAZZY	J	Ferrite Bead (LC-37GA3E/K/F/I)	AB	P7707	QPLGNA046WJZZ	J	Plug, 7pin(PO) (LC-32GA3E/K/F/I)	AC
FB4505	RBLN-0210TAZZY	J	Ferrite Bead (LC-37GA3E/K/F/I)	AB	P7707	QPLGNA176WJZZY	J	Plug, 7pin(PO) (LC-37GA3E/K/F/I)	AE
FB4601	RBLN-0060TAZZY	J	Ferrite Bead (LC-32GA3E/K/F/I)	AB	P7708	QPLGN0175FJZZY	J	Plug, 3pin(FB)	AC
FB4601	RBLN-0210TAZZY	J	Ferrite Bead (LC-37GA3E/K/F/I)	AB	SC4601	QSOCN0491FJZZY	J	Socket, 33pin(LV)	AF
FB4602	RBLN-0060TAZZY	J	Ferrite Bead (LC-32GA3E/K/F/I)	AB	SC4651	QSOCNA222WJZZY	J	Socket, 80pin	AH
FB4602	RBLN-A005WJZZY	J	Ferrite Bead (LC-37GA3E/K/F/I)	AA	SC4652	QSOCNA222WJZZY	J	Socket, 80pin	AH
FB4603	RBLN-0060TAZZY	J	Ferrite Bead (LC-32GA3E/K/F/I)	AB	QCNW-C400WJQZ	J	Connecting Cord, LCD CONT-INV (LC-32GA3E/K/F/I)	AL	
FB4603	RBLN-0210TAZZY	J	Ferrite Bead (LC-37GA3E/K/F/I)	AB	QCNW-C412WJQZ	J	Connecting Cord, LCD CONT-INV GND (LC-32GA3E/K/F/I)	AK	
FB4604	RBLN-0210TAZZY	J	Ferrite Bead (LC-37GA3E/K/F/I)	AB	QCNW-C505WJQZ	J	Connecting Cord, LCDCONT-INV(A), INV(B) [BL] AM (LC-37GA3E/K/F/I)	AM	
FB4605	RBLN-0210TAZZY	J	Ferrite Bead (LC-37GA3E/K/F/I)	AB	QCNW-C508WJQZ	J	Connecting Cord, LCDCONT-INV GND [GV] AK (LC-37GA3E/K/F/I)	AK	
FB4701	RBLN-0095CEZZY	J	Ferrite Bead (LC-32GA3E/K/F/I)	AD	QCNW-C399WJQZ	J	Connecting Cord, LCD CONT-POW AH	AH	
FB4702	RBLN-0095CEZZY	J	Ferrite Bead (LC-32GA3E/K/F/I)	AD	QCNW-C413WJQZ	J	Connecting Cord, LCDCNT-KEY [KM] AH	AH	
FB4901	RBLN-0095CEZZY	J	Ferrite Bead (LC-32GA3E/K/F/I)	AD	QCNW-C623WJQZ	J	Connecting Cord, LCDCNT-MAIN [SH] AP	AP	
FB4901	RBLN-0210TAZZY	J	Ferrite Bead (LC-37GA3E/K/F/I)	AB					

Ref. No.	Part No.	★	Description	Code
<b>DUNTKC427VJ21</b>				
<b>CPU UNIT</b>				
<b>INTEGRATED CIRCUITS</b>				
IC8101	RH-IXA817WJZZQ	J	HD6417706F133V	BC
IC8201	RH-IXA948WJZZQ	J	LC4128V-75T100	AW
IC8301	RH-IXA995WJZZQ	J	K4S281632E-TC7	AZ
IC8302	RH-IXB048WJZZQ	J	64M Flash ROM	AX
IC8303	RH-IXA995WJZZQ	J	K4S281632E-TC7	AZ
IC8304	RH-IXA873WJZZY	J	PCA9564PW,118	AS
IC8305	RH-IXA873WJZZY	J	PCA9564PW,118	AS
IC8401	VHiTC6384AF-2Q	J	TC6384AF-0001	AX
IC8501	VHi7WH126FU-1Y	J	TC7WH126FU	AE
IC8502	VHiPQ1CZ41H-1Y	J	PQ1CZ41H2ZP	AG
IC8503	VHiPQ070XZ1-1Y	J	PQ070XZ01ZP	AF
IC8504	VHiMLC157DT-1Y	J	MC74LCX157DTR2	AE
IC8505	VHiPQ1X331M-1Y	J	PQ1X331M2ZP	AD
<b>TRANSISTORS</b>				
Q8301	VSRT1N141U/-1Y	J	RT1N141U	AB
Q8302	VS2SA1362GR-1Y	J	2SA1362GR	AC
Q8401	VSRTQ035P02-1Y	J	RTQ035P02	AD
<b>DIODES</b>				
D8101	RH-PXA018WJZZY	J	GM1HD55200A	AC
D8102	RH-PXA018WJZZY	J	GM1HD55200A	AC
D8301	VHD1SS355//1Y	J	1SS355	AB
D8501	VHDFS1J3///1Y	J	S1J3	AD
D8502	RH-EX1264CEZZY	J	Zener Diode (LC-37GA3E/K/F/I)	AB
D8503	RH-EX1264CEZZY	J	Zener Diode (LC-37GA3E/K/F/I)	AB
D8504	RH-EX1264CEZZY	J	Zener Diode (LC-37GA3E/K/F/I)	AB
<b>PACKAGED CIRCUIT</b>				
X8102	RCRSCA045WJZZY	J	Crystal	AG
<b>COIL</b>				
L8501	RCiLPA158WJZZY	J	Coil	AE
<b>CAPACITORS</b>				
C8103	VCKYCY1EF104ZY	J	0.1 25V Ceramic	AA
C8104	VCKYCY1EF104ZY	J	0.1 25V Ceramic	AA
C8105	VCKYCY1EF104ZY	J	0.1 25V Ceramic	AA
C8106	VCKYCY1EF104ZY	J	0.1 25V Ceramic	AA
C8107	VCKYCY1EF104ZY	J	0.1 25V Ceramic	AA
C8108	VCKYCY1EF104ZY	J	0.1 25V Ceramic	AA
C8109	VCKYCY1EF104ZY	J	0.1 25V Ceramic	AA
C8110	VCKYCY1EF104ZY	J	0.1 25V Ceramic	AA
C8111	VCKYCY1EF104ZY	J	0.1 25V Ceramic	AA
C8112	VCKYCY1EF104ZY	J	0.1 25V Ceramic	AA
C8113	VCKYCY1EF104ZY	J	0.1 25V Ceramic	AA
C8114	VCKYCY1EF104ZY	J	0.1 25V Ceramic	AA
C8115	VCCCCY1HH330JY	J	33p 50V Ceramic	AA
C8116	VCKYCY1EF104ZY	J	0.1 25V Ceramic	AA
C8117	VCCCCY1HH471JY	J	470p 50V Ceramic	AA
C8118	VCCCCY1HH471JY	J	470p 50V Ceramic	AA
C8119	VCCCCY1HH270JY	J	27p 50V Ceramic	AA
C8120	VCKYCY1EF104ZY	J	0.1 25V Ceramic	AA
C8121	VCKYCY1EF104ZY	J	0.1 25V Ceramic	AA
C8122	RC-KZA067WJZZY	J	4.7 10V Ceramic	AB
C8123	RC-KZA067WJZZY	J	4.7 10V Ceramic	AB
C8124	VCKYCY1EF104ZY	J	0.1 25V Ceramic (LC-37GA3E/K/F/I)	AA
C8201	VCKYCY1EF104ZY	J	0.1 25V Ceramic	AA
C8202	VCKYCY1EF104ZY	J	0.1 25V Ceramic	AA
C8203	VCKYCY1EF104ZY	J	0.1 25V Ceramic	AA
C8204	VCKYCY1EF104ZY	J	0.1 25V Ceramic	AA
C8205	RC-KZA067WJZZY	J	4.7 10V Ceramic	AB
C8301	VCKYCY1EF104ZY	J	0.1 25V Ceramic	AA
C8302	VCKYCY1EF104ZY	J	0.1 25V Ceramic	AA

Ref. No.	Part No.	★	Description	Code
C8303	VCKYCY1EF104ZY	J	0.1 25V Ceramic	AA
C8304	VCKYCY1EF104ZY	J	0.1 25V Ceramic	AA
C8305	VCKYCY1EF104ZY	J	0.1 25V Ceramic	AA
C8306	VCKYCY1EF104ZY	J	0.1 25V Ceramic	AA
C8307	VCKYCY1EF104ZY	J	0.1 25V Ceramic	AA
C8308	VCKYCY1EF104ZY	J	0.1 25V Ceramic	AA
C8309	VCKYCY1EF104ZY	J	0.1 25V Ceramic	AA
C8310	VCKYCY1EF104ZY	J	0.1 25V Ceramic	AA
C8311	VCKYCY1EF104ZY	J	0.1 25V Ceramic	AA
C8312	VCKYCY1EF104ZY	J	0.1 25V Ceramic	AA
C8313	RC-KZA067WJZZY	J	4.7 10V Ceramic	AB
C8401	VCKYCY1EF104ZY	J	0.1 25V Ceramic	AA
C8402	VCKYCY1EF104ZY	J	0.1 25V Ceramic	AA
C8403	VCKYCY1EF104ZY	J	0.1 25V Ceramic	AA
C8404	VCKYCY1EF104ZY	J	0.1 25V Ceramic	AA
C8405	VCKYCY1EF104ZY	J	0.1 25V Ceramic	AA
C8406	VCKYCY1EF104ZY	J	0.1 25V Ceramic	AA
C8407	VCKYCY1EF104ZY	J	0.1 25V Ceramic	AA
C8408	VCKYCY1EF104ZY	J	0.1 25V Ceramic	AA
C8411	RC-KZA067WJZZY	J	4.7 10V Ceramic	AB
C8501	VCEASX1CN476MY	J	47 16V Electrolytic	AC
C8502	VCKYCY1EF104ZY	J	0.1 25V Ceramic	AA
C8503	VCKYCY1EF104ZY	J	0.1 25V Ceramic	AA
C8504	RC-KZA076WJZZY	J	4.7 16V Ceramic	AC
C8505	VCAAP1AJ566MY	J	56 10V Electrolytic	AE
C8506	VCKYCY1CB223KY	J	0.022 16V Ceramic	AB
C8507	VCKYCY1HB471KY	J	470p 50V Ceramic	AA
C8508	VCKYCY1AB105KY	J	1 10V Ceramic	AB
C8509	VCEASX1CN476MY	J	47 16V Electrolytic	AC
C8510	RC-KZA067WJZZY	J	4.7 10V Ceramic	AB
C8511	VCKYCY1AB105KY	J	1 10V Ceramic	AB
C8512	VCKYCY1HB103KY	J	0.01 50V Ceramic	AA
C8516	VCKYCY1EF104ZY	J	0.1 25V Ceramic	AA
C8518	VCKYCY1EF104ZY	J	0.1 25V Ceramic (LC-37GA3E/K/F/I)	AA
<b>RESISTORS</b>				
R8105	VRS-CY1JF000JY	J	0 1/16W Metal Oxide	AA
R8106	VRS-CY1JF102JY	J	1k 1/16W Metal Oxide	AA
R8107	VRS-CY1JF472JY	J	4.7k 1/16W Metal Oxide	AA
R8108	VRS-CY1JF472JY	J	4.7k 1/16W Metal Oxide	AA
R8109	VRS-CY1JF470JY	J	47 1/16W Metal Oxide	AA
R8110	VRS-CY1JF000JY	J	0 1/16W Metal Oxide	AA
R8111	VRS-CY1JF000JY	J	0 1/16W Metal Oxide	AA
R8112	VRS-CY1JF000JY	J	0 1/16W Metal Oxide	AA
R8113	VRS-CY1JF000JY	J	0 1/16W Metal Oxide	AA
R8114	VRS-CY1JF472JY	J	4.7k 1/16W Metal Oxide	AA
R8115	VRS-CY1JF472JY	J	4.7k 1/16W Metal Oxide	AA
R8116	VRS-CY1JF472JY	J	4.7k 1/16W Metal Oxide	AA
R8117	VRS-CY1JF472JY	J	4.7k 1/16W Metal Oxide	AA
R8118	VRS-CY1JF472JY	J	4.7k 1/16W Metal Oxide	AA
R8119	VRS-CY1JF000JY	J	0 1/16W Metal Oxide	AA
R8121	VRS-CY1JF472JY	J	4.7k 1/16W Metal Oxide	AA
R8122	VRS-CY1JF472JY	J	4.7k 1/16W Metal Oxide	AA
R8124	VRS-CY1JF472JY	J	4.7k 1/16W Metal Oxide	AA
R8126	VRS-CY1JF472JY	J	4.7k 1/16W Metal Oxide	AA
R8128	VRS-CY1JF472JY	J	4.7k 1/16W Metal Oxide	AA
R8133	VRS-CY1JF103JY	J	10k 1/16W Metal Oxide	AA
R8134	VRS-CY1JF103JY	J	10k 1/16W Metal Oxide	AA
R8137	VRS-CY1JF103JY	J	10k 1/16W Metal Oxide	AA
R8139	VRS-CY1JF103JY	J	10k 1/16W Metal Oxide	AA
R8141	VRS-CY1JF103JY	J	10k 1/16W Metal Oxide	AA
R8142	VRS-CY1JF103JY	J	10k 1/16W Metal Oxide	AA
R8145	VRS-CY1JF000JY	J	0 1/16W Metal Oxide	AA
R8147	VRS-CY1JF106JY	J	10M 1/16W Metal Oxide	AA
R8148	VRS-CY1JF000JY	J	0 1/16W Metal Oxide	AA
R8149	VRS-CY1JF000JY	J	0 1/16W Metal Oxide	AA
R8150	VRS-CY1JF100JY	J	10 1/16W Metal Oxide	AA
R8151	VRS-CY1JF100JY	J	10 1/16W Metal Oxide	AA
R8152	VRS-CY1JF472JY	J	4.7k 1/16W Metal Oxide	AA
R8154	VRS-CY1JF472JY	J	4.7k 1/16W Metal Oxide	AA
R8156	VRS-CY1JF472JY	J	4.7k 1/16W Metal Oxide	AA
R8157	VRS-CY1JF472JY	J	4.7k 1/16W Metal Oxide	AA
R8159	VRS-CY1JF472JY	J	4.7k 1/16W Metal Oxide	AA
R8160	VRS-CY1JF472JY	J	4.7k 1/16W Metal Oxide	AA

Ref. No.	Part No.	★	Description	Code	Ref. No.	Part No.	★	Description	Code		
<b>DUNTKC427VJ21</b>											
<b>CPU UNIT (Continued)</b>											
R8161	VRS-CY1JF472JY	J	4.7k	1/16W Metal Oxide	AA	R8318	VRS-CY1JF000JY	J	0	1/16W Metal Oxide	AA
R8162	VRS-CY1JF472JY	J	4.7k	1/16W Metal Oxide	AA	R8319	VRS-CY1JF000JY	J	0	1/16W Metal Oxide	AA
R8163	VRS-CY1JF472JY	J	4.7k	1/16W Metal Oxide	AA	R8320	VRS-CY1JF000JY	J	0	1/16W Metal Oxide	AA
R8164	VRS-CY1JF000JY	J	0	1/16W Metal Oxide	AA	R8321	VRS-CY1JF000JY	J	0	1/16W Metal Oxide	AA
R8165	VRS-CY1JF472JY	J	4.7k	1/16W Metal Oxide	AA	R8323	VRS-CY1JF000JY	J	0	1/16W Metal Oxide	AA
R8166	VRS-CY1JF472JY	J	4.7k	1/16W Metal Oxide	AA	R8324	VRS-CY1JF000JY	J	0	1/16W Metal Oxide	AA
R8167	VRS-CY1JF103JY	J	10k	1/16W Metal Oxide	AA	R8401	VRS-CY1JF103JY	J	10k	1/16W Metal Oxide	AA
R8168	VRS-CY1JF472JY	J	4.7k	1/16W Metal Oxide	AA	R8402	VRS-CY1JF101JY	J	100	1/16W Metal Oxide	AA
					(LC-37GA3E/K/F/I)						
R8170	VRS-CY1JF472JY	J	4.7k	1/16W Metal Oxide	AA	R8403	VRS-CY1JF103JY	J	10k	1/16W Metal Oxide	AA
R8172	VRS-CY1JF472JY	J	4.7k	1/16W Metal Oxide	AA	R8404	VRS-CY1JF103JY	J	10k	1/16W Metal Oxide	AA
R8173	VRS-CY1JF472JY	J	4.7k	1/16W Metal Oxide	AA	R8405	VRS-CY1JF103JY	J	10k	1/16W Metal Oxide	AA
R8179	VRS-CY1JF472JY	J	4.7k	1/16W Metal Oxide	AA	R8406	VRS-CY1JF103JY	J	10k	1/16W Metal Oxide	AA
R8180	VRS-CY1JF152JY	J	1.5k	1/16W Metal Oxide	AA	R8407	VRS-CY1JF103JY	J	10k	1/16W Metal Oxide	AA
R8181	VRS-CY1JF152JY	J	1.5k	1/16W Metal Oxide	AA	R8408	VRS-CY1JF103JY	J	10k	1/16W Metal Oxide	AA
R8182	VRS-CY1JF000JY	J	0	1/16W Metal Oxide	AA	R8409	VRS-CY1JF103JY	J	10k	1/16W Metal Oxide	AA
R8183	VRS-CY1JF220JY	J	22	1/16W Metal Oxide	AA	R8410	VRS-CY1JF103JY	J	10k	1/16W Metal Oxide	AA
R8201	VRS-CY1JF000JY	J	0	1/16W Metal Oxide	AA	R8411	VRS-CY1JF103JY	J	10k	1/16W Metal Oxide	AA
R8202	VRS-CY1JF000JY	J	0	1/16W Metal Oxide	AA	R8412	VRS-CY1JF103JY	J	10k	1/16W Metal Oxide	AA
R8203	VRS-CY1JF000JY	J	0	1/16W Metal Oxide	AA	R8413	VRS-CY1JF103JY	J	10k	1/16W Metal Oxide	AA
R8204	VRS-CY1JF000JY	J	0	1/16W Metal Oxide	AA	R8414	VRS-CY1JF103JY	J	10k	1/16W Metal Oxide	AA
R8205	VRS-CY1JF000JY	J	0	1/16W Metal Oxide	AA	R8415	VRS-CY1JF103JY	J	10k	1/16W Metal Oxide	AA
R8206	VRS-CY1JF000JY	J	0	1/16W Metal Oxide	AA	R8416	VRS-CY1JF000JY	J	0	1/16W Metal Oxide	AA
R8207	VRS-CY1JF000JY	J	0	1/16W Metal Oxide	AA	R8417	VRS-CY1JF000JY	J	0	1/16W Metal Oxide	AA
R8208	VRS-CY1JF000JY	J	0	1/16W Metal Oxide	AA	R8418	VRS-CH1JF000JY	J	0	1/16W Metal Oxide	AA
R8209	VRS-CY1JF000JY	J	0	1/16W Metal Oxide	AA	R8419	VRS-CY1JF563JY	J	56k	1/16W Metal Oxide	AA
R8210	VRS-CY1JF000JY	J	0	1/16W Metal Oxide	AA	R8420	VRS-CY1JF563JY	J	56k	1/16W Metal Oxide	AA
R8211	VRS-CY1JF000JY	J	0	1/16W Metal Oxide	AA	R8421	VRS-CH1JF563JY	J	56k	1/16W Metal Oxide	AA
R8212	VRS-CY1JF000JY	J	0	1/16W Metal Oxide	AA	R8422	VRS-CY1JF220JY	J	22	1/16W Metal Oxide	AA
R8213	VRS-CY1JF000JY	J	0	1/16W Metal Oxide	AA	R8423	VRS-CY1JF104JY	J	100k	1/16W Metal Oxide	AA
R8214	VRS-CY1JF000JY	J	0	1/16W Metal Oxide	AA	R8424	VRS-CY1JF472JY	J	4.7k	1/16W Metal Oxide	AA
R8215	VRS-CY1JF000JY	J	0	1/16W Metal Oxide	AA	R8425	VRS-CY1JF472JY	J	4.7k	1/16W Metal Oxide	AA
R8216	VRS-CY1JF000JY	J	0	1/16W Metal Oxide	AA	R8501	VRS-CH1JF103JY	J	10k	1/16W Metal Oxide	AA
R8217	VRS-CY1JF472JY	J	4.7k	1/16W Metal Oxide	AA	R8502	VRS-CY1JF472JY	J	4.7k	1/16W Metal Oxide	AA
R8218	VRS-CY1JF472JY	J	4.7k	1/16W Metal Oxide	AA	R8503	VRS-CY1JF104JY	J	100k	1/16W Metal Oxide	AA
R8219	VRS-CY1JF472JY	J	4.7k	1/16W Metal Oxide	AA	R8504	VRS-CY1JF103JY	J	10k	1/16W Metal Oxide	AA
R8220	VRS-CY1JF472JY	J	4.7k	1/16W Metal Oxide	AA	R8505	VRS-CY1JF103JY	J	10k	1/16W Metal Oxide	AA
R8221	VRS-CY1JF472JY	J	4.7k	1/16W Metal Oxide	AA	R8506	VRS-CY1JF104JY	J	100k	1/16W Metal Oxide	AA
R8222	VRS-CY1JF472JY	J	4.7k	1/16W Metal Oxide	AA	R8507	VRS-CY1JF103FY	J	10k	1/16W Metal Oxide	AA
R8223	VRS-CY1JF000JY	J	0	1/16W Metal Oxide	AA	R8508	VRS-CY1JF563JY	J	56k	1/16W Metal Oxide	AA
R8224	VRS-CY1JF000JY	J	0	1/16W Metal Oxide	AA	R8509	VRS-CY1JF153FY	J	15k	1/16W Metal Oxide	AA
R8225	VRS-CY1JF000JY	J	0	1/16W Metal Oxide	AA	R8510	VRS-CY1JF472JY	J	4.7k	1/16W Metal Oxide	AA
R8226	VRS-CY1JF470JY	J	47	1/16W Metal Oxide	AA	R8511	VRS-CY1JF473JY	J	47k	1/16W Metal Oxide	AA
R8227	VRS-CY1JF470JY	J	47	1/16W Metal Oxide	AA	R8512	VRS-CY1JF392FY	J	3.9k	1/16W Metal Oxide	AA
R8228	VRS-CY1JF472JY	J	4.7k	1/16W Metal Oxide	AA	R8513	VRS-CY1JF752FY	J	7.5k	1/16W Metal Oxide	AA
R8229	VRS-CY1JF472JY	J	4.7k	1/16W Metal Oxide	AA	R8514	VRS-CH1JF472JY	J	4.7k	1/16W Metal Oxide	AA
R8230	VRS-CY1JF470JY	J	47	1/16W Metal Oxide	AA	R8515	VRS-CY1JF000JY	J	0	1/16W Metal Oxide	AA
R8231	VRS-CY1JF470JY	J	47	1/16W Metal Oxide	AA	R8516	VRS-CY1JF000JY	J	0	1/16W Metal Oxide	AA
R8232	VRS-CY1JF470JY	J	47	1/16W Metal Oxide	AA	R8523	VRS-CY1JF000JY	J	0	1/16W Metal Oxide	AA
R8233	VRS-CY1JF470JY	J	47	1/16W Metal Oxide	AA	R8524	VRS-CY1JF000JY	J	0	1/16W Metal Oxide	AA
R8234	VRS-CY1JF000JY	J	0	1/16W Metal Oxide	AA	R8529	VRS-CY1JF472JY	J	4.7k	1/16W Metal Oxide	AA
R8235	VRS-CY1JF220JY	J	22	1/16W Metal Oxide	AA	R8531	VRS-CY1JF472JY	J	4.7k	1/16W Metal Oxide	AA
R8236	VRS-CY1JF470JY	J	47	1/16W Metal Oxide	AA	R8534	VRS-CY1JF470JY	J	47	1/16W Metal Oxide	AA
R8302	VRS-CY1JF000JY	J	0	1/16W Metal Oxide	AA	R8535	VRS-CY1JF470JY	J	47	1/16W Metal Oxide	AA
R8303	VRS-TV1JD222JY	J	2.2k	1/16W Metal Oxide	AA	R8536	VRS-CY1JF470JY	J	47	1/16W Metal Oxide	AA
R8304	VRS-CY1JF473JY	J	47k	1/16W Metal Oxide	AA	R8537	VRS-CY1JF470JY	J	47	1/16W Metal Oxide	AA
R8305	VRS-CY1JF103JY	J	10k	1/16W Metal Oxide	AA	R8538	VRS-CY1JF473JY	J	47k	1/16W Metal Oxide	AA
R8306	VRS-CY1JF000JY	J	0	1/16W Metal Oxide	AA	R8539	VRS-CY1JF000JY	J	0	1/16W Metal Oxide	AA
R8307	VRS-CY1JF000JY	J	0	1/16W Metal Oxide	AA	R8541	VRS-CY1JF182JY	J	1.8k	1/16W Metal Oxide	AA
R8308	VRS-CY1JF000JY	J	0	1/16W Metal Oxide	AA	R8542	VRS-CY1JF182JY	J	1.8k	1/16W Metal Oxide	AA
R8309	VRS-CY1JF000JY	J	0	1/16W Metal Oxide	AA	R8543	VRS-CY1JF182JY	J	1.8k	1/16W Metal Oxide	AA
R8310	VRS-CY1JF000JY	J	0	1/16W Metal Oxide	AA	R8544	VRS-CY1JF182JY	J	1.8k	1/16W Metal Oxide	AA
R8311	VRS-CY1JF000JY	J	0	1/16W Metal Oxide	AA	R8547	VRS-CY1JF000JY	J	0	1/16W Metal Oxide	AA
R8312	VRS-CY1JF000JY	J	0	1/16W Metal Oxide	AA	R8548	VRS-CY1JF102JY	J	1k	1/16W Metal Oxide	AA
R8313	VRS-CY1JF000JY	J	0	1/16W Metal Oxide	AA	<b>MISCELLANEOUS PARTS</b>					
R8314	VRS-CY1JF000JY	J	0	1/16W Metal Oxide	AA	FB8101	RBLN-0237TAZZY	J	Ferrite Bead	AB	
R8315	VRS-CY1JF000JY	J	0	1/16W Metal Oxide	AA	FB8102	RBLN-0237TAZZY	J	Ferrite Bead	AB	
R8316	VRS-CY1JF000JY	J	0	1/16W Metal Oxide	AA	FB8103	RBLN-0237TAZZY	J	Ferrite Bead	AB	
R8317	VRS-CY1JF000JY	J	0	1/16W Metal Oxide	AA	FB8201	RBLN-0237TAZZY	J	Ferrite Bead	AB	
					FB8301 RBLN-0237TAZZY J Ferrite Bead AB						
					FB8401 RBLN-0254TAZZY J Ferrite Bead AB						
					FB8501 RBLN-0209TAZZY J Ferrite Bead AB						
					FB8502 RBLN-0254TAZZY J Ferrite Bead AB						
					P8201 QPLGN0056CEZZY J Plug, 6pin AD						
					P8502 QPLGN0546FJZZY J Plug, 9pin(DP) AE						

Ref. No.	Part No.	★	Description	Code
<b>DUNTKC427VJ21</b>				
<b>CPU UNIT (Continued)</b>				
P8503	QPLGN0060CEZZY	J	Plug, 10pin	AE
P8505	QCNCMA170WJZZQJ	J	Connector, 80pin	AL
P8506	QPLGN0567FJZZY	J	Plug, 5pin(DU)	AD
SC8401	QSOCZA050WJZZY	J	Socket, 12pin (for SD Card)	AH

**DUNTKC585VJ13/14/19/34/36 (LC-32GA3E)**  
**DUNTKC585VJ21/22/23/39/40 (LC-37GA3E)**  
**MAIN Unit**

<b>INTEGRATED CIRCUITS</b>				
IC401	VHiSM5302AS-1Y	J	SM5302AS-G-ET	AR
IC402	VHiCXD3802B-1Q	J	CXD3802BQ	BG
IC403	RH-iXA312WJN1Q	J	MT48LC2M32B2TG	AX
IC404	VHiSi3025LA-1Y	J	SI-3025LSA-TL	AF
IC501	VHiSi3025LA-1Y	J	SI-3025LSA-TL	AF
IC502	VHiCXD2096Q-1Q	J	CXD2096Q	BB
IC600	VHiSM5313AS-1Y	J	SM5313AS-G-ET	AM
IC601	VHiVPC3230D1EQ	J	VPC3230D-QA-B3	BD
IC801	RH-iXB005WJZZY	J	EPCS1S18N (LC-32GA3E/K/F/I)	AQ
IC801	RH-iXB005WJN2Y	J	EPCS1S18N (LC-37GA3E/K/F/I)	AQ
IC802	RH-iXA835WJZZQ	J	EP1C4F400C8N	BC
IC1001	RH-iXB027WJZZQ	J	XC95144XL-10TQ	AW
IC1500	VHiTLV1508P-1Y	J	TLV1508IPWR	AR
IC1501	VHiM62320FP-1Y	J	M62320FP	AH
IC1504	VHiTCVT244AFTY	J	TC74VHCT244AFT	AG
IC1505	VHiTC7W08U/-1Y	J	TC7W08FU	AD
IC1506	VHiLVX125FT-1Y	J	TC74LVX125FT	AG
IC1507	VHiTC7W66U/-1Y	J	TC7W66FU	AE
IC1508	VHiTC7W34U/-1Y	J	TC7W34FU	AE
IC1509	VHiM62320FP-1Y	J	M62320FP	AH
IC1511	VHiBD4729G+-1Y	J	BD4729G-TR	AD
IC1512	VHiTC7W53U/-1Y	J	TC7W53FU	AF
IC1514	VHiPQ1R33/-1Y	J	PQ1R33	AE
IC1515	VHi7WH126FU-1Y	J	TC7WH126FU	AE
IC1801	VHiPQ20WZ11-1Y	J	PQ20WZ1U	AF
IC1802	VHiPQ070XH2-1Y	J	PQ070XH02ZP	AG
IC1803	VHiPQ070XH2-1Y	J	PQ070XH02ZP	AG
IC1804	VHiPQ20WZ11-1Y	J	PQ20WZ1U	AF
IC1805	VHiBD4729G+-1Y	J	BD4729G-TR	AD
IC1806	VHiPQ015YZ5-1Y	J	PQ015YZ5MZP	AF
IC2101	RH-iXA873WJZZY	J	PCA9564PW,118	AS
IC2102	VHiBR24L64F-1Y	J	BR24L64F-WE2	AK
IC3201	VHiTLVD823+-1Q	J	THC63LVD823	AY
IC3202	VHiPQ1R33/-1Y	J	PQ1R33	AE
IC3300	RH-iXA091WJZZQ	J	MB87M1370TB-G	BX
IC3301	VHiP2042ATR-1Y	J	P2042A-08TR	AM
IC3400	RH-iXA312WJN1Q	J	MT48LC2M32B2TG	AX
IC3401	RH-iXA312WJN1Q	J	MT48LC2M32B2TG	AX
IC3402	RH-iXA312WJN1Q	J	MT48LC2M32B2TG	AX
IC3403	RH-iXA312WJN1Q	J	MT48LC2M32B2TG	AX
IC3700	VHiCXA3506R-1Q	J	CXA3506R	BB
IC3701	VHiT7WBD125-1Y	J	TC7WBD125FK	AE
IC3702	VHiPQ1L333M-1Y	J	PQ1L333M2SP	AD
IC3704	VHiTA1318AF1EY	J	TA1318AF	AS
IC3708	VHi7WH126FU-1Y	J	TC7WH126FU	AE
IC3709	VHiT7WH123U-1Y	J	TC7WH123FU	AD
IC7201	RH-iX1530CEZZY	J	TC74HC4052AFEL	AF
IC7202	VHiMHCT74MT-1Y	J	MM74HCT74MTCX	AD
IC7251	VHiPCA9516A-1Y	J	I.C.	AP
IC7252	VHiPCA9516A-1Y	J	I.C.	AP

Ref. No.	Part No.	★	Description	Code
<b>TRANSISTORS</b>				
Q401	VS2SA1530AR-1Y	J	2SA1530AR	AB
Q402	VS2SA1530AR-1Y	J	2SA1530AR	AB
Q460	VS2SC3928AR-1Y	J	2SC3928AR	AB
Q461	VS2SC3928AR-1Y	J	2SC3928AR	AB
Q550	VS2SC3928AR-1Y	J	2SC3928AR	AB
Q551	VS2SC3928AR-1Y	J	2SC3928AR	AB
Q552	VS2SC3928AR-1Y	J	2SC3928AR	AB
Q600	VS2SA1530AR-1Y	J	2SA1530AR	AB
Q601	VS2SA1530AR-1Y	J	2SA1530AR	AB
Q602	VS2SA1530AR-1Y	J	2SA1530AR	AB
Q603	VS2SA1530AR-1Y	J	2SA1530AR	AB
Q604	VS2SA1530AR-1Y	J	2SA1530AR	AB
Q605	VS2SA1530AR-1Y	J	2SA1530AR	AB
Q606	VS2SA1530AR-1Y	J	2SA1530AR	AB
Q607	VS2SA1530AR-1Y	J	2SA1530AR	AB
Q608	VS2SA1530AR-1Y	J	2SA1530AR	AB
Q1500	VSDTA124EKA-1Y	J	DTA124EKA	AB
Q1501	VSDTC124EKA-1Y	J	DTC124EKA	AB
Q1502	VSDTA124EKA-1Y	J	DTA124EKA	AB
Q1503	VSDTC124EKA-1Y	J	DTC124EKA	AB
Q1504	VSDTA124EKA-1Y	J	DTA124EKA	AB
Q1505	VSDTC124EKA-1Y	J	DTC124EKA	AB
Q1506	VS2SC3928AR-1Y	J	2SC3928AR	AB
Q1507	VSDTC144EE/-1Y	J	DTC144EE	AA
Q1508	VS2SB1132Q/-1Y	J	2SB1132Q	AC
Q1510	VS2SC3928AR-1Y	J	2SC3928AR	AB
Q1512	VSDTC144EE/-1Y	J	DTC144EE	AA
Q1513	VSDTC144EE/-1Y	J	DTC144EE	AA
Q1514	VSDTC144EE/-1Y	J	DTC144EE	AA
Q1515	VSDTC144EE/-1Y	J	DTC144EE	AA
Q1516	VSDTA124EKA-1Y	J	DTA124EKA	AB
Q1517	VSDTC124EKA-1Y	J	DTC124EKA	AB
Q1801	VS2SB1132Q/-1Y	J	2SB1132Q	AC
Q1802	VSDTC124EKA-1Y	J	DTC124EKA	AB
Q7201	VSDTC144TE/-1Y	J	DTC144TE	AB
Q7202	VSDTC144EE/-1Y	J	DTC144EE	AA
Q7203	VSDTC144TE/-1Y	J	DTC144TE	AB
Q7207	VSDTC144EE/-1Y	J	DTC144EE	AA

<b>DIODES</b>				
D801	RH-PXA018WJZZY	J	GM1HD55200A	AC
D1500	VHDDAN222/-1Y	J	DAN222	AA
D1501	VHD1SS355/-1Y	J	1SS355	AB
D1502	VHDDAN222/-1Y	J	DAN222	AA
D1503	VHD1SS355/-1Y	J	1SS355	AB
D1504	VHDDAN222/-1Y	J	DAN222	AA
D1505	VHD1SS355/-1Y	J	1SS355	AB
D3201	VHD1SS355/-1Y	J	1SS355	AB
D3701	VHDRB521S30-1Y	J	RB521S30	AC
D3702	VHD1SS355/-1Y	J	1SS355	AB

<b>PACKAGED CIRCUITS</b>				
X401	RCRSZA026WJZZY	J	Crystal	AM
X501	RCRUAA042WJZZY	J	Crystal	AM
X600	RCRSC0012CEZZY	J	Crystal	AH
X802	RCRSZA028WJZZY	J	Crystal	AL
X3300	RCRSZA025WJZZY	J	Crystal	AM
X3301	RCRSZA024WJZZY	J	Crystal	AK
X3302	RCRSZA023WJZZY	J	Crystal	AK
X3700	RFiLA0034CEZZ	J	Filter	AD

<b>COIL AND TRANSFORMERS</b>				
FL1001	RFiLN0023TAZZY	J	Filter	AC
FL3200	RCiLFA071WJZZY	J	Coil	AD
FL3201	RCiLFA071WJZZY	J	Coil	AD
FL3202	RCiLFA071WJZZY	J	Coil	AD
FL3203	RCiLFA071WJZZY	J	Coil	AD
FL3204	RCiLFA071WJZZY	J	Coil	AD
FL3205	RCiLFA071WJZZY	J	Coil	AD
FL3206	RCiLFA071WJZZY	J	Coil	AD
FL3207	RCiLFA071WJZZY	J	Coil	AD
FL3208	RCiLFA071WJZZY	J	Coil	AD
FL3209	RCiLFA071WJZZY	J	Coil	AD
FL3300	RFiLNA036WJZZY	J	Filter	AC
FL3305	RFiLNA036WJZZY	J	Filter	AC



Ref. No.	Part No.	★	Description	Code	Ref. No.	Part No.	★	Description	Code
<b>DUNTKC585VJ13/14/19/34/36 (LC-32GA3E)</b>					C463	VCCCCY1HH101JY	J	100p	50V Ceramic AA
<b>DUNTKC585VJ21/22/23/39/40 (LC-37GA3E)</b>					C464	VCKYCY1HB103KY	J	0.01	50V Ceramic AA
<b>MAIN Unit (Continued)</b>					C465	VCKYCY1HB103KY	J	0.01	50V Ceramic AA
FL3400	RFILN0023TAZZY	J	Filter	AC	C466	VCKYCY1CB104KY	J	0.1	16V Ceramic AB
FL3401	RFILN0023TAZZY	J	Filter	AC	C467	VCKYCY1HB103KY	J	0.01	50V Ceramic AA
FL3402	RFILN0023TAZZY	J	Filter	AC	C468	VCKYCY1HB103KY	J	0.01	50V Ceramic AA
FL3403	RFILN0023TAZZY	J	Filter	AC	C469	VCKYCY1CB104KY	J	0.1	16V Ceramic AB
L405	VPD9M100J1R7NY	J	Peaking 10μH	AC	C470	VCCCCY1HH330JY	J	33p	50V Ceramic AA
L802	VPCEM220M1R7NY	J	Peaking 22μH	AC	C471	VCCCCY1HH560JY	J	56p	50V Ceramic AB
L1500	VPD9M470J6R6NY	J	Peaking 47μH	AC	C472	VCCCCY1HH560JY	J	56p	50V Ceramic AB
L3701	VPD9M3R3J1R2NY	J	Peaking 3.3μH	AB	C501	VCEASX0JN476MY	J	47	6.3V Electrolytic AC
<b>CAPACITORS</b>					C502	VCKYCY1EF104ZY	J	0.1	25V Ceramic AA
C401	RC-KZA101WJZZY	J	10	6.3V Ceramic AC	C503	VCEASX0JN476MY	J	47	6.3V Electrolytic AC
C402	VCKYCY1CB104KY	J	0.1	16V Ceramic AB	C504	VCEASX0JN476MY	J	47	6.3V Electrolytic AC
C403	RC-KZA101WJZZY	J	10	6.3V Ceramic AC	C505	RC-KZA101WJZZY	J	10	6.3V Ceramic AC
C404	RC-KZA101WJZZY	J	10	6.3V Ceramic AC	C506	VCKYCY1EF104ZY	J	0.1	25V Ceramic AA
C405	VCKYCY1CB104KY	J	0.1	16V Ceramic AB	C507	VCKYCY1EF104ZY	J	0.1	25V Ceramic AA
C406	VCKYCY1CB104KY	J	0.1	16V Ceramic AB	C508	VCKYCY1EF104ZY	J	0.1	25V Ceramic AA
C407	VCKYCY1CB104KY	J	0.1	16V Ceramic AB	C509	VCKYCY1EF104ZY	J	0.1	25V Ceramic AA
C408	VCKYCY1CB104KY	J	0.1	16V Ceramic AB	C510	VCKYCY1EF104ZY	J	0.1	25V Ceramic AA
C409	VCKYCY1CB104KY	J	0.1	16V Ceramic AB	C511	VCKYCY1EF104ZY	J	0.1	25V Ceramic AA
C410	RC-KZA101WJZZY	J	10	6.3V Ceramic AC	C512	VCKYCY1EF104ZY	J	0.1	25V Ceramic AA
C411	RC-KZA101WJZZY	J	10	6.3V Ceramic AC	C513	VCKYCY1EF104ZY	J	0.1	25V Ceramic AA
C412	RC-KZA101WJZZY	J	10	6.3V Ceramic AC	C514	VCKYCY1EF104ZY	J	0.1	25V Ceramic AA
C413	VCEASX0JN107MY	J	100	6.3V Electrolytic AC	C515	VCKYCY1EF104ZY	J	0.1	25V Ceramic AA
C414	RC-KZA101WJZZY	J	10	6.3V Ceramic AC	C516	VCKYCY1EF104ZY	J	0.1	25V Ceramic AA
C415	VCKYCY1CB104KY	J	0.1	16V Ceramic AB	C517	RC-KZA101WJZZY	J	10	6.3V Ceramic AC
C416	RC-KZA101WJZZY	J	10	6.3V Ceramic AC	C518	VCKYCY1EF104ZY	J	0.1	25V Ceramic AC
C417	VCKYCY1CB104KY	J	0.1	16V Ceramic AB	C519	RC-KZA101WJZZY	J	10	6.3V Ceramic AC
C418	RC-KZA101WJZZY	J	10	6.3V Ceramic AC	C520	VCKYCY1EF104ZY	J	0.1	25V Ceramic AA
C419	VCKYCY1CB104KY	J	0.1	16V Ceramic AB	C521	VCKYCY1EF104ZY	J	0.1	25V Ceramic AA
C420	VCKYCY1CB104KY	J	0.1	16V Ceramic AB	C522	VCKYCY1EF104ZY	J	0.1	25V Ceramic AA
C421	RC-KZA101WJZZY	J	10	6.3V Ceramic AC	C523	RC-KZA101WJZZY	J	10	6.3V Ceramic AC
C422	VCKYCY1CB104KY	J	0.1	16V Ceramic AB	C524	VCCCCY1HH331JY	J	330p	50V Ceramic AA
C423	RC-KZA101WJZZY	J	10	6.3V Ceramic AC	C525	VCKYCY1HB103KY	J	0.01	50V Ceramic AA
C424	RC-KZA101WJZZY	J	10	6.3V Ceramic AC	C526	VCKYCY1EF104ZY	J	0.1	25V Ceramic AA
C425	RC-KZA101WJZZY	J	10	6.3V Ceramic AC	C527	VCKYCY1EF104ZY	J	0.1	25V Ceramic AA
C426	VCKYCY1CB104KY	J	0.1	16V Ceramic AB	C528	VCKYCY1HB103KY	J	0.01	50V Ceramic AA
C427	VCKYCY1CB104KY	J	0.1	16V Ceramic AB	C529	RC-KZA101WJZZY	J	10	6.3V Ceramic AC
C428	RC-KZA101WJZZY	J	10	6.3V Ceramic AC	C530	VCCCCY1HH331JY	J	330p	50V Ceramic AA
C429	RC-KZA101WJZZY	J	10	6.3V Ceramic AC	C531	VCKYCY1EF104ZY	J	0.1	25V Ceramic AA
C430	VCKYCY1CB104KY	J	0.1	16V Ceramic AB	C532	VCKYCY1EF104ZY	J	0.1	25V Ceramic AA
C431	VCKYCY1CB104KY	J	0.1	16V Ceramic AB	C533	RC-KZA101WJZZY	J	10	6.3V Ceramic AC
C432	VCKYCY1CB104KY	J	0.1	16V Ceramic AB	C534	VCCCCY1HH331JY	J	330p	50V Ceramic AA
C433	VCKYCY1CB104KY	J	0.1	16V Ceramic AB	C535	VCKYCY1EF104ZY	J	0.1	25V Ceramic AA
C434	VCKYCY1CB104KY	J	0.1	16V Ceramic AB	C536	VCKYCY1EF104ZY	J	0.1	25V Ceramic AA
C435	VCKYCY1CB104KY	J	0.1	16V Ceramic AB	C537	VCKYCY1EF104ZY	J	0.1	25V Ceramic AA
C436	VCKYCY1CB104KY	J	0.1	16V Ceramic AB	C538	VCKYCY1EF104ZY	J	0.1	25V Ceramic AA
C437	VCKYCY1CB104KY	J	0.1	16V Ceramic AB	C539	VCKYCY1EF104ZY	J	0.1	25V Ceramic AA
C438	VCKYCY1CB104KY	J	0.1	16V Ceramic AB	C540	VCKYCY1EF104ZY	J	0.1	25V Ceramic AA
C439	VCKYCY1CB104KY	J	0.1	16V Ceramic AB	C541	VCKYCY1HB103KY	J	0.01	50V Ceramic AA
C440	VCKYCY1CB104KY	J	0.1	16V Ceramic AB	C542	VCKYCY1EF104ZY	J	0.1	25V Ceramic AA
C441	VCKYCY1CB104KY	J	0.1	16V Ceramic AB	C543	VCKYCY1EF104ZY	J	0.1	25V Ceramic AA
C442	VCKYCY1CB104KY	J	0.1	16V Ceramic AB	C544	VCKYTV1CB105KY	J	1	16V Ceramic AC
C443	VCKYCY1CB104KY	J	0.1	16V Ceramic AB	C545	VCKYCY1HB103KY	J	0.01	50V Ceramic AA
C444	VCKYCY1CB104KY	J	0.1	16V Ceramic AB	C550	VCCCCY1HH331JY	J	330p	50V Ceramic AA
C445	VCKYCY1HB103KY	J	0.01	50V Ceramic AA	C551	VCCCCY1HH331JY	J	330p	50V Ceramic AA
C446	VCCCCY1HH101JY	J	100p	50V Ceramic AA	C552	VCCCCY1HH331JY	J	330p	50V Ceramic AA
C447	VCKYCY1HB103KY	J	0.01	50V Ceramic AA	C600	VCKYCY1EF104ZY	J	0.1	25V Ceramic AA
C448	VCKYCY1HB103KY	J	0.01	50V Ceramic AA	C601	VCEASX0JN476MY	J	47	6.3V Electrolytic AC
C449	VCKYCY1HB103KY	J	0.01	50V Ceramic AA	C602	VCKYCY1AB105KY	J	1	10V Ceramic AB
C450	VCKYCY1CB104KY	J	0.1	16V Ceramic AB	C603	VCKYCY1CB104KY	J	0.1	16V Ceramic AB
C451	VCKYCY1HB103KY	J	0.01	50V Ceramic AA	C604	VCKYCY1AB105KY	J	1	10V Ceramic AB
C452	VCEASX0JN476MY	J	47	6.3V Electrolytic AC	C605	VCKYCY1AB105KY	J	1	10V Ceramic AB
C455	VCKYCY1CB104KY	J	0.1	16V Ceramic AB	C606	VCKYCY1AB105KY	J	1	10V Ceramic AB
C456	VCEASX0JN476MY	J	47	6.3V Electrolytic AC	C607	VCEASX0JN476MY	J	47	6.3V Electrolytic AC
C457	VCKYCY1CB104KY	J	0.1	16V Ceramic AB	C608	VCKYCY1EF104ZY	J	0.1	25V Ceramic AA
C458	VCEASX0JN476MY	J	47	6.3V Electrolytic AC	C609	VCKYCY1AF684ZY	J	0.68	10V Ceramic AB
C459	VCKYCY1HB103KY	J	0.01	50V Ceramic AA	C610	VCKYCY1AF684ZY	J	0.68	10V Ceramic AB
C460	VCKYTV1CB105KY	J	1	16V Ceramic AC	C611	VCKYCY1AF684ZY	J	0.68	10V Ceramic AB
C461	VCKYCY1HB103KY	J	0.01	50V Ceramic AA	C612	VCKYCY1EF104ZY	J	0.1	25V Ceramic AA
C462	VCCCCY1HH101JY	J	100p	50V Ceramic AA	C613	VCKYCY1EF104ZY	J	0.1	25V Ceramic AA
					C614	VCKYCY1AF684ZY	J	0.68	10V Ceramic AB
					C615	VCEASX0JN476MY	J	47	6.3V Electrolytic AC
					C616	VCEASX0JN476MY	J	47	6.3V Electrolytic AC
					C617	VCKYCY1HB152KY	J	1500p	50V Ceramic AA

**Ref. No. Part No. ★ Description Code**

**DUNTKC585VJ13/14/19/34/36 (LC-32GA3E)**  
**DUNTKC585VJ21/22/23/39/40 (LC-37GA3E)**  
**MAIN Unit (Continued)**

Ref. No.	Part No.	★	Description	Code
C618	VCKYCY1AF684ZY	J 0.68	10V Ceramic	AB
C619	VCKYCY1EF104ZY	J 0.1	25V Ceramic	AA
C620	VCKYCY1EF104ZY	J 0.1	25V Ceramic	AA
C621	VCEASX0JN476MY	J 47	6.3V Electrolytic	AC
C622	VCKYCY1CB224KY	J 0.22	16V Ceramic	AB
C623	VCCCCY1HH1R0CY	J 1p	50V Ceramic	AA
C624	VCCCCY1HH1R0CY	J 1p	50V Ceramic	AA
C625	VCKYCY1CB224KY	J 0.22	16V Ceramic	AB
C626	VCKYCY1CB224KY	J 0.22	16V Ceramic	AB
C627	VCKYCY1HB152KY	J 1500p	50V Ceramic	AA
C628	VCCCCY1HH391JY	J 390p	50V Ceramic	AB
C629	VCKYCY1CB224KY	J 0.22	16V Ceramic	AB
C630	VCKYCY1EF104ZY	J 0.1	25V Ceramic	AA
C631	VCKYCY1EF104ZY	J 0.1	25V Ceramic	AA
C632	VCKYCY1EF104ZY	J 0.1	25V Ceramic	AA
C633	VCKYCY1EF104ZY	J 0.1	25V Ceramic	AA
C634	VCKYCY1EF104ZY	J 0.1	25V Ceramic	AA
C635	VCKYCY1HB152KY	J 1500p	50V Ceramic	AA
C636	VCKYCY1EF473ZY	J 0.047	25V Ceramic	AA
C803	VCKYCY1EF104ZY	J 0.1	25V Ceramic	AA
C804	RC-KZA043WJZZY	J 10	6.3V Ceramic	AC
C805	RC-KZA101WJZZY	J 10	6.3V Ceramic	AC
C806	RC-KZA101WJZZY	J 10	6.3V Ceramic	AC
C807	RC-KZA101WJZZY	J 10	6.3V Ceramic	AC
C808	VCKYCY1EF104ZY	J 0.1	25V Ceramic	AA
C809	VCKYCY1EF104ZY	J 0.1	25V Ceramic	AA
C810	VCKYCY1EF104ZY	J 0.1	25V Ceramic	AA
C811	VCKYCY1EF104ZY	J 0.1	25V Ceramic	AA
C812	VCKYCY1EF104ZY	J 0.1	25V Ceramic	AA
C813	VCKYCY1EF104ZY	J 0.1	25V Ceramic	AA
C814	VCKYCY1EF104ZY	J 0.1	25V Ceramic	AA
C815	VCKYCY1EF104ZY	J 0.1	25V Ceramic	AA
C816	VCKYCY1EF104ZY	J 0.1	25V Ceramic	AA
C817	VCKYCY1EF104ZY	J 0.1	25V Ceramic	AA
C818	VCKYCY1HB103KY	J 0.01	50V Ceramic	AA
C819	VCCCCY1HH101JY	J 100p	50V Ceramic	AA
C820	VCCCCY1HH101JY	J 100p	50V Ceramic	AA
C821	VCKYCY1EF104ZY	J 0.1	25V Ceramic	AA
C822	VCKYCY1EF104ZY	J 0.1	25V Ceramic	AA
C823	VCKYCY1HB103KY	J 0.01	50V Ceramic	AA
C824	VCKYCY1HB103KY	J 0.01	50V Ceramic	AA
C825	VCCCCY1HH101JY	J 100p	50V Ceramic	AA
C826	VCKYCY1EF104ZY	J 0.1	25V Ceramic	AA
C827	VCKYCY1HB103KY	J 0.01	50V Ceramic	AA
C828	VCKYCY1EF104ZY	J 0.1	25V Ceramic	AA
C829	VCKYCY1EF104ZY	J 0.1	25V Ceramic	AA
C830	VCKYCY1EF104ZY	J 0.1	25V Ceramic	AA
C831	VCKYCY1EF104ZY	J 0.1	25V Ceramic	AA
C832	VCKYCY1EF104ZY	J 0.1	25V Ceramic	AA
C833	VCKYCY1EF104ZY	J 0.1	25V Ceramic	AA
C834	VCKYCY1EF104ZY	J 0.1	25V Ceramic	AA
C835	VCKYCY1EF104ZY	J 0.1	25V Ceramic	AA
C836	VCKYCY1EF104ZY	J 0.1	25V Ceramic	AA
C1002	VCKYCY1EF104ZY	J 0.1	25V Ceramic	AA
C1004	VCKYCY1EF104ZY	J 0.1	25V Ceramic	AA
C1005	VCKYCY1EF104ZY	J 0.1	25V Ceramic	AA
C1006	VCKYCY1HB103KY	J 0.01	50V Ceramic	AA
C1007	VCKYCY1HB103KY	J 0.01	50V Ceramic	AA
C1008	VCKYCY1EF104ZY	J 0.1	25V Ceramic	AA
C1009	VCKYCY1EF104ZY	J 0.1	25V Ceramic	AA
C1011	VCKYCY1EF104ZY	J 0.1	25V Ceramic	AA
C1012	VCKYCY1EF104ZY	J 0.1	25V Ceramic	AA
C1500	VCKYCY1EF104ZY	J 0.1	25V Ceramic	AA
C1501	VCEASX0JN476MY	J 47	6.3V Electrolytic	AC
C1502	VCEASX1CN106MY	J 10	16V Electrolytic	AC
C1503	VCKYCY1EF104ZY	J 0.1	25V Ceramic	AA
C1504	VCEASX0JN476MY	J 47	6.3V Electrolytic	AC
C1506	VCKYCY1EF104ZY	J 0.1	25V Ceramic	AA
C1510	VCKYCY1EF104ZY	J 0.1	25V Ceramic	AA

Ref. No.	Part No.	★	Description	Code
C1511	VCKYCY1EF104ZY	J 0.1	25V Ceramic	AA
C1512	VCKYCY1EF104ZY	J 0.1	25V Ceramic	AA
C1513	VCKYCY1EF104ZY	J 0.1	25V Ceramic	AA
C1514	VCKYCY1EF104ZY	J 0.1	25V Ceramic	AA
C1515	VCKYCY1EF104ZY	J 0.1	25V Ceramic	AA
C1516	VCKYCY1EF104ZY	J 0.1	25V Ceramic	AA
C1517	VCEASX1CN106MY	J 10	16V Electrolytic	AC
C1518	VCKYCY1EF104ZY	J 0.1	25V Ceramic	AA
C1519	VCKYCY1EF104ZY	J 0.1	25V Ceramic	AA
C1521	VCKYCY1EF104ZY	J 0.1	25V Ceramic	AA
C1522	VCKYCY1EF104ZY	J 0.1	25V Ceramic	AA
C1523	VCEASX1CN226MY	J 22	16V Electrolytic	AC
C1801	VCKYCY1EF104ZY	J 0.1	25V Ceramic	AA
C1802	VCEASY1CN476MY	J 47	16V Electrolytic	AC
C1803	VCEASY1CN107MY	J 100	16V Electrolytic	AC
C1804	VCKYCY1EF104ZY	J 0.1	25V Ceramic	AA
C1805	VCKYCY1HB102KY	J 1000p	50V Ceramic	AA
C1806	VCKYCY1EF104ZY	J 0.1	25V Ceramic	AA
C1807	VCEASX1VN226MY	J 22	35V Electrolytic	AC
C1808	VCEASY1CN107MY	J 100	16V Electrolytic	AC
C1809	VCKYCY1EF104ZY	J 0.1	25V Ceramic	AA
C1810	VCKYCY1HB102KY	J 1000p	50V Ceramic	AA
C1811	VCKYCY1EF104ZY	J 0.1	25V Ceramic	AA
C1813	VCEASY1CN107MY	J 100	16V Electrolytic	AC
C1814	VCKYCY1EF104ZY	J 0.1	25V Ceramic	AA
C1815	VCKYCY1HB102KY	J 1000p	50V Ceramic	AA
C1816	VCKYCY1EF104ZY	J 0.1	25V Ceramic	AA
C1817	VCEASY1CN107MY	J 100	16V Electrolytic	AC
C1818	VCEASY1CN107MY	J 100	16V Electrolytic	AC
C1819	VCKYCY1EF104ZY	J 0.1	25V Ceramic	AA
C1820	VCKYCY1HB102KY	J 1000p	50V Ceramic	AA
C1823	VCKYCY1HB102KY	J 1000p	50V Ceramic	AA
C1824	VCKYCY1HB102KY	J 1000p	50V Ceramic	AA
C1825	VCKYCY1HB102KY	J 1000p	50V Ceramic	AA
C1826	VCEASY1CN107MY	J 100	16V Electrolytic	AC
C1827	VCKYCY1EF104ZY	J 0.1	25V Ceramic	AA
C1828	VCKYCY1EF104ZY	J 0.1	25V Ceramic	AA
C1829	VCEASY1CN107MY	J 100	16V Electrolytic	AC
C1830	VCKYCY1EF104ZY	J 0.1	25V Ceramic	AA
C2101	VCKYCY1EF104ZY	J 0.1	25V Ceramic	AA
C2106	VCKYCY1EF104ZY	J 0.1	25V Ceramic	AA
C3201	VCEASX1AN336MY	J 33	10V Electrolytic	AC
C3202	VCEASX1AN336MY	J 33	10V Electrolytic	AC
C3203	VCKYCY1EF104ZY	J 0.1	25V Ceramic	AA
C3204	VCEASX1AN336MY	J 33	10V Electrolytic	AC
C3205	VCKYCY1EF104ZY	J 0.1	25V Ceramic	AA
C3206	VCKYCY1EF104ZY	J 0.1	25V Ceramic	AA
C3207	VCKYCY1HB103KY	J 0.01	50V Ceramic	AA
C3208	VCKYCY1HB103KY	J 0.01	50V Ceramic	AA
C3209	VCKYCY1HB103KY	J 0.01	50V Ceramic	AA
C3210	VCKYCY1EF104ZY	J 0.1	25V Ceramic	AA
C3211	VCKYCY1EF104ZY	J 0.1	25V Ceramic	AA
C3212	VCKYCY1HB103KY	J 0.01	50V Ceramic	AA
C3213	VCKYCY1EF104ZY	J 0.1	25V Ceramic	AA
C3214	VCKYCY1HB103KY	J 0.01	50V Ceramic	AA
C3215	VCKYCY1HB103KY	J 0.01	50V Ceramic	AA
C3216	VCKYCY1EF104ZY	J 0.1	25V Ceramic	AA
C3217	VCKYCY1EF104ZY	J 0.1	25V Ceramic	AA
C3218	VCCCCY1HH101JY	J 100p	50V Ceramic	AA
C3219	VCCCCY1HH101JY	J 100p	50V Ceramic	AA
C3220	VCCCCY1HH101JY	J 100p	50V Ceramic	AA
C3301	VCKYCY1HB103KY	J 0.01	50V Ceramic	AA
C3303	VCKYCY1EF104ZY	J 0.1	25V Ceramic	AA
C3305	VCKYCY1HB103KY	J 0.01	50V Ceramic	AA
C3306	VCKYCY1EF104ZY	J 0.1	25V Ceramic	AA
C3307	VCCCCY1HH101JY	J 100p	50V Ceramic	AA
C3308	VCKYCY1HB103KY	J 0.01	50V Ceramic	AA
C3309	VCKYCY1EF104ZY	J 0.1	25V Ceramic	AA
C3310	VCCCCY1HH101JY	J 100p	50V Ceramic	AA
C3311	VCKYCY1HB103KY	J 0.01	50V Ceramic	AA
C3312	VCKYCY1EF104ZY	J 0.1	25V Ceramic	AA
C3314	VCKYCY1EF104ZY	J 0.1	25V Ceramic	AA
C3316	VCKYCY1EF104ZY	J 0.1	25V Ceramic	AA
C3318	VCKYCY1EF104ZY	J 0.1	25V Ceramic	AA
C3320	VCKYCY1EF104ZY	J 0.1	25V Ceramic	AA

Ref. No.	Part No.	★	Description	Code	Ref. No.	Part No.	★	Description	Code
<b>DUNTKC585VJ13/14/19/34/36 (LC-32GA3E)</b>					<b>DUNTKC585VJ21/22/23/39/40 (LC-37GA3E)</b>				
<b>MAIN Unit (Continued)</b>									
C3321	VCKYCY1HB103KY	J	0.01 50V Ceramic	AA	C3708	VCKYCY1EF104ZY	J	0.1 25V Ceramic	AA
C3322	VCCCCY1HH101JY	J	100p 50V Ceramic	AA	C3709	VCKYCY1EF104ZY	J	0.1 25V Ceramic	AA
C3323	VCKYCY1EF104ZY	J	0.1 25V Ceramic	AA	C3710	VCKYCY1HB103KY	J	0.01 50V Ceramic	AA
C3324	VCKYCY1HB103KY	J	0.01 50V Ceramic	AA	C3711	VCKYTV1CB105KY	J	1 16V Ceramic	AC
C3325	VCKYCY1EF104ZY	J	0.1 25V Ceramic	AA	C3712	VCEASX1CN106MY	J	10 16V Electrolytic	AC
C3326	VCKYCY1EF104ZY	J	0.1 25V Ceramic	AA	C3713	VCKYCY1EF104ZY	J	0.1 25V Ceramic	AA
C3327	VCKYCY1HB103KY	J	0.01 50V Ceramic	AA	C3714	VCEASX0JN226MY	J	22 6.3V Electrolytic	AB
C3328	VCCCCY1HH101JY	J	100p 50V Ceramic	AA	C3715	VCKYCY1EF104ZY	J	0.1 25V Ceramic	AA
C3329	VCKYCY1EF104ZY	J	0.1 25V Ceramic	AA	C3716	VCKYCY1EF104ZY	J	0.1 25V Ceramic	AA
C3330	VCKYCY1HB103KY	J	0.01 50V Ceramic	AA	C3717	VCKYCY1HB331KY	J	330p 50V Ceramic	AA
C3331	VCCCCY1HH101JY	J	100p 50V Ceramic	AA	C3718	VCKYCY1AB334KY	J	0.33 10V Ceramic	AB
C3332	VCKYCY1EF104ZY	J	0.1 25V Ceramic	AA	C3719	VCCCCY1HH101JY	J	100p 50V Ceramic	AA
C3333	VCKYCY1HB103KY	J	0.01 50V Ceramic	AA	C3720	VCCCCY1HH101JY	J	100p 50V Ceramic	AA
C3334	VCCCCY1HH101JY	J	100p 50V Ceramic	AA	C3721	VCKYTV1CB105KY	J	1 16V Ceramic	AC
C3335	VCKYCY1EF104ZY	J	0.1 25V Ceramic	AA	C3722	VCKYCY1EF104ZY	J	0.1 25V Ceramic	AA
C3336	VCEASX0JN476MY	J	47 6.3V Electrolytic	AC	C3723	VCKYTV1CB105KY	J	1 16V Ceramic	AC
C3339	VCEASX0JN476MY	J	47 6.3V Electrolytic	AC	C3724	VCKYCY1EF104ZY	J	0.1 25V Ceramic	AA
C3340	VCKYCY1HB103KY	J	0.01 50V Ceramic	AA	C3725	VCKYCY1EF104ZY	J	0.1 25V Ceramic	AA
C3342	VCKYTV1CF105ZY	J	1 16V Ceramic	AB	C3726	VCKYCY1EF104ZY	J	0.1 25V Ceramic	AA
C3343	VCCCCY1HH5R0CY	J	5p 50V Ceramic	AA	C3727	VCCCCY1HH470JY	J	47p 50V Ceramic	AA
C3344	VCKYCY1EF104ZY	J	0.1 25V Ceramic	AA	C3728	VCKYTV1CB105KY	J	1 16V Ceramic	AC
C3400	VCEASX0JN476MY	J	47 6.3V Electrolytic	AC	C3730	VCKYTV1CB105KY	J	1 16V Ceramic	AC
C3401	VCKYCY1HB103KY	J	0.01 50V Ceramic	AA	C3731	VCKYCY1EF104ZY	J	0.1 25V Ceramic	AA
C3402	VCCCCY1HH101JY	J	100p 50V Ceramic	AA	C3732	VCKYCY1HB103KY	J	0.01 50V Ceramic	AA
C3403	VCKYCY1HB103KY	J	0.01 50V Ceramic	AA	C3733	VCEASX0JN226MY	J	22 6.3V Electrolytic	AB
C3404	VCKYCY1HB103KY	J	0.01 50V Ceramic	AA	C3734	VCAAPE0JJ107MY	J	100 6.3V Electrolytic	AE
C3405	VCKYCY1HB103KY	J	0.01 50V Ceramic	AA	C3735	VCEASX0JN226MY	J	22 6.3V Electrolytic	AB
C3406	VCKYCY1HB103KY	J	0.01 50V Ceramic	AA	C3736	VCKYCY1EF104ZY	J	0.1 25V Ceramic	AA
C3407	VCEASX0JN476MY	J	47 6.3V Electrolytic	AC	C3737	VCKYCY1EF104ZY	J	0.1 25V Ceramic	AA
C3408	VCKYCY1HB103KY	J	0.01 50V Ceramic	AA	C3740	VCKYCY1EF104ZY	J	0.1 25V Ceramic	AA
C3409	VCCCCY1HH101JY	J	100p 50V Ceramic	AA	C3743	VCKYTV1CB105KY	J	1 16V Ceramic	AC
C3410	VCKYCY1HB103KY	J	0.01 50V Ceramic	AA	C3744	VCKYTV1CB105KY	J	1 16V Ceramic	AC
C3412	VCKYCY1HB103KY	J	0.01 50V Ceramic	AA	C3745	VCEASY1CN107MY	J	100 16V Electrolytic	AC
C3413	VCKYCY1HB103KY	J	0.01 50V Ceramic	AA	C3746	VCKYCY1EF104ZY	J	0.1 25V Ceramic	AA
C3414	VCKYCY1HB103KY	J	0.01 50V Ceramic	AA	C3747	VCKYTV1CB105KY	J	1 16V Ceramic	AC
C3415	VCEASX0JN476MY	J	47 6.3V Electrolytic	AC	C3748	VCKYCY1HB103KY	J	0.01 50V Ceramic	AA
C3416	VCKYCY1HB103KY	J	0.01 50V Ceramic	AA	C3749	VCEASX0JN226MY	J	22 6.3V Electrolytic	AB
C3417	VCCCCY1HH101JY	J	100p 50V Ceramic	AA	C3750	VCKYCY1EF104ZY	J	0.1 25V Ceramic	AA
C3418	VCKYCY1HB103KY	J	0.01 50V Ceramic	AA	C3751	VCEASX0JN226MY	J	22 6.3V Electrolytic	AB
C3419	VCKYCY1HB103KY	J	0.01 50V Ceramic	AA	C7201	VCEASX1CN476MY	J	47 16V Electrolytic	AC
C3420	VCKYCY1HB103KY	J	0.01 50V Ceramic	AA	C7202	VCKYCY1CB104KY	J	0.1 16V Ceramic	AB
C3421	VCKYCY1HB103KY	J	0.01 50V Ceramic	AA	C7203	VCKYCY1CB104KY	J	0.1 16V Ceramic	AB
C3422	VCEASX0JN476MY	J	47 6.3V Electrolytic	AC	C7251	VCKYCY1EF104ZY	J	0.1 25V Ceramic	AA
C3423	VCKYCY1HB103KY	J	0.01 50V Ceramic	AA	C7252	VCKYCY1EF104ZY	J	0.1 25V Ceramic	AA
C3424	VCCCCY1HH101JY	J	100p 50V Ceramic	AA	C7253	VCKYCY1EF104ZY	J	0.1 25V Ceramic	AA
C3425	VCKYCY1HB103KY	J	0.01 50V Ceramic	AA	C7254	VCKYCY1EF104ZY	J	0.1 25V Ceramic	AA
C3426	VCKYCY1HB103KY	J	0.01 50V Ceramic	AA	<b>RESISTORS</b>				
C3427	VCKYCY1HB103KY	J	0.01 50V Ceramic	AA	R401	VRS-CY1JF560JY	J	56 1/16W Metal Oxide	AA
C3428	VCKYCY1HB103KY	J	0.01 50V Ceramic	AA	R402	VRS-CY1JF560JY	J	56 1/16W Metal Oxide	AA
C3429	VCKYCY1EF104ZY	J	0.1 25V Ceramic	AA	R403	VRS-CY1JF222FY	J	2.2k 1/16W Metal Oxide	AA
C3430	VCCCCY1HH101JY	J	100p 50V Ceramic	AA	R404	VRS-CY1JF102JY	J	1k 1/16W Metal Oxide	AA
C3431	VCKYCY1EF104ZY	J	0.1 25V Ceramic	AA	R405	VRS-CY1JF391JY	J	390 1/16W Metal Oxide	AA
C3432	VCKYCY1EF104ZY	J	0.1 25V Ceramic	AA	R406	VRS-CY1JF331JY	J	330 1/16W Metal Oxide	AA
C3433	VCCCCY1HH101JY	J	100p 50V Ceramic	AA	R407	VRS-CY1JF102JY	J	1k 1/16W Metal Oxide	AA
C3435	VCKYCY1EF104ZY	J	0.1 25V Ceramic	AA	R408	VRS-CY1JF000JY	J	0 1/16W Metal Oxide	AA
C3436	VCKYCY1EF104ZY	J	0.1 25V Ceramic	AA	R409	VRS-CY1JF102JY	J	1k 1/16W Metal Oxide	AA
C3437	VCCCCY1HH101JY	J	100p 50V Ceramic	AA	R410	VRS-CY1JF391JY	J	390 1/16W Metal Oxide	AA
C3438	VCKYCY1EF104ZY	J	0.1 25V Ceramic	AA	R411	VRS-CY1JF391JY	J	390 1/16W Metal Oxide	AA
C3439	VCKYCY1EF104ZY	J	0.1 25V Ceramic	AA	R412	VRS-CY1JF100JY	J	10 1/16W Metal Oxide	AA
C3440	VCCCCY1HH101JY	J	100p 50V Ceramic	AA	R414	VRS-CY1JF100JY	J	10 1/16W Metal Oxide	AA
C3441	VCKYCY1EF104ZY	J	0.1 25V Ceramic	AA	R416	VRS-CH1JF102JY	J	1k 1/16W Metal Oxide	AA
C3700	VCKYCY1EF104ZY	J	0.1 25V Ceramic	AA	R417	VRS-CY1JF560JY	J	56 1/16W Metal Oxide	AA
C3701	VCKYCY1HB103KY	J	0.01 50V Ceramic	AA	R418	VRS-CY1JF560JY	J	56 1/16W Metal Oxide	AA
C3702	VCKYCY1EF104ZY	J	0.1 25V Ceramic	AA	R419	VRS-CH1JF102JY	J	1k 1/16W Metal Oxide	AA
C3703	VCEASX1CN106MY	J	10 16V Electrolytic	AC	R420	VRS-CH1JF102JY	J	1k 1/16W Metal Oxide	AA
C3704	VCKYCY1EF104ZY	J	0.1 25V Ceramic	AA	R421	VRS-CJ1JF680JY	J	68 1/16W Metal Oxide	AA
C3705	VCKYCY1EF104ZY	J	0.1 25V Ceramic	AA	R422	VRS-CY1JF101JY	J	100 1/16W Metal Oxide	AA
C3706	VCKYCY1EF104ZY	J	0.1 25V Ceramic	AA	R423	VRS-CH1JF102JY	J	1k 1/16W Metal Oxide	AA
C3707	VCKYCY1HB103KY	J	0.01 50V Ceramic	AA	R424	VRS-CH1JF470JY	J	47 1/16W Metal Oxide	AA
					R425	VRS-CH1JF470JY	J	47 1/16W Metal Oxide	AA
					R426	VRS-CH1JF470JY	J	47 1/16W Metal Oxide	AA
					R427	VRS-CH1JF470JY	J	47 1/16W Metal Oxide	AA
					R428	VRS-CY1JF470JY	J	47 1/16W Metal Oxide	AA
					R429	VRS-CH1JF102JY	J	1k 1/16W Metal Oxide	AA

Ref. No.	Part No.	★	Description	Code
<b>DUNTKC585VJ13/14/19/34/36 (LC-32GA3E)</b>				
<b>DUNTKC585VJ21/22/23/39/40 (LC-37GA3E)</b>				
<b>MAIN Unit (Continued)</b>				
R439	VRS-CY1JF102JY	J 1k	1/16W Metal Oxide	AA
R442	VRS-CJ1JF470JY	J 47	1/16W Metal Oxide	AA
R443	VRS-CY1JF100JY	J 10	1/16W Metal Oxide	AA
R444	VRS-CY1JF220JY	J 22	1/16W Metal Oxide	AA
R445	VRS-TV1JD000JY	J 0	1/16W Metal Oxide	AA
R446	VRS-CY1JF000JY	J 0	1/16W Metal Oxide	AA
R450	VRS-TV1JD000JY	J 0	1/16W Metal Oxide	AA
R451	VRS-TV1JD000JY	J 0	1/16W Metal Oxide	AA
R452	VRS-TV1JD000JY	J 0	1/16W Metal Oxide	AA
R460	VRS-CY1JF100JY	J 10	1/16W Metal Oxide	AA
R460	VRS-CY1JF102JY	J 1k	1/16W Metal Oxide (only for LC-37GA3F)	AA
R461	VRS-CY1JF100JY	J 10	1/16W Metal Oxide (except for LC-37GA3F)	AA
R461	VRS-CY1JF102JY	J 1k	1/16W Metal Oxide (only for LC-37GA3F)	AA
R462	VRS-CY1JF102JY	J 1k	1/16W Metal Oxide (except for LC-37GA3F)	AA
R463	VRS-CY1JF102JY	J 1k	1/16W Metal Oxide	AA
R502	VRS-CH1JF102JY	J 1k	1/16W Metal Oxide	AA
R503	VRS-CY1JF102JY	J 1k	1/16W Metal Oxide	AA
R504	VRS-CY1JF560JY	J 56	1/16W Metal Oxide	AA
R505	VRS-CY1JF560JY	J 56	1/16W Metal Oxide	AA
R506	VRS-CY1JF101JY	J 100	1/16W Metal Oxide	AA
R507	VRS-CY1JF102JY	J 1k	1/16W Metal Oxide	AA
R508	VRS-CY1JF102FY	J 1k	1/16W Metal Oxide	AA
R509	VRS-CY1JF100JY	J 10	1/16W Metal Oxide	AA
R510	VRK-CD1JJ100JY	J 10	1/16W Metal Composition	AC
R511	VRS-CY1JF750JY	J 75	1/16W Metal Oxide	AA
R512	VRS-CY1JF750JY	J 75	1/16W Metal Oxide	AA
R513	VRS-CY1JF750JY	J 75	1/16W Metal Oxide	AA
R514	VRK-CD1JJ100JY	J 10	1/16W Metal Composition	AC
R515	VRS-CY1JF101JY	J 100	1/16W Metal Oxide	AA
R516	VRS-CY1JF102FY	J 1k	1/16W Metal Oxide	AA
R517	VRS-CJ1JF100JY	J 10	1/16W Metal Oxide	AA
R518	VRS-CY1JF220JY	J 22	1/16W Metal Oxide	AA
R550	VRS-CY1JF102JY	J 1k	1/16W Metal Oxide	AA
R551	VRS-CY1JF102JY	J 1k	1/16W Metal Oxide	AA
R552	VRS-CY1JF102JY	J 1k	1/16W Metal Oxide	AA
R600	VRS-CY1JF102JY	J 1k	1/16W Metal Oxide	AA
R601	VRS-CY1JF102JY	J 1k	1/16W Metal Oxide	AA
R602	VRS-CY1JF101JY	J 100	1/16W Metal Oxide	AA
R603	VRS-CY1JF102JY	J 1k	1/16W Metal Oxide	AA
R604	VRS-CY1JF102JY	J 1k	1/16W Metal Oxide	AA
R605	VRS-CY1JF102JY	J 1k	1/16W Metal Oxide	AA
R606	VRS-CY1JF102JY	J 1k	1/16W Metal Oxide	AA
R607	VRS-CY1JF102JY	J 1k	1/16W Metal Oxide	AA
R608	VRS-CY1JF102JY	J 1k	1/16W Metal Oxide	AA
R609	VRS-CY1JF102JY	J 1k	1/16W Metal Oxide	AA
R610	VRS-CY1JF102JY	J 1k	1/16W Metal Oxide	AA
R611	VRS-CY1JF102JY	J 1k	1/16W Metal Oxide	AA
R612	VRS-CY1JF102JY	J 1k	1/16W Metal Oxide	AA
R613	VRS-CY1JF102JY	J 1k	1/16W Metal Oxide	AA
R614	VRS-CY1JF102JY	J 1k	1/16W Metal Oxide	AA
R615	VRS-CY1JF102JY	J 1k	1/16W Metal Oxide	AA
R616	VRS-CY1JF911JY	J 910	1/16W Metal Oxide	AB
R617	VRS-CY1JF911JY	J 910	1/16W Metal Oxide	AB
R618	VRS-CY1JF911JY	J 910	1/16W Metal Oxide	AB
R619	VRS-CY1JF911JY	J 910	1/16W Metal Oxide	AB
R620	VRS-CY1JF911JY	J 910	1/16W Metal Oxide	AB
R621	VRS-CY1JF102JY	J 1k	1/16W Metal Oxide	AA
R622	VRS-CY1JF471JY	J 470	1/16W Metal Oxide	AA
R623	VRS-CY1JF102JY	J 1k	1/16W Metal Oxide	AA
R624	VRS-CY1JF102JY	J 1k	1/16W Metal Oxide	AA
R625	VRS-CY1JF102JY	J 1k	1/16W Metal Oxide	AA
R626	VRS-CY1JF101JY	J 100	1/16W Metal Oxide	AA
R627	VRS-CY1JF102JY	J 1k	1/16W Metal Oxide	AA
R628	VRS-CJ1JF100JY	J 10	1/16W Metal Oxide	AA

Ref. No.	Part No.	★	Description	Code
R629	VRS-CY1JF560JY	J 56	1/16W Metal Oxide	AA
R630	VRS-CY1JF560JY	J 56	1/16W Metal Oxide	AA
R631	VRS-CY1JF101JY	J 100	1/16W Metal Oxide	AA
R632	VRK-CD1JJ100JY	J 10	1/16W Metal Composition	AC
R634	VRK-CD1JJ100JY	J 10	1/16W Metal Composition	AC
R636	VRS-TV1JD000JY	J 0	1/16W Metal Oxide	AA
R637	VRS-CY1JF220JY	J 22	1/16W Metal Oxide	AA
R639	VRS-CY1JF102JY	J 1k	1/16W Metal Oxide	AA
R640	VRS-CY1JF102JY	J 1k	1/16W Metal Oxide	AA
R641	VRK-CD1JJ103JY	J 10k	1/16W Metal Composition	AC
R642	VRS-CY1JF000JY	J 0	1/16W Metal Oxide	AA
R801	VRS-CY1JF000JY	J 0	1/16W Metal Oxide	AA
R802	VRS-CY1JF000JY	J 0	1/16W Metal Oxide	AA
R803	VRS-CH1JF470JY	J 47	1/16W Metal Oxide	AA
R804	VRS-CY1JF000JY	J 0	1/16W Metal Oxide	AA
R807	VRS-CY1JF103JY	J 10k	1/16W Metal Oxide	AA
R808	VRS-CY1JF102JY	J 1k	1/16W Metal Oxide	AA
R809	VRS-CY1JF103JY	J 10k	1/16W Metal Oxide	AA
R810	VRS-CY1JF103JY	J 10k	1/16W Metal Oxide	AA
R813	VRS-CH1JF470JY	J 47	1/16W Metal Oxide	AA
R814	VRS-CH1JF470JY	J 47	1/16W Metal Oxide	AA
R816	VRS-CY1JF000JY	J 0	1/16W Metal Oxide	AA
R817	VRS-CY1JF330JY	J 33	1/16W Metal Oxide	AA
R818	VRS-CY1JF330JY	J 33	1/16W Metal Oxide	AA
R819	VRS-CY1JF330JY	J 33	1/16W Metal Oxide	AA
R820	VRS-CY1JF330JY	J 33	1/16W Metal Oxide	AA
R821	VRS-CH1JF103JY	J 10k	1/16W Metal Oxide	AA
R824	VRS-CY1JF103JY	J 10k	1/16W Metal Oxide	AA
R825	VRK-CD1JJ330JY	J 33	1/16W Metal Composition	AC
R826	VRK-CD1JJ330JY	J 33	1/16W Metal Composition	AC
R827	VRK-CD1JJ330JY	J 33	1/16W Metal Composition	AC
R828	VRK-CD1JJ330JY	J 33	1/16W Metal Composition	AC
R829	VRK-CD1JJ330JY	J 33	1/16W Metal Composition	AC
R830	VRK-CD1JJ330JY	J 33	1/16W Metal Composition	AC
R831	VRK-CD1JJ330JY	J 33	1/16W Metal Composition	AC
R832	VRK-CD1JJ330JY	J 33	1/16W Metal Composition	AC
R833	VRK-CD1JJ330JY	J 33	1/16W Metal Composition	AC
R834	VRS-CY1JF330JY	J 33	1/16W Metal Oxide	AA
R835	VRS-CY1JF330JY	J 33	1/16W Metal Oxide	AA
R836	VRS-CY1JF330JY	J 33	1/16W Metal Oxide	AA
R837	VRS-CY1JF330JY	J 33	1/16W Metal Oxide	AA
R838	VRS-CY1JF330JY	J 33	1/16W Metal Oxide	AA
R839	VRS-CY1JF330JY	J 33	1/16W Metal Oxide	AA
R840	VRS-CY1JF330JY	J 33	1/16W Metal Oxide	AA
R841	VRS-CY1JF330JY	J 33	1/16W Metal Oxide	AA
R842	VRS-CY1JF330JY	J 33	1/16W Metal Oxide	AA
R843	VRS-CY1JF000JY	J 0	1/16W Metal Oxide	AA
R844	VRS-CY1JF000JY	J 0	1/16W Metal Oxide	AA
R845	VRS-CY1JF000JY	J 0	1/16W Metal Oxide	AA
R846	VRS-CY1JF000JY	J 0	1/16W Metal Oxide	AA
R847	VRS-CY1JF000JY	J 0	1/16W Metal Oxide	AA
R849	VRK-CD1JJ103JY	J 10k	1/16W Metal Composition	AC
R850	VRS-CJ1JF103JY	J 10k	1/16W Metal Oxide	AA
R851	VRS-CY1JF103JY	J 10k	1/16W Metal Oxide	AA
R1001	VRS-CY1JF103JY	J 10k	1/16W Metal Oxide	AA
R1002	VRS-CY1JF103JY	J 10k	1/16W Metal Oxide	AA
R1003	VRS-CY1JF103JY	J 10k	1/16W Metal Oxide	AA
R1004	VRS-CH1JF470JY	J 47	1/16W Metal Oxide	AA
R1005	VRS-CH1JF470JY	J 47	1/16W Metal Oxide	AA
R1006	VRS-CY1JF470JY	J 47	1/16W Metal Oxide	AA
R1007	VRS-CY1JF470JY	J 47	1/16W Metal Oxide	AA
R1008	VRS-CY1JF000JY	J 0	1/16W Metal Oxide	AA
R1009	VRS-CY1JF000JY	J 0	1/16W Metal Oxide	AA

Ref. No.	Part No.	★	Description	Code	Ref. No.	Part No.	★	Description	Code
<b>DUNTKC585VJ13/14/19/34/36 (LC-32GA3E)</b>					R1546	VRS-CY1JF222JY	J	2.2k 1/16W Metal Oxide	AA
<b>DUNTKC585VJ21/22/23/39/40 (LC-37GA3E)</b>					R1547	VRS-CY1JF102JY	J	1k 1/16W Metal Oxide	AA
<b>MAIN Unit (Continued)</b>					R1548	VRS-CY1JF333JY	J	33k 1/16W Metal Oxide	AA
R1010	VRS-CH1JF472JY	J	4.7k 1/16W Metal Oxide	AA	R1550	VRS-CY1JF102JY	J	1k 1/16W Metal Oxide	AA
R1011	VRS-CH1JF470JY	J	47 1/16W Metal Oxide	AA	R1551	VRS-CY1JF473JY	J	47k 1/16W Metal Oxide	AA
R1012	VRS-CY1JF000JY	J	0 1/16W Metal Oxide	AA	R1552	VRS-CY1JF680JY	J	68 1/16W Metal Oxide	AA
R1013	VRS-CH1JF000JY	J	0 1/16W Metal Oxide	AA	R1553	VRS-CY1JF102JY	J	1k 1/16W Metal Oxide	AA
R1014	VRS-CH1JF470JY	J	47 1/16W Metal Oxide	AA	R1554	VRS-CY1JF680JY	J	68 1/16W Metal Oxide	AA
R1015	VRS-CH1JF470JY	J	47 1/16W Metal Oxide	AA	R1555	VRS-CY1JF101JY	J	100 1/16W Metal Oxide	AA
R1016	VRS-CY1JF470JY	J	47 1/16W Metal Oxide	AA	R1556	VRS-CY1JF101JY	J	100 1/16W Metal Oxide	AA
R1017	VRS-CH1JF470JY	J	47 1/16W Metal Oxide	AA	R1557	VRS-CY1JF272JY	J	2.7k 1/16W Metal Oxide	AA
R1018	VRS-CY1JF000JY	J	0 1/16W Metal Oxide	AA	R1559	VRS-CY1JF470JY	J	47 1/16W Metal Oxide	AA
R1019	VRS-CY1JF000JY	J	0 1/16W Metal Oxide	AA	R1560	VRS-CY1JF470JY	J	47 1/16W Metal Oxide	AA
R1020	VRS-CY1JF000JY	J	0 1/16W Metal Oxide	AA	R1562	VRS-CY1JF101JY	J	100 1/16W Metal Oxide	AA
R1021	VRS-CY1JF000JY	J	0 1/16W Metal Oxide	AA	R1563	VRS-CY1JF474JY	J	470k 1/16W Metal Oxide	AA
R1023	VRS-CY1JF103JY	J	10k 1/16W Metal Oxide	AA	R1564	VRS-CY1JF474JY	J	470k 1/16W Metal Oxide	AA
R1025	VRS-CJ1JF000JY	J	0 1/16W Metal Oxide	AA	R1565	VRS-CY1JF101JY	J	100 1/16W Metal Oxide	AA
R1026	VRS-CH1JF470JY	J	47 1/16W Metal Oxide	AA	R1566	VRS-CY1JF102JY	J	1k 1/16W Metal Oxide	AA
R1028	VRS-CY1JF103JY	J	10k 1/16W Metal Oxide	AA	R1571	VRS-CY1JF101JY	J	100 1/16W Metal Oxide	AA
R1029	VRS-CY1JF470JY	J	47 1/16W Metal Oxide	AA	R1573	VRS-CY1JF472JY	J	4.7k 1/16W Metal Oxide	AA
R1030	VRS-CY1JF470JY	J	47 1/16W Metal Oxide	AA	R1574	VRS-CY1JF472JY	J	4.7k 1/16W Metal Oxide	AA
R1031	VRS-CY1JF470JY	J	47 1/16W Metal Oxide	AA	R1579	VRS-CY1JF101JY	J	100 1/16W Metal Oxide	AA
R1032	VRS-CY1JF470JY	J	47 1/16W Metal Oxide	AA	R1581	VRS-CY1JF101JY	J	100 1/16W Metal Oxide	AA
R1033	VRS-CY1JF470JY	J	47 1/16W Metal Oxide	AA	R1582	VRS-CY1JF223JY	J	22k 1/16W Metal Oxide	AA
R1034	VRS-CY1JF103JY	J	10k 1/16W Metal Oxide	AA	R1588	VRS-CY1JF101JY	J	100 1/16W Metal Oxide	AA
R1049	VRS-CY1JF470JY	J	47 1/16W Metal Oxide	AA	R1589	VRS-CY1JF273JY	J	27k 1/16W Metal Oxide	AA
R1073	VRS-CH1JF470JY	J	47 1/16W Metal Oxide	AA	R1590	VRS-CY1JF473JY	J	47k 1/16W Metal Oxide	AA
R1074	VRS-CH1JF470JY	J	47 1/16W Metal Oxide	AA	R1591	VRS-CY1JF103JY	J	10k 1/16W Metal Oxide	AA
R1075	VRS-CY1JF000JY	J	0 1/16W Metal Oxide	AA	R1592	VRS-CY1JF473JY	J	47k 1/16W Metal Oxide	AA
R1077	VRS-CY1JF470JY	J	47 1/16W Metal Oxide	AA	R1594	VRS-CY1JF000JY	J	0 1/16W Metal Oxide	AA
R1078	VRS-CY1JF103JY	J	10k 1/16W Metal Oxide	AA	R1596	VRS-CY1JF222JY	J	2.2k 1/16W Metal Oxide	AA
R1079	VRS-CY1JF101JY	J	100 1/16W Metal Oxide	AA				(LC-32/37GA3E)	
R1080	VRS-CH1JF000JY	J	0 1/16W Metal Oxide	AA	R1596	VRS-CY1JF472JY	J	4.7k 1/16W Metal Oxide	AA
R1081	VRS-CH1JF000JY	J	0 1/16W Metal Oxide	AA				(LC-32/37GA3F,LC-32/37GA3I)	
R1082	VRS-CY1JF000JY	J	0 1/16W Metal Oxide	AA	R1597	VRS-CY1JF152JY	J	1.5k 1/16W Metal Oxide	AA
R1500	VRS-CY1JF103JY	J	10k 1/16W Metal Oxide	AA				(LC-32/37GA3K,LC-32/37GA3I)	
R1501	VRS-CY1JF103JY	J	10k 1/16W Metal Oxide	AA	R1597	VRS-CY1JF472JY	J	4.7k 1/16W Metal Oxide	AA
R1502	VRS-CY1JF103JY	J	10k 1/16W Metal Oxide	AA				(LC-32/37GA3F)	
R1503	VRS-CY1JF223JY	J	22k 1/16W Metal Oxide	AA	R1597	VRS-CY1JF683JY	J	68k 1/16W Metal Oxide	AA
R1504	VRS-CY1JF223JY	J	22k 1/16W Metal Oxide	AA				(LC-32/37GA3E)	
R1505	VRS-CY1JF223JY	J	22k 1/16W Metal Oxide	AA	R1598	VRS-CY1JF100JY	J	10 1/16W Metal Oxide	AA
R1506	VRS-CY1JF102JY	J	1k 1/16W Metal Oxide	AA	R1599	VRS-CY1JF103JY	J	10k 1/16W Metal Oxide	AA
R1507	VRS-CY1JF102JY	J	1k 1/16W Metal Oxide	AA	R1658	VRS-CY1JF104JY	J	100k 1/16W Metal Oxide	AA
R1509	VRS-CY1JF472JY	J	4.7k 1/16W Metal Oxide	AA	R1802	VRS-CY1JF122FY	J	1.2k 1/16W Metal Oxide	AA
R1510	VRS-CY1JF473JY	J	47k 1/16W Metal Oxide	AA	R1803	VRS-CY1JF820FY	J	82 1/16W Metal Oxide	AA
R1511	VRS-CY1JF103JY	J	10k 1/16W Metal Oxide	AA	R1804	VRS-CY1JF102FY	J	1k 1/16W Metal Oxide	AA
R1512	VRS-CY1JF473JY	J	47k 1/16W Metal Oxide	AA	R1805	VRS-CY1JF103JY	J	10k 1/16W Metal Oxide	AA
R1513	VRS-CY1JF103JY	J	10k 1/16W Metal Oxide	AA	R1806	VRS-CY1JF102FY	J	1k 1/16W Metal Oxide	AA
R1514	VRS-CY1JF223JY	J	22k 1/16W Metal Oxide	AA	R1807	VRS-CY1JF181FY	J	180 1/16W Metal Oxide	AA
R1515	VRS-CY1JF223JY	J	22k 1/16W Metal Oxide	AA	R1808	VRS-CY1JF152FY	J	1.5k 1/16W Metal Oxide	AA
R1516	VRS-CY1JF101JY	J	100 1/16W Metal Oxide	AA	R1809	VRS-CY1JF103JY	J	10k 1/16W Metal Oxide	AA
R1517	VRS-CY1JF101JY	J	100 1/16W Metal Oxide	AA	R1810	VRS-CY1JF102FY	J	1k 1/16W Metal Oxide	AA
R1518	VRS-CY1JF391JY	J	390 1/16W Metal Oxide	AA	R1811	VRS-CY1JF000JY	J	0 1/16W Metal Oxide	AA
R1519	VRS-CY1JF473JY	J	47k 1/16W Metal Oxide	AA	R1812	VRS-CY1JF302FY	J	3k 1/16W Metal Oxide	AA
R1520	VRS-CY1JF473JY	J	47k 1/16W Metal Oxide	AA	R1813	VRS-CY1JF103JY	J	10k 1/16W Metal Oxide	AA
R1521	VRS-CY1JF473JY	J	47k 1/16W Metal Oxide	AA	R1814	VRS-CY1JF102FY	J	1k 1/16W Metal Oxide	AA
R1522	VRS-CY1JF473JY	J	47k 1/16W Metal Oxide	AA	R1815	VRS-CY1JF221FY	J	220 1/16W Metal Oxide	AA
R1523	VRS-CY1JF474JY	J	470k 1/16W Metal Oxide	AA	R1816	VRS-CY1JF222FY	J	2.2k 1/16W Metal Oxide	AA
R1524	VRS-CY1JF102JY	J	1k 1/16W Metal Oxide	AA	R1817	VRS-CY1JF103JY	J	10k 1/16W Metal Oxide	AA
R1528	VRS-CY1JF101JY	J	100 1/16W Metal Oxide	AA	R1818	VRS-CY1JF102JY	J	1k 1/16W Metal Oxide	AA
R1533	VRS-CH1JF103JY	J	10k 1/16W Metal Oxide	AA	R1819	VRS-CY1JF223JY	J	22k 1/16W Metal Oxide	AA
R1534	VRS-CH1JF103JY	J	10k 1/16W Metal Oxide	AA	R1820	VRS-CY1JF123JY	J	12k 1/16W Metal Oxide	AA
R1535	VRS-CY1JF101JY	J	100 1/16W Metal Oxide	AA	R1821	VRS-CY1JF102JY	J	1k 1/16W Metal Oxide	AA
R1536	VRS-CY1JF101JY	J	100 1/16W Metal Oxide	AA	R1822	VRS-CY1JF472JY	J	4.7k 1/16W Metal Oxide	AA
R1537	VRS-CY1JF101JY	J	100 1/16W Metal Oxide	AA	R1823	VRS-CY1JF103JY	J	10k 1/16W Metal Oxide	AA
R1538	VRS-CY1JF103JY	J	10k 1/16W Metal Oxide	AA	R1825	VRS-CY1JF511FY	J	510 1/16W Metal Oxide	AA
R1539	VRS-CY1JF103JY	J	10k 1/16W Metal Oxide	AA	R1826	VRS-CY1JF102FY	J	1k 1/16W Metal Oxide	AA
R1540	VRS-CY1JF103JY	J	10k 1/16W Metal Oxide	AA	R1853	VRS-CY1JF223JY	J	22k 1/16W Metal Oxide	AA
R1541	VRS-CY1JF101JY	J	100 1/16W Metal Oxide	AA	R1854	VRS-CY1JF152JY	J	1.5k 1/16W Metal Oxide	AA
R1543	VRS-CY1JF103JY	J	10k 1/16W Metal Oxide	AA	R1855	VRS-CY1JF272JY	J	2.7k 1/16W Metal Oxide	AA
R1544	VRS-CY1JF391JY	J	390 1/16W Metal Oxide	AA	R1856	VRS-CY1JF101JY	J	100 1/16W Metal Oxide	AA
R1545	VRS-CY1JF222JY	J	2.2k 1/16W Metal Oxide	AA	R1857	VRS-CY1JF101JY	J	100 1/16W Metal Oxide	AA
					R2105	VRS-CY1JF182JY	J	1.8k 1/16W Metal Oxide	AA
					R2106	VRS-CY1JF182JY	J	1.8k 1/16W Metal Oxide	AA
					R2107	VRS-CY1JF470JY	J	47 1/16W Metal Oxide	AA
					R2108	VRS-CY1JF182JY	J	1.8k 1/16W Metal Oxide	AA

Ref. No.	Part No.	★	Description	Code	Ref. No.	Part No.	★	Description	Code
<b>DUNTKC585VJ13/14/19/34/36 (LC-32GA3E)</b>					<b>DUNTKC585VJ21/22/23/39/40 (LC-37GA3E)</b>				
<b>MAIN Unit (Continued)</b>									
R2109	VRS-CY1JF182JY	J	1.8k 1/16W Metal Oxide	AA	R3326	VRS-CY1JF000JY	J	0 1/16W Metal Oxide	AA
R2112	VRS-CY1JF470JY	J	47 1/16W Metal Oxide	AA	R3327	VRS-CY1JF680JY	J	68 1/16W Metal Oxide	AA
R2115	VRK-CD1JJ470JY	J	47 1/16W Metal Composition	AC	R3328	VRS-CY1JF680JY	J	68 1/16W Metal Oxide	AA
R2116	VRS-CY1JF000JY	J	0 1/16W Metal Oxide	AA	R3329	VRS-CY1JF680JY	J	68 1/16W Metal Oxide	AA
R2117	VRS-CY1JF000JY	J	0 1/16W Metal Oxide	AA	R3330	VRS-CY1JF680JY	J	68 1/16W Metal Oxide	AA
R2118	VRS-CY1JF182JY	J	1.8k 1/16W Metal Oxide	AA	R3331	VRS-CY1JF680JY	J	68 1/16W Metal Oxide	AA
R2119	VRS-CY1JF182JY	J	1.8k 1/16W Metal Oxide	AA	R3332	VRS-CY1JF220JY	J	22 1/16W Metal Oxide	AA
R2120	VRS-CY1JF000JY	J	0 1/16W Metal Oxide	AA	R3334	VRS-CY1JF100JY	J	10 1/16W Metal Oxide	AA
R2123	VRS-CJ1JF000JY	J	0 1/16W Metal Oxide	AA	R3361	VRS-CY1JF000JY	J	0 1/16W Metal Oxide	AA
R2127	VRS-CJ1JF000JY	J	0 1/16W Metal Oxide	AA	R3362	VRS-CY1JF470JY	J	47 1/16W Metal Oxide	AA
R2129	VRS-CY1JF103JY	J	10k 1/16W Metal Oxide	AA	R3363	VRS-CY1JF000JY	J	0 1/16W Metal Oxide	AA
R2130	VRS-CH1JF000JY	J	0 1/16W Metal Oxide	AA	R3400	VRS-CY1JF103JY	J	10k 1/16W Metal Oxide	AA
R2131	VRS-CH1JF000JY	J	0 1/16W Metal Oxide	AA	R3401	VRS-CY1JF471JY	J	470 1/16W Metal Oxide	AA
R2132	VRS-CH1JF000JY	J	0 1/16W Metal Oxide	AA	R3402	VRS-CY1JF181JY	J	180 1/16W Metal Oxide	AA
R2133	VRS-CH1JF000JY	J	0 1/16W Metal Oxide	AA	R3403	VRS-CY1JF103JY	J	10k 1/16W Metal Oxide	AA
R2134	VRS-CH1JF000JY	J	0 1/16W Metal Oxide	AA	R3404	VRS-CY1JF103JY	J	10k 1/16W Metal Oxide	AA
R2135	VRS-CH1JF000JY	J	0 1/16W Metal Oxide	AA	R3405	VRS-CY1JF103JY	J	10k 1/16W Metal Oxide	AA
R2136	VRS-CH1JF000JY	J	0 1/16W Metal Oxide	AA	R3700	VRS-CJ1JF101JY	J	100 1/16W Metal Oxide	AA
R2137	VRS-CH1JF000JY	J	0 1/16W Metal Oxide	AA	R3701	VRS-CH1JF680JY	J	68 1/16W Metal Oxide	AA
R2138	VRS-CH1JF000JY	J	0 1/16W Metal Oxide	AA	R3702	VRS-CH1JF680JY	J	68 1/16W Metal Oxide	AA
R2139	VRS-CH1JF000JY	J	0 1/16W Metal Oxide	AA	R3703	VRS-CH1JF680JY	J	68 1/16W Metal Oxide	AA
R2140	VRS-CH1JF000JY	J	0 1/16W Metal Oxide	AA	R3704	VRS-CH1JF680JY	J	68 1/16W Metal Oxide	AA
R2141	VRS-CH1JF000JY	J	0 1/16W Metal Oxide	AA	R3705	VRS-CH1JF680JY	J	68 1/16W Metal Oxide	AA
R2143	VRS-CY1JF000JY	J	0 1/16W Metal Oxide	AA	R3706	VRS-CH1JF680JY	J	68 1/16W Metal Oxide	AA
R2148	VRS-CY1JF000JY	J	0 1/16W Metal Oxide	AA	R3707	VRS-CH1JF680JY	J	68 1/16W Metal Oxide	AA
R2149	VRS-CY1JF000JY	J	0 1/16W Metal Oxide	AA	R3708	VRS-CH1JF680JY	J	68 1/16W Metal Oxide	AA
R2150	VRS-CY1JF000JY	J	0 1/16W Metal Oxide	AA	R3709	VRS-CH1JF680JY	J	68 1/16W Metal Oxide	AA
R2153	VRS-CJ1JF000JY	J	0 1/16W Metal Oxide	AA	R3710	VRS-CH1JF680JY	J	68 1/16W Metal Oxide	AA
R2179	VRS-CY1JF103JY	J	10k 1/16W Metal Oxide	AA	R3711	VRS-CH1JF680JY	J	68 1/16W Metal Oxide	AA
R2180	VRS-CY1JF103JY	J	10k 1/16W Metal Oxide	AA	R3712	VRS-CH1JF680JY	J	68 1/16W Metal Oxide	AA
R2181	VRS-CY1JF103JY	J	10k 1/16W Metal Oxide	AA	R3714	VRS-CY1JF680JY	J	68 1/16W Metal Oxide	AA
R2182	VRS-CY1JF103JY	J	10k 1/16W Metal Oxide	AA	R3715	VRS-CY1JF680JY	J	68 1/16W Metal Oxide	AA
R2183	VRS-CY1JF103JY	J	10k 1/16W Metal Oxide	AA	R3716	VRS-CY1JF332FY	J	3.3k 1/16W Metal Oxide	AA
R2184	VRS-CY1JF000JY	J	0 1/16W Metal Oxide	AA	R3717	VRS-CY1JF302JY	J	3k 1/16W Metal Oxide	AA
R3201	RR-TZ0073CEZZY	J	33 AA	AA	R3718	VRS-CY1JF472JY	J	4.7k 1/16W Metal Oxide	AA
R3202	RR-TZ0073CEZZY	J	33 AA	AA	R3719	VRS-CY1JF100JY	J	10 1/16W Metal Oxide	AA
R3203	RR-TZ0073CEZZY	J	33 AA	AA	R3720	VRS-CY1JF472JY	J	4.7k 1/16W Metal Oxide	AA
R3204	RR-TZ0073CEZZY	J	33 AA	AA	R3721	VRS-CY1JF100JY	J	10 1/16W Metal Oxide	AA
R3205	RR-TZ0073CEZZY	J	33 AA	AA	R3722	VRS-CY1JF472JY	J	4.7k 1/16W Metal Oxide	AA
R3206	RR-TZ0073CEZZY	J	33 AA	AA	R3723	VRS-CY1JF100JY	J	10 1/16W Metal Oxide	AA
R3207	RR-TZ0073CEZZY	J	33 AA	AA	R3724	VRS-CY1JF102JY	J	1k 1/16W Metal Oxide	AA
R3208	RR-TZ0073CEZZY	J	33 AA	AA	R3725	VRS-CY1JF103JY	J	10k 1/16W Metal Oxide	AA
R3209	RR-TZ0073CEZZY	J	33 AA	AA	R3726	VRS-CY1JF103JY	J	10k 1/16W Metal Oxide	AA
R3210	RR-TZ0073CEZZY	J	33 AA	AA	R3727	VRS-CY1JF472JY	J	4.7k 1/16W Metal Oxide	AA
R3211	RR-TZ0073CEZZY	J	33 AA	AA	R3728	VRS-CY1JF101JY	J	100 1/16W Metal Oxide	AA
R3212	RR-TZ0073CEZZY	J	33 AA	AA	R3729	VRS-CY1JF223JY	J	22k 1/16W Metal Oxide	AA
R3213	RR-TZ0073CEZZY	J	33 AA	AA	R3731	VRS-CY1JF223JY	J	22k 1/16W Metal Oxide	AA
R3214	VRS-CY1JF473JY	J	47k 1/16W Metal Oxide	AA	R3732	VRS-CY1JF330JY	J	33 1/16W Metal Oxide	AA
R3215	VRS-CY1JF473JY	J	47k 1/16W Metal Oxide	AA	R3733	VRS-CY1JF330JY	J	33 1/16W Metal Oxide	AA
R3217	VRS-CY1JF473JY	J	47k 1/16W Metal Oxide	AA	R3737	VRS-CY1JF391JY	J	390 1/16W Metal Oxide	AA
R3218	VRS-CY1JF473JY	J	47k 1/16W Metal Oxide	AA	R3738	VRS-CY1JF512JY	J	5.1k 1/16W Metal Oxide	AA
R3300	VRS-CY1JF000JY	J	0 1/16W Metal Oxide	AA	R3741	VRS-CY1JF102JY	J	1k 1/16W Metal Oxide	AA
R3303	VRS-CH1JF103JY	J	10k 1/16W Metal Oxide	AA	R3742	VRS-TW2ED2R2JY	J	2.2 1/4W Metal Oxide	AA
R3304	VRS-CH1JF103JY	J	10k 1/16W Metal Oxide	AA	R3743	VRS-CY1JF680JY	J	68 1/16W Metal Oxide	AA
R3305	VRS-CY1JF220JY	J	22 1/16W Metal Oxide	AA	R3747	VRS-CY1JF000JY	J	0 1/16W Metal Oxide	AA
R3306	VRS-CY1JF220JY	J	22 1/16W Metal Oxide	AA	R3749	VRS-CY1JF562JY	J	5.6k 1/16W Metal Oxide	AA
R3307	VRS-CY1JF220JY	J	22 1/16W Metal Oxide	AA	R3750	VRS-CY1JF562JY	J	5.6k 1/16W Metal Oxide	AA
R3308	VRS-CY1JF220JY	J	22 1/16W Metal Oxide	AA	R3752	VRS-CY1JF000JY	J	0 1/16W Metal Oxide	AA
R3310	VRS-CY1JF000JY	J	0 1/16W Metal Oxide	AA	R3753	VRS-CY1JF000JY	J	0 1/16W Metal Oxide	AA
R3312	VRS-CY1JF000JY	J	0 1/16W Metal Oxide	AA	R3754	VRS-CY1JF680JY	J	68 1/16W Metal Oxide	AA
R3313	VRS-CY1JF000JY	J	0 1/16W Metal Oxide	AA	R3767	VRS-TV1JD750JY	J	75 1/16W Metal Oxide	AA
R3314	VRS-CY1JF470JY	J	47 1/16W Metal Oxide	AA	R3768	VRS-TV1JD750JY	J	75 1/16W Metal Oxide	AA
R3315	VRS-CY1JF000JY	J	0 1/16W Metal Oxide	AA	R3769	VRS-TV1JD750JY	J	75 1/16W Metal Oxide	AA
R3316	VRS-CY1JF000JY	J	0 1/16W Metal Oxide	AA	R3770	VRS-CY1JF101JY	J	100 1/16W Metal Oxide	AA
R3317	VRS-CY1JF000JY	J	0 1/16W Metal Oxide	AA	R3771	VRS-CY1JF101JY	J	100 1/16W Metal Oxide	AA
R3320	VRS-CY1JF103JY	J	10k 1/16W Metal Oxide	AA	R3772	VRS-CY1JF101JY	J	100 1/16W Metal Oxide	AA
R3321	VRS-CY1JF103JY	J	10k 1/16W Metal Oxide	AA	R7201	VRS-CY1JF101JY	J	100 1/16W Metal Oxide	AA
R3323	VRS-CY1JF000JY	J	0 1/16W Metal Oxide	AA	R7202	VRS-CY1JF101JY	J	100 1/16W Metal Oxide	AA
R3324	VRS-CY1JF000JY	J	0 1/16W Metal Oxide	AA	R7203	VRS-CY1JF223JY	J	22k 1/16W Metal Oxide	AA
					R7204	VRS-CY1JF101JY	J	100 1/16W Metal Oxide	AA
					R7205	VRS-CY1JF223JY	J	22k 1/16W Metal Oxide	AA
					R7206	VRS-CY1JF223JY	J	22k 1/16W Metal Oxide	AA
					R7207	VRS-CY1JF101JY	J	100 1/16W Metal Oxide	AA
					R7208	VRS-CY1JF223JY	J	22k 1/16W Metal Oxide	AA
					R7251	VRS-CY1JF000JY	J	0 1/16W Metal Oxide	AA
					R7252	VRS-CY1JF273JY	J	27k 1/16W Metal Oxide	AA

Ref. No.	Part No.	★	Description	Code
<b>DUNTKC585VJ13/14/19/34/36 (LC-32GA3E)</b>				
<b>DUNTKC585VJ21/22/23/39/40 (LC-37GA3E)</b>				
<b>MAIN Unit (Continued)</b>				
R7253	VRS-CY1JF473JY	J	47k 1/16W Metal Oxide	AA
R7255	VRS-CY1JF183JY	J	18k 1/16W Metal Oxide	AA
R7256	VRS-CY1JF472JY	J	4.7k 1/16W Metal Oxide	AA
R7257	VRS-CY1JF472JY	J	4.7k 1/16W Metal Oxide	AA
R7258	VRS-CY1JF000JY	J	0 1/16W Metal Oxide	AA
R7259	VRS-CY1JF000JY	J	0 1/16W Metal Oxide	AA
R7260	VRS-CY1JF472JY	J	4.7k 1/16W Metal Oxide	AA
R7261	VRS-CY1JF472JY	J	4.7k 1/16W Metal Oxide	AA
R7262	VRS-CY1JF472JY	J	4.7k 1/16W Metal Oxide	AA
R7263	VRS-CY1JF332JY	J	3.3k 1/16W Metal Oxide	AA
R7264	VRS-CY1JF472JY	J	4.7k 1/16W Metal Oxide	AA
R7265	VRS-CY1JF332JY	J	3.3k 1/16W Metal Oxide	AA
R7266	VRS-CY1JF472JY	J	4.7k 1/16W Metal Oxide	AA
R7267	VRS-CY1JF472JY	J	4.7k 1/16W Metal Oxide	AA
R7283	VRS-CY1JF183JY	J	18k 1/16W Metal Oxide	AA
R7284	VRS-CY1JF472JY	J	4.7k 1/16W Metal Oxide	AA
R7286	VRS-CY1JF103JY	J	10k 1/16W Metal Oxide	AA
R7287	VRS-CY1JF103JY	J	10k 1/16W Metal Oxide	AA
R7288	VRS-CY1JF103JY	J	10k 1/16W Metal Oxide	AA
R7289	VRS-CY1JF472JY	J	4.7k 1/16W Metal Oxide	AA
R7290	VRS-CY1JF472JY	J	4.7k 1/16W Metal Oxide	AA
R7296	VRS-CY1JF000JY	J	0 1/16W Metal Oxide	AA
R7297	VRS-CY1JF000JY	J	0 1/16W Metal Oxide	AA
TH1501	VRS-CY1JF103JY	J	10k 1/16W Metal Oxide	AA

**MISCELLANEOUS PARTS**

FB401	RBLN-0051TAZZY	J	Ferrite Bead	AC
FB402	RBLN-0065CEZZY	J	Ferrite Bead	AC
FB403	RBLN-0051TAZZY	J	Ferrite Bead	AC
FB404	RBLN-0051TAZZY	J	Ferrite Bead	AC
FB405	RBLN-A005WJZZY	J	Ferrite Bead	AA
FB406	RBLN-A005WJZZY	J	Ferrite Bead	AA
FB407	RBLN-A005WJZZY	J	Ferrite Bead	AA
FB408	RBLN-0051TAZZY	J	Ferrite Bead	AC
FB501	RBLN-0051TAZZY	J	Ferrite Bead	AC
FB502	RBLN-0065CEZZY	J	Ferrite Bead	AC
FB503	RBLN-0051TAZZY	J	Ferrite Bead	AC
FB504	RBLN-A005WJZZY	J	Ferrite Bead	AA
FB505	RBLN-A005WJZZY	J	Ferrite Bead	AA
FB506	RBLN-0051TAZZY	J	Ferrite Bead	AC
FB600	RBLN-0051TAZZY	J	Ferrite Bead	AC
FB602	RBLN-A005WJZZY	J	Ferrite Bead	AA
FB801	RBLN-0254TAZZY	J	Ferrite Bead	AB
FB802	RBLN-0210TAZZY	J	Ferrite Bead	AB
FB803	RBLN-0210TAZZY	J	Ferrite Bead	AB
FB1800	RBLN-0210TAZZY	J	Ferrite Bead	AB
FB1801	RBLN-0210TAZZY	J	Ferrite Bead	AB
FB1802	RBLN-0210TAZZY	J	Ferrite Bead	AB
FB1803	RBLN-0210TAZZY	J	Ferrite Bead	AB
FB1804	RBLN-A022WJZZY	J	Ferrite Bead	AA
FB1805	RBLN-A022WJZZY	J	Ferrite Bead	AA
FB1806	RBLN-A022WJZZY	J	Ferrite Bead	AA
FB1807	RBLN-0210TAZZY	J	Ferrite Bead	AB
FB1808	RBLN-0210TAZZY	J	Ferrite Bead	AB
FB1809	RBLN-0210TAZZY	J	Ferrite Bead	AB
FB3202	RBLN-0060TAZZY	J	Ferrite Bead	AB
FB3204	RBLN-0060TAZZY	J	Ferrite Bead	AB
FB3206	RBLN-0060TAZZY	J	Ferrite Bead	AB
FB3300	RBLN-0061TAZZY	J	Ferrite Bead	AD
FB3301	RBLN-0210TAZZY	J	Ferrite Bead	AB
FB3302	RBLN-0061TAZZY	J	Ferrite Bead	AD
FB3303	RBLN-0061TAZZY	J	Ferrite Bead	AD
FB3304	RBLN-0061TAZZY	J	Ferrite Bead	AD
FB3305	RBLN-A005WJZZY	J	Ferrite Bead	AA
FB3700	RBLN-0210TAZZY	J	Ferrite Bead	AB
FB3701	RBLN-0210TAZZY	J	Ferrite Bead	AB
FB3702	RBLN-0210TAZZY	J	Ferrite Bead	AB
FB3703	RBLN-0081TAZZY	J	Ferrite Bead	AA
FB7201	RBLN-A022WJZZY	J	Ferrite Bead	AA
FB7202	RBLN-A022WJZZY	J	Ferrite Bead	AA

Ref. No.	Part No.	★	Description	Code
FB7203	RBLN-A022WJZZY	J	Ferrite Bead	AA
FB7204	RBLN-A022WJZZY	J	Ferrite Bead	AA
FB7205	RBLN-A022WJZZY	J	Ferrite Bead	AA
FB7206	RBLN-A022WJZZY	J	Ferrite Bead	AA
FB7207	RBLN-A022WJZZY	J	Ferrite Bead	AA
FB7208	RBLN-A022WJZZY	J	Ferrite Bead	AA
FB7209	RBLN-A022WJZZY	J	Ferrite Bead	AA
FB7210	RBLN-A022WJZZY	J	Ferrite Bead	AA
FB7211	RBLN-A022WJZZY	J	Ferrite Bead	AA
FB7212	RBLN-A022WJZZY	J	Ferrite Bead	AA
FB7214	RBLN-A022WJZZY	J	Ferrite Bead	AA
FB7218	RBLN-0210TAZZY	J	Ferrite Bead	AB
FB7256	RBLN-0210TAZZY	J	Ferrite Bead	AB
FB7257	RBLN-0210TAZZY	J	Ferrite Bead	AB
FB7258	RBLN-0210TAZZY	J	Ferrite Bead	AB
FB7259	RBLN-A005WJZZY	J	Ferrite Bead	AA
FB7260	RBLN-A005WJZZY	J	Ferrite Bead	AA
P801	QPLGN0060CEZZY	J	Plug, 10pin	AE
P1001	QPLGN0056CEZZY	J	Plug, 6pin	AD
P1501	QPLGN0064CEZZY	J	Plug, 14pin(SH)	AE
P1803	QPLGN0547FJZZY	J	Plug, 10pin(PE)	AE
P1804	QPLGN0548FJZZY	J	Plug, 11pin(PB)	AE
P3700	QPLGN0572FJZZY	J	Plug, 10pin(MD)	AE
P7200	QPLGN0573FJZZY	J	Plug, 11pin(ME)	AE
P7201	QPLGNA239WJZZY	J	Plug, 40pin(MA)	AH
P7208	QEARBA005WJFMY J	J	Earth Plate	AD
P7210	QEARBA005WJFMY J	J	Earth Plate	AD
P7211	QEARBA005WJFMY J	J	Earth Plate	AD
P7213	QEARBA005WJFMY J	J	Earth Plate	AD
SC2102	QCNCWA240WJZZQJ	J	Connector, 80pin	AL
SC3200	QSOCN0491FJZZY	J	Socket, 33pin(LV)	AF
SC7200	QSOCN0493FJZZY	J	Socket, 45pin(FC)	AG

**DUNTKC595VJ17 (LC-32GA3E)**  
**DUNTKC595VJ19 (LC-37GA3E)**  
**DVI Unit**

**INTEGRATED CIRCUITS**

IC1900	VHiSi907+++1Q	J	SI1907BCQG52	BG
IC1901	VHiAD8185+++1Y	J	AD8185ARU	AW
IC1902	VHiLM2664+++1Y	J	LM2664M6X	AK
IC1903	VHiVHCT125A-1Y	J	TC74VHCT125AFT	AE
IC1904	VHiNC7WZ14P-1Y	J	NC7WZ14P6X	AD
IC1911	VHi24LC2Bin3ES	J	IC	AK
IC1914	VHiM62320FP-1Y	J	M62320FP	AH
IC1915	VHi24LC21+14ES	J	24LC21T-I/SN	AK
IC1916	VHiPQ1R33///-1Y	J	PQ1R33	AE
IC1917	VHiPCA9559+-1Y	J	PCA9559PW	AN
IC1918	VHiTC4053BT-1Y	J	TC4053BFT	AG
IC1919	VHiPQ20WZ11-1Y	J	PQ20WZ1U (LC-37GA3E/K/F/I)	AF
IC3104	VHiUPD4721G-1Y	J	UPD4721GS-GJG	AN

**TRANSISTORS**

Q1900	VSDTC144EE/-1Y	J	DTC144EE	AA
Q1901	VS2SK536///-1Y	J	2SK536	AE
Q1902	VS2SK536///-1Y	J	2SK536	AE
Q1905	VS2SK536///-1Y	J	2SK536	AE
Q1906	VS2SK536///-1Y	J	2SK536	AE
Q1907	VSiMD2A///-1Y	J	iMD2A	AC

**DIODES**

D1900	VHDMA3120WA-1Y	J	MA3120WA	AD
D1901	VHDMA3120WA-1Y	J	MA3120WA	AD
D1902	VHDMA3120WA-1Y	J	MA3120WA	AD
D1903	RH-EX1394CEZZY	J	Zener Diode, 5.6V	AB

Ref. No.	Part No.	★	Description	Code	Ref. No.	Part No.	★	Description	Code
<b>DUNTKC595VJ17 (LC-32GA3E)</b>					<b>DUNTKC595VJ19 (LC-37GA3E)</b>				
<b>DVI Unit (Continued)</b>									
D1904	RH-EX1394CEZZY	J	Zener Diode, 5.6V	AB	C1957	RC-KZA083WJZZY	J 10	16V Ceramic	AC
D1905	VHD1SS355/-1Y	J	1SS355	AB	C1958	RC-KZA083WJZZY	J 10	16V Ceramic	AC
D1906	VHDDAN202K/-1Y	J	DAN202K	AB	C1959	VCEASX1CN226MY	J 22	16V Electrolytic	AC
D1907	RH-EX1395CEZZY	J	Zener Diode, 6.2V	AC	C1960	VCKYCY1EF104ZY	J 0.1	25V Ceramic	AA
D1908	RH-EX1395CEZZY	J	Zener Diode, 6.2V	AC	C1961	VCKYCY1EF104ZY	J 0.1	25V Ceramic	AA
D1913	VHD1SS355/-1Y	J	1SS355	AB	C1962	VCEASX1CN226MY	J 22	16V Electrolytic	AC
D1914	VHD1SS355/-1Y	J	1SS355 (LC-37GA3E/K/F/I)	AB	C1963	VCCCCY1HH470JY	J 47p	50V Ceramic	AA
D1915	VHD1SS355/-1Y	J	1SS355 (LC-37GA3E/K/F/I)	AB	C1964	VCCCCY1HH470JY	J 47p	50V Ceramic	AA
D3104	VHDMA3120WA-1Y	J	MA3120WA	AD	C1975	VCKYCY1EF104ZY	J 0.1	25V Ceramic	AA
D3105	VHDMA3120WA-1Y	J	MA3120WA	AD	C1976	VCEASX1CN476MY	J 47	16V Electrolytic	AC
<b>CAPACITORS</b>									
C1900	VCCCCY1HH101JY	J	100p 50V Ceramic	AA	C1977	VCKYCY1EF104ZY	J 0.1	25V Ceramic	AA
C1901	VCCCCY1HH101JY	J	100p 50V Ceramic	AA	C1980	VCKYCY1HB102KY	J 1000p	50V Ceramic	AA
C1902	RC-KZA083WJZZY	J	10 16V Ceramic	AC	C1981	VCKYCY1HB102KY	J 1000p	50V Ceramic	AA
C1903	VCEASX1CN476MY	J	47 16V Electrolytic	AC	C1982	VCKYTV1CB105KY	J 1	16V Ceramic	AC
C1904	VCCCCY1HH101JY	J	100p 50V Ceramic	AA	C1983	VCKYTV1CB105KY	J 1	16V Ceramic	AC
C1905	RC-KZA083WJZZY	J	10 16V Ceramic	AC	C1985	VCKYCY1EF104ZY	J 0.1	25V Ceramic	AA
C1906	VCCCCY1HH101JY	J	100p 50V Ceramic	AA	(LC-37GA3E/K/F/I)				
C1907	VCCCCY1HH101JY	J	100p 50V Ceramic	AA	C1987	VCEASY1CN226MY	J 22	16V Electrolytic	AC
C1908	VCCCCY1HH101JY	J	100p 50V Ceramic	AA	(LC-37GA3E/K/F/I)				
C1909	RC-KZA083WJZZY	J	10 16V Ceramic	AC	C1988	VCEASY1CN107MY	J 100	16V Electrolytic	AC
C1910	VCCCCY1HH101JY	J	100p 50V Ceramic	AA	(LC-37GA3E/K/F/I)				
C1911	VCCCCY1HH101JY	J	100p 50V Ceramic	AA	C2911	VCKYCY1EF104ZY	J 0.1	25V Ceramic	AA
C1912	RC-KZA083WJZZY	J	10 16V Ceramic	AC	C2913	VCEASX1CN476MY	J 47	16V Electrolytic	AC
C1913	VCCCCY1HH101JY	J	100p 50V Ceramic	AA	C2914	VCKYCY1EF104ZY	J 0.1	25V Ceramic	AA
C1914	RC-KZA083WJZZY	J	10 16V Ceramic	AC	C2915	VCKYCY1EF104ZY	J 0.1	25V Ceramic	AA
C1915	VCCCCY1HH101JY	J	100p 50V Ceramic	AA	C2916	VCKYCY1EF104ZY	J 0.1	25V Ceramic	AA
C1916	VCKYCY1EF104ZY	J	0.1 25V Ceramic	AA	C2917	VCKYCY1EF104ZY	J 0.1	25V Ceramic	AA
C1917	RC-KZA083WJZZY	J	10 16V Ceramic	AC	C2918	VCKYCY1EF104ZY	J 0.1	25V Ceramic	AA
C1918	VCCCCY1HH101JY	J	100p 50V Ceramic	AA	C2919	VCKYCY1EF104ZY	J 0.1	25V Ceramic	AA
C1919	VCKYCY1EF104ZY	J	0.1 25V Ceramic	AA	C2920	VCKYCY1EF104ZY	J 0.1	25V Ceramic	AA
C1920	RC-KZA083WJZZY	J	10 16V Ceramic	AC	C2921	VCKYCY1HB103KY	J 0.01	50V Ceramic	AA
C1921	VCCCCY1HH101JY	J	100p 50V Ceramic	AA	(LC-37GA3E/K/F/I)				
C1922	VCKYCY1EF104ZY	J	0.1 25V Ceramic	AA	C3133	VCEASX1HN225MY	J 2.2	50V Electrolytic	AB
C1923	RC-KZA083WJZZY	J	10 16V Ceramic	AC	C3134	VCEASX1HN225MY	J 2.2	50V Electrolytic	AB
C1924	VCEASX1CN476MY	J	47 16V Electrolytic	AC	C3135	VCEASX1HN225MY	J 2.2	50V Electrolytic	AB
C1925	VCCCCY1HH101JY	J	100p 50V Ceramic	AA	C3136	VCKYCY1EF104ZY	J 0.1	25V Ceramic	AA
C1926	VCKYCY1EF104ZY	J	0.1 25V Ceramic	AA	C3137	VCEASX1CN106MY	J 10	16V Electrolytic	AC
C1927	RC-KZA083WJZZY	J	10 16V Ceramic	AC	C3138	VCEASX1HN225MY	J 2.2	50V Electrolytic	AB
C1928	VCKYCY1EF104ZY	J	0.1 25V Ceramic	AA	C3139	VCEASX1HN225MY	J 2.2	50V Electrolytic	AB
C1929	RC-KZA113WJZZY	J	4.7 16V Ceramic	AB	<b>RESISTORS</b>				
C1930	VCKYCY1HB103KY	J	0.01 50V Ceramic	AA	R1900	VRS-CY1JF391FY	J 390	1/16W Metal Oxide	AA
C1931	RC-KZA113WJZZY	J	4.7 16V Ceramic	AB	R1901	VRS-CY1JF103JY	J 10k	1/16W Metal Oxide	AA
C1932	VCKYCY1HB103KY	J	0.01 50V Ceramic	AA	R1902	VRS-CJ1JF220JY	J 22	1/16W Metal Oxide	AA
C1933	RC-KZA113WJZZY	J	4.7 16V Ceramic	AB	R1903	VRS-CY1JF470JY	J 47	1/16W Metal Oxide	AA
C1934	VCKYCY1HB103KY	J	0.01 50V Ceramic	AA	R1904	VRS-CY1JF470JY	J 47	1/16W Metal Oxide	AA
C1935	VCEASX1CN226MY	J	22 16V Electrolytic	AC	R1905	VRS-CY1JF103JY	J 10k	1/16W Metal Oxide	AA
C1936	VCKYCY1HB103KY	J	0.01 50V Ceramic	AA	R1906	VRS-TQ2BD750JY	J 75	1/8W Metal Oxide	AA
C1937	RC-KZA083WJZZY	J	10 16V Ceramic	AC	R1907	VRS-TQ2BD750JY	J 75	1/8W Metal Oxide	AA
C1938	VCKYCY1HB103KY	J	0.01 50V Ceramic	AA	R1908	VRS-CY1JF181FY	J 180	1/16W Metal Oxide	AA
C1939	VCCCCY1HH220JY	J	22p 50V Ceramic	AA	R1909	VRS-TQ2BD750JY	J 75	1/8W Metal Oxide	AA
C1940	RC-KZA083WJZZY	J	10 16V Ceramic	AC	R1910	VRS-CY1JF103JY	J 10k	1/16W Metal Oxide	AA
C1941	VCKYCY1HB103KY	J	0.01 50V Ceramic	AA	R1911	VRS-CY1JF103JY	J 10k	1/16W Metal Oxide	AA
C1942	VCCCCY1HH220JY	J	22p 50V Ceramic	AA	R1912	VRS-TW2ED750JY	J 75	1/4W Metal Oxide	AA
C1943	RC-KZA083WJZZY	J	10 16V Ceramic	AC	R1913	VRS-CY1JF103JY	J 10k	1/16W Metal Oxide	AA
C1944	VCKYCY1HB103KY	J	0.01 50V Ceramic	AA	R1914	VRS-TW2ED750JY	J 75	1/4W Metal Oxide	AA
C1945	VCCCCY1HH220JY	J	22p 50V Ceramic	AA	R1915	VRS-CY1JF103JY	J 10k	1/16W Metal Oxide	AA
C1946	VCKYCY1EF104ZY	J	0.1 25V Ceramic	AA	R1916	VRS-TW2ED750JY	J 75	1/4W Metal Oxide	AA
C1947	VCKYCY1EF104ZY	J	0.1 25V Ceramic	AA	R1917	VRS-CY1JF103JY	J 10k	1/16W Metal Oxide	AA
C1948	VCKYCY1EF104ZY	J	0.1 25V Ceramic	AA	R1918	VRS-TQ2BD750JY	J 75	1/8W Metal Oxide	AA
C1949	VCKYCY1EF104ZY	J	0.1 25V Ceramic	AA	R1919	VRS-TQ2BD750JY	J 75	1/8W Metal Oxide	AA
C1950	VCKYCY1EF104ZY	J	0.1 25V Ceramic	AA	R1920	VRS-TQ2BD750JY	J 75	1/8W Metal Oxide	AA
C1951	VCKYCY1EF104ZY	J	0.1 25V Ceramic	AA	R1921	VRS-CY1JF203JY	J 20k	1/16W Metal Oxide	AA
C1952	VCKYCY1HB103KY	J	0.01 50V Ceramic	AA	R1922	VRS-TW2ED750JY	J 75	1/4W Metal Oxide	AA
C1953	VCKYCY1EF104ZY	J	0.1 25V Ceramic	AA	R1923	VRS-TW2ED750JY	J 75	1/4W Metal Oxide	AA
C1954	VCEASX1CN226MY	J	22 16V Electrolytic	AC	R1924	VRS-TW2ED750JY	J 75	1/4W Metal Oxide	AA
C1955	VCKYTV1CB105KY	J	1 16V Ceramic	AC	R1925	VRS-CY1JF103JY	J 10k	1/16W Metal Oxide	AA
C1956	VCKYTV1CB105KY	J	1 16V Ceramic	AC	R1926	VRS-CY1JF330JY	J 33	1/16W Metal Oxide	AA
					R1927	VRS-CY1JF330JY	J 33	1/16W Metal Oxide	AA
					R1928	VRS-CY1JF101JY	J 100	1/16W Metal Oxide	AA
					R1929	VRS-CY1JF222JY	J 2.2k	1/16W Metal Oxide	AA
					R1930	VRS-CY1JF101JY	J 100	1/16W Metal Oxide	AA
					R1931	VRS-CY1JF222JY	J 2.2k	1/16W Metal Oxide	AA
					R1932	VRS-CY1JF330JY	J 33	1/16W Metal Oxide	AA
					R1933	VRS-CY1JF330JY	J 33	1/16W Metal Oxide	AA



Ref. No.	Part No.	★	Description	Code	Ref. No.	Part No.	★	Description	Code
<b>DUNTKC595VJ17 (LC-32GA3E)</b>					R2932	VRS-CY1JF000JY	J 0	1/16W Metal Oxide (LC-32GA3E/K/F/I)	AA
<b>DUNTKC595VJ19 (LC-37GA3E)</b>					R2933	VRS-CY1JF000JY	J 0	1/16W Metal Oxide (LC-37GA3E/K/F/I)	AA
<b>DVI Unit (Continued)</b>					R3128	VRS-CY1JF000JY	J 0	1/16W Metal Oxide	AA
R1939	VRS-CY1JF000JY	J 0	1/16W Metal Oxide	AA	R3130	VRS-CY1JF000JY	J 0	1/16W Metal Oxide	AA
R1945	VRS-CY1JF000JY	J 0	1/16W Metal Oxide	AA	R3131	VRS-CY1JF000JY	J 0	1/16W Metal Oxide	AA
R1946	VRS-CY1JF103JY	J 10k	1/16W Metal Oxide	AA	R3133	VRS-TV1JD101JY	J 100	1/16W Metal Oxide	AA
R1948	VRS-CY1JF000JY	J 0	1/16W Metal Oxide	AA	R3135	VRS-TV1JD101JY	J 100	1/16W Metal Oxide	AA
R1949	VRS-CY1JF473JY	J 47k	1/16W Metal Oxide	AA	<b>SWITCHES</b>				
R1950	VRS-CY1JF100JY	J 10	1/16W Metal Oxide	AA	S1901	QSW-K0096CEZZ	J	Switch, BS RESET	AB
R1951	VRS-CY1JF100JY	J 10	1/16W Metal Oxide	AA	S1902	QSW-K0096CEZZ	J	Switch, TV RESET	AB
R1952	VRS-CY1JF472JY	J 4.7k	1/16W Metal Oxide	AA	<b>MISCELLANEOUS PARTS</b>				
R1953	VRS-CY1JF472JY	J 4.7k	1/16W Metal Oxide	AA	FB1900	RBLN-0060TAZZY	J	Ferrite Bead	AB
R1954	VRS-CY1JF472JY	J 4.7k	1/16W Metal Oxide	AA	FB1901	RBLN-0060TAZZY	J	Ferrite Bead	AB
R1955	VRS-CY1JF472JY	J 4.7k	1/16W Metal Oxide	AA	FB1902	RBLN-0060TAZZY	J	Ferrite Bead	AB
R1956	VRS-CY1JF102JY	J 1k	1/16W Metal Oxide	AA	FB1903	RBLN-0060TAZZY	J	Ferrite Bead	AB
R1957	VRS-CY1JF102JY	J 1k	1/16W Metal Oxide	AA	FB1904	RBLN-0060TAZZY	J	Ferrite Bead	AB
R1958	VRS-CY1JF104JY	J 100k	1/16W Metal Oxide	AA	FB1905	RBLN-0060TAZZY	J	Ferrite Bead	AB
R1959	VRS-CY1JF104JY	J 100k	1/16W Metal Oxide	AA	FB1906	RBLN-0060TAZZY	J	Ferrite Bead	AB
R1960	VRS-CY1JF102JY	J 1k	1/16W Metal Oxide	AA	FB1907	RBLN-0060TAZZY	J	Ferrite Bead	AB
R1961	VRS-CY1JF102JY	J 1k	1/16W Metal Oxide	AA	FB1908	RBLN-0060TAZZY	J	Ferrite Bead	AB
R1962	VRS-CY1JF223JY	J 22k	1/16W Metal Oxide	AA	FB1909	RBLN-0060TAZZY	J	Ferrite Bead	AB
R1963	VRS-CY1JF223JY	J 22k	1/16W Metal Oxide	AA	FB1910	RBLN-0060TAZZY	J	Ferrite Bead	AB
R1964	VRS-CY1JF512FY	J 5.1k	1/16W Metal Oxide	AA	FB1911	RBLN-0060TAZZY	J	Ferrite Bead	AB
R1972	VRS-TW2ED000JY	J 0	1/4W Metal Oxide	AB	FB1912	RBLN-0062TAZZY	J	Ferrite Bead	AB
R1973	VRS-TW2ED000JY	J 0	1/4W Metal Oxide	AB	FB1913	RBLN-0062TAZZY	J	Ferrite Bead	AB
R1974	VRS-TW2ED000JY	J 0	1/4W Metal Oxide	AB	FB1914	RBLN-0083GEZZY	J	Ferrite Bead	AB
R1982	VRS-CY1JF2R7JY	J 2.7	1/16W Metal Oxide	AA	FB3106	RBLN-0060TAZZY	J	Ferrite Bead	AB
R1983	VRS-CY1JF000JY	J 0	1/16W Metal Oxide	AA	FB3108	RBLN-0060TAZZY	J	Ferrite Bead	AB
R1984	VRS-CY1JF000JY	J 0	1/16W Metal Oxide	AA	J1900	QJAKJ0066CEZZ	J	Audio Input Jack	AE
R1985	VRS-CY1JF000JY	J 0	1/16W Metal Oxide	AA	P1900	QPLGN0572FJZZY	J	Plug, 10pin(MD)	AE
R1986	VRS-CY1JF330JY	J 33	1/16W Metal Oxide	AA	P1901	QPLGN0573FJZZY	J	Plug, 11pin(ME)	AE
R1987	VRS-CY1JF330JY	J 33	1/16W Metal Oxide	AA	P1902	QPLGN0549FJZZY	J	Plug, 12pin(AV)	AE
R1988	VRS-CY1JF330JY	J 33	1/16W Metal Oxide	AA	P1904	QPLGN0542FJZZY	J	Plug, 5pin	AD
R1989	VRS-CY1JF330JY	J 33	1/16W Metal Oxide	AA	P3101	QPLGN0567FJZZY	J	Plug, 5pin(DU)	AD
R1992	VRS-CY1JF473JY	J 47k	1/16W Metal Oxide	AA	SC1900	QSOCZA065WJZZ	J	Socket, 34pin(INPUT5 Terminal)	AH
R1993	VRS-CY1JF473JY	J 47k	1/16W Metal Oxide	AA	SC3103	QSOCN0437FJZZ	J	Socket, 11pin(RS-232C Terminal)	AM
R1994	VRS-CY1JF103JY	J 10k	1/16W Metal Oxide	AA	LANGKA292WJFW	J	Fixing Metal	AQ	
R1995	VRS-CY1JF000JY	J 0	1/16W Metal Oxide	AA	LHLDWA043WJKZ	J	Holder	AB	
R1996	VRS-CY1JF103JY	J 10k	1/16W Metal Oxide	AA	NSFTZ0134CEFW	J	Shaft	AD	
R1998	VRS-TV1JD000JY	J 0	1/16W Metal Oxide	AA	PSLDM411WJFW	J	Shield	AG	
R1999	VRS-TV1JD000JY	J 0	1/16W Metal Oxide	AA	PSLDM430WJFW	J	Shield	AH	
R2900	VRS-CY1JF000JY	J 0	1/16W Metal Oxide	AA	PSPAN006WJZZ	J	Spacer	AC	
R2901	VRS-CY1JF223JY	J 22k	1/16W Metal Oxide	AA	QCNW-C621WJQZ	J	Connecting Cord, AV SUB-MAIN [ME]	AL	
R2902	VRS-CY1JF472JY	J 4.7k	1/16W Metal Oxide	AA	QCNW-C796WJPZ	J	Connecting Cord, AVSUB-MAIN [MD]	AM	
R2903	VRS-CY1JF472JY	J 4.7k	1/16W Metal Oxide	AA	QCNW-C797WJQZ	J	Connecting Cord, AVSUB-CPU [DU]	AG	
R2905	VRS-CY1JF103JY	J 10k	1/16W Metal Oxide	AA	XBPSL30P06WS0	J	Screw	AA	
R2906	VRS-CY1JF103JY	J 10k	1/16W Metal Oxide	AA					
R2907	VRS-CY1JF103JY	J 10k	1/16W Metal Oxide	AA					
R2908	VRS-CY1JF000JY	J 0	1/16W Metal Oxide	AA					
R2909	VRS-CY1JF000JY	J 0	1/16W Metal Oxide	AA					
R2910	VRS-CY1JF103JY	J 10k	1/16W Metal Oxide	AA					
R2916	VRS-CY1JF000JY	J 0	1/16W Metal Oxide	AA					
R2917	VRS-CY1JF222JY	J 2.2k	1/16W Metal Oxide (LC-37GA3E/K/F/I)	AA					
R2918	VRS-CY1JF100JY	J 10	1/16W Metal Oxide	AA					
R2919	VRS-CY1JF103JY	J 10k	1/16W Metal Oxide	AA					
R2920	VRS-CY1JF102JY	J 1k	1/16W Metal Oxide (LC-37GA3E/K/F/I)	AA					
R2921	VRS-CY1JF102JY	J 1k	1/16W Metal Oxide (LC-37GA3E/K/F/I)	AA					
R2922	VRS-CY1JF224JY	J 220k	1/16W Metal Oxide (LC-37GA3E/K/F/I)	AA					
R2923	VRS-CY1JF101JY	J 100	1/16W Metal Oxide (LC-37GA3E/K/F/I)	AA					
R2924	VRS-TV1JD000JY	J 0	1/16W Metal Oxide (LC-32GA3E/K/F/I)	AA					
R2925	VRS-CY1JF000JY	J 0	1/16W Metal Oxide (LC-37GA3E/K/F/I)	AA					
R2926	VRS-CY1JF511FY	J 510	1/16W Metal Oxide (LC-37GA3E/K/F/I)	AA					
R2927	VRS-CY1JF202FY	J 2k	1/16W Metal Oxide (LC-37GA3E/K/F/I)	AA					
R2929	VRS-CY1JF100JY	J 10	1/16W Metal Oxide	AA					

Ref. No. Part No. ★ Description Code  
**DUNTKC642UJ01/02/03 (LC-32GA3E)**  
**DUNTKC642UJ07/08/10 (LC-37GA3E)**  
**AV Unit**

**TUNER**

▲ TU1101 VTUATMQZ6-402 J VHF Tuner BD

**INTEGRATED CIRCUITS**

IC1102	VHiM62320FP-1Y	J	M62320FP	AH
IC1103	VHiBA05SFP+-1Y	J	BA05SFP-E2	AG
IC1104	VHiMM1506XN-1Y	J	MM1506XNRE	AD
IC1106	VHiBA7655AF-1Y	J	BA7655AF	AG
IC1108	VHiM62332FP-1Y	J	M62332FP	AL
IC1110	VHiTC4052BT-1Y	J	TC4052BFT	AF
IC1601	VHiSDA5550M-1Q	J	SDA5550M	AZ
IC1602	RH-iXA134WJN5Q	J	MBM29DL400TC90	AQ
IC1603	VHi62S8308X-1Q	J	A62S8308X-70SI	AY
IC1604	VHiMM1501XN-1Y	J	MM1501XNRE	AE
IC1605	VHi7WH157FK-1Y	J	TC7WH157FK	AF
IC1606	VHiBA033FP-1Y	J	BA033FP-E2	AG
IC1607	VHiPST9121N-1Y	J	IC-PST9121NR	AE
IC1608	VHiLVC157T+-1Y	J	SN74LVC157APWR	AF
IC1609	VHiLVC04AT+-1Y	J	SN74LVC04APWR	AE
IC1611	VHiPST9128N-1Y	J	IC-PST9128NR	AE
IC1612	VHiTC7SH08U-1Y	J	TC7SH08FU	AF
IC1613	VHiBA025FP+-1Y	J	BA25BC0FP-E2	AG
IC1614	VHiTC7SZ08U-1Y	J	TC7SZ08FU	AE
IC1615	VHi74LVX86T-1Y	J	TC74LVX86FT	AF
IC1616	VHiNC7SZ58P-1Y	J	NC7SZ58P6X	AE
IC2700	VHiNJU26106-1Q	J	NJU26106FR1	AT
IC2701	VHiMSP3450G-1Q	J	MSP3450G-QG-B8	BC
IC2702	VHiBH3544F+-1Y	J	BH3544F-E2	AE
IC2703	VHiBD4742G+-1Y	J	BD4742G-TR	AD
IC2704	VHiNJM4565M-1Y	J	NJM4565M	AE
IC2705	VHiNJM4565M-1Y	J	NJM4565M	AE
IC2706	VHiNJM4565M-1Y	J	NJM4565M	AE
IC2708	RH-iXA899WJN1Y	J	AT24C64AN-10SI	AL
IC2709	VHiM62320FP-1Y	J	M62320FP	AH
IC2710	VHiNJU26150-1Q	J	NJU26150FR1	AV
IC2711	VHiAK4353+-1Y	J	AK4353VF	AR
IC2712	VHiN2885D03-1Y	J	NJM2885DL103TE	AE
IC2713	RH-iXA167WJZZY	J	PQ025E201ZZ	AL
IC2714	VHiAK4586VQ-1Q	J	AK4586VQ	AY
IC2715	VHiAK5381VT-1Y	J	AK5381VT	AR
IC2716	VHiNJM4565M-1Y	J	NJM4565M	AE
IC3800	VHiMM1501XN-1Y	J	MM1501XNRE	AE
IC3801	VHiCXA2069Q-1	J	CXA2069Q	AR
IC3802	VHiNJM4565M-1Y	J	NJM4565M	AE
IC3803	VHiBA05SFP+-1Y	J	BA05SFP-E2	AG
IC3804	VHiPQ20WZ51-1Y	J	PQ20WZ51U	AF
IC3805	VHiMM1519XQ-1Q	J	MM1519XQ	AW
IC3806	VHiPCA9516A-1Y	J	I.C.	AP
IC3807	VHi7WH126FU-1Y	J	TC7WH126FU	AE
IC3808	VHiM62320FP-1Y	J	M62320FP	AH
IC3809	VHiM62320FP-1Y	J	M62320FP	AH
IC3810	VHiT7WH123U-1Y	J	TC7WH123FU	AD
IC3811	VHiT7SET08U-1Y	J	TC7SET08FU	AD
IC5701	VHiBA09SFP+-1Y	J	BA09SFP	AG
IC5702	VHiBA08SFP+-1Y	J	BA08SFP-E2	AG
IC5705	VHiBA033FP-1Y	J	BA033FP-E2	AG
IC5706	VHiPQ05DZ1U-1Y	J	PQ05DZ1U	AG
IC5707	RH-iXA552WJZZY	J	PQ1CY103ZP	AH
IC5708	VHiLTC1153+-1Y	J	LTC1153CS8	AT

**TRANSISTORS**

Q1101	VSDTC314TK/-1Y	J	DTC314TK	AC
Q1102	VSDTC314TK/-1Y	J	DTC314TK	AC
Q1103	VS2SC3928AR-1Y	J	2SC3928AR	AB
Q1104	VSDTC314TK/-1Y	J	DTC314TK	AC
Q1105	VS2SC3928AR-1Y	J	2SC3928AR	AB
Q1106	VS2SC3928AR-1Y	J	2SC3928AR	AB
Q1107	VSDTC314TK/-1Y	J	DTC314TK	AC
Q1108	VS2SC3928AR-1Y	J	2SC3928AR	AB
Q1109	VSDTC314TK/-1Y	J	DTC314TK	AC

Q1110	VS2SC3928AR-1Y	J	2SC3928AR	AB
Q1111	VS2SC3928AR-1Y	J	2SC3928AR	AB
Q1112	VSDTC314TK/-1Y	J	DTC314TK	AC
Q1114	VS2SC3928AR-1Y	J	2SC3928AR	AB
Q1115	VS2SC3928AR-1Y	J	2SC3928AR	AB
Q1116	VSDTC314TK/-1Y	J	DTC314TK	AC
Q1117	VSDTC314TK/-1Y	J	DTC314TK	AC
Q1118	VS2SA1530AR-1Y	J	2SA1530AR	AB
Q1119	VS2SC3928AR-1Y	J	2SC3928AR	AB
Q1120	VS2SC3928AR-1Y	J	2SC3928AR	AB
Q1121	VS2SC3928AR-1Y	J	2SC3928AR	AB
Q1122	VS2SC3928AR-1Y	J	2SC3928AR	AB
Q1124	VS2SC3928AR-1Y	J	2SC3928AR	AB
Q1125	VS2SC3928AR-1Y	J	2SC3928AR	AB
Q1126	VS2SC3928AR-1Y	J	2SC3928AR	AB
Q1127	VSDTC144EE/-1Y	J	DTC144EE	AA
Q1128	VSDTA144EE/-1Y	J	DTA144EE	AA
Q1129	VSDTC144EE/-1Y	J	DTC144EE	AA
Q1130	VSDTA144EE/-1Y	J	DTA144EE	AA
Q1133	VS2SC3928AR-1Y	J	2SC3928AR	AB
Q1134	VS2SC3928AR-1Y	J	2SC3928AR	AB
Q1135	VS2SA1530AR-1Y	J	2SA1530AR	AB
Q1136	VSDTC144EE/-1Y	J	DTC144EE	AA
Q1601	VS2SC3928AR-1Y	J	2SC3928AR	AB
Q1602	VS2SC3928AR-1Y	J	2SC3928AR	AB
Q1604	VS2SC3928AR-1Y	J	2SC3928AR	AB
Q1605	VS2SA1530AR-1Y	J	2SA1530AR	AB
Q1606	VS2SC3928AR-1Y	J	2SC3928AR	AB
Q1607	VS2SA1530AR-1Y	J	2SA1530AR	AB
Q1608	VSDTC144EE/-1Y	J	DTC144EE	AA
Q1609	VS2SA1530AR-1Y	J	2SA1530AR	AB
Q1610	VS2SA1530AR-1Y	J	2SA1530AR	AB
Q1611	VS2SA1530AR-1Y	J	2SA1530AR	AB
Q1612	VS2SA1530AR-1Y	J	2SA1530AR	AB
Q2701	VSDTC114EE/-1Y	J	DTC114EE	AB
Q2705	VS2SC3928AR-1Y	J	2SC3928AR	AB
Q2706	VS2SA1530AR-1Y	J	2SA1530AR	AB
Q2709	VSDTA144EE/-1Y	J	DTA144EE	AA
Q2710	VSDTC144EE/-1Y	J	DTC144EE	AA
Q2713	VSDTA144EE/-1Y	J	DTA144EE	AA
Q2714	VS2SC3928AR-1Y	J	2SC3928AR	AB
Q3800	VS2SA1530AR-1Y	J	2SA1530AR	AB
Q3801	VS2SA1530AR-1Y	J	2SA1530AR	AB
Q3802	VS2SA1530AR-1Y	J	2SA1530AR	AB
Q3803	VS2SA1530AR-1Y	J	2SA1530AR	AB
Q3804	VS2SC3928AR-1Y	J	2SC3928AR	AB
Q3805	VSDTC314TK/-1Y	J	DTC314TK	AC
Q3806	VSDTC314TK/-1Y	J	DTC314TK	AC
Q3807	VS2SC3928AR-1Y	J	2SC3928AR	AB
Q3808	VS2SA1530AR-1Y	J	2SA1530AR	AB
Q3809	VS2SC3928AR-1Y	J	2SC3928AR	AB
Q3810	VS2SC3928AR-1Y	J	2SC3928AR	AB
Q3813	VS2SC3928AR-1Y	J	2SC3928AR	AB
Q3814	VSDTC114EE/-1Y	J	DTC114EE	AB
Q3815	VS2SC3928AR-1Y	J	2SC3928AR	AB
Q3816	VSDTA114EKA-1Y	J	DTA114EKA	AB
Q5701	VS2SC3928AR-1Y	J	2SC3928AR	AB
Q5702	VS2SC3928AR-1Y	J	2SC3928AR	AB
Q5703	VSCPH3408+-1Y	J	CPH3408	AE
Q5706	VSDTC114EE/-1Y	J	DTC114EE	AB
Q5707	VS2SC3928AR-1Y	J	2SC3928AR	AB

**DIODES AND LED'S**

D1102	RH-EX1264CEZZY	J	Zener Diode, 10V	AB
D1105	RH-EX1264CEZZY	J	Zener Diode, 10V	AB
D1107	VHD1SS355//1Y	J	1SS355	AB
D1114	RH-EX1264CEZZY	J	Zener Diode, 10V	AB
D1119	RH-EX1264CEZZY	J	Zener Diode, 10V	AB
D1122	RH-EX1264CEZZY	J	Zener Diode, 10V	AB
D1128	RH-EX0207CEZZY	J	Zener Diode	AB
D1130	RH-EXA093WJZZY	J	Zener Diode, 13V	AB
D1131	RH-EXA093WJZZY	J	Zener Diode, 13V	AB
D1132	RH-EXA093WJZZY	J	Zener Diode, 13V	AB
D1133	RH-EXA093WJZZY	J	Zener Diode, 13V	AB
D1134	VHDHSU119//1Y	J	HSU119	AB
D1135	VHDHSU119//1Y	J	HSU119	AB

Ref. No.	Part No.	★	Description	Code	Ref. No.	Part No.	★	Description	Code
<b>DUNTKC642UJ01/02/03 (LC-32GA3E)</b>					<b>DUNTKC642UJ07/08/10 (LC-37GA3E)</b>				
<b>AV Unit (Continued)</b>									
D1136	VHDHSU119//1Y	J	HSU119	AB	FL1112	RFILN0017TAZZY	J	Filter	AC
D1137	RH-EX1395CEZZY	J	Zener Diode, 6.2V	AC	FL1113	RFILN0017TAZZY	J	Filter	AC
D1602	VHDHSU119//1Y	J	HSU119	AB	FL1114	RFILN0017TAZZY	J	Filter	AC
D2700	VHD1SS355//1Y	J	1SS355	AB	FL1119	RFILN0017TAZZY	J	Filter	AC
D2701	VHDDAN222//1Y	J	DAN222	AA	FL1120	RFILN0017TAZZY	J	Filter	AC
D2702	VHDDAN222//1Y	J	DAN222	AA	FL1121	RFILN0017TAZZY	J	Filter	AC
D2703	VHD1SS355//1Y	J	1SS355	AB	FL1125	RFILN0017TAZZY	J	Filter	AC
D2704	VHD1SS355//1Y	J	1SS355	AB	FL1127	RFILN0017TAZZY	J	Filter	AC
D2705	VHD1SS355//1Y	J	1SS355	AB	FL1128	RFILN0017TAZZY	J	Filter	AC
D2707	VHD1SS355//1Y	J	1SS355	AB	FL1129	RFILN0017TAZZY	J	Filter	AC
D2708	VHD1SS355//1Y	J	1SS355	AB	L1101	VPD9M4R7J1R4NY	J	Peaking 4.7µH	AB
D2709	VHD1SS355//1Y	J	1SS355	AB	L1102	VPD9M2R7J1R0NY	J	Peaking 2.7µH	AC
D2710	VHD1SS355//1Y	J	1SS355	AB	L1103	VPD9M4R7J1R4NY	J	Peaking 4.7µH	AB
D2711	VHD1SS355//1Y	J	1SS355	AB	L1104	VPD9M3R3J1R2NY	J	Peaking 3.3µH	AB
D3800	RH-EX1264CEZZY	J	Zener Diode, 10V	AB	L1105	VPD9M5R6J1R6NY	J	Peaking 5.6µH	AB
D3801	RH-EX1264CEZZY	J	Zener Diode, 10V	AB	L1106	VPD9M3R3J1R2NY	J	Peaking 3.3µH	AB
D3802	RH-EX1264CEZZY	J	Zener Diode, 10V	AB	L1107	VPD9M4R7J1R4NY	J	Peaking 4.7µH	AB
D3803	RH-EX1264CEZZY	J	Zener Diode, 10V	AB	L1108	VPD9M4R7J1R4NY	J	Peaking 4.7µH	AB
D3804	RH-EX1264CEZZY	J	Zener Diode, 10V	AB	L1109	VPD9M4R7J1R4NY	J	Peaking 4.7µH	AB
D3805	RH-EX1264CEZZY	J	Zener Diode, 10V	AB	L1110	VPD9M4R7MR53NY	J	Peaking 4.7µH	AB
D3806	RH-EX1264CEZZY	J	Zener Diode, 10V	AB	L1111	VPD9M100J1R7NY	J	Peaking 10µH	AC
D3807	RH-EX1264CEZZY	J	Zener Diode, 10V	AB	L1601	VPD9M270J3R2NY	J	Peaking 27µH	AB
D3808	VHDRB521S30-1Y	J	RB521S30	AC	L3800	VPD9M4R7J1R4NY	J	Peaking 4.7µH	AB
D3809	RH-EX1264CEZZY	J	Zener Diode, 10V	AB	L3801	VPD9M4R7J1R4NY	J	Peaking 4.7µH	AB
D3810	RH-EX1264CEZZY	J	Zener Diode, 10V	AB	L3802	VPD9M4R7J1R4NY	J	Peaking 4.7µH	AB
D3811	RH-EX1264CEZZY	J	Zener Diode, 10V	AB	L5701	RCILCA041WJZZY	J	Coil	AF
D3812	RH-EX1264CEZZY	J	Zener Diode, 10V	AB	L5702	RCILP0344TAZZY	J	Coil	AD
D3813	RH-EX1264CEZZY	J	Zener Diode, 10V	AB	L5703	RCILF0318GEZZY	J	Coil	AG
D3814	RH-EX1264CEZZY	J	Zener Diode, 10V	AB	<b>CAPACITORS</b>				
D3815	RH-EX1264CEZZY	J	Zener Diode, 10V	AB	C1101	VCCCTV1HH101JY	J	100p 50V Ceramic	AA
D3817	VHD1SS355//1Y	J	1SS355	AB	C1102	RC-KZA073WJZZY	J	10 16V Ceramic	AD
D3818	VHD1SS355//1Y	J	1SS355	AB	C1103	VCCCCY1HH100DY	J	10p 50V Ceramic	AA
D3819	VHD1SS355//1Y	J	1SS355	AB	C1104	VCCCCY1HH221JY	J	220p 50V Ceramic	AA
D3820	VHD1SS355//1Y	J	1SS355	AB	C1105	VCKYTV1CB105KY	J	1 16V Ceramic	AC
D3821	RH-EX1264CEZZY	J	Zener Diode, 10V	AB	C1106	VCKYCY1HB102KY	J	1000p 50V Ceramic	AA
D3822	RH-EX1264CEZZY	J	Zener Diode, 10V	AB	C1107	VCKYCY1HB102KY	J	1000p 50V Ceramic	AA
D3823	RH-EX1264CEZZY	J	Zener Diode, 10V	AB	C1108	VCCCCY1HH560JY	J	56p 50V Ceramic	AB
D3824	RH-EX1264CEZZY	J	Zener Diode, 10V	AB	C1109	VCCCCY1HH560JY	J	56p 50V Ceramic	AB
D3825	RH-EX1264CEZZY	J	Zener Diode, 10V	AB	C1110	VCKYTV1CB105KY	J	1 16V Ceramic	AC
D3826	RH-EX1264CEZZY	J	Zener Diode, 10V	AB	C1111	VCCCCY1HH100DY	J	10p 50V Ceramic	AA
D3827	VHDHSU119//1Y	J	HSU119	AB	C1112	VCKYTV1CB105KY	J	1 16V Ceramic	AC
D3828	VHDHSU119//1Y	J	HSU119	AB	C1113	VCKYTV1CB105KY	J	1 16V Ceramic	AC
D3829	VHDHSU119//1Y	J	HSU119	AB	C1114	VCKYTV1CB105KY	J	1 16V Ceramic	AC
D3831	RH-EX1264CEZZY	J	Zener Diode, 10V	AB	C1115	VCKYCY1HB331KY	J	330p 50V Ceramic	AA
D3832	VHD1SS355//1Y	J	1SS355	AB	C1116	VCKYCY1HB331KY	J	330p 50V Ceramic	AA
D3833	RH-EX1016GEZZY	J	Zener Diode, 18V	AD	C1117	VCKYCY1HB471KY	J	470p 50V Ceramic	AA
D3834	RH-EX1016GEZZY	J	Zener Diode, 18V	AD	C1118	VCKYCY1HB471KY	J	470p 50V Ceramic	AA
D3835	RH-EX1016GEZZY	J	Zener Diode, 18V	AD	C1119	VCKYTV1CB105KY	J	1 16V Ceramic	AC
D3836	RH-EX1016GEZZY	J	Zener Diode, 18V	AD	C1120	VCKYTV1CB105KY	J	1 16V Ceramic	AC
D5702	VHDSFPB74//2EY	J	SFPB74	AD	C1121	VCKYTV1CB105KY	J	1 16V Ceramic	AC
D5703	RH-EX1400CEZZY	J	Zener Diode, 10V	AB	C1122	VCKYTV1CB105KY	J	1 16V Ceramic	AC
D5704	RH-EXA093WJZZY	J	Zener Diode, 13V	AB	C1123	VCCCTV1HH101JY	J	100p 50V Ceramic	AA
D5705	VHDSFPA73//2EY	J	SFPA73	AD	C1124	RC-KZA073WJZZY	J	10 16V Ceramic	AD
D5706	RH-EX1264CEZZY	J	Zener Diode, 10V	AB	C1125	VCCCCY1HH100DY	J	10p 50V Ceramic	AA
D5715	VHD1SS355//1Y	J	1SS355	AB	C1126	VCKYCY1HB221KY	J	220p 50V Ceramic	AA
<b>PACKAGED CIRCUITS</b>					C1127	VCKYTV1CB105KY	J	1 16V Ceramic	AC
X1601	RCRSCA002WJZZY	J	Crystal	AG	C1128	VCKYCY1HB102KY	J	1000p 50V Ceramic	AA
X2700	RCRSCA015WJZZY	J	Crystal	AH	C1129	VCKYCY1HB102KY	J	1000p 50V Ceramic	AA
X2701	RCRSB0250GEZZ+	J	Crystal	AG	C1130	VCCCCY1HH560JY	J	56p 50V Ceramic	AB
X2702	RCRSCA015WJZZY	J	Crystal	AH	C1131	VCCCCY1HH560JY	J	56p 50V Ceramic	AB
X2703	RCRSCA045WJZZY	J	Crystal	AG	C1132	VCKYTV1CB105KY	J	1 16V Ceramic	AC
<b>COILS AND FILTERS</b>					C1133	VCEASX1CN476MY	J	47 16V Electrolytic	AC
FL1102	RFILN0017TAZZY	J	Filter	AC	C1134	VCKYCY1EF104ZY	J	0.1 25V Ceramic	AA
FL1105	RFILN0017TAZZY	J	Filter	AC	C1135	VCCCCY1HH100DY	J	10p 50V Ceramic	AA
FL1106	RFILN0017TAZZY	J	Filter	AC	C1136	VCKYCY1EF104ZY	J	0.1 25V Ceramic	AA
FL1107	RFILN0017TAZZY	J	Filter	AC	C1137	VCKYCY1HB331KY	J	330p 50V Ceramic	AA
FL1108	RFILN0017TAZZY	J	Filter	AC	C1138	VCKYCY1HB331KY	J	330p 50V Ceramic	AA
FL1109	RFILN0017TAZZY	J	Filter	AC	C1139	VCKYCY1HB471KY	J	470p 50V Ceramic	AA
					C1140	VCKYCY1HB471KY	J	470p 50V Ceramic	AA
					C1141	VCKYTV1CB105KY	J	1 16V Ceramic	AC
					C1142	VCKYTV1CB105KY	J	1 16V Ceramic	AC
					C1143	VCKYTV1CB105KY	J	1 16V Ceramic	AC
					C1144	VCKYTV1CB105KY	J	1 16V Ceramic	AC
					C1148	VCCCTV1HH101JY	J	100p 50V Ceramic	AA
					C1149	VCKYTV1CB105KY	J	1 16V Ceramic	AC

Ref. No.	Part No.	★	Description	Code	Ref. No.	Part No.	★	Description	Code
<b>DUNTKC642UJ01/02/03 (LC-32GA3E)</b>					<b>DUNTKC642UJ07/08/10 (LC-37GA3E)</b>				
<b>AV Unit (Continued)</b>									
C1150	VCKYCY1HB102KY	J	1000p 50V Ceramic	AA	C1221	VCKYCY1HB103KY	J	0.01 50V Ceramic	AA
C1151	VCKYCY1HB102KY	J	1000p 50V Ceramic	AA	C1222	VCEASX1CN106MY	J	10 16V Electrolytic	AC
C1152	VCCCCY1HH560JY	J	56p 50V Ceramic	AB	C1223	VCKYCY1HB103KY	J	0.01 50V Ceramic	AA
C1153	VCCCCY1HH560JY	J	56p 50V Ceramic	AB	C1224	VCEASX1CN106MY	J	10 16V Electrolytic	AC
C1154	VCKYTV1CB105KY	J	1 16V Ceramic	AC	C1225	VCKYCY1HB103KY	J	0.01 50V Ceramic	AA
C1155	VCCCCY1HH100DY	J	10p 50V Ceramic	AA	C1230	VCEASX1CN106MY	J	10 16V Electrolytic	AC
C1156	RC-KZA073WJZZY	J	10 16V Ceramic	AD	C1231	VCKYCY1EF104ZY	J	0.1 25V Ceramic	AA
C1157	VCKYTV1CB105KY	J	1 16V Ceramic	AC	C1232	VCKYCY1EF104ZY	J	0.1 25V Ceramic	AA
C1158	VCKYTV1CB105KY	J	1 16V Ceramic	AC	C1233	RC-KZA073WJZZY	J	10 16V Ceramic	AD
C1159	VCKYCY1HB331KY	J	330p 50V Ceramic	AA	C1234	VCKYCY1HB102KY	J	1000p 50V Ceramic	AA
C1160	VCKYCY1HB331KY	J	330p 50V Ceramic	AA	C1235	RC-KZA073WJZZY	J	10 16V Ceramic	AD
C1161	VCKYCY1HB471KY	J	470p 50V Ceramic	AA	C1237	VCKYCY1EF104ZY	J	0.1 25V Ceramic	AA
C1162	VCKYCY1HB471KY	J	470p 50V Ceramic	AA	C1238	VCEASX1CN106MY	J	10 16V Electrolytic	AC
C1163	VCKYTV1CB105KY	J	1 16V Ceramic	AC	C1239	VCKYCY1EF104ZY	J	0.1 25V Ceramic	AA
C1164	VCKYTV1CB105KY	J	1 16V Ceramic	AC	C1240	VCKYCY1EF104ZY	J	0.1 25V Ceramic	AA
C1165	VCKYTV1CB105KY	J	1 16V Ceramic	AC	C1241	VCKYCY1EF104ZY	J	0.1 25V Ceramic	AA
C1166	VCKYTV1CB105KY	J	1 16V Ceramic	AC	C1242	VCCCCY1HH330JY	J	33p 50V Ceramic	AA
C1167	RC-KZA073WJZZY	J	10 16V Ceramic	AD	C1243	VCCCCY1HH330JY	J	33p 50V Ceramic	AA
C1168	VCCCCY1HH560JY	J	56p 50V Ceramic	AB	C1244	VCKYCY1EF104ZY	J	0.1 25V Ceramic	AA
C1169	RC-KZA073WJZZY	J	10 16V Ceramic	AD	C1245	VCEASY1CN107MY	J	100 16V Electrolytic	AC
C1170	VCKYTV1CB105KY	J	1 16V Ceramic	AC	C1246	VCKYTV1CB105KY	J	1 16V Ceramic	AC
C1171	VCKYTV1CB105KY	J	1 16V Ceramic	AC	(LC-37GA3E/K/F/I)				
C1172	RC-KZA073WJZZY	J	10 16V Ceramic	AD	C1247	VCKYTV1CB105KY	J	1 16V Ceramic	AC
C1173	VCCCCY1HH100DY	J	10p 50V Ceramic	AA	(LC-37GA3E/K/F/I)				
C1174	VCKYTV1CB105KY	J	1 16V Ceramic	AC	C1601	VCEASY1CN107MY	J	100 16V Electrolytic	AC
C1177	VCEASY1CN477MY	J	470 16V Electrolytic	AD	C1602	VCKYCY1EF104ZY	J	0.1 25V Ceramic	AA
C1178	VCKYCY1HB102KY	J	1000p 50V Ceramic	AA	C1603	VCKYCY1HB103KY	J	0.01 50V Ceramic	AA
C1179	VCKYTV1CB105KY	J	1 16V Ceramic	AC	C1604	VCKYCY1HB103KY	J	0.01 50V Ceramic	AA
C1181	VCEASX1CN476MY	J	47 16V Electrolytic	AC	C1605	VCE9PV0JN226MY	J	22 6.3V Electrolytic	AD
C1182	VCKYCY1HB103KY	J	0.01 50V Ceramic	AA	C1606	VCEASY1CN107MY	J	100 16V Electrolytic	AC
C1183	VCCCCY1HH560JY	J	56p 50V Ceramic	AB	C1607	VCKYCY1HB103KY	J	0.01 50V Ceramic	AA
C1184	VCCCCY1HH560JY	J	56p 50V Ceramic	AB	C1608	VCKYCY1AF105ZY	J	1 10V Ceramic	AC
C1185	VCCCCY1HH681JY	J	680p 50V Ceramic	AB	C1609	VCKYCY1CF334ZY	J	0.33 16V Ceramic	AB
C1187	VCCCCY1HH121JY	J	120p 50V Ceramic	AA	C1610	VCKYCY1EF104ZY	J	0.1 25V Ceramic	AA
C1188	VCCCCY1HH820JY	J	82p 50V Ceramic	AA	C1611	VCEASX1CN476MY	J	47 16V Electrolytic	AC
C1189	VCCCCY1HH180JY	J	18p 50V Ceramic	AA	C1612	VCEASX1CN476MY	J	47 16V Electrolytic	AC
C1189	VCCCCY1HH390JY	J	39p 50V Ceramic	AA	C1613	VCEASX1CN226MY	J	22 16V Electrolytic	AC
(LC-32GA3E/K/F/I)					C1614	VCEASY1CN107MY	J	100 16V Electrolytic	AC
(LC-37GA3E/K/F/I)					C1616	VCCCCY1HH181JY	J	180p 50V Ceramic	AA
C1190	VCCCCY1HH151JY	J	150p 50V Ceramic	AA	C1617	VCEASX1CN476MY	J	47 16V Electrolytic	AC
C1191	VCCCCY1HH121JY	J	120p 50V Ceramic	AA	C1618	VCEASX1CN476MY	J	47 16V Electrolytic	AC
C1192	VCKYCY1HB103KY	J	0.01 50V Ceramic	AA	C1619	VCKYCY1EF104ZY	J	0.1 25V Ceramic	AA
C1193	VCEASY1CN107MY	J	100 16V Electrolytic	AC	C1621	VCKYCY1EF104ZY	J	0.1 25V Ceramic	AA
C1194	VCKYCY1EF104ZY	J	0.1 25V Ceramic	AA	C1622	VCKYCY1EF104ZY	J	0.1 25V Ceramic	AA
C1195	VCKYCY1EF104ZY	J	0.1 25V Ceramic	AA	C1623	VCE9PV0JN226MY	J	22 6.3V Electrolytic	AD
C1196	VCEASY1CN107MY	J	100 16V Electrolytic	AC	C1624	VCKYCY1EF104ZY	J	0.1 25V Ceramic	AA
C1197	VCCCCY1HH330JY	J	33p 50V Ceramic	AA	C1625	VCKYCY1EF104ZY	J	0.1 25V Ceramic	AA
C1198	VCCCCY1HH330JY	J	33p 50V Ceramic	AA	C1626	VCKYCY1EF104ZY	J	0.1 25V Ceramic	AA
C1199	VCEASY1CN477MY	J	470 16V Electrolytic	AD	C1627	VCKYTV1CB105KY	J	1 16V Ceramic	AC
C1200	VCKYCY1EF104ZY	J	0.1 25V Ceramic	AA	C1628	VCKYCY1EF104ZY	J	0.1 25V Ceramic	AA
C1201	VCKYCY1HB103KY	J	0.01 50V Ceramic	AA	C1629	VCKYCY1EF104ZY	J	0.1 25V Ceramic	AA
C1202	VCKYCY1HB102KY	J	1000p 50V Ceramic	AA	C1630	VCKYCY1EF104ZY	J	0.1 25V Ceramic	AA
C1203	VCKYCY1EF104ZY	J	0.1 25V Ceramic	AA	C1631	VCKYCY1EF104ZY	J	0.1 25V Ceramic	AA
C1204	VCEASX1CN106MY	J	10 16V Electrolytic	AC	C1632	VCKYCY1EF104ZY	J	0.1 25V Ceramic	AA
C1205	VCKYCY1EF104ZY	J	0.1 25V Ceramic	AA	C1633	VCCCCY1HH220JY	J	22p 50V Ceramic	AA
C1206	VCKYCY1HB103KY	J	0.01 50V Ceramic	AA	C1634	VCCCCY1HH180JY	J	18p 50V Ceramic	AA
C1207	VCEASY1CN477MY	J	470 16V Electrolytic	AD	C1635	VCKYCY1EF104ZY	J	0.1 25V Ceramic	AA
C1208	VCEASY1CN477MY	J	470 16V Electrolytic	AD	C1636	VCKYCY1EF104ZY	J	0.1 25V Ceramic	AA
C1209	VCEASX1HN105MY	J	1 50V Electrolytic	AB	C1637	VCKYCY1EF104ZY	J	0.1 25V Ceramic	AA
C1210	VCCCCY1HH330JY	J	33p 50V Ceramic	AA	C1638	VCKYCY1EF104ZY	J	0.1 25V Ceramic	AA
C1211	VCCCCY1HH330JY	J	33p 50V Ceramic	AA	C1639	VCKYCY1EF104ZY	J	0.1 25V Ceramic	AA
C1212	VCEASX1CN106MY	J	10 16V Electrolytic	AC	C1640	VCKYCY1EF104ZY	J	0.1 25V Ceramic	AA
C1213	VCKYCY1EF104ZY	J	0.1 25V Ceramic	AA	C1641	VCEASX0JN227MY	J	220 6.3V Electrolytic	AC
C1214	VCKYCY1HB103KY	J	0.01 50V Ceramic	AA	C1642	VCKYCY1EF104ZY	J	0.1 25V Ceramic	AA
C1215	VCKYCY1HB221KY	J	220p 50V Ceramic	AA	C1644	VCKYCY1EF104ZY	J	0.1 25V Ceramic	AA
C1217	VCKYCY1EF104ZY	J	0.1 25V Ceramic	AA	C1645	VCKYCY1EF104ZY	J	0.1 25V Ceramic	AA
C1218	VCEASY1CN107MY	J	100 16V Electrolytic	AC	C1646	VCKYCY1EF104ZY	J	0.1 25V Ceramic	AA
C1219	VCEASY1CN107MY	J	100 16V Electrolytic	AC	C1647	VCKYCY1CF334ZY	J	0.33 16V Ceramic	AB
C1220	VCKYCY1EF104ZY	J	0.1 25V Ceramic	AA	C1648	VCKYCY1EF104ZY	J	0.1 25V Ceramic	AA
					C1649	VCKYCY1EF104ZY	J	0.1 25V Ceramic	AA
					C1650	VCKYCY1EF104ZY	J	0.1 25V Ceramic	AA
					C1652	VCKYCY1EF104ZY	J	0.1 25V Ceramic	AA
					C1653	VCEASX0JN227MY	J	220 6.3V Electrolytic	AC
					C1654	VCEASX0JN227MY	J	220 6.3V Electrolytic	AC
					C2503	VCKYCY1HB103KY	J	0.01 50V Ceramic	AA

Ref. No.	Part No.	★	Description	Code	Ref. No.	Part No.	★	Description	Code
<b>DUNTKC642UJ01/02/03 (LC-32GA3E)</b>					C2780	VCCCCY1HH101JY	J	100p	50V Ceramic AA
<b>DUNTKC642UJ07/08/10 (LC-37GA3E)</b>					C2781	VCKYCY1EF104ZY	J	0.1	25V Ceramic AA
<b>AV Unit (Continued)</b>					C2782	VCEASX1CN106MY	J	10	16V Electrolytic AC
C2700	VCCCCY1HH8R0DY	J	8p	50V Ceramic AA	C2783	VCEASX1CN106MY	J	10	16V Electrolytic AC
C2701	VCKYCY1EF104ZY	J	0.1	25V Ceramic AA	C2784	RC-KZ0075TAZZY	J	2.2	16V Ceramic AC
C2702	VCEASY1CN107MY	J	100	16V Electrolytic AC	C2785	RC-KZ0075TAZZY	J	2.2	16V Ceramic AC
C2703	RC-KZ0075TAZZY	J	2.2	16V Ceramic AC	C2787	VCEASY1CN476MY	J	47	16V Electrolytic AC
C2704	VCKYCY1HB102KY	J	1000p	50V Ceramic AA	C2789	VCKYCY1EF104ZY	J	0.1	25V Ceramic AA
C2705	RC-KZ0075TAZZY	J	2.2	16V Ceramic AC	C2791	VCCCCY1HH8R0DY	J	8p	50V Ceramic AA
C2706	VCKYCY1HB102KY	J	1000p	50V Ceramic AA	C2792	VCCCCY1HH8R0DY	J	8p	50V Ceramic AA
C2707	VCEASX1CN226MY	J	22	16V Electrolytic AC	C2793	VCKYCY1EF104ZY	J	0.1	25V Ceramic AA
(LC-32GA3E/K/F/I)					C2794	VCKYCY1EF104ZY	J	0.1	25V Ceramic AA
C2707	VCEASX1CN106MY	J	10	16V Electrolytic AC	C2795	VCKYCY1HB103KY	J	0.01	50V Ceramic AA
(LC-37GA3E/K/F/I)					C2796	VCKYCY1EF104ZY	J	0.1	25V Ceramic AA
C2708	VCEASX1CN106MY	J	10	16V Electrolytic AC	C2797	VCCCCY1HH330JY	J	33p	50V Ceramic AA
C2709	VCEASX1CN476MY	J	47	16V Electrolytic AC	C2798	VCEASX1CN106MY	J	10	16V Electrolytic AC
C2710	VCCCCY1HH331JY	J	330p	50V Ceramic AA	C2799	VCKYCY1EF104ZY	J	0.1	25V Ceramic AA
C2711	VCCCCY1HH331JY	J	330p	50V Ceramic AA	C2800	VCCCCY1HH330JY	J	33p	50V Ceramic AA
C2712	VCKYCY1HB682KY	J	6800p	50V Ceramic AA	C2801	VCKYCY1EF104ZY	J	0.1	25V Ceramic AA
C2713	VCKYCY1HB682KY	J	6800p	50V Ceramic AA	C2802	VCCCCY1HH220JY	J	22p	50V Ceramic AA
C2714	VCCCCY1HH8R0DY	J	8p	50V Ceramic AA	C2803	VCCCCY1HH220JY	J	22p	50V Ceramic AA
C2715	VCKYCY1EF104ZY	J	0.1	25V Ceramic AA	C2804	VCCCCY1HH220JY	J	22p	50V Ceramic AA
C2716	VCEASX1CN106MY	J	10	16V Electrolytic AC	C2805	VCEASY1CN476MY	J	47	16V Electrolytic AC
C2717	VCEASX1CN106MY	J	10	16V Electrolytic AC	C2806	VCCCCY1HH220JY	J	22p	50V Ceramic AA
C2718	VCKYCY1EF104ZY	J	0.1	25V Ceramic AA	C2807	VCCCCY1HH220JY	J	22p	50V Ceramic AA
C2719	VCEASY1CN107MY	J	100	16V Electrolytic AC	C2808	VCKYCY1EF104ZY	J	0.1	25V Ceramic AA
C2720	VCCCCY1HH560JY	J	56p	50V Ceramic AB	C2809	VCKYCY1EF104ZY	J	0.1	25V Ceramic AA
C2721	VCEASX1HN335MY	J	3.3	50V Electrolytic AB	C2810	VCCCCY1HH220JY	J	22p	50V Ceramic AA
C2722	VCKYCY1EF104ZY	J	0.1	25V Ceramic AA	C2811	VCEASX1CN476MY	J	47	16V Electrolytic AC
C2723	VCKYCY1EF104ZY	J	0.1	25V Ceramic AA	C2812	VCEASX1CN106MY	J	10	16V Electrolytic AC
C2724	VCKYCY1HB222KY	J	2200p	50V Ceramic AA	C2813	VCEASX1CN106MY	J	10	16V Electrolytic AC
C2725	VCKYTV1CB105KY	J	1	16V Ceramic AC	C2814	VCKYCY1EF104ZY	J	0.1	25V Ceramic AA
C2726	VCKYTV1CB105KY	J	1	16V Ceramic AC	C2815	VCEASY1CN107MY	J	100	16V Electrolytic AC
C2727	VCKYCY1EF104ZY	J	0.1	25V Ceramic AA	C2816	VCKYCY1EF104ZY	J	0.1	25V Ceramic AA
C2728	VCEASX1CN106MY	J	10	16V Electrolytic AC	C2817	VCKYCY1EF104ZY	J	0.1	25V Ceramic AA
C2729	VCCCCY1HH471JY	J	470p	50V Ceramic AA	C2818	VCEASX1CN106MY	J	10	16V Electrolytic AC
C2730	VCEASY1CN107MY	J	100	16V Electrolytic AC	C2819	VCKYCY1EF104ZY	J	0.1	25V Ceramic AA
C2731	VCCCCY1HH560JY	J	56p	50V Ceramic AB	C2820	VCEASY1CN107MY	J	100	16V Electrolytic AC
C2732	VCCCCY1HH560JY	J	56p	50V Ceramic AB	C2821	VCEASX1CN476MY	J	47	16V Electrolytic AC
C2733	VCKYCY1EF104ZY	J	0.1	25V Ceramic AA	C2822	VCKYCY1EF104ZY	J	0.1	25V Ceramic AA
C2734	VCCCCY1HH5R0CY	J	5p	50V Ceramic AA	C2823	VCCCCY1HH270JY	J	27p	50V Ceramic AA
C2735	VCCCCY1HH6R0DY	J	6p	50V Ceramic AA	C2824	VCCCCY1HH270JY	J	27p	50V Ceramic AA
C2736	VCEASY1CN477MY	J	470	16V Electrolytic AD	C2825	VCKYTV1CB105KY	J	1	16V Ceramic AC
C2737	VCKYTV1CB105KY	J	1	16V Ceramic AC	C2826	VCKYCY1EF104ZY	J	0.1	25V Ceramic AA
C2738	VCEASY1CN337MY	J	330	16V Electrolytic AD	C2827	VCKYTV1CB105KY	J	1	16V Ceramic AC
C2739	VCEASY1CN337MY	J	330	16V Electrolytic AD	C2828	VCEASX1CN106MY	J	10	16V Electrolytic AC
C2740	VCKYCY1EF104ZY	J	0.1	25V Ceramic AA	C2829	VCKYCY1EF104ZY	J	0.1	25V Ceramic AA
C2741	VCKYCY1HB222KY	J	2200p	50V Ceramic AA	C2830	VCEASX1CN106MY	J	10	16V Electrolytic AC
C2742	VCKYTV1CB105KY	J	1	16V Ceramic AC	C2831	VCEASX1CN106MY	J	10	16V Electrolytic AC
C2743	VCKYTV1CB105KY	J	1	16V Ceramic AC	C2832	VCKYCY1HB102KY	J	1000p	50V Ceramic AA
C2744	VCKYCY1HB222KY	J	2200p	50V Ceramic AA	C2833	VCKYCY1EF104ZY	J	0.1	25V Ceramic AA
C2745	VCKYCY1HB222KY	J	2200p	50V Ceramic AA	C2834	VCKYCY1EF104ZY	J	0.1	25V Ceramic AA
C2746	VCKYCY1HB222KY	J	2200p	50V Ceramic AA	C2835	VCKYCY1EF104ZY	J	0.1	25V Ceramic AA
C2747	VCKYCY1HB222KY	J	2200p	50V Ceramic AA	C2836	VCKYCY1EF104ZY	J	0.1	25V Ceramic AA
C2748	VCEASX1CN106MY	J	10	16V Electrolytic AC	C2837	VCKYCY1EF104ZY	J	0.1	25V Ceramic AA
C2749	VCKYCY1EF104ZY	J	0.1	25V Ceramic AA	C2838	VCEASX1HN225MY	J	2.2	50V Electrolytic AB
C2751	VCCCCY1HH220JY	J	22p	50V Ceramic AA	C2839	VCKYTV1CF225ZY	J	2.2	16V Ceramic AB
C2752	VCKYCY1HB103KY	J	0.01	50V Ceramic AA	C2840	VCKYTV1CF225ZY	J	2.2	16V Ceramic AB
C2753	VCKYCY1HB102KY	J	1000p	50V Ceramic AA	C2841	VCKYTV1CB105KY	J	1	16V Ceramic AC
C2754	VCKYCY1HB102KY	J	1000p	50V Ceramic AA	C2842	VCKYCY1EF104ZY	J	0.1	25V Ceramic AA
C2755	VCKYCY1EF104ZY	J	0.1	25V Ceramic AA	C2843	VCEASX1CN106MY	J	10	16V Electrolytic AC
C2760	VCKYCY1EF104ZY	J	0.1	25V Ceramic AA	C2844	VCKYTV1CB105KY	J	1	16V Ceramic AC
C2761	VCEASX1CN106MY	J	10	16V Electrolytic AC	C2845	VCEASX1HN225MY	J	2.2	50V Electrolytic AB
C2762	VCEASX1CN106MY	J	10	16V Electrolytic AC	C2846	RC-KZ0117TAZZY	J	4.7	6.3V Ceramic AD
C2763	RC-KZ0117TAZZY	J	4.7	6.3V Ceramic AD	C2847	RC-KZ0117TAZZY	J	4.7	6.3V Ceramic AD
C2764	RC-KZ0117TAZZY	J	4.7	6.3V Ceramic AD	C2848	RC-KZ0117TAZZY	J	4.7	6.3V Ceramic AD
C2771	VCEASX1CN106MY	J	10	16V Electrolytic AC	C2849	VCKYCY1EF104ZY	J	0.1	25V Ceramic AA
C2772	VCKYCY1EF104ZY	J	0.1	25V Ceramic AA	C2850	RC-KZ0117TAZZY	J	4.7	6.3V Ceramic AD
C2773	VCEASX1CN106MY	J	10	16V Electrolytic AC	C2851	RC-KZ0117TAZZY	J	4.7	6.3V Ceramic AD
C2776	VCCCCY1HH101JY	J	100p	50V Ceramic AA	C2852	RC-KZ0117TAZZY	J	4.7	6.3V Ceramic AD
C2777	VCCCCY1HH101JY	J	100p	50V Ceramic AA	C2853	RC-KZ0117TAZZY	J	4.7	6.3V Ceramic AD
C2779	VCCCCY1HH101JY	J	100p	50V Ceramic AA	C2854	RC-KZ0117TAZZY	J	4.7	6.3V Ceramic AD
					C2855	VCKYCY1HB102KY	J	1000p	50V Ceramic AA
					C2856	VCKYCY1HB102KY	J	1000p	50V Ceramic AA
					C2857	RC-KZ0075TAZZY	J	2.2	16V Ceramic AC

Ref. No.	Part No.	★	Description	Code	Ref. No.	Part No.	★	Description	Code
<b>DUNTKC642UJ01/02/03 (LC-32GA3E)</b>					<b>DUNTKC642UJ07/08/10 (LC-37GA3E)</b>				
<b>AV Unit (Continued)</b>									
C2858	RC-KZ0075TAZZY	J 2.2	16V Ceramic	AC	C3869	VCKYCY1HF223ZY	J 0.022	50V Ceramic	AB
C2859	VCKYCY1EF104ZY	J 0.1	25V Ceramic	AA	C3870	VCKYCY1HF223ZY	J 0.022	50V Ceramic	AB
C2860	VCKYCY1HB103KY	J 0.01	50V Ceramic	AA	C3871	VCEASX1CN476MY	J 47	16V Electrolytic	AC
C2863	VCCCCY1HH101JY	J 100p	50V Ceramic	AA	C3872	VCEASY1EN227MY	J 220	25V Electrolytic	AD
C2864	VCCCCY1HH101JY	J 100p	50V Ceramic	AA	C3873	VCKYCY1EF104ZY	J 0.1	25V Ceramic	AA
C2865	VCCCCY1HH101JY	J 100p	50V Ceramic	AA	C3876	VCKYCY1EF104ZY	J 0.1	25V Ceramic	AA
C2866	VCCCCY1HH101JY	J 100p	50V Ceramic	AA	C3878	VCCCCY1HH330JY	J 33p	50V Ceramic	AA
C3800	VCKYCY1EF104ZY	J 0.1	25V Ceramic	AA	C3879	VCKYCY1EF104ZY	J 0.1	25V Ceramic	AA
C3801	VCCCCY1HH330JY	J 33p	50V Ceramic	AA	C3880	VCKYCY1AB105KY	J 1	10V Ceramic	AB
C3802	VCKYCY1HB471KY	J 470p	50V Ceramic	AA	C3881	VCKYCY1EF104ZY	J 0.1	25V Ceramic	AA
C3803	VCKYCY1HB471KY	J 470p	50V Ceramic	AA	C3882	VCEASX1CN106MY	J 10	16V Electrolytic	AC
C3804	VCKYCY1HB103KY	J 0.01	50V Ceramic	AA	C3883	VCKYCY1EF104ZY	J 0.1	25V Ceramic	AA
C3805	VCCCCY1HH330JY	J 33p	50V Ceramic	AA	C3884	VCEASX1CN106MY	J 10	16V Electrolytic	AC
C3806	VCKYTV1CB105KY	J 1	16V Ceramic	AC	C3886	VCKYCY1EF104ZY	J 0.1	25V Ceramic	AA
C3807	RC-KZA083WJZZY	J 10	16V Ceramic	AC	C3887	VCCCCY1HH330JY	J 33p	50V Ceramic	AA
C3808	VCKYCY1EF104ZY	J 0.1	25V Ceramic	AA	C3888	VCKYCY1EF104ZY	J 0.1	25V Ceramic	AA
C3809	VCCCCY1HH471JY	J 470p	50V Ceramic	AA	C3889	VCKYCY1EF104ZY	J 0.1	25V Ceramic	AA
C3810	VCCCCY1HH471JY	J 470p	50V Ceramic	AA	C3890	VCKYTV1CB105KY	J 1	16V Ceramic	AC
C3811	VCKYCY1HB102KY	J 1000p	50V Ceramic	AA	C3891	VCKYCY1EF104ZY	J 0.1	25V Ceramic	AA
C3812	VCKYCY1HB102KY	J 1000p	50V Ceramic	AA	C3892	VCKYCY1EF104ZY	J 0.1	25V Ceramic	AA
C3813	VCCCCY1HH471JY	J 470p	50V Ceramic	AA	C3893	VCKYCY1HF223ZY	J 0.022	50V Ceramic	AB
C3814	VCCCCY1HH471JY	J 470p	50V Ceramic	AA	C3894	VCEASX1CN476MY	J 47	16V Electrolytic	AC
C3816	RC-KZA083WJZZY	J 10	16V Ceramic	AC	C3895	VCCCCY1HH151JY	J 150p	50V Ceramic	AA
C3817	VCKYCY1EF104ZY	J 0.1	25V Ceramic	AA	C3896	VCCCCY1HH151JY	J 150p	50V Ceramic	AA
C3818	VCKYTV1CB105KY	J 1	16V Ceramic	AC	C3897	VCKYCY1HF224ZY	J 0.22	50V Ceramic	AA
C3819	VCEASY1CN107MY	J 100	16V Electrolytic	AC	C3898	VCCCCY1HH151JY	J 150p	50V Ceramic	AA
C3820	VCKYCY1HB471KY	J 470p	50V Ceramic	AA	C3899	VCKYCY1HF224ZY	J 0.22	50V Ceramic	AA
C3821	VCKYCY1HB471KY	J 470p	50V Ceramic	AA	C3900	VCCCCY1HH151JY	J 150p	50V Ceramic	AA
C3822	VCKYTV1CB105KY	J 1	16V Ceramic	AC	C3901	VCKYCY1HF223ZY	J 0.022	50V Ceramic	AB
C3823	VCKYCY1HB103KY	J 0.01	50V Ceramic	AA	C3902	VCKYCY1HF223ZY	J 0.022	50V Ceramic	AB
C3824	VCEASX1CN226MY	J 22	16V Electrolytic	AC	C3903	VCKYCY1HB102KY	J 1000p	50V Ceramic	AA
C3825	VCKYCY1EF104ZY	J 0.1	25V Ceramic	AA	C3904	VCKYCY1HB102KY	J 1000p	50V Ceramic	AA
C3826	VCKYTV1CB105KY	J 1	16V Ceramic	AC	C3905	VCKYCY1HB102KY	J 1000p	50V Ceramic	AA
C3827	VCKYCY1HB471KY	J 470p	50V Ceramic	AA	C3906	VCKYCY1HB102KY	J 1000p	50V Ceramic	AA
C3828	VCKYCY1HB471KY	J 470p	50V Ceramic	AA	C5701	VCKYCY1EF104ZY	J 0.1	25V Ceramic	AA
C3829	RC-KZA073WJZZY	J 10	16V Ceramic	AD	C5702	VCEASY1CN107MY	J 100	16V Electrolytic	AC
C3830	VCKYTV1CB105KY	J 1	16V Ceramic	AC	C5703	VCEASY1CN107MY	J 100	16V Electrolytic	AC
C3831	VCKYTV1CB105KY	J 1	16V Ceramic	AC	C5704	VCKYCY1EF104ZY	J 0.1	25V Ceramic	AA
C3834	VCKYTV1CB105KY	J 1	16V Ceramic	AC	C5705	VCKYCY1EF104ZY	J 0.1	25V Ceramic	AA
C3835	VCKYTV1CB105KY	J 1	16V Ceramic	AC	C5706	VCEASY1CN107MY	J 100	16V Electrolytic	AC
C3836	VCKYTV1CB105KY	J 1	16V Ceramic	AC	C5708	VCKYCY1EF104ZY	J 0.1	25V Ceramic	AA
C3837	VCKYTV1CB105KY	J 1	16V Ceramic	AC	C5713	VCEASY1EN227MY	J 220	25V Electrolytic	AD
C3838	VCKYTV1CB105KY	J 1	16V Ceramic	AC	C5714	VCCCCY1HH681JY	J 680p	50V Ceramic	AB
C3839	VCKYCY1EF104ZY	J 0.1	25V Ceramic	AA	C5715	VCKYCY1EB104KY	J 0.1	25V Ceramic	AB
C3840	VCKYCY1EF104ZY	J 0.1	25V Ceramic	AA	C5716	VCEASY1CN477MY	J 470	16V Electrolytic	AD
C3841	VCEASY1CN107MY	J 100	16V Electrolytic	AC	C5717	VCEASY1CN107MY	J 100	16V Electrolytic	AC
C3842	VCKYCY1EF104ZY	J 0.1	25V Ceramic	AA	C5718	VCEASY1CN107MY	J 39	16V Electrolytic	AF
C3843	VCKYCY1EF104ZY	J 0.1	25V Ceramic	AA	C5719	VCKYCY1CB224KY	J 0.22	16V Ceramic	AB
C3844	VCKYCY1EF104ZY	J 0.1	25V Ceramic	AA	C5720	VCKYCY1HB103KY	J 0.01	50V Ceramic	AA
C3845	VCCCCY1HH101JY	J 100p	50V Ceramic	AA	C5721	VCKYCY1EF104ZY	J 0.1	25V Ceramic	AA
C3846	VCEASX1CN107MY	J 100	16V Electrolytic	AC	C5722	VCEASX1CN226MY	J 22	16V Electrolytic	AC
C3847	VCCCCY1HH101JY	J 100p	50V Ceramic	AA	C5723	VCEASY1CN107MY	J 100	16V Electrolytic	AC
C3848	VCKYCY1EF104ZY	J 0.1	25V Ceramic	AA	C5724	VCKYCY1HB102KY	J 1000p	50V Ceramic	AA
C3849	VCEASX1EN336MY	J 33	25V Electrolytic	AC	C5726	VCKYCY1HB102KY	J 1000p	50V Ceramic	AA
C3850	VCKYCY1HB102KY	J 1000p	50V Ceramic	AA	C5727	VCKYCY1HB102KY	J 1000p	50V Ceramic	AA
C3851	VCKYCY1HB102KY	J 1000p	50V Ceramic	AA	C5728	VCEASY1CN107MY	J 100	16V Electrolytic	AC
C3852	RC-KZ0075TAZZY	J 2.2	16V Ceramic	AC	C5729	VCEASY1CN107MY	J 100	16V Electrolytic	AC
C3853	RC-KZ0075TAZZY	J 2.2	16V Ceramic	AC	C5730	VCEASY1CN107MY	J 100	16V Electrolytic	AC
C3854	RC-KZA076WJZZY	J 4.7	16V Ceramic	AC	C5735	VCKYCY1EF104ZY	J 0.1	25V Ceramic	AA
C3855	RC-KZA076WJZZY	J 4.7	16V Ceramic	AC	C5736	VCKYCY1EF104ZY	J 0.1	25V Ceramic	AA
C3856	VCKYCY1EF104ZY	J 0.1	25V Ceramic	AA	C5738	VCEASY1CN107MY	J 100	16V Electrolytic	AC
C3861	VCEASX1CN106MY	J 10	16V Electrolytic	AC	C5739	VCEASY1CN107MY	J 100	16V Electrolytic	AC
C3862	VCKYCY1HB102KY	J 1000p	50V Ceramic	AA	<b>RESISTORS</b>				
C3863	VCKYCY1HB102KY	J 1000p	50V Ceramic	AA	FB1101	VRS-CY1JF000JY	J 0	1/16W Metal Oxide	AA
C3864	VCEASX0JN227MY	J 220	6.3V Electrolytic	AC	FB1102	VRS-CY1JF000JY	J 0	1/16W Metal Oxide	AA
C3865	VCEASX1EN336MY	J 33	25V Electrolytic	AC	FB1103	VRS-CY1JF000JY	J 0	1/16W Metal Oxide	AA
C3866	VCKYCY1EF104ZY	J 0.1	25V Ceramic	AA	FB1120	VRS-CY1JF000JY	J 0	1/16W Metal Oxide	AA
C3867	VCKYCY1EF104ZY	J 0.1	25V Ceramic	AA	FB1610	VRS-TV1JD000JY	J 0	1/16W Metal Oxide	AA
C3868	RC-KZ0117TAZZY	J 4.7	6.3V Ceramic	AD	FB1611	VRS-TV1JD000JY	J 0	1/16W Metal Oxide	AA
					FB1612	VRS-TV1JD000JY	J 0	1/16W Metal Oxide	AA
					FB1613	VRS-TV1JD000JY	J 0	1/16W Metal Oxide	AA
					FB1616	VRS-TV1JD000JY	J 0	1/16W Metal Oxide	AA
					FB1617	VRS-TV1JD000JY	J 0	1/16W Metal Oxide	AA
					FB1618	VRS-TV1JD000JY	J 0	1/16W Metal Oxide	AA

**Ref. No. Part No. ★ Description Code**

**DUNTKC642UJ01/02/03 (LC-32GA3E)**  
**DUNTKC642UJ07/08/10 (LC-37GA3E)**  
**AV Unit (Continued)**

Ref. No.	Part No.	★	Description	Code
FB1619	VRS-TV1JD000JY	J 0	1/16W Metal Oxide	AA
FB1620	VRS-TV1JD000JY	J 0	1/16W Metal Oxide	AA
R1101	VRS-CY1JF102JY	J 1k	1/16W Metal Oxide	AA
R1103	VRS-CY1JF102JY	J 1k	1/16W Metal Oxide	AA
R1104	VRS-TW2ED750JY	J 75	1/4W Metal Oxide	AA
R1105	VRS-TW2ED4R7JY	J 4.7	1/4W Metal Oxide	AB
R1106	VRS-TW2ED750JY	J 75	1/4W Metal Oxide	AA
R1107	VRS-CY1JF000JY	J 0	1/16W Metal Oxide	AA
R1108	VRS-CJ1JF102JY	J 1k	1/16W Metal Oxide	AA
R1109	VRS-CY1JF104JY	J 100k	1/16W Metal Oxide	AA
R1110	VRS-CY1JF104JY	J 100k	1/16W Metal Oxide	AA
R1111	VRS-CJ1JF102JY	J 1k	1/16W Metal Oxide	AA
R1112	VRS-CJ1JF102JY	J 1k	1/16W Metal Oxide	AA
R1113	VRS-CY1JF104JY	J 100k	1/16W Metal Oxide	AA
R1114	VRS-TW2ED680JY	J 68	1/4W Metal Oxide	AA
R1115	VRS-CY1JF102JY	J 1k	1/16W Metal Oxide	AA
R1116	VRS-CY1JF101JY	J 100	1/16W Metal Oxide	AA
R1117	VRS-CY1JF101JY	J 100	1/16W Metal Oxide	AA
R1118	VRS-CY1JF101JY	J 100	1/16W Metal Oxide	AA
R1119	VRS-CY1JF272JY	J 2.7k	1/16W Metal Oxide	AA
R1120	VRS-CY1JF122JY	J 1.2k	1/16W Metal Oxide	AA
R1121	VRS-CY1JF272JY	J 2.7k	1/16W Metal Oxide	AA
R1122	VRS-TW2ED750JY	J 75	1/4W Metal Oxide	AA
R1123	VRS-TW2ED750JY	J 75	1/4W Metal Oxide	AA
R1124	VRS-TW2ED750JY	J 75	1/4W Metal Oxide	AA
R1125	VRS-TV1JD221JY	J 220	1/16W Metal Oxide	AA
R1126	VRS-TV1JD221JY	J 220	1/16W Metal Oxide	AA
R1127	VRS-CY1JF104JY	J 100k	1/16W Metal Oxide	AA
R1128	VRS-CY1JF104JY	J 100k	1/16W Metal Oxide	AA
R1129	VRS-CY1JF101JY	J 100	1/16W Metal Oxide	AA
R1130	VRS-CY1JF101JY	J 100	1/16W Metal Oxide	AA
R1131	VRS-CY1JF564JY	J 560k	1/16W Metal Oxide	AA
R1132	VRS-CY1JF102JY	J 1k	1/16W Metal Oxide	AA
R1133	VRS-CY1JF562JY	J 5.6k	1/16W Metal Oxide	AA
R1134	VRS-CY1JF101JY	J 100	1/16W Metal Oxide	AA
R1135	VRS-TW2ED4R7JY	J 4.7	1/4W Metal Oxide	AB
R1136	VRS-TW2ED750JY	J 75	1/4W Metal Oxide	AA
R1137	VRS-CY1JF000JY	J 0	1/16W Metal Oxide	AA
R1138	VRS-CJ1JF102JY	J 1k	1/16W Metal Oxide	AA
R1141	VRS-CJ1JF102JY	J 1k	1/16W Metal Oxide	AA
R1142	VRS-CY1JF104JY	J 100k	1/16W Metal Oxide	AA
R1143	VRS-CY1JF104JY	J 100k	1/16W Metal Oxide	AA
R1144	VRS-CY1JF564JY	J 560k	1/16W Metal Oxide	AA
R1145	VRS-CY1JF102JY	J 1k	1/16W Metal Oxide	AA
R1146	VRS-CY1JF102JY	J 1k	1/16W Metal Oxide	AA
R1147	VRS-TW2ED331JY	J 330	1/4W Metal Oxide	AB
R1148	VRS-TW2ED680JY	J 68	1/4W Metal Oxide	AA
R1149	VRS-CY1JF102JY	J 1k	1/16W Metal Oxide	AA
R1150	VRS-CY1JF101JY	J 100	1/16W Metal Oxide	AA
R1151	VRS-CY1JF101JY	J 100	1/16W Metal Oxide	AA
R1152	VRS-TW2ED750JY	J 75	1/4W Metal Oxide	AA
R1153	VRS-TW2ED750JY	J 75	1/4W Metal Oxide	AA
R1154	VRS-TW2ED750JY	J 75	1/4W Metal Oxide	AA
R1155	VRS-TV1JD221JY	J 220	1/16W Metal Oxide	AA
R1156	VRS-TV1JD221JY	J 220	1/16W Metal Oxide	AA
R1157	VRS-CY1JF104JY	J 100k	1/16W Metal Oxide	AA
R1158	VRS-CY1JF104JY	J 100k	1/16W Metal Oxide	AA
R1159	VRS-CY1JF101JY	J 100	1/16W Metal Oxide	AA
R1160	VRS-CY1JF101JY	J 100	1/16W Metal Oxide	AA
R1161	VRS-CY1JF564JY	J 560k	1/16W Metal Oxide	AA
R1162	VRS-CY1JF102JY	J 1k	1/16W Metal Oxide	AA
R1163	VRS-CY1JF101JY	J 100	1/16W Metal Oxide	AA
R1164	VRS-TQ2BD102JY	J 1k	1/8W Metal Oxide	AA
R1165	VRS-CY1JF101JY	J 100	1/16W Metal Oxide	AA
R1166	VRS-TQ2BD102JY	J 1k	1/8W Metal Oxide	AA
R1167	VRS-CY1JF102JY	J 1k	1/16W Metal Oxide	AA
R1168	VRS-CY1JF564JY	J 560k	1/16W Metal Oxide	AA
R1170	VRS-TW2ED4R7JY	J 4.7	1/4W Metal Oxide	AB
R1173	VRS-TQ2BD102JY	J 1k	1/8W Metal Oxide	AA

Ref. No.	Part No.	★	Description	Code
R1174	VRS-TW2ED750JY	J 75	1/4W Metal Oxide	AA
R1175	VRS-CY1JF000JY	J 0	1/16W Metal Oxide	AA
R1176	VRS-CJ1JF102JY	J 1k	1/16W Metal Oxide	AA
R1177	VRS-TW2ED750JY	J 75	1/4W Metal Oxide	AA
R1178	VRS-CY1JF104JY	J 100k	1/16W Metal Oxide	AA
R1179	VRS-CY1JF104JY	J 100k	1/16W Metal Oxide	AA
R1180	VRS-CJ1JF102JY	J 1k	1/16W Metal Oxide	AA
R1181	VRS-CY1JF101JY	J 100	1/16W Metal Oxide	AA
R1183	VRS-TW2ED331JY	J 330	1/4W Metal Oxide	AB
R1184	VRS-TW2ED680JY	J 68	1/4W Metal Oxide	AA
R1185	VRS-CY1JF102JY	J 1k	1/16W Metal Oxide	AA
R1186	VRS-CY1JF101JY	J 100	1/16W Metal Oxide	AA
R1187	VRS-CY1JF101JY	J 100	1/16W Metal Oxide	AA
R1188	VRS-CY1JF101JY	J 100	1/16W Metal Oxide	AA
R1189	VRS-CY1JF222JY	J 2.2k	1/16W Metal Oxide	AA
R1190	VRS-CY1JF102JY	J 1k	1/16W Metal Oxide	AA
R1191	VRS-CY1JF222JY	J 2.2k	1/16W Metal Oxide	AA
R1192	VRS-TW2ED750JY	J 75	1/4W Metal Oxide	AA
R1193	VRS-TW2ED750JY	J 75	1/4W Metal Oxide	AA
R1194	VRS-TW2ED750JY	J 75	1/4W Metal Oxide	AA
R1195	VRS-TV1JD221JY	J 220	1/16W Metal Oxide	AA
R1196	VRS-TV1JD221JY	J 220	1/16W Metal Oxide	AA
R1197	VRS-CY1JF104JY	J 100k	1/16W Metal Oxide	AA
R1198	VRS-CY1JF104JY	J 100k	1/16W Metal Oxide	AA
R1199	VRS-CY1JF102JY	J 1k	1/16W Metal Oxide	AA
R1200	VRS-CY1JF101JY	J 100	1/16W Metal Oxide	AA
R1201	VRS-CY1JF564JY	J 560k	1/16W Metal Oxide	AA
R1202	VRS-CY1JF102JY	J 1k	1/16W Metal Oxide	AA
R1203	VRS-CY1JF101JY	J 100	1/16W Metal Oxide	AA
R1204	VRS-TQ2BD102JY	J 1k	1/8W Metal Oxide	AA
R1205	VRS-CY1JF101JY	J 100	1/16W Metal Oxide	AA
R1206	VRS-TQ2BD102JY	J 1k	1/8W Metal Oxide	AA
R1207	VRS-CY1JF102JY	J 1k	1/16W Metal Oxide	AA
R1208	VRS-CY1JF564JY	J 560k	1/16W Metal Oxide	AA
R1209	VRS-CY1JF561JY	J 560	1/16W Metal Oxide	AA
R1210	VRS-TW2ED750JY	J 75	1/4W Metal Oxide	AA
R1211	VRS-CY1JF102JY	J 1k	1/16W Metal Oxide	AA
R1213	VRS-TW2ED750JY	J 75	1/4W Metal Oxide	AA
R1214	VRS-TW2ED561JY	J 560	1/4W Metal Oxide	AA
R1218	VRS-CY1JF561JY	J 560	1/16W Metal Oxide	AA
R1219	VRS-TQ2BD102JY	J 1k	1/8W Metal Oxide	AA
R1220	VRS-TW2ED750JY	J 75	1/4W Metal Oxide	AA
R1221	VRS-CY1JF333JY	J 33k	1/16W Metal Oxide	AA
R1223	VRS-CY1JF564JY	J 560k	1/16W Metal Oxide	AA
R1224	VRS-CY1JF564JY	J 560k	1/16W Metal Oxide	AA
R1225	VRS-CY1JF561JY	J 560	1/16W Metal Oxide	AA
R1226	VRS-CY1JF101JY	J 100	1/16W Metal Oxide	AA
R1227	VRS-TQ2BD102JY	J 1k	1/8W Metal Oxide	AA
R1228	VRS-CY1JF101JY	J 100	1/16W Metal Oxide	AA
R1229	VRS-CY1JF102JY	J 1k	1/16W Metal Oxide	AA
R1230	VRS-CY1JF102JY	J 1k	1/16W Metal Oxide	AA
R1237	VRS-CY1JF102JY	J 1k	1/16W Metal Oxide	AA
R1238	VRS-CY1JF222JY	J 2.2k	1/16W Metal Oxide	AA
R1239	VRS-CY1JF222JY	J 2.2k	1/16W Metal Oxide	AA
R1240	VRS-CY1JF102JY	J 1k	1/16W Metal Oxide	AA
R1241	VRS-CY1JF221JY	J 220	1/16W Metal Oxide	AA
R1242	VRS-CY1JF152JY	J 1.5k	1/16W Metal Oxide	AA
R1243	VRS-CY1JF681JY	J 680	1/16W Metal Oxide	AA
R1244	VRS-CY1JF102JY	J 1k	1/16W Metal Oxide	AA
R1245	VRS-CY1JF181JY	J 180	1/16W Metal Oxide	AA
R1246	VRS-CY1JF561JY	J 560	1/16W Metal Oxide	AA
R1247	VRS-CY1JF103JY	J 10k	1/16W Metal Oxide	AA
R1248	VRS-CY1JF332JY	J 3.3k	1/16W Metal Oxide	AA
R1249	VRS-CY1JF221JY	J 220	1/16W Metal Oxide	AA
R1250	VRS-CY1JF152JY	J 1.5k	1/16W Metal Oxide	AA
R1251	VRS-CY1JF222JY	J 2.2k	1/16W Metal Oxide	AA
R1252	VRS-CY1JF102JY	J 1k	1/16W Metal Oxide	AA
R1253	VRS-CY1JF222JY	J 2.2k	1/16W Metal Oxide	AA
R1254	VRS-CY1JF221JY	J 220	1/16W Metal Oxide	AA
R1255	VRS-CY1JF102JY	J 1k	1/16W Metal Oxide	AA
R1256	VRS-CY1JF101JY	J 100	1/16W Metal Oxide	AA
R1257	VRS-CJ1JF101JY	J 100	1/16W Metal Oxide	AA
R1259	VRS-CY1JF102JY	J 1k	1/16W Metal Oxide	AA
R1260	VRS-CY1JF103JY	J 10k	1/16W Metal Oxide	AA
R1261	VRS-CY1JF122JY	J 1.2k	1/16W Metal Oxide	AA

Ref. No.	Part No.	★	Description	Code	Ref. No.	Part No.	★	Description	Code		
<b>DUNTKC642UJ01/02/03 (LC-32GA3E)</b>					<b>DUNTKC642UJ07/08/10 (LC-37GA3E)</b>						
<b>DUNTKC642UJ07/08/10 (LC-37GA3E)</b>					<b>DUNTKC642UJ07/08/10 (LC-37GA3E)</b>						
<b>AV Unit (Continued)</b>					<b>AV Unit (Continued)</b>						
R1262	VRS-CJ1JF101JY	J	100	1/16W Metal Oxide	AA	R1652	VRS-CY1JF000JY	J	0	1/16W Metal Oxide	AA
R1263	VRS-TQ2BD122JY	J	1.2k	1/8W Metal Oxide	AA	R1653	VRS-CY1JF473FY	J	47k	1/16W Metal Oxide	AA
R1264	VRS-CY1JF472JY	J	4.7k	1/16W Metal Oxide	AA	R1654	VRS-CY1JF103FY	J	10k	1/16W Metal Oxide	AA
R1265	VRS-CY1JF472JY	J	4.7k	1/16W Metal Oxide	AA	R1655	VRS-CY1JF221JY	J	220	1/16W Metal Oxide	AA
R1266	VRS-TQ2BD122JY	J	1.2k	1/8W Metal Oxide	AA	R1656	VRS-CY1JF221JY	J	220	1/16W Metal Oxide	AA
R1267	VRS-CY1JF101JY	J	100	1/16W Metal Oxide	AA	R1661	VRS-CY1JF223JY	J	22k	1/16W Metal Oxide	AA
R1268	VRS-CY1JF101JY	J	100	1/16W Metal Oxide	AA	R1668	VRS-CH1JF332JY	J	3.3k	1/16W Metal Oxide	AA
R1269	VRS-CY1JF101JY	J	100	1/16W Metal Oxide	AA	R1669	VRS-CH1JF332JY	J	3.3k	1/16W Metal Oxide	AA
R1270	VRS-CY1JF103JY	J	10k	1/16W Metal Oxide	AA	R1670	VRS-CY1JF471JY	J	470	1/16W Metal Oxide	AA
R1271	VRS-CY1JF683JY	J	68k	1/16W Metal Oxide	AA	R1671	VRS-CY1JF102JY	J	1k	1/16W Metal Oxide	AA
R1272	VRS-CY1JF101JY	J	100	1/16W Metal Oxide	AA	R1672	VRS-CY1JF471JY	J	470	1/16W Metal Oxide	AA
R1273	VRS-CY1JF101JY	J	100	1/16W Metal Oxide	AA	R1673	VRS-CY1JF102JY	J	1k	1/16W Metal Oxide	AA
R1274	VRS-CY1JF101JY	J	100	1/16W Metal Oxide	AA	R1674	VRS-CY1JF471JY	J	470	1/16W Metal Oxide	AA
R1275	VRS-CY1JF101JY	J	100	1/16W Metal Oxide	AA	R1675	VRS-CY1JF102JY	J	1k	1/16W Metal Oxide	AA
R1277	VRS-CY1JF101JY	J	100	1/16W Metal Oxide	AA	R1683	VRS-CY1JF102JY	J	1k	1/16W Metal Oxide	AA
R1278	VRS-CY1JF223JY	J	22k	1/16W Metal Oxide	AA	R1684	VRS-CY1JF102JY	J	1k	1/16W Metal Oxide	AA
R1279	VRS-CY1JF101JY	J	100	1/16W Metal Oxide	AA	R1685	VRS-CY1JF102JY	J	1k	1/16W Metal Oxide	AA
R1281	VRS-CY1JF221JY	J	220	1/16W Metal Oxide	AA	R1686	VRS-CY1JF000JY	J	0	1/16W Metal Oxide	AA
R1282	VRS-CY1JF102JY	J	1k	1/16W Metal Oxide	AA	R1688	VRS-CY1JF000JY	J	0	1/16W Metal Oxide	AA
R1284	VRS-CY1JF561JY	J	560	1/16W Metal Oxide	AA	R1689	VRS-CY1JF000JY	J	0	1/16W Metal Oxide	AA
R1285	VRS-CY1JF561JY	J	560	1/16W Metal Oxide	AA	R1691	VRS-CY1JF000JY	J	0	1/16W Metal Oxide	AA
R1286	VRS-CY1JF561JY	J	560	1/16W Metal Oxide	AA	R2546	VRS-CY1JF101JY	J	100	1/16W Metal Oxide	AA
R1287	VRS-CY1JF561JY	J	560	1/16W Metal Oxide	AA	R2547	VRS-CY1JF223JY	J	22k	1/16W Metal Oxide	AA
R1288	VRS-CY1JF561JY	J	560	1/16W Metal Oxide	AA	R2700	VRS-CY1JF271JY	J	270	1/16W Metal Oxide	AA
R1289	VRS-CY1JF101JY	J	100	1/16W Metal Oxide	AA	R2701	VRS-CJ1JF470JY	J	47	1/16W Metal Oxide	AA
R1290	VRS-CY1JF102JY	J	1k	1/16W Metal Oxide	AA	R2702	VRS-CY1JF105JY	J	1M	1/16W Metal Oxide	AA
R1291	VRS-CY1JF102JY	J	1k	1/16W Metal Oxide	AA	R2703	VRS-CY1JF103JY	J	10k	1/16W Metal Oxide	AA
R1292	VRS-CY1JF103JY	J	10k	1/16W Metal Oxide	AA	R2704	VRS-CY1JF103JY	J	10k	1/16W Metal Oxide	AA
R1293	VRS-CY1JF101JY	J	100	1/16W Metal Oxide	AA	R2705	VRS-CY1JF101JY	J	100	1/16W Metal Oxide	AA
R1294	VRS-CY1JF101JY	J	100	1/16W Metal Oxide	AA	R2706	VRS-CY1JF000JY	J	0	1/16W Metal Oxide	AA
R1295	VRS-CY1JF101JY	J	100	1/16W Metal Oxide	AA	R2707	VRS-CY1JF102JY	J	1k	1/16W Metal Oxide	AA
R1296	VRS-CY1JF271JY	J	270	1/16W Metal Oxide	AA	R2708	VRS-CY1JF000JY	J	0	1/16W Metal Oxide	AA
				(LC-37GA3E/K/F/I)		R2709	VRS-CY1JF101JY	J	100	1/16W Metal Oxide	AA
R1297	VRS-CY1JF271JY	J	270	1/16W Metal Oxide	AA	R2710	VRS-CY1JF392JY	J	3.9k	1/16W Metal Oxide	AA
				(LC-37GA3E/K/F/I)		R2711	VRS-CY1JF102JY	J	1k	1/16W Metal Oxide	AA
R1602	VRS-CY1JF202JY	J	2k	1/16W Metal Oxide	AA	R2712	VRS-CJ1JF103JY	J	10k	1/16W Metal Oxide	AA
R1603	VRS-CY1JF152JY	J	1.5k	1/16W Metal Oxide	AA	R2713	VRS-CJ1JF102JY	J	1k	1/16W Metal Oxide	AA
R1604	VRS-CY1JF273JY	J	27k	1/16W Metal Oxide	AA	R2714	VRS-CJ1JF102JY	J	1k	1/16W Metal Oxide	AA
R1605	VRS-CY1JF332JY	J	3.3k	1/16W Metal Oxide	AA	R2715	VRS-CY1JF103JY	J	10k	1/16W Metal Oxide	AA
R1607	VRS-CY1JF103JY	J	10k	1/16W Metal Oxide	AA	R2717	VRS-CY1JF102JY	J	1k	1/16W Metal Oxide	AA
R1609	VRS-CY1JF681JY	J	680	1/16W Metal Oxide	AA	R2718	VRS-CY1JF102JY	J	1k	1/16W Metal Oxide	AA
R1611	VRS-CY1JF223JY	J	22k	1/16W Metal Oxide	AA	R2719	VRS-CY1JF103JY	J	10k	1/16W Metal Oxide	AA
R1613	VRS-CY1JF132JY	J	1.3k	1/16W Metal Oxide	AG	R2720	VRS-CY1JF000JY	J	0	1/16W Metal Oxide	AA
R1616	VRS-CY1JF103JY	J	10k	1/16W Metal Oxide	AA	R2721	VRS-CJ1JF101JY	J	100	1/16W Metal Oxide	AA
R1617	VRS-CY1JF103JY	J	10k	1/16W Metal Oxide	AA	R2722	VRS-CY1JF102FY	J	1k	1/16W Metal Oxide	AA
R1618	VRS-CY1JF000JY	J	0	1/16W Metal Oxide	AA	R2723	VRS-CY1JF105JY	J	1M	1/16W Metal Oxide	AA
R1620	VRS-CY1JF223JY	J	22k	1/16W Metal Oxide	AA	R2724	VRS-CY1JF222JY	J	2.2k	1/16W Metal Oxide	AA
R1621	VRS-CY1JF223JY	J	22k	1/16W Metal Oxide	AA	R2725	VRS-CY1JF223JY	J	22k	1/16W Metal Oxide	AA
R1622	VRS-CY1JF000JY	J	0	1/16W Metal Oxide	AA	R2726	VRS-CY1JF562JY	J	5.6k	1/16W Metal Oxide	AA
R1623	VRS-CY1JF102JY	J	1k	1/16W Metal Oxide	AA	R2727	VRS-CY1JF223JY	J	22k	1/16W Metal Oxide	AA
R1624	VRS-CY1JF152JY	J	1.5k	1/16W Metal Oxide	AA	R2728	VRS-CJ1JF102JY	J	1k	1/16W Metal Oxide	AA
R1625	VRS-CY1JF683JY	J	68k	1/16W Metal Oxide	AA	R2729	VRS-CJ1JF101JY	J	100	1/16W Metal Oxide	AA
R1626	VRS-CY1JF102JY	J	1k	1/16W Metal Oxide	AA	R2730	VRS-CY1JF473JY	J	47k	1/16W Metal Oxide	AA
R1627	VRS-CY1JF102JY	J	1k	1/16W Metal Oxide	AA	R2731	VRS-CY1JF102FY	J	1k	1/16W Metal Oxide	AA
R1628	VRS-CY1JF681JY	J	680	1/16W Metal Oxide	AA	R2732	VRS-CY1JF102FY	J	1k	1/16W Metal Oxide	AA
R1629	VRS-CY1JF821JY	J	820	1/16W Metal Oxide	AA	R2733	VRS-CY1JF473JY	J	47k	1/16W Metal Oxide	AA
R1630	VRS-CY1JF102JY	J	1k	1/16W Metal Oxide	AA	R2734	VRS-CY1JF223JY	J	22k	1/16W Metal Oxide	AA
R1634	VRS-CY1JF333JY	J	33k	1/16W Metal Oxide	AA	R2735	VRS-CY1JF223JY	J	22k	1/16W Metal Oxide	AA
R1635	VRS-CY1JF333JY	J	33k	1/16W Metal Oxide	AA	R2736	VRS-CY1JF223JY	J	22k	1/16W Metal Oxide	AA
R1636	VRS-CY1JF333JY	J	33k	1/16W Metal Oxide	AA	R2737	VRS-CY1JF103JY	J	10k	1/16W Metal Oxide	AA
R1640	VRS-CY1JF000JY	J	0	1/16W Metal Oxide	AA	R2738	VRS-CY1JF103JY	J	10k	1/16W Metal Oxide	AA
R1641	VRS-CY1JF000JY	J	0	1/16W Metal Oxide	AA	R2739	VRS-CY1JF103JY	J	10k	1/16W Metal Oxide	AA
R1642	VRS-CY1JF221JY	J	220	1/16W Metal Oxide	AA	R2741	VRS-CY1JF220JY	J	22	1/16W Metal Oxide	AA
R1643	VRS-CY1JF333JY	J	33k	1/16W Metal Oxide	AA	R2745	VRS-CJ1JF103JY	J	10k	1/16W Metal Oxide	AA
R1645	VRS-CY1JF103FY	J	10k	1/16W Metal Oxide	AA	R2748	VRS-CY1JF472JY	J	4.7k	1/16W Metal Oxide	AA
R1648	VRS-CY1JF473FY	J	47k	1/16W Metal Oxide	AA	R2749	VRS-CJ1JF101JY	J	100	1/16W Metal Oxide	AA
R1649	VRS-CY1JF333JY	J	33k	1/16W Metal Oxide	AA	R2751	VRS-CY1JF271JY	J	270	1/16W Metal Oxide	AA
R1650	VRS-CY1JF473FY	J	47k	1/16W Metal Oxide	AA	R2752	VRS-CY1JF105JY	J	1M	1/16W Metal Oxide	AA
R1651	VRS-CY1JF103FY	J	10k	1/16W Metal Oxide	AA	R2753	VRS-CY1JF103JY	J	10k	1/16W Metal Oxide	AA
						R2754	VRS-CY1JF103JY	J	10k	1/16W Metal Oxide	AA
						R2758	VRS-CY1JF102FY	J	1k	1/16W Metal Oxide	AA
						R2759	VRS-CY1JF473JY	J	47k	1/16W Metal Oxide	AA
						R2760	VRS-CY1JF223JY	J	22k	1/16W Metal Oxide	AA
						R2761	VRS-CY1JF473JY	J	47k	1/16W Metal Oxide	AA
						R2762	VRS-CY1JF223JY	J	22k	1/16W Metal Oxide	AA



Ref. No.	Part No.	★	Description	Code	Ref. No.	Part No.	★	Description	Code
<b>DUNTKC642UJ01/02/03 (LC-32GA3E)</b>					<b>DUNTKC642UJ07/08/10 (LC-37GA3E)</b>				
<b>AV Unit (Continued)</b>									
R2763	VRS-CY1JF102FY	J 1k	1/16W Metal Oxide	AA	R2843	VRS-CY1JF103JY	J 10k	1/16W Metal Oxide	AA
R2766	VRS-CY1JF102FY	J 1k	1/16W Metal Oxide	AA	R2844	VRS-CY1JF103JY	J 10k	1/16W Metal Oxide	AA
R2767	VRS-CY1JF473JY	J 47k	1/16W Metal Oxide	AA	R2845	VRS-CY1JF103JY	J 10k	1/16W Metal Oxide	AA
R2768	VRS-CY1JF473JY	J 47k	1/16W Metal Oxide	AA	R2846	VRS-CY1JF103JY	J 10k	1/16W Metal Oxide	AA
R2769	VRS-CY1JF223JY	J 22k	1/16W Metal Oxide	AA	R2847	VRS-CY1JF103JY	J 10k	1/16W Metal Oxide	AA
R2770	VRS-CY1JF223JY	J 22k	1/16W Metal Oxide	AA	R2848	VRS-CY1JF103JY	J 10k	1/16W Metal Oxide	AA
R2771	VRS-CY1JF102FY	J 1k	1/16W Metal Oxide	AA	R2849	VRS-CY1JF000JY	J 0	1/16W Metal Oxide	AA
R2772	VRS-CY1JF102FY	J 1k	1/16W Metal Oxide	AA	R2850	VRS-CY1JF000JY	J 0	1/16W Metal Oxide	AA
R2773	VRS-CY1JF473JY	J 47k	1/16W Metal Oxide	AA	R2851	VRS-CY1JF000JY	J 0	1/16W Metal Oxide	AA
R2775	VRS-CY1JF332JY	J 3.3k	1/16W Metal Oxide	AA	R2852	VRS-CY1JF000JY	J 0	1/16W Metal Oxide	AA
R2776	VRS-CY1JF103JY	J 10k	1/16W Metal Oxide	AA	R2853	VRS-CY1JF000JY	J 0	1/16W Metal Oxide	AA
R2777	VRS-CY1JF103JY	J 10k	1/16W Metal Oxide	AA	R2854	VRS-CY1JF000JY	J 0	1/16W Metal Oxide	AA
R2778	VRS-CY1JF102JY	J 1k	1/16W Metal Oxide	AA	R3629	VRS-CY1JF682JY	J 6.8k	1/16W Metal Oxide	AA
R2779	VRS-CY1JF223JY	J 22k	1/16W Metal Oxide	AA	R3800	VRS-CY1JF751JY	J 750	1/16W Metal Oxide	AA
R2780	VRS-CY1JF473JY	J 47k	1/16W Metal Oxide	AA	R3801	VRS-CY1JF101JY	J 100	1/16W Metal Oxide	AA
R2781	VRS-CY1JF101JY	J 100	1/16W Metal Oxide	AA	R3802	VRS-CY1JF101JY	J 100	1/16W Metal Oxide	AA
R2782	VRS-CY1JF101JY	J 100	1/16W Metal Oxide	AA	R3803	VRS-CJ1JF101JY	J 100	1/16W Metal Oxide	AA
R2783	VRS-CY1JF101JY	J 100	1/16W Metal Oxide	AA	R3804	VRS-CY1JF682JY	J 6.8k	1/16W Metal Oxide	AA
R2784	VRS-CY1JF222JY	J 2.2k	1/16W Metal Oxide	AA	R3806	VRS-CY1JF101JY	J 100	1/16W Metal Oxide	AA
R2785	VRS-CY1JF222JY	J 2.2k	1/16W Metal Oxide	AA	R3807	VRS-CY1JF682JY	J 6.8k	1/16W Metal Oxide	AA
R2786	VRS-CJ1JF103JY	J 10k	1/16W Metal Oxide	AA	R3808	VRS-CY1JF101JY	J 100	1/16W Metal Oxide	AA
R2787	VRS-CY1JF102JY	J 1k	1/16W Metal Oxide	AA	R3809	VRS-CY1JF101JY	J 100	1/16W Metal Oxide	AA
R2788	VRS-CY1JF222JY	J 2.2k	1/16W Metal Oxide	AA	R3810	VRS-CY1JF101JY	J 100	1/16W Metal Oxide	AA
R2789	VRS-CY1JF101JY	J 100	1/16W Metal Oxide	AA	R3811	VRS-CY1JF682JY	J 6.8k	1/16W Metal Oxide	AA
R2790	VRS-CY1JF472JY	J 4.7k	1/16W Metal Oxide	AA	R3812	VRS-CY1JF101JY	J 100	1/16W Metal Oxide	AA
R2791	VRS-CJ1JF101JY	J 100	1/16W Metal Oxide	AA	R3813	VRS-CY1JF103JY	J 10k	1/16W Metal Oxide	AA
R2792	VRS-CJ1JF470JY	J 47	1/16W Metal Oxide	AA	R3814	VRS-CY1JF103JY	J 10k	1/16W Metal Oxide	AA
R2793	VRS-CY1JF220JY	J 22	1/16W Metal Oxide	AA	R3815	VRS-CY1JF101JY	J 100	1/16W Metal Oxide	AA
R2794	VRS-CY1JF220JY	J 22	1/16W Metal Oxide	AA	R3816	VRS-CY1JF101JY	J 100	1/16W Metal Oxide	AA
R2795	VRS-CY1JF220JY	J 22	1/16W Metal Oxide	AA	R3817	VRS-CY1JF102JY	J 1k	1/16W Metal Oxide	AA
R2796	VRS-CY1JF220JY	J 22	1/16W Metal Oxide	AA	R3818	VRS-CY1JF682JY	J 6.8k	1/16W Metal Oxide	AA
R2797	VRS-CY1JF220JY	J 22	1/16W Metal Oxide	AA	R3819	VRS-CY1JF102JY	J 1k	1/16W Metal Oxide	AA
R2798	VRS-CY1JF220JY	J 22	1/16W Metal Oxide	AA	R3821	VRS-CY1JF102JY	J 1k	1/16W Metal Oxide	AA
R2799	VRS-CY1JF220JY	J 22	1/16W Metal Oxide	AA	R3825	VRS-CY1JF333JY	J 33k	1/16W Metal Oxide	AA
R2800	VRS-CY1JF220JY	J 22	1/16W Metal Oxide	AA	R3826	VRS-CY1JF101JY	J 100	1/16W Metal Oxide	AA
R2801	VRS-CY1JF220JY	J 22	1/16W Metal Oxide	AA	R3827	VRS-CY1JF102JY	J 1k	1/16W Metal Oxide	AA
R2802	VRS-CY1JF472JY	J 4.7k	1/16W Metal Oxide	AA	R3828	VRS-CY1JF682JY	J 6.8k	1/16W Metal Oxide	AA
R2803	VRS-CY1JF5R1JY	J 5.1	1/16W Metal Oxide	AA	R3830	VRS-CY1JF682JY	J 6.8k	1/16W Metal Oxide	AA
R2804	VRS-CY1JF102JY	J 1k	1/16W Metal Oxide	AA	R3831	VRS-CY1JF101JY	J 100	1/16W Metal Oxide	AA
R2805	VRS-CY1JF220JY	J 22	1/16W Metal Oxide	AA	R3832	VRS-CY1JF101JY	J 100	1/16W Metal Oxide	AA
R2806	VRS-CY1JF220JY	J 22	1/16W Metal Oxide	AA	R3833	VRS-CY1JF101JY	J 100	1/16W Metal Oxide	AA
R2808	VRS-CY1JF101JY	J 100	1/16W Metal Oxide	AA	R3834	VRS-CY1JF101JY	J 100	1/16W Metal Oxide	AA
R2809	VRS-CY1JF473JY	J 47k	1/16W Metal Oxide	AA	R3835	VRS-CY1JF682JY	J 6.8k	1/16W Metal Oxide	AA
R2810	VRS-CJ1JF101JY	J 100	1/16W Metal Oxide	AA	R3836	VRS-CY1JF101JY	J 100	1/16W Metal Oxide	AA
R2812	VRS-CY1JF472JY	J 4.7k	1/16W Metal Oxide	AA	R3837	VRS-CY1JF682JY	J 6.8k	1/16W Metal Oxide	AA
R2813	VRS-CY1JF472JY	J 4.7k	1/16W Metal Oxide	AA	R3838	VRS-CY1JF101JY	J 100	1/16W Metal Oxide	AA
R2814	VRS-CY1JF472JY	J 4.7k	1/16W Metal Oxide	AA	R3839	VRS-CY1JF101JY	J 100	1/16W Metal Oxide	AA
R2815	VRS-CY1JF472JY	J 4.7k	1/16W Metal Oxide	AA	R3840	VRS-CY1JF101JY	J 100	1/16W Metal Oxide	AA
R2816	VRS-CY1JF4R7JY	J 4.7	1/16W Metal Oxide	AA	R3841	VRS-CY1JF101JY	J 100	1/16W Metal Oxide	AA
R2817	VRS-CY1JF103JY	J 10k	1/16W Metal Oxide	AA	R3842	VRS-CY1JF101JY	J 100	1/16W Metal Oxide	AA
R2818	VRS-CY1JF472JY	J 4.7k	1/16W Metal Oxide	AA	R3843	VRS-CY1JF101JY	J 100	1/16W Metal Oxide	AA
R2819	VRS-CY1JF101JY	J 100	1/16W Metal Oxide	AA	R3844	VRS-CY1JF100JY	J 10	1/16W Metal Oxide	AA
R2820	VRS-CY1JF220JY	J 22	1/16W Metal Oxide	AA	R3845	VRS-CY1JF101JY	J 100	1/16W Metal Oxide	AA
R2821	VRS-CY1JF101JY	J 100	1/16W Metal Oxide	AA	R3846	VRS-CY1JF101JY	J 100	1/16W Metal Oxide	AA
R2822	VRS-CY1JF101JY	J 100	1/16W Metal Oxide	AA	R3847	VRS-CY1JF220JY	J 22	1/16W Metal Oxide	AA
R2823	VRS-CY1JF101JY	J 100	1/16W Metal Oxide	AA	R3848	VRS-CY1JF220JY	J 22	1/16W Metal Oxide	AA
R2824	VRS-CY1JF183JY	J 18k	1/16W Metal Oxide	AA	R3849	VRS-CY1JF220JY	J 22	1/16W Metal Oxide	AA
R2825	VRS-CY1JF103JY	J 10k	1/16W Metal Oxide	AA	R3850	VRS-CY1JF220JY	J 22	1/16W Metal Oxide	AA
R2826	VRS-CY1JF103JY	J 10k	1/16W Metal Oxide	AA	R3852	VRS-CY1JF220JY	J 22	1/16W Metal Oxide	AA
R2827	VRS-CY1JF4R7JY	J 4.7	1/16W Metal Oxide	AA	R3853	VRS-CY1JF220JY	J 22	1/16W Metal Oxide	AA
R2828	VRS-CY1JF273JY	J 27k	1/16W Metal Oxide	AA	R3854	VRS-CY1JF100JY	J 10	1/16W Metal Oxide	AA
R2829	VRS-CY1JF273JY	J 27k	1/16W Metal Oxide	AA	R3855	VRS-CY1JF100JY	J 10	1/16W Metal Oxide	AA
R2832	VRS-CY1JF273JY	J 27k	1/16W Metal Oxide	AA	R3856	VRS-CY1JF220JY	J 22	1/16W Metal Oxide	AA
R2833	VRS-CY1JF273JY	J 27k	1/16W Metal Oxide	AA	R3857	VRS-CY1JF100JY	J 10	1/16W Metal Oxide	AA
R2834	VRS-CY1JF221JY	J 220	1/16W Metal Oxide	AA	R3858	VRS-CY1JF220JY	J 22	1/16W Metal Oxide	AA
R2835	VRS-CY1JF221JY	J 220	1/16W Metal Oxide	AA	R3859	VRS-CY1JF100JY	J 10	1/16W Metal Oxide	AA
R2839	VRS-CY1JF681JY	J 680	1/16W Metal Oxide	AA	R3860	VRS-CY1JF220JY	J 22	1/16W Metal Oxide	AA
R2840	VRS-CY1JF562JY	J 5.6k	1/16W Metal Oxide	AA	R3861	VRS-CY1JF100JY	J 10	1/16W Metal Oxide	AA
R2841	VRS-CY1JF103JY	J 10k	1/16W Metal Oxide	AA	R3862	VRS-CY1JF100JY	J 10	1/16W Metal Oxide	AA
R2842	VRS-CY1JF103JY	J 10k	1/16W Metal Oxide	AA	R3863	VRS-CY1JF821JY	J 820	1/16W Metal Oxide	AA
					R3864	VRS-CY1JF220JY	J 22	1/16W Metal Oxide	AA
					R3866	VRS-TQ2BD102JY	J 1k	1/8W Metal Oxide	AA
					R3867	VRS-CY1JF000JY	J 0	1/16W Metal Oxide	AA
					R3868	VRS-CY1JF220JY	J 22	1/16W Metal Oxide	AA
					R3869	VRS-CY1JF102JY	J 1k	1/16W Metal Oxide	AA

**Ref. No. Part No. ★ Description Code**

**DUNTKC642UJ01/02/03 (LC-32GA3E)**  
**DUNTKC642UJ07/08/10 (LC-37GA3E)**  
**AV Unit (Continued)**

R3871	VRS-TQ2BD102JY	J 1k	1/8W Metal Oxide	AA
R3872	VRS-CY1JF220JY	J 22	1/16W Metal Oxide	AA
R3874	VRS-CY1JF100JY	J 10	1/16W Metal Oxide	AA
R3875	VRS-CY1JF102JY	J 1k	1/16W Metal Oxide	AA
R3876	VRS-TQ2BD102JY	J 1k	1/8W Metal Oxide	AA
R3877	VRS-CY1JF101JY	J 100	1/16W Metal Oxide	AA
R3878	VRS-CY1JF101JY	J 100	1/16W Metal Oxide	AA
R3879	VRS-CY1JF101JY	J 100	1/16W Metal Oxide	AA
R3881	VRS-CJ1JF101JY	J 100	1/16W Metal Oxide	AA
R3882	VRS-CY1JF103JY	J 10k	1/16W Metal Oxide	AA
R3883	VRS-CY1JF103JY	J 10k	1/16W Metal Oxide	AA
R3884	VRS-CY1JF103JY	J 10k	1/16W Metal Oxide	AA
R3885	VRS-CY1JF183JY	J 18k	1/16W Metal Oxide	AA
R3886	VRS-CY1JF103JY	J 10k	1/16W Metal Oxide	AA
R3887	VRS-CY1JF103JY	J 10k	1/16W Metal Oxide	AA
R3888	VRS-CY1JF103JY	J 10k	1/16W Metal Oxide	AA
R3889	VRS-CY1JF183JY	J 18k	1/16W Metal Oxide	AA
R3890	VRS-CY1JF473FY	J 47k	1/16W Metal Oxide	AA
R3891	VRS-CY1JF473FY	J 47k	1/16W Metal Oxide	AA
R3892	VRS-CY1JF102FY	J 1k	1/16W Metal Oxide	AA
R3893	VRS-CY1JF102FY	J 1k	1/16W Metal Oxide	AA
R3894	VRS-CY1JF103JY	J 10k	1/16W Metal Oxide	AA
R3895	VRS-CY1JF822FY	J 8.2k	1/16W Metal Oxide	AA
R3896	VRS-CY1JF202FY	J 2k	1/16W Metal Oxide	AA
R3898	VRS-CY1JF100JY	J 10	1/16W Metal Oxide	AA
R3899	VRS-CY1JF100JY	J 10	1/16W Metal Oxide	AA
R3900	VRS-CY1JF472JY	J 4.7k	1/16W Metal Oxide	AA
R3901	VRS-CY1JF472JY	J 4.7k	1/16W Metal Oxide	AA
R3902	VRS-CY1JF472JY	J 4.7k	1/16W Metal Oxide	AA
R3903	VRS-CY1JF471FY	J 470	1/16W Metal Oxide	AA
R3904	VRS-CY1JF472JY	J 4.7k	1/16W Metal Oxide	AA
R3905	VRS-CY1JF471FY	J 470	1/16W Metal Oxide	AA
R3906	VRS-CY1JF473JY	J 47k	1/16W Metal Oxide	AA
R3907	VRS-CY1JF000JY	J 0	1/16W Metal Oxide	AA
R3908	VRS-CY1JF473JY	J 47k	1/16W Metal Oxide	AA
R3909	VRS-CY1JF473JY	J 47k	1/16W Metal Oxide	AA
R3910	VRS-CY1JF100JY	J 10	1/16W Metal Oxide	AA
R3911	VRS-CY1JF100JY	J 10	1/16W Metal Oxide	AA
R3912	VRS-TW2ED000JY	J 0	1/4W Metal Oxide	AB
R3913	VRS-TW2ED000JY	J 0	1/4W Metal Oxide	AB
R3914	VRS-CY1JF562JY	J 5.6k	1/16W Metal Oxide	AA
R3915	VRS-CY1JF473FY	J 47k	1/16W Metal Oxide	AA
R3916	VRS-CY1JF104JY	J 100k	1/16W Metal Oxide	AA
R3917	VRS-CY1JF472JY	J 4.7k	1/16W Metal Oxide	AA
R3918	VRS-CY1JF104JY	J 100k	1/16W Metal Oxide	AA
R3919	VRS-CY1JF101JY	J 100	1/16W Metal Oxide	AA
R3920	VRS-CY1JF101JY	J 100	1/16W Metal Oxide	AA
R3923	VRS-CY1JF100JY	J 10	1/16W Metal Oxide	AA
R3924	VRS-CY1JF100JY	J 10	1/16W Metal Oxide	AA
R3925	VRS-CY1JF333JY	J 33k	1/16W Metal Oxide	AA
R3926	VRS-CY1JF333JY	J 33k	1/16W Metal Oxide	AA
R3927	VRS-CY1JF100JY	J 10	1/16W Metal Oxide	AA
R3933	VRS-CY1JF000JY	J 0	1/16W Metal Oxide	AA
R3938	VRS-CY1JF102JY	J 1k	1/16W Metal Oxide	AA
R3939	VRS-CY1JF103JY	J 10k	1/16W Metal Oxide	AA
R3940	VRS-CY1JF000JY	J 0	1/16W Metal Oxide	AA
R3941	VRS-CY1JF103JY	J 10k	1/16W Metal Oxide	AA
R3942	VRS-CY1JF103JY	J 10k	1/16W Metal Oxide	AA
R3943	VRS-CY1JF273FY	J 27k	1/16W Metal Oxide	AA
R3946	VRS-CY1JF104JY	J 100k	1/16W Metal Oxide	AA
R3947	VRS-CY1JF472JY	J 4.7k	1/16W Metal Oxide	AA
R3948	VRS-CY1JF472JY	J 4.7k	1/16W Metal Oxide	AA
R3949	VRS-CY1JF332JY	J 3.3k	1/16W Metal Oxide	AA
R3950	VRS-CY1JF332JY	J 3.3k	1/16W Metal Oxide	AA
R3957	VRS-CY1JF152JY	J 1.5k	1/16W Metal Oxide	AA
R3958	VRS-CY1JF472JY	J 4.7k	1/16W Metal Oxide	AA
R3959	VRS-CY1JF104JY	J 100k	1/16W Metal Oxide	AA
R3960	VRS-TW2ED101JY	J 100	1/4W Metal Oxide	AA
R3961	VRS-TW2ED101JY	J 100	1/4W Metal Oxide	AA

R3962	VRS-TW2ED101JY	J 100	1/4W Metal Oxide	AA
R3963	VRS-TW2ED101JY	J 100	1/4W Metal Oxide	AA
R3965	VRS-TW2ED560JY	J 56	1/4W Metal Oxide	AB
R3966	VRS-TW2ED560JY	J 56	1/4W Metal Oxide	AB
R3967	VRS-CY1JF101JY	J 100	1/16W Metal Oxide	AA
R3968	VRS-CY1JF102JY	J 1k	1/16W Metal Oxide	AA
R3970	VRS-CY1JF103JY	J 10k	1/16W Metal Oxide	AA
R3972	VRS-CY1JF104JY	J 100k	1/16W Metal Oxide	AA
R3974	VRS-CY1JF473JY	J 47k	1/16W Metal Oxide	AA
R3976	VRS-CY1JF473JY	J 47k	1/16W Metal Oxide	AA
R3977	VRS-CY1JF000JY	J 0	1/16W Metal Oxide	AA
R3978	VRS-CY1JF000JY	J 0	1/16W Metal Oxide	AA
R3980	VRS-CY1JF000JY	J 0	1/16W Metal Oxide	AA
R3981	VRS-CY1JF000JY	J 0	1/16W Metal Oxide	AA
R3982	VRS-CY1JF101JY	J 100	1/16W Metal Oxide	AA
R3983	VRS-CY1JF682JY	J 6.8k	1/16W Metal Oxide	AA
R3984	VRS-CY1JF101JY	J 100	1/16W Metal Oxide	AA
R3985	VRS-CY1JF682JY	J 6.8k	1/16W Metal Oxide	AA
R3987	VRS-CY1JF102JY	J 1k	1/16W Metal Oxide	AA
R3988	VRS-CY1JF821JY	J 820	1/16W Metal Oxide	AA
R3989	VRS-CY1JF821JY	J 820	1/16W Metal Oxide	AA
R3991	VRS-CY1JF472JY	J 4.7k	1/16W Metal Oxide	AA
R3994	VRS-CY1JF333JY	J 33k	1/16W Metal Oxide	AA

(LC-32GA3E/K/F/I)

R3995	VRS-CY1JF333JY	J 33k	1/16W Metal Oxide	AA
R3996	VRS-CY1JF333JY	J 33k	1/16W Metal Oxide	AA
R5701	VRS-CY1JF103JY	J 10k	1/16W Metal Oxide	AA
R5702	VRS-CY1JF103JY	J 10k	1/16W Metal Oxide	AA
R5704	VRS-CY1JF102JY	J 1k	1/16W Metal Oxide	AA
R5705	VRS-CY1JF102FY	J 1k	1/16W Metal Oxide	AA
R5706	VRS-CY1JF622FY	J 6.2k	1/16W Metal Oxide	AA
R5710	VRS-CY1JF102FY	J 1k	1/16W Metal Oxide	AA
R5720	VRS-TV1JD000JY	J 0	1/16W Metal Oxide	AA
R5721	VRS-TV1JD000JY	J 0	1/16W Metal Oxide	AA
R5722	VRS-CY1JF473FY	J 47k	1/16W Metal Oxide	AA
R5723	VRS-CY1JF103JY	J 10k	1/16W Metal Oxide	AA
R5724	VRS-CY1JF472JY	J 4.7k	1/16W Metal Oxide	AA
R5725	VRS-CY1JF102FY	J 1k	1/16W Metal Oxide	AA
R5726	VRS-CY1JF472JY	J 4.7k	1/16W Metal Oxide	AA
R5727	VRS-CY1JF473FY	J 47k	1/16W Metal Oxide	AA
R5728	VRS-CY1JF473FY	J 47k	1/16W Metal Oxide	AA
R5729	VRS-CY1JF104JY	J 100k	1/16W Metal Oxide	AA
R5730	RR-NZA007WJZZY	J 0.068		AD
R5732	VRS-TQ2BD000JY	J 0	1/8W Metal Oxide	AA
R5733	VRS-CY1JF123JY	J 12k	1/16W Metal Oxide	AA
R5734	VRS-CY1JF000JY	J 0	1/16W Metal Oxide	AA
R5774	VRS-CY1JF223JY	J 22k	1/16W Metal Oxide	AA
R5782	VRS-CY1JF223JY	J 22k	1/16W Metal Oxide	AA

**MISCELLANEOUS PARTS**

FB1104	RBLN-0062TAZZY	J	Ferrite Bead	AB
FB1105	RBLN-0077TAZZY	J	Ferrite Bead	AB
FB1106	RBLN-0051TAZZY	J	Ferrite Bead	AC
FB1107	RBLN-0051TAZZY	J	Ferrite Bead	AC
FB1108	RBLN-0077TAZZY	J	Ferrite Bead	AB
FB1109	RBLN-0051TAZZY	J	Ferrite Bead	AC
FB1110	RBLN-0062TAZZY	J	Ferrite Bead	AB
FB1111	RBLN-0062TAZZY	J	Ferrite Bead	AB
FB1112	RBLN-0051TAZZY	J	Ferrite Bead	AC
FB1113	RBLN-0077TAZZY	J	Ferrite Bead	AB
FB1114	RBLN-0051TAZZY	J	Ferrite Bead	AC
FB1115	RBLN-0062TAZZY	J	Ferrite Bead	AB
FB1116	RBLN-0062TAZZY	J	Ferrite Bead	AB
FB1117	RBLN-0062TAZZY	J	Ferrite Bead	AB
FB1118	RBLN-0051TAZZY	J	Ferrite Bead	AC
FB1119	RBLN-0051TAZZY	J	Ferrite Bead	AC
FB1121	RBLN-0210TAZZY	J	Ferrite Bead	AB
FB1123	RBLN-0062TAZZY	J	Ferrite Bead	AB
FB1124	RBLN-0062TAZZY	J	Ferrite Bead	AB
FB1133	RBLN-0065CEZZY	J	Ferrite Bead	AC
FB1601	RBLN-0006TAZZY	J	Ferrite Bead	AB
FB1602	RBLN-0006TAZZY	J	Ferrite Bead	AB
FB1604	RBLN-0006TAZZY	J	Ferrite Bead	AB
FB1605	RBLN-0006TAZZY	J	Ferrite Bead	AB
FB1608	RBLN-0006TAZZY	J	Ferrite Bead	AB
FB1609	RBLN-0006TAZZY	J	Ferrite Bead	AB

Ref. No.	Part No.	★	Description	Code
<b>DUNTKC642UJ01/02/03 (LC-32GA3E)</b>				
<b>DUNTKC642UJ07/08/10 (LC-37GA3E)</b>				
<b>AV Unit (Continued)</b>				
FB2700	RBLN-0061TAZZY	J	Ferrite Bead	AD
FB2703	RBLN-0061TAZZY	J	Ferrite Bead	AD
FB2704	RBLN-0061TAZZY	J	Ferrite Bead	AD
FB3800	RBLN-0061TAZZY	J	Ferrite Bead	AD
FB3801	RBLN-0061TAZZY	J	Ferrite Bead	AD
FB3802	RBLN-0061TAZZY	J	Ferrite Bead	AD
FB3803	RBLN-0049TAZZY	J	Ferrite Bead	AA
FB3804	RBLN-0210TAZZY	J	Ferrite Bead	AB
FB3805	RBLN-0210TAZZY	J	Ferrite Bead	AB
FB3806	RBLN-0210TAZZY	J	Ferrite Bead	AB
FB3807	RBLN-0210TAZZY	J	Ferrite Bead	AB
FB5701	RBLN-0210TAZZY	J	Ferrite Bead	AB
FB5702	RBLN-0210TAZZY	J	Ferrite Bead	AB
FB5703	RBLN-0210TAZZY	J	Ferrite Bead	AB
FB5704	RBLN-0252TAZZY	J	Ferrite Bead	AA
FB5705	RBLN-0064TAZZY	J	Ferrite Bead	AB
J1101	QJAKHA007WJZZ	J	Jack (INPUT3/Component)	AF
J5701	QJAKCA005WJZZ	J	Jack (DC OUTPUT terminal)	AE
P1101	QPLGNA041WJZZ	J	Plug, 2pin(GT)	AB
P1102	QPLGNA348WJZZY	J	Plug, 14pin(VD)	AE
P3801	QPLGNA349WJZZY	J	Plug, 15pin(SA)	AE
P3802	QPLGNA239WJZZY	J	Plug, 40pin(MA)	AH
P3805	QPLGNA181WJZZY	J	Plug, 12pin(AV)	AF
P3807	QPLGNA178WJZZY	J	Plug, 9pin(RM)	AE
P3808	QPLGNA348WJZZY	J	Plug, 14pin(RA)	AE
P3809	QPLGNA173WJZZY	J	Plug, 4pin(SP)	AD
P3810	QPLGN0570FJZZY	J	Plug, 8pin(SC)	AD
P3811	QPLGNA043WJZZ	J	Plug, 4pin(ST)	AB
P5703	QPLGNA051WJZZ	J	Plug, 12pin(PA)	AB
RY3800	RRLYDA004WJZZ	J	Relay	AN
RY3801	RRLYDA002WJZZY	J	Relay	AK
SC1101	QSOCZA059WJZZ	J	Socket, 21pin(INPUT1)	AG
SC1102	QSOCZA059WJZZ	J	Socket, 21pin(INPUT2)	AG
SC1103	QSOCZA059WJZZ	J	Socket, 21pin(INPUT3)	AG
SC3802	QSOCON0493FJZZY	J	Socket, 45pin(FC)	AG
	PSLDMA436WJFW	J	Shield	AH
	CCOVAA896WJ01	J	Cover	AP
			(LC-37GA3E/K/F/I)	
	GCOVAA896WJKB	J	Cover	AM
			(LC-37GA3E/K/F/I)	
	JBTN-A327WJKB	J	Button	
			(LC-37GA3E/K/F/I)	
	LANGK0782CEFW	J	Fixing Metal	AF
			(LC-37GA3E/K/F/I)	
	LHLDW1072GEZZ	J	Holder	AA
			(LC-32GA3E/K/F/I)	
	QCNW-C404WJQZ	J	Connecting Cord, AV-EXT.SP	AG
			(LC-32GA3E/K/F/I)	
	QCNW-C411WJQZ	J	Connecting Cord, AV-LCD CONT	AK
	QCNW-C476WJQZ	J	Connecting Cord, AV-FRONT	AN
			(LC-32GA3E/K/F/I)	
	QCNW-C507WJQZ	J	Connecting Cord, AV-SP [SP]	AG
			(LC-37GA3E/K/F/I)	
	QCNW-C510WJPZ	J	Connecting Cord, AV-FRONT [VD]	AS
			(LC-37GA3E/K/F/I)	
	QCNW-C581WJQZ	J	Connecting Cord, AV-LCDCNT [ST]	AF
	QCNW-C584WJQZ	J	Connecting Cord, POW-AV,MAIN	AV
	QCNW-C620WJQZ	J	Connecting Cord, AV-AV SUB [AV]	AM
	QCNW-C622WJPZ	J	Connecting Cord, AV-MAIN [MA]	BA
	QCNW-C747WJQZ	J	Connecting Cord, AV-LED [RA]	AP
			(LC-37GA3E/K/F/I)	
	QCNW-C403WJQZ	J	Connecting Cord, AV-LED [RA]	AP
			(LC-32GA3E/K/F/I)	
	PSPANA005WJKZ	J	Spacer	AC
			(LC-37GA3E/K/F/I)	
	XBBS830P08000	J	Screw	AA
			(LC-37GA3E/K/F/I)	
	XEBS930P08000	J	Screw	AA
			(LC-37GA3E/K/F/I)	
	XEBS930P08000	J	Screw	AA

Ref. No.	Part No.	★	Description	Code
<b>DUNTKC643UJ01/02/03 (LC-32GA3E)</b>				
<b>DUNTKC643UJ07/08/10 (LC-37GA3E)</b>				
<b>KEY Unit</b>				
<b>TRANSISTORS</b>				
Q151	VSDTC314TK/-1Y	J	DTC314TK	AC
<b>DIODES</b>				
D151	RH-EXA092WJZZY	J	Zener Diode, 12V	AB
D152	RH-EXA092WJZZY	J	Zener Diode, 12V	AB
<b>RESISTORS</b>				
R151	VRS-CY1JF822JY	J	8.2k 1/16W Metal Oxide	AA
R152	VRS-CY1JF123JY	J	12k 1/16W Metal Oxide	AA
R153	VRS-CY1JF822JY	J	8.2k 1/16W Metal Oxide	AA
<b>SWITCHES</b>				
S151	QSW-K0108CEZZY	J	Switch, CH-UP	AD
S152	QSW-K0108CEZZY	J	Switch, CH-DOWN	AD
S153	QSW-K0108CEZZY	J	Switch, INPUT	AD
S154	QSW-K0108CEZZY	J	Switch, VOL-UP	AD
S155	QSW-K0108CEZZY	J	Switch, VOL-DOWN	AD
S156	QSW-P0035GEZZ	J	Switch	AF
<b>MISCELLANEOUS PARTS</b>				
P151	QPLGNA161WJZZY	J	Plug, 5pin(KM)	AE
<b>DUNTKC644UJ01/02/03 (LC-32GA3E)</b>				
<b>DUNTKC644UJ07/08/10 (LC-37GA3E)</b>				
<b>LED Unit</b>				
<b>INTEGRATED CIRCUITS</b>				
IC101	VHITPS850+-1Y	J	TPS850	AG
<b>TRANSISTORS</b>				
Q102	VS2SC2712Y/-1Y	J	2SC2712Y	AB
Q103	VS2SC2712Y/-1Y	J	2SC2712Y	AB
Q104	VS2SC3928AR-1Y	J	2SC3928AR	AB
Q105	VS2SC3928AR-1Y	J	2SC3928AR	AB
Q3003	VS2SC3928AR-1Y	J	2SC3928AR	AB
Q3004	VS2SC3928AR-1Y	J	2SC3928AR	AB
Q3005	VS2SC3928AR-1Y	J	2SC3928AR	AB
Q3009	VS2SC3928AR-1Y	J	2SC3928AR	AB
<b>DIODES AND LED'S</b>				
D101	RH-EXA092WJZZY	J	Zener Diode, 12V	AB
D103	RH-PX0421CEZZY	J	PhotoDiode	AD
D3003	VHPCL221HR+-1Y	J	PhotoDiode	AD
D3004	RH-PX0421CEZZY	J	PhotoDiode	AD
D3005	VHPCL221YG+-1Y	J	PhotoDiode	AD
<b>CAPACITORS</b>				
C101	VCEASY1CN107MY	J	100 16V Electrolytic	AC
C102	VCKYTV1CF225ZY	J	2.2 16V Ceramic	AB
C104	VCEASX1CN106MY	J	10 16V Electrolytic	AC
C105	VCKYCY1HF103ZY	J	0.01 50V Ceramic	AA
C3001	VCKYCY1EF104ZY	J	0.1 25V Ceramic	AA

Ref. No. Part No. ★ Description Code

**DUNTKC644UJ01/02/03 (LC-32GA3E)**  
**DUNTKC644UJ07/08/10 (LC-37GA3E)**  
**LED Unit (Continued)**

C3002 VCKYCY1EF104ZY J 0.1 25V Ceramic AA

**RESISTORS**

R101 VRS-CY1JF101JY J 100 1/16W Metal Oxide AA  
R104 VRS-CY1JF273JY J 27k 1/16W Metal Oxide AA  
R105 VRS-CY1JF393JY J 39k 1/16W Metal Oxide AA  
R106 VRS-CY1JF683JY J 68k 1/16W Metal Oxide AA  
R108 VRS-CY1JF331JY J 330 1/16W Metal Oxide AA  
R109 VRS-CY1JF102JY J 1k 1/16W Metal Oxide AA  
R117 VRS-CY1JF103JY J 10k 1/16W Metal Oxide AA  
R2438 VRS-CY1JF102JY J 1k 1/16W Metal Oxide AA  
R2439 VRS-CY1JF223JY J 22k 1/16W Metal Oxide AA  
R2440 VRS-CY1JF104JY J 100k 1/16W Metal Oxide AA  
R2441 VRS-CY1JF104JY J 100k 1/16W Metal Oxide AA  
R2445 VRS-TW2ED220JY J 22 1/4W Metal Oxide AB  
R2446 VRS-TW2ED220JY J 22 1/4W Metal Oxide AB  
R3007 VRS-CY1JF272JY J 2.7k 1/16W Metal Oxide AA  
R3008 VRS-CJ1JF103JY J 10k 1/16W Metal Oxide AA  
R3009 VRS-CY1JF223JY J 22k 1/16W Metal Oxide AA  
R3010 VRS-CY1JF681JY J 680 1/16W Metal Oxide AA  
R3011 VRS-CJ1JF103JY J 10k 1/16W Metal Oxide AA  
R3012 VRS-CY1JF223JY J 22k 1/16W Metal Oxide AA  
R3015 VRS-CY1JF471JY J 470 1/16W Metal Oxide AA  
R3016 VRS-CY1JF182JY J 1.8k 1/16W Metal Oxide AA  
R3018 VRS-CY1JF104JY J 100k 1/16W Metal Oxide AA  
R3020 VRS-CY1JF104JY J 100k 1/16W Metal Oxide AA

**MISCELLANEOUS PARTS**

J2402 QJAKJA009WJSA J Headphone Jack AE  
P101 QPLGN1474TAZZY J Plug, 14pin(RA) AE  
RMC101 RRMCUA025WJZZ J Remote Receiver AF  
SLD101 PSLDM4646CEFW J Shield AD

Ref. No. Part No. ★ Description Code

**DUNTKC646UJ01/02/03 (LC-32GA3E)**  
**DUNTKC646UJ07/08/10 (LC-37GA3E)**  
**FRONT Unit**

**DIODES**

D141 RH-EX1264CEZZY J Zener Diode, 10V AB  
D142 RH-EX1264CEZZY J Zener Diode, 10V AB  
D143 RH-EX1264CEZZY J Zener Diode, 10V AB  
D144 RH-EX1264CEZZY J Zener Diode, 10V AB

**CAPACITORS**

C141 VCKYCY1HB103KY J 0.01 50V Ceramic AA  
C142 VCKYCY1HB103KY J 0.01 50V Ceramic AA  
C143 VCKYCY1HB103KY J 0.01 50V Ceramic AA  
C144 VCKYTV1CB105KY J 1 16V Ceramic AC  
C145 VCKYTV1CB105KY J 1 16V Ceramic AC  
C146 VCKYCY1EF104ZY J 0.1 25V Ceramic AA  
C147 VCKYTV1CB105KY J 1 16V Ceramic AC  
C148 VCKYTV1CB105KY J 1 16V Ceramic AC

**RESISTORS**

R141 VRS-TQ2BD750JY J 75 1/8W Metal Oxide AA  
R142 VRS-CY1JF274JY J 270k 1/16W Metal Oxide AA  
R143 VRS-CY1JF103JY J 10k 1/16W Metal Oxide AA  
R144 VRS-CY1JF104JY J 100k 1/16W Metal Oxide AA  
R145 VRS-CY1JF221JY J 220 1/16W Metal Oxide AA  
R146 VRS-TQ2BD750JY J 75 1/8W Metal Oxide AA  
R147 VRS-TQ2BD750JY J 75 1/8W Metal Oxide AA  
R148 VRS-CY1JF221JY J 220 1/16W Metal Oxide AA  
R149 VRS-CY1JF104JY J 100k 1/16W Metal Oxide AA  
R150 VRS-CY1JF102JY J 1k 1/16W Metal Oxide AA

**MISCELLANEOUS PARTS**

J141 QJAKZA018WJZZ J Jack AF  
J142 QJAKFA023WJZZ J Jack (INPUT 4/  
Audio output Terminal) AE  
P141 QPLGNA348WJZZY J Plug, 14pin(VD) AE

**DUNTKC645UJ01/02/03 (LC-32GA3E)**  
**DUNTKC645UJ07/08/10 (LC-37GA3E)**  
**EXT.SP Unit**

**MISCELLANEOUS PARTS**

J203 QTANAA003WJZZ J EXT.SP Terminal AH  
P202 QPLGNA160WJZZY J Plug, 4pin(SP) AD

Ref. No.	Part No.	★	Description	Code	Ref. No.	Part No.	★	Description	Code	
<b>RDENCA068WJZZ POWER SUPPLY Unit</b>					<b>DIODES</b>					
<b>INTEGRATED CIRCUITS</b>					△	D1701		95CD1132AL006	J D25XB60, 600V 25A	AU
IC2701	95CH3151AC001	J	FA5502M-TE1	AZ	△	D1702		95CD1057AQ006	J ERA15-06	AE
IC2702	95CH10Q3AQ001	J	TA76431 0.01	AL	△	D1703		95CD1057AQ006	J ERA15-06	AE
IC3751	95CH10Q3AQ001	J	TA76431 0.01	AL	D1704		95CD1057AQ006	J ERA15-06	AE	
IC3752	95CH1035AQ5R0	J	PQ05RD11		△	D1705		95CD1057AQ006	J ERA15-06	AE
IC4751	95CH10Q3AQ001	J	TA76431 0.01	AL	D1706		95CD4103AC019	J Zener Diode, MA8120-M	AD	
IC5751	95CH10Q3AQ001	J	TA76431 0.01	AL	D1707		95CD4103AC019	J Zener Diode, MA8120-M	AD	
IC5752	95COMP6S0080	J	MPD6S008 10/12Vout	BC	D1708		95CD4103AC019	J Zener Diode, MA8120-M	AD	
IC6751	95CH10Q3AQ001	J	TA764310.01	AL	D2701		95CD2172AL006	J SF10L60U, 600V 10A	AR	
IC6752	95COMP6S0080	J	MPD6S008 10/12Vout	BC	D2702		95CD2172AL006	J SF10L60U, 600V 10A	AR	
IC6753	95COMP4S0120	J	MPD4S012	BD	D2703		95CD1057AQ006	J ERA15-06	AE	
IC6754	95COMP6S0070	J	MPD6S007 6Vout	BH	D2704		95CD4103AC026	J Zener Diode, MA8030-L	AD	
IC6756	95COMP5S0200	J	MPD5S020		D2706		95CD4103AC023	J Zener Diode, MA8240-M	AD	
<b>TRANSISTORS</b>					D2707		95CD2071AQ002	J ERA92-02, 200V 1A35ns	AG	
△	TRA1701	J	SEMICONDUCTOR SW TM1661P-L (L)	AC	D3703		95CD2095AQ008	J 1SS355, 80V 0.1A	AD	
Q1701	95CT4081CC002	J	2SC4081, 50V 0.15A	AD	D3704		95CD2095AQ008	J 1SS355, 80V 0.1A	AD	
Q2701	95CT1044ML001	J	F11F60C3, 600V 11A	AZ	D3705		95CD4103AC023	J Zener Diode, MA8240-M	AD	
Q2702	95CT1044ML001	J	F11F60C3, 600V 11A	AZ	D3706		95CD2095AQ008	J 1SS355, 80V 0.1A	AD	
Q2703	95CT1858DR001	J	2SD1858	AH	D3707		95CD4103AC053	J Zener Diode, MA8390-M	AD	
Q2704	95CT1237BR001	J	2SB1237	AH	D3708		95CD4103AC053	J Zener Diode, MA8390-M	AD	
Q2705	95CT1576AC002	J	2SA1576A, 50V 0.15A	AD	D3709		95CD4103AC053	J Zener Diode, MA8390-M	AD	
Q2706	95CT4081CC002	J	2SC4081, 50V 0.15A	AD	D3710		95CD4103AC053	J Zener Diode, MA8390-M	AD	
Q2707	95CT1576AC002	J	2SA1576A, 50V 0.15A	AD	D3711		95CD4103AC053	J Zener Diode, MA8390-M	AD	
Q2708	95CT2012DL002	J	2SD2012, STANDARD	AL	D3712		95CD4103AC053	J Zener Diode, MA8390-M	AD	
Q3701	95CT2717KL002	J	2SK2717, 900V 5A	AS	D3713		95CD4103AC053	J Zener Diode, MA8390-M	AD	
Q3702	95CT4097CC002	J	2SC4097	AE	D3714		95CD4103AC053	J Zener Diode, MA8390-M	AD	
Q3721	95CT4081CC002	J	2SC4081, 50V 0.15A	AD	D3715		95CD4103AC053	J Zener Diode, MA8390-M	AD	
Q3722	95CT4081CC002	J	2SC4081, 50V 0.15A	AD	D3716		95CD4103AC053	J Zener Diode, MA8390-M	AD	
Q3723	95CT4081CC002	J	2SC4081, 50V 0.15A	AD	D3717		95CD4103AC053	J Zener Diode, MA8390-M	AD	
Q3731	95CT5122CR001	J	2SC5122, 400V 50mA	AH	D3718		95CD4103AC053	J Zener Diode, MA8390-M	AD	
Q3741	95CT1576AC002	J	2SA1576A, 50V 0.15A	AD	D3721		95CD2095AQ008	J 1SS355, 80V 0.1A	AD	
Q3742	95CT1576AC002	J	2SA1576A, 50V 0.15A	AD	D3722		95CD2095AQ008	J 1SS355, 80V 0.1A	AD	
Q3743	95CT4081CC002	J	2SC4081, 50V 0.15A	AD	D3723		95CD2095AQ008	J 1SS355, 80V 0.1A	AD	
Q3751	95CT4081CC002	J	2SC4081, 50V 0.15A	AD	D3727		95CD2092AQ002	J SC902-2, 00V 1.0A	AG	
Q3762	95CT4081CC002	J	2SC4081, 50V 0.15A	AD	D3731		95CD4103AC041	J Zener Diode, MA8330-L	AD	
Q3763	95CT4081CC002	J	2SC4081, 50V 0.15A	AD	D3732		95CD4103AC013	J Zener Diode, MA8091-M	AD	
Q3764	95CT1576AC002	J	2SA1576A, 50V 0.15A	AD	D3733		95CD2095AQ008	J 1SS355, 80V 0.1A	AD	
Q4701	95CT3326KL002	J	2SK3326, BONDING WIRE:400um	AQ	D3741		95CD2092AQ002	J SC902-2, 200V 1.0A	AG	
Q4702	95CT4097CC002	J	2SC4097	AE	D3742		95CD4103AC024	J Zener Diode, MA8270-H	AD	
Q4710	95CT4081CC002	J	2SC4081, 50V 0.15A	AD	D3743		95CD4103AC023	J Zener Diode, MA8240-M	AD	
Q4712	95CT4097CC002	J	2SC4097	AE	D3744		95CD2095AQ008	J 1SS355, 80V 0.1A	AD	
Q4720	95CT3326KL002	J	2SK3326, BONDING WIRE:400um	AQ	D3745		95CD2095AQ008	J 1SS355, 80V 0.1A	AD	
Q4722	95CT4097CC002	J	2SC4097	AE	D3746		95CD4103AC013	J Zener Diode, MA8091-M	AD	
Q4780	95CT3273KL001	J	2SK3273, 60V 70A	AX	D3751		95CD2005BQ206	J ERC81-006, 60V 3A	AL	
Q4782	95CT4097CC002	J	2SC4097	AE	D3752		95CD4103AC008	J Zener Diode, MA8068-M	AD	
Q5701	95CT3326KL002	J	2SK3326, BONDING WIRE:400um	AQ	D3753		95CD2095AQ008	J 1SS355, 80V 0.1A	AD	
Q5702	95CT4097CC002	J	2SC4097	AE	D3772		95CD4103AC002	J Zener Diode, MA8047-L	AD	
Q5710	95CT4081CC002	J	2SC4081, 50V 0.15A	AD	D3773		95CD2095AQ008	J 1SS355, 80V 0.1A	AD	
Q5712	95CT4097CC002	J	2SC4097	AE	D4702		95CD2095AQ008	J 1SS355, 80V 0.1A	AD	
Q5720	95CT3326KL002	J	2SK3326, BONDING WIRE:400um	AQ	D4703		95CD2095AQ008	J 1SS355, 80V 0.1A	AD	
Q5722	95CT4097CC002	J	2SC4097	AE	D4704		95CD2095AQ008	J 1SS355, 80V 0.1A	AD	
Q5780	95CT3273KL001	J	2SK3273, 60V 70A	AX	D4706		95CD2095AQ008	J 1SS355, 80V 0.1A	AD	
Q5782	95CT4097CC002	J	2SC4097	AE	D4707		95CD2095AQ008	J 1SS355, 80V 0.1A	AD	
Q6701	95CT3326KL002	J	2SK3326, BONDING WIRE:400um	AQ	D4710		95CD2095AQ008	J 1SS355, 80V 0.1A	AD	
Q6702	95CT4097CC002	J	2SC4097	AE	D4711		95CD2095AQ008	J 1SS355, 80V 0.1A	AD	
Q6710	95CT4081CC002	J	2SC4081, 50V 0.15A	AD	D4712		95CD4103AC008	J Zener Diode, MA8068-M	AD	
Q6712	95CT4097CC002	J	2SC4097	AE	D4713		95CD2095AQ008	J 1SS355, 80V 0.1A	AD	
Q6720	95CT3326KL002	J	2SK3326, BONDING WIRE:400um	AQ	D4721		95CD4103AC008	J Zener Diode, MA8068-M	AD	
Q6722	95CT4097CC002	J	2SC4097	AE	D4722		95CD2095AQ008	J 1SS355, 80V 0.1A	AD	
					D4723		95CD4103AC013	J Zener Diode, MA8091-M	AD	
					D4724		95CD2095AQ008	J 1SS355, 80V 0.1A	AD	
					D4730		95CD2095AQ008	J 1SS355, 80V 0.1A	AD	
					D4731		95CD2095AQ008	J 1SS355, 80V 0.1A	AD	
					D4740		95CD2095AQ008	J 1SS355, 80V 0.1A	AD	
					D4751		95CD2027BQ006	J YG805C06R, 60V 20A	AP	
					D4754		95CD4103AC043	J Zener Diode, MA8180-M	AD	
					D4755		95CD2095AQ008	J 1SS355, 80V 0.1A	AD	
					D4781		95CD4103AC002	J Zener Diode, MA8047-L	AD	
					D4782		95CD2095AQ008	J 1SS355, 80V 0.1A	AD	
					D4783		95CD2095AQ008	J 1SS355, 80V 0.1A	AD	
					D4784		95CD2095AQ008	J 1SS355, 80V 0.1A	AD	
					D4785		95CD2095AQ008	J 1SS355, 80V 0.1A	AD	
					D4786		95CD2095AQ008	J 1SS355, 80V 0.1A	AD	
					D4787		95CD4103AC049	J Zener Diode, MA8027-L	AD	
					D4788		95CD2095AQ008	J 1SS355, 80V 0.1A	AD	

Ref. No.	Part No.	★	Description	Code
<b>RDENCA068WJZZ</b>				
<b>POWER SUPPLY Unit (Continued)</b>				
D5702	95CD2095AQ008	J	1SS355, 80V 0.1A	AD
D5703	95CD2095AQ008	J	1SS355, 80V 0.1A	AD
D5704	95CD2095AQ008	J	1SS355, 80V 0.1A	AD
D5706	95CD2095AQ008	J	1SS355, 80V 0.1A	AD
D5707	95CD2095AQ008	J	1SS355, 80V 0.1A	AD
D5710	95CD2095AQ008	J	1SS355, 80V 0.1A	AD
D5711	95CD2095AQ008	J	1SS355, 80V 0.1A	AD
D5712	95CD4103AC008	J	Zener Diode, MA8068-M	AD
D5713	95CD2095AQ008	J	1SS355, 80V 0.1A	AD
D5721	95CD4103AC008	J	Zener Diode, MA8068-M	AD
D5722	95CD2095AQ008	J	1SS355, 80V 0.1A	AD
D5723	95CD4103AC013	J	Zener Diode, MA8091-M	AD
D5724	95CD2095AQ008	J	1SS355, 80V 0.1A	AD
D5730	95CD2095AQ008	J	1SS355, 80V 0.1A	AD
D5731	95CD2095AQ008	J	1SS355, 80V 0.1A	AD
D5751	95CD2027BQ006	J	YG805C06R, 60V 20A	AP
D5754	95CD4103AC043	J	Zener Diode, MA8180-M	AD
D5755	95CD2095AQ008	J	1SS355, 80V 0.1A	AD
D5756	95CD4103AC019	J	Zener Diode, MA8120-M	AD
D5757	95CD2095AQ008	J	1SS355, 80V 0.1A	AD
D5781	95CD4103AC002	J	Zener Diode, MA8047-L	AD
D5782	95CD2095AQ008	J	1SS355, 80V 0.1A	AD
D5783	95CD2095AQ008	J	1SS355, 80V 0.1A	AD
D5784	95CD2095AQ008	J	1SS355, 80V 0.1A	AD
D5785	95CD2095AQ008	J	1SS355, 80V 0.1A	AD
D5786	95CD2095AQ008	J	1SS355, 80V 0.1A	AD
D5787	95CD4103AC049	J	Zener Diode, MA8027-L	AD
D5788	95CD2095AQ008	J	1SS355, 80V 0.1A	AD
D6702	95CD2095AQ008	J	1SS355, 80V 0.1A	AD
D6703	95CD2095AQ008	J	1SS355, 80V 0.1A	AD
D6704	95CD2095AQ008	J	1SS355, 80V 0.1A	AD
D6706	95CD2095AQ008	J	1SS355, 80V 0.1A	AD
D6707	95CD2095AQ008	J	1SS355, 80V 0.1A	AD
D6710	95CD2095AQ008	J	1SS355, 80V 0.1A	AD
D6711	95CD2095AQ008	J	1SS355, 80V 0.1A	AD
D6712	95CD4103AC008	J	Zener Diode, MA8068-M	AD
D6713	95CD2095AQ008	J	1SS355, 80V 0.1A	AD
D6721	95CD4103AC008	J	Zener Diode, MA8068-M	AD
D6722	95CD2095AQ008	J	1SS355, 80V 0.1A	AD
D6723	95CD4103AC013	J	Zener Diode, MA8091-M	AD
D6724	95CD2095AQ008	J	1SS355, 80V 0.1A	AD
D6730	95CD2095AQ008	J	1SS355, 80V 0.1A	AD
D6731	95CD2095AQ008	J	1SS355, 80V 0.1A	AD
D6751	95CD2027BQ006	J	YG805C06R, 60V 20A	AP
D6752	95CD2027BQ006	J	YG805C06R, 60V 20A	AP
D6753	95CD2027BQ006	J	YG805C06R, 60V 20A	AP
D6754	95CD4103AC043	J	Zener Diode, MA8180-M	AD
D6755	95CD2095AQ008	J	1SS355, 80V 0.1A	AD
D6756	95CD4103AC019	J	Zener Diode, MA8120-M	AD
D6757	95CD2095AQ008	J	1SS355, 80V 0.1A	AD
D6760	95CD4103AC008	J	Zener Diode, MA8068-M	AD
D6761	95CD2095AQ008	J	1SS355, 80V 0.1A	AD
D6762	95CD4103AC026	J	Zener Diode, MA8030-L	AD
D6763	95CD2095AQ008	J	1SS355, 80V 0.1A	AD
D6764	95CD4103AC002	J	Zener Diode, MA8047-L	AD
D6765	95CD2095AQ008	J	1SS355, 80V 0.1A	AD
D6766	95CD4103AC023	J	Zener Diode, MA8240-M	AD
D6767	95CD4103AC023	J	Zener Diode, MA8240-M	AD
△ Z1701	95CD7058AQ471	J	ENC471D-10A	AG
△ Z1702	95CD7058AQ471	J	ENC471D-10A	AG

**PACKAGED CIRCUITS**

△ PC1701	95CH7136AS001	J	PC3SF21YVZA, 200V	AP
△ PC2701	95CH7148AS003	J	PC123, CTR100-200	AH
△ PC3701	95CH7148AS003	J	PC123, CTR100-200	AH
△ PC4701	95CH7148AS003	J	PC123, CTR100-200	AH
△ PC5701	95CH7148AS003	J	PC123, CTR100-200	AH
△ PC6701	95CH7148AS003	J	PC123, CTR100-200	AH
△ PC1702	95CH7148AS003	J	PC123, CTR100-200	AH

Ref. No.	Part No.	★	Description	Code
△ PC3702	95CH7148AS003	J	PC123, CTR100-200	AH
<b>COILS</b>				
△ L1701	95CL1204RS602	J	Coil, LINEFILTER, SC-04-E60JKH or LINEFILTER SC-04-E60JH	AS
△ L1702	95CL1204RS602	J	Coil LINEFILTER, SC-04-E60JKH or LINEFILTER SC-04-E60JH	AS
△ L1703	95CL1204RS602	J	Coil LINEFILTER, SC-04-E60JKH or LINEFILTER SC-04-E60JH	AS
L2701	95CL1185RS640	J	Coil, SN12-400JH, 5A	AR
L2702	95CL1184RS401	J	Coil, SHB-03-401JH	AY
L2703	95CL1184RS401	J	Coil, SHB-03-401JH	AY
<b>TRANSFORMERS</b>				
△ T3701	95CL2000DL150	J	2D150	AY
△ T4701	95CL2000MS022	J	2MS022	AY
△ T5701	95CL2000MS022	J	2MS022	AY
△ T6701	95CL2000MS018	J	2MS018	AZ
<b>CAPACITORS</b>				
△ C1701	95CC2045QQ224	J	0.22(RE-C)AC250V Film	AG
△ C1702	95CC2045QQ224	J	0.22(RE-C)AC250V Film	AG
△ C1705	95CC2045QQ104	J	0.1(RE-C) AC250V Film	AF
△ C1706	95CC1076QQ222	J	2200p KH Ceramic	AE
△ C1707	95CC1076QQ222	J	2200p KH Ceramic	AE
△ C1708	95CC1076QQ222	J	2200p KH Ceramic	AE
C1712	95CC1095EQ103	J	0.01 50V Ceramic	AC
C2701	95CC2047MQ224	J	0.22 450V Film	AN
C2702	95CC2047MQ224	J	0.22 450V Film	AN
C2703	95CC2047MQ224	J	0.22 450V Film	AN
C2704	95CC2047MQ224	J	0.22 450V Film	AN
C2706	95CC2047MQ224	J	0.22 450V Film	AN
C2708	95CC1152BC106	J	10 16V Ceramic	AG
C2709	95CC10B2SQ101	J	100p 2kV Ceramic	AE
C2710	95CC1095EQ104	J	0.1 50V Ceramic	AC
C2711	95CC1095EQ104	J	0.1 50V Ceramic	AC
C2712	95CC1094EQ471	J	470p 50V Ceramic	AC
C2713	95CC1095EQ473	J	0.047 50V Ceramic	AC
C2714	95CC1094EQ101	J	100p 50V Ceramic	AC
C2715	95CC1094EQ471	J	470p 50V Ceramic	AC
C2716	95CC1095EQ104	J	0.1 50V Ceramic	AC
C2717	95CC1095EQ104	J	0.1 50V Ceramic	AC
C2718	95CC1152BC106	J	10 16V Ceramic	AG
C2719	95CC1095EQ103	J	0.01 50V Ceramic	AC
C2720	95CC1095EQ104	J	0.1 50V Ceramic	AC
C2721	95CC30A0DQ330	J	33(ZL) 35V Electrolytic	AE
C2722	95CC1095EQ104	J	0.1 50V Ceramic	AC
C2723	95CC1095EQ104	J	0.1 50V Ceramic	AC
C2724	95CC10A7RQ472	J	4700p 1kV Ceramic	AE
C3701	95CC3151YS101	J	100(KXG) 450V Electrolytic	AX
C3703	95CC10B2SQ470	J	47p 2kV Ceramic	AD
C3709	95CC1093AQ472	J	4700p 50V Ceramic	AE
C3710	95CC1095EQ103	J	0.01 50V Ceramic	AC
C3711	95CC1094EQ101	J	100p 50V Ceramic	AC
C3722	95CC1152EC224	J	0.22 50V Ceramic	AE
C3723	95CC1094EQ101	J	100p 50V Ceramic	AC
C3741	95CC30A0EQ220	J	22(ZL) 50V Electrolytic	AE
C3742	95CC1094EQ102	J	1000p 50V Ceramic	AD
C3743	95CC10Q0CQ105	J	1 25V Ceramic	AE
C3744	95CC10Q0CQ105	J	1 25V Ceramic	AE
C3745	95CC10Q0CQ105	J	1 25V Ceramic	AE
C3746	95CC1095EQ104	J	0.1 50V Ceramic	AC
C3751	95CC10A9RQ102	J	1000p 1kV Ceramic	AE
C3752	95CC3150DR471	J	470(ZLH) 35V Electrolytic	AK
C3753	95CC3150DR471	J	470(ZLH) 35V Electrolytic	AK
C3755	95CC1095EQ104	J	0.1 50V Ceramic	AC
C3756	95CC1095EQ104	J	0.1 50V Ceramic	AC
C3757	95CC1095EQ104	J	0.1 50V Ceramic	AC
C3758	95CC1152BC106	J	10 16V Ceramic	AG
C3759	95CC10Q0CQ105	J	1 25V Ceramic	AE
C4701	95CC3151YS101	J	100(KXG) 450V Electrolytic	AX
C4703	95CC1094EQ101	J	100p 50V Ceramic	AC

Ref. No.	Part No.	★	Description	Code	Ref. No.	Part No.	★	Description	Code
<b>RDENCA068WJZZ</b>									
<b>POWER SUPPLY Unit (Continued)</b>									
C4709	95CC1093AQ472	J	4700p 50V Ceramic	AE	C6779	95CC3150DR471	J	470(ZLH) 35V Electrolytic	AK
C4710	95CC1095EQ103	J	0.01 50V Ceramic	AC	C6780	95CC3150DR471	J	470(ZLH) 35V Electrolytic	AK
C4720	95CC2047MQ224	J	0.22 450V Film	AN	C6781	95CC3150DR471	J	470(ZLH) 35V Electrolytic	AK
C4721	95CC1094EQ222	J	2200p 50V Ceramic	AE	C6782	95CC10Q0CQ105	J	1 25V Ceramic	AE
C4722	95CC1093AQ472	J	4700p 50V Ceramic	AE	C6783	95CC10Q0CQ105	J	1 25V Ceramic	AE
C4730	95CC1094EQ101	J	100p 50V Ceramic	AC	<b>RESISTORS</b>				
C4751	95CC10A9RQ102	J	1000p 1kV Ceramic	AE	△ R1701	95CR1063BQ564	J	560k 1/2W Resistor	AD
C4752	95CC3150DR471	J	470(ZLH) 35V Electrolytic	AK	R1702	95CR3062UQ100	J	10(FUSE) 1/6W Resistor	AE
C4753	95CC3150DR471	J	470(ZLH) 35V Electrolytic	AK	R1703	95CR3131AC100	J	10 1/4W Resistor	AB
C4754	95CC3150DR471	J	470(ZLH) 35V Electrolytic	AK	R1704	95CR3131AC100	J	10 1/4W Resistor	AB
C4757	95CC1095EQ104	J	0.1 50V Ceramic	AC	R1705	95CR3062UQ151	J	150(FUSE) 1/6W Resistor	AE
C4758	95CC1095EQ104	J	0.1 50V Ceramic	AC	R1706	95CR3131AC103	J	10k 1/4W Resistor	AB
C4781	95CC1094EQ472	J	4700p 50V Ceramic	AE	R1707	95CR3131AC103	J	10k 1/4W Resistor	AB
C4782	95CC1093AQ472	J	4700p 50V Ceramic	AE	R1708	95CR3131AC103	J	10k 1/4W Resistor	AB
C4783	95CC1094EQ471	J	470p 50V Ceramic	AC	R1709	95CR3131AC103	J	10k 1/4W Resistor	AB
C5701	95CC3151Y1S101	J	100(KXG) 450V Electrolytic	AX	R1710	95CR3131AC103	J	10k 1/4W Resistor	AB
C5703	95CC1094EQ101	J	100p 50V Ceramic	AC	R1711	95CR3131AC103	J	10k 1/4W Resistor	AB
C5709	95CC1093AQ472	J	4700p 50V Ceramic	AE	R1712	95CR3121TC103	J	10k 1/8W Resistor	AB
C5710	95CC1095EQ103	J	0.01 50V Ceramic	AC	R1713	95CR3121TC101	J	100 1/8W Resistor	AB
C5720	95CC2047MQ224	J	0.22 450V Film	AN	△ R1791	95CR3079CQ395	J	3.9M 1W Resistor	AH
C5721	95CC1094EQ222	J	2200p 50V Ceramic	AE	△ R1792	95CR3079CQ395	J	3.9M 1W Resistor	AH
C5722	95CC1093AQ472	J	4700p 50V Ceramic	AE	R2701	95CR3136AC274	J	270k 1/4W Resistor	AC
C5730	95CC1094EQ101	J	100p 50V Ceramic	AC	R2702	95CR3136AC274	J	270k 1/4W Resistor	AC
C5751	95CC10A9RQ102	J	1000p 1kV Ceramic	AE	R2703	95CR3136AC274	J	270k 1/4W Resistor	AC
C5752	95CC3150DR471	J	470(ZLH) 35V Electrolytic	AK	R2704	95CR3127TC332	J	3.3k 1/10W Resistor	AC
C5753	95CC3150DR471	J	470(ZLH) 35V Electrolytic	AK	R2705	95CR3136AC684	J	680k 1/4W Resistor	AC
C5754	95CC3150DR471	J	470(ZLH) 35V Electrolytic	AK	R2706	95CR3136AC684	J	680k 1/4W Resistor	AC
C5757	95CC1095EQ104	J	0.1 50V Ceramic	AC	R2707	95CR3136AC684	J	680k 1/4W Resistor	AC
C5758	95CC1095EQ104	J	0.1 50V Ceramic	AC	R2708	95CR3127TC223	J	22k 1/10W Resistor	AC
C5759	95CC1152BC106	J	10 16V Ceramic	AG	R2709	95CR3121TC222	J	2.2k 1/8W Resistor	AB
C5760	95CC1152BC106	J	10 16V Ceramic	AG	R2710	95CR3121TC103	J	10k 1/8W Resistor	AB
C5761	95CC3150DR471	J	470(ZLH) 35V Electrolytic	AK	R2711	95CR3129TC474	J	470k 1/8W Resistor	AC
C5762	95CC3150DR471	J	470(ZLH) 35V Electrolytic	AK	R2712	95CR3129TC474	J	470k 1/8W Resistor	AC
C5763	95CC10Q0CQ105	J	1 25V Ceramic	AE	R2713	95CR3121TC103	J	10k 1/8W Resistor	AB
C5781	95CC1095EQ472	J	4700p 50V Ceramic	AE	R2714	95CR3121TC103	J	10k 1/8W Resistor	AB
C5782	95CC1093AQ472	J	4700p 50V Ceramic	AE	R2715	95CR3136AC224	J	220k 1/4W Resistor	AC
C5783	95CC1094EQ471	J	470p 50V Ceramic	AC	R2716	95CR3136AC224	J	220k 1/4W Resistor	AC
△ C5791	95CC1076QQ222	J	2200p KH Ceramic	AE	R2717	95CR3136AC224	J	220k 1/4W Resistor	AC
△ C5792	95CC1076QQ222	J	2200p KH Ceramic	AE	R2718	95CR3127TC471	J	470 1/10W Resistor	AC
C6703	95CC1094EQ101	J	100p 50V Ceramic	AC	R2719	95CR3127TC222	J	2.2k 1/10W Resistor	AC
C6709	95CC1093AQ472	J	4700p 50V Ceramic	AE	R2720	95CR3127TC561	J	560 1/10W Resistor	AC
C6710	95CC1095EQ103	J	0.01 50V Ceramic	AC	R2721	95CR3136AC334	J	330k 1/4W Resistor	AC
C6720	95CC2047MQ224	J	0.22 450V Film	AN	R2722	95CR3136AC334	J	330k 1/4W Resistor	AC
C6721	95CC1094EQ222	J	2200p 50V Ceramic	AE	R2723	95CR3136AC334	J	330k 1/4W Resistor	AC
C6722	95CC1093AQ472	J	4700p 50V Ceramic	AE	R2724	95CR3127TC392	J	3.9k 1/10W Resistor	AC
C6730	95CC1094EQ101	J	100p 50V Ceramic	AC	R2725	95CR3131AC101	J	100 1/4W Resistor	AB
C6751	95CC10A9RQ102	J	1000p 1kV Ceramic	AE	R2726	95CR3121TC221	J	220 1/8W Resistor	AB
C6752	95CC3150DR471	J	470(ZLH) 35V Electrolytic	AK	R2727	95CR3121TC221	J	220 1/8W Resistor	AB
C6753	95CC3150DR471	J	470(ZLH) 35V Electrolytic	AK	R2728	95CR3127TC333	J	33k 1/10W Resistor	AC
C6754	95CC3150DR471	J	470(ZLH) 35V Electrolytic	AK	R2729	95CR3129TC224	J	220k 1/8W Resistor	AC
C6757	95CC10Q0CQ105	J	1 25V Ceramic	AE	R2730	95CR3127TC333	J	33k 1/10W Resistor	AC
C6760	95CC1152BC106	J	10 16V Ceramic	AG	R2731	95CR3127TC183	J	18k 1/10W Resistor	AC
C6761	95CC1152BC106	J	10 16V Ceramic	AG	R2732	95CR3127TC270	J	27 1/10W Resistor	AC
C6762	95CC3150DR471	J	470(ZLH) 35V Electrolytic	AK	R2733	95CR3127TC103	J	10k 1/10W Resistor	AC
C6763	95CC1152BC106	J	10 16V Ceramic	AG	R2734	95CR3131AC100	J	10 1/4W Resistor	AB
C6764	95CC1152BC106	J	10 16V Ceramic	AG	R2735	95CR3131AC100	J	10 1/4W Resistor	AB
C6765	95CC3150DR471	J	470(ZLH) 35V Electrolytic	AK	R2736	95CR3121TC103	J	10k 1/8W Resistor	AB
C6766	95CC1152BC106	J	10 16V Ceramic	AG	R2737	95CR3121TC103	J	10k 1/8W Resistor	AB
C6767	95CC1152BC106	J	10 16V Ceramic	AG	R2738	95CR5101ELR22	J	0.22 3W Resistor	AM
C6768	95CC3150DR471	J	470(ZLH) 35V Electrolytic	AK	R2739	95CR5101ELR22	J	0.22 3W Resistor	AM
C6770	95CC1152BC106	J	10 16V Ceramic	AG	R2742	95CR3121TC472	J	4.7k 1/8W Resistor	AB
C6771	95CC1152BC106	J	10 16V Ceramic	AG	R2743	95CR3121TC472	J	4.7k 1/8W Resistor	AB
C6772	95CC3150DR471	J	470(ZLH) 35V Electrolytic	AK	R2744	95CR3121TC103	J	10k 1/8W Resistor	AB
C6773	95CC1152BC106	J	10 16V Ceramic	AG	R2745	95CR3121TC472	J	4.7k 1/8W Resistor	AB
C6774	95CC1152BC106	J	10 16V Ceramic	AG	R2746	95CR3121TC103	J	10k 1/8W Resistor	AB
C6775	95CC3150DR471	J	470(ZLH) 35V Electrolytic	AK	R2747	95CR3123TC105	J	1M 1/8W Resistor	AB
C6776	95CC1152EC225	J	2.2 50V Ceramic	AG	R3701	95CR3121TC102	J	1k 1/8W Resistor	AB
C6777	95CC10Q0CQ105	J	1 25V Ceramic	AE	R3705	95CR3121TC273	J	27k 1/8W Resistor	AB
C6778	95CC10Q0CQ105	J	1 25V Ceramic	AE	R3706	95CR3131AC182	J	1.8k 1/4W Resistor	AB
					R3708	95CR3121TC333	J	33k 1/8W Resistor	AB
					R3709	95CR3131AC330	J	33 1/4W Resistor	AB
					R3710	95CR3121TC682	J	6.8k 1/8W Resistor	AB
					R3711	95CR3127TC123	J	12k 1/10W Resistor	AB
					R3712	95CR3127TC123	J	12k 1/10W Resistor	AB

Ref. No.	Part No.	★	Description	Code	Ref. No.	Part No.	★	Description	Code
<b>RDENCA068WJZZ</b>									
<b>POWER SUPPLY Unit (Continued)</b>									
R3713	95CR3127TC822	J	8.2k 1/10W Resistor	AC	R4736	95CR3121TC333	J	33k 1/8W Resistor	AB
R3714	95CR3131AC182	J	1.8k 1/4W Resistor	AB	R4737	95CR3121TC223	J	22k 1/8W Resistor	AB
R3717	95CR3121TC681	J	680 1/8W Resistor	AB	R4738	95CR3121TC103	J	10k 1/8W Resistor	AB
R3722	95CR3121TC123	J	12k 1/8W Resistor	AB	R4740	95CR3121TC223	J	22k 1/8W Resistor	AB
R3723	95CR3129TC104	J	100k 1/8W Resistor	AC	R4741	95CR3133AC334	J	330k 1/4W Resistor	AC
R3724	95CR3121TC333	J	33k 1/8W Resistor	AB	R4742	95CR3133AC334	J	330k 1/4W Resistor	AC
R3725	95CR3129TC184	J	180k 1/8W Resistor	AC	R4743	95CR3133AC394	J	390k 1/4W Resistor	AC
R3727	95CR3131AC181	J	180 1/4W Resistor	AB	R4744	95CR3121TC393	J	39k 1/8W Resistor	AB
R3731	95CR4051CQ563	J	56k 1W Resistor	AD	R4745	95CR3121TC473	J	47k 1/8W Resistor	AB
R3732	95CR4051CQ104	J	100k 1W Resistor	AD	R4751	95CR3121TC272	J	2.7k 1/8W Resistor	AB
R3733	95CR3133AC185	J	1.8M 1/4W Resistor	AC	R4752	95CR3121TC272	J	2.7k 1/8W Resistor	AB
R3734	95CR3133AC185	J	1.8M 1/4W Resistor	AC	R4753	95CR3121TC182	J	1.8k 1/8W Resistor	AB
R3735	95CR3133AC155	J	1.5M 1/4W Resistor	AC	R4754	95CR3127TC331	J	330 1/10W Resistor	AC
R3736	95CR3133AC155	J	1.5M 1/4W Resistor	AC	R4755	95CR3127TC102	J	1k 1/10W Resistor	AC
R3741	95CR3131AC333	J	33k 1/4W Resistor	AB	R4756	95CR3127TC392	J	3.9k 1/10W Resistor	AC
R3742	95CR3121TC103	J	10k 1/8W Resistor	AB	R4757	95CR3127TC102	J	1k 1/10W Resistor	AC
R3743	95CR3121TC473	J	47k 1/8W Resistor	AB	R4758	95CR3121TC331	J	330 1/8W Resistor	AB
R3744	95CR3121TC473	J	47k 1/8W Resistor	AB	R4760	95CR3121TC102	J	1k 1/8W Resistor	AB
R3745	95CR3133AC105	J	1M 1/4W Resistor	AC	R4780	95CR3121TC273	J	27k 1/8W Resistor	AB
R3746	95CR3133AC105	J	1M 1/4W Resistor	AC	R4781	95CR3131AC5R6	J	5.6 1/4W Resistor	AB
R3747	95CR3133AC105	J	1M 1/4W Resistor	AC	R4782	95CR3121TC472	J	4.7k 1/8W Resistor	AB
R3748	95CR3133AC105	J	1M 1/4W Resistor	AC	R4783	95CR3127TC272	J	2.7k 1/10W Resistor	AC
R3749	95CR3123TC104	J	100k 1/8W Resistor	AB	R4784	95CR3127TC681	J	680 1/10W Resistor	AC
R3751	95CR3121TC331	J	330 1/8W Resistor	AB	R4785	95CR3127TC392	J	3.9k 1/10W Resistor	AC
R3752	95CR3121TC222	J	2.2k 1/8W Resistor	AB	R4786	95CR3127TC223	J	22k 1/10W Resistor	AC
R3753	95CR3121TC563	J	56k 1/8W Resistor	AB	R4787	95CR3131AC5R6	J	5.6 1/4W Resistor	AB
R3754	95CR3127TC821	J	820 1/10W Resistor	AC	R4788	95CR3121TC100	J	10 1/8W Resistor	AB
R3755	95CR3127TC392	J	3.9k 1/10W Resistor	AC	R5701	95CR3133AC184	J	180k 1/4W Resistor	AC
R3756	95CR3127TC332	J	3.3k 1/10W Resistor	AC	R5702	95CR3133AC184	J	180k 1/4W Resistor	AC
R3757	95CR3121TC102	J	1k 1/8W Resistor	AB	R5703	95CR3133AC184	J	180k 1/4W Resistor	AC
R3758	95CR3121TC102	J	1k 1/8W Resistor	AB	R5705	95CR3121TC273	J	27k 1/8W Resistor	AB
R3759	95CR3121TC102	J	1k 1/8W Resistor	AB	R5706	95CR3131AC392	J	3.9k 1/4W Resistor	AB
R3760	95CR3131AC471	J	470 1/4W Resistor	AB	R5707	95CR3121TC331	J	330 1/8W Resistor	AB
R3761	95CR3121TC103	J	10k 1/8W Resistor	AB	R5708	95CR3121TC332	J	3.3k 1/8W Resistor	AB
R3762	95CR3121TC103	J	10k 1/8W Resistor	AB	R5709	95CR3131AC000	J	0 1/4W Resistor	AB
R3763	95CR3121TC102	J	1k 1/8W Resistor	AB	R5710	95CR3121TC392	J	3.9k 1/8W Resistor	AB
R3764	95CR3121TC103	J	10k 1/8W Resistor	AB	R5711	95CR3127TC822	J	8.2k 1/10W Resistor	AC
R3765	95CR3121TC101	J	100 1/8W Resistor	AB	R5712	95CR3127TC563	J	56k 1/10W Resistor	AC
R3766	95CR3121TC333	J	33k 1/8W Resistor	AB	R5714	95CR3131AC392	J	3.9k 1/4W Resistor	AB
R3767	95CR3121TC103	J	10k 1/8W Resistor	AB	R5717	95CR3121TC561	J	560 1/8W Resistor	AB
R3768	95CR3121TC822	J	8.2k 1/8W Resistor	AB	R5718	95CR3121TC101	J	100 1/8W Resistor	AB
R3769	95CR3121TC152	J	1.5k 1/8W Resistor	AB	R5720	95CR3121TC223	J	22k 1/8W Resistor	AB
R3783	95CR3121TC102	J	1k 1/8W Resistor	AB	R5721	95CR3131AC471	J	470 1/4W Resistor	AB
R4701	95CR3133AC184	J	180k 1/4W Resistor	AC	R5722	95CR3121TC332	J	3.3k 1/8W Resistor	AB
R4702	95CR3133AC184	J	180k 1/4W Resistor	AC	R5723	95CR3127TC682	J	6.8k 1/10W Resistor	AC
R4703	95CR3133AC184	J	180k 1/4W Resistor	AC	R5724	95CR3127TC222	J	2.2k 1/10W Resistor	AC
R4705	95CR3121TC273	J	27k 1/8W Resistor	AB	R5725	95CR3131AC392	J	3.9k 1/4W Resistor	AB
R4706	95CR3131AC392	J	3.9k 1/4W Resistor	AB	R5730	95CR3133AC474	J	470k 1/4W Resistor	AC
R4707	95CR3121TC331	J	330 1/8W Resistor	AB	R5731	95CR3133AC474	J	470k 1/4W Resistor	AC
R4708	95CR3121TC332	J	3.3k 1/8W Resistor	AB	R5732	95CR3133AC474	J	470k 1/4W Resistor	AC
R4709	95CR3131AC000	J	0 1/4W Resistor	AB	R5733	95CR3133AC394	J	390k 1/4W Resistor	AC
R4710	95CR3121TC392	J	3.9k 1/8W Resistor	AB	R5734	95CR3133AC394	J	390k 1/4W Resistor	AC
R4711	95CR3127TC822	J	8.2k 1/10W Resistor	AC	R5735	95CR3133AC474	J	470k 1/4W Resistor	AC
R4712	95CR3127TC563	J	56k 1/10W Resistor	AC	R5736	95CR3121TC333	J	33k 1/8W Resistor	AB
R4714	95CR3131AC392	J	3.9k 1/4W Resistor	AB	R5737	95CR3121TC223	J	22k 1/8W Resistor	AB
R4717	95CR3121TC561	J	560 1/8W Resistor	AB	R5738	95CR3121TC103	J	10k 1/8W Resistor	AB
R4718	95CR3121TC101	J	100 1/8W Resistor	AB	R5740	95CR3121TC223	J	22k 1/8W Resistor	AB
R4720	95CR3121TC223	J	22k 1/8W Resistor	AB	R5741	95CR3133AC334	J	330k 1/4W Resistor	AC
R4721	95CR3131AC471	J	470 1/4W Resistor	AB	R5742	95CR3133AC334	J	330k 1/4W Resistor	AC
R4722	95CR3121TC332	J	3.3k 1/8W Resistor	AB	R5743	95CR3133AC394	J	390k 1/4W Resistor	AC
R4723	95CR3127TC682	J	6.8k 1/10W Resistor	AC	R5744	95CR3121TC393	J	39k 1/8W Resistor	AB
R4724	95CR3127TC222	J	2.2k 1/10W Resistor	AC	R5751	95CR3121TC272	J	2.7k 1/8W Resistor	AB
R4725	95CR3131AC392	J	3.9k 1/4W Resistor	AB	R5752	95CR3121TC272	J	2.7k 1/8W Resistor	AB
R4730	95CR3133AC474	J	470k 1/4W Resistor	AC	R5753	95CR3121TC182	J	1.8k 1/8W Resistor	AB
R4731	95CR3133AC474	J	470k 1/4W Resistor	AC	R5754	95CR3127TC331	J	330 1/10W Resistor	AC
R4732	95CR3133AC474	J	470k 1/4W Resistor	AC	R5755	95CR3127TC102	J	1k 1/10W Resistor	AC
R4733	95CR3133AC394	J	390k 1/4W Resistor	AC	R5756	95CR3127TC392	J	3.9k 1/10W Resistor	AC
R4734	95CR3133AC394	J	390k 1/4W Resistor	AC	R5757	95CR3127TC102	J	1k 1/10W Resistor	AC
R4735	95CR3133AC474	J	470k 1/4W Resistor	AC	R5758	95CR3121TC331	J	330 1/8W Resistor	AB
					R5760	95CR3121TC102	J	1k 1/8W Resistor	AB
					R5761	95CR3121TC102	J	1k 1/8W Resistor	AB
					R5780	95CR3121TC273	J	27k 1/8W Resistor	AB
					R5781	95CR3131AC5R6	J	5.6 1/4W Resistor	AB
					R5782	95CR3121TC472	J	4.7k 1/8W Resistor	AB
					R5783	95CR3127TC272	J	2.7k 1/10W Resistor	AC
					R5784	95CR3127TC681	J	680 1/10W Resistor	AC



Ref. No.	Part No.	★	Description	Code	Ref. No.	Part No.	★	Description	Code
<b>RDENCA068WJZZ</b>									
<b>POWER SUPPLY Unit (Continued)</b>									
R5785	95CR3127TC392	J	3.9k 1/10W Resistor	AC	BEA2704	95CL5051AQ001	J	Ferrite Bead, BL02RN1R2N1A	AD
R5786	95CR3127TC223	J	22k 1/10W Resistor	AC	BEA2705	95CL5051AQ001	J	Ferrite Bead, BL02RN1R2N1A	AD
R5787	95CR3131AC5R6	J	5.6 1/4W Resistor	AB	BEA3701	95CL5051AQ001	J	Ferrite Bead, BL02RN1R2N1A	AD
R5788	95CR3121TC100	J	10 1/8W Resistor	AB	BEA3741	95CL5051AQ001	J	Ferrite Bead, BL02RN1R2N1A	AD
R6701	95CR3133AC184	J	180k 1/4W Resistor	AC	BEA3751	95CL5051AQ001	J	Ferrite Bead, BL02RN1R2N1A	AD
R6702	95CR3133AC184	J	180k 1/4W Resistor	AC	BEA5751	95CL5051AQ001	J	Ferrite Bead, BL02RN1R2N1A	AD
R6703	95CR3133AC184	J	180k 1/4W Resistor	AC	BEA6751	95CL5051AQ001	J	Ferrite Bead, BL02RN1R2N1A	AD
R6705	95CR3121TC273	J	27k 1/8W Resistor	AB	BEA6752	95CL5051AQ001	J	Ferrite Bead, BL02RN1R2N1A	AD
R6706	95CR3131AC102	J	1k 1/4W Resistor	AB	BEA6753	95CL5051AQ001	J	Ferrite Bead, BL02RN1R2N1A	AD
R6707	95CR3121TC331	J	330 1/8W Resistor	AB	NTC1701	95CD7059AQ8R0	J	NTC Thermistor	AK
R6708	95CR3121TC332	J	3.3k 1/8W Resistor	AB				NTPD78R0LD6A1	
R6709	95CR3131AC000	J	0 1/4W Resistor	AB	DP	95CK2137BS005	J	Connector, B09B-PASK	AM
R6710	95CR3121TC182	J	1.8k 1/8W Resistor	AB	FG1	95CK2052PQ005	J	Connector, EARTH Ferrite Bead, AD(M3) TP00370-41	AE
R6711	95CR3127TC392	J	3.9k 1/10W Resistor	AC	FG2	95CK2052PQ005	J	Connector, EARTH Ferrite Bead, AD(M3) TP00370-41	AE
R6712	95CR3129TC124	J	120k 1/8W Resistor	AC	FG3	95CK2052PQ005	J	Connector, EARTH Ferrite Bead, AD(M3) TP00370-41	AE
R6714	95CR3131AC102	J	1k 1/4W Resistor	AB	PA	95CK2154BS002	J	Connector, B20B-PADSS-1	AQ
R6717	95CR3121TC561	J	560 1/8W Resistor	AB	PE	95CK2154BS001	J	Connector, B16B-PADSS-1	AN
R6718	95CR3121TC101	J	100 1/8W Resistor	AB	PG	95CK2025BQ004	J	Connector, B4PS-VH	AL
R6720	95CR3121TC223	J	22k 1/8W Resistor	AB	PO	95CK2130BS002	J	Connector, B7B-PASK-1	AL
R6721	95CR3131AC471	J	470 1/4W Resistor	AB	AL1701	95CK6051AQ302	J	ARRESTER, RA-302M-V7-YAN	AN
R6722	95CR3121TC332	J	3.3k 1/8W Resistor	AB	PTC2701	95CD8002AQ110	J	Posistor,	AM
R6723	95CR3127TC103	J	10k 1/10W Resistor	AC				PTFM04BC222Q2N34B0	
R6724	95CR3127TC222	J	2.2k 1/10W Resistor	AC	△ CN1701	95CK2108SL001	J	Plug, NC-133L-D-1	AL
R6725	95CR3131AC153	J	15k 1/4W Resistor	AB	SHT1	95C0PKPS10300	J	Sheet, SILICONE RUBBER AM SHEET TBMFB-45 (25X23)	AM
R6727	95CR3127TC683	J	68k 1/10W Resistor	AC					
R6730	95CR3133AC474	J	470k 1/4W Resistor	AC					
R6731	95CR3133AC474	J	470k 1/4W Resistor	AC					
R6732	95CR3133AC474	J	470k 1/4W Resistor	AC					
R6733	95CR3133AC394	J	390k 1/4W Resistor	AC					
R6734	95CR3133AC394	J	390k 1/4W Resistor	AC					
R6735	95CR3133AC474	J	470k 1/4W Resistor	AC					
R6736	95CR3121TC333	J	33k 1/8W Resistor	AB					
R6737	95CR3121TC223	J	22k 1/8W Resistor	AB					
R6738	95CR3121TC103	J	10k 1/8W Resistor	AB					
R6740	95CR3121TC223	J	22k 1/8W Resistor	AB					
R6741	95CR3133AC334	J	330k 1/4W Resistor	AC					
R6742	95CR3133AC334	J	330k 1/4W Resistor	AC					
R6743	95CR3133AC394	J	390k 1/4W Resistor	AC					
R6744	95CR3121TC393	J	39k 1/8W Resistor	AB					
R6751	95CR3121TC152	J	1.5k 1/8W Resistor	AB					
R6752	95CR3121TC222	J	2.2k 1/8W Resistor	AB					
R6753	95CR3121TC103	J	10k 1/8W Resistor	AB					
R6754	95CR3127TC391	J	390 1/10W Resistor	AC					
R6755	95CR3127TC102	J	1k 1/10W Resistor	AC					
R6756	95CR3127TC392	J	3.9k 1/10W Resistor	AC					
R6757	95CR3127TC102	J	1k 1/10W Resistor	AC					
R6760	95CR3121TC102	J	1k 1/8W Resistor	AB					
R6766	95CR3121TC102	J	1k 1/8W Resistor	AB					
R6768	95CR3121TC102	J	1k 1/8W Resistor	AB					
R6769	95CR3121TC102	J	1k 1/8W Resistor	AB					
R6770	95CR3121TC102	J	1k 1/8W Resistor	AB					
R6771	95CR3121TC102	J	1k 1/8W Resistor	AB					
R6772	95CR3121TC101	J	100 1/8W Resistor	AB					
<b>FUSE, FUSE HOLDER</b>									
△ F1701	95CK7018AQ6R3	J	Fuse, AC250V 6.3AH 215	AH					
△ F1702	95CK7018AQ6R3	J	Fuse, AC250V 6.3AH 215	AH					
△ F1703	95CK7101AR2R0	J	Fuse, AC250V 2.0A (382)	AK					
FH1	95CM8050AQ001	J	Fuse Holder, TP00351-51	AD					
FH2	95CM8050AQ001	J	Fuse Holder, TP00351-51	AD					
FH3	95CM8050AQ001	J	Fuse Holder, TP00351-51	AD					
FH4	95CM8050AQ001	J	Fuse Holder, TP00351-51	AD					
<b>MISCELLANEOUS PARTS</b>									
BEA1701	95CL3001ZQ003	J	Ferrite Bead, FSOH044RN01B	AD					
BEA1702	95CL3001ZQ003	J	Ferrite Bead, FSOH044RN01B	AD					
BEA1703	95CL3001ZQ003	J	Ferrite Bead, FSOH044RN01B	AD					
BEA1704	95CL3001ZQ003	J	Ferrite Bead, FSOH044RN01B	AD					
BEA2701	95CL5051AQ001	J	Ferrite Bead, BL02RN1R2N1A	AD					
BEA2702	95CL5051AQ001	J	Ferrite Bead, BL02RN1R2N1A	AD					

Ref. No. Part No. ★ Description Code

**RUNTKA069WJZZ (LC-32GA3E)**  
**INVERTER-UNIT (A)**

**INTEGRATED CIRCUITS**

IC7501 VHIBD9766FV/-1 J BD9766FV AR  
IC7502 VHINJM78L08UA J NJM78L08UA(TA7808F) AE

**TRANSISTORS**

Q7501 VSRSS050P03-1 J RSS050P03 AG  
Q7502 VSRSS065N03-1 J RSS065N03 AF  
Q7503 VSRSS050P03-1 J RSS050P03 AG  
Q7504 VSRSS065N03-1 J RSS065N03 AF  
Q7505 VSRSS050P03-1 J RSS050P03 AG  
Q7506 VSRSS065N03-1 J RSS065N03 AF  
Q7507 VSRSS050P03-1 J RSS050P03 AG  
Q7508 VSRSS065N03-1 J RSS065N03 AF  
Q7513 VSUM6K1N///-1 J UM6K1N, MOSFET AD

**DIODES**

D7501 VHD1SS355// -1 J 1SS355 AB  
D7502 VHD1SS362// -1 J 1SS362 AC  
D7503 VHD1SS362// -1 J 1SS362 AC  
D7504 VHD1SS362// -1 J 1SS362 AC  
D7505 VHD1SS362// -1 J 1SS362 AC  
D7506 VHD1SS362// -1 J 1SS362 AC  
D7507 VHD1SS362// -1 J 1SS362 AC  
D7508 VHD1SS362// -1 J 1SS362 AC  
D7509 VHD1SS362// -1 J 1SS362 AC  
ZD7501 VHEHZU8.2B2-1 J Zener Diode, HZU8.2B2 AC

**TRANSFORMERS**

△ T7501 RTRNZ1257SNEZ J RT990TN-1218 AM  
△ T7502 RTRNZ1256SNEZ J T990TN-1217 AM  
△ T7503 RTRNZ1257SNEZ J RT990TN-1218 AM  
△ T7504 RTRNZ1256SNEZ J T990TN-1217 AM  
△ T7505 RTRNZ1257SNEZ J RT990TN-1218 AM  
△ T7506 RTRNZ1256SNEZ J T990TN-1217 AM  
△ T7507 RTRNZ1257SNEZ J RT990TN-1218 AM  
△ T7508 RTRNZ1256SNEZ J T990TN-1217 AM

**CAPACITORS**

C7502 VCCCCY1HH331J J 330p 50V Ceramic AA  
C7503 VCKYCY1HB222K J 2200p 50V Ceramic AA  
C7504 VCKYCY1HB332K J 3300p 50V Ceramic AA  
C7505 VCKYCY1HB222K J 2200p 50V Ceramic AA  
C7506 VCKYCY1HB332K J 3300p 50V Ceramic AA  
C7507 VCKYCY1EB104K J 0.1 25V Ceramic AA  
C7508 VCKYCY1CB224K J 0.22 16V Ceramic AB  
C7509 VCKYTV1AB225K J 2.2 10V Ceramic AC  
C7510 VCKYTV1AB225K J 2.2 10V Ceramic AC  
C7511 VCKYTQ1EB475K J 4.7 25V Ceramic AD  
C7512 VCKYCY1EB104K J 0.1 25V Ceramic AA  
C7513 VCKYCY1EB104K J 0.1 25V Ceramic AA  
C7516 VCKYCY1EB473K J 0.047 25V Ceramic AA  
C7517 RC-E1E337KZES J 330 25V Electrolytic AE  
C7518 RC-E1E337KZES J 330 25V Electrolytic AE  
C7519 RC-E1E337KZES J 330 25V Electrolytic AE  
C7520 RC-E1E337KZES J 330 25V Electrolytic AE  
C7521 VCKYTQ1EB475K J 4.7 25V Ceramic AD  
C7522 VCKYTQ1EB475K J 4.7 25V Ceramic AD  
C7523 VCKYTQ1EB475K J 4.7 25V Ceramic AD  
C7524 VCKYTQ1EB475K J 4.7 25V Ceramic AD  
C7525 VCKYTQ1EB475K J 4.7 25V Ceramic AD  
C7526 VCKYTQ1EB475K J 4.7 25V Ceramic AD  
C7527 VCKYTQ1EB475K J 4.7 25V Ceramic AD  
C7528 VCKYTQ1EB475K J 4.7 25V Ceramic AD  
C7529 RC-CF180J3KV1 J 18p 3kV Ceramic AE  
C7530 VCKYCY1EB223K J 0.022 25V Ceramic AA  
C7531 VCKYTQ2AB473K J 0.047 100V Ceramic AC  
C7532 RC-CF180J3KV1 J 18p 3kV Ceramic AE  
C7533 VCKYCY1EB223K J 0.022 25V Ceramic AA  
C7534 VCKYTQ2AB473K J 0.047 100V Ceramic AC  
C7535 RC-CF180J3KV1 J 18p 3kV Ceramic AE  
C7536 VCKYCY1EB223K J 0.022 25V Ceramic AA

Ref. No. Part No. ★ Description Code

C7537 VCKYTQ2AB473K J 0.047 100V Ceramic AC  
C7538 RC-CF180J3KV1 J 18p 3kV Ceramic AE  
C7539 VCKYCY1EB223K J 0.022 25V Ceramic AA  
C7540 VCKYTQ2AB473K J 0.047 100V Ceramic AC  
C7541 RC-CF180J3KV1 J 18p 3kV Ceramic AE  
C7542 VCKYCY1EB223K J 0.022 25V Ceramic AA  
C7543 VCKYTQ2AB473K J 0.047 100V Ceramic AC  
C7544 RC-CF180J3KV1 J 18p 3kV Ceramic AE  
C7545 VCKYCY1EB223K J 0.022 25V Ceramic AA  
C7546 VCKYTQ2AB473K J 0.047 100V Ceramic AC  
C7547 RC-CF180J3KV1 J 18p 3kV Ceramic AE  
C7548 VCKYCY1EB223K J 0.022 25V Ceramic AA  
C7549 VCKYTQ2AB473K J 0.047 100V Ceramic AC  
C7550 RC-CF180J3KV1 J 18p 3kV Ceramic AE  
C7551 VCKYCY1EB223K J 0.022 25V Ceramic AA  
C7552 VCKYTQ2AB473K J 0.047 100V Ceramic AC  
C7553 VCKYCY1HB103K J 0.01 50V Ceramic AA

**RESISTORS**

R7501 VRS-CY1JD000J J 0 1/10W Metal Oxide AA  
R7504 VRS-CY1JD000J J 0 1/10W Metal Oxide AA  
R7505 VRS-CY1JD104J J 100k 1/10W Metal Oxide AA  
R7506 VRS-CY1JD104J J 100k 1/10W Metal Oxide AA  
R7507 VRS-CY1JD102J J 1K 1/10W Metal Oxide AA  
R7508 VRS-CY1JD363F J 36k 1/10W Metal Oxide AA  
R7509 VRS-CY1JD753F J 75k 1/10W Metal Oxide AA  
R7510 VRS-CY1JD102J J 1k 1/10W Metal Oxide AA  
R7511 VRS-CY1JD104J J 100k 1/10W Metal Oxide AA  
R7512 VRS-CY1JD000J J 0 1/10W Metal Oxide AA  
R7513 VRS-CY1JD104J J 100k 1/10W Metal Oxide AA  
R7514 VRS-CY1JD000J J 0 1/10W Metal Oxide AA  
R7515 VRS-CY1JD513F J 51k 1/10W Metal Oxide AA  
R7516 VRS-CY1JD683F J 68k 1/10W Metal Oxide AA  
R7517 VRS-CY1JD221J J 220 1/10W Metal Oxide AA  
R7518 VRS-CY1JD221J J 220 1/10W Metal Oxide AA  
R7519 VRS-CY1JD103J J 10k 1/10W Metal Oxide AA  
R7520 VRS-CY1JD103J J 10k 1/10W Metal Oxide AA  
R7521 VRS-CY1JD513F J 51k 1/10W Metal Oxide AA  
R7522 VRS-CY1JD683F J 68k 1/10W Metal Oxide AA  
R7523 VRS-CY1JD000J J 0 1/10W Metal Oxide AA  
R7526 VRS-TP2BD000J J 0 1/4W AA  
R7528 VRS-TP2BD000J J 0 1/4W AA  
R7529 VRS-TP2BD220J J 22 1/4W AA  
R7530 VRS-TP2BD220J J 22 1/4W AA  
R7531 VRS-TP2BD220J J 22 1/4W AA  
R7532 VRS-TP2BD220J J 22 1/4W AA  
R7533 VRS-CY1JD103J J 10k 1/10W Metal Oxide AA  
R7534 VRS-TP2BD220J J 22 1/4W AA  
R7535 VRS-TP2BD220J J 22 1/4W AA  
R7536 VRS-TP2BD220J J 22 1/4W AA  
R7537 VRS-TP2BD220J J 22 1/4W AA  
R7538 VRS-CY1JD513J J 51k 1/10W Metal Oxide AA  
R7541 VRS-CY1JD473F J 47k 1/10W Metal Oxide AA  
R7542 VRS-CY1JD513J J 51k 1/10W Metal Oxide AA  
R7545 VRS-CY1JD753F J 75k 1/10W Metal Oxide AA

**FUSE**

△ F7501 QFS-A1152SNEZ J Fuse, BL6.3A/250V AD

**MISCELLANEOUS PARTS**

CN7501 QCNCM1818SNEZ J Plug, 3Pin, B3P-VH AC  
CN7502 QCNCM1819SNEZ J Plug, 12Pin, B12B-PASK-1 AD  
CN7503 QCNCM1822SNEZ J Plug, 5Pin, 05PL-FJ AD  
CN7504 QCNCM1821SNEZ J Plug, 2Pin, 1717823-1 AD  
CN7505 QCNCM1821SNEZ J Plug, 2Pin, 1717823-1 AD  
CN7506 QCNCM1821SNEZ J Plug, 2Pin, 1717823-1 AD  
CN7507 QCNCM1821SNEZ J Plug, 2Pin, 1717823-1 AD  
LUG7501 QTAND1019SNEZ J GND Lug, SD01138-21 AD  
LUG7502 QTAND1019SNEZ J GND Lug, SD01138-21 AD

Ref. No.	Part No.	★	Description	Code	Ref. No.	Part No.	★	Description	Code
<b>RUNTKA070WJZZ (LC-32GA3E) INVERTER-UNIT (B)</b>					<b>RESISTORS</b>				
<b>TRANSISTORS</b>									
Q7401	VSRSS050P03-1	J	RSS050P03	AG	R7402	VRS-CY1JD000J	J 0	1/10W Metal Oxide	AA
Q7402	VSRSS065N03-1	J	RSS065N03	AF	R7404	VRS-TP2BD000J	J 0	1/4W	AA
Q7403	VSRSS050P03-1	J	RSS050P03	AG	R7406	VRS-TP2BD000J	J 0	1/4W	AA
Q7404	VSRSS065N03-1	J	RSS065N03	AF	R7407	VRS-CY1JD103J	J 10k	1/10W Metal Oxide	AA
Q7405	VSRSS050P03-1	J	RSS050P03	AG	R7408	VRS-TP2BD220J	J 22	1/4W	AA
Q7406	VSRSS065N03-1	J	RSS065N03	AF	R7409	VRS-TP2BD220J	J 22	1/4W	AA
Q7407	VSRSS050P03-1	J	RSS050P03	AG	R7410	VRS-TP2BD220J	J 22	1/4W	AA
Q7408	VSRSS065N03-1	J	RSS065N03	AF	R7411	VRS-TP2BD220J	J 22	1/4W	AA
<b>DIODES</b>									
D7401	VHD1SS362//-1	J	1SS362	AC	<b>FUSE</b>				
D7402	VHD1SS362//-1	J	1SS362	AC	△ F7401	QFS-A1152SNEZ	J	Fuse, BL6.3A/250V	AD
D7403	VHD1SS362//-1	J	1SS362	AC	<b>MISCELLANEOUS PARTS</b>				
D7404	VHD1SS362//-1	J	1SS362	AC	CN7401	QCNCM1817SNEZ	J	Plug, 2Pin, B2P-VH	AC
D7405	VHD1SS362//-1	J	1SS362	AC	CN7402	QCNCM1823SNEZ	J	Plug, 5Pin, 05R-FJ	AC
D7406	VHD1SS362//-1	J	1SS362	AC	CN7403	QCNCM1821SNEZ	J	Plug, 2Pin, 1717823-1	AD
D7407	VHD1SS362//-1	J	1SS362	AC	CN7404	QCNCM1821SNEZ	J	Plug, 2Pin, 1717823-1	AD
D7408	VHD1SS362//-1	J	1SS362	AC	CN7405	QCNCM1821SNEZ	J	Plug, 2Pin, 1717823-1	AD
ZD7401	VHEHZU8.2B2-1	J	HZU8.2B2, Zener Diode	AC	CN7406	QCNCM1821SNEZ	J	Plug, 2Pin, 1717823-1	AD
<b>TRANSFORMERS</b>									
△ T7401	RTRNZ1257SNEZ	J	RT990TN-1218	AM	LUG7401	QTAND1019SNEZ	J	GND Lug, SD01138-21	AD
△ T7402	RTRNZ1256SNEZ	J	T990TN-1217	AM	LUG7402	QTAND1019SNEZ	J	GND Lug, SD01138-21	AD
△ T7403	RTRNZ1257SNEZ	J	RT990TN-1218	AM	LUG7403	QTAND1019SNEZ	J	GND Lug, SD01138-21	AD
△ T7404	RTRNZ1256SNEZ	J	T990TN-1217	AM	LUG7404	QTAND1019SNEZ	J	GND Lug, SD01138-21	AD
△ T7405	RTRNZ1257SNEZ	J	RT990TN-1218	AM					
△ T7406	RTRNZ1256SNEZ	J	T990TN-1217	AM					
△ T7407	RTRNZ1257SNEZ	J	RT990TN-1218	AM					
△ T7408	RTRNZ1256SNEZ	J	T990TN-1217	AM					
<b>CAPACITORS</b>									
C7403	VCKYCY1EB473K	J	0.047 25V Ceramic	AA					
C7404	RC-E1E337KZES	J	330 25V Electrolytic	AE					
C7405	RC-E1E337KZES	J	330 25V Electrolytic	AE					
C7406	RC-E1E337KZES	J	330 25V Electrolytic	AE					
C7407	RC-E1E337KZES	J	330 25V Electrolytic	AE					
C7408	VCKYTQ1EB475K	J	4.7 25V Ceramic	AD					
C7409	VCKYTQ1EB475K	J	4.7 25V Ceramic	AD					
C7410	VCKYTQ1EB475K	J	4.7 25V Ceramic	AD					
C7411	VCKYTQ1EB475K	J	4.7 25V Ceramic	AD					
C7412	VCKYTQ1EB475K	J	4.7 25V Ceramic	AD					
C7413	VCKYTQ1EB475K	J	4.7 25V Ceramic	AD					
C7414	VCKYTQ1EB475K	J	4.7 25V Ceramic	AD					
C7415	VCKYTQ1EB475K	J	4.7 25V Ceramic	AD					
C7416	RC-CF180J3KV1	J	18p 3kV Ceramic	AE					
C7417	VCKYCY1EB223K	J	0.022 25V Ceramic	AA					
C7418	VCKYTQ2AB473K	J	0.047 100V Ceramic	AC					
C7419	RC-CF180J3KV1	J	18p 3kV Ceramic	AE					
C7420	VCKYCY1EB223K	J	0.022 25V Ceramic	AA					
C7421	VCKYTQ2AB473K	J	0.047 100V Ceramic	AC					
C7422	RC-CF180J3KV1	J	18p 3kV Ceramic	AE					
C7423	VCKYCY1EB223K	J	0.022 25V Ceramic	AA					
C7424	VCKYTQ2AB473K	J	0.047 100V Ceramic	AC					
C7425	RC-CF180J3KV1	J	18p 3kV Ceramic	AE					
C7426	VCKYCY1EB223K	J	0.022 25V Ceramic	AA					
C7427	VCKYTQ2AB473K	J	0.047 100V Ceramic	AC					
C7428	RC-CF180J3KV1	J	18p 3kV Ceramic	AE					
C7429	VCKYCY1EB223K	J	0.022 25V Ceramic	AA					
C7430	VCKYTQ2AB473K	J	0.047 100V Ceramic	AC					
C7431	RC-CF180J3KV1	J	18p 3kV Ceramic	AE					
C7432	VCKYCY1EB223K	J	0.022 25V Ceramic	AA					
C7433	VCKYTQ2AB473K	J	0.047 100V Ceramic	AC					
C7434	RC-CF180J3KV1	J	18p 3kV Ceramic	AE					
C7435	VCKYCY1EB223K	J	0.022 25V Ceramic	AA					
C7436	VCKYTQ2AB473K	J	0.047 100V Ceramic	AC					
C7437	RC-CF180J3KV1	J	18p 3kV Ceramic	AE					
C7438	VCKYCY1EB223K	J	0.022 25V Ceramic	AA					
C7439	VCKYTQ2AB473K	J	0.047 100V Ceramic	AC					

Ref. No.	Part No.	★	Description	Code
<b>RUNTKA071WJZZ (LC-32GA3E)</b>				
<b>INVERTER-G-UNIT (A)</b>				

Ref. No.	Part No.	★	Description	Code
JP7601	VRS-TP2BD000J	J	1/4W 0	AA
JP7602	VRS-TP2BD000J	J	1/4W 0	AA
JP7603	VRS-TP2BD000J	J	1/4W 0	AA

**TRANSISTORS**

Q7601	VSUM6K1N///-1	J	UM6K1N, MOSFET	AD
Q7602	VSUM6K1N///-1	J	UM6K1N, MOSFET	AD
Q7603	VSUM6K1N///-1	J	UM6K1N, MOSFET	AD
Q7604	VSUM6K1N///-1	J	UM6K1N, MOSFET	AD
Q7605	VSUM6K1N///-1	J	UM6K1N, MOSFET	AD
Q7606	VSUM6K1N///-1	J	UM6K1N, MOSFET	AD
Q7607	VSUM6K1N///-1	J	UM6K1N, MOSFET	AD

**DIODES**

D7601	VHD1SS355//-1	J	1SS355	AB
D7602	VHD1SS355//-1	J	1SS355	AB
D7603	VHD1SS355//-1	J	1SS355	AB
D7604	VHD1SS355//-1	J	1SS355	AB
D7605	VHD1SS362//-1	J	1SS362	AC
D7606	VHD1SS355//-1	J	1SS355	AB
D7607	VHD1SS355//-1	J	1SS355	AB
D7608	VHD1SS355//-1	J	1SS355	AB

**CAPACITORS**

C7601	VCKYCY1CB224K	J	0.22 16V Ceramic	AB
C7602	VCKYCY1CB224K	J	0.22 16V Ceramic	AB
C7603	VCKYCY1CB224K	J	0.22 16V Ceramic	AB
C7604	VCKYCY1CB224K	J	0.22 16V Ceramic	AB
C7606	VCKYCY1CB224K	J	0.22 16V Ceramic	AB
C7607	VCKYCY1CB224K	J	0.22 16V Ceramic	AB
C7608	VCKYCY1CB224K	J	0.22 16V Ceramic	AB

**RESISTORS**

R7601	VRS-CY1JD155J	J	1.5M 1/10W	AA
R7602	VRS-CY1JD104J	J	100k 1/10W	AA
R7603	VRS-CY1JD155J	J	1.5M 1/10W	AA
R7604	VRS-CY1JD104J	J	100k 1/10W	AA
R7605	VRS-CY1JD155J	J	1.5M 1/10W	AA
R7606	VRS-CY1JD104J	J	100k 1/10W	AA
R7607	VRS-CY1JD155J	J	1.5M 1/10W	AA
R7608	VRS-CY1JD104J	J	100k 1/10W	AA
R7609	VRS-CY1JD911F	J	910 1/10W	AA
R7610	VRS-CY1JD242F	J	2.4k 1/10W	AA
R7611	VRS-CY1JD155J	J	1.5M 1/10W	AA
R7612	VRS-CY1JD104J	J	100k 1/10W	AA
R7613	VRS-CY1JD155J	J	1.5M 1/10W	AA
R7614	VRS-CY1JD104J	J	100k 1/10W	AA
R7615	VRS-CY1JD155J	J	1.5M 1/10W	AA
R7616	VRS-CY1JD104J	J	100k 1/10W	AA
R7625	VRS-CY1JD000J	J	0 1/10W	AA
R7626	VRS-CY1JD202J	J	2k 1/10W	AA
R7627	VRS-CY1JD202J	J	2k 1/10W	AA
R7628	VRS-CY1JD202J	J	2k 1/10W	AA
R7629	VRS-CY1JD202J	J	2k 1/10W	AA
R7630	VRS-CY1JD202J	J	2k 1/10W	AA
R7631	VRS-CY1JD202J	J	2k 1/10W	AA
R7632	VRS-CY1JD202J	J	2k 1/10W	AA
R7633	VRS-CY1JD202J	J	2k 1/10W	AA
R7634	VRS-CY1JD103F	J	10k 1/10W	AA
R7636	VRS-CY1JD202J	J	2k 1/10W	AA
R7637	VRS-CY1JD202J	J	2k 1/10W	AA
R7638	VRS-CY1JD202J	J	2k 1/10W	AA
R7639	VRS-CY1JD202J	J	2k 1/10W	AA
R7640	VRS-CY1JD202J	J	2k 1/10W	AA
R7641	VRS-CY1JD202J	J	2k 1/10W	AA

**MISCELLANEOUS PARTS**

CN7601	QCNCM1796SNEZ	J	Plug, 8Pin, S08B-PASK-2	AD
CN7602	QCNCM1822SNEZ	J	Plug, 5Pin, 05PL-FJ	AD
CN7603	QCNCM1821SNEZ	J	Plug, 2Pin, 1717823-1	AD
CN7604	QCNCM1821SNEZ	J	Plug, 2Pin, 1717823-1	AD
CN7605	QCNCM1821SNEZ	J	Plug, 2Pin, 1717823-1	AD
CN7606	QCNCM1821SNEZ	J	Plug, 2Pin, 1717823-1	AD
LUG7601	QTAND1019SNEZ	J	GND Lug, SD01138-21	AD
LUG7602	QTAND1019SNEZ	J	GND Lug, SD01138-21	AD
LUG7603	QTAND1019SNEZ	J	GND Lug, SD01138-21	AD

Ref. No.	Part No.	★	Description	Code	Ref. No.	Part No.	★	Description	Code
<b>RUNTKA072WJZZ (LC-32GA3E) INVERTER-G-UNIT (B)</b>									
<b>TRANSISTORS</b>									
Q7651	VSUM6K1N///-1	J	UM6K1N, MOSFET	AD	LUG7652	QTAND1019SNEZ	J	GND Lug, SD01138-21	AD
Q7652	VSUM6K1N///-1	J	UM6K1N, MOSFET	AD	LUG7653	QTAND1019SNEZ	J	GND Lug, SD01138-21	AD
Q7653	VSUM6K1N///-1	J	UM6K1N, MOSFET	AD	JP7651	VRS-TP2BD000J	J	GND Lug, 0, 1/4W	AA
Q7654	VSUM6K1N///-1	J	UM6K1N, MOSFET	AD	JP7652	VRS-TP2BD000J	J	GND Lug, 0, 1/4W	AA
Q7655	VSUM6K1N///-1	J	UM6K1N, MOSFET	AD	JP7653	VRS-TP2BD000J	J	GND Lug, 0, 1/4W	AA
Q7656	VSUM6K1N///-1	J	UM6K1N, MOSFET	AD					
Q7657	VSUM6K1N///-1	J	UM6K1N, MOSFET	AD					
<b>DIODES</b>									
D7651	VHD1SS355//-1	J	1SS355	AB					
D7652	VHD1SS355//-1	J	1SS355	AB					
D7653	VHD1SS355//-1	J	1SS355	AB					
D7654	VHD1SS355//-1	J	1SS355	AB					
D7655	VHD1SS362//-1	J	1SS362	AC					
D7656	VHD1SS355//-1	J	1SS355	AB					
D7657	VHD1SS355//-1	J	1SS355	AB					
D7658	VHD1SS355//-1	J	1SS355	AB					
<b>CAPACITORS</b>									
C7651	VCKYCY1CB224K	J	0.22 16V Ceramic	AB					
C7652	VCKYCY1CB224K	J	0.22 16V Ceramic	AB					
C7653	VCKYCY1CB224K	J	0.22 16V Ceramic	AB					
C7654	VCKYCY1CB224K	J	0.22 16V Ceramic	AB					
C7655	VCKYCY1CB224K	J	0.22 16V Ceramic	AB					
C7656	VCKYCY1CB224K	J	0.22 16V Ceramic	AB					
C7657	VCKYCY1CB224K	J	0.22 16V Ceramic	AB					
C7658	VCKYCY1CB224K	J	0.22 16V Ceramic	AB					
<b>RESISTORS</b>									
R7651	VRS-CY1JD155J	J	1.5M 1/10W Metal Oxide	AA					
R7652	VRS-CY1JD104J	J	100k 1/10W Metal Oxide	AA					
R7653	VRS-CY1JD155J	J	1.5M 1/10W Metal Oxide	AA					
R7654	VRS-CY1JD104J	J	100k 1/10W Metal Oxide	AA					
R7655	VRS-CY1JD155J	J	1.5M 1/10W Metal Oxide	AA					
R7656	VRS-CY1JD104J	J	100k 1/10W Metal Oxide	AA					
R7657	VRS-CY1JD155J	J	1.5M 1/10W Metal Oxide	AA					
R7658	VRS-CY1JD104J	J	100k 1/10W Metal Oxide	AA					
R7659	VRS-CY1JD911F	J	910 1/10W Metal Oxide	AA					
R7660	VRS-CY1JD242F	J	2.4k 1/10W Metal Oxide	AA					
R7661	VRS-CY1JD155J	J	1.5M 1/10W Metal Oxide	AA					
R7662	VRS-CY1JD104J	J	100k 1/10W Metal Oxide	AA					
R7663	VRS-CY1JD155J	J	1.5M 1/10W Metal Oxide	AA					
R7664	VRS-CY1JD104J	J	100k 1/10W Metal Oxide	AA					
R7665	VRS-CY1JD155J	J	1.5M 1/10W Metal Oxide	AA					
R7666	VRS-CY1JD104J	J	100k 1/10W Metal Oxide	AA					
R7674	VRS-CY1JD202J	J	2k 1/10W Metal Oxide	AA					
R7675	VRS-CY1JD202J	J	2k 1/10W Metal Oxide	AA					
R7676	VRS-CY1JD202J	J	2k 1/10W Metal Oxide	AA					
R7677	VRS-CY1JD202J	J	2k 1/10W Metal Oxide	AA					
R7678	VRS-CY1JD202J	J	2k 1/10W Metal Oxide	AA					
R7679	VRS-CY1JD202J	J	2k 1/10W Metal Oxide	AA					
R7680	VRS-CY1JD202J	J	2k 1/10W Metal Oxide	AA					
R7681	VRS-CY1JD202J	J	2k 1/10W Metal Oxide	AA					
R7682	VRS-CY1JD103F	J	10k 1/10W Metal Oxide	AA					
R7684	VRS-CY1JD202J	J	2k 1/10W Metal Oxide	AA					
R7685	VRS-CY1JD202J	J	2k 1/10W Metal Oxide	AA					
R7686	VRS-CY1JD202J	J	2k 1/10W Metal Oxide	AA					
R7687	VRS-CY1JD202J	J	2k 1/10W Metal Oxide	AA					
R7688	VRS-CY1JD202J	J	2k 1/10W Metal Oxide	AA					
R7689	VRS-CY1JD202J	J	2k 1/10W Metal Oxide	AA					
R7691	VRS-CY1JD000J	J	0 1/10W Metal Oxide	AA					
<b>THERMISTOR</b>									
TH7653	VHH18XH103J03	J	NCP18XH103J03RB	AC					
<b>MISCELLANEOUS PARTS</b>									
CN7651	QCNCM1823SNEZ	J	Plug, 5Pin, 05R-FJ	AC					
CN7652	QCNCM1821SNEZ	J	Plug, 2Pin, 1717823-1	AD					
CN7653	QCNCM1821SNEZ	J	Plug, 2Pin, 1717823-1	AD					
CN7654	QCNCM1821SNEZ	J	Plug, 2Pin, 1717823-1	AD					
CN7655	QCNCM1821SNEZ	J	Plug, 2Pin, 1717823-1	AD					
LUG7651	QTAND1019SNEZ	J	GND Lug, SD01138-21	AD					

Ref. No. Part No. ★ Description Code

**RUNTKA080WJZZ (LC-37GA3E)  
INVERTER-UNIT (A)**

**INTEGRATED CIRCUITS**

IC7501 VHIBD9766FV/-1 J BD9766FV AR  
IC7502 VHIBA00ASFP/-1 J BA00ASFP AK

**TRANSISTORS**

Q7501 VSRSS075P03-1 J RSS075P03 AH  
Q7502 VSRSS075P03-1 J RSS075P03 AH  
Q7503 VSRSS075P03-1 J RSS075P03 AH  
Q7504 VSRSS075P03-1 J RSS075P03 AH  
Q7505 VSRSS075P03-1 J RSS075P03 AH  
Q7506 VSRSS100N03-1 J RSS100N03 AG  
Q7507 VSRSS100N03-1 J RSS100N03 AG  
Q7508 VSRSS100N03-1 J RSS100N03 AG  
Q7509 VSRSS100N03-1 J RSS100N03 AG  
Q7510 VSRSS100N03-1 J RSS100N03 AG  
Q7511 VSUM6K1N///-1 J UM6K1N, MOS FET AD

**DIODES**

D7501 VHDDAN217U/-1 J DAN217U AC  
D7502 VHDDAN217U/-1 J DAN217U AC  
D7503 VHDDAN217U/-1 J DAN217U AC  
D7504 VHDDAN217U/-1 J DAN217U AC  
D7505 VHDDAN217U/-1 J DAN217U AC  
D7506 VHDDAN217U/-1 J DAN217U AC  
D7507 VHDDAN217U/-1 J DAN217U AC  
D7508 VHDDAN217U/-1 J DAN217U AC  
D7509 VHDDAN217U/-1 J DAN217U AC  
D7510 VHDDAN217U/-1 J DAN217U AC  
D7511 VHDRB070M30-1 J RB070M-30 AD  
D7512 VHDRB070M30-1 J RB070M-30 AD  
D7513 VHDRB070M30-1 J RB070M-30 AD  
D7514 VHDRB070M30-1 J RB070M-30 AD  
D7515 VHDRB070M30-1 J RB070M-30 AD  
D7516 VHDRB070M30-1 J RB070M-30 AD  
D7517 VHDRB070M30-1 J RB070M-30 AD  
D7518 VHDRB070M30-1 J RB070M-30 AD  
D7519 VHDRB070M30-1 J RB070M-30 AD  
D7520 VHDRB070M30-1 J RB070M-30 AD  
D7521 VHEHZU5.1B/-1 J Zener Diode, HZU5.1B(RD5.1SB) AC  
D7522 VHEHZU5.1B/-1 J Zener Diode, HZU5.1B(RD5.1SB) AC  
D7523 VHD1SS355// -1 J 1SS355 AB

**TRANSFORMERS**

▲ T7501 RTRNZA046WJZZ J 1048HG-1001 AU  
▲ T7502 RTRNZA046WJZZ J 1048HG-1001 AU  
▲ T7503 RTRNZA046WJZZ J 1048HG-1001 AU  
▲ T7504 RTRNZA046WJZZ J 1048HG-1001 AU  
▲ T7505 RTRNZA046WJZZ J 1048HG-1001 AU

**CAPACITORS**

C7503 VCKYCY1EB223K J 0.022 25V Ceramic AA  
C7504 RC-ECC3H120JM J 12p 5kV Ceramic AF  
C7505 RC-ECC3H120JM J 12p 5kV Ceramic AF  
C7506 VCKYCY1EB223K J 0.022 25V Ceramic AA  
C7507 VCKYCY1EB223K J 0.022 25V Ceramic AA  
C7508 RC-ECC3H120JM J 12p 5kV Ceramic AF  
C7509 RC-ECC3H120JM J 12p 5kV Ceramic AF  
C7510 VCKYCY1EB223K J 0.022 25V Ceramic AA  
C7511 VCKYCY1EB223K J 0.022 25V Ceramic AA  
C7512 RC-ECC3H120JM J 12p 5kV Ceramic AF  
C7513 RC-ECC3H120JM J 12p 5kV Ceramic AF  
C7514 VCKYCY1EB223K J 0.022 25V Ceramic AA  
C7515 VCKYCY1EB223K J 0.022 25V Ceramic AA  
C7516 RC-ECC3H120JM J 12p 5kV Ceramic AF  
C7517 RC-ECC3H120JM J 12p 5kV Ceramic AF  
C7518 VCKYCY1EB223K J 0.022 25V Ceramic AA  
C7519 VCKYCY1EB223K J 0.022 25V Ceramic AA  
C7520 RC-ECC3H120JM J 12p 5kV Ceramic AF  
C7521 RC-ECC3H120JM J 12p 5kV Ceramic AF  
C7522 VCKYCY1EB223K J 0.022 25V Ceramic AA  
C7523 VCKYTQ1EB475K J 4.7 25V Ceramic AD  
C7524 VCKYTQ1EB475K J 4.7 25V Ceramic AD

Ref. No. Part No. ★ Description Code

C7525 VCKYTQ1EB475K J 4.7 25V Ceramic AD  
C7526 VCKYTQ1EB475K J 4.7 25V Ceramic AD  
C7527 VCKYTQ1EB475K J 4.7 25V Ceramic AD  
C7528 VCKYTQ1EB475K J 4.7 25V Ceramic AD  
C7529 VCKYTQ1EB475K J 4.7 25V Ceramic AD  
C7530 VCKYTQ1EB475K J 4.7 25V Ceramic AD  
C7531 VCKYTQ1EB475K J 4.7 25V Ceramic AD  
C7532 VCKYTQ1EB475K J 4.7 25V Ceramic AD  
C7533 VCKYCY1CB473K J 0.047 16V Ceramic AA  
C7534 RC-E1E337KZES J 330 25V Electrolytic AE  
C7535 RC-E1E337KZES J 330 25V Electrolytic AE  
C7536 VCKYCY1CB473K J 0.047 16V Ceramic AA  
C7537 RC-E1E337KZES J 330 25V Electrolytic AE  
C7538 RC-E1E337KZES J 330 25V Electrolytic AE  
C7539 VCKYTQ1EB475K J 4.7 25V Ceramic AD  
C7540 VCKYTV1AB225K J 2.2 10V Ceramic AC  
C7541 VCKYTV1AB225K J 2.2 10V Ceramic AC  
C7542 VCKYCY1CB224K J 0.22 16V Ceramic AB  
C7543 VCKYCY1CB104K J 0.1 16V Ceramic AB  
C7544 VCCCCY1HH331J J 330p 50V Ceramic AA  
C7546 VCKYCY1HB472K J 4700p 50V Ceramic AA  
C7547 VCKYCY1HB222K J 2200p 50V Ceramic AA  
C7549 VCKYCY1HB472K J 4700p 50V Ceramic AA  
C7550 VCKYCY1HB222K J 2200p 50V Ceramic AA  
C7555 RC-E1E337KZES J 330 25V Electrolytic AE  
C7566 VCKYCY1HB103K J 0.01 50V Ceramic AA

**RESISTORS**

R7501 VRS-CY1JD333F J 33k 1/10W Metal Oxide AA  
R7502 VRS-CY1JD683F J 68k 1/10W Metal Oxide AA  
R7503 VRS-CY1JD333F J 33k 1/10W Metal Oxide AA  
R7504 VRS-CY1JD683F J 68k 1/10W Metal Oxide AA  
R7505 VRS-CY1JD000J J 0 1/10W Metal Oxide AA  
R7506 VRS-CY1JD000J J 0 1/10W Metal Oxide AA  
R7507 VRS-CY1JD103F J 10k 1/10W Metal Oxide AA  
R7508 VRS-CY1JD103F J 10k 1/10W Metal Oxide AA  
R7509 VRS-CY1JD683F J 68k 1/10W Metal Oxide AA  
R7510 VRS-CY1JD683F J 68k 1/10W Metal Oxide AA  
R7511 VRS-CY1JD102F J 1k 1/10W Metal Oxide AA  
R7512 VRS-CY1JD363F J 36k 1/10W Metal Oxide AA  
R7513 VRS-CY1JD473F J 47k 1/10W Metal Oxide AA  
R7514 VRS-CY1JD222F J 2.2k 1/10W Metal Oxide AA  
R7515 VRS-CY1JD682F J 6.8k 1/10W Metal Oxide AA  
R7516 VRS-CY1JD000J J 0 1/10W Metal Oxide AA  
R7517 VRS-CY1JD101F J 100 1/10W Metal Oxide AA  
R7518 VRS-CY1JD000J J 0 1/10W Metal Oxide AA  
R7519 VRS-CY1JD000J J 0 1/10W Metal Oxide AA  
R7521 VRS-CY1JD753F J 75k 1/10W Metal Oxide AA  
R7523 VRS-CY1JD104F J 100k 1/10W Metal Oxide AA  
R7525 VRS-CY1JD000J J 0 1/10W Metal Oxide AA  
R7526 VRS-CY1JD101J J 100 1/10W Metal Oxide AA  
R7527 VRS-CY1JD103F J 10k 1/10W Metal Oxide AA  
R7528 VRS-CY1JD103F J 10k 1/10W Metal Oxide AA  
R7529 VRS-CY1JD101J J 100 1/10W Metal Oxide AA  
R7530 VRS-CY1JD104F J 100k 1/10W Metal Oxide AA  
R7533 VRS-CY1JD102F J 1k 1/10W Metal Oxide AA  
R7534 VRS-CY1JD101F J 100 1/10W Metal Oxide AA  
R7536 VRS-CY1JD112F J 1.1k 1/10W Metal Oxide AA  
R7537 VRS-CY1JD112F J 1.1k 1/10W Metal Oxide AA  
R7539 VRS-CY1JD513F J 51k 1/10W Metal Oxide AA  
R7540 VRS-CY1JD000J J 0 1/10W Metal Oxide AA  
R7543 VRS-CY1JD000J J 0 1/10W Metal Oxide AA  
R7545 VRS-CY1JD000J J 0 1/10W Metal Oxide AA  
R7548 VRS-TW2ED000J J 0 1/4W Metal Oxide AB  
R7549 VRS-TW2ED000J J 0 1/4W Metal Oxide AB  
R7555 VRS-CY1JD513F J 51k 1/10W Metal Oxide AA  
R7556 VRS-CY1JD753F J 75k 1/10W Metal Oxide AA  
R7557 VRS-CY1JD000J J 0 1/10W Metal Oxide AA  
R7559 VRS-TP2BD000J J 0 1/4W AA  
R7560 VRS-TP2BD000J J 0 1/4W AA  
R7561 VRS-TP2BD000J J 0 1/4W AA  
R7562 VRS-TP2BD000J J 0 1/4W AA  
R7563 VRS-TP2BD000J J 0 1/4W AA  
R7564 VRS-TP2BD000J J 0 1/4W AA  
R7565 VRS-TP2BD000J J 0 1/4W AA  
R7566 VRS-TP2BD000J J 0 1/4W AA

Ref. No. Part No. ★ Description Code  
**RUNTKA080WJZZ (LC-37GA3E)**  
**INVERTER-UNIT (A) (Continued)**

R7567	VRS-TP2BD000J	J 0	1/4W	AA
R7568	VRS-TP2BD000J	J 0	1/4W	AA

**FUSES AND FUSE HOLDERS**

△ F7501	QFS-A1153SNEZ	J	Fuse, TLC N4 10A/250V	AF
FH7501	QFSHA1012SNEZ	J	Fuse Holder, H-0017-2	AD
FH7502	QFSHA1012SNEZ	J	Fuse Holder, H-0017-2	AD

**MISCELLANEOUS PARTS**

P7501	QCNCM1821SNEZ	J	Plug, 2Pin, 1717823-1	AD
P7502	QCNCM1821SNEZ	J	Plug, 2Pin, 1717823-1	AD
P7503	QCNCM1821SNEZ	J	Plug, 3Pin, 1717823-1	AD
P7504	QCNCM1821SNEZ	J	Plug, 3Pin, 1717823-2	AD
P7505	QCNCM1828SNEZ	J	Plug, 2Pin, 1717823-3	AC
P7506	QCNCM1819SNEZ	J	Plug, 12Pin, 1717823-4	AD
P7507	QCNCM1826SNEZ	J	Plug, 12Pin, 1717823-5	AE
P7508	QCNCM1821SNEZ	J	Plug, 2Pin, 1717823-6	AD
LUG7501	QTAND1019SNEZ	J	GND Lug, 1717823-7	AD
LUG7502	QTAND1019SNEZ	J	GND Lug, 1717823-8	AD
LUG7503	QTAND1019SNEZ	J	GND Lug, 1717823-9	AD
LUG7504	QTAND1019SNEZ	J	GND Lug, 1717823-10	AD

Ref. No. Part No. ★ Description Code  
**RUNTKA081WJZZ (LC-37GA3E)**  
**INVERTER-UNIT (B)**

**INTEGRATED CIRCUIT**

IC7402	VHIBD9766FV/-1	J	BD9766FV	AR
--------	----------------	---	----------	----

**TRANSISTORS**

Q7401	VSRSS075P03-1	J	RSS075P03	AH
Q7402	VSUM6K1N///-1	J	UM6K1N, MOSFET	AD
Q7403	VSRSS100N03-1	J	RSS100N03	AG
Q7404	VSRSS075P03-1	J	RSS075P03	AH
Q7406	VSRSS100N03-1	J	RSS100N03	AG
Q7407	VSRSS075P03-1	J	RSS075P03	AH
Q7409	VSRSS100N03-1	J	RSS100N03	AG
Q7410	VSRSS075P03-1	J	RSS075P03	AH
Q7411	VSRSS100N03-1	J	RSS100N03	AG

**DIODES**

D7401	VHDDAN217U/-1	J	DAN217U	AC
D7402	VHDDAN217U/-1	J	DAN217U	AC
D7403	VHDRB070M30-1	J	RB070M-30	AD
D7404	VHDRB070M30-1	J	RB070M-30	AD
D7406	VHDDAN217U/-1	J	DAN217U	AC
D7407	VHDDAN217U/-1	J	DAN217U	AC
D7408	VHDRB070M30-1	J	RB070M-30	AD
D7409	VHDRB070M30-1	J	RB070M-30	AD
D7410	VHDDAN217U/-1	J	DAN217U	AC
D7411	VHDDAN217U/-1	J	DAN217U	AC
D7412	VHDRB070M30-1	J	RB070M-30	AD
D7413	VHDRB070M30-1	J	RB070M-30	AD
D7414	VHEHZU5.1B2-1	J	Zener Diode HZU5.1B(RD5.1SB)	AC
D7415	VHD1SS355/-1	J	1SS355	AB
D7417	VHEHZU5.1B2-1	J	Zener Diode HZU5.1B(RD5.1SB)	AC
D7418	VHDDAN217U/-1	J	DAN217U	AC
D7419	VHDDAN217U/-1	J	DAN217U	AC
D7420	VHDRB070M30-1	J	RB070M-30	AD
D7421	VHDRB070M30-1	J	RB070M-30	AD

**TRANSFORMERS**

△ T7401	RTRNZA046WJZZ	J	1048HG-1001	AU
△ T7402	RTRNZA046WJZZ	J	1048HG-1001	AU
△ T7403	RTRNZA046WJZZ	J	1048HG-1001	AU
△ T7404	RTRNZA046WJZZ	J	1048HG-1001	AU

**CAPACITORS**

C7401	VCKYCY1EB223K	J	0.022 25V	Ceramic	AA
C7402	RC-ECC3H120JM	J	12p 5kV	Ceramic	AF
C7403	RC-ECC3H120JM	J	12p 5kV	Ceramic	AF
C7404	VCKYCY1EB223K	J	0.022 25V	Ceramic	AA
C7405	VCKYTQ1EB475K	J	4.7 25V	Ceramic	AD
C7406	VCKYTQ1EB475K	J	4.7 25V	Ceramic	AD
C7408	RC-E1E337KZES	J	330 25V	Electrolytic	AE
C7409	VCKYCY1EB223K	J	0.022 25V	Ceramic	AA
C7410	RC-ECC3H120JM	J	12p 5kV	Ceramic	AF
C7411	RC-ECC3H120JM	J	12p 5kV	Ceramic	AF
C7412	VCKYCY1EB223K	J	0.022 25V	Ceramic	AA
C7413	VCKYTQ1EB475K	J	4.7 25V	Ceramic	AD
C7414	VCKYTQ1EB475K	J	4.7 25V	Ceramic	AD
C7415	RCE1E337KZEBC	J	330 25V	Electrolytic	AE
C7416	VCKYCY1EB223K	J	0.022 25V	Ceramic	AA
C7417	RC-ECC3H120JM	J	12p 5kV	Ceramic	AF
C7418	RC-ECC3H120JM	J	12p 5kV	Ceramic	AF
C7419	VCKYCY1EB223K	J	0.022 25V	Ceramic	AA
C7420	VCKYTQ1EB475K	J	4.7 25V	Ceramic	AD
C7421	VCKYTQ1EB475K	J	4.7 25V	Ceramic	AD
C7422	VCKYCY1CB473K	J	0.047 16V	Ceramic	AA
C7423	RC-E1E337KZES	J	330 25V	Electrolytic	AE
C7424	VCKYTQ1EB475K	J	4.7 25V	Ceramic	AD
C7426	VCKYCY1HB472K	J	4700p 50V	Ceramic	AA
C7427	VCKYCY1HB222K	J	2200p 50V	Ceramic	AA
C7428	VCKYCY1HB472K	J	4700p 50V	Ceramic	AA
C7429	VCKYCY1HB222K	J	2200p 50V	Ceramic	AA
C7430	VCKYTQ1EB475K	J	4.7 25V	Ceramic	AD

Ref. No. Part No. ★ Description Code

**RUNTKA081WJZZ (LC-37GA3E)**  
**INVERTER-UNIT (B) (Continued)**

C7431	VCKYCY1CB473K	J	0.047	16V	Ceramic	AA
C7432	VCKYTQ1EB475K	J	4.7	25V	Ceramic	AD
C7433	VCKYTV1AB225K	J	2.2	10V	Ceramic	AC
C7434	VCKYTV1AB225K	J	2.2	10V	Ceramic	AC
C7435	VCKYCY1CB224K	J	0.22	16V	Ceramic	AB
C7436	VCKYCY1CB104K	J	0.1	16V	Ceramic	AB
C7438	VCCCCY1HH331J	J	330p	50V	Ceramic	AA
C7439	VCKYCY1EB223K	J	0.022	25V	Ceramic	AA
C7440	RC-ECC3H120JM	J	12p	5kV	Ceramic	AF
C7441	RC-ECC3H120JM	J	12p	5kV	Ceramic	AF
C7442	VCKYCY1EB223K	J	0.022	25V	Ceramic	AA
C7444	RCE1E337KZEBC	J	330	25V	Electrolytic	AE

**RESISTORS**

R7401	VRS-CY1JD333F	J	33k	1/10W	Metal Oxide	AA
R7402	VRS-CY1JD683F	J	68k	1/10W	Metal Oxide	AA
R7403	VRS-CY1JD000J	J	0	1/10W	Metal Oxide	AA
R7404	VRS-CY1JD333F	J	33k	1/10W	Metal Oxide	AA
R7405	VRS-CY1JD683F	J	68k	1/10W	Metal Oxide	AA
R7406	VRS-CY1JD000J	J	0	1/10W	Metal Oxide	AA
R7407	VRS-CY1JD104F	J	100k	1/10W	Metal Oxide	AA
R7408	VRS-CY1JD104F	J	100k	1/10W	Metal Oxide	AA
R7409	VRS-CY1JD103F	J	10k	1/10W	Metal Oxide	AA
R7411	VRS-CY1JD112F	J	1.1k	1/10W	Metal Oxide	AA
R7412	VRS-CY1JD101F	J	100	1/10W	Metal Oxide	AA
R7415	VRS-CY1JD000J	J	0	1/10W	Metal Oxide	AA
R7416	VRS-CY1JD683F	J	68k	1/10W	Metal Oxide	AA
R7418	VRS-CY1JD753F	J	75k	1/10W	Metal Oxide	AA
R7419	VRS-CY1JD363F	J	36k	1/10W	Metal Oxide	AA
R7421	VRS-CY1JD102F	J	1k	1/10W	Metal Oxide	AA
R7422	VRS-CY1JD112F	J	1.1k	1/10W	Metal Oxide	AA
R7426	VRS-CY1JD103F	J	10k	1/10W	Metal Oxide	AA
R7427	VRS-CY1JD103F	J	10k	1/10W	Metal Oxide	AA
R7428	VRS-CY1JD683F	J	68k	1/10W	Metal Oxide	AA
R7429	VRS-CY1JD102F	J	1k	1/10W	Metal Oxide	AA
R7430	VRS-CY1JD101J	J	100	1/10W	Metal Oxide	AA
R7431	VRS-CY1JD101J	J	100	1/10W	Metal Oxide	AA
R7432	VRS-CY1JD000J	J	0	1/10W	Metal Oxide	AA
R7435	VRS-CY1JD101J	J	100	1/10W	Metal Oxide	AA
R7436	VRS-CY1JD103F	J	10k	1/10W	Metal Oxide	AA
R7438	VRS-CY1JD000J	J	0	1/10W	Metal Oxide	AA
R7440	VRS-CY1JD473F	J	47k	1/10W	Metal Oxide	AA
R7441	VRS-CY1JD513F	J	51k	1/10W	Metal Oxide	AA
R7442	VRS-CY1JD513F	J	51k	1/10W	Metal Oxide	AA
R7443	VRS-CY1JD753F	J	75k	1/10W	Metal Oxide	AA
R7444	VRS-TW2ED000J	J	0	1/4W	Metal Oxide	AB
R7445	VRS-TW2ED000J	J	0	1/4W	Metal Oxide	AB
R7450	VRS-TP2BD000J	J	0	1/4W	AA	AA
R7451	VRS-TP2BD000J	J	0	1/4W	AA	AA
R7452	VRS-TP2BD000J	J	0	1/4W	AA	AA
R7453	VRS-TP2BD000J	J	0	1/4W	AA	AA
R7454	VRS-TP2BD000J	J	0	1/4W	AA	AA
R7455	VRS-TP2BD000J	J	0	1/4W	AA	AA
R7456	VRS-TP2BD000J	J	0	1/4W	AA	AA
R7457	VRS-TP2BD000J	J	0	1/4W	AA	AA

**FUSES AND FUSE HOLDERS**

△ F7401	QFS-A1153SNEZ	J	Fuse, TLCN4	10A/250V	AF
FH7401	QFSHA1012SNEZ	J	Fuse Holder, H-0017-2		AD
FH7402	QFSHA1012SNEZ	J	Fuse Holder, H-0017-2		AD

**MISCELLANEOUS PARTS**

P7401	QCNCM1821SNEZ	J	Plug, 2Pin, 1717823-1		AD
P7402	QCNCM1821SNEZ	J	Plug, 2Pin, 1717823-1		AD
P7403	QCNCM1821SNEZ	J	Plug, 2Pin, 1717823-1		AD
P7404	QCNCM1775SNEZ	J	Plug, 2Pin, B2PS-VH		AD
P7405	QCNCM1827SNEZ	J	Plug, 12Pin, 12R-FJ		AD
P7406	QCNCM1821SNEZ	J	Plug, 2Pin, 1717823-1		AD
LUG7401	QTAND1019SNEZ	J	GND Lug, SD01138-21		AD
LUG7402	QTAND1019SNEZ	J	GND Lug, SD01138-21		AD
LUG7403	QTAND1019SNEZ	J	GND Lug, SD01138-21		AD

Ref. No. Part No. ★ Description Code

**RUNTKA082WJZZ (LC-37GA3E)**  
**INVERTER-G-UNIT (A)**

**TRANSISTORS**

Q7601	VSUM6K1N///-1	J	UM6K1N, MOSFET		AD
Q7602	VSUM6K1N///-1	J	UM6K1N, MOSFET		AD
Q7603	VSUM6K1N///-1	J	UM6K1N, MOSFET		AD
Q7604	VSUM6K1N///-1	J	UM6K1N, MOSFET		AD
Q7605	VSUM6K1N///-1	J	UM6K1N, MOSFET		AD
Q7606	VSUM6K1N///-1	J	UM6K1N, MOSFET		AD
Q7607	VSUM6K1N///-1	J	UM6K1N, MOSFET		AD
Q7608	VSUM6K1N///-1	J	UM6K1N, MOSFET		AD

**DIODES**

D7601	VHDDAN217U/-1	J	DAN217U		AC
D7602	VHDDAN217U/-1	J	DAN217U		AC
D7603	VHDDAN217U/-1	J	DAN217U		AC
D7604	VHDDAN217U/-1	J	DAN217U		AC
D7605	VHDDAN217U/-1	J	DAN217U		AC
D7606	VHDDAN217U/-1	J	DAN217U		AC
D7607	VHDDAN217U/-1	J	DAN217U		AC
D7608	VHDDAN217U/-1	J	DAN217U		AC
D7609	VHDDAN217U/-1	J	DAN217U		AC
D7610	VHDDAN217U/-1	J	DAN217U		AC

**CAPACITORS**

C7601	VCKYTQ1EB105K	J	1	25V	Ceramic	AC
C7602	VCKYTQ1EB105K	J	1	25V	Ceramic	AC
C7603	VCKYTQ1EB105K	J	1	25V	Ceramic	AC
C7604	VCKYTQ1EB105K	J	1	25V	Ceramic	AC
C7605	VCKYTQ1EB105K	J	1	25V	Ceramic	AC
C7606	VCKYTQ1EB105K	J	1	25V	Ceramic	AC
C7607	VCKYTQ1EB105K	J	1	25V	Ceramic	AC
C7609	VCKYTQ1EB105K	J	1	25V	Ceramic	AC

**RESISTORS**

R7601	VRS-CY1JD104F	J	100k	1/10W	Metal Oxide	AA
R7602	VRS-CY1JD105J	J	1M	1/10W	Metal Oxide	AA
R7603	VRS-CY1JD104F	J	100k	1/10W	Metal Oxide	AA
R7604	VRS-CY1JD105J	J	1M	1/10W	Metal Oxide	AA
R7605	VRS-CY1JD102J	J	1k	1/10W	Metal Oxide	AA
R7606	VRS-CY1JD102J	J	1k	1/10W	Metal Oxide	AA
R7607	VRS-CY1JD104F	J	100k	1/10W	Metal Oxide	AA
R7608	VRS-CY1JD105J	J	1M	1/10W	Metal Oxide	AA
R7609	VRS-CY1JD102J	J	1k	1/10W	Metal Oxide	AA
R7610	VRS-CY1JD104F	J	100k	1/10W	Metal Oxide	AA
R7611	VRS-CY1JD105J	J	1M	1/10W	Metal Oxide	AA
R7612	VRS-CY1JD104F	J	100k	1/10W	Metal Oxide	AA
R7613	VRS-CY1JD105J	J	1M	1/10W	Metal Oxide	AA
R7614	VRS-CY1JD104F	J	100k	1/10W	Metal Oxide	AA
R7615	VRS-CY1JD102J	J	1k	1/10W	Metal Oxide	AA
R7616	VRS-CY1JD105J	J	1M	1/10W	Metal Oxide	AA
R7617	VRS-CY1JD104F	J	100k	1/10W	Metal Oxide	AA
R7618	VRS-CY1JD102J	J	1k	1/10W	Metal Oxide	AA
R7619	VRS-CY1JD105J	J	1M	1/10W	Metal Oxide	AA
R7620	VRS-CY1JD104F	J	100k	1/10W	Metal Oxide	AA
R7621	VRS-CY1JD102J	J	1k	1/10W	Metal Oxide	AA
R7622	VRS-CY1JD105J	J	1M	1/10W	Metal Oxide	AA
R7623	VRS-CY1JD102J	J	1k	1/10W	Metal Oxide	AA
R7625	VRS-CY1JD102J	J	1k	1/10W	Metal Oxide	AA
R7627	VRS-CY1JD132F	J	1.3k	1/10W	Metal Oxide	AA
R7628	VRS-CY1JD000J	J	0	1/10W	Metal Oxide	AA
R7629	VRS-CY1JD132F	J	1.3k	1/10W	Metal Oxide	AA
R7630	VRS-CY1JD000J	J	0	1/10W	Metal Oxide	AA
R7631	VRS-TW2ED000J	J	0	1/4W	Metal Oxide	AB
R7632	VRS-TW2ED000J	J	0	1/4W	Metal Oxide	AB
R7633	VRS-TW2ED000J	J	0	1/4W	Metal Oxide	AB
R7634	VRS-TW2ED000J	J	0	1/4W	Metal Oxide	AB

**MISCELLANEOUS PARTS**

P7601	QCNCM1821SNEZ	J	Plug, 2Pin, 1717823-1		AD
P7602	QCNCM1821SNEZ	J	Plug, 2Pin, 1717823-1		AD
P7603	QCNCM1821SNEZ	J	Plug, 2Pin, 1717823-1		AD
P7604	QCNCM1821SNEZ	J	Plug, 2Pin, 1717823-1		AD



Ref. No. Part No. ★ Description Code

---

**RUNTKA082WJZZ (LC-37GA3E)**  
**INVERTER-G-UNIT (A) (Continued)**

P7605	QCNCM1821SNEZ	J	Plug, 8Pin, 1717823-1	AD
P7606	QCNCM1796SNEZ	J	Plug, 6Pin, S8B-PASK-2	AD
P7607	QCNCM1824SNEZ	J	Plug, 8Pin, 06PL-FJ	AD
LUG7601	QTAND1019SNEZ	J	GND Lug, SD01138-21	AD
LUG7602	QTAND1019SNEZ	J	GND Lug, SD01138-21	AD
LUG7603	QTAND1019SNEZ	J	GND Lug, SD01138-21	AD
LUG7604	QTAND1019SNEZ	J	GND Lug, SD01138-21	AD

Ref. No. Part No. ★ Description Code

---

**RUNTKA083WJZZ (LC-37GA3E)**  
**INVERTER-G-UNIT (B)**

**TRANSISTORS**

Q7651	VSUM6K1N///-1	J	UM6K1N, MOSFET	AD
Q7652	VSUM6K1N///-1	J	UM6K1N, MOSFET	AD
Q7653	VSUM6K1N///-1	J	UM6K1N, MOSFET	AD
Q7654	VSUM6K1N///-1	J	UM6K1N, MOSFET	AD
Q7655	VSUM6K1N///-1	J	UM6K1N, MOSFET	AD
Q7656	VSUM6K1N///-1	J	UM6K1N, MOSFET	AD

**DIODES**

D7651	VHDDAN217U/-1	J	DAN217U	AC
D7652	VHDDAN217U/-1	J	DAN217U	AC
D7653	VHDDAN217U/-1	J	DAN217U	AC
D7654	VHDDAN217U/-1	J	DAN217U	AC
D7655	VHDDAN217U/-1	J	DAN217U	AC
D7656	VHDDAN217U/-1	J	DAN217U	AC
D7657	VHDDAN217U/-1	J	DAN217U	AC
D7658	VHDDAN217U/-1	J	DAN217U	AC

**CAPACITORS**

C7651	VCKYTQ1EB105K	J	1	25V	Ceramic	AC
C7652	VCKYTQ1EB105K	J	1	25V	Ceramic	AC
C7653	VCKYTQ1EB105K	J	1	25V	Ceramic	AC
C7654	VCKYTQ1EB105K	J	1	25V	Ceramic	AC
C7655	VCKYTQ1EB105K	J	1	25V	Ceramic	AC
C7656	VCKYTQ1EB105K	J	1	25V	Ceramic	AC

**RESISTORS**

R7651	VRS-CY1JD104F	J	100k	1/10W	Metal Oxide	AA
R7652	VRS-CY1JD104F	J	100k	1/10W	Metal Oxide	AA
R7653	VRS-CY1JD105J	J	1M	1/10W	Metal Oxide	AA
R7654	VRS-CY1JD102J	J	1k	1/10W	Metal Oxide	AA
R7655	VRS-CY1JD105J	J	1M	1/10W	Metal Oxide	AA
R7656	VRS-CY1JD102J	J	1k	1/10W	Metal Oxide	AA
R7657	VRS-CY1JD104F	J	100k	1/10W	Metal Oxide	AA
R7658	VRS-CY1JD105J	J	1M	1/10W	Metal Oxide	AA
R7659	VRS-CY1JD104F	J	100k	1/10W	Metal Oxide	AA
R7660	VRS-CY1JD105J	J	1M	1/10W	Metal Oxide	AA
R7661	VRS-CY1JD102J	J	1k	1/10W	Metal Oxide	AA
R7662	VRS-CY1JD104F	J	100k	1/10W	Metal Oxide	AA
R7663	VRS-CY1JD102J	J	1k	1/10W	Metal Oxide	AA
R7664	VRS-CY1JD105J	J	1M	1/10W	Metal Oxide	AA
R7665	VRS-CY1JD104F	J	100k	1/10W	Metal Oxide	AA
R7666	VRS-CY1JD105J	J	1M	1/10W	Metal Oxide	AA
R7667	VRS-CY1JD102J	J	1k	1/10W	Metal Oxide	AA
R7668	VRS-CY1JD102J	J	1k	1/10W	Metal Oxide	AA
R7670	VRS-CY1JD132F	J	1.3k	1/10W	Metal Oxide	AA
R7671	VRS-CY1JD000J	J	0	1/10W	Metal Oxide	AA
R7673	VRS-CY1JD132F	J	1.3k	1/10W	Metal Oxide	AA
R7674	VRS-CY1JD000J	J	0	1/10W	Metal Oxide	AA
R7675	VRS-TW2ED000J	J	0	1/4W	Metal Oxide	AB
R7676	VRS-TW2ED000J	J	0	1/4W	Metal Oxide	AB
R7677	VRS-TW2ED000J	J	0	1/4W	Metal Oxide	AB
R7678	VRS-TW2ED000J	J	0	1/4W	Metal Oxide	AB

**THERMISTOR**

TH7651	VHH18XH103J03	J	NCP18XH103J03RB	AC
--------	---------------	---	-----------------	----

**MISCELLANEOUS PARTS**

P7651	QCNCM1821SNEZ	J	Plug, 2Pin, 1717823-1	AD
P7652	QCNCM1821SNEZ	J	Plug, 2Pin, 1717823-1	AD
P7653	QCNCM1821SNEZ	J	Plug, 2Pin, 1717823-1	AD
P7654	QCNCM1821SNEZ	J	Plug, 2Pin, 1717823-1	AD
P7655	QCNCM1825SNEZ	J	Plug, 6Pin, 06R-FJ	AD
LUG7651	QTAND1019SNEZ	J	GND Lug, SD01138-21	AD
LUG7652	QTAND1019SNEZ	J	GND Lug, SD01138-21	AD
LUG7653	QTAND1019SNEZ	J	GND Lug, SD01138-21	AD
LUG7654	QTAND1019SNEZ	J	GND Lug, SD01138-21	AD

Ref. No. Part No. ★ Description Code

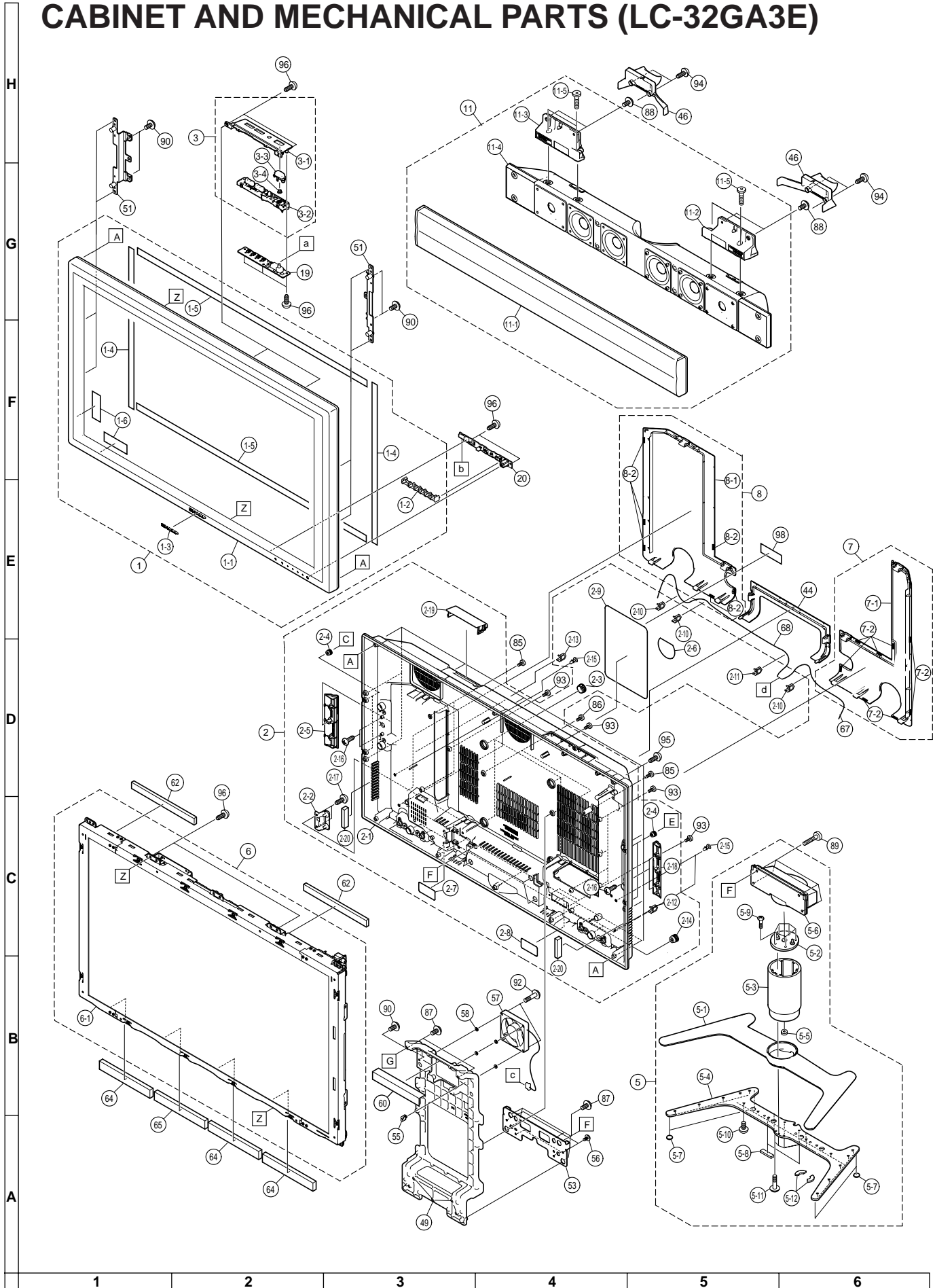
**CABINET AND MECHANICAL PARTS  
(LC-32GA3E)**

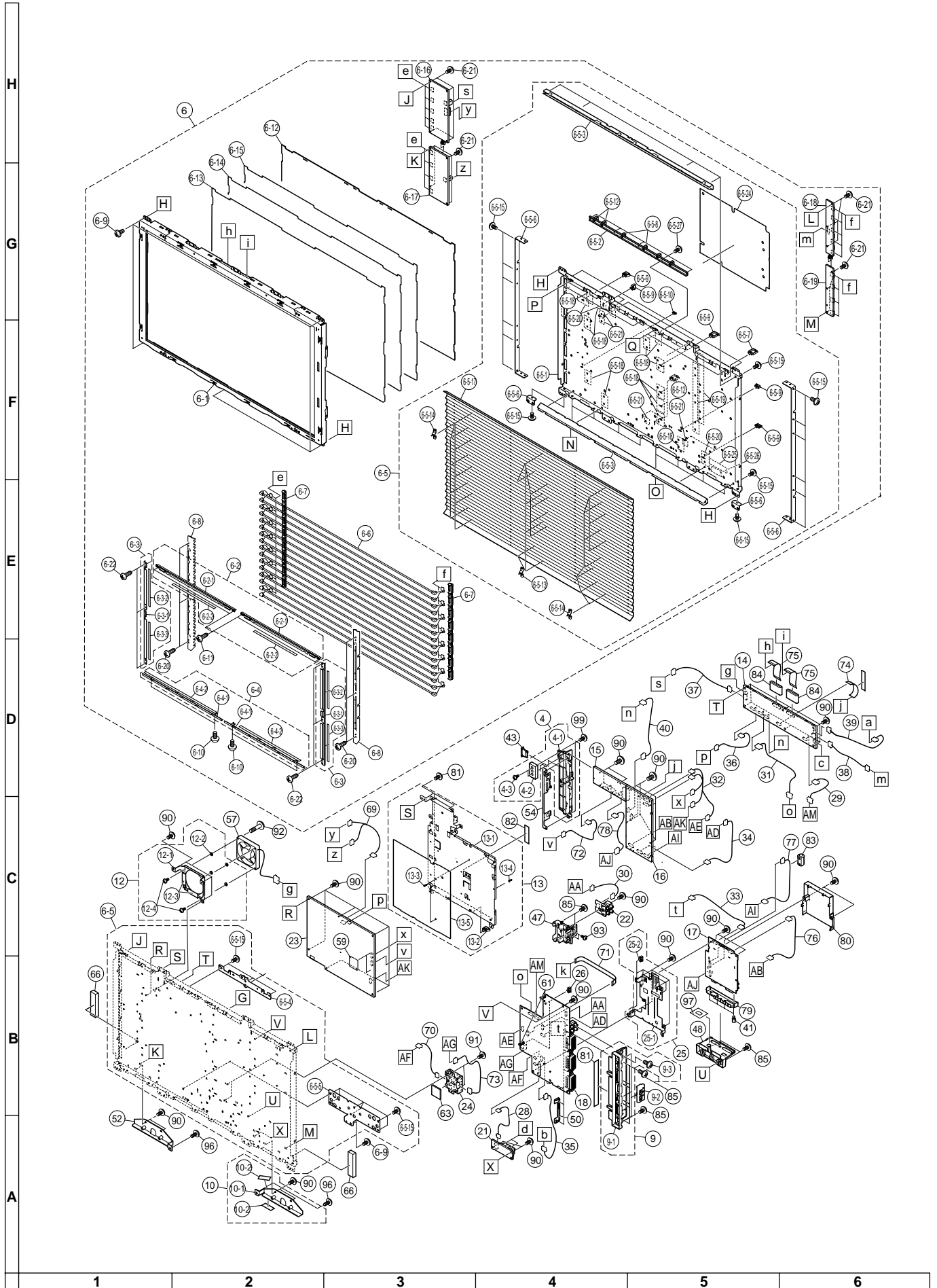
Ref. No.	Part No.	★	Description	Code
1	CCABAA648WJ01	J	Front Cabinet Ass'y	BG
1-1	<i>Not Available</i>	-	Front Cabinet	—
1-2	GCOVAA829WJSA	J	LED Cover	AG
1-3	HBDGBA037WJSA	J	Badge SHARP	AM
1-4	PSPAHA298WJZZ	J	Himeron Mask, x2	AC
1-5	PSPAHA407WJZZ	J	Himeron Mask, x2	AD
1-6	PSPAHA417WJZZ	J	Himeron Rib, x2	AB
2	CCABBA422WJ01	J	Rear Cabinet Ass'y	BM
			(LC-32GA3E/K/F/R)	
2	CCABBA422WJ05	J	Rear Cabinet Ass'y	BM
			(LC-32GA3I)	
2-1	<i>Not Available</i>	-	Rear Cabinet	—
2-2	GCOVAA784WJKB	J	Stand Power Cover	AE
2-3	GCOVAA838WJKB	J	Stand Cover, x4	AK
2-4	GCOVAA755WJKB	J	SP Hole Cover (Side), x4	AC
2-5	GCOVAA836WJKB	J	SP Cover (R)	AH
2-6	HiNDP5733CESF	J	AQUOS Label	AD
2-7	HiNDPA834WJSB	J	Stand Power Indicator	AD
2-8	HiNDPA931WJSB	J	SP Indicator	AC
2-9	HiNDPA983WJSA	J	Model Indicator	AH
			(LC-32GA3E/K/F/R)	
2-9	HiNDPB003WJSA	J	Model Indicator(LC-32GA3I)	AH
2-10	LHLDWA048WJKZ	J	Wire Holder, x3	AB
2-11	LHLDWA055WJKZ	J	Wire Holder, x2	AC
2-12	LHLDWA057WJKZ	J	Wire Holder	AE
2-13	LHLDWA059WJKZ	J	Wire Holder	AC
2-14	LHLDZ0132CEZZ	J	Holder, x2	AD
2-15	PCLiCA001WJKZ	J	Hole Cover, x4	AC
2-16	XEBS930P08000	J	Screw, x4	AA
2-17	XEBS930P10000	J	Screw, x2	AA
2-18	GCOVAA837WJKB	J	SP Cover (L)	AH
2-19	GCOVAA929WJKB	J	PC Card Cover	AK
2-20	PSPAZA521WJZZ	J	Spacer, x2	AD
3	CCOVAA895WJ01	J	Top Control Cover Ass'y	AT
3-1	<i>Not Available</i>	-	Top Control Cover	—
3-2	JBTN-A307WJKB	J	Control Button	AH
3-3	JBTN-A306WJKB	J	Power Button	AG
3-4	MSPRCA014WJFW	J	Power Button Spring	AB
4	CCOVAA898WJ01	J	Cover	AQ
4-1	<i>Not Available</i>	-	Cover	—
4-2	LHLDZA405WJZZ	J	Holder	AE
4-3	XEBSN30P06000	J	Screw, X2	AA
5	CDAi-A122WJ06	J	Stand Ass'y	BP
5-1	GDAi-A122WJKB	J	Stand Base	BC
5-2	GDAi-A117WJF8	J	Swivel Base	AP
5-3	GDAi-A125WJSB	J	Stand Support	BB
5-4	LANGKA282WJSA	J	J Base Angle	BF
5-5	LX-NZA013WJFN	J	Nut	AE
5-6	MHNG-A075WJSB	J	Hinge	BK
5-7	PSPAZA476WJZZ	J	Leg Cushion-A, x4	AC
5-8	PSPAZA477WJZZ	J	Leg Cushion-B, x2	AD
5-9	XCBS940P25000	J	Screw, x5	AB
5-10	XEBS940P10000	J	Screw, x10	AB
5-11	XCSS940P25000	J	Screw, x5	AB
5-12	PSPAZA530WJZZ	J	Leg Cushion-C, x2	AD
6	<i>Not Available</i>	-	LCD PANEL Unit Ass'y	—
6-1	RLCDA028WJZZ	J	32" WIDE LCD PANEL Unit	ER
6-2	CANGKA221WJ01	J	Sheet Angle Ass'y (Top), x2	AM
6-2-1	<i>Not Available</i>	-	Sheet Angle (Top), x2	—
6-2-2	PSPAQA049WJKZ	J	Spacer,x2	AC
6-3	CANGKA222WJ01	J	Sheet Angle Ass'y (Side), x2	AM
6-3-1	<i>Not Available</i>	-	Sheet Angle (Side), x2	—
6-3-2	PSPAQA042WJKZ	J	Spacer, x2	AC
6-3-3	PSPAQA048WJKZ	J	Spacer, x2	AC
6-4	CANGKA241WJ01	J	Sheet Angle Ass'y (Bottom) x2	AK

Ref. No.	Part No.	★	Description	Code
6-4-1	<i>Not Available</i>	-	Sheet Angle (Bottom), x2	—
6-4-2	PSPAQA041WJKZ	J	Spacer, x2	AC
6-5	CCHSMA121WJ02	J	Chassis Ass'y	BY
6-5-1	<i>Not Available</i>	-	Chassis	—
6-5-2	LANGFA102WJFW	J	Fixing Metal	AQ
6-5-3	LANGKA242WJFW	J	Fixing Metal, x2	AL
6-5-4	LANGKA274WJZZ	J	Fixing Metal	AT
6-5-5	LANGKA288WJFW	J	Fixing Metal	AT
6-5-7	LHLDWA041WJKZ	J	Wire Holder, x2	AC
6-5-8	LHLDWA043WJKZ	J	Wire Holder, x4	AB
6-5-9	LHLDWA046WJKZ	J	Wire Holder, x8	AC
6-5-10	LHLDWA055WJKZ	J	Wire Holder	AC
6-5-11	LHLDWA056WJKZ	J	Wire Holder, x5	AC
6-5-12	LHLDWA058WJKZ	J	Wire Holder, x2	AC
6-5-13	LHLDZA316WJKZ	J	Lamp Cilp, x8	AD
6-5-14	LHLDZA346WJKZ	J	Mirror Clip, x18	AC
6-5-15	LX-BZA046WJFN	J	Screw, x17	AA
6-5-16	LX-HZA023WJFN	J	Screw, x2	AB
6-5-17	PMIR-A051WJZZ	J	Mirror	BE
6-5-18	PSPAHA338WJZZ	J	Spacer, x9	AB
6-5-19	PSPAHA339WJZZ	J	Spacer, x2	AD
6-5-20	PSPAHA397WJZZ	J	Spacer, x6	AB
6-5-21	PSPAHA398WJZZ	J	Spacer, x4	AB
6-6-22	PSPAQA043WJKZ	J	Spacer, x8	AB
6-5-23	PSPAZA519WJZZ	J	Spacer	AB
6-5-24	PZETKA078WJZZ	J	Insulator	AP
6-5-25	TCAUZA031WJZZ	J	Caution Label	AB
6-5-26	TLABNA922WJZZ	J	No. Label	—
6-5-27	XBPSN30P06WS0	J	Screw, x3	AA
6-6	KLMP-A040WJZZ	J	Lamp, x8	AZ
6-7	LHLDZA309WJK0	J	Lamp Holder (Bottom), x2	AL
6-8	LHLDZA310WJKZ	J	Lamp Holder (Top), x2	AM
6-9	LX-BZA051WJFN	J	Screw, x5	AB
6-10	LX-BZA052WJFN	J	Screw, x4	AA
6-11	LX-BZA074WJFN	J	Screw, x4	AA
6-12	PCOVUA027WJZZ	J	Diffusion Panel	BG
6-13	PSHEPA237WJZZ	J	Reflection/Deflection Sheet	BW
6-14	PSHEPA168WJZZ	J	Prism Sheet	BN
6-15	PSHEPA169WJZZ	J	Diffusion Sheet	AW
6-16	RUNTKA069WJZZ	-	INVERTER-Unit (A)	—
6-17	RUNTKA070WJZZ	-	INVERTER-Unit (B)	—
6-18	RUNTKA071WJZZ	-	INVERTER-G-Unit (A)	—
6-19	RUNTKA072WJZZ	-	INVERTER-G-Unit (B)	—
6-20	XBBSN30P08000	J	Screw, x6	AA
6-21	XBPSL30P06WS0	J	Screw, x14	AA
6-22	XEBSN30P10000	J	Screw, x6	AA
7	CCOVAA825WJ02	J	Terminal Cover (R) Ass'y	AU
7-1	<i>Not Available</i>	-	Terminal Cover (R)	—
7-2	PSPAHA418WJZZ	J	Himeron, x8	AA
8	CCOVAA826WJ02	J	Terminal Cover (L) Ass'y	AU
8-1	<i>Not Available</i>	-	Terminal Cover (L)	—
8-2	PSPAHA418WJZZ	J	Himeron, x6	AA
9	CCOVAA896WJ01	J	AV PWB Cover Ass'y	AP
9-1	<i>Not Available</i>	-	AV PWB Cover	—
9-2	JBTN-A327WJKB	J	Button, Resst	—
9-3	XEBS930P08000	J	Screw	AA
10	CANGKA269WJ01	J	SP Angle Ass'y	AQ
10-1	<i>Not Available</i>	-	SP Angle	—
10-2	PSPAQA415WJZZ	J	Spacer, x2	AB
11	<i>Not Available</i>	-	Speaker Ass'y	—
11-1	CPNLSA024WJ03	J	Speaker Panel	BM
11-2	LHLDZA372WJKA	J	Holder	AP
11-3	LHLDZA373WJKA	J	Holder	AP
11-4	RSP-ZA075WJN1	J	Speaker	BW
11-5	XBBS950P14000	J	Screw, x4	AB
12	CANGFA118WJ01	J	Fan Holder Ass'y	AR

Ref. No.	Part No.	★	Description	Code	Ref. No.	Part No.	★	Description	Code
<b>CABINET AND MECHANICAL PARTS (LC-32GA3E)(Continued)</b>					55	LHLDWA048WJKZ	J	Wire Holder	AB
12-1	<i>Not Available</i>	-	Fan Holder	—	56	LX-BZA046WJFN	J	Screw, x4	AA
12-2	PSPAGA187WJ00	J	Spacer, x4	AB	57	NFANR0126CEZZ	J	DC FAN, x2	AT
12-3	PSPAHA159WJZZ	J	Spacer, x2	AB	58	PSPAGA187WJ00	J	Fan Spacer, x4	AB
12-4	XBPSN30P08JS0	J	Screw, x2	AB	59	PSPAGA203WJZZ	J	Spacer, x2	AC
13	CANGKA299WJ01	J	MAIN PWB Angle Ass'y	BD	60	PSPAHA410WJZZ	J	Spacer	AC
13-1	<i>Not Available</i>	-	MAIN PWB Angle	—	61	PSPANA005WJKZ	J	Spacer, x2	AC
13-2	LHLDWA029WJKZ	J	Wire Holder	AC	62	PSPAZA458WJZZ	J	Spacer, x2	AD
13-3	PCLIC1033CEZZ	J	Clip, x2	AC	63	PSPAZA478WJKZ	J	Spacer, 1BIT Amp.	AP
13-4	PSPANA006WJZZ	J	Spacer	AC	64	PSPAZA517WJZZ	J	Spacer	AD
13-5	PZETKA092WJZZ	J	Insulator	AN	65	PSPAZA518WJZZ	J	Spacer	AD
14	DUNTKC268VJ89	J	LCD CONT Unit	CH	66	PSPAZA520WJZZ	J	Spacer, x2	AB
15	DUNTKC427VJ21	-	CPU Unit	—	67	QCNW-C311WJQZ	J	SP-Wire (L)	AK
16	DUNTKC585VJ13	J	MAIN Unit(LC-32GA3E)	CR	68	QCNW-C312WJQZ	J	SP- Wire (R)	AK
16	DUNTKC585VJ14	J	MAIN Unit(LC-32GA3K)	CR	69	QCNW-C393WJQZ	J	Connecting Cord, POW-INV	AL
16	DUNTKC585VJ19	J	MAIN Unit(LC-32GA3F)	CR	70	QCNW-C406WJQZ	J	Connecting Cord, AV-1BIT	AK
16	DUNTKC585VJ34	J	MAIN Unit(LC-32GA3I)	CR	71	QCNW-C414WJQZ	J	FFC, (AV-MAIN)	AE
16	DUNTKC585VJ36	J	MAIN Unit(LC-32GA3R)	CR	72	QCNW-C624WJQZ	J	Connecting Cord, CPU-POW	AM
17	DUNTKC595VJ17	-	DVI Unit	—	73	QCNW-C841WJQZ	J	Connecting Cord, AV-1BIT	AS
18	DUNTKC642UJ01	-	AV Unit(LC-32GA3E//R)	—	74	QPWBHC563WJPZ	J	FPC, MAIN-LCD CONT	AN
18	DUNTKC642UJ02	-	AV Unit(LC-32GA3K)	—	75	QPWBMC494WJPZ	J	FPC, (80Pin)	AM
18	DUNTKC642UJ03	-	AV Unit(LC-32GA3F)	—	76	QCNW-C621WJQZ	J	Connecting Cord, DVI-MAIN [ME]	AL
19	DUNTKC643UJ01	-	KEY Unit(LC-32GA3E//R)	—	77	QCNW-C796WJPZ	J	Connecting Cord, DVI-MAIN [MD]	AM
19	DUNTKC643UJ02	-	KEY Unit(LC-32GA3K)	—	78	QCNW-C797WJQZ	J	Connecting Cord, DVI-CPU [DU]	AG
19	DUNTKC643UJ03	-	KEY Unit(LC-32GA3F)	—	79	PSLDMA411WJFW	J	DVI PWB Shield	AH
20	DUNTKC644UJ01	-	LED Unit(LC-32GA3E//R)	—	80	PSLDMA430WJFW	J	AV-SUB Shield	AH
20	DUNTKC644UJ02	-	LED Unit(LC-32GA3K)	—	81	PSLDMA535WJZZ	J	Shield, SCART	AG
20	DUNTKC644UJ03	-	LED Unit(LC-32GA3F)	—	82	QEARZA041WJZZ	J	Earth Plate	AE
21	DUNTKC645UJ01	-	EXT. SP Unit(LC-32GA3E//R)	—	83	RCORF0103CEZZ	J	Core	AK
21	DUNTKC645UJ02	-	EXT. SP Unit(LC-32GA3K)	—	84	RCORFA039WJZZ	J	Core, x2	AG
21	DUNTKC645UJ03	-	EXT. SP Unit(LC-32GA3F)	—	85	XBBS830P08000	J	Screw, x16	AA
22	DUNTKC646UJ01	-	FRONT Unit(LC-32GA3E//R)	—	86	XBBS940P08000	J	Screw, x2	AB
22	DUNTKC646UJ02	-	FRONT Unit(LC-32GA3K)	—	87	XBBS940P16000	J	Screw, x7	AB
22	DUNTKC646UJ03	-	FRONT Unit(LC-32GA3F)	—	88	XBBS940P25000	J	Screw, x4	AB
23	RDENCA068WJZZ	-	POWER Unit	—	89	XBBSN50P12JS0	J	Screw, x4	AF
24	B2SX4102BT	J	1-BIT AMPLIFIER Unit	BL	90	XBPSL30P06WS0	J	Screw, x40	AA
25	CANGKA292WJ02	J	AV SUB Angle Ass'y	AT	91	XBPSN30P04J00	J	Screw, x2 (For 1BIT)	AA
25-1	<i>Not Available</i>	-	AV SUB Angle	—	92	XBPSN30P20XS0	J	Screw, x4 (For Fan)	AB
25-2	LHLDWA043WJKZ	J	Wire Holder, x4	AB	93	XEBS930P08000	J	Screw, x10 (For Terminal)	AA
25-3	PSPANA006WJZZ	J	Spacer	AC	94	XEBS940P12000	J	Screw, x4	AB
26	LHLDW1072GEZZ	J	Fan Wire Holder	AA	95	XEBS940P20000	J	Screw, x13 (For CAB A-B)	AB
27	PSLDMA436WJFW	J	Shield (On Tuner)	AH	96	XEBSN30P10000	J	Screw, x11	AA
28	QCNW-C404WJQZ	J	Connecting Cord, AV-EXT.SP	AG	97	QEARPA129WJN1	J	Earth Plate	AG
29	QCNW-C411WJQZ	J	Connecting Cord, AV-LCD CONT	AK	98	<i>Not Available</i>	-	No Label	—
30	QCNW-C476WJQZ	J	Connecting Cord, AV-FRONT	AN	99	XBPSN30P06JS0	J	Screw	AB
31	QCNW-C581WJQZ	J	Connecting Cord, AV-LCD CONT	AH					
32	QCNW-C584WJQZ	J	Connecting Cord, POW-AV,MAIN	AV					
33	QCNW-C620WJQZ	J	Connecting Cord, AV-DVI	AM					
34	QCNW-C622WJPZ	J	Connecting Cord, AV-MAIN	BA					
35	QCNW-C403WJQZ	J	Connecting Cord, AV-LED	AP					
36	QCNW-C399WJQZ	J	Connecting Cord, LCD CONT-POW	AH					
37	QCNW-C400WJQZ	J	Connecting Cord, LCD CONT-INV	AL					
38	QCNW-C412WJQZ	J	Connecting Cord, LCD CONT-INVND	AK					
39	QCNW-C413WJQZ	J	Connecting Cord, LCD CONT-KEY	AH					
40	QCNW-C623WJQZ	J	Connecting Cord, LCD CONT-MAINAP	AP					
41	NSFTZ0134CEFW	J	Shaft, x4 (For DVI)	AD					
42	XBPSL30P06WS0	J	Screw, x4	AA					
43	GCOVAA678WJKA	J	PC Card Cover	AE					
44	GCOVAA827WJKB	J	Terminal Cover (Center)	AM					
45	GCOVAA839WJKB	J	SP Bracket (R)	AK					
46	GCOVAA840WJKB	J	SP Bracket (L)	AK					
47	GCOVAA871WJKB	J	AV Terminal Cover (Top)	AH					
48	GCOVAA897WJKB	J	AV Terminal Cover (Bottom)	AK					
49	LANGFA099WJFW	J	Centre Angle	BL					
50	LANGK0782CEFW	J	Angle, x3	AF					
51	LANGKA253WJFW	J	Side Angle, x2	AL					
52	LANGKA269WJZZ	J	SP Angle U	AN					
53	LANGKA271WJZZ	J	Stand Angle	AP					
54	LANGKA297WJFW	J	DVI PWB Terminal Angle	AM					

# CABINET AND MECHANICAL PARTS (LC-32GA3E)



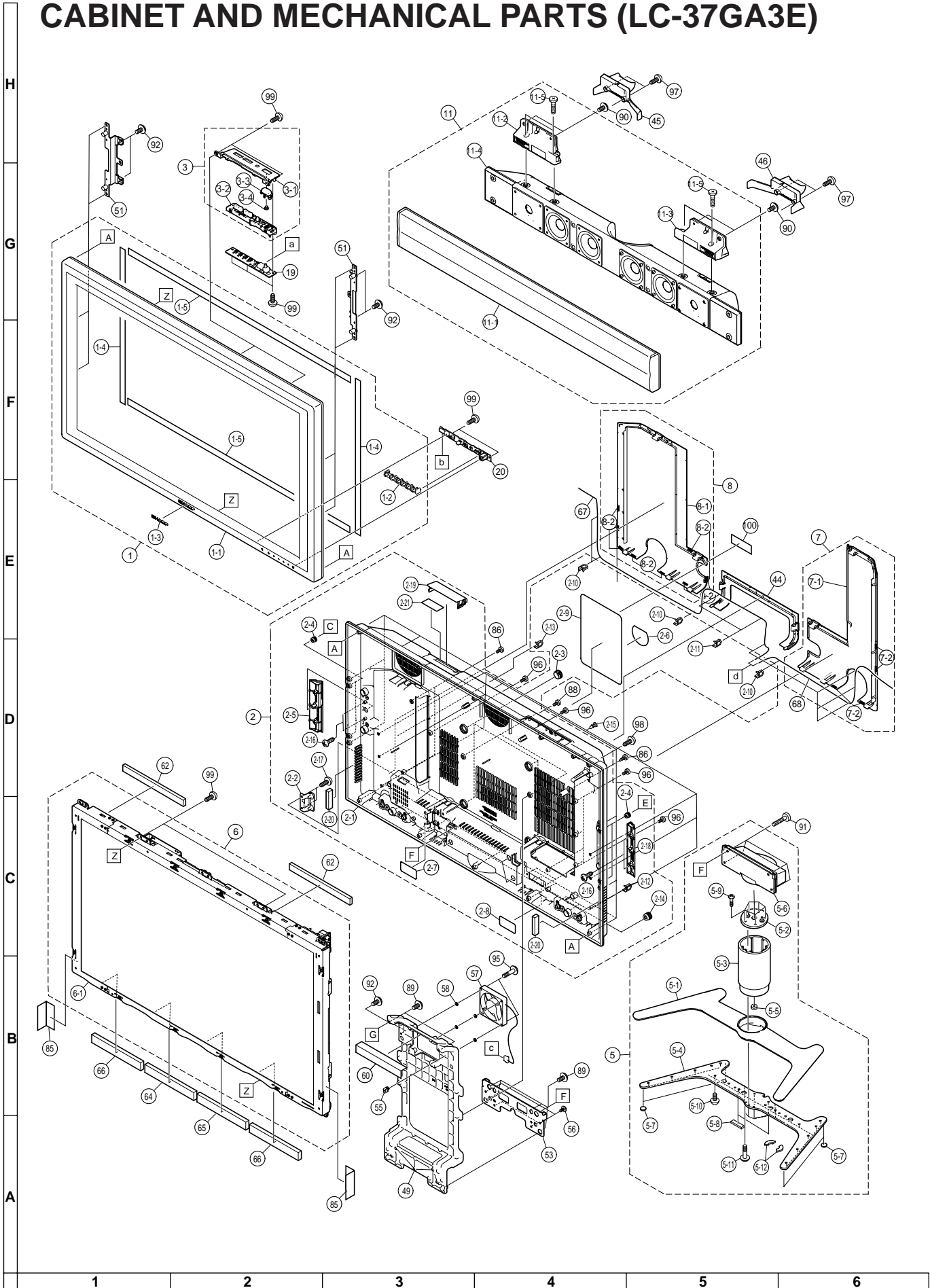


Ref. No.	Part No.	★	Description	Code
<b>CABINET AND MECHANICAL PARTS (LC-37GA3E)</b>				
1	CCABAA650WJ01	J	Front Cabinet Ass'y	BK
1-1	<i>Not Available</i>	-	Front Cabinet	—
1-2	GCOVAA829WJSA	J	R/C LED Cover	AG
1-3	HBDGBA036WJSA	J	Badge, "SHARP"	AP
1-4	PSPAHA416WJZZ	J	Mask Spacer, x2	AC
1-5	PSPAHA412WJZZ	J	Mask Spacer, x2	AD
2	CCABBA424WJ01	J	Rear Cabinet Ass'y (LC-37GA3E/K/F/R)	BN
2	CCABBA424WJ05	J	Rear Cabinet Ass'y (LC-37GA3I)	BN
2-1	<i>Not Available</i>	-	Rear Cabinet	—
2-2	GCOVAA784WJKB	J	Stand Power Cover	AE
2-3	GCOVAA838WJKB	J	Hole Cover, x4	AK
2-4	GCOVAA755WJKB	J	SP Cover Side, x4	AC
2-5	GCOVAA836WJKB	J	SP Cover (R)	AH
2-6	HiNDP5733CESF	J	AQUOS Label	AD
2-7	HiNDPA834WJSB	J	Stand DC Indicator	AD
2-8	HiNDPA931WJSB	J	Speaker Terminal Indicator	AC
2-9	HiNDPA994WJSA	J	Indicator(LC-37GA3E/K/F/R)	AH
2-9	HiNDPB045WJSA	J	Indicator(LC-37GA3I)	AH
2-10	LHLDWA048WJKZ	J	Holder, x3	AB
2-11	LHLDWA055WJKZ	J	Holder, x2	AC
2-12	LHLDWA057WJKZ	J	Holder	AE
2-13	LHLDWA059WJKZ	J	Holder	AC
2-14	LHLDZ0132CEZZ	J	Holder, x2	AD
2-15	PCLiCA001WJKZ	J	Hole Cover, x6	AC
2-16	XEBS930P08000	J	Screw, x4	AA
2-17	XEBS930P10000	J	Screw, x2	AA
2-18	GCOVAA837WJKB	J	SP Cover (L)	AH
2-19	GCOVAA929WJKB	J	PC Card Cover	AK
2-20	PSPAZA521WJZZ	J	Spacer, x2	AD
2-21	PSPAHA377WJZZ	J	PC Card Spacer	AB
3	CCOVAA895WJ01	J	Top Control Cover Ass'y	AT
3-1	<i>Not Available</i>	-	Top Control Cover	—
3-2	JBTN-A307WJKB	J	Open Button	AH
3-3	JBTN-A306WJKB	J	Power Button	AG
3-4	MSPRCA014WJFW	J	Power Button Spring	AB
4	CCOVAA898WJ01	J	Cover	AQ
4-1	<i>Not Available</i>	-	Cover	—
4-2	LHLDZA405WJZZ	J	Holder	AE
4-3	XEBSN30P06000	J	Screw, x2	AA
5	CDAi-A122WJ07	J	Stand Ass'y	BP
5-1	GDAi-A122WJKB	J	Stand Base	BC
5-2	GDAi-A117WJF8	J	Swivel Base	AP
5-3	GDAi-A125WJSB	J	Stand Support	BF
5-4	LANGKA282WJSA	J	Base Angle	BD
5-5	LX-NZA013WJFN	J	Nut	AE
5-6	MHNG-A076WJSB	J	Hinge	BK
5-7	PSPAZA476WJZZ	J	Leg Cushion-A, x4	AC
5-8	PSPAZA477WJZZ	J	Leg Cushion-B, x2	AD
5-9	XCSS940P25000	J	Screw, x5	AB
5-10	XEBS940P10000	J	Screw, x10	AB
5-11	XCBS940P25000	J	Screw, x5	AB
5-12	PSPAZA530WJZZ	J	Leg Cushion-C, x2	AD
6	<i>Not Available</i>	-	LCD PANEL Unit Ass'y	—
6-1	RLCDA027WJZZ	J	37" WIDE LCD PANEL Unit	FS
6-2	CANGKA219WJ01	J	Sheet Angle Ass'y (Top), x2	AN
6-2-1	<i>Not Available</i>	-	Sheet Angle (Top), x2	—
6-2-2	PSPAZA465WJKZ	J	Spacer, x2	AD
6-3	CANGKA220WJ01	J	Sheet Angle Ass'y (Side), x2	AQ
6-3-1	<i>Not Available</i>	-	Sheet Angle (Side), x2	—
6-3-2	PSPA038WJKZ	J	Spacer, x2	AC
6-3-3	PSPAZA469WJKZ	J	Spacer, x2	AC
6-4	CANGKA239WJ01	J	Sheet Angle Ass'y (Bottom), x2	AN

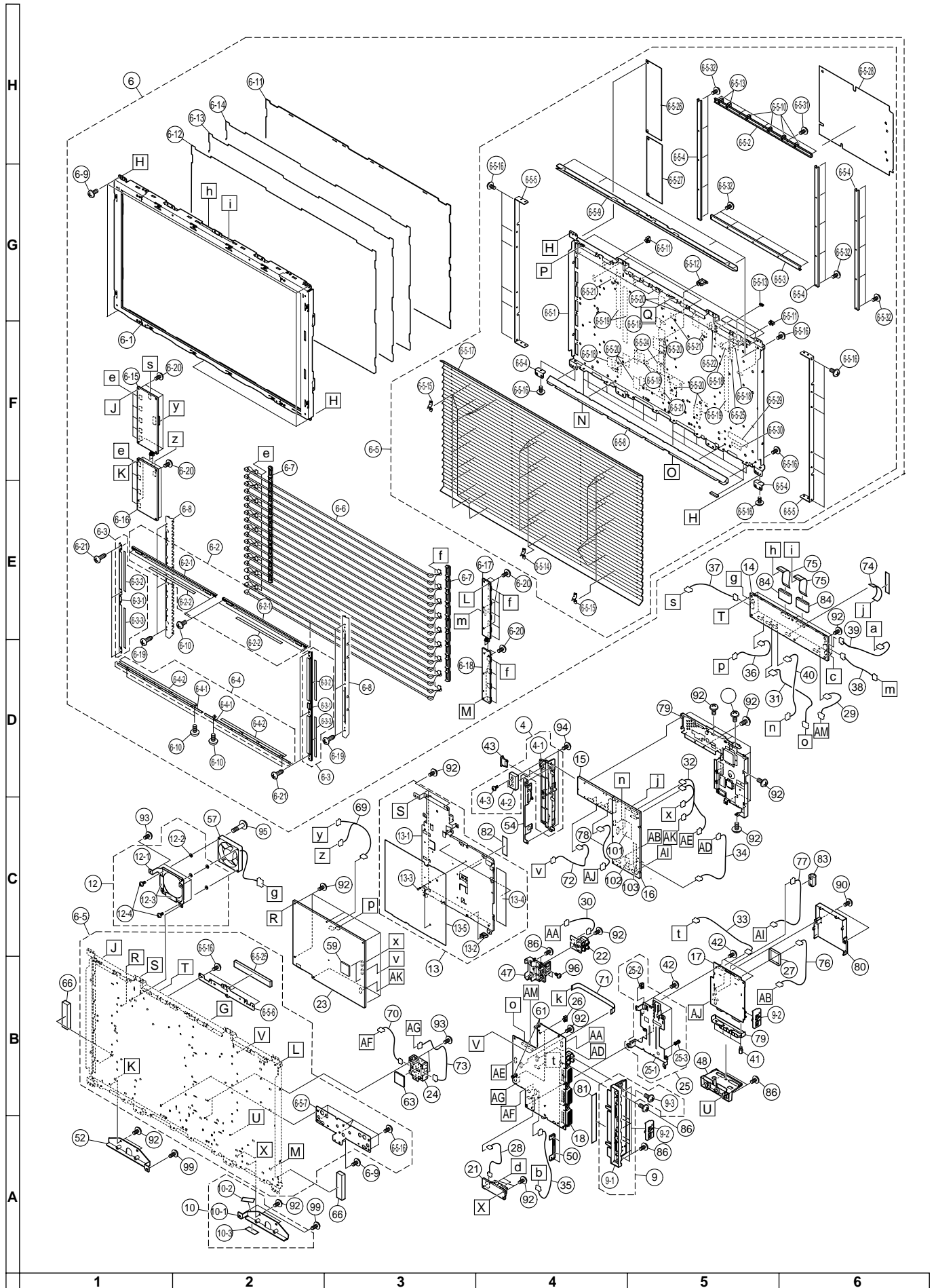
Ref. No.	Part No.	★	Description	Code
6-4-1	<i>Not Available</i>	-	Sheet Angle, x2	—
6-4-2	PSPA039WJKZ	J	Spacer, x2	AD
6-5	CCHSMA122WJ02	J	Chassis Ass'y	CE
6-5-1	<i>Not Available</i>	-	Chassis	—
6-5-2	LANGFA102WJFW	J	Fixing Metal	AQ
6-5-3	LANGFA103WJFW	J	Fixing Metal	AN
6-5-4	LANGFA104WJFW	J	Fixing Metal, x3	AN
6-5-5	LANGKA245WJFW	J	Fixing Metal, x2	AS
6-5-6	LANGKA274WJZZ	J	Fixing Metal	AT
6-5-7	LANGKA288WJFW	J	Fixing Metal	AT
6-5-8	LANGKA289WJFW	J	Fixing Metal	BD
6-5-9	LANGKA290WJFW	J	Fixing Metal	BD
6-5-10	LHLDWA043WJKZ	J	Holder, x4	AB
6-5-11	LHLDWA046WJKZ	J	Holder, x11	AC
6-5-12	LHLDWA056WJKZ	J	Holder, x5	AC
6-5-13	LHLDWA058WJKZ	J	Holder, x2	AC
6-5-14	LHLDZA315WJKZ	J	Lamp Clip, x9	AD
6-5-15	LHLDZA346WJKZ	J	Mirror Clip, x22	AC
6-5-16	LX-BZA046WJFN	J	Screw, x37	AA
6-5-17	PMiR-A052WJZZ	J	Mirror	BG
6-5-18	PSPAHA397WJZZ	J	Spacer, x6	AB
6-5-19	PSPAHA339WJZZ	J	Spacer, x3	AD
6-5-20	PSPAHA337WJZZ	J	Spacer, x11	AC
6-5-21	PSPAHA398WJZZ	J	Spacer, x4	AB
6-5-22	PSPAHA409WJZZ	J	Spacer	AD
6-5-23	PSPAZA466WJKZ	J	Spacer, x4	AB
6-5-24	PSPAZA519WJZZ	J	Spacer, x2	AB
6-5-25	PSPAZA534WJZZ	J	Spacer	AC
6-5-26	PZETKA064WJZZ	J	Insulator	AK
6-5-27	PZETKA065WJZZ	J	Insulator	AH
6-5-28	PZETKA078WJZZ	J	Insulator	AP
6-5-29	TCAUZA031WJZZ	J	Caution Card	AB
6-5-30	TLABNA923WJZZ	J	No. Label	—
6-5-31	XBPSN30P06WS0	J	Screw, x5	AA
6-5-32	XBPSN40P06J00	J	Screw, x20	AA
6-6	KLMP-A041WJZZ	J	Lamp, x9	BA
6-7	LHLDZA307WJK0	J	Lamp Holder (Bottom), x2	AK
6-8	LHLDZA308WJKZ	J	Lamp Holder (Top), x2	AM
6-9	LX-BZA051WJFN	J	Screw, x5	AB
6-10	LX-BZA074WJFN	J	Screw, x8	AA
6-11	PCOVUA028WJZZ	J	Diffusion Panel	BH
6-12	PSHEPA238WJZZ	J	Reflection/Deflection Sheet	CC
6-13	PSHEPA171WJZZ	J	Prism Sheet	BS
6-14	PSHEPA172WJZZ	J	Diffusion Sheet	AX
6-15	RUNTKA080WJZZ	-	INVERTER-Unit (A)	—
6-16	RUNTKA081WJZZ	-	INVERTER-Unit (B)	—
6-17	RUNTKA082WJZZ	-	INVERTER-G-Unit (A)	—
6-18	RUNTKA083WJZZ	-	INVERTER-G-Unit (B)	—
6-19	XBBSN30P08000	J	Screw, x6	AA
6-20	XBPSL30P06WS0	J	Screw, x16	AA
6-21	XEBSN30P10000	J	Screw, x6	AA
7	CCOVAA841WJ02	J	Terminal Cover (R) Ass'y	AV
7-1	<i>Not Available</i>	-	Terminal Cover (R)	—
7-2	PSPAHA418WJZZ	J	Himeron, x4	AA
8	CCOVAA842WJ02	J	Terminal Cover (L) Ass'y	AW
8-1	<i>Not Available</i>	-	Terminal Cover (L)	—
8-2	PSPAHA418WJZZ	J	Himeron, x6	AA
9	CCOVAA896WJ01	J	AV PWB Cover Ass'y	AP
9-1	<i>Not Available</i>	-	AV PWB Cover	—
9-2	JBTN-A327WJKB	J	Button, Resst	—
9-3	XEBS930P08000	J	Screw	AA
10	CANGKA277WJ01	J	SP Angle Ass'y	AQ
10-1	<i>Not Available</i>	-	Fixing Metal	—
10-2	PSPAHA415WJZZ	J	Himeron Spacer	AB
10-3	PSPAHA422WJZZ	J	Himeron Spacer	AB
11	<i>Not Available</i>	-	Speaker Ass'y	—
11-1	CPNLSA023WJ03	J	Speaker Panel	BP
11-2	LHLDZA372WJKA	J	Holder	AP
11-3	LHLDZA373WJKA	J	Holder	AP

Ref. No.	Part No.	★	Description	Code	Ref. No.	Part No.	★	Description	Code
<b>CABINET AND MECHANICAL PARTS (LC-37GA3E)(Continued)</b>					47	GCOVAA871WJKB	J	AV Terminal Cover (Top)	AH
					48	GCOVAA897WJKB	J	AV Terminal Cover (Bottom)	AK
					49	LANGFA105WJFW	J	Centre Angle	BP
					50	LANGK0782CEFW	J	Angle, x3	AF
11-4	RSP-ZA078WJN1	J	Speaker	BW	51	LANGKA254WJFW	J	Side Angle, x2	AL
11-5	XBBS950P14000	J	Screw, x4	AB	52	LANGKA278WJZZ	J	SP Angle	AN
					53	LANGKA271WJZZ	J	Stand Angle	AP
12	CANGFA118WJ01	J	Fan Holder Ass'y	AR	54	LANGKA297WJFW	J	DVI PWB Terminal Angle	AM
12-1	<i>Not Available</i>	-	Fan Holder	—	55	LHLDWA048WJKZ	J	Wire Holder	AB
12-2	PSPAGA187WJ00	J	Spacer, x4	AB	56	LX-BZA046WJFN	J	Screw, x4	AA
12-3	PSPAHA159WJZZ	J	Spacer, x2	AB	57	NFANR0126CEZZ	J	DC FAN, x2	AT
12-4	XBPSN30P08JS0	J	Screw, x2	AB	58	PSPAGA187WJ00	J	Fan Spacer, x4	AB
					59	PSPAGA203WJZZ	J	Spacer, x2	AC
13	CANGKA299WJ01	J	MAIN PWB Angle Ass'y	BD	60	PSPAHA410WJZZ	J	Spacer	AC
13-1	<i>Not Available</i>	-	MAIN PWB Angle	—	61	PSPANA005WJKZ	J	Spacer, x2	AC
13-2	LHLDWA029WJKZ	J	Wire Holder	AC	62	PSPAZA533WJZZ	J	Spacer, x2	AD
13-3	PCLIC1033CEZZ	J	Clip, x2	AC	63	PSPAZA478WJKZ	J	Spacer, 1BIT Amp.	AP
13-4	PSPANA006WJZZ	J	Spacer	AC	64	PSPAZA454WJZZ	J	Spacer	AC
13-5	PZETKA092WJZZ	J	Insulator	AN	65	PSPAZA455WJZZ	J	Spacer	AC
13-6	LANGKA313WJFW	J	Main PWB Earth Angle, x2	AH	66	PSPAZA456WJZZ	J	Spacer, x2	AD
13-7	LANGKA314WJFW	J	Fixing Metal	AG	67	QCNW-C311WJQZ	J	SP-Wire (L)	AK
					68	QCNW-C470WJQZ	J	SP- Wire (R)	AH
14	DUNT KC268VJ91	J	LCD CONT Unit	CH	69	QCNW-C504WJQZ	J	Connecting Cord, INV-POWER [PG]	AL
15	DUNT KC427VJ21	-	CPU Unit	—	70	QCNW-C406WJQZ	J	Connecting Cord, AV-1BIT [SC]	AK
16	DUNT KC585VJ21	J	MAIN Unit(LC-37GA3E)	CR	71	QCNW-C414WJQZ	J	Connecting Cord, AV-MAIN[FFC] [FC]	AE
16	DUNT KC585VJ22	J	MAIN Unit(LC-37GA3K)	CR	72	QCNW-C624WJQZ	J	Connecting Cord, POW-CPU [DP]	AM
16	DUNT KC585VJ23	J	MAIN Unit(LC-37GA3F)	CR	73	QCNW-C841WJQZ	J	Connecting Cord, AV-1BIT [SA]	AS
16	DUNT KC585VJ39	J	MAIN Unit(LC-37GA3I)	CR	74	QPWBHC563WJPZ	J	Connecting Cord, MAIN-LCD_C(FPC) [LV]	AN
16	DUNT KC585VJ40	J	MAIN Unit(LC-37GA3R)	CR	75	QPWBMC494WJPZ	J	Connecting Cord, FPC(80PIN)	AM
17	DUNT KC595VJ19	-	DVI Unit	—	76	QCNW-C621WJQZ	J	Connecting Cord,DVI-MAIN [ME]	AL
18	DUNT KC642UJ07	-	AV Unit(LC-37GA3E//R)	—	77	QCNW-C796WJPZ	J	Connecting Cord, DVI-MAIN [MD]	AM
18	DUNT KC642UJ08	-	AV Unit(LC-37GA3K)	—	78	QCNW-C797WJQZ	J	Connecting Cord, DVI-CPU [DU]	AG
18	DUNT KC642UJ10	-	AV Unit(LC-37GA3F)	—	79	PSLDMA411WJFW	J	DVI PWB Shield	AH
19	DUNT KC643UJ07	-	KEY Unit(LC-37GA3E//R)	—	80	PSLDMA430WJFW	J	AV-SUB Shield	AH
19	DUNT KC643UJ08	-	KEY Unit(LC-37GA3K)	—	81	PSLDMA535WJZZ	J	Shield, SCART	AG
19	DUNT KC643UJ10	-	KEY Unit(LC-37GA3F)	—	82	QEARZA041WJZZ	J	Earth Plate	AE
20	DUNT KC644UJ07	-	LED Unit(LC-37GA3E//R)	—	83	RCORF0103CEZZ	J	Core	AK
20	DUNT KC644UJ08	-	LED Unit(LC-37GA3K)	—	84	RCORFA039WJZZ	J	Core, x2	AG
20	DUNT KC644UJ10	-	LED Unit(LC-37GA3F)	—	85	PSPAZA520WJZZ	J	Spacer, x2	AB
21	DUNT KC645UJ07	-	EXT.SP Unit(LC-37GA3E//R)	—	86	XBBS830P08000	J	Screw, x16	AA
21	DUNT KC645UJ08	-	EXT.SP Unit(LC-37GA3K)	—	87	XBBS930P08000	J	Screw, x6	AA
21	DUNT KC645UJ10	-	EXT.SP Unit(LC-37GA3F)	—	88	XBBS940P08000	J	Screw, x2	AB
22	DUNT KC646UJ07	-	FRONT Unit(LC-37GA3E//R)	—	89	XBBS940P16000	J	Screw, x7	AB
22	DUNT KC646UJ08	-	FRONT Unit(LC-37GA3K)	—	90	XBBS940P25000	J	Screw, x4	AB
22	DUNT KC646UJ10	-	FRONT Unit(LC-37GA3F)	—	91	XBBSN50P12JS0	J	Screw, x4	AF
23	RDENCA068WJZZ	-	POWER Unit	—	92	XBPSL30P06WS0	J	Screw, x50	AA
24	B2SX4102BT	J	1 BIT AMPLIFIER Unit	BL	93	XBPSN30P04J00	J	Screw, x2	AA
					94	XBPSN30P06JS0	J	Screw, x2	AB
25	CANGKA292WJ02	J	AV SUB Angle Ass'y	AT	95	XBPSN30P20XS0	J	Screw, x4	AB
25-1	<i>Not Available</i>	-	AV SUB Angle	—	96	XEBS930P08000	J	Screw, x11	AA
25-2	LHLDWA043WJKZ	J	Wire Holder, x4	AB	97	XEBS940P12000	J	Screw, x4	AB
25-3	PSPANA006WJZZ	J	Spacer	AC	98	XEBS940P20000	J	Screw, x13	AB
					99	XEBSN30P10000	J	Screw, x11	AA
26	LHLDW1060CEZZ	J	Wire Holder	AB	100	<i>Not Available</i>	-	No Label	—
27	PSLDMA436WJFW	J	Shield (On Tuner)	AH	101	PSPAZA399WJKA	J	Spacer(IC3300)	
28	QCNW-C507WJQZ	J	Connecting Cord, AV-SP [SP]	AG	102	PSPAZA398WJKA	J	Spacer(IC3700)	AK
29	QCNW-C411WJQZ	J	Connecting Cord, AV-LCDCNT [RM]	AK	103	PSPAZA493WJKZ	J	Spacer(IC402/502)	
30	QCNW-C510WJPZ	J	Connecting Cord, AV-FRONT [VD]	AS					
31	QCNW-C581WJQZ	J	Connecting Cord, AV-LCDCNT [ST]	AM					
32	QCNW-C584WJQZ	J	Connecting Cord, POW-AV,MAIN [PA, PB, PE]	AV					
33	QCNW-C620WJQZ	J	Connecting Cord, AV-DVI [AV]	AM					
34	QCNW-C622WJPZ	J	Connecting Cord, AV-MAIN [MA]	BA					
35	QCNW-C747WJQZ	J	Connecting Cord, AV-LED [RA]	AP					
36	QCNW-C399WJQZ	J	Connecting Cord, POW-LCDCNT [PO]	AH					
37	QCNW-C505WJQZ	J	Connecting Cord, LCDCONT-INV(A),INV(B) [BL]	AM					
38	QCNW-C508WJQZ	J	Connecting Cord, LCDCONT-INVGND [GV]	AK					
39	QCNW-C413WJQZ	J	Connecting Cord, LCDCNT-KEY [KM]	AH					
40	QCNW-C623WJQZ	J	Connecting Cord, LCDCNT-MAIN [SH]	AP					
41	NSFTZ0134CEFW	J	Shaft, x4 (For DVI)	AD					
42	XBPSL30P06WS0	J	Screw, x4	AA					
43	GCOVAA678WJKA	J	PC Card Cover	AE					
44	GCOVAA827WJKB	J	Terminal Cover (Center)	AM					
45	GCOVAA839WJKB	J	SP Blacket (R)	AK					
46	GCOVAA840WJKB	J	SP Blacket (L)	AK					

# CABINET AND MECHANICAL PARTS (LC-37GA3E)







Ref. No. Part No. ★ Description Code

**SUPPLIED ACCESSORIES**

**(LC-32GA3E)**

⚠	QACCB A021WJPZ	J	AC Cord(LC-32GA3K)	AS
⚠	QACCKA007WJPZ	J	AC Cord(LC-32GA3E/F/I/R)	AK
	RRMCGA290WJSA	J	Infrared Remote Control Unit	AZ
	LHLDW0110CEZZ	J	Cable Clamp	AE
	TiNS-B454WJZZ	J	Operation Manual	AV
	TiNS-B455WJZZ	J	Operation Manual (only for LC-32GA3E/F)	AV
	TiNS-B456WJZZ	J	Operation Manual (only for LC-32GA3E)	AS
	TiNS-B350WJZZ	J	Operation Manual (LC-32GA3R)	BB
	TGAN-A077WJZZ	J	Warranty Card(LC-32GA3R)	AE
	RCORFA020WJZZ	J	AC Cord Core	AN

**(LC-37GA3E)**

⚠	QACCB A021WJPZ	J	AC Cord (LC-C37GA3K)	AS
⚠	QACCKA007WJPZ	J	AC Cord (LC-C37GA3E/F/I/R)	AK
	RRMCGA290WJSA	J	Infrared Remote Control Unit	AZ
	TiNS-B460WJZZ	J	Operation Manual	AW
	TiNS-B461WJZZ	J	Operation Manual (for LC-37GA3E/F)	AW
	TiNS-B462WJZZ	J	Operation Manual (for LC-37GA3E)	AT
	TiNS-B366WJZZ	J	Operation Manual (for LC-37GA3R)	BA
	TGAN-A077WJZZ	J	Warranty Card(LC-37GA3R)	AE
	RCORFA020WJZZ	J	AC Cord Core	AN

**PACKING PARTS**  
**(NOT REPLACEMENT ITEM)**

**(LC-32GA3E)**

	SPAKCB565WJZZ	-	Packing Case	—
	SPAKCB626WJZZ	-	Packing Case (Bottom)	—
	SPAKPA377WJZZ	-	Wrapping Paper (Stand)	—
	SPAKPA382WJZZ	-	Wrapping Paper (Display)	—
	SPAKXA605WJZZ	-	Top Add.	—
	SPAKXA606WJZZ	-	Bottom Add.	—
	SPAKXA607WJZZ	-	Stand Add.	—
	SPAKFA636WJZZ	-	Packing Case (Accessories)	—
	SPAKL0023CEZZ	-	Joint, x4	—
	SSAKA1111CEZZ	-	Polyethylene Bag	—
	TGAN-1688CEN1	-	Guarantee Card (LC-32GA3K)	—
	TCAUZA135WJZZ	-	Caution Card	—
	TLABK0001TAZZ	-	Bae Code Label	—
	TLABSA050WJZZ	-	G Label(LC-32GA3F)	—

**(LC-37GA3E)**

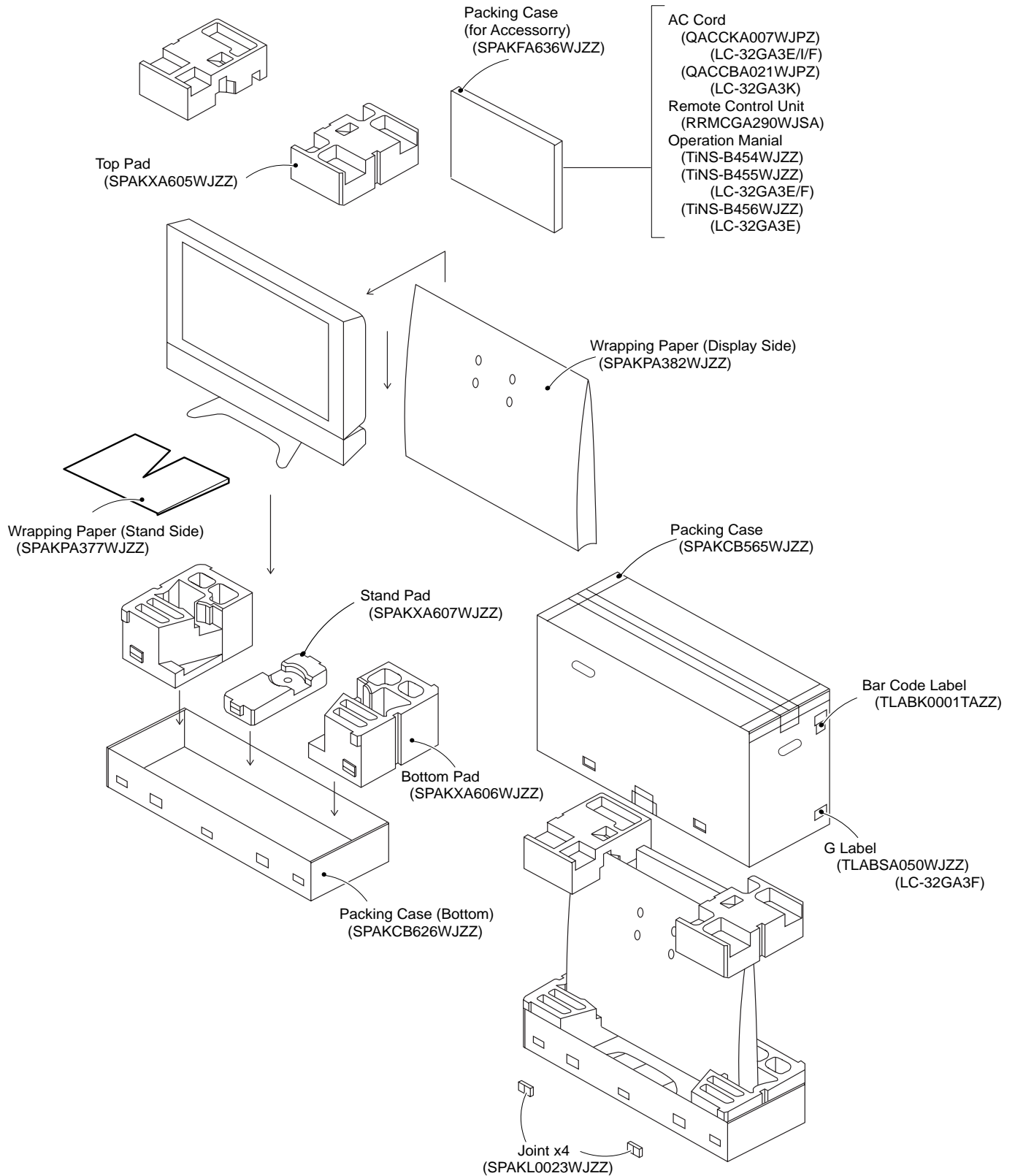
	SPAKCB656WJZZ	-	Packing Case	—
	SPAKCB589WJZZ	-	Packing Case (Bottom)	—
	SPAKPA377WJZZ	-	Wrapping Paper (Stand)	—
	SPAKPA338WJZZ	-	Wrapping Paper (Display)	—
	SPAKXA576WJZZ	-	Bottom Add.	—
	SPAKXA577WJZZ	-	Stand Add.	—
	SPAKXA597WJZZ	-	Top Add.	—
	SSAKA0170CEZZ	-	Polyethylene Bag (LC-37GA3E)	—
	SSAKA0219CEZZ	-	Polyethylene Bag	—
	SSAKA1111CEZZ	-	Polyethylene Bag	—
	SPAKFA608WJZZ	-	Packing Case (Accessories)	—
	SPAKL0023CEZZ	-	Joint, x4	—
	TGAN-1688CEN1	-	Guarantee Card(LC-37GA3K)	—
	TCAUZA135WJZZ	-	Caution Card	—
	TCAUZA138WJZZ	-	Caution Card	—
	TLABK0001TAZZ	-	Bar Code Label	—
	TLABKA013WJZZ	-	Two Dimension Bar Code Label	—
	TLABSA050WJZZ	-	G Label (LC-C37GA3F)	—

Ref. No. Part No. ★ Description Code

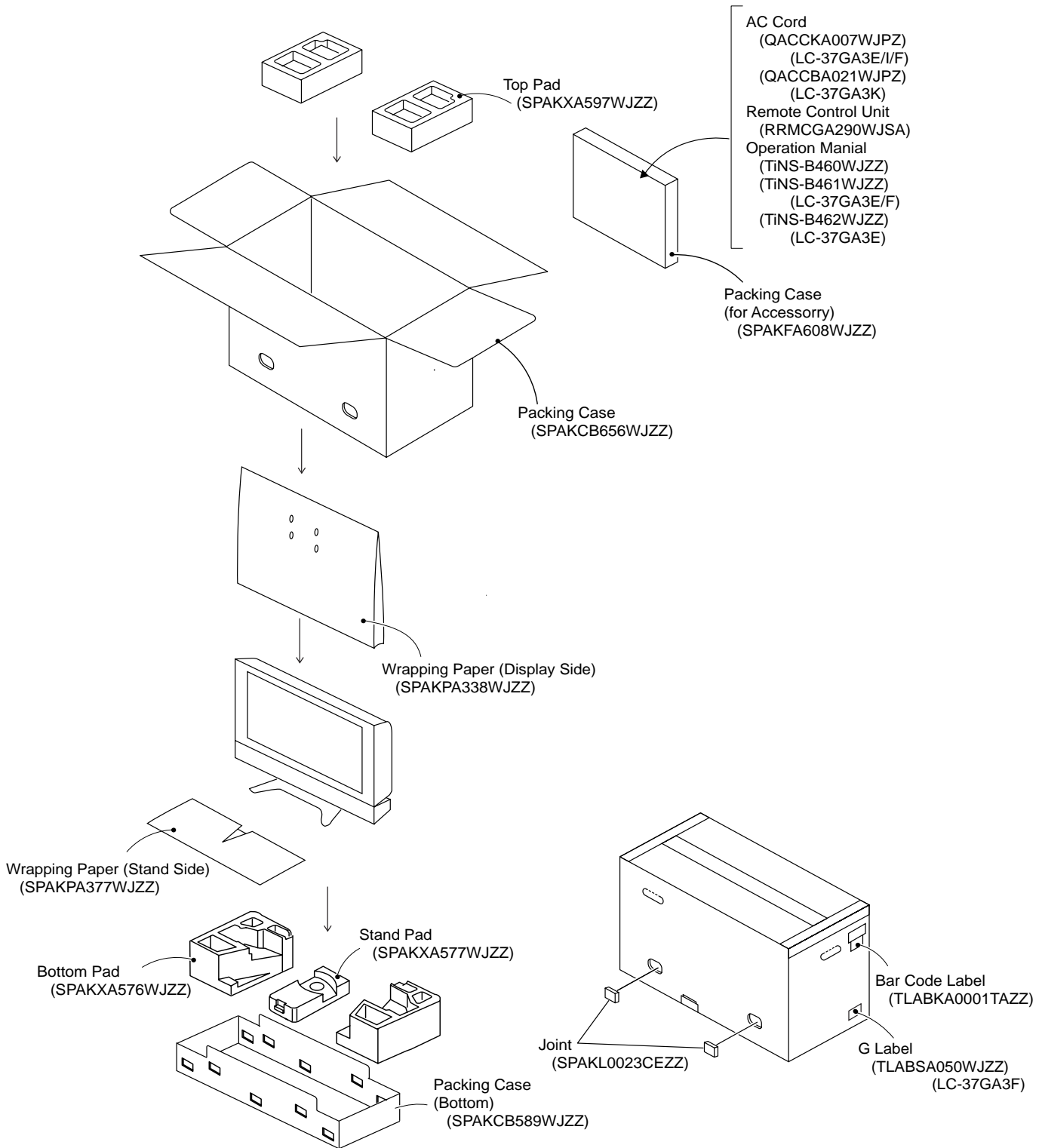
**SERVICE JIGS**  
**(Use For Servicing)**

	QCNW-C222WJQZ	J	80pins FFC L=1000mm, LCD CONT. PWB to LCD Panel	AW
	QCNW-C223WJQZ	J	12pins L=1000mm, LCD CONT. PWB to Inverter PWB [BL]	AX
	QCNW-C224WJQZ	J	8pins L=1000mm, LCD CONT. PWB to Inverter-G PWB [GV]	AU
	QCNW-C225WJQZ	J	5pins L=1000mm, LCD CONT. PWB to Key PWB [KM]	AQ
	QCNW-C226WJQZ	J	7pins L=1000mu, LCD CONT. PWB to Power Supply PWB [PO]	AT
	QCNW-C329WJQZ	J	15pins L=1000mm, AV PWB to 1 Bit Amp. [SA]	AW
	QCNW-C332WJQZ	J	12pins L=1000mm, AV PWB to DVI PWB [AV]	AY
	QCNW-C333WJQZ	J	14pins L=1000mm, LCD CONT. PWB to Main PWB [SH]	BA
	QCNW-C334WJQZ	J	5pins L=1000mm, CPU PWB to DVI PWB [DU]	AU
	QCNW-C487WJQZ	J	9pins L=300mm, LCD CONT. PWB to AV PWB [RM]	AW
	QCNW-C492WJQZ	J	33pins PC L=800mm, LCD CONT. PWB to Main PWB [LV]	AM
	QCNW-C493WJQZ	J	45pins PPC L=600mm, AV PWB to Main PWB [FC]	AM
	QCNW-C741WJQZ	J	9pins L=1000mm, Power Supply PWB to CPU PWB [DP]	AT
	QCNW-C845WJQZ	J	4pins L=1000mm, LCD CONT. PWB to AV PWB [ST]	AS
	QCNW-C846WJQZ	J	40pins L=1000mm, AV PWB to Main PWB [MA]	BL
	QCNW-C847WJQZ	J	20 to 16pins L=800/1000mm, Power Supply Unit to AV/Main PWB	BG

# PACKING OF THE SET (LC-32GA3E)



# PACKING OF THE SET (LC-37GA3E)





# SHARP

**COPYRIGHT © 2004 BY SHARP CORPORATION**

ALL RIGHTS RESERVED.

No part of this publication may be reproduced, stored in a retrieval system, or transmitted in any form or by any means, electronic, mechanical, photocopying, recording, or otherwise, without prior written permission of the publisher.

TQ1808-S

Oct. 2004 Printed in Japan

Design and Production Information

Design : Japan

Production : Japan

SY. DS

SHARP CORPORATION  
AV Systems Group  
Quality & Reliability Control Center  
Yaita, Tochigi 329-2193, Japan

# SCHEMATIC DIAGRAM

## Models **LC-32GA3E** **LC-37GA3E**

### CONTENTS

	Page
DESCRIPTION OF SCHEMATIC DIAGRAM .....	D2
AV Unit .....	D3 ~ D12
KEY Unit .....	D13
R/C, LED Unit .....	D14
FRONT Unit .....	D15 ~ D16
LCD CONTROL Unit .....	D17 ~ D32
CPU Unit .....	D33 ~ D42
MAIN Unit .....	D43 ~ D70
DVI Unit .....	D71 ~ D74
POWER Unit .....	D75 ~ D76
INVERTER-A Unit (LC-32GA3E) .....	D77 ~ D78
INVERTER-B Unit (LC-32GA3E) .....	D79 ~ D80
INVERTER GROUND-A Unit (LC-32GA3E) .....	D81
INVERTER GROUND-B Unit (LC-32GA3E) .....	D82
INVERTER-A Unit (LC-37GA3E) .....	D83 ~ D84
INVERTER-B Unit (LC-37GA3E) .....	D85 ~ D86
INVERTER GROUND-A Unit (LC-37GA3E) .....	D87
INVERTER GROUND-B Unit (LC-37GA3E) .....	D88
EXT, SP, TERMINAL Unit .....	D89

# DESCRIPTION OF SCHEMATIC DIAGRAM

## VOLTAGE MEASUREMENT CONDITION:

1. When the exclusive-use AC adapter is used, the colour bar signal of colour bar generator for service is input to get the normal screen. When the audio is minimized, the voltage value is measured with the 20 k $\Omega$ /V tester.

## WAVEFORM MEASUREMENT CONDITION:

1. When the exclusive-use AC adapter is used, the colour density, lightness and colour hue are set to the center position, and the signal of colour bar generator for service is observed to get waveform.

## INDICATION OF RESISTOR & CAPACITOR:

### RESISTOR

1. The unit of resistance " $\Omega$ " is omitted.  
(K=k $\Omega$ =1000  $\Omega$ , M=M $\Omega$ ).
2. All resistors are  $\pm 5\%$ , unless otherwise noted.  
(J=  $\pm 5\%$ , F=  $\pm 1\%$ , D=  $\pm 0.5\%$ )
3. All resistors are Carbon type, unless otherwise noted.  

⊙: Solid	Ⓜ: Cement
Ⓢ: Oxide Film	Ⓣ: Special
Ⓝ: Metal Coating	

### CAPACITOR


1. All capacitors are mF, unless otherwise noted.  
(P=pF=mmF).
2. All capacitors are Ceramic type, unless otherwise noted.  

(ML) : Mylar	(TA) : Tantalum
(PF) : Polypro Film	(ST) : Styrol

### CAUTION:

This circuit diagram is original one, therefore there may be a slight difference from yours.

### IMPORTANT SAFETY NOTICE:

PARTS MARKED WITH "⚠" (  ) ARE IMPORTANT FOR MAINTAINING THE SAFETY OF THE SET. BE SURE TO REPLACE THESE PARTS WITH SPECIFIED ONES FOR MAINTAINING THE SAFETY AND PERFORMANCE OF THE SET.

H

G

F

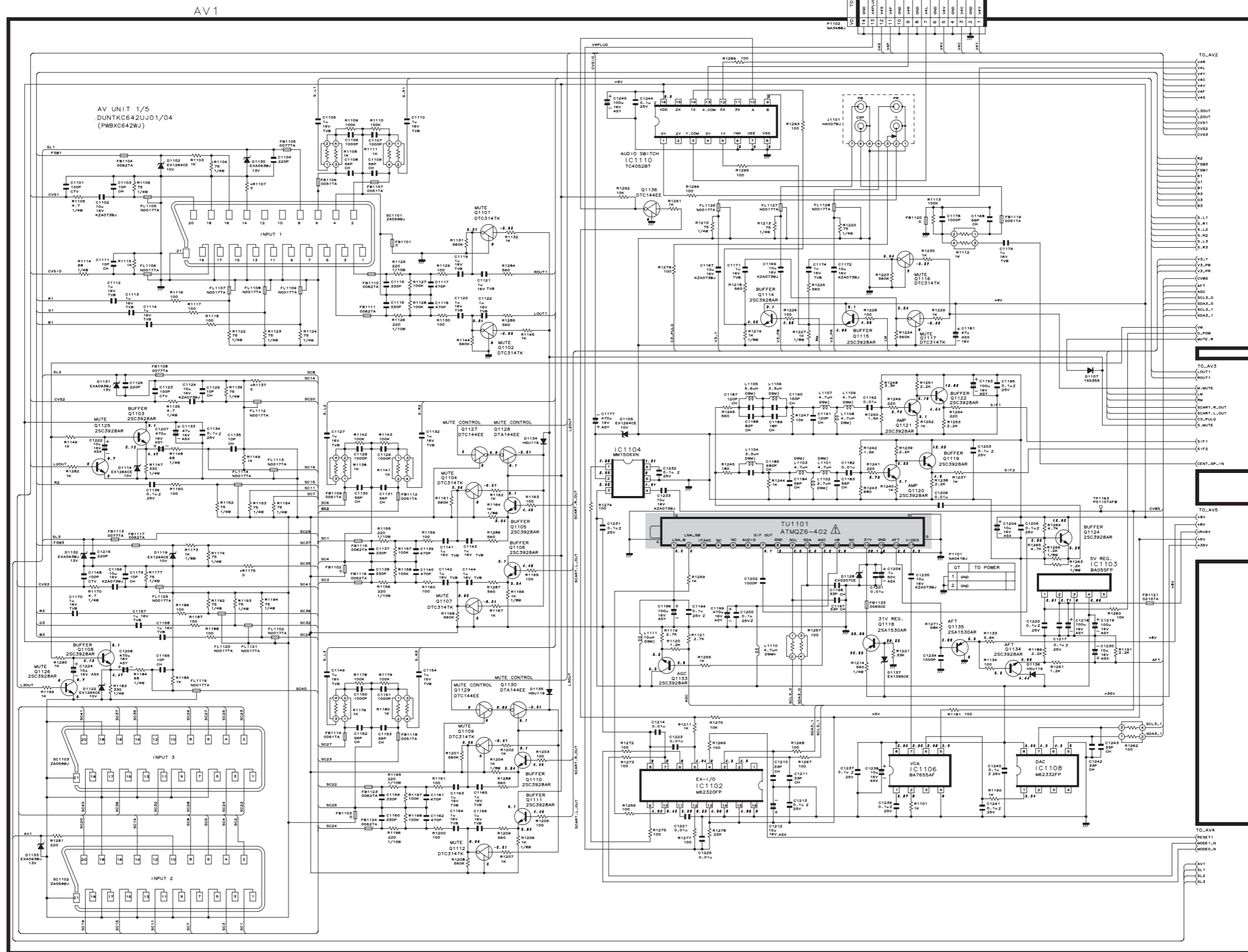
E

D

C

B

A



1 2 3 4 5 6 7 8 9 10 11 12 13 14 15 16 17 18 19 20 21

D3

D4



H

G

F

E

D

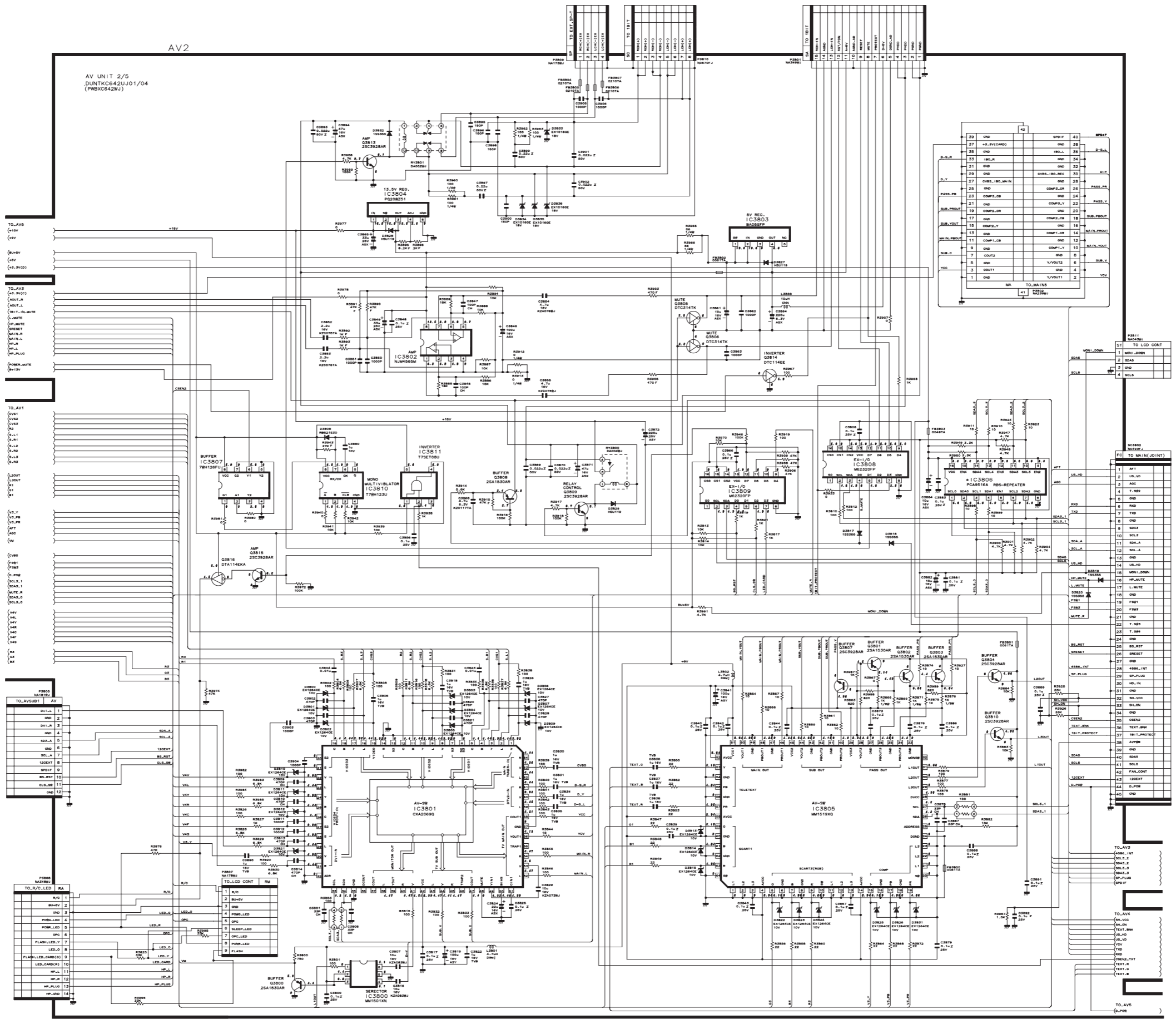
C

B

A

AV2

AV UNIT 2/5  
DUNTKC642J01/04  
(PWBXC642W)



FRONT PANEL	TO_AVSUB1	AV
TOA.L	1	AV
TOA.R	2	AV
TOA.L	3	AV
TOA.R	4	AV
TOA.L	5	AV
TOA.R	6	AV
TOA.L	7	AV
TOA.R	8	AV
TOA.L	9	AV
TOA.R	10	AV
TOA.L	11	AV
TOA.R	12	AV
TOA.L	13	AV
TOA.R	14	AV

FRONT PANEL	TO_LCD_LED	RA
LED_1	1	RA
LED_2	2	RA
LED_3	3	RA
LED_4	4	RA
LED_5	5	RA
LED_6	6	RA
LED_7	7	RA
LED_8	8	RA
LED_9	9	RA
LED_10	10	RA
LED_11	11	RA
LED_12	12	RA
LED_13	13	RA
LED_14	14	RA

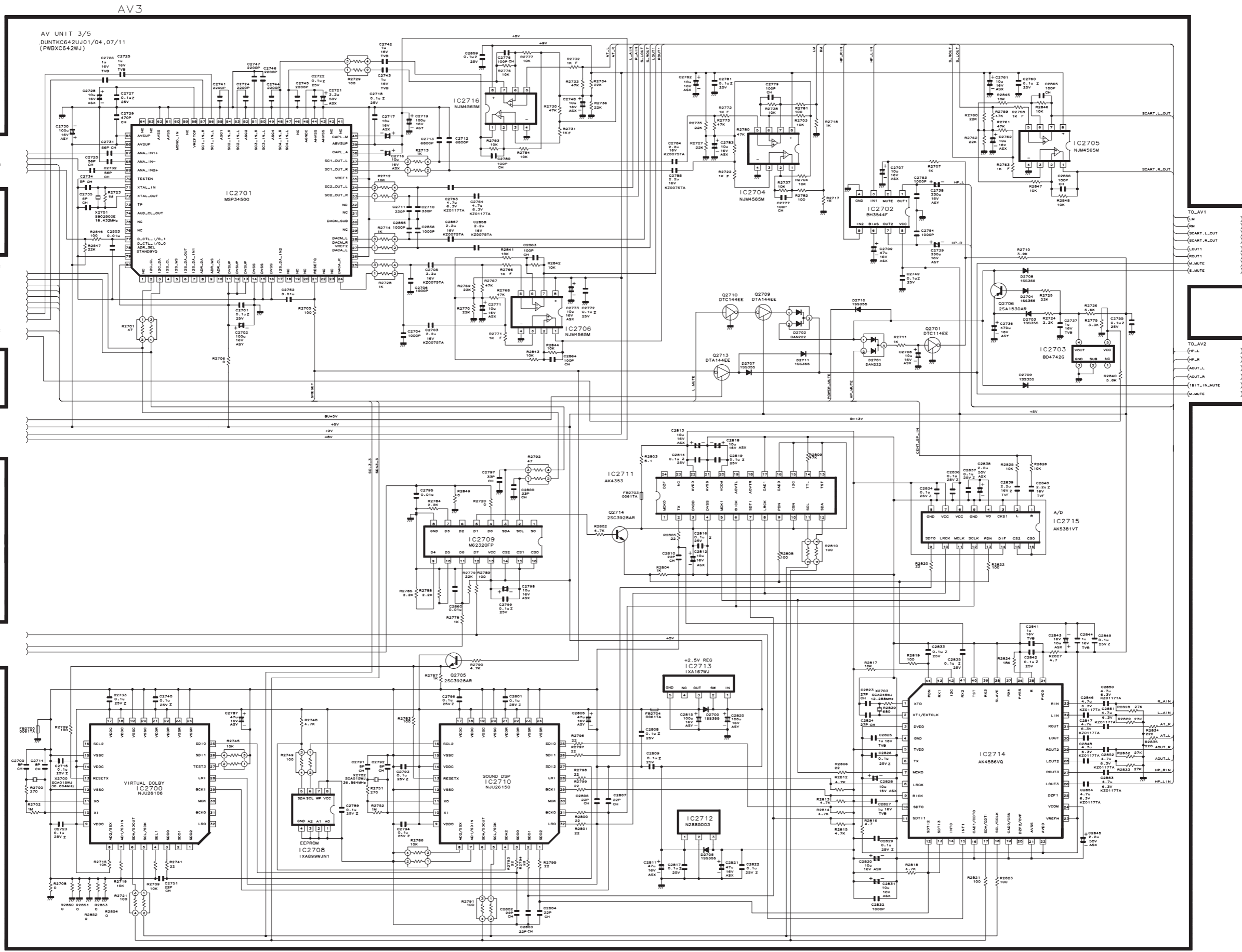
TO_LCD CONT	RW
1	RW
2	RW
3	RW
4	RW
5	RW
6	RW
7	RW
8	RW
9	RW
10	RW
11	RW
12	RW
13	RW
14	RW

TO_AVS	TO_AVS	TO_AVS	TO_AVS
1	1	1	1
2	2	2	2
3	3	3	3
4	4	4	4
5	5	5	5
6	6	6	6
7	7	7	7
8	8	8	8
9	9	9	9
10	10	10	10
11	11	11	11
12	12	12	12
13	13	13	13
14	14	14	14
15	15	15	15
16	16	16	16
17	17	17	17
18	18	18	18
19	19	19	19
20	20	20	20
21	21	21	21
22	22	22	22
23	23	23	23
24	24	24	24
25	25	25	25
26	26	26	26
27	27	27	27
28	28	28	28
29	29	29	29
30	30	30	30
31	31	31	31
32	32	32	32
33	33	33	33
34	34	34	34
35	35	35	35
36	36	36	36
37	37	37	37
38	38	38	38
39	39	39	39
40	40	40	40

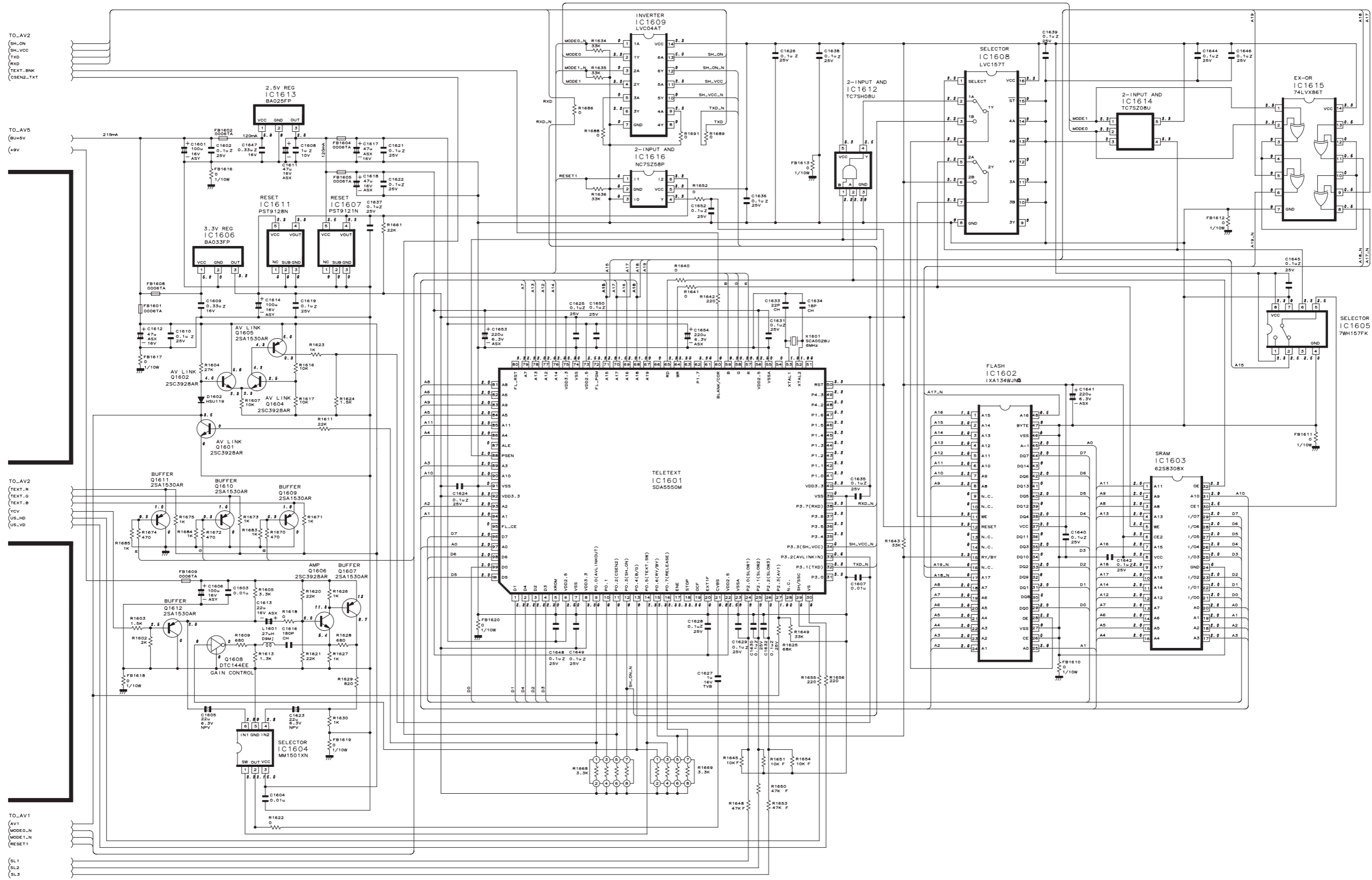
TO_LCD CONT	TO_LCD CONT
1	1
2	2
3	3
4	4

TO_MAIN JOINT	TO_MAIN JOINT
1	1
2	2
3	3
4	4
5	5
6	6
7	7
8	8
9	9
10	10
11	11
12	12
13	13
14	14
15	15
16	16
17	17
18	18
19	19
20	20
21	21
22	22
23	23
24	24
25	25
26	26
27	27
28	28
29	29
30	30
31	31
32	32
33	33
34	34
35	35
36	36
37	37
38	38
39	39
40	40
41	41
42	42
43	43
44	44
45	45
46	46
47	47
48	48
49	49
50	50

H  
G  
F  
E  
D  
C  
B  
A



AV UNIT 4/5  
DUNTKC642UJ01/04  
(PWBXC642WJ)



H

G

F

E

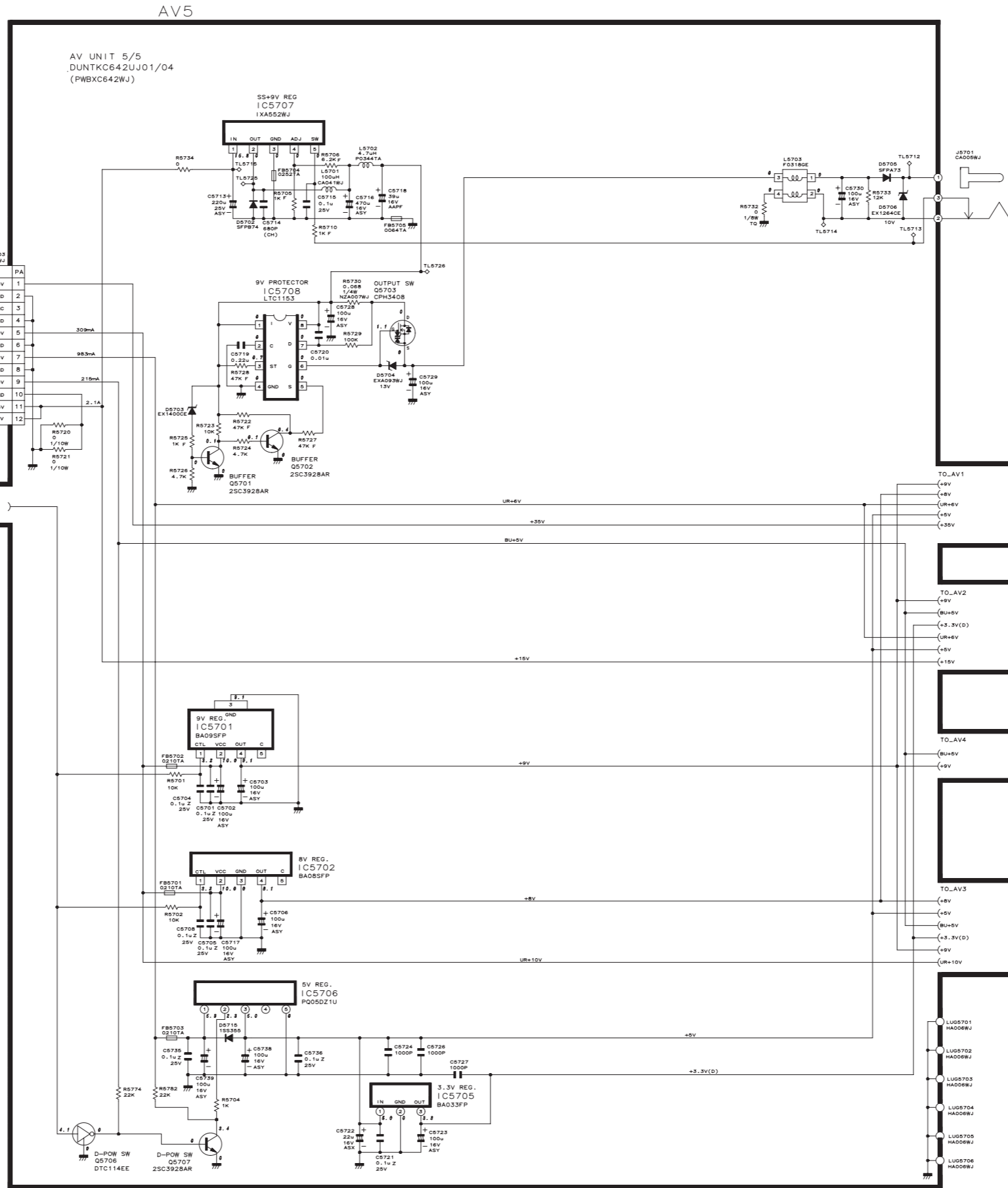
D

C

B

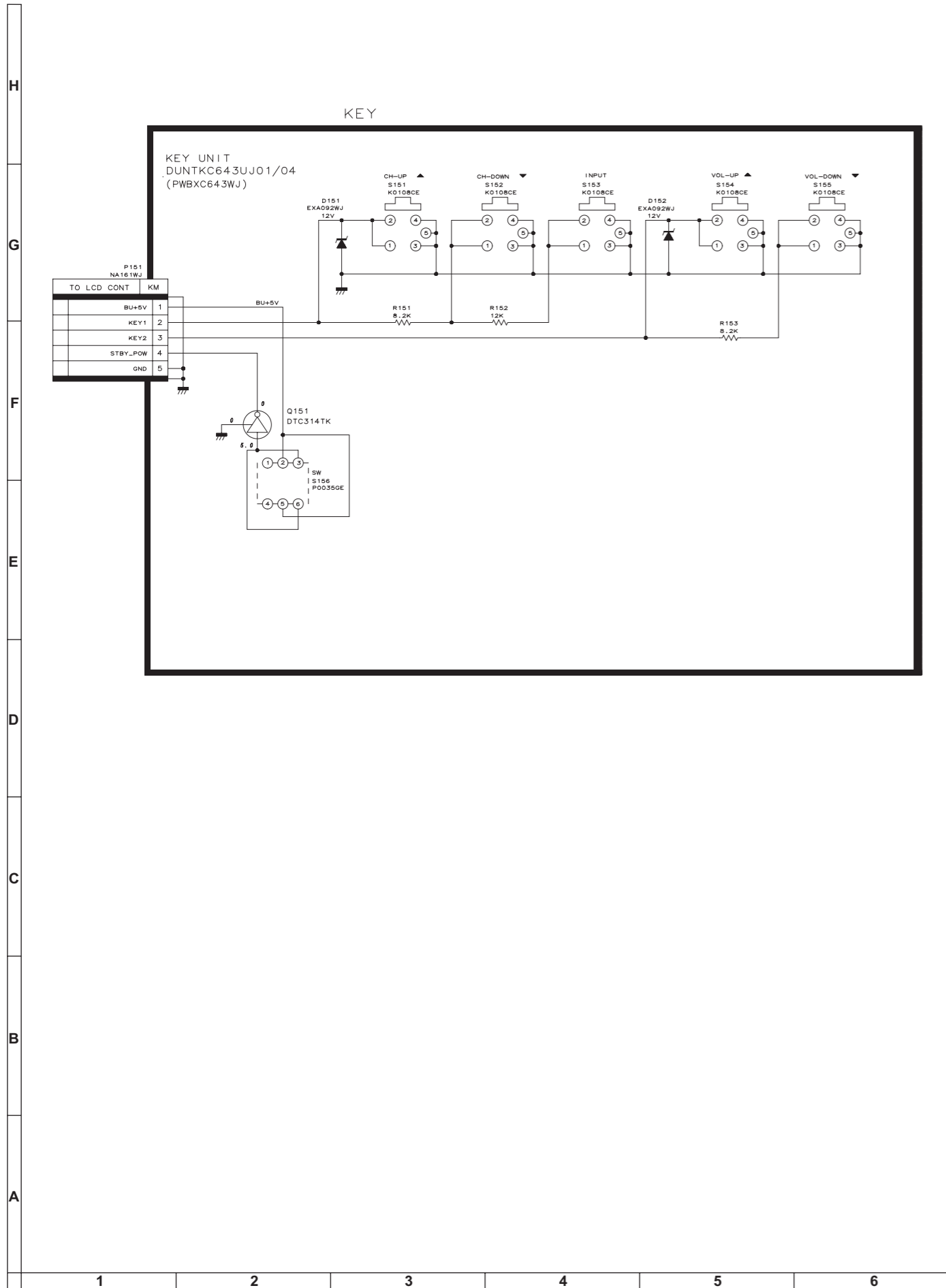
A

H  
G  
F  
E  
D  
C  
B  
A



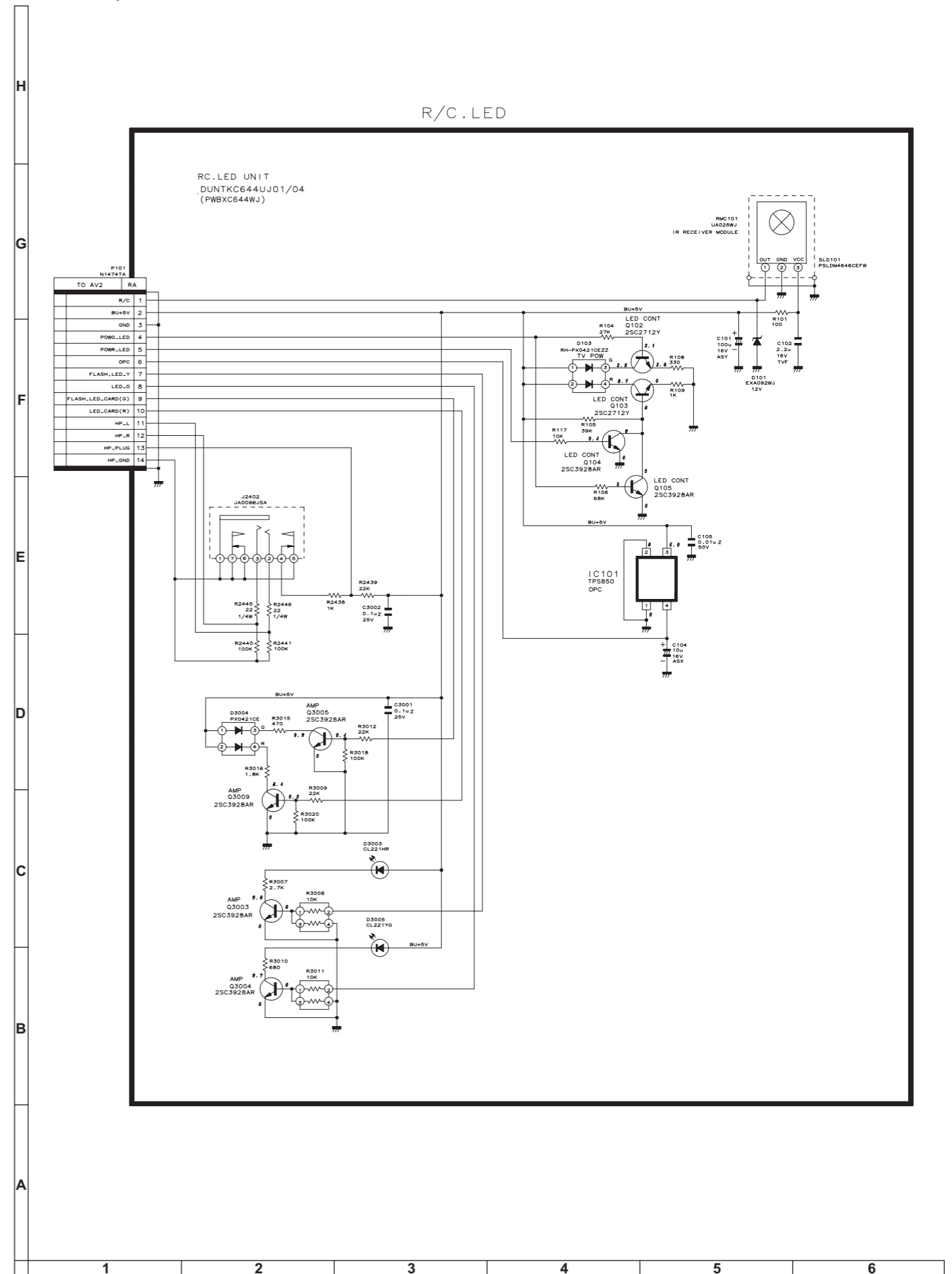
1 2 3 4 5 6 7 8 9 10 11 12 13 14 15 16 17 18 19 20 21

KEY Unit



D13

R/C, LED Unit

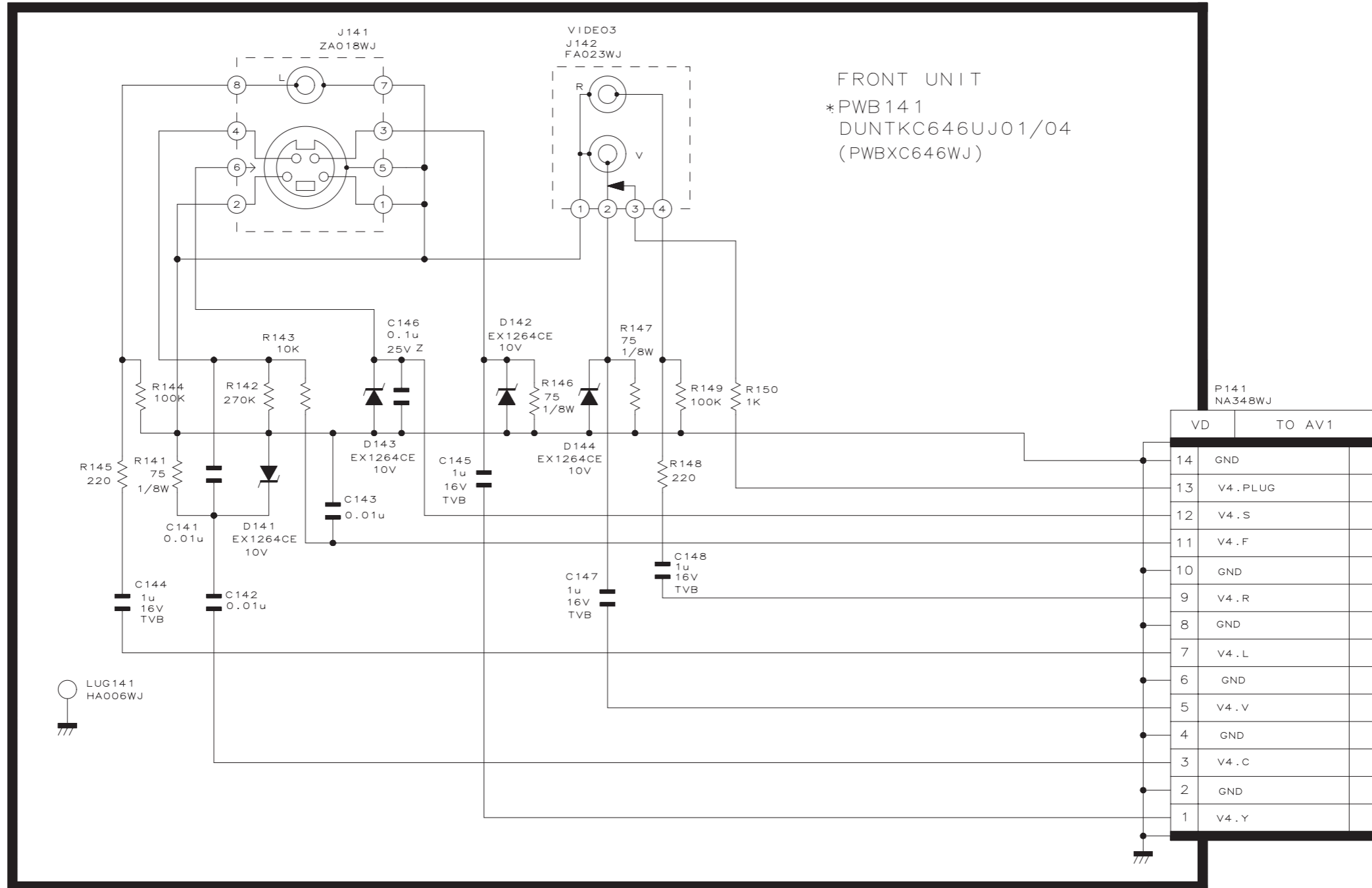


D14

FRONT Unit

H  
G  
F  
E  
D  
C  
B  
A

FRONT



FRONT UNIT  
\*PWB141  
DUNTKC646UJ01/04  
(PWBXC646WJ)

P141 NA348WJ		VD	TO AV1
14	GND		
13	V4.PLUG		
12	V4.S		
11	V4.F		
10	GND		
9	V4.R		
8	GND		
7	V4.L		
6	GND		
5	V4.V		
4	GND		
3	V4.C		
2	GND		
1	V4.Y		

1 2 3 4 5 6 7 8 9 10 11 12 13 14 15 16 17 18 19 20 21

D15

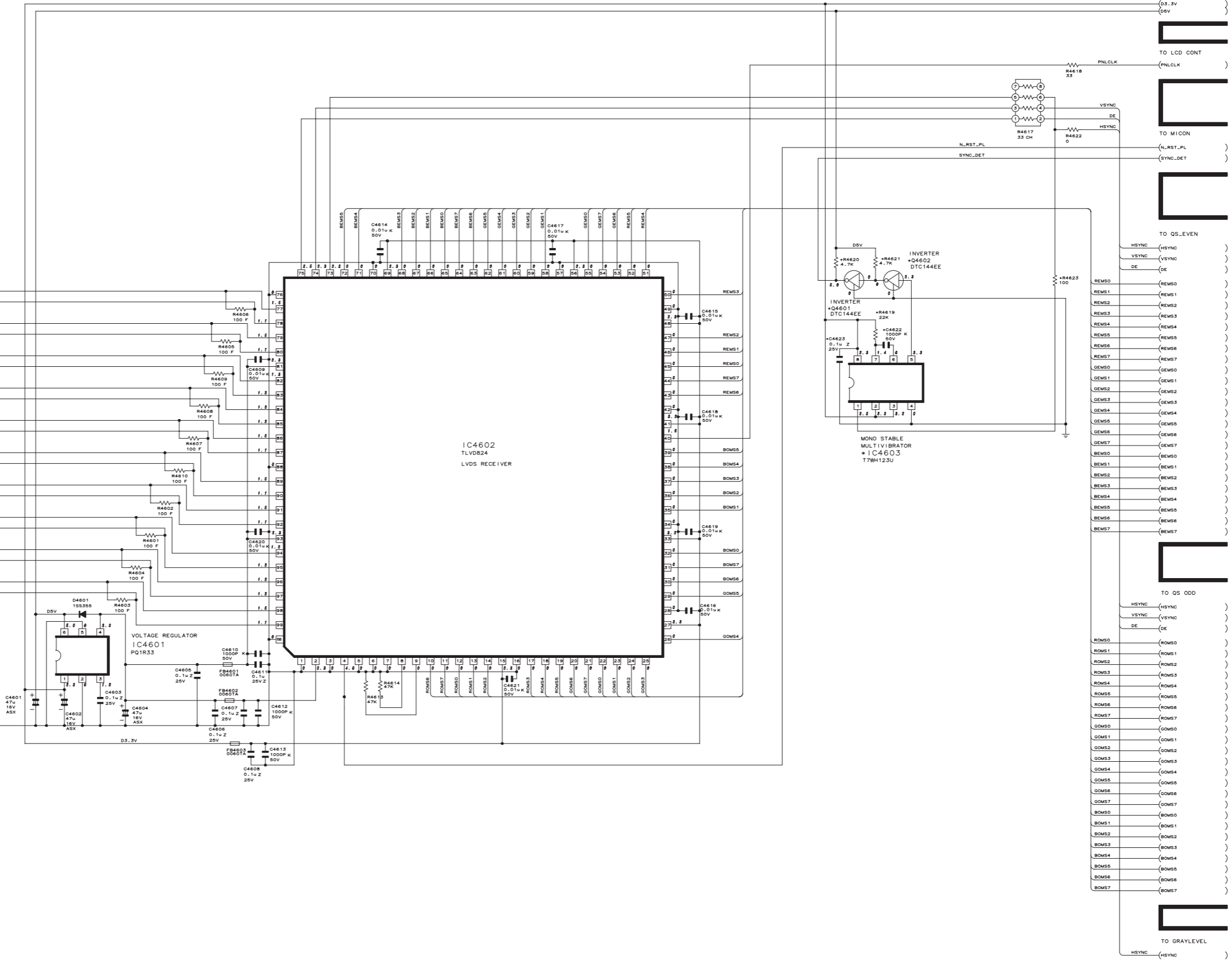
D16

■ LCD CONTROL Unit-1/8

LCD CONT 1 (LVDS-RX)

LCD\_CONT UNIT 1/8  
 \*PWB4601  
 DUNTKC268UJ44/45  
 (PWBXC268WJ)

SC4601 ND491FJ		TO TMS RX	LV
		GND	33
		GND	32
		TA1-	31
		TA1+	30
		GND	29
		TB1-	28
		TB1+	27
		GND	26
		TC1-	25
		TC1+	24
		GND	23
		RCLK1-	22
		RCLK1+	21
		GND	20
		TD1-	19
		TD1+	18
		GND	17
		TA2-	16
		TA2+	15
		GND	14
		TB2-	13
		TB2+	12
		GND	11
		TC2-	10
		TC2+	9
		GND	8
		RCLK2-	7
		RCLK2+	6
		GND	5
		TD2-	4
		TD2+	3
		GND	2
		GND	1

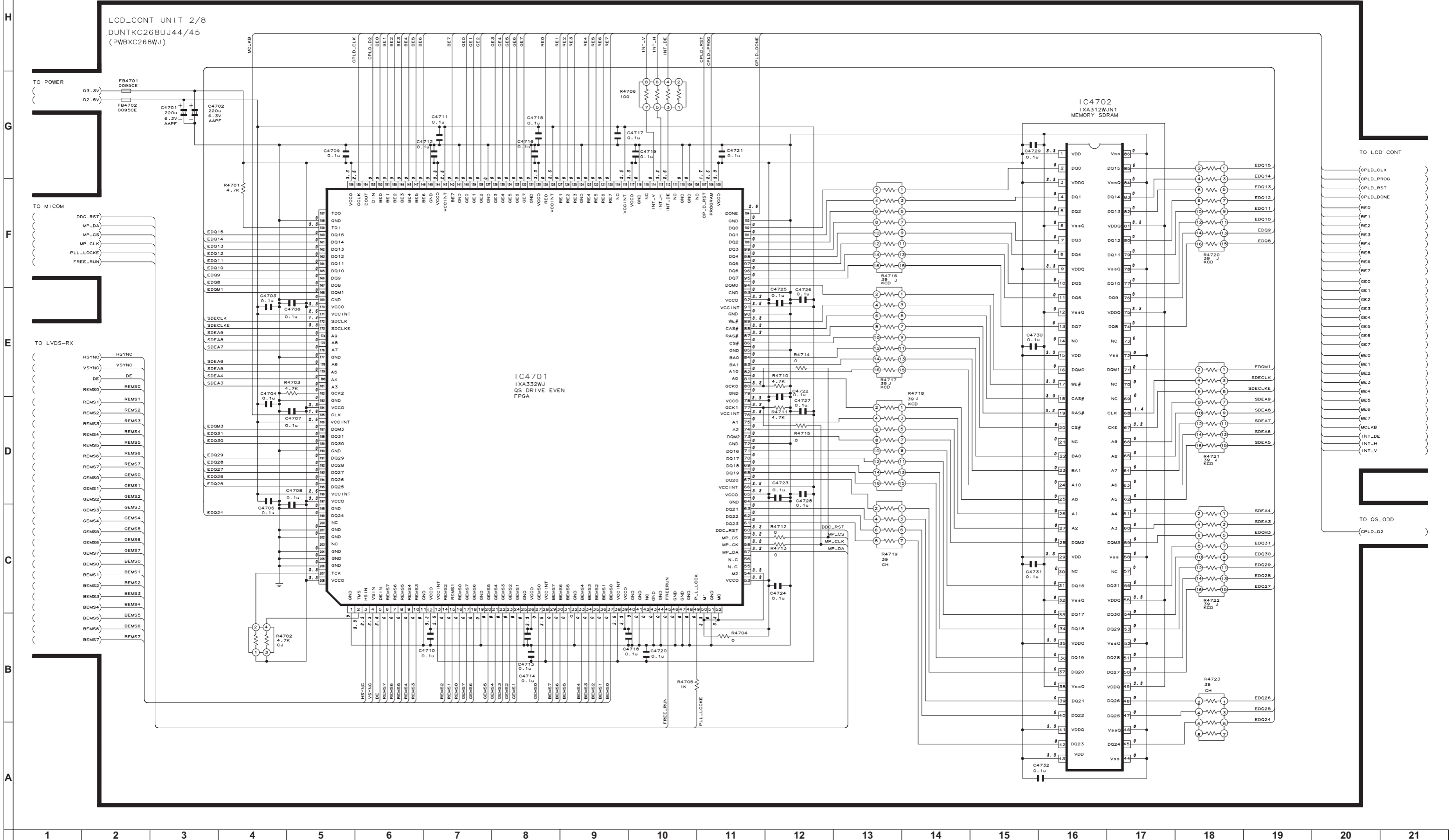


H  
G  
F  
E  
D  
C  
B  
A

1 2 3 4 5 6 7 8 9 10 11 12 13 14 15 16 17 18 19 20 21

LCD CONTROL Unit-2/8

LCD CONT 2 (QS\_EVEN)

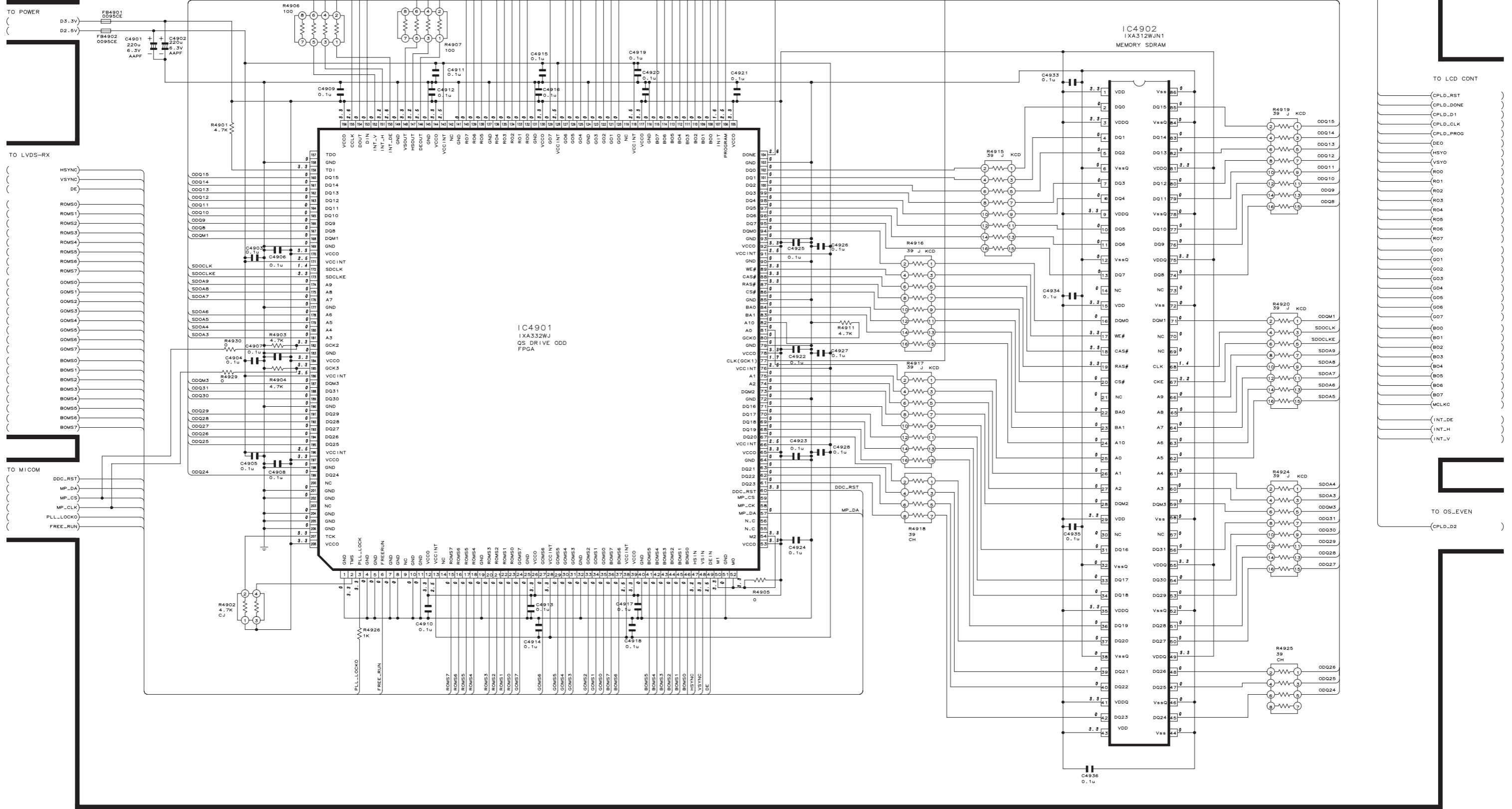




LCD CONTROL Unit-3/8

LCD CONT 3 (QS\_ODD)

LCD\_CONT UNIT 3/8  
.DUNTKC268UJ44/45  
(PWBXC268WJ)



H

G

F

E

D

C

B

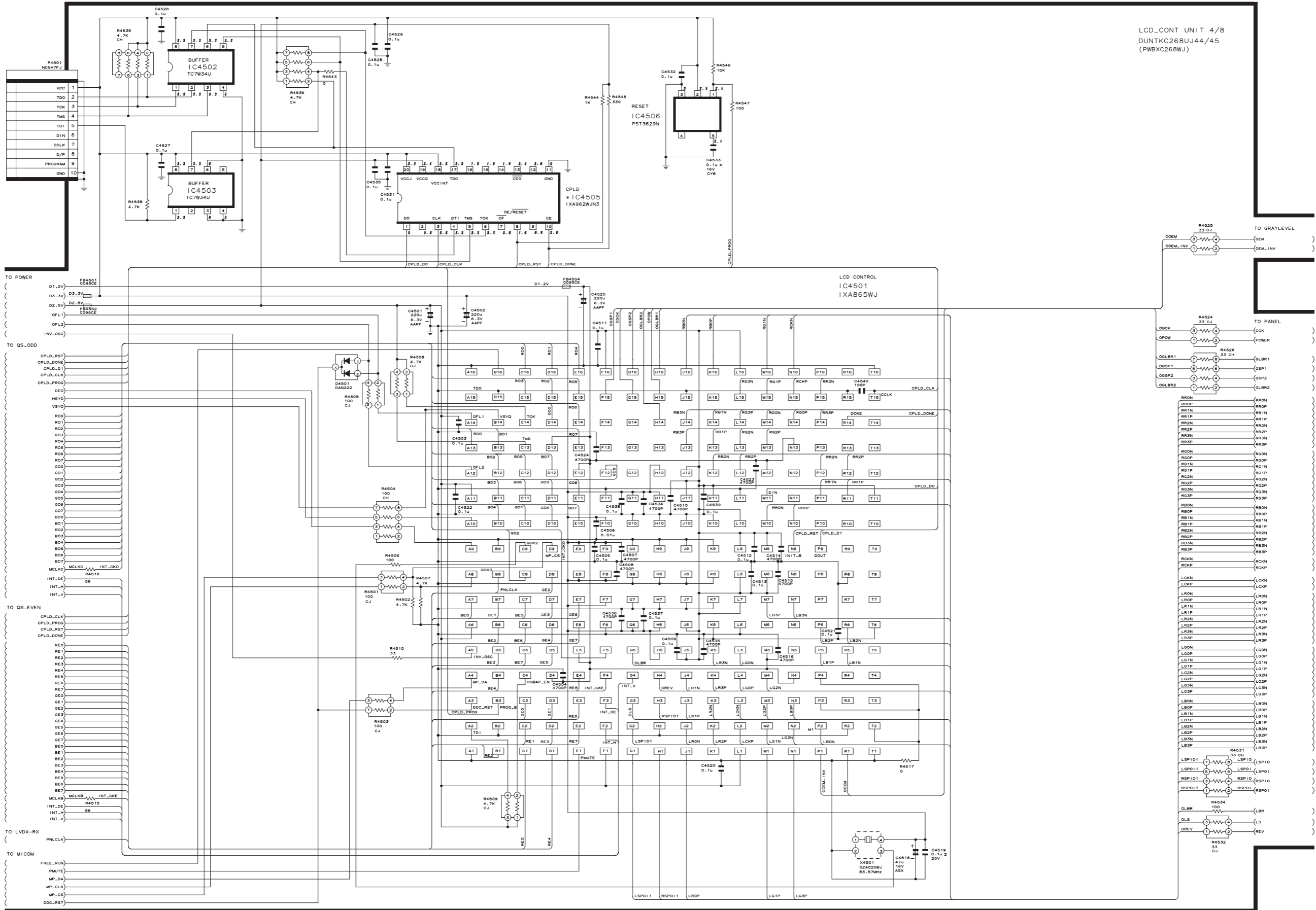
A

1 2 3 4 5 6 7 8 9 10 11 12 13 14 15 16 17 18 19 20 21

**LCD CONTROL Unit-4/8**

LCD CONT 4 (LCD CONT)

LCD\_CONT UNIT 4/8  
 .DUNTKC268UJ44/45  
 (PWBXC268WJ)



H

G

F

E

D

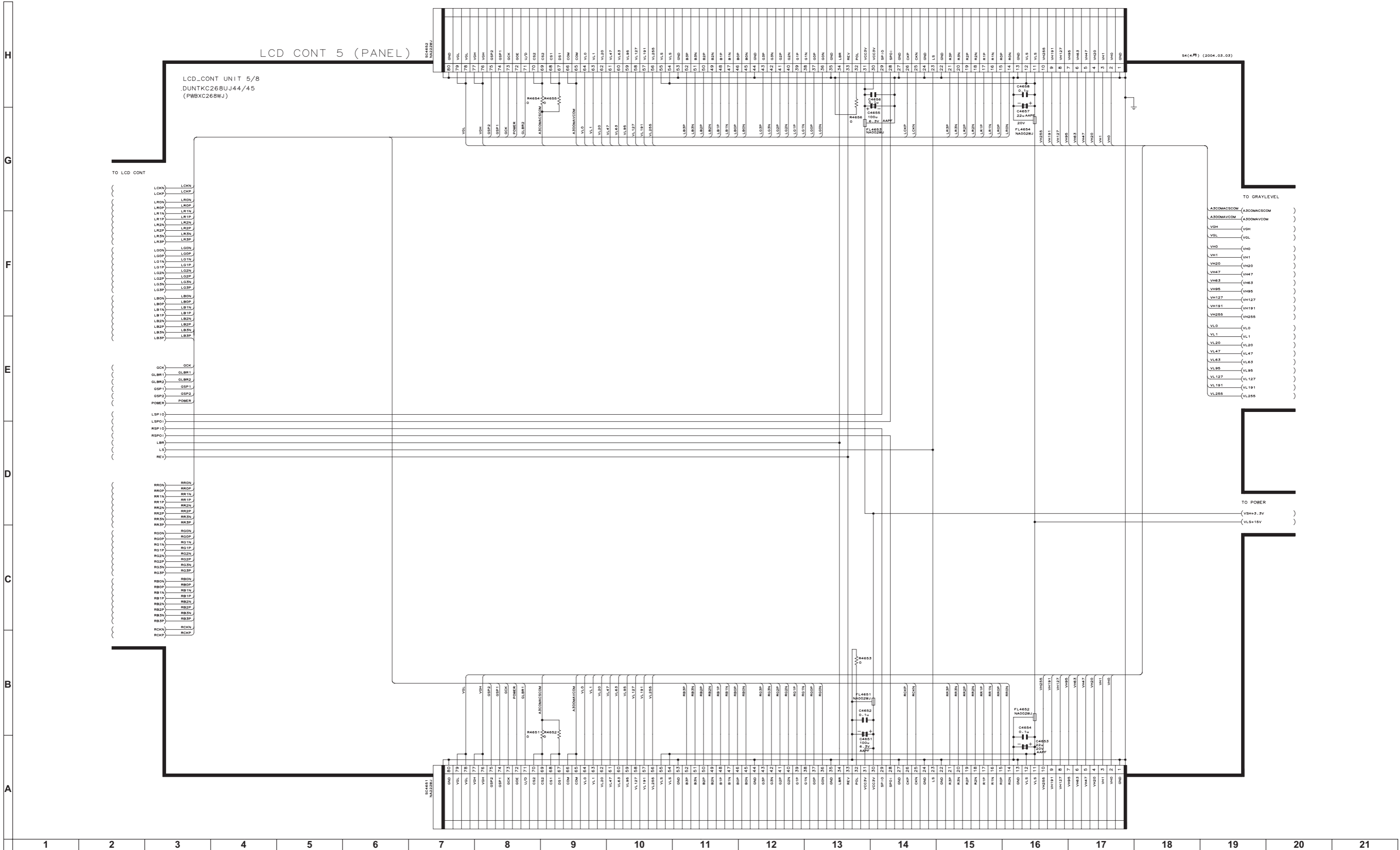
C

B

A

1 2 3 4 5 6 7 8 9 10 11 12 13 14 15 16 17 18 19 20 21

# LCD CONTROL Unit-5/8

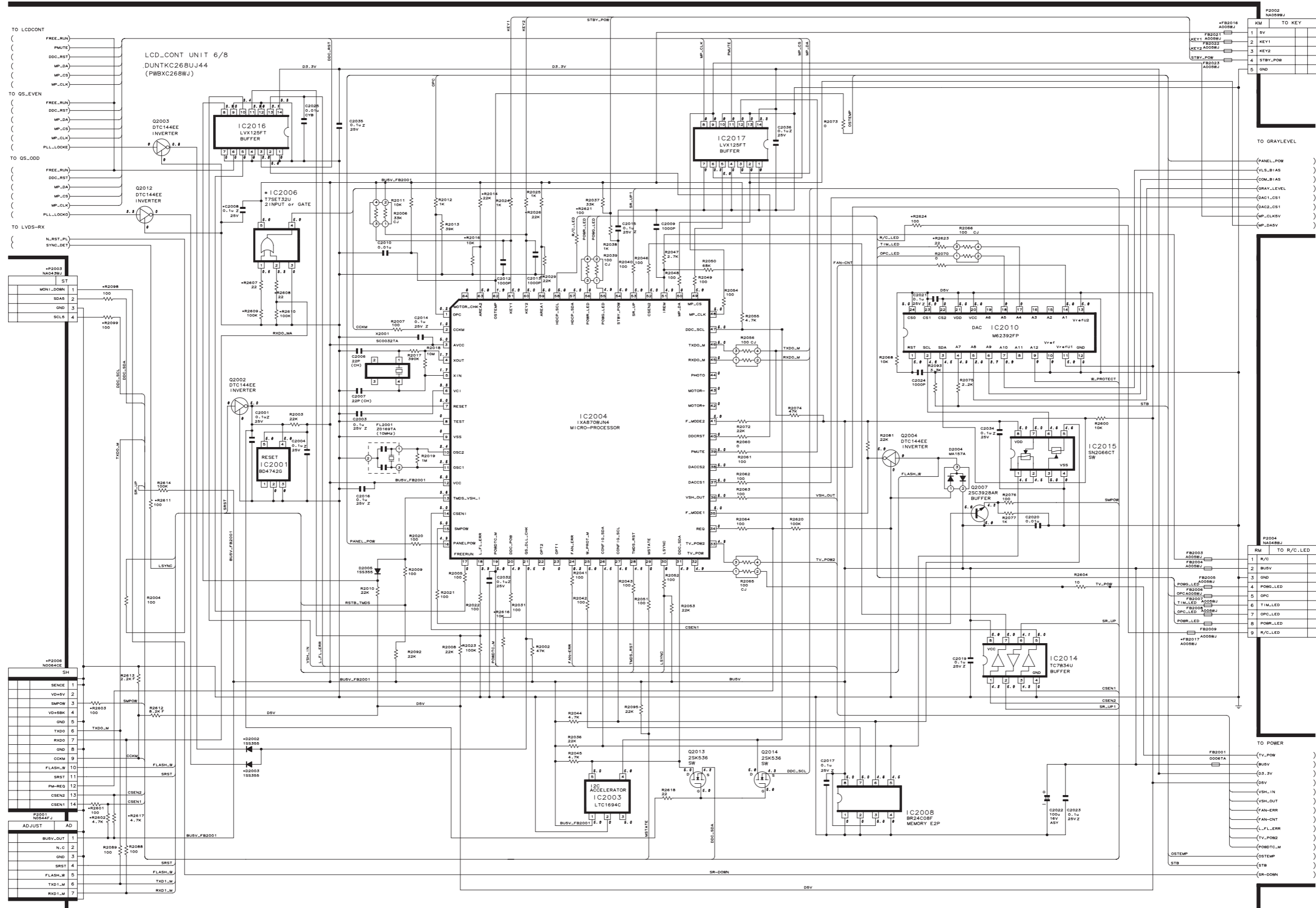


D25

D26

# LCD CONTROL Unit-6/8

LCD CONT 6 (MICOM)



TO LCDCONT  
 (FREE\_RUN)  
 (PMUTE)  
 (DDC\_RST)  
 (MP\_DA)  
 (MP\_CS)  
 (MP\_CLK)  
 (PLL\_LOCKE)  
 TO OS-EVEN  
 (FREE\_RUN)  
 (DDC\_RST)  
 (MP\_DA)  
 (MP\_CS)  
 (MP\_CLK)  
 (PLL\_LOCKE)  
 TO OS-ODD  
 (FREE\_RUN)  
 (DDC\_RST)  
 (MP\_DA)  
 (MP\_CS)  
 (MP\_CLK)  
 (PLL\_LOCKE)  
 TO LVDS-RX  
 (L\_RST\_FL)  
 (SYNC\_DET)

KEY	TO KEY
1	SV
2	KEY1
3	KEY2
4	STBY_POW
5	OND

(PANEL\_POW)  
 (VLS\_BIAS)  
 (COM\_BIAS)  
 (GRAY\_LEVEL)  
 (DAC1\_CS1)  
 (DAC2\_CS1)  
 (MP\_CLKSV)  
 (MP\_DASV)

RM	TO R/C.LED
1	R/C
2	BUSV
3	OND
4	POW.LED
5	OPC
6	TIM.LED
7	OPC.LED
8	POW.LED
9	R/C.LED

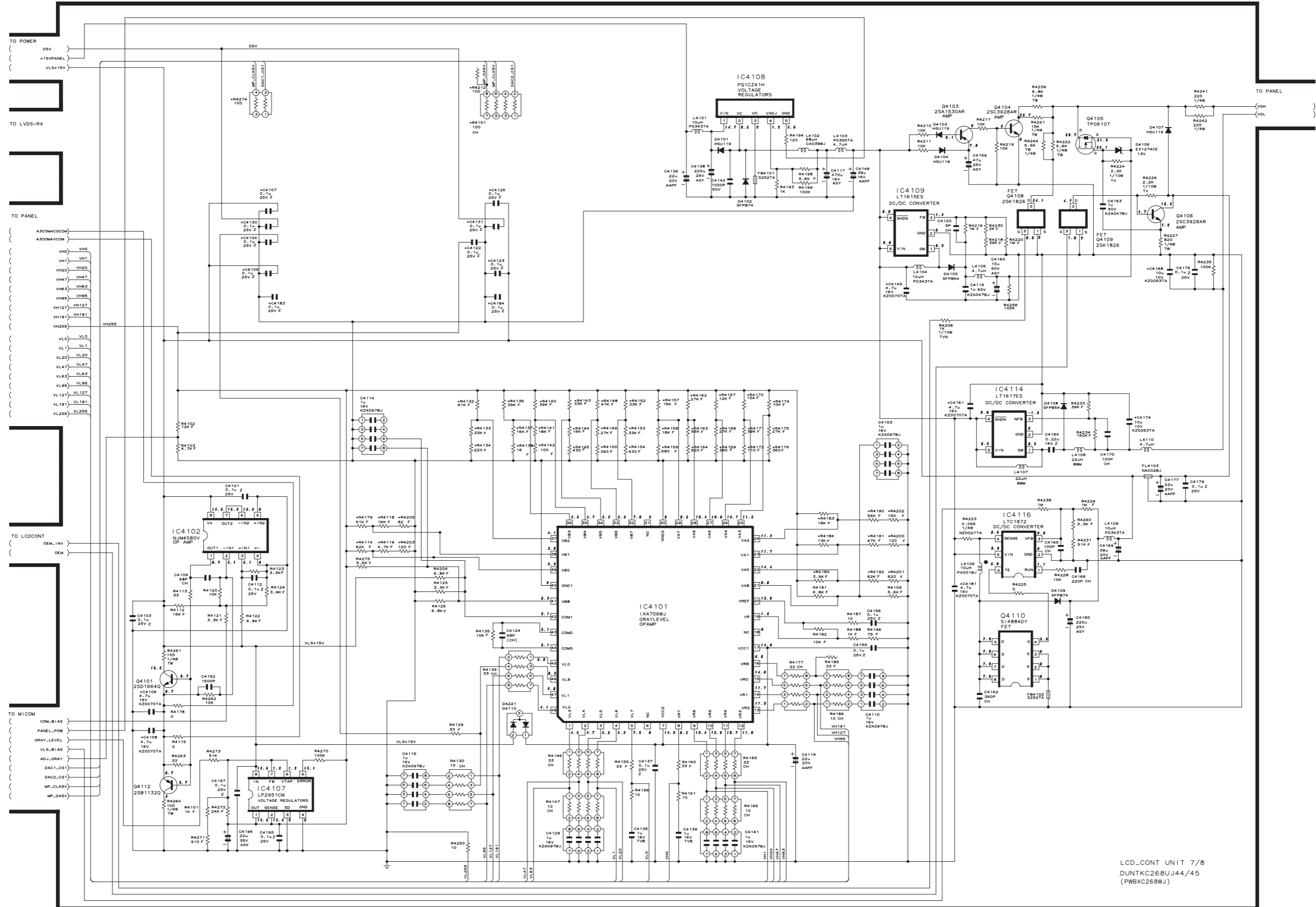
(TV\_POW)  
 (BUSV)  
 (D3.3V)  
 (DSV)  
 (VSH\_IN)  
 (VSH\_OUT)  
 (FAN\_ERR)  
 (FAN\_CNT)  
 (L\_FL\_ERR)  
 (TV\_PON2)  
 (POWTC\_M)  
 (OSTEMP)  
 (STB)  
 (SR\_DOWN)

H  
G  
F  
E  
D  
C  
B  
A

1 2 3 4 5 6 7 8 9 10 11 12 13 14 15 16 17 18 19 20 21

# LCD CONTROL Unit-7/8

## LCD CONT 7 (GRAYLEVEL)



LCD\_CONT UNIT 7/8  
DUNTKC268UJ44/45  
(PWXC268WJ)

H

G

F

E

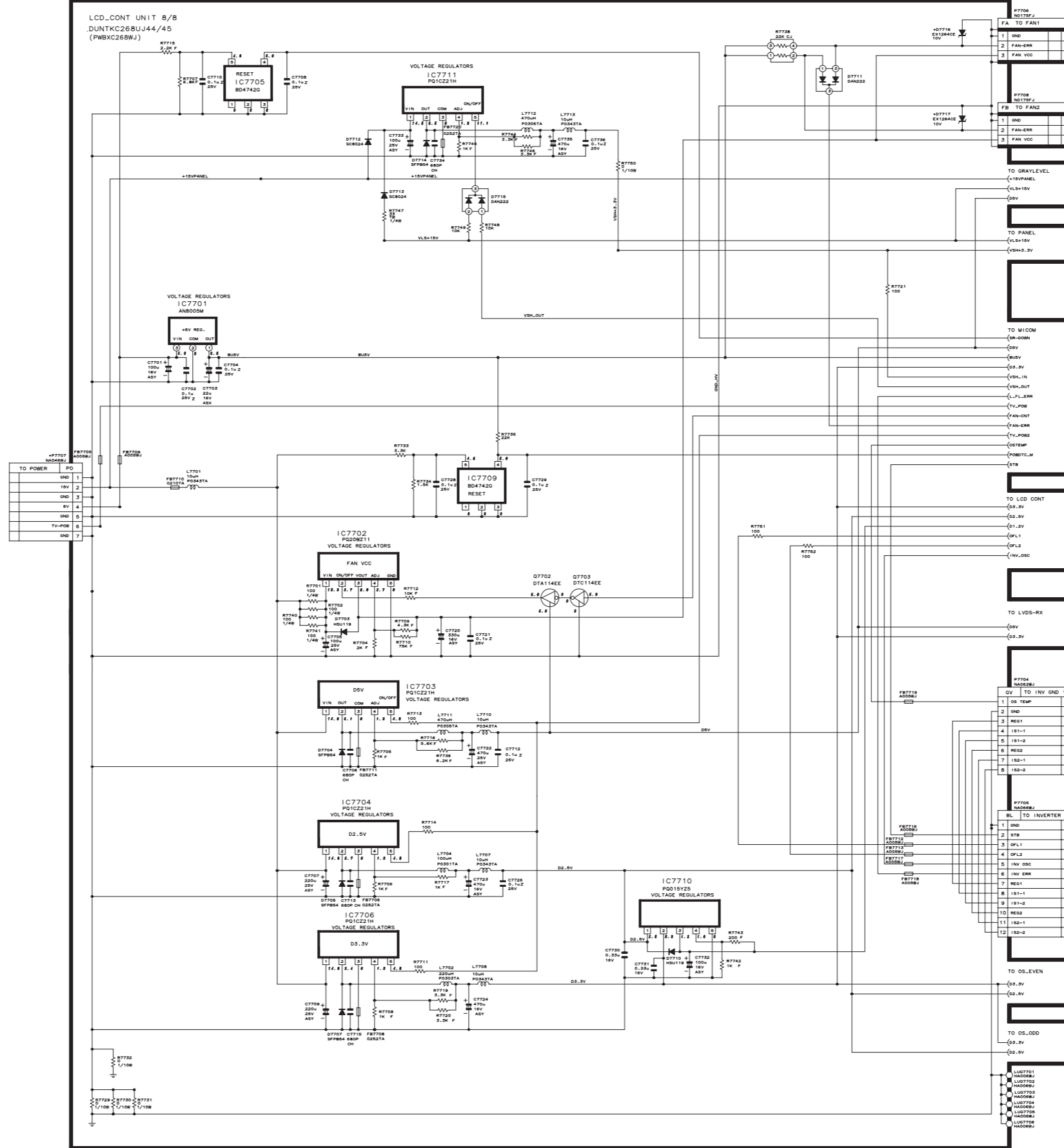
D

C

B

A

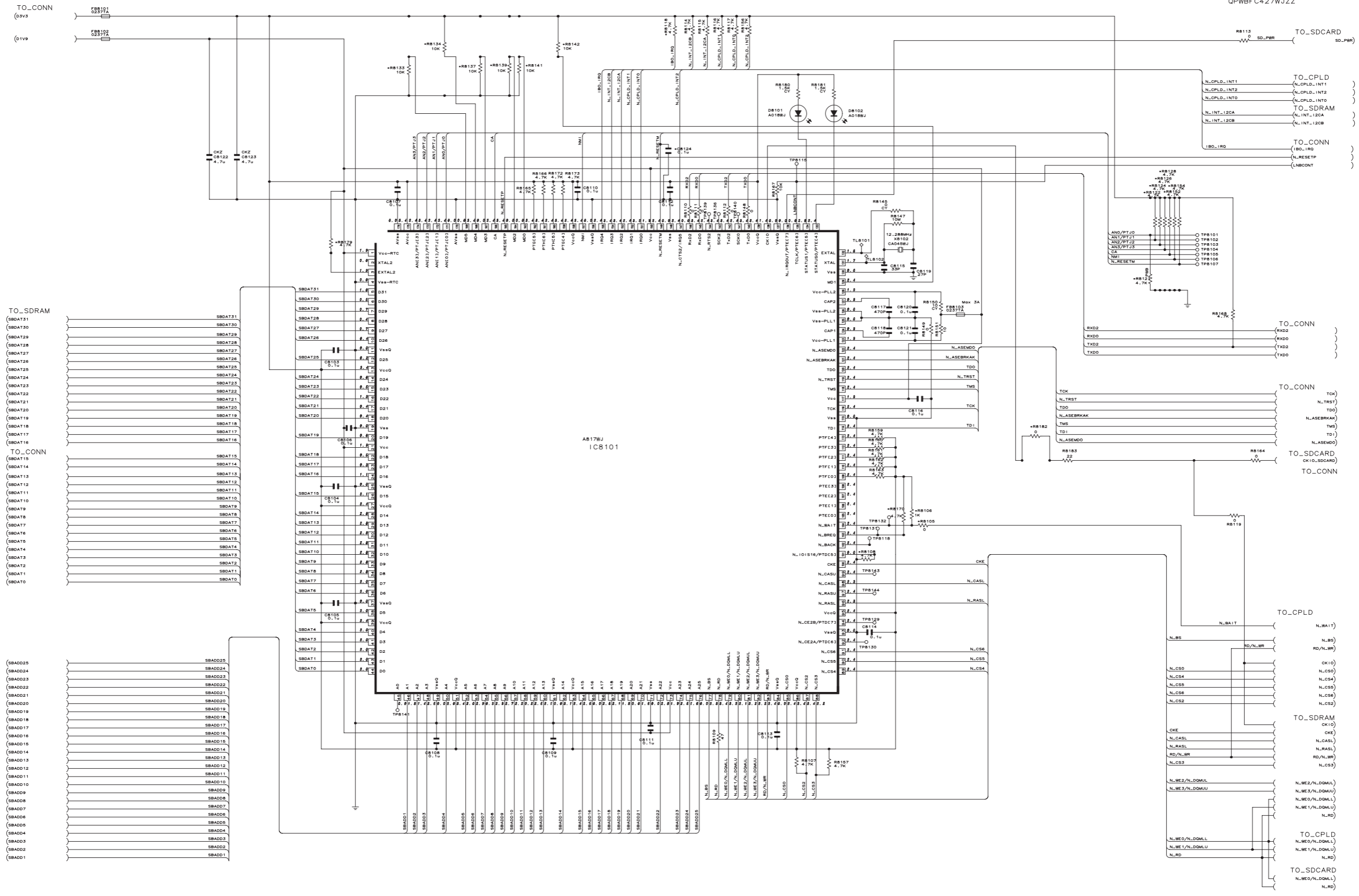
LCD CONT 8 (POWER)



CPU Unit-1/5

SH7706 CPU KA1 001.sht

DUNT KC427VJ21  
QPWBF C427WJZZ



H  
G  
F  
E  
D  
C  
B  
A

1 2 3 4 5 6 7 8 9 10 11 12 13 14 15 16 17 18 19 20 21

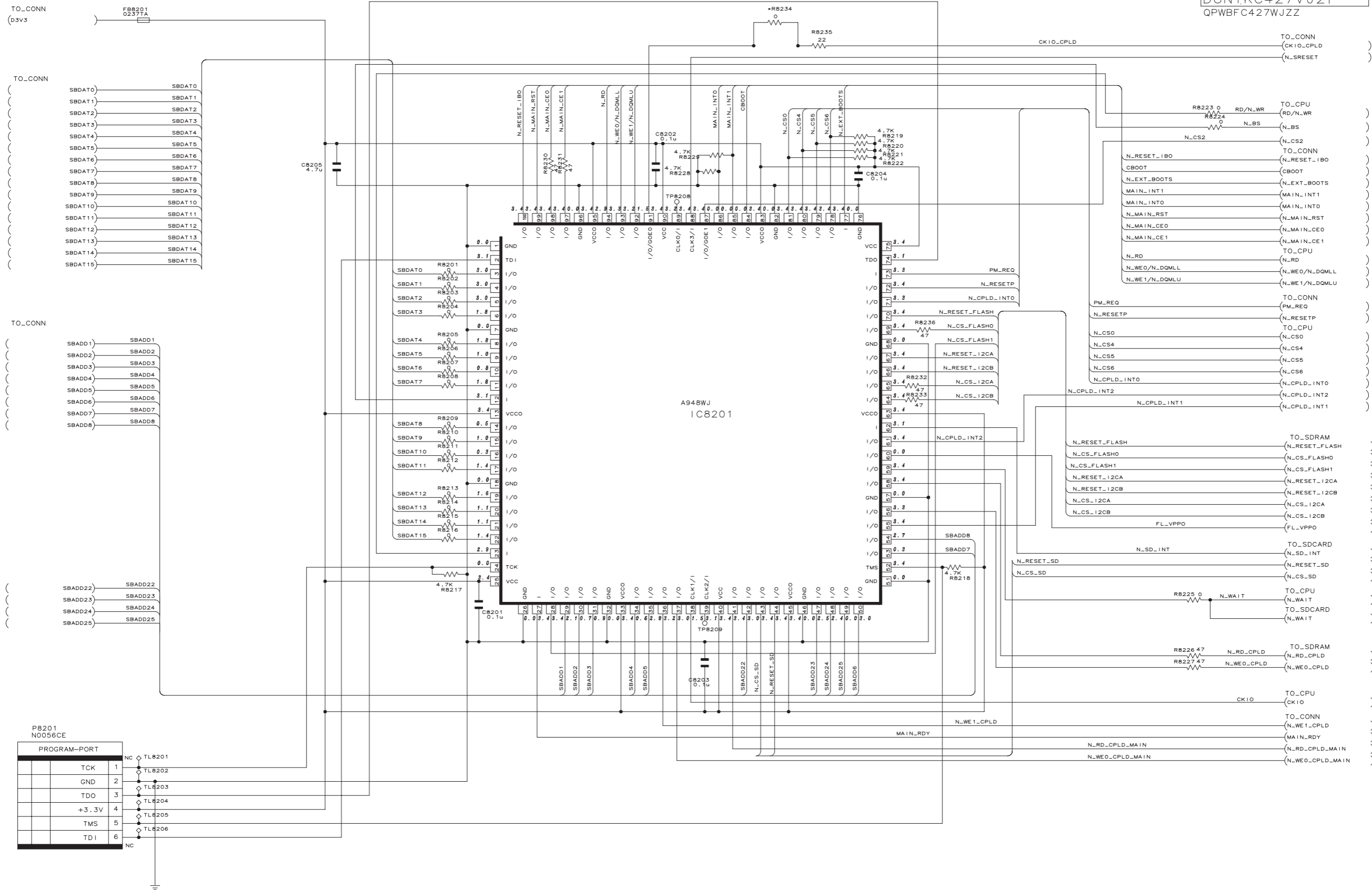
D33

D34

**CPU Unit-2/5**

CPLD KA1 002.sht

DUNT KC427VJ21  
QPWBF C427WJZZ



P8201 N0056CE

PROGRAM-PORT	
TCK	1
GND	2
TDO	3
+3.3V	4
TMS	5
TDI	6
NC	

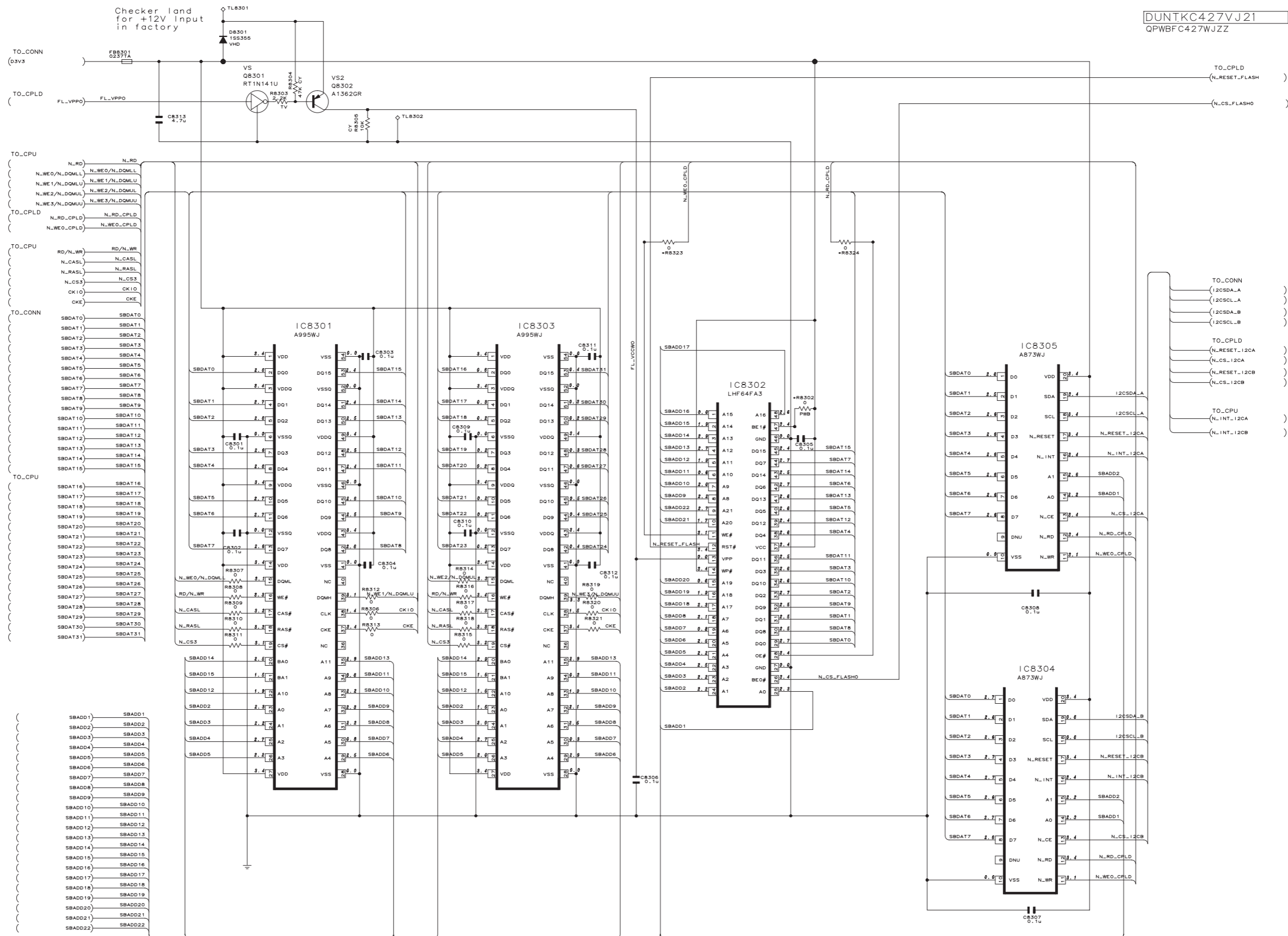
H  
G  
F  
E  
D  
C  
B  
A

1 2 3 4 5 6 7 8 9 10 11 12 13 14 15 16 17 18 19 20 21

D35

D36





H  
G  
F  
E  
D  
C  
B  
A

1 2 3 4 5 6 7 8 9 10 11 12 13 14 15 16 17 18 19 20 21

TO\_CONN

(D3V3)

TO\_CONN

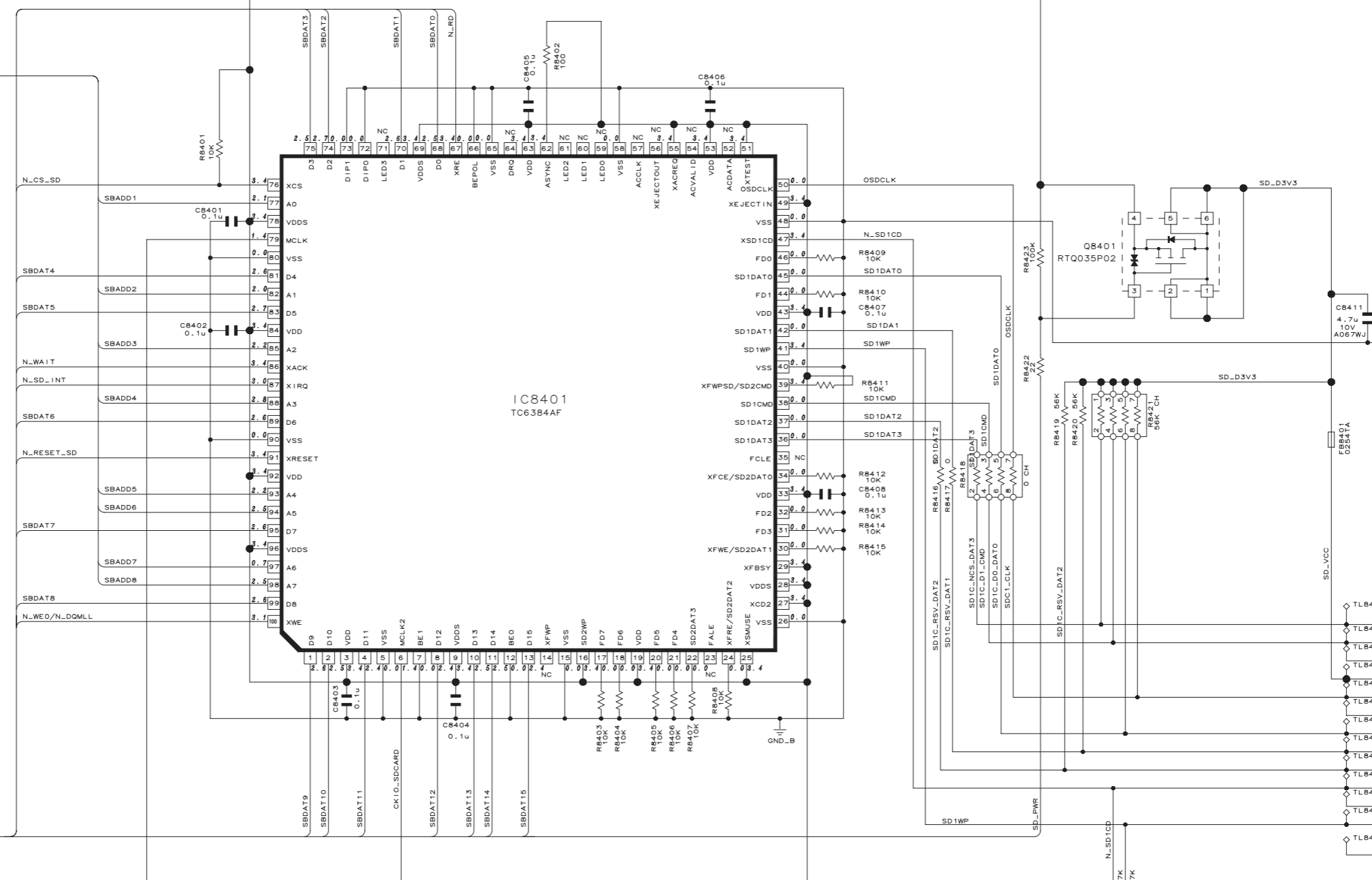
TO\_CPU

TO\_CPLD

- SBADD1 SBADD1
- SBADD2 SBADD2
- SBADD3 SBADD3
- SBADD4 SBADD4
- SBADD5 SBADD5
- SBADD6 SBADD6
- SBADD7 SBADD7
- SBADD8 SBADD8
- SBDAT0 SBDAT0
- SBDAT1 SBDAT1
- SBDAT2 SBDAT2
- SBDAT3 SBDAT3
- SBDAT4 SBDAT4
- SBDAT5 SBDAT5
- SBDAT6 SBDAT6
- SBDAT7 SBDAT7
- SBDAT8 SBDAT8
- SBDAT9 SBDAT9
- SBDAT10 SBDAT10
- SBDAT11 SBDAT11
- SBDAT12 SBDAT12
- SBDAT13 SBDAT13
- SBDAT14 SBDAT14
- SBDAT15 SBDAT15

- N\_RD N\_RD
- N\_WEO/N\_DQMLL N\_WEO/N\_DQMLL
- SD\_PWR SD\_PWR
- CKIO\_SDCARD CKIO\_SDCARD

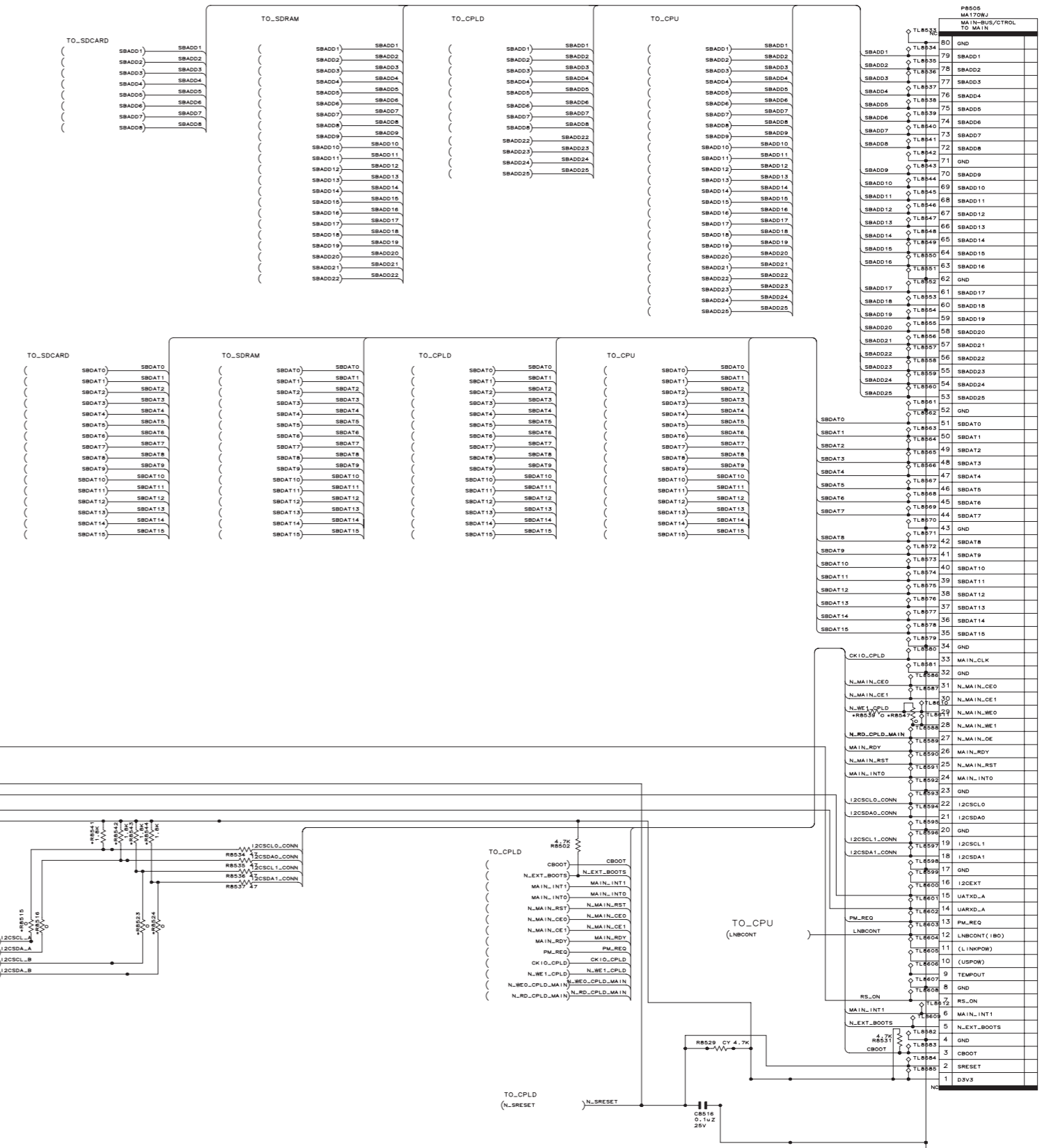
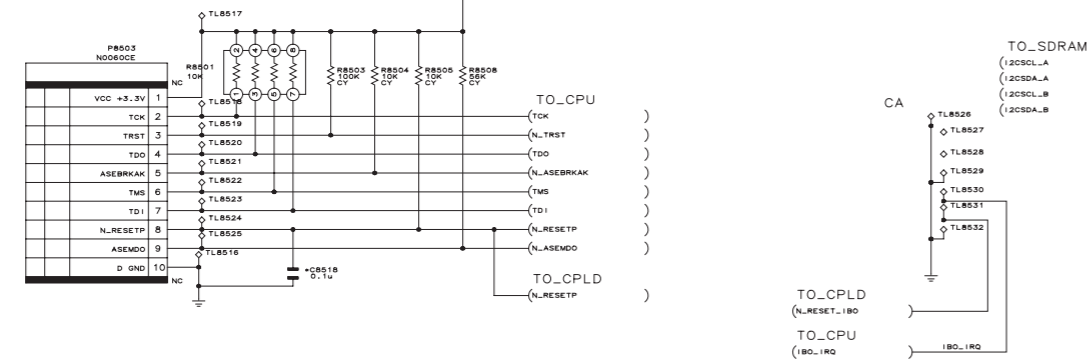
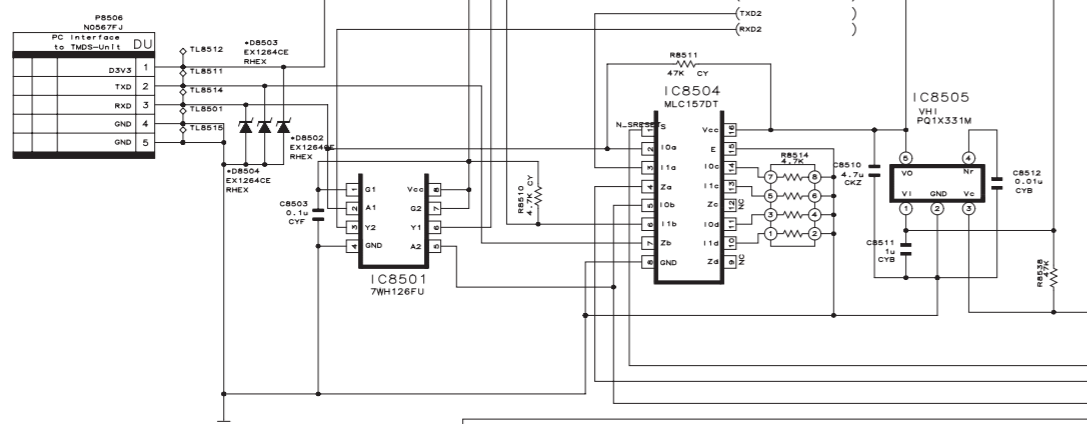
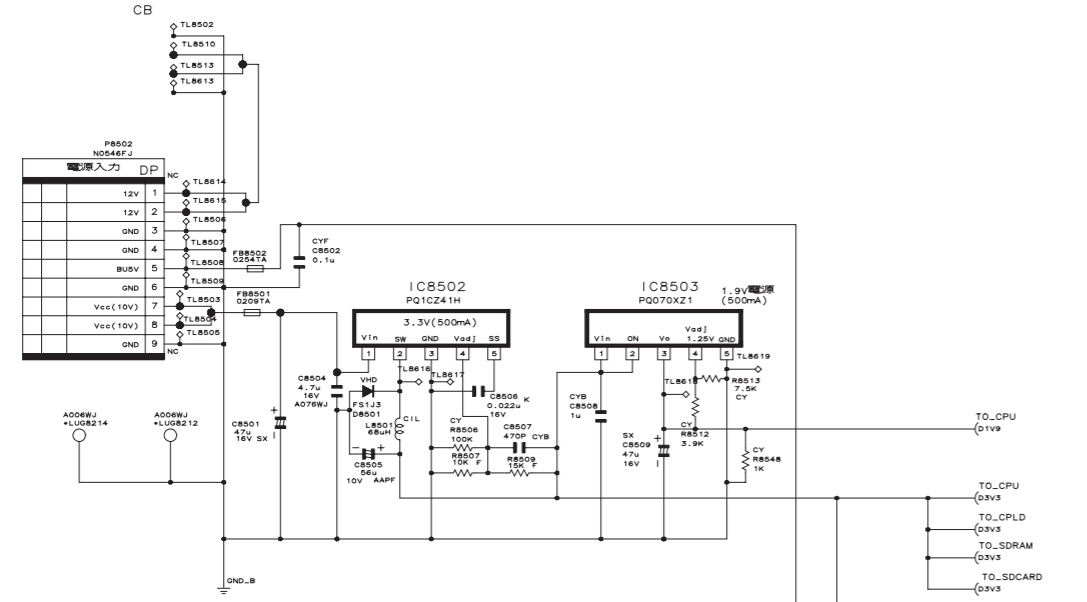
- N\_SD\_INT N\_SD\_INT
- N\_RESET\_SD N\_RESET\_SD
- N\_CS\_SD N\_CS\_SD
- N\_WAIT N\_WAIT



SC8401 ZA050WJ	
SD Card Socket	
TLB401	1 CD/DAT3 (CS)
TLB402	2 CMD (D1)
TLB403	3 VSS1
TLB404	4 VDD
TLB405	5 CLK (SCLK)
TLB406	6 VSS2
TLB407	7 DAT0 (DO)
TLB408	8 DAT1 (RSV)
TLB409	9 DAT2 (RSV)
TLB410	10 CD
TLB411	11 COMMON
TLB412	12 WP
TLB413	

H  
G  
F  
E  
D  
C  
B  
A

1 2 3 4 5 6 7 8 9 10 11 12 13 14 15 16 17 18 19 20 21



H  
G  
F  
E  
D  
C  
B  
A

1 2 3 4 5 6 7 8 9 10 11 12 13 14 15 16 17 18 19 20 21

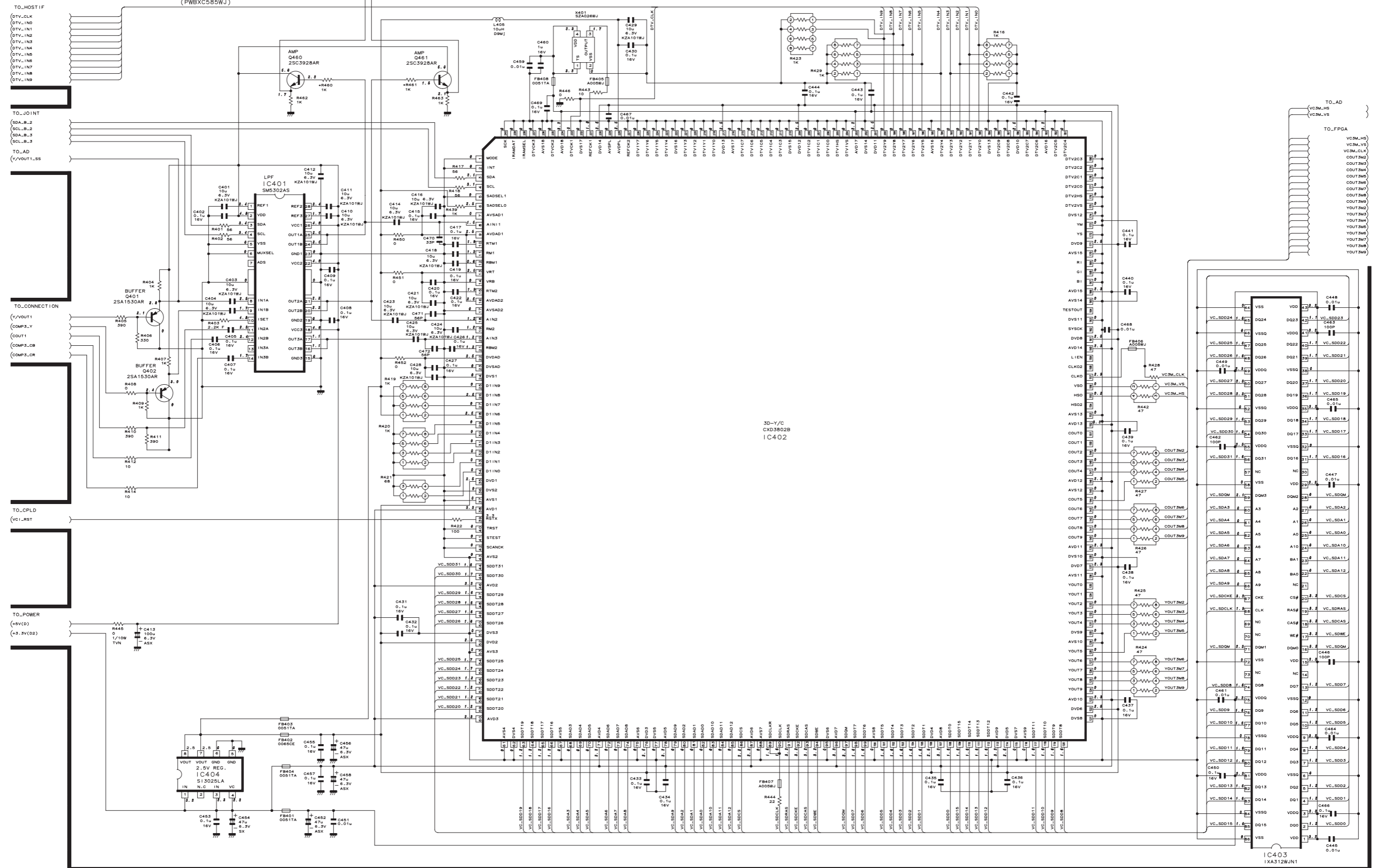
MAIN Unit-1/14

MAIN1 (VC11)

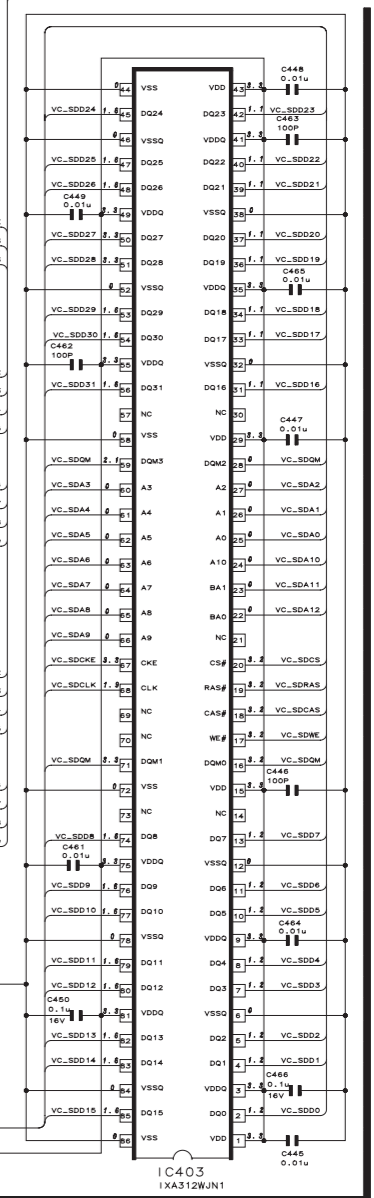
MAIN UNIT 1/14  
+PWB401  
DUNTKC585UJ 13/16  
(PWBXC585UJ)

TO\_VC12  
COUT1.LPF  
Y/OUT1.LPF

H  
G  
F  
E  
D  
C  
B  
A



TO\_AD  
VC3M\_HS  
VC3M\_VS  
VC3M\_CLK  
COUT3M2  
COUT3M3  
COUT3M4  
COUT3M5  
COUT3M6  
COUT3M7  
COUT3M8  
COUT3M9  
YOUT3M2  
YOUT3M3  
YOUT3M4  
YOUT3M5  
YOUT3M6  
YOUT3M7  
YOUT3M8  
YOUT3M9



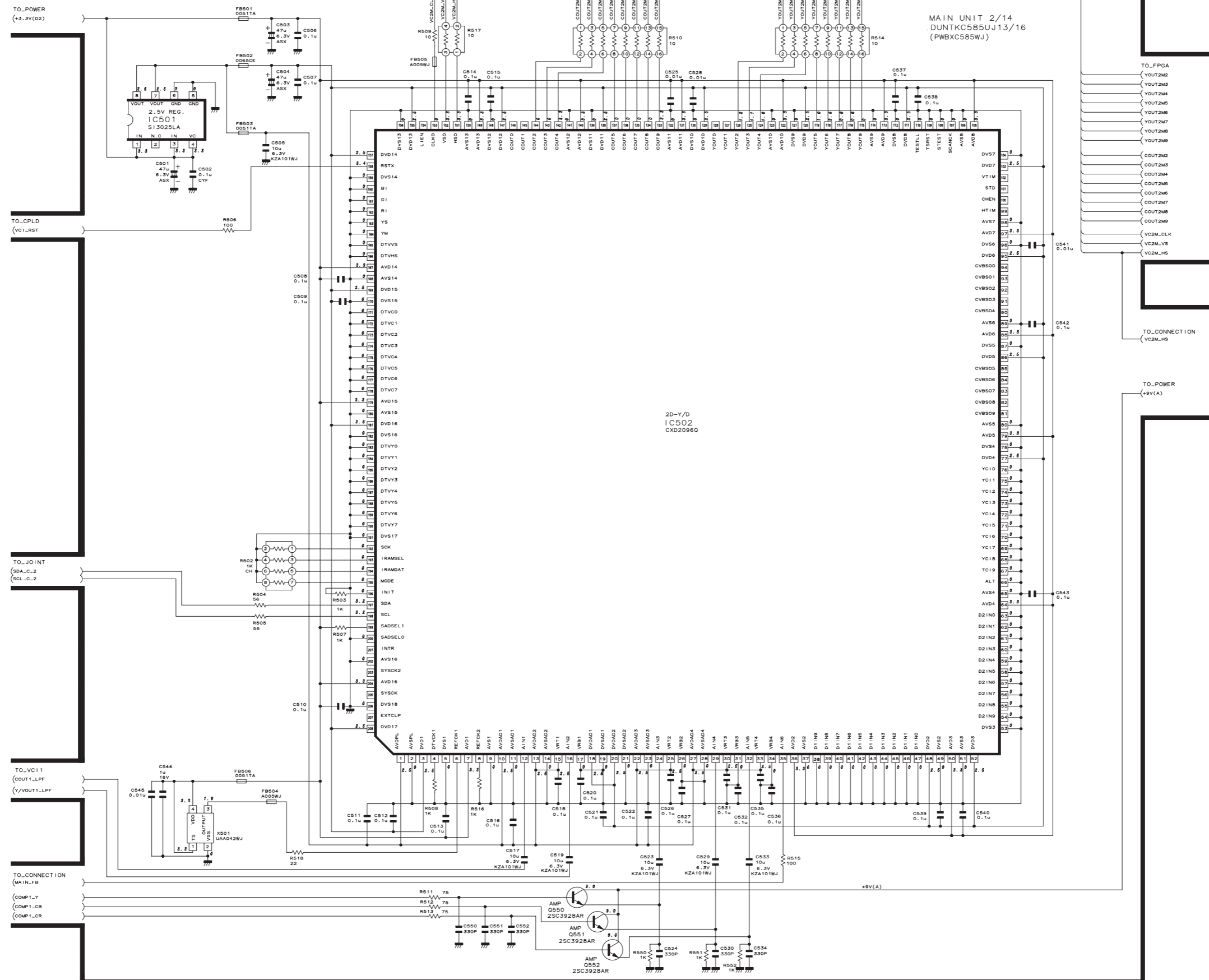
1 2 3 4 5 6 7 8 9 10 11 12 13 14 15 16 17 18 19 20 21

D43

D44

MAIN Unit-2/14

MAIN2(VC12)



MAIN UNIT 2/14  
DUNT KC585UJ13/16  
(PWBXC585WJ)

2D-Y/D  
IC502  
CXD2096Q

+9V(A)

H  
G  
F  
E  
D  
C  
B  
A

1 2 3 4 5 6 7 8 9 10 11 12 13 14 15 16 17 18 19 20 21

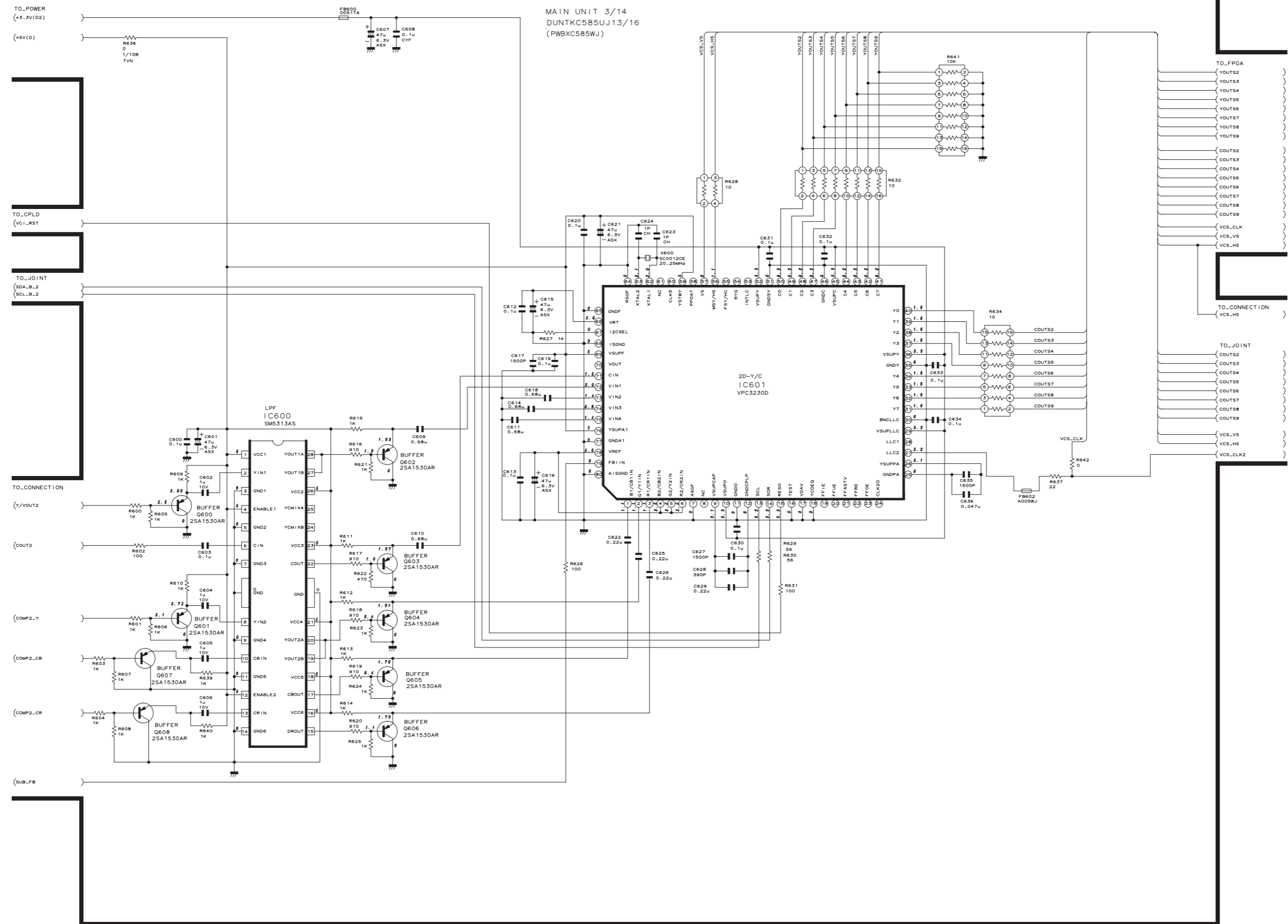
D45

D46

MAIN Unit-3/14

MAIN3 (VC13)

MAIN UNIT 3/14  
DUNTKC585UJ13/16  
(PWBXC585WJ)



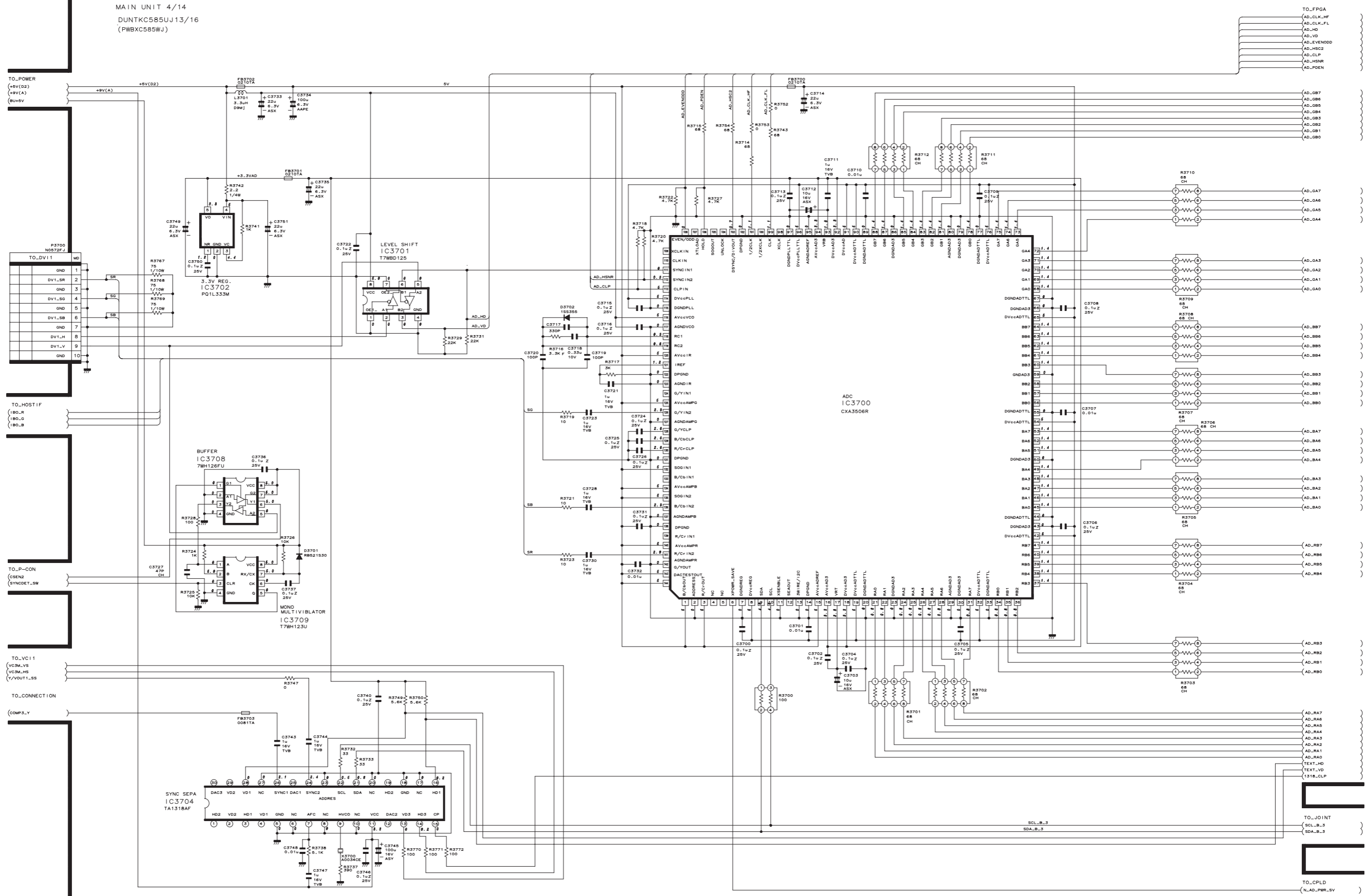
H  
G  
F  
E  
D  
C  
B  
A

1 2 3 4 5 6 7 8 9 10 11 12 13 14 15 16 17 18 19 20 21

MAIN Unit-4/14

MAIN4 (AD)

MAIN UNIT 4/14  
DUNTKC585UJ13/16  
(PWBXC585WJ)



H

G

F

E

D

C

B

A

1 2 3 4 5 6 7 8 9 10 11 12 13 14 15 16 17 18 19 20 21

MAIN Unit-5/14

MAIN5 (CONNECTION)

MAIN UNIT 5/14  
DUNTKC585UJ13/16  
(PWBXC585WJ)

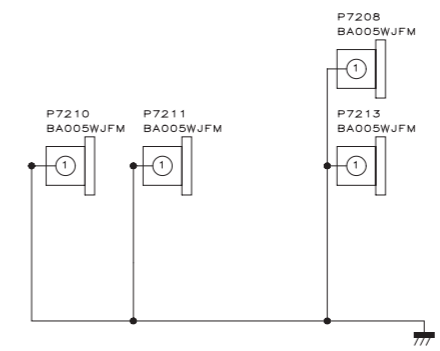
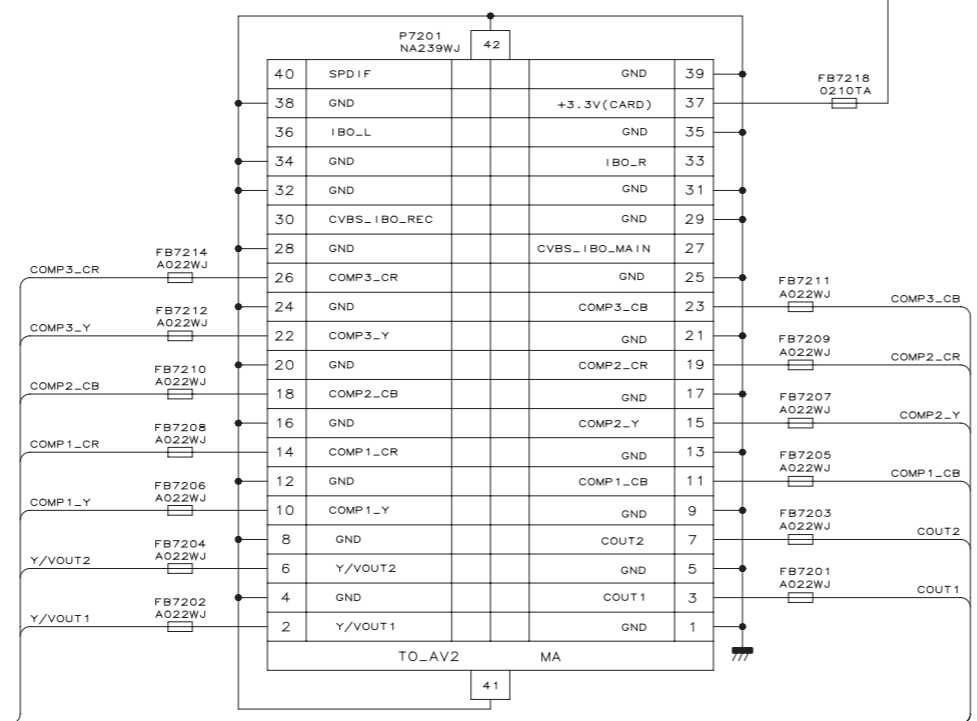
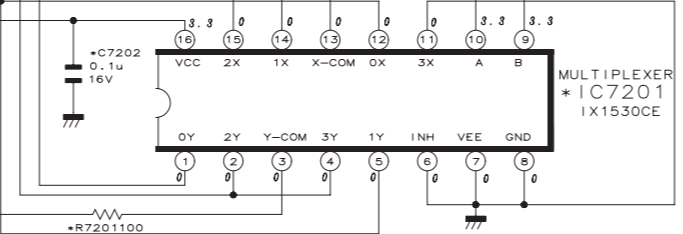
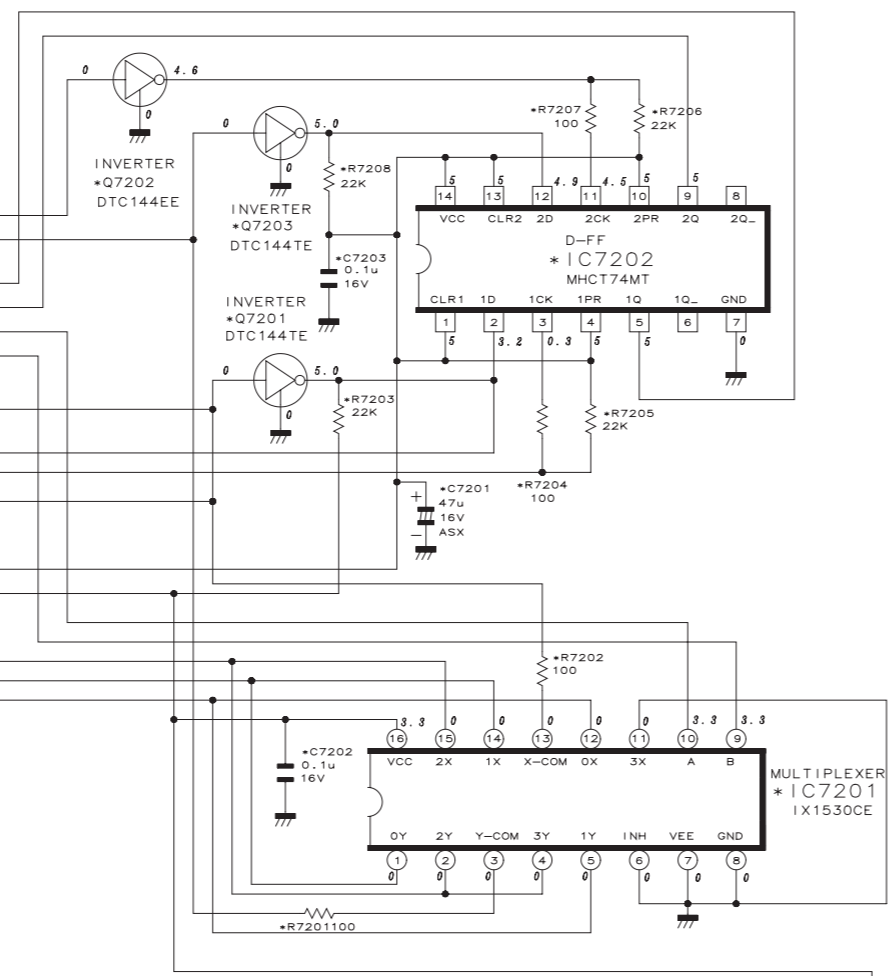
- TO\_VC13  
(VCS\_HS)
- (SUB\_FB)
- TO\_CPLD  
(RGBCK\_M)
- (RGBCK\_S)
- (TEN\_B)
- (TEN\_A)
- TO\_FPGA  
(MAIN\_FB)
- (MAIN\_FB2)
- TO\_VC12  
(VC2M\_HS)
- (MAIN\_FB)
- TO\_POWER  
(+5V(D))
- (+3.3V(D))
- TO\_JOINT  
(TEXT\_EN)
- (FAST\_SW2)
- (FAST\_SW1)

- TO\_VC11  
(Y/VOUT1)
- (COUT1)
- (COMP3\_Y)
- (COMP3\_CB)
- (COMP3\_CR)

- TO\_VC12  
(COMP1\_Y)
- (COMP1\_CB)
- (COMP1\_CR)

- TO\_VC13  
(Y/VOUT2)
- (COUT2)
- (COMP2\_Y)
- (COMP2\_CB)
- (COMP2\_CR)

- TO\_AD  
(COMP2\_Y)
- (COMP3\_Y)

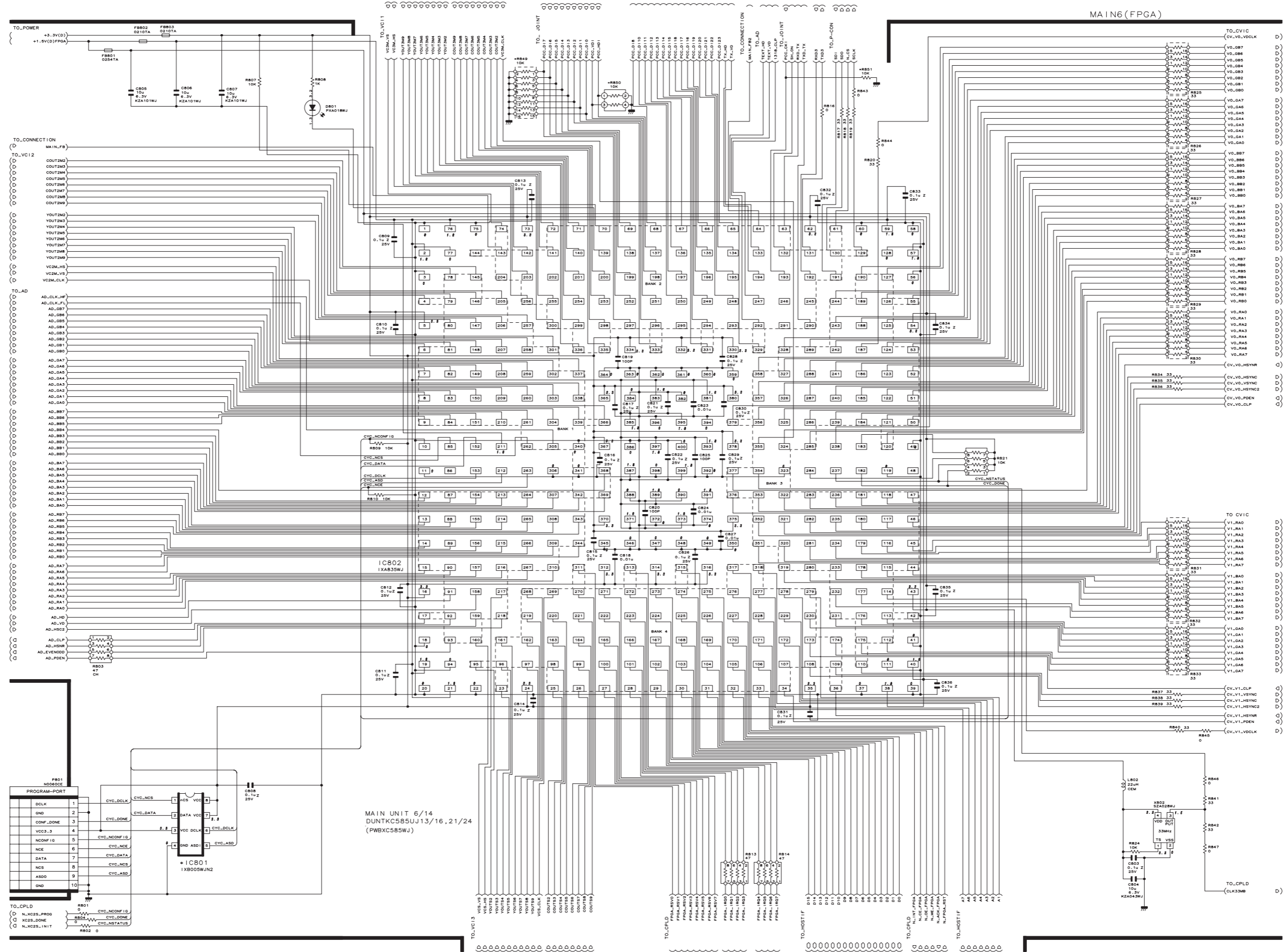


H  
G  
F  
E  
D  
C  
B  
A

1 2 3 4 5 6 7 8 9 10 11 12 13 14 15 16 17 18 19 20 21



MAIN Unit-6/14



MAIN UNIT 6/14  
DUNTKC585UJ13/16, 21/24  
(PWBXC585WJ)

PROGRAM-PORT	
1	DCLK
2	GND
3	CONF_DONE
4	VCC3_3
5	NCONF IG
6	NCE
7	DATA
8	NCS
9	ASDO
10	GND

H  
G  
F  
E  
D  
C  
B  
A

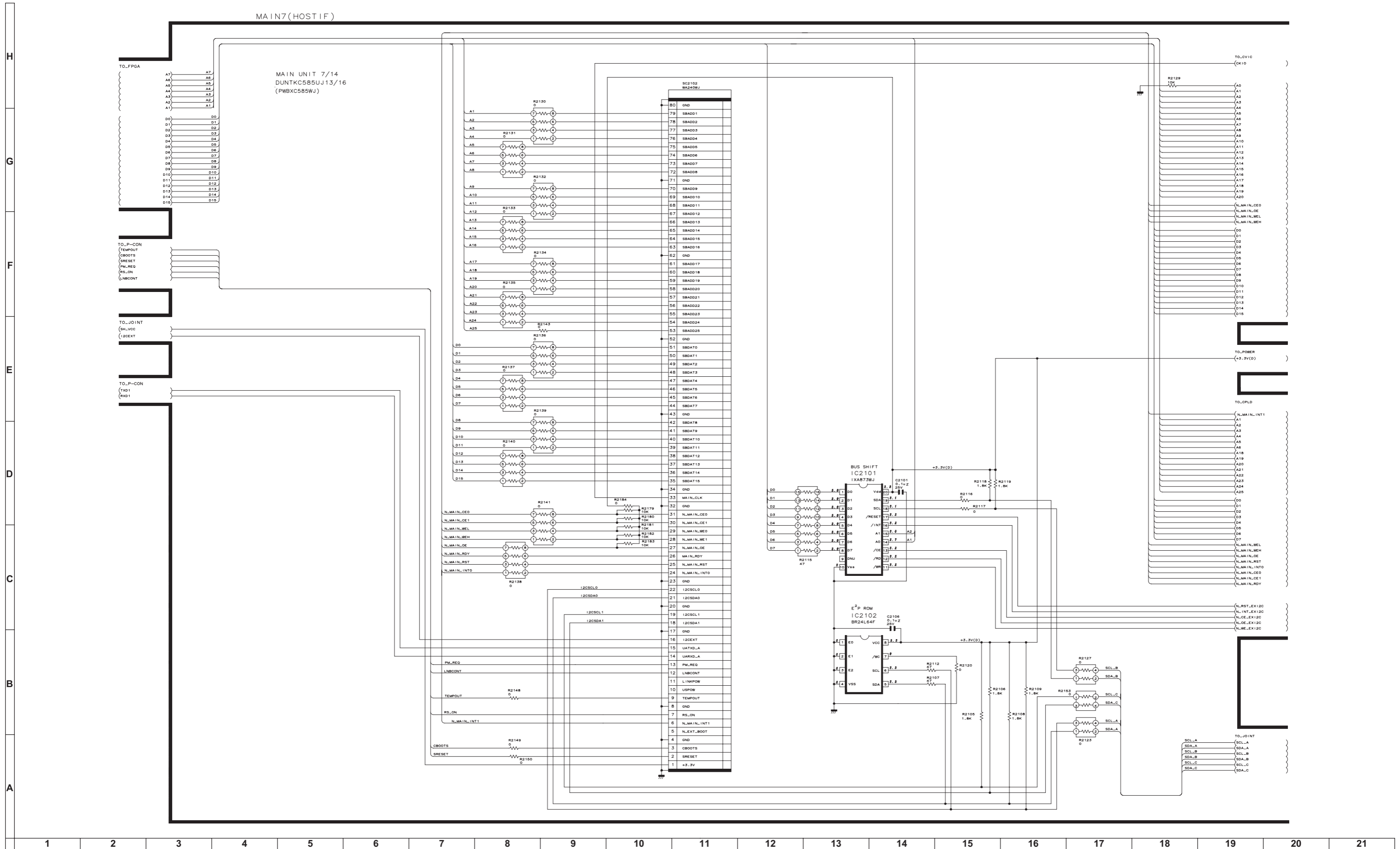
1 2 3 4 5 6 7 8 9 10 11 12 13 14 15 16 17 18 19 20 21

D53

D54

MAIN Unit-7/14

MAIN7(HOST IF)



MAIN Unit-8/14

MAIN8(CPLD)

MAIN UNIT 8/14  
DUNTKC585UJ13/16  
(FWXC585WJ)

P1001  
NO056CE

PROGRAM-PORT	
TCK	1
GND	2
TDO	3
+3.3V	4
TMS	5
TDI	6

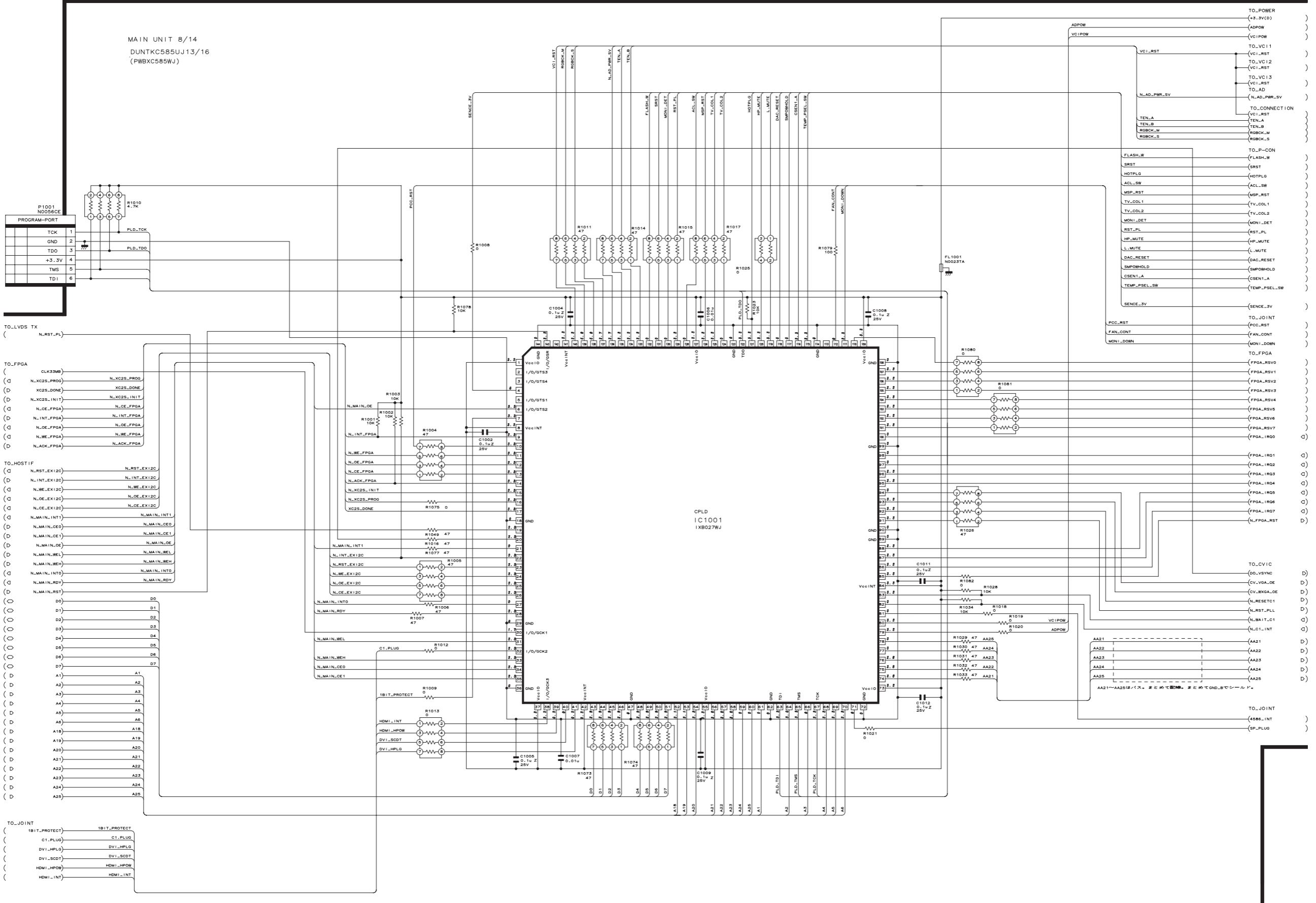
TO\_LVDS\_TX  
(N\_RST\_PL)

TO\_FPGA  
(CLK33MB)  
(N\_XC2S\_PROG)  
(XC2S\_DONE)  
(N\_XC2S\_INIT)  
(N\_CE\_FPGA)  
(N\_INT\_FPGA)  
(N\_CE\_FPGA)  
(N\_WE\_FPGA)  
(N\_ACK\_FPGA)

TO\_HOSTIF  
(N\_RST\_EX12C)  
(N\_INT\_EX12C)  
(N\_WE\_EX12C)  
(N\_CE\_EX12C)  
(N\_CE\_EX12C)  
(N\_MAIN\_INT1)  
(N\_MAIN\_CE0)  
(N\_MAIN\_CE1)  
(N\_MAIN\_CE)  
(N\_MAIN\_WE0)  
(N\_MAIN\_WE1)  
(N\_MAIN\_WEH)  
(N\_MAIN\_INT0)  
(N\_MAIN\_INT0)  
(N\_MAIN\_RDY)  
(N\_MAIN\_RDY)

D0  
D1  
D2  
D3  
D4  
D5  
D6  
D7  
A1  
A2  
A3  
A4  
A5  
A6  
A7  
A8  
A9  
A10  
A11  
A12  
A13  
A14  
A15  
A16  
A17  
A18  
A19  
A20  
A21  
A22  
A23  
A24  
A25

TO\_JOINT  
(1BIT\_PROTECT)  
(C1\_PLUG)  
(DVI\_HPLG)  
(DVI\_SCDT)  
(HDMI\_HPOW)  
(HDMI\_INT)



- TO\_POWER (+3.3V(0))
- ADP0W (ADP0W)
- VCIP0W (VCIP0W)
- TO\_VCI1 (VCI\_RST)
- TO\_VCI2 (VCI\_RST)
- TO\_VCI3 (VCI\_RST)
- TO\_AD (TO\_AD)
- N\_AD\_PWR\_SV (N\_AD\_PWR\_SV)
- TO\_CONNECTION (VCI\_RST)
- TEN\_A (TEN\_A)
- TEN\_B (TEN\_B)
- RGBCK\_M (RGBCK\_M)
- RGBCK\_S (RGBCK\_S)
- TO\_P\_CON (FLASH\_W)
- SRST (SRST)
- HOTPLG (HOTPLG)
- ACL\_SW (ACL\_SW)
- MSP\_RST (MSP\_RST)
- TV\_COL1 (TV\_COL1)
- TV\_COL2 (TV\_COL2)
- MONI\_DET (MONI\_DET)
- RST\_PL (RST\_PL)
- HP\_MUTE (HP\_MUTE)
- L\_MUTE (L\_MUTE)
- DAC\_RESET (DAC\_RESET)
- SMP\_HOLD (SMP\_HOLD)
- CSEN1\_A (CSEN1\_A)
- TEMP\_PSEL\_SW (TEMP\_PSEL\_SW)
- SENCE\_3V (SENCE\_3V)
- TO\_JOINT (PCC\_RST)
- (FAN\_RST)
- (FAN\_CONT)
- (MONI\_DOWN)
- TO\_FPGA (FPGA\_RS0)
- (FPGA\_RS1)
- (FPGA\_RS2)
- (FPGA\_RS3)
- (FPGA\_RS4)
- (FPGA\_RS5)
- (FPGA\_RS6)
- (FPGA\_RS7)
- (FPGA\_RS0)
- (FPGA\_RS2)
- (FPGA\_RS3)
- (FPGA\_RS4)
- (FPGA\_RS5)
- (FPGA\_RS6)
- (FPGA\_RS7)
- (N\_FPGA\_RS7)
- TO\_CV1C (DO\_VEN)
- (CV\_VGA\_DE)
- (CV\_VGA\_OE)
- (N\_RESET0)
- (N\_RESET1)
- (N\_WAIT\_C1)
- (N\_C1\_INT)
- AA21 (AA21)
- AA22 (AA22)
- AA23 (AA23)
- AA24 (AA24)
- AA25 (AA25)
- TO\_JOINT (SMB\_INT)
- (SP\_PLUG)

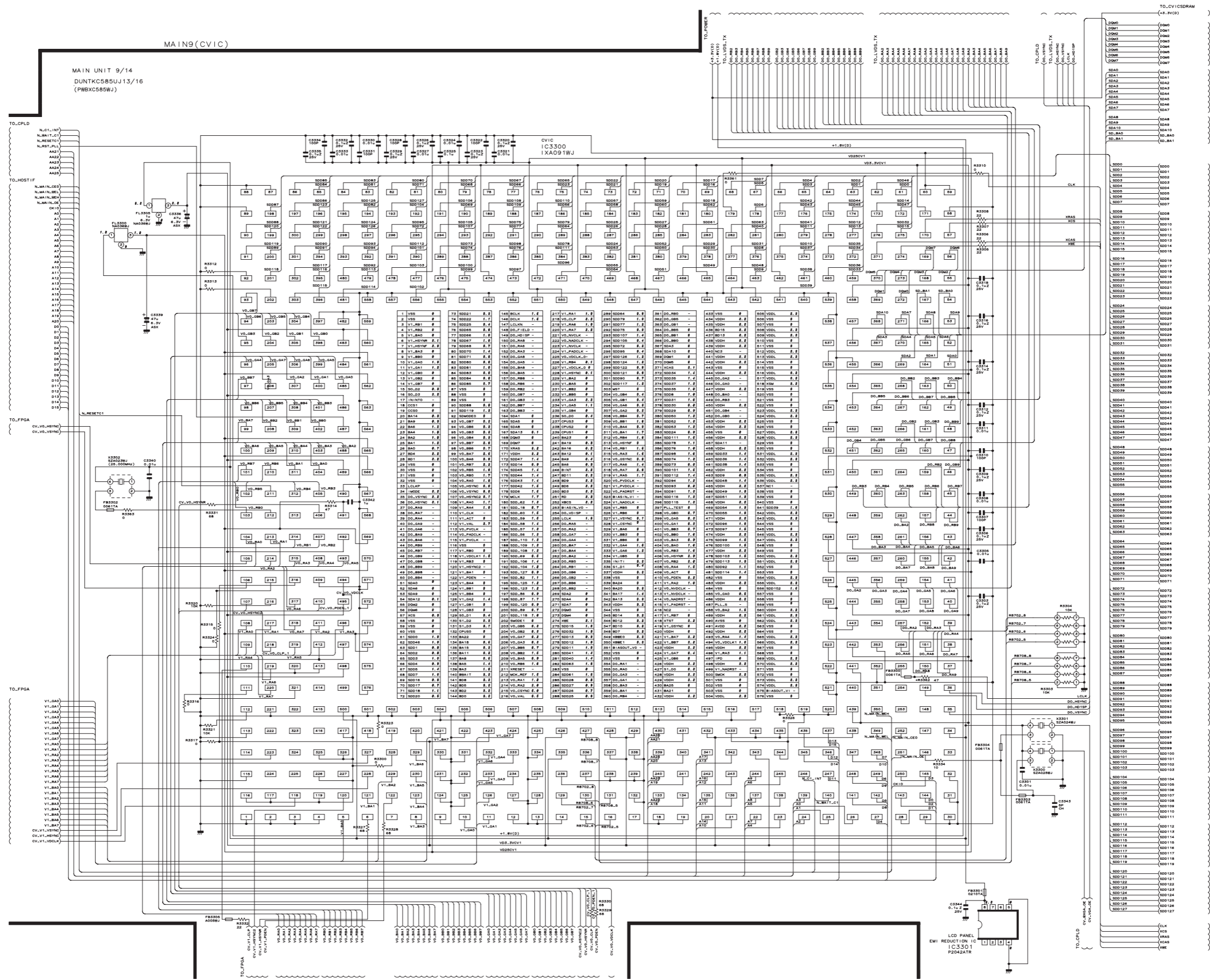
AA21~AA25はバス。まとめてGND。まとめてGNDでシールド。

H  
G  
F  
E  
D  
C  
B  
A

1 2 3 4 5 6 7 8 9 10 11 12 13 14 15 16 17 18 19 20 21

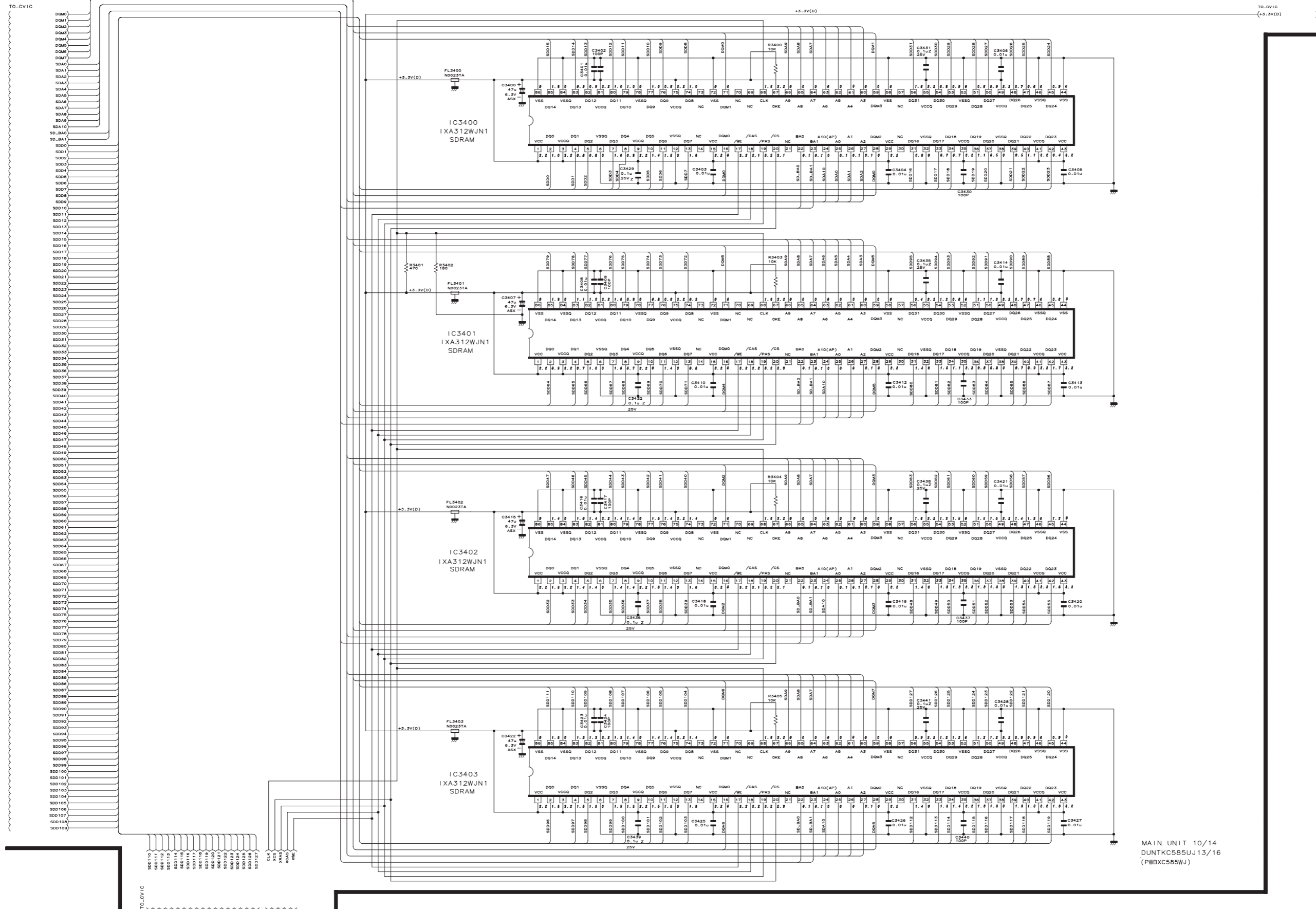
MAIN Unit-9/14

MAIN UNIT 9/14  
DUNTKCS85UJ13/16  
(FWXCS585W)



MAIN Unit-10/14

MAIN10(CVICSDRAM)



To\_CVIC  
 DQM0  
 DQM1  
 DQM2  
 DQM3  
 DQM4  
 DQM5  
 DQM6  
 DQM7  
 SDA0  
 SDA1  
 SDA2  
 SDA3  
 SDA4  
 SDA5  
 SDA6  
 SDA7  
 SDA8  
 SDA9  
 SDA10  
 SD\_BA0  
 SD\_BA1  
 SDD0  
 SDD1  
 SDD2  
 SDD3  
 SDD4  
 SDD5  
 SDD6  
 SDD7  
 SDD8  
 SDD9  
 SDD10  
 SDD11  
 SDD12  
 SDD13  
 SDD14  
 SDD15  
 SDD16  
 SDD17  
 SDD18  
 SDD19  
 SDD20  
 SDD21  
 SDD22  
 SDD23  
 SDD24  
 SDD25  
 SDD26  
 SDD27  
 SDD28  
 SDD29  
 SDD30  
 SDD31  
 SDD32  
 SDD33  
 SDD34  
 SDD35  
 SDD36  
 SDD37  
 SDD38  
 SDD39  
 SDD40  
 SDD41  
 SDD42  
 SDD43  
 SDD44  
 SDD45  
 SDD46  
 SDD47  
 SDD48  
 SDD49  
 SDD50  
 SDD51  
 SDD52  
 SDD53  
 SDD54  
 SDD55  
 SDD56  
 SDD57  
 SDD58  
 SDD59  
 SDD60  
 SDD61  
 SDD62  
 SDD63  
 SDD64  
 SDD65  
 SDD66  
 SDD67  
 SDD68  
 SDD69  
 SDD70  
 SDD71  
 SDD72  
 SDD73  
 SDD74  
 SDD75  
 SDD76  
 SDD77  
 SDD78  
 SDD79  
 SDD80  
 SDD81  
 SDD82  
 SDD83  
 SDD84  
 SDD85  
 SDD86  
 SDD87  
 SDD88  
 SDD89  
 SDD90  
 SDD91  
 SDD92  
 SDD93  
 SDD94  
 SDD95  
 SDD96  
 SDD97  
 SDD98  
 SDD99  
 SDD100  
 SDD101  
 SDD102  
 SDD103  
 SDD104  
 SDD105  
 SDD106  
 SDD107  
 SDD108  
 SDD109

SD110  
 SD111  
 SD112  
 SD113  
 SD114  
 SD115  
 SD116  
 SD117  
 SD118  
 SD119  
 SD120  
 SD121  
 SD122  
 SD123  
 SD124  
 SD125  
 SD126  
 SD127  
 XE5  
 XE6  
 XE7  
 XE8  
 XE9  
 XE10  
 XE11  
 XE12  
 XE13  
 XE14  
 XE15  
 XE16  
 XE17  
 XE18  
 XE19  
 XE20  
 XE21  
 XE22  
 XE23  
 XE24  
 XE25  
 XE26  
 XE27  
 XE28  
 XE29  
 XE30  
 XE31  
 XE32  
 XE33  
 XE34  
 XE35  
 XE36  
 XE37  
 XE38  
 XE39  
 XE40  
 XE41  
 XE42  
 XE43  
 XE44  
 XE45  
 XE46  
 XE47  
 XE48  
 XE49  
 XE50  
 XE51  
 XE52  
 XE53  
 XE54  
 XE55  
 XE56  
 XE57  
 XE58  
 XE59  
 XE60  
 XE61  
 XE62  
 XE63  
 XE64  
 XE65  
 XE66  
 XE67  
 XE68  
 XE69  
 XE70  
 XE71  
 XE72  
 XE73  
 XE74  
 XE75  
 XE76  
 XE77  
 XE78  
 XE79  
 XE80  
 XE81  
 XE82  
 XE83  
 XE84  
 XE85  
 XE86  
 XE87  
 XE88  
 XE89  
 XE90  
 XE91  
 XE92  
 XE93  
 XE94  
 XE95  
 XE96  
 XE97  
 XE98  
 XE99  
 XE100  
 XE101  
 XE102  
 XE103  
 XE104  
 XE105  
 XE106  
 XE107  
 XE108  
 XE109  
 XE110  
 XE111  
 XE112  
 XE113  
 XE114  
 XE115  
 XE116  
 XE117  
 XE118  
 XE119  
 XE120  
 XE121  
 XE122  
 XE123  
 XE124  
 XE125  
 XE126  
 XE127  
 XE128  
 XE129  
 XE130  
 XE131  
 XE132  
 XE133  
 XE134  
 XE135  
 XE136  
 XE137  
 XE138  
 XE139  
 XE140  
 XE141  
 XE142  
 XE143  
 XE144  
 XE145  
 XE146  
 XE147  
 XE148  
 XE149  
 XE150  
 XE151  
 XE152  
 XE153  
 XE154  
 XE155  
 XE156  
 XE157  
 XE158  
 XE159  
 XE160  
 XE161  
 XE162  
 XE163  
 XE164  
 XE165  
 XE166  
 XE167  
 XE168  
 XE169  
 XE170  
 XE171  
 XE172  
 XE173  
 XE174  
 XE175  
 XE176  
 XE177  
 XE178  
 XE179  
 XE180  
 XE181  
 XE182  
 XE183  
 XE184  
 XE185  
 XE186  
 XE187  
 XE188  
 XE189  
 XE190  
 XE191  
 XE192  
 XE193  
 XE194  
 XE195  
 XE196  
 XE197  
 XE198  
 XE199  
 XE200  
 XE201  
 XE202  
 XE203  
 XE204  
 XE205  
 XE206  
 XE207  
 XE208  
 XE209  
 XE210  
 XE211  
 XE212  
 XE213  
 XE214  
 XE215  
 XE216  
 XE217  
 XE218  
 XE219  
 XE220  
 XE221  
 XE222  
 XE223  
 XE224  
 XE225  
 XE226  
 XE227  
 XE228  
 XE229  
 XE230  
 XE231  
 XE232  
 XE233  
 XE234  
 XE235  
 XE236  
 XE237  
 XE238  
 XE239  
 XE240  
 XE241  
 XE242  
 XE243  
 XE244  
 XE245  
 XE246  
 XE247  
 XE248  
 XE249  
 XE250  
 XE251  
 XE252  
 XE253  
 XE254  
 XE255  
 XE256  
 XE257  
 XE258  
 XE259  
 XE260  
 XE261  
 XE262  
 XE263  
 XE264  
 XE265  
 XE266  
 XE267  
 XE268  
 XE269  
 XE270  
 XE271  
 XE272  
 XE273  
 XE274  
 XE275  
 XE276  
 XE277  
 XE278  
 XE279  
 XE280  
 XE281  
 XE282  
 XE283  
 XE284  
 XE285  
 XE286  
 XE287  
 XE288  
 XE289  
 XE290  
 XE291  
 XE292  
 XE293  
 XE294  
 XE295  
 XE296  
 XE297  
 XE298  
 XE299  
 XE300  
 XE301  
 XE302  
 XE303  
 XE304  
 XE305  
 XE306  
 XE307  
 XE308  
 XE309  
 XE310  
 XE311  
 XE312  
 XE313  
 XE314  
 XE315  
 XE316  
 XE317  
 XE318  
 XE319  
 XE320  
 XE321  
 XE322  
 XE323  
 XE324  
 XE325  
 XE326  
 XE327  
 XE328  
 XE329  
 XE330  
 XE331  
 XE332  
 XE333  
 XE334  
 XE335  
 XE336  
 XE337  
 XE338  
 XE339  
 XE340  
 XE341  
 XE342  
 XE343  
 XE344  
 XE345  
 XE346  
 XE347  
 XE348  
 XE349  
 XE350  
 XE351  
 XE352  
 XE353  
 XE354  
 XE355  
 XE356  
 XE357  
 XE358  
 XE359  
 XE360  
 XE361  
 XE362  
 XE363  
 XE364  
 XE365  
 XE366  
 XE367  
 XE368  
 XE369  
 XE370  
 XE371  
 XE372  
 XE373  
 XE374  
 XE375  
 XE376  
 XE377  
 XE378  
 XE379  
 XE380  
 XE381  
 XE382  
 XE383  
 XE384  
 XE385  
 XE386  
 XE387  
 XE388  
 XE389  
 XE390  
 XE391  
 XE392  
 XE393  
 XE394  
 XE395  
 XE396  
 XE397  
 XE398  
 XE399  
 XE400  
 XE401  
 XE402  
 XE403  
 XE404  
 XE405  
 XE406  
 XE407  
 XE408  
 XE409  
 XE410  
 XE411  
 XE412  
 XE413  
 XE414  
 XE415  
 XE416  
 XE417  
 XE418  
 XE419  
 XE420  
 XE421  
 XE422  
 XE423  
 XE424  
 XE425  
 XE426  
 XE427  
 XE428  
 XE429  
 XE430  
 XE431  
 XE432  
 XE433  
 XE434  
 XE435  
 XE436  
 XE437  
 XE438  
 XE439  
 XE440  
 XE441  
 XE442  
 XE443  
 XE444  
 XE445  
 XE446  
 XE447  
 XE448  
 XE449  
 XE450  
 XE451  
 XE452  
 XE453  
 XE454  
 XE455  
 XE456  
 XE457  
 XE458  
 XE459  
 XE460  
 XE461  
 XE462  
 XE463  
 XE464  
 XE465  
 XE466  
 XE467  
 XE468  
 XE469  
 XE470  
 XE471  
 XE472  
 XE473  
 XE474  
 XE475  
 XE476  
 XE477  
 XE478  
 XE479  
 XE480  
 XE481  
 XE482  
 XE483  
 XE484  
 XE485  
 XE486  
 XE487  
 XE488  
 XE489  
 XE490  
 XE491  
 XE492  
 XE493  
 XE494  
 XE495  
 XE496  
 XE497  
 XE498  
 XE499  
 XE500  
 XE501  
 XE502  
 XE503  
 XE504  
 XE505  
 XE506  
 XE507  
 XE508  
 XE509  
 XE510  
 XE511  
 XE512  
 XE513  
 XE514  
 XE515  
 XE516  
 XE517  
 XE518  
 XE519  
 XE520  
 XE521  
 XE522  
 XE523  
 XE524  
 XE525  
 XE526  
 XE527  
 XE528  
 XE529  
 XE530  
 XE531  
 XE532  
 XE533  
 XE534  
 XE535  
 XE536  
 XE537  
 XE538  
 XE539  
 XE540  
 XE541  
 XE542  
 XE543  
 XE544  
 XE545  
 XE546  
 XE547  
 XE548  
 XE549  
 XE550  
 XE551  
 XE552  
 XE553  
 XE554  
 XE555  
 XE556  
 XE557  
 XE558  
 XE559  
 XE560  
 XE561  
 XE562  
 XE563  
 XE564  
 XE565  
 XE566  
 XE567  
 XE568  
 XE569  
 XE570  
 XE571  
 XE572  
 XE573  
 XE574  
 XE575  
 XE576  
 XE577  
 XE578  
 XE579  
 XE580  
 XE581  
 XE582  
 XE583  
 XE584  
 XE585  
 XE586  
 XE587  
 XE588  
 XE589  
 XE590  
 XE591  
 XE592  
 XE593  
 XE594  
 XE595  
 XE596  
 XE597  
 XE598  
 XE599  
 XE600  
 XE601  
 XE602  
 XE603  
 XE604  
 XE605  
 XE606  
 XE607  
 XE608  
 XE609  
 XE610  
 XE611  
 XE612  
 XE613  
 XE614  
 XE615  
 XE616  
 XE617  
 XE618  
 XE619  
 XE620  
 XE621  
 XE622  
 XE623  
 XE624  
 XE625  
 XE626  
 XE627  
 XE628  
 XE629  
 XE630  
 XE631  
 XE632  
 XE633  
 XE634  
 XE635  
 XE636  
 XE637  
 XE638  
 XE639  
 XE640  
 XE641  
 XE642  
 XE643  
 XE644  
 XE645  
 XE646  
 XE647  
 XE648  
 XE649  
 XE650  
 XE651  
 XE652  
 XE653  
 XE654  
 XE655  
 XE656  
 XE657  
 XE658  
 XE659  
 XE660  
 XE661  
 XE662  
 XE663  
 XE664  
 XE665  
 XE666  
 XE667  
 XE668  
 XE669  
 XE670  
 XE671  
 XE672  
 XE673  
 XE674  
 XE675  
 XE676  
 XE677  
 XE678  
 XE679  
 XE680  
 XE681  
 XE682  
 XE683  
 XE684  
 XE685  
 XE686  
 XE687  
 XE688  
 XE689  
 XE690  
 XE691  
 XE692  
 XE693  
 XE694  
 XE695  
 XE696  
 XE697  
 XE698  
 XE699  
 XE700  
 XE701  
 XE702  
 XE703  
 XE704  
 XE705  
 XE706  
 XE707  
 XE708  
 XE709  
 XE710  
 XE711  
 XE712  
 XE713  
 XE714  
 XE715  
 XE716  
 XE717  
 XE718  
 XE719  
 XE720  
 XE721  
 XE722  
 XE723  
 XE724  
 XE725  
 XE726  
 XE727  
 XE728  
 XE729  
 XE730  
 XE731  
 XE732  
 XE733  
 XE734  
 XE735  
 XE736  
 XE737  
 XE738  
 XE739  
 XE740  
 XE741  
 XE742  
 XE743  
 XE744  
 XE745  
 XE746  
 XE747  
 XE748  
 XE749  
 XE750  
 XE751  
 XE752  
 XE753  
 XE754  
 XE755  
 XE756  
 XE757  
 XE758  
 XE759  
 XE760  
 XE761  
 XE762  
 XE763  
 XE764  
 XE765  
 XE766  
 XE767  
 XE768  
 XE769  
 XE770  
 XE771  
 XE772  
 XE773  
 XE774  
 XE775  
 XE776  
 XE777  
 XE778  
 XE779  
 XE780  
 XE781  
 XE782  
 XE783  
 XE784  
 XE785  
 XE786  
 XE787  
 XE788  
 XE789  
 XE790  
 XE791  
 XE792  
 XE793  
 XE794  
 XE795  
 XE796  
 XE797  
 XE798  
 XE799  
 XE800  
 XE801  
 XE802  
 XE803  
 XE804  
 XE805  
 XE806  
 XE807  
 XE808  
 XE809  
 XE810  
 XE811  
 XE812  
 XE813  
 XE814  
 XE815  
 XE816  
 XE817  
 XE818  
 XE819  
 XE820  
 XE821  
 XE822  
 XE823  
 XE824  
 XE825  
 XE826  
 XE827  
 XE828  
 XE829  
 XE830  
 XE831  
 XE832  
 XE833  
 XE834  
 XE835  
 XE836  
 XE837  
 XE838  
 XE839  
 XE840  
 XE841  
 XE842  
 XE843  
 XE844  
 XE845  
 XE846  
 XE847  
 XE848  
 XE849  
 XE850  
 XE851  
 XE852  
 XE853  
 XE854  
 XE855  
 XE856  
 XE857  
 XE858  
 XE859  
 XE860  
 XE861  
 XE862  
 XE863  
 XE864  
 XE865  
 XE866  
 XE867  
 XE868  
 XE869  
 XE870  
 XE871  
 XE872  
 XE873  
 XE874  
 XE875  
 XE876  
 XE877  
 XE878  
 XE879  
 XE880  
 XE881  
 XE882  
 XE883  
 XE884  
 XE885  
 XE886  
 XE887  
 XE888  
 XE889  
 XE890  
 XE891  
 XE892  
 XE893  
 XE894  
 XE895  
 XE896  
 XE897  
 XE898  
 XE899  
 XE900  
 XE901  
 XE902  
 XE903  
 XE904  
 XE905  
 XE906  
 XE907  
 XE908  
 XE909  
 XE910  
 XE911  
 XE912  
 XE913  
 XE914  
 XE915  
 XE916  
 XE917  
 XE918  
 XE919  
 XE920  
 XE921  
 XE922  
 XE923  
 XE924  
 XE925  
 XE926  
 XE927  
 XE928  
 XE929  
 XE930  
 XE931  
 XE932  
 XE933  
 XE934  
 XE935  
 XE936  
 XE937  
 XE938  
 XE939  
 XE940  
 XE941  
 XE942  
 XE943  
 XE944  
 XE945  
 XE946  
 XE947  
 XE948  
 XE949  
 XE950  
 XE951  
 XE952  
 XE953  
 XE954  
 XE955  
 XE956  
 XE957  
 XE958  
 XE959  
 XE960  
 XE961  
 XE962  
 XE963  
 XE964  
 XE965  
 XE966  
 XE967  
 XE968  
 XE969  
 XE970  
 XE971  
 XE972  
 XE973  
 XE974  
 XE975  
 XE976  
 XE977  
 XE978  
 XE979  
 XE980  
 XE981  
 XE982  
 XE983  
 XE984  
 XE985  
 XE986  
 XE987  
 XE988  
 XE989  
 XE990  
 XE991  
 XE992  
 XE993  
 XE994  
 XE995  
 XE996  
 XE997  
 XE998  
 XE999  
 XE1000

MAIN UNIT 10/14  
 DUNTKC585UJ13/16  
 (PWBXC585WJ)

H  
 G  
 F  
 E  
 D  
 C  
 B  
 A

1 2 3 4 5 6 7 8 9 10 11 12 13 14 15 16 17 18 19 20 21

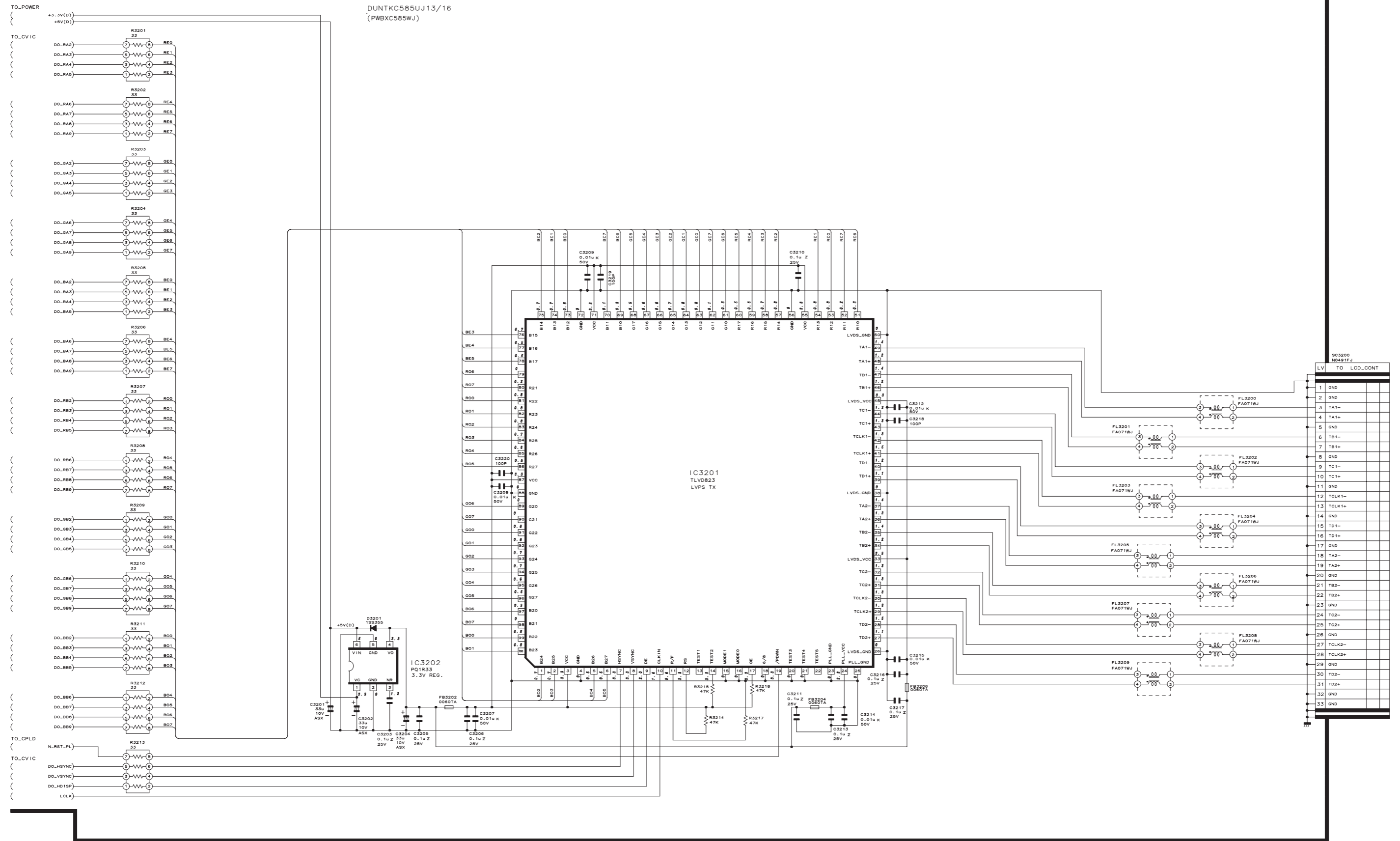
D61

D62

# MAIN Unit-11/14

MAIN11(LVDS TX)

MAIN UNIT 11/14  
DUNTKC585UJ13/16  
(PWBXC585UJ)

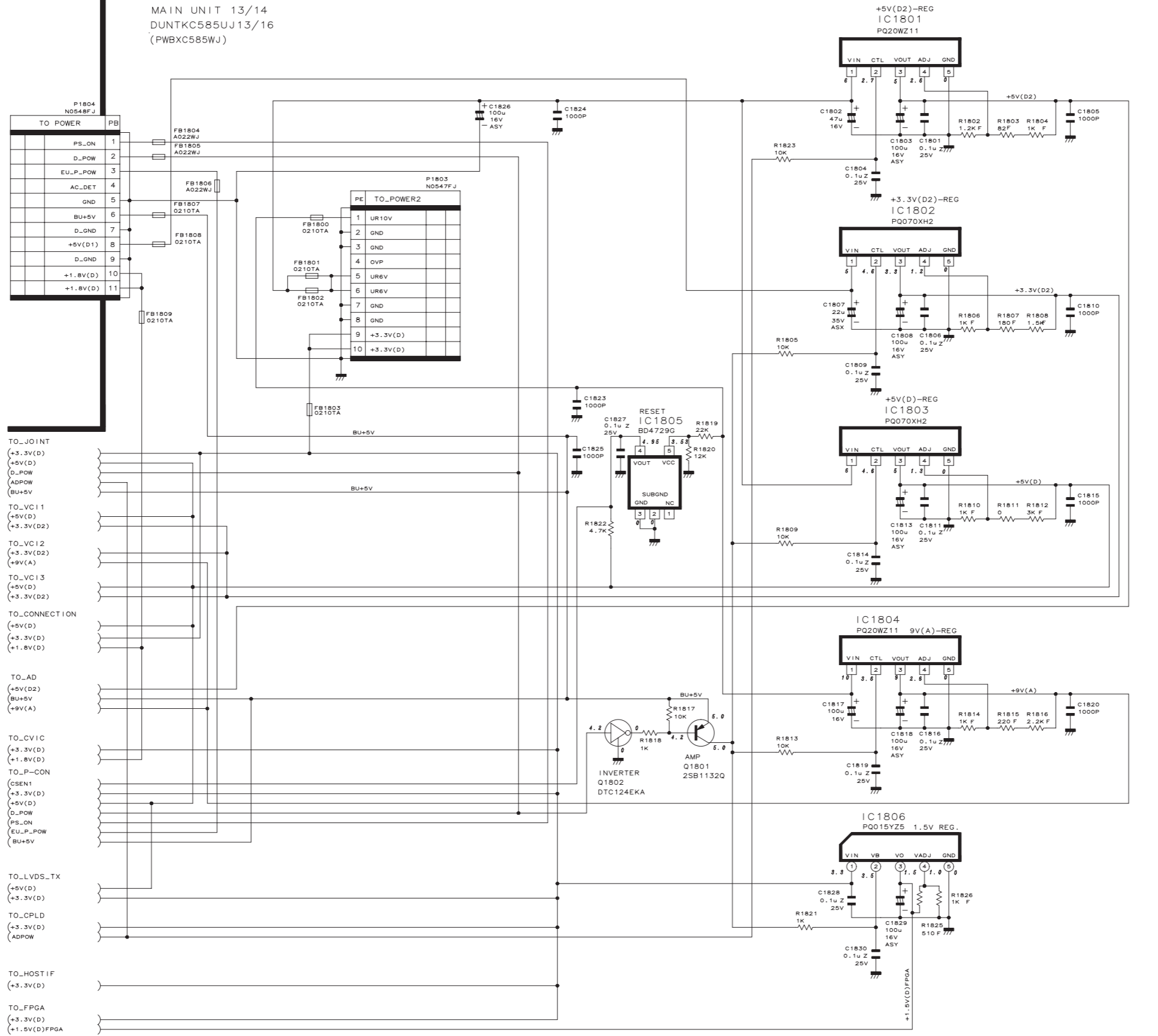


LV	TO_LCD_CONT
1	GND
2	GND
3	TA1-
4	TA1+
5	GND
6	TB1-
7	TB1+
8	GND
9	TC1-
10	TC1+
11	GND
12	TCLK1-
13	TCLK1+
14	GND
15	TD1-
16	TD1+
17	GND
18	TA2-
19	TA2+
20	GND
21	TB2-
22	TB2+
23	GND
24	TC2-
25	TC2+
26	GND
27	TCLK2-
28	TCLK2+
29	GND
30	TD2-
31	TD2+
32	GND
33	GND



MAIN13(POWER)

MAIN UNIT 13/14  
DUNTKC585UJ13/16  
(PWBXC585WJ)



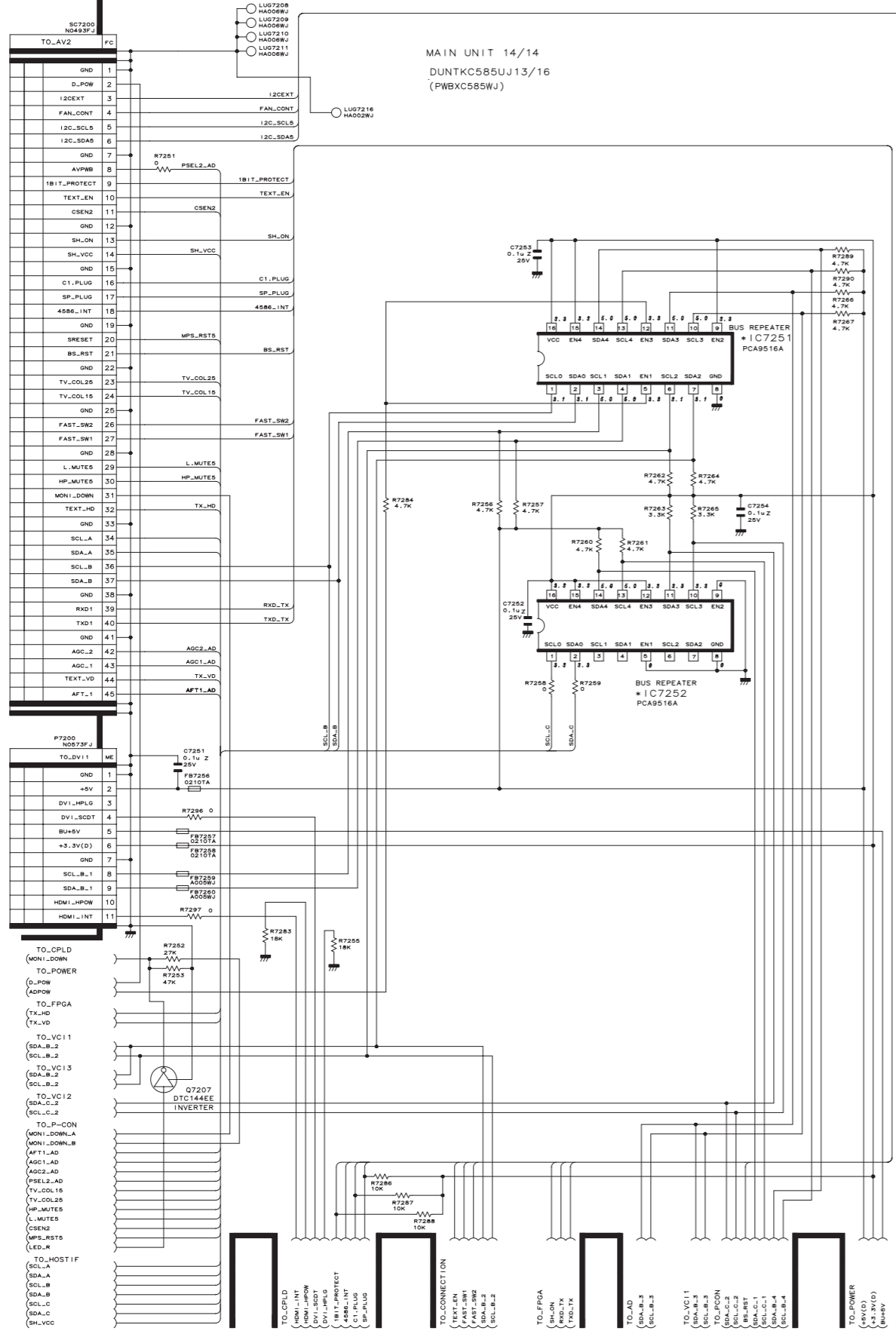


MAIN Unit-14/14

MAIN14(JOINT)

MAIN UNIT 14/14  
DUNTKC585UJ13/16  
(PWBXC585WJ)

TO\_HOSTIF  
(12CEXT  
(12CEXT )  
TO\_CPLD  
(FAN\_CONT  
(FAN\_CONT )  
TO\_P-CON  
(12C\_SCL5  
(12C\_SCL5 )  
(12C\_SDA5  
(12C\_SDA5 )

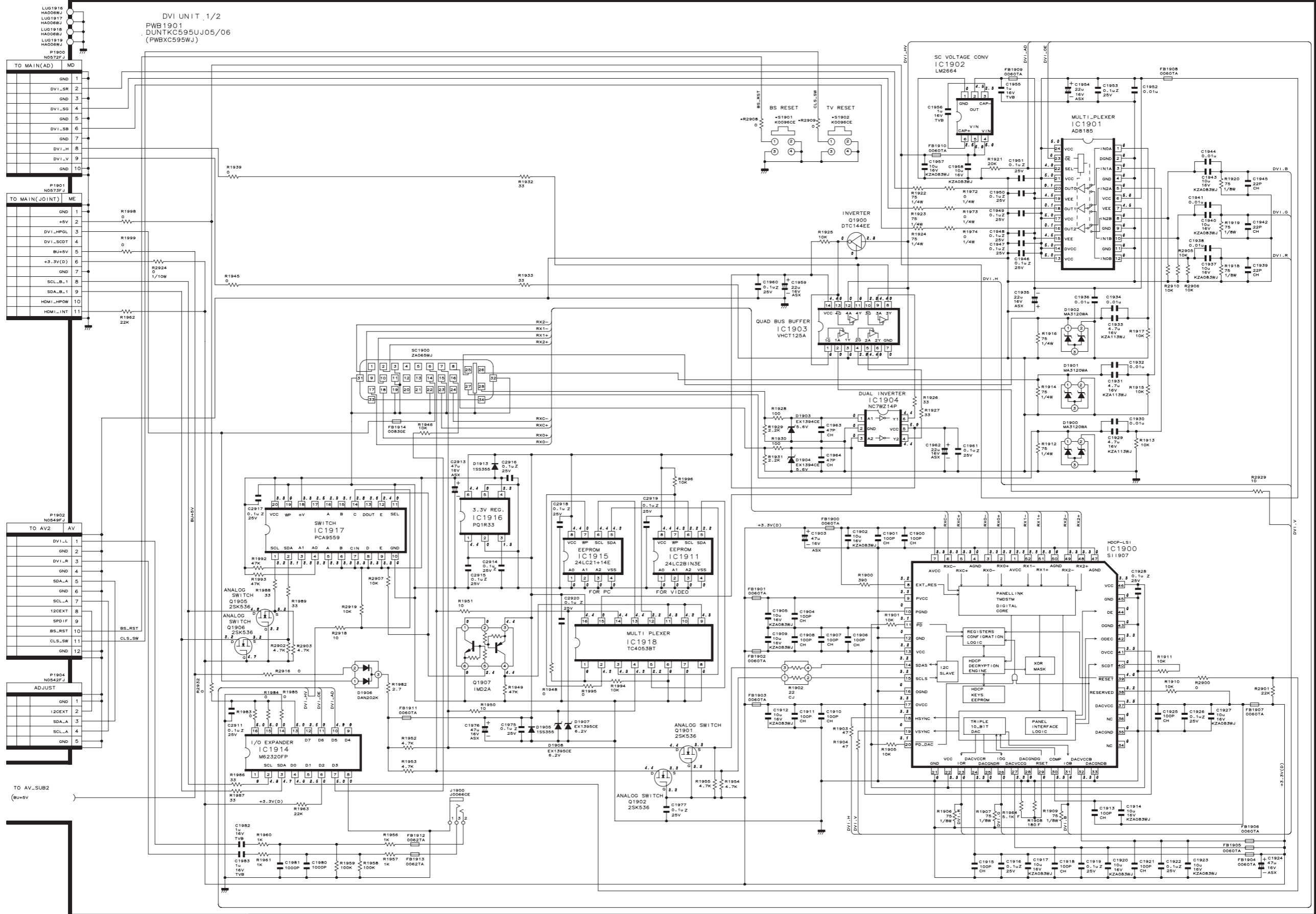


H  
G  
F  
E  
D  
C  
B  
A

1 2 3 4 5 6 7 8 9 10 11 12 13 14 15 16 17 18 19 20 21

DVI Unit-1/2

DVI 1



H  
G  
F  
E  
D  
C  
B  
A

1 2 3 4 5 6 7 8 9 10 11 12 13 14 15 16 17 18 19 20 21

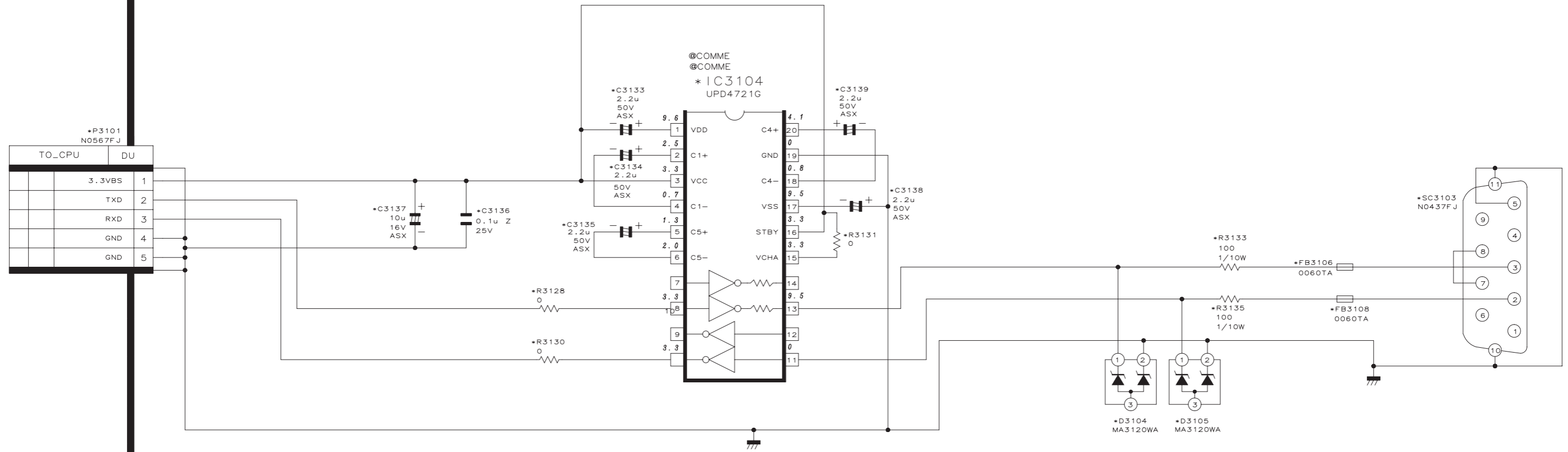
D71

D72

■ DVI Unit-2/2

DVI 2

DVI UNIT 2/2  
 .DUNTKC595UJ05/06  
 (PWBXC595WJ)



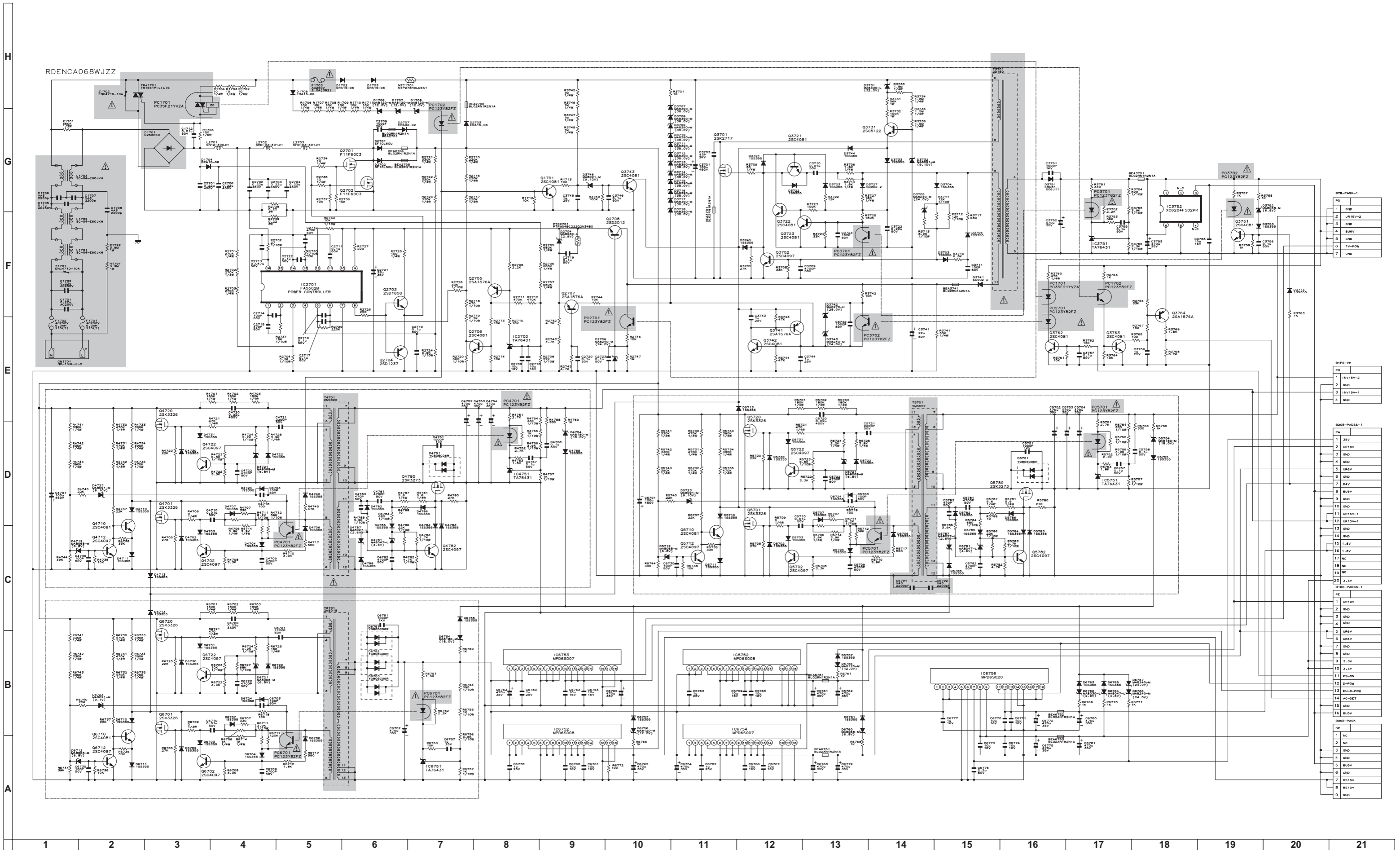
H  
G  
F  
E  
D  
C  
B  
A

1 2 3 4 5 6 7 8 9 10 11 12 13 14 15 16 17 18 19 20 21

D73

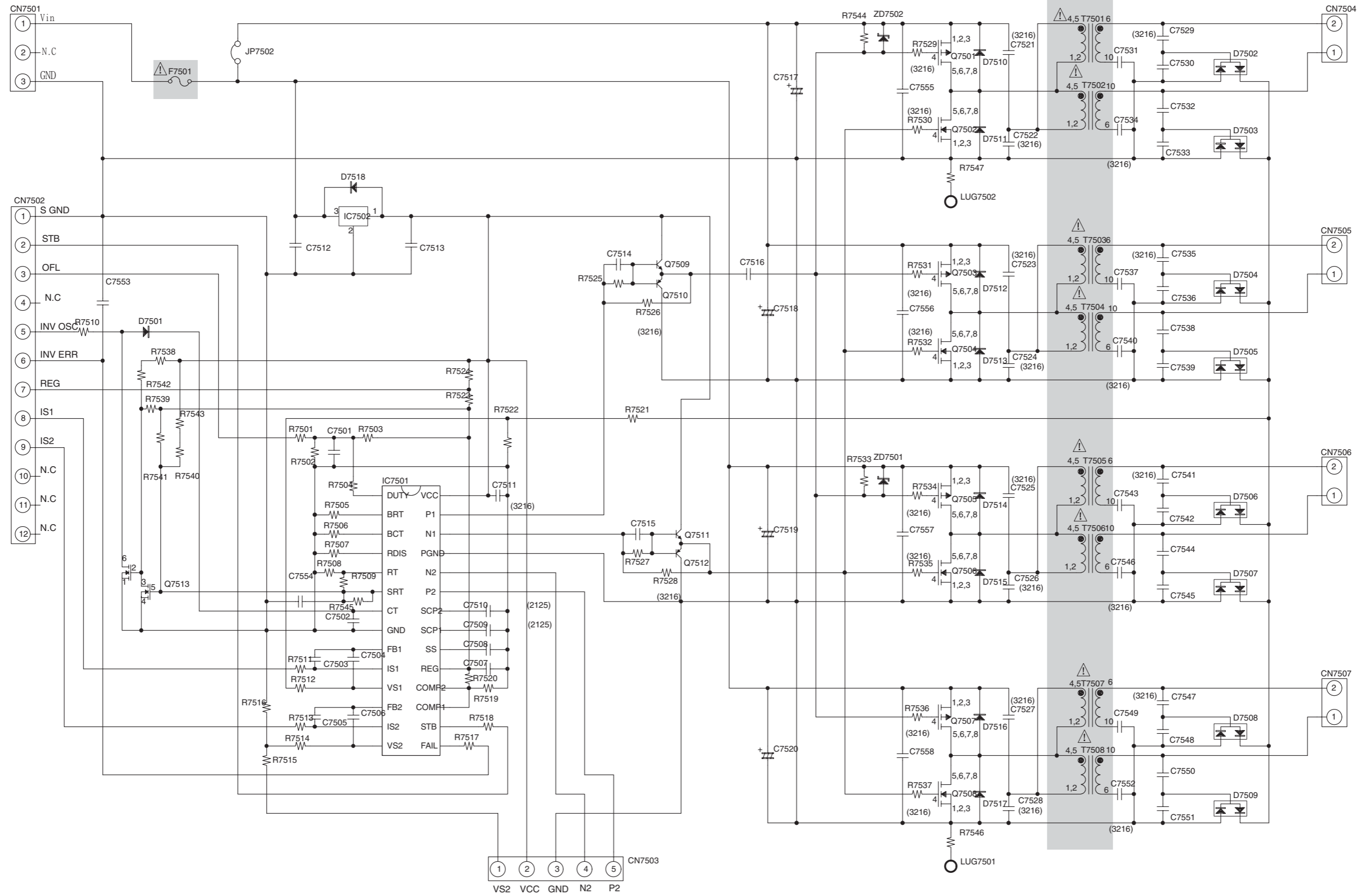
D74

# POWER Unit



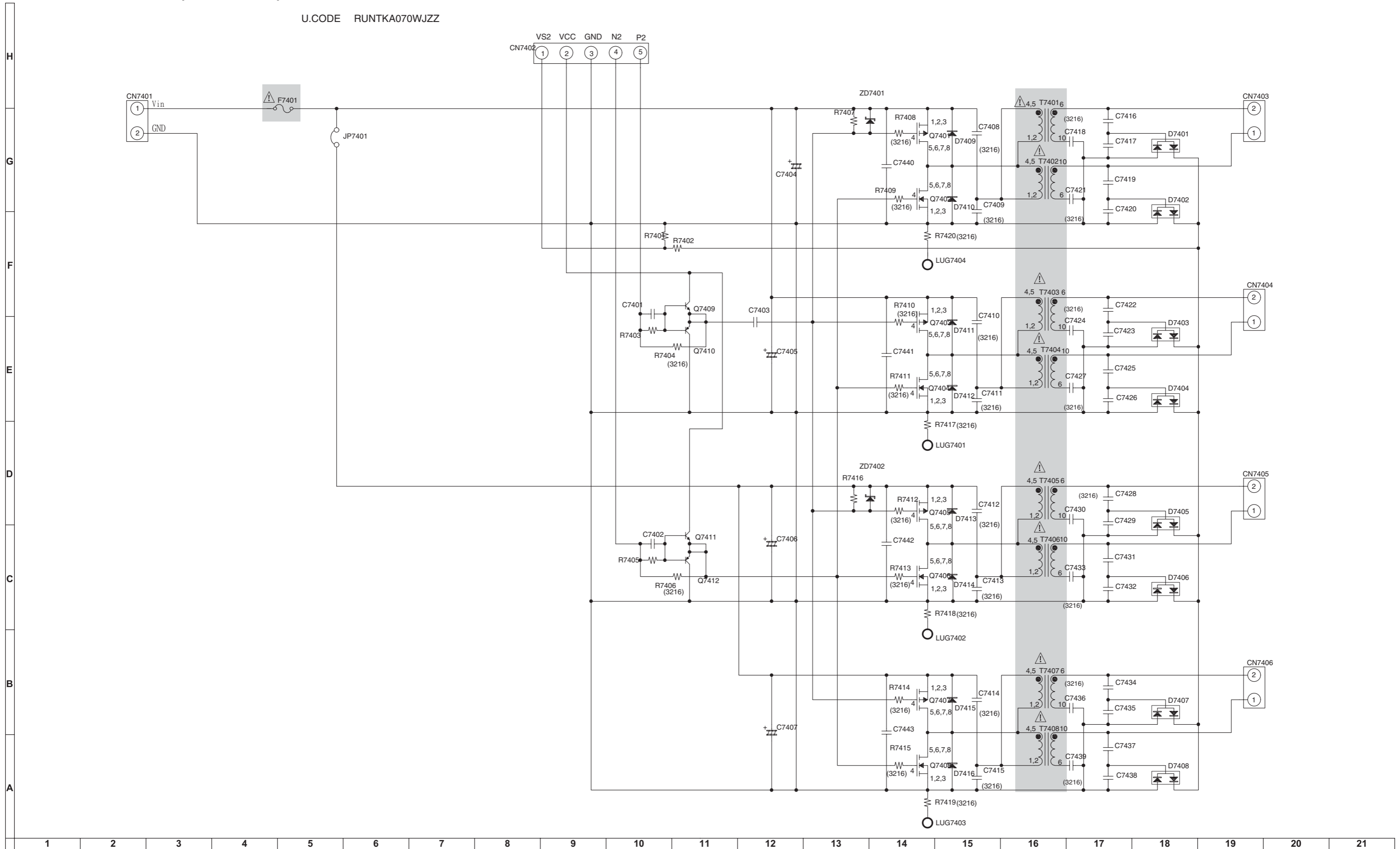
# INVERTER-A Unit (LC-32GA3E)

U.CODE RUNTKA069WJZZ



# INVERTER-B Unit (LC-32GA3E)

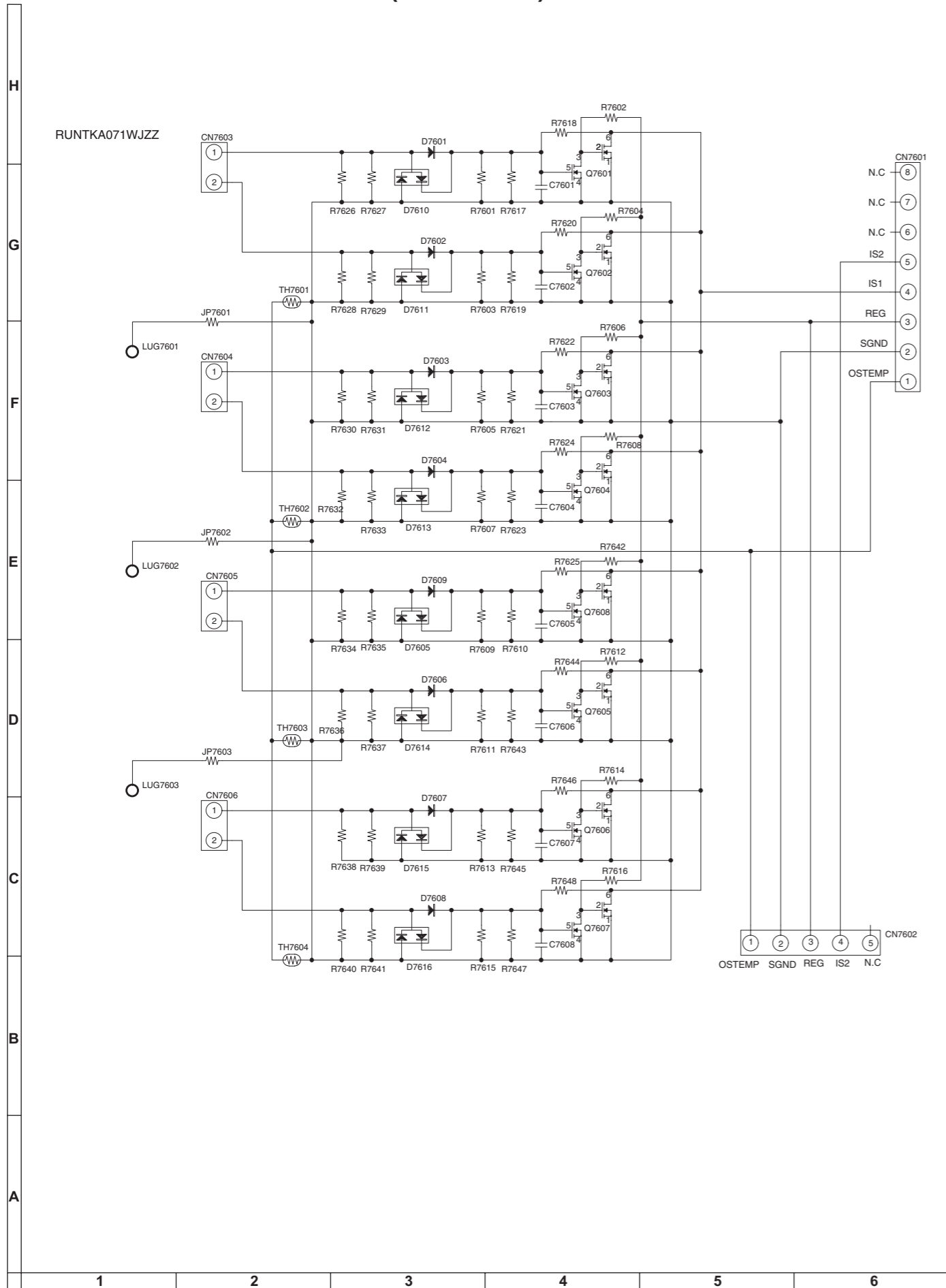
U.CODE RUNTKA070WJZZ



H  
G  
F  
E  
D  
C  
B  
A

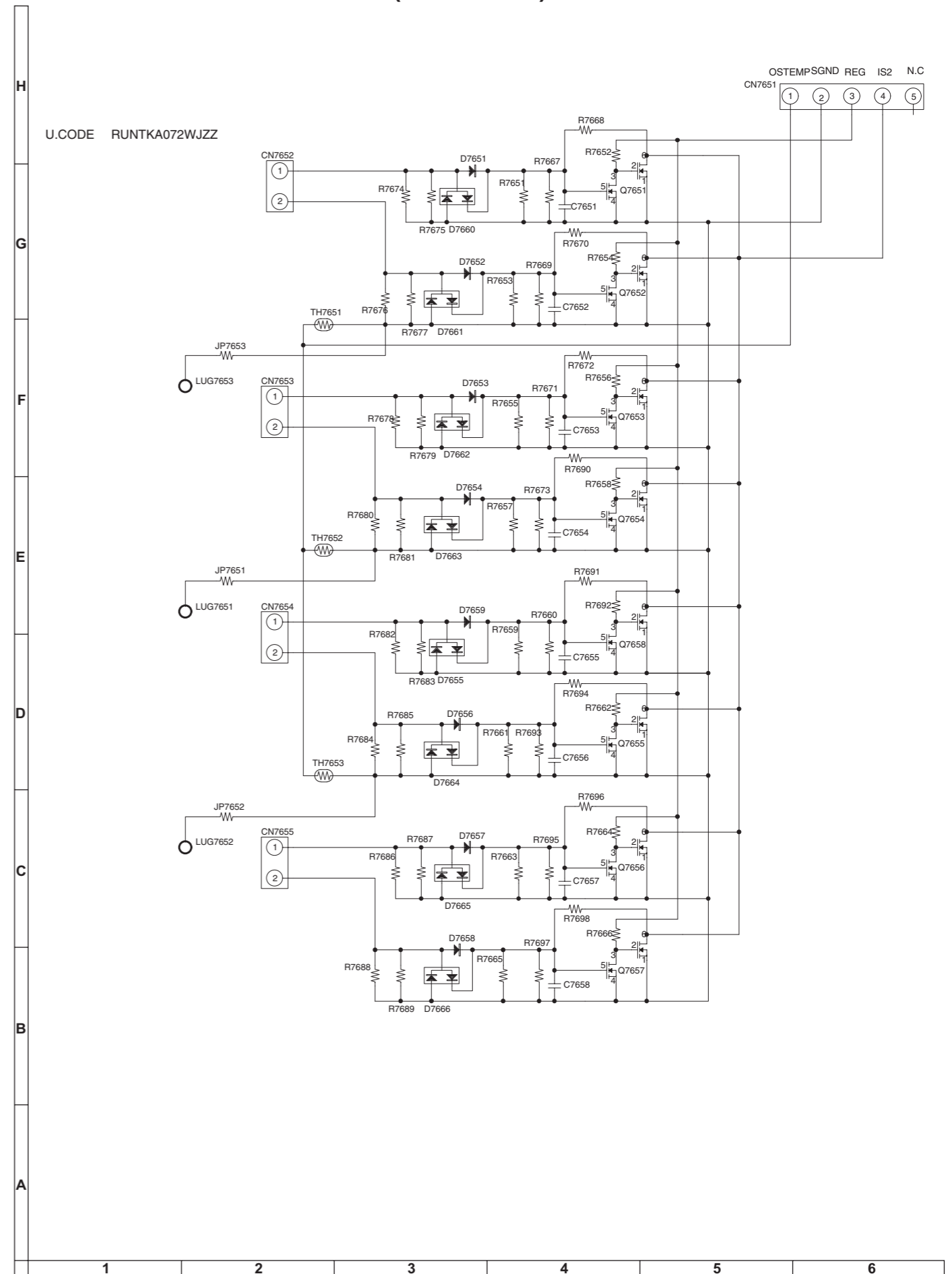
1 2 3 4 5 6 7 8 9 10 11 12 13 14 15 16 17 18 19 20 21

# INVERTER GROUND-A Unit (LC-32GA3E)



D81

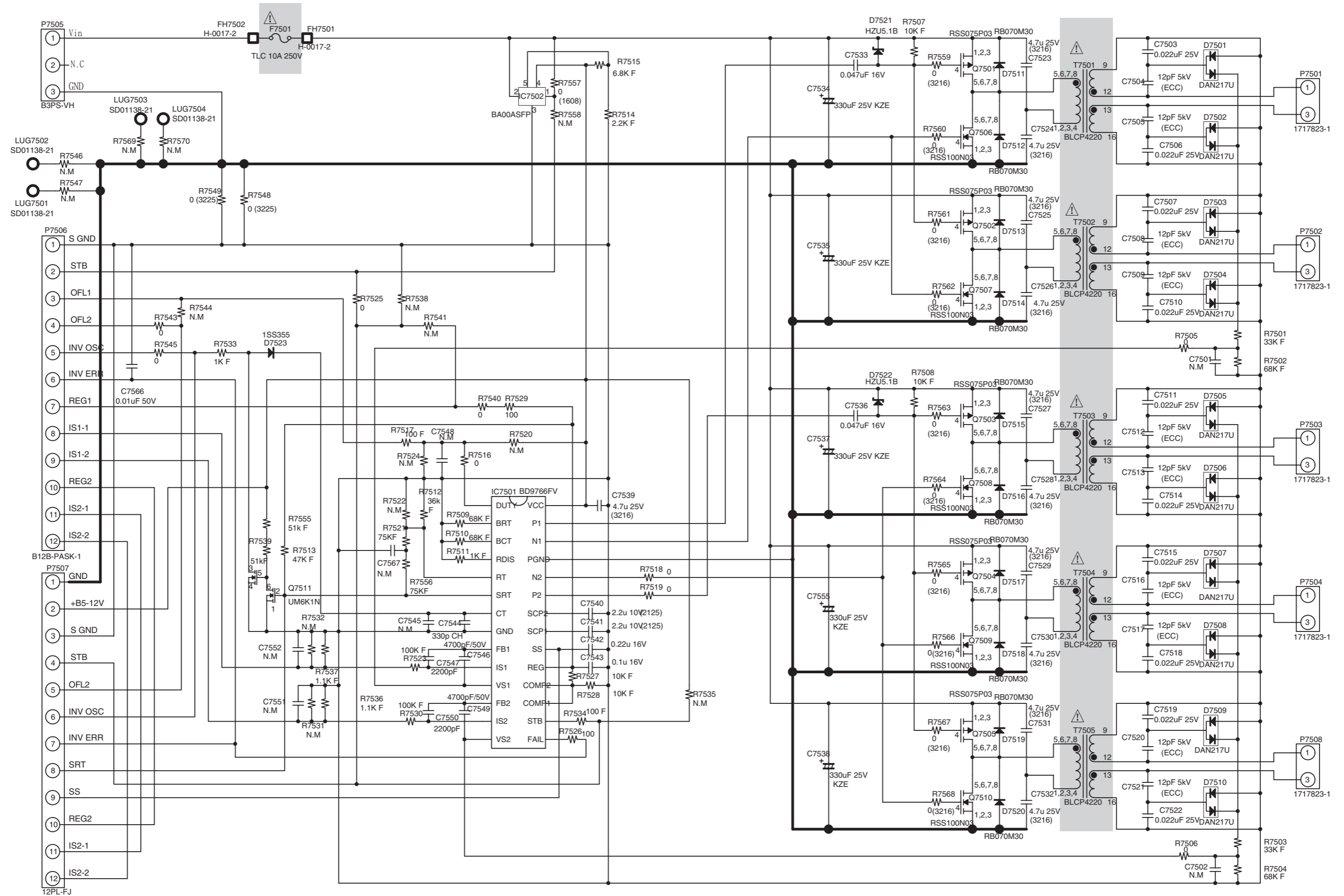
# INVERTER GROUND-B Unit (LC-32GA3E)



D82

# INVERTER-A Unit (LC-37GA3E)

U.CODE RUNTKA080WJZZ



H  
G  
F  
E  
D  
C  
B  
A

1 2 3 4 5 6 7 8 9 10 11 12 13 14 15 16 17 18 19 20 21

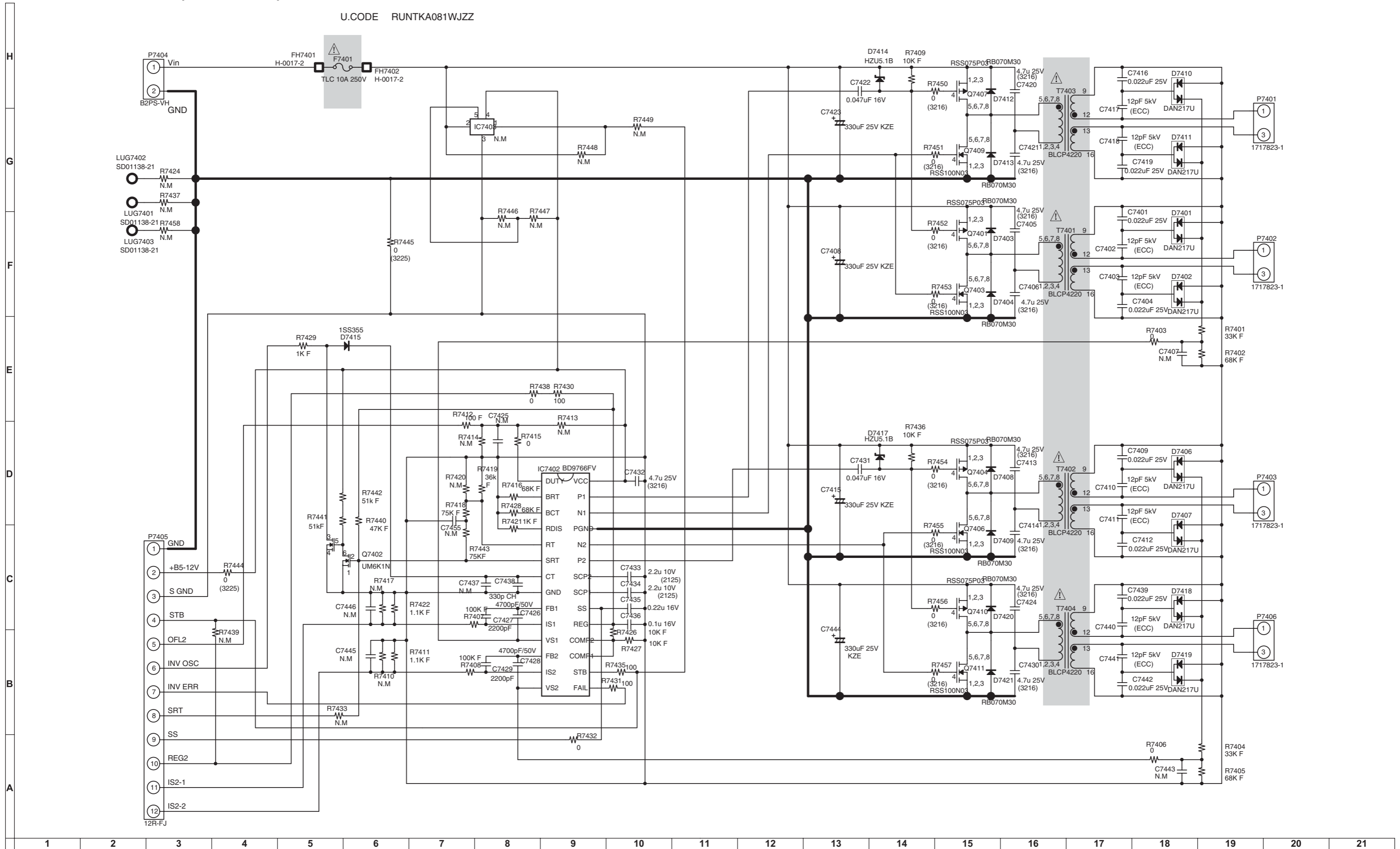
D83

D84



# INVERTER-B Unit (LC-37GA3E)

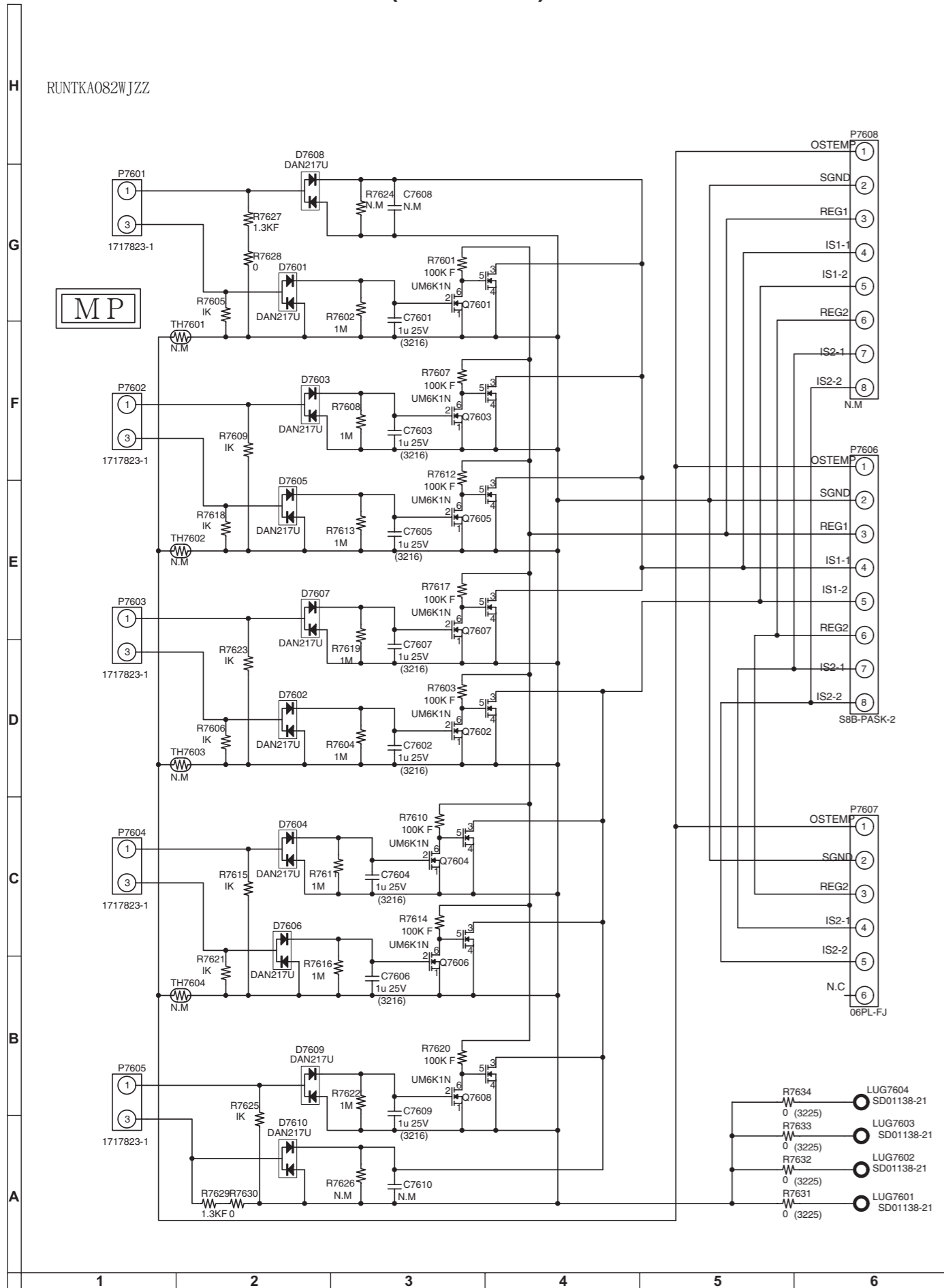
U.CODE RUNTKA081WJZZ



D85

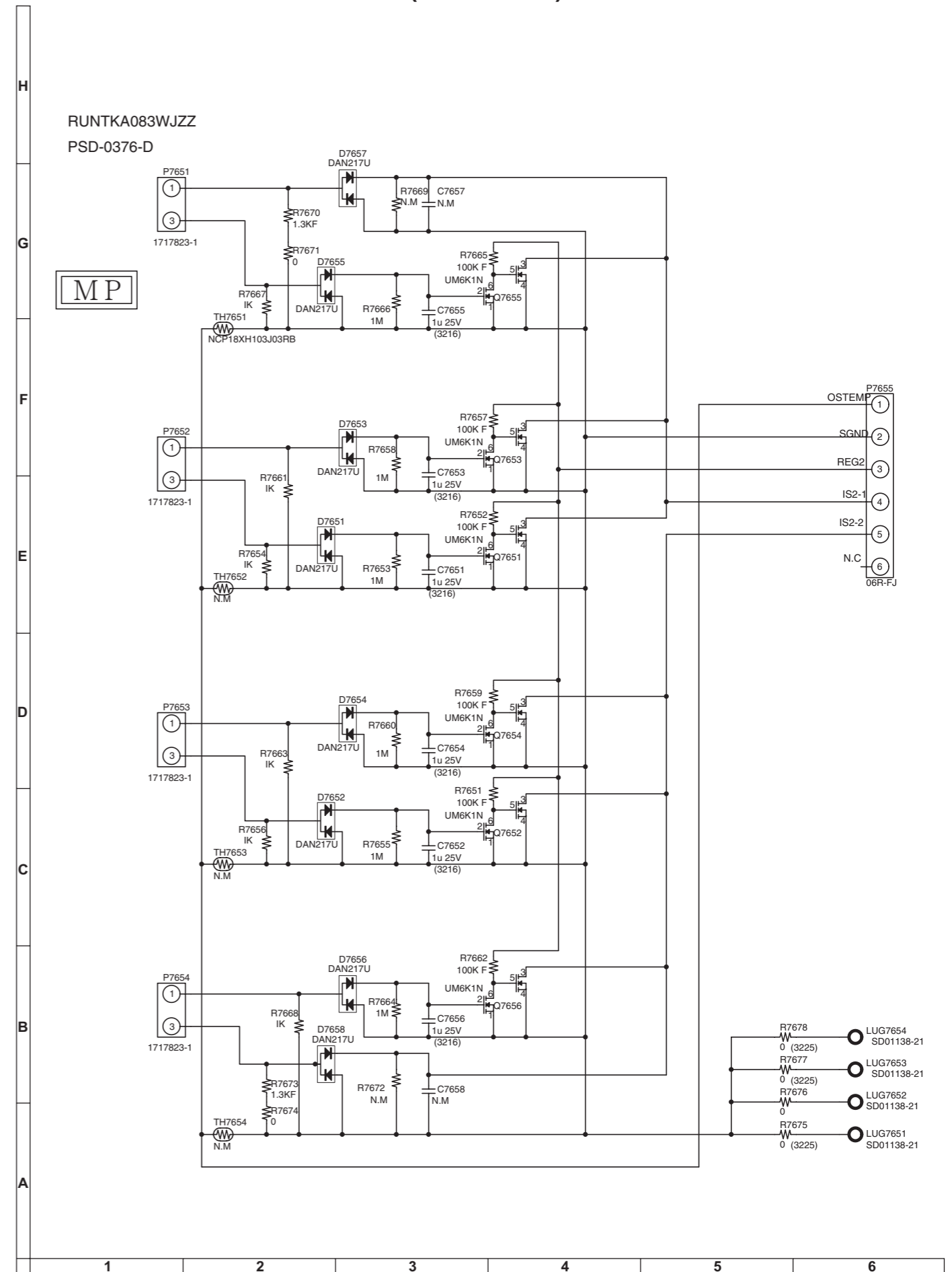
D86

# INVERTER GROUND-A Unit (LC-37GA3E)



D87

# INVERTER GROUND-B Unit (LC-37GA3E)



D88

■EXT, SP, TERMINAL Unit

