

Service Manual

LCD FLAT PANEL TELEVISION
VLP38 / VLP38+ / VLP38++ CHASSIS

LT-46244


<u>VLP38 Chassis</u>	<u>VLP38M Chassis</u>
LT-40133	LT-40134
LT-46133	
LT-52133	
<u>VLP38+ Chassis</u>	<u>VLP38++ Chassis</u>
LT-46144	LT-46244
LT-52144	LT-52244

CAUTION:

Before servicing this chassis, it is important that the service person read the "SAFETY PRECAUTIONS" and "PRODUCT SAFETY NOTICE" contained in this manual.

SPECIFICATIONS

- | | |
|--|---|
| <ul style="list-style-type: none"> • Power Input : AC 120V, 60Hz • Power Usage : See table on page 5 • Dimensions & Weight : See table on page 5 • LCD Panel <ul style="list-style-type: none"> <u>VLP38</u> : Resolution - 1920 x 1080 : Vertical Scan Range - 60Hz <u>VLP38+ / VLP38++</u> : Resolution - 1920 x 1080 : Vertical Scan Range - 120Hz • Tuning : Digital/Analog Tuner (NTSC/ATSC/QAM)
: Out of Band Tuner (VLP38++ only) • Tuning Range : Air VHF - 2~13, UHF - 14~69
Analog Cable - 1~25
Digital Cable - 1~135 • Antenna Input : 2 RF 75Ω unbalanced | <ul style="list-style-type: none"> • AV Analog Inputs & Outputs : VIDEO IN JACK (RCA Type)
: AUDIO IN JACK (RCA Type)
: S-VIDEO IN JACK (Y/C separate)
: COMP / Y, Cr, Cb (RCA Type)
: USB Input (5 meg pixel photo)
: Stereo Audio Outputs • Inputs/Outputs : HDMI™ 1.3 Inputs (digital)
480i, 480p, 720p, 1080i (60Hz)
1080p(24Hz, 30Hz, 60Hz)
: Digital Audio Output (Dolby® Digital/PCM)
: IEEE-1394 I/O Jacks (V38++ only)
Dealer Playback Only • HDMI™ Digital PC Compatibility : 640 x 480, 898 x 480, 800 x 600,
1064 x 600, 1024 x 768, 1280 x 720,
1365 x 768, 1280 x 10s4 @ 60Hz
: 1920 x 1080 @ 24Hz, 30Hz, 60Hz • Speakers (4Ω 10W) : Two 5½"x2¼" Oval |
|--|---|

• Design specifications are subject to change without notice.



: Lead-Free solder PWBs

MITSUBISHI DIGITAL ELECTRONICS AMERICA, INC.

9351 Jeronimo Road, Irvine, CA 92618-1904

Copyright © 2007 Mitsubishi Digital Electronics America, Inc.

All Rights Reserved

- TV GUIDE and other related marks are registered marks of Gemstar-TV Guide International, Inc. and/or one of its affiliates.
- HDMI™ is a trademark of HDMI Licensing, LLC
- CableCARD is a trademark of Cable Television Laboratories, Inc.
- Dolby and Dolby digital are registered trademarks of Dolby Laboratories.
- DTV Link is a trademark of Consumer Electronics Association

CONTENTS

INTRODUCTION	5
Dimensions, weight, power usage, etc.	5
PRODUCT SAFETY NOTICE	5
SAFETY PRECAUTIONS	6
DISASSEMBLY	7
Back Cover Removal	7
LCD Stand Removal	8
Rear Input Cover Removal	8
Wall Mounting Brackets Removal	9
Chassis & Stand Holder Removal	9
CHASSIS DISASSEMBLY	
PWB-DM Cover Removal	10
PWBs Power, Signal & DM Removal	10
LT-52122 & LT-5244 PWB-DM Removal	11
PWB-DM End Plate Removal	11
LCD PANEL REPLACEMENT	
ASSY-SIDE-TERMINAL Removal	12
Bezel Removal	12
40" & 46" Screen Brackets Removal	13
52" Screen Brackets Removal	14
SETUP, INTIALIZATION & ERROR CODES	
User Controls	15
Option Menu & Digital Signal Strength	16
Reset & Initalization	17
Inital Settings	18
Led Indication	19
Error Codes	20
USING LEAD FREE SOLDER	21
CHIP PARTS REPLACEMENT	22
REPLACEMENT PARTS	23
Parts Ordering	23
Critical and Warranty Parts Designation	23
Parts Tolerance Codes	23
Quick Reference List	24
SERVICE PARTS LIST	25
CIRCUITRY BLOCK DIAGRAMS	32
Main Power Supply	32
PWB-DM DC to DC Supplies	33
Overall Video Signal Path	34
PWB-SIGNAL Video Select Circuitry	35
Overall Audio Signal Path	36
PWB-TERMINAL Sound Select Circuitry	37

Overall Control Circuitry 38
Auto Input/Output Detect Circuitry 39
Short Protect Circuitry 40

SCHEMATIC DIAGRAMS

Digital Light Processing, Digital Micro Mirror Device and DLP are Trademarks of Texas Instruments.
Dolby and Dolby digital are registered trademarks of Dolby Laboratories.
DTV Link is a trademark of Consumer Electronics Association
HDMI, the HDMI logo and High-Definition Multimedia Interface are trademarks or registered trademarks of HDMI Licensing, LLC..



INTRODUCTION

This service manual provides service instructions for LCD Flat Panel TV Models and Chassis:

Product Dimensions & Weight

MODEL	CHASSIS	HEIGHT	HEIGHT w/o base	WIDTH	DEPTH	DEPTH w/o base	WEIGHT w base	POWER USAGE
LT-40133	VLP38	26"	23.9"	37"	12.6"	5.6"	68.7 lbs	250W
LT-46133	VLP38	29"	26.9"	42.3 "	12.6"	5.6"	85.9 lbs	300W
LT-52133	VLP38	32.4"	30.4"	48"	14.2"	5.7"	98 lbs	370W
LT-40134	VLP38M	26"	23.9"	37"	12.6"	5.6"	68.7 lbs	250W
LT-46144	VLP38+	29"	26.9"	42.3 "	12.6"	5.6"	85.9 lbs	325W
LT-52144	VLP38+	32.4"	30.4"	48"	14.2"	5.7"	98 lbs	395W
LT-46244	VLP38++	29"	26.9"	42.3 "	12.6"	5.6"	85.9 lbs	325W
LT-52244	VLP38++	32.4"	30.4"	48"	14.2"	5.7"	98 lbs	395W

PRODUCT SAFETY NOTICE

Many electrical and mechanical parts in television receivers have special safety related characteristics. These characteristics are often not evident from visual inspection nor can the protection afforded by them necessarily be obtained by using replacement components rated for higher voltage, wattage, etc.

Replacement parts which have special safety characteristics are identified in this service manual.

Electrical components having such features are identified by shading on the schematic diagram and parts list of this service manual, and by marking on the supplementary sheet for this chassis to be issued subsequently. **Therefore, the replacement for any safety part should be identical in value and characteristics.**



The PWBs used in the VLP38, VLP38+ and VLP38++ chassis are constructed using Lead-Free solder. **When servicing use only recommended Lead-Free solder (refer to page 21).**

SAFETY PRECAUTIONS

NOTICE: Observe all cautions and safety related notes located inside the receiver cabinet and on the receiver chassis.

WARNING:

1. Operation of this receiver outside the cabinet or with the cover removed presents a shock hazard from the receiver's power supplies. Work on the receiver should not be attempted by anyone who is not thoroughly familiar with the precautions necessary when working on high voltage equipment.
2. Do not install, remove or handle the LCD panel in any manner unless shatterproof goggles are worn. People not so equipped should be kept away while the panel is being handled. Keep the panel away from the body while handling.
3. When service is required, observe the original lead dress. Where a short-circuit has occurred, replace those components that indicate evidence of overheating.
4. If the LCD Panel is damaged, crystalline liquid may leak from the LCD panel and broken glass may be scattered. The crystalline liquid is toxic. Avoid contact with your skin, eyes, or mouth. **DO NOT** touch the broken glass or crystalline liquid with bare hands, as cuts, poisoning, and/or skin irritation may occur. **DO NOT** let glass fragments or crystalline liquid get into your eyes or mouth. Should either contact your eyes or mouth, rinse the contacted area thoroughly with water and consult your doctor.
5. The fluorescent tubes in the panel contain mercury that is toxic and if broken should not be touched.
6. **DO NOT** dispose of the TV with general household waste. Follow local laws and regulations for legal and safe disposal of the TV. For disposal or recycling information, contact local authorities or the Electronic Industries Alliance at www.eiae.org.

Leakage current check

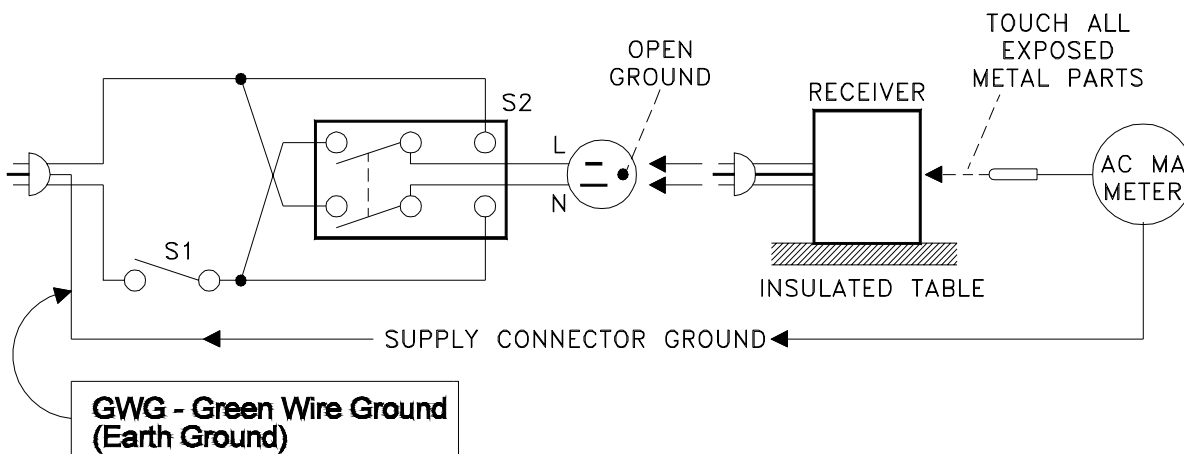
Before returning the receiver to the customer, it is recommended that leakage current be measured according to the following methods.

1. Cold Check

With the alternating current (AC) plug removed from the AC source, place a jumper across the two AC plug prongs. Connect one lead of an ohm meter to the AC plug and touch the other lead to each exposed metal part (i.e. antennas, handle bracket, metal cabinet, screw heads, metal overlay, control shafts, etc.), particularly any exposed metal part that has a return path to the chassis. The resistance of the exposed metal parts having a return path to the chassis **should be a minimum of 1Meg Ohm**. Any resistance below this value indicates an abnormal condition and requires corrective action.

2. Hot Check ...Use the circuit shown below to perform the hot check test.

1. Keep switch S1 open and connect the receiver to the measuring circuit. Immediately after connection, and with the switching devices of the receiver in their operating positions, measure the leakage current for both positions of switch S2.
2. Close switch S1, energizing the receiver. Immediately after closing switch S1, and with the switching devices of the receiver in their operating positions, measure the leakage current for both positions of switch S2. Repeat the current measurements of items 1 and 2 after the receiver has reached thermal stabilization. **The leakage current must not exceed 0.5 milliampere (mA).**



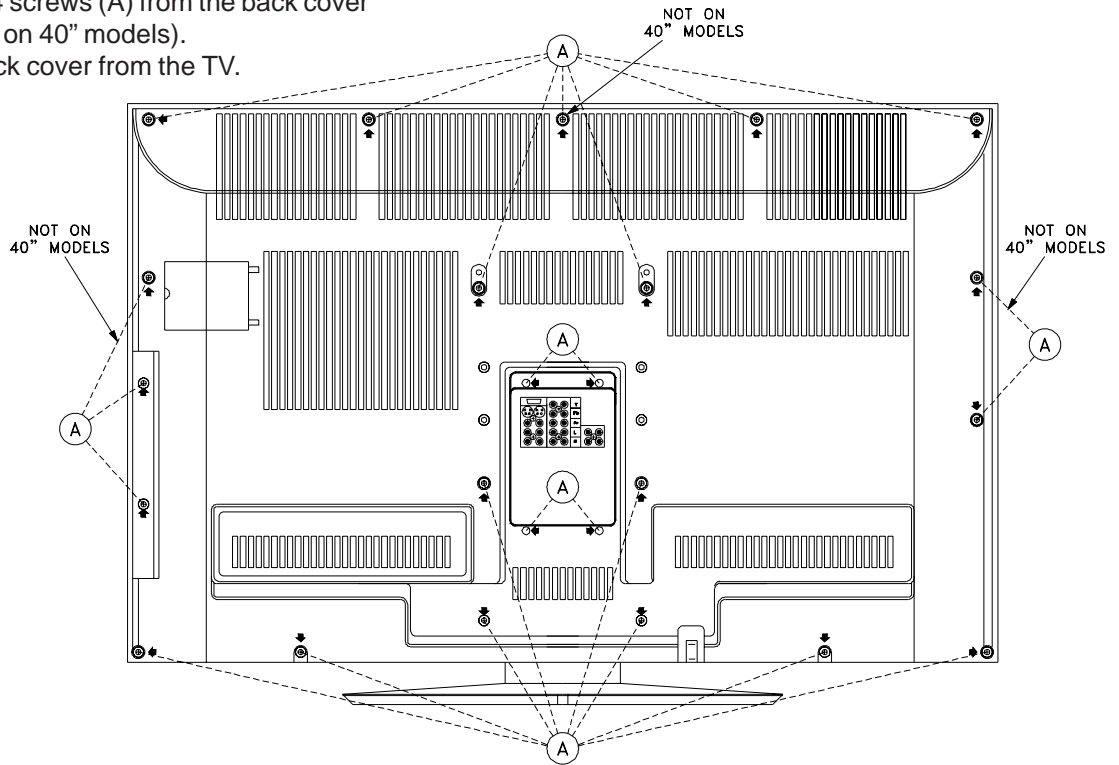
Back Cover Removal

Back Cover Removal Procedure

- 1) Remove 24 screws (A) from the back cover (21 screws on 40" models).
- 2) Pull the back cover from the TV.

40" & 46" MODELS

LT-40133
 LT-40134
 LT-46133
 LT-46144
 LT-46244

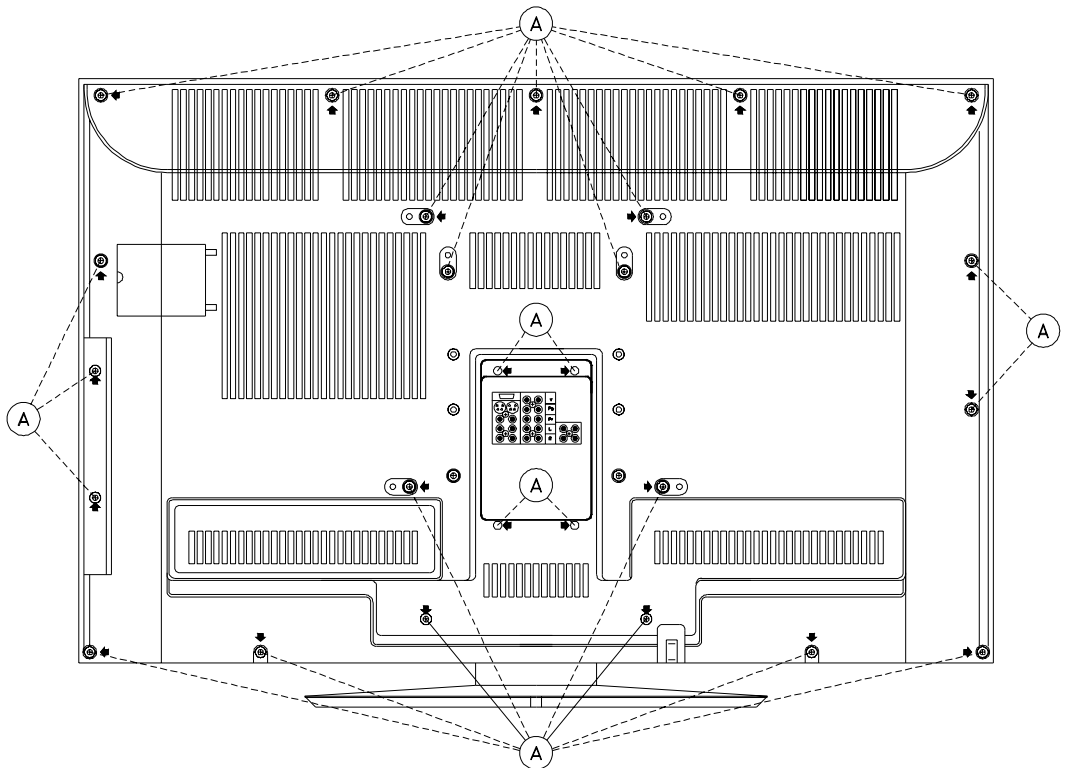


Back Cover Installation

Reverse the removal procedure.

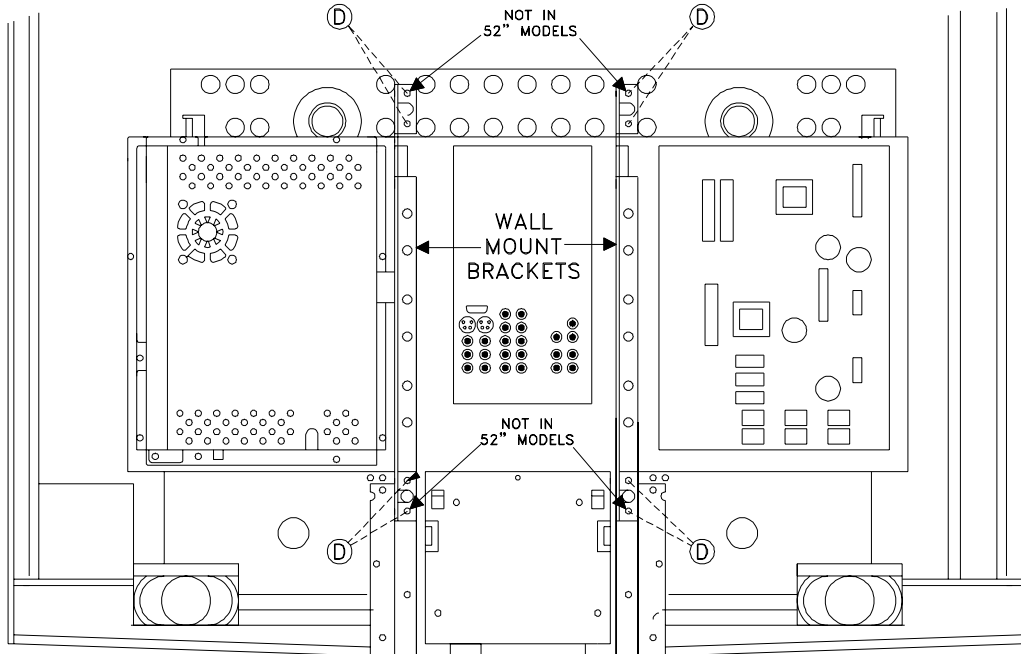
52" MODELS

LT-52133
 LT-52144
 LT-52244



Wall Mounting Brackets Removal

- 1) Remove 8 screws (D) (4 on 52" models).
- 2) Lift the mounting brackets from the unit.



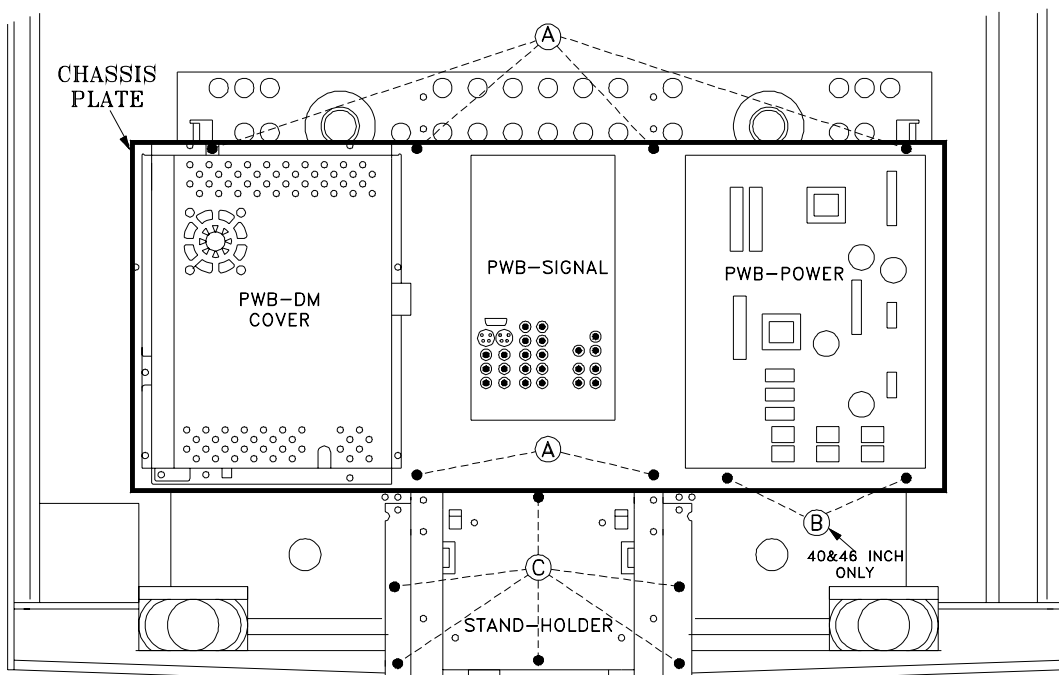
Chassis & Stand Holder Removal

Chassis Removal Procedure

- 1) Remove 6 screws (A).
- 2) Remove two screws (B). (40 & 46 inch models only)
- 3) Unplug all inter-connecting cables and lift the chassis from the unit.

Stand Holder Removal

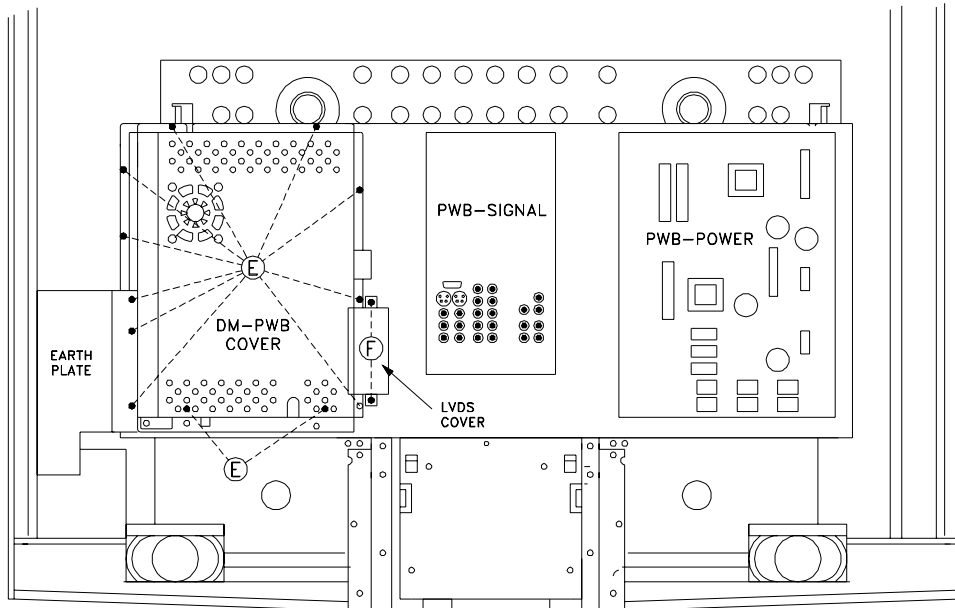
- 1) Remove screws (c).
- 2) Lift the stand holder from the unit..



Chassis Disassembly

PWB-DM Cover Removal

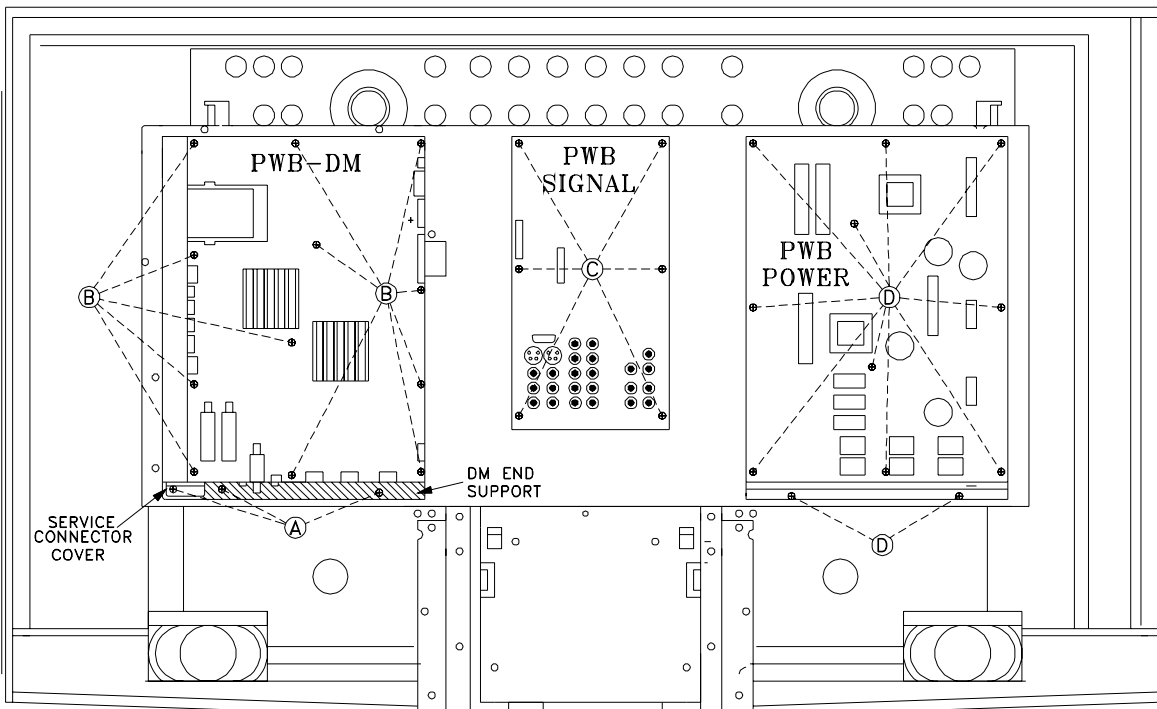
- 1) Remove screws (F) to remove the LVDS Cover.
- 2) Remove screws (E) to remove the DM-COVER and EARTH PLATE.
- 3) Lift the PWB-DM Cover from the unit.



PWBs Power, Signal & DM Removal

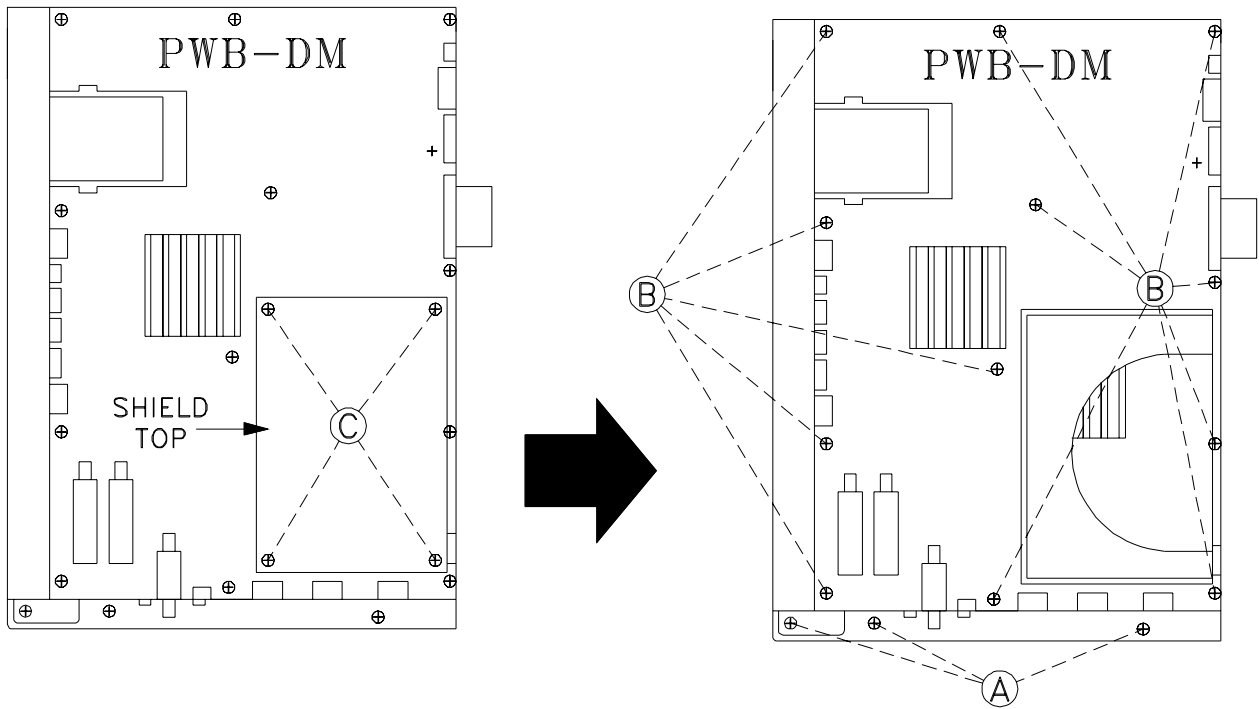
- 1) PWB-POWER remove (10) screws (D).
- 2) PWB-SIGNAL remove 6 screws (C).
- 3) PWB-DM remove 3 screws (A) from the end bracket and service connector cover, and screws (B) from the PWB-DM.

NOTE: Additional disassembly required in LT-52244 (See following page)



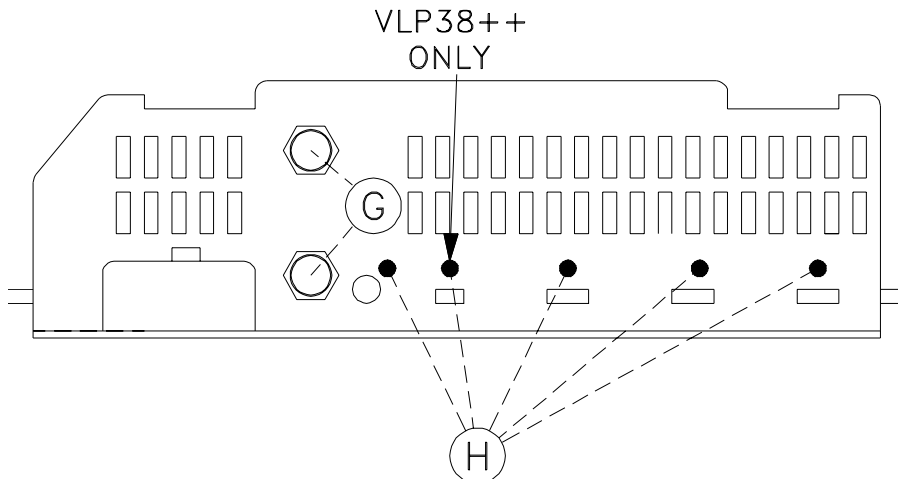
LT-46144, LT-46244, LT-52144 & LT-52244 PWB-DM Removal

- 1) Remove 4 screws (C) to remove the shield top.
- 2) Remove 3 screws (A) from the end support plate.
- 3) Remove 12 screws from the PWB-DM
- 2) Carefully lift the PWB-DM from the unit.



PWB-DM End Support Plate Removal

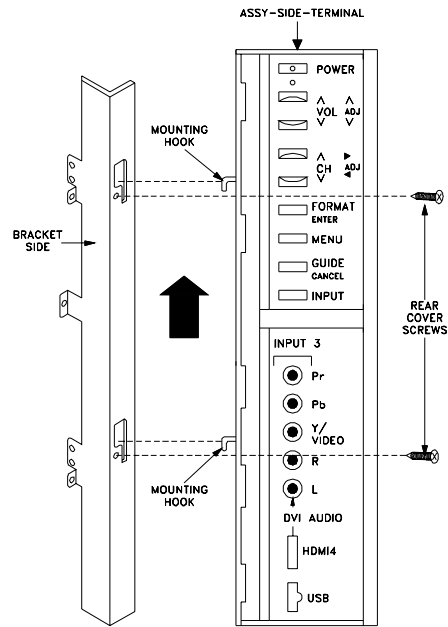
- 1) Remove two hex nuts (G).
- 2) Remove 5 screws (H) from the end support plate.
- 3) Pull the support plate away from the DM.



LCD Panel Replacement

ASSY-SIDE- TERMINAL Removal

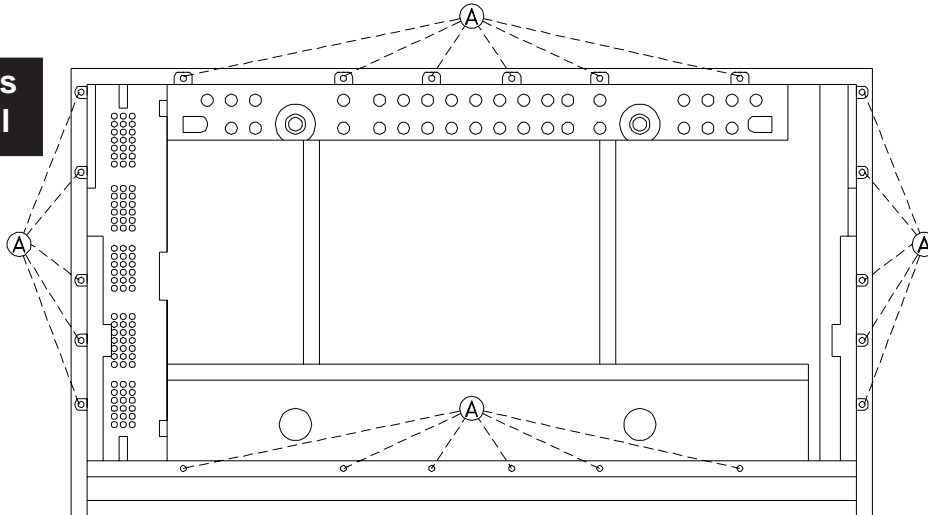
- 1) Unplug all connecting cables.
- 2) Slide the assembly towards the top of the unit.



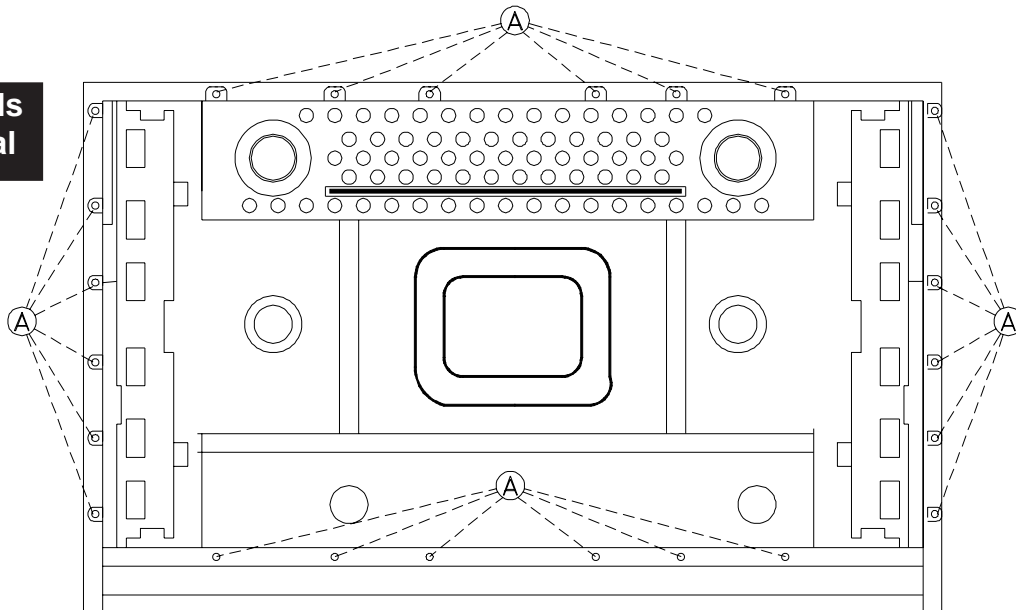
Bezel Removal

- 1) Remove screws (A) along the top, bottom and sides of the Bezel. (The number of screws and location varies with screen size.)
- 2) Lift the LCD Screen Assembly from the Bezel.

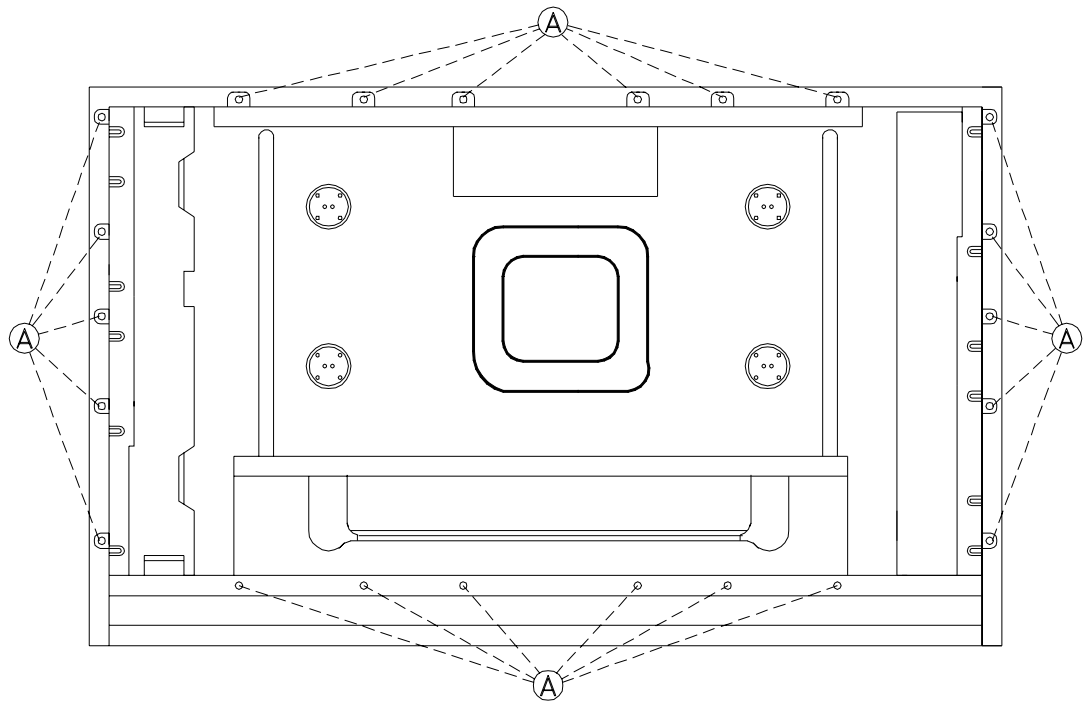
40 Inch models Bezel removal



46 Inch models Bezel removal

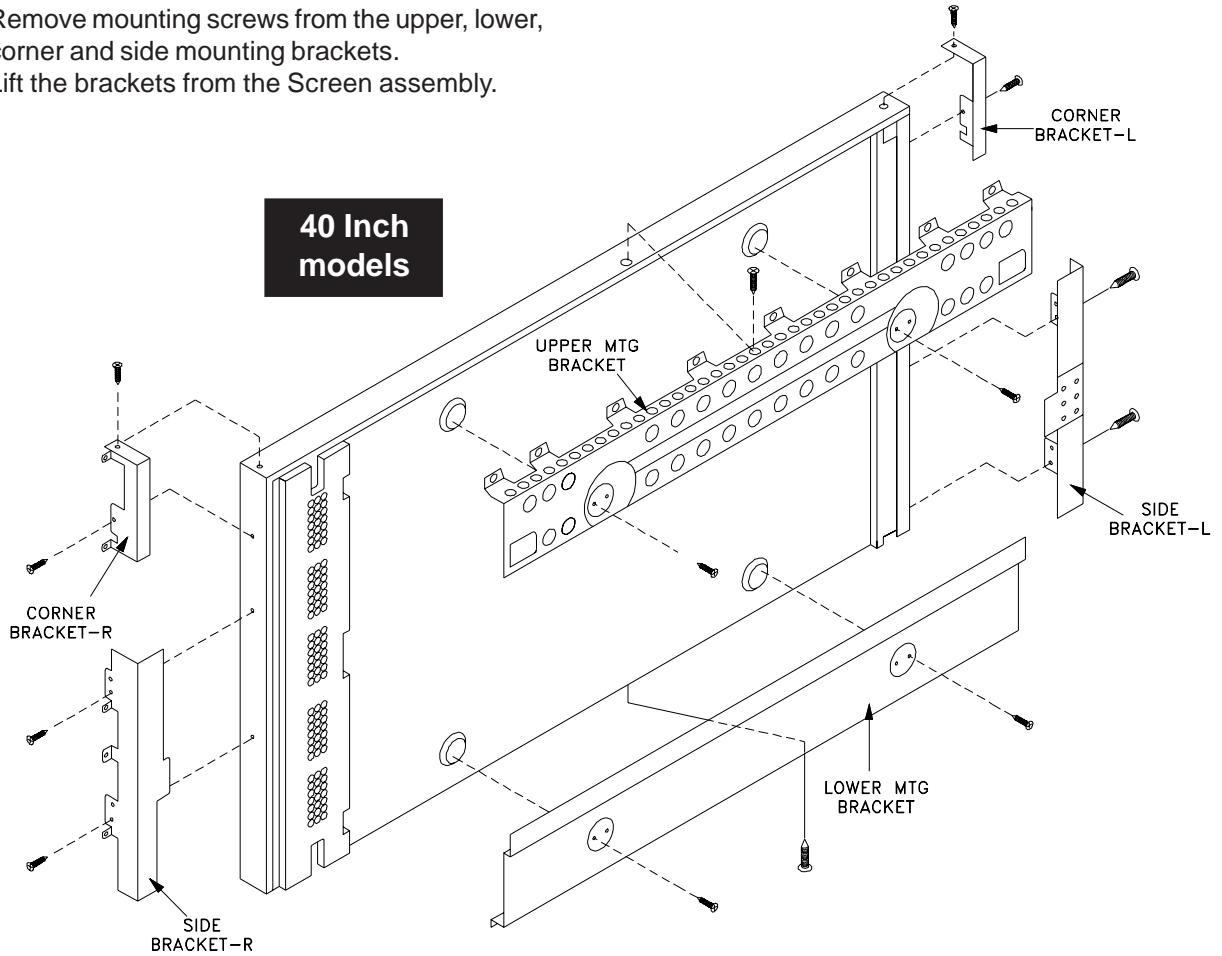


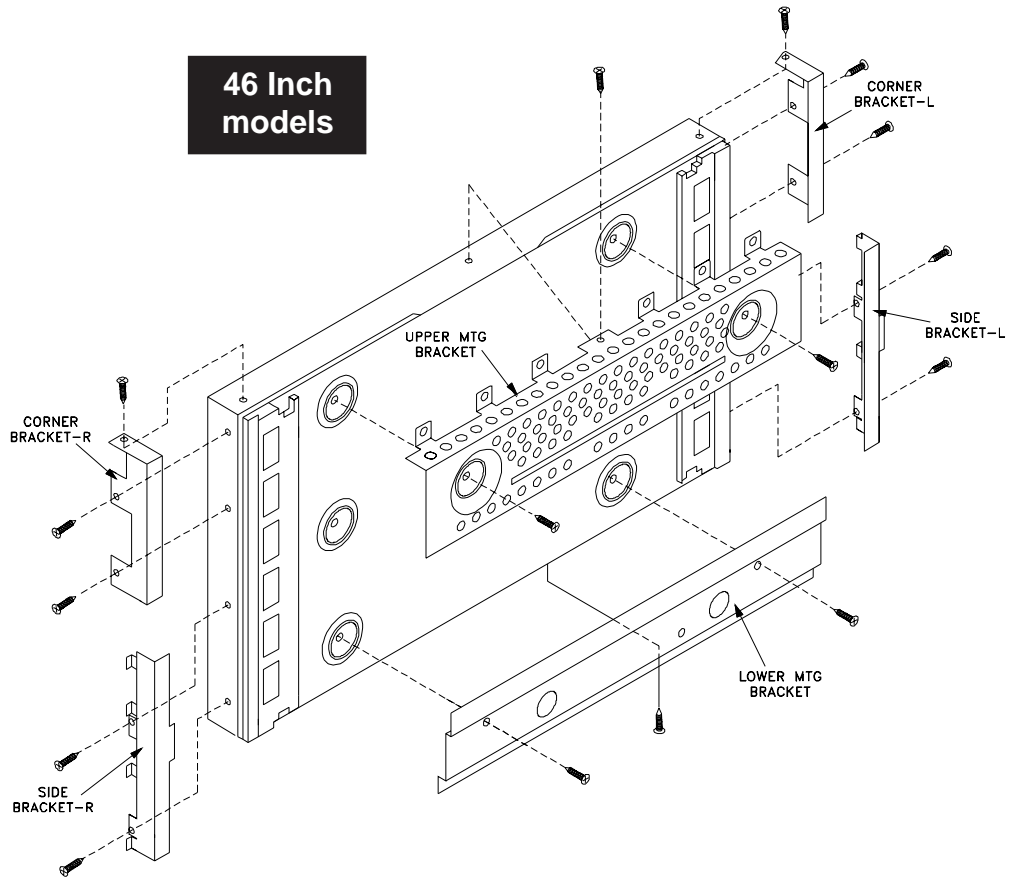
**52 Inch models
Bezel removal**



40 & 46 Inch Screen Brackets Removal

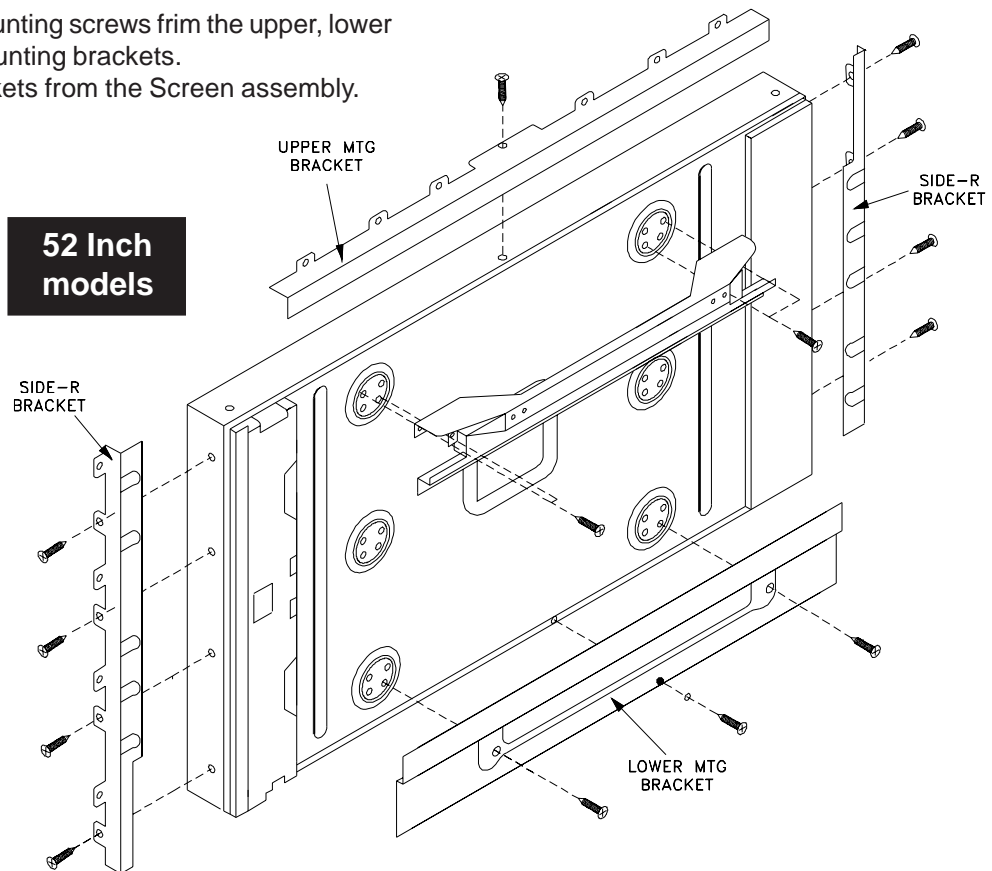
- 1) Remove mounting screws from the upper, lower, corner and side mounting brackets.
- 2) Lift the brackets from the Screen assembly.





52 Inch Screen Brackets Removal

- 1) Remove mounting screws from the upper, lower and side mounting brackets.
- 2) Lift the brackets from the Screen assembly.

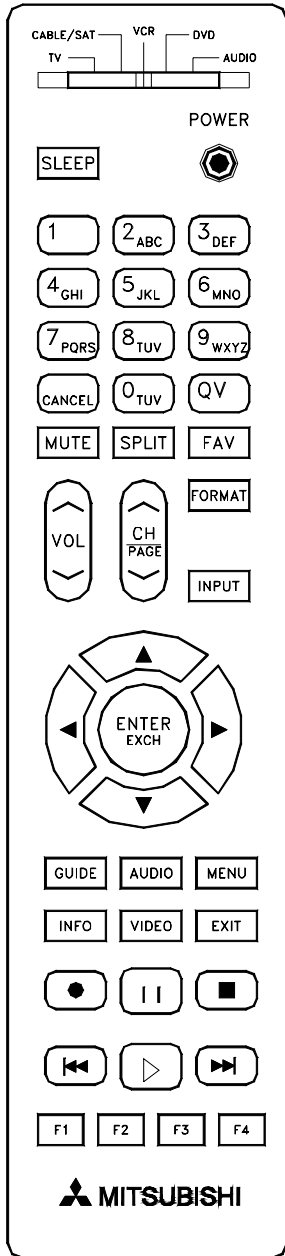


USER CONTROLS

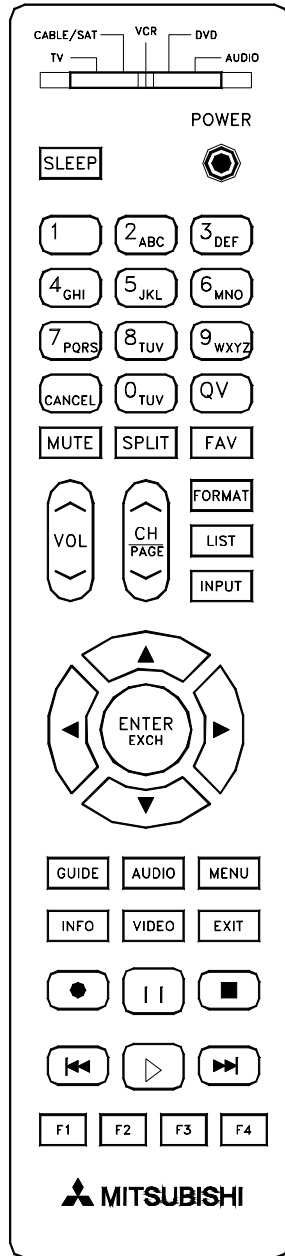
REMOTE CONTROLS

Partially Illuminated

Fully Illuminated

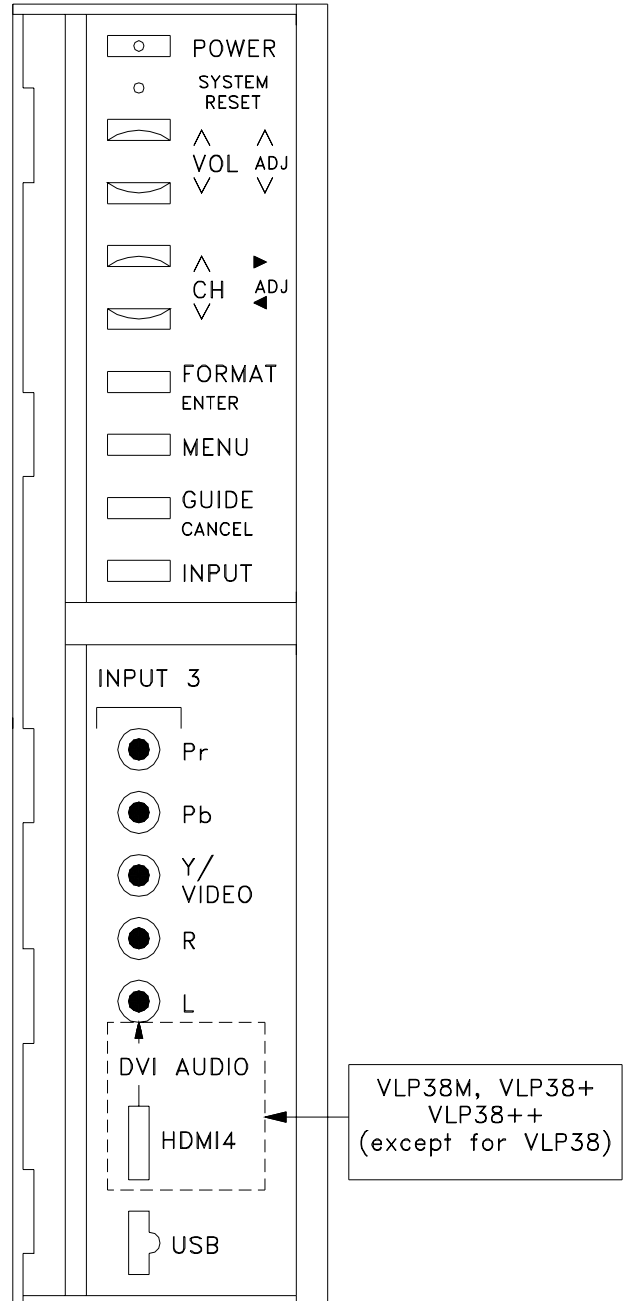


VLP38/VLP38+



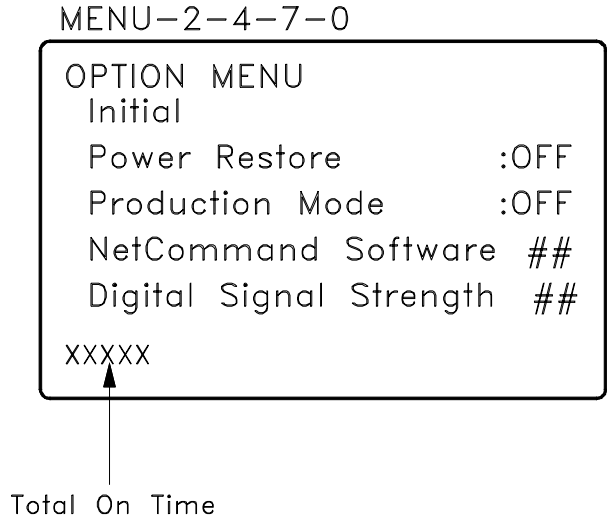
VLP38++

SIDE CONTROL PANEL



OPTION MENU

1. Press the "MENU" button on the remote hand unit.
2. Press the buttons "2", "4", "7" and "0" in order. (The screen will change to the option menu.)



Item Description

- Initial - Resets Settings
- Power Restore - Power Restore ON/OFF
- Netcommand Software - Displays software version
- Digital Signal Strength - Digital Signal Data (not for analog sources)

Digital Signal Strength

1. Tune to a Digital Channel
2. From the Option menu scroll down and highlight Digital Signal Strength
3. Press Enter

Example of Digital Signal Strength Display

	Tuner 0	Tuner 1	OOB Tuner
Frequency (MHz):	597	0	75.2
Signal Level:	8	0	0
Modulation:	256 QAM	Unknown	
Carrier Lock:	Locked	Unknown	Locked
SQI	100	0	
SNR	34.3	0	23.77
Correctable errors:	0	0	
UnCorrectabel errors:	0	0	

Signal Quality Index (0-100) →

Signal Noise Ratio →

SNR Recommended Levels:

- VSB = 15 to 35
- 64 QAM = 22 to 34
- 256 QAM = 27 to 37

RESET & INTIALIZATION

SERVICE TIP:

Many customer generated symptoms, intermittent symptoms or no symptom found can be resolved by using the various Reset and Initialization options. Before visiting the customer's home ask the customer 1st to try the **System Reset** button on the control panel and if this does not resolve the issue, then they can perform an **A/V Reset** by pressing the **Guide + Format** buttons on the front panel at the same time. Then, if necessary, perform a user level **Initialization** by pressing **MENU-123-ENTER** with the remote. The customer should be made aware when settings and/or options will be reset. For more information, see the chart below.

NOTE: During Initialization, the set will reboot. Wait until the Power LED stops flashing before unplugging or powering ON the TV.

RESET / INITIALIZATION GUIDE

Reset Name	When to use	How to use	Resulting Action
Remote Control TV Layer Reset	Returns the remote control TV layer to normal operation.	(1) Set the slide switch to TV position. (2) Press and hold the POWER button until it flashes twice then release the button. (3) Enter the code 0 0 9 3 5 .	Once the valid code has been entered and confirmed, the remote control has been reset.
Remote Control TV Volume/Mute functions	Returns the volume and mute functions of the remote control to TV volume and mute for TV, Cable/Sat, VCR and DVD layers after the Audio Lock for AV Receiver feature has been used.	(1) Set the slide switch to TV position. (2) Press and hold the POWER button until it flashes twice then release the button. (3) Enter the code 9 9 3 VOL UP .	The remote will now operate the TV's volume and mute when the slide switch is in the TV, CABLE/SAT, VCR or DVD positions.
A/V Memory Reset, by individual input	When the audio and or video settings for a single input seems to incorrect	MENU --> Audio/Video--> AV Reset	All Audio and Video settings for the individual input are reset except for the <i>Listen To, Language, Balance</i> and <i>Closed Caption</i> settings.
A/V Reset, all inputs	To reset audio and video adjustments for all inputs to the original factory settings.	While viewing the TV, press the front panel buttons GUIDE + FORMAT at the same time.	All Audio and Video settings are reset to the factory default settings. No other menu options are changed.
System Reset	To reset the TV when it does not turn on or off, does not respond to the remote control, front panel buttons or has other unusual symptoms.	Press the SYSTEM RESET button on the front panel with a pointed object such as a pencil or paperclip.	TV Micro Re-boots. Note: The changes made during the current TV-On period may be lost. All other previous user settings will not be lost.
Initialize User Level	To reset all customer settings except V-Chip	Press MENU - 123 - ENTER	All customer menu options and A/V settings except V-Chip are reset to factory default.
Initialize - Service Level	To reset all customer settings	MENU - 2470 . Highlight INITIALIZE and press ENTER	All customer menu options and A/V settings are reset to factory default.
V-Chip Password Bypass	If V-Chip password is not known	Press QV + 9 at the same time.	Password will be bypassed. If in the V-Chip menu, enter a new password.
Unlock Front Panel	To unlock the front panel if it has been locked in the V-Chip Menu.	Press and hold the front panel MENU button for 8 seconds.	Front Panel becomes operational. Other V-Chip settings not changed. Note: Cannot be performed while in the Low Power mode and the set is Off.

A/V INITIAL SETTINGS

A/V Memory	Ant	Video Input	Component Input	1394	HDMI (Video)	HDMI (PC)	USB (JPEG)
Picture Mode	Brilliant	Brilliant	Brilliant	Brilliant	Brilliant	Brilliant	Brilliant
Brilliant Contrast	MAX	MAX	MAX	MAX	MAX	MAX	MAX
Brilliant Brightness	Center	Center	Center	Center	Center	Center	Center
Color	Center	Center	Center	Center	Center	Center	Center
Tint	Center	Center	Center	Center	Center	Center	Center
Sharpness	Center	Center	Center	Center	Center	Center	Center
Color Temp.	High	High	High	High	High	High	High
Perfect Color	Center	Center	Center	Center	Center	Center	Center
Perfect Tint (VLP38M/VLP38++)	Center	Center	Center	Center	Center	Center	Center
Deep Field imager (VLP38M/VLP38++)	On	On	On	On	On	On	On
Back Light	MAX	MAX	MAX	MAX	MAX	MAX	MAX
Video Noise	Medium	Medium	Medium	Medium	Medium	Medium	Medium
Film Mode	Off	Off	Off	Off	Off	Off	Off
SharpEdge (VLP38M/VLP38++)	On	On	On	On	On	On	On
Bass	Center	Center	Center	Center	Center	Center	n/a
Treble	Center	Center	Center	Center	Center	Center	n/a
Balance	Center	Center	Center	Center	Center	Center	n/a
Surround	Off	Off	Off	Off	Off	Off	n/a
Listen To	stereo	n/a	n/a	n/a	n/a	n/a	n/a
Level Sound	On	On	On	On	On	On	n/a
Language (Digital Only)	English	n/a	n/a	English	n/a	n/a	n/a
Vertical Position	n/a	n/a	n/a	n/a	n/a	Center	n/a
Horizontal Position	n/a	n/a	n/a	n/a	n/a	Center	n/a
Fine Detail	n/a	n/a	n/a	n/a	n/a	Center	n/a

LED Indicator Diagnostics

The front panel LEDs provide an indication of the set's operation, and the possible cause of a malfunction. There are two front panel LEDs, "Power" and "Status". The LED display shows the current status or indicates a possible malfunction.

NORMAL LED INDICATIONS

POWER/TIMER LED	STATUS LED	CONDITION
Off	Off	Off (standby mode)
Blinks Blue (Fast)	Off	Initializing (10~65 seconds) (AC off)
Blue	Off	Power On
Blink Blue (Slow)	Off	Power On Timer is set

ABNORMAL LED INDICATIONS

POWER/TIMER LED	STATUS LED	CONDITION
Off	Blinks Red	Fan stopped (LT-46244/LT-52244 Only)
Off	Red	Circuit failure (short) LCD PON-short or Inverter short LVDS cable disconnected, chassis to panel.

3. Error Code Operational Check

Note: The TV must be in “Shut Down” and not have been switched Off, to perform the Error Code Operational Check. When the TV is switched Off, the code automatically resets to “12” No Error.

Pressing the front panel “INPUT” and “MENU” buttons at the same time, and holding for 5 seconds, activates the Error Code Mode. The “POWER LED” flashes denoting a two digit Error Code, or indicating no problem has occurred since the last Initialization.

Note: The front panel buttons must be used, NOT those on the Remote Control.

- The number of flashes indicates the value of the MSD (tens digit) of the Error Code.
- The flashing then pauses for approximately 1/2 second.
- The LED then flashes indicating the value of the LSD (ones digit) of the Error Code.
- The Error Code is repeated a total of 5 times.

(EXAMPLE) - When the error code is 35, the LED flashes as follows



ERROR CODES

Error Code	Description	Connector
12	No error since last power On	
27	Inverter short detected (IC7A01 pin 116 = High when short)	PB-PD-PF
28	FPGA download failure (IC7A01 pin 44 = Low when short)	
29	FRC communication error (VLP38+/VLP38++) - (3.3V-SDA&SCL)	VR
35	DM Fan stopped (VLP38++ only)	JD
44	Disconnected LVDSI cable between DM and LCD module	VR-CN1
47	DM temperature too high	
48	LCD Panel short detected (IC7A01 pin 124 = Low when short)	PB-PG
58	Signal Short Detected (IC7A01 pin 89 = Low when short)	
59	DM short detected (IC7A01 pin 125 = Low when short)	



Using Lead Free Solder

The above symbol indicates Lead (Pb) Free solder was used during the construction of PWBs. **Only Lead Free solder** should be used when servicing these PWBs.

Solder must be compatible with that used by the manufacturer. Leaded solder can not be used on PWBs manufactured with Pb-free solder. The Mitsubishi standard for service requires the use of Tin-Silver-Copper (Sn-96.5, Ag-3.0, Cu-0.5). It can be obtained through the Parts Department.

Order part number: **PB FREE SOLDER**

Lead Free solder has a higher melting point, and does not “wet” as well as leaded solder. This means it does not adhere as readily to the solder iron tip, and the surface to be soldered. To counteract this, the flux used is more corrosive.

The following cautions must be taken when using Pb Free solder.

- Higher temperatures can cause the PWB to warp, detaching surface mount components.
- Higher temperatures may cause thermal damage to components.
- Higher temperatures can cause plastics, such as connectors, relays, LEDs electrolytic capacitors, etc. to melt or warp.
- Higher temperatures can cause surface oxidation resulting in poor solder spread-ability and wet-ability.
- The flux is more corrosive.

- The time required for a good solder connection may take longer.
- Poor wet-ability can cause solder balls.
- Higher temperatures can cause flux spattering.
- Soldering iron tip life is shortened.
- Dull finish solder joints (not shiny) can appear to be a “cold” solder joint.

In general a tip temperature of 700° F will usually provide good results.

Displays used to indicate Pb-free

PCBs will be marked, indicating the level of Pb-free construction. *Table 1* defines the levels by phase and shows the different symbols that will be displayed on the PCB. Additionally, a PCB constructed using Pb-free solder may be simply marked **LFS**.

When possible, the indication will be placed close to the part number that is screened onto the PCB (not the part label). *Figure 1* is an example of a PCB showing the display and its location.

Pb-Free Phase	Definition	Display	Short Display (When the area is too small)
Phase-1	PCB's constructed using Pb-free solder.		
Phase-2	Solder, PCB surface finishing and component lead plating is Pb-free. Components may have internal Pb.		
Phase-3	Solder, PCB surface finishing and components are Pb-free. (100% Pb-free)		

Table 1: Pb-Free Phases and Symbols



Figure 2: Pb-Free display on PWB

CHIP PARTS REPLACEMENT

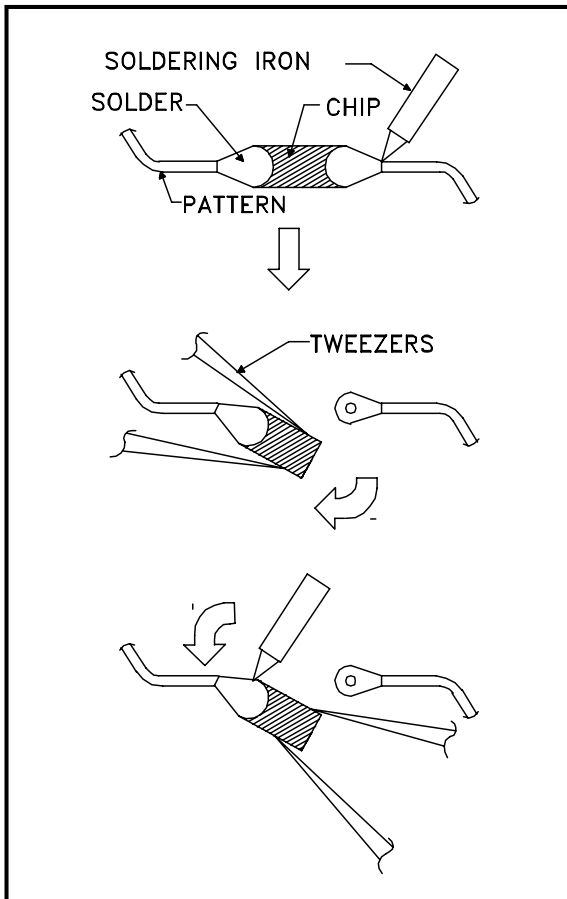
Some resistors, shorting jumpers (0 Ohm resistors), ceramic capacitors, transistors and diodes are chip parts. The following precautions should be taken when replacing these parts.

Cautions:

1. Use a fine tipped, well insulated soldering iron and tweezers.
2. Melt the solder and remove the chip parts carefully so as not to tear the copper foil from the printed circuit board.
3. Discard removed chips; do not reuse them.
4. Do not apply heat for more than 3 (three) seconds to new chip parts.
5. Avoid using a rubbing stroke when soldering.
6. Take care not to scratch, or damage the chip parts when soldering.
7. Supplementary cementing is not required.

Chip Parts Removal (Resistors, Capacitors, etc.)

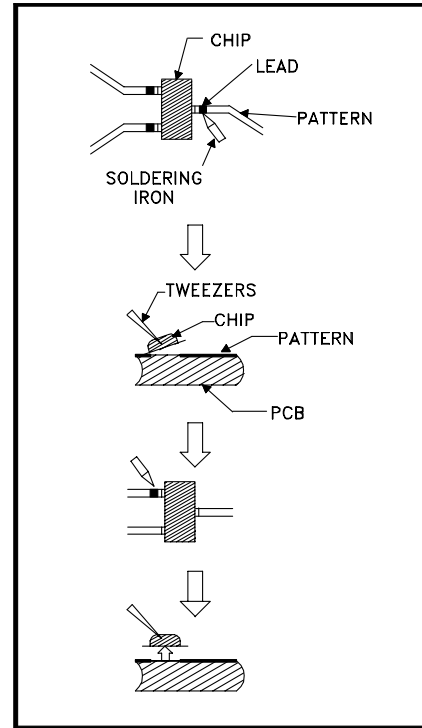
1. Grasp the part with tweezers. Melt the solder at both sides alternately, and remove one side of the part with a twisting motion.
2. Melt the solder at the other side and remove



the part.

Chip Parts Removal (Transistors)

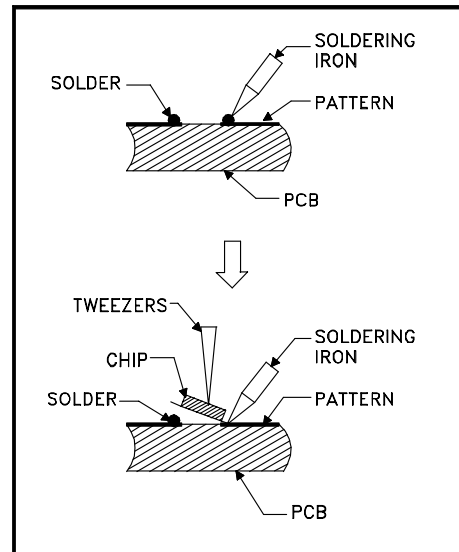
1. Melt the solder of one lead and lift the side of that lead upward.
2. Simultaneously melt the solder of the other



two leads and lift the part from the PCB.

Replacement

1. Presolder the contact points on the circuit pattern.
2. Press the part downward with tweezers and



apply the soldering iron as shown.

REPLACEMENT PARTS


Parts Ordering

To expedite delivery of replacement parts orders, specify the following:

1. Model Number/Serial Number
2. Part Number and description
3. Quantity

Note: Unless complete information is supplied, delay in processing of orders will result.

Critical and Warranty Parts Designation

Critical Electrical Components are indicated by **Bold Type** in the Parts List, and in the schematic diagrams by a red hatch 

Parts Tolerance Codes

Refer to the following chart for tolerance characteristics of electrical components.

MARK	B	C	D	F	G	J	K
Tolerance %	± 0.1	± 0.25	± 0.5	± 1	± 2	± 5	± 10

MARK	M	N	V	X	Z	P	Q
Tolerance %	± 20	± 30	± 10	+ 40 -20	+ 80 -20	+ 100 - 0	+ 30 -10

MARK	M	N	V	X	Z
Tolerance (pF)	± 0.1	± 0.25	± 0.5	± 1	± 2

QUICK REFERENCE FOR COMMON PARTS

REMOTE CONTROLS

MODEL	PART NUMBER
LT-40133	290P137010
LT-46133	
LT-52133	
LT-40134	
LT-46144	
LT-52144	
LT-46244	290P137020
LT-52244	

LCD PANEL ASSEMBLIES

MODEL	PART NUMBER	DESCRIPTION
LT-40133	289P101010	LCD-MODULE-40"
LT-40134	289P101010	LCD-MODULE-40"
LT-46133	289P100010	LCD-MODULE-46"
LT-46144	289P107010	LCD-MODULE-46"
LT-46244	289P107010	LCD-MODULE-46"
LT-52133	289P105010	LCD-MODULE-52"
LT-52144	289P106010	LCD-MODULE-52"
LT-52244	289P106010	LCD-MODULE-52"

PWB's

MODEL	PWB-SIGNAL	PWB-DM	PWB-POWER
LT-40133	920D740001	921C549001	921C544001
LT-40134	920D740002	921C549002	921C544001
LT-46133	920D740001	921C549003	921C544002
LT-46144	920D740002	921C549004	921C544004
LT-46244	920D740003	921C549005	921C544004
LT-52133	920D740001	921C549006	921C544003
LT-52144	920D740002	921C549007	921C544005
LT-52244	920D740003	921C549008	921C544005

MODELS: LT-40133 / LT-46133 / LT-52133 / LT-40134 / LT-46144 / LT-52144 / LT-46244 / LT-52244

[#] Model Legend: (a) LT-40133, (b) LT-40134, (c) LT-46133, (d) LT-46144, (e) LT-46244, (f) LT-52133, (g) LT-52144, (h) LT-52244

Ref #	Part #	Part Name & Description	[#]
INTEGRATED CIRCUITS			
IC102	276P325010	IC-C-MOS - MAX4232AKA+T/SOT-23+	
IC2001	276P460010	IC-C-MOS - Sil9125CTU	
IC2005	271P251010	IC - MM1661JHBE	
IC2101	276P461010	IC-C-MOS - Sil9185CTU	
IC2102	271P251010	IC - MM1661JHBE	
IC2201	271P255010	IC - RClamp0524P.TCT	
IC2202	271P255010	IC - RClamp0524P.TCT	
IC2301	271P255010	IC - RClamp0524P.TCT	
IC2302	271P255010	IC - RClamp0524P.TCT	
IC2401	271P255010	IC - RClamp0524P.TCT	
IC2402	271P255010	IC - RClamp0524P.TCT	
IC2C02	275P989010	IC-C-MOS - MAX3223ECAP	eh
IC2E01	276P519010	IC-C-MOS - 74HC132DB	bdegh
IC2J00	276P174020	IC-C-MOS - AT24C256BN-10SU-1.8	
IC2J01	276P459010	IC-C-MOS - MM1783BQ	
IC2N02	276P521010	IC-C-MOS - XC3S100E-4TQG144C	
IC2N06	271P251040	IC - MM1662FHBE	
IC2N07	271P216010	IC - SC42151STRT	
IC3551	276P202030	IC-C-MOS - ICS443M-41LF	
IC3A01	276P503010	IC-C-MOS - AK5358AETP	
IC3B02	276P464010	IC - TDA8932BTW/N2	
IC3D02	276P498010	IC-C-MOS - AK4341ETP	
IC3F01	271P209010	IC - AN5832SA	
IC3P01	276P518010	IC - NJU26204V-TE2	
IC3P03	271P251010	IC - MM1661JHBE	
IC600	276P539010	IC-C-MOS - XC3S1000-5FG(G)676C	degh
IC6A0	276P466010	IC-C-MOS - NT5DS8M16FS-5T	degh
IC6B0	276P466010	IC-C-MOS - NT5DS8M16FS-5T	degh
IC6C0	276P466010	IC-C-MOS - NT5DS8M16FS-5T	degh
IC6F0	276P540010	IC-C-MOS - THC63LVD104S	degh
IC6H0	276P540010	IC-C-MOS - THC63LVD104S	degh
IC6K0	276P512010	IC - THC63LVD1023	degh
IC6M0	276P512010	IC - THC63LVD1023	degh
IC6P0	276P534010	IC-C-MOS - AOZ1014DI	degh
IC6R0	270P879030	IC - SC156615M-2.5TR	degh
IC6S0	271P033010	IC - LP2996MRX	degh
IC6T0	270P879030	IC - SC156615M-2.5TR	degh
IC6W5	276P541010	IC-C-MOS - XCF04SVOG20C	degh
IC6X0	276P202040	IC-C-MOS - ICS443M	degh
IC7A02	270P706020	IC - MAX823REUK	
IC7A03	271P149010	IC-C-MOS - M62368GP#CFOJ	
IC7A05	270P571020	IC - LM75BIM-5	eh
IC7E01	276P197010	IC-C-MOS - AD9981KST-80	
IC7E02	271P251010	IC - MM1661JHBE	
IC7E03	271P251020	IC - MM1663DHBE	
IC7F00	276P466010	IC-C-MOS - NT5DS8M16FS-5T	
IC7F01	276P466010	IC-C-MOS - NT5DS8M16FS-5T	
IC7F02	276P466010	IC-C-MOS - NT5DS8M16FS-5T	
IC7F03	276P466010	IC-C-MOS - NT5DS8M16FS-5T	
IC7F04	271P033010	IC - LP2996MRX	
IC7G25	270P879030	IC - SC156615M-2.5TR	
IC7K21	276P525010	IC-C-MOS - MAX4489ASA+T	bdegh
IC7M01	276P476010	IC-C-MOS - Sil9181CNU	beh
IC7M02	271P255010	IC - RClamp0524P.TCT	beh
IC7M03	271P255010	IC - RClamp0524P.TCT	beh
IC7M05	271P251010	IC - MM1661JHBE	beh
IC7M06	271P255010	IC - RClamp0524P.TCT	beh
IC8001	276P441010	IC-C-MOS - X215H48AGA21HG(X240H)	

Ref #	Part #	Part Name & Description	[#]
IC8002	270P706020	IC - MAX823REUK	
IC8010	271P216010	IC - SC42151STRT	
IC8011	271P216010	IC - SC42151STRT	a
IC8011	271P216010	IC - SC42151STRT	
IC8101	271P033010	IC - LP2996MRX	
IC8102	276P492010	IC-C-MOS - NT5DS32M16BS-5T	
IC8103	276P492010	IC-C-MOS - NT5DS32M16BS-5T	
IC8205	276P042010	IC-C-MOS - MIC2544-1BM	
IC8280	276P215010	IC-C-MOS - DS1337U+T&R	
IC8304	276P465010	IC-C-MOS - MD2534-d1G-X-P	
IC8307	276P199020	IC-C-MOS - XR16V654IV	
IC8401	276P193010	IC-C-MOS - MN864620	eh
IC8404	271P251030	IC - MM1661FHBE	eh
IC8501	270P880010	IC - 24LC64I/SN	eh
IC8502	271P248010	IC - 74LVC245APW-T	eh
IC8503	276P399010	IC-C-MOS - 74LVC573APW-T	eh
IC8505	276P399010	IC-C-MOS - 74LVC573APW-T	eh
IC8506	276P065030	IC-C-MOS - CIMAX SP2 PBF	eh
IC8507	276P398010	IC-C-MOS - 74LVC257APW-T	eh
IC8508	276P397010	IC-C-MOS - 74LV125PW-T	eh
IC8511	271P171010	IC - MIC2040-1YMM	eh
IC8512	271P171010	IC - MIC2040-1YMM	eh
IC8513	271P171010	IC - MIC2040-1YMM	eh
IC8FA0	276P512010	IC - THC63LVD1023	
IC9A10	267P175010	HIC - STR-W6735	
IC9A20	271P142010	IC - RT9H301C	
IC9A40	271P270010	IC - STR-Z4579	
IC9A50	271P142010	IC - RT9H301C	
IC9C51	271P251020	IC - MM1663DHBE	
IC9G01	271P253010	IC - AOZ1010AI	
IC9G02	271P254010	IC - ISL6545ACBZ-TS2698	
IC9G03	270P879030	IC - SC156615M-2.5TR	
IC9G04	271P254010	IC - ISL6545ACBZ-TS2698	
IC9G05	271P142010	IC - RT9H301C	
IC9G07	271P272010	IC - NJM2386ADL3-09	
IC9J02	271P272010	IC - NJM2386ADL3-09	
IC9J03	271P128010	IC - BA5C0WFP-E2	
TRANSISTORS			
CHIP Type Transistors (Listed by Part No.)			
	Part No.	Description	
	260P899010	2SC3734-B23	
	261P837010	UPA672T	degh
	261P842030	2SC3052-T112-1G	
	261P842080	2SC3052-T112-1E;F	bdegh
	261P843080	2SA1235-T112-1E;F	
	261P844010	RT1N436C-T112-1	a
	261P874010	FDS8896	
	261P875010	FDS8984	
	261P876010	FDS6298	
	261P877010	FDC655BN	
	261P881010	2SB1424T100R	bdegh
TRANSISTORS			
Conventional Transistors (By Ref #)			
Ref #	Part #	Part Name & Description	[#]
Q9A12	261P223010	TR - 2SJ651	

MODELS: LT-40133 / LT-46133 / LT-52133 / LT-40134 / LT-46144 / LT-52144 / LT-46244 / LT-52244

[#] Model Legend: (a) LT-40133, (b) LT-40134, (c) LT-46133, (d) LT-46144, (e) LT-46244, (f) LT-52133, (g) LT-52144, (h) LT-52244

Ref #	Part #	Part Name & Description	[#]
DIODES			
D101	262P075010	DIODE - RSB6.8S	
D2103	262P852010	DIODE-CHIP - BAT54S	
D2201	262P840090	D-CHIP - MAZ80510H	
D2202	262P830010	D-CHIP - MC2850-T111-1	
D2203	262P830010	D-CHIP - MC2850-T111-1	
D2301	262P840090	D-CHIP - MAZ80510H	
D2302	262P830010	D-CHIP - MC2850-T111-1	
D2303	262P830010	D-CHIP - MC2850-T111-1	
D2401	262P840090	D-CHIP - MAZ80510H	
D2402	262P830010	D-CHIP - MC2850-T111-1	
D2403	262P830010	D-CHIP - MC2850-T111-1	
D2J01	262P163010	D-CHIP - MALS068XOL	
D2J02	262P163010	D-CHIP - MALS068XOL	
D2J03	262P163010	D-CHIP - MALS068XOL	
D2J04	262P163010	D-CHIP - MALS068XOL	
D2J05	262P163010	D-CHIP - MALS068XOL	
D2J06	262P163010	D-CHIP - MALS068XOL	
D6P0	262P823010	DIODE - SPB-G56S	degh
D7A01	262P828010	D-CHIP - MC2838-T112-1	abcdfg
D7A01	262P828010	D-CHIP - MC2838-T112-1	eh
D7A04	262P828010	D-CHIP - MC2838-T112-1	abcdfg
D7A04	262P828010	D-CHIP - MC2838-T112-1	eh
D7A05	262P828020	D-CHIP - MC2836-T112-1	abcdfg
D7A05	262P828020	D-CHIP - MC2836-T112-1	eh
D7A09	262P828010	D-CHIP - MC2838-T112-1	abcdfg
D7A09	262P828010	D-CHIP - MC2838-T112-1	eh
D7K21	268P110010	PHOTO-DIODE - SFH2505FA	bdegh
D7K22	262P828010	D-CHIP - MC2838-T112-1	bdegh
D7L04	264P584020	DIODE-LE - SML1216W-C,D	
D7L05	262P186010	DIODE-LE - SELT1E10CXM-S	eh
D7M06	262P840090	D-CHIP - MAZ80510H	beh
D8203	264P846010	D-CHIP - MA732	
D8204	264P846010	D-CHIP - MA732	
D8205	262P828010	D-CHIP - MC2838-T112-1	
D8280	262P828010	D-CHIP - MC2838-T112-1	
D9A00	262P031010	DIODE - D6SB80	
D9A01	262P031010	DIODE - D6SB80	
D9A02	262P804010	D-CHIP - 1SS355	
D9A03	262P805060	D-CHIP - UDZS5.6B	
D9A04	262P804010	D-CHIP - 1SS355	
D9A05	262P170010	DIODE - SARS01	
D9A06	264P777070	DIODE - MTZJ10A,B,C,D	
D9A18	262P804010	D-CHIP - 1SS355	
D9A19	262P804010	D-CHIP - 1SS355	
D9A20	264P045080	DIODE - 1S2076A/1S24710M	
D9A22	264P775080	DIODE-MTZJ6.2CQLF	
D9A23	262P085010	DIODE - 11EFS2N-TA2B5	
D9A24	262P085010	DIODE - 11EFS2N-TA2B5	
D9A25	262P085010	DIODE - 11EFS2N-TA2B5	
D9A26	262P184010	DIODE - SG10SC6-5112	
D9A31	262P084020	DIODE - 31DQ09-FC5	
D9A42	264P622010	DIODE - AL01Z	
D9A43	264P622010	DIODE - AL01Z	
D9A46	264P543030	DIODE - EG01C	
D9A47	264P919030	DIODE - FCH20A10-15A	
D9A48	264P919030	DIODE - FCH20A10-15A	
D9A52	264P777070	DIODE - MTZJ10A,B,C,D	
D9G01	262P830010	D-CHIP - MC2850-T111-1	

Ref #	Part #	Part Name & Description	[#]
D9G02	262P830010	D-CHIP - MC2850-T111-1	
D9G05	264P775040	DIODE - MTZJ6.6CQLP	
D9G06	262P828010	D-CHIP - MC2838-T112-1	
D9G07	262P853060	DIODE - 1N748A	
D9G09	262P828010	D-CHIP - MC2838-T112-1	
COILS			
L101	409P923060	EMI-F-CHIP - BLM21B272S	
L102	325C420070	COIL-CHIP - 10MH-K	
L103	409P923060	EMI-F-CHIP - BLM21B272S	
L104	409P865080	EMI-F-CHIP - BLM18PG6	
L105	325C420070	COIL-CHIP - 10MH-K	
L106	409P923060	EMI-F-CHIP - BLM21B272S	
L107	409P923060	EMI-F-CHIP - BLM21B272S	
L2001	409P777080	EMI-F-CHIP - BLM21P221S	bdegh
L2002	409P777080	EMI-F-CHIP - BLM21P221S	
L2003	409P777080	EMI-F-CHIP - BLM21P221S	
L2004	409P777080	EMI-F-CHIP - BLM21P221S	
L2005	409P777080	EMI-F-CHIP - BLM21P221S	
L2006	409P777080	EMI-F-CHIP - BLM21P221S	
L2007	409P777080	EMI-F-CHIP - BLM21P221S	
L2008	409P777080	EMI-F-CHIP - BLM21P221S	
L2009	409P777080	EMI-F-CHIP - BLM21P221S	
L2010	409P865060	EMI-F-CHIP - BLM11B141S	bdegh
L2020	409P865060	EMI-F-CHIP - BLM11B141S	
L2030	409P865060	EMI-F-CHIP - BLM11B141S	
L2040	409P865060	EMI-F-CHIP - BLM11B141S	
L2101	409P777080	EMI-F-CHIP - BLM21P221S	
L2102	409P777080	EMI-F-CHIP - BLM21P221S	
L2104	409P777080	EMI-F-CHIP - BLM21P221S	
L2130	409P777080	EMI-F-CHIP - BLM21P221S	
L2131	409P777080	EMI-F-CHIP - BLM21P221S	
L2201	409P777080	EMI-F-CHIP - BLM21P221S	
L2301	409P777080	EMI-F-CHIP - BLM21P221S	
L2401	409P777080	EMI-F-CHIP - BLM21P221S	
L2501	409P923060	EMI-F-CHIP - BLM21B272S	
L2C16	409P876020	EMI-F-CHIP - CNF20C470S/ CKD510JB1H470S	eh
L2C17	409P876020	EMI-F-CHIP - CNF20C470S/ CKD510JB1H470S	eh
L2C20	409P777080	EMI-F-CHIP - BLM21P221S	eh
L2E00	409P876040	EMI-F-CHIP - CNF20C221S/ CKD510JB1H221S	bdegh
L2E02	409P923060	EMI-F-CHIP - BLM21B272S	bdegh
L2E14	409P777050	EMI-F-CHIP - BLM21B201S	bdegh
L2N41	409P777080	EMI-F-CHIP - BLM21P221S	
L2N42	409P777080	EMI-F-CHIP - BLM21P221S	
L2N43	409P777080	EMI-F-CHIP - BLM21P221S	
L2N45	409P777080	EMI-F-CHIP - BLM21P221S	
L3510	409P865090	EMI-F-CHIP - BLM11A121S	
L3551	409P865080	EMI-F-CHIP - BLM18PG6	
L3552	409P865090	EMI-F-CHIP - BLM11A121S	
L3553	409P865090	EMI-F-CHIP - BLM11A121S	
L3555	409P865090	EMI-F-CHIP - BLM11A121S	
L3A02	409P865020	EMI-F-CHIP - BLM11A601S	
L3A03	409P865020	EMI-F-CHIP - BLM11A601S	
L3B04	351P317020	COIL-CHOKE-CHIP - PLC-1055-330S	
L3B05	351P317020	COIL-CHOKE-CHIP - PLC-1055-330S	
L3D04	409P865020	EMI-F-CHIP - BLM11A601S	

MODELS: LT-40133 / LT-46133 / LT-52133 / LT-40134 / LT-46144 / LT-52144 / LT-46244 / LT-52244

[#] Model Legend: (a) LT-40133, (b) LT-40134, (c) LT-46133, (d) LT-46144, (e) LT-46244, (f) LT-52133, (g) LT-52144, (h) LT-52244

Ref #	Part #	Part Name & Description	[#]
L3D05	409P865020	EMI-F-CHIP - BLM11A601S	
L3D08	409P865020	EMI-F-CHIP - BLM11A601S	
L3E04	409P865020	EMI-F-CHIP - BLM11A601S	
L3F01	409P865020	EMI-F-CHIP - BLM11A601S	
L3P01	409P865020	EMI-F-CHIP - BLM11A601S	
L3P02	409P865020	EMI-F-CHIP - BLM11A601S	
L3P03	409P865020	EMI-F-CHIP - BLM11A601S	
L3S01	409P865020	EMI-F-CHIP - BLM11A601S	
L6C0	409P777080	EMI-F-CHIP - BLM21P221S	degh
L6F0	409P777080	EMI-F-CHIP - BLM21P221S	degh
L6F1	409P777080	EMI-F-CHIP - BLM21P221S	degh
L6F2	409P777080	EMI-F-CHIP - BLM21P221S	degh
L6H0	409P777080	EMI-F-CHIP - BLM21P221S	degh
L6H2	409P777080	EMI-F-CHIP - BLM21P221S	degh
L6H3	409P777080	EMI-F-CHIP - BLM21P221S	degh
L6K0	409P777080	EMI-F-CHIP - BLM21P221S	degh
L6K1	409P777080	EMI-F-CHIP - BLM21P221S	degh
L6K2	409P777080	EMI-F-CHIP - BLM21P221S	degh
L6K4	409P961010	CHIP-FILT - ACM2012D-9002P	degh
L6K5	409P961010	CHIP-FILT - ACM2012D-9002P	degh
L6K6	409P961010	CHIP-FILT - ACM2012D-9002P	degh
L6K7	409P961010	CHIP-FILT - ACM2012D-9002P	degh
L6K8	409P961010	CHIP-FILT - ACM2012D-9002P	degh
L6K9	409P961010	CHIP-FILT - ACM2012D-9002P	degh
L6L0	409P961010	CHIP-FILT - ACM2012D-9002P	degh
L6L1	409P961010	CHIP-FILT - ACM2012D-9002P	degh
L6L2	409P961010	CHIP-FILT - ACM2012D-9002P	degh
L6L3	409P961010	CHIP-FILT - ACM2012D-9002P	degh
L6L4	409P961010	CHIP-FILT - ACM2012D-9002P	degh
L6L5	409P961010	CHIP-FILT - ACM2012D-9002P	degh
L6L6	325C420070	COIL-CHIP - 10MH-K	degh
L6L7	325C420070	COIL-CHIP - 10MH-K	degh
L6M0	409P777080	EMI-F-CHIP - BLM21P221S	degh
L6M1	409P777080	EMI-F-CHIP - BLM21P221S	degh
L6M2	409P777080	EMI-F-CHIP - BLM21P221S	degh
L6M3	409P961010	CHIP-FILT - ACM2012D-9002P	degh
L6M4	409P961010	CHIP-FILT - ACM2012D-9002P	degh
L6M5	409P961010	CHIP-FILT - ACM2012D-9002P	degh
L6M6	409P961010	CHIP-FILT - ACM2012D-9002P	degh
L6M7	409P961010	CHIP-FILT - ACM2012D-9002P	degh
L6M8	409P961010	CHIP-FILT - ACM2012D-9002P	degh
L6M9	409P961010	CHIP-FILT - ACM2012D-9002P	degh
L6N0	409P961010	CHIP-FILT - ACM2012D-9002P	degh
L6N1	409P961010	CHIP-FILT - ACM2012D-9002P	degh
L6N2	409P961010	CHIP-FILT - ACM2012D-9002P	degh
L6N3	409P961010	CHIP-FILT - ACM2012D-9002P	degh
L6N4	409P961010	CHIP-FILT - ACM2012D-9002P	degh
L6N5	325C420070	COIL-CHIP - 10MH-K	degh
L6N6	325C420070	COIL-CHIP - 10MH-K	degh
L6P0	351P316010	COIL-CHOKE-CHIP - PLC-0755-100	degh
L6P1	351P314010	COIL-CHOKE-CHIP - MPLC1040L2R2	degh
L6R0	409P777080	EMI-F-CHIP - BLM21P221S	degh
L6S0	409P777080	EMI-F-CHIP - BLM21P221S	degh
L6T0	409P777080	EMI-F-CHIP - BLM21P221S	degh
L6W0	409P777080	EMI-F-CHIP - BLM21P221S	degh
L6W1	409P777080	EMI-F-CHIP - BLM21P221S	degh
L6X0	409P777080	EMI-F-CHIP - BLM21P221S	degh
L6X1	325C420070	COIL-CHIP - 10MH-K	degh
L7A01	409P777050	EMI-F-CHIP - BLM21B201S	

Ref #	Part #	Part Name & Description	[#]
L7A02	409P777080	EMI-F-CHIP - BLM21P221S	abcdfg
L7A02	409P777080	EMI-F-CHIP - BLM21P221S	eh
L7A03	409P777080	EMI-F-CHIP - BLM21P221S	abcdfg
L7A03	409P777080	EMI-F-CHIP - BLM21P221S	eh
L7A04	409P865060	EMI-F-CHIP - BLM11B141S	abcdfg
L7A04	409P865060	EMI-F-CHIP - BLM11B141S	eh
L7A05	409P865060	EMI-F-CHIP - BLM11B141S	abcdfg
L7A05	409P865060	EMI-F-CHIP - BLM11B141S	eh
L7A06	409P865060	EMI-F-CHIP - BLM11B141S	abcdfg
L7A06	409P865060	EMI-F-CHIP - BLM11B141S	eh
L7A13	409P777050	EMI-F-CHIP - BLM21B201S	
L7A20	409P777080	EMI-F-CHIP - BLM21P221S	abcdfg
L7A20	409P777080	EMI-F-CHIP - BLM21P221S	eh
L7A21	409P865060	EMI-F-CHIP - BLM11B141S	abcdfg
L7A21	409P865060	EMI-F-CHIP - BLM11B141S	eh
L7A22	409P777080	EMI-F-CHIP - BLM21P221S	abcdfg
L7A22	409P777080	EMI-F-CHIP - BLM21P221S	eh
L7A23	409P865060	EMI-F-CHIP - BLM11B141S	abcdfg
L7A23	409P865060	EMI-F-CHIP - BLM11B141S	eh
L7A30	409P865060	EMI-F-CHIP - BLM11B141S	
L7D10	409P865060	EMI-F-CHIP - BLM11B141S	
L7D11	409P865060	EMI-F-CHIP - BLM11B141S	
L7D12	409P865060	EMI-F-CHIP - BLM11B141S	
L7D13	409P865060	EMI-F-CHIP - BLM11B141S	
L7D14	409P865060	EMI-F-CHIP - BLM11B141S	
L7D16	409P865060	EMI-F-CHIP - BLM11B141S	
L7D17	409P865060	EMI-F-CHIP - BLM11B141S	
L7D18	409P865060	EMI-F-CHIP - BLM11B141S	
L7D19	409P865060	EMI-F-CHIP - BLM11B141S	
L7D20	409P865060	EMI-F-CHIP - BLM11B141S	
L7D21	409P865060	EMI-F-CHIP - BLM11B141S	abcdfg
L7D21	409P865060	EMI-F-CHIP - BLM11B141S	eh
L7D22	409P865060	EMI-F-CHIP - BLM11B141S	abcdfg
L7D22	409P865060	EMI-F-CHIP - BLM11B141S	eh
L7D23	409P865060	EMI-F-CHIP - BLM11B141S	abcdfg
L7D23	409P865060	EMI-F-CHIP - BLM11B141S	eh
L7D24	409P865060	EMI-F-CHIP - BLM11B141S	
L7E01	409P777080	EMI-F-CHIP - BLM21P221S	
L7E02	325C420070	COIL-CHIP - 10MH-K	
L7E03	409P777080	EMI-F-CHIP - BLM21P221S	
L7E04	409P777080	EMI-F-CHIP - BLM21P221S	
L7E05	409P777080	EMI-F-CHIP - BLM21P221S	
L7E06	409P777080	EMI-F-CHIP - BLM21P221S	
L7G00	409P777080	EMI-F-CHIP - BLM21P221S	
L7G01	409P777080	EMI-F-CHIP - BLM21P221S	
L7G02	409P777080	EMI-F-CHIP - BLM21P221S	
L7G03	409P777080	EMI-F-CHIP - BLM21P221S	
L7G12	409P777080	EMI-F-CHIP - BLM21P221S	
L7G25	409P777080	EMI-F-CHIP - BLM21P221S	
L7J23	321C114010	COIL-RF - 2200MH-J	
L7J26	325C411030	COIL-CHIP - 10MH-J	
L7K01	409P777080	EMI-F-CHIP - BLM21P221S	
L7M01	409P777080	EMI-F-CHIP - BLM21P221S	beh
L7M05	409P777080	EMI-F-CHIP - BLM21P221S	beh
L7M42	409P777080	EMI-F-CHIP - BLM21P221S	beh
L7M48	409P777080	EMI-F-CHIP - BLM21P221S	beh
L8001	409P865080	EMI-F-CHIP - BLM18PG6	
L8002	409P865080	EMI-F-CHIP - BLM18PG6	
L8004	409P865080	EMI-F-CHIP - BLM18PG6	

MODELS: LT-40133 / LT-46133 / LT-52133 / LT-40134 / LT-46144 / LT-52144 / LT-46244 / LT-52244

[#] Model Legend: (a) LT-40133, (b) LT-40134, (c) LT-46133, (d) LT-46144, (e) LT-46244, (f) LT-52133, (g) LT-52144, (h) LT-52244

Ref #	Part #	Part Name & Description	[#]
L8005	409P865080	EMI-F-CHIP - BLM18PG6	
L8006	409P865080	EMI-F-CHIP - BLM18PG6	
L8007	409P865080	EMI-F-CHIP - BLM18PG6	
L8008	409P865080	EMI-F-CHIP - BLM18PG6	
L8009	409P777080	EMI-F-CHIP - BLM21P221S	
L8010	409P865080	EMI-F-CHIP - BLM18PG6	
L8011	409P865080	EMI-F-CHIP - BLM18PG6	
L8012	325C420070	COIL-CHIP - 10MH-K	
L8014	409P865080	EMI-F-CHIP - BLM18PG6	
L8015	409P865080	EMI-F-CHIP - BLM18PG6	
L8016	409P865080	EMI-F-CHIP - BLM18PG6	
L8017	409P865080	EMI-F-CHIP - BLM18PG6	
L8018	409P865080	EMI-F-CHIP - BLM18PG6	
L8019	409P865080	EMI-F-CHIP - BLM18PG6	
L8020	409P865080	EMI-F-CHIP - BLM18PG6	
L8021	409P865080	EMI-F-CHIP - BLM18PG6	
L8022	409P865080	EMI-F-CHIP - BLM18PG6	
L8030	325C501010	COIL-CHIP - ALQM21NNR47K10	
L8202	409P777080	EMI-F-CHIP - BLM21P221S	
L8203	409P777080	EMI-F-CHIP - BLM21P221S	
L8206	351P265010	COIL-CHOKE-CHIP - ACM2012	
L8210	409P777080	EMI-F-CHIP - BLM21P221S	
L8211	409P777080	EMI-F-CHIP - BLM21P221S	
L8212	409P865060	EMI-F-CHIP - BLM11B141S	
L8213	409P865060	EMI-F-CHIP - BLM11B141S	
L8214	409P865060	EMI-F-CHIP - BLM11B141S	
L8215	409P865060	EMI-F-CHIP - BLM11B141S	
L8280	409P865080	EMI-F-CHIP - BLM18PG6	
L8306	409P865080	EMI-F-CHIP - BLM18PG6	
L8313	409P865080	EMI-F-CHIP - BLM18PG6	
L83F2	325C501010	COIL-CHIP - ALQM21NNR47K10	
L83F3	325C505010	COIL-CHIP - MLF2012A2R2J	
L83F4	325C505010	COIL-CHIP - MLF2012A2R2J	
L83F5	325C505020	COIL-CHIP - MLF2012E6R8J	
L83F6	325C505020	COIL-CHIP - MLF2012E6R8J	
L8403	409P777080	EMI-F-CHIP - BLM21P221S	eh
L8404	409P777080	EMI-F-CHIP - BLM21P221S	eh
L8405	351P265020	COIL-CHIP - ACM2012-201-2P	eh
L8406	351P265020	COIL-CHIP - ACM2012-201-2P	eh
L8501	409P777080	EMI-F-CHIP - BLM21P221S	eh
L8502	409P777080	EMI-F-CHIP - BLM21P221S	eh
L8503	409P865080	EMI-F-CHIP - BLM18PG6	eh
L8FA0	409P777080	EMI-F-CHIP - BLM21P221S	
L8FA1	325C420070	COIL-CHIP - 10MH-K	
L8FA2	409P777080	EMI-F-CHIP - BLM21P221S	
L9A07	321C140050	COIL-RF - 2.2M-MH	
L9A08	321C140050	COIL-RF - 2.2M-MH	
L9A09	321C140050	COIL-RF - 2.2M-MH	
L9A10	321C140050	COIL-RF - 2.2M-MH	
L9A18	321C141010	COIL-RF - 6.8MH-M	
L9A20	321C141010	COIL-RF - 6.8MH-M	
L9A21	321C141010	COIL-RF - 6.8MH-M	
L9C51	409P777080	EMI-F-CHIP - BLM21P221S	
L9D00	351P303030	LINE-FILTER - TF3524V-402Y6R0-01	
L9D02	351P303030	LINE-FILTER - TF3524V-402Y6R0-01	
L9D03	351P303030	LINE-FILTER - TF3524V-402Y6R0-01	
L9G00	351P316010	COIL-CHOKE-CHIP - PLC-0755-100	
L9G01	351P316010	COIL-CHOKE-CHIP - PLC-0755-100	
L9G02	351P315010	COIL-CHOKE-CHIP - PLC-0735-2R0	

Ref #	Part #	Part Name & Description	[#]
L9G03	351P316010	COIL-CHOKE-CHIP - PLC-0755-100	
L9G05	351P314010	COIL-CHOKE-CHIP - MPLC1040L2R2	
L9G10	351P314010	COIL-CHOKE-CHIP - MPLC1040L2R2	
L9G11	409P777080	EMI-F-CHIP - BLM21P221S	
L9G16	351P315010	COIL-CHOKE-CHIP - PLC-0735-2R0	
L9G17	351P315010	COIL-CHOKE-CHIP - PLC-0735-2R0	
L9J05	409P777080	EMI-F-CHIP - BLM21P221S	
T8FA0	409P961010	CHIP-FILT - ACM2012D-9002P	
T8FA1	409P961010	CHIP-FILT - ACM2012D-9002P	
T8FA2	409P961010	CHIP-FILT - ACM2012D-9002P	
T8FA3	409P961010	CHIP-FILT - ACM2012D-9002P	
T8FA4	409P961010	CHIP-FILT - ACM2012D-9002P	
T8FA5	409P961010	CHIP-FILT - ACM2012D-9002P	
T8FA6	409P961010	CHIP-FILT - ACM2012D-9002P	
T8FA7	409P961010	CHIP-FILT - ACM2012D-9002P	
T8FA8	409P961010	CHIP-FILT - ACM2012D-9002P	
T8FA9	409P961010	CHIP-FILT - ACM2012D-9002P	
T8FC0	409P961010	CHIP-FILT - ACM2012D-9002P	
T8FC1	409P961010	CHIP-FILT - ACM2012D-9002P	
TRANSFORMERS			
T9A10	350P849010	TRANS-PWR - ER39TM088	
T9A20	350P848020	TRANS-PWR - ST-3544	
VARISTORS			
RV9D00265P100020		VAR - ERZV10D271CS	
RV9D01265P100020		VAR - ERZV10D271CS	
RESISTORS			
Chip Resistors (Listed by Value)			
<u>Part No.</u>	<u>Value</u>	<u>Part No.</u>	<u>Value</u>
103P899050	1/16W 00HM	103P492050	1/16W 1K-F
	(1A)X4	103P502050	1/16W 1K-J
103P509050	1/16W 0OHM	103P492060	1/16W 1.1K-F
103P409050	1/8W 0OHM	103P492070	1/16W 1.2K-F
103P408040	1/10W 2.2-J	103P502060	1/16W 1.2K-J
103P508040	1/16W 2.2-J	103P492080	1/16W 1.3K-F
103P488080	1/4W 4.7-J	103P492090	1/16W 1.5K-F
103P500010	1/16W 10-J	103P502080	1/16W 1.8K-J
103P890010	1/16W 10-JX4	103P493020	1/16W 2K-F
103P480010	1/4W 10-J	103P493030	1/16W 2.2K-F
103P400050	1/10W 22-J	103P502090	1/16W 2.2K-J
103P500050	1/16W 22-J	103P493040	1/16W 2.4K-F
103P890050	1/16W 22-JX4	103P503000	1/16W 2.7K-J
103P480050	1/4W 22-J	103P493060	1/16W 3K-F
103P500060	1/16W 27-J	103P493070	1/16W 3.3K-F
<u>Part No.</u>	<u>Value</u>	<u>Part No.</u>	<u>Value</u>
103P400070	1/10W 33-J	103P503010	1/16W 3.3K-J
103P500070	1/16W 33-J	103P403010	1/8W 3.3K-J
103P890070	1/16W 33-JX4	103P494000	1/16W 4.3K-F
103P793080	1/16W 36F	103P494010	1/16W 4.7K-F
103P794010	1/16W 47-F	103P503030	1/16W 4.7K-J
103P500090	1/16W 47-J	103P494020	1/16W 5.1K-F
103P844030	1/16W 56-D	103P494030	1/16W 5.6K-F
103P501000	1/16W 56-J	103P503040	1/16W 5.6K-J
103P891000	1/16W 56-JX4	103P494050	1/16W 6.8K-F
103P401000	1/10W 56-J	103P503050	1/16W 6.8K-J
103P501010	1/16W 68-J	103P403070	1/8W 10K-J

MODELS: LT-40133 / LT-46133 / LT-52133 / LT-40134 / LT-46144 / LT-52144 / LT-46244 / LT-52244

[[#] Model Legend: (a) LT-40133, (b) LT-40134, (c) LT-46133, (d) LT-46144, (e) LT-46244, (f) LT-52133, (g) LT-52144, (h) LT-52244

Ref #	Part #	Part Name & Description	[#]
103P489090	1/4W 75-J	103P494090	1/16W 10K-F
103P794060	1/16W 75-F	103P503070	1/16W 10K-J
103P509090	1/16W 75-J	103P893070	1/16W 10K-JX4
103P501020	1/16W 82-J	103P495010	1/16W 12K-F
103P490010	1/16W 100F	103P503080	1/16W 12K-J
103P401030	1/10W 100-J	103P495030	1/16W 15K-F
103P501030	1/16W 100-J	103P503090	1/16W 15K-J
103P481040	1/4W 120-J	103P495050	1/16W 18K-F
103P401050	1/10W 150-J	103P504000	1/16W 18K-J
103P501050	1/16W 150-J	103P495070	1/16W 22K-F
103P490080	1/16W 200-F	103P504010	1/16W 22K-J
103P490090	1/16W 220-F	103P504020	1/16W 27K-J
103P501070	1/16W 220-J	103P496000	1/16W 30K-F
103P481070	1/4W 220-J	103P504030	1/16W 33K-J
103P491010	1/16W 270-F	103P504040	1/16W 39K-J
103P501080	1/16W 270-J	103P504050	1/16W 47K-J
103P491020	1/16W 300-F	103P496060	1/16W 51K-F
103P501090	1/16W 330-J	103P496070	1/16W 56K-F
103P491050	1/16W 390-F	103P496080	1/16W 62K-F
103P502000	1/16W 390-J	103P504080	1/16W 82K-J
103P491060	1/16W 430-F	103P504090	1/16W 100K-J
103P502010	1/16W 470-J	103P505000	1/16W 120K-J
103P491080	1/16W 510-F	103P505020	1/16W 180K-J
103P502020	1/16W 560-J	103P505030	1/16W 220K-J
103P492010	1/16W 680-F	103P505040	1/16W 270K-J
103P502030	1/16W 680-J	103P505050	1/16W 330K-J
103P492020	1/16W 750-F	103P506000	1/16W 820K-J
103P492030	1/16W 820-F	103P506010	1/16W 1M-J
103P502040	1/16W 820-J		

RESISTORS

Conventional Resistors (By Ref #)

Ref #	Part #	Part Name & Description	[#]
R7L05	103P712070	R-CARBON - 1/4W 1.5K-J	
R7L06	103P712090	R-CARBON - 1/4W 2.2K-J	
R7L07	103P713010	R-CARBON - 1/4W 3.3K-J	
R7L08	103P713040	R-CARBON - 1/4W 5.6K-J	
R7L09	103P713080	R-CARBON - 1/4W 12K-J	
R7L10	103P714030	R-CARBON - 1/4W 33K-J	
R7L32	103P714060	R-CARBON - 1/4W 56K-J	
R9A03	109P261020	R-FUSE - RGDU7M-4E-3.3	
R9A04	109P261020	R-FUSE - RGDU7M-4E-3.3	
R9A05	109C010090	R-COMP - 1/2W 4.7M-K	
R9A09	103P145030	R-CARBON - 1/2W 220K-J	
R9A11	103P145030	R-CARBON - 1/2W 220K-J	
R9A19	103P144070	R-CARBON - 1/2W 68K-J	
R9A20	103P144070	R-CARBON - 1/2W 68K-J	
R9A21	103C187050	R-METAL - 2W 0.39-J	
R9A22	103C187050	R-METAL - 2W 0.39-J	
R9A25	103P142060	R-CARBON - 1/2W 1.2K-J	
R9A30	109D151060	R-CARBON - 1/4W 68-J	
R9A44	103P140090	R-CARBON - 1/2W 47-J	
R9A60	103P146010	R-CARBON - 1/2W 1M-J	
R9A61	103P146010	R-CARBON - 1/2W 1M-J	
R9A71	103P140010	R-CARBON - 1/2W 10-J	
R9A75	103P143010	R-CARBON - 1/2W 3.3K-J	
R9A76	103P143010	R-CARBON - 1/2W 3.3K-J	
R9A77	103P143010	R-CARBON - 1/2W 3.3K-J	
R9A78	103P143010	R-CARBON - 1/2W 3.3K-J	

Ref #	Part #	Part Name & Description	[#]
R9A82	103C390050	R-METAL-P - 3W 22-J	
R9A83	103P144070	R-CARBON - 1/2W 68K-J	
R9A90	103P144070	R-CARBON - 1/2W 68K-J	
R9A91	103P144070	R-CARBON - 1/2W 68K-J	
R9A92	103P144080	R-CARBON - 1/2W 82K-J	
R9A99	103P330010	R-CARBON-25 - 1/4W 10-J	
R9B05	103P142090	R-CARBON - 1/2W 2.2K-J	
R9B06	103P142090	R-CARBON - 1/2W 2.2K-J	

CAPACITORS

CHIP Type Capacitors (Listed by Value)

Part No.	Value	Part No.	Value
154P340040	50V 3P-C	141P144020	F25V 0.1M-Z
154P340060	CK50V 5P-C	141P143030	B16V 0.1M-K
154P340090	CH50V 8P-C	141P135080	F50V/25V 0.1M-Z
154P341010	CH50V 10P-C	141P146040	B10V 0.22M-K
154P341030	CH50V 12P-J	141P144040	F25V/16V 0.33M-Z
154P341050	CH50V 15P-J	141P133000	B50V 0.47M-K
154P341070	CH50V 18P-J	141P144050	F16V 0.47M-Z
154P341090	CH50V 22P-J	141P147020	B10/6.3V 1M-K
154P342030	CH50V 33P-J	141P134070	B16V 1M-K
154P343050	CH50V 100P-J	141P148000	B25V 1M-K
154P343090	CH50V 150P-J	141P135070	F16V 1M-Z
154P354040	SL50V 220P-J	141P144060	F25V 1M-Z
154P344050	CH50V 270P-J	141P147040	B6.3V 2.2M-K
141P140030	B50V 330P-K	141P136080	B25V 4.7M-K
141P140050	B50V 470P-K	141P147060	B6.3V 4.7M-K
154P345010	CH50V 470P-J	181P808070	16V 4.7M-M
154P345030	CH25V 560P-J	181P802030	16V 10M-M
141P140070	B50V 680P-K	181P808080	16V 10M-M
141P140090	B50V 1000P-K	181P822030	16V 10M-M 105C
154P345090	CH25V 1000P-J	181P825000	35V 10M-M 105C
141P141010	B50V 1500P-K	189P253020	B16V 10M-M
141P141030	B50V 2200P-K	189P253010	B6.3V 10M-M
141P141060	B50V 3900P-K	181P805010	35V 22M-M LFR
141P142000	B50V 8200P-K	181P820010	6.3V 22M-M 105C
141P142010	B50V 0.01M-K	181P800010	6.3V 22M-M LFR
141P133080	B50V 0.01M-Z	181P820030	6.3V 47M-M 105C
141P143080	F50V 0.01M-Z	181P800030	6.3V 47M-M
141P132030	B50V 0.015M-K	181P802060	16V 47M-M
141P142050	B25V 0.022M-K	181P802070	16V 100M-M
141P142070	B25V 0.033M-K	181P822070	16V 100M-M 105C
141P142090	B25V 0.047M-K	181P800040	6.3V 100M-M
141P143020	B16V 0.082M-K	181P828010	4V 220M-M 105C
141P134090	F50V 0.1M-Z	181P820050	6.3V 220M-M 105C

CAPACITORS AND TRIMMERS

Conventional Capacitors (By Ref #)

Ref #	Part #	Part Name & Description	[#]
C3B27	181P736080	C-ELEC - 35V 470M-M	
C3B65	181P735030	C-ELEC - 25V 1000M-M 105C	
C3B69	181P735030	C-ELEC - 25V 1000M-M 105C	
C9A02	185D122040	C-ELEC - H200V 820M-M	
C9A03	185D122040	C-ELEC - H200V 820M-M	
C9A05	189P217090	C-CER-AC - AC250V E2200P-M	
C9A06	189P217090	C-CER-AC - AC250V E2200P-M	
C9A07	189P185090	C-CER - AC250V E2200P-M	
C9A08	189P185090	C-CER - AC250V E2200P-M	

MODELS: LT-40133 / LT-46133 / LT-52133 / LT-40134 / LT-46144 / LT-52144 / LT-46244 / LT-52244

[#] Model Legend: (a) LT-40133, (b) LT-40134, (c) LT-46133, (d) LT-46144, (e) LT-46244, (f) LT-52133, (g) LT-52144, (h) LT-52244

Ref #	Part #	Part Name & Description	[#]
C9A09	189P185090	C-CER - AC250V E2200P-M	
C9A10	189P185090	C-CER - AC250V E2200P-M	
C9A13	189P217090	C-CER-AC - AC250V E2200P-M	
C9A15	189P217070	C-CER-AC - AC250V E1000P-M	
C9A16	189P217070	C-CER-AC - AC250V E1000P-M	
C9A19	154P400050	C-CER - B1KV 1000P-K	
C9A21	181P185060	C-ELEC - 50V 10M-M 105C	
C9A24	142P024060	C-CER - BF50V 0.1M-Z	
C9A26	185D122040	C-ELEC - H200V 820M-M	
C9A27	185D122040	C-ELEC - H200V 820M-M	
C9A30	154P400050	C-CER - B1KV 1000P-K	
C9A31	142P010090	C-CER - B500V 470P-K	
C9A33	181P734000	C-ELEC - 16V 2200M-M 105C	
C9A34	181P734000	C-ELEC - 16V 2200M-M 105C	
C9A35	181P734000	C-ELEC - 16V 2200M-M 105C	
C9A36	181P734000	C-ELEC - 16V 2200M-M 105C	
C9A39	181P184070	C-ELEC - 35V 2200M-M	
C9A40	181P733060	C-ELEC - 16V 470M-H 105C LOWR	
C9A46	142P010090	C-CER - B500V 470P-K	
C9A48	181P355010	C-ELEC - 50V 1M-M	
C9A50	141P133080	C-CER-CHIP - B50V 0.01M-Z	
C9A54	181P733060	C-ELEC - 16V 470M-H 105C LOWR	
C9A58	189P254020	C-M-PLASTIC-PP - 630V 0.033M-J	
C9A59	189P254020	C-M-PLASTIC-PP - 630V 0.033M-J	
C9A60	189P254020	C-M-PLASTIC-PP - 630V 0.033M-J	
C9A61	172P166070	C-TF - 50V 0.22M-J	
C9A62	181P186000	C-ELEC - 50V 100M-M 105C	
C9A63	181P185020	C-ELEC - 50V 1M-M 105C	
C9A64	181P186000	C-ELEC - 50V 100M-M 105C	
C9A65	155P313060	C-CERAMIC - SL50V 100P-J	
C9A66	181P185030	C-ELEC - 50V 2.2M-M 105C	
C9A68	172P166070	C-TF - 50V 0.22M-J	
C9A70	172P088040	C-PLSTIC-PP - 630V 3300P-J	
C9A71	154P262040	C-CER - R2KV 470P-K	
C9A72	181P737000	C-ELEC - 35V 1000M-M 105C	
C9A73	181P737000	C-ELEC - 35V 1000M-M 105C	
C9A74	181P737000	C-ELEC - 35V 1000M-M 105C	
C9A75	181P737000	C-ELEC - 35V 1000M-M 105C	
C9A77	172P166070	C-TF - 50V 0.22M-J	
C9A78	181P736080	C-ELEC - 35V 470M-M	Ocf
C9A79	181P736080	C-ELEC - 35V 470M-M	cdefgh
C9A81	189P185090	C-CER - AC250V E2200P-M	
C9A83	189P185090	C-CER - AC250V E2200P-M	
C9A84	154P400010	C-CER - B1KV 220P-K	
C9A85	154P400010	C-CER - B1KV 220P-K	
C9A96	154P262000	C-CER - R2KV 220P-K	
C9D01	189P213020	C-M-POLY-AC - AC250/275V 0.47M-M	
C9D03	189P213020	C-M-POLY-AC - AC250/275V 0.47M-M	
C9D07	189P213020	C-M-POLY-AC - AC250/275V 0.47M-M	
SWITCHES			
S7L01	432P116010	SW-KEY-BOARD	
S7L02	432P116010	SW-KEY-BOARD	
S7L03	432P116010	SW-KEY-BOARD	
S7L04	432P116010	SW-KEY-BOARD	
S7L05	432P116010	SW-KEY-BOARD	
S7L06	432P116010	SW-KEY-BOARD	
S7L07	432P116010	SW-KEY-BOARD	
S7L08	432P116010	SW-KEY-BOARD	

Ref #	Part #	Part Name & Description	[#]
S7L09	432P116010	SW-KEY-BOARD	
S7L10	432P116010	SW-KEY-BOARD	
MISCELLANEOUS ELECTRICAL			
FUSES			
F601	283P170030	FUSE-CHIP - F0603FA 2000V032T	degh
F9A00	283P144080	FUSE - 125V 5A	abcf
F9A00	283P144080	FUSE - 125V 5A	degh
F9A01	283P144080	FUSE - 125V 5A	abcf
F9A01	283P144080	FUSE - 125V 5A	degh
F9A03	283P144090	FUSE - 125V 10A	
F9A04	283P144080	FUSE - 125V 5A	
F9A05	283P146010	FUSE - 72V 15A	
F9A06	283P146010	FUSE - 72V 15A	cdefgh
F9A09	283P144060	FUSE - 125V 7A	
F9D00	283D161010	FUSE - 125V 10A	
F9G00	283P170030	LEAD-CARD (DA-DA)	
F9G01	283P170090	FUSE-CHIP - F0603FA 6000V024T	
CABLES			
	246C351060	AC POWER CORD	cdefgh
	242D571040	RF-CABLE	
	246C549010	LEAD-CARD (DA-DA)	ab
	246C549010	LEAD-CARD (DA-DA)	cdefgh
LCD PANELS			
	289P100010	LCD-MODULE - 46"	c
	289P101010	LCD-MODULE - 40"	ab
	289P105010	LCD-MODULE - 52"	f
	289P106010	LCD-MODULE - 52"	gh
	289P107010	LCD-MODULE - 46"	de
RELAYS			
	287P111050	RELAY-POWER - LKT1AF-12V	
	287P111050	RELAY-POWER - LKT1AF-12V	
	287P111050	RELAY-POWER - LKT1AF-12V	
PHOTO COUPLERS			
	268P125010	PHOTO-COUPLER - FOD617C	
	268P125010	PHOTO-COUPLER - FOD617C	
	268P125010	PHOTO-COUPLER - FOD617C	
CONNECTORS			
	452C410020	CONNECTOR-HDMI	
	452C410020	CONNECTOR-HDMI	
	452C410020	CONNECTOR-HDMI	
	452C410020	CONNECTOR-HDMI	beh
	452C401010	CONNECTOR-USB	
	451P246010	JACK-1394 - MINI	eh
	451C268010	JACK-IR BLASTER 1P	bdegh
	440C454010	PIN-JACK-BOARD-4P-2S	
	440C453010	PIN-JACK-BOARD-5P-2S	
	440C470010	PIN-JACK-BOARD-4P	
	440C471010	PIN-JACK-BOARD-5P	
TUNERS			
TU100	295P544020	NTSC/ATSC TUNER	
TU101	295P543010	TUNER-OOB	eh

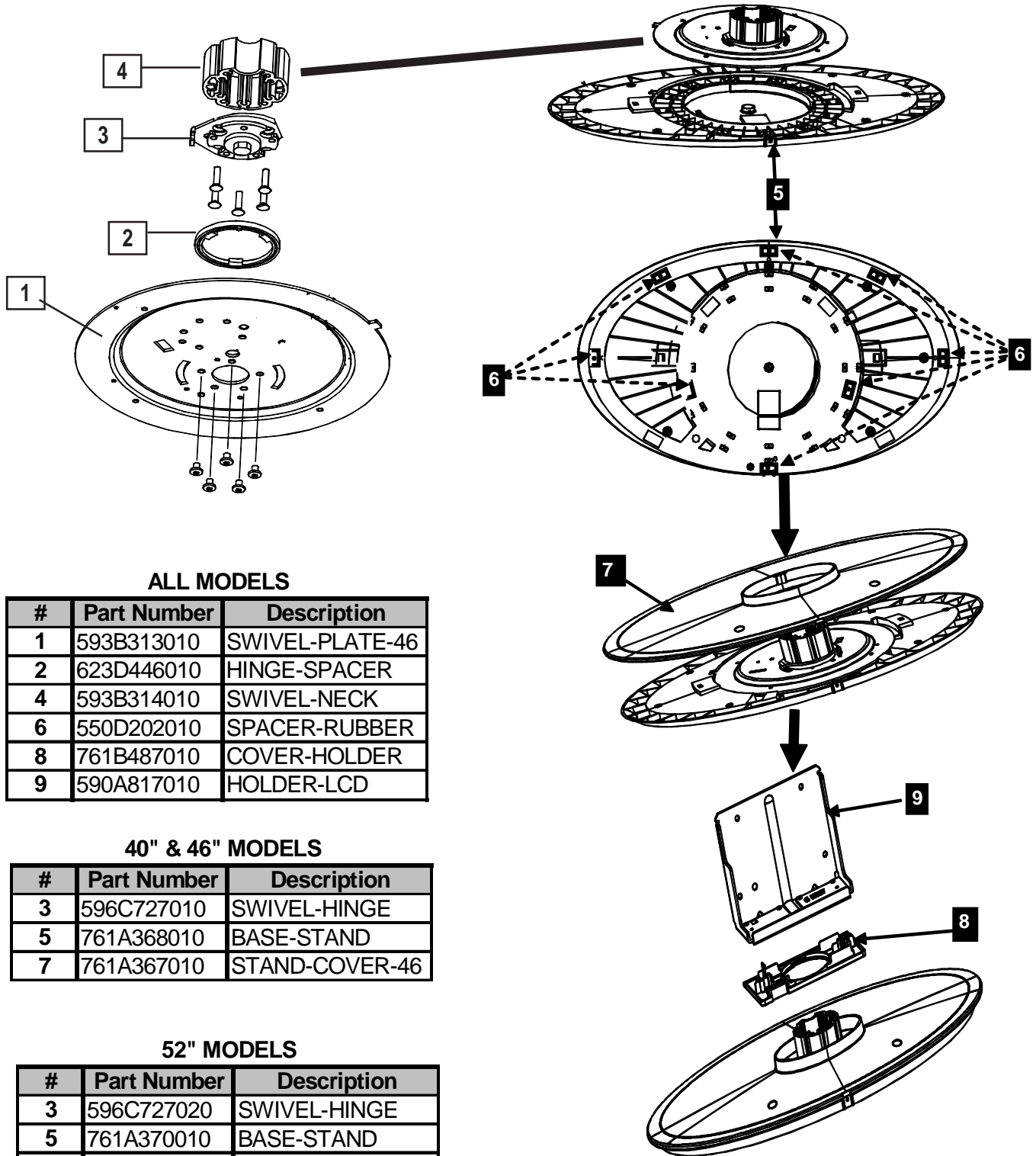
MODELS: LT-40133 / LT-46133 / LT-52133 / LT-40134 / LT-46144 / LT-52144 / LT-46244 / LT-52244

[[#] Model Legend: (a) LT-40133, (b) LT-40134, (c) LT-46133, (d) LT-46144, (e) LT-46244, (f) LT-52133, (g) LT-52144, (h) LT-52244

Ref #	Part #	Part Name & Description	[#]
QUARTZ CRYSTAL			
X2001	285P459090	QTZ-CRYST - 28.322MHZ	
X3501	285P464030	QTZ-CRYST - 18.24MHZ	
X3P01	285P481020	QTZ-CRYST - 12.288MHZ	
X6X0	285P482010	QTZ-CRYST - 18.5625MHZ	degh
X7A02	285P403020	QTZ-CRYST - 32.768MHZ	
X7A02	285P481010	QTZ-CRYST - 12.000MHZ	
X7G00	285P391040	CRYSTAL-OSC - 74.25MHZ	
X8001	285P479030	QTZ-CRYST - 55.474MHZ	
X80T0	285P459080	QTZ-CRYST - 25.140MHZ	
X8201	285P403020	QTZ-CRYST - 32.768MHZ	
X8301	285P464010	QTZ-CRYST - 7.3728MHZ	
X8402	285P464040	QTZ-CRYST - 24.576MHz	eh
OTHER			
AG9D00299P220020	938P103010	SURGE-SUPRESOR - DSS-302M UNIT-PREAMP	
	299P254010	IR-EMITTER 4-HEAD - T-IR-0	
	411D044020	CORE-FERRITE - ZCAT2032-0930	abcf
	411D062010	CORE-FERRITE - ZCAT1518-0730	
	411P026010	CORE-FERRITE - ZCAT2017	
	411P029010	CORE-FERRITE - ZCAT3513S	abdefgh
MISCELLANEOUS MECHANICAL			
	073W619090	VINYL-TAPE-UL 1 3/8" X 36YD	
RE100	305P707010	SWITCH-RF TYPE BABY	eh
PC9A30	752B195010	TERMINAL-BOARD	abcdfg
PJ2E00	752B195020	TERMINAL-BOARD	eh
PJ2J01	752B196010	TERMINAL-SIDE	acdfg
PJ2J02	752B196020	TERMINAL-SIDE	beh
PS	761A368010	SWIVEL-GEAR	abcde
	761C794010	PLATE-IR	abcdfg
RE100	761C796010	CHIP-DIA	eh
	761C797010	PLATE-IR	eh
X3501	926P055010	SPEAKER-SYSTEM	
	734C097010	BUTTON-SIDE	abcf
	734C098010	HOLDER-AC-CORD	
	734C099010	DOOR-BACK46	e
	734C100010	DOOR-BACK52	h
	750A625010	BEZEL-FRONT	a
	750A625020	BEZEL-FRONT	b
J2201	750A626010	BEZEL-FRONT	c
J2301	750A626020	BEZEL-FRONT	d
J2401	750A627010	BEZEL-FRONT	f
J7M01	750A627020	BEZEL-FRONT	g
J7M02	750A628010	BACK-COVER	ab
J8401	750A629010	BACK-COVER	cd
K9A10	750A629020	BACK-COVER	e
K9A20	750A630010	BACK-COVER	fg
K9A21	750A630020	BACK-COVER	h
PC9A10	750A633010	BEZEL-FRONT	e
PC9A20	750A634010	BEZEL-FRONT	h

Ref #	Part #	Part Name & Description	[#]
PRINTED CIRCUIT BOARDS			
920D737001		ASSY-PWB-SENSOR	acf
920D737002		ASSY-PWB-SENSOR	bdegh
920D738001		ASSY-PWB-SW/VIDEO	
920D739001		ASSY-PWB-LED	
920D740001		ASSY-PWB-SIGNAL	acf
920D740002		ASSY-PWB-SIGNAL	bdg
920D740003		ASSY-PWB-SIGNAL	eh
920D741001		ASSY-PWB-HDMI/USB	acdfg
920D741002		ASSY-PWB-HDMI/USB	beh
920D742001		ASSY-PWB-SBL	eh
920D743001		ASSY-PWB-FRC	degh
921C544001		ASSY-PWB-POWER	ab
921C544002		ASSY-PWB-POWER	c
921C544003		ASSY-PWB-POWER	f
921C544004		ASSY-PWB-POWER	de
921C544005		ASSY-PWB-POWER	gh
921C549001		ASSY-PWB-DM	a
921C549002		ASSY-PWB-DM	b
921C549003		ASSY-PWB-DM	c
921C549004		ASSY-PWB-DM	d
921C549005		ASSY-PWB-DM	e
921C549006		ASSY-PWB-DM	f
921C549007		ASSY-PWB-DM	g
921C549008		ASSY-PWB-DM	h
COSMETIC PARTS			
593B300010		PANEL-DM52	fgh
593B301010		PANEL-POWER	fgh
716C052010		BADGE-BRAND	abcdfg
716C053010		BADGE-BRAND	eh
760C807010		INLAY-TERMINAL-REAR	acf
760C807020		INLAY-TERMINAL-REAR	bdg
760C807030		INLAY-TERMINAL-REAR	eh
760C808010		INLAY-TERMINAL-LEFT	eh
775B152020		NAME-PLATE	e
775B152030		NAME-PLATE	h
775B152050		NAME-PLATE	d
775B152060		NAME-PLATE	g
ACCESSORIES			
242D483020		IR-MOUSE	bdg
290P137010		REMOTE-CONTROL - V36	abcdfg
290P137020		REMOTE-CONTROL - V38	eh
853B542040		IB PCTV	abcdfg
853B542050		IB PCTV	eh
853B571020		QR GUIDE	abcdfg
853B571030		QR GUIDE	eh
853B590040		QUICK CONNECT GUIDE	eh
853B590050		QUICK CONNECT GUIDE	abcdfg

Stand Assembly Parts



ALL MODELS

#	Part Number	Description
1	593B313010	SWIVEL-PLATE-46
2	623D446010	HINGE-SPACER
4	593B314010	SWIVEL-NECK
6	550D202010	SPACER-RUBBER
8	761B487010	COVER-HOLDER
9	590A817010	HOLDER-LCD

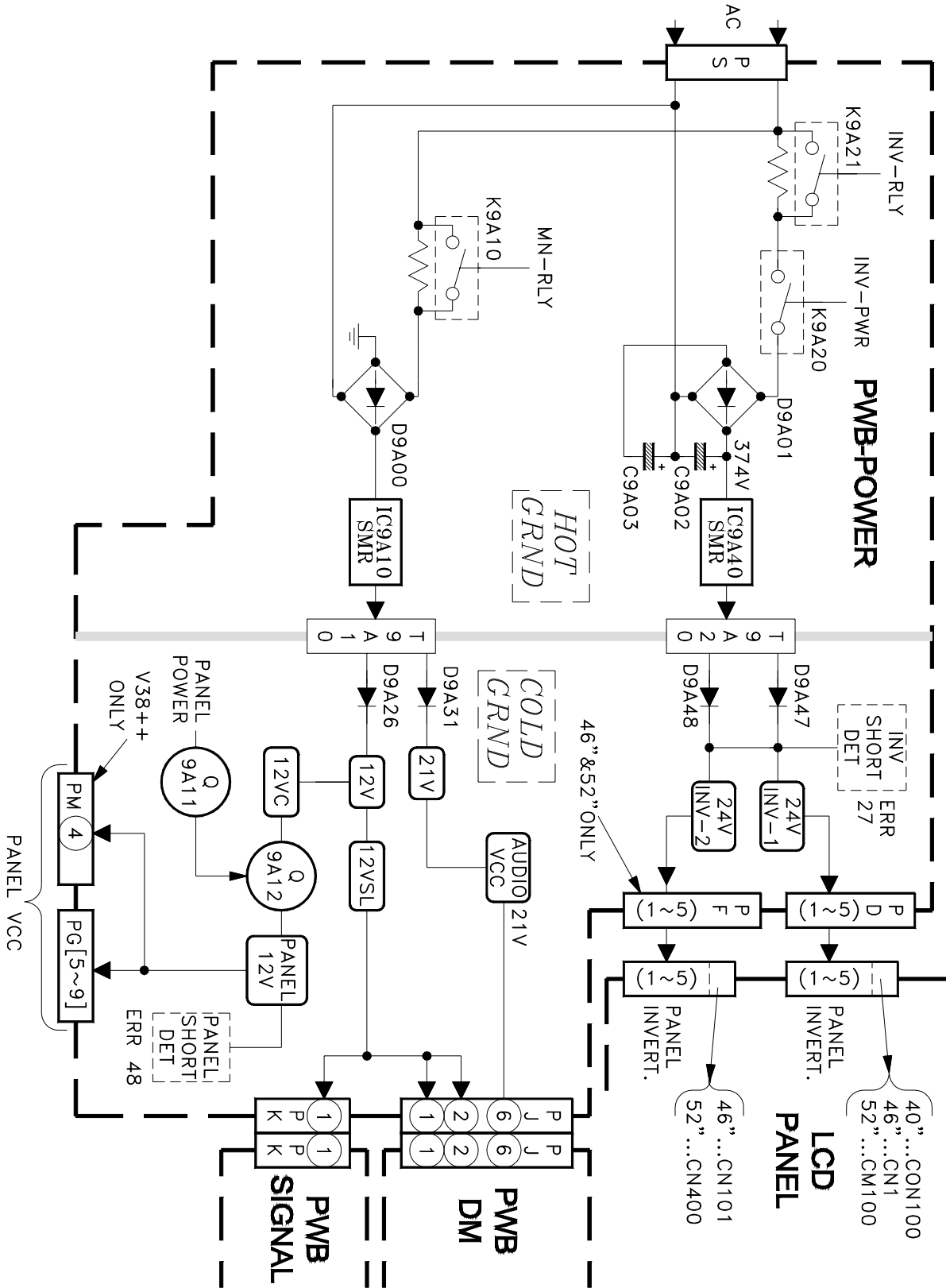
40" & 46" MODELS

#	Part Number	Description
3	596C727010	SWIVEL-HINGE
5	761A368010	BASE-STAND
7	761A367010	STAND-COVER-46

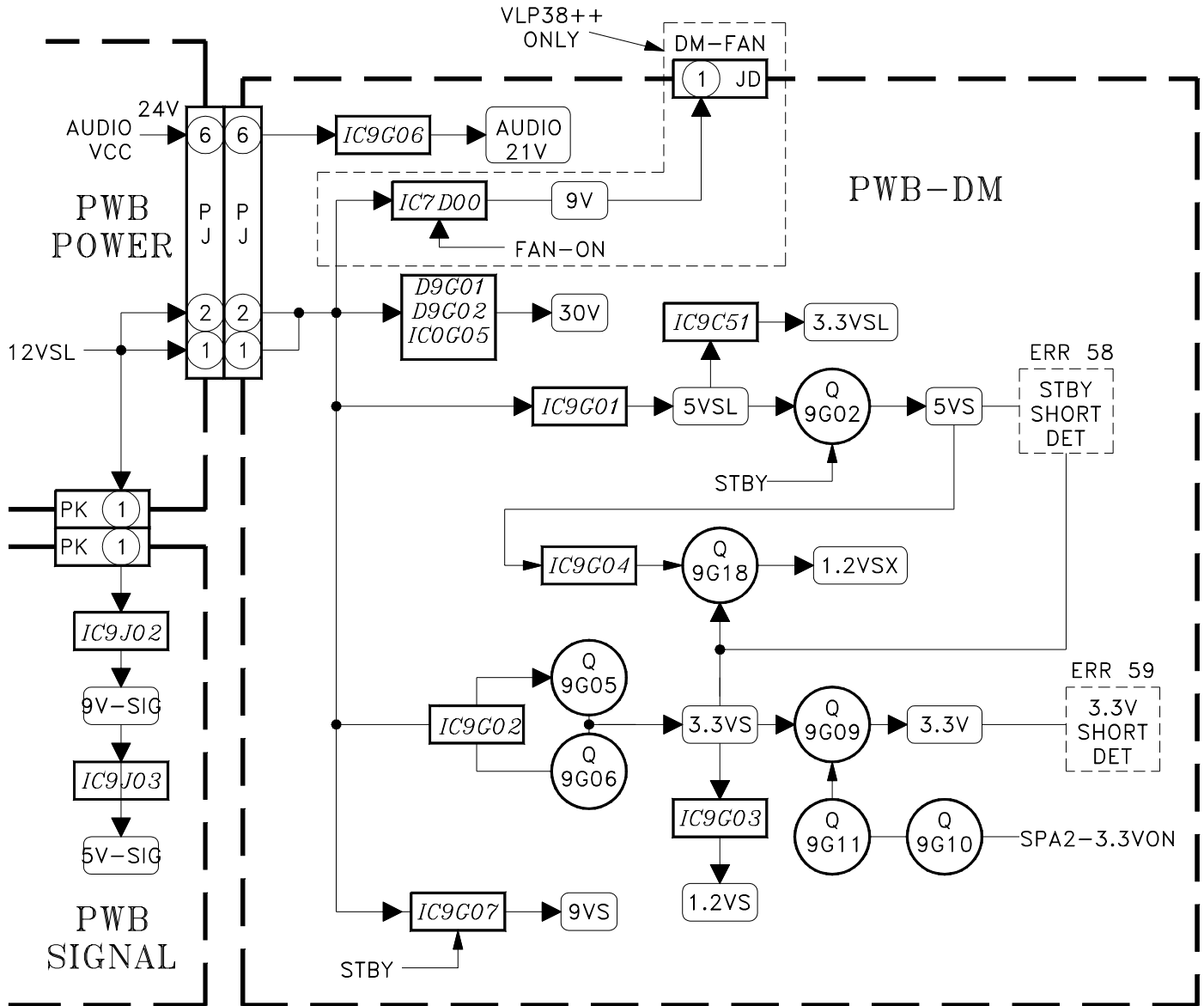
52" MODELS

#	Part Number	Description
3	596C727020	SWIVEL-HINGE
5	761A370010	BASE-STAND
7	761A366010	STAND-COVER-52

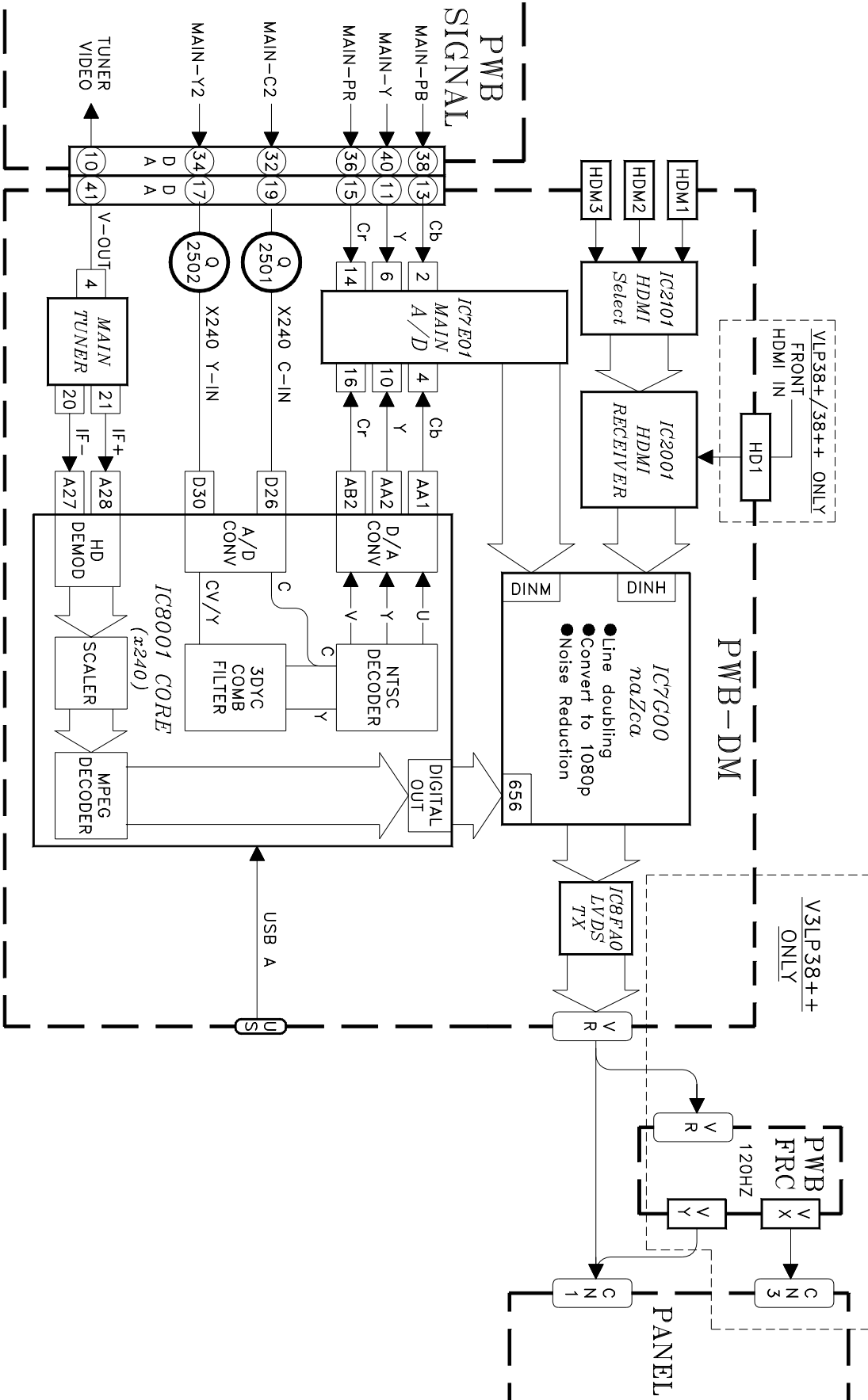
**VLP38/38+/38++
MAIN POWER SUPPLY**



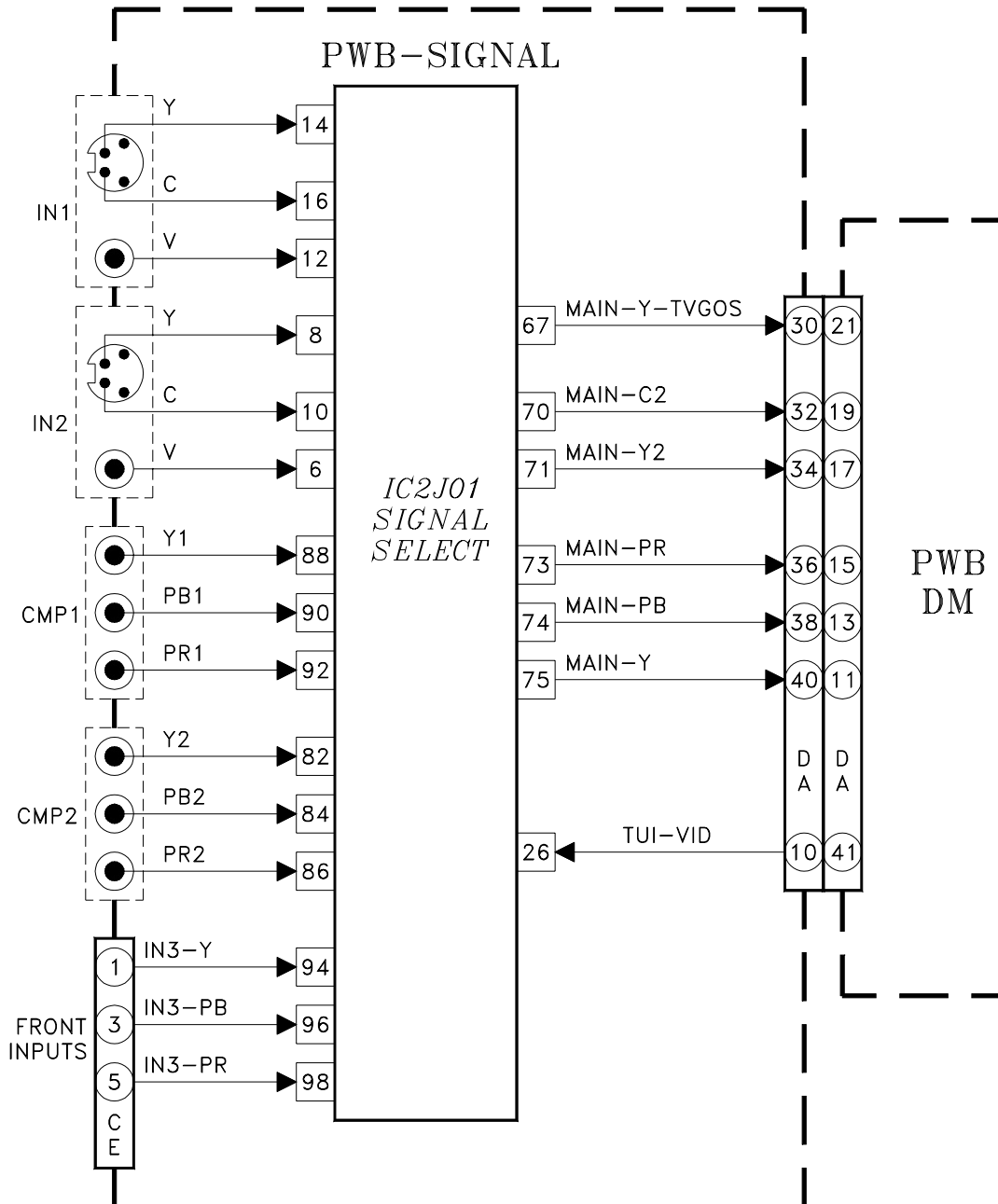
VLP38/38+/38++ PWB-DM DC/DC Supplies



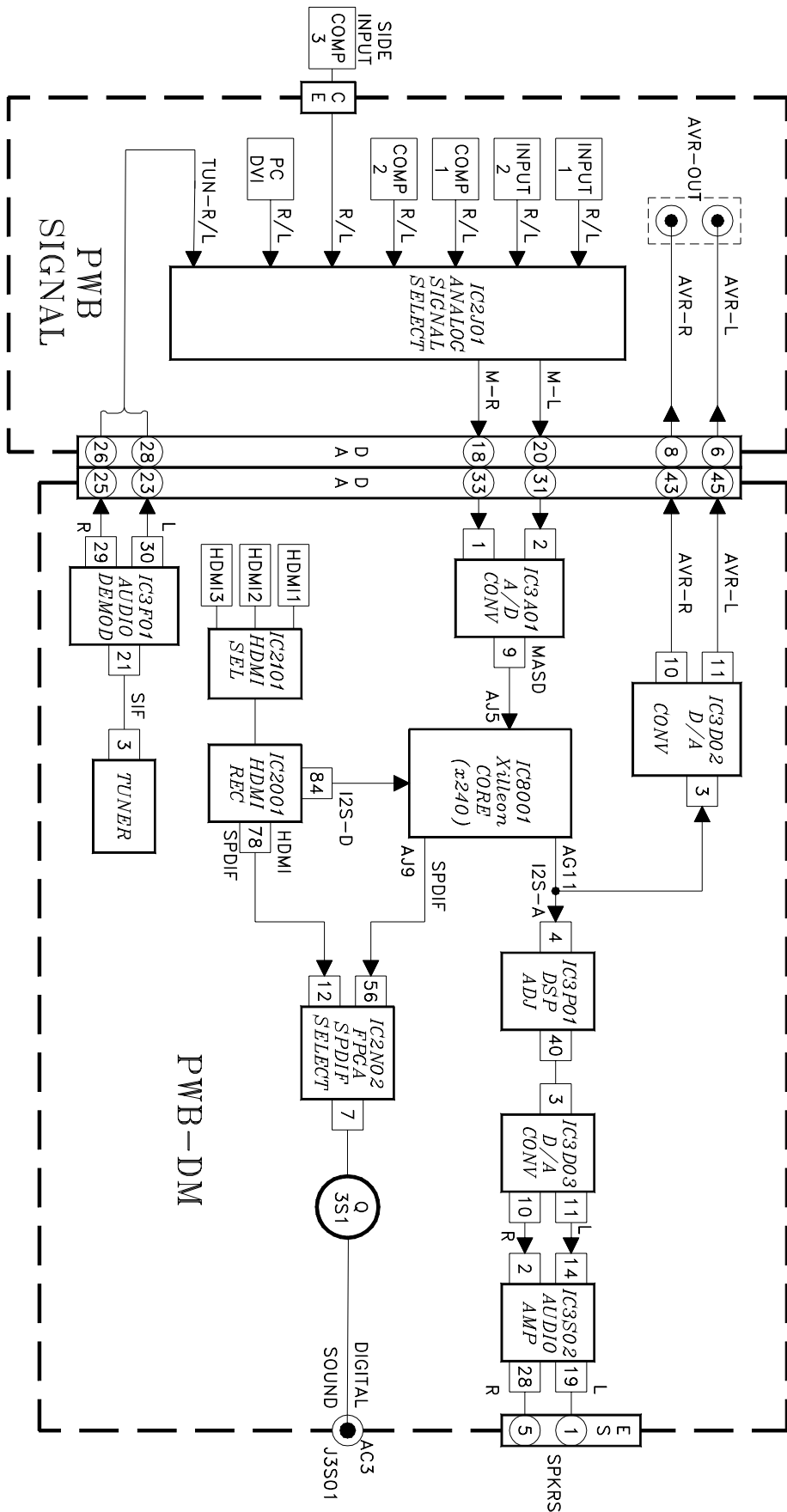
VLP38/38+/38++ OVERALL VIDEO SIGNAL PATH



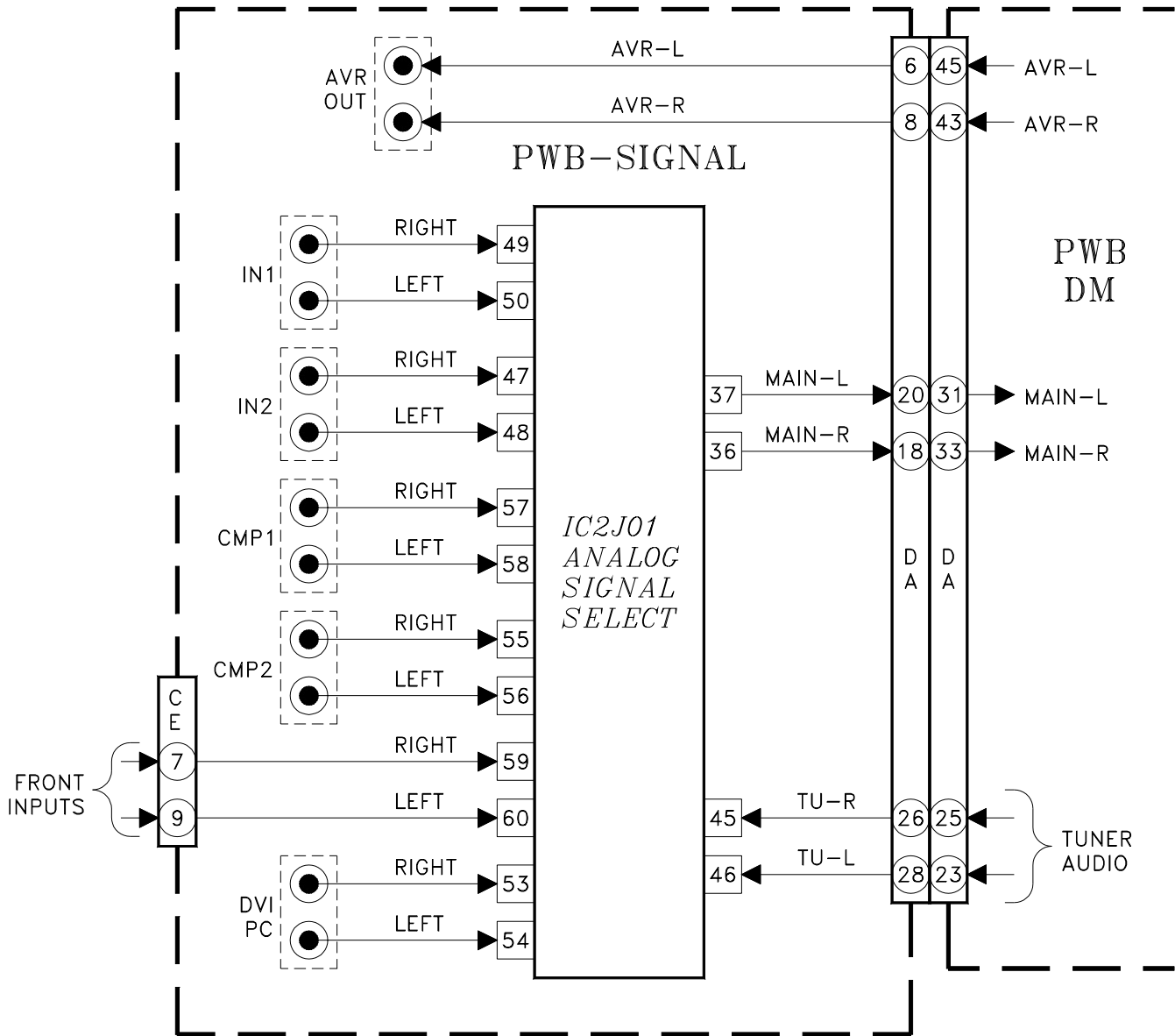
VLP38/38+/38++ PWB-SIGNAL Video Path



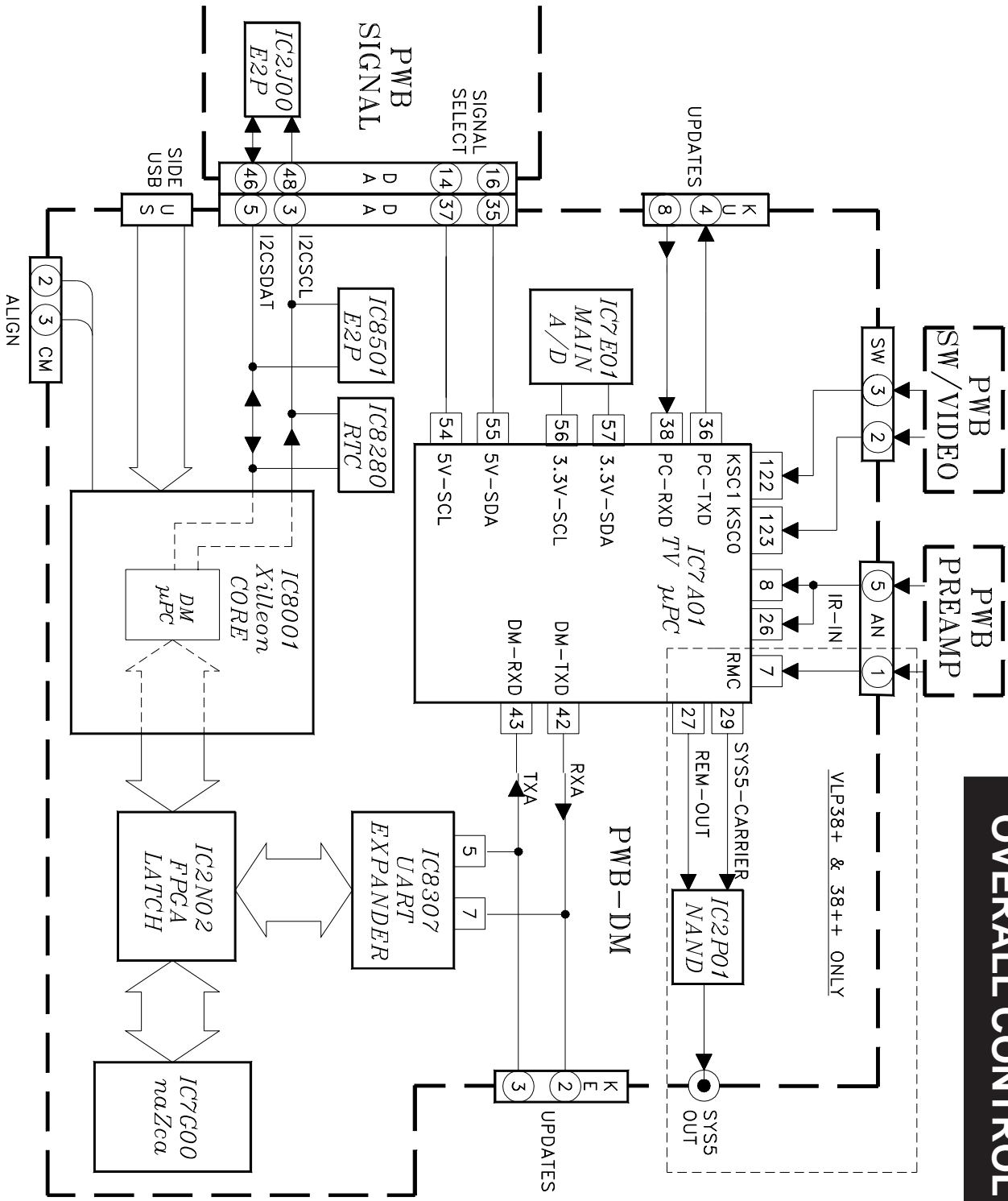
VLP38/38+/38++ OVERALL AUDIO SIGNAL PATH



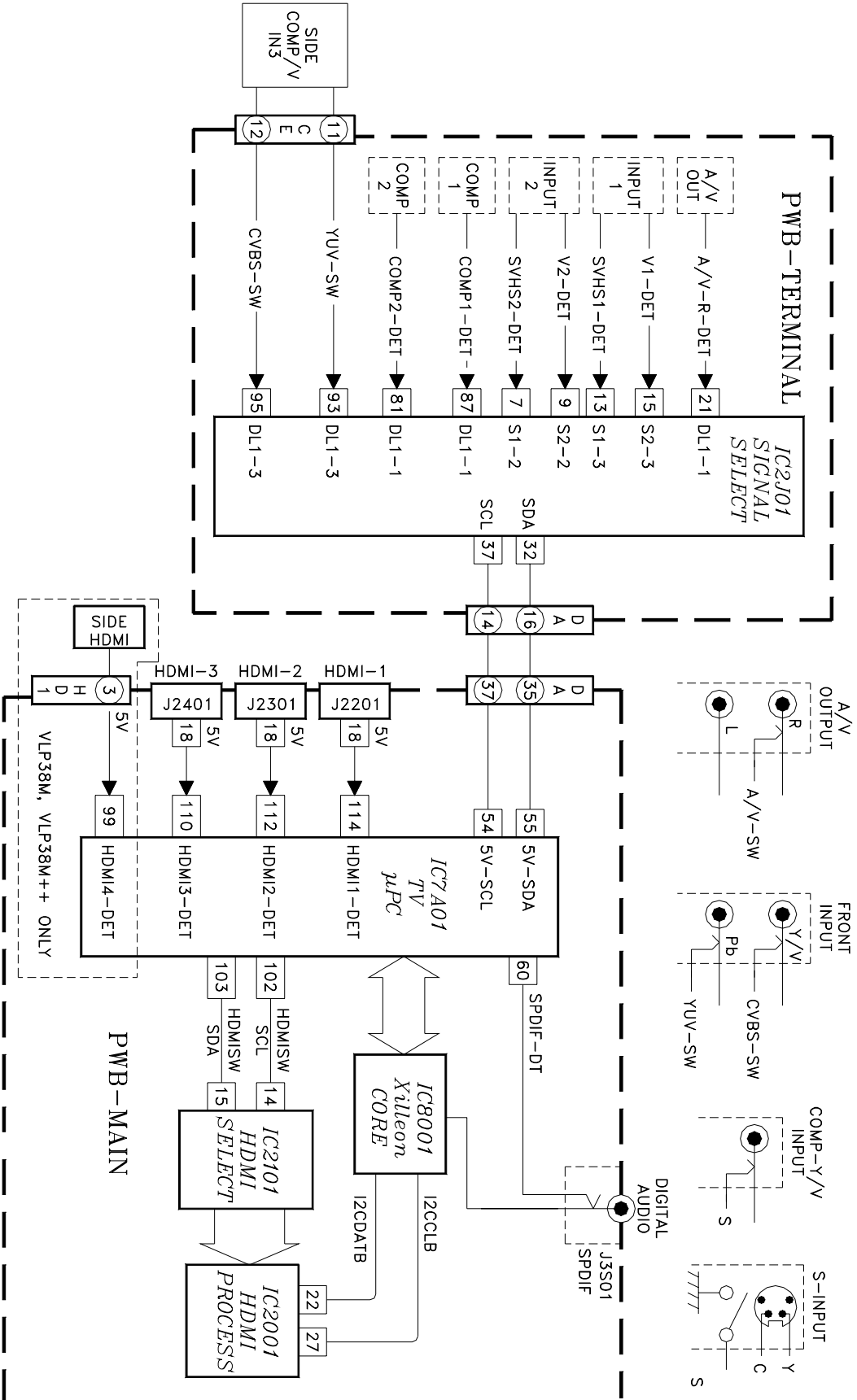
VLP38/38+/38++ Sound Select Circuit



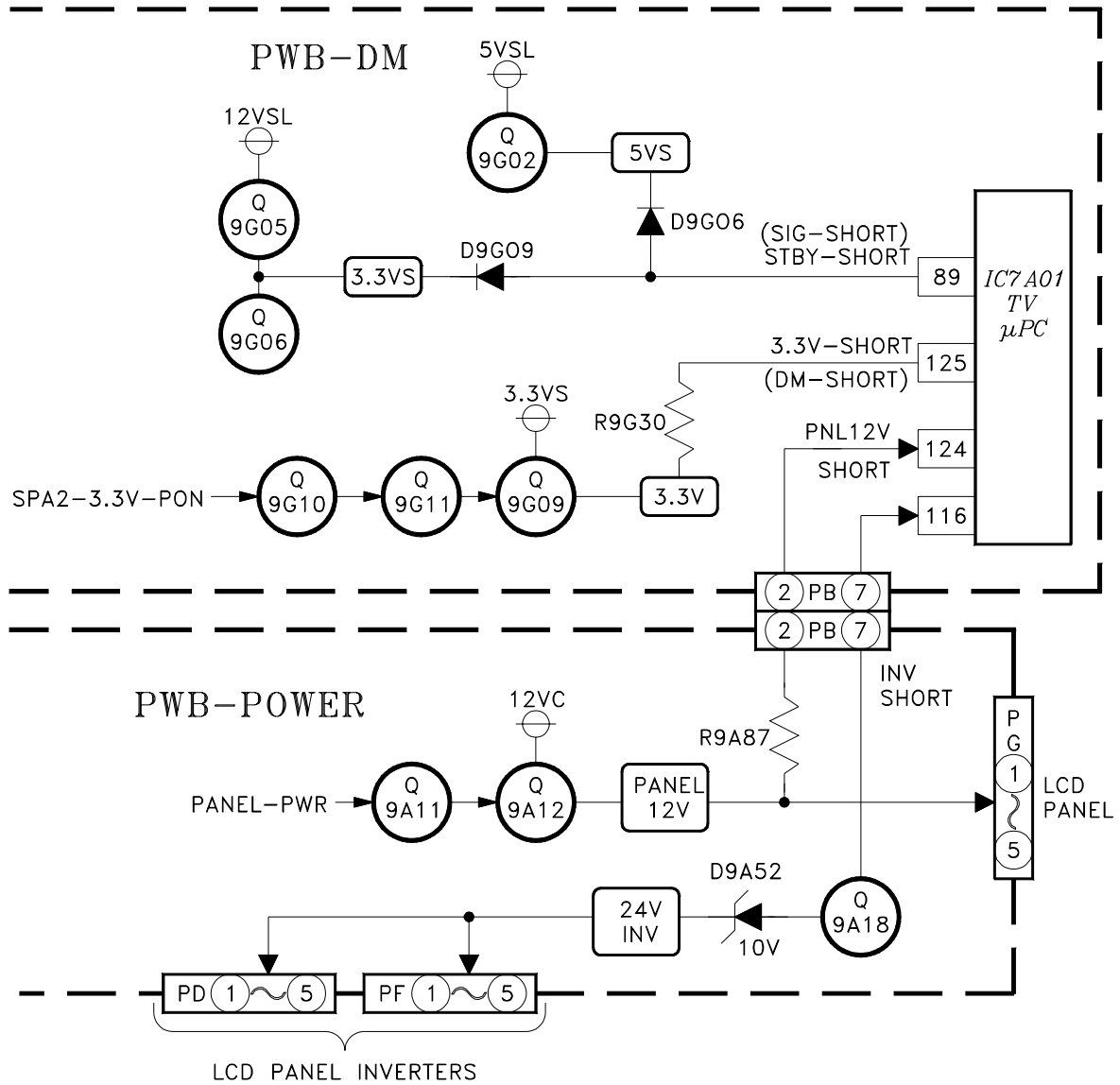
**VLP38/38+/38++
OVERALL CONTROL**



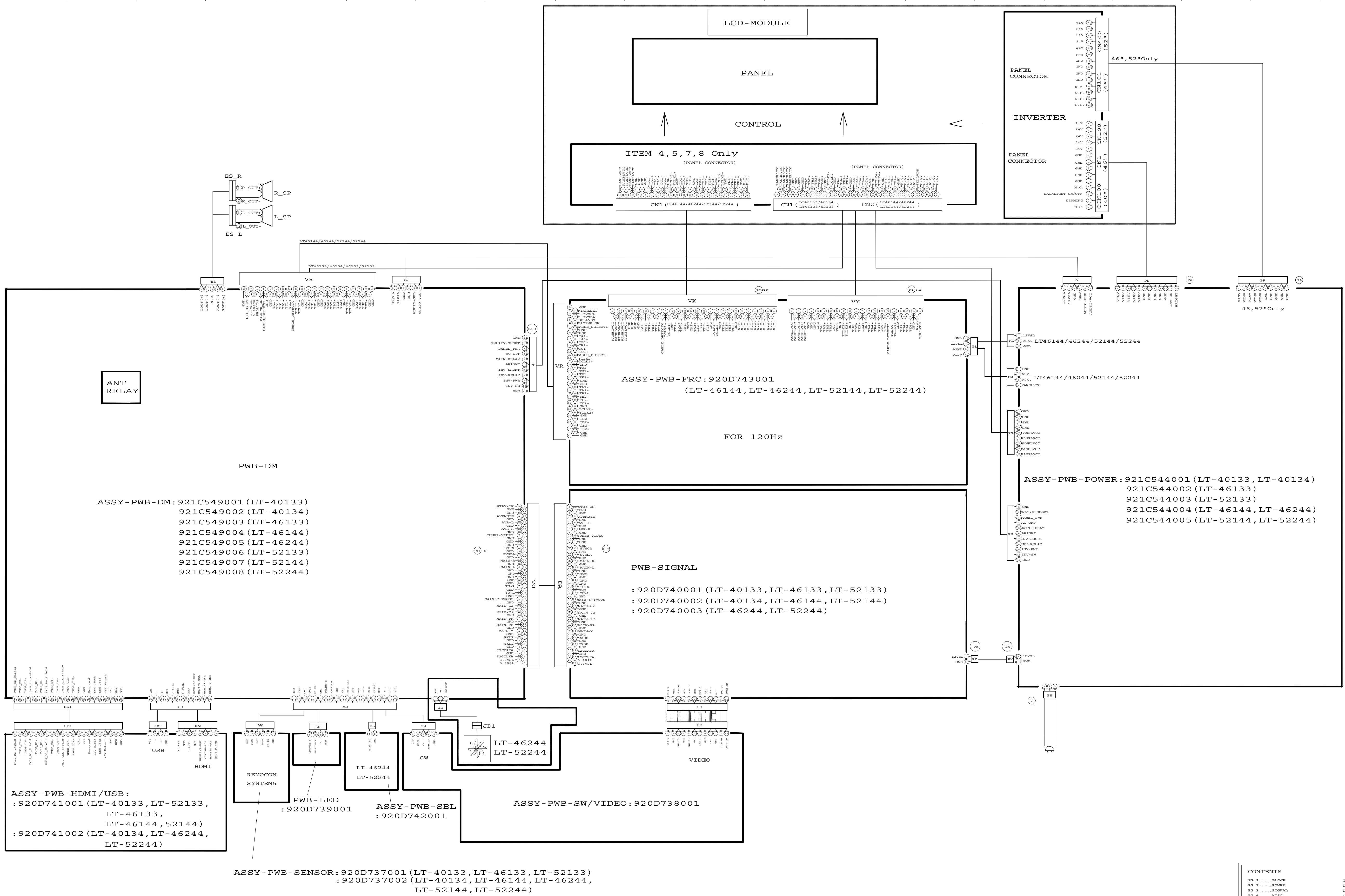
VLP38/38+/38++ Input Auto Detect Circuitry



VLP38/38+/38++ Short Detect Circuit



A
B
C
D
E
F
G
H
I
J
K
L
M
N
O



*** NOTES**

- DC voltages were measured from points indicated to the circuit ground with a high-Z voltmeter.
- Wave form were taken with standard color bar signal.
- TP13, etc. show test points.
- CAPACITOR

Value	Not indicated	PP, for numbers more than 1	LT, for numbers less than 1
Dielectric Strength	Not indicated	No tolerance is indicated	
Tolerance	Not indicated = +/- 10%	for electrolytic capacitor	and +/- 20%
Type	Not indicated	Ceramic capacitor	<ul style="list-style-type: none"> □: Polyester capacitor □: Polypropylene film capacitor □: Aluminum electrolytic capacitor □: Twin film capacitor □: Semiconductor Ceramic capacitor □: Metalized paper □: Metalized plastic film capacitor □: Metalized polyester capacitor □: Polypropylene film capacitor □: Styrofoam capacitor □: Tantalum capacitor □: Electrolytic capacitor □: Non polarized electrolytic capacitor
IC chips	Not indicated	ceramic capacitor chip	<ul style="list-style-type: none"> □: Electrolytic capacitor □: Non polarized electrolytic capacitor chip

Value	Not indicated	Ohm	K = 1,000 Ohm	M = 1,000,000 Ohm							
Resistance	Not indicated <td>Ohm</td> <td></td> <td></td>	Ohm									
Wattage	Parts except for chips	Not indicated	= 1/4W or 1/2W								
Tolerance	Not indicated	= +/- 5%									
Type	Parts except for chips	Not indicated	Carbon resistor <td>Fixed composition resistor <td>Metal oxide film resistor (Type I) <td>Wire wound resistor <td>Film resistor <td>Metal film resistor <td>Metal plate cement resistor <td>Metal linear resistor <td>chip resistor</td> </td></td></td></td></td></td></td>	Fixed composition resistor <td>Metal oxide film resistor (Type I) <td>Wire wound resistor <td>Film resistor <td>Metal film resistor <td>Metal plate cement resistor <td>Metal linear resistor <td>chip resistor</td> </td></td></td></td></td></td>	Metal oxide film resistor (Type I) <td>Wire wound resistor <td>Film resistor <td>Metal film resistor <td>Metal plate cement resistor <td>Metal linear resistor <td>chip resistor</td> </td></td></td></td></td>	Wire wound resistor <td>Film resistor <td>Metal film resistor <td>Metal plate cement resistor <td>Metal linear resistor <td>chip resistor</td> </td></td></td></td>	Film resistor <td>Metal film resistor <td>Metal plate cement resistor <td>Metal linear resistor <td>chip resistor</td> </td></td></td>	Metal film resistor <td>Metal plate cement resistor <td>Metal linear resistor <td>chip resistor</td> </td></td>	Metal plate cement resistor <td>Metal linear resistor <td>chip resistor</td> </td>	Metal linear resistor <td>chip resistor</td>	chip resistor

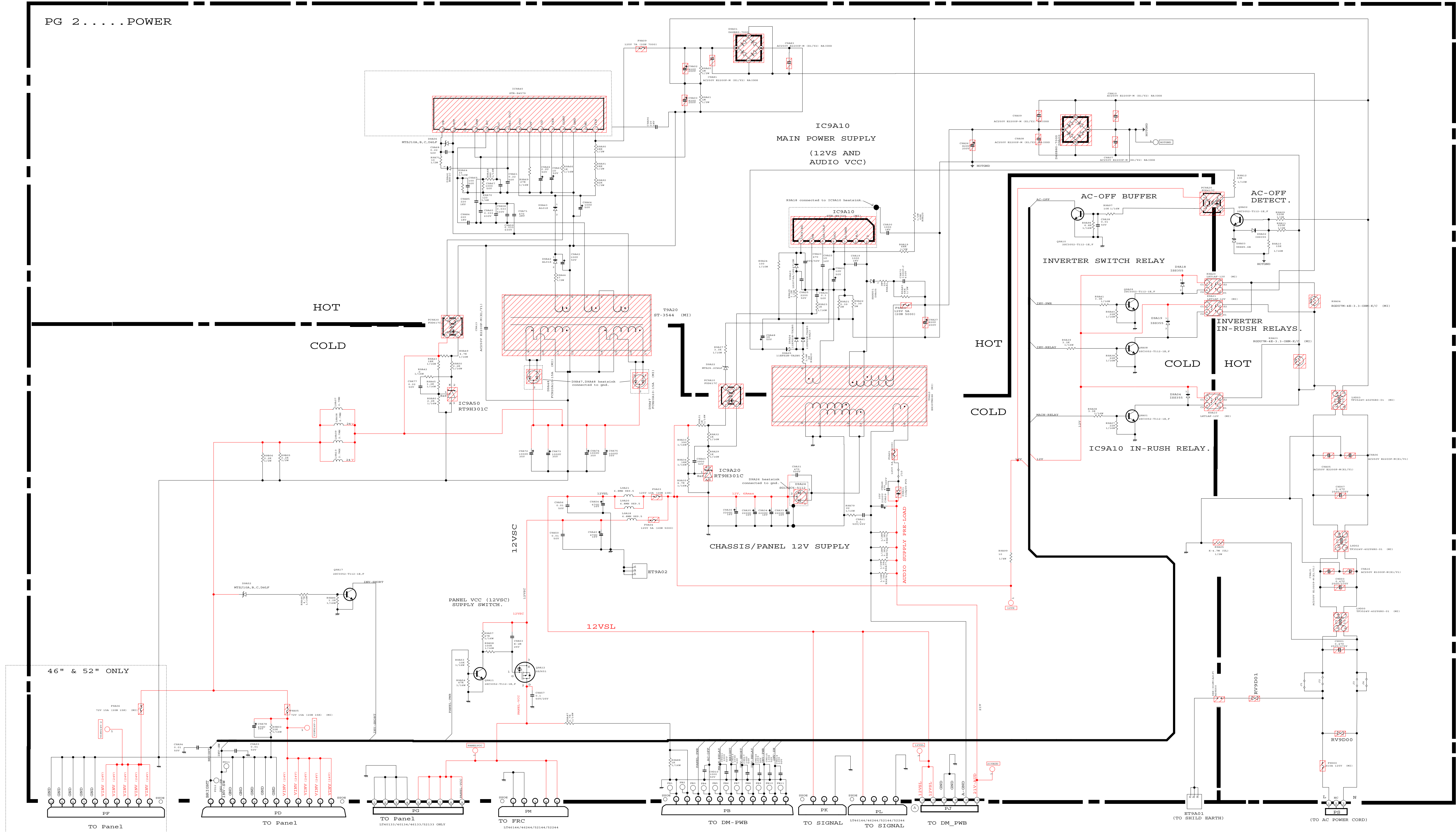
6. This is a basic schematic diagram. Some sets may be subject to modification according to engineering improvement.

SAFETY COMPONENTS HAVE SPECIAL CHARACTERISTICS
 IMPORTANT TO SAFETY. SAFETY RELATING PARTS OR THESE COMPONENTS, MUST COMPLY THE PRODUCTION CHECK LIST BY THE SERVICE MANUAL. DON'T IGNORE THE SAFETY OF THE RECEIVERS THROUGH IMPROPER SERVICING.

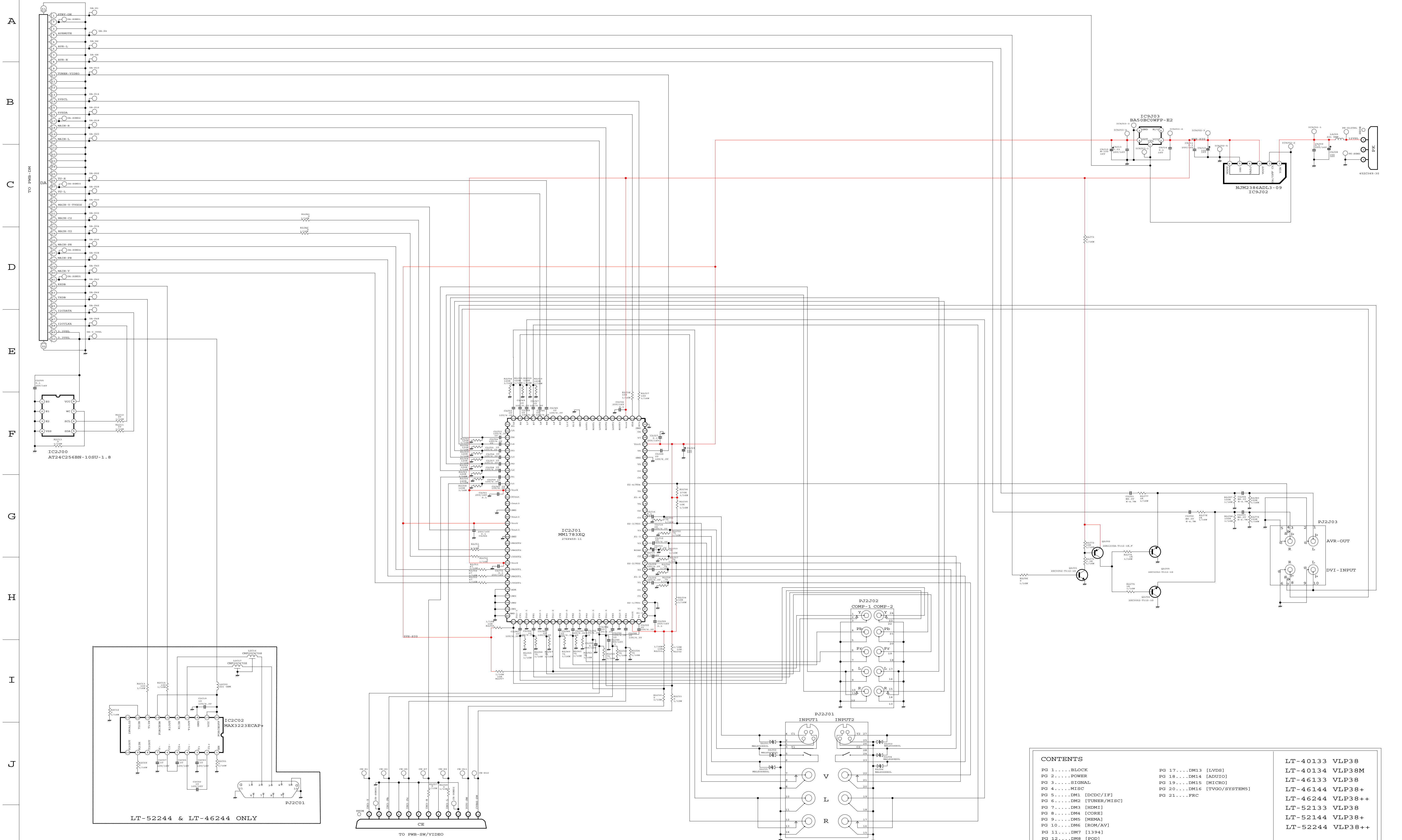
SERVICE TECHNICIAN WARNINGS:
 X-RADIATION PRECAUTION
 THIS PRODUCT INCLUDES CRITICAL ELECTRICAL AND MECHANICAL PARTS ESSENTIAL FOR X-RADIATION PROTECTION
 TO AVOID POSSIBLE TO X-RADIATION TAKE RADIATION PROTECTIVE MEASURE FOR PERSONNEL DOING SERVICING.
 SEE SERVICE INSTRUCTION FOR SPECIFIED REPLACEMENT PARTS AND SERVICE ADJUSTMENTS.

CONTENTS		LT-40133 VLP38
PG 1...BLOCK	PG 17...DM13 (LNB)	LT-40134 VLP38M
PG 2...POWER	PG 18...DM14 (AUDIO)	LT-46133 VLP38
PG 3...SIGNAL	PG 19...DM15 (MICRO)	LT-46144 VLP38+
PG 4...MISC	PG 20...DM16 (TVOO/SYSTEMS)	LT-46244 VLP38++
PG 5...DM1 (DCDC/IF)	PG 21...FRC	LT-52133 VLP38
PG 6...DM2 (TUNER/MISC)		LT-52144 VLP38+
PG 7...DM3 (MEM)		LT-52244 VLP38++
PG 8...DM4 (CORE)		
PG 9...DM5 (MEM)		
PG 10...DM6 (ROM/AV)		
PG 11...DM7 (394)		
PG 12...DM8 (FPC)		
PG 13...DM9 (ADC)		
PG 14...DM10 (PPGA)		
PG 15...DM11 (DAC)		
PG 16...DM12 (DAC/AM)		

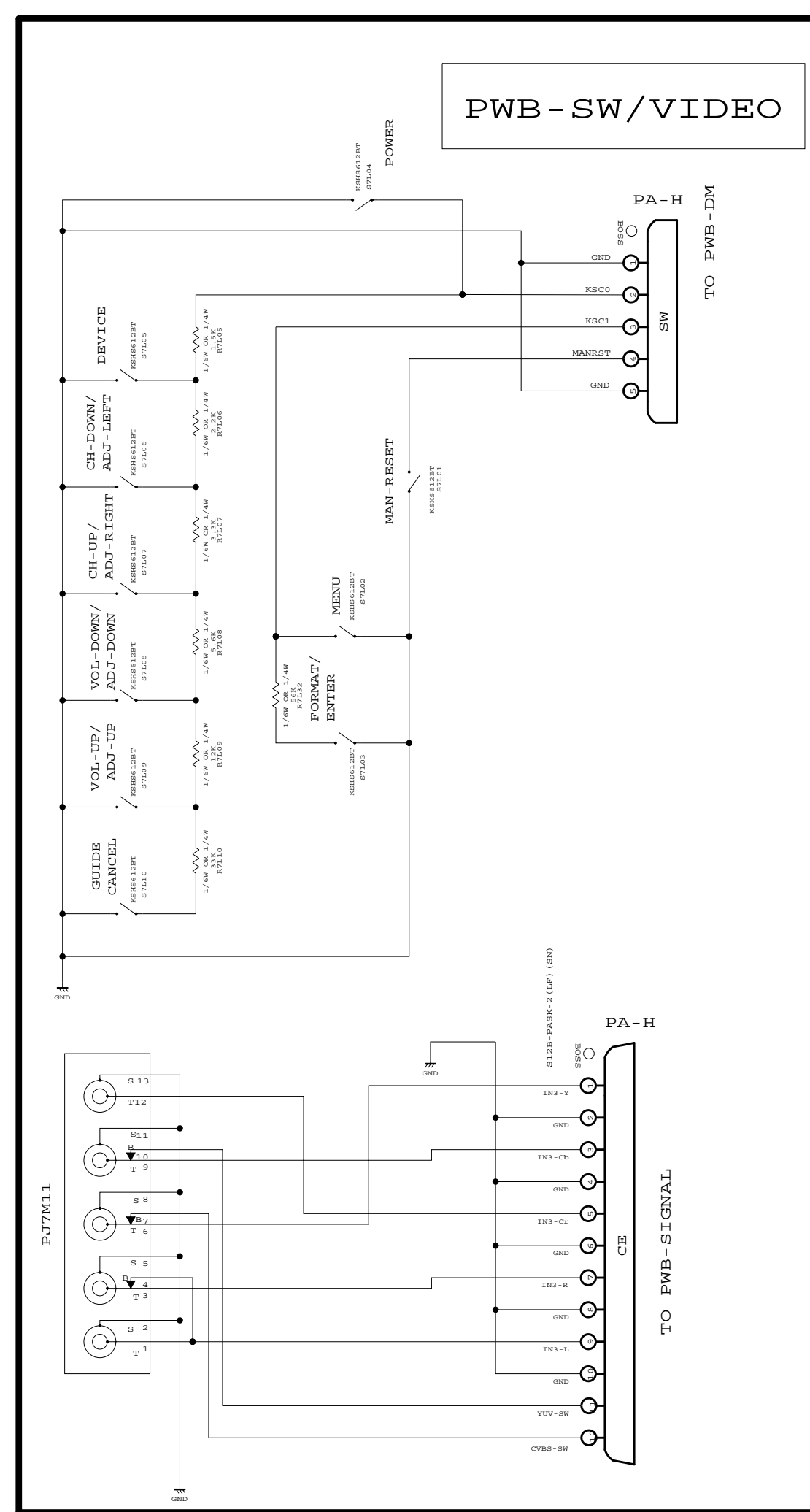
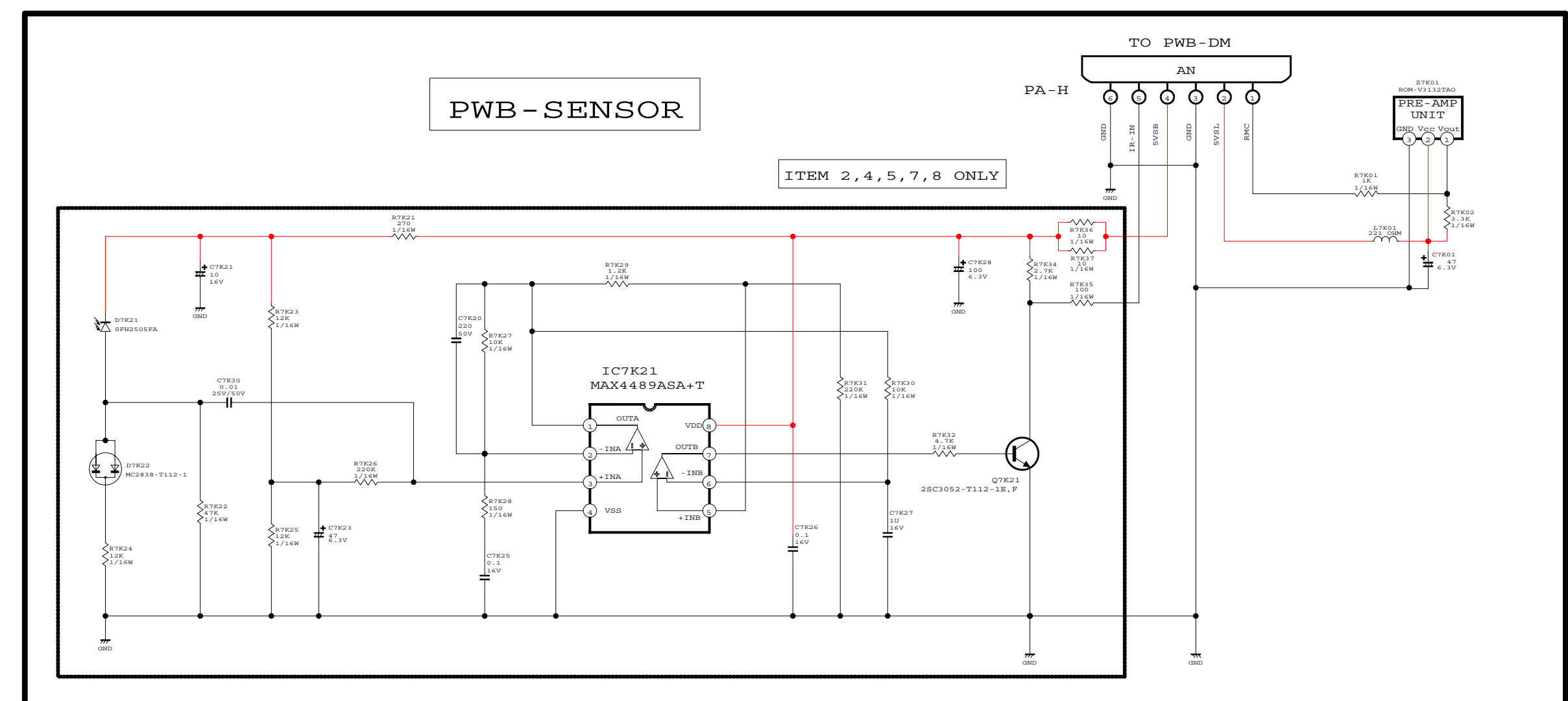
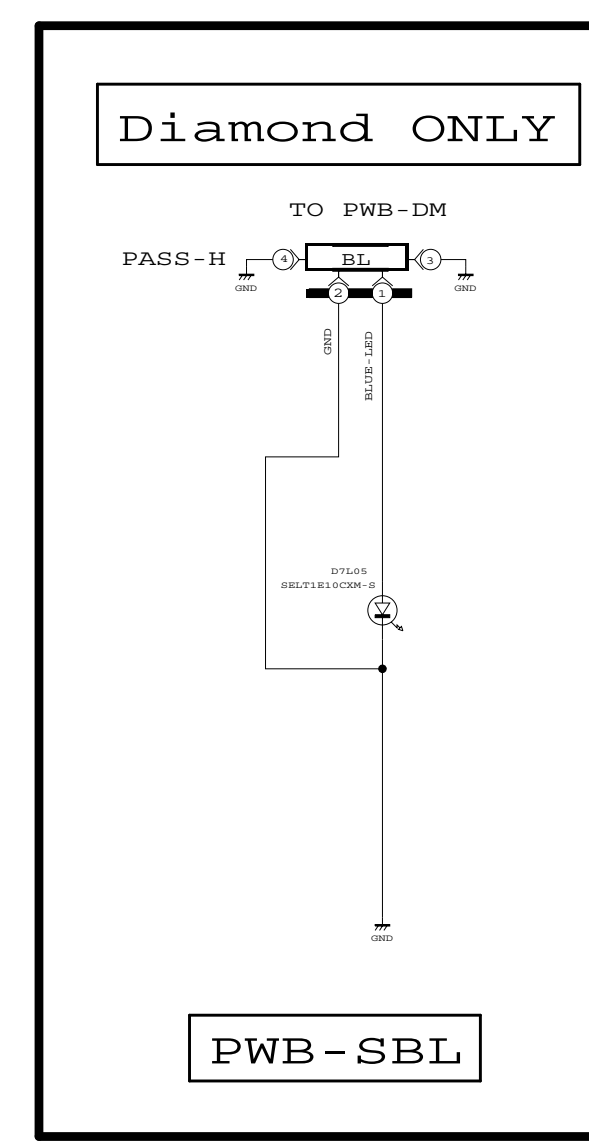
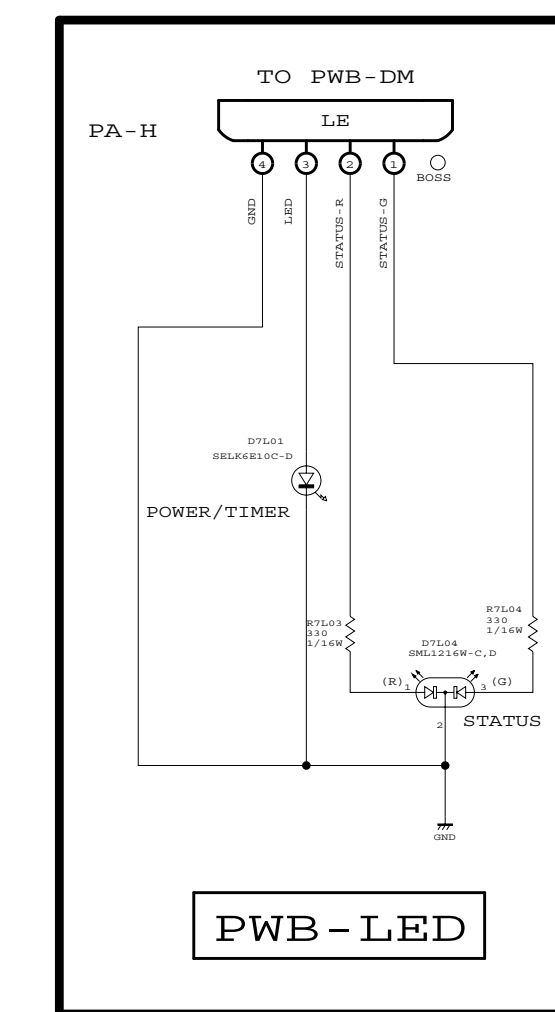
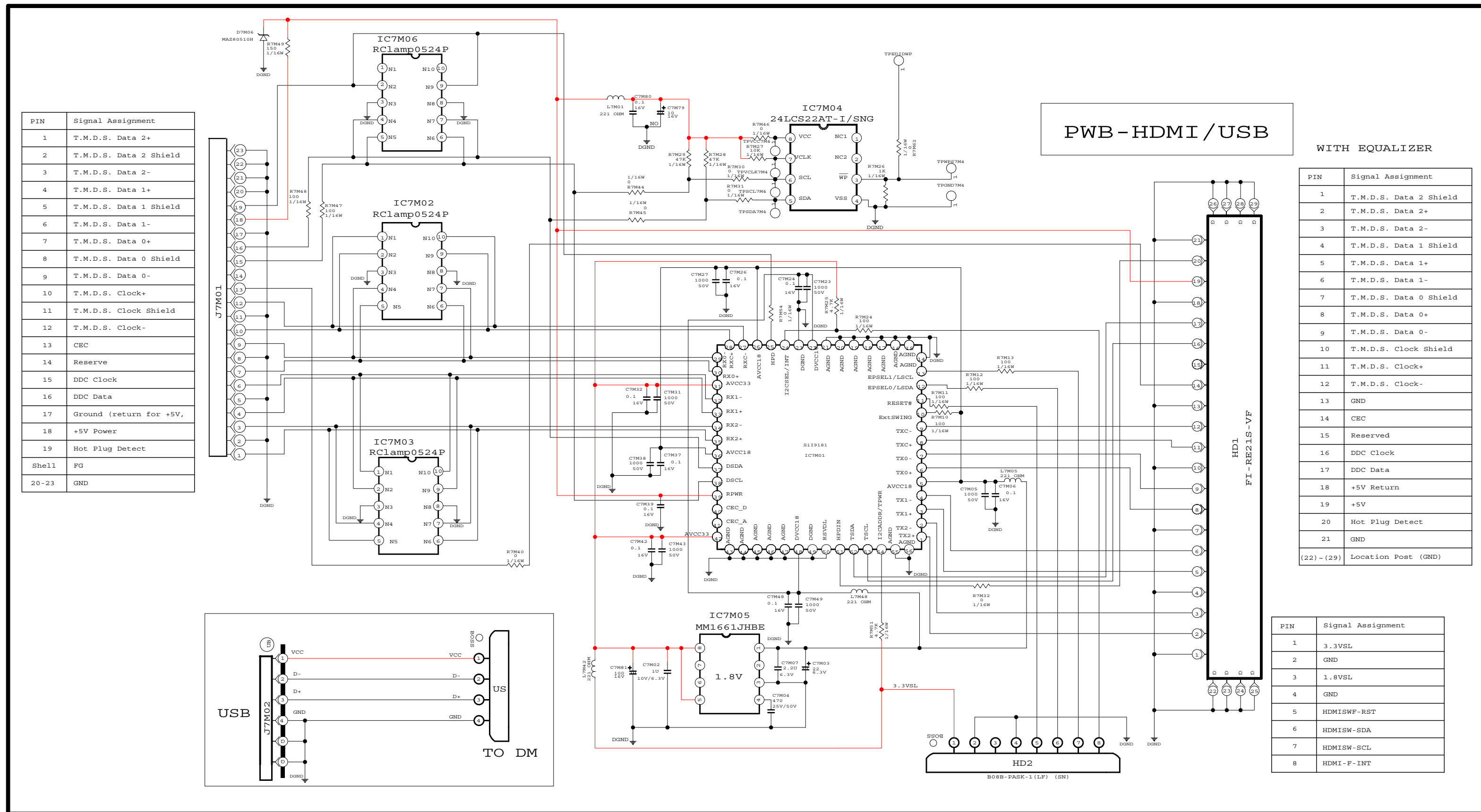
PG 2 POWER



CONTENTS		
PG 1 BLOCK	PG 17 DM13 [LVDS]	LT-40133 VLP38
PG 2 POWER	PG 18 DM14 [AUDIO]	LT-40134 VLP38M
PG 3 SIGNAL	PG 19 DM15 [MICRO]	LT-46133 VLP38
PG 4 MISC	PG 20 DM16 [TVGO/SYSTEM5]	LT-46144 VLP38+
PG 5 DM1 [DCDC/IP]	PG 21 FRC	LT-46244 VLP38++
PG 6 DM2 [TUNER/MISC]		LT-52133 VLP38
PG 7 DM3 [HDMI]		LT-52144 VLP38+
PG 8 DM4 [CORE]		LT-52244 VLP38++
PG 9 DM5 [MEMA]		
PG 10 DM6 [ROM/AV]		
PG 11 DM7 [1394]		
PG 12 DM8 [POD]		
PG 13 DM9 [ADC]		
PG 15 DM10 [IPGA]		
PG 15 DM11 [NAZCA]		
PG 16 DM12 [NA2CAMEM]		

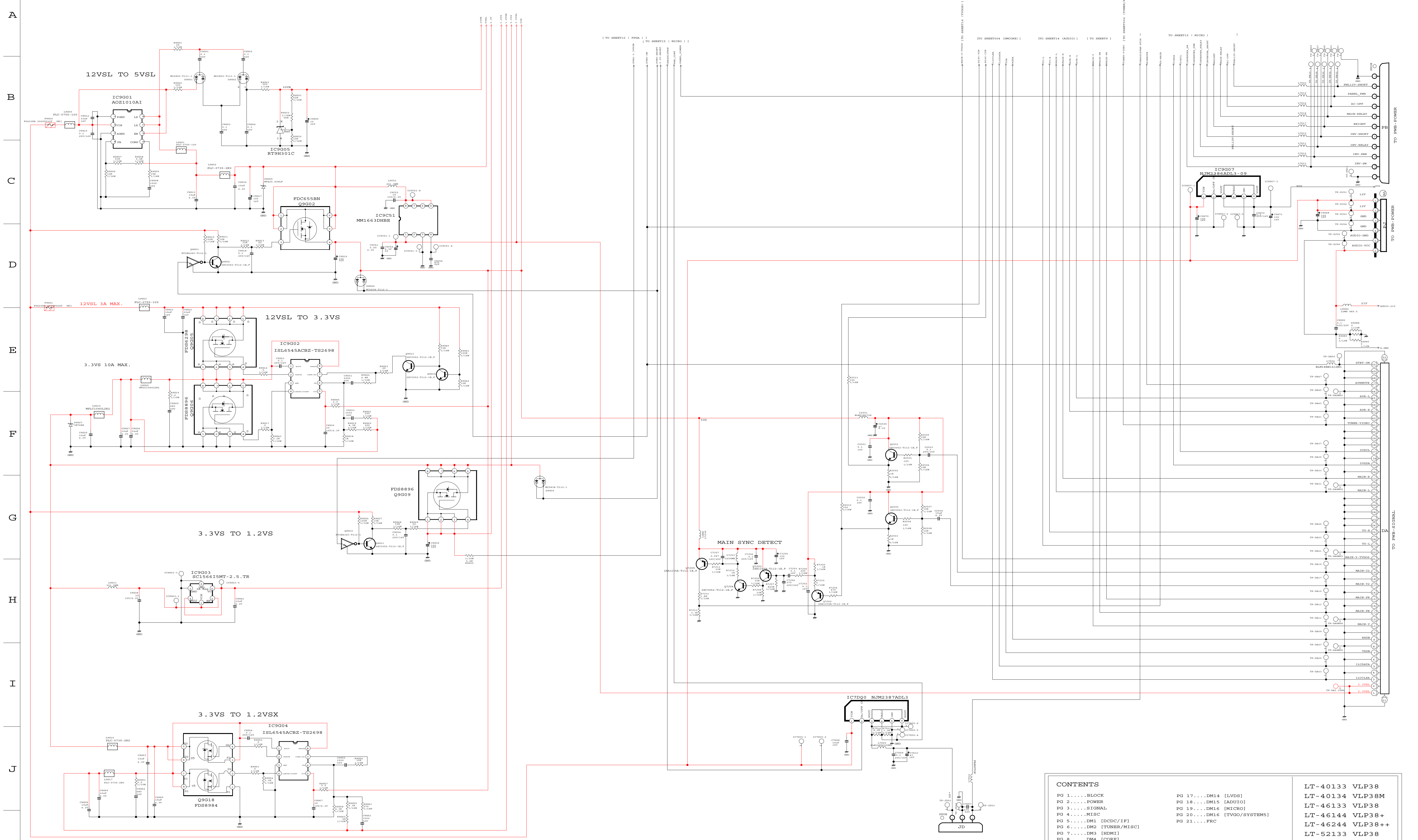


CONTENTS		
PG 1.....BLOCK	PG 17...DM13 [LVDS]	LT-40133 VLP38
PG 2.....POWER	PG 18...DM14 [AUDIO]	LT-40134 VLP38M
PG 3.....SIGNAL	PG 19...DM15 [MICRO]	LT-46133 VLP38
PG 4.....MISC	PG 20...DM16 [TVGO/SYSTEMS]	LT-46144 VLP38+
PG 5.....DM1 [DCDC/IP]	PG 21...FRC	LT-46244 VLP38++
PG 6.....DM2 [TUNER/MISC]		LT-52133 VLP38
PG 7.....DM3 [HDMI]		LT-52144 VLP38+
PG 8.....DM4 [CORB]		LT-52244 VLP38++
PG 9.....DM5 [MEMA]		
PG 10...DM6 [ROW/AV]		
PG 11...DM7 [1394]		
PG 12...DM8 [POD]		
PG 13...DM9 [ADC]		
PG 14...DM10 [FPGA]		
PG 15...DM11 [NA2CA]		
PG 16...DM12 [NA2CAMEM]		



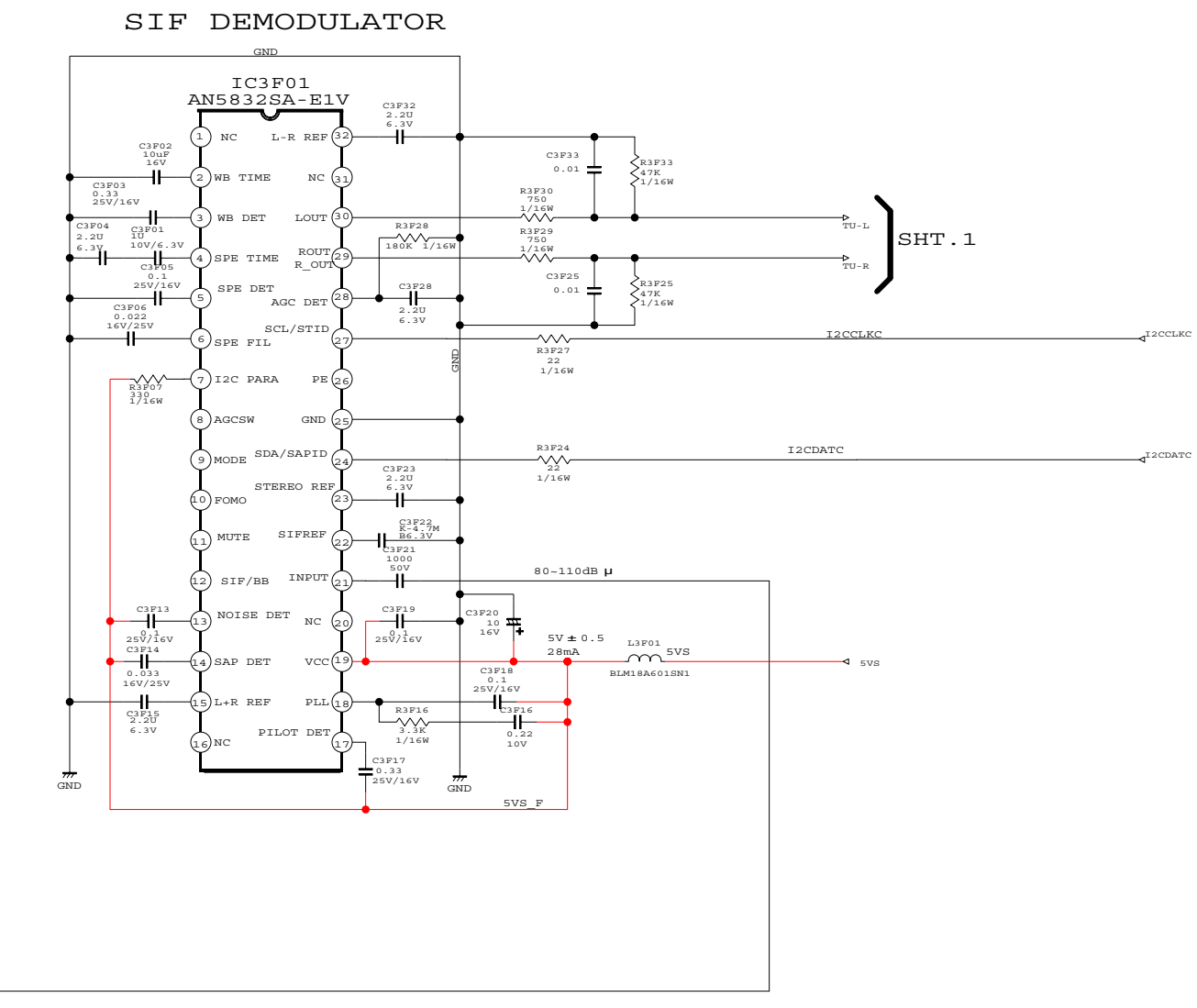
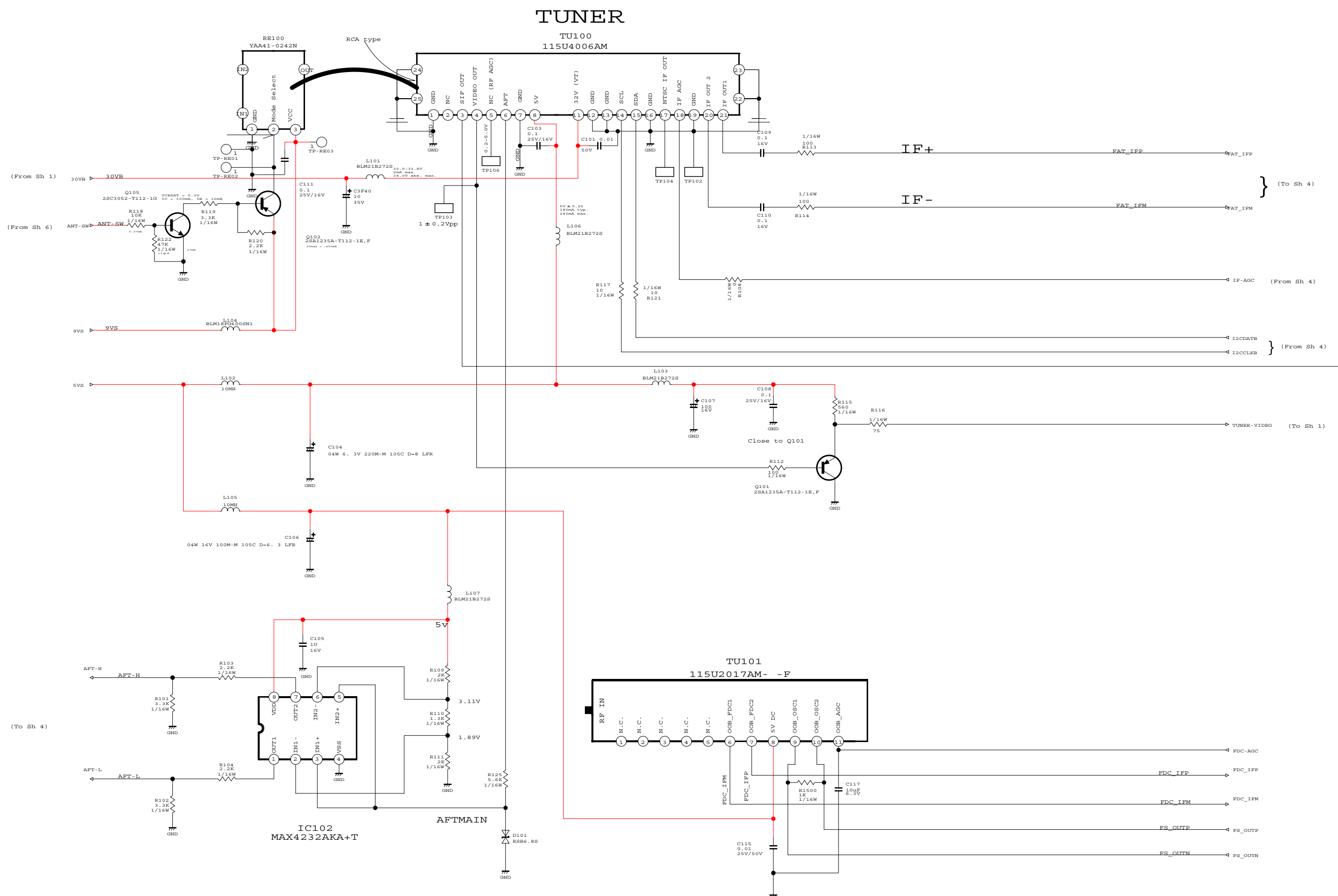
CONTENTS	
PG 1 BLOCK	PG 17 DM13 [LVD9]
PG 2 POWER	PG 18 DM14 [AUDIO]
PG 3 SIGNAL	PG 19 DM15 [MICRO]
PG 4 MISC	PG 20 DM16 [TVGO/SYSTEM5]
PG 5 DM1 [DCDC/IF]	PG 21 FRC
PG 6 DM2 [TUNER/MISC]	
PG 7 DM3 [HDMI]	
PG 8 DM4 [CORE2]	
PG 9 DM5 [MEMA]	
PG 10 DM6 [ROM/AV]	
PG 11 DM7 [1394]	
PG 12 DM8 [FOD]	
PG 13 DM9 [ADC]	
PG 14 DM10 [FRGA]	
PG 15 DM11 [NAZCA]	
PG 16 DM12 [NAZCAMEM]	

LT-40133	VLP38
LT-40134	VLP38M
LT-46133	VLP38
LT-46144	VLP38+
LT-46244	VLP38++
LT-52133	VLP38
LT-52144	VLP38+
LT-52244	VLP38++



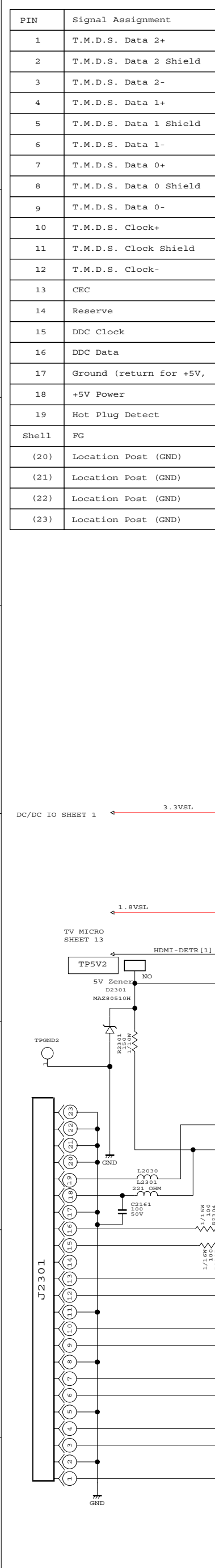
CONTENTS		
PG 1 BLOCK	PG 17 DM14 [LVDS]	LT-40133 VLP38
PG 2 POWER	PG 18 DM15 [AUDIO]	LT-40134 VLP38M
PG 3 SIGNAL	PG 19 DM16 [MICRO]	LT-46133 VLP38
PG 4 MISC	PG 20 DM16 [TVGO/SYSTEM5]	LT-46144 VLP38+
PG 5 DM1 [DCDC/IP]	PG 21 FRC	LT-46244 VLP38++
PG 6 DM2 [TUNER/MISC]		LT-52133 VLP38
PG 7 DM3 [HDMI]		LT-52144 VLP38+
PG 8 DM4 [CORE]		LT-52244 VLP38++
PG 9 DM5 [MEMA]		
PG 10 DM6 [ROM/AV]		
PG 11 DM7 [1394]		
PG 12 DM8 [POD]		
PG 13 DM10 [ADC]		
PG 14 DM11 [FPGA]		
PG 15 DM12 [NAZCA]		
PG 16 DM13 [NAZCAMEM]		

A
B
C
D
E
F
G
H
I
J
K



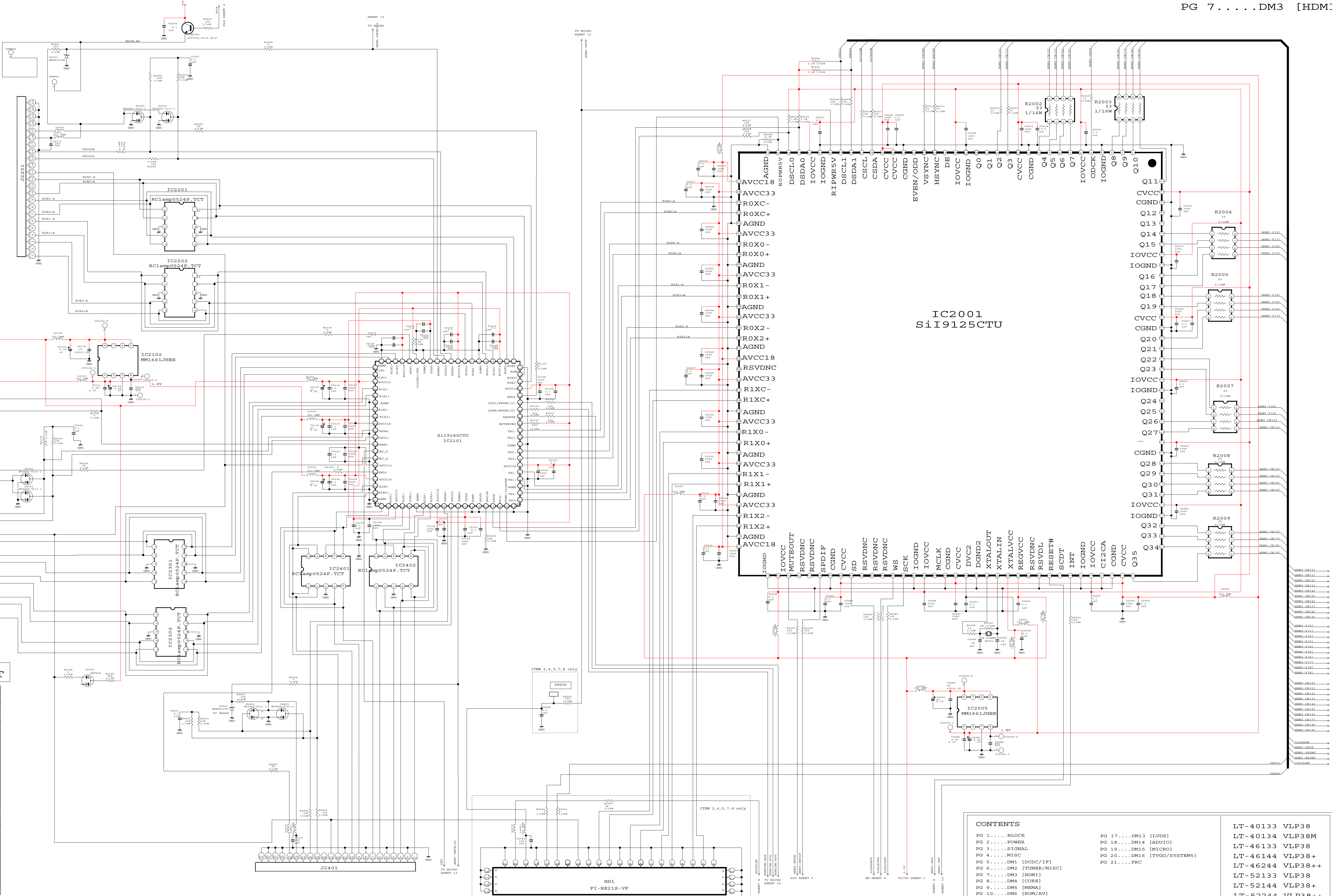
PG 1BLOCK	PG 17DM13 [LVDS]	LT-40133 VLP38
PG 2POWER	PG 18DM14 [AUDIO]	LT-40134 VLP38M
PG 3SIGNAL	PG 19DM15 [MICRO]	LT-46133 VLP38
PG 4MISC	PG 20DM16 [TVGO/SYSTEM5]	LT-46144 VLP38+
PG 5DM1 [DCDC/IP]	PG 21PRC	LT-46244 VLP38++
PG 6DM2 [TUNER/MISC]		LT-52133 VLP38
PG 7DM3 [HDMI]		LT-52144 VLP38+
PG 8DM4 [CORB]		LT-52244 VLP38++
PG 9DM5 [MEMA]		
PG 10DM6 [ROM/AV]		
PG 11DM7 [1394]		
PG 12DM8 [POD]		
PG 13DM9 [ADC]		
PG 14DM10 [FPGA]		
PG 15DM11 [NA2CA]		
PG 16DM12 [NA2CAMEM]		

Pin	Signal Assignment
1	T.M.D.S. Data 2+ Shield
2	T.M.D.S. Data 2+
3	T.M.D.S. Data 2-
4	T.M.D.S. Data 1+ Shield
5	T.M.D.S. Data 1+
6	T.M.D.S. Data 1-
7	T.M.D.S. Data 0+ Shield
8	T.M.D.S. Data 0+
9	T.M.D.S. Data 0-
10	T.M.D.S. Clock+ Shield
11	T.M.D.S. Clock+
12	T.M.D.S. Clock-
13	CEC
14	Reserve
15	BDC Clock
16	BDC Data
17	Ground (return for +5V)
18	+5V Power
19	Hoc Plug Detect
Shell	PG
(20)	Location Post (GND)
(21)	Location Post (GND)
(22)	Location Post (GND)
(23)	Location Post (GND)



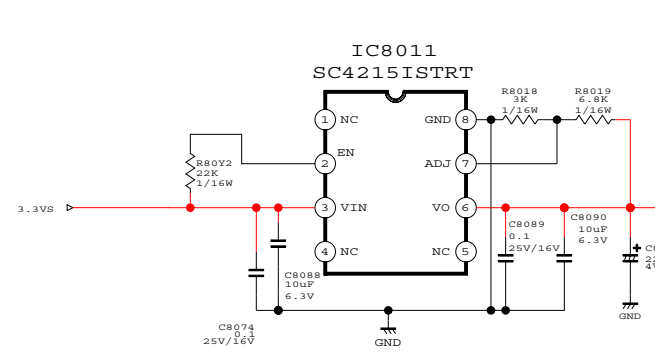
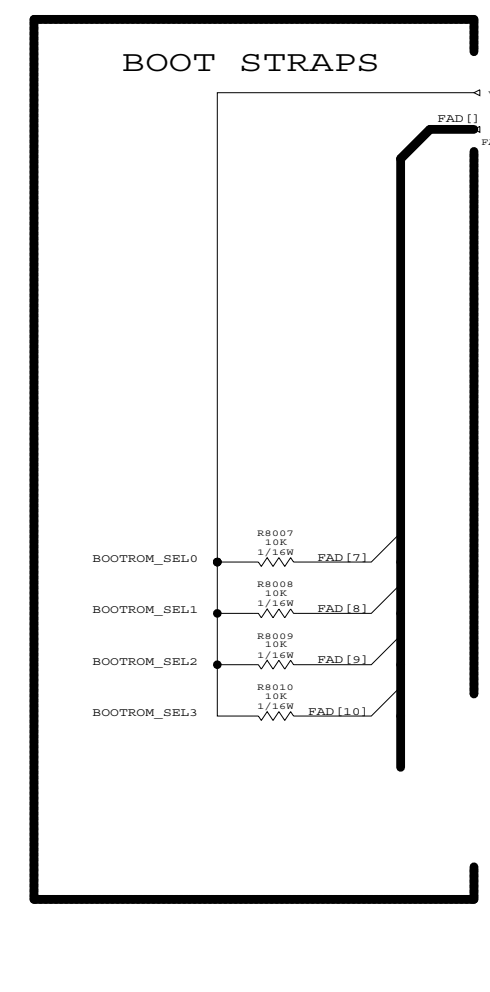
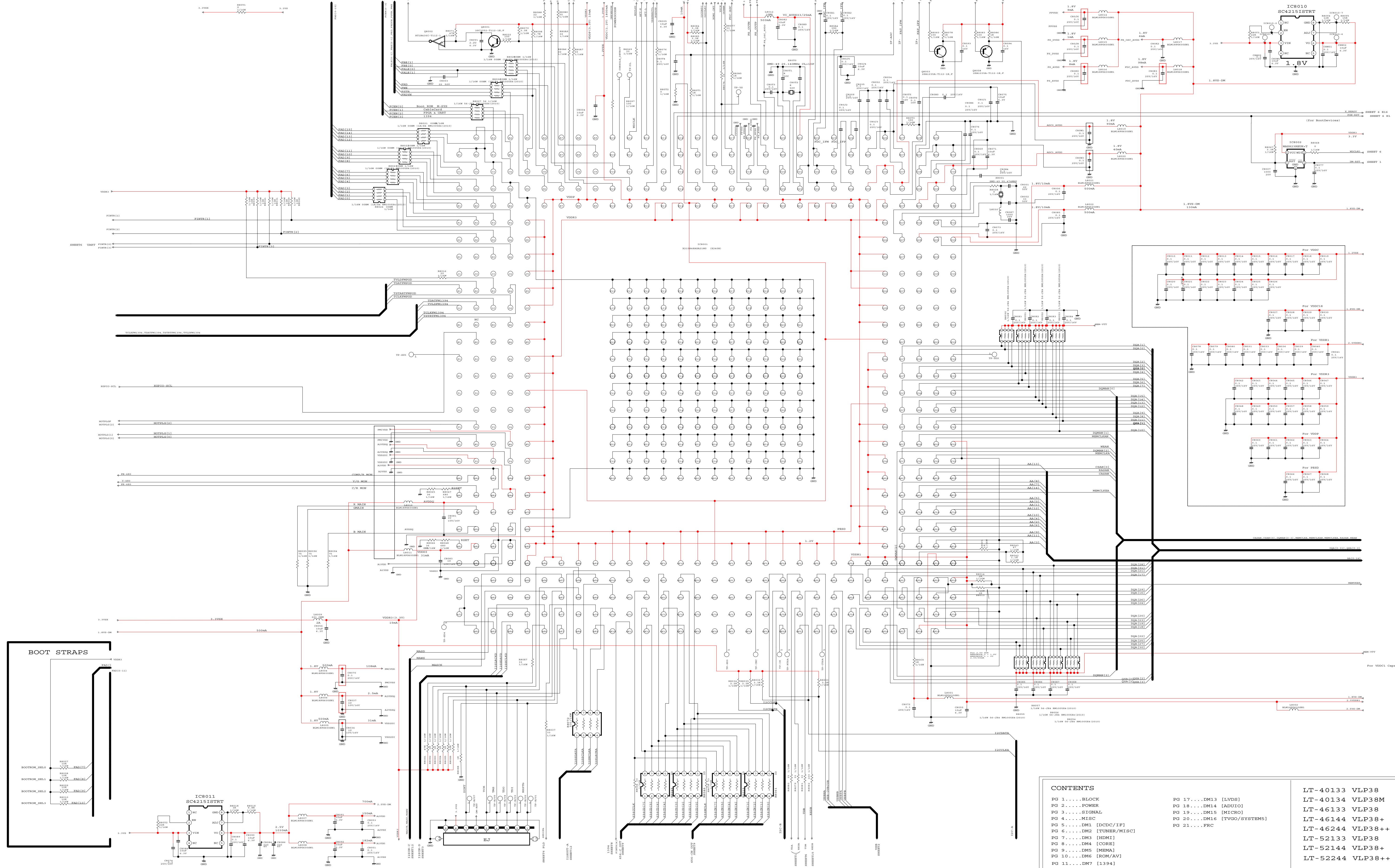
HDMI - FRONT

Pin	Signal Assignment
1	T.M.D.S. Data 2+ Shield
2	T.M.D.S. Data 2+
3	T.M.D.S. Data 2-
4	T.M.D.S. Data 1+ Shield
5	T.M.D.S. Data 1+
6	T.M.D.S. Data 1-
7	T.M.D.S. Data 0+ Shield
8	T.M.D.S. Data 0+
9	T.M.D.S. Data 0-
10	T.M.D.S. Clock+ Shield
11	T.M.D.S. Clock+
12	T.M.D.S. Clock-
13	GND
14	CEC
15	Reserved
16	BDC Clock
17	BDC Data
18	+5V Return
19	+5V
20	Hoc Plug Detect
(21)	Location Post (GND)
(22)	Location Post (GND)
Shell	Frame Ground

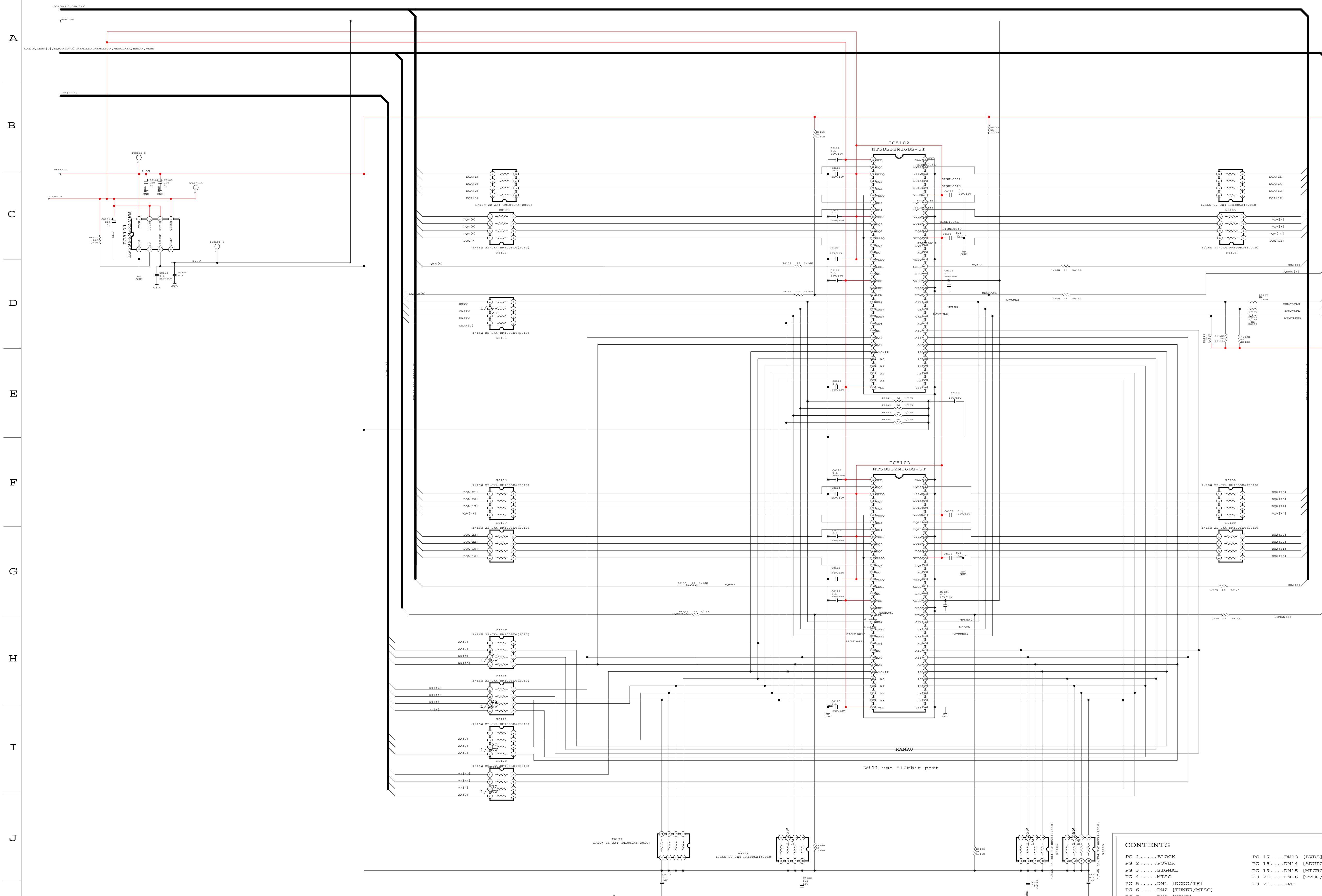


CONTENTS		
PG 1...BLOCK	PG 17...DM13 [LVDS]	LT-40133 VLP38
PG 2...POWER	PG 18...DM14 [AUDIO]	LT-40134 VLP38M
PG 3...SIGNAL	PG 19...DM15 [MICRO]	LT-46133 VLP38
PG 4...MISC	PG 20...DM16 [TVGO/SYSTEM5]	LT-46144 VLP38+
PG 5...DM1 [DCCD/IF]	PG 21...PRC	LT-46244 VLP38++
PG 6...DM2 [TUNER/MISC]		LT-52133 VLP38
PG 7...DM3 [HDMI]		LT-52144 VLP38+
PG 8...DM4 [CORE]		LT-52244 VLP38++
PG 9...DM5 [MEMA]		
PG 10...DM6 [ROM/AV]		
PG 11...DM7 [1394]		
PG 12...DM8 [POD]		
PG 13...DM9 [ADC]		
PG 14...DM10 [FPGA]		
PG 15...DM11 [NAZCA]		
PG 16...DM12 [NAZCAMM]		

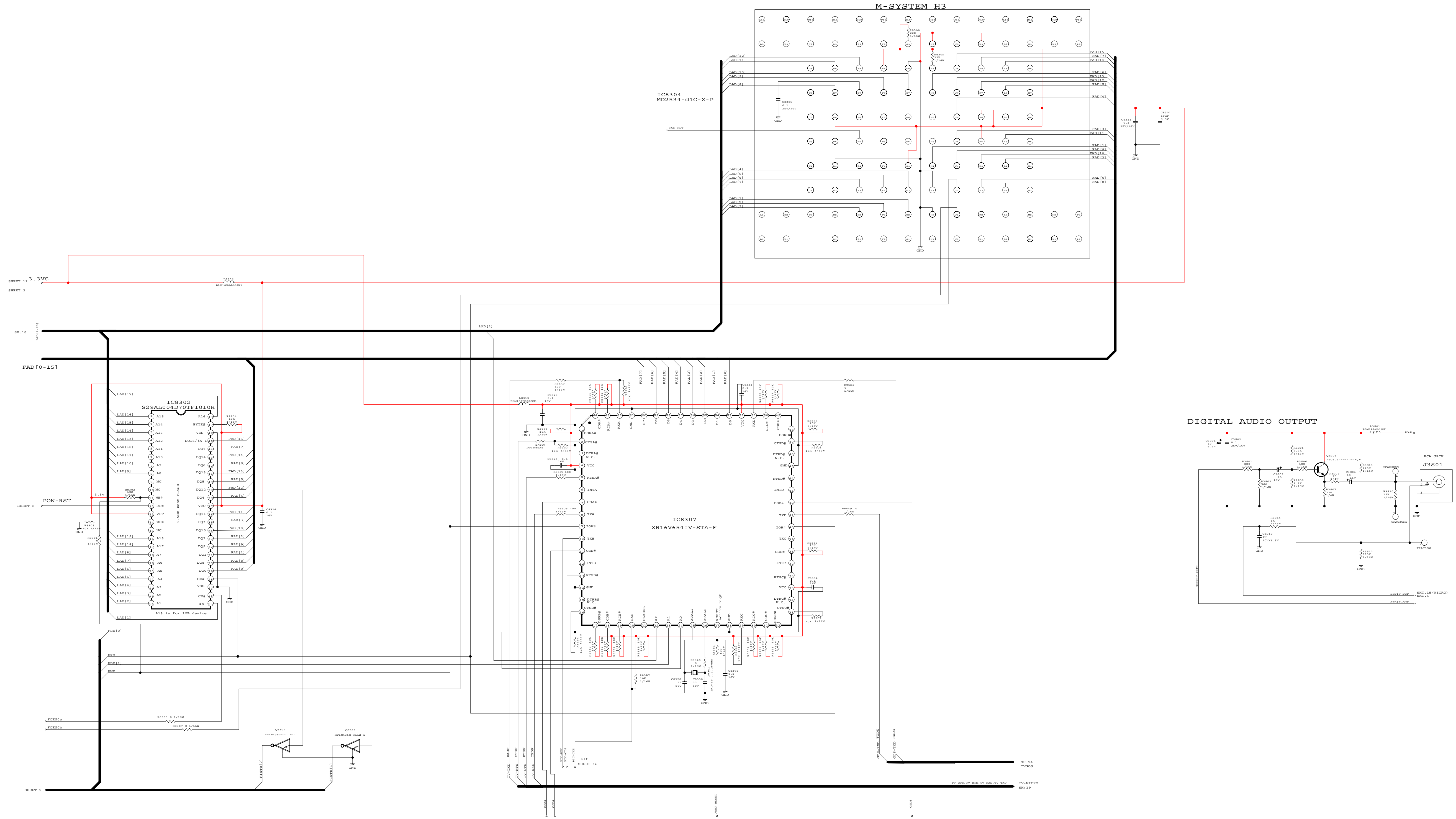
A
B
C
D
E
F
G
H
I
J
K



CONTENTS		
PG 1 BLOCK	PG 17 DM13 [LVDS]	LT-40133 VLP38
PG 2 POWER	PG 18 DM14 [ADUIO]	LT-40134 VLP38M
PG 3 SIGNAL	PG 19 DM15 [MICRO]	LT-46133 VLP38
PG 4 MISC	PG 20 DM16 [TVGO/SYSTEMS]	LT-46144 VLP38+
PG 5 DM1 [DCDC/IP]	PG 21 PRC	LT-46244 VLP38++
PG 6 DM2 [TUNER/MISC]		LT-52133 VLP38
PG 7 DM3 [HDMI]		LT-52144 VLP38+
PG 8 DM4 [CORE]		LT-52244 VLP38++
PG 9 DM5 [MEMA]		
PG 10 DM6 [ROM/AV]		
PG 11 DM7 [1394]		
PG 12 DM8 [POD]		
PG 13 DM9 [ADC]		
PG 14 DM10 [FPGA]		
PG 15 DM11 [NAZCA]		
PG 16 DM12 [NAZCAMEM]		

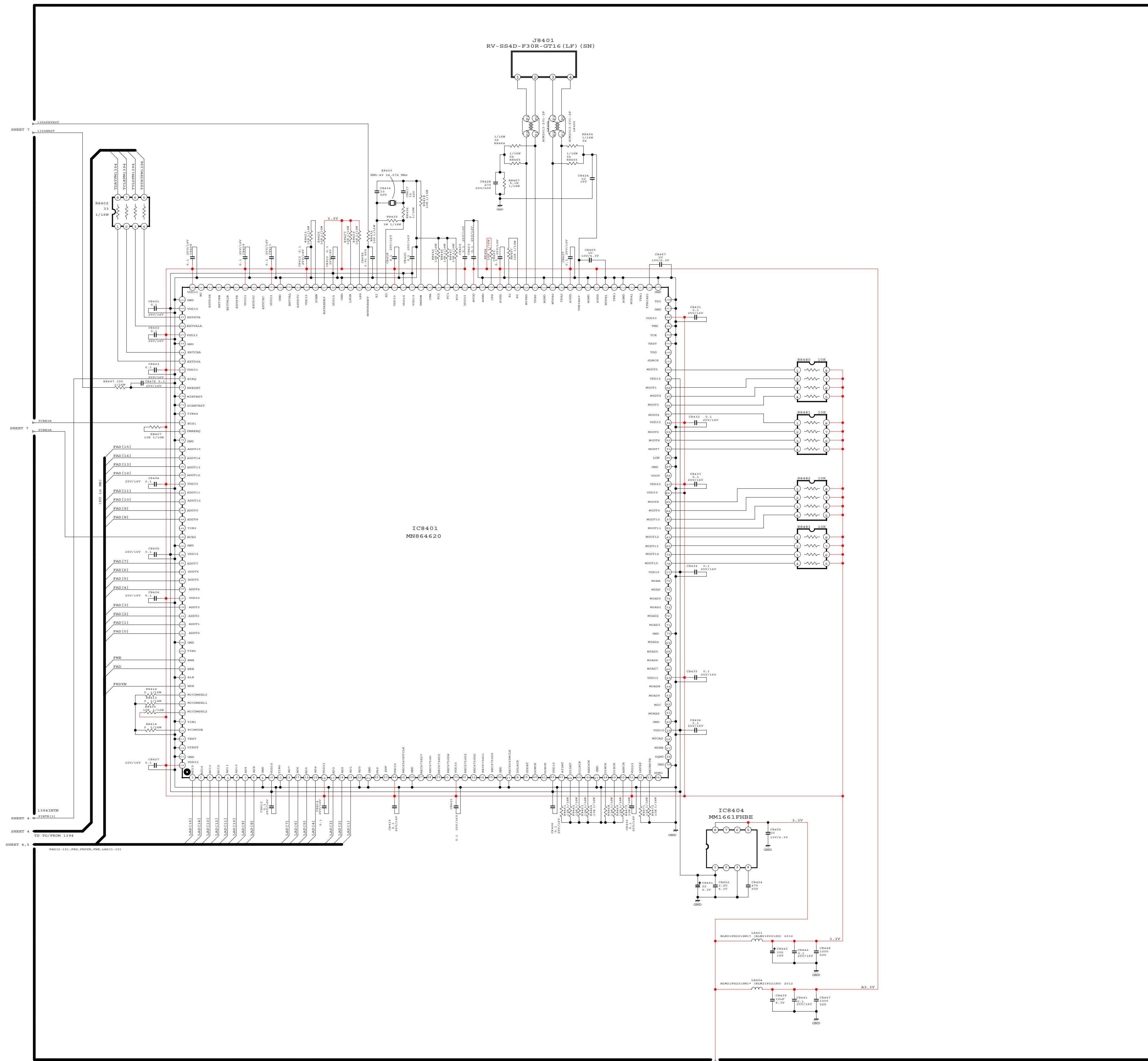


CONTENTS		
PG 1BLOCK	PG 17DM13 [LVDS]	LT-40133 VLP38
PG 2POWER	PG 18DM14 [AUDIO]	LT-40134 VLP38M
PG 3SIGNAL	PG 19DM15 [MICRO]	LT-46133 VLP38
PG 4MISC	PG 20DM16 [TVGO/SYSTEMS]	LT-46144 VLP38+
PG 5DM1 [DCDC/IP]	PG 21FRC	LT-46244 VLP38++
PG 6DM2 [TUNER/MISC]		LT-52133 VLP38
PG 7DM3 [HDMI]		LT-52144 VLP38+
PG 8DM4 [CORB]		LT-52244 VLP38++
PG 9DM5 [MEMA]		
PG 10DM6 [ROM/AV]		
PG 11DM7 [1394]		
PG 12DM8 [POD]		
PG 13DM9 [ADC]		
PG 14DM10 [FPGA]		
PG 15DM11 [NAZCA]		
PG 16DM12 [NAZCAMEM]		

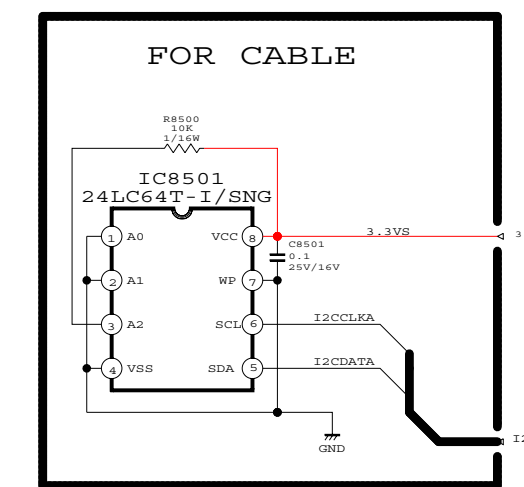
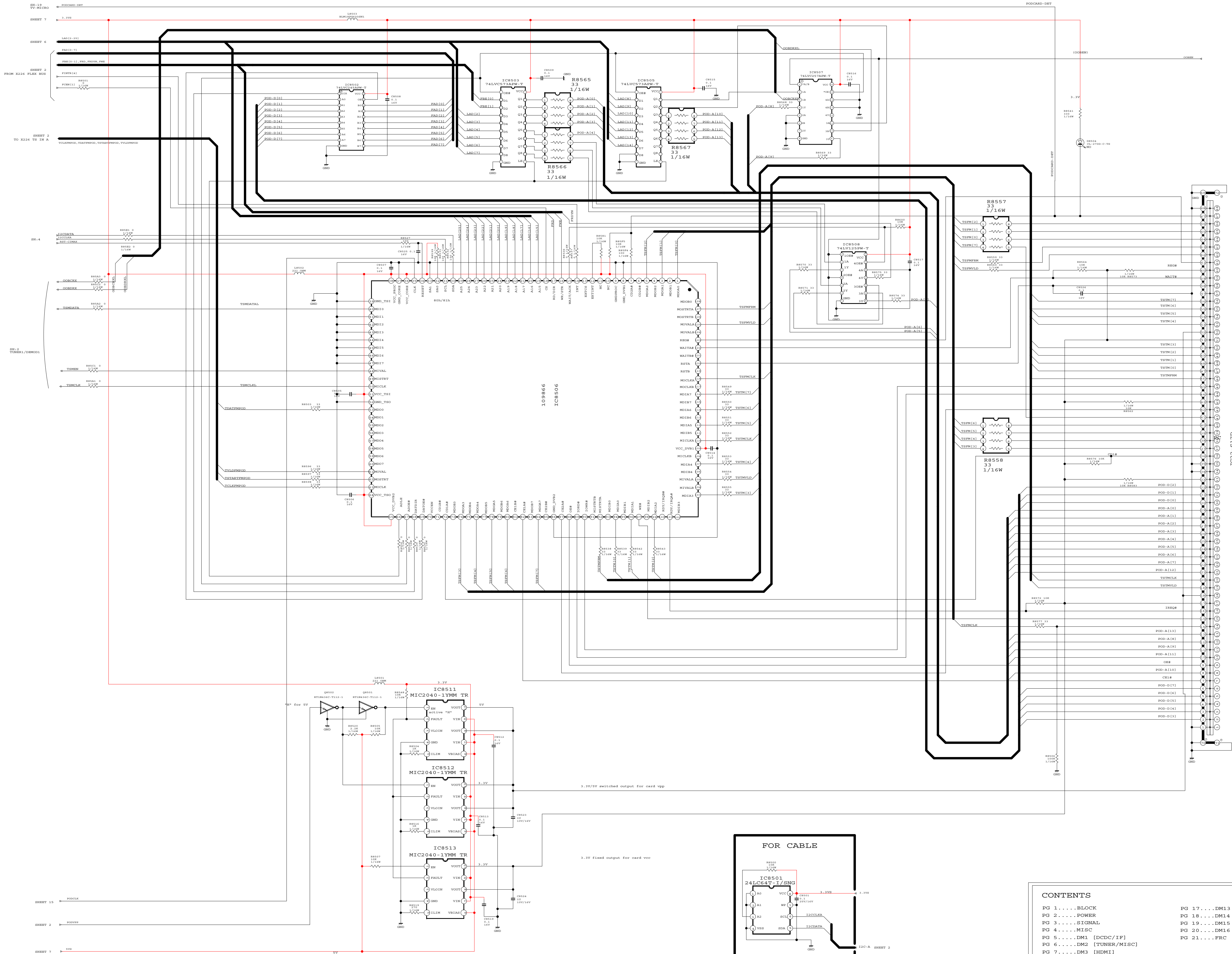


CONTENTS		
PG 1...BLOCK	PG 17...DM13 [LVDS]	LT-40133 VLP38
PG 2...POWER	PG 18...DM14 [AUDIO]	LT-40134 VLP38M
PG 3...SIGNAL	PG 19...DM15 [MICRO]	LT-46133 VLP38
PG 4...MISC	PG 20...DM16 [TVGO/SYSTEMS]	LT-46144 VLP38++
PG 5...DM1 [DCC/IFP]	PG 21...FRC	LT-46244 VLP38++
PG 6...DM2 [TUNER/MISC]		LT-52133 VLP38
PG 7...DM3 [HDMI]		LT-52144 VLP38+
PG 8...DM4 [CORE]		LT-52244 VLP38++
PG 9...DM5 [MEMA]		
PG 10...DM6 [ROM/AV]		
PG 11...DM7 [ISSA]		
PG 12...DM8 [SD]		
PG 13...DM9 [ADC]		
PG 14...DM10 [FPGA]		
PG 15...DM11 [NAZCA]		
PG 16...DM12 [NAZCAMEM]		

A
B
C
D
E
F
G
H
I
J
K



A
B
C
D
E
F
G
H
I
J
K

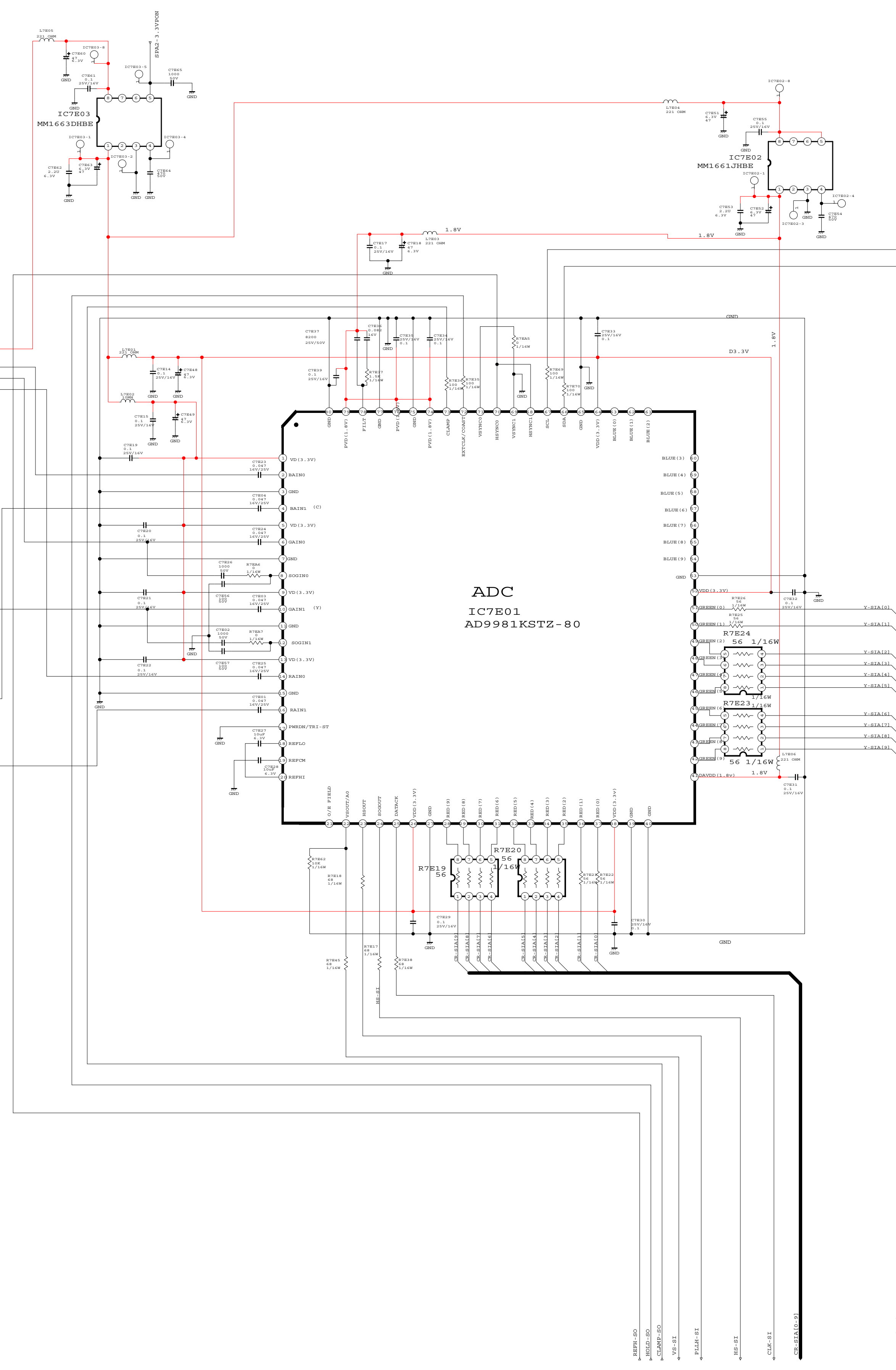


CONTENTS		
PG 1....BLOCK	PG 17....DM13 [I/VS]	LT-40133 VLP38
PG 2....POWER	PG 18....DM14 [AUDIO]	LT-40134 VLP38M
PG 3....SIGNAL	PG 19....DM15 [MICRO]	LT-46133 VLP38
PG 4....MISC	PG 20....DM16 [TVGO/SYSTEM5]	LT-46144 VLP38+
PG 5....DM1 [DCDC/IP]	PG 21....FRC	LT-46244 VLP38++
PG 6....DM2 [TUNER/MISC]		LT-52133 VLP38
PG 7....DM3 [HDMI]		LT-52144 VLP38+
PG 8....DM4 [CORE]		LT-52244 VLP38++
PG 9....DM5 [MEMA]		
PG 10....DM6 [ROM/AV]		
PG 11....DM7 [1394]		
PG 12....DM8 [POD]		
PG 13....DM9 [ADC]		
PG 14....DM10 [EPGA]		
PG 15....DM11 [NAZCA]		
PG 16....DM12 [NAZCAMEM]		

A
B
C
D
E
F
G
H
I
J
K

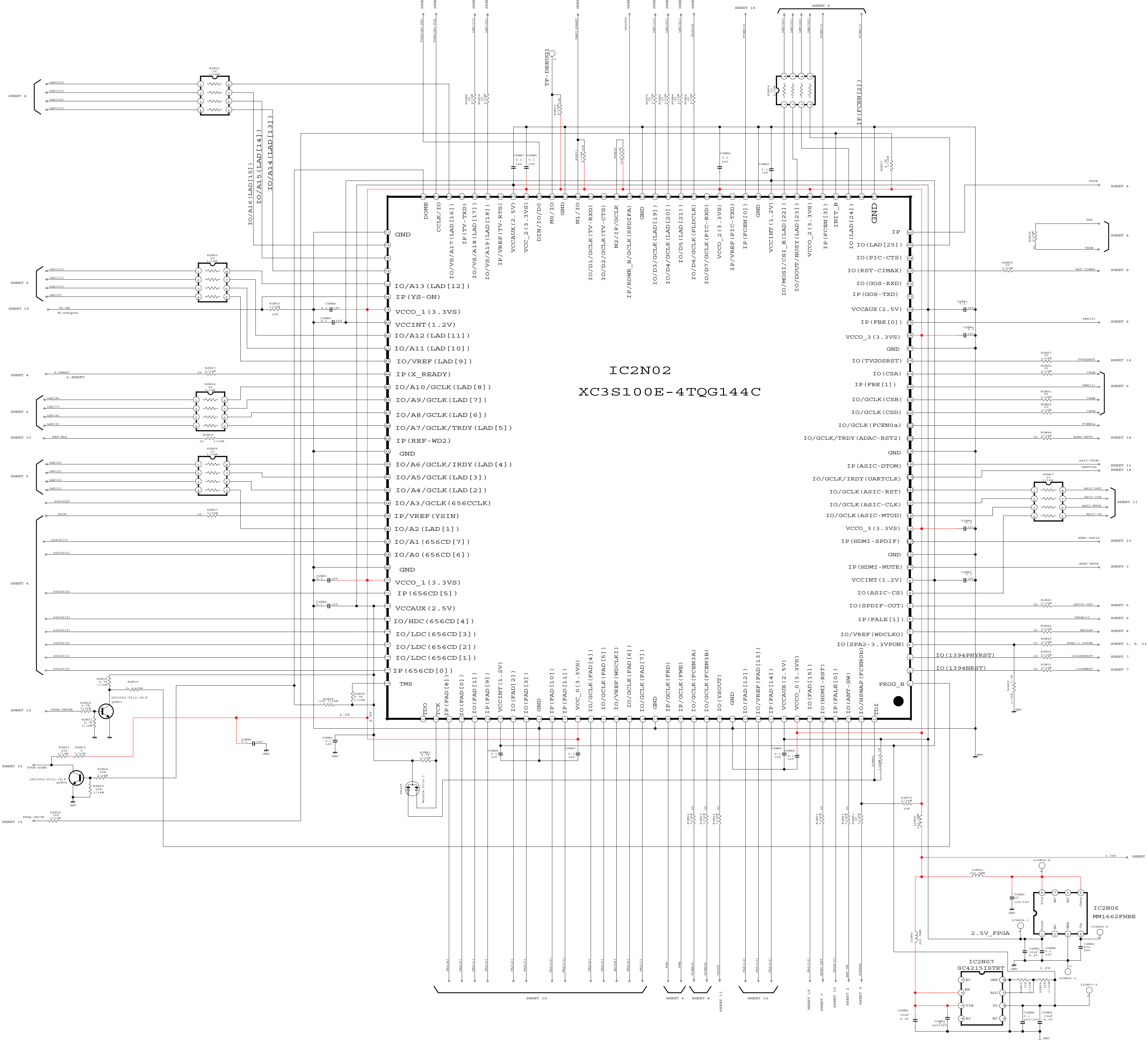
I : (FUNCTION) INLAYMENT COL. 1

I : (FUNCTION) INLAYMENT COL. 1

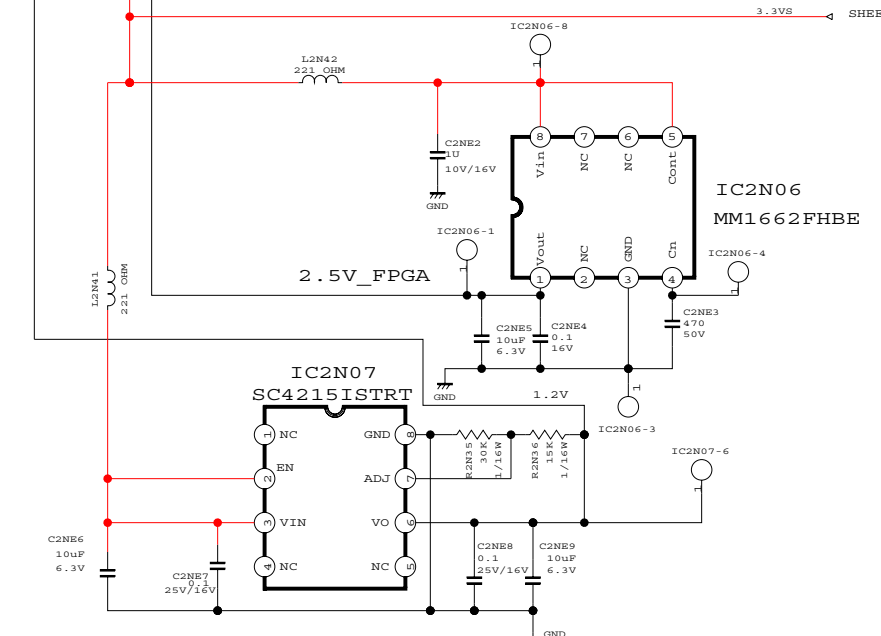
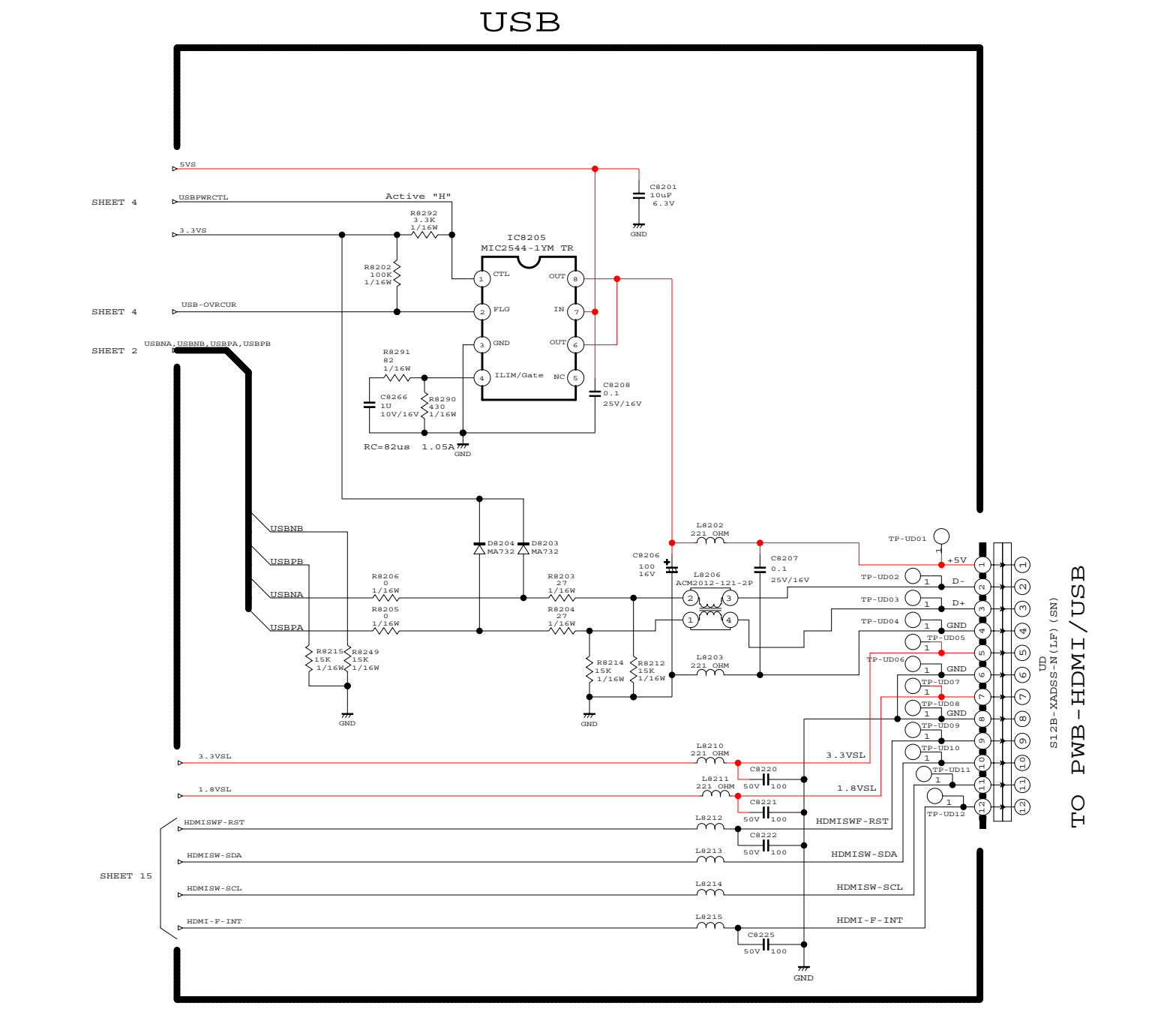
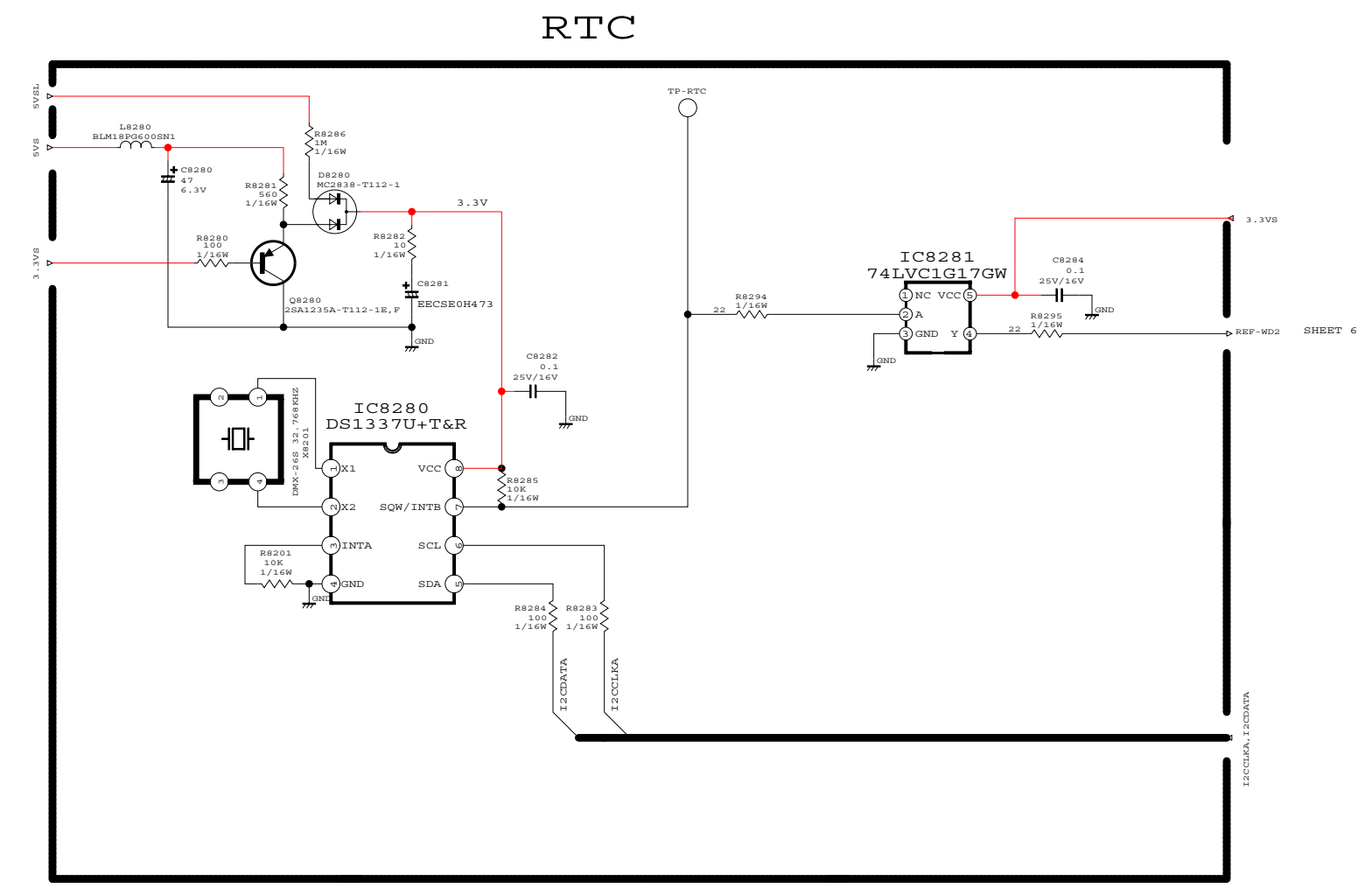


CONTENTS		
PG 1...BLOCK	PG 17...DM13 [LVDS]	LT-40133 VLP38
PG 2...POWER	PG 18...DM14 [ADU10]	LT-40134 VLP38M
PG 3...SIGNAL	PG 19...DM15 [MICRO]	LT-46133 VLP38
PG 4...MISC	PG 20...DM16 [TVGO/SYSTEM5]	LT-46144 VLP38+
PG 5...DM1 [DCDC/IP]	PG 21...PRC	LT-46244 VLP38++
PG 6...DM2 [TUNER/MISC]		LT-52133 VLP38
PG 7...DM3 [HDMI]		LT-52144 VLP38+
PG 8...DM4 [CORE]		LT-52244 VLP38++
PG 9...DM5 [MEMA]		
PG 10...DM6 [ROM/AV]		
PG 11...DM7 [1394]		
PG 12...DM8 [POD]		
PG 13...DM9 [ADC]		
PG 14...DM10 [PPGA]		
PG 15...DM11 [NAZCA]		
PG 16...DM12 [NAZCAMEM]		

A
B
C
D
E
F
G
H
I
J
K

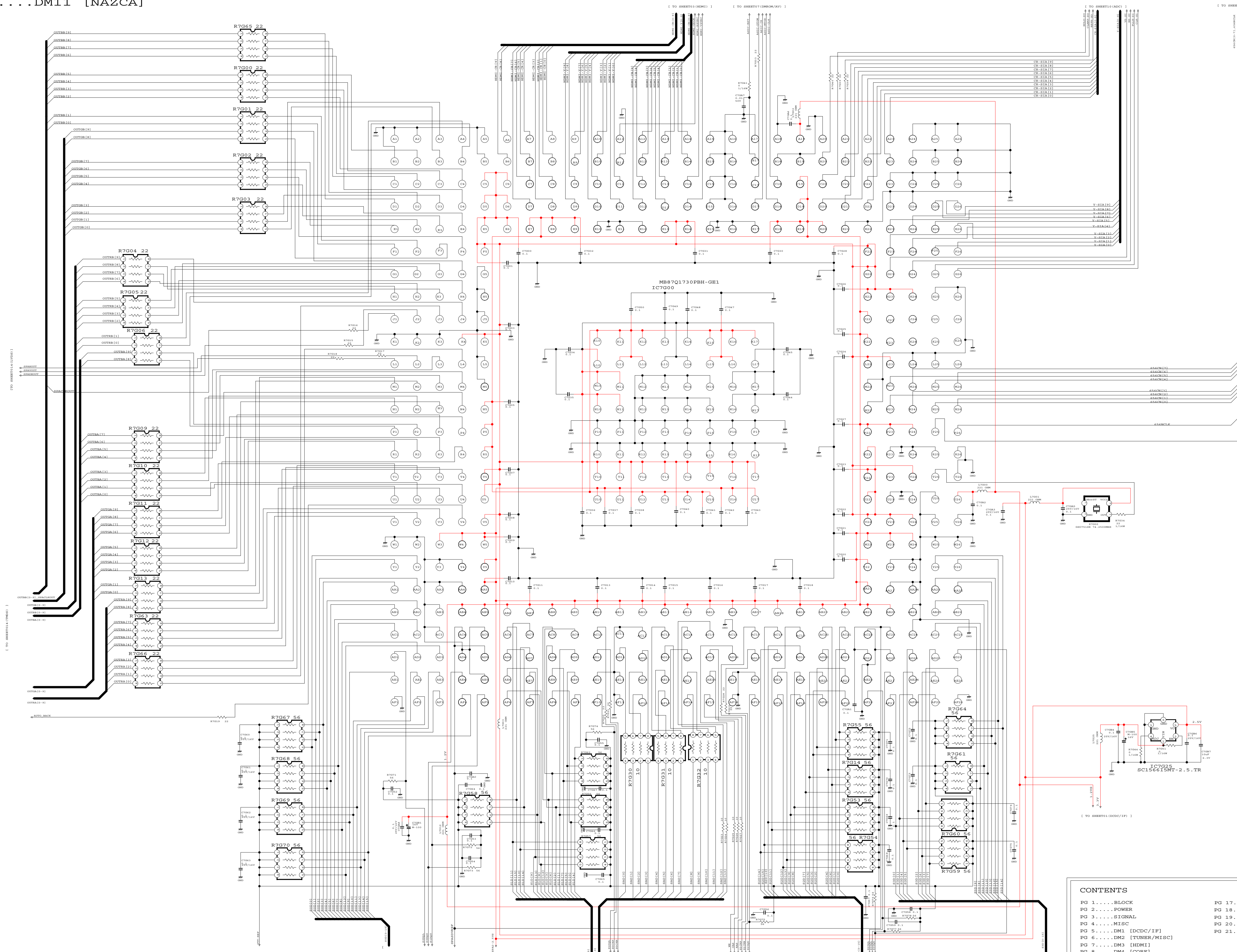


IC2N02
XC3S100E-4TQG144C



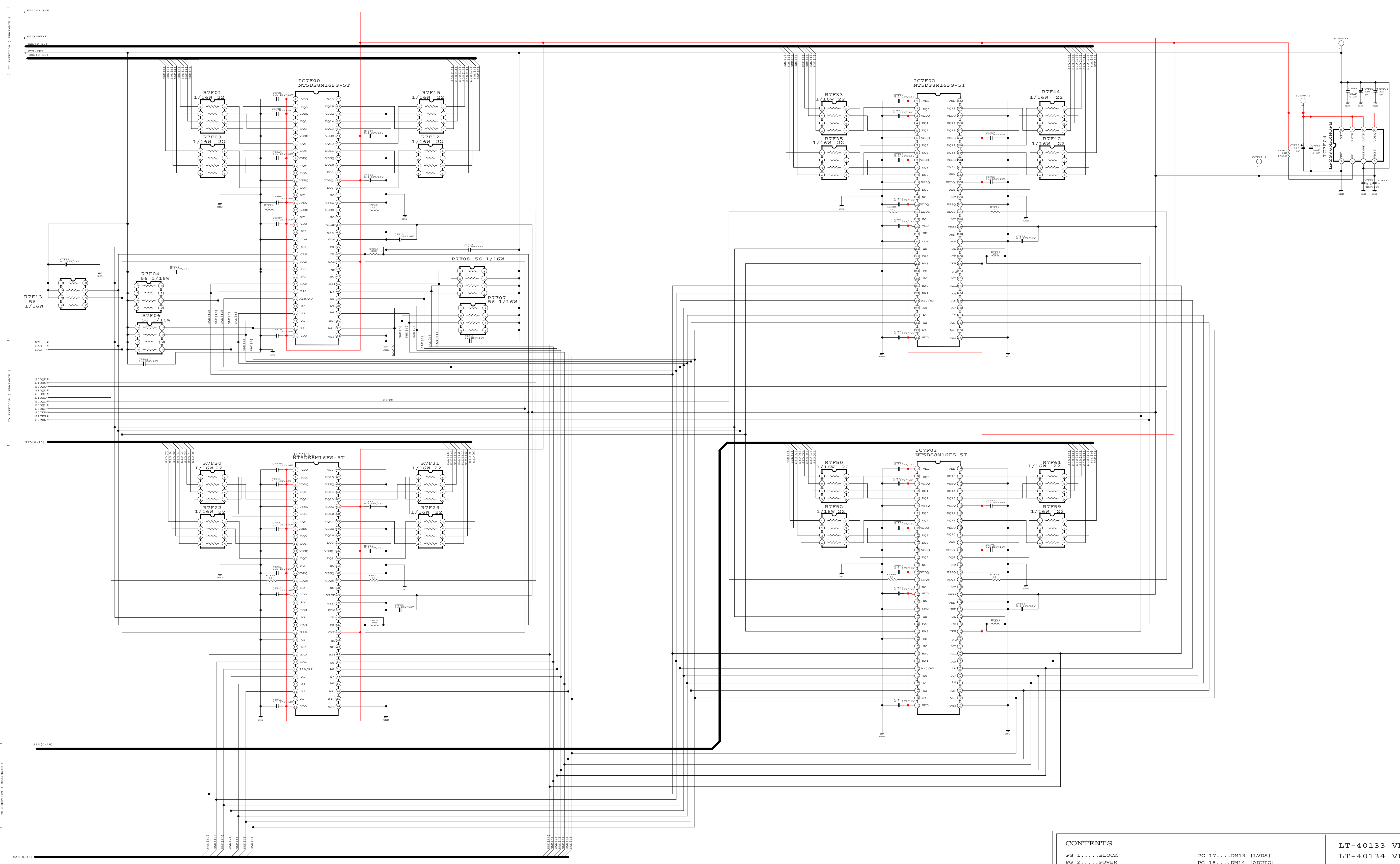
CONTENTS		
PG 1...BLOCK	PG 17...DM13 [LVDS]	LT-40133 VLP38
PG 2...POWER	PG 18...DM14 [ADUIO]	LT-40134 VLP38M
PG 3...SIGNAL	PG 19...DM15 [MICRO]	LT-46133 VLP38
PG 4...MISC	PG 20...DM16 [TVGO/SYSTEM5]	LT-46144 VLP38+
PG 5...DM1 [DDCC/IF]	PG 21...FRC	LT-46244 VLP38++
PG 6...DM2 [TUNER/MISC]		LT-52133 VLP38
PG 7...DM3 [HDMI]		LT-52144 VLP38+
PG 8...DM4 [CORR]		LT-52244 VLP38++
PG 9...DM5 [MEMA]		
PG 10...DM6 [ROW/AV]		
PG 11...DM7 [1394]		
PG 12...DM8 [POD]		
PG 13...DM9 [ADC]		
PG 14...DM10 [FPGA]		
PG 15...DM11 [NAZCA]		
PG 16...DM12 [NAZCAMB]		

A
B
C
D
E
F
G
H
I
J
K



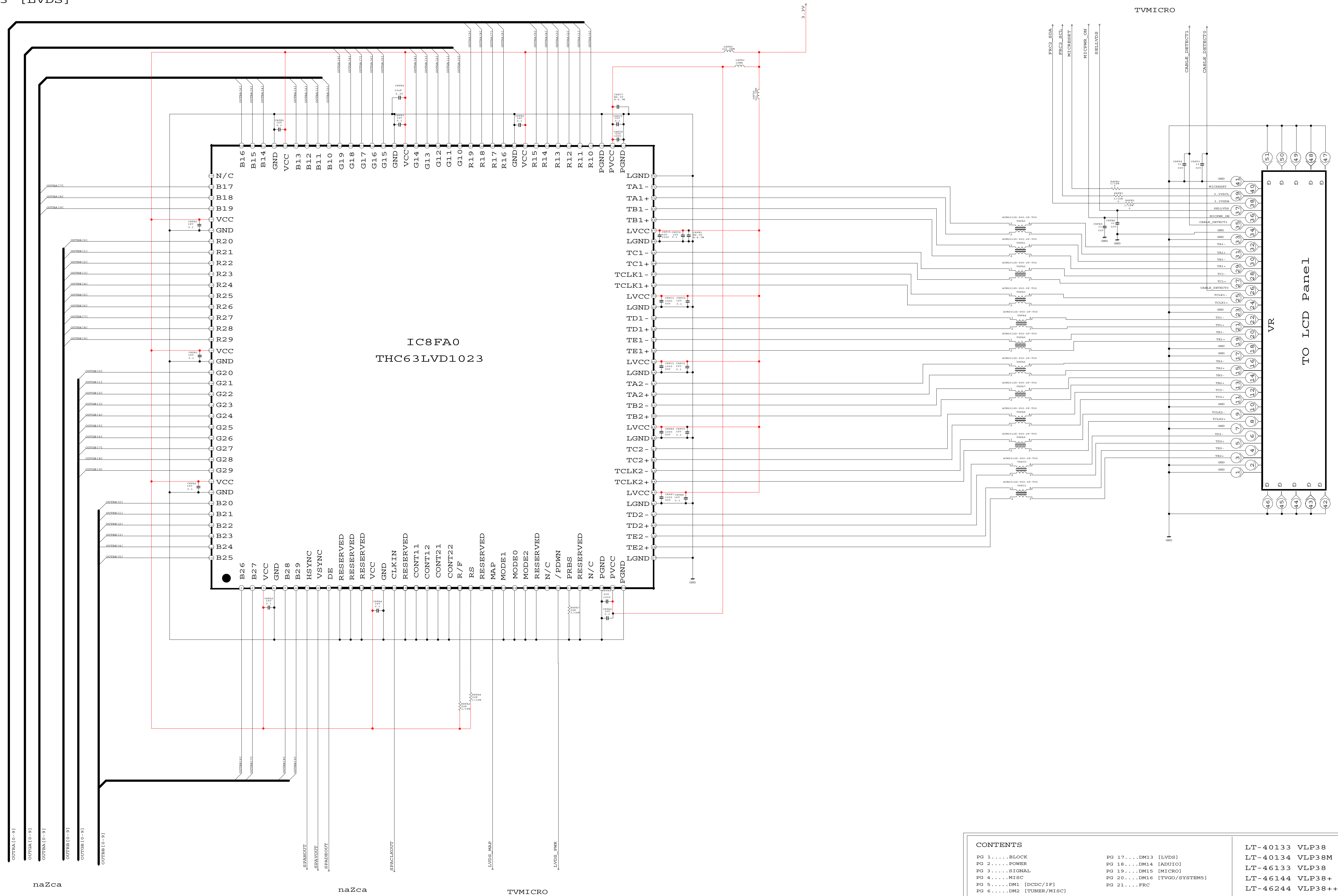
CONTENTS	
PG 1...BLOCK	PG 17...DM13 [LVDS]
PG 2...POWER	PG 18...DM14 [AUDIO]
PG 3...SIGNAL	PG 19...DM15 [MICRO]
PG 4...MISC	PG 20...DM16 [TVGO/SYSTEMS]
PG 5...DM1 [DCDC/IF]	PG 21...FRC
PG 6...DM2 [TUNER/MISC]	
PG 7...DM3 [HDMI]	
PG 8...DM4 [CORE]	
PG 9...DM5 [MEMA]	
PG 10...DM6 [ROM/AV]	
PG 11...DM7 [I394]	
PG 12...DM8 [F00]	
PG 13...DM9 [ADC]	
PG 14...DM10 [FPGA]	
PG 15...DM11 [NAZCA]	
PG 16...DM12 [NAZCAMEM]	

LT-40133 VLP38
LT-40134 VLP38M
LT-46133 VLP38
LT-46144 VLP38+
LT-46244 VLP38++
LT-52133 VLP38
LT-52144 VLP38+
LT-52244 VLP38++



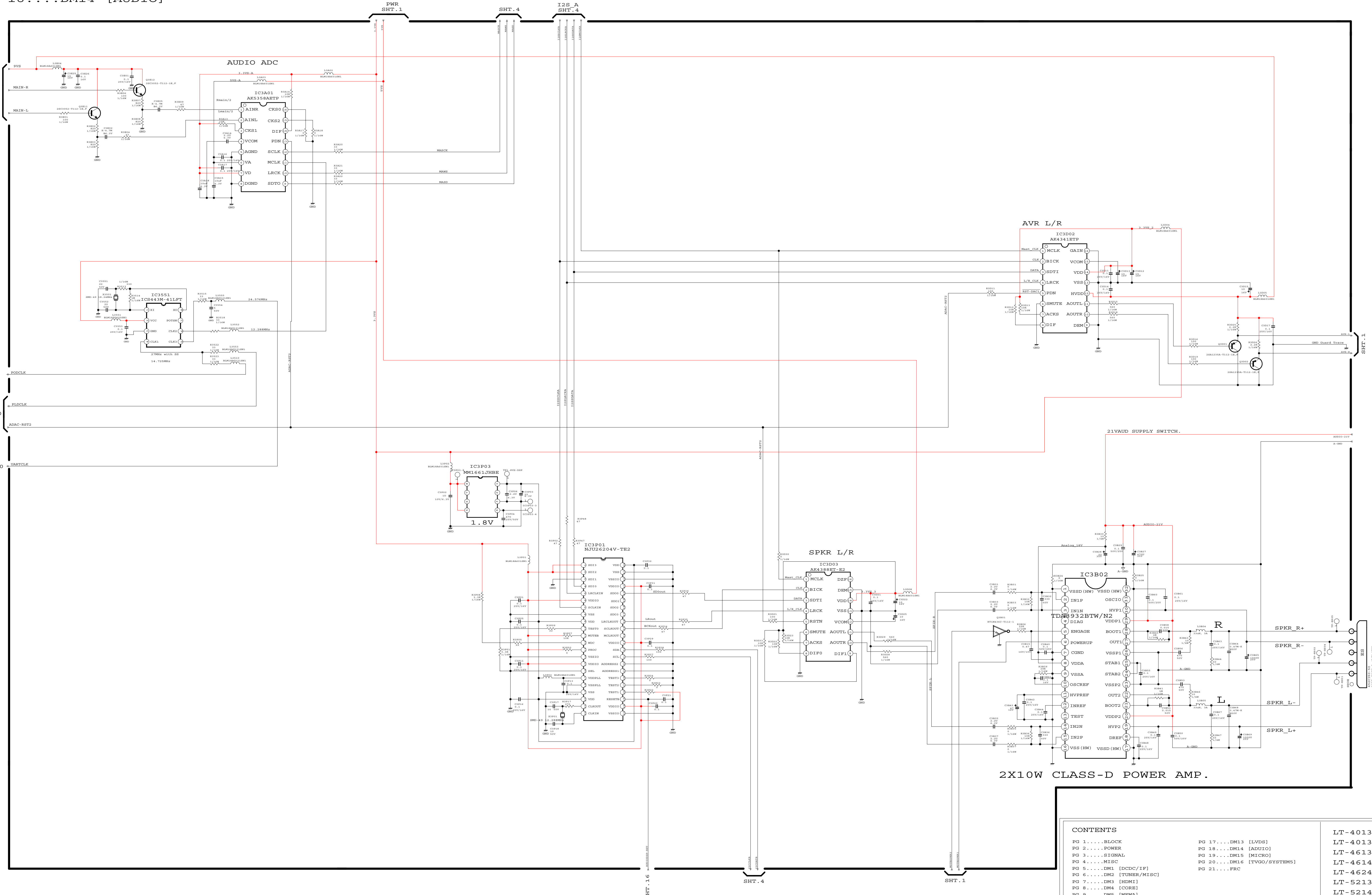
CONTENTS		
PG 1...BLOCK	PG 17...DM13 [LVDS]	LT-40133 VLP38
PG 2...POWER	PG 18...DM14 [ADUIO]	LT-40134 VLP38M
PG 3...SIGNAL	PG 19...DM15 [MICRO]	LT-46133 VLP38
PG 4...MISC	PG 20...DM16 [TVGO/SYSTEMS]	LT-46144 VLP38+
PG 5...DM1 [DCDC/IP]	PG 21...FRC	LT-46244 VLP38++
PG 6...DM2 [TUNER/MISC]		LT-52133 VLP38
PG 7...DM3 [HDMI]		LT-52144 VLP38+
PG 8...DM4 [CORE]		LT-52244 VLP38++
PG 9...DM5 [MEMA]		
PG 10...DM6 [ROM/AV]		
PG 11...DM7 [1394]		
PG 12...DM8 [FDD]		
PG 13...DM9 [ADC]		
PG 14...DM10 [PPGA]		
PG 15...DM11 [NAZCA]		
PG 16...DM12 [NAZCAMEM]		

A
B
C
D
E
F
G
H
I
J
K

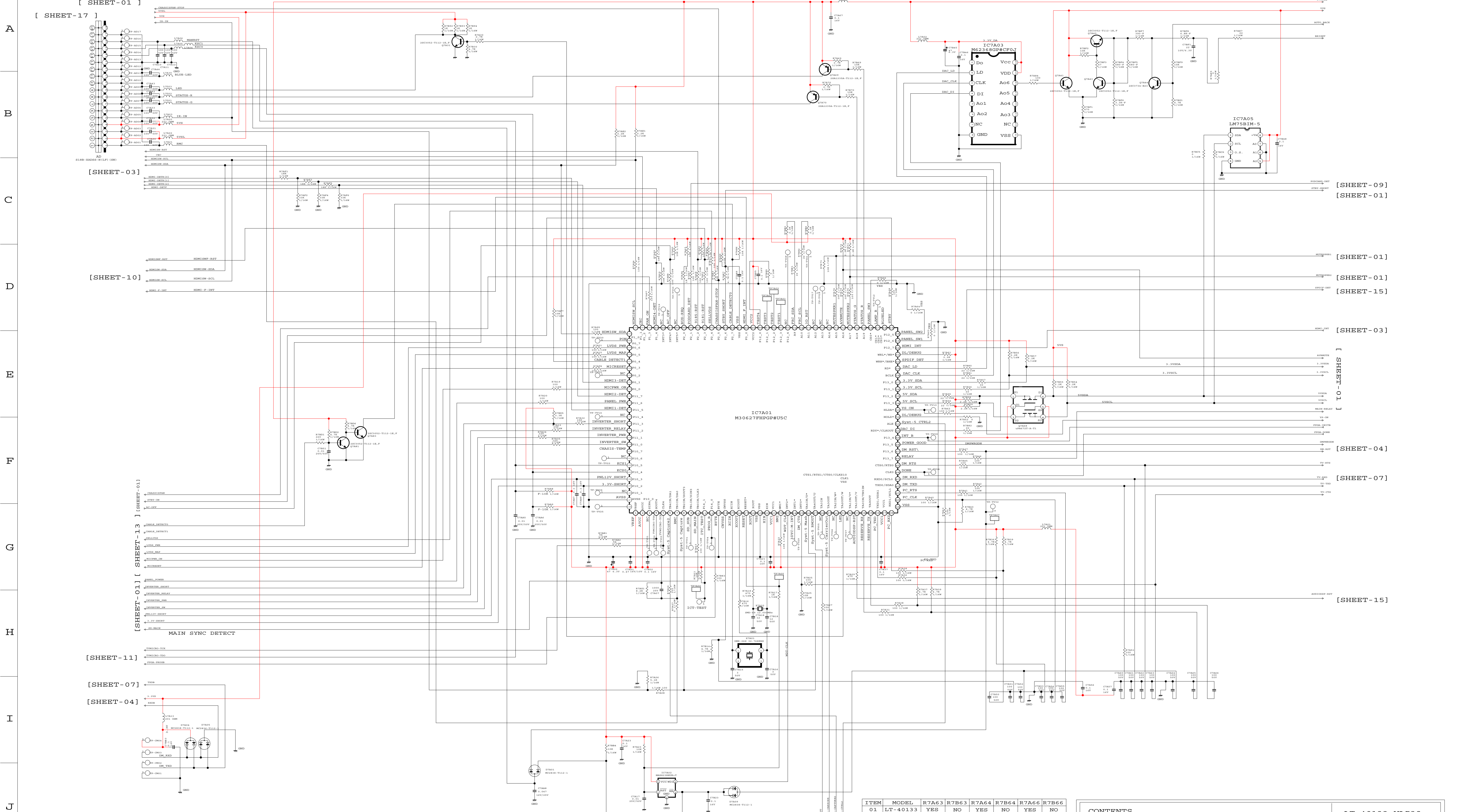


CONTENTS		
PG 1...BLOCK	PG 17...DM13 [LVDS]	LT-40133 VLP38
PG 2...POWER	PG 18...DM14 [ADUIO]	LT-40134 VLP38M
PG 3...SIGNAL	PG 19...DM15 [MICRO]	LT-46133 VLP38
PG 4...MISC	PG 20...DM16 [TVGO/SYSTEM5]	LT-46144 VLP38+
PG 5...DM1 [DCDC/IF]	PG 21...PRC	LT-46244 VLP38++
PG 6...DM2 [TUNER/MISC]		LT-52133 VLP38
PG 7...DM3 [HDMI]		LT-52144 VLP38+
PG 8...DM4 [CORR]		LT-52244 VLP38++
PG 9...DM5 [MEMA]		
PG 10...DM6 [ROM/AV]		
PG 11...DM7 [1394]		
PG 12...DM8 [POD]		
PG 13...DM9 [ADC]		
PG 14...DM10 [FPGA]		
PG 15...DM11 [NAZCA]		
PG 16...DM12 [NAZCAMEM]		

A
B
C
D
E
F
G
H
I
J
K



CONTENTS		
PG 1....BLOCK	PG 17....DM13 [LVDS]	LT-40133 VLP38
PG 2....POWER	PG 18....DM14 [AUDIO]	LT-40134 VLP38M
PG 3....SIGNAL	PG 19....DM15 [MICRO]	LT-46133 VLP38
PG 4....MISC	PG 20....DM16 [TVGO/SYSTEMS]	LT-46144 VLP38+
PG 5....DM1 [DCDC/LP]	PG 21....FRC	LT-46244 VLP38+
PG 6....DM2 [TUNER/MISC]		LT-52133 VLP38
PG 7....DM3 [HDMI]		LT-46244 VLP38+
PG 8....DM4 [CORE]		LT-52133 VLP38
PG 9....DM5 [MEMA]		LT-52144 VLP38+
PG 10....DM6 [ROM/AV]		LT-52244 VLP38+
PG 11....DM7 [1394]		
PG 12....DM8 [POD]		
PG 13....DM9 [ADC]		
PG 14....DM10 [PPGA]		
PG 15....DM11 [NAZCA]		
PG 16....DM12 [NAZCAMM]		

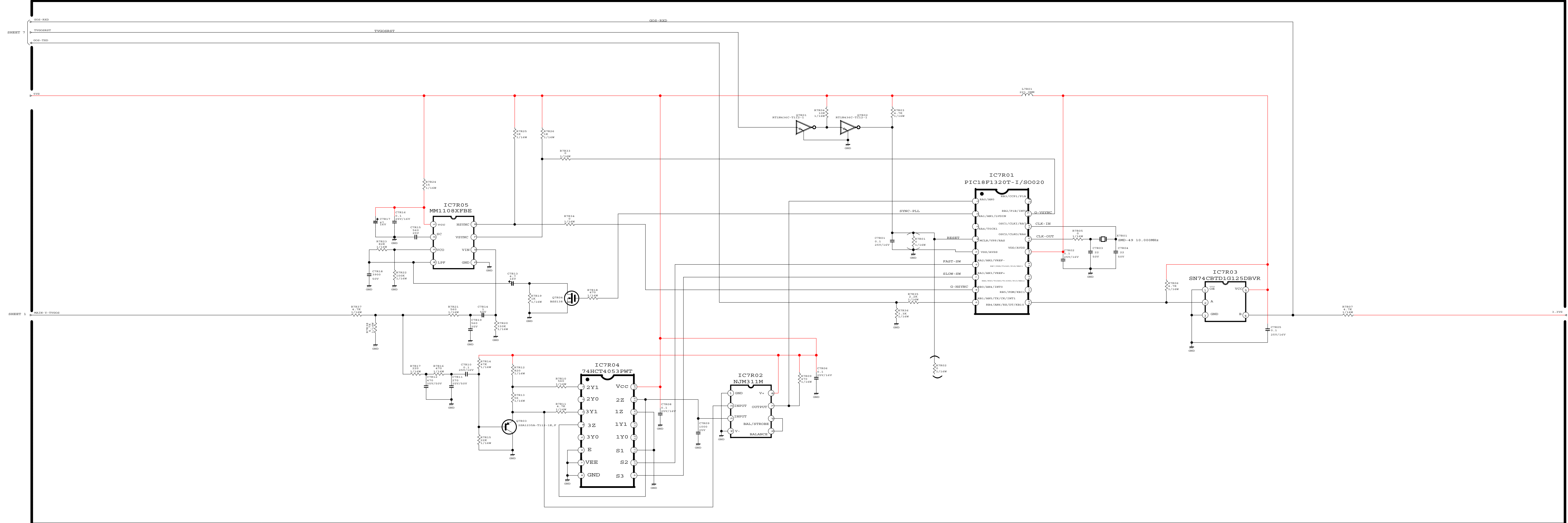


ITEM	MODEL	R7A63	R7B63	R7A64	R7B64	R7A66	R7B66
01	LT-40133	YES	NO	YES	NO	YES	NO
02	LT-40134	NO	YES	YES	NO	YES	NO
03	LT-46133	YES	NO	NO	YES	YES	NO
04	LT-46144	NO	YES	NO	YES	YES	NO
05	LT-46244	YES	NO	YES	NO	NO	YES
06	LT-52133	NO	YES	YES	NO	NO	YES
07	LT-52144	YES	NO	NO	YES	NO	YES
08	LT-52244	NO	YES	NO	YES	NO	YES

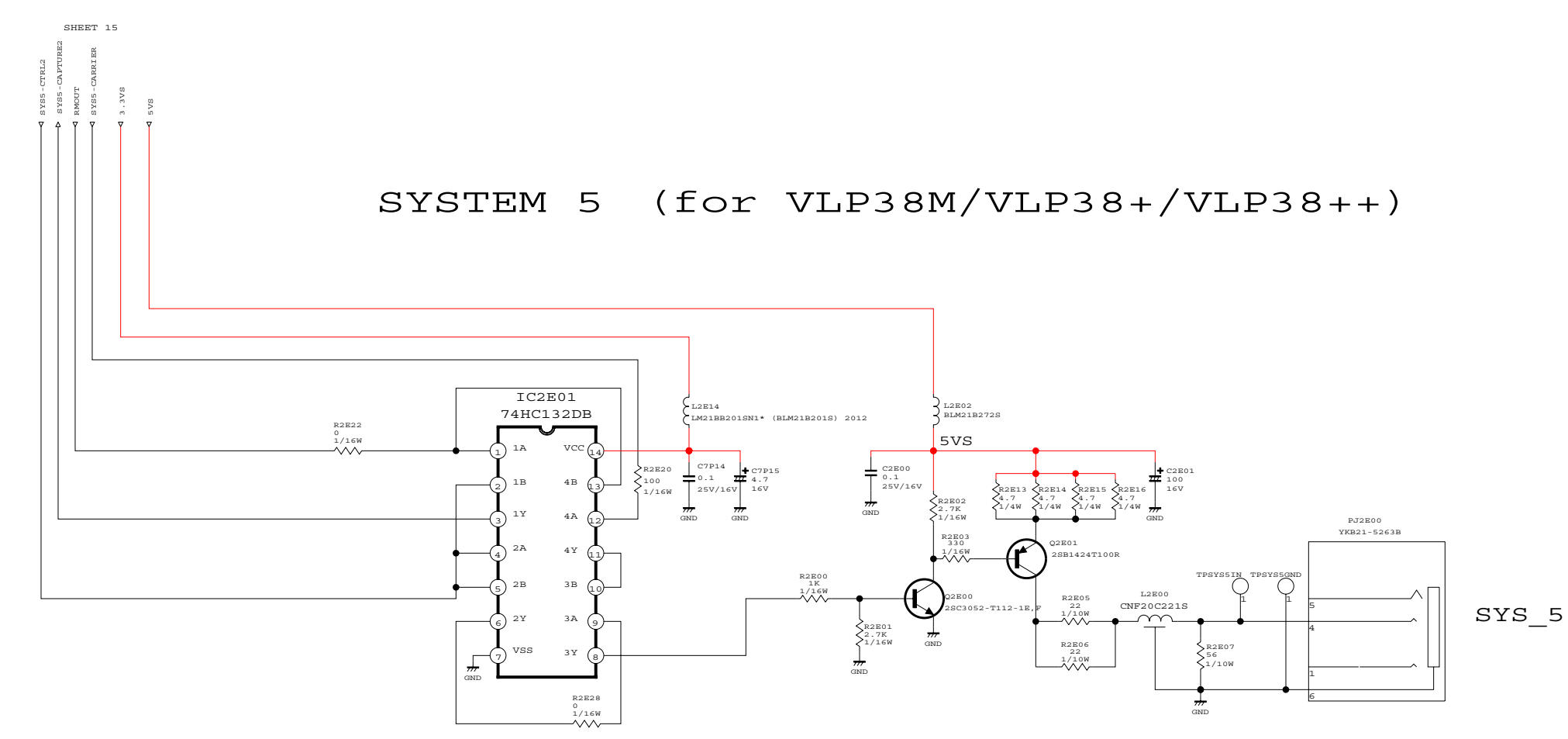
CONTENTS		
PG 1...BLOCK	PG 17...DM13 [LVDS]	LT-40133 VLP38
PG 2...POWER	PG 18...DM14 [ADUIO]	LT-40134 VLP38M
PG 3...SIGNAL	PG 19...DM15 [MICRO]	LT-46133 VLP38
PG 4...MISC	PG 20...DM16 [TVGO/SYSTEMS]	LT-46144 VLP38+
PG 5...DM1 [DCDC/IF]	PG 21...FRC	LT-46244 VLP38++
PG 6...DM2 [TUNER/MISC]		LT-52133 VLP38
PG 7...DM3 [HDMI]		LT-52144 VLP38+
PG 8...DM4 [CORE]		LT-52244 VLP38++
PG 9...DM5 [MEMA]		
PG 10...DM6 [ROM/AV]		
PG 11...DM7 [1394]		
PG 12...DM8 [POD]		
PG 13...DM9 [ADC]		
PG 14...DM10 [FPGA]		
PG 15...DM11 [NAZCA]		
PG 16...DM12 [NAZCAMEM]		

A
B
C
D
E
F
G
H
I
J
K

TVGOS (for VLP38M/VLP38++)

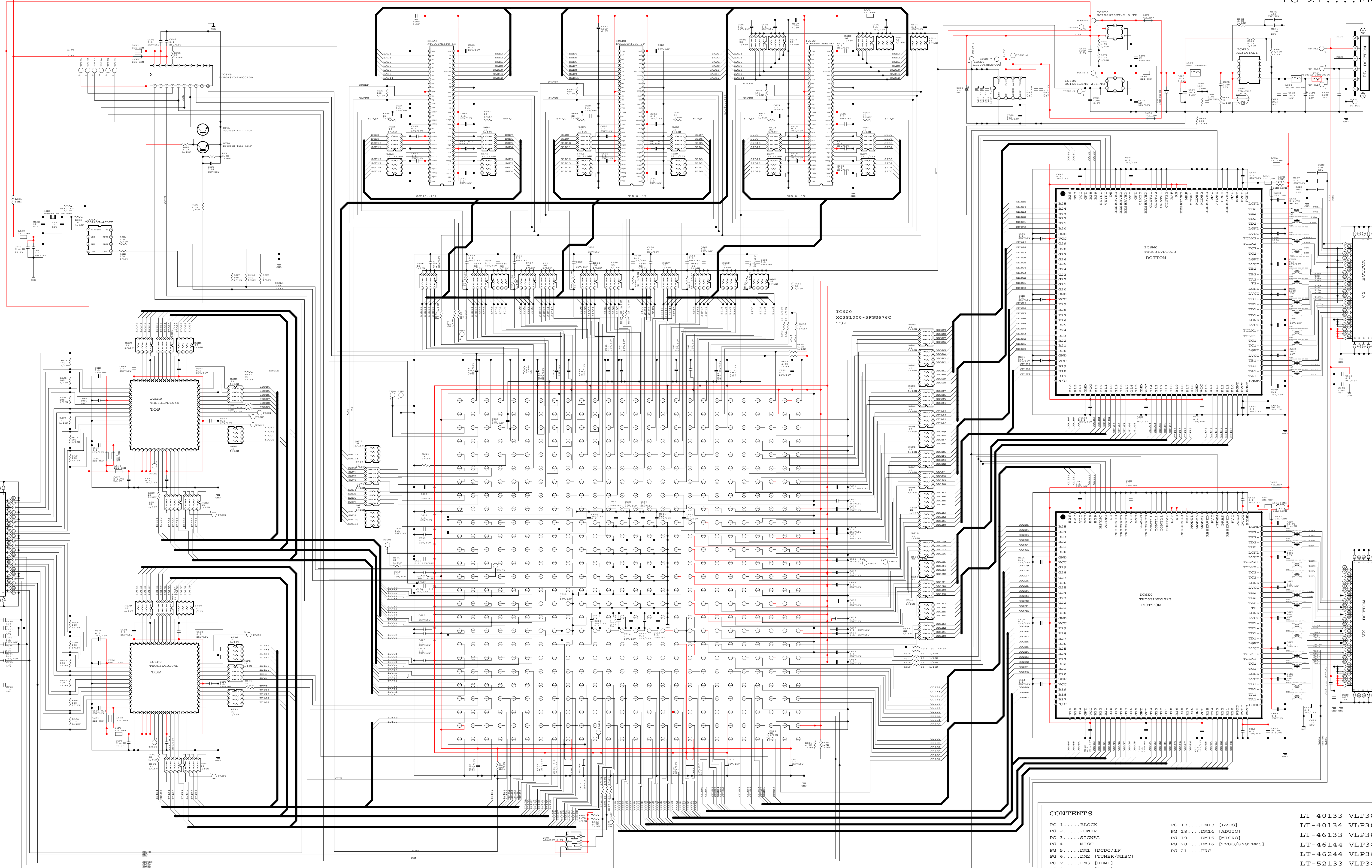


SYSTEM 5 (for VLP38M/VLP38+/VLP38++)



CONTENTS		
PG 1...BLOCK	PG 17...DM13 [LVDS]	LT-40133 VLP38
PG 2...POWER	PG 18...DM14 [AUDIO]	LT-40134 VLP38M
PG 3...SIGNAL	PG 19...DM15 [MICRO]	LT-46133 VLP38
PG 4...MISC	PG 20...DM16 [TVGO/SYSTEM5]	LT-46144 VLP38+
PG 5...DM1 [DCDC/IP]	PG 21...FRC	LT-46244 VLP38++
PG 6...DM2 [TUNER/MISC]		LT-52133 VLP38
PG 7...DM3 [HDMI]		LT-52144 VLP38+
PG 8...DM4 [CORE]		LT-52244 VLP38++
PG 9...DM5 [MEMA]		
PG 10...DM6 [ROM/AV]		
PG 11...DM7 [1394]		
PG 12...DM8 [POD]		
PG 13...DM9 [ADC]		
PG 14...DM10 [FPGA]		
PG 15...DM11 [NAZCA]		
PG 16...DM12 [NAZCAMM]		

A
B
C
D
E
F
G
H
I
J
K



CONTENTS		
PG 1... BLOCK	PG 17... DM13 [LVDS]	LT-40133 VLP38
PG 2... POWER	PG 18... DM14 [AUDIO]	LT-40134 VLP38M
PG 3... SIGNAL	PG 19... DM15 [MICRO]	LT-46133 VLP38
PG 4... MISC	PG 20... DM16 [TVOG/SYSTEMS]	LT-46144 VLP38+
PG 5... DM1 [DCDC/IF]	PG 21... FRC	LT-46244 VLP38++
PG 6... DM2 [TUNER/MISC]		LT-52133 VLP38
PG 7... DM3 [HDMI]		LT-52144 VLP38+
PG 8... DM4 [CORE]		LT-52244 VLP38++
PG 9... DM5 [MEMA]		
PG 10... DM6 [ROM/AV]		
PG 11... DM7 [1394]		
PG 12... DM8 [POD]		
PG 13... DM9 [ADC]		
PG 14... DM10 [FPGA]		
PG 15... DM11 [NAZCA]		
PG 16... DM12 [NAZCAMEM]		