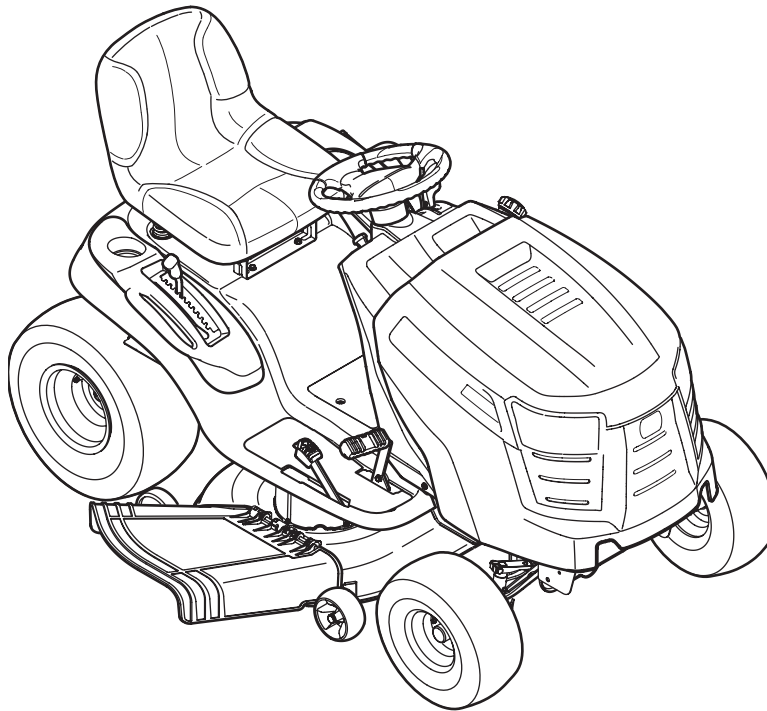

Cub Cadet[®]

ILLUSTRATED PARTS MANUAL



Hydrostatic Lawn Tractor — LTX1042

CUB CADET LLC, P.O. BOX 361131 CLEVELAND, OHIO 44136-0019

To The Owner

Thank you for purchasing an Cub Cadet Lawn Tractor. It was carefully engineered to provide excellent performance when properly operated and maintained.

All information in this manual is relative to the most recent product information available at the time of printing. Please be aware that this Illustrated Part's Manual may cover a range of product specifications for various models.

Components listed and/or illustrated in this manual may not be applicable to all models. We reserve the right to change product specifications, designs and equipment without notice and without incurring obligation.

Throughout this manual, all references to *right* (RH) and *left* (LH) are observed from the operating position.

Table of Contents

Axle, Front	4	Deck Lift Handle/Linkage	8
Battery	6	Labels	20
Head Lamps	10	Meter, Systems Indicator	10
Mower Deck, 42-inch	14	Muffler	21
Pedal Controls	13	PTO	6
Dash Panel	10	Seat	8
Drive System	12	Solenoid	6
Electrical Schematic	21	Steering	4
Engine Accessories	19	Switches, Interlock	6
Engine, Kohler SV590	22-32	Throttle Control	10
Fender	8	Transmission, Hydrostatic	16
Frame	6	Wheels, Front & Rear	3
Fuel Tank	10		
Hood	10		

Record Product Information

To ease in ordering replacement parts, please locate the model plate on the equipment and record the information in the provided area to the right. You can locate the model plate by looking beneath the seat.

MODEL NUMBER

--	--	--	--	--	--	--	--	--	--	--

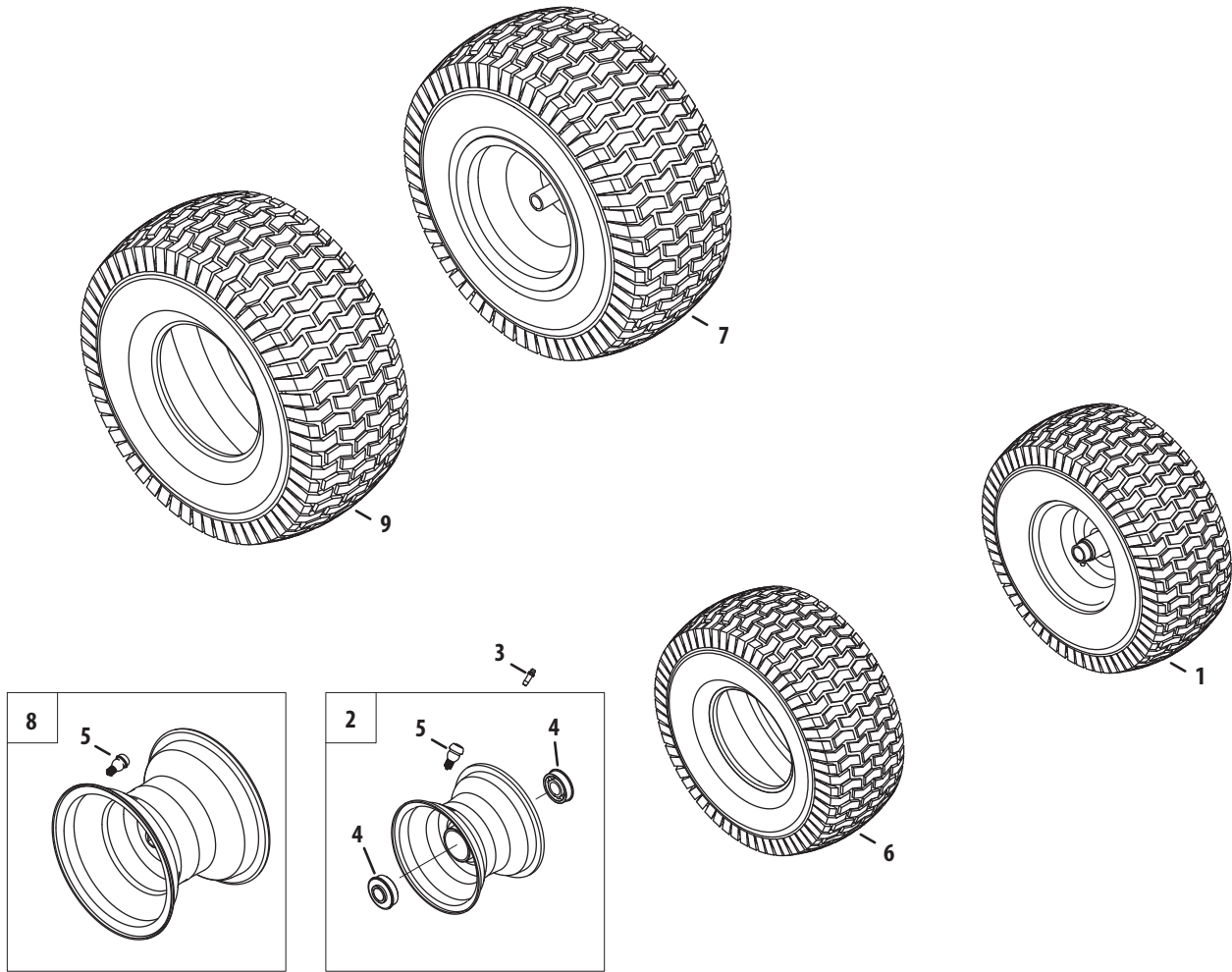
SERIAL NUMBER

--	--	--	--	--	--	--	--	--	--	--

Painted Parts

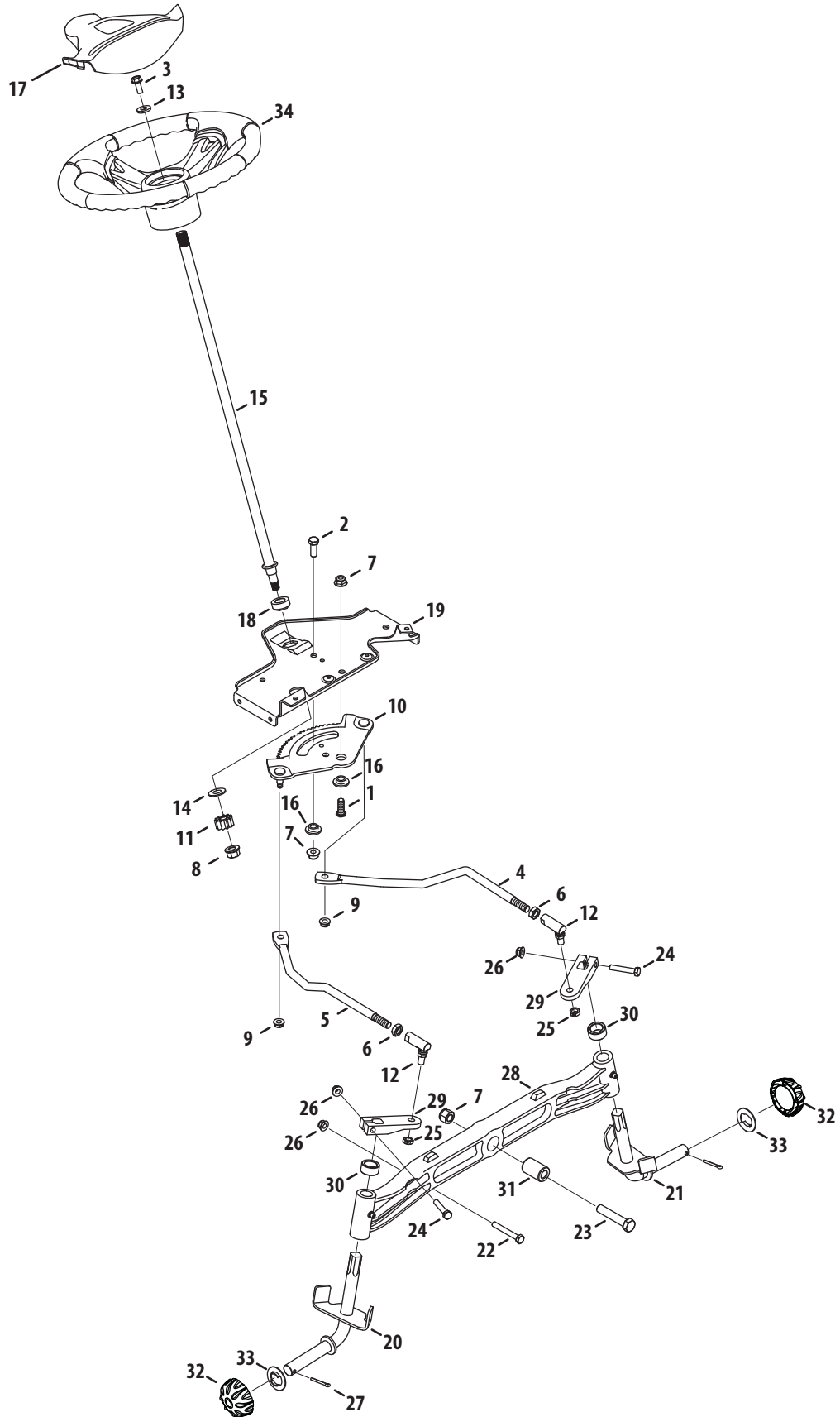
When ordering painted service parts, a four digit color suffix must be added to the part number (e.g. 783-XXXX-0637). Please refer to the table below for current color codes:

0637	Black	0685	Blue (Cub Cadet)
4021	Yellow (Cub Cadet)	0691	Black Jack (Cub Cadet Commercial)
0499	Beige (Cub Cadet)		



Ref.	Part Number	Description
1.	—	Wheel Ass'y, Complete, 15 x 6 x 6
2.	934-04091A	Rim Ass'y, 6.0 x 4.5, Ball Bearings
3.	737-0224	Grease Fitting
4.	941-04137	Bearing, Ball, .750 ID x 1.750 OD
5.	934-0255	Valve, Tubeless Air
6.	734-1731-0901	Tire, 15 x 6 x 6 Sq Shoulder
7.	634-0177-0931	Wheel, Complete, 20 x 10 x 8
8.	634-04369	Rim Ass'y, 8.0 x 7.0 x .750 ID
9.	734-1730-0901	Tire, 20 x 8 x 8 Sq Shoulder

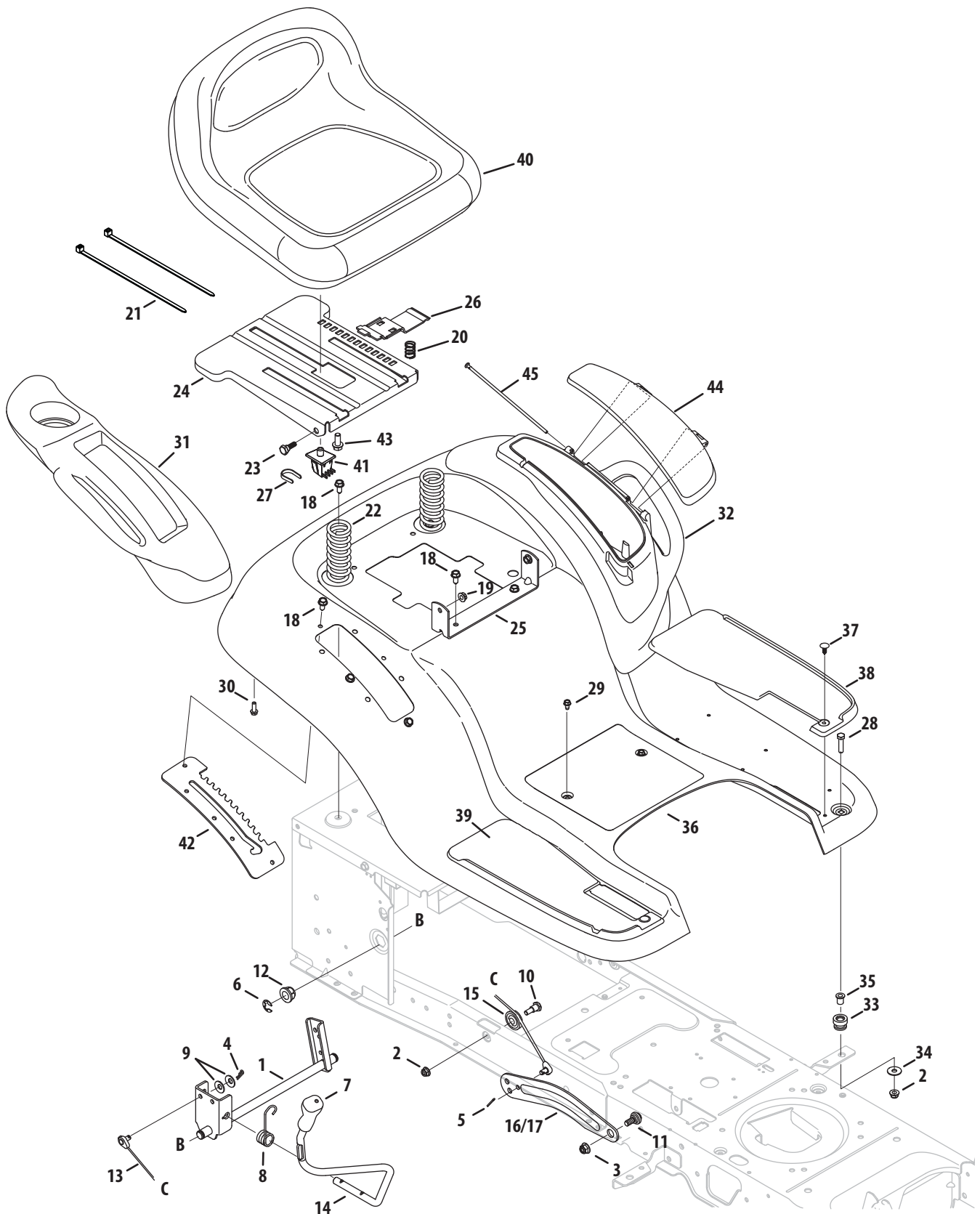
Steering



Ref.	Part Number	Description
1.	710-04095	Hex Screw, 3/8-16, 1.00, Gr5, Spec
2.	710-0514	Hex Screw, 3/8-16, 1.00, Gr5, Std
3.	710-0650	Hex Screw, 5/16-18, .875, Gr5, Lock
4.	711-04998	Link, Drag LH
5.	711-04999	Link, Drag RH
6.	912-0240	Nut, Jam, 7/16-20, Gr2
7.	712-04065	Nut, Flange Lock, 3/8-16, Grf,
8.	712-0459	Nut, Flange Lock, 7/16-20, Grb, Lock
9.	712-3004A	Nut, Flange Lock, 5/16-18, Gr5, Sd Lk
10.	717-1550F	Gear, Steering, 11/90 Ratio
11.	717-1554	Gear, Pinion, Steering
12.	923-0448A	Ball Joint, 7/16-20, Lock
13.	936-3004	Washer, Flat, .406 x .875 x .105
14.	736-3084	Washer, Flat, .51 x 1.12 x .06
15.	738-04262	Shaft, Steering, .625 OD x 25, Cub
16.	738-04363	Spacer, Shoulder, .385x 1.25 x .3025
17.	731-04532B	Cover, Steering Wheel, Cub Cadet
18.	741-04237B	Bearing, Flange, Hex 5/8 Pm
19.	783-06043	Bracket, Support, Steering
20.	638-04021	Axle Ass'y, RH .750 Dia.
21.	638-04027	Axle Ass'y, LH .750 Dia.
22.	710-0395	Hex Screw, 5/16-18, 2.25, Gr5, Std
23.	710-0859	Hex Screw, 3/8-16, 2.50, Gr5, Std
24.	710-3180	Hex Screw, 5/16-18, 1.75, Gr5, Std
25.	912-0214	Nut, Hex Lock, 3/8-24, Grb
26.	712-04063	Nut, Flange Lock, 5/16-18, Grf
27.	714-0162	Pin, Cotter, 5/32, 1.25
28.	719-04413A	Axle, Pivot Bar, Cast
29.	748-04065	Steering, Block
30.	748-04068	Spacer, .71 ID x .125 OD x .56
31.	750-05280	Spacer, .385 x 1.00 x 1.5075
32.	731-2290A	Cap, Hub
33.	736-04228A	Washer, Flat, .350 x 1.559 x .062
34.	631-04008A	Wheel, Steering, 3 Spoke, Softgrip

Ref.	Part Number	Description
1.	710-04379A	Hex Screw, 7/16-20, 3.50, Gr5, Lock
2.	917-04163A	Clutch, Electric PTO
3.	725-0157	Cable, Tie, 3/16 X .05 X 7.4
4.	936-0171	Washer, Lock, 7/16 , Regular Duty
5.	736-0277	Washer, Flat, 1.031 X1.620 X.095
6.	925-1707D	Battery
7.	756-0978B	Engine Pulley, Electric PTO
8.	710-04666	Hex Flange Screw, 1/4-20, .75, Gr5
9.	712-0271	Nut, Sems, 1/4-20
10.	725-04363	Switch, Interlock
11.	710-0653	Screw, Self-tapping, 1/4-20, 0.375
12.	712-04064	Nut, Flange Lock, 1/4-20, Nylon
13.	747-05171	Rod, Keeper (46")
14.	738-04237A	Screw, Shoulder, #10-32, .50
15.	683-04469A	Frame Assembly, Lower
16.	710-04484	Screw, Self-tapping, 5/16-18, .750
17.	710-3005	Hex Screw, 3/8-16, 1.25, Gr5, Std
18.	712-04065	Nut, Flange Lock, 3/8-16, Nylon
19.	738-04058	Spacer, Shoulder, .38 X 1.0 X .70
20.	747-04121A	Rod, Battery
21.	783-0349	Tray, Battery
22.	783-06089	Bracket, Frame, Seat
23.	725-04439	Solenoid, 12V, 100 Amp, 4 term
—	925-04093	Harness Assembly, Main

Seat, Fender and Lift



Seat, Fender and Lift

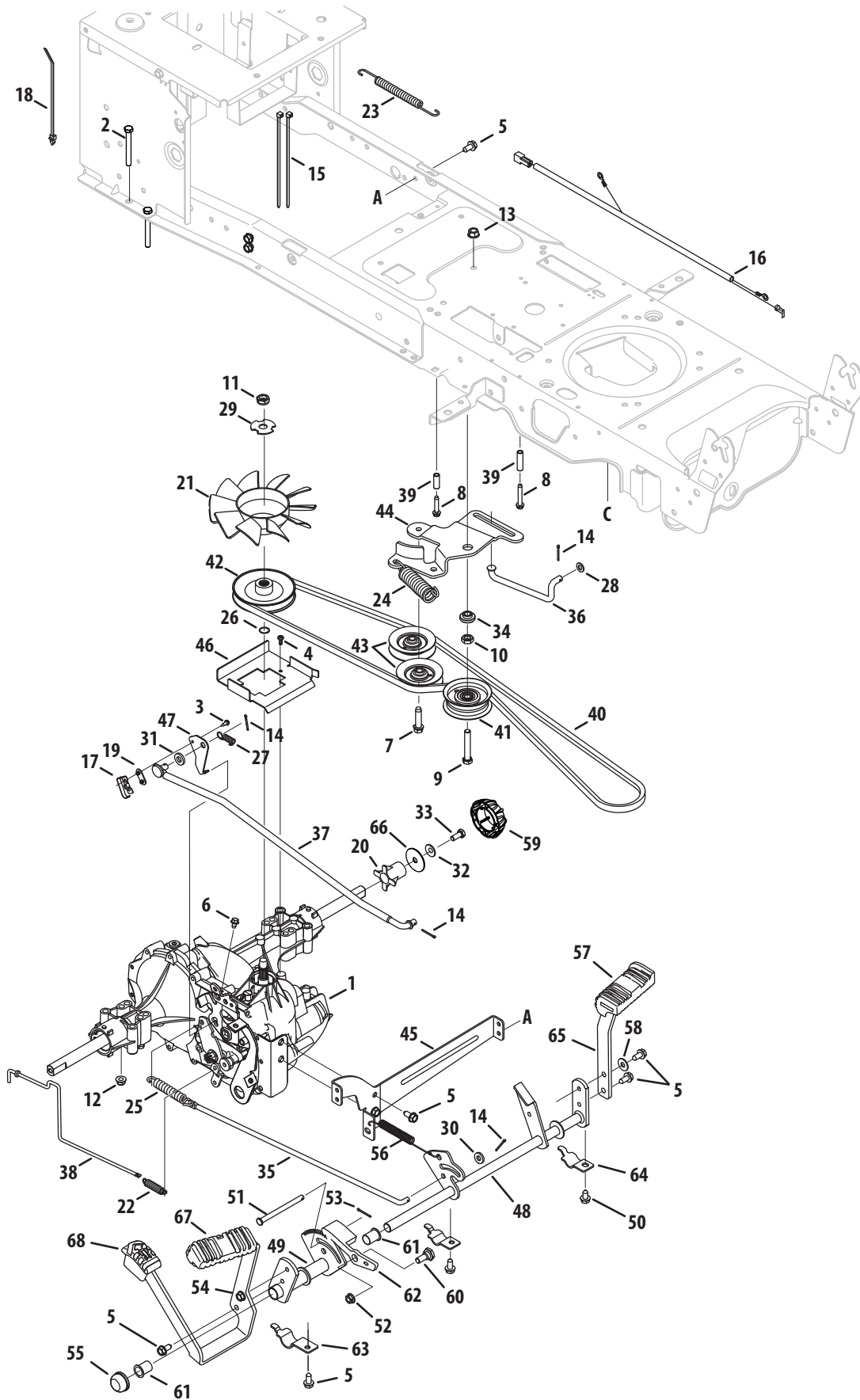
Ref.	Part Number	Description	Ref.	Part Number	Description
1.	683-04223	Shaft Ass'y, Lift	24.	783-06049	Bracket, Mounting, Seat
2.	712-04063	Nut, Flange Lock, 5/16-18, Grf	25.	783-06088	Bracket, Pivot, Seat
3.	712-04065	Nut, Flange Lock, 3/8-16, Grf	26.	783-06050	Lever, Seat Adjustment
4.	914-0104	Pin, Cotter, .072 Dia. x 1.13	27.	783-06448	Clip, Retaining, Switch
5.	714-04040	Pin, Cotter, Bow-Tie 72 (42")	28.	710-0528	Hex Screw, 5/16-18, 1.25, Gr5, Std
6.	716-0106A	Ring, E Type, .625 Dia. Shaft	29.	710-0599	Screw, Self-tapping, 1/4-20, 0.500,
7.	720-04139	Grip, Handle, Cub, .50 ID	30.	710-0895	Screw, HL, 1/4-15, 0.750,
8.	732-0874	Spring, Torsion	31.	731-06700	Cover, Fender, RH
9.	736-0105	Washer, Spring, .401 x .870 x .063	32.	731-06676	Cover, Fender, LH
10.	738-0138A	Screw, Shoulder, .437 x .470, 5/16-18	33.	735-0690	Grommet, .4375 ID x .750
11.	738-04130	Bolt, Shoulder, .625, 3/8-16 (42")	34.	736-3078	Washer, Flat .344 x 1.00 x .063
12.	941-0225	Bearing, Hex Flange	35.	750-3310	Spacer, Flange, .3125 x .4375 x .625
13.	746-0968	Cable, Lift, 16.16	36.	783-06118	Fender, Cub Hydro
14.	747-04962A	Handle, Lift,	37.	726-3046	Clip, Ratchet, .250 Dia
15.	756-04331	Pulley, Roller, Cable	38.	735-04137	Pad, Foot, LH
16.	783-04494C	Arm, Lift, RH (42")	39.	735-04139	Pad, Foot, RH
17.	783-04711C	Arm, Lift, LH (42")	40.	757-04085	Seat, Medium Back, Cub
18.	710-04484	Screw, Self-tapping, 5/16-18, .750,	41.	925-05013	Switch, Seat
19.	712-3004A	Nut, Flange Lock, 5/16-18, Gr5, Sd Lk	42.	783-06443	Bracket, Lift, Man PTO, 6 Pos
20.	732-04563	Spring, Comp, .68 x 1.065 x .055	43.	710-04482	Hex Flange Screw, 3/8/16, .875, Gr5
21.	725-0157	Cable, Tie, 3/16 x .05 x 7.4	44.	731-06584	Door, Cover, Fender
22.	732-04561	Spring, Comprs, 1.71 x 3.735 x .238	45.	747-05039	Pin, Door
23.	938-0296	Screw, Shoulder, .437 x .268, 5/16-18			

Fuel Tank, Hood and Dash

Ref.	Part Number	Description
1.	710-04484	Screw, Self-tapping, 5/16-18, .750
2.	710-0599	Screw, Self-tapping, 1/4-20, 0.500
3.	710-0895	Screw, HL, 1/4-15, 0.750
4.	710-1017	Screw, Ab, 1/4-14, 0.625,
5.	710-1611B	Screw, Self-tapping, 5/16-18, 0.750,
6.	710-1652	Screw, Self-tapping, 1/4-20 x .625
7.	710-3217	Screw, Mach, #8-32, 0.375
8.	712-0142	Nut, Hex, #8-32
9.	714-04040	Pin, Cotter, Bow-Tie 72
10.	726-3046	Clip, Ratchet, .250 Dia
11.	731-05447A	Lever, Dash, Cruise/Brake
12.	731-06593	Knob, Throttle
13.	931-06554	Dash Panel, A-Style, Elect PTO
14.	735-0271A	Bumper, .62 Dia X .3
15.	735-04076	Net
16.	747-05009A	Rod, Control, Latch Cub
17.	747-1196	Rod, Lever, Bent
18.	783-06098	Support, Dash, Plate LH
19.	783-06099	Support, Dash, Plate RH
20.	925-1649	Socket, Lamp
21.	710-05108	Screw, 1/4 Dia, .750
22.	926-0154	Tie, Cable, Push Mount 7.5 Lg
23.	931-04322	Grille Ass'y (Incl. 26, 27, 32 & 33)

Ref.	Part Number	Description
24.	931-06542	Scoop, Hood, RH A-Style
25.	931-06543	Scoop, Hood, LH A-Style
26.	931-06558	Lens, Hood, RH A-Style
27.	931-06559	Lens, Hood, LH A-Style
28.	931-06634	Hood, A-Style
29.	936-0222	Washer, Lock, 1/4, External
30.	936-3020	Washer, Flat, .271, .630, .065
31.	738-04091A	Screw, Shoulder, .43x.29, 5/16-18
32.	777X44055	Reflector, Cub A Style, LH
33.	777X44056	Reflector, Cub A Style, RH
34.	783-06114	Bracket, Pivot, Hood A-Style
35.	751-10879	Tank, Fuel, 3.75 Gal.
36.	710-1652	Screw, Self-tapping, 1/4-20, .625
37.	747-05040A	Rod, Support, Fuel Tank
38.	751-0603A	Cap, Fuel
39.	925-2054A	Key, Ignition
40.	735-04170	Gasket, Fuel Tank
41.	925-0963	Lamp, 12v
42.	746-04121	Control, Choke, 24 x 2, Yellow
43.	925-04230B	Module Switch, Ignition, Export
44.	746-1087	Cable, Throttle, 27.4"
45.	925-04022B	Meter, Indicator
46.	725-04258	Switch, Electric PTO, Yellow

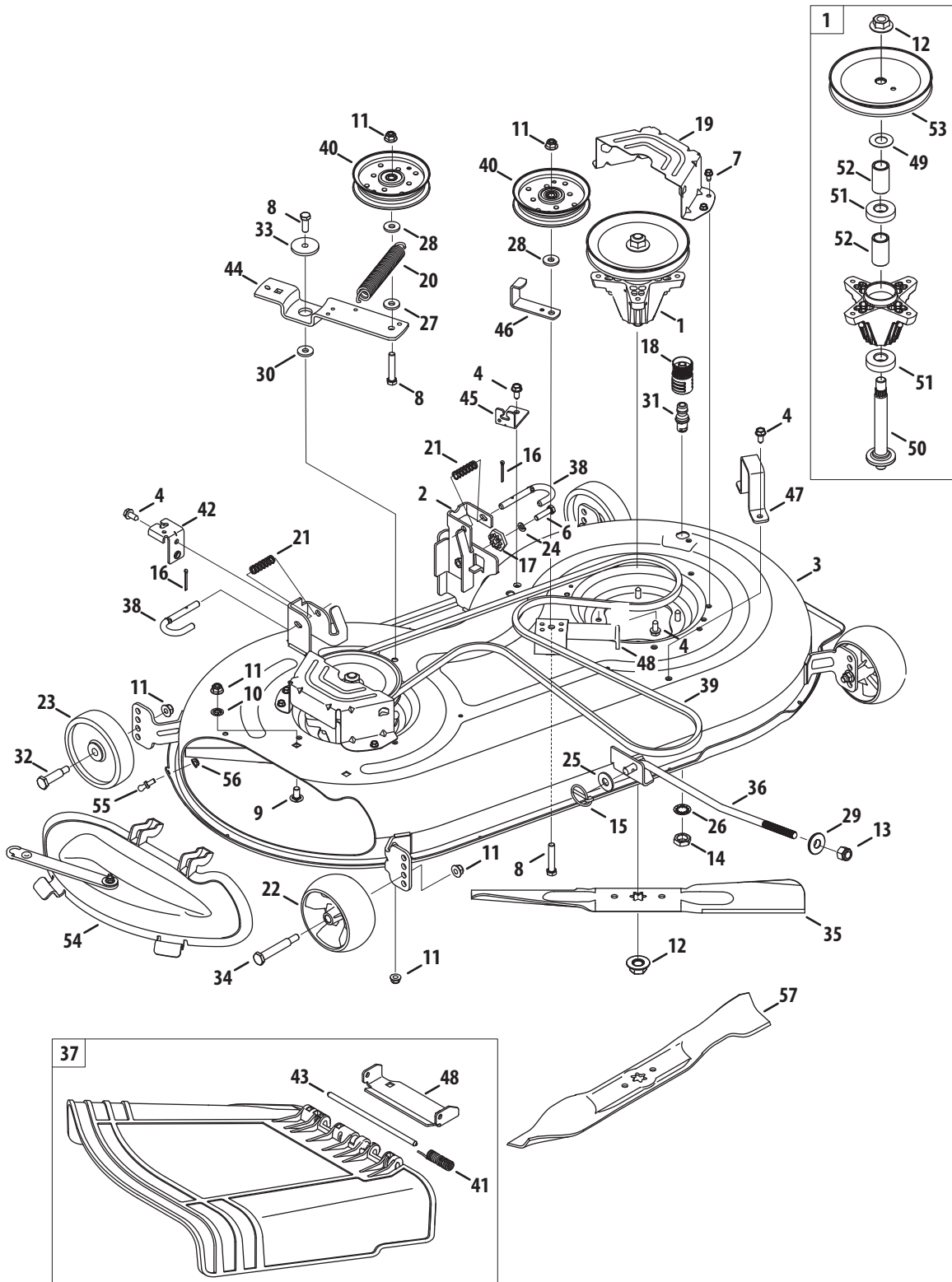
Drive System



Ref.	Part Number	Description
1.	918-0319	Transmission, Hydro-Gear 0510
2.	710-0176	Hex Screw, 5/16-18, 2.75, Gr5, Std
3.	710-0227	Screw, #8-18, 0.500,
4.	710-0351	Screw, #10-16, 0.500
5.	710-04484	Screw, Self-tapping, 5/16-18, .750
6.	710-0653	Screw, Self-tapping, 1/4-20, 0.375
7.	710-1007	Screw, Self-tapping, 3/8-16, 1.500
8.	710-1325	Screw, Self-tapping, 1/4-20, 1.625
9.	710-3011	Hex Screw, 3/8-16, 2.25, Gr5
10.	912-0240	Nut, Jam, 7/16-20, Gr2
11.	912-0346	Nut, Jam Lock, 1/2-20, Gr5, Nylon
12.	712-04063	Nut, Flange Lock, 5/16-18, Nylon
13.	912-0431	Nut, Flange Lock, 3/8-16
14.	914-0111	Pin, Cotter, 3/32, 1.0
15.	725-0157	Cable, Tie, 3/16 x .05 x 7.4
16.	725-04791A	Jumper Harness, Ground & Reverse
17.	725-1644	Switch, Spring, Short
18.	926-0154	Tie, Cable, Push Mount 7.5
19.	926-0320	Plate, Insulator Nut
20.	731-05299A	Sleeve, .765 Id x 1.500
21.	731-06098	Fan, Hydro
22.	932-0209	Spring, Extension, .48 Od x 2.03
23.	732-04606	Spring, Extension, .500 Dia x 12.6
24.	732-04624	Spring, Extension, 1.00 Dia x 4.75
25.	732-0716D	Spring, Extension, .59 Od x 4.00
26.	732-0729	Ring, Wire
27.	732-3118	Spring, Extension, .375 Od x 1.44
28.	936-0264	Washer, Flat, .330 x .630 x .0635
29.	736-04263	Washer, Lock, Transmission Hydro
30.	936-3008	Washer, Flat, .344 x .750 x .120
31.	736-3010	Washer, Flat, .407x.812x.135, Ht
32.	736-0242	Washer, Bell, .340 x .872 x .060
33.	710-0627	Hex Screw, 5/16-24, .750, Gr5, Lock
34.	738-04420	Spacer, Shoulder, 1.375 x .380 x .183

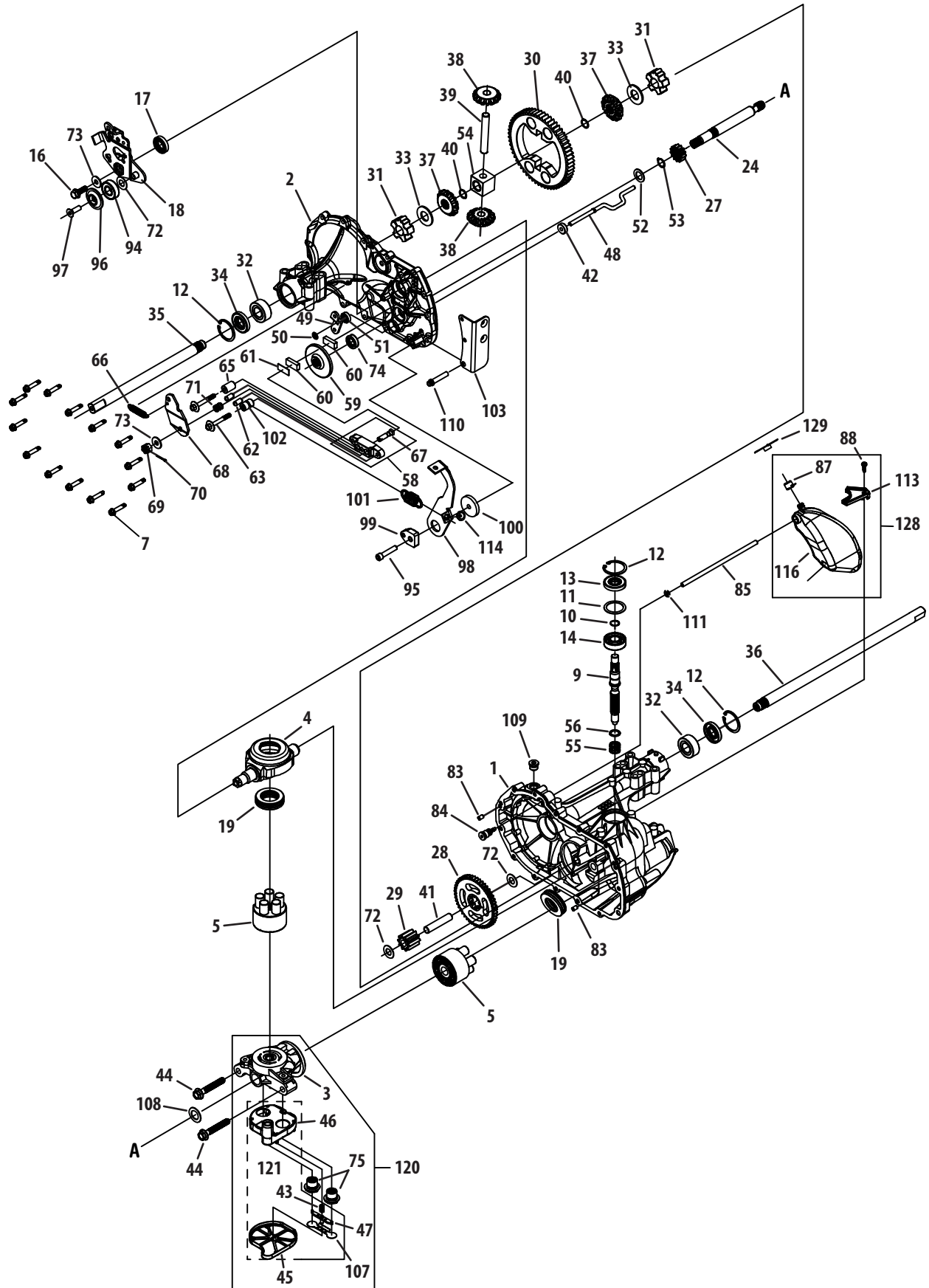
Ref.	Part Number	Description
35.	747-04139	Rod, Brake, LT Hydro
36.	747-04957A	Rod, Transmission, Bypass
37.	747-04979	Rod, Control, Hydro
38.	747-04991	Rod, Hydro Bypass
39.	750-04456	Spacer, .260 x .372 x 1.420
40.	954-04207	Belt, V-Type
41.	756-04224	Pulley, Idler, Flat 2.75 OD
42.	756-04308	Pulley, Input, 4.13 Dia
43.	756-04325	Pulley, Idler, V-Type x 3.06
44.	783-06027A	Bracket, Idler, Center Double
45.	783-06133	Bracket, Mount, Hydro
46.	783-06260	Bracket, Support, Belt Disengage
47.	783-1019B	Bracket, Actuator, Switch
48.	647-04152A	Control Assembly, Brake
49.	683-04537	Bracket Assembly, Pedal, Hydro
50.	710-0604A	Screw, Self-tapping, 5/16-18, 0.625,
51.	711-05068	Pin, Clevis, 5/16 x 3.985
52.	712-04065	Nut, Flange Lock, 3/8-16, Nylon
53.	714-04040	Pin, Cotter, Bow-Tie 72
54.	783-06059	Bracket, Pedal, Hydro
55.	726-0214	Cap, Push 5/8
56.	732-04587	Spring, Extension, .63 Dia x 4.95
57.	735-04136	Pad, Pedal, Brake
58.	736-0242	Washer, Bell, .340 x .872 x .060
59.	731-2290A	Cap, Hub
60.	938-0380	Bolt, Shoulder, .500 x .270, 3/8-16
61.	741-0495	Bearing, Flange, .630 x .695 x .60
62.	748-04203	Latch, Cruise
63.	783-05914	Bracket, Support, Pedal Strap
64.	783-05940	Bracket, Support, Pedal Strap 5/8
65.	783-06103A	Bracket, Pedal, Brake
66.	736-0430	Washer, Flat, .350 x 1.59 x .062
67.	735-04118A	Pad, Pedal, Forward
68.	735-04135	Pad, Pedal, Reverse

42-inch Deck



Ref.	Part Number	Description	Ref.	Part Number	Description
1.	918-04822A	Spindle Ass'y, Pulley, 6.3 Dia	30.	736-0344	Washer, Flat, .385 x 1.0 x .030
2.	683-0254B	Bracket Ass'y, Deck, Hanger LH	31.	737-04003D	Port, Water
3.	983-04598	Deck Ass'y, Offset, 42"	32.	938-0373	Bolt, Shoulder, .496 x 1.525, 3/8-16
4.	710-04484	Screw, Self-tapping, 5/16-18, .750,	33.	738-04162A	Spacer, Shoulder, .8840 x .190
5.	710-0514	Hex Screw, 3/8-16, 1.00, Gr5, Std	34.	938-3056	Bolt, Shoulder, .496 x 2.50, 3/8-16
6.	710-0528	Hex Screw, 5/16-18, 1.25, Gr5, Std	35.	942-04312	Blade, Cut, 21.23" 2-In-1, Cub
7.	710-0599	Screw, Self-tapping, 1/4-20, 0.500,	36.	747-04944B	Rod, Lift, Deck, Frt, 13.7
8.	710-3144	Hex Screw, 3/8-16, 2.00, Gr5, Std	37.	931-04349	Chute Ass'y, Deflector, Export
9.	710-3178	Bolt, Carriage, 3/8-16, 0.75, Gr1	38.	747-1116	Rod, Handle, Deck Rel .375 Dia
10.	712-0229	Nut, Push, 3/8	39.	954-04060B	Belt, V Type, A Sec x 96.5
11.	712-04065	Nut, Flange Lock, 3/8-16, Grf,	40.	756-04129B	Pulley, Idler, 4.25"Dia
12.	712-0417A	Nut, Flange, 5/8-18	41.	732-04372	Spring, Torsion, .44 I.D. x 2.0
13.	712-04243	Nut, Lock, 1/2-13	42.	783-04740	Bracket, Cable, Deck Engage
14.	912-0641	Nut, Hex, M16-1.5	43.	711-04847A	Pin, Hinge, Dia .3125 x 7.96
15.	753-04070	Pin, Lynch, .1875	44.	783-05946	Bracket, Idler, Pivot, 46
16.	914-0470	Pin, Cotter, 1/8 x 1.25	45.	783-06243	Bracket, Cable, Deck Engage
17.	917-04074	Gear, Deck, Adjustment	46.	783-06368	Bracket, Guard, Belt, 4.25 Pulley
18.	921-04041	Adapter, Water Port	47.	783-06632	Stop, LH, 42 Deck
19.	731-06496	Cover, Belt, Universal	48.	783-05823	Bracket, Chute, 42/46
20.	732-0459C	Spring, Extension, .694 Dia x 6.74	49.	936-0351	Washer, Flat, .760 Idx1.50 OD
21.	732-04652	Spring, Comp, .535 OD x 1.751	50.	738-1186A	Shaft, Spindle, 6.11.
22.	734-04155	Wheel, Deck, 5.0 Dia Ball	51.	941-0919	Bearing, Ball, .787id x 1.85 Odx.551
23.	734-0973	Wheel, Deck	52.	750-04936	Spacer, .792 x 1.060 x 1.860
24.	936-0119	Washer, Lock, 5/16, Regular Duty	53.	956-1227	Pulley, Deck, 6.3 Dia
25.	936-0179	Washer, Flat, .531 x 1.25 x .100	54.	631-04463	Plug Assembly, Mulch, 42" Deck
26.	736-0225	Washer, Lock, 5/8, Int Tooth	55.	911-04069	Pin, 1/4-20
27.	736-0258	Washer, Flat, .385 x 1.0 x .135	56.	712-04064	Nut, Flange Lock, 1/4-20, Nylon
28.	736-0262	Washer, Flat, .385 x .87x .092	57.	942-0616A	Blade, 21.23"Lg, Star 3 In 1
29.	736-0317	Washer, Bell, .63 x 1.25 x .18			

Hydrostatic Transmission (Hydro-Gear 311-0510)

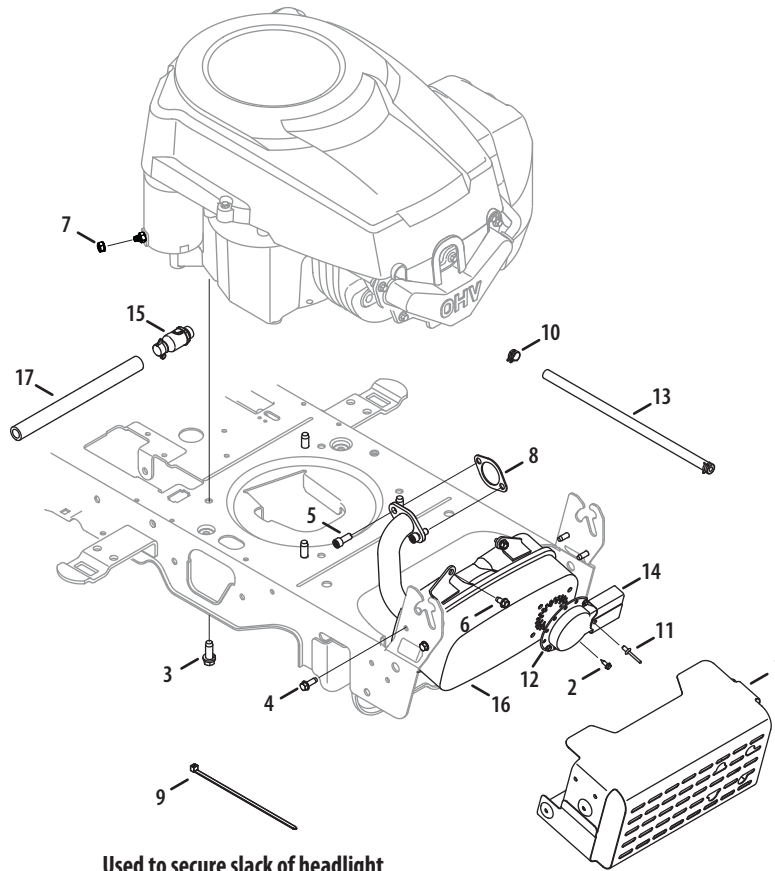


Hydrostatic Transmission (Hydro-Gear 311-0510)

Ref.	Part Number	Description	Ref.	Part Number	Description
1	HG-70467	Main Housing Assembly	40	HG-44871	Ring, Spiral Retaining
		Main Housing, Machined	41	HG-51083	Pin, Jackshaft
		Bushing ,865 x 985 x .790	42	HG-51100	Magnet, Ring
2	HG-70483	Main Housing Assembly	43	HG-51136	Spring, Bypass
		Main Housing, Machined	44	HG-50016	Hydro Mtg Screw 3/8-24 x 2.5
		Bushing ,865 x 985 x .790	45	HG-51581	Bottom, Filter
		Bushing 624 x 719 x .562	46	HG-51580	Base Filter W/ Poppet
3	HG-70477	Center Section Assembly	47	HG-51091	Actuator Bypass
		Center Section Machined	48	HG-51098	Rod Bypass Actuator
		Bushing. 707 x .788 x .591	49	HG-51135	Arm, Bypass
4	HG-51048	Swashplate, Trunnion Machined	50	HG-51116	Retaining Ring 0.250 External
5	HG-70331	Block - Assembly	51	HG-51081	Seal, Lip .741 x .250 x .250 Tc
		Block - Cylinder	52	HG-44371	Flat Washer 5/8 Id x 1.0 Od x .05
		Piston	53	HG-44145	Retaining Ring
		Spring, Compression	54	HG-51071	Bearing, Center Block
		Washer - Thrust	55	HG-2003014	Spring - Helical Compression
7	HG-51190	Hex Flange Screw 1/4-20 x-1,25	56	HG-2003017	Washer
9	HG-51062	Shaft, Input	58	HG-62589	Kit, Brake Yoke
10	HG-2000022	Ring - Retaining			Brake Yoke
11	HG-50951	Spacer			Sq. Hd, Bolt 5/16-24 Ribbed
12	HG-50329	Ring - Retaining	59	HG-51072	Rotor, Brake
13	HG-51161	Seal Lip .67 x 1.58 x .276	60	917-0678	Brake Puck
14	HG-50315	Ball Bearing 17mm Id x 40mm Od	61	917-0682	Puck Plate
16	HG-51064	Bolt. Flange 5/16-24 x .94 (Patch)	62	941-0343	Brake Actuating Pin
17	HG-51140	Lip Seal 18 x 32 x 7	63	HG-51146	Hex Screw 1/4-20 x 2 w/ Patch
18	HG-51119	Arm Control	65	HG-23711	Spacer
19	HG-50551	Bearing 30x52 x 13 Thrust	66	HG-70896	Kit, Spring
24	HG-50966	Shaft Motor	67	HG-44138	So. Hd, Bolt 5/16-24- Ribbed
27	HG-51130	Gear - Pinnion 13t	68	HG-44094	Arm, Brake
28	HG-51129	10t/48t Gear	69	912-0273	Slotted Hex Nut 5/16-24
29	HG-51043	Gear Jot Jackshaft	70	914-0507	Cotter Pin 3/32 x 3/4
30	HG-51044	60t Bull Gear	71	HG-50919	Comp. Spring Brake Anti-Drag
31	HG-51088	Sleeve Bearing .75 x 1.750 x .625	72	HG-50132	Washer, Ht .5 I. D. x 1 OD, x .032
32	HG-51089	Sleeve Bearing .75 x 1.575 x .625	73	736-0371	Flat Washer, 11/32 ID x 7/8 OD
33	HG-44875	Washer 3/4 Id x 1-1/2 Od x .13 Thk	74	HG-70719	Kit, Seal
34	HG-51066	Lip Seal Axle Seal			Oil, Seal 625 x Lo x .25
35	HG-51079	Shaft Axle .75 x 11.39 (Dd R. H.)			Ring, Ret-Star Washer
36	HG-51078	Shaft Axle .75 x 17.99 (Dd, L, H.)			Bulletin, Shaft Seal
37	HG-44096	Miter Gear (Splined)	75	HG-51084	Check Plug Assem, .027 Washer
38	HG-44097	Miter Gear 15t (0.5 Id)	83	HG-9004800-2506	Pin, Standard Headless
39	HG-50146	Shaft	84	HG-51143	Fitting, 5/16 Sae 5/32 Tube

Hydrostatic Transmission (Hydro-Gear 311-0510)

Ref.	Part Number	Description	Ref.	Part Number	Description
85	HG-51147	Hose, Expansion Tank	121	HG-70756	Filter Assembly
87	HG-51251	Cap., Vent			Bottom Filter
88	HG-50653	Bolt, Self Tapping 10-32 x 112			Base Filter w/ Poppet
94	HG-44147	Ball Bearing .62 Id x 1,38 x 44			Spring Bypass
95	HG-50837	Cap Screw, 5/16-24 x 1-112			Actuator Bypass
96	HG-51200	Spacer, Locating			Deflector
97	HG-50870	Screw, Sfhcs	128	HG-70503	Kit, Expansion Tank
98	HG-51120	Arm, Return			Tank, Expansion
99	HG-51097	Puck, Adjusting			Cap, Vent
100	HG-51122	Washer, .325 OD x 1.6 ID x .150			Bolt, Self Tapping 10-32 x 1/2
101	HG-51131	Spring, Extension			Bracket, Support Expansion Tank
102	HG-51123	Spacer, .56 x .26 x .87			Silicon-Sponge 112 x 1/2 x 3/16
103	HG-51223	Bracket, Torque	129	HG-51252	Cap, Expansion Tank Shipping
107	HG-51134	Deflector	—	HG-50928	Sealant
108	HG-51069	Washer, Motor Shaft .71 Id 1.15 Od	—	HG-70463	Seal, O-Ring Kit
109	HG-9005110-5600	Plug, SAE #6	—	—	20w-50 Oil (78.8 oz)
110	HG-50868	Torx Head Screw, 5/16-18			
111	HG-51144	O-Ring, .07 x .301 ID			
113	HG-51179	Bracket, Support Expansion Tank			
114	HG-51184	Spring Guide			
116	HG-51196	Silicon Sponge			
120	HG-70759	Center Section - Bypass Assm			
		Center Section Machined			
		Base Filter w/ Poppet			
		Check Plug Assembly			
		Spring Bypass			
		Actuator Bypass			
		Deflector			
		Bottom, Filter			
		Bushing, .707 x .788 x .591			

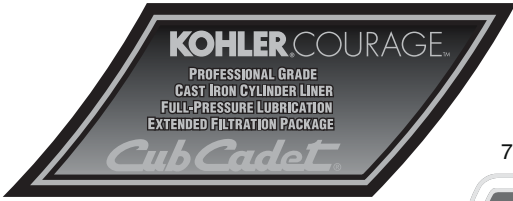


Used to secure slack of headlight harness to hood hinge

Ref.	Part Number	Description
1.	683-04549	Shield Ass'y, Muffler
2.	710-0227	Screw, Ab, #8-18, 0.500,
3.	710-04683	Screw, Self-tapping, 3/8-16, 1.000,
4.	710-0599	Screw, Self-tapping, 1/4-20, 0.500,
5.	710-1314A	Screw, Socket Head, 5/16-18, .750
6.	710-1652	Screw, Self-tapping, 1/4-20x.625,
7.	712-0271	Nut, Sems, 1/4-20
8.	KH-20-041-12-S	Gasket, Exhaust
9.	725-0157	Cable, Tie, 3/16 x .05 x 7.4
10.	726-0205	Clamp, Hose, .490 Dia.
11.	728-04000	Rivet, Pop, .188 Dia x .300
12.	751-0564B	Deflector, Muffler
13.	751-10349	Hose, Fuel, Low Permeation, 1/4
14.	751-10353	Deflector, Muffler, Long
15.	951-10517A	Drain, Oil
16.	751-11022A	Muffler, Single, Kohler
17.	751-3141-14	Hose, Extension, Oil Drain

LTX 1042 Labels

777D13207



777D13208



777D12864



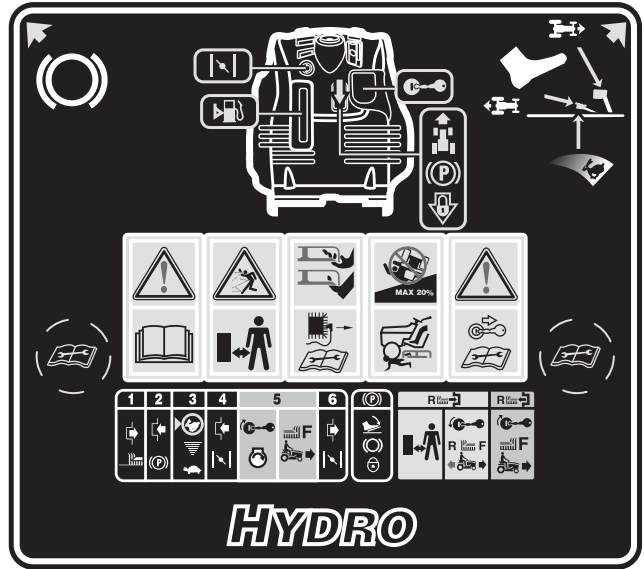
777I23088



777D12928



777S33197



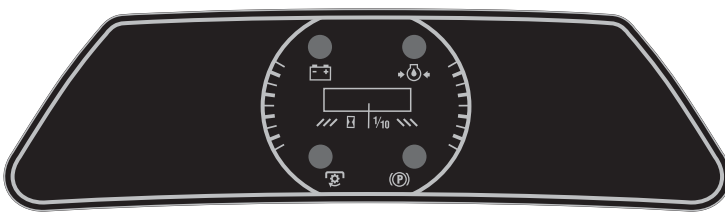
777D12929



777D14030



777I23185



777I23184



777D14071



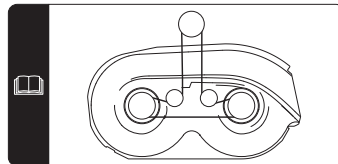
777D14072



777S32356



777I22481



777I23098



777I22679



777I23133



777S30296



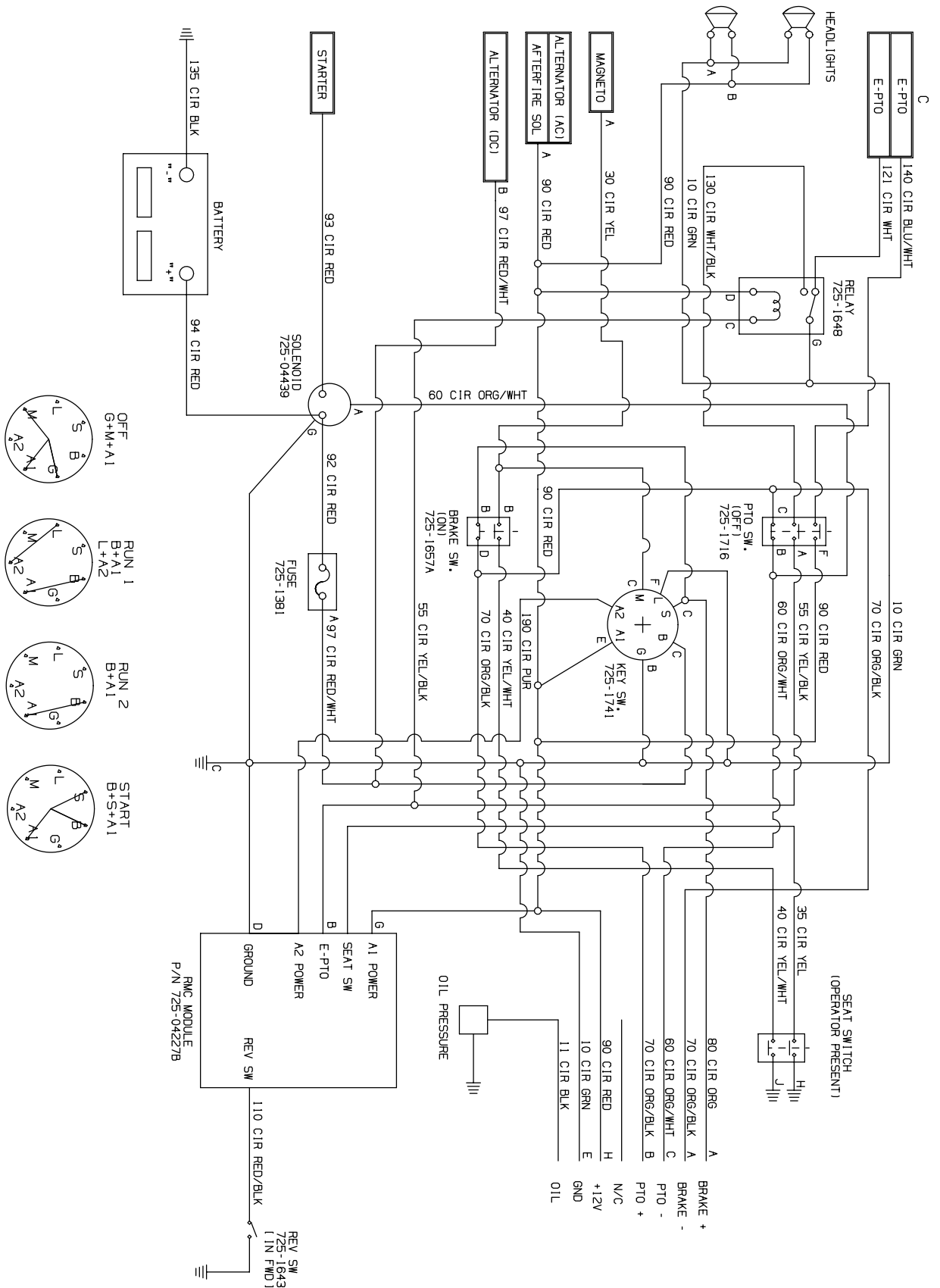
777D08300



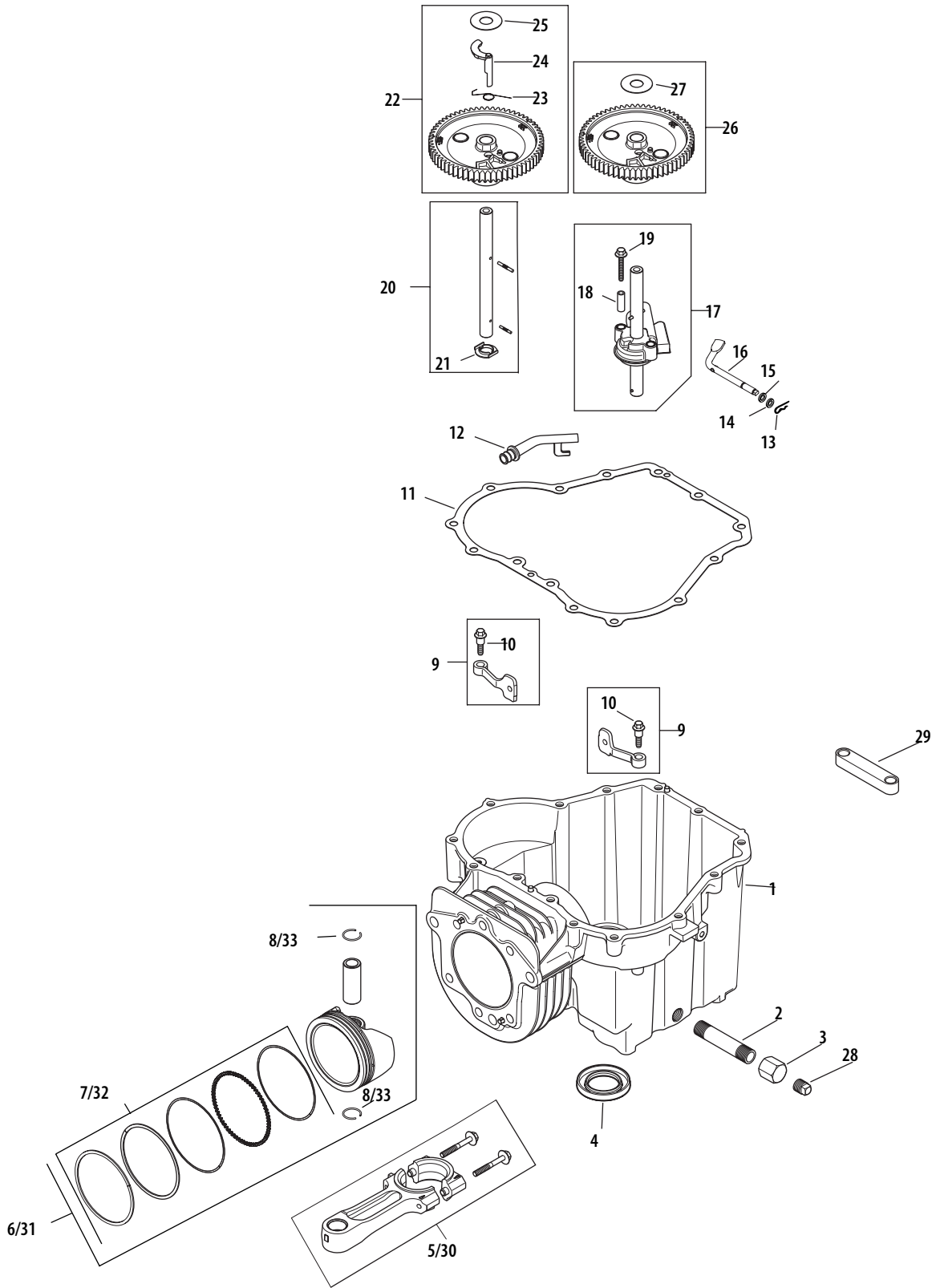
777D13924



Electrical Schematic

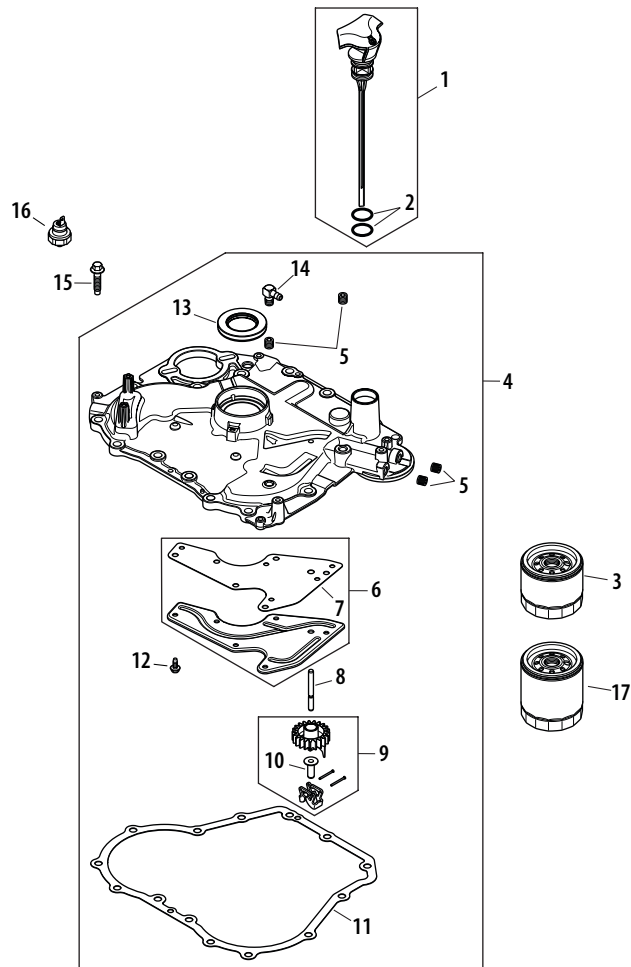


Kohler SV590 Crankcase



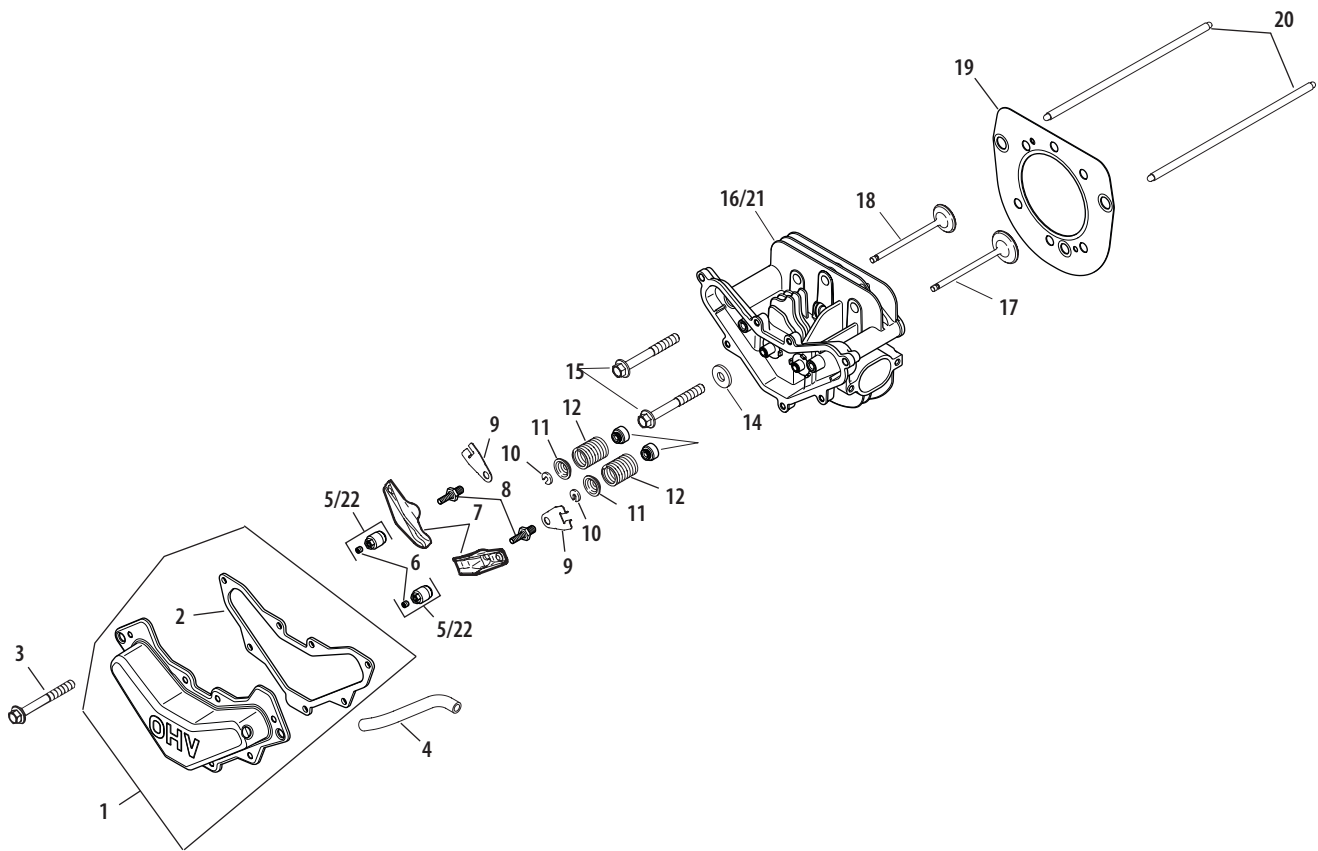
Ref.	Part Number	Description
1	N/A	Crankcase (Use: Short Block)
4	KH-20-032-01-S	Oil Seal
5	KH-20-067-05-S	Connecting Assembly Rod
6	KH-20-874-09-S	Piston w/ Ring Set, 94mm (Incl. 7, 8)
7	KH-20-108-04-S	Ring Set (94mm)
8	KH-62-018-04-S	Piston Pin Retainer
9	KH-20-090-01-S	Cam Lever Ass. Kit (Incl. 10)
10	KH-20-086-06-S	Shd. Thd. Frm. Screw, M6 X 1 X 26
12	KH-20-123-02-S	Drainback Tube
13	KH-12-154-05	Hitch Pin Clip
14	KH-M-631015	Flat Washer, 6 Mm
15	KH-X-25-102-S	Flat Washer, 1/4
16	KH-20-144-02-S	Governor Cross Shaft
17	KH-20-393-02-S	Oil Pump Ass'y Kit (Incl. 11, 18, 19)
18	KH-20-112-02-S	Oil Pump Screw Spacer
19	KH-20-086-13-S	Oil Pump Screw
20	KH-20-144-11-S	Cam Center Shaft Kit (Incl. 21)
21	KH-20-468-08-S	Thrust Washer
22	KH-20-010-04-S	Camshaft Ass'y Kit (Incl. 23-25)
23	KH-20-089-06-S	Acr. Spring
24	KH-20-044-23-S	Acr. Weight
25	KH-20-468-03-S	Thrust -Acr. Washer
26	KH-20-010-04-S	Camshaft Ass'y Kit (Incl. 27)
27	KH-20-468-03-S	Thrust -Acr. Washer
28	KH-25-139-57-S	Square Head Pipe Plug, 3/8
—	KH-20-522-05	SV590/600 Short Block

Kohler SV590 Oil Pan/Lubrication



Ref.	Part Number	Description
1.	KH-20-040-06-S	Dipstick Ass'y-Std Yellow (Incl. 2)
2.	KH-20-153-01-S	O-Ring
3.	KH-12-050-01-S	Oil Filter
4.	KH-20-009-30-S	Closure Plate Assembly (Incl. 5-14)
5.	KH-25-139-60-S	Ctsk Pipe Plug, 1/8
6.	KH-20-096-02-S	Oil Passage Cover Kit (Incl. 7)
7.	KH-20-041-02-S	Oil Passage Gasket
8.	KH-20-144-03-S	Governor Cross Shaft
9.	KH-25-310-07-S	Governor Gear Assembly
10.	KH-12-380-01	Governor Regulating Pin
11.	KH-20-041-01-S	Closure Plate Gasket
12.	KH-M-545013-S	Flange. Thd. Frm. Screw, M5 X 0.8
13.	KH-20-032-01-S	Oil Seal
14.	KH-25-155-02	90° Hose Connector
15.	KH-25-086-127-S	Hex Flange Screw, 1/2

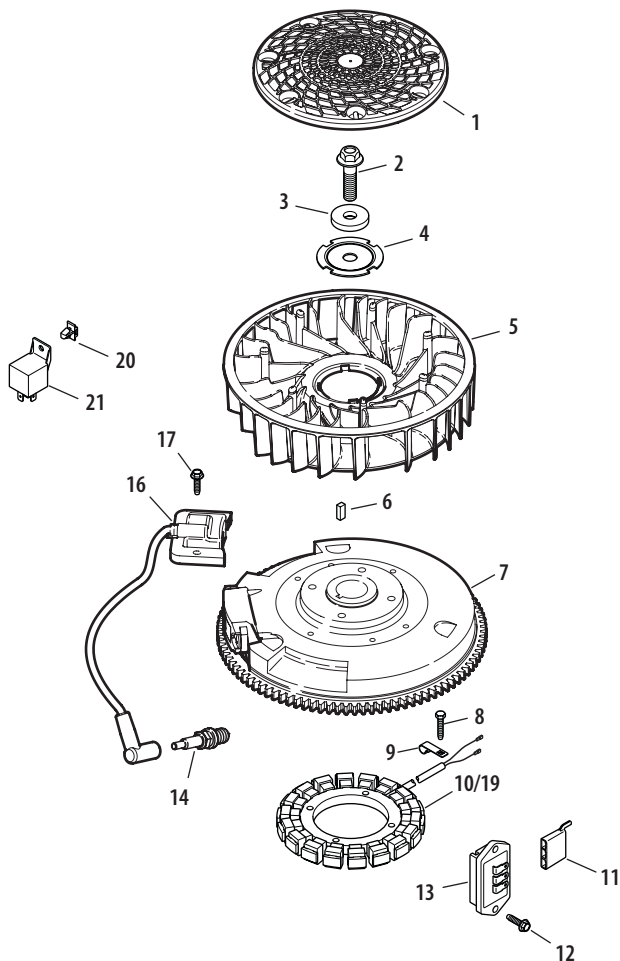
Kohler SV590 Head/Valve/Breather



Ref.	Part Number	Description
1.	KH-20-096-07-S	Valve Cover Kit (Incl. 2)
2.	KH-20-041-13-S	Valve Cover Gasket
3.	KH-M-645020-S	Flange. Screw, M6 X 1.0 X 20
4.	KH-20-326-20-S	Breather Hose
5.	KH-20-599-04-S	Rocker Pivot Assembly (Incl. 6)
6.	KH-20-086-04-S	Set Screw
7..	KH-20-186-01-S	Rocker Arm
8	KH-20-072-08-S	Rocker Stud
9.	KH-20-146-03-S	Push Rod Guide Plate
10.	KH-20-062-01-S	Retainer Lock
11.	KH-20-173-01-S	Valve Spring Cap
12.	KH-20-089-03-S	Valve Spring
14.	KH-12-468-05	Flat Washer, 13/32
15.	KH-20-086-02-S	Flange Screw, M10 X 1.5 X 80
17.	KH-20-016-01-S	Exhaust Valve

Ref.	Part Number	Description
18.	KH-20-017-01-S	Intake Valve
19.	KH-20-841-01-S	Cylinder Head Gasket Kit (Incl. 2, 13, 14, 23, 24, 25, 26, 27, 28 & 29)
20.	KH-20-411-04-S	Rod, Push
21.	KH-20-318-11-S	Kit, Cylinder Head (Incl. 28 & 29)
22.	KH-20-599-04-S	Kit Pivot, Rocker Arm (Incl. 6)
—	KH-12-041-01	Carburetor Gasket
—	KH-12-041-02	Air Cleaner Base Gasket
—	KH-20-041-12-S	Exhaust Gasket
—	KH-20-041-18-S	Heat Deflector Gasket
—	KH-20-041-17-S	Heat Deflector Gasket
—	KH-25-086-87-S	Hex Socket Head Cap Screw
—	KH-X-21-1	Spring Lock Washer, 5/16
—	KH-20-755-05-S	Gasket Set

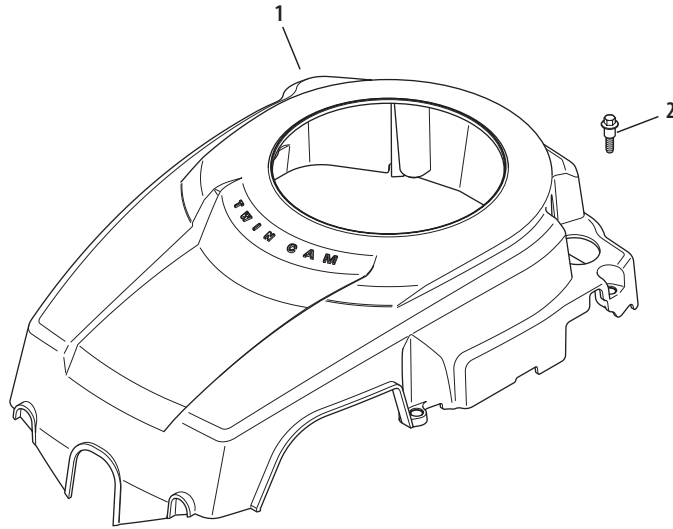
Kohler SV590 Ignition/Electrical



Ref.	Part Number	Description
1.	KH-20-162-02-S	Grass Screen
2.	KH-25-086-125-S	Hex Flange Screw
3.	KH-25-468-09-S	Flat Washer
4.	KH-20-146-05-S	Fan Mounting Plate
5.	KH-20-157-01-S	Fan
6.	KH-25-340-02-S	Straight Flywheel Key
7.	KH-20-025-40-S	Flywheel
8.	KH-M-548025-S	Thd. Frm. Screw, M5 X 0.8 X 25
9.	KH-20-154-04-S	Wire Clip
10.	KH-237878	15 Amp Stator Kit — SV590 (Inc. KH-25-452-01-S)
11.	KH-25-155-41-S	Connector

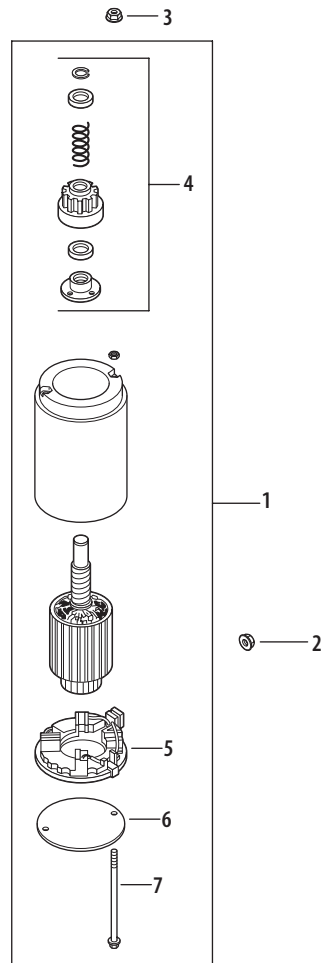
Ref.	Part Number	Description
12.	KH-M-545020-S	Flange. Screw, M5 X .8 X 20
13.	KH-41-403-10-S	Regulator/Rectifier
14.	759-3336	Spark Plug (Std)
16.	KH-20-584-03-S	Ignition Module (CDI Fixed)
17.	KH-M-545020-S	Flange. Thd. Frm., M5 X .8 X 20
19.	KH-20-085-01-S	Stator Assembly Kit — SV600 (Incl. KH-25-454-07-S)
20.	KH-20-366-01-S	Push Wing Mount — SV600
21.	KH-20-404-01-S	Relay — SV600
—	KH-20-176-16-S	Wiring Harness — SV590
—	KH-20-176-15-S	Wiring Harness — SV600
—	KH-25-454-05-S	Tie

Kohler SV590 Blower Housing & Baffles



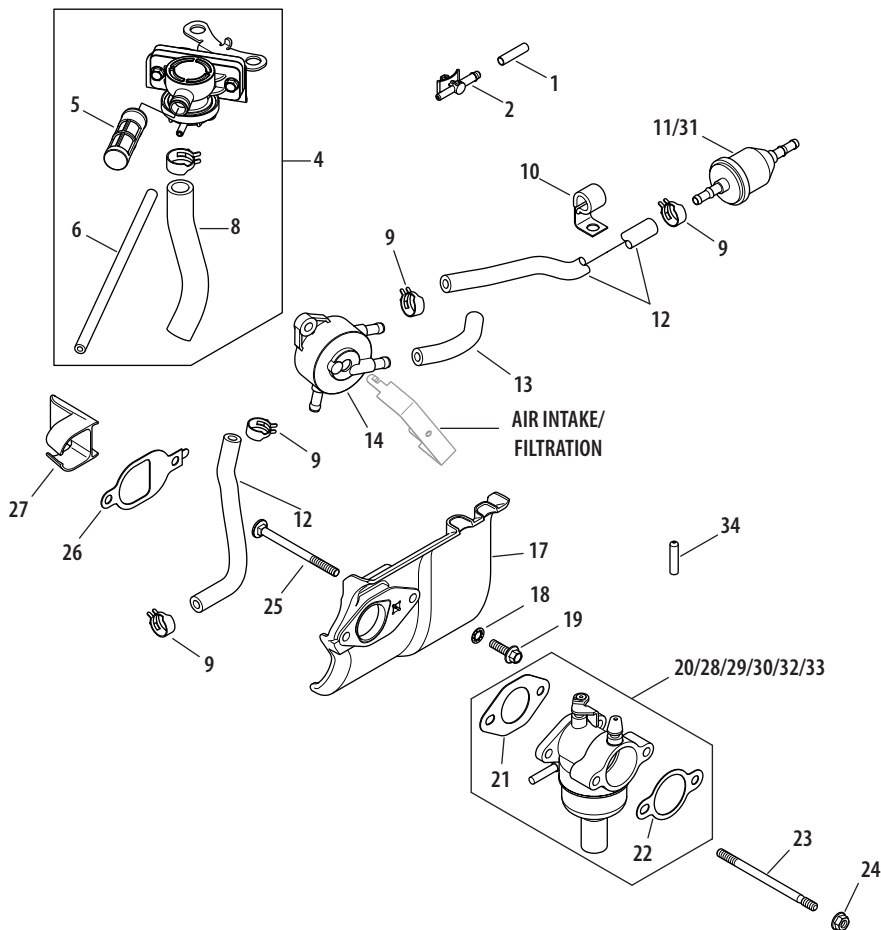
Ref.	Part Number	Description
1	KH-20-027-07-S	Blower Housing Kit (Inc. 3)
2	KH-20-086-06-S	Shd. Thd. Frm. Screw, M6 X 1 X 26
—	KH-41-037-10-S	Service Nameplate

Kohler SV590 Starting System



Ref.	Part Number	Description
1	KH-20-098-08-S	Starter Assembly (Inc. 4-7)
3.	KH-25-100-31-S	Free Spinning Flange. Nut, #10-24
4.	KH-20-755-12-S	Drive Kit (J.E.)
5.	KH-12-221-02-S	Brush Kit
6.	KH-20-227-01-S	Drive End Cap (J.E.)
7.	KH-20-211-02-S	Thru Bolt

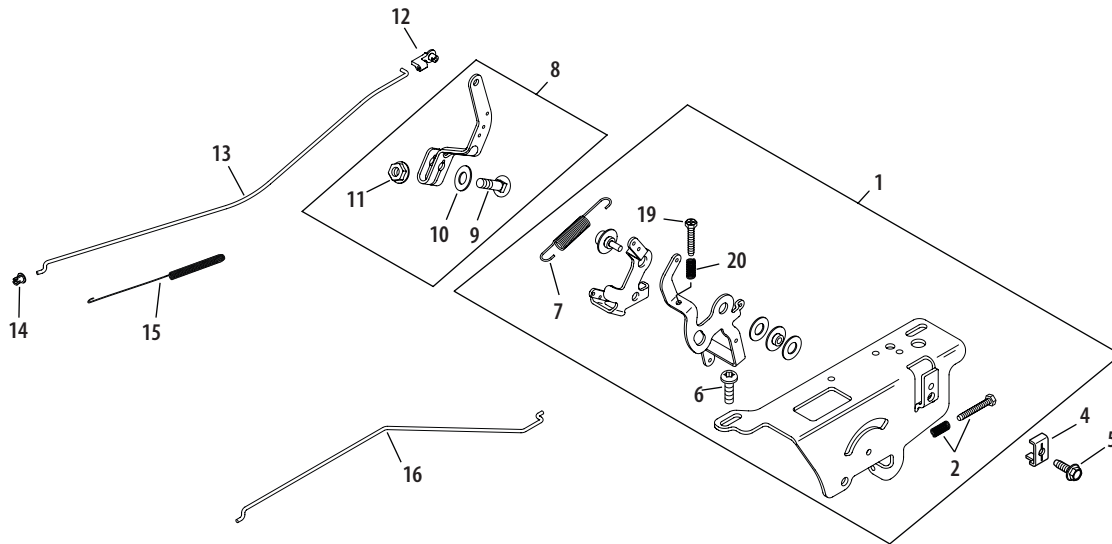
Kohler SV590 Fuel System



Ref.	Part Number	Description
1	KH-25-173-23-S	Masking Cap
2	KH-25-155-40-S	SAI Connector
9	KH-25-237-14-S	Hose Clamp, 1/2
10	KH-47-154-01-S	Cable Clip
11	KH-25-050-22-S	Fuel Filter
12	KH-25-111-34-S	Fuel Line
13	KH-12-353-10-S	Fuel Line
14	KH-24-393-16-S	Fuel Pump
17	KH-20-265-09-S	Heat Deflector Kit
18	KH-X-22-11-S	Int. Tooth Lock Washer, 1/4
19	KH-M-651020-S	Flange Screw, M6 X 1.0 X 20
23	KH-20-072-05-S	Stud, M6 X 1.0 X 100
24	KH-M-641060-S	Flange Nut, M6 X 1.0
25	KH-20-072-07-S	Carburetor Stud
26	KH-20-041-18-S	Heat Deflector Gasket

Ref.	Part Number	Description
27	KH-20-332-01-S	Intake Port Insert
30	KH-20-853-35-S	Carburetor Kit (Inc. 21 & 22)
31	KH-25-050-21-S	Fuel Filter
33	KH-20-853-37-S	Carb Tier III Walbro Kit (Inc. 21 & 22)
34	KH-25-173-25-S	Masking Cap
—	KH-25-454-05-S	Tie
—	KH-12-755-109-S	High Altitude Kit
—	KH-12-755-110-S	Repair Choke Kit
—	KH-12-757-02	Repair Float Kit
—	KH-12-757-03	Repair Carburetor Kit
—	KH-12-757-33	Repair Solenoid Kit
—	KH-12-757-37-S	Repair Bowl Replacement Kit
—	KH-20-755-07-S	High Altitude Kit

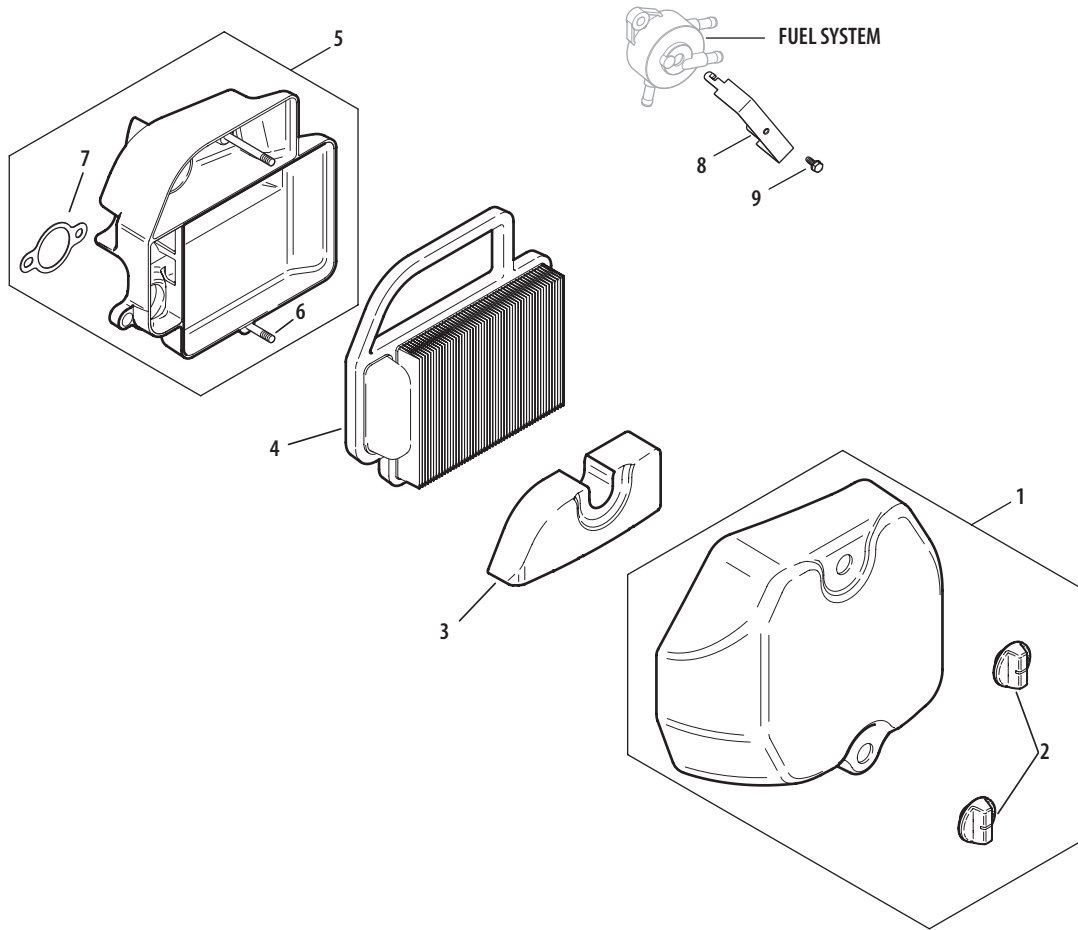
Kohler SV590 Controls



Ref.	Part Number	Description
1	KH-20-536-05-S	Speed Control Assembly Kit (Inc. 2, 3, 6, 7, 17, 19, 20)
2	KH-25-086-297-S	Idle Adj. Screw & Spring Kit
4	KH-12-237-01	Cable Clamp
5	KH-M-545016-S	Flange Screw, M5 X 0.8 X 16
6	KH-M-664020-S	Lbd. Skt. Screw, M6 X 1.0 X 20
7	KH-20-089-11-S	Governor Spring
8	KH-20-090-11-S	Governor Ass'y Lever (Inc. 9-11)
9	KH-52-211-04	Rd. Hd. Sq. Nck. Bolt, 1/4-20 X 1

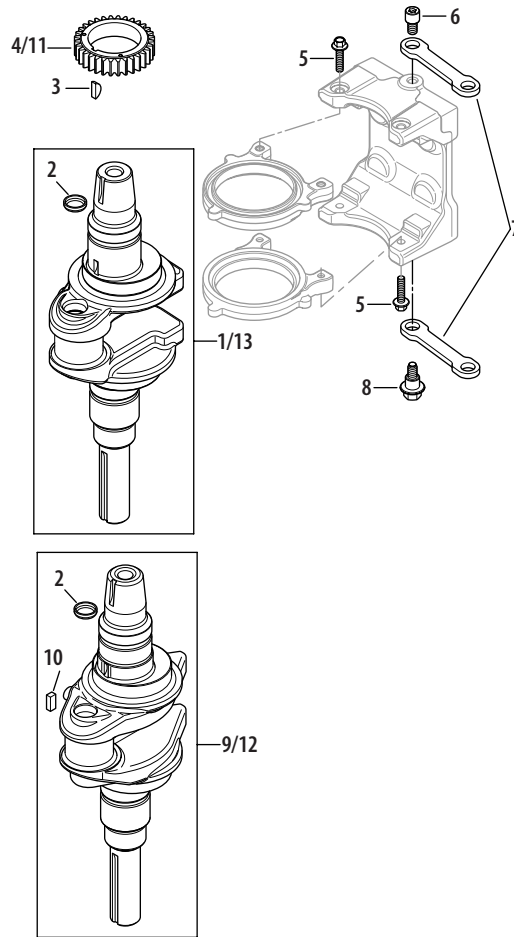
Ref.	Part Number	Description
10	KH-X-22-11	Int. Tooth Lock Washer, 1/4
11	KH-12-100-07	Hex Flange Nut, 1/4-20
12	KH-25-158-11	Throttle Linkage Bushing
13	KH-20-079-07-S	Throttle Linkage
14	KH-25-158-08	Linkage Retaining Bushing
15	KH-20-089-10-S	Linkage Spring
16	KH-20-079-05-S	Choke Linkage
19	KH-20-086-10-S	Phl. Thd. Frm. Screw, M4 X 0.7 X 25
20	KH-12-089-11	Speed Control Spring (Short)

Kohler SV590 Air Intake/Filtration



Ref.	Part Number	Description
1.	KH-20-096-04-S	Air Cleaner Cover Kit (Inc. 2)
2.	KH-25-341-04-S	Cover Cover
3.	KH-20-883-03-S1	Pre-Cleaner Element (Dry)
4.	KH-20-883-02-S1	Air Cleaner Element
5.	KH-20-094-04-S	Air Cleaner Base Kit (Inc. 6, 7)
6.	KH-20-072-04-S	Air Cleaner Base Stud
7.	KH-12-041-02	Air Cleaner Base Gasket

Kohler SV590 Controls



Ref.	Part Number	Description
1.	KH-20-014-38-S	Crankshaft Assembly Kit
2.	KH-25-139-27-S	Cup Plug
3.	KH-X-42-15	Key, 3/16 X 5/8
4.	KH-20-043-15-S	Crankshaft Gear
5.	KH-25-086-137-S	Flange Screw, M6 X 1.0 X 25
6.	KH-25-086-214-S	Link Pivot Screw
7.	KH-20-186-04-S	Balance Weight Linkage
8.	KH-25-086-213-S	Shoulder Screw



To order replacement parts, call the Customer Dealer Referral Line at 1-877-282-8684
or visit www.cubcadet.com to find the nearest Cub Cadet dealer in your area.

CUB CADET LLC, P.O. BOX 361131 CLEVELAND, OHIO 44136-0019
