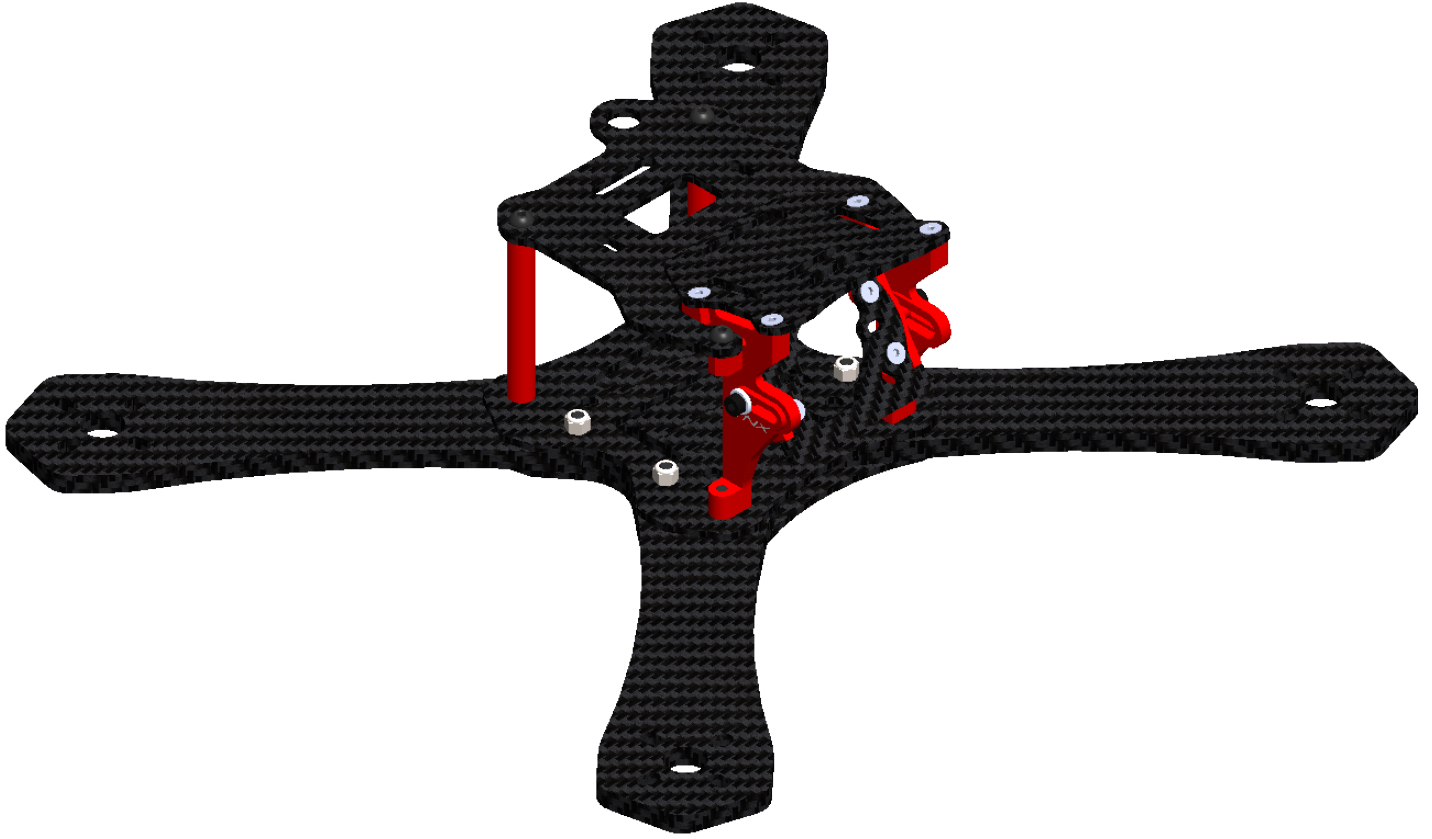


LX1926- ZAP 210X

INSTRUCTION MANUAL

**Info:**

Frame Weight: 130g

Materials: Pure Carbon Fiber

Size: 210mm

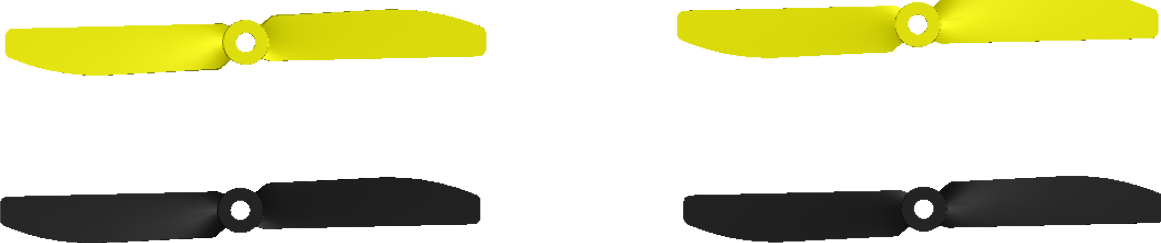
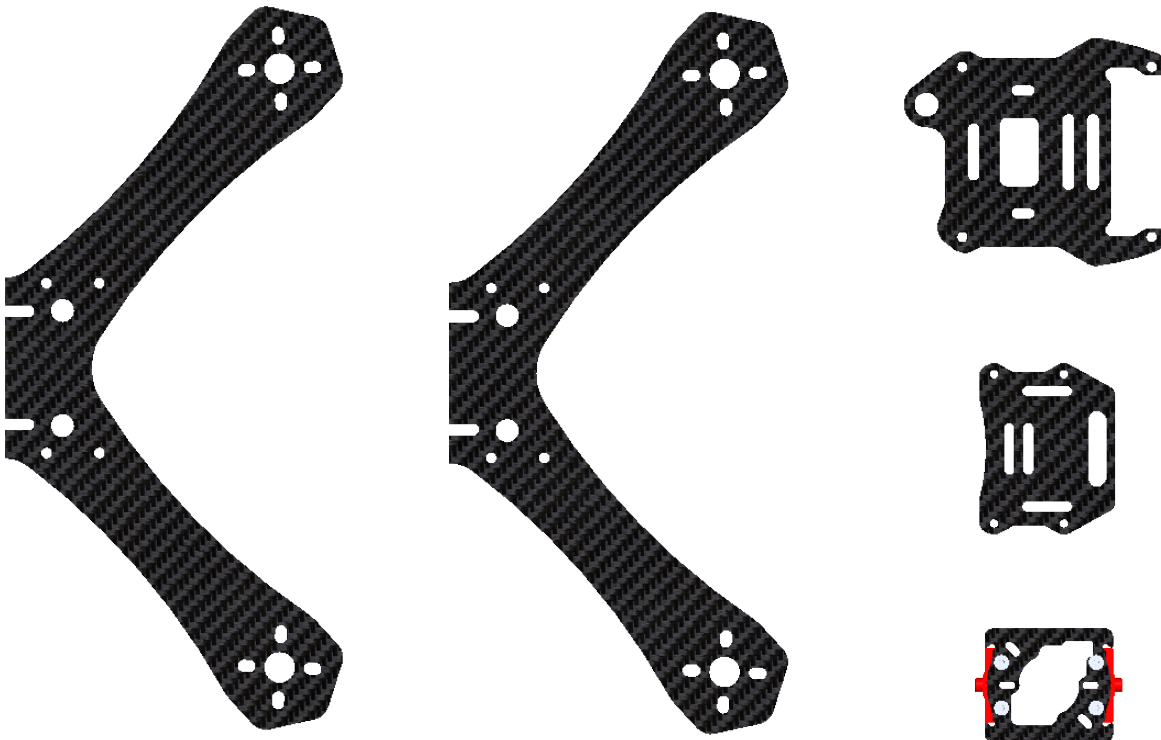
Maximum Propeller: 5 inch

Motor mount: 13xx motor, 18xx motor, 22xx motor.

Flight controller mount: 30.5mm x 30.5mm

FPV Camera mount: can be adjusted from 0 to 45

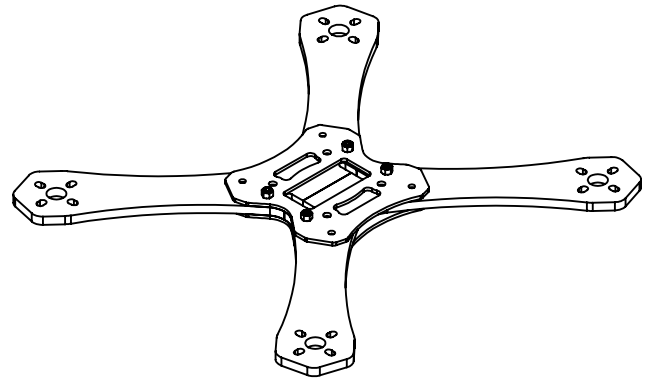
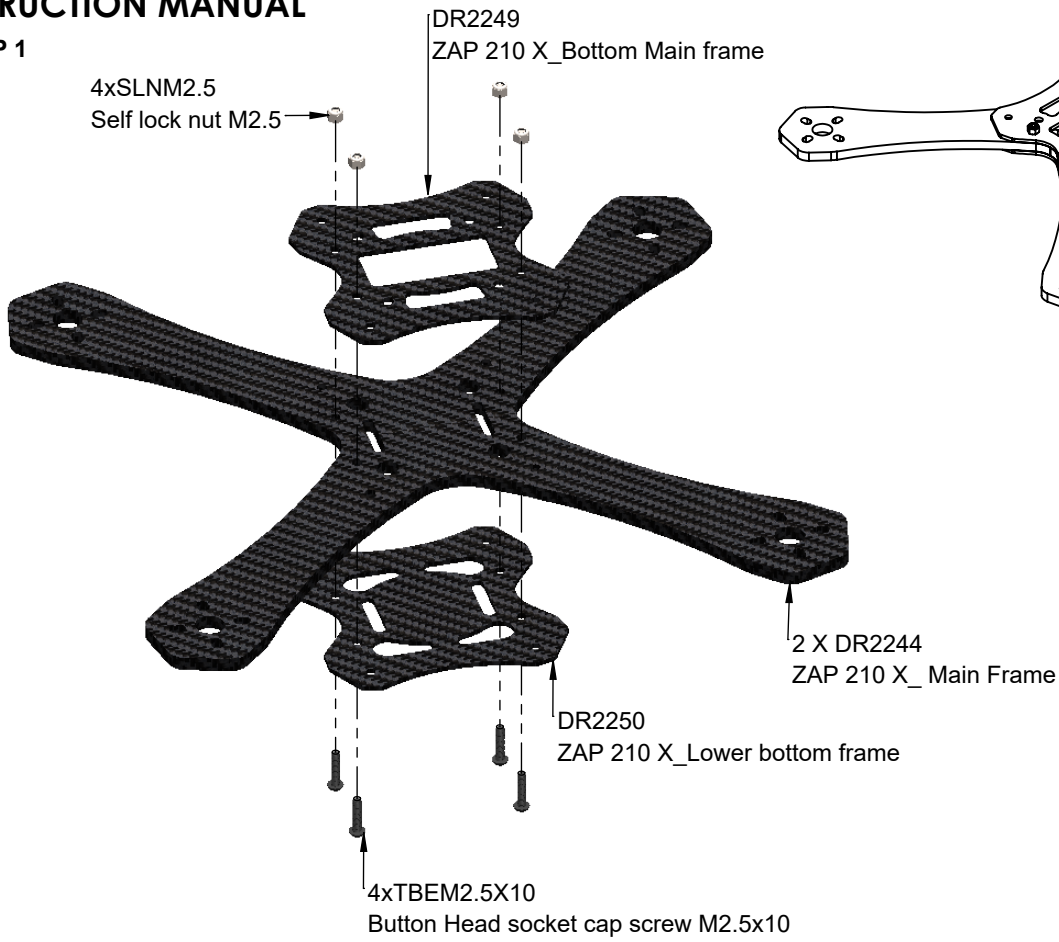
LX1926- ZAP 210X INSTRUCTION MANUAL



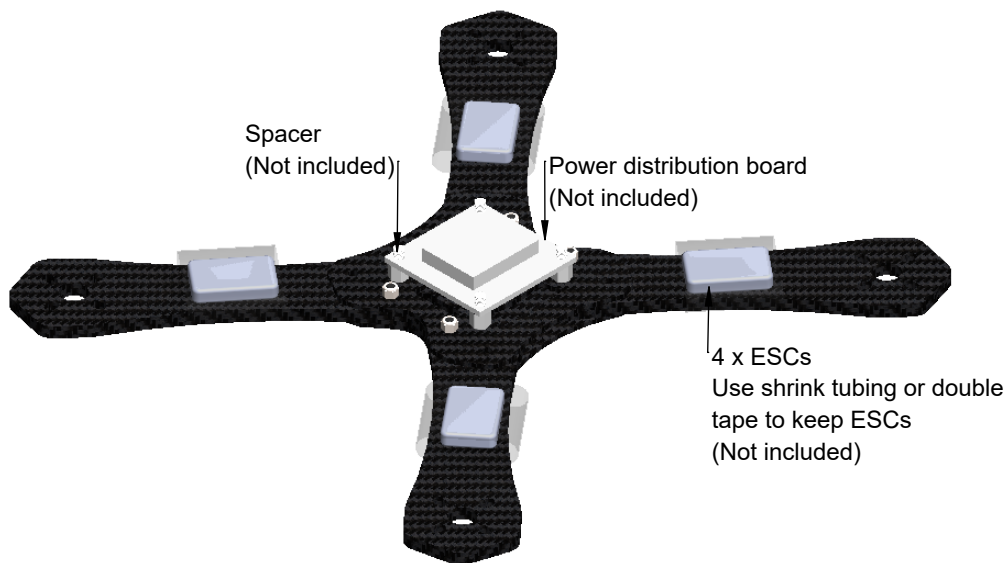
LX1926- ZAP 210X

INSTRUCTION MANUAL

STEP 1



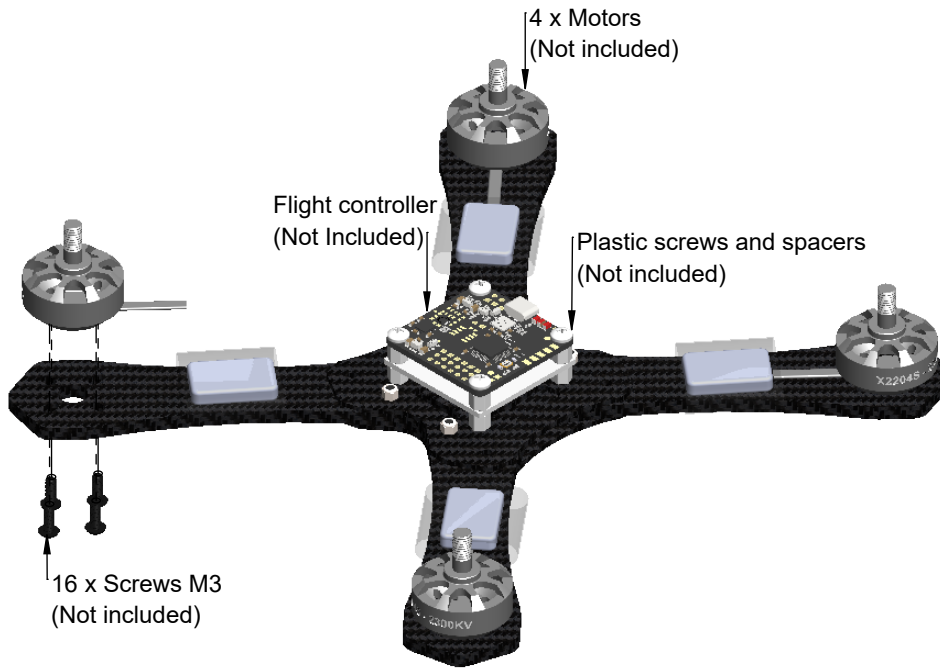
STEP 2



LX1926- ZAP 210X

INSTRUCTION MANUAL

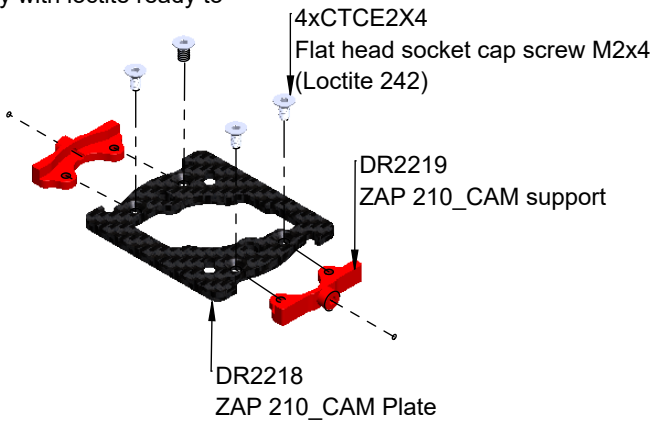
STEP 3



STEP 4

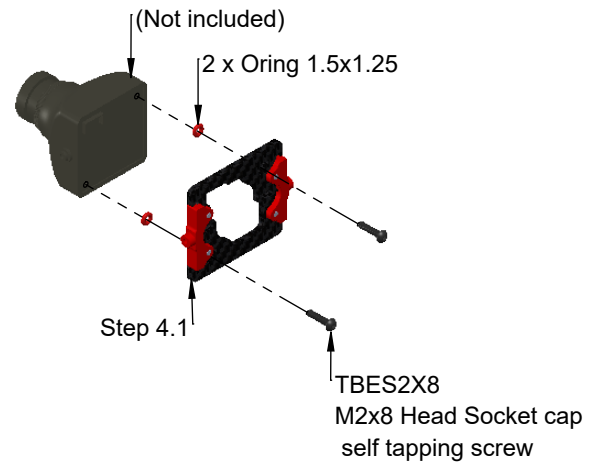
STEP 4.1 CAM Mount

This step is assembled in factory with loctite ready to use

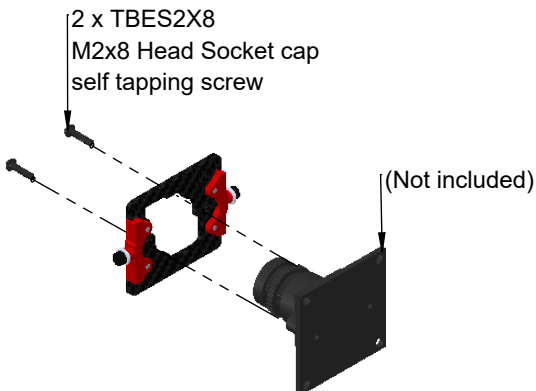


For Sony HS1185 CCD 700TVL FPV Camera Plastic Case

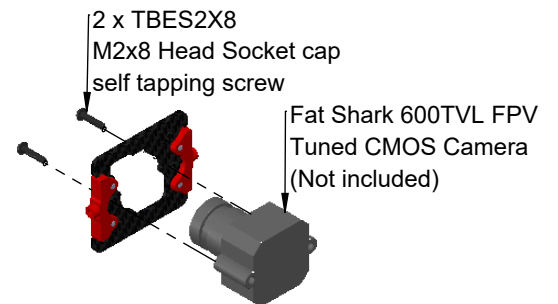
#1



#2



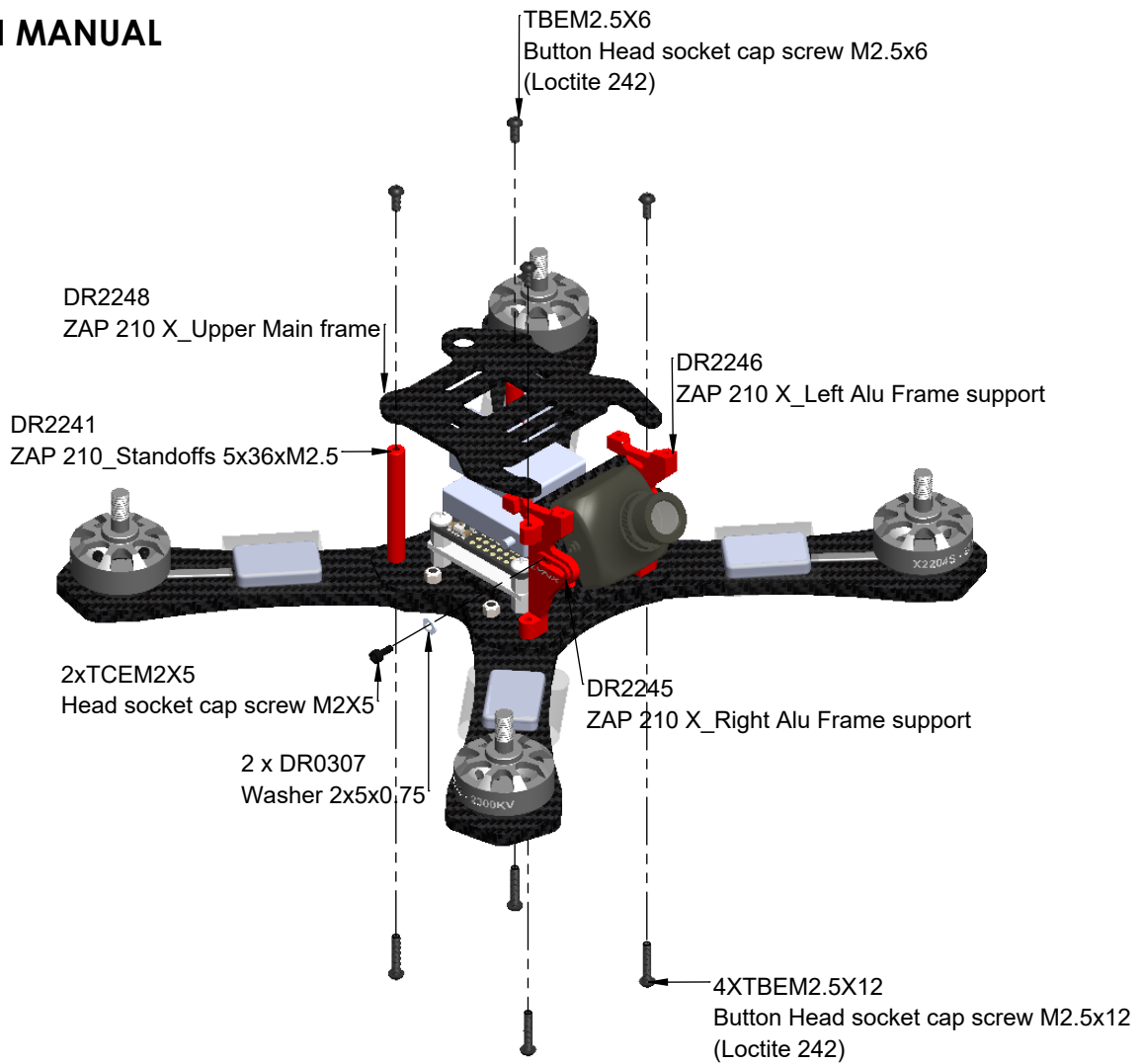
#3



LX1926- ZAP 210X

INSTRUCTION MANUAL

STEP 5



STEP 5

