

Service
Service
Service



Service Manual



TABLE OF CONTENTS

	Page
Location of pc boards & Version variations	1-2
Technical Specifications	1-3
Measurement setup	1-4
Service Aids, Safety Instruction, etc.	1-5
Disassembly Instructions & Service positions	2
Service Test Program	3-1
Region code, Software version & upgrades	3-2
Set Block diagram	4-1
Set Wiring diagram	5-1
Panel Front Boards	6
AV Board	7
Box Spk Assy SW8300LX	8
Module SD6.3 ST AV2	9
Set Mechanical Exploded view & parts list	10

© Copyright 2004 Philips Consumer Electronics B.V. Eindhoven, The Netherlands
All rights reserved. No part of this publication may be reproduced, stored in a retrieval system or transmitted, in any form or by any means, electronic, mechanical, photocopying, or otherwise without the prior permission of Philips.

Published by BB0430 Service AV Systems Printed in The Netherlands Subject to modification



3139 785 30790

Version 1.0



PHILIPS

SPECIFICATIONS**GENERAL:**

Mains voltage : 120V for /17
 220-240V for /01/04/05
 110-127V/220-240V Switchable for /69

Mains frequency : 50/60Hz

Power consumption : < 1W at Standby
 < 130W at 1/8 P_{rated}

Dimension main unit : 360 x 40 x 305mm

TUNER:**FM**

Tuning range : 87.5-108MHz

Grid : 50kHz
 100kHz for /17/69

IF frequency : 10.7MHz ± 25kHz

Aerial input : 75Ω coaxial

Sensitivity at 26dB S/N : < 7μV

Selectivity at 600kHz bandwidth : > 25dB

IF rejection : > 60dB

Image rejection : > 25dB

Distortion at RF=1mV, dev. 75kHz : < 3%

-3dB Limiting point : 8μV

Crosstalk at RF=1mV, dev. 67.5kHz : > 28dB

Crosstalk at RF=1mV, dev. 40kHz : > 18dB /17/69

MW

Tuning range : 531-1602kHz
 530-1700kHz for /17/69

Grid : 9kHz
 10kHz for /17/69

IF frequency : 450kHz ± 1kHz

Aerial input : Frame aerial

Sensitivity at 26dB S/N : < 4.0mV/M

Selectivity at 18kHz bandwidth : > 20dB

IF rejection : > 45dB

Image rejection : > 28dB

Distortion at RF=50mV, m=80% : < 5%

AMPLIFIER:

Output power

Front : 50W RMS / channel

Rear : 50W RMS / channel

Center : 50W RMS

Subwoofer : 150W RMS

Frequency response ±3dB : 20Hz-50kHz

Hum (Volume Minimum) : 200nW

Residual noise (Volume Minimum) : 40nW

Input sensitivity

Aux In : 1V ± 3dB at 39kΩ
 Scart In : 500mV ± 3dB at 39kΩ

Output sensitivity

Line Out (Left/Right) : 1V ± 1.5dB at 4.7kΩ
 Scart Out (Left/Right) : 1V ± 1.5dB at 4.7kΩ

COMPACT DISC/VCD/DVD:

Video Decoding : MPEG-1/MPEG-2/MPEG-4/DivX 3.11,
 4.x & 5.x

Video DAC : 12 Bits

Signal System : PAL / NTSC

Video Format : 4:3 / 16:9

CVBS Out ¹⁾

CVBS level : 1.0 ± 0.1V_{p-p}
 Luminance S/N : ≥ 55dB

S-Video Out ¹⁾

Y level : 1.0 ± 0.1V_{p-p}
 Y S/N : ≥ 60dB
 C level (burst) : 286mV_{p-p} +1/-4 dB

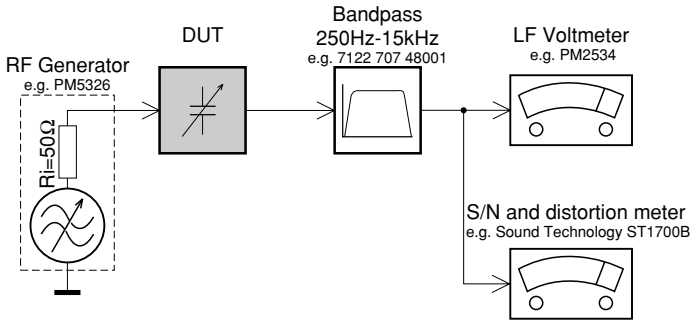
RGB/YUV Out ¹⁾

Amplitude : 0.7 ± 0.1V_{p-p}
 S/N : ≥ 60dB

¹⁾ Output terminals to be terminated with 75Ω

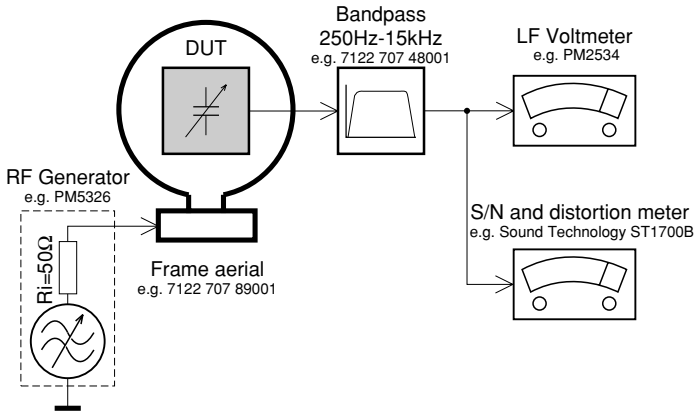
MEASUREMENT SETUP

Tuner FM



Use a bandpass filter to eliminate hum (50Hz, 100Hz) and disturbance from the pilotone (19kHz, 38kHz).

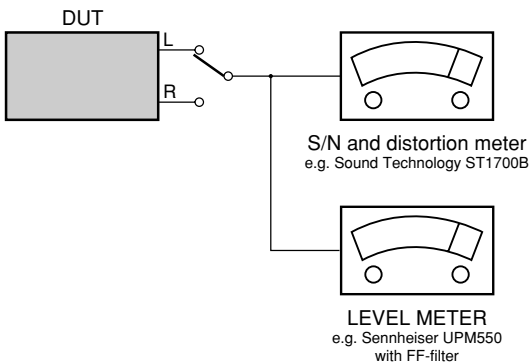
Tuner AM (MW,LW)



To avoid atmospheric interference all AM-measurements have to be carried out in a Faraday's cage. Use a bandpass filter (or at least a high pass filter with 250Hz) to eliminate hum (50Hz, 100Hz).

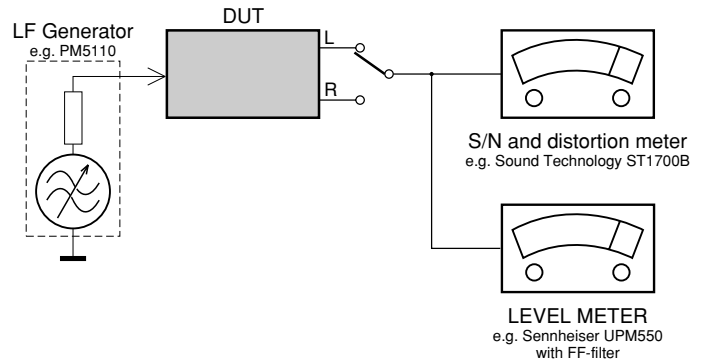
CD

Use Audio Signal Disc SBC429 4822 397 30184 (replaces test disc 3)



Recorder

Use Universal Test Cassette **CrO2** SBC419 4822 397 30069 or Universal Test Cassette **Fe** SBC420 4822 397 30071



SERVICE AIDS

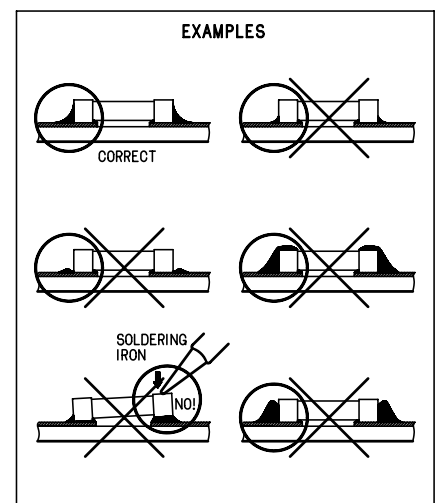
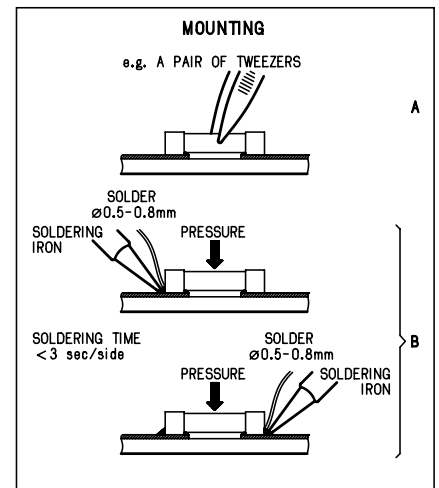
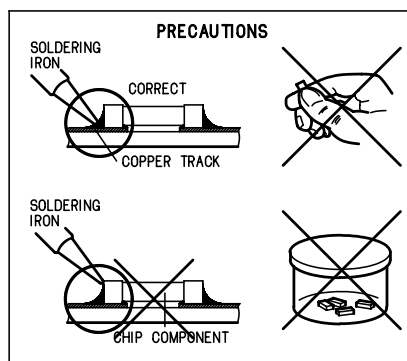
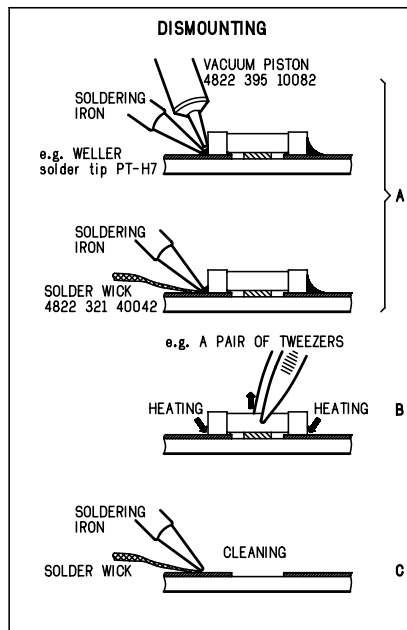
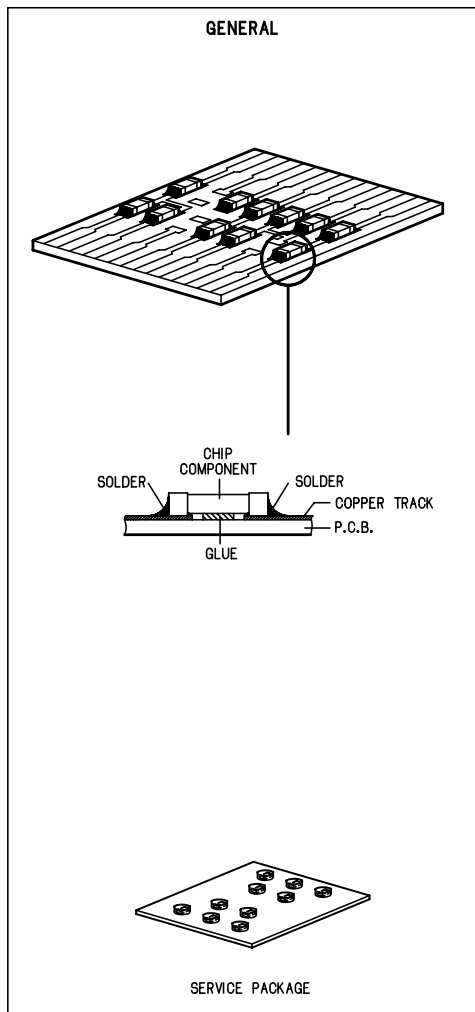
Service Tools:

Universal Torx driver holder	4822 395 91019
Torx bit T10 150mm	4822 395 50456
Torx driver set T6 - T20	4822 395 50145
Torx driver T10 extended	4822 395 50423

Compact Disc:

SBC426/426A Test disc 5 + 5A	4822 397 30096
SBC442 Audio Burn-in Test disc 1kHz	4822 397 30155
SBC429 Audio Signals disc	4822 397 30184
Dolby Pro-logic Test Disc	4822 395 10216

HANDLING CHIP COMPONENTS



(GB) WARNING

All ICs and many other semi-conductors are susceptible to electrostatic discharges (ESD). Careless handling during repair can reduce life drastically.

When repairing, make sure that you are connected with the same potential as the mass of the set via a wrist wrap with resistance. Keep components and tools also at this potential.

(F) ATTENTION

Tous les IC et beaucoup d'autres semi-conducteurs sont sensibles aux décharges statiques (ESD).

Leur longévité pourrait être considérablement écourtée par le fait qu'aucune précaution n'est prise à leur manipulation.

Lors de réparations, s'assurer de bien être relié au même potentiel que la masse de l'appareil et enfilez le bracelet serti d'une résistance de sécurité.

Veiller à ce que les composants ainsi que les outils que l'on utilise soient également à ce potentiel.

(D) WARNUNG

Alle ICs und viele andere Halbleiter sind empfindlich gegenüber elektrostatischen Entladungen (ESD).

Unvorsichtige Behandlung im Reparaturfall kann die Lebensdauer drastisch reduzieren.

Veranlassen Sie, dass Sie im Reparaturfall über ein Pulsarmband mit Widerstand verbunden sind mit dem gleichen Potential wie die Masse des Gerätes.

Bauteile und Hilfsmittel auch auf dieses gleiche Potential halten.

(NL) WAARSCHUWING

Alle IC's en vele andere halfgeleiders zijn gevoelig voor electrostatische ontladingen (ESD). Onzorgvuldig behandelen tijdens reparatie kan de levensduur drastisch doen verminderen.

Zorg ervoor dat u tijdens reparatie via een polsband met weerstand verbonden bent met hetzelfde potentiaal als de massa van het apparaat.

Houd componenten en hulpmiddelen ook op hetzelfde potentiaal.

(I) AVVERTIMENTO

Tutti IC e parecchi semi-conduttori sono sensibili alle scariche statiche (ESD).

La loro longevità potrebbe essere fortemente ridotta in caso di non osservazione della più grande cauzione alla loro manipolazione.

Durante le riparazioni occorre quindi essere collegato allo stesso potenziale che quello della massa dell'apparecchio tramite un braccialetto a resistenza.

Assicurarsi che i componenti e anche gli utensili con quali si lavora siano anche a questo potenziale.

(GB) ESD PROTECTION EQUIPMENT:

Complete Kit ESD3 (small tablemat, wristband, connection box, extension cable and earth cable) 4822 310 10671
Wristband tester 4822 344 13999

(GB)

Safety regulations require that the set be restored to its original condition and that parts which are identical with those specified, be used

Safety components are marked by the symbol \triangle .

(NL)

Veiligheidsbepalingen vereisen, dat het apparaat bij reparatie in zijn oorspronkelijke toestand wordt teruggebracht en dat onderdelen, identiek aan de gespecificeerde, worden toegepast.

De Veiligheidsonderdelen zijn aangeduid met het symbool \triangle .

(F)

Les normes de sécurité exigent que l'appareil soit remis à l'état d'origine et que soient utilisés les pièces de rechange identiques à celles spécifiées.

Less composants de sécurité sont marqués \triangle .

(D)

Bei jeder Reparatur sind die geltenden Sicherheitsvorschriften zu beachten. Der Originalzustand des Geräts darf nicht verändert werden; für Reparaturen sind Original-Ersatzteile zu verwenden.

Sicherheitsbauteile sind durch das Symbol \triangle markiert.

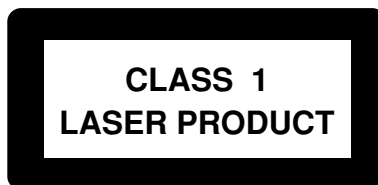
(I)

Le norme di sicurezza esigono che l'apparecchio venga rimesso nelle condizioni originali e che siano utilizzati i pezzi di ricambio identici a quelli specificati.

Componenti di sicurezza sono marcati con \triangle .

(GB)

After servicing and before returning set to customer perform a leakage current measurement test from all exposed metal parts to earth ground to assure no shock hazard exist. The leakage current must not exceed 0.5mA.

ESD**(GB) Warning !**

Invisible laser radiation when open.
Avoid direct exposure to beam.

(S) Varning !

Osynlig laserstrålning när apparaten är öppnad och spårren är urkopplad. Betrakta ej strålen.

(SF) Varoitus !

Avatussa laitteessa ja suoalukituksen ohitettaessa olet alltiina näkymättömälle laserisäteilylle. Älä katso säteeseen!

(DK) Advarse !

Usynlig laserstrålning ved åbning når sikkerhedsafbrydere er ude af funktion. Undgå udsættelse for strålning.

(F)

"Pour votre sécurité, ces documents doivent être utilisés par des spécialistes agréés, seuls habilités à réparer votre appareil en panne".

DISMANTLING INSTRUCTIONS

Dismantling of the DVD Loader

- 1) The tray can be manually open by inserting a minus screw driver and push the lever in the direction as shown in Figure 1 to unlock the tray before sliding it out.
- 2) Slide out the tray and remove the Cover Tray (pos 110) as shown in Figure 2.
- 3) Loosen 2 screws each to remove the Panel Cover Left (pos 231) and Panel Cover Right (pos 232).



Figure 1

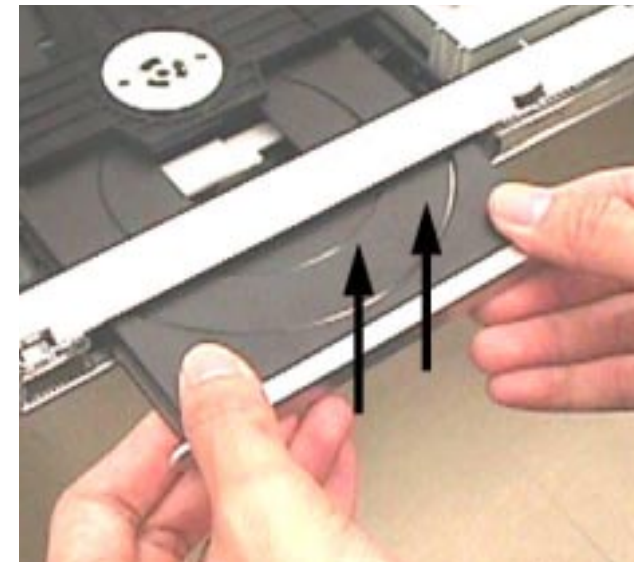


Figure 2

- 4) Loosen 3 screws to remove the Front Top (pos 240).
 - 1 screw each on the left & right side (pos 272)
 - 1 screw at the bottom (pos 268)
- 5) Loosen 4 screws G (see Figure 6) to remove the DVD Loader (pos 1602).

Dismantling of the Front Key Board

- 1) Loosen 4 screws C (see Figure 3) to remove the Bracket Support Control (pos 130) and the Front Key Board (pos 1401).

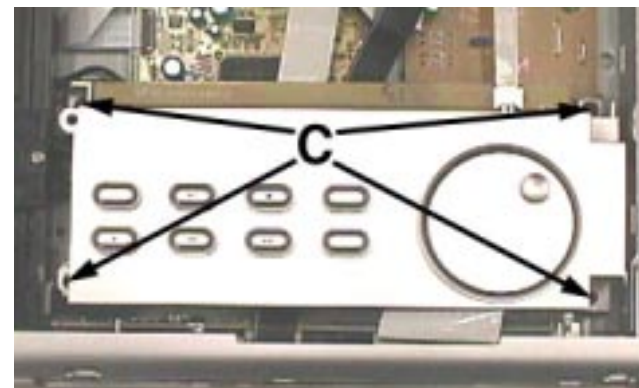


Figure 3

- 2) Loosen 6 screws D (see Figure 4) to remove the Front Key Board (pos 1401) from the Bracket Support Control (pos 130).

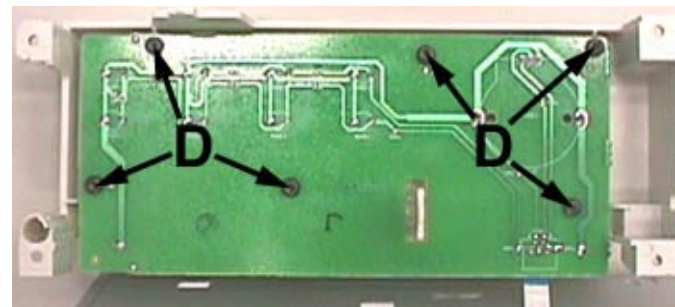


Figure 4

Dismantling of the Tuner Module, AV Board, Front Board and SD6.3 ST AV2 Board

- 1) Loosen 2 screws A (see Figure 5) to remove the Tuner Module (pos 1801).
- 2) Loosen 9 screws B (see Figure 5) and 2 screws H (see Figure 6) to remove the AV Board (pos 1501).
- 3) Loosen 2 screws E (see Figure 6) to remove the Front Board (pos 1201).
- 4) Loosen 2 screws F (see Figure 6) to remove the SD6.3 ST AV2 Board (1601).

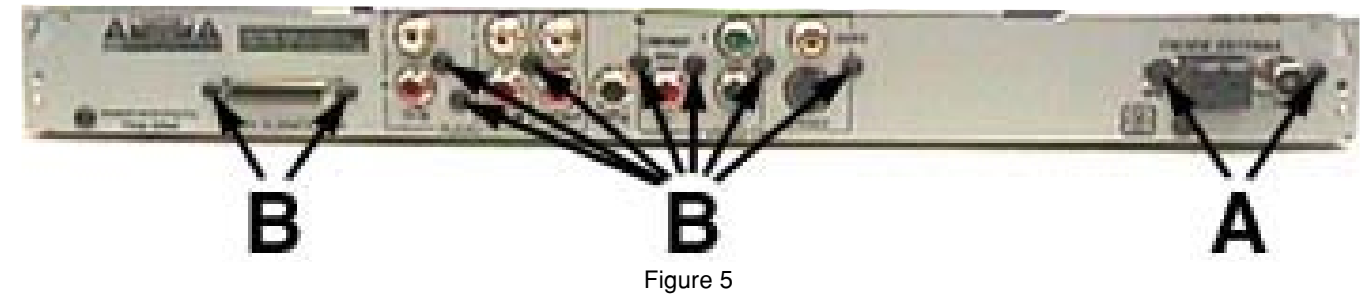


Figure 5

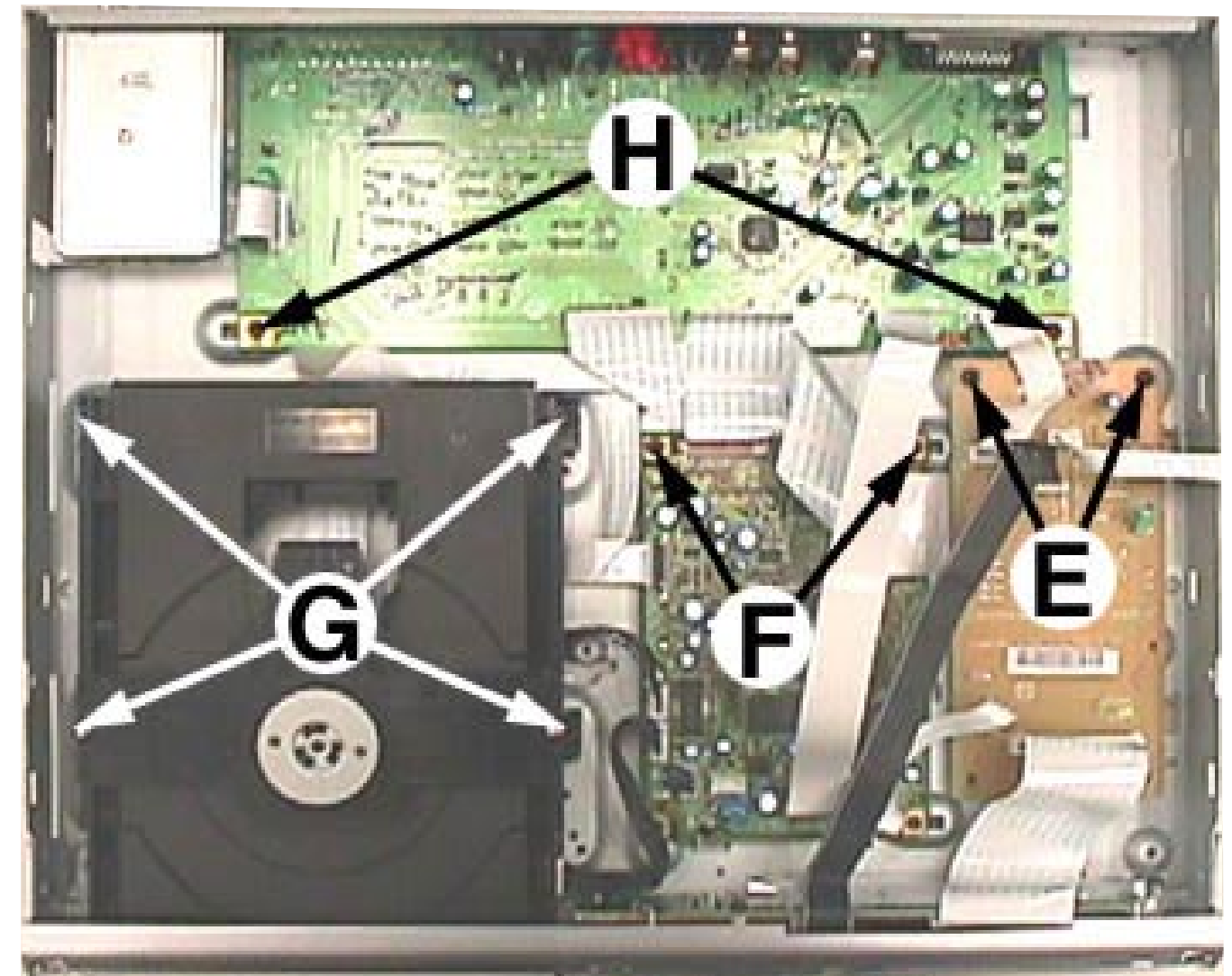
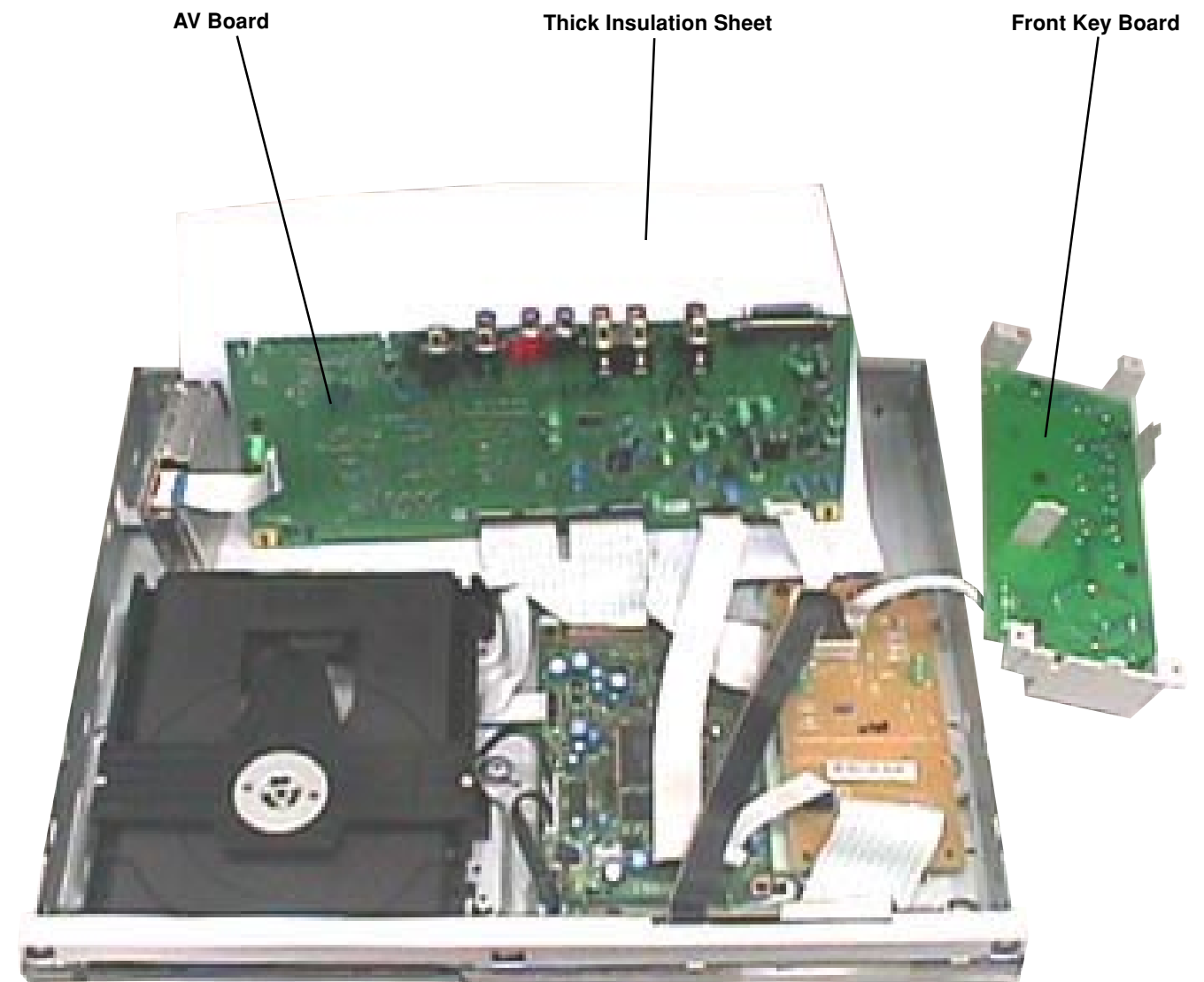
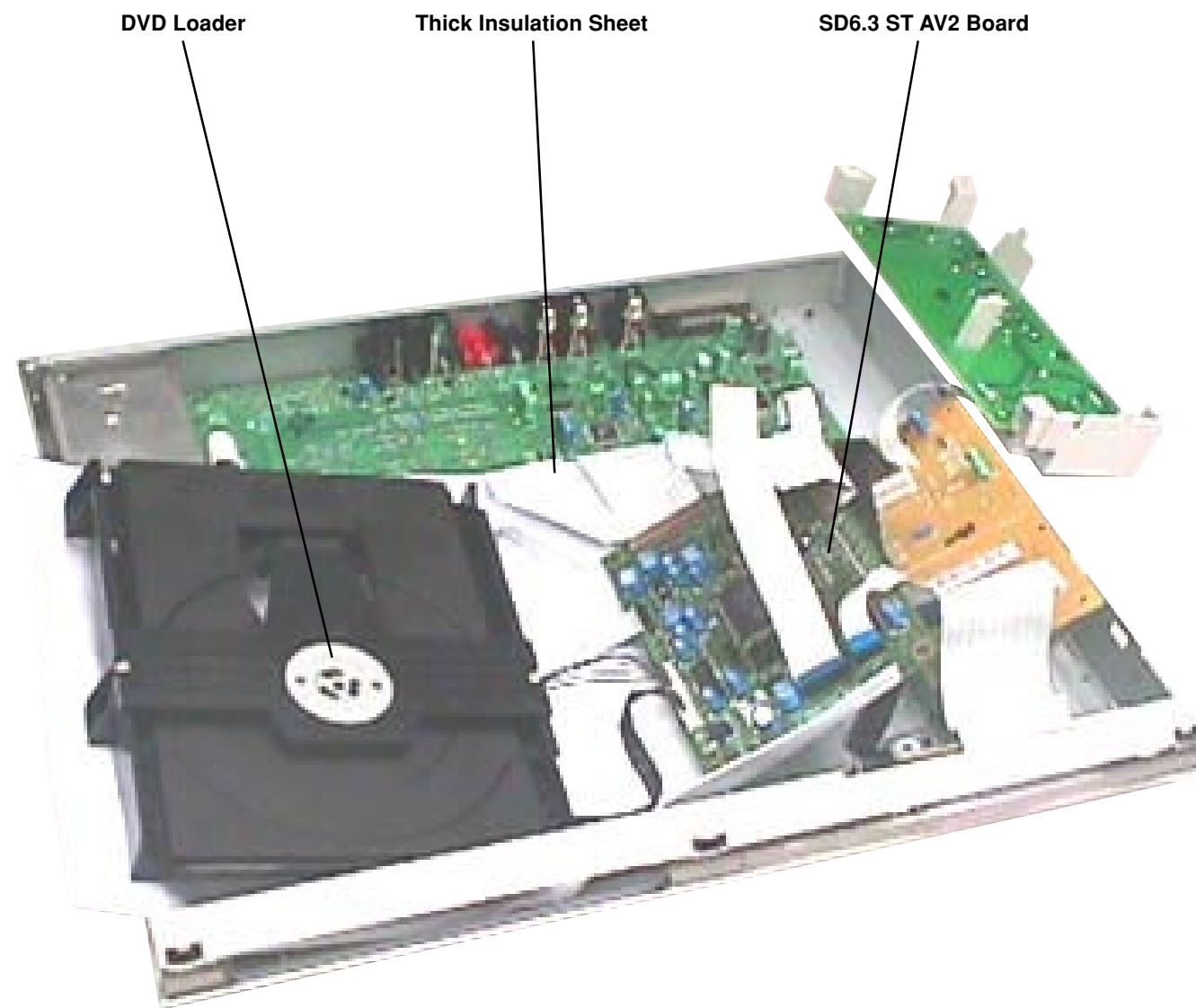
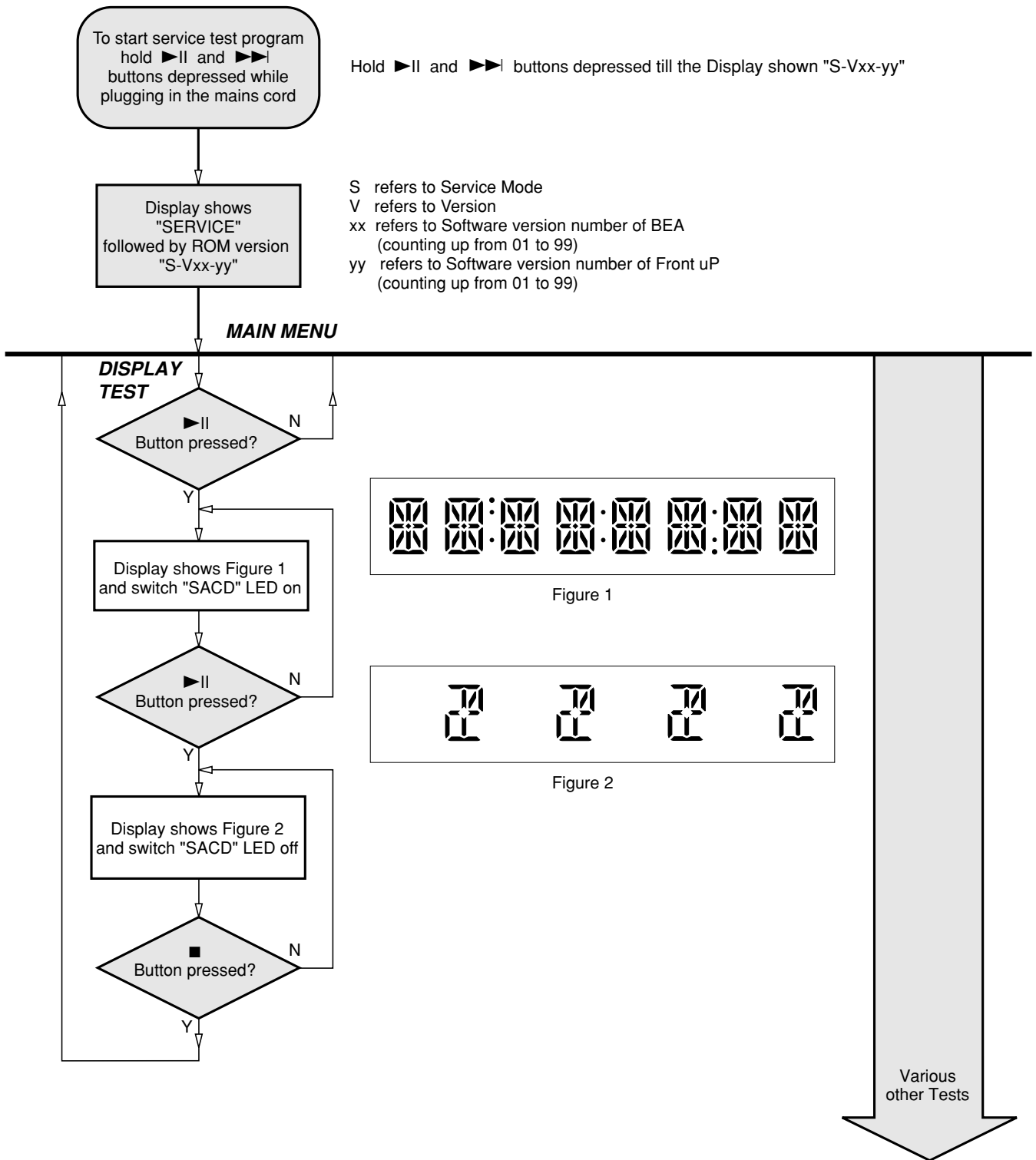


Figure 6

SERVICE POSITIONS



SERVICE TEST PROGRAM



TEST	Activated with	ACTION
EEPROM FORMAT TEST	◄◄ ◄◄ to Exit	Load default data. Display shows "NEW". Caution! All presets from the customer will be lost!!
ROTARY ENCODER TEST	Volume Knob	Display shows value for 2 seconds. Volume values increases or decreases in steps of 1 until 0 (VOL MIN) or 40 (VOL MAX) is reached.
LEAVE SERVICE TEST PROGRAM	Disconnect mains cord	

Reprogramming of DVD version Matrix

After repair, the customer setting and region code may be lost. Reprogramming will put the set back in the state in which it has left the factory, ie. with the default setting and the allowed region code.

Model	Region	Region Code	TV Type
LX8300SA/01	Europe	2	PAL
LX8300SA/05	Europe	2	PAL
LX8320SA/69	AP	3	PAL
LX8300SA/04	Russia	5	PAL
LX8320SA/93	China	6	PAL
LX8500W/01	Europe	2	PAL
LX8500W/04	Russia	5	PAL
LX8500W/69	AP	3	PAL
LX8500W/93	China	6	PAL

To reprogram do as follows:

- 1) Power up the set and select **DISC** source.
- 2) Open tray by press "OPEN/CLOSE" button on the set or press and hold "STOP" button on the RC.
- 3) Press the following buttons on the Remote Control:
 <9> <9> <9> <9> <AUDIO> <1> for LX8300SA/01
 <9> <9> <9> <9> <AUDIO> <2> for LX8300SA/05
 <9> <9> <9> <9> <AUDIO> <3> for LX8320SA/69
 <9> <9> <9> <9> <AUDIO> <4> for LX8300SA/04
 <9> <9> <9> <9> <AUDIO> <5> for LX8320SA/93
 <9> <9> <9> <9> <AUDIO> <6> for LX8500W/01
 <9> <9> <9> <9> <AUDIO> <7> for LX8500W/04
 <9> <9> <9> <9> <AUDIO> <8> for LX8500W/69
 <9> <9> <9> <9> <AUDIO> <9> for LX8500W/93
- 4) The display shows 'YYYY-ZZ' and the tray will close.
 YYYY = model number (eg. 8300, 8500, etc.)
 ZZ = slash stroke version (eg. 01, 69, etc.)

Procedure for check Software version

- 1) Power up the set and select **DISC** source.
- 2) Open tray by press "OPEN/CLOSE" button on the set or press and hold "STOP" button on the RC.
- 3) Press "DISPLAY" button on the Remote control.
- 4) The TV screen will shows:

SD6.3 Vxx YYYY-ZZ A BB

SERVO: nnnnnnnn REG:A

xx = version number
 YYYY = model number (eg. 8300, 8500, etc.)
 ZZ = slash stroke version (eg. 01, 69, etc.)
 A = region code
 BB = Front uP software version number
 nnnnnnnn = servo version number

Procedure to upgrade software

- 1) Power up the set and select **DISC** source.
- 2) Open tray by press "OPEN/CLOSE" button on the set or press and hold "STOP" button on the RC.
- 3) Place upgrade CD-ROM onto tray and close.
- 4) The set will response and display the following:
 - **LOAD** [After the disc is read, the tray will open for you to remove the disc]
 - **ERASE** [Erasing disc]
 - **WRITE** [Writing disc]
 - **ERROR** [if upgrade is unsuccessful]
 - **UPG END** [if upgrade is successful]
 - **DISC->CLOSE->LOAD** [Tray will close indicating that the upgrade process is completed]
- 5) The whole process should not take more than 5 minutes.

Caution: Do not unplug the set until upgrade is completed.

Trade Mode

Trade mode is a feature that will block all set keys when enabled. It is for dealers to prevent customers from removing disc, changing source etc using the set keys. Rotary and Remote Control (RC) keys are still allowed in Trade mode.

To activate Trade Mode:

- 1) Power up the set and select **DISC** source.
- 2) Open tray by press "OPEN/CLOSE" button on the set or press and hold "STOP" button on the RC.
- 3) Then press buttons <2> <5> <9> on the RC.
- 4) The display shows '**TRA ON**' and the tray will close. Trade Mode is now enabled.

To deactivate Trade Mode:

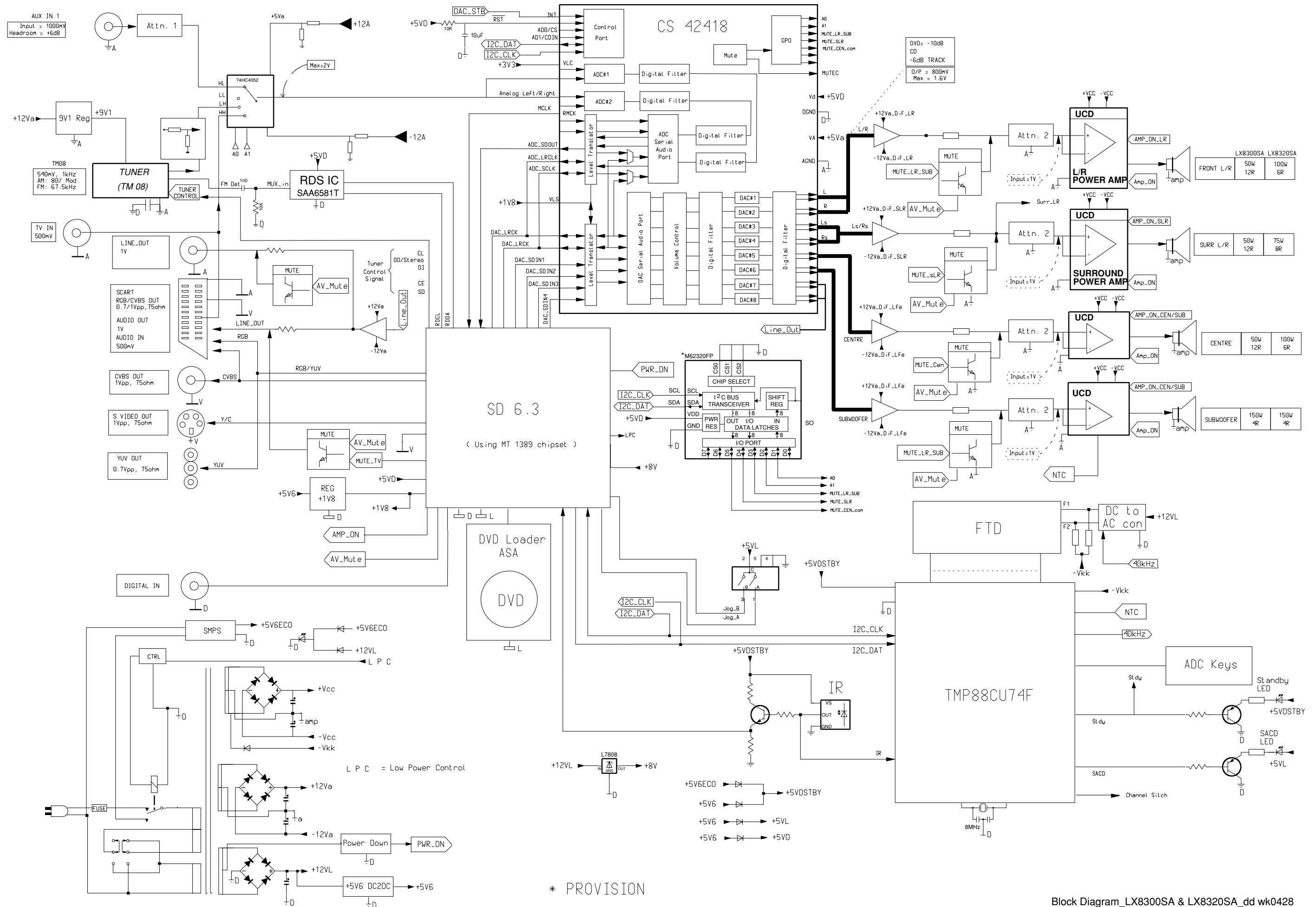
- 1) Power up the set and select **DISC** source.
- 2) Open tray by press and hold "STOP" button on the RC.
- 3) Then press buttons <2> <5> <9> on the RC.
- 4) The display shows '**TRA OFF**' and the tray will close. Trade Mode is now disabled.

Procedure to change Tuner Grid (not for all versions)

- 1) By holding "SOURCE" and "PREV" buttons depressed while switching on the mains supply, the tuning grid frequency is toggled between 9kHz and 10kHz.
- 2) Hold the "SOURCE" and "PREV" buttons depressed until the display shown the new tuning grid '**GRID 9**' or '**GRID 10**'.

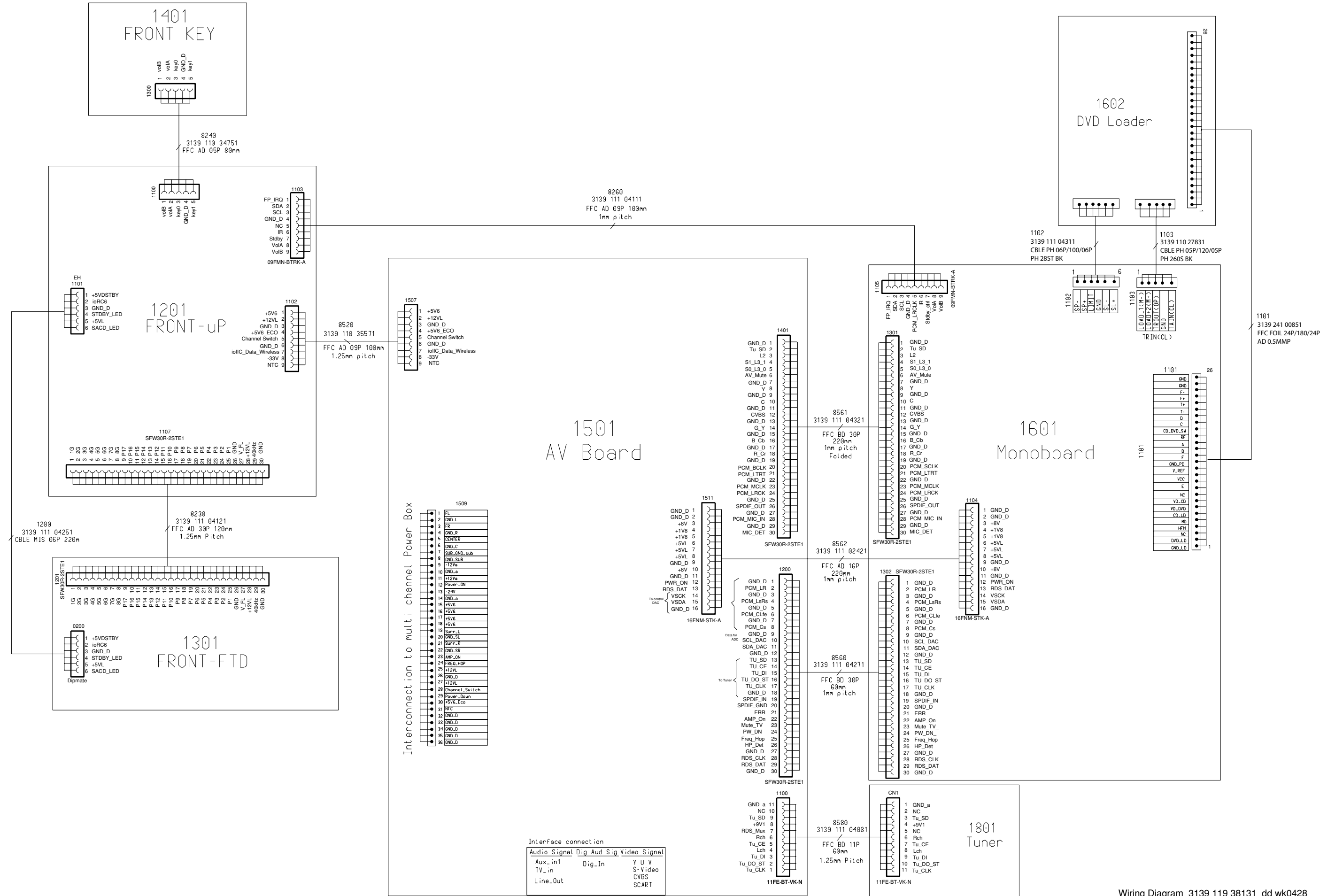
Note: Repeating the same action will toggle back to its previous tuning grid setting.

SET BLOCK DIAGRAM

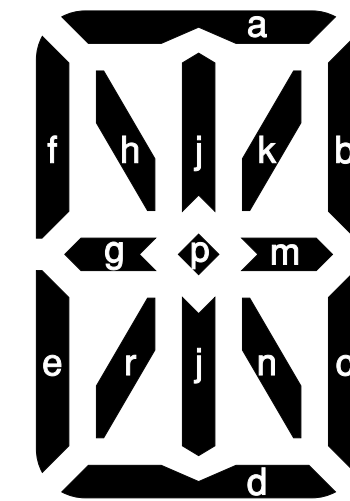
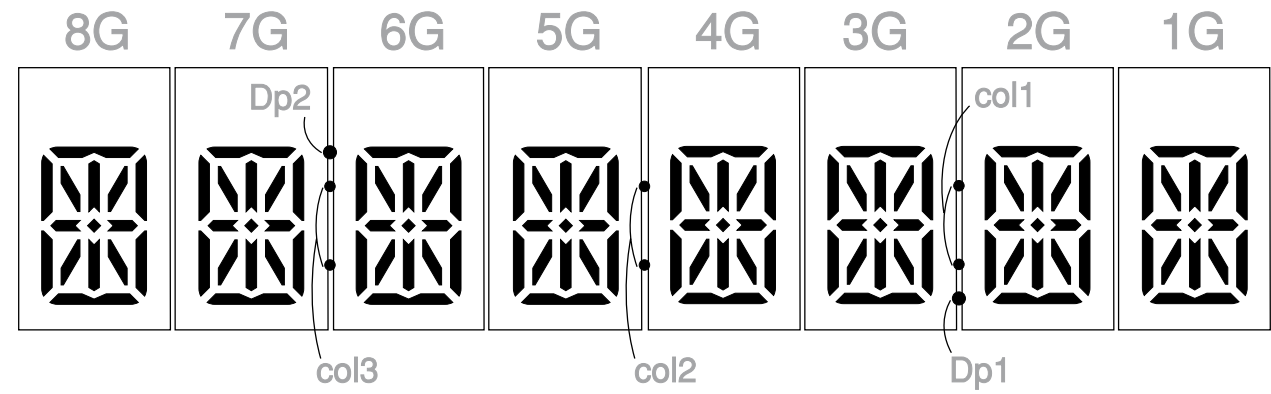


* PROVISION

SET WIRING DIAGRAM



FTD DISPLAY PIN CONNECTION



(1G - 8G)

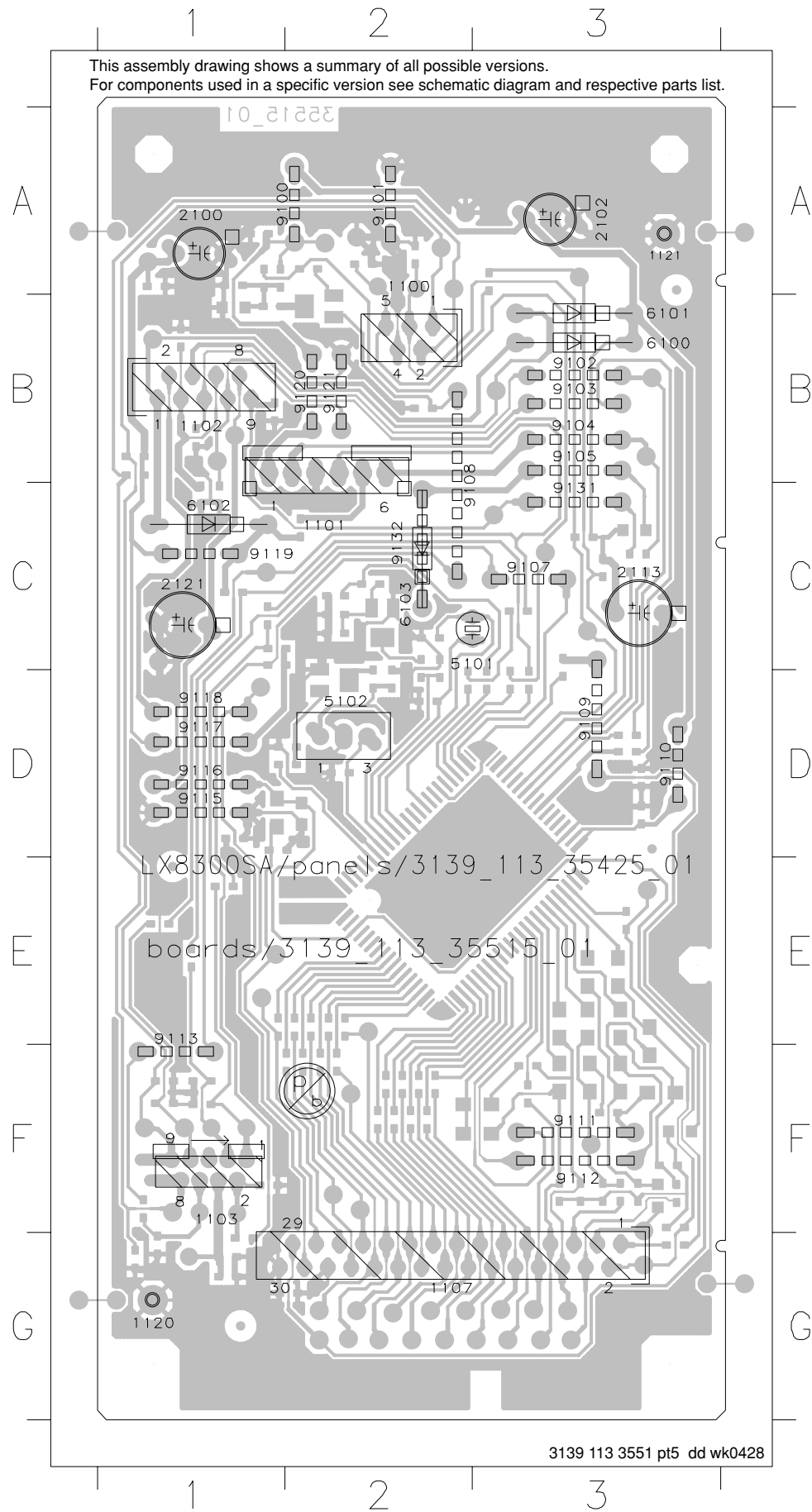
PANEL FRONT BOARDS

TABLE OF CONTENTS

FTD Display Pin Connection 6-1
 Front Board - Component & Chip Layout 6-2
 Front Board - Circuit Diagram 6-3
 IR/FTD/LED Board - Component & Chip Layout 6-4
 IR/FTD/LED Board - Circuit Diagram 6-5
 Front Key Board - Component & Chip Layout 6-6
 Front Key Board - Circuit Diagram 6-7
 Electrical parts list 6-7

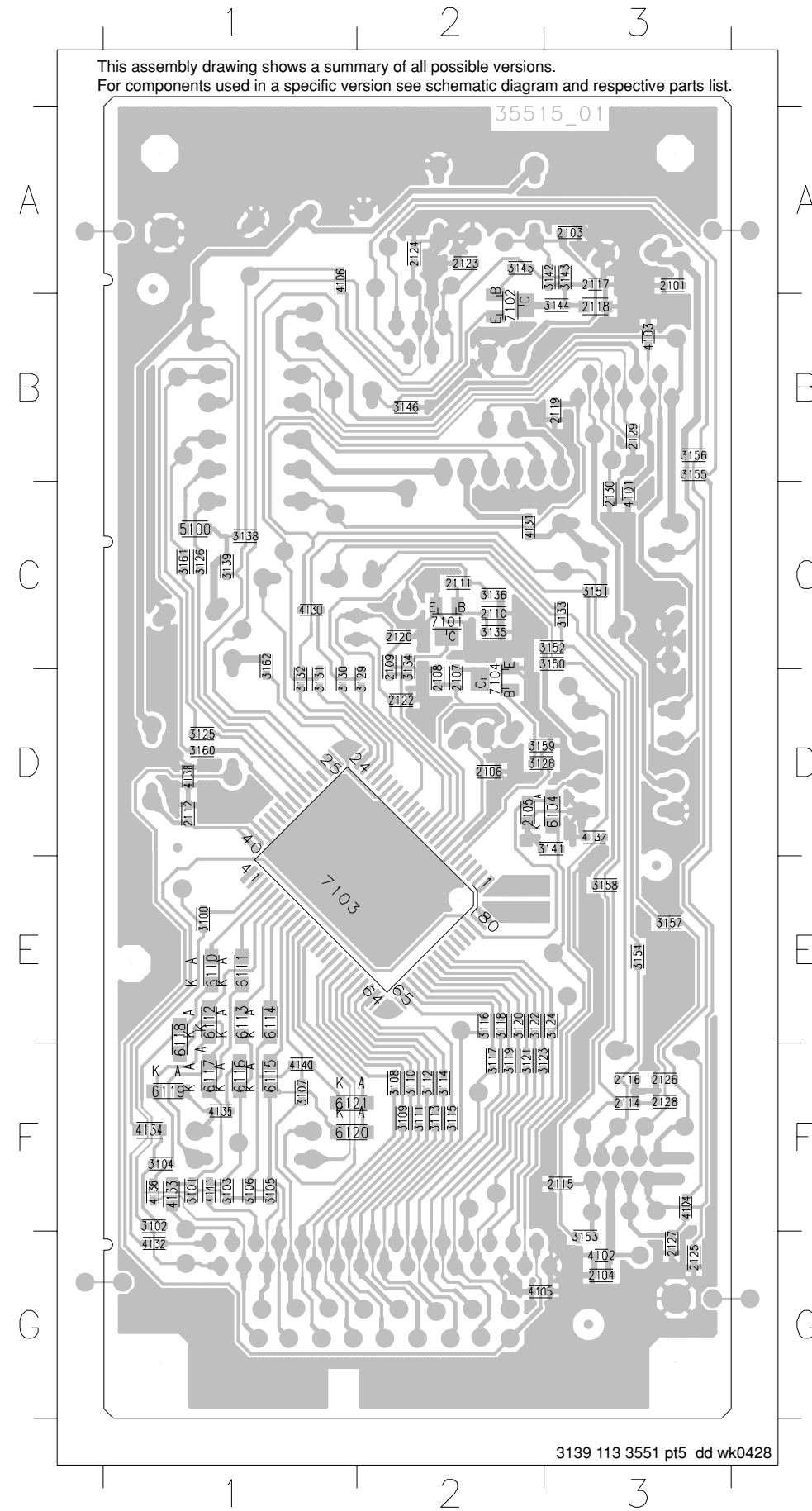
	8G	7G	6G	5G	4G	3G	2G	1G
P1	a	a	a	a	a	a	a	a
P2	k	k	k	k	k	k	k	k
P3	j	j	j	j	j	j	j	j
P4	h	h	h	h	h	h	h	h
P5	b	b	b	b	b	b	b	b
P6	f	f	f	f	f	f	f	f
P7	m	m	m	m	m	m	m	m
P8	p	p	p	p	p	p	p	p
P9	g	g	g	g	g	g	g	g
P10	c	c	c	c	c	c	c	c
P11	e	e	e	e	e	e	e	e
P12	n	n	n	n	n	n	n	n
P13	r	r	r	r	r	r	r	r
P14	-	col3		col2		col1		-
P15	d	d	d	d	d	d	d	d
P16	-	-	-	-	-	-	-	-
P17	-	Dp2		-	-	Dp1		-

FRONT BOARD - COMPONENT LAYOUT



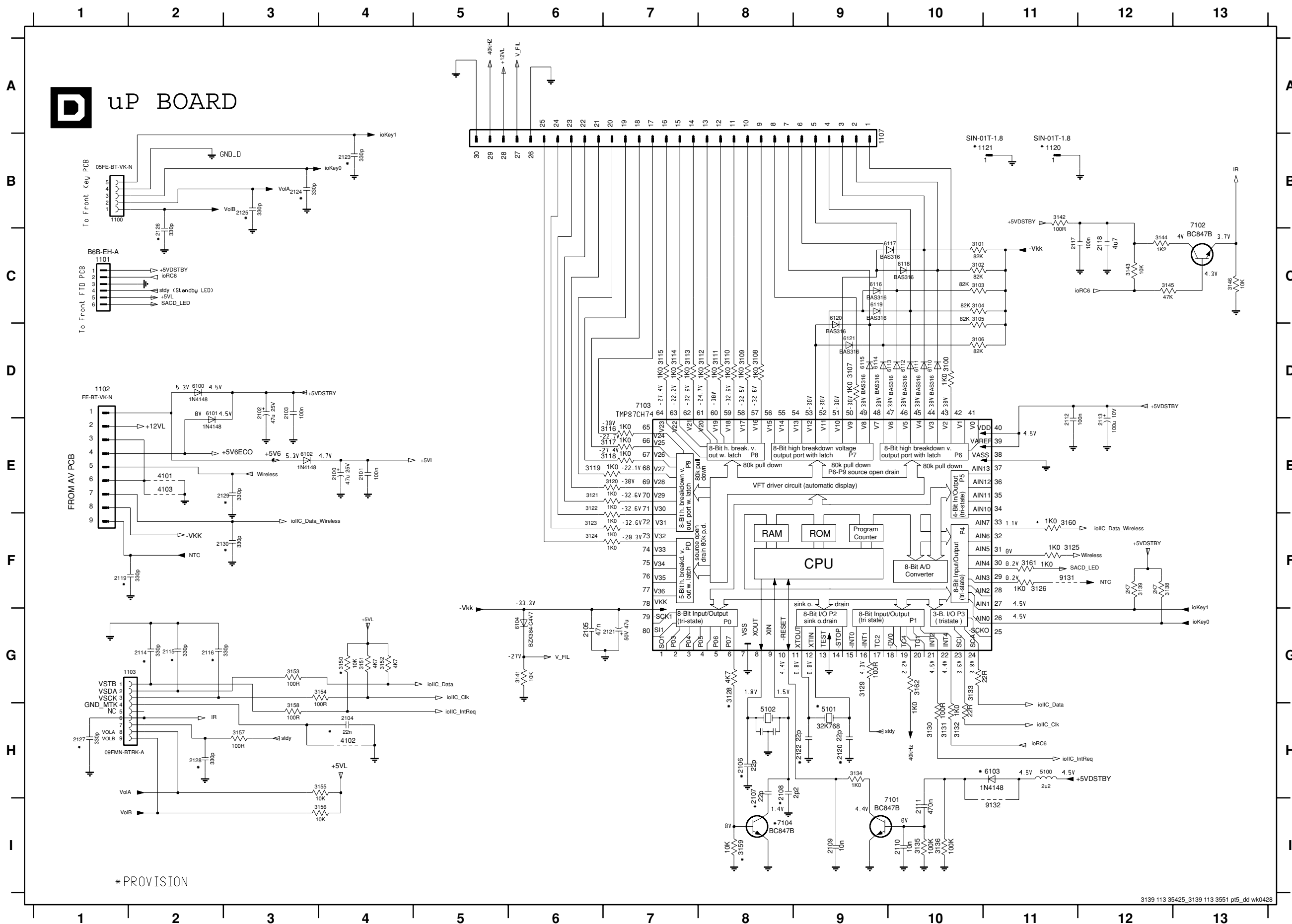
- 1100 A2
- 1101 C2
- 1102 B1
- 1103 F1
- 1107 G2
- 1120 G1
- 1121 A3
- 2100 A1
- 2102 A3
- 2113 C3
- 2121 C1
- 5101 C2
- 5102 D2
- 6100 B3
- 6101 B3
- 6102 C1
- 6103 C2
- 9100 A1
- 9101 A2
- 9102 B3
- 9103 B3
- 9104 B3
- 9105 B3
- 9107 C3
- 9108 C2
- 9109 D3
- 9110 D3
- 9111 F3
- 9112 F3
- 9113 F1
- 9115 D1
- 9116 D1
- 9117 D1
- 9118 D1
- 9119 C1
- 9120 B2
- 9121 B2
- 9131 C3
- 9132 C2

FRONT BOARD - CHIP LAYOUT



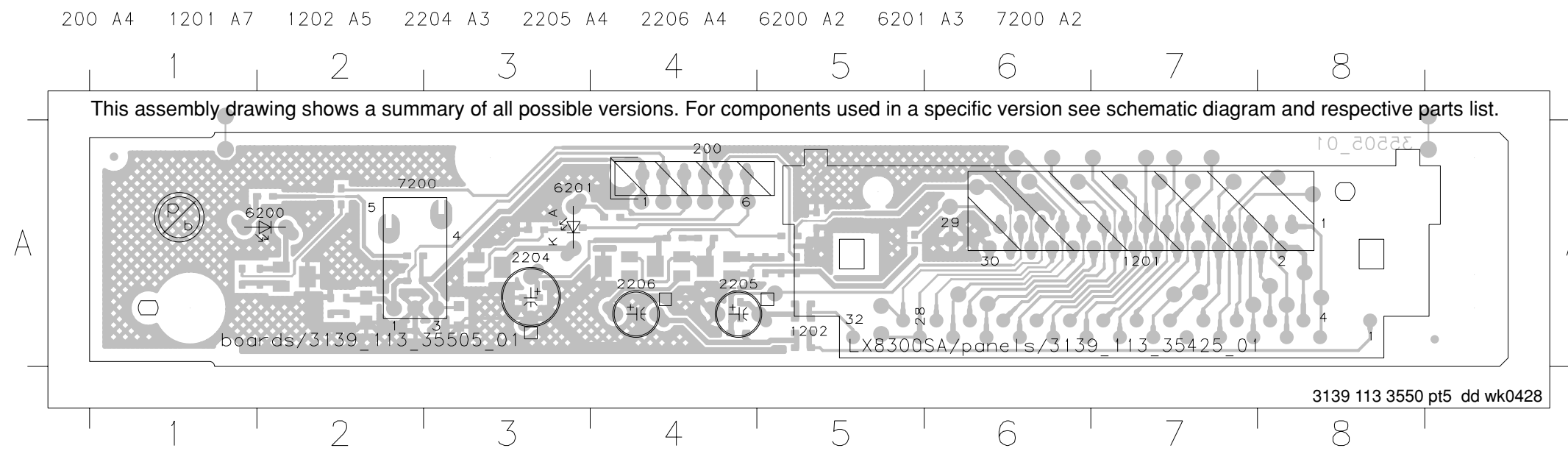
- 2101 A3
- 2103 A3
- 2104 G3
- 2105 D2
- 2106 D2
- 2107 D2
- 2108 D2
- 2109 C2
- 2110 C2
- 2111 C2
- 2112 D1
- 2114 F3
- 2115 F3
- 2116 F3
- 2117 A3
- 2118 B3
- 2119 B3
- 2120 C2
- 2122 D2
- 2123 A2
- 2124 A2
- 2125 G3
- 2126 F3
- 2127 G3
- 2128 F3
- 2129 B3
- 2130 C3
- 3100 F1
- 3101 F1
- 3102 F1
- 3103 F1
- 3104 F1
- 3105 F1
- 3106 F1
- 3107 F1
- 3108 F2
- 3109 F2
- 3110 F2
- 3111 F2
- 3112 F2
- 3113 F2
- 3114 F2
- 3115 F2
- 3116 F2
- 3117 F2
- 3118 F2
- 3119 F2
- 3120 F2
- 3121 F2
- 3122 F2
- 3123 F2
- 3124 E3
- 3125 D1
- 3126 C1
- 3128 D2
- 3129 D2
- 3130 D1
- 3131 D1
- 3132 D1
- 3133 C3
- 3134 C2
- 3135 C2
- 3136 C2
- 3138 C1
- 3139 C1
- 3141 D3
- 3142 A3
- 3143 A3
- 3144 B3
- 3145 A2
- 3146 B2
- 3150 C3
- 3151 C3
- 3152 C3
- 3153 G3
- 3154 E3
- 3155 B3
- 3156 B3
- 3157 E3
- 3158 E3
- 3159 D2
- 3160 D1
- 3161 C1
- 3162 C1
- 4101 C3
- 4102 G3
- 4103 B3
- 4104 F3
- 4105 G2
- 4106 A1
- 4130 C1
- 4131 C2
- 4132 G1
- 4133 F1
- 4134 F1
- 4135 F1
- 4136 F1
- 4137 D3
- 4138 D1
- 4140 F1
- 4141 F1
- 5100 C1
- 6104 D3
- 6110 E1
- 6111 E1
- 6112 E1
- 6113 E1
- 6114 E1
- 6115 F1
- 6116 F1
- 6117 F1
- 6118 F1
- 6119 F1
- 6120 F1
- 6121 F1
- 7101 C2
- 7102 B2
- 7103 E1
- 7104 D2

FRONT BOARD - CIRCUIT DIAGRAM

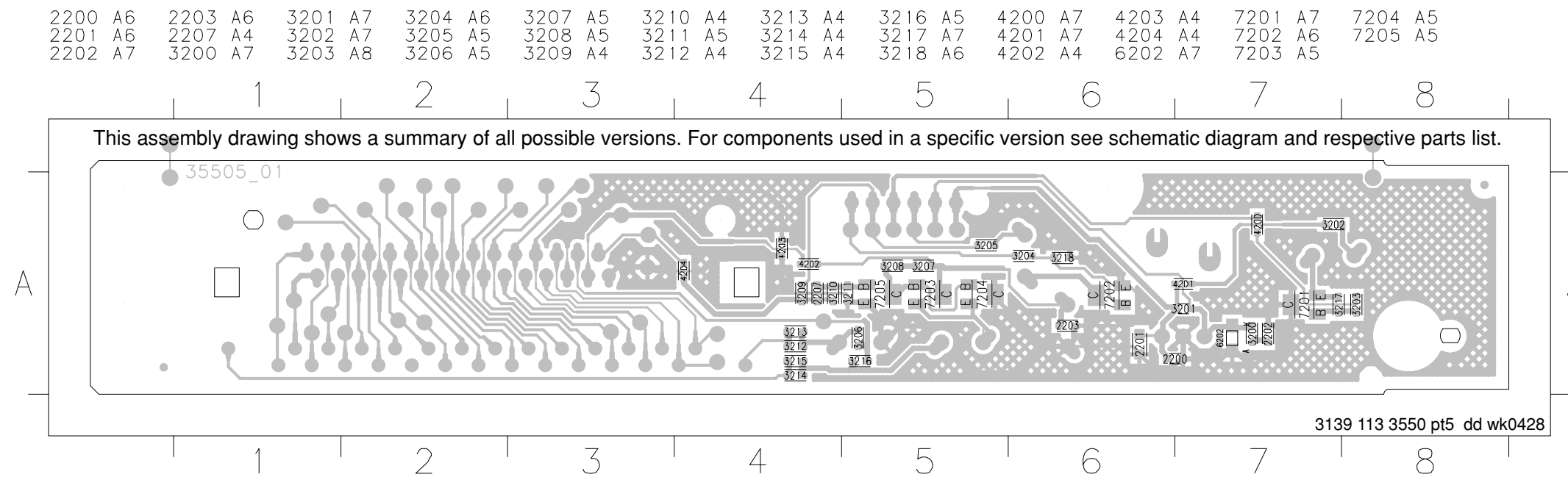


- 1100 B1
- 1101 C1
- 1102 D1
- 1103 G2
- 1107 A9
- 1120 B11
- 1121 B11
- 2100 E4
- 2101 E4
- 2102 D3
- 2103 D3
- 2104 H4
- 2105 G6
- 2106 H8
- 2107 H8
- 2108 H8
- 2109 I9
- 2110 H10
- 2111 H10
- 2112 E11
- 2113 E12
- 2114 G2
- 2115 G2
- 2116 G2
- 2117 C11
- 2118 C12
- 2119 F1
- 2120 H9
- 2121 G7
- 2122 H9
- 2123 B4
- 2124 B3
- 2125 B3
- 2126 C2
- 2127 H1
- 2128 H2
- 2129 E2
- 2130 F2
- 3100 D10
- 3101 C10
- 3102 C10
- 3103 C10
- 3104 C10
- 3105 C10
- 3106 D10
- 3107 D9
- 3108 D8
- 3109 D8
- 3110 D8
- 3111 D8
- 3112 D8
- 3113 D7
- 3114 D7
- 3115 D7
- 3116 E7
- 3117 E7
- 3118 E7
- 3119 E6
- 3120 E7
- 3121 E6
- 3122 E6
- 3123 F6
- 3124 F6
- 3125 F11
- 3126 F11
- 3128 G8
- 3129 G9
- 3130 H10
- 3131 H10
- 3132 H10
- 3133 G10
- 3134 H9
- 3135 H10
- 3136 H10
- 3138 F12
- 3139 F12
- 3141 G6
- 3142 B11
- 3143 C12
- 3144 C12
- 3145 C12
- 3146 C13
- 3150 G4
- 3151 G4
- 3152 G4
- 3153 G3
- 3154 G4
- 3155 H4
- 3156 I4
- 3157 H3
- 3158 H3
- 3159 I8
- 3160 F11
- 3161 F11
- 3162 G10
- 4101 E2
- 4102 H4
- 4103 E2
- 5100 H11
- 5101 H9
- 5102 H8
- 6000 D2
- 6101 D2
- 6102 E3
- 6103 H11
- 6104 G6
- 6110 D10
- 6111 D10
- 6112 D10
- 6113 D9
- 6114 D9
- 6115 D9
- 6116 C9
- 6117 C10
- 6118 C10
- 6119 C9
- 6120 C9
- 6121 D9
- 7101 H10
- 7102 B13
- 7103 D7
- 7104 I8
- 9131 F11
- 9132 I11

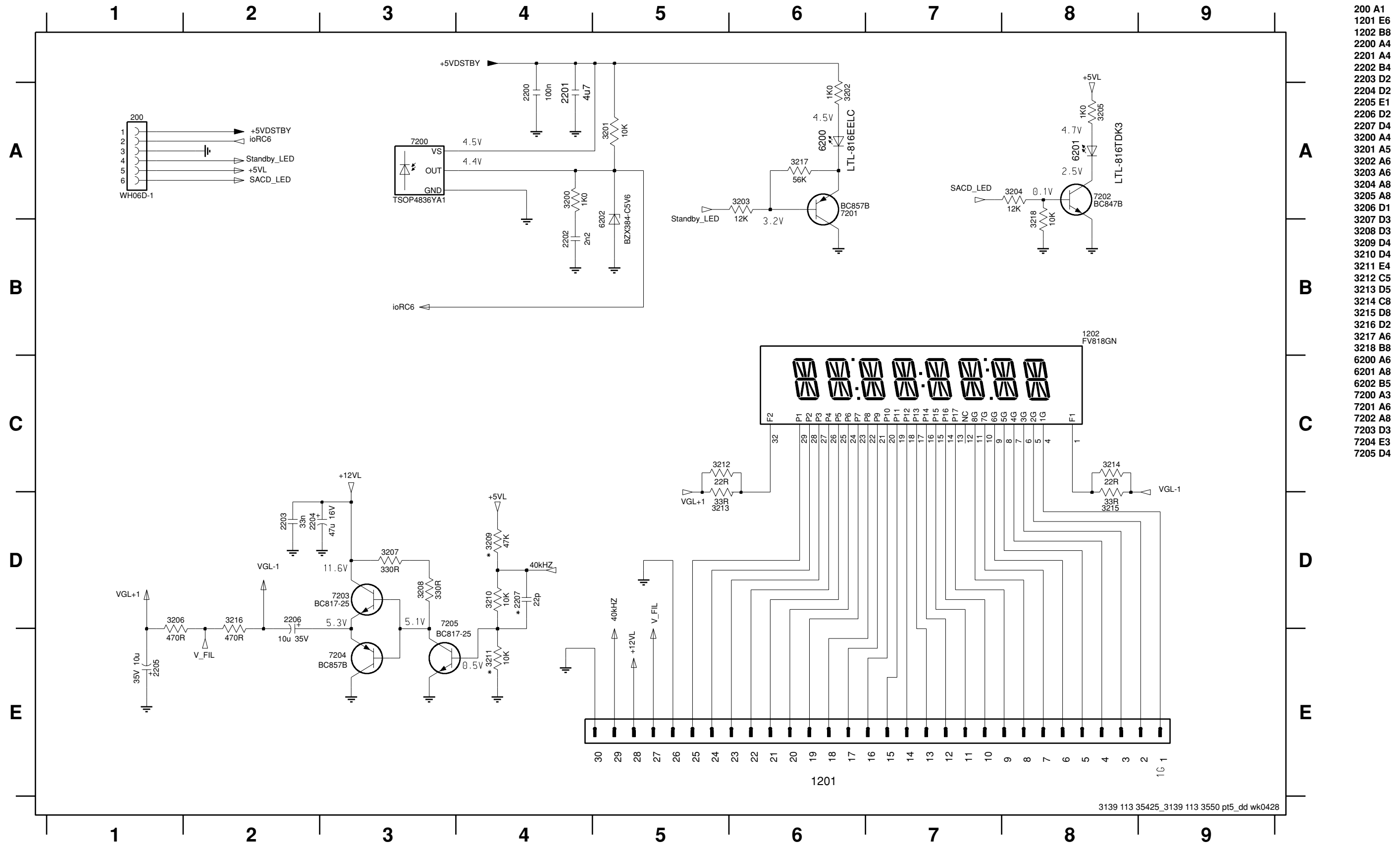
IR/FTD/LED BOARD - COMPONENT LAYOUT



IR/FTD/LED BOARD - CHIP LAYOUT

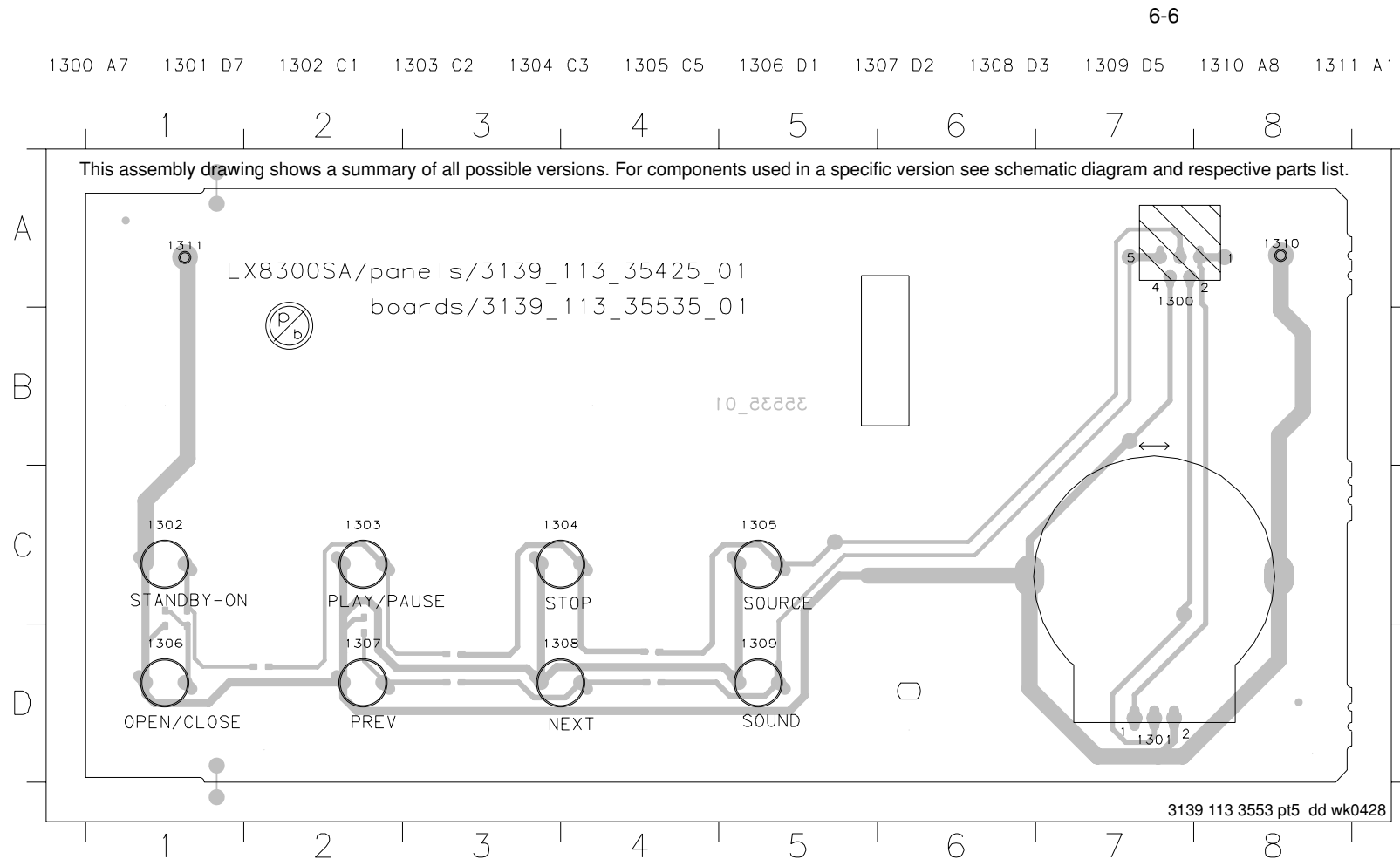


IR/FTD/LED BOARD - CIRCUIT DIAGRAM

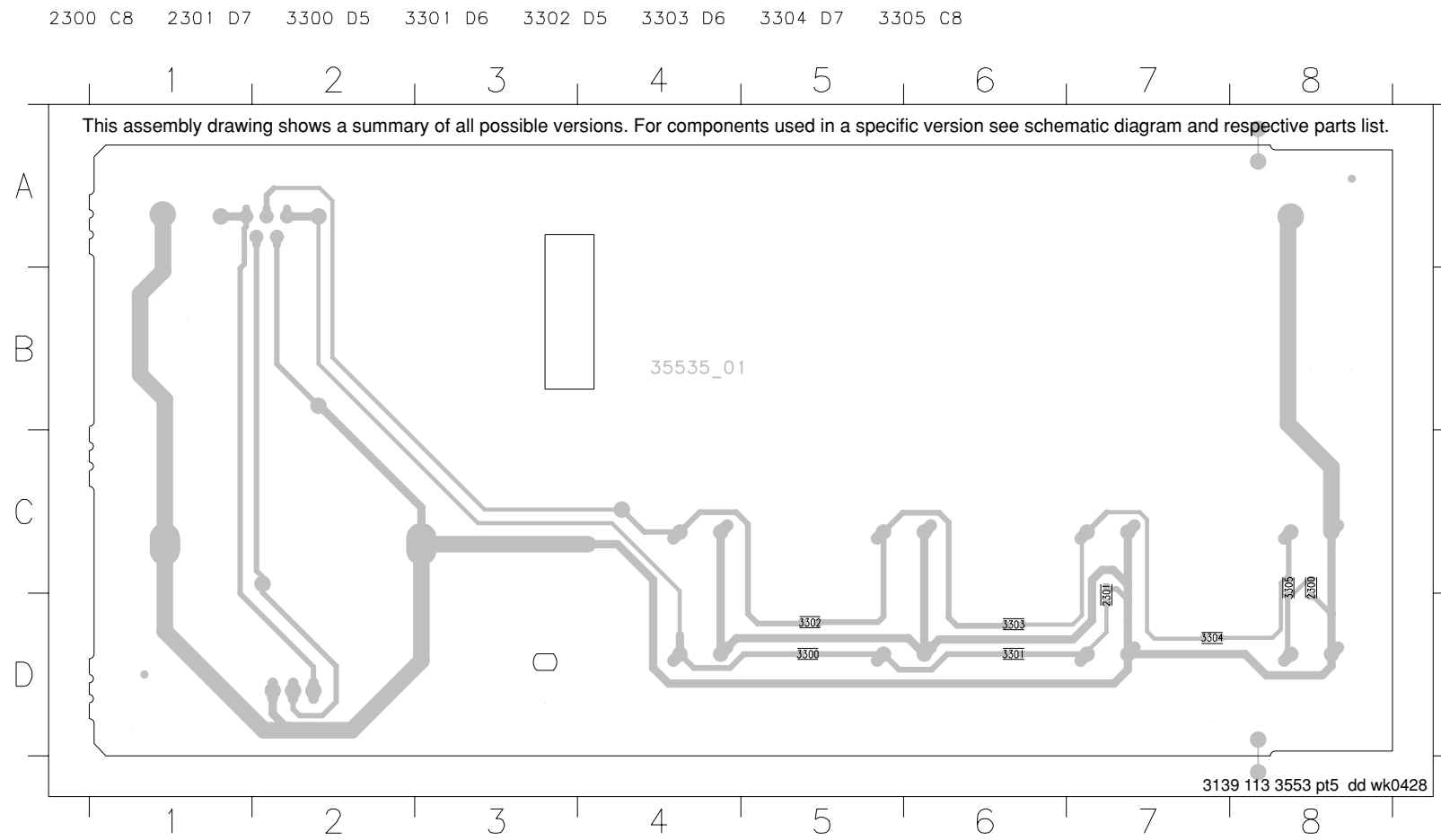


- 200 A1
- 1201 E6
- 1202 B8
- 2200 A4
- 2201 A4
- 2202 B4
- 2203 D2
- 2204 A8
- 2205 E1
- 2206 D2
- 2207 D4
- 3200 A4
- 3201 A5
- 3202 A6
- 3203 A6
- 3204 A8
- 3205 A8
- 3206 D1
- 3207 D3
- 3208 D3
- 3209 D4
- 3210 D4
- 3211 E4
- 3212 C5
- 3213 D5
- 3214 C8
- 3215 D8
- 3216 D2
- 3217 A6
- 3218 B8
- 6200 A6
- 6201 A8
- 6202 B5
- 7200 A3
- 7201 A6
- 7202 A8
- 7203 D3
- 7204 E3
- 7205 D4

FRONT KEY BOARD - COMPONENT LAYOUT

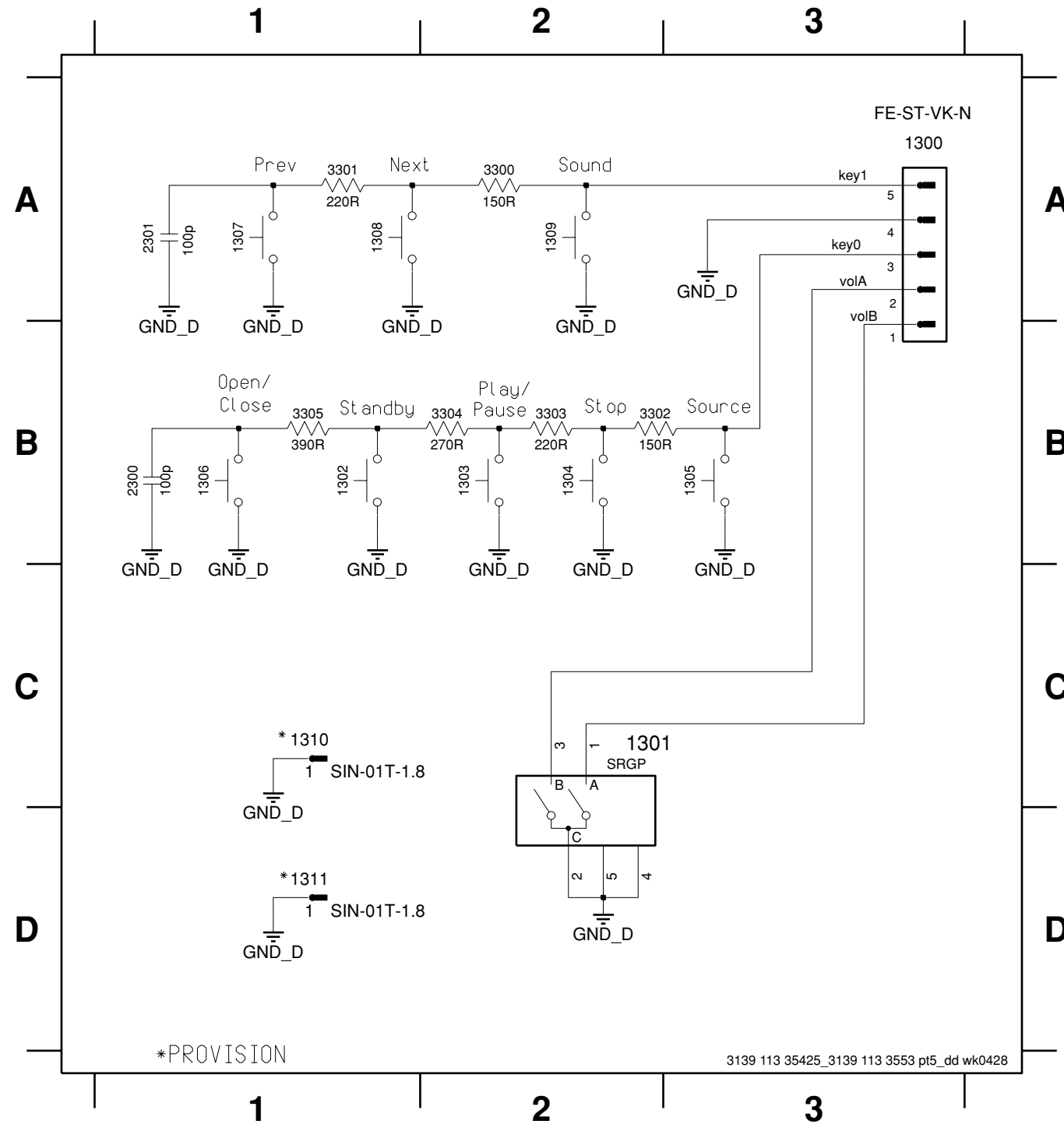


FRONT KEY BOARD - CHIP LAYOUT



FRONT KEY BOARD - CIRCUIT DIAGRAM

1300 A3 1302 B1 1304 B2 1306 B1 1308 A1 1310 C1 2300 B1 3300 A2 3302 B2 3304 B2
 1301 C2 1303 B2 1305 B3 1307 A1 1309 A2 1311 D1 2301 A1 3301 A1 3303 B2 3305 B1



ELECTRICAL PARTS LIST - FRONT BOARD

MISCELLANEOUS

1100	4822 265 31205	FLEX CONNECTOR 5P
1102	2422 025 14518	FLEX CONNECTOR 9P
1103	2422 025 16586	FLEX CONNECTOR 9P
1103	2422 025 05587	FLEX CONNECTOR 9P
1107	2422 025 17411	FLEX CONNECTOR 30P

6113	4822 130 11397	BAS316
6114	4822 130 11397	BAS316
6115	4822 130 11397	BAS316
6116	4822 130 11397	BAS316
6117	4822 130 11397	BAS316
6118	4822 130 11397	BAS316
6119	4822 130 11397	BAS316
6120	4822 130 11397	BAS316
6121	4822 130 11397	BAS316

COILS & FILTERS

5100	4822 157 10586	FXD IND 2,2uH 10%
5102	2422 540 98518	RES CER 8MHz CSTS*MG03

DIODES

6100	4822 130 30621	1N4148
6101	4822 130 30621	1N4148
6102	4822 130 30621	1N4148
6104	4822 130 11148	BZX384-C4V7
6110	4822 130 11397	BAS316
6111	4822 130 11397	BAS316
6112	4822 130 11397	BAS316

TRANSISTORS & INTEGRATED CIRCUITS

7101	5322 130 60159	BC847B
7102	5322 130 60159	BC847B
7103	3139 240 50941	TMP87CM74AF - 'LX8300S50941'
7104	5322 130 60159	BC847B

Note : Only the parts mentioned in this list are normal service spare parts.

ELECTRICAL PARTS LIST - IR/FTD/LED BOARD

MISCELLANEOUS

1201	2422 025 17414	FLEX CONNECTOR 30P
1202	3139 111 04051	FTD FV818GN

7201	4822 130 60373	BC857B
7202	5322 130 60159	BC847B
7203	4822 130 42804	BC817-25
7204	4822 130 60373	BC857B
7205	4822 130 42804	BC817-25

DIODES

6200	9322 179 76676	LED VS LTL-816EELC
6201	9322 190 55676	LED VS LTL-816TDK3
6202	3198 020 55680	BZX384-C5V6

Note : Only the parts mentioned in this list are normal service spare parts.

TRANSISTORS & INTEGRATED CIRCUITS

7200	9322 185 95667	IR RECEIVER TSOP4836YA1
------	----------------	-------------------------

ELECTRICAL PARTS LIST - FRONT KEY BOARD

MISCELLANEOUS

1300	4822 267 10958	FLEX CONNECTOR 5P
1301	2422 129 16936	ROT ENCODER 32P
1302	4822 276 13775	TACT SWITCH
1303	4822 276 13775	TACT SWITCH
1304	4822 276 13775	TACT SWITCH
1305	4822 276 13775	TACT SWITCH
1306	4822 276 13775	TACT SWITCH

1307	4822 276 13775	TACT SWITCH
1308	4822 276 13775	TACT SWITCH
1309	4822 276 13775	TACT SWITCH

Note : Only the parts mentioned in this list are normal service spare parts.

BRIEF INTRODUCTION OF THE AV BOARD

The AV Board consists of the following features :

a. IC CS42418

IC CS42418 acts as both DAC and ADC. It accepts PCM data at sample rate from 4kHz to 192kHz audio data. The analog output is then fed into the Op-Amps which are used to filter and amplify the 6-channel signals before passing them onto the Power-Amp module.

There are eight 24 bit DAC within this chip, 6 of those are dedicated to the 6-channel output, the other 2 are used for LINE OUT signal.

This chip has 24 bit ADC. The internal stereo ADC is capable of independent gain control for single ended or differential analog input. The digital output line ADC_SDOOUT is then passed on to the MTK of the SD6.3 module. CS42418 is controlled by the SD6.3 module via the I²C bus.

b. IC HEF4052BT

The selection of TUNER, TV INPUT, AUX INPUT is made by IC HEF4052BT which acts as a multiplexer.

c. Video signals are buffered (not for all versions) before connecting to the TV.

d. YUV OUT

YUV OUT with cinch socket for connection to TV. Progressive Y Pb Pr is selected through RC.

e. LINE OUT

LINE OUT with cinch socket for connection to external amplifier.

f. SCART

SCART output for audio/video connection to TV (not for all versions).

g. S-Video and CVBS

S-Video and CVBS are used for video connection to the TV.

h. DIGITAL IN

DIGITAL IN with cinch socket for connection to DIGITAL OUT of other audio equipments.
The Digital_in source is fed to the SD6.3 module for audio decoding.

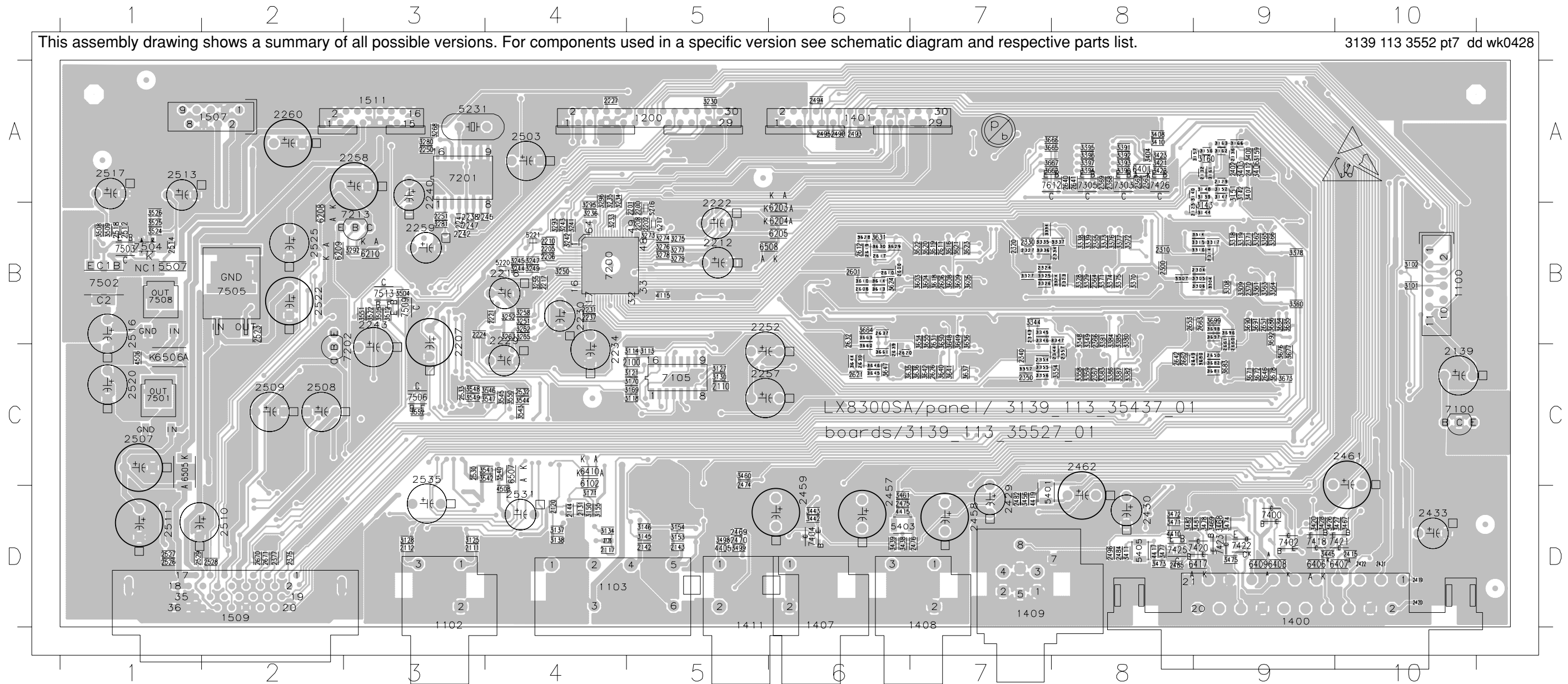
AV BOARD

TABLE OF CONTENTS

Brief Introduction of the AV Board	7-1
Top View Layout	7-2
Bottom View Layout	7-3
Circuit Diagram (Part 1)	7-4
Circuit Diagram (Part 2)	7-5
Circuit Diagram (Part 3)	7-6
Circuit Diagram (Part 4)	7-7
Circuit Diagram (Part 5)	7-8
Circuit Diagram (Part 6)	7-9
Electrical parts list	7-10

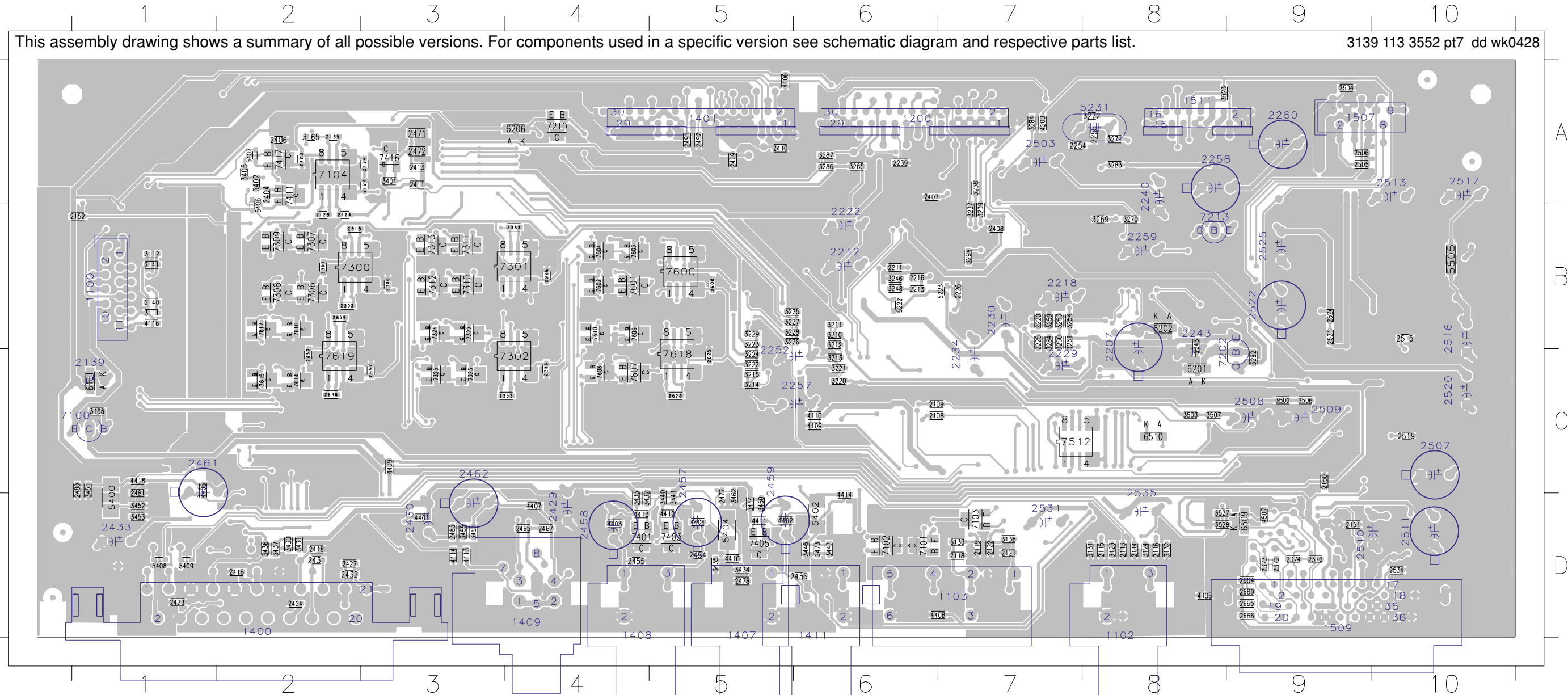
AV BOARD - TOP VIEW LAYOUT

1100 B10	2200 B5	2251 B3	2368 A8	2485 D8	2532 C4	2660 C9	3148 A9	3247 B4	3308 B9	3356 C7	3390 A8	3456 D7	3542 C4	3629 B6	3672 C9	5217 B5	7200 B4
1102 D3	2201 B5	2252 B5	2369 A8	2490 A6	2533 C3	2661 C9	3150 D4	3249 B4	3309 B9	3357 C7	3391 A8	3460 C5	3543 C4	3630 B6	3673 C9	5220 B4	7201 A3
1103 D4	2202 B5	2257 C5	2370 B9	2493 A6	2535 C3	2662 C8	3151 A9	3250 B4	3314 B9	3358 C8	3392 A8	3461 D6	3544 C4	3631 B6	3676 C9	5221 A4	7202 C3
1200 A5	2205 B4	2258 A3	2371 B9	2494 A6	2600 B6	2663 B9	3152 A9	3251 B4	3315 B9	3359 C8	3393 A8	3467 D10	3545 C4	3635 C6	3677 C9	5231 A3	7213 B3
1400 D9	2206 B4	2259 B3	2375 D2	2495 A6	2601 B6	2670 D2	3153 D5	3252 B4	3316 B9	3360 B9	3394 A8	3468 D9	3546 C4	3636 C7	3678 C9	5401 D7	7303 A8
1401 A6	2207 B3	2260 A2	2377 D2	2496 D8	2606 B7	2671 D2	3154 D5	3255 B4	3317 B9	3361 B9	3395 A8	3469 D9	3547 C4	3637 C7	3680 C9	5403 D6	7305 A8
1407 D6	2208 B5	2300 B8	2402 A9	2503 A4	2608 B6	3101 B10	3155 D4	3258 B4	3318 B9	3362 B9	3396 A8	3471 D8	3548 C3	3640 C7	3681 C9	5405 D8	7400 D9
1408 D7	2210 B4	2304 B9	2412 A9	2507 C1	2610 B6	3102 B10	3156 A9	3262 B4	3319 B9	3363 B9	3397 A8	3472 D8	3549 C3	3641 C7	3682 C9	5507 B1	7402 D9
1409 D7	2212 B5	2310 B8	2415 D10	2508 C2	2611 B7	3113 C5	3157 A9	3263 B4	3324 B8	3364 B9	3400 A9	3473 D8	3550 C4	3642 C7	3683 C9	6102 C4	7404 D6
1411 D5	2217 B4	2314 B9	2419 D10	2509 C2	2612 B6	3114 C5	3159 A9	3265 B4	3325 B7	3365 B9	3403 A9	3474 D9	3551 B3	3644 C6	3684 B9	6203 B6	7418 D9
1507 A2	2218 B4	2320 B7	2420 D10	2510 D2	2617 B6	3118 C5	3160 A9	3268 A3	3326 B7	3366 B9	3404 A8	3475 D9	3552 C3	3645 C6	3685 B9	6204 B6	7420 D9
1509 D2	2221 B4	2323 B8	2421 D10	2511 D1	2619 B6	3121 C5	3161 A9	3273 B5	3327 B7	3370 B8	3406 A9	3477 D8	3553 B7	3646 C6	3686 B9	6205 B6	7421 D10
1511 A3	2222 B5	2324 B7	2422 D10	2512 B1	2620 C6	3125 D3	3162 A9	3274 B5	3328 B8	3371 B8	3407 A9	3478 D9	3554 B7	3647 C6	3690 B9	6208 B2	7422 D9
2100 C5	2224 B3	2327 B7	2429 D7	2513 A1	2621 C6	3127 C5	3163 A9	3275 B5	3329 B8	3372 B8	3408 A8	3481 D9	3555 B7	3648 B7	3691 B9	6209 B3	7423 D9
2110 C5	2227 A4	2330 B7	2430 D8	2514 B1	2626 C7	3128 D3	3166 A9	3276 B5	3334 B7	3373 B8	3410 A8	3482 D8	3556 B7	3649 B7	3692 B9	6210 B2	7425 D8
2111 D3	2229 B4	2334 B8	2433 D10	2516 B1	2630 C6	3130 C5	3169 C5	3277 B5	3335 B7	3374 B8	3411 D8	3498 D5	3557 B7	3650 B7	3696 B9	6401 A8	7426 A8
2112 D3	2230 B4	2340 C7	2457 D6	2517 A1	2631 B7	3134 D4	3170 C5	3278 B5	3336 B7	3375 B8	3420 D9	3499 D5	3558 B6	3654 B7	3697 B9	6406 D9	7501 C1
2117 D4	2231 B4	2343 B7	2458 D7	2518 B1	2632 B6	3135 D4	3171 D4	3279 B5	3337 B8	3376 B8	3421 A8	3504 B3	3559 B6	3655 B7	3698 B9	6407 D10	7502 B1
2120 D4	2234 C4	2344 C8	2459 D6	2520 C1	2637 B6	3137 D4	3230 A5	3280 A3	3338 B8	3377 B8	3422 A8	3505 B3	3560 B6	3656 B7	3699 B9	6408 D9	7503 B1
2125 B8	2237 B4	2350 C7	2461 C10	2522 B2	2639 C6	3138 D4	3233 B4	3281 B3	3339 B8	3378 B9	3423 A8	3508 B1	3561 B7	3660 C6	4115 B5	6409 D9	7504 B1
2129 A9	2238 B3	2354 C7	2462 C8	2523 B2	2640 A8	3139 A9	3234 A4	3292 B3	3344 B7	3380 B8	3426 D9	3509 B1	3562 B7	3661 C6	4405 D5	6410 C4	7505 B2
2131 D4	2240 A3	2357 C8	2469 D5	2525 B2	2641 A8	3140 A8	3235 A4	3293 B4	3345 B7	3381 B8	3427 D10	3512 B3	3563 B7	3662 A7	4410 D8	6417 D9	7506 C3
2132 A9	2241 B3	2362 A8	2470 D5	2526 D1	2642 C8	3142 A9	3236 B4	3295 B4	3346 B7	3382 C8	3428 D9	3522 B3	3564 B7	3663 B6	4415 D6	6505 C1	7508 B1
2136 A9	2242 B3	2363 A8	2474 C5	2527 D1	2646 C9	3143 B9	3241 B4	3296 A4	3347 B8	3383 C8	3438 D6	3524 B1	3565 B6	3664 B6	4417 D8	6506 C1	7509 B3
2139 C10	2243 B3	2364 B8	2475 D6	2528 D2	2649 C9	3144 B9	3242 B4	3304 B9	3348 B8	3384 B8	3439 D6	3525 B1	3566 B7	3665 A7	4419 D7	6507 C4	7513 B3
2142 D5	2245 B3	2365 B8	2476 D7	2529 D1	2650 C9	3145 D5	3243 B4	3305 B9	3349 B8	3385 B8	3442 D6	3526 B1	3567 B7	3666 A7	4506 C1	6508 B6	7612 A7
2143 D5	2247 B3	2366 B8	2482 D7	2530 C3	2651 B9	3146 D5	3244 B4	3306 B9	3354 C8	3386 C8	3443 D6	3540 C4	3568 B6	3667 A7	4508 D4	7100 C10	
2144 D4	2250 A3	2367 C8	2484 D8	2531 D4	2653 B8	3147 A9	3245 B4	3307 B8	3355 C7	3387 C8	3445 D9	3541 C4	3569 B6	3671 C9	5216 B5	7105 C5	



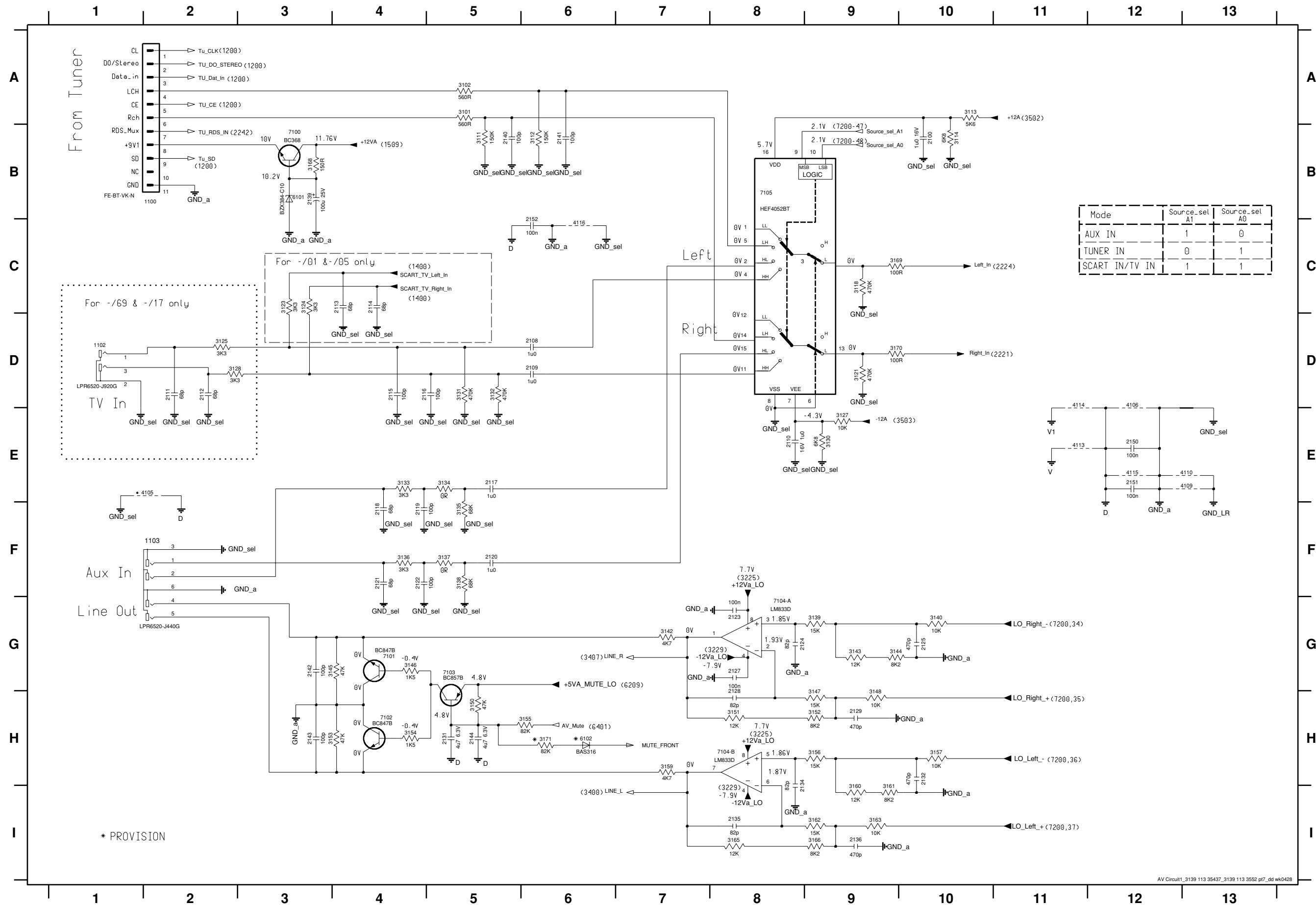
AV BOARD - BOTTOM VIEW LAYOUT

1100 B1	1200 A6	1407 D5	1411 D6	1511 A8	2212 B6	2229 B7	2240 A8	2257 C6	2260 A9	2433 D1	2459 D5	2503 A7	2509 C9	2513 A10	2520 C10	2531 D7	7100 C1
1102 D8	1400 D2	1408 D4	1507 A9	2139 C1	2218 B7	2230 B7	2243 B8	2258 A8	2429 D4	2457 D5	2461 C1	2507 C10	2510 D9	2516 B10	2522 B9	2535 C8	7202 C8
1103 D7	1401 A5	1409 D4	1509 D9	2207 B8	2222 B6	2234 C7	2252 B6	2259 B8	2430 D3	2458 D4	2462 C3	2508 C9	2511 D10	2517 A10	2525 B9	5231 A8	7213 B8
2108 C6	2134 A3	2246 B8	2376 D9	2431 D2	2483 D3	2648 C2	3133 D7	3224 C5	3260 B7	3401 A3	3446 D6	3527 D8	4406 C1	5402 D6	7102 D6	7313 B3	7602 B4
2109 C6	2135 A2	2254 A7	2404 A2	2432 D2	2491 A5	2652 C2	3136 D7	3225 B5	3261 B7	3402 A2	3447 D6	3528 D8	4407 D4	5404 D5	7103 D7	7322 B3	7603 B4
2113 D8	2140 B1	2255 A8	2406 A2	2454 D5	2492 A5	2657 C3	3165 A2	3226 B5	3264 B7	3405 A2	3450 D5	4105 D8	4408 D6	5406 B2	7104 A2	7323 C3	7604 B4
2114 D8	2141 B1	2303 B2	2407 A6	2455 D4	2504 A9	2659 B2	3168 C1	3227 B5	3269 B8	3430 D2	3451 C1	4106 A5	4409 C3	5407 A2	7210 A4	7324 B3	7607 C4
2115 D8	2150 C9	2306 B3	2408 B7	2456 D6	2505 A9	2664 D9	3210 B6	3228 B5	3270 B8	3431 D2	3452 D1	4109 C6	4411 D5	5408 D1	7300 B2	7325 C3	7608 C4
2116 D8	2151 D9	2307 B2	2409 A5	2465 D4	2506 A9	2665 D9	3211 B6	3229 B5	3271 A8	3432 D4	3453 D1	4110 C6	4412 D5	5409 D1	7301 B4	7401 D4	7609 B4
2118 D7	2152 B1	2313 B2	2410 A5	2467 D4	2515 B10	2666 D9	3212 B6	3237 B7	3272 A8	3433 D4	3454 D3	4113 D3	4413 D4	5505 B10	7302 C4	7403 D5	7610 B4
2119 D7	2211 B6	2326 B4	2411 A3	2471 A3	2519 C10	2669 D9	3213 C6	3238 A7	3282 C9	3434 D5	3455 D3	4114 D3	4414 D6	6101 C1	7306 B2	7405 D5	7614 C2
2121 D7	2213 B6	2333 B4	2413 A3	2472 A3	2521 B9	3111 B1	3214 C5	3239 B7	3283 A8	3435 D5	3462 D5	4116 B1	4416 D5	6201 C8	7307 B2	7411 A2	7615 C2
2122 D7	2216 B6	2353 C4	2416 D2	2473 D6	2524 B9	3112 B1	3215 C5	3246 B6	3284 A7	3436 D2	3502 C9	4200 A7	4418 C1	6202 B8	7308 B2	7416 A3	7616 B2
2123 A2	2220 B7	2356 C4	2418 D2	2477 D5	2534 D10	3123 D8	3220 C6	3248 B6	3285 A6	3437 D2	3503 C8	4401 D3	4507 D9	6206 A4	7309 B2	7417 A2	7617 B2
2124 B2	2225 B7	2372 D9	2423 D1	2478 D5	2605 B5	3124 D8	3221 C6	3253 B7	3286 A6	3440 D5	3506 C9	4402 D5	5222 B6	6509 D9	7310 B3	7512 C7	7618 C5
2127 A3	2226 B7	2373 D9	2424 D2	2480 C1	2625 C5	3131 D8	3222 C5	3254 B7	3287 A6	3441 D5	3507 C8	4403 D4	5223 B7	6510 C8	7311 B3	7600 B5	7619 C2
2128 B2	2239 A6	2374 D9	2427 D2	2481 D1	2628 C5	3132 D8	3223 B5	3259 B7	3294 B7	3444 D5	3523 A8	4404 D5	5400 D1	7101 D6	7312 B3	7601 B4	



This assembly drawing shows a summary of all possible versions. For components used in a specific version see schematic diagram and respective parts list. 3139 113 3552 pt7 dd wk0428

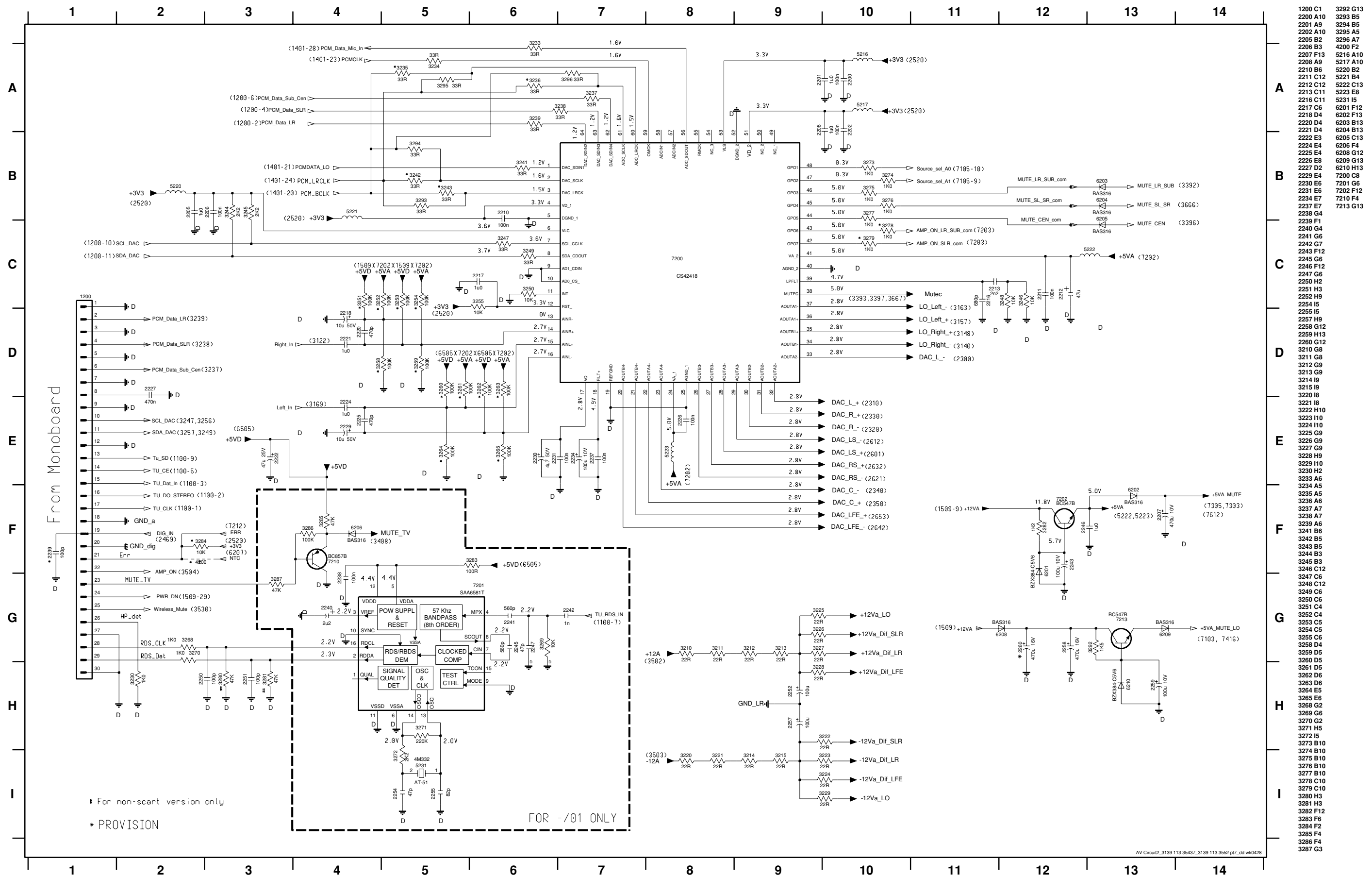
AV BOARD - CIRCUIT DIAGRAM (PART 1)



Mode	Source_sel_A1	Source_sel_A0
AUX IN	1	0
TUNER IN	0	1
SCART IN/TV IN	1	1

- 1100 B2
- 1102 D1
- 1103 F2
- 2100 B10
- 2108 D6
- 2109 D6
- 2110 E8
- 2111 D2
- 2112 D2
- 2113 C4
- 2114 C4
- 2115 D4
- 2116 D4
- 2117 E5
- 2118 F4
- 2119 F4
- 2120 F5
- 2121 F4
- 2122 F4
- 2123 G8
- 2124 G8
- 2125 G10
- 2127 G8
- 2128 H8
- 2129 H9
- 2131 H5
- 2132 H10
- 2134 H8
- 2135 H8
- 2136 I9
- 2139 E3
- 2140 B5
- 2141 B6
- 2142 G3
- 2143 H3
- 2144 H5
- 2150 E12
- 2151 E12
- 2152 C6
- 3101 A5
- 3102 A5
- 3111 B5
- 3112 B6
- 3113 A10
- 3114 B10
- 3118 C9
- 3121 D9
- 3123 C3
- 3124 C3
- 3125 D2
- 3127 E9
- 3128 D2
- 3130 E9
- 3131 D5
- 3132 D5
- 3133 E4
- 3134 E5
- 3135 F5
- 3136 F4
- 3137 F5
- 3138 F5
- 3139 G9
- 3140 G10
- 3142 G7
- 3143 G9
- 3144 G9
- 3145 G4
- 3146 G4
- 3147 H9
- 3148 H9
- 3150 H5
- 3151 H8
- 3152 H9
- 3153 H4
- 3154 H4
- 3155 H6
- 3156 H9
- 3157 H10
- 3159 H7
- 3160 I9
- 3161 I9
- 3162 I9
- 3163 I9
- 3165 I8
- 3166 I9
- 3168 B3
- 3169 C9
- 3170 D9
- 3171 H6
- 4105 E2
- 4106 D12
- 4109 E13
- 4110 E13
- 4113 E11
- 4114 D11
- 4115 E12
- 4116 C6
- 6101 B3
- 6102 H6
- 7100 B3
- 7101 G4
- 7102 H4
- 7103 G5
- 7104-A G8
- 7104-B H8
- 7105 B8

AV BOARD - CIRCUIT DIAGRAM (PART 2)

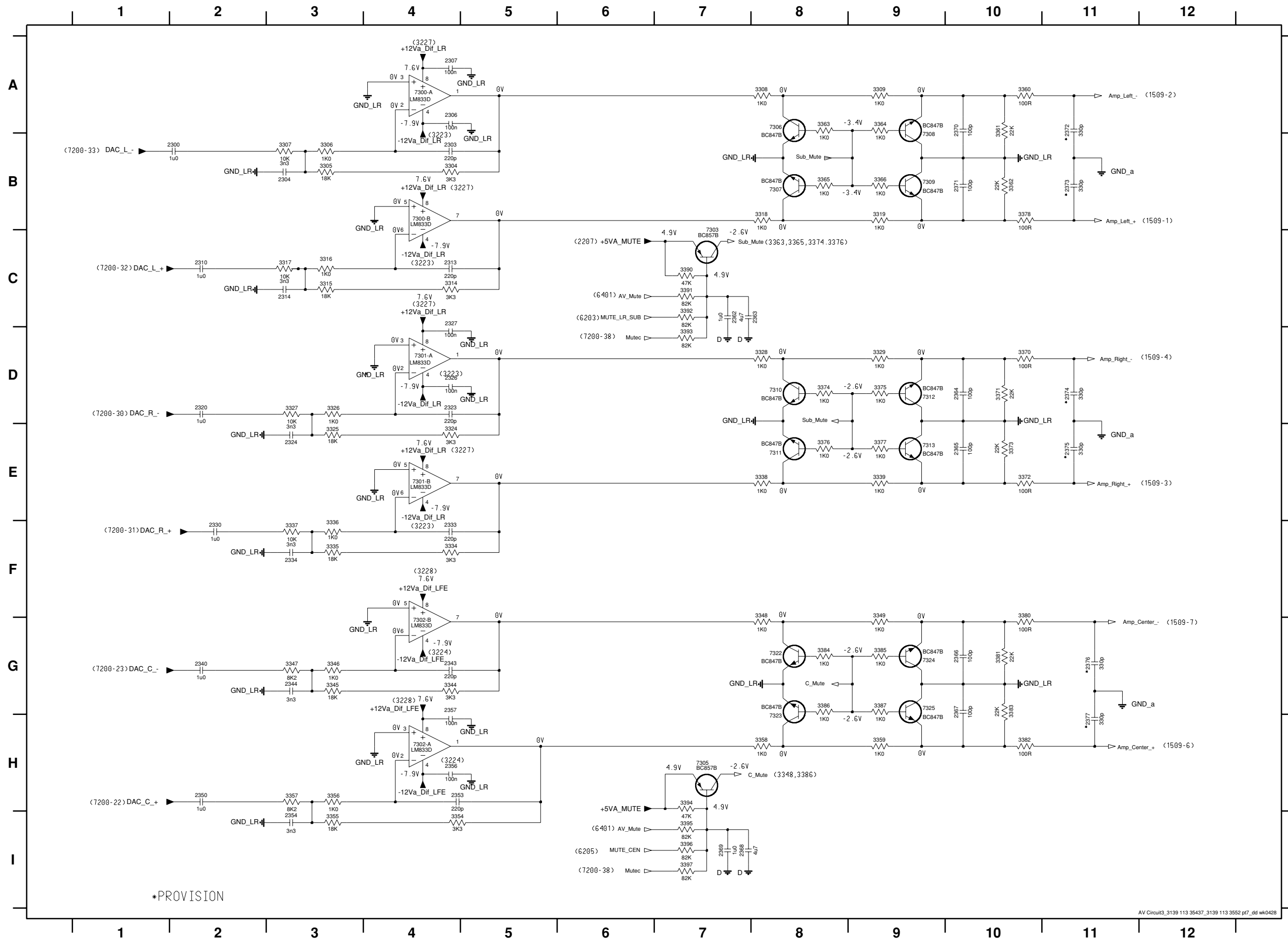


- 1200 C1
- 2200 A10
- 2201 A9
- 2202 A10
- 2205 B2
- 2206 B3
- 2207 F13
- 2208 A9
- 2210 B6
- 2211 C12
- 2212 C12
- 2213 C11
- 2216 C11
- 2217 C6
- 2218 D4
- 2220 D4
- 2221 D4
- 2222 E3
- 2224 E4
- 2225 E4
- 2226 E8
- 2227 D2
- 2229 E4
- 2230 E6
- 2231 E6
- 2234 E7
- 2237 E7
- 2238 G4
- 2239 F1
- 2240 G4
- 2241 G6
- 2242 G7
- 2243 F12
- 2245 G6
- 2246 F12
- 2247 G6
- 2250 H2
- 2251 H3
- 2252 H9
- 2254 I5
- 2255 I5
- 2257 H9
- 2258 G12
- 2259 H13
- 2260 G12
- 3210 C8
- 3211 G8
- 3212 G9
- 3213 G9
- 3214 I9
- 3215 I9
- 3220 I8
- 3221 I8
- 3222 H10
- 3224 I10
- 3225 G9
- 3226 G9
- 3227 G9
- 3228 H9
- 3229 I10
- 3230 H2
- 3233 A6
- 3234 A5
- 3235 A5
- 3236 A6
- 3237 A7
- 3238 A7
- 3239 A6
- 3241 B6
- 3242 B5
- 3243 B5
- 3244 B3
- 3245 B3
- 3246 C12
- 3247 C6
- 3248 C12
- 3249 C6
- 3250 C6
- 3251 C4
- 3252 C4
- 3253 C5
- 3254 C5
- 3255 C6
- 3258 D4
- 3259 D5
- 3260 D5
- 3261 D5
- 3262 D6
- 3263 D6
- 3264 E5
- 3265 E6
- 3268 G2
- 3269 G6
- 3270 G2
- 3271 H5
- 3272 I5
- 3273 B10
- 3274 B10
- 3275 B10
- 3276 B10
- 3277 B10
- 3279 C10
- 3280 H3
- 3281 H3
- 3282 F12
- 3283 F6
- 3284 F2
- 3285 F4
- 3286 F4
- 3287 G3

For non-scart version only
 * PROVISION

FOR -/01 ONLY

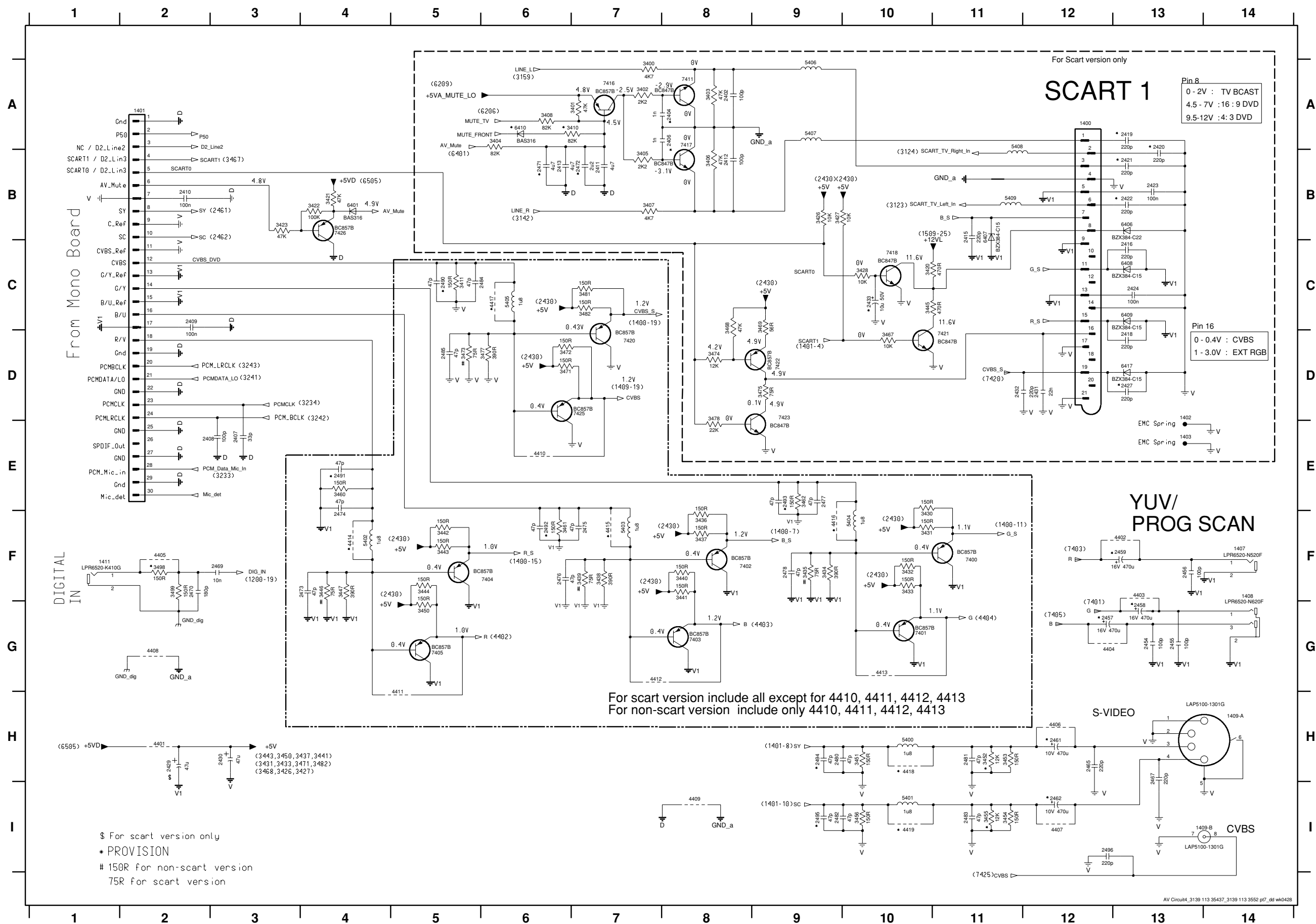
AV BOARD - CIRCUIT DIAGRAM (PART 3)



*PROVISION

- 2300 B2
- 2303 B4
- 2304 B3
- 2306 A4
- 2307 A4
- 2310 C2
- 2313 C4
- 2314 C3
- 2320 D2
- 2323 D4
- 2324 E3
- 2326 D4
- 2327 C4
- 2330 F2
- 2333 F4
- 2334 F3
- 2340 G2
- 2343 G4
- 2344 G3
- 2350 H2
- 2353 H4
- 2354 I3
- 2356 H4
- 2357 G4
- 2362 C7
- 2363 C8
- 2364 D10
- 2365 E10
- 2366 G10
- 2367 G10
- 2368 I7
- 2369 I7
- 2370 A10
- 2371 B10
- 2372 A11
- 2373 B11
- 2374 D11
- 2375 E11
- 2376 G11
- 2377 H11
- 3304 B4
- 3305 B3
- 3306 B3
- 3307 B3
- 3308 A8
- 3309 A9
- 3314 C4
- 3315 C3
- 3316 C3
- 3317 C3
- 3318 B8
- 3319 B9
- 3324 E4
- 3325 E3
- 3326 D3
- 3327 D3
- 3328 D8
- 3329 D9
- 3334 F4
- 3335 F3
- 3336 E3
- 3337 F3
- 3338 E8
- 3339 E9
- 3344 G4
- 3345 G3
- 3346 G3
- 3347 G3
- 3348 F8
- 3349 F9
- 3354 I4
- 3355 I3
- 3356 H3
- 3357 H3
- 3358 H8
- 3359 H9
- 3360 A10
- 3361 A10
- 3362 B10
- 3363 A8
- 3364 A9
- 3365 B8
- 3366 B9
- 3370 D10
- 3371 D10
- 3372 E10
- 3373 E10
- 3374 D8
- 3375 D9
- 3376 E8
- 3377 E9
- 3378 B10
- 3380 F10
- 3381 G10
- 3382 H10
- 3383 G10
- 3384 G8
- 3385 G9
- 3386 G8
- 3387 G9
- 3390 C7
- 3391 C7
- 3392 C7
- 3393 D7
- 3394 H7
- 3395 I7
- 3396 I7
- 3397 I7
- 7300-A A4
- 7300-B B4

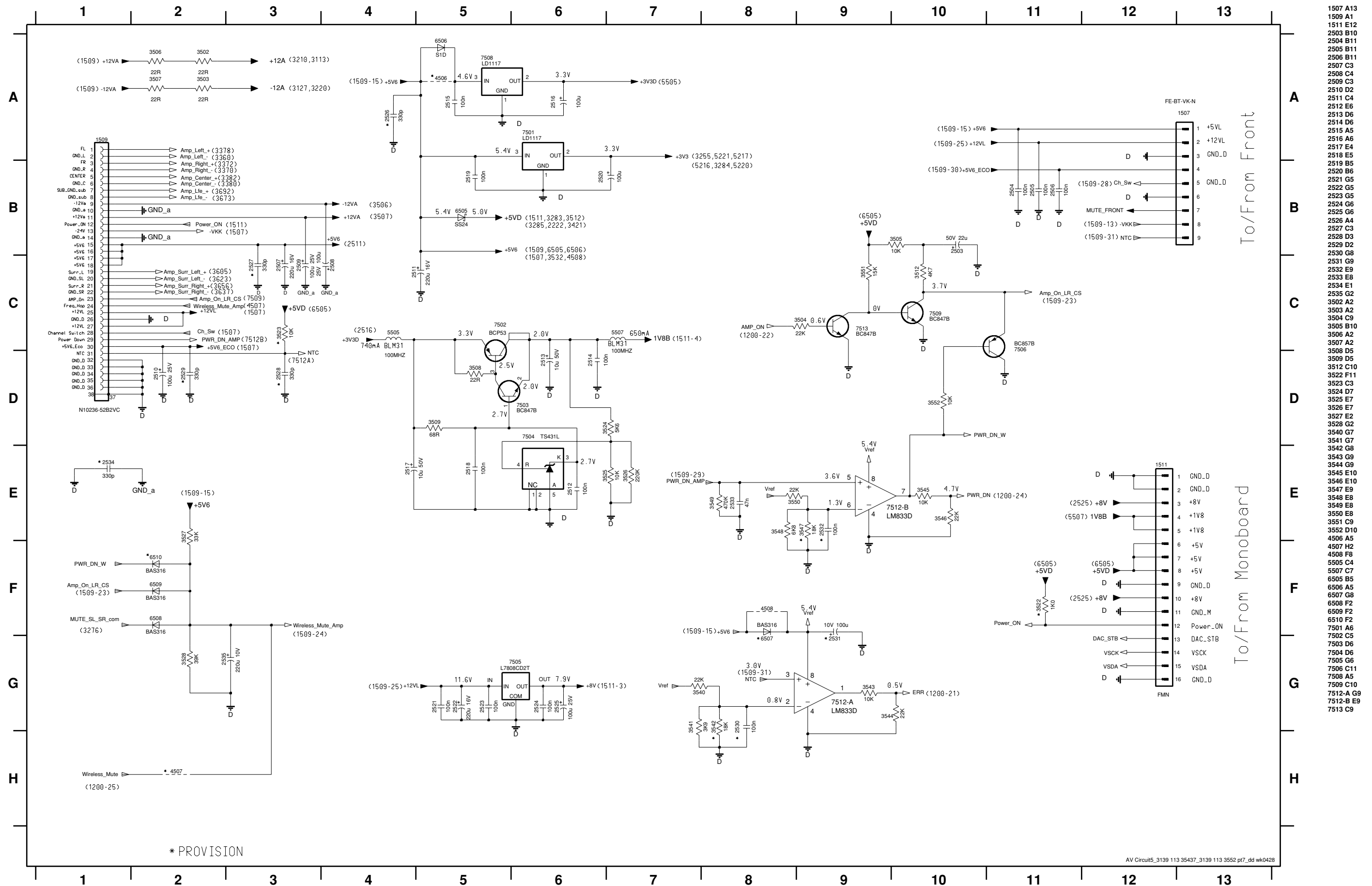
AV BOARD - CIRCUIT DIAGRAM (PART 4)



- 1400 A12
- 1401 A2
- 1402 D13
- 1403 E13
- 1407 F14
- 1408 F14
- 1409-A H14
- 1409-B H14
- 1411 F1
- 2402 A8
- 2404 A8
- 2406 A8
- 2407 E3
- 2408 E2
- 2409 C2
- 2410 B2
- 2411 B7
- 2412 B8
- 2413 B6
- 2415 B11
- 2416 C13
- 2418 D13
- 2419 A13
- 2420 A13
- 2421 B13
- 2422 B13
- 2423 B13
- 2424 C13
- 2427 D13
- 2429 H2
- 2430 H3
- 2431 D12
- 2432 D11
- 2433 C10
- 2454 G13
- 2455 G13
- 2456 F13
- 2457 G12
- 2458 G13
- 2459 F13
- 2461 H12
- 2462 H12
- 2465 H12
- 2467 H13
- 2469 F3
- 2470 F2
- 2471 B6
- 2472 B7
- 2473 F4
- 2474 F4
- 2475 F7
- 2476 F6
- 2477 E9
- 2478 F9
- 2480 H9
- 2481 H11
- 2482 I9
- 2483 I11
- 2484 C5
- 2485 D5
- 2490 C5
- 2491 E4
- 2492 F6
- 2493 E9
- 2494 H9
- 2495 I9
- 2496 I12
- 3400 A7
- 3401 A7
- 3402 A7
- 3403 A8
- 3404 A6
- 3405 B7
- 3406 B8
- 3407 B7
- 3408 A6
- 3410 A7
- 3411 C5
- 3420 C10
- 3421 B4
- 3422 B4
- 3423 B3
- 3426 B9
- 3427 B9
- 3428 C10
- 3430 F10
- 3431 F10
- 3432 F10
- 3433 F10
- 3434 F9
- 3435 F9
- 3436 F8
- 3437 F8
- 3438 F7
- 3439 F7
- 3440 F8
- 3441 F8
- 3442 F5
- 3443 F5
- 3444 F5
- 3445 C10
- 3446 F4
- 3447 F4
- 3450 G5
- 3451 H10
- 3452 H11
- 3453 H11
- 3454 H11
- 3455 H11
- 3456 H10
- 3460 E4
- 3461 F6
- 3462 E9
- 3467 D10
- 3468 C8
- 3469 C9
- 3471 D6
- 3472 D6
- 3473 D5
- 3474 D8
- 3475 D9
- 3477 D6
- 3478 D8
- 3481 C7
- 3482 C7
- 3483 F2
- 3489 F2
- 3491 H2
- 3492 F3
- 3493 F13
- 3494 G12
- 3495 F2
- 3496 H12
- 3497 H2
- 3498 G2
- 3499 B8
- 3500 H10
- 3501 H10
- 3502 F11
- 3503 C6
- 3504 A9
- 3507 A9
- 3508 A11
- 3509 B11
- 3510 B4
- 3511 B3
- 3512 B11
- 3513 B11
- 3514 C13
- 3515 C13
- 3516 D13
- 3517 D13
- 3518 D13
- 3519 D13
- 3520 D13
- 3521 D13
- 3522 D13
- 3523 D13
- 3524 D13
- 3525 D13
- 3526 D13
- 3527 D13
- 3528 D13
- 3529 D13
- 3530 D13
- 3531 D13
- 3532 D13
- 3533 D13
- 3534 D13
- 3535 D13
- 3536 D13
- 3537 D13
- 3538 D13
- 3539 D13
- 3540 D13
- 3541 D13
- 3542 D13
- 3543 D13
- 3544 D13
- 3545 D13
- 3546 D13
- 3547 D13
- 3548 D13
- 3549 D13
- 3550 D13
- 3551 D13
- 3552 D13

\$ For scart version only
 * PROVISION
 # 150R for non-scart version
 75R for scart version

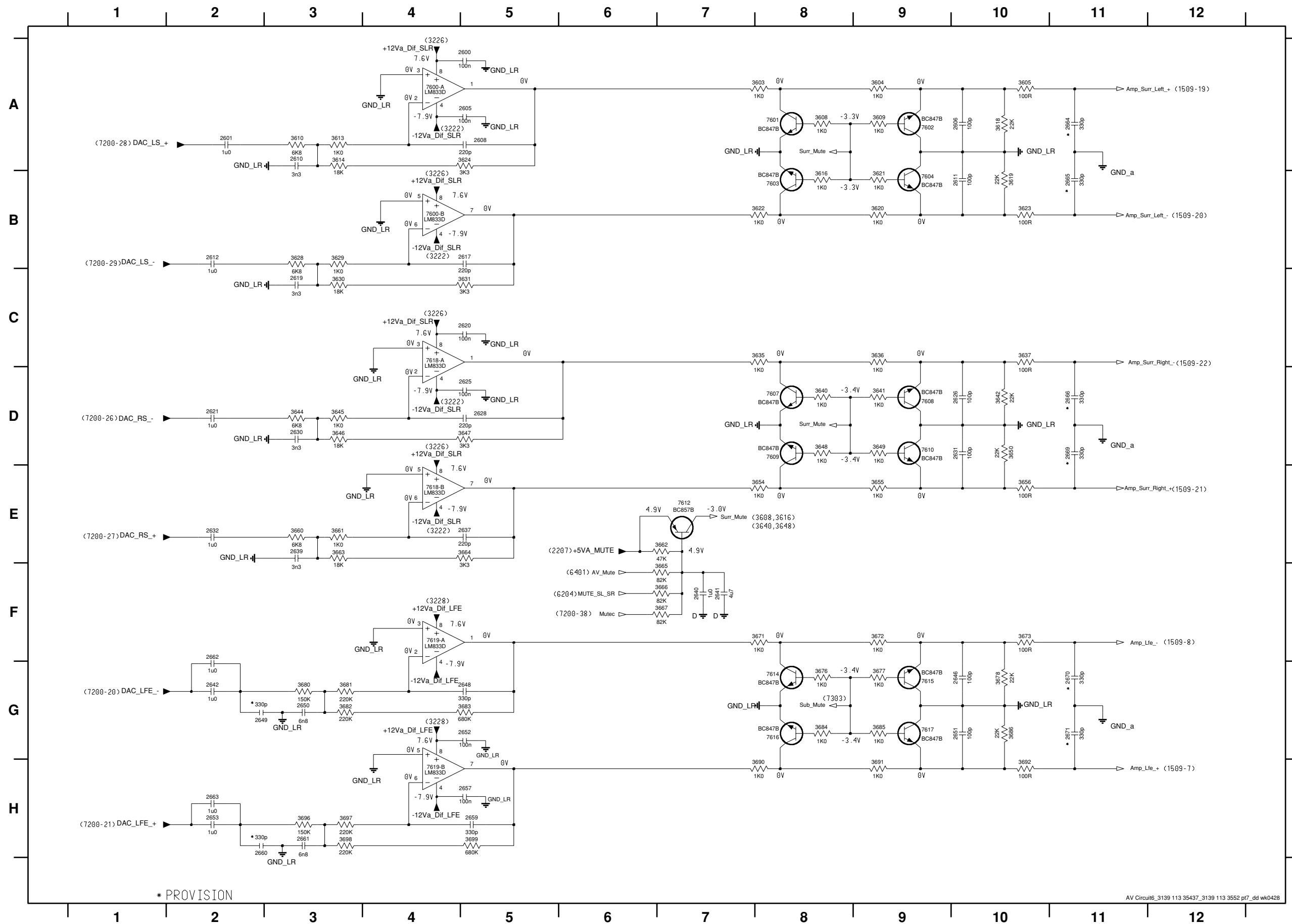
AV BOARD - CIRCUIT DIAGRAM (PART 5)



- 1507 A13
- 1509 A1
- 1511 E12
- 2503 B10
- 2504 B11
- 2505 B11
- 2506 B11
- 2507 C3
- 2508 C4
- 2509 C3
- 2510 D2
- 2511 C4
- 2512 E6
- 2513 D6
- 2514 D6
- 2515 A5
- 2516 A6
- 2517 E4
- 2518 E5
- 2519 B5
- 2520 B6
- 2521 G5
- 2522 G5
- 2523 G5
- 2524 G6
- 2525 G6
- 2526 A4
- 2527 C3
- 2528 D3
- 2529 D2
- 2530 G8
- 2531 G9
- 2532 E9
- 2533 E8
- 2534 E1
- 2535 G2
- 3502 A2
- 3503 A2
- 3504 C9
- 3505 B10
- 3506 A2
- 3507 A2
- 3508 D5
- 3509 D5
- 3512 C10
- 3522 F11
- 3523 C3
- 3524 D7
- 3525 E7
- 3526 E7
- 3527 E2
- 3528 G2
- 3540 G7
- 3541 G7
- 3542 G8
- 3543 G9
- 3544 G9
- 3545 E10
- 3546 E10
- 3547 E9
- 3548 E8
- 3549 E8
- 3550 E8
- 3551 C9
- 3552 D10
- 4506 A5
- 4507 H2
- 4508 F8
- 5505 C4
- 5507 C7
- 6505 B5
- 6506 A5
- 6507 G8
- 6508 F2
- 6509 F2
- 6510 F2
- 7501 A6
- 7502 C5
- 7503 D6
- 7504 D6
- 7505 G6
- 7506 C11
- 7508 A5
- 7509 C10
- 7512-A G9
- 7512-B E9
- 7513 C9

* PROVISION

AV BOARD - CIRCUIT DIAGRAM (PART 6)



- 2600 A5
- 2601 A2
- 2605 A5
- 2606 A10
- 2608 A5
- 2610 A3
- 2611 B10
- 2612 B2
- 2617 B5
- 2619 C3
- 2620 C5
- 2621 D2
- 2625 D5
- 2626 D10
- 2628 D5
- 2630 D3
- 2631 D10
- 2632 E2
- 2637 E5
- 2639 E3
- 2640 F7
- 2641 F7
- 2642 G2
- 2648 G5
- 2649 G2
- 2650 G3
- 2651 G10
- 2652 G5
- 2653 H2
- 2657 H5
- 2660 H2
- 2661 H3
- 2662 F2
- 2663 H2
- 2664 A11
- 2665 B11
- 2666 D11
- 2669 D11
- 2670 G11
- 2671 G11
- 3603 A8
- 3604 A9
- 3605 A10
- 3608 A8
- 3609 A9
- 3610 A3
- 3613 A3
- 3614 A3
- 3616 B8
- 3618 A10
- 3619 B10
- 3620 B9
- 3621 B9
- 3622 B8
- 3623 B10
- 3624 A5
- 3625 B3
- 3626 B3
- 3629 B3
- 3630 C3
- 3631 C5
- 3635 C8
- 3636 C9
- 3637 C10
- 3640 D8
- 3641 D9
- 3642 D10
- 3644 D3
- 3645 D3
- 3646 D3
- 3647 D5
- 3648 D8
- 3649 D9
- 3650 D10
- 3654 E8
- 3655 E9
- 3656 E10
- 3660 E3
- 3661 E3
- 3662 E7
- 3663 E3
- 3664 E5
- 3665 F7
- 3666 F7
- 3667 F7
- 3671 F8
- 3672 F9
- 3673 F10
- 3675 G8
- 3677 G8
- 3678 G10
- 3680 G3
- 3681 G3
- 3682 G3
- 3683 G5
- 3684 G8
- 3685 G9
- 3686 G10
- 3690 H8
- 3691 H9
- 3692 H10
- 3696 H3
- 3697 H3
- 3698 H3
- 3699 H5
- 7600-A A4
- 7600-B B4
- 7601 A8
- 7602 A9
- 7603 B8
- 7604 B9
- 7607 D8
- 7608 D9
- 7609 D8
- 7610 D9
- 7612 E7
- 7614 G8
- 7615 G9
- 7616 G8
- 7617 G9
- 7618-A C4
- 7618-B E4
- 7619-A F4
- 7619-B H4

* PROVISION

ELECTRICAL PARTS LIST - AV BOARD**MISCELLANEOUS**

1100	4822 267 11039	Flex Connector 11P
1103	2422 026 05462	Socket Cinch 4P (Aux-in/Line-out)
1200	2422 025 17433	Flex Connector 30P
1200	2422 025 17509	Flex Connector 30P
1400	2422 025 18315	Socket SCART 21P
1400	2422 025 12352	Socket SCART 21P
1401	2422 025 17433	Flex Connector 30P
1401	2422 025 17509	Flex Connector 30P
1402	3139 241 21102	EMC SPRING
1403	3139 241 21102	EMC SPRING
1407	2422 026 05531	Socket Cinch 1P (Pr)
1408	2422 026 05529	Socket Cinch 2P (Y/Pb)
1409	2422 033 00468	Socket 2P (Video/S-Video)
1411	2422 026 05427	Socket Cinch 1P (Digital In)
1507	2422 025 14518	Flex Connector 9P
1509	2422 025 05561	Socket MDR 36P
1509	2422 025 18466	Socket MDR 36P
1511	2422 025 16525	Flex Connector 16P

COILS & FILTERS

5216	2422 549 43062	FXD IND 0603 100MHZ 600R
5217	2422 549 43062	FXD IND 0603 100MHZ 600R
5220	2422 549 43062	FXD IND 0603 100MHZ 600R
5221	2422 549 43062	FXD IND 0603 100MHZ 600R
5222	2422 549 43062	FXD IND 0603 100MHZ 600R
5223	2422 549 43062	FXD IND 0603 100MHZ 600R
5231	4822 242 11033	RES XTL 4.332MHZ
5400	3198 018 41880	FXD IND SM 1210 1U8 5%
5401	3198 018 41880	FXD IND SM 1210 1U8 5%
5402	3198 018 41880	FXD IND SM 1210 1U8 5%
5403	3198 018 41880	FXD IND SM 1210 1U8 5%
5404	3198 018 41880	FXD IND SM 1210 1U8 5%
5405	3198 018 41880	FXD IND SM 1210 1U8 5%
5406	3198 018 90050	FXD IND 0603 100MHz 1K
5407	3198 018 90050	FXD IND 0603 100MHz 1K
5408	3198 018 90050	FXD IND 0603 100MHz 1K
5409	3198 018 90050	FXD IND 0603 100MHz 1K
5505	4822 157 11717	IND FXD 1206 EMI 100MHz 50R
5507	4822 157 11717	IND FXD 1206 EMI 100MHz 50R

DIODES

6101	4822 130 11551	BZX384-C10
6201	3198 020 55680	BZX384-C5V6
6202	4822 130 11397	BAS316
6203	4822 130 11397	BAS316
6204	4822 130 11397	BAS316
6205	4822 130 11397	BAS316
6206	4822 130 11397	BAS316
6208	4822 130 11397	BAS316
6209	4822 130 11397	BAS316
6210	3198 020 55680	BZX384-C5V6
6401	4822 130 11397	BAS316

6406	9340 548 67115	BZX384-C22
6407	4822 130 11522	BZX384-C15
6408	4822 130 11522	BZX384-C15
6409	4822 130 11522	BZX384-C15
6417	4822 130 11522	BZX384-C15
6505	3198 010 10720	DIO REC SS24
6506	9322 128 69685	DIO REC SM S1D

TRANSISTORS & INTEGRATED CIRCUITS

7100	5322 130 44647	BC368
7101	5322 130 60159	BC847B
7102	5322 130 60159	BC847B
7103	4822 130 60373	BC857B
7104	4822 209 30095	LM833D
7105	5322 209 11102	HEF4052BT
7200	9322 203 36668	IC SM CS42418-CQ
7201	9352 686 05118	IC SM SAA6581T
7202	4822 130 40959	BC547B
7210	4822 130 60373	BC857B
7213	4822 130 40959	BC547B
7300	4822 209 30095	LM833D
7301	4822 209 30095	LM833D
7302	4822 209 30095	LM833D
7303	4822 130 60373	BC857B
7305	4822 130 60373	BC857B
7306	5322 130 60159	BC847B
7307	5322 130 60159	BC847B
7308	5322 130 60159	BC847B
7309	5322 130 60159	BC847B
7310	5322 130 60159	BC847B
7311	5322 130 60159	BC847B
7312	5322 130 60159	BC847B
7313	5322 130 60159	BC847B
7322	5322 130 60159	BC847B
7323	5322 130 60159	BC847B
7324	5322 130 60159	BC847B
7325	5322 130 60159	BC847B
7400	4822 130 60373	BC857B
7401	4822 130 60373	BC857B
7402	4822 130 60373	BC857B
7403	4822 130 60373	BC857B
7404	4822 130 60373	BC857B
7405	4822 130 60373	BC857B
7411	5322 130 60159	BC847B
7416	4822 130 60373	BC857B
7417	5322 130 60159	BC847B
7418	5322 130 60159	BC847B
7420	4822 130 60373	BC857B
7421	5322 130 60159	BC847B
7422	4822 130 60373	BC857B
7423	5322 130 60159	BC847B
7425	4822 130 60373	BC857B

ELECTRICAL PARTS LIST - AV BOARD

7426	4822 130 60373	BC857B
7501	4822 209 17398	LD1117DT33
7501	4822 209 17398	LD1117DT33
7502	5322 130 62804	BCP53
7503	5322 130 60159	BC847B
7504	9322 146 75685	IC SM TS431IL
7505	9322 199 24668	IC SM L7808CD2T
7506	4822 130 60373	BC857B
7508	4822 209 17398	LD1117DT33
7508	4822 209 17398	LD1117DT33
7509	5322 130 60159	BC847B
7512	4822 209 30095	LM833D
7513	5322 130 60159	BC847B
7600	4822 209 30095	LM833D
7601	5322 130 60159	BC847B
7602	5322 130 60159	BC847B
7603	5322 130 60159	BC847B
7604	5322 130 60159	BC847B
7607	5322 130 60159	BC847B
7608	5322 130 60159	BC847B
7609	5322 130 60159	BC847B
7610	5322 130 60159	BC847B
7612	4822 130 60373	BC857B
7614	5322 130 60159	BC847B
7615	5322 130 60159	BC847B
7616	5322 130 60159	BC847B
7617	5322 130 60159	BC847B
7618	4822 209 30095	LM833D
7619	4822 209 30095	LM833D

Note : Only the parts mentioned in this list are normal service spare parts.

BOX SPK ASSY SW8300LX

(Subwoofer & Module PWR308)

Mains pt5 / Reg pt6 / Amp UCD pt4 / Spk pt5 - 20 July 04

TABLE OF CONTENTS

Box Spk Assy SW8300LX

Exploded View & parts list 8-2

Module PWR308

Exploded View & parts list 8-3

Wiring Diagram 8-4

Regulator Board - Component Layout 8-5

Regulator Board - Chip Layout 8-6

Regulator Board - Circuit Diagram 8-7

Amplifier UCD Board - Top View Layout 8-8

Amplifier UCD Board - Bottom View Layout 8-9

Amplifier UCD Board - Circuit Diagram (Part 1) 8-10

Amplifier UCD Board - Circuit Diagram (Part 2) 8-11

Mains Board - Component Layout 8-12

Mains Board - Circuit Diagram 8-13

Mains Socket Board - Component Layout 8-14

Mains Socket Board - Circuit Diagram 8-14

Speaker Board - Component Layout 8-14

Speaker Board - Circuit Diagram 8-14

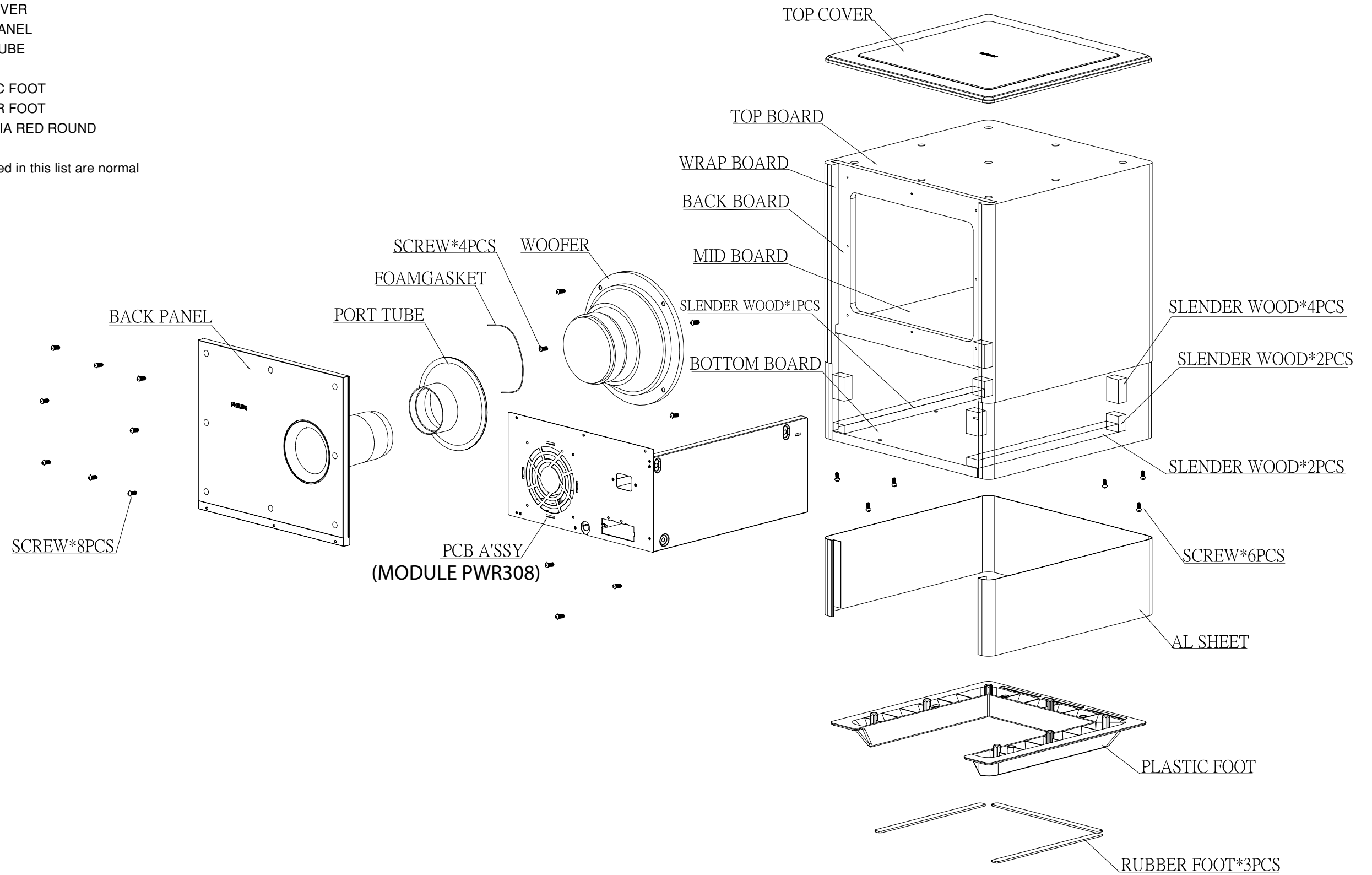
Electrical parts list 8-15

EXPLODED VIEW - BOX SPK ASSY SW8300LX (SUBWOOFER & MODULE PWR308)

PARTS LIST - BOX SPK ASSY SW8300LX

3139 119 02541	BOX SPK ASSY SW8300LX/01
9965 000 25359	WF 6.5" 150W 4R (16L80EHC3495)
9965 000 25360	TOP COVER
9965 000 25361	BACK PANEL
9965 000 25362	PORT TUBE
9965 000 25363	PLASTIC FOOT
9965 000 25364	RUBBER FOOT
9965 000 25365	LED 3 DIA RED ROUND

Note : Only the parts mentioned in this list are normal service spare parts.



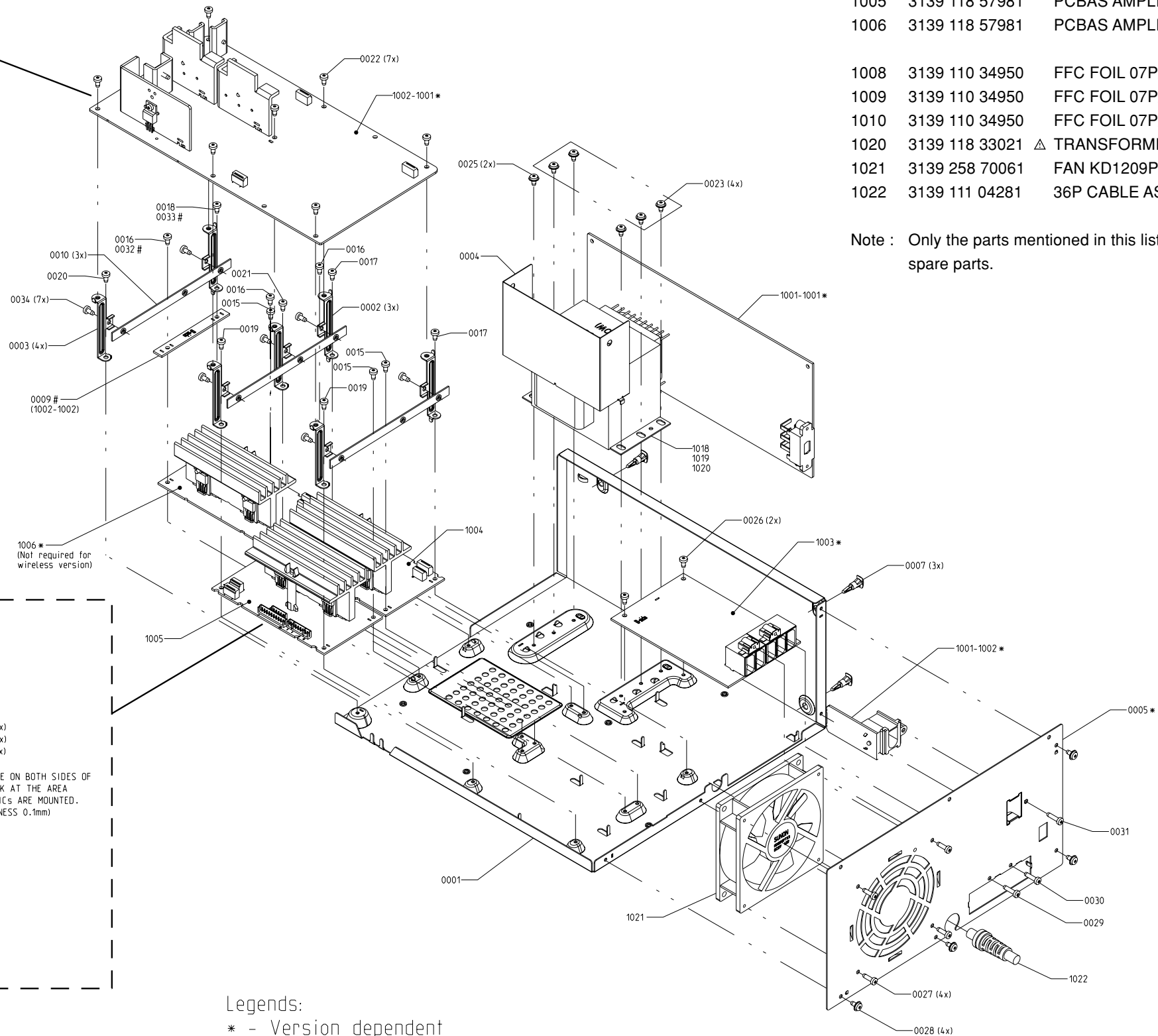
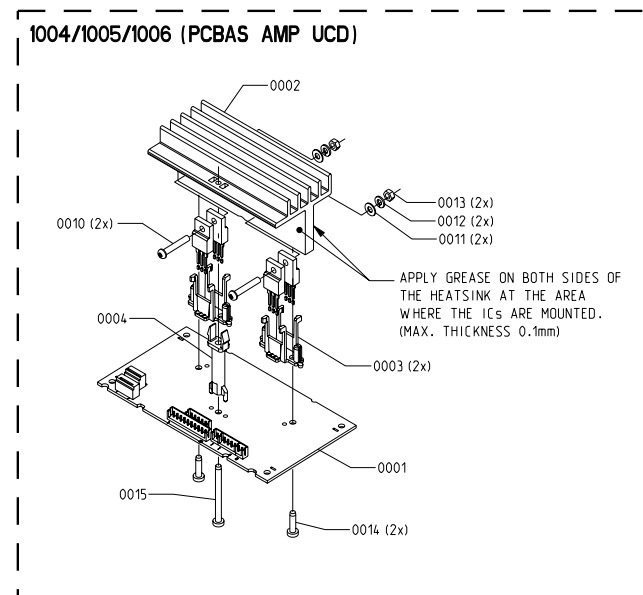
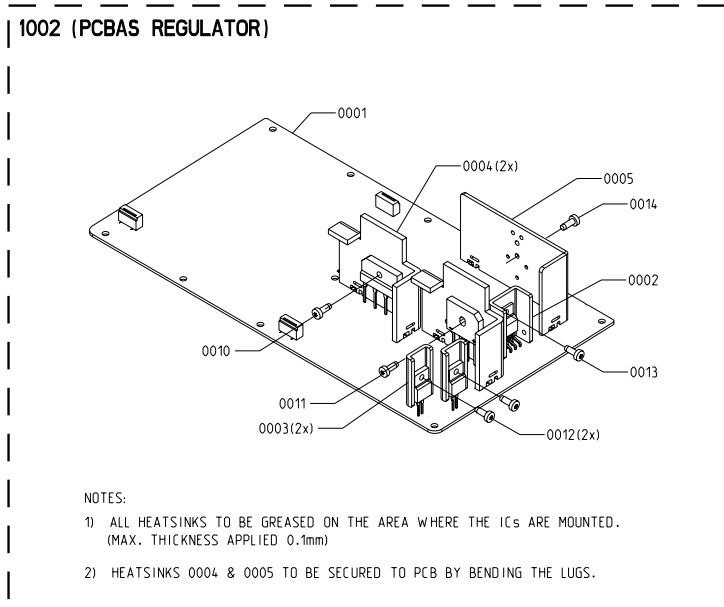
EXPLODED VIEW - MODULE PWR308

PARTS LIST - MODULE PWR308

0007	3139 240 40061	SPACER - 8MM
1001	3139 118 57951	PCBAS MAINS & MAINS SOCKET
1002	3139 118 57921	PCBAS REGULATOR
1003	3139 118 57931	PCBAS SPEAKER
1004	3139 118 57981	PCBAS AMPLIFIER UCD
1005	3139 118 57981	PCBAS AMPLIFIER UCD
1006	3139 118 57981	PCBAS AMPLIFIER UCD

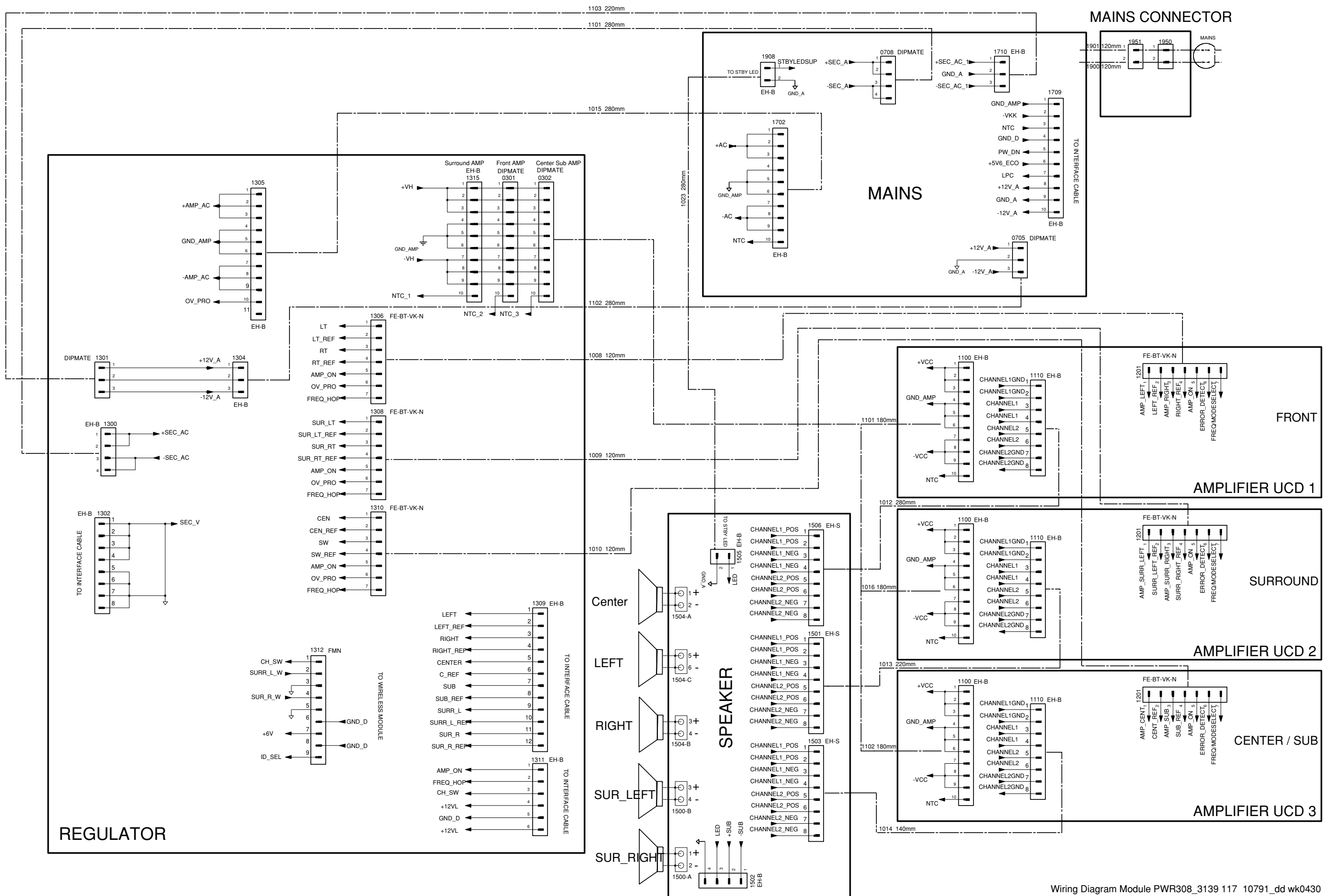
1008	3139 110 34950	FFC FOIL 07P/120/07P AD
1009	3139 110 34950	FFC FOIL 07P/120/07P AD
1010	3139 110 34950	FFC FOIL 07P/120/07P AD
1020	3139 118 33021	△ TRANSFORMER MAINS
1021	3139 258 70061	FAN KD1209PTS3
1022	3139 111 04281	36P CABLE ASSY

Note : Only the parts mentioned in this list are normal service spare parts.



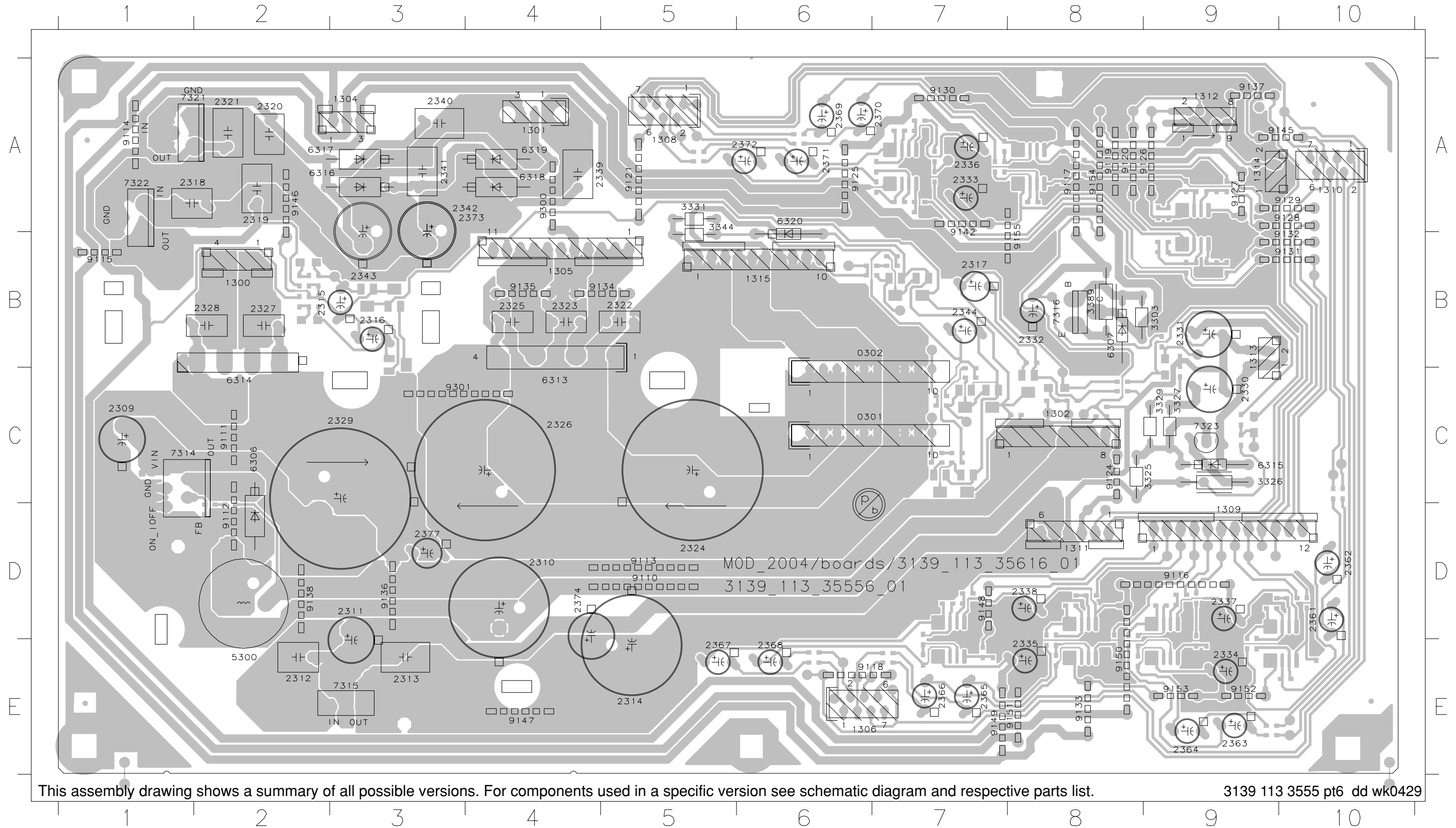
Legends:
 * - Version dependant
 # - For wireless version only

WIRING DIAGRAM - MODULE PWR308



REGULATOR BOARD - COMPONENT LAYOUT

0301 C6	1308 A5	2309 C1	2317 B7	2325 B4	2333 A7	2341 A3	2365 E7	2373 A4	3331 A5	6315 C9	7316 B8	9114 A1	9124 C8	9132 B10	9145 A10	9153 E9
0302 B6	1309 D9	2310 D4	2318 A1	2326 C4	2334 E9	2342 A3	2366 E7	2374 D4	3344 A5	6316 A2	7321 A1	9115 B1	9125 A6	9133 E8	9146 A2	9154 A8
1300 B2	1310 A10	2311 D3	2319 A2	2327 B2	2335 E8	2343 B3	2367 E5	2377 D3	3389 B8	6317 A2	7322 A1	9116 D9	9126 A8	9134 B5	9147 E4	9155 B8
1301 A4	1311 D8	2312 E2	2320 A2	2328 B2	2336 A7	2344 B7	2368 E6	3303 B9	5300 E2	6318 A4	7323 C9	9117 A8	9127 A9	9135 B4	9148 D7	9300 A4
1302 C8	1312 A9	2313 E3	2321 A2	2329 C3	2337 D9	2361 D10	2369 A6	3325 C9	6306 C2	6319 A4	9110 D5	9118 E6	9128 A10	9136 D3	9149 E7	9301 C3
1304 A3	1313 B9	2314 E5	2322 B5	2330 C9	2338 D8	2362 D10	2370 A7	3326 C9	6307 B8	6320 A6	9111 C2	9119 A8	9129 A10	9137 A9	9150 E8	
1305 B4	1314 A9	2315 B2	2323 B4	2331 B9	2339 A4	2363 E9	2371 A6	3327 C9	6313 C4	7314 C1	9112 D2	9120 A8	9130 A7	9138 D2	9151 E8	
1306 E6	1315 B6	2316 B3	2324 D5	2332 B8	2340 A3	2364 E9	2372 A6	3329 C9	6314 C2	7315 E3	9113 D5	9121 A5	9131 B10	9142 B7	9152 E9	

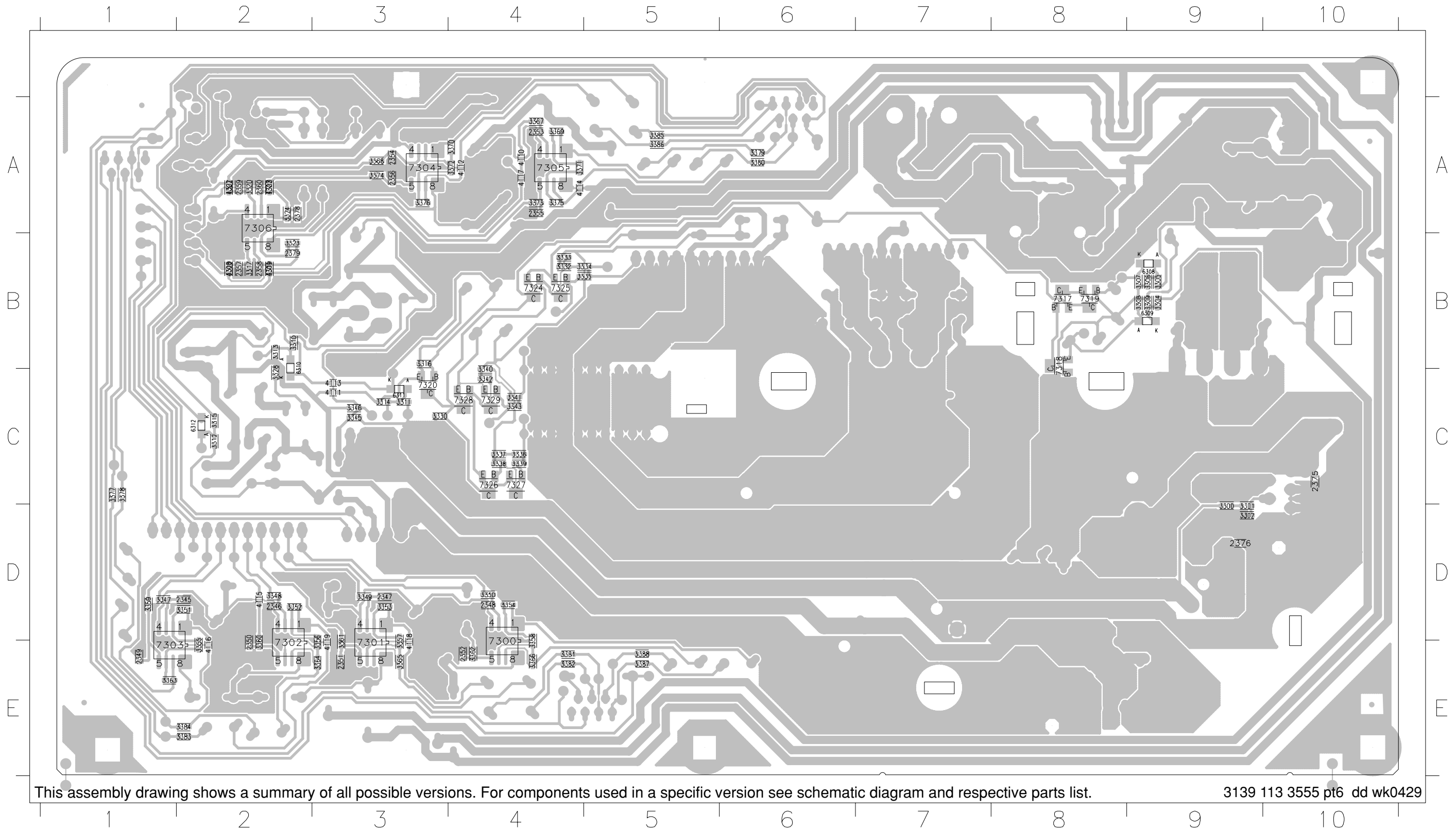


This assembly drawing shows a summary of all possible versions. For components used in a specific version see schematic diagram and respective parts list.

3139 113 3555 pt6 dd wk0429

REGULATOR BOARD - CHIP LAYOUT

2345 D2	2354 A3	2378 A2	3308 B9	3317 B2	3330 C3	3340 C4	3350 D4	3359 D1	3368 A3	3377 C1	3386 A5	4116 E2	6309 B9	7305 A4	7327 C4
2346 D2	2355 A4	2379 B2	3309 B9	3318 B2	3332 B4	3341 C4	3351 D2	3360 E2	3369 A4	3378 C1	3387 E5	4117 A4	6310 B2	7306 A2	7328 C4
2347 D3	2356 A3	3300 D9	3310 B2	3319 B2	3333 B4	3342 C4	3352 D2	3361 E3	3370 A4	3379 A6	3388 E5	4118 E3	6311 C3	7317 B8	7329 C4
2348 D4	2357 B2	3301 D9	3311 C3	3320 A2	3334 B5	3343 C4	3353 D3	3362 E4	3371 A4	3380 A6	4110 A4	4119 E3	6312 C2	7318 B8	
2349 E1	2358 B2	3302 D9	3312 C2	3321 A2	3335 B5	3345 C3	3354 D4	3363 E1	3372 A4	3381 E4	4111 C3	4300 B2	7300 E4	7319 B8	
2350 E2	2359 A2	3304 B9	3313 B2	3322 A2	3336 C4	3346 C3	3355 E2	3364 E3	3373 A4	3382 E4	4112 A4	4301 B2	7301 E3	7320 C3	
2351 E3	2360 A2	3305 B9	3314 C3	3323 B2	3337 C4	3347 D1	3356 E3	3365 E3	3374 A3	3383 E2	4113 C3	4302 A2	7302 E2	7324 B4	
2352 E4	2375 C10	3306 B9	3315 C2	3324 A2	3338 C4	3348 D2	3357 E3	3366 E4	3375 A4	3384 E2	4114 A4	4303 A2	7303 E1	7325 B4	
2353 A4	2376 D9	3307 B9	3316 B3	3328 C2	3339 C4	3349 D3	3358 E4	3367 A4	3376 A3	3385 A5	4115 D2	6308 B9	7304 A3	7326 C4	

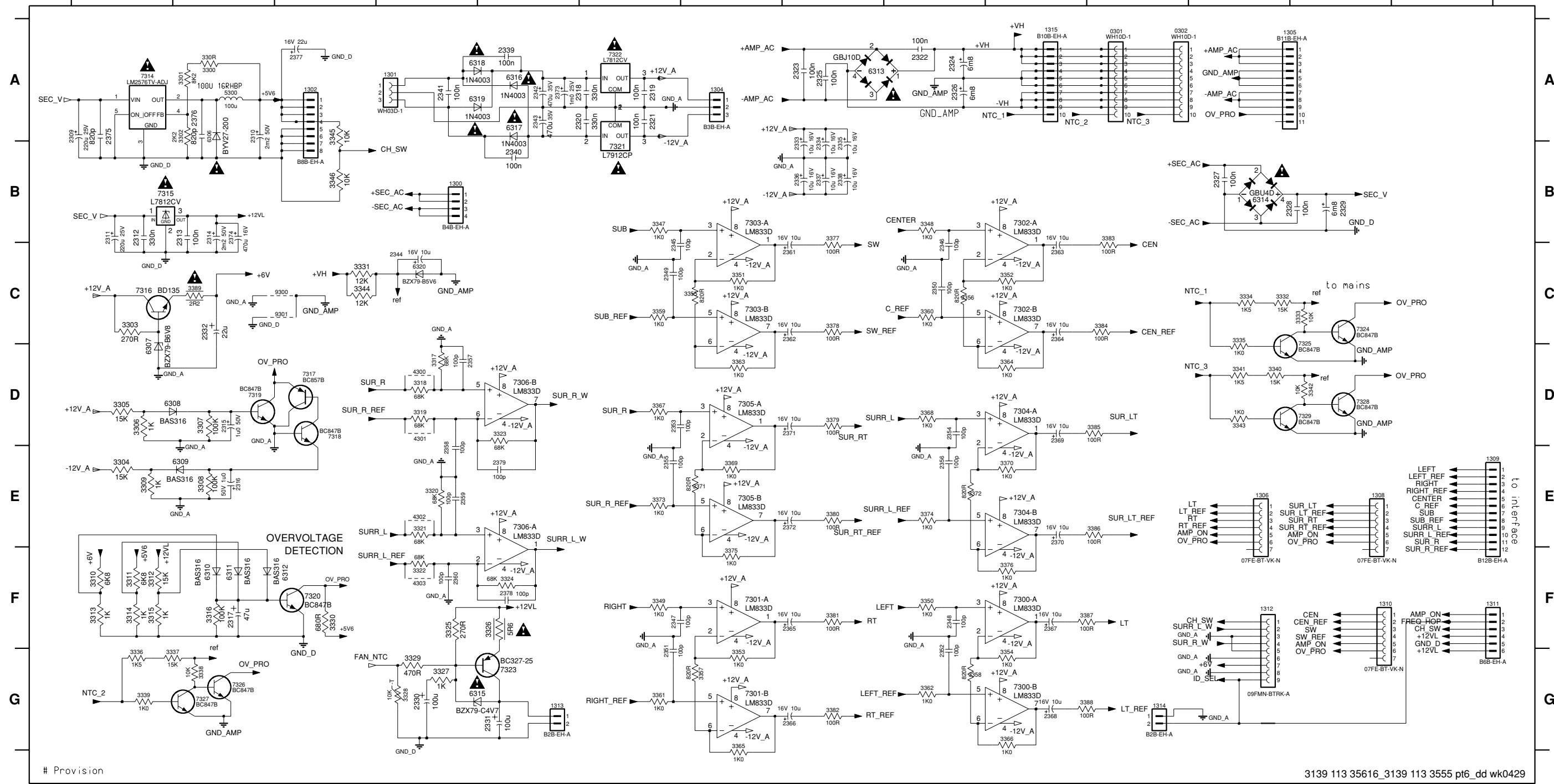


This assembly drawing shows a summary of all possible versions. For components used in a specific version see schematic diagram and respective parts list.

3139 113 3555 pt6 dd wk0429

REGULATOR BOARD - CIRCUIT DIAGRAM

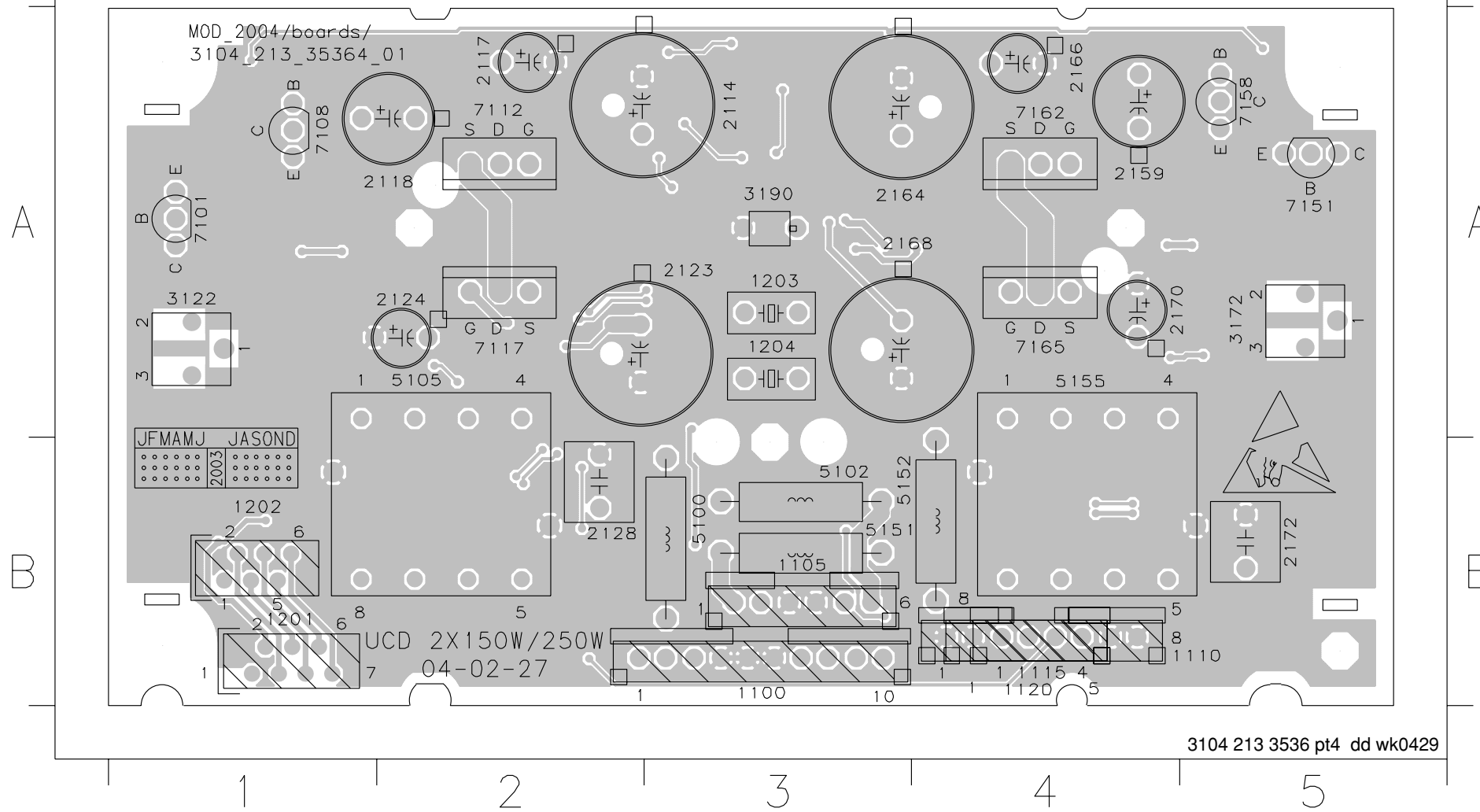
0301 A11	1309 E14	2311 B1	2320 A6	2329 B13	2338 B8	2347 F6	2356 E9	2365 F8	2374 B2	3303 C1	3312 F1	3321 E4	3330 F3	3339 G1	3348 B9	3357 G7	3366 G10	3375 F7	3384 C11	4303 F4	6313 A8	7300-B G10	7305-A D7	7319 D2	7328 D13
0302 A11	1310 F13	2312 B1	2321 A6	2330 G4	2339 A5	2348 F9	2357 D4	2366 G8	2375 A1	3304 E1	3313 F1	3322 F4	3331 C3	3340 D12	3349 F6	3358 G9	3367 D6	3376 F10	3385 D11	5300 A2	6314 B12	7301-A F7	7305-B E7	7320 F3	7329 D13
1300 B4	1311 F14	2313 B2	2322 A9	2331 G5	2340 B5	2349 C6	2358 E4	2367 F10	2376 A2	3305 D1	3314 F1	3323 D5	3332 C12	3341 D12	3350 F9	3359 C6	3368 D9	3377 B8	3386 E11	6306 A2	6315 G4	7301-B G7	7306-A E5	7321 B6	9300 C3
1301 A4	1312 F12	2314 B2	2323 A8	2332 C2	2341 A4	2350 C9	2359 E4	2368 G10	2377 A3	3306 D1	3315 F2	3324 F5	3333 C13	3342 D13	3351 C7	3360 C9	3369 E7	3378 C8	3387 F10	6307 D1	6316 A5	7302-A B10	7306-B D5	7322 A6	9301 C3
1302 A3	1313 G5	2315 D2	2324 A9	2333 B8	2342 A5	2351 G6	2360 F4	2369 D10	2378 F5	3307 D2	3316 F2	3325 F4	3334 C12	3343 D12	3352 C10	3361 G6	3370 E10	3379 D8	3388 G10	6308 D1	6317 A5	7302-B C10	7306-C D5	7323 G5	
1304 A7	1314 G11	2316 E2	2325 A8	2334 B8	2343 B5	2352 D9	2361 C8	2370 E10	2379 E5	3308 E2	3317 D4	3326 F5	3335 C12	3344 C3	3353 G7	3362 G9	3371 E7	3380 E8	3389 C2	6309 E2	6318 A4	7303-A B7	7315 B1	7324 C13	
1305 A12	1315 A10	2317 F2	2326 A9	2335 B8	2344 C4	2353 D6	2362 C8	2371 D8	2380 A2	3309 E1	3318 D4	3327 G4	3336 G1	3345 A3	3354 G10	3363 D7	3372 E9	3381 F8	4300 D4	6310 F2	6319 A4	7303-B C7	7316 C1	7325 D13	
1306 E12	2309 A1	2318 A6	2327 B12	2336 B8	2345 C6	2354 D9	2363 C10	2372 E8	2381 A2	3310 F1	3319 D4	3328 G4	3337 G1	3346 B3	3355 C7	3364 D10	3373 E6	3382 G8	4301 D4	6311 F2	6320 C4	7304-A D10	7317 D3	7326 G2	
1308 E13	2310 A2	2319 A6	2328 B13	2337 B8	2346 C9	2355 E6	2364 C10	2373 A5	2382 A2	3311 F1	3320 E4	3329 G4	3338 G2	3347 B6	3356 C9	3365 G7	3374 E9	3383 B11	4302 E4	6312 F3	7300-A F10	7304-B E10	7318 D3	7327 G2	



AMPLIFIER UCD BOARD - TOP VIEW LAYOUT

1100 B3	1201 B1	2117 A2	2159 A4	2172 B5	5102 B3	7101 A1	7158 A5
1105 B3	1202 B1	2118 A2	2164 A3	3122 A1	5105 B2	7108 A1	7162 A4
1110 B4	1203 A3	2123 A2	2166 A4	3172 A5	5151 B3	7112 A2	7165 A4
1115 B4	1204 A3	2124 A2	2168 A3	3190 A3	5152 B4	7117 A2	
1120 B4	2114 A2	2128 B2	2170 A4	5100 B3	5155 B4	7151 A5	

This assembly drawing shows a summary of all possible versions. For components used in a specific version see schematic diagram and respective parts list.



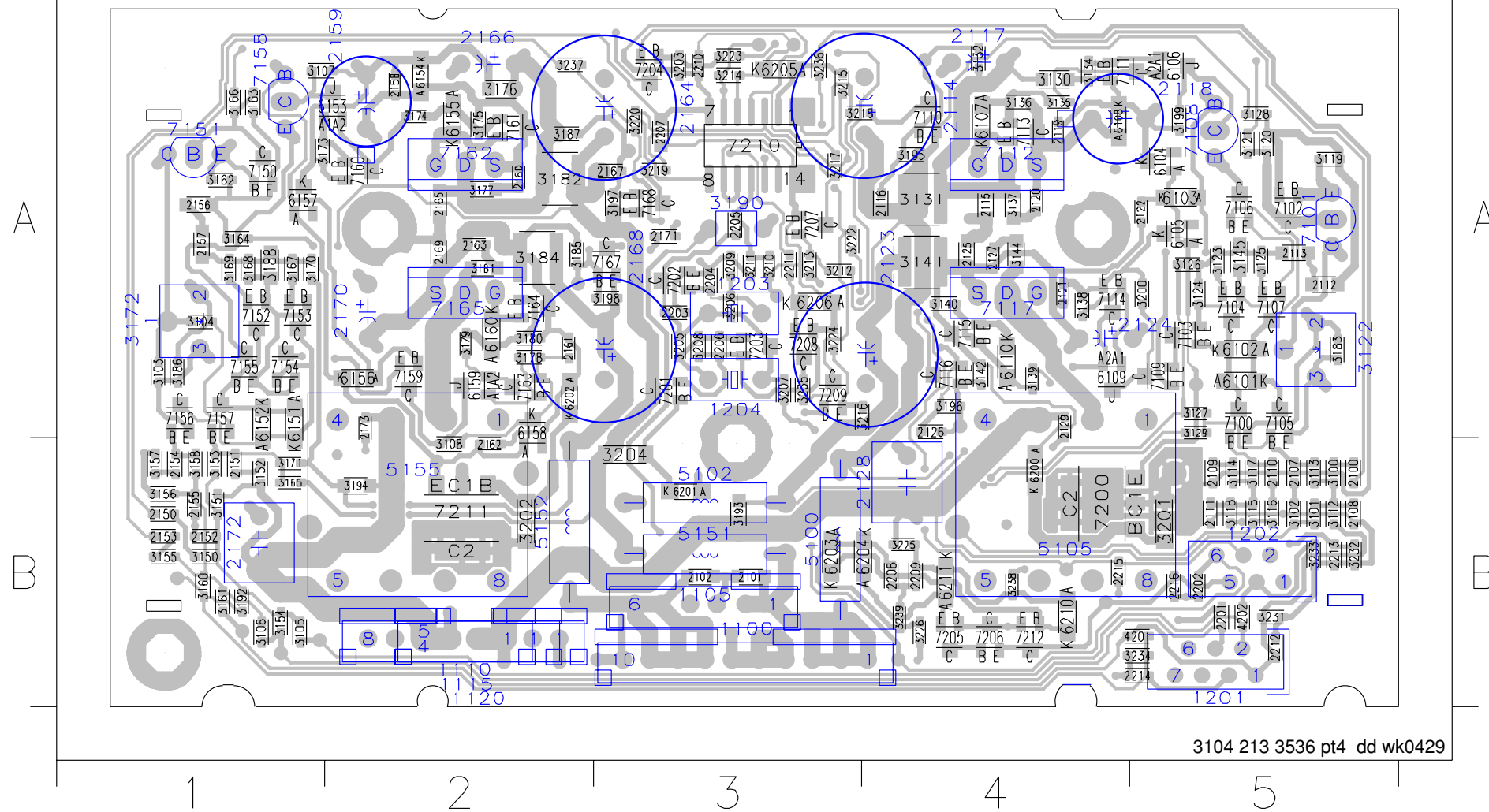
3104 213 3536 pt4 dd wk0429

AMPLIFIER UCD BOARD - BOTTOM VIEW LAYOUT

2100	B5	2122	A5	2161	A2	2208	B4	3106	B1	3125	A5	3141	A4	3162	A1	3178	A2
2101	B3	2125	A4	2162	B2	2209	B4	3107	A1	3126	A5	3142	A4	3163	A1	3179	A2
2102	B3	2126	A4	2163	A2	2210	A3	3108	B2	3127	A5	3144	A4	3164	A1	3180	A2
2107	B5	2127	A4	2165	A2	2211	A3	3112	B5	3128	A5	3145	A5	3165	B1	3181	A2
2108	B5	2129	A4	2167	A3	2212	B5	3113	B5	3129	A5	3150	B1	3166	A1	3182	A2
2109	B5	2150	B1	2169	A2	2213	B5	3114	B5	3130	A4	3151	B1	3167	A1	3183	A5
2110	B5	2151	B1	2171	A3	2214	B5	3115	B5	3131	A4	3152	B1	3168	A1	3184	A2
2111	B5	2152	B1	2173	A2	2215	B4	3116	B5	3132	A4	3153	B1	3169	A1	3185	A2
2112	A5	2153	B1	2201	B5	2216	B5	3117	B5	3134	A4	3154	B1	3170	A1	3186	A1
2113	A5	2154	B1	2202	B5	3100	B5	3118	B5	3135	A4	3155	B1	3171	B1	3187	A2
2115	A4	2155	B1	2203	A3	3101	B5	3119	A5	3136	A4	3156	B1	3173	A1	3188	A1
2116	A4	2156	A1	2204	A3	3102	B5	3120	A5	3137	A4	3157	B1	3174	A2	3192	B1
2119	A4	2157	A1	2205	A3	3103	A1	3121	A5	3138	A4	3158	B1	3175	A2	3193	B3
2120	A4	2158	A2	2206	A3	3104	A1	3123	A5	3139	A4	3160	B1	3176	A2	3194	B2
2121	A4	2160	A2	2207	A3	3105	B1	3124	A5	3140	A4	3161	B1	3177	A2	3195	A4

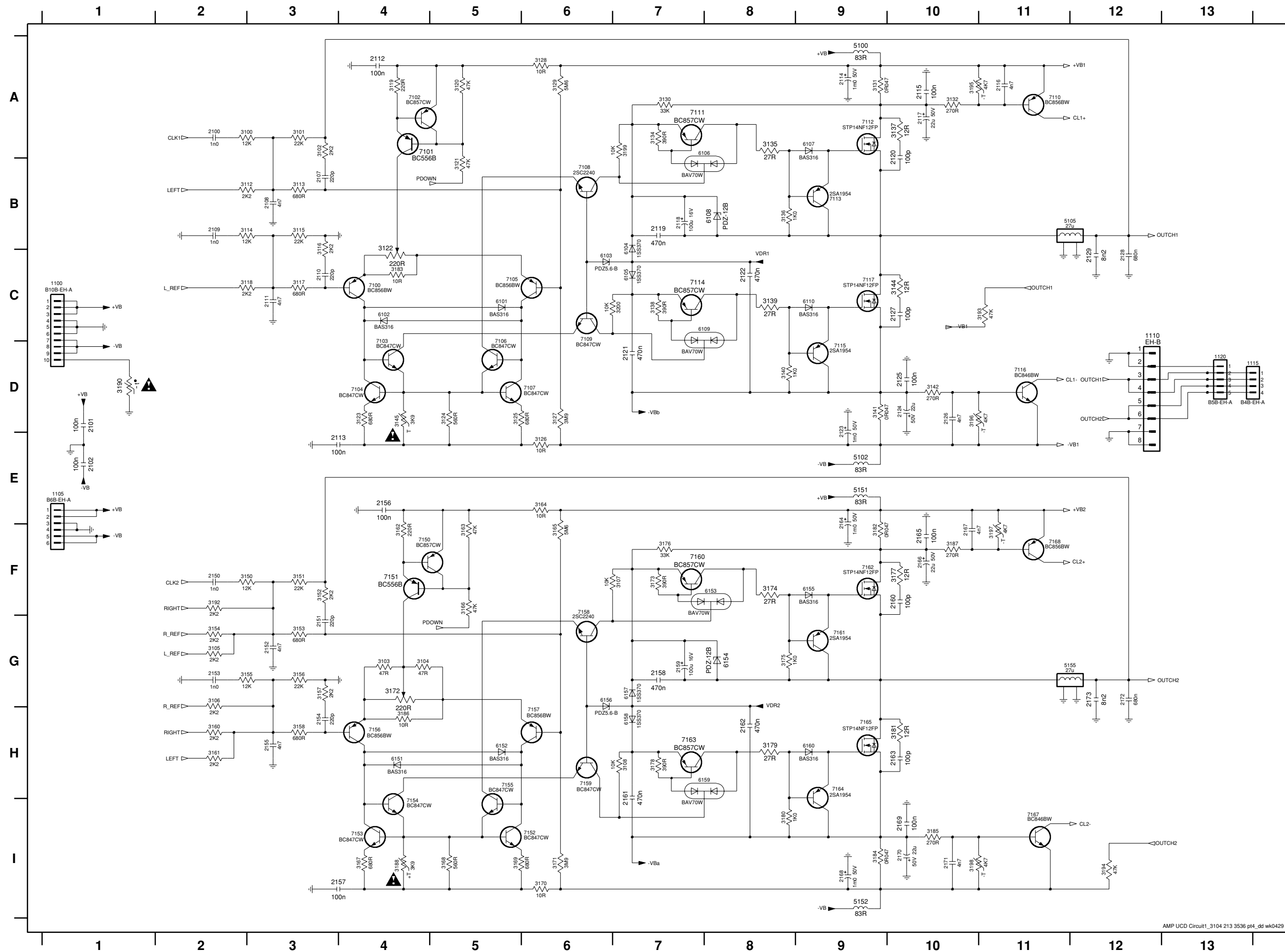
3196	A4	6154	A2	7210	A3	1100	B3
3197	A3	6155	A2	7211	B2	1105	B3
3198	A3	6156	A2	7212	B4	1110	B2
3199	A5	6157	A1	F100	B3	1115	B2
3200	A5	6158	A2	F101	B3	1120	B2
3201	B5	6159	A2	F102	B3	1201	B5
3202	B2	6160	A2	F103	B2	1202	B5
3203	A3	6200	B4	F104	B2	1203	A3
3204	B3	6201	B3	F105	B2	1204	A3
3205	A3	6202	A2	F106	B3	2114	A4
3206	A3	6203	B3	F107	A4	2117	A4
3207	A3	6204	B4	F108	A4	2118	A4
3208	A3	6205	A3	F109	A2	2123	A4
3209	A3	6206	A3	F110	A3	2124	A4
3210	A3	6210	B4	F111	A5	2128	B4
3211	A3	6211	B4	F112	B2	2159	A2
3212	A3	7100	A5	F113	A3	2164	A3
3213	A3	7102	A5	F114	B1	2166	A2
3214	A3	7103	A5	F115	B1	2168	A3
3215	A3	7104	A5	F116	B1	2170	A2
3216	A4	7105	A5	F117	B1	2172	B1
3217	A3	7106	A5	F118	B4	3122	A5
3218	A3	7107	A5	F119	B4	3172	A1
3219	A3	7109	A5	F120	B4	3190	A3
3220	A3	7110	A4	F121	A3	5100	B3
3222	A3	7111	A4	F122	A3	5102	B3
3223	A3	7113	A4			5105	B4
3224	A3	7114	A4			5151	B3
3225	B4	7115	A4			5152	B2
3226	B4	7116	A4			5155	B2
3231	B5	7150	A1			7101	A5
3232	B5	7152	A1			7108	A5
3233	B5	7153	A1			7112	A4
3234	B5	7154	A1			7117	A4
3235	A3	7155	A1			7151	A1
3236	A3	7156	A1			7158	A1
3237	A2	7157	A1			7162	A2
3238	B4	7159	A2			7165	A2
3239	B4	7160	A2				
4201	B5	7161	A2				
4202	B5	7163	A2				
6101	A5	7164	A2				
6102	A5	7167	A3				
6103	A5	7168	A3				
6104	A5	7200	B4				
6105	A5	7201	A3				
6106	A5	7202	A3				
6107	A4	7203	A3				
6108	A4	7204	A3				
6109	A4	7205	B4				
6110	A4	7206	B4				
6151	A1	7207	A3				
6152	A1	7208	A3				
6153	A2	7209	A3				

This assembly drawing shows a summary of all possible versions. For components used in a specific version see schematic diagram and respective parts list.



3104 213 3536 pt4 dd wk0429

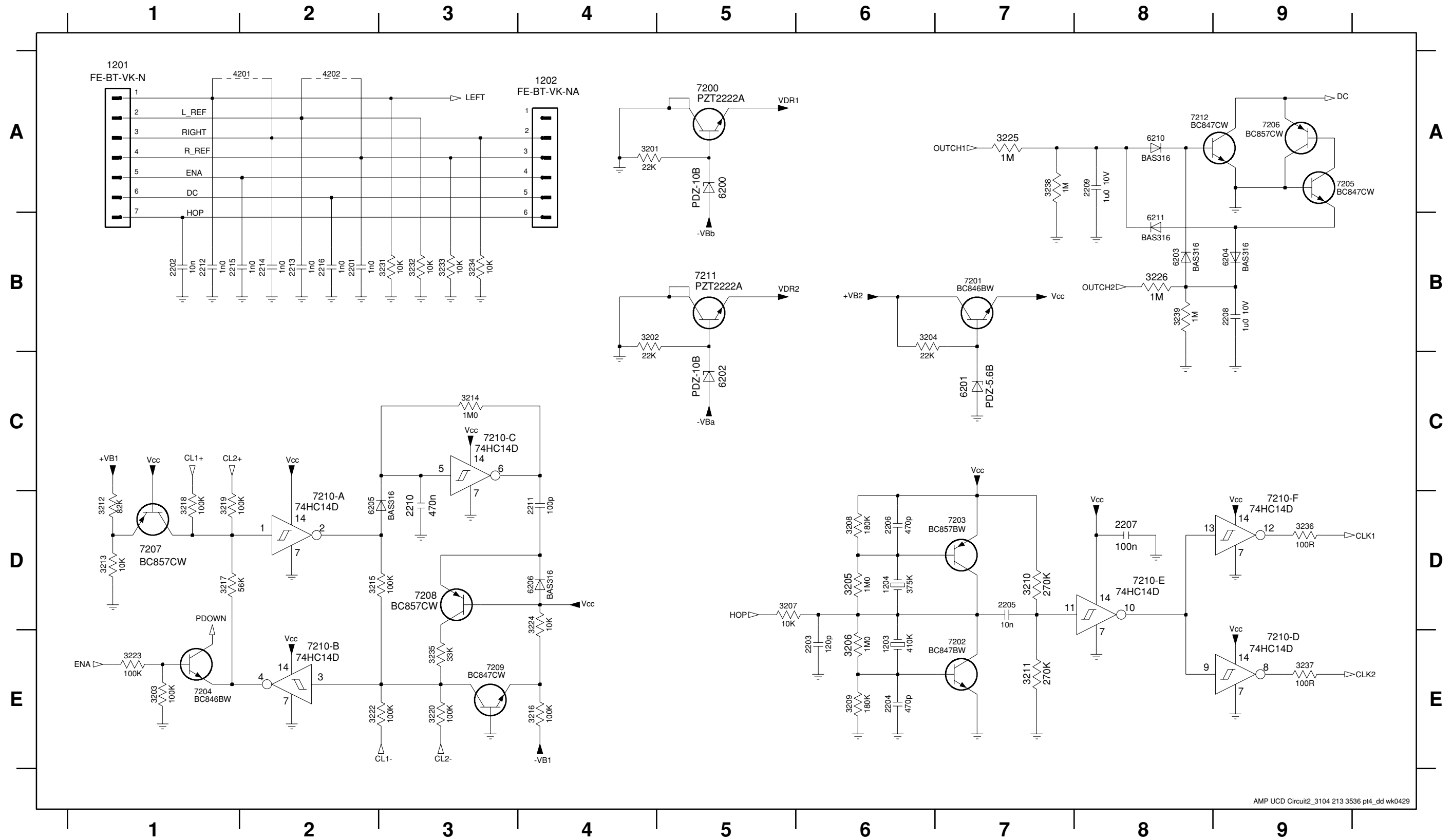
AMPLIFIER UCD BOARD - CIRCUIT DIAGRAM (PART 1)



- 1100 C1
- 1105 E1
- 1110 C12
- 1115 D13
- 1120 D13
- 2100 A2
- 2101 D1
- 2102 E1
- 2107 B3
- 2108 B3
- 2109 B2
- 2110 C3
- 2111 C3
- 2112 A4
- 2113 E3
- 2114 A9
- 2115 A10
- 2116 A11
- 2117 A10
- 2118 B7
- 2119 B7
- 2120 A10
- 2121 D7
- 2122 C8
- 2123 D9
- 2124 D10
- 2125 D10
- 2126 D10
- 2127 C10
- 2128 C12
- 2129 C12
- 2150 F2
- 2151 G3
- 2152 G3
- 2153 G2
- 2154 H3
- 2155 H3
- 2156 E4
- 2157 I3
- 2158 G7
- 2159 G7
- 2160 F10
- 2161 H7
- 2162 H8
- 2163 H10
- 2164 E9
- 2165 F10
- 2166 F10
- 2167 F10
- 2168 I9
- 2169 I10
- 2170 I10
- 2171 I10
- 2172 G12
- 2173 G12
- 3100 A2
- 3101 A3
- 3102 A3
- 3103 G4
- 3104 G4
- 3105 G2
- 3106 G2
- 3107 F7
- 3108 H7
- 3112 B2
- 3113 B3
- 3114 B2
- 3115 B3
- 3116 B3
- 3117 C3
- 3118 C2
- 3119 A4
- 3120 A5
- 3121 B5
- 3122 B4
- 3123 D4
- 3124 D5
- 3125 D5
- 3126 E6
- 3127 D6
- 3128 A6
- 3129 A6
- 3130 A7
- 3131 A9
- 3132 A10
- 3134 A7
- 3135 A8
- 3136 B8
- 3137 A10
- 3138 C7
- 3139 C8
- 3140 D8
- 3141 D9
- 3142 D10
- 3144 C10
- 3145 D4
- 3150 F2
- 3151 F3
- 3153 G3
- 3154 G2
- 3155 G2
- 3156 G3
- 3157 G3
- 3158 H3
- 3160 H2
- 3161 H2
- 3162 F4
- 3163 F5
- 3164 E6
- 3165 F6
- 3166 F5
- 3167 I4
- 3168 I5
- 3169 I5
- 3170 I6
- 3171 I6
- 3172 G4
- 3173 F7
- 3174 F8
- 3175 G8
- 3176 F7
- 3177 F10
- 3178 H7
- 3179 H8
- 3180 I8
- 3181 H10
- 3182 F9
- 3183 C4
- 3184 I9
- 3185 I10
- 3186 H4
- 3187 F10
- 3188 I4
- 3190 D1
- 3192 F2
- 3193 C11
- 3194 I12
- 3195 A10
- 3196 D10
- 3197 F11
- 3198 I10
- 3199 A7
- 3200 C7
- 5100 A9
- 5102 E9
- 5105 B12
- 5151 E9
- 5152 I9
- 5155 G12
- 6101 C5
- 6102 C4
- 6103 C6
- 6104 B7
- 6105 C7
- 6106 A7
- 6107 A9
- 6108 B8
- 6109 C7
- 6110 C9
- 6151 H4
- 6152 H5
- 6153 F8
- 6154 G8
- 6155 F9
- 6156 G6
- 6157 G7
- 6158 H7
- 6159 H7
- 6160 H9
- 7100 C4
- 7101 A5
- 7102 A4
- 7103 D4
- 7104 D4
- 7105 C5
- 7106 D5
- 7107 D6
- 7108 B6
- 7109 C6
- 7110 A11
- 7111 A8
- 7112 A9
- 7113 B9
- 7114 C8
- 7115 D9
- 7116 D11
- 7117 C9
- 7150 F4
- 7151 F4
- 7152 I6
- 7153 I4
- 7154 I4
- 7155 H5
- 7156 H4
- 7157 H6
- 7158 F6
- 7159 H6
- 7160 F8
- 7161 G9
- 7162 F9
- 7163 H7
- 7164 H9
- 7165 H9
- 7167 I11
- 7168 F11

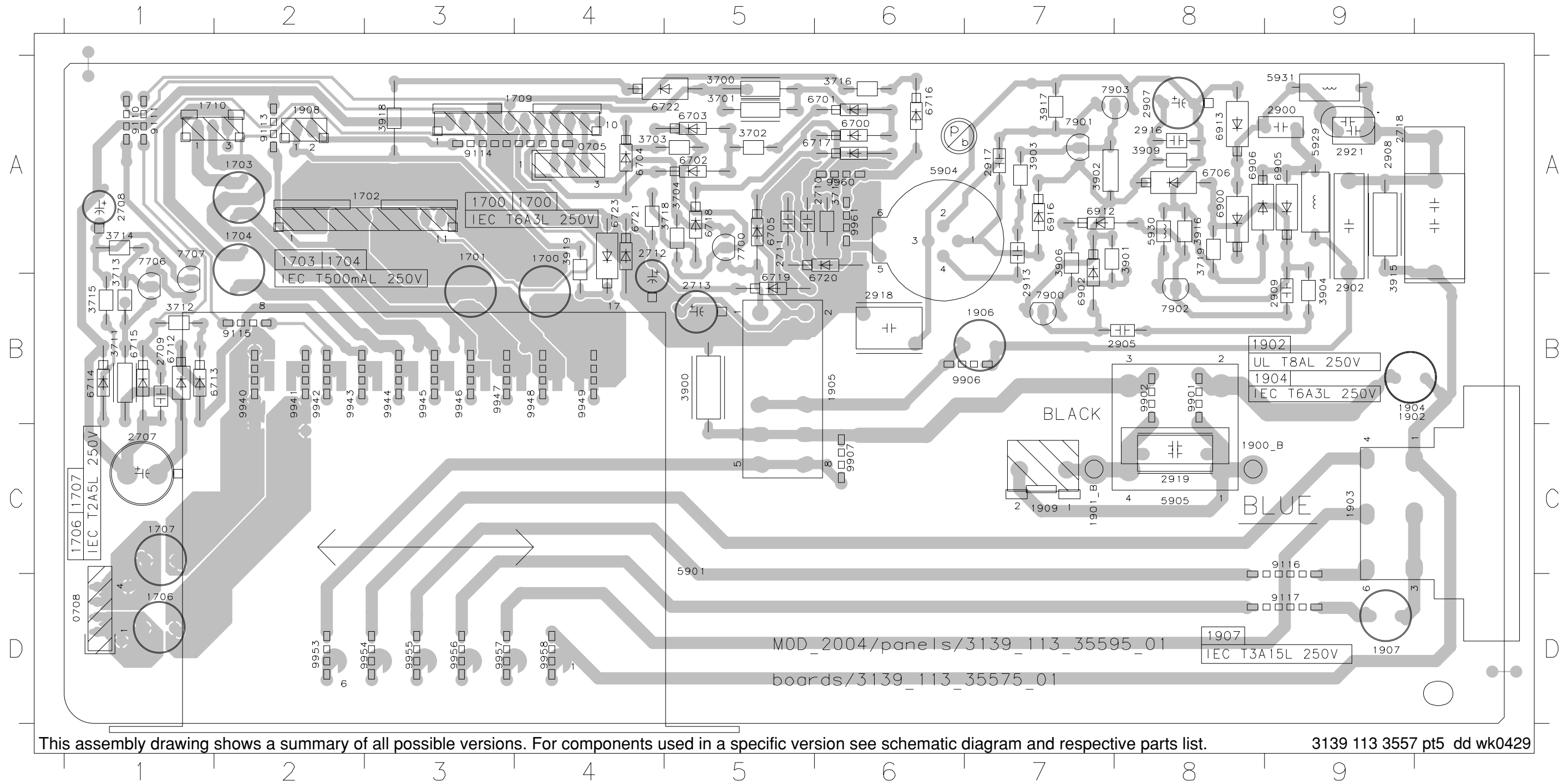
AMPLIFIER UCD BOARD - CIRCUIT DIAGRAM (PART 2)

1201 A1	2201 B2	2205 D7	2209 A8	2213 B2	3201 A4	3205 D6	3209 E6	3213 D1	3217 D1	3222 E2	3226 B8	3234 B3	3238 A7	6200 A5	6204 B9	6211 B8	7203 D7	7207 D1	7210-B E2	7210-F D9
1202 A4	2202 B1	2206 D6	2210 D3	2214 B2	3202 B4	3206 E6	3210 D7	3214 C3	3218 D1	3223 E1	3231 B3	3235 E3	3239 B8	6201 C7	6205 D2	7200 A5	7204 E1	7208 D3	7210-C C3	7211 B5
1203 E6	2203 E6	2207 D8	2211 D4	2215 B1	3203 E1	3207 D5	3211 E7	3215 D2	3219 D1	3224 D4	3232 B3	3236 D9	4201 A2	6202 C5	6206 D4	7201 B7	7205 A9	7209 E3	7210-D E9	7212 A8
1204 D6	2204 E6	2208 B9	2212 B1	2216 B2	3204 B6	3208 D6	3212 D1	3216 E4	3220 E3	3225 A7	3233 B3	3237 E9	4202 A2	6203 B8	6210 A8	7202 E7	7206 A9	7210-A D2	7210-E D8	



MAINS BOARD - COMPONENT LAYOUT

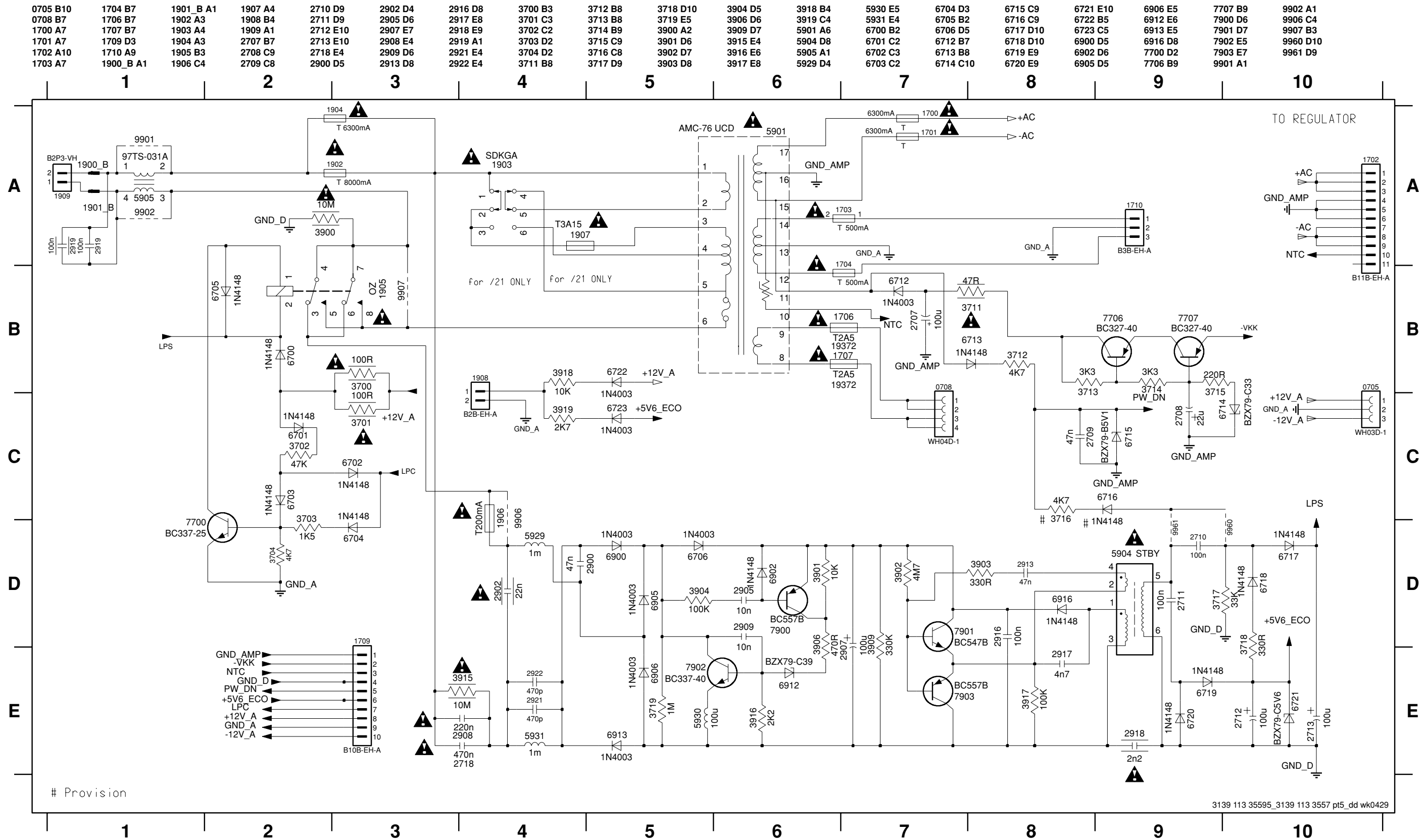
0705 A4	1710 A1	1909 C7	2902 B9	2920 C8	3713 A1	3903 A7	5904 A6	6705 A5	6720 B6	6916 A7	9113 A2	9941 B2	9954 D2
0708 D1	1900_B C8	2707 C1	2905 B8	2921 A9	3714 A1	3904 B9	5905 C8	6706 A8	6721 A4	7700 A5	9114 A3	9942 B2	9955 D3
1700 A4	1901_B C7	2708 A1	2907 A8	2922 A9	3715 B1	3906 A7	5929 A9	6712 B1	6722 A5	7706 A1	9115 B2	9943 B2	9956 D3
1701 A3	1902_B9	2709 B1	2908 A9	3700 A5	3716 A6	3909 A8	5930 A8	6713 B1	6723 A4	7707 A1	9116 C9	9944 B3	9957 D3
1702 A3	1903 C9	2710 A6	2909 B9	3701 A5	3717 A6	3915 B9	5931 A9	6714 B1	6900 A8	7900 B7	9117 D9	9945 B3	9958 D4
1703 A2	1904 B9	2711 A5	2913 B7	3702 A5	3718 A5	3916 A8	6700 A6	6715 B1	6902 B7	7901 A7	9901 B8	9946 B3	9960 A6
1704 A2	1905 B6	2712 A4	2916 A8	3703 A4	3719 A8	3917 A7	6701 A6	6716 A6	6905 A9	7902 B8	9902 B8	9947 B3	9961 A6
1706 D1	1906 B7	2713 B5	2917 A7	3704 A5	3900 B5	3918 A3	6702 A5	6717 A6	6906 A8	7903 A8	9906 B7	9948 B4	
1707 C1	1907 D9	2718 A9	2918 B6	3711 B1	3901 A8	3919 A4	6703 A5	6718 A5	6912 A7	9110 A1	9907 C6	9949 B4	
1709 A4	1908 A2	2900 A9	2919 C8	3712 B1	3902 A7	5901 C5	6704 A4	6719 B5	6913 A8	9111 A1	9940 B2	9953 D2	



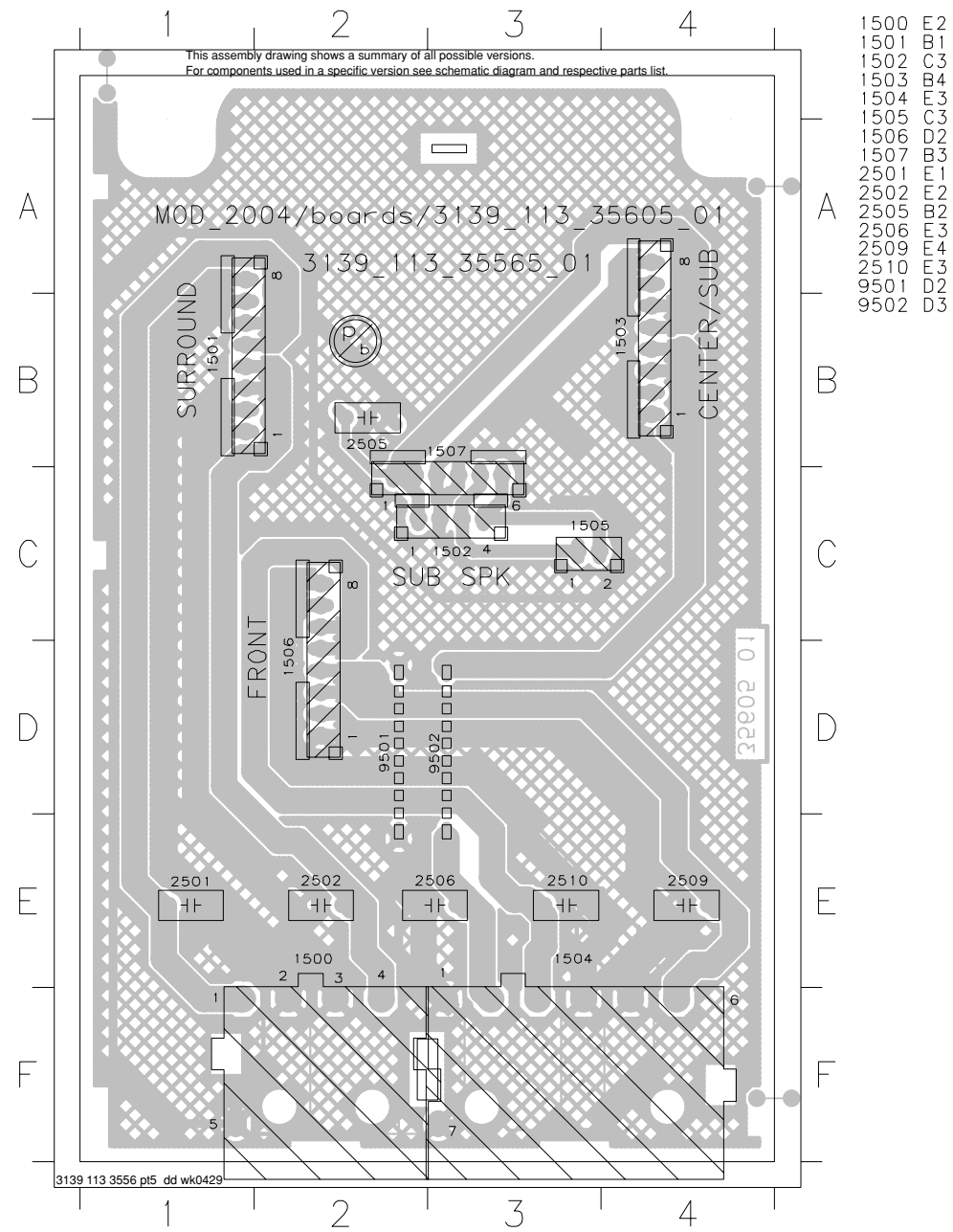
This assembly drawing shows a summary of all possible versions. For components used in a specific version see schematic diagram and respective parts list.

3139 113 3557 pt5 dd wk0429

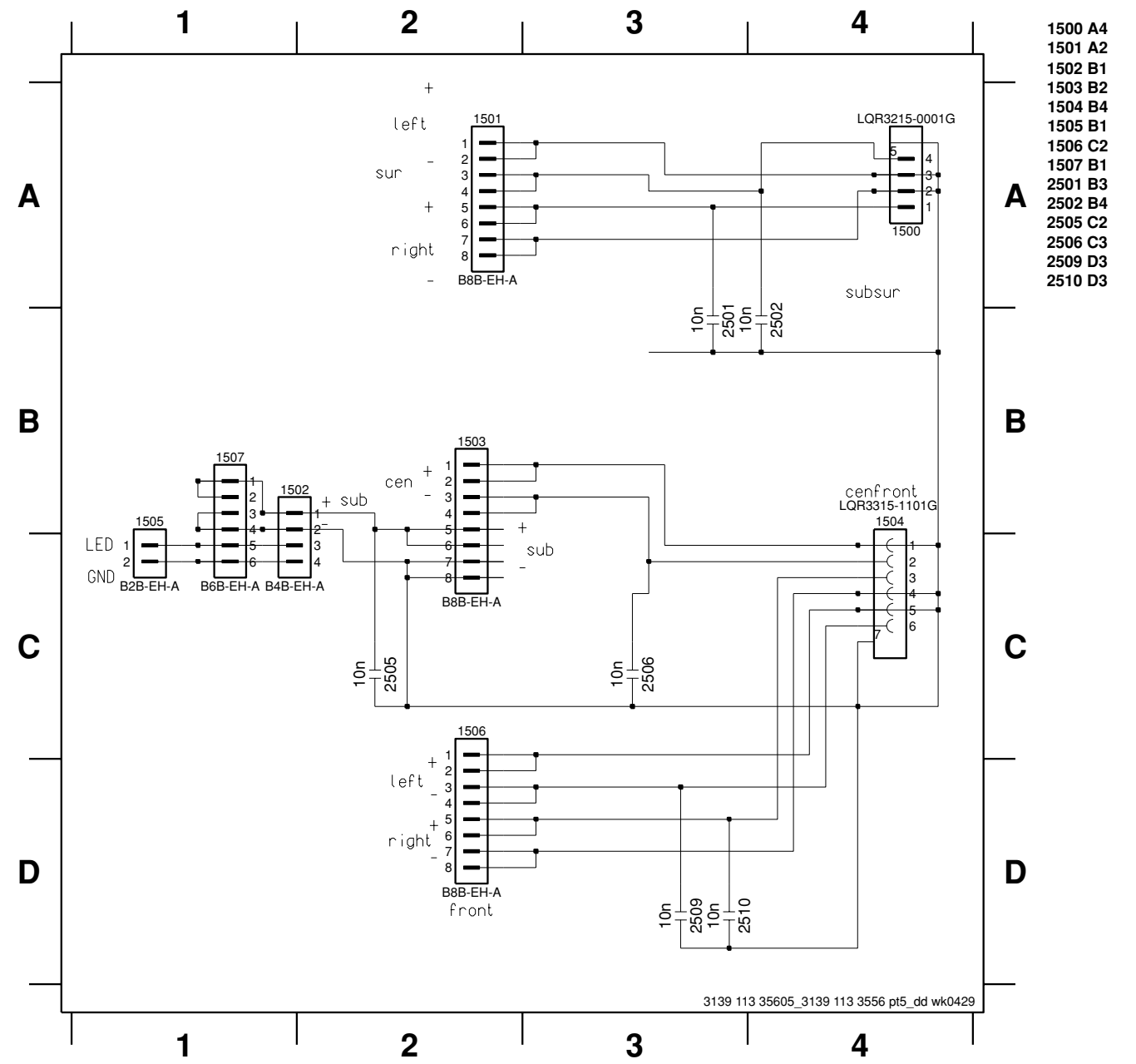
MAINS BOARD - CIRCUIT DIAGRAM



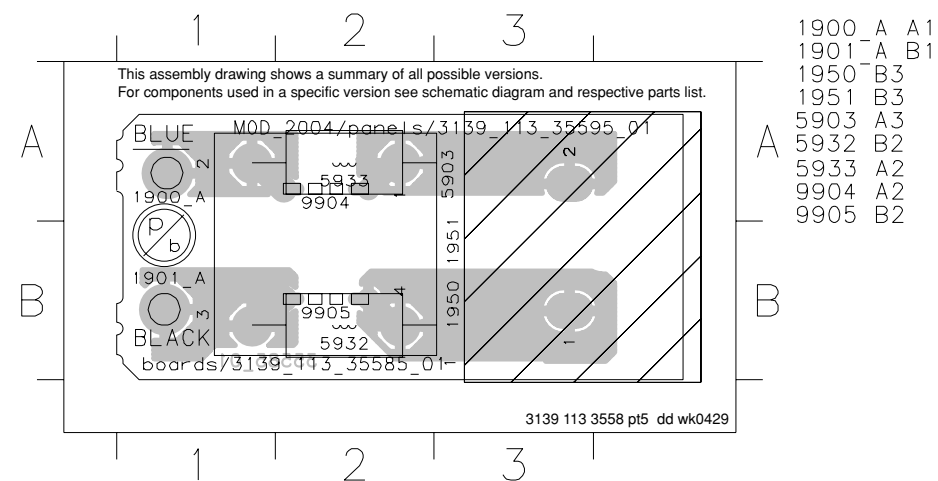
SPEAKER BOARD - COMPONENT LAYOUT



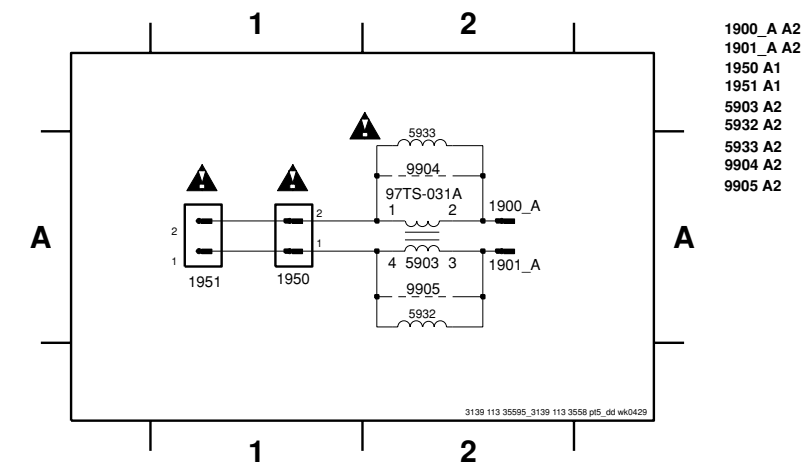
SPEAKER BOARD - CIRCUIT DIAGRAM



MAINS SOCKET BOARD - COMPONENT LAYOUT



MAINS SOCKET BOARD - CIRCUIT DIAGRAM



ELECTRICAL PARTS LIST - MAINS SOCKET BOARD**MISCELLANEOUS**

1002 3139 118 58041 PCBAS MAINS SOCKET
1950 4822 265 31015 Δ MAINS SOCKET

COILS & FILTERS

5903 4822 157 11628 Δ FIL MAINS 650uH 6A 97TS B

Note : Only the parts mentioned in this list are normal service spare parts.

ELECTRICAL PARTS LIST - MAINS BOARD**MISCELLANEOUS**

1001 3139 118 58061 PCBAS MAINS
1700 2422 086 11109 Δ FUSE RAD T 6A3 250V
1701 2422 086 11109 Δ FUSE RAD T 6A3 250V
1703 9965 000 07787 Δ FUSE RAD LT 500MA 250V
1704 9965 000 07787 Δ FUSE RAD LT 500MA 250V
1706 4822 071 52502 Δ FUSE RAD LT 2A5 250V
1707 4822 071 52502 Δ FUSE RAD LT 2A5 250V
1710 4822 267 10735 CON BM V 3P M 2.50 EH B
1904 2422 086 11109 Δ FUSE RAD T 6A3 250V
1905 2422 132 07519 Δ RELAY 1P 12V 16A OZ-SS L

CAPACITORS

2707 2020 012 93741 100uF 20% 100V
2900 4822 121 43526 47nF 5% 250V
2902 2222 336 19106 Δ 22nF 20% 275V
2908 4822 121 10512 Δ 220nF 20% 275V
2918 4822 126 14497 Δ 2,2nF 20% 250V
2919 4822 121 10711 100nF 20% 275V
2919 2222 338 22104 100nF 20% 275V

RESISTORS

3700 4822 052 10101 Δ 100R 5% 0,33W
3701 4822 052 10101 Δ 100R 5% 0,33W
3711 4822 052 10479 Δ 47R 5% 0,33W
3902 4822 050 24705 4M7 1% 0,6W
3915 4822 053 21106 Δ 10M 5% 0,5W

COILS & FILTERS

5904 2422 549 45157 Δ TRAFO STANDBY 3A1631N
5929 4822 157 53473 IND FXD 1000uH 10%
5930 4822 157 52333 IND FXD 100uH 5%
5931 4822 157 53473 IND FXD 1000uH 10%

DIODES

6700 4822 130 30621 1N4148
6701 4822 130 30621 1N4148
6702 4822 130 30621 1N4148

6703 4822 130 30621 1N4148
6704 4822 130 30621 1N4148
6705 4822 130 30621 1N4148
6706 4822 130 31878 1N4003G
6712 4822 130 31878 1N4003G
6713 4822 130 30621 1N4148
6714 4822 130 34142 BZX79-C33
6715 3198 010 55180 BZX79-B5V1
6716 4822 130 30621 1N4148
6717 4822 130 30621 1N4148
6718 4822 130 30621 1N4148
6719 4822 130 30621 1N4148
6720 4822 130 30621 1N4148
6721 4822 130 34173 BZX79-C5V6
6722 4822 130 31878 1N4003G
6723 4822 130 31878 1N4003G
6900 4822 130 31878 1N4003G
6902 4822 130 30621 1N4148
6905 4822 130 31878 1N4003G
6906 4822 130 31878 1N4003G
6912 4822 130 34145 BZX79-C39
6913 4822 130 31878 1N4003G
6916 4822 130 30621 1N4148

TRANSISTORS & INTEGRATED CIRCUITS

7700 4822 130 40981 BC337-25
7706 4822 130 41327 BC327-40
7707 4822 130 41327 BC327-40
7900 4822 130 44568 BC557B
7901 4822 130 40959 BC547B
7902 4822 130 40855 BC337-40
7903 4822 130 44568 BC557B

Note : Only the parts mentioned in this list are normal service spare parts.

ELECTRICAL PARTS LIST - REGULATOR BOARD**MISCELLANEOUS**

1306 4822 267 10953 FLEX CONNECTOR 7P
1308 4822 267 10953 FLEX CONNECTOR 7P
1310 4822 267 10953 FLEX CONNECTOR 7P

CAPACITORS

2310 3198 038 52220 2200uF 20% 50V
2312 5322 121 42661 330nF 5% 63V
2313 5322 121 42386 100nF 5% 63V
2318 5322 121 42661 330nF 5% 63V
2319 5322 121 42386 100nF 5% 63V
2320 5322 121 42661 330nF 5% 63V
2321 5322 121 42386 100nF 5% 63V
2322 5322 121 42578 100nF 5% 250V
2323 5322 121 42578 100nF 5% 250V
2324 2022 020 00737 6800uF 20% 50V
2325 5322 121 42578 100nF 5% 250V
2326 2022 020 00737 6800uF 20% 50V
2327 5322 121 42578 100nF 5% 250V
2328 5322 121 42578 100nF 5% 250V
2329 2022 020 00782 6800uF 20% 35V
2339 5322 121 42386 100nF 5% 63V
2340 5322 121 42386 100nF 5% 63V
2341 5322 121 42386 100nF 5% 63V
2373 4822 124 80061 1000uF 20% 25V

RESISTORS

3326 4822 052 10568 Δ 5R6 5% 0,33W
3328 2322 615 33103 NTC SM 0603 0W125 10K 5%
3331 2322 187 53123 RST MFLM SFR16 A 12K 5%
3344 2322 187 53123 RST MFLM SFR16 A 12K 5%

COILS & FILTERS

5300 2422 536 00838 IND FXD 16RHBP 100uH 10%

DIODES

6306 4822 130 10871 Δ BYV27-200
6308 4822 130 11397 BAS316
6309 4822 130 11397 BAS316

ELECTRICAL PARTS LIST - SPEAKER BOARD**MISCELLANEOUS**

1500 2422 025 18515 Speaker Socket 4P Grey/Blue
1504 2422 025 18518 Speaker Socket 6P Green/
Red/White

CAPACITORS

2501 4822 121 41857 10nF 5% 250V
2502 4822 121 41857 10nF 5% 250V

6310 4822 130 11397 BAS316
6311 4822 130 11397 BAS316
6312 4822 130 11397 BAS316
6313 9322 197 92682 Δ BRIDGE GBJ10D
6314 4822 130 83302 Δ BRIDGE GBU4D
6315 4822 130 34174 Δ BZX79-C4V7
6316 4822 130 31878 Δ 1N4003G
6317 4822 130 31878 Δ 1N4003G
6318 4822 130 31878 Δ 1N4003G
6319 4822 130 31878 Δ 1N4003G
6320 4822 130 83206 BZX79-B5V6

TRANSISTORS & INTEGRATED CIRCUITS

7300 4822 209 30095 LM833D
7301 4822 209 30095 LM833D
7302 4822 209 30095 LM833D
7303 4822 209 30095 LM833D
7304 4822 209 30095 LM833D
7305 4822 209 30095 LM833D
7314 9322 196 34682 Δ IC LM2576TV-ADJ
7315 4822 209 81726 Δ IC L7812CV
7317 4822 130 60373 BC857B
7318 5322 130 60159 BC847B
7319 5322 130 60159 BC847B
7320 5322 130 60159 BC847B
7321 9322 131 68687 Δ IC L7912CP
7322 4822 209 81726 Δ IC L7812CV
7323 4822 130 41246 BC327-25
7324 5322 130 60159 BC847B
7325 5322 130 60159 BC847B
7326 5322 130 60159 BC847B
7327 5322 130 60159 BC847B
7328 5322 130 60159 BC847B
7329 5322 130 60159 BC847B

Note : Only the parts mentioned in this list are normal service spare parts.

2505 4822 121 41857 10nF 5% 250V
2506 4822 121 41857 10nF 5% 250V
2509 4822 121 41857 10nF 5% 250V
2510 4822 121 41857 10nF 5% 250V

Note : Only the parts mentioned in this list are normal service spare parts.

ELECTRICAL PARTS LIST - AMPLIFIER UCD BOARD**MISCELLANEOUS**

0003	3104 214 39321	TO-220 HOLDER
0004	3104 214 39331	SPACER
1201	4822 267 10953	FLEX CONNECTOR 7P
1203	2422 540 98578	RES CER 410kHz
1204	2422 540 98552	RES CER 375kHz

CAPACITORS

2114	3198 026 51020	1000uF 20% 50V
2120	2238 606 11536	100pF 5% 100V
2123	3198 026 51020	1000uF 20% 50V
2127	2238 606 11536	100pF 5% 100V
2128	5322 121 42498	680nF 5% 63V
2160	2238 606 11536	100pF 5% 100V
2163	2238 606 11536	100pF 5% 100V
2164	3198 026 51020	1000uF 20% 50V
2168	3198 026 51020	1000uF 20% 50V
2172	5322 121 42498	680nF 5% 63V

RESISTORS

3122	4822 101 11382	RTRM CAR LIN 220R
3131	2122 118 06384	RST SM1218 LPRC201 R047 5%
3141	2122 118 06384	RST SM1218 LPRC201 R047 5%
3145	2122 663 00025	△ PTC SM 0805 40V 3k9 10%
3172	4822 101 11382	RTRM CAR LIN 220R
3182	2122 118 06384	RST SM1218 LPRC201 R047 5%
3184	2122 118 06384	RST SM1218 LPRC201 R047 5%
3188	2122 663 00025	△ PTC SM 0805 40V 3k9 10%
3190	4822 117 12063	△ NTC DC 0W5 S 10k 5%
3195	2120 611 00023	NTC SM 0603 0W1 4k7 5%
3195	2322 615 33472	NTC SM 0603 0W125 4k7 5%
3196	2120 611 00023	NTC SM 0603 0W1 4k7 5%
3196	2322 615 33472	NTC SM 0603 0W125 4k7 5%
3197	2120 611 00023	NTC SM 0603 0W1 4k7 5%
3197	2322 615 33472	NTC SM 0603 0W125 4k7 5%
3198	2120 611 00023	NTC SM 0603 0W1 4k7 5%
3198	2322 615 33472	NTC SM 0603 0W125 4k7 5%

COILS & FILTERS

5100	4822 157 11411	IND FXD BEAD EMI 100MHz 83R
5102	4822 157 11411	IND FXD BEAD EMI 100MHz 83R
5105	3104 218 15671	IND FXD SC4684-145 PM1
5151	4822 157 11411	IND FXD BEAD EMI 100MHz 83R
5152	4822 157 11411	IND FXD BEAD EMI 100MHz 83R
5155	3104 218 15671	IND FXD SC4684-145 PM1

DIODES

6101	4822 130 11397	BAS316
6102	4822 130 11397	BAS316
6103	3198 020 55680	DIO REG SM PDZ5.6B
6104	9322 198 95685	DIO SIG SM 1SS370
6105	9322 198 95685	DIO SIG SM 1SS370
6106	5322 130 34331	DIO SIG SM BAV70W

6107	4822 130 11397	BAS316
6108	9340 548 61115	DIO REG SM PDZ12B
6109	5322 130 34331	DIO SIG SM BAV70W
6110	4822 130 11397	BAS316
6151	4822 130 11397	BAS316
6152	4822 130 11397	BAS316
6153	5322 130 34331	DIO SIG SM BAV70W
6154	9340 548 61115	DIO REG SM PDZ12B
6155	4822 130 11397	BAS316
6156	3198 020 55680	DIO REG SM PDZ5.6B
6157	9322 198 95685	DIO SIG SM 1SS370
6158	9322 198 95685	DIO SIG SM 1SS370
6159	5322 130 34331	DIO SIG SM BAV70W
6160	4822 130 11397	BAS316
6200	4822 130 11551	DIO REG SM PDZ10B
6201	3198 020 55680	DIO REG SM PDZ5.6B
6202	4822 130 11551	DIO REG SM PDZ10B
6203	4822 130 11397	BAS316
6204	4822 130 11397	BAS316
6205	4822 130 11397	BAS316
6206	4822 130 11397	BAS316
6210	4822 130 11397	BAS316
6211	4822 130 11397	BAS316

TRANSISTORS & INTEGRATED CIRCUITS

7100	9340 218 20135	TRA SIG SM BC856BW
7101	4822 130 41691	TRA SIG BC556B
7102	9340 218 60115	TRA SIG SM BC857CW
7103	9340 217 80115	TRA SIG SM BC847CW
7103	9340 217 80115	TRA SIG SM BC847CW
7104	9340 217 80115	TRA SIG SM BC847CW
7104	9340 217 80115	TRA SIG SM BC847CW
7105	9340 218 20135	TRA SIG SM BC856BW
7106	9340 217 80115	TRA SIG SM BC847CW
7106	9340 217 80115	TRA SIG SM BC847CW
7107	9340 217 80115	TRA SIG SM BC847CW
7107	9340 217 80115	TRA SIG SM BC847CW
7108	4822 130 43233	TRA SIG 2SC2240
7109	9340 217 80115	TRA SIG SM BC847CW
7109	9340 217 80115	TRA SIG SM BC847CW
7110	9340 218 20135	TRA SIG SM BC856BW
7111	9340 218 60115	TRA SIG SM BC857CW
7112	9322 173 29687	FET POW STP14NF12FP
7113	9322 198 96685	TRA SIG SM 2SA1954B
7114	9340 218 60115	TRA SIG SM BC857CW
7115	9322 198 96685	TRA SIG SM 2SA1954B
7116	9340 217 40135	TRA SIG SM BC846BW
7117	9322 173 29687	FET POW STP14NF12FP
7150	9340 218 60115	TRA SIG SM BC857CW
7151	4822 130 41691	TRA SIG BC556B
7152	9340 217 80115	TRA SIG SM BC847CW
7152	9340 217 80115	TRA SIG SM BC847CW

ELECTRICAL PARTS LIST - AMPLIFIER UCD BOARD

7153	9340 217 80115	TRA SIG SM BC847CW
7153	9340 217 80115	TRA SIG SM BC847CW
7154	9340 217 80115	TRA SIG SM BC847CW
7154	9340 217 80115	TRA SIG SM BC847CW
7155	9340 217 80115	TRA SIG SM BC847CW
7155	9340 217 80115	TRA SIG SM BC847CW
7156	9340 218 20135	TRA SIG SM BC856BW
7157	9340 218 20135	TRA SIG SM BC856BW
7158	4822 130 43233	TRA SIG 2SC2240
7159	9340 217 80115	TRA SIG SM BC847CW
7159	9340 217 80115	TRA SIG SM BC847CW
7160	9340 218 60115	TRA SIG SM BC857CW
7161	9322 198 96685	TRA SIG SM 2SA1954B
7162	9322 173 29687	FET POW STP14NF12FP
7163	9340 218 60115	TRA SIG SM BC857CW
7164	9322 198 96685	TRA SIG SM 2SA1954B
7165	9322 173 29687	FET POW STP14NF12FP
7167	9340 217 40135	TRA SIG SM BC846BW
7168	9340 218 20135	TRA SIG SM BC856BW
7200	9339 753 30135	TRA POW SM PZT2222A
7201	9340 217 40135	TRA SIG SM BC846BW
7202	3198 010 42310	TRA SIG SM BC847BW
7203	3198 010 42320	TRA SIG SM BC857BW
7204	9340 217 40135	TRA SIG SM BC846BW
7205	9340 217 80115	TRA SIG SM BC847CW
7205	9340 217 80115	TRA SIG SM BC847CW
7206	9340 218 60115	TRA SIG SM BC857CW
7207	9340 218 60115	TRA SIG SM BC857CW
7208	9340 218 60115	TRA SIG SM BC857CW
7209	9340 217 80115	TRA SIG SM BC847CW
7209	9340 217 80115	TRA SIG SM BC847CW
7210	5322 209 11548	IC SM 74HC14D
7211	9339 753 30135	TRA POW SM PZT2222A
7212	9340 217 80115	TRA SIG SM BC847CW
7212	9340 217 80115	TRA SIG SM BC847CW

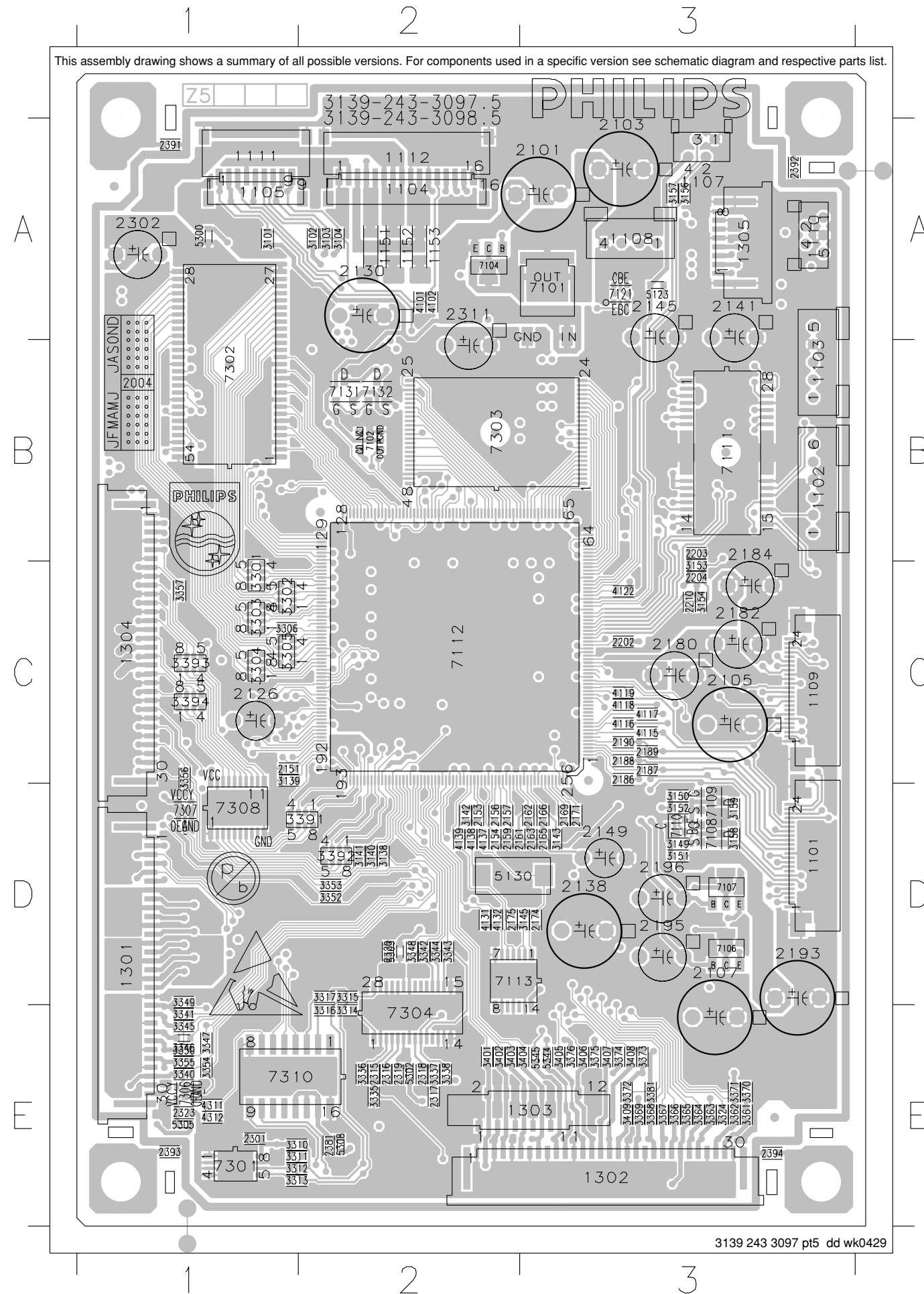
Note : Only the parts mentioned in this list are normal service spare parts.

MODULE SD6.3 ST AV2

TABLE OF CONTENTS

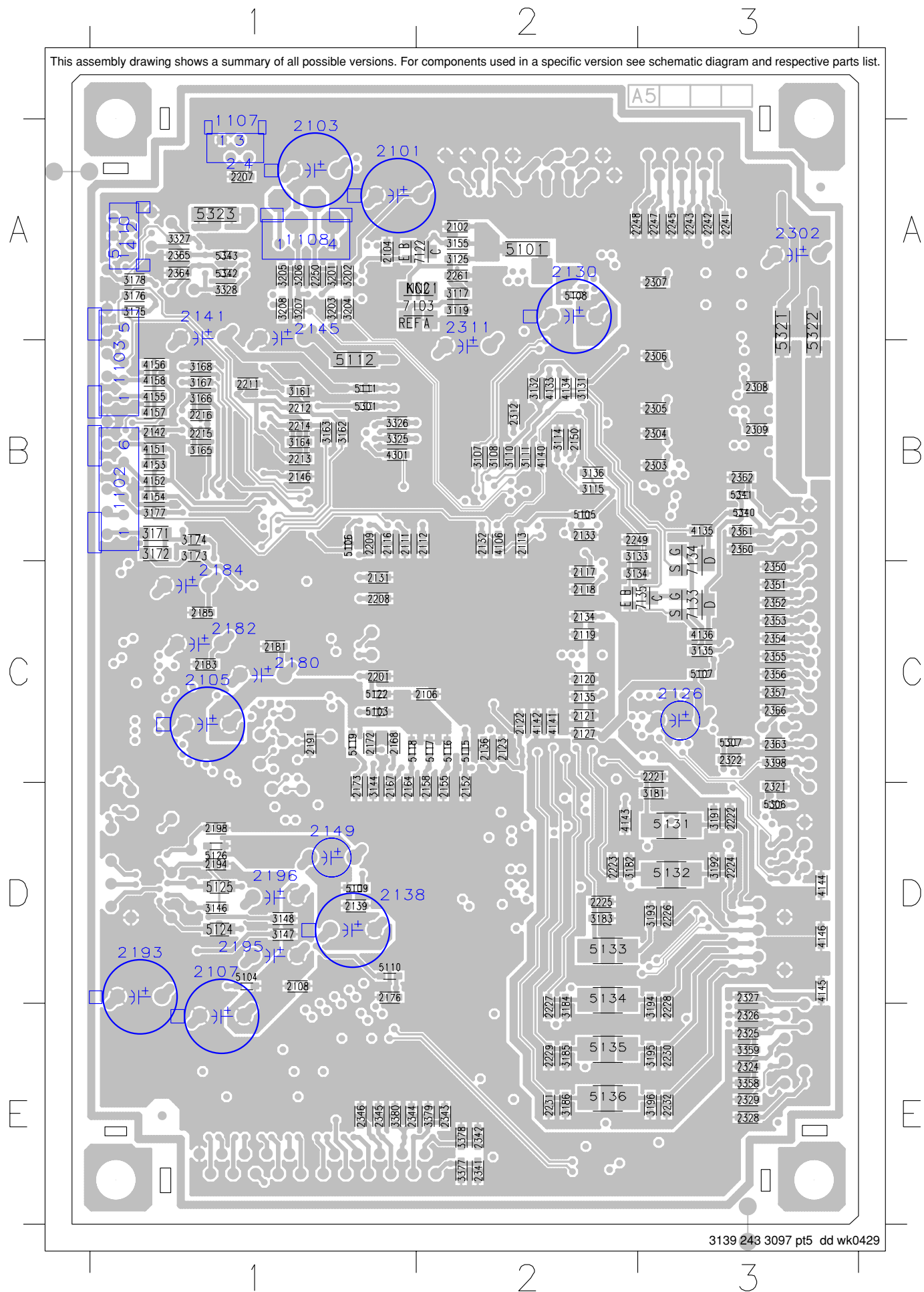
SD6.3 ST AV2 Board - Top View Layout	9-2
SD6.3 ST AV2 Board - Bottom View Layout	9-3
SD6.3 ST AV2 Board - Circuit Diagram (Part 1)	9-4
SD6.3 ST AV2 Board - Circuit Diagram (Part 2)	9-5
Exploded View & parts list	9-6
Electrical parts list	9-7

SD6.3 ST AV2 BOARD - TOP VIEW LAYOUT



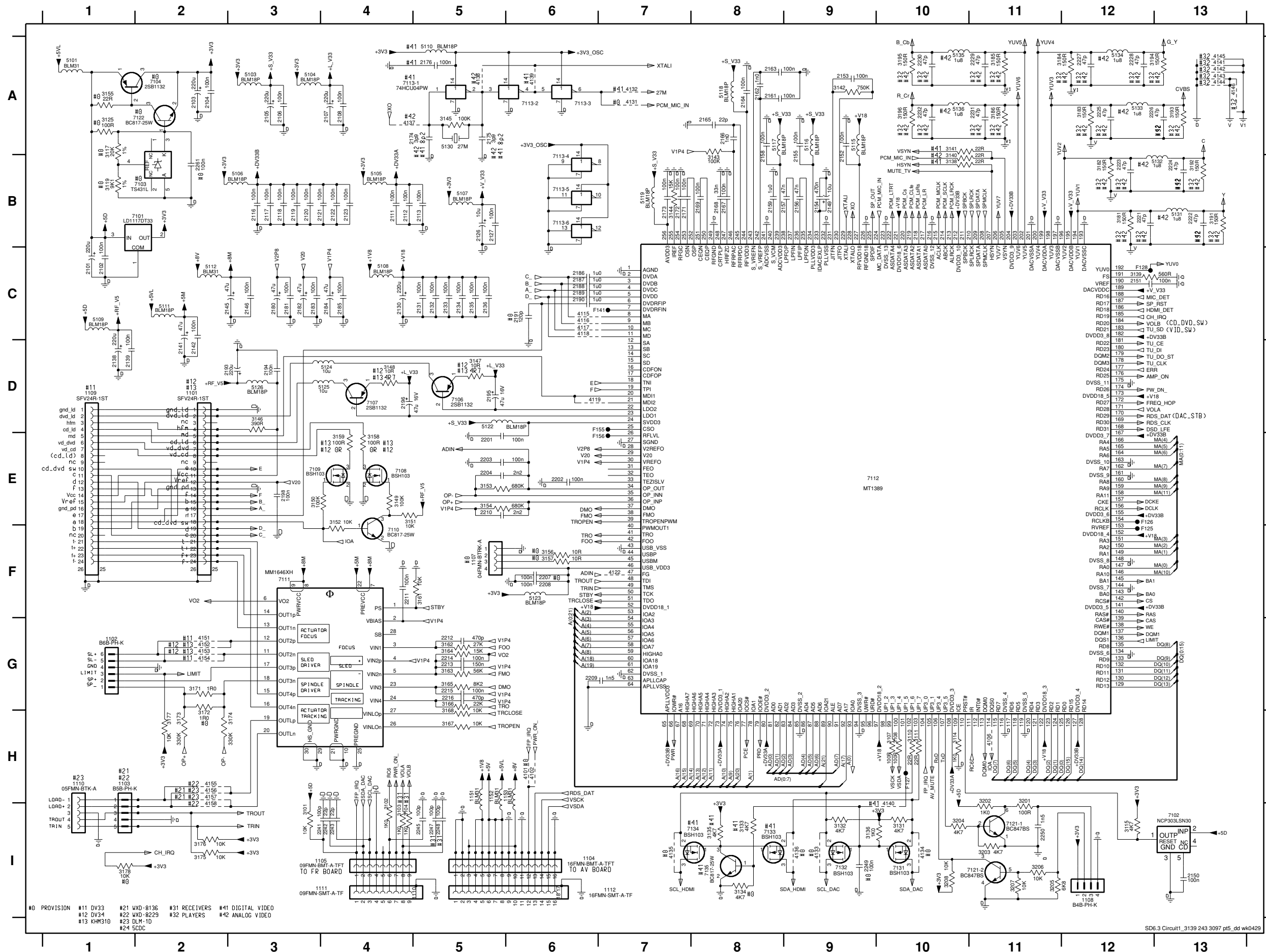
1101 D3	2317 E2	3355 E1	7110 D3
1102 B3	2318 E2	3356 E1	7111 B3
1103 B3	2319 E2	3357 C1	7112 C2
1104 A2	2320 D2	3361 E3	7113 D2
1105 A1	2323 E1	3362 E3	7121 A3
1107 A3	2381 E2	3363 E3	7131 B2
1108 A3	2391 A1	3364 E3	7132 B2
1109 C3	2392 A3	3365 E3	7301 E1
1110 A3	2393 E1	3366 E3	7302 B1
1111 A1	2394 E3	3367 E3	7303 B2
1112 A2	3101 A1	3368 E3	7304 E2
1151 A2	3102 A2	3369 E3	7306 E1
1152 A2	3103 A2	3370 E3	7307 D1
1153 A2	3104 A2	3371 E3	7308 D1
1301 D1	3138 D2	3372 E3	7310 E1
1302 E3	3139 C1	3373 E3	
1303 E3	3140 D2	3374 E3	
1304 C1	3141 D2	3375 E3	
1305 A3	3142 D2	3376 E3	
2101 A3	3143 D3	3381 E3	
2103 A3	3145 D3	3391 D2	
2105 C3	3149 D3	3392 D2	
2107 D3	3150 D3	3393 C1	
2126 C1	3151 D3	3394 C1	
2130 A2	3152 D3	3401 E2	
2138 D3	3153 C3	3402 E2	
2141 A3	3154 C3	3403 E2	
2145 A3	3156 A3	3404 E3	
2149 D3	3157 A3	3405 E3	
2151 C1	3158 D3	3406 E3	
2153 D2	3159 D3	3407 E3	
2154 D2	3301 C1	3408 E3	
2156 D2	3302 C1	3409 E3	
2157 D2	3303 C1	4101 A2	
2159 D2	3304 C1	4102 A2	
2161 D2	3305 C1	4115 C3	
2162 D3	3306 C1	4116 C3	
2163 D3	3310 E1	4117 C3	
2165 D3	3311 E1	4118 C3	
2166 D3	3312 E1	4119 C3	
2169 D3	3313 E1	4122 C3	
2171 D3	3314 E2	4131 D2	
2174 D3	3315 D2	4132 D2	
2175 D2	3316 E2	4137 D2	
2180 C3	3317 D2	4138 D2	
2182 C3	3324 E3	4139 D2	
2184 B3	3335 E2	4311 E1	
2186 C3	3336 E2	4312 E1	
2187 C3	3337 E2	5123 A3	
2188 C3	3338 E2	5130 D2	
2189 C3	3340 E1	5300 A1	
2190 C3	3341 E1	5302 E2	
2193 D3	3342 D2	5303 D2	
2195 D3	3343 D2	5305 E1	
2196 D3	3344 D2	5308 E2	
2202 C3	3345 E1	5344 E3	
2203 B3	3346 E1	5345 E3	
2204 C3	3347 E1	7101 A3	
2210 C3	3348 D2	7102 B2	
2301 E1	3349 D1	7104 A2	
2302 A1	3350 E1	7106 D3	
2311 A2	3352 D2	7107 D3	
2315 E2	3353 D2	7108 D3	
2316 E2	3354 E1	7109 D3	

SD6.3 ST AV2 BOARD - BOTTOM VIEW LAYOUT



1102	B1	2102	A2	2242	A3	3155	A2	4155	B1
1103	B1	2104	A1	2243	A3	3161	B1	4156	B1
1107	A1	2106	C2	2245	A3	3162	B1	4157	B1
1108	A1	2108	D1	2247	A3	3163	B1	4158	B1
1110	A1	2111	B1	2248	A2	3164	B1	4301	B1
2101	A1	2112	B2	2249	B2	3165	B1	5101	A2
2103	A1	2113	B2	2250	A1	3166	B1	5103	C1
2105	C1	2116	B1	2261	A2	3167	B1	5104	D1
2107	D1	2117	C2	2303	B3	3168	B1	5105	B2
2126	C3	2118	C2	2304	B3	3171	B1	5106	B1
2130	A2	2119	C2	2305	B3	3172	B1	5107	C3
2138	D1	2120	C2	2306	B3	3173	B1	5108	A2
2141	A1	2121	C2	2307	A3	3174	B1	5109	D1
2145	A1	2122	C2	2308	B3	3175	A1	5110	D1
2149	D1	2123	C2	2309	B3	3176	A1	5111	B1
2180	C1	2127	C2	2312	B2	3177	B1	5112	B1
2182	C1	2131	C1	2321	D3	3178	A1	5115	C2
2184	B1	2132	B2	2322	C3	3181	D3	5116	C2
2193	D1	2133	B2	2324	E3	3182	D2	5117	C2
2195	D1	2134	C2	2325	E3	3183	D2	5118	C1
2196	D1	2135	C2	2326	E3	3184	E2	5119	C1
2302	A3	2136	C2	2327	D3	3185	E2	5122	C1
2311	A2	2139	D1	2328	E3	3186	E2	5124	D1
		2142	B1	2329	E3	3191	D3	5125	D1
		2146	B1	2341	E2	3192	D3	5126	D1
		2150	B2	2342	E2	3193	D3	5131	D3
		2152	D2	2343	E2	3194	E3	5132	D3
		2155	D2	2344	E1	3195	E3	5133	D2
		2158	D2	2345	E1	3196	E3	5134	D2
		2164	D1	2346	E1	3201	A1	5135	E2
		2167	D1	2350	C3	3202	A1	5136	E2
		2168	C1	2351	C3	3203	A1	5301	B1
		2172	C1	2352	C3	3204	A1	5306	D3
		2173	D1	2353	C3	3205	A1	5307	C3
		2176	D1	2354	C3	3206	A1	5321	A3
		2181	C1	2355	C3	3207	A1	5322	A3
		2183	C1	2356	C3	3208	A1	5323	A1
		2185	C1	2357	C3	3325	B1	5340	B3
		2191	C1	2360	B3	3326	B1	5341	B3
		2194	D1	2361	B3	3327	A1	5342	A1
		2198	D1	2362	B3	3328	A1	5343	A1
		2201	C1	2363	C3	3358	E3	7103	A2
		2207	A1	2364	A1	3359	E3	7122	A2
		2208	C1	2365	A1	3377	E2	7133	C3
		2209	B1	2366	C3	3378	E2	7134	B3
		2211	B1	3107	B2	3379	E2	7135	C3
		2212	B1	3108	B2	3380	E1		
		2213	B1	3110	B2	3398	C3		
		2214	B1	3111	B2	4106	B2		
		2215	B1	3114	B2	4133	B2		
		2216	B1	3115	B2	4134	B2		
		2221	C3	3117	A2	4135	B3		
		2222	D3	3119	A2	4136	C3		
		2223	D2	3125	A2	4140	B2		
		2224	D3	3131	B2	4141	C2		
		2225	D2	3132	B2	4142	C2		
		2226	D3	3133	B2	4143	D2		
		2227	E2	3134	C2	4144	D3		
		2228	E3	3135	C3	4145	D3		
		2229	E2	3136	B2	4146	D3		
		2230	E3	3144	D1	4151	B1		
		2231	E2	3146	D1	4152	B1		
		2232	E3	3147	D1	4153	B1		
		2241	A3	3148	D1	4154	B1		

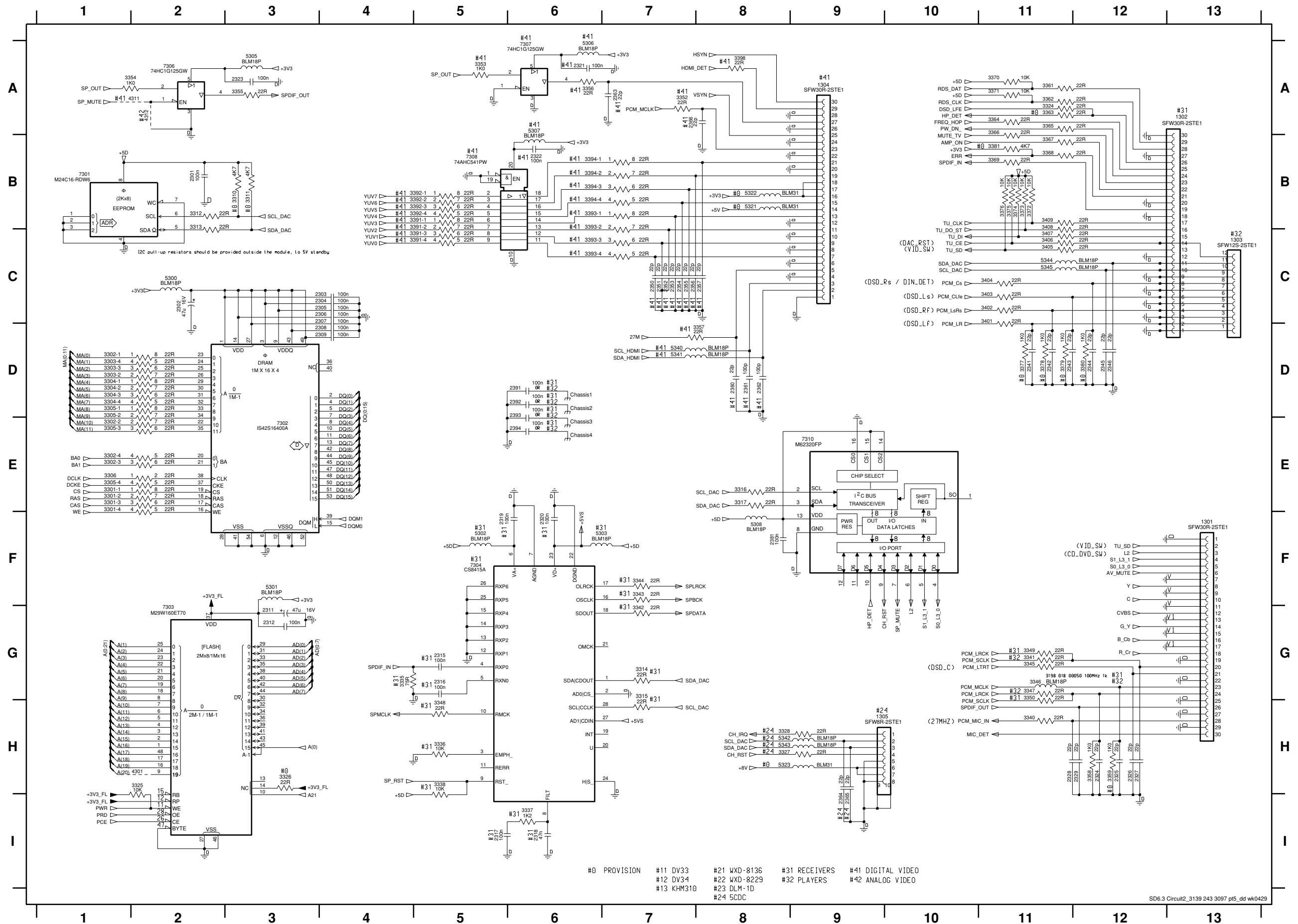
SD6.3 ST AV2 BOARD - CIRCUIT DIAGRAM (PART 1)



1101 D2	2241 I3	4157 H2
1102 G1	2242 I4	4158 I2
1103 H1	2243 I4	5101 A1
1104 I6	2245 I5	5103 A3
1105 I4	2247 I5	5104 A3
1107 F5	2248 I5	5105 B4
1108 I12	2249 I9	5106 B3
1109 D1	2250 I11	5107 B5
1110 H1	2261 B2	5108 C4
1111 I4	3101 I3	5109 C1
1112 I7	3102 I4	5110 A5
1151 H5	3103 I4	5111 C2
1152 H5	3104 I4	5112 C2
1153 H6	3107 H10	5115 A9
2101 C1	3108 H10	5116 A9
2102 C1	3110 H10	5117 A8
2103 A2	3111 H10	5118 A8
2104 A2	3114 H10	5119 B7
2105 A3	3115 I12	5122 D5
2106 A3	3117 A1	5123 F6
2107 A4	3119 B1	5124 D4
2108 A4	3125 A1	5125 D4
2111 B4	3131 H10	5126 D3
2112 B4	3132 B4	5130 A5
2113 B5	3133 I8	5131 B13
2116 B3	3134 I8	5132 B13
2117 B3	3135 I8	5133 A12
2118 B3	3136 I9	5134 A12
2119 B3	3138 B10	5135 A10
2120 B3	3139 C12	5136 A10
2121 B4	3140 B10	7101 B2
2122 B4	3141 I10	7102 I3
2123 B4	3142 A9	7103 B1
2126 B5	3143 B8	7104 A2
2127 B5	3144 B7	7106 D5
2130 C4	3145 A5	7107 D4
2131 C5	3146 D3	7108 E4
2132 C5	3147 D5	7109 E3
2133 C5	3148 D4	7110 F4
2134 C5	3149 E4	7111 F3
2135 C5	3150 E3	7112 E9
2136 C5	3151 E4	7113-1 A4
2138 D1	3152 E4	7113-2 A6
2139 D1	3153 E5	7113-3 A6
2141 D2	3154 E5	7113-4 B6
2142 D2	3155 A1	7113-5 B6
2145 C3	3156 F6	7113-6 B6
2146 C3	3157 F5	7121-1 H11
2149 B9	3158 E4	7121-2 H11
2150 I13	3159 E4	7122 A1
2151 C12	3161 F5	7131 I10
2152 B9	3162 G5	7132 I9
2153 A9	3163 G5	7133 I8
2154 B9	3164 G5	7134 I7
2155 B9	3165 G5	7135 I8
2156 B9	3166 G5	F125 F12
2157 B9	3167 H5	F126 E12
2158 B8	3168 H5	F127 H10
2159 B8	3171 G2	F128 C12
2161 A8	3172 H2	F141 C7
2162 A8	3173 A8	F155 D7
2163 A8	3174 H3	F156 E7
2164 A8	3175 I2	
2165 A8	3176 I2	
2166 A8	3177 H2	
2167 B8	3178 I1	
2168 B8	3181 B12	
2169 B8	3182 B12	
2171 B7	3183 A12	
2172 B7	3184 A11	
2173 B7	3185 A11	
2174 A5	3186 A11	
2175 A5	3191 B13	
2176 A5	3192 B13	
2180 C3	3193 A13	
2181 C3	3194 A12	
2182 C3	3195 A10	
2183 C3	3196 A10	
2184 C4	3201 H11	
2185 C4	3202 H11	
2186 C6	3203 I11	
2187 C6	3204 I10	
2188 C6	3205 I11	
2189 C6	3206 I11	
2190 C6	3207 I11	
2191 C6	3208 I10	
2193 D3	4101 H6	
2194 D3	4102 H6	
2195 D5	4106 H11	
2196 D4	4115 C6	
2198 E3	4116 C6	
2201 E5	4117 C6	
2202 E6	4118 C6	
2203 E5	4119 D6	
2204 E5	4122 F7	
2207 F6	4131 A7	
2208 F6	4132 A7	
2209 G6	4133 I9	
2210 E5	4134 I10	
2211 F4	4135 I7	
2212 G5	4136 I9	
2213 G5	4137 A4	
2214 G5	4138 A5	
2215 G5	4139 A6	
2216 G5	4140 I10	
2221 B12	4141 A13	
2222 B13	4142 A13	
2223 B12	4143 A13	
2224 B13	4144 A13	
2225 A12	4145 A12	
2226 A12	4146 A13	
2227 A12	4151 G2	
2228 A12	4152 G2	
2229 A11	4153 G2	
2230 A11	4154 G2	
2231 A11	4155 H2	
2232 A10	4156 H2	

#0 PROVISION #11 DV33 #21 WXD-8136 #31 RECEIVERS #41 DIGITAL VIDEO
 #12 DV34 #22 WXD-8229 #32 PLAYERS #42 ANALOG VIDEO
 #13 KHM310 #23 DLM-10 #24 5DC

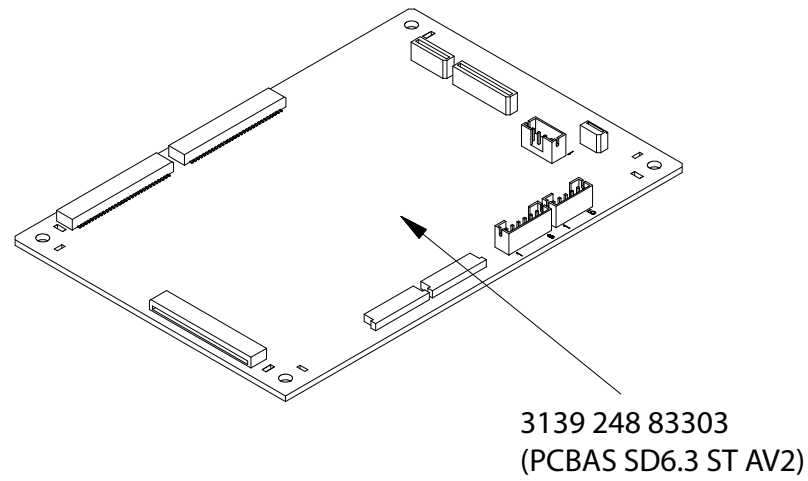
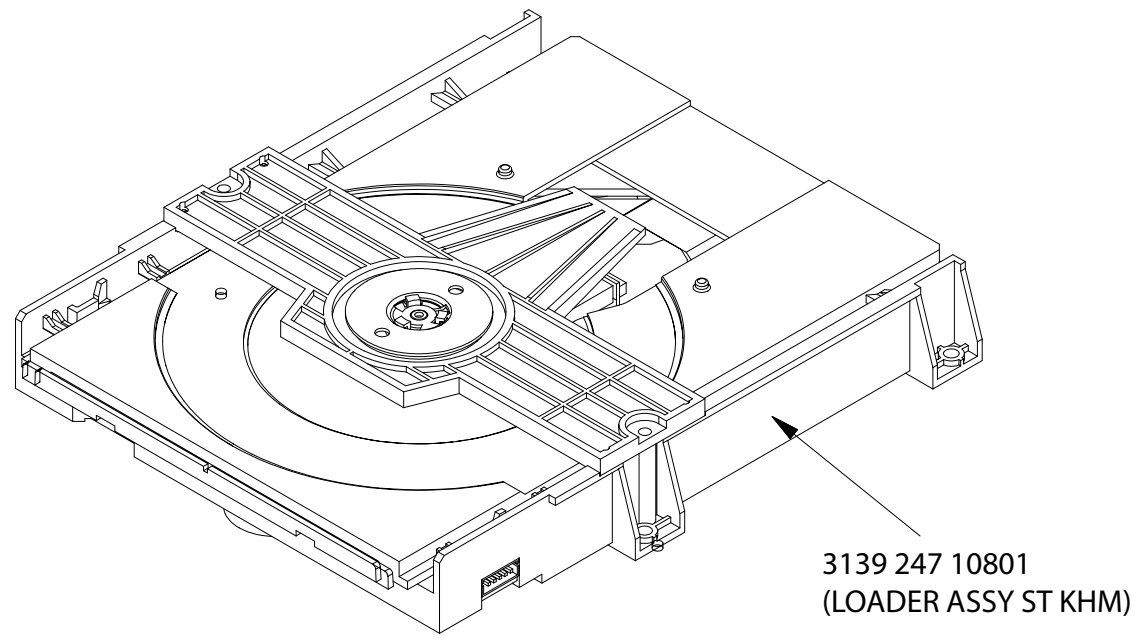
SD6.3 ST AV2 BOARD - CIRCUIT DIAGRAM (PART 2)



1301 F13	3358 H12
1302 A13	3359 H11
1303 C13	3361 A11
1304 A9	3362 A11
1305 H9	3363 A11
2301 B2	3364 A11
2302 C2	3365 A11
2303 C4	3366 A11
2304 C4	3367 B11
2305 C4	3368 B11
2306 C4	3369 B11
2307 C4	3370 A11
2308 D4	3371 A11
2309 D4	3372 B11
2311 G3	3373 B11
2312 G3	3374 B11
2315 G5	3375 B11
2316 G5	3376 B11
2317 I5	3377 D11
2318 I6	3378 D11
2319 F5	3379 D11
2320 F6	3380 D12
2321 A6	3381 B11
2322 B6	3391-B5
2323 A3	3391-2 B5
2324 H12	3392-1 C5
2325 H12	3391-4 C5
2326 H12	3392-1 B5
2327 H12	3392-2 B5
2328 H11	3392-3 B5
2329 H12	3392-4 B5
2341 D11	3393-1 B6
2342 D11	3393-2 B6
2343 D11	3393-3 C6
2344 D12	3393-4 C6
2345 D12	3394-1 B6
2346 D12	3394-2 B6
2350 C7	3394-3 B6
2351 C7	3394-4 B6
2352 C7	3398 A8
2353 C7	3401 C11
2354 C7	3402 C11
2355 C7	3403 C11
2356 C7	3404 C11
2357 C8	3405 C11
2360 D8	3406 C11
2361 D8	3407 C11
2362 D8	3408 B11
2363 A7	3409 B11
2364 I9	4301 H2
2365 I9	4311 A2
2366 A7	4312 A2
2381 F8	5300 C2
2391 D6	5301 F3
2392 D6	5302 F5
2393 D6	5303 F6
2394 E6	5305 A3
3301-1 E1	5306 A6
3301-2 E1	5307 A6
3301-3 E1	5308 F8
3301-4 E1	5321 B8
3302-1 D1	5322 B8
3302-2 E1	5323 H8
3302-3 E1	5340 D7
3302-4 E1	5341 D7
3302-5 D1	5342 H8
3303-3 D1	5343 H8
3303-4 D1	5344 C11
3304-1 D1	5345 C11
3304-2 D1	7301 B1
3304-3 D1	7302 E3
3304-4 D1	7303 G2
3305-1 D1	7304 F5
3305-2 D1	7306 A2
3305-3 E1	7307 A6
3305-4 E1	7308 B5
3306 E1	7310 E9
3310 B3	
3311 B3	
3312 B2	
3313 B2	
3314 G7	
3315 G7	
3316 E8	
3317 E8	
3324 A11	
3325 H2	
3326 H3	
3327 H8	
3328 H8	
3335 G4	
3336 H5	
3337 I6	
3338 H5	
3340 H11	
3341 G11	
3342 G7	
3343 F7	
3344 F7	
3345 G11	
3346 G11	
3347 G11	
3348 H5	
3349 G11	
3350 G11	
3352 A7	
3353 A5	
3354 A1	
3355 A3	
3356 A6	
3357 D8	

#0 PROVISION #11 DV33 #21 WXD-8136 #31 RECEIVERS #41 DIGITAL VIDEO
 #12 DV34 #22 WXD-8229 #32 PLAYERS #42 ANALOG VIDEO
 #13 KHM310 #23 DLM-1D #24 SCDC

EXPLODED VIEW - MODULE SD6.3 ST AV2



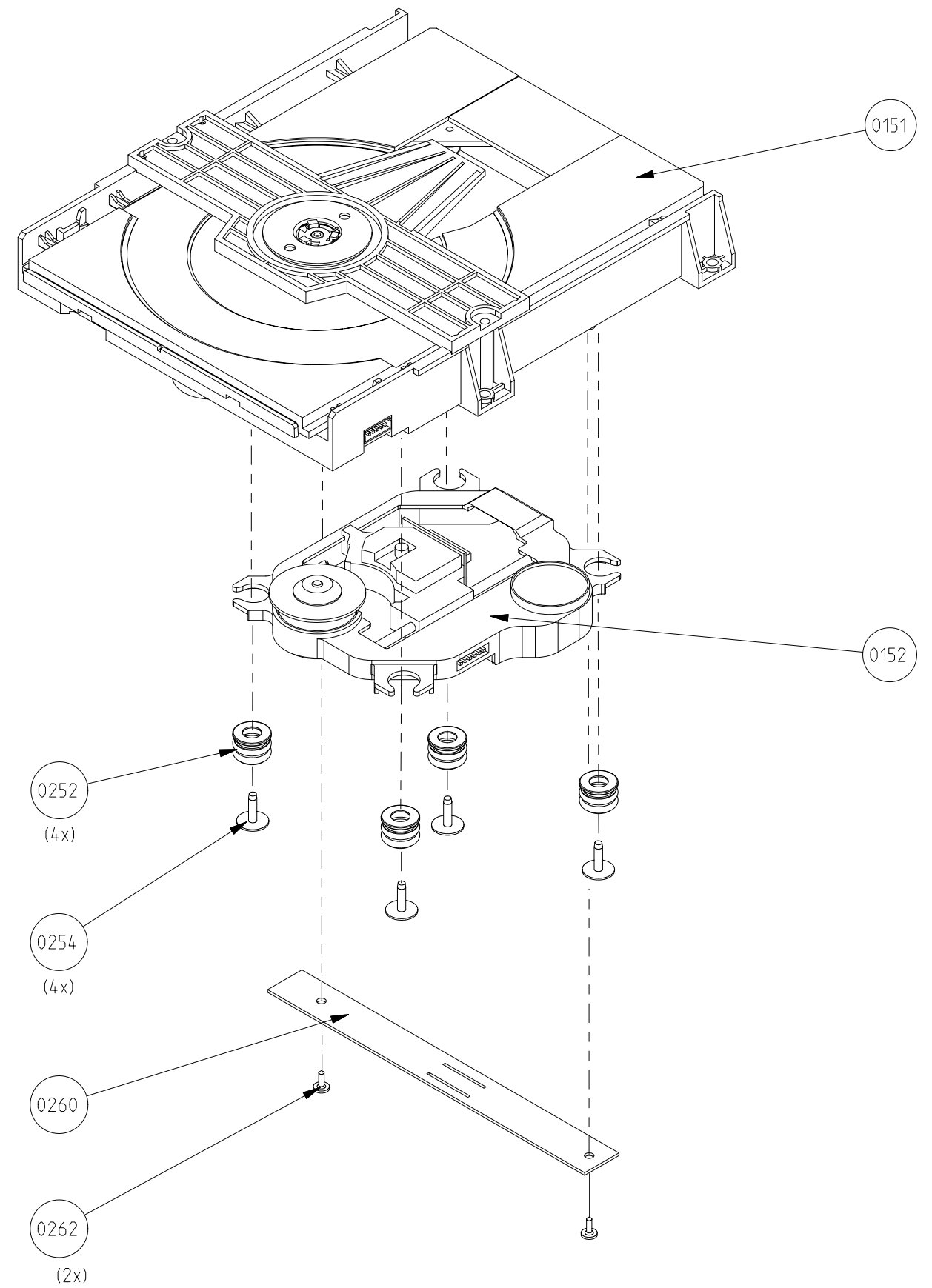
Module SD6.3 ST AV2_dd wk0428

MODULE SD6.3 ST AV2 PARTS LIST

0001	3139 247 10801	LOADER ASSY ST KHM
0002	3139 248 83303	PCBAS SD6.3 ST AV 2
1101	3139 241 00851	FFC FOIL 24P/180/24P AD 0.5MMP

Note : Only the parts mentioned in this list are normal service spare parts.

EXPLODED VIEW - LOADER ASSY ST KHM



ELECTRICAL PARTS LIST - SD6.3 ST AV2 BOARD**MISCELLANEOUS**

1101	2422 025 17529	FLEX CONNECTOR 24P	5308	4822 157 11499	IND FXD 0603 EMI 100MHz 60R
1104	2422 025 16388	FLEX CONNECTOR 16P	5344	4822 157 11499	IND FXD 0603 EMI 100MHz 60R
1105	2422 025 17768	FLEX CONNECTOR 9P	5345	4822 157 11499	IND FXD 0603 EMI 100MHz 60R
1111	2422 025 17201	FLEX CONNECTOR 9P			
1112	4822 267 11027	FLEX CONNECTOR 16P			
1151	4822 157 11717	IND FXD 1206 EMI 100MHz 50R			
1152	4822 157 11717	IND FXD 1206 EMI 100MHz 50R			
1153	4822 157 11717	IND FXD 1206 EMI 100MHz 50R			
1301	2422 025 17451	FLEX CONNECTOR 30P			
1302	2422 025 17451	FLEX CONNECTOR 30P			

RESISTORS

3301	2350 035 10229	RST NETW 1206 4X 22R 5%
3302	2350 035 10229	RST NETW 1206 4X 22R 5%
3303	2350 035 10229	RST NETW 1206 4X 22R 5%
3304	2350 035 10229	RST NETW 1206 4X 22R 5%
3305	2350 035 10229	RST NETW 1206 4X 22R 5%
3346	4822 157 11499	IND FXD 0603 EMI 100MHz 60R

COILS & FILTERS

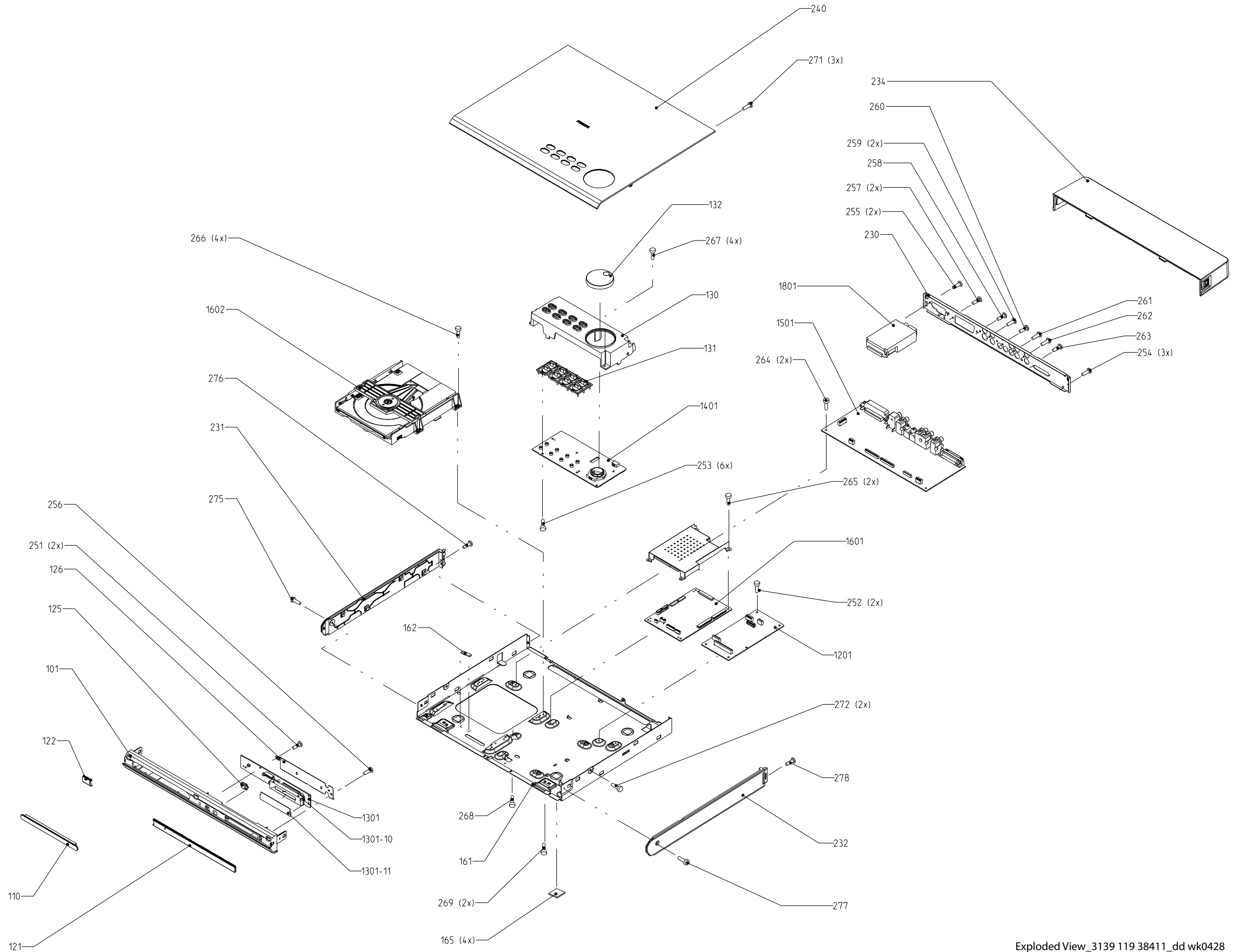
5101	4822 157 11717	IND FXD 1206 EMI 100MHz 50R
5103	4822 157 11499	IND FXD 0603 EMI 100MHz 60R
5104	4822 157 11499	IND FXD 0603 EMI 100MHz 60R
5105	4822 157 11499	IND FXD 0603 EMI 100MHz 60R
5106	4822 157 11499	IND FXD 0603 EMI 100MHz 60R
5107	4822 157 11499	IND FXD 0603 EMI 100MHz 60R
5108	4822 157 11499	IND FXD 0603 EMI 100MHz 60R
5109	4822 157 11499	IND FXD 0603 EMI 100MHz 60R
5111	4822 157 11499	IND FXD 0603 EMI 100MHz 60R
5112	4822 157 11717	IND FXD 1206 EMI 100MHz 50R
5115	4822 157 11499	IND FXD 0603 EMI 100MHz 60R
5116	4822 157 11499	IND FXD 0603 EMI 100MHz 60R
5117	4822 157 11499	IND FXD 0603 EMI 100MHz 60R
5118	4822 157 11499	IND FXD 0603 EMI 100MHz 60R
5119	4822 157 11499	IND FXD 0603 EMI 100MHz 60R
5122	4822 157 11499	IND FXD 0603 EMI 100MHz 60R
5123	4822 157 11499	IND FXD 0603 EMI 100MHz 60R
5124	3198 018 31090	FXD IND SM 0805 10U 10%
5125	3198 018 31090	FXD IND SM 0805 10U 10%
5126	4822 157 11499	IND FXD 0603 EMI 100MHz 60R
5130	2422 543 01393	RES XTL SM 27MHz 10P CX8045
5131	3198 018 41880	FXDIND SM 1210 1U8 5%
5132	3198 018 41880	FXDIND SM 1210 1U8 5%
5133	3198 018 41880	FXDIND SM 1210 1U8 5%
5134	3198 018 41880	FXDIND SM 1210 1U8 5%
5135	3198 018 41880	FXDIND SM 1210 1U8 5%
5136	3198 018 41880	FXDIND SM 1210 1U8 5%
5300	4822 157 11499	IND FXD 0603 EMI 100MHz 60R
5301	4822 157 11499	IND FXD 0603 EMI 100MHz 60R
5302	4822 157 11499	IND FXD 0603 EMI 100MHz 60R
5303	4822 157 11499	IND FXD 0603 EMI 100MHz 60R
5305	4822 157 11499	IND FXD 0603 EMI 100MHz 60R

TRANSISTORS & INTEGRATED CIRCUITS

7101	4822 209 17398	IC SM LD1117DT33
7102	9322 165 15685	IC SM NCP303LSN30
7106	4822 130 11565	TRA POW SM 2SB1132
7107	4822 130 11565	TRA POW SM 2SB1132
7108	9340 547 13215	FET SIG SM BSH103
7108	9322 212 30685	FET POW SM TN0200T
7109	9340 547 13215	FET SIG SM BSH103
7109	9322 212 30685	FET POW SM TN0200T
7110	9340 219 30115	TRA SIG SM BC817-25W
7111	9322 201 94668	IC SM MM1646XH
7112	9322 203 35671	IC SM MT1389E
7121	9340 425 20115	TRA SIG SM BC847BS
7131	9322 212 30685	FET POW SM TN0200T
7131	9340 547 13215	FET SIG SM BSH103
7132	9340 547 13215	FET SIG SM BSH103
7132	9322 212 30685	FET POW SM TN0200T
7301	9322 189 04668	IC SM M24C16-RDW6
7302	9322 199 38671	IC SM IS42S16400A
7302	9322 166 67668	IC SM MT48LC4M16A2TG-7E
7303	9322 194 74668	IC SM M29W160ET70N6
7304	9322 185 10668	IC SM CS8415A-CZ
7306	9352 687 20125	IC SM 74LVC1G125GW
7310	4822 209 17345	IC SM M62320FP

Note : Only the parts mentioned in this list are normal service spare parts.

SET MECHANICAL EXPLODED VIEW



MECHANICAL & ACCESSORIES PARTS LIST - MAIN UNIT

		BOX SPK ASSY CS8300LX/01 (3139 119 02601)	
0101	3139 254 00791	CABINET FRONT	
0110	3139 254 00761	COVER TRAY	
0121	3139 254 00781	WINDOW DISPLAY RIGHT	9965 000 25366 SPEAKER BOX LX8300SA FRONT L
0122	3139 254 00771	WINDOW DISPLAY LEFT	9965 000 25367 SPEAKER BOX LX8300SA FRONT R
0125	3139 254 00841	LIGHTGUIDE IR SENSOR	9965 000 25368 SPEAKER BOX LX8300SA REAR L
			9965 000 25369 SPEAKER BOX LX8300SA REAR R
0130	3139 254 00751	BRACKET SUPPORT CONTROL	9965 000 25370 SPEAKER BOX LX8300SA CENTER
0131	3139 254 00741	BUTTON SET FUNC CONTROL	
0132	3139 254 00731	KNOB VOLUME ROTARY	9965 000 25371 PLASTIC STAND (FRONT/REAR SPK BOX)
0165	3139 243 10080	CUSHION FOOT	9965 000 25372 RUBBER FOOT (PLASTIC STAND) 81.4LX8.4W
0231	3139 254 00721	PANEL COVER LEFT	9965 000 25373 RUBBER FOOT (PLASTIC STAND) 81.4LX20.24W
			9965 000 24102 RUBBER FOOT (CENTER)
0232	3139 254 00711	PANEL COVER RIGHT	9965 000 25374 BRACKET & SCREW PACKING
0234	3139 254 00701	COVER REAR CABLE	
0325	3139 119 02601	BOX SPK ASSY CS8300LX/01	
0327	3139 119 02541	BOX SPK ASSY SW8300LX/01	
0331	2422 076 00546	CABLE FM AERIAL	
			Note : Only the parts mentioned in this list are normal service spare parts.
0332	2422 549 45813	ANTENNA AM LOOP	
0332	2422 549 45386	ANTENNA AM LOOP	
0333	3139 258 70051	REMOTE CONTROL	
0336	2422 070 98151	△ MAINS CORD EUR /01/04	
0336	2422 070 98133	△ MAINS CORD EUR /01/04	
0336	9965 000 07586	△ MAINS CORD UK /05	
0336	4822 321 10713	△ MAINS CORD UK /05	
0342	2422 076 00468	△ CABLE SCART 1M1 SCART 21P	
1201	3139 118 57721	PCBAS FRONT LX8300SA/01	
1301	3139 118 57851	PCBAS IR/FTD/LED LX8300SA	
1401	3139 118 57861	PCBAS FRONT KEY LX8300SA	
1501	3139 118 57711	PCBAS AV LX8300SA/01	
1801	2422 542 90137	TUN A+F ENG07703Q EUR B	
8230	3139 111 04121	FFC FOIL 30P/120/30P AD	
8240	3139 110 34750	FFC FOIL 05P/080/05P AD	
8260	3139 111 04111	FFC FOIL 09P/100/09PAD 1MMP	
8520	3139 110 04341	FFC 09P/140/09PAD 1MM Folded	
8560	3139 111 04271	FFC FOIL 30P/060/30P BD 1MMP	
8561	3139 111 04321	FFC 30P/220/30P BD 1MM Folded	
8562	3139 111 02421	FFC FOIL 16P/220/16PAD 1MMP	
8580	3139 111 04081	FFC FOIL 11P/60/11P BD	

SCREW LISTS - MAIN UNIT

251	D3 x 8
252	M3 x 6
253	D3 x 8
254	M3 x 6
255	M3 x 6
256	D3 x 8
257	D3 x 8
258	D3 x 8
259	D3 x 8
260	D3 x 8
261	D3 x 8
263	M2.6 x 12
264	M3 x 6
265	M3 x 6
266	M3 x 8
267	M3 x 8
268	D2.9 x 8
269	M3 x 6
271	M3 x 6
272	D2.9 x 8
275	D3 x 10
276	M3 x 8
277	D3 x 10
278	M3 x 8