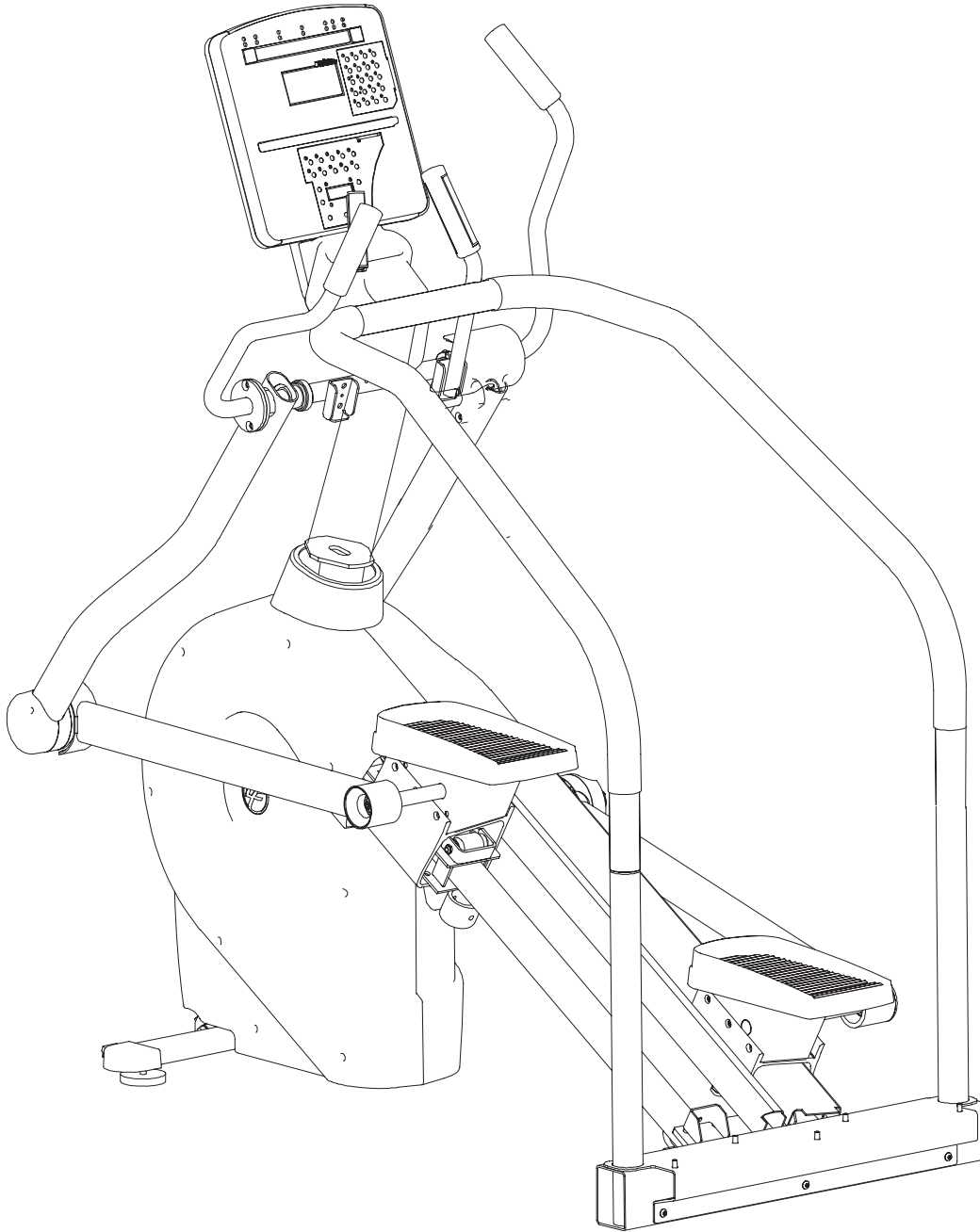


Life Fitness

ARCTIC SILVER SUMMIT
TRAINER 95L-0XXX-01



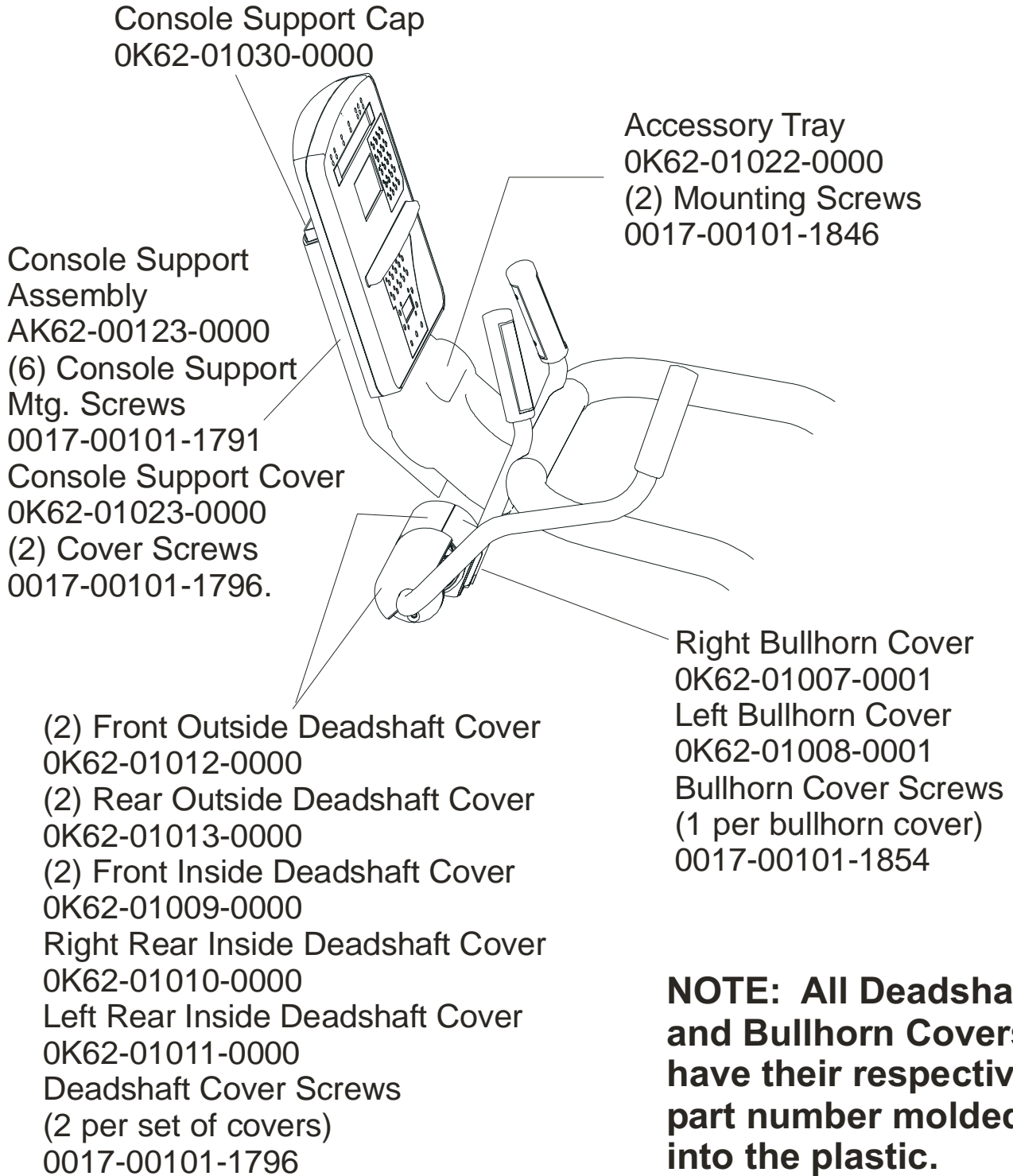
Customer Support Services
PARTS MANUAL rev 28 Jan 2010

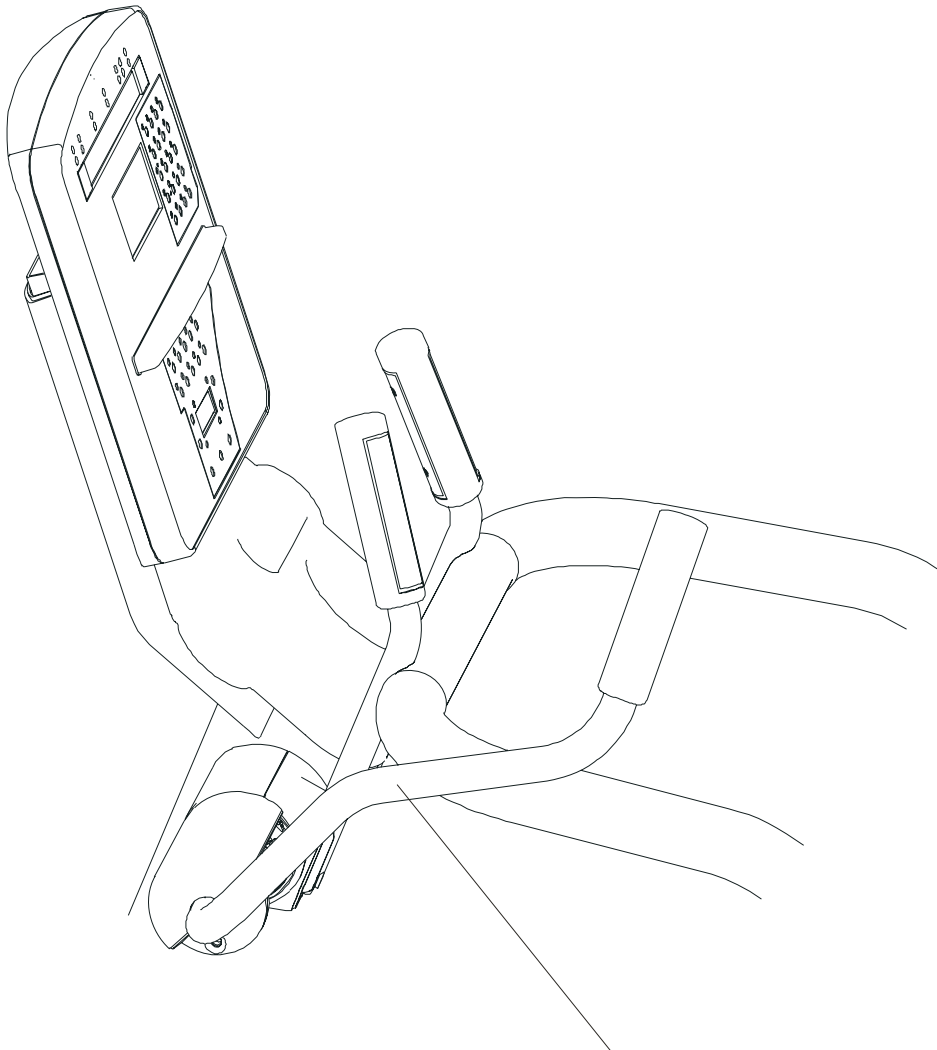
MISCELLANEOUS	3
CONSOLE SUPPORT & DEADSHAFT COVERS.....	4
USER ARMS AND HARDWARE	5
MONOCOLUMN, HANDRAIL AND VERTICAL UPRIGHTSS.....	6
CONSOLE AND RELATED COMPONENTS	7
SHROUDS, BOOT AND REAR STEP ASSEMBLY	8
ROCKER ARMS AND CONTROL LINK ASSY'S	9
ROCKER ARM/CONTROL LINK COVERS.....	10
PEDAL TRACK COVERS AND HARDWARE.....	11
PEDALS, TRUCKS AND ROLLERS ASSEMBLY	12
RESISTOR ASSEMBLY AND CROSSOVER PULLEY.....	13
FLEXONIC BELTS AND TENSIONER BRACKET	14
CLUTCH SHAFT AND SPROCKETS	15
CLUTCH PULLEY AND SHAFT ASSEMBLY	16
TIMING BELTS AND SPRINGS	17
POWER CONTROL BOARD, BATTERY & ALTERNATOR	18
ACCESS PANEL, WHEELS AND LEG LEVELERS.....	19
LOWER TRACK COVER AND HARDWARE	20
CABLES	21

OPERATION MANUAL – (ENG)	M051-00K68-A001
OPERATION MANUAL – (F/S/P)	M051-00K68-A002
OPERATION MANUAL – (G/D/I)	M051-00K68-A003
OPERATION MANUAL – (JAP)	M051-00K68-A004
SERVICE MANUAL	M051-00K68-A030
TOUCH UP PAINT: SPRAY CAN	0017-00008-0204
.5 OZ BOTTLE W/APPLICATOR	0017-00008-0205
.33 OZ PEN	0017-00008-0206
PCB/ACCESS PANEL ASSY. ASSEMBLY CONSISTS OF:	AK68-00107-0000
1) POWER CONTROL BOARD	B084-92218-D002
2) DC POWER CABLE	AK47-00063-0000
3) 120" COAX CABLE	AK32-00020-0002
4) 120" POWER EXTENSION CABLE	AK32-00078-0001
5) ACCESS PANEL BRACKET	0K68-01031-0000
6) F-TYPE PANEL CONNECTOR	0017-00021-2846
7) PLASTIC GROMMET (QTY. 4)	0017-00042-0821
HARDWARE BAG	AK68-00198-0000

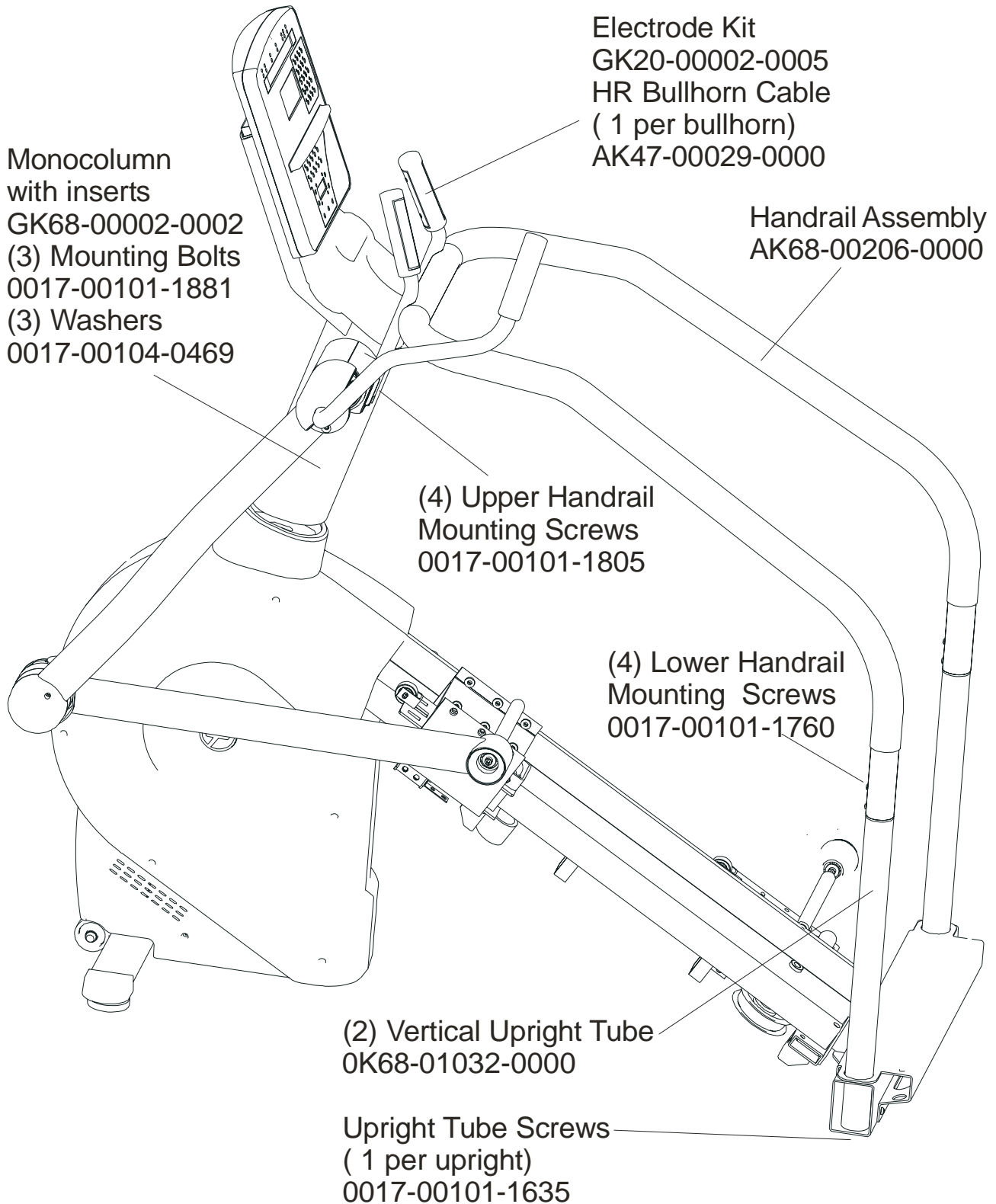
Note: When this model is ordered with an attachable LCD TV it becomes a 95LER-XXXX-01. See the Entertainment parts list marked LCD_0XXX-02 for the part numbers and descriptions for the attachable LCD TV, remote and hardware for this product.

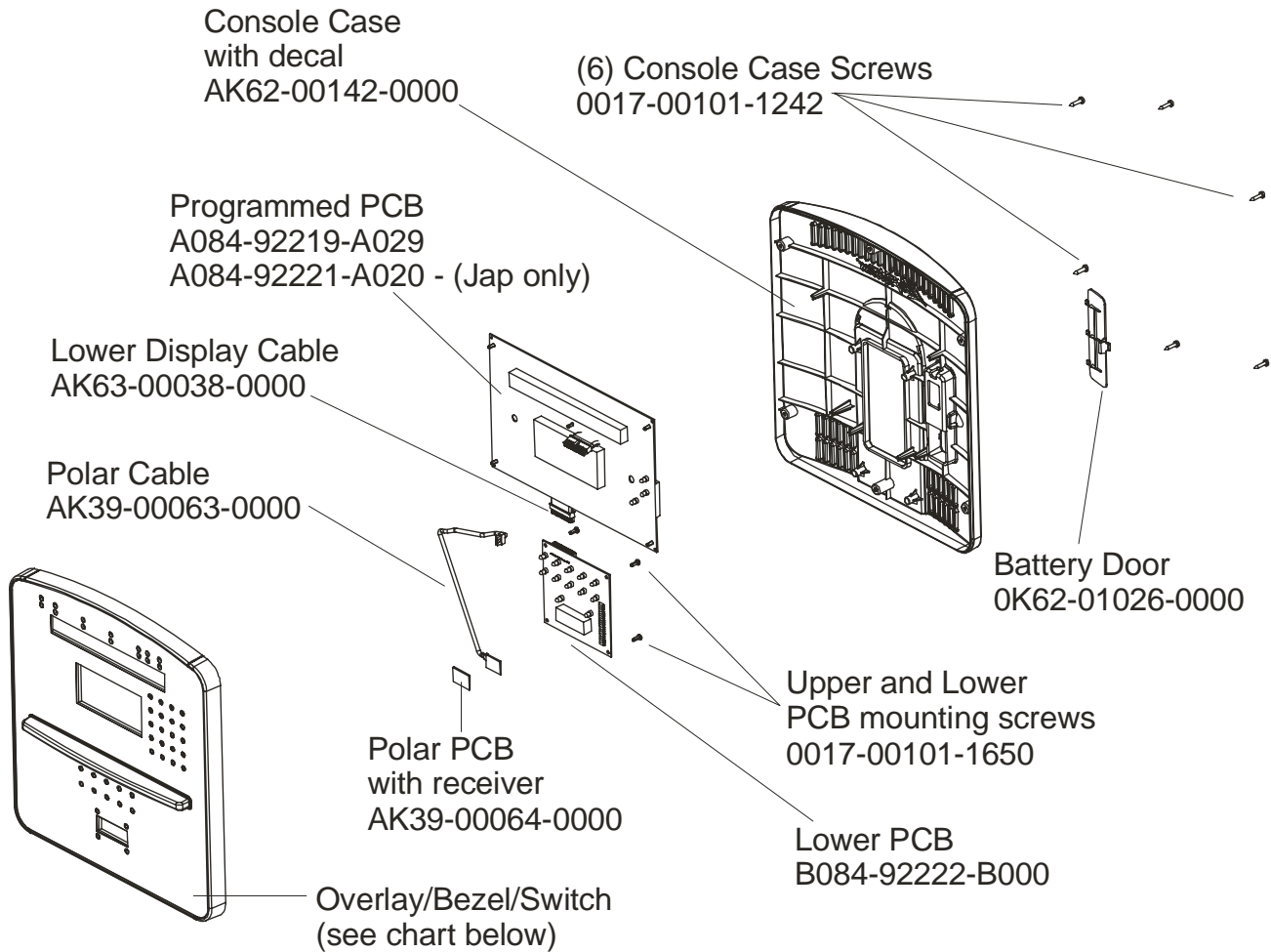
The 95Li comes with both Telemetry and Life Pulse sensors and is pre-wired for the attachable LCD TV.





- Right User Arm with grip
AK68-00143-0001
- Left User Arm with grip
AK68-00143-0002
- Grip
0K62-01138-0000
- (3) User Arm Mtg. Screws
0017-00101-1791

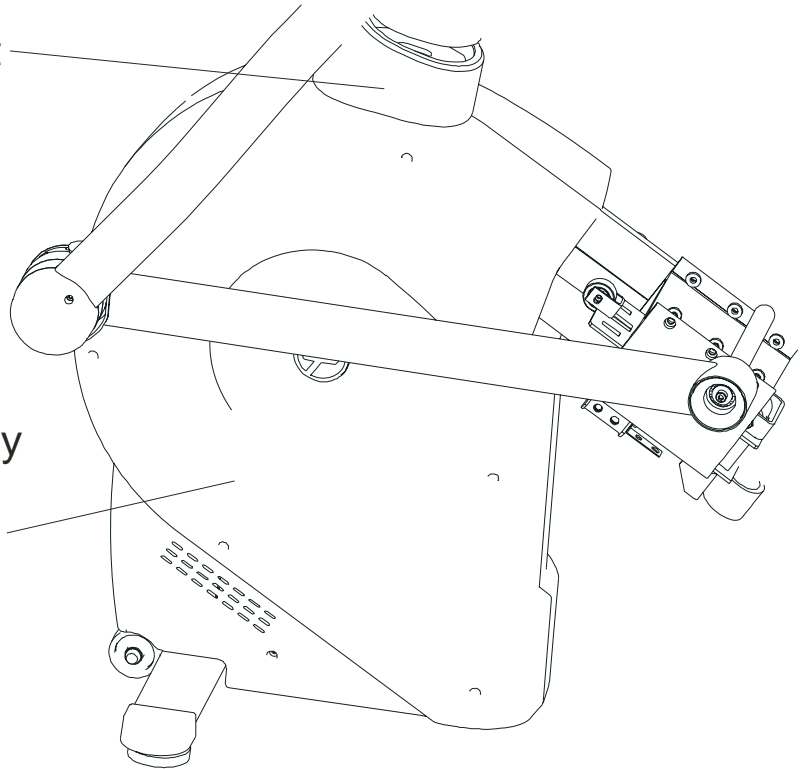




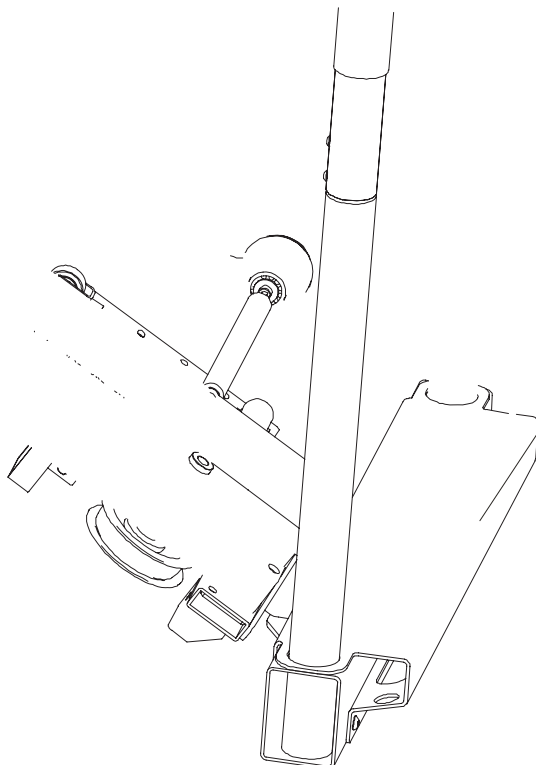
CONSOLE	OVERLAY/BEZEL/SWITCH	LANGUAGE
AK68-00183-0001	AK68-00184-0001	Eng/LED
AK68-00183-0002	AK68-00184-0001	Eng + Met
AK68-00183-0003	AK68-00184-0003	Ger/Met
AK68-00183-0004	AK68-00184-0004	Spn/Met
AK68-00183-0006	AK68-00184-0006	Jap/Met
AK68-00183-0007	AK68-00184-0007	Frn/Met
AK68-00183-0008	AK68-00184-0008	Ital/Met
AK68-00183-0009	AK68-00184-0009	Dut/Met
AK68-00183-0010	AK68-00184-0010	Port/Met
AK68-00183-0014	AK68-00184-0014	Eng/Tur

Monocolumn Boot
0K68-01061-0000

Right Shroud Assembly
AK68-00176-0000
Left Shroud Assembly
AK68-00176-0001
Shroud Mtg. Screws
(6 per shroud)
0017-00101-1796

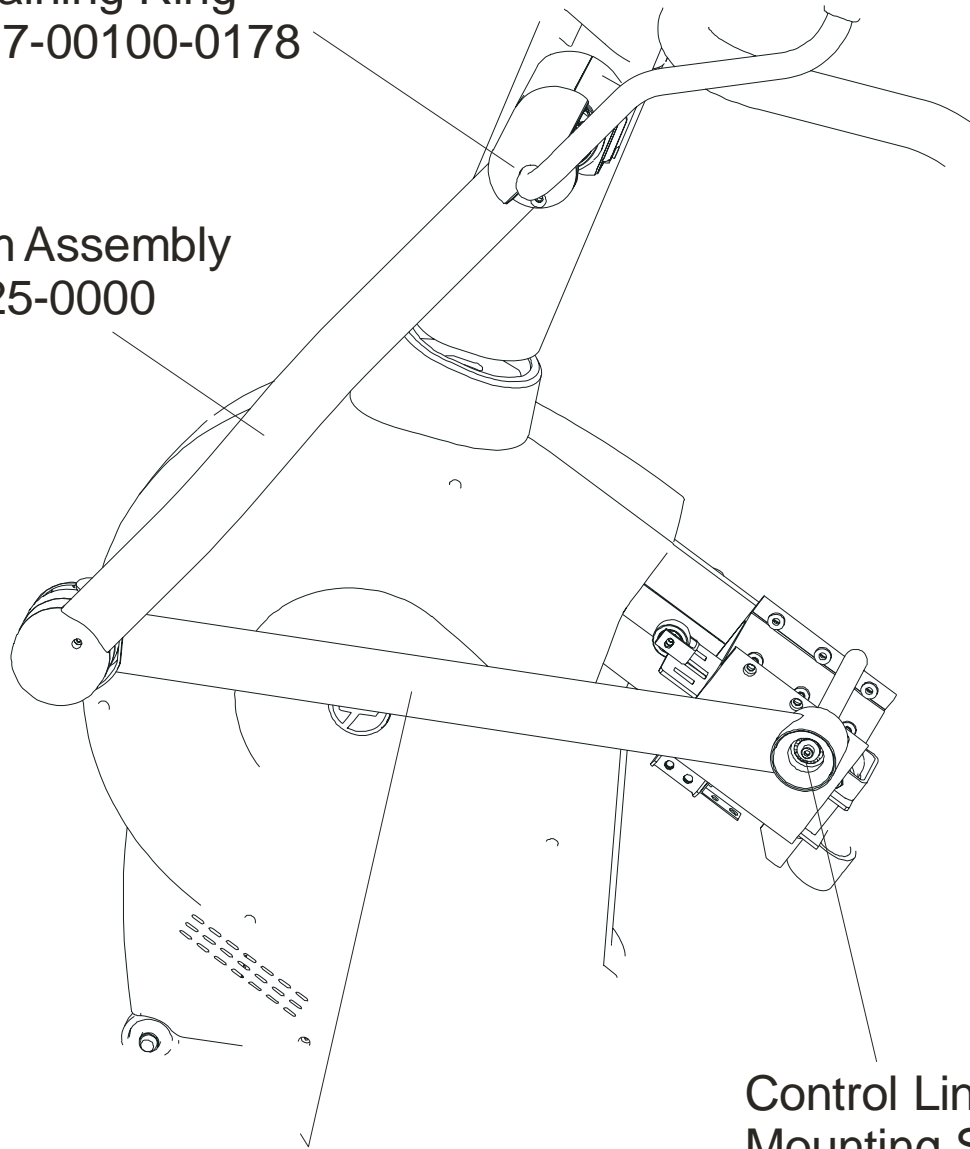


Rear Step (plastic only)
0K68-01020-0000
Rear Step Assembly
AK68-00136-0000
(3) Rear Step Mounting Screws
0017-00101-1903



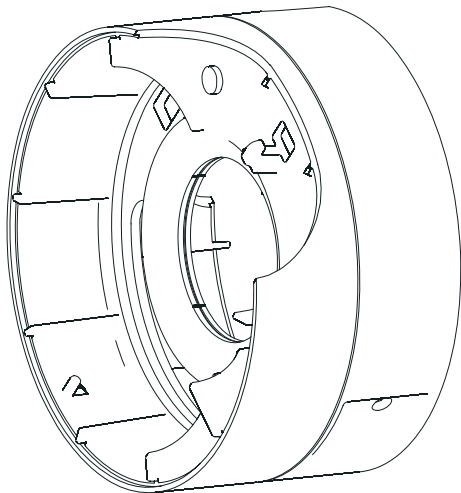
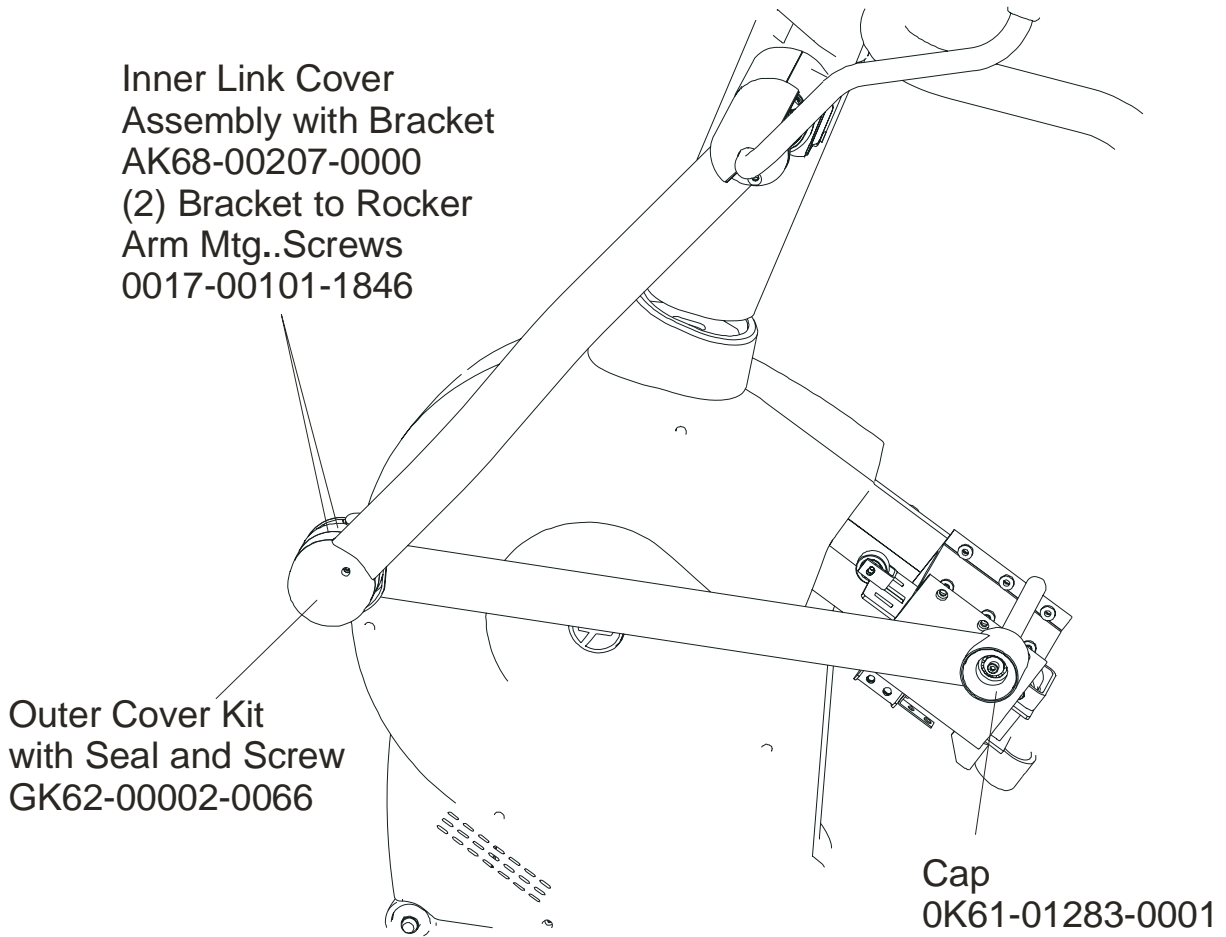
Rocker Arm Washer
0017-00104-0418
Retaining Ring
0017-00100-0178

Rocker Arm Assembly
AK68-00125-0000

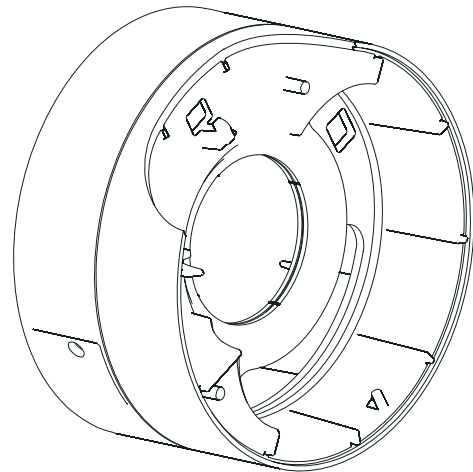


Control Link Assembly
AK68-00147-0000

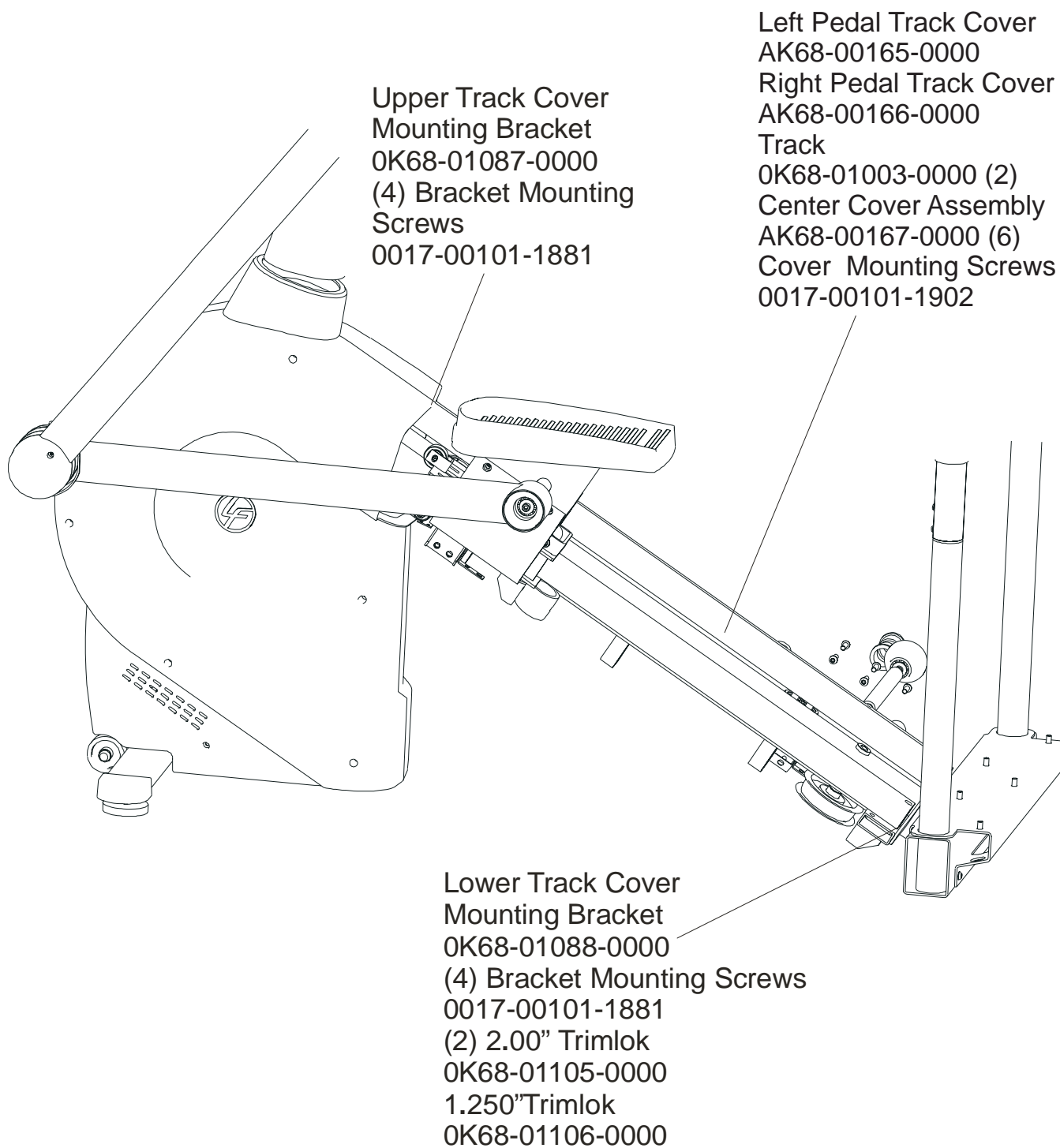
Control Link
Mounting Screw
0017-00101-1881
and Washer
0017-00104-0479

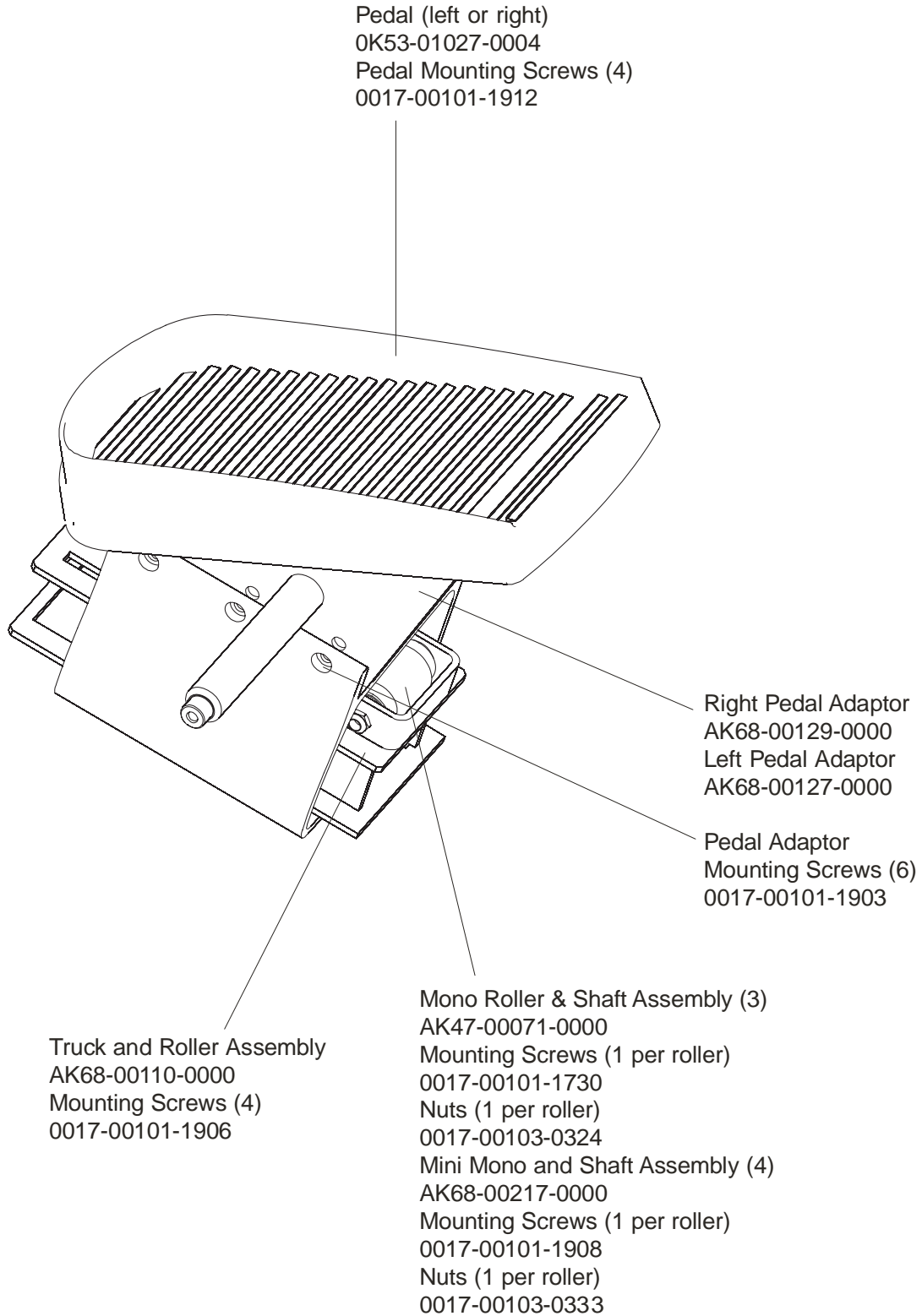


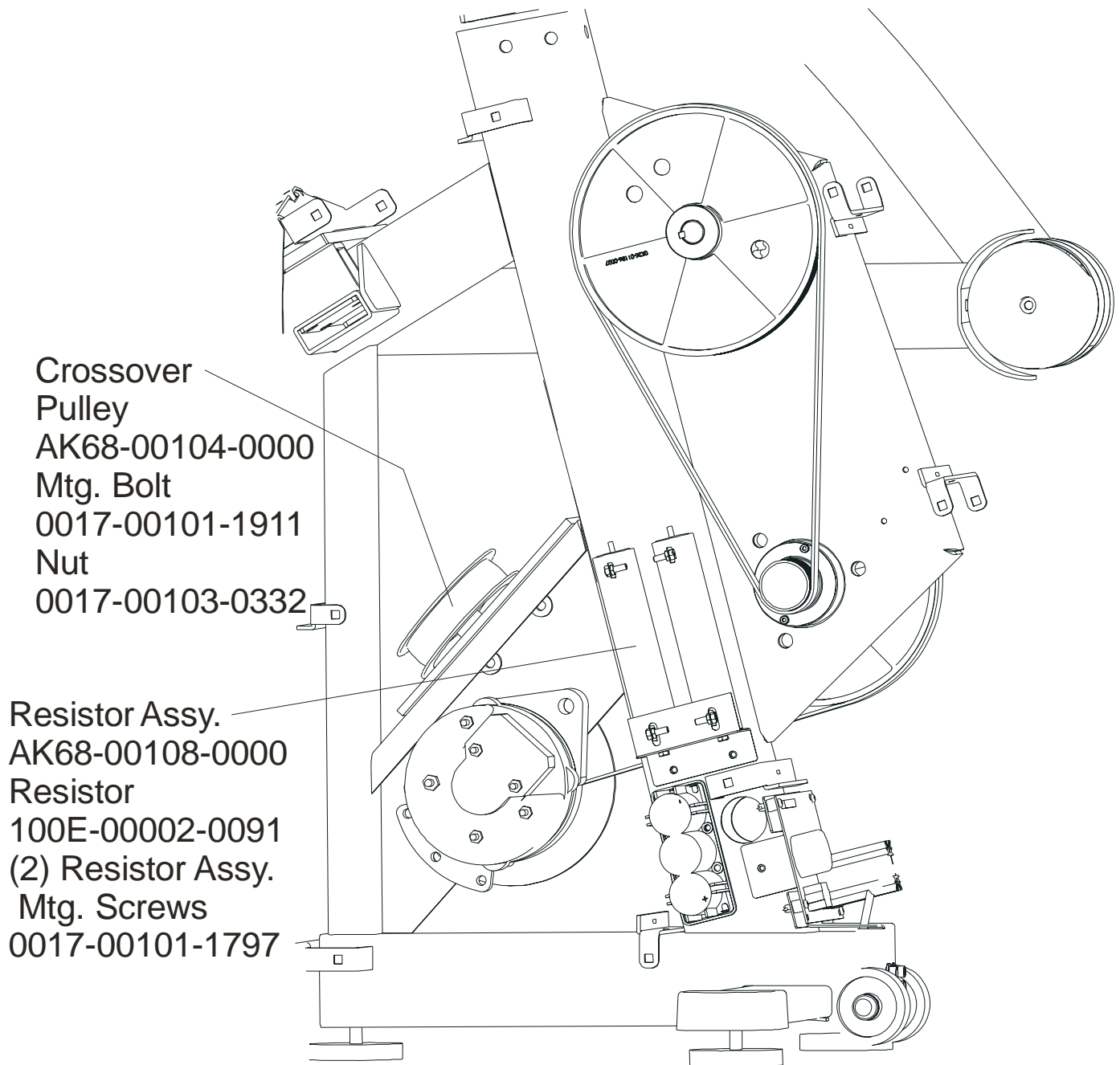
Right Clevis Cover Assy.
AK68-00154-0001



Left Clevis Cover Assy.
AK68-00154-0002

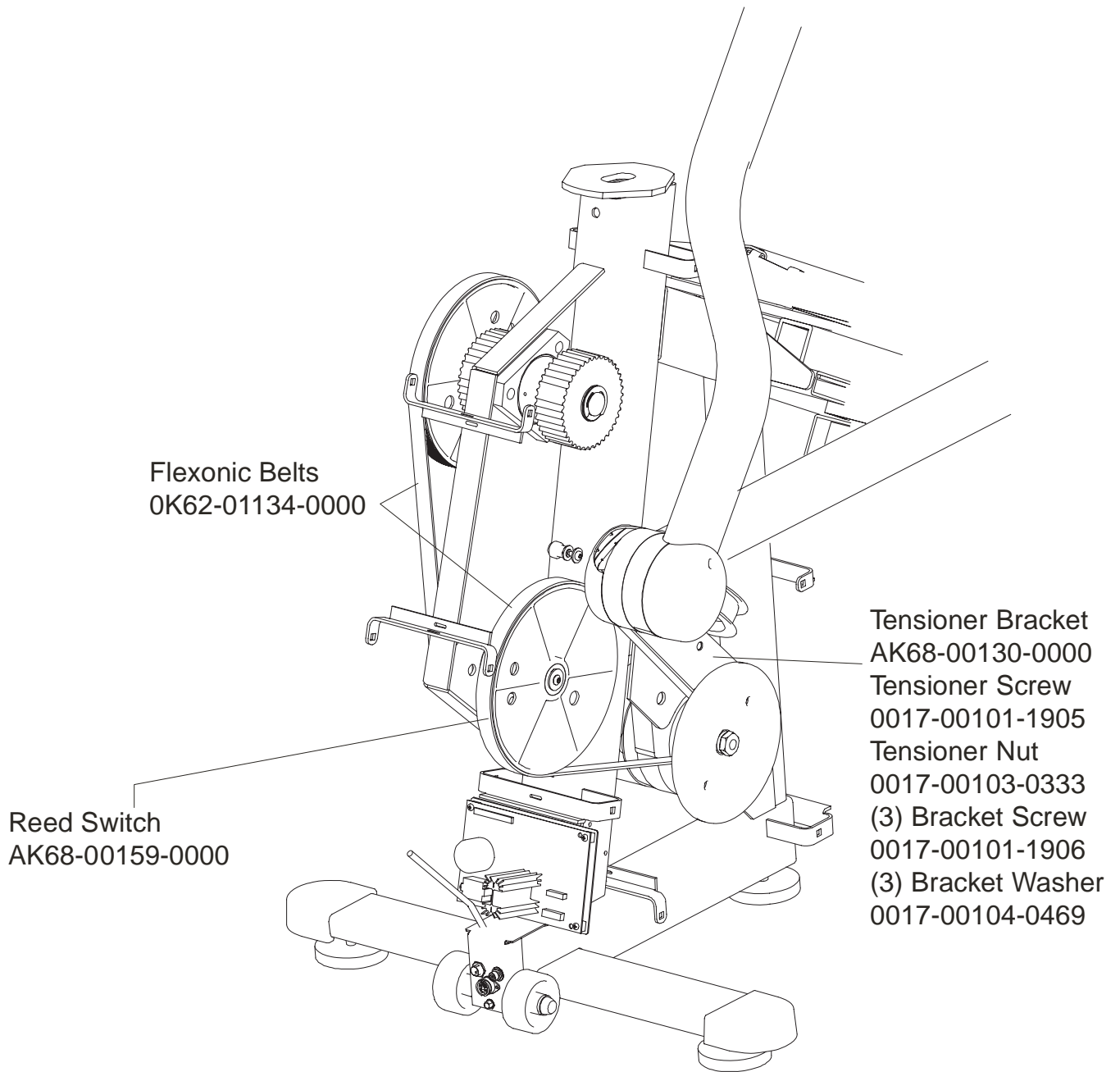


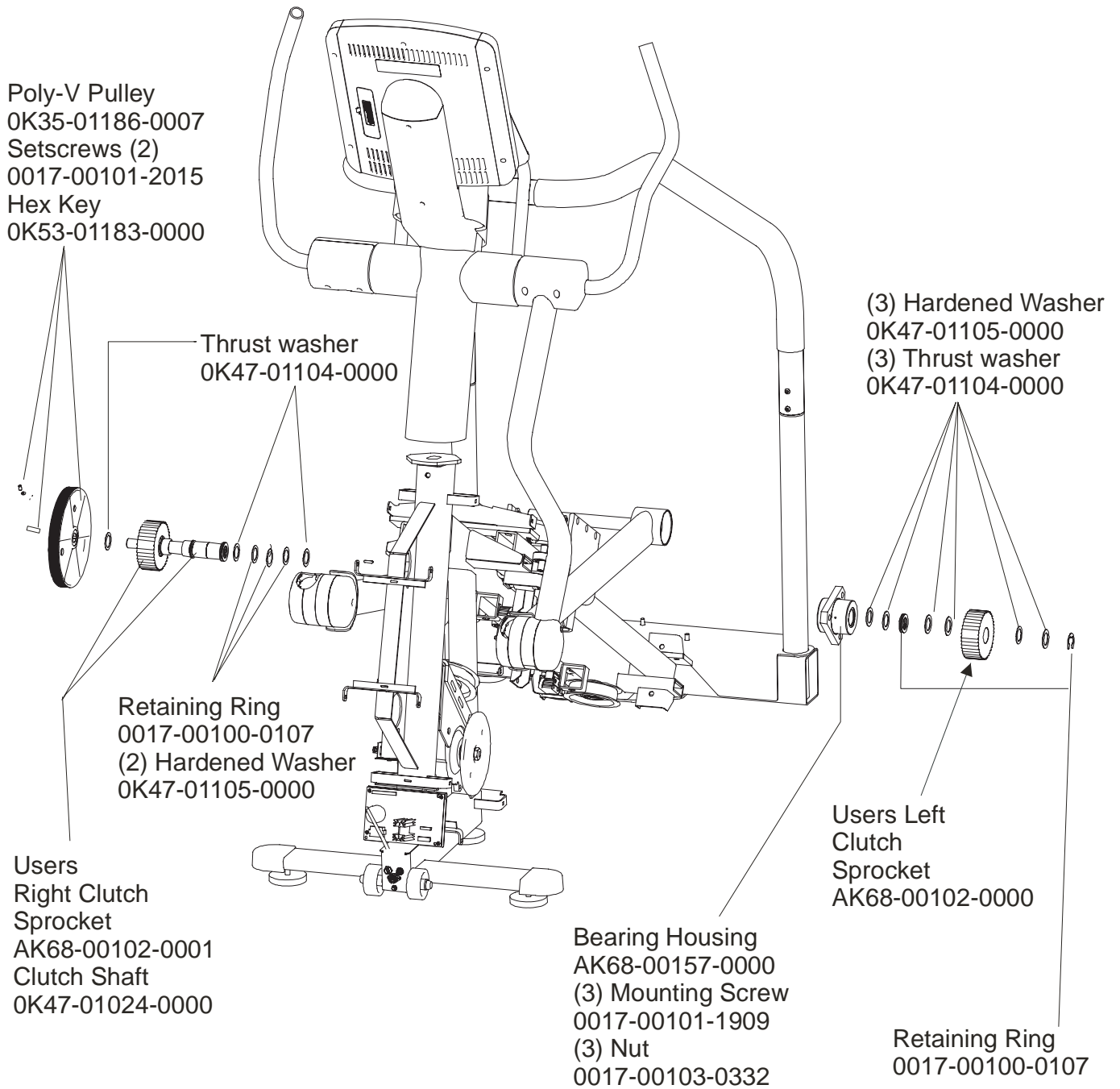


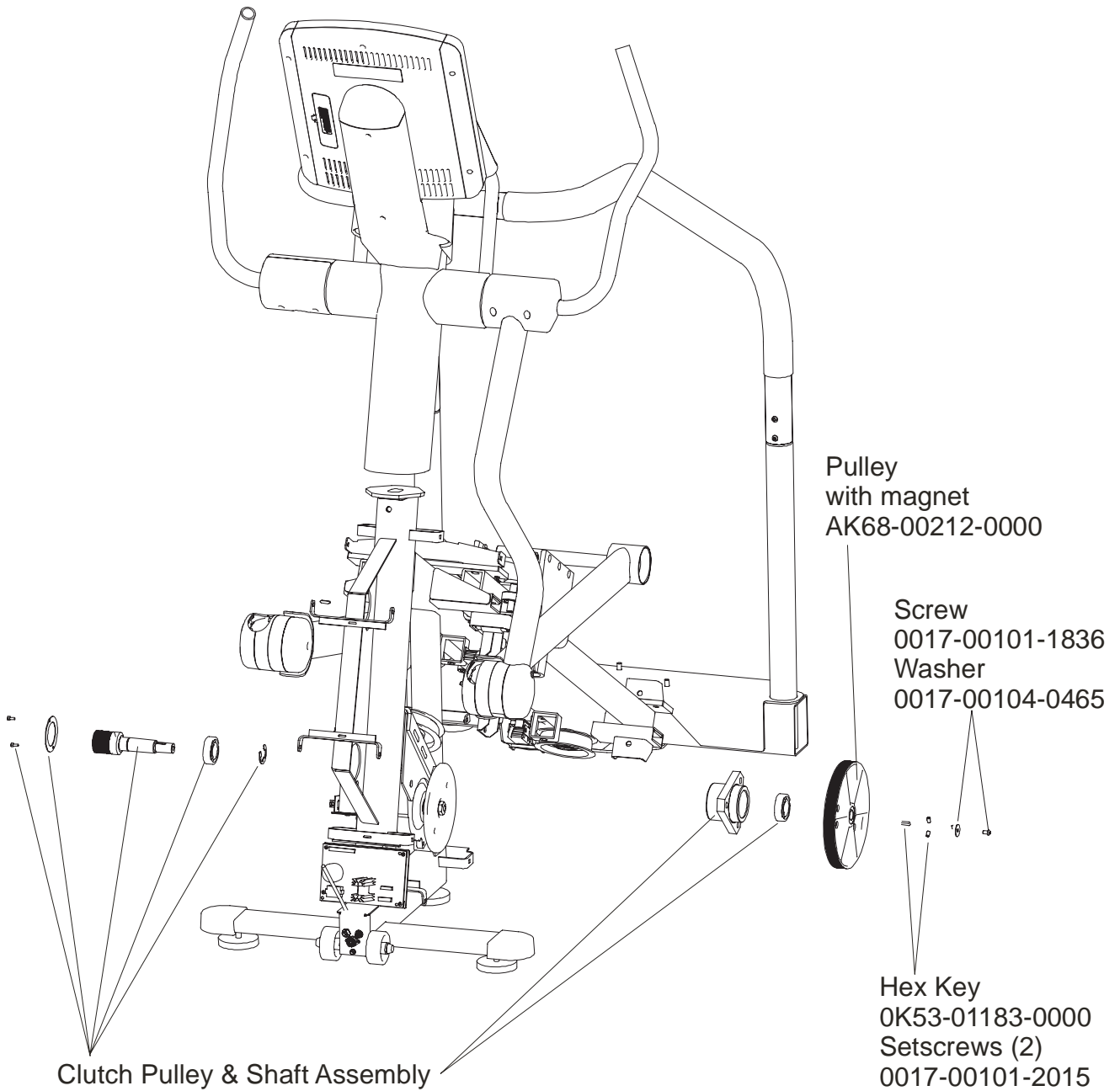


Crossover
Pulley
AK68-00104-0000
Mtg. Bolt
0017-00101-1911
Nut
0017-00103-0332

Resistor Assy.
AK68-00108-0000
Resistor
100E-00002-0091
(2) Resistor Assy.
Mtg. Screws
0017-00101-1797

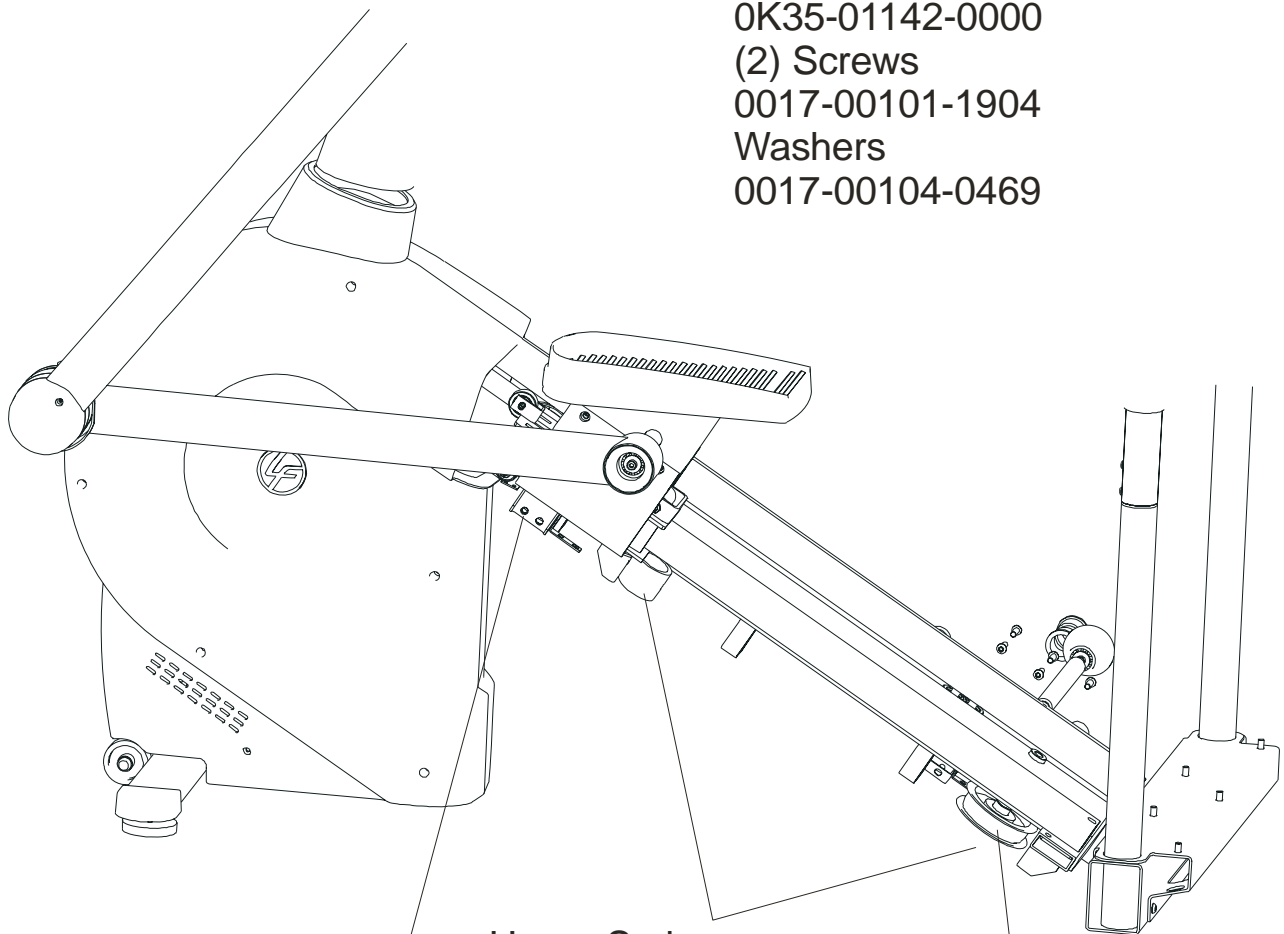






NOTE: The following parts are used on
each end of both Timing belts:

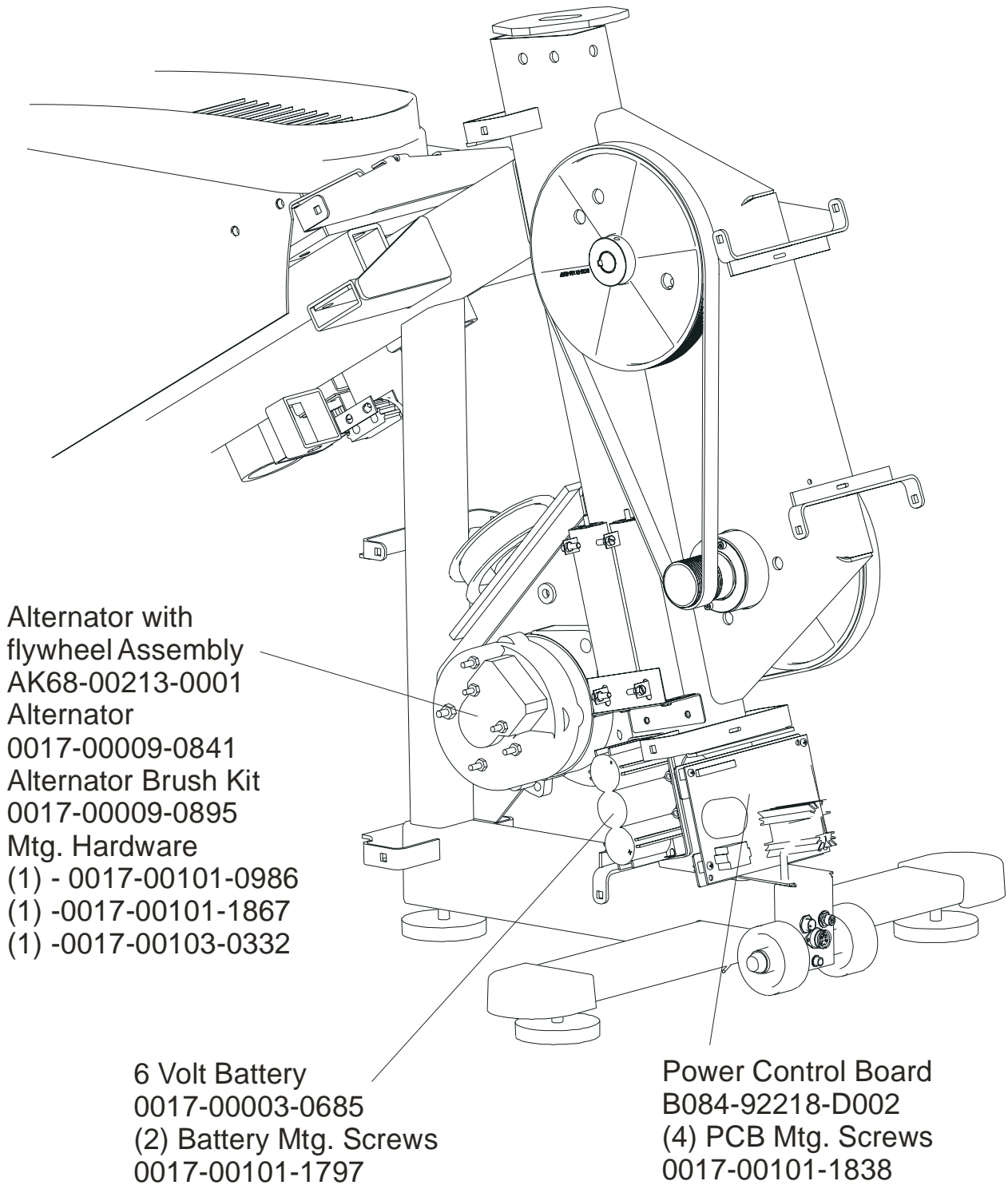
Belt Terminator
0K35-01105-0000
Bracket
0K35-01142-0000
(2) Screws
0017-00101-1904
Washers
0017-00104-0469

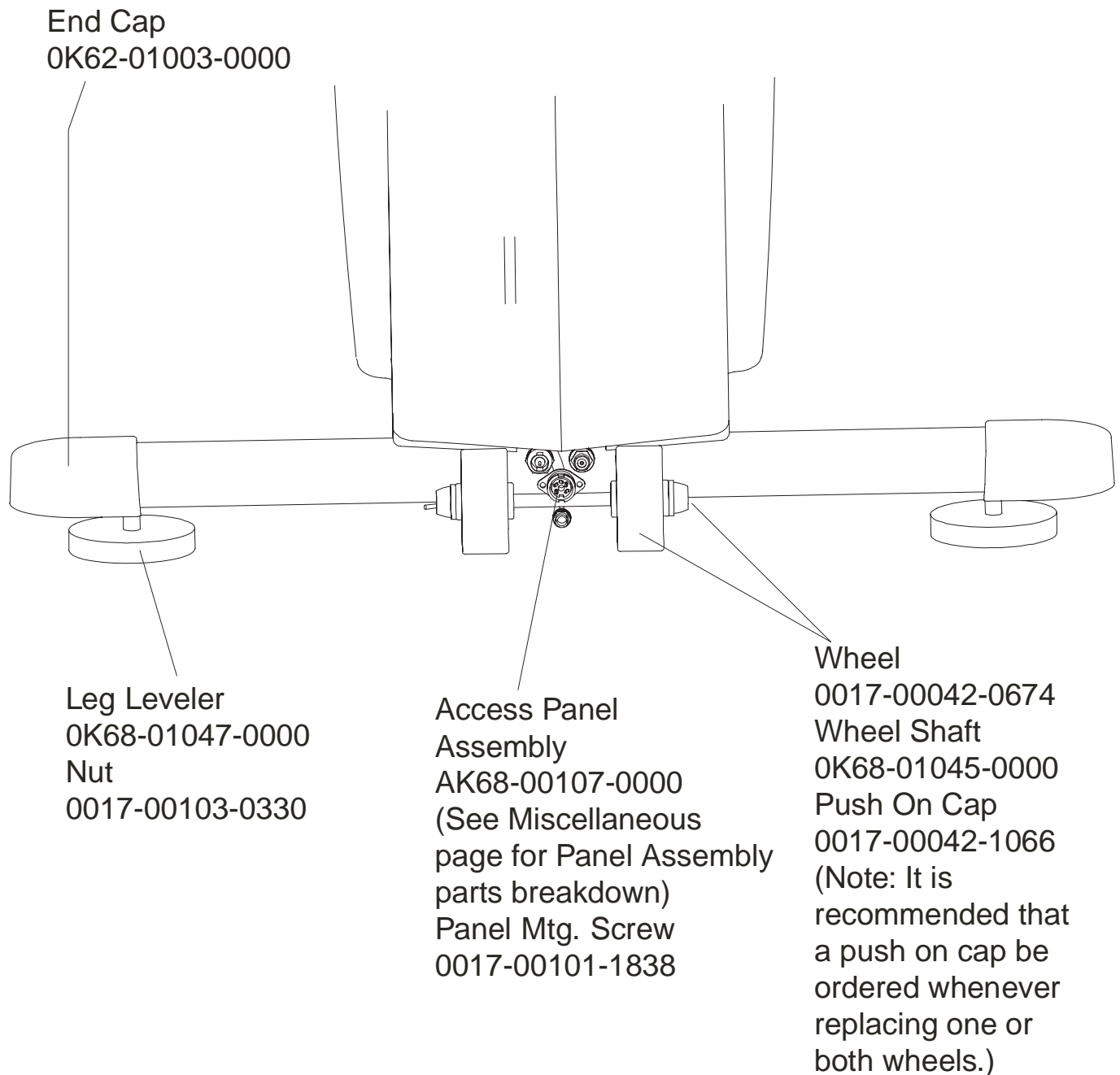


Upper Timing Belt
AK68-00210-0000

Upper Spring
0K68-01051-0000
Lower Spring
0K68-01081-0000
Mounting screw
(1 per Spring)
0017-00101-1902
Washer
(1 per Spring)
0017-00104-0465

Crossover Pulley
AK68-00104-0000
Pulley Mtg. Screw
0017-00101-1911
Nut
0017-00103-0332
Lower Timing Belt
AK68-00211-0000



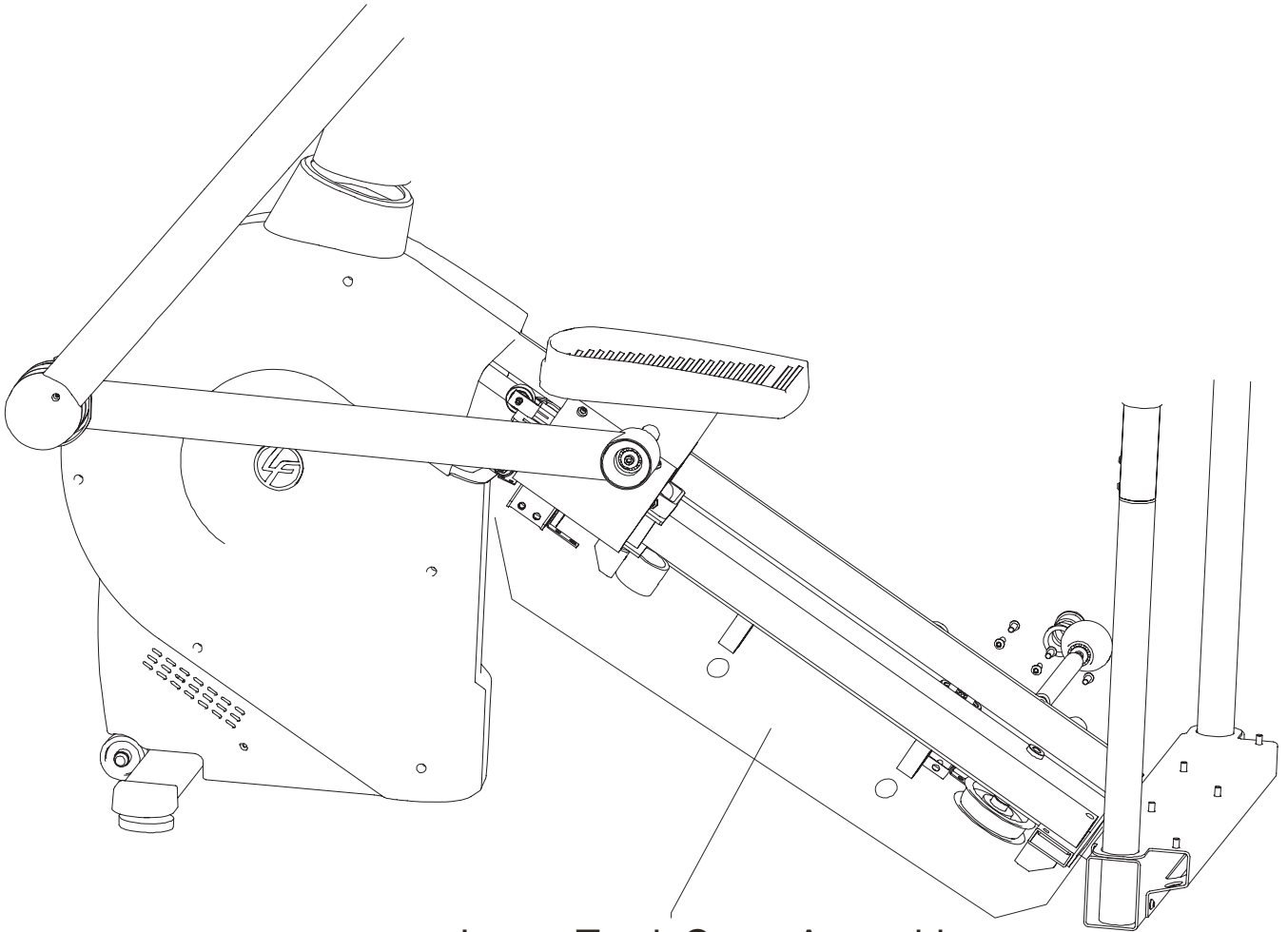


End Cap
0K62-01003-0000

Leg Leveler
0K68-01047-0000
Nut
0017-00103-0330

Access Panel
Assembly
AK68-00107-0000
(See Miscellaneous
page for Panel Assembly
parts breakdown)
Panel Mtg. Screw
0017-00101-1838

Wheel
0017-00042-0674
Wheel Shaft
0K68-01045-0000
Push On Cap
0017-00042-1066
(Note: It is
recommended that
a push on cap be
ordered whenever
replacing one or
both wheels.)



Lower Track Cover Assembly
AK68-00220-0000
Mounting Screw (3)
0017-00101-1906
Washer, Nylon (3)
0017-00104-0485
Flat Washer (3)
0017-00104-0479

