

**ARMY TM 9-1005-313-10  
AIR FORCE T.O. 11W2-6-5-1  
MARINE CORPS TM 08670A/09712A-10/1B  
NAVY SW360-AH-OPI-010  
Supersedes copy dated 19 July 1996**

**OPERATOR'S MANUAL FOR  
MACHINE GUN, 7.62MM, M240 (1005-01-025-8095);  
M240B (1005-01-412-3129); M240C (1005-01-085-4758)  
M240D (1005-01-418-6995); M240E1 (1005-01-252-4288)  
M240G (1005-01-359-2714); M240N (1005-01-493-1666)**

**DISTRIBUTION STATEMENT C:** Distribution authorized to U.S. Government agencies and their contractors. This publication is required for administration and operational purposes, as determined 9 Jan 1989. Other request for this document shall be referred to: Tank-automotive and Armaments Command, 1 Rock Island Arsenal, Rock Island, IL 61299-7630.

**HEADQUARTERS, DEPARTMENTS OF THE ARMY,  
AIR FORCE, MARINE CORPS AND NAVY**

**NOVEMBER 2002**



## **WARNING SUMMARY**

---

Observe all the warnings in this manual. They can save your life.

Be sure to clear weapon before disassembling, cleaning, inspecting, transporting, or storing.

Ensure that assigned/spare barrels have been headspaced and tagged to your receiver. Rotate usage of the barrels.

Do not interchange barrel assembly or bolt assembly from one machine gun to another without being headspaced/gaged. Doing so may result in injury to, or death of, personnel.

Never reload a runaway weapon until it is repaired. Be sure weapon is cleared before removing it from vehicle/tripod mount.

Before firing, make sure the barrel is locked tightly in the receiver. If the barrel is not locked, threads in receiver could be damaged or cause personal injury.

A hot barrel can burn you. If the barrel is hot, use your heat resistant mitten.

**WARNING SUMMARY (cont)**

---

Using gasoline, kerosene, hydraulic oil, benzene, bensol, high-pressure water, steam, or air for cleaning is prohibited.

If nothing is ejected and you have a hot gun (200 rounds fired within a 2 minute period), do **NOT** open the cover. Place safety to "S" safe, keep weapon pointed down range, and remain away from the weapon for 15 minutes. After 15 minutes, clear your weapon (WP 0010 00).

The climate temperature in different regions will make a difference as to what constitutes a hot gun. A hot, sunny day can cause a cook-off within 50 rounds, weapon and ammunition in the sun.

If runaway occurs, always keep machine gun pointed down range.

Always keep weapon pointed down range.

Appropriate eye protection is recommended when cleaning your weapon and/or its parts.

Use care when removing excess carbon, carbon may chip off and fly into eyes.

Cleaning solvent is FLAMMABLE and TOXIC and must be kept away from open flames and used in a well-ventilated area. Use of rubber gloves is necessary to protect the skin when washing machine gun parts.

The canvas cover above the driver and passenger seats should always be in place when firing.

Firing on the move is not permitted from the M998 HMMWV (Cargo/Troop Carrier).

Ground personnel should not be within 10 meters of any vehicle when firing.

All personnel within 20 meters of a weapon firing, shall wear approved single hearing protection devices during training exercises.

This is the only ammunition authorized for use in your machine gun. If it is not shown, it is not authorized.

Ammunition which fails to fire will be disposed of by authorized procedures.

Stay clear of muzzle. Do not allow round to hit any hard surface or it may fire. Dispose of live round(s) in accordance with local procedures.

**WARNING SUMMARY (cont)**

---

**First aid**

For further information on first aid, see FM 21-11.

**LIST OF EFFECTIVE PAGES**

---

NOTE: The portion affected by this revision are indicated by a vertical line in the outer margin of the page.

Dates of issue for original and change pages are:

Original                    0                    15 Nov 2002

Page thru Page	Change No.		Page thru Page	Change No.
a-d	0		0010 00-1 thru -4	0
A-B	0		0011 00-1 thru -2	0
i-viii	0		0012 00-1 thru -2	0
0001 00-1 thru -6	0		0013 00-1 thru -2	0
0002 00-1 thru -2	0		0014 00-1 thru -2	0
0003 00-1 thru -2	0		0015 00-1 thru -2	0
0004 00-1 thru -2	0		0016 00-1 thru -4	0
0005 00-1 thru -2	0		0017 00-1 thru -2	0
0006 00-1 thru -2	0		0018 00-1 thru -2	0
0007 00-1 thru -14	0		0019 00-1 thru -18	0
0008 00-1 thru -2	0		0020 00-1 thru -14	0
0009 00-1 thru -4	0		0021 00-1 thru -6	0

A

**LIST OF EFFECTIVE PAGES (cont)**

---

List of Effective Pages (cont)

Page thru Page	Change No.		Page thru Page	Change No.
0022 00-1 thru -26	0		0038 00-1 thru -6	0
0023 00-1 thru -6	0		0039 00-1 thru -6	0
0024 00-1 thru -2	0		0040 00-1 thru -6	0
0025 00-1 thru -4	0		Cover	0
0026 00-1 thru -6	0			
0027 00-1 thru -2	0			
0028 00-1 thru -4	0			
0029 00-1 thru -4	0			
0030 00-1 thru -4	0			
0031 00-1 thru -2	0			
0032 00-1 thru -6	0			
0033 00-1 thru -2	0			
0034 00-1 thru -18	0			
0035 00-1 thru -2	0			
0036 00-1 thru -4	0			
0037 00-1 thru -16	0			

**B**



**ARMY TM 9-10050313-10  
AIR FORCE T.O. 11W2-6-5-1  
MARINE CORPS TM 08670A/09712A-10/1B  
NAVY SW360-AH-OMI-010**

TECHNICAL MANUAL  
ARMY NO. 9-1005-313-10  
AIR FORCE NO. 11W2-6-5-1  
MARINE CORPS NO. 08670A-10/2B  
NAVY NO. SW360-AH-OMI-010

HEADQUARTERS  
DEPARTMENTS OF THE ARMY  
AIR FORCE, MARINE CORPS,  
AND NAVY

Washington, D.C., 15 November 2002

**Operator's Manual**

**MACHINE GUN, 7.62MM, M240 (1005-01-025-8095)  
MACHINE GUN, 7.62MM, M240B (1005-01-412-3129)  
MACHINE GUN, 7.62MM, M240C (1005-01-085-4758)  
MACHINE GUN, 7.62MM, M240D (1005-01-418-6995)  
MACHINE GUN, 7.62MM, M240E1 (1005-01-252-4288)  
MACHINE GUN, 7.62MM, M240G (1005-01-359-2714)  
MACHINE GUN, 7.62MM, M240N (1005-01-493-1666)**

---

\* This manual supersedes TM 9-1005-313-10, dated 19 July 1996, with all changes, and Marine Corps TM 08670B-10/1A, Supplement 1, dated 29 July 1994.

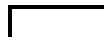
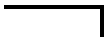
#### **REPORTING ERRORS AND RECOMMENDING IMPROVEMENTS**

You can help improve this manual. If you find any mistakes or if you know of any way to improve the procedures, please let us know. Submit your DA Form 2028 (Recommended Changes to Equipment Technical Publications), through the Internet, on the Army Electronic Product Support (AEPS) website. The internet address is <http://aeeps.ria.army.mil>. If you need a password, scroll down and click on "ACCESS REQUEST FORM". The DA 2028 form is located in the ONLINE FORMS PROCESSING section of the AEPS. Fill out the form and click on SUBMIT. Using this form on the AEPS will enable us to respond quicker to your comments and better manage to DA Form 2028 program. You may also mail, fax, or E-mail your letter or DA Form 2028 direct to: AMSTA-LC-CI/TECH PUBS, TACOM-RI, 1 Rock Island Arsenal, Rock Island, IL 61299-7630. The email address is [TACOM-TECH-PUBS@ria.army.mil](mailto:TACOM-TECH-PUBS@ria.army.mil). The fax number is DSN 793-0726 or commercial (309) 782-0726. Marine Corps users submit NAVMC Form 10772 via Marine Corps Publications website at: <http://pubs.ala.usmc.mil>. Air Force requests for this document shall be referred to WR-ALC/LKC, Robins AFB, GA 31098-1640. Navy users submit Recommended Changes to Publications to Commander, Naval Surface Warfare Center, Crane Division, Code 4081, Crane, IN 47522-5001. A reply will be furnished to you.

**DISTRIBUTION STATEMENT C:** Distribution authorized to U.S. Government Agencies and their contractors. This publication is required for administration and operational purposes, as determined 9 Jan 1989. Other requests for this document shall be referred to Tank-automotive and Armaments Command, ATTN: AMSTA-LC-CIP-WT, 1 Rock Island Arsenal, Rock Island, IL 61299-7630.



This page intentionally left blank.



**TABLE OF CONTENTS**

---

	<b>Page</b>
WARNING SUMMARY .....	a
LIST OF EFFECTIVE PAGES .....	A
HOW TO USE THIS MANUAL.....	vii
CHAPTER 1   GENERAL INFORMATION, DESCRIPTION, AND THEORY OF OPERATION	
General Information.....	WP 0001 00-1
Scope.....	WP 0001 00-4
Maintenance Forms, Records and Reports .....	WP 0002 00-1
Reporting Equipment Improvement Recommendations .....	WP 0003 00-1
Corrosion Prevention and Control .....	WP 0004 00-1
Destruction of Material to Prevent Enemy Use.....	WP 0005 00-1
Preparation for Storage and Shipment.....	WP 0006 00-1
Equipment Description and Data.....	WP 0007 00-1

**TABLE OF CONTENTS (cont)**

---

	<b>Page</b>
<b>CHAPTER 2 OPERATING INSTRUCTIONS</b>	
Technical Principles of Operation.....	WP 0008 00-1
Operation Under Usual Conditions .....	WP 0009 00-1
Loading.....	WP 0009 00-1
Clearing.....	WP 0010 00-1
Bipod Operation (M240B/M240G).....	WP 0011 00-1
Definitions .....	WP 0012 00-1
Immediate Action .....	WP 0013 00-1
Remedial Action.....	WP 0014 00-1
Runaway Machine Gun .....	WP 0015 00-1
Stuck Cartridge Case or Live Round.....	WP 0016 00-1
Ruptured Cartridge Case.....	WP 0017 00-1
Operation Under Unusual Conditions .....	WP 0018 00-1
<b>CHAPTER 3 TROUBLESHOOTING PROCEDURES</b>	
General.....	WP 0019 00-1
Fails to fire on initial burst.....	WP 0019 00-2
Failure to feed.....	WP 0019 00-4
Weapon stops firing.....	WP 0019 00-6

**Page**

**CHAPTER 3 TROUBLESHOOTING PROCEDURES (cont)**

Sluggish operation .....	WP 0019 00-9
Fails to chamber .....	WP 0019 00-10
Fails to fire .....	WP 0019 00-13
Failure to extract .....	WP 0019 00-14
Failure to eject.....	WP 0019 00-15
Failure to cock or runaway gun .....	WP 0019 00-17

**CHAPTER 4 MAINTENANCE PROCEDURES**

Preventive Maintenance Checks and Services .....	WP 0020 00-1
Field Strip .....	WP 0021 00-1
Cleaning, Inspection, and Repair .....	WP 0022 00-1
Reassembly .....	WP 0023 00-1
Safety/Function Check.....	WP 0024 00-1
Lubrication Instructions .....	WP 0025 00-1
Adjustment of Sights .....	WP 0026 00-1
Associated Equipment.....	WP 0027 00-1
Mounting T&E Mechanism and Pintle Assembly to Tripod (M122A1) .....	WP 0028 00-1
Mounting Weapon on M122A1 Tripod Assembly .....	WP 0029 00-1

**TABLE OF CONTENTS**

---

CHAPTER 4 MAINTENANCE PROCEDURES (cont)

- Mounting T&E Mechanism and Flexible Mount Assembly to Tripod.....WP 0030 00-1
- Mounting Weapon on Flexible Mount Assembly on Tripod.....WP 0031 00-1
- Mounting Weapon on M6 Pedestal Mount and M197 Machine Gun Mount.....WP 0032 00-1
- Attachment of Ammunition Adapter Assembly (M240B) .....WP 0033 00-1
- M24 Blank Firing Adapter and M21 Blank Firing Attachment.....WP 0034 00-1
- Emergency Ergess Package (M240D Only) .....WP 0035 00-1

CHAPTER 5 AMMUNITION .....WP 0036 00-1

CHAPTER 6 SUPPORTING INFORMATION

- References .....WP 0037 00-1
- Components of End Item and Basic Issue Items Lists .....WP 0038 00-1
- Additional Authorized List and Additional Equipment List.....WP 0039 00-1
- Expendable/Durable Supplies and Materials List.....WP 0040 00-1



## **HOW TO USE THIS MANUAL**

---

In order to use this manual, there are several things you need to know.

- 1) All references in the manual are to work packages or to another manual.
- 2) Procedures apply to all models unless otherwise specified.

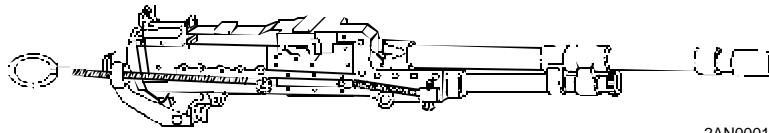
This manual is organized to help you quickly find the information you need.

- 1) Table of Contents: List in order all chapters and work package references.
- 2) Component of End Item (COEI): List of items that are part of the end item, but are shipped separately. It is not an authorization to requisition replacements.
- 3) Basic Issue Items (BII): List of minimum essential items required when weapon is in operation, and to perform emergency repairs. This manual is your authorization to request/replace BII.



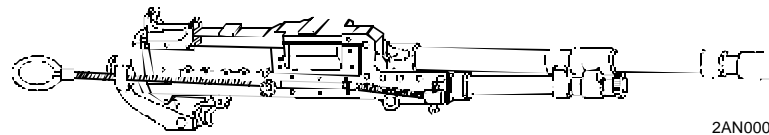
**CHAPTER 1**  
**GENERAL INFORMATION,**  
**DESCRIPTION AND**  
**THEORY OF OPERATION**





2AN0001

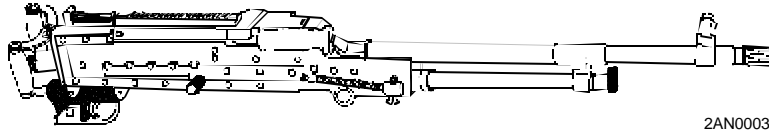
M240



2AN0002

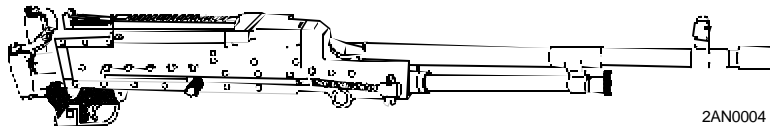
M240C

0001 00-1



2AN0003

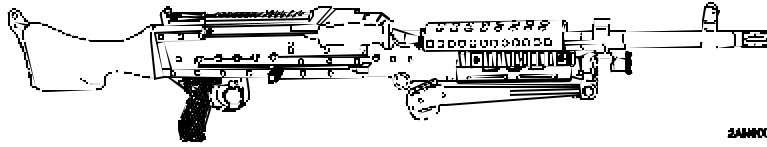
M240D



2AN0004

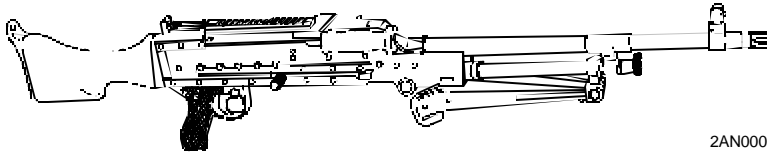
M240E1

0001 00-2



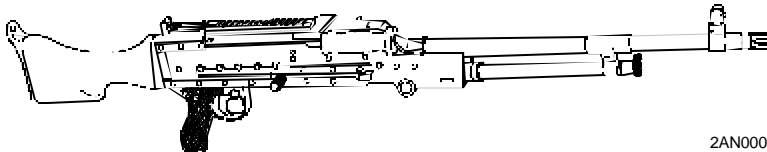
2AN005

M240B



2AN006

M240G



2AN007

M240N

0001 00-3

**SCOPE**

Type of Manual: Operator's Manual.

Model Number and Equipment Name:

M240, 7.62mm, Machine Gun  
M240B, 7.62mm, Machine Gun  
M240C, 7.62mm, Machine Gun  
M240D, 7.62mm, Machine Gun  
M240E1, 7.62mm, Machine Gun  
M240G, 7.62mm, Machine Gun  
M240N, 7.62mm, Machine Gun

Purpose of Equipment:

M240/M240C – Designed as coaxial machine gun for tanks and 7.62mm fire power on light armored vehicles.

M240B/M240G – Designed as a tripod mounted or bipod supported machine gun for use by ground forces. The bipod is integrated into the receiver assembly of the weapon.



M240E1 - Designed with front and rear sights, uses 7.62mm ammunition, and spade grip trigger device and is pintle mounted on light armored vehicles.

M240D - Designed with front and rear sights, uses 7.62mm ammunition, and spade grip trigger and is mounted in helicopter applications.

M240N- Designed with front and rear sights, and configured for mounting on water craft.

0001 00-5/6 blank



**MAINTENANCE FORMS, RECORDS, AND REPORTS**

**0002 00**

Department of the Army forms and procedures used for equipment maintenance will be those prescribed by DA PAM 738-750, The Army Maintenance Management System (TAMMS).

Marine Corps users refer to TM 4700-15/1, Ground Equipment Record Procedures.

**0002 00-1/2 blank**



**REPORTING EQUIPMENT IMPROVEMENT  
RECOMMENDATIONS (EIR)**

**0003 00**

---

If your machine gun needs improvement, let us know. Send us an EIR. You, the user, are the only one who can tell us what you don't like about your equipment. Let us know why you don't like the design or performance. Put it on an SF 368 (Product Quality Deficiency Report). Mail to the address specified in DA PAM 738-750, Functional users Manual for the Army Maintenance Management System (TAMMS), or as specified by the acquiring activity. We will send you a reply.

Army users submit an SF 368 (QDR) and mail to: Commander, U.S. Army Armament Research Development and Engineering Center, ATTN: AMSTA-AR-QAW-A, 1 Rock Island Arsenal, Rock Island, IL 61299-7630.

Marine Corps users submit QDR's or SF 368 in accordance with MCO 4855.10 to: Commanding General, Marine Corps Logistics Base (Code 808), Albany, GA 31704-5000.

Navy users submit Quality Deficiency Report to Commander, Naval Surface Warfare Center, Crane Division, Code 4081, Crane, IN 47522-5001.

We'll send you a reply.

**0003 00-1/2 blank**



**CORROSION PREVENTION AND CONTROL**

**0004 00**

Corrosion Prevention and Control (CPC) of Army materiel is a continuing concern. It is important that any corrosion problems with this item be reported so that the problem can be corrected and improvements can be made to prevent the problem in the future.

While corrosion is typically associated with rusting of metals, it can also include deterioration of other materials, such as rubber and plastic. Unusual cracking, softening, swelling, or breaking of these materials may be a corrosion problem.

If a corrosion problem is identified, it can be reported using SF 368, Product Quality Deficiency Report. Use key words such as "corrosion", "rust", "deterioration", or "cracking" will ensure that the information is identified as a CPC problem.

The form should be submitted to the address specified in DA PAM 738-750, Functional Users Manual for the Army Maintenance Management System (TAMMS).

**0004 00-1**

**CORROSION PREVENTION AND CONTROL (cont)**

**0004 00**

Marine Corps users: The prevention of corrosion on any equipment is important and is critically important for safe functioning of your machine gun. Corrosion prevention is carried out in accordance with TM 3080-12 (Corrosion Prevention and Control for Marine Corps Equipment). If a recurrent corrosion problem is identified, it should be reported on SF 368 (Product Quality Deficiency Report) in accordance with guidance contained in MCO 4855.10 (Product Quality Deficiency Report).

Navy users submit Product Quality Deficiency Report or Material Deficiency Report (MDR) to Commander, Naval Surface Warfare Center, Crane Division, Code 4081, Crane, IN 47522-5001.

**0004 00-2**



**DESTRUCTION OF ARMY MATERIEL  
TO PREVENT ENEMY USE**

**0005 00**

---

Procedures and materials used for the destruction of the machine gun to prevent enemy use will be found in TM 750-244-7.

Marine Corps users render the M240 inoperable by smashing, schattering, and concealing disassembled pieces.

**0005 00-1/2 blank**



**PREPARATION FOR STORAGE OR SHIPMENT**

**0006 00**

Storage and shipment shall be in accordance with local procedures and AR 190-11, Physical Security of Arms, Ammunition and Explosives.

**0006 00-1/2 blank**



**EQUIPMENT CHARACTERISTICS, CAPABILITIES, AND FEATURES**

Equipment Characteristics:

M240/M240C – Designed as coaxial machine gun for tanks and 7.62mm fire power on light armored vehicles.

M240B/M240G – Designed as a tripod mounted or bipod supported machine gun for use by ground forces. The bipod is integrated into the receiver assembly of the weapon.

M240E1 - Designed with front and rear sights, uses 7.62mm ammunition, and spade grip trigger device and is pintle mounted on light armored vehicles.

M240D - Designed with front and rear sights, uses 7.62mm ammunition, and spade grip trigger and is mounted in helicopter applications.

M240N– Designed with front and rear sights, and configured for mounting on water craft.

**EQUIPMENT CHARACTERISTICS, CAPABILITIES, AND FEATURES (cont)**

Capabilities and Features:

The M240 Series Machine Gun is gas -operated and fires from the open bolt position. The 7.62mm is the authorized round for the machine gun (WP 0035 00).

The M240B has a buttstock and hydraulic buffer assembly and can be mounted on the M122A1 tripod (refer to TM 9-1005-245-13&P).

The M240G has a buttstock and buffer assembly and can be mounted on the M122 tripod with a flexible mount (refer to TM 9-1005-245-13&P) (Marine Corps only).

## LOCATION AND DESCRIPTION OF MAJOR COMPONENTS

**Barrel Assembly (A)** – Houses cartridge for firing and directs projectile.

**Buffer Assembly/Buffer and Spade Grip Assembly/Buttstock and Buffer Assembly (B)** – Absorbs recoil for bolt and operating rod assembly at the end of recoil movement.

**Driving Spring Rod Assembly (C)** - Provides energy for returning bolt and operating rod assembly to firing position.

**Bolt and Operating Rod Assembly (D)** – Provides feeding, stripping, chambering, firing, extraction, and ejection of cartridges using the projectile propelling gases for power.

**Trigger Housing Assembly (E)** – Controls the firing of the machine gun.

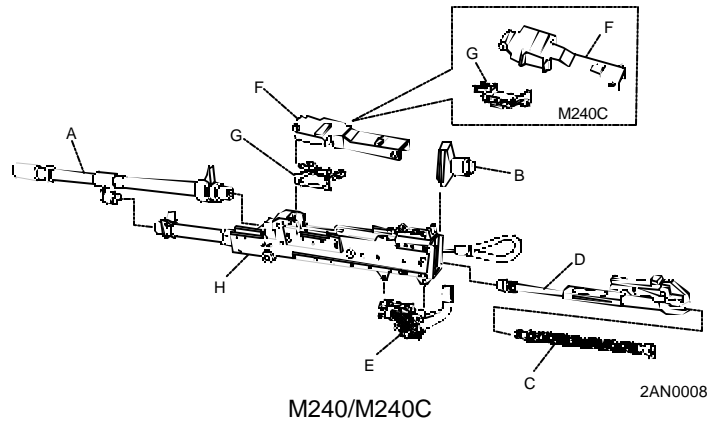
**Cover Assembly (F)** - Feeds linked belt, positions and holds cartridges in position for stripping, feeding and chambering. Cover has integral sight mounting rail for current/future accessories (all models except M240/M240C).

**Feed Tray (G)** – Serves as a guide for positioning cartridges to assist in chambering.

0007 00-3

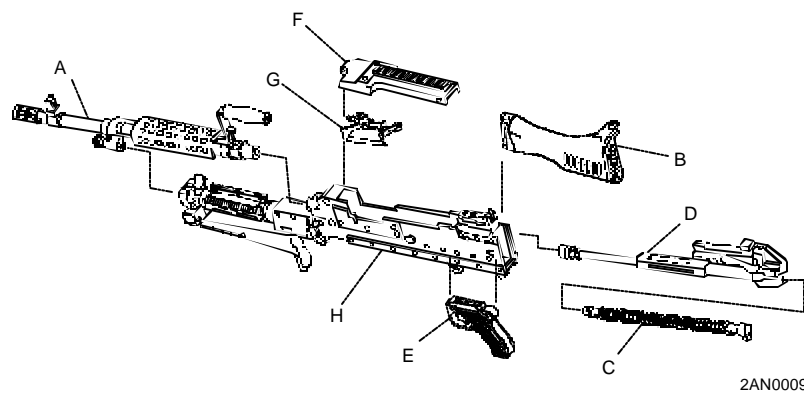
LOCATION AND DESCRIPTION OF MAJOR COMPONENTS (cont)

**Receiver Assembly (H)** – Serves as a support of all major components. The receiver houses action of weapon, and controls functioning of weapon through a series of cam ways. Receiver has a forward integral mounting rail for current/future accessories (M240B only).



0007 00-4

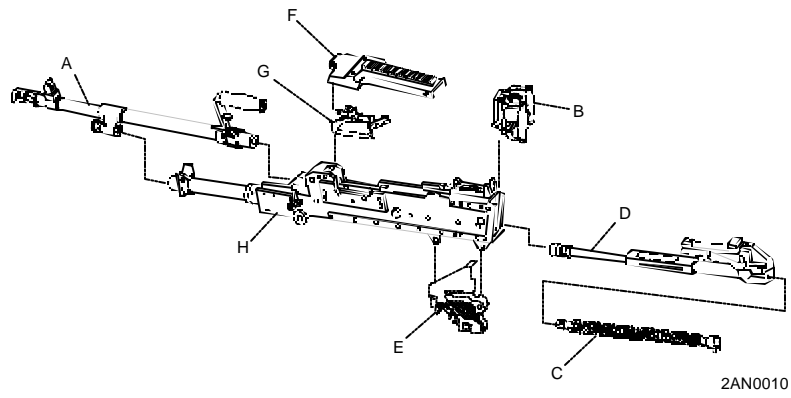




M240B

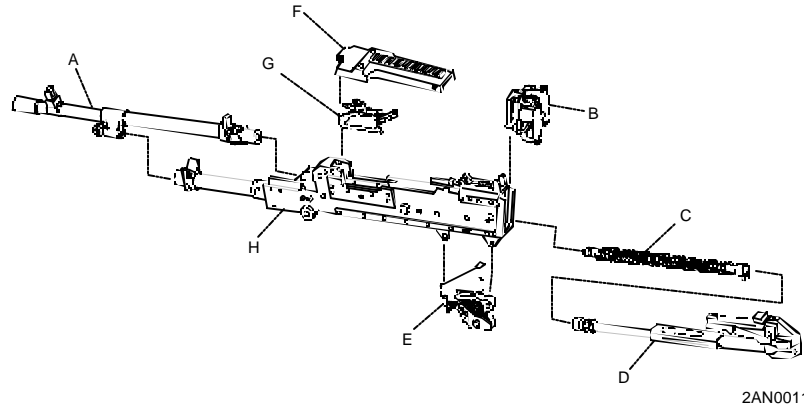
0007 00-5

LOCATION AND DESCRIPTION OF MAJOR COMPONENTS (cont)



M240D

0007 00-6

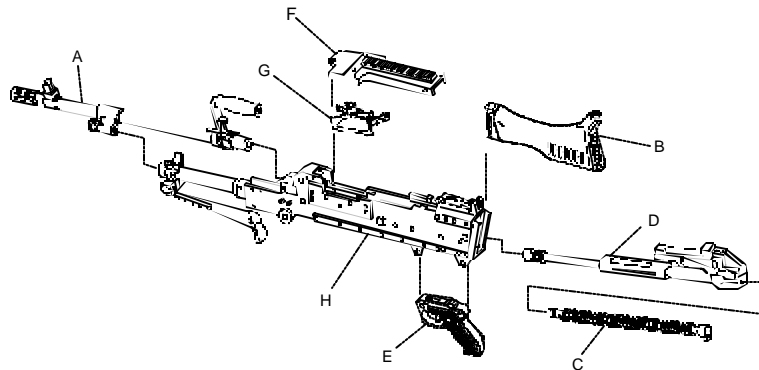


2AN0011

M240E1

0007 00-7

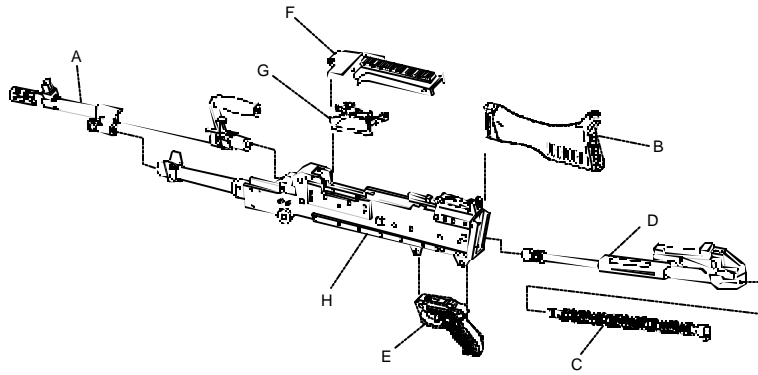
LOCATION AND DESCRIPTION OF MAJOR COMPONENTS (cont)



2AN0012

M240G

0007 00-8



2AN0013

M240N

0007 00-9

**EQUIPMENT DESCRIPTION AND DATA (cont)****0007 00****DIFFERENCES BETWEEN MODELS**

	<u>M240</u>	<u>M240B</u>	<u>M240C</u>	<u>M240D</u>	<u>M240E1</u>	<u>M240G</u>	<u>M240N</u>
Feeds from right			X				
Feeds from left	X	X		X	X	X	X
Cover Assy:							
PN 11826165	X						
PN 11826038			X				
PN 12977101		X		X	X	X	X
Receiver Assy:							
PN 11826192	X		X				
PN 12597044					X		
PN 12976834		X					
PN 12997566						X	
PN 12999179							X
PN 12977104				X			

**0007 00-10**

	<u>M240</u>	<u>M240B</u>	<u>M240C</u>	<u>M240D</u>	<u>M240E1</u>	<u>M240G</u>	<u>M240N</u>
Barrel Assy:							
PN 11825985	X		X				
PN 12597035					X		
PN 12976817		X					
PN 12976818				X		X	X
Trigger Assy:							
PN 11826230	X		X				
PN 12597070					X		
PN 12977118				X			
PN 12976869		X				X	X
Buffer Assy							
PN 11826211	X		X				
Buffer and Spade Grip Assy:							
PN 12597057				X	X		
Buttstock and Buffer Assy:							
PN 12976851						X	

0007 00-11

**EQUIPMENT DESCRIPTION AND DATA (cont)****0007 00****DIFFERENCES BETWEEN MODELS (cont)**

	<u>M240</u>	<u>M240B</u>	<u>M240C</u>	<u>M240D</u>	<u>M240E1</u>	<u>M240G</u>	<u>M240N</u>
Buttstock and Buffer Assy (Hydraulic):							
PN 12988986		X					X
Charger Cable							
PN 11826145	X		X				
Cocking Handle Assy:							
PN 12597045					X		
PN 12976835		X				X	X
PN 12977105				X			

Procedures are written for the M240 machine gun but apply to all seven models, except where noted.

Do not mix and match parts for one model configuration to another model.

**0007 00-12**



**EQUIPMENT DATA**

Weight.....10.34 Kg (22.2 lbs) (M240/M240C); 12.29 Kg (27.1 lbs) (M240B);  
10.39 Kg (22.9 lbs) (M240D); 11.66 Kg (25.7 lbs) (M240E1);  
11.7 Kg (25.8 lbs) (M240G); 10.93 Kg (24.1 lbs) (M240N)

Rate of Fire .... You get the sustained and rapid rates through practice.

Cyclic.....650 to 950 RDS/M – Weapon is not intended to fire at 950 RDS/M.  
This will cause accelerated wear/damage to the barrel and rest of  
weapon.  
600 to 650 RDS/M – M240B/M240N with hydraulic buffer.

Sustained.....100 RDS/M (4-5 seconds between burst) – Change barrel every  
10 minutes.

Rapid.....200 RDS/M (2-3 seconds between burst) – Change barrel every 2  
minutes.

**NOTE**

Barrel change intervals also apply when firing blank ammunition.

**0007 00-13**

**EQUIPMENT DESCRIPTION AND DATA (cont)**

**0007 00**

**EQUIPMENT DATA (cont)**

Range:

Maximum.....3,725 meters

Maximum  
effective (point).....800 meters with M122A1 Tripod (M240B)  
(M122 Tripod with Flex Mount Assembly  
(M240G) (Marine Corps only)).

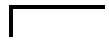
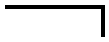
Maximum  
Effective (area).....1,800 meters with M122A1 Tripod (M240B)  
(M122 Tripod with Flex Mount Assembly  
(M240G) (Marine Corps only)).

Tracer burnout.....Approximately 900 meters.

**0007 00-14**



**CHAPTER 2**  
**OPERATING INSTRUCTIONS**





**FACTS ABOUT YOUR MACHINE GUN**

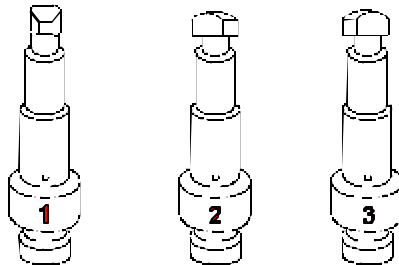
The barrel is air-cooled and has an established headspace allowing quick changes for cooling and maintenance when required. The rate of fire is controlled by 3 regulator settings (setting #1 is preferred). Settings #2 and #3 are used when carbon build-up, cold weather, or dusty conditions reduce the firing rate. Bolt design permits the cover to be opened or closed, regardless of the bolt position, without damage.

**NOTE**

This design is intended to maintain a consistent rate of fire under adverse conditions and is not to increase the rate of fire. Gas inlet setting #1 is the preferred setting for normal conditions. If gas regulator plug has been set to setting #2 or #3 to increase firing rate, take corrective action to return to primary setting #1 as soon as possible.

Gas regulator may need to be changed to setting #2 for firing blank ammunition. After cleaning, return to Setting #1 for firing of standard ammunition.

FACTS ABOUT YOUR MACHINE GUN

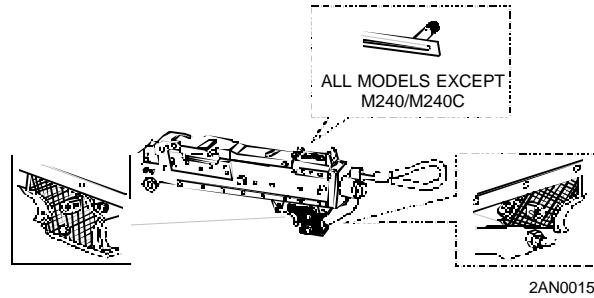


2AN0014

- Setting #1 = 650 RDS/M approx. (600 RD/S – M240B/M240N with hydraulic buffer)
- Setting #2 = 750 RDS/M approx. (625 RD/S – M240B/M240N with hydraulic buffer)
- Setting #3 = 950 RDS/M approx. (650 RD/S – M240B/M240N with hydraulic buffer)

**OPERATION UNDER USUAL CONDITIONS –  
LOADING**

**0009 00**



**WARNING**

Under no circumstances should the safety be engaged with the bolt in the forward position.

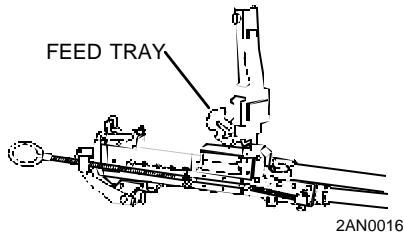
Place safety to "F" fire.

Pull charger cable (or cocking handle assembly) to rear, and ensure bolt locks to rear. Release charger cable (or return cocking handle assembly) to fully forward and locked position.

**0009 00-1**

**OPERATION UNDER USUAL CONDITIONS –  
LOADING (cont)**

**0009 00**



2AN0016

Place safety to "S" safe.

Push in latches to open cover assembly. Remove any ammunition if present.

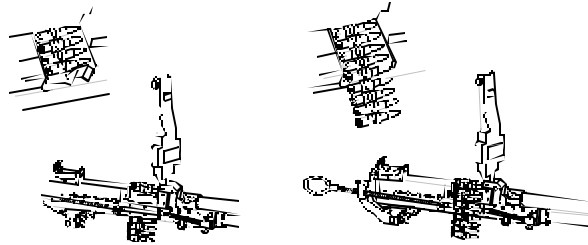
Raise feed tray. Look into chamber, make sure no round is chambered and area is free of obstructions. Lower feed tray.

Place safety to "F" fire.

Pull and hold charger cable (or cocking handle assembly) to rear, squeeze trigger and ease bolt forward to close and lock.

**0009 00-2**





ALL MODELS  
EXCEPT M240C

M240C

2AN0017

**NOTE**

Position open side of links down.

Place link belt in feed tray with first round positioned against cartridge stop.

**CAUTION**

Make sure round does not move away from cartridge stop during closing and latching of cover.

Close cover assembly. Make sure it locks shut. (Air Force users, this is HALF-LOAD and is an authorized carry/transportation configuration of the M240B and it's ammo.)

**0009 00-3**

**OPERATION UNDER USUAL CONDITIONS –  
LOADING (cont)**

**0009 00**

---

Pull charger cable (or cocking handle assembly) to rear, and ensure bolt locks to rear. Release charger cable (or return cocking handle assembly) to fully forward and locked position.

If weapon is not to be fired immediately, place safety to "S" safe. Place safety to "F" fire immediately prior to firing. (Air Force users, this is FULL-LOAD/COMBAT LOAD configuration.)

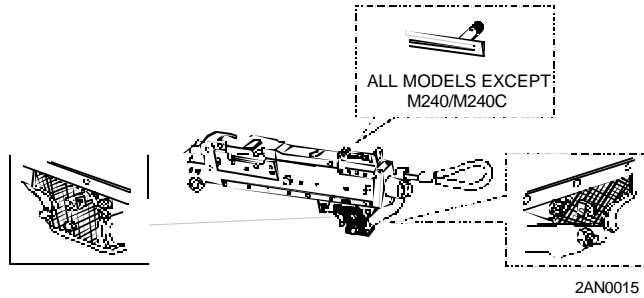
**NOTE**

Proper trigger control is pulling the trigger fully to the rear and then releasing completely. Squeezing the trigger can cause accelerated wear on the trigger tripping lever, sear and operating rod, leading to a run-away gun.

**0009 00-4**

**OPERATION UNDER USUAL CONDITIONS –  
CLEARING**

**0010 00**



Place safety to "F" fire.

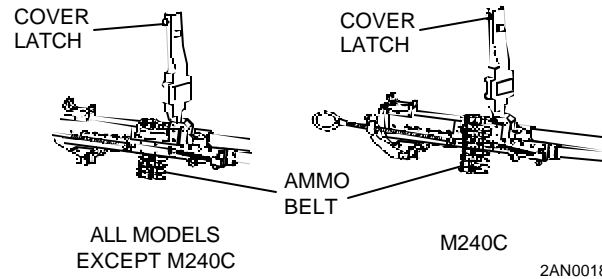
Pull charger cable (or cocking handle assembly) to rear, and release. Ensure cocking handle assembly is in fully forward and locked position.

Place safety to "S" safe.

**0010 00-1**

**OPERATION UNDER USUAL CONDITIONS –  
CLEARING**

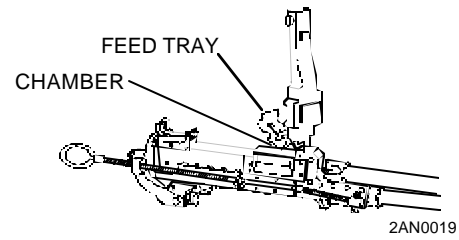
**0010 00**



Push in latches to open cover assembly.

Remove ammunition belt.

**0010 00-2**

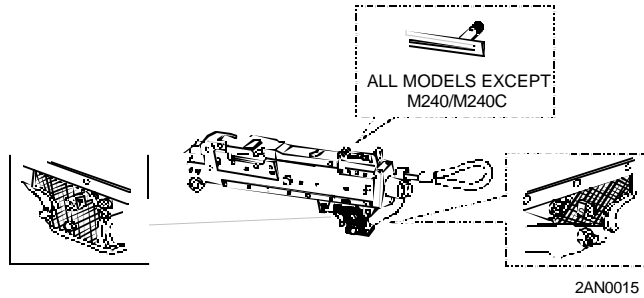


Raise feed tray. Look into chamber to make sure it is empty. If a round is still in the chamber, refer to ruptured/stuck cartridge case or live round procedures (WP 0016 00 and WP 0017 00).

Lower feed tray.

**OPERATION UNDER USUAL CONDITIONS –  
CLEARING (cont)**

**0010 00**



Place safety to "F" fire.

Pull and hold charger cable (or cocking handle assembly) to rear, pull trigger and ease bolt forward to close and lock.

Close cover assembly. Make sure it locks shut.

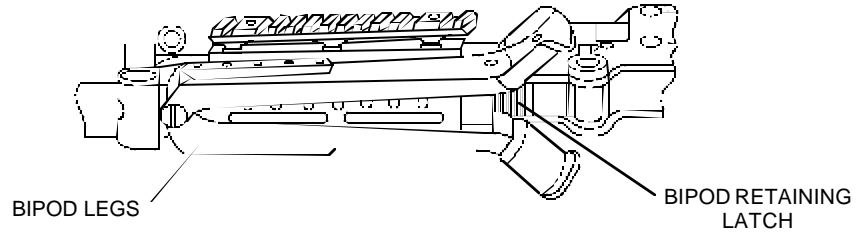
**NOTE**

Be sure bolt is forward with safety in "F" fire when gun is not in use.

**0010 00-4**

**OPERATION UNDER USUAL CONDITIONS –  
OPERATION OF BIPOD**

**0011 00**



2AN0021

To operate the weapon from the bipod (M240B/M240G):

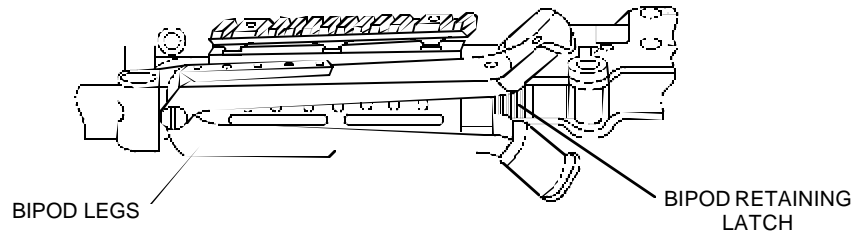
Depress the bipod retaining latch, while holding the bipod legs together to disengage them from the receiver

Rotate the bipod legs down and release them so they lock in the vertical position.

**0011 00-1**

**OPERATION UNDER USUAL CONDITIONS –  
OPERATION OF BIPOD (cont)**

**0011 00**



2AN0021

To return the bipod to locked upright position:

Hold the bipod legs together to disengage them from the locked vertical position.

Rotate legs rearward, depress the bipod latch and engage the bipod leg hooks into the slots of receiver. Release the bipod retaining latch to its original position, locking the legs into position.

**0011 00-2**



**OPERATION UNDER USUAL CONDITIONS –  
DEFINITIONS**

**0012 00**

---

**STOPPAGE** – Any interruption in the cycle of operation of the gun.

**IMMEDIATE ACTION** – Prompt actions taken by the crew to overcome a stoppage.

**REMEDIAL ACTION** - Action taken to identify stoppage, if immediate action fails.

**COOK-OFF** – This is a peacetime classification only. The gun will be classed as a hot or cold gun in the interest of safety.

**CLASSIFICATION OF HOT GUN**

- More than 200 rounds fired within a 2 minute period.
- A long continuous burst or repeated firing of the weapon even though you do not reach 200 rounds.
- Less than 15 minutes have lapsed with out a round being fired from a hot gun.
- If the vehicle Commander for any reason determines the weapon is hot.

**0012 00-1/2 blank**



**OPERATION UNDER USUAL CONDITIONS –  
IMMEDIATE ACTION**

**0013 00**

---

**WARNING**

If nothing is ejected and you have a hot gun (200 rounds fired within a 2 minute period), do **NOT** open the cover. Place safety to “S” safe, keep weapon pointed down range, and remain away from the weapon for 15 minutes. After 15 minutes, clear your weapon (WP 0010 00).

The climate temperature in different regions will make a difference as to what constitutes a hot gun. A hot, sunny day can cause a cook-off within 50 rounds, weapon and ammunition in the sun.

**0013 00-1**

**OPERATION UNDER USUAL CONDITIONS –  
IMMEDIATE ACTION (cont)**

---

**0013 00**

Charge the weapon.

Attempt to fire.

If the gun does not fire, pull charger cable (or cocking handle assembly) rearward to lock bolt assembly back (return cocking handle assembly to forward locked position), place safety on "S" safe, then:

- If Hot Gun – Keep weapon pointed down range for 15 minutes, then perform remedial action.
- If Cold Gun – Perform remedial action.

**0013 00-2**

**OPERATION UNDER USUAL CONDITIONS –  
REMEDIAL ACTION**

---

**0014 00**

Clear the weapon (WP 0010 00).

Visually inspect weapon.

Load and attempt to fire.

If weapon does not fire, notify unit maintenance.

**0014 00-1/2 blank**



**OPERATION UNDER USUAL CONDITIONS –  
RUNAWAY MACHINE GUN**

**0015 00**

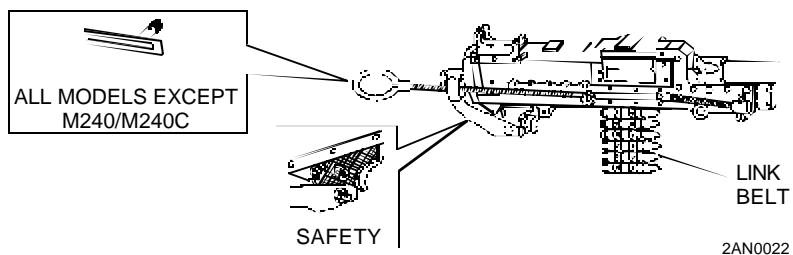
**WARNING**

Always keep weapon pointed down range.

Never reload a runaway weapon until it is repaired. Be sure weapon is cleared (WP 0010 00) before removing it from vehicle/tripod mount.

If runaway occurs (weapon won't stop firing), take any of the 3 actions below to stop the runaway. Then notify unit maintenance.

Let weapon fire if near end of link belt.



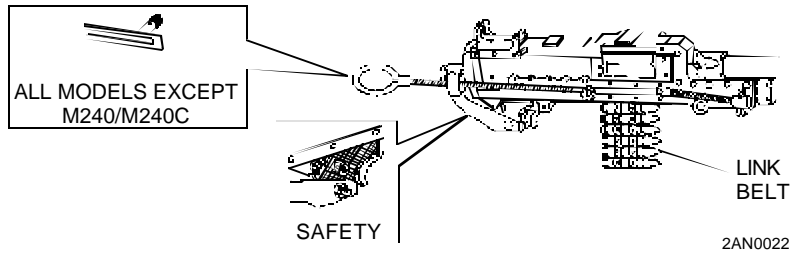
**0015 00-1**

**OPERATION UNDER USUAL CONDITIONS –  
RUNAWAY MACHINE GUN (cont)**

**0015 00**

Break link belt (grasp link belt and twist it firmly).

Grab charger cable (or cocking handle assembly), pull all the way back and hold.  
Place safety to "S" safe and remove ammunition belt.



**0015 00-2**



**OPERATION UNDER USUAL CONDITIONS –  
STUCK CARTRIDGE CASE OR LIVE ROUND**

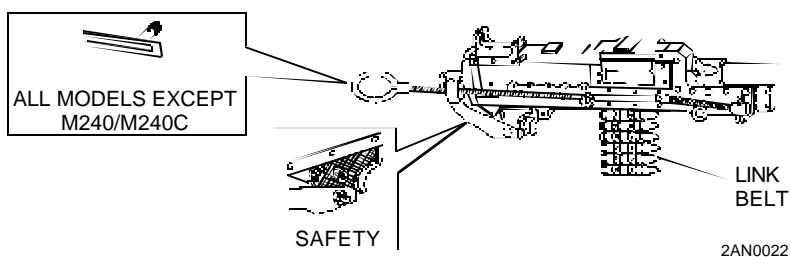
**0016 00**

**WARNING**

Stay clear of muzzle. Do not allow round to hit any hard surface or it may fire. Dispose of live round(s) in accordance with local procedures.

If weapon fired but didn't extract, you have a stuck cartridge case. If weapon did not fire and didn't extract, you have a stuck live round.

Charge the weapon, and place safety on "S" safe.



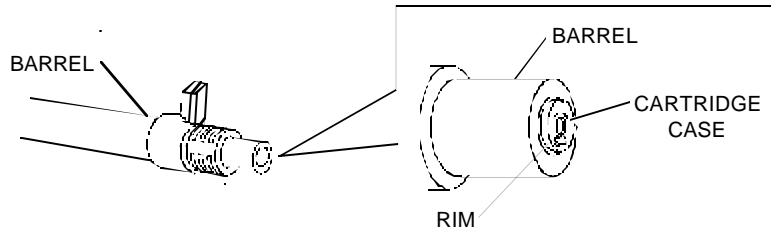
**0016 00-1**

**OPERATION UNDER USUAL CONDITIONS –  
STUCK CARTRIDGE CASE OR LIVE ROUND (cont)**

**0016 00**

Push cocking handle assembly to forward locked position (all models except M240/M240C).

Wait until barrel is cool; remove barrel (WP 0021 00). Remove cartridge case from chamber of barrel, or pry rim (if case is tight).

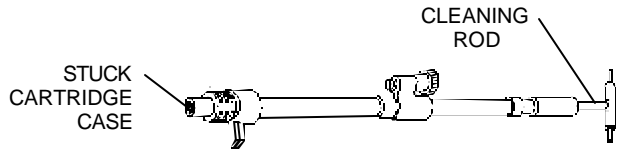


2AN0023

**0016 00-2**

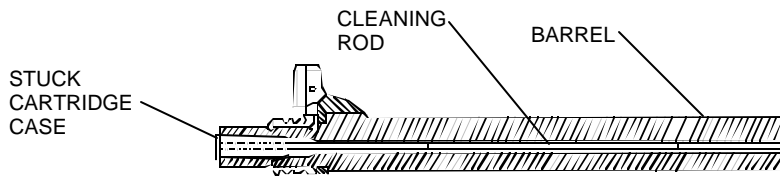
**ALTERNATIVE MEATHOD**

Remove swab holder section from cleaning rod and insert cleaning rod through muzzle end of barrel, gently tap out cartridge.



2AN0024

Push end of cleaning rod against stuck case. Push cleaning rod to remove case with weapon in mounted position.



2AN0025

**0016 00-3/4 blank**



**OPERATION UNDER USUAL CONDITIONS –  
RUPTURED CARTRIDGE CASE**

**0017 00**

---

**WARNING**

Stay clear of muzzle. Do not allow round to hit any hard surface or it may fire. Dispose of live round(s) in accordance with local procedures.

Charge the weapon, and place safety on “S” safe.

Push cocking handle assembly to forward locked position (all models except M240/M240C).

Wait until barrel is cool; remove barrel (WP 0021 00).

**0017 00-1**

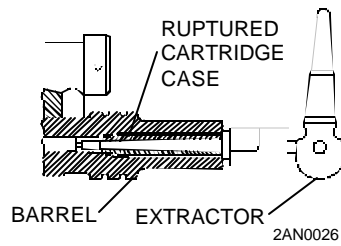
**OPERATION UNDER USUAL CONDITIONS –  
RUPTURED CARTRIDGE CASE (cont)**

**001700**

**NOTE**

In the event a live round is fed into a ruptured case, remove live round first (WP 0016 00), then remove ruptured cartridge case.

Push threaded end of extractor post through ruptured case. Pull on handle to remove case.



**0017 00-2**

**OPERATION UNDER UNUSUAL CONDITIONS –**

**0018 00**

Under unusual conditions, clean and lubricate weapon more often.

**HOT, DUSTY, AND SANDY AREAS.** Clean often. Wipe oil from exposed surfaces with clean wiping rag (item 7, WP 0040 00). Cover weapon as much as possible to keep dust and sand out of parts.

**HOT, WET CLIMATE.** Inspect often. Dry, clean, and lubricate lightly as necessary.

**EXTREMELY COLD CLIMATE.** Keep free of moisture. Lightly oil with LAW (item 4, WP 0040 00).

**AFTER EXPOSURE TO WATER.** Disassemble, clean, oil and reassemble as soon as possible. Make sure it's dry.

**NUCLEAR, BIOLOGICAL, AND CHEMICAL (NBC) ESCONTAMINATION.** Decontamination procedures can be found in FM-3-5.

**NOTE**

Refer to WP 0025 00 for lubrication instructions.

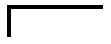
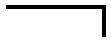
**0018 00-1/2 blank**







**CHAPTER 3**  
**TROUBLESHOOTING PROCEDURES**





**GENERAL**

This table lists the common malfunctions that you may find during the operation or maintenance of the machine gun or its components. You should perform the tests/inspections and corrective actions in the order listed.

This manual cannot list all the malfunctions that may occur, nor all tests or inspections and corrective actions. If a malfunction is not listed or is not corrected by listed corrective actions, notify unit maintenance.

**NOTE**

Troubleshooting procedures are written for one machine gun but apply to all models.

Table 1. Troubleshooting Procedures

**SYMPTOM**

Fails to fire on initial burst.

**MALFUNCTION**

Weapon not properly charged.

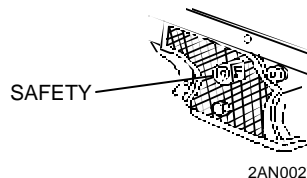
**CORRECTIVE ACTION**

Charge the weapon.

Safety is still in "S" safe position.

**CORRECTIVE ACTION**

Move safety to "F" fire.

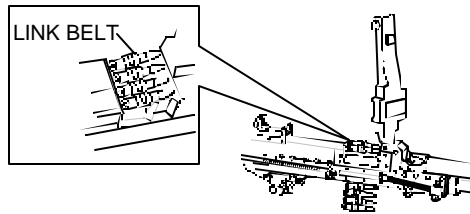


**MALFUNCTION**

Lick belt is not properly loaded.

**CORRECTIVE ACTION**

Remove and reinstall lick belt properly (WP 0009 00).



2AN0028

Ammunition is defective.

**CORRECTIVE ACTION**

Eject round.

0019 00-3

**Table 1. Troubleshooting Procedures (cont).**

**SYMPTOM**

Failure to feed.

**MALFUNCTION**

Improper lubrication.

**CORRECTIVE ACTION**

Lube as required (WP 0025 00).

Ammunition or links are defective.

**CORRECTIVE ACTION**

Remove defective ammunition/links. Install new ammunition/links.

Obstruction in receiver.

**CORRECTIVE ACTION**

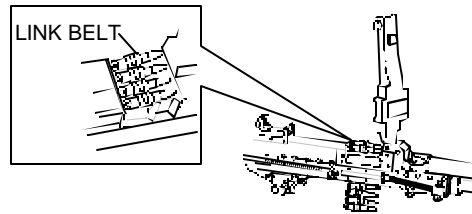
Remove obstruction.

**MALFUNCTION**

Rounds in link belt misaligned or link belt inverted.

**CORRECTIVE ACTION**

Align round in link belt; reinstall link belt properly (WP 0009 00).



2AN0028

Cover is unlatched.

**CORRECTIVE ACTION**

Latch cover.

0019 00-5

Table 1. Troubleshooting Procedures (cont).

**SYMPTOM (cont)**

Failure to feed.

**MALFUNCTION**

Cover assembly is damaged, or has weak, worn or missing parts.

**CORRECTIVE ACTION**

Notify unit maintenance.

**SYMPTOM**

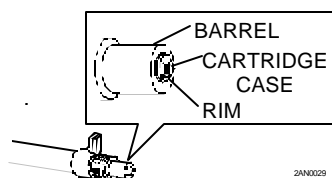
Weapon stops firing.

**MALFUNCTION**

Round in chamber is defective.

**CORRECTIVE ACTION**

Eject round.



24N0029

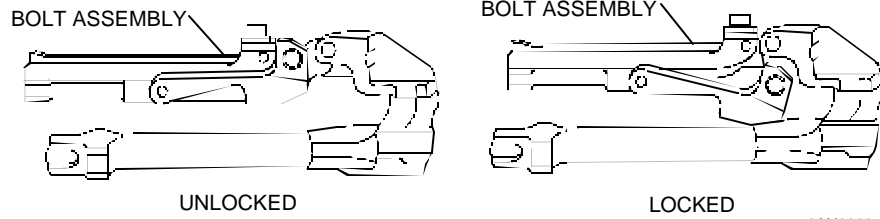


**MALFUNCTION (cont)**

Bolt assembly is not fully forward and locked.

**CORRECTIVE ACTION**

Remove obstructions; or clean (WP 0022 00) and lubricate (WP 0025 00) as required.



0019 00-7

**Table 1. Troubleshooting Procedures (cont).**

**SYMPTOM (cont)**

Weapon stops firing.

**MALFUNCTION (cont)**

Unfired round with dented primer.

**CORRECTIVE ACTION**

Eject round. Notify unit maintenance.

Feed mechanism is sticking.

**CORRECTIVE ACTION**

Clean (WP 0022 00) and lubricate (WP 0025 00) feed mechanism. If problem still exist, notify unit maintenance.

Short recoil.

**CORRECTIVE ACTION**

Clean (WP 0022 00) and lubricate (WP 0025 00) bolt and operating rod assembly. If problem still exist, notify unit maintenance.

**SYMPTOM**

Sluggish operation.

**MALFUNCTION**

Receiver is dirty.

**CORRECTIVE ACTION**

Clean (WP 0022 00) and lubricate (WP 0025 00).

Insufficient lubrication.

**CORRECTIVE ACTION**

Lubricate (WP 0025 00).

0019 00-9

Table 1. Troubleshooting Procedures (cont).

**SYMPTOM**

Failure to chamber.

**MALFUNCTION**

Stuck or ruptured cartridge case.

**CORRECTIVE ACTION**

Remove cartridge (WP 0016 00/WP 0017 00).



2AN0031

Ammunition is dirty.

**CORRECTIVE ACTION**

Wipe ammunition off with a clean, dry rag (item 7, WP 0040 00).

**MALFUNCTION (cont)**

Carbon build-up in receiver.

**CORRECTIVE ACTION**

Clean receiver as necessary (WP 0022 00).

Round is damaged.

**CORRECTIVE ACTION**

Remove round and recharge weapon.

Driving spring is damaged or weak.

**CORRECTIVE ACTION**

If two or more strands broken on the same coil, or three of more strands are broken in any location, notify unit maintenance.

DRIVING SPRING



2AN0032

**0019 00-11**

**Table 1. Troubleshooting Procedures (cont).**

**SYMPTOM (cont)**

Failure to chamber.

**MALFUNCTION (cont)**

Gas plug regulator is damaged.

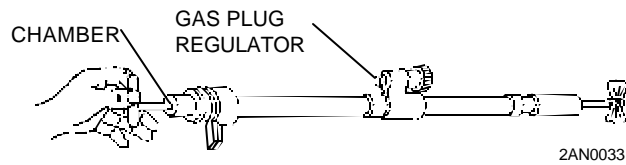
**CORRECTIVE ACTION**

Notify unit maintenance.

Dirt in chamber.

**CORRECTIVE ACTION**

Clean chamber (WP 0022 00).



2AN0033

**SYMPTOM**

Failure to fire.

**MALFUNCTION**

Ammunition is faulty.

**CORRECTIVE ACTION**

Replace ammunition.

Broken or damaged firing pin.

**CORRECTIVE ACTION**

Notify unit maintenance.

Driving spring is damaged or weak.

**CORRECTIVE ACTION**

If two or more strands broken on the same coil, or three or more strands are broken in any location, notify unit maintenance.

DRIVING SPRING



0019 00-13

2AN0032

**Table 1. Troubleshooting Procedures (cont).**

**SYMPTOM (cont)**

Failure to extract.

**MALFUNCTION (cont)**

Short recoil.

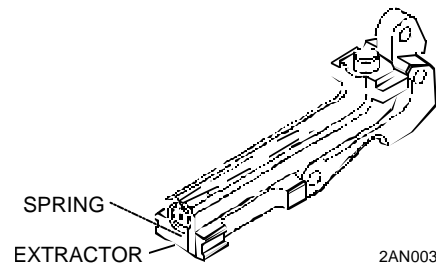
**CORRECTIVE ACTION**

Notify unit maintenance.

Damaged extractor/spring.

**CORRECTIVE ACTION**

Notify unit maintenance.



2AN0034



**MALFUNCTION (cont)**

Dirty chamber or ammunition.

**CORRECTIVE ACTION**

Clean chamber (WP 0022 00), wipe ammunition off with clean, dry rag (item 7, WP 0040 00).

**SYMPTOM**

Failure to eject.

**MALFUNCTION**

Short recoil.

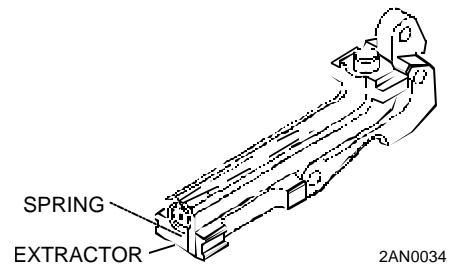
**CORRECTIVE ACTION**

Notify unit maintenance.

Damaged extractor/spring.

**CORRECTIVE ACTION**

Notify unit maintenance.



**0019 00-15**

**Table 1. Troubleshooting Procedures (cont).**

**SYMPTOM (cont)**

Failure to eject.

**MALFUNCTION (cont)**

Spent case bag is full.

**CORRECTIVE ACTION**

Empty bag.

**SYMPTOM**

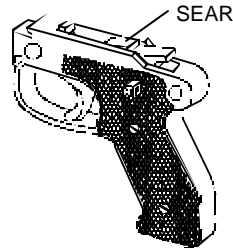
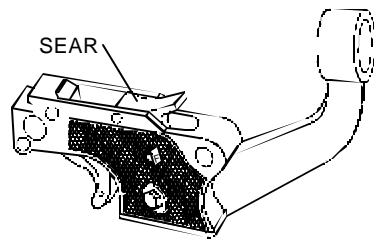
Failure to cock or runaway gun.

**MALFUNCTION**

Sear is broken, worn or burred.

**CORRECTIVE ACTION**

Notify unit maintenance.



2AN0035

0019 00-17

Table 1. Troubleshooting Procedures (cont).

**SYMPTOM (cont)**

Failure to cock or runaway gun.

**MALFUNCTION (cont)**

Operating rod sear notch is worn.

**CORRECTIVE ACTION**

Notify unit maintenance.

Sear is stuck in housing.

**CORRECTIVE ACTION**

Notify unit maintenance.

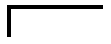
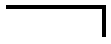
Short recoil.

**CORRECTIVE ACTION**

Notify unit maintenance.



**CHAPTER 4**  
**MAINTENANCE PROCEDURES**





**PREVENTIVE MAINTENANCE CHECKS  
AND SERVICES**

**0020 00**

---

Always keep in mind the WARNINGS and CAUTIONS before and during operation. Be sure to perform your after (A) PMCS.

Perform BEFORE PMCS if:

- You are the assigned operator and the machine gun has been stored and not used for a period of 90 days.
- You have been issued the machine gun for the first time.

BEFORE (B)- Checks and services performed prior to the equipment leaving its containment area or performing its intended mission.

DURING (D) – Checks begin when the equipment is being used in its intended mission.

AFTER (A) – Checks and services begin when the equipment is taken out of its mission mode or returned to its containment area.

**0020 00-1**

**PREVENTIVE MAINTENANCE CHECKS  
AND SERVICES (cont)**

**0020 00**

---

Your PMCS table lists inspections and care required to keep your machine gun in good operating condition.

The interval column tells you when and the procedure column tells you how to do a certain check or service. The equipment condition listed in "NOT FULLY MISSION CAPABLE IF" column indicates problems which must be corrected before you can operate the machine gun. The terms "ready/available" and "mission capable" refer to the same status: equipment is on hand and is able to perform its combat missions (see DA PAM 738-750).

If your machine gun does not perform as required, refer to Troubleshooting (WP 0019 00) for possible malfunctions and corrective actions. Report malfunctions on proper DA Form 2404 or refer to DA PAM 738-750.

**0020 00-2**



**Table 1. Preventive Maintenance Checks and Services**

Item No.	Interval	Item to be Checked/ Serviced	Procedure	Not Fully Mission Capable If:
----------	----------	---------------------------------	-----------	-------------------------------

**WARNING**

Be sure to clear weapon before disassembling, clearing, inspecting, transporting, or storing.

Do not interchange barrel assembly or bolt assembly from one machine gun to another without being headspaced/gaged. Doing so may result in injury to, or death of, personnel.

Ensure that assigned/spare barrels have been headspaced and tagged to your receiver. Rotate usage of the barrels as specified in WP 0007 00.

**NOTE**

Barrel changes are required with all types of authorized ammunition, to include blanks.

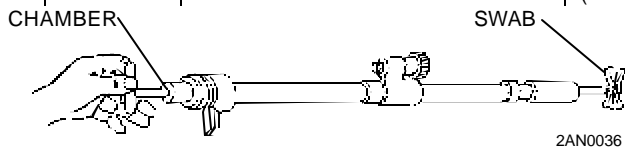
**0020 00-3**

**PREVENTIVE MAINTENANCE CHECKS  
AND SERVICES (cont)**

**0020 00**

**Table 1. Preventive Maintenance Checks and Services (cont)**

Item No.	Interval	Item to be Checked/ Serviced	Procedure	Not Fully Mission Capable If:
1	B	Barrel Assembly	Remove barrel (WP 0021 00) and check bore and chamber. Using cleaning rod and swab (item 8, WP 0039 00), remove oil, foreign material, or obstructions. Install and lock barrel securely in receiver (WP 0023 00). (Spare barrel must also be checked and cleaned before use.) Inspect heat shield for cracks (M240B).	Obstruction in barrel cannot be removed or barrel will not lock securely in receiver (WP 0023 00). Heat shield missing or broken so as to allow contact with metal (M240B only).

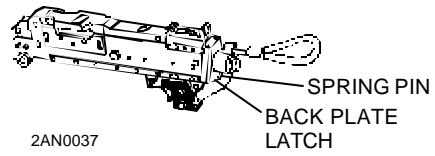


**0020 00-4**

Item No.	Interval	Item to be Checked/ Serviced	Procedure	Not Fully Mission Capable If:
2	B	Buffer Assembly	Make sure back plate latch is locked.	Latch will not hold buffer assembly in receiver.

**NOTE**

Ensure spring pin is in place.



0020 00-5

**PREVENTIVE MAINTENANCE CHECKS  
AND SERVICES (cont)**

**0020 00**

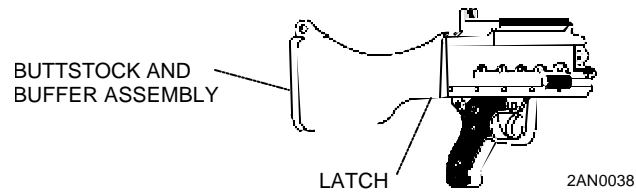
**Table 1. Preventive Maintenance Checks and Services (cont)**

Item No.	Interval	Item to be Checked/ Serviced	Procedure	Not Fully Mission Capable If:
----------	----------	------------------------------	-----------	-------------------------------

**NOTE**

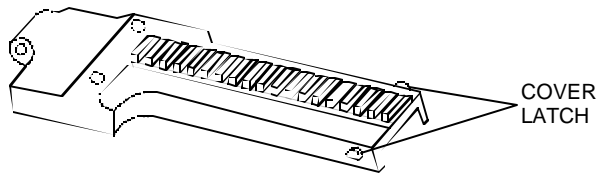
Do not apply lubricants to composition/rubber components.

3	B	Buttstock and Buffer Assembly (M240B/ M240G/ M240N)	Make sure back plate latch is locked. Externally inspect the buttstock for cracks. The buttstock may be cleaned with a brush and soapy water, rinsed, and wiped dry with a clean rag.	Latch will not hold buttstock assembly in receiver. Buttstock is cracked.
---	---	---	---	---



**0020 00-6**

Item No.	Interval	Item to be Checked/ Serviced	Procedure	Not Fully Mission capable if:
3	B	Cover Assembly	Squeeze cover latches and raise cover. Let go of latches and close cover. Make sure latches hold cover shut. Inspect accessory mounting rail for nicks and burrs (all models except M240/M240C).	Latches fail to hold cover shut. Accessory rail will not accept optional sighting devices (all models except M240/M240C).



2AN0039

0020 00-7

**PREVENTIVE MAINTENANCE CHECKS  
AND SERVICES (cont)**

**0020 00**

**Table 1. Preventive Maintenance Checks and Services (cont)**

Item No.	Interval	Item to be Checked/ Serviced	Procedure	Not Fully Mission Capable If:
----------	----------	------------------------------	-----------	-------------------------------

**NOTE**

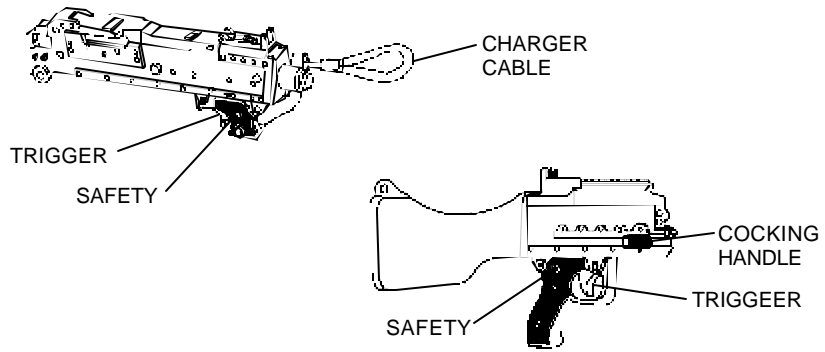
The charger cable is on the M240/M240C models only. All other models have a cocking handle assembly.

Weapon should not be on "S" safe without bolt assembly locked fully to the rear.

4	B	Charger Cable, Safety, and Bolt Assembly	Pull charger cable/cocking handle assembly to the rear (return and lock in forward position), make sure bolt assembly moves freely without binding and locks to the rear. Place safety to "S" safe and pull trigger. Bolt assembly should not move forward. Place safety to "F" fire. Keep hold of charger cable and pull trigger. Let bolt assembly return to forward position slowly.	
---	---	--	---	--

**0020 00-8**

Item No.	Interval	Item to be Checked/ Serviced	Procedure	Not Fully Mission Capable If:
----------	----------	------------------------------	-----------	-------------------------------



2AN0040

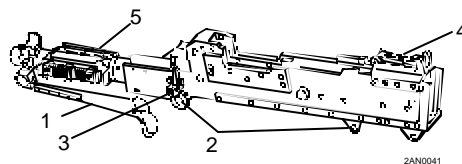
0020 00-9

**PREVENTIVE MAINTENANCE CHECKS  
AND SERVICES (cont)**

**0020 00**

**Table 1. Preventive Maintenance Checks and Services (cont)**

Item No.	Interval	Item to be Checked/ Serviced	Procedure	Not Fully Mission Capable If:
5	B/A	Receiver Assembly (models as specified)	Inspect mounting points (2). Check barrel locking latch (3) for spring tension and locking action (all models). Externally inspect the appearance and operation of the bipod (1) (M240B/M240G). Check the rear sight (4), the slide assembly catches, and that the elevation markings are readable (all models except M240/M240C).	Any parts are broken, missing, or damaged to the extent it could cause gun to malfunction.



**0020 00-10**



Item No.	Interval	Item to be Checked/ Serviced	Procedure	Not Fully Mission Capable If:
			Check forward rail assembly (5) for nicks and burrs; movement on receiver.	Rails will not accept optional devices; rail assembly moves on receiver.

**NOTE**

If gas regulator has to be set to setting #2 or #3 to increase firing rate, take corrective action and return weapon to primary setting #1 (WP 0008 00).

6	D	Machine Gun (firing cycle)	Note machine gun firing rate. If firing cycle slows down, clean and oil machine gun. Notify unit maintenance as soon as possible if machine gun does not function properly.	If rate of fire can not be increased by cleaning; or changing gas plug setting (#2 or #3) during firing, notify unit maintenance.
---	---	----------------------------	---	---

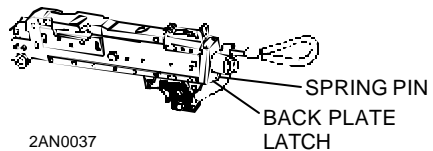
**0020 00-11**

**PREVENTIVE MAINTENANCE CHECKS  
AND SERVICES (cont)**

**0020 00**

**Table 1. Preventive Maintenance Checks and Services (cont)**

Item No.	Interval	Item to be Checked/ Serviced	Procedure	Not Fully Mission Capable If:
7	D	Buffer Assembly/ Buffer and Spade Grip Assembly/ Buttstock and Buffer Assembly	If plug becomes loose on buffer assembly (M240/M240C/M240D/M240E1) or the buttstock appears loose (M240B/M240G/M240N), machine gun needs to be returned to unit maintenance to ensure proper assembly.	Plug is loose on buffer; or buttstock appears loose.



2AN0037

**0020 00-12**

Item No.	Interval	Item to be Checked/ Serviced	Procedure	Not Fully Mission Capable If:
----------	----------	------------------------------	-----------	-------------------------------

**WARNING**

Be sure to clear weapon before disassembling, clearing, inspecting, transporting, or storing.

8	A	Barrel Assemblies	<p>Check chamber and bore for obstructions.</p> <p>Remove heat shield to allow cleaning and lubrication of barrel assembly (M240B only) (WP 0021 00).</p>	
---	---	-------------------	---	--



2AN0042

9	A	Machine Gun (all models)	<p>Disassemble, clean, inspect, lubricate, and reassemble machine gun (WP 0021 00 through WP 0023 00).</p>	<p>Any part is broken, missing, or damaged to the extent that it could cause gun to malfunction.</p>
---	---	--------------------------	--	--

**0020 00-13/14 blank**



**MAINTENANCE PROCEDURES –  
FIELD STRIPPING**

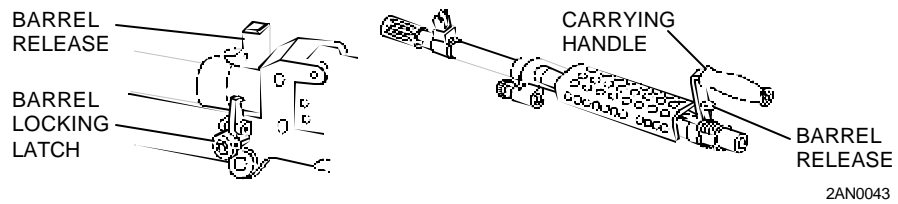
**0021 00**

Clear your machine gun. (WP 0010 00)\*.

Depress barrel locking latch and hold.

Turn barrel release/carrying handle to upright position.

Remove barrel. Push forward and lift out barrel.



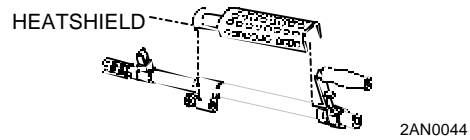
\*To change barrels follow these four steps.

**0021 00-1**

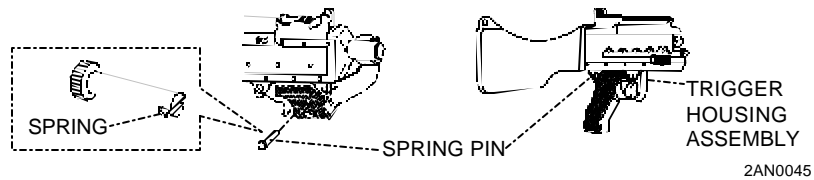
**MAINTENANCE PROCEDURES –  
FIELD STRIPPING (cont)**

**0021 00**

M240B: Remove heat shield assembly from barrel. Lift rear of heat shield assembly off barrel then pry front tabs out of holes on gas hole bushing.



Depress spring and remove spring pin. (This can usually be done without tools).

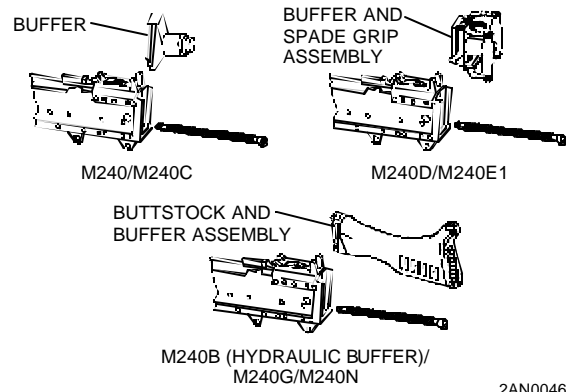


Pull trigger housing down and back. Pull charge cable through cable guide (M240/M240C).

**0021 00-2**

Depress back plate latch and lift buffer/buttstock and buffer assembly/buffer and spade grip assembly straight up.

Depress driving spring in; up; and out.

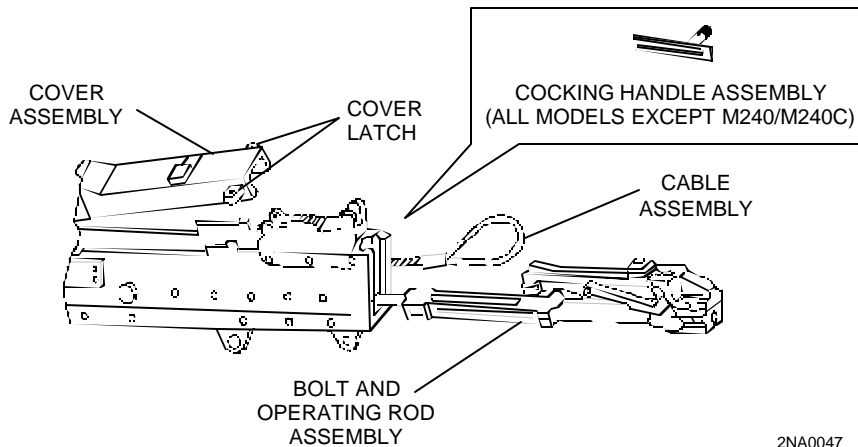


0021 00-3

**MAINTENANCE PROCEDURES –  
FIELD STRIPPING (cont)**

**0021 00**

Depress cover latches and raise cover assembly. Pull cocking handle assembly, or charging handle assembly (M240/M240C) back; then pull bolt and operating rod assembly out.

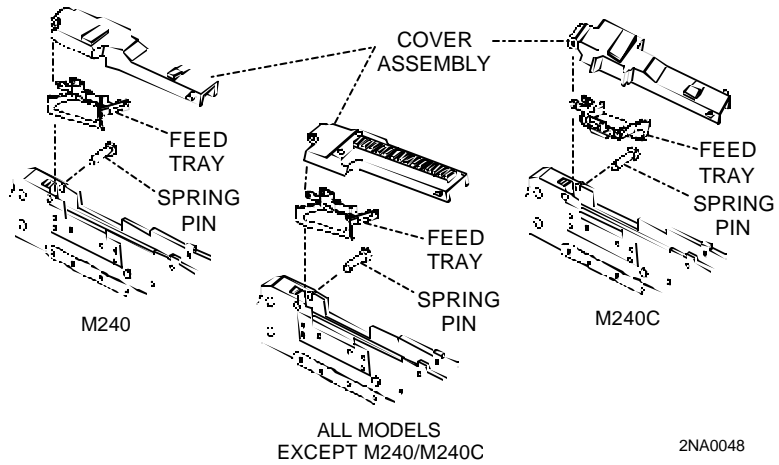


2NA0047

**0021 00-4**



Close cover. Push out spring pin as far as possible with the back or buffer. Then remove pin with fingers. Depress cover latches, lift upward and remove cover assembly. Remove feed tray.

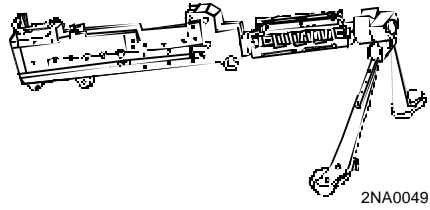


0021 00-5

**MAINTENANCE PROCEDURES –  
FIELD STRIPPING (cont)**

**0021 00**

M240B/M240G: Extend bipod legs to down and locked position.



**END OF WORK PACKAGE**

**0021 00-6**

**MAINTENANCE PROCEDURES –  
CLEANING INSPECTION, AND REPAIR**

---

**0022 00**

**WARNING**

Be sure to clear weapon before disassembling, cleaning, inspecting, transporting, or storing

Using gasoline, kerosene, hydraulic oil, benzene, bensol, high-pressure water, steam, or air for cleaning is prohibited.

**CAUTION**

Do not use abrasives to clean the bore, piston, gas cylinder, or gas regulator plug.

Do not submerge the buffer in any liquid. Wipe with clean wiping rag only.

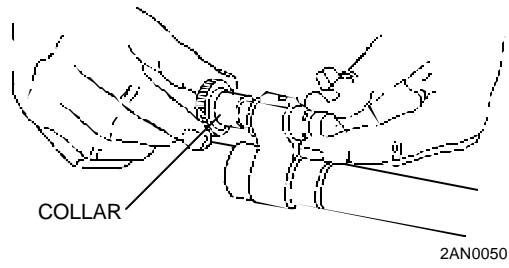
Do not allow cleaning solvents to come in contact with the rubber handle of the charger cable (M240/M240C).

Do not apply lubricants to composite/rubber components.

**0022 00-1**

**BARREL ASSEMBLY**

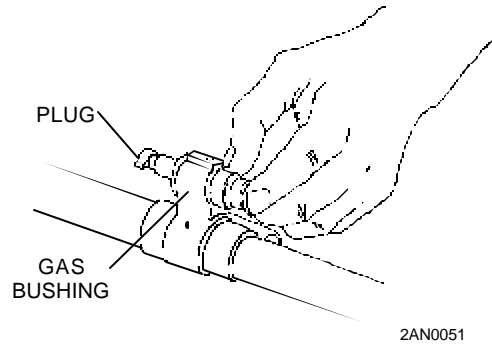
Press in and rotate collar counterclockwise until it releases, then pull it out.



**NOTE**

If the plug cannot be removed by hand from the gas regulator, send the gun to unit maintenance for removal.

Pull gas regulator plug from gas hole bushing.



**0022 00-3**

**BARREL ASSEMBLY (cont)**

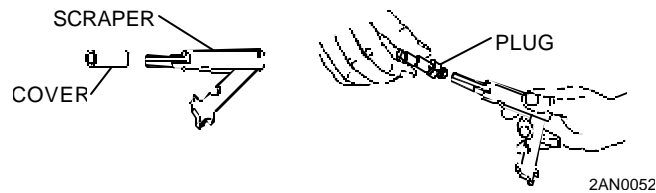
**USING SCRAPER TO REMOVE CARBON**

**WARNING**

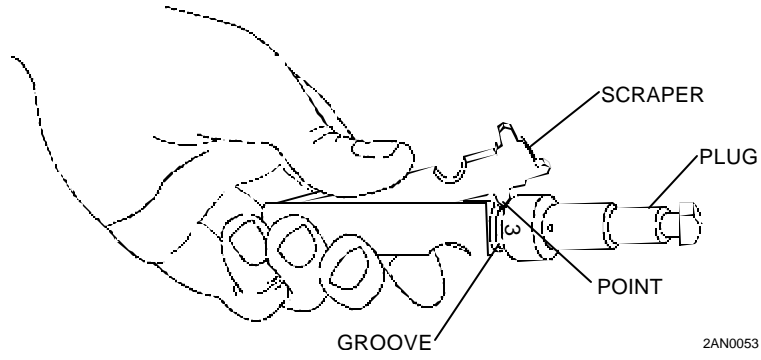
Use care when removing excess carbon, carbon may chip off and fly into eyes.

Remove cover from scraper.

Insert scraper into center hole of gas regulator plug. Twist scraper clockwise to remove carbon from center hole until scraper is fully seated against gas regulator plug.



Fold scraper and press point into groove. Turn gas regulator plug clockwise to remove carbon from groove on gas regulator plug.

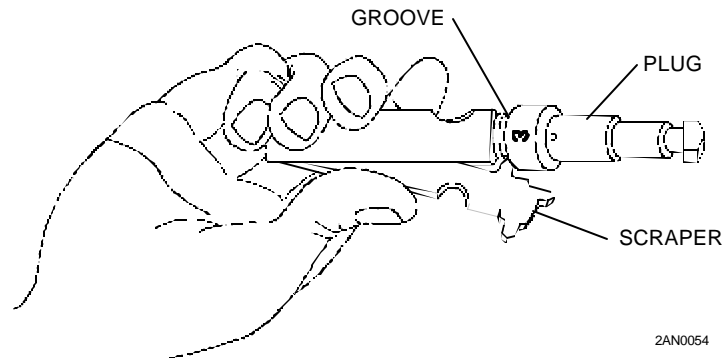


0022 00-5

**BARREL ASSEMBLY (cont)**

**USING SCRAPER TO REMOVE CARBON (cont)**

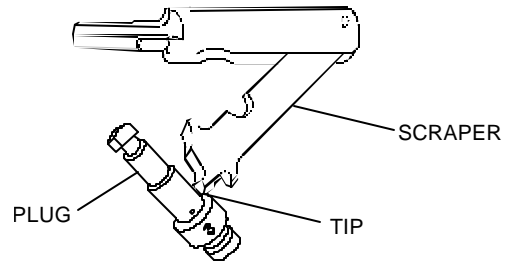
Pivot scraper blade 180° to opposite side and place groove tip of scraper into groove of gas regulator plug and turn clockwise to remove carbon from groove on plug.



2AN0054



With tip of scraper, scrape carbon from surface of gas regulator plug.



2AN0055

0022 00-7

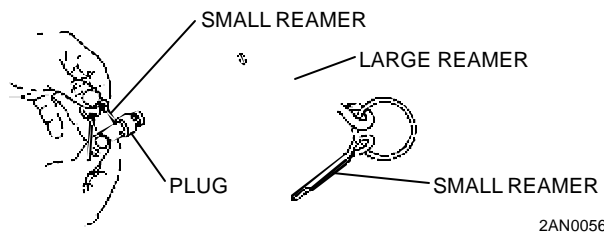
**BARREL ASSEMBLY (cont)**

**USING REAMER TO REMOVE CARBON**

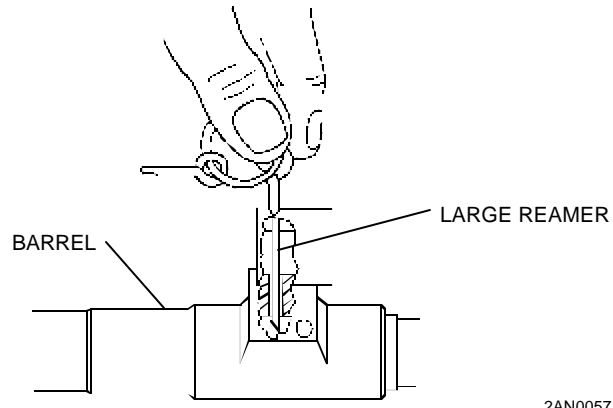
**NOTE**

When using reamers, apply hand pressure only.

Insert small reamer into each gas inlet hole of gas regulator plug and twist back and forth to remove the carbon.



Insert large reamer through hole in gas port bushing into gas port hole in barrel; twist back and forth until reamer enters bore of barrel to remove carbon.



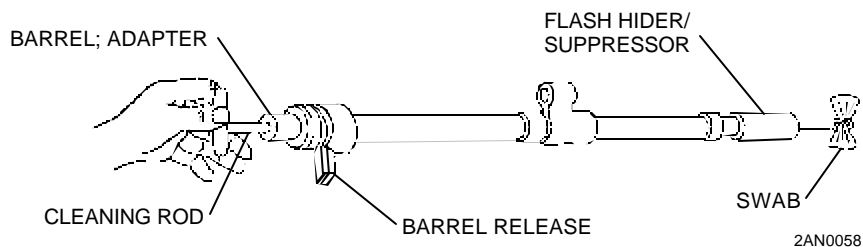
2AN0057

0022 00-9

**BARREL ASSEMBLY (cont)**

Remove dirt and corrosion from bore using cleaning rod and swab (item 8, WP 0040 00), dampened with CLP (item 1, WP 0040 00). Remove dirt and corrosion from other parts using wiping rag, (item 7, WP 0040 00) dampened with CLP (item 1, WP 0040 00) or RBC (item 3, WP 0040 00). Lightly lubricate with CLP (item 1, WP 0040 00), LAW (item 4, WP 0040 00), LSA (item 6, WP 0040 00), or LSA-T (item 5, WP 0040 00 (Marine Corp only)).

Inspect for cracks, dents, burrs, or other damage on flash hider/suppressor, barrel adapter, carrying handle, barrel release and front sight.



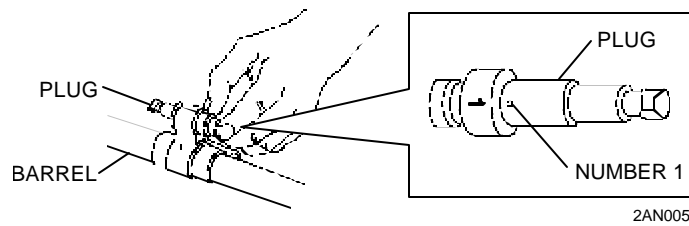
**NOTE**

Primary setting for gas plug is setting #1 (refer to WP 0008 00).

This design is intended to maintain a consistent rate of fire under adverse conditions and is not to increase the rate of fire. Gas inlet setting #1 is the preferred setting for normal conditions. If gas regulator plug has been set to setting #2 or #3 to increase firing rate, take corrective action and return to primary setting #1 (WP 0008 00).

Gas regulator may need to be changed to setting #2 for firing blank ammunition. After cleaning, return to setting #1 for firing of standard ammunition.

Place gas regulator plug with gas inlet setting #1 hole facing the barrel.



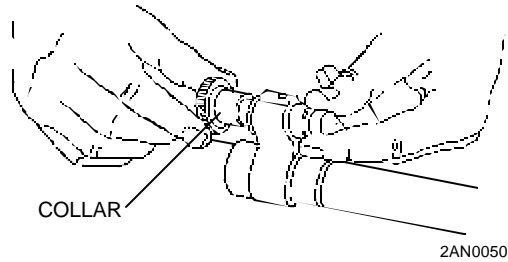
0022 00-11

**MAINTENANCE PROCEDURES –  
CLEANING INSPECTION, AND REPAIR (cont)**

**0022 00**

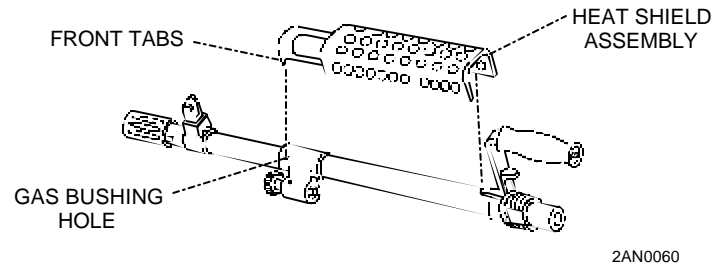
**BARREL ASSEMBLY (cont)**

Install collar on gas regulator plug. Rotate collar until it slips onto gas regulator plug. Press in and rotate to lock in place (pull collar to be sure it is in the locked position).



**0022 00-12**

M240B: Install heat shield on barrel. Make sure front tabs snap into hole on gas hole bushing, then push down onto barrel.



0022 00-13

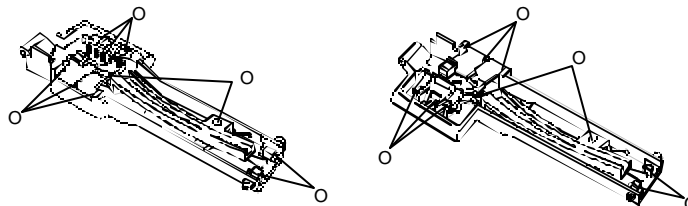
**COVER ASSEMBLY**

**CAUTION**

Do not use brushes when cleaning cover assembly, use clean rag only.

Check cover assembly for smooth operation, spring tension, bent, or missing parts, or excessive wear.

Check accessory mounting rail (if present) for nicks or burrs, which will prevent proper attachment of optional sighting devices.

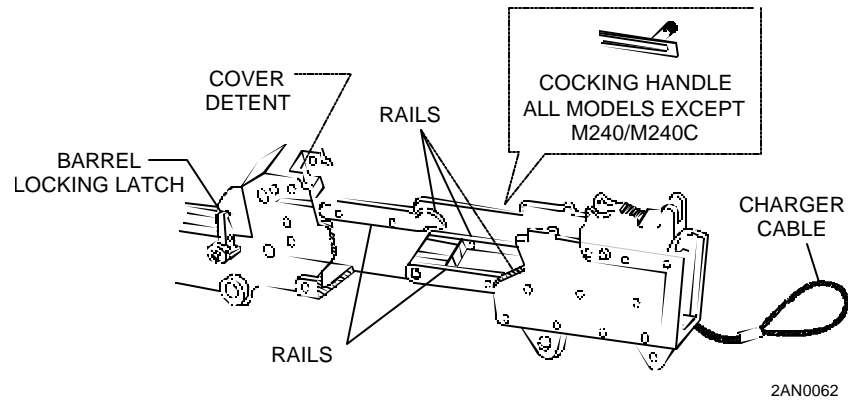


O - LIGHTLY LUBE MOVING PARTS

2NA0061



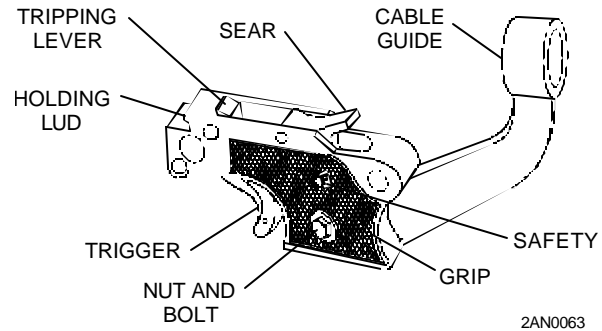
Check for bends, cracks, and free movement of cocking handle assembly or charger cable assembly (M240/M240C), and excessively worn, burred, or chipped rails. Check barrel locking latch and cover detent for proper spring tension.



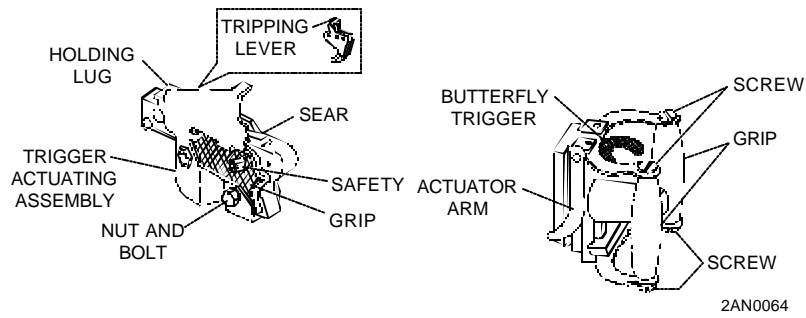
0022 00-15

**TRIGGER ASSEMBLY**

M240/M240C: Check for broken grips, bent cable guide, loose nut and bolt, and chipped or cracked trigger housing holding lug.



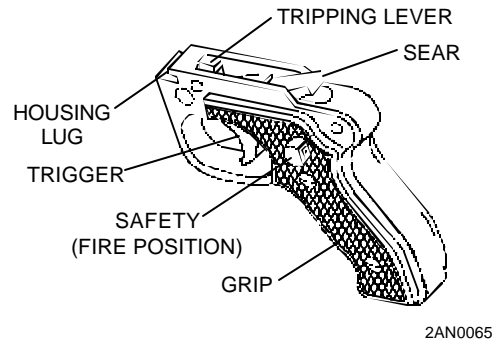
M240D/M240E1: Check for broken grips, and chipped or cracked trigger housing holding lug. Check for bent, cracked or broken trigger actuating assembly, butterfly trigger or actuating arm. Check for loose or missing nut, bolt and screws.



0022 00-17

**TRIGGER ASSEMBLY**

M240B/M240G/M240N: Check for broken grips, and chipped or cracked trigger housing lug. Ensure trigger guard does not interfere with full operation of trigger.



Check tripping lever and sear for burrs, cracks, and wear.

Notify unit maintenance if problems exist.

**NOTE**

To place safety to "S" safe, the sear must be up.

Check cocking action by pushing back on tripping lever (sear will raise). Pull trigger (sear will lower).

Check safety functions. When safety is placed to "S" safe, pull trigger (sear will not lower). When safety is placed to "F" fire, pull trigger (sear will lower).

Lightly lubricate tripping lever and sear surfaces.

0022 00-19

**OPERATING ROD**

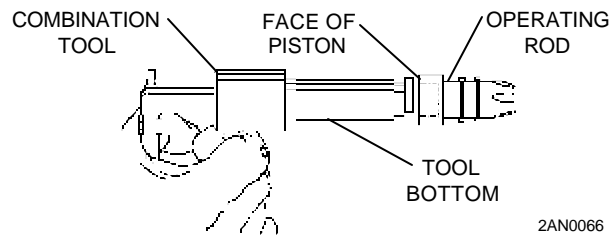
**USING COMBINATION TOOL TO CLEAN CARBON FROM PISTON HEAD  
CAVITY**

**CAUTION**

Do not use abrasives to clean the operating rod piston.

Be sure tool bottom is securely against face of piston.

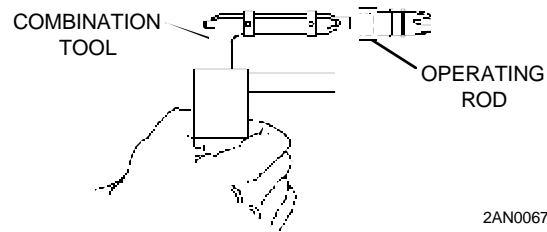
Insert combination tool into bottom of cavity of piston end of operating rod.  
Squeeze handles firmly and twist combination tool clockwise to remove carbon.



**0022 00-20**

Insert screwdriver end of combination tool into cavity of piston end of operating rod to remove carbon residue in bottom of cavity.

Clean all other areas of operating rod, firing pin, and spring pin, with wiping rig (item 7, WP 0040 00) dampened with CLP (item 4, WP 0040 00). Lightly lubricate after cleaning.



Check bolt and operating rod assembly for burrs, cracks, broken pins, or frozen roller. Push down on roller to make sure it will retract. Check driving spring for broken strands. If two or more strands are broken on the same coil or three or more strands in any location, notify unit maintenance.

**0022 00-21**

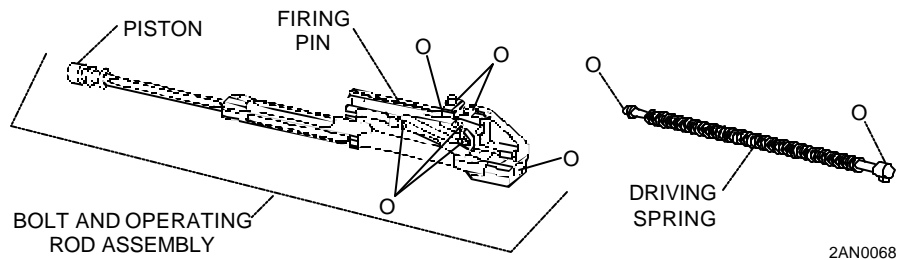
**OPERATING ROD (cont)**

**USING COMBINATION TOOL TO CLEAN CARBON FROM PISTON HEAD  
CAVITY (cont)**

**NOTE**

Do not lubricate face of bolt. Do not lubricate piston.

O – Lightly lubricate driving spring. Lightly lubricate bolt and operating rod assembly moving parts, polished areas, firing pin, and roller.





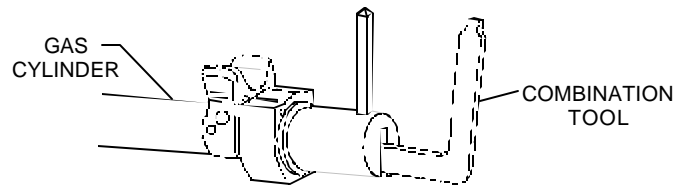
**RECEIVER**

**USING COMBINATION TOOL TO CLEAN GAS CYLINDER END OF RECEIVER BODY**

**CAUTION**

Do not use an abrasive to clean gas cylinder end of receiver.

Insert combination tool with handle upward carefully into the forward end of the gas cylinder of the receiver body.



2AN0069

0022 00-23

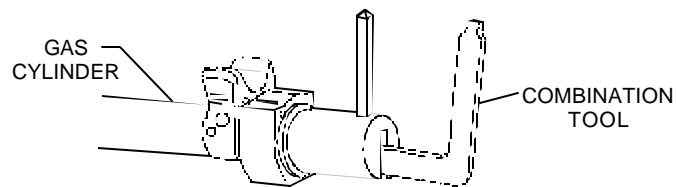
**RECEIVER (cont)**

**USING COMBINATION TOOL TO CLEAN GAS CYLINDER END OF  
RECEIVER BODY (cont)**

**CAUTION**

If combination tool is not properly seated, it could cause damage to smaller diameter of gas cylinder.

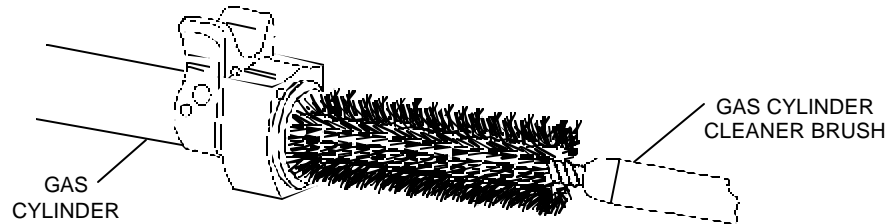
Be sure the combination tool shoulder is fully inserted and seated against the forward end of gas cylinder in receiver body.



2AN0069

Apply slight pressure to handles and turn combination tool clockwise to remove carbon.

Clean gas cylinder bore with gas cylinder cleaning brush dampened with CLP (item 1, WP 0040 00) or RBC (item 3, WP 0040 00).



2AN0070

0022 00-25

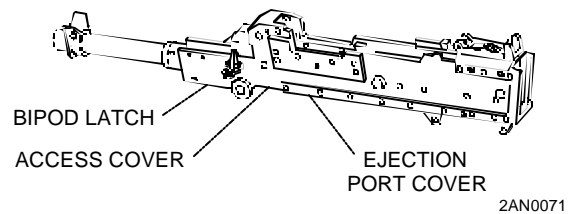
**MAINTENANCE PROCEDURES –  
CLEANING INSPECTION, AND REPAIR (cont)**

**0022 00**

**RECEIVER (cont)**

With wiping rag (item 7, WP 0039 00) dampened with CLP (item 1, WP 0040 00) or RBC (item 3, WP 0040 00), remove dirt and corrosion from area under front access cover of receiver and all other parts and areas.

Ensure proper operation of ejection port cover (M240B/M240N) and bipod latch (M240B/M240G).



**END OF WORK PACKAGE**

**0022 00-26**

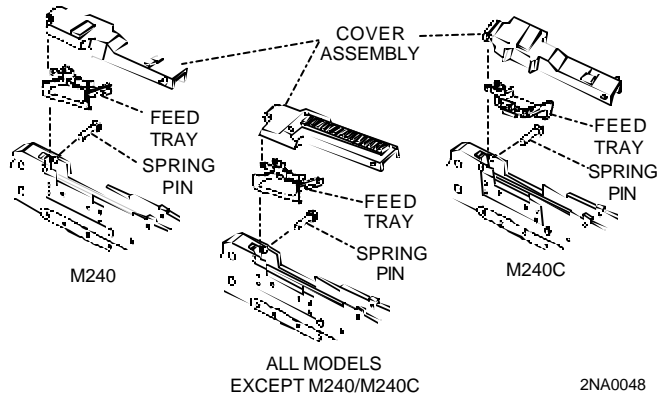
**MAINTENANCE PROCEDURES –  
REASSEMBLY**

**0023 00**

Position feed tray and cover assembly on receiver; push cover assembly forward; close cover and insert spring pin.

**NOTE**

Insert spring pin from right side.

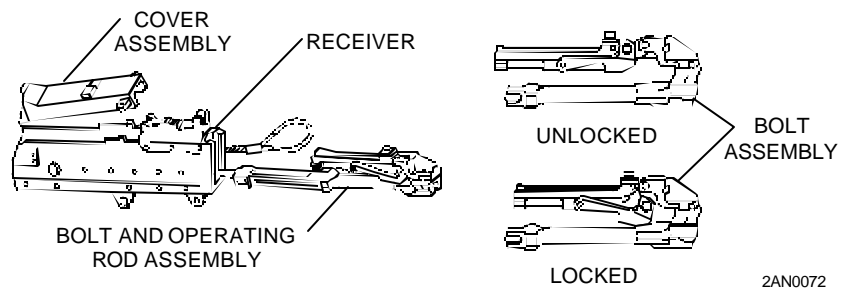


**0023 00-1**

**MAINTENANCE PROCEDURES –  
REASSEMBLY (cont)**

**0023 00**

Open top cover assembly. Set bolt and operating rod assembly on top of rails (inside receiver). Extend bolt to unlocked position; push the assembly all the way into the receiver. Close cover assembly and lock.



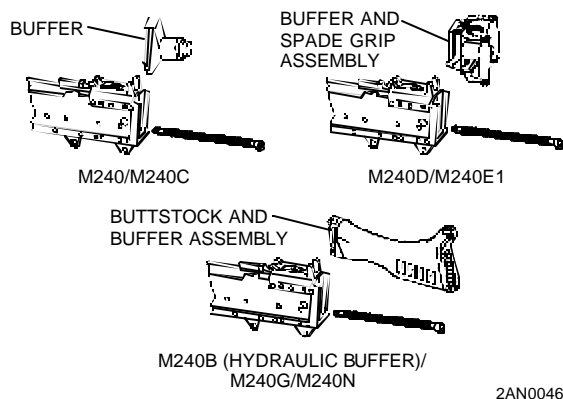
Insert driving spring into operating rod assembly. Push it in fully and lower it to seat the stud in hole of receiver.

**0023 00-2**

**NOTE**

Be sure operating rod assembly is properly seated in receiver before operating weapon. Top of buffer/buffer and spade grip/buttstock should be flush with top of receiver.

Install buffer assembly/buffer or spade grip assembly/buttstock and buffer assembly and make sure it latches.



**0023 00-3**

**MAINTENANCE PROCEDURES –  
REASSEMBLY (cont)**

**0023 00**

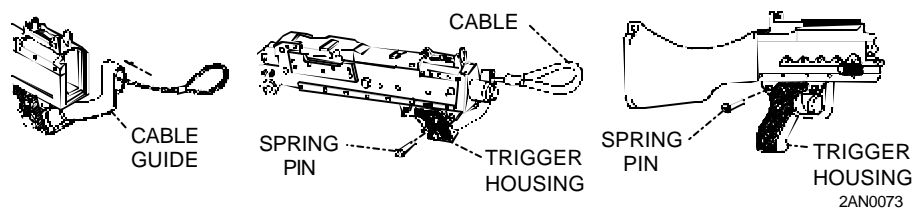
**NOTE**

Charger cable is on the M240/M240C models only.

Pin can be inserted from either side. For M240B/M240G/  
M240N insert from right side only.

Place safety in fire position; position front of housing assembly into place  
and pivot into position.

Slide charger cable (M240/M240C) through cable guide and position trigger  
housing assembly into place. Insert spring pin.



**0023 00-4**



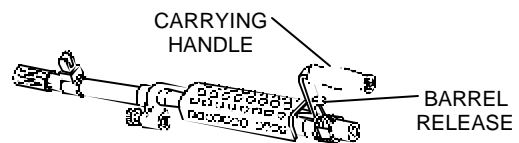
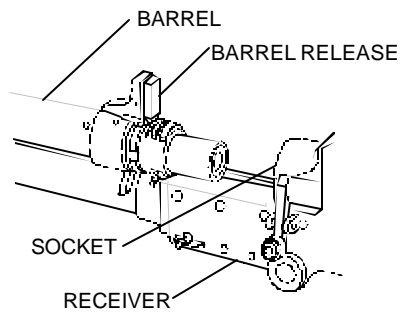
**WARNING**

Before firing, make sure the barrel is locked tightly in receiver. If the barrel is not locked tight, threads in receiver could be damaged or cause personal injury.

**NOTE**

Barrel must be in upright position when installing barrel.

Insert barrel fully into socket and push barrel release/barrel carrying handle clockwise as far as it will go.



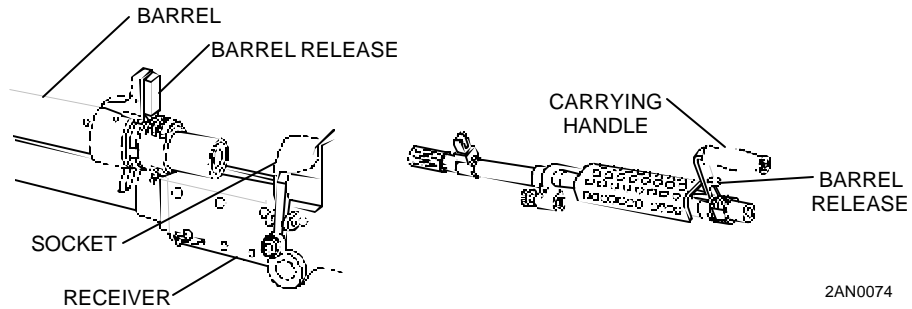
2AN0074

0023 00-5

**MAINTENANCE PROCEDURES –  
REASSEMBLY (cont)**

**0023 00**

Release barrel release/barrel carrying handle and return to upright position. Push barrel release/barrel carrying handle clockwise while counting the clicks (fewer than 2 or more than 7 clicks indicate defective parts) to lock. If barrel binds in socket or if barrel release/barrel carrying handle will not rotate when pushed, do not pound on barrel release/barrel carrying handle. Take machine gun to unit maintenance.



**END OF WORK PACKAGE**

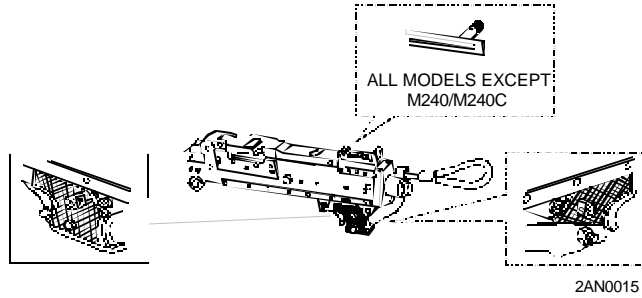
**0023 00-6**

**MAINTENANCE PROCEDURES –  
SAFETY/FUNCTION CHECK**

**0024 00**

Place safety to “F” fire. Pull cocking handle (charger cable (M240/MM240C)) to rear to lock bolt back. Return cocking handle to forward, locked position.

Place safety to “S” safe position, depress trigger, nothing should happen.

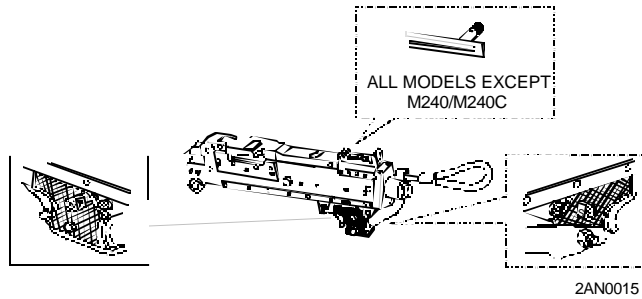


**0024 00-1**

**MAINTENANCE PROCEDURES –  
SAFETY/FUNCTION CHECK**

**0024 00**

Place safety to “F” fire. Hold cocking handle assembly (charger cable (M240/  
MM240C)) to rear, depress trigger, and ease bolt forward to close and lock.



**END OF WORK PACKAGE**

**0024 00-2**

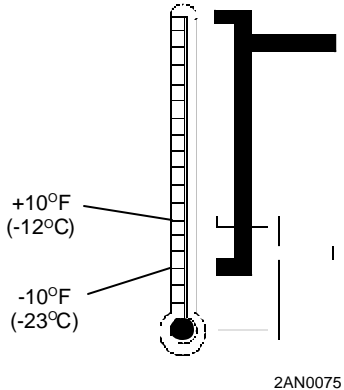
**LUBRICATION****0025 00**

Under all but the coldest arctic conditions, LSA (item 6, WP 0040 00), CLP (item 1, WP 0040 00), or LSA-T (item 5, WP 0040 00)(Marine Corps only), are the lubricants to use on your machine gun. Remember to remove excessive oil from the bore before firing.

**NOTE**

Lubrication instructions are mandatory. Do not mix lubricants on the same weapon. The weapon must be thoroughly cleaned during change from one lubricant to another. Cleaning solvent (available to unit maintenance) is recommended for cleaning during change from one lubricant to another. Only lubricants and cleaners specified in this manual are authorized for use on this weapon.

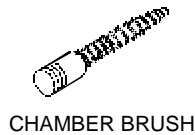
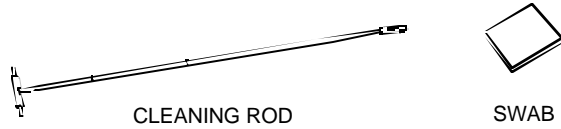
**0025 00-1**

 <p>2AN0075</p>	<p>CLP – Cleaner, lubricant and preservative (item 1, WP 0040 00).</p> <p>LSA – Weapons lubricating oil, semi-fluid (item 6, WP 0040 00).</p> <p>LSA-T – Weapons lubricating oil, semi-fluid, with Teflon (item 5, WP 0040 00).</p> <p>Between 10<sup>o</sup>F (-12<sup>o</sup>C) and -10<sup>o</sup>F (-23<sup>o</sup>C) use CLP, LSA or LAW. Below -10<sup>o</sup>F (-23<sup>o</sup>C) use only LAW.</p> <p>LAW – Weapons lubricating oil, artic (item 4, WP 0040 00).</p> <p>Lightly lube – A film of oil barely visible to the eye.</p>
--	---

**WARNING**

Be sure to clear your weapon before disassembling, cleaning, inspecting, transporting or storing.

After firing, field strip your machine gun (WP 0021 00). Clean bore and chamber with cleaning rod, chamber brush, bore brush, and swab (item 8, WP 0040 00) soaked with RBC (item 3, WP 0040 00) or CLP (item 1, WP 0040 00) until a clean swab can be run through the bore without getting dirty.



2AN0076

**0025 00-3**

**LUBRICATION (cont)**

**0025 00**

Clean powder-fouled parts, except the buffer, with a wiping rag (item 7, WP 0040 00) dampened with RBC (item 3, WP 0040 00) or CLP (item 1, WP 0040 00).

Wipe dry and lube as required. Inspect and run a lightly oiled swab (item 8, WP 0040 00) through the bore and chamber (WP 0022 00).

If your machine gun isn't used, it still needs complete cleaning and lubing at least every 90 days. (Unusual conditions could shorten this interval.)

**0025 00-4**



**GENERAL**

**NOTE**

Perform this adjustment procedure only if barrel assembly/front sight assembly has been replaced or if there is a new operator.

Proper trigger control is pulling the trigger all the way to the way to the rear and then releasing completely. Squeezing the trigger can cause accelerated wear on the trigger tripping lever, sear, and operating rod leading to a run-away gun.

Check for the following prior to making adjustments:

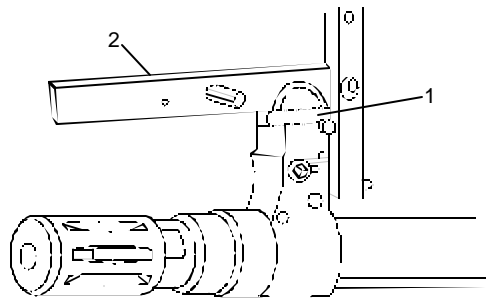
- Cleanliness of barrel front sight.
- Cleanliness of contact surfaces of the barrel adapter, barrel, and receiver.
- Rigidity and good condition of the slides and rear sight base.
- Correct assembly of flash hider/suppressor.
- Correct assembly of barrel to receiver.

**ADJUSTMENT OF SIGHT FOR ELEVATION**

Lift the front sight retaining strap to the vertical position using the front sight adjustment tool.

Rotate the front sight blade one or more half turns using the front sight adjustment tool.

- At a range of 10 meters, one-half turn of the front sight blade will move the strike of the round by approximately 0.5 cm (1/5 inch). One full turn will move the strike of the rounds by approximately 1.0 cm (approximately 3/8 inch).
- If the center of the shot group is above the point of aim, raise the front sight blade by turning it counter-clockwise.
- If the center of the shot group is below the point of aim, lower the front sight blade by turning it clockwise.



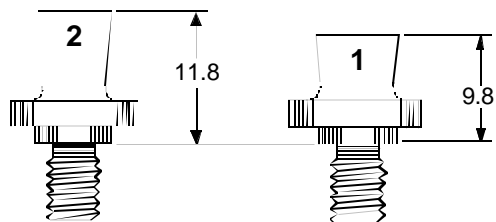
2AN0077

0026 00-3

## ADJUSTMENT OF SIGHT FOR ELEVATION (cont)

**NOTE**

There are two types of front sight blades. The number 1 blade is 9.8 mm tall; the number 2 blade is 11.18 mm tall.



2AN0078

If the required correction cannot be obtained with the installed front sight blade, you may need to install the other blade.

- The maximum unscrewed position of either blade is where the base of the blade is flush with the front sight protector surface. If the center of the shot group is still above the point of aim with the number 1 blade unscrewed to the maximum position, remove it and install a number 2 blade. Start with the number 2 blade at a flush position, two full turns (clockwise) should approximate the same position as the number 1 blade.
- If the center of the shot group is still below the point of aim with the number 2 blade screwed all the way in (clockwise), remove it and install a number 1 blade. Starting with the number 1 blade screwed clockwise, two full turns (counter-clockwise) should approximate the same position as the number 2 blade.
- If the center of the shot group cannot be brought to the point of aim after trying both sight blades, the spare barrel (BII) should be used and a new barrel assembly acquired. If neither barrel assembly can be adjusted, the weapon should be coded and turned in through normal channels.

0026 00-5

**ADJUSTMENT OF SIGHT FOR WINDAGE**

Move the front sight protector to the right or left according to the correction that is needed.

- At a range of 10 meters, one complete rotation ( $360^{\circ}$ ) of the adjusting screws will move the center of the shot group 0.8 cm (approximately 1/3 inch).
- If the center of the shot group is to the left of the point of aim, move the front sight protector to the left. To move the front sight protector to the left, first unscrew the screw on the left side (looking from the rear of the weapon) of the sight protector more than the number of turns needed for the sight correction. Then screw in the right side of the front sight protector the desired number of turns. Finally screw in the left side of the sight protector fully home.
- If the center of the shot group is to the right of the point of aim, move the front sight protector to the right. To move the front sight protector to the right, first turn the hex adjusting screw on the right counter-clockwise to loosen it the desired amount. Then turn the hex adjusting screw on the left side clockwise the same number of turns to tighten.

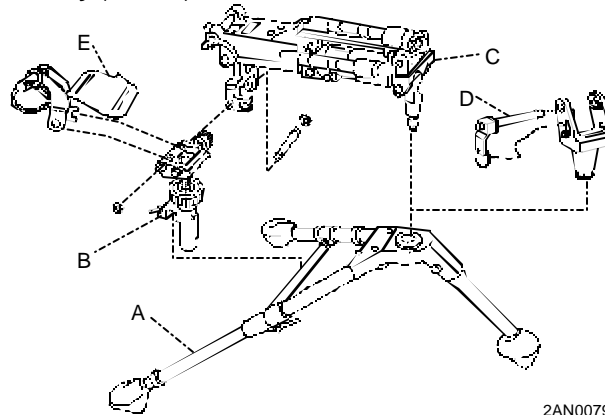
**A – Tripod Leg Assembly.**

**B – Traversing and Elevating (T&E) Mechanism.**

**C – Flexible Mount Assembly (M240G only).** Houses T&E adapter bracket and pintle. Absorbs recoil of weapon, improving accuracy.

**D – Pintle Mount (M240B).**

**E - Fork Assembly (M240B).**



**0027 00-1/2 blank**

2AN0079



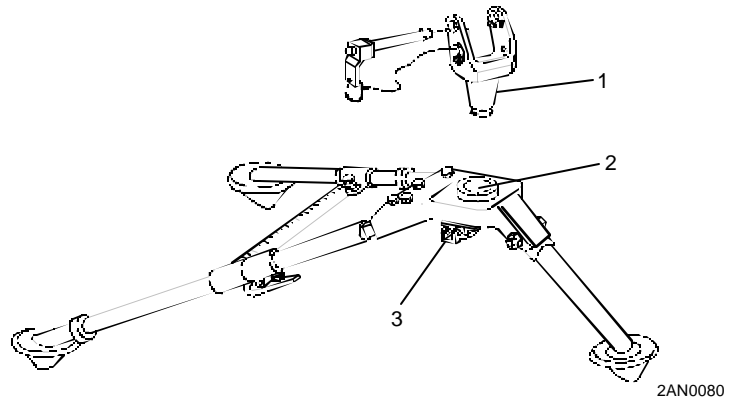


**MOUNTING T&E MECHANISM AND  
PINTLE ASSEMBLY TO TRIPOD (M122A1)**

**0028 00**

Place the pintle assembly (1) into the sleeve bushing on the tripod leg assembly (2).

Release the pintle lock (3) on tripod leg assembly to secure the pintle assembly to the tripod.



**0028 00-1**

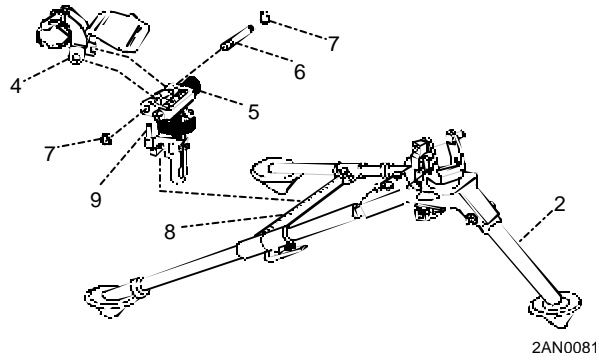
**MOUNTING T&E MECHANISM AND  
PINTLE ASSEMBLY TO TRIPOD (M122A1)**

**0028 00**

**NOTE**

Deflector on fork assembly should deflect to the right.

If not already assembled, align holes in fork assembly (4) with holes in T&E (5).  
Insert pin (6) through fork assembly and T&E and secure with "C" clamps (7).



**0028 00-2**

Place T&E assembly (5) (with the fork assembly attached) onto the traverse bar (8) of tripod leg assembly (2). Lock T&E mechanism into place by turning lock lever (9) clockwise.

**NOTE**

For maintenance and repair of the M122A1 tripod, refer to TM 9-1005-245-13&P.

**END OF WORK PACKAGE**

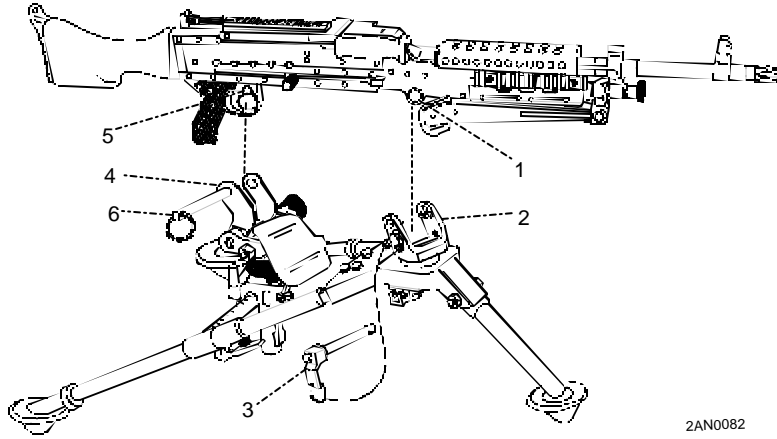
**0028 00-3/4 blank**



**MOUNTING WEAPON ON  
M122A1 TRIPOD ASSEMBLY**

**0029 00**

Position weapon over tripod assembly with T&E mechanism and pintle installed.



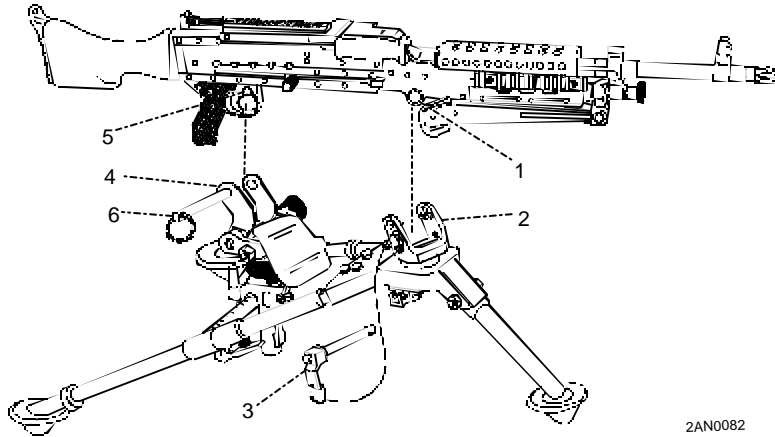
2AN0082

**0029 00-1**

**MOUNTING WEAPON ON  
M122A1 TRIPOD ASSEMBLY**



**0029 00**

Tilt muzzle down slightly and insert the weapons front receiver bushing (1) into the slots in the pintle assembly (2). Insert quick release pin (3) through pintle (2) and front receiver bushing (1).



2AN0082

**0029 00-2**





Lower the rear of the weapon into the fork assembly (4). Align the mounting hole (5) in trigger housing with hole in fork assembly (4).

Insert spring pin (6) through the holes in trigger assembly and fork, insuring weapon is securely attached.

**END OF WORK PACKAGE**

**0029 00-3/4 blank**





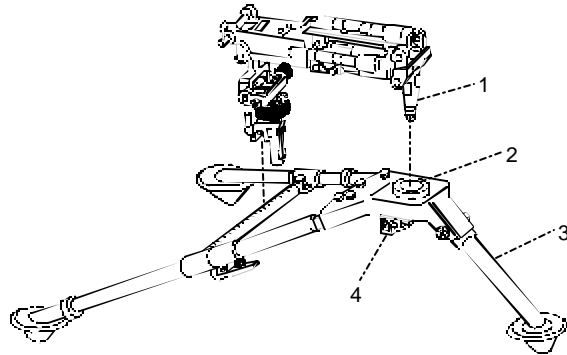


**MOUNTING T&E MECHANISM AND  
FLEXIBLE MOUNT ASSEMBLY TO M122 TRIPOD**

**0030 00**

Place the pintle (1) of the flexible mount assembly into the sleeve bushing (2) on the tripod leg assembly (3).

Release the pintle lock (4) on tripod leg assembly to secure the flexible mount assembly to the tripod leg assembly (3).



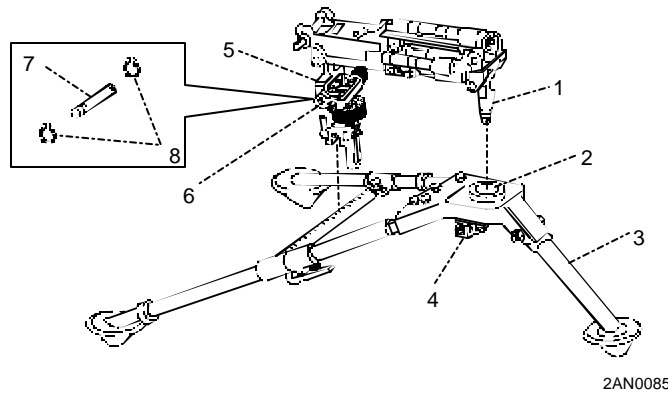
2AN0084

**0030 00-1**

**MOUNTING T&E MECHANISM AND  
FLEXIBLE MOUNT ASSEMBLY TO M122 TRIPOD**

**0030 00**

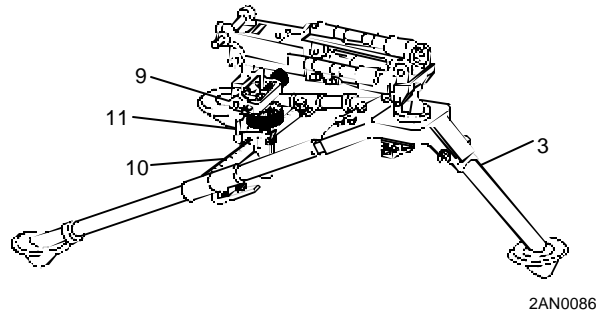
If not already assembled, align holes in flexible mount T&E cradle bracket (5) with holes in T&E (6). Insert pin (7) through cradle bracket and T&E and secure with "C" clamps (8).



2AN0085

**0030 00-2**

Place T&E assembly (9) (with the flex mount assembly attached) onto the traverse bar (10) of tripod leg assembly (3). Lock T&E mechanism into place by turning lock lever (11) clockwise.



**NOTE**

For maintenance and repair of M122 tripod, T&E, and flexible mount assembly, refer to TM 9-1005-245-13&P.

**END OF WORK PACKAGE**

**0030 00-3/4 blank**

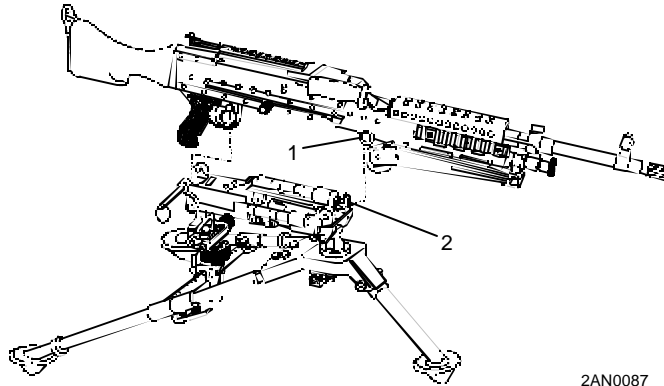


**MOUNTING WEAPON ON FLEXIBLE MOUNT  
ASSEMBLY AND M122 TRIPOD**

**0031 00**

Position weapon over tripod assembly with flexible mount and T&E mechanism installed.

Tilt muzzle down slightly and insert the weapons front receiver bushing (1) into the front cradle slot of the flexible mount assembly (2). Pull the weapon to the rear to fully seat the receiver bushings in the cradle.



2AN0087

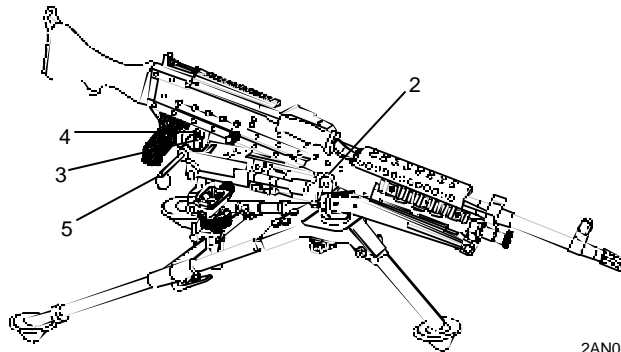
**0031 00-1**

**MOUNTING WEAPON ON FLEXIBLE MOUNT  
ASSEMBLY AND M122 TRIPOD**

**0031 00**

Lower the rear of the weapon onto the flexible mount assembly (2). Align the mounting hole (3) in trigger housing with hole in the flexible mount (4).

Insert spring pin (5) through the hole in the flexible mount and receiver assembly. Ensure weapon is securely attached to the flex mount.



2AN0088

**END OF WORK PACKAGE**

**0031 00-2**

**MOUNTING WEAPON ON M6 PEDESTAL MOUNT  
AND M197 MACHINE GUN MOUNT**

**0032 00**

---

The weapon can be mounted on a M998 High Mobility Multipurpose Wheeled Vehicle (HMMWV) (Cargo/Troop Carrier).

**WARNING**

Firing on-the-move is not permitted from the M998.

The canvas cover above the driver and passenger seats should always be in place when firing.

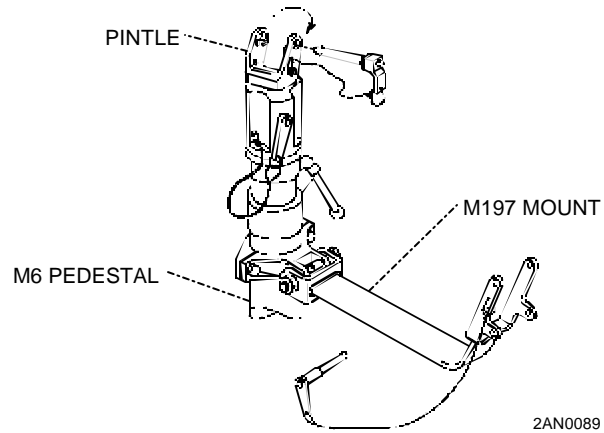
Ground personnel should not be within 10 meters of the vehicle when firing.

**0032 00-1**

**MOUNTING WEAPON ON M6 PEDESTAL MOUNT  
AND M197 MACHINE GUN MOUNT (cont)**

**0032 00**

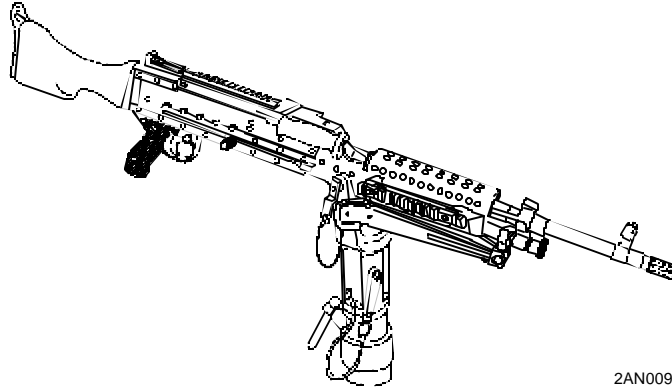
Assure clevis of pintle assembly slants to rear.



**0032 00-2**



Place weapon in pintle, aligning the front receiver bushing with the holes in the pintle and secure with quick release pin.



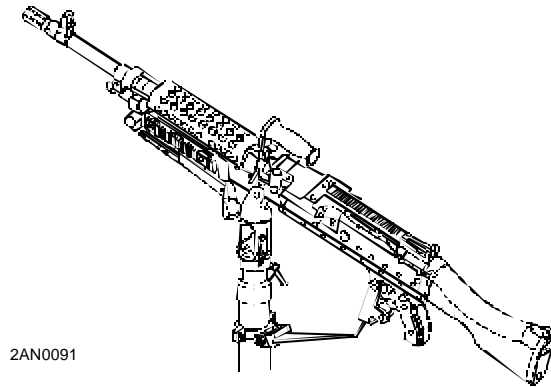
2AN0090

0032 00-3

**MOUNTING WEAPON ON M6 PEDESTAL MOUNT  
AND M197 MACHINE GUN MOUNT (cont)**

**0032 00**

Align the mounting hole in the trigger housing with the holes in the fork of the mount and secure with quick release pin.



2AN0091

**0032 00-4**

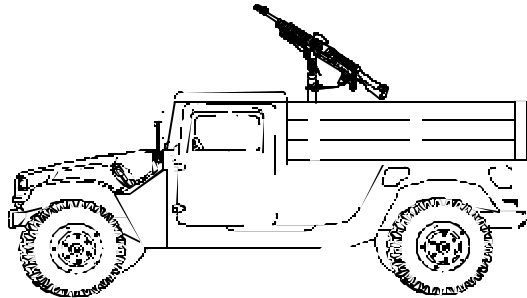
**CAUTION**

When the weapon is not in use it should be removed from the pedestal or secured by the travel lock.

**NOTE**

For mounting instructions of M6 Pedestal and M197 Mounts in M998 HMMWV's refer to TM 9-1005-245-13&P.

For maintenance and repair of M6 Pedestal and M197 Mounts, refer to TM 9-1005-245-13&P.



2AN0092

**END OF WORK PACKAGE**

**0032 00-5/6 blank**

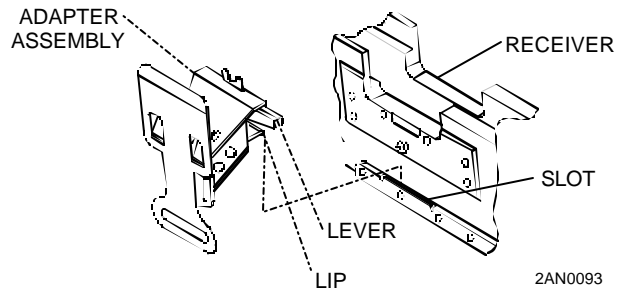


**ATTACHMENT OF  
AMMUNITION ADAPTER ASSEMBLY (M240B)**

**0033 00**

Open cover, and raise feed tray.

Insert curved lip of the adapter assembly into slot located in the rail on the side of receiver, below feed tray.



**0033 00-1**

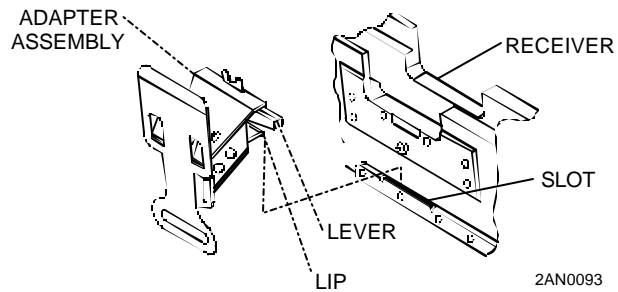
**ATTACHMENT OF  
AMMUNITION ADAPTER ASSEMBLY (M240B) (cont)**

**0033 00**

Depress lever on the adapter assembly.

Push the adapter toward the receiver until it is against the receiver.

Release lever to allow the adapter assembly to secure itself onto the button on the receiver.



**END OF WORK PACKAGE**

**0033 00-2**

**M24 BLANK FIRING ADAPTER (M240B/M240D/M240G/M240N)  
AND M21 BLANK FIRING ATTACHMENT (M240/M240C/M240E1) 0034 00**

---

**M24 BLANK FIRING ADAPTER**

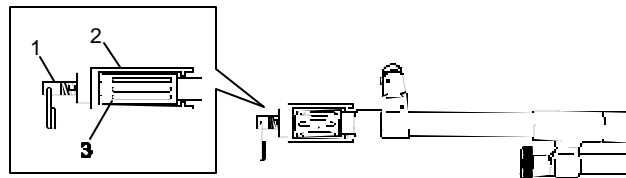
**NOTE**

Each weapon requires two M24 BFA's (primary and spare barrel).

**ATTACHMENT**

Unscrew shaft (1) until it slides all the way to the rear. Install chamber device (2) over the flash suppressor (3).

Slide shaft (1) into throat of flash suppressor. Engage threads on shaft into body of chamber device (2); turn clockwise until hand tight.



2AN0094

**0034 00-1**

**M24 BLANK FIRING ADAPTER (M240B/M240D/M240G/M240N)  
AND M21 BLANK FIRING ATTACHMENT (M240/M240C/M240E1) 0034 00**

---

**M24 BLANK FIRING ADAPTER (cont)**

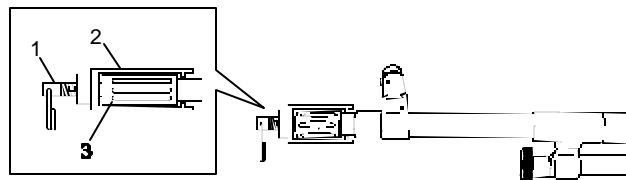
**REMOVAL**

**NOTE**

Allow barrels to cool until they can be held with bare hands prior to removing the chamber device from the barrel.

Hold barrel and rotate chamber body (2) approximately 180° to break any carbon seal between the shaft (1) and the suppressor (3).

Unscrew shaft (1) until threads disengage. Remove chamber device from flash suppressor (3).



2AN0094

0034 00-2



## M21 BLANK FIRING ATTACHMENT

The following restrictions must be observed to avoid hazardous concentrations of gases caused while firing the M240 machine gun with the M21 BFA. A blank-fire mission is limited to 200 rounds fired at a rate of 100 rounds per minute or less in a 25-round bursts with gas regulator on weapon set at position number 1. Below are vehicle operating mode/mission restriction requirements.

**Table 1. Operating Mode Firing Restrictions**

Vehicle System	Engine On Heater Off Hatches Open Blower On	Engine Off Heater Off Hatches Open Blower On	Engine On Heater On Hatches Closed Blower On
M2/M3 BFVS	None	7 times/24 hours	14 times/24 hours
LAV 25 (Coax)	None	7 times/24 hours	14 times/24 hours
M1 Series Tank (Coax)	None	34 times/24 hours	48 times/24 hours

Effective use of the M21 BFA/M240 machine gun system is greatly dependant on adherence to the installation instructions and mission scenario limits in the instructions.

**0034 00-3**

**M24 BLANK FIRING ADAPTER (M240B/M240G/M240N)  
AND M21 BLANK FIRING ATTACHMENT (M240/M240C/M240E1) 0034 00**

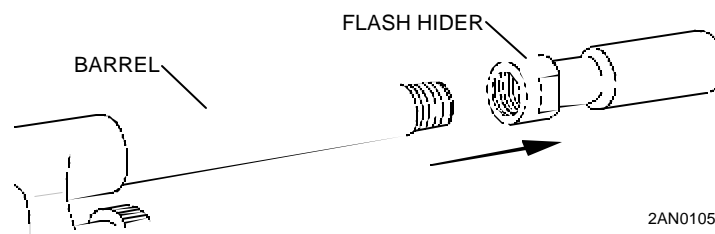
---

**ATTACHMENT OF CHAMBER AND DISCRIMINATOR ASSEMBLY  
(M2/M3 BFV/M1 SERIES TANK/LAV 25 SERIES (USMC))**

**CAUTION**

Take care not to damage threads on end of barrel. Barrel must completely cooled before removing flash hider or attaching BFA.

Using 23mm box/open end combination wrench, remove flash hider from barrel of weapon. Store flash hider in ordnance spare parts bag and place in oddment tray in vehicle. Be sure to tag flash hider so it will remain with the barrel.

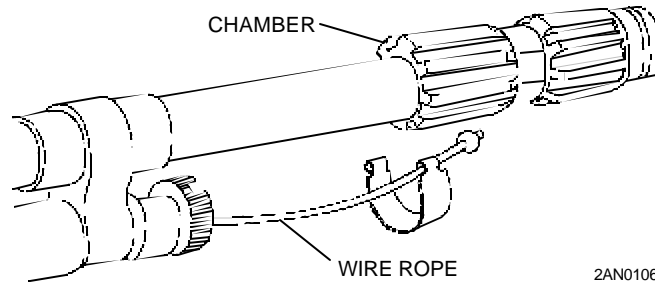


**0034 00-4**

Remove wire rope assembly from chamber.

Screw chamber onto end of barrel and tighten with box/open-end wrench.

Reattach wire rope assembly onto chamber



2AN0106

0034 00-5

**M24 BLANK FIRING ADAPTER (M240B/M240G/M240N)  
AND M21 BLANK FIRING ATTACHMENT (M240/M240C/M240E1) 0034 00**

---

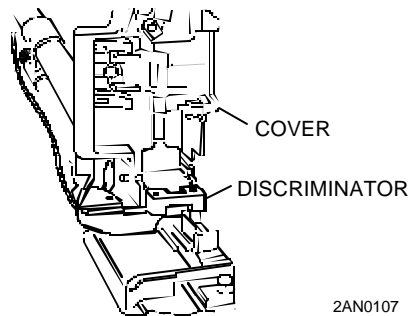
**ATTACHMENT OF CHAMBER AND DISCRIMINATOR ASSEMBLY  
(M2/M3 BFV/M1 SERIES TANK/LAV 25 SERIES (USMC))**

**WARNING**

Discriminator must be in place in feed tray of machine gun when M21 BFA is in use to prevent live ammo from entering the barrel chamber.

Open cover on receiver and place discriminator in feed tray with slot in discriminator over front lip of tray.

Closing the cover will retain the discriminator in place.



2AN0107

0034 00-6





## **INSTALLATION OF WEAPON ONTO VEHICLE**

Install M240C machine gun into BFV mount per TM 9-2350-252-10.

Install M240 machine gun onto exterior mount (M1 Tank) per TM 9-2350-255-10, or into LAV 25 per TM 08594A-10/2 (USMC only).

Install M240E1 machine gun onto LAV 25 exterior mount per TM 08594A-10/2 (USMC only).

**0034 00-7**

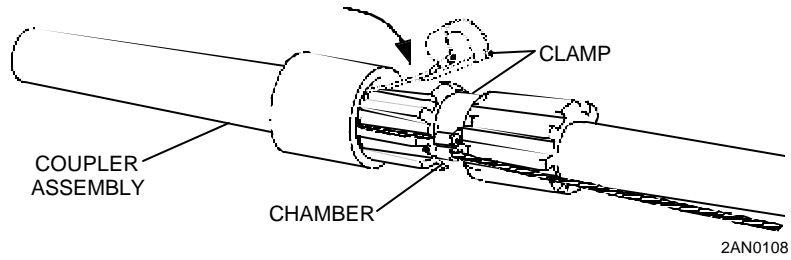


**M24 BLANK FIRING ADAPTER (M240B/M240D/M240G/M240N)  
AND M21 BLANK FIRING ATTACHMENT (M240/M240C/M240E1) 0034 00**

---

**INSTALLATION OF COUPLER ASSEMBLY AND EXTENSION ASSEMBLY  
ON M240 (M1 TANK COAX ONLY)**

Place coupler assembly over the chamber and clip coupler assembly clamp to hold in place.

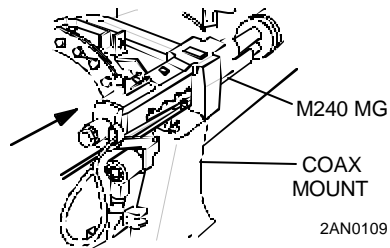


**0034 00-8**

**NOTE**

If BFA/coupler assembly catches in smoke box, shake gun slightly as you slide it forward.

Install M240 machine gun onto coax mount of M1 Series tank.



On outside of turret, loosen clamp on extension assembly so that the inside diameter of the extension assembly will clear the outside diameter of the coax mantlet. Do not remove clamp from extension assembly.

**0034 00-9**

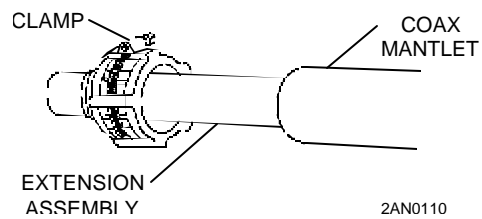
**M24 BLANK FIRING ADAPTER (M240B/M240D/M240G/M240N)  
AND M21 BLANK FIRING ATTACHMENT (M240/M240C/M240E1) 0034 00**

---

**INSTALLATION OF COUPLER ASSEMBLY AND EXTENSION ASSEMBLY  
ON M240 (M1 TANK COAX ONLY) (cont)**

Slide extension assembly into coax mantlet until extension is over end of coax mantlet and bottomed. If resistance is encountered during installation, shake extension assembly slightly while sliding into coax mantlet. Fully seat extension assembly in place over the coax mantlet.

With clamp positioned over slots in extension assembly, tighten until strap is snug against the mantlet.



**0034 00-10**





**REMOVAL OF WEAPON FROM VEHICLE**

Remove M240C machine gun from BFV mount per TM 9-2350-252-10.

Remove M240 machine gun from exterior mount (M1 Tank) per TM 9-2350-255-10, or into LAV 25 per TM 08594A-10/2 (USMC only).

Remove M240E1 machine gun from LAV 25 exterior mount per TM 08594A-10/2 (USMC only).

**0034 00-11**

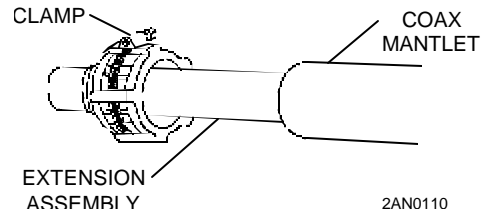


**M24 BLANK FIRING ADAPTER (M240B/M240D/M240G/M240N)  
AND M21 BLANK FIRING ATTACHMENT (M240/M240C/M240E1) 0034 00**

---

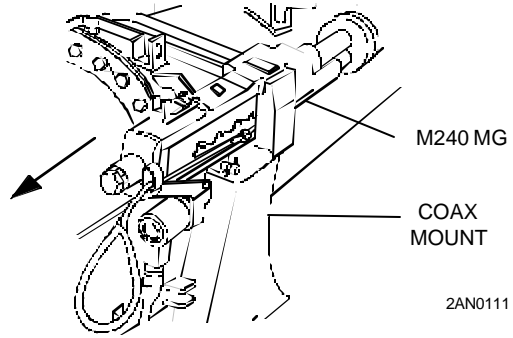
**REMOVAL OF COUPLER ASSEMBLY AND EXTENSION ASSEMBLY ON  
M240 (M1 TANK COAX ONLY)**

Loosen clamp. Slide extension assembly out of coax mantlet. Tighten clamp on extension assembly.



0034 00-12

Remove M240 from coax mount per TM 9-2350-255-10.



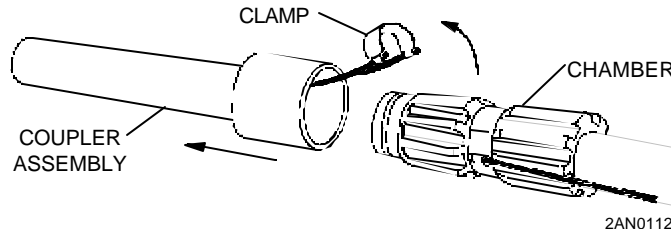
0034 00-13

**M24 BLANK FIRING ADAPTER (M240B/M240D/M240G/M240N)  
AND M21 BLANK FIRING ATTACHMENT (M240/M240C/M240E1) 0034 00**

---

**REMOVAL OF COUPLER ASSEMBLY AND EXTENSION ASSEMBLY ON  
M240 (M1 TANK COAX ONLY)**

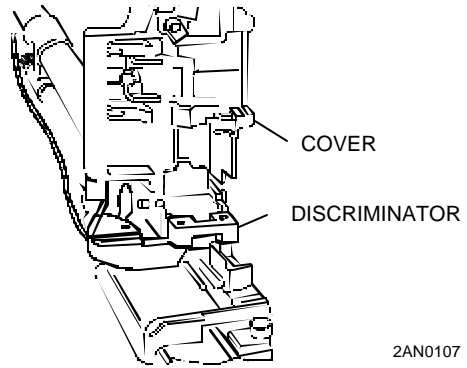
Unclip coupler assembly from chamber and remove (M1 Series Tank only).



0034 00-14

## REMOVAL OF DISCRIMINATOR ASSEMBLY

Open cover of machine gun and remove discriminator assembly.



2AN0107

0034 00-15

**M24 BLANK FIRING ADAPTER (M240B/M240D/M240G/M240N)  
AND M21 BLANK FIRING ATTACHMENT (M240/M240C/M240E1) 0034 00**

---

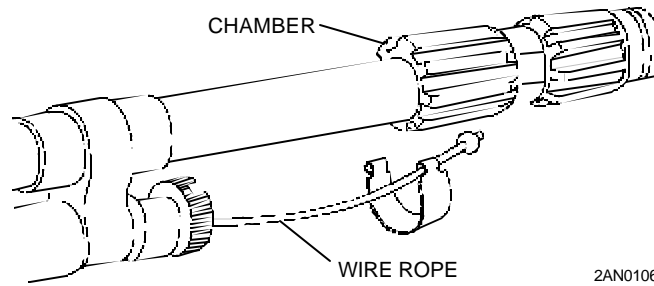
**REMOVAL OF DISCRIMINATOR ASSEMBLY (cont)**

**CAUTION**

Do not remove chamber from machine gun barrel until both items are cooled.

Take care not to damage threads on end of barrel.

Remove wire rope assembly from chamber.

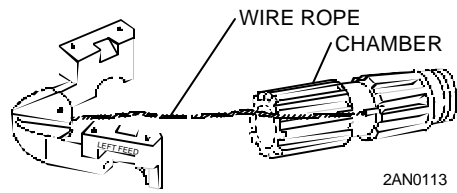


2AN0106

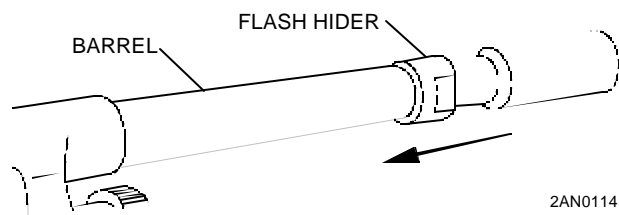
**0034 00-16**

Loosen chamber with box/open-end combination wrench and unscrew from barrel of weapon.

Replace wire rope assembly on chamber.



Replace flash hider on machine gun barrel.



**0034 00-17/18 blank**



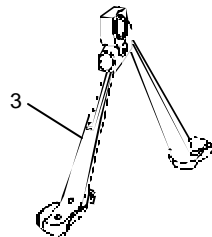
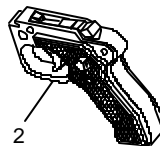
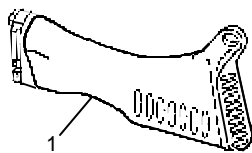


**EMERGENCY EGRESS PACKAGE (M240D ONLY)**

**0035 00**

The Emergency Egress Package is to be used only on the M240D. The package consists of the following components:

- Buffer and Buttstock Assembly (1), P/N 12976851
- Trigger Assembly (2), P/N 12976869
- Bipod Assembly (3), P/N 12976883



**0035 00-1**

**WARNING**

Be sure to clear your weapon before disassembling, clearing, inspecting, transporting, or storing.

Clear your machine gun (WP 0010 00).

Depress backplate latch and lift buffer and spade grip assembly straight up.

Install buffer and buttstock assembly; make sure it locks in place.

Depress spring on trigger housing pin and remove pin/trigger housing assembly.

Place safety of infantry trigger housing assembly to "F" fire position. Position front of housing assembly into place and pivot into position; install trigger housing pin from right to left.

Attach the bipod lag assembly to the receiver by aligning the gaps in the bipod head with the flanges on the receiver. Swivel the bipod assembly so it is in the upright position. Drive the retaining pin into the cut-out in the bipod head.

**END OF WORK PACKAGE**

**0035 00-2**

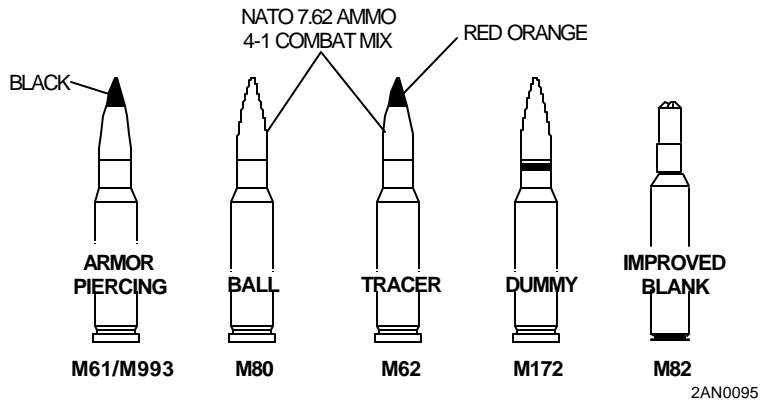
**CHAPTER 5**  
**AMMUNITION**



**WARNING**

This is the only ammunition authorized for use in your machine gun. If it is not shown, it is not authorized.

Ammunition that fails to fire will be disposed of by authorized procedures.



**AMMUNITION (cont)**

**0036 00**

---

Protect ammunition from mud, sand, and water. If the ammunition gets wet or dirty, wipe it off at once with a clean, dry, rag (item 7, WP 0040 00). Wipe off light corrosion as soon as it is discovered. Turn in heavily corroded cartridges.

Do not expose ammunition to the direct rays of the sun. If the powder is hot, excessive pressure may develop when the weapon is fired.

Do not oil or grease ammunition. Dust and other abrasives that collect on greasy ammunition may cause damage to the operating parts of the machine gun. Moreover, oiled cartridges produce excessive chamber pressure.

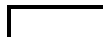
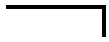
Do not fire dented cartridges, cartridges with loose bullets, or otherwise defective rounds.

**END OF WORK PACKAGE**

**0036 00-2**



**CHAPTER 6**  
**SUPPORTING INFORMATION**







**REFERENCES**

**0037 00**

This work package lists all forms, field manuals, and miscellaneous publications referenced in the manual.

**ARMY REGULATIONS**

AR 190-11 .....Physical Security of Arms, Ammunition and Explosives

**DEPARTMENT OF THE ARMY PAMPLETS**

DA PAM 783-750 .....The Army Maintenance Management System (TAMMS)

**FIELD MANUALS**

FM 21-11 .....First Aid for Soldiers  
FM 3-5.....NBC Decontamination

**0037 00-1**

**FORMS**

- DA Form 2402 .....Equipment inspection and Maintenance Worksheet
- DA Form 2028 .....Recommended Changes to Publications and Blank  
Forms
- SF 368 .....Product Quality Deficiency Report

**TECHNICAL MANUALS**

- TM 9-1005-245-13&P .....Operator's, Unit, and Direct Support Maintenance  
Manual with Repair Parts and Special Tools List for  
Machine Gun Mounts and Combinations for  
Tactical/Armored Vehicles and Ground Mounting
- TM 9-2350-252-10 .....Operator's Manual for Fighting Vehicle, Infantry,  
Bradley
- TM 9-2350-255-10 .....Operator's Manual for Operator Controls, PMCS, and  
Operation Under Usual Conditions
- TM 08594A-10/2 .....Operator's Manual for LAV-25

- TM 9-4933-273-12&P .....Operator's and Unit Maintenance Manual (Including RPSTL) for Boresighting Equipment, Weapon Small Arms, M30
- TM 9-4933-273-12&P .....Operator's, Unit and Direct Support Maintenance Manual (Including RPSTL) for Machine Guns Mounts and Combinations fro Tactical/Armored Vehicles and Ground Mounting
- TM 750-244-7 .....Procedures for Destruction of Equipment in Federal Supply Classification 1000, 1005, 1010, 1020, 1030, 1055, 1090, and 1095 to Prevent Enemy Use

**MARINE CORPS PUBLICATIONS AND FORMS**

- TM 4700.15/1 .....Equipment Report Procedures
- MCO 4855.10 .....Quality deficiency Report Manual
- NAVMC Form 10722 .....Recommended Changes to Publications

0037 00-3

**RELATED PUBLICATIONS**

CTA 8-100.....Army Medical Department Expendable/Durable Items  
CTA 50-970.....Expendable/Durable Items (Except Medical, Class V,  
Repair Parts, and heraldic Items)

**END OF WORK PACKAGE**

**0037 00-4**

**COMPONENTS OF THE END ITEM  
AND BASIC ISSUE ITEMS**

**0038 00**

---

This work package lists components of the end item and basic issue items for the machine gun to help you inventory items required for safe and effective operation.

The Components of the End Item (COEI) and Basic Issue Items (BII) lists are divided into the following:

Components of the End Item (COEI): This is for informational purposes only and is not authority to requisition replacements. These items are part of the end item but are removed and separately packaged for transportation or shipment. As part of the end item, these items must be with the end item whenever it is issued or transferred between property accounts. Illustrations are furnished to assist you in identifying the items.

These are the minimum essential items required to place the machine gun in operation, to operate it, and to perform emergency repairs. Although shipped separately packaged, BII must be with the machine gun during operation and whenever it is transferred between property accounts. The illustrations will assist you with hard to identify items. This manual is your authority to request/requisition replacement BII, based on TOE/MTOE authorization of the end item.

**0038 00-1**

**COMPONENTS OF THE END ITEM  
AND BASIC ISSUE ITEMS (cont)**

**0038 00**

**EXPLANATION OF COLUMNS.** The following provide an explanation of columns found in the tabular listings:

Column (1) – Illus. Number, gives you the number of the item illustrated.

Column (2) – National Stock Number, the stock number of the item to be used for requisitioning purposes.

Column (3) – Description and Usable On Code, identifies the Federal item name (in capital letters) followed by a minimum description when needed. The last line below the description is the CAGEC (in parenthesis) and the part number. If the item you need is not the same for different models of the equipment, a Usable On Code will appear on the right side of the description column on the same line as the part number. These codes are identified

<u>CODE</u>	<u>USED ON</u>	<u>CODE</u>	<u>USED ON</u>	<u>CODE</u>	<u>USED ON</u>
G69	M240	BC2	M240D	BJ8	M240N
BB2	M240B	AG8	M240E1		
L04	M240C	BC6	M240G		

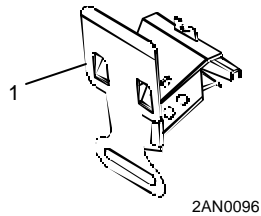
**0038 00-2**

Column (4) – U/M, indicates how the item is issued for the National Stock Number shown in column (2).

Column (5) – Qty Rqd, indicates the quantity required.

**Table 1. Components of End Item**

(1) ILLUS NUMBER	(2) NATIONAL STOCK NUMBER	(3) DESCRIPTION CAGEC AND PART NUMBER	USABLE ON CODE	(4) U/M	(5) QTY RQD
1	1005-01-431-8324	ADAPTER, AMMUNITION (19200) 12976909	BB2	EA	1



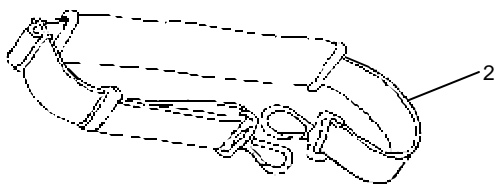
**0038 00-3**

**COMPONENTS OF THE END ITEM  
AND BASIC ISSUE ITEMS (cont)**

**0038 00**

**Table 1. Components of End Item (cont)**

(1) ILLUS NUMBER	(2) NATIONAL STOCK NUMBER	(3) DESCRIPTION CAGEC AND PART NUMBER	USABLE ON CODE	(4) U/M	(5) QTY RQD
2	1005-01-439-6899	SLING W/HOOK ASSEMBLY (19200) 12976938	BB2	EA	1



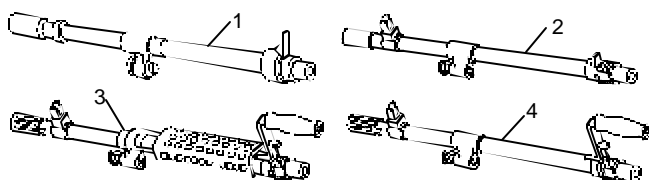
2AN0097

**0038 00-4**



**Table 2. Basic Issue Items**

(1) ILLUS NUMBER	(2) NATIONAL STOCK NUMBER	(3) DESCRIPTION CAGEC AND PART NUMBER	USABLE ON CODE	(4) U/M	(5) QTY RQD
1	1005-01-044-1026	BARREL ASSEMBLY (19200) 11825985	G69, L04	EA	1
2	1005-01-251-9701	BARREL ASSEMBLY (19200) 12597035	AG8	EA	1
3		BARREL ASSEMBLY (19200) 12976817	BB2	EA	1
4	1005-01-408-5897	BARREL ASSEMBLY (19200) 12976818	BC2, BC6, BJ8	EA	1



2AN0098

**0038 00-5**

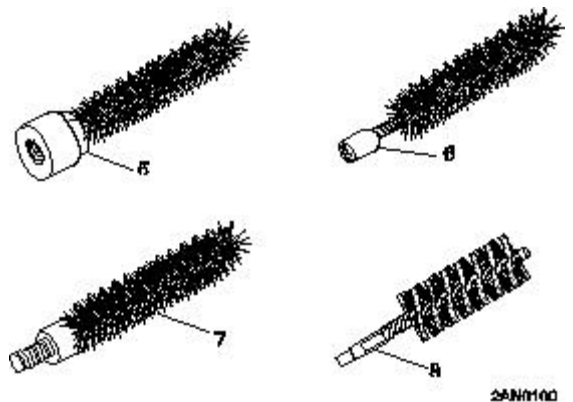
**COMPONENTS OF THE END ITEM  
AND BASIC ISSUE ITEMS (cont)**

**0038 00**

**Table 2. Basic Issue Items (cont)**

(1) ILLUS NUMBER	(2) NATIONAL STOCK NUMBER	(3) DESCRIPTION CAGEC AND PART NUMBER	USABLE ON CODE	(4) U/M	(5) QTY RQD
5	1005-01-033-3925	BRUSH, CLEANING, GAS CYLINDER (19200) 11826118	BC6, BJ8	EA	1
6	1005-00-556-4174	BRUSH, CLEANING, SMALL ARMS BORE (10001) 5564174	BC6, BJ8	EA	2
7	1005-00-690-3115	BRUSH, CLEANING, SMALL ARMS CHAMBER (19205) 7790452	BC6, BJ8	EA	1
8	1005-00-350-4100	BRUSH, CLEANING, SMALL ARMS RECEIVER (19200) 8448466	BC2, BJ8	EA	1

**0038 00-6**



2AN/1100

0038 00-7

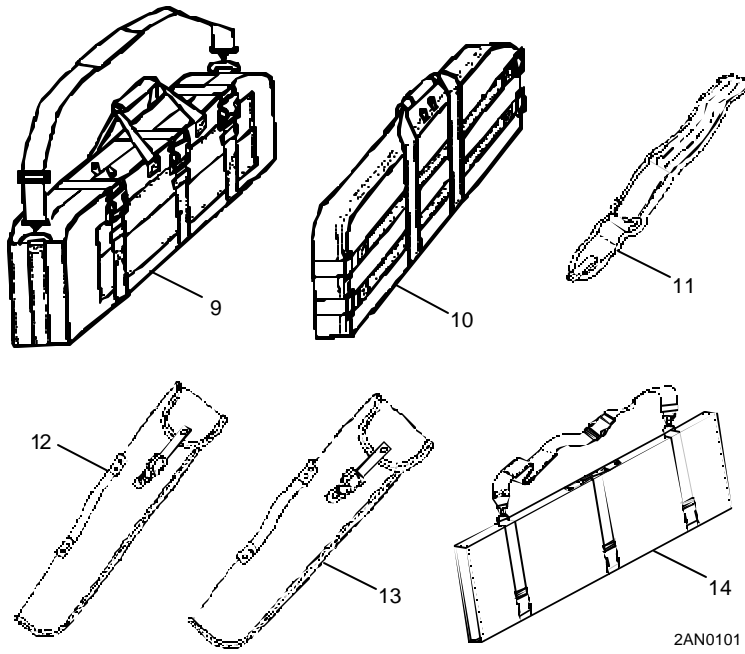
**COMPONENTS OF THE END ITEM  
AND BASIC ISSUE ITEMS (cont)**

**0038 00**

**Table 2. Basic Issue Items (cont)**

(1) ILLUS NUMBER	(2) NATIONAL STOCK NUMBER	(3) DESCRIPTION CAGEC AND PART NUMBER	USABLE ON CODE	(4) U/M	(5) QTY RQD
9	8465-01-408-5431	CASE, CARRYING, MACHINE GUN (0EUP8) SSC/BMG/M240G	BC6	EA	1
10	1005-01-408-5422	CASE , CARRYING, SPARE BARREL (0EUP8) SSC/BBB/M240G	BC6	EA	1
11	1005-00-550-6573	CASE, SMALL SRMS CLEANING ROD (19204) 5506573	G69, L04	EA	1
12	1005-01-038-6025	CASE SPARE BARREL (19200) 11826275	G69, L04, AG8	EA	1
13	1005-01-442-8626	CASE, SPARE BARREL (19200) 12977109	BC2, BJ8	EA	1
14	1005-01-470-3006	CASE, SPARE BARREL (19200) 12991853	BB2	EA	1

**0038 00-8**



0038 00-9

2AN0101

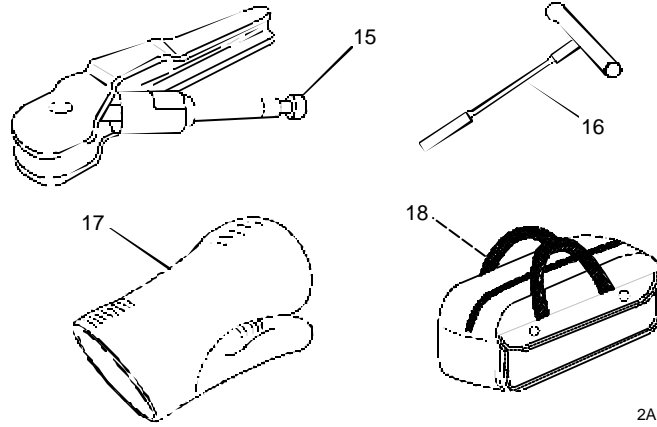
**COMPONENTS OF THE END ITEM  
AND BASIC ISSUE ITEMS (cont)**

**0038 00**

**Table 2. Basic Issue Items (cont)**

(1) ILLUS NUMBER	(2) NATIONAL STOCK NUMBER	(3) DESCRIPTION CAGEC AND PART NUMBER	USABLE ON CODE	(4) U/M	(5) QTY RQD
15	4933-01-033-1510	EXTRACTOR, RUPTURED CARTRIDG CASE (19200) 11826264		EA	1
16	5340-01-265-2683	HANDLE ASSEMBLY, CLEANING ROD (19204) 12900436	BC6, BJ8, G69, L04	EA	1
17	8415-01-092-0039	MITTEN, HEAT PROTECTIVE M5337 (81349) MIL-M-11199	AG8, BJ8, G69, L04	EA	1
18	5143-00-329-4306	POUCH, MECHANICS TOOL (80049) 50J8016	BJ8	EA	5

**0038 00-10**



2AN0102

0038 00-11

**COMPONENTS OF THE END ITEM  
AND BASIC ISSUE ITEMS (cont)**

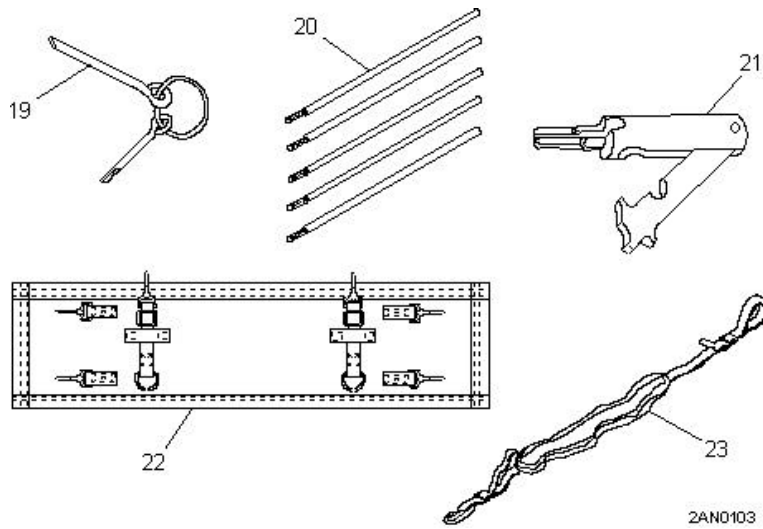
**0038 00**

**Table 2. Basic Issue Items (cont)**

(1) ILLUS NUMBER	(2) NATIONAL STOCK NUMBER	(3) DESCRIPTION CAGEC AND PART NUMBER	USABLE ON CODE	(4) U/M	(5) QTY RQD
19	4933-01-047-3394	REAMER (19200) 11826036	BC6, BJ8	EA	1
20	1005-00-726-6109	ROD, SECTION, CLEANING, SMALL ARMS (19205) 7266109	BC6, BJ8, G69, L04	EA	1
21	4933-01-033-1504	SCRAPER, COMBINAT- ION REGULATOR (19200) 11826005	BC6, BJ8	EA	1
22	1005-01-448-2614	SHIELD ASSEMBLY, PROTECTIVE (0EUP8) BB-M240G-HS	BC6	EA	1
23	1005-00-312-7177	SLING ASSEMBLY (W/O HOOKS) (19200) 12002983	BC6	EA	1

**0038 00-12**





0038 00-13

**COMPONENTS OF THE END ITEM  
AND BASIC ISSUE ITEMS (cont)**

**0038 00**

**Table 2. Basic Issue Items (cont)**

(1) ILLUS NUMBER	(2) NATIONAL STOCK NUMBER	(3) DESCRIPTION CAGEC AND PART NUMBER	USABLE ON CODE	(4) U/M	(5) QTY RQD
24	1005-00-726-6110	SWAB HOLDER SECTION (19200) 7266110	BC6, BJ8, G69, L04	EA	1
25	1005-01-411-9003	SWIVEL, HOOK, SLING, CARRYING (3S679) 3602004460	BC6	EA	2
26	1005-01-458-7004	TOOL, FRONT SIGHT ADJUSTMENT TOOL (19200) 12012086	BJ8	EA	1
27	4933-01-033-1503	TOOL, COMBINATION, SCRAPER AND EXTRACTOR (19200) 11826059	BC6, BJ8	EA	1
28		TM 9-1005-313-10		EA	1

**0038 00-14**





**ADDITIONAL AUTHORIZATION LIST AND  
ASSOCIATED EQUIPMENT LIST**

**0039 00**

---

This work package lists additional items you are authorized for the support of the machine gun.

This list identifies items that do not have to accompany the machine gun and that do not have to be turned in with it. These items are all authorized to you by CTA, MOTE, TDA, or JTA.

**EXPLANATION OF COLUMNS.** National stock numbers, descriptions, and quantities are provided to help you identify and request the additional items you require to support the equipment. The items are listed in alphabetical sequence by item name under the type document (i.e., CTA, MTOE, TDA, or JTA) which authorizes the item(s) to you.

**0039 00-1**

**ADDITIONAL AUTHORIZATION LIST AND  
ASSOCIATED EQUIPMENT LIST (cont)**

**0039 00**

**Table 1. Additional Authorization List**

(1) NATIONAL STOCK NUMBER	(1) DESCRIPTION CAGEC AND PART NUMBER	USABLE ON CODE	(3) U/M	(4) QTY RQD
<i>CTA AUTHORIZED ITEMS</i>				
1005-01-148-7437	BLANK FIRING ATTACHMENT, M21 (19200) 11833471	AG8, G69, L04	EA	1
1005-01-480-0289	BLANK FIRING ATTACHMENT, M24 (19200) 12993733	BB2, BC2, BC6, BJ8	EA	2
1005-01-033-3925	BRUSH, CLEANING, GAS CYLINDER (19200) 11826118		EA	1
1005-00-556-4174	BRUSH, CLEANING, SMALL ARMS BORE (10001) 5584174		EA	2
1005-00-690-3115	BRUSH, CLEANING, SMALL ARMS CHAMBER (19205) 7790452		EA	1

**0039 00-2**

(1) NATIONAL STOCK NUMBER	(1) DESCRIPTION CAGEC AND PART NUMBER	USABLE ON CODE	(3) U/M	(4) QTY RQD
1005-00-350-4100	BRUSH, CLEANING, SMALL ARMS RECEIVER (19204) 8448466	BB2	EA	1
1005-00-550-6573	CASE, SMALL ARMS CLEANING ROD (19304) 5506573		EA	1
5340-01-265-2683	HANDLE ASSEMBLY, CLEANING ROD (19204) 12900436		EA	1
8415-01-092-0039	MITTEN, HEAT PROTECTIVE M5337 (81349) MIL-M-11199	BB2, BC6	EA	1
4933-01-047-3394	REAMER, CLEANING (19200) 11826036		EA	1
1005-00-726-6109	ROD SECTION, CLEANING, SMALL ARMS (19205) 7266109		EA	5

0039 00-3

**ADDITIONAL AUTHORIZATION LIST AND  
ASSOCIATED EQUIPMENT LIST (cont)**

**0039 00**

**Table 1. Additional Authorization List**

(1) NATIONAL STOCK NUMBER	(1) DESCRIPTION CAGEC AND PART NUMBER	(3) USABLE ON CODE	(4) U/M	(4) QTY RQD
4933-01-033-1504	SCRAPER, COMBINATION REGULATOR (19200) 11826005		EA	1
1005-00-726-6110	SWAB HOLDER SECTION, SMALL ARMS CLEANING (19204) 7266110		EA	1
4933-01-033-1503	TOOL, COMBINATION SCRAPER AND EXTRACTOR (19200) 11826059		EA	1

**0039 00-4**



**Table 2. Associated Equipment List**

(1) NATIONAL STOCK NUMBER	(1) DESCRIPTION CAGEC AND PART NUMBER	USABLE ON CODE	(3) U/M	(4) QTY RQD
<i>CTA AUTHORIZED ITEMS</i>				
1005-01-413-4098	MOUNT, MACHINE GUN, M197 (19200) 12956264	BB2, BC6	EA	1
1005-01-411-6341	MOUNT, PEDESTAL, MACHINE GUN, M6 (19200) 12596270	BB2, BC6	EA	1
1095-01-466-2065	RACK, STORAGE, SMALL ARMS (19200) 12991083	BB2, BC6	EA	1 per 9 weapons
<i>MTOE AUTHORIZED ITEMS</i>				
1005-00-710-5599	MOUNT, TRIPOD, MACHINE GUN, M122 (19200) 7790723	BC6	EA	1
1005-01-433-1617	MOUNT, TRIPOD, MACHINE GUN, M122A1 (19200) 12976949	BB2	EA	1

**0039 00-5**

**Table 2. Associated Equipment List (cont)**

(1) NATIONAL STOCK NUMBER	(1) DESCRIPTION CAGEC AND PART NUMBER	USABLE ON CODE	(3) U/M	(4) QTY RQD
<i>MTOE AUTHORIZED ITEMS (cont)</i>				
1005-01-411-6340	FLEXIBLE MOUNT ASSEMBLY (19200) 12976940	BC6	EA	1

**END OF WORK PACKAGE**

**0039 00-6**

**EXPENDABLE/DURABLE SUPPLIES  
AND MATERIALS LIST**

**0040 00**

---

This work package lists expendable/durable supplies and materials you need to operate and maintain the machine gun. This is for informational purposes only and is not authority to requisition the listed items. These items are authorized to you by CTA 50-970, Expendable/Durable Items (Except Medical, Class V, Repair Parts, and Heraldic items); or CTA 8-100, Army Medical Department Expendable/Durable Items.

**EXPLANATION OF COLUMNS.**

Column (1) – Item Number. This number is assigned to the entry in the listing and is referenced in the narrative instructions to identify the material (e.g., “Use cleaner, lubricant and preservative (item 1, WP 0000 00)”).

Column (2) – Level. This column identifies the lowest level of maintenance that requires the listed item.

C – Operator/Crew

Column (3) –National Stock Number. This is the National Stock Number assigned to the item; use it to requisition the item.

**0040 00-1**

**EXPENDABLE/DURABLE SUPPLIES  
AND MATERIALS LIST (cont)**

**0040 00**

---

Column (4) – Description. Indicates the Federal item name and, if required, a description to identify the item. The last line for each item indicates the Contractor and Government Entity Code (CAGEC) in parentheses followed by the part number.

Column (5) - Unit of Measure (U/M). Indicates the measure used in performing the actual maintenance function. This measure is expressed by a two-character alphabetical abbreviation (e.g., EA, IN, PR). The unit of measure differs from the unit of issue, requisition the lowest unit of issue that will satisfy your requirements.

**0040 00-2**

**Table 1. Expendable/Durable Supplies List**

(1) ITEM NO.	(2) LEVEL	(3) NATIONAL STOCK NUMBER	(4) DESCRIPTION	(5) U/M
1	C	9150-01-102-1473 9150-01-079-6124	CLEANER, LUBRICANT AND PRESERVATIVE, grade 2, (CLP) (81349) MIL-PRF-63460 ½ oz bottle 4 oz bottle	EA EA
2	C	9920-00-292-9946	CLEANER, TOBACCO, PIPE (92849) DILLS 1 pkg (32 per pkg) (Marine Corps only)	EA
3	C	6850-00-224-6656 6850-00-224-6657	CLEANING COMPOUND, SOLVENT: rifle bore cleaner (RBC) (81349) MIL-PRF-372 2 oz can 6 oz can	EA EA
4	C	9150-00-664-0038	LUBRICATING OIL, WEAPONS (LAW) (81349) MIL-PRF-14107 4 oz	EA

**0040 00-3**

**EXPENDABLE/DURABLE SUPPLIES  
AND MATERIALS LIST (cont)**

**0040 00**

**Table 1. Expendable/Durable Supplies List (cont)**

(1) ITEM NO.	(2) LEVEL	(3) NATIONAL STOCK NUMBER	(4) DESCRIPTION	(5) U/M
5	C	9150-00-949-0323	LUBRICATING OIL, WEAPONS semi-fluid w/Teflon (LSA-T) (81349) MIL-L-46150 8 oz bottle (Marine Corps only)	EA
6	C	9150-00-889-3522	LUBRICATING OIL, WEAPONS Semi-fluid (LSA) (19204) MIL-L-46000 4 oz bottle	EA
7	C	7920-00-205-1711	WIPING RAG: cotton (58536) A-A-531 50 lb bdl	LB

**0040 00-4**

(1) ITEM NO.	(2) LEVEL	(3) NATIONAL STOCK NUMBER	(4) DESCRIPTION	(5) U/M
8	C	1005-00-288-3565	SWAB, SMALL ARMS CLEANING: cotton (19204) 5019316 1pkg (1000 per pkg)	EA
9	C	6920-00-078-5126	TARGET, BASIC MACHINE GUN QUALIFICATION/10 METER QUALIFICATION TARGET (19204) 8426940 1box (200 per box ) (Marine Corps only)	BX

0040 00-5/6 blank





**WP/Page**

**A**

Additional Authorized List and Additional Equipment List.....WP 0039 00-1  
Adjustment of Sights .....WP 0026 00-1  
Ammunition .....WP 0036 00-1  
Ammunition Adapter Assembly, Attachment of (M240B) .....WP 0033 00-1  
Associated Equipment.....WP 0027 00-1

**C**

Cleaning, Inspection, and Repair .....WP 0022 00-1  
Components of End Item and Basic Issue Items Lists .....WP 0038 00-1  
Corrosion Prevention and Control .....WP 0004 00-1

**D**

Destruction of Material to Prevent Enemy Use.....WP 0005 00-1

**E**

Equipment Description and Data.....WP 0007 00-1  
Expendable/Durable Supplies and Materials List.....WP 0040 00-1

---

	<b>WP/Page</b>
<b>F</b>	
Field Strip.....	WP 0021 00-1
<b>H</b>	
How to Use This Manual.....	vii
<b>L</b>	
List of Effective Pages.....	A
Lubrication Instructions .....	WP 0025 00-1
<b>M</b>	
M24 Blank Firing Adapter and M21 Blank Firing Attachment.....	WP 0034 00-1
Maintenance Forms, Records and Reports .....	WP 0002 00-1
Mounting T&E Mechanism and Pintle Assembly to Tripod (M122A1) .....	WP 0028 00-1
Mounting T&E Mechanism and Flexible Mount Assembly to Tripod.....	WP 0030 00-1

**M(cont)**

Mounting Weapon on Flexible Mount Assembly on Tripod.....WP 0031 00-1  
Mounting Weapon on M122A1 Tripod Assembly.....WP 0029 00-1  
Mounting Weapon on M6 Pedestal Mount and  
M197 Machine Gun Mount.....WP 0032 00-1

**O**

Operation Under Usual Conditions .....WP 0009 00-1  
Bipod Operation (M240B/M240G) .....WP 0011 00-1  
Clearing.....WP 0010 00-1  
Definitions.....WP 0012 00-1  
Immediate Action .....WP 0013 00-1  
Loading.....WP 0009 00-1  
Remedial Action.....WP 0014 00-1  
Runaway Machine Gun.....WP 0015 00-1  
Ruptured Cartridge Case.....WP 0017 00-1  
Stuck Cartridge Case or Live Round .....WP 0016 00-1  
Operation Under Unusual Conditions .....WP 0018 00-1

**P**

Preparation for Storage and Shipment.....WP 0006 00-1  
Preventive Maintenance Checks and Services.....WP 0020 00-1

**WP/Page**

**R**

References .....WP 0037 00-1  
Reporting Equipment Improvement Recommendations .....WP 0003 00-1

**S**

Safety/Function Check.....WP 0024 00-1

**T**

Technical Principles of Operation.....WP 0008 00-1  
Troubleshooting Procedures:  
    Fails to chamber.....WP 0019 00-10  
    Fails to fire.....WP 0019 00-13  
    Fails to fire on initial burst.....WP 0019 00-2  
    Failure to cock or runaway gun.....WP 0019 00-17  
    Failure to eject.....WP 0019 00-15  
    Failure to extract.....WP 0019 00-14  
    Failure to feed.....WP 0019 00-4  
    Sluggish operation .....WP 0019 00-9  
    Weapon stops firing.....WP 0019 00-6

WP/Page

W

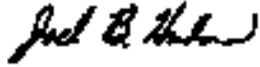
Warning Summary .....a

0041 00-5/6 blank



By Order of the Secretary of the Army, Air Force and Commandant of the Marine Corps.

Official:



JOEL B HUDSON  
Administrative Assistant to the  
Secretary of the Army  
0215502

ERIC K. SHINSEKI  
General, United States Army  
Chief of Staff

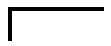
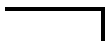
D.R. BLOOMER  
Colonel, USMC  
Director, Program Support  
Marine Corps Systems Command

MICHAEL E. RYAN  
General United States Air Force  
Chief of Staff

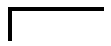
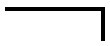
JERRY GASKILL  
Small Arms Program Manager  
Naval Sea Systems Command

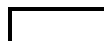
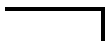
DISTRIBUTION:

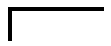
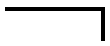
To be distributed in accordance with original distribution number (IDN) 400559,  
requirements for TM 9-1005-313-10.













PIN: 033934-000

