

"THE MATERIAL HEREIN IS FOR INFORMATION PURPOSES ONLY AND IS SUBJECT TO CHANGE WITHOUT NOTICE. DIGITAL EQUIPMENT CORPORATION ASSUMES NO RESPONSIBILITY FOR ANY ERRORS WHICH MAY APPEAR HEREIN."

FIELD MAINTENANCE PRINT SET

"THIS DRAWING AND SPECIFICATIONS, HEREIN, ARE THE PROPERTY OF DIGITAL EQUIPMENT CORPORATION AND SHALL NOT BE REPRODUCED OR COPIED OR USED IN WHOLE OR IN PART AS THE BASIS FOR THE MANUFACTURE OR SALE OF ITEMS WITHOUT WRITTEN PERMISSION. COPYRIGHT © 1981 DIGITAL EQUIPMENT CORPORATION."

TABLE OF CONTENTS

B-TC-FP750-0-1	FP750
E-UA-FP750-0-0	FP750
K-PL-FP750-0-DBP	FP750
B-DD-L0001-0-0	FPA
E-UA-L0001-0-0	FPA Unit Assembly
K-PL-L0001-0-DBP	FPA Parts List
E-EC-5013880-0-0	FPA Etch Cut Drawing
D-CS-L0001-0-1 thru -0-30	FPA Circuit Schematic

UNIT VARIATIONS
COVERED BY THIS
PRINT SET

FP750

Field Maintenance Print Set

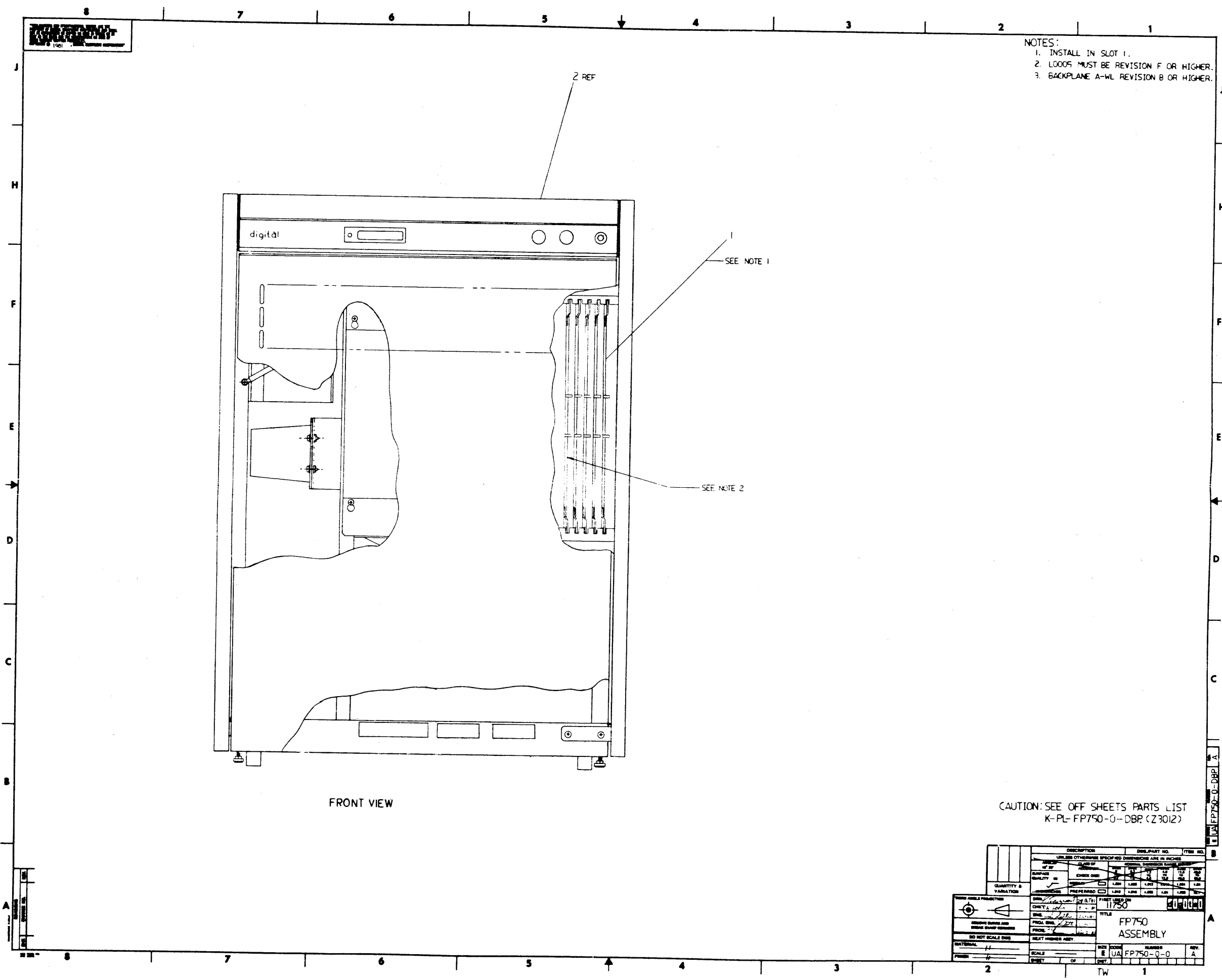
Digital Equipment
Corporation
MP01269

REVISIONS	REV		USED ON OPTION/MODEL		DRN <i>P. Monaghan</i>	DATE 29 OCT 81	TITLE: FP750 ASSEMBLY digital	SIZE B	CODE TC	NUMBER FP750-0-1	REV. A
	CHG. NO.		11750		CHK'D <i>L. Lurn</i>	DATE 3 DEC 81					
	DATE				PROJ. ENG. <i>[Signature]</i>	DATE 3 DEC 81					
					FIELD SERV. <i>George P. White</i>	DATE 3 Dec 81					
				SHEET 1 OF 1							

DRB 124

TW

SIZE
B TC FP750-0-1
NUMBER
REV. A



- NOTES:
1. INSTALL IN SLOT 1.
 2. LOCKS MUST BE REVISION F OR HIGHER.
 3. BACKPLANE A-WL REVISION B OR HIGHER.

FRONT VIEW

CAUTION: SEE OFF SHEETS PARTS LIST
K-PL-FP750-0-DBP (Z3012)

QUANTITY & VARIATION		DESCRIPTION		DISPART NO.		ITEM NO.	
UNLESS OTHERWISE SPECIFIED DIMENSIONS ARE IN INCHES		UNLESS OTHERWISE SPECIFIED DIMENSIONS ARE IN INCHES		UNLESS OTHERWISE SPECIFIED DIMENSIONS ARE IN INCHES		UNLESS OTHERWISE SPECIFIED DIMENSIONS ARE IN INCHES	
DATE	BY	DATE	BY	DATE	BY	DATE	BY
11/750							
TITLE				REV.			
FP750 ASSEMBLY				A			
PART NO.		REV.		DATE		BY	
E UAL FP750-0-0		A		11/750		TW	

AUTOMATED BY PRTLST.3P(44)

PARTS LIST

SHEET A1 OF A1

LINE	ITEM	DOCUMENT NUMBER	PART NUMBER	DESCRIPTION	QUANTITY PER VARIATION
1	1	E-UA-L0001-0-0	L0001-00	FLOATING POINT ACCELERATOR	1
3	3	E-UA-11750-0-0	11750-AA	KA750,MS750-AA,TU58-AA,DZ11-B,DD	REF
		A-SP-3700658-0-0	3700658-01	PKG. PROCESSOR FP750	REF

REVISION HISTORY		BASIC PART NO: FP750		DRN: P. TOUSIGNANT	DATE: 07-DEC-81	D I G I T A L	
ENG	ECO NUMBER	REV	SECTION A OF A	CHK'D: L. LEVIN	DATE: 07-DEC-81	TITLE PARTS LIST	
	INITIAL	A	SECTION. VARIATION INDEX	DES.ENG.: D. SITLER	DATE: 07-DEC-81	FP750 ASSEMBLY	
			[A] 00	RESP.ENG.: D. SITLER	DATE: 07-DEC-81	DOCUMENT NUMBER	
			[B]	MFG.ENG.: B. NEUMANN	DATE: 07-DEC-81	SIZE	CODE
			[C]	ASSEMBLY NUMBER:		NUMBER	REV
			[D]	E-UA-FP750-0-0	TOP DOCUMENT NUMBER:	K	PL
			[E]			FP750-0-DBP	A
			[F]			FILE NAME:	EDIT #
						Z3012A.PLS	6

"THIS DRAWING AND SPECIFICATIONS HEREIN, ARE THE PROPERTY OF DIGITAL EQUIPMENT CORPORATION AND SHALL NOT BE REPRODUCED OR COPIED OR USED IN WHOLE OR IN PART AS THE BASIS FOR THE MANUFACTURE OR SALE OF ITEMS WITHOUT WRITTEN PERMISSION. COPYRIGHT (C) 1981. DIGITAL EQUIPMENT CORPORATION"

DRAWING NO.	NO. OF SHTS.	PART NO.	DESCRIPTION	REVISIONS															
B-DD-L0001-0-0	2		MODULE REVISION	A	B	C	∅	E											
			FPA DRAWING DIRECTORY	A	B	C	∅	E											
E-UA-L0001-0-0	2		FPA UNIT ASSEMBLY	A	B	C	D	D											
K-PL-L0001-0-DBP	3		FPA PARTS LIST	A	B	B	∅	D											
E-MD-5013880-0-0	5		FPA DRILL & ETCH DRAWING	A	A	A	B	B											
		5013880	ETCH BOARD	D	D	D	EP2	EP2											
K-PC-L0001-0-DBI			FPA DESIGN DATA BASE IDEA	D	D	D	EP2	EP2											
E-EC-5013880-0-0	3		FPA ETCH CUT DRAWING	A	B	C	D	D											
K-CS-L0001-0-DBS			FPA DESIGN DATA BASE SUDS	A	B	C	D	E											
D-CS-L0001-0-1	1	*	FRACTION I/O 63-48 & 31-16	A	A	A	A	A											
D-CS-L0001-0-2	1	*	FRACTION I/O 47-32 & 15-∅	A	A	A	A	A											
D-CS-L0001-0-3	1	*	COARSE SHIFTER	A	A	A	B	B											
D-CS-L0001-0-4	1	*	NS BUS TO ALU BUFFERS ∅-31	A	A	A	A	A											
D-CS-L0001-0-5	1	*	NS BUS TO ALU BUFFERS 32-63	A	A	A	A	A											
D-CS-L0001-0-6	1	*	FRACTION ALU (BYTES 7 TO 4)	A	A	A	A	A											
D-CS-L0001-0-7	1	*	FRACTION ALU (BYTES 3 TO 0)	A	A	A	B	B											
D-CS-L0001-0-8	1	*	MULTIPLIER REGISTER	A	A	A	A	A											
D-CS-L0001-0-9	1	*	PPROD MULTIPLIERS MAND	A	A	A	A	A											
			BYTES 1-3				A	A											
D-CS-L0001-0-10	1	*	PPROD MULTIPLIERS MAND	A	A	A	B	B											
			BYTES 4-7																
D-CS-L0001-0-11	1	*	PARTIAL PRODUCT ADDERS	A	A	A	A	A											
D-CS-L0001-0-12	1	*	PARTIAL PRODUCT ADDER CLAS	A	A	A	A	A											
D-CS-L0001-0-13	1	*	PARTIAL PRODUCT REGISTER	A	A	A	A	A											
D-CS-L0001-0-14	1	*	ALIGN NORMALIZE, SHIFT	A	A	A	A	A											
			LOGIC; EXPC																

NOTES:*CONTROL SOURCE IS DATA BASE
NO CONTROLLED PAPER ORIGINALS EXIST

REVISIONS

DATE	CHG NO.	REV.
12-81	TW001	B
3-82	TW002	C
10-82	TW003	D
1-84	TW004	E

"THIS DRAWING AND SPECIFICATIONS, HEREIN, ARE THE PROPERTY OF DIGITAL EQUIPMENT CORPORATION AND SHALL NOT BE REPRODUCED OR COPIED OR USED IN WHOLE OR IN PART AS THE BASIS FOR THE MANUFACTURE OR SALE OF ITEMS WITHOUT WRITTEN PERMISSION.

COPYRIGHT © 1981 DIGITAL EQUIPMENT CORPORATION

digital

USED ON OPTION/MODEL	FP750	DRG. <i>John A. Logan</i>	9/9/81	TITLE	FPA	SIZE	CODE	NUMBER	REV.
		CHKD. <i>W. J. F. Fyfe</i>	7/9/81			B	DD	L0001-0-0	E
		ENG. <i>W. J. F. Fyfe</i>	9-9-81						
		PROD. <i>C. Paterson LNL</i>	9-21-81	SHEET	1 OF 2				

DRAWING NO.	NO. OF SHTS.	PART NO.	DESCRIPTION	REVISIONS															
D-CS-L0001-0-15	1	*	EXPONENT LOGIC, SHORT LIT LATCH	A	A	A	A	A											
D-CS-L0001-0-16	1	*	SIGN LOGIC, EXP ZERO, RES OP DETECT	A	B	C	C	C											
D-CS-L0001-0-17	1	*	OPCODE ENTRY, STEP, CTR, BRANCH LOGIC	A	A	B	B	B											
D-CS-L0001-0-18	1	*	CONTROL STORE BYTES 9 TO 5	A	A	A	A	A											
D-CS-L0001-0-19	1	*	CONTROL STORE BYTES 4 TO 0	A	A	A	A	A											
D-CS-L0001-0-20	1	*	CLOCK LOGIC	A	A	A	A	B											
D-CS-L0001-0-21	1	*	CONDITION CODES FPA PRESENT	A	A	A	A	A											
D-CS-L0001-0-22	1	*	PWR-GND DECOUPLING	A	A	A	B	B											
D-CS-L0001-0-23	1	*	MICRO DIAG TEST CONNECTORS	A	A	A	A	A											
D-CS-L0001-0-24	1	*	FORWARD REFERENCE	A	A	A	A	A											
D-CS-L0001-0-25	1	*	FORWARD REFERENCE	A	A	A	B	B											
D-CS-L0001-0-26	1	*	FORWARD REFERENCE	A	B	B	B	B											
D-CS-L0001-0-27	1	*	FORWARD REFERENCE	A	A	A	A	A											
D-CS-L0001-0-28	1	*	FORWARD REFERENCE	A	B	C	C	C											
D-CS-L0001-0-29	1	*	FORWARD REFERENCE	A	A	A	A	B											
D-CS-L0001-0-30	1	*	FORWARD REFERENCE	A	A	A	A	A											

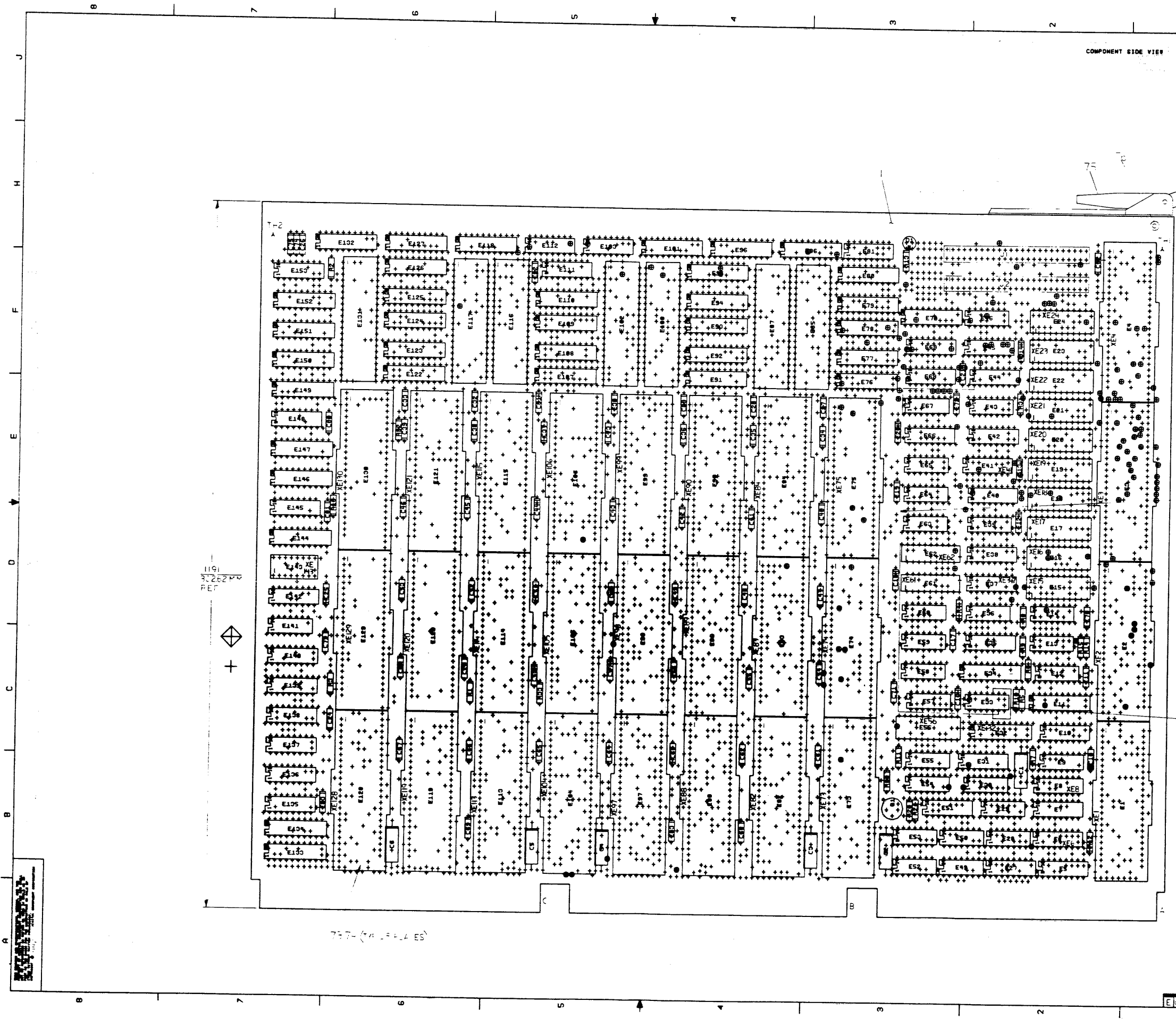
NOTES: * CONTROL SOURCE IS DATABASE NO CONTROLLED PAPER ORIGINALS EXISTS

REVISIONS		REV.
DATE	CHG NO.	
12/81	TW001	B
3-82	TW002	C
10-82	TW003	D
1-84	TW004	E

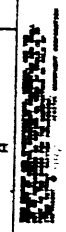
THIS DRAWING AND SPECIFICATIONS, HEREIN, ARE THE PROPERTY OF DIGITAL EQUIPMENT CORPORATION AND SHALL NOT BE REPRODUCED OR COPIED OR USED IN WHOLE OR IN PART AS THE BASIS FOR THE MANUFACTURE OR SALE OF ITEMS WITHOUT WRITTEN PERMISSION.
 COPYRIGHT © 1981 DIGITAL EQUIPMENT CORPORATION



USED ON OPTION/MODEL FP 750	DRN <i>[Signature]</i>	9/9/81	TITLE FPA
	CHK BY <i>[Signature]</i>	9/9/81	SIZE CODE B DD
	ENG. <i>[Signature]</i>	9-9-81	NUMBER L0001-0-0
	PROD C. Patterson	9-21-81	REV. E
			SHEET 2 OF 2



COMPONENT SIDE VIEW



1191
3228MM
REF

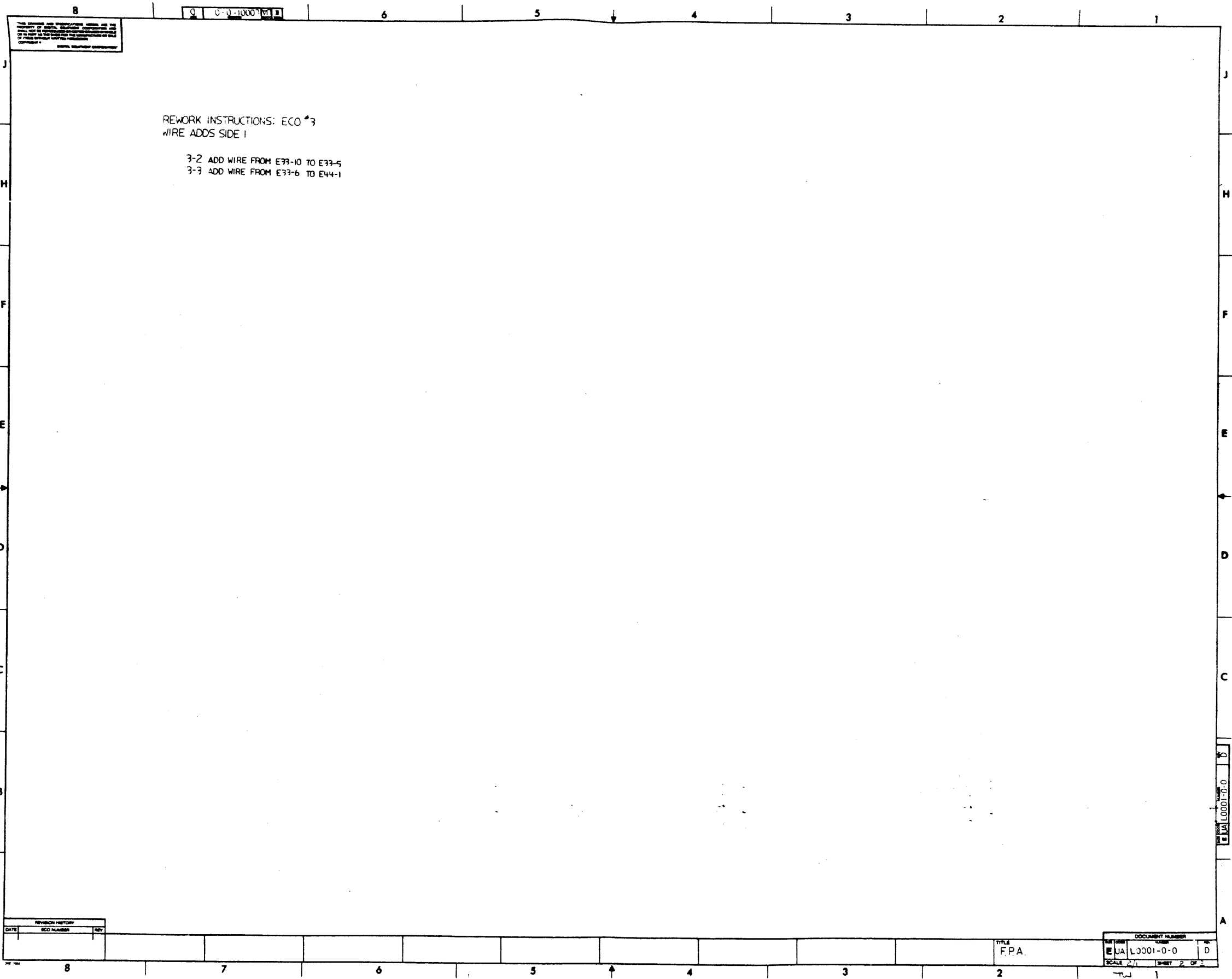
7574 (4/1/84 ES)

SIGNATURES		DATE	digital
DIR.	DESIGN	1987	
PROJ. ENG.	PROD.		
SCALE	TITLE		
SIZE CODE	NUMBER		
UNIT NUMBER	REV.		

IC SOCKETS CONTINUED: XE19-IE, XE19-21, XE20-20, XE19-14
 SIX SPARE I.C. LOCATIONS ELIMATED: E7, E8, E9, E14, E41, E71, E72

CHG. NO.	REV.	DATE	BY	DESCRIPTION

NOTES
1. BOARD LOCATION: ZONE 111
2. BOARD PART NUMBER: 7574 (4/1/84 ES)
3. I.C. SOCKET LOCATIONS: XE19-14, XE19-20, XE19-21, XE20-20
4. SIX SPARE I.C. LOCATIONS ELIMATED: E7, E8, E9, E14, E41, E71, E72
5. BOARD PART NUMBER: 7574 (4/1/84 ES)
6. BOARD PART NUMBER: 7574 (4/1/84 ES)
7. BOARD PART NUMBER: 7574 (4/1/84 ES)
8. BOARD PART NUMBER: 7574 (4/1/84 ES)



THIS DRAWING AND INFORMATION HEREON ARE THE PROPERTY OF THE UNITED STATES GOVERNMENT AND ARE TO BE REPRODUCED AND TRANSMITTED IN ANY FORM OR BY ANY MEANS, ELECTRONIC OR MECHANICAL, INCLUDING PHOTOCOPYING, RECORDING, OR BY ANY INFORMATION STORAGE AND RETRIEVAL SYSTEM, WITHOUT PERMISSION IN WRITING FROM THE UNITED STATES GOVERNMENT.

REWORK INSTRUCTIONS: ECO #3
 WIRE ADDS SIDE 1
 3-2 ADD WIRE FROM E33-10 TO E33-5
 3-3 ADD WIRE FROM E33-6 TO E44-1

REVISION HISTORY

DATE	ECO NUMBER	REV

TITLE
 FPA

DOCUMENT NUMBER
 UA L3001-0-0
 SCALE 2:1 SHEET 2 OF 2

AUTOMATED BY PRTLST.3P(44)

PARTS LIST

SHEET A1 OF A3

LINE	ITEM	TOP DOCUMENT	PART NUMBER	MIN REV	DESCRIPTION	QTY	PER VARIATION	REFERENCE DESIGNATOR
					VARIATION REVISION LEVEL:	00		
						E1		
1	1		5013880-00		L0001 MULTI LAYER BOARD	1		
2	2		1012784-00		.047 MFD 50V +80-20% CER	70		C10-C14,C16-C75,C79-C83
3	3		1114384-00		LED 105MW 35MA GREEN	1		D1
4	4		1302379-00		75.0 .25 W 5.0 %	4	CF	R30-R33
5	5		1300295-00		330.0 .25 W 5.0 %	1	CF	R21
6	6		1300316-00		470.0 .25 W 5.0 %	4	CF	R1-R4
7	7		1300365-00		1.0 K .25 W 5.0 %	6	CF	R5-R10
8	8		1300447-00		4.70 K .25 W 5.0 %	2	CF	R14,R15
9	9		1301401-00		750.0 .25 W 5.0 %	1	CF	R20
10	10		1301775-00		820.0 .25 W 5.0 %	1	CF	R11
11	11		1503121-00		2N 2369 NPN 350MW SI	1	N	Q1
12	12		1912728-00		74S251 MUX 1 OF 8 TRI-STA	1		E40
13	13		1910532-00		74S00 NAND GATE-QUAD 2IN	8		E12,E14,E50,E58,E59,E63,E64,E46
14	14		1910533-00		74S03 NAND GATE-QUAD 2IN,0	1		E30
15	15		1910534-00		74S04 INVERTER GATE-HEX 1I	3		E33,E53,E67
16	16		1910539-00		74S20 NAND GATE-DUAL 4INPU	1		E49
17	17		1910542-00		74S64 A-0-I GATE 4-2-3-2	2		E28,E29
18	18		1910544-00		74S74 FF-D DUAL,EDGE TRIGG	1		E60
19	19		1910545-00		74S112 FF-JK DUAL,EDGE TRIG	1		E51
20	20		1910547-00		74S153 MUX 1 OF 4 (DUAL)	3		E42,E69,E142
21	21		1910548-00		74S157 MUX 1 OF 2 (QUAD)	9		E10,E31,E66,E68,E136,E135,E137,
							CONT	E138,E140
22	22		1910550-00		74S174 FF-D HEX	1		E5
23	23		1910552-00		74S194 SHIFT REG.,4BIT RIGH	2		E44,E45
24	24		1910957-00		74S175 FF-D QUAD COMMON CLO	1		E27
25	25		1911675-00		74S138 DECODER/DEMUX 3-8 LI	1		E7
26	26		1911712-00		74S51 AND-OR GATE-INVERT D	1		E43
27	27		1911983-00		74S133 NAND GATE-POSITIVE 1	1		E139
28	28		1912097-00	SN	74S182 LOOK AHD CARRY GEN	5		E81,E103,E111,E112,E153
29	29		1912389-00		74S08 AND GATE-QUAD 2IN,PO	2		E54,E65

REVISION HISTORY			BASIC PART NO: 5013880			DRN: J.CASEY			DATE: 03-AUG-81			D I G I T A L				
ENG	ECO NUMBER	REV	SECTION A OF A			CHK'D:	F.GAROFALO			DATE: 03-AUG-81			TITLE PARTS LIST			
---	INITIAL	A	SECTION VARIATION INDEX			DES.ENG:	D.SITLER			DATE: 03-AUG-81			DOCUMENT NUMBER			
DS	L0001-TW001	B	[A] 00			RESP.ENG.:	D.SITLER			DATE: 03-AUG-81			SIZE	CODE	NUMBER	REV
DS	L0001-TW003	C	[B]			MFG.ENG.:	C.PATTERSON			DATE: 03-AUG-81			K	PL	L0001-0-DBP	D
PG	L0001-TW004	D	[C]			ASSEMBLY NUMBER:	E-UA-L0001-0-0			TOP DOCUMENT NUMBER:			FILE NAME:			
			[D]						B-DD-L0001-0-0			Z3016D.PLS			EDIT #	
			[E]												16	
			[F]													
			[G]													
			[H]													
			[I]													
			[J]													
			[K]													
			[L]													
			[M]													
			[N]													

"THIS DRAWING AND THE SPECIFICATIONS CONTAINED HEREIN ARE CONFIDENTIAL AND PROPRIETARY. THEY ARE THE PROPERTY OF DIGITAL EQUIPMENT CORPORATION AND SHALL NOT BE REPRODUCED OR COPIED OR USED IN WHOLE OR IN PART AS THE BASIS FOR THE MANUFACTURE OR SALE OF ITEMS WITHOUT WRITTEN PERMISSION. THIS IS AN UNPUBLISHED WORK PROTECTED UNDER THE FEDERAL COPYRIGHT LAWS."

LINE	ITEM	TOP DOCUMENT	PART NUMBER	MIN REV	DESCRIPTION	QTY	PER VARIATION	REFERENCE DESIGNATOR
					VARIATION REVISION LEVEL:	00		
						E1		
30	30		1912660-00		74S253 MUX 1 OF 4 (DUAL)	1		E35
31	31		1912666-00		BUFFER GATE-QUAD 2IN	3		E13,E39,E57
32	32		1912746-00	DEC	74S37 NAND GATE-QUAD 2IN	1		E52
33	33		1913340-00		74S32 OR GATE-QUAD 2IN	1		E36
34	34		1913462-00		74S240 OCTAL BUFFER, INVERTI	1		E34
35	35		1913671-00		74S374 FF-D,OCTAL,TR1 STATE	9		E11,E70,E78,E86,E92,E108,E123, E127,E150
36	36		1913700-00		74S381 ALU-4BIT	14	CONT	E79,E80,E93-E95,E101,E109,E110, E124-E126,E132,E151,E152
37	37		1914085-00		74S260 NOR GATE-DUAL, POS	3	CONT	E9,E55,E141
38	38		1914686-00	DC	612B BIPOLAR,LS,400-GATE	2		E90,E120
39	39		1914710-00	DC	636 BIPOLAR,LS,400-GATE	8		E73,E82,E104,E113,E114,E119, E128,E129
40	40		1914711-00	DC	637 BIPOLAR,LS,400-GATE	4	CONT	E83,E89,E105,E98
41	41		1914712-00	DC	638 BIPOLAR,LS,400-GATE	8		E74,E75,E84,E99,E106,E115,E121, E130
42	42		1914713-00	DC	639 BIPOLAR,LS,400-GATE	2	CONT	E88,E97
43	43		1914715-00	DC	641 BIPOLAR,LS,400-GATE	2		E1,E2
44	44		1914716-00	DC	642 BIPOLAR,LS,400-GATE	1		E3
45	45		1914717-00	DC	643 BIPOLAR,LS,400-GATE	1		E4
46	46		1915193-00		LS244 DRIVER,LINE,OCTAL,T	8	CONT	E76,E77,E91,E96,E107,E118,E122, E149
47	47		1915698-00		MULTIPLIER 8X8	7		E85,E87,E100,E102,E116,E117,E131
48	48		23328A1-00	A1-07		1		E37
49	49		23621A2-00	A2-05		1		E6
50	50		23626A2-00	A2-05		1		E41
51	51		23074B1-00	B1-01		1		E32
52	52		23056F2-00	F2-01		1		E61
53	53		23057F2-00	F2-01		1		E62
54	54		1017472-00	10 MFD	35V +75-10% AL EL	6		C1-C6
55	55		23043D2-00	D2-01		1		E15
56	56		23044D2-00	D2-01		1		E16
57	57		23045D2-00	D2-01		1		E17
58	58		23046D2-00	D2-01		1		E19
59	59		23047D2-00	D2-01		1		E20
60	60		23048D2-00	D2-01		1		E22
61	61		23049D2-00	D2-01		1		E23
62	62		23050D2-00	D2-01		1		E21
63	63		23051D2-00	D2-01		1		E18
64	64		23052D2-00	D2-01		1		E24
65	65		23053D2-00	D2-01		1		E56
66	66		1910650-00		74161 COUNTER,SYNCHR. UP	1		E38
67	67		1300444-00	3.90 K	.25 W 5.0 % CF	2		R12,R16
68	68		1215006-02	SKT,IC	16PIN DIP TIN	SOLD	5	XE6,XE8,XE37,XE41,XE143
69	69		1215006-03	SKT,IC	18PIN DIP TIN	SOLD	2	XE61,XE62
70	70		1215006-04	SKT,IC	20PIN DIP TIN	SOLD	1	XE32
71	71		1215006-05	SKT,IC	22PIN DIP TIN	SOLD	11	XE15-XE24,XE56
72	72		1215924-00	SKT,IC	48PIN DIP GOLD	FOR	28	XE1-XE4,XE73-XE75,XE82-XE84,

D	I	G	I	T	A	L	TITLE	SECTION A	OF A	SIZE	CODE	DOCUMENT NUMBER	REV
							FPA			K	PL	L0001-0-DBP	D

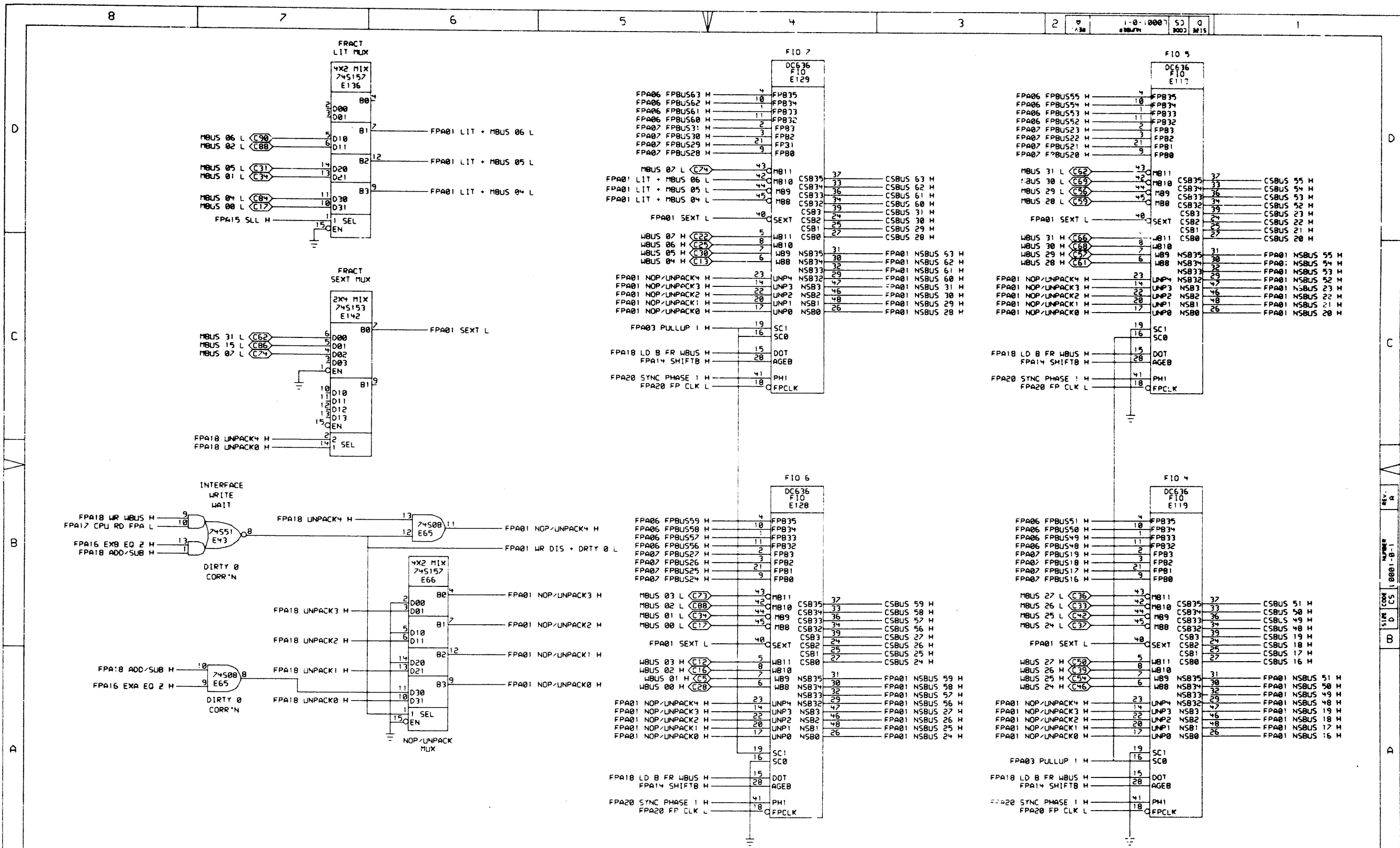
AUTOMATED BY PRTLST.3P(44)

PARTS LIST

SHEET A3 OF A3

LINE	ITEM	TOP DOCUMENT	PART NUMBER	MIN REV	DESCRIPTION	QTY PER VARIATION	REFERENCE DESIGNATOR
					VARIATION REVISION LEVEL:	00 E1	
							CONT XE88-XE90,XE97-XE99,XE104-XE106, CONT XE113-XE115,XE119-XE121, CONT XE128-XE130
73	73		1215935-00		GASKET,THERMAL SILICONE	28	
74	74		1215936-00		HEAT SINK, 2.200X.585	28	
75	75		1216988-02		HANDLE,MODULE,HEX TWO EJECTORS	1	
76	76		9000024-01		EYELET,ROLLED 0.1210DX0.192	12	
77	77		23968A9-00		A9-01	1	E8
78	78		1211004-05		PCB,HEADER 50SKT(2X25).100CC	2	J1,J2
79	79		1300271-00		220.0 .25 W 5.0 % CF	1	R13
80	80		23971A9-00		A9-04	1	E143

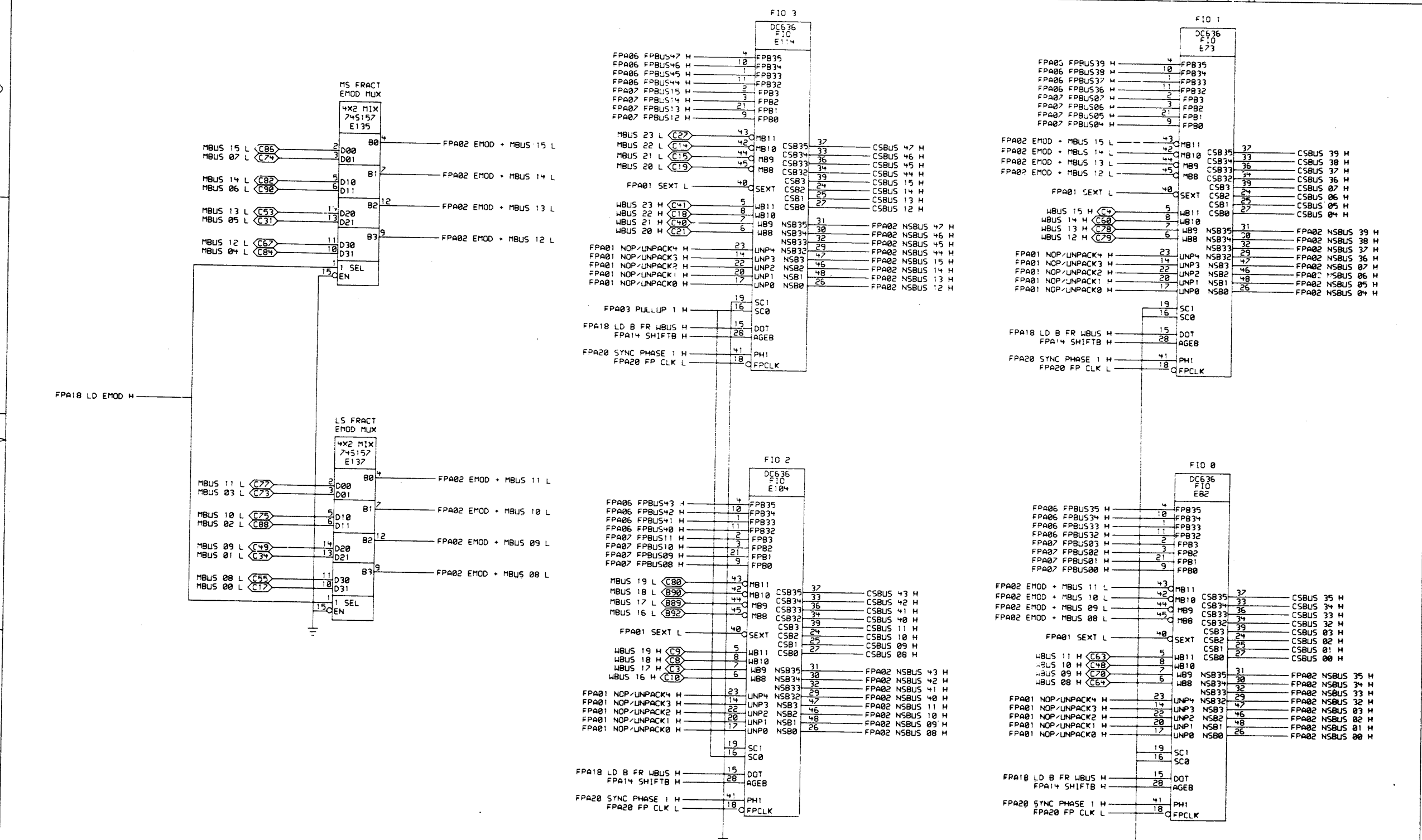
D	I	G	I	T	A	L	TITLE	FPA	SECTION A	OF A	SIZE	CODE	DOCUMENT NUMBER	REV
											K	PL	L0001-0-DBP	D



THIS DRAWING AND SPECIFICATIONS ARE THE PROPERTY OF DIGITAL EQUIPMENT CORPORATION AND SHALL NOT BE REPRODUCED OR COPIED OR USED IN WHOLE OR IN PART AS THE BASIS FOR THE MANUFACTURE OR SALE OF ITEMS WITHOUT WRITTEN PERMISSION. COPYRIGHT © 1981 DIGITAL EQUIPMENT CORPORATION.

REVISIONS	
CHK	CHANGE NO. REV

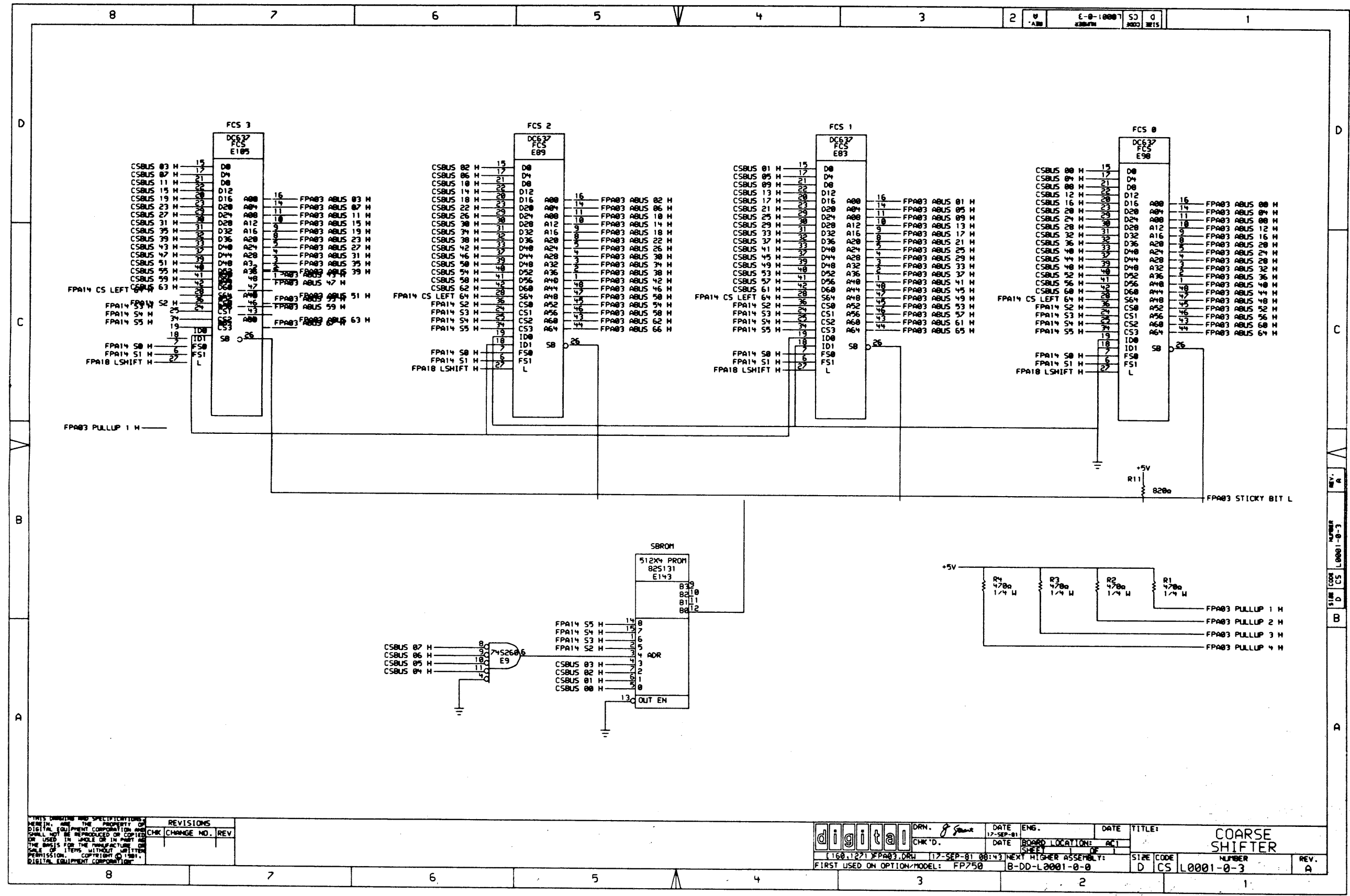
digital	DRN. <i>J. Stewart</i>	DATE 23-NOV-81	ENG.	DATE	TITLE: FRACTION I/O
	CHK'D.	DATE	BOARD LOCATION: AC1	SHEET	63-48 & 31-16
FIRST USED ON OPTION MODEL: FP750			NEXT HIGHER ASSEMBLY: B-DD-L0001-0-0		SIZE CODE: D CS
NUMBER: L0001-0-1				REV. A	



THIS DRAWING AND SPECIFICATIONS ARE THE PROPERTY OF DIGITAL EQUIPMENT CORPORATION AND SHALL NOT BE REPRODUCED OR COPIED OR USED IN WHOLE OR IN PART AS THE BASIS FOR THE MANUFACTURE OR SALE OF ITEMS WITHOUT WRITTEN PERMISSION. COPYRIGHT © 1981 DIGITAL EQUIPMENT CORPORATION.

REVISIONS		
CHK	CHANGE NO.	REV

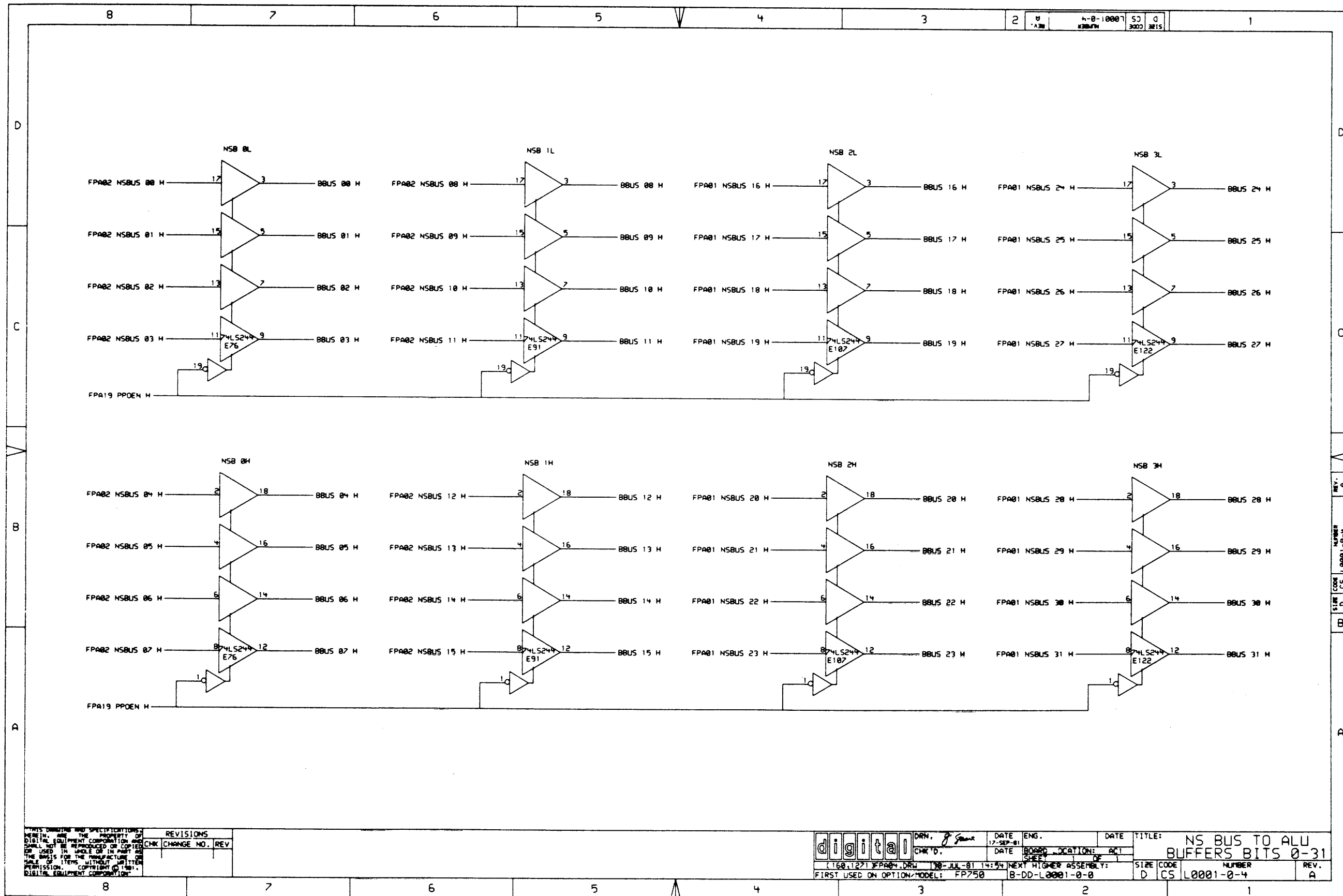
DRN. <i>J. Spurr</i>	DATE 23-NOV-81	ENG.	DATE	TITLE: FRACTION I/O
CHK'D.	DATE	BOARD LOCATION: 1	ACT	47-32 & 15-0
FIRST USED ON OPTION/MODEL: FP750		NEXT HIGHER ASSEMBLY: B-DD-L0001-0-0		SIZE CODE: D CS
NUMBER: L0001-0-2			REV.:	A



REVISIONS		
CHK	CHANGE NO.	REV

digital	DRN. J. Smart	DATE 17-SEP-01	ENG.	DATE	TITLE
	CHK'D.	DATE	BOARD LOCATION: ACT	SHEET	OF
[160,1271] FPA03.DRW		(17-SEP-01 08:43)	NEXT HIGHER ASSEMBLY:	SIZE	CODE
FIRST USED ON OPTION MODEL: FP750		B-DD-L0001-0-0	D	CS	L0001-0-3

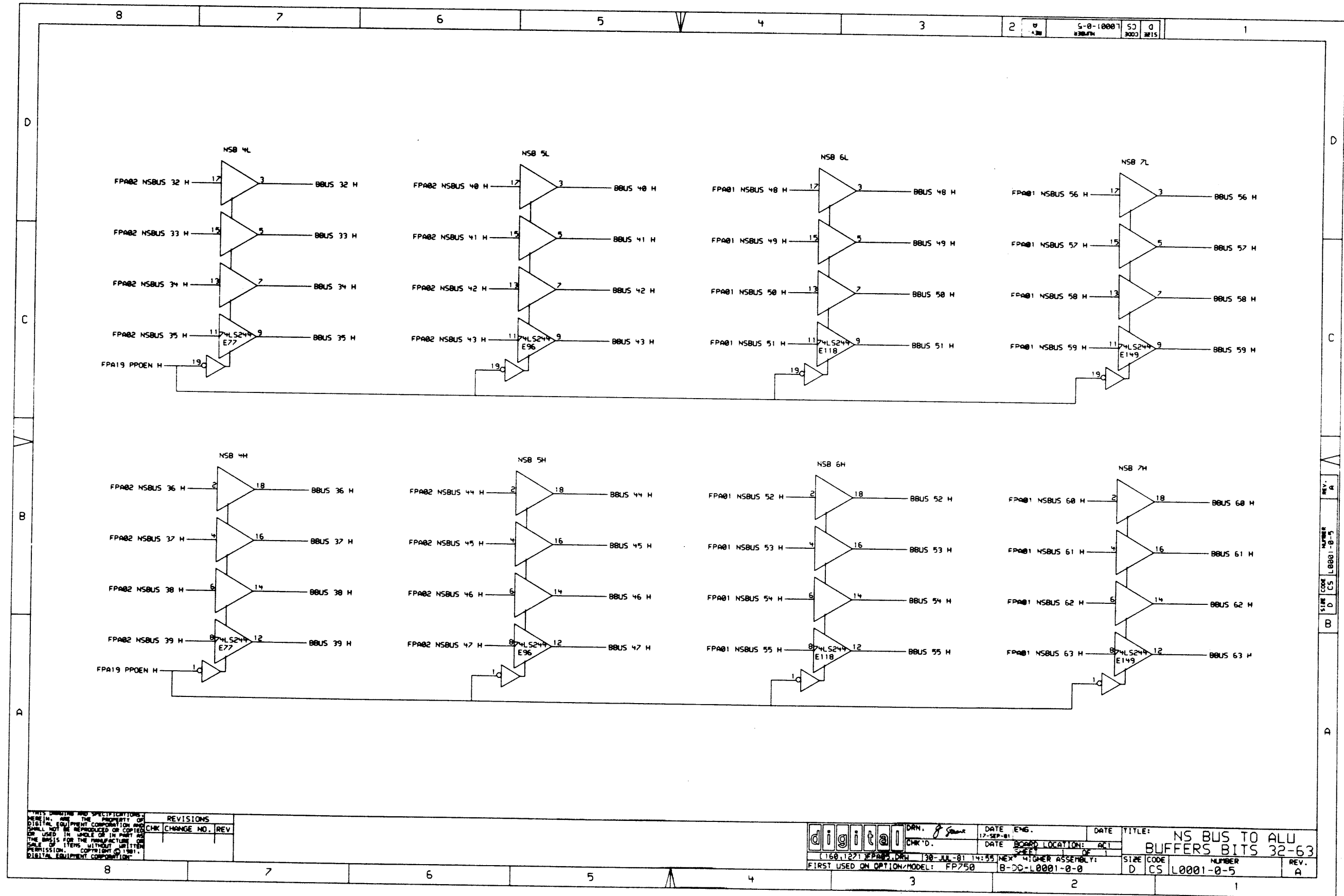
COARSE SHIFTER



THIS DRAWING AND SPECIFICATIONS ARE THE PROPERTY OF DIGITAL EQUIPMENT CORPORATION AND SHALL NOT BE REPRODUCED OR COPIED OR USED IN WHOLE OR IN PART AS THE BASIS FOR THE MANUFACTURE OR SALE OF ITEMS WITHOUT WRITTEN PERMISSION. COPYRIGHT © 1981, DIGITAL EQUIPMENT CORPORATION.

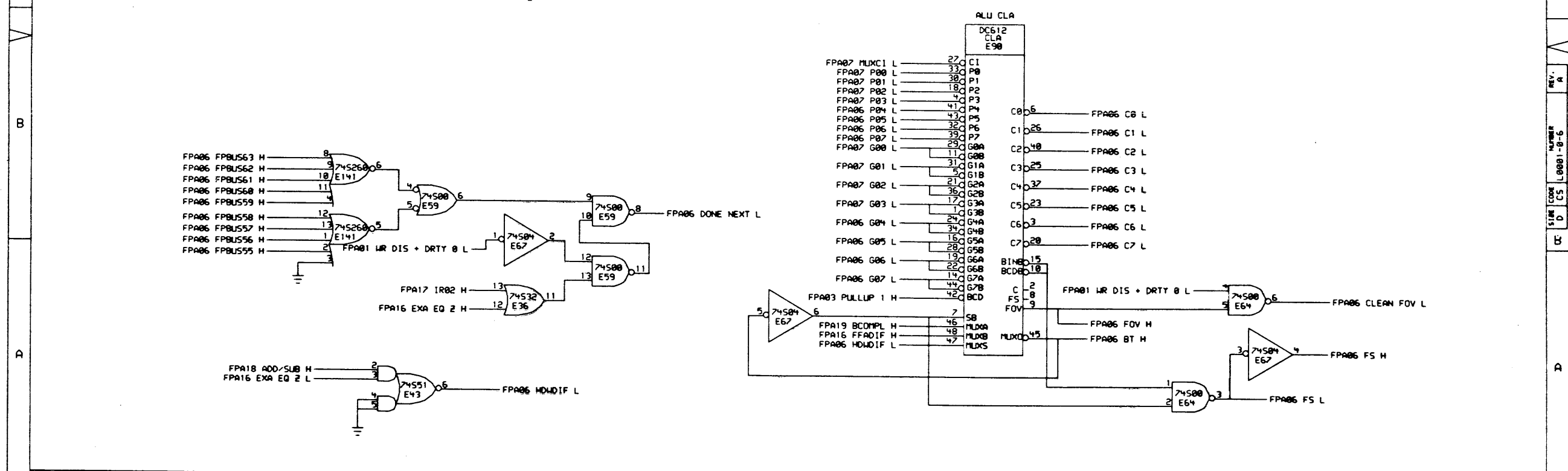
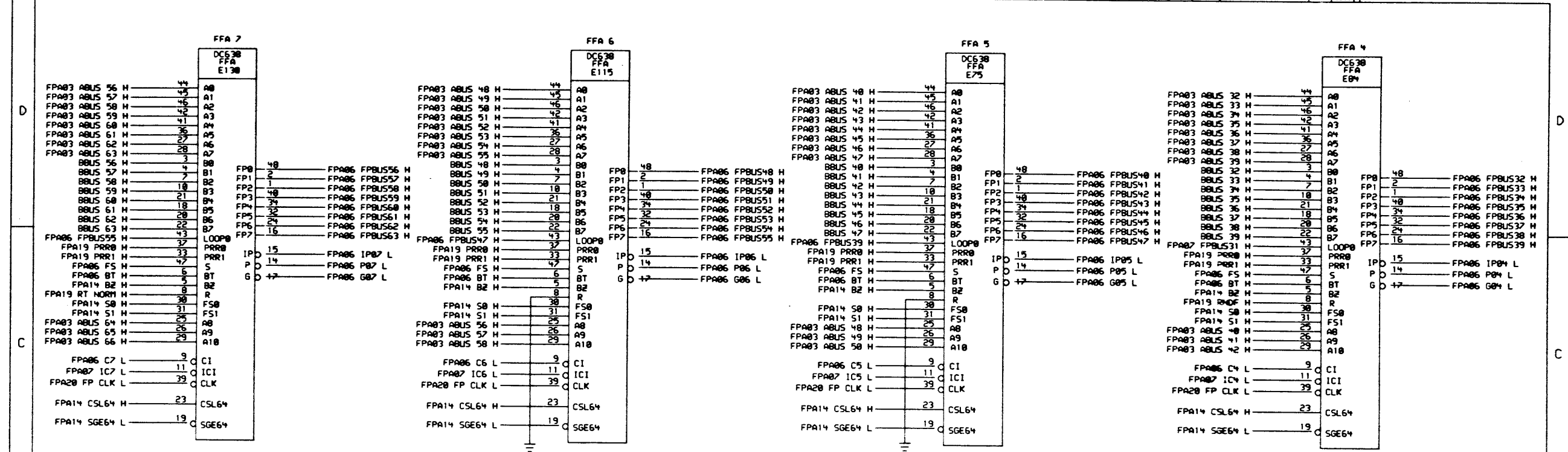
REVISIONS	
CHK	CHANGE NO. REV

digital	DRN. J. Spurr	DATE 17-SEP-81	ENG.	DATE	TITLE: NS BUS TO ALU BUFFERS BITS 0-31
	CHK'D.	DATE 17-SEP-81	BOARD LOCATION: ACT	SHEET 1	SIZE CODE NUMBER REV. D CS L0001-0-4 A
FIRST USED ON OPTION/MODEL: FP750		NEXT HIGHER ASSEMBLY: B-DD-L0001-0-0			

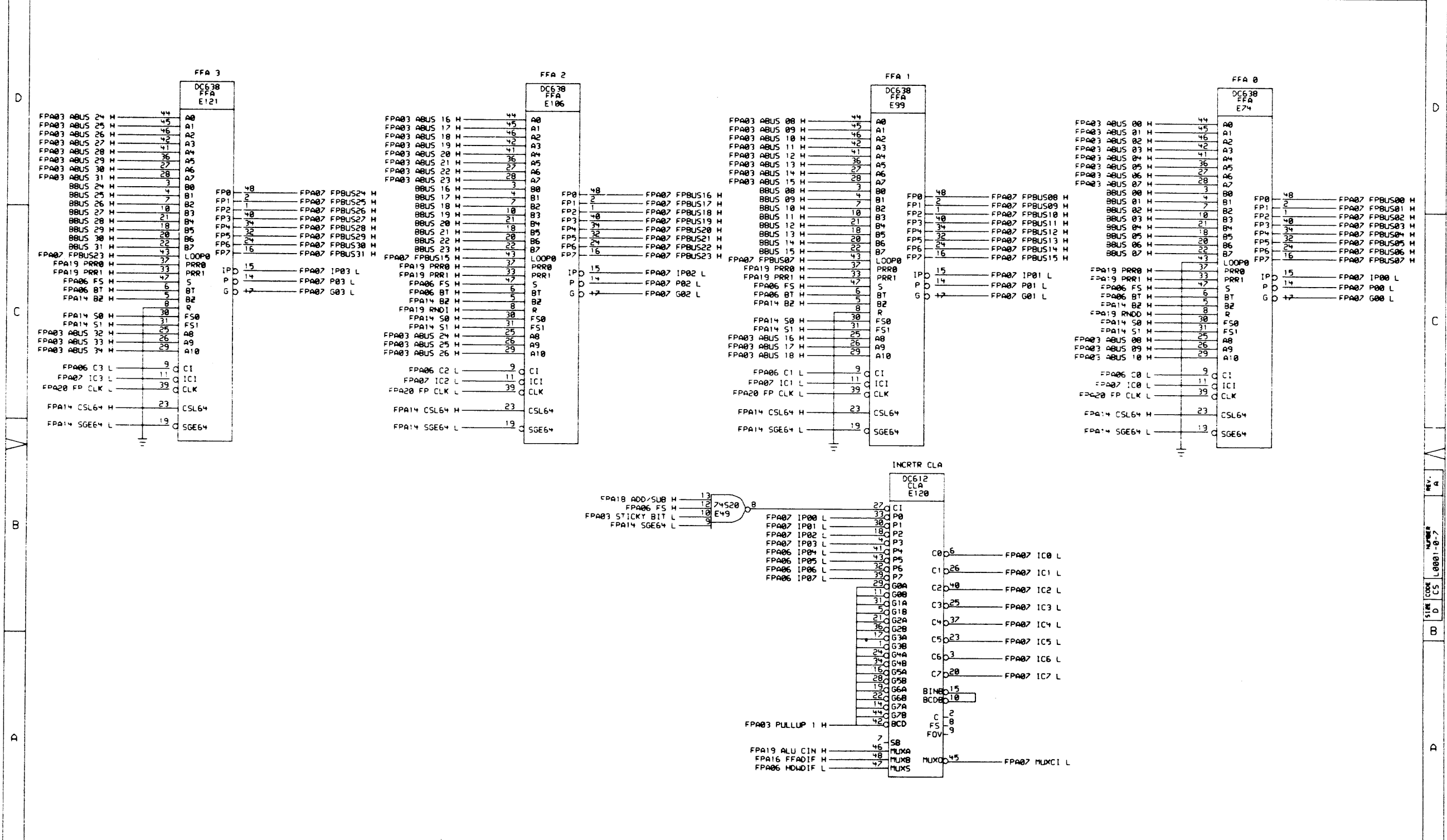


REVISIONS	
CHK	CHANGE NO. REV

digital	DRAWN: J. S. ...	DATE ENG. 17-SEP-81	DATE	TITLE: NS BUS TO ALU BUFFERS BITS 32-63
	CHK'D.	DATE BOARD LOCATION: ACT	DATE	
160,1271 FPA05.DWG 130-JUL-81 14:55 MEX		HIGHER ASSEMBLY:		SIZE CODE D CS
FIRST USED ON OPTION/MODEL: FP750		B-DD-L0001-0-0		NUMBER L0001-0-5
				REV. A



REVISIONS		DRN.	ENG.	DATE	DATE	TITLE:
CHK	CHANGE NO.	REV				FRACTION ALU (BYTES 7 TO 4)
FIRST USED ON OPTION/MODEL:			BOARD LOCATION:		SIZE CODE	NUMBER
[160.1271] FPA06.DRW			[28-JUL-81] 14:04 NEXT HIGHER ASSEMBLY:		D CS	L0001-0-6
			[17-SEP-81] 16:18			REV. A



ALL DIMENSIONS AND SPECIFICATIONS HEREIN ARE THE PROPERTY OF DIGITAL EQUIPMENT CORPORATION AND SHALL NOT BE REPRODUCED OR COPIED FOR USE IN WHOLE OR IN PART AS THE BASIS FOR THE MANUFACTURE OR SALE OF ITEMS WITHOUT WRITTEN PERMISSION. COPYRIGHT © 1981, DIGITAL EQUIPMENT CORPORATION.

REVISIONS	
CHK	CHANGE NO. / REV

DC638 FFA E121	DC638 FFA E106	DC638 FFA E99	DC638 FFA E74
FPA03 ABUS 24 H 44 A0	FPA03 ABUS 16 H 44 A0	FPA03 ABUS 08 H 44 A0	FPA03 ABUS 00 H 44 A0
FPA03 ABUS 25 H 45 A1	FPA03 ABUS 17 H 45 A1	FPA03 ABUS 09 H 45 A1	FPA03 ABUS 01 H 45 A1
FPA03 ABUS 26 H 46 A2	FPA03 ABUS 18 H 46 A2	FPA03 ABUS 10 H 46 A2	FPA03 ABUS 02 H 46 A2
FPA03 ABUS 27 H 47 A3	FPA03 ABUS 19 H 47 A3	FPA03 ABUS 11 H 47 A3	FPA03 ABUS 03 H 47 A3
FPA03 ABUS 28 H 48 A4	FPA03 ABUS 20 H 48 A4	FPA03 ABUS 12 H 48 A4	FPA03 ABUS 04 H 48 A4
FPA03 ABUS 29 H 49 A5	FPA03 ABUS 21 H 49 A5	FPA03 ABUS 13 H 49 A5	FPA03 ABUS 05 H 49 A5
FPA03 ABUS 30 H 50 A6	FPA03 ABUS 22 H 50 A6	FPA03 ABUS 14 H 50 A6	FPA03 ABUS 06 H 50 A6
FPA03 ABUS 31 H 51 A7	FPA03 ABUS 23 H 51 A7	FPA03 ABUS 15 H 51 A7	FPA03 ABUS 07 H 51 A7
BBUS 24 H 3 B0	BBUS 16 H 3 B0	BBUS 08 H 3 B0	BBUS 00 H 3 B0
BBUS 25 H 4 B1	BBUS 17 H 4 B1	BBUS 09 H 4 B1	BBUS 01 H 4 B1
BBUS 26 H 5 B2	BBUS 18 H 5 B2	BBUS 10 H 5 B2	BBUS 02 H 5 B2
BBUS 27 H 6 B3	BBUS 19 H 6 B3	BBUS 11 H 6 B3	BBUS 03 H 6 B3
BBUS 28 H 7 B4	BBUS 20 H 7 B4	BBUS 12 H 7 B4	BBUS 04 H 7 B4
BBUS 29 H 8 B5	BBUS 21 H 8 B5	BBUS 13 H 8 B5	BBUS 05 H 8 B5
BBUS 30 H 9 B6	BBUS 22 H 9 B6	BBUS 14 H 9 B6	BBUS 06 H 9 B6
BBUS 31 H 10 B7	BBUS 23 H 10 B7	BBUS 15 H 10 B7	BBUS 07 H 10 B7
FPA07 FPBUS23 H 43 B7	FPA07 FPBUS15 H 37 LOOP8	FPA07 FPBUS07 H 37 LOOP8	FPA07 FPBUS00 H 48 FPA07 FPBUS00 H
FPA19 PRR0 H 37 PRR0	FPA19 PRR0 H 33 PRR0	FPA19 PRR0 H 33 PRR0	FPA19 PRR0 H 37 PRR0
FPA19 PRR1 H 33 PRR1	FPA19 PRR1 H 47 PRR1	FPA19 PRR1 H 47 PRR1	FPA19 PRR1 H 33 PRR1
FPA06 FS H 47 S	FPA06 FS H 5 BT	FPA06 FS H 5 BT	FPA06 FS H 47 S
FPA06 BT H 5 BT	FPA06 BT H 5 BT	FPA06 BT H 5 BT	FPA06 BT H 5 BT
FPA14 B2 H 8 B2	FPA14 B2 H 8 B2	FPA14 B2 H 8 B2	FPA14 B2 H 8 B2
FPA14 S0 H 30 FS0	FPA14 S0 H 30 FS0	FPA14 S0 H 30 FS0	FPA14 S0 H 30 FS0
FPA14 S1 H 31 FS1	FPA14 S1 H 31 FS1	FPA14 S1 H 31 FS1	FPA14 S1 H 31 FS1
FPA03 ABUS 32 H 25 A8	FPA03 ABUS 24 H 25 A8	FPA03 ABUS 16 H 25 A8	FPA03 ABUS 08 H 25 A8
FPA03 ABUS 33 H 26 A9	FPA03 ABUS 25 H 26 A9	FPA03 ABUS 17 H 26 A9	FPA03 ABUS 09 H 26 A9
FPA03 ABUS 34 H 27 A10	FPA03 ABUS 26 H 27 A10	FPA03 ABUS 18 H 27 A10	FPA03 ABUS 10 H 27 A10
FPA06 C3 L 9 CI	FPA06 C2 L 9 CI	FPA06 C1 L 9 CI	FPA06 C0 L 9 CI
FPA07 IC3 L 11 IC1	FPA07 IC2 L 11 IC1	FPA07 IC1 L 11 IC1	FPA07 IC0 L 11 IC1
FPA20 FP CLK L 39 CLK	FPA20 FP CLK L 39 CLK	FPA20 FP CLK L 39 CLK	FPA20 FP CLK L 39 CLK
FPA14 CSL64 H 23 CSL64	FPA14 CSL64 H 23 CSL64	FPA14 CSL64 H 23 CSL64	FPA14 CSL64 H 23 CSL64
FPA14 SGE64 L 19 SGE64	FPA14 SGE64 L 19 SGE64	FPA14 SGE64 L 19 SGE64	FPA14 SGE64 L 13 SGE64

INCRTR CLA

DC612 CLA E120

FPA18 ADD/SUB H 13 74520

FPA06 FS H 12 E49

FPA03 STICKY BIT L 10

FPA14 SGE64 L 9

FPA07 IP00 L 27 CI

FPA07 IP01 L 30 P0

FPA07 IP02 L 33 P1

FPA07 IP03 L 36 P2

FPA07 IP04 L 39 P3

FPA07 IP05 L 42 P4

FPA07 IP06 L 45 P5

FPA07 IP07 L 48 P6

FPA07 IP08 L 51 P7

FPA07 IC0 L 6

FPA07 IC1 L 26

FPA07 IC2 L 48

FPA07 IC3 L 25

FPA07 IC4 L 37

FPA07 IC5 L 23

FPA07 IC6 L 3

FPA07 IC7 L 28

BIN0 15

BCD0 10

C 2

FS 8

FOV 9

FPA03 PULLUP 1 H 7

FPA19 ALU CIN H 46 MUXA

FPA16 FFADIF H 48 MUXB

FPA06 MONDIF L 47 MUXC

FPA07 MUXCI L 45 MUXD

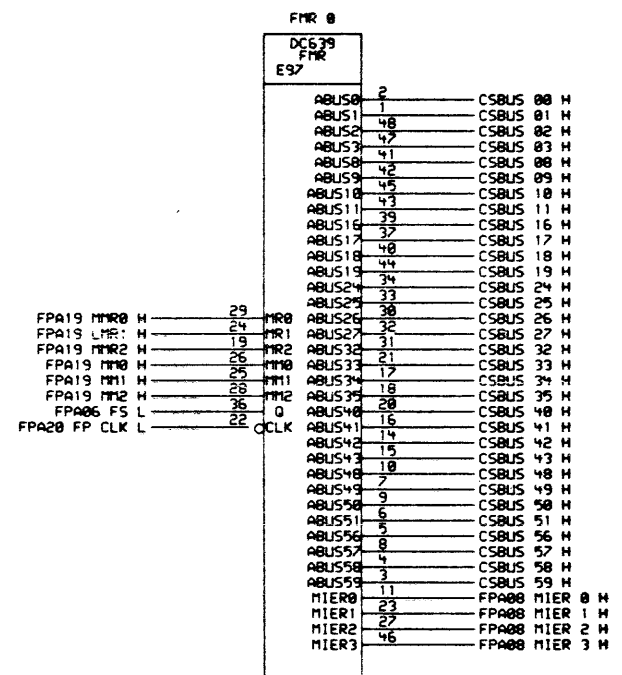
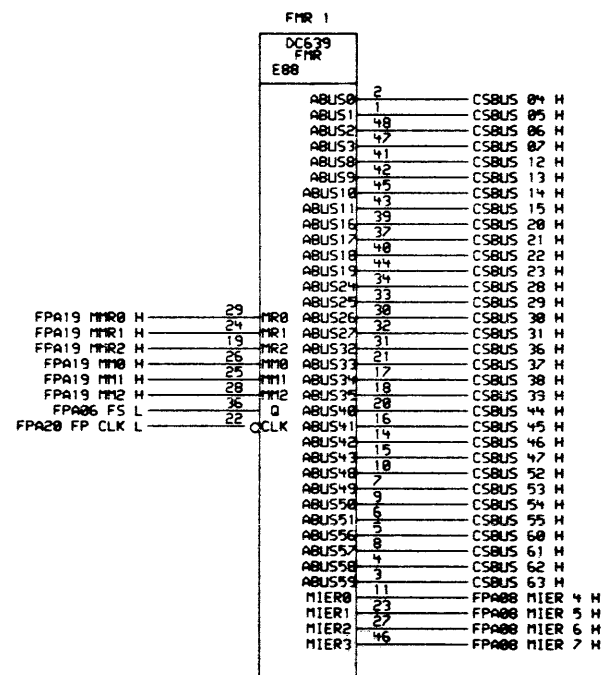
digital DRN. J. Stone DATE ENG. 17-SEP-81 DATE TITLE: FRACTION ALU (BYTES 3 TO 0)

CHK'D. DATE 28-JUL-81 14:05 NEX. 4768R ASSEMBLY: 18-00-L0001-0-0

(160,127) FPA07.DRL 28-JUL-81 14:05 NEX. 4768R ASSEMBLY: 18-00-L0001-0-0

FIRST USED ON OPTION/MODEL: FP750

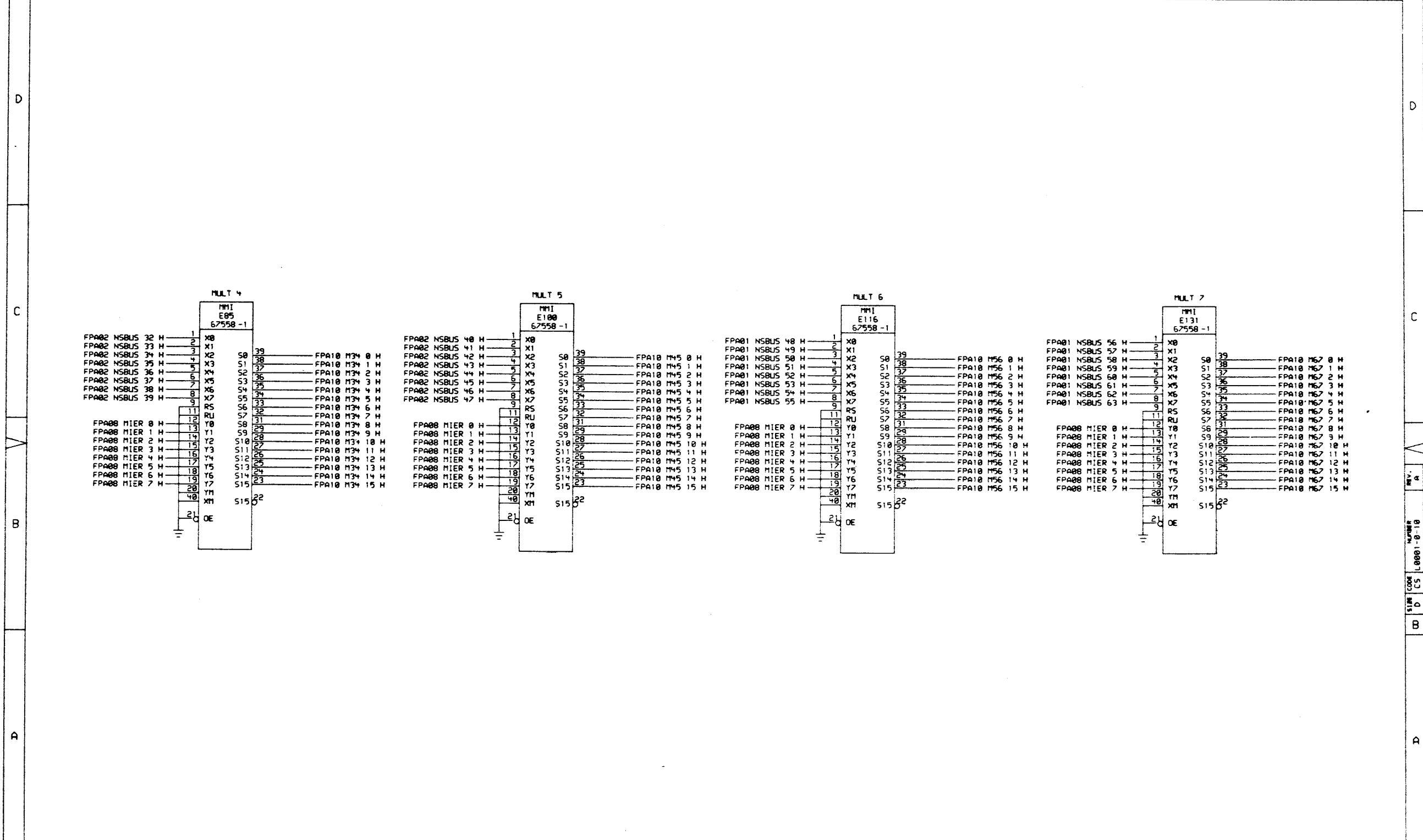
SIZE CODE NUMBER REV. D CS L0001-0-7 A



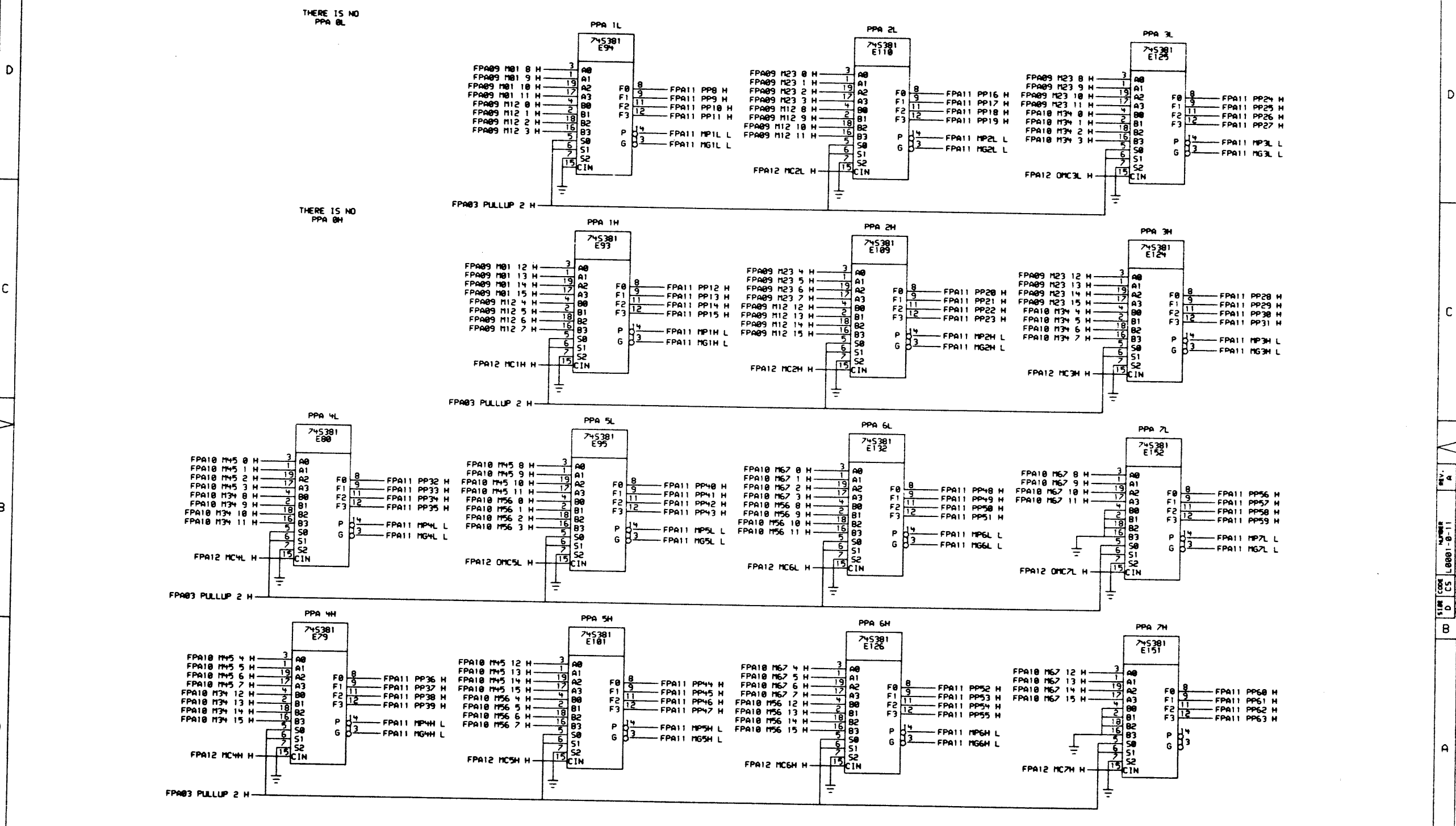
THIS DRAWING AND SPECIFICATIONS ARE THE PROPERTY OF DIGITAL EQUIPMENT CORPORATION AND SHALL NOT BE REPRODUCED OR COPIED IN ANY MANNER OR USED IN WHOLE OR IN PART AS THE BASIS FOR THE MANUFACTURE OF ANY ITEM WITHOUT WRITTEN PERMISSION. COPYRIGHT © 1981, DIGITAL EQUIPMENT CORPORATION.

REVISIONS		
CHK	CHANGE NO.	REV

digital	DRN. <i>J. Stone</i>	DATE 17-SEP-81	ENG.	DATE	TITLE: MULTIPLIER REGISTER
	CHK'D.	DATE	BOARD LOCATION: AC1	DE	
(160,127) FPA08.DWL		28-JUL-81 14:06	NEXT MIER ASSEMBLY:	SIZE D	CODE CS
FIRST USED ON OPTION/MODEL: FP750		B-DD-L0001-0-0	NUMBER L0001-0-8	REV. A	



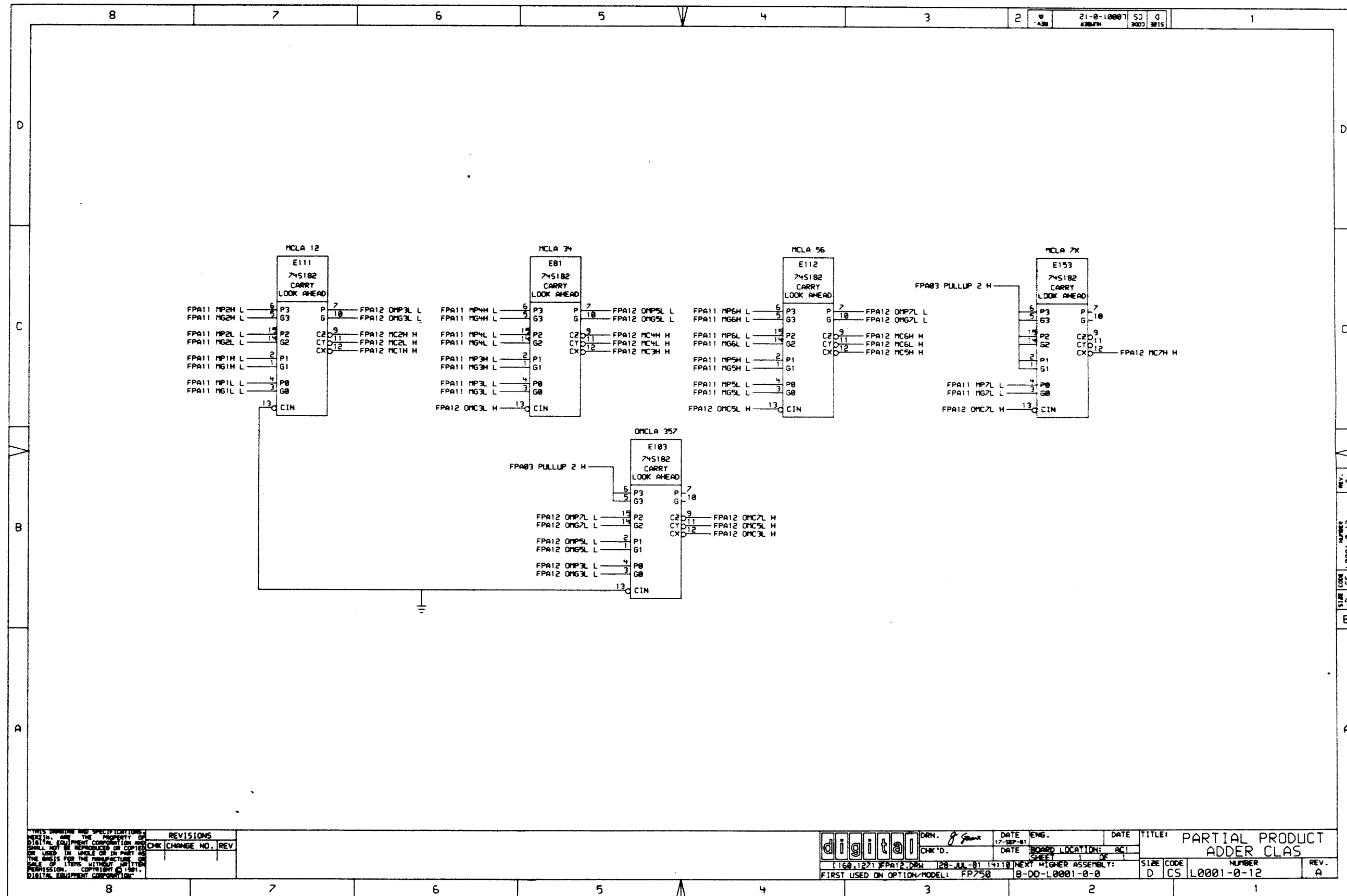
THIS DRAWING AND SPECIFICATIONS HEREIN ARE THE PROPERTY OF DIGITAL EQUIPMENT CORPORATION AND SHALL NOT BE REPRODUCED OR COPIED OR USED IN WHOLE OR IN PART AS THE BASIS FOR THE MANUFACTURE OR SALE OF ITEMS WITHOUT WRITTEN PERMISSION. COPYRIGHT © 1981, DIGITAL EQUIPMENT CORPORATION.		REVISIONS CHK CHANGE NO. REV		TITLE: PROD MULTIPLIERS MAND BYTES 4-7	
(160,127) FPA10.DPL 31-JUL-81 09:36 NEXT HIGHER ASSEMBLY: 8-DD-L0001-0-0		DATE: 17-SEP-81 DATE: 17-SEP-81 BOARD LOCATION: AC1		SIZE CODE: D CS NUMBER: L0001-0-10 REV.: A	



THESE DRAWINGS AND SPECIFICATIONS ARE THE PROPERTY OF DIGITAL EQUIPMENT CORPORATION. THEY ARE NOT TO BE REPRODUCED OR COPIED IN WHOLE OR IN PART OR USED IN ANY MANNER WITHOUT THE WRITTEN PERMISSION OF DIGITAL EQUIPMENT CORPORATION.

REVISIONS	
CHK	CHANGE NO. REV

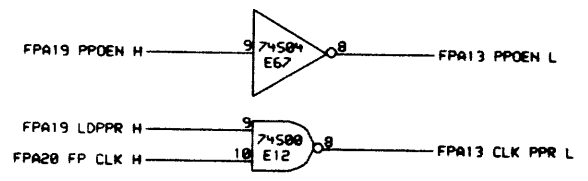
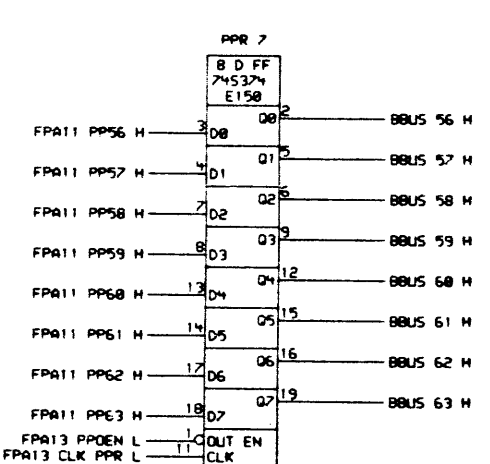
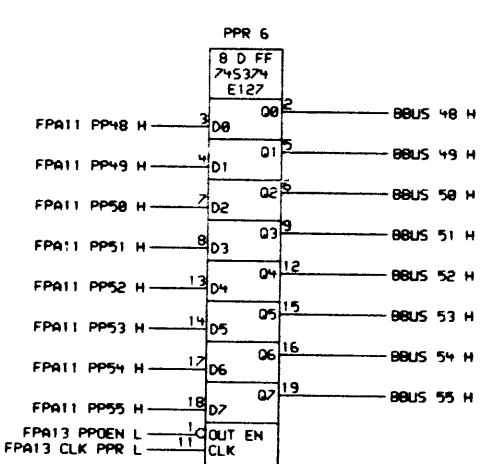
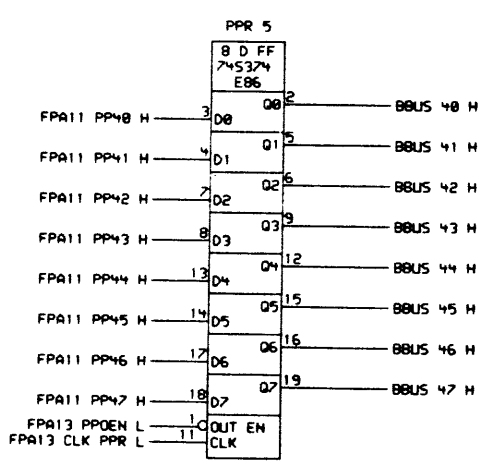
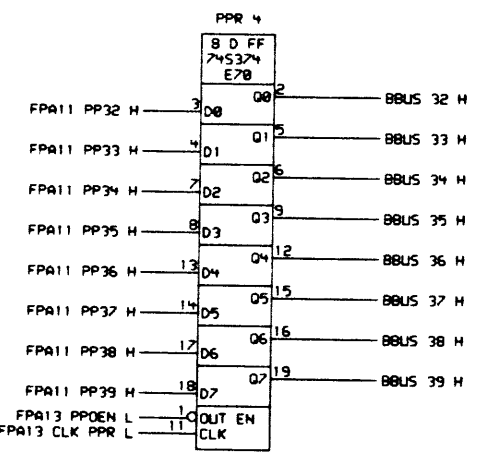
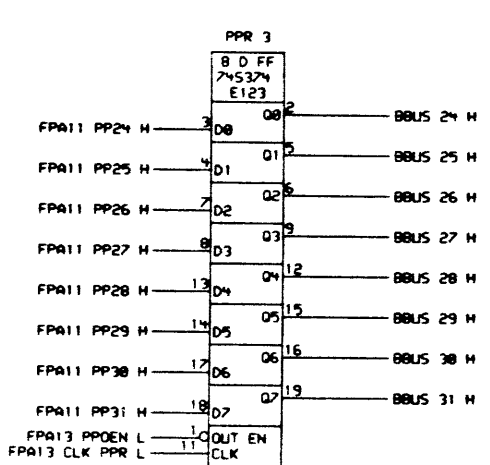
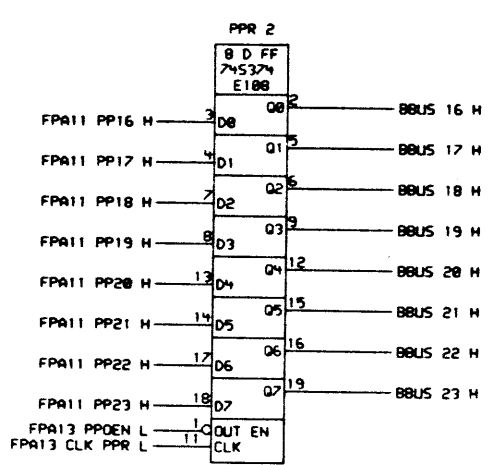
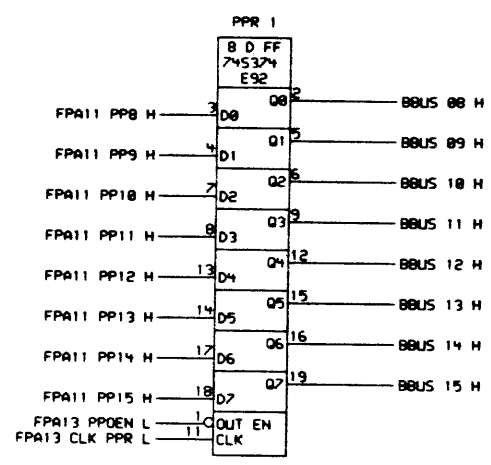
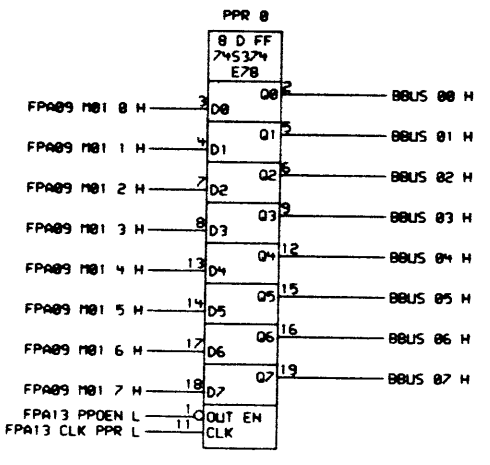
digital	DRN. <i>J. Stewart</i>	DATE 17-SEP-81	ENG.	DATE	TITLE: PARTIAL PRODUCT ADDERS
	CHK'D.	DATE 17-SEP-81	DESIGNED BY	BOARDS LOCATION: ACT	SIZE CODE D CS
FIRST USED ON OPTION/MODEL: 160,1271 FPA11.DPL		17-SEP-81 09132	NEXT HIGHER ASSEMBLY: B-DO-L0001-0-0	NUMBER L0001-0-11	REV. A



THIS DRAWING AND SPECIFICATIONS HEREIN ARE THE PROPERTY OF DIGITAL EQUIPMENT CORPORATION AND SHALL NOT BE REPRODUCED OR COPIED OR USED IN WHOLE OR IN PART AS THE BASIS FOR THE MANUFACTURE OR SALE OF ITEMS WITHOUT WRITTEN PERMISSION. COPYRIGHT © 1981, DIGITAL EQUIPMENT CORPORATION.

REVISIONS	
CHK	CHANGE NO. REV

digital	DRN. <i>J. Frank</i>	DATE 17-SEP-81	ENG.	DATE	TITLE: PARTIAL PRODUCT ADDER CLAS
	CHK'D.	DATE	DESIGN LOCATION: ACT	SHEET 1 OF 1	
160,1271 FPA12.DPL 28-JUL-81 14:18		NEXT HIGHER ASSEMBLY: B-DD-L0001-0-0		SIZE CODE D CS	NUMBER L0001-0-12
FIRST USED ON OPTION/MODEL: FP750					REV. A



THIS DRAWING AND SPECIFICATIONS HEREIN ARE THE PROPERTY OF DIGITAL EQUIPMENT CORPORATION AND SHALL NOT BE REPRODUCED OR COPIED OR USED IN WHOLE OR IN PART AS THE BASIS FOR THE MANUFACTURE OR SALE OF ITEMS WITHOUT WRITTEN PERMISSION. COPYRIGHT © 1981, DIGITAL EQUIPMENT CORPORATION.

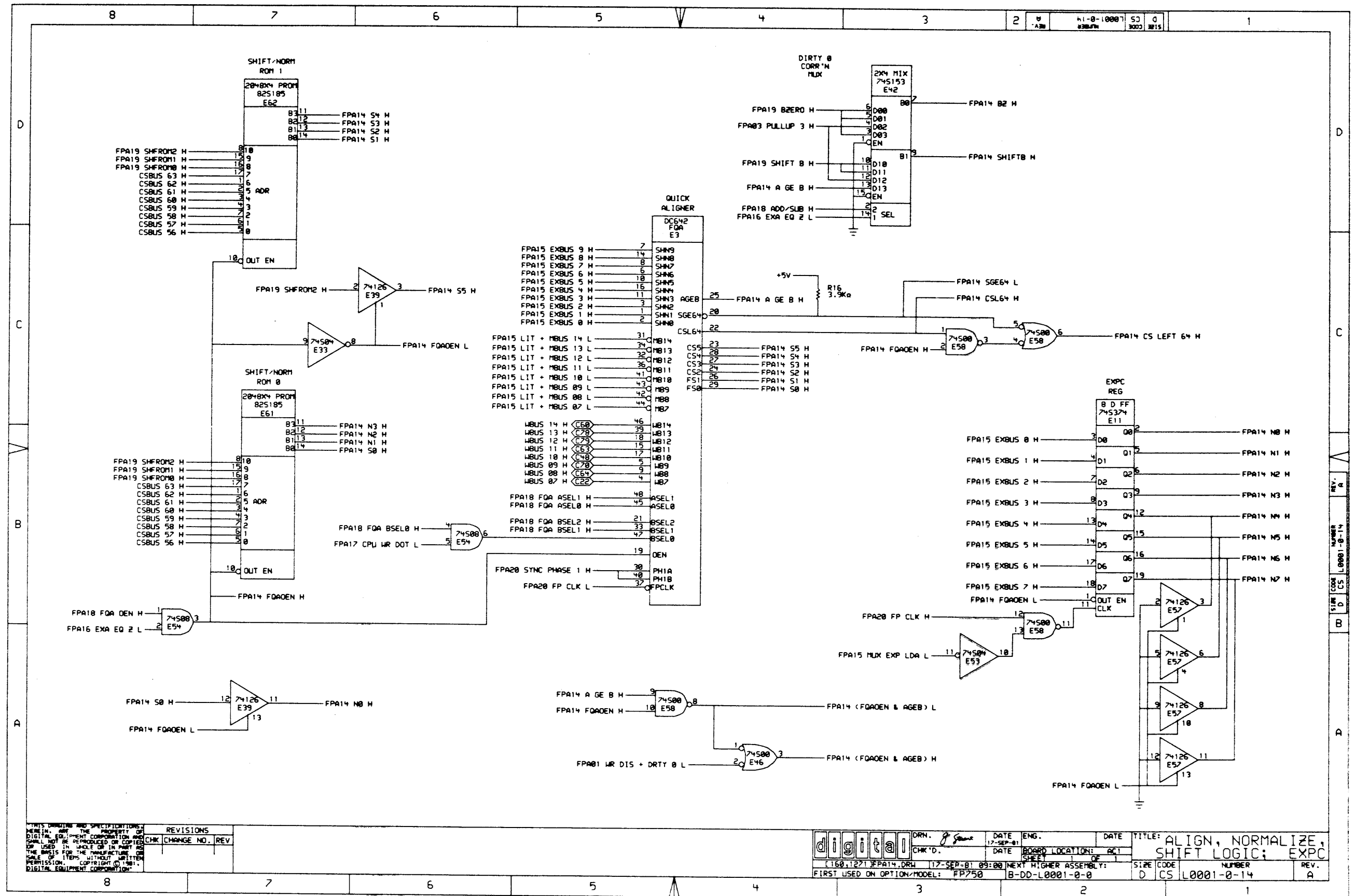
REVISIONS		
CHK	CHANGE NO.	REV

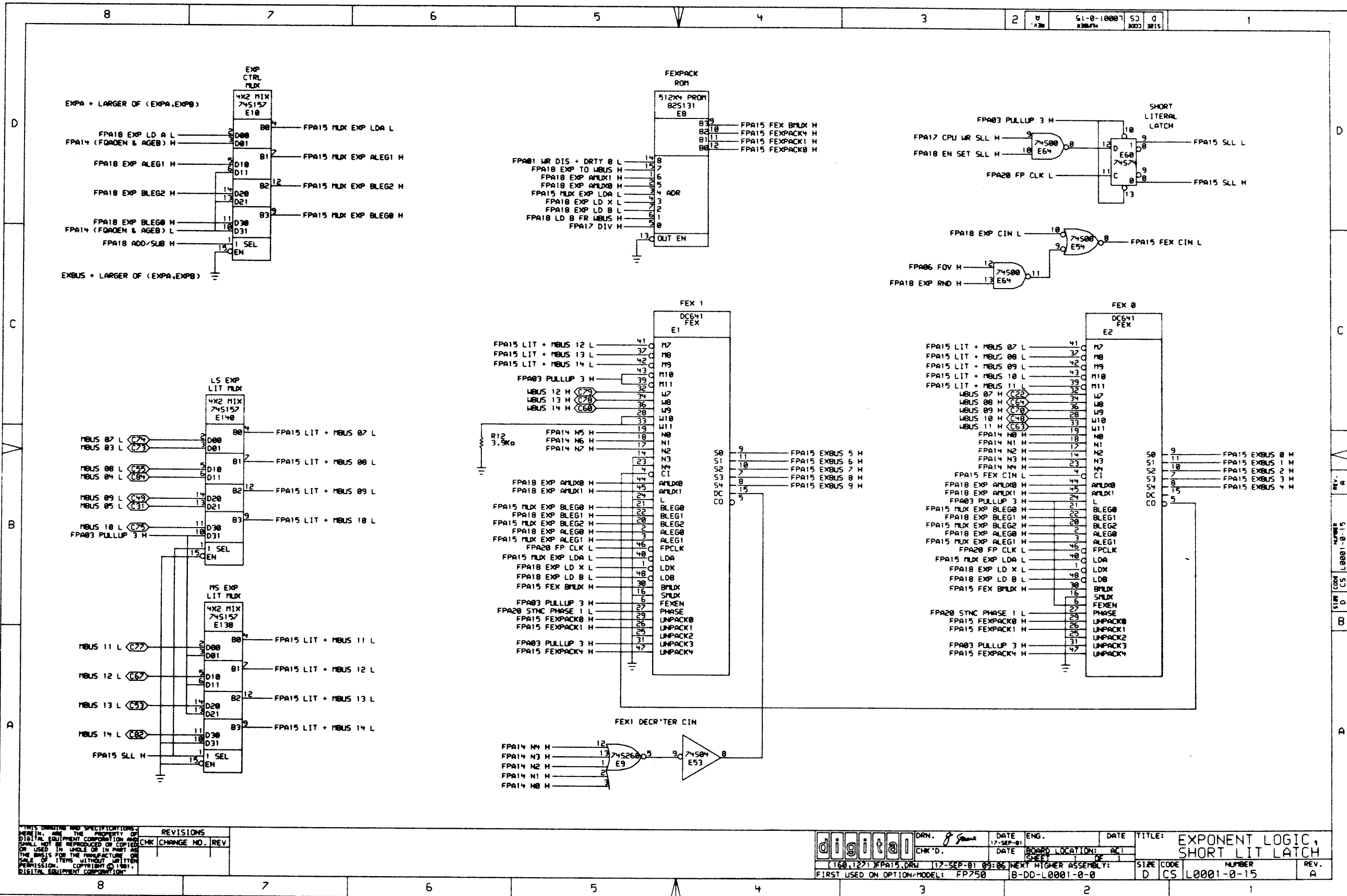
digital ORN. *J. Stone* DATE ENG. 17-SEP-81 DATE TITLE: PARTIAL PRODUCT REGISTER

CHK'D. DATE BOARD LOCATION: ACT SHEET 1 OF 1

[160,127] FPA13.DRW 128-JUL-81 14:11 NEXT HIGHER ASSEMBLY: SIZE CODE NUMBER REV. D CS L0001-0-13 A

FIRST USED ON OPTION/MODEL: FP750 B-DD-L0001-0-0



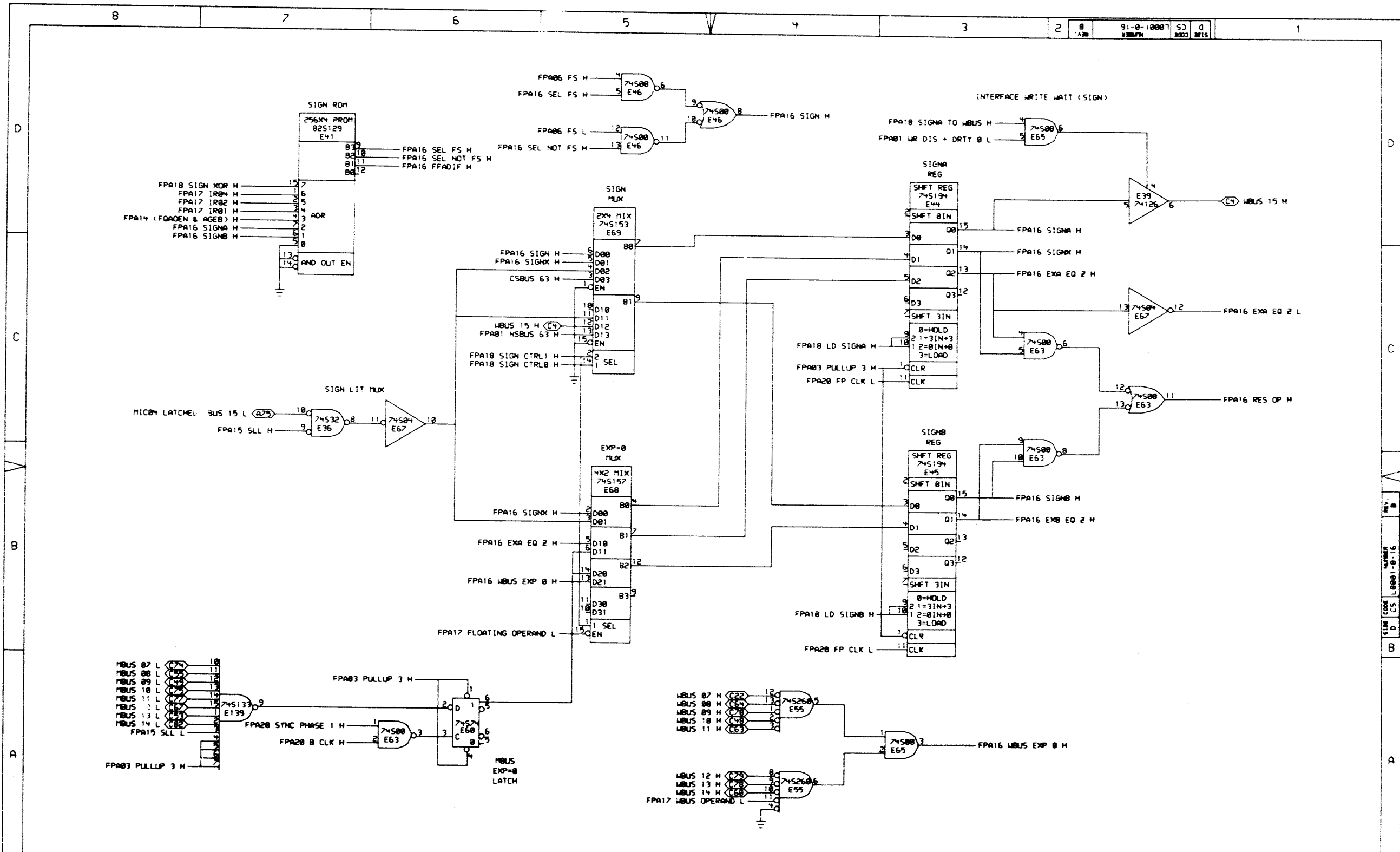


THIS DRAWING AND SPECIFICATIONS ARE THE PROPERTY OF DIGITAL EQUIPMENT CORPORATION AND SHALL NOT BE REPRODUCED OR COPIED OR USED IN WHOLE OR IN PART AS THE BASIS FOR THE MANUFACTURE OR SALE OF ITEMS WITHOUT WRITTEN PERMISSION. COPYRIGHT © 1981, DIGITAL EQUIPMENT CORPORATION.

REV.	DATE	ENG.	DATE	TITLE
1	17-SEP-81	J. Green		EXPONENT LOGIC, SHORT LIT LATCH

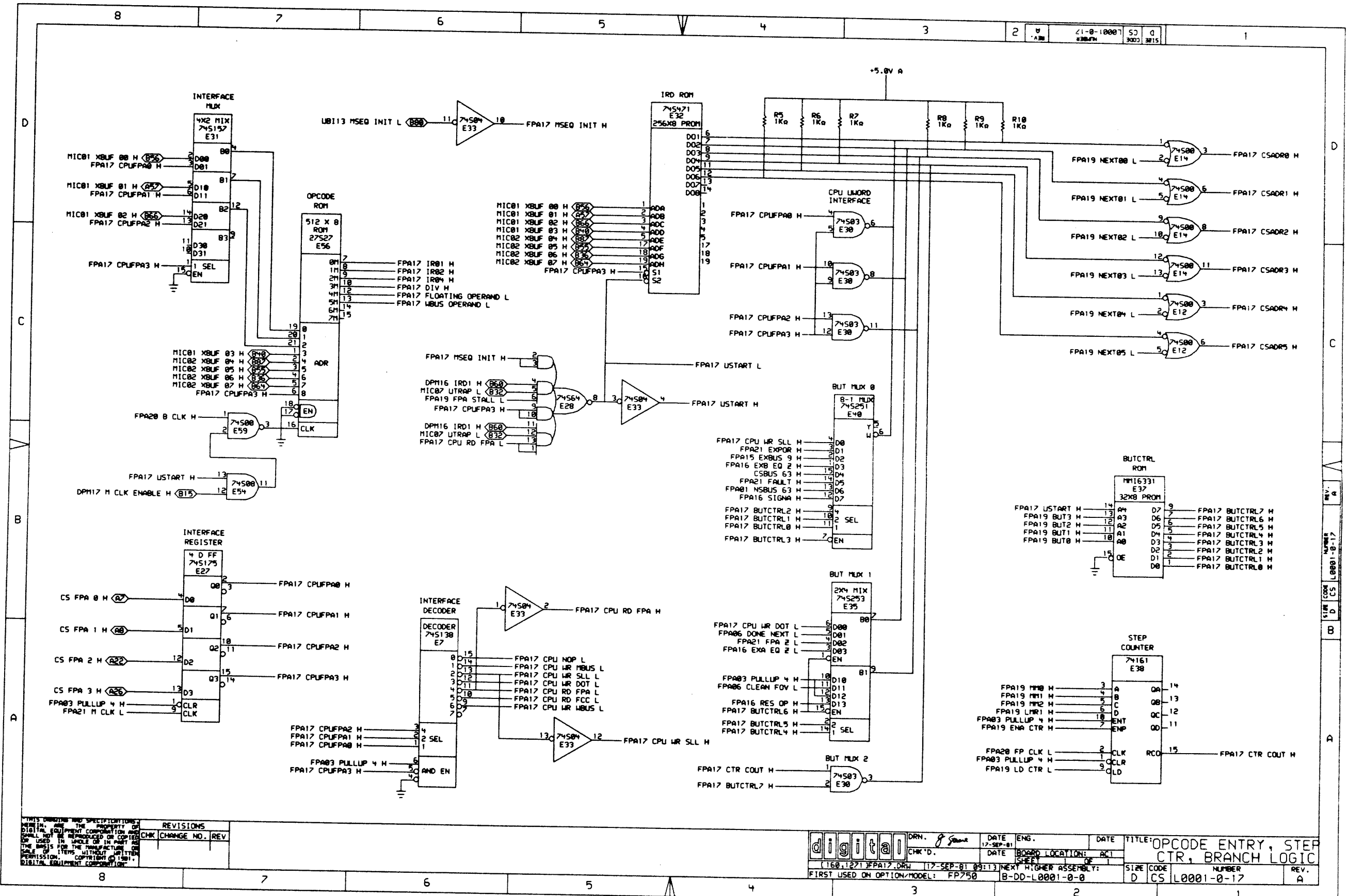
REV.	DATE	ENG.	DATE	TITLE
1	17-SEP-81	J. Green		EXPONENT LOGIC, SHORT LIT LATCH

REV.	DATE	ENG.	DATE	TITLE
1	17-SEP-81	J. Green		EXPONENT LOGIC, SHORT LIT LATCH



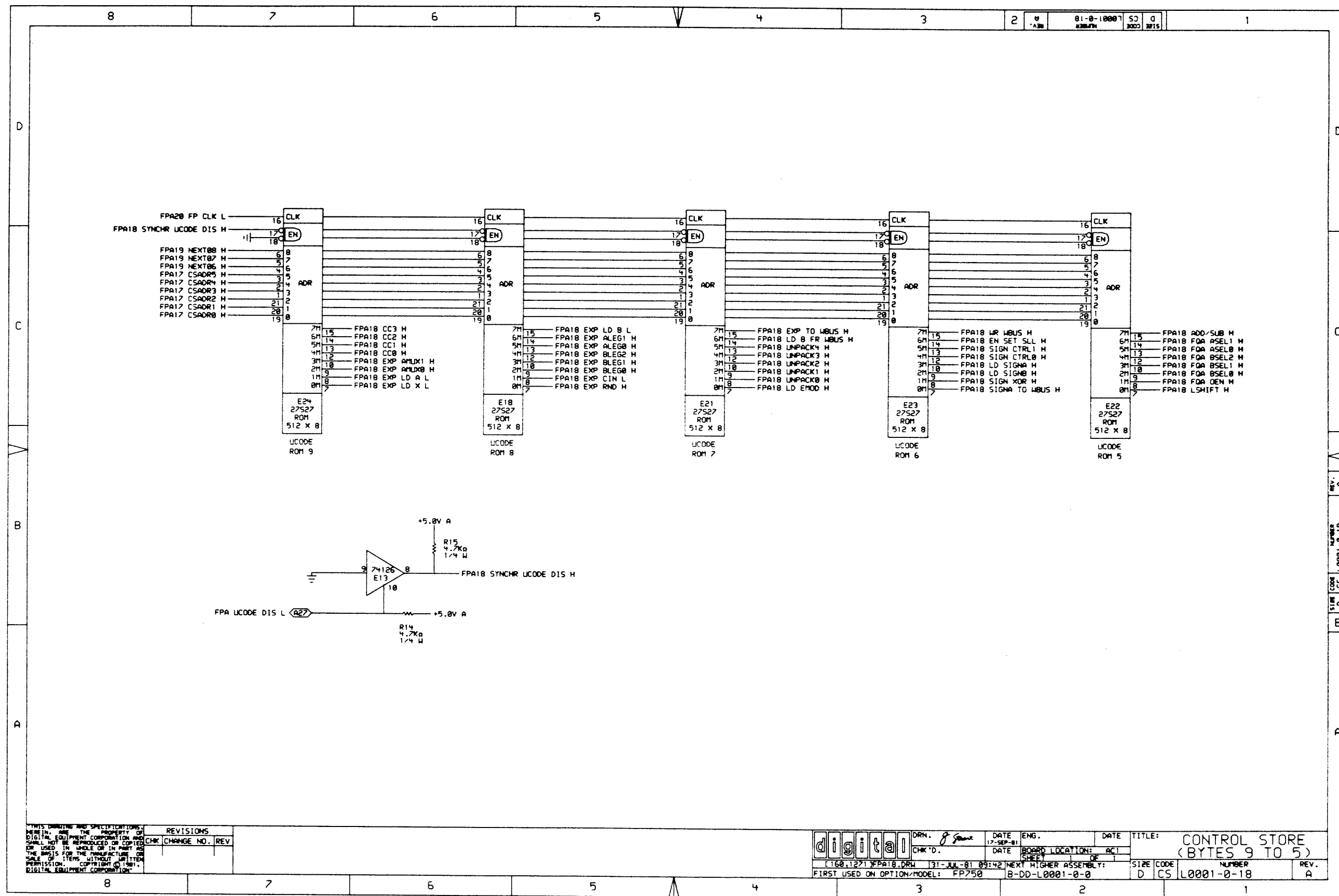
REVISIONS	
CHK	CHANGE NO. REV

	DATE	ENG.	DATE	TITLE: SIGN LOGIC, EXP ZERO, RES OP DETECT



REV.	DATE	DESCRIPTION
1	12-SEP-81	CHK CHANGE NO. REV

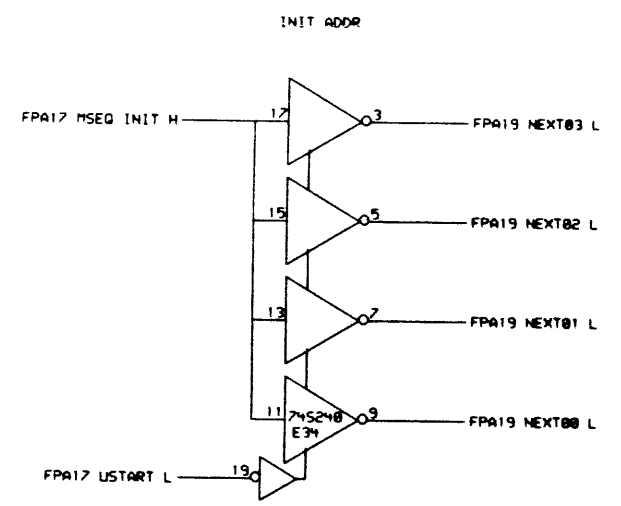
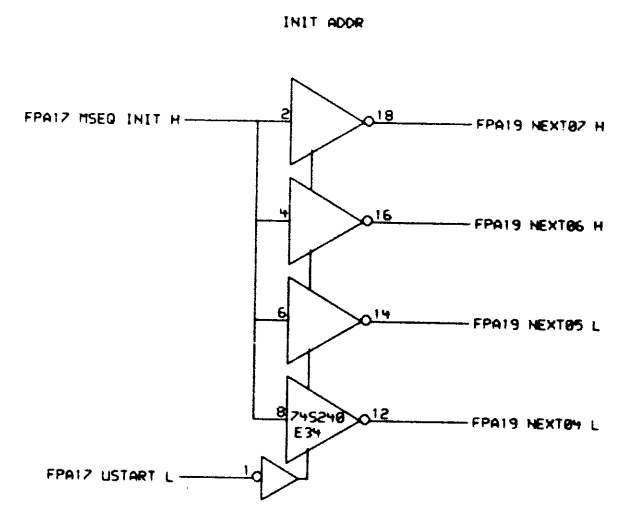
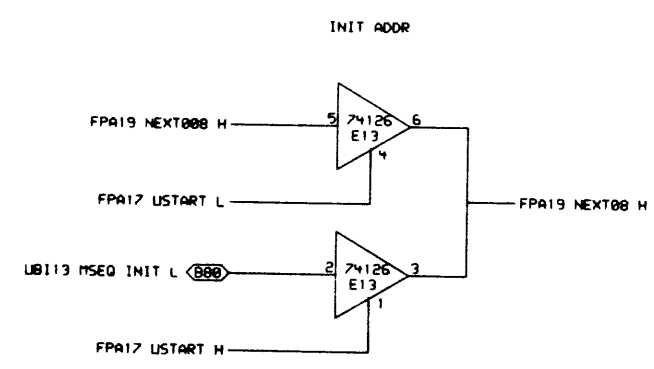
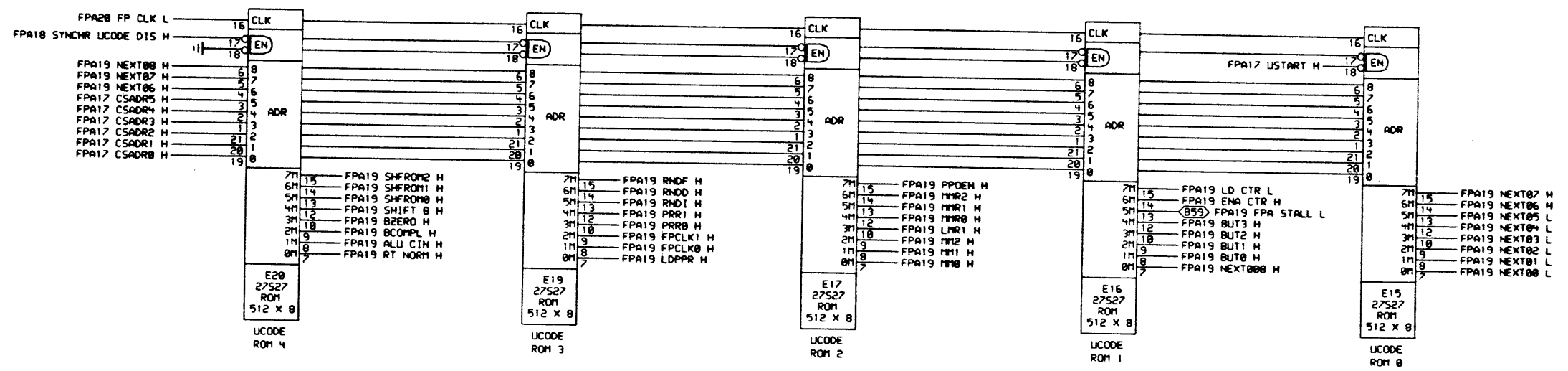
digit@	DRN. J. Sear	DATE 12-SEP-81	ENG.	DATE	TITLE: OPCODE ENTRY, STEP CTR, BRANCH LOGIC
(168,127) FPA17.DRW	12-SEP-81 09:13	NEXT HIGHER ASSEMBLY:	SHEET	OF	
FIRST USED ON OPTION/MODEL: FP750	B-DD-L0001-0-0	SIZE	CODE	NUMBER	REV.
		D	CS	L0001-0-17	A



ALL DIMENSIONS AND SPECIFICATIONS HEREIN ARE THE PROPERTY OF DIGITAL EQUIPMENT CORPORATION AND SHALL NOT BE REPRODUCED OR COPIED OR USED IN WHOLE OR IN PART AS THE BASIS FOR THE MANUFACTURE OR SALE OF ITEMS WITHOUT WRITTEN PERMISSION. COPYRIGHT © 1981, DIGITAL EQUIPMENT CORPORATION.

REV.	CHG.	CHANGE NO.	REV.

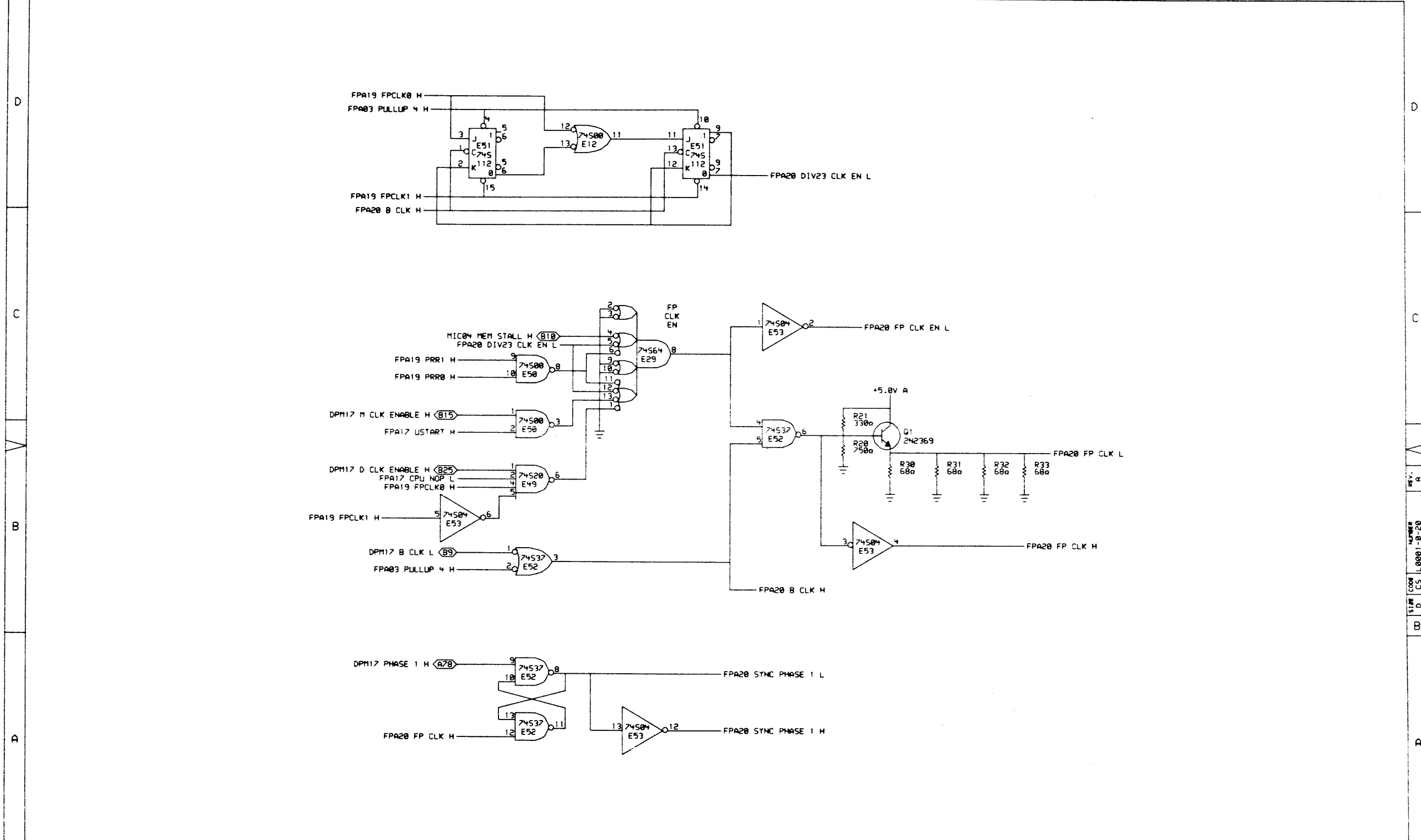
digital	DRN. <i>J. Jones</i>	DATE 17-SEP-81	ENG.	DATE	TITLE: CONTROL STORE (BYTES 9 TO 5)
	CHK'D.	DATE	BOARD LOCATION: AC1	SHEET	
FIRST USED ON OPTION/MODEL: FP750		31-JUL-81 09:42	NEXT HIGHER ASSEMBLY: B-DD-L0001-0-0	SIZE CODE D CS	NUMBER L0001-0-18
				REV. A	



THIS DRAWING AND SPECIFICATIONS ARE THE PROPERTY OF DIGITAL EQUIPMENT CORPORATION AND SHALL NOT BE REPRODUCED OR COPIED OR USED IN WHOLE OR IN PART AS THE BASIS FOR THE MANUFACTURE OR SALE OF ITEMS WITHOUT WRITTEN PERMISSION. COPYRIGHT © 1981, DIGITAL EQUIPMENT CORPORATION.

REVISIONS	
CHK	CHANGE NO. REV.

digital	DRN. J. Grant	DATE 17-SEP-81	ENG.	DATE	TITLE: CONTROL STORE (BYTES 4 TO 0)
	CHK'D.	DATE 17-SEP-81	BOARD LOCATION: AC1	SHEET 1 OF 1	
(160,127) FPA19.DRW		17-SEP-81 09:18	NEXT HIGHER ASSEMBLY:	SIZE CODE D CS	NUMBER L0001-0-19
FIRST USED ON OPTION/MODEL: FP750		B-DD-L0001-0-0		REV. A	

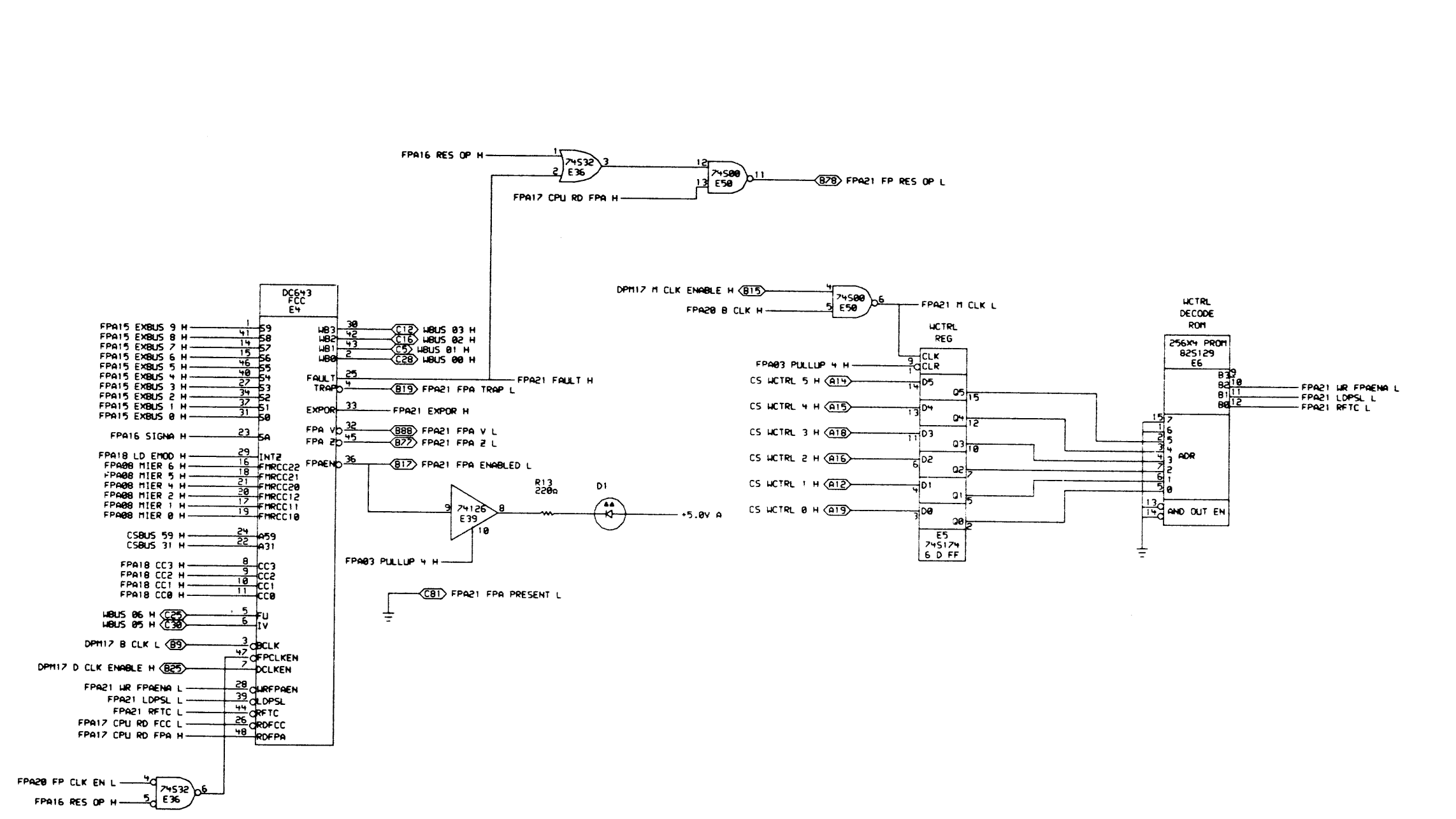


THIS DRAWING AND SPECIFICATIONS HEREIN ARE THE PROPERTY OF DIGITAL EQUIPMENT CORPORATION AND SHALL NOT BE REPRODUCED OR COPIED OR USED IN WHOLE OR IN PART AS THE BASIS FOR THE MANUFACTURE OR SALE OF ITEMS WITHOUT WRITTEN PERMISSION. COPYRIGHT © 1981, DIGITAL EQUIPMENT CORPORATION.

REVISIONS	
CHK	CHANGE NO. REV

digital	DRN. <i>J. Sauer</i>	DATE 17-SEP-81	ENG.	DATE	TITLE: CLOCK LOGIC
	CHK'D.	DATE	BOARD LOCATION: AC1	SHEET	NUMBER
FIRST USED ON OPTION/MODEL: FP750		NEXT HIGHER ASSEMBLY: B-DD-L0001-0-0		SIZE CODE D CS	L0001-0-20

D
 C
 B
 A

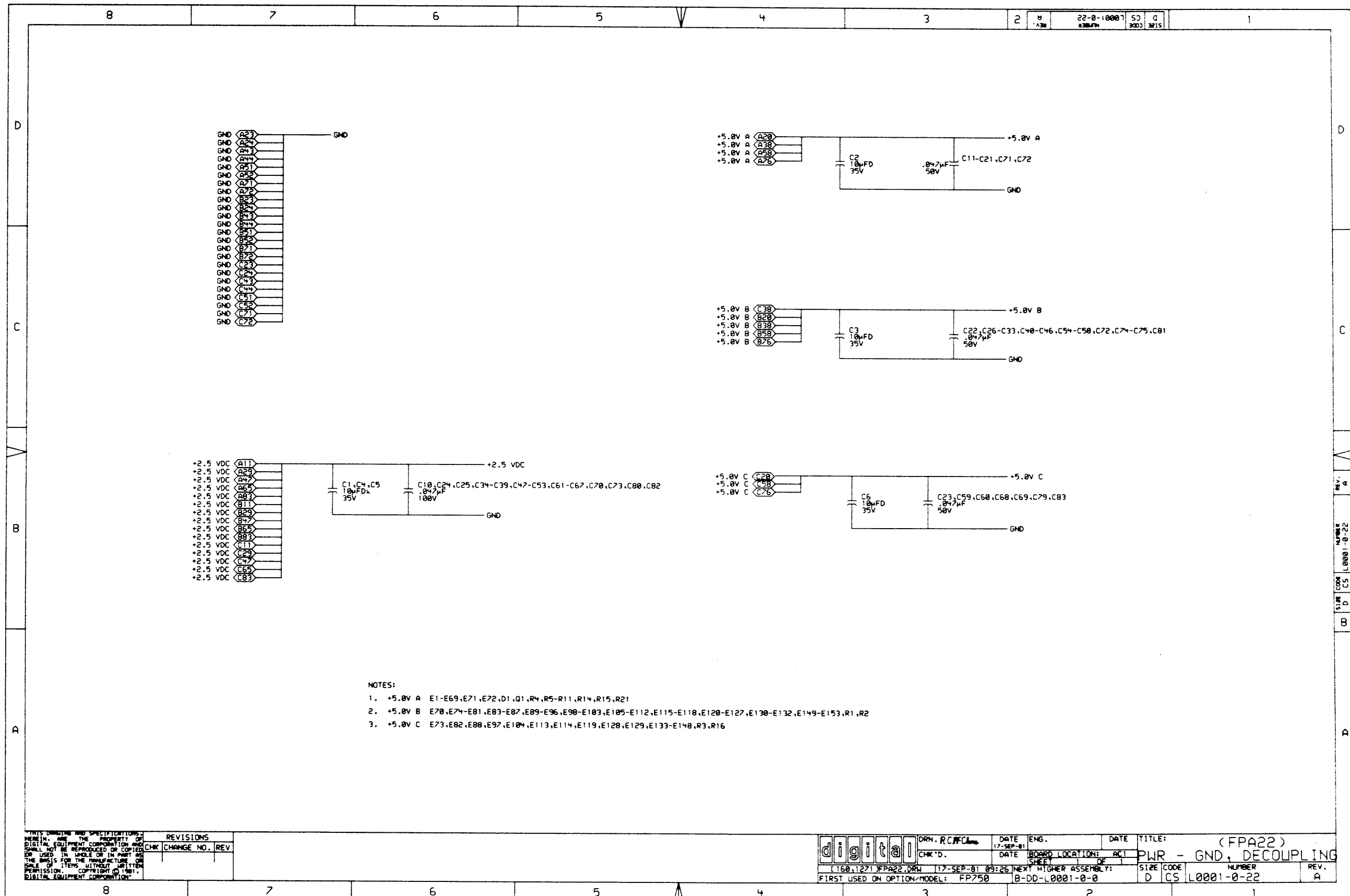


D
 C
 B
 A

THIS DRAWING AND SPECIFICATIONS ARE THE PROPERTY OF DIGITAL EQUIPMENT CORPORATION AND SHALL NOT BE REPRODUCED OR COPIED OR USED IN WHOLE OR IN PART AS THE BASIS FOR THE MANUFACTURE OR SALE OF ITEMS WITHOUT WRITTEN PERMISSION. COPYRIGHT © 1981, DIGITAL EQUIPMENT CORPORATION.

CHK	CHANGE NO.	REV.

digital	DRN. <i>J. Stant</i>	DATE 17-SEP-81	ENG.	DATE	TITLE: CONDITION CODES, FPA PRESENT
	CHK'D.	DATE	BOARD LOCATION: A1	SHEET	
FIRST USED ON OPTION/MODEL: FP750					SIZE CODE D CS
NEXT HIGHER ASSEMBLY: B-DD-L0001-0-0					NUMBER L0001-0-21
					REV. A

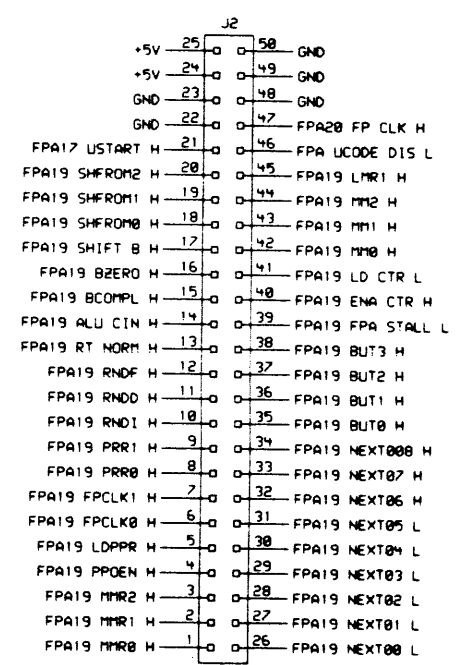
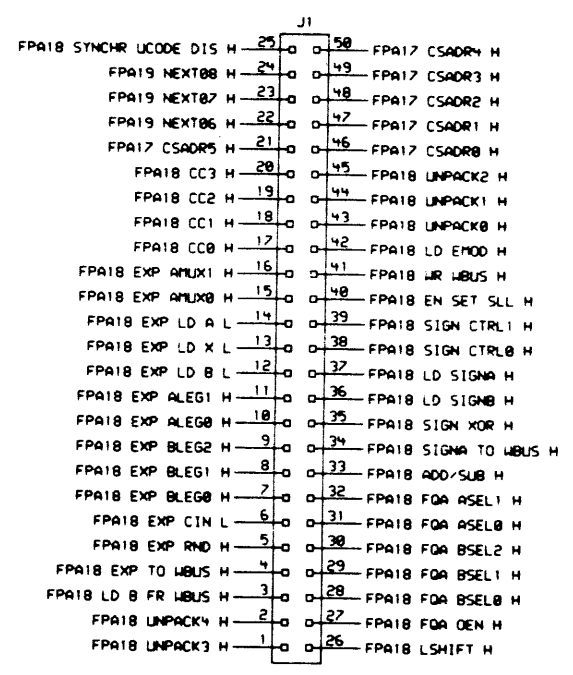


- NOTES:
- +5.0V A E1-E69, E71, E72, D1, Q1, R4, R5-R11, R14, R15, R21
 - +5.0V B E70, E74-E81, E83-E87, E89-E96, E98-E103, E105-E112, E115-E118, E120-E127, E130-E132, E149-E153, R1, R2
 - +5.0V C E73, E82, E88, E97, E104, E113, E114, E119, E128, E129, E133-E148, R3, R16

THIS DRAWING AND SPECIFICATIONS HEREIN ARE THE PROPERTY OF DIGITAL EQUIPMENT CORPORATION AND SHALL NOT BE REPRODUCED OR COPIED OR USED IN WHOLE OR IN PART AS THE BASIS FOR THE MANUFACTURE OR SALE OF ITEMS WITHOUT WRITTEN PERMISSION. COPYRIGHT © 1981, DIGITAL EQUIPMENT CORPORATION.

REVISIONS	
CHK	CHANGE NO. REV

digital	DRAWN: R.C.F./C.L.	DATE: 17-SEP-81	ENG.	DATE:	TITLE: (FPA22)
	CHK'D:	DATE: 17-SEP-81	BOARD LOCATION: ACT	OF:	PWR - GND, DECOUPLING
FIRST USED ON OPTION/MODEL: FP750			NEXT HIGHER ASSEMBLY: B-00-L0001-0-0	SIZE CODE: D CS	NUMBER: L0001-0-22
				REV.:	A



REV. A
 NAME L0001-0-23
 SIZE CODE D CS

THIS DRAWING AND SPECIFICATIONS ARE THE PROPERTY OF DIGITAL EQUIPMENT CORPORATION AND SHALL NOT BE REPRODUCED OR COPIED IN ANY MANNER OR USED IN ANY MANNER AS THE BASIS FOR THE MANUFACTURE OR SALE OF ITEMS WITHOUT WRITTEN PERMISSION. COPYRIGHT © 1981 DIGITAL EQUIPMENT CORPORATION.

REVISIONS		
CHK	CHANGE NO.	REV.

digital	DRN. 05/000A	DATE 17-SEP-81	ENG.	DATE	TITLE: MICRO DIAG TEST CONNECTORS
	CHK'D.	DATE	DESIGN LOCATION: ACT	SHEET	
FIRST USED ON OPTION/MODEL: FP750		NEXT HIGHER ASSEMBLY: B-DD-L0001-0-0		SIZE CODE D CS	NUMBER L0001-0-23
				REV. A	

SIGNAL NAME	PAGE NUMBER(S)	SIGNAL NAME	PAGE NUMBER(S)	SIGNAL NAME	PAGE NUMBER(S)
BBUS 00 H	7,4,13	BBUS 50 H	6,5,13	CSBUS 26 H	3,8,1
BBUS 01 H	7,4,13	BBUS 51 H	6,5,13	CSBUS 27 H	8,3,1
BBUS 02 H	7,4,13	BBUS 52 H	6,5,13	CSBUS 28 H	8,3,1
BBUS 03 H	7,4,13	BBUS 53 H	6,5,13	CSBUS 29 H	3,8,1
BBUS 04 H	7,4,13	BBUS 54 H	6,5,13	CSBUS 30 H	8,3,1
BBUS 05 H	7,4,13	BBUS 55 H	6,5,13	CSBUS 31 H	21,8,3,1
BBUS 06 H	7,4,13	BBUS 56 H	6,5,13	CSBUS 32 H	2,8,3
BBUS 07 H	7,4,13	BBUS 57 H	6,5,13	CSBUS 33 H	2,3,8
BBUS 08 H	4,13,7	BBUS 58 H	6,5,13	CSBUS 34 H	2,3,8
BBUS 09 H	4,13,7	BBUS 59 H	6,5,13	CSBUS 35 H	2,8,3
BBUS 10 H	4,13,7	BBUS 60 H	6,5,13	CSBUS 36 H	2,8,3
BBUS 11 H	4,13,7	BBUS 61 H	6,5,13	CSBUS 37 H	2,3,8
BBUS 12 H	4,13,7	BBUS 62 H	6,5,13	CSBUS 38 H	2,8,3
BBUS 13 H	4,13,7	BBUS 63 H	6,5,13	CSBUS 39 H	2,8,3
BBUS 14 H	4,13,7	CS FPA 0 H	17	CSBUS 40 H	8,3,2
BBUS 15 H	4,13,7	CS FPA 1 H	17	CSBUS 41 H	3,8,2
BBUS 16 H	7,4,13	CS FPA 2 H	17	CSBUS 42 H	3,8,2
BBUS 17 H	7,4,13	CS FPA 3 H	17	CSBUS 43 H	8,2,3
BBUS 18 H	7,4,13	CS WCTRL 0 H	21	CSBUS 44 H	8,3,2
BBUS 19 H	7,4,13	CS WCTRL 1 H	21	CSBUS 45 H	3,8,2
BBUS 20 H	7,4,13	CS WCTRL 2 H	21	CSBUS 46 H	8,3,2
BBUS 21 H	7,4,13	CS WCTRL 3 H	21	CSBUS 47 H	8,3,2
BBUS 22 H	7,4,13	CS WCTRL 4 H	21	CSBUS 48 H	8,3,1
BBUS 23 H	7,4,13	CS WCTRL 5 H	21	CSBUS 49 H	3,8,1
BBUS 24 H	7,4,13	CSBUS 00 H	2,8,3	CSBUS 50 H	3,8,1
BBUS 25 H	7,4,13	CSBUS 01 H	2,3,8	CSBUS 51 H	8,3,1
BBUS 26 H	7,4,13	CSBUS 02 H	2,3,8	CSBUS 52 H	8,3,1
BBUS 27 H	7,4,13	CSBUS 03 H	2,8,3	CSBUS 53 H	3,8,1
BBUS 28 H	7,4,13	CSBUS 04 H	2,8,3	CSBUS 54 H	8,3,1
BBUS 29 H	7,4,13	CSBUS 05 H	2,3,8	CSBUS 55 H	8,3,1
BBUS 30 H	7,4,13	CSBUS 06 H	2,8,3	CSBUS 56 H	14,8,3,1
BBUS 31 H	7,4,13	CSBUS 07 H	2,8,3	CSBUS 57 H	14,3,8,1
BBUS 32 H	13,5,6	CSBUS 08 H	8,3,2	CSBUS 58 H	14,3,8,1
BBUS 33 H	13,5,6	CSBUS 09 H	3,8,2	CSBUS 59 H	21,14,8,3,1
BBUS 34 H	13,5,6	CSBUS 10 H	3,8,2	CSBUS 60 H	14,8,3,1
BBUS 35 H	13,5,6	CSBUS 11 H	8,2,3	CSBUS 61 H	14,3,8,1
BBUS 36 H	13,5,6	CSBUS 12 H	8,3,2	CSBUS 62 H	14,8,3,1
BBUS 37 H	13,5,6	CSBUS 13 H	3,8,2	CSBUS 63 H	17,14,16,8,3,1
BBUS 38 H	13,5,6	CSBUS 14 H	8,3,2	DPM16 IRD1 H	17
BBUS 39 H	13,5,6	CSBUS 15 H	8,3,2	DPM17 B CLK L	21,20
BBUS 40 H	6,13,5	CSBUS 16 H	8,3,1	DPM17 D CLK ENABLE H	21,20
BBUS 41 H	6,13,5	CSBUS 17 H	3,8,1	DPM17 M CLK ENABLE H	20,21,17
BBUS 42 H	6,13,5	CSBUS 18 H	3,8,1	DPM17 PHASE 1 H	20
BBUS 43 H	6,13,5	CSBUS 19 H	8,3,1	FPA LCODE DIS L	18
BBUS 44 H	6,13,5	CSBUS 20 H	8,3,1	FPA UNCODE DIS L	0
BBUS 45 H	6,13,5	CSBUS 21 H	3,8,1	FPA01 LIT + MBUS 04 L	1
BBUS 46 H	6,13,5	CSBUS 22 H	8,3,1	FPA01 LIT + MBUS 05 L	1
BBUS 47 H	6,13,5	CSBUS 23 H	8,3,1	FPA01 LIT + MBUS 06 L	1
BBUS 48 H	6,5,13	CSBUS 24 H	8,3,1	FPA01 NOP/UNPACK0 H	1,2
BBUS 49 H	6,5,13	CSBUS 25 H	3,8,1	FPA01 NOP/UNPACK1 H	1,2

NOTES:
1. THIS PAGE LISTS THE SCHEMATIC PAGE NUMBER(S) WHERE A SIGNAL NAME IS REFERENCED.

<small>THIS DRAWING AND SPECIFICATIONS ARE THE PROPERTY OF DIGITAL EQUIPMENT CORPORATION AND SHALL NOT BE REPRODUCED OR COPIED OR USED IN WHOLE OR IN PART AS THE BASIS FOR THE MANUFACTURE OR SALE OF ITEMS WITHOUT WRITTEN PERMISSION. COPYRIGHT © 1981 - DIGITAL EQUIPMENT CORPORATION.</small>	REVISIONS CHK CHANGE NO. REV		digital DRN. 150,1271 FPA24.DRW 30-JUL-81 13:53 FIRST USED ON OPTION/MODEL: FP750	DATE: 17-SEP-81 ENG.	DATE:	TITLE:
				BOARD LOCATION: AC1	SHEET 1 OF 1	
				NEXT HIGHER ASSEMBLY: B-DD-L0001-0-0	SIZE CODE: D CS	NUMBER: L0001-0-24

SIGNAL NAME	PAGE NUMBER(S)	SIGNAL NAME	PAGE NUMBER(S)	SIGNAL NAME	PAGE NUMBER(S)
FPA01 NOP/UNPACK2 H	1,2	FPA02 NSBUS 05 H	2,4	FPA03 ABUS 23 H	3,7
FPA01 NOP/UNPACK3 H	1,2	FPA02 NSBUS 06 H	2,4	FPA03 ABUS 24 H	3,7
FPA01 NOP/UNPACK4 H	1,2	FPA02 NSBUS 07 H	2,4	FPA03 ABUS 25 H	3,7
FPA01 NSBUS 16 H	9,4,1	FPA02 NSBUS 08 H	9,4,2	FPA03 ABUS 26 H	3,7
FPA01 NSBUS 17 H	9,4,1	FPA02 NSBUS 09 H	9,4,2	FPA03 ABUS 27 H	3,7
FPA01 NSBUS 18 H	9,4,1	FPA02 NSBUS 10 H	9,4,2	FPA03 ABUS 28 H	3,7
FPA01 NSBUS 19 H	9,4,1	FPA02 NSBUS 11 H	9,4,2	FPA03 ABUS 29 H	3,7
FPA01 NSBUS 20 H	9,4,1	FPA02 NSBUS 12 H	9,4,2	FPA03 ABUS 30 H	3,7
FPA01 NSBUS 21 H	9,4,1	FPA02 NSBUS 13 H	9,4,2	FPA03 ABUS 31 H	3,7
FPA01 NSBUS 22 H	9,4,1	FPA02 NSBUS 14 H	9,4,2	FPA03 ABUS 32 H	6,3,7
FPA01 NSBUS 23 H	9,4,1	FPA02 NSBUS 15 H	9,4,2	FPA03 ABUS 33 H	3,6,7
FPA01 NSBUS 24 H	9,4,1	FPA02 NSBUS 32 H	5,2,10	FPA03 ABUS 34 H	6,3,7
FPA01 NSBUS 25 H	9,4,1	FPA02 NSBUS 33 H	5,2,10	FPA03 ABUS 35 H	6,3
FPA01 NSBUS 26 H	9,4,1	FPA02 NSBUS 34 H	5,2,10	FPA03 ABUS 36 H	6,3
FPA01 NSBUS 27 H	9,4,1	FPA02 NSBUS 35 H	5,2,10	FPA03 ABUS 37 H	3,6
FPA01 NSBUS 28 H	9,4,1	FPA02 NSBUS 36 H	2,5,10	FPA03 ABUS 38 H	6,3
FPA01 NSBUS 29 H	9,4,1	FPA02 NSBUS 37 H	2,5,10	FPA03 ABUS 39 H	6,3
FPA01 NSBUS 30 H	9,4,1	FPA02 NSBUS 38 H	2,5,10	FPA03 ABUS 40 H	6,3
FPA01 NSBUS 31 H	9,4,1	FPA02 NSBUS 39 H	2,5,10	FPA03 ABUS 41 H	6,3
FPA01 NSBUS 40 H	10,5,1	FPA02 NSBUS 40 H	5,10,2	FPA03 ABUS 42 H	6,3
FPA01 NSBUS 49 H	10,5,1	FPA02 NSBUS 41 H	5,10,2	FPA03 ABUS 43 H	6,3
FPA01 NSBUS 50 H	10,5,1	FPA02 NSBUS 42 H	5,10,2	FPA03 ABUS 44 H	6,3
FPA01 NSBUS 51 H	10,5,1	FPA02 NSBUS 43 H	5,10,2	FPA03 ABUS 45 H	6,3
FPA01 NSBUS 52 H	1,10,5	FPA02 NSBUS 44 H	5,10,2	FPA03 ABUS 46 H	6,3
FPA01 NSBUS 53 H	1,10,5	FPA02 NSBUS 45 H	5,10,2	FPA03 ABUS 47 H	6,3
FPA01 NSBUS 54 H	1,10,5	FPA02 NSBUS 46 H	5,10,2	FPA03 ABUS 48 H	6,3
FPA01 NSBUS 55 H	1,10,5	FPA02 NSBUS 47 H	5,10,2	FPA03 ABUS 49 H	6,3
FPA01 NSBUS 56 H	1,10,5	FPA03 ABUS 00 H	7,3	FPA03 ABUS 50 H	6,3
FPA01 NSBUS 57 H	1,10,5	FPA03 ABUS 01 H	7,3	FPA03 ABUS 51 H	3,6
FPA01 NSBUS 58 H	1,10,5	FPA03 ABUS 02 H	7,3	FPA03 ABUS 52 H	3,6
FPA01 NSBUS 59 H	1,10,5	FPA03 ABUS 03 H	7,3	FPA03 ABUS 53 H	3,6
FPA01 NSBUS 60 H	1,10,5	FPA03 ABUS 04 H	7,3	FPA03 ABUS 54 H	3,6
FPA01 NSBUS 61 H	1,10,5	FPA03 ABUS 05 H	7,3	FPA03 ABUS 55 H	3,6
FPA01 NSBUS 62 H	1,10,5	FPA03 ABUS 06 H	7,3	FPA03 ABUS 56 H	3,6
FPA01 NSBUS 63 H	17,16,1,10,5	FPA03 ABUS 07 H	7,3	FPA03 ABUS 57 H	3,6
FPA01 SEXT L	2,1	FPA03 ABUS 08 H	7,3	FPA03 ABUS 58 H	3,6
FPA01 WR DIS + DRTY 0 L	15,1,6,16,14	FPA03 ABUS 09 H	7,3	FPA03 ABUS 59 H	3,6
FPA02 EMOD + MBUS 08 L	2	FPA03 ABUS 10 H	7,3	FPA03 ABUS 60 H	3,6
FPA02 EMOD + MBUS 09 L	2	FPA03 ABUS 11 H	7,3	FPA03 ABUS 61 H	3,6
FPA02 EMOD + MBUS 10 L	2	FPA03 ABUS 12 H	3,7	FPA03 ABUS 62 H	3,6
FPA02 EMOD + MBUS 11 L	2	FPA03 ABUS 13 H	3,7	FPA03 ABUS 63 H	3,6
FPA02 EMOD + MBUS 12 L	2	FPA03 ABUS 14 H	3,7	FPA03 ABUS 64 H	3,6
FPA02 EMOD + MBUS 13 L	2	FPA03 ABUS 15 H	7,3	FPA03 ABUS 65 H	3,6
FPA02 EMOD + MBUS 14 L	2	FPA03 ABUS 16 H	3,7	FPA03 ABUS 66 H	3,6
FPA02 EMOD + MBUS 15 L	2	FPA03 ABUS 17 H	3,7	FPA03 ABUS 67 H	1
FPA02 NSBUS 00 H	4,2	FPA03 ABUS 18 H	3,7	FPA03 PULLUP 1 H	3,6,2,1,7
FPA02 NSBUS 01 H	4,2	FPA03 ABUS 19 H	3,7	FPA03 PULLUP 2 H	11,12,3
FPA02 NSBUS 02 H	4,2	FPA03 ABUS 20 H	3,7	FPA03 PULLUP 3 H	15,14,16,3
FPA02 NSBUS 03 H	4,2	FPA03 ABUS 21 H	3,7	FPA03 PULLUP 4 H	21,17,20,3
FPA02 NSBUS 04 H	2,4	FPA03 ABUS 22 H	3,7	FPA03 STICKY BIT L	7,3

NOTES:
1. THIS PAGE LISTS THE SCHEMATIC PAGE NUMBER(S) WHERE A SIGNAL NAME IS REFERENCED.

THIS DRAWING AND SPECIFICATIONS ARE THE PROPERTY OF DIGITAL EQUIPMENT CORPORATION AND SHALL NOT BE REPRODUCED OR COPIED OR USED IN WHOLE OR IN PART AS THE BASIS FOR THE MANUFACTURE OR SALE OF ITEMS WITHOUT WRITTEN PERMISSION. COPYRIGHT © 1981, DIGITAL EQUIPMENT CORPORATION.

CHK	CHANGE NO.	REV

digital	DRN. 02	DATE 17-SEP-81	ENG.	DATE	TITLE
	CHK'D.	DATE	BOARD LOCATION: ACT	DE	FORWARD REFERENCE
FIRST USED ON OPTION/MODEL: FP750		NEXT HIGHER ASSEMBLY: B-DD-L0001-0-0		SIZE CODE	NUMBER
				D CS	L0001-0-25
					REV. A

8

7

6

5

4

3

2

1

92-0-10007 53 0 2000 2015

SIGNAL NAME PAGE NUMBER(S)

FPA06 BT H 6,7
 FPA06 C0 L 7,6
 FPA06 C1 L 6,7
 FPA06 C2 L 6,7
 FPA06 C3 L 6,7
 FPA06 C4 L 6
 FPA06 C5 L 6
 FPA06 C6 L 6
 FPA06 C7 L 6
 FPA06 CLEAN FOV L 17,6

 FPA06 DONE NEXT L 17,6
 FPA06 FOV H 6,15
 FPA06 FPBUS32 H 2,6
 FPA06 FPBUS33 H 2,6
 FPA06 FPBUS34 H 2,6
 FPA06 FPBUS35 H 2,6
 FPA06 FPBUS36 H 2,6
 FPA06 FPBUS37 H 2,6
 FPA06 FPBUS38 H 2,6
 FPA06 FPBUS39 H 2,6

 FPA06 FPBUS40 H 6,2
 FPA06 FPBUS41 H 6,2
 FPA06 FPBUS42 H 6,2
 FPA06 FPBUS43 H 6,2
 FPA06 FPBUS44 H 6,2
 FPA06 FPBUS45 H 6,2
 FPA06 FPBUS46 H 6,2
 FPA06 FPBUS47 H 6,2
 FPA06 FPBUS48 H 6,1
 FPA06 FPBUS49 H 6,1

 FPA06 FPBUS50 H 6,1
 FPA06 FPBUS51 H 6,1
 FPA06 FPBUS52 H 1,6
 FPA06 FPBUS53 H 1,6
 FPA06 FPBUS54 H 1,6
 FPA06 FPBUS55 H 1,6
 FPA06 FPBUS56 H 1,6
 FPA06 FPBUS57 H 1,6
 FPA06 FPBUS58 H 1,6
 FPA06 FPBUS59 H 1,6

 FPA06 FPBUS60 H 1,6
 FPA06 FPBUS61 H 1,6
 FPA06 FPBUS62 H 1,6
 FPA06 FPBUS63 H 1,6
 FPA06 FS H 16,7,6
 FPA06 FS L 6,8,16
 FPA06 G04 L 6
 FPA06 G05 L 6
 FPA06 G06 L 6
 FPA06 G07 L 6

SIGNAL NAME PAGE NUMBER(S)

FPA06 HOWDIF L 6,7
 FPA06 IP04 L 6,7
 FPA06 IP05 L 6,7
 FPA06 IP06 L 6,7
 FPA06 IP07 L 7,6
 FPA06 P04 L 6
 FPA06 P05 L 6
 FPA06 P06 L 6
 FPA06 P07 L 6
 FPA07 FPBUS00 H 7,2

 FPA07 FPBUS01 H 7,2
 FPA07 FPBUS02 H 7,2
 FPA07 FPBUS03 H 7,2
 FPA07 FPBUS04 H 2,7
 FPA07 FPBUS05 H 2,7
 FPA07 FPBUS06 H 2,7
 FPA07 FPBUS07 H 2,7
 FPA07 FPBUS08 H 7,2
 FPA07 FPBUS09 H 7,2
 FPA07 FPBUS10 H 7,2

 FPA07 FPBUS11 H 7,2
 FPA07 FPBUS12 H 7,2
 FPA07 FPBUS13 H 7,2
 FPA07 FPBUS14 H 7,2
 FPA07 FPBUS15 H 7,2
 FPA07 FPBUS16 H 7,1
 FPA07 FPBUS17 H 7,1
 FPA07 FPBUS18 H 7,1
 FPA07 FPBUS19 H 7,1
 FPA07 FPBUS20 H 7,1

 FPA07 FPBUS21 H 7,1
 FPA07 FPBUS22 H 7,1
 FPA07 FPBUS23 H 7,1
 FPA07 FPBUS24 H 7,1
 FPA07 FPBUS25 H 7,1
 FPA07 FPBUS26 H 7,1
 FPA07 FPBUS27 H 7,1
 FPA07 FPBUS28 H 7,1
 FPA07 FPBUS29 H 7,1
 FPA07 FPBUS30 H 7,1

 FPA07 FPBUS31 H 6,7,1
 FPA07 G00 L 7,6
 FPA07 G01 L 6,7
 FPA07 G02 L 6,7
 FPA07 G03 L 7
 FPA07 IC0 L 7
 FPA07 IC1 L 7
 FPA07 IC2 L 7
 FPA07 IC3 L 7
 FPA07 IC4 L 6,7

SIGNAL NAME PAGE NUMBER(S)

FPA07 IC5 L 6,7
 FPA07 IC6 L 6,7
 FPA07 IC7 L 7,6
 FPA07 IP00 L 7
 FPA07 IP01 L 7
 FPA07 IP02 L 7
 FPA07 IP03 L 7
 FPA07 PLDC1 L 6,7
 FPA07 P00 L 7,6
 FPA07 P01 L 6,7

 FPA07 P02 L 6,7
 FPA07 P03 L 6,7
 FPA08 MIER 0 H 21,10,9,8
 FPA08 MIER 1 H 21,10,9,8
 FPA08 MIER 2 H 21,10,9,8
 FPA08 MIER 3 H 10,9,8
 FPA08 MIER 4 H 21,10,9,8
 FPA08 MIER 5 H 21,10,9,8
 FPA08 MIER 6 H 21,10,9,8
 FPA08 MIER 7 H 10,9,8

 FPA09 M01 0 H 13,9
 FPA09 M01 1 H 13,9
 FPA09 M01 10 H 9,11
 FPA09 M01 11 H 9,11
 FPA09 M01 12 H 9,11
 FPA09 M01 13 H 9,11
 FPA09 M01 14 H 9,11
 FPA09 M01 15 H 9,11
 FPA09 M01 2 H 13,9
 FPA09 M01 3 H 13,9

 FPA09 M01 4 H 13,9
 FPA09 M01 5 H 13,9
 FPA09 M01 6 H 13,9
 FPA09 M01 7 H 13,9
 FPA09 M01 8 H 9,11
 FPA09 M01 9 H 9,11
 FPA09 M12 0 H 11,9
 FPA09 M12 1 H 11,9
 FPA09 M12 10 H 9,11
 FPA09 M12 11 H 9,11

 FPA09 M12 12 H 9,11
 FPA09 M12 13 H 9,11
 FPA09 M12 14 H 9,11
 FPA09 M12 15 H 9,11
 FPA09 M12 2 H 11,9
 FPA09 M12 3 H 11,9
 FPA09 M12 4 H 11,9
 FPA09 M12 5 H 11,9
 FPA09 M12 6 H 11,9
 FPA09 M12 7 H 11,9

NOTES: 1. THIS PAGE LISTS THE SCHEMA IC PAGE NUMBER(S) WHERE A SIGNAL NAME IS REFERENCED.

THIS DRAWING AND SPECIFICATIONS ARE THE PROPERTY OF DIGITAL EQUIPMENT CORPORATION AND SHALL NOT BE REPRODUCED OR COPIED IN WHOLE OR IN PART OR USED IN THE MANUFACTURE OR SALE OF ITEMS WITHOUT WRITTEN PERMISSION. COPYRIGHT © 1981 DIGITAL EQUIPMENT CORPORATION.

REV.	CHANGE NO.	DESCRIPTION

digital	DRW. DE	DATE 00-DEC-81	ENG.	DATE	TITLE: FORWARD REFERENCE
	CHK'D.	DATE	BOARD LOCATION: AC1	DE	
FIRST USED ON OPTION/MODEL: FP750					SIZE CODE NUMBER REV. D CS L0001-0-26 B

SIGNAL NAME	PAGE NUMBER(S)	SIGNAL NAME	PAGE NUMBER(S)	SIGNAL NAME	PAGE NUMBER(S)
FPA09 M12 8 H	9,11	FPA10 M56 0 H	11,10	FPA11 MP3L L	12,11
FPA09 M12 9 H	9,11	FPA10 M56 1 H	11,10	FPA11 MP4H L	11,12
FPA09 M23 0 H	11,9	FPA10 M56 10 H	10,11	FPA11 MP4L L	11,12
FPA09 M23 1 H	11,9	FPA10 M56 11 H	10,11	FPA11 MP5H L	11,12
FPA09 M23 10 H	9,11	FPA10 M56 12 H	10,11	FPA11 MP5L L	11,12
FPA09 M23 11 H	9,11	FPA10 M56 13 H	10,11	FPA11 MP6H L	12,11
FPA09 M23 12 H	9,11	FPA10 M56 14 H	10,11	FPA11 MP6L L	12,11
FPA09 M23 13 H	9,11	FPA10 M56 15 H	10,11	FPA11 MP7L L	11,12
FPA09 M23 14 H	9,11	FPA10 M56 2 H	11,10	FPA11 PP10 H	13,11
FPA09 M23 15 H	9,11	FPA10 M56 3 H	11,10	FPA11 PP11 H	13,11
FPA09 M23 2 H	11,9	FPA10 M56 4 H	11,10	FPA11 PP12 H	13,11
FPA09 M23 3 H	11,9	FPA10 M56 5 H	11,10	FPA11 PP13 H	13,11
FPA09 M23 4 H	11,9	FPA10 M56 6 H	11,10	FPA11 PP14 H	13,11
FPA09 M23 5 H	11,9	FPA10 M56 7 H	11,10	FPA11 PP15 H	13,11
FPA09 M23 6 H	11,9	FPA10 M56 8 H	10,11	FPA11 PP16 H	13,11
FPA09 M23 7 H	11,9	FPA10 M56 9 H	10,11	FPA11 PP17 H	13,11
FPA09 M23 8 H	9,11	FPA10 M67 0 H	10,11	FPA11 PP18 H	13,11
FPA09 M23 9 H	9,11	FPA10 M67 1 H	10,11	FPA11 PP19 H	13,11
FPA10 M34 0 H	10,11	FPA10 M67 10 H	10,11	FPA11 PP20 H	13,11
FPA10 M34 1 H	10,11	FPA10 M67 11 H	10,11	FPA11 PP21 H	13,11
FPA10 M34 10 H	11,10	FPA10 M67 12 H	10,11	FPA11 PP22 H	13,11
FPA10 M34 11 H	11,10	FPA10 M67 13 H	10,11	FPA11 PP23 H	13,11
FPA10 M34 12 H	11,10	FPA10 M67 14 H	10,11	FPA11 PP24 H	13,11
FPA10 M34 13 H	11,10	FPA10 M67 15 H	10,11	FPA11 PP25 H	13,11
FPA10 M34 14 H	11,10	FPA10 M67 2 H	10,11	FPA11 PP26 H	13,11
FPA10 M34 15 H	11,10	FPA10 M67 3 H	10,11	FPA11 PP27 H	13,11
FPA10 M34 2 H	10,11	FPA10 M67 4 H	11,10	FPA11 PP28 H	13,11
FPA10 M34 3 H	10,11	FPA10 M67 5 H	11,10	FPA11 PP29 H	13,11
FPA10 M34 4 H	10,11	FPA10 M67 6 H	11,10	FPA11 PP30 H	13,11
FPA10 M34 5 H	10,11	FPA10 M67 7 H	11,10	FPA11 PP31 H	13,11
FPA10 M34 6 H	10,11	FPA10 M67 8 H	10,11	FPA11 PP32 H	13,11
FPA10 M34 7 H	10,11	FPA10 M67 9 H	10,11	FPA11 PP33 H	13,11
FPA10 M34 8 H	11,10	FPA11 MG1H L	11,12	FPA11 PP34 H	13,11
FPA10 M34 9 H	11,10	FPA11 MG1L L	11,12	FPA11 PP35 H	13,11
FPA10 M45 0 H	11,10	FPA11 MG2H L	11,12	FPA11 PP36 H	13,11
FPA10 M45 1 H	11,10	FPA11 MG2L L	11,12	FPA11 PP37 H	13,11
FPA10 M45 10 H	11,10	FPA11 MG3H L	12,11	FPA11 PP38 H	13,11
FPA10 M45 11 H	11,10	FPA11 MG3L L	12,11	FPA11 PP39 H	13,11
FPA10 M45 12 H	10,11	FPA11 MG4H L	11,12	FPA11 PP40 H	13,11
FPA10 M45 13 H	10,11	FPA11 MG4L L	11,12	FPA11 PP41 H	13,11
FPA10 M45 14 H	10,11	FPA11 MG5H L	11,12	FPA11 PP42 H	13,11
FPA10 M45 15 H	10,11	FPA11 MG5L L	11,12	FPA11 PP43 H	13,11
FPA10 M45 2 H	11,10	FPA11 MG6H L	12,11	FPA11 PP44 H	13,11
FPA10 M45 3 H	11,10	FPA11 MG6L L	12,11	FPA11 PP45 H	13,11
FPA10 M45 4 H	11,10	FPA11 MG7L L	11,12	FPA11 PP46 H	13,11
FPA10 M45 5 H	11,10	FPA11 MP1H L	11,12	FPA11 PP47 H	13,11
FPA10 M45 6 H	11,10	FPA11 MP1L L	11,12	FPA11 PP48 H	13,11
FPA10 M45 7 H	11,10	FPA11 MP2H L	11,12	FPA11 PP49 H	13,11
FPA10 M45 8 H	11,10	FPA11 MP2L L	11,12	FPA11 PP50 H	13,11
FPA10 M45 9 H	11,10	FPA11 MP3H L	12,11	FPA11 PP51 H	13,11

NOTES:
 1. THIS PAGE LISTS THE SCHEMATIC PAGE NUMBER(S) WHERE A SIGNAL NAME IS REFERENCED.

THIS DRAWING AND SPECIFICATIONS HEREIN ARE THE PROPERTY OF DIGITAL EQUIPMENT CORPORATION AND SHALL NOT BE REPRODUCED OR COPIED OR USED IN WHOLE OR IN PART AS THE BASIS FOR THE MANUFACTURE OR SALE OF ITEMS WITHOUT WRITTEN PERMISSION. COPYRIGHT © 1981. DIGITAL EQUIPMENT CORPORATION.

REVISIONS	CHK	CHANGE NO.	REV

digital	DRN. 27	DATE 17-SEP-81	ENG.	DATE	TITLE:
	CHK'D.	DATE	BOARD LOCATION: ACT	SHEET	OF
FIRST USED ON OPTION/MODEL: FP750		NEXT HIGHER ASSEMBLY: B-DD-L0001-0-0		FORWARD REFERENCE	
SIZE CODE	NUMBER	REV.			
D CS	L0001-0-27	A			

SIGNAL NAME	PAGE NUMBER(S)	SIGNAL NAME	PAGE NUMBER(S)	SIGNAL NAME	PAGE NUMBER(S)
FPA11 PP52 H	11,13	FPA14 N7 H	15,14	FPA17 BUTCTRL3 H	17
FPA11 PP53 H	11,13	FPA14 S0 H	14,7,6,3	FPA17 BUTCTRL4 H	17
FPA11 PP54 H	11,13	FPA14 S1 H	14,7,6,3	FPA17 BUTCTRL5 H	17
FPA11 PP55 H	11,13	FPA14 S2 H	14,3	FPA17 BUTCTRL6 H	17
FPA11 PP56 H	13,11	FPA14 S3 H	14,3	FPA17 BUTCTRL7 H	17
FPA11 PP57 H	13,11	FPA14 S4 H	14,3	FPA17 CPU NOP L	17,20
FPA11 PP58 H	13,11	FPA14 S5 H	14,3	FPA17 CPU RD FCC L	21,17
FPA11 PP59 H	13,11	FPA14 SGE64 L	14,7,6	FPA17 CPU RD FPA H	21,17
FPA11 PP60 H	13,11	FPA14 SHIFTB H	14,2,1	FPA17 CPU RD FPA L	17,1
FPA11 PP61 H	13,11	FPA15 EXBUS 0 H	15,14,21		
FPA11 PP62 H	13,11	FPA15 EXBUS 1 H	15,14,21	-FPA17 CPU WR DOT H	17,14
FPA11 PP63 H	13,11	FPA15 EXBUS 2 H	15,14,21	-FPA17 CPU WR MBUS H	0
FPA11 PP8 H	13,11	FPA15 EXBUS 3 H	15,14,21	FPA17 CPU WR SLL H	17,15
FPA11 PP9 H	13,11	FPA15 EXBUS 4 H	15,14,21	-FPA17 CPU WR SLL H	17
FPA12 MC1H H	11,12	FPA15 EXBUS 5 H	15,14,21	-FPA17 CPU WR MBUS H	0
FPA12 MC2H H	11,12	FPA15 EXBUS 6 H	15,14,21	FPA17 CPUFPA0 H	17
FPA12 MC2L H	11,12	FPA15 EXBUS 7 H	15,14,21	FPA17 CPUFPA1 H	17
FPA12 MC3H H	12,11	FPA15 EXBUS 8 H	15,14,21	FPA17 CPUFPA2 H	17
FPA12 MC4H H	11,12	FPA15 EXBUS 9 H	15,14,21,17		
FPA12 MC4L H	11,12	FPA15 EXBUS 10 H	15	FPA17 CPUFPA3 H	17
FPA12 MC5H H	11,12	FPA15 FEK CIN L	15	FPA17 CSADR0 H	17,19,18,23
FPA12 MC6H H	12,11	FPA15 FEKPACK0 H	15	FPA17 CSADR1 H	17,19,18,23
FPA12 MC6L H	12,11	FPA15 FEKPACK1 H	15		
FPA12 MC7H H	11,12	FPA15 FEKPACK4 H	15	FPA17 CSADR2 H	17,19,18,23
FPA12 OMC3L H	12,11	FPA15 LIT + MBUS 07 L	15,14	FPA17 CSADR3 H	17,19,18,23
FPA12 OMC5L H	11,12	FPA15 LIT + MBUS 08 L	15,14	FPA17 CSADR4 H	17,19,18,23
FPA12 OMC7L H	12,11	FPA15 LIT + MBUS 09 L	15,14		
FPA12 OMC3L L	12	FPA15 LIT + MBUS 10 L	15,14	FPA17 CSADR5 H	17,19,18,23
FPA12 OMC5L L	12	FPA15 LIT + MBUS 11 L	15,14	FPA17 CTR COLT H	17
FPA12 OMC7L L	12	FPA15 LIT + MBUS 12 L	15,14	FPA17 DIV H	15,17
FPA12 OMP3L L	12			-FPA17 FLOATING OPERAND H	17,16
FPA12 OMP5L L	12	FPA15 LIT + MBUS 13 L	15,14	FPA17 IR01 H	16,17
FPA12 OMP7L L	12	FPA15 LIT + MBUS 14 L	15,14	FPA17 IR02 H	6,16,17
FPA13 CLK PPR L	13	FPA15 MUX EXP ALEG1 H	15		
FPA13 PPOEN L	13	FPA15 MUX EXP BLEG0 H	15	FPA17 IR04 H	16,17
FPA14 (FQADEN & AGEB) H	15,14,16	FPA15 MUX EXP BLEG2 H	15	FPA17 MSEQ INIT H	17,19
FPA14 (FQADEN & AGEB) L	15,14	FPA15 MUX EXP LDA L	15,14	FPA17 USTART H	19,17,20,23
FPA14 A GE B H	14	FPA15 SLL H	16,15,1	-FPA17 USTART H	19,17
FPA14 B2 H	14,7,6	FPA15 SLL L	15,16	-FPA17 MBUS OPERAND H	16,17
FPA14 CS LEFT 64 H	14,3	FPA16 EXA EQ 2 H	6,16,1		
		FPA16 EXA EQ 2 L	17,14,6,16	FPA18 ADD/SUB H	15,18,14,1,6,7,23
FPA14 CSL64 H	14,7,6	FPA16 EXB EQ 2 H	17,1,16	FPA18 C00 H	21,18,23
FPA14 FQADEN H	14	FPA16 FFADIF H	16,16,7	FPA18 C01 H	21,18,23
FPA14 FQADEN L	14	FPA16 RES OP H	17,21,16	FPA18 C02 H	21,18,23
FPA14 N0 H	15,14	FPA16 SIGNA H	21,16,17	FPA18 C03 H	21,18,23
FPA14 N1 H	15,14	FPA16 SIGNB H	16	FPA18 EN SET SLL H	18,15,23
FPA14 N2 H	15,14	FPA16 SIGNX H	16		
FPA14 N3 H	15,14	FPA16 WBUS EXP 0 H	16	FPA18 EXP ALEG0 H	15,18,23
FPA14 N4 H	15,14	FPA17 BUTCTRL0 H	17	FPA18 EXP ALEG1 H	15,18,23
FPA14 N5 H	15,14	FPA17 BUTCTRL1 H	17	FPA18 EXP AMUX0 H	15,18,23
FPA14 N6 H	15,14	FPA17 BUTCTRL2 H	17		

NOTES:
 1. THIS PAGE LISTS THE SCHEMATIC PAGE NUMBER(S) WHERE A SIGNAL NAME IS REFERENCED.

THIS DRAWING AND SPECIFICATIONS HEREIN ARE THE PROPERTY OF DIGITAL EQUIPMENT CORPORATION AND SHALL NOT BE REPRODUCED OR COPIED OR USED IN WHOLE OR IN PART AS THE BASIS FOR THE MANUFACTURE OR SALE OF ANY ITEMS WITHOUT WRITTEN PERMISSION. COPYRIGHT © 1981. DIGITAL EQUIPMENT CORPORATION	REVISIONS CHK CHANGE NO. REV		digital (160,127) FPA28.DRN FIRST USED ON OPTION/MODEL: FP750	DRN. 09/000A DATE 08-DEC-81	ENG. DATE	TITLE: FORWARD REFERENCE
				BOARD LOCATION: AC1 SHEET 1 OF 1	NEXT HIGHER ASSEMBLY: B-DD-L0001-0-0	SIZE CODE NUMBER REV. D CS L0001-0-28 B
				8 7 6 5 4 3 2 1		

8	7	6	5	4	3	2	1																																																																																																																																																																																																																																																																
<table border="1"> <thead> <tr> <th>SIGNAL NAME</th> <th>PAGE NUMBER(S)</th> </tr> </thead> <tbody> <tr><td>FPA18 EXP ANUX1 H</td><td>15,18,23</td></tr> <tr><td>FPA18 EXP BLEG0 H</td><td>15,18,23</td></tr> <tr><td>FPA18 EXP BLEG1 H</td><td>15,18,23</td></tr> <tr><td>FPA18 EXP BLEG2 H</td><td>15,18,23</td></tr> <tr><td>-FPA18 EXP CIN H</td><td>18,15,23</td></tr> <tr><td>-FPA18 EXP LD A H</td><td>15,18,23</td></tr> <tr><td>-FPA18 EXP LD B H</td><td>15,18,23</td></tr> <tr><td>-FPA18 EXP LD X H</td><td>15,18,23</td></tr> <tr><td>FPA18 EXP RND H</td><td>18,15,23</td></tr> <tr><td>FPA18 EXP TO WBUS H</td><td>15,18,23</td></tr> <tr><td>FPA18 FQA ASEL0 H</td><td>14,18,23</td></tr> <tr><td>FPA18 FQA ASEL1 H</td><td>14,18,23</td></tr> <tr><td>FPA18 FQA BSEL0 H</td><td>18,14,23</td></tr> <tr><td>FPA18 FQA BSEL1 H</td><td>14,18,23</td></tr> <tr><td>FPA18 FQA BSEL2 H</td><td>14,18,23</td></tr> <tr><td>FPA18 FQA OEN H</td><td>18,14,23</td></tr> <tr><td>FPA18 LD B FR WBUS H</td><td>15,18,2,1,23</td></tr> <tr><td>FPA18 LD EMOD H</td><td>21,18,2,23</td></tr> <tr><td>FPA18 LD SIGNA H</td><td>18,16,23</td></tr> <tr><td>FPA18 LD SIGNB H</td><td>18,16,23</td></tr> <tr><td>FPA18 LSHIFT H</td><td>18,3,23</td></tr> <tr><td>FPA18 SIGN CTRL0 H</td><td>18,16,23</td></tr> <tr><td>FPA18 SIGN CTRL1 H</td><td>18,16,23</td></tr> <tr><td>FPA18 SIGN XOR H</td><td>18,16,23</td></tr> <tr><td>FPA18 SIGNA TO WBUS H</td><td>18,16,23</td></tr> <tr><td>FPA18 SYNCHR UCODE DIS H</td><td>18,19,23</td></tr> <tr><td>FPA18 UNPACK0 H</td><td>18,1,23</td></tr> <tr><td>FPA18 UNPACK1 H</td><td>18,1,23</td></tr> <tr><td>FPA18 UNPACK2 H</td><td>18,1,23</td></tr> <tr><td>FPA18 UNPACK3 H</td><td>18,1,23</td></tr> <tr><td>FPA18 UNPACK4 H</td><td>18,1,23</td></tr> <tr><td>FPA18 WR WBUS H</td><td>18,1,23</td></tr> <tr><td>FPA19 ALU CIN H</td><td>19,7,23</td></tr> <tr><td>FPA19 BCOMPL H</td><td>19,6,23</td></tr> <tr><td>FPA19 BUT0 H</td><td>19,17,23</td></tr> <tr><td>FPA19 BUT1 H</td><td>19,17,23</td></tr> <tr><td>FPA19 BUT2 H</td><td>19,17,23</td></tr> <tr><td>FPA19 BUT3 H</td><td>19,17,23</td></tr> <tr><td>FPA19 BZERO H</td><td>19,14,23</td></tr> <tr><td>FPA19 ENA CTR H</td><td>19,17,23</td></tr> <tr><td>-FPA19 FPA STALL H</td><td>19,17,23</td></tr> <tr><td>FPA19 FPCLK0 H</td><td>20,19,23</td></tr> <tr><td>FPA19 FPCLK1 H</td><td>19,20,23</td></tr> </tbody> </table>		SIGNAL NAME	PAGE NUMBER(S)	FPA18 EXP ANUX1 H	15,18,23	FPA18 EXP BLEG0 H	15,18,23	FPA18 EXP BLEG1 H	15,18,23	FPA18 EXP BLEG2 H	15,18,23	-FPA18 EXP CIN H	18,15,23	-FPA18 EXP LD A H	15,18,23	-FPA18 EXP LD B H	15,18,23	-FPA18 EXP LD X H	15,18,23	FPA18 EXP RND H	18,15,23	FPA18 EXP TO WBUS H	15,18,23	FPA18 FQA ASEL0 H	14,18,23	FPA18 FQA ASEL1 H	14,18,23	FPA18 FQA BSEL0 H	18,14,23	FPA18 FQA BSEL1 H	14,18,23	FPA18 FQA BSEL2 H	14,18,23	FPA18 FQA OEN H	18,14,23	FPA18 LD B FR WBUS H	15,18,2,1,23	FPA18 LD EMOD H	21,18,2,23	FPA18 LD SIGNA H	18,16,23	FPA18 LD SIGNB H	18,16,23	FPA18 LSHIFT H	18,3,23	FPA18 SIGN CTRL0 H	18,16,23	FPA18 SIGN CTRL1 H	18,16,23	FPA18 SIGN XOR H	18,16,23	FPA18 SIGNA TO WBUS H	18,16,23	FPA18 SYNCHR UCODE DIS H	18,19,23	FPA18 UNPACK0 H	18,1,23	FPA18 UNPACK1 H	18,1,23	FPA18 UNPACK2 H	18,1,23	FPA18 UNPACK3 H	18,1,23	FPA18 UNPACK4 H	18,1,23	FPA18 WR WBUS H	18,1,23	FPA19 ALU CIN H	19,7,23	FPA19 BCOMPL H	19,6,23	FPA19 BUT0 H	19,17,23	FPA19 BUT1 H	19,17,23	FPA19 BUT2 H	19,17,23	FPA19 BUT3 H	19,17,23	FPA19 BZERO H	19,14,23	FPA19 ENA CTR H	19,17,23	-FPA19 FPA STALL H	19,17,23	FPA19 FPCLK0 H	20,19,23	FPA19 FPCLK1 H	19,20,23	<table border="1"> <thead> <tr> <th>SIGNAL NAME</th> <th>PAGE NUMBER(S)</th> </tr> </thead> <tbody> <tr><td>-FPA19 LD CTR H</td><td>19,17,23</td></tr> <tr><td>FPA19 LDPPR H</td><td>13,19,23</td></tr> <tr><td>FPA19 LMR1 H</td><td>19,17,8,23</td></tr> <tr><td>FPA19 MMR0 H</td><td>19,17,8,23</td></tr> <tr><td>FPA19 MMR1 H</td><td>19,17,8,23</td></tr> <tr><td>FPA19 MMR2 H</td><td>19,17,8,23</td></tr> <tr><td>FPA19 MMR0 H</td><td>19,8,23</td></tr> <tr><td>FPA19 MMR1 H</td><td>19,8,23</td></tr> <tr><td>FPA19 MMR2 H</td><td>19,8,23</td></tr> <tr><td>-FPA19 NEXT00 H</td><td>17,19,23</td></tr> <tr><td>FPA19 NEXT00 H</td><td>19,23</td></tr> <tr><td>-FPA19 NEXT01 H</td><td>17,19,23</td></tr> <tr><td>-FPA19 NEXT02 H</td><td>17,19,23</td></tr> <tr><td>-FPA19 NEXT03 H</td><td>17,19,23</td></tr> <tr><td>-FPA19 NEXT04 H</td><td>17,19,23</td></tr> <tr><td>-FPA19 NEXT05 H</td><td>17,19,23</td></tr> <tr><td>FPA19 NEXT06 H</td><td>19,18,23</td></tr> <tr><td>FPA19 NEXT07 H</td><td>19,18,23</td></tr> <tr><td>FPA19 NEXT08 H</td><td>19,18,23</td></tr> <tr><td>FPA19 PPOEN H</td><td>19,13,4,5,23</td></tr> <tr><td>FPA19 PRR0 H</td><td>19,20,7,6,23</td></tr> <tr><td>FPA19 PRR1 H</td><td>19,20,7,6,23</td></tr> <tr><td>FPA19 RND0 H</td><td>19,7,23</td></tr> <tr><td>FPA19 RND0 H</td><td>19,6,23</td></tr> <tr><td>FPA19 RND1 H</td><td>19,7,23</td></tr> <tr><td>FPA19 RT NORM H</td><td>19,6,23</td></tr> <tr><td>FPA19 SHEROM0 H</td><td>19,14,23</td></tr> <tr><td>FPA19 SHEROM1 H</td><td>19,14,23</td></tr> <tr><td>FPA19 SHEROM2 H</td><td>19,14,23</td></tr> <tr><td>FPA19 SHIFT B H</td><td>19,14,23</td></tr> <tr><td>FPA20 B CLK H</td><td>21,20,17,16</td></tr> <tr><td>-FPA20 DIV23 CLK EN H</td><td>20</td></tr> <tr><td>FPA20 FP CLK H</td><td>13,20,14,23</td></tr> <tr><td>-FPA20 FP CLK H</td><td>15,14,19,18,17,16,2,7,6,8,1,20</td></tr> <tr><td>-FPA20 FP CLK EN H</td><td>21,20</td></tr> <tr><td>FPA20 SYNC PHASE 1 H</td><td>14,20,16,2,1</td></tr> <tr><td>-FPA20 SYNC PHASE 1 H</td><td>15,20</td></tr> <tr><td>FPA21 EXPOR H</td><td>21,17</td></tr> <tr><td>FPA21 FAULT H</td><td>21,17</td></tr> <tr><td>-FPA21 FP RES OP H</td><td>21</td></tr> <tr><td>-FPA21 FPA ENABLED H</td><td>21</td></tr> </tbody> </table>		SIGNAL NAME	PAGE NUMBER(S)	-FPA19 LD CTR H	19,17,23	FPA19 LDPPR H	13,19,23	FPA19 LMR1 H	19,17,8,23	FPA19 MMR0 H	19,17,8,23	FPA19 MMR1 H	19,17,8,23	FPA19 MMR2 H	19,17,8,23	FPA19 MMR0 H	19,8,23	FPA19 MMR1 H	19,8,23	FPA19 MMR2 H	19,8,23	-FPA19 NEXT00 H	17,19,23	FPA19 NEXT00 H	19,23	-FPA19 NEXT01 H	17,19,23	-FPA19 NEXT02 H	17,19,23	-FPA19 NEXT03 H	17,19,23	-FPA19 NEXT04 H	17,19,23	-FPA19 NEXT05 H	17,19,23	FPA19 NEXT06 H	19,18,23	FPA19 NEXT07 H	19,18,23	FPA19 NEXT08 H	19,18,23	FPA19 PPOEN H	19,13,4,5,23	FPA19 PRR0 H	19,20,7,6,23	FPA19 PRR1 H	19,20,7,6,23	FPA19 RND0 H	19,7,23	FPA19 RND0 H	19,6,23	FPA19 RND1 H	19,7,23	FPA19 RT NORM H	19,6,23	FPA19 SHEROM0 H	19,14,23	FPA19 SHEROM1 H	19,14,23	FPA19 SHEROM2 H	19,14,23	FPA19 SHIFT B H	19,14,23	FPA20 B CLK H	21,20,17,16	-FPA20 DIV23 CLK EN H	20	FPA20 FP CLK H	13,20,14,23	-FPA20 FP CLK H	15,14,19,18,17,16,2,7,6,8,1,20	-FPA20 FP CLK EN H	21,20	FPA20 SYNC PHASE 1 H	14,20,16,2,1	-FPA20 SYNC PHASE 1 H	15,20	FPA21 EXPOR H	21,17	FPA21 FAULT H	21,17	-FPA21 FP RES OP H	21	-FPA21 FPA ENABLED H	21	<table border="1"> <thead> <tr> <th>SIGNAL NAME</th> <th>PAGE NUMBER(S)</th> </tr> </thead> <tbody> <tr><td>-FPA21 FPA TRAP H</td><td>21</td></tr> <tr><td>-FPA21 FPA V H</td><td>21</td></tr> <tr><td>-FPA21 FPA Z H</td><td>21,17</td></tr> <tr><td>-FPA21 LDPSL H</td><td>21</td></tr> <tr><td>-FPA21 M CLK H</td><td>21,17</td></tr> <tr><td>-FPA21 RFTC H</td><td>21</td></tr> <tr><td>-FPA21 WR FPAENA H</td><td>21</td></tr> <tr><td>-MBUS 00 H</td><td>1,2</td></tr> <tr><td>-MBUS 01 H</td><td>1,2</td></tr> <tr><td>-MBUS 02 H</td><td>1,2</td></tr> <tr><td>-MBUS 03 H</td><td>1,2,15</td></tr> <tr><td>-MBUS 04 H</td><td>2,1,15</td></tr> <tr><td>-MBUS 05 H</td><td>2,1,15</td></tr> <tr><td>-MBUS 06 H</td><td>2,1</td></tr> <tr><td>-MBUS 07 H</td><td>1,2,16,15</td></tr> <tr><td>-MBUS 08 H</td><td>2,16,15</td></tr> <tr><td>-MBUS 09 H</td><td>2,16,15</td></tr> <tr><td>-MBUS 10 H</td><td>2,16,15</td></tr> <tr><td>-MBUS 11 H</td><td>2,15,16</td></tr> <tr><td>-MBUS 12 H</td><td>2,15,16</td></tr> <tr><td>-MBUS 13 H</td><td>2,15,16</td></tr> <tr><td>-MBUS 14 H</td><td>2,15,16</td></tr> <tr><td>-MBUS 15 H</td><td>2,1</td></tr> <tr><td>-MBUS 16 H</td><td>2</td></tr> <tr><td>-MBUS 17 H</td><td>2</td></tr> <tr><td>-MBUS 18 H</td><td>2</td></tr> <tr><td>-MBUS 19 H</td><td>2</td></tr> <tr><td>-MBUS 20 H</td><td>2</td></tr> <tr><td>-MBUS 21 H</td><td>2</td></tr> <tr><td>-MBUS 22 H</td><td>2</td></tr> <tr><td>-MBUS 23 H</td><td>2</td></tr> <tr><td>-MBUS 24 H</td><td>1</td></tr> <tr><td>-MBUS 25 H</td><td>1</td></tr> <tr><td>-MBUS 26 H</td><td>1</td></tr> <tr><td>-MBUS 27 H</td><td>1</td></tr> <tr><td>-MBUS 28 H</td><td>1</td></tr> <tr><td>-MBUS 29 H</td><td>1</td></tr> <tr><td>-MBUS 30 H</td><td>1</td></tr> <tr><td>-MBUS 31 H</td><td>1</td></tr> <tr><td>MIC01 XBUF 00 H</td><td>17</td></tr> <tr><td>MIC01 XBUF 01 H</td><td>17</td></tr> <tr><td>MIC01 XBUF 02 H</td><td>17</td></tr> </tbody> </table>		SIGNAL NAME	PAGE NUMBER(S)	-FPA21 FPA TRAP H	21	-FPA21 FPA V H	21	-FPA21 FPA Z H	21,17	-FPA21 LDPSL H	21	-FPA21 M CLK H	21,17	-FPA21 RFTC H	21	-FPA21 WR FPAENA H	21	-MBUS 00 H	1,2	-MBUS 01 H	1,2	-MBUS 02 H	1,2	-MBUS 03 H	1,2,15	-MBUS 04 H	2,1,15	-MBUS 05 H	2,1,15	-MBUS 06 H	2,1	-MBUS 07 H	1,2,16,15	-MBUS 08 H	2,16,15	-MBUS 09 H	2,16,15	-MBUS 10 H	2,16,15	-MBUS 11 H	2,15,16	-MBUS 12 H	2,15,16	-MBUS 13 H	2,15,16	-MBUS 14 H	2,15,16	-MBUS 15 H	2,1	-MBUS 16 H	2	-MBUS 17 H	2	-MBUS 18 H	2	-MBUS 19 H	2	-MBUS 20 H	2	-MBUS 21 H	2	-MBUS 22 H	2	-MBUS 23 H	2	-MBUS 24 H	1	-MBUS 25 H	1	-MBUS 26 H	1	-MBUS 27 H	1	-MBUS 28 H	1	-MBUS 29 H	1	-MBUS 30 H	1	-MBUS 31 H	1	MIC01 XBUF 00 H	17	MIC01 XBUF 01 H	17	MIC01 XBUF 02 H	17
SIGNAL NAME	PAGE NUMBER(S)																																																																																																																																																																																																																																																																						
FPA18 EXP ANUX1 H	15,18,23																																																																																																																																																																																																																																																																						
FPA18 EXP BLEG0 H	15,18,23																																																																																																																																																																																																																																																																						
FPA18 EXP BLEG1 H	15,18,23																																																																																																																																																																																																																																																																						
FPA18 EXP BLEG2 H	15,18,23																																																																																																																																																																																																																																																																						
-FPA18 EXP CIN H	18,15,23																																																																																																																																																																																																																																																																						
-FPA18 EXP LD A H	15,18,23																																																																																																																																																																																																																																																																						
-FPA18 EXP LD B H	15,18,23																																																																																																																																																																																																																																																																						
-FPA18 EXP LD X H	15,18,23																																																																																																																																																																																																																																																																						
FPA18 EXP RND H	18,15,23																																																																																																																																																																																																																																																																						
FPA18 EXP TO WBUS H	15,18,23																																																																																																																																																																																																																																																																						
FPA18 FQA ASEL0 H	14,18,23																																																																																																																																																																																																																																																																						
FPA18 FQA ASEL1 H	14,18,23																																																																																																																																																																																																																																																																						
FPA18 FQA BSEL0 H	18,14,23																																																																																																																																																																																																																																																																						
FPA18 FQA BSEL1 H	14,18,23																																																																																																																																																																																																																																																																						
FPA18 FQA BSEL2 H	14,18,23																																																																																																																																																																																																																																																																						
FPA18 FQA OEN H	18,14,23																																																																																																																																																																																																																																																																						
FPA18 LD B FR WBUS H	15,18,2,1,23																																																																																																																																																																																																																																																																						
FPA18 LD EMOD H	21,18,2,23																																																																																																																																																																																																																																																																						
FPA18 LD SIGNA H	18,16,23																																																																																																																																																																																																																																																																						
FPA18 LD SIGNB H	18,16,23																																																																																																																																																																																																																																																																						
FPA18 LSHIFT H	18,3,23																																																																																																																																																																																																																																																																						
FPA18 SIGN CTRL0 H	18,16,23																																																																																																																																																																																																																																																																						
FPA18 SIGN CTRL1 H	18,16,23																																																																																																																																																																																																																																																																						
FPA18 SIGN XOR H	18,16,23																																																																																																																																																																																																																																																																						
FPA18 SIGNA TO WBUS H	18,16,23																																																																																																																																																																																																																																																																						
FPA18 SYNCHR UCODE DIS H	18,19,23																																																																																																																																																																																																																																																																						
FPA18 UNPACK0 H	18,1,23																																																																																																																																																																																																																																																																						
FPA18 UNPACK1 H	18,1,23																																																																																																																																																																																																																																																																						
FPA18 UNPACK2 H	18,1,23																																																																																																																																																																																																																																																																						
FPA18 UNPACK3 H	18,1,23																																																																																																																																																																																																																																																																						
FPA18 UNPACK4 H	18,1,23																																																																																																																																																																																																																																																																						
FPA18 WR WBUS H	18,1,23																																																																																																																																																																																																																																																																						
FPA19 ALU CIN H	19,7,23																																																																																																																																																																																																																																																																						
FPA19 BCOMPL H	19,6,23																																																																																																																																																																																																																																																																						
FPA19 BUT0 H	19,17,23																																																																																																																																																																																																																																																																						
FPA19 BUT1 H	19,17,23																																																																																																																																																																																																																																																																						
FPA19 BUT2 H	19,17,23																																																																																																																																																																																																																																																																						
FPA19 BUT3 H	19,17,23																																																																																																																																																																																																																																																																						
FPA19 BZERO H	19,14,23																																																																																																																																																																																																																																																																						
FPA19 ENA CTR H	19,17,23																																																																																																																																																																																																																																																																						
-FPA19 FPA STALL H	19,17,23																																																																																																																																																																																																																																																																						
FPA19 FPCLK0 H	20,19,23																																																																																																																																																																																																																																																																						
FPA19 FPCLK1 H	19,20,23																																																																																																																																																																																																																																																																						
SIGNAL NAME	PAGE NUMBER(S)																																																																																																																																																																																																																																																																						
-FPA19 LD CTR H	19,17,23																																																																																																																																																																																																																																																																						
FPA19 LDPPR H	13,19,23																																																																																																																																																																																																																																																																						
FPA19 LMR1 H	19,17,8,23																																																																																																																																																																																																																																																																						
FPA19 MMR0 H	19,17,8,23																																																																																																																																																																																																																																																																						
FPA19 MMR1 H	19,17,8,23																																																																																																																																																																																																																																																																						
FPA19 MMR2 H	19,17,8,23																																																																																																																																																																																																																																																																						
FPA19 MMR0 H	19,8,23																																																																																																																																																																																																																																																																						
FPA19 MMR1 H	19,8,23																																																																																																																																																																																																																																																																						
FPA19 MMR2 H	19,8,23																																																																																																																																																																																																																																																																						
-FPA19 NEXT00 H	17,19,23																																																																																																																																																																																																																																																																						
FPA19 NEXT00 H	19,23																																																																																																																																																																																																																																																																						
-FPA19 NEXT01 H	17,19,23																																																																																																																																																																																																																																																																						
-FPA19 NEXT02 H	17,19,23																																																																																																																																																																																																																																																																						
-FPA19 NEXT03 H	17,19,23																																																																																																																																																																																																																																																																						
-FPA19 NEXT04 H	17,19,23																																																																																																																																																																																																																																																																						
-FPA19 NEXT05 H	17,19,23																																																																																																																																																																																																																																																																						
FPA19 NEXT06 H	19,18,23																																																																																																																																																																																																																																																																						
FPA19 NEXT07 H	19,18,23																																																																																																																																																																																																																																																																						
FPA19 NEXT08 H	19,18,23																																																																																																																																																																																																																																																																						
FPA19 PPOEN H	19,13,4,5,23																																																																																																																																																																																																																																																																						
FPA19 PRR0 H	19,20,7,6,23																																																																																																																																																																																																																																																																						
FPA19 PRR1 H	19,20,7,6,23																																																																																																																																																																																																																																																																						
FPA19 RND0 H	19,7,23																																																																																																																																																																																																																																																																						
FPA19 RND0 H	19,6,23																																																																																																																																																																																																																																																																						
FPA19 RND1 H	19,7,23																																																																																																																																																																																																																																																																						
FPA19 RT NORM H	19,6,23																																																																																																																																																																																																																																																																						
FPA19 SHEROM0 H	19,14,23																																																																																																																																																																																																																																																																						
FPA19 SHEROM1 H	19,14,23																																																																																																																																																																																																																																																																						
FPA19 SHEROM2 H	19,14,23																																																																																																																																																																																																																																																																						
FPA19 SHIFT B H	19,14,23																																																																																																																																																																																																																																																																						
FPA20 B CLK H	21,20,17,16																																																																																																																																																																																																																																																																						
-FPA20 DIV23 CLK EN H	20																																																																																																																																																																																																																																																																						
FPA20 FP CLK H	13,20,14,23																																																																																																																																																																																																																																																																						
-FPA20 FP CLK H	15,14,19,18,17,16,2,7,6,8,1,20																																																																																																																																																																																																																																																																						
-FPA20 FP CLK EN H	21,20																																																																																																																																																																																																																																																																						
FPA20 SYNC PHASE 1 H	14,20,16,2,1																																																																																																																																																																																																																																																																						
-FPA20 SYNC PHASE 1 H	15,20																																																																																																																																																																																																																																																																						
FPA21 EXPOR H	21,17																																																																																																																																																																																																																																																																						
FPA21 FAULT H	21,17																																																																																																																																																																																																																																																																						
-FPA21 FP RES OP H	21																																																																																																																																																																																																																																																																						
-FPA21 FPA ENABLED H	21																																																																																																																																																																																																																																																																						
SIGNAL NAME	PAGE NUMBER(S)																																																																																																																																																																																																																																																																						
-FPA21 FPA TRAP H	21																																																																																																																																																																																																																																																																						
-FPA21 FPA V H	21																																																																																																																																																																																																																																																																						
-FPA21 FPA Z H	21,17																																																																																																																																																																																																																																																																						
-FPA21 LDPSL H	21																																																																																																																																																																																																																																																																						
-FPA21 M CLK H	21,17																																																																																																																																																																																																																																																																						
-FPA21 RFTC H	21																																																																																																																																																																																																																																																																						
-FPA21 WR FPAENA H	21																																																																																																																																																																																																																																																																						
-MBUS 00 H	1,2																																																																																																																																																																																																																																																																						
-MBUS 01 H	1,2																																																																																																																																																																																																																																																																						
-MBUS 02 H	1,2																																																																																																																																																																																																																																																																						
-MBUS 03 H	1,2,15																																																																																																																																																																																																																																																																						
-MBUS 04 H	2,1,15																																																																																																																																																																																																																																																																						
-MBUS 05 H	2,1,15																																																																																																																																																																																																																																																																						
-MBUS 06 H	2,1																																																																																																																																																																																																																																																																						
-MBUS 07 H	1,2,16,15																																																																																																																																																																																																																																																																						
-MBUS 08 H	2,16,15																																																																																																																																																																																																																																																																						
-MBUS 09 H	2,16,15																																																																																																																																																																																																																																																																						
-MBUS 10 H	2,16,15																																																																																																																																																																																																																																																																						
-MBUS 11 H	2,15,16																																																																																																																																																																																																																																																																						
-MBUS 12 H	2,15,16																																																																																																																																																																																																																																																																						
-MBUS 13 H	2,15,16																																																																																																																																																																																																																																																																						
-MBUS 14 H	2,15,16																																																																																																																																																																																																																																																																						
-MBUS 15 H	2,1																																																																																																																																																																																																																																																																						
-MBUS 16 H	2																																																																																																																																																																																																																																																																						
-MBUS 17 H	2																																																																																																																																																																																																																																																																						
-MBUS 18 H	2																																																																																																																																																																																																																																																																						
-MBUS 19 H	2																																																																																																																																																																																																																																																																						
-MBUS 20 H	2																																																																																																																																																																																																																																																																						
-MBUS 21 H	2																																																																																																																																																																																																																																																																						
-MBUS 22 H	2																																																																																																																																																																																																																																																																						
-MBUS 23 H	2																																																																																																																																																																																																																																																																						
-MBUS 24 H	1																																																																																																																																																																																																																																																																						
-MBUS 25 H	1																																																																																																																																																																																																																																																																						
-MBUS 26 H	1																																																																																																																																																																																																																																																																						
-MBUS 27 H	1																																																																																																																																																																																																																																																																						
-MBUS 28 H	1																																																																																																																																																																																																																																																																						
-MBUS 29 H	1																																																																																																																																																																																																																																																																						
-MBUS 30 H	1																																																																																																																																																																																																																																																																						
-MBUS 31 H	1																																																																																																																																																																																																																																																																						
MIC01 XBUF 00 H	17																																																																																																																																																																																																																																																																						
MIC01 XBUF 01 H	17																																																																																																																																																																																																																																																																						
MIC01 XBUF 02 H	17																																																																																																																																																																																																																																																																						

NOTES:
1. THIS PAGE LISTS THE SCHEMATIC PAGE NUMBER(S) WHERE A SIGNAL NAME IS REFERENCED.

THIS DRAWING AND SPECIFICATIONS ARE THE PROPERTY OF DIGITAL EQUIPMENT CORPORATION AND SHALL NOT BE REPRODUCED OR COPIED OR USED IN WHOLE OR IN PART AS THE BASIS FOR THE MANUFACTURE OR SALE OF ITEMS WITHOUT WRITTEN PERMISSION. COPYRIGHT © 1981 DIGITAL EQUIPMENT CORPORATION.

CHK	CHANGE NO.	REV

digital	DRN. 01	DATE 17-SEP-81	ENG.	DATE	TITLE:
	CHK'D.	DATE	BOARD LOCATION: ACT	SHEET	FORWARD REFERENCE
160,1271 FPA29.DRW	30-JUL-81 14:01	NEXT HIGHER ASSEMBLY:	SIZE CODE	NUMBER	REV.
FIRST USED ON OPTION/MODEL: FP750	B-DD-L0001-0-0		D CS	L0001-0-29	A

SIGNAL NAME	PAGE NUMBER(S)	SIGNAL NAME	PAGE NUMBER(S)	SIGNAL NAME	PAGE NUMBER(S)
MIC02 XBUF 05 H	17				
MIC02 XBUF 06 H	17				
MIC02 XBUF 07 H	17				
-MIC04 LATCHED MBUS 15 H	16				
MIC04 MEM STALL H	20				
-MIC07 UTRAP H	17				
-UB113 MSEQ INIT H	19,17				
WBUS 00 H	21,1				
WBUS 01 H	21,1				
WBUS 02 H	21,1				
WBUS 03 H	21,1				
WBUS 04 H	1				
WBUS 05 H	21,1				
WBUS 06 H	21,1				
WBUS 07 H	15,14,16,1				
WBUS 08 H	15,14,16,2				
WBUS 09 H	15,14,16,2				
WBUS 10 H	15,14,16,2				
WBUS 11 H	15,14,16,2				
WBUS 12 H	15,14,16,2				
WBUS 13 H	15,14,16,2				
WBUS 14 H	15,14,16,2				
WBUS 15 H	16,2				
WBUS 16 H	2				
WBUS 17 H	2				
WBUS 18 H	2				
WBUS 19 H	2				
WBUS 20 H	2				
WBUS 21 H	2				
WBUS 22 H	2				
WBUS 23 H	2				
WBUS 24 H	1				
WBUS 25 H	1				
WBUS 26 H	1				
WBUS 27 H	1				
WBUS 28 H	1				
WBUS 29 H	1				
WBUS 30 H	1				
WBUS 31 H	1				

NOTES:
 1. THIS PAGE LISTS THE SCHEMATIC PAGE NUMBER(S) WHERE A SIGNAL NAME IS REFERENCED.

THIS DRAWING AND SPECIFICATIONS
 HEREIN ARE THE PROPERTY OF
 DIGITAL EQUIPMENT CORPORATION AND
 SHALL NOT BE REPRODUCED OR COPIED
 OR USED IN WHOLE OR IN PART AS
 THE BASIS FOR THE MANUFACTURE OR
 SALE OF ITEMS WITHOUT WRITTEN
 PERMISSION. COPYRIGHT © 1981,
 DIGITAL EQUIPMENT CORPORATION

REVISIONS	
CHK	CHANGE NO. REV

digital	DRN. 057000	DATE 17-SEP-81	ENG.	DATE	TITLE:
	CHK'D.	DATE	BOARD LOCATION: AC1	DE	FORWARD REFERENCE
FIRST USED ON OPTION/MODEL: FP750		NEXT HIGHER ASSEMBLY: B-DD-L0001-0-0		SIZE CODE	NUMBER
				D CS	L0001-0-30
				REV.	A

