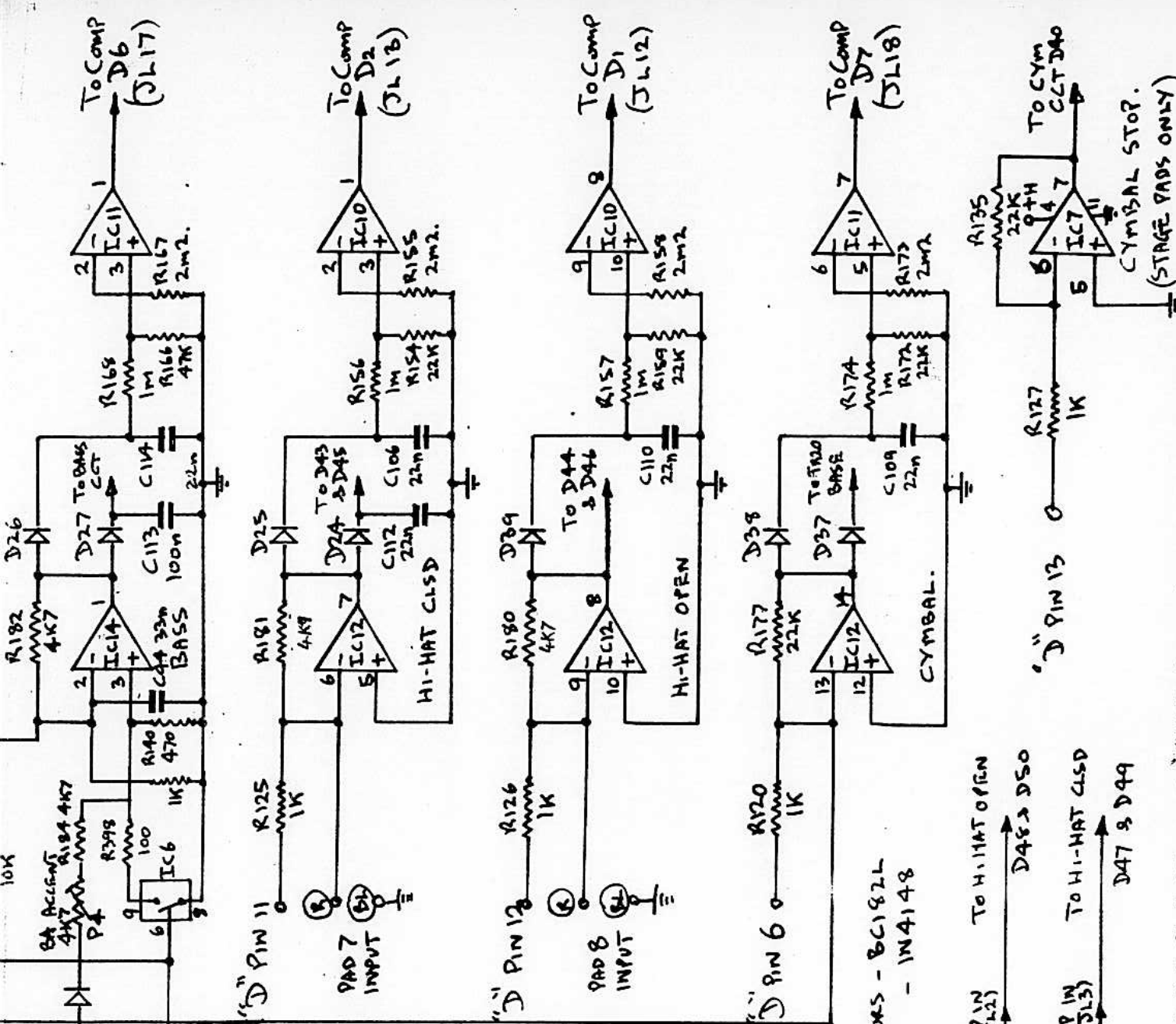


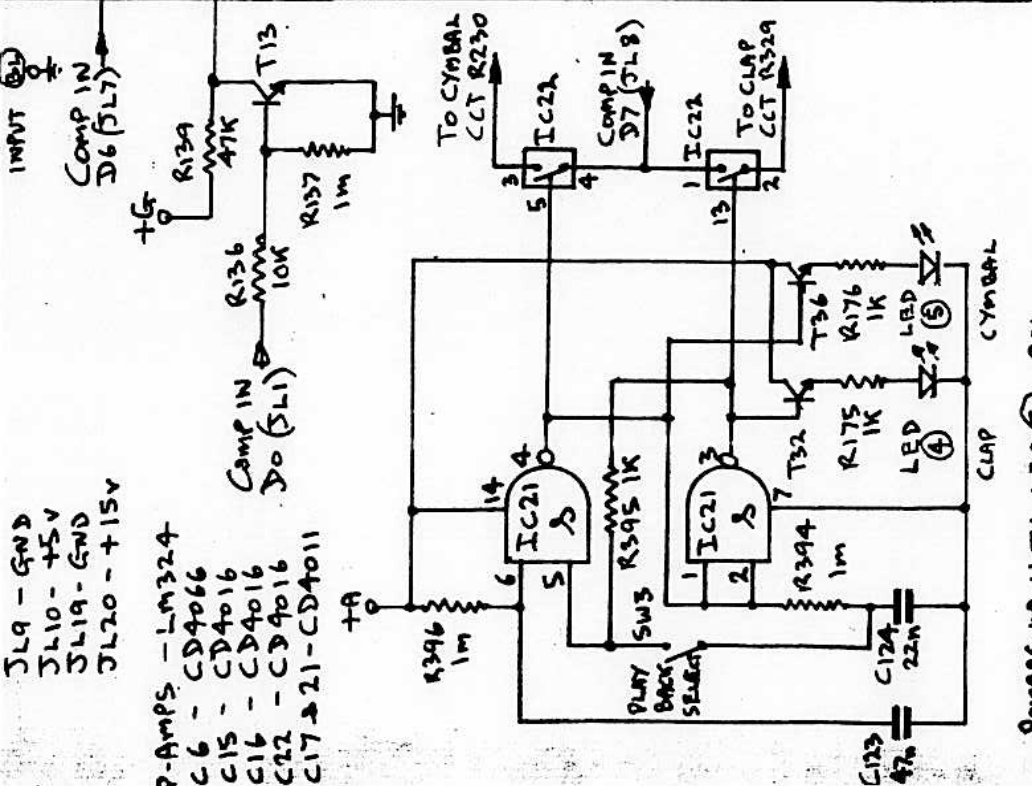
JL9 - GND
 JL10 - +5V
 JL19 - GND
 JL20 - +15V

2-AMPS - LM324
 C6 - CD4066
 C15 - CD4016
 C16 - CD4016
 C22 - CD4016
 C17 & 21 - CD4011



ALL TRANSISTORS - BC182L
 ALL DIODES - 1N4148

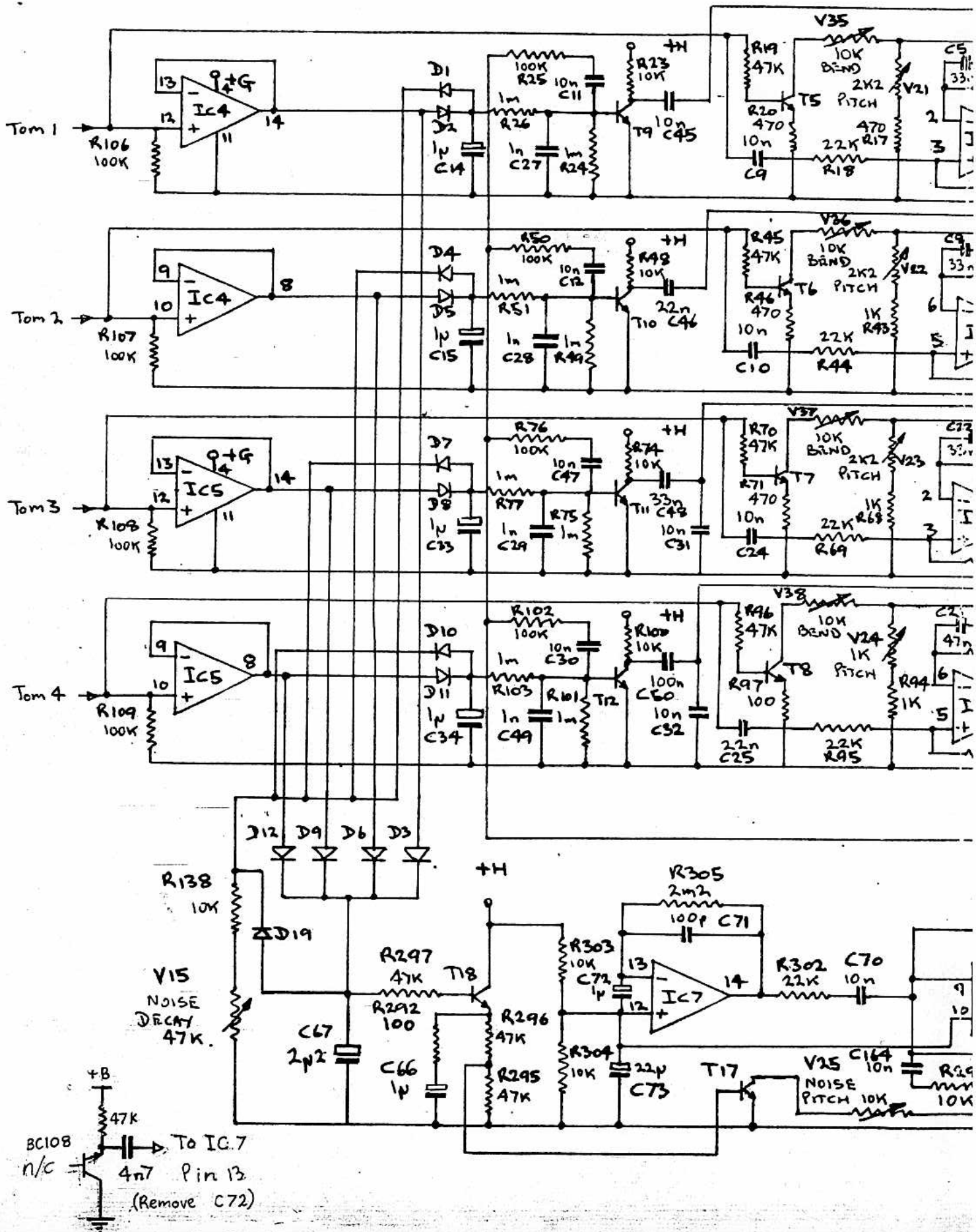
COMP IN D1 (JL21) → TO HI-HAT OPEN D45 & D50
 COMP IN D2 (JL3) → TO HI-HAT CLSD D47 & D49

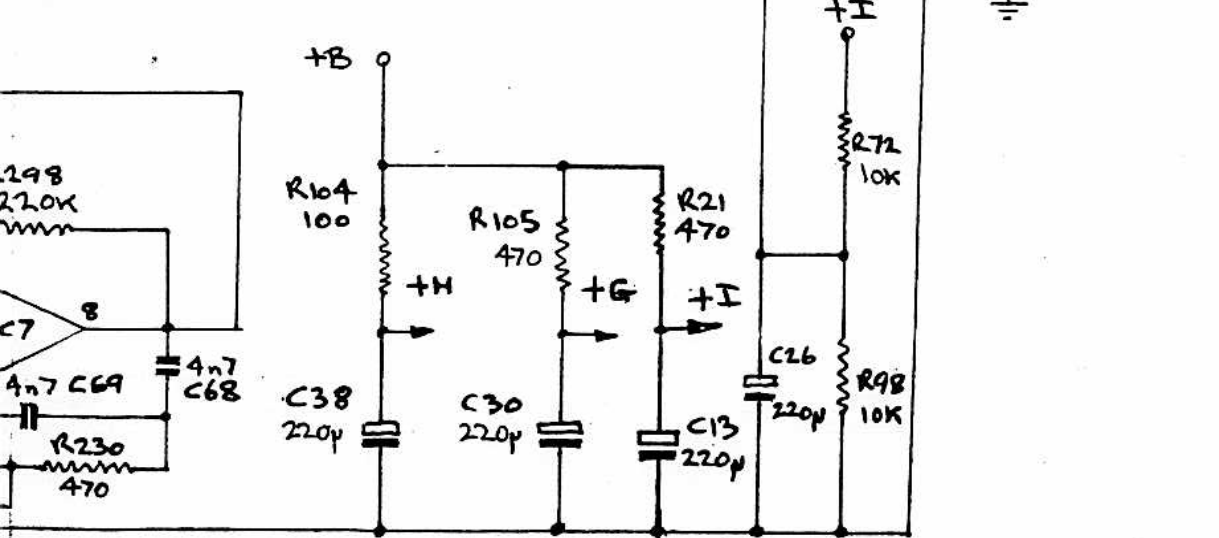
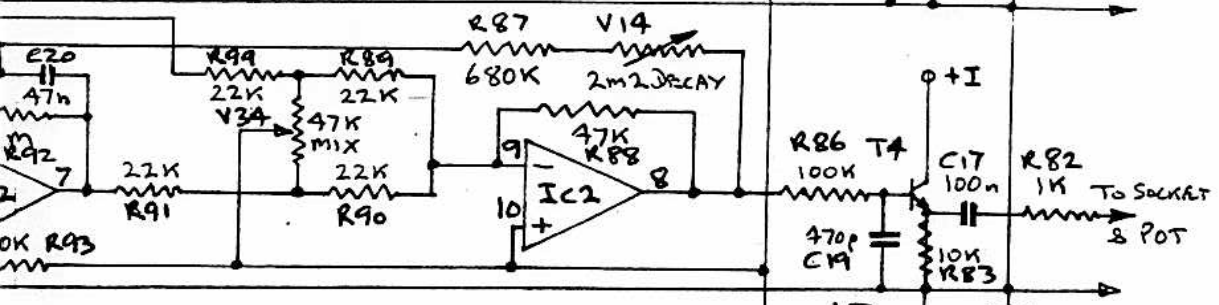
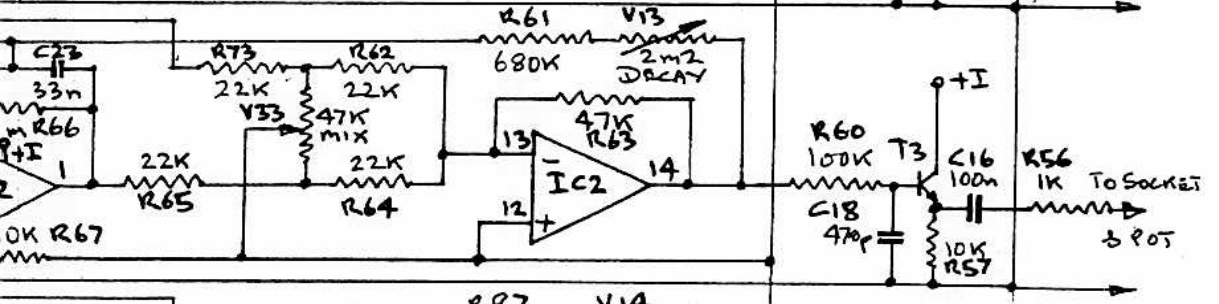
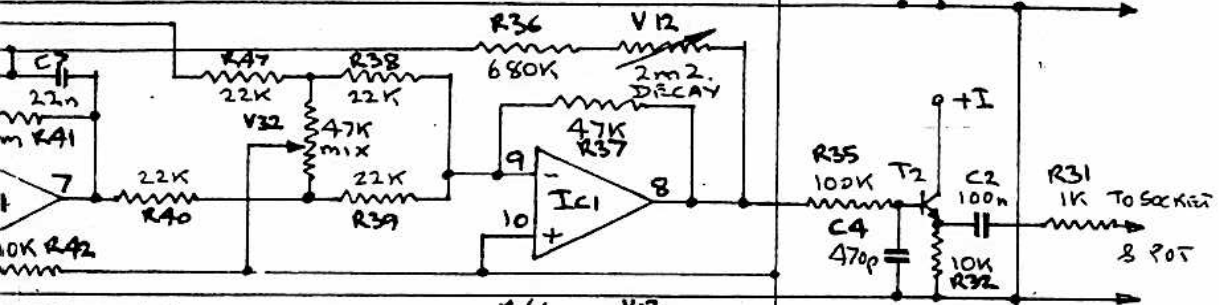
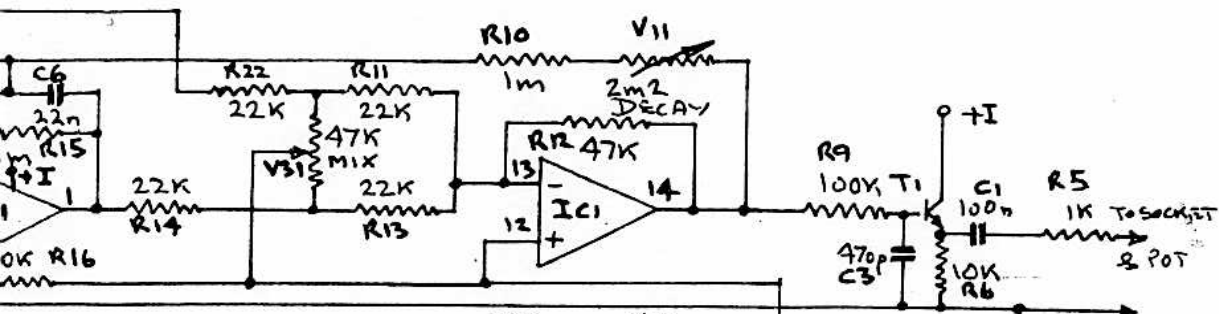


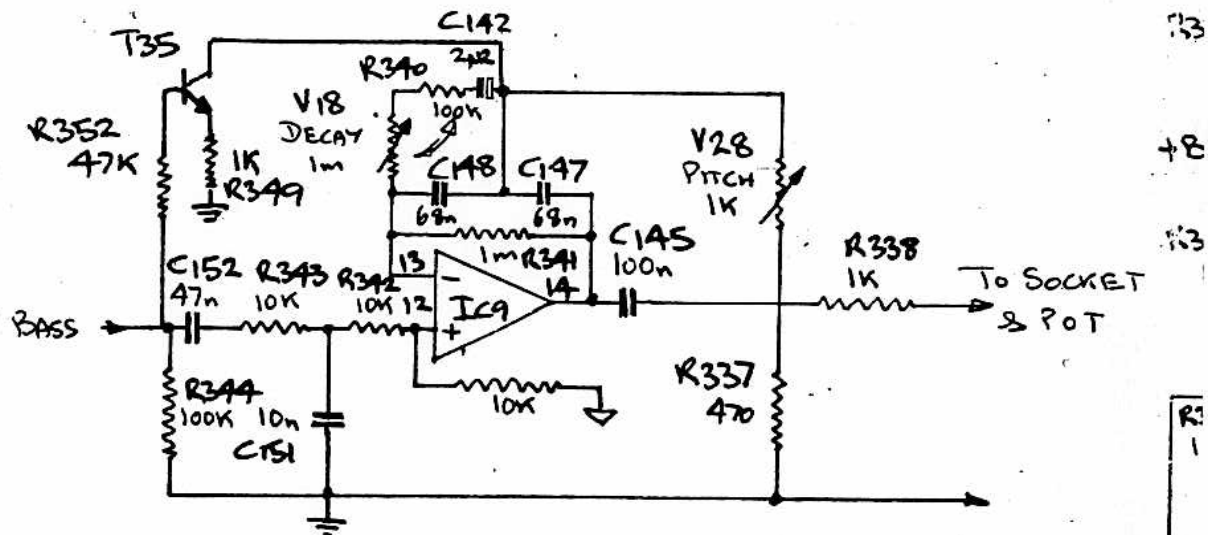
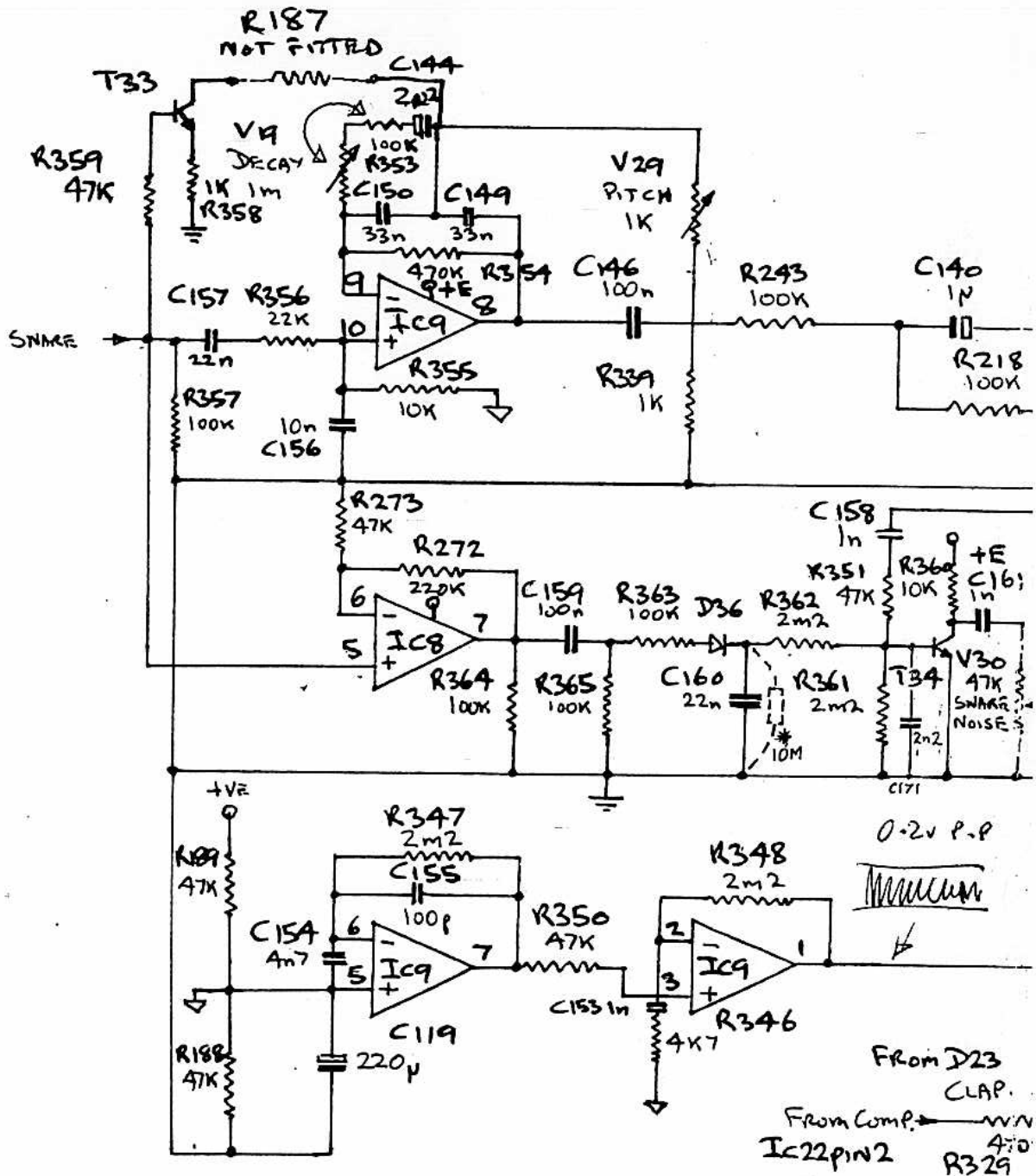
INPUT CIRCUITS

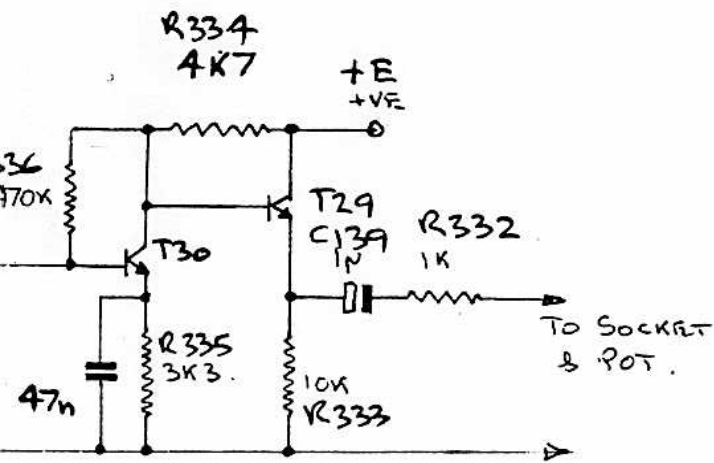
M.P.C. ELECTRONICS DRAWN 14-6-83 BY: CLIVE BUTTON.

TOM TOM CIRCUITS



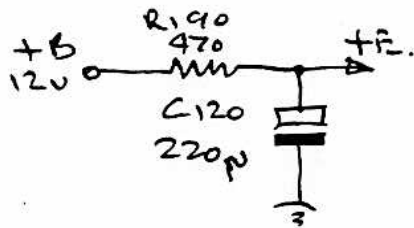




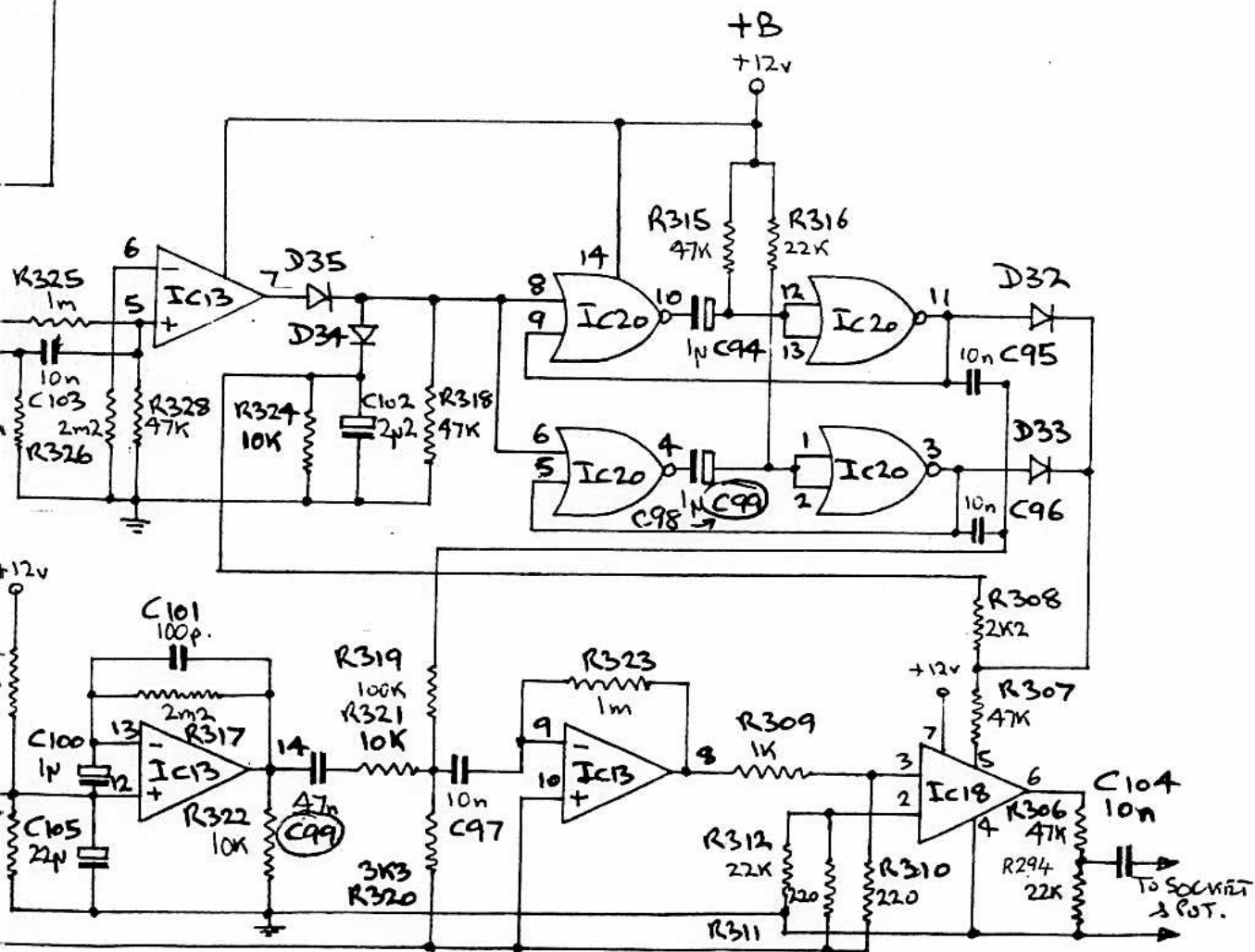


SNARE, BASS & CLAP.

- IC9 - LM324
- IC8 - LM324
- IC13 - LM324
- IC20 - CD4001
- IC18 - LM3080
- ALL DIODES - 1N4148.
- ALL TRANSISTORS - BC182L

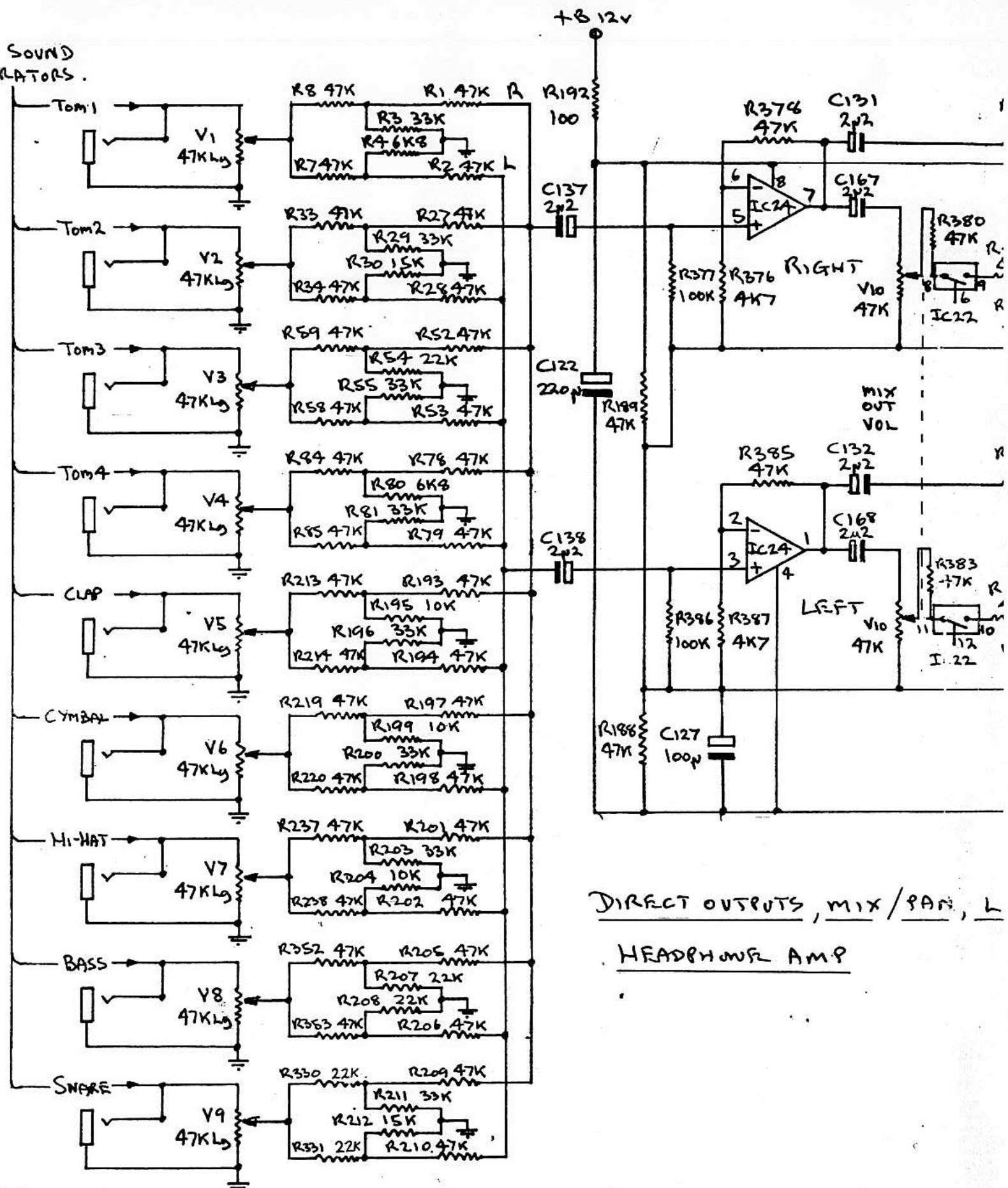


* 10m
10m



10m ?

SOUND
RATORS.

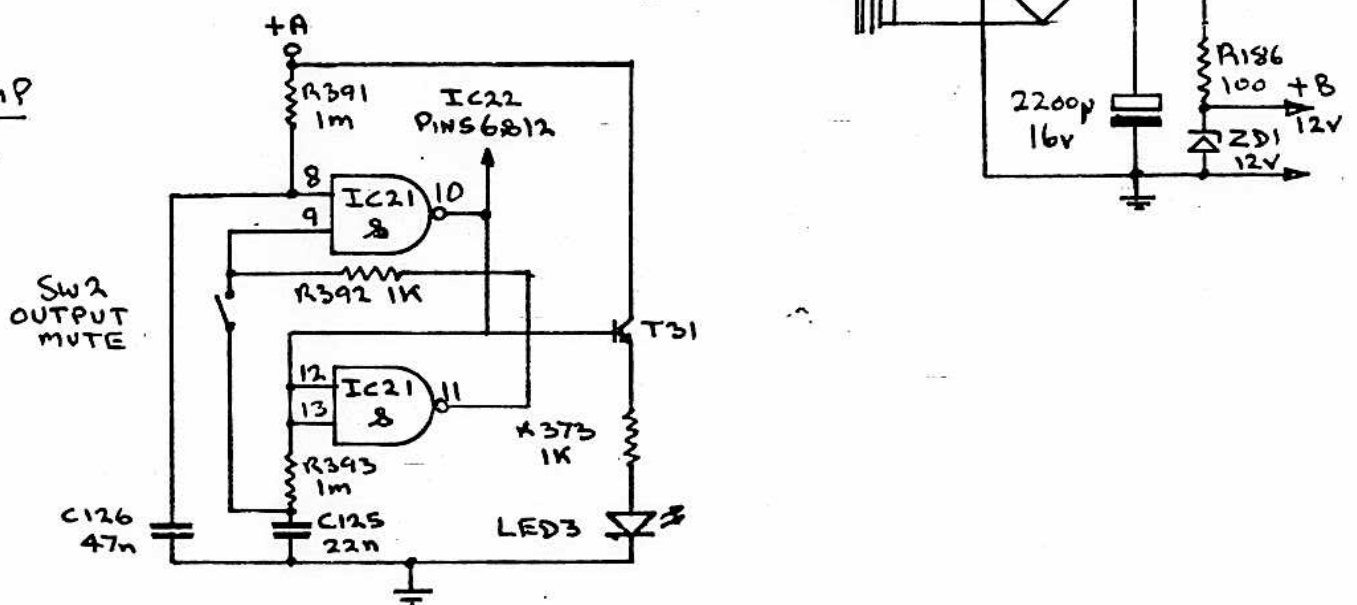
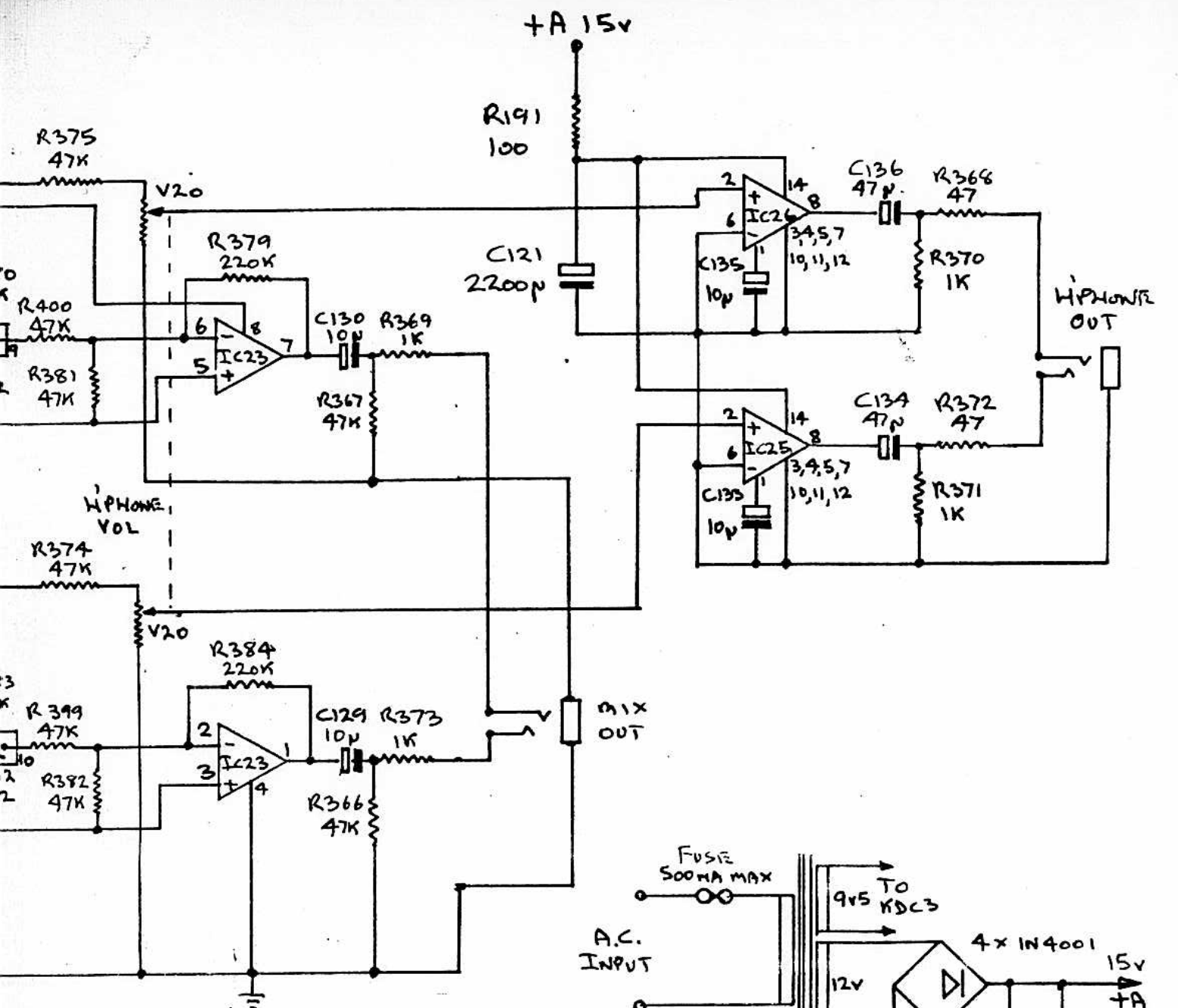


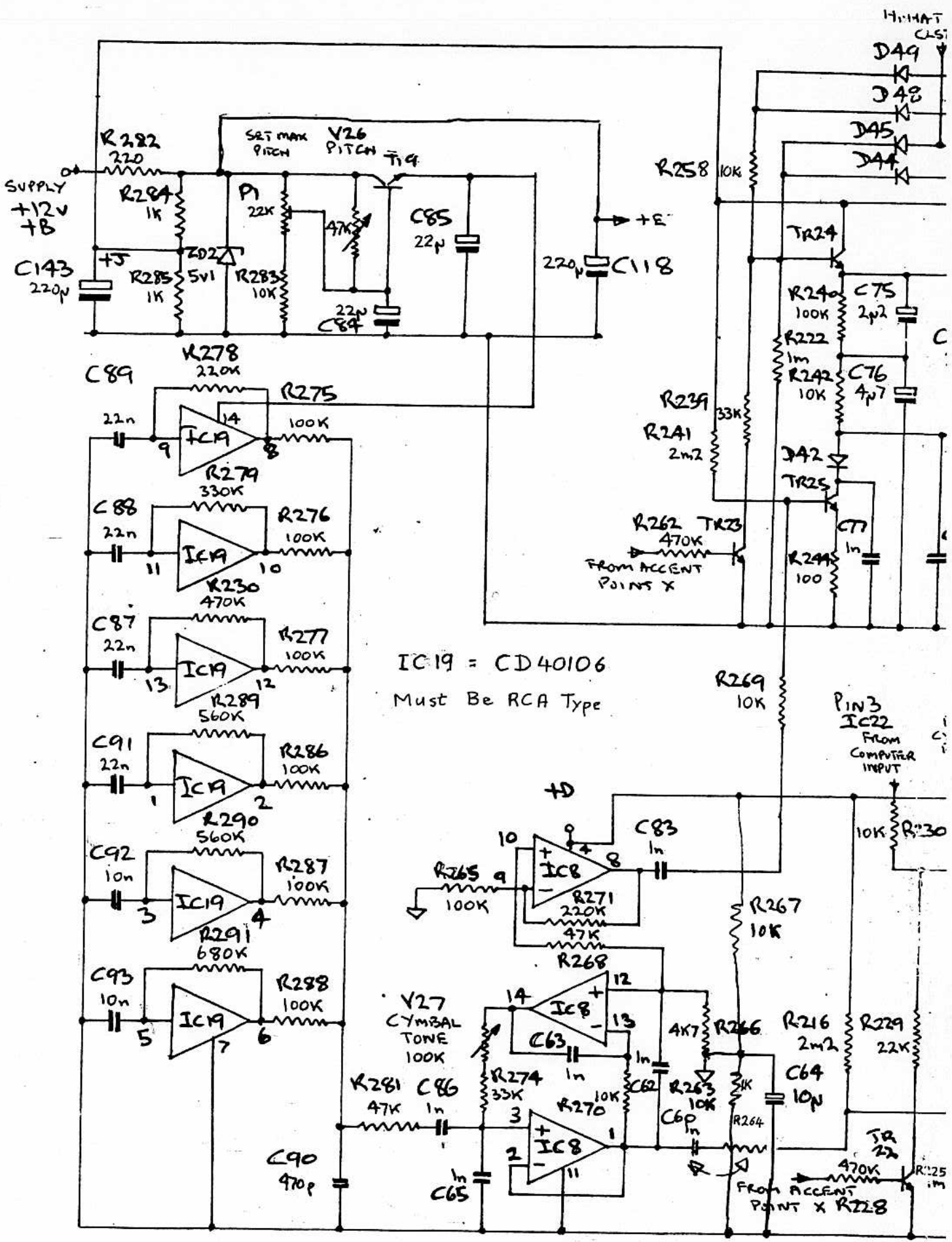
DIRECT OUTPUTS, MIX/PAN, L

HEADPHONE AMP

INDIVIDUAL
OUTPUT
JACKS

DRAWN:- CLIVE BUTTON 20-7-83.

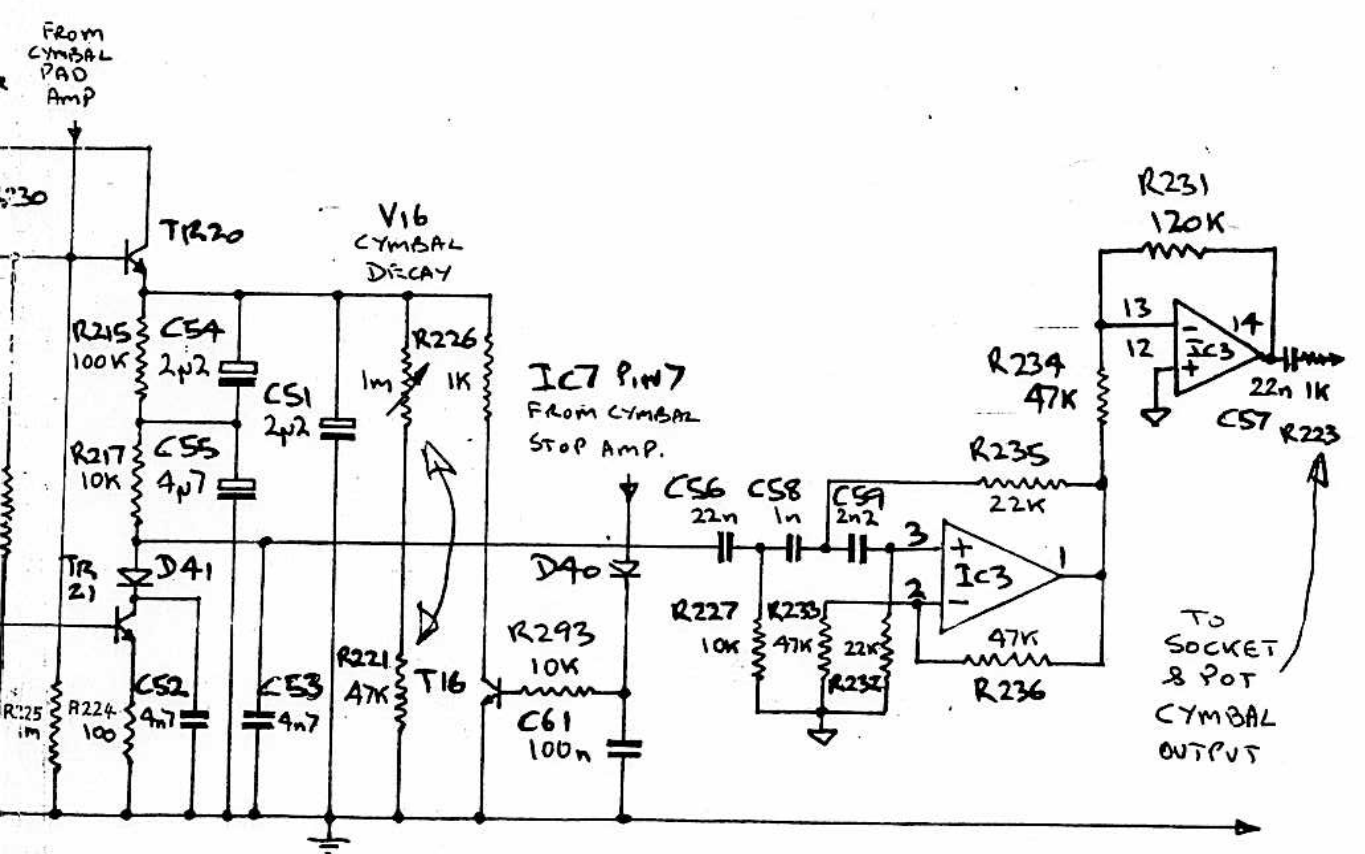
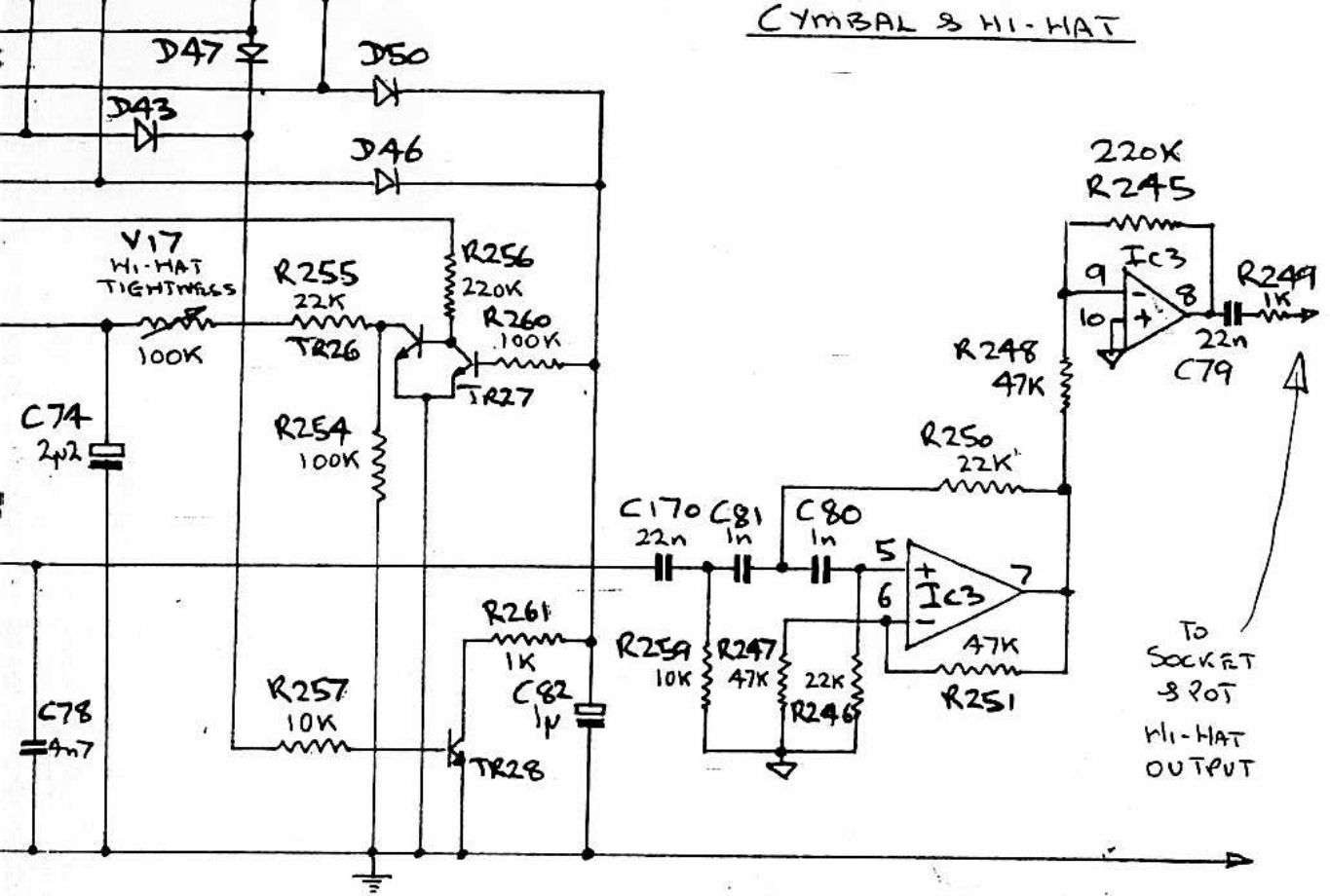


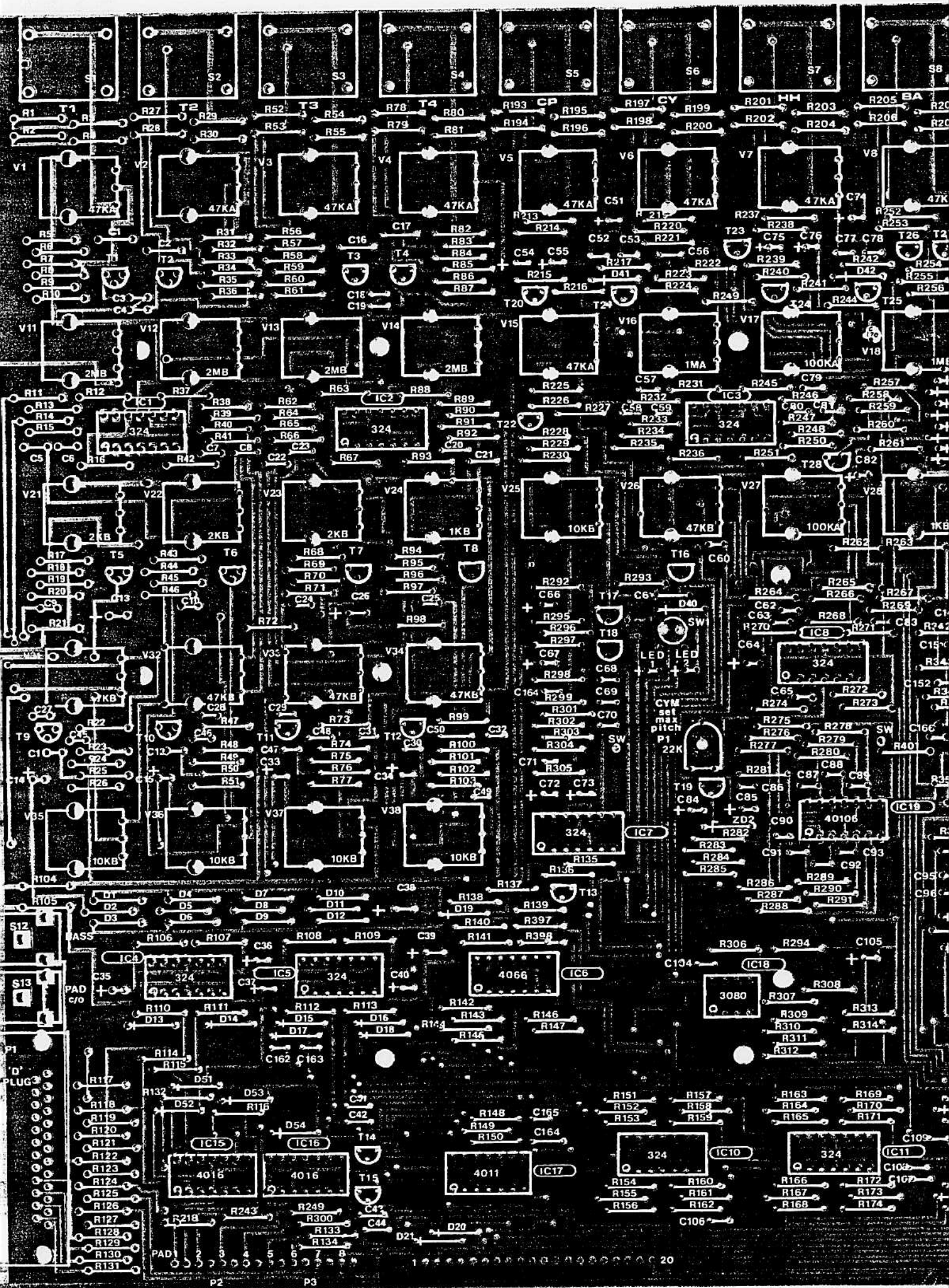


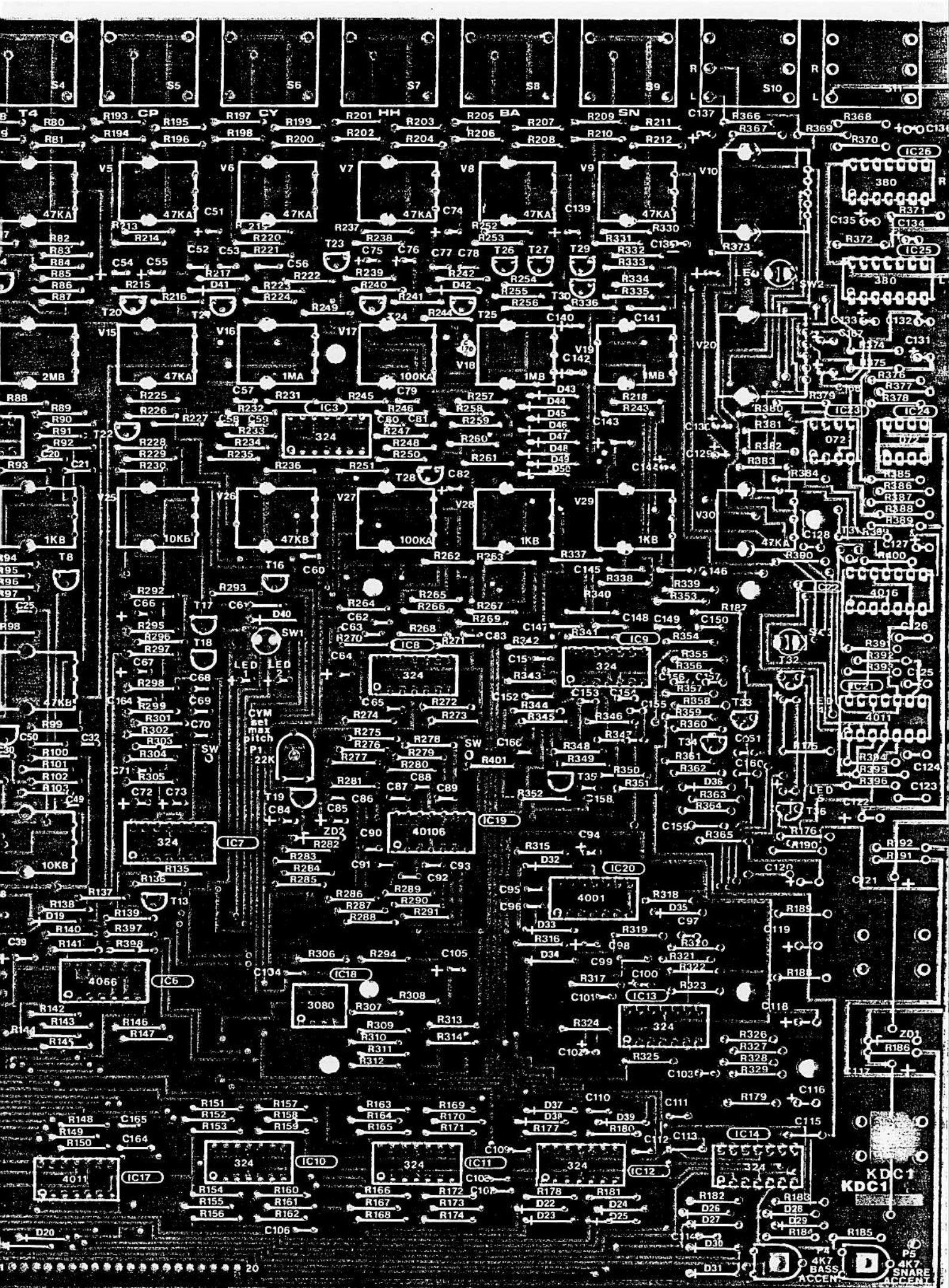
HAT PAD AMP
CLSD OPIN

COMPUTER
CLSD OPIN

CYMBAL & HI-HAT







KDC1
P5
4K7
SNARE
ACCEN