

MSP430x5xx and MSP430x6xx Family

User's Guide



Literature Number: SLAU208P
June 2008—Revised October 2016

Preface	52
1 System Resets, Interrupts, and Operating Modes, System Control Module (SYS)	54
1.1 System Control Module (SYS) Introduction	55
1.2 System Reset and Initialization.....	55
1.2.1 Device Initial Conditions After System Reset.....	57
1.3 Interrupts	57
1.3.1 (Non)Maskable Interrupts (NMIs)	58
1.3.2 SNMI Timing	59
1.3.3 Maskable Interrupts	59
1.3.4 Interrupt Processing.....	59
1.3.5 Interrupt Nesting.....	61
1.3.6 Interrupt Vectors	61
1.3.7 SYS Interrupt Vector Generators.....	62
1.4 Operating Modes	63
1.4.1 Entering and Exiting Low-Power Modes LPM0 Through LPM4.....	66
1.4.2 Entering and Exiting Low-Power Modes LPMx.5	67
1.4.3 Extended Time in Low-Power Modes	68
1.5 Principles for Low-Power Applications	69
1.6 Connection of Unused Pins	70
1.7 Reset Pin (RST/NMI) Configuration	70
1.8 Configuring JTAG Pins	71
1.9 Boot Code	71
1.10 Bootstrap Loader (BSL)	71
1.11 Memory Map – Uses and Abilities	72
1.11.1 Vacant Memory Space	73
1.11.2 JTAG Lock Mechanism Using the Electronic Fuse	73
1.12 JTAG Mailbox (JMB) System	73
1.12.1 JMB Configuration	73
1.12.2 JMBOUT0 and JMBOUT1 Outgoing Mailbox.....	73
1.12.3 JMBIN0 and JMBIN1 Incoming Mailbox.....	74
1.12.4 JMB NMI Usage	74
1.13 Device Descriptor Table	74
1.13.1 Identifying Device Type.....	75
1.13.2 TLV Descriptors	76
1.13.3 Peripheral Discovery Descriptor	77
1.13.4 CRC Computation.....	81
1.13.5 Calibration Values	82
1.13.6 Temperature Sensor Calibration for Devices With CTSD16	83
1.14 SFR Registers	84
1.14.1 SFRIE1 Register	85
1.14.2 SFRIFG1 Register	86
1.14.3 SFRRPCR Register.....	87
1.15 SYS Registers	88
1.15.1 SYSCTL Register	89
1.15.2 SYSBSLC Register	90

1.15.3	SYSJMBC Register	91
1.15.4	SYSJMBI0 Register	92
1.15.5	SYSJMBI1 Register	92
1.15.6	SYSJMBO0 Register	93
1.15.7	SYSJMBO1 Register	93
1.15.8	SYSUNIV Register	94
1.15.9	SYSSNIV Register	95
1.15.10	SYSRSTIV Register	96
1.15.11	SYSBERRIV Register	97
2	Power Management Module and Supply Voltage Supervisor	98
2.1	Power Management Module (PMM) Introduction	99
2.2	PMM Operation	101
2.2.1	V_{CORE} and the Regulator	101
2.2.2	Supply Voltage Supervisor and Monitor	101
2.2.3	Supply Voltage Supervisor and Monitor - Power up	107
2.2.4	Increasing V_{CORE} to Support Higher MCLK Frequencies	108
2.2.5	Decreasing V_{CORE} for Power Optimization	109
2.2.6	Transition From LPM3 and LPM4 Modes to AM	109
2.2.7	LPM3.5 and LPM4.5	109
2.2.8	Brownout Reset (BOR), Software BOR, Software POR	110
2.2.9	SVS and SVM Performance Modes and Wakeup Times	110
2.2.10	PMM Interrupts	113
2.2.11	Port I/O Control	113
2.2.12	Supply Voltage Monitor Output (SVMOUT, Optional).....	113
2.3	PMM Registers	114
2.3.1	PMMCTL0 Register.....	115
2.3.2	PMMCTL1 Register.....	116
2.3.3	SVSMHCTL Register.....	117
2.3.4	SVSMLCTL Register	118
2.3.5	SVSMIO Register	119
2.3.6	PMMIFG Register.....	120
2.3.7	PMMRIE Register.....	122
2.3.8	PM5CTL0 Register	123
3	Battery Backup System	124
3.1	Battery Backup Introduction	125
3.2	Battery Backup Operation	125
3.2.1	Activate Access to Backup-Supplied Subsystem.....	126
3.2.2	Manual Switching	127
3.2.3	Disable Switching	127
3.2.4	Measuring the Supplies	127
3.2.5	LPMx.5 and Backup Operation	127
3.2.6	Resistive Charger.....	128
3.3	Battery Backup Registers.....	129
3.3.1	BAKCTL Register	130
3.3.2	BAKCHCTL Register	131
4	Auxiliary Supply System (AUX)	132
4.1	Auxiliary Supply System Introduction	133
4.2	Auxiliary Supply Operation	134
4.2.1	Start-up.....	135
4.2.2	Switching Control	136
4.2.3	Software-Controlled Switching	136
4.2.4	Hardware-Controlled Switching	136
4.2.5	Interactions Among f_{SYS} , V_{CORE} , V_{DSYS} , SVM_H , and AUXxLVL	138

4.2.6	Auxiliary Supply Monitor	140
4.2.7	LPMx.5 and Auxiliary Supply Operation	142
4.2.8	Digital I/Os and Auxiliary Supplies.....	142
4.2.9	Measuring the Supplies	143
4.2.10	Resistive Charger.....	144
4.2.11	Auxiliary Supply Interrupts.....	144
4.2.12	Software Flow	146
4.2.13	Examples of AUX Operation	147
4.3	AUX Registers.....	149
4.3.1	AUXCTL0 Register	150
4.3.2	AUXCTL1 Register	151
4.3.3	AUXCTL2 Register	152
4.3.4	AUX2CHCTL Register	153
4.3.5	AUX3CHCTL Register	154
4.3.6	AUXADCCTL Register	155
4.3.7	AUXIFG Register	156
4.3.8	AUXIE Register	157
4.3.9	AUXIV Register	158
5	Unified Clock System (UCS).....	159
5.1	Unified Clock System (UCS) Introduction	160
5.2	UCS Operation	162
5.2.1	UCS Module Features for Low-Power Applications.....	162
5.2.2	Internal Very-Low-Power Low-Frequency Oscillator (VLO)	162
5.2.3	Internal Trimmed Low-Frequency Reference Oscillator (REFO)	163
5.2.4	XT1 Oscillator	163
5.2.5	XT2 Oscillator	164
5.2.6	Digitally Controlled Oscillator (DCO)	165
5.2.7	Frequency Locked Loop (FLL)	166
5.2.8	DCO Modulator	167
5.2.9	Disabling FLL Hardware and Modulator	167
5.2.10	FLL Operation From Low-Power Modes.....	168
5.2.11	Operation From Low-Power Modes, Requested by Peripheral Modules.....	168
5.2.12	UCS Module Fail-Safe Operation.....	169
5.2.13	Synchronization of Clock Signals.....	172
5.3	Module Oscillator (MODOSC).....	173
5.3.1	MODOSC Operation	173
5.4	UCS Registers	174
5.4.1	UCSCTL0 Register	175
5.4.2	UCSCTL1 Register	176
5.4.3	UCSCTL2 Register	177
5.4.4	UCSCTL3 Register	178
5.4.5	UCSCTL4 Register	179
5.4.6	UCSCTL5 Register	180
5.4.7	UCSCTL6 Register	181
5.4.8	UCSCTL7 Register	183
5.4.9	UCSCTL8 Register	184
5.4.10	UCSCTL9 Register	185
6	CPUX	186
6.1	MSP430X CPU (CPUX) Introduction.....	187
6.2	Interrupts	189
6.3	CPU Registers	190
6.3.1	Program Counter (PC)	190
6.3.2	Stack Pointer (SP)	190

6.3.3	Status Register (SR)	192
6.3.4	Constant Generator Registers (CG1 and CG2)	193
6.3.5	General-Purpose Registers (R4 to R15).....	194
6.4	Addressing Modes	196
6.4.1	Register Mode	197
6.4.2	Indexed Mode	198
6.4.3	Symbolic Mode	203
6.4.4	Absolute Mode	207
6.4.5	Indirect Register Mode	209
6.4.6	Indirect Autoincrement Mode.....	210
6.4.7	Immediate Mode	211
6.5	MSP430 and MSP430X Instructions	213
6.5.1	MSP430 Instructions	213
6.5.2	MSP430X Extended Instructions	218
6.6	Instruction Set Description.....	229
6.6.1	Extended Instruction Binary Descriptions.....	230
6.6.2	MSP430 Instructions	232
6.6.3	Extended Instructions	284
6.6.4	Address Instructions.....	327
7	Flash Memory Controller	342
7.1	Flash Memory Introduction	343
7.2	Flash Memory Segmentation.....	344
7.2.1	Segment A.....	345
7.3	Flash Memory Operation	346
7.3.1	Erasing Flash Memory	346
7.3.2	Writing Flash Memory	350
7.3.3	Flash Memory Access During Write or Erase.....	357
7.3.4	Stopping Write or Erase Cycle	358
7.3.5	Checking Flash Memory	358
7.3.6	Configuring and Accessing the Flash Memory Controller	359
7.3.7	Flash Memory Controller Interrupts	359
7.3.8	Programming Flash Memory Devices.....	360
7.4	FCTL Registers	361
7.4.1	FCTL1 Register	362
7.4.2	FCTL3 Register	363
7.4.3	FCTL4 Register	364
7.4.4	SFRIE1 Register.....	365
8	Memory Integrity Detection (MID).....	366
8.1	MID Overview	367
8.2	Flash Memory With MID Support.....	368
8.3	MID Parity Check Logic.....	368
8.4	Detecting Unprogrammed Memory Accesses	369
8.5	MID ROM	369
8.6	MID Support Software Function	369
8.6.1	MidEnable() Function.....	370
8.6.2	MidDisable() Function	371
8.6.3	MidGetErrAdr() Function	371
8.6.4	MidCheckMem() Function	372
8.6.5	MidSetRaw() Function.....	372
8.6.6	MidGetParity() Function.....	373
8.6.7	MidCalcVParity() Function.....	373
8.7	User's UNMI Interrupt Handler	373

9	RAM Controller (RAMCTL)	374
9.1	RAM Controller (RAMCTL) Introduction	375
9.2	RAMCTL Operation.....	375
9.3	RAMCTL Registers	376
9.3.1	RCCTL0 Register	377
10	Backup RAM	378
10.1	Backup RAM Introduction and Operation.....	379
10.2	Battery Backup Registers.....	379
11	Direct Memory Access (DMA) Controller Module	380
11.1	Direct Memory Access (DMA) Introduction.....	381
11.2	DMA Operation.....	383
11.2.1	DMA Addressing Modes	383
11.2.2	DMA Transfer Modes	384
11.2.3	Initiating DMA Transfers	390
11.2.4	Halting Executing Instructions for DMA Transfers.....	390
11.2.5	Stopping DMA Transfers.....	391
11.2.6	DMA Channel Priorities	391
11.2.7	DMA Transfer Cycle Time	392
11.2.8	Using DMA With System Interrupts	392
11.2.9	DMA Controller Interrupts	392
11.2.10	Using the USCI_B I ² C Module With the DMA Controller.....	394
11.2.11	Using ADC10 With the DMA Controller	394
11.2.12	Using ADC12 With the DMA Controller	394
11.2.13	Using DAC12 With the DMA Controller	394
11.3	DMA Registers	395
11.3.1	DMACTL0 Register.....	397
11.3.2	DMACTL1 Register.....	398
11.3.3	DMACTL2 Register.....	399
11.3.4	DMACTL3 Register.....	400
11.3.5	DMACTL4 Register.....	401
11.3.6	DMAxCTL Register	402
11.3.7	DMAxSA Register	404
11.3.8	DMAxDA Register	405
11.3.9	DMAxSZ Register.....	406
11.3.10	DMAIV Register	407
12	Digital I/O Module	408
12.1	Digital I/O Introduction	409
12.2	Digital I/O Operation.....	410
12.2.1	Input Registers (PxIN).....	410
12.2.2	Output Registers (PxOUT)	410
12.2.3	Direction Registers (PxDIR)	410
12.2.4	Pullup or Pulldown Resistor Enable Registers (PxREN)	410
12.2.5	Output Drive Strength Registers (PxDS)	411
12.2.6	Function Select Registers (PxSEL)	411
12.2.7	Port Interrupts	411
12.2.8	Configuring Unused Port Pins	413
12.3	I/O Configuration and LPMx.5 Low-Power Modes	413
12.4	Digital I/O Registers	416
12.4.1	P1IV Register	422
12.4.2	P2IV Register	423
12.4.3	P1IES Register.....	424
12.4.4	P1IE Register	424
12.4.5	P1IFG Register.....	424

12.4.6	P2IES Register	425
12.4.7	P2IE Register	425
12.4.8	P2IFG Register.....	425
12.4.9	PxIN Register	426
12.4.10	PxOUT Register	426
12.4.11	PxDIR Register	426
12.4.12	PxREN Register.....	427
12.4.13	PxDS Register	427
12.4.14	PxSEL Register.....	427
13	Port Mapping Controller	428
13.1	Port Mapping Controller Introduction.....	429
13.2	Port Mapping Controller Operation	429
13.2.1	Access	429
13.2.2	Mapping.....	429
13.3	Port Mapping Controller Registers	431
13.3.1	PMPKEYID Register.....	432
13.3.2	PMPCTL Register.....	432
13.3.3	PxMAPy Register	432
14	Cyclic Redundancy Check (CRC) Module	433
14.1	Cyclic Redundancy Check (CRC) Module Introduction.....	434
14.2	CRC Standard and Bit Order.....	434
14.3	CRC Checksum Generation.....	435
14.3.1	CRC Implementation	435
14.3.2	Assembler Examples	436
14.4	CRC Registers	438
14.4.1	CRCDI Register.....	439
14.4.2	CRCDIRB Register	439
14.4.3	CRCNIREs Register.....	440
14.4.4	CRCRESR Register	440
15	AES Accelerator	441
15.1	AES Accelerator Introduction.....	442
15.2	AES Accelerator Operation.....	443
15.2.1	Encryption	444
15.2.2	Decryption	445
15.2.3	Decryption Key Generation.....	446
15.2.4	Using the AES Accelerator With Low-Power Modes.....	447
15.2.5	AES Accelerator Interrupts	447
15.2.6	Implementing Block Cipher Modes	447
15.3	AES_ACCEL Registers	448
15.3.1	AESACTL0 Register.....	449
15.3.2	AESASTAT Register	450
15.3.3	AESAKEY Register.....	451
15.3.4	AESADIN Register	452
15.3.5	AESADOUT Register	452
16	Watchdog Timer (WDT_A).....	453
16.1	WDT_A Introduction	454
16.2	WDT_A Operation	456
16.2.1	Watchdog Timer Counter (WDTCNT).....	456
16.2.2	Watchdog Mode	456
16.2.3	Interval Timer Mode	456
16.2.4	Watchdog Timer Interrupts	456
16.2.5	Clock Fail-Safe Feature.....	457

16.2.6	Operation in Low-Power Modes	457
16.2.7	Software Examples	457
16.3	WDT_A Registers.....	458
16.3.1	WDTCTL Register	459
17	Timer_A	460
17.1	Timer_A Introduction	461
17.2	Timer_A Operation	463
17.2.1	16-Bit Timer Counter	463
17.2.2	Starting the Timer.....	463
17.2.3	Timer Mode Control	464
17.2.4	Capture/Compare Blocks	467
17.2.5	Output Unit	469
17.2.6	Timer_A Interrupts	473
17.3	Timer_A Registers	475
17.3.1	TAxCTL Register	476
17.3.2	TAxR Register.....	477
17.3.3	TAxCCCTLn Register	478
17.3.4	TAxCCRn Register	480
17.3.5	TAxIV Register	480
17.3.6	TAxEX0 Register	481
18	Timer_B	482
18.1	Timer_B Introduction	483
18.1.1	Similarities and Differences From Timer_A	483
18.2	Timer_B Operation	485
18.2.1	16-Bit Timer Counter	485
18.2.2	Starting the Timer.....	485
18.2.3	Timer Mode Control	486
18.2.4	Capture/Compare Blocks	489
18.2.5	Output Unit	492
18.2.6	Timer_B Interrupts	496
18.3	Timer_B Registers	498
18.3.1	TBxCTL Register	499
18.3.2	TBxR Register.....	501
18.3.3	TBxCCCTLn Register	502
18.3.4	TBxCCRn Register	504
18.3.5	TBxIV Register	505
18.3.6	TBxEX0 Register	506
19	Timer_D	507
19.1	Timer_D Introduction	508
19.1.1	Differences From Timer_B	508
19.2	Timer_D Operation	510
19.2.1	16-Bit Timer Counter	510
19.2.2	High-Resolution Generator	511
19.2.3	Starting the Timer.....	513
19.2.4	Timer Mode Control	513
19.2.5	PWM Generation	518
19.2.6	Capture/Compare Blocks	521
19.2.7	Compare Mode.....	524
19.2.8	Switching From Capture to Compare Mode.....	525
19.2.9	Output Unit	525
19.2.10	Synchronization Between Timer_D Instances	532
19.2.11	Timer_D Interrupts	532
19.3	Timer_D Registers.....	534

19.3.1	TDxCTL0 Register	535
19.3.2	TDxCTL1 Register	537
19.3.3	TDxCTL2 Register	538
19.3.4	TDxR Register	539
19.3.5	TDxCCCTLn Register	540
19.3.6	TDxCCRn Register	542
19.3.7	TDxCLn Register	542
19.3.8	TDxHCTL0 Register	543
19.3.9	TDxHCTL1 Register	544
19.3.10	TDxHINT Register	545
19.3.11	TDxIV Register	546
20	Timer Event Control (TEC)	547
20.1	Timer Event Control Introduction	548
20.2	TEC Operation	549
20.2.1	AUXCLK Selection Sub-Block	549
20.2.2	External Clear Sub-Block	549
20.2.3	Channel Event Sub-Block	549
20.2.4	Module Level Connection Between TEC and Timer_D	550
20.2.5	Synchronization Mechanism Between Timer_D Instances	552
20.2.6	Timer Event Control Interrupts	554
20.3	TEC Registers	555
20.3.1	TECxCTL0 Register	556
20.3.2	TECxCTL1 Register	558
20.3.3	TECxCTL2 Register	560
20.3.4	TECxSTA Register	561
20.3.5	TECxINT Register	562
20.3.6	TECxIV Register	563
21	Real-Time Clock (RTC) Overview	564
21.1	RTC Overview	564
22	Real-Time Clock (RTC_A)	565
22.1	RTC_A Introduction	566
22.2	RTC_A Operation	568
22.2.1	Counter Mode	568
22.2.2	Calendar Mode	568
22.2.3	Real-Time Clock Interrupts	570
22.2.4	Real-Time Clock Calibration	572
22.3	RTC_A Registers	574
22.3.1	RTCCTL0 Register	576
22.3.2	RTCCTL1 Register	577
22.3.3	RTCCTL2 Register	578
22.3.4	RTCCTL3 Register	578
22.3.5	RTCNT1 Register	579
22.3.6	RTCNT2 Register	579
22.3.7	RTCNT3 Register	579
22.3.8	RTCNT4 Register	579
22.3.9	RTCSEC Register – Calendar Mode With Hexadecimal Format	580
22.3.10	RTCSEC Register – Calendar Mode With BCD Format	580
22.3.11	RTCMIN Register – Calendar Mode With Hexadecimal Format	581
22.3.12	RTCMIN Register – Calendar Mode With BCD Format	581
22.3.13	RTCHOUR Register – Calendar Mode With Hexadecimal Format	582
22.3.14	RTCHOUR Register – Calendar Mode With BCD Format	582
22.3.15	RTCDOW Register – Calendar Mode	583

22.3.16	RTCDAY Register – Calendar Mode With Hexadecimal Format	583
22.3.17	RTCDAY Register – Calendar Mode With BCD Format	583
22.3.18	RTCMON Register – Calendar Mode With Hexadecimal Format	584
22.3.19	RTCMON Register – Calendar Mode With BCD Format	584
22.3.20	RTCYEARL Register – Calendar Mode With Hexadecimal Format	585
22.3.21	RTCYEARL Register – Calendar Mode With BCD Format	585
22.3.22	RTCYEARH Register – Calendar Mode With Hexadecimal Format	586
22.3.23	RTCYEARH Register – Calendar Mode With BCD Format	586
22.3.24	RTCAMIN Register – Calendar Mode With Hexadecimal Format	587
22.3.25	RTCAMIN Register – Calendar Mode With BCD Format	587
22.3.26	RTCAHOUR Register – Calendar Mode With Hexadecimal Format	588
22.3.27	RTCAHOUR Register – Calendar Mode With BCD Format	588
22.3.28	RTCADOW Register	589
22.3.29	RTCADAY Register – Calendar Mode With Hexadecimal Format	589
22.3.30	RTCADAY Register – Calendar Mode With BCD Format	590
22.3.31	RTCPS0CTL Register	591
22.3.32	RTCPS1CTL Register	592
22.3.33	RT0PS Register	593
22.3.34	RT1PS Register	593
22.3.35	RTCIV Register	593
23	Real-Time Clock B (RTC_B)	594
23.1	Real-Time Clock RTC_B Introduction	595
23.2	RTC_B Operation	597
23.2.1	Real-Time Clock and Prescale Dividers	597
23.2.2	Real-Time Clock Alarm Function	597
23.2.3	Reading or Writing Real-Time Clock Registers	598
23.2.4	Real-Time Clock Interrupts	598
23.2.5	Real-Time Clock Calibration	600
23.2.6	Real-Time Clock Operation in LPM3.5 Low-Power Mode	601
23.3	RTC_B Registers	602
23.3.1	RTCCTL0 Register	604
23.3.2	RTCCTL1 Register	605
23.3.3	RTCCTL2 Register	606
23.3.4	RTCCTL3 Register	606
23.3.5	RTCSEC Register – Hexadecimal Format	607
23.3.6	RTCSEC Register – BCD Format	607
23.3.7	RTCMIN Register – Hexadecimal Format	608
23.3.8	RTCMIN Register – BCD Format	608
23.3.9	RTCHOUR Register – Hexadecimal Format	609
23.3.10	RTCHOUR Register – BCD Format	609
23.3.11	RTCDOW Register	610
23.3.12	RTCDAY Register – Hexadecimal Format	610
23.3.13	RTCDAY Register – BCD Format	610
23.3.14	RTCMON Register – Hexadecimal Format	611
23.3.15	RTCMON Register – BCD Format	611
23.3.16	RTCYEAR Register – Hexadecimal Format	612
23.3.17	RTCYEAR Register – BCD Format	612
23.3.18	RTCAMIN Register – Hexadecimal Format	613
23.3.19	RTCAMIN Register – BCD Format	613
23.3.20	RTCAHOUR Register – Hexadecimal Format	614
23.3.21	RTCAHOUR Register – BCD Format	614
23.3.22	RTCADOW Register	615
23.3.23	RTCADAY Register – Hexadecimal Format	616

23.3.24	RTCADAY Register – BCD Format	616
23.3.25	RTCPS0CTL Register	617
23.3.26	RTCPS1CTL Register	618
23.3.27	RTCPS0 Register	619
23.3.28	RTCPS1 Register	619
23.3.29	RTCIV Register	620
23.3.30	BIN2BCD Register	621
23.3.31	BCD2BIN Register	621
24	Real-Time Clock C (RTC_C)	622
24.1	Real-Time Clock (RTC_C) Introduction	623
24.2	RTC_C Operation.....	625
24.2.1	Calendar Mode.....	625
24.2.2	Real-Time Clock and Prescale Dividers	625
24.2.3	Real-Time Clock Alarm Function	625
24.2.4	Real-Time Clock Protection	626
24.2.5	Reading or Writing Real-Time Clock Registers	627
24.2.6	Real-Time Clock Interrupts	627
24.2.7	Real-Time Clock Calibration for Crystal Offset Error.....	629
24.2.8	Real-Time Clock Compensation for Crystal Temperature Drift	630
24.2.9	Real-Time Clock Operation in LPM3.5 Low-Power Mode.....	632
24.3	RTC_C Operation - Device-Dependent Features	634
24.3.1	Counter Mode	634
24.3.2	Real-Time Clock Event/Tamper Detection With Time Stamp.....	637
24.4	RTC_C Registers	639
24.4.1	RTCCTL0_L Register	642
24.4.2	RTCCTL0_H Register.....	643
24.4.3	RTCCTL1 Register	644
24.4.4	RTCCTL3 Register	645
24.4.5	RTCOCAL Register	645
24.4.6	RTTCMP Register	646
24.4.7	RTCNT1 Register.....	647
24.4.8	RTCNT2 Register.....	647
24.4.9	RTCNT3 Register.....	647
24.4.10	RTCNT4 Register	647
24.4.11	RTCSEC Register – Calendar Mode With Hexadecimal Format	648
24.4.12	RTCSEC Register – Calendar Mode With BCD Format	648
24.4.13	RTCMIN Register – Calendar Mode With Hexadecimal Format.....	649
24.4.14	RTCMIN Register – Calendar Mode With BCD Format.....	649
24.4.15	RTCHOUR Register – Calendar Mode With Hexadecimal Format.....	650
24.4.16	RTCHOUR Register – Calendar Mode With BCD Format.....	650
24.4.17	RTCDOW Register – Calendar Mode	651
24.4.18	RTCDAY Register – Calendar Mode With Hexadecimal Format	651
24.4.19	RTCDAY Register – Calendar Mode With BCD Format	651
24.4.20	RTCMON Register – Calendar Mode With Hexadecimal Format	652
24.4.21	RTCMON Register – Calendar Mode With BCD Format	652
24.4.22	RTCYEAR Register – Calendar Mode With Hexadecimal Format	653
24.4.23	RTCYEAR Register – Calendar Mode With BCD Format	653
24.4.24	RTCAMIN Register – Calendar Mode With Hexadecimal Format	654
24.4.25	RTCAMIN Register – Calendar Mode With BCD Format	654
24.4.26	RTCAHOUR Register.....	655
24.4.27	RTCAHOUR Register – Calendar Mode With BCD Format	655
24.4.28	RTCADOW Register – Calendar Mode	656
24.4.29	RTCADAY Register – Calendar Mode With Hexadecimal Format	657

24.4.30	RTCADAY Register – Calendar Mode With BCD Format	657
24.4.31	RTCPS0CTL Register	658
24.4.32	RTCPS1CTL Register	659
24.4.33	RTCPS0 Register	661
24.4.34	RTCPS1 Register	661
24.4.35	RTCIV Register	662
24.4.36	BIN2BCD Register	663
24.4.37	BCD2BIN Register	663
24.4.38	RTCSECBAX Register – Hexadecimal Format	664
24.4.39	RTCSECBAX Register – BCD Format	664
24.4.40	RTCMINBAKx Register – Hexadecimal Format	665
24.4.41	RTCMINBAKx Register – BCD Format	665
24.4.42	RTCHOURBAKx Register – Hexadecimal Format	666
24.4.43	RTCHOURBAKx Register – BCD Format	666
24.4.44	RTCDAYBAKx Register – Hexadecimal Format	667
24.4.45	RTCDAYBAKx Register – BCD Format	667
24.4.46	RTCMONBAKx Register – Hexadecimal Format	668
24.4.47	RTCMONBAKx Register – BCD Format	668
24.4.48	RTCYEARBAKx Register – Hexadecimal Format	669
24.4.49	RTCYEARBAKx Register – BCD Format	669
24.4.50	RTCTCCTL0 Register	670
24.4.51	RTCTCCTL1 Register	670
24.4.52	RTCCAPxCTL Register	671
25	32-Bit Hardware Multiplier (MPY32)	672
25.1	32-Bit Hardware Multiplier (MPY32) Introduction	673
25.2	MPY32 Operation	675
25.2.1	Operand Registers	676
25.2.2	Result Registers	677
25.2.3	Software Examples	678
25.2.4	Fractional Numbers	679
25.2.5	Putting It All Together	682
25.2.6	Indirect Addressing of Result Registers	685
25.2.7	Using Interrupts	685
25.2.8	Using DMA	686
25.3	MPY32 Registers	687
25.3.1	MPY32CTL0 Register	689
26	REF	690
26.1	REF Introduction	691
26.2	Principle of Operation	694
26.2.1	Low-Power Operation	695
26.2.2	REFCTL	695
26.2.3	Reference System Requests	697
26.3	REF Registers	700
26.3.1	REFCTL0 Register (offset = 00h) [reset = 0080h]	701
27	ADC10_A	703
27.1	ADC10_A Introduction	704
27.2	ADC10_A Operation	706
27.2.1	10-Bit ADC Core	706
27.2.2	ADC10_A Inputs and Multiplexer	706
27.2.3	Voltage Reference Generator	707
27.2.4	Auto Power Down	707
27.2.5	Sample and Conversion Timing	707
27.2.6	Conversion Result	709

27.2.7	ADC10_A Conversion Modes	709
27.2.8	Window Comparator	714
27.2.9	Using the Integrated Temperature Sensor	715
27.2.10	ADC10_A Grounding and Noise Considerations	716
27.2.11	ADC10_A Interrupts	716
27.3	ADC10_A Registers	718
27.3.1	ADC10CTL0 Register	719
27.3.2	ADC10CTL1 Register	720
27.3.3	ADC10CTL2 Register	722
27.3.4	ADC10MEM0 Register	723
27.3.5	ADC10MEM0 Register, Twos-Complement Format	723
27.3.6	ADC10MCTL0 Register	724
27.3.7	ADC10HI Register	725
27.3.8	ADC10HI Register, Twos-Complement Format	725
27.3.9	ADC10LO Register	726
27.3.10	ADC10LO Register, Twos-Complement Format	726
27.3.11	ADC10IE Register	727
27.3.12	ADC10IFG Register	728
27.3.13	ADC10IV Register	729
28	ADC12_A	730
28.1	ADC12_A Introduction	731
28.2	ADC12_A Operation	734
28.2.1	12-Bit ADC Core	734
28.2.2	ADC12_A Inputs and Multiplexer	734
28.2.3	Voltage Reference Generator	735
28.2.4	Auto Power Down	736
28.2.5	Sample and Conversion Timing	736
28.2.6	Conversion Memory	738
28.2.7	ADC12_A Conversion Modes	738
28.2.8	Using the Integrated Temperature Sensor	744
28.2.9	ADC12_A Grounding and Noise Considerations	745
28.2.10	ADC12_A Interrupts	746
28.3	ADC12_A Registers	748
28.3.1	ADC12CTL0 Register	750
28.3.2	ADC12CTL1 Register	752
28.3.3	ADC12CTL2 Register	753
28.3.4	ADC12MEMx Register	754
28.3.5	ADC12MCTLx Register	755
28.3.6	ADC12IE Register	756
28.3.7	ADC12IFG Register	758
28.3.8	ADC12IV Register	760
29	SD24_B	761
29.1	SD24_B Introduction	762
29.2	SD24_B Operation	766
29.2.1	Principle of Operation	766
29.2.2	ADC Core	767
29.2.3	Voltage Reference	767
29.2.4	Modulator Clock	767
29.2.5	Auto Power-Down	767
29.2.6	Analog Inputs	767
29.2.7	Digital Filter	768
29.2.8	Bitstream Input and Output	772
29.2.9	Conversion Modes	772

29.2.10	Conversion Operation Using Preload.....	774
29.2.11	Grounding and Noise Considerations	775
29.2.12	Trigger Generator	776
29.2.13	SD24_B Interrupts	777
29.2.14	Using SD24_B With DMA	777
29.3	SD24_B Registers	778
29.3.1	SD24BCTL0 Register	780
29.3.2	SD24BCTL1 Register	781
29.3.3	SD24BTRGCTL Register	782
29.3.4	SD24BIFG Register	783
29.3.5	SD24BIE Register	786
29.3.6	SD24BIV Register	788
29.3.7	SD24BCCTLx Register	789
29.3.8	SD24BINCTLx Register.....	791
29.3.9	SD24BOSRx Register.....	792
29.3.10	SD24BTRGOSR Register.....	792
29.3.11	SD24BPRES Register	793
29.3.12	SD24BTRGPRES Register	793
29.3.13	SD24BMEMLx Register	794
29.3.14	SD24BMEMHx Register.....	794
30	CTSD16	795
30.1	CTSD16 Introduction	796
30.2	CTSD16 Operation	798
30.2.1	Principle of Operation	798
30.2.2	ADC Core.....	799
30.2.3	Voltage Reference.....	799
30.2.4	CTSD16 Clock	799
30.2.5	Automatic Power Down	800
30.2.6	Analog Inputs.....	800
30.2.7	Digital Filter	801
30.2.8	Conversion Memory Registers: CTSD16MEMx	804
30.2.9	Conversion Modes.....	805
30.2.10	Conversion Operation Using Preload.....	807
30.2.11	Using the Integrated Temperature Sensor.....	808
30.2.12	Using the Integrated AVCC Sense.....	809
30.2.13	Grounding and Noise Considerations	809
30.2.14	Interrupt Handling	809
30.3	CTSD16 Registers.....	811
30.3.1	CTSD16CTL Register	812
30.3.2	CTSD16CCTL0 to CTSD16CCTL6 Register	813
30.3.3	CTSD16MEM0 to CTSD16MEM6 Register	814
30.3.4	CTSD16INCTL0 to CTSD16INCTL6 Register	815
30.3.5	CTSD16PRE0 to CTSD16PRE6 Register.....	816
30.3.6	CTSD16IFG Register	817
30.3.7	CTSD16IE Register	819
30.3.8	CTSD16IV Register	821
31	DAC12_A	822
31.1	DAC12_A Introduction	823
31.2	DAC12_A Operation.....	826
31.2.1	DAC12_A Core.....	826
31.2.2	DAC12_A Port Selection.....	826
31.2.3	DAC12_A Reference	826
31.2.4	Updating the DAC12_A Voltage Output	827

31.2.5	DAC12_xDAT Data Formats	827
31.2.6	DAC12_A Output Amplifier Offset Calibration	828
31.2.7	Grouping Multiple DAC12_A Modules	829
31.2.8	DAC12_A Interrupts	830
31.3	DAC Outputs	831
31.4	DAC12_A Registers	832
31.4.1	DAC12_xCTL0 Register	833
31.4.2	DAC12_xCTL1 Register	835
31.4.3	DAC12_xDAT Register, Unsigned 12-Bit Binary Format, Right Justified	836
31.4.4	DAC12_xDAT Register, Unsigned 12-Bit Binary Format, Left Justified	836
31.4.5	DAC12_xDAT Register, Twos-Complement 12-Bit Binary Format, Right Justified	837
31.4.6	DAC12_xDAT Register, Twos-Complement 12-Bit Binary Format, Left Justified	837
31.4.7	DAC12_xDAT Register, Unsigned 8-Bit Binary Format, Right Justified	838
31.4.8	DAC12_xDAT Register, Unsigned 8-Bit Binary Format, Left Justified	838
31.4.9	DAC12_xDAT Register, Twos-Complement 8-Bit Binary Format, Right Justified	839
31.4.10	DAC12_xDAT Register, Twos-Complement 8-Bit Binary Format, Left Justified	839
31.4.11	DAC12_xCALCTL Register	840
31.4.12	DAC12_xCALDAT Register	840
31.4.13	DAC12IV Register	841
32	Comparator B (Comp_B)	842
32.1	Comp_B Introduction	843
32.2	Comp_B Operation	844
32.2.1	Comparator	844
32.2.2	Analog Input Switches	844
32.2.3	Port Logic	844
32.2.4	Input Short Switch	844
32.2.5	Output Filter	845
32.2.6	Reference Voltage Generator	846
32.2.7	Comp_B Port Disable Register CBCTL3	847
32.2.8	Comp_B Interrupts	847
32.2.9	Comp_B Used to Measure Resistive Elements	847
32.3	Comp_B Registers	850
32.3.1	CBCTL0 Register	851
32.3.2	CBCTL1 Register	852
32.3.3	CBCTL2 Register	853
32.3.4	CBCTL3 Register	854
32.3.5	CBINT Register	856
32.3.6	CBIV Register	857
33	Operational Amplifier (OA)	858
33.1	OA Introduction	859
33.2	OA Operation	861
33.2.1	OA Modes	861
33.2.2	Rail-to-Rail Input Modes	861
33.2.3	OA Inputs	861
33.3	Ground Switches	862
33.4	OA and Power Modes	862
33.5	OA Registers	863
33.5.1	OAnCTL0 Register	864
33.5.2	OAnPSW Register	865
33.5.3	OAnNSW Register	866
33.5.4	OAnGSW Register	867
34	LCD_B Controller	868

34.1	LCD_B Controller Introduction	869
34.2	LCD_B Controller Operation	871
34.2.1	LCD Memory	871
34.2.2	LCD Timing Generation.....	871
34.2.3	Blanking the LCD	872
34.2.4	LCD Blinking.....	872
34.2.5	LCD_B Voltage And Bias Generation.....	873
34.2.6	LCD Outputs.....	875
34.2.7	LCD_B Interrupts	875
34.2.8	Static Mode	877
34.2.9	2-Mux Mode	880
34.2.10	3-Mux Mode.....	883
34.2.11	4-Mux Mode.....	886
34.3	LCD_B Registers	889
34.3.1	LCDBCTL0 Register.....	892
34.3.2	LCDBCTL1 Register.....	893
34.3.3	LCDBLKCTL Register	894
34.3.4	LCDBMEMCTL Register.....	895
34.3.5	LCDBVCTL Register	896
34.3.6	LCDBPCTL0 Register.....	898
34.3.7	LCDBPCTL1 Register.....	898
34.3.8	LCDBPCTL2 Register.....	899
34.3.9	LCDBPCTL3 Register.....	899
34.3.10	LCDBCCTL Register.....	900
34.3.11	LCDBIV Register	901
35	LCD_C Controller.....	902
35.1	LCD_C Introduction.....	903
35.2	LCD_C Operation	905
35.2.1	LCD Memory	905
35.2.2	LCD Timing Generation.....	906
35.2.3	Blanking the LCD	907
35.2.4	LCD Blinking.....	907
35.2.5	LCD Voltage And Bias Generation	908
35.2.6	LCD Outputs.....	911
35.2.7	LCD Interrupts.....	912
35.2.8	Static Mode	914
35.2.9	2-Mux Mode	915
35.2.10	3-Mux Mode.....	916
35.2.11	4-Mux Mode.....	917
35.2.12	6-Mux Mode.....	918
35.2.13	8-Mux Mode.....	919
35.3	LCD_C Registers	921
35.3.1	LCDCCTL0 Register	926
35.3.2	LCDCCTL1 Register	928
35.3.3	LCDCBLKCTL Register.....	929
35.3.4	LCDCMEMCTL Register.....	930
35.3.5	LCDCVCTL Register	931
35.3.6	LCDCPCTL0 Register.....	933
35.3.7	LCDCPCTL1 Register.....	933
35.3.8	LCDCPCTL2 Register.....	934
35.3.9	LCDCPCTL3 Register.....	934
35.3.10	LCDCCPCTL Register.....	935
35.3.11	LCDCIV Register	935

36	Universal Serial Communication Interface – UART Mode	936
36.1	Universal Serial Communication Interface (USCI) Overview	937
36.2	USCI Introduction – UART Mode	938
36.3	USCI Operation – UART Mode	940
36.3.1	USCI Initialization and Reset	940
36.3.2	Character Format	940
36.3.3	Asynchronous Communication Format	940
36.3.4	Automatic Baud-Rate Detection	943
36.3.5	IrDA Encoding and Decoding	944
36.3.6	Automatic Error Detection	945
36.3.7	USCI Receive Enable	946
36.3.8	USCI Transmit Enable	946
36.3.9	UART Baud-Rate Generation	947
36.3.10	Setting a Baud Rate	949
36.3.11	Transmit Bit Timing	949
36.3.12	Receive Bit Timing	950
36.3.13	Typical Baud Rates and Errors	951
36.3.14	Using the USCI Module in UART Mode With Low-Power Modes	954
36.3.15	USCI Interrupts in UART Mode	954
36.3.16	DMA Operation	955
36.4	USCI_A UART Mode Registers	956
36.4.1	UCAxCTL0 Register	957
36.4.2	UCAxCTL1 Register	958
36.4.3	UCAxBR0 Register	959
36.4.4	UCAxBR1 Register	959
36.4.5	UCAxMCTL Register	959
36.4.6	UCAxSTAT Register	960
36.4.7	UCAxRXBUF Register	961
36.4.8	UCAxTXBUF Register	961
36.4.9	UCAxIRTCTL Register	962
36.4.10	UCAxIRRCTL Register	962
36.4.11	UCAxABCTL Register	963
36.4.12	UCAxIE Register	964
36.4.13	UCAxIFG Register	964
36.4.14	UCAxIV Register	965
37	Universal Serial Communication Interface – SPI Mode	966
37.1	Universal Serial Communication Interface (USCI) Overview	967
37.2	USCI Introduction – SPI Mode	968
37.3	USCI Operation – SPI Mode	970
37.3.1	USCI Initialization and Reset	970
37.3.2	Character Format	970
37.3.3	Master Mode	971
37.3.4	Slave Mode	972
37.3.5	SPI Enable	973
37.3.6	Serial Clock Control	973
37.3.7	Using the SPI Mode With Low-Power Modes	974
37.3.8	USCI Interrupts in SPI Mode	975
37.4	USCI_A SPI Mode Registers	976
37.4.1	UCAxCTL0 Register	977
37.4.2	UCAxCTL1 Register	978
37.4.3	UCAxBR0 Register	979
37.4.4	UCAxBR1 Register	979
37.4.5	UCAxMCTL Register	979

37.4.6	UCAxSTAT Register	980
37.4.7	UCAxRXBUF Register	981
37.4.8	UCAxTXBUF Register	981
37.4.9	UCAxIE Register	982
37.4.10	UCAxIFG Register	982
37.4.11	UCAxIV Register	983
37.5	USCI_B SPI Mode Registers	984
37.5.1	UCBxCTL0 Register	985
37.5.2	UCBxCTL1 Register	986
37.5.3	UCBxBR0 Register	987
37.5.4	UCBxBR1 Register	987
37.5.5	UCBxMCTL Register	987
37.5.6	UCBxSTAT Register	988
37.5.7	UCBxRXBUF Register	989
37.5.8	UCBxTXBUF Register	989
37.5.9	UCBxIE Register	990
37.5.10	UCBxIFG Register	990
37.5.11	UCBxIV Register	991
38	Universal Serial Communication Interface – I²C Mode	992
38.1	Universal Serial Communication Interface (USCI) Overview	993
38.2	USCI Introduction – I ² C Mode	994
38.3	USCI Operation – I ² C Mode	995
38.3.1	USCI Initialization and Reset	996
38.3.2	I ² C Serial Data	996
38.3.3	I ² C Addressing Modes	998
38.3.4	I ² C Module Operating Modes	999
38.3.5	I ² C Clock Generation and Synchronization	1010
38.3.6	Using the USCI Module in I ² C Mode With Low-Power Modes	1011
38.3.7	USCI Interrupts in I ² C Mode	1011
38.4	USCI_B I2C Mode Registers	1014
38.4.1	UCBxCTL0 Register	1015
38.4.2	UCBxCTL1 Register	1016
38.4.3	UCBxBR0 Register	1017
38.4.4	UCBxBR1 Register	1017
38.4.5	UCBxSTAT Register	1018
38.4.6	UCBxRXBUF Register	1019
38.4.7	UCBxTXBUF Register	1019
38.4.8	UCBxI2COA Register	1020
38.4.9	UCBxI2CSA Register	1020
38.4.10	UCBxIE Register	1021
38.4.11	UCBxIFG Register	1022
38.4.12	UCBxIV Register	1023
39	Enhanced Universal Serial Communication Interface (eUSCI) – UART Mode	1024
39.1	Enhanced Universal Serial Communication Interface A (eUSCI_A) Overview	1025
39.2	eUSCI_A Introduction – UART Mode	1025
39.3	eUSCI_A Operation – UART Mode	1027
39.3.1	eUSCI_A Initialization and Reset	1027
39.3.2	Character Format	1027
39.3.3	Asynchronous Communication Format	1027
39.3.4	Automatic Baud-Rate Detection	1030
39.3.5	IrDA Encoding and Decoding	1031
39.3.6	Automatic Error Detection	1032
39.3.7	eUSCI_A Receive Enable	1033

39.3.8	eUSCI_A Transmit Enable	1033
39.3.9	UART Baud-Rate Generation	1034
39.3.10	Setting a Baud Rate	1036
39.3.11	Transmit Bit Timing - Error calculation	1037
39.3.12	Receive Bit Timing – Error Calculation	1037
39.3.13	Typical Baud Rates and Errors	1038
39.3.14	Using the eUSCI_A Module in UART Mode With Low-Power Modes	1040
39.3.15	eUSCI_A Interrupts in UART Mode	1041
39.3.16	DMA Operation.....	1042
39.4	eUSCI_A UART Registers	1043
39.4.1	UCAxCTLW0 Register.....	1044
39.4.2	UCAxCTLW1 Register.....	1045
39.4.3	UCAxBRW Register.....	1046
39.4.4	UCAxMCTLW Register	1046
39.4.5	UCAxSTATW Register	1047
39.4.6	UCAxRXBUF Register.....	1048
39.4.7	UCAxTXBUF Register	1048
39.4.8	UCAxABCTL Register	1049
39.4.9	UCAxIRCTL Register	1050
39.4.10	UCAxIE Register	1051
39.4.11	UCAxIFG Register.....	1052
39.4.12	UCAxIV Register	1053
40	Enhanced Universal Serial Communication Interface (eUSCI) – SPI Mode.....	1054
40.1	Enhanced Universal Serial Communication Interfaces (eUSCI_A, eUSCI_B) Overview	1055
40.2	eUSCI Introduction – SPI Mode	1055
40.3	eUSCI Operation – SPI Mode	1057
40.3.1	eUSCI Initialization and Reset.....	1057
40.3.2	Character Format	1058
40.3.3	Master Mode	1058
40.3.4	Slave Mode	1059
40.3.5	SPI Enable	1060
40.3.6	Serial Clock Control.....	1060
40.3.7	Using the SPI Mode With Low-Power Modes	1061
40.3.8	eUSCI Interrupts in SPI Mode	1061
40.4	eUSCI_A SPI Registers	1063
40.4.1	UCAxCTLW0 Register.....	1064
40.4.2	UCAxBRW Register.....	1065
40.4.3	UCAxSTATW Register	1066
40.4.4	UCAxRXBUF Register.....	1067
40.4.5	UCAxTXBUF Register	1068
40.4.6	UCAxIE Register	1069
40.4.7	UCAxIFG Register	1070
40.4.8	UCAxIV Register	1071
40.5	eUSCI_B SPI Registers	1072
40.5.1	UCBxCTLW0 Register.....	1073
40.5.2	UCBxBRW Register.....	1074
40.5.3	UCBxSTATW Register	1074
40.5.4	UCBxRXBUF Register.....	1075
40.5.5	UCBxTXBUF Register	1075
40.5.6	UCBxIE Register	1076
40.5.7	UCBxIFG Register	1076
40.5.8	UCBxIV Register	1077
41	Enhanced Universal Serial Communication Interface (eUSCI) – I²C Mode	1078

41.1	Enhanced Universal Serial Communication Interface B (eUSCI_B) Overview	1079
41.2	eUSCI_B Introduction – I ² C Mode	1079
41.3	eUSCI_B Operation – I ² C Mode.....	1080
41.3.1	eUSCI_B Initialization and Reset	1081
41.3.2	I ² C Serial Data	1081
41.3.3	I ² C Addressing Modes	1082
41.3.4	I ² C Quick Setup.....	1083
41.3.5	I ² C Module Operating Modes	1084
41.3.6	Glitch Filtering	1094
41.3.7	I ² C Clock Generation and Synchronization	1094
41.3.8	Byte Counter	1095
41.3.9	Multiple Slave Addresses	1096
41.3.10	Using the eUSCI_B Module in I ² C Mode With Low-Power Modes.....	1096
41.3.11	eUSCI_B Interrupts in I ² C Mode	1097
41.4	eUSCI_B I2C Registers	1100
41.4.1	UCBxCTWLW0 Register.....	1101
41.4.2	UCBxCTWLW1 Register.....	1103
41.4.3	UCBxBRW Register.....	1105
41.4.4	UCBxSTATW	1105
41.4.5	UCBxTBCNT Register.....	1106
41.4.6	UCBxRXBUF Register.....	1107
41.4.7	UCBxTXBUF.....	1107
41.4.8	UCBxI2COA0 Register	1108
41.4.9	UCBxI2COA1 Register	1109
41.4.10	UCBxI2COA2 Register.....	1109
41.4.11	UCBxI2COA3 Register.....	1110
41.4.12	UCBxADDRX Register.....	1110
41.4.13	UCBxADDMASK Register.....	1111
41.4.14	UCBxI2CSA Register	1111
41.4.15	UCBxIE Register.....	1112
41.4.16	UCBxIFG Register.....	1114
41.4.17	UCBxIV Register.....	1116
42	USB Module	1117
42.1	USB Introduction	1118
42.2	USB Operation.....	1120
42.2.1	USB Transceiver (PHY)	1120
42.2.2	USB Power System	1121
42.2.3	USB Phase-Locked Loop (PLL).....	1124
42.2.4	USB Controller Engine	1126
42.2.5	USB Vector Interrupts	1130
42.2.6	Power Consumption	1130
42.2.7	Suspend and Resume	1131
42.3	USB Transfers	1131
42.3.1	Control Transfers.....	1131
42.3.2	Interrupt Transfers	1135
42.3.3	Bulk Transfers	1136
42.4	USB Registers	1138
42.4.1	USB Configuration Registers	1138
42.4.2	USB Control Registers	1146
42.4.3	USB Buffer Registers and Memory	1163
43	LDO-PWR Module	1174
43.1	LDO-PWR Introduction	1175
43.2	LDO-PWR Operation	1176

43.2.1	Enabling/Disabling	1176
43.2.2	Powering the Rest of the MSP430 from the LDO-PWR	1176
43.2.3	Powering Other Components in the System from LDO-PWR	1177
43.2.4	Applications That Do Not Require LDO-PWR	1177
43.2.5	Current Limitation and Overload Protection	1177
43.2.6	LDO-PWR Interrupts	1178
43.2.7	Port U Control	1178
43.3	LDO-PWR Registers	1179
43.3.1	LDOKEYPID Register	1180
43.3.2	PUCTL Register	1180
43.3.3	LDOPWRCTL Register	1181
44	Embedded Emulation Module (EEM).....	1182
44.1	Embedded Emulation Module (EEM) Introduction	1183
44.2	EEM Building Blocks	1185
44.2.1	Triggers	1185
44.2.2	Trigger Sequencer	1185
44.2.3	State Storage (Internal Trace Buffer)	1185
44.2.4	Cycle Counter	1185
44.2.5	Clock Control	1185
44.3	EEM Configurations	1186
	Revision History	1187

List of Figures

1-1.	BOR/POR/PUC Reset Circuit.....	56
1-2.	Interrupt Priority.....	58
1-3.	NMIs With Reentrance Protection.....	59
1-4.	Interrupt Processing.....	60
1-5.	Return From Interrupt.....	61
1-6.	Operation Modes	64
1-7.	Devices Descriptor Table.....	75
1-8.	SFRIE1 Register	85
1-9.	SFRIFG1 Register.....	86
1-10.	SFRRPCR Register	87
1-11.	SYSCTL Register	89
1-12.	SYSBSLC Register	90
1-13.	SYSJMBC Register	91
1-14.	SYSJMBI0 Register	92
1-15.	SYSJMBI1 Register	92
1-16.	SYSJMBO0 Register.....	93
1-17.	SYSJMBO1 Register.....	93
1-18.	SYSUNIV Register	94
1-19.	SYSSNIV Register	95
1-20.	SYSRSTIV Register.....	96
1-21.	SYSBERRIV Register	97
2-1.	System Frequency, Supply Voltage, and Core Voltage – See Device-Specific Data Sheet	99
2-2.	PMM Block Diagram.....	100
2-3.	Available SVM _H Settings Versus V _{CORE} Settings	103
2-4.	High-Side and Low-Side Voltage Failure and Resulting PMM Actions	104
2-5.	High-Side SVS and SVM	105
2-6.	Low-Side SVS and SVM	106
2-7.	PMM Action at Device Power-Up.....	107
2-8.	Changing V _{CORE} and SVM _L and SVS _L Levels	108
2-9.	PMMCTL0 Register.....	115
2-10.	PMMCTL1 Register.....	116
2-11.	SVSMHCTL Register	117
2-12.	SVSMLCTL Register	118
2-13.	SVSMIO Register	119
2-14.	PMMIFG Register.....	120
2-15.	PMMRIE Register.....	122
2-16.	PM5CTL0 Register	123
3-1.	Battery Backup Switch Overview	126
3-2.	Charger Block Diagram	128
3-3.	BAKCTL Register	130
3-4.	BAKCHCTL Register	131
4-1.	Auxiliary Supply Switch Overview	135
4-2.	System Frequency vs Supply Voltage	139
4-3.	Available SVM _H Settings vs V _{CORE} Settings	139
4-4.	Available AUXxLVL Settings vs SVM _H Settings	140
4-5.	Auxiliary Supply Monitor Block Diagram	141
4-6.	I/Os Powered by Auxiliary Supplies	143

4-7.	AUX Connection to ADC	143
4-8.	Charger Block Diagram	144
4-9.	Software Flow Chart	146
4-10.	AUXCTL0 Register	150
4-11.	AUXCTL1 Register	151
4-12.	AUXCTL2 Register	152
4-13.	AUX2CHCTL Register	153
4-14.	AUX3CHCTL Register	154
4-15.	AUXADCCTL Register	155
4-16.	AUXIFG Register	156
4-17.	AUXIE Register	157
4-18.	AUXIV Register	158
5-1.	UCS Block Diagram	161
5-2.	Modulator Patterns	167
5-3.	Module Request Clock System	168
5-4.	Oscillator Fault Logic	171
5-5.	Switch MCLK from DCOCLK to XT1CLK	173
5-6.	UCSCTL0 Register	175
5-7.	UCSCTL1 Register	176
5-8.	UCSCTL2 Register	177
5-9.	UCSCTL3 Register	178
5-10.	UCSCTL4 Register	179
5-11.	UCSCTL5 Register	180
5-12.	UCSCTL6 Register	181
5-13.	UCSCTL7 Register	183
5-14.	UCSCTL8 Register	184
5-15.	UCSCTL9 Register	185
6-1.	MSP430X CPU Block Diagram	188
6-2.	PC Storage on the Stack for Interrupts	189
6-3.	Program Counter	190
6-4.	PC Storage on the Stack for CALLA	190
6-5.	Stack Pointer	191
6-6.	Stack Usage	191
6-7.	PUSHX.A Format on the Stack	191
6-8.	PUSH SP, POP SP Sequence	191
6-9.	SR Bits	192
6-10.	Register-Byte and Byte-Register Operation	194
6-11.	Register-Word Operation	194
6-12.	Word-Register Operation	195
6-13.	Register – Address-Word Operation	195
6-14.	Address-Word – Register Operation	196
6-15.	Indexed Mode in Lower 64KB	198
6-16.	Indexed Mode in Upper Memory	199
6-17.	Overflow and Underflow for Indexed Mode	200
6-18.	Example for Indexed Mode	201
6-19.	Symbolic Mode Running in Lower 64KB	203
6-20.	Symbolic Mode Running in Upper Memory	204
6-21.	Overflow and Underflow for Symbolic Mode	205
6-22.	MSP430 Double-Operand Instruction Format	213

6-23.	MSP430 Single-Operand Instructions.....	214
6-24.	Format of Conditional Jump Instructions	215
6-25.	Extension Word for Register Modes	218
6-26.	Extension Word for Non-Register Modes.....	218
6-27.	Example for Extended Register or Register Instruction	219
6-28.	Example for Extended Immediate or Indexed Instruction	220
6-29.	Extended Format I Instruction Formats	221
6-30.	20-Bit Addresses in Memory	221
6-31.	Extended Format II Instruction Format.....	222
6-32.	PUSHM and POPM Instruction Format	223
6-33.	RRCM, RRAM, RRUM, and RLAM Instruction Format	223
6-34.	BRA Instruction Format	223
6-35.	CALLA Instruction Format	223
6-36.	Decrement Overlap	249
6-37.	Stack After a RET Instruction	268
6-38.	Destination Operand—Arithmetic Shift Left	270
6-39.	Destination Operand—Carry Left Shift.....	271
6-40.	Rotate Right Arithmetically RRA.B and RRA.W	272
6-41.	Rotate Right Through Carry RRC.B and RRC.W	273
6-42.	Swap Bytes in Memory.....	280
6-43.	Swap Bytes in a Register	280
6-44.	Rotate Left Arithmetically—RLAM[.W] and RLAM.A	307
6-45.	Destination Operand-Arithmetic Shift Left	308
6-46.	Destination Operand-Carry Left Shift	309
6-47.	Rotate Right Arithmetically RRAM[.W] and RRAM.A	310
6-48.	Rotate Right Arithmetically RRAX(.B,.A) – Register Mode.....	312
6-49.	Rotate Right Arithmetically RRAX(.B,.A) – Non-Register Mode	312
6-50.	Rotate Right Through Carry RRCM[.W] and RRCM.A	314
6-51.	Rotate Right Through Carry RRCX(.B,.A) – Register Mode	316
6-52.	Rotate Right Through Carry RRCX(.B,.A) – Non-Register Mode	316
6-53.	Rotate Right Unsigned RRUM[.W] and RRUM.A.....	317
6-54.	Rotate Right Unsigned RRUX(.B,.A) – Register Mode	318
6-55.	Swap Bytes SWPBX.A Register Mode	322
6-56.	Swap Bytes SWPBX.A In Memory	322
6-57.	Swap Bytes SWPBX[.W] Register Mode	323
6-58.	Swap Bytes SWPBX[.W] In Memory	323
6-59.	Sign Extend SCTX.A	324
6-60.	Sign Extend SCTX[.W]	324
7-1.	Flash Memory Module Block Diagram	343
7-2.	256KB of Flash Memory Segments Example	344
7-3.	Erase Cycle Timing.....	347
7-4.	Erase Cycle From Flash	348
7-5.	Erase Cycle From RAM.....	349
7-6.	Byte, Word, and Long-Word Write Timing.....	350
7-7.	Initiating a Byte or Word Write From Flash.....	351
7-8.	Initiating a Byte or Word Write From RAM	352
7-9.	Initiating Long-Word Write From Flash	353
7-10.	Initiating Long-Word Write from RAM	354
7-11.	Block-Write Cycle Timing	355

7-12.	Block Write Flow	356
7-13.	User-Developed Programming Solution	360
7-14.	FCTL1 Register	362
7-15.	FCTL3 Register	363
7-16.	FCTL4 Register	364
7-17.	SFRIE1 Register	365
8-1.	Block Diagram of MID Implementation.....	367
8-2.	Overview of MSP430 Flash Memory Segmentation	368
8-3.	cw0 Parameter	370
8-4.	cw1 Parameter	370
9-1.	RCCTL0 Register	377
11-1.	DMA Controller Block Diagram	382
11-2.	DMA Addressing Modes	383
11-3.	DMA Single Transfer State Diagram	385
11-4.	DMA Block Transfer State Diagram	387
11-5.	DMA Burst-Block Transfer State Diagram.....	389
11-6.	DMACTL0 Register	397
11-7.	DMACTL1 Register	398
11-8.	DMACTL2 Register	399
11-9.	DMACTL3 Register	400
11-10.	DMACTL4 Register	401
11-11.	DMAxCTL Register	402
11-12.	DMAxSA Register	404
11-13.	DMAxDA Register	405
11-14.	DMAxSZ Register.....	406
11-15.	DMAIV Register	407
12-1.	P1IV Register.....	422
12-2.	P2IV Register.....	423
12-3.	P1IES Register.....	424
12-4.	P1IE Register.....	424
12-5.	P1IFG Register.....	424
12-6.	P2IES Register.....	425
12-7.	P2IE Register.....	425
12-8.	P2IFG Register.....	425
12-9.	PxIN Register.....	426
12-10.	PxOUT Register.....	426
12-11.	PxDIR Register.....	426
12-12.	PxREN Register.....	427
12-13.	PxDS Register.....	427
12-14.	PxSEL Register	427
13-1.	PMAPKEYID Register.....	432
13-2.	PMAPCTL Register.....	432
13-3.	PxMAPy Register	432
14-1.	LFSR Implementation of CRC-CCITT Standard, Bit 0 is the MSB of the Result.....	434
14-2.	Implementation of CRC-CCITT Using the CRCDI and CRCINIRES Registers	436
14-3.	CRCDI Register	439
14-4.	CRCDIRB Register	439
14-5.	CRCINIRES Register.....	440
14-6.	CRCRESR Register	440

15-1.	AES Accelerator Block Diagram	442
15-2.	AES State Array Input and Output	443
15-3.	AES-128 Encryption Process	444
15-4.	AES-128 Decryption Process using AESOPx = 01	445
15-5.	AES-128 Decryption Process using AESOPx = 10 and 11	446
15-6.	AESACTL0 Register.....	449
15-7.	AESASTAT Register	450
15-8.	AESAKEY Register.....	451
15-9.	AESADIN Register.....	452
15-10.	AESADOUT Register.....	452
16-1.	Watchdog Timer Block Diagram	455
16-2.	WDTCTL Register	459
17-1.	Timer_A Block Diagram.....	462
17-2.	Up Mode	464
17-3.	Up Mode Flag Setting	464
17-4.	Continuous Mode	465
17-5.	Continuous Mode Flag Setting.....	465
17-6.	Continuous Mode Time Intervals	465
17-7.	Up/Down Mode.....	466
17-8.	Up/Down Mode Flag Setting	466
17-9.	Output Unit in Up/Down Mode	467
17-10.	Capture Signal (SCS = 1).....	468
17-11.	Capture Cycle	468
17-12.	Output Example – Timer in Up Mode	470
17-13.	Output Example – Timer in Continuous Mode	471
17-14.	Output Example – Timer in Up/Down Mode	472
17-15.	Capture/Compare Interrupt Flag	473
17-16.	TAXCTL Register.....	476
17-17.	TAXR Register	477
17-18.	TAXCCTLn Register	478
17-19.	TAXCCRN Register	480
17-20.	TAXIV Register	480
17-21.	TAXEX0 Register.....	481
18-1.	Timer_B Block Diagram.....	484
18-2.	Up Mode	486
18-3.	Up Mode Flag Setting	486
18-4.	Continuous Mode	487
18-5.	Continuous Mode Flag Setting.....	487
18-6.	Continuous Mode Time Intervals	487
18-7.	Up/Down Mode.....	488
18-8.	Up/Down Mode Flag Setting	488
18-9.	Output Unit in Up/Down Mode	489
18-10.	Capture Signal (SCS = 1).....	490
18-11.	Capture Cycle	490
18-12.	Output Example – Timer in Up Mode	493
18-13.	Output Example – Timer in Continuous Mode	494
18-14.	Output Example – Timer in Up/Down Mode	495
18-15.	Capture/Compare TBxCCR0 Interrupt Flag	496
18-16.	TBxCTL Register.....	499

18-17. TBxR Register	501
18-18. TBxCCTLn Register	502
18-19. TBxCCRn Register	504
18-20. TBxIV Register	505
18-21. TBxEX0 Register.....	506
19-1. Timer_D Block Diagram.....	509
19-2. High Resolution Clock Generator.....	511
19-3. Up Mode	514
19-4. Up Mode Flag Setting	514
19-5. Continuous Mode	514
19-6. Continuous Mode Flag Setting.....	515
19-7. Continuous Mode Time Intervals	515
19-8. TDxCCR0 PWM Generation Under Continuous Mode	516
19-9. Up/Down Mode.....	516
19-10. Up/Down Mode Flag Setting	517
19-11. Output Unit in Up/Down Mode	518
19-12. Controlling Rising and Falling Edge of PWM Output in Up Mode.....	520
19-13. Deadband Generation (TDxCMB = 1)	521
19-14. Capture Signal (SCS = 1).....	522
19-15. Single Capture Cycle	522
19-16. Sequential Capture Events in Dual Capture Mode	523
19-17. COV in Dual Capture Mode	523
19-18. Output Example, Channel 1 – Timer in Up Mode	527
19-19. Output Example, Channel 1 - Timer in Up Mode With External Fault Signal.....	528
19-20. Output Example - Timer in Up Mode with External Timer Clear Signal	529
19-21. Output Example – Timer in Continuous Mode	530
19-22. Output Example – Timer in Up/Down Mode	531
19-23. Capture/Compare TDxCCR0 Interrupt Flag	532
19-24. TDxCTL0 Register	535
19-25. TDxCTL1 Register	537
19-26. TDxCTL2 Register	538
19-27. TDxR Register.....	539
19-28. TDxCCTLn Register	540
19-29. TDxCCRn Register	542
19-30. TDxCLn Register.....	542
19-31. TDxHCTL0 Register	543
19-32. TDxHCTL1 Register	544
19-33. TDxHINT Register	545
19-34. TDxIV Register	546
20-1. Timer Event Control Block Diagram.....	548
20-2. External Input Events Affect Timer_D Output	550
20-3. Timer_D Output With Channel Combination	550
20-4. Module Level Connection Between TEC and Timer_D	551
20-5. Synchronization Between Timer Instances.....	553
20-6. TECxCTL0 Register	556
20-7. TECxCTL1 Register	558
20-8. TECxCTL2 Register	560
20-9. TECxSTA Register	561
20-10. TECxINT Register	562

20-11. TECxIV Register	563
22-1. RTC_A	567
22-2. RTCCTL0 Register	576
22-3. RTCCTL1 Register	577
22-4. RTCCTL2 Register	578
22-5. RTCCTL3 Register	578
22-6. RTCNT1 Register	579
22-7. RTCNT2 Register	579
22-8. RTCNT3 Register	579
22-9. RTCNT4 Register	579
22-10. RTCSEC Register	580
22-11. RTCSEC Register	580
22-12. RTCMIN Register	581
22-13. RTCMIN Register	581
22-14. RTCHOUR Register	582
22-15. RTCHOUR Register	582
22-16. RTCDOW Register	583
22-17. RTCDAY Register	583
22-18. RTCDAY Register	583
22-19. RTCMON Register	584
22-20. RTCMON Register	584
22-21. RTCYEARL Register	585
22-22. RTCYEARL Register	585
22-23. RTCYEARH Register	586
22-24. RTCYEARH Register	586
22-25. RTCAMIN Register	587
22-26. RTCAMIN Register	587
22-27. RTCAHOUR Register	588
22-28. RTCAHOUR Register	588
22-29. RTCADOW Register	589
22-30. RTCADAY Register	589
22-31. RTCADAY Register	590
22-32. RTCPS0CTL Register	591
22-33. RTCPS1CTL Register	592
22-34. RT0PS Register	593
22-35. RTPS1 Register	593
22-36. RTCIV Register	593
23-1. RTC_B Block Diagram	596
23-2. RTCCTL0 Register	604
23-3. RTCCTL1 Register	605
23-4. RTCCTL2 Register	606
23-5. RTCCTL3 Register	606
23-6. RTCSEC Register	607
23-7. RTCSEC Register	607
23-8. RTCMIN Register	608
23-9. RTCMIN Register	608
23-10. RTCHOUR Register	609
23-11. RTCHOUR Register	609
23-12. RTCDOW Register	610

23-13. RTCDAY Register	610
23-14. RTCDAY Register	610
23-15. RTCMON Register.....	611
23-16. RTCMON Register.....	611
23-17. RTCYEAR Register.....	612
23-18. RTCYEAR Register.....	612
23-19. RTCAMIN Register	613
23-20. RTCAMIN Register	613
23-21. RTCAHOUR Register	614
23-22. RTCAHOUR Register	614
23-23. RTCADOW Register	615
23-24. RTCADAY Register.....	616
23-25. RTCADAY Register.....	616
23-26. RTCPS0CTL Register	617
23-27. RTCPS1CTL Register.....	618
23-28. RTCPS0 Register	619
23-29. RTCPS1 Register	619
23-30. RTCIV Register	620
23-31. BIN2BCD Register.....	621
23-32. BCD2BIN Register.....	621
24-1. RTC_C Block Diagram (RTCMODE = 1)	624
24-2. RTC_C Offset Error Calibration and Temperature Compensation Scheme	631
24-3. RTC_C Functional Block Diagram in Counter Mode (RTCMODE = 0).....	634
24-4. RTCCTL0_L Register	642
24-5. RTCCTL0_H Register	643
24-6. RTCCTL1 Register	644
24-7. RTCCTL3 Register	645
24-8. RTCOCAL Register.....	645
24-9. RTCTCMP Register	646
24-10. RTCNT1 Register.....	647
24-11. RTCNT2 Register.....	647
24-12. RTCNT3 Register.....	647
24-13. RTCNT4 Register.....	647
24-14. RTCSEC Register	648
24-15. RTCSEC Register	648
24-16. RTCMIN Register	649
24-17. RTCMIN Register	649
24-18. RTCHOUR Register	650
24-19. RTCHOUR Register	650
24-20. RTCDOW Register	651
24-21. RTCDAY Register	651
24-22. RTCDAY Register	651
24-23. RTCMON Register.....	652
24-24. RTCMON Register.....	652
24-25. RTCYEAR Register.....	653
24-26. RTCYEAR Register.....	653
24-27. RTCAMIN Register	654
24-28. RTCAMIN Register	654
24-29. RTCAHOUR Register	655

24-30. RTCAHOUR Register	655
24-31. RTCADOW Register	656
24-32. RTCADAY Register.....	657
24-33. RTCADAY Register.....	657
24-34. RTCPS0CTL Register.....	658
24-35. RTCPS1CTL Register.....	659
24-36. RTCPS0 Register.....	661
24-37. RTCPS1 Register.....	661
24-38. RTCIV Register	662
24-39. BIN2BCD Register.....	663
24-40. BCD2BIN Register.....	663
24-41. RTCSECBAKx Register.....	664
24-42. RTCSECBAKx Register.....	664
24-43. RTCMINBAKx Register	665
24-44. RTCMINBAKx Register	665
24-45. RTCHOURBAKx Register	666
24-46. RTCHOURBAKx Register	666
24-47. RTCDAYBAKx Register.....	667
24-48. RTCDAYBAKx Register.....	667
24-49. RTCMONBAKx Register	668
24-50. RTCMONBAKx Register.....	668
24-51. RTCYEARBAKx Register.....	669
24-52. RTCYEARBAKx Register.....	669
24-53. RTCTCCTL0 Register.....	670
24-54. RTCTCCTL1 Register.....	670
24-55. RTCCAPxCTL Register	671
25-1. MPY32 Block Diagram	674
25-2. Q15 Format Representation.....	679
25-3. Q14 Format Representation.....	679
25-4. Saturation Flow Chart	681
25-5. Multiplication Flow Chart.....	683
25-6. MPY32CTL0 Register	689
26-1. REF Block Diagram	692
26-2. REF Block Diagram for Devices With a CTSD16 Module.....	693
26-3. REFCTL0 Register	701
27-1. ADC10_A Block Diagram	705
27-2. Analog Multiplexer	706
27-3. Extended Sample Mode	708
27-4. Pulse Sample Mode	708
27-5. Analog Input Equivalent Circuit	709
27-6. Single-Channel Single-Conversion Mode	710
27-7. Sequence-of-Channels Mode	711
27-8. Repeat-Single-Channel Mode.....	712
27-9. Repeat-Sequence-of-Channels Mode.....	713
27-10. Typical Temperature Sensor Transfer Function	715
27-11. ADC10_A Grounding and Noise Considerations	716
27-12. ADC10CTL0 Register	719
27-13. ADC10CTL1 Register	720
27-14. ADC10CTL2 Register	722

27-15. ADC10MEM0 Register	723
27-16. ADC10MEM0 Register	723
27-17. ADC10MCTL0 Register	724
27-18. ADC10HI Register	725
27-19. ADC10HI Register	725
27-20. ADC10LO Register	726
27-21. ADC10LO Register	726
27-22. ADC10IE Register	727
27-23. ADC10IFG Register	728
27-24. ADC10IV Register	729
28-1. ADC12_A Block Diagram (Devices With REF Module).....	732
28-2. ADC12_A MSP430F54xx (non-A) Block Diagram.....	733
28-3. Analog Multiplexer	734
28-4. Extended Sample Mode	736
28-5. Pulse Sample Mode	737
28-6. Analog Input Equivalent Circuit	737
28-7. Single-Channel Single-Conversion Mode	739
28-8. Sequence-of-Channels Mode	740
28-9. Repeat-Single-Channel Mode.....	741
28-10. Repeat-Sequence-of-Channels Mode.....	742
28-11. Typical Temperature Sensor Transfer Function	744
28-12. ADC12_A Grounding and Noise Considerations	745
28-13. ADC12CTL0 Register	750
28-14. ADC12CTL1 Register	752
28-15. ADC12CTL2 Register	753
28-16. ADC12MEMx Register	754
28-17. ADC12MCTLx Register	755
28-18. ADC12IE Register	756
28-19. ADC12IFG Register	758
28-20. ADC12IV Register	760
29-1. SD24_B Overview Block Diagram.....	763
29-2. SD24_B Reference and Clock Generation Block Diagram.....	764
29-3. SD24_B Converter Block Diagram	765
29-4. Sigma-Delta Principle	766
29-5. Analog Input Equivalent Circuit	768
29-6. SINC ³ Filter Structure	769
29-7. Comb Filter's Frequency Response With OSR = 32.....	769
29-8. Digital Filter Step Response and Conversion Points Digital Filter Output.....	770
29-9. SD24_B Output Encoder and Input Decoder Block Diagram	772
29-10. Single Conversion Examples.....	773
29-11. Grouped Operation - Internal Start-of-Conversion Trigger	774
29-12. Grouped Operation - External Start-of-Conversion Trigger	774
29-13. Conversion Delay Using Preload - Example	774
29-14. Start of Conversion Using Preload - Example	775
29-15. SD24_B Trigger Generator Block Diagram.....	776
29-16. SD24BCTL0 Register	780
29-17. SD24BCTL1 Register	781
29-18. SD24BTRGCTL Register	782
29-19. SD24BIFG Register	783

29-20. SD24BIE Register	786
29-21. SD24BIV Register	788
29-22. SD24BCCTLx Register	789
29-23. SD24BINCTLx Register	791
29-24. SD24BOSRx Register	792
29-25. SD24BTRGOSR Register	792
29-26. SD24BPREx Register	793
29-27. SD24BTRGPRES Register	793
29-28. SD24BMEMLx Register	794
29-29. SD24BMEMHx Register	794
30-1. CTSD16 Block Diagram	797
30-2. Sigma-Delta Principle	798
30-3. SINC ³ Filter Structure	801
30-4. Comb Filter Frequency Response With OSR = 32	802
30-5. Digital Filter Step Response and Conversion Points Digital Filter Output	802
30-6. Used Bits of Digital Filter Output	803
30-7. Input Voltage vs Digital Output	804
30-8. Single Channel Operation Example	805
30-9. Grouped Channel Operation Example	806
30-10. Conversion Delay Using Preload Example	807
30-11. Start of Conversion Using Preload Example	807
30-12. Preload and Channel Synchronization	808
30-13. Typical Temperature Sensor Transfer Function	808
30-14. CTSD16CTL Register	812
30-15. CTSD16CCTL0 to CTSD16CCTL6 Register	813
30-16. CTSD16MEM0 to CTSD16MEM6 Register	814
30-17. CTSD16INCTL0 to CTSD16INCTL6 Register	815
30-18. CTSD16PRE0 to CTSD16PRE6 Register	816
30-19. CTSD16IFG Register	817
30-20. CTSD16IE Register	819
30-21. CTSD16IV Register	821
31-1. DAC12_A Block Diagram for Two-Module Devices	824
31-2. DAC12_A Block Diagram For One-Module Devices	825
31-3. Output Voltage vs DAC Data, 12-Bit Straight-Binary Mode	827
31-4. Output Voltage vs DAC Data, 12-Bit Twos-Complement Mode	828
31-5. Negative Offset	828
31-6. Positive Offset	828
31-7. DAC12_A Group Update Example, Timer_A3 Trigger	829
31-8. DAC12_xCTL0 Register	833
31-9. DAC12_xCTL1 Register	835
31-10. DAC12_xDAT Register	836
31-11. DAC12_xDAT Register	836
31-12. DAC12_xDAT Register	837
31-13. DAC12_xDAT Register	837
31-14. DAC12_xDAT Register	838
31-15. DAC12_xDAT Register	838
31-16. DAC12_xDAT Register	839
31-17. DAC12_xDAT Register	839
31-18. DAC12_xCALCTL Register	840

31-19. DAC12_xCALDAT Register	840
31-20. DAC12IV Register	841
32-1. Comp_B Block Diagram	843
32-2. Comp_B Sample-And-Hold.....	845
32-3. RC-Filter Response at the Output of the Comparator	846
32-4. Reference Generator Block Diagram	846
32-5. Transfer Characteristic and Power Dissipation in a CMOS Inverter/Buffer	847
32-6. Temperature Measurement System.....	848
32-7. Timing for Temperature Measurement Systems.....	848
32-8. CBCTL0 Register	851
32-9. CBCTL1 Register	852
32-10. CBCTL2 Register	853
32-11. CBCTL3 Register	854
32-12. CBINT Register	856
32-13. CBIV Register	857
33-1. OA Block Diagram	860
33-2. OAnCTL0 Register	864
33-3. OAnPSW Register	865
33-4. OAnNSW Register.....	866
33-5. OAnGSW Register.....	867
34-1. LCD_B Controller Block Diagram.....	870
34-2. LCD Memory - Example for 160 Segments Maximum.....	871
34-3. Bias Generation	874
34-4. Example Static Waveforms.....	877
34-5. Static LCD Example (MAB addresses need to be replaced with LCDMx)	878
34-6. Example 2-Mux Waveforms	880
34-7. 2-Mux LCD Example (MAB addresses need to be replaced with LCDMx)	881
34-8. Example 3-Mux Waveforms	883
34-9. 3-Mux LCD Example (MAB addresses need to be replaced with LCDMx)	884
34-10. Example 4-Mux Waveforms	886
34-11. 4-Mux LCD Example (MAB addresses need to be replaced with LCDMx)	887
34-12. LCDBCTL0 Register.....	892
34-13. LCDBCTL1 Register.....	893
34-14. LCDBBLKCTL Register	894
34-15. LCDBMEMCTL Register	895
34-16. LCDBVCTL Register	896
34-17. LCDBPCTL0 Register	898
34-18. LCDBPCTL1 Register	898
34-19. LCDBPCTL2 Register	899
34-20. LCDBPCTL3 Register	899
34-21. LCDBCPCTL Register	900
34-22. LCDBIV Register.....	901
35-1. LCD Controller Block Diagram	904
35-2. LCD Memory for Static and 2-Mux to 4-Mux Mode - Example for 160 Segments	905
35-3. LCD Memory for 5-Mux to 8-Mux Mode - Example for 160 Segments	906
35-4. Bias Generation	909
35-5. Example Static Waveforms.....	914
35-6. Example 2-Mux Waveforms	915
35-7. Example 3-Mux Waveforms	916

35-8. Example 4-Mux Waveforms	917
35-9. Example 6-Mux Waveforms	918
35-10. Example 8-Mux, 1/3 Bias Waveforms (LCDLP = 0).....	919
35-11. Example 8-Mux, 1/3 Bias Low-Power Waveforms (LCDLP = 1)	920
35-12. LCDCTL0 Register	926
35-13. LCDCTL1 Register	928
35-14. LCDBLKCTL Register	929
35-15. LCDMEMCTL Register.....	930
35-16. LCDVCTL Register	931
35-17. LCDPCTL0 Register.....	933
35-18. LCDPCTL1 Register.....	933
35-19. LCDPCTL2 Register.....	934
35-20. LCDPCTL3 Register.....	934
35-21. LCDCCPCTL Register	935
35-22. LCDIV Register.....	935
36-1. USCI_Ax Block Diagram – UART Mode (UCSYNC = 0)	939
36-2. Character Format	940
36-3. Idle-Line Format.....	941
36-4. Address-Bit Multiprocessor Format.....	942
36-5. Auto Baud-Rate Detection – Break/Synch Sequence	943
36-6. Auto Baud-Rate Detection – Synch Field.....	943
36-7. UART vs IrDA Data Format	944
36-8. Glitch Suppression, USCI Receive Not Started	946
36-9. Glitch Suppression, USCI Activated.....	946
36-10. BITCLK Baud-Rate Timing With UCOS16 = 0	947
36-11. Receive Error.....	950
36-12. UCAXCTL0 Register	957
36-13. UCAXCTL1 Register	958
36-14. UCAXBR0 Register	959
36-15. UCAXBR1 Register	959
36-16. UCAXMCTL Register	959
36-17. UCAXSTAT Register	960
36-18. UCAXRXBUF Register	961
36-19. UCAXTXBUF Register.....	961
36-20. UCAXIRTCTL Register	962
36-21. UCAXIRRCTL Register.....	962
36-22. UCAXABCTL Register	963
36-23. UCAXIE Register	964
36-24. UCAXIFG Register	964
36-25. UCAXIV Register.....	965
37-1. USCI Block Diagram – SPI Mode	969
37-2. USCI Master and External Slave	971
37-3. USCI Slave and External Master	972
37-4. USCI SPI Timing With UCMSB = 1	974
37-5. UCAXCTL0 Register.....	977
37-6. UCAXCTL1 Register.....	978
37-7. UCAXBR0 Register	979
37-8. UCAXBR1 Register	979
37-9. UCAXMCTL Register	979

37-10. UCAXSTAT Register	980
37-11. UCAXRXBUF Register	981
37-12. UCAXTXBUF Register.....	981
37-13. UCAXIE Register.....	982
37-14. UCAXIFG Register.....	982
37-15. UCAXIV Register.....	983
37-16. UCBxCTL0 Register.....	985
37-17. UCBxCTL1 Register.....	986
37-18. UCBxBR0 Register.....	987
37-19. UCBxBR1 Register.....	987
37-20. UCBxMCTL Register.....	987
37-21. UCBxSTAT Register.....	988
37-22. UCBxRXBUF Register.....	989
37-23. UCBxTXBUF Register.....	989
37-24. UCBxIE Register.....	990
37-25. UCBxIFG Register.....	990
37-26. UCBxIV Register.....	991
38-1. USCI Block Diagram – I ² C Mode	995
38-2. I ² C Bus Connection Diagram.....	996
38-3. I ² C Module Data Transfer.....	997
38-4. Bit Transfer on I ² C Bus.....	997
38-5. I ² C Module 7-Bit Addressing Format	998
38-6. I ² C Module 10-Bit Addressing Format.....	998
38-7. I ² C Module Addressing Format With Repeated START Condition.....	998
38-8. I ² C Time-Line Legend	999
38-9. I ² C Slave Transmitter Mode.....	1000
38-10. I ² C Slave Receiver Mode.....	1002
38-11. I ² C Slave 10-Bit Addressing Mode	1003
38-12. I ² C Master Transmitter Mode	1005
38-13. I ² C Master Receiver Mode	1007
38-14. I ² C Master 10-Bit Addressing Mode	1008
38-15. Arbitration Procedure Between Two Master Transmitters	1009
38-16. Synchronization of Two I ² C Clock Generators During Arbitration.....	1010
38-17. UCBxCTL0 Register	1015
38-18. UCBxCTL1 Register	1016
38-19. UCBxBR0 Register.....	1017
38-20. UCBxBR1 Register.....	1017
38-21. UCBxSTAT Register	1018
38-22. UCBxRXBUF Register.....	1019
38-23. UCBxTXBUF Register	1019
38-24. UCBxI2COA Register.....	1020
38-25. UCBxI2CSA Register	1020
38-26. UCBxIE Register	1021
38-27. UCBxIFG Register	1022
38-28. UCBxIV Register	1023
39-1. eUSCI_Ax Block Diagram – UART Mode (UCSYNC = 0)	1026
39-2. Character Format.....	1027
39-3. Idle-Line Format	1028
39-4. Address-Bit Multiprocessor Format	1029

39-5. Auto Baud-Rate Detection – Break/Synch Sequence	1030
39-6. Auto Baud-Rate Detection – Synch Field	1030
39-7. UART vs IrDA Data Format	1031
39-8. Glitch Suppression, eUSCI_A Receive Not Started	1033
39-9. Glitch Suppression, eUSCI_A Activated	1033
39-10. BITCLK Baud-Rate Timing With UCOS16 = 0	1034
39-11. Receive Error	1038
39-12. UCAXCTLW0 Register	1044
39-13. UCAXCTLW1 Register	1045
39-14. UCAXBRW Register	1046
39-15. UCAXMCTLW Register	1046
39-16. UCAXSTATW Register	1047
39-17. UCAXRXBUF Register	1048
39-18. UCAXTXBUF Register	1048
39-19. UCAXABCTL Register	1049
39-20. UCAXIRCTL Register	1050
39-21. UCAXIE Register	1051
39-22. UCAXIFG Register	1052
39-23. UCAXIV Register	1053
40-1. eUSCI Block Diagram – SPI Mode	1056
40-2. eUSCI Master and External Slave (UCSTEM = 0)	1058
40-3. eUSCI Slave and External Master	1059
40-4. eUSCI SPI Timing With UCMSB = 1	1061
40-5. UCAXCTLW0 Register	1064
40-6. UCAXBRW Register	1065
40-7. UCAXSTATW Register	1066
40-8. UCAXRXBUF Register	1067
40-9. UCAXTXBUF Register	1068
40-10. UCAXIE Register	1069
40-11. UCAXIFG Register	1070
40-12. UCAXIV Register	1071
40-13. UCBxCTLW0 Register	1073
40-14. UCBxBRW Register	1074
40-15. UCBxSTATW Register	1074
40-16. UCBxRXBUF Register	1075
40-17. UCBxTXBUF Register	1075
40-18. UCBxIE Register	1076
40-19. UCBxIFG Register	1076
40-20. UCBxIV Register	1077
41-1. eUSCI_B Block Diagram – I ² C Mode	1080
41-2. I ² C Bus Connection Diagram	1081
41-3. I ² C Module Data Transfer	1082
41-4. Bit Transfer on I ² C Bus	1082
41-5. I ² C Module 7-Bit Addressing Format	1082
41-6. I ² C Module 10-Bit Addressing Format	1083
41-7. I ² C Module Addressing Format With Repeated START Condition	1083
41-8. I ² C Time-Line Legend	1085
41-9. I ² C Slave Transmitter Mode	1086
41-10. I ² C Slave Receiver Mode	1087

41-11. I ² C Slave 10-Bit Addressing Mode	1088
41-12. I ² C Master Transmitter Mode	1090
41-13. I ² C Master Receiver Mode	1092
41-14. I ² C Master 10-Bit Addressing Mode	1093
41-15. Arbitration Procedure Between Two Master Transmitters	1093
41-16. Synchronization of Two I ² C Clock Generators During Arbitration.....	1094
41-17. UCBxCTLW0 Register.....	1101
41-18. UCBxCTLW1 Register.....	1103
41-19. UCBxBRW Register.....	1105
41-20. UCBxSTATW Register	1105
41-21. UCBxTBCNT Register	1106
41-22. UCBxRXBUF Register.....	1107
41-23. UCBxTXBUF Register	1107
41-24. UCBxI2COA0 Register	1108
41-25. UCBxI2COA1 Register	1109
41-26. UCBxI2COA2 Register	1109
41-27. UCBxI2COA3 Register	1110
41-28. UCBxADDRX Register	1110
41-29. UCBxADDMASK Register.....	1111
41-30. UCBxI2CSA Register	1111
41-31. UCBxIE Register	1112
41-32. UCBxIFG Register	1114
41-33. UCBxIV Register	1116
42-1. USB Block Diagram	1119
42-2. USB Power System	1121
42-3. USB Power Up and Down Profile	1122
42-4. Powering Entire MSP430 From VBUS	1123
42-5. USB-PLL Analog Block Diagram	1124
42-6. Data Buffers and Descriptors	1127
42-7. USB Timer and Time Stamp Generation.....	1129
42-8. USBKEYPID Register	1139
42-9. USBCNF Register.....	1139
42-10. USBPHYCTL Register.....	1140
42-11. USBPWRCTL Register.....	1141
42-12. USBPLLCTL Register	1143
42-13. USBPLLDIVB Register	1144
42-14. USBPLLIR Register	1145
42-15. USBIEPCNF_0 Register	1147
42-16. USBIEPBCNT_0 Register.....	1148
42-17. USBOEPCNFG_0 Register	1149
42-18. USBOEPBCNT_0 Register	1150
42-19. USBIEPIE Register	1151
42-20. USBOEPIE Register	1153
42-21. USBIEPIFG Register.....	1155
42-22. USBOEPIFG Register	1156
42-23. USBVECINT Register	1157
42-24. USBMAINT Register	1158
42-25. USBTSREG Register	1159
42-26. USBFN Register.....	1159

42-27. USBCTL Register	1160
42-28. USBIE Register	1161
42-29. USBIFG Register	1162
42-30. USBFUNADR Register	1162
42-31. USBOEPCNF_n Register	1166
42-32. USBOEPBBAX_n Register	1167
42-33. USBOEPBCTX_n Register	1168
42-34. USBOEPBBAY_n Register	1168
42-35. USBOEPBCTY_n Register	1169
42-36. USBOEPSIZXY_n Register	1169
42-37. USBIEPCNF_n Register	1170
42-38. USBIEPBBAX_n Register	1171
42-39. USBIEPCTX_n Register	1172
42-40. USBIEPBAY_n Register	1172
42-41. USBIEPBCTY_n Register	1173
42-42. USBIEPSIZXY_n Register	1173
43-1. LDO Block Diagram	1175
43-2. 3.3-V LDO Power Up/Down Profile	1176
43-3. Powering Entire MSP430 From LDO1	1177
43-4. LDOKEYPID Register	1180
43-5. PUCTL Register	1180
43-6. LDOPWRCTL Register	1181
44-1. Large Implementation of EEM	1184

List of Tables

1-1.	Interrupt Sources, Flags, and Vectors	61
1-2.	Operation Modes	65
1-3.	Connection of Unused Pins	70
1-4.	Tag Values	76
1-5.	Peripheral Discovery Descriptor	77
1-6.	Values for Memory Entry	78
1-7.	Values for Peripheral Entry	78
1-8.	Peripheral IDs	79
1-9.	Sample Peripheral Discovery Descriptor	80
1-10.	SFR Base Address	84
1-11.	SFR Registers	84
1-12.	SFRIE1 Register Description	85
1-13.	SFRIFG1 Register Description	86
1-14.	SFRRPCR Register Description	87
1-15.	SYS Base Address	88
1-16.	SYS Registers	88
1-17.	SYSCTL Register Description	89
1-18.	SYSBSLC Register Description	90
1-19.	SYSJMBC Register Description	91
1-20.	SYSJMBI0 Register Description	92
1-21.	SYSJMBI1 Register Description	92
1-22.	SYSJMBO0 Register Description	93
1-23.	SYSJMBO1 Register Description	93
1-24.	SYSUNIV Register Description	94
1-25.	SYSSNIV Register Description	95
1-26.	SYSRSTIV Register Description	96
1-27.	SYSBERRIV Register Description	97
2-1.	SVS and SVM Thresholds	102
2-2.	Recommended SVS _L Settings	102
2-3.	Recommended SVS _H Settings	102
2-4.	Available SVS _H and SVM _H Settings Versus V _{CORE} Settings	103
2-5.	SVS _L and SVM _L Control Mode Selection	111
2-6.	SVS _L Automatic Performance Control	111
2-7.	SVS _L Manual Performance Modes	111
2-8.	SVM _L Automatic Performance Control	111
2-9.	SVM _L Manual Performance Modes	111
2-10.	SVS _H and SVM _H Control Mode Selection	112
2-11.	SVS _H Automatic Performance Control	112
2-12.	SVS _H Manual Performance Modes	112
2-13.	SVM _H Automatic Performance Control	112
2-14.	SVM _H Manual Performance Modes	112
2-15.	PMM Registers	114
2-16.	PMMCTL0 Register Description	115
2-17.	PMMCTL1 Register Description	116
2-18.	SVSMHCTL Register Description	117
2-19.	SVSMLCTL Register Description	118
2-20.	SVSMIO Register Description	119

2-21.	PMMIFG Register Description	120
2-22.	PMMRIE Register Description	122
2-23.	PM5CTL0 Register Description	123
3-1.	Battery Backup Registers	129
3-2.	BAKCTL Register Description	130
3-3.	BAKCHCTL Register Description	131
4-1.	Next Supply Voltage Selection	138
4-2.	Minimum Voltage Thresholds for Selected f_{SYS}	140
4-3.	Supply Selection During LPMx.5	142
4-4.	Auxiliary Supply Registers	149
4-5.	AUXCTL0 Register Description	150
4-6.	AUXCTL1 Register Description	151
4-7.	AUXCTL2 Register Description	152
4-8.	AUX2CHCTL Register Description	153
4-9.	AUX3CHCTL Register Description	154
4-10.	AUXADCCTL Register Description	155
4-11.	AUXIFG Register Description	156
4-12.	AUXIE Register Description	157
4-13.	AUXIV Register Description	158
5-1.	Clock Request System and Power Modes	169
5-2.	UCS Registers	174
5-3.	UCSCTL0 Register Description	175
5-4.	UCSCTL1 Register Description	176
5-5.	UCSCTL2 Register Description	177
5-6.	UCSCTL3 Register Description	178
5-7.	UCSCTL4 Register Description	179
5-8.	UCSCTL5 Register Description	180
5-9.	UCSCTL6 Register Description	181
5-10.	UCSCTL7 Register Description	183
5-11.	UCSCTL8 Register Description	184
5-12.	UCSCTL9 Register Description	185
6-1.	SR Bit Description	192
6-2.	Values of Constant Generators CG1, CG2	193
6-3.	Source and Destination Addressing	196
6-4.	MSP430 Double-Operand Instructions	214
6-5.	MSP430 Single-Operand Instructions	214
6-6.	Conditional Jump Instructions	215
6-7.	Emulated Instructions	215
6-8.	Interrupt, Return, and Reset Cycles and Length	216
6-9.	MSP430 Format II Instruction Cycles and Length	216
6-10.	MSP430 Format I Instructions Cycles and Length	217
6-11.	Description of the Extension Word Bits for Register Mode	218
6-12.	Description of Extension Word Bits for Non-Register Modes	219
6-13.	Extended Double-Operand Instructions	220
6-14.	Extended Single-Operand Instructions	222
6-15.	Extended Emulated Instructions	224
6-16.	Address Instructions, Operate on 20-Bit Register Data	225
6-17.	MSP430X Format II Instruction Cycles and Length	226
6-18.	MSP430X Format I Instruction Cycles and Length	227

6-19.	Address Instruction Cycles and Length	228
6-20.	Instruction Map of MSP430X	229
7-1.	Supported Simultaneous Code Execution and Flash Operations	346
7-2.	Erase Modes	346
7-3.	Write Modes	350
7-4.	Flash Access While Flash is Busy (BUSY = 1)	357
7-5.	FCTL Registers	361
7-6.	FCTL1 Register Description	362
7-7.	FCTL3 Register Description	363
7-8.	FCTL4 Register Description	364
7-9.	SFRIE1 Register Description	365
8-1.	Overview of MID Support Software Functions	369
9-1.	RAMCTL Registers	376
9-2.	RCCTL0 Register Description	377
10-1.	Backup RAM Registers	379
11-1.	DMA Transfer Modes	384
11-2.	DMA Trigger Operation	391
11-3.	Maximum Single-Transfer DMA Cycle Time	392
11-4.	DMA Registers	395
11-5.	DMACTL0 Register Description	397
11-6.	DMACTL1 Register Description	398
11-7.	DMACTL2 Register Description	399
11-8.	DMACTL3 Register Description	400
11-9.	DMACTL4 Register Description	401
11-10.	DMAxCTL Register Description	402
11-11.	DMAxSA Register Description	404
11-12.	DMAxDA Register Description	405
11-13.	DMAxSZ Register Description	406
11-14.	DMAIV Register Description	407
12-1.	I/O Configuration	410
12-2.	Digital I/O Registers	416
12-3.	P1IV Register Description	422
12-4.	P2IV Register Description	423
12-5.	P1IES Register Description	424
12-6.	P1IE Register Description	424
12-7.	P1IFG Register Description	424
12-8.	P2IES Register Description	425
12-9.	P2IE Register Description	425
12-10.	P2IFG Register Description	425
12-11.	PxIN Register Description	426
12-12.	PxOUT Register Description	426
12-13.	PxDIR Register Description	426
12-14.	PxREN Register Description	427
12-15.	PxDS Register Description	427
12-16.	PxSEL Register Description	427
13-1.	Examples for Port Mapping Mnemonics and Functions	430
13-2.	Port Mapping Control Registers	431
13-3.	Port Mapping Registers for Port Px – Byte Access	431
13-4.	Port Mapping Registers for Port Px – Word Access	431

13-5.	PMPKEYID Register Description	432
13-6.	PMPACTL Register Description	432
13-7.	PxMAPy Register Description	432
14-1.	CRC Registers	438
14-2.	CRCDI Register Description.....	439
14-3.	CRCDIRB Register Description.....	439
14-4.	CRCINIRES Register Description	440
14-5.	CRCRESR Register Description	440
15-1.	AES_ACCEL Registers	448
15-2.	AESACTL0 Register Description	449
15-3.	AESASTAT Register Description	450
15-4.	AESAKEY Register Description.....	451
15-5.	AESADIN Register Description	452
15-6.	AESADOUT Register Description	452
16-1.	WDT_A Registers.....	458
16-2.	WDTCTL Register Description	459
17-1.	Timer Modes	464
17-2.	Output Modes	469
17-3.	Timer_A Registers	475
17-4.	TAxCTL Register Description	476
17-5.	TAxR Register Description	477
17-6.	TAxCTLn Register Description.....	478
17-7.	TAxCCRn Register Description	480
17-8.	TAxIV Register Description.....	480
17-9.	TAxEX0 Register Description	481
18-1.	Timer Modes	486
18-2.	TBxCLn Load Events.....	491
18-3.	Compare Latch Operating Modes	492
18-4.	Output Modes	492
18-5.	Timer_B Registers	498
18-6.	TBxCTL Register Description	499
18-7.	TBxR Register Description	501
18-8.	TBxCTLn Register Description.....	502
18-9.	TBxCCRn Register Description	504
18-10.	TBxIV Register Description.....	505
18-11.	TBxEX0 Register Description	506
19-1.	Factory Preprogrammed Frequency and TDHMx, TDHCLKCR Bit Settings	512
19-2.	Timer Modes	513
19-3.	High-Resolution Mode Limitation (TDHEN = 1) - Minimum Duty Cycle	519
19-4.	High-Resolution Mode Limitation (TDHEN = 1) - Maximum Duty Cycle	519
19-5.	TDCLx Load Events	524
19-6.	Compare Latch Operating Modes	524
19-7.	Output Modes	525
19-8.	Timer_D Registers.....	534
19-9.	TDxCTL0 Register Description.....	535
19-10.	TDxCTL1 Register Description.....	537
19-11.	TDxCTL2 Register Description.....	538
19-12.	TDxR Register Description	539
19-13.	TDxCCTLn Register Description.....	540

19-14. TDxCCRn Register Description	542
19-15. TDxCLn Register Description	542
19-16. TDxHCTL0 Register Description.....	543
19-17. TDxHCTL1 Register Description.....	544
19-18. TDxHINT Register Description	545
19-19. TDxIV Register Description.....	546
20-1. TEC Registers.....	555
20-2. TECxCTL0 Register Description.....	556
20-3. TECxCTL1 Register Description.....	558
20-4. TECxCTL2 Register Description.....	560
20-5. TECxSTA Register Description	561
20-6. TECxINT Register Description	562
20-7. TECxIV Register Description	563
21-1. RTC Overview	564
22-1. RTC_A Registers	574
22-2. RTCCTL0 Register Description	576
22-3. RTCCTL1 Register Description	577
22-4. RTCCTL2 Register Description	578
22-5. RTCCTL3 Register Description	578
22-6. RTCNT1 Register Description	579
22-7. RTCNT2 Register Description	579
22-8. RTCNT3 Register Description	579
22-9. RTCNT4 Register Description	579
22-10. RTCSEC Register Description	580
22-11. RTCSEC Register Description	580
22-12. RTCMIN Register Description.....	581
22-13. RTCMIN Register Description.....	581
22-14. RTCHOUR Register Description.....	582
22-15. RTCHOUR Register Description.....	582
22-16. RTCDOW Register Description	583
22-17. RTCDAY Register Description	583
22-18. RTCDAY Register Description	583
22-19. RTCMON Register Description	584
22-20. RTCMON Register Description	584
22-21. RTCYEARL Register Description.....	585
22-22. RTCYEARL Register Description.....	585
22-23. RTCYEARH Register Description	586
22-24. RTCYEARH Register Description	586
22-25. RTCAMIN Register Description.....	587
22-26. RTCAMIN Register Description.....	587
22-27. RTCAHOUR Register Description.....	588
22-28. RTCAHOUR Register Description.....	588
22-29. RTCADOW Register Description	589
22-30. RTCADAY Register Description	589
22-31. RTCADAY Register Description	590
22-32. RTCPS0CTL Register Description	591
22-33. RTCPS1CTL Register Description	592
22-34. RT0PS Register Description	593
22-35. RT1PS Register Description	593

22-36. RTCIV Register Description	593
23-1. RTC_B Registers	602
23-2. RTCCTL0 Register Description	604
23-3. RTCCTL1 Register Description	605
23-4. RTCCTL2 Register Description	606
23-5. RTCCTL3 Register Description	606
23-6. RTCSEC Register Description	607
23-7. RTCSEC Register Description	607
23-8. RTCMIN Register Description.....	608
23-9. RTCMIN Register Description.....	608
23-10. RTCHOUR Register Description.....	609
23-11. RTCHOUR Register Description.....	609
23-12. RTCDOW Register Description	610
23-13. RTCDAY Register Description	610
23-14. RTCDAY Register Description	610
23-15. RTCMON Register Description	611
23-16. RTCMON Register Description	611
23-17. RTCYEAR Register Description	612
23-18. RTCYEAR Register Description	612
23-19. RTCAMIN Register Description.....	613
23-20. RTCAMIN Register Description.....	613
23-21. RTCAHOUR Register Description.....	614
23-22. RTCAHOUR Register Description.....	614
23-23. RTCADOW Register Description	615
23-24. RTCADAY Register Description	616
23-25. RTCADAY Register Description	616
23-26. RTCPS0CTL Register Description	617
23-27. RTCPS1CTL Register Description	618
23-28. RTCPS0 Register Description	619
23-29. RTCPS1 Register Description	619
23-30. RTCIV Register Description	620
23-31. BIN2BCD Register Description	621
23-32. BCD2BIN Register Description	621
24-1. RTCCAPx Pin Configuration	638
24-2. RTC_C Registers	639
24-3. RTC_C Event and Tamper Detection Registers.....	641
24-4. RTC_C Real-Time Clock Counter Mode Aliases	641
24-5. RTCCTL0_L Register Description	642
24-6. RTCCTL0_H Register Description.....	643
24-7. RTCCTL1 Register Description	644
24-8. RTCCTL3 Register Description	645
24-9. RTCOCAL Register Description	645
24-10. RTCTCMP Register Description	646
24-11. RTCNT1 Register Description	647
24-12. RTCNT2 Register Description	647
24-13. RTCNT3 Register Description	647
24-14. RTCNT4 Register Description	647
24-15. RTCSEC Register Description	648
24-16. RTCSEC Register Description	648

24-17. RTCMIN Register Description.....	649
24-18. RTCMIN Register Description.....	649
24-19. RTCHOUR Register Description.....	650
24-20. RTCHOUR Register Description.....	650
24-21. RTCDOW Register Description.....	651
24-22. RTCDAY Register Description.....	651
24-23. RTCDAY Register Description.....	651
24-24. RTCMON Register Description.....	652
24-25. RTCMON Register Description.....	652
24-26. RTCYEAR Register Description.....	653
24-27. RTCYEAR Register Description.....	653
24-28. RTCAMIN Register Description.....	654
24-29. RTCAMIN Register Description.....	654
24-30. RTCAHOUR Register Description.....	655
24-31. RTCAHOUR Register Description.....	655
24-32. RTCADOW Register Description.....	656
24-33. RTCADAY Register Description.....	657
24-34. RTCADAY Register Description.....	657
24-35. RTCPS0CTL Register Description.....	658
24-36. RTCPS1CTL Register Description.....	659
24-37. RTCPS0 Register Description.....	661
24-38. RTCPS1 Register Description.....	661
24-39. RTCIV Register Description.....	662
24-40. BIN2BCD Register Description.....	663
24-41. BCD2BIN Register Description.....	663
24-42. RTCSECBAKx Register Description.....	664
24-43. RTCSECBAKx Register Description.....	664
24-44. RTCMINBAKx Register Description.....	665
24-45. RTCMINBAKx Register Description.....	665
24-46. RTCHOURBAKx Register Description.....	666
24-47. RTCHOURBAKx Register Description.....	666
24-48. RTCDAYBAKx Register Description.....	667
24-49. RTCDAYBAKx Register Description.....	667
24-50. RTCMONBAKx Register Description.....	668
24-51. RTCMONBAKx Register Description.....	668
24-52. RTCYEARBAKx Register Description.....	669
24-53. RTCYEARBAKx Register Description.....	669
24-54. RTCTCCTL0 Register Description.....	670
24-55. RTCTCCTL1 Register Description.....	670
24-56. RTCCAPxCTL Register Description.....	671
25-1. Result Availability (MPYFRAC = 0, MPYSAT = 0).....	675
25-2. OP1 Registers.....	676
25-3. OP2 Registers.....	676
25-4. SUMEXT and MPYC Contents.....	677
25-5. Result Availability in Fractional Mode (MPYFRAC = 1, MPYSAT = 0).....	680
25-6. Result Availability in Saturation Mode (MPYSAT = 1).....	681
25-7. MPY32 Registers.....	687
25-8. Alternative Registers.....	688
25-9. MPY32CTL0 Register Description.....	689

26-1.	Reference Voltage Generation for Different Devices	694
26-2.	REF Control of Reference System (REFMSTR = 1) (Default) for Devices Without CTSD16	695
26-3.	REF Control of Reference System (REFMSTR = 1) (Default) for Devices With CTSD16	696
26-4.	Control of Reference System (REFMSTR = 0, ADC12_A Only)	696
26-5.	REF Registers	700
26-6.	REFCTL0 Register Description	701
27-1.	Conversion Mode Summary	709
27-2.	ADC10_A Registers	718
27-3.	ADC10CTL0 Register Description	719
27-4.	ADC10CTL1 Register Description	720
27-5.	ADC10CTL2 Register Description	722
27-6.	ADC10MEM0 Register Description	723
27-7.	ADC10MEM0 Register Description	723
27-8.	ADC10MCTL0 Register Description	724
27-9.	ADC10HI Register Description	725
27-10.	ADC10HI Register Description	725
27-11.	ADC10LO Register Description	726
27-12.	ADC10LO Register Description	726
27-13.	ADC10IE Register Description	727
27-14.	ADC10IFG Register Description	728
27-15.	ADC10IV Register Description	729
28-1.	ADC12_A Conversion Result Formats	738
28-2.	Conversion Mode Summary	738
28-3.	ADC12_A Registers	748
28-4.	ADC12CTL0 Register Description	750
28-5.	ADC12CTL1 Register Description	752
28-6.	ADC12CTL2 Register Description	753
28-7.	ADC12MEMx Register Description	754
28-8.	ADC12MCTLx Register Description	755
28-9.	ADC12IE Register Description	756
28-10.	ADC12IFG Register Description	758
28-11.	ADC12IV Register Description	760
29-1.	Offset Binary Left Aligned Mapping	771
29-2.	Twos-Complement Left Aligned Mapping	771
29-3.	Data Format Example for OSR = 256	771
29-4.	Conversion Mode Summary	772
29-5.	SD24_B Registers	778
29-6.	SD24BCTL0 Register Description	780
29-7.	SD24BCTL1 Register Description	781
29-8.	SD24BTRGCTL Register Description	782
29-9.	SD24BIFG Register Description	783
29-10.	SD24BIE Register Description	786
29-11.	SD24BIV Register Description	788
29-12.	SD24BCCTLx Register Description	789
29-13.	SD24BINCTLx Register Description	791
29-14.	SD24BOSRx Register Description	792
29-15.	SD24BTRGOSR Register Description	792
29-16.	SD24BPRES Register Description	793
29-17.	SD24BTRGPRES Register Description	793

29-18. SD24BMEMLx Register Description	794
29-19. SD24BMEMHx Register Description	794
30-1. Voltage Reference Signal Selection Requirements	799
30-2. Data Format	804
30-3. Conversion Mode Summary	805
30-4. CTSD16 Registers	811
30-5. CTSD16CTL Register Description	812
30-6. CTSD16CCTL0 to CTSD16CCTL6 Register Description	813
30-7. CTSD16MEM0 to CTSD16MEM6 Register Description	814
30-8. CTSD16INCTL0 to CTSD16INCTL6 Register Description	815
30-9. CTSD16PRE0 to CTSD16PRE6 Register Description	816
30-10. CTSD16IFG Register Description	817
30-11. CTSD16IE Register Description	819
30-12. CTSD16IV Register Description	821
31-1. DAC Full-Scale Range ($V_{ref} = V_{eREF+}$ or V_{REF+} or V_{REFBG})	826
31-2. DAC12SREFx = {2,3} Signal Selection Requirements for Devices With a CTSD16 Module	826
31-3. DAC Output Selection	831
31-4. DAC12_A Registers	832
31-5. DAC12_xCTL0 Register Description	833
31-6. DAC12_xCTL1 Register Description	835
31-7. DAC12_xDAT Register Description	836
31-8. DAC12_xDAT Register Description	836
31-9. DAC12_xDAT Register Description	837
31-10. DAC12_xDAT Register Description	837
31-11. DAC12_xDAT Register Description	838
31-12. DAC12_xDAT Register Description	838
31-13. DAC12_xDAT Register Description	839
31-14. DAC12_xDAT Register Description	839
31-15. DAC12_xCALCTL Register Description	840
31-16. DAC12_xCALDAT Register Description	840
31-17. DAC12IV Register Description	841
32-1. Comp_B Registers	850
32-2. CBCTL0 Register Description	851
32-3. CBCTL1 Register Description	852
32-4. CBCTL2 Register Description	853
32-5. CBCTL3 Register Description	854
32-6. CBINT Register Description	856
32-7. CBIV Register Description	857
33-1. OA Mode Select	861
33-2. OA Registers	863
33-3. OAnCTL0 Register Description	864
33-4. OAnPSW Register Description	865
33-5. OAnNSW Register Description	866
33-6. OAnGSW Register Description	867
34-1. LCD Voltage and Biasing Characteristics	875
34-2. LCD_B Registers	889
34-3. LCD_B Memory Registers	890
34-4. LCD_B Blinking Memory Registers	891
34-5. LCDBCTL0 Register Description	892

34-6.	LCDBCTL1 Register Description	893
34-7.	LCDBBLKCTL Register Description.....	894
34-8.	LCDBMEMCTL Register Description.....	895
34-9.	LCDBVCTL Register Description	896
34-10.	LCDBPCTL0 Register Description.....	898
34-11.	LCDBPCTL1 Register Description.....	898
34-12.	LCDBPCTL2 Register Description.....	899
34-13.	LCDBPCTL3 Register Description.....	899
34-14.	LCDBCPCTL Register Description	900
34-15.	LCDBIV Register Description	901
35-1.	Differences Between LCD_B and LCD_C	903
35-2.	Bias Voltages and external Pins	910
35-3.	LCD Voltage and Biasing Characteristics	911
35-4.	LCD_C Control Registers.....	921
35-5.	LCD_C Memory Registers for Static and 2-Mux to 4-Mux Modes	922
35-6.	LCD Blinking Memory Registers for Static and 2-Mux to 4-Mux Modes	923
35-7.	LCD Memory Registers for 5-Mux to 8-Mux	924
35-8.	LCDCCTL0 Register Description	926
35-9.	LCDCCTL1 Register Description	928
35-10.	LCDCBLKCTL Register Description.....	929
35-11.	LCDCMEMCTL Register Description	930
35-12.	LCDCVCTL Register Description	931
35-13.	LCDCPCTL0 Register Description	933
35-14.	LCDCPCTL1 Register Description	933
35-15.	LCDCPCTL2 Register Description	934
35-16.	LCDCPCTL3 Register Description	934
35-17.	LCDCCPCTL Register Description	935
35-18.	LCDCIV Register Description	935
36-1.	Receive Error Conditions	945
36-2.	BITCLK Modulation Pattern	947
36-3.	BITCLK16 Modulation Pattern	948
36-4.	Commonly Used Baud Rates, Settings, and Errors, UCOS16 = 0	951
36-5.	Commonly Used Baud Rates, Settings, and Errors, UCOS16 = 1	953
36-6.	USCI_A UART Mode Registers.....	956
36-7.	UCAxCTL0 Register Description	957
36-8.	UCAxCTL1 Register Description	958
36-9.	UCAxBR0 Register Description	959
36-10.	UCAxBR1 Register Description	959
36-11.	UCAxMCTL Register Description.....	959
36-12.	UCAxSTAT Register Description	960
36-13.	UCAxRXBUF Register Description	961
36-14.	UCAxTXBUF Register Description	961
36-15.	UCAxIRTCTL Register Description.....	962
36-16.	UCAxIRRCTL Register Description	962
36-17.	UCAxABCTL Register Description	963
36-18.	UCAxIE Register Description.....	964
36-19.	UCAxIFG Register Description.....	964
36-20.	UCAxIV Register Description.....	965
37-1.	UCxSTE Operation	970

37-2.	USCI_A SPI Mode Registers.....	976
37-3.	UCAxCTL0 Register Description	977
37-4.	UCAxCTL1 Register Description	978
37-5.	UCAxBR0 Register Description.....	979
37-6.	UCAxBR1 Register Description.....	979
37-7.	UCAxMCTL Register Description.....	979
37-8.	UCAxSTAT Register Description	980
37-9.	UCAxRXBUF Register Description.....	981
37-10.	UCAxTXBUF Register Description	981
37-11.	UCAxIE Register Description.....	982
37-12.	UCAxIFG Register Description.....	982
37-13.	UCAxIV Register Description.....	983
37-14.	USCI_B SPI Mode Registers.....	984
37-15.	UCBxCTL0 Register Description	985
37-16.	UCBxCTL1 Register Description	986
37-17.	UCBxBR0 Register Description.....	987
37-18.	UCBxBR1 Register Description.....	987
37-19.	UCBxMCTL Register Description.....	987
37-20.	UCBxSTAT Register Description	988
37-21.	UCBxRXBUF Register Description.....	989
37-22.	UCBxTXBUF Register Description	989
37-23.	UCBxIE Register Description.....	990
37-24.	UCBxIFG Register Description.....	990
37-25.	UCBxIV Register Description.....	991
38-1.	I ² C State Change Interrupt Flags.....	1012
38-2.	USCI_B Registers	1014
38-3.	UCBxCTL0 Register Description	1015
38-4.	UCBxCTL1 Register Description	1016
38-5.	UCBxBR0 Register Description	1017
38-6.	UCBxBR1 Register Description	1017
38-7.	UCBxSTAT Register Description.....	1018
38-8.	UCBxRXBUF Register Description	1019
38-9.	UCBxTXBUF Register Description.....	1019
38-10.	UCBxI2COA Register Description	1020
38-11.	UCBxI2CSA Register Description.....	1020
38-12.	UCBxIE Register Description	1021
38-13.	UCBxIFG Register Description	1022
38-14.	UCBxIV Register Description	1023
39-1.	Receive Error Conditions.....	1032
39-2.	Modulation Pattern Examples	1034
39-3.	BITCLK16 Modulation Pattern.....	1035
39-4.	UCBRSx Settings for Fractional Portion of $N = f_{BRCLK}/\text{Baud Rate}$	1036
39-5.	Recommended Settings for Typical Crystals and Baud Rates	1039
39-6.	UART State Change Interrupt Flags.....	1041
39-7.	eUSCI_A UART Registers	1043
39-8.	UCAxCTLW0 Register Description	1044
39-9.	UCAxCTLW1 Register Description	1045
39-10.	UCAxBRW Register Description	1046
39-11.	UCAxMCTLW Register Description.....	1046

39-12. UCAXSTATW Register Description	1047
39-13. UCAXRXBUF Register Description	1048
39-14. UCAXTXBUF Register Description	1048
39-15. UCAXABCTL Register Description	1049
39-16. UCAXIRCTL Register Description	1050
39-17. UCAXIE Register Description	1051
39-18. UCAXIFG Register Description	1052
39-19. UCAXIV Register Description	1053
40-1. UCxSTE Operation.....	1057
40-2. eUSCI_A SPI Registers	1063
40-3. UCAXCTLW0 Register Description	1064
40-4. UCAXBRW Register Description	1065
40-5. UCAXSTATW Register Description	1066
40-6. UCAXRXBUF Register Description	1067
40-7. UCAXTXBUF Register Description	1068
40-8. UCAXIE Register Description	1069
40-9. UCAXIFG Register Description	1070
40-10. UCAXIV Register Description	1071
40-11. eUSCI_B SPI Registers	1072
40-12. UCBxCTLW0 Register Description	1073
40-13. UCBxBRW Register Description	1074
40-14. UCBxSTATW Register Description	1074
40-15. UCBxRXBUF Register Description	1075
40-16. UCBxTXBUF Register Description.....	1075
40-17. UCBxIE Register Description	1076
40-18. UCBxIFG Register Description	1076
40-19. UCBxIV Register Description	1077
41-1. Glitch Filter Length Selection Bits.....	1094
41-2. I ² C State Change Interrupt Flags.....	1098
41-3. eUSCI_B Registers	1100
41-4. UCBxCTLW0 Register Description	1101
41-5. UCBxCTLW1 Register Description	1103
41-6. UCBxBRW Register Description	1105
41-7. UCBxSTATW Register Description	1105
41-8. UCBxTBCNT Register Description.....	1106
41-9. UCBxRXBUF Register Description	1107
41-10. UCBxTXBUF Register Description.....	1107
41-11. UCBxI2COA0 Register Description	1108
41-12. UCBxI2COA1 Register Description	1109
41-13. UCBxI2COA2 Register Description	1109
41-14. UCBxI2COA3 Register Description	1110
41-15. UCBxADDRX Register Description	1110
41-16. UCBxADDMASK Register Description	1111
41-17. UCBxI2CSA Register Description.....	1111
41-18. UCBxIE Register Description	1112
41-19. UCBxIFG Register Description	1114
41-20. UCBxIV Register Description	1116
42-1. USB-PLL Pre-Scale Divider.....	1125
42-2. Register Settings to Generate 48 MHz Using Common Clock Input Frequencies	1125

42-3.	USB Buffer Memory Map.....	1128
42-4.	USB Interrupt Vector Generation.....	1130
42-5.	USB Configuration Registers	1138
42-6.	USBKEYPID Register Description	1139
42-7.	USBCNF Register Description.....	1139
42-8.	USBPHYCTL Register Description	1140
42-9.	USBPWRCTL Register Description.....	1141
42-10.	USBPLLCTL Register Description	1143
42-11.	USBPLLDIVB Register Description	1144
42-12.	USBPLLIR Register Description.....	1145
42-13.	USB Control Registers.....	1146
42-14.	USBIEPCNF_0 Register Description	1147
42-15.	USBIEPBCNT_0 Register Description	1148
42-16.	USBOEPCNFG_0 Register Description.....	1149
42-17.	USBOEPBCNT_0 Register Description	1150
42-18.	USBIEPIE Register Description	1151
42-19.	USBOEPIE Register Description	1153
42-20.	USBIEPIFG Register Description	1155
42-21.	USBOEPIFG Register Description	1156
42-22.	USBVECINT Register Description	1157
42-23.	USBMAINT Register Description.....	1158
42-24.	USBTBSREG Register Description.....	1159
42-25.	USBFN Register Description	1159
42-26.	USBCTL Register Description	1160
42-27.	USBIE Register Description.....	1161
42-28.	USBIFG Register Description.....	1162
42-29.	USBFUNADR Register Description	1162
42-30.	USB Buffer Memory.....	1163
42-31.	USB Buffer Descriptor Registers	1163
42-32.	USBOEPCNF_n Register Description.....	1166
42-33.	USBOEPBBAX_n Register Description	1167
42-34.	USBOEPBCTX_n Register Description	1168
42-35.	USBOEPBBAY_n Register Description	1168
42-36.	USBOEPBCTY_n Register Description	1169
42-37.	USBOEPSIZXY_n Register Description.....	1169
42-38.	USBIEPCNF_n Register Description	1170
42-39.	USBIEPBBAX_n Register Description.....	1171
42-40.	USBIEPBCCTX_n Register Description.....	1172
42-41.	USBIEPBBAY_n Register Description.....	1172
42-42.	USBIEPBCTY_n Register Description.....	1173
42-43.	USBIEPSIZXY_n Register Description	1173
43-1.	LDO-PWR Registers	1179
43-2.	LDOKEYPID Register Description	1180
43-3.	PUCTL Register Description.....	1180
43-4.	LDOPWRCTL Register Description.....	1181
44-1.	EEM Configurations.....	1186

Read This First

About This Manual

This manual describes the modules and peripherals of the MSP430x5xx and MSP430x6xx family of devices. Each description presents the module or peripheral in a general sense. Not all features and functions of all modules or peripherals may be present on all devices. In addition, modules or peripherals may differ in their exact implementation between device families, or may not be fully implemented on an individual device or device family.

Pin functions, internal signal connections, and operational parameters differ from device to device. The user should consult the device-specific data sheet for these details.

Related Documentation From Texas Instruments

For related documentation see the web site <http://www.ti.com/msp430>.

FCC Warning

This equipment is intended for use in a laboratory test environment only. It generates, uses, and can radiate radio frequency energy and has not been tested for compliance with the limits of computing devices pursuant to subpart J of part 15 of FCC rules, which are designed to provide reasonable protection against radio frequency interference. Operation of this equipment in other environments may cause interference with radio communications, in which case the user at his own expense will be required to take whatever measures may be required to correct this interference.

Notational Conventions

Program examples, are shown in a special typeface.

Glossary

ACLK	Auxiliary Clock; see Section 5.1
ADC	Analog-to-Digital Converter
BOR	Brown-Out Reset; see Section 1.2
BSL	Bootstrap Loader; see www.ti.com/msp430 for application reports
CPU	Central Processing Unit; see Section 6.1
DAC	Digital-to-Analog Converter
DCO	Digitally Controlled Oscillator; see Section 5.2.6
dst	Destination; see Section 6.5
FLL	Frequency Locked Loop; see Section 5.2.7
GIE Modes	General Interrupt Enable; see Section 1.3.3
INT(N/2)	Integer portion of N/2
I/O	Input/Output; see Chapter 12
ISR	Interrupt Service Routine
LSB	Least-Significant Bit
LSD	Least-Significant Digit
LPM	Low-Power Mode; see Section 1.4 ; also named PM for Power Mode
MAB	Memory Address Bus

MCLK	Master Clock; see Section 5.1
MDB	Memory Data Bus
MSB	Most-Significant Bit
MSD	Most-Significant Digit
NMI	(Non)-Maskable Interrupt; see Section 1.3.1 ; also split to UNMI and SNMI
PC	Program Counter; see Section 6.3.1
PM	Power Mode; see Section 1.4
POR	Power-On Reset; see Section 1.2
PUC	Power-Up Clear; see Section 1.2
RAM	Random Access Memory
SCG	System Clock Generator; see Section 6.3.3
SFR	Special Function Register; Section 1.14
SMCLK	Sub-System Master Clock; see Section 5.1
SNMI	System NMI; see Section 1.3.1
SP	Stack Pointer; see Section 6.3.2
SR	Status Register; see Section 6.3.3
src	Source; see Section 6.5
TOS	Top of stack; see Section 6.3.2
UNMI	User NMI; see Section 1.3.1
WDT	Watchdog Timer; see Chapter 16
z16	16-bit address space

Register Bit Conventions

Each register is shown with a key indicating the accessibility of the each individual bit, and the initial condition:

Register Bit Accessibility and Initial Condition

Key	Bit Accessibility
rw	Read/write
r	Read only
r0	Read as 0
r1	Read as 1
w	Write only
w0	Write as 0
w1	Write as 1
(w)	No register bit implemented; writing a 1 results in a pulse. The register bit is always read as 0.
h0	Cleared by hardware
h1	Set by hardware
-0,-1	Condition after PUC
-(0),-(1)	Condition after POR
-[0],[-1]	Condition after BOR
-{0},-{1}	Condition after Brownout

System Resets, Interrupts, and Operating Modes, System Control Module (SYS)

The system control module (SYS) is available on all devices. The following list shows the basic feature set of SYS.

- Brownout reset (BOR) and power on reset (POR) handling
- Power up clear (PUC) handling
- (Non)maskable interrupt (SNMI and UNMI) event source selection and management
- Address decoding
- A user data-exchange mechanism using the JTAG mailbox (JMB)
- Bootstrap loader (BSL) entry mechanism
- Configuration management (device descriptors)
- Provides interrupt vector generators for reset and NMIs

Topic	Page
1.1 System Control Module (SYS) Introduction	55
1.2 System Reset and Initialization	55
1.3 Interrupts	57
1.4 Operating Modes	63
1.5 Principles for Low-Power Applications	69
1.6 Connection of Unused Pins	70
1.7 Reset Pin (RST/NMI) Configuration	70
1.8 Configuring JTAG Pins	71
1.9 Boot Code	71
1.10 Bootstrap Loader (BSL)	71
1.11 Memory Map – Uses and Abilities	72
1.12 JTAG Mailbox (JMB) System	73
1.13 Device Descriptor Table	74
1.14 SFR Registers	84
1.15 SYS Registers	88

1.1 System Control Module (SYS) Introduction

SYS is responsible for the interaction between various modules throughout the system. The functions that SYS provides for are not inherent to the modules themselves. Address decoding, bus arbitration, interrupt event consolidation, and reset generation are some examples of the many functions that SYS provides.

1.2 System Reset and Initialization

The system reset circuitry is shown in [Figure 1-1](#) and sources a brownout reset (BOR), a power on reset (POR), and a power up clear (PUC). Different events trigger these reset signals and different initial conditions exist depending on which signal was generated.

A BOR is a device reset. A BOR is only generated by the following events:

- Powering up the device
- A low signal on $\overline{\text{RST}}/\text{NMI}$ pin when configured in the reset mode
- A wake-up event from LPMx.5 (LPM3.5 or LPM4.5) modes
- A software BOR event

A POR is always generated when a BOR is generated, but a BOR is not generated by a POR. The following events trigger a POR:

- A BOR signal
- A SVS_H and/or SVS_M low condition when enabled (see the [PMM chapter](#) for details)
- A SVS_L and/or SVS_L low condition when enabled (see the [PMM chapter](#) for details)
- A software POR event

A PUC is always generated when a POR is generated, but a POR is not generated by a PUC. The following events trigger a PUC:

- A POR signal
- Watchdog timer expiration when watchdog mode only (see the [WDT_A chapter](#) for details)
- Watchdog timer password violation (see the [WDT_A chapter](#) for details)
- A Flash memory password violation (see the [Flash Controller chapter](#) for details)
- Power Management Module password violation (see the [PMM chapter](#) for details)
- Fetch from peripheral area

NOTE: The number and type of resets available may vary from device to device. See the device-specific data sheet for all reset sources available.

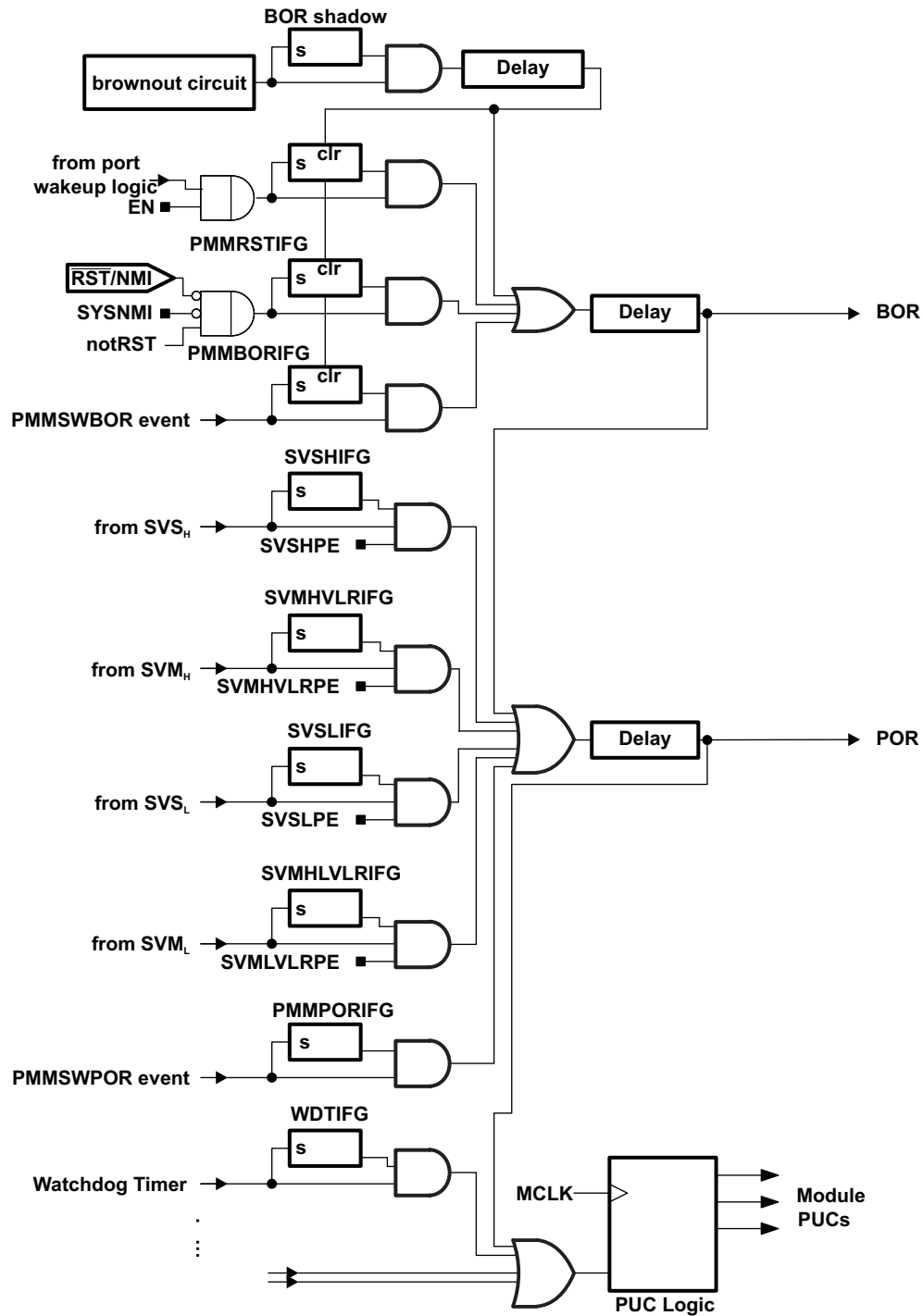


Figure 1-1. BOR/POR/PUC Reset Circuit

1.2.1 Device Initial Conditions After System Reset

After a BOR, the initial device conditions are:

- The $\overline{\text{RST}}/\text{NMI}$ pin is configured in the reset mode. See [Section 1.7](#) on configuring the $\overline{\text{RST}}/\text{NMI}$ pin.
- I/O pins are switched to input mode as described in the [Digital I/O chapter](#).
- Other peripheral modules and registers are initialized as described in their respective chapters in this manual.
- Status register (SR) is reset.
- The watchdog timer powers up active in watchdog mode.
- Program counter (PC) is loaded with the boot code address and boot code execution begins at that address. See [Section 1.9](#) for more information regarding the boot code. Upon completion of the boot code, the PC is loaded with the address contained at the SYSRSTIV reset location (0FFFEh).

After a system reset, user software must initialize the device for the application requirements. The following must occur:

- Initialize the stack pointer (SP), typically to the top of RAM.
- Initialize the watchdog to the requirements of the application.
- Configure peripheral modules to the requirements of the application.

NOTE: A device that is unprogrammed or blank is defined as having its reset vector value, residing at memory address FFFEh, equal to FFFFh. Upon system reset of a blank device, the device enters operating mode LPM4 automatically. See [Section 1.4](#) for information on operating modes and [Section 1.3.6](#) for details on interrupt vectors.

NOTE: Some SRAM locations can be modified by the boot code (refer to [Section 1.9](#)) after a BOR event. These SRAM locations, when available, are at SRAM locations 01CFAh through 01CFFh and 023FAh through 023FFh.

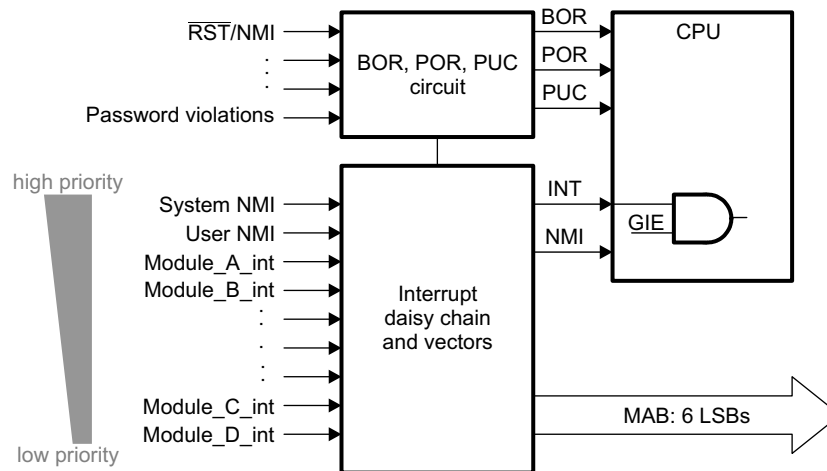
1.3 Interrupts

The interrupt priorities are fixed and defined by the arrangement of the modules in the connection chain as shown in [Figure 1-2](#). Interrupt priorities determine what interrupt is taken when more than one interrupt is pending simultaneously.

There are three types of interrupts:

- System reset
- (Non)maskable
- Maskable

NOTE: The types of interrupt sources available and their respective priorities can change from device to device. See the device-specific data sheet for all interrupt sources and their priorities.


Figure 1-2. Interrupt Priority

1.3.1 (Non)Maskable Interrupts (NMIs)

In general, NMIs are not masked by the general interrupt enable (GIE) bit. The family supports two levels of NMIs — system NMI (SNMI) and user NMI (UNMI). The NMI sources are enabled by individual interrupt enable bits. When an NMI interrupt is accepted, other NMIs of that level are automatically disabled to prevent nesting of consecutive NMIs of the same level. Program execution begins at the address stored in the NMI vector as shown in [Table 1-1](#). To allow software backward compatibility to users of earlier MSP430 families, the software may, but does not need to, reen able NMI sources. The block diagram for NMI sources is shown in [Figure 1-3](#).

A UNMI interrupt can be generated by following sources:

- An edge on the $\overline{\text{RST}}/\text{NMI}$ pin when configured in NMI mode
- An oscillator fault occurs
- An access violation to the flash memory

A SNMI interrupt can be generated by following sources:

- Power Management Module (PMM) $\text{SVM}_L/\text{SVM}_H$ supply voltage fault
- PMM high/low side delay expiration
- Vacant memory access
- JTAG mailbox (JMB) event

NOTE: The number and types of NMI sources may vary from device to device. See the device-specific data sheet for all NMI sources available.

1.3.2 SNMI Timing

Consecutive SNMIs that occur at a higher rate than they can be handled (interrupt storm) allow the main program to execute one instruction after the SNMI handler is finished with a RETI instruction, before the SNMI handler is executed again. Consecutive SNMIs are not interrupted by UNMIs in this case. This avoids a blocking behavior on high SNMI rates.

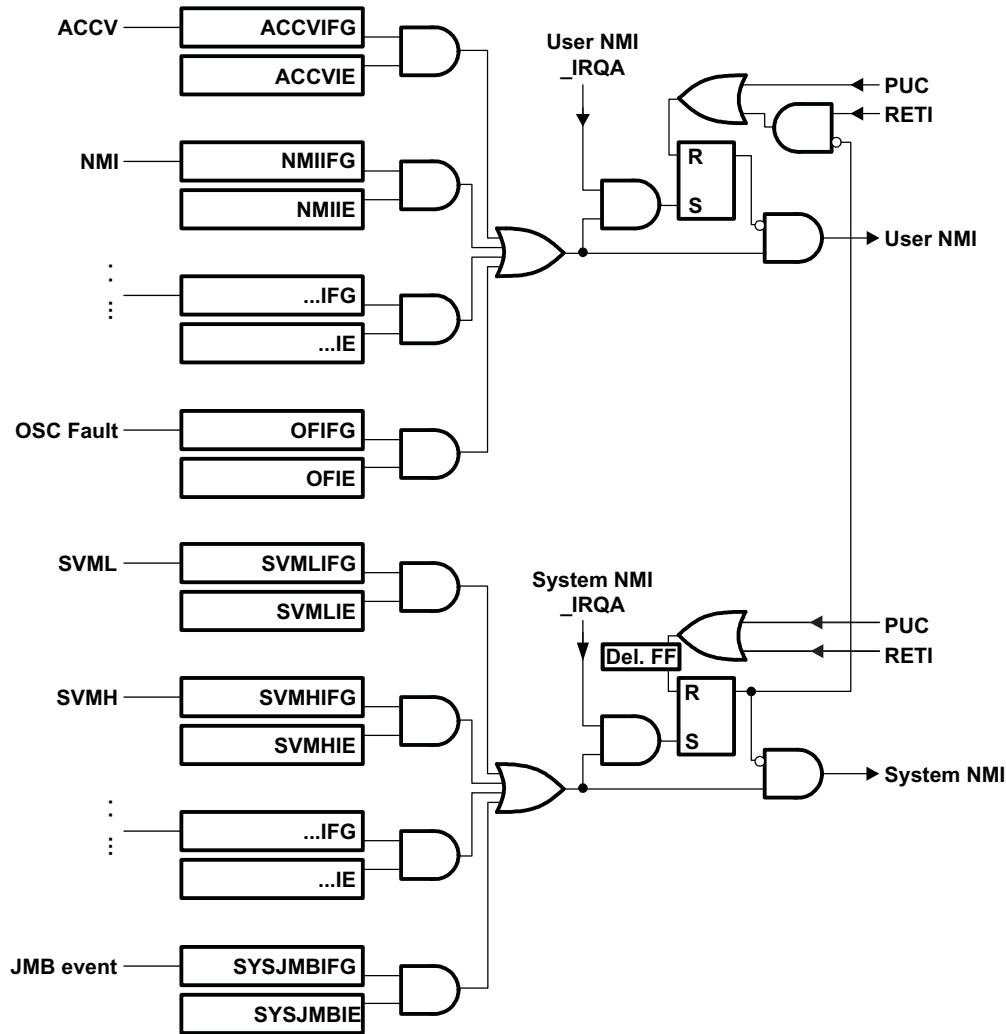


Figure 1-3. NMIs With Reentrance Protection

1.3.3 Maskable Interrupts

Maskable interrupts are caused by peripherals with interrupt capability. Each maskable interrupt source can be disabled individually by an interrupt enable bit, or all maskable interrupts can be disabled by the general interrupt enable (GIE) bit in the status register (SR).

Each individual peripheral interrupt is discussed in its respective module chapter in this manual.

1.3.4 Interrupt Processing

When an interrupt is requested from a peripheral and the peripheral interrupt enable bit and GIE bit are set, the interrupt service routine is requested. Only the individual enable bit must be set for (non)-maskable interrupts (NMI) to be requested.

1.3.4.1 Interrupt Acceptance

The interrupt latency is six cycles, starting with the acceptance of an interrupt request, and lasting until the start of execution of the first instruction of the interrupt service routine, as shown in [Figure 1-4](#). The interrupt logic executes the following:

1. Any currently executing instruction is completed.
2. The PC, which points to the next instruction, is pushed onto the stack.
3. The SR is pushed onto the stack.
4. The interrupt with the highest priority is selected if multiple interrupts occurred during the last instruction and are pending for service.
5. The interrupt request flag resets automatically on single-source flags. Multiple source flags remain set for servicing by software.
6. All bits of SR are cleared except SCG0, thereby terminating any low-power mode. Because the GIE bit is cleared, further interrupts are disabled.
7. The content of the interrupt vector is loaded into the PC; the program continues with the interrupt service routine at that address.

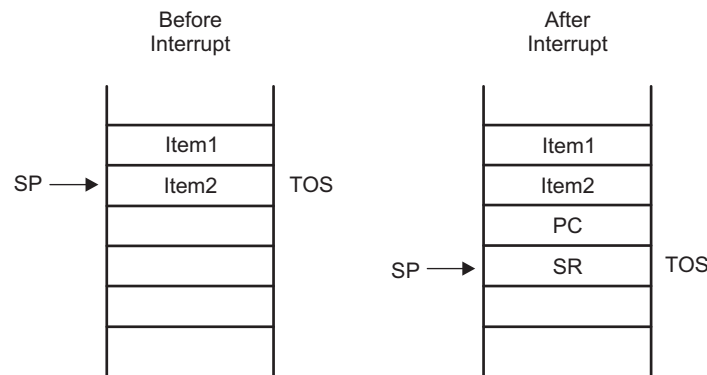


Figure 1-4. Interrupt Processing

NOTE: Enable and Disable Interrupt

Due to the pipelined CPU architecture, setting the general interrupt enable (GIE) requires special care.

- The instruction immediately after the enable interrupts instruction (EINT) is always executed, even if an interrupt service request is pending.
- Include at least one instruction between the clear of an interrupt enable or interrupt flag and the EINT instruction. For example: Insert a NOP instruction in front of the EINT instruction.
- Include at least one instruction between DINT and the start of a code sequence that requires protection from interrupts. For example: Insert a NOP instruction after the DINT.
- Never clear the general interrupt enable (GIE) immediately after setting it. Insert at least one instruction in between such sequence.

The rules above apply to all instructions that set or clear the general interrupt enable bit. Not following these rules might result in unexpected CPU execution.

1.3.4.2 Return From Interrupt

The interrupt handling routine terminates with the instruction:

```
RETI //return from an interrupt service routine
```

The return from the interrupt takes five cycles to execute the following actions and is shown in [Figure 1-5](#).

1. The SR with all previous settings pops from the stack. All previous settings of GIE, CPUOFF, and others are now in effect, regardless of the settings used during the interrupt service routine.
2. The PC pops from the stack and begins execution at the point where it was interrupted.

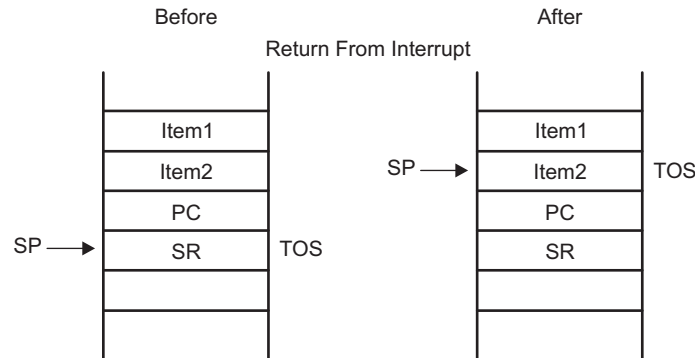


Figure 1-5. Return From Interrupt

1.3.5 Interrupt Nesting

Interrupt nesting is enabled if the GIE bit is set inside an interrupt service routine. When interrupt nesting is enabled, any interrupt occurring during an interrupt service routine interrupts the routine, regardless of the interrupt priorities.

1.3.6 Interrupt Vectors

The interrupt vectors are located in the address range 0FFFFh to 0FF80h, for a maximum of 64 interrupt sources. A vector is programmed by the user and points to the start location of the corresponding interrupt service routine. [Table 1-1](#) is an example of the interrupt vectors available. See the device-specific data sheet for the complete interrupt vector list.

Table 1-1. Interrupt Sources, Flags, and Vectors

Interrupt Source	Interrupt Flag	System Interrupt	Word Address	Priority
Reset: power up, external reset watchdog, flash password	... WDTIFG KEYV	... Reset	... 0FFFEh	... Highest
System NMI: PMM		(Non)maskable	0FFFCCh	...
User NMI: NMI, oscillator fault, flash memory access violation	... NMIFG OFIFG ACCVIFG	... (Non)maskable (Non)maskable (Non)maskable	... 0FFFAh
Device specific			0FFF8h	...
...		
Watchdog timer	WDTIFG	Maskable
...		
Device specific		
Reserved		Maskable	...	Lowest

Some interrupt enable bits, interrupt flags, and control bits for the $\overline{\text{RST}}$ /NMI pin are located in the special function registers (SFRs). The SFRs are located in the peripheral address range and are byte and word accessible. See the device-specific data sheet for the SFR configuration.

1.3.6.1 Alternate Interrupt Vectors

It is possible to use the RAM as an alternate location for the interrupt vector locations. Setting the SYSRIVECT bit in SYSCTL causes the interrupt vectors to be remapped to the top of RAM. Once set, any interrupt vectors to the alternate locations now residing in RAM. Because SYSRIVECT is automatically cleared on a BOR, it is critical that the reset vector at location 0FFFEEh still be available and handled properly in firmware.

1.3.7 SYS Interrupt Vector Generators

SYS collects all system NMI (SNMI) sources, user NMI (UNMI) sources, and BOR/POR/PUC (reset) sources of all the other modules. They are combined into three interrupt vectors. The interrupt vector registers SYSRSTIV, SYSSNIV, SYSUNIV are used to determine which flags requested an interrupt or a reset. The interrupt with the highest priority of a group, when enabled, generates a number in the corresponding SYSRSTIV, SYSSNIV, SYSUNIV register. This number can be directly added to the program counter, causing a branch to the appropriate portion of the interrupt service routine. Disabled interrupts do not affect the SYSRSTIV, SYSSNIV, SYSUNIV values. Reading SYSRSTIV, SYSSNIV, SYSUNIV register automatically resets the highest pending interrupt flag of that register. If another interrupt flag is set, another interrupt is immediately generated after servicing the initial interrupt. Writing to the SYSRSTIV, SYSSNIV, SYSUNIV register automatically resets all pending interrupt flags of the group.

1.3.7.1 SYSSNIV Software Example

The following software example shows the recommended use of SYSSNIV. The SYSSNIV value is added to the PC to automatically jump to the appropriate routine. For SYSRSTIV and SYSUNIV, a similar software approach can be used. The following is an example for a generic device. Vectors can change in priority for a given device. The device specific data sheet should be referenced for the vector locations. All vectors should be coded symbolically to allow for easy portability of code.

```

SNI_ISR:    ADD        &SYSSNIV,PC ; Add offset to jump table
            RETI       ; Vector 0: No interrupt
            JMP        SVML_ISR      ; Vector 2: SVMLIFG
            JMP        SVMH_ISR      ; Vector 4: SVMHIFG
            JMP        DLYL_ISR      ; Vector 6: SVSMLDLYIFG
            JMP        DLYH_ISR      ; Vector 8: SVSMHDLYIFG
            JMP        VMA_ISR       ; Vector 10: VMAIFG
            JMP        JMBI_ISR      ; Vector 12: JMBINIFG
JMBO_ISR:   ; Vector 14: JMBOUTIFG
            ...        ; Task_E starts here
            RETI       ; Return
SVML_ISR:   ; Vector 2
            ...        ; Task_2 starts here
            RETI       ; Return
SVMH_ISR:   ; Vector 4
            ...        ; Task_4 starts here
            RETI       ; Return
DLYL_ISR:   ; Vector 6
            ...        ; Task_6 starts here
            RETI       ; Return
DLYH_ISR:   ; Vector 8
            ...        ; Task_8 starts here
            RETI       ; Return
VMA_ISR:    ; Vector A
            ...        ; Task_A starts here
            RETI       ; Return
JMBI_ISR:   ; Vector C
            ...        ; Task_C starts here
            RETI       ; Return

```

1.3.7.2 SYSBERRIV Bus Error Interrupt Vector Generator

Some devices, for example those that contain the USB module, include an additional system interrupt vector generator, SYSBERRIV. In general, any type of system related bus error or timeout error is associated with a user NMI event. Upon this event, the SYSUNIV contains an offset value corresponding to a bus error event (BUSIFG). This offset can be added to the PC to automatically jump to the appropriate NMI routine. Similarly, SYSBERRIV also contains an offset value corresponding to which specific event caused the bus error event. The offset value in SYSBERRIV can be added inside the NMI routine to automatically jump to the appropriate routine. In this way, the SYSBERRIV can be thought of as an extension to the user NMI vectors.

1.4 Operating Modes

The MSP430 family is designed for ultra-low-power applications and uses different operating modes shown in [Figure 1-6](#).

The operating modes take into account three different needs:

- Ultra-low power
- Speed and data throughput
- Minimization of individual peripheral current consumption

The low-power modes LPM0 through LPM4 are configured with the CPUOFF, OSCOFF, SCG0, and SCG1 bits in the SR. The advantage of including the CPUOFF, OSCOFF, SCG0, and SCG1 mode-control bits in the SR is that the present operating mode is saved onto the stack during an interrupt service routine. Program flow returns to the previous operating mode if the saved SR value is not altered during the interrupt service routine. Program flow can be returned to a different operating mode by manipulating the saved SR value on the stack inside of the interrupt service routine. When setting any of the mode-control bits, the selected operating mode takes effect immediately. Peripherals operating with any disabled clock are disabled until the clock becomes active. Peripherals may also be disabled with their individual control register settings. All I/O port pins and RAM/registers are unchanged. Wakeup from LPM0 through LPM4 is possible through all enabled interrupts.

When LPMx.5 (LPM3.5 or LPM4.5) is entered, the voltage regulator of the Power Management Module (PMM) is disabled. All RAM and register contents are lost. Although the I/O register contents are lost, the I/O pin states are locked upon LPMx.5 entry. See the [Digital I/O chapter](#) for further details. Wakeup from LPM4.5 is possible from a power sequence, a $\overline{\text{RST}}$ event, or from specific I/O. Wakeup from LPM3.5 is possible from a power sequence, a $\overline{\text{RST}}$ event, RTC event, or from specific I/O.

NOTE: LPM3.5 and LPM4.5 low power modes are not available on all devices. See the device specific data sheet to see which LPMx.5 power modes are available.

NOTE: The TEST/SBWTCK pin is used for interfacing to the development tools through Spy-Bi-Wire and JTAG. When the TEST/SBWTCK pin is high, wakeup times from LPM2, LPM3, and LPM4 may be different compared to when TEST/SBWTCK is low. Pay careful attention to the real-time behavior when exiting from LPM2, LPM3, and LPM4 with the device connected to a development tool (for example, MSP-FET430UIF). See the [PMM chapter](#) for details.

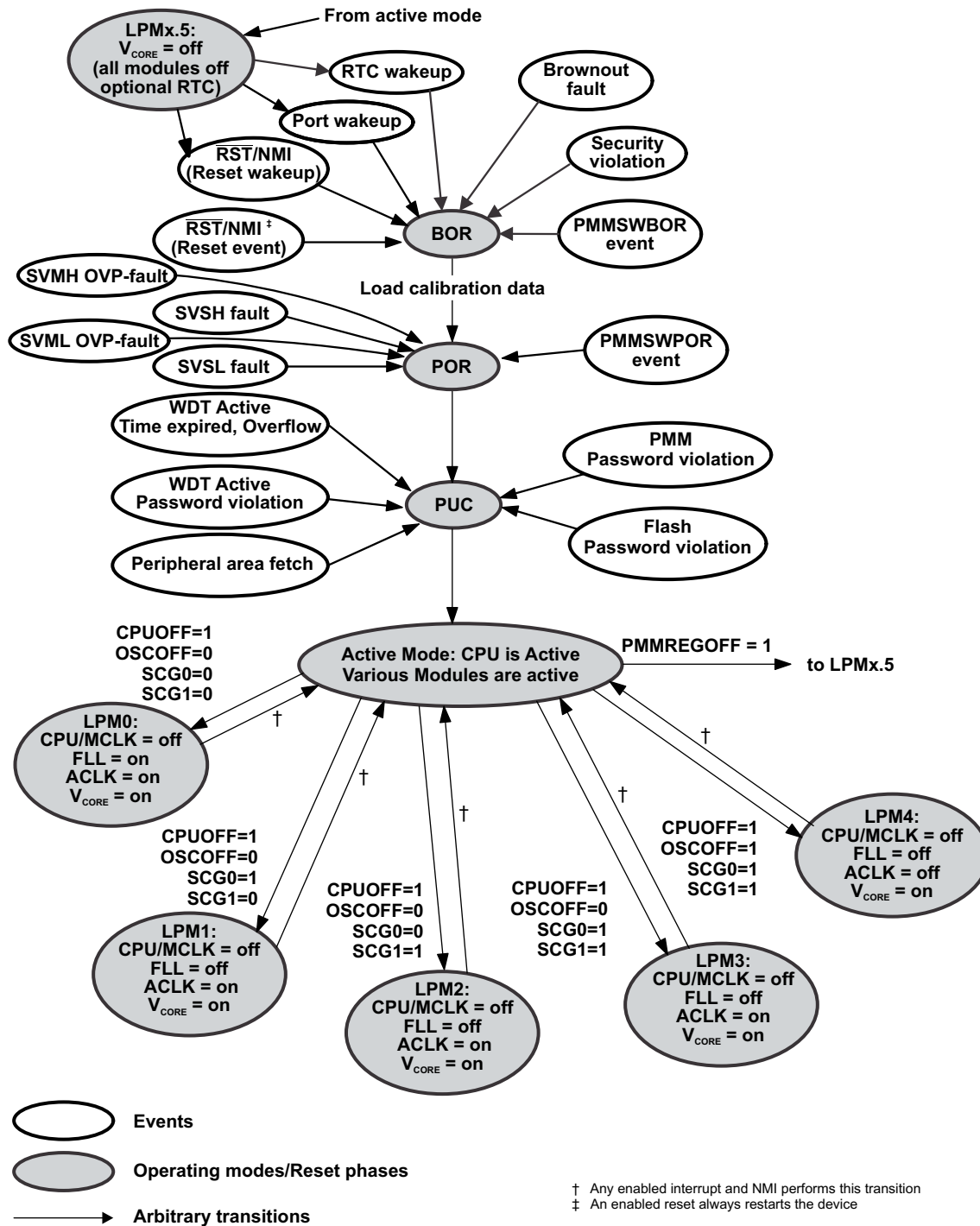


Figure 1-6. Operation Modes

Table 1-2. Operation Modes

SCG1 ⁽¹⁾	SCG0	OSCOFF ⁽¹⁾	CPUOFF ⁽¹⁾	Mode	CPU and Clocks Status ⁽²⁾
0	0	0	0	Active	CPU, MCLK are active. ACLK is active. SMCLK optionally active (SMCLKOFF = 0). DCO is enabled if sources ACLK, MCLK, or SMCLK (SMCLKOFF = 0). DCO bias is enabled if DCO is enabled or DCO sources MCLK or SMCLK (SMCLKOFF = 0). FLL is enabled if DCO is enabled.
0	0	0	1	LPM0	CPU, MCLK are disabled. ACLK is active. SMCLK optionally active (SMCLKOFF = 0). DCO is enabled if sources ACLK or SMCLK (SMCLKOFF = 0). DCO bias is enabled if DCO is enabled or DCO sources MCLK or SMCLK (SMCLKOFF = 0). FLL is enabled if DCO is enabled.
0	1	0	1	LPM1	CPU, MCLK are disabled. ACLK is active. SMCLK optionally active (SMCLKOFF = 0). DCO is enabled if sources ACLK or SMCLK (SMCLKOFF = 0). DCO bias is enabled if DCO is enabled or DCO sources MCLK or SMCLK (SMCLKOFF = 0). FLL is disabled.
1	0	0	1	LPM2	CPU, MCLK are disabled. ACLK is active. SMCLK is disabled. DCO is enabled if sources ACLK. FLL is disabled.
1	1	0	1	LPM3	CPU, MCLK are disabled. ACLK is active. SMCLK is disabled. DCO is enabled if sources ACLK. FLL is disabled.
1	1	1	1	LPM4	CPU and all clocks are disabled.
1	1	1	1	LPM3.5 ⁽³⁾	When PMMREGOFF = 1, regulator is disabled. No memory retention. In this mode, RTC operation is possible when configured properly. See the <i>RTC</i> module for further details.
1	1	1	1	LPM4.5 ⁽³⁾	When PMMREGOFF = 1, regulator is disabled. No memory retention. In this mode, all clock sources are disabled; that is, no RTC operation is possible.

⁽¹⁾ This bit is automatically reset when exiting low power modes. Refer to [Section 1.4.1](#) for details.

⁽²⁾ The low-power modes and, hence, the system clocks can be affected by the clock request system. See the [UCS chapter](#) for details.

⁽³⁾ LPM3.5 and LPM4.5 modes are not available on all devices. See the device-specific data sheet for availability.

1.4.1 Entering and Exiting Low-Power Modes LPM0 Through LPM4

An enabled interrupt event wakes the device from low-power operating modes LPM0 through LPM4. The program flow for exiting LPM0 through LPM4 is:

- Enter interrupt service routine
 - The PC and SR are stored on the stack.
 - The CPUOFF, SCG1, and OSCOFF bits are automatically reset.
- Options for returning from the interrupt service routine
 - The original SR is popped from the stack, restoring the previous operating mode.
 - The SR bits stored on the stack can be modified within the interrupt service routine returning to a different operating mode when the RETI instruction is executed.

[Example 1-1](#) shows assembly code examples of entering and exiting low-power modes. [Example 1-2](#) shows C code examples of entering and exiting low-power modes.

Example 1-1. Examples of Entering and Exiting LPM in Assembly

```

; Enter LPM0 Example
  BIS   #GIE+CPUOFF,SR           ; Enter LPM0
;   ...                          ; Program stops here
;
; Exit LPM0 Interrupt Service Routine
  BIC   #CPUOFF,0(SP)           ; Exit LPM0 on RETI
  RETI

; Enter LPM3 Example
  BIS   #GIE+CPUOFF+SCG1+SCG0,SR ; Enter LPM3
;   ...                          ; Program stops here
;
; Exit LPM3 Interrupt Service Routine
  BIC   #CPUOFF+SCG1+SCG0,0(SP) ; Exit LPM3 on RETI
  RETI

; Enter LPM4 Example
  BIS   #GIE+CPUOFF+OSCOFF+SCG1+SCG0,SR ; Enter LPM4
;   ...                          ; Program stops here
;
; Exit LPM4 Interrupt Service Routine
  BIC   #CPUOFF+OSCOFF+SCG1+SCG0,0(SP) ; Exit LPM4 on RETI
  RETI

```

Example 1-2. Examples of Entering and Exiting LPM in C

```

// Enter LPM0 Example
__bis_SR_register(LPM0_bits + GIE);    // Enter LPM0 with interrupts enabled

// Exit LPM0 Interrupt Service Routine
__bic_SR_register_on_exit (LPM0_bits); // Exit LPM0

// Enter LPM1 Example
__bis_SR_register(LPM1_bits + GIE);    // Enter LPM1 with interrupts enabled

// Exit LPM1 Interrupt Service Routine
__bic_SR_register_on_exit (LPM1_bits); // Exit LPM1

// Enter LPM2 Example
__bis_SR_register(LPM2_bits + GIE);    // Enter LPM2 with interrupts enabled

// Exit LPM2 Interrupt Service Routine
__bic_SR_register_on_exit (LPM2_bits); // Exit LPM2

// Enter LPM3 Example
__bis_SR_register(LPM3_bits + GIE);    // Enter LPM3 with interrupts enabled

// Exit LPM3 Interrupt Service Routine
__bic_SR_register_on_exit (LPM3_bits); // Exit LPM3

// Enter LPM4 Example
__bis_SR_register(LPM4_bits + GIE);    // Enter LPM4 with interrupts enabled

// Exit LPM4 Interrupt Service Routine
__bic_SR_register_on_exit (LPM4_bits); // Exit LPM4

```

1.4.2 Entering and Exiting Low-Power Modes LPMx.5

LPMx.5 entry and exit is handled differently than the other low power modes. LPMx.5, when used properly, gives the lowest power consumption available on a device. To achieve this, entry to LPMx.5 disables the LDO of the PMM module, removing the supply voltage from the core of the device. Since the supply voltage is removed from the core, all register contents, as well as, SRAM contents are lost. Exit from LPMx.5 causes a BOR event, which forces a complete reset of the system. Therefore, it is the application's responsibility to properly reconfigure the device upon exit from LPMx.5.

The wakeup time from LPMx.5 is significantly longer than the wakeup time from the other power modes (see the device specific data sheet). This is primarily due to the facts that after exit from LPMx.5, time is required for the core voltage supply to be regenerated, as well as, boot code execution to complete before the application code can begin. Therefore, the use of LPMx.5 is restricted to very low duty cycle events.

There are two LPMx.5 power modes, LPM3.5 and LPM4.5. Not all of these are available on all devices. See the device specific data sheet to see which LPMx.5 power modes are available. LPM4.5 allows for the lowest power consumption available. No clock sources are active during LPM4.5. LPM3.5 is similar to LPM4.5, but has the additional capability of having a RTC mode available. In addition to the wake-up events possible in LPM4.5, RTC wake-up events are also possible in LPM3.5.

The program flow for entering LPMx.5 is:

1. Configure I/O appropriately. See the [Digital I/O chapter](#) for complete details on configuring I/O for LPMx.5.
 - Set all ports to general purpose I/O. Configure each port to ensure no floating inputs based on the application requirements.
 - If wakeup from I/O is desired, configure input ports with interrupt capability appropriately.
2. If LPM3.5 is available, and desired, enable RTC operation. In addition, configure any RTC interrupts, if desired for LPM3.5 wake-up event. See the [RTC Overview chapter](#) for complete details.
3. Ensure clock system settings allow LPMx.5 entry according to [Table 5-1](#) in [UCS chapter](#).
4. Enter LPMx.5 by setting PMMREGOFF = 1 and LPM4 status register bits. The following code example shows how to enter LPMx.5 mode. See the [PMM chapter](#) for further details.

```

; Enter LPMx.5 Example
MOV.B #PMMPW_H, &PMMCTL0_H           ; Open PMM registers for write
BIS.B #PMMREGOFF, &PMMCTL0_L         ;
BIS   #GIE+CPUOFF+OSCOFF+SCG1+SCG0,SR ; Enter LPMx.5 when PMMREGOFF is set.

```

NOTE: It is not possible to wake up from LPMx.5 if its respective interrupt flag is already asserted. TI recommends clearing the respective flag before entering LPMx.5. TI also recommends setting GIE = 1 before entry into LPMx.5. Any pending flags in this case could then be serviced before LPMx.5 entry.

Although TI recommends setting GIE = 1 before entering LPMx.5, it is not required. Device wakeup from LPMx.5 with an enabled wake-up function will still cause the device to wake up from LPMx.5 even with GIE = 0. If GIE = 0 before LPMx.5, additional care may be required. Should the respective interrupt event should occur during LPMx.5 entry, the device may not recognize this or any future interrupt wake-up event on this function.

Exit from LPMx.5 is possible with a $\overline{\text{RST}}$ event, a power on cycle, or through specific I/O. Any exit from LPMx.5 causes a BOR. Program execution continues at the location stored in the system reset vector location 0FFFFh after execution of the boot code. The PMMLPM5IFG bit inside the PMM module is set indicating that the device was in LPMx.5 before the wake-up event. Additionally, SYSRSTIV = 08h which can be used to generate an efficient reset handler routine. During LPMx.5, all I/O pin conditions are automatically locked to the current state. Upon exit from LPMx.5, the I/O pin conditions remain locked until the application unlocks them. See the [Digital I/O chapter](#) for complete details. If LPM3.5 was in effect, RTC operation continues uninterrupted upon wakeup. The program flow for exiting LPMx.5 is:

- Enter system reset service routine
 - Reconfigure system as required for the application.
 - Reconfigure I/O as required for the application.

1.4.3 Extended Time in Low-Power Modes

The temperature coefficient of the DCO should be considered when the DCO is disabled for extended low-power mode periods. If the temperature changes significantly, the DCO frequency at wakeup may be significantly different from when the low-power mode was entered and may be out of the specified operating range. To avoid this, the DCO can be set to its lowest value before entering the low-power mode for extended periods of time where temperature can change.

```

; Enter LPM4 Example with lowest DCO Setting
BIC   #SCG0, SR           ; Disable FLL
MOV   #0100h, &UCSCTL0    ; Set DCO tap to first tap, clear
modulation.
BIC   #DCORSEL2+DCORSEL1+DCORSEL0,&UCSCTL1 ; Lowest DCORSEL
BIS   #GIE+CPUOFF+OSCOFF+SCG1+SCG0,SR     ; Enter LPM4
; ...                                     ; Program stops
;
; Interrupt Service Routine
BIC   #CPUOFF+OSCOFF+SCG1+SCG0,0(SR)       ; Exit LPM4 on RETI
RETI

```

1.5 Principles for Low-Power Applications

Often, the most important factor for reducing power consumption is using the device clock system to maximize the time in LPM3 or LPM4 modes whenever possible.

- Use interrupts to wake the processor and control program flow.
- Peripherals should be switched on only when needed.
- Use low-power integrated peripheral modules in place of software driven functions. For example, Timer_A and Timer_B can automatically generate PWM and capture external timing with no CPU resources.
- Calculated branching and fast table look-ups should be used in place of flag polling and long software calculations.
- Avoid frequent subroutine and function calls due to overhead.
- For longer software routines, single-cycle CPU registers should be used.
- Overwrite RAM control register RCCTL0 with all not available and unused segments set to powered down (= 1). For information about used RAM segments see the device-specific data sheet.

If the application has low duty cycle, slow response time events, maximizing time in LPMx.5 can further reduce power consumption significantly.

1.6 Connection of Unused Pins

Table 1-3 lists the correct termination of all unused pins.

Table 1-3. Connection of Unused Pins⁽¹⁾

Pin	Potential	Comment
AVCC	DV _{CC}	
AVSS	DV _{SS}	
CPCAP	Open	For devices where charge pump in not used (no rail-to-rail OA and no rail-to-rail CTSD16).
LCDCAP	DV _{SS}	
LDOI	DV _{SS}	For devices with LDO-PWR module when not being used in the application.
LDOO	Open	For devices with LDO-PWR module when not being used in the application.
PJ.0/TDO PJ.1/TDI PJ.2/TMS PJ.3/TCK	Open	The JTAG pins are shared with general purpose I/O function (PJ.x). If not being used, these should be switched to port function, output direction (PJDIR.n = 1). When used as JTAG pins, these pins should remain open.
PU.0/DP PU.1/DM	Open	For USB devices only when USB module is not being used in the application
PUR ⁽²⁾	DV _{SS}	For USB devices only when USB module is not being used in the application
Px.y	Open	Switched to port function, output direction (PxDIR.n = 1). Px.y represents port x and bit y of port x (for example, P1.0, P1.1, P2.2, PJ.0, PJ.1)
RST/NMI	DV _{CC} or V _{CC}	47-kΩ pullup or internal pullup selected with 10-nF (2.2 nF) pulldown ⁽³⁾
TEST	Open	This pin always has an internal pulldown enabled.
V18	Open	For USB devices only when USB module is not being used in the application
VBAK	Open	For devices where no separate battery backup supply in the system. Set bit BAKDIS = 1.
VBAT	DV _{CC}	For devices where no separate battery backup supply in the system. Set bit BAKDIS = 1.
VBUS, VSSU	DV _{SS}	For USB devices only when USB module is not being used in the application
VUSB	Open	For USB devices only when USB module is not being used in the application
XIN	DV _{SS}	For dedicated XIN pins only. XIN pins with shared GPIO functions should be programmed to GPIO and follow Px.y recommendations.
XOUT	Open	For dedicated XOUT pins only. XOUT pins with shared GPIO functions should be programmed to GPIO and follow Px.y recommendations.
XT2IN	DV _{SS}	For dedicated XT2IN pins only. XT2IN pins with shared GPIO functions should be programmed to GPIO and follow Px.y recommendations.
XT2OUT	Open	For dedicated XT2OUT pins only. XT2OUT pins with shared GPIO functions should be programmed to GPIO and follow Px.y recommendations.

⁽¹⁾ Any unused pin with a secondary function that is shared with general purpose I/O should follow the Px.y unused pin connection guidelines.

⁽²⁾ The default USB BSL evaluates the state of the PUR pin after a BOR reset. If it is pulled high externally, then the BSL is invoked. Therefore, unless invoking the BSL, it is important to keep PUR pulled low after a BOR reset, even if BSL or USB is never used. A 1-MΩ resistor to ground is recommended.

⁽³⁾ The pulldown capacitor should not exceed 2.2 nF when using devices with Spy-Bi-Wire interface in Spy-Bi-Wire mode or in 4-wire JTAG mode with TI tools such as FET interfaces or GANG programmers.

1.7 Reset Pin ($\overline{\text{RST}}$ /NMI) Configuration

The reset pin can be configured as a reset function (default) or as an NMI function in the Special Function Register (SFR), SFRRPCR. The minimum reset pulse duration is specified in the device-specific data sheet. Setting SYSNMI causes the $\overline{\text{RST}}$ /NMI pin to be configured as an external NMI source. The external NMI is edge sensitive, and its edge is selectable by SYSNMIIES. Setting the NMIIE enables the interrupt of the external NMI. Upon an external NMI event, the NMIIFG is set.

The $\overline{\text{RST}}/\text{NMI}$ pin can have either a pullup or pulldown present or not. SYSRSTUP selects either pullup or pulldown and SYSRSTRE causes the pullup or pulldown to be enabled or not. If the $\overline{\text{RST}}/\text{NMI}$ pin is unused, it is required to have either the internal pullup selected and enabled or an external resistor connected to the $\overline{\text{RST}}/\text{NMI}$ pin as shown in [Table 1-3](#).

NOTE: All devices except the MSP430F543x (non-A devices) have the internal pullup enabled. In this case, no external pullup resistor is required.

1.8 Configuring JTAG Pins

The JTAG pins are shared with general-purpose I/O pins. After a BOR, the SYSJTAGPIN bit in the SYSCTL register is cleared. With SYSJTAGPIN cleared, the pins with JTAG functionality are configured as general-purpose I/O. In this case, only a special sequences on the TEST and RST/NMI pins enables the JTAG functionality. As long as the TEST pin is pulled to DVCC, the pins remain in their JTAG functionality. If the TEST pin is released to DVSS, the shared JTAG pins revert to general-purpose I/Os.

If $\text{SYSJTAGPIN} = 1$, the JTAG pins are permanently configured to 4-wire JTAG mode and remain in this mode until another BOR condition occurs. Use this feature early in the software if the MSP430 device is part of a JTAG chain. Note that this also disables the Spy-Bi-Wire mode.

The SYSJTAGPIN is a write only once function. Clearing it by software is not possible.

1.9 Boot Code

The boot code is always executed after a BOR. The boot code loads factory stored calibration values of the oscillator and reference voltages. In addition, it checks for the presence of a user-defined boot strap loader (BSL).

1.10 Bootstrap Loader (BSL)

The BSL is software that is executed after start-up when a certain BSL entry condition is applied. The BSL enables the user to communicate with the embedded memory in the microcontroller during the prototyping phase, final production, and in service. All memory mapped resources, the programmable memory (flash memory), the data memory (RAM), and the peripherals, can be modified by the BSL as required. The user can define custom BSL code for flash-based devices and protect it against erasure and unintentional or unauthorized access.

On devices without USB, a basic BSL program is provided by TI. This supports the commonly used UART protocol with RS232 interfacing, allowing flexible use of both hardware and software. To use the BSL, a specific BSL entry sequence must be applied to specific device pins. The correct entry sequence causes SYSBSLIND to be set. An added sequence of commands initiates the desired function. A boot-loading session can be exited by continuing operation at a defined user program address or by applying the standard reset sequence. Access to the device memory by the BSL is protected against misuse by a user-defined password. Devices with USB have a USB based BSL program provided by TI. For more details, see the *MSP430 Programming Via the Bootstrap Loader User's Guide* ([SLAU319](#)).

The amount of BSL memory that is available is device specific. The BSL memory size is organized into segments and can be set using the SYSBSLSIZE bits. See the device specific data sheet for the number and size of the segments available. It is possible to assign a small amount of RAM to the allocated BSL memory. Setting SYSBSLR allocates the lowest 16 bytes of RAM for the BSL. When the BSL memory is protected, access to these RAM locations is only possible from within the protected BSL memory segments.

It may be desirable in some BSL applications to only allow changing of the Power Management Module settings from the protected BSL segments. This is possible with the SYSPMMPE bit. Normally, this bit is cleared and allows access of the PMM control registers from any memory location. Setting SYSPMMPE , allows access to the PMM control registers only from the protected BSL memory. Once set, SYSPMMPE can only be cleared by a BOR event.

1.11 Memory Map – Uses and Abilities

This memory map represents the MSP430F5438 device. Though the address ranges differs from device to device, overall behavior remains the same.

Can generate NMI on read/write/fetch							
Generates PUC on fetch access							
Protectable for read/write accesses							
Always able to access PMM registers from ⁽¹⁾ ; Mass erase by user possible							
Mass erase by user possible							
Bank erase by user possible							
Segment erase by user possible							
Address Range	Name and Usage	Properties					
00000h-00FFFh	Peripherals with gaps						
00000h-000FFh	Reserved for system extension						
00100h-00FEFh	Peripherals						x
00FF0h-00FF3h	Descriptor type ⁽²⁾						x
00FF4h-00FF7h	Start address of descriptor structure						x
01000h-011FFh	BSL 0	x				x	
01200h-013FFh	BSL 1	x				x	
01400h-015FFh	BSL 2	x				x	
01600h-017FFh	BSL 3	x			x	x	
017FCh-017FFh	BSL Signature Location						
01800h-0187Fh	Info D	x					
01880h-018FFh	Info C	x					
01900h-0197Fh	Info B	x					
01980h-019FFh	Info A	x					
01A00h-01A7Fh	Device Descriptor Table						x
01C00h-05BFFh	RAM 16KB						
05B80-05BFFh	Alternate Interrupt Vectors						
05C00h-0FFFFh	Program	x	x ⁽¹⁾	x			
0FF80h-0FFFFh	Interrupt Vectors						
10000h-45BFFh	Program	x	x	x			
45C00h-FFFFFFh	Vacant						x ⁽³⁾

(1) Access rights are separately programmable for SYS and PMM.
 (2) Fixed ID for all MSP430 devices. See [Section 1.13.1](#) for further details.
 (3) On vacant memory space, the value 03FFFh is driven on the data bus.

1.11.1 Vacant Memory Space

Vacant memory is non-existent memory space. Accesses to vacant memory space generate a system (non)maskable interrupt (SNMI) when enabled ($VMAIE = 1$). Reads from vacant memory results in the value 3FFFh. In the case of a fetch, this is taken as JMP \$. Fetch accesses from vacant peripheral space result in a PUC. After the boot code is executed, it behaves like vacant memory space and also causes an NMI on access.

1.11.2 JTAG Lock Mechanism Using the Electronic Fuse

A device can be protected from unauthorized access by disabling the JTAG and SBW interface. This is achieved by programming the electronic fuse. Programming the electronic fuse, completely disables the debug and access capabilities associated with the JTAG and Spy-Bi-Wire interface. The JTAG is locked by programming a certain signature into the device flash memory at dedicated addresses. The JTAG security lock key resides at the end of the bootstrap loader (BSL) memory at addresses 17FCh through 17FFh. Anything other than 0h or FFFFFFFFh programmed to these addresses locks the JTAG interface.

All of the 5xx MSP430 devices come with a preprogrammed BSL (TI-BSL) code that, by default, protects itself from unintended erase and write access. This is done by setting SYSBSLPE in the SYSBSLC register. Since the JTAG security lock key resides in the BSL memory address range, appropriate action must be taken to unprotect the BSL memory area before programming the protection key. For more details on the electronic fuse, see the *MSP430 Programming Via the JTAG Interface User's Guide* (SLAU320).

Some JTAG commands are still possible after the device is secured, including the BYPASS command (see IEEE1149-2001 Standard) and the JMB_EXCHANGE command which allows access to the JTAG Mailbox System (see [Section 1.12](#) for details).

NOTE: If a device has been protected, TI cannot access the device for a customer return. Access is only possible if a BSL is provided with its corresponding key or an unlock mechanism is provided by the customer.

1.12 JTAG Mailbox (JMB) System

The SYS module provides the capability to exchange user data through the regular JTAG test/debug interface. The idea behind the JMB is to have a direct interface to the CPU during debugging, programming, and test that is identical for all '430 devices of this family and uses only few or no user application resources. The JTAG interface was chosen because it is available on all '430 devices and is a dedicated resource for debugging, programming, and test.

Applications of the JMB are:

- Providing entry password for device lock and unlock protection
- Run-time data exchange (RTDX)

1.12.1 JMB Configuration

The JMB supports two transfer modes, 16-bit and 32-bit. Setting JMBMODE enables 32-bit transfer mode. Clearing JMBMODE enables 16-bit transfer mode.

1.12.2 JMBOUT0 and JMBOUT1 Outgoing Mailbox

Two 16-bit registers are available for outgoing messages to the JTAG port. JMBOUT0 is only used when using 16-bit transfer mode ($JMBMODE = 0$). JMBOUT1 is used in addition to JMBOUT0 when using 32-bit transfer mode ($JMBMODE = 1$). When the application wishes to send a message to the JTAG port, it writes data to JMBOUT0 for 16-bit mode, or JMBOUT0 and JMBOUT1 for 32-bit mode.

JMBOUT0FG and JMBOUT1FG are read only flags that indicate the status of JMBOUT0 and JMBOUT1, respectively. When JMBOUT0FG is set, JMBOUT0 has been read by the JTAG port and is ready to receive new data. When JMBOUT0FG is reset, the JMBOUT0 is not ready to receive new data. JMBOUT1FG behaves similarly.

1.12.3 JMBIN0 and JMBIN1 Incoming Mailbox

Two 16-bit registers are available for incoming messages from the JTAG port. Only JMBIN0 is used when in 16-bit transfer mode (JMBMODE = 0). JMBIN1 is used in addition to JMBIN0 when using 32-bit transfer mode (JMBMODE = 1). When the JTAG port wishes to send a message to the application, it writes data to JMBIN0 for 16-bit mode, or JMBIN0 and JMBIN1 for 32-bit mode.

JMBIN0FG and JMBIN1FG are flags that indicate the status of JMBIN0 and JMBIN1, respectively. When JMBIN0FG is set, JMBIN0 has data that is available for reading. When JMBIN0FG is reset, no new data is available in JMBIN0. JMBIN1FG behaves similarly.

JMBIN0FG and JMBIN1FG can be configured to clear automatically by clearing JMBCLR0OFF and JMBCLR1OFF, respectively. Otherwise, these flags must be cleared by software.

1.12.4 JMB NMI Usage

The JMB handshake mechanism can be configured to use interrupts to avoid unnecessary polling if desired. In 16-bit mode, JMBOUTIFG is set when JMBOUT0 has been read by the JTAG port and is ready to receive data. In 32-bit mode, JMBOUTIFG is set when both JMBOUT0 and JMBOUT1 has been read by the JTAG port and are ready to receive data. If JMBOUTIE is set, these events cause a system NMI. In 16-bit mode, JMBOUTIFG is cleared automatically when data is written to JMBOUT0. In 32-bit mode, JMBOUTIFG is cleared automatically when data is written to both JMBOUT0 and JMBOUT1. In addition, the JMBOUTIFG can be cleared when reading SYSSNIV. Clearing JMBOUTIE disables the NMI interrupt.

In 16-bit mode, JMBINIFG is set when JMBIN0 is available for reading. In 32-bit mode, JMBINIFG is set when both JMBIN0 and JMBIN1 are available for reading. If JMBOUTIE is set, these events cause a system NMI. In 16-bit mode, JMBINIFG is cleared automatically when JMBIN0 is read. In 32-bit mode, JMBINIFG is cleared automatically when both JMBIN0 and JMBIN1 are read. In addition, the JMBINIFG can be cleared when reading SYSSNIV. Clearing JMBINIE disables the NMI interrupt.

1.13 Device Descriptor Table

Each device provides a data structure in memory that allows an unambiguous identification of the device, as well as, a more detailed description of the available modules on a given device. SYS provides this information and can be used by device-adaptive SW tools and libraries to clearly identify a particular device and all modules and capabilities contained within it. The validity of the device descriptor can be verified by cyclic redundancy check (CRC). [Figure 1-7](#) shows the logical order and structure of the device descriptor table. The complete device descriptor table and its contents can be found in the device specific data sheet.

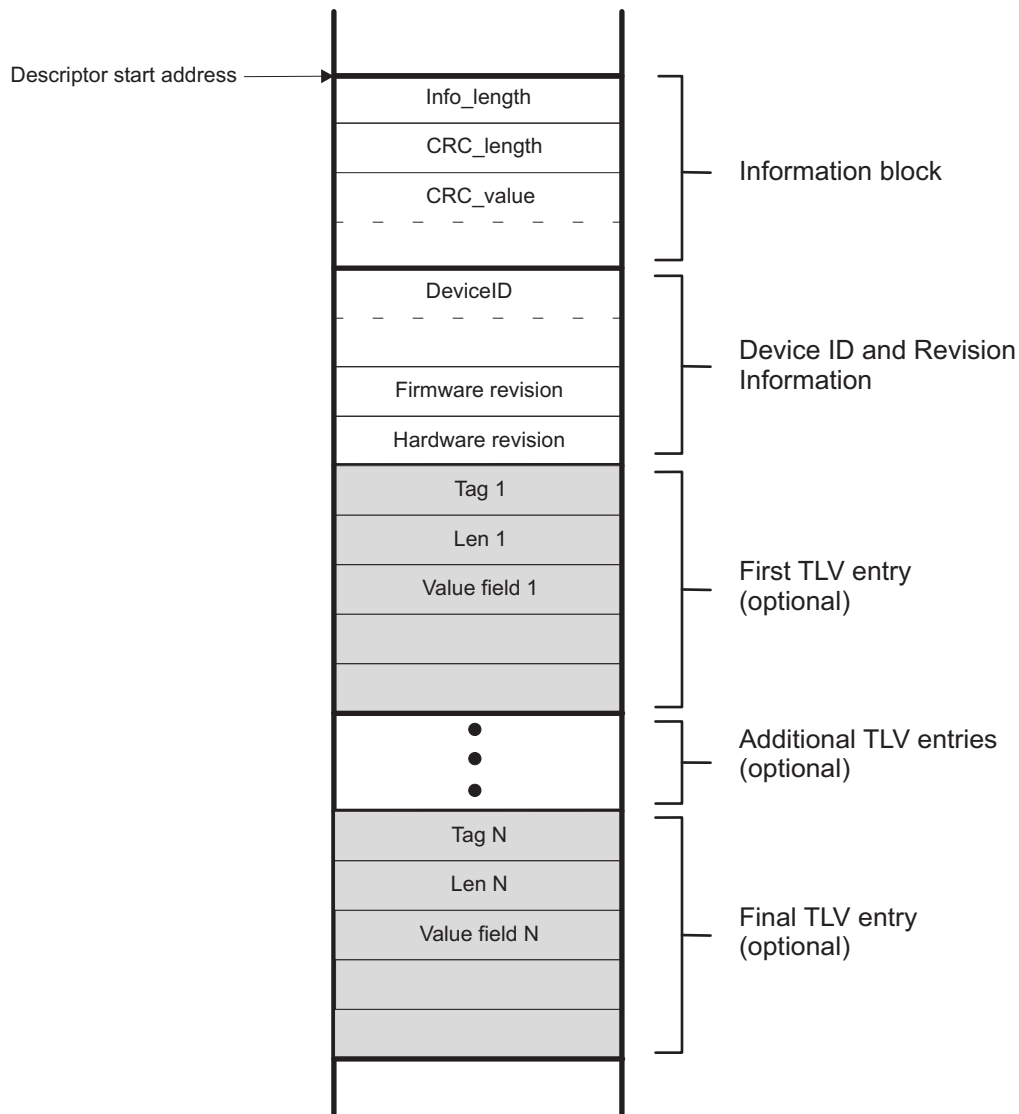


Figure 1-7. Devices Descriptor Table

1.13.1 Identifying Device Type

The value read at address location 00FF0h identifies the family branch of the device. All values starting with 80h indicate a hierarchical structure consisting of the information block and a TLV tag-length-value (TLV) structure containing the various descriptors. Any other value than 80h read at address location 00FF0h indicates the device is of an older family and contains a flat descriptor beginning at location 0FF0h. The information block, shown in Figure 1-7 contains the device ID, die revisions, firmware revisions, and other manufacturer and tool related information. The descriptors contains information about the available peripherals, their subtypes and addresses and provides the information required to build adaptive hardware drivers for operating systems.

The length of the descriptors represented by Info_length is computed as follows:

$$\text{Length} = 2^{\text{Info_length}} \text{ in 32-bit words} \tag{1}$$

For example, if Info_length = 5, then the length of the descriptors equals 128 bytes.

1.13.2 TLV Descriptors

The TLV descriptors follow the information block. Because the information block is always a fixed length, the start location of the TLV descriptors is fixed for a given device family. For the MSP430x5xx family, this location is 01A08h. See the device-specific data sheet for the complete TLV structure and what descriptors are available.

The TLV descriptors are unique to their respective TLV block and are always followed by the descriptor block length.

Each TLV descriptor contains a tag field which identifies the descriptor type. [Table 1-4](#) shows the currently supported tags.

Table 1-4. Tag Values

Short Name	Value	Description
LDTAG	01h	Legacy descriptor (1xx, 2xx, 4xx families)
PDTAG	02h	Peripheral discovery descriptor
Reserved	03h	Future use
Reserved	04h	Future use
BLANK	05h	Blank descriptor
Reserved	06h	Future use
ADC12CAL	11h	ADC12 calibration
REFCAL	12h	REF calibration
ADC10CAL	13h	ADC10 calibration
Reserved	14h-1Ch	Future use
CTSD16CAL	1Dh	CTSD16 calibration
Reserved	1Eh-FDh	Future use
TAGEXT	FEh	Tag extender

Each tag field is unique to its respective descriptor and is always followed by a length field. The length field is one byte if the tag value is 01h through 0FDh and represents the length of the descriptor in bytes. If the tag value equals 0FEh (TAGEXT), the next byte extends the tag values, and the following two bytes represent the length of the descriptor in bytes. In this way, a user can search through the TLV descriptor table for a particular tag value, using a routine similar to below written in pseudo code:

```
// Identify the descriptor ID (d_ID_value) for the TLV descriptor of interest:
descriptor_address = TLV_START address;

while ( value at descriptor_address != d_ID_value && descriptor_address != TLV_TAGEND &&
descriptor_address < TLV_END)
{
    // Point to next descriptor
    descriptor_address = descriptor_address + (length of the current TLV block) + 2;
}

if (value at descriptor_address == d_ID_value) {
    // Appropriate TLV descriptor has been found!
    Return length of descriptor & descriptor_address as the location of the TLV descriptor
} else {
    // No TLV descriptor found with a matching d_ID_value
    Return a failing condition
}
```

1.13.3 Peripheral Discovery Descriptor

This descriptor type can describe concatenated or distributed memory or peripheral mappings, as well as, the number of interrupt vectors and their order. The peripheral discovery descriptor has tag value 02h (PDTAG). [Table 1-5](#) shows the structure of the peripheral discovery descriptor.

NOTE: Peripheral Discovery Descriptor is not available in every device. See the Device Descriptors section in the device-specific data sheet for the availability and details on Peripheral Discovery Descriptor.

Table 1-5. Peripheral Discovery Descriptor

Element	Size (bytes)	Comments
Memory entry 1	2	Optional
Memory entry 2	2	Optional
...	2	Optional
Delimiter (00h)	1	Mandatory
Peripheral count	1	Mandatory
Peripheral entry 1	2	Optional
Peripheral entry 2	2	Optional
...	2	Optional
Interrupt priority N-3	1	Optional
Interrupt priority N-4	1	Optional
...	1	Optional
Delimiter (00h)	1	Mandatory

The structures for a memory entry and peripheral entry are shown below. A memory entry consists of two bytes (one word). [Table 1-6](#) shows the individual bit fields of a memory entry word and their respective meanings. Similarly, a peripheral entry consists of two bytes (one word). [Table 1-7](#) shows the individual bit fields of a peripheral entry word and their respective meanings.

Table 1-6. Values for Memory Entry

Bit Fields				
[15:13]	[12:9]	[8]	[7]	[6:0]
Memory Type	Size	More	Unit Size	Address Value
000: None	0000: 0 B	0: End Entry	0: 0200h	0000000
001: RAM	0001: 128 B	1: More Entries	1: 010000h	0000001
010: EEPROM	0010: 256 B			0000010
011: Reserved	0011: 512 B			0000011
100: FLASH	0100: 1KB			0000100
101: ROM	0101: 2KB			0000101
110: MemType appended	0110: 4KB			0000110
111: Undefined	0111: 8KB			0000111
	1000: 16KB			0001000
	1001: 32KB			0001001
	1010: 64KB			0001010
	1011: 128KB			0001011
	1100: 256KB			0001100
	1101: 512KB			...
	1110: Size appended			...
	1111: Undefined			1111111

Table 1-7. Values for Peripheral Entry

Bit Fields		
[15:8]	[7]	[6:0]
Peripheral ID (PID) ⁽¹⁾	UnitSize	AdrVal
Any PID	0: 010h	0000000
Any PID	1: 0800h	0000001
Any PID		0000010
Any PID		0000011
Any PID		0000100
Any PID		0000101
Any PID		...
Any PID		...
Any PID		1111111

⁽¹⁾ The Peripheral IDs are listed in [Table 1-8](#). This is not a complete list, but shown as an example.

Table 1-8. Peripheral IDs⁽¹⁾

Peripheral or Module	PID
No Module	00h
WDT	01h
SFR	02h
UCS	03h
SYS	04h
PMM	05h
Flash Controller	08h
CRC16	09h
Port 1, 2	51h
Port 3, 4	52h
Port 5, 6	53h
Port 7, 8	54h
Port 9, 10	55h
Port J	5Fh
Timer A0	81h
Timer A1	82h
Special info appended	FEh
Undefined module	FFh

⁽¹⁾ This table is not a complete list of all peripheral IDs that might be available on a device, and is shown here for illustrative purposes only.

Table 1-9 shows a simple example for a peripheral discovery descriptor of a hypothetical device:

Table 1-9. Sample Peripheral Discovery Descriptor

Hex	Binary	Entry Type	Description
030h, 0Eh	001_1000_0_0_0001110	memory	RAM 16KB, Start address = 01C00h (0Eh × 0200h) ⁽¹⁾
09Bh, 02Eh	100_1011_0_0_0101110	memory	Flash 128KB, Start address = 05C00h (2Eh × 0200h)
00h	0000_0000_0000_0000	delimiter	No more memory entries
0Fh	0000_1111	peripheral count	Peripheral count = 15
02h, 10h	00000010_0_0010000	peripheral	SFR at address = 0100h (10h × 10h)
01h, 01h	00000001_0_0000001	peripheral	WDT at address = 0110h (0100h + 10h)
05h, 01h	00000101_0_0000001	peripheral	PMM at address = 0120h (0110h + 10h)
03h, 01h	00000011_0_0000001	peripheral	UCS at address = 0130h (0120h + 10h)
08h, 01h	00001000_0_0000001	peripheral	FLCTL at address = 0140h (0130h + 10h)
09h, 01h	00001001_0_0000001	peripheral	CRC16 at address = 0150h (0140h + 10h)
04h, 01h	00000100_0_0000001	peripheral	SYS at address = 0160h (0150h + 10h)
51h, 0Ah	01010001_0_0001010	peripheral	Port 1, 2 at address = 0200h (0160h + 10h × 10h)
52h, 02h	01010010_0_0000010	peripheral	Port 3, 4 at address = 0220h (0200h + 02h × 10h)
53h, 02h	01010011_0_0000010	peripheral	Port 5, 6 at address = 0240h (0220h + 02h × 10h)
54h, 02h	01010100_0_0000010	peripheral	Port 7, 8 at address = 0260h (0240h + 02h × 10h)
55h, 02h	01010101_0_0000010	peripheral	Port 9, 10 at address = 0280h (0260h + 02h × 10h)
5Fh, 0Ah	01011111_0_0001010	peripheral	Port J at address = 0320h (0280h + 0Ah × 10h)
81h, 02h	10000001_0_0000010	peripheral	Timer A0 at address = 0340h (0320h + 02h × 10h)
82h, 04h	10000010_0_0000100	peripheral	Timer A1 at address = 0380h (0340h + 04h × 10h)
–			No appended entries
			SYSRSTIV at 0FFFEh (implied)
			SYSSNIV at 0FFFCCh (implied)
			SYSUNIV at 0FFFAh (implied)
81h	1000_0001	interrupt	TA0 CCR0 at 0FFF8h
81h	1000_0001	interrupt	TA0 CCR1, CCR1, TA0IFG at 0FFF6h
51h	0101_0001	interrupt	Port 1 at 0FFF4h
82h	1000_0010	interrupt	TA1CCR0 at 0FFF2h
51h	0101_0001	interrupt	Port 2 at 0FFF0h
81h	1000_0010	interrupt	TA1 CCR1, CCR1, TA1IFG at 0FFEEh
00h	0000_0000	delimiter	No more interrupt entries

⁽¹⁾ In this example, the memory type is RAM (bits[15:13] = 001b), the size is 16KB (bits[12:9] = 1000b), and the starting address is 01C00h. The starting address is computed by taking the size field indicated by bit[7] (in this case, 0200h) and multiplying it by the address value (bits[6:0] = 0001110b). In this case, 0200h × 00Eh = 01C00h.

NOTE: The interrupt ordering has some implied rules:

- For timers, CCR0 interrupt has higher priority over all other CCRn interrupts.
- For communication ports, RX has higher priority over TX
- For port pairs, Port 1 has higher priority than Port 2, Port 3 has higher priority than Port 4, and so on.

1.13.4 CRC Computation

The CRC checksum for the TLV structure is stored at memory locations 0x1A02 and 0x1A03. The least significant byte (LSB) and most significant byte (MSB) reside at memory locations 0x1A02 and 0x1A03, respectively. The checksum is computed using data stored at memory locations 0x1A04 through 0x1AFF. The CRC checksum can be easily computed using the CRC16 module. The following simplified C code utilizes the CRC16 module to compute the checksum. See the CRC16 chapter for further details on the CRC algorithm implementation.

NOTE: The CRC module on the MSP430F543x and MSP430F541x non-A versions does not support the bit-wise reverse feature used in this code example. Registers CRCDIRB and CRCRESR, along with their respective functionality, are not available.

```

unsigned int i;
unsigned char CRCRESULT_LSB, CRCRESULT_MSB;

WDTCTL = WDTPW + WDTHOLD;
CRCINIRES = 0xFFFF;
for (i = 0x01A04; i <= 0x01AFF; i++){
    CRCDIRB_L = *(unsigned char*)(i);
}

CRCRESULT_LSB = CRCINIRES_L; // value stored at 0x1A02
CRCRESULT_MSB = CRCINIRES_H; // value stored at 0x1A03

```

1.13.5 Calibration Values

The TLV structure contains calibration values that can be used to improve the measurement capability of various functions. The calibration values available on a given device are shown in the TLV structure of the device-specific data sheet.

1.13.5.1 REF Calibration

The calibration data for the REF module consists of three words, one word for each reference voltage available (1.5, 2.0, and 2.5 V). The reference voltages are measured at room temperature. The measured values are normalized by 1.5 V, 2.0 V, or 2.5 V before being stored into the TLV structure:

$$CAL_ADC_15VREF_FACTOR = \frac{V_{REF+}}{1.5V} \times 2^{15}$$

$$CAL_ADC_20VREF_FACTOR = \frac{V_{REF+}}{2.0V} \times 2^{15}$$

$$CAL_ADC_25VREF_FACTOR = \frac{V_{REF+}}{2.5V} \times 2^{15} \quad (2)$$

In this way, a conversion result is corrected by multiplying it with the CAL_15VREF_FACTOR (or CAL_20VREF_FACTOR, CAL_25VREF_FACTOR) and dividing the result by 2^{15} as shown for each of the respective reference voltages:

$$ADC(\text{corrected}) = ADC(\text{raw}) \times CAL_ADC15VREF_FACTOR \times \frac{1}{2^{15}}$$

$$ADC(\text{corrected}) = ADC(\text{raw}) \times CAL_ADC20VREF_FACTOR \times \frac{1}{2^{15}}$$

$$ADC(\text{corrected}) = ADC(\text{raw}) \times CAL_ADC25VREF_FACTOR \times \frac{1}{2^{15}} \quad (3)$$

In the following example, the integrated 1.5-V reference voltage is used during a conversion.

- Conversion result: 0x0100 = 256 decimal
- Reference voltage calibration factor (CAL_15VREF_FACTOR) : 0x7BBB

The following steps show how the ADC conversion result can be corrected:

- Multiply the conversion result by 2 (this step simplifies the final division): 0x0100 x 0x0002 = 0x0200
- Multiply the result by CAL_15VREF_FACTOR: 0x200 x 0x7FEE = 0x00F7_7600
- Divide the result by 2^{16} : 0x00F7_7600 / 0x0001_0000 = 0x0000_00F7 = 247 decimal

1.13.5.2 ADC and CTSD16 Offset and Gain Calibration

The offset of the ADC (ADC10, ADC12, or CTSD16) is determined and stored as a two's-complement number in the TLV structure. The offset error correction is done by adding the CAL_ADC_OFFSET to the conversion result.

$$ADC(\text{offset_corrected}) = ADC(\text{raw}) + CAL_ADC_OFFSET \quad (4)$$

The gain of the ADC is calculated by [Equation 5](#):

$$CAL_ADC_GAIN_FACTOR = \frac{1}{GAIN} \times 2^{15} \quad (5)$$

The conversion result is gain corrected by multiplying it with the CAL_ADC_GAIN_FACTOR and dividing the result by 2^{15} :

$$ADC(\textit{gain_corrected}) = ADC(\textit{raw}) \times CAL_ADC_GAIN_FACTOR \times \frac{1}{2^{15}} \quad (6)$$

If both gain and offset are corrected, the gain correction is done first:

$$ADC(\textit{gain_corrected}) = ADC(\textit{raw}) \times CAL_ADC_GAIN_FACTOR \times \frac{1}{2^{15}}$$

$$ADC(\textit{final}) = ADC(\textit{gain_corrected}) + CAL_ADC_OFFSET \quad (7)$$

1.13.5.3 Temperature Sensor Calibration for Devices With ADCx

The temperature sensor is calibrated using the internal voltage references. Each reference voltage (1.5/2.0/2.5 V) contains a measured value for two temperatures, 30°C ±3°C and 85°C ±3°C and are stored in the TLV structure. The characteristic equation of the temperature sensor voltage, in mV is:

$$V_{SENSE} = TC_{SENSOR} \times Temp + V_{SENSOR} \quad (8)$$

The temperature coefficient, TC_{SENSOR} in mV/°C, represents the slope of the equation. V_{SENSOR} , in mV, represents the y-intercept of the equation. Temp, in °C, is the temperature of interest.

The temperature (Temp, °C) can be computed as follows for each of the reference voltages used in the ADC measurement:

$$Temp = (ADC(\textit{raw}) - CAL_ADC_T30) \times \left(\frac{85 - 30}{CAL_ADC_T85 - CAL_ADC_T30} \right) + 30 \quad (9)$$

1.13.6 Temperature Sensor Calibration for Devices With CTSD16

The temperature sensor is calibrated using the internal V_{REFBG} voltage reference. A value for two temperatures, 30°C ±3°C and 85°C ±3°C, is stored in the TLV structure. The characteristic equation of the temperature sensor voltage, in mV is:

$$V_{SENSE} = TC_{SENSOR} \times Temp + V_{SENSOR} \quad (10)$$

The temperature coefficient, TC_{SENSOR} in mV/°C, represents the slope of the equation. V_{SENSOR} , in mV, represents the y-intercept of the equation. Temp, in °C, is the temperature of interest.

The temperature (Temp, °C) can be computed as follows:

$$Temp = (ADC(\textit{raw}) - CAL_ADC_T30) \times \left(\frac{85 - 30}{CAL_ADC_T85 - CAL_ADC_T30} \right) + 30 \quad (11)$$

1.14 SFR Registers

The SFRs are listed in [Table 1-11](#). The base address for the SFRs is listed in [Table 1-10](#). Many of the bits inside the SFRs are described in other chapters throughout this user's guide. These bits are marked with a note and a reference. See the specific chapter of the respective module for details.

NOTE: All registers have word or byte register access. For a generic register *ANYREG*, the suffix "_L" (*ANYREG_L*) refers to the lower byte of the register (bits 0 through 7). The suffix "_H" (*ANYREG_H*) refers to the upper byte of the register (bits 8 through 15).

Table 1-10. SFR Base Address

Module	Base Address
SFR	00100h

Table 1-11. SFR Registers

Offset	Acronym	Register Name	Type	Access	Reset	Section
00h	SFRIE1	Interrupt Enable	Read/write	Word	0000h	Section 7.4.4
00h	SFRIE1_L (IE1)		Read/write	Byte	00h	
01h	SFRIE1_H (IE2)		Read/write	Byte	00h	
02h	SFRIFG1	Interrupt Flag	Read/write	Word	0082h	Section 1.14.2
02h	SFRIFG1_L (IFG1)		Read/write	Byte	82h	
03h	SFRIFG1_H (IFG2)		Read/write	Byte	00h	
04h	SFRRPCR	Reset Pin Control	Read/write	Word	0000h	Section 1.14.3
04h	SFRRPCR_L		Read/write	Byte	00h	
05h	SFRRPCR_H		Read/write	Byte	00h	

1.14.1 SFRIE1 Register

Interrupt Enable Register

Figure 1-8. SFRIE1 Register

15	14	13	12	11	10	9	8
Reserved							
r0	r0	r0	r0	r0	r0	r0	r0
7	6	5	4	3	2	1	0
JMBOUTIE	JMBINIE	ACCVIE ⁽¹⁾	NMIIE	VMAIE	Reserved	OFIE ⁽²⁾	WDTIE ⁽³⁾
rw-0	rw-0	rw-0	rw-0	rw-0	r0	rw-0	rw-0

⁽¹⁾ See the [Flash Controller chapter](#) for details.

⁽²⁾ See the [UCS chapter](#) for details.

⁽³⁾ See the [WDT_A chapter](#) for details.

Table 1-12. SFRIE1 Register Description

Bit	Field	Type	Reset	Description
15-8	Reserved	R	0h	Reserved. Always reads as 0.
7	JMBOUTIE	RW	0h	JTAG mailbox output interrupt enable flag 0b = Interrupts disabled 1b = Interrupts enabled
6	JMBINIE	RW	0h	JTAG mailbox input interrupt enable flag 0b = Interrupts disabled 1b = Interrupts enabled
5	ACCVIE	RW	0h	Flash controller access violation interrupt enable flag 0b = Interrupts disabled 1b = Interrupts enabled
4	NMIIE	RW	0h	NMI pin interrupt enable flag 0b = Interrupts disabled 1b = Interrupts enabled
3	VMAIE	RW	0h	Vacant memory access interrupt enable flag 0b = Interrupts disabled 1b = Interrupts enabled
2	Reserved	R	0h	Reserved. Always reads as 0.
1	OFIE	RW	0h	Oscillator fault interrupt enable flag 0b = Interrupts disabled 1b = Interrupts enabled
0	WDTIE	RW	0h	Watchdog timer interrupt enable. This bit enables the WDTIFG interrupt for interval timer mode. It is not necessary to set this bit for watchdog mode. Because other bits in ~IE1 may be used for other modules, it is recommended to set or clear this bit using BIS.B or BIC.B instructions, rather than MOV.B or CLR.B instruction 0b = Interrupts disabled 1b = Interrupts enabled

1.1.4.2 SFRIFG1 Register

Interrupt Flag Register

Figure 1-9. SFRIFG1 Register

15	14	13	12	11	10	9	8
Reserved							
r0	r0	r0	r0	r0	r0	r0	r0
7	6	5	4	3	2	1	0
JMBOUTIFG	JMBINIFG	Reserved	NMIIFG	VMAIFG	Reserved	OFIFG ⁽¹⁾	WDTIFG ⁽²⁾
rw-(1)	rw-(0)	r0	rw-0	rw-0	r0	rw-(1)	rw-0

⁽¹⁾ See the [UCS chapter](#) for details.

⁽²⁾ See the [WDT_A chapter](#) for details.

Table 1-13. SFRIFG1 Register Description

Bit	Field	Type	Reset	Description
15-8	Reserved	R	0h	Reserved. Always reads as 0.
7	JMBOUTIFG	RW	1h	JTAG mailbox output interrupt flag 0b = No interrupt pending. When in 16-bit mode (JMBMODE = 0), this bit is cleared automatically when JMBO0 has been written with a new message to the JTAG module by the CPU. When in 32-bit mode (JMBMODE = 1), this bit is cleared automatically when both JMBO0 and JMBO1 have been written with new messages to the JTAG module by the CPU. This bit is also cleared when the associated vector in SYSUNIV has been read. 1b = Interrupt pending, JMBO registers are ready for new messages. In 16-bit mode (JMBMODE = 0), JMBO0 has been received by the JTAG module and is ready for a new message from the CPU. In 32-bit mode (JMBMODE = 1), JMBO0 and JMBO1 have been received by the JTAG module and are ready for new messages from the CPU.
6	JMBINIFG	RW	0h	JTAG mailbox input interrupt flag 0b = No interrupt pending. When in 16-bit mode (JMBMODE = 0), this bit is cleared automatically when JMBIO is read by the CPU. When in 32-bit mode (JMBMODE = 1), this bit is cleared automatically when both JMBIO and JMBI1 have been read by the CPU. This bit is also cleared when the associated vector in SYSUNIV has been read 1b = Interrupt pending, a message is waiting in the JMBIN registers. In 16-bit mode (JMBMODE = 0) when JMBIO has been written by the JTAG module. In 32-bit mode (JMBMODE = 1) when JMBIO and JMBI1 have been written by the JTAG module.
5	Reserved	R	0h	Reserved. Always reads as 0.
4	NMIIFG	RW	0h	NMI pin interrupt flag 0b = No interrupt pending 1b = Interrupt pending
3	VMAIFG	RW	0h	Vacant memory access interrupt flag 0b = No interrupt pending 1b = Interrupt pending
2	Reserved	R	0h	Reserved. Always reads as 0.
1	OFIFG	RW	1h	Oscillator fault interrupt flag 0b = No interrupt pending 1b = Interrupt pending
0	WDTIFG	RW	0h	Watchdog timer interrupt flag. In watchdog mode, WDTIFG will self clear upon a watchdog timeout event. The SYSRSTIV can be read to determine if the reset was caused by a watchdog timeout event. In interval mode, WDTIFG is reset automatically by servicing the interrupt, or can be reset by software. Because other bits in ~IFG1 may be used for other modules, it is recommended to set or clear WDTIFG by using BIS.B or BIC.B instructions, rather than MOV.B or CLR.B instructions. 0b = No interrupt pending 1b = Interrupt pending

1.14.3 SFRRPCR Register

Reset Pin Control Register

Figure 1-10. SFRRPCR Register

15	14	13	12	11	10	9	8
Reserved							
r0	r0	r0	r0	r0	r0	r0	r0
7	6	5	4	3	2	1	0
Reserved				SYSRSTRE ⁽¹⁾	SYSRSTUP ⁽¹⁾	SYSNMIIES	SYSNMI
r0	r0	r0	r0	rw-1	rw-1	rw-0	rw-0

⁽¹⁾ All devices except the MSP430F5438 (non-A) default to pullup enabled on the reset pin.

Table 1-14. SFRRPCR Register Description

Bit	Field	Type	Reset	Description
15-4	Reserved	R	0h	Reserved. Always reads as 0.
3	SYSRSTRE	RW	1h	Reset pin resistor enable 0b = Pullup/pulldown resistor at the RST/NMI pin is disabled 1b = Pullup/pulldown resistor at the RST/NMI pin is enabled
2	SYSRSTUP	RW	1h	Reset resistor pin pullup/pulldown 0b = Pulldown is selected 1b = Pullup is selected
1	SYSNMIIES	RW	0h	NMI edge select. This bit selects the interrupt edge for the NMI when SYSNMI = 1. Modifying this bit can trigger an NMI. Modify this bit when SYSNMI = 0 to avoid triggering an accidental NMI. 0b = NMI on rising edge 1b = NMI on falling edge
0	SYSNMI	RW	0h	NMI select. This bit selects the function for the RST/NMI pin. 0b = Reset function 1b = NMI function

1.15 SYS Registers

The SYS configuration registers are listed in [Table 1-16](#) and the base address is listed in [Table 1-15](#). A detailed description of each register and its bits is also provided. Each register starts at a word boundary. Either word or byte data can be written to the SYS configuration registers.

NOTE: All registers have word or byte register access. For a generic register *ANYREG*, the suffix "_L" (*ANYREG_L*) refers to the lower byte of the register (bits 0 through 7). The suffix "_H" (*ANYREG_H*) refers to the upper byte of the register (bits 8 through 15).

Table 1-15. SYS Base Address

Module	Base Address
SYS	00180h

Table 1-16. SYS Registers

Offset	Acronym	Register Name	Type	Access	Reset	Section
00h	SYSCTL	System Control	Read/write	Word	0000h	Section 1.15.1
00h	SYSCTL_L		Read/write	Byte	00h	
01h	SYSCTL_H		Read/write	Byte	00h	
02h	SYSBSLC	Bootstrap Loader Configuration	Read/write	Word	0003h	Section 1.15.2
02h	SYSBSLC_L		Read/write	Byte	03h	
03h	SYSBSLC_H		Read/write	Byte	00h	
06h	SYSJMBC	JTAG Mailbox Control	Read/write	Word	0000h	Section 1.15.3
06h	SYSJMBC_L		Read/write	Byte	00h	
07h	SYSJMBC_H		Read/write	Byte	00h	
08h	SYSJMBIO	JTAG Mailbox Input 0	Read/write	Word	0000h	Section 1.15.4
08h	SYSJMBIO_L		Read/write	Byte	00h	
09h	SYSJMBIO_H		Read/write	Byte	00h	
0Ah	SYSJMBI1	JTAG Mailbox Input 1	Read/write	Word	0000h	Section 1.15.5
0Ah	SYSJMBI1_L		Read/write	Byte	00h	
0Bh	SYSJMBI1_H		Read/write	Byte	00h	
0Ch	SYSJMBO0	JTAG Mailbox Output 0	Read/write	Word	0000h	Section 1.15.6
0Ch	SYSJMBO0_L		Read/write	Byte	00h	
0Dh	SYSJMBO0_H		Read/write	Byte	00h	
0Eh	SYSJMBO1	JTAG Mailbox Output 1	Read/write	Word	0000h	Section 1.15.7
0Eh	SYSJMBO1_L		Read/write	Byte	00h	
0Fh	SYSJMBO1_H		Read/write	Byte	00h	
18h	SYSBERRIV	Bus Error Vector Generator	Read	Word	0000h	Section 1.15.11
1Ah	SYSUNIV	User NMI Vector Generator	Read	Word	0000h	Section 1.15.8
1Ch	SYSSNIV	System NMI Vector Generator	Read	Word	0000h	Section 1.15.9
1Eh	SYSRSTIV	Reset Vector Generator	Read	Word	0002h	Section 1.15.10

1.15.1 SYSCTL Register

SYS Control Register

Figure 1-11. SYSCTL Register

15	14	13	12	11	10	9	8
Reserved							
r0	r0	r0	r0	r0	r0	r0	r0
7	6	5	4	3	2	1	0
Reserved		SYSJTAGPIN	SYSBSLIND	Reserved	SYSPMMPE	Reserved	SYSRIVECT
r0	r0	rw-[0]	r-0	r0	rw-[0]	r0	rw-[0]

Table 1-17. SYSCTL Register Description

Bit	Field	Type	Reset	Description
15-6	Reserved	R	0h	Reserved. Always reads as 0.
5	SYSJTAGPIN	RW	0h	Dedicated JTAG pins enable. Setting this bit disables the shared functionality of the JTAG pins and permanently enables the JTAG function. This bit can be set only once. After it is set, it remains set until a BOR occurs. 0b = Shared JTAG pins (JTAG mode selectable by SBW sequence) 1b = Dedicated JTAG pins (explicit 4-wire JTAG mode selection)
4	SYSBSLIND	RW	0h	BSL entry indication. This bit indicates a BSL entry sequence detected on the Spy-Bi-Wire pins. 0b = No BSL entry sequence detected 1b = BSL entry sequence detected
3	Reserved	R	0h	Reserved. Always reads as 0.
2	SYSPMMPE	RW	0h	PMM access protect. This controls the accessibility of the PMM control registers. Once set to 1, it only can be cleared by a BOR. 0b = Access from anywhere in memory 1b = Access only from the protected BSL segments
1	Reserved	R	0h	Reserved. Always reads as 0.
0	SYSRIVECT	RW	0h	RAM-based interrupt vectors 0b = Interrupt vectors generated with end address TOP of lower 64KB of flash, FFFFh 1b = Interrupt vectors generated with end address TOP of RAM

1.15.2 SYSBSLC Register

Bootstrap Loader Configuration Register

Figure 1-12. SYSBSLC Register

15	14	13	12	11	10	9	8
SYSBSLPE	SYSBSLOFF	Reserved					
rw-[0]	rw-[0]	r0	r0	r0	r0	r0	r0
7	6	5	4	3	2	1	0
Reserved					SYSBSLR	SYSBSLSIZE	
r0	r0	r0	r0	r0	rw-[0]	rw-[1]	rw-[1]

Table 1-18. SYSBSLC Register Description

Bit	Field	Type	Reset	Description
15	SYSBSLPE	RW	0h	Bootstrap loader memory protection enable for the size covered in SYSBSLSIZE. By default, this bit is cleared by hardware with a BOR event (as indicated above), however the boot code that checks for an available BSL may set this bit by software to protect the BSL. Because devices normally come with a TI BSL preprogrammed and protected, the boot code sets this bit. 0b = Area not protected. Read, program, and erase of BSL memory is possible. 1b = Area protected
14	SYSBSLOFF	RW	0h	Bootstrap loader memory disable for the size covered in SYSBSLSIZE 0b = BSL memory is addressed when this area is read. 1b = BSL memory behaves like vacant memory. Reads cause 3FFFh to be read. Fetches cause JMP \$ to be executed.
13-3	Reserved	R	0h	Reserved. Always reads as 0.
2	SYSBSLR	RW	0h	RAM assigned to BSL 0b = No RAM assigned to BSL area 1b = Lowest 16 bytes of RAM assigned to BSL
1-0	SYSBSLSIZE	RW	03h	Bootstrap loader size. Defines the space and size of flash memory that is reserved for the BSL. 00b = Size: BSL segment 3 01b = Size: BSL segments 2 and 3 10b = Size: BSL segments 1, 2, and 3 11b = Size: BSL segments 0, 1, 2, and 3

1.15.3 SYSJMBC Register

JTAG Mailbox Control Register

Figure 1-13. SYSJMBC Register

15	14	13	12	11	10	9	8
Reserved							
r0	r0	r0	r0	r0	r0	r0	r0
7	6	5	4	3	2	1	0
JMBCLR1OFF	JMBCLR0OFF	Reserved	JMBMODE	JMBOUT1FG	JMBOUT0FG	JMBIN1FG	JMBIN0FG
rw-(0)	rw-(0)	r0	rw-0	r-(1)	r-(1)	rw-(0)	rw-(0)

Table 1-19. SYSJMBC Register Description

Bit	Field	Type	Reset	Description
15-8	Reserved	R	0h	Reserved. Always reads as 0.
7	JMBCLR1OFF	RW	0h	Incoming JTAG Mailbox 1 flag auto-clear disable 0b = JMBIN1FG cleared on read of JMB1IN register 1b = JMBIN1FG cleared by software
6	JMBCLR0OFF	RW	0h	Incoming JTAG Mailbox 0 flag auto-clear disable 0b = JMBIN0FG cleared on read of JMB0IN register 1b = JMBIN0FG cleared by software
5	Reserved	R	0h	Reserved. Always reads as 0.
4	JMBMODE	RW	0h	This bit defines the operation mode of JMB for JMBI0, JMBI1, JMBO0, and JMBO1. Before switching this bit, pad and flush out any partial content to avoid data drops. 0b = 16-bit transfers using JMBO0 and JMBI0 only 1b = 32-bit transfers using JMBI0, JMBI1, JMBO0, and JMBO1
3	JMBOUT1FG	RW	1h	Outgoing JTAG Mailbox 1 flag. This bit is cleared automatically when a message is written to the upper byte of JMBO1 or as word access (by the CPU, DMA,...) and is set after the message was read by JTAG. 0b = JMBO1 is not ready to receive new data. 1b = JMBO1 is ready to receive new data.
2	JMBOUT0FG	RW	1h	Outgoing JTAG Mailbox 0 flag. This bit is cleared automatically when a message is written to the upper byte of JMBO0 or as word access (by the CPU, DMA,...) and is set after the message was read by JTAG. 0b = JMBO0 is not ready to receive new data. 1b = JMBO0 is ready to receive new data.
1	JMBIN1FG	RW	0h	Incoming JTAG Mailbox 1 flag. This bit is set when a new message (provided by JTAG) is available in JMBI1. This flag is cleared automatically on read of JMBI1 when JMBCLR1OFF = 0 (auto clear mode). On JMBCLR1OFF = 1, JMBIN1FG needs to be cleared by software. 0b = JMBI1 has no new data. 1b = JMBI1 has new data available.
0	JMBIN0FG	RW	0h	Incoming JTAG Mailbox 0 flag. This bit is set when a new message (provided by JTAG) is available in JMBI0. This flag is cleared automatically on read of JMBI0 when JMBCLR0OFF = 0 (auto clear mode). On JMBCLR0OFF = 1, JMBIN0FG needs to be cleared by software. 0b = JMBI1 has no new data. 1b = JMBI1 has new data available.

1.15.4 SYSJMBI0 Register

JTAG Mailbox Input 0 Register

Figure 1-14. SYSJMBI0 Register

15	14	13	12	11	10	9	8
MSGHI							
r-0	r-0	r-0	r-0	r-0	r-0	r-0	r-0
7	6	5	4	3	2	1	0
MSGLO							
r-0	r-0	r-0	r-0	r-0	r-0	r-0	r-0

Table 1-20. SYSJMBI0 Register Description

Bit	Field	Type	Reset	Description
15-8	MSGHI	R	0h	JTAG mailbox incoming message high byte
7-0	MSGLO	R	0h	JTAG mailbox incoming message low byte

1.15.5 SYSJMBI1 Register

JTAG Mailbox Input 0 Register

Figure 1-15. SYSJMBI1 Register

15	14	13	12	11	10	9	8
MSGHI							
r-0	r-0	r-0	r-0	r-0	r-0	r-0	r-0
7	6	5	4	3	2	1	0
MSGLO							
r-0	r-0	r-0	r-0	r-0	r-0	r-0	r-0

Table 1-21. SYSJMBI1 Register Description

Bit	Field	Type	Reset	Description
15-8	MSGHI	R	0h	JTAG mailbox incoming message high byte
7-0	MSGLO	R	0h	JTAG mailbox incoming message low byte

1.15.6 SYSJMBO0 Register

JTAG Mailbox Output 0 Register

Figure 1-16. SYSJMBO0 Register

15	14	13	12	11	10	9	8
MSGHI							
rw-0	rw-0	rw-0	rw-0	rw-0	rw-0	rw-0	rw-0
7	6	5	4	3	2	1	0
MSGLO							
rw-0	rw-0	rw-0	rw-0	rw-0	rw-0	rw-0	rw-0

Table 1-22. SYSJMBO0 Register Description

Bit	Field	Type	Reset	Description
15-8	MSGHI	RW	0h	JTAG mailbox outgoing message high byte
7-0	MSGLO	RW	0h	JTAG mailbox outgoing message low byte

1.15.7 SYSJMBO1 Register

JTAG Mailbox Output 1 Register

Figure 1-17. SYSJMBO1 Register

15	14	13	12	11	10	9	8
MSGHI							
rw-0	rw-0	rw-0	rw-0	rw-0	rw-0	rw-0	rw-0
7	6	5	4	3	2	1	0
MSGLO							
rw-0	rw-0	rw-0	rw-0	rw-0	rw-0	rw-0	rw-0

Table 1-23. SYSJMBO1 Register Description

Bit	Field	Type	Reset	Description
15-8	MSGHI	RW	0h	JTAG mailbox outgoing message high byte
7-0	MSGLO	RW	0h	JTAG mailbox outgoing message low byte

1.15.8 SYSUNIV Register

User NMI Vector Register

NOTE: Additional events for more complex devices are appended to this table; sources that are removed reduce the length of this table. The vectors are expected to be accessed symbolic only with the corresponding include file of the device in use.

Figure 1-18. SYSUNIV Register

15	14	13	12	11	10	9	8
SYSUNVEC							
r0	r0	r0	r0	r0	r0	r0	r0
7	6	5	4	3	2	1	0
SYSUNVEC							
r0	r0	r0	r-0	r-0	r-0	r-0	r0

Table 1-24. SYSUNIV Register Description

Bit	Field	Type	Reset	Description
15-0	SYSUNIV	R	0h	User NMI vector. Generates a value that can be used as address offset for fast interrupt service routine handling. Writing to this register clears all pending user NMI flags. 00h = No interrupt pending 02h = NMIFG interrupt pending (highest priority) 04h = OFIFG interrupt pending 06h = ACCVIFG interrupt pending 08h = BUSIFG interrupt pending (Not present on all devices. See device-specific datasheet)

1.15.9 SYSSNIV Register

System NMI Vector Register

NOTE: Additional events for more complex devices are appended to this table; sources that are removed reduce the length of this table. The vectors are expected to be accessed symbolic only with the corresponding include file of the used device.

Figure 1-19. SYSSNIV Register

15	14	13	12	11	10	9	8
SYSSNVEC							
r0	r0	r0	r0	r0	r0	r0	r0
7	6	5	4	3	2	1	0
SYSSNVEC							
r0	r0	r0	r-0	r-0	r-0	r-0	r0

Table 1-25. SYSSNIV Register Description

Bit	Field	Type	Reset	Description
15-0	SYSSNIV	R	0h	<p>System NMI vector. Generates a value that can be used as address offset for fast interrupt service routine handling. Writing to this register clears all pending system NMI flags.</p> <p>00h = No interrupt pending 02h = SVMLIFG interrupt pending (highest priority) 04h = SVMHIFG interrupt pending 06h = SVSMLDLYIFG interrupt pending 08h = SVSMHDLYIFG interrupt pending 0Ah = VMAIFG interrupt pending 0Ch = JMBINIFG interrupt pending 0Eh = JMBOUTIFG interrupt pending 10h = SVMLVLRIFG interrupt pending 12h = SVMHVLRIIFG interrupt pending 14h = Reserved</p>

1.15.10 SYSRSTIV Register

Reset Interrupt Vector Register

NOTE: Additional events for more complex devices are appended to this table; sources that are removed reduce the length of this table. The vectors are expected to be accessed symbolic only with the corresponding include file of the used device.

Figure 1-20. SYSRSTIV Register

15	14	13	12	11	10	9	8
SYSRSTVEC							
r0	r0	r0	r0	r0	r0	r0	r0
7	6	5	4	3	2	1	0
SYSRSTVEC							
r0	r0	r ⁽¹⁾	r ⁽¹⁾	r ⁽¹⁾	r ⁽¹⁾	r ⁽¹⁾	r0

⁽¹⁾ Reset value depends on reset source.

Table 1-26. SYSRSTIV Register Description

Bit	Field	Type	Reset	Description
15-0	SYSRSTIV	R	02h-3Eh ⁽¹⁾	Reset interrupt vector. Generates a value that can be used as address offset for fast interrupt service routine handling to identify the last cause of a reset (BOR, POR, PUC) . Writing to this register clears all pending reset source flags. 00h = No interrupt pending 02h = Brownout (BOR) (highest priority) 04h = $\overline{\text{RST}}$ /NMI (BOR) 06h = PMMSWBOR (BOR) 08h = Wakeup from LPMx.5 (BOR) 0Ah = Security violation (BOR) 0Ch = SVSL (POR) 0Eh = SVSH (POR) 10h = SVML_OVP (POR) 12h = SVMH_OVP (POR) 14h = PMMSWPOR (POR) 16h = WDT time out (PUC) 18h = WDT password violation (PUC) 1Ah = Flash password violation (PUC) 1Ch = Reserved 1Eh = PERF peripheral/configuration area fetch (PUC) 20h = PMM password violation (PUC) 22h to 3Eh = Reserved

⁽¹⁾ Reset value depends on reset source.

1.15.11 SYSBERRIV Register

System Bus Error Interrupt Vector Register

NOTE: Additional events for more complex devices are appended to this table; sources that are removed reduce the length of this table. The vectors are expected to be accessed symbolic only with the corresponding include file of the used device.

Figure 1-21. SYSBERRIV Register

15	14	13	12	11	10	9	8
SYSBERRIV							
r0	r0	r0	r0	r0	r0	r0	r0
7	6	5	4	3	2	1	0
SYSBERRIV							
r0	r0	r0	r-0	r-0	r-0	r-0	r0

Table 1-27. SYSBERRIV Register Description

Bit	Field	Type	Reset	Description
15-0	SYSBERRIV	R	0h	<p>System bus error interrupt vector. Generates a value that can be used as an address offset for fast interrupt service routine handling. Writing to this register clears all pending flags.</p> <p>00h = No interrupt pending</p> <p>02h = USB module timed out. Wait state time out of 8 clock cycles. 16 clock cycles only on the F552x and F551x devices.</p> <p>04h = Reserved for future extensions</p> <p>06h = Reserved for future extensions</p> <p>08h = Reserved for future extensions</p>

Power Management Module and Supply Voltage Supervisor

This chapter describes the operation of the Power Management Module (PMM) and Supply Voltage Supervisor (SVS).

Topic	Page
2.1 Power Management Module (PMM) Introduction	99
2.2 PMM Operation.....	101
2.3 PMM Registers	114

2.1 Power Management Module (PMM) Introduction

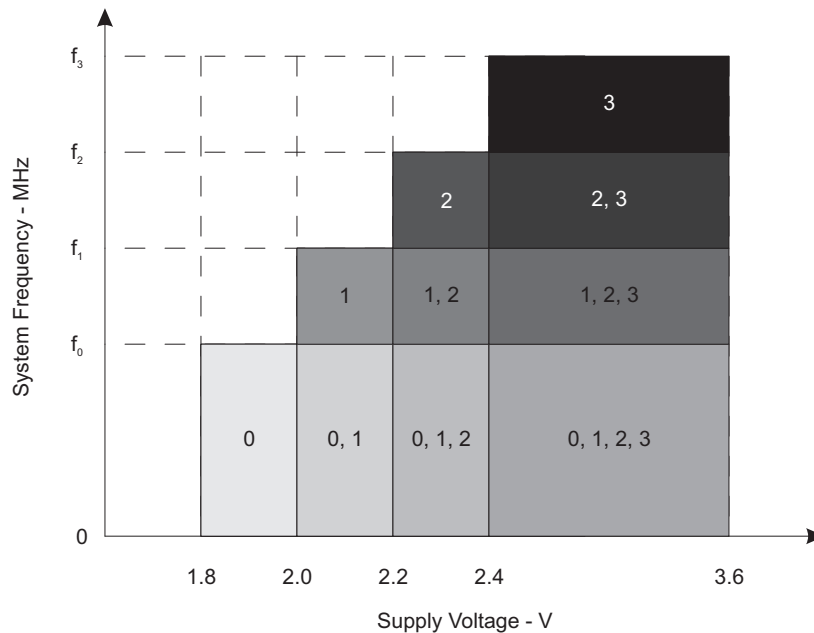
PMM features include:

- Wide supply voltage (DV_{CC}) range: 1.8 V to 3.6 V
- Generation of voltage for the device core (V_{CORE}) with up to four programmable levels
- Supply voltage supervisor (SVS) for DV_{CC} and V_{CORE} with programmable threshold levels
- Supply voltage monitor (SVM) for DV_{CC} and V_{CORE} with programmable threshold levels
- Brownout reset (BOR)
- Software accessible power-fail indicators
- I/O protection during power-fail condition
- Software selectable supervisor or monitor state output (optional)

The PMM manages all functions related to the power supply and its supervision for the device. Its primary functions are first to generate a supply voltage for the core logic, and second, provide several mechanisms for the supervision and monitoring of both the voltage applied to the device (DV_{CC}) and the voltage generated for the core (V_{CORE}).

The PMM uses an integrated low-dropout voltage regulator (LDO) to produce a secondary core voltage (V_{CORE}) from the primary one applied to the device (DV_{CC}). In general, V_{CORE} supplies the CPU, memories (flash and RAM), and the digital modules, while DV_{CC} supplies the I/Os and all analog modules (including the oscillators). The V_{CORE} output is maintained using a dedicated voltage reference. V_{CORE} is programmable up to four steps, to provide only as much power as is needed for the speed that has been selected for the CPU. This enhances power efficiency of the system. The input or primary side of the regulator is referred to in this chapter as its high side. The output or secondary side is referred to in this chapter as its low side.

The required minimum voltage for the core depends on the selected MCLK rate. Figure 2-1 shows the relationship between the system frequency for a given core voltage setting, as well as the minimum required voltage applied to the device. Figure 2-1 is only an example—see the device-specific data sheet to determine which core voltage levels are supported and what level of system frequency performance is possible for a given device.



The numbers within the fields denote the supported PMMCOREVx settings.

Figure 2-1. System Frequency, Supply Voltage, and Core Voltage – See Device-Specific Data Sheet

The PMM module provides means for DV_{CC} and V_{CORE} to be supervised and monitored. Both of these functions detect when a voltage falls under a specific threshold. In general, the difference is that supervision results in a power-on reset (POR) event, while monitoring results in the generation of an interrupt flag that software may then handle. As such, DV_{CC} is supervised and monitored by the high-side supervisor (SVS_H) and high-side monitor (SVM_H), respectively. V_{CORE} is supervised and monitored by the low-side supervisor (SVS_L) and low-side monitor (SVM_L), respectively. Thus, there are four separate supervision and monitoring modules that can be active at any given time. The thresholds enforced by these modules are derived from the same voltage reference used by the regulator to generate V_{CORE} .

In addition to the SVS_H, SVM_H, SVS_L, and SVM_L modules, V_{CORE} is further monitored by the brownout reset (BOR) circuit. As DV_{CC} ramps up from 0 V at power up, the BOR keeps the device in reset until V_{CORE} is at a sufficient level for operation at the default MCLK rate and for the SVS_H and SVS_L mechanisms to be activated. During operation, the BOR also generates a reset if V_{CORE} falls below a preset threshold. BOR can be used to provide an even lower-power means of monitoring the supply rail if the flexibility of the SVS_L is not required.

Figure 2-2 shows the block diagram of the PMM.

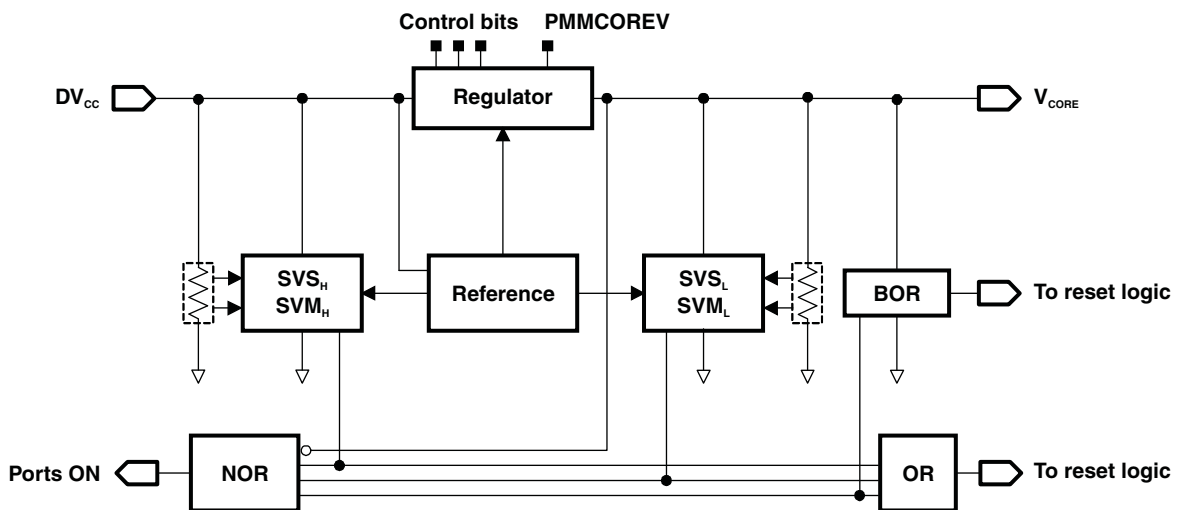


Figure 2-2. PMM Block Diagram

2.2 PMM Operation

2.2.1 V_{CORE} and the Regulator

DV_{CC} can be powered from a wide input voltage range, but the core logic of the device must be kept at a voltage lower than what this range allows. For this reason, a regulator has been integrated into the PMM. The regulator derives the necessary core voltage (V_{CORE}) from DV_{CC} .

Higher MCLK speeds require higher levels of V_{CORE} . Higher levels of V_{CORE} consume more power, and so the core voltage has been made programmable in up to four steps to allow it to provide only as much power as is required for a given MCLK setting. The level is controlled by the PMMCOREV bits. Note that the default setting, the lowest value of PMMCOREV, enables operation of MCLK over a very wide frequency range. As such, no PMM changes are required for many applications. See the device-specific data sheet for performance characteristics and core step levels supported.

Before increasing MCLK to a higher speed, it is necessary for software to ensure that the V_{CORE} level is sufficiently high for the chosen frequency. Failure to do so may force the CPU to attempt operation without sufficient power, which can cause unpredictable results. See [Section 2.2.4](#) for more information on the appropriate procedure to raise V_{CORE} for higher MCLK frequencies.

The regulator supports two different load settings to optimize power. The high-current mode is required when:

- The CPU is in active, LPM0, or LPM1 modes
- A clock source greater than 32 kHz is used to drive any module
- An interrupt is executed

Otherwise, the low-current mode is used. The hardware controls the load settings automatically, according to the criteria above.

2.2.2 Supply Voltage Supervisor and Monitor

The high-side supervisor and monitor (SVS_H and SVM_H) oversee DV_{CC} , and the low-side supervisor and monitor (SVS_L and SVM_L) oversee V_{CORE} . By default, all of these modules are active, but each can be disabled using the corresponding enable bit (SVSHE, SVMHE, SVSLE, SVMLE), resulting in some power savings.

Typical application scenarios for supply voltage supervisors and monitors are:

- High-Side Supervisor, SVSH
 - Supervision of external power supply (DVCC)
 - Device reset because of low battery or supply voltage
- High-Side Monitor, SVMH
 - Monitoring of external power supply (DVCC)
 - Detection of low battery voltage (Pre-warning)
- Low-Side Supervisor, SVSL
 - Supervision of internal core voltage used to supply digital core
 - Device reset because of disruptive conditions at external VCORE pin (for example a short). The internal core voltage never drops below a critical level if parasitic events at the external VCORE pin are avoided.
- Low-Side Monitor, SVML
 - Monitoring of internal core voltage used to supply digital core
 - Detection of correct internal voltage levels when changing (especially increasing) the core voltage level before changing, for example, to higher system frequencies (also see [Section 2.2.4](#)).

2.2.2.1 SVS and SVM Thresholds

The voltage thresholds enforced by the SVS and SVM modules are selectable. [Table 2-1](#) shows the SVS and SVM threshold registers, the voltage threshold they control, and the number of threshold options.

Table 2-1. SVS and SVM Thresholds

Register	Description	Threshold	Available Steps
SVSHRVL	SVS _H reset voltage level	SVS _{H,IT-}	4
SVSMHRRL	SVS _H , SVM _H reset release voltage level	SVS _{H,IT+} , SVM _H	8
SVSLRVL	SVS _L reset voltage level	SVS _{L,IT-}	4
SVSMLRRL	SVS _L , SVM _L reset release voltage level	SVS _{L,IT+} , SVM _L	4 ⁽¹⁾

⁽¹⁾ The register settings support up to eight levels (0 through 7); however, levels 3 through 7 are identical.

2.2.2.1.1 Recommended SVS_L Settings

For each of the core voltages, there are two supply voltage supervisor levels available. The SVSLRVL bits define the voltage level of V_{CORE} below which the reset is activated. The SVSMLRRL bits define the voltage level of V_{CORE} at which the reset is released. Although various settings can be chosen, there is one set of SVSLRVL and SVSMLRRL settings that is well suited for each core voltage selected by PMMCOREV. By default, an SVS_L event always generates a POR (SVSLPE = 1), and it is recommended to always configure SVSLPE = 1 for reliable device startup. [Table 2-2](#) lists the most commonly used and recommended settings.

Table 2-2. Recommended SVS_L Settings

PMMCOREV[1:0]	DVCC (V)	SVSLRVL[1:0] Sets SVS _{L,IT-} Level	SVSMLRRL[2:0] Sets SVS _{L,IT+} and SVM _L levels
00	≥ 1.8	00	000
01	≥ 2.0	01	001
10	≥ 2.2	10	010
11	≥ 2.4	11	011

2.2.2.1.1.1 Recommended SVS_H Settings

For the high-side supply, there are two supply voltage supervisor levels available. The SVSMHRRL bits define the voltage level of DVCC at which the reset is released. The SVSHRVL register defines the voltage level of DVCC below which the reset is turned on. These settings should be selected according to the minimum voltages required for device operation in a given application, as well as system power supply characteristics. See the device-specific data sheet for threshold values corresponding to the settings shown here. Although various settings are available, the most common are based on the maximum frequency required which, in turn, determines the minimum DVCC level supervised. By default, an SVS_H event always generates a POR (SVSHPE = 1), and it is recommended to always configure SVSHPE = 1 for reliable device startup. [Table 4-2](#) lists the most commonly used and recommended settings.

Table 2-3. Recommended SVS_H Settings

f _{sys} Max (MHz)	DVCC (V)	SVSHRVL[1:0] Sets SVS _{H,IT-} Level	SVSMHRRL[2:0] Sets SVS _{H,IT+} and SVM _H Levels	PMMCOREV[1:0]
8	>1.8	00	000	00
12	>2.0	01	001	01
20	>2.2	10	010	10
25	>2.4	11	011	11

The available voltage threshold settings of $SVSH_H$ and SVM_H are dependent on the voltage level setting of $VCORE$. Table 2-4 summarizes all of the possible settings available. All other settings not listed are invalid and should not be used. Also $SVSMHRRL$ must always be equal or larger than $SVSHRVL$. Figure 2-3 shows the available settings for the SVM_H .

Table 2-4. Available $SVSH_H$ and SVM_H Settings Versus $VCORE$ Settings

PMMCOREV[1:0]	SVSHRVL[1:0] Sets $SVSH_{IT}$ Level	SVSMHRRL[2:0] Sets $SVSH_{IT+}$ and SVM_H Levels
00	00 through 11	000 through 011
01	00 through 11	001 through 100
10	00 through 11	010 through 101
11	00 through 11	011 through 111

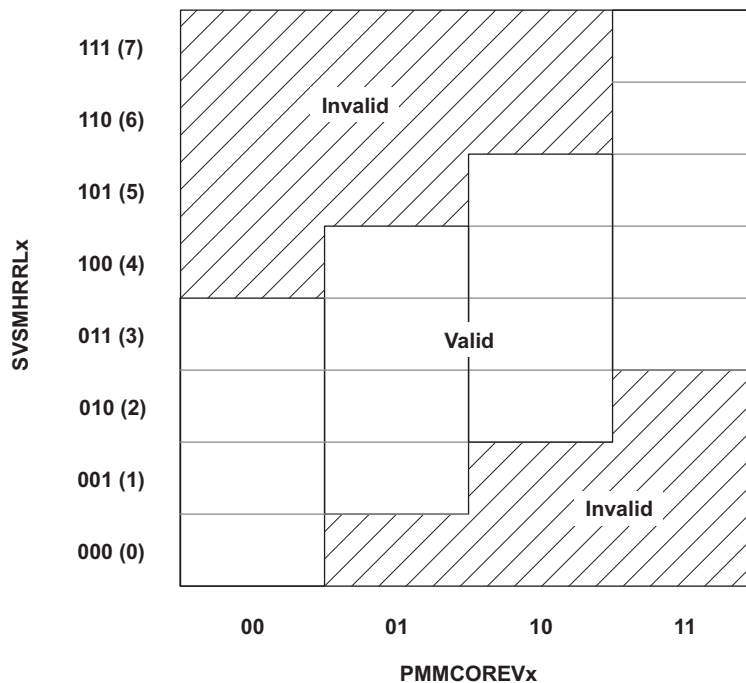


Figure 2-3. Available SVM_H Settings Versus $VCORE$ Settings

The behavior of the SVS and SVM according to these thresholds is best portrayed graphically. Figure 2-4 shows how the supervisors and monitors respond to various supply failure conditions.

As Figure 2-4 shows, there is hysteresis built into the supervision thresholds, such that the thresholds in force depend on whether the voltage rail is going up or down. There is no hysteresis in the monitoring thresholds.

NOTE: SVS Hysteresis

There is a reliable hysteresis only if the bit setting for $SVSMHRRL$ is equal to or larger than the bit setting for $SVSHRVL$. Thus you must select a $SVSMHRRL$ setting that is equal to or larger than the $SVSHRVL$ setting.

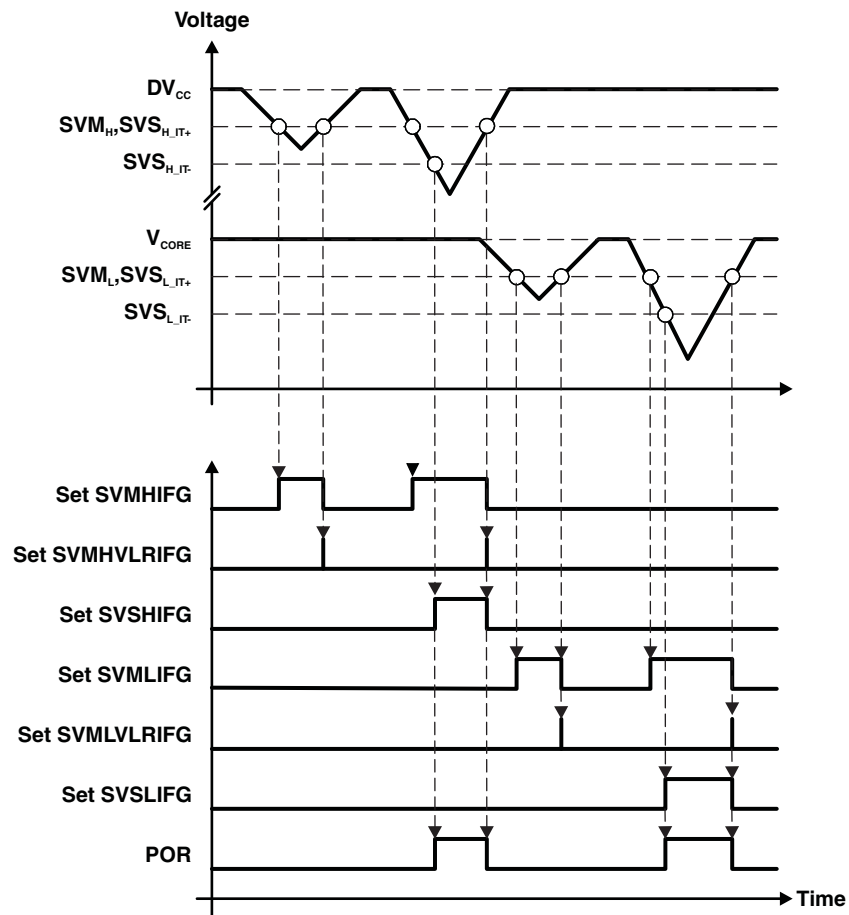


Figure 2-4. High-Side and Low-Side Voltage Failure and Resulting PMM Actions

2.2.2.2 High-Side Supervisor (SVSH) and High-Side Monitor (SVMH)

The SVSH and SVMH modules are enabled by default and can be disabled by clearing the SVSHE and SVMHE bits, respectively. Figure 2-5 shows the SVSH and SVMH block diagrams.

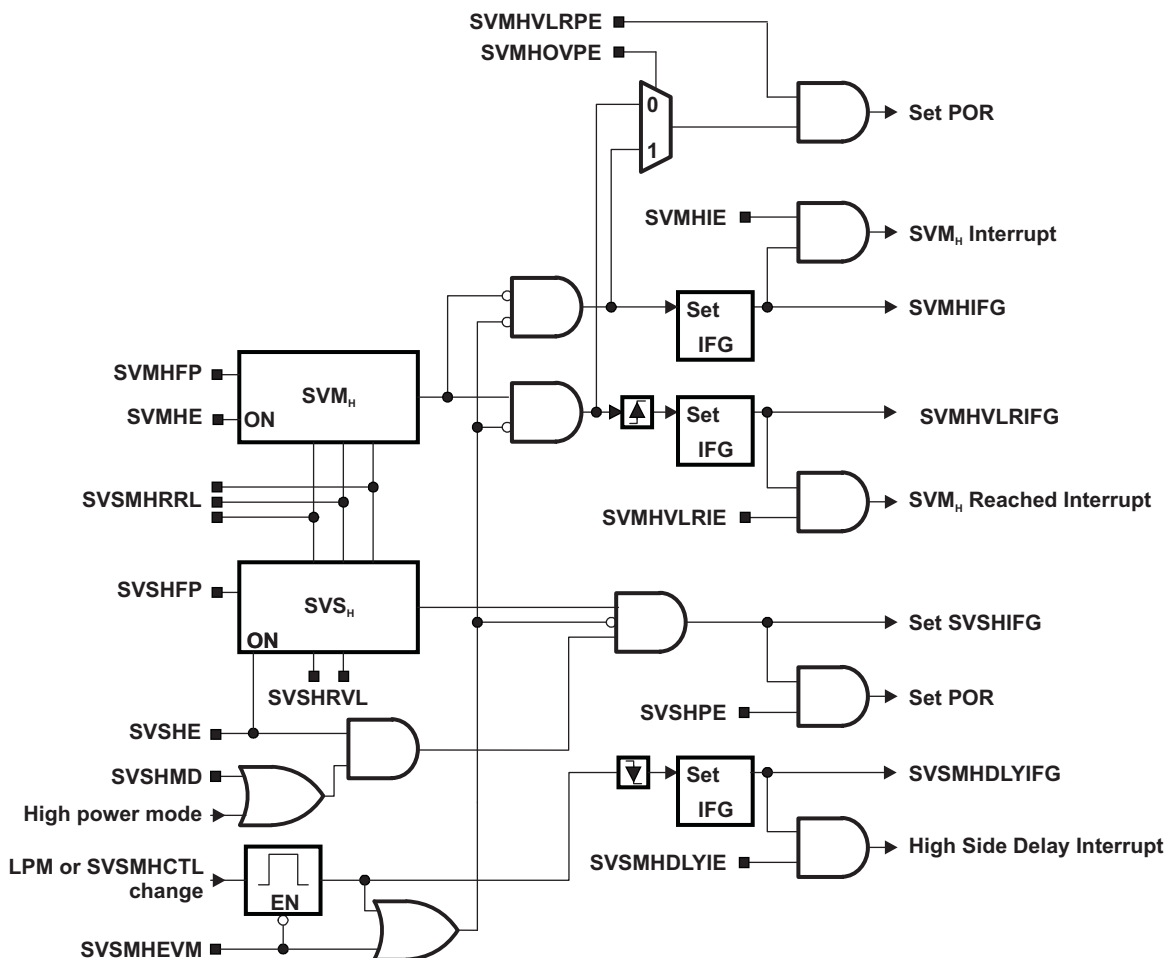


Figure 2-5. High-Side SVS and SVM

If DV_{CC} falls below the SVSH level, SVSHIFG (SVSH interrupt flag) is set. If DV_{CC} remains below the SVSH level and software attempts to clear SVSHIFG, it is immediately set again by hardware. If the SVSHPE (SVSH POR enable) bit is set when SVSHIFG gets set, a POR is generated.

If DV_{CC} falls below the SVMH level, SVMHIFG (SVMH interrupt flag) is set. If DV_{CC} remains below the SVMH level and software attempts to clear SVMHIFG, it is immediately set again by hardware. If the SVMHIE (SVMH interrupt enable) bit is set when SVMHIFG gets set, an interrupt is generated. If a POR is desired when SVMHIFG is set, the SVMH can be configured to do so by setting the SVMHVRPE (SVMH voltage level reached POR enable) bit while SVMHOVPE bit is cleared.

If DV_{CC} rises above the SVMH level, the SVMHVRIFG (SVMH voltage level reached) interrupt flag is set. If SVMHVRIE (SVMH voltage level reached interrupt enable) is set when this occurs, an interrupt is also generated.

Alternatively the SVMH module can be used for overvoltage detection, but only with the highest core voltage setting (PMMCOREV = 11b). This is accomplished by setting the SVMHOVPE (SVMH overvoltage POR enable) bit in addition to setting SVMHVRPE. Under these conditions, if a rising DVCC exceeds safe device operation, a POR is generated.

The SVS_H and SVM_H modules have configurable performance modes for power-saving operation. (See [Section 2.2.9](#) for more information.) If these SVS_H and SVM_H power modes are modified, or if a voltage level is modified, a delay element masks the interrupts and POR sources until the SVS_H and SVM_H circuits have settled. When $SVSMHDLYST$ (delay status) reads zero, the delay has expired. In addition, the $SVSMHDLYIFG$ (SVS_H and SVM_H delay expired) interrupt flag is set. If the $SVSMHDLYIE$ (SVS_H and SVM_H delay expired interrupt enable) is set when this occurs, an interrupt is also generated.

In case of power-fail conditions, setting $SVSHMD$ causes the SVS_H interrupt flag to be set in LPM2, LPM3, and LPM4. If $SVSHMD$ is not set, the SVS_H interrupt flag is not set in LPM2, LPM3, and LPM4. In addition, all SVS_H and SVM_H events can be masked by setting $SVSMHEVM$. For most applications, $SVSMHEVM$ should be cleared.

All the interrupt flags of SVS_H and SVM_H remain set until cleared by a BOR or by software.

2.2.2.3 Low-Side Supervisor (SVS_L) and Low-Side Monitor (SVM_L)

The SVS_L and SVM_L modules are enabled by default and can be disabled by clearing $SVSLE$ and $SVMLE$ bits, respectively. [Figure 2-6](#) shows the SVS_L and SVM_L block diagrams.

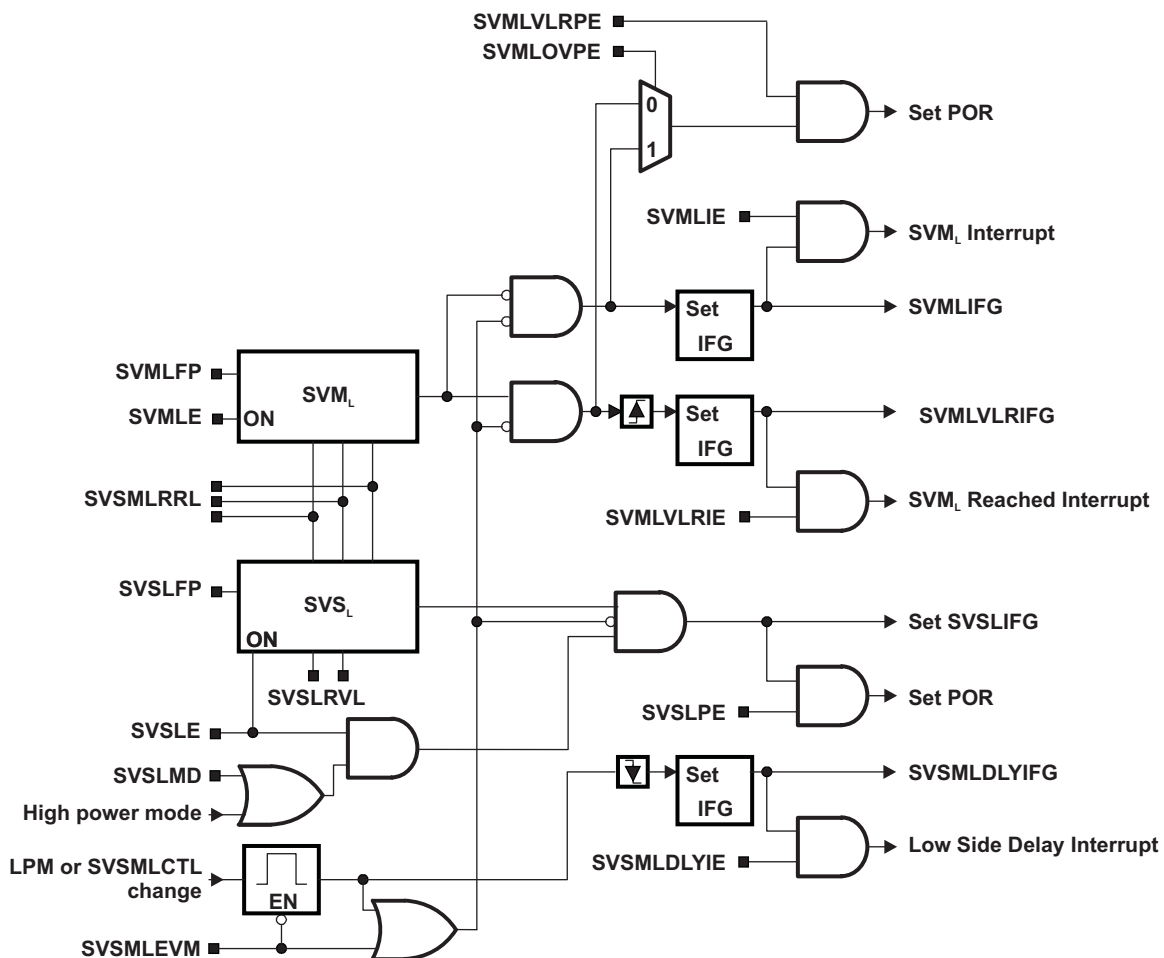


Figure 2-6. Low-Side SVS and SVM

If V_{CORE} falls below the SVS_L level, $SVSLIFG$ (SVS_L interrupt flag) is set. If V_{CORE} remains below the SVS_L level and software attempts to clear $SVSLIFG$, it is immediately set again by hardware. If the $SVSLPE$ (SVS_L POR enable) bit is set when $SVSLIFG$ gets set, a POR is generated.

If V_{CORE} falls below the SVM_L level, $SVMLIFG$ (SVM_L interrupt flag) is set. If V_{CORE} remains below the SVM_L level and software attempts to clear $SVMLIFG$, it is immediately set again by hardware. If the $SVMLIE$ (SVM_L interrupt enable) bit is set when $SVMLIFG$ gets set, an interrupt is generated. If a POR is desired when $SVMLIFG$ is set, the SVM_L can be configured to do so by setting the $SVMLVLRPE$ (SVM_L voltage level reached POR enable) bit while $SVMLVLRPE$ bit is cleared.

If V_{CORE} rises above the SVM_L level, the $SVMLVLRIFG$ (SVM_L voltage level reached) interrupt flag is set. If $SVMLVLRIE$ (SVM_L voltage level reached interrupt enable) is set when this occurs, an interrupt is also generated.

The SVM_L module can also be used for overvoltage detection. This is accomplished by setting the $SVMLVLRPE$ (SVM_L overvoltage POR enable) bit, in addition to setting $SVMLVLRPE$. Under these conditions, if V_{CORE} exceeds safe device operation, a POR is generated.

The SVS_L and SVM_L modules have configurable performance modes for power-saving operation. (See [Section 2.2.9](#) for more information.) If these SVS_L and SVM_L power modes are modified, or if a voltage level is modified, a delay element masks the interrupts and POR sources until the SVS_L and SVM_L circuits have settled. When $SVSMLDLYST$ (delay status) reads zero, the delay has expired. In addition, the $SVSMLDLYIFG$ (SVS_L/SVM_L delay expired) interrupt flag is set. If the $SVSMLDLYIE$ (SVS_L and SVM_L delay expired interrupt enable) is set when this occurs, an interrupt is also generated.

In case of power-fail conditions, setting $SVSLMD$ causes the SVS_L interrupt flag to be set in LPM2, LPM3, and LPM4. If $SVSLMD$ is not set, the SVS_L interrupt flag is not set in LPM2, LPM3, and LPM4. In addition, all SVS_L and SVM_L events can be masked by setting $SVSMLEVM$. For most applications, $SVSMLEVM$ should be cleared.

All the interrupt flags of SVS_L and SVM_L remain set until cleared by a BOR or by software.

2.2.3 Supply Voltage Supervisor and Monitor - Power up

When the device is powering up, the SVS_H and SVS_L functions are enabled by default. Initially, DV_{CC} is low, and therefore the PMM holds the device in POR reset. When both the SVS_H and SVS_L levels are met, the reset is released. [Figure 2-7](#) shows this process.

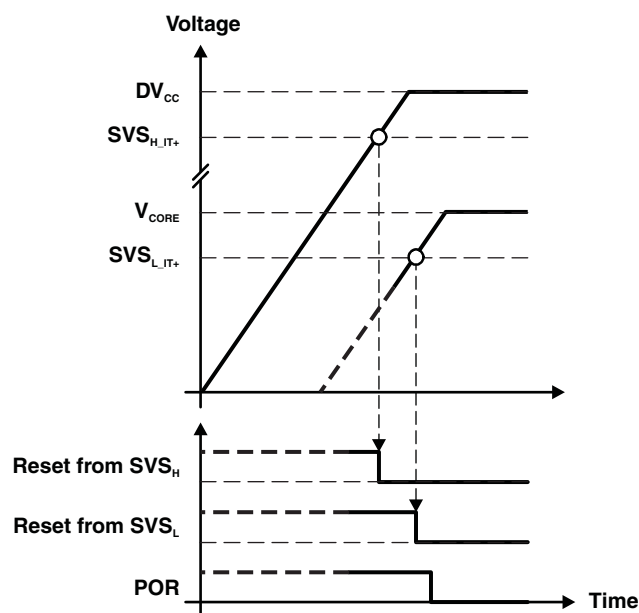


Figure 2-7. PMM Action at Device Power-Up

After this point, both voltage domains are supervised and monitored while the respective modules are enabled.

2.2.4 Increasing V_{CORE} to Support Higher MCLK Frequencies

With a reset, V_{CORE} and all the PMM thresholds, default to their lowest possible levels. These default settings allow a wide range of MCLK operation, and in many applications no change to these levels is required. However, if the application requires the performance provided by higher MCLK frequencies, software should ensure that V_{CORE} has been raised to a sufficient voltage level before changing MCLK, since failing to supply sufficient voltage to the CPU could produce unpredictable results. For a given device, minimum V_{CORE} levels required for maximum MCLK frequencies have been established (See the device data sheet for specific values).

After setting PMMCOREV to increase V_{CORE} , there is a time delay until the new voltage has been established. Software must not raise MCLK until the necessary core voltage has settled. SVM_L can be used to verify that V_{CORE} has met the required minimum value, prior to increasing MCLK. Figure 2-8 shows this procedure.

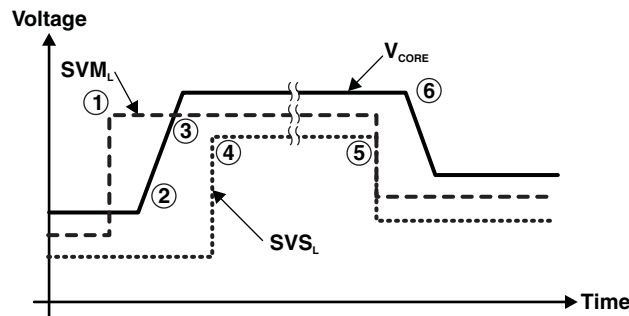


Figure 2-8. Changing V_{CORE} and SVM_L and SVS_L Levels

It is critical that the V_{CORE} level be increased by only one level at a time. The following steps 1 through 4 show the procedure to increase V_{CORE} by one level. This sequence is repeated to change the V_{CORE} level until the targeted level is obtained:

- Step 1: Make sure that DV_{CC} has settled before you continue with the next steps.
- Step 2: Program the SVM_H and SVS_H to the next level. This makes sure that DV_{CC} is high enough for the next V_{CORE} level.
- Step 3: Program the SVM_L to the next level and wait until $SVSMLDLYIFG$ is one.
- Step 4: Program PMMCOREV to the next V_{CORE} level.
- Step 5: Wait until $SVMLVLRIFG$ flag is one. It indicates that the core voltage reached the level you programmed in Step 4.
- Step 6: Program the SVS_L to the next level.

As a reference, the following is a C code example for increasing V_{CORE} . The sample libraries provide routines for increasing and decreasing the V_{CORE} and should be used whenever possible.

```
; C Code example for increasing core voltage.
; Note: Change core voltage one level at a time.
```

```
void SetVCoreUp (unsigned int level)
{
    // Open PMM registers for write access
    PMMCTL0_H = 0xA5;
    // Make sure no flags are set for iterative sequences
    while ((PMMIFG & SVSMHDLYIFG) == 0);
    while ((PMMIFG & SVSMLDLYIFG) == 0);
    // Set SVS/SVM high side new level
    SVSMHCTL = SVSHE + SVSHRVL0 * level + SVMHE + SVSMHRRLO * level;
    // Set SVM low side to new level
    SVSMLCTL = SVSLE + SVMLE + SVSMLRRLO * level;
    // Wait till SVM is settled
    while ((PMMIFG & SVSMLDLYIFG) == 0);
}
```

```

// Clear already set flags
PMMIFG &= ~(SVMLVLRIFG + SVMLIFG);
// Set VCore to new level
PMMCTL0_L = PMMCOREV0 * level;
// Wait till new level reached
if ((PMMIFG & SVMLIFG))
    while ((PMMIFG & SVMLVLRIFG) == 0);
// Set SVS/SVM low side to new level
SVSMLCTL = SVSLE + SVSLRVL0 * level + SVMLE + SVSMLRRL0 * level;
// Lock PMM registers for write access
PMMCTL0_H = 0x00;
}

```

NOTE: The MSP430 Driver Library (which replaces the MSP430 F5xx/F6xx Core Libraries) contains useful and easy-to-use functions for easily configuring and using the PMM module. The MSP430 Driver Library can be downloaded with [MSP430Ware](#).

2.2.5 Decreasing V_{CORE} for Power Optimization

The risk posed by increasing MCLK frequency does not exist when decreasing MCLK from the current V_{CORE} or higher settings, because higher V_{CORE} levels can still support MCLK frequencies below the ones for which they were intended. However, significant power efficiency gains can be made by operating V_{CORE} at the lowest value required for a given MCLK frequency. It is critical that the V_{CORE} level be decreased by only one level at a time. The following steps show the procedure to decrease V_{CORE} by one level. This sequence is repeated to change the V_{CORE} level until the targeted level is obtained:

The following steps show the procedure to decrease V_{CORE} :

- Step 1: Program the SVM_L and SVS_L to the new level and wait for (SVSMLDLYIFG) to be set.
- Step 2: Program PMMCOREV to the new V_{CORE} level.

It is critical when lowering the V_{CORE} setting that the maximum MCLK frequency for the new V_{CORE} setting is not violated (see the device-specific data sheet).

2.2.6 Transition From LPM3 and LPM4 Modes to AM

The LDO requires time to settle when the application transitions from low-power modes to active modes. If a transition from LPM3 or LPM4 occurs and the device does not stay in active mode long enough, the LDO does not have time to settle sufficiently. Circuitry inside the LDO ensures that the LDO has its minimum required time to settle to its proper operating voltage. The circuitry ensures that every eighth transition from LPM3 or LPM4 causes the LDO to remain on long enough to properly settle. This is handled automatically and requires no setting by the application.

2.2.7 LPM3.5 and LPM4.5

LPM3.5 and LPM4.5 are additional low-power modes in which the regulator of the PMM is completely disabled, providing additional power savings. Not all devices support all LPMx.5 modes, so see the device-specific data sheet. Because there is no power supplied to V_{CORE} during LPMx.5, the CPU and all digital modules including RAM are unpowered. This disables the entire device and, as a result, the contents of the registers and RAM are lost. Any essential values should be stored to flash prior to entering LPMx.5. PMMREGOFF bit is used to disable the regulator. See the SYS module for complete descriptions and proper uses of LPMx.5.

Because the regulator of the PMM is disabled upon entering LPMx.5, all I/O register configurations are lost. Therefore, the configuration of I/O pins must be handled differently to ensure that all pins in the application behave in a controlled manner upon entering and exiting LPMx.5. Properly setting the I/O pins is critical to achieving the lowest possible power consumption in LPMx.5, as well as preventing any possible uncontrolled input or output I/O state in the application. The application has complete control of

the I/O pin conditions preventing the possibility of unwanted spurious activity upon entry and exit from LPMx.5. The I/O pin state is held and locked based on the settings prior to LPMx.5 entry. Upon entry into LPMx.5, the LOCKLPM5 bit in PM5CTL0 of the PMM module is set automatically. Note that only the pin condition is retained. All other port configuration register settings are lost. See the Digital I/O chapter for further details.

2.2.8 Brownout Reset (BOR), Software BOR, Software POR

The primary function of the brownout reset (BOR) circuit occurs when the device is powering up. It is functional very early in the power-up ramp, generating a POR that initializes the system. It also functions when no SVS is enabled and a brownout condition occurs. It sustains this reset until the input power is sufficient for the logic, for proper reset of the system.

In an application, it may be desired to cause a BOR by software. Setting PMMSWBOR causes a software-driven BOR. PMMBORIFG is set accordingly. Note that a BOR also initiates a POR and PUC. PMMBORIFG can be cleared by software or by reading SYSRSTIV. Similarly, it is possible to cause a POR by software by setting PMMSWPOR. PMMPORIFG is set accordingly. A POR also initiates a PUC. PMMPORIFG can be cleared by software or by reading SYSRSTIV. Both PMMSWBOR and PMMSWPOR are self clearing. See the SYS module for complete descriptions of BOR, POR, and PUC resets.

2.2.9 SVS and SVM Performance Modes and Wakeup Times

The supervisors/monitors can function in one of two modes: normal and full performance. The difference is a tradeoff in response time versus the power consumed; full-performance mode has a faster response time but consumes considerably more power than normal mode. Full-performance mode might be considered in applications in which the decoupling of the external power supply cannot adequately prevent fast spikes on DV_{CC} from occurring, or when the application has a particular intolerance to failure. In such cases, full-performance mode provides an additional layer of protection.

There are two ways to control the performance mode: manual and automatic. In manual mode, the normal/full-performance selection is the same for every operational mode except LPMx.5 (the SVS and SVM are always disabled in LPMx.5). In this case, the normal or full-performance selection is made with the SVSHFP, SVMHFP, SVSLFP, or SVMLFP bit, for their respective modules.

In automatic mode, hardware changes the normal or full-performance selection depending on the operational mode in effect.

The wake-up time of the device from low-power modes is affected by the settings of the SVS_L and SVM_L performance modes as listed in [Table 2-6](#), [Table 2-7](#), [Table 2-8](#), and [Table 2-9](#). The wake-up time from low-power modes is not affected by the settings of the SVS_H and SVM_H. All wake-ups from LPMx.5 (LPM3.5 or LPM4.5), are defined by the data sheet parametric, $t_{WAKE-UP-LPM5}$, regardless of the performance modes for SVS_L or SVM_L, because these are disabled in LPMx.5.

The tables in [Section 2.2.9.1](#) and [Section 2.2.9.2](#) show the required settings to select the control and performance modes for SVS_L, SVM_L, SVS_H, and SVM_H.

NOTE: Low-Power Modes

Even if the CPU requests a specific low-power mode, the device might not go into that state because of modules requesting clocks that should be switched off or have higher frequencies or because of modules requesting a higher drive capability of the LDO. The low-power modes mentioned in the tables assume that the device is actually in the requested state; that is, no module is requesting a deviating clock setting or drive capability.

2.2.9.1 Low-Side SVS and SVM Control and Performance Mode Selection

Table 2-5. SVS_L and SVM_L Control Mode Selection

SVSMLACE	SVSLMD	SVS _L Control Mode	SVM _L Control Mode
0	0	Automatic (see Table 2-6)	Manual (see Table 2-9)
0	1	Manual (see Table 2-7)	Manual (see Table 2-9)
1	0	Automatic (see Table 2-6)	Automatic (see Table 2-8)
1	1	Automatic (see Table 2-6)	Automatic (see Table 2-8)

Table 2-6. SVS_L Automatic Performance Control

SVSLE	SVSLMD	SVSLFP	AM, LPM0, LPM1 SVS _L State	LPM2, LPM3, LPM4 SVS _L State	Wakeup Time LPM2, LPM3, LPM4
0	x	x	Off	Off	t _{WAKE-UP-FAST}
1	0	0	Normal	Off	t _{WAKE-UP-SLOW}
1	0	1	Full performance	Off	t _{WAKE-UP-FAST}
1	1	0	Normal	Off	t _{WAKE-UP-SLOW}
1	1	1	Full performance	Normal	t _{WAKE-UP-FAST}

Table 2-7. SVS_L Manual Performance Modes

SVSLE	SVSLFP	AM, LPM0, LPM1 SVS _L State	LPM2, LPM3, LPM4 SVS _L State	Wakeup Time LPM2, LPM3, LPM4
0	x	Off	Off	t _{WAKE-UP-FAST}
1	0	Normal	Normal	t _{WAKE-UP-SLOW}
1	1	Full performance	Full performance	t _{WAKE-UP-FAST}

Table 2-8. SVM_L Automatic Performance Control

SVMLE	SVMLFP	AM, LPM0, LPM1 SVM _L State	LPM2, LPM3, LPM4 SVM _L State	Wakeup Time LPM2, LPM3, LPM4
0	x	Off	Off	t _{WAKE-UP-FAST}
1	0	Normal	Off	t _{WAKE-UP-SLOW}
1	1	Full performance	Normal	t _{WAKE-UP-FAST}

Table 2-9. SVM_L Manual Performance Modes

SVMLE	SVMLFP	AM, LPM0, LPM1 SVM _L State	LPM2, LPM3, LPM4 SVM _L State	Wakeup Time LPM2, LPM3, LPM4
0	x	Off	Off	t _{WAKE-UP-FAST}
1	0	Normal	Normal	t _{WAKE-UP-SLOW}
1	1	Full performance	Full performance	t _{WAKE-UP-FAST}

2.2.9.2 High-Side SVS and SVM Control and Performance Mode Selection

Table 2-10. SVS_H and SVM_H Control Mode Selection

SVSMHACE	SVSHMD	SVS _H Control Mode	SVM _H Control Mode
0	0	Automatic (see Table 2-11)	Manual (see Table 2-14)
0	1	Manual (see Table 2-12)	Manual (see Table 2-14)
1	0	Automatic (see Table 2-11)	Automatic (see Table 2-13)
1	1	Automatic (see Table 2-11)	Automatic (see Table 2-13)

Table 2-11. SVS_H Automatic Performance Control

SVSHE	SVSHMD	SVSHFP	AM, LPM0, LPM1 SVS _H State	LPM2, LPM3, LPM4 SVS _H State
0	x	x	Off	Off
1	0	0	Normal	Off
1	0	1	Full performance	Off
1	1	0	Normal	Off
1	1	1	Full performance	Normal

Table 2-12. SVS_H Manual Performance Modes

SVSHE	SVSHFP	AM, LPM0, LPM1 SVS _H State	LPM2, LPM3, LPM4 SVS _H State
0	x	Off	Off
1	0	Normal	Normal
1	1	Full performance	Full performance

Table 2-13. SVM_H Automatic Performance Control

SVMHE	SVMHFP	AM, LPM0, LPM1 SVM _H State	LPM2, LPM3, LPM4 SVM _H State
0	x	Off	Off
1	0	Normal	Off
1	1	Full performance	Normal

Table 2-14. SVM_H Manual Performance Modes

SVMHE	SVMHFP	AM, LPM0, LPM1 SVM _H State	LPM2, LPM3, LPM4 SVM _H State
0	x	Off	Off
1	0	Normal	Normal
1	1	Full performance	Full performance

2.2.9.3 Wake-up Times in Debug Mode

The TEST/SBWTCK pin is used for interfacing to the development tools by Spy-Bi-Wire and JTAG. When the TEST/SBWTCK pin is high, wake-up times from LPM2, LPM3, and LPM4 may be different compared to when TEST/SBWTCK is low. When the TEST/SBWTCK pin is high, all delays associated with the SVS_L and SVM_L settings have no effect and the device wakes within $t_{\text{WAKE-UP-FAST}}$. Pay careful attention to the real-time behavior when exiting from LPM2, LPM3, and LPM4 with the device connected to a development tool (for example, MSP-FET430UIF).

2.2.10 PMM Interrupts

Interrupt flags generated by the PMM are routed to the system NMI interrupt vector generator register, SYSSNIV. When the PMM causes a reset, a value is generated in the system reset interrupt vector generator register, SYSRSTIV, corresponding to the source of the reset. These registers are defined within the SYS module. More information on the relationship between the PMM and SYS modules is available in the SYS chapter.

2.2.11 Port I/O Control

The PMM provides a means of ensuring that I/O pins cannot behave in uncontrolled fashion during an undervoltage event. During these times, outputs are disabled, both normal drive and the weak pullup/pulldown function. If the CPU is functioning normally, and then an undervoltage event occurs, any pin configured as an input has its PxIN register value locked in at the point the event occurs, until voltage is restored. During the undervoltage event, external voltage changes on the pin are not registered internally. This helps prevent erratic behavior from occurring.

2.2.12 Supply Voltage Monitor Output (SVMOUT, Optional)

The state of SVMLIFG, SVMLVLRIFG, SVMHIFG, and SVMLVLRIFG can be monitored on the external SVMOUT pin. Each of these interrupt flags can be enabled (SVMLOE, SVMLVLRIOE, SVMHIOE, SVMLVLRIOE) to generate an output signal. The polarity of the output is selected by the SVMOUTPOL bit. If SVMOUTPOL is set, the output is set to 1 if an enabled interrupt flag is set.

2.3 PMM Registers

The PMM registers are listed in [Table 2-15](#). The base address of the PMM module can be found in the device-specific data sheet. The address offset of each PMM register is given in [Table 2-15](#). The password, PMMPW, defined in the PMMCTL0 register controls access to all PMM, SVS, and SVM registers. Once the correct password is written, the write access is enabled. The write access is disabled by writing a wrong password in byte mode to the PMMCTL0 upper byte. Word accesses to PMMCTL0 with a wrong password triggers a PUC. A write access to a register other than PMMCTL0 while write access is not enabled causes a PUC.

NOTE: All registers have word or byte register access. For a generic register *ANYREG*, the suffix "_L" (*ANYREG_L*) refers to the lower byte of the register (bits 0 through 7). The suffix "_H" (*ANYREG_H*) refers to the upper byte of the register (bits 8 through 15).

Table 2-15. PMM Registers

Offset	Acronym	Register Name	Type	Access	Reset	Section
00h	PMMCTL0	PMM control register 0	Read/write	Word	9600h	Section 2.3.1
00h	PMMCTL0_L		Read/write	Byte	00h	
01h	PMMCTL0_H		Read/write	Byte	96h	
02h	PMMCTL1	PMM control register 1	Read/write	Word	0000h	Section 2.3.2
02h	PMMCTL1_L		Read/write	Byte	00h	
03h	PMMCTL1_H		Read/write	Byte	00h	
04h	SVSMHCTL	SVS and SVM high side control register	Read/write	Word	4400h	Section 2.3.3
04h	SVSMHCTL_L		Read/write	Byte	00h	
05h	SVSMHCTL_H		Read/write	Byte	44h	
06h	SVSMLCTL	SVS and SVM low side control register	Read/write	Word	4400h	Section 2.3.4
06h	SVSMLCTL_L		Read/write	Byte	00h	
07h	SVSMLCTL_H		Read/write	Byte	44h	
08h	SVSMIO	SVSIN and SVMOUT control register (optional)	Read/write	Word	0020h	Section 2.3.5
08h	SVSMIO_L		Read/write	Byte	20h	
09h	SVSMIO_H		Read/write	Byte	00h	
0Ch	PMMIFG	PMM interrupt flag register	Read/write	Word	0000h	Section 2.3.6
0Ch	PMMIFG_L		Read/write	Byte	00h	
0Dh	PMMIFG_H		Read/write	Byte	00h	
0Eh	PMMRIE	PMM interrupt enable register	Read/write	Word	1100h	Section 2.3.7
0Eh	PMMRIE_L		Read/write	Byte	00h	
0Fh	PMMRIE_H		Read/write	Byte	11h	
10h	PM5CTL0	Power mode 5 control register 0	Read/write	Word	0000h	Section 2.3.8
10h	PM5CTL0_L		Read/write	Byte	00h	
11h	PM5CTL0_H		Read/write	Byte	00h	

2.3.1 PMMCTL0 Register

Power Management Module Control Register 0

Figure 2-9. PMMCTL0 Register

15	14	13	12	11	10	9	8
PMMPW							
rw-1	rw-0	rw-0	rw-1	rw-0	rw-1	rw-1	rw-0
7	6	5	4	3	2	1	0
Reserved	Reserved		PMMREGOFF	PMMSWPOR	PMMSWBOR	PMMCOREV	
rw-0	r-0	r-0	rw-0	rw-0	rw-0	rw-[0]	rw-[0]

Table 2-16. PMMCTL0 Register Description

Bit	Field	Type	Reset	Description
15-8	PMPW	RW	96h	PMM password. Always read as 096h. When using word operations, must be written with 0A5h or a PUC is generated. When using byte operation, writing 0A5h unlocks all PMM registers. When using byte operation, writing anything different than 0A5h locks all PMM registers.
7	Reserved	RW	0h	Reserved. Must always be written as 0.
6-5	Reserved	R	0h	Reserved. Always reads as 0.
4	PMMREGOFF	RW	0h	Regulator off (see the SYS chapter for details)
3	PMMSWPOR	RW	0h	Software power-on reset. Setting this bit to 1 triggers a POR. This bit is self clearing.
2	PMMSWBOR	RW	0h	Software brownout reset. Setting this bit to 1 triggers a BOR. This bit is self clearing.
1-0	PMMCOREV	RW	0h	Core voltage (see the device-specific data sheet for supported levels and corresponding voltages) 00b = V(CORE) level 0 01b = V(CORE) level 1 10b = V(CORE) level 2 11b = V(CORE) level 3

2.3.2 PMMCTL1 Register

Power Management Module Control Register 1

Figure 2-10. PMMCTL1 Register

15	14	13	12	11	10	9	8
Reserved							
r-0	r-0	r-0	r-0	r-0	r-0	r-0	r-0
7	6	5	4	3	2	1	0
Reserved		Reserved		Reserved		Reserved	
r-0	r-0	rw-[0]	rw-[0]	r-0	r-0	rw-0	rw-0

Table 2-17. PMMCTL1 Register Description

Bit	Field	Type	Reset	Description
15-6	Reserved	R	0h	Reserved. Always reads as 0.
5-4	Reserved	RW	0h	Reserved. Must always be written with 0.
3-2	Reserved	R	0h	Reserved. Always reads as 0.
1-0	Reserved	RW	0h	Reserved. Must always be written with 0.

2.3.3 SVSMHCTL Register

Supply Voltage Supervisor and Monitor High-Side Control Register

Figure 2-11. SVSMHCTL Register

15	14	13	12	11	10	9	8
SVMHFP	SVMHE	Reserved	SVMHOVPE	SVSHFP	SVSHE	SVSHRVL	
rw-[0]	rw-1	r-0	rw-[0]	rw-[0]	rw-1	rw-[0]	rw-[0]
7	6	5	4	3	2	1	0
SVSMHACE	SVSMHEVM	Reserved	SVSHMD	SVSMHDLYST	SVSMHRRL		
rw-[0]	rw-0	r-0	rw-0	r-0	rw-[0]	rw-[0]	rw-[0]

Table 2-18. SVSMHCTL Register Description

Bit	Field	Type	Reset	Description
15	SVMHFP	RW	0h	SVM high-side full-performance mode. If this bit is set, the SVMH operates in full-performance mode. 0b = Normal mode. See the device-specific data sheet for response times. 1b = Full-performance mode. See the device-specific data sheet for response times.
14	SVMHE	RW	1h	SVM high-side enable. If this bit is set, the SVMH is enabled.
13	Reserved	R	0h	Reserved. Always reads as 0.
12	SVMHOVPE	RW	0h	SVM high-side overvoltage enable. If this bit is set, the SVMH overvoltage detection is enabled. If SVMHVL RPE is also set, a POR occurs on an overvoltage condition.
11	SVSHFP	RW	0h	SVS high-side full-performance mode. If this bit is set, the SVSH operates in full-performance mode. 0b = Normal mode. See the device-specific data sheet for response times. 1b = Full-performance mode. See the device-specific data sheet for response times.
10	SVSHE	RW	1h	SVS high-side enable. If this bit is set, the SVSH is enabled.
9-8	SVSHRVL	RW	0h	SVS high-side reset voltage level. If DVCC falls short of the SVSH voltage level selected by SVSHRVL, a reset is triggered (if SVSHPE = 1). The voltage levels are defined in the device-specific data sheet. Note: SVSMHRRL must always be equal or larger than SVSHRVL.
7	SVSMHACE	RW	0h	SVS and SVM high-side automatic control enable. If this bit is set, the low-power mode of the SVSH and SVMH circuits is under hardware control.
6	SVSMHEVM	RW	0h	SVS and SVM high-side event mask. If this bit is set, the SVSH and SVMH events are masked. 0b = No events are masked. 1b = All events are masked.
5	Reserved	R	0h	Reserved. Always reads as 0.
4	SVSHMD	RW	0h	SVS high-side mode. If this bit is set, the SVSH interrupt flag is set in LPM2, LPM3, and LPM4 in case of power-fail conditions. If this bit is not set, the SVSH interrupt is not set in LPM2, LPM3, and LPM4. Note: This bit also affects the control mode selection (see Table 2-5).
3	SVSMHDLYST	R	0h	SVS and SVM high-side delay status. If this bit is set, the SVSH and SVMH events are masked for some delay time. The delay time depends on the power mode of the SVSH and SVMH. If SVMHFP = 1 and SVSHFP = 1 (that is, full-performance mode), the delay is shorter. See the device-specific data sheet for details. The bit is cleared by hardware if the delay has expired.
2-0	SVSMHRRL	RW	0h	SVS and SVM high-side reset release voltage level. These bits define the reset release voltage level of the SVSH. It is also used for the SVMH to define the voltage reached level. The voltage levels are defined in the device-specific data sheet. Note: SVSMHRRL must always be equal or larger than SVSHRVL.

2.3.4 SVSMLCTL Register

Supply Voltage Supervisor and Monitor Low-Side Control Register

Figure 2-12. SVSMLCTL Register

15		14		13		12		11		10		9		8	
SVMLFP		SVMLE		Reserved		SVMLOVPE		SVSLFP		SVSLE		SVSLRVL			
rw-[0]		rw-1		r-0		rw-[0]		rw-[0]		rw-1		rw-[0]		rw-[0]	
7		6		5		4		3		2		1		0	
SVSMLACE		SVSMLEVM		Reserved		SVSLMD		SVSMLDLYST		SVSMLRRL					
rw-[0]		rw-0		r-0		rw-0		r-0		rw-[0]		rw-[0]		rw-[0]	

Table 2-19. SVSMLCTL Register Description

Bit	Field	Type	Reset	Description
15	SVMLFP	RW	0h	SVM low-side full-performance mode. If this bit is set, the SVML operates in full-performance mode. 0b = Normal mode. See the device-specific data sheet for response times. 1b = Full-performance mode. See the device-specific data sheet for response times.
14	SVMLE	RW	1h	SVM low-side enable. If this bit is set, the SVML is enabled.
13	Reserved	R	0h	Reserved. Always reads as 0.
12	SVMLOVPE	RW	0h	SVM low-side overvoltage enable. If this bit is set, the SVML overvoltage detection is enabled.
11	SVSLFP	RW	0h	SVS low-side full-performance mode. If this bit is set, the SVSL operates in full-performance mode. 0b = Normal mode. See the device-specific data sheet for response times. 1b = Full-performance mode. See the device-specific data sheet for response times.
10	SVSLE	RW	1h	SVS low-side enable. If this bit is set, the SVSL is enabled.
9-8	SVSLRVL	RW	0h	SVS low-side reset voltage level. If V(CORE) falls short of the SVSL voltage level selected by SVSLRVL, a reset is triggered (if SVSLPE = 1). Note: SVSMLRRL must always be equal to or larger than SVSLRVL.
7	SVSMLACE	RW	0h	SVS and SVM low-side automatic control enable. If this bit is set, the low-power mode of the SVSL and SVML circuits is under hardware control.
6	SVSMLEVM	RW	0h	SVS and SVM low-side event mask. If this bit is set, the SVSL and SVML events are masked. 0b = No events are masked. 1b = All events are masked.
5	Reserved	R	0h	Reserved. Always reads as 0.
4	SVSLMD	RW	0h	SVS low-side mode. If this bit is set, the SVSL interrupt flag is set in LPM2, LPM3 and LPM4 in case of power-fail conditions. If this bit is not set, the SVSL interrupt is not set in LPM2, LPM3, and LPM4. Note: This bit also affects the control mode selection (see Table 2-5).
3	SVSMLDLYST	RW	0h	SVS and SVM low-side delay status. If this bit is set, the SVSL and SVML events are masked for a delay time. The delay time depends on the power mode of the SVSL and SVML. If SVMLFP = 1 and SVSLFP = 1 (that is, full-performance mode), the delay is shorter. The bit is cleared by hardware if the delay has expired.
2-0	SVSMLRRL	RW	0h	SVS and SVM low-side reset release voltage level. These bits define the reset release voltage level of the SVSL. It is also used for the SVML to define the voltage reached level. Note: SVSMLRRL must always be equal or larger than SVSLRVL.

2.3.5 SVSMIO Register

SVSIN and SVMOUT Control Register

Figure 2-13. SVSMIO Register

15	14	13	12	11	10	9	8
Reserved			SVMHVLROE	SVMHOE	Reserved		
r-0	r-0	r-0	rw-[0]	rw-[0]	r-0	r-0	r-0
7	6	5	4	3	2	1	0
Reserved		SVMOUTPOL	SVMLVLROE	SVMLOE	Reserved		
r-0	r-0	rw-[1]	rw-[0]	rw-[0]	r-0	r-0	r-0

Table 2-20. SVSMIO Register Description

Bit	Field	Type	Reset	Description
15-13	Reserved	R	0h	Reserved. Always reads as 0.
12	SVMHVLROE	RW	0h	SVM high-side voltage level reached output enable. If this bit is set, the SVMHVLRFIFG bit is output to the device SVMOUT pin. The device-specific port logic has to be configured accordingly.
11	SVMHOE	RW	0h	SVM high-side output enable. If this bit is set, the SVMHIFG bit is output to the device SVMOUT pin. The device-specific port logic has to be configured accordingly.
10-6	Reserved	R	0h	Reserved. Always reads as 0.
5	SVMOUTPOL	RW	1h	SVMOUT pin polarity. If this bit is set, SVMOUT is active high. An error condition is signaled by a 1 at SVMOUT. If SVMOUTPOL is cleared, the error condition is signaled by a 0 at the SVMOUT pin.
4	SVMLVLROE	RW	0h	SVM low-side voltage level reached output enable. If this bit is set, the SVMLVLRIFG bit is output to the device SVMOUT pin. The device-specific port logic has to be configured accordingly.
3	SVMLOE	RW	0h	SVM low-side output enable. If this bit is set, the SVMLIFG bit is output to the device SVMOUT pin. The device-specific port logic has to be configured accordingly.
2-0	Reserved	R	0h	Reserved. Always reads as 0.

2.3.6 PMMIFG Register

Power Management Module Interrupt Flag Register

Figure 2-14. PMMIFG Register

15	14	13	12	11	10	9	8
PMMLPM5IFG	Reserved	SVSLIFG ⁽¹⁾	SVSHIFG ⁽¹⁾	Reserved	PMPORIFG	PMMRSTIFG	PMMBORIFG
rw-[0]	r-0	rw-[0]	rw-[0]	r-0	rw-[0]	rw-[0]	rw-[0]
7	6	5	4	3	2	1	0
Reserved	SVMHVLRIFG ⁽¹⁾	SVMHIFG	SVSMHDLYIFG	Reserved	SVMLVLRIFG ⁽¹⁾	SVMLIFG	SVSMLDLYIFG
r-0	rw-[0]	rw-[0]	rw-0	r-0	rw-[0]	rw-[0]	rw-0

⁽¹⁾ After power up, the reset value depends on the power sequence.

Table 2-21. PMMIFG Register Description

Bit	Field	Type	Reset	Description
15	PMMLPM5IFG	RW	0h	LPMx.5 flag. This bit is set if the system was in LPMx.5 before. The bit is cleared by software or by reading the reset vector word. A power failure on the DVCC domain clears the bit. 0b = No interrupt pending 1b = Interrupt pending
14	Reserved	R	0h	Reserved. Always reads as 0.
13	SVSLIFG	RW	0h	SVS low-side interrupt flag. The bit is cleared by software or by reading the reset vector word. 0b = No interrupt pending 1b = Interrupt pending
12	SVSHIFG	RW	0h	SVS high-side interrupt flag. The bit is cleared by software or by reading the reset vector word. 0b = No interrupt pending 1b = Interrupt pending
11	Reserved	R	0h	Reserved. Always reads as 0.
10	PMPORIFG	RW	0h	PMM software power-on reset interrupt flag. This interrupt flag is set if a software POR is triggered. The bit is cleared by software or by reading the reset vector word, SYSRSTIV. 0b = No interrupt pending 1b = Interrupt pending
9	PMMRSTIFG	RW	0h	PMM reset pin interrupt flag. This interrupt flag is set if the RST/NMI pin is the reset source. The bit is cleared by software or by reading the reset vector word. 0b = No interrupt pending 1b = Interrupt pending
8	PMMBORIFG	RW	0h	PMM software brownout reset interrupt flag. This interrupt flag is set if a software BOR (PMMSWBOR) is triggered. The bit is cleared by software or by reading the reset vector word, SYSRSTIV. 0b = No interrupt pending 1b = Interrupt pending
7	Reserved	R	0h	Reserved. Always reads as 0.
6	SVMHVLRIFG	RW	0h	SVM high-side voltage level reached interrupt flag. The bit is cleared by software or by reading the reset vector (SVSHPE = 1) word or by reading the interrupt vector (SVSHPE = 0) word. 0b = No interrupt pending 1b = Interrupt pending
5	SVMHIFG	RW	0h	SVM high-side interrupt flag. The bit is cleared by software. 0b = No interrupt pending 1b = Interrupt pending

Table 2-21. PMMIFG Register Description (continued)

Bit	Field	Type	Reset	Description
4	SVSMHDLYIFG	RW	0h	SVS and SVM high-side delay expired interrupt flag. This interrupt flag is set if the delay element expired. The bit is cleared by software or by reading the interrupt vector word. 0b = No interrupt pending 1b = Interrupt pending
3	Reserved	R	0h	Reserved. Always reads as 0.
2	SVMLVLRIFG	RW	0h	SVM low-side voltage level reached interrupt flag. The bit is cleared by software or by reading the reset vector (SVSLPE = 1) word or by reading the interrupt vector (SVSLPE = 0) word. 0b = No interrupt pending 1b = Interrupt pending
1	SVMLIFG	RW	0h	SVM low-side interrupt flag. The bit is cleared by software. 0b = No interrupt pending 1b = Interrupt pending
0	SVSMLDLYIFG	RW	0h	SVS and SVM low-side delay expired interrupt flag. This interrupt flag is set if the delay element expired. The bit is cleared by software or by reading the interrupt vector word. 0b = No interrupt pending 1b = Interrupt pending

2.3.7 PMMIE Register

Power Management Module Reset and Interrupt Enable Register

Figure 2-15. PMMIE Register

15	14	13	12	11	10	9	8
Reserved		SVMHVL RPE	SVSHPE	Reserved		SVMLVL RPE	SVSLPE
r-0	r-0	rw-[0]	rw-[1]	r-0	r-0	rw-[0]	rw-[1]
7	6	5	4	3	2	1	0
Reserved	SVMHVL RIE	SVMHIE	SVSMHDLYIE	Reserved	SVMLVL RIE	SVMLIE	SVSMLDLYIE
r-0	rw-0	rw-0	rw-0	r-0	rw-0	rw-0	rw-0

Table 2-22. PMMIE Register Description

Bit	Field	Type	Reset	Description
15-14	Reserved	R	0h	Reserved. Always reads as 0.
13	SVMHVL RPE	RW	0h	SVM high-side voltage level reached power-on reset enable. If this bit is set, exceeding the SVMH voltage level triggers a POR.
12	SVSHPE	RW	1h	SVS high-side power-on reset enable. If this bit is set, falling below the SVSH voltage level triggers a POR.
11-10	Reserved	R	0h	Reserved. Always reads as 0.
9	SVMLVL RPE	RW	0h	SVM low-side voltage level reached power-on reset enable. If this bit is set, exceeding the SVML voltage level triggers a POR.
8	SVSLPE	RW	1h	SVS low-side power-on reset enable. If this bit is set, falling below the SVSL voltage level triggers a POR.
7	Reserved	R	0h	Reserved. Always reads as 0.
6	SVMHVL RIE	RW	0h	SVM high-side reset voltage level interrupt enable
5	SVMHIE	RW	0h	SVM high-side interrupt enable. This bit is cleared by software or if the interrupt vector word is read.
4	SVSMHDLYIE	RW	0h	SVS and SVM high-side delay expired interrupt enable
3	Reserved	R	0h	Reserved. Always reads as 0.
2	SVMLVL RIE	RW	0h	SVM low-side reset voltage level interrupt enable
1	SVMLIE	RW	0h	SVM low-side interrupt enable. This bit is cleared by software or if the interrupt vector word is read.
0	SVSMLDLYIE	RW	0h	SVS and SVM low-side delay expired interrupt enable

2.3.8 PM5CTL0 Register

Power Mode 5 Control Register 0

Figure 2-16. PM5CTL0 Register

15	14	13	12	11	10	9	8
Reserved							
r0	r0	r0	r0	r0	r0	r0	r0
7	6	5	4	3	2	1	0
Reserved							LOCKLPM5
r0	r0	r0	r0	r0	r0	r0	rw-[0]

Table 2-23. PM5CTL0 Register Description

Bit	Field	Type	Reset	Description
15-1	Reserved	R	0h	Reserved. Always reads as 0.
0	LOCKLPM5	RW	0h	<p>Lock I/O pin configuration upon entry to or exit from LPMx.5. When power is applied to the device, this bit, once set, can only be cleared by the user or via another power cycle.</p> <p>Note: This bit was formerly named LOCKIO, and some application reports and code examples may continue to use this terminology.</p> <p>0b = I/O pin configuration is not locked and defaults to its reset condition.</p> <p>1b = I/O pin configuration remains locked. Pin state is held during LPMx.5 entry and exit.</p>

Battery Backup System

The battery backup system can operate a real-time clock (RTC_B module) and retain some bytes in a backup RAM from a backup source when the primary supply fails. The battery backup system also includes a simple charging circuitry to charge capacitors connected to the backup supply. This chapter describes the battery backup system.

Topic	Page
3.1 Battery Backup Introduction	125
3.2 Battery Backup Operation	125
3.3 Battery Backup Registers	129

3.1 Battery Backup Introduction

The battery backup system features include:

- Automatic and manual switching to the backup supply
- Backup-supplied backup subsystem that can contain:
 - Backup-supplied real-time clock with 32-kHz crystal oscillator (see the [RTC_B chapter](#) and [Clock System chapter](#))
 - Backup-supplied backup RAM (see the [Backup RAM chapter](#))
- Resistive charger for backup capacitors

NOTE: Operation without separate battery backup supply

If there is no separate battery backup supply in the system, connect the VBAT pin to DVCC and set bit BAKDIS=1.

3.2 Battery Backup Operation

The battery backup system supplies a subsystem from a secondary supply (VBAT) if the primary supply (DVCC) fails. The backup-supplied subsystem usually contains a real-time clock module (together with the required LF-crystal oscillator) and a backup RAM. These modules are described in their respective User's Guide chapters.

The high-side SVS (SVSH) that is located in the PMM module and supervises the primary supply (DVCC) controls the switching between primary and secondary supply.

NOTE: Restrictions

When the lowest high-side SVS level (00b) is used to monitor the primary supply, the temperature range is restricted to 0°C to 85°C.

[Figure 3-1](#) shows an overview of the battery backup switch.

The secondary supply VBAT powers the backup-supplied subsystem

- at power on
- if bit BAKDIS = 0 in the BAKCTL register and
 - if the primary supply drops below the configured high-side SVS level
 - if the high-side SVS (SVSH) is disabled
 - during LPMx.5
 - if bit BAKSW=1 in the BAKCTL register

The primary supply DVCC powers the backup-supplied subsystem

- if the primary supply rises above the power-on level of the high-side SVS level
- if the primary supply remains above the configured high-side SVS level
- if bit BAKDIS = 1 in the BAKCTL register

If the backup-supplied subsystem is powered by the secondary supply VBAT, the access and control to modules located in the subsystem is restricted:

- The data stored in the backup RAM is retained but cannot be accessed.
- The RTC, if enabled, together with the 32-kHz crystal oscillator continue to operate but the time and date information cannot be accessed.
- Changes to the LF crystal oscillator setting in the clock system do not take effect.

If the backup-supplied subsystem is powered by the primary supply DVCC and LOCKBAK = 0, the modules located in the subsystem can be access and controlled normally.

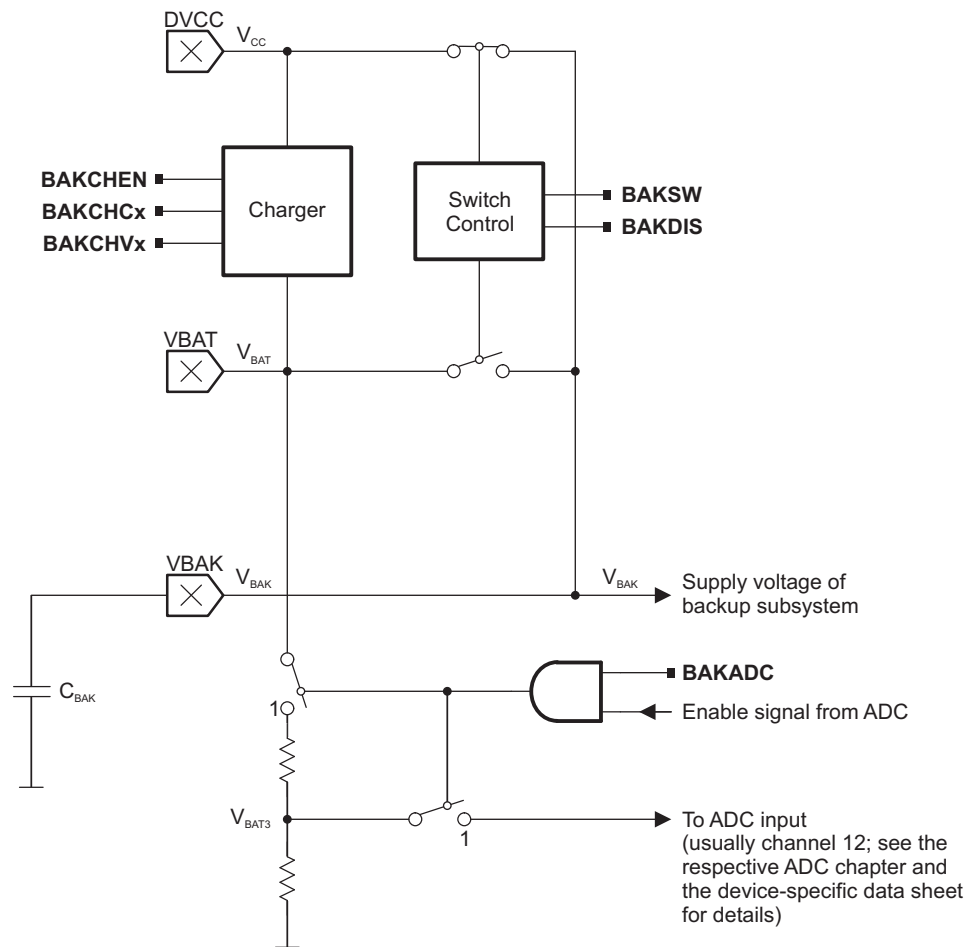


Figure 3-1. Battery Backup Switch Overview

NOTE: C_{BAK} shown in [Figure 3-1](#) is used to ensure proper decoupling during a switchover event. See the device-specific data sheet for recommended values. This capacitance should not be confused with an external capacitor that may be placed on VBAT to maintain charge during backup operation in the application.

3.2.1 Activate Access to Backup-Supplied Subsystem

If the backup-supplied subsystem is powered by the secondary supply VBAT the LOCKBAK bit is automatically set. While LOCKBAK=1 it is impossible to access to the information stored in the backup-supplied subsystem. After its supply switched back to the primary supply do the following steps to get access to it :

1. Initialize the configuration registers of the real-time clock module exactly the same way as they were configured before the switch to the secondary supply.
2. Clear the LOCKBAK bit in the BAKCTL register.
3. Check the LOCKBAK bit.
If LOCKBAK = 0, continue with the next step.
If LOCKBAK = 1, the supply for the backup-supplied subsystem has not settled yet. Continue with step 2.
4. Enable RTC interrupts.
5. The enabled RTC interrupts will now be serviced as normal interrupts.

3.2.2 Manual Switching

The backup-supplied subsystem is always powered from the secondary supply VBAT if the bit BAKSW in the Battery Backup Control register BAKCTL is set to 1. A POR resets the BAKSW bit, and the system returns to automatic switch control.

3.2.3 Disable Switching

If the bit BAKDIS in the Battery Backup Control register BAKCTL is set to 1, the battery backup system is disabled and the backup-supplied subsystem is always powered from the primary supply DVCC. A POR resets the BAKDIS bit, and the system returns to automatic switch control.

3.2.4 Measuring the Supplies

With an integrated ADC, the primary and secondary supplies can be measured. Select the channel of the ADC that is reserved to measure the supply voltage of the device. This is usually ADC channel 12; see the respective ADC chapter and the device-specific data sheet for details.

If BAKADC = 0, VBAT measurement is disabled.

If BAKADC = 1, the secondary supply VBAT is measured.

The resistive dividers are connected to the supplies only during the sampling phase of the ADC.

3.2.5 LPMx.5 and Backup Operation

During LPMx.5 (LPM3.5 or LPM4.5), the backup subsystem is always supplied from the backup battery, except when switching is completely disabled by setting the BAKDIS bit.

If using a capacitor to source the backup supply, the device can wake up regularly from LPMx.5, recharge the capacitor, and return to LPMx.5. The time interval must be designed such that the remaining charge on the capacitor is always sufficient to bridge the worst-case backup time (that is, the time without any primary supply).

3.2.6 Resistive Charger

Together with the battery backup switch, a resistive charging circuit is implemented to charge capacitors connected to the backup supply. A simplified block diagram of the charger is shown in Figure 3-2. The charger is enabled by writing the correct password (069h) into the upper byte of BAKCHCTL, together with BAKCHEN = 1, selecting a charging resistor with BAKCHCx ≠ 00b, and a charge end voltage with BAKCHVx ≠ 00b. Writing to the charger control register with an incorrect password disables the charger, and all control register bits are reset to 0.

If V_{CC} is selected as charge end voltage with BACKCHVx = 01b (or if $V_{CC} < 2.7$ V with BACKCHVx = 10b), an attached capacitor is charged to V_{CC} with $V_{BAT}(t) \approx V_{CC} \times (1 - \exp(-t/RC))$, with R being the selected charging resistor and C being the capacitor attached to pin VBAT (this is **not** C_{BAK}).

If a charge end voltage of 2.7 V is selected (BACKCHVx = 10b) and $V_{CC} > 2.7$ V, then an attached capacitor is charged with $V_{BAT}(t) \approx V_{CC} \times (1 - \exp(-t/RC))$ (same as above) but as soon as V_{BAT} reaches approximately 2.7 V, the charging process is halted. If V_{BAT} drops by approximately 70 mV (the comparator hysteresis), the charging process continues again until the capacitor connected to pin VBAT is again charged to approximately 2.7 V. Note: For low power reasons, the V_{BAT} voltage is compared against the 2.7-V limit only once during each VLO clock cycle, and only then is charging disabled or re-enabled.

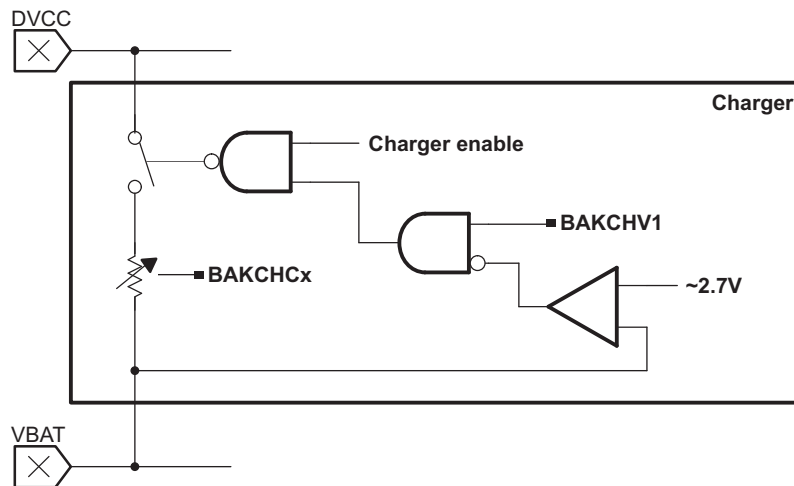


Figure 3-2. Charger Block Diagram

3.3 Battery Backup Registers

The battery backup registers are listed in [Table 3-1](#). The base address for the backup RAM registers can be found in the device-specific data sheet. The address offsets are given in [Table 3-1](#).

Table 3-1. Battery Backup Registers

Offset	Acronym	Register Name	Type	LPMx.5, Backup Retention	Section
00h	BAKCTL	Battery Backup Control	Read/write	not retained	Section 3.3.1
02h	BAKCHCTL	Battery Charger Control	Read/write	not retained	Section 3.3.2

3.3.1 BAKCTL Register

Battery Backup Control Register

Figure 3-3. BAKCTL Register

15	14	13	12	11	10	9	8
Reserved							
r	r	r0	r0	r0	r0	r0	r0
7	6	5	4	3	2	1	0
Reserved				BAKDIS	BAKADC	BAKSW	LOCKBAK
r0	r0	r0	r0	rw	rw-(0)	rw-(0)	r/w0-[1]

Table 3-2. BAKCTL Register Description

Bit	Field	Type	Reset	Description
15-4	Reserved	R	0h	Reserved. Always reads as 0.
3	BAKDIS	RW	0h	Disable backup supply switching. Reset to 0 after a complete power cycle. 0b = Backup supply switching enabled 1b = Backup supply switching disabled. Backup subsystem always powered from VCC (also during LPMx.5).
2	BAKADC	RW	0h	Battery backup supply to ADC 0b = Vbat measurement disabled 1b = Vbat measurement enabled
1	BAKSW	RW	0h	Manual switch to battery backup supply 0b = Switching is automatic 1b = Switch to battery backup supply
0	LOCKBAK	RW	0h	Lock backup subsystem. Can only be written as 0. The LOCKBAK bit should only be written as 0 after configuring the RTC control registers. This ensures that RTC will not be stopped after leaving backup or LPMx.5 mode. SVSH has to be active when LOCKBAK bit is cleared. LOCKBAK is always set to 1 by hardware after the core was powered down either due to a complete power cycle of the main supply DVCC or due to LPMx.5 operation. 0b = Backup subsystem not locked 1b = Backup subsystem locked

3.3.2 BAKCHCTL Register

Battery Charger Control Register

Figure 3-4. BAKCHCTL Register

15	14	13	12	11	10	9	8	
BAKCHKEYx								
rw	rw	rw	rw	rw	rw	rw	rw	
7	6	5	4	3	2	1	0	
Reserved		BAKCHVx		Reserved		BAKCHCx		BAKCHEN
r0	r0	rw-0	rw-0	r0	rw-0	rw-0	rw-0	

Table 3-3. BAKCHCTL Register Description

Bit	Field	Type	Reset	Description
15-8	BAKCHKEYx	RW	5Ah	Charger access key. Always read as 05Ah. Must be written as 069h together with low byte; any other write disables the charger and all control register bits are reset to 0.
7-6	Reserved	R	0h	Reserved. Always reads as 0.
5-4	BAKCHVx	RW	0h	Charger end voltage 00b = Charger disabled 01b = VCC 10b = Approximately 2.7 V, or VCC if VCC is lower than 2.7 V 11b = Reserved
3	Reserved	R	0h	Reserved. Always reads as 0.
2-1	BAKCHCx	RW	0h	Charger charge current 00b = Charger disabled 01b = Charge current defined by a maximum 5-kΩ resistor 10b = Charge current defined by a maximum 10-kΩ resistor 11b = Charge current defined by a maximum 20-kΩ resistor
0	BAKCHEN	RW	0h	Charger enable 0b = Charger disabled 1b = Charger enabled

Auxiliary Supply System (AUX)

The auxiliary supply system (AUX) allows the device to operate from alternate supplies (also called auxiliary supplies) if the primary supply (DVCC and AVCC) fails. The AUX includes simple charging circuitry to charge capacitors connected to the auxiliary supplies. This chapter describes the AUX.

Topic	Page
4.1 Auxiliary Supply System Introduction	133
4.2 Auxiliary Supply Operation	134
4.3 AUX Registers.....	149

4.1 Auxiliary Supply System Introduction

The auxiliary supply system features include:

- Automatic or manual switching from the primary supply to an auxiliary supply while maintaining full functionality.
- One or two auxiliary supplies (AUXVCC1 and AUXVCC2), depending on the specific device.
- Automatic threshold-based monitoring of primary and auxiliary supplies.
- At start-up, automatically chooses between the primary supply (DVCC/AVCC) and AUXVCC1, based on which one is higher voltage.
- A separate auxiliary supply (AUXVCC3) can power a backup subsystem ⁽¹⁾.
- Simple charger for capacitors on AUXVCC2 and AUXVCC3.

NOTE: Unused auxiliary supplies

Any unused auxiliary supply inputs (AUXVCC1, or AUXVCC2) must be connected to DVSS.

If AUXVCC1 or AUXVCC2 are unused, they should be disabled by setting AUXxMD = 1 and AUXxOK = 0 in software, too.

If AUXVCC3 is not powered by a dedicated supply, it can either be connected to DVCC externally or powered by enabling the AUXVCC3 charger. If powered by the charger, the recommended capacitor should be connected externally. If AUXVCC3 is not powered or connected to DVSS, the backup subsystem (including, for example, the 32-kHz crystal oscillator) is not functional.

⁽¹⁾ The backup subsystem usually contains a real-time clock (RTC) module with a 32-kHz crystal oscillator, backup RAM, and optionally (device-specific) up to two digital I/O pins.

4.2 Auxiliary Supply Operation

The AUX module allows the device to switch between the primary supply (DVCC and AVCC) and up to two auxiliary supplies (AUXVCC1 and AUXVCC2) while maintaining full device functionality. When using an auxiliary supply, both AVCC and DVCC are switched to the same auxiliary supply.

Switching can be controlled automatically through hardware or manually through software. In the hardware-controlled mode, switching is triggered by the high-side supply voltage monitor (SVM), which must be enabled and configured as described in [Section 4.2.4](#). In the software-controlled mode, switching is triggered by changing values in AUX module registers, as described in [Section 4.2.3](#).

[Figure 4-1](#) shows an overview of the auxiliary supply switches.

The digital core of the device is supplied through the Power Management Module (PMM) by the internal digital system voltage V_{DSYS} . In the PMM chapter of this user's guide, that supply is assumed to be DVCC; however, on devices with the AUX module, AUX switches V_{DSYS} among the DVCC, AUXVCC1, and AUXVCC2 inputs. V_{DSYS} is also output on the VDSYS pin, which must be connected to an external capacitor as specified in the device-specific data sheet.

The analog modules of the device are supplied by the internal analog system voltage V_{ASYS} . The AUX module switches V_{ASYS} among the AVCC, AUXVCC1, and AUXVCC2 inputs. V_{ASYS} is also output on the VASYS pin, which must be connected to an external capacitor as specified in the device-specific data sheet.

The switches for the digital and the analog system voltages are controlled by the same signals and always connect to the same voltage (primary voltage DVCC/AVCC, first auxiliary voltage AUXVCC1, or second auxiliary voltage AUXVCC2).

Auxiliary voltage AUXVCC3 supplies V_{BAK} to the backup subsystem, which usually contains a real-time clock (RTC) module with a 32-kHz crystal oscillator, some backup RAM, and optionally (device-specific) up to two digital I/O pins.

NOTE: Disabled SVS_H restricts access to backup subsystem

If the SVS_H is disabled, access to and control of modules located in the subsystem powered by AUXVCC3 is restricted:

- Changes to the LF crystal oscillator setting in the clock system do not take effect.
 - The RTC, if enabled, together with the 32-kHz crystal oscillator continue to operate but the time and date information cannot be accessed.
 - The data stored in the backup RAM (if available) is retained but cannot be accessed.
-

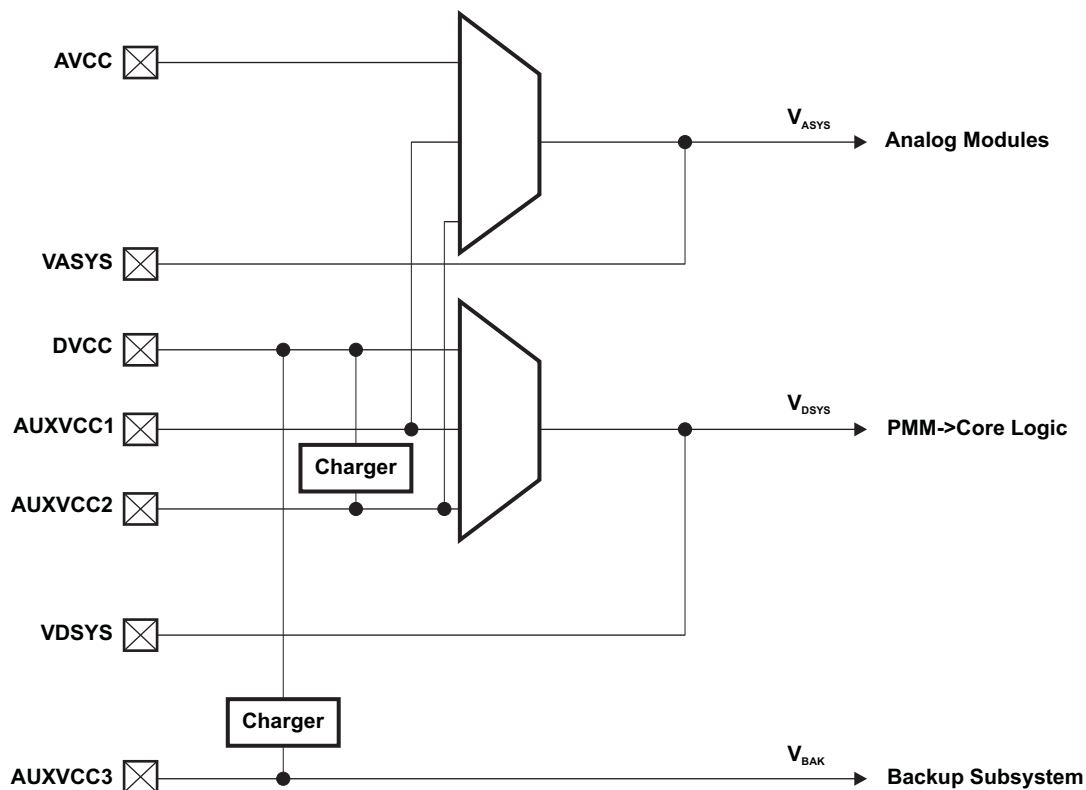


Figure 4-1. Auxiliary Supply Switch Overview

4.2.1 Start-up

The device starts whenever a supply is connected to DVCC or AUXVCC1. If both supplies are connected, AUX uses whichever voltage is higher to supply the digital and analog system voltages, V_{DSYS} and V_{ASYS} . If the supplies (DVCC/AVCC and AUXVCC1) differ by less than 100 mV, the selected supply can be either DVCC/AVCC or AUXVCC1. The supply with the higher voltage is selected only if the difference is greater than 100 mV.

After start-up from any condition that causes a BOR event (including connection of power or wake from LPMx.5), the AUX module is automatically locked (that is, the LOCKAUX bit is set). The behavior of the auxiliary supply system can then be configured in software (see [Section 4.2.2](#)).

After configuration is completed, unlock the AUX module by clearing the LOCKAUX bit. The AUX module is then operational and switches between the input supplies as defined during configuration.

If the LOCKAUX bit remains set, the programmed configuration is ignored, and the device continues to be supplied by DVCC or AUXVCC1 (whichever was selected at start-up).

[Section 4.2.7](#) describes additional considerations for setting the power supply before entering LPMx.5.

NOTE: Highest supply voltage

To ensure reliable operation, the selected supply voltage (by default, the highest voltage in the system) must always supply at least 0.5 μ A to critical circuitry.

NOTE: DVCC and AUXVCC1 at start-up

Under normal operating conditions, TI recommends supplying DVCC by a voltage at least 100 mV higher than AUXVCC1. This ensures a reliable start-up from DVCC and avoids an unwanted start-up from AUXVCC1.

4.2.2 Switching Control

During normal operation (that is, when the LOCKAUX bit is cleared) switching to another supply is triggered either by software or by hardware (specifically, by the high-side SVM). [Section 4.2.3](#) describes the configuration and control of the AUX for software-controlled switching. [Section 4.2.4](#) describes configuration and control of the AUX for hardware-controlled switching. [Section 4.2.13](#) includes examples of how to configure hardware-controlled mode based on different usage scenarios.

4.2.3 Software-Controlled Switching

To enable or disable a supply using software-controlled switching:

1. To enable software control of a supply, set AUXxMD = 1 (AUX0MD for DVCC, AUX1MD for AUXVCC1, and AUX2MD for AUXVCC2).
2. To select the supply to use, set AUXxOK = 1 (AUX0OK for DVCC, AUX1OK for AUXVCC1, and AUX2OK for AUXVCC2).

When AUXxOK is set, the AUX module immediately switches to the specified supply.

If AUXxOK = 1 for more than one supply, AUX uses the one with the highest priority. The default priority is DVCC, then AUXVCC1, then AUXVCC2. To make AUXVCC2 priority higher than AUXVCC1, set AUX2PRIO = 1.

3. To disable a supply, clear AUXxOK = 0. If the current supply is software-controlled (AUXxMD = 1) and AUXxOK is changed from 1 to 0, the next available supply (considering the priority defined by AUX2PRIO) is used to source the system voltages.

When a switch from one supply to another occurs, interrupts are generated as described in [Section 4.2.11](#).

The software control can be used to permanently disable a supply or, for example, to qualify the quality of the supplies by measuring the actual supply voltage with an ADC (see [Section 4.2.9](#)) instead of using the auxiliary supply monitor (see [Section 4.2.6](#)).

When using software-controlled mode for all supplies, the SVS and SVM in the PMM are not required. They may be enabled, and they will operate as described in the PMM chapter, but they do not interact with the AUX during software-controlled mode.

4.2.4 Hardware-Controlled Switching

To enable hardware-controlled switching, clear AUXxMD = 0 (AUX0MD for DVCC, AUX1MD for AUXVCC1, and AUX2MD for AUXVCC2). A supply can be disabled and excluded from the automatic switching system by setting the corresponding AUXxMD = 1 and AUXxOK = 0. For example, to disable AUXVCC2, set AUX2MD = 1 and AUX2OK = 0.

During hardware-controlled switching, the SVM in the PMM must be enabled and configured. The SVS can also be enabled and operates as described in the PMM chapter, but it does not interact with the AUX module.

The high-side SVM of the PMM monitors V_{DSYS} , which is output from the AUX module. If V_{DSYS} falls below the voltage set by the SVSMHRRVL bits, the SVM notifies AUX to switch to the next valid supply. AUX switches to the next valid supply immediately after receiving the trigger from the SVM. When a switch occurs, interrupts are generated as described in [Section 4.2.11](#).

NOTE: Voltage dip on V_{DSYS}

Because the SVM does not signal AUX to change the supply until the voltage on V_{DSYS} falls to the SVM monitoring level (set in the SVSMHRRL bits), there is a dip in V_{DSYS} from the nominal operating level. This change in voltage must be considered when selecting system frequency and core voltage (see [Section 4.2.5](#)).

AUX determines which supplies are valid based on the threshold voltage set in the AUXxLVL bits. The validity of a supply is reported by the corresponding AUXxOK bit. When AUXxMD = 0, the AUXxOK bit is controlled by hardware and cannot be written by software. AUXxOK = 1 indicates a valid/"good" supply voltage, and AUXxOK = 0 indicates an invalid/"bad" supply voltage. See [Section 4.2.6](#) for details on the monitoring of the auxiliary supplies.

NOTE: Interactions among SVM_H , V_{CORE} , and AUX

Because of the relationship between supply voltage, core voltage, and maximum system frequency, see [Section 4.2.5](#) for considerations when setting the AUXxLVL and SVM_H levels.

In particular, note that AUX0LVL must be higher than the SVM_H level.

The selection of the next valid supply depends on the state of the AUXxOK and AUX2PRIO bits when the trigger occurs as shown in [Table 4-1](#). If there is no valid supply available to switch to (that is, all other AUXxOK bits are 0) no switching takes place, and the device eventually goes into reset if the current supply continues to fall. To avoid rapid switching back and forth between supplies, any further switching is prevented during a "recovery time" of several hundred microseconds as specified in the device-specific data sheet after each switch-over.

Table 4-1. Next Supply Voltage Selection

Current Supply	Next Supply ⁽¹⁾	DVCC OK? (AUX00K)	AUXVCC1 OK? (AUX10K)	AUXVCC2 OK? (AUX20K)	AUXVCC1/ AUXVCC2 Priority (AUX2PRIO)
DVCC/AVCC	AUXVCC1	don't care	1	don't care	0
		don't care	1	0	1
	AUXVCC2	don't care	0	1	don't care
		don't care	1	1	1
AUXVCC1	DVCC	1	don't care	don't care	don't care
	AUXVCC2	0	don't care	1	don't care
AUXVCC2	DVCC	1	don't care	don't care	don't care
	AUXVCC1	0	1	don't care	don't care

⁽¹⁾ If there is no valid supply available to switch to, no switching takes place.

NOTE: Special case for switching to DVCC/AVCC

If the device is supplied by AUXVCC1 or AUXVCC2, and the AUX00K bit transitions from 0 to 1 (either by hardware or by software), AUX switches to the DVCC/AVCC supply without any signal from the SVM.

AUX does not automatically switch from AUX2VCC to AUX1VCC when AUX10K transitions from 0 to 1, unless the SVM signals that a switch is necessary.

4.2.5 Interactions Among f_{SYS} , V_{CORE} , V_{DSYS} , SVM_H , and $AUXxLVL$

The interactions that must be considered when setting the threshold levels in the SVM and AUX are:

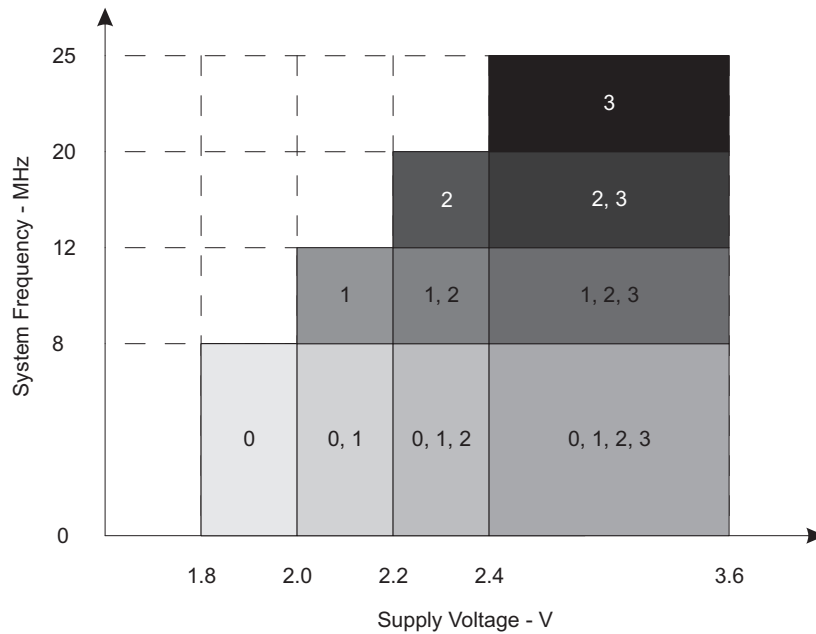
- Minimum V_{CORE} required to support the selected system frequency (f_{SYS})
- Valid SVM_H to support the selected V_{CORE}
- Minimum V_{DSYS} and minimum $AUXxLVL$ required to support the selected V_{CORE}

The interactions among f_{SYS} , DVCC (V_{DSYS} for devices with AUX), V_{CORE} , and SVM_H are described in detail in the PMM chapter. This section adds considerations for the valid $AUXxLVL$ values.

NOTE: Maximum system frequency

The following discussion describes all system frequencies supported in this family. However, the maximum system frequency varies by device; therefore, see the device-specific data sheet to determine this value.

Figure 4-2 shows typical requirements for supply voltage and V_{CORE} compared to the system frequency (see the device-specific data sheet for the values required for each device). As shown here, there is a minimum V_{CORE} (set by PMMCOREV[1:0]) and a minimum supply voltage (V_{DSYS}) for each system frequency. For details on the recommended settings for PMMCOREV[1:0] and supply voltage, see Section 2.2.2.1.



NOTE: The numbers within the fields denote the supported PMMCOREVx settings.

Figure 4-2. System Frequency vs Supply Voltage

After selecting the system frequency and PMMCOREV[1:0] values, the SVM threshold must be selected. Figure 4-3 shows the valid values for SVM_H (SVSMHRRL[2:0]) based on the selected V_{CORE} (PMMCOREV[1:0]). This information is also included in Section 2.2.2.1.

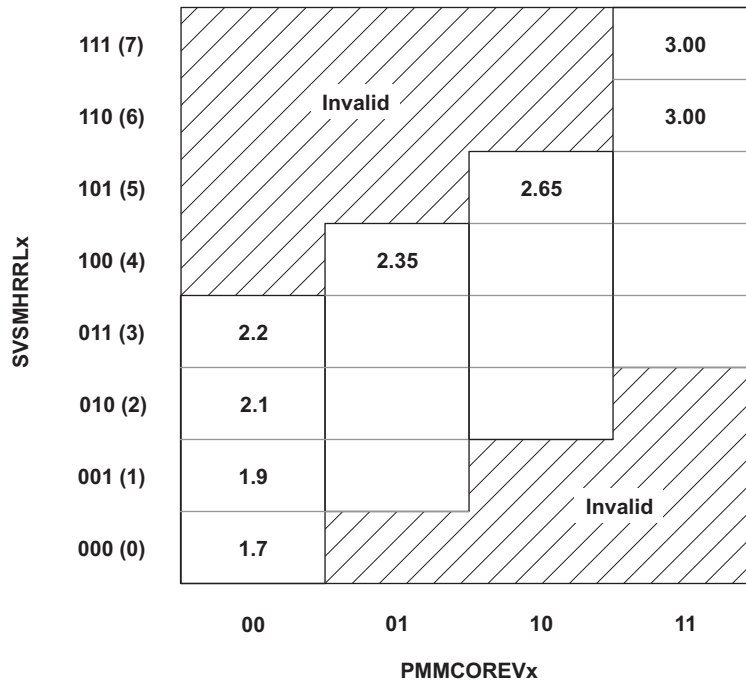


Figure 4-3. Available SVM_H Settings vs V_{CORE} Settings

Based on the preceding selections, the auxiliary supply threshold levels must be set. These thresholds are the minimum supply voltage that are available from each auxiliary supply. Figure 4-4 shows the valid AUXxLVL settings compared to the selected SVM setting. The level setting for DVCC/AVCC AUX0LVL must be chosen at least one step above the SVSMHRRLx level to avoid any unwanted switching between DVCC/AVCC and AUXVCC1 or AUXVCC2.

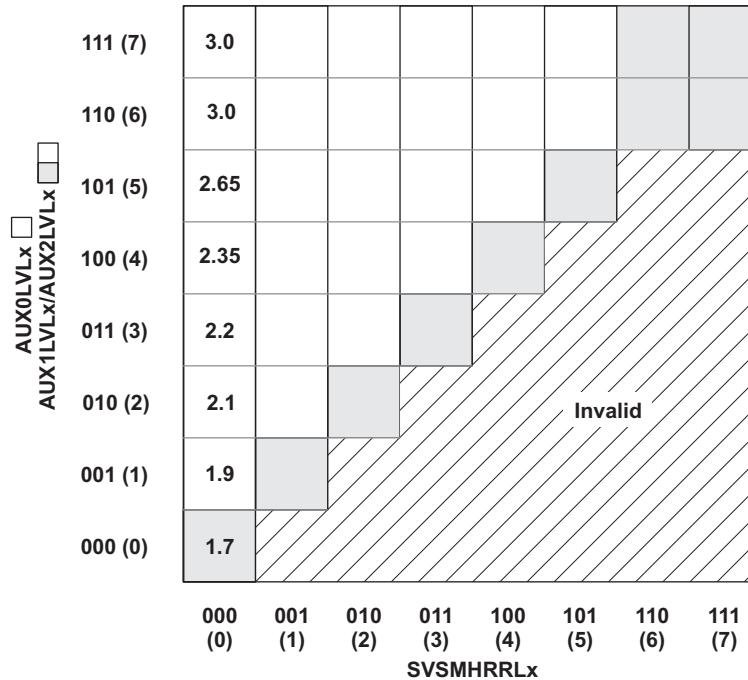


Figure 4-4. Available AUXxLVL Settings vs SVM_H Settings

Table 4-2 combines the information from the preceding figures and discussions.

Table 4-2. Minimum Voltage Thresholds for Selected f_{sys}

f _{sys} (max) (MHz)	Minimum PMMCOREV[1:0]	Minimum SVSMHRRL[2:0] (Sets SVM _H Level)	Minimum V _{DSYS}	Minimum AUX0LVL	Minimum AUX1LVL, AUX2LVL
8	00	000	1.8 V	001	000
12	01	001	2.0 V	010	001
20	10	010	2.2 V	011	010
25	11	011	2.4 V	100	011

4.2.6 Auxiliary Supply Monitor

Supplies that are not currently in use and that are not software controlled (AUXxMD = 0) are monitored using a low-power comparator. For example, if DVCC supplies the device and the AUXxMD bits are 0 for both AUXVCC1 and AUXVCC2, then AUXVCC1 and AUXVCC2 are monitored. As another example, if AUXVCC1 supplies the device and AUX2MD = 1, only DVCC is monitored. If all unselected supplies are controlled by software (AUXxMD = 1), then the automatic monitoring is disabled. The level the supply voltages are compared against is programmable with the AUXxLVL bits. If a supply drops below the selected threshold level the corresponding AUXxDRPIFG is set. Figure 4-5 shows a principle block diagram of the monitoring circuitry.

If two supplies are monitored this happens in a time-division multiplexing scheme clocked by the VLO. During one VLO clock period, one supply is compared against its AUXxLVL threshold; during the next VLO clock period, the other supply is compared against its threshold. This means the AUXxOK bits of these supplies are updated approximately every 300 μ s (worst case) with VLO clock frequency of approximately 6 kHz. If only one supply is monitored, the output of the comparator is sampled using the VLO clock, so that an update of the corresponding AUXxOK bit occurs approximately every 150 μ s (worst case).

Each monitoring cycle uses some charge from the monitored supply. The discharge of the monitored supplies can be reduced by decreasing the monitoring rate by changing the AUXMRx bits. By default (with AUXMRx = 00b) the supplies are monitored continuously as described above. By setting AUXMRx = 01b, the supplies are monitored every 32 VLO clock cycles; by setting AUXMRx = 10b, the supplies are monitored every 1024 VLO clock cycles. The AUXMONIFG signals the completion of each monitoring cycle.

If an unused supply is changed from software to hardware control (AUXxMD is changed from 1 to 0) a new monitoring cycle is started with the next VLO clock cycle. Switching of the supplies does not affect the timing of the monitoring cycles, it only changes which supplies are monitored.

The auxiliary supply monitor is enabled after clearing the LOCKAUX bit unless all unused supplies are controlled by software. The monitored supplies are considered "not okay" until the first monitoring cycle completes.

NOTE: Switching and monitoring

Switching is independent from the update interval of the AUXxOK bits. Switching is triggered either by the high-side SVM or by software and takes place immediate after the trigger occurs, taking the current AUXxOK states into account to select the next supply. Only a change of AUX0OK from 0 to 1 indicating the DVCC changed from a "not okay" to an "okay" state triggers a switch back to DVCC.

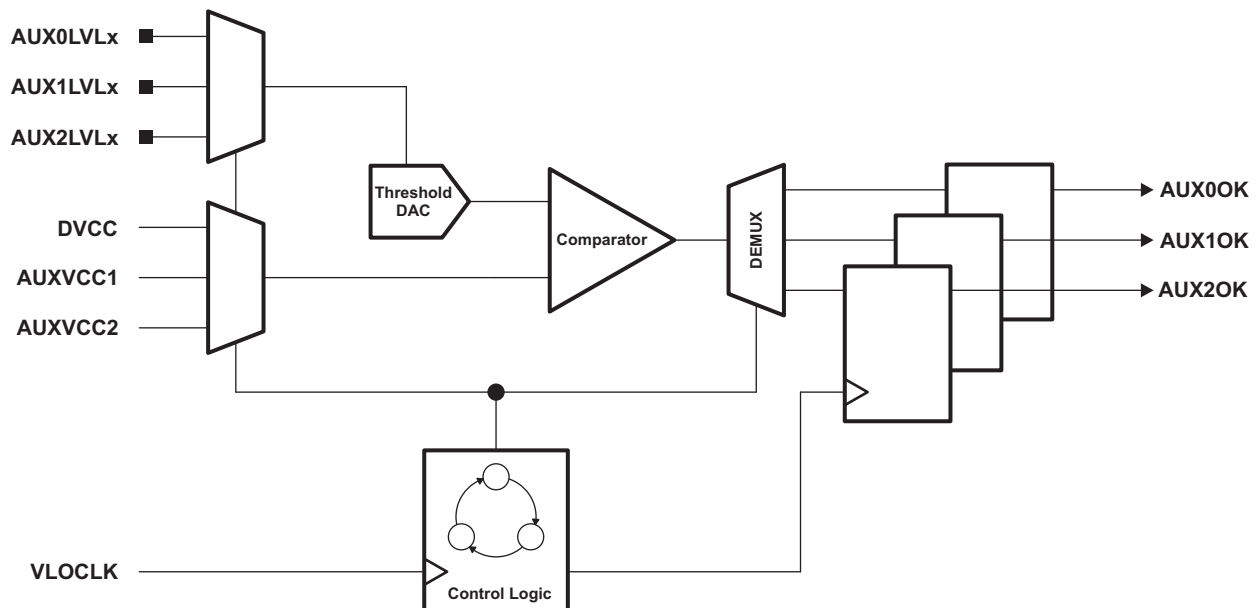


Figure 4-5. Auxiliary Supply Monitor Block Diagram

4.2.7 LPMx.5 and Auxiliary Supply Operation

During LPMx.5, the device is powered by whichever input supply was active when entering the low-power mode. To force the device to use a specific supply during LPMx.5, activate that supply before entering LPMx.5. [Table 4-3](#) lists the supply selection during LPMx.5 based on the disabled supplies. The automatic threshold-based supply monitoring scheme is always disabled during LPMx.5.

Table 4-3. Supply Selection During LPMx.5

Supply During LPMx.5	DVCC/AVCC Status ⁽¹⁾	AUXVCC1 Status ⁽²⁾
DVCC/AVCC or AUXVCC1 (whichever is higher ⁽³⁾)	Not disabled	Not disabled
DVCC/AVCC	Not disabled	Disabled
AUXVCC1	Disabled	Not disabled
AUXVCC2	Disabled	Disabled

⁽¹⁾ DVCC/AVCC is disabled if AUX0MD = 1 and AUX0OK = 0; otherwise it is enabled.

⁽²⁾ AUXVCC1 is disabled if AUX1MD = 1 and AUX1OK = 0; otherwise it is enabled.

⁽³⁾ If the supplies (DVCC/AVCC and AUXVCC1) differ by less than 100 mV, the selected supply can be either DVCC/AVCC or AUXVCC1. The supply with the higher voltage is selected only if the difference is greater than 100 mV.

After wakeup from LPMx.5, the LOCKAUX bit is set. The LPMx.5 supply selection remains active until the LOCKAUX bit is cleared. When the LOCKAUX bit is cleared, the auxiliary supply system is controlled as defined by the control register settings that were configured before clearing the LOCKAUX bit. None of the AUX registers are retained during LPMx.5; thus, all registers must be reconfigured after wakeup from LPMx.5 and before releasing LOCKAUX.

The supplies monitored by hardware (AUXxMD = 0) are considered "not okay" until the status is updated for the first time by the auxiliary supply monitor. Only the supply that was used during LPMx.5 is considered "okay" unless it drops below the programmed SVM level. If this behavior is unwanted, the state can be set to "okay" by temporarily switching to software mode (AUXxMD = 1), setting the AUXxOK bit to 1, and then return to hardware mode (AUXxMD = 0). The last state defined in software mode is retained when switching back to hardware mode until the first update occurs by the auxiliary supply monitor.

The supplies controlled by software (AUXxMD = 1) are considered "not okay" or "okay" according to their AUXxOK setting. If the supply that was used during LPMx.5 is set to "not okay" (AUXxMD = 1 and AUXxOK = 0) the auxiliary supply system tries to switch to another ("okay") supply according to [Table 4-1](#) as soon as LOCKAUX is cleared.

NOTE: DVCC vs AUXVCC1 during LPMx.5

Under normal operating conditions, TI recommends supplying DVCC by a voltage at least 100 mV higher than AUXVCC1 if automatic switching between DVCC and AUXVCC1 is active (that is, if both supplies are not disabled when entering LPMx.5) (see [Table 4-3](#)). This ensures a reliable operation from DVCC and avoids a potentially unwanted operation from AUXVCC1.

4.2.8 Digital I/Os and Auxiliary Supplies

In most devices that implement the auxiliary supply system, the digital I/Os can be powered by the switched supplies. In this case, care must be taken that large currents sink to DVSS and are not sourced from the switched supplies, because of the voltage drop across the supply switches (see [Figure 4-6](#)).

CAUTION

Check connection of external loads at digital I/Os to avoid high voltage drops across switches. This might cause unwanted resets.

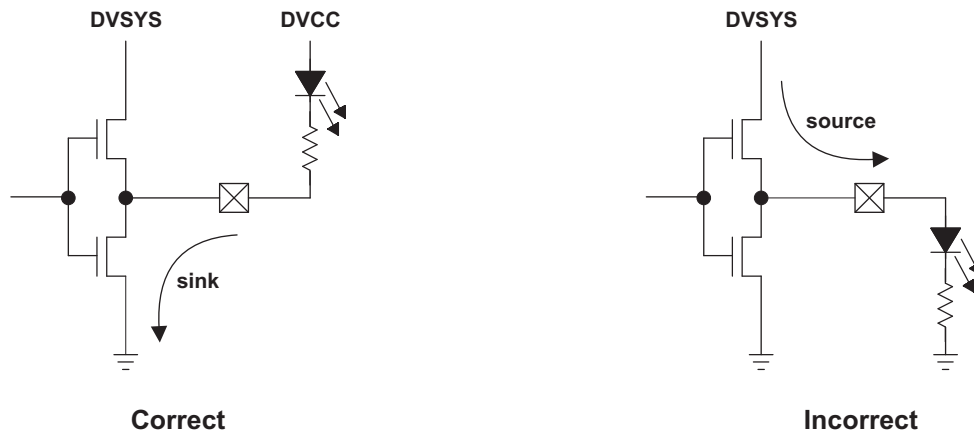


Figure 4-6. I/Os Powered by Auxiliary Supplies

4.2.9 Measuring the Supplies

The primary and all auxiliary supply voltages can be measured if the device provides an ADC. The supply to be measured is selected with the AUXADCSELx bit in the AUXADCCTL register. In addition, the resistive load applied to the selected supply during the sampling phase of the ADC can be selected with the AUXADCRx bits. This allows to perform a "health" check of the supplies even when not loaded by the application. The ADC supply voltage channel (usually channel 12 (0Ch)) must be selected and the auxiliary supply voltage measurement must be enabled with AUXADC = 1. The resistive divider is connected to the supplies only during the sampling phase of the ADC.

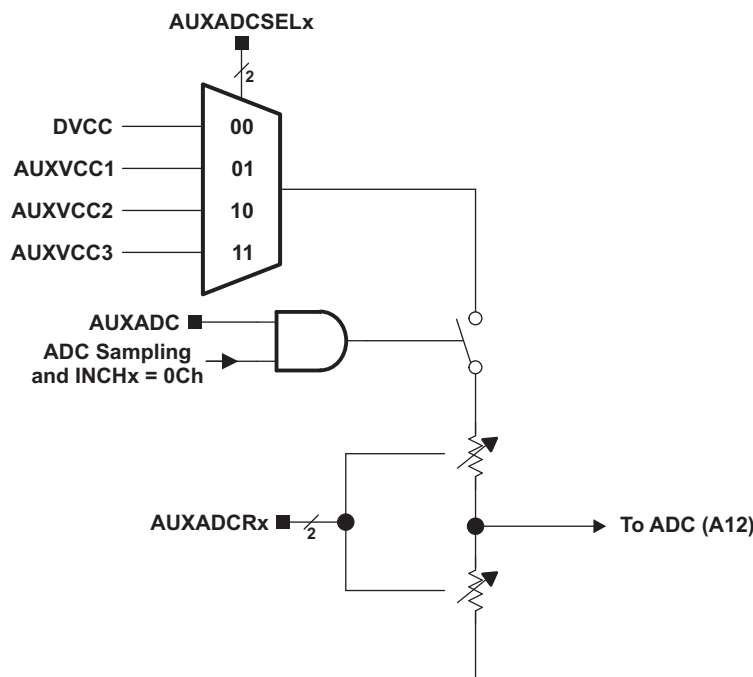


Figure 4-7. AUX Connection to ADC

4.2.10 Resistive Charger

Two simple resistive charging circuits are implemented to charge capacitors connected to AUXVCC2 and AUXVCC3. Figure 4-8 shows a simplified block diagram of the charger. The charger for AUXVCC2 or AUXVCC3 is enabled by writing the correct key (069h) into the upper byte of AUX2CHCTL or AUX3CHCTL, respectively, together with AUXCHVx = 01b, AUXCHEN = 1 and selecting a charging resistor with AUXCHCx ≠ 00b. Writing to the charger control register with an incorrect key disables the charger, and all control register bits are reset to 0.

Both chargers are disabled when DVCC is not selected as the supply source and AUXCHEN is reset by hardware.

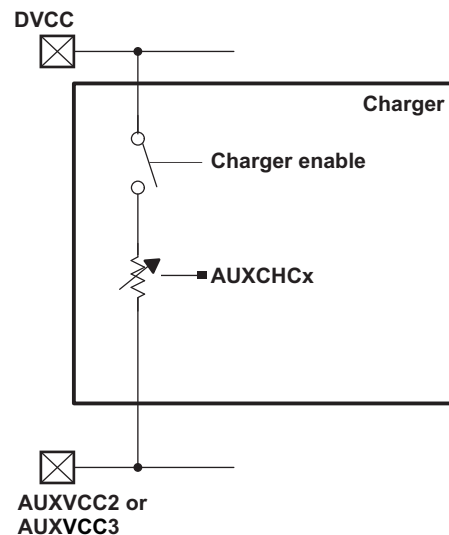


Figure 4-8. Charger Block Diagram

4.2.11 Auxiliary Supply Interrupts

The auxiliary supply system provides seven interrupt sources:

- AUXSWNMIFG: (non-)maskable supplies switched interrupt
- AUX0SWIFG: switched to DVCC interrupt
- AUX1SWIFG: switched to AUXVCC1 interrupt
- AUX2SWIFG: switched to AUXVCC2 interrupt
- AUX1DRPIFG: AUXVCC1 dropped below threshold interrupt
- AUX2DRPIFG: AUXVCC2 dropped below threshold interrupt
- AUXMONIFG: supply monitor interrupt

The AUXSWNMIFG is set after the system switched from one supply to another supply. A nonmaskable interrupt request is generated if the AUXSWNMIE bit is set; otherwise, if (only) the AUXSWGIE bit and additionally the GIE bit are set, a maskable interrupt request is generated.

The AUXxSWIFG bits are set if the auxiliary supply system switched to the corresponding supply (DVCC, AUXVCC1 or AUXVCC2). This information can be used in the interrupt service routine together with the interrupt vector generator AUXIV to reconfigure the device to the new supply situation. A (maskable) interrupt request is generated if the corresponding AUXxSWIE bit and the GIE bit are set.

The AUXxDRPIFG bits are set if the corresponding supplies AUXxOK state changes from 1 to 0 due to the supply voltage dropping below the selected threshold value AUXxLVL with the hardware monitor being enabled (AUXxMD = 0). A (maskable) interrupt request is generated if the corresponding AUXxDRPIE bit and the GIE bit are set.

The AUXMONIFG bit is set if a hardware monitoring cycle is completed and the supply AUXxOK states are updated accordingly. A (maskable) interrupt request is generated if the corresponding AUXMONIE bit and the GIE bit are set.

4.2.11.1 AUXIV, Interrupt Vector Generator

All (maskable) auxiliary supply system interrupt sources are prioritized and combined to source a single interrupt vector. AUXIV is used to determine which enabled interrupt source requested an interrupt. The highest priority interrupt request that is enabled generates a number in the AUXIV register (see register description). This number can be evaluated or added to the program counter to automatically enter the appropriate software routine. Disabled interrupts do not affect the AUXIV value.

Any read access of the AUXIV register automatically resets the highest pending interrupt flag. A write access to the AUXIV register automatically resets all pending interrupt flags. All interrupt flags can also be cleared by software.

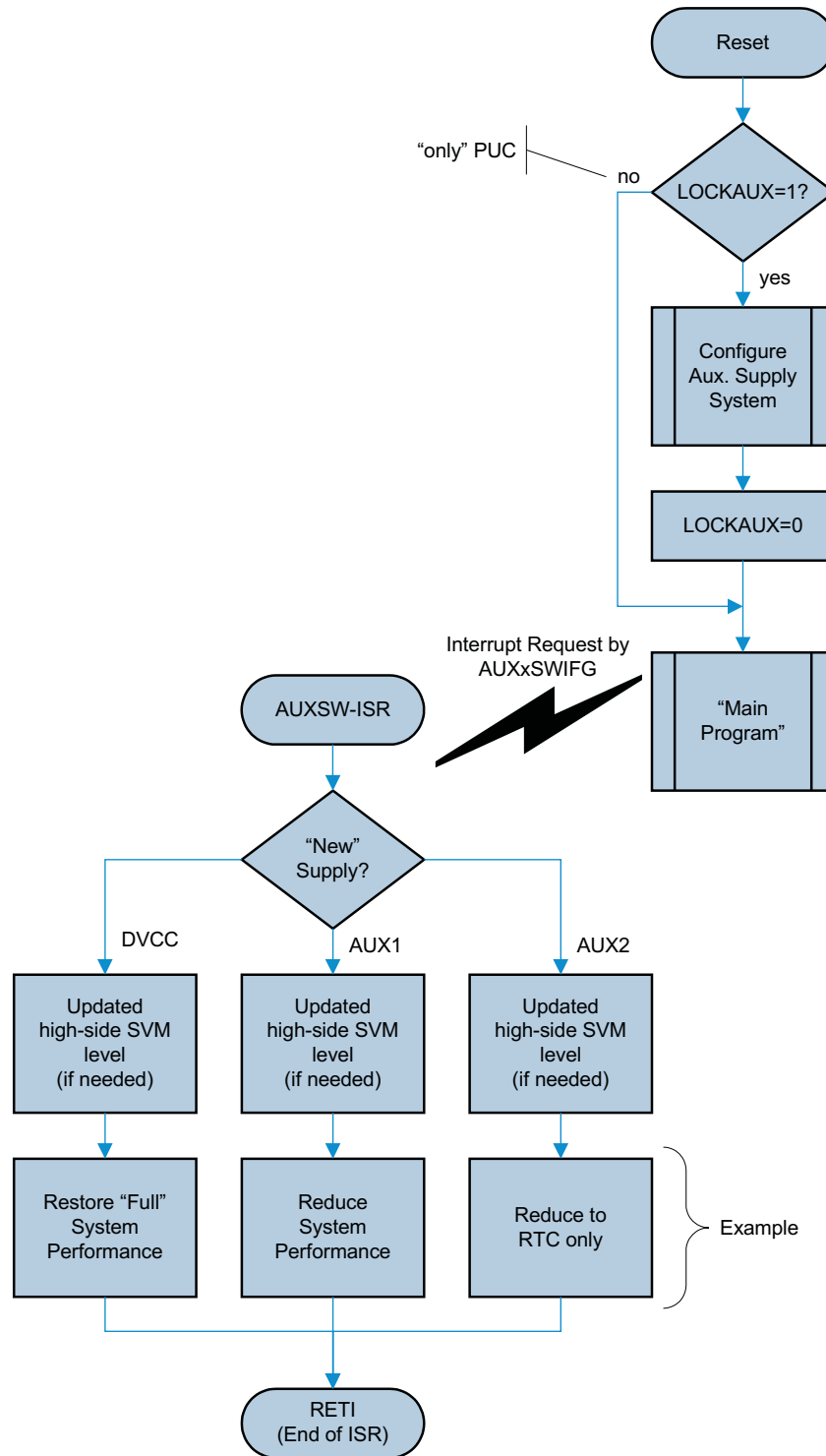
4.2.11.2 Auxiliary Supply Nonmaskable Interrupt

If AUXSWNMIFG is configured as a nonmaskable interrupt source (with AUXSWNMIE=1), it will source (together with interrupt flags from other modules) the user-NMI interrupt vector. In the user-NMI interrupt service routine, the SYSUNIV interrupt vector word register can be evaluated or added to the program counter to automatically enter the appropriate part of the user-NMI interrupt service routine. Refer to device-specific data sheet concerning the user-NMI interrupt vector sources and priorities.

If both AUXSWNMIE and AUXSWGIE are set, the nonmaskable interrupt service routine is called when AUXSWNMIFG is set because the user-NMI has a higher priority. In this case, both interrupt vector generators, the SYSUNIV and the AUXIV, indicate a pending AUXSWNMIFG.

4.2.12 Software Flow

Figure 4-9 shows a sample software flow chart for the use and control of the auxiliary supply system.



NOTE: Configuration of the auxiliary supply system is required after wakeup from LPMx.5. None of the AUX registers are retained during LPMx.5.

Figure 4-9. Software Flow Chart

4.2.13 Examples of AUX Operation

The following sections show sample configurations of the AUX module. Some settings in these examples do not apply to all devices; see the device-specific data sheet.

4.2.13.1 Example 1

This example shows configuration for running at 25-MHz system frequency at a supply voltage of $3\text{ V} \pm 0.3\text{ V}$, maintaining that frequency when switching to AUX1 or AUX2.

The maximum SVM_H level must be less than or equal to 2.7 V, so that switching occurs only when V_{DSYS} goes outside $3\text{ V} \pm 0.3\text{ V}$. To switch back to DVCC/AVCC as soon as possible when it is within $3\text{ V} \pm 0.3\text{ V}$, the maximum AUX0LVL must also be less than or equal to 2.7 V. Because AUX0LVL must be 1 higher than SVSMHRRL, set $\text{AUX0LVL} = 4$ and $\text{SVSMHRRL} = 3$.

To support 25-MHz operation, PMMCOREV must equal 3. With $\text{SVSMHRRL} = 3$, all core voltage settings are supported, so this is valid. Based on this core voltage setting, configure SVS levels (see [Section 2.2.2.1.1.1](#) for details).

To continue operation at 25-MHz without glitches even when using AUX1 and AUX2, the thresholds for these must be equal to or higher than SVSMHRRL. To minimize use of the auxiliary supplies, they should be set equal to SVSMHRRL. Therefore, set AUX1LVL and $\text{AUX2LVL} = 3$.

4.2.13.2 Example 2

This example shows configuration for running at a supply voltage of $3.3\text{ V} \pm 0.3\text{ V}$ and allowing for switching supplies without functional glitches.

The maximum SVM_H level must be less than or equal to 3 V, so that switching occurs only when V_{DSYS} goes outside $3.3\text{ V} \pm 0.3\text{ V}$. To switch back to DVCC/AVCC as soon as possible when it is within $3.3\text{ V} \pm 0.3\text{ V}$, the maximum AUX0LVL must also be less than or equal to 3 V. Because AUX0LVL must be 1 higher than SVSMHRRL, set = 6 and $\text{SVSMHRRL} = 5$.

With $\text{SVSMHRRL} = 5$, the core voltage setting (PMMCOREV) must be 2 or 3. Assuming the application requires a system frequency up to 20 MHz, set $\text{PMMCOREV} = 2$. Based on this core voltage setting, configure SVS levels (see [Section 2.2.2.1.1.1](#) for details).

To continue operation without glitches when switching to AUX1 and AUX2, the thresholds for these must be equal to or higher than SVSMHRRL. To minimize use of the auxiliary supplies, they should be set equal to SVSMHRRL. Therefore, set AUX1LVL and $\text{AUX2LVL} = 5$.

4.2.13.3 Example 3

This example shows configuration for running at a system frequency of 8 MHz an a nominal supply voltage of 3.3 V with settings designed to minimize power consumption.

To minimize power consumption at 8 MHz, set $\text{PMMCOREV} = 0$. With this core voltage, the recommended SVM_H setting is $\text{SVSMHRRL} = 0$. Because AUX0LVL must be at least 1 higher than SVSMHRRL, set $\text{AUX0LVL} = 1$.

To continue operation without glitches when switching to AUX1 and AUX2, the thresholds for these must be equal to or higher than SVSMHRRL. To minimize use of the auxiliary supplies, they should be set equal to SVSMHRRL. Therefore, set AUX1LVL and $\text{AUX2LVL} = 0$.

4.2.13.4 Example 4

This example shows configuration for running at a system frequency of 25 MHz when operating on a supply voltage of $3\text{ V} \pm 0.3\text{ V}$ from DVCC, and then changing the system frequency to 12 MHz when supplied from AUX1 and to 8 MHz when supplied from AUX2.

The maximum SVM_H level must be less than or equal to 2.7 V, so that switching occurs only when V_{DSYS} goes outside $3\text{ V} \pm 0.3\text{ V}$. To switch back to DVCC/AVCC as soon as possible when it is within $3\text{ V} \pm 0.3\text{ V}$, the maximum AUX0LVL must also be less than or equal to 2.7 V. Because AUX0LVL must be 1 higher than SVSMHRRL, set = 4 and $\text{SVSMHRRL} = 3$.

To support 25-MHz operation, PMMCOREV must equal 3. With SVSMHRRL = 3, all core voltage settings are supported, so this is valid. Based on this core voltage setting, configure SVS levels (see [Section 2.2.2.1.1.1](#) for details).

When switching back to AUX0 (DVCC/AVCC) after having failed over to AUX1 or AUX2, these same settings must be restored.

Given that the system frequency should be changed to 12 MHz when running from AUX1, settings must be changed when switching to AUX1.

When switching from AUX0 (DVCC/AVCC) to AUX1:

1. Decrease system frequency to 12 MHz
2. Decrease core voltage level by setting PMMCOREV = 1 (also change SVS settings)
3. Decrease the SVM level by setting SVSMHRRL = 1
4. Set AUX1LVL and AUX2LVL to 1

When switching from AUX2 to AUX1:

1. Increase AUX1LVL and AUX2LVL to 1
2. Increase the SVM level by setting SVSMHRRL = 1
3. Increase core voltage level by setting PMMCOREV = 1 (also change SVS settings)
4. Increase system frequency to 12 MHz

Given that the system frequency should be changed to 8 MHz when running from AUX2, settings must be changed when switching to AUX2.

1. Decrease system frequency to 8 MHz
2. Decrease core voltage level by setting PMMCOREV = 0 (also change SVS settings)
3. Decrease the SVM level by setting SVSMHRRL = 0
4. Set AUX1LVL and AUX2LVL to 0

4.3 AUX Registers

The registers to control the auxiliary supplies are listed in [Table 4-4](#). The base address for the registers can be found in the device-specific data sheet. The address offsets are given in [Table 4-4](#).

The access key, AUXKEY, defined in the AUXCTL0 register controls access to the AUXCTLx registers. Once the correct key is written, the write access is enabled. The write access is disabled by writing a wrong key in byte mode to the AUXCTL0 upper byte. Word accesses to AUXCTL0 with a wrong key also disables the write access. A write access to a AUXCTLx register other than AUXCTL0 while write access is not enabled is ignored.

NOTE: Bit Naming Convention

The bits and bit fields in the AUXCTL0 to AUXCTL2 registers are named according to what supplies they refer to: AUX0... refers to DVCC, AUX1... refers to AUXVCC1, and AUX2... refers to AUXVCC2. In any description, the occurrence of a bit name like AUXx... refers to all the bit names AUX0..., AUX1..., and AUX2....

Table 4-4. Auxiliary Supply Registers

Offset	Acronym	Register Name	Type	Reset	Section
00h	AUXCTL0	Auxiliary Supply Control 0 register ⁽¹⁾	Read/write	9601h	Section 4.3.1
02h	AUXCTL1	Auxiliary Supply Control 1 register ⁽¹⁾	Read/write	0000h	Section 4.3.2
04h	AUXCTL2	Auxiliary Supply Control 2 register ⁽¹⁾	Read/write	0000h	Section 4.3.3
06h		Reserved			
08h		Reserved			
0Ah		Reserved			
0Ch		Reserved			
0Eh		Reserved			
10h		Reserved			
12h	AUX2CHCTL	AUX2 Charger Control	Read/write	5A00h	Section 4.3.4
14h	AUX3CHCTL	AUX3 Charger Control	Read/write	5A00h	Section 4.3.5
16h	AUXADCCTL	AUX ADC Control	Read/write	0000h	Section 4.3.6
18h		Reserved			
1Ah	AUXIFG	AUX Interrupt Flag	Read/write	0000h	Section 4.3.7
1Ch	AUXIE	AUX Interrupt Enable	Read/write	0000h	Section 4.3.8
1Eh	AUXIV	AUX Interrupt Vector Word	Read/write	0000h	Section 4.3.9

⁽¹⁾ Access protected by key AUXKEY in AUXCTL0.

4.3.1 AUXCTL0 Register

Auxiliary Supply Control 0 Register

Figure 4-10. AUXCTL0 Register

15	14	13	12	11	10	9	8
AUXKEY							
rw-1	rw-0	rw-0	rw-1	rw-0	rw-1	rw-1	rw-0
7	6	5	4	3	2	1	0
Reserved				AUX2SW	AUX1SW	AUX0SW	LOCKAUX
r0	r0	r0	r0	r-(0)	r-(0)	r-(0)	r/w0-[1]

Table 4-5. AUXCTL0 Register Description

Bit	Field	Type	Reset	Description
15-8	AUXKEY	RW	96h	AUX access key. Always read as 096h. Must be written with 0A5h or all writes to AUXCTLx registers are ignored.
7-4	Reserved	R	0h	Reserved. Always reads as 0.
3	AUX2SW	R	0h	AUXVCC2 switch state 0b = AUXVCC2 switch open 1b = AUXVCC2 switch closed
2	AUX1SW	R	0h	AUXVCC1 switch state 0b = AUXVCC1 switch open 1b = AUXVCC1 switch closed
1	AUX0SW	R	0h	DVCC switch state 0b = DVCC switch open 1b = DVCC switch closed
0	LOCKAUX	RW	0h	Lock auxiliary supply system. Can only be written as 0. LOCKAUX is always set to 1 by hardware after the core was powered down either due to a complete power cycle of the main supplies (DVCC, AUXVCC1, or AUXVCC2) or due to LPMx.5 operation. 0b = Auxiliary supply system not locked 1b = Auxiliary supply system locked - operating from either DVCC or AUXVCC1

4.3.2 AUXCTL1 Register

Auxiliary Supply Control 1 Register

Figure 4-11. AUXCTL1 Register

15	14	13	12	11	10	9	8
Reserved					AUX2MD	AUX1MD	AUX0MD
r0	r0	r0	r0	r0	rw-(0)	rw-(0)	rw-(0)
7	6	5	4	3	2	1	0
Reserved				AUX2PRIO	AUX2OK	AUX1OK	AUX0OK
r0	r0	r0	r0	rw-(0)	rw-(0)	rw-(0)	rw-(0)

Table 4-6. AUXCTL1 Register Description

Bit	Field	Type	Reset	Description
15-11	Reserved	R	0h	Reserved. Always reads as 0.
10	AUX2MD	RW	0h	AUXVCC2 auxiliary supply mode 0b = Hardware controlled 1b = Software controlled
9	AUX1MD	RW	0h	AUXVCC1 auxiliary supply mode 0b = Hardware controlled 1b = Software controlled
8	AUX0MD	RW	0h	DVCC auxiliary supply mode 0b = Hardware controlled 1b = Software controlled
7-4	Reserved	R	0h	Reserved. Always reads as 0.
3	AUX2PRIO	RW	0h	Auxiliary supply AUXVCC2 priority. Defines order of switching between AUXVCC1 and AUXVCC2. 0b = AUXVCC2 has lower priority than AUXVCC1 1b = AUXVCC2 has higher priority than AUXVCC1
2	AUX2OK	RW	0h	AUXVCC2 okay flag. Read-only if AUX2MD = 0 and indicates the status monitored by the hardware based on the selected level AUX2LVLx. If AUX2MD = 1 the bit must be controlled by software to indicate the status of the supply. It is not modified by hardware in this case. 0b = Supply not okay - below AUX2LVLx if AUX2MD = 0 1b = Supply okay - above AUX2LVLx if AUX2MD = 0
1	AUX1OK	RW	0h	AUXVCC1 okay flag. Read-only if AUX1MD = 0 and indicates the status monitored by the hardware based on the selected level AUX1LVLx. If AUX1MD = 1 the bit must be controlled by software to indicate the status of the supply. It is not modified by hardware in this case. 0b = Supply not okay - below AUX1LVLx if AUX1MD = 0 1b = Supply okay - above AUX1LVLx if AUX1MD = 0
0	AUX0OK	RW	0h	DVCC okay flag. Read-only if AUX0MD = 0 and indicates the status monitored by the hardware based on the selected level AUX0LVLx. If AUX0MD = 1 the bit must be controlled by software to indicate the status of the supply. It is not modified by hardware in this case. 0b = Supply not okay - below AUX0LVLx if AUX0MD = 0 1b = Supply okay - above AUX0LVLx if AUX0MD = 0

4.3.3 AUXCTL2 Register

Auxiliary Supply Control 2 Register

Figure 4-12. AUXCTL2 Register

15	14	13	12	11	10	9	8
Reserved		AUXMRx		Reserved	AUX2LVLx		
r0	r0	rw-(0)	rw-(0)	r0	rw-(0)	rw-(0)	rw-(0)
7	6	5	4	3	2	1	0
Reserved	AUX1LVLx			Reserved	AUX0LVLx		
r0	rw-(0)	rw-(0)	rw-(0)	r0	rw-(0)	rw-(0)	rw-(0)

Table 4-7. AUXCTL2 Register Description

Bit	Field	Type	Reset	Description
15-14	Reserved	R	0h	Reserved. Always reads as 0.
13-12	AUXMRx	RW	0h	Auxiliary supply monitoring rate 00b = Continuous monitoring 01b = Monitoring every 32 VLO clock cycles (≈5ms) 10b = Monitoring every 1024 VLO clock cycles (≈150ms) 11b = Reserved
11	Reserved	R	0h	Reserved. Always reads as 0.
10-8	AUX2LVLx	RW	0h	AUXVCC2 auxiliary supply threshold level. The levels are specified in the device-specific data sheet. 000b = Approximately 1.74 V 001b = Approximately 1.94 V 010b = Approximately 2.14 V 011b = Approximately 2.26 V 100b = Approximately 2.40 V 101b = Approximately 2.70 V 110b = Approximately 3.00 V 111b = Approximately 3.00 V
7	Reserved	R	0h	Reserved. Always reads as 0.
6-4	AUX1LVLx	RW	0h	AUXVCC1 auxiliary supply threshold level. The levels are specified in the device-specific data sheet. 000b = Approximately 1.74 V 001b = Approximately 1.94 V 010b = Approximately 2.14 V 011b = Approximately 2.26 V 100b = Approximately 2.40 V 101b = Approximately 2.70 V 110b = Approximately 3.00 V 111b = Approximately 3.00 V
3	Reserved	R	0h	Reserved. Always reads as 0.
2-0	AUX0LVLx	RW	0h	DVCC auxiliary supply threshold level. The levels are specified in the device-specific data sheet. 000b = Approximately 1.74 V 001b = Approximately 1.94 V 010b = Approximately 2.14 V 011b = Approximately 2.26 V 100b = Approximately 2.40 V 101b = Approximately 2.70 V 110b = Approximately 3.00 V 111b = Approximately 3.00 V

4.3.4 AUX2CHCTL Register

AUX Charger Control Register for AUX2

Figure 4-13. AUX2CHCTL Register

15	14	13	12	11	10	9	8	
AUXCHKEYx								
rw-0	rw-1	rw-0	rw-1	rw-1	rw-0	rw-1	rw-0	
7	6	5	4	3	2	1	0	
Reserved		AUXCHVx		Reserved		AUXCHCx		AUXCHEN
r0	r0	rw-0	rw-0	r0	rw-0	rw-0	rw-0	

Table 4-8. AUX2CHCTL Register Description

Bit	Field	Type	Reset	Description
15-8	AUXCHKEYx	RW	5Ah	Charger access key. Always read as 05Ah. Must be written as 069h together with low byte; writing any other value disables the charger and all control register bits are reset to 0.
7-6	Reserved	R	0h	Reserved. Always reads as 0.
5-4	AUXCHVx	RW	0h	Charger end voltage 00b = Charger disabled 01b = VCC 10b = Reserved 11b = Reserved
3	Reserved	R	0h	Reserved. Always reads as 0.
2-1	AUXCHCx	RW	0h	Charger charge current 00b = Charger disabled 01b = Charge current defined by a maximum 5-kΩ resistor 10b = Charge current defined by a maximum 10-kΩ resistor 11b = Charge current defined by a maximum 20-kΩ resistor
0	AUXCHEN	RW	0h	Charger enable 0b = Charger disabled 1b = Charger enabled

4.3.5 AUX3CHCTL Register

AUX Charger Control Register for AUX3

Figure 4-14. AUX3CHCTL Register

15	14	13	12	11	10	9	8	
AUXCHKEYx								
rw-0	rw-1	rw-0	rw-1	rw-1	rw-0	rw-1	rw-0	
7	6	5	4	3	2	1	0	
Reserved		AUXCHVx		Reserved		AUXCHCx		AUXCHEN
r0	r0	rw-0	rw-0	r0	rw-0	rw-0	rw-0	

Table 4-9. AUX3CHCTL Register Description

Bit	Field	Type	Reset	Description
15-8	AUXCHKEYx	RW	5Ah	Charger access key. Always read as 05Ah. Must be written as 069h together with low byte; writing any other value disables the charger and all control register bits are reset to 0.
7-6	Reserved	R	0h	Reserved. Always reads as 0.
5-4	AUXCHVx	RW	0h	Charger end voltage 00b = Charger disabled 01b = VCC 10b = Reserved 11b = Reserved
3	Reserved	R	0h	Reserved. Always reads as 0.
2-1	AUXCHCx	RW	0h	Charger charge current 00b = Charger disabled 01b = Charge current defined by a maximum 5-kΩ resistor 10b = Charge current defined by a maximum 10-kΩ resistor 11b = Charge current defined by a maximum 20-kΩ resistor
0	AUXCHEN	RW	0h	Charger enable 0b = Charger disabled 1b = Charger enabled

4.3.6 AUXADCCTL Register

Auxiliary Supply ADC Control Register

Figure 4-15. AUXADCCTL Register

15	14	13	12	11	10	9	8	
Reserved								
r0	r0	r0	r0	r0	r0	r0	r0	
7	6	5	4	3	2	1	0	
Reserved		AUXADCRx		Reserved		AUXADCSELx		AUXADC
r0	r0	rw-0	rw-0	r0	rw-0	rw-0	rw-0	

Table 4-10. AUXADCCTL Register Description

Bit	Field	Type	Reset	Description
15-6	Reserved	R	0h	Reserved. Always reads as 0.
5-4	AUXADCRx	RW	0h	Load resistance ($R(\text{tot}) = 3R$) during sampling of selected supply. Refer to the device-specific data sheet, too. 00b = $R(\text{tot}) \approx 15 \text{ k}\Omega$ - $I = U/R = 3.6 \text{ V} / 15 \text{ k}\Omega = 240 \mu\text{A}$; $I = 1.8 \text{ V} / 16 \text{ k}\Omega = 120 \mu\text{A}$ 01b = $R(\text{tot}) \approx 1.5 \text{ k}\Omega$ - $I = 2.4 \text{ mA}$ at 3.6 V; $I = 1.2 \text{ mA}$ at 1.8V 10b = $R(\text{tot}) \approx 0.5 \text{ k}\Omega$ - $I = 7.2 \text{ mA}$ at 3.6 V; $I = 3.6 \text{ mA}$ at 1.8 V 11b = Reserved
3	Reserved	R	0h	Reserved. Always reads as 0.
2-1	AUXADCSELx	RW	0h	Select supply to be measured with ADC. 00b = DVCC 01b = AUXVCC1 10b = AUXVCC2 11b = AUXVCC3
0	AUXADC	RW	0h	Auxiliary supplies to ADC 0b = Auxiliary supply measurement disabled 1b = Auxiliary supply measurement enabled

4.3.7 AUXIFG Register

Auxiliary Supply Interrupt Flag Register

Figure 4-16. AUXIFG Register

15	14	13	12	11	10	9	8
Reserved							AUXSWNMIFG
r0	r0	r0	r0	r0	r0	r0	rw-(0)
7	6	5	4	3	2	1	0
AUXMONIFG	AUX2DRPIFG	AUX1DRPIFG	Reserved	Reserved	AUX2SWIFG	AUX1SWIFG	AUX0SWIFG
rw-(0)	rw-(0)	rw-(0)	rw-(0)	r0	rw-(0)	rw-(0)	rw-(0)

Table 4-11. AUXIFG Register Description

Bit	Field	Type	Reset	Description
15-9	Reserved	R	0h	Reserved. Always reads as 0.
8	AUXSWNMIFG	RW	0h	Supplies switched (non-)maskable interrupt flag. Set if a switch from any supply to any other supply happened. Sources an NMI if AUXSWNMIE is set, otherwise sources a maskable interrupt if AUXSWGIE and GIE is set. 0b = No interrupt pending 1b = Interrupt pending
7	AUXMONIFG	RW	0h	Supply monitor interrupt flag. Set after completion of a hardware monitoring cycle. 0b = No interrupt pending 1b = Interrupt pending
6	AUX2DRPIFG	RW	0h	AUXVCC2 dropped below its threshold interrupt flag. 0b = No interrupt pending 1b = Interrupt pending
5	AUX1DRPIFG	RW	0h	AUXVCC1 dropped below its threshold interrupt flag. 0b = No interrupt pending 1b = Interrupt pending
4	Reserved	RW	0h	Reserved. Always write as 0.
3	Reserved	R	0h	Reserved. Always reads as 0.
2	AUX2SWIFG	RW	0h	Switched to AUXVCC2 interrupt flag. 0b = No interrupt pending 1b = Interrupt pending
1	AUX1SWIFG	RW	0h	Switched to AUXVCC1 interrupt flag. 0b = No interrupt pending 1b = Interrupt pending
0	AUX0SWIFG	RW	0h	Switched to DVCC interrupt flag. 0b = No interrupt pending 1b = Interrupt pending

4.3.8 AUXIE Register

Auxiliary Supply Interrupt Enable Register

Figure 4-17. AUXIE Register

15	14	13	12	11	10	9	8
Reserved							AUXSWNMIE
r0	r0	r0	r0	r0	r0	r0	r0
7	6	5	4	3	2	1	0
AUXMONIE	AUX2DRPIE	AUX1DRPIE	Reserved	AUXSWGIE	AUX2SWIE	AUX1SWIE	AUX0SWIE
rw-0	rw-0	rw-0	rw-0	rw-0	rw-0	rw-0	rw-0

Table 4-12. AUXIE Register Description

Bit	Field	Type	Reset	Description
15-9	Reserved	R	0h	Reserved. Always reads as 0.
8	AUXSWNMIE	R	0h	Supplies switched non-maskable interrupt enable. 0b = Non-maskable interrupt disabled 1b = Non-maskable interrupt enabled
7	AUXMONIE	RW	0h	Supply monitor interrupt enable. 0b = Interrupt disabled 1b = Interrupt enabled
6	AUX2DRPIE	RW	0h	AUXVCC2 dropped below its threshold interrupt enable. 0b = Interrupt disabled 1b = Interrupt enabled
5	AUX1DRPIE	RW	0h	AUXVCC1 dropped below its threshold interrupt enable. 0b = Interrupt disabled 1b = Interrupt enabled
4	Reserved	RW	0h	Reserved. Always write as 0.
3	AUXSWGIE	RW	0h	Global supply switched interrupt enable. 0b = Interrupt disabled 1b = Interrupt enabled
2	AUX2SWIE	RW	0h	Switched to AUXVCC2 interrupt enable. 0b = Interrupt disabled 1b = Interrupt enabled
1	AUX1SWIE	RW	0h	Switched to AUXVCC1 interrupt enable. 0b = Interrupt disabled 1b = Interrupt enabled
0	AUX0SWIE	RW	0h	Switched to DVCC interrupt enable. 0b = Interrupt disabled 1b = Interrupt enabled

4.3.9 AUXIV Register

Auxiliary Supply Interrupt Vector Register

Figure 4-18. AUXIV Register

15	14	13	12	11	10	9	8
AUXIVx							
r0	r0	r0	r0	r0	r0	r0	r0
7	6	5	4	3	2	1	0
AUXIVx							
r0	r0	r-(0)	r-(0)	r-(0)	r-(0)	r-(0)	r0

Table 4-13. AUXIV Register Description

Bit	Field	Type	Reset	Description
15-0	AUXIVx	R	0h	Auxiliary Supply Interrupt vector value. It generates a value that can be used as address offset for fast interrupt service routine handling. Writing to this register clears all pending interrupt flags. 00h = No interrupt pending 02h = Interrupt Source: Global (non-)maskable supply switched interrupt flag; Interrupt Flag: AUXSWNMIFG; Interrupt Priority: Highest 04h = Interrupt Source: Switched to DVCC interrupt flag; Interrupt Flag: AUX0SWIFG 06h = Interrupt Source: Switched to AUXVCC1 interrupt flag; Interrupt Flag: AUX1SWIFG 08h = Interrupt Source: Switched to AUXVCC2 interrupt flag; Interrupt Flag: AUX2SWIFG 0Ah = Interrupt Source: Reserved; Interrupt Flag: - 0Ch = Interrupt Source: AUXVCC1 below threshold interrupt flag; Interrupt Flag: AUX1DRPIFG 0Eh = Interrupt Source: AUXVCC2 below threshold interrupt flag; Interrupt Flag: AUX2DRPIFG 10h = Interrupt Source: Supply monitor interrupt flag; Interrupt Flag: AUXMONIFG; Interrupt Priority: Lowest

Unified Clock System (UCS)

The Unified Clock System (UCS) module provides the various clocks for a device. This chapter describes the operation of the UCS module, which is implemented in all devices.

Topic	Page
5.1 Unified Clock System (UCS) Introduction	160
5.2 UCS Operation	162
5.3 Module Oscillator (MODOSC)	173
5.4 UCS Registers	174

5.1 Unified Clock System (UCS) Introduction

The UCS module supports low system cost and ultra-low power consumption. Using three internal clock signals, the user can select the best balance of performance and low power consumption. The UCS module can be configured to operate without any external components, with one or two external crystals, or with resonators, under full software control.

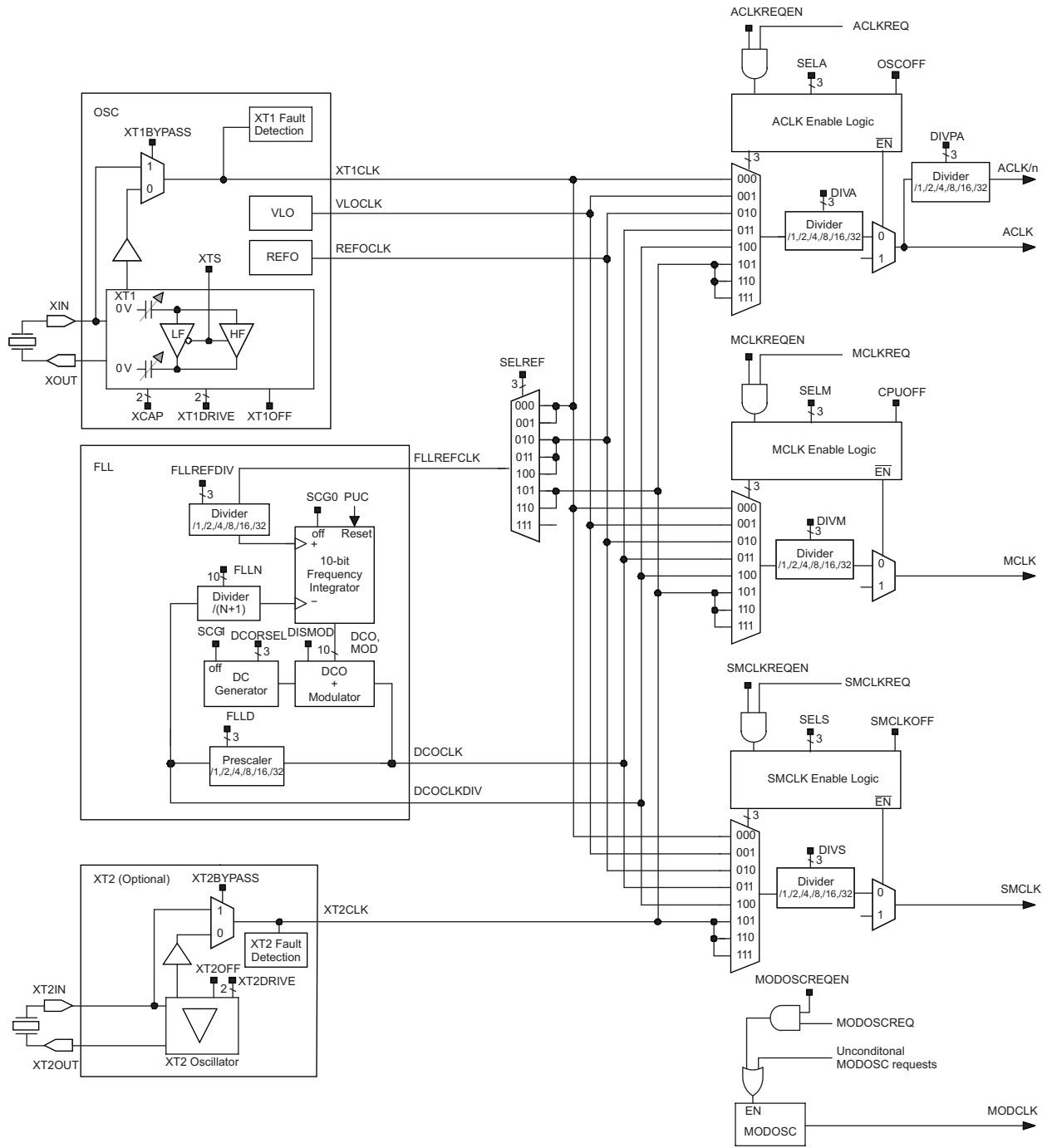
The UCS module includes up to five clock sources:

- **XT1CLK:** Low-frequency or high-frequency oscillator that can be used either with low-frequency 32768-Hz watch crystals, standard crystals, resonators, or external clock sources in the 4 MHz to 32 MHz range. XT1CLK can be used as a clock reference into the FLL. Some devices only support the low-frequency oscillator for XT1CLK. See the device-specific data sheet for supported functions.
- **VLOCLK:** Internal very low power, low-frequency oscillator with 10-kHz typical frequency
- **REFOCLK:** Internal trimmed low-frequency oscillator with 32768-Hz typical frequency, can be used as a clock reference into the FLL
- **DCOCLK:** Internal digitally controlled oscillator (DCO) that can be stabilized by the FLL
- **XT2CLK:** Optional high-frequency oscillator that can be used with standard crystals, resonators, or external clock sources in the 4 MHz to 32 MHz range. XT2CLK can be used as a clock reference into the FLL.

Three clock signals are available from the UCS module:

- **ACLK:** Auxiliary clock. The ACLK is software selectable as XT1CLK, REFOCLK, VLOCLK, DCOCLK, DCOCLKDIV, and when available, XT2CLK. DCOCLKDIV is the DCOCLK frequency divided by 1, 2, 4, 8, 16, or 32 within the FLL block. ACLK can be divided by 1, 2, 4, 8, 16, or 32. ACLK/n is ACLK divided by 1, 2, 4, 8, 16, or 32 and is available externally at a pin. ACLK is software selectable by individual peripheral modules.
- **MCLK:** Master clock. MCLK is software selectable as XT1CLK, REFOCLK, VLOCLK, DCOCLK, DCOCLKDIV, and when available, XT2CLK. DCOCLKDIV is the DCOCLK frequency divided by 1, 2, 4, 8, 16, or 32 within the FLL block. MCLK can be divided by 1, 2, 4, 8, 16, or 32. MCLK is used by the CPU and system.
- **SMCLK:** Subsystem master clock. SMCLK is software selectable as XT1CLK, REFOCLK, VLOCLK, DCOCLK, DCOCLKDIV, and when available, XT2CLK. DCOCLKDIV is the DCOCLK frequency divided by 1, 2, 4, 8, 16, or 32 within the FLL block. SMCLK can be divided by 1, 2, 4, 8, 16, or 32. SMCLK is software selectable by individual peripheral modules.

[Figure 5-1](#) shows the block diagram of the UCS module.



Copyright © 2016, Texas Instruments Incorporated

Figure 5-1. UCS Block Diagram

5.2 UCS Operation

After a PUC, the UCS module default configuration is:

- XT1 in LF mode is selected as the oscillator source for XT1CLK. XT1CLK is selected for ACLK.
- DCOCLKDIV is selected for MCLK.
- DCOCLKDIV is selected for SMCLK.
- FLL operation is enabled and XT1CLK is selected as the FLL reference clock, FLLREFCLK.
- On devices that have XIN and XOUT shared with general-purpose I/O, XIN and XOUT pins are set to general-purpose I/Os and XT1 remains disabled until the I/O ports are configured for XT1 operation. If XIN and XOUT are not shared with general-purpose I/Os, XT1 is enabled.
- When available, XT2IN and XT2OUT pins are set to general-purpose I/Os and XT2 is disabled.

As previously stated, FLL operation with XT1 is selected by default. If the crystal pins (XIN, XOUT) are shared with general-purpose I/Os, XT1 remains disabled until the PxSEL bits associated with the crystal pins are set. If XIN and XOUT are not shared with general-purpose I/O, XT1 is enabled. When a 32768-Hz crystal is used for XT1CLK, the fault control logic immediately causes ACLK to be sourced by the REFOCLK, because XT1 is not stable immediately (see [Section 5.2.12](#)). When crystal start-up is obtained and settled, the FLL stabilizes MCLK and SMCLK to 1.048576 MHz and $f_{DCO} = 2.097152$ MHz.

Status register control bits (SCG0, SCG1, OSCOFF, and CPUOFF) configure the operating modes and enable or disable portions of the UCS module (see the [SYS chapter](#)). Registers UCSCTL0 through UCSCTL8 configure the UCS module.

The UCS module can be configured or reconfigured by software at any time during program execution.

NOTE: For devices using RTC_B, RTC_C, or RTC_D (RTC modules that support LPM3.5), setting bit RTCHOLD = 0 in register RTCCTL1 also enables XT1, independent from UCS configuration.

5.2.1 UCS Module Features for Low-Power Applications

Conflicting requirements typically exist in battery-powered applications:

- Low clock frequency for energy conservation and time keeping
- High clock frequency for fast response times and fast burst processing capabilities
- Clock stability over operating temperature and supply voltage
- Low-cost applications with less-constrained clock accuracy requirements

The UCS module addresses these conflicting requirements by allowing the user to select from the three available clock signals: ACLK, MCLK, and SMCLK.

All three available clock signals can be sourced from any of the available clock sources (XT1CLK, VLOCLK, REFOCLK, DCOCLK, DCOCLKDIV, or XT2CLK), giving complete flexibility in the system clock configuration. A flexible clock distribution and divider system is provided to fine tune the individual clock requirements.

5.2.2 Internal Very-Low-Power Low-Frequency Oscillator (VLO)

The internal VLO provides a typical frequency of 10 kHz (see device-specific data sheet for parameters) without requiring a crystal. The VLO provides for a low-cost ultra-low-power clock source for applications that do not require an accurate time base.

The VLO is enabled when it is used to source ACLK, MCLK, or SMCLK (SELA = {1} or SELM = {1} or SELS = {1}).

5.2.3 Internal Trimmed Low-Frequency Reference Oscillator (REFO)

The internal trimmed low-frequency REFO can be used for cost-sensitive applications where a crystal is not required or desired. REFO is internally trimmed to 32.768 kHz typical and provides for a stable reference frequency that can be used as FLLREFCLK. REFO, combined with the FLL, provides for a flexible range of system clock settings without the need for a crystal. REFO consumes no power when not being used.

REFO is enabled under any of the following conditions:

- REFO is a source for ACLK (SELA = {2}) and in active mode (AM) through LPM3 (OSCOFF = 0)
- REFO is a source for MCLK (SELM = {2}) and in active mode (AM) (CPUOFF = 0)
- REFO is a source for SMCLK (SELS = {2}) and in active mode (AM) through LPM1 (SMCLKOFF = 0)
- REFO is a source for FLLREFCLK (SELREF = {2}) and the DCO is a source for ACLK (SELA = {3,4}) and in active mode (AM) through LPM3 (OSCOFF = 0)
- REFO is a source for FLLREFCLK (SELREF = {2}) and the DCO is a source for MCLK (SELM = {3,4}) and in active mode (AM) (CPUOFF = 0)
- REFO is a source for FLLREFCLK (SELREF = {2}) and the DCO is a source for SMCLK (SELS = {3,4}) and in active mode (AM) through LPM1 (SMCLKOFF = 0)

NOTE: REFO enable for MSP430F543x, MSP430F541x devices

REFO is enabled under any of the following conditions:

- REFO is a source for ACLK (SELA = {2}), MCLK (SELM = {2}), or SMCLK (SELS = {2}) and in active mode (AM) through LPM3 (OSCOFF = 0)
 - REFO is a source for FLLREFCLK (SELREF = {2}) and the DCO is a source for ACLK, MCLK, or SMCLK (SELA = {3,4}), MCLK (SELM = {3,4}), or SMCLK (SELS = {3,4}) and in active mode (AM) through LPM3 (OSCOFF = 0)
-

5.2.4 XT1 Oscillator

The XT1 oscillator supports ultra-low-current consumption using a 32768-Hz watch crystal in low-frequency (LF) mode (XTS = 0). A watch crystal connects to XIN and XOUT without any other external components. The software-selectable XCAP bits configure the internally provided load capacitance for the XT1 crystal in LF mode. This capacitance can be selected as 2 pF, 6 pF, 9 pF, or 12 pF (typical). Additional external capacitors can be added if necessary.

On some devices, the XT1 oscillator also supports high-speed crystals or resonators when in high-frequency (HF) mode (XTS = 1). The high-speed crystal or resonator connects to XIN and XOUT and requires external capacitors on both terminals. These capacitors should be sized according to the crystal or resonator specifications.

The drive settings of XT1 in LF mode can be increased with the XT1DRIVE bits. At power up, the XT1 starts with the highest drive settings for fast reliable startup. If needed, user software can reduce the drive strength to further reduce power. In HF mode, different crystal or resonator ranges are supported by choosing the proper XT1DRIVE settings .

XT1 may be used with an external clock signal on the XIN pin in either LF or HF mode by setting XT1BYPASS. When used with an external signal, the external frequency must meet the data sheet parameters for the chosen mode. XT1 is powered down when used in bypass mode.

Some devices support XT1 bypass operation with external clock inputs on a different external supply domain, called DV_{IO}. Refer to the device-specific data sheet. On these devices, DV_{IO} has a voltage range of 1.8 V ±10%. When using the XT1 bypass operation with external clock inputs on DV_{IO}, it is required that XT1BYPASSLV = 1. For example, when XT1BYPASSLV = 1, it is assumed the external clock signal swings from 0 V to DV_{IO}. With XT1BYPASS = 0, it is assumed the external clock signal swings from 0 V to DV_{CC}. The use of XT1BYPASSLV allows for interfacing to external clock sources on either the DV_{CC} or DV_{IO} supply domain. When used with an external signal, the external frequency must meet the data sheet parameters for the chosen mode. XT1 is powered down when used in bypass mode.

On many devices, the XT1 pins are shared with general-purpose I/O ports (refer to the device-specific data sheet for availability). At power up, the default operation is XT1, LF mode of operation. However, for devices that have XT1 shared with general-purpose I/O ports, XT1 will remain disabled until the ports shared with XT1 are configured for XT1 operation. The configuration of the shared I/O is determined by the PxSEL bit associated with XIN and the XT1BYPASS bit. Setting the PxSEL bit causes the XIN and XOUT ports to be configured for XT1 operation. If XT1BYPASS is also set, XT1 is configured for bypass mode of operation, and the oscillator associated with XT1 is powered down. In bypass mode of operation, XIN can accept an external clock input signal and XOUT is configured as a general-purpose I/O. The PxSEL bit associated with XOUT is a don't care. If the PxSEL bit associated with XIN is cleared, both XIN and XOUT ports are configured as general-purpose I/Os, and XT1 is disabled.

On devices that do not share XT1 with general-purpose I/O ports, XT1 is enabled at power up. In bypass mode of operation (XT1BYPASS = 1), XIN can accept an external clock input signal, and XT1 is powered down.

XT1 is enabled under any of the following conditions:

- XT1 is a source for ACLK (SELA = {0}) and in active mode (AM) through LPM3 (OSCOFF = 0)
- XT1 is a source for MCLK (SELM = {0}) and in active mode (AM) (CPUOFF = 0)
- XT1 is a source for SMCLK (SELS = {0}) and in active mode (AM) through LPM1 (SMCLKOFF = 0)
- XT1 is a source for FLLREFCLK (SELREF = {0}) and the DCO is a source for ACLK (SELA = {3,4}) and in active mode (AM) through LPM3 (OSCOFF = 0)
- XT1 is a source for FLLREFCLK (SELREF = {0}) and the DCO is a source for MCLK (SELM = {3,4}) and in active mode (AM) (CPUOFF = 0)
- XT1 is a source for FLLREFCLK (SELREF = {0}) and the DCO is a source for SMCLK (SELS = {3,4}) and in active mode (AM) through LPM1 (SMCLKOFF = 0)
- XT1OFF = 0. XT1 enabled in active mode (AM) through LPM4. For devices that support LPMx.5, XT1 also remains enabled.

NOTE: XT1 enable for MSP430F543x, MSP430F541x devices

XT1 is enabled under any of the following conditions:

- XT1 is a source for ACLK, MCLK, or SMCLK (SELA = {0}), MCLK (SELM = {0}), or SMCLK (SELS = {0}) and in active mode (AM) through LPM3 (OSCOFF = 0)
 - XT1 is a source for FLLREFCLK (SELREF = {0}) and the DCO is a source for ACLK, MCLK, or SMCLK (SELA = {3,4}), MCLK (SELM = {3,4}), or SMCLK (SELS = {3,4}) and in active mode (AM) through LPM3 (OSCOFF = 0)
 - XT1OFF = 0. XT1 enabled in active mode (AM) through LPM4.
-

5.2.5 XT2 Oscillator

Some devices have a second crystal oscillator, XT2. XT2 sources XT2CLK, and its characteristics are identical to XT1 in HF mode. The XT2DRIVE bits select the frequency range of operation of XT2.

XT2 may be used with external clock signals on the XT2IN pin by setting XT2BYPASS. When used with an external signal, the external frequency must meet the data sheet parameters for XT2. XT2 is powered down when used in bypass mode.

Some devices support XT2 bypass operation with external clock inputs on a different external supply domain, called DV_{IO}. Refer to the device-specific data sheet. On these devices, DV_{IO} has a voltage range of 1.8 V ±10%. When using the XT2 bypass operation with external clock inputs on DV_{IO}, it is required that XT2BYPASSLV = 1. For example, when XT2BYPASSLV = 1, it is assumed the external clock signal swings from 0 V to DV_{IO}. With XT2BYPASS = 0, it is assumed the external clock signal swings from 0 V to DV_{CC}. The use of XT2BYPASSLV allows for interfacing to external clock sources that reside on either the DV_{CC} or DV_{IO} supply domains. When used with an external signal, the external frequency must meet the data sheet parameters for the chosen mode. XT2 is powered down when used in bypass mode.

The XT2 pins are shared with general-purpose I/O ports. At power up, the default operation is XT2. However, XT2 remains disabled until the ports shared with XT2 are configured for XT2 operation. The configuration of the shared I/O is determined by the PxSEL bit associated with XT2IN and the XT2BYPASS bit. Setting the PxSEL bit causes the XT2IN and XT2OUT ports to be configured for XT2 operation. If XT2BYPASS is also set, XT2 is configured for bypass mode of operation, and the oscillator associated with XT2 is powered down. In bypass mode of operation, XT2IN can accept an external clock input signal and XT2OUT is configured as a general-purpose I/O. The PxSEL bit associated with XT2OUT is a don't care.

If the PxSEL bit associated with XT2IN is cleared, both XT2IN and XT2OUT ports are configured as general-purpose I/Os, and XT2 is disabled.

XT2 is enabled under any of the following conditions:

- XT2 is a source for ACLK (SELA = {5,6,7}) and in active mode (AM) through LPM3 (OSCOFF = 0)
- XT2 is a source for MCLK (SELM = {5,6,7}) and in active mode (AM) (CPUOFF = 0)
- XT2 is a source for SMCLK (SELS = {5,6,7}) and in active mode (AM) through LPM1 (SMCLKOFF = 0)
- XT2 is a source for FLLREFCLK (SELREF = {5,6}) and the DCO is a source for ACLK (SELA = {3,4}) and in active mode (AM) through LPM3 (OSCOFF = 0)
- XT2 is a source for FLLREFCLK (SELREF = {5,6}) and the DCO is a source for MCLK (SELM = {3,4}) and in active mode (AM) (CPUOFF = 0)
- XT2 is a source for FLLREFCLK (SELREF = {5,6}) and the DCO is a source for SMCLK (SELS = {3,4}) and in active mode (AM) through LPM1 (SMCLKOFF = 0)
- XT2OFF = 0. XT2 enabled in active mode (AM) through LPM4. For devices that support LPMx.5, XT2 also remains enabled.

NOTE: XT2 enable for MSP430F543x and MSP430F541x devices

XT2 is enabled under any of the following conditions:

- XT2 is a source for ACLK, MCLK, or SMCLK (SELA = {5,6,7}), MCLK (SELM = {5,6,7}), or SMCLK (SELS = {5,6,7}) and in active mode (AM) through LPM3 (OSCOFF = 0)
 - XT2 is a source for FLLREFCLK (SELREF = {5,6,7}) and the DCO is a source for ACLK, MCLK, or SMCLK (SELA = {3,4}), MCLK (SELM = {3,4}), or SMCLK (SELS = {3,4}) and in active mode (AM) through LPM3 (OSCOFF = 0)
 - XT2OFF = 0. XT2 enabled in active mode (AM) through LPM4.
-

5.2.6 Digitally Controlled Oscillator (DCO)

The DCO is an integrated digitally controlled oscillator. The DCO frequency can be adjusted by software using the DCORSEL, DCO, and MOD bits. The DCO frequency can be optionally stabilized by the FLL to a multiple frequency of FLLREFCLK/n. The FLL can accept different reference sources selectable by the SELREF bits. Reference sources include XT1CLK, REFOCLK, or XT2CLK (if available). The value of n is defined by the FLLREFDIV bits (n = 1, 2, 4, 8, 12, or 16). The default is n = 1. There may be scenarios in which FLL operation is not required or desired; in these cases, no FLLREFCLK is necessary. This can be accomplished by setting SELREF = {7}.

NOTE: For the MSP430F543x and MSP430F541x non-A versions only

Setting SELREF = {7} sets XT2CLK as the FLL reference clock.

The FLLD bits configure the FLL prescaler divider value D to 1, 2, 4, 8, 16, or 32. By default, D = 2, and MCLK and SMCLK are sourced from DCOCLKDIV, providing a clock frequency DCOCLK/2.

The divider (N + 1) and the divider value D define the DCOCLK and DCOCLKDIV frequencies. The divider (N + 1) can be set using the FLLN bits, where N > 0. The smallest divider (N + 1) that can be used is a divider of two. The logic will cause FLLN = 1h, if FLLN = 0h is unintentionally written. Therefore setting FLLN = 0h is also equivalent to setting FLLN = 1h and will result in a divider of 2. All other FLLN settings behave as described; for example, FLLN = 2h results in a divider of 3, or FLLN = 3h results in a divider of 4.

$$f_{\text{DCOCLK}} = D \times (N + 1) \times (f_{\text{FLLREFCLK}} \div n)$$

$$f_{\text{DCOCLKDIV}} = (N + 1) \times (f_{\text{FLLREFCLK}} \div n)$$

5.2.6.1 Adjusting DCO Frequency

By default, FLL operation is enabled. FLL operation can be disabled by setting SCG0 or SCG1. When the FLL is disabled, the DCO continues to operate at the current settings defined in UCSCTL0 and UCSCTL1. The DCO frequency can be adjusted manually if desired. Otherwise, the DCO frequency is stabilized by the FLL operation.

After a PUC, DCORSEL = {2} and DCO = {0}. MCLK and SMCLK are sourced from DCOCLKDIV. Because the CPU executes code from MCLK, which is sourced from the fast-starting DCO, code execution begins from PUC in less than 5 μ s.

The frequency of DCOCLK is set by the following functions:

- The three DCORSEL bits select one of eight nominal frequency ranges for the DCO. These ranges are defined for an individual device in the device-specific data sheet.
- The five DCO bits divide the DCO range selected by the DCORSEL bits into 32 frequency steps, separated by approximately 8%.
- The five MOD bits switch between the frequency selected by the DCO bits and the next-higher frequency set by {DCO + 1}. When DCO = {31}, the MOD bits have no effect, because the DCO is already at the highest setting for the selected DCORSEL range.

5.2.7 Frequency Locked Loop (FLL)

The FLL continuously counts up or down a frequency integrator. The output of the frequency integrator that drives the DCO can be read in UCSCTL0, UCSCTL1 (bits MOD and DCO). The count is adjusted +1 with the frequency $f_{\text{FLLREFCLK}}/n$ (n = 1, 2, 4, 8, 12, or 16) or -1 with the frequency $f_{\text{DCOCLK}}/[D \times (N+1)]$.

NOTE: Reading MOD and DCO bits

The integrator is updated by the DCOCLK, which may differ in frequency of operation of MCLK. It is possible that immediate reads of a previously written value are not visible to the user because the update to the integrator has not occurred. This is normal. When the integrator is updated at the next successive DCOCLK, the correct value can be read.

In addition, because the MCLK can be asynchronous to the integrator updates, reading the values may cause a corrupted value to be read under this condition. In this case, a majority vote method should be performed.

Five of the integrator bits (UCSCTL0 bits 12 to 8) set the DCO frequency tap. Thirty-two taps are implemented for the DCO, and each is approximately 8% higher than the previous. The modulator mixes two adjacent DCO frequencies to produce fractional taps.

For a given DCO bias range setting, time must be allowed for the DCO to settle on the proper tap for normal operation. $(n \times 32) f_{\text{FLLREFCLK}}$ cycles are required between taps requiring a worst case of $(n \times 32 \times 32) f_{\text{FLLREFCLK}}$ cycles for the DCO to settle. The value n is defined by the FLLREFDIV bits (n = 1, 2, 4, 8, 12, or 16).

5.2.8 DCO Modulator

The modulator mixes two DCO frequencies, f_{DCO} and $f_{\text{DCO}+1}$ to produce an intermediate effective frequency between f_{DCO} and $f_{\text{DCO}+1}$ and spread the clock energy, reducing electromagnetic interference (EMI). The modulator mixes f_{DCO} and $f_{\text{DCO}+1}$ for 32 DCOCLK clock cycles and is configured with the MOD bits. When MOD = {0}, the modulator is off.

The modulator mixing formula is:

$$t = (32 - \text{MOD}) \times t_{\text{DCO}} + \text{MOD} \times t_{\text{DCO}+1}$$

Figure 5-2 shows the modulator operation.

When FLL operation is enabled, the modulator settings and DCO are controlled by the FLL hardware. If FLL operation is not desired, the modulator settings and DCO control can be configured with software.

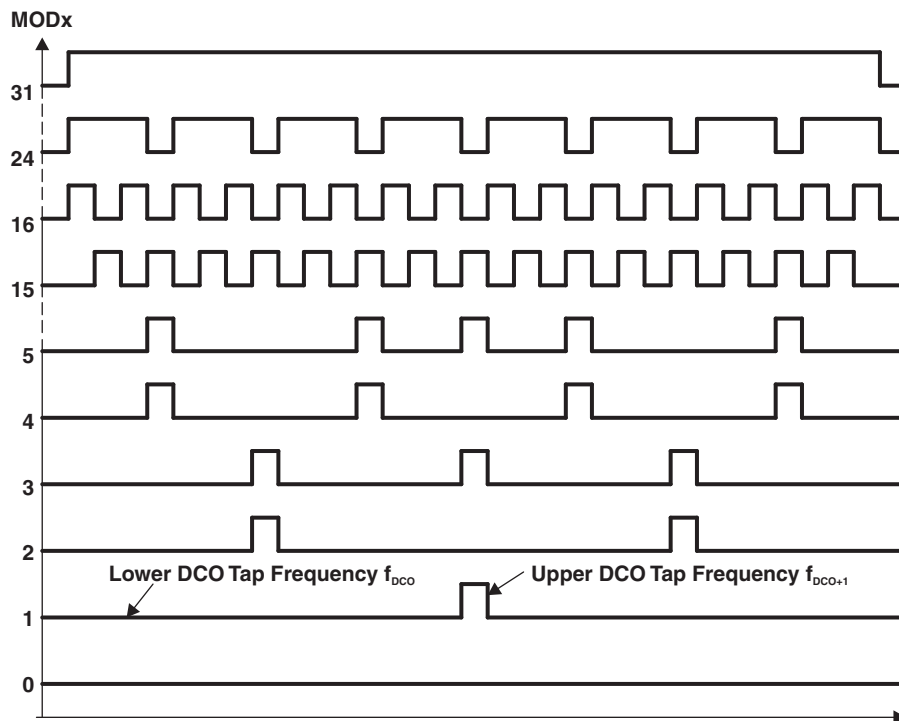


Figure 5-2. Modulator Patterns

5.2.9 Disabling FLL Hardware and Modulator

The FLL is disabled when the status register bits SCG0 or SCG1 are set. When the FLL is disabled, the DCO runs at the previously selected tap and DCOCLK is not automatically stabilized.

The DCO modulator is disabled when DISMOD is set. When the DCO modulator is disabled, the DCOCLK is adjusted to the DCO tap selected by the DCO bits.

NOTE: DCO operation without FLL

When the FLL operation is disabled, the DCO continues to operate at the current settings. Because it is not stabilized by the FLL, temperature and voltage variations influence the frequency of operation. See the device-specific data sheet for voltage and temperature coefficients to ensure reliable operation.

5.2.10 FLL Operation From Low-Power Modes

An interrupt service request clears SCG1, CPUOFF, and OSCOFF if set, but does not clear SCG0. This means that for FLL operation from within an interrupt service routine entered from LPM1, LPM3, or LPM4, the FLL remains disabled and the DCO operates at the previous setting as defined in UCSCTL0 and UCSCTL1. SCG0 can be cleared by user software if FLL operation is required.

5.2.11 Operation From Low-Power Modes, Requested by Peripheral Modules

A peripheral module requests its clock sources automatically from the UCS module if required for its proper operation, regardless of the current mode of operation, as shown in [Figure 5-3](#).

A peripheral module asserts one of three possible clock request signals based on its control bits: ACLK_REQ, MCLK_REQ, or SMCLK_REQ. These request signals are based on the configuration and clock selection of the respective module. For example, if a timer selects ACLK as its clock source and the timer is enabled, the timer generates an ACLK_REQ signal to the UCS system. The UCS, in turn, enables ACLK regardless of the LPM settings.

Any clock request from a peripheral module causes its respective clock off signal to be overridden, but does not change the setting of clock off control bit. For example, a peripheral module may require ACLK that is currently disabled by the OSCOFF bit (OSCOFF = 1). The module can request ACLK by generating an ACLK_REQ. This causes the OSCOFF bit to have no effect, thereby allowing ACLK to be available to the requesting peripheral module. The OSCOFF bit remains at its current setting (OSCOFF = 1).

If the requested source is not active, the software NMI handler must take care of the required actions. For the previous example, if ACLK was sourced by XT1 and XT1 was not enabled, an oscillator fault condition occurs and the software must handle the event. The watchdog, due to its security requirement, actively selects the VLOCLK source if the originally selected clock source is not available.

Due to the clock request feature, care must be taken in the application when entering low-power modes to save power. Although the device enters the selected low-power mode, a clock request may exhibit more current consumption than the specified values in the data sheet.

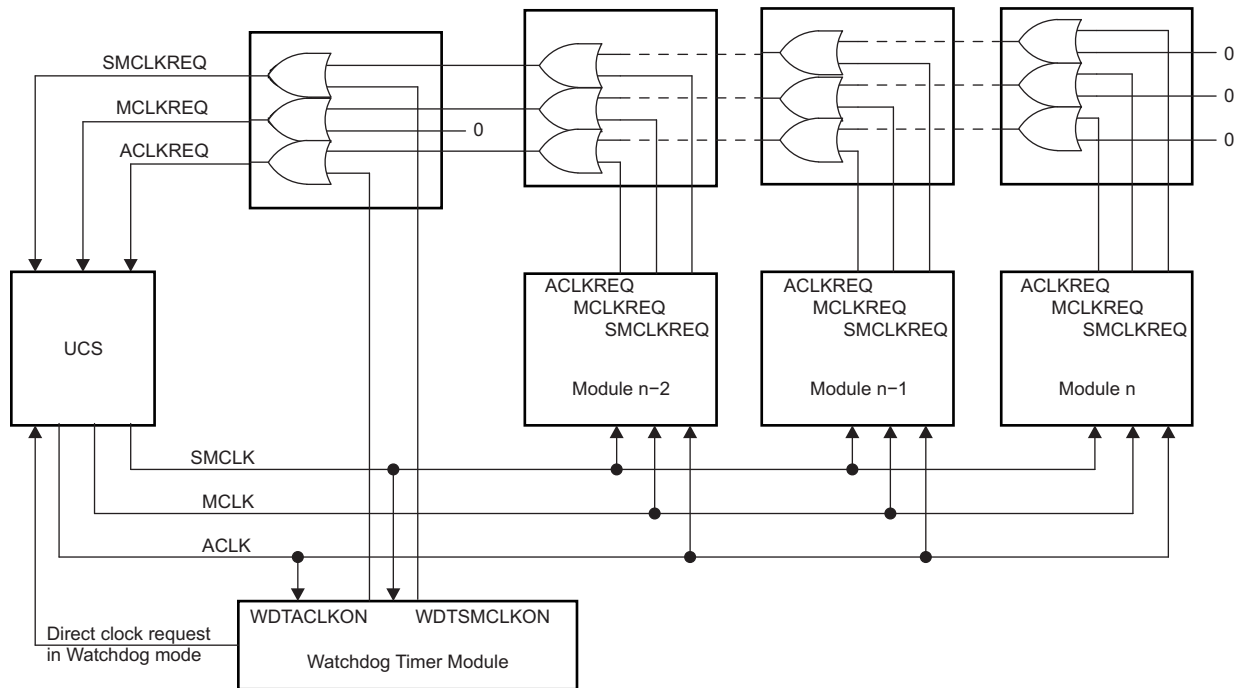


Figure 5-3. Module Request Clock System

By default, the clock request logic is enabled. The clock request logic can be disabled by clearing ACLKREQEN, MCLKREQEN, or SMCLKREQEN, for each respective system clock. When ACLKREQEN or MCLKREQEN bits are set, or active, the clock is available to the system and prevents entry into a low-power mode until all modules requesting the clock are disabled. When ACLKREQEN or MCLKREQEN bits are cleared, or disabled, the clock is always halted as defined by the low-power modes. The SMCLKREQEN logic behaves similarly, but is also influenced by the SMCLKOFF bit in the UCSCTL6 register. Table 5-1 shows the relationship between the system clocks and the low-power modes in conjunction with the clock request logic.

Table 5-1. Clock Request System and Power Modes

Mode	ACLK		MCLK		SMCLK			
	ACLKREQEN = 0	ACLKREQEN = 1	MCLKREQEN = 0	MCLKREQEN = 1	SMCLKOFF = 0		SMCLKOFF = 1	
					SMCLKREQEN = 0	SMCLKREQEN = 1	SMCLKREQEN = 0	SMCLKREQEN = 1
AM	Active	Active	Active	Active	Active	Active	Disabled	Active
LPM0	Active	Active	Disabled	Active	Active	Active	Disabled	Active
LPM1	Active	Active	Disabled	Active	Active	Active	Disabled	Active
LPM2	Active	Active	Disabled	Active	Disabled	Active	Disabled	Active
LPM3	Active	Active	Disabled	Active	Disabled	Active	Disabled	Active
LPM4	Disabled	Active	Disabled	Active	Disabled	Active	Disabled	Active
LPM3.5 (1)	Disabled	Disabled	Disabled	Disabled	Disabled	Disabled	Disabled	Disabled
LPM4.5 (1)	Disabled	Disabled	Disabled	Disabled	Disabled	Disabled	Disabled	Disabled

(1) Any clock request prior to entry into LPM3.5 or LPM4.5 is ignored and LPM3.5 or LPM4.5 entry occurs. For the special case when XT1OFF = 0 or XT2OFF = 0, the LPMx.5 request is ignored and the device does not enter LPMx.5.

5.2.12 UCS Module Fail-Safe Operation

The UCS module incorporates an oscillator-fault fail-safe feature. This feature detects an oscillator fault for XT1, DCO, and XT2 as shown in Figure 5-4. The available fault conditions are:

- Low-frequency oscillator fault (XT1LFOFFG) for XT1 in LF mode
- High-frequency oscillator fault (XT1HFOFFG) for XT1 in HF mode
- High-frequency oscillator fault (XT2OFFG) for XT2
- DCO fault flag (DCOFFG) for the DCO

The crystal oscillator fault bits XT1LFOFFG, XT1HFOFFG, and XT2OFFG are set if the corresponding crystal oscillator is turned on and not operating properly. After the fault bits are set, they remain set until reset in software, even if the fault condition no longer exists. If the user clears the fault bits and the fault condition still exists, the fault bits are automatically set, otherwise they remain cleared.

When using XT1 operation in LF mode as the reference source into the FLL (SELREF = {0}), a crystal fault automatically causes the FLL reference source, FLLREFCLK, to be sourced by the REFO. XT1LFOFFG is set. When using XT1 operation in HF mode as the reference source into the FLL, a crystal fault causes no FLLREFCLK signal to be generated and the FLL continues to count down to zero in an attempt to lock FLLREFCLK and DCOCLK/[D × (N + 1)]. The DCO tap moves to the lowest position (DCO are cleared) and the DCOFFG is set. DCOFFG is also set if the N-multiplier value is set too high for the selected DCO frequency range, resulting in the DCO tap moving to the highest position (UCSCTL0.12 to UCSCTL0.8 are set). The DCOFFG remains set until cleared by the user. If the user clears the DCOFFG and the fault condition remains, it is automatically set, otherwise it remains cleared. XT1HFOFFG is set.

When using XT2 as the reference source into the FLL, a crystal fault causes no FLLREFCLK signal to be generated, and the FLL continues to count down to zero in an attempt to lock FLLREFCLK and DCOCLK/[D × (N + 1)]. The DCO tap moves to the lowest position (DCO are cleared) and the DCOFFG is set. DCOFFG is also set if the N-multiplier value is set too high for the selected DCO frequency range, resulting in the DCO tap moving to the highest position (UCSCTL0.12 to UCSCTL0.8 are set). The DCOFFG remains set until cleared by the user. If the user clears the DCOFFG and the fault condition remains, it is automatically set, otherwise it remains cleared. XT2OFFG is set.

The OFIFG oscillator-fault interrupt flag is set and latched at POR or when any oscillator fault (XT1LFOFFG, XT1HFOFFG, XT2OFFG, DCOFFG, or CTSD16OFFG (if available)) is detected. When OFIFG is set and OFIE is set, the OFIFG requests an NMI. When the interrupt is granted, the OFIE is not reset automatically as it is in previous MSP430 families. It is no longer required to reset the OFIE. NMI entry and exit circuitry removes this requirement. The OFIFG flag must be cleared by software. The source of the fault can be identified by checking the individual fault bits.

If a fault is detected for the oscillator sourcing MCLK, MCLK is automatically switched to the DCO for its clock source (DCOCLKDIV) for all clock sources except XT1 LF mode. If MCLK is sourced from XT1 in LF mode, an oscillator fault causes MCLK to be automatically switched to the REFO for its clock source (REFOCLK). This does not change the SELM bit settings. This condition must be handled by user software.

If a fault is detected for the oscillator sourcing SMCLK, SMCLK is automatically switched to the DCO for its clock source (DCOCLKDIV) for all clock sources except XT1 LF mode. If SMCLK is sourced from XT1 in LF mode, an oscillator fault causes SMCLK to be automatically switched to the REFO for its clock source (REFOCLK). This does not change the SELS bit settings. This condition must be handled by user software.

If a fault is detected for the oscillator sourcing ACLK, ACLK is automatically switched to the DCO for its clock source (DCOCLKDIV) for all clock sources except XT1 LF mode. If ACLK is sourced from XT1 in LF mode, an oscillator fault causes ACLK to be automatically switched to the REFO for its clock source (REFOCLK). This does not change the SELA bit settings. This condition must be handled by user software.

NOTE: DCO active during oscillator fault

DCOCLKDIV is active even at the lowest DCO tap. The clock signal is available for the CPU to execute code and service an NMI during an oscillator fault.

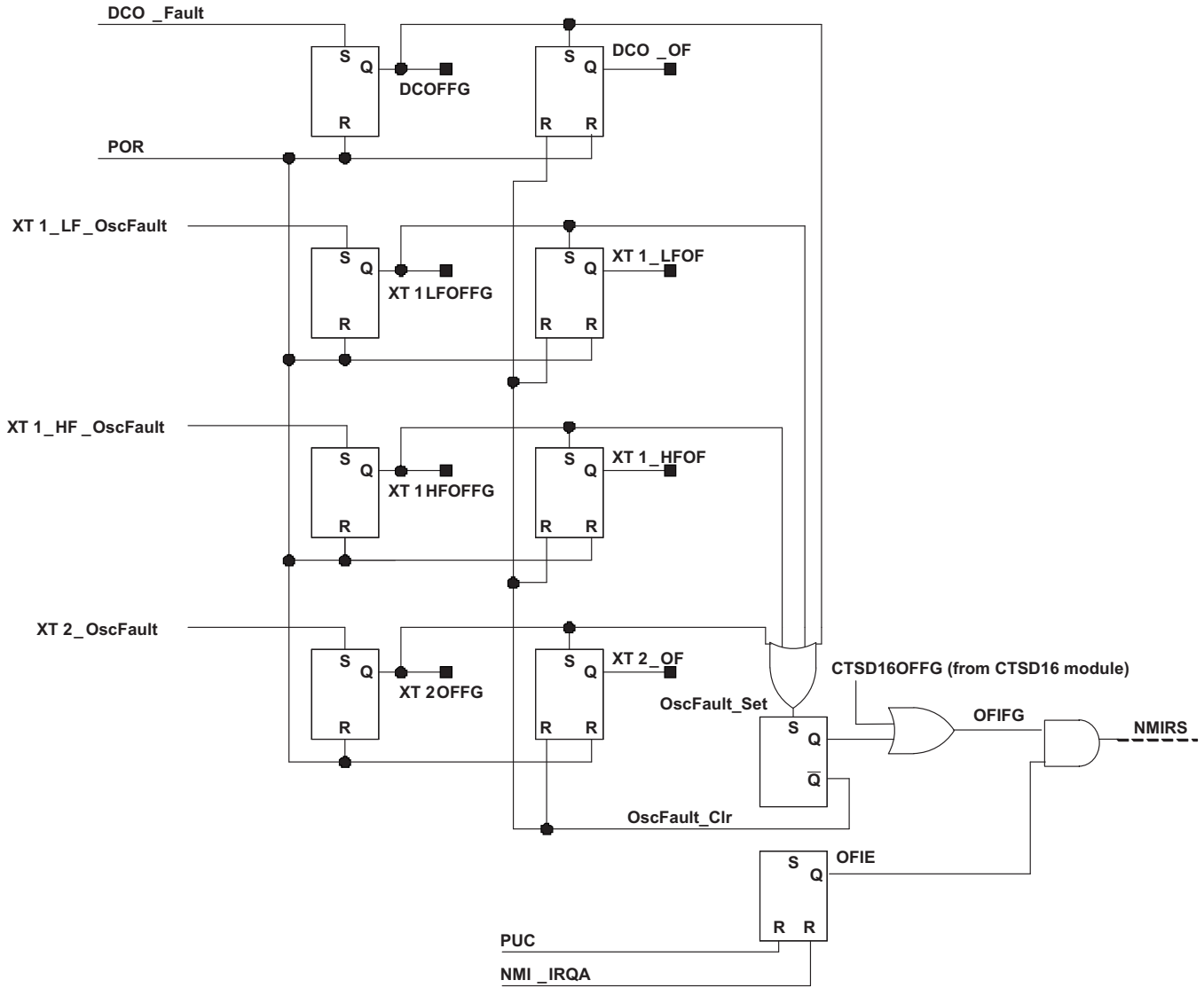


Figure 5-4. Oscillator Fault Logic

NOTE: Fault conditions

DCO_Fault: DCOFFG is set if DCO bits in UCSCTL0 register value equals {0} or {31}.

CTSD16CLK_Fault: This signal is set after a fault has been detected in the CTSD16CLK. When set, the fault bits remain set until reset in software, even if the fault condition no longer exists. The fault condition causes CTSD16OFFG in the CTSD16CTL register to be set and remain set. If software clears CTSD16OFFG and the fault condition still exists, CTSD16OFFG remains set.

XT1_LF_OscFault: This signal is set after the XT1 (LF mode) oscillator has stopped operation and cleared after operation resumes. The fault condition causes XT1LFOFFG to be set and remain set. If software clears XT1LFOFFG and the fault condition still exists, XT1LFOFFG remains set.

XT1_HF_OscFault: This signal is set after the XT1 (HF mode) oscillator has stopped operation and cleared after operation resumes. The fault condition causes XT1HFOFFG to be set and remain set. If software clears XT1HFOFFG and the fault condition still exists, XT1HFOFFG remains set.

XT2_OscFault: This signal is set after the XT2 oscillator has stopped operation and cleared after operation resumes. The fault condition causes XT2OFFG to be set and remain set. If software clears XT2OFFG and the fault condition still exists, XT2OFFG remains set.

NOTE: Fault logic

As long as a fault condition still exists, the OFIFG remains set. The application must take special care when clearing the OFIFG signal. If no fault condition remains when the OFIFG signal is cleared, the clock logic switches back to the original user settings prior to the fault condition.

NOTE: Fault logic counters

Each crystal oscillator circuit has hardware counters. These counters are reset each time a fault condition occurs on its respective oscillator, causing the fault flag to be set. The counters begin to count after the fault condition is removed. When the maximum count is reached, the fault flag is removed.

In XT1 LF mode, the maximum count is 8192. In XT1 HF mode (and XT2 when available), the maximum count is 1024. In bypass modes, regardless of LF or HF settings, the maximum count is 8192.

5.2.13 Synchronization of Clock Signals

When switching MCLK or SMCLK from one clock source to the another, the switch is synchronized to avoid critical race conditions (see [Figure 5-5](#)):

- The current clock cycle continues until the next rising edge.
- The clock remains high until the next rising edge of the new clock.
- The new clock source is selected and continues with a full high period.

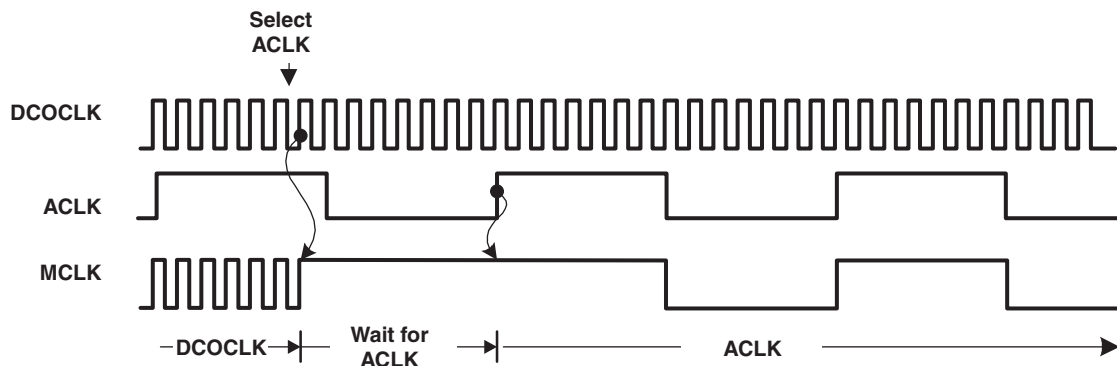


Figure 5-5. Switch MCLK from DCOCLK to XT1CLK

5.3 Module Oscillator (MODOSC)

The UCS module also supports an internal oscillator, MODOSC, that is used by the flash memory controller module and optionally by other modules in the system. The MODOSC sources MODCLK.

5.3.1 MODOSC Operation

To conserve power, MODOSC is powered down when not needed and is enabled only when required. When the MODOSC source is required, the respective module requests it. MODOSC is enabled based on unconditional and conditional requests. Setting MODOSCREQEN enables conditional requests.

Unconditional requests are always enabled. It is not necessary to set MODOSCREQEN for modules that use unconditional requests; for example, the flash controller or ADC12_A.

The flash memory controller only requires MODCLK when performing write or erase operations. When performing such operations, the flash memory controller issues an unconditional request for the MODOSC source. Upon doing so, the MODOSC source is enabled, if it is not already enabled by previous requests from other modules.

The ADC12_A may optionally use MODOSC as a clock source for its conversion clock. The user chooses the ADC12OSC as the conversion clock source. During a conversion, the ADC12_A module issues an unconditional request for the ADC12OSC clock source. Upon doing so, the MODOSC source is enabled, if it is not already enabled by previous requests from other modules.

5.4 UCS Registers

The UCS module registers are listed in [Table 5-2](#). The base address can be found in the device-specific data sheet. The address offset is listed in [Table 5-2](#).

NOTE: All registers have word or byte register access. For a generic register *ANYREG*, the suffix "_L" (*ANYREG_L*) refers to the lower byte of the register (bits 0 through 7). The suffix "_H" (*ANYREG_H*) refers to the upper byte of the register (bits 8 through 15).

Table 5-2. UCS Registers

Offset	Acronym	Register Name	Type	Access	Reset	Section
00h	UCSCTL0	Unified Clock System Control 0	Read/write	Word	0000h	Section 5.4.1
00h	UCSCTL0_L		Read/write	Byte	00h	
01h	UCSCTL0_H		Read/write	Byte	00h	
02h	UCSCTL1	Unified Clock System Control 1	Read/write	Word	0020h	Section 5.4.2
02h	UCSCTL1_L		Read/write	Byte	20h	
03h	UCSCTL1_H		Read/write	Byte	00h	
04h	UCSCTL2	Unified Clock System Control 2	Read/write	Word	101Fh	Section 5.4.3
04h	UCSCTL2_L		Read/write	Byte	1Fh	
05h	UCSCTL2_H		Read/write	Byte	10h	
06h	UCSCTL3	Unified Clock System Control 3	Read/write	Word	0000h	Section 5.4.4
06h	UCSCTL3_L		Read/write	Byte	00h	
07h	UCSCTL3_H		Read/write	Byte	00h	
08h	UCSCTL4	Unified Clock System Control 4	Read/write	Word	0044h	Section 5.4.5
08h	UCSCTL4_L		Read/write	Byte	44h	
09h	UCSCTL4_H		Read/write	Byte	00h	
0Ah	UCSCTL5	Unified Clock System Control 5	Read/write	Word	0000h	Section 5.4.6
0Ah	UCSCTL5_L		Read/write	Byte	00h	
0Bh	UCSCTL5_H		Read/write	Byte	00h	
0Ch	UCSCTL6	Unified Clock System Control 6	Read/write	Word	C1CDh	Section 5.4.7
0Ch	UCSCTL6_L		Read/write	Byte	CDh	
0Dh	UCSCTL6_H		Read/write	Byte	C1h	
0Eh	UCSCTL7	Unified Clock System Control 7	Read/write	Word	0703h	Section 5.4.8
0Eh	UCSCTL7_L		Read/write	Byte	03h	
0Fh	UCSCTL7_H		Read/write	Byte	07h	
10h	UCSCTL8	Unified Clock System Control 8	Read/write	Word	0707h	Section 5.4.9
10h	UCSCTL8_L		Read/write	Byte	07h	
11h	UCSCTL8_H		Read/write	Byte	07h	
12h	UCSCTL9	Unified Clock System Control 9 ⁽¹⁾	Read/write	Word	0000h	Section 5.4.10
12h	UCSCTL9_L		Read/write	Byte	00h	
13h	UCSCTL9_H		Read/write	Byte	00h	

⁽¹⁾ This register is not available on all devices. See the device-specific data sheet.

5.4.1 UCSCTL0 Register

Unified Clock System Control 0 Register

Figure 5-6. UCSCTL0 Register

15	14	13	12	11	10	9	8
Reserved			DCO				
r0	r0	r0	rw-0	rw-0	rw-0	rw-0	rw-0
7	6	5	4	3	2	1	0
MOD					Reserved		
rw-0	rw-0	rw-0	rw-0	rw-0	r0	r0	r0

Table 5-3. UCSCTL0 Register Description

Bit	Field	Type	Reset	Description
15-13	Reserved	R	0h	Reserved. Always reads as 0.
12-8	DCO	RW	0h	DCO tap selection. These bits select the DCO tap and are modified automatically during FLL operation.
7-3	MOD	RW	0h	Modulation bit counter. These bits select the modulation pattern. All MOD bits are modified automatically during FLL operation. The DCO register value is incremented when the modulation bit counter rolls over from 31 to 0. If the modulation bit counter decrements from 0 to the maximum count, the DCO register value is also decremented.
2-0	Reserved	R	0h	Reserved. Always reads as 0.

5.4.2 UCSCTL1 Register

Unified Clock System Control 1 Register

Figure 5-7. UCSCTL1 Register

15	14	13	12	11	10	9	8
Reserved							
r0	r0	r0	r0	r0	r0	r0	r0
7	6	5	4	3	2	1	0
Reserved	DCORSEL			Reserved	Reserved	Reserved	DISMOD
r0	rw-0	rw-1	rw-0	r0	r0	rw-0	rw-0

Table 5-4. UCSCTL1 Register Description

Bit	Field	Type	Reset	Description
15-7	Reserved	R	0h	Reserved. Always reads as 0.
6-4	DCORSEL	RW	2h	DCO frequency range select. These bits select the DCO frequency range of operation defined in the device-specific datasheet.
3-2	Reserved	R	0h	Reserved. Always reads as 0.
1	Reserved	RW	0h	Reserved. Always reads as 0.
0	DISMOD	RW	0h	Modulation. This bit enables or disables the modulation. 0b = Modulation enabled 1b = Modulation disabled

5.4.3 UCSCTL2 Register

Unified Clock System Control 2 Register

Figure 5-8. UCSCTL2 Register

15	14	13	12	11	10	9	8
Reserved	FLLD			Reserved		FLLN	
r0	rw-0	rw-0	rw-1	r0	r0	rw-0	rw-0
7	6	5	4	3	2	1	0
FLLN							
rw-0	rw-0	rw-0	rw-1	rw-1	rw-1	rw-1	rw-1

Table 5-5. UCSCTL2 Register Description

Bit	Field	Type	Reset	Description
15	Reserved	R	0h	Reserved. Always reads as 0.
14-12	FLLD	RW	1h	FLL loop divider. These bits divide f_{DCOCLK} in the FLL feedback loop. This results in an additional multiplier for the multiplier bits. See also multiplier bits. 000b = $f_{DCOCLK}/1$ 001b = $f_{DCOCLK}/2$ 010b = $f_{DCOCLK}/4$ 011b = $f_{DCOCLK}/8$ 100b = $f_{DCOCLK}/16$ 101b = $f_{DCOCLK}/32$ 110b = Reserved for future use. Defaults to $f_{DCOCLK}/32$. 111b = Reserved for future use. Defaults to $f_{DCOCLK}/32$.
11-10	Reserved	R	0h	Reserved. Always reads as 0.
9-0	FLLN	RW	1Fh	Multiplier bits. These bits set the multiplier value N of the DCO. N must be greater than 0. Writing zero to FLLN causes N to be set to 1.

5.4.4 UCSCTL3 Register

Unified Clock System Control 3 Register

Figure 5-9. UCSCTL3 Register

15	14	13	12	11	10	9	8
Reserved							
r0	r0	r0	r0	r0	r0	r0	r0
7	6	5	4	3	2	1	0
Reserved	SELREF			Reserved	FLLREFDIV		
r0	rw-0	rw-0	rw-0	r0	rw-0	rw-0	rw-0

Table 5-6. UCSCTL3 Register Description

Bit	Field	Type	Reset	Description
15-7	Reserved	R	0h	Reserved. Always reads as 0.
6-4	SELREF	RW	0h	FLL reference select. These bits select the FLL reference clock source. 000b = XT1CLK 001b = Reserved for future use. Defaults to XT1CLK. 010b = REFOCLK 011b = Reserved for future use. Defaults to REFOCLK. 100b = Reserved for future use. Defaults to REFOCLK. 101b = XT2CLK when available, otherwise REFOCLK. 110b = Reserved for future use. XT2CLK when available, otherwise REFOCLK. 111b = Reserved for future use. XT2CLK when available, otherwise REFOCLK.
3	Reserved	R	0h	Reserved. Always reads as 0.
2-0	FLLREFDIV	RW	0h	FLL reference divider. These bits define the divide factor for $f_{FLLREFCLK}$. The divided frequency is used as the FLL reference frequency. 000b = $f_{FLLREFCLK}/1$ 001b = $f_{FLLREFCLK}/2$ 010b = $f_{FLLREFCLK}/4$ 011b = $f_{FLLREFCLK}/8$ 100b = $f_{FLLREFCLK}/12$ 101b = $f_{FLLREFCLK}/16$ 110b = Reserved for future use. Defaults to $f_{FLLREFCLK}/16$. 111b = Reserved for future use. Defaults to $f_{FLLREFCLK}/16$.

5.4.5 UCSCTL4 Register

Unified Clock System Control 4 Register

Figure 5-10. UCSCTL4 Register

15	14	13	12	11	10	9	8
Reserved					SELA		
r0	r0	r0	r0	r0	rw-0	rw-0	rw-0
7	6	5	4	3	2	1	0
Reserved	SELS			Reserved	SELM		
r0	rw-1	rw-0	rw-0	r0	rw-1	rw-0	rw-0

Table 5-7. UCSCTL4 Register Description

Bit	Field	Type	Reset	Description
15-11	Reserved	R	0h	Reserved. Always reads as 0.
10-8	SELA	RW	0h	Selects the ACLK source 000b = XT1CLK 001b = VLOCLK 010b = REFOCLK 011b = DCOCLK 100b = DCOCLKDIV 101b = XT2CLK when available, otherwise DCOCLKDIV 110b = Reserved for future use. Defaults to XT2CLK when available, otherwise DCOCLKDIV. 111b = Reserved for future use. Defaults to XT2CLK when available, otherwise DCOCLKDIV.
7	Reserved	R	0h	Reserved. Always reads as 0.
6-4	SELS	RW	4h	Selects the SMCLK source 000b = XT1CLK 001b = VLOCLK 010b = REFOCLK 011b = DCOCLK 100b = DCOCLKDIV 101b = XT2CLK when available, otherwise DCOCLKDIV 110b = Reserved for future use. Defaults to XT2CLK when available, otherwise DCOCLKDIV. 111b = Reserved for future use. Defaults to XT2CLK when available, otherwise DCOCLKDIV.
3	Reserved	R	0h	Reserved. Always reads as 0.
2-0	SELM	RW	4h	Selects the MCLK source 000b = XT1CLK 001b = VLOCLK 010b = REFOCLK 011b = DCOCLK 100b = DCOCLKDIV 101b = XT2CLK when available, otherwise DCOCLKDIV 110b = Reserved for future use. Defaults to XT2CLK when available, otherwise DCOCLKDIV. 111b = Reserved for future use. Defaults to XT2CLK when available, otherwise DCOCLKDIV.

5.4.6 UCSCTL5 Register

Unified Clock System Control 5 Register

Figure 5-11. UCSCTL5 Register

15	14	13	12	11	10	9	8
Reserved	DIVPA			Reserved	DIVA		
r0	rw-0	rw-0	rw-0	r0	rw-0	rw-0	rw-0
7	6	5	4	3	2	1	0
Reserved	DIVS			Reserved	DIVM		
r0	rw-0	rw-0	rw-0	r0	rw-0	rw-0	rw-0

Table 5-8. UCSCTL5 Register Description

Bit	Field	Type	Reset	Description
15	Reserved	R	0h	Reserved. Always reads as 0.
14-12	DIVPA	RW	0h	ACLK source divider available at external pin. Divides the frequency of ACLK and presents it to an external pin. 000b = $f_{ACLK}/1$ 001b = $f_{ACLK}/2$ 010b = $f_{ACLK}/4$ 011b = $f_{ACLK}/8$ 100b = $f_{ACLK}/16$ 101b = $f_{ACLK}/32$ 110b = Reserved for future use. Defaults to $f_{ACLK}/32$. 111b = Reserved for future use. Defaults to $f_{ACLK}/32$.
11	Reserved	R	0h	Reserved. Always reads as 0.
10-8	DIVA	RW	0h	ACLK source divider. Divides the frequency of the ACLK clock source. 000b = $f_{ACLK}/1$ 001b = $f_{ACLK}/2$ 010b = $f_{ACLK}/4$ 011b = $f_{ACLK}/8$ 100b = $f_{ACLK}/16$ 101b = $f_{ACLK}/32$ 110b = Reserved for future use. Defaults to $f_{ACLK}/32$. 111b = Reserved for future use. Defaults to $f_{ACLK}/32$.
7	Reserved	R	0h	Reserved. Always reads as 0.
6-4	DIVS	RW	0h	SMCLK source divider 000b = $f_{SMCLK}/1$ 001b = $f_{SMCLK}/2$ 010b = $f_{SMCLK}/4$ 011b = $f_{SMCLK}/8$ 100b = $f_{SMCLK}/16$ 101b = $f_{SMCLK}/32$ 110b = Reserved for future use. Defaults to $f_{SMCLK}/32$. 111b = Reserved for future use. Defaults to $f_{SMCLK}/32$.
3	Reserved	R	0h	Reserved. Always reads as 0.
2-0	DIVM	RW	0h	MCLK source divider 000b = $f_{MCLK}/1$ 001b = $f_{MCLK}/2$ 010b = $f_{MCLK}/4$ 011b = $f_{MCLK}/8$ 100b = $f_{MCLK}/16$ 101b = $f_{MCLK}/32$ 110b = Reserved for future use. Defaults to $f_{MCLK}/32$. 111b = Reserved for future use. Defaults to $f_{MCLK}/32$.

5.4.7 UCSCTL6 Register

Unified Clock System Control 6 Register

Figure 5-12. UCSCTL6 Register

15	14	13	12	11	10	9	8
XT2DRIVE		Reserved	XT2BYPASS	Reserved			XT2OFF
rw-1	rw-1	r0	rw-0	r0	r0	r0	rw-1
7	6	5	4	3	2	1	0
XT1DRIVE		XTS	XT1BYPASS	XCAP		SMCLKOFF	XT1OFF
rw-1	rw-1	rw-0	rw-0	rw-1	rw-1	rw-0	rw-1

Table 5-9. UCSCTL6 Register Description

Bit	Field	Type	Reset	Description
15-14	XT2DRIVE	RW	3h	The XT2 oscillator current can be adjusted to its drive needs. Initially, it starts with the highest supply current for reliable and quick startup. If needed, user software can reduce the drive strength. 00b = Lowest current consumption. XT2 oscillator operating range is 4 MHz to 8 MHz. 01b = Increased drive strength XT2 oscillator. XT2 oscillator operating range is 8 MHz to 16 MHz. 10b = Increased drive capability XT2 oscillator. XT2 oscillator operating range is 16 MHz to 24 MHz. 11b = Maximum drive capability and maximum current consumption for both XT2 oscillator. XT2 oscillator operating range is 24 MHz to 32 MHz.
13	Reserved	R	0h	Reserved. Always reads as 0.
12	XT2BYPASS	RW	0h	XT2 bypass select 0b = XT2 sourced from external crystal 1b = XT2 sourced from external clock signal
11-9	Reserved	R	0h	Reserved. Always reads as 0.
8	XT2OFF	RW	1h	Turns off the XT2 oscillator 0b = XT2 is on if XT2 is selected by the port selection and XT2 is not in bypass mode of operation 1b = XT2 is off if it is not used as a source for ACLK, MCLK, or SMCLK or is not used as a reference source required for FLL operation
7-6	XT1DRIVE	RW	3h	The XT1 oscillator current can be adjusted to its drive needs. Initially, it starts with the highest supply current for reliable and quick startup. If needed, user software can reduce the drive strength. 00b = Lowest current consumption for XT1 LF mode. XT1 oscillator operating range in HF mode is 4 MHz to 8 MHz. 01b = Increased drive strength for XT1 LF mode. XT1 oscillator operating range in HF mode is 8 MHz to 16 MHz. 10b = Increased drive capability for XT1 LF mode. XT1 oscillator operating range in HF mode is 16 MHz to 24 MHz. 11b = Maximum drive capability and maximum current consumption for XT1 LF mode. XT1 oscillator operating range in HF mode is 24 MHz to 32 MHz.
5	XTS	RW	0h	XT1 mode select 0b = Low-frequency mode. XCAP bits define the capacitance at the XIN and XOUT pins. 1b = High-frequency mode. XCAP bits are not used.
4	XT1BYPASS	RW	0h	XT1 bypass select 0b = XT1 sourced from external crystal 1b = XT1 sourced from external clock signal

Table 5-9. UCSCTL6 Register Description (continued)

Bit	Field	Type	Reset	Description
3-2	XCAP	RW	3h	Oscillator capacitor selection. These bits select the capacitors applied to the LF crystal or resonator in the LF mode (XTS = 0). The effective capacitance (seen by the crystal) is $C(\text{eff}) \approx (C(\text{XIN}) + 2 \text{ pF}) / 2$. It is assumed that $C(\text{XIN}) = C(\text{XOUT})$ and that a parasitic capacitance of 2 pF is added by the package and the printed circuit board. For details about the typical internal and the effective capacitors, see the device-specific data sheet.
1	SMCLKOFF	RW	0h	SMCLK off. This bit turns off the SMCLK. 0b = SMCLK on 1b = SMCLK off
0	XT1OFF	RW	1h	XT1 off. This bit turns off the XT1. 0b = XT1 is on if XT1 is selected by the port selection and XT1 is not in bypass mode of operation. 1b = XT1 is off if it is not used as a source for ACLK, MCLK, or SMCLK or is not used as a reference source required for FLL operation.

5.4.8 UCSCTL7 Register

Unified Clock System Control 7 Register

Figure 5-13. UCSCTL7 Register

15	14	13	12	11	10	9	8
Reserved		Reserved		Reserved		Reserved	
r0	r0	rw-0	rw-(0)	rw-(1)	rw-(1)	r-1	r-1
7	6	5	4	3	2	1	0
Reserved			Reserved	XT2OFFG ⁽¹⁾	XT1HFOFFG ⁽¹⁾	XT1LFOFFG	DCOFFG
r0	r0	r0	rw-(0)	rw-(0)	rw-(0)	rw-(1)	rw-(1)

⁽¹⁾ Not available on all devices. When not available, this bit is reserved.

Table 5-10. UCSCTL7 Register Description

Bit	Field	Type	Reset	Description
15-14	Reserved	R	0h	Reserved. Always reads as 0.
13-12	Reserved	RW	0h	Reserved. Must always be written with 0.
11-10	Reserved	RW	3h	Reserved. The states of these bits should be ignored.
9-8	Reserved	R	3h	Reserved. The states of these bits should be ignored.
7-5	Reserved	R	0h	Reserved. Always reads as 0.
4	Reserved	RW	0h	Reserved. The state of this bit should be ignored.
3	XT2OFFG ⁽¹⁾	RW	0h	XT2 oscillator fault flag. If this bit is set, the OFIFG flag is also set. XT2OFFG is set if a XT2 fault condition exists. XT2OFFG can be cleared by software. If the XT2 fault condition still remains, XT2OFFG is set. 0b = No fault condition occurred after the last reset. 1b = XT2 fault. An XT2 fault occurred after the last reset.
2	XT1HFOFFG ⁽¹⁾	RW	0h	XT1 oscillator fault flag (HF mode). If this bit is set, the OFIFG flag is also set. XT1HFOFFG is set if a XT1 fault condition exists. XT1HFOFFG can be cleared by software. If the XT1 fault condition still remains, XT1HFOFFG is set. 0b = No fault condition occurred after the last reset. 1b = XT1 fault. An XT1 fault occurred after the last reset.
1	XT1LFOFFG	RW	1h	XT1 oscillator fault flag (LF mode). If this bit is set, the OFIFG flag is also set. XT1LFOFFG is set if a XT1 fault condition exists. XT1LFOFFG can be cleared by software. If the XT1 fault condition still remains, XT1LFOFFG is set. 0b = No fault condition occurred after the last reset. 1b = XT1 fault (LF mode). A XT1 fault occurred after the last reset.
0	DCOFFG	RW	1h	DCO fault flag. If this bit is set, the OFIFG flag is also set. The DCOFFG bit is set if DCO = {0} or DCO = {31}. DCOFFG can be cleared by software. If the DCO fault condition still remains, DCOFFG is set. 0b = No fault condition occurred after the last reset. 1b = DCO fault. A DCO fault occurred after the last reset.

⁽¹⁾ Not available on all devices. When not available, this bit is reserved.

5.4.9 UCSCTL8 Register

Unified Clock System Control 8 Register

Figure 5-14. UCSCTL8 Register

15	14	13	12	11	10	9	8
Reserved					Reserved		
r0	r0	r0	r0	r0	rw-(1)	rw-(1)	rw-(1)
7	6	5	4	3	2	1	0
Reserved			Reserved	MODOSCREQ EN	SMCLKREQEN	MCLKREQEN	ACLKREQEN
r0	r0	r0	rw-(0)	rw-(0)	rw-(1)	rw-(1)	rw-(1)

Table 5-11. UCSCTL8 Register Description

Bit	Field	Type	Reset	Description
15-11	Reserved	R	0h	Reserved. Always reads as 0.
10-8	Reserved	R	0h	Reserved. Must always be written as 1.
7-5	Reserved	R	0h	Reserved. Always reads as 0.
4	Reserved	R	0h	Reserved. Must always be written as 0.
3	MODOSCREQEN	RW	0h	MODOSC clock request enable. Setting this enables conditional module requests for MODOSC. 0b = MODOSC conditional requests are disabled. 1b = MODOSC conditional requests are enabled.
2	SMCLKREQEN	RW	1h	SMCLK clock request enable. Setting this enables conditional module requests for SMCLK 0b = SMCLK conditional requests are disabled. 1b = SMCLK conditional requests are enabled.
1	MCLKREQEN	RW	1h	MCLK clock request enable. Setting this enables conditional module requests for MCLK 0b = MCLK conditional requests are disabled. 1b = MCLK conditional requests are enabled.
0	ACLKREQEN	RW	1h	ACLK clock request enable. Setting this enables conditional module requests for ACLK 0b = ACLK conditional requests are disabled. 1b = ACLK conditional requests are enabled.

5.4.10 UCSCTL9 Register

Unified Clock System Control 9 Register

This register is not available on all devices. See the device-specific data sheet.

Figure 5-15. UCSCTL9 Register

15	14	13	12	11	10	9	8
Reserved							
r0	r0	r0	r0	r0	r0	r0	r0
7	6	5	4	3	2	1	0
Reserved						XT2BYPASSLV	XT1BYPASSLV
r0	r0	r0	r0	r0	r0	rw-0	rw-0

Table 5-12. UCSCTL9 Register Description

Bit	Field	Type	Reset	Description
15-2	Reserved	R	0h	Reserved. Always reads as 0.
1	XT2BYPASSLV	RW	0h	Selects XT2 bypass input swing level. Must be set for reduced swing operation. 0b = Input range from 0 to DVCC 1b = Input range from 0 to DVIO
0	XT1BYPASSLV	RW	0h	Selects XT1 bypass input swing level. Must be set for reduced swing operation. 0b = Input range from 0 to DVCC 1b = Input range from 0 to DVIO

CPUX

This chapter describes the extended MSP430X 16-bit RISC CPU (CPUX) with 1MB memory access, its addressing modes, and instruction set.

NOTE: The MSP430X CPUX implemented on this device family, formally called CPUXV2, has in some cases, slightly different cycle counts from the MSP430X CPUX implemented on the 2xx and 4xx families.

Topic	Page
6.1 MSP430X CPU (CPUX) Introduction	187
6.2 Interrupts	189
6.3 CPU Registers	190
6.4 Addressing Modes	196
6.5 MSP430 and MSP430X Instructions	213
6.6 Instruction Set Description	229

6.1 MSP430X CPU (CPUX) Introduction

The MSP430X CPU incorporates features specifically designed for modern programming techniques, such as calculated branching, table processing, and the use of high-level languages such as C. The MSP430X CPU can address a 1MB address range without paging. The MSP430X CPU is completely backward compatible with the MSP430 CPU.

The MSP430X CPU features include:

- RISC architecture
- Orthogonal architecture
- Full register access including program counter (PC), status register (SR), and stack pointer (SP)
- Single-cycle register operations
- Large register file reduces fetches to memory.
- 20-bit address bus allows direct access and branching throughout the entire memory range without paging.
- 16-bit data bus allows direct manipulation of word-wide arguments.
- Constant generator provides the six most often used immediate values and reduces code size.
- Direct memory-to-memory transfers without intermediate register holding
- Byte, word, and 20-bit address-word addressing

The block diagram of the MSP430X CPU is shown in [Figure 6-1](#).

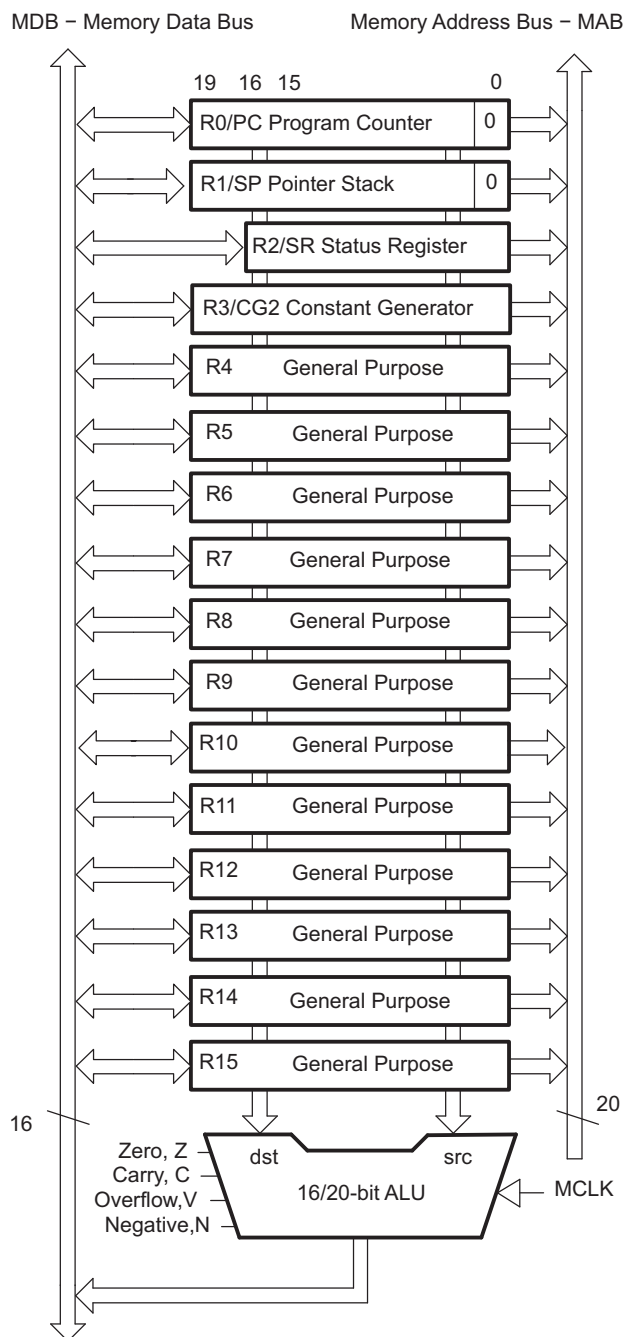


Figure 6-1. MSP430X CPU Block Diagram

6.2 Interrupts

The MSP430X has the following interrupt structure:

- Vectored interrupts with no polling necessary
- Interrupt vectors are located downward from address 0FFFEh.

The interrupt vectors contain 16-bit addresses that point into the lower 64KB memory. This means all interrupt handlers must start in the lower 64KB memory.

During an interrupt, the program counter (PC) and the status register (SR) are pushed onto the stack as shown in [Figure 6-2](#). The MSP430X architecture stores the complete 20-bit PC value efficiently by appending the PC bits 19:16 to the stored SR value automatically on the stack. When the RETI instruction is executed, the full 20-bit PC is restored making return from interrupt to any address in the memory range possible.

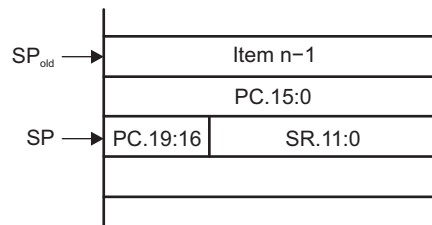


Figure 6-2. PC Storage on the Stack for Interrupts

6.3 CPU Registers

The CPU incorporates 16 registers (R0 through R15). Registers R0, R1, R2, and R3 have dedicated functions. Registers R4 through R15 are working registers for general use.

6.3.1 Program Counter (PC)

The 20-bit Program Counter (PC, also called R0) points to the next instruction to be executed. Each instruction uses an even number of bytes (2, 4, 6, or 8 bytes), and the PC is incremented accordingly. Instruction accesses are performed on word boundaries, and the PC is aligned to even addresses. Figure 6-3 shows the PC.



Figure 6-3. Program Counter

The PC can be addressed with all instructions and addressing modes. A few examples:

```
MOV.W #LABEL,PC ; Branch to address LABEL (lower 64KB)

MOVA #LABEL,PC ; Branch to address LABEL (1MB memory)

MOV.W LABEL,PC ; Branch to address in word LABEL
                ; (lower 64KB)

MOV.W @R14,PC ; Branch indirect to address in
                ; R14 (lower 64KB)

ADDA #4,PC ; Skip two words (1MB memory)
```

The BR and CALL instructions reset the upper four PC bits to 0. Only addresses in the lower 64KB address range can be reached with the BR or CALL instruction. When branching or calling, addresses beyond the lower 64KB range can only be reached using the BRA or CALLA instructions. Also, any instruction to directly modify the PC does so according to the used addressing mode. For example, MOV.W #value,PC clears the upper four bits of the PC, because it is a .W instruction.

The PC is automatically stored on the stack with CALL (or CALLA) instructions and during an interrupt service routine. Figure 6-4 shows the storage of the PC with the return address after a CALLA instruction. A CALL instruction stores only bits 15:0 of the PC.

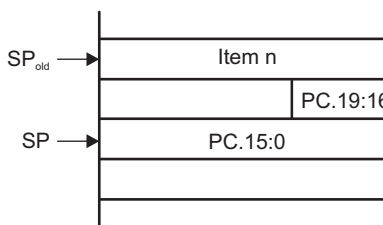


Figure 6-4. PC Storage on the Stack for CALLA

The RETA instruction restores bits 19:0 of the PC and adds 4 to the stack pointer (SP). The RET instruction restores bits 15:0 to the PC and adds 2 to the SP.

6.3.2 Stack Pointer (SP)

The 20-bit Stack Pointer (SP, also called R1) is used by the CPU to store the return addresses of subroutine calls and interrupts. It uses a predecrement, postincrement scheme. In addition, the SP can be used by software with all instructions and addressing modes. Figure 6-5 shows the SP. The SP is initialized into RAM by the user, and is always aligned to even addresses.

Figure 6-6 shows the stack usage. Figure 6-7 shows the stack usage when 20-bit address words are pushed.

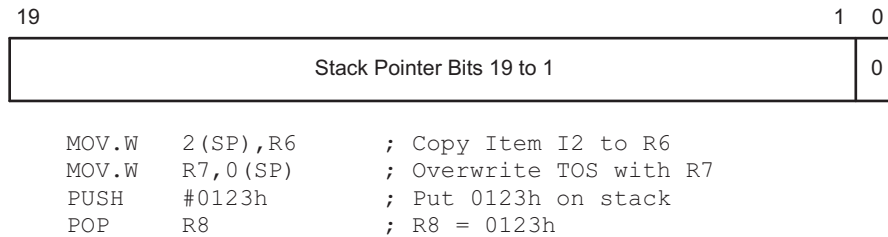


Figure 6-5. Stack Pointer

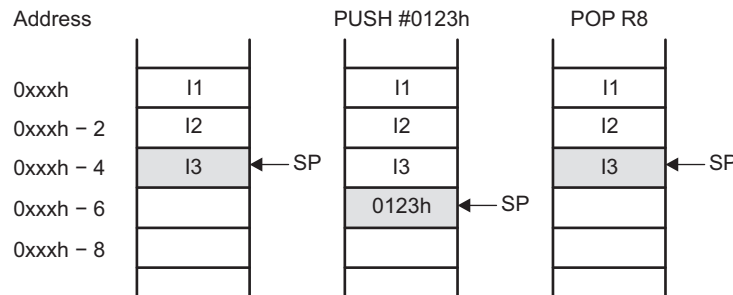


Figure 6-6. Stack Usage

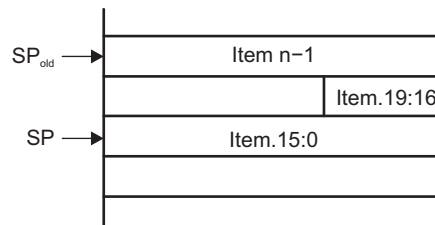


Figure 6-7. PUSHX.A Format on the Stack

The special cases of using the SP as an argument to the PUSH and POP instructions are described and shown in Figure 6-8.

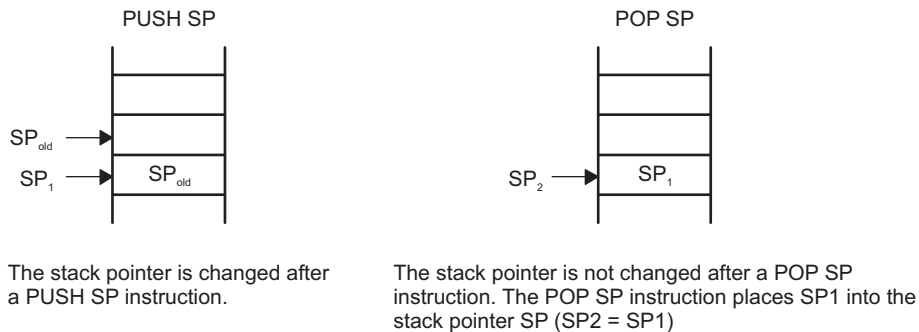


Figure 6-8. PUSH SP, POP SP Sequence

6.3.3 Status Register (SR)

The 16-bit Status Register (SR, also called R2), used as a source or destination register, can only be used in register mode addressed with word instructions. The remaining combinations of addressing modes are used to support the constant generator. Figure 6-9 shows the SR bits. Do not write 20-bit values to the SR. Unpredictable operation can result.

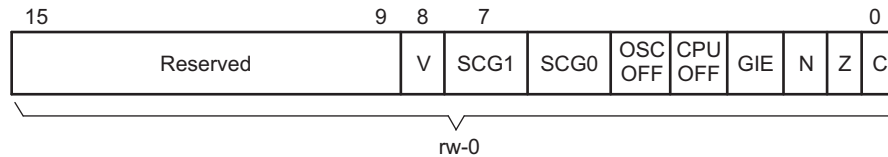


Figure 6-9. SR Bits

Table 6-1 describes the SR bits.

Table 6-1. SR Bit Description

Bit	Description
Reserved	Reserved
V	<p>Overflow. This bit is set when the result of an arithmetic operation overflows the signed-variable range.</p> <p>ADD(.B), ADDX(.B,.A), ADDC(.B), ADDCX(.B.A), ADDA</p> <p>Set when: positive + positive = negative negative + negative = positive otherwise reset</p> <p>SUB(.B), SUBX(.B,.A), SUBC(.B), SUBCX(.B,.A), SUBA, CMP(.B), CMPX(.B,.A), CMPA</p> <p>Set when: positive – negative = negative negative – positive = positive otherwise reset</p>
SCG1	System clock generator 1. This bit may be used to enable or disable functions in the clock system depending on the device family; for example, DCO bias enable or disable.
SCG0	System clock generator 0. This bit may be used to enable or disable functions in the clock system depending on the device family; for example, FLL enable or disable.
OSCOFF	Oscillator off. When this bit is set, it turns off the LFXT1 crystal oscillator when LFXT1CLK is not used for MCLK or SMCLK.
CPUOFF	CPU off. When this bit is set, it turns off the CPU.
GIE	General interrupt enable. When this bit is set, it enables maskable interrupts. When it is reset, all maskable interrupts are disabled.
N	Negative. This bit is set when the result of an operation is negative and cleared when the result is positive.
Z	Zero. This bit is set when the result of an operation is 0 and cleared when the result is not 0.
C	Carry. This bit is set when the result of an operation produced a carry and cleared when no carry occurred.

NOTE: Bit manipulations of the SR should be done by the following instructions: MOV, BIS, and BIC.

6.3.4 Constant Generator Registers (CG1 and CG2)

Six commonly-used constants are generated with the constant generator registers R2 (CG1) and R3 (CG2), without requiring an additional 16-bit word of program code. The constants are selected with the source register addressing modes (As), as described in [Table 6-2](#).

Table 6-2. Values of Constant Generators CG1, CG2

Register	As	Constant	Remarks
R2	00	–	Register mode
R2	01	(0)	Absolute address mode
R2	10	00004h	+4, bit processing
R2	11	00008h	+8, bit processing
R3	00	00000h	0, word processing
R3	01	00001h	+1
R3	10	00002h	+2, bit processing
R3	11	FFh, FFFFh, FFFFFh	–1, word processing

The constant generator advantages are:

- No special instructions required
- No additional code word for the six constants
- No code memory access required to retrieve the constant

The assembler uses the constant generator automatically if one of the six constants is used as an immediate source operand. Registers R2 and R3, used in the constant mode, cannot be addressed explicitly; they act as source-only registers.

6.3.4.1 Constant Generator – Expanded Instruction Set

The RISC instruction set of the MSP430 has only 27 instructions. However, the constant generator allows the MSP430 assembler to support 24 additional emulated instructions. For example, the single-operand instruction:

```
CLR dst
```

is emulated by the double-operand instruction with the same length:

```
MOV R3, dst
```

where the #0 is replaced by the assembler, and R3 is used with As = 00.

```
INC dst
```

is replaced by:

```
ADD #1, dst
```

6.3.5 General-Purpose Registers (R4 to R15)

The 12 CPU registers (R4 to R15) contain 8-bit, 16-bit, or 20-bit values. Any byte-write to a CPU register clears bits 19:8. Any word-write to a register clears bits 19:16. The only exception is the SXT instruction. The SXT instruction extends the sign through the complete 20-bit register.

Figure 6-10 through Figure 6-14 show the handling of byte, word, and address-word data. Note the reset of the leading most significant bits (MSBs) if a register is the destination of a byte or word instruction.

Figure 6-10 shows byte handling (8-bit data, .B suffix). The handling is shown for a source register and a destination memory byte and for a source memory byte and a destination register.

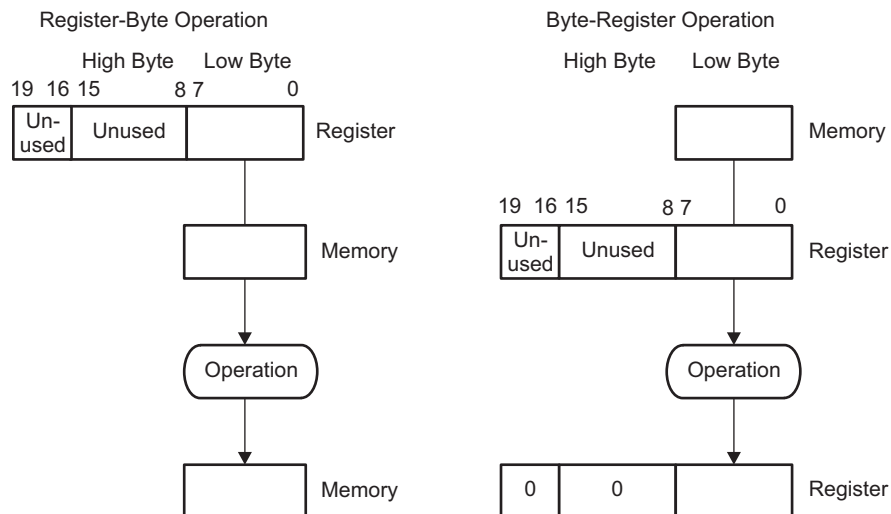


Figure 6-10. Register-Byte and Byte-Register Operation

Figure 6-11 and Figure 6-12 show 16-bit word handling (.W suffix). The handling is shown for a source register and a destination memory word and for a source memory word and a destination register.

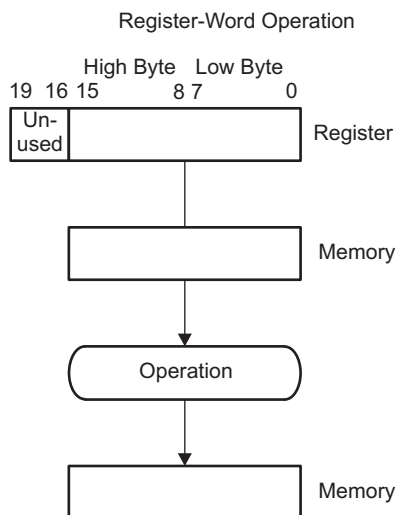


Figure 6-11. Register-Word Operation

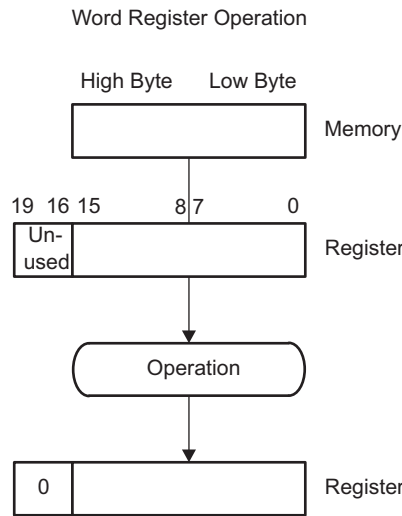


Figure 6-12. Word-Register Operation

Figure 6-13 and Figure 6-14 show 20-bit address-word handling (.A suffix). The handling is shown for a source register and a destination memory address-word and for a source memory address-word and a destination register.

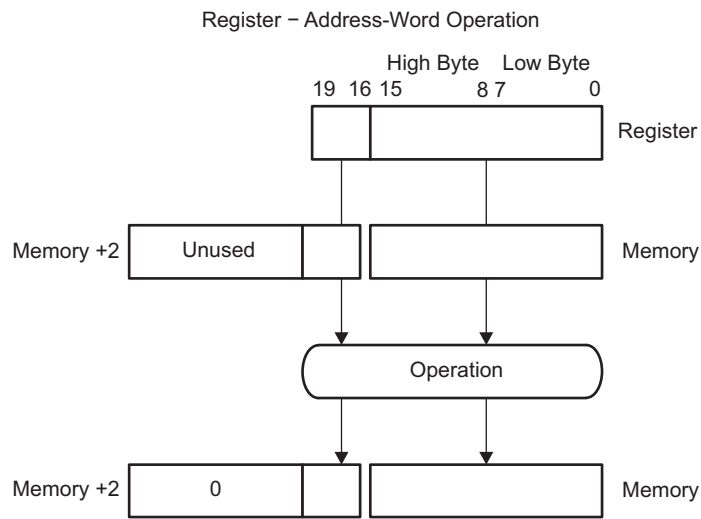
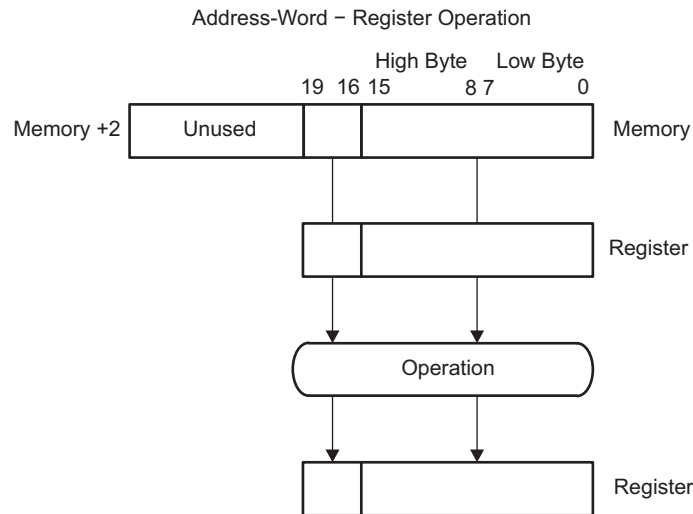


Figure 6-13. Register – Address-Word Operation


Figure 6-14. Address-Word – Register Operation

6.4 Addressing Modes

Seven addressing modes for the source operand and four addressing modes for the destination operand use 16-bit or 20-bit addresses (see [Table 6-3](#)). The MSP430 and MSP430X instructions are usable throughout the entire 1MB memory range.

Table 6-3. Source and Destination Addressing

As, Ad	Addressing Mode	Syntax	Description
00, 0	Register	Rn	Register contents are operand.
01, 1	Indexed	X(Rn)	(Rn + X) points to the operand. X is stored in the next word, or stored in combination of the preceding extension word and the next word.
01, 1	Symbolic	ADDR	(PC + X) points to the operand. X is stored in the next word, or stored in combination of the preceding extension word and the next word. Indexed mode X(PC) is used.
01, 1	Absolute	&ADDR	The word following the instruction contains the absolute address. X is stored in the next word, or stored in combination of the preceding extension word and the next word. Indexed mode X(SR) is used.
10, –	Indirect Register	@Rn	Rn is used as a pointer to the operand.
11, –	Indirect Autoincrement	@Rn+	Rn is used as a pointer to the operand. Rn is incremented afterwards by 1 for .B instructions, by 2 for .W instructions, and by 4 for .A instructions.
11, –	Immediate	#N	N is stored in the next word, or stored in combination of the preceding extension word and the next word. Indirect autoincrement mode @PC+ is used.

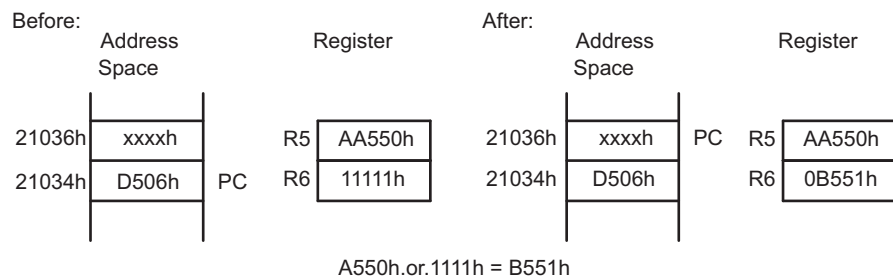
The seven addressing modes are explained in detail in the following sections. Most of the examples show the same addressing mode for the source and destination, but any valid combination of source and destination addressing modes is possible in an instruction.

NOTE: Use of Labels EDE, TONI, TOM, and LEO

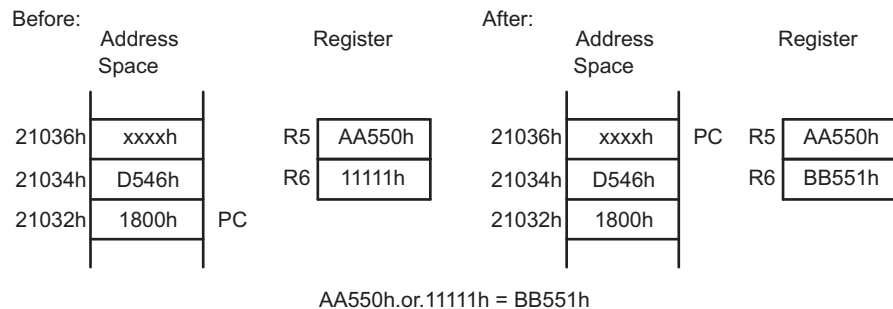
Throughout MSP430 documentation, EDE, TONI, TOM, and LEO are used as generic labels. They are only labels and have no special meaning.

6.4.1 Register Mode

- Operation: The operand is the 8-, 16-, or 20-bit content of the used CPU register.
- Length: One, two, or three words
- Comment: Valid for source and destination
- Byte operation: Byte operation reads only the eight least significant bits (LSBs) of the source register Rsrc and writes the result to the eight LSBs of the destination register Rdst. The bits Rdst.19:8 are cleared. The register Rsrc is not modified.
- Word operation: Word operation reads the 16 LSBs of the source register Rsrc and writes the result to the 16 LSBs of the destination register Rdst. The bits Rdst.19:16 are cleared. The register Rsrc is not modified.
- Address-word operation: Address-word operation reads the 20 bits of the source register Rsrc and writes the result to the 20 bits of the destination register Rdst. The register Rsrc is not modified
- SXT exception: The SXT instruction is the only exception for register operation. The sign of the low byte in bit 7 is extended to the bits Rdst.19:8.
- Example: `BIS.W R5,R6 ;`
 This instruction logically ORs the 16-bit data contained in R5 with the 16-bit contents of R6. R6.19:16 is cleared.



- Example: `BISX.A R5,R6 ;`
 This instruction logically ORs the 20-bit data contained in R5 with the 20-bit contents of R6.
 The extension word contains the A/L bit for 20-bit data. The instruction word uses byte mode with bits A/L:B/W = 01. The result of the instruction is:



6.4.2 Indexed Mode

The Indexed mode calculates the address of the operand by adding the signed index to a CPU register. The Indexed mode has four addressing possibilities:

- MSP430 instruction with Indexed mode in lower 64KB memory (see [Section 6.4.2.1](#))
- MSP430 instruction with Indexed mode addressing memory above the lower 64KB memory (see [Section 6.4.2.2](#))
- MSP430X instruction with Indexed mode (see [Section 6.4.2.3](#))
- MSP430X address instructions with Indexed mode (see [Section 6.4.2.4](#))

6.4.2.1 MSP430 Instruction With Indexed Mode in Lower 64KB Memory

If the CPU register R_n points to an address in the lower 64KB of the memory range, the calculated memory address bits 19:16 are cleared after the addition of the CPU register R_n and the signed 16-bit index. This means the calculated memory address is always located in the lower 64KB and does not overflow or underflow out of the lower 64KB memory space. The RAM and the peripheral registers can be accessed this way and existing MSP430 software is usable without modifications as shown in [Figure 6-15](#).

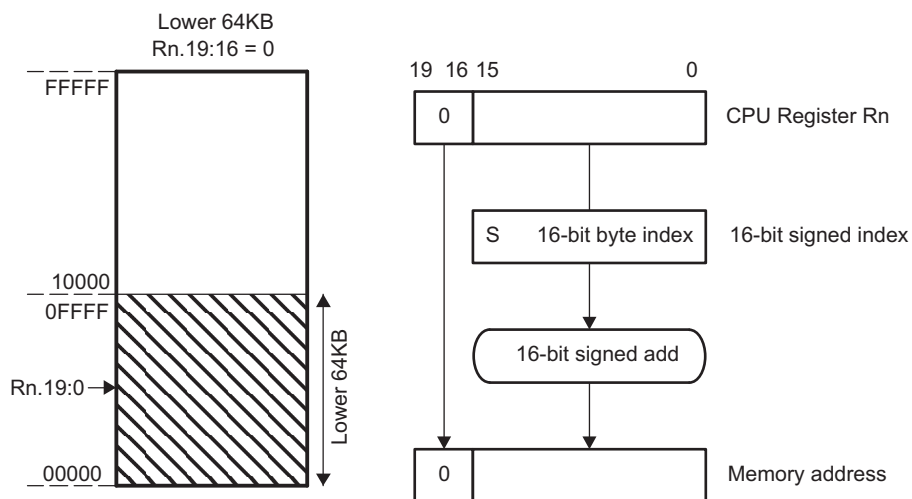
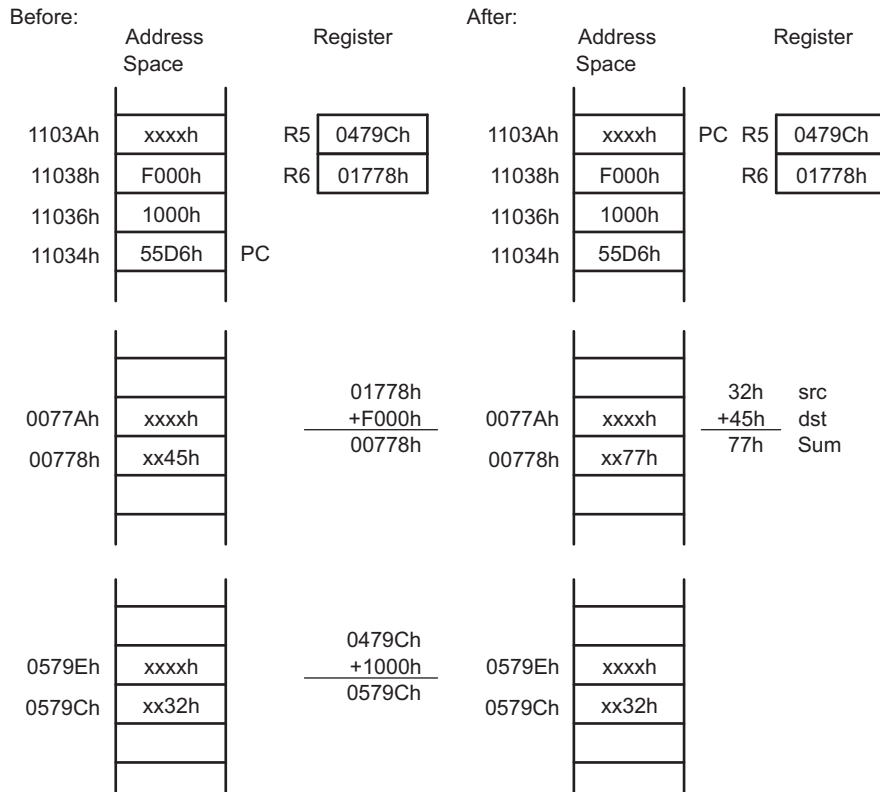


Figure 6-15. Indexed Mode in Lower 64KB

Length:	Two or three words
Operation:	The signed 16-bit index is located in the next word after the instruction and is added to the CPU register R_n . The resulting bits 19:16 are cleared giving a truncated 16-bit memory address, which points to an operand address in the range 00000h to 0FFFFh. The operand is the content of the addressed memory location.
Comment:	Valid for source and destination. The assembler calculates the register index and inserts it.
Example:	<code>ADD.B 1000h(R5), 0F000h(R6);</code> This instruction adds the 8-bit data contained in source byte 1000h(R5) and the destination byte 0F000h(R6) and places the result into the destination byte. Source and destination bytes are both located in the lower 64KB due to the cleared bits 19:16 of registers R5 and R6.
Source:	The byte pointed to by R5 + 1000h results in address 0479Ch + 1000h = 0579Ch after truncation to a 16-bit address.
Destination:	The byte pointed to by R6 + F000h results in address 01778h + F000h = 00778h after truncation to a 16-bit address.



6.4.2.2 MSP430 Instruction With Indexed Mode in Upper Memory

If the CPU register Rn points to an address above the lower 64KB memory, the Rn bits 19:16 are used for the address calculation of the operand. The operand may be located in memory in the range $Rn \pm 32KB$, because the index, X, is a signed 16-bit value. In this case, the address of the operand can overflow or underflow into the lower 64KB memory space (see Figure 6-16 and Figure 6-17).

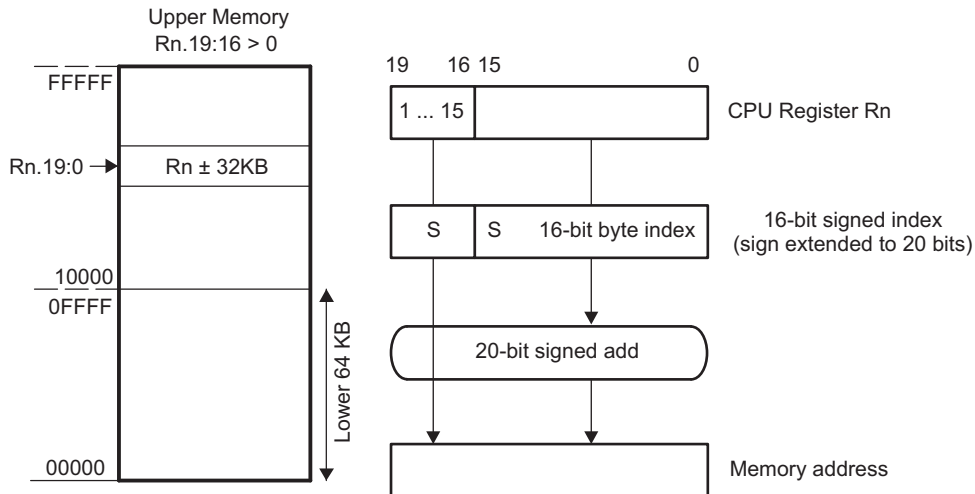
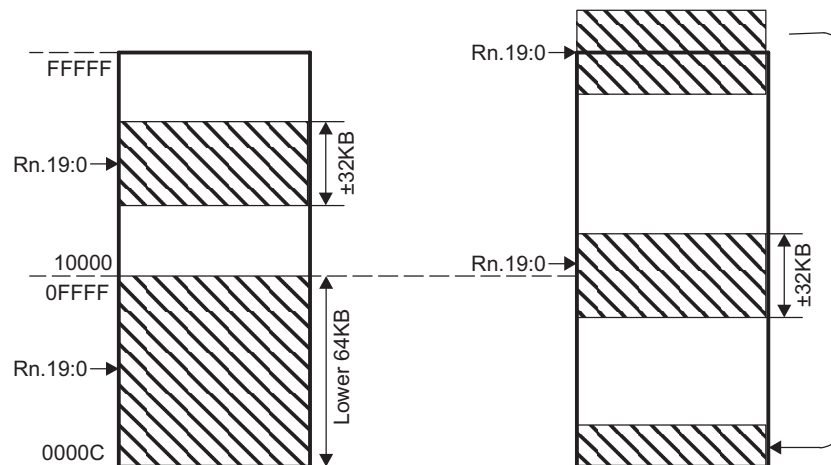


Figure 6-16. Indexed Mode in Upper Memory


Figure 6-17. Overflow and Underflow for Indexed Mode

Length:	Two or three words
Operation:	The sign-extended 16-bit index in the next word after the instruction is added to the 20 bits of the CPU register Rn. This delivers a 20-bit address, which points to an address in the range 0 to FFFFFh. The operand is the content of the addressed memory location.
Comment:	Valid for source and destination. The assembler calculates the register index and inserts it.
Example:	<pre>ADD.W 8346h(R5), 2100h(R6) ;</pre> <p>This instruction adds the 16-bit data contained in the source and the destination addresses and places the 16-bit result into the destination. Source and destination operand can be located in the entire address range.</p>
Source:	The word pointed to by R5 + 8346h. The negative index 8346h is sign extended, which results in address 23456h + F8346h = 1B79Ch.
Destination:	The word pointed to by R6 + 2100h results in address 15678h + 2100h = 17778h.

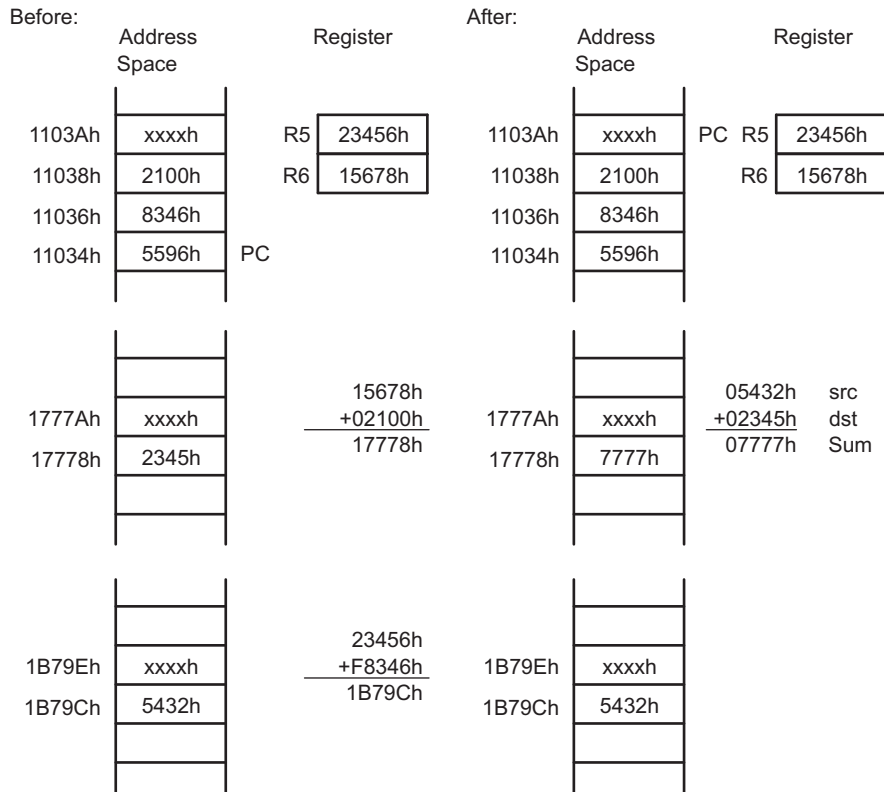


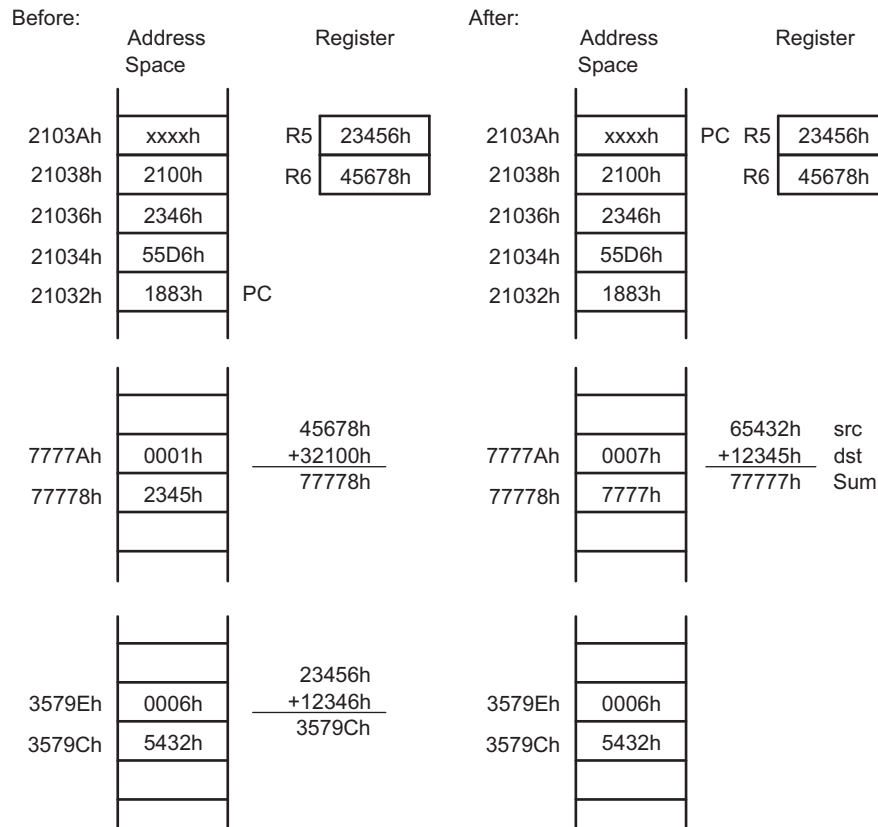
Figure 6-18. Example for Indexed Mode

6.4.2.3 MSP430X Instruction With Indexed Mode

When using an MSP430X instruction with Indexed mode, the operand can be located anywhere in the range of Rn + 19 bits.

- Length: Three or four words
- Operation: The operand address is the sum of the 20-bit CPU register content and the 20-bit index. The 4 MSBs of the index are contained in the extension word; the 16 LSBs are contained in the word following the instruction. The CPU register is not modified
- Comment: Valid for source and destination. The assembler calculates the register index and inserts it.
- Example: `ADDX.A 12346h(R5), 32100h(R6) ;`
This instruction adds the 20-bit data contained in the source and the destination addresses and places the result into the destination.
- Source: Two words pointed to by R5 + 12346h which results in address 23456h + 12346h = 3579Ch.
- Destination: Two words pointed to by R6 + 32100h which results in address 45678h + 32100h = 77778h.

The extension word contains the MSBs of the source index and of the destination index and the A/L bit for 20-bit data. The instruction word uses byte mode due to the 20-bit data length with bits A/L:B/W = 01.



6.4.2.4 MSP430X Address Instructions With Indexed Mode

When using an MSP430X Address Instruction with Indexed mode, the operand is located in memory in the range $R_n \pm 32KB$, because the index, X, is a signed 16-bit value.

Length: Two words

Operation: The sign-extended 16-bit index in the next word after the instruction is added to the 20 bits of the CPU register R_n . This delivers a 20-bit address, which points to an address in the range 0 to FFFFh. The operand is the content of the addressed memory location.

Comment: Valid for source and destination. The assembler calculates the register index and inserts it.

Example: `MOVA 8002h(R5),R6 ; // R5 = 0x100`

This instruction loads the 20-bit data contained in the source address into destination register.

Source: Two words pointed to by $R5 + 8002h$ and $R5 + 8002h + 2h$ which results in address $00100h + F8002h (+2h) = F8102h$ and $F8104h$.

Destination: Register R6

6.4.3 Symbolic Mode

The Symbolic mode calculates the address of the operand by adding the signed index to the PC. The Symbolic mode has three addressing possibilities:

- Symbolic mode in lower 64KB of memory
- MSP430 instruction with Symbolic mode addressing memory above the lower 64KB of memory.
- MSP430X instruction with Symbolic mode

6.4.3.1 Symbolic Mode in Lower 64KB

If the PC points to an address in the lower 64KB of the memory range, the calculated memory address bits 19:16 are cleared after the addition of the PC and the signed 16-bit index. This means the calculated memory address is always located in the lower 64KB and does not overflow or underflow out of the lower 64KB memory space. The RAM and the peripheral registers can be accessed this way and existing MSP430 software is usable without modifications as shown in [Figure 6-19](#).

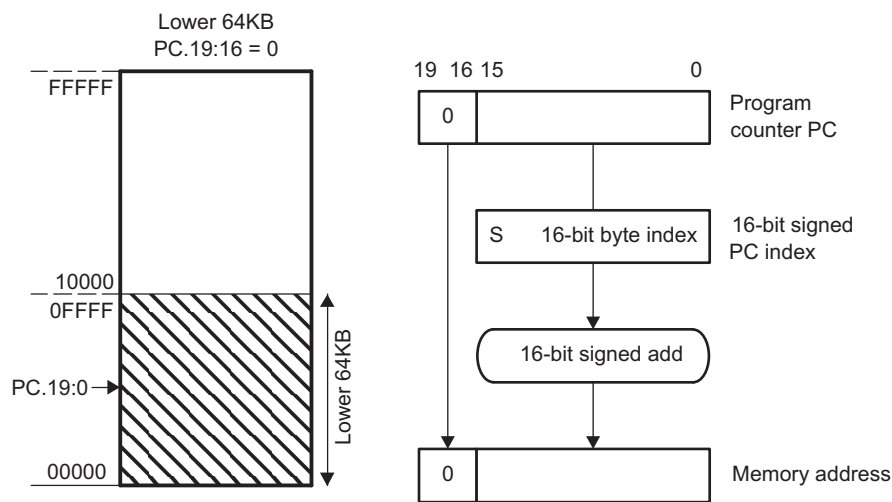
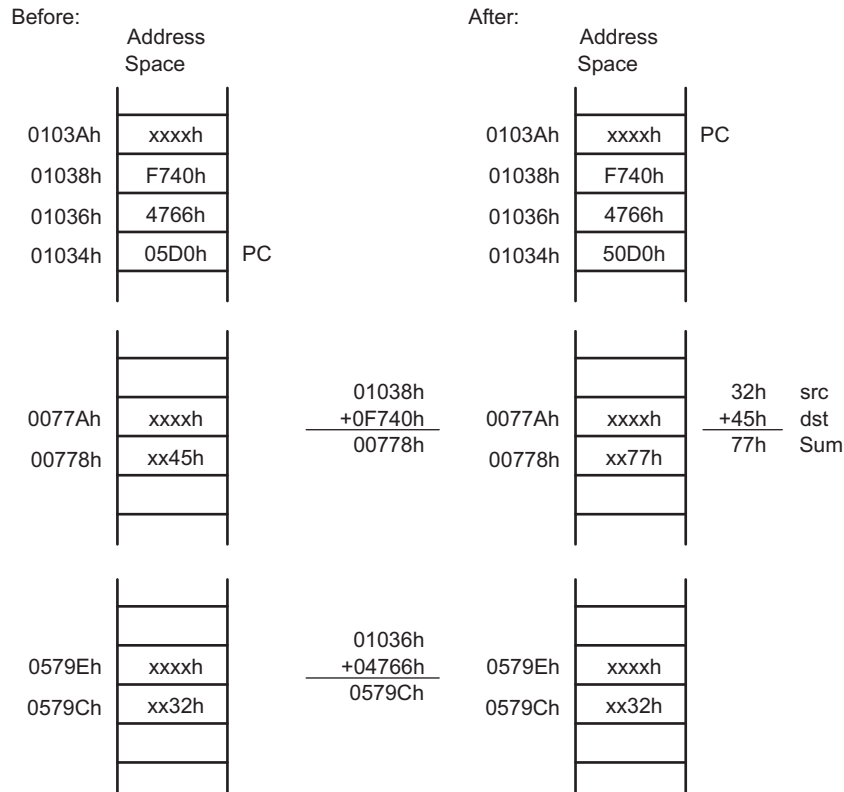


Figure 6-19. Symbolic Mode Running in Lower 64KB

Operation:	The signed 16-bit index in the next word after the instruction is added temporarily to the PC. The resulting bits 19:16 are cleared giving a truncated 16-bit memory address, which points to an operand address in the range 00000h to 0FFFFh. The operand is the content of the addressed memory location.
Length:	Two or three words
Comment:	Valid for source and destination. The assembler calculates the PC index and inserts it.
Example:	<code>ADD.B EDE,TONI ;</code> This instruction adds the 8-bit data contained in source byte EDE and destination byte TONI and places the result into the destination byte TONI. Bytes EDE and TONI and the program are located in the lower 64KB.
Source:	Byte EDE located at address 0579Ch, pointed to by PC + 4766h, where the PC index 4766h is the result of 0579Ch – 01036h = 04766h. Address 01036h is the location of the index for this example.
Destination:	Byte TONI located at address 00778h, pointed to by PC + F740h, is the truncated 16-bit result of 00778h – 1038h = FF740h. Address 01038h is the location of the index for this example.



6.4.3.2 MSP430 Instruction With Symbolic Mode in Upper Memory

If the PC points to an address above the lower 64KB memory, the PC bits 19:16 are used for the address calculation of the operand. The operand may be located in memory in the range PC ± 32KB, because the index, X, is a signed 16-bit value. In this case, the address of the operand can overflow or underflow into the lower 64KB memory space as shown in Figure 6-20 and Figure 6-21.

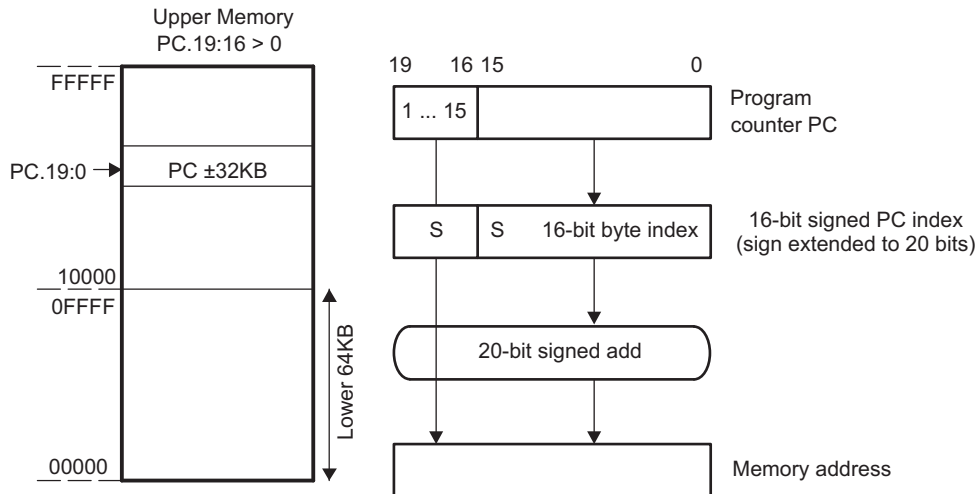


Figure 6-20. Symbolic Mode Running in Upper Memory

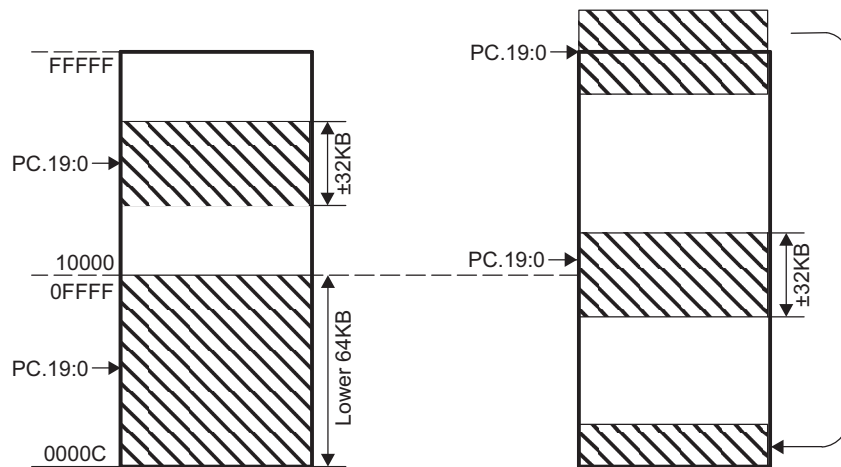
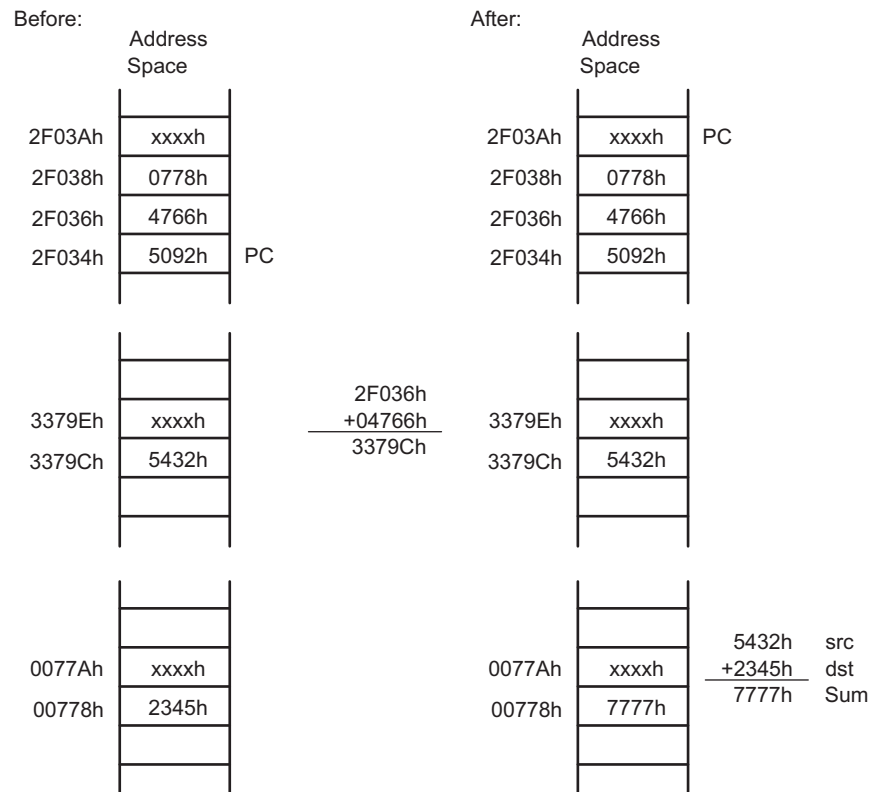


Figure 6-21. Overflow and Underflow for Symbolic Mode

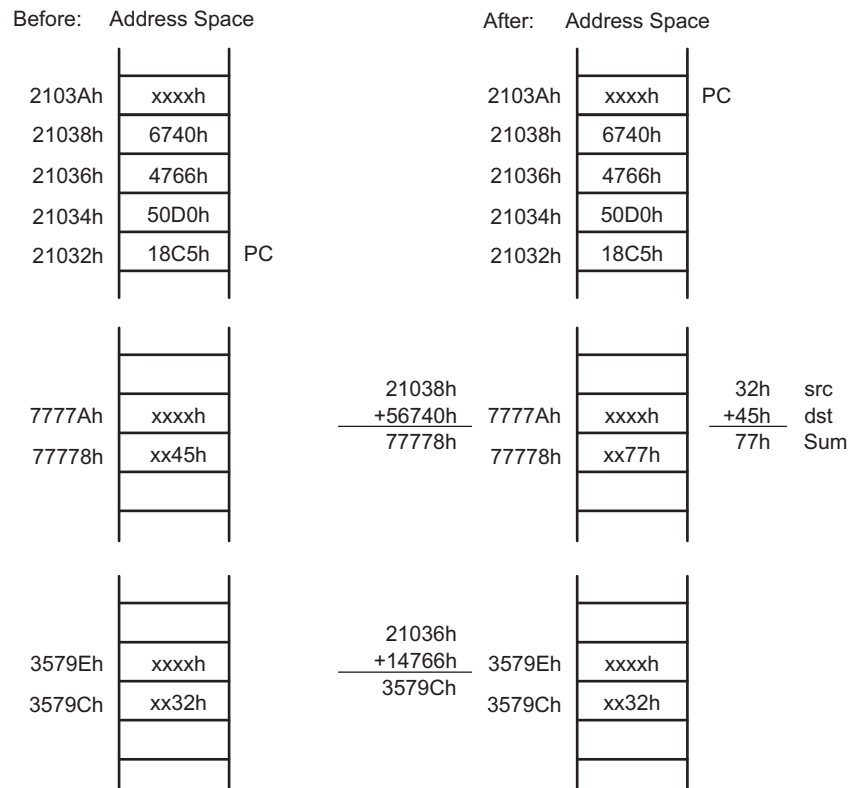
- Length:** Two or three words
- Operation:** The sign-extended 16-bit index in the next word after the instruction is added to the 20 bits of the PC. This delivers a 20-bit address, which points to an address in the range 0 to FFFFFh. The operand is the content of the addressed memory location.
- Comment:** Valid for source and destination. The assembler calculates the PC index and inserts it
- Example:** `ADD.W EDE, &TONI ;`
 This instruction adds the 16-bit data contained in source word EDE and destination word TONI and places the 16-bit result into the destination word TONI. For this example, the instruction is located at address 2F034h.
- Source:** Word EDE at address 3379Ch, pointed to by PC + 4766h, which is the 16-bit result of 3379Ch – 2F036h = 04766h. Address 2F036h is the location of the index for this example.
- Destination:** Word TONI located at address 00778h pointed to by the absolute address 00778h



6.4.3.3 MSP430X Instruction With Symbolic Mode

When using an MSP430X instruction with Symbolic mode, the operand can be located anywhere in the range of PC + 19 bits.

- Length:** Three or four words
- Operation:** The operand address is the sum of the 20-bit PC and the 20-bit index. The 4 MSBs of the index are contained in the extension word; the 16 LSBs are contained in the word following the instruction.
- Comment:** Valid for source and destination. The assembler calculates the register index and inserts it.
- Example:** `ADDX.B EDE,TONI ;`
 This instruction adds the 8-bit data contained in source byte EDE and destination byte TONI and places the result into the destination byte TONI.
- Source:** Byte EDE located at address 3579Ch, pointed to by PC + 14766h, is the 20-bit result of 3579Ch – 21036h = 14766h. Address 21036h is the address of the index in this example.
- Destination:** Byte TONI located at address 77778h, pointed to by PC + 56740h, is the 20-bit result of 77778h – 21038h = 56740h. Address 21038h is the address of the index in this example.



6.4.4 Absolute Mode

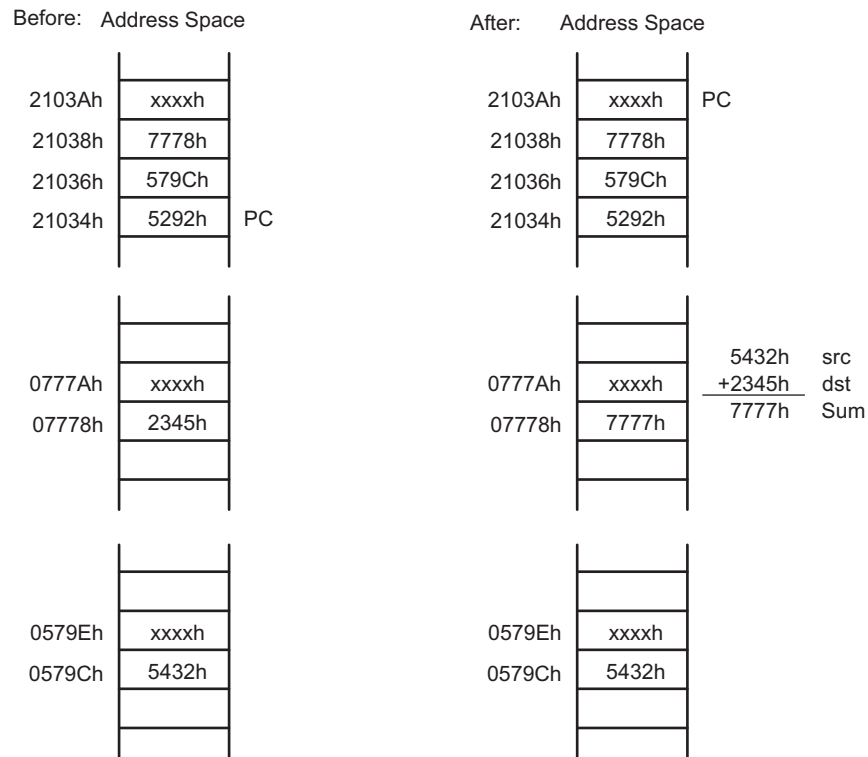
The Absolute mode uses the contents of the word following the instruction as the address of the operand. The Absolute mode has two addressing possibilities:

- Absolute mode in lower 64KB memory
- MSP430X instruction with Absolute mode

6.4.4.1 Absolute Mode in Lower 64KB

If an MSP430 instruction is used with Absolute addressing mode, the absolute address is a 16-bit value and, therefore, points to an address in the lower 64KB of the memory range. The address is calculated as an index from 0 and is stored in the word following the instruction. The RAM and the peripheral registers can be accessed this way and existing MSP430 software is usable without modifications.

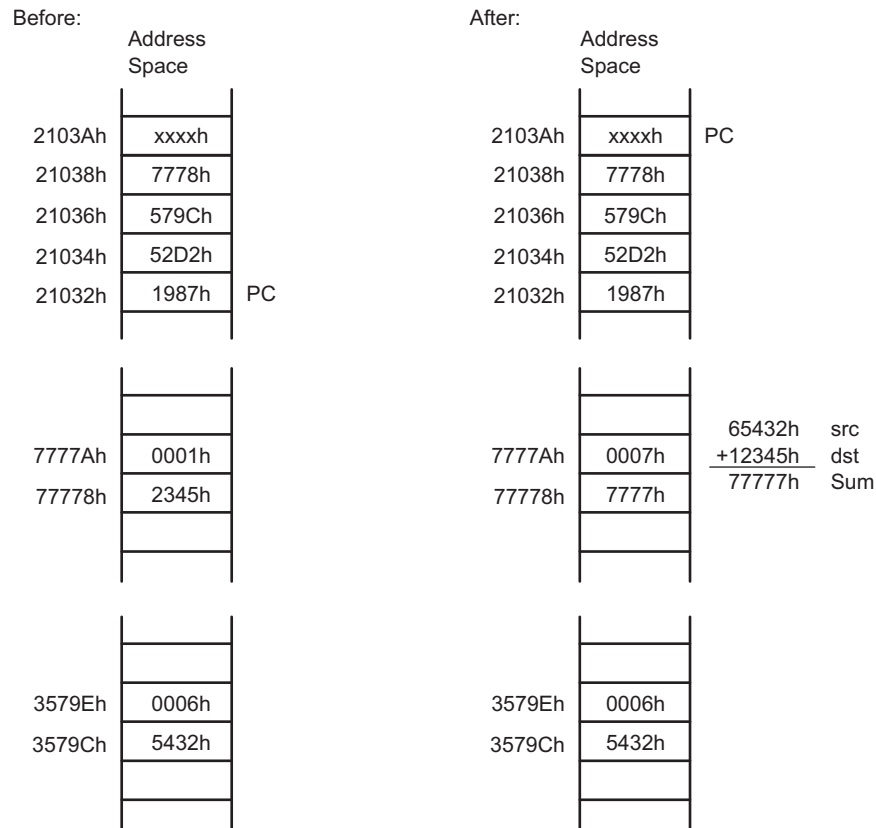
Length:	Two or three words
Operation:	The operand is the content of the addressed memory location.
Comment:	Valid for source and destination. The assembler calculates the index from 0 and inserts it.
Example:	<pre>ADD.W &EDE, &TONI ;</pre> <p>This instruction adds the 16-bit data contained in the absolute source and destination addresses and places the result into the destination.</p>
Source:	Word at address EDE
Destination:	Word at address TONI



6.4.4.2 MSP430X Instruction With Absolute Mode

If an MSP430X instruction is used with Absolute addressing mode, the absolute address is a 20-bit value and, therefore, points to any address in the memory range. The address value is calculated as an index from 0. The 4 MSBs of the index are contained in the extension word, and the 16 LSBs are contained in the word following the instruction.

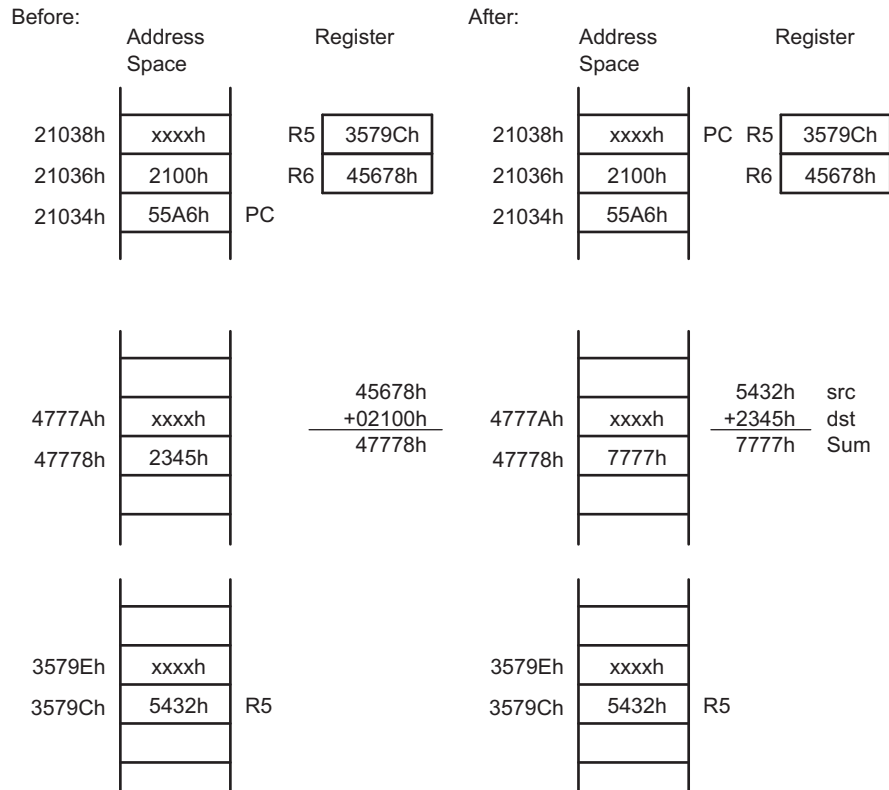
Length:	Three or four words
Operation:	The operand is the content of the addressed memory location.
Comment:	Valid for source and destination. The assembler calculates the index from 0 and inserts it.
Example:	<pre>ADDX.A &EDE, &TONI ;</pre> <p>This instruction adds the 20-bit data contained in the absolute source and destination addresses and places the result into the destination.</p>
Source:	Two words beginning with address EDE
Destination:	Two words beginning with address TONI



6.4.5 Indirect Register Mode

The Indirect Register mode uses the contents of the CPU register Rsrc as the source operand. The Indirect Register mode always uses a 20-bit address.

- Length: One, two, or three words
- Operation: The operand is the content the addressed memory location. The source register Rsrc is not modified.
- Comment: Valid only for the source operand. The substitute for the destination operand is 0(Rdst).
- Example: `ADDX.W @R5, 2100h(R6)`
This instruction adds the two 16-bit operands contained in the source and the destination addresses and places the result into the destination.
- Source: Word pointed to by R5. R5 contains address 3579Ch for this example.
- Destination: Word pointed to by R6 + 2100h, which results in address 45678h + 2100h = 7778h



6.4.6 Indirect Autoincrement Mode

The Indirect Autoincrement mode uses the contents of the CPU register Rsrc as the source operand. Rsrc is then automatically incremented by 1 for byte instructions, by 2 for word instructions, and by 4 for address-word instructions immediately after accessing the source operand. If the same register is used for source and destination, it contains the incremented address for the destination access. Indirect Autoincrement mode always uses 20-bit addresses.

Length: One, two, or three words

Operation: The operand is the content of the addressed memory location.

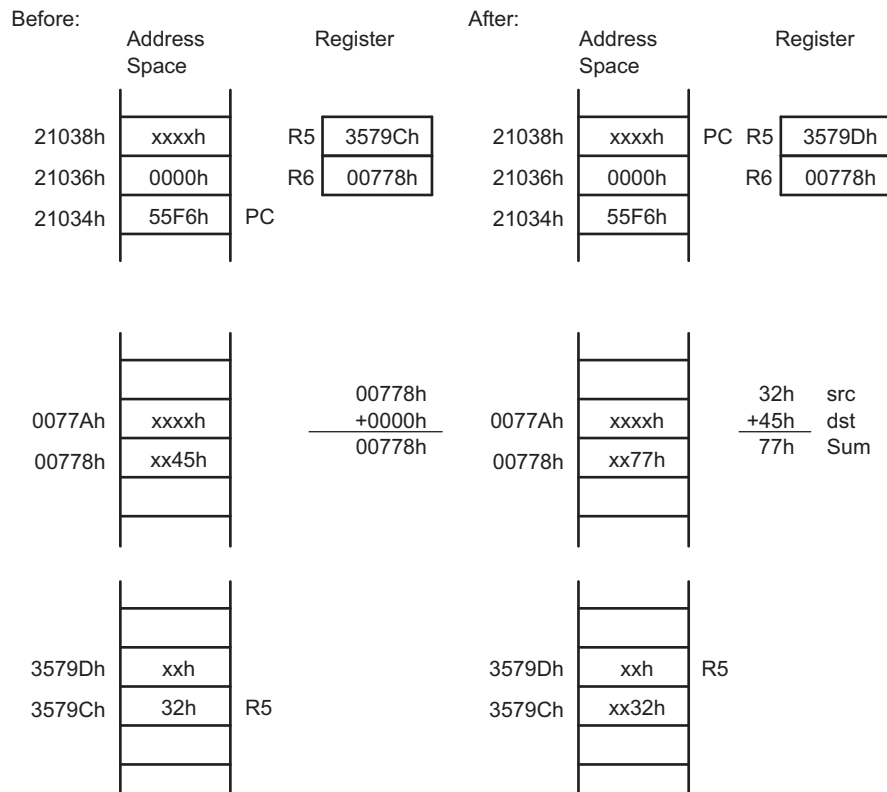
Comment: Valid only for the source operand

Example: `ADD.B @R5+,0(R6)`

This instruction adds the 8-bit data contained in the source and the destination addresses and places the result into the destination.

Source: Byte pointed to by R5. R5 contains address 3579Ch for this example.

Destination: Byte pointed to by R6 + 0h, which results in address 0778h for this example



6.4.7 Immediate Mode

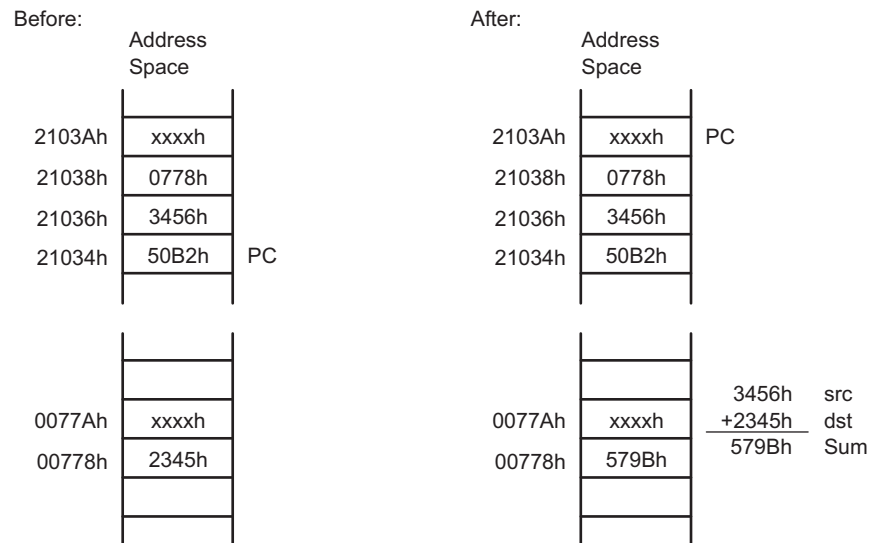
The Immediate mode allows accessing constants as operands by including the constant in the memory location following the instruction. The PC is used with the Indirect Autoincrement mode. The PC points to the immediate value contained in the next word. After the fetching of the immediate operand, the PC is incremented by 2 for byte, word, or address-word instructions. The Immediate mode has two addressing possibilities:

- 8-bit or 16-bit constants with MSP430 instructions
- 20-bit constants with MSP430X instruction

6.4.7.1 MSP430 Instructions With Immediate Mode

If an MSP430 instruction is used with Immediate addressing mode, the constant is an 8- or 16-bit value and is stored in the word following the instruction.

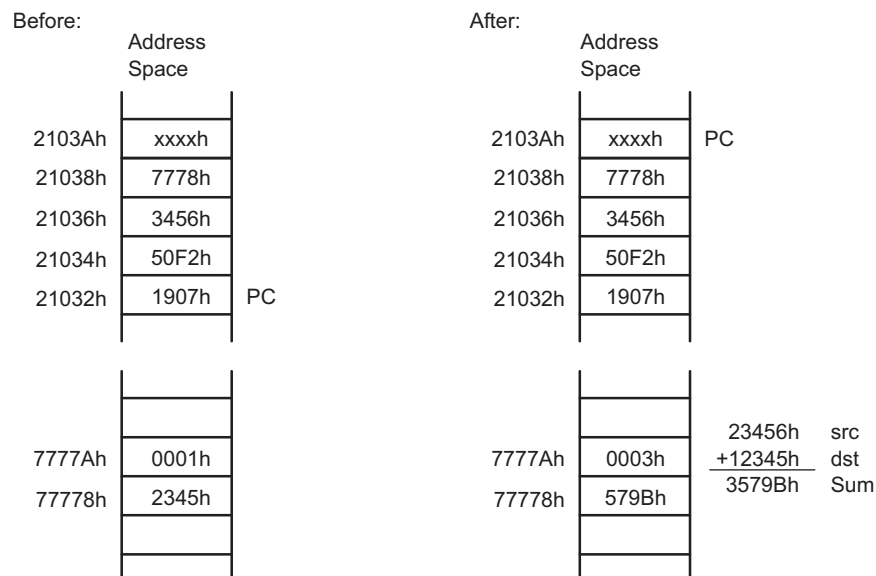
Length:	Two or three words. One word less if a constant of the constant generator can be used for the immediate operand.
Operation:	The 16-bit immediate source operand is used together with the 16-bit destination operand.
Comment:	Valid only for the source operand
Example:	<pre>ADD #3456h, &TONI</pre> <p>This instruction adds the 16-bit immediate operand 3456h to the data in the destination address TONI.</p>
Source:	16-bit immediate value 3456h
Destination:	Word at address TONI



6.4.7.2 MSP430X Instructions With Immediate Mode

If an MSP430X instruction is used with Immediate addressing mode, the constant is a 20-bit value. The 4 MSBs of the constant are stored in the extension word, and the 16 LSBs of the constant are stored in the word following the instruction.

Length:	Three or four words. One word less if a constant of the constant generator can be used for the immediate operand.
Operation:	The 20-bit immediate source operand is used together with the 20-bit destination operand.
Comment:	Valid only for the source operand
Example:	<p>ADDX.A #23456h, &TONI ;</p> <p>This instruction adds the 20-bit immediate operand 23456h to the data in the destination address TONI.</p>
Source:	20-bit immediate value 23456h
Destination:	Two words beginning with address TONI



6.5 MSP430 and MSP430X Instructions

MSP430 instructions are the 27 implemented instructions of the MSP430 CPU. These instructions are used throughout the 1MB memory range unless their 16-bit capability is exceeded. The MSP430X instructions are used when the addressing of the operands or the data length exceeds the 16-bit capability of the MSP430 instructions.

There are three possibilities when choosing between an MSP430 and MSP430X instruction:

- To use only the MSP430 instructions – The only exceptions are the CALLA and the RETA instruction. This can be done if a few, simple rules are met:
 - Place all constants, variables, arrays, tables, and data in the lower 64KB. This allows the use of MSP430 instructions with 16-bit addressing for all data accesses. No pointers with 20-bit addresses are needed.
 - Place subroutine constants immediately after the subroutine code. This allows the use of the symbolic addressing mode with its 16-bit index to reach addresses within the range of PC + 32KB.
- To use only MSP430X instructions – The disadvantages of this method are the reduced speed due to the additional CPU cycles and the increased program space due to the necessary extension word for any double-operand instruction.
- Use the best fitting instruction where needed.

[Section 6.5.1](#) lists and describes the MSP430 instructions, and [Section 6.5.2](#) lists and describes the MSP430X instructions.

6.5.1 MSP430 Instructions

The MSP430 instructions can be used, regardless if the program resides in the lower 64KB or beyond it. The only exceptions are the instructions CALL and RET, which are limited to the lower 64KB address range. CALLA and RETA instructions have been added to the MSP430X CPU to handle subroutines in the entire address range with no code size overhead.

6.5.1.1 MSP430 Double-Operand (Format I) Instructions

[Figure 6-22](#) shows the format of the MSP430 double-operand instructions. Source and destination words are appended for the Indexed, Symbolic, Absolute, and Immediate modes. [Table 6-4](#) lists the 12 MSP430 double-operand instructions.

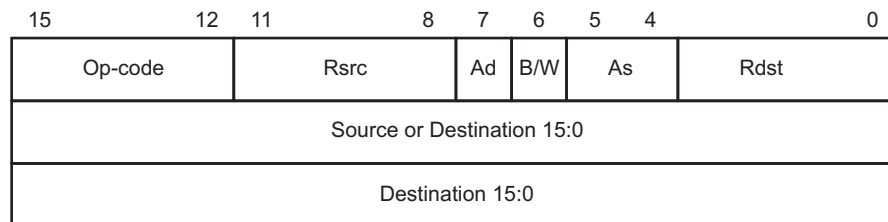


Figure 6-22. MSP430 Double-Operand Instruction Format

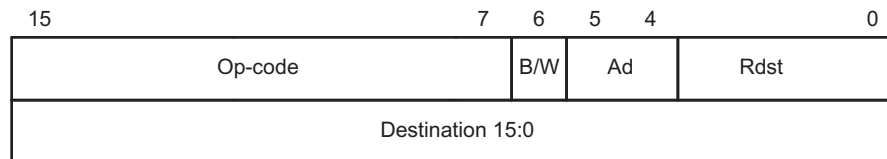
Table 6-4. MSP430 Double-Operand Instructions

Mnemonic	S-Reg, D-Reg	Operation	Status Bits ⁽¹⁾			
			V	N	Z	C
MOV (.B)	src,dst	src → dst	–	–	–	–
ADD (.B)	src,dst	src + dst → dst	*	*	*	*
ADDC (.B)	src,dst	src + dst + C → dst	*	*	*	*
SUB (.B)	src,dst	dst + .not.src + 1 → dst	*	*	*	*
SUBC (.B)	src,dst	dst + .not.src + C → dst	*	*	*	*
CMP (.B)	src,dst	dst - src	*	*	*	*
DADD (.B)	src,dst	src + dst + C → dst (decimally)	*	*	*	*
BIT (.B)	src,dst	src .and. dst	0	*	*	Z
BIC (.B)	src,dst	.not.src .and. dst → dst	–	–	–	–
BIS (.B)	src,dst	src .or. dst → dst	–	–	–	–
XOR (.B)	src,dst	src .xor. dst → dst	*	*	*	Z
AND (.B)	src,dst	src .and. dst → dst	0	*	*	Z

⁽¹⁾ * = Status bit is affected.
– = Status bit is not affected.
0 = Status bit is cleared.
1 = Status bit is set.

6.5.1.2 MSP430 Single-Operand (Format II) Instructions

Figure 6-23 shows the format for MSP430 single-operand instructions, except RETI. The destination word is appended for the Indexed, Symbolic, Absolute, and Immediate modes. Table 6-5 lists the seven single-operand instructions.


Figure 6-23. MSP430 Single-Operand Instructions
Table 6-5. MSP430 Single-Operand Instructions

Mnemonic	S-Reg, D-Reg	Operation	Status Bits ⁽¹⁾			
			V	N	Z	C
RRC (.B)	dst	C → MSB →.....LSB → C	0	*	*	*
RRA (.B)	dst	MSB → MSB →.....LSB → C	0	*	*	*
PUSH (.B)	src	SP - 2 → SP, src → SP	–	–	–	–
SWPB	dst	bit 15...bit 8 ↔ bit 7...bit 0	–	–	–	–
CALL	dst	Call subroutine in lower 64KB	–	–	–	–
RETI		TOS → SR, SP + 2 → SP TOS → PC, SP + 2 → SP	*	*	*	*
SXT	dst	Register mode: bit 7 → bit 8...bit 19 Other modes: bit 7 → bit 8...bit 15	0	*	*	Z

⁽¹⁾ * = Status bit is affected.
– = Status bit is not affected.
0 = Status bit is cleared.
1 = Status bit is set.

6.5.1.3 Jump Instructions

Figure 6-24 shows the format for MSP430 and MSP430X jump instructions. The signed 10-bit word offset of the jump instruction is multiplied by two, sign-extended to a 20-bit address, and added to the 20-bit PC. This allows jumps in a range of –512 to +512 words relative to the PC in the full 20-bit address space. Jumps do not affect the status bits. Table 6-6 lists and describes the eight jump instructions.

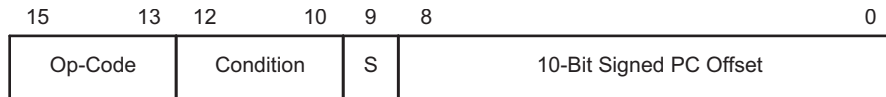


Figure 6-24. Format of Conditional Jump Instructions

Table 6-6. Conditional Jump Instructions

Mnemonic	S-Reg, D-Reg	Operation
JEQ, JZ	Label	Jump to label if zero bit is set
JNE, JNZ	Label	Jump to label if zero bit is reset
JC	Label	Jump to label if carry bit is set
JNC	Label	Jump to label if carry bit is reset
JN	Label	Jump to label if negative bit is set
JGE	Label	Jump to label if (N .XOR. V) = 0
JL	Label	Jump to label if (N .XOR. V) = 1
JMP	Label	Jump to label unconditionally

6.5.1.4 Emulated Instructions

In addition to the MSP430 and MSP430X instructions, emulated instructions are instructions that make code easier to write and read, but do not have op-codes themselves. Instead, they are replaced automatically by the assembler with a core instruction. There is no code or performance penalty for using emulated instructions. The emulated instructions are listed in Table 6-7.

Table 6-7. Emulated Instructions

Instruction	Explanation	Emulation	Status Bits ⁽¹⁾			
			V	N	Z	C
ADC(.B) dst	Add Carry to dst	ADDC(.B) #0, dst	*	*	*	*
BR dst	Branch indirectly dst	MOV dst, PC	–	–	–	–
CLR(.B) dst	Clear dst	MOV(.B) #0, dst	–	–	–	–
CLRC	Clear Carry bit	BIC #1, SR	–	–	–	0
CLRN	Clear Negative bit	BIC #4, SR	–	0	–	–
CLRZ	Clear Zero bit	BIC #2, SR	–	–	0	–
DADC(.B) dst	Add Carry to dst decimally	DADD(.B) #0, dst	*	*	*	*
DEC(.B) dst	Decrement dst by 1	SUB(.B) #1, dst	*	*	*	*
DECD(.B) dst	Decrement dst by 2	SUB(.B) #2, dst	*	*	*	*
DINT	Disable interrupt	BIC #8, SR	–	–	–	–
EINT	Enable interrupt	BIS #8, SR	–	–	–	–
INC(.B) dst	Increment dst by 1	ADD(.B) #1, dst	*	*	*	*
INCD(.B) dst	Increment dst by 2	ADD(.B) #2, dst	*	*	*	*

⁽¹⁾ * = Status bit is affected.
– = Status bit is not affected.
0 = Status bit is cleared.
1 = Status bit is set.

Table 6-7. Emulated Instructions (continued)

Instruction	Explanation	Emulation	Status Bits ⁽¹⁾			
			V	N	Z	C
INV(.B) dst	Invert dst	XOR(.B) #-1, dst	*	*	*	*
NOP	No operation	MOV R3, R3	–	–	–	–
POP dst	Pop operand from stack	MOV @SP+, dst	–	–	–	–
RET	Return from subroutine	MOV @SP+, PC	–	–	–	–
RLA(.B) dst	Shift left dst arithmetically	ADD(.B) dst, dst	*	*	*	*
RLC(.B) dst	Shift left dst logically through Carry	ADDC(.B) dst, dst	*	*	*	*
SBC(.B) dst	Subtract Carry from dst	SUBC(.B) #0, dst	*	*	*	*
SETC	Set Carry bit	BIS #1, SR	–	–	–	1
SETN	Set Negative bit	BIS #4, SR	–	1	–	–
SETZ	Set Zero bit	BIS #2, SR	–	–	1	–
TST(.B) dst	Test dst (compare with 0)	CMP(.B) #0, dst	0	*	*	1

6.5.1.5 MSP430 Instruction Execution

The number of CPU clock cycles required for an instruction depends on the instruction format and the addressing modes used – not the instruction itself. The number of clock cycles refers to MCLK.

6.5.1.5.1 Instruction Cycles and Length for Interrupt, Reset, and Subroutines

Table 6-8 lists the length and the CPU cycles for reset, interrupts, and subroutines.

Table 6-8. Interrupt, Return, and Reset Cycles and Length

Action	Execution Time (MCLK Cycles)	Length of Instruction (Words)
Return from interrupt RETI	5	1
Return from subroutine RET	4	1
Interrupt request service (cycles needed before first instruction)	6	–
WDT reset	4	–
Reset (RST/NMI)	4	–

6.5.1.5.2 Format II (Single-Operand) Instruction Cycles and Lengths

Table 6-9 lists the length and the CPU cycles for all addressing modes of the MSP430 single-operand instructions.

Table 6-9. MSP430 Format II Instruction Cycles and Length

Addressing Mode	No. of Cycles			Length of Instruction	Example
	RRA, RRC SWPB, SXT	PUSH	CALL		
Rn	1	3	4	1	SWPB R5
@Rn	3	3	4	1	RRC @R9
@Rn+	3	3	4	1	SWPB @R10+
#N	N/A	3	4	2	CALL #LABEL
X(Rn)	4	4	5	2	CALL 2(R7)
EDE	4	4	5	2	PUSH EDE
&EDE	4	4	6	2	SXT &EDE

6.5.1.5.3 Jump Instructions Cycles and Lengths

All jump instructions require one code word and take two CPU cycles to execute, regardless of whether the jump is taken or not.

6.5.1.5.4 Format I (Double-Operand) Instruction Cycles and Lengths

Table 6-10 lists the length and CPU cycles for all addressing modes of the MSP430 Format I instructions.

Table 6-10. MSP430 Format I Instructions Cycles and Length

Addressing Mode		No. of Cycles	Length of Instruction	Example
Source	Destination			
Rn	Rm	1	1	MOV R5, R8
	PC	3	1	BR R9
	x(Rm)	4 ⁽¹⁾	2	ADD R5, 4(R6)
	EDE	4 ⁽¹⁾	2	XOR R8, EDE
	&EDE	4 ⁽¹⁾	2	MOV R5, &EDE
@Rn	Rm	2	1	AND @R4, R5
	PC	4	1	BR @R8
	x(Rm)	5 ⁽¹⁾	2	XOR @R5, 8(R6)
	EDE	5 ⁽¹⁾	2	MOV @R5, EDE
	&EDE	5 ⁽¹⁾	2	XOR @R5, &EDE
@Rn+	Rm	2	1	ADD @R5+, R6
	PC	4	1	BR @R9+
	x(Rm)	5 ⁽¹⁾	2	XOR @R5, 8(R6)
	EDE	5 ⁽¹⁾	2	MOV @R9+, EDE
	&EDE	5 ⁽¹⁾	2	MOV @R9+, &EDE
#N	Rm	2	2	MOV #20, R9
	PC	3	2	BR #2AEh
	x(Rm)	5 ⁽¹⁾	3	MOV #0300h, 0(SP)
	EDE	5 ⁽¹⁾	3	ADD #33, EDE
	&EDE	5 ⁽¹⁾	3	ADD #33, &EDE
x(Rn)	Rm	3	2	MOV 2(R5), R7
	PC	5	2	BR 2(R6)
	TONI	6 ⁽¹⁾	3	MOV 4(R7), TONI
	x(Rm)	6 ⁽¹⁾	3	ADD 4(R4), 6(R9)
	&TONI	6 ⁽¹⁾	3	MOV 2(R4), &TONI
EDE	Rm	3	2	AND EDE, R6
	PC	5	2	BR EDE
	TONI	6 ⁽¹⁾	3	CMP EDE, TONI
	x(Rm)	6 ⁽¹⁾	3	MOV EDE, 0(SP)
	&TONI	6 ⁽¹⁾	3	MOV EDE, &TONI
&EDE	Rm	3	2	MOV &EDE, R8
	PC	5	2	BR &EDE
	TONI	6 ⁽¹⁾	3	MOV &EDE, TONI
	x(Rm)	6 ⁽¹⁾	3	MOV &EDE, 0(SP)
	&TONI	6 ⁽¹⁾	3	MOV &EDE, &TONI

⁽¹⁾ MOV, BIT, and CMP instructions execute in one fewer cycle.

6.5.2 MSP430X Extended Instructions

The extended MSP430X instructions give the MSP430X CPU full access to its 20-bit address space. Most MSP430X instructions require an additional word of op-code called the extension word. Some extended instructions do not require an additional word and are noted in the instruction description. All addresses, indexes, and immediate numbers have 20-bit values when preceded by the extension word.

There are two types of extension words:

- Register or register mode for Format I instructions and register mode for Format II instructions
- Extension word for all other address mode combinations

6.5.2.1 Register Mode Extension Word

The register mode extension word is shown in [Figure 6-25](#) and described in [Table 6-11](#). An example is shown in [Figure 6-27](#).

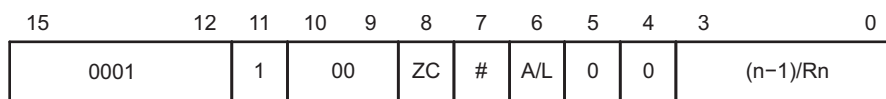


Figure 6-25. Extension Word for Register Modes

Table 6-11. Description of the Extension Word Bits for Register Mode

Bit	Description															
15:11	Extension word op-code. Op-codes 1800h to 1FFFh are extension words.															
10:9	Reserved															
ZC	Zero carry 0 The executed instruction uses the status of the carry bit C. 1 The executed instruction uses the carry bit as 0. The carry bit is defined by the result of the final operation after instruction execution.															
#	Repetition 0 The number of instruction repetitions is set by extension word bits 3:0. 1 The number of instruction repetitions is defined by the value of the four LSBs of Rn. See description for bits 3:0.															
A/L	Data length extension. Together with the B/W bits of the following MSP430 instruction, the AL bit defines the used data length of the instruction. <table border="1" style="width: 100%; border-collapse: collapse; margin-top: 5px;"> <thead> <tr> <th style="text-align: left;">A/L</th> <th style="text-align: left;">B/W</th> <th style="text-align: left;">Comment</th> </tr> </thead> <tbody> <tr> <td>0</td> <td>0</td> <td>Reserved</td> </tr> <tr> <td>0</td> <td>1</td> <td>20-bit address word</td> </tr> <tr> <td>1</td> <td>0</td> <td>16-bit word</td> </tr> <tr> <td>1</td> <td>1</td> <td>8-bit byte</td> </tr> </tbody> </table>	A/L	B/W	Comment	0	0	Reserved	0	1	20-bit address word	1	0	16-bit word	1	1	8-bit byte
A/L	B/W	Comment														
0	0	Reserved														
0	1	20-bit address word														
1	0	16-bit word														
1	1	8-bit byte														
5:4	Reserved															
3:0	Repetition count # = 0 These four bits set the repetition count n. These bits contain n – 1. # = 1 These four bits define the CPU register whose bits 3:0 set the number of repetitions. Rn.3:0 contain n – 1.															

6.5.2.2 Non-Register Mode Extension Word

The extension word for non-register modes is shown in [Figure 6-26](#) and described in [Table 6-12](#). An example is shown in [Figure 6-28](#).

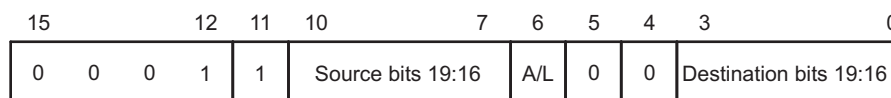


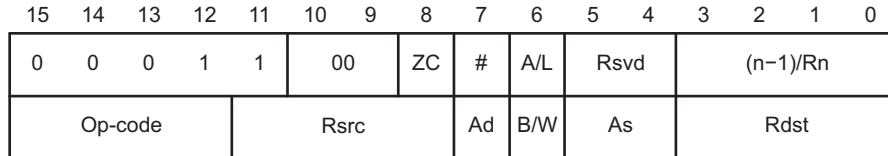
Figure 6-26. Extension Word for Non-Register Modes

Table 6-12. Description of Extension Word Bits for Non-Register Modes

Bit	Description															
15:11	Extension word op-code. Op-codes 1800h to 1FFFh are extension words.															
Source Bits 19:16	The four MSBs of the 20-bit source. Depending on the source addressing mode, these four MSBs may belong to an immediate operand, an index, or to an absolute address.															
A/L	Data length extension. Together with the B/W bits of the following MSP430 instruction, the AL bit defines the used data length of the instruction. <table border="1"> <thead> <tr> <th>A/L</th> <th>B/W</th> <th>Comment</th> </tr> </thead> <tbody> <tr> <td>0</td> <td>0</td> <td>Reserved</td> </tr> <tr> <td>0</td> <td>1</td> <td>20-bit address word</td> </tr> <tr> <td>1</td> <td>0</td> <td>16-bit word</td> </tr> <tr> <td>1</td> <td>1</td> <td>8-bit byte</td> </tr> </tbody> </table>	A/L	B/W	Comment	0	0	Reserved	0	1	20-bit address word	1	0	16-bit word	1	1	8-bit byte
A/L	B/W	Comment														
0	0	Reserved														
0	1	20-bit address word														
1	0	16-bit word														
1	1	8-bit byte														
5:4	Reserved															
Destination Bits 19:16	The four MSBs of the 20-bit destination. Depending on the destination addressing mode, these four MSBs may belong to an index or to an absolute address.															

NOTE: B/W and A/L bit settings for SWPBX and SXTX

A/L	B/W	
0	0	SWPBX.A, SXTX.A
0	1	N/A
1	0	SWPB.W, SXTX.W
1	1	N/A



XORX.A R9, R8

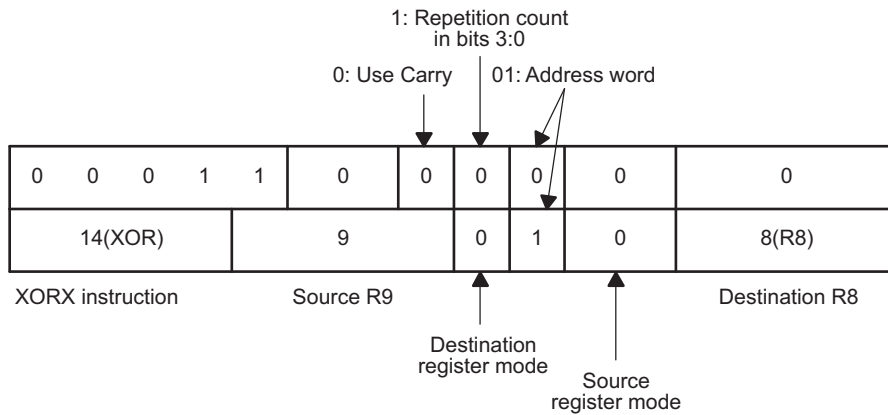
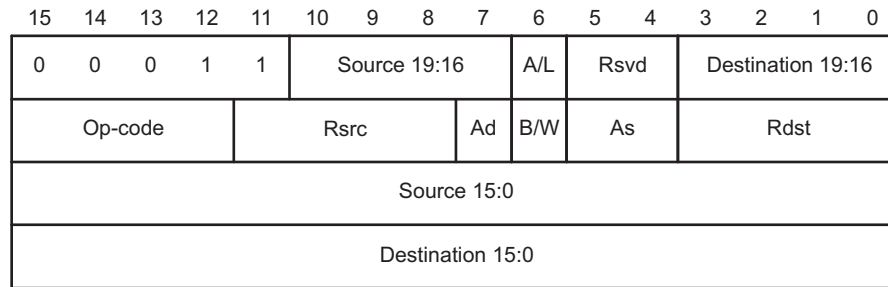


Figure 6-27. Example for Extended Register or Register Instruction



XORX.A #12345h, 45678h(R15)

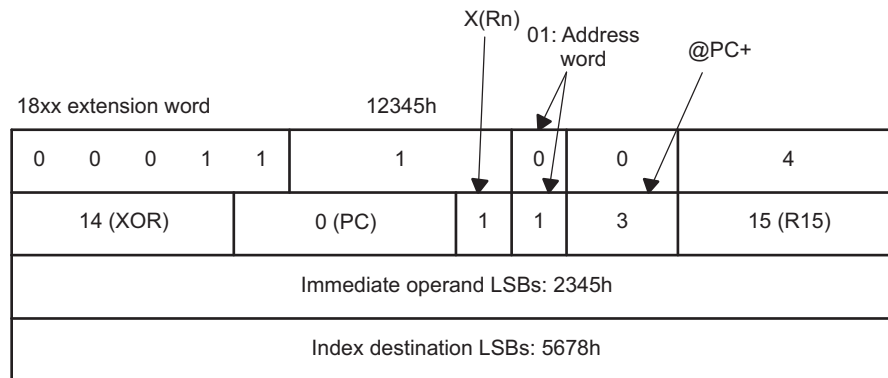


Figure 6-28. Example for Extended Immediate or Indexed Instruction

6.5.2.3 Extended Double-Operand (Format I) Instructions

All 12 double-operand instructions have extended versions as listed in [Table 6-13](#).

Table 6-13. Extended Double-Operand Instructions

Mnemonic	Operands	Operation	Status Bits ⁽¹⁾			
			V	N	Z	C
MOVX(.B, .A)	src,dst	src → dst	–	–	–	–
ADDX(.B, .A)	src,dst	src + dst → dst	*	*	*	*
ADDCX(.B, .A)	src,dst	src + dst + C → dst	*	*	*	*
SUBX(.B, .A)	src,dst	dst + .not.src + 1 → dst	*	*	*	*
SUBCX(.B, .A)	src,dst	dst + .not.src + C → dst	*	*	*	*
CMPX(.B, .A)	src,dst	dst – src	*	*	*	*
DADDX(.B, .A)	src,dst	src + dst + C → dst (decimal)	*	*	*	*
BITX(.B, .A)	src,dst	src .and. dst	0	*	*	Z
BICX(.B, .A)	src,dst	.not.src .and. dst → dst	–	–	–	–
BISX(.B, .A)	src,dst	src .or. dst → dst	–	–	–	–
XORX(.B, .A)	src,dst	src .xor. dst → dst	*	*	*	Z
ANDX(.B, .A)	src,dst	src .and. dst → dst	0	*	*	Z

⁽¹⁾ * = Status bit is affected.
 – = Status bit is not affected.
 0 = Status bit is cleared.
 1 = Status bit is set.

The four possible addressing combinations for the extension word for Format I instructions are shown in Figure 6-29.

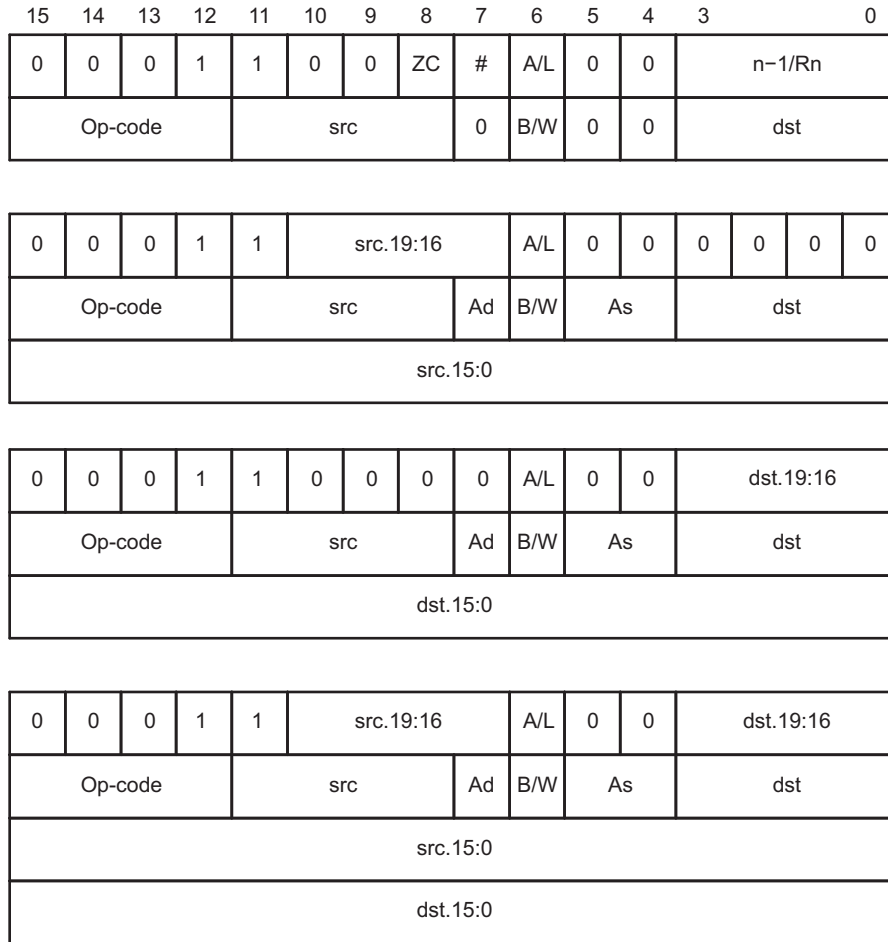


Figure 6-29. Extended Format I Instruction Formats

If the 20-bit address of a source or destination operand is located in memory, not in a CPU register, then two words are used for this operand as shown in Figure 6-30.

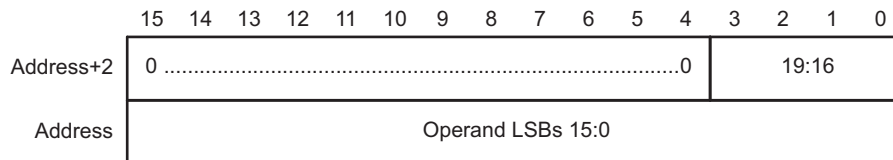


Figure 6-30. 20-Bit Addresses in Memory

6.5.2.4 Extended Single-Operand (Format II) Instructions

Extended MSP430X Format II instructions are listed in [Table 6-14](#).

Table 6-14. Extended Single-Operand Instructions

Mnemonic	Operands	Operation	n	Status Bits ⁽¹⁾			
				V	N	Z	C
CALLA	dst	Call indirect to subroutine (20-bit address)		–	–	–	–
POPM.A	#n,Rdst	Pop n 20-bit registers from stack	1 to 16	–	–	–	–
POPM.W	#n,Rdst	Pop n 16-bit registers from stack	1 to 16	–	–	–	–
PUSHM.A	#n,Rsrc	Push n 20-bit registers to stack	1 to 16	–	–	–	–
PUSHM.W	#n,Rsrc	Push n 16-bit registers to stack	1 to 16	–	–	–	–
PUSHX(.B, .A)	src	Push 8-, 16-, or 20-bit source to stack		–	–	–	–
RRCM(.A)	#n,Rdst	Rotate right Rdst n bits through carry (16-, 20-bit register)	1 to 4	0	*	*	*
RRUM(.A)	#n,Rdst	Rotate right Rdst n bits unsigned (16-, 20-bit register)	1 to 4	0	*	*	*
RRAM(.A)	#n,Rdst	Rotate right Rdst n bits arithmetically (16-, 20-bit register)	1 to 4	0	*	*	*
RLAM(.A)	#n,Rdst	Rotate left Rdst n bits arithmetically (16-, 20-bit register)	1 to 4	*	*	*	*
RRCX(.B, .A)	dst	Rotate right dst through carry (8-, 16-, 20-bit data)	1	0	*	*	*
RRUX(.B, .A)	Rdst	Rotate right dst unsigned (8-, 16-, 20-bit)	1	0	*	*	*
RRAX(.B, .A)	dst	Rotate right dst arithmetically	1	0	*	*	*
SWPBX(.A)	dst	Exchange low byte with high byte	1	–	–	–	–
SXTX(.A)	Rdst	Bit7 → bit8 ... bit19	1	0	*	*	Z
SXTX(.A)	dst	Bit7 → bit8 ... MSB	1	0	*	*	Z

⁽¹⁾ * = Status bit is affected.
– = Status bit is not affected.
0 = Status bit is cleared.
1 = Status bit is set.

The three possible addressing mode combinations for Format II instructions are shown in [Figure 6-31](#).

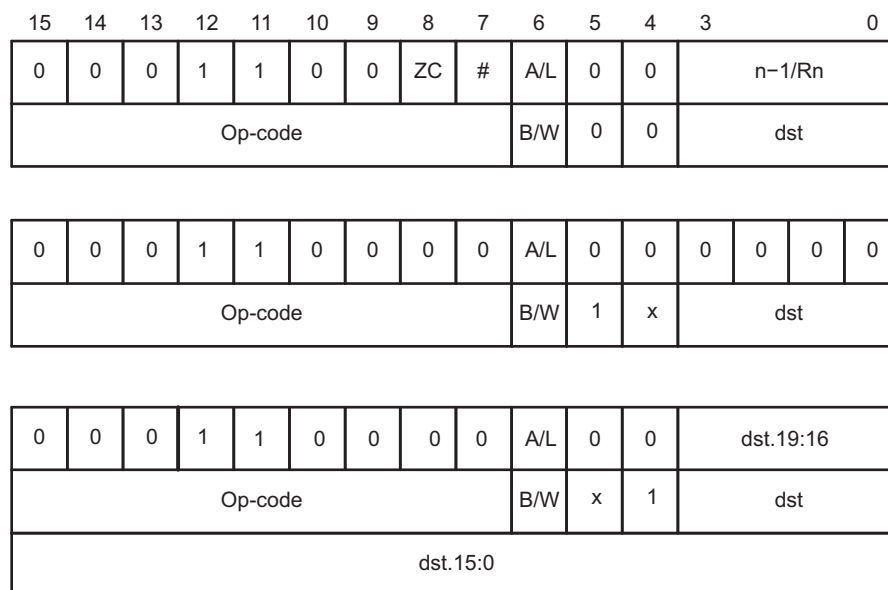


Figure 6-31. Extended Format II Instruction Format

6.5.2.4.1 Extended Format II Instruction Format Exceptions

Exceptions for the Format II instruction formats are shown in Figure 6-32 through Figure 6-35.

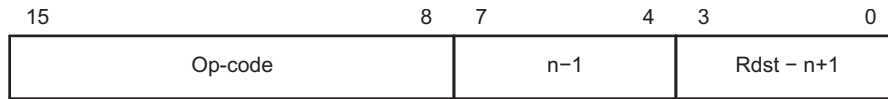


Figure 6-32. PUSHM and POPM Instruction Format



Figure 6-33. RRCM, RRAM, RRUM, and RLAM Instruction Format

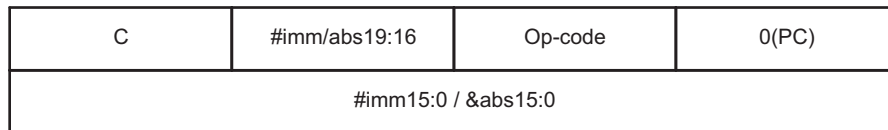
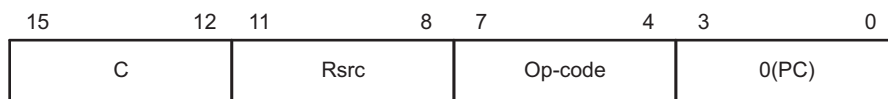


Figure 6-34. BRA Instruction Format

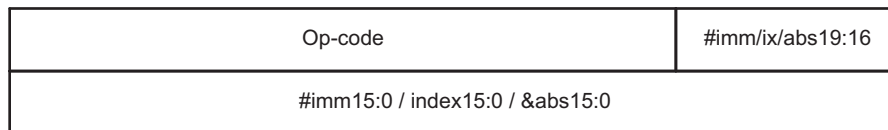
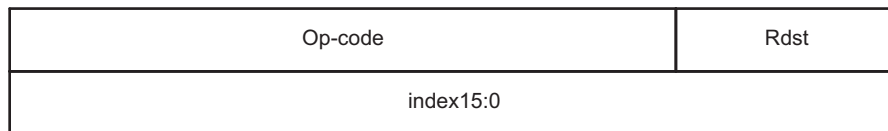
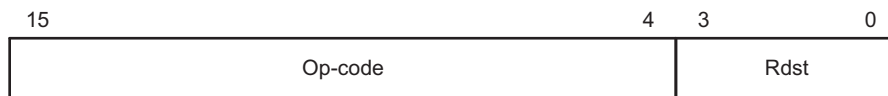


Figure 6-35. CALLA Instruction Format

6.5.2.5 Extended Emulated Instructions

The extended instructions together with the constant generator form the extended emulated instructions. [Table 6-15](#) lists the emulated instructions.

Table 6-15. Extended Emulated Instructions

Instruction	Explanation	Emulation
ADCX(.B, .A) dst	Add carry to dst	ADDCX(.B, .A) #0, dst
BRA dst	Branch indirect dst	MOVA dst, PC
RETA	Return from subroutine	MOVA @SP+, PC
CLRA Rdst	Clear Rdst	MOV #0, Rdst
CLR(.B, .A) dst	Clear dst	MOVX(.B, .A) #0, dst
DADCX(.B, .A) dst	Add carry to dst decimally	DADDX(.B, .A) #0, dst
DECX(.B, .A) dst	Decrement dst by 1	SUBX(.B, .A) #1, dst
DECD Rdst	Decrement Rdst by 2	SUBA #2, Rdst
DECDX(.B, .A) dst	Decrement dst by 2	SUBX(.B, .A) #2, dst
INCX(.B, .A) dst	Increment dst by 1	ADDX(.B, .A) #1, dst
INCD Rdst	Increment Rdst by 2	ADDA #2, Rdst
INCDX(.B, .A) dst	Increment dst by 2	ADDX(.B, .A) #2, dst
INVX(.B, .A) dst	Invert dst	XORX(.B, .A) #-1, dst
RLAX(.B, .A) dst	Shift left dst arithmetically	ADDX(.B, .A) dst, dst
RLCX(.B, .A) dst	Shift left dst logically through carry	ADDCX(.B, .A) dst, dst
SBCX(.B, .A) dst	Subtract carry from dst	SUBCX(.B, .A) #0, dst
TSTA Rdst	Test Rdst (compare with 0)	CMPA #0, Rdst
TSTX(.B, .A) dst	Test dst (compare with 0)	CMPX(.B, .A) #0, dst
POPX dst	Pop to dst	MOVX(.B, .A) @SP+, dst

6.5.2.6 MSP430X Address Instructions

MSP430X address instructions are instructions that support 20-bit operands but have restricted addressing modes. The addressing modes are restricted to the Register mode and the Immediate mode, except for the MOVA instruction as listed in [Table 6-16](#). Restricting the addressing modes removes the need for the additional extension-word op-code improving code density and execution time. Address instructions should be used any time an MSP430X instruction is needed with the corresponding restricted addressing mode.

Table 6-16. Address Instructions, Operate on 20-Bit Register Data

Mnemonic	Operands	Operation	Status Bits ⁽¹⁾			
			V	N	Z	C
ADDA	Rsrc, Rdst	Add source to destination register	*	*	*	*
	#imm20, Rdst					
MOVA	Rsrc, Rdst	Move source to destination	-	-	-	-
	#imm20, Rdst					
	z16(Rsrc), Rdst					
	EDE, Rdst					
	&abs20, Rdst					
	@Rsrc, Rdst					
	@Rsrc+, Rdst					
	Rsrc, z16(Rdst)					
Rsrc, &abs20						
CMPA	Rsrc, Rdst	Compare source to destination register	*	*	*	*
	#imm20, Rdst					
SUBA	Rsrc, Rdst	Subtract source from destination register	*	*	*	*
	#imm20, Rdst					

⁽¹⁾ * = Status bit is affected.
 - = Status bit is not affected.
 0 = Status bit is cleared.
 1 = Status bit is set.

6.5.2.7 MSP430X Instruction Execution

The number of CPU clock cycles required for an MSP430X instruction depends on the instruction format and the addressing modes used, not the instruction itself. The number of clock cycles refers to MCLK.

6.5.2.7.1 MSP430X Format II (Single-Operand) Instruction Cycles and Lengths

Table 6-17 lists the length and the CPU cycles for all addressing modes of the MSP430X extended single-operand instructions.

Table 6-17. MSP430X Format II Instruction Cycles and Length

Instruction	Execution Cycles, Length of Instruction (Words)						
	Rn	@Rn	@Rn+	#N	X(Rn)	EDE	&EDE
RRAM	n, 1	–	–	–	–	–	–
RRCM	n, 1	–	–	–	–	–	–
RRUM	n, 1	–	–	–	–	–	–
RLAM	n, 1	–	–	–	–	–	–
PUSHM	2+n, 1	–	–	–	–	–	–
PUSHM.A	2+2n, 1	–	–	–	–	–	–
POPM	2+n, 1	–	–	–	–	–	–
POPM.A	2+2n, 1	–	–	–	–	–	–
CALLA	5, 1	6, 1	6, 1	5, 2	5 ⁽¹⁾ , 2	7, 2	7, 2
RRAX(.B)	1+n, 2	4, 2	4, 2	–	5, 3	5, 3	5, 3
RRAX.A	1+n, 2	6, 2	6, 2	–	7, 3	7, 3	7, 3
RRCX(.B)	1+n, 2	4, 2	4, 2	–	5, 3	5, 3	5, 3
RRCX.A	1+n, 2	6, 2	6, 2	–	7, 3	7, 3	7, 3
PUSHX(.B)	4, 2	4, 2	4, 2	4, 3	5 ⁽¹⁾ , 3	5, 3	5, 3
PUSHX.A	5, 2	6, 2	6, 2	5, 3	7 ⁽¹⁾ , 3	7, 3	7, 3
POPX(.B)	3, 2	–	–	–	5, 3	5, 3	5, 3
POPX.A	4, 2	–	–	–	7, 3	7, 3	7, 3

⁽¹⁾ Add one cycle when Rn = SP

6.5.2.7.2 MSP430X Format I (Double-Operand) Instruction Cycles and Lengths

Table 6-18 lists the length and CPU cycles for all addressing modes of the MSP430X extended Format I instructions.

Table 6-18. MSP430X Format I Instruction Cycles and Length

Addressing Mode		No. of Cycles		Length of Instruction	Examples
Source	Destination	.B/.W	.A	.B/.W/.A	
Rn	Rm ⁽¹⁾	2	2	2	BITX.B R5, R8
	PC	4	4	2	ADDX R9, PC
	x(Rm)	5 ⁽²⁾	7 ⁽³⁾	3	ANDX.A R5, 4(R6)
	EDE	5 ⁽²⁾	7 ⁽³⁾	3	XORX R8, EDE
	&EDE	5 ⁽²⁾	7 ⁽³⁾	3	BITX.W R5, &EDE
@Rn	Rm	3	4	2	BITX @R5, R8
	PC	5	6	2	ADDX @R9, PC
	x(Rm)	6 ⁽²⁾	9 ⁽³⁾	3	ANDX.A @R5, 4(R6)
	EDE	6 ⁽²⁾	9 ⁽³⁾	3	XORX @R8, EDE
	&EDE	6 ⁽²⁾	9 ⁽³⁾	3	BITX.B @R5, &EDE
@Rn+	Rm	3	4	2	BITX @R5+, R8
	PC	5	6	2	ADDX.A @R9+, PC
	x(Rm)	6 ⁽²⁾	9 ⁽³⁾	3	ANDX @R5+, 4(R6)
	EDE	6 ⁽²⁾	9 ⁽³⁾	3	XORX.B @R8+, EDE
	&EDE	6 ⁽²⁾	9 ⁽³⁾	3	BITX @R5+, &EDE
#N	Rm	3	3	3	BITX #20, R8
	PC ⁽⁴⁾	4	4	3	ADDX.A #FE00h, PC
	x(Rm)	6 ⁽²⁾	8 ⁽³⁾	4	ANDX #1234, 4(R6)
	EDE	6 ⁽²⁾	8 ⁽³⁾	4	XORX #A5A5h, EDE
	&EDE	6 ⁽²⁾	8 ⁽³⁾	4	BITX.B #12, &EDE
x(Rn)	Rm	4	5	3	BITX 2(R5), R8
	PC ⁽⁴⁾	6	7	3	SUBX.A 2(R6), PC
	TONI	7 ⁽²⁾	10 ⁽³⁾	4	ANDX 4(R7), 4(R6)
	x(Rm)	7 ⁽²⁾	10 ⁽³⁾	4	XORX.B 2(R6), EDE
	&TONI	7 ⁽²⁾	10 ⁽³⁾	4	BITX 8(SP), &EDE
EDE	Rm	4	5	3	BITX.B EDE, R8
	PC ⁽⁴⁾	6	7	3	ADDX.A EDE, PC
	TONI	7 ⁽²⁾	10 ⁽³⁾	4	ANDX EDE, 4(R6)
	x(Rm)	7 ⁽²⁾	10 ⁽³⁾	4	ANDX EDE, TONI
	&TONI	7 ⁽²⁾	10 ⁽³⁾	4	BITX EDE, &TONI
&EDE	Rm	4	5	3	BITX &EDE, R8
	PC ⁽⁴⁾	6	7	3	ADDX.A &EDE, PC
	TONI	7 ⁽²⁾	10 ⁽³⁾	4	ANDX.B &EDE, 4(R6)
	x(Rm)	7 ⁽²⁾	10 ⁽³⁾	4	XORX &EDE, TONI
	&TONI	7 ⁽²⁾	10 ⁽³⁾	4	BITX &EDE, &TONI

⁽¹⁾ Repeat instructions require n + 1 cycles, where n is the number of times the instruction is executed.

⁽²⁾ Reduce the cycle count by one for MOV, BIT, and CMP instructions.

⁽³⁾ Reduce the cycle count by two for MOV, BIT, and CMP instructions.

⁽⁴⁾ Reduce the cycle count by one for MOV, ADD, and SUB instructions.

6.5.2.7.3 MSP430X Address Instruction Cycles and Lengths

Table 6-19 lists the length and the CPU cycles for all addressing modes of the MSP430X address instructions.

Table 6-19. Address Instruction Cycles and Length

Addressing Mode		Execution Time (MCLK Cycles)		Length of Instruction (Words)		Example
Source	Destination	MOVA BRA	CMPA ADDA SUBA	MOVA	CMPA ADDA SUBA	
Rn	Rn	1	1	1	1	CMPA R5, R8
	PC	3	3	1	1	SUBA R9, PC
	x(Rm)	4	–	2	–	MOVA R5, 4(R6)
	EDE	4	–	2	–	MOVA R8, EDE
	&EDE	4	–	2	–	MOVA R5, &EDE
@Rn	Rm	3	–	1	–	MOVA @R5, R8
	PC	5	–	1	–	MOVA @R9, PC
@Rn+	Rm	3	–	1	–	MOVA @R5+, R8
	PC	5	–	1	–	MOVA @R9+, PC
#N	Rm	2	3	2	2	CMPA #20, R8
	PC	3	3	2	2	SUBA #FE000h, PC
x(Rn)	Rm	4	–	2	–	MOVA 2(R5), R8
	PC	6	–	2	–	MOVA 2(R6), PC
EDE	Rm	4	–	2	–	MOVA EDE, R8
	PC	6	–	2	–	MOVA EDE, PC
&EDE	Rm	4	–	2	–	MOVA &EDE, R8
	PC	6	–	2	–	MOVA &EDE, PC

6.6 Instruction Set Description

Table 6-20 shows all available instructions:

Table 6-20. Instruction Map of MSP430X

	000	040	080	0C0	100	140	180	1C0	200	240	280	2C0	300	340	380	3C0
0xxx	MOVA, CMPA, ADDA, SUBA, RRCM, RRAM, RLAM, RRUM															
10xx	RRC	RRC. B	SWP B		RRA	RRA. B	SXT		PUS H	PUS H.B	CALL		RETI	CALL A		
14xx	PUSHM.A, POPM.A, PUSHM.W, POPM.W															
18xx	Extension word for Format I and Format II instructions															
1Cxx	Extension word for Format I and Format II instructions															
20xx	JNE, JNZ															
24xx	JEQ, JZ															
28xx	JNC															
2Cxx	JC															
30xx	JN															
34xx	JGE															
38xx	JL															
3Cxx	JMP															
4xxx	MOV, MOV.B															
5xxx	ADD, ADD.B															
6xxx	ADDC, ADDC.B															
7xxx	SUBC, SUBC.B															
8xxx	SUB, SUB.B															
9xxx	CMP, CMP.B															
Axxx	DADD, DADD.B															
Bxxx	BIT, BIT.B															
Cxxx	BIC, BIC.B															
Dxxx	BIS, BIS.B															
Exxx	XOR, XOR.B															
Fxxx	AND, AND.B															

6.6.1 Extended Instruction Binary Descriptions

Detailed MSP430X instruction binary descriptions are shown in the following tables.

Instruction	Instruction Group				src or data.19:16				Instruction Identifier				dst			
	15	12	11	8	7	4	3	0	15	12	11	8	7	4		3
MOVA	0	0	0	0	src				0	0	0	0	dst		MOVA @Rsrc,Rdst	
	0	0	0	0	src				0	0	0	1	dst		MOVA @Rsrc+,Rdst	
	0	0	0	0	&abs.19:16				0	0	1	0	dst		MOVA &abs20,Rdst	
	&abs.15:0															
	0	0	0	0	src				0	0	1	1	dst		MOVA z16(Rsrc),Rdst	
	x.15:0															
	0	0	0	0	src				0	1	1	0	&abs.19:16		MOVA Rsrc,&abs20	
	&abs.15:0															
	0	0	0	0	src				0	1	1	1	dst		MOVA Rsrc,z16(Rdst)	
	x.15:0															
CMPA	0	0	0	0	imm.19:16				1	0	0	0	dst		MOVA #imm20,Rdst	
	imm.15:0															
	0	0	0	0	imm.19:16				1	0	0	1	dst		CMPA #imm20,Rdst	
ADDA	imm.15:0															
	0	0	0	0	imm.19:16				1	0	1	0	dst		ADDA #imm20,Rdst	
SUBA	imm.15:0															
	0	0	0	0	imm.19:16				1	0	1	1	dst		SUBA #imm20,Rdst	
MOVA	imm.15:0															
	0	0	0	0	src				1	1	0	0	dst		MOVA Rsrc,Rdst	
	0	0	0	0	src				1	1	0	1	dst		CMPA Rsrc,Rdst	
	0	0	0	0	src				1	1	1	0	dst		ADDA Rsrc,Rdst	
	0	0	0	0	src				1	1	1	1	dst		SUBA Rsrc,Rdst	

Instruction	Instruction Group				Bit Loc.		Inst. ID		Instruction Identifier				dst						
	15	12	11	10	9	8	7	4	3	0	15	12	11	10		9	8	7	4
RRCM.A	0	0	0	0	n-1	0	0	0	1	0	0	dst		RRCM.A #n,Rdst					
RRAM.A	0	0	0	0	n-1	0	1	0	1	0	0	dst		RRAM.A #n,Rdst					
RLAM.A	0	0	0	0	n-1	1	0	0	1	0	0	dst		RLAM.A #n,Rdst					
RRUM.A	0	0	0	0	n-1	1	1	0	1	0	0	dst		RRUM.A #n,Rdst					
RRCM.W	0	0	0	0	n-1	0	0	0	1	0	1	dst		RRCM.W #n,Rdst					
RRAM.W	0	0	0	0	n-1	0	1	0	1	0	1	dst		RRAM.W #n,Rdst					
RLAM.W	0	0	0	0	n-1	1	0	0	1	0	1	dst		RLAM.W #n,Rdst					
RRUM.W	0	0	0	0	n-1	1	1	0	1	0	1	dst		RRUM.W #n,Rdst					

Instruction	Instruction Identifier											dst					
	15	12	11	8	7	6	5	4	3	0							
RETI	0	0	0	1	0	0	1	1	0	0	0	0	0	0	0	0	
CALLA	0	0	0	1	0	0	1	1	0	1	0	0	dst				CALLA Rdst
	0	0	0	1	0	0	1	1	0	1	0	1	dst				CALLA x(Rdst)
	x.15:0																
	0	0	0	1	0	0	1	1	0	1	1	0	dst				CALLA @Rdst
	0	0	0	1	0	0	1	1	0	1	1	1	dst				CALLA @Rdst+
	0	0	0	1	0	0	1	1	1	0	0	0	&abs.19:16				CALLA &abs20
	&abs.15:0																
	0	0	0	1	0	0	1	1	1	0	0	1	x.19:16				CALLA EDE
	x.15:0																
	0	0	0	1	0	0	1	1	1	0	1	1	imm.19:16				CALLA #imm20
	imm.15:0																
Reserved	0	0	0	1	0	0	1	1	1	0	1	0	x	x	x	x	
Reserved	0	0	0	1	0	0	1	1	1	1	x	x	x	x	x	x	
PUSHM.A	0	0	0	1	0	1	0	0	n - 1			dst				PUSHM.A #n,Rdst	
PUSHM.W	0	0	0	1	0	1	0	1	n - 1			dst				PUSHM.W #n,Rdst	
POPM.A	0	0	0	1	0	1	1	0	n - 1			dst - n + 1				POPM.A #n,Rdst	
POPM.W	0	0	0	1	0	1	1	1	n - 1			dst - n + 1				POPM.W #n,Rdst	

6.6.2 MSP430 Instructions

The MSP430 instructions are listed and described on the following pages.

6.6.2.2 ADD

ADD[.W] Add source word to destination word

ADD.B Add source byte to destination byte

Syntax ADD src,dst OR ADD.W src,dst
ADD.B src,dst

Operation src + dst → dst

Description The source operand is added to the destination operand. The previous content of the destination is lost.

Status Bits N: Set if result is negative (MSB = 1), reset if positive (MSB = 0)
Z: Set if result is zero, reset otherwise
C: Set if there is a carry from the MSB of the result, reset otherwise
V: Set if the result of two positive operands is negative, or if the result of two negative numbers is positive, reset otherwise

Mode Bits OSCOFF, CPUOFF, and GIE are not affected.

Example Ten is added to the 16-bit counter CNTR located in lower 64 K.

```
ADD.W #10,&CNTR ; Add 10 to 16-bit counter
```

Example A table word pointed to by R5 (20-bit address in R5) is added to R6. The jump to label TONI is performed on a carry.

```
ADD.W @R5,R6 ; Add table word to R6. R6.19:16 = 0
JC TONI ; Jump if carry
... ; No carry
```

Example A table byte pointed to by R5 (20-bit address) is added to R6. The jump to label TONI is performed if no carry occurs. The table pointer is auto-incremented by 1. R6.19:8 = 0

```
ADD.B @R5+,R6 ; Add byte to R6. R5 + 1. R6: 000xxh
JNC TONI ; Jump if no carry
... ; Carry occurred
```

6.6.2.3 ADDC

ADDC[.W] Add source word and carry to destination word

ADDC.B Add source byte and carry to destination byte

Syntax `ADDC src,dst` OR `ADDC.W src,dst`
`ADDC.B src,dst`

Operation `src + dst + C → dst`

Description The source operand and the carry bit C are added to the destination operand. The previous content of the destination is lost.

Status Bits

- N: Set if result is negative (MSB = 1), reset if positive (MSB = 0)
- Z: Set if result is zero, reset otherwise
- C: Set if there is a carry from the MSB of the result, reset otherwise
- V: Set if the result of two positive operands is negative, or if the result of two negative numbers is positive, reset otherwise

Mode Bits OSCOFF, CPUOFF, and GIE are not affected.

Example Constant value 15 and the carry of the previous instruction are added to the 16-bit counter CNTR located in lower 64 K.

```
ADDC.W    #15,&CNTR    ; Add 15 + C to 16-bit CNTR
```

Example A table word pointed to by R5 (20-bit address) and the carry C are added to R6. The jump to label TONI is performed on a carry. R6.19:16 = 0

```
ADDC.W    @R5,R6      ; Add table word + C to R6
JC        TONI        ; Jump if carry
...       ; No carry
```

Example A table byte pointed to by R5 (20-bit address) and the carry bit C are added to R6. The jump to label TONI is performed if no carry occurs. The table pointer is auto-incremented by 1. R6.19:8 = 0

```
ADDC.B    @R5+,R6     ; Add table byte + C to R6. R5 + 1
JNC       TONI        ; Jump if no carry
...       ; Carry occurred
```

6.6.2.4 AND

AND[.W] Logical AND of source word with destination word

AND.B Logical AND of source byte with destination byte

Syntax AND src,dst OR AND.W src,dst
AND.B src,dst

Operation src .and. dst → dst

Description The source operand and the destination operand are logically ANDed. The result is placed into the destination. The source operand is not affected.

Status Bits N: Set if result is negative (MSB = 1), reset if positive (MSB = 0)
Z: Set if result is zero, reset otherwise
C: Set if the result is not zero, reset otherwise. C = (.not. Z)
V: Reset

Mode Bits OSCOFF, CPUOFF, and GIE are not affected.

Example The bits set in R5 (16-bit data) are used as a mask (AA55h) for the word TOM located in the lower 64 K. If the result is zero, a branch is taken to label TONI. R5.19:16 = 0

```
MOV    #AA55h,R5      ; Load 16-bit mask to R5
AND    R5,&TOM        ; TOM .and. R5 -> TOM
JZ     TONI           ; Jump if result 0
...                               ; Result > 0
```

or shorter:

```
AND    #AA55h,&TOM    ; TOM .and. AA55h -> TOM
JZ     TONI           ; Jump if result 0
```

Example A table byte pointed to by R5 (20-bit address) is logically ANDed with R6. R5 is incremented by 1 after the fetching of the byte. R6.19:8 = 0

```
AND.B  @R5+,R6        ; AND table byte with R6. R5 + 1
```

6.6.2.5 BIC

BIC[.W] Clear bits set in source word in destination word

BIC.B Clear bits set in source byte in destination byte

Syntax `BIC src,dst` OR `BIC.W src,dst`
`BIC.B src,dst`

Operation `(.not. src) .and. dst → dst`

Description The inverted source operand and the destination operand are logically ANDed. The result is placed into the destination. The source operand is not affected.

Status Bits N: Not affected
 Z: Not affected
 C: Not affected
 V: Not affected

Mode Bits OSCOFF, CPUOFF, and GIE are not affected.

Example The bits 15:14 of R5 (16-bit data) are cleared. `R5.19:16 = 0`

```
BIC #0C000h,R5 ; Clear R5.19:14 bits
```

Example A table word pointed to by R5 (20-bit address) is used to clear bits in R7. `R7.19:16 = 0`

```
BIC.W @R5,R7 ; Clear bits in R7 set in @R5
```

Example A table byte pointed to by R5 (20-bit address) is used to clear bits in Port1.

```
BIC.B @R5,&P1OUT ; Clear I/O port P1 bits set in @R5
```

6.6.2.6 BIS

BIS[.W] Set bits set in source word in destination word

BIS.B Set bits set in source byte in destination byte

Syntax `BIS src,dst` OR `BIS.W src,dst`
`BIS.B src,dst`

Operation `src .or. dst → dst`

Description The source operand and the destination operand are logically ORed. The result is placed into the destination. The source operand is not affected.

Status Bits N: Not affected
Z: Not affected
C: Not affected
V: Not affected

Mode Bits OSCOFF, CPUOFF, and GIE are not affected.

Example Bits 15 and 13 of R5 (16-bit data) are set to one. `R5.19:16 = 0`

```
BIS    #A000h,R5    ; Set R5 bits
```

Example A table word pointed to by R5 (20-bit address) is used to set bits in R7. `R7.19:16 = 0`

```
BIS.W  @R5,R7    ; Set bits in R7
```

Example A table byte pointed to by R5 (20-bit address) is used to set bits in Port1. R5 is incremented by 1 afterwards.

```
BIS.B  @R5+,&P1OUT ; Set I/O port P1 bits. R5 + 1
```

6.6.2.7 BIT

BIT[.W]	Test bits set in source word in destination word
BIT.B	Test bits set in source byte in destination byte
Syntax	BIT src,dst OR BIT.W src,dst BIT.B src,dst
Operation	src .and. dst
Description	The source operand and the destination operand are logically ANDed. The result affects only the status bits in SR. Register mode: the register bits Rdst.19:16 (.W) resp. Rdst. 19:8 (.B) are not cleared!
Status Bits	N: Set if result is negative (MSB = 1), reset if positive (MSB = 0) Z: Set if result is zero, reset otherwise C: Set if the result is not zero, reset otherwise. C = (.not. Z) V: Reset
Mode Bits	OSCOFF, CPUOFF, and GIE are not affected.
Example	Test if one (or both) of bits 15 and 14 of R5 (16-bit data) is set. Jump to label TONI if this is the case. R5.19:16 are not affected.

```

BIT   #C000h,R5           ; Test R5.15:14 bits
JNZ   TONI                ; At least one bit is set in R5
...   ; Both bits are reset

```

Example A table word pointed to by R5 (20-bit address) is used to test bits in R7. Jump to label TONI if at least one bit is set. R7.19:16 are not affected.

```

BIT.W @R5,R7             ; Test bits in R7
JC    TONI                ; At least one bit is set
...   ; Both are reset

```

Example A table byte pointed to by R5 (20-bit address) is used to test bits in output Port1. Jump to label TONI if no bit is set. The next table byte is addressed.

```

BIT.B @R5+,&P1OUT        ; Test I/O port P1 bits. R5 + 1
JNC   TONI                ; No corresponding bit is set
...   ; At least one bit is set

```

6.6.2.8 BR, BRANCH

* BR, BRANCH	Branch to destination in lower 64K address space
Syntax	BR dst
Operation	dst → PC
Emulation	MOV dst,PC
Description	An unconditional branch is taken to an address anywhere in the lower 64K address space. All source addressing modes can be used. The branch instruction is a word instruction.
Status Bits	Status bits are not affected.
Example	Examples for all addressing modes are given.

BR	#EXEC	; Branch to label EXEC or direct branch (for example #0A4h) ; Core instruction MOV @PC+,PC
BR	EXEC	; Branch to the address contained in EXEC ; Core instruction MOV X(PC),PC ; Indirect address
BR	&EXEC	; Branch to the address contained in absolute ; address EXEC ; Core instruction MOV X(0),PC ; Indirect address
BR	R5	; Branch to the address contained in R5 ; Core instruction MOV R5,PC ; Indirect R5
BR	@R5	; Branch to the address contained in the word ; pointed to by R5. ; Core instruction MOV @R5,PC ; Indirect, indirect R5
BR	@R5+	; Branch to the address contained in the word pointed ; to by R5 and increment pointer in R5 afterwards. ; The next time-S/W flow uses R5 pointer-it can ; alter program execution due to access to ; next address in a table pointed to by R5 ; Core instruction MOV @R5,PC ; Indirect, indirect R5 with autoincrement
BR	X(R5)	; Branch to the address contained in the address ; pointed to by R5 + X (for example table with address ; starting at X). X can be an address or a label ; Core instruction MOV X(R5),PC ; Indirect, indirect R5 + X

6.6.2.9 CALL

CALL	Call a subroutine in lower 64 K
Syntax	CALL dst
Operation	dst → tmp 16-bit dst is evaluated and stored SP – 2 → SP PC → @SP updated PC with return address to TOS tmp → PC saved 16-bit dst to PC
Description	A subroutine call is made from an address in the lower 64 K to a subroutine address in the lower 64 K. All seven source addressing modes can be used. The call instruction is a word instruction. The return is made with the RET instruction.
Status Bits	Status bits are not affected. PC.19:16 cleared (address in lower 64 K)
Mode Bits	OSCOFF, CPUOFF, and GIE are not affected.
Examples	Examples for all addressing modes are given. Immediate Mode: Call a subroutine at label EXEC (lower 64 K) or call directly to address.

```
CALL #EXEC           ; Start address EXEC
CALL #0AA04h        ; Start address 0AA04h
```

Symbolic Mode: Call a subroutine at the 16-bit address contained in address EXEC. EXEC is located at the address (PC + X) where X is within PC ± 32 K.

```
CALL EXEC           ; Start address at @EXEC. z16(PC)
```

Absolute Mode: Call a subroutine at the 16-bit address contained in absolute address EXEC in the lower 64 K.

```
CALL &EXEC          ; Start address at @EXEC
```

Register mode: Call a subroutine at the 16-bit address contained in register R5.15:0.

```
CALL R5             ; Start address at R5
```

Indirect Mode: Call a subroutine at the 16-bit address contained in the word pointed to by register R5 (20-bit address).

```
CALL @R5           ; Start address at @R5
```

6.6.2.10 CLR

* **CLR[.W]** Clear destination

* **CLR.B** Clear destination

Syntax CLR dst *OR* CLR.W dst
CLR.B dst

Operation 0 → dst

Emulation MOV #0,dst
MOV.B #0,dst

Description The destination operand is cleared.

Status Bits Status bits are not affected.

Example RAM word TONI is cleared.

```
CLR    TONI    ; 0 -> TONI
```

Example Register R5 is cleared.

```
CLR    R5
```

Example RAM byte TONI is cleared.

```
CLR.B  TONI    ; 0 -> TONI
```

6.6.2.11 CLRC

* CLRC	Clear carry bit
Syntax	CLRC
Operation	0 → C
Emulation	BIC #1,SR
Description	The carry bit (C) is cleared. The clear carry instruction is a word instruction.
Status Bits	N: Not affected Z: Not affected C: Cleared V: Not affected
Mode Bits	OSCOFF, CPUOFF, and GIE are not affected.
Example	The 16-bit decimal counter pointed to by R13 is added to a 32-bit counter pointed to by R12.

```

CLRC                ; C=0: defines start
DADD @R13,0(R12)    ; add 16-bit counter to low word of 32-bit counter
DADC 2(R12)         ; add carry to high word of 32-bit counter

```

6.6.2.12 CLRN

* CLRN	Clear negative bit
Syntax	CLRN
Operation	0 → N or (.NOT.src .AND. dst → dst)
Emulation	BIC #4,SR
Description	The constant 04h is inverted (0FFFBh) and is logically ANDed with the destination operand. The result is placed into the destination. The clear negative bit instruction is a word instruction.
Status Bits	N: Reset to 0 Z: Not affected C: Not affected V: Not affected
Mode Bits	OSCOFF, CPUOFF, and GIE are not affected.
Example	The negative bit in the SR is cleared. This avoids special treatment with negative numbers of the subroutine called.

```

                CLRN
                CALL SUBR
                .....
                .....
SUBR            JN      SUBRET      ; If input is negative: do nothing and return
                .....
                .....
                .....
SUBRET         RET

```

6.6.2.13 CLRZ

* CLRZ	Clear zero bit
Syntax	CLRZ
Operation	0 → Z or (.NOT.src .AND. dst → dst)
Emulation	BIC #2,SR
Description	The constant 02h is inverted (0FFFDh) and logically ANDed with the destination operand. The result is placed into the destination. The clear zero bit instruction is a word instruction.
Status Bits	N: Not affected Z: Reset to 0 C: Not affected V: Not affected
Mode Bits	OSCOFF, CPUOFF, and GIE are not affected.
Example	The zero bit in the SR is cleared.

CLRZ

Indirect, Auto-Increment mode: Call a subroutine at the 16-bit address contained in the word pointed to by register R5 (20-bit address) and increment the 16-bit address in R5 afterwards by 2. The next time the software uses R5 as a pointer, it can alter the program execution due to access to the next word address in the table pointed to by R5.

```
CALL @R5+          ; Start address at @R5. R5 + 2
```

Indexed mode: Call a subroutine at the 16-bit address contained in the 20-bit address pointed to by register (R5 + X); for example, a table with addresses starting at X. The address is within the lower 64KB. X is within ±32KB.

```
CALL X(R5)        ; Start address at @(R5+X). z16(R5)
```

6.6.2.14 CMP

CMP[.W]	Compare source word and destination word
CMP.B	Compare source byte and destination byte
Syntax	CMP src,dst OR CMP.W src,dst CMP.B src,dst
Operation	(.not.src) + 1 + dst or dst – src
Description	The source operand is subtracted from the destination operand. This is made by adding the 1s complement of the source + 1 to the destination. The result affects only the status bits in SR. Register mode: the register bits Rdst.19:16 (.W) resp. Rdst. 19:8 (.B) are not cleared.
Status Bits	N: Set if result is negative (src > dst), reset if positive (src ≤ dst) Z: Set if result is zero (src = dst), reset otherwise (src ≠ dst) C: Set if there is a carry from the MSB, reset otherwise V: Set if the subtraction of a negative source operand from a positive destination operand delivers a negative result, or if the subtraction of a positive source operand from a negative destination operand delivers a positive result, reset otherwise (no overflow).
Mode Bits	OSCOFF, CPUOFF, and GIE are not affected.
Example	Compare word EDE with a 16-bit constant 1800h. Jump to label TONI if EDE equals the constant. The address of EDE is within PC + 32 K.

```

CMP      #01800h,EDE      ; Compare word EDE with 1800h
JEQ     TONI              ; EDE contains 1800h
...     ; Not equal

```

Example A table word pointed to by (R5 + 10) is compared with R7. Jump to label TONI if R7 contains a lower, signed 16-bit number. R7.19:16 is not cleared. The address of the source operand is a 20-bit address in full memory range.

```

CMP.W   10(R5),R7        ; Compare two signed numbers
JL      TONI              ; R7 < 10(R5)
...     ; R7 >= 10(R5)

```

Example A table byte pointed to by R5 (20-bit address) is compared to the value in output Port1. Jump to label TONI if values are equal. The next table byte is addressed.

```

CMP.B   @R5+,&P1OUT      ; Compare P1 bits with table. R5 + 1
JEQ     TONI              ; Equal contents
...     ; Not equal

```

6.6.2.15 DADC

*** DADC[W]** Add carry decimally to destination

*** DADC.B** Add carry decimally to destination

Syntax DADC dst Or DADC.W dst
DADC.B dst

Operation dst + C → dst (decimally)

Emulation DADD #0, dst
DADD.B #0, dst

Description The carry bit (C) is added decimally to the destination.

Status Bits
 N: Set if MSB is 1
 Z: Set if dst is 0, reset otherwise
 C: Set if destination increments from 9999 to 0000, reset otherwise
 Set if destination increments from 99 to 00, reset otherwise
 V: Undefined

Mode Bits OSCOFF, CPUOFF, and GIE are not affected.

Example The four-digit decimal number contained in R5 is added to an eight-digit decimal number pointed to by R8.

```

CLRC                ; Reset carry
                   ; next instruction's start condition is defined
DADD R5,0(R8)      ; Add LSDs + C
DADC 2(R8)         ; Add carry to MSD
  
```

Example The two-digit decimal number contained in R5 is added to a four-digit decimal number pointed to by R8.

```

CLRC                ; Reset carry
                   ; next instruction's start condition is defined
DADD.B R5,0(R8)    ; Add LSDs + C
DADC 1(R8)         ; Add carry to MSDs
  
```

6.6.2.16 DADD

* **DADD[.W]** Add source word and carry decimally to destination word

* **DADD.B** Add source byte and carry decimally to destination byte

Syntax DADD src,dst OR DADD.W src,dst
DADD.B src,dst

Operation src + dst + C → dst (decimally)

Description The source operand and the destination operand are treated as two (.B) or four (.W) binary coded decimals (BCD) with positive signs. The source operand and the carry bit C are added decimally to the destination operand. The source operand is not affected. The previous content of the destination is lost. The result is not defined for non-BCD numbers.

Status Bits N: Set if MSB of result is 1 (word > 7999h, byte > 79h), reset if MSB is 0
Z: Set if result is zero, reset otherwise
C: Set if the BCD result is too large (word > 9999h, byte > 99h), reset otherwise
V: Undefined

Mode Bits OSCOFF, CPUOFF, and GIE are not affected.

Example Decimal 10 is added to the 16-bit BCD counter DECCNTR.

```
DADD #10h,&DECCNTR ; Add 10 to 4-digit BCD counter
```

Example The eight-digit BCD number contained in 16-bit RAM addresses BCD and BCD+2 is added decimally to an eight-digit BCD number contained in R4 and R5 (BCD+2 and R5 contain the MSDs). The carry C is added, and cleared.

```
CLRC ; Clear carry
DADD.W &BCD,R4 ; Add LSDs. R4.19:16 = 0
DADD.W &BCD+2,R5 ; Add MSDs with carry. R5.19:16 = 0
JC OVERFLOW ; Result >9999,9999: go to error routine
... ; Result ok
```

Example The two-digit BCD number contained in word BCD (16-bit address) is added decimally to a two-digit BCD number contained in R4. The carry C is added, also. R4.19:8 = 0

```
CLRC ; Clear carry
DADD.B &BCD,R4 ; Add BCD to R4 decimally.
R4: 0,00ddh
```


6.6.2.17 DEC

* DEC[.W]	Decrement destination
* DEC.B	Decrement destination
Syntax	DEC dst OR DEC.W dst DEC.B dst
Operation	dst - 1 → dst
Emulation	SUB #1, dst SUB.B #1, dst
Description	The destination operand is decremented by one. The original contents are lost.
Status Bits	N: Set if result is negative, reset if positive Z: Set if dst contained 1, reset otherwise C: Reset if dst contained 0, set otherwise V: Set if an arithmetic overflow occurs, otherwise reset. Set if initial value of destination was 08000h, otherwise reset. Set if initial value of destination was 080h, otherwise reset.
Mode Bits	OSCOFF, CPUOFF, and GIE are not affected.
Example	R10 is decremented by 1.

```

DEC    R10                ; Decrement R10

; Move a block of 255 bytes from memory location starting with EDE to
; memory location starting with TONI. Tables should not overlap: start of
; destination address TONI must not be within the range EDE to EDE+0FEh

MOV    #EDE, R6
MOV    #255, R10
L$1   MOV.B  @R6+, TONI-EDE-1(R6)
DEC    R10
JNZ   L$1

```

Do not transfer tables using the routine above with the overlap shown in [Figure 6-36](#).

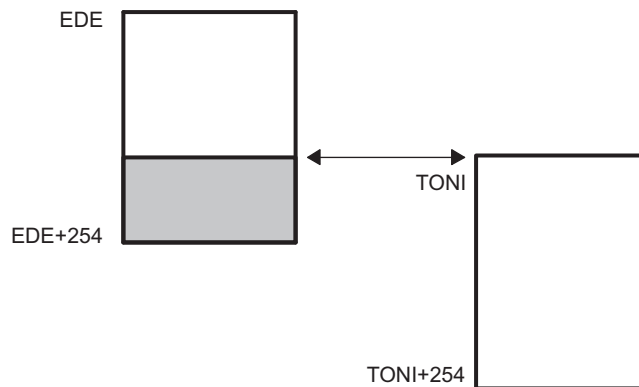


Figure 6-36. Decrement Overlap

6.6.2.18 DECD

* DECD[.W]	Double-decrement destination
* DECD.B	Double-decrement destination
Syntax	DECD dst Or DECD.W dst DECD.B dst
Operation	dst – 2 → dst
Emulation	SUB #2, dst SUB.B #2, dst
Description	The destination operand is decremented by two. The original contents are lost.
Status Bits	N: Set if result is negative, reset if positive Z: Set if dst contained 2, reset otherwise C: Reset if dst contained 0 or 1, set otherwise V: Set if an arithmetic overflow occurs, otherwise reset Set if initial value of destination was 08001 or 08000h, otherwise reset Set if initial value of destination was 081 or 080h, otherwise reset
Mode Bits	OSCOFF, CPUOFF, and GIE are not affected.
Example	R10 is decremented by 2.

```
DECD    R10                ; Decrement R10 by two
```

```
; Move a block of 255 bytes from memory location starting with EDE to
; memory location starting with TONI.
; Tables should not overlap: start of destination address TONI must not
; be within the range EDE to EDE+0FEh
```

```
MOV     #EDE, R6
MOV     #255, R10
L$1    MOV.B   @R6+, TONI-EDE-2(R6)
DECD   R10
JNZ    L$1
```

Example Memory at location LEO is decremented by two.

```
DECD.B  LEO                ; Decrement MEM(LEO)
```

Decrement status byte STATUS by two

```
DECD.B  STATUS
```

6.6.2.19 DINT

* DINT	Disable (general) interrupts
Syntax	DINT
Operation	0 → GIE or (0FFF7h .AND. SR → SR / .NOT.src .AND. dst → dst)
Emulation	BIC #8,SR
Description	All interrupts are disabled. The constant 08h is inverted and logically ANDed with the SR. The result is placed into the SR.
Status Bits	Status bits are not affected.
Mode Bits	GIE is reset. OSCOFF and CPUOFF are not affected.
Example	The general interrupt enable (GIE) bit in the SR is cleared to allow a nondisrupted move of a 32-bit counter. This ensures that the counter is not modified during the move by any interrupt.

```

DINT                ; All interrupt events using the GIE bit are disabled
NOP                 ; Required due to pipelined CPU architecture
MOV    COUNTHI,R5   ; Copy counter
MOV    COUNTLO,R6
EINT                ; All interrupt events using the GIE bit are enabled
  
```

NOTE: Disable interrupt

Due to the pipelined CPU architecture, clearing the general interrupt enable (GIE) requires special care.

- Include at least one instruction between DINT and the start of an code sequence that requires protection from interrupts. For example: Insert a NOP instruction after the DINT.
- Never clear the general interrupt enable (GIE) immediately after setting it. Insert at least one instruction in between such sequence.

The rules above apply to all instructions that clear the general interrupt enable bit. Not following these rules might result in unexpected CPU execution.

6.6.2.20 EINT

* EINT	Enable (general) interrupts
Syntax	EINT
Operation	1 → GIE or (0008h .OR. SR → SR / .src .OR. dst → dst)
Emulation	BIS #8,SR
Description	All interrupts are enabled. The constant #08h and the SR are logically ORed. The result is placed into the SR.
Status Bits	Status bits are not affected.
Mode Bits	GIE is set. OSCOFF and CPUOFF are not affected.
Example	The general interrupt enable (GIE) bit in the SR is set.

```

PUSH.B    &PLIN
BIC.B     @SP,&P1IFG ; Reset only accepted flags
NOP       ; Required due to pipelined CPU architecture
EINT      ; Preset port 1 interrupt flags stored on stack
          ; other interrupts are allowed

BIT       #Mask,@SP
JEQ       MaskOK    ; Flags are present identically to mask: jump
.....
MaskOK    BIC       #Mask,@SP
          .....
INCD     SP         ; Housekeeping: inverse to PUSH instruction
          ; at the start of interrupt subroutine. Corrects
          ; the stack pointer.

RETI

```

NOTE: Enable interrupt

Due to the pipelined CPU architecture, setting the general interrupt enable (GIE) requires special care.

- The instruction immediately after the enable interrupts instruction (EINT) is always executed, even if an interrupt service request is pending.
- Include at least one instruction between the clear of an interrupt enable or interrupt flag and the EINT instruction. For example: Insert a NOP instruction in front of the EINT instruction.
- Never clear the general interrupt enable (GIE) immediately after setting it. Insert at least one instruction in between such sequence.

The rules above apply to all instructions that set the general interrupt enable bit. Not following these rules might result in unexpected CPU execution.

6.6.2.21 INC

*** INC[.W]** Increment destination

*** INC.B** Increment destination

Syntax `INC dst OR INC.W dst`
`INC.B dst`

Operation `dst + 1 → dst`

Emulation `ADD #1, dst`

Description The destination operand is incremented by one. The original contents are lost.

Status Bits

- N: Set if result is negative, reset if positive
- Z: Set if dst contained 0FFFFh, reset otherwise
Set if dst contained 0FFh, reset otherwise
- C: Set if dst contained 0FFFFh, reset otherwise
Set if dst contained 0FFh, reset otherwise
- V: Set if dst contained 07FFFh, reset otherwise
Set if dst contained 07Fh, reset otherwise

Mode Bits OSCOFF, CPUOFF, and GIE are not affected.

Example The status byte, STATUS, of a process is incremented. When it is equal to 11, a branch to OVFL is taken.

```
INC.B STATUS
CMP.B #11, STATUS
JEQ OVFL
```

6.6.2.22 INCD

* INCD[.W]	Double-increment destination
* INCD.B	Double-increment destination
Syntax	INCD dst Or INCD.W dst INCD.B dst
Operation	dst + 2 → dst
Emulation	ADD #2, dst
Description	The destination operand is incremented by two. The original contents are lost.
Status Bits	N: Set if result is negative, reset if positive Z: Set if dst contained 0FFFEh, reset otherwise Set if dst contained 0FEh, reset otherwise C: Set if dst contained 0FFFEh or 0FFFFh, reset otherwise Set if dst contained 0FEh or 0FFh, reset otherwise V: Set if dst contained 07FFEh or 07FFFh, reset otherwise Set if dst contained 07Eh or 07Fh, reset otherwise
Mode Bits	OSCOFF, CPUOFF, and GIE are not affected.
Example	The item on the top of the stack (TOS) is removed without using a register.

```

.....
PUSH  R5      ; R5 is the result of a calculation, which is stored
          ; in the system stack
INCD  SP      ; Remove TOS by double-increment from stack
          ; Do not use INCD.B, SP is a word-aligned register
RET

```

Example The byte on the top of the stack is incremented by two.

```
INCD.B 0(SP) ; Byte on TOS is increment by two
```

6.6.2.23 INV

* INV[.W]	Invert destination
* INV.B	Invert destination
Syntax	INV dst OR INV.W dst INV.B dst
Operation	.not.dst → dst
Emulation	XOR #0FFFFh, dst XOR.B #0FFh, dst
Description	The destination operand is inverted. The original contents are lost.
Status Bits	N: Set if result is negative, reset if positive Z: Set if dst contained 0FFFFh, reset otherwise Set if dst contained 0FFh, reset otherwise C: Set if result is not zero, reset otherwise (= .NOT. Zero) V: Set if initial destination operand was negative, otherwise reset
Mode Bits	OSCOFF, CPUOFF, and GIE are not affected.
Example	Content of R5 is negated (twos complement).

```

MOV    #00AEh, R5    ; R5 = 000AEh
INV    R5             ; Invert R5,   R5 = 0FF51h
INC    R5             ; R5 is now negated, R5 = 0FF52h

```

Example Content of memory byte LEO is negated.

```

MOV.B  #0AEh, LEO    ; MEM(LEO) = 0AEh
INV.B  LEO           ; Invert LEO,   MEM(LEO) = 051h
INC.B  LEO           ; MEM(LEO) is negated, MEM(LEO) = 052h

```

6.6.2.24 JC, JHS

JC	Jump if carry
JHS	Jump if higher or same (unsigned)
Syntax	JC label JHS label
Operation	If C = 1: PC + (2 × Offset) → PC If C = 0: execute the following instruction
Description	The carry bit C in the SR is tested. If it is set, the signed 10-bit word offset contained in the instruction is multiplied by two, sign extended, and added to the 20-bit PC. This means a jump in the range –511 to +512 words relative to the PC in the full memory range. If C is reset, the instruction after the jump is executed. JC is used for the test of the carry bit C. JHS is used for the comparison of unsigned numbers.
Status Bits	Status bits are not affected
Mode Bits	OSCOFF, CPUOFF, and GIE are not affected.
Example	The state of the port 1 pin P1IN.1 bit defines the program flow.

```

BIT.B #2,&P1IN      ; Port 1, bit 1 set? Bit -> C
JC    Label1        ; Yes, proceed at Label1
...           ; No, continue

```

Example If R5 ≥ R6 (unsigned), the program continues at Label2.

```

CMP   R6,R 5        ; Is R5 >= R6? Info to C
JHS   Label2        ; Yes, C = 1
...           ; No, R5 < R6. Continue

```

Example If R5 ≥ 12345h (unsigned operands), the program continues at Label2.

```

CMPA  #12345h,R5    ; Is R5 >= 12345h? Info to C
JHS   Label2        ; Yes, 12344h < R5 <= F,FFFh. C = 1
...           ; No, R5 < 12345h. Continue

```


6.6.2.25 JEQ, JZ

JEQ	Jump if equal
JZ	Jump if zero
Syntax	JEQ label JZ label
Operation	If Z = 1: PC + (2 × Offset) → PC If Z = 0: execute following instruction
Description	The zero bit Z in the SR is tested. If it is set, the signed 10-bit word offset contained in the instruction is multiplied by two, sign extended, and added to the 20-bit PC. This means a jump in the range –511 to +512 words relative to the PC in the full memory range. If Z is reset, the instruction after the jump is executed. JZ is used for the test of the zero bit Z. JEQ is used for the comparison of operands.
Status Bits	Status bits are not affected
Mode Bits	OSCOFF, CPUOFF, and GIE are not affected.
Example	The state of the P2IN.0 bit defines the program flow.

```

BIT.B  #1,&P2IN      ; Port 2, bit 0 reset?
JZ     Label1       ; Yes, proceed at Label1
...           ; No, set, continue

```

Example If R5 = 15000h (20-bit data), the program continues at Label2.

```

CMPA  #15000h,R5    ; Is R5 = 15000h? Info to SR
JEQ   Label2        ; Yes, R5 = 15000h. Z = 1
...           ; No, R5 not equal 15000h. Continue

```

Example R7 (20-bit counter) is incremented. If its content is zero, the program continues at Label4.

```

ADDA  #1,R7         ; Increment R7
JZ    Label4        ; Zero reached: Go to Label4
...           ; R7 not equal 0. Continue here.

```

6.6.2.26 JGE

JGE	Jump if greater or equal (signed)
Syntax	JGE label
Operation	If (N .xor. V) = 0: PC + (2 × Offset) → PC If (N .xor. V) = 1: execute following instruction
Description	<p>The negative bit N and the overflow bit V in the SR are tested. If both bits are set or both are reset, the signed 10-bit word offset contained in the instruction is multiplied by two, sign extended, and added to the 20-bit PC. This means a jump in the range -512 to +512 words relative to the PC in full Memory range. If only one bit is set, the instruction after the jump is executed.</p> <p>JGE is used for the comparison of signed operands: also for incorrect results due to overflow, the decision made by the JGE instruction is correct.</p> <p>Note that JGE emulates the nonimplemented JP (jump if positive) instruction if used after the instructions AND, BIT, RRA, SXTX, and TST. These instructions clear the V bit.</p>
Status Bits	Status bits are not affected.
Mode Bits	OSCOFF, CPUOFF, and GIE are not affected.
Example	If byte EDE (lower 64 K) contains positive data, go to Label1. Software can run in the full memory range.

```
TST.B    &EDE                ; Is EDE positive? V <- 0
JGE     Label1              ; Yes, JGE emulates JP
...     ; No, 80h <= EDE <= FFh
```

Example	If the content of R6 is greater than or equal to the memory pointed to by R7, the program continues a Label5. Signed data. Data and program in full memory range.
----------------	---

```
CMP     @R7,R6              ; Is R6 >= @R7?
JGE     Label5              ; Yes, go to Label5
...     ; No, continue here
```

Example	If R5 ≥ 12345h (signed operands), the program continues at Label2. Program in full memory range.
----------------	--

```
CMPA   #12345h,R5          ; Is R5 >= 12345h?
JGE     Label2              ; Yes, 12344h < R5 <= 7FFFFh
...     ; No, 80000h <= R5 < 12345h
```

6.6.2.27 JL

JL	Jump if less (signed)
Syntax	JL label
Operation	If (N .xor. V) = 1: PC + (2 × Offset) → PC If (N .xor. V) = 0: execute following instruction
Description	The negative bit N and the overflow bit V in the SR are tested. If only one is set, the signed 10-bit word offset contained in the instruction is multiplied by two, sign extended, and added to the 20-bit PC. This means a jump in the range –511 to +512 words relative to the PC in full memory range. If both bits N and V are set or both are reset, the instruction after the jump is executed. JL is used for the comparison of signed operands: also for incorrect results due to overflow, the decision made by the JL instruction is correct.
Status Bits	Status bits are not affected.
Mode Bits	OSCOFF, CPUOFF, and GIE are not affected.
Example	If byte EDE contains a smaller, signed operand than byte TONI, continue at Label1. The address EDE is within PC ± 32 K.

```

CMP.B  &TONI,EDE      ; Is EDE < TONI
JL     Label1        ; Yes
...                               ; No, TONI <= EDE

```

Example	If the signed content of R6 is less than the memory pointed to by R7 (20-bit address), the program continues at Label5. Data and program in full memory range.
----------------	--

```

CMP    @R7,R6        ; Is R6 < @R7?
JL     Label5        ; Yes, go to Label5
...                               ; No, continue here

```

Example	If R5 < 12345h (signed operands), the program continues at Label2. Data and program in full memory range.
----------------	---

```

CMPA   #12345h,R5    ; Is R5 < 12345h?
JL     Label2        ; Yes, 80000h =< R5 < 12345h
...                               ; No, 12344h < R5 <= 7FFFFh

```

6.6.2.28 JMP

JMP Jump unconditionally

Syntax JMP label

Operation PC + (2 × Offset) → PC

Description The signed 10-bit word offset contained in the instruction is multiplied by two, sign extended, and added to the 20-bit PC. This means an unconditional jump in the range –511 to +512 words relative to the PC in the full memory. The JMP instruction may be used as a BR or BRA instruction within its limited range relative to the PC.

Status Bits Status bits are not affected

Mode Bits OSCOFF, CPUOFF, and GIE are not affected.

Example The byte STATUS is set to 10. Then a jump to label MAINLOOP is made. Data in lower 64 K, program in full memory range.

```
MOV.B #10,&STATUS ; Set STATUS to 10
JMP MAINLOOP ; Go to main loop
```

Example The interrupt vector TAIV of Timer_A3 is read and used for the program flow. Program in full memory range, but interrupt handlers always starts in lower 64 K.

```
ADD &TAIV,PC ; Add Timer_A interrupt vector to PC
RETI ; No Timer_A interrupt pending
JMP IHCCR1 ; Timer block 1 caused interrupt
JMP IHCCR2 ; Timer block 2 caused interrupt
RETI ; No legal interrupt, return
```

6.6.2.29 JN

JN Jump if negative

Syntax JN label

Operation If N = 1: PC + (2 × Offset) → PC
If N = 0: execute following instruction

Description The negative bit N in the SR is tested. If it is set, the signed 10-bit word offset contained in the instruction is multiplied by two, sign extended, and added to the 20-bit program PC. This means a jump in the range -511 to +512 words relative to the PC in the full memory range. If N is reset, the instruction after the jump is executed.

Status Bits Status bits are not affected.

Mode Bits OSCOFF, CPUOFF, and GIE are not affected.

Example The byte COUNT is tested. If it is negative, program execution continues at Label0. Data in lower 64 K, program in full memory range.

```
TST.B  &COUNT      ; Is byte COUNT negative?
JN     Label0       ; Yes, proceed at Label0
...     ; COUNT >= 0
```

Example R6 is subtracted from R5. If the result is negative, program continues at Label2. Program in full memory range.

```
SUB   R6,R5        ; R5 - R6 -> R5
JN    Label2       ; R5 is negative: R6 > R5 (N = 1)
...   ; R5 >= 0. Continue here.
```

Example R7 (20-bit counter) is decremented. If its content is below zero, the program continues at Label4. Program in full memory range.

```
SUBA  #1,R7        ; Decrement R7
JN    Label4       ; R7 < 0: Go to Label4
...   ; R7 >= 0. Continue here.
```

6.6.2.30 JNC, JLO

JNC	Jump if no carry
JLO	Jump if lower (unsigned)
Syntax	JNC label JLO label
Operation	If C = 0: PC + (2 × Offset) → PC If C = 1: execute following instruction
Description	The carry bit C in the SR is tested. If it is reset, the signed 10-bit word offset contained in the instruction is multiplied by two, sign extended, and added to the 20-bit PC. This means a jump in the range –511 to +512 words relative to the PC in the full memory range. If C is set, the instruction after the jump is executed. JNC is used for the test of the carry bit C. JLO is used for the comparison of unsigned numbers.
Status Bits	Status bits are not affected.
Mode Bits	OSCOFF, CPUOFF, and GIE are not affected.
Example	If byte EDE < 15, the program continues at Label2. Unsigned data. Data in lower 64 K, program in full memory range.

```

CMP.B  #15,&EDE      ; Is EDE < 15? Info to C
JLO    Label2       ; Yes, EDE < 15. C = 0
...                               ; No, EDE >= 15. Continue

```

Example	The word TONI is added to R5. If no carry occurs, continue at Label0. The address of TONI is within PC ± 32 K.
----------------	--

```

ADD    TONI,R5      ; TONI + R5 -> R5. Carry -> C
JNC    Label0       ; No carry
...                               ; Carry = 1: continue here

```

6.6.2.31 JNZ, JNE

JNZ Jump if not zero

JNE Jump if not equal

Syntax JNZ label
JNE label

Operation If Z = 0: PC + (2 × Offset) → PC
If Z = 1: execute following instruction

Description The zero bit Z in the SR is tested. If it is reset, the signed 10-bit word offset contained in the instruction is multiplied by two, sign extended, and added to the 20-bit PC. This means a jump in the range –511 to +512 words relative to the PC in the full memory range. If Z is set, the instruction after the jump is executed.

JNZ is used for the test of the zero bit Z.

JNE is used for the comparison of operands.

Status Bits Status bits are not affected.

Mode Bits OSCOFF, CPUOFF, and GIE are not affected.

Example The byte STATUS is tested. If it is not zero, the program continues at Label3. The address of STATUS is within PC ± 32 K.

```
TST.B STATUS          ; Is STATUS = 0?
JNZ Label3           ; No, proceed at Label3
...                  ; Yes, continue here
```

Example If word EDE ≠ 1500, the program continues at Label2. Data in lower 64 K, program in full memory range.

```
CMP #1500,&EDE       ; Is EDE = 1500? Info to SR
JNE Label2           ; No, EDE not equal 1500.
...                  ; Yes, R5 = 1500. Continue
```

Example R7 (20-bit counter) is decremented. If its content is not zero, the program continues at Label4. Program in full memory range.

```
SUBA #1,R7           ; Decrement R7
JNZ Label4           ; Zero not reached: Go to Label4
...                  ; Yes, R7 = 0. Continue here.
```

6.6.2.32 MOV

MOV[.W] Move source word to destination word

MOV.B Move source byte to destination byte

Syntax MOV src,dst OR MOV.W src,dst
MOV.B src,dst

Operation src → dst

Description The source operand is copied to the destination. The source operand is not affected.

Status Bits N: Not affected

Z: Not affected

C: Not affected

V: Not affected

Mode Bits OSCOFF, CPUOFF, and GIE are not affected.

Example Move a 16-bit constant 1800h to absolute address-word EDE (lower 64 K)

```
MOV    #01800h,&EDE           ; Move 1800h to EDE
```

Example The contents of table EDE (word data, 16-bit addresses) are copied to table TOM. The length of the tables is 030h words. Both tables reside in the lower 64 K.

```
MOV    #EDE,R10               ; Prepare pointer (16-bit address)
Loop   MOV    @R10+,TOM-EDE-2(R10) ; R10 points to both tables.
                                   ; R10+2
CMP    #EDE+60h,R10           ; End of table reached?
JLO    Loop                    ; Not yet
...    ; Copy completed
```

Example The contents of table EDE (byte data, 16-bit addresses) are copied to table TOM. The length of the tables is 020h bytes. Both tables may reside in full memory range, but must be within R10 ± 32 K.

```
MOVA   #EDE,R10               ; Prepare pointer (20-bit)
MOV    #20h,R9                 ; Prepare counter
Loop   MOV.B  @R10+,TOM-EDE-1(R10) ; R10 points to both tables.
                                   ; R10+1
DEC    R9                      ; Decrement counter
JNZ    Loop                    ; Not yet done
...    ; Copy completed
```


6.6.2.33 NOP

* NOP	No operation
Syntax	NOP
Operation	None
Emulation	MOV #0, R3
Description	No operation is performed. The instruction may be used for the elimination of instructions during the software check or for defined waiting times.
Status Bits	Status bits are not affected.

6.6.2.34 POP

*** POP[W]** Pop word from stack to destination

*** POP.B** Pop byte from stack to destination

Syntax POP dst

POP.B dst

Operation @SP → temp

SP + 2 → SP

temp → dst

Emulation MOV @SP+,dst or MOV.W @SP+,dst

MOV.B @SP+,dst

Description The stack location pointed to by the SP (TOS) is moved to the destination. The SP is incremented by two afterwards.

Status Bits Status bits are not affected.

Example The contents of R7 and the SR are restored from the stack.

```
POP    R7        ; Restore R7
POP    SR        ; Restore status register
```

Example The contents of RAM byte LEO is restored from the stack.

```
POP.B  LEO       ; The low byte of the stack is moved to LEO.
```

Example The contents of R7 is restored from the stack.

```
POP.B  R7        ; The low byte of the stack is moved to R7,
                 ; the high byte of R7 is 00h
```

Example The contents of the memory pointed to by R7 and the SR are restored from the stack.

```
POP.B  0(R7)     ; The low byte of the stack is moved to the
                 ; the byte which is pointed to by R7
           : Example:  R7 = 203h
           ;           Mem(R7) = low byte of system stack
           : Example:  R7 = 20Ah
           ;           Mem(R7) = low byte of system stack
POP    SR        ; Last word on stack moved to the SR
```

NOTE: System stack pointer

The system SP is always incremented by two, independent of the byte suffix.

6.6.2.35 PUSH

PUSH[.W] Save a word on the stack

PUSH.B Save a byte on the stack

Syntax PUSH dst OR PUSH.W dst
PUSH.B dst

Operation SP – 2 → SP
dst → @SP

Description The 20-bit SP is decremented by two. The operand is then copied to the RAM word addressed by the SP. A pushed byte is stored in the low byte; the high byte is not affected.

Status Bits Status bits are not affected.

Mode Bits OSCOFF, CPUOFF, and GIE are not affected.

Example Save the two 16-bit registers R9 and R10 on the stack

```
PUSH R9 ; Save R9 and R10 XXXXh
PUSH R10 ; YYYYh
```

Example Save the two bytes EDE and TONI on the stack. The addresses EDE and TONI are within PC ± 32 K.

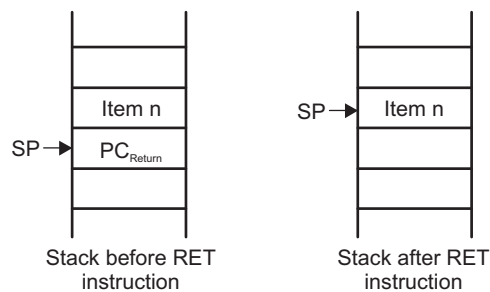
```
PUSH.B EDE ; Save EDE xxXXh
PUSH.B TONI ; Save TONI xxYYh
```

6.6.2.36 RET

* RET	Return from subroutine
Syntax	RET
Operation	@SP → PC.15:0 Saved PC to PC.15:0. PC.19:16 ← 0 SP + 2 → SP
Description	The 16-bit return address (lower 64 K), pushed onto the stack by a CALL instruction is restored to the PC. The program continues at the address following the subroutine call. The four MSBs of the PC.19:16 are cleared.
Status Bits	Status bits are not affected. PC.19:16: Cleared
Mode Bits	OSCOFF, CPUOFF, and GIE are not affected.
Example	Call a subroutine SUBR in the lower 64 K and return to the address in the lower 64 K after the CALL.

```

CALL    #SUBR    ; Call subroutine starting at SUBR
...
SUBR    PUSH    R14    ; Save R14 (16 bit data)
...
        ; Subroutine code
SUBR    POP     R14    ; Restore R14
SUBR    RET     ; Return to lower 64 K
    
```


Figure 6-37. Stack After a RET Instruction

6.6.2.37 RETI

RETI Return from interrupt

Syntax RETI

Operation @SP → SR.15:0 Restore saved SR with PC.19:16
 SP + 2 → SP

@SP → PC.15:0 Restore saved PC.15:0
 SP + 2 → SP Housekeeping

Description The SR is restored to the value at the beginning of the interrupt service routine. This includes the four MSBs of the PC.19:16. The SP is incremented by two afterward. The 20-bit PC is restored from PC.19:16 (from same stack location as the status bits) and PC.15:0. The 20-bit PC is restored to the value at the beginning of the interrupt service routine. The program continues at the address following the last executed instruction when the interrupt was granted. The SP is incremented by two afterward. No interrupt flags are modified by this command.

Status Bits N: Restored from stack
 C: Restored from stack
 Z: Restored from stack
 V: Restored from stack

Mode Bits OSCOFF, CPUOFF, and GIE are restored from stack.

Example Interrupt handler in the lower 64 K. A 20-bit return address is stored on the stack.

```
INTRPT PUSHM.A #2,R14 ; Save R14 and R13 (20-bit data)
      ...           ; Interrupt handler code
      POPM.A #2,R14 ; Restore R13 and R14 (20-bit data)
      RETI          ; Return to 20-bit address in full memory range
```

6.6.2.38 RLA

* **RLA[.W]** Rotate left arithmetically
 * **RLA.B** Rotate left arithmetically
Syntax RLA dst OF RLA.W dst
 RLA.B dst
Operation $C \leftarrow MSB \leftarrow MSB-1 \dots LSB+1 \leftarrow LSB \leftarrow 0$
Emulation ADD dst, dst
 ADD.B dst, dst

Description The destination operand is shifted left one position as shown in Figure 6-38. The MSB is shifted into the carry bit (C) and the LSB is filled with 0. The RLA instruction acts as a signed multiplication by 2.
 An overflow occurs if $dst \geq 04000h$ and $dst < 0C000h$ before operation is performed; the result has changed sign.

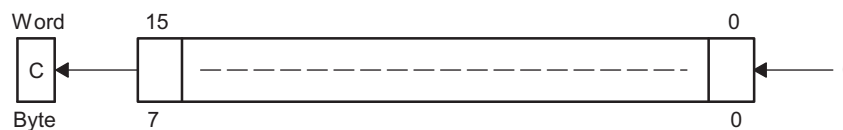


Figure 6-38. Destination Operand—Arithmetic Shift Left

An overflow occurs if $dst \geq 040h$ and $dst < 0C0h$ before the operation is performed; the result has changed sign.

Status Bits
 N: Set if result is negative, reset if positive
 Z: Set if result is zero, reset otherwise
 C: Loaded from the MSB
 V: Set if an arithmetic overflow occurs; the initial value is $04000h \leq dst < 0C000h$, reset otherwise
 Set if an arithmetic overflow occurs; the initial value is $040h \leq dst < 0C0h$, reset otherwise

Mode Bits OSCOFF, CPUOFF, and GIE are not affected.
Example R7 is multiplied by 2.

```
RLA R7 ; Shift left R7 (x 2)
```

Example The low byte of R7 is multiplied by 4.

```
RLA.B R7 ; Shift left low byte of R7 (x 2)
RLA.B R7 ; Shift left low byte of R7 (x 4)
```

NOTE: RLA substitution

The assembler does not recognize the instructions:

```
RLA @R5+ RLA.B @R5+ RLA(.B) @R5
```

They must be substituted by:

```
ADD @R5+, -2(R5) ADD.B @R5+, -1(R5) ADD(.B) @R5
```

6.6.2.39 RLC

* **RLC[.W]** Rotate left through carry

* **RLC.B** Rotate left through carry

Syntax RLC dst OR RLC.W dst
RLC.B dst

Operation $C \leftarrow MSB \leftarrow MSB-1 \dots LSB+1 \leftarrow LSB \leftarrow C$

Emulation ADDC dst, dst

Description The destination operand is shifted left one position as shown in Figure 6-39. The carry bit (C) is shifted into the LSB, and the MSB is shifted into the carry bit (C).

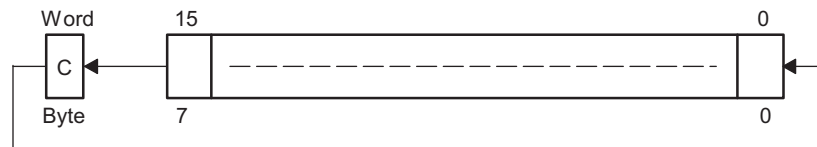


Figure 6-39. Destination Operand—Carry Left Shift

Status Bits

- N: Set if result is negative, reset if positive
- Z: Set if result is zero, reset otherwise
- C: Loaded from the MSB
- V: Set if an arithmetic overflow occurs; the initial value is $04000h \leq dst < 0C000h$, reset otherwise
Set if an arithmetic overflow occurs; the initial value is $040h \leq dst < 0C0h$, reset otherwise

Mode Bits OSCOFF, CPUOFF, and GIE are not affected.

Example R5 is shifted left one position.

```
RLC R5 ; (R5 x 2) + C -> R5
```

Example The input P1IN.1 information is shifted into the LSB of R5.

```
BIT.B #2, &P1IN ; Information -> Carry
RLC R5 ; Carry=P0in.1 -> LSB of R5
```

Example The MEM(LEO) content is shifted left one position.

```
RLC.B LEO ; Mem(LEO) x 2 + C -> Mem(LEO)
```

NOTE: RLA substitution

The assembler does not recognize the instructions:

```
RLC @R5+ RLC.B @R5+ RLC(.B) @R5
```

They must be substituted by:

```
ADDC @R5+, -2(R5) ADDC.B @R5+, -1(R5) ADDC(.B) @R5
```

6.6.2.40 RRA

RRA[.W]	Rotate right arithmetically destination word
RRA.B	Rotate right arithmetically destination byte
Syntax	RRA.B dst OR RRA.W dst
Operation	MSB → MSB → MSB-1 → ... LSB+1 → LSB → C
Description	The destination operand is shifted right arithmetically by one bit position as shown in Figure 6-40 . The MSB retains its value (sign). RRA operates equal to a signed division by 2. The MSB is retained and shifted into the MSB-1. The LSB+1 is shifted into the LSB. The previous LSB is shifted into the carry bit C.
Status Bits	N: Set if result is negative (MSB = 1), reset otherwise (MSB = 0) Z: Set if result is zero, reset otherwise C: Loaded from the LSB V: Reset
Mode Bits	OSCOFF, CPUOFF, and GIE are not affected.
Example	The signed 16-bit number in R5 is shifted arithmetically right one position.

```
RRA R5 ; R5/2 -> R5
```

Example The signed RAM byte EDE is shifted arithmetically right one position.

```
RRA.B EDE ; EDE/2 -> EDE
```

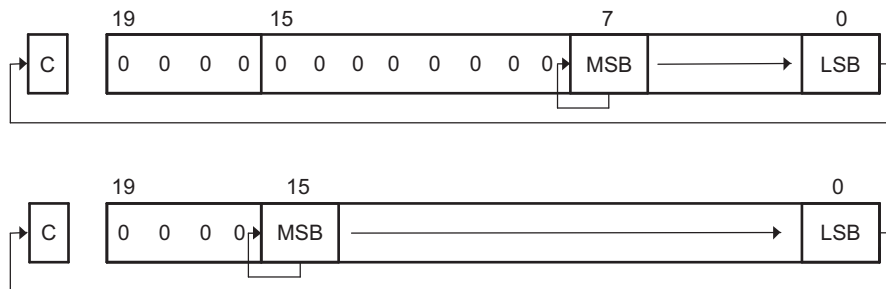


Figure 6-40. Rotate Right Arithmetically RRA.B and RRA.W

6.6.2.41 RRC

RRC[.W] Rotate right through carry destination word

RRC.B Rotate right through carry destination byte

Syntax RRC dst OF RRC.W dst
RRC.B dst

Operation C → MSB → MSB-1 → ... LSB+1 → LSB → C

Description The destination operand is shifted right by one bit position as shown in Figure 6-41. The carry bit C is shifted into the MSB and the LSB is shifted into the carry bit C.

Status Bits N: Set if result is negative (MSB = 1), reset otherwise (MSB = 0)

Z: Set if result is zero, reset otherwise

C: Loaded from the LSB

V: Reset

Mode Bits OSCOFF, CPUOFF, and GIE are not affected.

Example RAM word EDE is shifted right one bit position. The MSB is loaded with 1.

```
SETC          ; Prepare carry for MSB
RRC  EDE     ; EDE = EDE >> 1 + 8000h
```

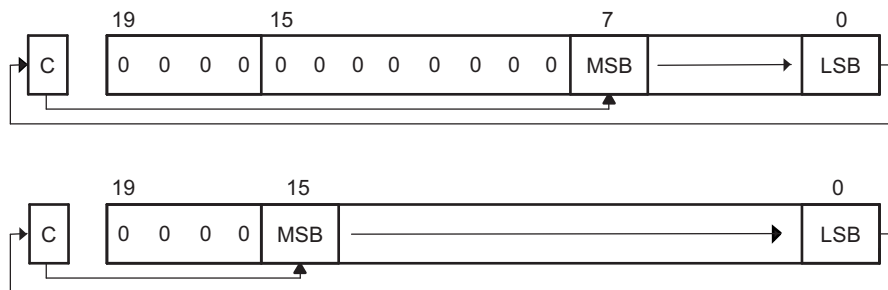


Figure 6-41. Rotate Right Through Carry RRC.B and RRC.W

6.6.2.42 SBC

* SBC[W]	Subtract borrow (.NOT. carry) from destination
* SBC.B	Subtract borrow (.NOT. carry) from destination
Syntax	SBC dst OR SBC.W dst SBC.B dst
Operation	dst + 0FFFFh + C → dst dst + 0FFh + C → dst
Emulation	SUBC #0, dst SBC.B #0, dst
Description	The carry bit (C) is added to the destination operand minus one. The previous contents of the destination are lost.
Status Bits	N: Set if result is negative, reset if positive Z: Set if result is zero, reset otherwise C: Set if there is a carry from the MSB of the result, reset otherwise Set to 1 if no borrow, reset if borrow V: Set if an arithmetic overflow occurs, reset otherwise
Mode Bits	OSCOFF, CPUOFF, and GIE are not affected.
Example	The 16-bit counter pointed to by R13 is subtracted from a 32-bit counter pointed to by R12.

```

SUB    @R13,0(R12)    ; Subtract LSDs
SBC    2(R12)         ; Subtract carry from MSD

```

Example The 8-bit counter pointed to by R13 is subtracted from a 16-bit counter pointed to by R12.

```

SUB.B  @R13,0(R12)    ; Subtract LSDs
SBC.B  1(R12)         ; Subtract carry from MSD

```

NOTE: Borrow implementation

The borrow is treated as a .NOT. carry:

Borrow	Carry Bit
Yes	0
No	1

6.6.2.43 SETC

* SETC	Set carry bit
Syntax	SETC
Operation	1 → C
Emulation	BIS #1,SR
Description	The carry bit (C) is set.
Status Bits	N: Not affected Z: Not affected C: Set V: Not affected
Mode Bits	OSCOFF, CPUOFF, and GIE are not affected.
Example	Emulation of the decimal subtraction: Subtract R5 from R6 decimally. Assume that R5 = 03987h and R6 = 04137h.

```

DSUB  ADD    #06666h,R5    ; Move content R5 from 0-9 to 6-0Fh
                                ; R5 = 03987h + 06666h = 09FEDh
                                ; Invert this (result back to 0-9)
                                ; R5 = .NOT. R5 = 06012h
                                ; Prepare carry = 1
SETC                                     ; Prepare carry = 1
DADD  R5,R6    ; Emulate subtraction by addition of:
                                ; (010000h - R5 - 1)
                                ; R6 = R6 + R5 + 1
                                ; R6 = 0150h

```

6.6.2.44 SETN

* SETN	Set negative bit
Syntax	SETN
Operation	1 → N
Emulation	BIS #4, SR
Description	The negative bit (N) is set.
Status Bits	N: Set Z: Not affected C: Not affected V: Not affected
Mode Bits	OSCOFF, CPUOFF, and GIE are not affected.

6.6.2.45 SETZ

* SETZ	Set zero bit
Syntax	SETZ
Operation	1 → N
Emulation	BIS #2, SR
Description	The zero bit (Z) is set.
Status Bits	N: Not affected Z: Set C: Not affected V: Not affected
Mode Bits	OSCOFF, CPUOFF, and GIE are not affected.

6.6.2.46 SUB

SUB[.W]	Subtract source word from destination word
SUB.B	Subtract source byte from destination byte
Syntax	SUB src,dst OR SUB.W src,dst SUB.B src,dst
Operation	(.not.src) + 1 + dst → dst or dst – src → dst
Description	The source operand is subtracted from the destination operand. This is made by adding the 1s complement of the source + 1 to the destination. The source operand is not affected, the result is written to the destination operand.
Status Bits	N: Set if result is negative (src > dst), reset if positive (src ≤ dst) Z: Set if result is zero (src = dst), reset otherwise (src ≠ dst) C: Set if there is a carry from the MSB, reset otherwise V: Set if the subtraction of a negative source operand from a positive destination operand delivers a negative result, or if the subtraction of a positive source operand from a negative destination operand delivers a positive result, reset otherwise (no overflow)
Mode Bits	OSCOFF, CPUOFF, and GIE are not affected.
Example	A 16-bit constant 7654h is subtracted from RAM word EDE.
	<pre>SUB #7654h,&EDE ; Subtract 7654h from EDE</pre>
Example	A table word pointed to by R5 (20-bit address) is subtracted from R7. Afterwards, if R7 contains zero, jump to label TONI. R5 is then auto-incremented by 2. R7.19:16 = 0.
	<pre>SUB @R5+,R7 ; Subtract table number from R7. R5 + 2 JZ TONI ; R7 = @R5 (before subtraction) ... ; R7 <> @R5 (before subtraction)</pre>
Example	Byte CNT is subtracted from byte R12 points to. The address of CNT is within PC ± 32K. The address R12 points to is in full memory range.
	<pre>SUB.B CNT,0(R12) ; Subtract CNT from @R12</pre>

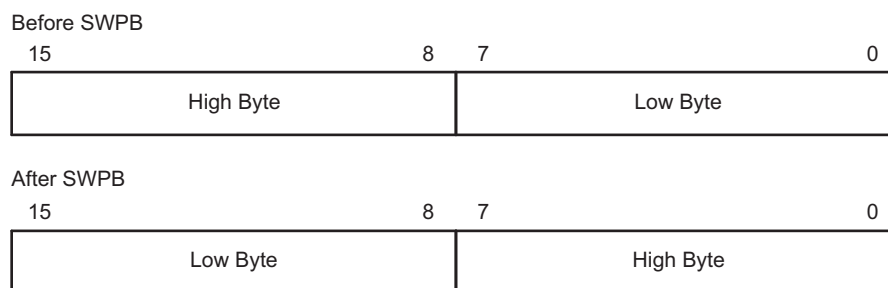
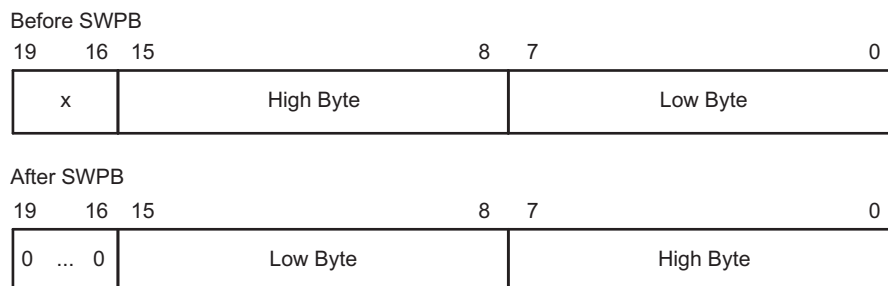
6.6.2.47 SUBC

SUBC[W]	Subtract source word with carry from destination word
SUBC.B	Subtract source byte with carry from destination byte
Syntax	SUBC src,dst OR SUBC.W src,dst SUBC.B src,dst
Operation	$(\text{.not.src}) + C + \text{dst} \rightarrow \text{dst}$ or $\text{dst} - (\text{src} - 1) + C \rightarrow \text{dst}$
Description	The source operand is subtracted from the destination operand. This is done by adding the 1s complement of the source + carry to the destination. The source operand is not affected, the result is written to the destination operand. Used for 32, 48, and 64-bit operands.
Status Bits	N: Set if result is negative (MSB = 1), reset if positive (MSB = 0) Z: Set if result is zero, reset otherwise C: Set if there is a carry from the MSB, reset otherwise V: Set if the subtraction of a negative source operand from a positive destination operand delivers a negative result, or if the subtraction of a positive source operand from a negative destination operand delivers a positive result, reset otherwise (no overflow)
Mode Bits	OSCOFF, CPUOFF, and GIE are not affected.
Example	A 16-bit constant 7654h is subtracted from R5 with the carry from the previous instruction. R5.19:16 = 0
	<pre>SUBC.W #7654h,R5 ; Subtract 7654h + C from R5</pre>
Example	A 48-bit number (3 words) pointed to by R5 (20-bit address) is subtracted from a 48-bit counter in RAM, pointed to by R7. R5 points to the next 48-bit number afterwards. The address R7 points to is in full memory range.
	<pre>SUB @R5+,0(R7) ; Subtract LSBs. R5 + 2 SUBC @R5+,2(R7) ; Subtract MIDs with C. R5 + 2 SUBC @R5+,4(R7) ; Subtract MSBs with C. R5 + 2</pre>
Example	Byte CNT is subtracted from the byte, R12 points to. The carry of the previous instruction is used. The address of CNT is in lower 64 K.
	<pre>SUBC.B &CNT,0(R12) ; Subtract byte CNT from @R12</pre>

6.6.2.48 SWPB

SWPB	Swap bytes
Syntax	SWPB <i>dst</i>
Operation	<i>dst</i> .15:8 ↔ <i>dst</i> .7:0
Description	The high and the low byte of the operand are exchanged. PC.19:16 bits are cleared in register mode.
Status Bits	Status bits are not affected
Mode Bits	OSCOFF, CPUOFF, and GIE are not affected.
Example	Exchange the bytes of RAM word EDE (lower 64 K)

```
MOV    #1234h, &EDE      ; 1234h -> EDE
SWPB  &EDE              ; 3412h -> EDE
```


Figure 6-42. Swap Bytes in Memory

Figure 6-43. Swap Bytes in a Register

6.6.2.49 SXT

SXT	Extend sign
Syntax	<code>SXT dst</code>
Operation	<code>dst.7 → dst.15:8, dst.7 → dst.19:8</code> (register mode)
Description	<p>Register mode: the sign of the low byte of the operand is extended into the bits Rdst.19:8.</p> <p>Rdst.7 = 0: Rdst.19:8 = 000h afterwards Rdst.7 = 1: Rdst.19:8 = FFFh afterwards</p> <p>Other modes: the sign of the low byte of the operand is extended into the high byte.</p> <p>dst.7 = 0: high byte = 00h afterwards dst.7 = 1: high byte = FFh afterwards</p>
Status Bits	<p>N: Set if result is negative, reset otherwise</p> <p>Z: Set if result is zero, reset otherwise</p> <p>C: Set if result is not zero, reset otherwise (C = .not.Z)</p> <p>V: Reset</p>
Mode Bits	OSCOFF, CPUOFF, and GIE are not affected.
Example	The signed 8-bit data in EDE (lower 64 K) is sign extended and added to the 16-bit signed data in R7.

```

MOV.B  &EDE,R5      ; EDE -> R5. 00XXh
SXT    R5           ; Sign extend low byte to R5.19:8
ADD    R5,R7       ; Add signed 16-bit values

```

Example The signed 8-bit data in EDE (PC +32 K) is sign extended and added to the 20-bit data in R7.

```

MOV.B  EDE,R5      ; EDE -> R5. 00XXh
SXT    R5           ; Sign extend low byte to R5.19:8
ADDA   R5,R7       ; Add signed 20-bit values

```

6.6.2.50 TST

* TST.W]	Test destination
* TST.B	Test destination
Syntax	TST dst OR TST.W dst TST.B dst
Operation	dst + 0FFFFh + 1 dst + 0FFh + 1
Emulation	CMP #0, dst CMP.B #0, dst
Description	The destination operand is compared with zero. The status bits are set according to the result. The destination is not affected.
Status Bits	N: Set if destination is negative, reset if positive Z: Set if destination contains zero, reset otherwise C: Set V: Reset
Mode Bits	OSCOFF, CPUOFF, and GIE are not affected.
Example	R7 is tested. If it is negative, continue at R7NEG; if it is positive but not zero, continue at R7POS.

```

TST    R7        ; Test R7
JN     R7NEG     ; R7 is negative
JZ     R7ZERO    ; R7 is zero
R7POS  .....    ; R7 is positive but not zero
R7NEG  .....    ; R7 is negative
R7ZERO .....    ; R7 is zero

```

Example The low byte of R7 is tested. If it is negative, continue at R7NEG; if it is positive but not zero, continue at R7POS.

```

TST.B  R7        ; Test low byte of R7
JN     R7NEG     ; Low byte of R7 is negative
JZ     R7ZERO    ; Low byte of R7 is zero
R7POS  .....    ; Low byte of R7 is positive but not zero
R7NEG  .....    ; Low byte of R7 is negative
R7ZERO .....    ; Low byte of R7 is zero

```

6.6.2.51 XOR

XOR[.W]	Exclusive OR source word with destination word
XOR.B	Exclusive OR source byte with destination byte
Syntax	XOR src,dst OR XOR.W src,dst XOR.B src,dst
Operation	src .xor. dst → dst
Description	The source and destination operands are exclusively ORed. The result is placed into the destination. The source operand is not affected. The previous content of the destination is lost.
Status Bits	N: Set if result is negative (MSB = 1), reset if positive (MSB = 0) Z: Set if result is zero, reset otherwise C: Set if result is not zero, reset otherwise (C = .not. Z) V: Set if both operands are negative before execution, reset otherwise
Mode Bits	OSCOFF, CPUOFF, and GIE are not affected.
Example	Toggle bits in word CNTR (16-bit data) with information (bit = 1) in address-word TONI. Both operands are located in lower 64 K.
	<pre>XOR &TONI,&CNTR ; Toggle bits in CNTR</pre>
Example	A table word pointed to by R5 (20-bit address) is used to toggle bits in R6. R6.19:16 = 0.
	<pre>XOR @R5,R6 ; Toggle bits in R6</pre>
Example	Reset to zero those bits in the low byte of R7 that are different from the bits in byte EDE. R7.19:8 = 0. The address of EDE is within PC ± 32 K.
	<pre>XOR.B EDE,R7 ; Set different bits to 1 in R7. INV.B R7 ; Invert low byte of R7, high byte is 0h</pre>

6.6.3 Extended Instructions

The extended MSP430X instructions give the MSP430X CPU full access to its 20-bit address space. MSP430X instructions require an additional word of op-code called the extension word. All addresses, indexes, and immediate numbers have 20-bit values when preceded by the extension word. The MSP430X extended instructions are listed and described in the following pages.

6.6.3.1 ADCX

* **ADCX.A** Add carry to destination address-word

* **ADCX.[W]** Add carry to destination word

* **ADCX.B** Add carry to destination byte

Syntax ADCX.A dst
 ADCX dst or ADCX.W dst
 ADCX.B dst

Operation dst + C → dst

Emulation ADDCX.A #0, dst
 ADDCX #0, dst
 ADDCX.B #0, dst

Description The carry bit (C) is added to the destination operand. The previous contents of the destination are lost.

Status Bits

- N: Set if result is negative (MSB = 1), reset if positive (MSB = 0)
- Z: Set if result is zero, reset otherwise
- C: Set if there is a carry from the MSB of the result, reset otherwise
- V: Set if the result of two positive operands is negative, or if the result of two negative numbers is positive, reset otherwise

Mode Bits OSCOFF, CPUOFF, and GIE are not affected.

Example The 40-bit counter, pointed to by R12 and R13, is incremented.

```
INCX.A   @R12   ; Increment lower 20 bits
ADCX.A   @R13   ; Add carry to upper 20 bits
```

6.6.3.2 ADDX

ADDX.A Add source address-word to destination address-word

ADDX.[W] Add source word to destination word

ADDX.B Add source byte to destination byte

Syntax ADDX.A *src,dst*

ADDX *src,dst* Or ADDX.W *src,dst*

ADDX.B *src,dst*

Operation *src + dst* → *dst*

Description The source operand is added to the destination operand. The previous contents of the destination are lost. Both operands can be located in the full address space.

Status Bits N: Set if result is negative (MSB = 1), reset if positive (MSB = 0)

Z: Set if result is zero, reset otherwise

C: Set if there is a carry from the MSB of the result, reset otherwise

V: Set if the result of two positive operands is negative, or if the result of two negative numbers is positive, reset otherwise

Mode Bits OSCOFF, CPUOFF, and GIE are not affected.

Example Ten is added to the 20-bit pointer CNTR located in two words CNTR (LSBs) and CNTR+2 (MSBs).

```
ADDX.A    #10,CNTR    ; Add 10 to 20-bit pointer
```

Example A table word (16-bit) pointed to by R5 (20-bit address) is added to R6. The jump to label TONI is performed on a carry.

```
ADDX.W    @R5,R6     ; Add table word to R6
JC        TONI       ; Jump if carry
...       ; No carry
```

Example A table byte pointed to by R5 (20-bit address) is added to R6. The jump to label TONI is performed if no carry occurs. The table pointer is auto-incremented by 1.

```
ADDX.B    @R5+,R6    ; Add table byte to R6. R5 + 1. R6: 000xxh
JNC       TONI       ; Jump if no carry
...       ; Carry occurred
```

Note: Use ADDA for the following two cases for better code density and execution.

```
ADDX.A    Rsrc,Rdst
ADDX.A    #imm20,Rdst
```

6.6.3.3 ADDCX

ADDCX.A Add source address-word and carry to destination address-word

ADDCX.[W] Add source word and carry to destination word

ADDCX.B Add source byte and carry to destination byte

Syntax `ADDCX.A src,dst`
`ADDCX src,dst Or ADDCX.W src,dst`
`ADDCX.B src,dst`

Operation `src + dst + C → dst`

Description The source operand and the carry bit C are added to the destination operand. The previous contents of the destination are lost. Both operands may be located in the full address space.

Status Bits

- N: Set if result is negative (MSB = 1), reset if positive (MSB = 0)
- Z: Set if result is zero, reset otherwise
- C: Set if there is a carry from the MSB of the result, reset otherwise
- V: Set if the result of two positive operands is negative, or if the result of two negative numbers is positive, reset otherwise

Mode Bits OSCOFF, CPUOFF, and GIE are not affected.

Example Constant 15 and the carry of the previous instruction are added to the 20-bit counter CNTR located in two words.

```
ADDCX.A #15,&CNTR ; Add 15 + C to 20-bit CNTR
```

Example A table word pointed to by R5 (20-bit address) and the carry C are added to R6. The jump to label TONI is performed on a carry.

```
ADDCX.W @R5,R6 ; Add table word + C to R6
JC TONI ; Jump if carry
... ; No carry
```

Example A table byte pointed to by R5 (20-bit address) and the carry bit C are added to R6. The jump to label TONI is performed if no carry occurs. The table pointer is auto-incremented by 1.

```
ADDCX.B @R5+,R6 ; Add table byte + C to R6. R5 + 1
JNC TONI ; Jump if no carry
... ; Carry occurred
```

6.6.3.4 ANDX

ANDX.A Logical AND of source address-word with destination address-word

ANDX.[W] Logical AND of source word with destination word

ANDX.B Logical AND of source byte with destination byte

Syntax
ANDX.A *src,dst*
ANDX *src,dst* Or ANDX.W *src,dst*
ANDX.B *src,dst*

Operation *src .and. dst* → *dst*

Description The source operand and the destination operand are logically ANDed. The result is placed into the destination. The source operand is not affected. Both operands may be located in the full address space.

Status Bits
N: Set if result is negative (MSB = 1), reset if positive (MSB = 0)
Z: Set if result is zero, reset otherwise
C: Set if the result is not zero, reset otherwise. C = (.not. Z)
V: Reset

Mode Bits OSCOFF, CPUOFF, and GIE are not affected.

Example The bits set in R5 (20-bit data) are used as a mask (AAA55h) for the address-word TOM located in two words. If the result is zero, a branch is taken to label TONI.

```
MOVA    #AAA55h,R5      ; Load 20-bit mask to R5
ANDX.A  R5,TOM          ; TOM .and. R5 -> TOM
JZ      TONI           ; Jump if result 0
...     ; Result > 0
```

or shorter:

```
ANDX.A  #AAA55h,TOM    ; TOM .and. AAA55h -> TOM
JZ      TONI           ; Jump if result 0
```

Example A table byte pointed to by R5 (20-bit address) is logically ANDed with R6. R6.19:8 = 0. The table pointer is auto-incremented by 1.

```
ANDX.B  @R5+,R6       ; AND table byte with R6. R5 + 1
```


6.6.3.5 BICX

BICX.A Clear bits set in source address-word in destination address-word

BICX.[W] Clear bits set in source word in destination word

BICX.B Clear bits set in source byte in destination byte

Syntax
 BICX.A *src,dst*
 BICX *src,dst* OR BICX.W *src,dst*
 BICX.B *src,dst*

Operation (.not. *src*) .and. *dst* → *dst*

Description The inverted source operand and the destination operand are logically ANDed. The result is placed into the destination. The source operand is not affected. Both operands may be located in the full address space.

Status Bits
 N: Not affected
 Z: Not affected
 C: Not affected
 V: Not affected

Mode Bits OSCOFF, CPUOFF, and GIE are not affected.

Example The bits 19:15 of R5 (20-bit data) are cleared.

```
BICX.A #0F8000h,R5 ; Clear R5.19:15 bits
```

Example A table word pointed to by R5 (20-bit address) is used to clear bits in R7. R7.19:16 = 0.

```
BICX.W @R5,R7 ; Clear bits in R7
```

Example A table byte pointed to by R5 (20-bit address) is used to clear bits in output Port1.

```
BICX.B @R5,&P1OUT ; Clear I/O port P1 bits
```

6.6.3.6 BISX

BISX.A Set bits set in source address-word in destination address-word

BISX.[W] Set bits set in source word in destination word

BISX.B Set bits set in source byte in destination byte

Syntax
 BISX.A *src,dst*
 BISX *src,dst* **OR** BISX.W *src,dst*
 BISX.B *src,dst*

Operation *src .or. dst* → *dst*

Description The source operand and the destination operand are logically ORed. The result is placed into the destination. The source operand is not affected. Both operands may be located in the full address space.

Status Bits
 N: Not affected
 Z: Not affected
 C: Not affected
 V: Not affected

Mode Bits OSCOFF, CPUOFF, and GIE are not affected.

Example Bits 16 and 15 of R5 (20-bit data) are set to one.

```
BISX.A    #018000h,R5    ; Set R5.16:15 bits
```

Example A table word pointed to by R5 (20-bit address) is used to set bits in R7.

```
BISX.W    @R5,R7        ; Set bits in R7
```

Example A table byte pointed to by R5 (20-bit address) is used to set bits in output Port1.

```
BISX.B    @R5,&P1OUT    ; Set I/O port P1 bits
```

6.6.3.7 BITX

BITX.A Test bits set in source address-word in destination address-word

BITX.[W] Test bits set in source word in destination word

BITX.B Test bits set in source byte in destination byte

Syntax
 BITX.A *src,dst*
 BITX *src,dst* OR BITX.W *src,dst*
 BITX.B *src,dst*

Operation *src* .and. *dst* → *dst*

Description The source operand and the destination operand are logically ANDed. The result affects only the status bits. Both operands may be located in the full address space.

Status Bits
 N: Set if result is negative (MSB = 1), reset if positive (MSB = 0)
 Z: Set if result is zero, reset otherwise
 C: Set if the result is not zero, reset otherwise. C = (.not. Z)
 V: Reset

Mode Bits OSCOFF, CPUOFF, and GIE are not affected.

Example Test if bit 16 or 15 of R5 (20-bit data) is set. Jump to label TONI if so.

```

BITX.A #018000h,R5 ; Test R5.16:15 bits
JNZ TONI ; At least one bit is set
... ; Both are reset
  
```

Example A table word pointed to by R5 (20-bit address) is used to test bits in R7. Jump to label TONI if at least one bit is set.

```

BITX.W @R5,R7 ; Test bits in R7: C = .not.Z
JC TONI ; At least one is set
... ; Both are reset
  
```

Example A table byte pointed to by R5 (20-bit address) is used to test bits in input Port1. Jump to label TONI if no bit is set. The next table byte is addressed.

```

BITX.B @R5+,&P1IN ; Test input P1 bits. R5 + 1
JNC TONI ; No corresponding input bit is set
... ; At least one bit is set
  
```

6.6.3.8 CLRX

* CLRX.A	Clear destination address-word
* CLRX.[W]	Clear destination word
* CLRX.B	Clear destination byte
Syntax	<pre> CLRX.A dst CLRX dst or CLRX.W dst CLRX.B dst </pre>
Operation	0 → dst
Emulation	<pre> MOVX.A #0,dst MOVX #0,dst MOVX.B #0,dst </pre>
Description	The destination operand is cleared.
Status Bits	Status bits are not affected.
Mode Bits	OSCOFF, CPUOFF, and GIE are not affected.
Example	RAM address-word TONI is cleared.

```
CLRX.A TONI ; 0 -> TONI
```

6.6.3.9 CMPX

CMPX.A	Compare source address-word and destination address-word
CMPX.[W]	Compare source word and destination word
CMPX.B	Compare source byte and destination byte
Syntax	<p>CMPX.A <i>src,dst</i></p> <p>CMPX <i>src,dst</i> OR CMPX.W <i>src,dst</i></p> <p>CMPX.B <i>src,dst</i></p>
Operation	$(\text{not. src}) + 1 + \text{dst}$ or $\text{dst} - \text{src}$
Description	The source operand is subtracted from the destination operand by adding the 1s complement of the source + 1 to the destination. The result affects only the status bits. Both operands may be located in the full address space.
Status Bits	<p>N: Set if result is negative ($\text{src} > \text{dst}$), reset if positive ($\text{src} \leq \text{dst}$)</p> <p>Z: Set if result is zero ($\text{src} = \text{dst}$), reset otherwise ($\text{src} \neq \text{dst}$)</p> <p>C: Set if there is a carry from the MSB, reset otherwise</p> <p>V: Set if the subtraction of a negative source operand from a positive destination operand delivers a negative result, or if the subtraction of a positive source operand from a negative destination operand delivers a positive result, reset otherwise (no overflow)</p>
Mode Bits	OSCOFF, CPUOFF, and GIE are not affected.
Example	Compare EDE with a 20-bit constant 18000h. Jump to label TONI if EDE equals the constant.

```

CMPX.A  #018000h,EDE      ; Compare EDE with 18000h
JEQ     TONI              ; EDE contains 18000h
...     ; Not equal

```

Example A table word pointed to by R5 (20-bit address) is compared with R7. Jump to label TONI if R7 contains a lower, signed, 16-bit number.

```

CMPX.W  @R5,R7           ; Compare two signed numbers
JL      TONI              ; R7 < @R5
...     ; R7 >= @R5

```

Example A table byte pointed to by R5 (20-bit address) is compared to the input in I/O Port1. Jump to label TONI if the values are equal. The next table byte is addressed.

```

CMPX.B  @R5+,&P1IN       ; Compare P1 bits with table. R5 + 1
JEQ     TONI              ; Equal contents
...     ; Not equal

```

Note: Use CMPA for the following two cases for better density and execution.

```

CMPA    Rsrc,Rdst
CMPA    #imm20,Rdst

```

6.6.3.10 DADCX

* **DADCX.A** Add carry decimally to destination address-word

* **DADCX.[W]** Add carry decimally to destination word

* **DADCX.B** Add carry decimally to destination byte

Syntax DADCX.A dst
DADCX dst **or** DADCX.W dst
DADCX.B dst

Operation dst + C → dst (decimally)

Emulation DADDX.A #0, dst

DADDX #0, dst

DADDX.B #0, dst

Description The carry bit (C) is added decimally to the destination.

Status Bits N: Set if MSB of result is 1 (address-word > 79999h, word > 7999h, byte > 79h), reset if MSB is 0

Z: Set if result is zero, reset otherwise

C: Set if the BCD result is too large (address-word > 99999h, word > 9999h, byte > 99h), reset otherwise

V: Undefined

Mode Bits OSCOFF, CPUOFF, and GIE are not affected.

Example The 40-bit counter, pointed to by R12 and R13, is incremented decimally.

```
DADDX.A #1,0(R12) ; Increment lower 20 bits
DADCX.A 0(R13) ; Add carry to upper 20 bits
```

6.6.3.11 DADDX

DADDX.A	Add source address-word and carry decimally to destination address-word
DADDX.[W]	Add source word and carry decimally to destination word
DADDX.B	Add source byte and carry decimally to destination byte
Syntax	DADDX.A src,dst DADDX src,dst Or DADDX.W src,dst DADDX.B src,dst
Operation	src + dst + C → dst (decimally)
Description	The source operand and the destination operand are treated as two (.B), four (.W), or five (.A) binary coded decimals (BCD) with positive signs. The source operand and the carry bit C are added decimally to the destination operand. The source operand is not affected. The previous contents of the destination are lost. The result is not defined for non-BCD numbers. Both operands may be located in the full address space.
Status Bits	N: Set if MSB of result is 1 (address-word > 79999h, word > 7999h, byte > 79h), reset if MSB is 0. Z: Set if result is zero, reset otherwise C: Set if the BCD result is too large (address-word > 99999h, word > 9999h, byte > 99h), reset otherwise V: Undefined
Mode Bits	OSCOFF, CPUOFF, and GIE are not affected.
Example	Decimal 10 is added to the 20-bit BCD counter DECCNTR located in two words.

```
DADDX.A #10h,&DECCNTR ; Add 10 to 20-bit BCD counter
```

Example The eight-digit BCD number contained in 20-bit addresses BCD and BCD+2 is added decimally to an eight-digit BCD number contained in R4 and R5 (BCD+2 and R5 contain the MSDs).

```
CLRC ; Clear carry
DADDX.W BCD,R4 ; Add LSDs
DADDX.W BCD+2,R5 ; Add MSDs with carry
JC OVERFLOW ; Result >99999999: go to error routine
... ; Result ok
```

Example The two-digit BCD number contained in 20-bit address BCD is added decimally to a two-digit BCD number contained in R4.

```
CLRC ; Clear carry
DADDX.B BCD,R4 ; Add BCD to R4 decimally.
; R4: 000ddh
```

6.6.3.12 DECX

* DECX.A	Decrement destination address-word
* DECX.[W]	Decrement destination word
* DECX.B	Decrement destination byte
Syntax	DECX.A dst DECX dst or DECX.W dst DECX.B dst
Operation	dst – 1 → dst
Emulation	SUBX.A #1, dst SUBX #1, dst SUBX.B #1, dst
Description	The destination operand is decremented by one. The original contents are lost.
Status Bits	N: Set if result is negative, reset if positive Z: Set if dst contained 1, reset otherwise C: Reset if dst contained 0, set otherwise V: Set if an arithmetic overflow occurs, otherwise reset
Mode Bits	OSCOFF, CPUOFF, and GIE are not affected.
Example	RAM address-word TONI is decremented by one.

```
DECX.A TONI ; Decrement TONI
```


6.6.3.13 DECDX

* DECDX.A	Double-decrement destination address-word
* DECDX.[W]	Double-decrement destination word
* DECDX.B	Double-decrement destination byte
Syntax	DECDX.A dst DECDX dst or DECDX.W dst DECDX.B dst
Operation	dst – 2 → dst
Emulation	SUBX.A #2, dst SUBX #2, dst SUBX.B #2, dst
Description	The destination operand is decremented by two. The original contents are lost.
Status Bits	N: Set if result is negative, reset if positive Z: Set if dst contained 2, reset otherwise C: Reset if dst contained 0 or 1, set otherwise V: Set if an arithmetic overflow occurs, otherwise reset
Mode Bits	OSCOFF, CPUOFF, and GIE are not affected.
Example	RAM address-word TONI is decremented by two.

```
DECDX.A TONI ; Decrement TONI
```

6.6.3.14 INCX

* INCX.A	Increment destination address-word
* INCX.[W]	Increment destination word
* INCX.B	Increment destination byte
Syntax	<pre> INCX.A dst INCX dst or INCX.W dst INCX.B dst </pre>
Operation	$dst + 1 \rightarrow dst$
Emulation	<pre> ADDX.A #1, dst ADDX #1, dst ADDX.B #1, dst </pre>
Description	The destination operand is incremented by one. The original contents are lost.
Status Bits	<p>N: Set if result is negative, reset if positive</p> <p>Z: Set if dst contained 0FFFFFFh, reset otherwise Set if dst contained 0FFFFh, reset otherwise Set if dst contained 0FFh, reset otherwise</p> <p>C: Set if dst contained 0FFFFFFh, reset otherwise Set if dst contained 0FFFFh, reset otherwise Set if dst contained 0FFh, reset otherwise</p> <p>V: Set if dst contained 07FFFh, reset otherwise Set if dst contained 07FFFh, reset otherwise Set if dst contained 07Fh, reset otherwise</p>
Mode Bits	OSCOFF, CPUOFF, and GIE are not affected.
Example	RAM address-word TONI is incremented by one.
	<pre>INCX.A TONI ; Increment TONI (20-bits)</pre>

6.6.3.15 INCDX

* INCDX.A	Double-increment destination address-word
* INCDX.[W]	Double-increment destination word
* INCDX.B	Double-increment destination byte
Syntax	<pre>INCDX.A dst INCDX dst or INCDX.W dst INCDX.B dst</pre>
Operation	$dst + 2 \rightarrow dst$
Emulation	<pre>ADDX.A #2, dst ADDX #2, dst ADDX.B #2, dst</pre>
Description	The destination operand is incremented by two. The original contents are lost.
Status Bits	<p>N: Set if result is negative, reset if positive</p> <p>Z: Set if dst contained 0FFFFFFh, reset otherwise Set if dst contained 0FFFEh, reset otherwise Set if dst contained 0FEh, reset otherwise</p> <p>C: Set if dst contained 0FFFFFFh or 0FFFFFFh, reset otherwise Set if dst contained 0FFFEh or 0FFFFh, reset otherwise Set if dst contained 0FEh or 0FFh, reset otherwise</p> <p>V: Set if dst contained 07FFFEh or 07FFFFh, reset otherwise Set if dst contained 07FFEh or 07FFFh, reset otherwise Set if dst contained 07Eh or 07Fh, reset otherwise</p>
Mode Bits	OSCOFF, CPUOFF, and GIE are not affected.
Example	RAM byte LEO is incremented by two; PC points to upper memory.
	<pre>INCDX.B LEO ; Increment LEO by two</pre>

6.6.3.16 INVX

* INVX.A	Invert destination
* INVX.[W]	Invert destination
* INVX.B	Invert destination
Syntax	<pre> INVX.A dst INVX dst or INVX.W dst INVX.B dst </pre>
Operation	.NOT.dst → dst
Emulation	<pre> XORX.A #0FFFFFFh, dst XORX #0FFFFFFh, dst XORX.B #0FFh, dst </pre>
Description	The destination operand is inverted. The original contents are lost.
Status Bits	<p>N: Set if result is negative, reset if positive</p> <p>Z: Set if dst contained 0FFFFFFh, reset otherwise Set if dst contained 0FFFFh, reset otherwise Set if dst contained 0FFh, reset otherwise</p> <p>C: Set if result is not zero, reset otherwise (= .NOT. Zero)</p> <p>V: Set if initial destination operand was negative, otherwise reset</p>
Mode Bits	OSCOFF, CPUOFF, and GIE are not affected.
Example	20-bit content of R5 is negated (twos complement).

```

INVX.A R5 ; Invert R5
INCX.A R5 ; R5 is now negated

```

Example Content of memory byte LEO is negated. PC is pointing to upper memory.

```

INVX.B LEO ; Invert LEO
INCX.B LEO ; MEM(LEO) is negated

```

6.6.3.17 MOVX

MOVX.A	Move source address-word to destination address-word
MOVX.[W]	Move source word to destination word
MOVX.B	Move source byte to destination byte
Syntax	MOVX.A src,dst MOVX src,dst Or MOVX.W src,dst MOVX.B src,dst
Operation	src → dst
Description	The source operand is copied to the destination. The source operand is not affected. Both operands may be located in the full address space.
Status Bits	N: Not affected Z: Not affected C: Not affected V: Not affected
Mode Bits	OSCOFF, CPUOFF, and GIE are not affected.
Example	Move a 20-bit constant 18000h to absolute address-word EDE

```
MOVX.A    #018000h,&EDE          ; Move 18000h to EDE
```

Example The contents of table EDE (word data, 20-bit addresses) are copied to table TOM. The length of the table is 030h words.

```

Loop      MOVA    #EDE,R10          ; Prepare pointer (20-bit address)
          MOVX.W  @R10+,TOM-EDE-2(R10) ; R10 points to both tables.
          ; R10+2
          CMPA    #EDE+60h,R10      ; End of table reached?
          JLO     Loop              ; Not yet
          ...                       ; Copy completed
```

Example The contents of table EDE (byte data, 20-bit addresses) are copied to table TOM. The length of the table is 020h bytes.

```

Loop      MOVA    #EDE,R10          ; Prepare pointer (20-bit)
          MOV     #20h,R9           ; Prepare counter
          MOVX.W  @R10+,TOM-EDE-2(R10) ; R10 points to both tables.
          ; R10+1
          DEC     R9                ; Decrement counter
          JNZ     Loop              ; Not yet done
          ...                       ; Copy completed
```

Ten of the 28 possible addressing combinations of the MOVX.A instruction can use the MOVA instruction. This saves two bytes and code cycles. Examples for the addressing combinations are:

MOVX.A	Rsrc,Rdst	MOVA	Rsrc,Rdst	; Reg/Reg
MOVX.A	#imm20,Rdst	MOVA	#imm20,Rdst	; Immediate/Reg
MOVX.A	&abs20,Rdst	MOVA	&abs20,Rdst	; Absolute/Reg
MOVX.A	@Rsrc,Rdst	MOVA	@Rsrc,Rdst	; Indirect/Reg
MOVX.A	@Rsrc+,Rdst	MOVA	@Rsrc+,Rdst	; Indirect,Auto/Reg
MOVX.A	Rsrc,&abs20	MOVA	Rsrc,&abs20	; Reg/Absolute

The next four replacements are possible only if 16-bit indexes are sufficient for the addressing:

MOVX.A	z20(Rsrc),Rdst	MOVA	z16(Rsrc),Rdst	; Indexed/Reg
MOVX.A	Rsrc,z20(Rdst)	MOVA	Rsrc,z16(Rdst)	; Reg/Indexed
MOVX.A	symb20,Rdst	MOVA	symb16,Rdst	; Symbolic/Reg
MOVX.A	Rsrc,symb20	MOVA	Rsrc,symb16	; Reg/Symbolic

6.6.3.18 POPM

POPM.A	Restore n CPU registers (20-bit data) from the stack
POPM.[W]	Restore n CPU registers (16-bit data) from the stack
Syntax	<pre> POPM.A #n,Rdst 1 ≤ n ≤ 16 POPM.W #n,Rdst OR POPM #n,Rdst 1 ≤ n ≤ 16 </pre>
Operation	<p>POPM.A: Restore the register values from stack to the specified CPU registers. The SP is incremented by four for each register restored from stack. The 20-bit values from stack (two words per register) are restored to the registers.</p> <p>POPM.W: Restore the 16-bit register values from stack to the specified CPU registers. The SP is incremented by two for each register restored from stack. The 16-bit values from stack (one word per register) are restored to the CPU registers.</p> <p>Note : This instruction does not use the extension word.</p>
Description	<p>POPM.A: The CPU registers pushed on the stack are moved to the extended CPU registers, starting with the CPU register (Rdst – n + 1). The SP is incremented by (n × 4) after the operation.</p> <p>POPM.W: The 16-bit registers pushed on the stack are moved back to the CPU registers, starting with CPU register (Rdst – n + 1). The SP is incremented by (n × 2) after the instruction. The MSBs (Rdst.19:16) of the restored CPU registers are cleared.</p>
Status Bits	Status bits are not affected, except SR is included in the operation.
Mode Bits	OSCOFF, CPUOFF, and GIE are not affected.
Example	Restore the 20-bit registers R9, R10, R11, R12, R13 from the stack
	<pre> POPM.A #5,R13 ; Restore R9, R10, R11, R12, R13 </pre>
Example	Restore the 16-bit registers R9, R10, R11, R12, R13 from the stack.
	<pre> POPM.W #5,R13 ; Restore R9, R10, R11, R12, R13 </pre>

6.6.3.19 PUSHM

PUSHM.A	Save n CPU registers (20-bit data) on the stack				
PUSHM.[W]	Save n CPU registers (16-bit words) on the stack				
Syntax	<table border="0"> <tr> <td>PUSHM.A #n,Rdst</td> <td>$1 \leq n \leq 16$</td> </tr> <tr> <td>PUSHM.W #n,Rdst OR PUSHM #n,Rdst</td> <td>$1 \leq n \leq 16$</td> </tr> </table>	PUSHM.A #n,Rdst	$1 \leq n \leq 16$	PUSHM.W #n,Rdst OR PUSHM #n,Rdst	$1 \leq n \leq 16$
PUSHM.A #n,Rdst	$1 \leq n \leq 16$				
PUSHM.W #n,Rdst OR PUSHM #n,Rdst	$1 \leq n \leq 16$				
Operation	<p>PUSHM.A: Save the 20-bit CPU register values on the stack. The SP is decremented by four for each register stored on the stack. The MSBs are stored first (higher address).</p> <p>PUSHM.W: Save the 16-bit CPU register values on the stack. The SP is decremented by two for each register stored on the stack.</p>				
Description	<p>PUSHM.A: The n CPU registers, starting with Rdst backwards, are stored on the stack. The SP is decremented by (n × 4) after the operation. The data (Rn.19:0) of the pushed CPU registers is not affected.</p> <p>PUSHM.W: The n registers, starting with Rdst backwards, are stored on the stack. The SP is decremented by (n × 2) after the operation. The data (Rn.19:0) of the pushed CPU registers is not affected.</p> <p>Note : This instruction does not use the extension word.</p>				
Status Bits	Status bits are not affected.				
Mode Bits	OSCOFF, CPUOFF, and GIE are not affected.				
Example	Save the five 20-bit registers R9, R10, R11, R12, R13 on the stack				
	<pre>PUSHM.A #5,R13 ; Save R13, R12, R11, R10, R9</pre>				
Example	Save the five 16-bit registers R9, R10, R11, R12, R13 on the stack				
	<pre>PUSHM.W #5,R13 ; Save R13, R12, R11, R10, R9</pre>				

6.6.3.20 POPX

* **POPX.A** Restore single address-word from the stack

* **POPX.[W]** Restore single word from the stack

* **POPX.B** Restore single byte from the stack

Syntax POPX.A dst

POPX dst **OR** POPX.W dst

POPX.B dst

Operation Restore the 8-, 16-, 20-bit value from the stack to the destination. 20-bit addresses are possible. The SP is incremented by two (byte and word operands) and by four (address-word operand).

Emulation MOVX(.B, .A) @SP+, dst

Description The item on TOS is written to the destination operand. Register mode, Indexed mode, Symbolic mode, and Absolute mode are possible. The SP is incremented by two or four.

Note: the SP is incremented by two also for byte operations.

Status Bits Status bits are not affected.

Mode Bits OSCOFF, CPUOFF, and GIE are not affected.

Example Write the 16-bit value on TOS to the 20-bit address &EDE

```
POPX.W    &EDE    ; Write word to address EDE
```

Example Write the 20-bit value on TOS to R9

```
POPX.A    R9      ; Write address-word to R9
```

6.6.3.21 PUSHX

PUSHX.A Save single address-word to the stack

PUSHX.[W] Save single word to the stack

PUSHX.B Save single byte to the stack

Syntax `PUSHX.A src`

`PUSHX src OR PUSHX.W src`

`PUSHX.B src`

Operation Save the 8-, 16-, 20-bit value of the source operand on the TOS. 20-bit addresses are possible. The SP is decremented by two (byte and word operands) or by four (address-word operand) before the write operation.

Description The SP is decremented by two (byte and word operands) or by four (address-word operand). Then the source operand is written to the TOS. All seven addressing modes are possible for the source operand.

Status Bits Status bits are not affected.

Mode Bits OSCOFF, CPUOFF, and GIE are not affected.

Example Save the byte at the 20-bit address &EDE on the stack

```
PUSHX.B    &EDE    ; Save byte at address EDE
```

Example Save the 20-bit value in R9 on the stack.

```
PUSHX.A    R9      ; Save address-word in R9
```

6.6.3.22 RLAM

RLAM.A Rotate left arithmetically the 20-bit CPU register content

RLAM.[W] Rotate left arithmetically the 16-bit CPU register content

Syntax RLAM.A #n,Rdst 1 ≤ n ≤ 4

RLAM.W #n,Rdst OR RLAM #n,Rdst 1 ≤ n ≤ 4

Operation C ← MSB ← MSB-1 ... LSB+1 ← LSB ← 0

Description The destination operand is shifted arithmetically left one, two, three, or four positions as shown in Figure 6-44. RLAM works as a multiplication (signed and unsigned) with 2, 4, 8, or 16. The word instruction RLAM.W clears the bits Rdst.19:16.

Note : This instruction does not use the extension word.

Status Bits

- N: Set if result is negative
 .A: Rdst.19 = 1, reset if Rdst.19 = 0
 .W: Rdst.15 = 1, reset if Rdst.15 = 0
- Z: Set if result is zero, reset otherwise
- C: Loaded from the MSB (n = 1), MSB-1 (n = 2), MSB-2 (n = 3), MSB-3 (n = 4)
- V: Undefined

Mode Bits OSCOFF, CPUOFF, and GIE are not affected.

Example The 20-bit operand in R5 is shifted left by three positions. It operates equal to an arithmetic multiplication by 8.

```
RLAM.A #3,R5 ; R5 = R5 x 8
```

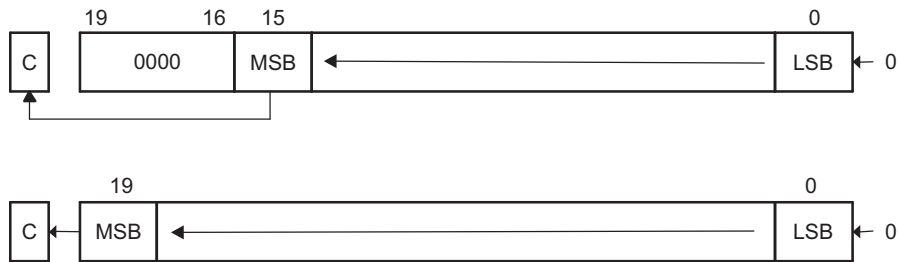


Figure 6-44. Rotate Left Arithmetically—RLAM.[W] and RLAM.A

6.6.3.23 RLAX

* **RLAX.A** Rotate left arithmetically address-word

* **RLAX.[W]** Rotate left arithmetically word

* **RLAX.B** Rotate left arithmetically byte

Syntax RLAX.A dst

RLAX dst OR RLAX.W dst

RLAX.B dst

Operation $C \leftarrow MSB \leftarrow MSB-1 \dots LSB+1 \leftarrow LSB \leftarrow 0$

Emulation ADDX.A dst, dst

ADDX dst, dst

ADDX.B dst, dst

Description The destination operand is shifted left one position as shown in Figure 6-45. The MSB is shifted into the carry bit (C) and the LSB is filled with 0. The RLAX instruction acts as a signed multiplication by 2.

Status Bits N: Set if result is negative, reset if positive

Z: Set if result is zero, reset otherwise

C: Loaded from the MSB

V: Set if an arithmetic overflow occurs: the initial value is $040000h \leq dst < 0C0000h$; reset otherwise

Set if an arithmetic overflow occurs: the initial value is $04000h \leq dst < 0C000h$; reset otherwise

Set if an arithmetic overflow occurs: the initial value is $040h \leq dst < 0C0h$; reset otherwise

Mode Bits OSCOFF, CPUOFF, and GIE are not affected.

Example The 20-bit value in R7 is multiplied by 2

```
RLAX.A R7 ; Shift left R7 (20-bit)
```

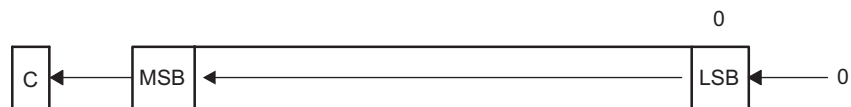


Figure 6-45. Destination Operand-Arithmetic Shift Left

6.6.3.24 RLCX

* **RLCX.A** Rotate left through carry address-word

* **RLCX.[W]** Rotate left through carry word

* **RLCX.B** Rotate left through carry byte

Syntax RLCX.A dst

RLCX dst OR RLCX.W dst

RLCX.B dst

Operation $C \leftarrow \text{MSB} \leftarrow \text{MSB}-1 \dots \text{LSB}+1 \leftarrow \text{LSB} \leftarrow C$

Emulation ADDCX.A dst, dst

ADDCX dst, dst

ADDCX.B dst, dst

Description The destination operand is shifted left one position as shown in [Figure 6-46](#). The carry bit (C) is shifted into the LSB and the MSB is shifted into the carry bit (C).

Status Bits N: Set if result is negative, reset if positive

Z: Set if result is zero, reset otherwise

C: Loaded from the MSB

V: Set if an arithmetic overflow occurs: the initial value is $040000h \leq \text{dst} < 0C0000h$; reset otherwise

Set if an arithmetic overflow occurs: the initial value is $04000h \leq \text{dst} < 0C000h$; reset otherwise

Set if an arithmetic overflow occurs: the initial value is $040h \leq \text{dst} < 0C0h$; reset otherwise

Mode Bits OSCOFF, CPUOFF, and GIE are not affected.

Example The 20-bit value in R5 is shifted left one position.

```
RLCX.A R5 ; (R5 x 2) + C -> R5
```

Example The RAM byte LEO is shifted left one position. PC is pointing to upper memory.

```
RLCX.B LEO ; RAM(LEO) x 2 + C -> RAM(LEO)
```

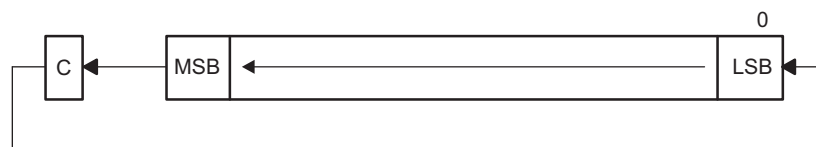


Figure 6-46. Destination Operand-Carry Left Shift

6.6.3.25 RRAM

RRAM.A	Rotate right arithmetically the 20-bit CPU register content
RRAM.[W]	Rotate right arithmetically the 16-bit CPU register content
Syntax	RRAM.A #n,Rdst 1 ≤ n ≤ 4 RRAM.W #n,Rdst OR RRAM #n,Rdst 1 ≤ n ≤ 4
Operation	MSB → MSB → MSB-1 ... LSB+1 → LSB → C
Description	The destination operand is shifted right arithmetically by one, two, three, or four bit positions as shown in Figure 6-47 . The MSB retains its value (sign). RRAM operates equal to a signed division by 2, 4, 8, or 16. The MSB is retained and shifted into MSB-1. The LSB+1 is shifted into the LSB, and the LSB is shifted into the carry bit C. The word instruction RRAM.W clears the bits Rdst.19:16. Note : This instruction does not use the extension word.
Status Bits	N: Set if result is negative .A: Rdst.19 = 1, reset if Rdst.19 = 0 .W: Rdst.15 = 1, reset if Rdst.15 = 0 Z: Set if result is zero, reset otherwise C: Loaded from the LSB (n = 1), LSB+1 (n = 2), LSB+2 (n = 3), or LSB+3 (n = 4) V: Reset
Mode Bits	OSCOFF, CPUOFF, and GIE are not affected.
Example	The signed 20-bit number in R5 is shifted arithmetically right two positions.

```
RRAM.A #2,R5 ; R5/4 -> R5
```

Example The signed 20-bit value in R15 is multiplied by 0.75. (0.5 + 0.25) × R15.

```
PUSHM.A #1,R15 ; Save extended R15 on stack
RRAM.A #1,R15 ; R15 y 0.5 -> R15
ADDX.A @SP+,R15 ; R15 y 0.5 + R15 = 1.5 y R15 -> R15
RRAM.A #1,R15 ; (1.5 y R15) y 0.5 = 0.75 y R15 -> R15
```

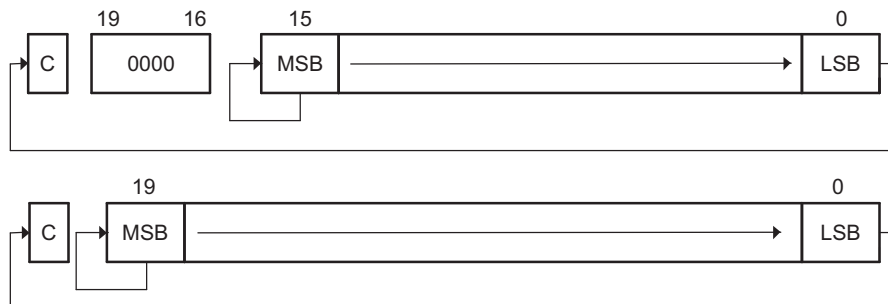


Figure 6-47. Rotate Right Arithmetically RRAM.[W] and RRAM.A

6.6.3.26 RRAX

RRAX.A Rotate right arithmetically the 20-bit operand

RRAX.[W] Rotate right arithmetically the 16-bit operand

RRAX.B Rotate right arithmetically the 8-bit operand

Syntax RRAX.A Rdst

RRAX.W Rdst

RRAX Rdst

RRAX.B Rdst

RRAX.A dst

RRAX dst **OR** RRAX.W dst

RRAX.B dst

Operation MSB → MSB → MSB−1 ... LSB+1 → LSB → C

Description Register mode for the destination: the destination operand is shifted right by one bit position as shown in [Figure 6-48](#). The MSB retains its value (sign). The word instruction RRAX.W clears the bits Rdst.19:16, the byte instruction RRAX.B clears the bits Rdst.19:8. The MSB retains its value (sign), the LSB is shifted into the carry bit. RRAX here operates equal to a signed division by 2.

All other modes for the destination: the destination operand is shifted right arithmetically by one bit position as shown in [Figure 6-49](#). The MSB retains its value (sign), the LSB is shifted into the carry bit. RRAX here operates equal to a signed division by 2. All addressing modes, with the exception of the Immediate mode, are possible in the full memory.

Status Bits N: Set if result is negative, reset if positive

.A: dst.19 = 1, reset if dst.19 = 0

.W: dst.15 = 1, reset if dst.15 = 0

.B: dst.7 = 1, reset if dst.7 = 0

Z: Set if result is zero, reset otherwise

C: Loaded from the LSB

V: Reset

Mode Bits OSCOFF, CPUOFF, and GIE are not affected.

Example The signed 20-bit number in R5 is shifted arithmetically right four positions.

```
RPT      #4
RRAX.A  R5      ; R5/16 -> R5
```

Example The signed 8-bit value in EDE is multiplied by 0.5.

RRAX.B &EDE ; EDE/2 -> EDE

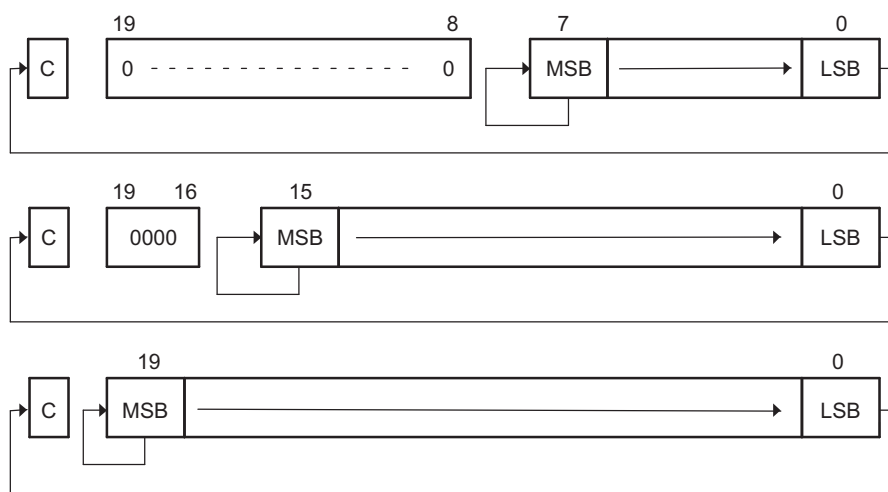


Figure 6-48. Rotate Right Arithmetically RRAX(B,A) – Register Mode

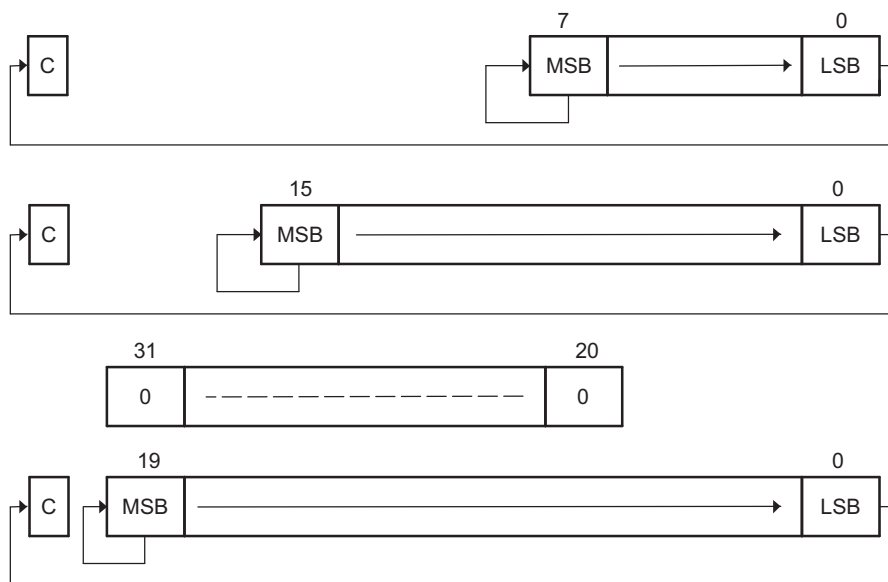


Figure 6-49. Rotate Right Arithmetically RRAX(B,A) – Non-Register Mode

6.6.3.27 RRCM

RRCM.A	Rotate right through carry the 20-bit CPU register content	
RRCM.[W]	Rotate right through carry the 16-bit CPU register content	
Syntax	RRCM.A #n,Rdst	$1 \leq n \leq 4$
	RRCM.W #n,Rdst OR RRCM #n,Rdst	$1 \leq n \leq 4$
Operation	C → MSB → MSB-1 ... LSB+1 → LSB → C	
Description	The destination operand is shifted right by one, two, three, or four bit positions as shown in Figure 6-50 . The carry bit C is shifted into the MSB, the LSB is shifted into the carry bit. The word instruction RRCM.W clears the bits Rdst.19:16.	
	Note : This instruction does not use the extension word.	
Status Bits	N: Set if result is negative .A: Rdst.19 = 1, reset if Rdst.19 = 0 .W: Rdst.15 = 1, reset if Rdst.15 = 0 Z: Set if result is zero, reset otherwise C: Loaded from the LSB (n = 1), LSB+1 (n = 2), LSB+2 (n = 3), or LSB+3 (n = 4) V: Reset	
Mode Bits	OSCOFF, CPUOFF, and GIE are not affected.	

Example The address-word in R5 is shifted right by three positions. The MSB-2 is loaded with 1.

```
SETC                ; Prepare carry for MSB-2
RRCM.A #3,R5        ; R5 = R5 » 3 + 20000h
```

Example The word in R6 is shifted right by two positions. The MSB is loaded with the LSB. The MSB-1 is loaded with the contents of the carry flag.

```
RRCM.W #2,R6        ; R6 = R6 » 2. R6.19:16 = 0
```

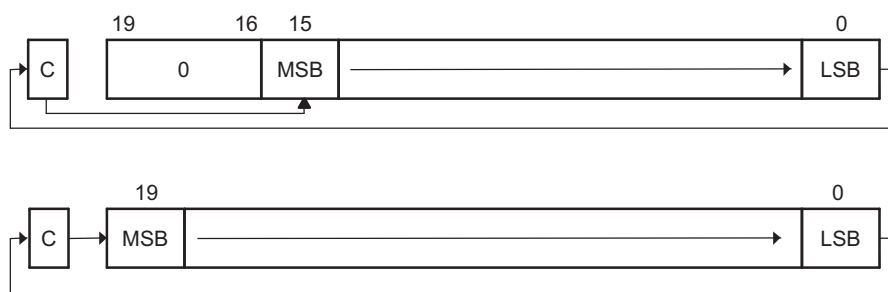


Figure 6-50. Rotate Right Through Carry RRCM[.W] and RRCM.A

6.6.3.28 RRCX

RRCX.A Rotate right through carry the 20-bit operand

RRCX.[W] Rotate right through carry the 16-bit operand

RRCX.B Rotate right through carry the 8-bit operand

Syntax `RRCX.A Rdst`

`RRCX.W Rdst`

`RRCX Rdst`

`RRCX.B Rdst`

`RRCX.A dst`

`RRCX dst` or `RRCX.W dst`

`RRCX.B dst`

Operation `C → MSB → MSB–1 ... LSB+1 → LSB → C`

Description Register mode for the destination: the destination operand is shifted right by one bit position as shown in [Figure 6-51](#). The word instruction `RRCX.W` clears the bits `Rdst.19:16`, the byte instruction `RRCX.B` clears the bits `Rdst.19:8`. The carry bit `C` is shifted into the MSB, the LSB is shifted into the carry bit.

All other modes for the destination: the destination operand is shifted right by one bit position as shown in [Figure 6-52](#). The carry bit `C` is shifted into the MSB, the LSB is shifted into the carry bit. All addressing modes, with the exception of the Immediate mode, are possible in the full memory.

Status Bits

- N: Set if result is negative
 - .A: `dst.19 = 1`, reset if `dst.19 = 0`
 - .W: `dst.15 = 1`, reset if `dst.15 = 0`
 - .B: `dst.7 = 1`, reset if `dst.7 = 0`
- Z: Set if result is zero, reset otherwise
- C: Loaded from the LSB
- V: Reset

Mode Bits OSCOFF, CPUOFF, and GIE are not affected.

Example The 20-bit operand at address `EDE` is shifted right by one position. The MSB is loaded with 1.

```
SETC           ; Prepare carry for MSB
RRCX.A  EDE    ; EDE = EDE » 1 + 80000h
```

Example The word in `R6` is shifted right by 12 positions.

```
RPT #12
RRCX.W R6 ; R6 = R6 » 12. R6.19:16 = 0
```

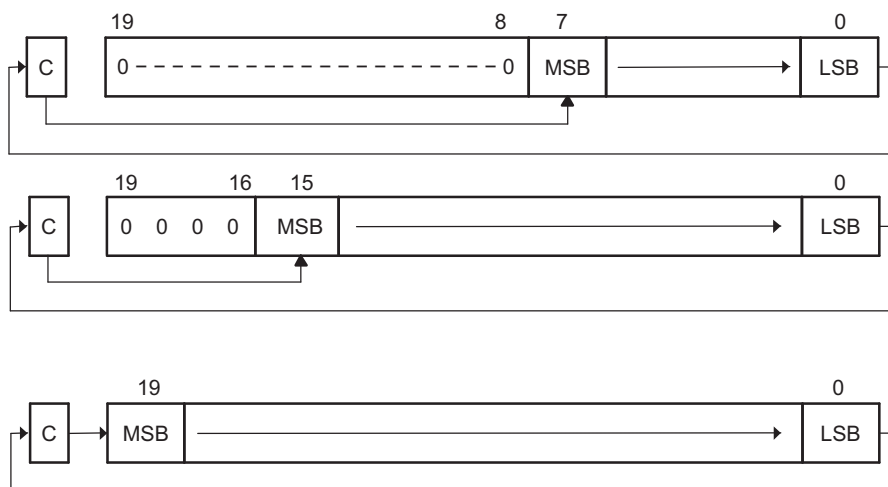


Figure 6-51. Rotate Right Through Carry RRCX(.B,.A) – Register Mode

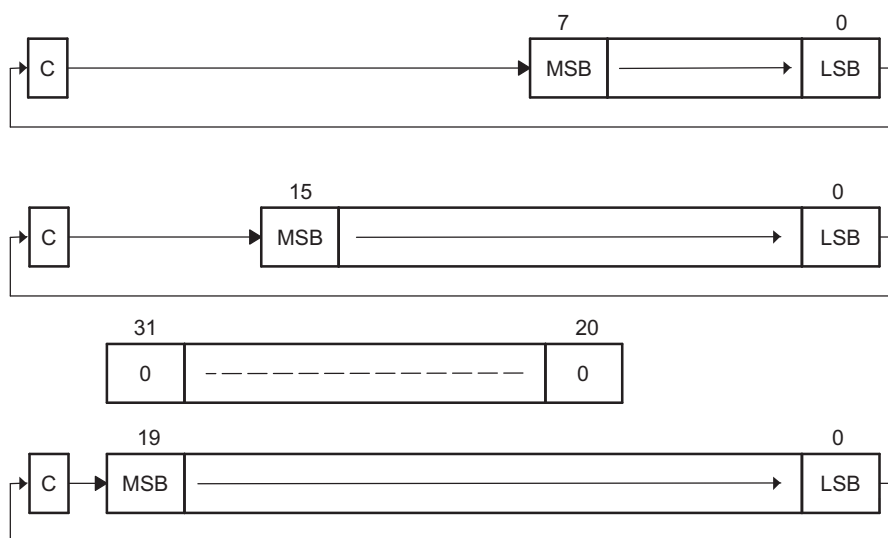


Figure 6-52. Rotate Right Through Carry RRCX(.B,.A) – Non-Register Mode

6.6.3.29 RRUM

RRUM.A Rotate right through carry the 20-bit CPU register content

RRUM.[W] Rotate right through carry the 16-bit CPU register content

Syntax
 RRUM.A #n,Rdst 1 ≤ n ≤ 4
 RRUM.W #n,Rdst OR RRUM #n,Rdst 1 ≤ n ≤ 4

Operation 0 → MSB → MSB-1 ... LSB+1 → LSB → C

Description The destination operand is shifted right by one, two, three, or four bit positions as shown in Figure 6-53. Zero is shifted into the MSB, the LSB is shifted into the carry bit. RRUM works like an unsigned division by 2, 4, 8, or 16. The word instruction RRUM.W clears the bits Rdst.19:16.

Note : This instruction does not use the extension word.

Status Bits
 N: Set if result is negative
 .A: Rdst.19 = 1, reset if Rdst.19 = 0
 .W: Rdst.15 = 1, reset if Rdst.15 = 0
 Z: Set if result is zero, reset otherwise
 C: Loaded from the LSB (n = 1), LSB+1 (n = 2), LSB+2 (n = 3), or LSB+3 (n = 4)
 V: Reset

Mode Bits OSCOFF, CPUOFF, and GIE are not affected.

Example The unsigned address-word in R5 is divided by 16.

```
RRUM.A #4,R5 ; R5 = R5 » 4. R5/16
```

Example The word in R6 is shifted right by one bit. The MSB R6.15 is loaded with 0.

```
RRUM.W #1,R6 ; R6 = R6/2. R6.19:15 = 0
```

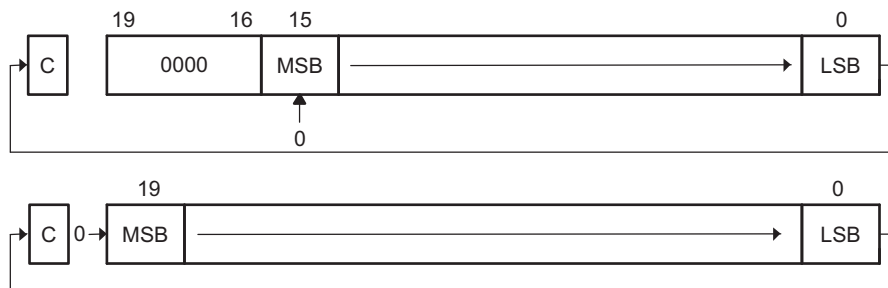


Figure 6-53. Rotate Right Unsigned RRUM.[W] and RRUM.A

6.6.3.30 RRUX

RRUX.A Shift right unsigned the 20-bit CPU register content

RRUX.[W] Shift right unsigned the 16-bit CPU register content

RRUX.B Shift right unsigned the 8-bit CPU register content

Syntax RRUX.A Rdst

RRUX.W Rdst

RRUX Rdst

RRUX.B Rdst

Operation C=0 → MSB → MSB-1 ... LSB+1 → LSB → C

Description RRUX is valid for register mode only: the destination operand is shifted right by one bit position as shown in [Figure 6-54](#). The word instruction RRUX.W clears the bits Rdst.19:16. The byte instruction RRUX.B clears the bits Rdst.19:8. Zero is shifted into the MSB, the LSB is shifted into the carry bit.

Status Bits

- N: Set if result is negative
 - .A: dst.19 = 1, reset if dst.19 = 0
 - .W: dst.15 = 1, reset if dst.15 = 0
 - .B: dst.7 = 1, reset if dst.7 = 0
- Z: Set if result is zero, reset otherwise
- C: Loaded from the LSB
- V: Reset

Mode Bits OSCOFF, CPUOFF, and GIE are not affected.

Example The word in R6 is shifted right by 12 positions.

```
RPT      #12
RRUX.W  R6      ; R6 = R6 >> 12. R6.19:16 = 0
```

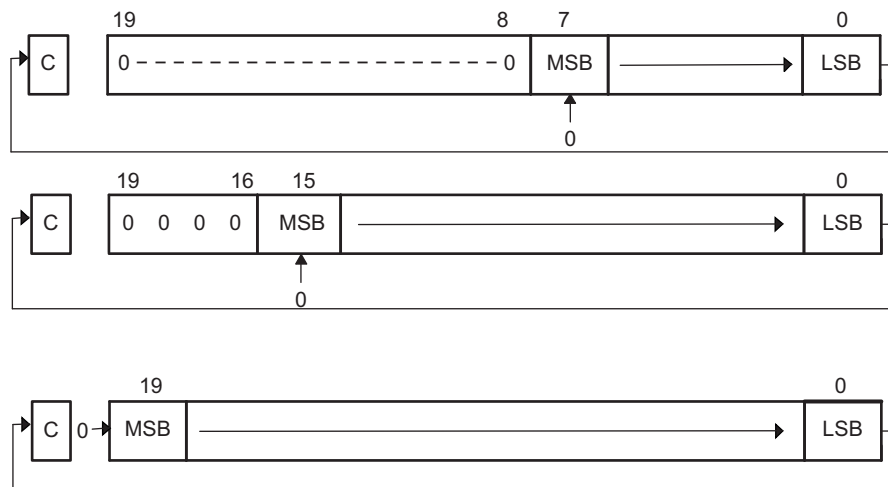


Figure 6-54. Rotate Right Unsigned RRUX(.B,.A) – Register Mode

6.6.3.31 SBCX

* SBCX.A	Subtract borrow (.NOT. carry) from destination address-word
* SBCX.[W]	Subtract borrow (.NOT. carry) from destination word
* SBCX.B	Subtract borrow (.NOT. carry) from destination byte
Syntax	<code>SBCX.A dst</code> <code>SBCX dst OR SBCX.W dst</code> <code>SBCX.B dst</code>
Operation	$dst + 0FFFFFFh + C \rightarrow dst$ $dst + 0FFFFFFh + C \rightarrow dst$ $dst + 0FFh + C \rightarrow dst$
Emulation	<code>SBCX.A #0, dst</code> <code>SBCX #0, dst</code> <code>SBCX.B #0, dst</code>
Description	The carry bit (C) is added to the destination operand minus one. The previous contents of the destination are lost.
Status Bits	N: Set if result is negative, reset if positive Z: Set if result is zero, reset otherwise C: Set if there is a carry from the MSB of the result, reset otherwise Set to 1 if no borrow, reset if borrow V: Set if an arithmetic overflow occurs, reset otherwise
Mode Bits	OSCOFF, CPUOFF, and GIE are not affected.
Example	The 8-bit counter pointed to by R13 is subtracted from a 16-bit counter pointed to by R12.

```

SUBX.B @R13,0(R12) ; Subtract LSDs
SBCX.B 1(R12) ; Subtract carry from MSD
  
```

NOTE: Borrow implementation

The borrow is treated as a .NOT. carry:

Borrow	Carry Bit
Yes	0
No	1

6.6.3.32 SUBX

SUBX.A	Subtract source address-word from destination address-word
SUBX.[W]	Subtract source word from destination word
SUBX.B	Subtract source byte from destination byte
Syntax	<p>SUBX.A <i>src,dst</i></p> <p>SUBX <i>src,dst</i> Or SUBX.W <i>src,dst</i></p> <p>SUBX.B <i>src,dst</i></p>
Operation	$(.not. src) + 1 + dst \rightarrow dst$ or $dst - src \rightarrow dst$
Description	The source operand is subtracted from the destination operand. This is done by adding the 1s complement of the source + 1 to the destination. The source operand is not affected. The result is written to the destination operand. Both operands may be located in the full address space.
Status Bits	<p>N: Set if result is negative ($src > dst$), reset if positive ($src \leq dst$)</p> <p>Z: Set if result is zero ($src = dst$), reset otherwise ($src \neq dst$)</p> <p>C: Set if there is a carry from the MSB, reset otherwise</p> <p>V: Set if the subtraction of a negative source operand from a positive destination operand delivers a negative result, or if the subtraction of a positive source operand from a negative destination operand delivers a positive result, reset otherwise (no overflow)</p>
Mode Bits	OSCOFF, CPUOFF, and GIE are not affected.
Example	A 20-bit constant 87654h is subtracted from EDE (LSBs) and EDE+2 (MSBs).

```
SUBX.A    #87654h,EDE        ; Subtract 87654h from EDE+2|EDE
```

Example A table word pointed to by R5 (20-bit address) is subtracted from R7. Jump to label TONI if R7 contains zero after the instruction. R5 is auto-incremented by two. R7.19:16 = 0.

```
SUBX.W    @R5+,R7           ; Subtract table number from R7. R5 + 2
JZ        TONI              ; R7 = @R5 (before subtraction)
...       ; R7 <> @R5 (before subtraction)
```

Example Byte CNT is subtracted from the byte R12 points to in the full address space. Address of CNT is within $PC \pm 512 K$.

```
SUBX.B    CNT,0(R12)        ; Subtract CNT from @R12
```

Note: Use SUBA for the following two cases for better density and execution.

```
SUBX.A    Rsrc,Rdst
SUBX.A    #imm20,Rdst
```


6.6.3.33 SUBCX

SUBCX.A	Subtract source address-word with carry from destination address-word
SUBCX.[W]	Subtract source word with carry from destination word
SUBCX.B	Subtract source byte with carry from destination byte
Syntax	<pre>SUBCX.A src,dst SUBCX src,dst Or SUBCX.W src,dst SUBCX.B src,dst</pre>
Operation	$(.not. src) + C + dst \rightarrow dst$ or $dst - (src - 1) + C \rightarrow dst$
Description	The source operand is subtracted from the destination operand. This is made by adding the 1s complement of the source + carry to the destination. The source operand is not affected, the result is written to the destination operand. Both operands may be located in the full address space.
Status Bits	<p>N: Set if result is negative (MSB = 1), reset if positive (MSB = 0)</p> <p>Z: Set if result is zero, reset otherwise</p> <p>C: Set if there is a carry from the MSB, reset otherwise</p> <p>V: Set if the subtraction of a negative source operand from a positive destination operand delivers a negative result, or if the subtraction of a positive source operand from a negative destination operand delivers a positive result, reset otherwise (no overflow).</p>
Mode Bits	OSCOFF, CPUOFF, and GIE are not affected.
Example	A 20-bit constant 87654h is subtracted from R5 with the carry from the previous instruction.

```
SUBCX.A #87654h,R5 ; Subtract 87654h + C from R5
```

Example A 48-bit number (3 words) pointed to by R5 (20-bit address) is subtracted from a 48-bit counter in RAM, pointed to by R7. R5 auto-increments to point to the next 48-bit number.

```
SUBX.W @R5+,0(R7) ; Subtract LSBs. R5 + 2
SUBCX.W @R5+,2(R7) ; Subtract MIDs with C. R5 + 2
SUBCX.W @R5+,4(R7) ; Subtract MSBs with C. R5 + 2
```

Example Byte CNT is subtracted from the byte R12 points to. The carry of the previous instruction is used. 20-bit addresses.

```
SUBCX.B &CNT,0(R12) ; Subtract byte CNT from @R12
```

6.6.3.34 SWPBX
SWPBX.A Swap bytes of lower word

SWPBX.[W] Swap bytes of word

Syntax SWPBX.A dst
 SWPBX dst OR SWPBX.W dst

Operation dst.15:8 ↔ dst.7:0

Description Register mode: Rn.15:8 are swapped with Rn.7:0. When the .A extension is used, Rn.19:16 are unchanged. When the .W extension is used, Rn.19:16 are cleared.
 Other modes: When the .A extension is used, bits 31:20 of the destination address are cleared, bits 19:16 are left unchanged, and bits 15:8 are swapped with bits 7:0. When the .W extension is used, bits 15:8 are swapped with bits 7:0 of the addressed word.

Status Bits Status bits are not affected.

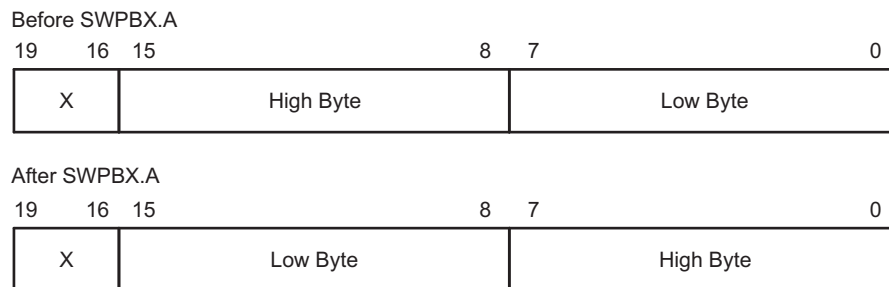
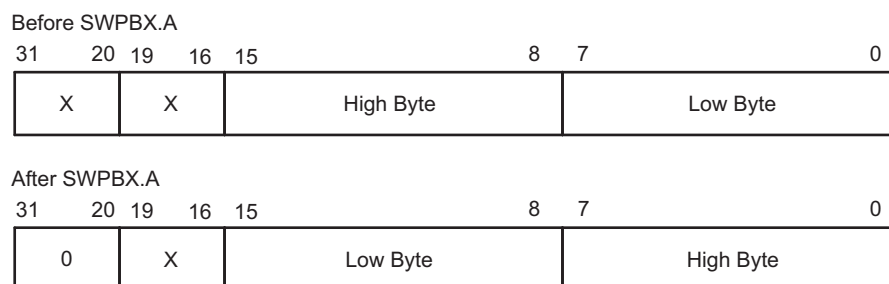
Mode Bits OSCOFF, CPUOFF, and GIE are not affected.

Example Exchange the bytes of RAM address-word EDE

```
MOVX.A    #23456h, &EDE    ; 23456h -> EDE
SWPBX.A   EDE              ; 25634h -> EDE
```

Example Exchange the bytes of R5

```
MOVA      #23456h, R5      ; 23456h -> R5
SWPBX.W   R5              ; 05634h -> R5
```


Figure 6-55. Swap Bytes SWPBX.A Register Mode

Figure 6-56. Swap Bytes SWPBX.A In Memory

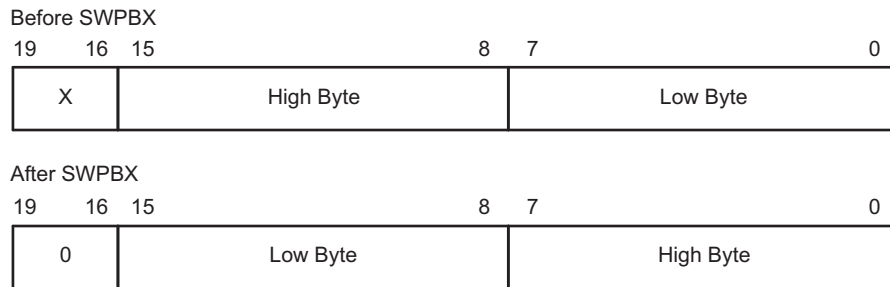


Figure 6-57. Swap Bytes SWPBX[.W] Register Mode

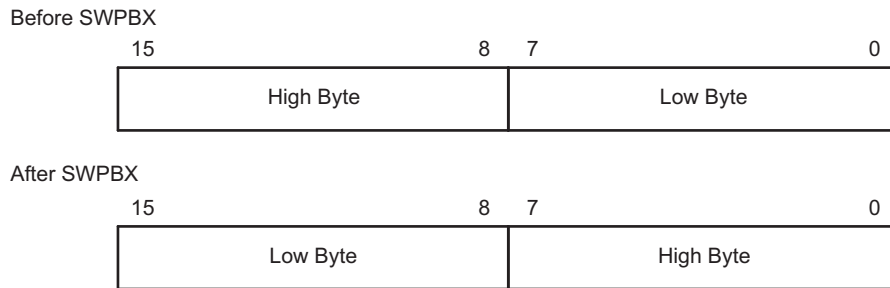


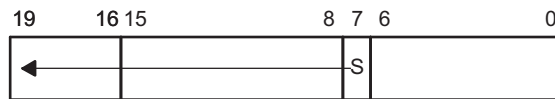
Figure 6-58. Swap Bytes SWPBX[.W] In Memory

6.6.3.35 SXTX

SXTX.A Extend sign of lower byte to address-word
SXTX.[W] Extend sign of lower byte to word
Syntax SXTX.A dst
 SXTX dst OR SXTX.W dst
Operation dst.7 → dst.15:8, Rdst.7 → Rdst.19:8 (Register mode)
Description Register mode: The sign of the low byte of the operand (Rdst.7) is extended into the bits Rdst.19:8.
 Other modes: SXTX.A: the sign of the low byte of the operand (dst.7) is extended into dst.19:8. The bits dst.31:20 are cleared.
 SXTX.[W]: the sign of the low byte of the operand (dst.7) is extended into dst.15:8.
Status Bits N: Set if result is negative, reset otherwise
 Z: Set if result is zero, reset otherwise
 C: Set if result is not zero, reset otherwise (C = .not.Z)
 V: Reset
Mode Bits OSCOFF, CPUOFF, and GIE are not affected.
Example The signed 8-bit data in EDE.7:0 is sign extended to 20 bits: EDE.19:8. Bits 31:20 located in EDE+2 are cleared.

```
SXTX.A    &EDE    ; Sign extended EDE -> EDE+2/EDE
```

SXTX.A Rdst



SXTX.A dst

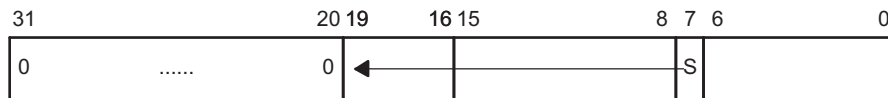
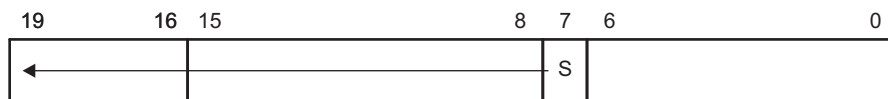


Figure 6-59. Sign Extend SXTX.A

SXTX.[W] Rdst



SXTX.[W] dst

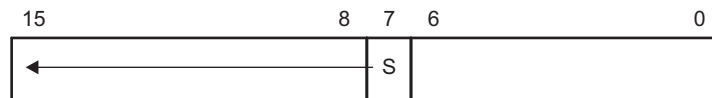


Figure 6-60. Sign Extend SXTX.[W]

6.6.3.36 TSTX

* **TSTX.A** Test destination address-word

* **TSTX.[W]** Test destination word

* **TSTX.B** Test destination byte

Syntax TSTX.A dst
 TSTX dst **or** TSTX.W dst
 TSTX.B dst

Operation dst + 0FFFFFFh + 1
 dst + 0FFFFFFh + 1
 dst + 0FFh + 1

Emulation CMPX.A #0, dst
 CMPX #0, dst
 CMPX.B #0, dst

Description The destination operand is compared with zero. The status bits are set according to the result. The destination is not affected.

Status Bits
 N: Set if destination is negative, reset if positive
 Z: Set if destination contains zero, reset otherwise
 C: Set
 V: Reset

Mode Bits OSCOFF, CPUOFF, and GIE are not affected.

Example RAM byte LEO is tested; PC is pointing to upper memory. If it is negative, continue at LEONEG; if it is positive but not zero, continue at LEOPOS.

```

          TSTX.B   LEO           ; Test LEO
          JN      LEONEG        ; LEO is negative
          JZ      LEOZERO       ; LEO is zero
LEOPOS   .....               ; LEO is positive but not zero
LEONEG   .....               ; LEO is negative
LEOZERO  .....               ; LEO is zero
  
```

6.6.3.37 XORX

XORX.A Exclusive OR source address-word with destination address-word

XORX.[W] Exclusive OR source word with destination word

XORX.B Exclusive OR source byte with destination byte

Syntax
XORX.A *src,dst*
XORX *src,dst* OR XORX.W *src,dst*
XORX.B *src,dst*

Operation *src .xor. dst* → *dst*

Description The source and destination operands are exclusively ORed. The result is placed into the destination. The source operand is not affected. The previous contents of the destination are lost. Both operands may be located in the full address space.

Status Bits
N: Set if result is negative (MSB = 1), reset if positive (MSB = 0)
Z: Set if result is zero, reset otherwise
C: Set if result is not zero, reset otherwise (carry = .not. Zero)
V: Set if both operands are negative (before execution), reset otherwise

Mode Bits OSCOFF, CPUOFF, and GIE are not affected.

Example Toggle bits in address-word CNTR (20-bit data) with information in address-word TONI (20-bit address)

```
XORX.A  TONI,&CNTR      ; Toggle bits in CNTR
```

Example A table word pointed to by R5 (20-bit address) is used to toggle bits in R6.

```
XORX.W  @R5,R6          ; Toggle bits in R6. R6.19:16 = 0
```

Example Reset to zero those bits in the low byte of R7 that are different from the bits in byte EDE (20-bit address)

```
XORX.B  EDE,R7          ; Set different bits to 1 in R7
INV.B   R7               ; Invert low byte of R7. R7.19:8 = 0.
```

6.6.4 Address Instructions

MSP430X address instructions are instructions that support 20-bit operands but have restricted addressing modes. The addressing modes are restricted to the Register mode and the Immediate mode, except for the MOVA instruction. Restricting the addressing modes removes the need for the additional extension-word op-code improving code density and execution time. The MSP430X address instructions are listed and described in the following pages.

6.6.4.1 ADDA

ADDA	Add 20-bit source to a 20-bit destination register
Syntax	ADDA Rsrc,Rdst ADDA #imm20,Rdst
Operation	src + Rdst → Rdst
Description	The 20-bit source operand is added to the 20-bit destination CPU register. The previous contents of the destination are lost. The source operand is not affected.
Status Bits	N: Set if result is negative (Rdst.19 = 1), reset if positive (Rdst.19 = 0) Z: Set if result is zero, reset otherwise C: Set if there is a carry from the 20-bit result, reset otherwise V: Set if the result of two positive operands is negative, or if the result of two negative numbers is positive, reset otherwise
Mode Bits	OSCOFF, CPUOFF, and GIE are not affected.
Example	R5 is increased by 0A4320h. The jump to TONI is performed if a carry occurs.
	<pre>ADDA #0A4320h,R5 ; Add A4320h to 20-bit R5 JC TONI ; Jump on carry ... ; No carry occurred</pre>

6.6.4.2 BRA

*** BRA** Branch to destination

Syntax BRA *dst*

Operation *dst* → PC

Emulation MOVA *dst*,PC

Description An unconditional branch is taken to a 20-bit address anywhere in the full address space. All seven source addressing modes can be used. The branch instruction is an address-word instruction. If the destination address is contained in a memory location X, it is contained in two ascending words: X (LSBs) and (X + 2) (MSBs).

Status Bits

N: Not affected
 Z: Not affected
 C: Not affected
 V: Not affected

Mode Bits OSCOFF, CPUOFF, and GIE are not affected.

Examples Examples for all addressing modes are given.
 Immediate mode: Branch to label EDE located anywhere in the 20-bit address space or branch directly to address.

```
BRA    #EDE           ; MOVA    #imm20,PC
BRA    #01AA04h
```

Symbolic mode: Branch to the 20-bit address contained in addresses EXEC (LSBs) and EXEC+2 (MSBs). EXEC is located at the address (PC + X) where X is within ±32 K. Indirect addressing.

```
BRA    EXEC           ; MOVA    z16(PC),PC
```

Note: If the 16-bit index is not sufficient, a 20-bit index may be used with the following instruction.

```
MOVX.A EXEC,PC       ; 1M byte range with 20-bit index
```

Absolute mode: Branch to the 20-bit address contained in absolute addresses EXEC (LSBs) and EXEC+2 (MSBs). Indirect addressing.

```
BRA    &EXEC          ; MOVA    &abs20,PC
```

Register mode: Branch to the 20-bit address contained in register R5. Indirect R5.

```
BRA    R5             ; MOVA    R5,PC
```

Indirect mode: Branch to the 20-bit address contained in the word pointed to by register R5 (LSBs). The MSBs have the address (R5 + 2). Indirect, indirect R5.

```
BRA    @R5           ; MOVA    @R5,PC
```

Indirect, Auto-Increment mode: Branch to the 20-bit address contained in the words pointed to by register R5 and increment the address in R5 afterwards by 4. The next time the software flow uses R5 as a pointer, it can alter the program execution due to access to the next address in the table pointed to by R5. Indirect, indirect R5.

```
BRA    @R5+          ; MOVA    @R5+,PC. R5 + 4
```

Indexed mode: Branch to the 20-bit address contained in the address pointed to by register (R5 + X) (for example, a table with addresses starting at X). (R5 + X) points to the LSBs, (R5 + X + 2) points to the MSBs of the address. X is within $R5 \pm 32\text{ K}$. Indirect, indirect (R5 + X).

```
BRA    X(R5)         ; MOVA    z16(R5),PC
```

Note: If the 16-bit index is not sufficient, a 20-bit index X may be used with the following instruction:

```
MOVX.A X(R5),PC     ; 1M byte range with 20-bit index
```

6.6.4.3 CALLA

CALLA Call a subroutine

Syntax `CALLA dst`

Operation `dst` → tmp 20-bit `dst` is evaluated and stored

`SP - 2` → SP

PC.19:16 → @SP updated PC with return address to TOS (MSBs)

`SP - 2` → SP

PC.15:0 → @SP updated PC to TOS (LSBs)

tmp → PC saved 20-bit `dst` to PC

Description A subroutine call is made to a 20-bit address anywhere in the full address space. All seven source addressing modes can be used. The call instruction is an address-word instruction. If the destination address is contained in a memory location X, it is contained in two ascending words, X (LSBs) and (X + 2) (MSBs). Two words on the stack are needed for the return address. The return is made with the instruction RETA.

Status Bits N: Not affected

Z: Not affected

C: Not affected

V: Not affected

Mode Bits OSCOFF, CPUOFF, and GIE are not affected.

Examples Examples for all addressing modes are given.

Immediate mode: Call a subroutine at label EXEC or call directly an address.

```
CALLA #EXEC          ; Start address EXEC
CALLA #01AA04h      ; Start address 01AA04h
```

Symbolic mode: Call a subroutine at the 20-bit address contained in addresses EXEC (LSBs) and EXEC+2 (MSBs). EXEC is located at the address (PC + X) where X is within ±32 K. Indirect addressing.

```
CALLA EXEC          ; Start address at @EXEC. z16(PC)
```

Absolute mode: Call a subroutine at the 20-bit address contained in absolute addresses EXEC (LSBs) and EXEC+2 (MSBs). Indirect addressing.

```
CALLA &EXEC         ; Start address at @EXEC
```

Register mode: Call a subroutine at the 20-bit address contained in register R5. Indirect R5.

```
CALLA R5           ; Start address at @R5
```

Indirect mode: Call a subroutine at the 20-bit address contained in the word pointed to by register R5 (LSBs). The MSBs have the address (R5 + 2). Indirect, indirect R5.

```
CALLA @R5         ; Start address at @R5
```

Indirect, Auto-Increment mode: Call a subroutine at the 20-bit address contained in the words pointed to by register R5 and increment the 20-bit address in R5 afterwards by 4. The next time the software flow uses R5 as a pointer, it can alter the program execution due to access to the next word address in the table pointed to by R5. Indirect, indirect R5.

```
CALLA  @R5+          ; Start address at @R5. R5 + 4
```

Indexed mode: Call a subroutine at the 20-bit address contained in the address pointed to by register (R5 + X); for example, a table with addresses starting at X. (R5 + X) points to the LSBs, (R5 + X + 2) points to the MSBs of the word address. X is within R5 ± 32 K. Indirect, indirect (R5 + X).

```
CALLA  X(R5)         ; Start address at @(R5+X). z16(R5)
```

6.6.4.4 CLRA

* CLRA	Clear 20-bit destination register
Syntax	CLRA Rdst
Operation	0 → Rdst
Emulation	MOVA #0, Rdst
Description	The destination register is cleared.
Status Bits	Status bits are not affected.
Example	The 20-bit value in R10 is cleared.

```
CLRA R10 ; 0 -> R10
```

6.6.4.5 CMPA

CMPA	Compare the 20-bit source with a 20-bit destination register
Syntax	CMPA Rsrc,Rdst CMPA #imm20,Rdst
Operation	(.not. src) + 1 + Rdst or Rdst – src
Description	The 20-bit source operand is subtracted from the 20-bit destination CPU register. This is made by adding the 1s complement of the source + 1 to the destination register. The result affects only the status bits.
Status Bits	N: Set if result is negative (src > dst), reset if positive (src ≤ dst) Z: Set if result is zero (src = dst), reset otherwise (src ≠ dst) C: Set if there is a carry from the MSB, reset otherwise V: Set if the subtraction of a negative source operand from a positive destination operand delivers a negative result, or if the subtraction of a positive source operand from a negative destination operand delivers a positive result, reset otherwise (no overflow)
Mode Bits	OSCOFF, CPUOFF, and GIE are not affected.
Example	A 20-bit immediate operand and R6 are compared. If they are equal, the program continues at label EQUAL.

```

CMPA #12345h,R6      ; Compare R6 with 12345h
JEQ  EQUAL          ; R6 = 12345h
...                ; Not equal

```

Example The 20-bit values in R5 and R6 are compared. If R5 is greater than (signed) or equal to R6, the program continues at label GRE.

```

CMPA R6,R5          ; Compare R6 with R5 (R5 - R6)
JGE  GRE            ; R5 >= R6
...                ; R5 < R6

```

6.6.4.6 DECDA

* DECDA	Double-decrement 20-bit destination register
Syntax	DECDA Rdst
Operation	Rdst – 2 → Rdst
Emulation	SUBA #2, Rdst
Description	The destination register is decremented by two. The original contents are lost.
Status Bits	N: Set if result is negative, reset if positive Z: Set if Rdst contained 2, reset otherwise C: Reset if Rdst contained 0 or 1, set otherwise V: Set if an arithmetic overflow occurs, otherwise reset
Mode Bits	OSCOFF, CPUOFF, and GIE are not affected.
Example	The 20-bit value in R5 is decremented by 2.

```
DECDA R5 ; Decrement R5 by two
```

6.6.4.7 INCD A

* INCD A	Double-increment 20-bit destination register
Syntax	INCD A Rdst
Operation	Rdst + 2 → Rdst
Emulation	ADDA #2, Rdst
Description	The destination register is incremented by two. The original contents are lost.
Status Bits	<p>N: Set if result is negative, reset if positive</p> <p>Z: Set if Rdst contained 0FFFFFFh, reset otherwise Set if Rdst contained 0FFFEh, reset otherwise Set if Rdst contained 0FEh, reset otherwise</p> <p>C: Set if Rdst contained 0FFFFFFh or 0FFFFFFh, reset otherwise Set if Rdst contained 0FFFEh or 0FFFFh, reset otherwise Set if Rdst contained 0FEh or 0FFh, reset otherwise</p> <p>V: Set if Rdst contained 07FFFEh or 07FFFFh, reset otherwise Set if Rdst contained 07FFEh or 07FFFh, reset otherwise Set if Rdst contained 07Eh or 07Fh, reset otherwise</p>
Mode Bits	OSCOFF, CPUOFF, and GIE are not affected.
Example	The 20-bit value in R5 is incremented by two.

```
INCD A    R5        ; Increment R5 by two
```


6.6.4.8 MOVA

MOVA	Move the 20-bit source to the 20-bit destination
Syntax	<pre> MOVA Rsrc,Rdst MOVA #imm20,Rdst MOVA z16(Rsrc),Rdst MOVA EDE,Rdst MOVA &abs20,Rdst MOVA @Rsrc,Rdst MOVA @Rsrc+,Rdst MOVA Rsrc,z16(Rdst) MOVA Rsrc,&abs20 </pre>
Operation	<pre> src → Rdst Rsrc → dst </pre>
Description	The 20-bit source operand is moved to the 20-bit destination. The source operand is not affected. The previous content of the destination is lost.
Status Bits	N: Not affected Z: Not affected C: Not affected V: Not affected
Mode Bits	OSCOFF, CPUOFF, and GIE are not affected.
Examples	Copy 20-bit value in R9 to R8

```
MOVA R9,R8 ; R9 -> R8
```

Write 20-bit immediate value 12345h to R12

```
MOVA #12345h,R12 ; 12345h -> R12
```

Copy 20-bit value addressed by (R9 + 100h) to R8. Source operand in addresses (R9 + 100h) LSBs and (R9 + 102h) MSBs.

```
MOVA 100h(R9),R8 ; Index: + 32 K. 2 words transferred
```

Move 20-bit value in 20-bit absolute addresses EDE (LSBs) and EDE+2 (MSBs) to R12

```
MOVA &EDE,R12 ; &EDE -> R12. 2 words transferred
```

Move 20-bit value in 20-bit addresses EDE (LSBs) and EDE+2 (MSBs) to R12. PC index ± 32 K.

```
MOVA EDE,R12 ; EDE -> R12. 2 words transferred
```

Copy 20-bit value R9 points to (20 bit address) to R8. Source operand in addresses @R9 LSBs and @(R9 + 2) MSBs.

```
MOVA @R9,R8 ; @R9 -> R8. 2 words transferred
```

Copy 20-bit value R9 points to (20 bit address) to R8. R9 is incremented by four afterwards. Source operand in addresses @R9 LSBs and @(R9 + 2) MSBs.

MOVA @R9+,R8 ; @R9 -> R8. R9 + 4. 2 words transferred.

Copy 20-bit value in R8 to destination addressed by (R9 + 100h). Destination operand in addresses @(R9 + 100h) LSBs and @(R9 + 102h) MSBs.

MOVA R8,100h(R9) ; Index: +- 32 K. 2 words transferred

Move 20-bit value in R13 to 20-bit absolute addresses EDE (LSBs) and EDE+2 (MSBs)

MOVA R13,&EDE ; R13 -> EDE. 2 words transferred

Move 20-bit value in R13 to 20-bit addresses EDE (LSBs) and EDE+2 (MSBs). PC index \pm 32 K.

MOVA R13,EDE ; R13 -> EDE. 2 words transferred

6.6.4.9 RETA

*** RETA** Return from subroutine

Syntax RETA

Operation @SP → PC.15:0 LSBs (15:0) of saved PC to PC.15:0
 SP + 2 → SP
 @SP → PC.19:16 MSBs (19:16) of saved PC to PC.19:16
 SP + 2 → SP

Emulation MOVA @SP+,PC

Description The 20-bit return address information, pushed onto the stack by a CALLA instruction, is restored to the PC. The program continues at the address following the subroutine call. The SR bits SR.11:0 are not affected. This allows the transfer of information with these bits.

Status Bits
 N: Not affected
 Z: Not affected
 C: Not affected
 V: Not affected

Mode Bits OSCOFF, CPUOFF, and GIE are not affected.

Example Call a subroutine SUBR from anywhere in the 20-bit address space and return to the address after the CALLA

```

CALLA    #SUBR        ; Call subroutine starting at SUBR
...
SUBR     PUSHM.A     #2,R14 ; Save R14 and R13 (20 bit data)
...
        POPM.A      #2,R14 ; Restore R13 and R14 (20 bit data)
        RETA        ; Return (to full address space)
  
```

6.6.4.10 SUBA

SUBA	Subtract 20-bit source from 20-bit destination register
Syntax	SUBA Rsrc,Rdst SUBA #imm20,Rdst
Operation	$(\text{.not.src}) + 1 + \text{Rdst} \rightarrow \text{Rdst}$ or $\text{Rdst} - \text{src} \rightarrow \text{Rdst}$
Description	The 20-bit source operand is subtracted from the 20-bit destination register. This is made by adding the 1s complement of the source + 1 to the destination. The result is written to the destination register, the source is not affected.
Status Bits	N: Set if result is negative (src > dst), reset if positive (src ≤ dst) Z: Set if result is zero (src = dst), reset otherwise (src ≠ dst) C: Set if there is a carry from the MSB (Rdst.19), reset otherwise V: Set if the subtraction of a negative source operand from a positive destination operand delivers a negative result, or if the subtraction of a positive source operand from a negative destination operand delivers a positive result, reset otherwise (no overflow)
Mode Bits	OSCOFF, CPUOFF, and GIE are not affected.
Example	The 20-bit value in R5 is subtracted from R6. If a carry occurs, the program continues at label TONI.
	<pre>SUBA R5,R6 ; R6 - R5 -> R6 JC TONI ; Carry occurred ... ; No carry</pre>

6.6.4.11 TSTA

* TSTA	Test 20-bit destination register
Syntax	TSTA Rdst
Operation	dst + 0FFFFFFh + 1 dst + 0FFFFFFh + 1 dst + 0FFh + 1
Emulation	CMPA #0, Rdst
Description	The destination register is compared with zero. The status bits are set according to the result. The destination register is not affected.
Status Bits	N: Set if destination register is negative, reset if positive Z: Set if destination register contains zero, reset otherwise C: Set V: Reset
Mode Bits	OSCOFF, CPUOFF, and GIE are not affected.
Example	The 20-bit value in R7 is tested. If it is negative, continue at R7NEG; if it is positive but not zero, continue at R7POS.

```

TSTA   R7           ; Test R7
JN     R7NEG        ; R7 is negative
JZ     R7ZERO       ; R7 is zero
R7POS  .....       ; R7 is positive but not zero
R7NEG  .....       ; R7 is negative
R7ZERO .....       ; R7 is zero

```

Flash Memory Controller

This chapter describes the operation of the flash memory controller.

Topic	Page
7.1 Flash Memory Introduction	343
7.2 Flash Memory Segmentation	344
7.3 Flash Memory Operation	346
7.4 FCTL Registers	361

7.1 Flash Memory Introduction

The flash memory is byte, word, and long-word addressable and programmable. The flash memory module has an integrated controller that controls programming and erase operations. The module contains three registers, a timing generator, and a voltage generator to supply program and erase voltages. The cumulative high-voltage time must not be exceeded, and each 32-bit word can be written not more than four times (in byte, word, or long word write modes) before another erase cycle (see device-specific data sheet for details).

The flash memory features include:

- Internal programming voltage generation
- Byte, word (2 bytes), and long (4 bytes) programmable
- Ultra-low-power operation
- Segment erase, bank erase (device specific), and mass erase
- Marginal 0 and marginal 1 read modes
- Each bank (device specific) can be erased individually while program execution can proceed in a different flash bank.

NOTE: Bank operations are not supported on all devices. See the device-specific data sheet for banks supported and their respective sizes.

Figure 7-1 shows the block diagram of the flash memory and controller.

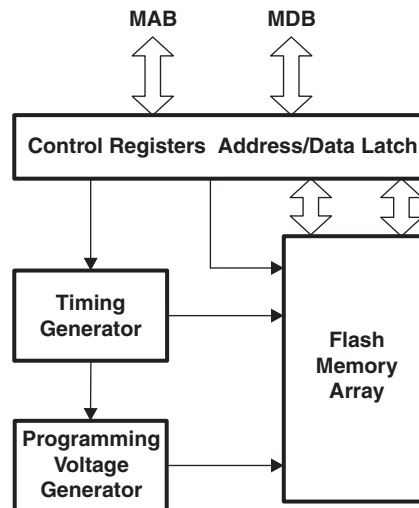


Figure 7-1. Flash Memory Module Block Diagram

7.2 Flash Memory Segmentation

The flash main memory is partitioned into 512-byte segments. Single bits, bytes, or words can be written to flash memory, but a segment is the smallest size of the flash memory that can be erased.

The flash memory is partitioned into main and information memory sections. There is no difference in the operation of the main and information memory sections. Code and data can be located in either section. The difference between the sections is the segment size.

There are four information memory segments, A through D. Each information memory segment contains 128 bytes and can be erased individually.

The bootstrap loader (BSL) memory consists of four segments, A through D. Each BSL memory segment contains 512 bytes and can be erased individually.

The main memory segment size is 512 byte. See the device-specific data sheet for the start and end addresses of each bank, when available, and for the complete memory map of a device.

Figure 7-2 shows the flash segmentation using an example of 256KB of flash that has four banks of 64KB (segments A through D) and information memory.

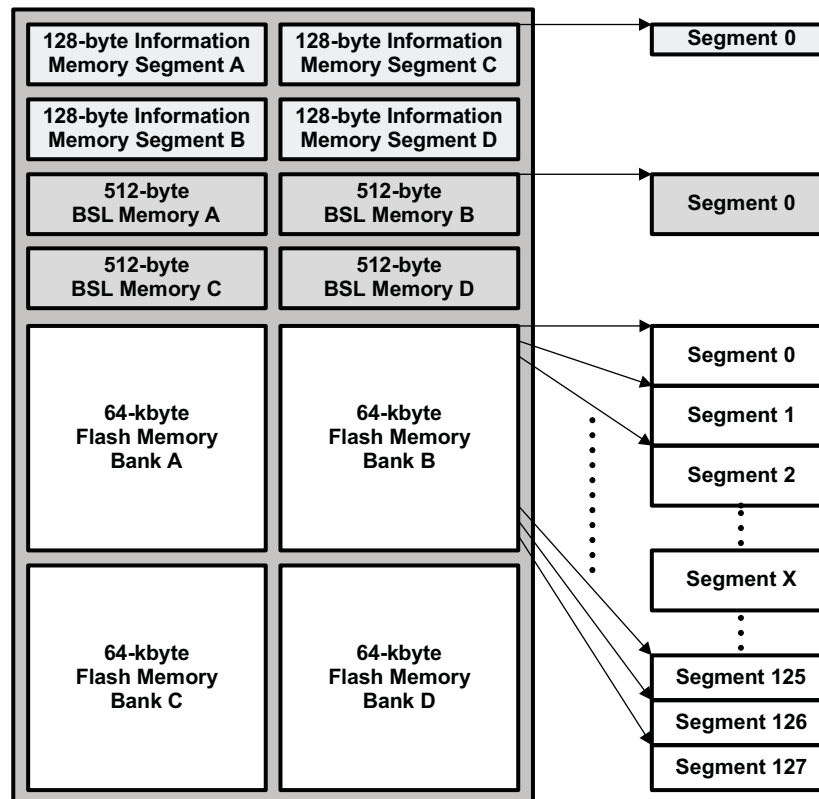


Figure 7-2. 256KB of Flash Memory Segments Example

7.2.1 Segment A

Segment A of the information memory is locked separately from all other segments with the LOCKA bit. If LOCKA = 1, segment A cannot be written or erased, and all information memory is protected from being segment erased. If LOCKA = 0, segment A can be erased and written like any other flash memory segment.

The state of the LOCKA bit is toggled when a 1 is written to it. Writing a 0 to LOCKA has no effect. This allows existing flash programming routines to be used unchanged.

```

; Unlock Info Memory
  MOV     #FWPW,&FCTL4           ; Clear LOCKINFO, if set
; Unlock SegmentA
  BIT     #LOCKA,&FCTL3         ; Test LOCKA
  JZ      SEGA_UNLOCKED        ; Already unlocked?
  MOV     #FWPW+LOCKA,&FCTL3    ; No, unlock SegmentA
SEGA_UNLOCKED
; SegmentA is unlocked

; Lock SegmentA
  BIT     #LOCKA,&FCTL3         ; Test LOCKA
  JNZ     SEGA_LOCKED          ; Already locked?
  MOV     #FWPW+LOCKA,&FCTL3    ; No, lock SegmentA
SEGA_LOCKED
; SegmentA is locked
; Lock Info Memory
  MOV     #FWPW+LOCKINFO,&FCTL4 ; Set LOCKINFO

```

7.3 Flash Memory Operation

The default mode of the flash memory is read mode. In read mode, the flash memory is not being erased or written, the flash timing generator and voltage generator are off, and the memory operates identically to ROM.

Read and fetch while erase – The flash memory allows execution of a program from flash while a different flash bank is erased. Data reads are also possible from any flash bank not being erased.

NOTE: Read and fetch while erase

The read and fetch while erase feature is available in flash memory configurations where more than one flash bank is available. If there is one flash bank available, holding the complete flash program memory, the read from the program memory and information memory and BSL memory during the erase is not provided. [Table 7-1](#) summarizes which flash operations are supported for devices that support read and fetch while erasing.

Table 7-1. Supported Simultaneous Code Execution and Flash Operations

Flash Operation	Simultaneous Code Execution	
	Within Flash	Within RAM
Bank Erase	Supported Executed code must not reside in the bank to be erased	Supported
Segment Erase	Not Supported	Supported
Byte, word, long-word write	Not supported	Supported

Flash memory is in-system programmable (ISP) without the need for additional external voltage. The CPU can program the flash memory. The flash memory write and erase modes are selected by the BLKWRT, WRT, MERAS, and ERASE bits and are:

- Byte, word, or long-word (32-bit) write
- Block write
- Segment erase
- Bank erase (only main memory)
- Mass erase (all main memory banks)
- Read during bank erase (except for the one currently read from)

Reading or writing to flash memory while it is busy programming or erasing (page, mass, or bank) from the same bank is prohibited. Any flash erase or programming can be initiated from within flash memory or RAM.

7.3.1 Erasing Flash Memory

The logical value of an erased flash memory bit is 1. Each bit can be programmed from 1 to 0 individually, but to reprogram from 0 to 1 requires an erase cycle. The smallest amount of flash that can be erased is one segment. There are three erase modes selected by the ERASE and MERAS bits listed in [Table 7-2](#).

Table 7-2. Erase Modes

MERAS	ERASE	Erase Mode
0	1	Segment erase
1	0	Bank erase (of one bank) selected by the dummy write address ⁽¹⁾
1	1	Mass erase (all memory banks are erased. Information memory A to D and BSL segments A to D are not erased)

⁽¹⁾ Bank operations are not supported on all devices. See the device-specific data sheet for support of bank operations.

7.3.1.1 Erase Cycle

An erase cycle is initiated by a dummy write to the address range of the segment to be erased. The dummy write starts the erase operation and is required for all erase operations including mass erase. Figure 7-3 shows the erase cycle timing. The BUSY bit is set immediately after the dummy write and remains set throughout the erase cycle. BUSY, MERAS, and ERASE are automatically cleared when the cycle completes. No additional dummy write access should be made while the control bits are cleared, otherwise, ACCVIFG is set. The mass erase cycle timing is not dependent on the amount of flash memory present on a device. Erase cycle times are equivalent for all devices.

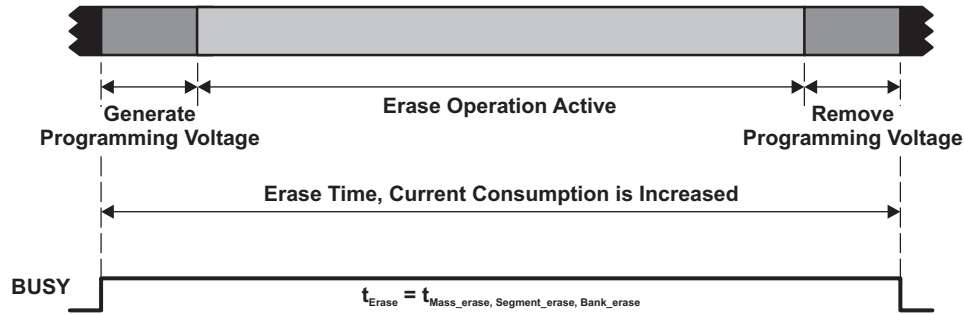


Figure 7-3. Erase Cycle Timing

7.3.1.2 Erasing Main Memory

The main memory consists of one or more banks. Each bank can be erased individually (bank erase). All main memory banks can be erased in the mass erase mode.

7.3.1.3 Erasing Information Memory or BSL Flash Segments

The information memory A to D and the BSL segments A to D can only be erased in segment erase mode. They are not erased during a bank erase or a mass erase. Erasing is only possible by first clearing the LOCKINFO bit.

7.3.1.4 Initiating Erase From Flash

An erase cycle can be initiated from within flash memory. During a bank erase, code can be executed from flash or RAM. The executed code cannot be located in a bank to be erased.

For any segment erase, the CPU is held until the erase cycle completes regardless of the bank the code resides in. After the segment erase cycle ends, the CPU resumes code execution with the instruction following the dummy write.

When initiating an erase cycle from within flash memory, it is possible to erase the code needed for execution after the erase operation. If this occurs, CPU execution is unpredictable after the erase cycle.

The flow to initiate an erase from flash is shown in [Figure 7-4](#).

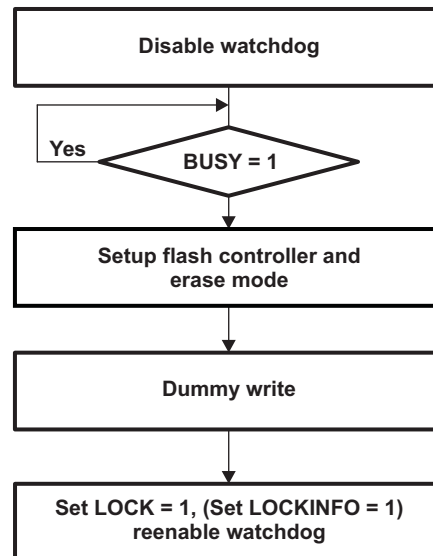


Figure 7-4. Erase Cycle From Flash

```

; Segment Erase from flash.
; Assumes Program Memory. Information memory or BSL
; requires LOCKINFO to be cleared as well.
; Assumes ACCVIE = NMIE = OFIE = 0.
    MOV    #WDPW+WDTHOLD,&WDTCTL    ; Disable WDT
L1  BIT    #BUSY,&FCTL3              ; Test BUSY
    JNZ    L1                        ; Loop while busy
    MOV    #FWPW,&FCTL3              ; Clear LOCK
    MOV    #FWPW+ERASE,&FCTL1       ; Enable segment erase
    CLR    &0FC10h                  ; Dummy write
L2  BIT    #BUSY,&FCTL3              ; Test BUSY
    JNZ    L2                        ; Loop while busy
    MOV    #FWPW+LOCK,&FCTL3        ; Done, set LOCK
    ...                               ; Re-enable WDT?
    
```

7.3.1.5 Initiating Erase From RAM

An erase cycle can be initiated from RAM. In this case, the CPU is not held and continues to execute code from RAM. The mass erase (all main memory banks) operation is initiated while executing from RAM. The BUSY bit is used to determine the end of the erase cycle. If the flash is busy completing a bank erase, flash addresses of a different bank can be used to read data or to fetch instructions. While the flash is BUSY, starting an erase cycle or a programming cycle causes an access violation, ACCIFG is set to 1, and the result of the erase operation is unpredictable.

The flow to initiate an erase from flash from RAM is shown in [Figure 7-5](#).

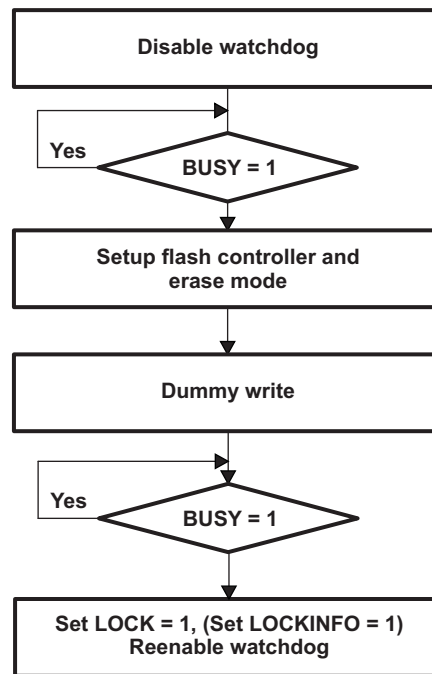


Figure 7-5. Erase Cycle From RAM

```

; segment Erase from RAM.
; Assumes Program Memory. Information memory or BSL
; requires LOCKINFO to be cleared as well.
; Assumes ACCVIE = NMIIIE = OFIE = 0.
    MOV    #WDTPW+WDTHOLD,&WDTCTL    ; Disable WDT
L1  BIT    #BUSY,&FCTL3              ; Test BUSY
    JNZ   L1                        ; Loop while busy
    MOV    #FWPW,&FCTL3              ; Clear LOCK
    MOV    #FWPW+ERASE,&FCTL1       ; Enable page erase
    CLR    &0FC10h                  ; Dummy write
L2  BIT    #BUSY,&FCTL3              ; Test BUSY
    JNZ   L2                        ; Loop while busy
    MOV    #FWPW+LOCK,&FCTL3        ; Done, set LOCK
    ...                               ; Re-enable WDT?
  
```

7.3.2 Writing Flash Memory

The write modes, selected by the WRT and BLKWRT bits, are listed in [Table 7-3](#).

Table 7-3. Write Modes

BLKWRT	WRT	Write Mode
0	1	Byte or word write
1	0	Long-word write
1	1	Long-word block write

The write modes use a sequence of individual write instructions. Using the long-word write mode is approximately twice as fast as the byte or word mode. Using the long-word block write mode is approximately four times faster than byte or word mode, because the voltage generator remains on for the complete block write, and long-words are written in parallel. Any instruction that modifies a destination can be used to modify a flash location in either byte or word write mode, long-word write mode, or block long-word write mode.

The BUSY bit is set while the write operation is active and cleared when the operation completes. If the write operation is initiated from RAM, the CPU must not access flash while BUSY is set to 1. Otherwise, an access violation occurs, ACCVIFG is set, and the flash write is unpredictable.

7.3.2.1 Byte or Word Write

A byte or word write operation can be initiated from within flash memory or from RAM. When initiating from within flash memory, the CPU is held while the write completes. After the write completes, the CPU resumes code execution with the instruction following the write access. The byte, word, and long-word write timing is shown in [Figure 7-6](#). Byte, word, and long-word write times are identical.

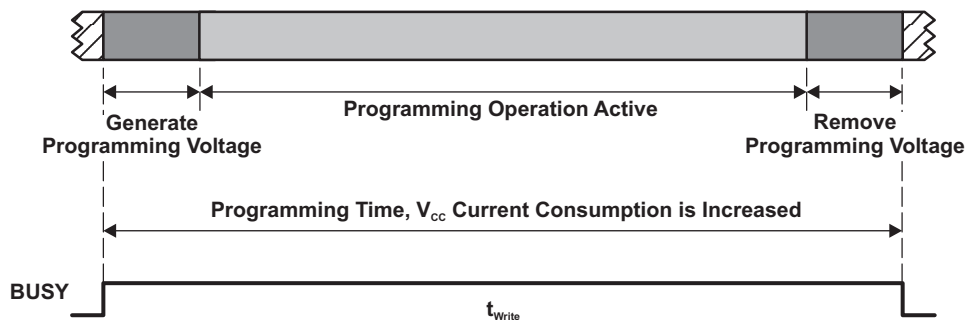


Figure 7-6. Byte, Word, and Long-Word Write Timing

When a byte or word write is executed from RAM, the CPU continues to execute code from RAM. The BUSY bit must be zero before the CPU accesses flash again, otherwise an access violation occurs, ACCVIFG is set, and the write result is unpredictable.

In any write mode, the internally-generated programming voltage is applied to the complete 128-byte block. The cumulative programming time, t_{CPT} , must not be exceeded for any block. Each byte, word, or long-word write adds to the cumulative program time of a segment. If the maximum cumulative program time is reached or exceeded, the segment must be erased. Further programming or using the data returns unpredictable results (see the device-specific data sheet for specifications).

7.3.2.2 Initiating Byte or Word Write From Flash

The flow to initiate a byte or word write from flash is shown in [Figure 7-7](#).

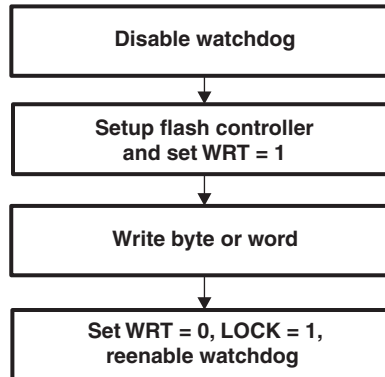


Figure 7-7. Initiating a Byte or Word Write From Flash

```

; Byte or word write from flash.
; Assumes 0xFF1E is already erased
; Assumes ACCVIE = NMIIIE = OFIE = 0.
MOV  #WDTPW+WDTHOLD,&WDTCTL      ; Disable WDT
MOV  #FWPW,&FCTL3                ; Clear LOCK
MOV  #FWPW+WRT,&FCTL1            ; Enable write
MOV  #0123h,&0FF1Eh              ; 0123h -> 0xFF1E
MOV  #FWPW,&FCTL1                ; Done. Clear WRT
MOV  #FWPW+LOCK,&FCTL3           ; Set LOCK
...                               ; Re-enable WDT?
  
```

7.3.2.3 Initiating Byte or Word Write From RAM

The flow to initiate a byte or word write from RAM is shown in [Figure 7-8](#).

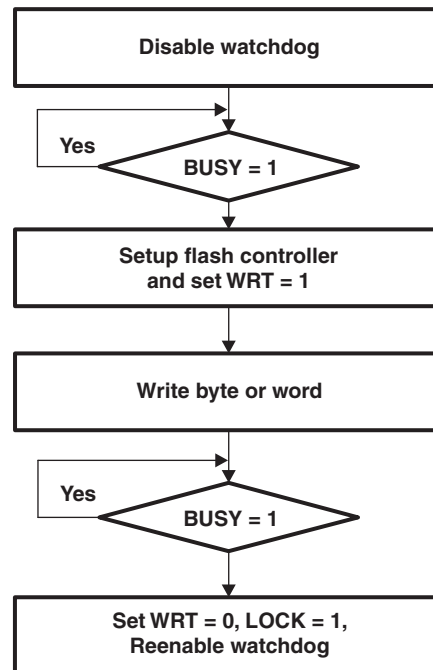


Figure 7-8. Initiating a Byte or Word Write From RAM

```

; Byte or word write from RAM.
; Assumes 0xFF1E is already erased
; Assumes ACCVIE = NMIE = OFIE = 0.
    MOV    #WDPW+WDTHOLD,&WDTCTL    ; Disable WDT
L1  BIT    #BUSY,&FCTL3              ; Test BUSY
    JNZ    L1                        ; Loop while busy
    MOV    #FWPW,&FCTL3              ; Clear LOCK
    MOV    #FWPW+WRT,&FCTL1         ; Enable write
    MOV    #0123h,&0FF1Eh           ; 0123h -> 0xFF1E
L2  BIT    #BUSY,&FCTL3              ; Test BUSY
    JNZ    L2                        ; Loop while busy
    MOV    #FWPW,&FCTL1              ; Clear WRT
    MOV    #FWPW+LOCK,&FCTL3        ; Set LOCK
    ...                               ; Re-enable WDT?
  
```


7.3.2.4 Long-Word Write

A long-word write operation can be initiated from within flash memory or from RAM. The BUSY bit is set to 1 after 32 bits are written to the flash controller and the programming cycle starts. When initiating from within flash memory, the CPU is held while the write completes. After the write completes, the CPU resumes code execution with the instruction following the write access. The long-word write timing is shown in Figure 7-6.

A long-word consists of four consecutive bytes aligned to at 32-bit address (only the lower two address bits are different). The bytes can be written in any order or any combination of bytes and words. If a byte or word is written more than once, the last data written to the four bytes are stored into the flash memory.

If a write to a flash address outside of the 32-bit address happens before all four bytes are available, the data written so far is discarded, and the latest byte or word written defines the new 32-bit aligned address.

When 32 bits are available, the write cycle is executed. When executing from RAM, the CPU continues to execute code. The BUSY bit must be zero before the CPU accesses flash again, otherwise an access violation occurs, ACCVIFG is set, and the write result is unpredictable.

In long-word write mode, the internally-generated programming voltage is applied to a complete 128-byte block. The cumulative programming time, t_{CPT} , must not be exceeded for any block. Each write adds to the cumulative program time of a segment. If the maximum cumulative program time is reached or exceeded, the segment must be erased. Further programming or using the data returns unpredictable results.

With each write, the amount of time the block is subjected to the programming voltage accumulates. If the cumulative programming time is reached or exceeded, the block must be erased before further programming or use (see the device-specific data sheet for specifications).

7.3.2.5 Initiating Long-Word Write From Flash

The flow to initiate a long-word write from flash is shown in Figure 7-9.

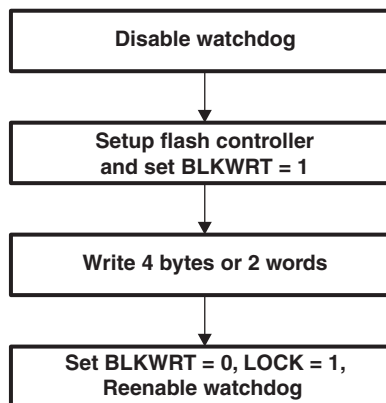


Figure 7-9. Initiating Long-Word Write From Flash

```

; Long-word write from flash.
; Assumes 0x0FF1C and 0x0FF1E is already erased
; Assumes ACCVIE = NMIE = OFIE = 0.
MOV #WDTPW+WDTHOLD,&WDCTL ; Disable WDT
MOV #FWPW,&FCTL3 ; Clear LOCK
MOV #FWPW+BLKWRT,&FCTL1 ; Enable 2-word write
MOV #0123h,&0FF1Ch ; 0123h -> 0x0FF1C
MOV #45676h,&0FF1Eh ; 04567h -> 0x0FF1E
MOV #FWPW,&FCTL1 ; Done. Clear BLKWRT
MOV #FWPW+LOCK,&FCTL3 ; Set LOCK
... ; Re-enable WDT?
  
```

7.3.2.6 Initiating Long-Word Write From RAM

The flow to initiate a long-word write from RAM is shown in [Figure 7-10](#).

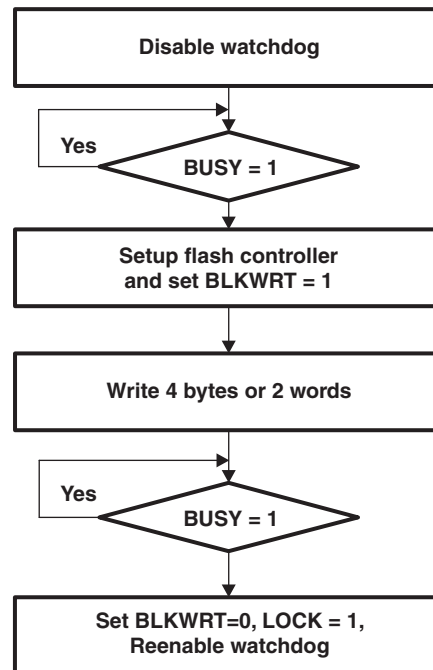


Figure 7-10. Initiating Long-Word Write from RAM

```

; Two 16-bit word writes from RAM.
; Assumes 0xFF1C and 0xFF1E is already erased
; Assumes ACCVIE = NMIE = OFIE = 0.
    MOV    #WDPW+WDTHOLD,&WDTCTL    ; Disable WDT
L1  BIT    #BUSY,&FCTL3              ; Test BUSY
    JNZ    L1                        ; Loop while busy
    MOV    #FWPW,&FCTL3              ; Clear LOCK
    MOV    #FWPW+BLKWRT,&FCTL1      ; Enable write
    MOV    #0123h,&0FF1Ch           ; 0123h -> 0xFF1C
    MOV    #4567h,&0FF1Eh           ; 4567h -> 0xFF1E
L2  BIT    #BUSY,&FCTL3              ; Test BUSY
    JNZ    L2                        ; Loop while busy
    MOV    #FWPW,&FCTL1              ; Clear WRT
    MOV    #FWPW+LOCK,&FCTL3        ; Set LOCK
    ...                               ; Re-enable WDT?
    
```

7.3.2.7 Block Write

The block write can be used to accelerate the flash write process when many sequential bytes or words need to be programmed. The flash programming voltage remains on for the duration of writing the 128-byte row. The cumulative programming time, t_{CPT} , must not be exceeded for any row during a block write. Only long-word writes are possible using block write mode.

A block write cannot be initiated from within flash memory. The block write must be initiated from RAM. The BUSY bit remains set throughout the duration of the block write. The WAIT bit must be checked between writing four bytes, or two words, to the block. When WAIT is set, then four bytes, or two 16-bit words, of the block can be written. When writing successive blocks, the BLKWRT bit must be cleared after the current block is completed. BLKWRT can be set initiating the next block write after the required flash recovery time given by t_{END} . BUSY is cleared following each block write completion, indicating the next block can be written. Figure 7-11 shows the block write timing. The first long-word write requires $t_{Block,0}$ and the last long-write requires $t_{Block,N}$. All other blocks require $t_{Block,1-(N-1)}$.

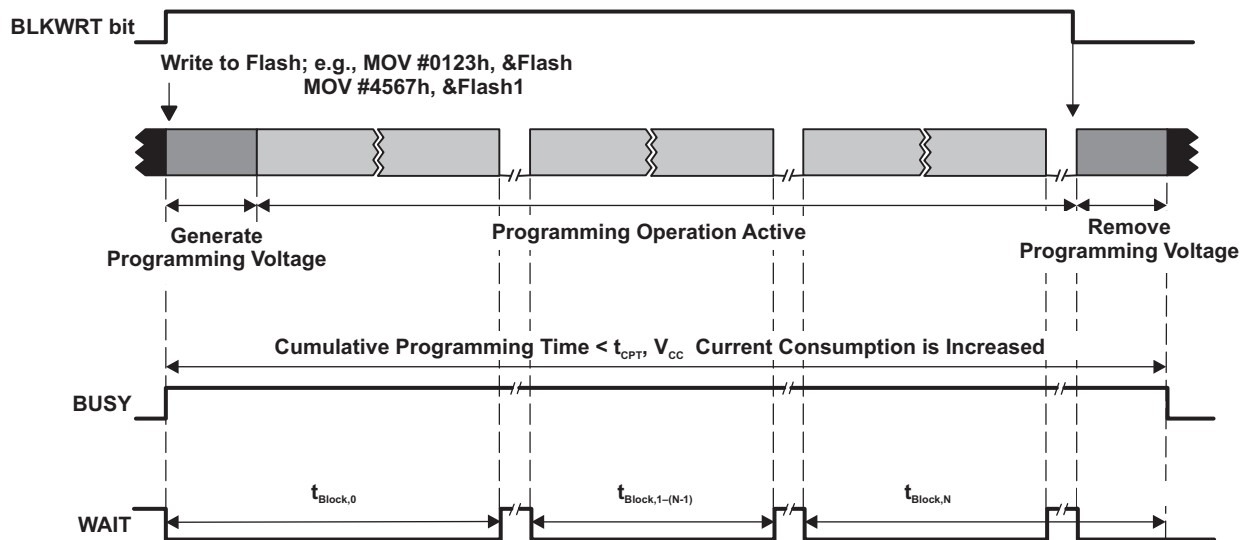


Figure 7-11. Block-Write Cycle Timing

7.3.2.8 Block Write Flow and Example

A block write flow is shown in [Figure 7-12](#) and the following code example.

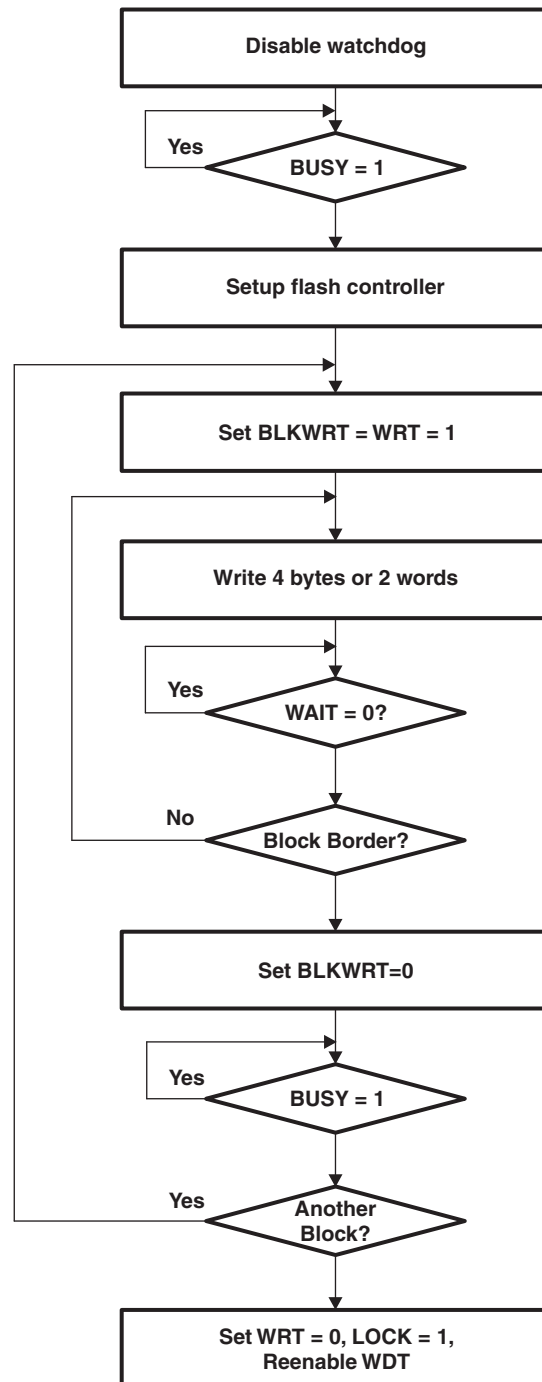


Figure 7-12. Block Write Flow

```

; Write one block starting at 0F000h.
; Must be executed from RAM, Assumes Flash is already erased.
; Assumes ACCVIE = NMIIE = OFIE = 0.
    MOV    #32,R5                ; Use as write counter
    MOV    #0F000h,R6           ; Write pointer
    MOV    #WDTPW+WDTHOLD,&WDTCTL ; Disable WDT
L1  BIT    #BUSY,&FCTL3         ; Test BUSY
    JNZ    L1                   ; Loop while busy
    MOV    #FWPW,&FCTL3         ; Clear LOCK
    MOV    #FWPW+BLKWRT+WRT,&FCTL1 ; Enable block write
L2  MOV    Write_Value1,0(R6)   ; Write 1st location
    MOV    Write_Value2,2(R6)   ; Write 2nd word
L3  BIT    #WAIT,&FCTL3        ; Test WAIT
    JZ     L3                   ; Loop while WAIT=0
    INCD   R6                   ; Point to next words
    INCD   R6                   ; Point to next words
    DEC    R5                   ; Decrement write counter
    JNZ    L2                   ; End of block?
    MOV    #FWPW,&FCTL1        ; Clear WRT, BLKWRT
L4  BIT    #BUSY,&FCTL3         ; Test BUSY
    JNZ    L4                   ; Loop while busy
    MOV    #FWPW+LOCK,&FCTL3    ; Set LOCK
    ...                          ; Re-enable WDT if needed

```

7.3.3 Flash Memory Access During Write or Erase

When a write or an erase operation is initiated from RAM while $BUSY = 1$, the CPU may not write to any flash location. Otherwise, an access violation occurs, $ACCVIFG$ is set, and the result is unpredictable. $ACCVIFG$ is also set if a Flash write or erase access is attempted without any Flash write or erase mode selected first.

When a write operation is initiated from within flash memory, the CPU continues code execution with the next instruction fetch after the write cycle completed ($BUSY = 0$).

The op-code 3FFFh is the JMP PC instruction. This causes the CPU to loop until the flash operation is finished. When the operation is finished and $BUSY = 0$, the flash controller allows the CPU to fetch the op-code and program execution resumes.

The flash access conditions while $BUSY = 1$ are listed in [Table 7-4](#).

Table 7-4. Flash Access While Flash is Busy ($BUSY = 1$)

Flash Operation	Flash Access	WAIT	Result
Bank erase	Read	0	From the erased bank: $ACCVIFG = 0$. 03FFFh is the value read. From any other flash location: $ACCVIFG = 0$. Valid read.
	Write	0	$ACCVIFG = 1$. Write is ignored.
	Instruction fetch	0	From the erased bank: $ACCVIFG = 0$. CPU fetches 03FFFh. This is the JMP PC instruction. From any other flash location: $ACCVIFG = 0$. Valid instruction fetch.
Segment erase	Read	0	$ACCVIFG = 0$: 03FFFh is the value read.
	Write	0	$ACCVIFG = 1$: Write is ignored.
	Instruction fetch	0	$ACCVIFG = 0$: CPU fetches 03FFFh. This is the JMP PC instruction.
Word or byte write or long-word write	Read	0	$ACCVIFG = 0$: 03FFFh is the value read.
	Write	0	$ACCVIFG = 1$: Write is ignored.
	Instruction fetch	0	$ACCVIFG = 0$: CPU fetches 03FFFh. This is the JMP PC instruction.
Block write	Any	0	$ACCVIFG = 1$: LOCK = 1, block write is exited.
	Read	1	$ACCVIFG = 0$: 03FFFh is the value read.
	Write	1	$ACCVIFG = 0$: Valid write
	Instruction fetch	1	$ACCVIFG = 1$: LOCK = 1, block write is exited

Interrupts are automatically disabled during any flash operation.

The watchdog timer (in watchdog mode) should be disabled before a flash erase cycle. A reset aborts the erase and the result is unpredictable. After the erase cycle has completed, the watchdog may be reenabled.

7.3.4 Stopping Write or Erase Cycle

Any write or erase operation can be stopped before its normal completion by setting the emergency exit bit EMEX. Setting the EMEX bit stops the active operation and resets the flash controller. All flash operations cease, the flash returns to read mode, and all bits in the FCTL1 register are reset. The LOCK bit of FCTL3 is set. The result of the intended operation is unpredictable.

7.3.4.1 EMEX With Single Bank Flash Memory

For devices with single bank flash memories, write and erase operations initiated from flash, the CPU is held until the flash operation completes. Therefore it is not possible to perform an emergency exit by the EMEX bit. The emergency exit of write or erase operations initiated from RAM can be performed using the EMEX bit. The BUSY bit is used to determine the end of the emergency exit cycle. The user must ensure that code execution does not continue until the BUSY bit is cleared by the flash controller.

7.3.4.2 EMEX With Multiple Bank Flash Memory

For devices with multiple bank flash memories, write and segment erase operations initiated from flash, regardless of which bank the code resides in, the CPU is held until the flash operation completes. Therefore it is not possible to perform an emergency exit by the EMEX bit. For bank erase, there is a possibility to perform an EMEX if the bank being erased is not where the code resides. The BUSY bit is used to determine the end of the emergency exit cycle. The user must ensure that code execution does not continue until the BUSY bit is cleared by the flash controller.

The emergency exit of write or any erase operations initiated from RAM can be performed using the EMEX bit. The BUSY bit is used to determine the end of the emergency exit cycle. The user must ensure that code execution does not continue until the BUSY bit is cleared by the flash controller.

7.3.5 Checking Flash Memory

The result of a programming cycle of the flash memory can be checked by calculating and storing a checksum (CRC) of parts or the complete flash memory content. The CRC module can be used for this purpose (see the device-specific data sheet). During the runtime of the system, the known checksums can be recalculated and compared with the expected values stored in the flash memory. The program checking the flash memory content is executed in RAM.

To get an early indication of weak memory cells, reading the flash can be done in combination with the device-specific marginal read modes. The marginal read modes are controlled by the FCTL4.MRG0 and FCTL4.MRG1 register bits if available (device specific). During marginal read mode, marginally programmed flash memory bit locations can be detected. One method for identifying such memory locations would be to periodically perform a checksum calculation over a section of flash memory (for example, a flash segment) and repeating this procedure with the marginal read mode enabled. If they do not match, it could indicate an insufficiently programmed flash memory location. It is possible to refresh the affected Flash memory segment by disabling marginal read mode, copying to RAM, erasing the flash segment, and writing back to it from RAM.

The program checking the flash memory contents must be executed from RAM. Executing code from flash automatically disables the marginal read mode. The marginal read modes are controlled by the MRG0 and MRG1 register bits. Setting MRG1 is used to detect insufficiently programmed flash cells containing a "1" (erased bits). Setting MRG0 is used to detect insufficiently programmed flash cells containing a "0" (programmed bits). Only one of these bits should be set at a time. Therefore, a full marginal read check requires two passes of checking the flash memory content's integrity. During marginal read mode, the flash access speed (MCLK) must be limited to 1 MHz (see the device-specific data sheet).

7.3.6 Configuring and Accessing the Flash Memory Controller

The FCTLx registers are 16-bit password-protected read and write registers. Any read or write access must use word instructions, and write accesses must include the write password 0A5h in the upper byte. Any write to any FCTLx register with a value other than 0A5h in the upper byte is a password violation, sets the KEYV flag, and triggers a PUC system reset. Any read of any FCTLx registers reads 096h in the upper byte.

Any write to FCTL1 during an erase or byte, word, double-word write operation is an access violation and sets ACCVIFG. Writing to FCTL1 is allowed in block write mode when WAIT = 1, but writing to FCTL1 in block write mode when WAIT = 0 is an access violation and sets ACCVIFG.

Any write to FCTL2 (this register is currently not implemented) when BUSY = 1 is an access violation.

Any FCTLx register may be read when BUSY = 1. A read does not cause an access violation.

7.3.7 Flash Memory Controller Interrupts

The flash controller has two interrupt sources, KEYV and ACCVIFG. ACCVIFG is set when an access violation occurs. When the ACCVIE bit is reenabled after a flash write or erase, a set ACCVIFG flag generates an interrupt request. The ACCVIE bit resides in the Special Function Register, SFRIF1 (see the [SYS chapter](#) for details). ACCVIFG sources the NMI interrupt vector, so it is not necessary for GIE to be set for ACCVIFG to request an interrupt. ACCVIFG may also be checked by software to determine if an access violation occurred. ACCVIFG must be reset by software.

The password violation flag, KEYV, is set when any of the flash control registers are written with an incorrect password. When this occurs, a PUC is generated immediately, resetting the device.

7.3.8 Programming Flash Memory Devices

There are three options for programming a flash device. All options support in-system programming.

- Program through JTAG ([Section 7.3.8.1](#))
- Program through the BSL ([Section 7.3.8.2](#))
- Program through a custom solution ([Section 7.3.8.3](#))

7.3.8.1 Programming Flash Memory Through JTAG

Devices can be programmed through the JTAG port. The JTAG interface requires four signals (five signals on 20- and 28-pin devices), ground, and optionally VCC and RST/NMI.

The JTAG port is protected with a fuse. Blowing the fuse completely disables the JTAG port and is not reversible. Further access to the device through JTAG is not possible. For more details, see the *MSP430 Programming Via the JTAG Interface User's Guide* ([SLAU320](#)).

7.3.8.2 Programming Flash Memory Via Bootstrap Loader (BSL)

Every flash device contains a BSL. The BSL enables users to read or program the flash memory or RAM using a UART serial interface. Access to the flash memory through the BSL is protected by a 256-bit user-defined password. For more details, see the *MSP430 Programming Via the Bootstrap Loader User's Guide* ([SLAU319](#)).

7.3.8.3 Programming Flash Memory Through Custom Solution

The ability of the MSP430 CPU to write to its own flash memory allows for in-system and external custom programming solutions as shown in [Figure 7-13](#). The user can choose to provide data through any means available (for example, UART or SPI). User-developed software can receive the data and program the flash memory. Because this type of solution is developed by the user, it can be completely customized to fit the application needs for programming, erasing, or updating the flash memory.

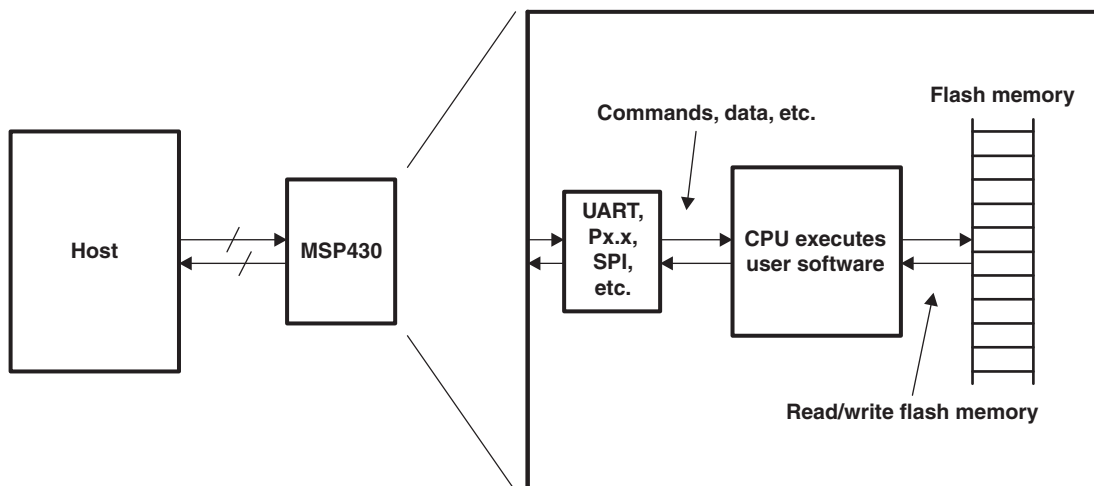


Figure 7-13. User-Developed Programming Solution

7.4 FCTL Registers

The flash memory controller (FCTL) registers are listed in [Table 7-5](#). The base address can be found in the device-specific data sheet. The address offset is given in [Table 7-5](#).

NOTE: All registers have word or byte register access. For a generic register *ANYREG*, the suffix "_L" (*ANYREG_L*) refers to the lower byte of the register (bits 0 through 7). The suffix "_H" (*ANYREG_H*) refers to the upper byte of the register (bits 8 through 15).

Table 7-5. FCTL Registers

Offset	Acronym	Register Name	Type	Access	Reset	Section
00h	FCTL1	Flash Memory Control 1	Read/write	Word	9600h	Section 7.4.1
00h	FCTL1_L		Read/Write	Byte	00h	
01h	FCTL1_H		Read/Write	Byte	96h	
04h	FCTL3	Flash Memory Control 3	Read/write	Word	9658h	Section 7.4.2
04h	FCTL3_L		Read/Write	Byte	58h	
05h	FCTL3_H		Read/Write	Byte	96h	
06h	FCTL4	Flash Memory Control 4	Read/write	Word	9600h	Section 7.4.3
06h	FCTL4_L		Read/Write	Byte	00h	
07h	FCTL4_H		Read/Write	Byte	96h	

7.4.1 FCTL1 Register

Flash Memory Control 1 Register

Figure 7-14. FCTL1 Register

15	14	13	12	11	10	9	8
FRPW/FWPW							
7	6	5	4	3	2	1	0
BLKWRT	WRT	SWRT	Reserved		MERAS	ERASE	Reserved
rw-0	rw-0	rw-0	r-0	r-0	rw-0	rw-0	r-0

Table 7-6. FCTL1 Register Description

Bit	Field	Type	Reset	Description
15-8	FRPW/FWPW	RW	96h	FCTL password. Always read as 096h. Must be written as 0A5h or a PUC is generated.
7	BLKWRT	RW	0h	Block write. BLKWRT and WRT are used together to select the write mode. The values shown below are for BLKWRT-WRT. 0-0 = Reserved 0-1 = Byte or word write 1-0 = Long-word write 1-1 = Long-word block write
6	WRT	RW	0h	Write. BLKWRT and WRT are used together to select the write mode. The values shown below are for BLKWRT-WRT. 0-0 = Reserved 0-1 = Byte or word write 1-0 = Long-word write 1-1 = Long-word block write
5	SWRT	RW	0h	Smart write. If this bit is set, the program time is shortened. The programming quality has to be checked by marginal read modes.
4-3	Reserved	R	0h	Reserved. Always reads as 0.
2	MERAS			Mass erase. MERAS and ERASE are used together to select the erase mode. MERAS and ERASE are automatically reset when EMEX is set or a flash erase operation has completed. The values shown below are for MERAS-ERASE. 0-0 = No erase 0-1 = Segment erase 1-0 = Bank erase (erase of one bank) 1-1 = Mass erase (erase all flash memory banks)
1	ERASE			Erase. MERAS and ERASE are used together to select the erase mode. MERAS and ERASE are automatically reset when EMEX is set or a flash erase operation has completed. The values shown below are for MERAS-ERASE. 0-0 = No erase 0-1 = Segment erase 1-0 = Bank erase (erase of one bank) 1-1 = Mass erase (erase all flash memory banks)
0	Reserved	R	0h	Reserved. Always reads as 0.

7.4.2 FCTL3 Register

Flash Memory Control 3 Register

Figure 7-15. FCTL3 Register

15	14	13	12	11	10	9	8
FRPW/FWPW							
7	6	5	4	3	2	1	0
Reserved	LOCKA	EMEX	LOCK	WAIT	ACCVIFG	KEYV	BUSY
r-0	rw-1	rw-0	rw-1	r-1	rw-0	rw-(0)	r-0

Table 7-7. FCTL3 Register Description

Bit	Field	Type	Reset	Description
15-8	FRPW/FWPW	RW	96h	FCTLx password. Always read as 096h. Must be written as 0A5h or a PUC is generated.
7	Reserved	R	0h	Reserved. Always reads as 0.
6	LOCKA	RW	1h	Segment A lock. Write a 1 to this bit to change its state. Writing 0 has no effect. 0b = Segment A of the information memory is unlocked and can be written or erased in segment erase mode. 1b = Segment A of the information memory is locked and can not be written or erased in segment erase mode.
5	EMEX	RW	0h	Emergency exit. Setting this bit stops any erase or write operation. The LOCK bit is set. 0b = No emergency exit 1b = Emergency exit
4	LOCK	RW	1h	Lock. This bit unlocks the flash memory for writing or erasing. The LOCK bit can be set any time during a byte or word write or erase operation, and the operation completes normally. In the block write mode, if the LOCK bit is set while BLKWRT = WAIT = 1, BLKWRT and WAIT are reset and the mode ends normally. 0b = Unlocked 1b = Locked
3	WAIT	R	1h	Wait. Indicates the flash memory is being written to. 0b = Flash memory is not ready for the next byte or word write. 1b = Flash memory is ready for the next byte or word write.
2	ACCVIFG	RW	0h	Access violation interrupt flag 0b = No interrupt pending 1b = Interrupt pending
1	KEYV	RW	0h	Flash password violation. This bit indicates an incorrect FCTLx password was written to any flash control register and generates a PUC when set. KEYV must be reset with software. 0b = FCTLx password was written correctly. 1b = FCTLx password was written incorrectly.
0	BUSY	R	0h	Busy. This bit indicates if the flash is currently busy erasing or programming. 0b = Not busy 1b = Busy

7.4.3 FCTL4 Register

Flash Memory Control 4 Register

Figure 7-16. FCTL4 Register

15	14	13	12	11	10	9	8
FRPW/FWPW							
7	6	5	4	3	2	1	0
LOCKINFO	Reserved	MRG1	MRG0	Reserved		VPE	
rw-0	r-0	rw-0	rw-0	r-0	r-0	r-0	rw-0

Table 7-8. FCTL4 Register Description

Bit	Field	Type	Reset	Description
15-8	FRPW/FWPW	RW	96h	FCTLx password. Always reads as 096h. Must be written as 0A5h or a PUC is generated.
7	LOCKINFO	RW	0h	Lock information memory. If set, the information memory cannot be erased in segment erase mode and cannot be written to.
6	Reserved	R	0h	Reserved. Always reads as 0.
5	MRG1	RW	0h	Marginal read 1 mode. This bit enables the marginal 1 read mode. The marginal read 1 bit is valid for reads from the flash memory only. During a fetch cycle, the marginal mode is turned off automatically. If both MRG1 and MRG0 are set, MRG1 is active and MRG0 is ignored. 0b = Marginal 1 read mode is disabled. 1b = Marginal 1 read mode is enabled.
4	MRG0	RW	0h	Marginal read 0 mode. This bit enables the marginal 0 read mode. The marginal read 1 bit is valid for reads from the flash memory only. During a fetch cycle, the marginal mode is turned off automatically. If both MRG1 and MRG0 are set, MRG1 is active and MRG0 is ignored. 0b = Marginal 0 read mode is disabled. 1b = Marginal 0 read mode is enabled.
3-1	Reserved	R	0h	Reserved. Always reads as 0.
0	VPE	RW	0h	Voltage changed during program error. This bit is set by hardware and can only be cleared by software. If DVCC changed significantly during programming, this bit is set to indicate an invalid result.

7.4.4 SFRIE1 Register

Interrupt Enable 1 Register

Figure 7-17. SFRIE1 Register

15	14	13	12	11	10	9	8
7	6	5	4	3	2	1	0
		ACCVIE					
rw-0							

Table 7-9. SFRIE1 Register Description

Bit	Field	Type	Reset	Description
15-6				These bits may be used by other modules (see the device-specific data sheet and the SYS chapter for details).
5	ACCVIE	RW	0h	Flash memory access violation interrupt enable. This bit enables the ACCVIFG interrupt. Because other bits in SFRIE1 may be used for other modules, it is recommended to set or clear this bit using <code>BIS</code> or <code>BIC</code> instructions, rather than <code>MOV</code> or <code>CLR</code> instructions. See the SYS chapter for more details. 0b = Interrupt not enabled 1b = Interrupt enabled
4-0				These bits may be used by other modules (see the device-specific data sheet and the SYS chapter for details).

Memory Integrity Detection (MID)

Memory Integrity Detection (MID) is a program and data protection mechanism that is available on several device families (for example, MSP430F6659). It provides a high level of operation safety for fault-critical application areas. This chapter explains how to use the firmware for the level of operational safety and overall fault response that suits different applications.

Topic	Page
8.1 MID Overview	367
8.2 Flash Memory With MID Support	368
8.3 MID Parity Check Logic	368
8.4 Detecting Unprogrammed Memory Accesses.....	369
8.5 MID ROM	369
8.6 MID Support Software Function.....	369
8.7 User's UNMI Interrupt Handler	373

8.1 MID Overview

The MID is an add-on to the MSP430 flash memory controller. MID provides additional functionality over the regular flash operation methods as described in the [Flash Memory Controller](#) chapter.

The main purpose of the MID function is to help gain higher reliability of flash content and overall system integrity in harsh environments and in applications requiring such features. The additional level of security is reached by calculating parity information.

The complete MID solution consists of the blocks *Parity Generator and Parity Check* and *MID ROM*. The *Parity Generator and Parity Check* provides all of the necessary logic elements needed to identify bit errors in the whole memory array. The on-chip MID ROM contains the MID Support Software, and this software performs all the necessary tasks to operate MID. The built-in MID functions provide all functionality to use the MID features.

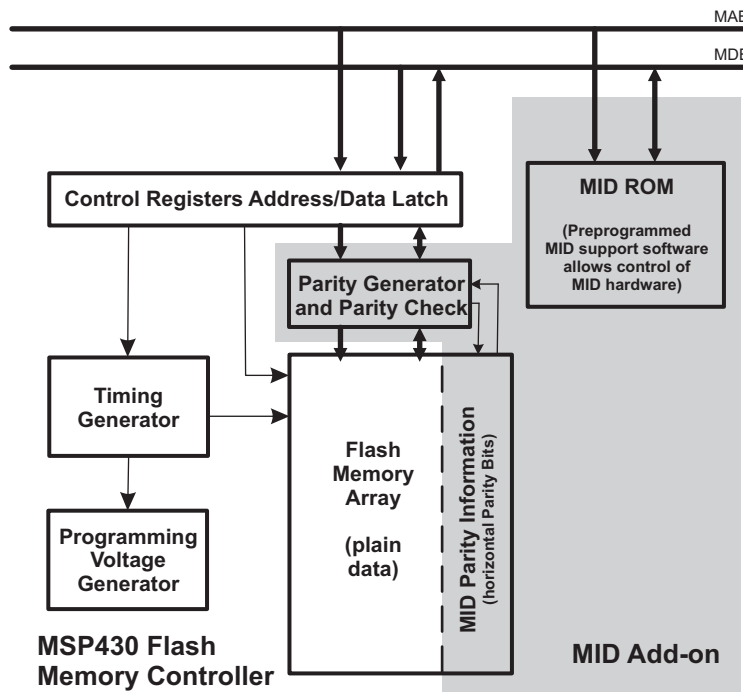
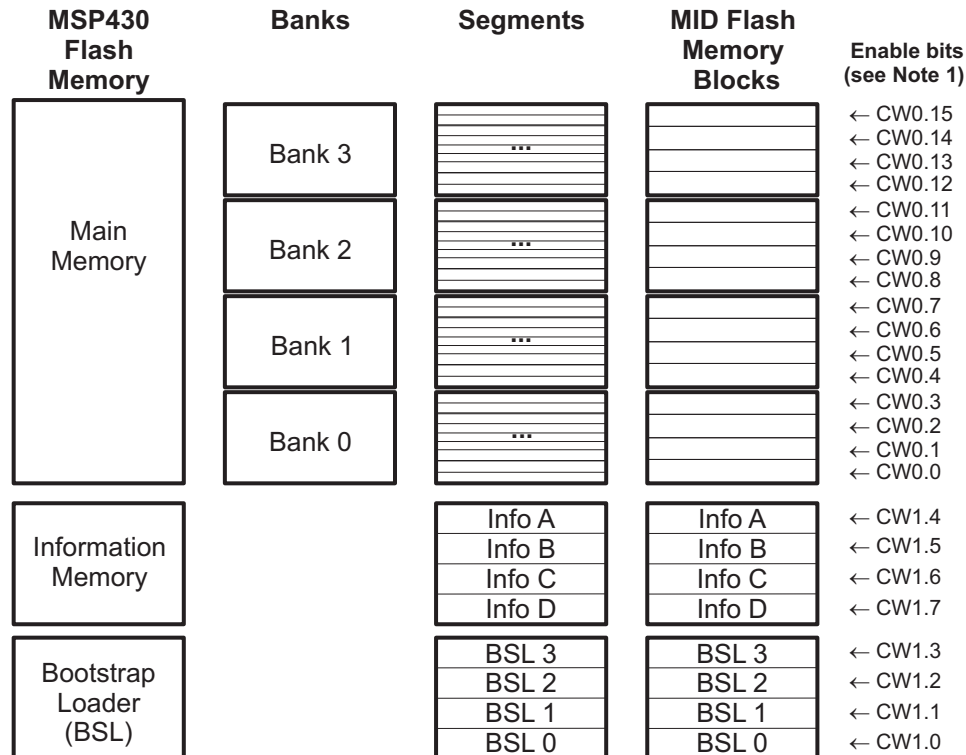


Figure 8-1. Block Diagram of MID Implementation

8.2 Flash Memory With MID Support

The MSP430 flash memory is partitioned into different memory areas—main and information memory, banks, segments, and memory blocks—where MID protection can be enabled. Figure 8-2 shows an example for a typical MSP430 flash segmentation including the MID feature.



- (1) The cw0.x and cw1.x bits are used to enable MID functionality for the individual memory ranges. Further information can be found in [Section 8.6.1](#).

Figure 8-2. Overview of MSP430 Flash Memory Segmentation

The whole flash memory array consist of MID supported flash memory blocks. For a device with 512KB of flash main memory, each MID flash memory block has a size of 32KB (main memory divided by 16). Each row consists of one word of plain data (16 bits) and a horizontal parity bit (H-parity bit).

Erased segments show all ones in the data array field and horizontal parity. Writing to flash memory (with MID after reset) automatically writes the horizontal parity bits along with the data bits. Writing to the plain data field can, of course, be interrupted and continued in any order. Adding content after the horizontal parity has been written is impractical, as the horizontal parity information changes as well. The whole segment (not just a single MID memory block) would need to be erased before it can be written again. The shown method is excellent for data content of static nature like code, tables, and so on. For data acquisition into flash, other methods (for example, majority vote) are more suitable; but complete blocks of acquisition data can be protected with this method again.

8.3 MID Parity Check Logic

Any access to MID enabled flash memory causes a verification of its horizontal parity in the background. It does not matter if code or data is read from the flash memory. If a parity error is detected, the bus error event "parity error" is triggered and calls the user NMI exception handler. The application software can then react on the failure by, for example, showing an error message on the application's display.

8.4 Detecting Unprogrammed Memory Accesses

All bits are set after erasing the flash memory; this also includes the horizontal parity bit. If an erased memory range is accessed, the MID causes a NMI interrupt, because of a detected parity failure. Only programmed addresses are accessible without a MID failure interrupt; that is especially the case for the content 0xFFFF. If memory content should be 0xFFFF, it must be programmed. This ensures that the horizontal parity bit is cleared (0).

Enabling the MID functionality for nonprogrammed memory ranges allows detecting memory accesses to these nonprogrammed addresses.

8.5 MID ROM

The MID ROM is 1KB of read-only memory. The on-chip MID ROM is factory programmed with MID support software. These software functions are used to enable or disable the MID module. The start address of the MID ROM depends on the MSP430 device; see the device-specific data sheet for specifications.

8.6 MID Support Software Function

The MID is disabled by default after power-up of the device. To use the MID feature, it must be enabled within the application software. Enabling is done by calling the `MidInit()` function with parameters that define which MID memory blocks should be enabled or disabled.

[Table 8-1](#) list all existing MID functions. These functions are stored in the MID ROM; its start address is defined in the device-specific data sheet.

Table 8-1. Overview of MID Support Software Functions

Function	Address Offset	Description
Revision	0x00	Content of address: 2843h
	0x02	Content of address: 80xyh, xy is the revision word
MidEnable	0x04	Initialization and enabling of MID
MidDisable	0x08	MID is disabled
MidGetErrAdr	0x0C	Returns the error location
MidCheckMem	0x10	Memory check is performed
MidSetRaw	0x14	Writing a data word and parity bit into a defined address
MidGetParity	0x18	Read out horizontal parity bit
MidCalcVParity	0x1C	Calculating vertical parity
Reserved	0x20	
Reserved	0x24	
Reserved	0x28	
Reserved	0x2C	

8.6.1 MidEnable() Function

Function

```
void MidEnable(unsigned short cw0,unsigned short cw1);
```

Function Description

This function initializes and enables MID. The argument *cw0* and *cw1* allow an explicit control what MID flash memory blocks are to be protected. MID feature is disabled after a power-up or BOR. *MidEnable()* function is expected to be called early after application start. Calling it again later reconfigures the settings.

Parameters

Name	Type	Description
cw0	unsigned short R12.W	Configuration word 0. It is used to activate the MID feature for certain memory ranges. The main memory is divided into 16 blocks. The LSB bit of cw0 activates the lowest address range (see Figure 8-3).
cw1	unsigned short R13.W	Configuration word 1. This bit is used the same as cw0, the only difference is that BAL and Info memory are used instead of main memory (see Figure 8-4).

Figure 8-3. cw0 Parameter

15	14	13	12	11	10	9	8
cw0.15	cw0.14	cw0.13	cw0.12	cw0.11	cw0.10	cw0.9	cw0.8
7	6	5	4	3	2	1	0
cw0.7	cw0.6	cw0.5	cw0.4	cw0.3	cw0.2	cw0.1	cw0.0

Bit	Field	Description
15-0	cw0.x	Main memory is split into MID flash memory blocks. Each MID flash memory block has a size of main memory divided by 16 (for example, for a 512KB main memory, the MID memory block size is 32KB). The cw0.x bits allow to enable MID support for the different flash memory blocks. For example, cw0.0 activates the lowest flash memory block, and cw0.15 activates the highest flash memory block. 0 = MID support is deactivated 1 = MID support is active

Figure 8-4. cw1 Parameter

15	14	13	12	11	10	9	8
Reserved	Reserved	Reserved	Reserved	Reserved	Reserved	Reserved	Reserved
7	6	5	4	3	2	1	0
cw1.7	cw1.6	cw1.5	cw1.4	cw1.3	cw1.2	cw1.1	cw1.0

Bit	Field	Description
15-8	Reserved	These bits are reserved. It is strongly recommended to reset (0) these bits.
7	cw1.7	Enables or disables MID for the flash information memory segment D. 0 = MID support is deactivated 1 = MID support is active
6	cw1.6	Enables or disables MID for the flash information memory segment C. 0 = MID support is deactivated 1 = MID support is active
5	cw1.5	Enables or disables MID for the flash information memory segment B. 0 = MID support is deactivated 1 = MID support is active
4	cw1.4	Enables or disables MID for the flash information memory segment A. 0 = MID support is deactivated 1 = MID support is active

Bit	Field	Description
3	cw1.3	Enables or disables MID for the bootstrap loader memory 3. 0 = MID support is deactivated 1 = MID support is active
2	cw1.2	Enables or disables MID for the bootstrap loader memory 2. 0 = MID support is deactivated 1 = MID support is active
1	cw1.1	Enables or disables MID for the bootstrap loader memory 1. 0 = MID support is deactivated 1 = MID support is active
0	cw1.0	Enables or disables MID for the bootstrap loader memory 0. 0 = MID support is deactivated 1 = MID support is active

8.6.2 *MidDisable()* Function

Function

```
void MidDisable(void);
```

Function Description

This function clears the cw0 and cw1 parameters that were set during MidEnable() function call and it disables the MID hardware.

8.6.3 *MidGetErrAdr()* Function

Function

```
unsigned short * MidGetErrAdr(void);
```

Function Description

This function returns the error location if there was a memory integrity failure. If there is no valid failure address or error location, the function returns the value F'FFFh.

Note that the MidGetErrAdr() function returns only the correct error address when this function is called prior to a read access of SYSBERRIV register. The code example in [Section 8.7](#) shows where the MidGetErrAdr() function call should be placed.

8.6.4 MidCheckMem() Function

Function

```
void MidCheckMem(unsigned short * startAdr, unsigned short * endAdr);
```

Function Description

This function allows doing a memory integrity check. First, the MidEnable function should be called. This function enables MID and it defines the memory blocks that should be protected. After that the MidCheckMem function can be called. Its parameter list defines an address range that is accessed with wordwise reads. An UNMI interrupt (MID interrupt) is generated in case a parity error occurs and the read address is enabled for MID protection.

Parameters

Name	Type	Description
startAdr	unsigned short *R12.W	Start address for the memory integrity check. The startAdr must be an even number.
endAdr	unsigned short R13.W	End address for the memory integrity check. The endAdr must be an even number. The address defined with endAdr is included in the memory integrity check.

8.6.5 MidSetRaw() Function

Function

```
void MidSetRaw(unsigned short data, unsigned short parity, unsigned short * adr,  
              unsigned short flashKey);
```

Function Description

This function writes one word (data) and a separately definable parity bit (parity) to an MID memory address (adr). The Flash memory key is needed to allow access to flash control registers; this parameter is passed through the argument flashKey (see the following example).

Parameters

Name	Type	Description
data	unsigned short R12.W	Data to be written
parity	unsigned short R13.W	If parity = 0, the parity bit 0 is written. If parity <> 0, the parity bit 1 is written.
adr	unsigned short *R14.A	Destination address where raw information is written
flashKey	unsigned short R15.W	Flash memory key. This is needed to allow the MidSetRaw function access to the flash control registers. The passing parameter is usually defined in the standard MSP430 header files; therefore, "FWKEY" can be used here.

Example

```
#include <msp430f6659.h>
const unsigned short FlashAdr=0xFF00; // Flash memory address will be reprogrammed
void main(void)
{
    static unsigned short Data; // variable for data the will be read
    static unsigned short Parity; // H-parity bit that will be read
    WDTCTL=WTDPW+WDTHOLD; // disable Watchdog
    Data=0x5A5A; // data that will be written into flash memory
    Parity=0; // parity bit that will be written
    MIDSetRaw(Data,Parity,&FlashAdr,FWKEY); // write data and parity bit
    while(1);
}
```

8.6.6 MidGetParity() Function

Function

```
unsigned short MidGetParity(unsigned short * adr);
```

Function Description

This function returns the parity bit of the appropriate address. Reading the parity bit works only when MID was enabled before calling MidGetParity() function and the appropriate MID memory block is enabled.

Parameters

Name	Type	Description
adr	unsigned short *R12.A	Defines the address where the parity bit should be read.

8.6.7 MidCalcVParity() Function

Function

```
unsigned short MidCalcVParity(unsigned short * startAdr, unsigned short * endAdr);
```

Function Description

This function allows to calculate a vertical parity for a defined memory range.

Parameters

Name	Type	Description
startAdr	unsigned short *R12.A	Defines the start address for calculating vertical parity. The startAdr must be an even number.
endAdr	unsigned short *R13.A	End address for calculating vertical parity. The endAdr must be an even number. The address defined with endAdr is included in the vertical parity calculation.

8.7 User's UNMI Interrupt Handler

If an error is detected, the on-chip MID generates an UNMI interrupt. The application software must manage error handling.

UNMI handler framework for MID error handling:

```
__interrupt void unmi_isr(void)
{
    switch(__even_in_range(SYSUNIV, 0x08))
    {
        case 0x00: break;
        case 0x02: break;
        case 0x04: break;
        case 0x06: break;
        case 0x08: break;
        // If needed, obtain the flash error location here.
        ErrorLocation = MidGetErrAdr();

        switch(__even_in_range(SYSBERRIV, 0x08))
        {
            case 0x00: break; // no bus error
            case 0x02: break; // USB bus error
            case 0x04: break; // reserved
            case 0x06: break; // MID error
            <place your MID error handler code here>
            break;
            case 0x08: break;
            default: break;
        }
        break;
    }
    default: break;
}
```

RAM Controller (RAMCTL)

The RAM controller (RAMCTL) allows control of the operation of the RAM.

Topic	Page
9.1 RAM Controller (RAMCTL) Introduction.....	375
9.2 RAMCTL Operation.....	375
9.3 RAMCTL Registers	376

9.1 RAM Controller (RAMCTL) Introduction

The RAMCTL provides access to the different power modes of the RAM. The RAMCTL enters retention mode to reduce the leakage current while the CPU is off. The RAM can also be switched off by software. In retention mode, the RAM content is saved. In off mode, the RAM content is lost.

The RAM is partitioned in sectors, typically of 4KB (sector) size. See the device-specific data sheet for actual block allocation and size. Each sector is controlled by the RAM controller RAM Sector Off control bit (RCRSyOFF) of the RAMCTL Control 0 register (RCCTL0). The RCCTL0 register is protected with a key. The RCCTL0 register content can be modified only if the correct key is written during a word write. Byte write accesses or write accesses with a wrong key are ignored.

9.2 RAMCTL Operation

Active mode

In active mode, the RAM can be read and written at any time. If any RAM address in a sector must hold data, the whole sector cannot be switched off.

Low-power modes

In all low-power modes, the CPU is switched off. As soon as the CPU is switched off, the RAM enters retention mode to reduce the leakage current.

RAM off mode

Each sector can be turned off independent of the other sectors by setting the respective RCRSyOFF bit to 1. Reading from a switched off RAM sector returns 0 as data. All data previously stored in a switched off RAM sector is lost and cannot be read, even if the sector is turned on again.

Stack pointer

The program stack is located in RAM. Sectors holding the stack must not be turned off if an interrupt must be executed or if a low-power mode is entered.

USB buffer memory

On devices with USB, the USB buffer memory is located in RAM. Sector 7 is used for this purpose. RCRS7OFF can be set to switch off this memory if it is not required for USB operation or is not being used in normal operation.

9.3 RAMCTL Registers

The RAMCTL module register is listed in [Table 9-1](#). The base address can be found in the device-specific data sheet. The address offset is given in [Table 9-1](#).

NOTE: All registers have word or byte register access. For a generic register *ANYREG*, the suffix "_L" (*ANYREG_L*) refers to the lower byte of the register (bits 0 through 7). The suffix "_H" (*ANYREG_H*) refers to the upper byte of the register (bits 8 through 15).

Table 9-1. RAMCTL Registers

Offset	Acronym	Register Name	Type	Access	Reset	Section
00h	RCCTL0	RAM Controller Control 0	Read/write	Word	6900h	Section 9.3.1
00h	RCCTL0_L		Read/write	Byte	00h	
01h	RCCTL0_H		Read/write	Byte	69h	

9.3.1 RCCTL0 Register

RAM Controller Control 0 Register

Figure 9-1. RCCTL0 Register

15		14		13		12		11		10		9		8	
RCKEY															
rw-0		rw-1		rw-1		rw-0		rw-1		rw-0		rw-0		rw-1	
7		6		5		4		3		2		1		0	
RCRS7OFF		RCRS6OFF		RCRS5OFF		RCRS4OFF		RCRS3OFF		RCRS2OFF		RCRS1OFF		RCRS0OFF	
rw-0		rw-0		rw-0		rw-0		rw-0		rw-0		rw-0		rw-0	

Table 9-2. RCCTL0 Register Description

Bit	Field	Type	Reset	Description
15-8	RCKEY	RW	69h	RAM controller key. Always read as 69h. Must be written as 5Ah, otherwise the RAMCTL write is ignored.
7	RCRS7OFF	RW	0h	RAM controller RAM sector 7 off. Setting the bit to 1 turns off the RAM sector 7. All data of the RAM sector 7 is lost. See the device-specific data sheet to find the number of RAM sectors available along with their respective address ranges and sizes.
6	RCRS6OFF	RW	0h	RAM controller RAM sector 6 off. Setting the bit to 1 turns off the RAM sector 6. All data of the RAM sector 6 is lost. See the device-specific data sheet to find the number of RAM sectors available along with their respective address ranges and sizes.
5	RCRS5OFF	RW	0h	RAM controller RAM sector 5 off. Setting the bit to 1 turns off the RAM sector 5. All data of the RAM sector 5 is lost. See the device-specific data sheet to find the number of RAM sectors available along with their respective address ranges and sizes.
4	RCRS4OFF	RW	0h	RAM controller RAM sector 4 off. Setting the bit to 1 turns off the RAM sector 4. All data of the RAM sector 4 is lost. See the device-specific data sheet to find the number of RAM sectors available along with their respective address ranges and sizes.
3	RCRS3OFF	RW	0h	RAM controller RAM sector 3 off. Setting the bit to 1 turns off the RAM sector 3. All data of the RAM sector 3 is lost. See the device-specific data sheet to find the number of RAM sectors available along with their respective address ranges and sizes.
2	RCRS2OFF	RW	0h	RAM controller RAM sector 2 off. Setting the bit to 1 turns off the RAM sector 2. All data of the RAM sector 2 is lost. See the device-specific data sheet to find the number of RAM sectors available along with their respective address ranges and sizes.
1	RCRS1OFF	RW	0h	RAM controller RAM sector 1 off. Setting the bit to 1 turns off the RAM sector 1. All data of the RAM sector 1 is lost. See the device-specific data sheet to find the number of RAM sectors available along with their respective address ranges and sizes.
0	RCRS0OFF	RW	0h	RAM controller RAM sector 0 off. Setting the bit to 1 turns off the RAM sector 0. All data of the RAM sector 0 is lost. See the device-specific data sheet to find the number of RAM sectors available along with their respective address ranges and sizes.

Backup RAM

The backup RAM is a volatile memory that is retained during LPMx.5 and operation from a backup supply (if supported by the device). This chapter describes the backup RAM.

Topic	Page
10.1 Backup RAM Introduction and Operation	379
10.2 Battery Backup Registers	379

10.1 Backup RAM Introduction and Operation

The backup RAM provides a limited number of bytes of RAM that are retained during LPMx.5 and during operation from a backup supply (if the device integrates the complete battery backup system). At least one byte or one word (one word is preferred) should be used to generate a checksum of the stored data or to store a signature to ensure that the data is still reliable when returning from LPMx.5 or from backup operation.

10.2 Battery Backup Registers

[Table 10-1](#) lists the backup RAM registers and their address offsets. See the device-specific data sheet for the base address of the backup RAM registers.

NOTE: All registers have word or byte register access. For a generic register ANYREG, the suffix "_L" (ANYREG_L) refers to the lower byte of the register (bits 0 through 7). The suffix "_H" (ANYREG_H) refers to the upper byte of the register (bits 8 through 15).

Table 10-1. Backup RAM Registers

Offset	Acronym	Register Name	Type	Access	Reset	LPMx.5 Backup Operation
00h	BAKMEM0	Battery Backup Memory 0	Read/write	Word	Undefined	retained
00h	BAKMEM0_L		Read/write	Byte	Undefined	retained
01h	BAKMEM0_H		Read/write	Byte	Undefined	retained
02h	BAKMEM1	Battery Backup Memory 1	Read/write	Word	Undefined	retained
02h	BAKMEM1_L		Read/write	Byte	Undefined	retained
03h	BAKMEM1_H		Read/write	Byte	Undefined	retained
04h	BAKMEM2	Battery Backup Memory 2	Read/write	Word	Undefined	retained
04h	BAKMEM2_L		Read/write	Byte	Undefined	retained
05h	BAKMEM2_H		Read/write	Byte	Undefined	retained
06h	BAKMEM3	Battery Backup Memory 3	Read/write	Word	Undefined	retained
06h	BAKMEM3_L		Read/write	Byte	Undefined	retained
07h	BAKMEM3_H		Read/write	Byte	Undefined	retained

Direct Memory Access (DMA) Controller Module

The direct memory access (DMA) controller module transfers data from one address to another without CPU intervention. This chapter describes the operation of the DMA controller.

Topic	Page
11.1 Direct Memory Access (DMA) Introduction	381
11.2 DMA Operation	383
11.3 DMA Registers	395

11.1 Direct Memory Access (DMA) Introduction

The DMA controller transfers data from one address to another, without CPU intervention, across the entire address range. For example, the DMA controller can move data from the ADC conversion memory to RAM.

Devices that contain a DMA controller may have up to eight DMA channels available. Therefore, depending on the number of DMA channels available, some features described in this chapter are not applicable to all devices. See the device-specific data sheet for number of channels supported.

Using the DMA controller can increase the throughput of peripheral modules. It can also reduce system power consumption by allowing the CPU to remain in a low-power mode, without having to awaken to move data to or from a peripheral.

DMA controller features include:

- Up to eight independent transfer channels
- Configurable DMA channel priorities
- Requires only two MCLK clock cycles per transfer
- Byte or word and mixed byte and word transfer capability
- Block sizes up to 65535 bytes or words
- Configurable transfer trigger selections
- Selectable edge- or level-triggered transfer
- Four addressing modes
- Single, block, or burst-block transfer modes

[Figure 11-1](#) shows the DMA controller block diagram.

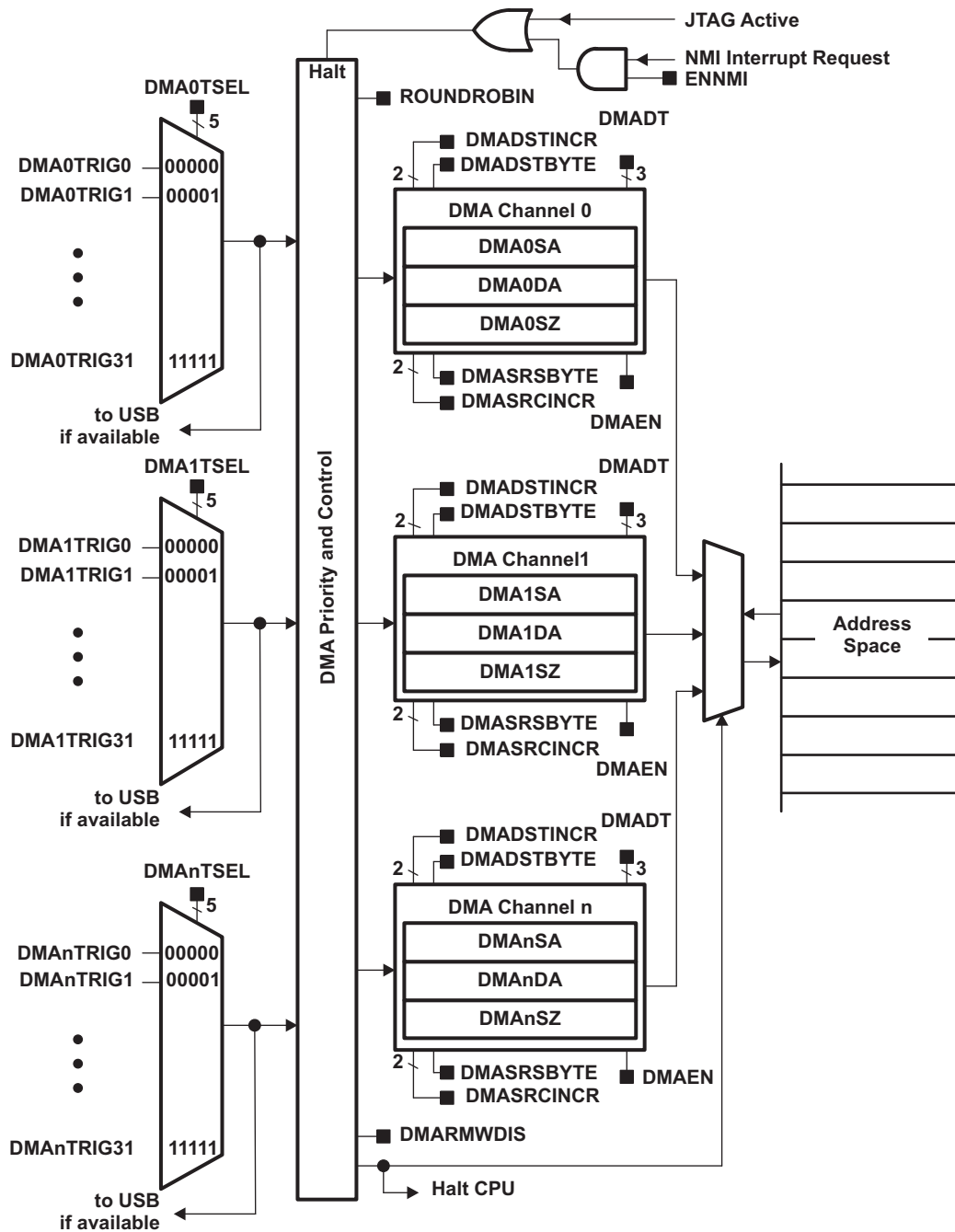


Figure 11-1. DMA Controller Block Diagram

11.2 DMA Operation

The DMA controller is configured with user software. The setup and operation of the DMA is discussed in the following sections.

11.2.1 DMA Addressing Modes

The DMA controller has four addressing modes. The addressing mode for each DMA channel is independently configurable. For example, channel 0 may transfer between two fixed addresses, while channel 1 transfers between two blocks of addresses. Figure 11-2 shows the addressing modes. The addressing modes are:

- Fixed address to fixed address
- Fixed address to block of addresses
- Block of addresses to fixed address
- Block of addresses to block of addresses

The addressing modes are configured with the DMASRCINCR and DMADSTINCR control bits. The DMASRCINCR bits select if the source address is incremented, decremented, or unchanged after each transfer. The DMADSTINCR bits select if the destination address is incremented, decremented, or unchanged after each transfer.

Transfers may be byte to byte, word to word, byte to word, or word to byte. When transferring word to byte, only the lower byte of the source word is transferred. When transferring byte to word, the upper byte of the destination word is cleared when the transfer occurs.

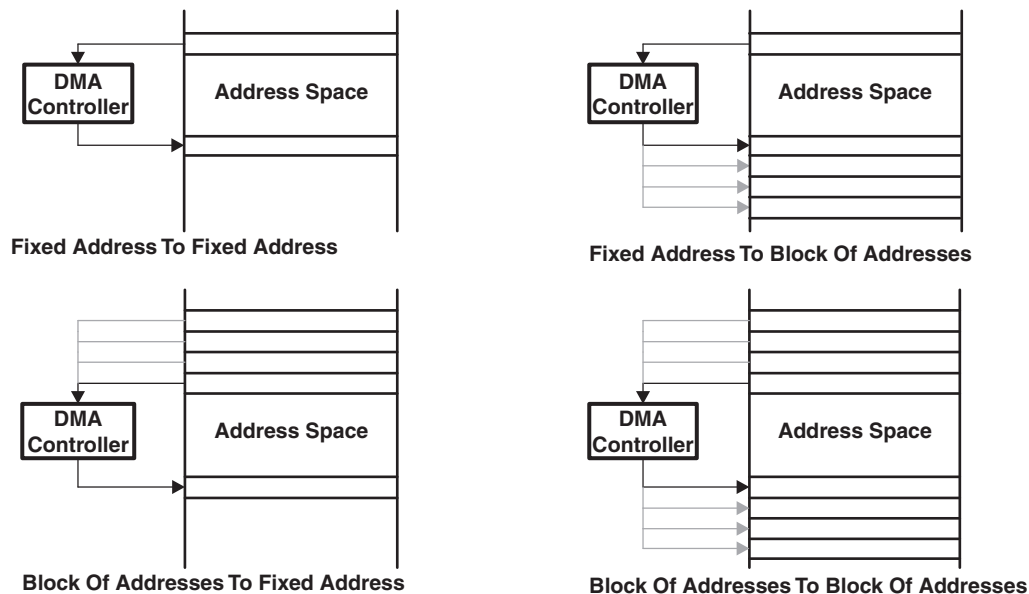


Figure 11-2. DMA Addressing Modes

11.2.2 DMA Transfer Modes

The DMA controller has six transfer modes selected by the DMADT bits (see [Table 11-1](#)). Each channel is individually configurable for its transfer mode. For example, channel 0 may be configured in single transfer mode, while channel 1 is configured for burst-block transfer mode, and channel 2 operates in repeated block mode. The transfer mode is configured independently from the addressing mode. Any addressing mode can be used with any transfer mode.

Two types of data can be transferred selectable by the DMAxCTL DSTBYTE and SRCBYTE fields. The source and destination location can be either byte or word data. It is also possible to transfer byte to byte, word to word, or any combination.

Table 11-1. DMA Transfer Modes

DMADT	Transfer Mode	Description
000	Single transfer	Each transfer requires a trigger. DMAEN is automatically cleared when DMAxSZ transfers have been made.
001	Block transfer	A complete block is transferred with one trigger. DMAEN is automatically cleared at the end of the block transfer.
010, 011	Burst-block transfer	CPU activity is interleaved with a block transfer. DMAEN is automatically cleared at the end of the burst-block transfer.
100	Repeated single transfer	Each transfer requires a trigger. DMAEN remains enabled.
101	Repeated block transfer	A complete block is transferred with one trigger. DMAEN remains enabled.
110, 111	Repeated burst-block transfer	CPU activity is interleaved with a block transfer. DMAEN remains enabled.

11.2.2.1 Single Transfer

In single transfer mode, each byte or word transfer requires a separate trigger. Figure 11-3 shows the single transfer state diagram.

The DMAxSZ register defines the number of transfers to be made. The DMADSTINCR and DMASRCINCR bits select if the destination address and the source address are incremented or decremented after each transfer. If DMAxSZ = 0, no transfers occur.

The DMAxSA, DMAxDA, and DMAxSZ registers are copied into temporary registers. The temporary values of DMAxSA and DMAxDA are incremented or decremented after each transfer. The DMAxSZ register is decremented after each transfer. When the DMAxSZ register decrements to zero, it is reloaded from its temporary register and the corresponding DMAIFG flag is set. When DMADT = {0}, the DMAEN bit is cleared automatically when DMAxSZ decrements to zero and must be set again for another transfer to occur.

In repeated single transfer mode, the DMA controller remains enabled with DMAEN = 1, and a transfer occurs every time a trigger occurs.

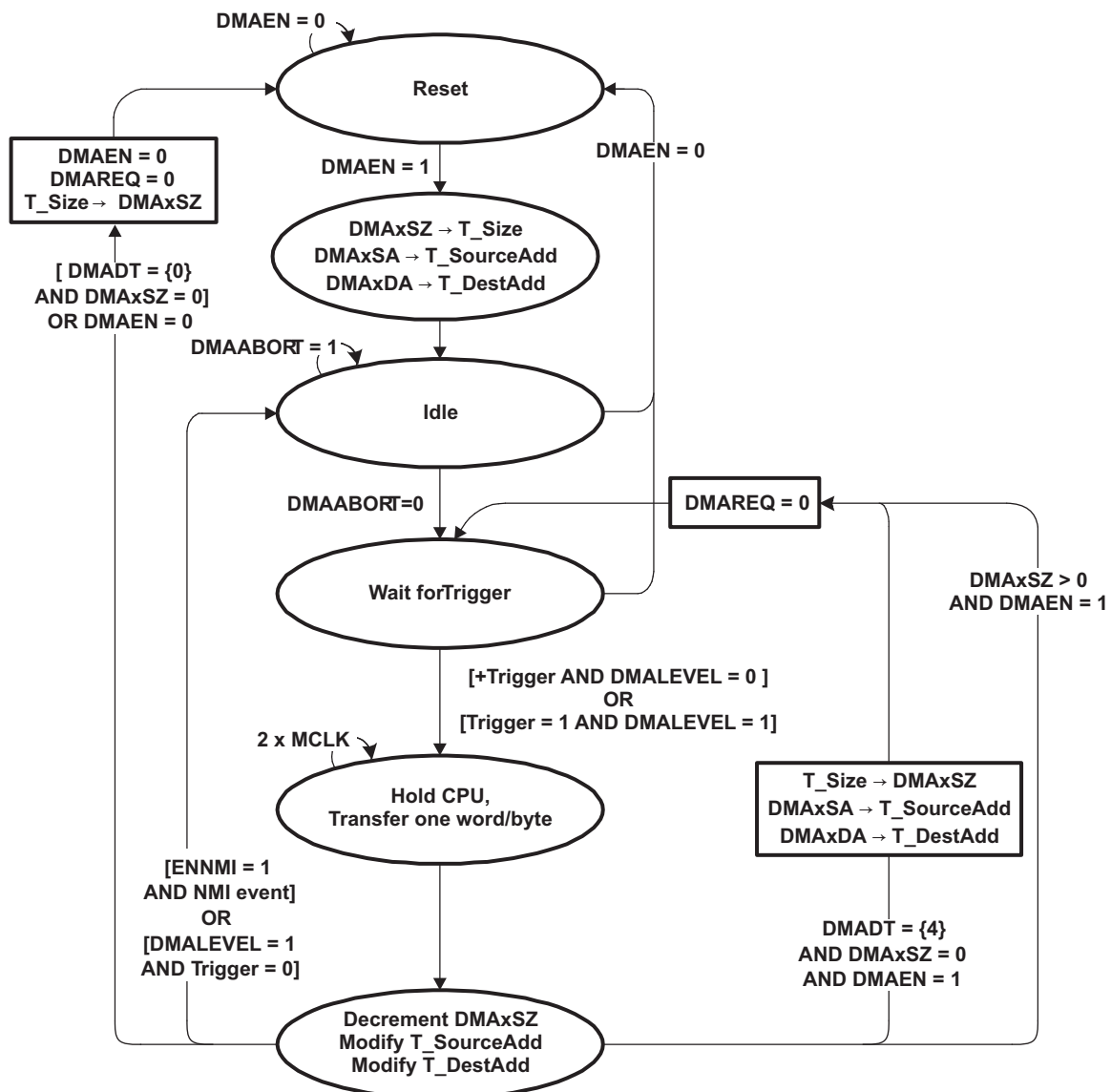


Figure 11-3. DMA Single Transfer State Diagram

11.2.2.2 Block Transfer

In block transfer mode, a transfer of a complete block of data occurs after one trigger. When $DMADT = \{1\}$, the DMAEN bit is cleared after the completion of the block transfer and must be set again before another block transfer can be triggered. After a block transfer has been triggered, further trigger signals occurring during the block transfer are ignored. [Figure 11-4](#) shows the block transfer state diagram.

The DMAxSZ register is used to define the size of the block, and the DMADSTINCR and DMASRCINCR bits select if the destination address and the source address are incremented or decremented after each transfer of the block. If $DMAxSZ = 0$, no transfers occur.

The DMAxSA, DMAxDA, and DMAxSZ registers are copied into temporary registers. The temporary values of DMAxSA and DMAxDA are incremented or decremented after each transfer in the block. The DMAxSZ register is decremented after each transfer of the block and shows the number of transfers remaining in the block. When the DMAxSZ register decrements to zero, it is reloaded from its temporary register and the corresponding DMAIFG flag is set.

During a block transfer, the CPU is halted until the complete block has been transferred. The block transfer takes $2 \times MCLK \times DMAxSZ$ clock cycles to complete. CPU execution resumes with its previous state after the block transfer is complete.

In repeated block transfer mode, the DMAEN bit remains set after completion of the block transfer. The next trigger after the completion of a repeated block transfer triggers another block transfer.

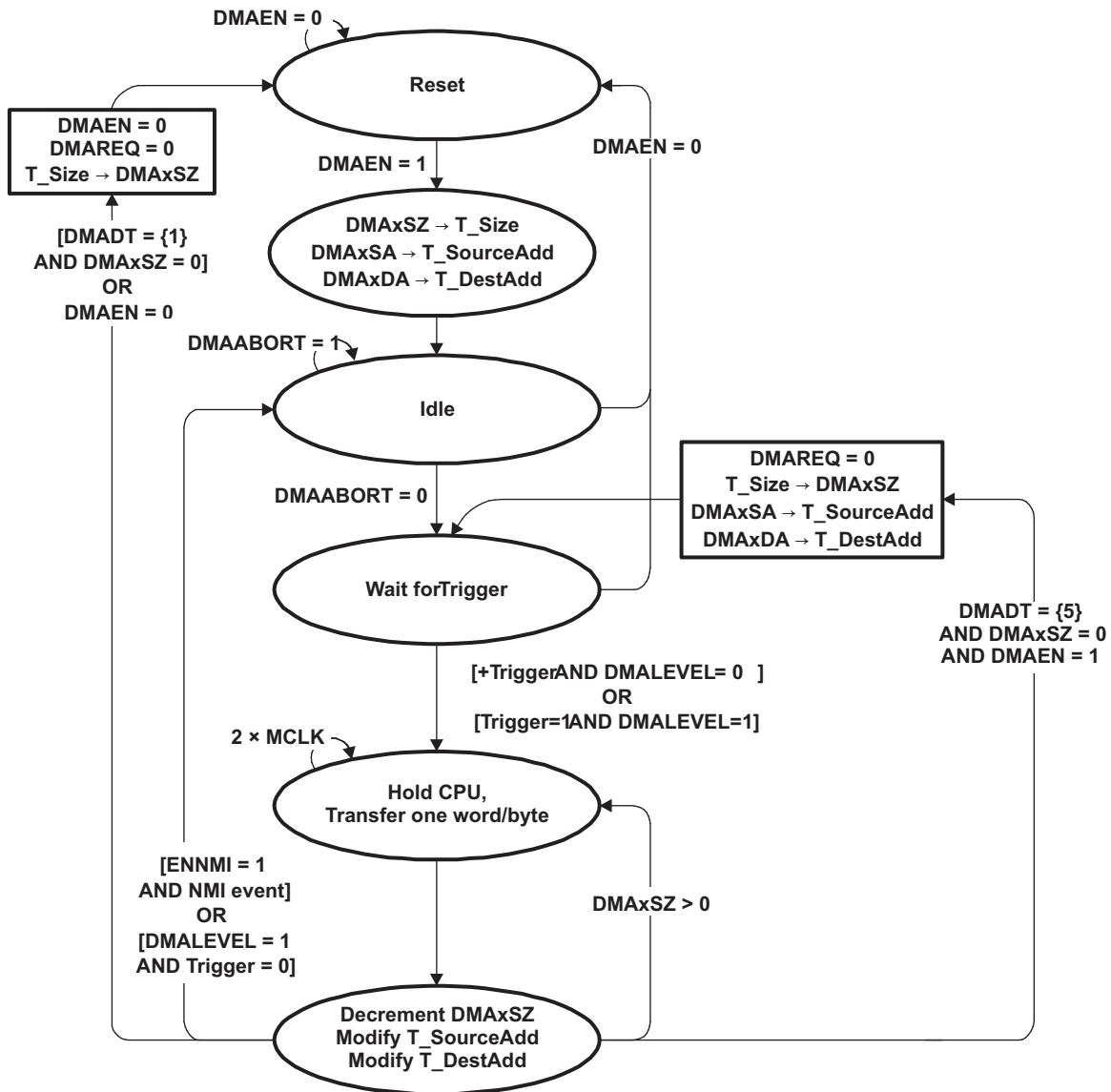


Figure 11-4. DMA Block Transfer State Diagram

11.2.2.3 Burst-Block Transfer

In burst-block mode, transfers are block transfers with CPU activity interleaved. The CPU executes two MCLK cycles after every four byte/word transfers of the block, resulting in 20% CPU execution capacity. After the burst-block, CPU execution resumes at 100% capacity and the DMAEN bit is cleared. DMAEN must be set again before another burst-block transfer can be triggered. After a burst-block transfer has been triggered, further trigger signals occurring during the burst-block transfer are ignored. [Figure 11-5](#) shows the burst-block transfer state diagram.

The DMAxSZ register is used to define the size of the block, and the DMADSTINCR and DMASRCINCR bits select if the destination address and the source address are incremented or decremented after each transfer of the block. If DMAxSZ = 0, no transfers occur.

The DMAxSA, DMAxDA, and DMAxSZ registers are copied into temporary registers. The temporary values of DMAxSA and DMAxDA are incremented or decremented after each transfer in the block. The DMAxSZ register is decremented after each transfer of the block and shows the number of transfers remaining in the block. When the DMAxSZ register decrements to zero, it is reloaded from its temporary register and the corresponding DMAIFG flag is set.

In repeated burst-block mode, the DMAEN bit remains set after completion of the burst-block transfer and no further trigger signals are required to initiate another burst-block transfer. Another burst-block transfer begins immediately after completion of a burst-block transfer. In this case, the transfers must be stopped by clearing the DMAEN bit, or by an (non)maskable interrupt (NMI) when ENNMI is set. In repeated burst-block mode, the CPU executes at 20% capacity continuously until the repeated burst-block transfer is stopped.

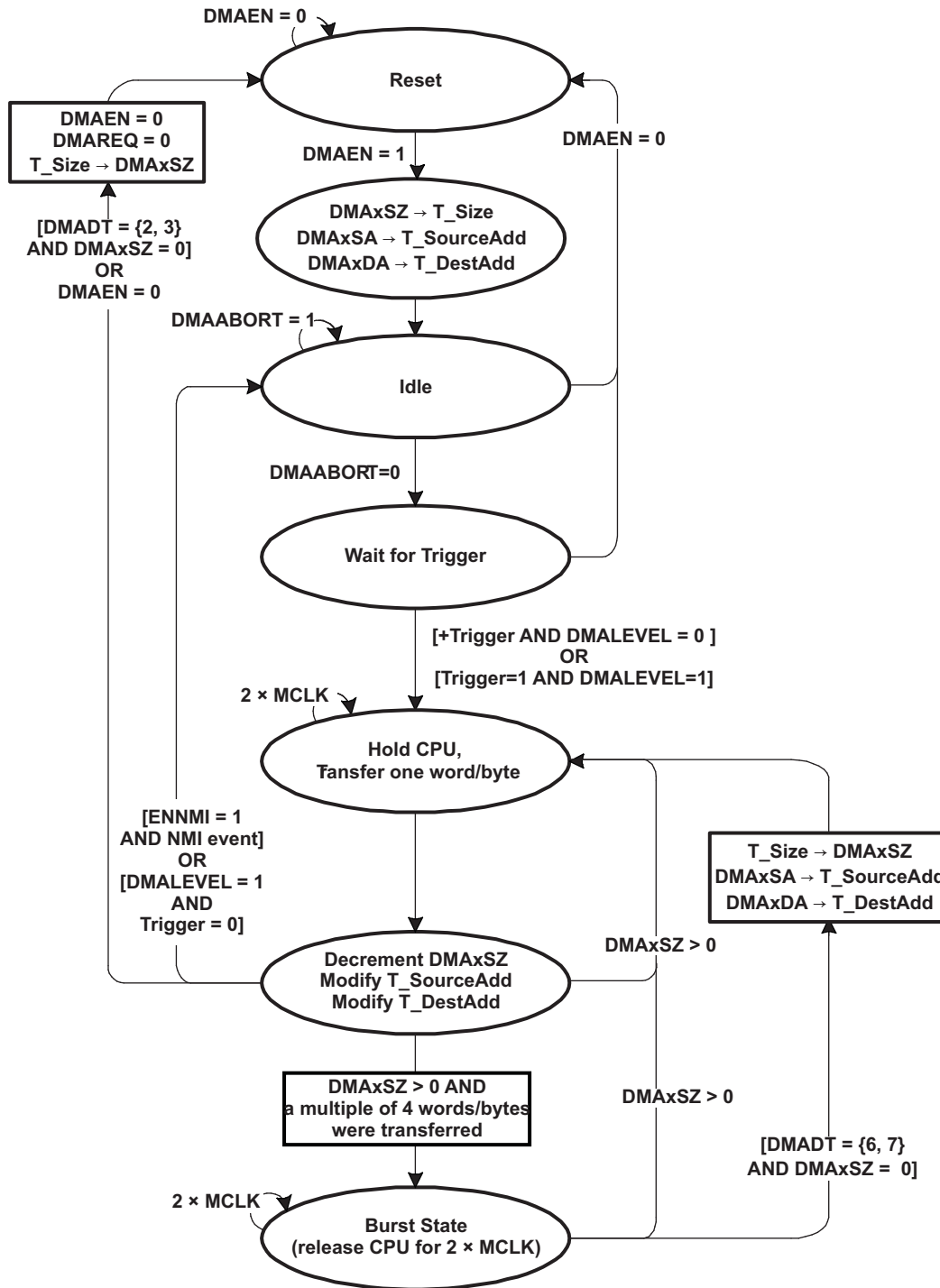


Figure 11-5. DMA Burst-Block Transfer State Diagram

11.2.3 Initiating DMA Transfers

The trigger source for each DMA channel is independently configured by DMAxTSEL. The DMAxTSEL bits should be modified only when the DMACTLx DMAEN bit is 0. Otherwise, unpredictable DMA triggers may occur. [Table 11-2](#) describes the trigger operation for each type of module. See the device-specific data sheet for the list of triggers available, along with their respective DMAxTSEL values.

When selecting the trigger, the trigger must not have already occurred, or the transfer does not take place.

NOTE: DMA trigger selection and USB

On devices that contain a USB module, the triggers selection from DMA channels 0, 1, or 2 can be used for the USB time stamp event selection (see the USB module description for further details).

11.2.3.1 Edge-Sensitive Triggers

When DMALEVEL = 0, edge-sensitive triggers are used, and the rising edge of the trigger signal initiates the transfer. In single-transfer mode, each transfer requires its own trigger. When using block or burst-block modes, only one trigger is required to initiate the block or burst-block transfer.

11.2.3.2 Level-Sensitive Triggers

When DMALEVEL = 1, level-sensitive triggers are used. For proper operation, level-sensitive triggers can only be used when external trigger DMAE0 is selected as the trigger. DMA transfers are triggered as long as the trigger signal is high and the DMAEN bit remains set.

The trigger signal must remain high for a block or burst-block transfer to complete. If the trigger signal goes low during a block or burst-block transfer, the DMA controller is held in its current state until the trigger goes back high or until the DMA registers are modified by software. If the DMA registers are not modified by software, when the trigger signal goes high again, the transfer resumes from where it was when the trigger signal went low.

When DMALEVEL = 1, transfer modes selected by DMADT = {0, 1, 2, or 3} are recommended because the DMAEN bit is automatically reset after the configured transfer.

11.2.4 Halting Executing Instructions for DMA Transfers

The DMARMWDIS bit controls when the CPU is halted for DMA transfers. When DMARMWDIS = 0, the CPU is halted immediately and the transfer begins when a trigger is received. In this case, it is possible that CPU read-modify-write operations can be interrupted by a DMA transfer. When DMARMWDIS = 1, the CPU finishes the currently executing read-modify-write operation before the DMA controller halts the CPU and the transfer begins (see [Table 11-2](#)).

Table 11-2. DMA Trigger Operation

Module	Operation
DMA	A transfer is triggered when the DMAREQ bit is set. The DMAREQ bit is automatically reset when the transfer starts. A transfer is triggered when the DMAxIFG flag is set. DMA0IFG triggers channel 1, DMA1IFG triggers channel 2, and DMA2IFG triggers channel 0. None of the DMAxIFG flags are automatically reset when the transfer starts. A transfer is triggered by the external trigger DMAE0.
Timer_A	A transfer is triggered when the TAxCCR0 CCIFG flag is set. The TAxCCR0 CCIFG flag is automatically reset when the transfer starts. If the TAxCCR0 CCIE bit is set, the TAxCCR0 CCIFG flag does not trigger a transfer. A transfer is triggered when the TAxCCR2 CCIFG flag is set. The TAxCCR2 CCIFG flag is automatically reset when the transfer starts. If the TAxCCR2 CCIE bit is set, the TAxCCR2 CCIFG flag does not trigger a transfer.
Timer_B	A transfer is triggered when the TBxCCR0 CCIFG flag is set. The TBxCCR0 CCIFG flag is automatically reset when the transfer starts. If the TBxCCR0 CCIE bit is set, the TBxCCR0 CCIFG flag does not trigger a transfer. A transfer is triggered when the TBxCCR2 CCIFG flag is set. The TBxCCR2 CCIFG flag is automatically reset when the transfer starts. If the TBxCCR2 CCIE bit is set, the TBxCCR2 CCIFG flag does not trigger a transfer.
USCI_Ax	A transfer is triggered when USCI_Ax receives new data. UCAXRXIFG is automatically reset when the transfer starts. If UCAXRXIE is set, the UCAXRXIFG does not trigger a transfer. A transfer is triggered when USCI_Ax is ready to transmit new data. UCAXTXIFG is automatically reset when the transfer starts. If UCAXTXIE is set, the UCAXTXIFG does not trigger a transfer.
USCI_Bx	A transfer is triggered when USCI_Bx receives new data. UCBxRXIFG is automatically reset when the transfer starts. If UCBxRXIE is set, the UCBxRXIFG does not trigger a transfer. A transfer is triggered when USCI_Bx is ready to transmit new data. UCBxTXIFG is automatically reset when the transfer starts. If UCBxTXIE is set, the UCBxTXIFG does not trigger a transfer.
DAC12_A	A transfer is triggered when the DAC12_xCTL0 DAC12IFG flag is set. The DAC12_xCTL0 DAC12IFG flag is automatically cleared when the transfer starts. If the DAC12_xCTL0 DAC12IE bit is set, the DAC12_xCTL0 DAC12IFG flag does not trigger a transfer.
ADC10_A	A transfer is triggered by an ADC10IFG0 flag with the ADC10IE0 bit reset. A transfer is triggered when the conversion is completed and the ADC10IFG0 is set. Setting the ADC10IFG0 with software does not trigger a transfer. The ADC10IFG0 flag is automatically reset when the ADC10MEM0 register is accessed by the DMA controller.
ADC12_A	A transfer is triggered by an ADC12IFG flag with the corresponding ADC12IE bit reset. When single-channel conversions are performed, the corresponding ADC12IFG is the trigger. When sequences are used, the ADC12IFG for the last conversion in the sequence is the trigger. A transfer is triggered when the conversion is completed and the ADC12IFG is set. Setting the ADC12IFG with software does not trigger a transfer. All ADC12IFG flags are automatically reset when the associated ADC12MEMx register is accessed by the DMA controller.
MPY	A transfer is triggered when the hardware multiplier is ready for a new operand.
Reserved	No transfer is triggered.

11.2.5 Stopping DMA Transfers

There are two ways to stop DMA transfers in progress:

- A single, block, or burst-block transfer may be stopped with an NMI, if the ENNMI bit is set in register DMACTL1.
- A burst-block transfer may be stopped by clearing the DMAEN bit.

11.2.6 DMA Channel Priorities

The default DMA channel priorities are DMA0 through DMA7. If two or three triggers happen simultaneously or are pending, the channel with the highest priority completes its transfer (single, block, or burst-block transfer) first, then the second priority channel, then the third priority channel. Transfers in progress are not halted if a higher-priority channel is triggered. The higher-priority channel waits until the transfer in progress completes before starting.

The DMA channel priorities are configurable with the ROUNDROBIN bit. When the ROUNDROBIN bit is set, the channel that completes a transfer becomes the lowest priority. The *order* of the priority of the channels always stays the same, DMA0-DMA1-DMA2, for example, for three channels. When the ROUNDROBIN bit is cleared, the channel priority returns to the default priority.

DMA Priority	Transfer Occurs	New DMA Priority
DMA0-DMA1-DMA2	DMA1	DMA2-DMA0-DMA1
DMA2-DMA0-DMA1	DMA2	DMA0-DMA1-DMA2
DMA0-DMA1-DMA2	DMA0	DMA1-DMA2-DMA0

11.2.7 DMA Transfer Cycle Time

The DMA controller requires one or two MCLK clock cycles to synchronize before each single transfer or complete block or burst-block transfer. Each byte/word transfer requires two MCLK cycles after synchronization, and one cycle of wait time after the transfer. Because the DMA controller uses MCLK, the DMA cycle time depends on the MSP430 operating mode and clock system setup.

If the MCLK source is active but the CPU is off, the DMA controller uses the MCLK source for each transfer, without enabling the CPU. If the MCLK source is off, the DMA controller temporarily restarts MCLK, sourced with DCOCLK, for the single transfer or complete block or burst-block transfer. The CPU remains off, and MCLK is turned off after the transfer completes. [Table 11-3](#) lists the maximum DMA cycle times for all operating modes.

Table 11-3. Maximum Single-Transfer DMA Cycle Time

CPU Operating Mode, Clock Source	Maximum DMA Cycle Time
Active mode, MCLK = DCOCLK	4 MCLK cycles
Active mode, MCLK = LFXT1CLK	4 MCLK cycles
Low-power mode LPM0 or LPM1 MCLK = DCOCLK	5 MCLK cycles
Low-power mode LPM3 or LPM4, MCLK = DCOCLK	5 MCLK cycles + 5 μ s ⁽¹⁾
Low-power mode LPM0 or LPM1, MCLK = LFXT1CLK	5 MCLK cycles
Low-power mode LPM3, MCLK = LFXT1CLK	5 MCLK cycles
Low-power mode LPM4, MCLK = LFXT1CLK	5 MCLK cycles + 5 μ s ⁽¹⁾

⁽¹⁾ The additional 5 μ s are needed to start the DCOCLK. It is the $t_{(LPMx)}$ parameter in the data sheet.

11.2.8 Using DMA With System Interrupts

DMA transfers are not interruptible by system interrupts. System interrupts remain pending until the completion of the transfer. NMIs can interrupt the DMA controller if the ENNMI bit is set.

System interrupt service routines are interrupted by DMA transfers. If an interrupt service routine or other routine must execute with no interruptions, the DMA controller should be disabled prior to executing the routine.

11.2.9 DMA Controller Interrupts

Each DMA channel has its own DMAIFG flag. Each DMAIFG flag is set in any mode when the corresponding DMAxSZ register counts to zero. If the corresponding DMAIE and GIE bits are set, an interrupt request is generated.

All DMAIFG flags are prioritized, with DMA0IFG being the highest, and combined to source a single interrupt vector. The highest-priority enabled interrupt generates a number in the DMAIV register. This number can be evaluated or added to the program counter (PC) to automatically enter the appropriate software routine. Disabled DMA interrupts do not affect the DMAIV value.

Any access (read or write) of the DMAIV register automatically resets the highest pending interrupt flag. If another interrupt flag is set, another interrupt is immediately generated after servicing the initial interrupt. For example, assume that DMA0 has the highest priority. If the DMA0IFG and DMA2IFG flags are set when the interrupt service routine accesses the DMAIV register, DMA0IFG is reset automatically. After the RETI instruction of the interrupt service routine is executed, the DMA2IFG generates another interrupt.

11.2.9.1 DMAIV Software Example

The following software example shows the recommended use of DMAIV and the handling overhead for an eight channel DMA controller. The DMAIV value is added to the PC to automatically jump to the appropriate routine.

The numbers at the right margin show the necessary CPU cycles for each instruction. The software overhead for different interrupt sources includes interrupt latency and return-from-interrupt cycles, but not the task handling itself.

```

;Interrupt handler for DMAxIFG                                Cycles

DMA_HND      ...      ; Interrupt latency                    6
  ADD        &DMAIV,PC ; Add offset to Jump table          3
  RETI       ; Vector 0: No interrupt                       5
  JMP        DMA0_HND  ; Vector 2: DMA channel 0            2
  JMP        DMA1_HND  ; Vector 4: DMA channel 1            2
  JMP        DMA2_HND  ; Vector 6: DMA channel 2            2
  JMP        DMA3_HND  ; Vector 8: DMA channel 3            2
  JMP        DMA4_HND  ; Vector 10: DMA channel 4           2
  JMP        DMA5_HND  ; Vector 12: DMA channel 5           2
  JMP        DMA6_HND  ; Vector 14: DMA channel 6           2
  JMP        DMA7_HND  ; Vector 16: DMA channel 7           2

DMA7_HND     ; Vector 16: DMA channel 7
  ...        ; Task starts here
  RETI       ; Back to main program                        5

DMA6_HND     ; Vector 14: DMA channel 6
  ...        ; Task starts here
  RETI       ; Back to main program                        5

DMA5_HND     ; Vector 12: DMA channel 5
  ...        ; Task starts here
  RETI       ; Back to main program                        5

DMA4_HND     ; Vector 10: DMA channel 4
  ...        ; Task starts here
  RETI       ; Back to main program                        5

DMA3_HND     ; Vector 8: DMA channel 3
  ...        ; Task starts here
  RETI       ; Back to main program                        5

DMA2_HND     ; Vector 6: DMA channel 2
  ...        ; Task starts here
  RETI       ; Back to main program                        5

DMA1_HND     ; Vector 4: DMA channel 1
  ...        ; Task starts here
  RETI       ; Back to main program                        5

DMA0_HND     ; Vector 2: DMA channel 0
  ...        ; Task starts here
  RETI       ; Back to main program                        5
  
```

11.2.10 Using the USCI_B I²C Module With the DMA Controller

The USCI_B I²C module provides two trigger sources for the DMA controller. The USCI_B I²C module can trigger a transfer when new I²C data is received and when the transmit data is needed.

11.2.11 Using ADC10 With the DMA Controller

MSP430 devices with an integrated DMA controller can automatically move data from the ADC10MEM0 register to another location. DMA transfers are done without CPU intervention and are independent of any low-power modes. The DMA controller increases throughput of the ADC10 module and enhances low-power applications by allowing the CPU to remain off while data transfers occur.

A transfer is triggered when the conversion is completed and the ADC10IFG0 is set as long as the ADC10IE0 bit is reset. Setting the ADC10IFG0 with software does not trigger a transfer. The ADC10IFG0 flag is automatically reset when the ADC10MEM0 register is accessed by the DMA controller.

11.2.12 Using ADC12 With the DMA Controller

MSP430 devices with an integrated DMA controller can automatically move data from any ADC12MEMx register to another location. DMA transfers are done without CPU intervention and are independent of any low-power modes. The DMA controller increases throughput of the ADC12 module and enhances low-power applications by allowing the CPU to remain off while data transfers occur.

DMA transfers can be triggered from any ADC12IFG flag as long as the corresponding ADC12IE bit is reset. When CONSEQx = {0,2}, the ADC12IFG flag for the ADC12MEMx used for the conversion can trigger a DMA transfer. When CONSEQx = {1,3}, the ADC12IFG flag for the last ADC12MEMx in the sequence can trigger a DMA transfer. Any ADC12IFG flag is automatically cleared when the DMA controller accesses the corresponding ADC12MEMx.

11.2.13 Using DAC12 With the DMA Controller

MSP430 devices with an integrated DMA controller can automatically move data to the DAC12_xDAT register. DMA transfers are done without CPU intervention and are independent of any low-power modes. The DMA controller increases throughput to the DAC12 module and enhances low-power applications by allowing the CPU to remain off while data transfers occur.

Applications that require periodic waveform generation can benefit from using the DMA controller with the DAC12. For example, an application that produces a sinusoidal waveform may store the sinusoid values in a table. The DMA controller can continuously and automatically transfer the values to the DAC12 at specific intervals to create the sinusoid with no CPU execution. The DAC12_xCTL DAC12IFG flag is automatically cleared when the DMA controller accesses the DAC12_xDAT register.

11.3 DMA Registers

The DMA module registers are listed in [Table 11-4](#). The base addresses can be found in the device-specific data sheet. Each channel starts at its respective base address. The address offsets are listed in [Table 11-4](#).

Table 11-4. DMA Registers

Offset	Acronym	Register Name	Type	Access	Reset	Section
00h	DMACTL0	DMA Control 0	Read/write	Word	0000h	Section 11.3.1
02h	DMACTL1	DMA Control 1	Read/write	Word	0000h	Section 11.3.2
04h	DMACTL2	DMA Control 2	Read/write	Word	0000h	Section 11.3.3
06h	DMACTL3	DMA Control 3	Read/write	Word	0000h	Section 11.3.4
08h	DMACTL4	DMA Control 4	Read/write	Word	0000h	Section 11.3.5
0Eh	DMAIV	DMA Interrupt Vector	Read only	Word	0000h	Section 11.3.10
00h	DMA0CTL	DMA Channel 0 Control	Read/write	Word	0000h	Section 11.3.6
02h	DMA0SA	DMA Channel 0 Source Address	Read/write	Word, double word	undefined	Section 11.3.7
06h	DMA0DA	DMA Channel 0 Destination Address	Read/write	Word, double word	undefined	Section 11.3.8
0Ah	DMA0SZ	DMA Channel 0 Transfer Size	Read/write	Word	undefined	Section 11.3.9
00h	DMA1CTL	DMA Channel 1 Control	Read/write	Word	0000h	Section 11.3.6
02h	DMA1SA	DMA Channel 1 Source Address	Read/write	Word, double word	undefined	Section 11.3.7
06h	DMA1DA	DMA Channel 1 Destination Address	Read/write	Word, double word	undefined	Section 11.3.8
0Ah	DMA1SZ	DMA Channel 1 Transfer Size	Read/write	Word	undefined	Section 11.3.9
00h	DMA2CTL	DMA Channel 2 Control	Read/write	Word	0000h	Section 11.3.6
02h	DMA2SA	DMA Channel 2 Source Address	Read/write	Word, double word	undefined	Section 11.3.7
06h	DMA2DA	DMA Channel 2 Destination Address	Read/write	Word, double word	undefined	Section 11.3.8
0Ah	DMA2SZ	DMA Channel 2 Transfer Size	Read/write	Word	undefined	Section 11.3.9
00h	DMA3CTL	DMA Channel 3 Control	Read/write	Word	0000h	Section 11.3.6
02h	DMA3SA	DMA Channel 3 Source Address	Read/write	Word, double word	undefined	Section 11.3.7
06h	DMA3DA	DMA Channel 3 Destination Address	Read/write	Word, double word	undefined	Section 11.3.8
0Ah	DMA3SZ	DMA Channel 3 Transfer Size	Read/write	Word	undefined	Section 11.3.9
00h	DMA4CTL	DMA Channel 4 Control	Read/write	Word	0000h	Section 11.3.6
02h	DMA4SA	DMA Channel 4 Source Address	Read/write	Word, double word	undefined	Section 11.3.7
06h	DMA4DA	DMA Channel 4 Destination Address	Read/write	Word, double word	undefined	Section 11.3.8
0Ah	DMA4SZ	DMA Channel 4 Transfer Size	Read/write	Word	undefined	Section 11.3.9
00h	DMA5CTL	DMA Channel 5 Control	Read/write	Word	0000h	Section 11.3.6
02h	DMA5SA	DMA Channel 5 Source Address	Read/write	Word, double word	undefined	Section 11.3.7
06h	DMA5DA	DMA Channel 5 Destination Address	Read/write	Word, double word	undefined	Section 11.3.8
0Ah	DMA5SZ	DMA Channel 5 Transfer Size	Read/write	Word	undefined	Section 11.3.9

Table 11-4. DMA Registers (continued)

Offset	Acronym	Register Name	Type	Access	Reset	Section
00h	DMA6CTL	DMA Channel 6 Control	Read/write	Word	0000h	Section 11.3.6
02h	DMA6SA	DMA Channel 6 Source Address	Read/write	Word, double word	undefined	Section 11.3.7
06h	DMA6DA	DMA Channel 6 Destination Address	Read/write	Word, double word	undefined	Section 11.3.8
0Ah	DMA6SZ	DMA Channel 6 Transfer Size	Read/write	Word	undefined	Section 11.3.9
00h	DMA7CTL	DMA Channel 7 Control	Read/write	Word	0000h	Section 11.3.6
02h	DMA7SA	DMA Channel 7 Source Address	Read/write	Word, double word	undefined	Section 11.3.7
06h	DMA7DA	DMA Channel 7 Destination Address	Read/write	Word, double word	undefined	Section 11.3.8
0Ah	DMA7SZ	DMA Channel 7 Transfer Size	Read/write	Word	undefined	Section 11.3.9

11.3.1 DMACTL0 Register

DMA Control 0 Register

Figure 11-6. DMACTL0 Register

15	14	13	12	11	10	9	8
Reserved			DMA1TSEL				
r0	r0	r0	rw-(0)	rw-(0)	rw-(0)	rw-(0)	rw-(0)
7	6	5	4	3	2	1	0
Reserved			DMA0TSEL				
r0	r0	r0	rw-(0)	rw-(0)	rw-(0)	rw-(0)	rw-(0)

Table 11-5. DMACTL0 Register Description

Bit	Field	Type	Reset	Description
15-13	Reserved	R	0h	Reserved. Always reads as 0.
12-8	DMA1TSEL	RW	0h	DMA 1 trigger select. These bits select the DMA transfer trigger. See the device-specific data sheet for number of channels and trigger assignment. 00000b = DMA1TRIG0 00001b = DMA1TRIG1 00010b = DMA1TRIG2 ⋮ 11110b = DMA1TRIG30 11111b = DMA1TRIG31
7-5	Reserved	R	0h	Reserved. Always reads as 0.
4-0	DMA0TSEL	RW	0h	DMA 0 trigger select. These bits select the DMA transfer trigger. See the device-specific data sheet for number of channels and trigger assignment. 00000b = DMA0TRIG0 00001b = DMA0TRIG1 00010b = DMA0TRIG2 ⋮ 11110b = DMA0TRIG30 11111b = DMA0TRIG31

11.3.2 DMACTL1 Register

DMA Control 1 Register

Figure 11-7. DMACTL1 Register

15	14	13	12	11	10	9	8
Reserved			DMA3TSEL				
r0	r0	r0	rw-(0)	rw-(0)	rw-(0)	rw-(0)	rw-(0)
7	6	5	4	3	2	1	0
Reserved			DMA2TSEL				
r0	r0	r0	rw-(0)	rw-(0)	rw-(0)	rw-(0)	rw-(0)

Table 11-6. DMACTL1 Register Description

Bit	Field	Type	Reset	Description
15-13	Reserved	R	0h	Reserved. Always reads as 0.
12-8	DMA3TSEL	RW	0h	DMA 3 trigger select. These bits select the DMA transfer trigger. See the device-specific data sheet for number of channels and trigger assignment. 00000b = DMA3TRIG0 00001b = DMA3TRIG1 00010b = DMA3TRIG2 ⋮ 11110b = DMA3TRIG30 11111b = DMA3TRIG31
7-5	Reserved	R	0h	Reserved. Always reads as 0.
4-0	DMA2TSEL	RW	0h	DMA 2 trigger select. These bits select the DMA transfer trigger. See the device-specific data sheet for number of channels and trigger assignment. 00000b = DMA2TRIG0 00001b = DMA2TRIG1 00010b = DMA2TRIG2 ⋮ 11110b = DMA2TRIG30 11111b = DMA2TRIG31

11.3.3 DMACTL2 Register

DMA Control 2 Register

Figure 11-8. DMACTL2 Register

15	14	13	12	11	10	9	8
Reserved			DMA5TSEL				
r0	r0	r0	rw-(0)	rw-(0)	rw-(0)	rw-(0)	rw-(0)
7	6	5	4	3	2	1	0
Reserved			DMA4TSEL				
r0	r0	r0	rw-(0)	rw-(0)	rw-(0)	rw-(0)	rw-(0)

Table 11-7. DMACTL2 Register Description

Bit	Field	Type	Reset	Description
15-13	Reserved	R	0h	Reserved. Always reads as 0.
12-8	DMA5TSEL	RW	0h	DMA 5 trigger select. These bits select the DMA transfer trigger. See the device-specific data sheet for number of channels and trigger assignment. 00000b = DMA5TRIG0 00001b = DMA5TRIG1 00010b = DMA5TRIG2 ⋮ 11110b = DMA5TRIG30 11111b = DMA5TRIG31
7-5	Reserved	R	0h	Reserved. Always reads as 0.
4-0	DMA4TSEL	RW	0h	DMA 4 trigger select. These bits select the DMA transfer trigger. See the device-specific data sheet for number of channels and trigger assignment. 00000b = DMA4TRIG0 00001b = DMA4TRIG1 00010b = DMA4TRIG2 ⋮ 11110b = DMA4TRIG30 11111b = DMA4TRIG31

11.3.4 DMACTL3 Register

DMA Control 3 Register

Figure 11-9. DMACTL3 Register

15	14	13	12	11	10	9	8
Reserved			DMA7TSEL				
r0	r0	r0	rw-(0)	rw-(0)	rw-(0)	rw-(0)	rw-(0)
7	6	5	4	3	2	1	0
Reserved			DMA6TSEL				
r0	r0	r0	rw-(0)	rw-(0)	rw-(0)	rw-(0)	rw-(0)

Table 11-8. DMACTL3 Register Description

Bit	Field	Type	Reset	Description
15-13	Reserved	R	0h	Reserved. Always reads as 0.
12-8	DMA7TSEL	RW	0h	DMA 7 trigger select. These bits select the DMA transfer trigger. See the device-specific data sheet for number of channels and trigger assignment. 00000b = DMA7TRIG0 00001b = DMA7TRIG1 00010b = DMA7TRIG2 ⋮ 11110b = DMA7TRIG30 11111b = DMA7TRIG31
7-5	Reserved	R	0h	Reserved. Always reads as 0.
4-0	DMA6TSEL	RW	0h	DMA 6 trigger select. These bits select the DMA transfer trigger. See the device-specific data sheet for number of channels and trigger assignment. 00000b = DMA6TRIG0 00001b = DMA6TRIG1 00010b = DMA6TRIG2 ⋮ 11110b = DMA6TRIG30 11111b = DMA6TRIG31

11.3.5 DMACTL4 Register

DMA Control 4 Register

Figure 11-10. DMACTL4 Register

15	14	13	12	11	10	9	8
Reserved							
r0	r0	r0	r0	r0	r0	r0	r0
7	6	5	4	3	2	1	0
Reserved					DMARMWDIS	ROUNDROBIN	ENNMI
r0	r0	r0	r0	r0	rw-(0)	rw-(0)	rw-(0)

Table 11-9. DMACTL4 Register Description

Bit	Field	Type	Reset	Description
15-3	Reserved	R	0h	Reserved. Always reads as 0.
2	DMARMWDIS	RW	0h	Read-modify-write disable. When set, this bit inhibits any DMA transfers from occurring during CPU read-modify-write operations. 0b = DMA transfers can occur during read-modify-write CPU operations. 1b = DMA transfers inhibited during read-modify-write CPU operations
1	ROUNDROBIN	RW	0h	Round robin. This bit enables the round-robin DMA channel priorities. 0b = DMA channel priority is DMA0-DMA1-DMA2 - -DMA7. 1b = DMA channel priority changes with each transfer.
0	ENNMI	RW	0h	Enable NMI. This bit enables the interruption of a DMA transfer by an NMI. When an NMI interrupts a DMA transfer, the current transfer is completed normally, further transfers are stopped and DMAABORT is set. 0b = NMI does not interrupt DMA transfer. 1b = NMI interrupts a DMA transfer.

11.3.6 DMAxCTL Register

DMA Channel x Control Register

Figure 11-11. DMAxCTL Register

15	14	13	12	11	10	9	8
Reserved	DMADT			DMADSTINCR		DMASRCINCR	
r0	rw-(0)	rw-(0)	rw-(0)	rw-(0)	rw-(0)	rw-(0)	rw-(0)
7	6	5	4	3	2	1	0
DMADSTBYTE	DMASRCBYTE	DMALEVEL	DMAEN	DMAIFG	DMAIE	DMAABORT	DMAREQ
rw-(0)	rw-(0)	rw-(0)	rw-(0)	rw-(0)	rw-(0)	rw-(0)	rw-(0)

Table 11-10. DMAxCTL Register Description

Bit	Field	Type	Reset	Description
15	Reserved	R	0h	Reserved. Always reads as 0.
14-12	DMADT	RW	0h	DMA transfer mode 000b = Single transfer 001b = Block transfer 010b = Burst-block transfer 011b = Burst-block transfer 100b = Repeated single transfer 101b = Repeated block transfer 110b = Repeated burst-block transfer 111b = Repeated burst-block transfer
11-10	DMADSTINCR	RW	0h	DMA destination increment. This bit selects automatic incrementing or decrementing of the destination address after each byte or word transfer. When DMADSTBYTE = 1, the destination address increments/decrements by one. When DMADSTBYTE = 0, the destination address increments/decrements by two. The DMAxDA is copied into a temporary register and the temporary register is incremented or decremented. DMAxDA is not incremented or decremented. 00b = Destination address is unchanged. 01b = Destination address is unchanged. 10b = Destination address is decremented. 11b = Destination address is incremented.
9-8	DMASRCINCR	RW	0h	DMA source increment. This bit selects automatic incrementing or decrementing of the source address for each byte or word transfer. When DMASRCBYTE = 1, the source address increments/decrements by one. When DMASRCBYTE = 0, the source address increments/decrements by two. The DMAxSA is copied into a temporary register and the temporary register is incremented or decremented. DMAxSA is not incremented or decremented. 00b = Source address is unchanged. 01b = Source address is unchanged. 10b = Source address is decremented. 11b = Source address is incremented.
7	DMADSTBYTE	RW	0h	DMA destination byte. This bit selects the destination as a byte or word. 0b = Word 1b = Byte
6	DMASRCBYTE	RW	0h	DMA source byte. This bit selects the source as a byte or word. 0b = Word 1b = Byte
5	DMALEVEL	RW	0h	DMA level. This bit selects between edge-sensitive and level-sensitive triggers. 0b = Edge sensitive (rising edge) 1b = Level sensitive (high level)
4	DMAEN	RW	0h	DMA enable 0b = Disabled 1b = Enabled

Table 11-10. DMAxCTL Register Description (continued)

Bit	Field	Type	Reset	Description
3	DMAIFG	RW	0h	DMA interrupt flag 0b = No interrupt pending 1b = Interrupt pending
2	DMAIE	RW	0h	DMA interrupt enable 0b = Disabled 1b = Enabled
1	DMAABORT	RW	0h	DMA abort. This bit indicates if a DMA transfer was interrupt by an NMI. 0b = DMA transfer not interrupted 1b = DMA transfer interrupted by NMI
0	DMAREQ	RW	0h	DMA request. Software-controlled DMA start. DMAREQ is reset automatically. 0b = No DMA start 1b = Start DMA

11.3.7 DMAxSA Register

DMA Channel x Source Address Register

Figure 11-12. DMAxSA Register

31	30	29	28	27	26	25	24
Reserved							
r0	r0	r0	r0	r0	r0	r0	r0
23	22	21	20	19	18	17	16
Reserved				DMAxSA			
r0	r0	r0	r0	rw	rw	rw	rw
15	14	13	12	11	10	9	8
DMAxSA							
rw	rw	rw	rw	rw	rw	rw	rw
7	6	5	4	3	2	1	0
DMAxSA							
rw	rw	rw	rw	rw	rw	rw	rw

Table 11-11. DMAxSA Register Description

Bit	Field	Type	Reset	Description
31-20	Reserved	R	0h	Reserved. Always reads as 0.
19-0	DMAxSA	RW	undefined	DMA source address. The source address register points to the DMA source address for single transfers or the first source address for block transfers. The source address register remains unchanged during block and burst-block transfers. There are two words for the DMAxSA register. Bits 31-20 are reserved and always read as zero. Reading or writing bits 19-16 requires the use of extended instructions. When writing to DMAxSA with word instructions, bits 19-16 are cleared.

11.3.8 DMAxDA Register

DMA Channel x Destination Address Register

Figure 11-13. DMAxDA Register

31	30	29	28	27	26	25	24
Reserved							
r0	r0	r0	r0	r0	r0	r0	r0
23	22	21	20	19	18	17	16
Reserved				DMAxDA			
r0	r0	r0	r0	rw	rw	rw	rw
15	14	13	12	11	10	9	8
DMAxDA							
rw	rw	rw	rw	rw	rw	rw	rw
7	6	5	4	3	2	1	0
DMAxDA							
rw	rw	rw	rw	rw	rw	rw	rw

Table 11-12. DMAxDA Register Description

Bit	Field	Type	Reset	Description
31-20	Reserved	R	0h	Reserved. Always reads as 0.
19-0	DMAxDA	RW	undefined	DMA destination address. The destination address register points to the DMA destination address for single transfers or the first destination address for block transfers. The destination address register remains unchanged during block and burst-block transfers. There are two words for the DMAxDA register. Bits 31-20 are reserved and always read as zero. Reading or writing bits 19-16 requires the use of extended instructions. When writing to DMAxDA with word instructions, bits 19-16 are cleared.

11.3.9 DMAxSZ Register

DMA Channel x Size Address Register

Figure 11-14. DMAxSZ Register

15	14	13	12	11	10	9	8
DMAxSZ							
rw	rw	rw	rw	rw	rw	rw	rw
7	6	5	4	3	2	1	0
DMAxSZ							
rw	rw	rw	rw	rw	rw	rw	rw

Table 11-13. DMAxSZ Register Description

Bit	Field	Type	Reset	Description
15-0	DMAxSZ	RW	undefined	DMA size. The DMA size register defines the number of byte/word data per block transfer. DMAxSZ register decrements with each word or byte transfer. When DMAxSZ decrements to 0, it is immediately and automatically reloaded with its previously initialized value. 00000h = Transfer is disabled. 00001h = One byte or word is transferred. 00002h = Two bytes or words are transferred. ⋮ 0FFFFh = 65535 bytes or words are transferred.

11.3.10 DMAIV Register

DMA Interrupt Vector Register

Figure 11-15. DMAIV Register

15	14	13	12	11	10	9	8
DMAIV							
r0	r0	r0	r0	r0	r0	r0	r0
7	6	5	4	3	2	1	0
DMAIV							
r0	r0	r-(0)	r-(0)	r-(0)	r-(0)	r-(0)	r0

Table 11-14. DMAIV Register Description

Bit	Field	Type	Reset	Description
15-0	DMAIV	R	0h	<p>DMA interrupt vector value</p> <p>00h = No interrupt pending</p> <p>02h = Interrupt Source: DMA channel 0; Interrupt Flag: DMA0IFG; Interrupt Priority: Highest</p> <p>04h = Interrupt Source: DMA channel 1; Interrupt Flag: DMA1IFG</p> <p>06h = Interrupt Source: DMA channel 2; Interrupt Flag: DMA2IFG</p> <p>08h = Interrupt Source: DMA channel 3; Interrupt Flag: DMA3IFG</p> <p>0Ah = Interrupt Source: DMA channel 4; Interrupt Flag: DMA4IFG</p> <p>0Ch = Interrupt Source: DMA channel 5; Interrupt Flag: DMA5IFG</p> <p>0Eh = Interrupt Source: DMA channel 6; Interrupt Flag: DMA6IFG</p> <p>10h = Interrupt Source: DMA channel 7; Interrupt Flag: DMA7IFG; Interrupt Priority: Lowest</p>

Digital I/O Module

This chapter describes the operation of the digital I/O ports in all devices.

Topic	Page
12.1 Digital I/O Introduction	409
12.2 Digital I/O Operation	410
12.3 I/O Configuration and LPMx.5 Low-Power Modes	413
12.4 Digital I/O Registers	416

12.1 Digital I/O Introduction

The digital I/O features include:

- Independently programmable individual I/Os
- Any combination of input or output
- Individually configurable P1 and P2 interrupts. Some devices may include additional port interrupts.
- Independent input and output data registers
- Individually configurable pullup or pulldown resistors

Devices within the family may have up to twelve digital I/O ports implemented (P1 to P11 and PJ). Most ports contain eight I/O lines; however, some ports may contain less (see the device-specific data sheet for ports available). Each I/O line is individually configurable for input or output direction, and each can be individually read or written. Each I/O line is individually configurable for pullup or pulldown resistors, as well as, configurable drive strength, full or reduced.

Ports P1 and P2 always have interrupt capability. Each interrupt for the P1 and P2 I/O lines can be individually enabled and configured to provide an interrupt on a rising or falling edge of an input signal. All P1 I/O lines source a single interrupt vector P1IV, and all P2 I/O lines source a different, single interrupt vector P2IV. On some devices, additional ports with interrupt capability may be available (see the device-specific data sheet for details) and contain their own respective interrupt vectors.

Individual ports can be accessed as byte-wide ports or can be combined into word-wide ports and accessed in word formats. Port pairs P1 and P2, P3 and P4, P5 and P6, and so on, are associated with the names PA, PB, PC, and so on, respectively. All port registers are handled in this manner with this naming convention except for the interrupt vector registers; for example, PAIV does not exist for P1IV and P2IV.

When writing to port PA with word operations, all 16 bits are written to the port. When writing to the lower byte of the PA port using byte operations, the upper byte remains unchanged. Similarly, writing to the upper byte of the PA port using byte instructions leaves the lower byte unchanged. When writing to a port that contains less than the maximum number of bits possible, the unused bits are a "don't care". Ports PB, PC, PD, PE, and PF behave similarly.

Reading of the PA port using word operations causes all 16 bits to be transferred to the destination. Reading the lower or upper byte of the PA port (P1 or P2) and storing to memory using byte operations causes only the lower or upper byte to be transferred to the destination, respectively. Reading of the PA port and storing to a general-purpose register using byte operations causes the byte transferred to be written to the least significant byte of the register. The upper significant byte of the destination register is cleared automatically. Ports PB, PC, PD, PE, and PF behave similarly. When reading from ports that contain less than the maximum bits possible, unused bits are read as zeros (similarly for port PJ).

12.2 Digital I/O Operation

The digital I/O are configured with user software. The setup and operation of the digital I/O are discussed in the following sections.

12.2.1 Input Registers (PxIN)

Each bit in each PxIN register reflects the value of the input signal at the corresponding I/O pin when the pin is configured as I/O function. These registers are read only.

- Bit = 0: Input is low
- Bit = 1: Input is high

NOTE: Writing to read-only registers PxIN

Writing to these read-only registers results in increased current consumption while the write attempt is active.

12.2.2 Output Registers (PxOUT)

Each bit in each PxOUT register is the value to be output on the corresponding I/O pin when the pin is configured as I/O function, output direction.

- Bit = 0: Output is low
- Bit = 1: Output is high

If the pin is configured as I/O function, input direction and the pullup or pulldown resistor are enabled; the corresponding bit in the PxOUT register selects pullup or pulldown.

- Bit = 0: Pin is pulled down
- Bit = 1: Pin is pulled up

12.2.3 Direction Registers (PxDIR)

Each bit in each PxDIR register selects the direction of the corresponding I/O pin, regardless of the selected function for the pin. PxDIR bits for I/O pins that are selected for other functions must be set as required by the other function.

- Bit = 0: Port pin is switched to input direction
- Bit = 1: Port pin is switched to output direction

12.2.4 Pullup or Pulldown Resistor Enable Registers (PxREN)

Each bit in each PxREN register enables or disables the pullup or pulldown resistor of the corresponding I/O pin. The corresponding bit in the PxOUT register selects if the pin contains a pullup or pulldown.

- Bit = 0: Pullup or pulldown resistor disabled
- Bit = 1: Pullup or pulldown resistor enabled

Table 12-1 summarizes the usage of PxDIR, PxREN, and PxOUT for proper I/O configuration.

Table 12-1. I/O Configuration

PxDIR	PxREN	PxOUT	I/O Configuration
0	0	x	Input
0	1	0	Input with pulldown resistor
0	1	1	Input with pullup resistor
1	x	x	Output

12.2.5 Output Drive Strength Registers (PxDS)

Each bit in each PxDS register selects either full drive or reduced drive strength. Default is reduced drive strength.

- Bit = 0: Reduced drive strength
- Bit = 1: Full drive strength

NOTE: Drive strength and EMI

All outputs default to reduced drive strength to reduce EMI. Using full drive strength can result in increased EMI.

12.2.6 Function Select Registers (PxSEL)

Port pins are often multiplexed with other peripheral module functions. See the device-specific data sheet to determine pin functions. Each PxSEL bit is used to select the pin function – I/O port or peripheral module function.

- Bit = 0: I/O Function is selected for the pin
- Bit = 1: Peripheral module function is selected for the pin

Setting PxSEL = 1 does not automatically set the pin direction. Other peripheral module functions may require the PxDIR bits to be configured according to the direction needed for the module function. See the pin schematics in the device-specific data sheet.

NOTE: P1 and P2 interrupts are disabled when PxSEL = 1

When any PxSEL bit is set, the corresponding pin's interrupt function is disabled. Therefore, signals on these pins does not generate P1 or P2 interrupts, regardless of the state of the corresponding P1IE or P2IE bit.

When a port pin is selected as an input to a peripheral, the input signal to the peripheral is a latched representation of the signal at the device pin. While its corresponding PxSEL = 1, the internal input signal follows the signal at the pin. However, if its PxSEL = 0, the input to the peripheral maintains the value of the input signal at the device pin before its corresponding PxSEL bit was reset.

12.2.7 Port Interrupts

Each pin in ports P1 and P2 has interrupt capability, configured with the PxIFG, PxIE, and PxIES registers. On some devices, additional ports have interrupt capability (see the device-specific data sheet). All P1 interrupt flags are prioritized, with P1IFG.0 being the highest, and combined to source a single interrupt vector. The highest priority enabled interrupt generates a number in the P1IV register. This number can be evaluated or added to the program counter to automatically enter the appropriate software routine. Disabled P1 interrupts do not affect the P1IV value. The same functionality exists for P2. Some devices may contain additional port interrupts besides P1 and P2. See the device specific data sheet to determine which port interrupts are available.

Each PxIFG bit is the interrupt flag for its corresponding I/O pin and is set when the selected input signal edge occurs at the pin. All PxIFG interrupt flags request an interrupt when their corresponding PxIE bit and the GIE bit are set. Software can also set each PxIFG flag, providing a way to generate a software-initiated interrupt.

- Bit = 0: No interrupt is pending
- Bit = 1: An interrupt is pending

Only transitions, not static levels, cause interrupts. If any PxIFG flag becomes set during a Px interrupt service routine, or is set after the RETI instruction of a Px interrupt service routine is executed, the set PxIFG flag generates another interrupt. This ensures that each transition is acknowledged.

NOTE: PxIFG flags when changing PxOUT, PxDIR, or PxREN

Writing to P1OUT, P1DIR, P1REN, P2OUT, P2DIR, or P2REN can result in setting the corresponding P1IFG or P2IFG flags.

Any access (read or write) of the lower byte of the P1IV register, either word or byte access, automatically resets the highest pending interrupt flag. If another interrupt flag is set, another interrupt is immediately generated after servicing the initial interrupt. For example, assume that P1IFG.0 has the highest priority. If the P1IFG.0 and P1IFG.2 flags are set when the interrupt service routine accesses the P1IV register, P1IFG.0 is reset automatically. After the RETI instruction of the interrupt service routine is executed, the P1IFG.2 generates another interrupt.

Port P2 interrupts behave similarly, and source a separate single interrupt vector and utilize the P2IV register.

12.2.7.1 Port Interrupt Software Example

The following software example shows the recommended use of P1IV and the handling overhead. The P1IV value is added to the PC to automatically jump to the appropriate routine. The P2IV is similar.

The numbers at the right margin show the necessary CPU cycles for each instruction. The software overhead for different interrupt sources includes interrupt latency and return-from-interrupt cycles, but not the task handling itself.

```

;Interrupt handler for P1
P1_HND    ...           ; Interrupt latency           Cycles
          ADD          &P1IV,PC          ; Add offset to Jump table       6
          RETI         ; Vector 0: No interrupt       5
          JMP         P1_0_HND          ; Vector 2: Port 1 bit 0         2
          JMP         P1_1_HND          ; Vector 4: Port 1 bit 1         2
          JMP         P1_2_HND          ; Vector 6: Port 1 bit 2         2
          JMP         P1_3_HND          ; Vector 8: Port 1 bit 3         2
          JMP         P1_4_HND          ; Vector 10: Port 1 bit 4        2
          JMP         P1_5_HND          ; Vector 12: Port 1 bit 5        2
          JMP         P1_6_HND          ; Vector 14: Port 1 bit 6        2
          JMP         P1_7_HND          ; Vector 16: Port 1 bit 7        2

P1_7_HND  ...           ; Vector 16: Port 1 bit 7
          RETI         ; Task starts here
          RETI         ; Back to main program         5

P1_6_HND  ...           ; Vector 14: Port 1 bit 6
          RETI         ; Task starts here
          RETI         ; Back to main program         5

P1_5_HND  ...           ; Vector 12: Port 1 bit 5
          RETI         ; Task starts here
          RETI         ; Back to main program         5

P1_4_HND  ...           ; Vector 10: Port 1 bit 4
          RETI         ; Task starts here
          RETI         ; Back to main program         5

P1_3_HND  ...           ; Vector 8: Port 1 bit 3
          RETI         ; Task starts here
          RETI         ; Back to main program         5

P1_2_HND  ...           ; Vector 6: Port 1 bit 2
          RETI         ; Task starts here
          RETI         ; Back to main program         5

P1_1_HND  ...           ; Vector 4: Port 1 bit 1
          RETI         ; Task starts here
          RETI         ; Back to main program         5

P1_0_HND  ...           ; Vector 2: Port 1 bit 0
    
```

```

...                ; Task starts here
RETI               ; Back to main program      5

```

12.2.7.2 Interrupt Edge Select Registers (PxIES)

Each PxIES bit selects the interrupt edge for the corresponding I/O pin.

- Bit = 0: Respective PxIFG flag is set with a low-to-high transition
- Bit = 1: Respective PxIFG flag is set with a high-to-low transition

NOTE: Writing to PxIES

Writing to P1IES or P2IES for each corresponding I/O can result in setting the corresponding interrupt flags.

PxIES	PxIN	PxIFG
0 → 1	0	Will be set
0 → 1	1	Unchanged
1 → 0	0	Unchanged
1 → 0	1	Will be set

12.2.7.3 Interrupt Enable Registers (PxIE)

Each PxIE bit enables the associated PxIFG interrupt flag.

- Bit = 0: The interrupt is disabled
- Bit = 1: The interrupt is enabled

12.2.8 Configuring Unused Port Pins

Unused I/O pins should be configured as I/O function, output direction, and left unconnected on the PC board, to prevent a floating input and reduce power consumption. The value of the PxOUT bit is don't care, because the pin is unconnected. Alternatively, the integrated pullup or pulldown resistor can be enabled by setting the PxREN bit of the unused pin to prevent the floating input. See the [SYS chapter](#) for termination of unused pins.

NOTE: Configuring port J and shared JTAG pins:

Application should ensure that port PJ is configured properly to prevent a floating input. Because port PJ is shared with the JTAG function, floating inputs may not be noticed when in an emulation environment. Port J is initialized to high-impedance inputs by default.

12.3 I/O Configuration and LPMx.5 Low-Power Modes

NOTE: The LPMx.5 low-power modes may not be available on all devices. The LPM4.5 power mode allows for lowest power consumption and no clocks are available. The LPM3.5 power mode allows for RTC mode operation at the lowest power consumption available. See the [SYS chapter](#) for details; also see the device-specific datasheet for LPMx.5 low-power modes that are available. With respect to the digital I/O, this section is applicable for both LPM3.5 and LPM4.5.

The regulator of the Power Management Module (PMM) is disabled upon entering LPMx.5 (LPM3.5 or LPM4.5), which causes all I/O register configurations to be lost. Because the I/O register configurations are lost, the configuration of I/O pins must be handled differently to ensure that all pins in the application behave in a controlled manner upon entering and exiting LPMx.5. Properly setting the I/O pins is critical to achieving the lowest possible power consumption in LPMx.5, as well as preventing any possible uncontrolled input or output I/O state in the application. The application has complete control of the I/O pin conditions preventing the possibility of unwanted spurious activity upon entry and exit from LPMx.5. The detailed flow for entering and exiting LPMx.5 with respect to the I/O operation is as follows:

1. Set all I/Os to general-purpose I/Os and configure as needed. Each I/O can be set to input high impedance, input with pulldown, input with pullup, output high (low or high drive strength), or output low (low or high drive strength). It is critical that no inputs are left floating in the application, otherwise excess current may be drawn in LPMx.5. Configuring the I/O in this manner ensures that each pin is in a safe condition before entering LPMx.5.

Optionally, configure input interrupt pins for wakeup from LPMx.5. To wake the device from LPMx.5, a general-purpose I/O port must contain an input port with interrupt capability. Not all devices include wakeup from LPMx.5 by I/O, and not all inputs with interrupt capability offer wakeup from LPMx.5. See the device-specific data sheet for availability. To configure a port to wake the device, the I/O should be configured properly before entering LPMx.5. Each port should be configured as general-purpose input. Pulldowns or pullups can be applied if required. Setting the PxIES bit of the corresponding register determines the edge transition that wakes the device. Last, the PxIE for the port must be enabled, as well as the general interrupt enable.

NOTE: It is not possible to wake from LPMx.5 if the respective I/O interrupt flag is already asserted. It is recommended that the respective flag be cleared before entering LPMx.5. It is also recommended that GIE = 1 be set before entry into LPMx.5. Any pending flags in this case could then be serviced before LPMx.5 entry.

Although it is recommended to set GIE = 1 before entering LPMx.5, it is not required. Device wakeup from LPMx.5 with an enabled wake-up function still causes the device to wake from LPMx.5 even with GIE = 0. If GIE = 0 before LPMx.5, additional care may be required. If the respective interrupt event occurs during LPMx.5 entry, the device may not recognize this or any future interrupt wakeup event on this function.

2. Enter LPMx.5 with LPMx.5 entry sequence, enable general interrupts for wakeup:

```
MOV.B #PMPW_H, &PMMCTL0_H           ; Open PMM registers for write
BIS.B #PMMREGOFF, &PMMCTL0_L        ;
BIS #GIE+CPUOFF+OSCOFF+SCG1+SCG0,SR ; Enter LPMx.5 when PMMREGOFF is set
```

3. Upon entry into LPMx.5, the LOCKLPM5 bit in the PM5CTL0 register of the PMM module is set automatically. The I/O pin states are held and locked based on the settings before LPMx.5 entry. Note that only the pin conditions are retained. All other port configuration register settings such as PxDIR, PxREN, PxOUT, PxDS, PxIES, and PxIE contents are lost.
4. An LPMx.5 wake-up event (for example, an edge on a configured wake-up input pin) starts the BOR entry sequence together with the regulator. All peripheral registers are set to their default conditions. Upon exit from LPMx.5, the I/O pins remain locked while LOCKLPM5 remains set. Keeping the I/O pins locked ensures that all pin conditions remain stable upon entering the active mode regardless of the default I/O register settings.
5. When in active mode, the I/O configuration and I/O interrupt configuration that was not retained during LPMx.5 should be restored to the values before entering LPMx.5. It is recommended to reconfigure the PxIES and PxIE to their previous settings to prevent a false port interrupt from occurring. The LOCKLPM5 bit can then be cleared, which releases the I/O pin conditions and I/O interrupt configuration. Any changes to the port configuration registers while LOCKLPM5 is set have no effect on the I/O pins.
6. After enabling the I/O interrupts, the I/O interrupt that caused the wakeup can be serviced indicated by the PxIFG flags. These flags can be used directly, or the corresponding PxIV register may be used. Note that the PxIFG flag cannot be cleared until the LOCKLPM5 bit has been cleared.

NOTE: It is possible that multiple events occurred on various ports. In these cases, multiple PxIFG flags will be set, and it cannot be determined which port has caused the I/O wakeup.

12.4 Digital I/O Registers

The digital I/O registers are listed in [Table 12-2](#). The base addresses can be found in the device-specific data sheet. Each port grouping begins at its base address. The address offsets are given in [Table 12-2](#).

NOTE: All registers have word or byte register access. For a generic register *ANYREG*, the suffix "_L" (*ANYREG_L*) refers to the lower byte of the register (bits 0 through 7). The suffix "_H" (*ANYREG_H*) refers to the upper byte of the register (bits 8 through 15).

Table 12-2. Digital I/O Registers

Offset	Acronym	Register Name	Type	Access	Reset	Section
0Eh	P1IV	Port 1 Interrupt Vector	Read only	Word	0000h	Section 12.4.1
0Eh	P1IV_L		Read only	Byte	00h	
0Fh	P1IV_H		Read only	Byte	00h	
1Eh	P2IV	Port 2 Interrupt Vector	Read only	Word	0000h	Section 12.4.2
1Eh	P2IV_L		Read only	Byte	00h	
1Fh	P2IV_H		Read only	Byte	00h	
00h	P1IN or PAIN_L	Port 1 Input	Read only	Byte		Section 12.4.9
02h	P1OUT or PAOUT_L	Port 1 Output	Read/write	Byte	undefined	Section 12.4.10
04h	P1DIR or PADIR_L	Port 1 Direction	Read/write	Byte	00h	Section 12.4.11
06h	P1REN or PAREN_L	Port 1 Resistor Enable	Read/write	Byte	00h	Section 12.4.12
08h	P1DS or PADS_L	Port 1 Drive Strength	Read/write	Byte	00h	Section 12.4.13
0Ah	P1SEL or PASEL_L	Port 1 Port Select	Read/write	Byte	00h	Section 12.4.14
18h	P1IES or PAIES_L	Port 1 Interrupt Edge Select	Read/write	Byte	undefined	Section 12.4.3
1Ah	P1IE or PAIE_L	Port 1 Interrupt Enable	Read/write	Byte	00h	Section 12.4.4
1Ch	P1IFG or PAIFG_L	Port 1 Interrupt Flag	Read/write	Byte	00h	Section 12.4.5
01h	P2IN or PAIN_H	Port 2 Input	Read only	Byte		Section 12.4.9
03h	P2OUT or PAOUT_H	Port 2 Output	Read/write	Byte	undefined	Section 12.4.10
05h	P2DIR or PADIR_H	Port 2 Direction	Read/write	Byte	00h	Section 12.4.11
07h	P2REN or PAREN_H	Port 2 Resistor Enable	Read/write	Byte	00h	Section 12.4.12
09h	P2DS or PADS_H	Port 2 Drive Strength	Read/write	Byte	00h	Section 12.4.13
0Bh	P2SEL or PASEL_H	Port 2 Port Select	Read/write	Byte	00h	Section 12.4.14
19h	P2IES or PAIES_H	Port 2 Interrupt Edge Select	Read/write	Byte	undefined	Section 12.4.6
1Bh	P2IE or PAIE_H	Port 2 Interrupt Enable	Read/write	Byte	00h	Section 12.4.7
1Dh	P2IFG or PAIFG_H	Port 2 Interrupt Flag	Read/write	Byte	00h	Section 12.4.8
00h	P3IN or PBIN_L	Port 3 Input	Read only	Byte		Section 12.4.9
02h	P3OUT or PBOU_L	Port 3 Output	Read/write	Byte	undefined	Section 12.4.10

Table 12-2. Digital I/O Registers (continued)

Offset	Acronym	Register Name	Type	Access	Reset	Section
04h	P3DIR or PBDIR_L	Port 3 Direction	Read/write	Byte	00h	Section 12.4.11
06h	P3REN or PBREN_L	Port 3 Resistor Enable	Read/write	Byte	00h	Section 12.4.12
08h	P3DS or PBDS_L	Port 3 Drive Strength	Read/write	Byte	00h	Section 12.4.13
0Ah	P3SEL or PBSEL_L	Port 3 Port Select	Read/write	Byte	00h	Section 12.4.14
01h	P4IN or PBIN_H	Port 4 Input	Read only	Byte		Section 12.4.9
03h	P4OUT or PBOUT_H	Port 4 Output	Read/write	Byte	undefined	Section 12.4.10
05h	P4DIR or PBDIR_H	Port 4 Direction	Read/write	Byte	00h	Section 12.4.11
07h	P4REN or PBREN_H	Port 4 Resistor Enable	Read/write	Byte	00h	Section 12.4.12
09h	P4DS or PBDS_H	Port 4 Drive Strength	Read/write	Byte	00h	Section 12.4.13
0Bh	P4SEL or PBSEL_H	Port 4 Port Select	Read/write	Byte	00h	Section 12.4.14
00h	P5IN or PCIN_L	Port 5 Input	Read only	Byte		Section 12.4.9
02h	P5OUT or PCOUT_L	Port 5 Output	Read/write	Byte	undefined	Section 12.4.10
04h	P5DIR or PCDIR_L	Port 5 Direction	Read/write	Byte	00h	Section 12.4.11
06h	P5REN or PCREN_L	Port 5 Resistor Enable	Read/write	Byte	00h	Section 12.4.12
08h	P5DS or PCDS_L	Port 5 Drive Strength	Read/write	Byte	00h	Section 12.4.13
0Ah	P5SEL or PCSEL_L	Port 5 Port Select	Read/write	Byte	00h	Section 12.4.14
01h	P6IN or PCIN_H	Port 6 Input	Read only	Byte		Section 12.4.9
03h	P6OUT or PCOUT_H	Port 6 Output	Read/write	Byte	undefined	Section 12.4.10
05h	P6DIR or PCDIR_H	Port 6 Direction	Read/write	Byte	00h	Section 12.4.11
07h	P6REN or PCREN_H	Port 6 Resistor Enable	Read/write	Byte	00h	Section 12.4.12
09h	P6DS or PCDS_H	Port 6 Drive Strength	Read/write	Byte	00h	Section 12.4.13
0Bh	P6SEL or PCSEL_H	Port 6 Port Select	Read/write	Byte	00h	Section 12.4.14
00h	P7IN or PDIN_L	Port 7 Input	Read only	Byte		Section 12.4.9
02h	P7OUT or PDOUT_L	Port 7 Output	Read/write	Byte	undefined	Section 12.4.10
04h	P7DIR or PDDIR_L	Port 7 Direction	Read/write	Byte	00h	Section 12.4.11
06h	P7REN or PDREN_L	Port 7 Resistor Enable	Read/write	Byte	00h	Section 12.4.12
08h	P7DS or PDDS_L	Port 7 Drive Strength	Read/write	Byte	00h	Section 12.4.13
0Ah	P7SEL or PDSEL_L	Port 7 Port Select	Read/write	Byte	00h	Section 12.4.14

Table 12-2. Digital I/O Registers (continued)

Offset	Acronym	Register Name	Type	Access	Reset	Section
01h	P8IN or PDIN_H	Port 8 Input	Read only	Byte		Section 12.4.9
03h	P8OUT or PDOUT_H	Port 8 Output	Read/write	Byte	undefined	Section 12.4.10
05h	P8DIR or PDDIR_H	Port 8 Direction	Read/write	Byte	00h	Section 12.4.11
07h	P8REN or PDREN_H	Port 8 Resistor Enable	Read/write	Byte	00h	Section 12.4.12
09h	P8DS or PDDS_H	Port 8 Drive Strength	Read/write	Byte	00h	Section 12.4.13
0Bh	P8SEL or PDSEL_H	Port 8 Port Select	Read/write	Byte	00h	Section 12.4.14
00h	P9IN or PEIN_L	Port 9 Input	Read only	Byte		Section 12.4.9
02h	P9OUT or PEOUT_L	Port 9 Output	Read/write	Byte	undefined	Section 12.4.10
04h	P9DIR or PEDIR_L	Port 9 Direction	Read/write	Byte	00h	Section 12.4.11
06h	P9REN or PEREN_L	Port 9 Resistor Enable	Read/write	Byte	00h	Section 12.4.12
08h	P9DS or PEDS_L	Port 9 Drive Strength	Read/write	Byte	00h	Section 12.4.13
0Ah	P9SEL or PESEL_L	Port 9 Port Select	Read/write	Byte	00h	Section 12.4.14
01h	P10IN or PEIN_H	Port 10 Input	Read only	Byte		Section 12.4.9
03h	P10OUT or PEOUT_H	Port 10 Output	Read/write	Byte	undefined	Section 12.4.10
05h	P10DIR or PEDIR_H	Port 10 Direction	Read/write	Byte	00h	Section 12.4.11
07h	P10REN or PEREN_H	Port 10 Resistor Enable	Read/write	Byte	00h	Section 12.4.12
09h	P10DS or PEDS_H	Port 10 Drive Strength	Read/write	Byte	00h	Section 12.4.13
0Bh	P10SEL or PESEL_H	Port 10 Port Select	Read/write	Byte	00h	Section 12.4.14
00h	P11IN or PFIN_L	Port 11 Input	Read only	Byte		Section 12.4.9
02h	P11OUT or PFOUT_L	Port 11 Output	Read/write	Byte	undefined	Section 12.4.10
04h	P11DIR or PFDIR_L	Port 11 Direction	Read/write	Byte	00h	Section 12.4.11
06h	P11REN or PFREN_L	Port 11 Resistor Enable	Read/write	Byte	00h	Section 12.4.12
08h	P11DS or PFDS_L	Port 11 Drive Strength	Read/write	Byte	00h	Section 12.4.13
0Ah	P11SEL or PFSEL_L	Port 11 Port Select	Read/write	Byte	00h	Section 12.4.14
00h	PAIN	Port A Input	Read only	Word		
00h	PAIN_L		Read only	Byte		
01h	PAIN_H		Read only	Byte		
02h	PAOUT	Port A Output	Read/write	Word	undefined	
02h	PAOUT_L		Read/write	Byte	undefined	
03h	PAOUT_H		Read/write	Byte	undefined	
04h	PADIR	Port A Direction	Read/write	Word	0000h	

Table 12-2. Digital I/O Registers (continued)

Offset	Acronym	Register Name	Type	Access	Reset	Section
04h	PADIR_L		Read/write	Byte	00h	
05h	PADIR_H		Read/write	Byte	00h	
06h	PAREN	Port A Resistor Enable	Read/write	Word	0000h	
06h	PAREN_L		Read/write	Byte	00h	
07h	PAREN_H		Read/write	Byte	00h	
08h	PADS	Port A Drive Strength	Read/write	Word	0000h	
08h	PADS_L		Read/write	Byte	00h	
09h	PADS_H		Read/write	Byte	00h	
0Ah	PASEL	Port A Port Select	Read/write	Word	0000h	
0Ah	PASEL_L		Read/write	Byte	00h	
0Bh	PASEL_H		Read/write	Byte	00h	
18h	PAIES	Port A Interrupt Edge Select	Read/write	Word	undefined	
18h	PAIES_L		Read/write	Byte	undefined	
19h	PAIES_H		Read/write	Byte	undefined	
1Ah	PAIE	Port A Interrupt Enable	Read/write	Word	0000h	
1Ah	PAIE_L		Read/write	Byte	00h	
1Bh	PAIE_H		Read/write	Byte	00h	
1Ch	PAIFG	Port A Interrupt Flag	Read/write	Word	0000h	
1Ch	PAIFG_L		Read/write	Byte	00h	
1Dh	PAIFG_H		Read/write	Byte	00h	
00h	PBIN	Port B Input	Read only	Word		
00h	PBIN_L		Read only	Byte		
01h	PBIN_H		Read only	Byte		
02h	PBOUT	Port B Output	Read/write	Word	undefined	
02h	PBOUT_L		Read/write	Byte	undefined	
03h	PBOUT_H		Read/write	Byte	undefined	
04h	PBDIR	Port B Direction	Read/write	Word	0000h	
04h	PBDIR_L		Read/write	Byte	00h	
05h	PBDIR_H		Read/write	Byte	00h	
06h	PBREN	Port B Resistor Enable	Read/write	Word	0000h	
06h	PBREN_L		Read/write	Byte	00h	
07h	PBREN_H		Read/write	Byte	00h	
08h	PBDS	Port B Drive Strength	Read/write	Word	0000h	
08h	PBDS_L		Read/write	Byte	00h	
09h	PBDS_H		Read/write	Byte	00h	
0Ah	PBSEL	Port B Port Select	Read/write	Word	0000h	
0Ah	PBSEL_L		Read/write	Byte	00h	
0Bh	PBSEL_H		Read/write	Byte	00h	
00h	PCIN	Port C Input	Read only	Word		
00h	PCIN_L		Read only	Byte		
01h	PCIN_H		Read only	Byte		
02h	PCOUT	Port C Output	Read/write	Word	undefined	
02h	PCOUT_L		Read/write	Byte	undefined	
03h	PCOUT_H		Read/write	Byte	undefined	
04h	PCDIR	Port C Direction	Read/write	Word	0000h	
04h	PCDIR_L		Read/write	Byte	00h	
05h	PCDIR_H		Read/write	Byte	00h	

Table 12-2. Digital I/O Registers (continued)

Offset	Acronym	Register Name	Type	Access	Reset	Section
06h	PCREN	Port C Resistor Enable	Read/write	Word	0000h	
06h	PCREN_L		Read/write	Byte	00h	
07h	PCREN_H		Read/write	Byte	00h	
08h	PCDS	Port C Drive Strength	Read/write	Word	0000h	
08h	PCDS_L		Read/write	Byte	00h	
09h	PCDS_H		Read/write	Byte	00h	
0Ah	PCSEL	Port C Port Select	Read/write	Word	0000h	
0Ah	PCSEL_L		Read/write	Byte	00h	
0Bh	PCSEL_H		Read/write	Byte	00h	
00h	PDIN	Port D Input	Read only	Word		
00h	PDIN_L		Read only	Byte		
01h	PDIN_H		Read only	Byte		
02h	PDOUT	Port D Output	Read/write	Word	undefined	
02h	PDOUT_L		Read/write	Byte	undefined	
03h	PDOUT_H		Read/write	Byte	undefined	
04h	PDDIR	Port D Direction	Read/write	Word	0000h	
04h	PDDIR_L		Read/write	Byte	00h	
05h	PDDIR_H		Read/write	Byte	00h	
06h	PDREN	Port D Resistor Enable	Read/write	Word	0000h	
06h	PDREN_L		Read/write	Byte	00h	
07h	PDREN_H		Read/write	Byte	00h	
08h	PDDS	Port D Drive Strength	Read/write	Word	0000h	
08h	PDDS_L		Read/write	Byte	00h	
09h	PDDS_H		Read/write	Byte	00h	
0Ah	PDSEL	Port D Port Select	Read/write	Word	0000h	
0Ah	PDSEL_L		Read/write	Byte	00h	
0Bh	PDSEL_H		Read/write	Byte	00h	
00h	PEIN	Port E Input	Read only	Word		
00h	PEIN_L		Read only	Byte		
01h	PEIN_H		Read only	Byte		
02h	PEOUT	Port E Output	Read/write	Word	undefined	
02h	PEOUT_L		Read/write	Byte	undefined	
03h	PEOUT_H		Read/write	Byte	undefined	
04h	PEDIR	Port E Direction	Read/write	Word	0000h	
04h	PEDIR_L		Read/write	Byte	00h	
05h	PEDIR_H		Read/write	Byte	00h	
06h	PEREN	Port E Resistor Enable	Read/write	Word	0000h	
06h	PEREN_L		Read/write	Byte	00h	
07h	PEREN_H		Read/write	Byte	00h	
08h	PEDS	Port E Drive Strength	Read/write	Word	0000h	
08h	PEDS_L		Read/write	Byte	00h	
09h	PEDS_H		Read/write	Byte	00h	
0Ah	PESEL	Port E Port Select	Read/write	Word	0000h	
0Ah	PESEL_L		Read/write	Byte	00h	
0Bh	PESEL_H		Read/write	Byte	00h	
00h	PFIN	Port F Input	Read only	Word		
00h	PFIN_L		Read only	Byte		

Table 12-2. Digital I/O Registers (continued)

Offset	Acronym	Register Name	Type	Access	Reset	Section
01h	PFIN_H		Read only	Byte		
02h	PFOUT	Port F Output	Read/write	Word	undefined	
02h	PFOUT_L		Read/write	Byte	undefined	
03h	PFOUT_H		Read/write	Byte	undefined	
04h	PFDIR	Port F Direction	Read/write	Word	0000h	
04h	PFDIR_L		Read/write	Byte	00h	
05h	PFDIR_H		Read/write	Byte	00h	
06h	PFREN	Port F Resistor Enable	Read/write	Word	0000h	
06h	PFREN_L		Read/write	Byte	00h	
07h	PFREN_H		Read/write	Byte	00h	
08h	PFDS	Port F Drive Strength	Read/write	Word	0000h	
08h	PFDS_L		Read/write	Byte	00h	
09h	PFDS_H		Read/write	Byte	00h	
0Ah	PFSEL	Port F Port Select	Read/write	Word	0000h	
0Ah	PFSEL_L		Read/write	Byte	00h	
0Bh	PFSEL_H		Read/write	Byte	00h	
00h	PJIN	Port J Input	Read only	Word		
00h	PJIN_L		Read only	Byte		
01h	PJIN_H		Read only	Byte		
02h	PJOUT	Port J Output	Read/write	Word	undefined	
02h	PJOUT_L		Read/write	Byte	undefined	
03h	PJOUT_H		Read/write	Byte	undefined	
04h	PJDIR	Port J Direction	Read/write	Word	0000h	
04h	PJDIR_L		Read/write	Byte	00h	
05h	PJDIR_H		Read/write	Byte	00h	
06h	PJREN	Port J Resistor Enable	Read/write	Word	0000h	
06h	PJREN_L		Read/write	Byte	00h	
07h	PJREN_H		Read/write	Byte	00h	
08h	PJDS	Port J Drive Strength	Read/write	Word	0000h	
08h	PJDS_L		Read/write	Byte	00h	
09h	PJDS_H		Read/write	Byte	00h	
0Ah	PJSEL	Port J Port Select	Read/write	Word	0000h	
0Ah	PJSEL_L		Read/write	Byte	00h	
0Bh	PJSEL_H		Read/write	Byte	00h	

12.4.1 P1IV Register

Port 1 Interrupt Vector Register

Figure 12-1. P1IV Register

15	14	13	12	11	10	9	8
P1IV							
r0	r0	r0	r0	r0	r0	r0	r0
7	6	5	4	3	2	1	0
P1IV							
r0	r0	r0	r-0	r-0	r-0	r-0	r0

Table 12-3. P1IV Register Description

Bit	Field	Type	Reset	Description
15-0	P1IV	R	0h	Port 1 interrupt vector value 00h = No interrupt pending 02h = Interrupt Source: Port 1.0 interrupt; Interrupt Flag: P1IFG.0; Interrupt Priority: Highest 04h = Interrupt Source: Port 1.1 interrupt; Interrupt Flag: P1IFG.1 06h = Interrupt Source: Port 1.2 interrupt; Interrupt Flag: P1IFG.2 08h = Interrupt Source: Port 1.3 interrupt; Interrupt Flag: P1IFG.3 0Ah = Interrupt Source: Port 1.4 interrupt; Interrupt Flag: P1IFG.4 0Ch = Interrupt Source: Port 1.5 interrupt; Interrupt Flag: P1IFG.5 0Eh = Interrupt Source: Port 1.6 interrupt; Interrupt Flag: P1IFG.6 10h = Interrupt Source: Port 1.7 interrupt; Interrupt Flag: P1IFG.7; Interrupt Priority: Lowest

12.4.2 P2IV Register

Port 2 Interrupt Vector Register

Figure 12-2. P2IV Register

15	14	13	12	11	10	9	8
P2IV							
r0	r0	r0	r0	r0	r0	r0	r0
7	6	5	4	3	2	1	0
P2IV							
r0	r0	r0	r-0	r-0	r-0	r-0	r0

Table 12-4. P2IV Register Description

Bit	Field	Type	Reset	Description
15-0	P2IV	R	0h	Port 2 interrupt vector value 00h = No interrupt pending 02h = Interrupt Source: Port 2.0 interrupt; Interrupt Flag: P2IFG.0; Interrupt Priority: Highest 04h = Interrupt Source: Port 2.1 interrupt; Interrupt Flag: P2IFG.1 06h = Interrupt Source: Port 2.2 interrupt; Interrupt Flag: P2IFG.2 08h = Interrupt Source: Port 2.3 interrupt; Interrupt Flag: P2IFG.3 0Ah = Interrupt Source: Port 2.4 interrupt; Interrupt Flag: P2IFG.4 0Ch = Interrupt Source: Port 2.5 interrupt; Interrupt Flag: P2IFG.5 0Eh = Interrupt Source: Port 2.6 interrupt; Interrupt Flag: P2IFG.6 10h = Interrupt Source: Port 2.7 interrupt; Interrupt Flag: P2IFG.7; Interrupt Priority: Lowest

12.4.3 P1IES Register

Port 1 Interrupt Edge Select Register

Figure 12-3. P1IES Register

7	6	5	4	3	2	1	0
P1IES							
rw	rw	rw	rw	rw	rw	rw	rw

Table 12-5. P1IES Register Description

Bit	Field	Type	Reset	Description
7-0	P1IES	RW	undefined	Port 1 interrupt edge select 0b = P1IFG flag is set with a low-to-high transition. 1b = P1IFG flag is set with a high-to-low transition.

12.4.4 P1IE Register

Port 1 Interrupt Enable Register

Figure 12-4. P1IE Register

7	6	5	4	3	2	1	0
P1IE							
rw-0	rw-0	rw-0	rw-0	rw-0	rw-0	rw-0	rw-0

Table 12-6. P1IE Register Description

Bit	Field	Type	Reset	Description
7-0	P1IE	RW	0h	Port 1 interrupt enable 0b = Corresponding port interrupt disabled 1b = Corresponding port interrupt enabled

12.4.5 P1IFG Register

Port 1 Interrupt Flag Register

Figure 12-5. P1IFG Register

7	6	5	4	3	2	1	0
P1IFG							
rw-0	rw-0	rw-0	rw-0	rw-0	rw-0	rw-0	rw-0

Table 12-7. P1IFG Register Description

Bit	Field	Type	Reset	Description
7-0	P1IFG	RW	0h	Port 1 interrupt flag 0b = No interrupt is pending 1b = Interrupt is pending

12.4.6 P2IES Register

Port 2 Interrupt Edge Select Register

Figure 12-6. P2IES Register

7	6	5	4	3	2	1	0
P2IES							
rw	rw	rw	rw	rw	rw	rw	rw

Table 12-8. P2IES Register Description

Bit	Field	Type	Reset	Description
7-0	P2IES	RW	undefined	Port 2 interrupt edge select 0b = P2IFG flag is set with a low-to-high transition. 1b = P2IFG flag is set with a high-to-low transition.

12.4.7 P2IE Register

Port 2 Interrupt Enable Register

Figure 12-7. P2IE Register

7	6	5	4	3	2	1	0
P2IE							
rw-0	rw-0	rw-0	rw-0	rw-0	rw-0	rw-0	rw-0

Table 12-9. P2IE Register Description

Bit	Field	Type	Reset	Description
7-0	P2IE	RW	0h	Port 2 interrupt enable 0b = Corresponding port interrupt disabled 1b = Corresponding port interrupt enabled

12.4.8 P2IFG Register

Port 2 Interrupt Flag Register

Figure 12-8. P2IFG Register

7	6	5	4	3	2	1	0
P2IFG							
rw-0	rw-0	rw-0	rw-0	rw-0	rw-0	rw-0	rw-0

Table 12-10. P2IFG Register Description

Bit	Field	Type	Reset	Description
7-0	P2IFG	RW	0h	Port 2 interrupt flag 0b = No interrupt is pending 1b = Interrupt is pending

12.4.9 PxIN Register

Port x Input Register

Figure 12-9. PxIN Register

7	6	5	4	3	2	1	0
PxIN							
r	r	r	r	r	r	r	r

Table 12-11. PxIN Register Description

Bit	Field	Type	Reset	Description
7-0	PxIN	R	undefined	Port x input. Read only.

12.4.10 PxOUT Register

Port x Output Register

Figure 12-10. PxOUT Register

7	6	5	4	3	2	1	0
PxOUT							
rw	rw	rw	rw	rw	rw	rw	rw

Table 12-12. PxOUT Register Description

Bit	Field	Type	Reset	Description
7-0	PxOUT	RW	undefined	Port x output When I/O configured to output mode: 0b = Output is low 1b = Output is high When I/O configured to input mode and pullups/pulldowns enabled: 0b = Pulldown selected 1b = Pullup selected

12.4.11 PxDIR Register

Port x Direction Register

Figure 12-11. PxDIR Register

7	6	5	4	3	2	1	0
PxDIR							
rw-0	rw-0	rw-0	rw-0	rw-0	rw-0	rw-0	rw-0

Table 12-13. PxDIR Register Description

Bit	Field	Type	Reset	Description
7-0	PxDIR	RW	0h	Port x direction 0b = Port configured as input 1b = Port configured as output

12.4.12 PxREN Register

Port x Pullup/Pulldown Resistor Enable Register

Figure 12-12. PxREN Register

7	6	5	4	3	2	1	0
PxREN							
rw-0	rw-0	rw-0	rw-0	rw-0	rw-0	rw-0	rw-0

Table 12-14. PxREN Register Description

Bit	Field	Type	Reset	Description
7-0	PxREN	RW	0h	Port x pullup or pulldown resistor enable. When respective port is configured as input, setting this bit will enable the pullup or pulldown. See Table 12-1 0b = Pullup or pulldown disabled 1b = Pullup or pulldown enabled

12.4.13 PxDS Register

Port x Drive Strength Register

Figure 12-13. PxDS Register

7	6	5	4	3	2	1	0
PxDS							
rw-0	rw-0	rw-0	rw-0	rw-0	rw-0	rw-0	rw-0

Table 12-15. PxDS Register Description

Bit	Field	Type	Reset	Description
7-0	PxDS	RW	0h	Port x drive strength 0b = Reduced output drive strength 1b = Full output drive strength

12.4.14 PxSEL Register

Port x Port Select Register

Figure 12-14. PxSEL Register

7	6	5	4	3	2	1	0
PxSEL							
rw-0	rw-0	rw-0	rw-0	rw-0	rw-0	rw-0	rw-0

Table 12-16. PxSEL Register Description

Bit	Field	Type	Reset	Description
7-0	PxSEL	RW	0h	Port x function selection 0b = I/O function is selected 1b = Peripheral module function is selected

Port Mapping Controller

The port mapping controller allows a flexible mapping of digital functions to port pins. This chapter describes the port mapping controller.

Topic	Page
13.1 Port Mapping Controller Introduction	429
13.2 Port Mapping Controller Operation	429
13.3 Port Mapping Controller Registers	431

13.1 Port Mapping Controller Introduction

The port mapping controller allows the flexible and reconfigurable mapping of digital functions to port pins.

The port mapping controller features are:

- Configuration protected by write access key.
- Default mapping provided for each port pin (device-dependent, the device pinout in the device-specific data sheet).
- Mapping can be reconfigured during runtime.
- Each output signal can be mapped to several output pins.

13.2 Port Mapping Controller Operation

The port mapping is configured with user software. The setup is discussed in the following sections.

13.2.1 Access

To enable write access to any of the port mapping controller registers, the correct key must be written into the PMAPKEYID register. The PMAPKEYID register always reads 096A5h. Writing the key 02D52h grants write access to all port mapping controller registers. Read access is always possible.

If an invalid key is written while write access is granted, any further write accesses are prevented. It is recommended that the application completes mapping configuration by writing an invalid key.

There is a timeout counter implemented that is incremented with each (assembler) instruction, and when it counts to 32, the write access is locked again. Any access to the port mapping controller registers resets the counter. Interrupts should be disabled during the configuration process or the application should take precautions that the execution of an interrupt service routine does not accidentally cause a permanent lock of the port mapping registers; for example, by using the reconfiguration capability (see [Section 13.2.2](#)).

The access status is reflected in the PMAPLOCK bit.

By default, the port mapping controller allows only one configuration after PUC. A second attempt to enable write access by writing the correct key is ignored, and the registers remain locked. A PUC is required to disable the permanent lock again. If it is necessary to reconfigure the mapping during runtime, the PMAPRECFG bit must be set during the first write access timeslot. If PMAPRECFG is cleared during later configuration sessions, no more configuration sessions are possible.

13.2.2 Mapping

For each port pin, Px.y, on ports providing the mapping functionality, a mapping register, PxMAPy, is available. Setting this register to a certain value maps a module's input and output signals to the respective port pin Px.y. The port pin itself is switched from a general purpose I/O to the selected peripheral/secondary function by setting the corresponding PxSEL.y bit to 1. If the input or the output function of the module is used, it is typically defined by the setting the PxDIR.y bit. If PxDIR.y = 0, the pin is an input, if PxDIR.y = 1, the pin is an output. There are also peripherals (for example, the USC1 module) that control the direction or even other functions of the pin (for example, open drain), and these options are documented in the mapping table.

With the port mapping functionality the output of a module can be mapped to multiple pins. Also the input of a module can receive inputs from multiple pins. When mapping multiple inputs onto one function, care needs to be taken because the input signals are logically ORed together without applying any priority; therefore, a logic one on any of the inputs results in a logic one at the module. If the PxSEL.y bit is 0, the corresponding input signal is a logic zero.

The mapping is device-dependent; see the device-specific data sheet for available functions and specific values. The use of mapping mnemonics to abstract the underlying PxMAPy values is recommended to allow simple portability between different devices. [Table 13-1](#) shows some examples for mapping mnemonics of some common peripherals.

All mappable port pins provide the function PM_ANALOG (0FFh). Setting the port mapping register PxMAPy to PM_ANALOG together with PxSEL.y = 1 disables the output driver and the input Schmitt-trigger, to prevent parasitic cross currents when applying analog signals.

Table 13-1. Examples for Port Mapping Mnemonics and Functions

PxMAPy Mnemonic	Input Pin Function With PxSEL.y = 1 and PxDIR.y = 0	Output Pin Function With PxSEL.y = 1 and PxDIR.y = 1
PM_NONE	None	DVSS
PM_ACLK	None	ACLK
PM_MCLK	None	MCLK
PM_SMCLK	None	SMCLK
PM_TA0CLK	Timer_A0 clock input	DVSS
PM_TA0CCR0A	Timer_A0 CCR0 capture input CCI0A	TA0 CCR0 compare output Out0
PM_TA0CCR1A	Timer_A0 CCR1 capture input CCI1A	TA0 CCR1 compare output Out1
PM_TA0CCR2A	Timer_A0 CCR2 capture input CCI2A	TA0 CCR2 compare output Out2
PM_TA0CCR3A	Timer_A0 CCR3 capture input CCI3A	TA0 CCR3 compare output Out3
PM_TA0CCR4A	Timer_A0 CCR4 capture input CCI4A	TA0 CCR4 compare output Out4
PM_TA1CLK	Timer_A1 clock input	DVSS
PM_TA1CCR0A	Timer_A1 CCR0 capture input CCI0A	TA1 CCR0 compare output Out0
PM_TA1CCR1A	Timer_A1 CCR1 capture input CCI1A	TA1 CCR1 compare output Out1
PM_TA1CCR2A	Timer_A1 CCR2 capture input CCI2A	TA1 CCR2 compare output Out2
PM_TBCLK	Timer_B clock input	DVSS
PM_TBOUTH	Timer_B outputs high impedance	DVSS
PM_TBCCR0A	Timer_B CCR0 capture input CCI0A	TB CCR0 compare output Out0 [direction controlled by Timer_B (TBOUTH)]
PM_TBCCR1A	Timer_B CCR1 capture input CCI1A	TB CCR1 compare output Out1 [direction controlled by Timer_B (TBOUTH)]
PM_TBCCR2A	Timer_B CCR2 capture input CCI2A	TB CCR2 compare output Out2 [direction controlled by Timer_B (TBOUTH)]
PM_TBCCR3A	Timer_B CCR3 capture input CCI3A	TB CCR3 compare output Out3 [direction controlled by Timer_B (TBOUTH)]
PM_TBCCR4A	Timer_B CCR4 capture input CCI4A	TB CCR4 compare output Out4 [direction controlled by Timer_B (TBOUTH)]
PM_TBCCR5A	Timer_B CCR5 capture input CCI3A	TB CCR5 compare output Out5 [direction controlled by Timer_B (TBOUTH)]
PM_TBCCR6A	Timer_B CCR6 capture input CCI4A	TB CCR6 compare output Out6 [direction controlled by Timer_B (TBOUTH)]
PM_UCA0RXD	USCI_A0 UART RXD (direction controlled by USCI - input)	
PM_UCA0SOMI	USCI_A0 SPI slave out master in (direction controlled by USCI)	
PM_UCA0TXD	USCI_A0 UART TXD (direction controlled by USCI - output)	
PM_UCA0SIMO	USCI_A0 SPI slave in master out (direction controlled by USCI)	
PM_UCA0CLK	USCI_A0 clock input/output (direction controlled by USCI)	
PM_UCA0STE	USCI_A0 SPI slave transmit enable (direction controlled by USCI)	
PM_UCB0SOMI	USCI_B0 SPI slave out master in (direction controlled by USCI)	
PM_UCB0SCL	USCI_B0 I2C clock (open drain and direction controlled by USCI)	
PM_UCB0SIMO	USCI_B0 SPI slave in master out (direction controlled by USCI)	
PM_UCB0SDA	USCI_B0 I2C data (open drain and direction controlled by USCI)	
PM_UCB0CLK	USCI_B0 clock input/output (direction controlled by USCI)	
PM_UCB0STE	USCI_B0 SPI slave transmit enable (direction controlled by USCI)	
PM_ANALOG	Disables the output driver and the input Schmitt-trigger to prevent parasitic cross currents when applying analog signals	

13.3 Port Mapping Controller Registers

The control register for the port mapping controller are listed in [Table 13-2](#). The mapping registers are listed in [Table 13-3](#). The mapping registers can also be accessed as words, as shown in [Table 13-4](#).

Table 13-2. Port Mapping Control Registers

Offset	Acronym	Register Name	Type	Reset
00h	PMPKEYID	Port mapping key register	Read/write	Reset with PUC
02h	PMPCTL	Port mapping control register	Read/write	Reset with PUC

Table 13-3. Port Mapping Registers for Port Px – Byte Access

Offset	Acronym	Register Name	Type	Reset
00h	PxMAP0	Port Px.0 mapping register	Read/write	Device dependent
01h	PxMAP1	Port Px.1 mapping register	Read/write	Device dependent
02h	PxMAP2	Port Px.2 mapping register	Read/write	Device dependent
03h	PxMAP3	Port Px.3 mapping register	Read/write	Device dependent
04h	PxMAP4	Port Px.4 mapping register	Read/write	Device dependent
05h	PxMAP5	Port Px.5 mapping register	Read/write	Device dependent
06h	PxMAP6	Port Px.6 mapping register	Read/write	Device dependent
07h	PxMAP7	Port Px.7 mapping register	Read/write	Device dependent

Table 13-4. Port Mapping Registers for Port Px – Word Access

Offset	Acronym	Register Name	Type	Reset
00h	PxMAP01	Port Px.0/Port Px.1 mapping register	Read/write	Device dependent
02h	PxMAP23	Port Px.2/Port Px.3 mapping register	Read/write	Device dependent
04h	PxMAP45	Port Px.4/Port Px.5 mapping register	Read/write	Device dependent
06h	PxMAP67	Port Px.6/Port Px.7 mapping register	Read/write	Device dependent

13.3.1 PMAPKEYID Register

Port Mapping Key Register

Figure 13-1. PMAPKEYID Register

15	14	13	12	11	10	9	8
PMAPKEYx							
7	6	5	4	3	2	1	0
PMAPKEYx							

Table 13-5. PMAPKEYID Register Description

Bit	Field	Type	Reset	Description
15-0	PMAPKEYx	RW	96A5h	Port write access key. Always reads 096A5h. Must be written 02D52h for write access to the port mapping registers.

13.3.2 PMAPCTL Register

Port Mapping Control Register

Figure 13-2. PMAPCTL Register

15	14	13	12	11	10	9	8
Reserved							
r0	r0	r0	r0	r0	r0	r0	r0
7	6	5	4	3	2	1	0
Reserved						PMAPRECFG	PMAPLOCKED
r0	r0	r0	r0	r0	r0	rw-0	r-1

Table 13-6. PMAPCTL Register Description

Bit	Field	Type	Reset	Description
15-2	Reserved	R	0h	Reserved. Always reads as 0.
1	PMAPRECFG	RW	0h	Port mapping reconfiguration control bit 0b = Configuration allowed only once 1b = Allow reconfiguration of port mapping
0	PMAPLOCKED	R	1h	Port mapping lock bit. Read only 0b = Access to mapping registers is granted 1b = Access to mapping registers is locked

13.3.3 PxMAPy Register

Port Px.y Mapping Register

Figure 13-3. PxMAPy Register

7	6	5	4	3	2	1	0
PMAPx							
rw-0 ⁽¹⁾	rw-0 ⁽¹⁾	rw-0 ⁽¹⁾	rw-0 ⁽¹⁾	rw-0 ⁽¹⁾	rw-0 ⁽¹⁾	rw-0 ⁽¹⁾	rw-0 ⁽¹⁾

⁽¹⁾ If not all bits are required to decode all provided functions, the unused bits are r0.

Table 13-7. PxMAPy Register Description

Bit	Field	Type	Reset	Description
7-0	PMAPx	RW	0h	Selects secondary port function. Settings are device-dependent; see the device-specific data sheet.

Cyclic Redundancy Check (CRC) Module

The cyclic redundancy check (CRC) module provides a signature for a given data sequence. This chapter describes the operation and use of the CRC module.

NOTE: The CRC module on the MSP430F543x and MSP430F541x non-A versions does not support the bit-wise reverse feature described in this module description. Registers CRCDIRB and CRCRESR, along with their respective functionality, are not available.

Topic	Page
14.1 Cyclic Redundancy Check (CRC) Module Introduction	434
14.2 CRC Standard and Bit Order	434
14.3 CRC Checksum Generation	435
14.4 CRC Registers.....	438

14.1 Cyclic Redundancy Check (CRC) Module Introduction

The CRC module produces a signature for a given sequence of data values. The signature is generated through a feedback path from data bits 0, 4, 11, and 15 (see [Figure 14-1](#)). The CRC signature is based on the polynomial given in the CRC-CCITT-BR polynomial (see [Equation 12](#)).

$$f(x) = x^{16} + x^{12} + x^5 + 1 \quad (12)$$

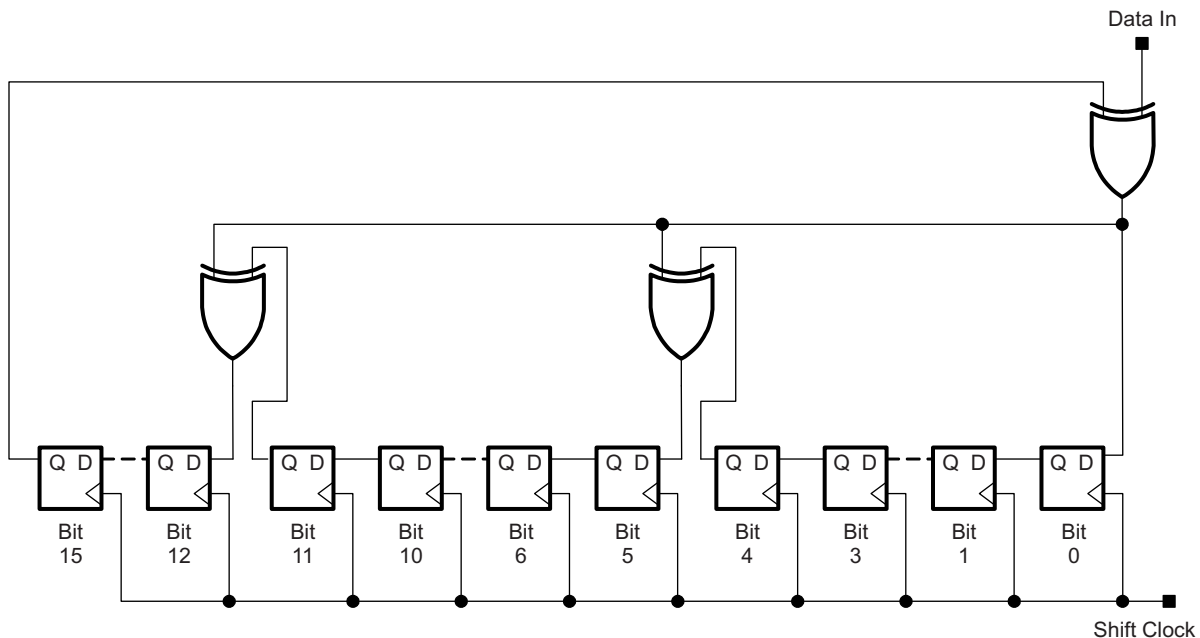


Figure 14-1. LFSR Implementation of CRC-CCITT Standard, Bit 0 is the MSB of the Result

Identical input data sequences result in identical signatures when the CRC is initialized with a fixed seed value, whereas different sequences of input data, in general, result in different signatures.

14.2 CRC Standard and Bit Order

The definitions of the various CRC standards were done in the era of main frame computers, and by convention bit 0 was treated as the MSB. Today, as in most microcontrollers such as the MSP430, bit 0 normally denotes the LSB. In [Figure 14-1](#), the bit convention shown is as given in the original standards, where bit 0 is the MSB. The fact that bit 0 is treated for some as LSB, and for others as MSB, continues to cause confusion. The CRC16 module therefore provides a bit reversed register pair for CRC16 operations to support both conventions.

14.3 CRC Checksum Generation

The CRC generator is first initialized by writing a 16-bit word (seed) to the CRC Initialization and Result (CRCINIRES) register. Any data that should be included into the CRC calculation must be written to the CRC Data Input (CRCDI or CRCDIRB) register in the same order that the original CRC signature was calculated. The actual signature can be read from the CRCINIRES register to compare the computed checksum with the expected checksum.

Signature generation describes a method on how the result of a signature operation can be calculated. The calculated signature, which is computed by an external tool, is called a checksum in the following text. The checksum is stored in the product's memory and is used to check the correctness of the CRC operation result.

14.3.1 CRC Implementation

To allow parallel processing of the CRC, the linear feedback shift register (LFSR) functionality is implemented with an XOR tree. This implementation shows the identical behavior as the LFSR approach after 8 bits of data are shifted in when the LSB is 'shifted' in first. The generation of a signature calculation has to be started by writing a seed to the CRCINIRES register to initialize the register. Software or hardware (for example, DMA) can transfer data to the CRCDI or CRCDIRB register (for example, from memory). The value in CRCDI or CRCDIRB is then included into the signature, and the result is available in the signature result registers at the next read access (CRCINIRES and CRCRESR). The signature can be generated using word or byte data.

If a word data is processed, the lower byte at the even address is used at the first clock (MCLK) cycle. During the second clock cycle, the higher byte is processed. Thus, it takes two clock cycles to process word data, while it takes only one clock (MCLK) cycle to process byte data.

Data bytes written to CRCDIRB in word mode or the data byte in byte mode are bit-wise reversed before the CRC engine adds them to the signature. The bits among each byte are reversed. Data bytes written to CRCDI in word mode or the data byte in byte mode are not bit reversed before use by the CRC engine.

If the checksum itself (with reversed bit order) is included into the CRC operation (as data written to CRCDI or CRCDIRB), the result in the CRCINIRES and CRCRESR registers must be zero.

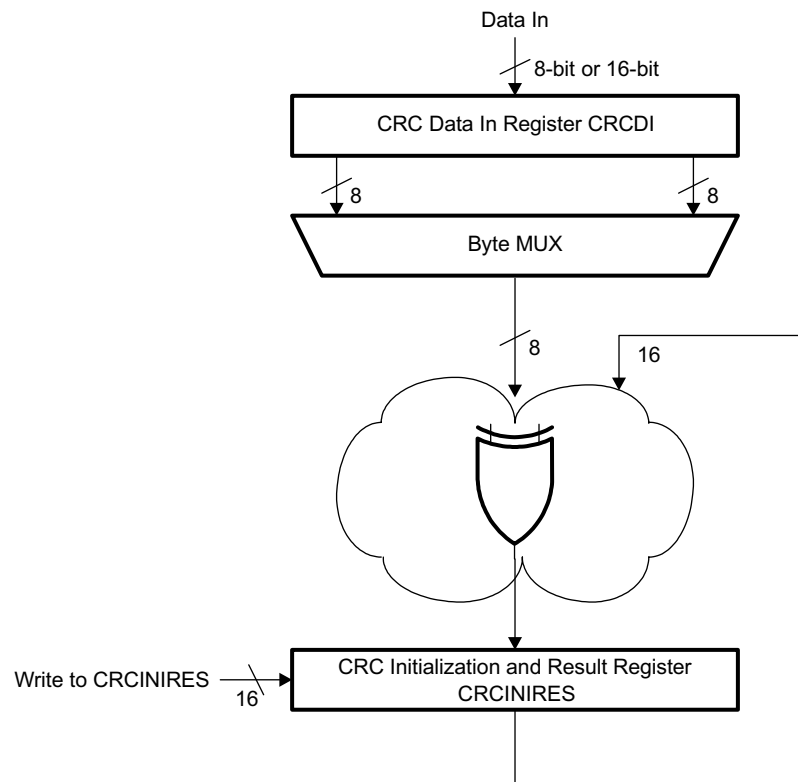


Figure 14-2. Implementation of CRC-CCITT Using the CRCDI and CRCINIRES Registers

14.3.2 Assembler Examples

14.3.2.1 General Assembler Example

This example demonstrates the operation of the on-chip CRC:

```

...
PUSH  R4                ; Save registers
PUSH  R5
MOV   #StartAddress,R4  ; StartAddress < EndAddress
MOV   #EndAddress,R5
MOV   &INIT, &CRCINIRES ; INIT to CRCINIRES
L1 MOV @R4+,&CRCDI      ; Item to Data In register
CMP   R5,R4             ; End address reached?
JLO   L1                ; No
MOV   &Check_Sum,&CRCDI ; Yes, Include checksum
TST   &CRCINIRES        ; Result = 0?
JNZ   CRC_ERROR        ; No, CRCRES <> 0: error
...                    ; Yes, CRCRES=0:
                        ; information ok.
POP   R5                ; Restore registers
POP   R4
    
```

14.3.2.2 Reference Data Sequence

The details of the implemented CRC algorithm is shown by the following data sequences using word or byte accesses and the CRC data-in as well as the CRC data-in reverse byte registers:

```

...
mov    #0FFFFh,&CRCINIRES ; initialize CRC
mov.b  #00031h,&CRCDI_L   ; "1"
mov.b  #00032h,&CRCDI_L   ; "2"
mov.b  #00033h,&CRCDI_L   ; "3"
mov.b  #00034h,&CRCDI_L   ; "4"
mov.b  #00035h,&CRCDI_L   ; "5"
mov.b  #00036h,&CRCDI_L   ; "6"
mov.b  #00037h,&CRCDI_L   ; "7"
mov.b  #00038h,&CRCDI_L   ; "8"
mov.b  #00039h,&CRCDI_L   ; "9"

cmp    #089F6h,&CRCINIRES ; compare result
                                ; CRCRESR contains 06F91h
jeq    &Success           ; no error
br     &Error             ; to error handler

mov    #0FFFFh,&CRCINIRES ; initialize CRC
mov.w  #03231h,&CRCDI     ; "1" & "2"
mov.w  #03433h,&CRCDI     ; "3" & "4"
mov.w  #03635h,&CRCDI     ; "5" & "6"
mov.w  #03837h,&CRCDI     ; "7" & "8"
mov.b  #039h, &CRCDI_L   ; "9"

cmp    #089F6h,&CRCINIRES ; compare result
                                ; CRCRESR contains 06F91h
jeq    &Success           ; no error
br     &Error             ; to error handler

...
mov    #0FFFFh,&CRCINIRES ; initialize CRC
mov.b  #00031h,&CRCDIRB_L ; "1"
mov.b  #00032h,&CRCDIRB_L ; "2"
mov.b  #00033h,&CRCDIRB_L ; "3"
mov.b  #00034h,&CRCDIRB_L ; "4"
mov.b  #00035h,&CRCDIRB_L ; "5"
mov.b  #00036h,&CRCDIRB_L ; "6"
mov.b  #00037h,&CRCDIRB_L ; "7"
mov.b  #00038h,&CRCDIRB_L ; "8"
mov.b  #00039h,&CRCDIRB_L ; "9"

cmp    #029B1h,&CRCINIRES ; compare result
                                ; CRCRESR contains 08D94h
jeq    &Success           ; no error
br     &Error             ; to error handler

...
mov    #0FFFFh,&CRCINIRES ; initialize CRC
mov.w  #03231h,&CRCDIRB   ; "1" & "2"
mov.w  #03433h,&CRCDIRB   ; "3" & "4"
mov.w  #03635h,&CRCDIRB   ; "5" & "6"
mov.w  #03837h,&CRCDIRB   ; "7" & "8"
mov.b  #039h, &CRCDIRB_L ; "9"

cmp    #029B1h,&CRCINIRES ; compare result
                                ; CRCRESR contains 08D94h
jeq    &Success           ; no error
br     &Error             ; to error handler

```

14.4 CRC Registers

The CRC module registers are listed in [Table 14-1](#). The base address can be found in the device-specific data sheet. The address offset is given in [Table 14-1](#).

NOTE: All registers have word or byte register access. For a generic register *ANYREG*, the suffix "_L" (*ANYREG_L*) refers to the lower byte of the register (bits 0 through 7). The suffix "_H" (*ANYREG_H*) refers to the upper byte of the register (bits 8 through 15).

Table 14-1. CRC Registers

Offset	Acronym	Register Name	Type	Access	Reset	Section
0000h	CRCDI	CRC Data In	Read/write	Word	0000h	Section 14.4.1
0000h	CRCDI_L		Read/write	Byte	00h	
0001h	CRCDI_H		Read/write	Byte	00h	
0002h	CRCDIRB	CRC Data In Reverse Byte ⁽¹⁾	Read/write	Word	0000h	Section 14.4.2
0002h	CRCDIRB_L		Read/write	Byte	00h	
0003h	CRCDIRB_H		Read/write	Byte	00h	
0004h	CRCINIRES	CRC Initialization and Result	Read/write	Word	FFFFh	Section 14.4.3
0004h	CRCINIRES_L		Read/write	Byte	FFh	
0005h	CRCINIRES_H		Read/write	Byte	FFh	
0006h	CRCRESR	CRC Result Reverse ⁽¹⁾	Read only	Word	FFFFh	Section 14.4.4
0006h	CRCRESR_L		Read only	Byte	FFh	
0007h	CRCRESR_H		Read only	Byte	FFh	

⁽¹⁾ Not available on MSP430F543x and MSP430F541x non-A versions.

14.4.1 CRCDI Register

CRC Data In Register

Figure 14-3. CRCDI Register

15	14	13	12	11	10	9	8
CRCDI							
rw-0	rw-0	rw-0	rw-0	rw-0	rw-0	rw-0	rw-0
7	6	5	4	3	2	1	0
CRCDI							
rw-0	rw-0	rw-0	rw-0	rw-0	rw-0	rw-0	rw-0

Table 14-2. CRCDI Register Description

Bit	Field	Type	Reset	Description
15-0	CRCDI	RW	0h	CRC data in. Data written to the CRCDI register is included to the present signature in the CRCNIREs register according to the CRC-CCITT standard.

14.4.2 CRCDIRB Register

CRC Data In Reverse Register

Figure 14-4. CRCDIRB Register

15	14	13	12	11	10	9	8
CRCDIRB							
rw-0	rw-0	rw-0	rw-0	rw-0	rw-0	rw-0	rw-0
7	6	5	4	3	2	1	0
CRCDIRB							
rw-0	rw-0	rw-0	rw-0	rw-0	rw-0	rw-0	rw-0

Table 14-3. CRCDIRB Register Description

Bit	Field	Type	Reset	Description
15-0	CRCDIRB	RW	0h	CRC data in reverse byte. Data written to the CRCDIRB register is included to the present signature in the CRCNIREs and CRCRESR registers according to the CRC-CCITT standard. Reading the register returns the register CRCDI content.

14.4.3 CRCINIRES Register

CRC Initialization and Result Register

Figure 14-5. CRCINIRES Register

15	14	13	12	11	10	9	8
CRCINIRES							
rw-1	rw-1	rw-1	rw-1	rw-1	rw-1	rw-1	rw-1
7	6	5	4	3	2	1	0
CRCINIRES							
rw-1	rw-1	rw-1	rw-1	rw-1	rw-1	rw-1	rw-1

Table 14-4. CRCINIRES Register Description

Bit	Field	Type	Reset	Description
15-0	CRCINIRES	RW	FFFFh	CRC initialization and result. This register holds the current CRC result (according to the CRC-CCITT standard). Writing to this register initializes the CRC calculation with the value written to it. The value just written can be read from CRCINIRES register.

14.4.4 CRCRESR Register

CRC Reverse Result Register

Figure 14-6. CRCRESR Register

15	14	13	12	11	10	9	8
CRCRESR							
r-1	r-1	r-1	r-1	r-1	r-1	r-1	r-1
7	6	5	4	3	2	1	0
CRCRESR							
r-1	r-1	r-1	r-1	r-1	r-1	r-1	r-1

Table 14-5. CRCRESR Register Description

Bit	Field	Type	Reset	Description
15-0	CRCRESR	R	FFFFh	CRC reverse result. This register holds the current CRC result (according to the CRC-CCITT standard). The order of bits is reversed (for example, CRCINIRES[15] = CRCRESR[0]) compared to the order of bits in the CRCINIRES register (see example code).

AES Accelerator

The AES accelerator module performs AES128 encryption or decryption in hardware. This chapter describes the AES accelerator.

Topic	Page
15.1 AES Accelerator Introduction.....	442
15.2 AES Accelerator Operation	443
15.3 AES_ACCEL Registers	448

15.1 AES Accelerator Introduction

The AES accelerator module performs encryption and decryption of 128-bit data with 128-bit keys according to the advanced encryption standard (AES) (FIPS PUB 197) in hardware.

The AES accelerator features are:

- Encryption and decryption according to AES FIPS PUB 197 with 128-bit key
- On-the-fly key expansion for encryption and decryption
- Off-line key generation for decryption
- Byte and word access to key, input, and output data
- AES ready interrupt flag

Figure 15-1 shows the AES accelerator block diagram.

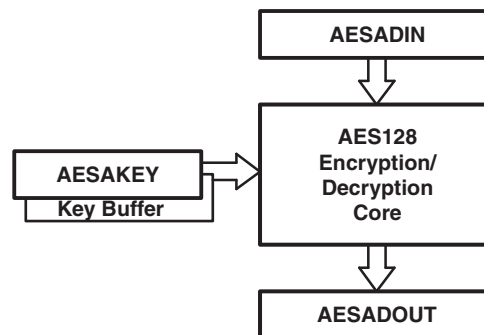


Figure 15-1. AES Accelerator Block Diagram

15.2 AES Accelerator Operation

The AES accelerator is configured with user software. The following sections describe the setup and operation.

Internally, the AES algorithm's operations are performed on a two-dimensional array of bytes called the State. For AES-128, the State consists of four rows of bytes, each containing four bytes. [Figure 15-2](#) shows how the input is assigned to the State array, with in[0] being the first data byte written into the AES accelerator data input register, AESADIN. The encrypt or decrypt operations are then conducted on the State array, after which its final values can be read from the output with out[0] being the first data byte read from the AES accelerator data output register, AESADOUT.

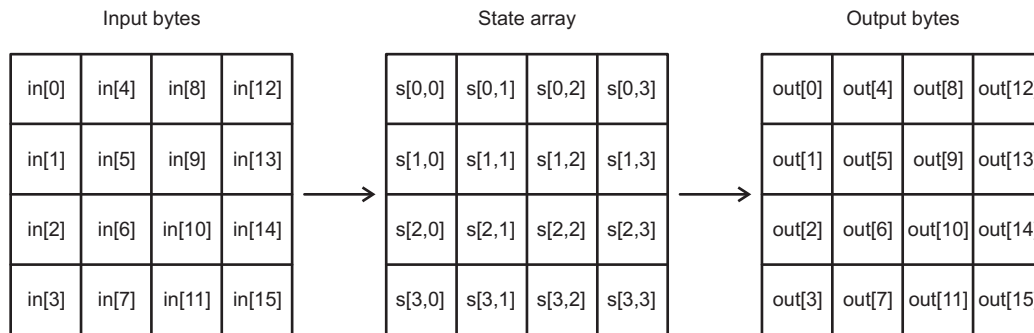


Figure 15-2. AES State Array Input and Output

The module allows word and byte access to all data registers, AESAKEY, AESADIN, and AESADOUT. Word and byte access should not be mixed while reading from or writing into one of the registers. However, it is possible to write one of the registers using byte access and another using word access.

NOTE: Access Restrictions

While the AES accelerator is busy (AESBUSY = 1), AESADOUT always reads as 0, the AESDOUTCNTx counter, the AESDOUTRD flag, and the AESDINWR flag are reset, any attempt to change AESOPx, AESDINWR, or AESKEYWR is ignored, and writing to AESAKEY or AESADIN aborts the current operation, resets the complete module (except for AESRDYIE and AESOPx), and sets the AES error flag AESERRFG.

AESADIN and AESAKEY are write-only registers and always read as 0.

Writing data into AESADIN influences the content of the corresponding output data; for example, writing in[0] alters out[0], writing in[1] alters out[1], and so on, but interleaved operation is possible; for example, first reading out[0], then writing in[0], and continuing with reading out[1], writing in[1], and so on.

NOTE: When using a code debugger, the AES module does not stop its operation when program code is halted or single stepped.

15.2.1 Encryption

Figure 15-3 shows the encryption process with the cipher being a series of transformations that converts the plaintext written into the AESADIN register to a ciphertext that can be read from the AESADOUT register using the cipher key provided in the AESAKEY register.

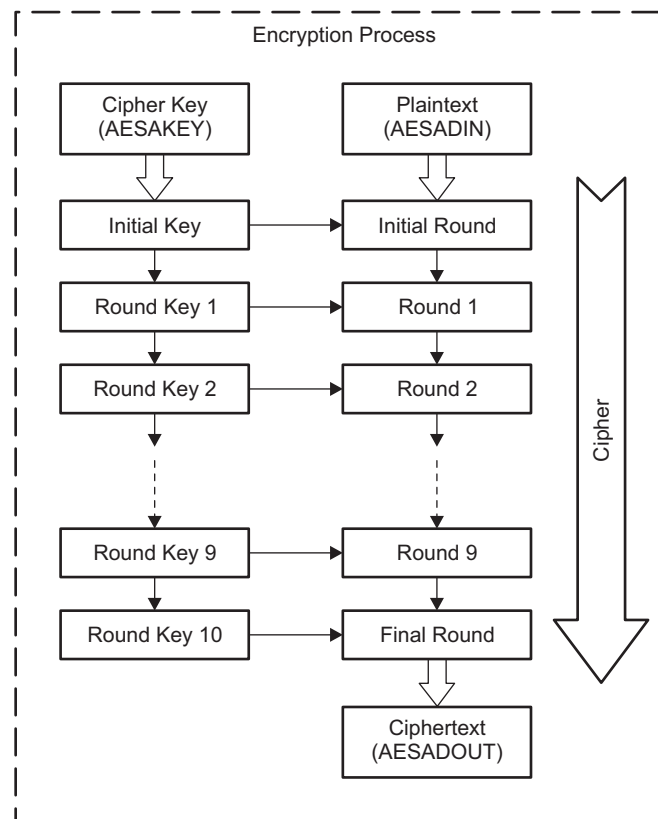


Figure 15-3. AES-128 Encryption Process

The steps to perform encryption are:

1. Set AESOPx = 00 to select encryption. Changing the AESOPx bits clears the AESKEYWR flag, and a new key must be loaded in the next step.
2. Load the 128-bit key into AESAKEY or set the AESKEYWR flag by software, if the key from a previous operation should be used. When all 16 bytes are written, the AESKEYWR flag indicates completion. If a key was loaded previously without changing AESOPx, the AESKEYWR flag is cleared with the first write access to AESAKEY. Loading the key must be completed before the next step is performed.
3. Load 128-bit data into AESADIN, or set the AESDINWR flag by software if the output data from a previous operation should be encrypted. When all 16 bytes are written, the AESDINWR flag indicates completion. The module starts encrypting the presented data when AESDINWR = 1.
4. While the AES module is performing encryption, the AESBUSY bit is 1. The encryption takes 167 MCLK clock cycles. After its completion, the AESRDYIFG is set, and the result can be read from AESADOUT. When all 16 bytes are read, the AESDOUTRD flag indicates completion. The AESRDYIFG flag is cleared when reading AESADOUT or writing to AESAKEY or AESADIN.
5. If additional data should be encrypted with the same key loaded in step 2, new data can be written into AESADIN after the results of the operation on the previous data were read from AESADOUT. When an additional 16 data bytes are written, the module automatically starts the encryption using the key loaded in step 2.

When using the output feedback (OFB) cipher block chaining mode, setting the AESDINWR flag is sufficient to trigger the next encryption, and the module starts the encryption automatically using the output data from the previous encryption as input data.

15.2.2 Decryption

Figure 15-4 shows the decryption process with the inverse cipher being a series of transformations that convert the ciphertext written into the AESADIN register to a plaintext that can be read from the AESADOUT register using the cipher key provided via the AESAKEY register.

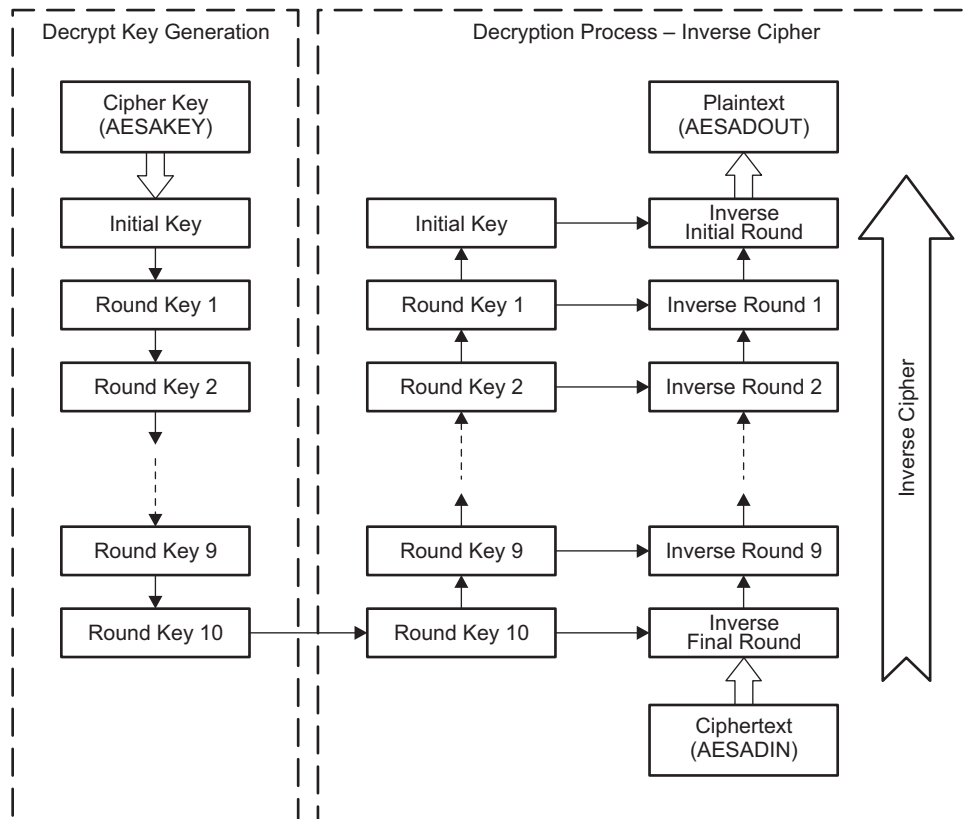


Figure 15-4. AES-128 Decryption Process using AESOPx = 01

The steps to perform decryption are:

1. Set AESOPx = 01 to select decryption using the same key used for encryption. Set AESOPx = 11 if the first-round key required for decryption (round key 10) is already generated and is loaded in step 2. Changing the AESOPx bits clears the AESKEYWR flag, and a new key must be loaded in step 2.

2. Load the 128-bit key into AESAKEY, or set the AESKEYWR flag by software, if the key from a previous operation should be used. When all 16 bytes are written, the AESKEYWR flag indicates completion.

If a key was loaded previously without changing AESOPx, the AESKEYWR flag is cleared with the first write access to AESAKEY. Loading the key must be completed before the next step is performed.

3. Load 128-bit data into AESADIN or set the AESDINWR flag by software if the output data from a previous operation should be decrypted. When all 16 bytes are written, the AESDINWR flag indicates completion. The module starts decrypting the presented data as soon as AESDINWR = 1.

4. While the AES module is performing decryption, the AESBUSY bit is 1. The decryption takes 214 MCLK clock cycles with AESOPx = 01 and 167 MCLK clock cycles with AESOPx = 11. After its completion, the AESRDYIFG is set, and the result can be read from AESADOUT. When all 16 bytes are read the AESDOUTRD flag indicates completion.

The AESRDYIFG flag is cleared when reading AESADOUT or writing to AESAKEY or AESADIN.

5. If additional data should be decrypted with the same key loaded in step 2, new data can be written into AESADIN after the results of the operation on the previous data were read from AESADOUT. When additional 16 data bytes are written, the module automatically starts the decryption using the key loaded in step 2.

15.2.3 Decryption Key Generation

Figure 15-5 shows the decryption process with a pregenerated decryption key. In this case, the decryption key is calculated first with AESOPx = 10, then the precalculated key can be used together with the decryption operation AESOPx = 11.

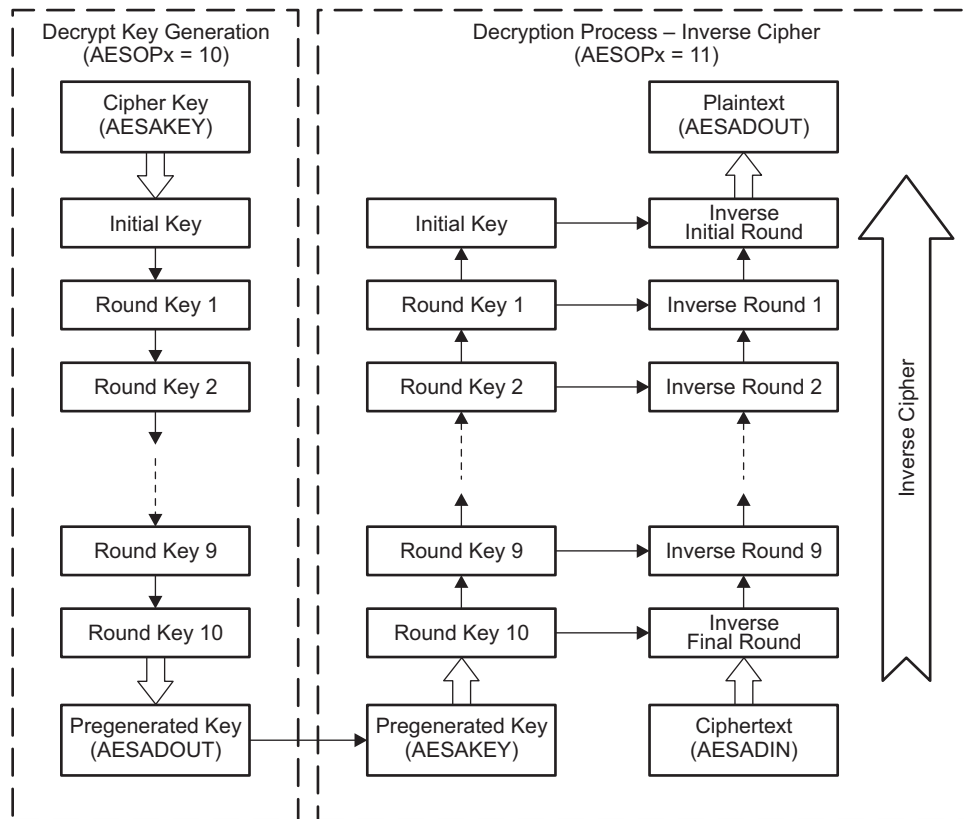


Figure 15-5. AES-128 Decryption Process using AESOPx = 10 and 11

To generate the decryption key independent from the actual decryption, the following steps are required:

1. Set AESOPx = 10 to select decryption key generation. Changing the AESOPx bits clears the AESKEYWR flag, and a new key must be loaded in step 2.
2. Load the 128-bit key into AESAKEY, or set the AESKEYWR flag by software if the key from a previous operation should be used. When all 16 bytes are written, the AESKEYWR flag indicates completion. The generation of the first round key required for decryption starts immediately.
3. While the AES module is performing the key generation, the AESBUSY bit is 1. It takes 52 CPU clock cycles to complete the key generation. After its completion, the AESRDYIFG is set, and the result can be read from AESADOUT. When all 16 bytes are read, the AESDOUTRD flag indicates completion. The AESRDYIFG flag is cleared when reading AESADOUT or writing to AESAKEY or AESADIN.
4. If data should be decrypted with the generated key, AESOPx must be set to 11. Then the generated key must be loaded or, if it was just generated with AESOPx = 10, it is sufficient to set the AESKEYWR flag by software to indicate that the key is already valid. Afterward, the steps described in [Section 15.2.2](#) to load the data and the rest of the process must be followed.

15.2.4 Using the AES Accelerator With Low-Power Modes

The AES accelerator module provides automatic clock activation for MCLK for use with low-power modes. When the AES accelerator is busy, it automatically activates MCLK, regardless of the control-bit settings for the clock source. The clock remains active until the AES accelerator completes its operation.

15.2.5 AES Accelerator Interrupts

The AESRDYIFG interrupt flag is set when the AES module completes the selected operation on the provided data. An interrupt request is generated if AESRDYIE and GIE are also set. AESRDYIFG is automatically reset if the AES interrupt is serviced, if AESADOUT is read, or if AESADIN or AESAKEY are written. AESRDYIFG is reset after a PUC or with AESSWRST = 1. AESRDYIE is reset after a PUC but is not reset by AESSWRST = 1.

15.2.6 Implementing Block Cipher Modes

All block cipher modes must be implemented in software. The AES accelerator supports only encrypt and decrypt functionality.

15.3 AES_ACCEL Registers

The AES Accelerator registers are listed in [Table 15-1](#).

Table 15-1. AES_ACCEL Registers

Offset	Acronym	Register Name	Type	Access	Reset	Section
000h	AESACTL0	AES accelerator control register 0	Read/write	Word	00h	Section 15.3.1
002h	Reserved					
004h	AESASTAT	AES accelerator status register	Read only	Word	00h	Section 15.3.2
006h	AESAKEY	AES accelerator key register	Read/write	Word	00h	Section 15.3.3
008h	AESADIN	AES accelerator data in register	Read/write	Word	00h	Section 15.3.4
00Ah	AESADOUT	AES accelerator data out register	Read/write	Word	00h	Section 15.3.5

15.3.1 AESACTL0 Register

AES Accelerator Control Register 0

AESACTL0 is shown in [Figure 15-6](#) and described in [Table 15-2](#).

Figure 15-6. AESACTL0 Register

15	14	13	12	11	10	9	8
Reserved			AESRDYIE	AESERRFG	Reserved		AESRDYIFG
r0	r0	r0	rw-0	rw-0	r0	r0	rw-0
7	6	5	4	3	2	1	0
AESSWRST	Reserved					AESOPx	
rw-0	r0	r0	r0	rw-0	rw-0	rw-0	rw-0

Table 15-2. AESACTL0 Register Description

Bit	Field	Type	Reset	Description
15-13	Reserved	R	0h	Reserved
12	AESRDYIE	RW	0h	AES ready interrupt enable. AESRDYIE is not reset by AESSWRST = 1. 0 = Interrupt disabled 1 = Interrupt enabled
11	AESERRFG	RW	0h	AES error flag. AESAKEY or AESADIN were written while an AES operation was in progress. The bit must be cleared by software. 0 = No error 1 = Error occurred
10-9	Reserved	R	0h	Reserved
8	AESRDYIFG	RW	0h	AES ready interrupt flag. Set when the selected AES operation was completed and the result can be read from AESADOUT. Automatically cleared when AESADOUT is read or AESAKEY or AESADIN is written. 0 = No interrupt pending 1 = Interrupt pending
7	AESSWRST	RW	0h	AES software reset. Immediately resets the complete AES accelerator module even when busy except for the AESRDYIE and AESOPx bits. The AESSWRST bit is automatically reset and always reads as zero. 0 = No reset 1 = Reset AES accelerator module
6-2	Reserved	R	0h	Reserved
1-0	AESOPx	RW	0h	AES operation. The AESOPx bits are not reset by AESSWRST = 1. 00 = Encryption 01 = Decryption. The provided key is the same key used for encryption. 10 = Generate first round key required for decryption. 11 = Decryption. The provided key is the first round key required for decryption.

15.3.2 AESASTAT Register

AES Accelerator Status Register

AESASTAT is shown in [Figure 15-7](#) and described in [Table 15-3](#).

Figure 15-7. AESASTAT Register

15	14	13	12	11	10	9	8
AESDOUTCNTx				AESDINCNTx			
r-0	r-0	r-0	r-0	r-0	r-0	r-0	r-0
7	6	5	4	3	2	1	0
AESKEYCNTx				AESDOUTRD	AESDINWR	AEKEYWR	AESBUSY
r-0	r-0	r-0	r-0	r-0	rw-0	rw-0	r-0

Table 15-3. AESASTAT Register Description

Bit	Field	Type	Reset	Description
15-12	AESDOUTCNTx	R	0h	Bytes read from AESADOUT. Reset when AESDOUTRD is reset. If AESDOUTCNTx = 0 and AESDOUTRD = 0, no bytes were read. If AESDOUTCNTx = 0 and AESDOUTRD = 1, all bytes were read.
11-8	AESDINCNTx	R	0h	Bytes written by AESADIN. Reset when AESDINWR is reset. If AESDINCNTx = 0 and AESDINWR = 0, no bytes were written. If AESDINCNTx = 0 and AESDINWR = 1, all bytes were written.
7-4	AESKEYCNTx	R	0h	Bytes written by AESAKEY. Reset when AESKEYWR is reset. If AESKEYCNTx = 0 and AESKEYWR = 0, no bytes were written. If AESKEYCNTx = 0 and AESKEYWR = 1, all bytes were written.
3	AESDOUTRD	R	0h	All 16 bytes read from AESADOUT. AESDOUTRD is reset by PUC, AESSWRST, an error condition, changing AESOPx, when the AES accelerator is busy, and when the output data is read again. 0 = Not all bytes read 1 = All bytes read
2	AESDINWR	RW	0h	All 16 bytes written to AESADIN. This bit can be modified by software. Changing its state by software also resets the AEDINCNTx bits. AESDINWR is reset by PUC, AESSWRST, an error condition, changing AESOPx, starting to write or overwrite the data, and when the AES accelerator is busy. Because this bit is reset when AESOPx is changed, AESDINWR can be set by software again to indicate that the current data is still valid. 0 = Not all bytes written 1 = All bytes written
1	AESKEYWR	RW	0h	All 16 bytes written to AESAKEY. This bit can be modified by software. Changing its state by software also resets the AESKEYCNTx bits. AESKEYWR is reset by PUC, AESSWRST, an error condition, changing AESOPx, and starting to write or overwrite a new key. Because it is reset when AESOPx is changed it can be set by software again to indicate that the loaded key is still valid. 0 = Not all bytes written 1 = All bytes written
0	AESBUSY	R	0h	AES accelerator module busy; encryption, decryption, or key generation in progress. 0 = Not busy 1 = Busy

15.3.3 AESAKEY Register

AES Accelerator Key Register

AESAKEY is shown in [Figure 15-8](#) and described in [Table 15-4](#).

Figure 15-8. AESAKEY Register

15	14	13	12	11	10	9	8
AESKEY1x (Key Byte n+1)							
w-0	w-0	w-0	w-0	w-0	w-0	w-0	w-0
7	6	5	4	3	2	1	0
AESKEY0x (Key Byte n)							
w-0	w-0	w-0	w-0	w-0	w-0	w-0	w-0

Table 15-4. AESAKEY Register Description

Bit	Field	Type	Reset	Description
15-8	AESKEY1x	W	0	AES key byte n+1 when AESAKEY is written as word. Do not use these bits for byte access. Do not mix word and byte access. Always reads as zero. The key is reset by PUC or by AESSWRST = 1.
7-0	AESKEY0x	W	0	AES key byte n when AESAKEY is written as word. AES next key byte when AESAKEY_L is written as byte. Do not mix word and byte access. Always reads as zero. The key is reset by PUC or by AESSWRST = 1.

15.3.4 AESADIN Register

AES Accelerator Data In Register

AESADIN is shown in [Figure 15-9](#) and described in [Table 15-5](#).

Figure 15-9. AESADIN Register

15	14	13	12	11	10	9	8
AESDIN1x (DIN Byte n+1)							
w-0	w-0	w-0	w-0	w-0	w-0	w-0	w-0
7	6	5	4	3	2	1	0
AESDIN0x (DIN Byte n)							
w-0	w-0	w-0	w-0	w-0	w-0	w-0	w-0

Table 15-5. AESADIN Register Description

Bit	Field	Type	Reset	Description
15-8	AESDIN1x	W	0	AES data in byte n+1 when AESADIN is written as word. Do not use these bits for byte access. Do not mix word and byte access. Always reads as zero.
7-0	AESDIN0x	W	0	AES data in byte n when AESADIN is written as word. AES next data in byte when AESADIN_L is written as byte. Do not mix word and byte access. Always reads as zero.

15.3.5 AESADOUT Register

AES Accelerator Data Out Register

AESADOUT is shown in [Figure 15-10](#) and described in [Table 15-6](#).

Figure 15-10. AESADOUT Register

15	14	13	12	11	10	9	8
AESDOUT1x (DOUT Byte n+1)							
r-0	r-0	r-0	r-0	r-0	r-0	r-0	r-0
7	6	5	4	3	2	1	0
AESDOUT0x (DOUT Byte n)							
r-0	r-0	r-0	r-0	r-0	r-0	r-0	r-0

Table 15-6. AESADOUT Register Description

Bit	Field	Type	Reset	Description
15-8	AESDOUT1x	R	0	AES data out byte n+1 when AESADOUT is read as word. Do not use these bits for byte access. Do not mix word and byte access.
7-0	AESDOUT0x	R	0	AES data out byte n when AESADOUT is read as word. AES next data out byte when AESADOUT_L is read as byte. Do not mix word and byte access.

Watchdog Timer (WDT_A)

The watchdog timer is a 32-bit timer that can be used as a watchdog or as an interval timer. This chapter describes the watchdog timer. The enhanced watchdog timer, WDT_A, is implemented in all devices.

Topic	Page
16.1 WDT_A Introduction.....	454
16.2 WDT_A Operation	456
16.3 WDT_A Registers	458

16.1 WDT_A Introduction

The primary function of the watchdog timer (WDT_A) module is to perform a controlled system restart after a software problem occurs. If the selected time interval expires, a system reset is generated. If the watchdog function is not needed in an application, the module can be configured as an interval timer and can generate interrupts at selected time intervals.

Features of the watchdog timer module include:

- Eight software-selectable time intervals
- Watchdog mode
- Interval mode
- Password-protected access to Watchdog Timer Control (WDTCTL) register
- Selectable clock source
- Can be stopped to conserve power
- Clock fail-safe feature

The watchdog timer block diagram is shown in [Figure 16-1](#).

NOTE: Watchdog timer powers up active.

After a PUC, the WDT_A module is automatically configured in the watchdog mode with an initial ~32-ms reset interval using the SMCLK. The user must setup or halt the WDT_A prior to the expiration of the initial reset interval.

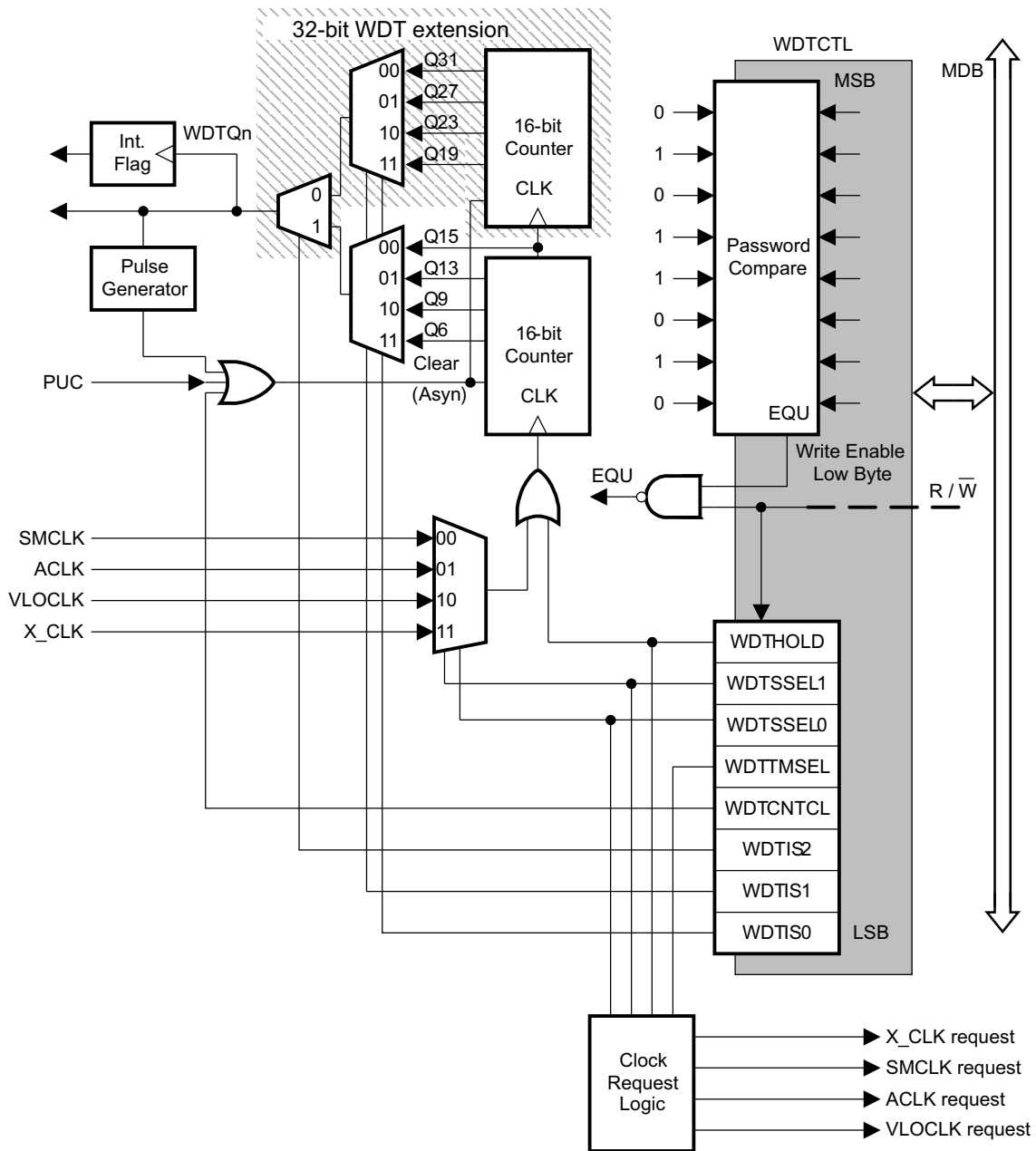


Figure 16-1. Watchdog Timer Block Diagram

16.2 WDT_A Operation

The watchdog timer module can be configured as either a watchdog or interval timer with the WDTCTL register. WDTCTL is a 16-bit password-protected read/write register. Any read or write access must use word instructions and write accesses must include the write password 05Ah in the upper byte. Any write to WDTCTL with any value other than 05Ah in the upper byte is a password violation and triggers a PUC system reset, regardless of timer mode. Any read of WDTCTL reads 069h in the upper byte. Byte reads on WDTCTL high or low part result in the value of the low byte. Writing byte wide to upper or lower parts of WDTCTL results in a PUC.

16.2.1 Watchdog Timer Counter (WDTCNT)

The WDTCNT is a 32-bit up counter that is not directly accessible by software. The WDTCNT is controlled and its time intervals are selected through the Watchdog Timer Control (WDTCTL) register. The WDTCNT can be sourced from SMCLK, ACLK, VLOCLK, or X_CLK on some devices. The clock source is selected with the WDTSSSEL bits. The timer interval is selected with the WDTIS bits.

16.2.2 Watchdog Mode

After a PUC condition, the WDT module is configured in the watchdog mode with an initial ~32-ms reset interval using the SMCLK. The user must setup, halt, or clear the watchdog timer prior to the expiration of the initial reset interval or another PUC is generated. When the watchdog timer is configured to operate in watchdog mode, either writing to WDTCTL with an incorrect password, or expiration of the selected time interval triggers a PUC. A PUC resets the watchdog timer to its default condition.

16.2.3 Interval Timer Mode

Setting the WDTTMSSEL bit to 1 selects the interval timer mode. This mode can be used to provide periodic interrupts. In interval timer mode, the WDTIFG flag is set at the expiration of the selected time interval. A PUC is not generated in interval timer mode at expiration of the selected timer interval, and the WDTIFG enable bit WDTIE remains unchanged.

When the WDTIE bit and the GIE bit are set, the WDTIFG flag requests an interrupt. The WDTIFG interrupt flag is automatically reset when its interrupt request is serviced, or it may be reset by software. The interrupt vector address in interval timer mode is different from that in watchdog mode.

NOTE: Modifying the watchdog timer

The watchdog timer interval should be changed together with WDTCNTCL = 1 in a single instruction to avoid an unexpected immediate PUC or interrupt. The watchdog timer should be halted before changing the clock source to avoid a possible incorrect interval.

16.2.4 Watchdog Timer Interrupts

The watchdog timer uses two bits in the SFRs for interrupt control:

- WDT interrupt flag, WDTIFG, located in SFRIFG1.0
- WDT interrupt enable, WDTIE, located in SFRIE1.0

When using the watchdog timer in the watchdog mode, the WDTIFG flag sources a reset vector interrupt. The WDTIFG will self clear upon a watchdog timeout event. The SYSRSTIV can be read to determine if the reset was caused by a watchdog timeout event.

When using the watchdog timer in interval timer mode, the WDTIFG flag is set after the selected time interval and requests a watchdog timer interval timer interrupt if the WDTIE and the GIE bits are set. The interval timer interrupt vector is different from the reset vector used in watchdog mode. In interval timer mode, the WDTIFG flag is reset automatically when the interrupt is serviced, or can be reset with software.

16.2.5 Clock Fail-Safe Feature

The WDT_A provides a fail-safe clocking feature, ensuring the clock to the WDT_A cannot be disabled while in watchdog mode. This means that the low-power modes may be affected by the choice for the WDT_A clock.

If SMCLK or ACLK fails as the WDT_A clock source, VLOCLK is automatically selected as the WDT_A clock source.

When the WDT_A module is used in interval timer mode, there is no fail-safe feature within WDT_A for the clock source.

16.2.6 Operation in Low-Power Modes

The devices have several low-power modes. Different clock signals are available in different low-power modes. The requirements of the application and the type of clocking that is used determine how the WDT_A should be configured. For example, the WDT_A should not be configured in watchdog mode with a clock source that is originally sourced from DCO, XT1 in high-frequency mode, or XT2 via SMCLK or ACLK, if the user wants to use low-power mode 3. In this case, SMCLK or ACLK would remain enabled, increasing the current consumption of LPM3. When the watchdog timer is not required, the WDT_HOLD bit can be used to hold the WDT_CNT, reducing power consumption.

16.2.7 Software Examples

Any write operation to WDT_CTL must be a word operation with 05Ah (WDTPW) in the upper byte:

```

; Periodically clear an active watchdog
MOV #WDTPW+WDTIS2+WDTIS1+WDTCNTCL,&WDTCTL
;
; Change watchdog timer interval
MOV #WDTPW+WDTCNTCL+SSEL,&WDTCTL
;
; Stop the watchdog
MOV #WDTPW+WDT_HOLD,&WDTCTL
;
; Change WDT to interval timer mode, clock/8192 interval
MOV #WDTPW+WDTCNTCL+WDTTMSSEL+WDTIS2+WDTIS0,&WDTCTL

```

16.3 WDT_A Registers

The watchdog timer module registers are listed in [Table 16-1](#). The base address for the watchdog timer module registers and special function registers (SFRs) can be found in device-specific data sheets. The address offset is given in [Table 16-1](#).

NOTE: All registers have word or byte register access. For a generic register *ANYREG*, the suffix "_L" (*ANYREG_L*) refers to the lower byte of the register (bits 0 through 7). The suffix "_H" (*ANYREG_H*) refers to the upper byte of the register (bits 8 through 15).

Table 16-1. WDT_A Registers

Offset	Acronym	Register Name	Type	Access	Reset	Section
00h	WDTCTL	Watchdog Timer Control	Read/write	Word	6904h	Section 16.3.1
00h	WDTCTL_L		Read/write	Byte	04h	
01h	WDTCTL_H		Read/write	Byte	69h	

16.3.1 WDTCTL Register

Watchdog Timer Control Register

Figure 16-2. WDTCTL Register

15	14	13	12	11	10	9	8
WDTPW							
7	6	5	4	3	2	1	0
WDTHOLD	WDTSSSEL		WDTTMSSEL	WDTCNTCL	WDTIS		
rw-0	rw-0	rw-0	rw-0	r0(w)	rw-1	rw-0	rw-0

Table 16-2. WDTCTL Register Description

Bit	Field	Type	Reset	Description
15-8	WDTPW	RW	69h	Watchdog timer password. Always read as 069h. Must be written as 5Ah; if any other value is written, a PUC is generated.
7	WDTHOLD	RW	0h	Watchdog timer hold. This bit stops the watchdog timer. Setting WDTHOLD = 1 when the WDT is not in use conserves power. 0b = Watchdog timer is not stopped. 1b = Watchdog timer is stopped.
6-5	WDTSSSEL	RW	0h	Watchdog timer clock source select 00b = SMCLK 01b = ACLK 10b = VLOCLK 11b = X_CLK; VLOCLK in devices that do not support X_CLK
4	WDTTMSSEL	RW	0h	Watchdog timer mode select 0b = Watchdog mode 1b = Interval timer mode
3	WDTCNTCL	RW	0h	Watchdog timer counter clear. Setting WDTCNTCL = 1 clears the count value to 0000h. WDTCNTCL is automatically reset. 0b = No action 1b = WDTCNT = 0000h
2-0	WDTIS	RW	4h	Watchdog timer interval select. These bits select the watchdog timer interval to set the WDTIFG flag and/or generate a PUC. 000b = Watchdog clock source /(2^{31}) (18h:12m:16s at 32.768 kHz) 001b = Watchdog clock source /(2^{27}) (01h:08m:16s at 32.768 kHz) 010b = Watchdog clock source /(2^{23}) (00h:04m:16s at 32.768 kHz) 011b = Watchdog clock source /(2^{19}) (00h:00m:16s at 32.768 kHz) 100b = Watchdog clock source /(2^{15}) (1 s at 32.768 kHz) 101b = Watchdog clock source /(2^{13}) (250 ms at 32.768 kHz) 110b = Watchdog clock source /(2^9) (15.625 ms at 32.768 kHz) 111b = Watchdog clock source /(2^6) (1.95 ms at 32.768 kHz)

Timer_A

Timer_A is a 16-bit timer and counter with multiple capture/compare registers. There can be multiple Timer_A modules on a given device (see the device-specific data sheet). This chapter describes the operation and use of the Timer_A module.

Topic	Page
17.1 Timer_A Introduction	461
17.2 Timer_A Operation.....	463
17.3 Timer_A Registers	475

17.1 Timer_A Introduction

Timer_A is a 16-bit timer/counter with up to seven capture/compare registers. Timer_A can support multiple capture/comparers, PWM outputs, and interval timing. Timer_A also has extensive interrupt capabilities. Interrupts may be generated from the counter on overflow conditions and from each of the capture/compare registers.

Timer_A features include:

- Asynchronous 16-bit timer/counter with four operating modes
- Selectable and configurable clock source
- Up to seven configurable capture/compare registers
- Configurable outputs with pulse width modulation (PWM) capability
- Asynchronous input and output latching
- Interrupt vector register for fast decoding of all Timer_A interrupts

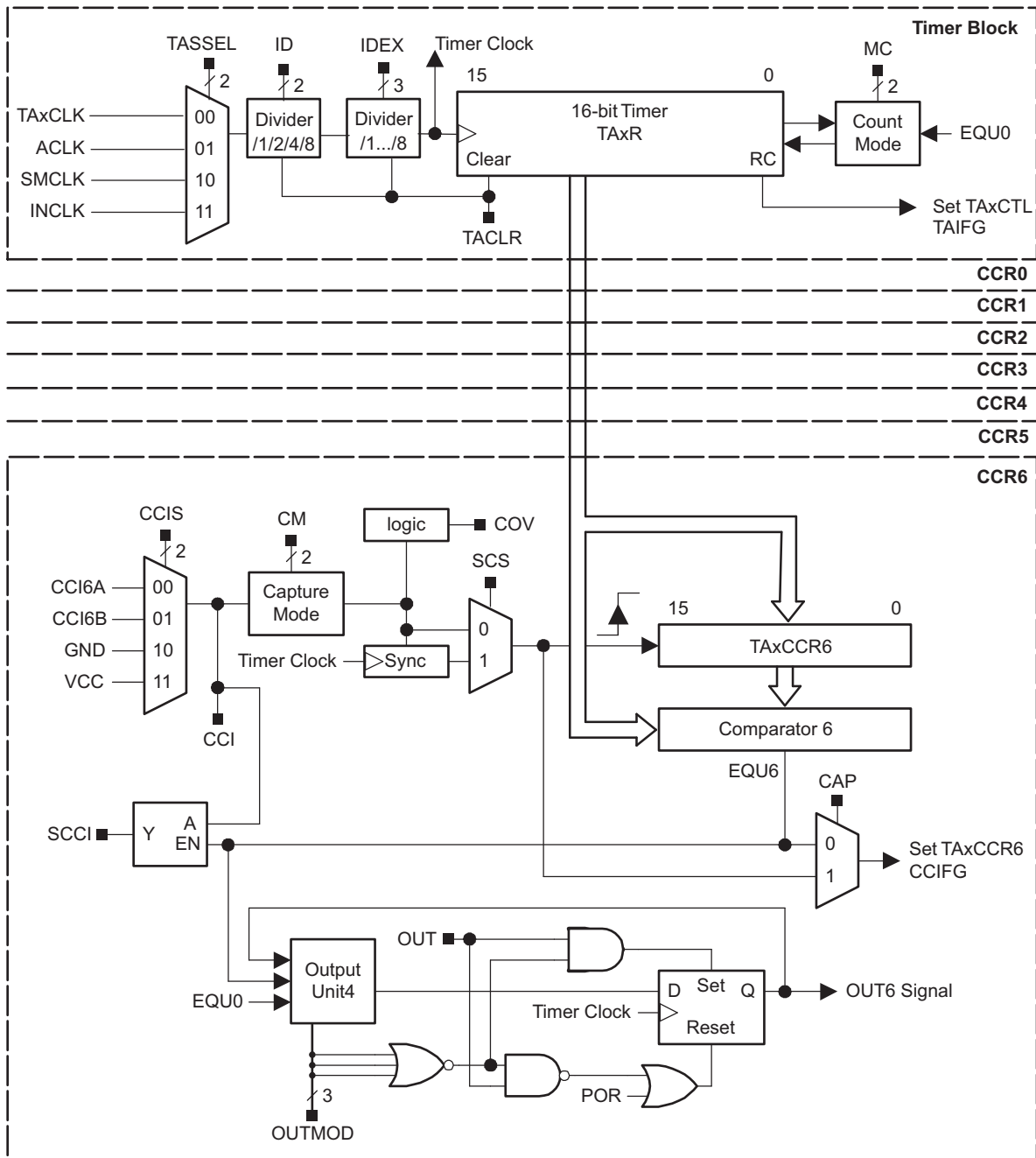
The block diagram of Timer_A is shown in [Figure 17-1](#).

NOTE: Use of the word *count*

Count is used throughout this chapter. It means the counter must be in the process of counting for the action to take place. If a particular value is directly written to the counter, an associated action does not take place.

NOTE: Nomenclature

There may be multiple instantiations of Timer_A on a given device. The prefix TAx is used, where x is a greater than equal to zero indicating the Timer_A instantiation. For devices with one instantiation, x = 0. The suffix n, where n = 0 to 6, represents the specific capture/compare registers associated with the Timer_A instantiation.



Copyright © 2016, Texas Instruments Incorporated

Figure 17-1. Timer_A Block Diagram

17.2 Timer_A Operation

The Timer_A module is configured with user software. The setup and operation of Timer_A are discussed in the following sections.

17.2.1 16-Bit Timer Counter

The 16-bit timer/counter register, [TAxR](#), increments or decrements (depending on mode of operation) with each rising edge of the clock signal. TAxR can be read or written with software. Additionally, the timer can generate an interrupt when it overflows.

TAR may be cleared by setting the TACLRL bit. Setting TACLRL also clears the clock divider counter logic (the divider setting remains unchanged) and count direction for up/down mode.

NOTE: Modifying Timer_A registers

TI recommends stopping the timer before modifying its operation (with exception of the interrupt enable, interrupt flag, and TACLRL) to avoid errant operating conditions.

When the timer clock is asynchronous to the CPU clock, any read from [TAxR](#) should occur while the timer is not operating or the results may be unpredictable. Alternatively, the timer may be read multiple times while operating, and a majority vote taken in software to determine the correct reading. Any write to TAxR takes effect immediately.

17.2.1.1 Clock Source Select and Divider

The timer clock can be sourced from ACLK, SMCLK, or externally from TAxCCLK or INCLK. The clock source is selected with the TASSSEL bits. The selected clock source may be passed directly to the timer or divided by 2, 4, or 8, using the ID bits. The selected clock source can be further divided by 2, 3, 4, 5, 6, 7, or 8 using the TAIDEX bits. The timer clock divider logic is reset when TACLRL is set.

NOTE: Timer_A dividers

After programming ID or TAIDEX bits, set the TACLRL bit. This clears the contents of [TAxR](#) and resets the clock divider logic to a defined state. The clock dividers are implemented as down counters. Therefore, when the TACLRL bit is cleared, the timer clock immediately begins clocking at the first rising edge of the Timer_A clock source selected with the TASSSEL bits and continues clocking at the divider settings set by the ID and TAIDEX bits.

17.2.2 Starting the Timer

The timer may be started or restarted in the following ways:

- The timer counts when $MC > \{ 0 \}$ and the clock source is active.
- When the timer mode is either up or up/down, the timer may be stopped by writing 0 to [TAxCCR0](#). The timer may then be restarted by writing a nonzero value to TAxCCR0. In this scenario, the timer starts incrementing in the up direction from zero.

17.2.3 Timer Mode Control

The timer has four modes of operation: stop, up, continuous, and up/down (see Table 17-1). The operating mode is selected with the MC bits.

Table 17-1. Timer Modes

MC	Mode	Description
00	Stop	The timer is halted.
01	Up	The timer repeatedly counts from zero to the value of TAxCCR0
10	Continuous	The timer repeatedly counts from zero to 0FFFFh.
11	Up/down	The timer repeatedly counts from zero up to the value of TAxCCR0 and back down to zero.

17.2.3.1 Up Mode

The up mode is used if the timer period must be different from 0FFFFh counts. The timer repeatedly counts up to the value of compare register TAxCCR0, which defines the period (see Figure 17-2). The number of timer counts in the period is TAxCCR0 + 1. When the timer value equals TAxCCR0, the timer restarts counting from zero. If up mode is selected when the timer value is greater than TAxCCR0, the timer immediately restarts counting from zero.

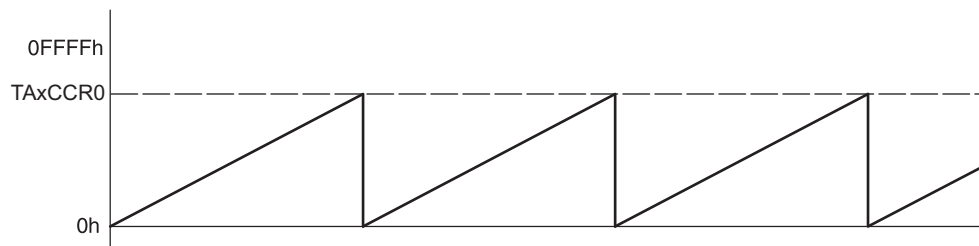


Figure 17-2. Up Mode

The TAxCCR0 CCIFG interrupt flag is set when the timer counts to the TAxCCR0 value. The TAIFG interrupt flag is set when the timer counts from TAxCCR0 to zero. Figure 17-3 shows the flag set cycle.

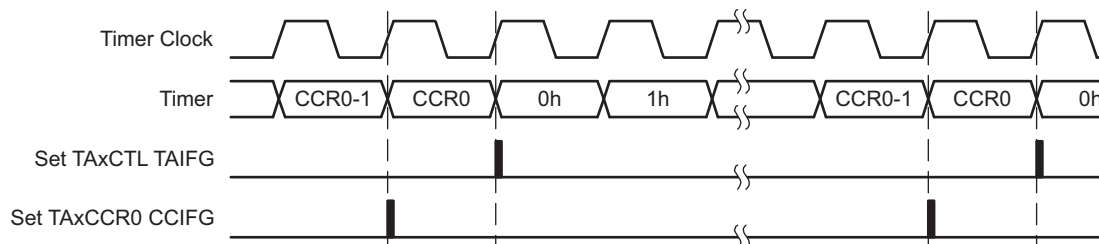


Figure 17-3. Up Mode Flag Setting

17.2.3.1.1 Changing Period Register TAxCCR0

When changing TAxCCR0 while the timer is running, if the new period is greater than or equal to the old period or greater than the current count value, the timer counts up to the new period. If the new period is less than the current count value, the timer rolls to zero. However, one additional count may occur before the counter rolls to zero.

17.2.3.2 Continuous Mode

In the continuous mode, the timer repeatedly counts up to 0FFFFh and restarts from zero as shown in Figure 17-4. The capture/compare register `TAxCCR0` works the same way as the other capture/compare registers.

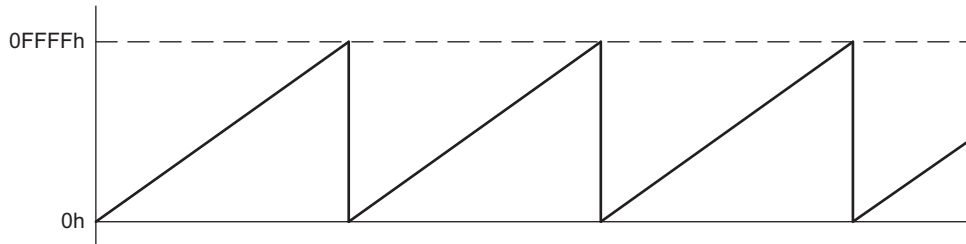


Figure 17-4. Continuous Mode

The `TAIFG` interrupt flag is set when the timer counts from 0FFFFh to zero. Figure 17-5 shows the flag set cycle.

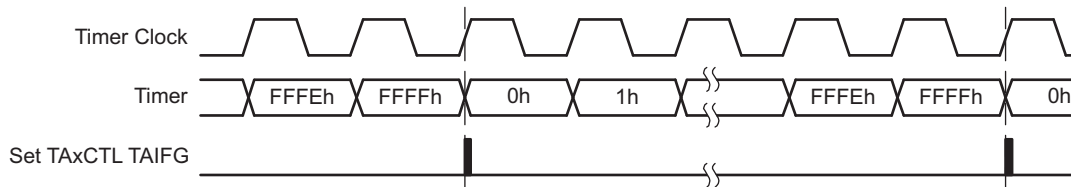


Figure 17-5. Continuous Mode Flag Setting

17.2.3.3 Use of Continuous Mode

The continuous mode can be used to generate independent time intervals and output frequencies. Each time an interval is completed, an interrupt is generated. The next time interval is added to the `TAxCCRn` register in the interrupt service routine. Figure 17-6 shows two separate time intervals, t_0 and t_1 , being added to the capture/compare registers. In this usage, the time interval is controlled by hardware, not software, without impact from interrupt latency. Up to n (where $n = 0$ to 6), independent time intervals or output frequencies can be generated using capture/compare registers.

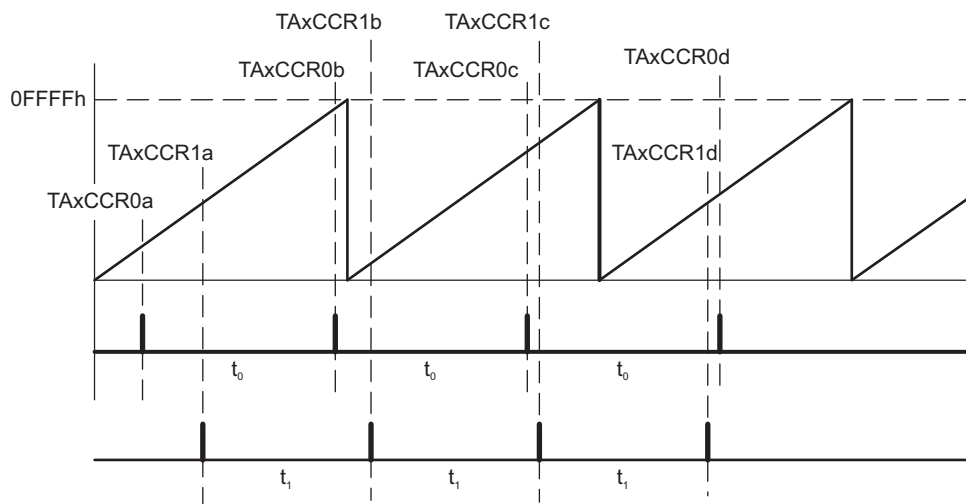


Figure 17-6. Continuous Mode Time Intervals

Time intervals can be produced with other modes as well, where **TAxCCR0** is used as the period register. Their handling is more complex since the sum of the old **TAxCCRn** data and the new period can be higher than the **TAxCCR0** value. When the previous **TAxCCRn** value plus t_x is greater than the **TAxCCR0** data, the **TAxCCR0** value must be subtracted to obtain the correct time interval.

17.2.3.4 Up/Down Mode

The up/down mode is used if the timer period must be different from 0FFFFh counts, and if symmetrical pulse generation is needed. The timer repeatedly counts up to the value of compare register **TAxCCR0** and back down to zero (see [Figure 17-7](#)). The period is twice the value in **TAxCCR0**.

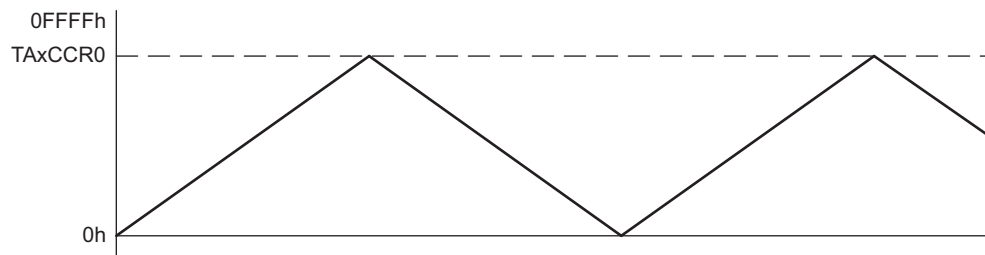


Figure 17-7. Up/Down Mode

The count direction is latched. This allows the timer to be stopped and then restarted in the same direction it was counting before it was stopped. If this is not desired, the **TACL** bit must be set to clear the direction. Setting **TACL** also clears the **TAR** value and the clock divider counter logic (the divider setting remains unchanged).

In up/down mode, the **TAxCCR0** **CCIFG** interrupt flag and the **TAIFG** interrupt flag are set only once during a period, separated by one-half the timer period. The **TAxCCR0** **CCIFG** interrupt flag is set when the timer counts from **TAxCCR0-1** to **TAxCCR0**, and **TAIFG** is set when the timer completes counting down from 0001h to 0000h. [Figure 17-8](#) shows the flag set cycle.

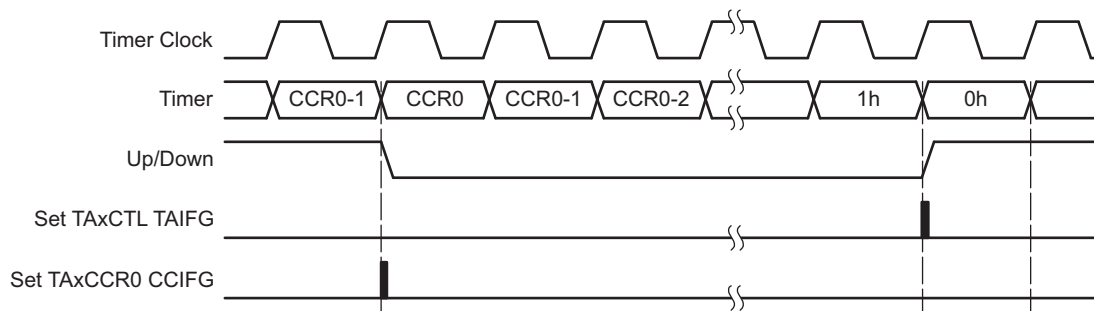


Figure 17-8. Up/Down Mode Flag Setting

17.2.3.4.1 Changing Period Register **TAxCCR0**

When changing **TAxCCR0** while the timer is running and counting in the down direction, the timer continues its descent until it reaches zero. The new period takes effect after the counter counts down to zero.

When the timer is counting in the up direction, and the new period is greater than or equal to the old period or greater than the current count value, the timer counts up to the new period before counting down.

When the timer is counting in the up direction and the new period is less than the current count value, the timer begins counting down. However, one additional count may occur before the counter begins counting down.

17.2.3.5 Use of Up/Down Mode

The up/down mode supports applications that require dead times between output signals (see section *Timer_A Output Unit*). For example, to avoid overload conditions, two outputs driving an H-bridge must never be in a high state simultaneously. In the example shown in Figure 17-9, the t_{dead} is:

$$t_{dead} = t_{timer} \times (TAxCCR1 - TAxCCR2)$$

Where:

t_{dead} = Time during which both outputs need to be inactive

t_{timer} = Cycle time of the timer clock

TAxCCRn = Content of capture/compare register n

The TAxCCRn registers are not buffered. They update immediately when written to. Therefore, any required dead time is not maintained automatically.

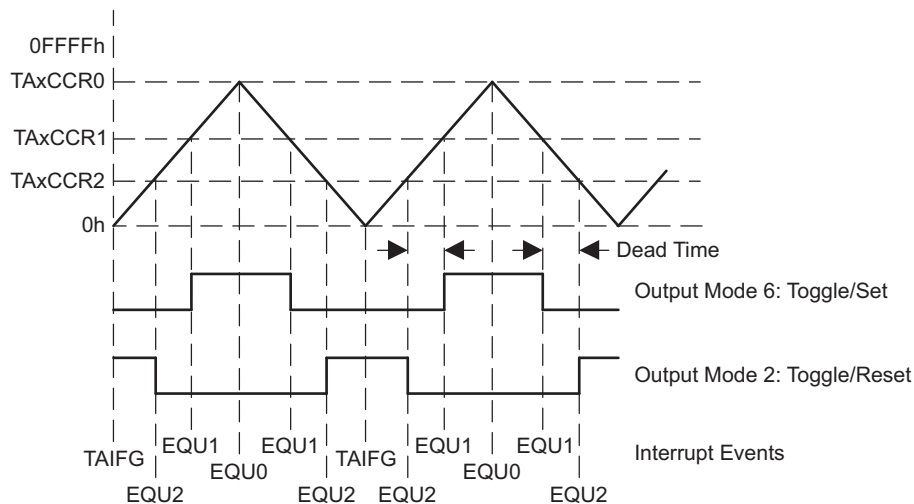


Figure 17-9. Output Unit in Up/Down Mode

17.2.4 Capture/Compare Blocks

Up to seven identical capture/compare blocks, TAxCCRn (where n = 0 to 7), are present in Timer_A. Any of the blocks may be used to capture the timer data or to generate time intervals.

17.2.4.1 Capture Mode

The capture mode is selected when CAP = 1. Capture mode is used to record time events. It can be used for speed computations or time measurements. The capture inputs CCIxA and CCIxB are connected to external pins or internal signals and are selected with the CCIS bits. The CM bits select the capture edge of the input signal as rising, falling, or both. A capture occurs on the selected edge of the input signal. If a capture occurs:

- The timer value is copied into the TAxCCRn register.
- The interrupt flag CCIFG is set.

The input signal level can be read at any time from the CCI bit. Devices may have different signals connected to CCIxA and CCIxB. See the device-specific data sheet for the connections of these signals.

The capture signal can be asynchronous to the timer clock and cause a race condition. Setting the SCS bit synchronizes the capture with the next timer clock. Setting the SCS bit to synchronize the capture signal with the timer clock is recommended (see Figure 17-10).

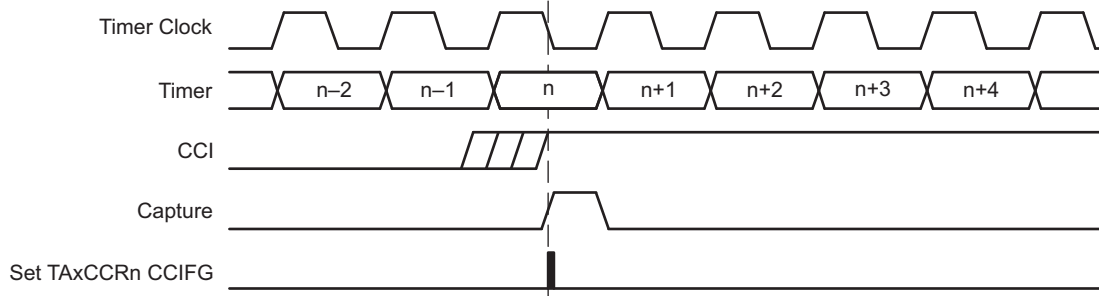


Figure 17-10. Capture Signal (SCS = 1)

NOTE: Changing Capture Inputs

Changing capture inputs while in capture mode may cause unintended capture events. To avoid this scenario, capture inputs should only be changed when capture mode is disabled (CM = {0} or CAP = 0).

Overflow logic is provided in each capture/compare register to indicate if a second capture was performed before the value from the first capture was read. Bit COV is set when this occurs as shown in Figure 17-11. COV must be reset with software.

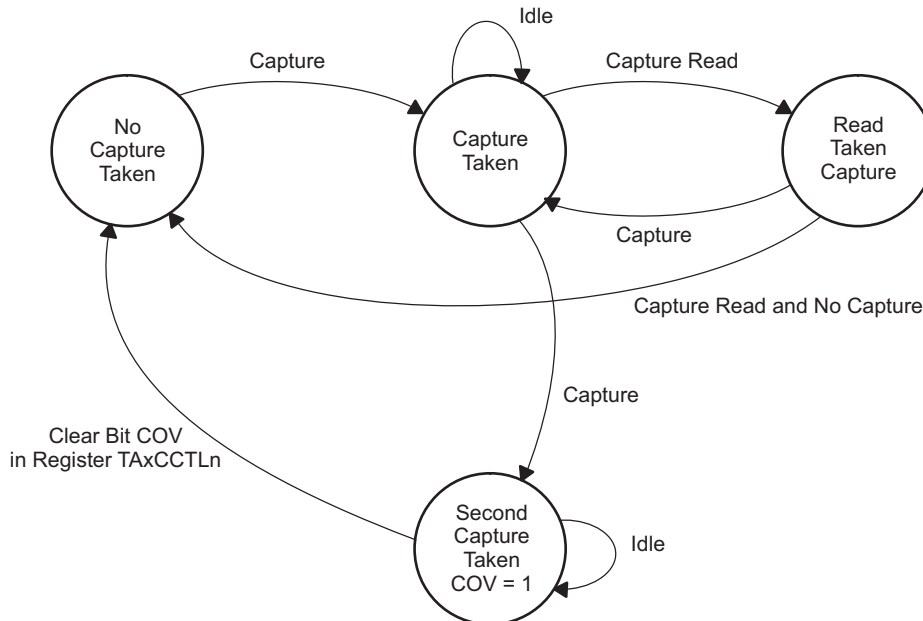


Figure 17-11. Capture Cycle

17.2.4.1.1 Capture Initiated by Software

Captures can be initiated by software. The CMx bits can be set for capture on both edges. Software then sets CCIS1 = 1 and toggles bit CCIS0 to switch the capture signal between V_{CC} and GND, initiating a capture each time CCIS0 changes state:

```
MOV  #CAP+SCS+CCIS1+CM_3,&TA0CCTL1 ; Setup TA0CCTL1, synch. capture mode
                                     ; Event trigger on both edges of capture input.
XOR  #CCIS0,&TA0CCTL1               ; TA0CCR1 = TA0R
```

NOTE: Capture Initiated by Software

In general, changing capture inputs while in capture mode may cause unintended capture events. For this scenario, switching the capture input between VCC and GND, disabling the capture mode is not required.

17.2.4.2 Compare Mode

The compare mode is selected when CAP = 0. The compare mode is used to generate PWM output signals or interrupts at specific time intervals. When **TAxR counts** to the value in a TAxCCRn, where n represents the specific capture/compare register.

- Interrupt flag CCIFG is set.
- Internal signal EQU_n = 1.
- EQU_n affects the output according to the output mode.
- The input signal CCI is latched into SCCI.

17.2.5 Output Unit

Each capture/compare block contains an output unit. The output unit is used to generate output signals, such as PWM signals. Each output unit has eight operating modes that generate signals based on the EQU0 and EQU_n signals.

17.2.5.1 Output Modes

The output modes are defined by the OUTMOD bits and are described in [Table 17-2](#). The OUT_n signal is changed with the rising edge of the timer clock for all modes except mode 0. Output modes 2, 3, 6, and 7 are not useful for output unit 0 because EQU_n = EQU0.

Table 17-2. Output Modes

OUTMODx	Mode	Description
000	Output	The output signal OUT _n is defined by the OUT bit. The OUT _n signal updates immediately when OUT is updated.
001	Set	The output is set when the timer <i>counts</i> to the TAxCCRn value. It remains set until a reset of the timer, or until another output mode is selected and affects the output.
010	Toggle/Reset	The output is toggled when the timer <i>counts</i> to the TAxCCRn value. It is reset when the timer <i>counts</i> to the TAxCCR0 value.
011	Set/Reset	The output is set when the timer <i>counts</i> to the TAxCCRn value. It is reset when the timer <i>counts</i> to the TAxCCR0 value.
100	Toggle	The output is toggled when the timer <i>counts</i> to the TAxCCRn value. The output period is double the timer period.
101	Reset	The output is reset when the timer <i>counts</i> to the TAxCCRn value. It remains reset until another output mode is selected and affects the output.
110	Toggle/Set	The output is toggled when the timer <i>counts</i> to the TAxCCRn value. It is set when the timer <i>counts</i> to the TAxCCR0 value.
111	Reset/Set	The output is reset when the timer <i>counts</i> to the TAxCCRn value. It is set when the timer <i>counts</i> to the TAxCCR0 value.

17.2.5.1.1 Output Example—Timer in Up Mode

The OUTn signal is changed when the timer *counts* up to the TAxCCRn value and rolls from TAxCCR0 to zero, depending on the output mode. An example is shown in Figure 17-12 using TAxCCR0 and TAxCCR1.

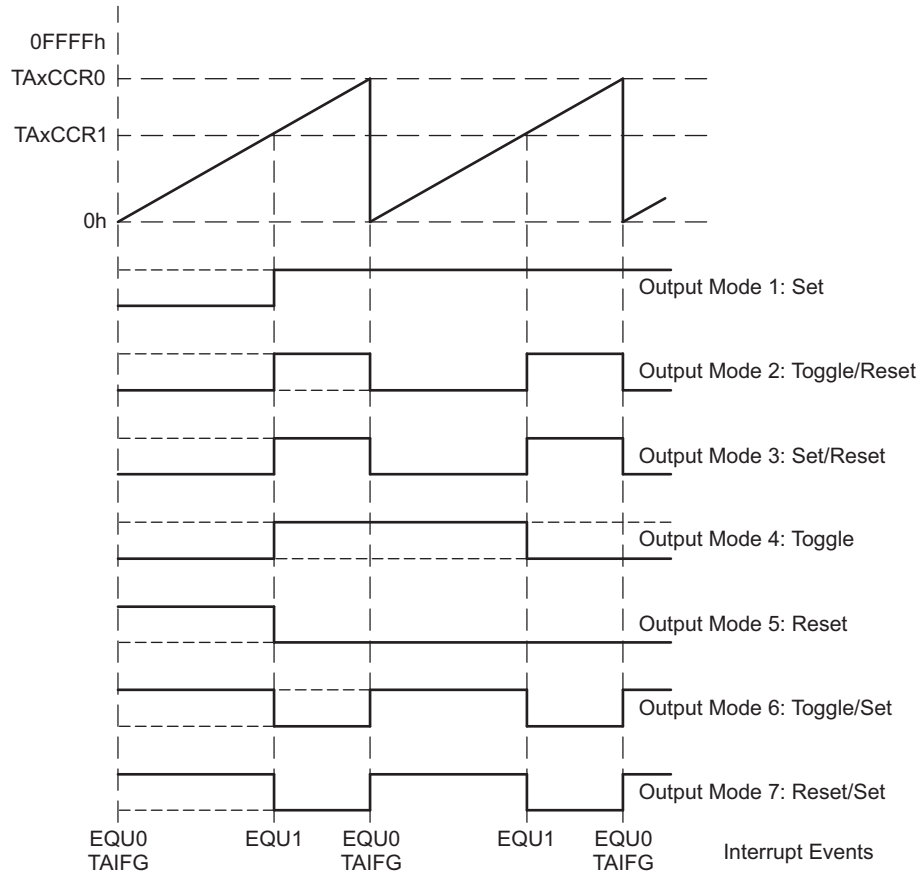


Figure 17-12. Output Example – Timer in Up Mode

17.2.5.1.2 Output Example – Timer in Continuous Mode

The OUTn signal is changed when the timer reaches the TAxCCRn and TAxCCR0 values, depending on the output mode. An example is shown in Figure 17-13 using TAxCCR0 and TAxCCR1.

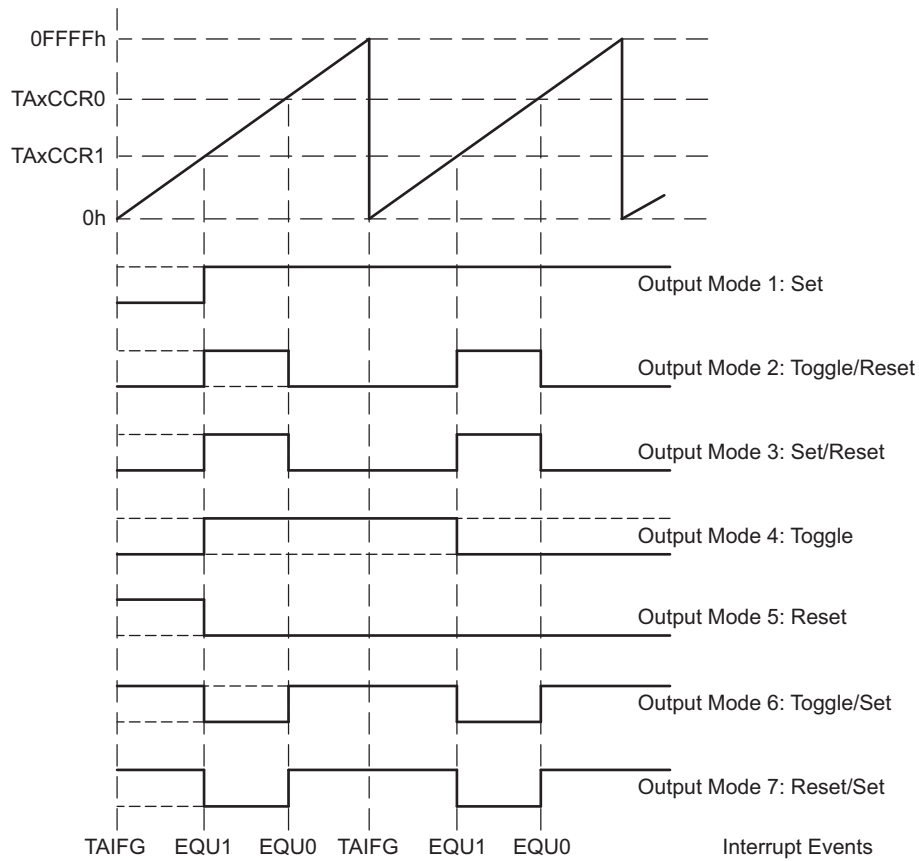


Figure 17-13. Output Example – Timer in Continuous Mode

17.2.5.1.3 Output Example – Timer in Up/Down Mode

The OUTn signal changes when the timer equals TAxCCRn in either count direction and when the timer equals TAxCCR0, depending on the output mode. An example is shown in Figure 17-14 using TAxCCR0 and TAxCCR2.

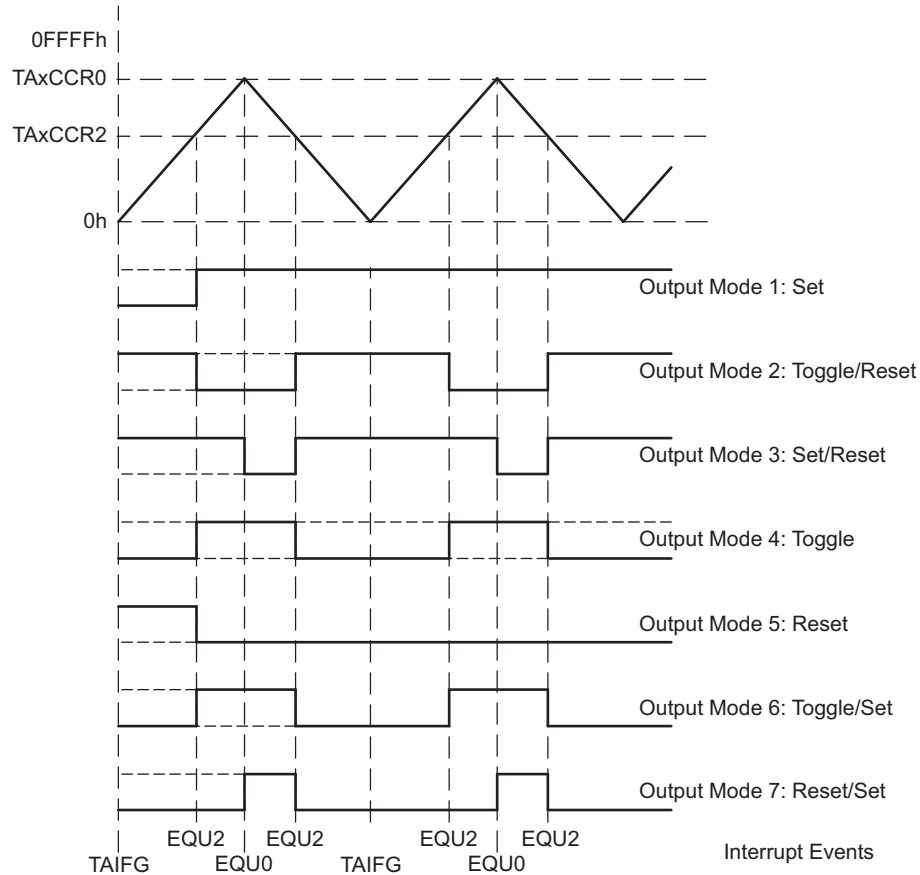


Figure 17-14. Output Example – Timer in Up/Down Mode

NOTE: Switching between output modes

When switching between output modes, one of the OUTMOD bits should remain set during the transition, unless switching to mode 0. Otherwise, output glitching can occur, because a NOR gate decodes output mode 0. A safe method for switching between output modes is to use output mode 7 as a transition state:

```
BIS #OUTMOD_7,&TA0CTL1 ; Set output mode=7
BIC #OUTMOD,&TA0CTL1 ; Clear unwanted bits
```

17.2.6 Timer_A Interrupts

Two interrupt vectors are associated with the 16-bit Timer_A module:

- **TAxCCR0** interrupt vector for TAxCCR0 CCIFG
- **TAxIV** interrupt vector for all other CCIFG flags and TAIFG

In capture mode, any CCIFG flag is set when a timer value is captured in the associated TAxCCRn register. In compare mode, any CCIFG flag is set if **TAxR** counts to the associated TAxCCRn value. Software may also set or clear any CCIFG flag. All CCIFG flags request an interrupt when their corresponding CCIE bit and the GIE bit are set.

17.2.6.1 TAxCCR0 Interrupt

The **TAxCCR0** CCIFG flag has the highest Timer_A interrupt priority and has a dedicated interrupt vector as shown in [Figure 17-15](#). The TAxCCR0 CCIFG flag is automatically reset when the TAxCCR0 interrupt request is serviced.

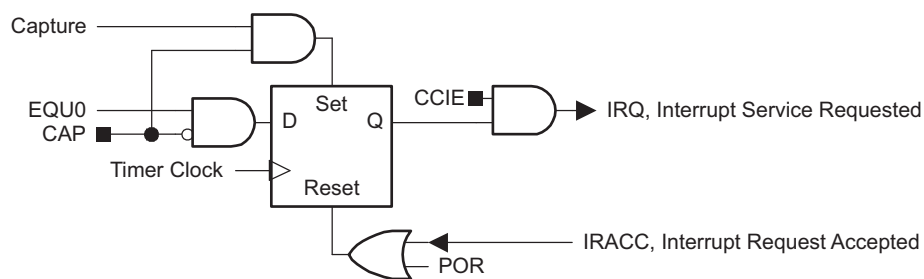


Figure 17-15. Capture/Compare TAxCCR0 Interrupt Flag

17.2.6.2 TAxIV, Interrupt Vector Generator

The TAxCCRy CCIFG flags and TAIFG flags are prioritized and combined to source a single interrupt vector. The interrupt vector register **TAxIV** is used to determine which flag requested an interrupt.

The highest-priority enabled interrupt generates a number in the **TAxIV** register (see register description). This number can be evaluated or added to the program counter to automatically enter the appropriate software routine. Disabled Timer_A interrupts do not affect the TAxIV value.

Any access, read or write, of the **TAxIV** register automatically resets the highest-pending interrupt flag. If another interrupt flag is set, another interrupt is immediately generated after servicing the initial interrupt. For example, if the **TAxCCR1** and **TAxCCR2** CCIFG flags are set when the interrupt service routine accesses the TAxIV register, TAxCCR1 CCIFG is reset automatically. After the RETI instruction of the interrupt service routine is executed, the TAxCCR2 CCIFG flag generates another interrupt.

17.2.6.2.1 TAxIV Software Example

The following software example shows the recommended use of **TAxIV** and the handling overhead. The TAxIV value is added to the PC to automatically jump to the appropriate routine. The example assumes a single instantiation of the largest timer configuration available.

The numbers at the right margin show the necessary CPU cycles for each instruction. The software overhead for different interrupt sources includes interrupt latency and return-from-interrupt cycles, but not the task handling itself. The latencies are:

- Capture/compare block TA0CCR0: 11 cycles
- Capture/compare blocks TA0CCR1, TA0CCR2, TA0CCR3, TA0CCR4, TA0CCR5, TA0CCR6: 16 cycles
- Timer overflow TA0IFG: 14 cycles

```

; Interrupt handler for TA0CCR0 CCIFG.
CCIFG_0_HND
;          ...          ; Start of handler Interrupt latency    6
;          RETI          ;                                     5

; Interrupt handler for TA0IFG, TA0CCR1 through TA0CCR6 CCIFG.

TA0_HND    ...          ; Interrupt latency                    6
;          ADD          &TA0IV,PC ; Add offset to Jump table    3
;          RETI          ; Vector 0: No interrupt                5
;          JMP          CCIFG_1_HND ; Vector 2: TA0CCR1          2
;          JMP          CCIFG_2_HND ; Vector 4: TA0CCR2          2
;          JMP          CCIFG_3_HND ; Vector 6: TA0CCR3          2
;          JMP          CCIFG_4_HND ; Vector 8: TA0CCR4          2
;          JMP          CCIFG_5_HND ; Vector 10: TA0CCR5         2
;          JMP          CCIFG_6_HND ; Vector 12: TA0CCR6         2

TA0IFG_HND          ; Vector 14: TA0IFG Flag
;          ...          ; Task starts here
;          RETI          ;                                     5

CCIFG_6_HND          ; Vector 12: TA0CCR6
;          ...          ; Task starts here
;          RETI          ; Back to main program                5

CCIFG_5_HND          ; Vector 10: TA0CCR5
;          ...          ; Task starts here
;          RETI          ; Back to main program                5

CCIFG_4_HND          ; Vector 8: TA0CCR4
;          ...          ; Task starts here
;          RETI          ; Back to main program                5

CCIFG_3_HND          ; Vector 6: TA0CCR3
;          ...          ; Task starts here
;          RETI          ; Back to main program                5

CCIFG_2_HND          ; Vector 4: TA0CCR2
;          ...          ; Task starts here
;          RETI          ; Back to main program                5

CCIFG_1_HND          ; Vector 2: TA0CCR1
;          ...          ; Task starts here
;          RETI          ; Back to main program                5

```

17.3 Timer_A Registers

Timer_A registers are listed in [Table 17-3](#) for the largest configuration available. The base address can be found in the device-specific data sheet.

Table 17-3. Timer_A Registers

Offset	Acronym	Register Name	Type	Access	Reset	Section
00h	TAxCTL	Timer_Ax Control	Read/write	Word	0000h	Section 17.3.1
02h	TAxCCTL0	Timer_Ax Capture/Compare Control 0	Read/write	Word	0000h	Section 17.3.3
04h	TAxCCTL1	Timer_Ax Capture/Compare Control 1	Read/write	Word	0000h	Section 17.3.3
06h	TAxCCTL2	Timer_Ax Capture/Compare Control 2	Read/write	Word	0000h	Section 17.3.3
08h	TAxCCTL3	Timer_Ax Capture/Compare Control 3	Read/write	Word	0000h	Section 17.3.3
0Ah	TAxCCTL4	Timer_Ax Capture/Compare Control 4	Read/write	Word	0000h	Section 17.3.3
0Ch	TAxCCTL5	Timer_Ax Capture/Compare Control 5	Read/write	Word	0000h	Section 17.3.3
0Eh	TAxCCTL6	Timer_Ax Capture/Compare Control 6	Read/write	Word	0000h	Section 17.3.3
10h	TAxR	Timer_Ax Counter	Read/write	Word	0000h	Section 17.3.2
12h	TAxCCR0	Timer_Ax Capture/Compare 0	Read/write	Word	0000h	Section 17.3.4
14h	TAxCCR1	Timer_Ax Capture/Compare 1	Read/write	Word	0000h	Section 17.3.4
16h	TAxCCR2	Timer_Ax Capture/Compare 2	Read/write	Word	0000h	Section 17.3.4
18h	TAxCCR3	Timer_Ax Capture/Compare 3	Read/write	Word	0000h	Section 17.3.4
1Ah	TAxCCR4	Timer_Ax Capture/Compare 4	Read/write	Word	0000h	Section 17.3.4
1Ch	TAxCCR5	Timer_Ax Capture/Compare 5	Read/write	Word	0000h	Section 17.3.4
1Eh	TAxCCR6	Timer_Ax Capture/Compare 6	Read/write	Word	0000h	Section 17.3.4
2Eh	TAxIV	Timer_Ax Interrupt Vector	Read only	Word	0000h	Section 17.3.5
20h	TAxEX0	Timer_Ax Expansion 0	Read/write	Word	0000h	Section 17.3.6

17.3.1 TAxCTL Register

Timer_Ax Control Register

Figure 17-16. TAxCTL Register

15	14	13	12	11	10	9	8
Reserved						TASSEL	
rw-(0)	rw-(0)	rw-(0)	rw-(0)	rw-(0)	rw-(0)	rw-(0)	rw-(0)
7	6	5	4	3	2	1	0
ID		MC		Reserved	TACLRL	TAIE	TAIFG
rw-(0)	rw-(0)	rw-(0)	rw-(0)	rw-(0)	w-(0)	rw-(0)	rw-(0)

Table 17-4. TAxCTL Register Description

Bit	Field	Type	Reset	Description
15-10	Reserved	RW	0h	Reserved
9-8	TASSEL	RW	0h	Timer_A clock source select 00b = TAxCLK 01b = ACLK 10b = SMCLK 11b = INCLK
7-6	ID	RW	0h	Input divider. These bits along with the TAIDEX bits select the divider for the input clock. 00b = /1 01b = /2 10b = /4 11b = /8
5-4	MC	RW	0h	Mode control. Setting MC = 00h when Timer_A is not in use conserves power. 00b = Stop mode: Timer is halted 01b = Up mode: Timer counts up to TAxCCR0 10b = Continuous mode: Timer counts up to 0FFFFh 11b = Up/down mode: Timer counts up to TAxCCR0 then down to 0000h
3	Reserved	RW	0h	Reserved
2	TACLRL	RW	0h	Timer_A clear. Setting this bit clears TAR, the clock divider logic (the divider setting remains unchanged), and the count direction. The TACLRL bit is automatically reset and is always read as zero.
1	TAIE	RW	0h	Timer_A interrupt enable. This bit enables the TAIFG interrupt request. 0b = Interrupt disabled 1b = Interrupt enabled
0	TAIFG	RW	0h	Timer_A interrupt flag 0b = No interrupt pending 1b = Interrupt pending

17.3.2 TAxR Register

Timer_Ax Counter Register

Figure 17-17. TAxR Register

15	14	13	12	11	10	9	8
TAxR							
rw-(0)	rw-(0)	rw-(0)	rw-(0)	rw-(0)	rw-(0)	rw-(0)	rw-(0)
7	6	5	4	3	2	1	0
TAxR							
rw-(0)	rw-(0)	rw-(0)	rw-(0)	rw-(0)	rw-(0)	rw-(0)	rw-(0)

Table 17-5. TAxR Register Description

Bit	Field	Type	Reset	Description
15-0	TAxR	RW	0h	Timer_A register. The TAxR register is the count of Timer_A.

17.3.3 TAXCCTLn Register

Timer_Ax Capture/Compare Control n Register

Figure 17-18. TAXCCTLn Register

15	14	13	12	11	10	9	8
CM		CCIS		SCS	SCCI	Reserved	CAP
rw-(0)	rw-(0)	rw-(0)	rw-(0)	rw-(0)	r-(0)	r-(0)	rw-(0)
7	6	5	4	3	2	1	0
OUTMOD			CCIE	CCI	OUT	COV	CCIFG
rw-(0)	rw-(0)	rw-(0)	rw-(0)	r	rw-(0)	rw-(0)	rw-(0)

Table 17-6. TAXCCTLn Register Description

Bit	Field	Type	Reset	Description
15-14	CM	RW	0h	Capture mode 00b = No capture 01b = Capture on rising edge 10b = Capture on falling edge 11b = Capture on both rising and falling edges
13-12	CCIS	RW	0h	Capture/compare input select. These bits select the TAXCCR0 input signal. See the device-specific data sheet for specific signal connections. 00b = CCIxA 01b = CCIxB 10b = GND 11b = VCC
11	SCS	RW	0h	Synchronize capture source. This bit is used to synchronize the capture input signal with the timer clock. 0b = Asynchronous capture 1b = Synchronous capture
10	SCCI	RW	0h	Synchronized capture/compare input. The selected CCI input signal is latched with the EQUx signal and can be read from this bit.
9	Reserved	R	0h	Reserved. Reads as 0.
8	CAP	RW	0h	Capture mode 0b = Compare mode 1b = Capture mode
7-5	OUTMOD	RW	0h	Output mode. Modes 2, 3, 6, and 7 are not useful for TAXCCR0 because EQUx = EQU0. 000b = OUT bit value 001b = Set 010b = Toggle/reset 011b = Set/reset 100b = Toggle 101b = Reset 110b = Toggle/set 111b = Reset/set
4	CCIE	RW	0h	Capture/compare interrupt enable. This bit enables the interrupt request of the corresponding CCIFG flag. 0b = Interrupt disabled 1b = Interrupt enabled
3	CCI	R	0h	Capture/compare input. The selected input signal can be read by this bit.
2	OUT	RW	0h	Output. For output mode 0, this bit directly controls the state of the output. 0b = Output low 1b = Output high

Table 17-6. TAxCTLn Register Description (continued)

Bit	Field	Type	Reset	Description
1	COV	RW	0h	Capture overflow. This bit indicates a capture overflow occurred. COV must be reset with software. 0b = No capture overflow occurred 1b = Capture overflow occurred
0	CCIFG	RW	0h	Capture/compare interrupt flag 0b = No interrupt pending 1b = Interrupt pending

17.3.4 TAxCCRn Register

Timer_A Capture/Compare n Register

Figure 17-19. TAxCCRn Register

15	14	13	12	11	10	9	8
TAxCCRn							
rw-(0)	rw-(0)	rw-(0)	rw-(0)	rw-(0)	rw-(0)	rw-(0)	rw-(0)
7	6	5	4	3	2	1	0
TAxCCRn							
rw-(0)	rw-(0)	rw-(0)	rw-(0)	rw-(0)	rw-(0)	rw-(0)	rw-(0)

Table 17-7. TAxCCRn Register Description

Bit	Field	Type	Reset	Description
15-0	TAxCCR0	RW	0h	Compare mode: TAxCCRn holds the data for the comparison to the timer value in the Timer_A Register, TAR. Capture mode: The Timer_A Register, TAR, is copied into the TAxCCRn register when a capture is performed.

17.3.5 TAxIV Register

Timer_Ax Interrupt Vector Register

Figure 17-20. TAxIV Register

15	14	13	12	11	10	9	8
TAIV							
r0	r0	r0	r0	r0	r0	r0	r0
7	6	5	4	3	2	1	0
TAIV							
r0	r0	r0	r0	r-(0)	r-(0)	r-(0)	r0

Table 17-8. TAxIV Register Description

Bit	Field	Type	Reset	Description
15-0	TAIV	R	0h	Timer_A interrupt vector value 00h = No interrupt pending 02h = Interrupt Source: Capture/compare 1; Interrupt Flag: TAxCCR1 CCIFG; Interrupt Priority: Highest 04h = Interrupt Source: Capture/compare 2; Interrupt Flag: TAxCCR2 CCIFG 06h = Interrupt Source: Capture/compare 3; Interrupt Flag: TAxCCR3 CCIFG 08h = Interrupt Source: Capture/compare 4; Interrupt Flag: TAxCCR4 CCIFG 0Ah = Interrupt Source: Capture/compare 5; Interrupt Flag: TAxCCR5 CCIFG 0Ch = Interrupt Source: Capture/compare 6; Interrupt Flag: TAxCCR6 CCIFG 0Eh = Interrupt Source: Timer overflow; Interrupt Flag: TAxCTL TAIFG; Interrupt Priority: Lowest

17.3.6 TAxEX0 Register

Timer_Ax Expansion 0 Register

Figure 17-21. TAxEX0 Register

15	14	13	12	11	10	9	8
Reserved							
r0	r0	r0	r0	r0	r0	r0	r0
7	6	5	4	3	2	1	0
Reserved				TAIDEX ⁽¹⁾			
r0	r0	r0	r0	r0	rw-(0)	rw-(0)	rw-(0)

⁽¹⁾ After programming TAIDEX bits and configuration of the timer, set TACLR bit to ensure proper reset of the timer divider logic.

Table 17-9. TAxEX0 Register Description

Bit	Field	Type	Reset	Description
15-3	Reserved	R	0h	Reserved. Reads as 0.
2-0	TAIDEX	RW	0h	Input divider expansion. These bits along with the ID bits select the divider for the input clock. 000b = Divide by 1 001b = Divide by 2 010b = Divide by 3 011b = Divide by 4 100b = Divide by 5 101b = Divide by 6 110b = Divide by 7 111b = Divide by 8

Timer_B

Timer_B is a 16-bit timer/counter with multiple capture/compare registers. There can be multiple Timer_B modules on a given device (see the device-specific data sheet). This chapter describes the operation and use of the Timer_B module.

Topic	Page
18.1 Timer_B Introduction	483
18.2 Timer_B Operation.....	485
18.3 Timer_B Registers	498

18.1 Timer_B Introduction

Timer_B is a 16-bit timer/counter with up to seven capture/compare registers. Timer_B can support multiple capture/compares, PWM outputs, and interval timing. Timer_B also has extensive interrupt capabilities. Interrupts may be generated from the counter on overflow conditions and from each of the capture/compare registers.

Timer_B features include:

- Asynchronous 16-bit timer/counter with four operating modes and four selectable lengths
- Selectable and configurable clock source
- Up to seven configurable capture/compare registers
- Configurable outputs with PWM capability
- Double-buffered compare latches with synchronized loading
- Interrupt vector register for fast decoding of all Timer_B interrupts

The block diagram of Timer_B is shown in [Figure 18-1](#).

NOTE: Use of the word *count*

Count is used throughout this chapter. It means the counter must be in the process of counting for the action to take place. If a particular value is directly written to the counter, an associated action does not take place.

NOTE: Nomenclature

There may be multiple instantiations of Timer_B on a given device. The prefix TBx is used, where x is a greater than equal to zero indicating the Timer_B instantiation. For devices with one instantiation, x = 0. The suffix n, where n = 0 to 6, represents the specific capture/compare registers associated with the Timer_B instantiation.

18.1.1 Similarities and Differences From Timer_A

Timer_B is identical to Timer_A with the following exceptions:

- The length of Timer_B is programmable to be 8, 10, 12, or 16 bits.
- Timer_B TBxCCRn registers are double-buffered and can be grouped.
- All Timer_B outputs can be put into a high-impedance state.
- The SCCI bit function is not implemented in Timer_B.

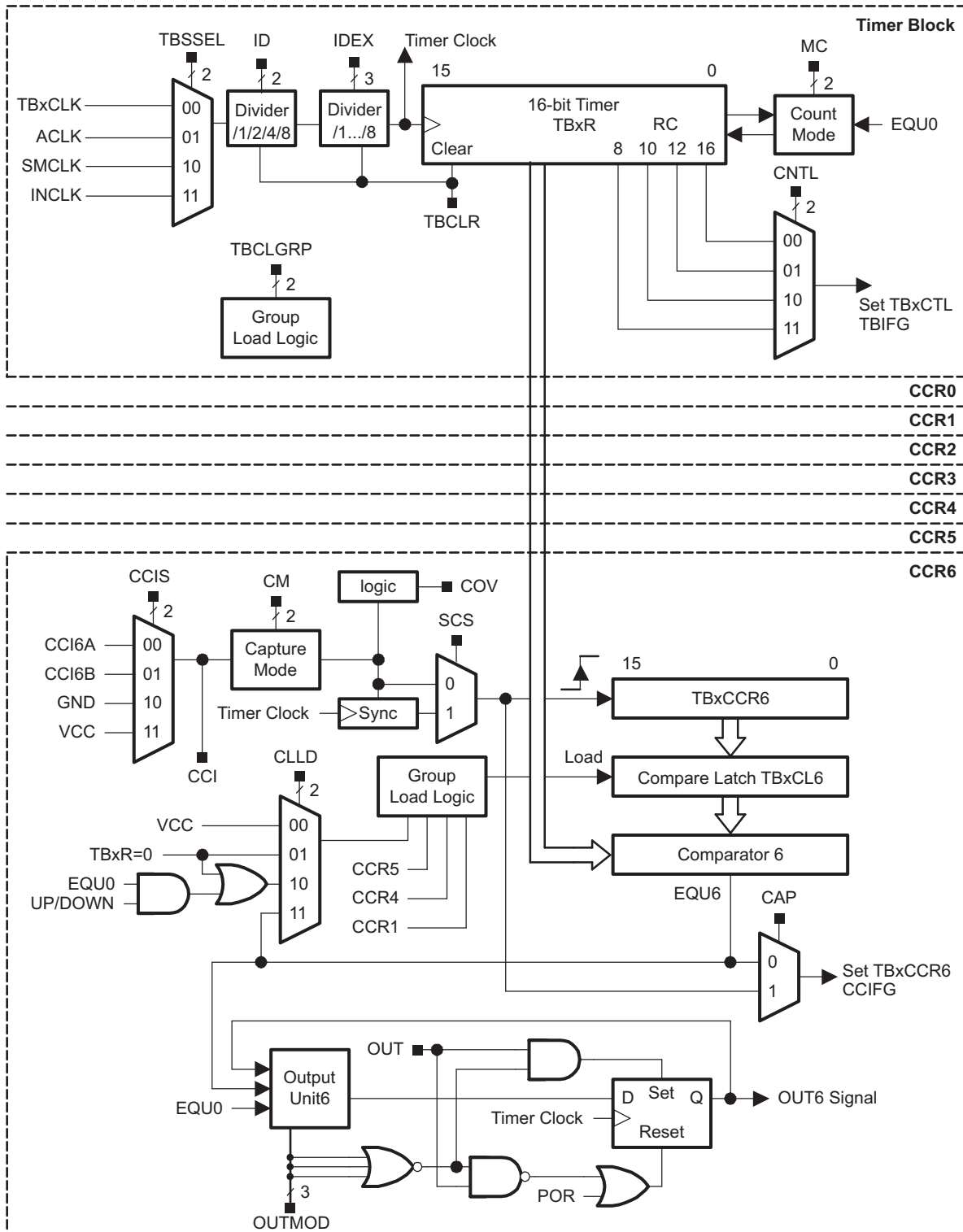


Figure 18-1. Timer_B Block Diagram

18.2 Timer_B Operation

The Timer_B module is configured with user software. The setup and operation of Timer_B is discussed in the following sections.

18.2.1 16-Bit Timer Counter

The 16-bit timer/counter register, TBxR, increments or decrements (depending on mode of operation) with each rising edge of the clock signal. TBxR can be read or written with software. Additionally, the timer can generate an interrupt when it overflows.

TBxR may be cleared by setting the TBCLR bit. Setting TBCLR also clears the clock divider counter logic (the divider setting remains unchanged) and count direction for up/down mode.

NOTE: Modifying Timer_B registers

TI recommends stopping the timer before modifying its operation (with exception of the interrupt enable, interrupt flag, and TBCLR) to avoid errant operating conditions.

When the timer clock is asynchronous to the CPU clock, any read from TBxR should occur while the timer is not operating or the results may be unpredictable. Alternatively, the timer may be read multiple times while operating, and a majority vote taken in software to determine the correct reading. Any write to TBxR takes effect immediately.

18.2.1.1 TBxR Length

Timer_B is configurable to operate as an 8-, 10-, 12-, or 16-bit timer with the CNTL bits. The maximum count value, $TBxR_{(max)}$, for the selectable lengths is 0FFh, 03FFh, 0FFFh, and 0FFFFh, respectively. Data written to the TBxR register in 8-, 10-, and 12-bit mode is right justified with leading zeros.

18.2.1.2 Clock Source Select and Divider

The timer clock can be sourced from ACLK, SMCLK, or externally from TBxCLK or INCLK. The clock source is selected with the TBSEL bits. The selected clock source may be passed directly to the timer or divided by 2, 4, or 8, using the ID bits. The selected clock source can be further divided by 2, 3, 4, 5, 6, 7, or 8 using the TBIDEX bits. The timer clock divider logic is reset when TBCLR is set.

NOTE: Timer_B dividers

After programming ID or TBIDEX bits, set the TBCLR bit. This clears the contents of TBxR and resets the clock divider logic to a defined state. The clock dividers are implemented as down counters. Therefore, when the TBCLR bit is cleared, the timer clock immediately begins clocking at the first rising edge of the Timer_B clock source selected with the TBSEL bits and continues clocking at the divider settings set by the ID and TBIDEX bits.

18.2.2 Starting the Timer

The timer may be started or restarted in the following ways:

- The timer counts when $MC > \{ 0 \}$ and the clock source is active.
- When the timer mode is either up or up/down, the timer may be stopped by loading 0 to TBxCL0. The timer may then be restarted by loading a nonzero value to TBxCL0. In this scenario, the timer starts incrementing in the up direction from zero.

18.2.3 Timer Mode Control

The timer has four modes of operation: stop, up, continuous, and up/down (see Table 18-1). The operating mode is selected with the MC bits.

Table 18-1. Timer Modes

MC	Mode	Description
00	Stop	The timer is halted.
01	Up	The timer repeatedly counts from zero to the value of compare register TBxCL0.
10	Continuous	The timer repeatedly counts from zero to the value selected by the CNTL bits.
11	Up/down	The timer repeatedly counts from zero up to the value of TBxCL0 and then back down to zero.

18.2.3.1 Up Mode

The up mode is used if the timer period must be different from $TBxR_{(max)}$ counts. The timer repeatedly counts up to the value of compare latch TBxCL0, which defines the period (see Figure 18-2). The number of timer counts in the period is $TBxCL0 + 1$. When the timer value equals TBxCL0, the timer restarts counting from zero. If up mode is selected when the timer value is greater than TBxCL0, the timer immediately restarts counting from zero.

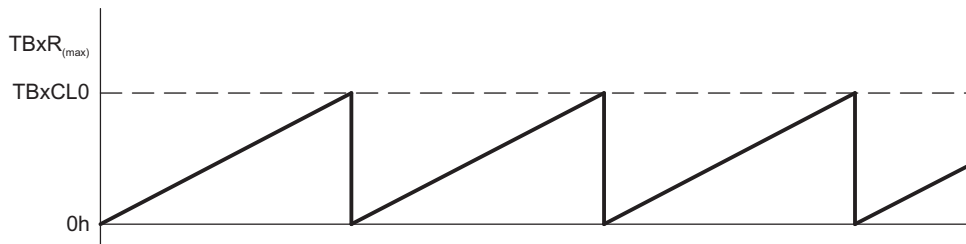


Figure 18-2. Up Mode

The TBxCCR0 CCIFG interrupt flag is set when the timer counts to the TBxCL0 value. The TBIFG interrupt flag is set when the timer counts from TBxCL0 to zero. Figure 18-3 shows the flag set cycle.

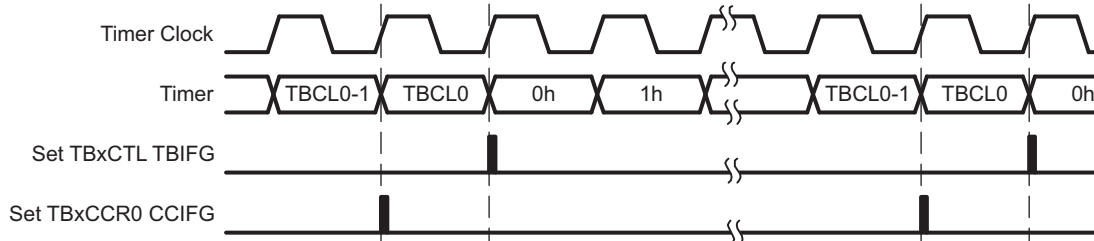


Figure 18-3. Up Mode Flag Setting

18.2.3.1.1 Changing Period Register TBxCL0

When changing TBxCL0 while the timer is running and when the TBxCL0 load mode is *immediate*, if the new period is greater than or equal to the old period or greater than the current count value, the timer counts up to the new period. If the new period is less than the current count value, the timer rolls to zero. However, one additional count may occur before the counter rolls to zero.

18.2.3.2 Continuous Mode

In continuous mode, the timer repeatedly counts up to $TBxR_{(max)}$ and restarts from zero (see Figure 18-4). The compare latch $TBxCL0$ works the same way as the other capture/compare registers.

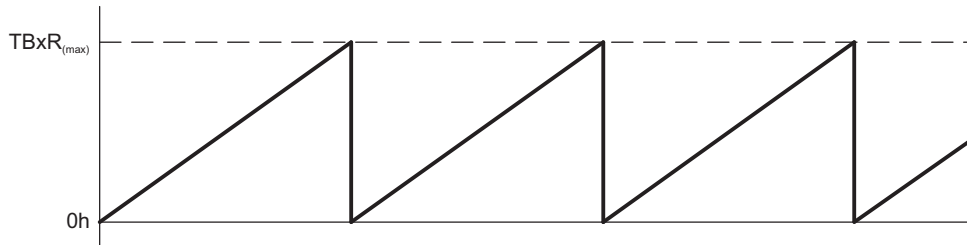


Figure 18-4. Continuous Mode

The TBIFG interrupt flag is set when the timer counts from $TBxR_{(max)}$ to zero. Figure 18-5 shows the flag set cycle.

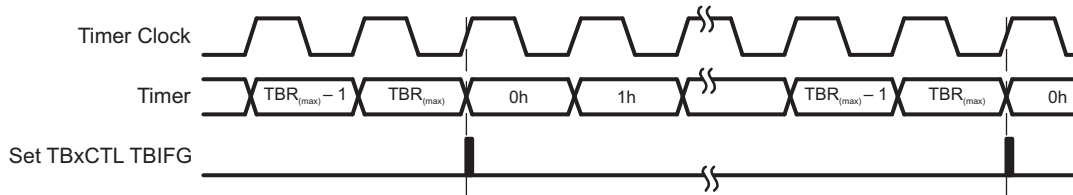


Figure 18-5. Continuous Mode Flag Setting

18.2.3.3 Use of Continuous Mode

The continuous mode can be used to generate independent time intervals and output frequencies. Each time an interval is completed, an interrupt is generated. The next time interval is added to the $TBxCLn$ latch in the interrupt service routine. Figure 18-6 shows two separate time intervals, t_0 and t_1 , being added to the capture/compare registers. The time interval is controlled by hardware, not software, without impact from interrupt latency. Up to n (where $n = 0$ to 7), independent time intervals or output frequencies can be generated using capture/compare registers.

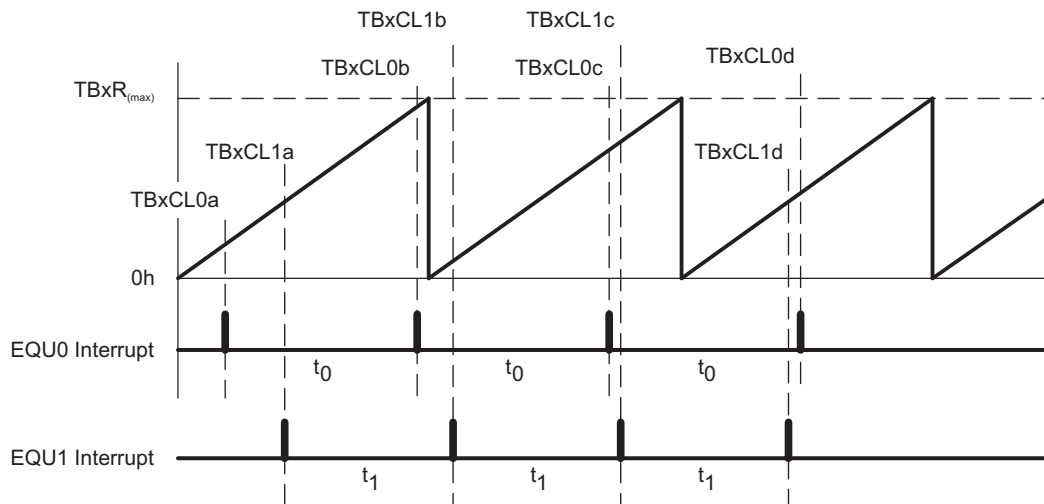


Figure 18-6. Continuous Mode Time Intervals

Time intervals can be produced with other modes as well, where TBxCL0 is used as the period register. Their handling is more complex, because the sum of the old TBxCLn data and the new period can be higher than the TBxCL0 value. When the sum of the previous TBxCLn value plus t_x is greater than the TBxCL0 data, the old TBxCL0 value must be subtracted to obtain the correct time interval.

18.2.3.4 Up/Down Mode

The up/down mode is used if the timer period must be different from $TBxR_{(max)}$ counts and if symmetrical pulse generation is needed. The timer repeatedly counts up to the value of compare latch TBxCL0, and back down to zero (see Figure 18-7). The period is twice the value in TBxCL0.

NOTE: $TBxCL0 > TBxR_{(max)}$

If $TBxCL0 > TBxR_{(max)}$, the counter operates as if it were configured for continuous mode. It does not count down from $TBxR_{(max)}$ to zero.

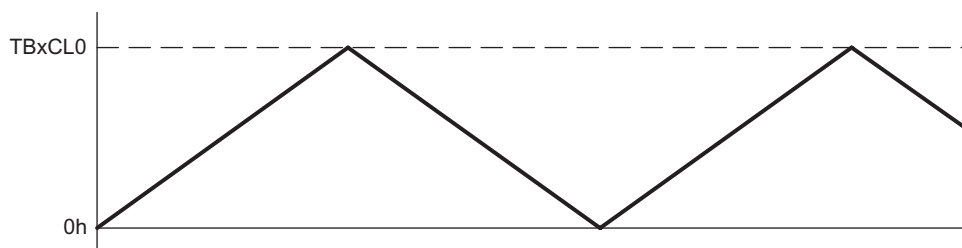


Figure 18-7. Up/Down Mode

The count direction is latched. This allows the timer to be stopped and then restarted in the same direction it was counting before it was stopped. If this is not desired, the TBCLR bit must be used to clear the direction. Setting TBCLR also clears the TBxR value and the clock divider counter logic (the divider setting remains unchanged).

In up/down mode, the TBxCCR0 CCIFG interrupt flag and the TBIFG interrupt flag are set only once during the period, separated by one-half the timer period. The TBxCCR0 CCIFG interrupt flag is set when the timer *counts* from $TBxCL0-1$ to $TBxCL0$, and TBIFG is set when the timer completes *counting* down from $0001h$ to $0000h$. Figure 18-8 shows the flag set cycle.

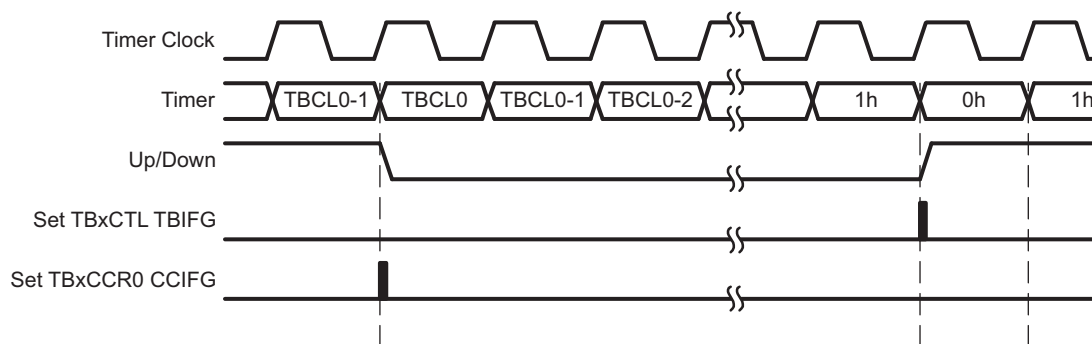


Figure 18-8. Up/Down Mode Flag Setting

18.2.3.4.1 Changing the Value of Period Register TBxCL0

When changing TBxCL0 while the timer is running and counting in the down direction, and when the TBxCL0 load mode is *immediate*, the timer continues its descent until it reaches zero. The new period takes effect after the counter counts down to zero.

If the timer is counting in the up direction when the new period is latched into TBxCL0, and the new period is greater than or equal to the old period or greater than the current count value, the timer counts up to the new period before counting down. When the timer is counting in the up direction, and the new period is less than the current count value when TBxCL0 is loaded, the timer begins counting down. However, one additional count may occur before the counter begins counting down.

18.2.3.5 Use of Up/Down Mode

The up/down mode supports applications that require dead times between output signals (see Section 18.2.5). For example, to avoid overload conditions, two outputs driving an H-bridge must never be in a high state simultaneously. In the example shown in Figure 18-9, the t_{dead} is:

$$t_{dead} = t_{timer} \times (TBxCL1 - TBxCL3)$$

Where:

t_{dead} = Time during which both outputs need to be inactive

t_{timer} = Cycle time of the timer clock

TBxCLn = Content of compare latch n

The ability to simultaneously load grouped compare latches ensures the dead times.

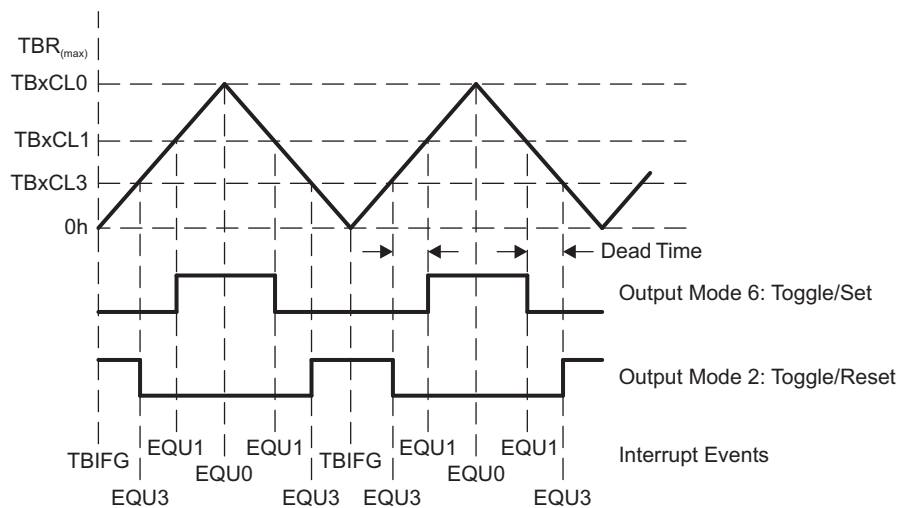


Figure 18-9. Output Unit in Up/Down Mode

18.2.4 Capture/Compare Blocks

Up to seven identical capture/compare blocks, TBxCCRn (where n = 0 to 6), are present in Timer_B. Any of the blocks may be used to capture the timer data or to generate time intervals.

18.2.4.1 Capture Mode

The capture mode is selected when CAP = 1. Capture mode is used to record time events. It can be used for speed computations or time measurements. The capture inputs CCIxA and CCIxB are connected to external pins or internal signals and are selected with the CCIS bits. The CM bits select the capture edge of the input signal as rising, falling, or both. A capture occurs on the selected edge of the input signal. If a capture is performed:

- The timer value is copied into the TBxCCRn register.
- The interrupt flag CCIFG is set.

The input signal level can be read at any time from the CCI bit. Devices may have different signals connected to CCIxA and CCIxB. See the device-specific data sheet for the connections of these signals.

The capture signal can be asynchronous to the timer clock and cause a race condition. Setting the SCS bit synchronizes the capture with the next timer clock. TI recommends setting the SCS bit to synchronize the capture signal with the timer clock (see [Figure 18-10](#)).

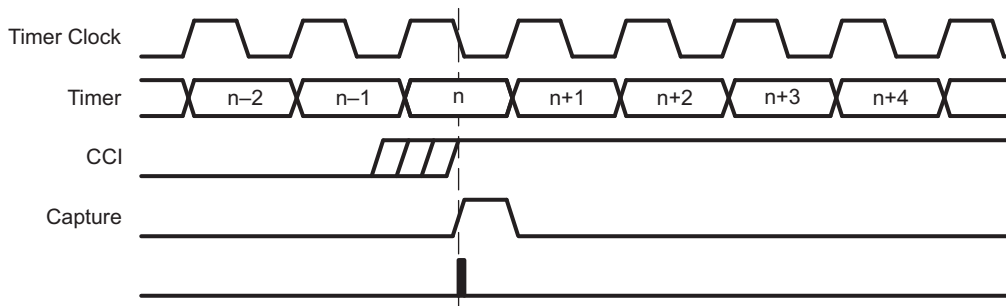


Figure 18-10. Capture Signal (SCS = 1)

NOTE: Changing Capture Inputs

Changing capture inputs while in capture mode may cause unintended capture events. To avoid this scenario, capture inputs should only be changed when capture mode is disabled (CM = {0} or CAP = 0).

Overflow logic is provided in each capture/compare register to indicate if a second capture was performed before the value from the first capture was read. Bit COV is set when this occurs (see [Figure 18-11](#)). COV must be reset with software.

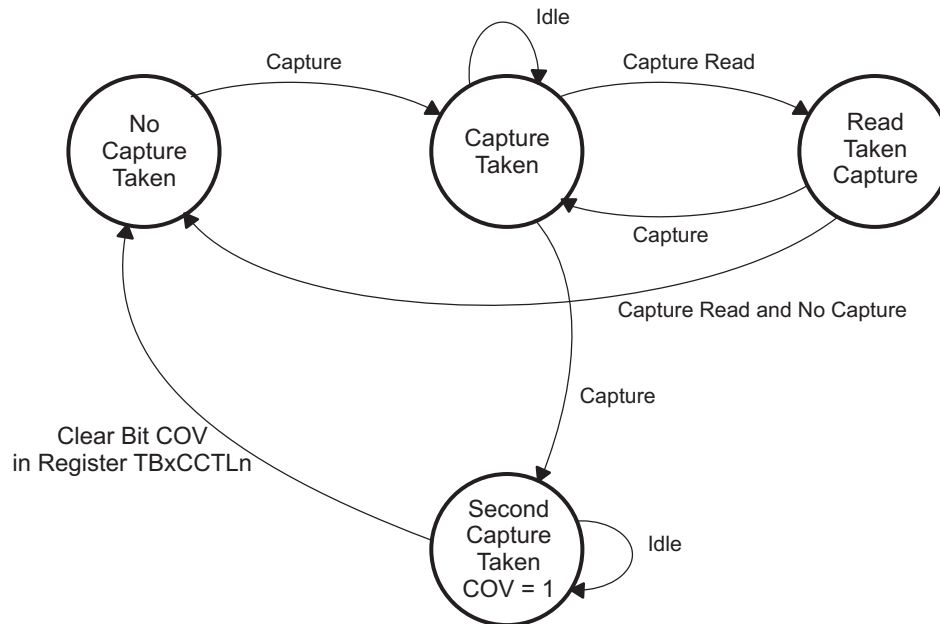


Figure 18-11. Capture Cycle

18.2.4.1.1 Capture Initiated by Software

Captures can be initiated by software. The CM bits can be set for capture on both edges. Software then sets bit CCIS1 = 1 and toggles bit CCIS0 to switch the capture signal between V_{CC} and GND, initiating a capture each time CCIS0 changes state:

```
MOV      #CAP+SCS+CCIS1+CM_3,&TB0CCTL1 ; Setup TB0CCTL1
XOR      #CCIS0,&TB0CCTL1             ; TB0CCR1 = TB0R
```

NOTE: Capture Initiated by Software

In general, changing capture inputs while in capture mode may cause unintended capture events. For this scenario, switching the capture input between VCC and GND, disabling the capture mode is not required.

18.2.4.2 Compare Mode

The compare mode is selected when CAP = 0. Compare mode is used to generate PWM output signals or interrupts at specific time intervals. When TBxR *counts* to the value in a TBxCLn, where n represents the specific capture/compare latch:

- Interrupt flag CCIFG is set.
- Internal signal EQU_n = 1.
- EQU_n affects the output according to the output mode.

18.2.4.2.1 Compare Latch TBxCLn

The TBxCCRn compare latch, TBxCLn, holds the data for the comparison to the timer value in compare mode. TBxCLn is buffered by TBxCCRn. The buffered compare latch gives the user control over when a compare period updates. The user cannot directly access TBxCLn. Compare data is written to each TBxCCRn and automatically transferred to TBxCLn. The timing of the transfer from TBxCCRn to TBxCLn is user selectable, with the CLLD bits as described in [Table 18-2](#).

Table 18-2. TBxCLn Load Events

CLLD	Description
00	New data is transferred from TBxCCRn to TBxCLn immediately when TBxCCRn is written to.
01	New data is transferred from TBxCCRn to TBxCLn when TBxR <i>counts</i> to 0.
10	New data is transferred from TBxCCRn to TBxCLn when TBxR <i>counts</i> to 0 for up and continuous modes. New data is transferred to from TBxCCRn to TBxCLn when TBxR <i>counts</i> to the old TBxCL0 value or to 0 for up/down mode.
11	New data is transferred from TBxCCRn to TBxCLn when TBxR <i>counts</i> to the old TBxCLn value.

18.2.4.2.2 Grouping Compare Latches

Multiple compare latches may be grouped together for simultaneous updates with the TBCLGRP_x bits. When using groups, the CLLD bits of the lowest numbered TBxCCR_n in the group determine the load event for each compare latch of the group, except when TBCLGRP = 3 (see [Table 18-3](#)). The CLLD bits of the controlling TBxCCR_n must not be set to zero. When the CLLD bits of the controlling TBxCCR_n are set to zero, all compare latches update immediately when their corresponding TBxCCR_n is written; no compare latches are grouped.

Two conditions must exist for the compare latches to be loaded when grouped. First, all TBxCCR_n registers of the group must be updated, even when new TBxCCR_n data = old TBxCCR_n data. Second, the load event must occur.

Table 18-3. Compare Latch Operating Modes

TBCLGRP _x	Grouping	Update Control
00	None	Individual
01	TBxCL1+TBxCL2 TBxCL3+TBxCL4 TBxCL5+TBxCL6	TBxCCR1 TBxCCR3 TBxCCR5
10	TBxCL1+TBxCL2+TBxCL3 TBxCL4+TBxCL5+TBxCL6	TBxCCR1 TBxCCR4
11	TBxCL0+TBxCL1+TBxCL2+TBxCL3+TBxCL4+TBxCL5+TBxCL6	TBxCCR1

18.2.5 Output Unit

Each capture/compare block contains an output unit. The output unit is used to generate output signals, such as PWM signals. Each output unit has eight operating modes that generate signals based on the EQU₀ and EQU_n signals. The TBOUTH pin function can be used to put all Timer_B outputs into a high-impedance state. When the TBOUTH pin function is selected for the pin (corresponding PSEL bit is set, and port configured as input) and when the pin is pulled high, all Timer_B outputs are in a high-impedance state.

18.2.5.1 Output Modes

The output modes are defined by the OUTMOD bits and are described in [Table 18-4](#). The OUT_n signal is changed with the rising edge of the timer clock for all modes except mode 0. Output modes 2, 3, 6, and 7 are not useful for output unit 0 because EQU_n = EQU₀.

Table 18-4. Output Modes

OUTMOD	Mode	Description
000	Output	The output signal OUT _n is defined by the OUT bit. The OUT _n signal updates immediately when OUT is updated.
001	Set	The output is set when the timer <i>counts</i> to the TBxCL _n value. It remains set until a reset of the timer, or until another output mode is selected and affects the output.
010	Toggle/Reset	The output is toggled when the timer <i>counts</i> to the TBxCL _n value. It is reset when the timer <i>counts</i> to the TBxCL ₀ value.
011	Set/Reset	The output is set when the timer <i>counts</i> to the TBxCL _n value. It is reset when the timer <i>counts</i> to the TBxCL ₀ value.
100	Toggle	The output is toggled when the timer <i>counts</i> to the TBxCL _n value. The output period is double the timer period.
101	Reset	The output is reset when the timer <i>counts</i> to the TBxCL _n value. It remains reset until another output mode is selected and affects the output.
110	Toggle/Set	The output is toggled when the timer <i>counts</i> to the TBxCL _n value. It is set when the timer <i>counts</i> to the TBxCL ₀ value.
111	Reset/Set	The output is reset when the timer <i>counts</i> to the TBxCL _n value. It is set when the timer <i>counts</i> to the TBxCL ₀ value.

18.2.5.1.1 Output Example – Timer in Up Mode

The OUTn signal is changed when the timer *counts* up to the TBxCLn value, and rolls from TBxCL0 to zero, depending on the output mode. An example is shown in [Figure 18-12](#) using TBxCL0 and TBxCL1.

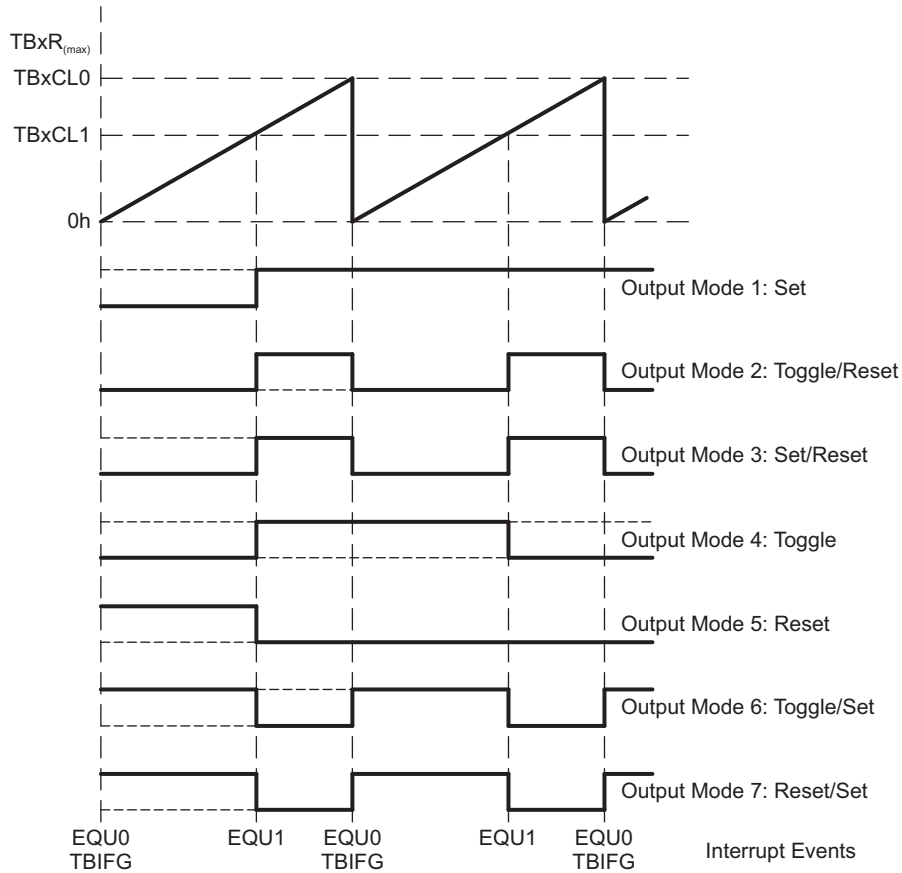


Figure 18-12. Output Example – Timer in Up Mode

18.2.5.1.2 Output Example – Timer in Continuous Mode

The OUTn signal is changed when the timer reaches the TBxCLn and TBxCL0 values, depending on the output mode. An example is shown in Figure 18-13 using TBxCL0 and TBxCL1.

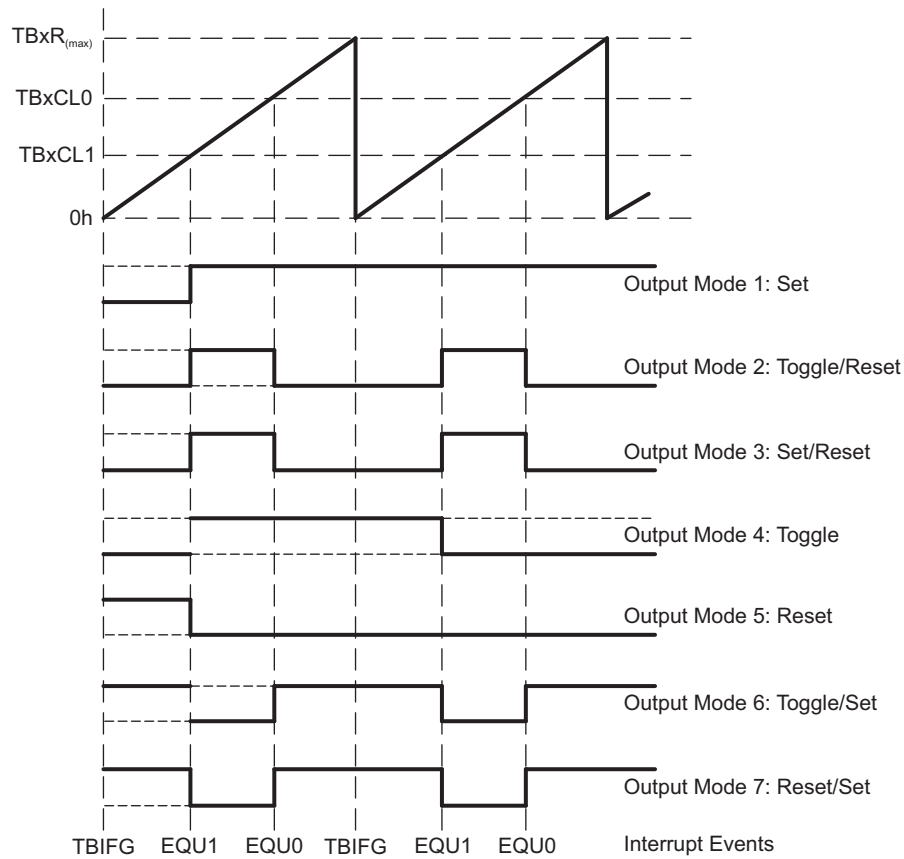


Figure 18-13. Output Example – Timer in Continuous Mode

18.2.5.1.3 Output Example – Timer in Up/Down Mode

The OUTn signal changes when the timer equals TBxCLn in either count direction and when the timer equals TBxCL0, depending on the output mode. An example is shown in Figure 18-14 using TBxCL0 and TBxCL3.

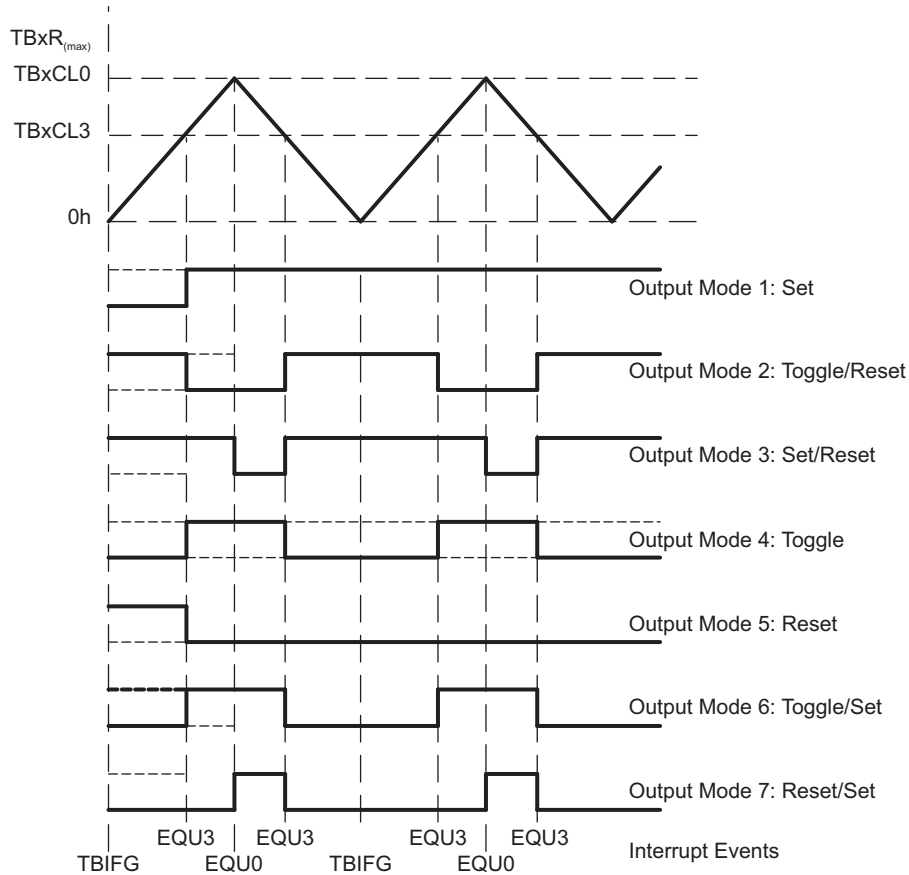


Figure 18-14. Output Example – Timer in Up/Down Mode

NOTE: Switching between output modes

When switching between output modes, one of the OUTMOD bits should remain set during the transition, unless switching to mode 0. Otherwise, output glitching can occur because a NOR gate decodes output mode 0. A safe method for switching between output modes is to use output mode 7 as a transition state:

```
BIS #OUTMOD_7,&TBCCTLx ; Set output mode=7
BIC #OUTMOD,&TBCCTLx ; Clear unwanted bits
```

18.2.6 Timer_B Interrupts

Two interrupt vectors are associated with the 16-bit Timer_B module:

- TBxCCR0 interrupt vector for TBxCCR0 CCIFG
- TBIV interrupt vector for all other CCIFG flags and TBIFG

In capture mode, any CCIFG flag is set when a timer value is captured in the associated TBxCCRn register. In compare mode, any CCIFG flag is set when TBxR counts to the associated TBxCLn value. Software may also set or clear any CCIFG flag. All CCIFG flags request an interrupt when their corresponding CCIE bit and the GIE bit are set.

18.2.6.1 TBxCCR0 Interrupt Vector

The TBxCCR0 CCIFG flag has the highest Timer_B interrupt priority and has a dedicated interrupt vector (see Figure 18-15). The TBxCCR0 CCIFG flag is automatically reset when the TBxCCR0 interrupt request is serviced.

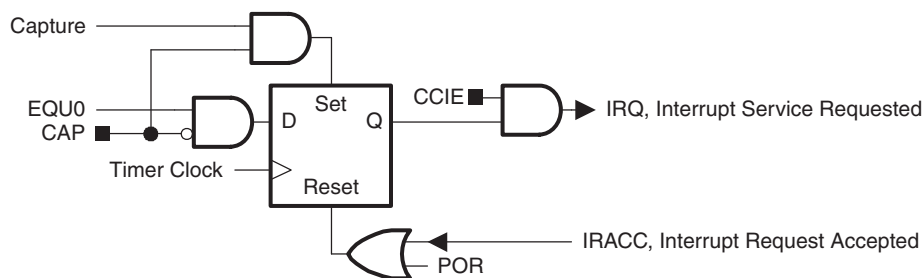


Figure 18-15. Capture/Compare TBxCCR0 Interrupt Flag

18.2.6.2 TBxIV, Interrupt Vector Generator

The TBIFG flag and TBxCCRn CCIFG flags (excluding TBxCCR0 CCIFG) are prioritized and combined to source a single interrupt vector. The interrupt vector register TBxIV is used to determine which flag requested an interrupt.

The highest-priority enabled interrupt (excluding TBxCCR0 CCIFG) generates a number in the TBxIV register (see register description). This number can be evaluated or added to the program counter to automatically enter the appropriate software routine. Disabled Timer_B interrupts do not affect the TBxIV value.

Any access, read or write, of the TBxIV register automatically resets the highest-pending interrupt flag. If another interrupt flag is set, another interrupt is immediately generated after servicing the initial interrupt. For example, if the TBxCCR1 and TBxCCR2 CCIFG flags are set when the interrupt service routine accesses the TBxIV register, TBxCCR1 CCIFG is reset automatically. After the RETI instruction of the interrupt service routine is executed, the TBxCCR2 CCIFG flag generates another interrupt.

18.2.6.3 TBxIV, Interrupt Handler Examples

The following software example shows the recommended use of TBxIV and the handling overhead. The TBxIV value is added to the PC to automatically jump to the appropriate routine. The example assumes a single instantiation of the largest timer configuration available.

The numbers at the right margin show the necessary CPU clock cycles for each instruction. The software overhead for different interrupt sources includes interrupt latency and return-from-interrupt cycles, but not the task handling itself. The latencies are:

- Capture/compare block CCR0: 11 cycles
- Capture/compare blocks CCR1 to CCR6: 16 cycles
- Timer overflow TBIFG: 14 cycles

The following software example shows the recommended use of TBxIV for Timer_B3.

```

; Interrupt handler for TB0CCR0 CCIFG.                                Cycles
CCIFG_0_HND
;      ...      ; Start of handler Interrupt latency      6
      RETI                                             5

; Interrupt handler for TB0IFG, TB0CCR1 through TB0CCR6 CCIFG.

TB0_HND      ...      ; Interrupt latency      6
      ADD      &TB0IV,PC      ; Add offset to Jump table      3
      RETI      ; Vector 0: No interrupt      5
      JMP      CCIFG_1_HND      ; Vector 2: TB0CCR1      2
      JMP      CCIFG_2_HND      ; Vector 4: TB0CCR2      2
      JMP      CCIFG_3_HND      ; Vector 6: TB0CCR3      2
      JMP      CCIFG_4_HND      ; Vector 8: TB0CCR4      2
      JMP      CCIFG_5_HND      ; Vector 10: TB0CCR5      2
      JMP      CCIFG_6_HND      ; Vector 12: TB0CCR6      2

TB0IFG_HND      ; Vector 14: TB0IFG Flag
      ...      ; Task starts here
      RETI                                             5

CCIFG_6_HND      ; Vector 12: TB0CCR6
      ...      ; Task starts here
      RETI      ; Back to main program      5

CCIFG_5_HND      ; Vector 10: TB0CCR5
      ...      ; Task starts here
      RETI      ; Back to main program      5

CCIFG_4_HND      ; Vector 8: TB0CCR4
      ...      ; Task starts here
      RETI      ; Back to main program      5

CCIFG_3_HND      ; Vector 6: TB0CCR3
      ...      ; Task starts here
      RETI      ; Back to main program      5

CCIFG_2_HND      ; Vector 4: TB0CCR2
      ...      ; Task starts here
      RETI      ; Back to main program      5

CCIFG_1_HND      ; Vector 2: TB0CCR1
      ...      ; Task starts here
      RETI      ; Back to main program      5

```

18.3 Timer_B Registers

The Timer_B registers are listed in [Table 18-5](#). The base address can be found in the device-specific data sheet. The address offset is listed in [Table 18-5](#).

Table 18-5. Timer_B Registers

Offset	Acronym	Register Name	Type	Access	Reset	Section
00h	TBxCTL	Timer_B Control	Read/write	Word	0000h	Section 18.3.1
02h	TBxCCTL0	Timer_B Capture/Compare Control 0	Read/write	Word	0000h	Section 18.3.3
04h	TBxCCTL1	Timer_B Capture/Compare Control 1	Read/write	Word	0000h	Section 18.3.3
06h	TBxCCTL2	Timer_B Capture/Compare Control 2	Read/write	Word	0000h	Section 18.3.3
08h	TBxCCTL3	Timer_B Capture/Compare Control 3	Read/write	Word	0000h	Section 18.3.3
0Ah	TBxCCTL4	Timer_B Capture/Compare Control 4	Read/write	Word	0000h	Section 18.3.3
0Ch	TBxCCTL5	Timer_B Capture/Compare Control 5	Read/write	Word	0000h	Section 18.3.3
0Eh	TBxCCTL6	Timer_B Capture/Compare Control 6	Read/write	Word	0000h	Section 18.3.3
10h	TBxR	Timer_B Counter	Read/write	Word	0000h	Section 18.3.2
12h	TBxCCR0	Timer_B Capture/Compare 0	Read/write	Word	0000h	Section 18.3.4
14h	TBxCCR1	Timer_B Capture/Compare 1	Read/write	Word	0000h	Section 18.3.4
16h	TBxCCR2	Timer_B Capture/Compare 2	Read/write	Word	0000h	Section 18.3.4
18h	TBxCCR3	Timer_B Capture/Compare 3	Read/write	Word	0000h	Section 18.3.4
1Ah	TBxCCR4	Timer_B Capture/Compare 4	Read/write	Word	0000h	Section 18.3.4
1Ch	TBxCCR5	Timer_B Capture/Compare 5	Read/write	Word	0000h	Section 18.3.4
1Eh	TBxCCR6	Timer_B Capture/Compare 6	Read/write	Word	0000h	Section 18.3.4
2Eh	TBxIV	Timer_B Interrupt Vector	Read only	Word	0000h	Section 18.3.5
20h	TBxEX0	Timer_B Expansion 0	Read/write	Word	0000h	Section 18.3.6

18.3.1 TBxCTL Register

Timer_B x Control Register

Figure 18-16. TBxCTL Register

15	14	13	12	11	10	9	8
Reserved	TBCLGRP _x		CNTL		Reserved	TBSSEL	
rw-(0)	rw-(0)	rw-(0)	rw-(0)	rw-(0)	rw-(0)	rw-(0)	rw-(0)
7	6	5	4	3	2	1	0
ID	MC		Reserved		TBCLR	TBIE	TBIFG
rw-(0)	rw-(0)	rw-(0)	rw-(0)	rw-(0)	w-(0)	rw-(0)	rw-(0)

Table 18-6. TBxCTL Register Description

Bit	Field	Type	Reset	Description
15	Reserved	R	0h	Reserved. Always reads as 0.
14-13	TBCLGRP	RW	0h	TBxCL _n group 00b = Each TBxCL _n latch loads independently. 01b = TBxCL1+TBxCL2 (TBxCCR1 CLLD bits control the update); TBxCL3+TBxCL4 (TBxCCR3 CLLD bits control the update); TBxCL5+TBxCL6 (TBxCCR5 CLLD bits control the update); TBxCL0 independent 10b = TBxCL1+TBxCL2+TBxCL3 (TBxCCR1 CLLD bits control the update); TBxCL4+TBxCL5+TBxCL6 (TBxCCR4 CLLD bits control the update); TBxCL0 independent 11b = TBxCL0+TBxCL1+TBxCL2+TBxCL3+TBxCL4+TBxCL5+TBxCL6 (TBxCCR1 CLLD bits control the update)
12-11	CNTL	RW	0h	Counter length 00b = 16-bit, TBxR(max) = 0FFFFh 01b = 12-bit, TBxR(max) = 0FFFh 10b = 10-bit, TBxR(max) = 03FFh 11b = 8-bit, TBxR(max) = 0FFh
10	Reserved	R	0h	Reserved. Always reads as 0.
9-8	TBSSEL	RW	0h	Timer_B clock source select 00b = TBxCLK 01b = ACLK 10b = SMCLK 11b = INCLK
7-6	ID	RW	0h	Input divider. These bits, along with the TBIDEX bits, select the divider for the input clock. 00b = /1 01b = /2 10b = /4 11b = /8
5-4	MC	RW	0h	Mode control. Setting MC = 00h when Timer_B is not in use conserves power. 00b = Stop mode: Timer is halted 01b = Up mode: Timer counts up to TBxCL0 10b = Continuous mode: Timer counts up to the value set by CNTL 11b = Up/down mode: Timer counts up to TBxCL0 and down to 0000h
3	Reserved	R	0h	Reserved. Always reads as 0.
2	TBCLR	RW	0h	Timer_B clear. Setting this bit clears TBR, the clock divider logic (the divider setting remains unchanged), and the count direction. The TBCLR bit is automatically reset and is always read as zero.
1	TBIE	RW	0h	Timer_B interrupt enable. This bit enables the TBIFG interrupt request. 0b = Interrupt disabled 1b = Interrupt enabled

Table 18-6. TBxCTL Register Description (continued)

Bit	Field	Type	Reset	Description
0	TBIFG	RW	0h	Timer_B interrupt flag 0b = No interrupt pending 1b = Interrupt pending

18.3.2 TBxR Register

Timer_B x Counter Register

Figure 18-17. TBxR Register

15	14	13	12	11	10	9	8
TBxR							
rw-(0)	rw-(0)	rw-(0)	rw-(0)	rw-(0)	rw-(0)	rw-(0)	rw-(0)
7	6	5	4	3	2	1	0
TBxR							
rw-(0)	rw-(0)	rw-(0)	rw-(0)	rw-(0)	rw-(0)	rw-(0)	rw-(0)

Table 18-7. TBxR Register Description

Bit	Field	Type	Reset	Description
15-0	TBxR	RW	0h	Timer_B register. The TBxR register is the count of Timer_B.

18.3.3 TBxCCTLn Register

Timer_B x Capture/Compare Control Register n

Figure 18-18. TBxCCTLn Register

15	14	13	12	11	10	9	8
CM		CCIS		SCS	CLLD		CAP
rw-(0)	rw-(0)	rw-(0)	rw-(0)	rw-(0)	rw-(0)	rw-(0)	rw-(0)
7	6	5	4	3	2	1	0
OUTMOD			CCIE	CCI	OUT	COV	CCIFG
rw-(0)	rw-(0)	rw-(0)	rw-(0)	r	rw-(0)	rw-(0)	rw-(0)

Table 18-8. TBxCCTLn Register Description

Bit	Field	Type	Reset	Description
15-14	CM	RW	0h	Capture mode 00b = No capture 01b = Capture on rising edge 10b = Capture on falling edge 11b = Capture on both rising and falling edges
13-12	CCIS	RW	0h	Capture/compare input select. These bits select the TBxCCRn input signal. See the device-specific data sheet for specific signal connections. 00b = CCIxA 01b = CCIxB 10b = GND 11b = VCC
11	SCS	RW	0h	Synchronize capture source. This bit is used to synchronize the capture input signal with the timer clock. 0b = Asynchronous capture 1b = Synchronous capture
10-9	CLLD	RW	0h	Compare latch load. These bits select the compare latch load event. 00b = TBxCLn loads on write to TBxCCRn 01b = TBxCLn loads when TBxR counts to 0 10b = TBxCLn loads when TBxR counts to 0 (up or continuous mode). TBxCLn loads when TBxR counts to TBxCL0 or to 0 (up/down mode). 11b = TBxCLn loads when TBxR counts to TBxCLn
8	CAP	RW	0h	Capture mode 0b = Compare mode 1b = Capture mode
7-5	OUTMOD	RW	0h	Output mode. Modes 2, 3, 6, and 7 are not useful for TBxCL0 because EQU _n = EQU ₀ . 000b = OUT bit value 001b = Set 010b = Toggle/reset 011b = Set/reset 100b = Toggle 101b = Reset 110b = Toggle/set 111b = Reset/set
4	CCIE	RW	0h	Capture/compare interrupt enable. This bit enables the interrupt request of the corresponding CCIFG flag. 0b = Interrupt disabled 1b = Interrupt enabled
3	CCI	R	Undef	Capture/compare input. The selected input signal can be read by this bit.

Table 18-8. TBxCCTLn Register Description (continued)

Bit	Field	Type	Reset	Description
2	OUT	RW	0h	Output. For output mode 0, this bit directly controls the state of the output. 0b = Output low 1b = Output high
1	COV	RW	0h	Capture overflow. This bit indicates a capture overflow occurred. COV must be reset with software. 0b = No capture overflow occurred 1b = Capture overflow occurred
0	CCIFG	RW	0h	Capture/compare interrupt flag 0b = No interrupt pending 1b = Interrupt pending

18.3.4 TBxCCRn Register

Timer_B x Capture/Compare Register n

Figure 18-19. TBxCCRn Register

15	14	13	12	11	10	9	8
TBxCCRn							
rw-(0)	rw-(0)	rw-(0)	rw-(0)	rw-(0)	rw-(0)	rw-(0)	rw-(0)
7	6	5	4	3	2	1	0
TBxCCRn							
rw-(0)	rw-(0)	rw-(0)	rw-(0)	rw-(0)	rw-(0)	rw-(0)	rw-(0)

Table 18-9. TBxCCRn Register Description

Bit	Field	Type	Reset	Description
15-0	TBxCCRn	RW	0h	Timer_B capture/compare register. Compare mode: TBxCCRn holds the data for the comparison to the timer value in the Timer_B Register, TBR. Capture mode: The Timer_B Register, TBR, is copied into the TBxCCRn register when a capture is performed.

18.3.5 TBxIV Register

Timer_B x Interrupt Vector Register

Figure 18-20. TBxIV Register

15	14	13	12	11	10	9	8
TBIV							
r-(0)	r-(0)	r-(0)	r-(0)	r-(0)	r-(0)	r-(0)	r-(0)
7	6	5	4	3	2	1	0
TBIV							
r-(0)	r-(0)	r-(0)	r-(0)	r-(0)	r-(0)	r-(0)	r-(0)

Table 18-10. TBxIV Register Description

Bit	Field	Type	Reset	Description
15-0	TBIV	R	0h	Timer_B interrupt vector value 00h = No interrupt pending 02h = Interrupt Source: Capture/compare 1; Interrupt Flag: TBxCCR1 CCIFG; Interrupt Priority: Highest 04h = Interrupt Source: Capture/compare 2; Interrupt Flag: TBxCCR2 CCIFG 06h = Interrupt Source: Capture/compare 3; Interrupt Flag: TBxCCR3 CCIFG 08h = Interrupt Source: Capture/compare 4; Interrupt Flag: TBxCCR4 CCIFG 0Ah = Interrupt Source: Capture/compare 5; Interrupt Flag: TBxCCR5 CCIFG 0Ch = Interrupt Source: Capture/compare 6; Interrupt Flag: TBxCCR6 CCIFG 0Eh = Interrupt Source: Timer overflow; Interrupt Flag: TBxCTL TBIFG; Interrupt Priority: Lowest

18.3.6 TBxEX0 Register

Timer_B x Expansion Register 0

Figure 18-21. TBxEX0 Register

15	14	13	12	11	10	9	8
Reserved							
r0	r0	r0	r0	r0	r0	r0	r0
7	6	5	4	3	2	1	0
Reserved					TBIDEX ⁽¹⁾		
r0	r0	r0	r0	r0	rw-(0)	rw-(0)	rw-(0)

⁽¹⁾ After programming TBIDEX bits and configuration of the timer, set TBCLR bit to ensure proper reset of the timer divider logic.

Table 18-11. TBxEX0 Register Description

Bit	Field	Type	Reset	Description
15-3	Reserved	R	0h	Reserved. Always reads as 0.
2-0	TBIDEX	RW	0h	Input divider expansion. These bits along with the ID bits select the divider for the input clock. 000b = Divide by 1 001b = Divide by 2 010b = Divide by 3 011b = Divide by 4 100b = Divide by 5 101b = Divide by 6 110b = Divide by 7 111b = Divide by 8

Timer_D

Timer_D is a 16-bit timer/counter with multiple capture/compare registers. This chapter describes Timer_D.

Topic	Page
19.1 Timer_D Introduction	508
19.2 Timer_D Operation.....	510
19.3 Timer_D Registers	534

19.1 Timer_D Introduction

Timer_D is a 16-bit timer/counter with multiple capture/compare registers. Timer_D can support multiple capture/compares, interval timing, and PWM outputs both in general and high resolution modes. Timer_D also has extensive interrupt capabilities. Interrupts may be generated from the counter on overflow conditions, from each of the capture/compare registers.

Timer_D features include:

- Asynchronous 16-bit timer/counter with four operating modes and four selectable lengths
- Selectable and configurable clock source
- Configurable capture/compare registers
- Controlling rising and falling PWM edges by combining two neighbor TDCCR registers in one compare channel output
- Configurable outputs with PWM capability
- High-resolution mode with a fine clock frequency up to 16 times the timer input clock frequency
- Double-buffered compare registers with synchronized loading
- Interrupt vector register for fast decoding of all Timer_D interrupts

The block diagram of Timer_D is shown in [Figure 19-1](#).

NOTE: Use of the word *count*

Count is used throughout this chapter. It means the counter must be in the process of counting for the action to take place. If a particular value is directly written to the counter, any associated action does not take place.

19.1.1 Differences From Timer_B

Timer_D is identical to Timer_B with the following exceptions:

- Timer_D supports high-resolution mode.
- Timer_D supports the combination of two adjacent TDCCR_x registers in one capture/compare channel.
- Timer_D supports the dual capture event mode.
- Timer_D supports external fault input, external clear input, and signal. See the [TEC chapter](#) for detailed information.
- Timer_D can synchronize with a second timer instance when available. See the [TEC chapter](#) for detailed information.

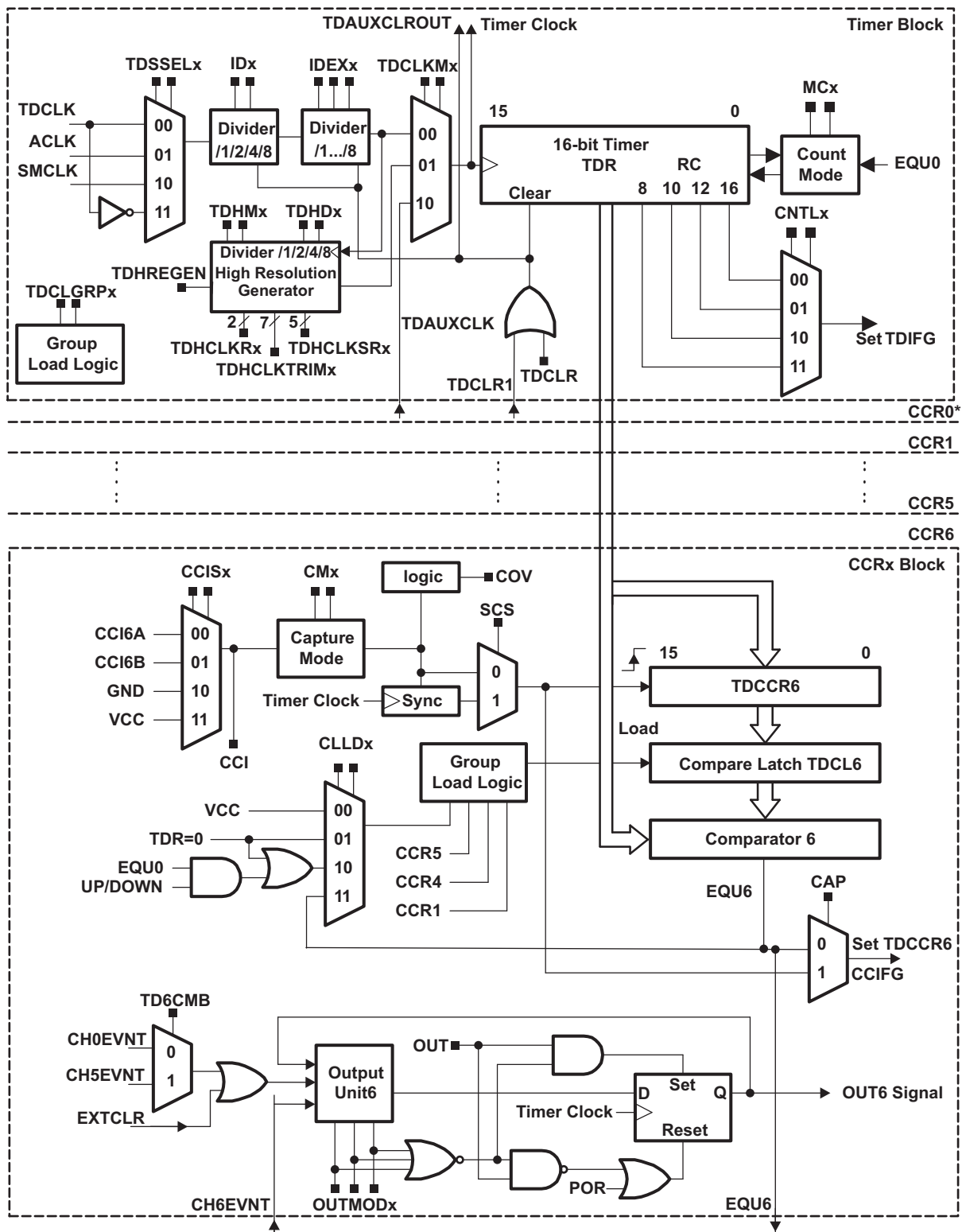


Figure 19-1. Timer_D Block Diagram

NOTE: TDxCCR0 is slightly different from the other capture/compare blocks. The input signals to the output unit are:

- OUT0 signal
- EXTCLR signal
- Timer Counter overflow

This enables channel 0 to generate a PWM output signal in Continuous mode. The events to set and reset the PWM output 0 are the CCR0 match and the Timer Counter overflow (TDIFG).

NOTE: TDCCR_x channels with odd channel numbers do not have the TDxCMB bit capabilities. Therefore, there is no MUX, and the CH0EVNT is ORed with EXTCLR.

19.2 Timer_D Operation

The Timer_D module is configured with user software. The setup and operation of Timer_D is discussed in the following sections.

19.2.1 16-Bit Timer Counter

The 16-bit timer/counter register, TDxR, increments or decrements (depending on mode of operation) with each rising edge of the clock signal. TDxR can be read or written with software. Additionally, the timer can generate an interrupt when it overflows.

TDxR may be cleared by any of the following events:

- Writing 1 to TDCLR bit
- A logical high TDCLR1 signal. See the [TEC chapter](#) for details.

When the TDxR is cleared, the timer divider is restarted.

NOTE: Modifying Timer_D registers

It is recommended to stop the timer before modifying its operation to avoid errant operating conditions. Stopping the timer is not required for the following cases:

- To enable interrupt
- Setting interrupt flags
- Setting TDCLR bit
- Enabling or disabling calibration in high-resolution mode

When the TDCLK is asynchronous to the CPU clock, any read from TDxR should occur while the timer is not operating, or the results may be unpredictable. Alternatively, the timer may be read multiple times while operating, and a majority vote taken in software to determine the correct reading. Any write to TDxR takes effect immediately.

19.2.1.1 TDxR Length

Timer_D is configurable to operate as an 8-, 10-, 12-, or 16-bit timer with the CNTL_x bits. The maximum count value, TDR_(max), for the selectable lengths is 0FFh, 03FFh, 0FFFh, and 0FFFFh, respectively. Data written to the TDxR register in 8-, 10-, and 12-bit mode is right justified with leading zeros.

19.2.1.2 Clock Source Select and Divider

The TDCLKMx bits of the control register 1 (TDxCTL1) select the timer clock between the timer input clock source, the high-resolution local clock, or the auxiliary clock of another timer instance.

The timer input clock can be sourced from ACLK, SMCLK, or externally via TDCLK or INCLK. The clock source is selected with the TDSSELx bits. The selected clock source may be passed directly to the timer or to a 2-stage division process by using the ID and IDEX bits. Whenever a timer clear event occurs, the clock divider is restarted. The clock divider is also restarted when passing the selected clock to the high-resolution generator.

19.2.2 High-Resolution Generator

In high-resolution mode, the high-resolution generator is used. Figure 19-2 shows the high resolution clock generator block diagram. It can be operated in free-running mode or in regulated mode.

In free-running mode (TDHREGEN = 0), the high-resolution clock is selected by the high-resolution clock range selection bits TDHCLKRx in the register TDxHCTL1. Each clock range is divided into $2^{\text{TDHCLKSRx}}$ sub-ranges. And in each sub-range, a total number of $2^{\text{TDHCLKTRIMx}}$ slots can be chosen by configuring the TDHCLKTRIMx bits in the TDxHCTL1 register.

In regulated mode (TDHREGEN = 1), the selected high-resolution generator frequency is adjusted to the timer input clock frequency. The high-resolution clock frequency is 8x (TDHMx = 00) or 16x (TDHMx = 01) higher than the selected timer input clock. The timer input clock frequency can be within the range of 8 MHz to 16 MHz if 16x is selected (TDHMx = 00) or 8 MHz to 25 MHz if 8x (TDHMx = 01) is selected. When the timer input clock frequency is greater than 15 MHz, the TDHCLKCR bit in the TDxHCTL1 register should be set. The TDHCLKRx bits are used to preset the frequency range of the high-resolution generator.

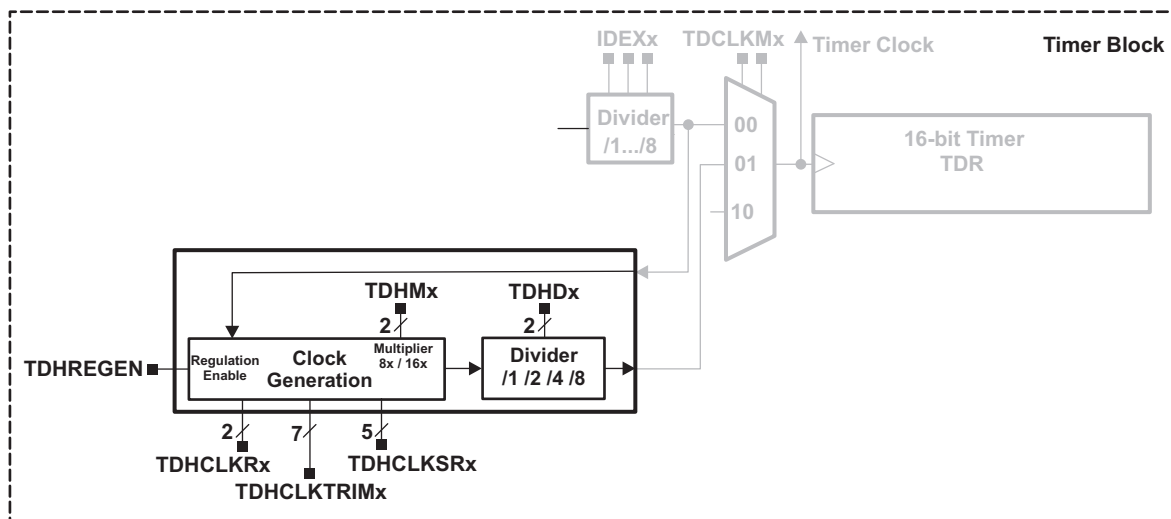


Figure 19-2. High Resolution Clock Generator

19.2.2.1 Free-Running Mode of the High-Resolution Generator

When the high-resolution generator is used in free-running mode, the register TDxHCTL1 is configured by the user software. Before the high-resolution generator is enabled, the bits TDHCLKCR, TDHCLKRx, TDHSRx, and TDHCLKTRIMx must be configured. See the device-specific data sheet for details about the frequency selection. After the high-resolution generator is turned on, only the TDHCLKTRIMx bits should be changed by +1 or -1 at a time. All other settings must not be altered manually. Using TDHCLKTRIMx allows changing the frequency by at least $\pm 20\%$ from TDHCLKTRIM = 64.

There are factory preprogrammed values stored in the TLV structure of the flash memory for the TDHCLKRx, TDHSR_x, and TDHCLKTRIM_x registers for specific frequencies. To use the calibrated settings, the register setting is copied into the TDHCLKRx, TDHSR_x, and TDHCLKTRIM_x registers. In addition to these settings, a clock multiplication factor and coarse clock range selection must be applied to the TDHM_x and TDHCLKCR bits of the TDHCTL0 register (see [Table 19-1](#)).

Table 19-1. Factory Preprogrammed Frequency and TDHM_x, TDHCLKCR Bit Settings

Frequency	TLV Label	TDHM _x	TDHCLKCR	Description
64	TDHxCTL1_64	00	0	Local clock generator of Timer_Dx generates a frequency of 64 MHz = 8 × 8 MHz.
128	TDHxCTL1_128	00	1	Local clock generator of Timer_Dx generates a frequency of 128 MHz = 8 × 16 MHz.
200	TDHxCTL1_200	00	1	Local clock generator of Timer_Dx generates a frequency of 200 MHz = 8 × 25 MHz.
256	TDHxCTL1_256	01	1	Local clock generator of Timer_Dx generates a frequency of 256 MHz = 16 × 16 MHz.

19.2.2.2 Change Frequency of High-Resolution Generator (Free-Running Mode)

To change the frequency of the high-resolution generator in free-running mode:

- Increment or decrement TDHCLKTRIM by 1 until TDHCLKTRIM = 64 is reached. If the clock range must be changed, proceed to Step 1a for a higher clock range or to Step 1b for a lower clock range.
 - If the clock range, TDHCLKRx, must be changed to a higher clock range, then the TDHCLKSR must be brought to TDHCLKSR = 31 by incrementing by 1.
 - If the clock range, TDHCLKRx, must be changed to a lower clock range, then the TDHCLKSR must be brought to TDHCLKSR = 0 by decrementing by 1.
- Change the clock range, TDHCLKR, after step 1a or 1b. Increment or decrement by 1 at a time.
- Increment or decrement TDHCLKSR by 1 until the desired clock frequency is reached to an accuracy of approximately ±3%.
- Increment or decrement TDHCLKTRIM by 1 until the desired clock frequency is reached to an accuracy of approximately ±1.5%.

Further changes to track the frequency because of changes in the environment can be done by changing only the TDHCLKTRIM values.

19.2.2.3 Regulated Mode of the High-Resolution Generator

In regulated mode, the high-resolution generator produces 8 or 16 equidistant events per timer input clock cycle. Regulation is enabled by setting the high-resolution calibration enable bit TDHREGEN. The high-resolution generator tracks changes of the timer input clock after locking to the timer input clock frequency. Locking is indicated by setting the lock interrupt flag TDHLKIFG. As long as the high-resolution generator is not locked, the interrupt flag TDHUNLKIFG is set.

If the timer input clock is out of the frequency range of the high-resolution generator, then the fail-high interrupt flag (TDHFHIFG) or the fail-low interrupt flag (TDHFLIFG) is set.

If the TDHREGEN bit is cleared, the continuous regulation is stopped and the high-resolution frequency enters free-running mode. The latest settings are kept.

[Example 20-1](#) shows how to set the timer to high-resolution mode.

Example 19-1. Set the Timer to High-Resolution Mode

```

; Example: TDCLK=12MHz ; Generate the high-resolution frequency 12x16MHz
;
MOV #TDHCLKCR_0+TDHCLKR_x+TDHSR_x+TDHCLKTRIM_x, &TDxHCTL1 ; pre-selected Clock Range
MOV #TDSSEL_0, &TDxCTL0 ; TDCLK, High-Res input
; clock
MOV #TDCLKM_1, &TDxCTL1 ; Select High-Res Clock
MOV #TDHM_1+TDHREGEN+TDHEN+TDHRON, &TDxHCTL0 ; 16x, Regulation
; Waiting for TDHLKIFG
TD_HANDLER ... ; Int handler Timer_D
ADD &TDxIV, PC ; Add offset to Jump table
RETI ; Vector 0: No Interrupt
... ; Other vectors
JMP TDHLK_HANDLER ; Vector 24: Locked handler
...
TDHLK_HANDLER ; Begin of Clock Locked handler
MOV #MC_1, &TDxCTL0 ; Up Mode. Start Timer_D
...
RETI

```

19.2.3 Starting the Timer

The timer may be started or restarted by any of the following methods:

- The timer counts when MCx > 0 and the clock source is active.
- TDHEN = 0: When the timer mode is either up or up/down, the timer may be stopped by loading 0 to TDxCL0. The timer may then be restarted by loading a nonzero value to TDxCL0. In this case, the timer starts incrementing in the up direction from zero.
- TDHEN = 1: When the timer mode is in either up mode or up/down mode, the timer may be stopped by loading 0 to TDxCL0. The timer may then be restarted by loading a nonzero value to TDxCL0. In this case, the timer starts incrementing in the up direction from zero.

19.2.4 Timer Mode Control

The timer has four modes of operation: stop, up, continuous, and up/down. The operating mode is selected with the MSCx bits (see [Table 19-2](#)).

Table 19-2. Timer Modes

MCx	Mode	Description
00	Stop	The timer is halted.
01	Up	The timer repeatedly counts from zero to the value of compare register TDxCL0.
10	Continuous	The timer repeatedly counts from zero to the value selected by the TDCNTLx bits.
11	Up/down	The timer repeatedly counts from zero up to the value of TDxCL0 and then back down to zero.

19.2.4.1 Up Mode

The up mode is used if the timer period must be different from $TDR_{(max)}$ counts. The timer repeatedly counts up to the value of compare latch $TDxCL0$, which defines the period (see Figure 19-3). The number of timer counts in the period is $TDCL0 + 1$. When the timer value equals $TDCL0$, the timer restarts counting from zero. If up mode is selected when the timer value is greater than $TDCL0$, the timer immediately restarts counting from zero.

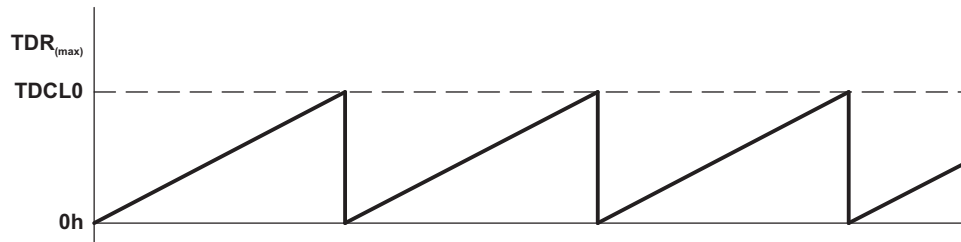


Figure 19-3. Up Mode

The $TDxCCR0$ CCIFG interrupt flag is set when the timer counts to the $TDCL0$ value. The TDIFG interrupt flag is set when the timer counts from $TDCL0$ to zero. Figure 19-4 shows the flag set cycle.

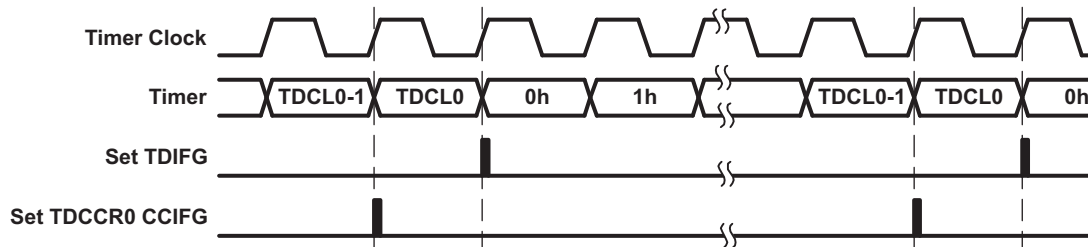


Figure 19-4. Up Mode Flag Setting

19.2.4.1.1 Changing Period Register $TDxCL0$

When changing $TDxCL0$ while the timer is running and when the $TDxCL0$ load mode is *immediate*, if the new period is greater than or equal to the old period or greater than the current count value, the timer counts up to the new period. If the new period is less than the current count value, the timer rolls to zero. However, one additional count may occur before the counter rolls to zero.

NOTE: When $TDxCL0$ is used as period register under high-resolution mode, the four LSB of the $TDxCL0$ in the 16x case or the three LSB in the 8x case are ignored.

19.2.4.2 Continuous Mode

In continuous mode, the timer repeatedly counts up to $TDR_{(max)}$ and restarts from zero (see Figure 19-5). The compare latch $TDxCL0$ works the same way as the other capture/compare registers.

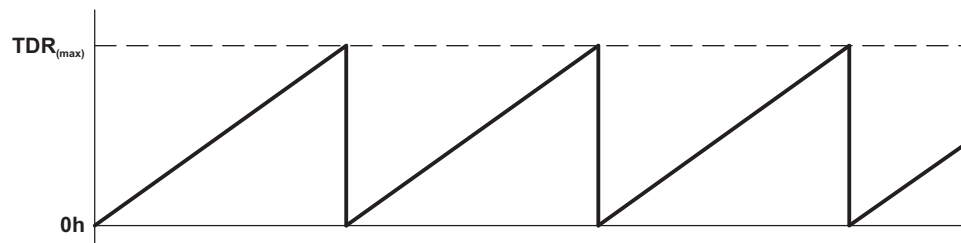


Figure 19-5. Continuous Mode

The TDIFG interrupt flag is set when the timer counts from $TDR_{(max)}$ to zero. Figure 19-6 shows the flag set cycle.

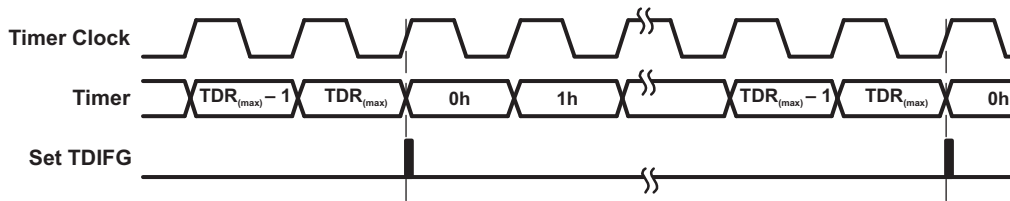


Figure 19-6. Continuous Mode Flag Setting

19.2.4.3 Use of Continuous Mode

The continuous mode can be used to generate independent time intervals and output frequencies. Each time an interval is completed, an interrupt is generated. The next time interval is added to the TDCLx latch in the interrupt service routine. Figure 19-7 shows two separate time intervals, t_0 and t_1 , being added to the capture/compare registers. The time interval is controlled by hardware, not software, without impact from interrupt latency. Up to three (for Timer_D3) or 7 (for Timer_D7) independent time intervals or output frequencies can be generated using capture/compare registers.

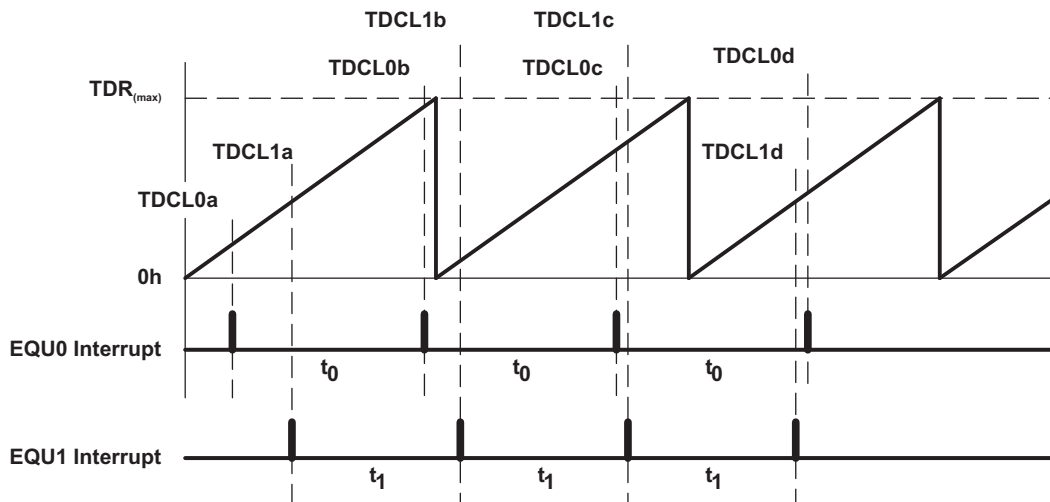


Figure 19-7. Continuous Mode Time Intervals

Time intervals can be produced with other modes as well, using TDxCL0 as the period register. Their handling is more complex, because the sum of the old TDCLx data and the new period can be higher than the TDxCL0 value. When the sum of the previous TDCLx value plus t_x is greater than the TDCL0 data, the old TDCL0 value must be subtracted to obtain the correct time interval.

PWM output can be generated in capture/compare channel 0 by using the timer overflow signal together with TDCL0. Figure 19-8 shows an example.

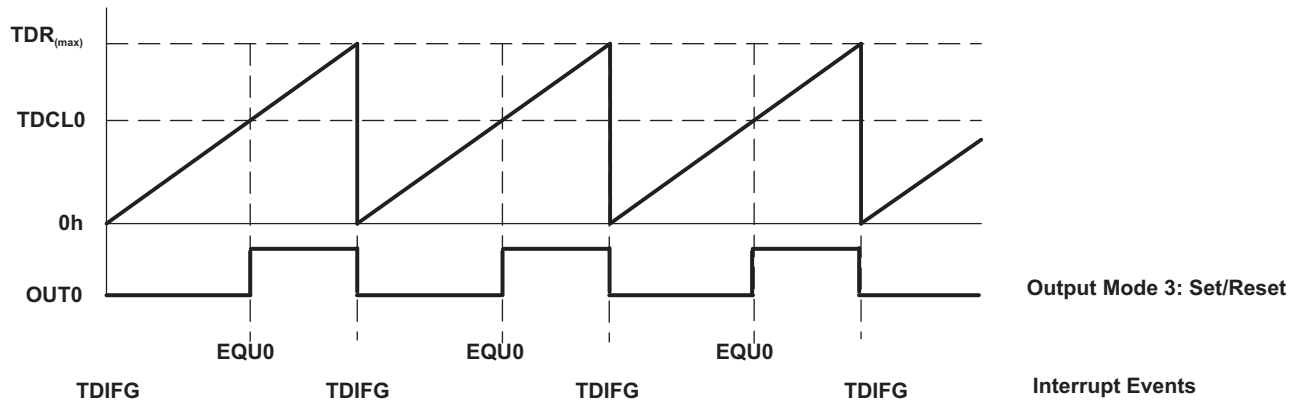


Figure 19-8. TDxCCR0 PWM Generation Under Continuous Mode

19.2.4.4 Up/Down Mode

The up/down mode is used if the timer period must be different from TDR_(max) counts and if symmetrical pulse generation is needed. The timer repeatedly counts up to the value of compare latch TDxCL0, and back down to zero (see Figure 19-9). The period is twice the value in TDCL0.

NOTE: TDCL0 > TDR_(max)

If TDCL0 > TDR_(max), the counter operates as if it were configured for continuous mode. It does not count down from TDR_(max) to zero.

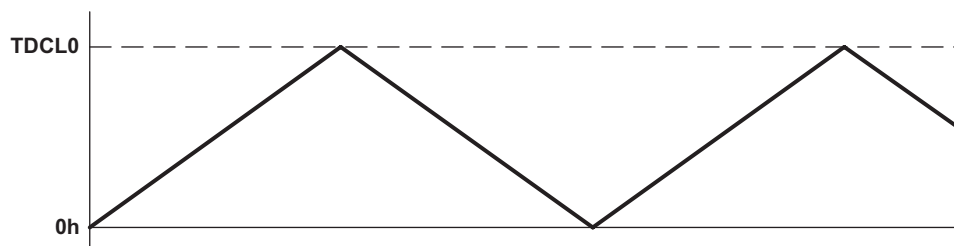


Figure 19-9. Up/Down Mode

The count direction is latched. This allows the timer to be stopped and then restarted in the same direction it was counting before it was stopped. If this is not desired, the TDCLR bit must be used to clear the direction. The TDCLR bit also clears the TDR value and the TDCLK divider.

In up/down mode, the TDxCCR0 CCIFG interrupt flag and the TDIFG interrupt flag are set only once during the period, separated by one-half the timer period. The TDxCCR0 CCIFG interrupt flag is set when the timer *counts* from TDCL0 – 1 to TDCL0, and TDIFG is set when the timer completes *counting* down from 0001h to 0000h. Figure 19-10 shows the flag set cycle.

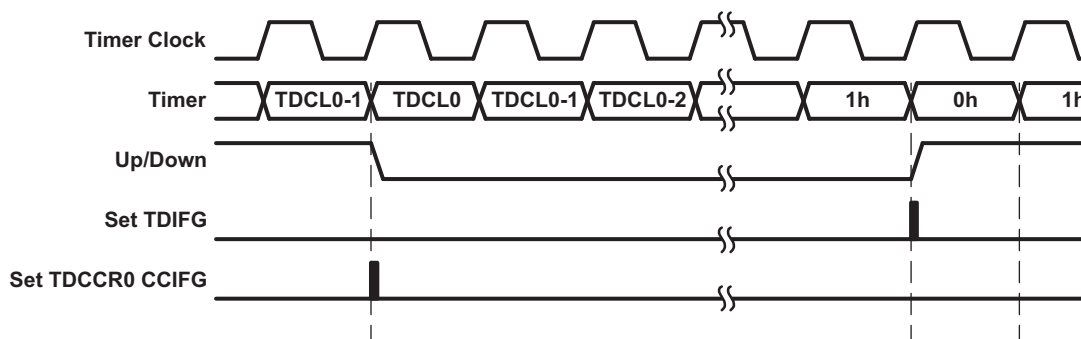


Figure 19-10. Up/Down Mode Flag Setting

19.2.4.4.1 Changing the Value of Period Register TDxCL0

When changing TDxCL0 while the timer is running and counting in the down direction, and when the TDxCL0 load mode is *immediate*, the timer continues its descent until it reaches zero. The new period takes effect after the counter counts down to zero.

If the timer is counting in the up direction when the new period is latched into TDxCL0, and the new period is greater than or equal to the old period or greater than the current count value, the timer counts up to the new period before counting down. When the timer is counting in the up direction and the new period is less than the current count value when TDxCL0 is loaded, the timer begins counting down. However, one additional count may occur before the counter begins counting down.

19.2.4.5 Use of Up/Down Mode

The up/down mode supports applications that require dead times between output signals (see Section 19.2.9). For example, to avoid overload conditions, two outputs driving an H-bridge must never be in a high state simultaneously. In the example shown in Figure 19-11, the t_{dead} is:

$$t_{dead} = t_{timer} \times (TDCL1 - TDCL3)$$

Where:

t_{dead} = Time during which both outputs need to be inactive

t_{timer} = Cycle time of the timer clock

TDCLx = Content of compare latch x

The ability to simultaneously load grouped compare latches ensures the dead times.

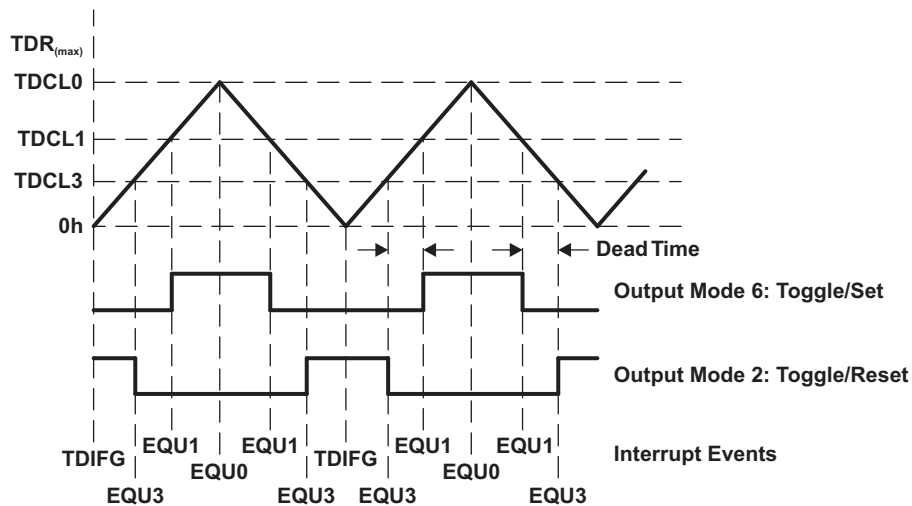


Figure 19-11. Output Unit in Up/Down Mode

19.2.5 PWM Generation

The previous examples have shown that PWM output can be produced by using a single TDCCR_x. In TDCCR₀, for example, either the falling or the rising edge of the PWM signal is controlled by the TDCCR₀ or the period overflow (see [Figure 19-8](#)). In the other TDCCR_x ($x \neq 0$), PWM can be generated by setting the output to up/down mode and using the TDCCR_x register to control both the rising and the falling edges of the signal (see [Figure 19-11](#)). However, this cannot always meet the application requirements; for example, in motor control applications.

The control bits, TDx_{CMB} of the TDx_{CTL1} register, are implemented so that two neighbor TDCCR registers can be used for one channel to control both edges of one PWM signal. If TDx_{CMB} is set, TDCCR_{x-1} and TDCCR_x are combined to channel TD_x; for example, TDCCR₁ and TDCCR₂ for TD₂ output, TDCCR₃ and TDCCR₄ for TD₄ output, and TDCCR₅ and TDCCR₆ for TD₆. By configuring TDx_{CMB} bit, a Timer_D5 can then generate either two fully controlled PWM signals or four independent channels.

The PWM duty cycle can be zero. The smallest pulse width depends on the TDHEN and TDHM_x settings.

- In normal timer mode, TDHEN = 0, TDHM_x = don't care: CCR_x = 1
- In high-resolution timer mode, 8x reference frequency, TDHEN = 1, TDHM_x = 00: CCR_x = 0x0010, 8 high-resolution cycles
- In high-resolution timer mode, 16x reference frequency, TDHEN = 1, TDHM_x = 01: CCR_x = 0x0020, 16 high-resolution cycles

[Figure 19-12](#) shows an example.

[Table 19-3](#) and [Table 19-4](#) summarize the duty cycle limitations of the Timer_D. Duty cycles close to 0% and 100% should be avoided. [Table 19-3](#) and [Table 19-4](#) show how the output signal behaves in case the TDCCR_x register is programmed to values beyond the recommended range of values dependent on the OUTMOD_x setting.

Table 19-3. High-Resolution Mode Limitation (TDHEN = 1) - Minimum Duty Cycle

OUTMODx	Mode	Condition	Description
000	Output	n/a	n/a
001	Set	TDHMx = 0: TDCCRx < 0x0007 TDHMx = 1: TDCCRx < 0x000F	Output is not set.
010	Toggle/Reset	-	Not recommended.
011	Set/Reset	TDHMx = 0: TDCCRx < 0x0007 TDHMx = 1: TDCCRx < 0x000F	Result is 100% duty cycle.
100	Toggle	-	Not recommended.
101	Reset	TDHMx = 0: TDCCRx < 0x0007 TDHMx = 1: TDCCRx < 0x000F	Output is not reset.
110	Toggle/Set	-	Not recommended.
111	Reset/Set	TDHMx = 0: TDCCRx < 0x0007 TDHMx = 1: TDCCRx < 0x000F	Result is 0% duty cycle.

Table 19-4. High-Resolution Mode Limitation (TDHEN = 1) - Maximum Duty Cycle

OUTMODx	Mode	Condition	Description
000	Output	n/a	n/a
001	Set	TDCCRx > TDCCR0 - 0x0008	Output is not set.
010	Toggle/Reset	-	Not recommended.
011	Set/Reset	TDCCRx > TDCCR0 - 0x0008	Result is 100% duty cycle.
100	Toggle	-	Not recommended.
101	Reset	TDCCRx > TDCCR0 - 0x0008	Output is not reset.
110	Toggle/Set	-	Not recommended.
111	Reset/Set	TDCCRx > TDCCR0 - 0x0008	Result is 0% duty cycle.

In high-resolution compare mode there are limitations of the minimum and maximum duty cycles.

Minimum duty cycle:

TDHMx = 0: TDCCRx < 8 are set to TDCCRx = 0; that is, return 0 duty cycle.

TDHMx = 1: TDCCRx < 16 are set to TDCCRx = 0; that is, return 0 duty cycle.

Maximum duty cycle:

TDHMx = 0 or 1: The maximum duty cycle is limited to TDCCRx < TDCCR0 - 0x000F. Values of TDCCRx greater than TDCCR0 - 0x000F lead to 0 duty cycle.

NOTE: In high-resolution mode, when the two CCRx channels are combined by setting TDxCMB = 1, the minimum difference between the output compare registers (CCRx and CCRx + 1) must be:

if TDHMx = 00: $|TDCCR_x - TDCCR_{x-1}| > 7$

if TDHMx = 01: $|TDCCR_x - TDCCR_{x-1}| > 15$

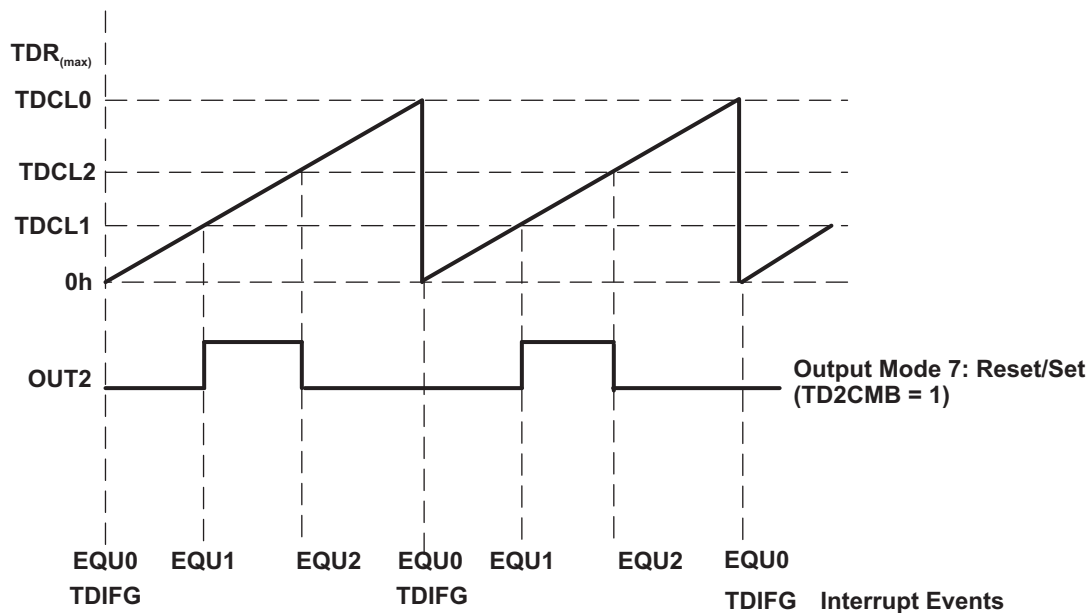


Figure 19-12. Controlling Rising and Falling Edge of PWM Output in Up Mode

[Example 19-2](#) shows how to set up the timer for the case shown in [Figure 19-12](#).

Example 19-2.

```

MOV #TD2CMB+TDCLKM_0, &TDxCTL1           ; Combine TDxCCR1&TDxCCR2,
                                           ; External Clock
MOV #OUTMOD_7, &TDxCTL2                 ; TDxCCR2 Reset/Set
MOV 0x80, &TDxCCR0                       ; PWM Period TDxCCR0 128
MOV 0x28, &TDxCCR1                       ; TDxCCR1 is 40, Set
MOV 0x50, &TDxCCR2                       ; TDxCCR2 is 80, Reset
MOV #TDSSEL_1+MC_1, &TDxCTL0           ; ACLK, Up Mode
BIS #CPUOFF,SR                           ; Enter LPM0
    
```

NOTE: Channels TD1, TD3, and TD5 are still controlled by TDxCCR1, TDxCCR3, and TDxCCR5, respectively, even when the TDxCCRx registers are paired.

Combining two pairs of CCRx channels to two PWM outputs can be used to generate non-overlapping PWM channels.

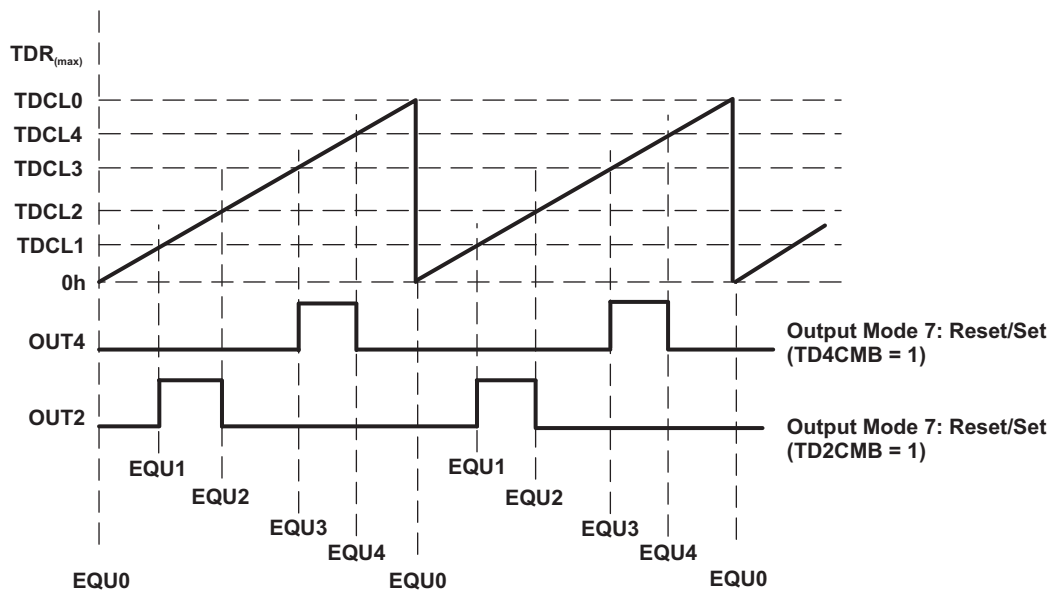


Figure 19-13. Deadband Generation (TDxCMB = 1)

19.2.6 Capture/Compare Blocks

Several identical capture/compare blocks, TDCCR_x, are present in Timer_D. Any of the blocks may be used to capture the timer data or to generate time intervals. See the device-specific data sheet for the number of capture/compare blocks available.

19.2.6.1 Capture Mode

The capture mode is used to record time events. It can be used for speed computations or time measurements. The capture inputs CC1xA and CC1xB are connected to external pins or internal signals and are selected with the CCIS_x bits. The CM_x bits select the capture edge of the input signal as rising, falling, or both. A capture occurs on the selected edge of the input signal. If a capture is performed:

- The timer value is copied into the TDCCR_x register.
- The TDCCR_x register is copied into the TDCL_x register.
- The interrupt flag CCIFG is set.
- The Capture Overflow bit is set at a capture overflow condition.

The input signal level can be read at any time via the CCI bit. Devices may have different signals connected to CC1xA and CC1xB. See the device-specific data sheet for the connections of these signals.

The capture signal can be asynchronous to the timer clock and cause a race condition. Setting the SCS bit synchronizes the capture with the next timer clock. Setting the SCS bit to synchronize the capture signal with the timer clock is recommended (see [Figure 19-14](#)). In high-resolution mode, the SCS bit is ignored.

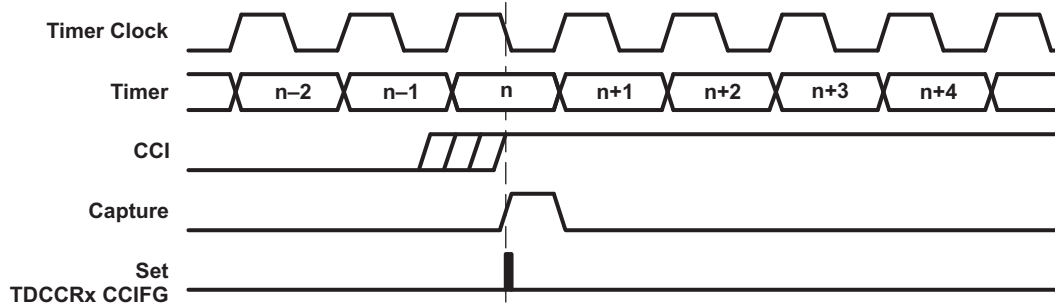


Figure 19-14. Capture Signal (SCS = 1)

Overflow logic is provided in each capture/compare register to indicate a capture overflow condition.

19.2.6.1.1 Single Capture Mode (TDCAPMx = 0)

Each input capture channel can be operated in single capture (compatibility) mode or in dual capture mode. The single capture mode is selected by TDCAPMx = 0. In single capture mode, the content of register TDCCRx is shifted to TDCLx register at each capture event. In single capture mode, the capture overflow bit (COV) is set if a capture events occurs before the TDCCRx register has been read (see Figure 19-15). COV must be reset by software.

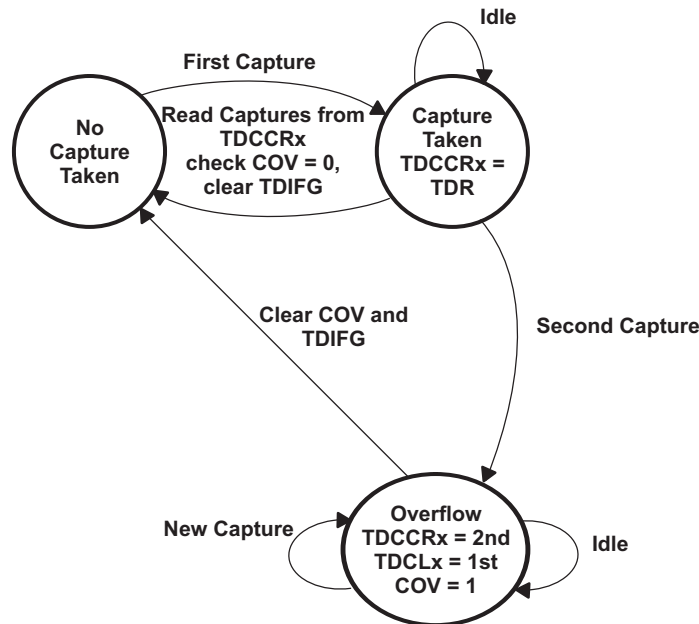


Figure 19-15. Single Capture Cycle

19.2.6.1.2 Dual Capture Mode (TDCAPMx = 1)

Each input capture channel can be operated in single capture (compatibility) mode or in dual capture mode. The dual capture mode is selected by TDCAPMx = 1. In dual capture mode, the register TDCCRx content is shifted to the TDCLx register per each capture event; that is, the second capture event shifts the first capture value from TDCCRx into the TDCLx register. Then TDCCRx holds the second capture value while TDCLx holds the first, and the CCIFG interrupt flag is set. To make sure there is no earlier captured value in the TDCCRx and TDCLx registers these registers should be read prior to using the dual capture mode. The COV bit is set at the third capture event if both TDCCRx and TDCLx have not been read prior to the third capture event (see Figure 19-16). The third capture event again shifts the TDCCRx register content to the TDCLx register. The first capture value is no longer available.

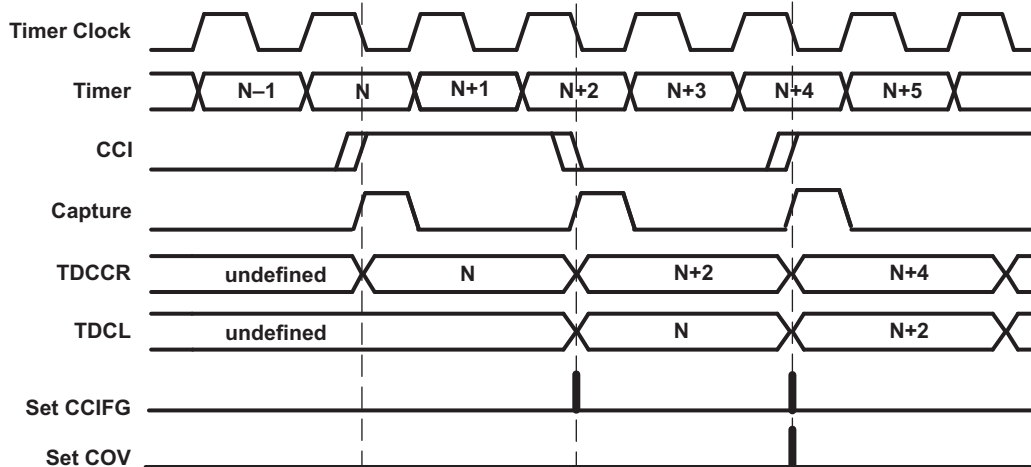


Figure 19-16. Sequential Capture Events in Dual Capture Mode

The COV bit is set at the third capture if TDCCR_x and TDCL_x are not read prior to the third capture event (see Figure 19-17). Checking for COV = 0 after reading the capture registers TDCCR_x and TDCL_x validates the register content.

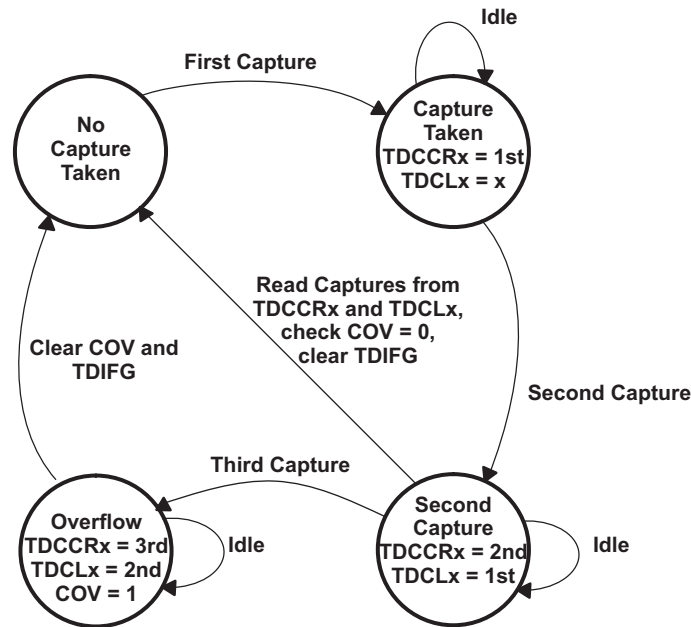


Figure 19-17. COV in Dual Capture Mode

19.2.6.1.3 Capture Initiated by Software

Captures can be initiated by software. The CMx bits can be set for capture on both edges. Software then sets bit CCIS1 = 1 and toggles bit CCIS0 to switch the capture signal between V_{CC} and GND, initiating a capture each time CCIS0 changes state:

```
MOV #CAP+SCS+CCIS1+CM_3, &TDxCCTLx      ; Set up TDCCTLx
XOR #CCIS0, &TDCCTLx                    ; TDCCRx = TDR
```

19.2.7 Compare Mode

The compare mode is selected when CAP = 0. Compare mode is used to generate PWM output signals or interrupts at specific time intervals. When TDxR *counts* to the value in a TDCLx:

- Interrupt flag CCIFG is set.
- Internal signal EQUx = 1.
- EQUx affects the output according to the output mode.

19.2.7.1 Compare Latch TDCLx

The TDCCRx compare latch, TDCLx, holds the data for the comparison to the timer value in compare mode. TDCLx is buffered by TDCCRx. The buffered compare latch gives the user control over when a compare period updates. Compare data is written to each TDCCRx and automatically transferred to TDCLx. The timing of the transfer from TDCCRx to TDCLx is user selectable by setting the CLLDx bits as described in [Table 19-5](#).

Table 19-5. TDCLx Load Events

CLLDx	Description
00	New data is transferred from TDCCRx to TDCLx immediately when TDCCRx is written to.
01	New data is transferred from TDCCRx to TDCLx when TDxR <i>counts</i> to 0.
10	New data is transferred from TDCCRx to TDCLx when TDxR <i>counts</i> to 0 for up and continuous modes. New data is transferred to from TDCCRx to TDCLx when TDxR <i>counts</i> to the old TDCL0 value or to 0 for up/down mode.
11	New data is transferred from TDCCRx to TDCLx when TDxR <i>counts</i> to the old TDCLx value.

19.2.7.2 Grouping Compare Latches

Multiple compare latches may be grouped together for simultaneous updates with the TDCLGRPx bits. When using groups, the CLLDx bits of the lowest numbered TDCCRx in the group determine the load event for each compare latch of the group, except when TDCLGRP = 3 (see [Table 19-6](#)). The CLLDx bits of the controlling TDCCRx must not be set to zero. When the CLLDx bits of the controlling TDCCRx are set to zero, all compare latches update immediately when their corresponding TDCCRx is written; no compare latches are grouped.

Two conditions must exist for the compare latches to be loaded when grouped. First, all TDCCRx registers of the group must be updated, even when new TDCCRx data equals the old TDCCRx data. Second, the load event must occur.

Table 19-6. Compare Latch Operating Modes

TDCLGRPx	Grouping	Update Control
00	None	Individual
01	TDxCL1+TDxCL2 TDxCL3+TDxCL4 TDxCL5+TDxCL6	TDxCCR1 TDxCCR3 TDxCCR5
10	TDxCL1+TDxCL2+TDxCL3 TDxCL4+TDxCL5+TDxCL6	TDxCCR1 TDxCCR4
11	TDxCL0+TDxCL1+TDxCL2+TDxCL3+TDxCL4+TDxCL5+TDxCL6	TDxCCR1

19.2.8 Switching From Capture to Compare Mode

As discussed in [Section 19.2.7](#), the TDCLx register holds the first captured value when a second capture is taking place. Therefore, when the capture/compare block switches from capture mode to compare mode, TDCLx may have a non-zero initial value. It is important to clear the TDCLx before use or to update the TDCLx immediately when TDCCRx is written; that is, set CLLDx = 0x0.

19.2.9 Output Unit

Each capture/compare block contains an output unit. The output unit is used to generate output signals, such as PWM signals. Each output unit has eight operating modes that generate signals based on the EQU0 and EQUx signals. The TDOUTH pin function can be used to put all Timer_D outputs into a high-impedance state. When the TDOUTH pin function is selected for the pin (corresponding PSEL bit is set, and port configured as input) and when the pin is pulled high, all Timer_D outputs are in a high-impedance state.

19.2.9.1 Output Modes

The output modes are defined by the OUTMODx bits and are described in [Table 19-7](#). The OUTx signal is changed with the rising edge of the timer clock for all modes except mode 0. In the the term TDyR period match is used. The period match in continuous mode is defined by the counter length (TDyCNTLx), and in Up mode and Up/Down mode by TDyCL0 register.

Table 19-7. Output Modes

OUTMODx	Mode	Description
000	Output	The output signal OUTx is defined by the OUTx bit. The OUTx signal updates immediately when OUTx is updated.
001	Set	Set events: Timer counts to TDyCLx, external fault (TECyFLT _x). It remains set until a reset of the timer, or until another output mode is selected and affects the output.
010	Toggle/Reset	TDx _{CMB} = 0: Toggle events: Timer counts to TDyCLx, external fault (TECyFLT _x). Reset events: Timer counts to TDyCLx, TDyR period match, external fault (TECyFLT ₀), external clear (TECyCLR). TD2 _{CMB} = 1: Toggle events: Timer counts to TDyCL2, external fault (TECyFLT ₂). Reset events: Timer counts to TDyCL1, external fault (TECyFLT ₁), external clear (TECyCLR). TD4 _{CMB} = 1: Toggle events: Timer counts to TDyCL4, external fault (TECyFLT ₄). Reset events: Timer counts to TDyCL3, external fault (TECyFLT ₃), external clear (TECyCLR). TD6 _{CMB} = 1: Toggle events: Timer counts to TDyCL6, external fault (TECyFLT ₆). Reset events: Timer counts to TDyCL5, external fault (TECyFLT ₅), external clear (TECyCLR).
011	Set/Reset	TDx _{CMB} = 0: Set events: Timer counts to TDyCLx, external fault (TECyFLT _x). Reset events: Timer counts to TDyCLx, TDyR period match, external fault (TECyFLT ₀), external clear (TECyCLR). TD2 _{CMB} = 1: Set events: Timer counts to TDyCL2, external fault (TECyFLT ₂). Reset events: Timer counts to TDyCL1, external fault (TECyFLT ₁), external clear (TECyCLR). TD4 _{CMB} = 1: Set events: Timer counts to TDyCL4, external fault (TECyFLT ₄). Reset events: Timer counts to TDyCL3, external fault (TECyFLT ₃), external clear (TECyCLR). TD6 _{CMB} = 1: Set events: Timer counts to TDyCL6, external fault (TECyFLT ₆). Reset events: Timer counts to TDyCL5, external fault (TECyFLT ₅), external clear (TECyCLR).
100	Toggle	Toggle events: Timer counts to TDyCLx, external fault (TECyFLT _x). The output period is twice the timer period.
101	Reset	Reset events: Timer counts to TDyCLx, external fault (TECyFLT _x). It remains reset until another output mode is selected and affects the output.

Table 19-7. Output Modes (continued)

OUTMODx	Mode	Description
110	Toggle/Set	TDxCMB = 0: Toggle events: Timer counts to TDyCLx, external fault (TECyFLTx). Set events: Timer counts to TDyCLx, TDyR period match, external fault (TECyFLT0), external clear (TECyCLR). TD2CMB = 1: Toggle events: Timer counts to TDyCL2, external fault (TECyFLT2). Set events: Timer counts to TDyCL1, external fault (TECyFLT1), external clear (TECyCLR). TD4CMB = 1: Toggle events: Timer counts to TDyCL4, external fault (TECyFLT4). Set events: Timer counts to TDyCL3, external fault (TECyFLT3), external clear (TECyCLR). TD6CMB = 1: Toggle events: Timer counts to TDyCL6, external fault (TECyFLT6). Set events: Timer counts to TDyCL5, external fault (TECyFLT5), external clear (TECyCLR).TDxCMB=0:
111	Reset/Set	TDxCMB = 0: Reset events: Timer counts to TDyCLx, external fault (TECyFLTx). Set events: Timer counts to TDyCLx, TDyR period match, external fault (TECyFLT0), external clear (TECyCLR). TD2CMB = 1: Reset events: Timer counts to TDyCL2, external fault (TECyFLT2). Set events: Timer counts to TDyCL1, external fault (TECyFLT1), external clear (TECyCLR). TD4CMB = 1: Reset events: Timer counts to TDyCL4, external fault (TECyFLT4). Set events: Timer counts to TDyCL3, external fault (TECyFLT3), external clear (TECyCLR). TD6CMB = 1: Reset events: Timer counts to TDyCL6, external fault (TECyFLT6). Set events: Timer counts to TDyCL5, external fault (TECyFLT5), external clear (TECyCLR).TDxCMB=0:

19.2.9.1.1 Output Example – Timer in Up Mode

The OUTx signal is changed when the timer *counts* up to the TDCLx value, and rolls from TDCL0 to zero, depending on the output mode. An example is shown in [Figure 19-18](#) using TDxCL0 and TDxCL1.

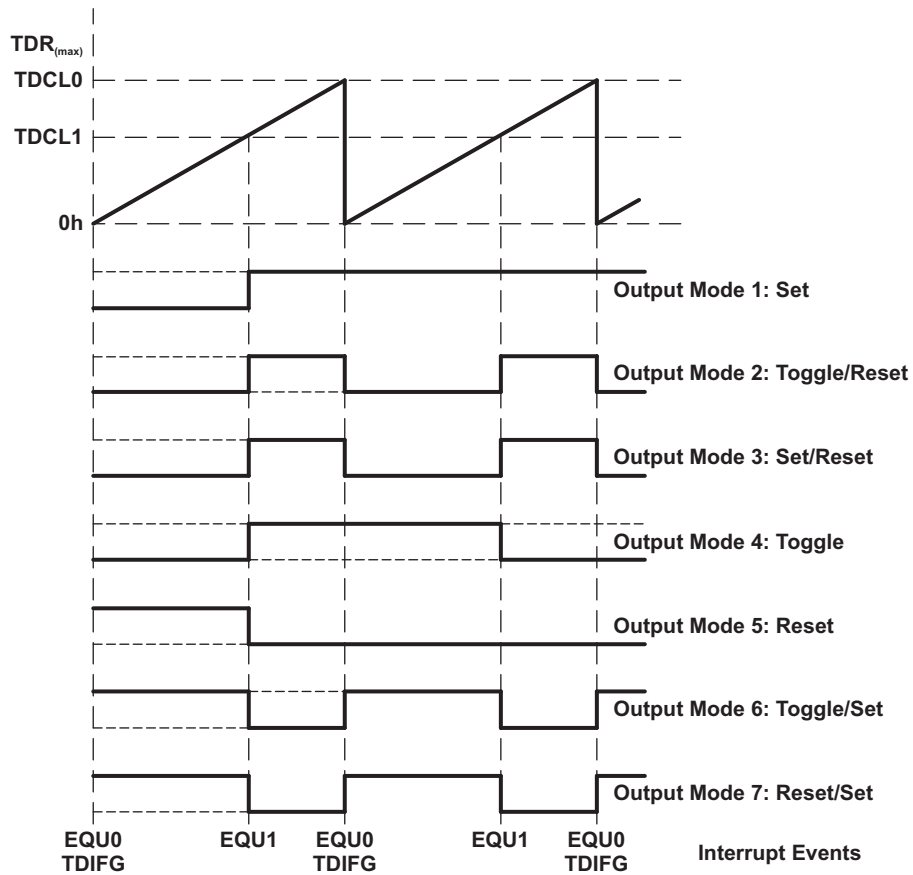


Figure 19-18. Output Example, Channel 1 – Timer in Up Mode

The OUTx signal is changed when the timer *counts* up to the TDCLx value, and rolls from TDCL0 to zero, depending on the output mode. The activity selected for the **TDCCRx match** event (TDR = TDCCLx) occurs at the point in time where the **external fault** event happens. An example is shown in [Figure 19-19](#) using TDxCL0 and TDxCL1.

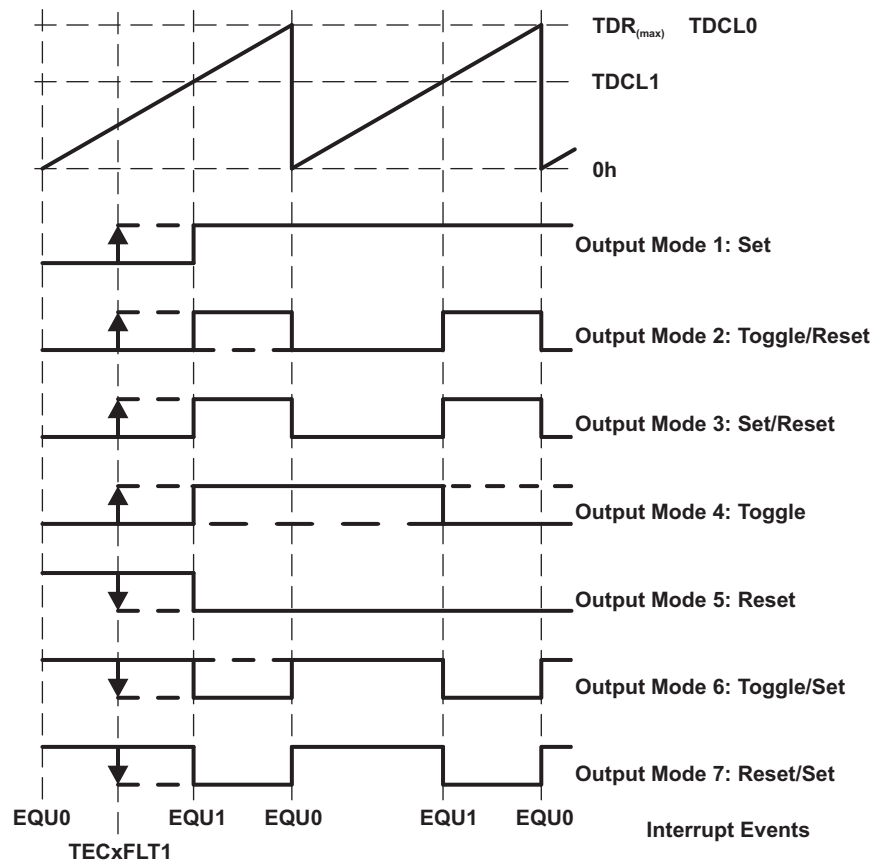


Figure 19-19. Output Example, Channel 1 - Timer in Up Mode With External Fault Signal

The OUTx signal is changed when the timer *counts* up to the TDCLx value, and rolls from TDCL0 to zero, depending on the output mode. The activity selected for the **period match** event (TDR = TDCCL0) occurs at the point in time when the external **clear event** happens. The external clear event restarts the timer counter. As a consequence, the next period starts earlier, and all following events happen earlier as well. An example is shown in [Figure 19-20](#) using TDxCL0 and TDxCL1.

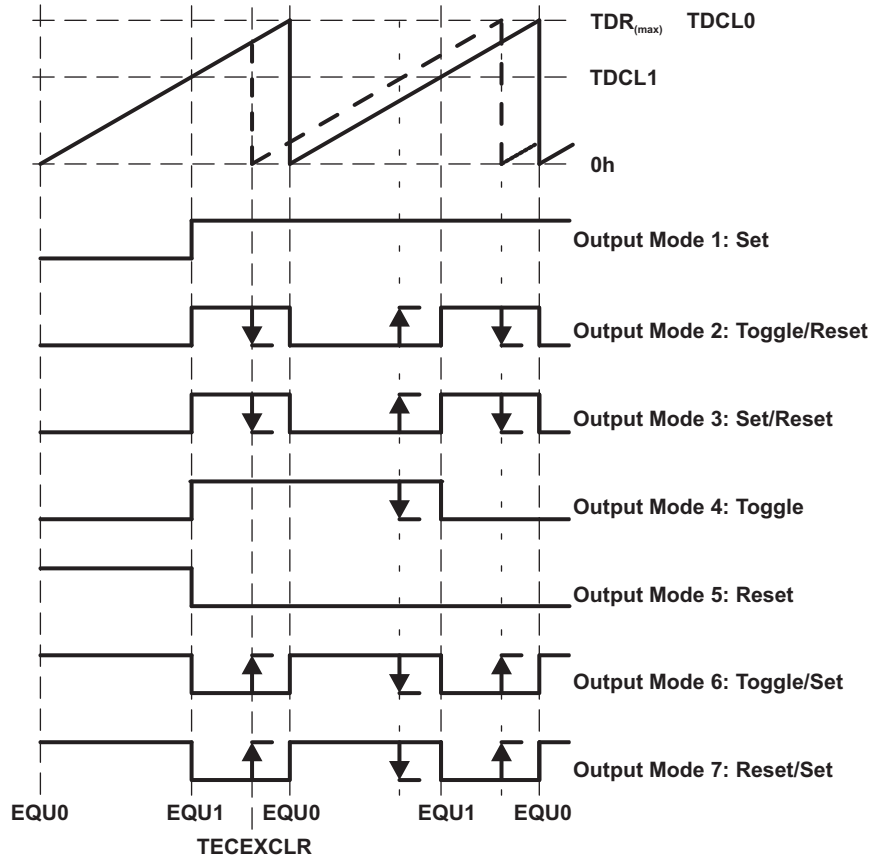


Figure 19-20. Output Example - Timer in Up Mode with External Timer Clear Signal

19.2.9.1.2 Output Example – Timer in Continuous Mode

The OUTx signal is changed when the timer reaches the TDCLx and TDCL0 values, depending on the output mode. An example is shown in Figure 19-21 using TDxCL0 and TDxCL1. The external fault and external clear signals have the same impact to the output signals as in Up mode as shown in and .

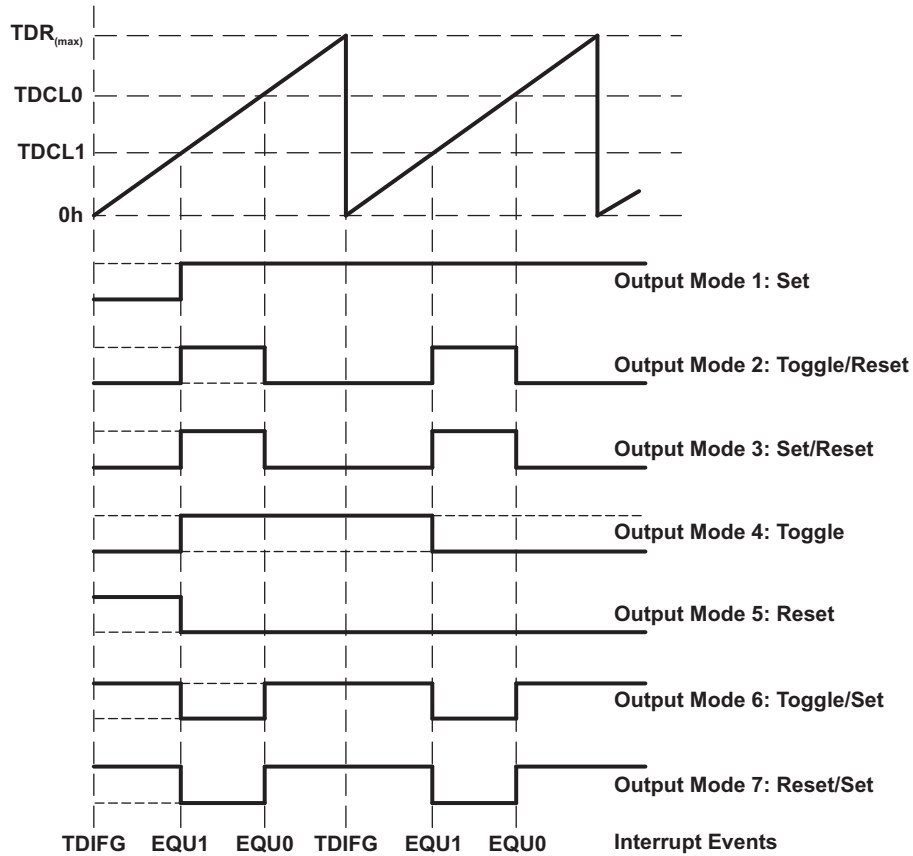


Figure 19-21. Output Example – Timer in Continuous Mode

19.2.9.1.3 Output Example – Timer in Up/Down Mode

The OUTx signal changes when the timer equals TDCLx in either count direction and when the timer equals TDCL0, depending on the output mode. An example is shown in Figure 19-22 using TDxCL0 and TDxCL3.

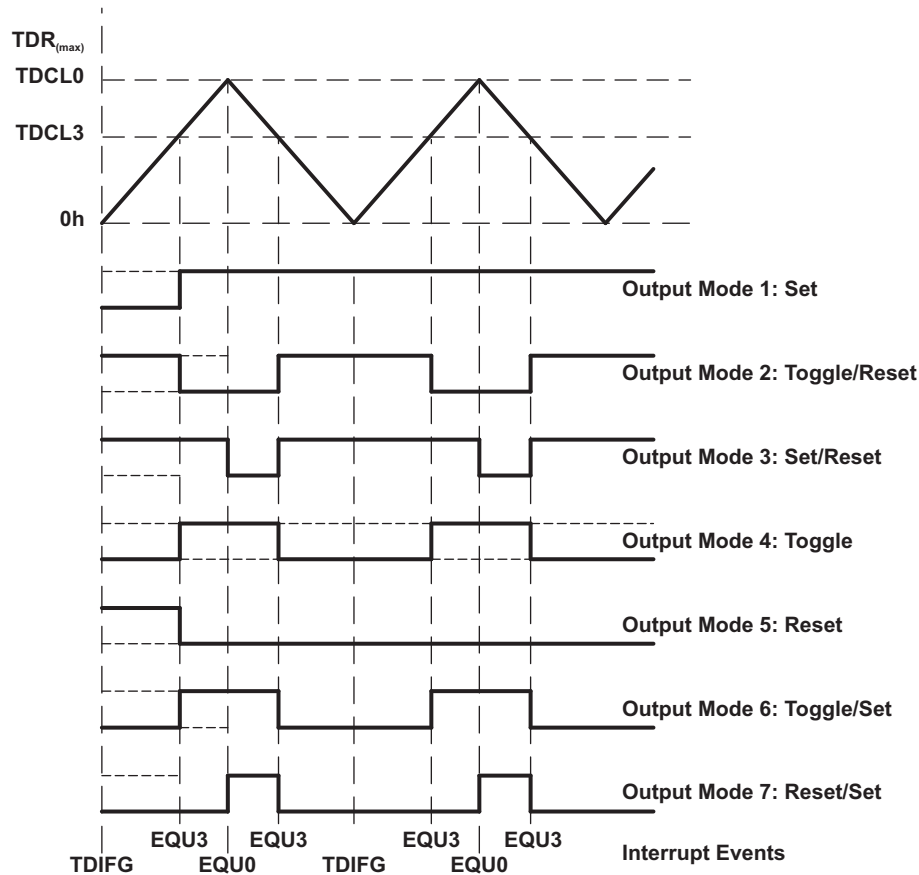


Figure 19-22. Output Example – Timer in Up/Down Mode

NOTE: Switching between output modes

When switching between output modes, one of the OUTMODx bits should remain set during the transition, unless switching to mode 0. Otherwise, output glitching can occur because a NOR gate decodes output mode 0. A safe method for switching between output modes is to use output mode 7 as a transition state:

```
BIS #OUTMOD_7,&TDCCTLx ; Set output mode=7
BIC #OUTMODx,&TDCCTLx ; Clear unwanted bits
```

19.2.10 Synchronization Between Timer_D Instances

For some devices that contain more than one Timer_D instance, internal signals assist the synchronization between different timers. Those signals include Timer Clock, TDAUXCLK, TDAUXCLROUT, and some other signals that connect the Timer_D module and the Timer Event Control module. See the [TEC chapter](#) for details.

19.2.11 Timer_D Interrupts

Two interrupt vectors are associated with the 16-bit Timer_D module:

- TDxCCR0 interrupt vector for TDxCCR0 CCIFG
- TDIV interrupt vector for all other interrupt flags

In capture mode, any CCIFG flag is set when a timer value is captured in the associated TDCCR_x register. In compare mode, any CCIFG flag is set when TDxR *counts* to the associated TDCL_x value. Software may also set or clear any CCIFG flag. All CCIFG flags request an interrupt when their corresponding CCIE bit and the GIE bit are set.

19.2.11.1 TDxCCR0 Interrupt Vector

The TDxCCR0 CCIFG flag has the highest Timer_D interrupt priority and has a dedicated interrupt vector (see [Figure 19-23](#)). The TDxCCR0 CCIFG flag is automatically reset when the TDxCCR0 interrupt request is serviced.

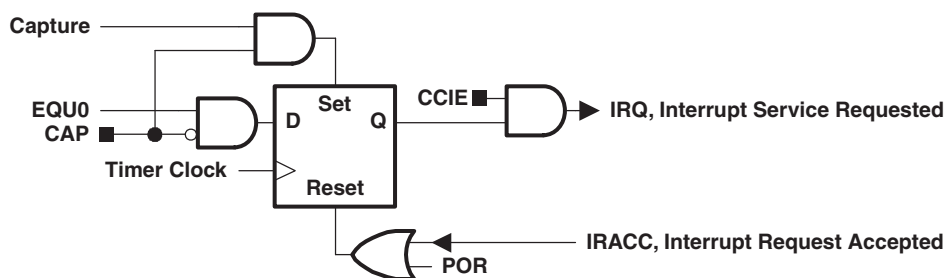


Figure 19-23. Capture/Compare TDxCCR0 Interrupt Flag

19.2.11.2 TDIV, Interrupt Vector Generator

The TDIFG flag, TDCCR_x CCIFG flags (excluding TDxCCR0 CCIFG), and all of the high-resolution related interrupts are prioritized and combined to source a single interrupt vector. The interrupt vector register TDIV is used to determine which flag requested an interrupt.

The highest-priority enabled interrupt (excluding TDxCCR0 CCIFG) generates a number in the TDxIV register (see [Section 19.3.11](#)). This number can be evaluated or added to the program counter to automatically enter the appropriate software routine. Disabled Timer_D interrupts do not affect the TDIV value.

Read access of the TDIV register automatically resets the highest-pending interrupt flag. If another interrupt flag is set, another interrupt is immediately generated after servicing the initial interrupt. For example, if the TDxCCR1 and TDxCCR2 CCIFG flags are set when the interrupt service routine accesses the TDIV register, TDxCCR1 CCIFG is reset automatically. After the RETI instruction of the interrupt service routine is executed, the TDxCCR2 CCIFG flag generates another interrupt.

Write access of the TDIV register clears all pending interrupt conditions and flags.

19.2.11.3 TDIV, Interrupt Handler Examples

The following software example shows the recommended use of TDIV. The TDIV value is added to the PC to automatically jump to the appropriate routine.

[Example 19-3](#) shows the recommended use of TDIV for Timer_D3.

Example 19-3.

```

; Interrupt handler for TDxCCR0 CCIFG.
CCIFG_0_HANDLER
    ...                ; Start of handler Interrupt latency
    RETI
; Interrupt handler for TDxIFG, TDxCCR1 and TDxCCR2 CCIFG.
TD_HANDLER    ...                ; Interrupt latency
    ADD &TDxIV,PC        ; Add offset to Jump table
    RETI                ; Vector 0: No interrupt
    JMP CCIFG_1_HANDLER  ; Vector 2: Module 1
    JMP CCIFG_2_HANDLER  ; Vector 4: Module 2
    RETI                ; Vector 6
    RETI                ; Vector 8
    RETI                ; Vector 10
    RETI                ; Vector 12
    JMP TDxIFG_HANDLER   ; Vector 14
    RETI                ; Vector 16
    RETI                ; Vector 18
    RETI                ; Vector 20
    JMP TDHxUNLKIFG_HANDLER ; Vector 22
    ...

TDHxUNLKIFG_HANDLER    ; Vector 22: TDHUNLKIFG Flag
    ...                ; Task starts here
    RETI

TDxIFG_HANDLER         ; Vector 14: TIMOV Flag
    ...                ; Task starts here
    RETI
    ...

CCIFG_2_HANDLER       ; Vector 4: Module 2
    ...                ; Task starts here
    RETI                ; Back to main program

; The Module 1 handler shows a way to look if any other
; interrupt is pending: 5 cycles have to be spent, but
; 9 cycles may be saved if another interrupt is pending
CCIFG_1_HANDLER       ; Vector 2: Module 1
    ...                ; Task starts here
    JMP TD_HANDLER     ; Look for pending ints

```

19.3 Timer_D Registers

The Timer_D registers and address offsets are listed in [Table 19-8](#). The base address for each instance of Timer_D can be found in the device-specific data sheet.

Table 19-8. Timer_D Registers

Offset	Acronym	Register Name	Type	Reset	Section
0000h	TDxCTL0	Timer_D Control 0	Read/write	On POR	Section 19.3.1
0002h	TDxCTL1	Timer_D Control 1	Read/write	On POR	Section 19.3.2
0004h	TDxCTL2	Timer_D Control 2	Read/write	On POR	Section 19.3.3
0006h	TDxR	Timer_D Counter	Read/write	On POR	Section 19.3.4
0008h	TDxCCTL0	Timer_D Capture/Compare Control 0	Read/write	On POR	Section 19.3.5
000Ah	TDxCCR0	Timer_D Capture/Compare 0	Read/write	On POR	Section 19.3.6
000Ch	TDxCL0	Timer_D Capture/Compare Latch 0	Read only	On POR	Section 19.3.7
000Eh	TDxCCTL1	Timer_D Capture/Compare Control 1	Read/write	On POR	Section 19.3.5
0010h	TDxCCR1	Timer_D Capture/Compare 1	Read/write	On POR	Section 19.3.6
0012h	TDxCL1	Timer_D Capture/Compare Latch 1	Read only	On POR	Section 19.3.7
0014h	TDxCCTL2	Timer_D Capture/Compare Control 2	Read/write	On POR	Section 19.3.5
0016h	TDxCCR2	Timer_D Capture/Compare 2	Read/write	On POR	Section 19.3.6
0018h	TDxCL2	Timer_D Capture/Compare Latch 2	Read only	On POR	Section 19.3.7
001Ah	TDxCCTL3	Timer_D Capture/Compare Control 3	Read/write	On POR	Section 19.3.5
001Ch	TDxCCR3	Timer_D Capture/Compare 3	Read/write	On POR	Section 19.3.6
001Eh	TDxCL3	Timer_D Capture/Compare Latch 3	Read only	On POR	Section 19.3.7
0020h	TDxCCTL4	Timer_D Capture/Compare Control 4	Read/write	On POR	Section 19.3.5
0022h	TDxCCR4	Timer_D Capture/Compare 4	Read/write	On POR	Section 19.3.6
0024h	TDxCL4	Timer_D Capture/Compare Latch 4	Read only	On POR	Section 19.3.7
0026h	TDxCCTL5	Timer_D Capture/Compare Control 5	Read/write	On POR	Section 19.3.5
0028h	TDxCCR5	Timer_D Capture/Compare 5	Read/write	On POR	Section 19.3.6
002Ah	TDxCL5	Timer_D Capture/Compare Latch 5	Read only	On POR	Section 19.3.7
002Ch	TDxCCTL6	Timer_D Capture/Compare Control 6	Read/write	On POR	Section 19.3.5
002Eh	TDxCCR6	Timer_D Capture/Compare 6	Read/write	On POR	Section 19.3.6
0030h	TDxCL6	Timer_D Capture/Compare Latch 6	Read only	On POR	Section 19.3.7
0032h		Reserved			
0034h		Reserved			
0036h		Reserved			
0038h	TDxHCTL0	Timer_D High-resolution Control 0	Read/write	On POR	Section 19.3.8
003Ah	TDxHCTL1	Timer_D High-resolution Control 1	Read/write	On POR	Section 19.3.9
003Ch	TDxHINT	Timer_D High-resolution Interrupt	Read/write	On POR	Section 19.3.10
003Eh	TDxIV	Timer_D Interrupt Vector	Read only	On POR	Section 19.3.11

19.3.1 TDxCTL0 Register

Timer_D x Control Register 0

Figure 19-24. TDxCTL0 Register

15	14	13	12	11	10	9	8
Reserved	TDCLGRP _x		CNTL _x		Reserved	TDSSEL _x	
r0	rw-(0)	rw-(0)	rw-(0)	rw-(0)	r0	rw-(0)	rw-(0)
7	6	5	4	3	2	1	0
ID		MC _x		Reserved	TDCLR	TDIE	TDIFG
rw-(0)	rw-(0)	rw-(0)	rw-(0)	r0	w-(0)	rw-(0)	rw-(0)

Table 19-9. TDxCTL0 Register Description

Bit	Field	Type	Reset	Description
15	Reserved	R	0h	Reserved. Always reads as 0.
14-13	TDCLGRP _x	RW	0h	TDCL _x group 00b = Each TDCL _x latch loads independently. 01b = TDxCL1+TDxCL2 (TDxCCR1 CLLD _x bits control the update) TDxCL3+TDxCL4 (TDxCCR3 CLLD _x bits control the update) TDxCL5+TDxCL6 (TDxCCR5 CLLD _x bits control the update) TDxCL0 independent 10b = TDxCL1+TDxCL2+TDxCL3 (TDxCCR1 CLLD _x bits control the update) TDxCL4+TDxCL5+TDxCL6 (TDxCCR4 CLLD _x bits control the update) TDxCL0 independent 11b = TDxCL0+TDxCL1+TDxCL2+TDxCL3+TDxCL4+TDxCL5+TDxCL6 (TDxCCR1 CLLD _x bits control the update)
12-11	CNTL _x	RW	0h	Counter length 00b = 16-bit, TDR(max) = 0FFFFh 01b = 12-bit, TDR(max) = 0FFFh 10b = 10-bit, TDR(max) = 03FFh 11b = 8-bit, TDR(max) = 0FFh
10	Reserved	R	0h	Reserved. Always reads as 0.
9-8	TDSSEL _x	RW	0h	Timer_D clock source select 00b = TDCLK 01b = ACLK 10b = SMCLK 11b = Inverted TDCLK
7-6	ID	RW	0h	Input divider. These bits, along with the IDEX bits in TDxCTL1, select the divider for the input clock. 00b = Divide by 1 01b = Divide by 2 10b = Divide by 4 11b = Divide by 8
5-4	MC _x	RW	0h	Mode control. Setting MC _x = 00h when Timer_D is not in use saves power. 00b = Stop mode: Timer is halted 01b = Up mode: Timer counts up to TDCL0 10b = Continuous mode: Timer counts up to the value set by CNTL _x (counter length) 11b = Up/down mode: Timer counts up to TDCL0 and down to 0000h
3	Reserved	R	0h	Reserved. Always reads as 0.
2	TDCLR	W	0h	Timer_D clear. Setting this bit resets TDR, the TDCLK divider, and the count direction. The TDCLR bit always read as zero.

Table 19-9. TDxCTL0 Register Description (continued)

Bit	Field	Type	Reset	Description
1	TDIE	RW	0h	Timer_D interrupt enable. This bit enables the TDIFG interrupt request. 0b = Interrupt disabled 1b = Interrupt enabled
0	TDIFG	RW	0h	Timer_D interrupt flag 0b = No interrupt pending 1b = Interrupt pending

19.3.2 TDxCTL1 Register

Timer_D x Control Register 1

Figure 19-25. TDxCTL1 Register

15	14	13	12	11	10	9	8
Reserved					IDEX		
r0	r0	r0	r0	r0	rw-(0)	rw-(0)	rw-(0)
7	6	5	4	3	2	1	0
Reserved	TD6CMB	TD4CMB	TD2CMB	Reserved		TDCLKMx	
r0	rw-(0)	rw-(0)	rw-(0)	r0	r0	rw-(0)	rw-(0)

Table 19-10. TDxCTL1 Register Description

Bit	Field	Type	Reset	Description
15-11	Reserved	R	0h	Reserved. Always reads as 0.
10-8	IDEX	RW	0h	Input divider extension. These bits, along with the ID bits in TDxCTL0, select the divider for the input clock. 000b = Divide by 1 001b = Divide by 2 010b = Divide by 3 011b = Divide by 4 100b = Divide by 5 101b = Divide by 6 110b = Divide by 7 111b = Divide by 8
7	Reserved	R	0h	Reserved. Always reads as 0.
6	TD6CMB	RW	0h	Control bit for TDCCR registers combination in TD6 (only available on Timer_D7) 0b = TDxCCR5 and TDxCCR6 are not combined 1b = TDxCCR5 and TDxCCR6 are combined
5	TD4CMB	RW	0h	Control bit for TDCCR registers combination in TD4 (available on Timer_D5, Timer_D7) 0b = TDxCCR3 and TDxCCR4 are not combined 1b = TDxCCR3 and TDxCCR4 are combined
4	TD2CMB	RW	0h	Control bit for TDCCR registers combination in TD2 0b = TDxCCR1 and TDxCCR2 are not combined 1b = TDxCCR1 and TDxCCR2 are combined
3-2	Reserved	R	0h	Reserved. Always reads as 0.
1-0	TDCLKMx	RW	0h	Timer_D clocking mode register 00b = External clock source is used 01b = High-resolution local clock is used 10b = Auxiliary clock source from another timer instance is used 11b = Reserved

19.3.3 TDxCTL2 Register

Timer_D x Control Register 2

Figure 19-26. TDxCTL2 Register

15	14	13	12	11	10	9	8
Reserved							
r0	r0	r0	r0	r0	r0	r0	r0
7	6	5	4	3	2	1	0
Reserved	TDCAPM6	TDCAPM5	TDCAPM4	TDCAPM3	TDCAPM2	TDCAPM1	TDCAPM0
r0							

Table 19-11. TDxCTL2 Register Description

Bit	Field	Type	Reset	Description
15-7	Reserved	R	0h	Reserved. Always reads as 0.
6	TDCAPM6	RW	0h	Capture mode of channel 6 0b = Single capture mode 1b = Dual capture mode
5	TDCAPM5	RW	0h	Capture mode of channel 5 0b = Single capture mode 1b = Dual capture mode
4	TDCAPM4	RW	0h	Capture mode of channel 4 0b = Single capture mode 1b = Dual capture mode
3	TDCAPM3	RW	0h	Capture mode of channel 3 0b = Single capture mode 1b = Dual capture mode
2	TDCAPM2	RW	0h	Capture mode of channel 2 0b = Single capture mode 1b = Dual capture mode
1	TDCAPM1	RW	0h	Capture mode of channel 1 0b = Single capture mode 1b = Dual capture mode
0	TDCAPM0	RW	0h	Capture mode of channel 0 0b = Single capture mode 1b = Dual capture mode

19.3.4 TDxR Register

Timer_D x Counter Register

Figure 19-27. TDxR Register

15	14	13	12	11	10	9	8
TDRx							
rw-(0)	rw-(0)	rw-(0)	rw-(0)	rw-(0)	rw-(0)	rw-(0)	rw-(0)
7	6	5	4	3	2	1	0
TDRx							
rw-(0)	rw-(0)	rw-(0)	rw-(0)	rw-(0)	rw-(0)	rw-(0)	rw-(0)

Table 19-12. TDxR Register Description

Bit	Field	Type	Reset	Description
15-0	TDRx	RW	0h	Timer_D register. The TDxR register is the count of Timer_D. In high-resolution mode, the bits 0 to 3 return zero when the TDxR register is read.

19.3.5 TDxCCTLn Register

Timer_D x Capture/Compare Control Register

Figure 19-28. TDxCCTLn Register

15	14	13	12	11	10	9	8
CMx		CCISx		SCS	CLLDx		CAP
rw-(0)	rw-(0)	rw-(0)	rw-(0)	rw-(0)	rw-(0)	rw-(0)	rw-(0)
7	6	5	4	3	2	1	0
OUTMODx			CCIE	CCI	OUT	COV	CCIFG
rw-(0)	rw-(0)	rw-(0)	rw-(0)	r	rw-(0)	rw-(0)	rw-(0)

Table 19-13. TDxCCTLn Register Description

Bit	Field	Type	Reset	Description
15-14	CMx	RW	0h	Capture mode 00b = No capture 01b = Capture on rising edge 10b = Capture on falling edge 11b = Capture on both rising and falling edges
13-12	CCISx	RW	0h	Capture/compare input select. These bits select the TDCCR _x input signal. See the device-specific data sheet for specific signal connections. 00b = CCI _x A 01b = CCI _x B 10b = GND 11b = VCC
11	SCS	RW	0h	Synchronize capture source. This bit is used to synchronize the capture input signal with the timer clock. In high-resolution mode, the capture is always synchronous to the high-resolution clock, and this setting is ignored. 0b = Asynchronous capture 1b = Synchronous capture
10-9	CLLDx	RW	0h	Compare latch load. These bits select the compare latch load event. 00b = TDCL _x loads on write to TDCCR _x 01b = TDCL _x loads when TDR counts to 0 10b = TDCL _x loads when TDR counts to 0 (up or continuous mode). TDCL _x loads when TDR counts to TDxCL0 or to 0 (up/down mode). 11b = TDCL _x loads when TDR counts to TDCL _x
8	CAP	RW	0h	Capture mode 0b = Compare mode 1b = Capture mode
7-5	OUTMODx	RW	0h	Output mode 000b = OUT bit value 001b = Set 010b = Toggle/reset 011b = Set/reset 100b = Toggle 101b = Reset 110b = Toggle/set 111b = Reset/set
4	CCIE	RW	0h	Capture/compare interrupt enable. Enables the interrupt request of the corresponding CCIFG flag. 0b = Interrupt disabled 1b = Interrupt enabled
3	CCI	R	0h	Capture/compare input. The selected input signal can be read by this bit.

Table 19-13. TDxCCTLn Register Description (continued)

Bit	Field	Type	Reset	Description
2	OUT	RW	0h	Output. For output mode 0, this bit directly controls the state of the output. 0b = Output low 1b = Output high
1	COV	RW	0h	Capture overflow. Indicates a capture overflow occurred. COV must be reset with software. 0b = No capture overflow occurred 1b = Capture overflow occurred
0	CCIFG	RW	0h	Capture/compare interrupt flag 0b = No interrupt pending 1b = Interrupt pending

19.3.6 TDxCCRn Register

Timer_D x Capture/Compare Register

Figure 19-29. TDxCCRn Register

15	14	13	12	11	10	9	8
TDCCRx							
rw-(0)	rw-(0)	rw-(0)	rw-(0)	rw-(0)	rw-(0)	rw-(0)	rw-(0)
7	6	5	4	3	2	1	0
TDCCRx							
rw-(0)	rw-(0)	rw-(0)	rw-(0)	rw-(0)	rw-(0)	rw-(0)	rw-(0)

Table 19-14. TDxCCRn Register Description

Bit	Field	Type	Reset	Description
15-0	TDCCRx	RW	0h	Timer_D capture/compare register. The TDCCRx register is the count of capture/compare block x. Note: In high-resolution compare mode there are limitations of the minimum and maximum duty cycles. See Table 19-3 and Table 19-4 for details.

19.3.7 TDxCLn Register

Timer_D x Capture/Compare Latch Register

Figure 19-30. TDxCLn Register

15	14	13	12	11	10	9	8
TDCLx							
rw-(0)	rw-(0)	rw-(0)	rw-(0)	rw-(0)	rw-(0)	rw-(0)	rw-(0)
7	6	5	4	3	2	1	0
TDCLx							
rw-(0)	rw-(0)	rw-(0)	rw-(0)	rw-(0)	rw-(0)	rw-(0)	rw-(0)

Table 19-15. TDxCLn Register Description

Bit	Field	Type	Reset	Description
15-0	TDCLx	RW	0h	Timer_D capture/compare latch register. TDCLx register holds the comparison value in compare mode. In capture mode the register content of TDCCRx is copied into TDxCLx at each capture event.

19.3.8 TDxHCTL0 Register

Timer_D x High-Resolution Control Register 0

Figure 19-31. TDxHCTL0 Register

15	14	13	12	11	10	9	8
Reserved							TDHFW
r0	r0	r0	r0	r0	r0	r0	rw-(0)
7	6	5	4	3	2	1	0
TDHDx		TDHMx		TDHRON	TDHEAEN	TDHREGEN	TDHEN
rw-(0)	rw-(0)	rw-(0)	rw-(0)	rw-(0)	rw-(0)	rw-(0)	rw-(0)

Table 19-16. TDxHCTL0 Register Description

Bit	Field	Type	Reset	Description
15-9	Reserved	R	0h	Reserved. Always reads as 0.
8	TDHFW	RW	0h	High-resolution generator fast wakeup enable 0b = High-resolution generator fast wakeup disabled 1b = High-resolution generator fast wakeup enable
7-6	TDHDx	RW	0h	High-resolution clock divider. These bits select the divider for the high resolution clock. 00b = Divide by 1 01b = Divide by 2 10b = Divide by 4 11b = Divide by 8
5-4	TDHMx	RW	0h	Timer_D high-resolution clock multiplication factor 00b = High-resolution clock 8x Timer_D clock 01b = High-resolution clock 16x Timer_D clock 10b = Reserved 11b = Reserved
3	TDHRON	RW	0h	Timer_D high-resolution generator forced on. 0b = High-resolution generator is on if the Timer_D counter MCx bits are 01, 10 or 11. 1b = High-resolution generator is on in all Timer_D MCx modes. The PMM remains in high-current mode.
2	TDHEAEN	RW	0h	Timer_D high-resolution clock enhanced accuracy enable bit. Setting this bit reduces the accumulated frequency offset of the high-resolution clock generator and the reference clock. 0b = Normal accuracy 1b = Enhanced accuracy enable
1	TDHREGEN	RW	0h	Timer_D regulation enable. Set this bit to synchronize the high-resolution clock to the Timer_D input clock defined by TDSSELx. 0b = Regulation disabled 1b = Regulation enabled
0	TDHEN	RW	0h	Timer_D high-resolution enable bit. This bit must be set to enable high-resolution operation mode. Whenever a high-resolution TDAUXCLK from another Timer_D instance is used, this bit must also be set. 0b = High-resolution mode disable 1b = High-resolution mode enable

19.3.9 TDxHCTL1 Register

Timer_D x High-Resolution Control Register 1

Figure 19-32. TDxHCTL1 Register

15	14	13	12	11	10	9	8
TDHCLKCR	TDHCLKRx		TDHCLKSRx				
rw-(0)	rw-(0)	rw-(0)	rw-(0)	rw-(0)	rw-(0)	rw-(0)	rw-(0)
7	6	5	4	3	2	1	0
TDHCLKTRIMx							Reserved
rw-(1)	rw-(0)	rw-(0)	rw-(0)	rw-(0)	rw-(0)	rw-(0)	r0

Table 19-17. TDxHCTL1 Register Description

Bit	Field	Type	Reset	Description
15	TDHCLKCR	RW	0h	Timer_D high-resolution coarse clock range selection bits. For detailed frequency numbers, see the device-specific data sheet. 0b = Timer_D input clock to the high-resolution generator is <15 MHz. 1b = Timer_D input clock to the high-resolution generator is >15 MHz.
14-13	TDHCLKRx	RW	0h	Timer_D high-resolution clock range selection bits. These bits are used to define the coarse clock range of the high-resolution clock generator. If TDHREGEN = 1 these register bits are modified by hardware. 00b = Clock range 0. See data sheet for frequency details. 01b = Clock range 1. See data sheet for frequency details. 10b = Clock range 2. See data sheet for frequency details. 11b = Reserved
12-8	TDHCLKSRx	RW	0h	Timer_D high-resolution clock sub-range selection bits. These bits are used to define the sub-clock range of the high-resolution clock generator. The frequency change due to a change of the TDHCLKTRIMx bits is approximately half of the TDHCLKSRx bits in each clock range. If TDHREGEN = 1, these register bits are modified by hardware.
7-1	TDHCLKTRIMx	RW	40h	Timer_D high-resolution clock trim selection bits. These bits are used to change the clock frequency slightly. The frequency change due to a change of the TDHCLKTRIMx bits is approximately half of the TDHCLKSRx bits in each clock range. If TDHREGEN = 1, these register bits are modified by hardware.
0	Reserved	R	0h	Reserved. Always reads as 0.

19.3.10 TDxHINT Register

Timer_D x High-Resolution Interrupt Register

Figure 19-33. TDxHINT Register

15	14	13	12	11	10	9	8
Reserved				TDHUNLKIE	TDHLKIE	TDHFHIE	TDHFLIE
r0	r0	r0	r0	rw-(0)	rw-(0)	rw-(0)	rw-(0)
7	6	5	4	3	2	1	0
Reserved				TDHUNLKIFG	TDHLKIFG	TDHFHIFG	TDHFLIFG
r0	r0	r0	r0	rw-(0)	rw-(0)	rw-(0)	rw-(0)

Table 19-18. TDxHINT Register Description

Bit	Field	Type	Reset	Description
15-12	Reserved	R	0h	Reserved. Always reads as 0.
11	TDHUNLKIE	RW	0h	Timer_D interrupt enable. This bit enables the TDHUNLKIFG interrupt request. 0b = Interrupt disabled 1b = Interrupt enabled
10	TDHLKIE	RW	0h	Timer_D interrupt enable. This bit enables the TDHLKIFG interrupt request. 0b = Interrupt disabled 1b = Interrupt enabled
9	TDHFHIE	RW	0h	Timer_D interrupt enable. This bit enables the TDHFHIFG interrupt request. 0b = Interrupt disabled 1b = Interrupt enabled
8	TDHFLIE	RW	0h	Timer_D interrupt enable. This bit enables the TDHFLIFG interrupt request. 0b = Interrupt disabled 1b = Interrupt enabled
7-4	Reserved	R	0h	Reserved. Always reads as 0.
3	TDHUNLKIFG	RW	0h	Timer_D high-resolution frequency unlock interrupt flag if TDHREGEN is set to 1. This bit is set if the frequency is still unlocked and the calibration is not yet completed. If the bit is set until cleared by writing to it. 0b = No interrupt pending 1b = Interrupt pending
2	TDHLKIFG	RW	0h	Timer_D high-resolution frequency lock interrupt flag if TDHREGEN is set to 1. This bit is set if the frequency is locked and the calibration is completed. If the bit is set it remains set until cleared by writing to it. 0b = No interrupt pending 1b = Interrupt pending
1	TDHFHIFG	RW	0h	Timer_D high-resolution fail high interrupt flag. This bit is set if the high-resolution generator cannot generate the high-resolution frequency because the input frequency is too high. If the bit is set until cleared by writing to it. 0b = No interrupt pending 1b = Interrupt pending
0	TDHFLIFG	RW	0h	Timer_D high-resolution fail low interrupt flag. This bit is set if the high-resolution generator cannot generate the high-resolution frequency because the input frequency is too low. If the bit is set until cleared by writing o it. 0b = No interrupt pending 1b = Interrupt pending

19.3.11 TDxIV Register

Timer_D x Interrupt Vector Register

Figure 19-34. TDxIV Register

15	14	13	12	11	10	9	8
TDIVx							
r0	r0	r0	r0	r0	r0	r0	r0
7	6	5	4	3	2	1	0
TDIVx							
r0	r0	r0	r-(0)	r-(0)	r-(0)	r-(0)	r0

Table 19-19. TDxIV Register Description

Bit	Field	Type	Reset	Description
15-0	TDIVx	R	0h	Timer_D external interrupt vector value 00h = No interrupt pending 02h = Interrupt Source: Capture/compare 1; Interrupt Flag: TDxCCR1 CCIFG; Interrupt Priority: Highest 04h = Interrupt Source: Capture/compare 2; Interrupt Flag: TDxCCR2 CCIFG 06h = Interrupt Source: Capture/compare 3; Interrupt Flag: TDxCCR3 CCIFG 08h = Interrupt Source: Capture/compare 4; Interrupt Flag: TDxCCR4 CCIFG 0Ah = Interrupt Source: Capture/compare 5; Interrupt Flag: TDxCCR5 CCIFG 0Ch = Interrupt Source: Capture/compare 6; Interrupt Flag: TDxCCR6 CCIFG 0Eh = Reserved 10h = Interrupt Source: Timer overflow; Interrupt Flag: TDxIFG 12h = Interrupt Source: Clock fail low; Interrupt Flag: TDxHINT TDHFLIFG 14h = Interrupt Source: Clock fail high; Interrupt Flag: TDxHINT TDHFHIFG 16h = Interrupt Source: High-resolution frequency locked; Interrupt Flag: TDxHINT TDHLKIFG 18h = Interrupt Source: High-resolution frequency unlocked; Interrupt Flag: TDxHINT TDHUNLKIFG 1Ah = Reserved 1Ch = Reserved 1Eh = Reserved ; Interrupt Priority: Lowest

Timer Event Control (TEC)

Timer Event Control (TEC) module is the interface between Timer modules and the external events. This chapter describes the TEC Module.

Topic	Page
20.1 Timer Event Control Introduction	548
20.2 TEC Operation.....	549
20.3 TEC Registers	555

20.1 Timer Event Control Introduction

TEC is a module that connects different Timer modules to each other and routes the external signals to the Timer modules. TEC contains the control registers to configure the routing between the Timer modules, and it also has the enable register bits and the interrupt enable and interrupt flags for external event inputs.

TEC features include:

- Enabling of internal and external clear signals
- Routing of internal signals (between Timer_D instances) and external clear signals
- Support of external fault input signals
- Interrupt vector generation of external fault and clear signals.
- Generating feedback signals to the Timer capture/compare channels to affect the timer outputs

The block diagram of TEC is shown in [Figure 20-1](#).

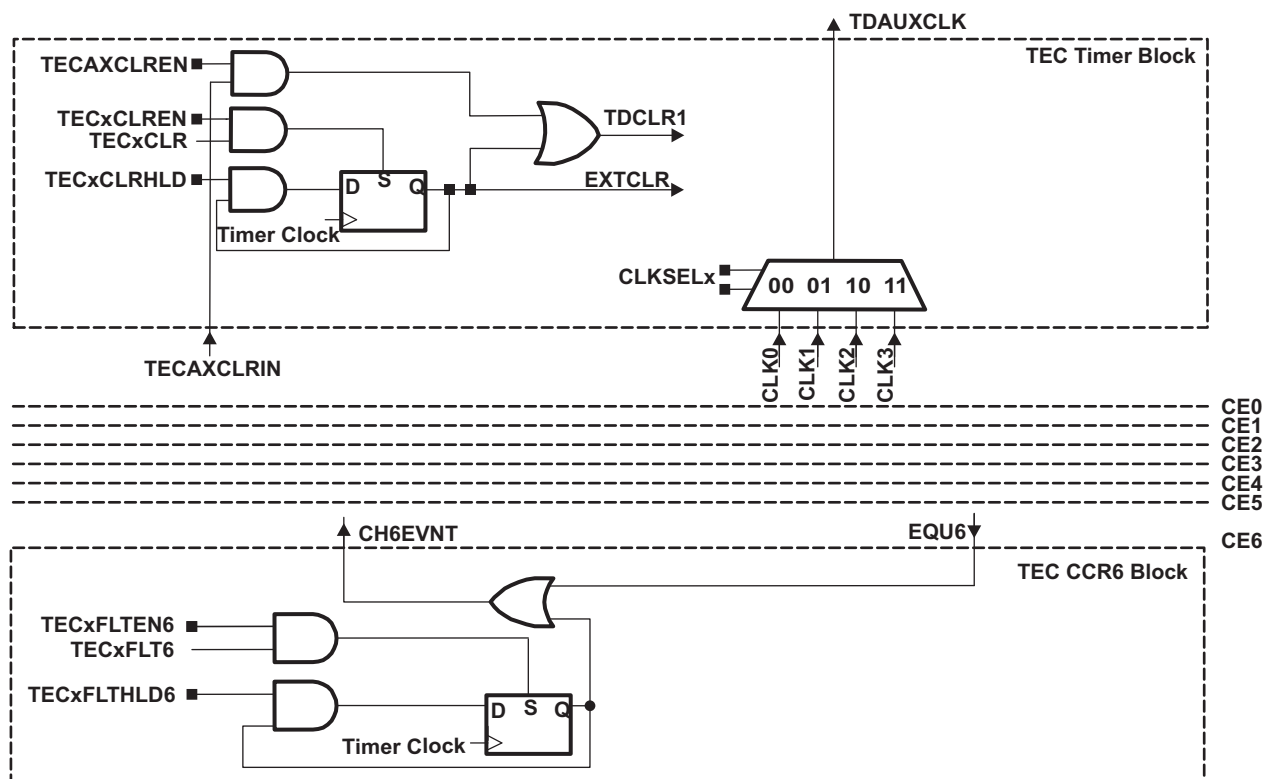


Figure 20-1. Timer Event Control Block Diagram

20.2 TEC Operation

The TEC module contains three sub-blocks:

- AUXCLK Selection sub-block
The AUXCLK Selection sub-block chooses the auxiliary clock source for the timer.
- External Clear sub-block
The External Clear sub-block controls the operation of the timer counter.
- Channel Event sub-block
The Channel Event sub-block controls the operation of a capture/compare channel.

This structure means that one Timer_D3 module, for example, needs a TEC that contains one AUXCLK Selection sub-block, one External Clear sub-block, and three Channel Event sub-blocks.

20.2.1 AUXCLK Selection Sub-Block

The AUXCLK Selection sub-block provides the auxiliary clock to Timer_D. By configuring the CLKSELx bits, one of the four clock sources can be chosen.

20.2.2 External Clear Sub-Block

The External Clear sub-block accepts external signals that can clear the Timer_D and affect the timer output. The TDR register in Timer_D module can be cleared by the following external events:

- External input TECECLR is enabled and is high.
- The auxiliary clear signal TECAXCLRIN is enabled and is high.

20.2.3 Channel Event Sub-Block

The Channel Event sub-block is responsible for timer event control and signaling. One Channel Event sub-block corresponds to one capture/compare channel in Timer_D module. The output unit of a capture/compare channel accepts the external fault input as well as the EQUx signal coming from the CCRx unit of the Timer_D. Both events will affect the PWM output.

When a TECFLT_x event is enabled and occurs, the corresponding status bit TECFLT_xSTA in the TECSTA register is set. This event also sets the TECFLTIFG interrupt flag. When TECFLTIFG is set to logical 1, the TECFLT_xSTA status bits show which external fault signal or signals are active. The TECFLTHLD_x control bit holds the external fault signal. Clearing the TECFLT_xSTA status bits also resets the held signal back to zero.

20.2.3.1 External Input Events Affect Timer Output

Figure 20-2 shows how the external signals affect the Timer_D output in a Power Factor Corrector (PFC) application.

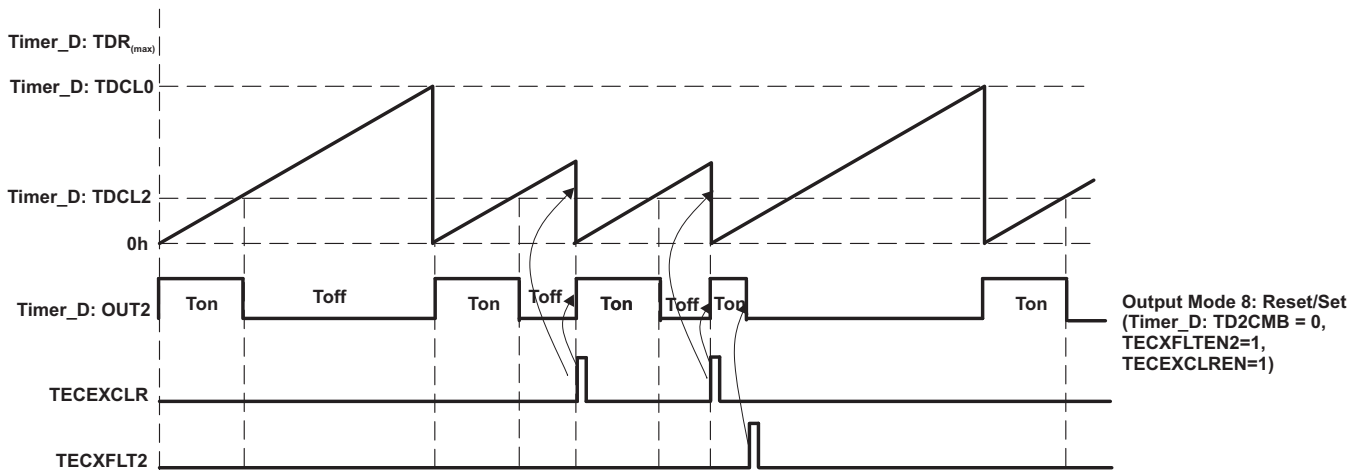


Figure 20-2. External Input Events Affect Timer_D Output

Figure 20-3 shows an example in which channels are combined.

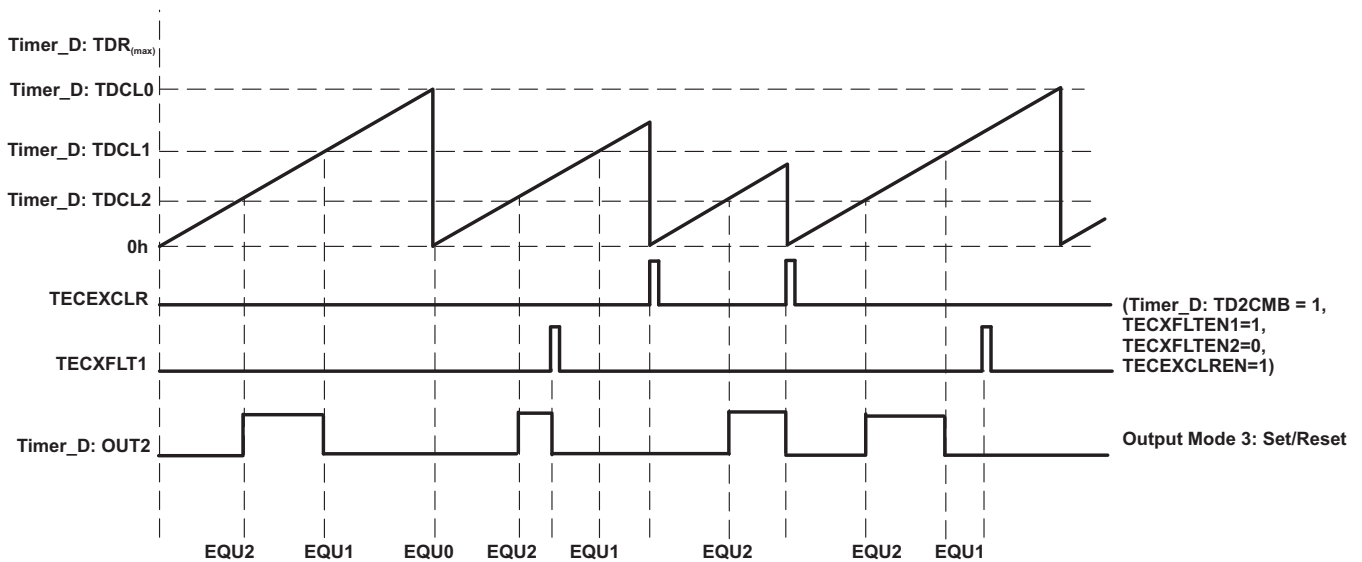


Figure 20-3. Timer_D Output With Channel Combination

20.2.4 Module Level Connection Between TEC and Timer_D

The TEC and Timer_D modules are connected through internal signals. Figure 20-4 shows the interconnection between TEC and Timer_D module. See the [Timer_D chapter](#) for more Timer_D module information.

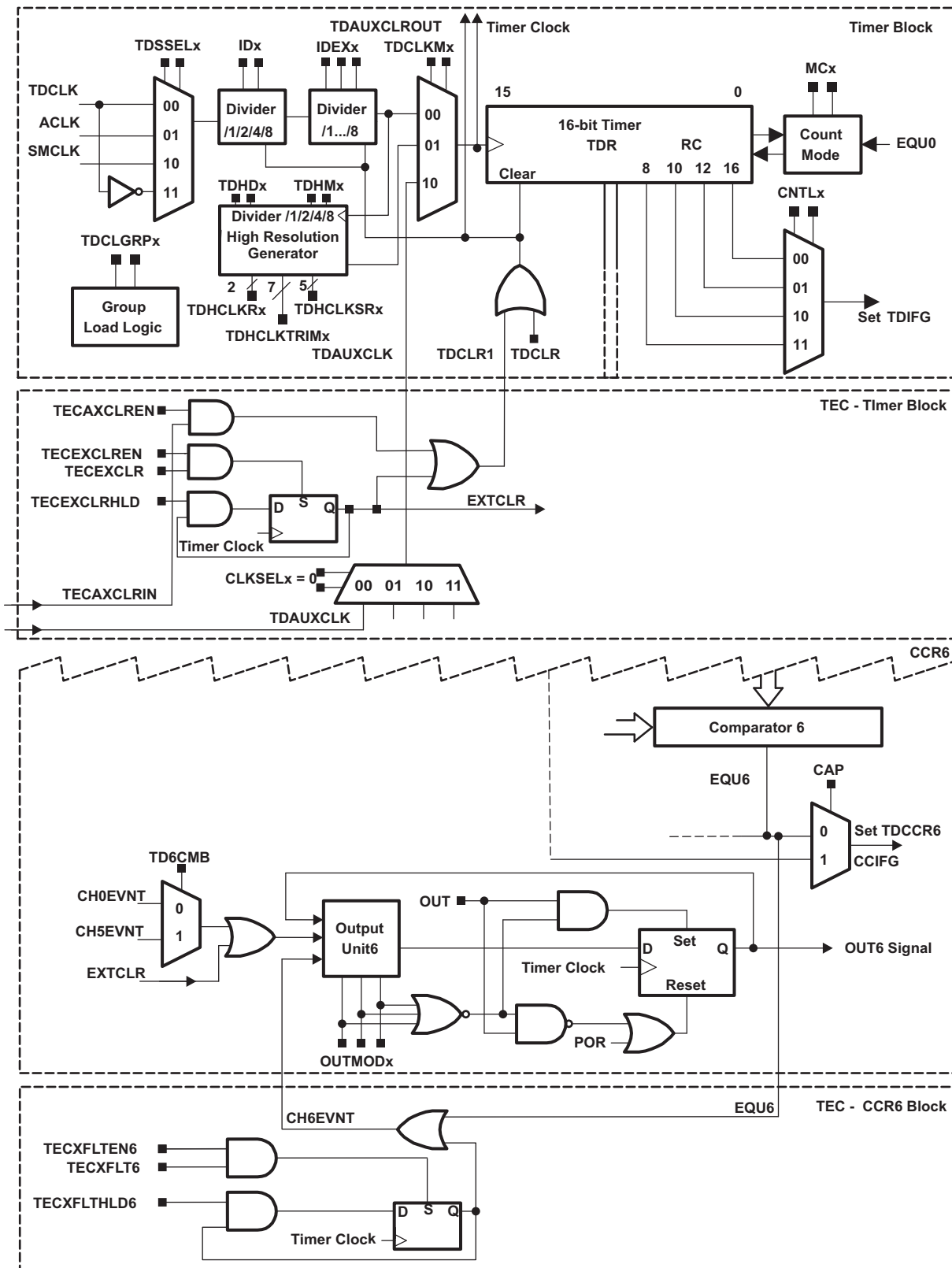


Figure 20-4. Module Level Connection Between TEC and Timer_D

20.2.5 Synchronization Mechanism Between Timer_D Instances

Two or more Timer_D modules can be synchronized to each other. One instance can be the master of the other Timer_D instance (slave). The master is the instance that supplies the clock to the other instance. If two timer instances are synchronized to each other, then there is a device specific order; for example, Timer0_D is the master of Timer1_D. The slave uses the settings of the TDHEN bit, the CNTLx bits, and the MCx bits of the master. The CCR0 registers of the master and the slave must be programmed to equal values. Figure 20-5 shows the combination of a Timer_D master and a Timer_D slave and the control signals routed through the TEC module of the slave. The clock generator of the Timer_D slave is powered down by selecting the TDCLKMx to accept the clock input from the Timer_D master. The TECEXCLR signals of the slave timers do not propagate to the master but the clear events of the master timers are signaled to the slave timers. See Figure 20-5 for the detailed signal routing between master and slave. The divider and clock selector settings of the slave timers are ignored. The high resolution generator of the slave timer is disabled.

The Example 20-1 shows how to program the master timer and the slave timer to synchronize them.

Example 20-1.

```
// Example: TD0 is master timer, TD1 is slave timer
//          Period is 200. TD0 channel 1: 20% duty cycle. TD0 channel 2: 40% duty cycle
//          TD1 channel 1: 60% duty cycle. TD1 channel 2: 80% duty cycle
// Configure Master TD0
    TD0CTL0 = TDSSEL_2;           // TDCLK = SMCLK = Hi-Res input clk
    TD0CTL1 |= TDCLKM_1;        // TD0 clock = Hi-res local clock
    TD0HCTL0 = TDHM_0 + TDHREGEN + TDHEN; // Hi-res clock 8x TDCLK,
//
Regulation and Hi-res mode enable
// TD0HINT |= TDHLKIE;         // Set TDH Lock IFG -
// not used in the example

// Configure Slave TD1
    TD1CTL1 = TDCLKM_2;         // TD1 clock = Auxiliary clock source from
master
//
timer instance
// Configure Slave TEC1
    TEC1XCTL2 |= TECAXCLREN;
// Enable synchronized clear

// Configure TD0 and its PWM outputs
    TD0CTL0 |= TDCLR;          // Clear timer counter master+slave

    TD0CCR0 = 200;              // TD0CCR0
    TD0CCR1 = 40;               // 20% dutycycle
    TD0CCTL1 |= OUTMOD_7;      // TD0CCR1, Reset/Set
    TD0CCR2 = 80;              // 40% dutycycle
    TD0CCTL2 |= OUTMOD_7;      // TD0CCR2, Reset/Set

// Configure TD1 PWM outputs
    TD1CCR0 = 200;              // TD1CCR0
    TD1CCR1 = 120;              // 60% dutycycle
    TD1CCTL1 |= OUTMOD_7;      // TD1CCR1, Reset/Set
    TD1CCR2 = 160;             // 80% dutycycle
    TD1CCTL2 |= OUTMOD_7;      // TD1CCR2, Reset/Set

// Start timers and select Up-mode
    TD0CTL0 |= MC_1 + TDCLR;    // up-mode, start timer
```

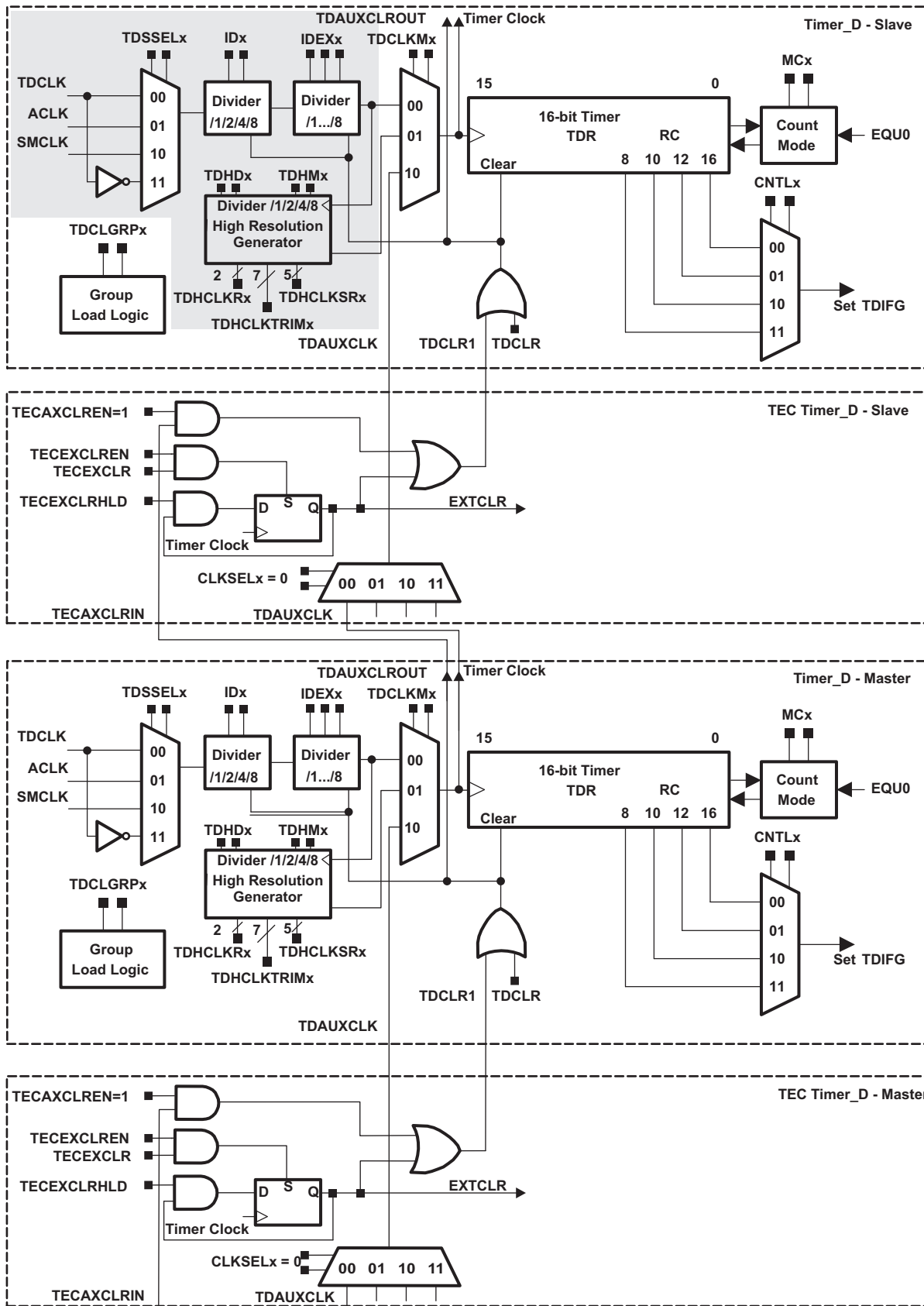



Figure 20-5. Synchronization Between Timer Instances

20.2.6 Timer Event Control Interrupts

The TEC module has only one interrupt vector, TECxIV.

20.2.6.1 TECxIV, Interrupt Vector Generator

The external fault interrupt TECXFLTIFG, the external clear interrupt TECEXCLRIFG, and the auxiliary clear interrupt TECAXCLRIFG are prioritized and combined to source a single interrupt vector. The interrupt vector register TECxIV is used to determine which flag requested an interrupt.

The highest-priority enabled interrupt generates a number in the TECxIV register (see [Section 20.3.6](#)). This number can be evaluated or added to the program counter to automatically enter the appropriate software routine. Disabled TEC interrupts do not affect the TECxIV value.

Read access of the TECxIV register automatically resets the highest-pending interrupt flag. If another interrupt flag is set, another interrupt is immediately generated after servicing the initial interrupt.

Write access of the TECxIV register clears all pending interrupt conditions and flags.

20.3 TEC Registers

The Timer Event Control registers are listed in [Table 20-1](#). The base address can be found in the device-specific data sheet. The address offset is listed in [Table 20-1](#).

Table 20-1. TEC Registers

Offset	Acronym	Register Name	Type	Reset	Section
0000h	TECxCTL0	Timer Event Control External Control 0	Read/write	0000h	Section 20.3.1
0002h	TECxCTL1	Timer Event Control External Control 1	Read/write	0000h	Section 20.3.2
0004h	TECxCTL2	Timer Event Control External Control 2	Read/write	0000h	Section 20.3.3
0006h	TECxSTA	Timer Event Control Status	Read/write	0000h	Section 20.3.4
0008h	TECxINT	Timer Event Control External Interrupt	Read/write	0000h	Section 20.3.5
000Ah	TECxIV	Timer Event Control Interrupt Vector	Read only	0000h	Section 20.3.6

20.3.1 TECCTL0 Register

Timer Event Control External Control Register 0

Figure 20-6. TECxCTL0 Register

15	14	13	12	11	10	9	8
Reserved	TECXFLTEN6	TECXFLTEN5	TECXFLTEN4	TECXFLTEN3	TECXFLTEN2	TECXFLTEN1	TECXFLTEN0
r0	rw-(0)	rw-(0)	rw-(0)	rw-(0)	rw-(0)	rw-(0)	rw-(0)
7	6	5	4	3	2	1	0
Reserved	TECXFLTHLD6	TECXFLTHLD5	TECXFLTHLD4	TECXFLTHLD3	TECXFLTHLD2	TECXFLTHLD1	TECXFLTHLD0
r0	rw-(0)	rw-(0)	rw-(0)	rw-(0)	rw-(0)	rw-(0)	rw-(0)

Table 20-2. TECxCTL0 Register Description

Bit	Field	Type	Reset	Description
15	Reserved	R	0h	Reserved. Always reads as 0.
14	TECXFLTEN6	RW	0h	External fault signal enable for channel event block 6 (only available on TEC7) 0b = External fault signal is disabled for CE6 1b = External fault signal is enabled for CE6
13	TECXFLTEN5	RW	0h	External fault signal enable for channel event block 5 (only available on TEC7) 0b = External fault signal is disabled for CE5 1b = External fault signal is enabled for CE5
12	TECXFLTEN4	RW	0h	External fault signal enable for channel event block 4 (only available on TEC5 or TEC7) 0b = External fault signal is disabled for CE4 1b = External fault signal is enabled for CE4
11	TECXFLTEN3	RW	0h	External fault signal enable for channel event block 3 (only available on TEC5 or TEC7) 0b = External fault signal is disabled for CE3 1b = External fault signal is enabled for CE3
10	TECXFLTEN2	RW	0h	External fault signal enable for channel event block 2 0b = External fault signal is disabled for CE2 1b = External fault signal is enabled for CE2
9	TECXFLTEN1	RW	0h	External fault signal enable for channel event block 1 0b = External fault signal is disabled for CE1 1b = External fault signal is enabled for CE1
8	TECXFLTEN0	RW	0h	External fault signal enable for channel event block 0 0b = External fault signal is disabled for CE0 1b = External fault signal is enabled for CE0
7	Reserved	R	0h	Reserved. Always reads as 0.
6	TECXFLTHLD6	RW	0h	External fault signal hold bit for CE6 0b = External fault signal is not held 1b = External fault signal is held
5	TECXFLTHLD5	RW	0h	External fault signal hold bit for CE5 0b = External fault signal is not held 1b = External fault signal is held
4	TECXFLTHLD4	RW	0h	External fault signal hold bit for CE4 0b = External fault signal is not held 1b = External fault signal is held
3	TECXFLTHLD3	RW	0h	External fault signal hold bit for CE3 0b = External fault signal is not held 1b = External fault signal is held

Table 20-2. TECxCTL0 Register Description (continued)

Bit	Field	Type	Reset	Description
2	TECXFLTHLD2	RW	0h	External fault signal hold bit for CE2 0b = External fault signal is not held 1b = External fault signal is held
1	TECXFLTHLD1	RW	0h	External fault signal hold bit for CE1 0b = External fault signal is not held 1b = External fault signal is held
0	TECXFLTHLD0	RW	0h	External fault signal hold bit for CE0 0b = External fault signal is not held 1b = External fault signal is held

20.3.2 TECCTL1 Register

Timer Event Control External Control Register 1

Figure 20-7. TECxCTL1 Register

15	14	13	12	11	10	9	8
Reserved	TECXFLTLVS6	TECXFLTLVS5	TECXFLTLVS4	TECXFLTLVS3	TECXFLTLVS2	TECXFLTLVS1	TECXFLTLVS0
r0	rw-(0)	rw-(0)	rw-(0)	rw-(0)	rw-(0)	rw-(0)	rw-(0)
7	6	5	4	3	2	1	0
Reserved	TECXFLTPOL6	TECXFLTPOL5	TECXFLTPOL4	TECXFLTPOL3	TECXFLTPOL2	TECXFLTPOL1	TECXFLTPOL0
r0	rw-(0)	rw-(0)	rw-(0)	rw-(0)	rw-(0)	rw-(0)	rw-(0)

Table 20-3. TECxCTL1 Register Description

Bit	Field	Type	Reset	Description
15	Reserved	R	0h	Reserved. Always reads as 0.
14	TECXFLTLVS6	RW	0h	Signal type of external fault 6 0b = Edge sensitive 1b = Level sensitive
13	TECXFLTLVS5	RW	0h	Signal type of external fault 5 0b = Edge sensitive 1b = Level sensitive
12	TECXFLTLVS4	RW	0h	Signal type of external fault 4 0b = Edge sensitive 1b = Level sensitive
11	TECXFLTLVS3	RW	0h	Signal type of external fault 3 0b = Edge sensitive 1b = Level sensitive
10	TECXFLTLVS2	RW	0h	Signal type of external fault 2 0b = Edge sensitive 1b = Level sensitive
9	TECXFLTLVS1	RW	0h	Signal type of external fault 1 0b = Edge sensitive 1b = Level sensitive
8	TECXFLTLVS0	RW	0h	Signal type of external fault 0 0b = Edge sensitive 1b = Level sensitive
7	Reserved	R	0h	Reserved. Always reads as 0.
6	TECXFLTPOL6	RW	0h	Polarity bit of external fault 6 0b = Selects falling edge in edge sensitive or low level in level sensitive 1b = Selects rising edge in edge sensitive or high level in level sensitive
5	TECXFLTPOL5	RW	0h	Polarity bit of external fault 5 0b = Selects falling edge in edge sensitive or low level in level sensitive 1b = Selects rising edge in edge sensitive or high level in level sensitive
4	TECXFLTPOL4	RW	0h	Polarity bit of external fault 4 0b = Selects falling edge in edge sensitive or low level in level sensitive 1b = Selects rising edge in edge sensitive or high level in level sensitive
3	TECXFLTPOL3	RW	0h	Polarity bit of external fault 3 0b = Selects falling edge in edge sensitive or low level in level sensitive 1b = Selects rising edge in edge sensitive or high level in level sensitive
2	TECXFLTPOL2	RW	0h	Polarity bit of external fault 2 0b = Selects falling edge in edge sensitive or low level in level sensitive 1b = Selects rising edge in edge sensitive or high level in level sensitive

Table 20-3. TECxCTL1 Register Description (continued)

Bit	Field	Type	Reset	Description
1	TECXFLTPOL1	RW	0h	Polarity bit of external fault 1 0b = Selects falling edge in edge sensitive or low level in level sensitive 1b = Selects rising edge in edge sensitive or high level in level sensitive
0	TECXFLTPOL0	RW	0h	Polarity bit of external fault 0 0b = Selects falling edge in edge sensitive or low level in level sensitive 1b = Selects rising edge in edge sensitive or high level in level sensitive

20.3.3 TECCTL2 Register

Timer Event Control External Control Register 2

Figure 20-8. TECxCTL2 Register

15	14	13	12	11	10	9	8
Reserved							
r0	r0	r0	r0	r0	r0	r0	r0
7	6	5	4	3	2	1	0
Reserved	TECEXCLRLVS	TECEXCLRPOL	TECEXCLRHLDD	TECEXCLREN	TECAXCLREN	CLKSELx	
r0	rw-(0)	rw-(0)	rw-(0)	rw-(0)	rw-(0)	rw-(0)	rw-(0)

Table 20-4. TECxCTL2 Register Description

Bit	Field	Type	Reset	Description
15-7	Reserved	R	0h	Reserved. Always reads as 0.
6	TECEXCLRLVS	RW	0h	Signal type of external clear 0b = Edge sensitive 1b = Level sensitive
5	TECEXCLRPOL	RW	0h	Polarity bit of external clear 0b = Selects falling edge in edge sensitive or low level in level sensitive 1b = Selects rising edge in edge sensitive or high level in level sensitive
4	TECEXCLRHLDD	RW	0h	External clear signal hold bit 0b = External clear signal is not held 1b = External clear signal is held
3	TECEXCLREN	RW	0h	External clear signal control bit 0b = External clear signal disabled 1b = External clear signal enabled
2	TECAXCLREN	RW	0h	Auxiliary clear signal control bit 0b = Auxiliary clear signal disabled 1b = Auxiliary clear signal enabled
1-0	CLKSELx	RW	0h	Auxiliary clock source selection bits 00b = Clock input from a Timer_D master instance 01b = Reserved 10b = Reserved 11b = Reserved

20.3.4 TECxSTA Register

Timer Event Control Status Register

Figure 20-9. TECxSTA Register

15	14	13	12	11	10	9	8
Reserved							TECXCLRSTA
r0	r0	r0	r0	r0	r0	r0	rw-(0)
7	6	5	4	3	2	1	0
Reserved	TECXFLT6STA	TECXFLT5STA	TECXFLT4STA	TECXFLT3STA	TECXFLT2STA	TECXFLT1STA	TECXFLT0STA
r0	rw-(0)	rw-(0)	rw-(0)	rw-(0)	rw-(0)	rw-(0)	rw-(0)

Table 20-5. TECxSTA Register Description

Bit	Field	Type	Reset	Description
15-9	Reserved	R	0h	Reserved. Always reads as 0.
8	TECXCLRSTA	RW	0h	External clear status flag. This bit is set if the external clear input is detected. If the bit is set it remains set until cleared by writing 0 to it. 0b = No external clear detected 1b = External clear detected
7	Reserved	R	0h	Reserved. Always reads as 0.
6	TECXFLT6STA	RW	0h	External fault status flag. This bit is set if the external fault signal in CE6 is detected. If the bit is set it remains set until cleared by writing 0 to it. 0b = No external fault detected 1b = External fault detected
5	TECXFLT5STA	RW	0h	External fault status flag. This bit is set if the external fault signal in CE5 is detected. If the bit is set it remains set until cleared by writing 0 to it. 0b = No external fault detected 1b = External fault detected
4	TECXFLT4STA	RW	0h	External fault status flag. This bit is set if the external fault signal in CE4 is detected. If the bit is set it remains set until cleared by writing 0 to it. 0b = No external fault detected 1b = External fault detected
3	TECXFLT3STA	RW	0h	External fault status flag. This bit is set if the external fault signal in CE3 is detected. If the bit is set it remains set until cleared by writing 0 to it. 0b = No external fault detected 1b = External fault detected
2	TECXFLT2STA	RW	0h	External fault status flag. This bit is set if the external fault signal in CE2 is detected. If the bit is set it remains set until cleared by writing 0 to it. 0b = No external fault detected 1b = External fault detected
1	TECXFLT1STA	RW	0h	External fault status flag. This bit is set if the external fault signal in CE1 is detected. If the bit is set it remains set until cleared by writing 0 to it. 0b = No external fault detected 1b = External fault detected
0	TECXFLT0STA	RW	0h	External fault status flag. This bit is set if the external fault signal in CE0 is detected. If the bit is set it remains set until cleared by writing 0 to it. 0b = No external fault detected 1b = External fault detected

20.3.5 TECxINT Register

Timer Event Control External Interrupt Register

Figure 20-10. TECxINT Register

15	14	13	12	11	10	9	8
Reserved					TECXFLTIE	TECEXCLRIE	TECAXCLRIE
r0	r0	r0	r0	r0	rw-(0)	rw-(0)	rw-(0)
7	6	5	4	3	2	1	0
Reserved					TECXFLTIFG	TECEXCLRIFG	TECAXCLRIFG
r0	r0	r0	r0	r0	rw-(0)	rw-(0)	rw-(0)

Table 20-6. TECxINT Register Description

Bit	Field	Type	Reset	Description
15-11	Reserved	R	0h	Reserved. Always reads as 0.
10	TECXFLTIE	RW	0h	External fault interrupt enable. This bit enables the TECXFLTIFG interrupt request. 0b = Interrupt disabled 1b = Interrupt enabled
9	TECEXCLRIE	RW	0h	External clear interrupt enable. This bit enables the TECEXCLRIFG interrupt request. 0b = Interrupt disabled 1b = Interrupt enabled
8	TECAXCLRIE	RW	0h	Auxiliary interrupt enable. This bit enables the TECAXCLRIFG interrupt request. 0b = Interrupt disabled 1b = Interrupt enabled
7-3	Reserved	R	0h	Reserved. Always reads as 0.
2	TECXFLTIFG	RW	0h	External fault interrupt flag. This bit is set if one of the external fault signal TECXFLTx is detected. Software has to look into the control register TECSTA to find out which one it is. If the bit is set it remains set until cleared by reading it or writing a 0 to it. 0b = No interrupt pending 1b = Interrupt pending
1	TECEXCLRIFG	RW	0h	External clear interrupt flag. This bit is set if the external clear signal is detected. If the bit is set it remains set until cleared by reading it or writing a 0 to it. 0b = No interrupt pending 1b = Interrupt pending
0	TECAXCLRIFG	RW	0h	Auxiliary clear interrupt flag. This bit is set if the auxiliary clear signal is detected. If the bit is set it remains set until cleared by reading it or writing a 0 to it. 0b = No interrupt pending 1b = Interrupt pending

20.3.6 TECxIV Register

Timer Event Control Interrupt Vector Register

Figure 20-11. TECxIV Register

15	14	13	12	11	10	9	8
TECxIVx							
r0	r0	r0	r0	r0	r0	r0	r0
7	6	5	4	3	2	1	0
TECxIVx							
r0	r0	r0	r0	r0	r-(0)	r-(0)	r0

Table 20-7. TECxIV Register Description

Bit	Field	Type	Reset	Description
15-0	TECxIVx	R	0h	TEC external interrupt vector value 00h = No interrupt pending 02h = Interrupt Source: External fault; Interrupt Flag: TECXFLTIFG; Interrupt Priority: Highest 04h = Interrupt Source: External clear; Interrupt Flag: TECEXCLRIFG 06h = Interrupt Source: Auxiliary clear; Interrupt Flag: TECAXCLRIFG; Interrupt Priority: Lowest

Real-Time Clock (RTC) Overview

21.1 RTC Overview

Table 21-1. RTC Overview

Feature	RTC_A	RTC_B LPM3.5, Calendar Mode Only	RTC_C Protection Plus Improved Calibration and Compensation
Calendar Mode	Yes	Yes	Yes
Counter Mode	Yes	No	Optional (device-dependent) ⁽¹⁾
Programmable Alarms	Yes	Yes	Yes
Password Protected Calendar Registers	No	No	Yes
Input Clocks	ALCK, SMCLK	32-kHz crystal oscillator	32-kHz crystal oscillator
LPM3.5 Support	No	Yes	Yes
Offset Calibration Register	Yes	Yes	Yes
Temperature Compensation Register	No	No	Yes
Frequency Adjustment Range	-2.035 ppm × 63 ≈ -128 ppm +4.069 ppm × 63 ≈ +256 ppm	-2.17 ppm × 59 ≈ -128 ppm +4.34 ppm × 59 ≈ +256 ppm	-240 ppm, +240 ppm ⁽²⁾
Frequency Adjustment Steps	-2.035 ppm, +4.069 ppm	-2.17 ppm, +4.34 ppm	-1 ppm, +1 ppm
Temperature Compensation	With software, manipulating offset calibration value	With software, manipulating offset calibration value	With software using separate temperature compensation register
Calibration and Compensation Period	64 min	60 min	1 min
BCD to Binary Conversion	Integrated for Calendar Mode	Integrated for Calendar Mode plus separate conversion registers	Integrated for Calendar Mode plus separate conversion registers
Event/Tamper Detect With Time Stamp	No	No	Optional (device-dependent) ⁽¹⁾

⁽¹⁾ See the device-specific data sheet.

⁽²⁾ Total adjustment range of offset calibration plus temperature compensation. See the RTC_C chapter for details.

Real-Time Clock (RTC_A)

The Real-Time Clock (RTC_A) module provides clock counters with a calendar, a flexible programmable alarm, and calibration. This chapter describes the RTC_A module.

Topic	Page
22.1 RTC_A Introduction	566
22.2 RTC_A Operation.....	568
22.3 RTC_A Registers	574

22.1 RTC_A Introduction

The RTC_A module provides a real-time clock and calendar function that can also be configured as a general-purpose counter.

RTC_A features include:

- Configurable for real-time clock with calendar function or general-purpose counter
- Provides seconds, minutes, hours, day of week, day of month, month, and year in real-time clock with calendar function
- Interrupt capability
- Selectable BCD or binary format in real-time clock mode
- Programmable alarms in real-time clock mode
- Calibration logic for time offset correction in real-time clock mode

The RTC_A block diagram is shown in [Figure 22-1](#).

NOTE: Real-time clock initialization

Most RTC_A module registers have no initial condition. These registers must be configured by user software before use.

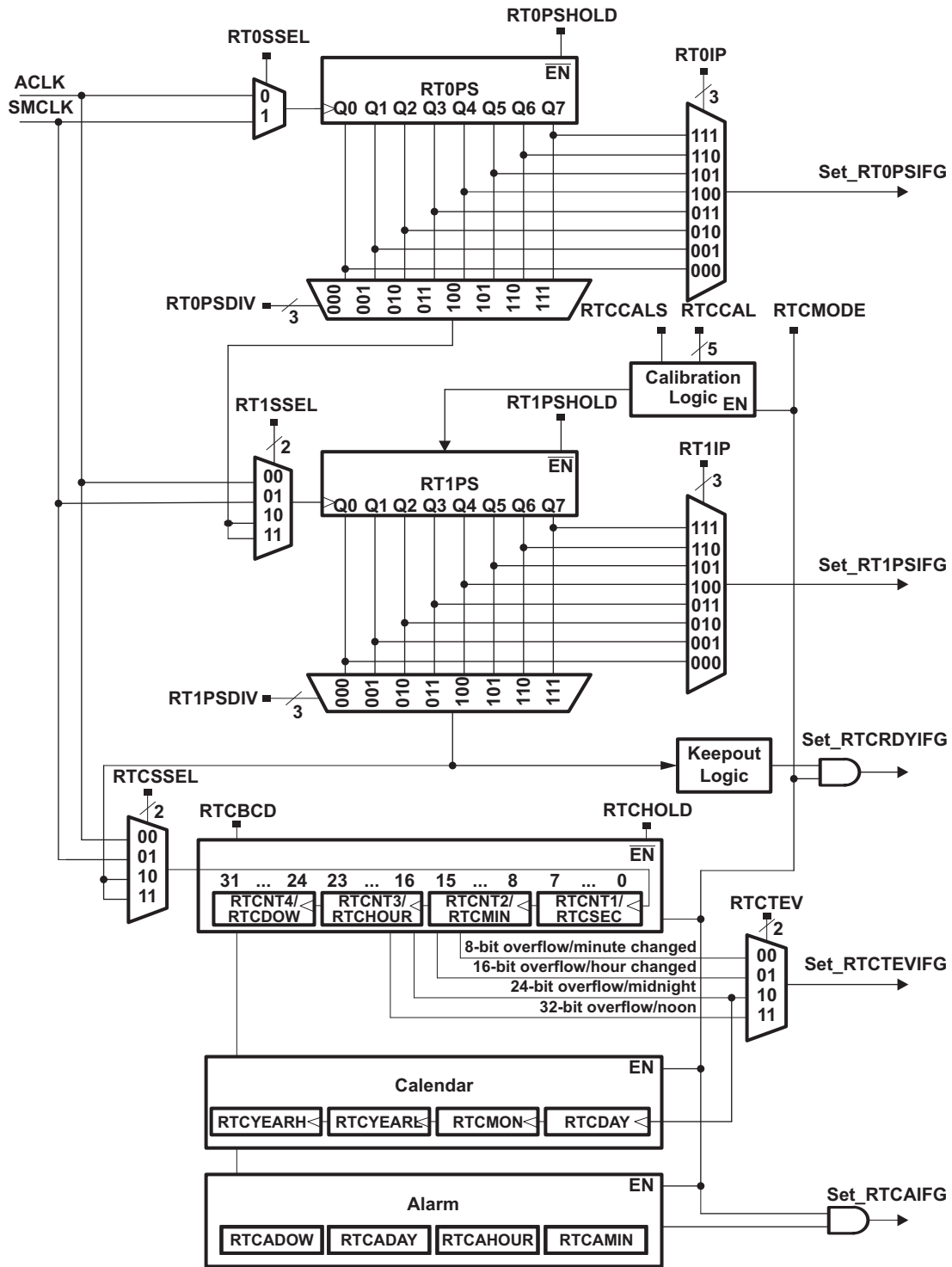


Figure 22-1. RTC_A

22.2 RTC_A Operation

The RTC_A module can be configured as a real-time clock with calendar function (calendar mode) or as a 32-bit general purpose counter (counter mode) with the RTCMODE bit.

22.2.1 Counter Mode

Counter mode is selected when RTCMODE is reset. In this mode, a 32-bit counter is provided that is directly accessible by software. Switching from calendar mode to counter mode resets the count value (RTCNT1, RTCNT2, RTCNT3, RTCNT4), as well as the prescale counters (RT0PS, RT1PS).

The clock to increment the counter can be sourced from ACLK, SMCLK, or prescaled versions of ACLK or SMCLK. Prescaled versions of ACLK or SMCLK are sourced from the prescale dividers (RT0PS and RT1PS). RT0PS and RT1PS output /2, /4, /8, /16, /32, /64, /128, and /256 versions of ACLK and SMCLK, respectively. The output of RT0PS can be cascaded with RT1PS. The cascaded output can be used as a clock source input to the 32-bit counter.

Four individual 8-bit counters are cascaded to provide the 32-bit counter. This provides 8-bit, 16-bit, 24-bit, or 32-bit overflow intervals of the counter clock. The RTCTEV bits select the respective trigger event. An RTCTEV event can trigger an interrupt by setting the RTCTEVIE bit. Each counter, RTCNT1 through RTCNT4, is individually accessible and may be written to.

RT0PS and RT1PS can be configured as two 8-bit counters or cascaded into a single 16-bit counter. RT0PS and RT1PS can be halted on an individual basis by setting their respective RT0PSHOLD and RT1PSHOLD bits. When RT0PS is cascaded with RT1PS, setting RT0PSHOLD causes both RT0PS and RT1PS to be halted. The 32-bit counter can be halted several ways depending on the configuration. If the 32-bit counter is sourced directly from ACLK or SMCLK, it can be halted by setting RTCHOLD. If it is sourced from the output of RT1PS, it can be halted by setting RT1PSHOLD or RTCHOLD. Finally, if it is sourced from the cascaded outputs of RT0PS and RT1PS, it can be halted by setting RT0PSHOLD, RT1PSHOLD, or RTCHOLD.

NOTE: Accessing the RTCNT1, RTCNT2, RTCNT3, RTCNT4, RT0PS, RT1PS registers

When the counter clock is asynchronous to the CPU clock, any read from any RTCNT1, RTCNT2, RTCNT3, RTCNT4, RT0PS, or RT1PS register should occur while the counter is not operating. Otherwise, the results may be unpredictable. Alternatively, the counter may be read multiple times while operating, and a majority vote taken in software to determine the correct reading. Any write to these registers takes effect immediately.

22.2.2 Calendar Mode

Calendar mode is selected when RTCMODE is set. In calendar mode, the RTC_A module provides seconds, minutes, hours, day of week, day of month, month, and year in selectable BCD or hexadecimal format. The calendar includes a leap-year algorithm that considers all years evenly divisible by four as leap years. This algorithm is accurate from the year 1901 through 2099.

22.2.2.1 Real-Time Clock and Prescale Dividers

The prescale dividers, RT0PS and RT1PS, are automatically configured to provide a 1-s clock interval for the RTC_A. RT0PS is sourced from ACLK. ACLK must be set to 32768 Hz (nominal) for proper RTC_A calendar operation. RT1PS is cascaded with the output ACLK/256 of RT0PS. The RTC_A is sourced with the /128 output of RT1PS, thereby providing the required 1-s interval. Switching from counter to calendar mode clears the seconds, minutes, hours, day-of-week, and year counts and sets day-of-month and month counts to 1. In addition, RT0PS and RT1PS are cleared.

When RTCBCD = 1, BCD format is selected for the calendar registers. The format must be selected before the time is set. Changing the state of RTCBCD clears the seconds, minutes, hours, day-of-week, and year counts and sets day-of-month and month counts to 1. In addition, RT0PS and RT1PS are cleared.

In calendar mode, the RT0SSEL, RT1SSEL, RT0PSDIV, RT1PSDIV, RT0PSHOLD, RT1PSHOLD, and RTCSEL bits are don't care. Setting RTCHOLD halts the real-time counters and prescale counters, RT0PS and RT1PS.

22.2.2.2 Real-Time Clock Alarm Function

The RTC_A module provides for a flexible alarm system. There is a single user-programmable alarm that can be programmed based on the settings contained in the alarm registers for minutes, hours, day of week, and day of month. The user-programmable alarm function is only available in the calendar mode of operation.

Each alarm register contains an alarm enable (AE) bit that can be used to enable the respective alarm register. By setting AE bits of the various alarm registers, a variety of alarm events can be generated.

- Example 1: A user wishes to set an alarm every hour at 15 minutes past the hour; that is, at 00:15:00, 01:15:00, 02:15:00, and so on. This is possible by setting RTCAMIN to 15. By setting the AE bit of the RTCAMIN and clearing all other AE bits of the alarm registers, the alarm is enabled. When enabled, the AF is set when the count transitions from 00:14:59 to 00:15:00, 01:14:59 to 01:15:00, 02:14:59 to 02:15:00, etc.
- Example 2: A user wishes to set an alarm every day at 04:00:00. This is possible by setting RTCAHOUR to 4. By setting the AE bit of the RTCHOUR and clearing all other AE bits of the alarm registers, the alarm is enabled. When enabled, the AF is set when the count transitions from 03:59:59 to 04:00:00.
- Example 3: A user wishes to set an alarm for 06:30:00. RTCAHOUR would be set to 6 and RTCAMIN would be set to 30. By setting the AE bits of RTCAHOUR and RTCAMIN, the alarm is enabled. Once enabled, the AF is set when the the time count transitions from 06:29:59 to 06:30:00. In this case, the alarm event occurs every day at 06:30:00.
- Example 4: A user wishes to set an alarm every Tuesday at 06:30:00. RTCADOW would be set to 2, RTCAHOUR would be set to 6 and RTCAMIN would be set to 30. By setting the AE bits of RTCADOW, RTCAHOUR and RTCAMIN, the alarm is enabled. Once enabled, the AF is set when the the time count transitions from 06:29:59 to 06:30:00 and the RTCDOW transitions from 1 to 2.
- Example 5: A user wishes to set an alarm the fifth day of each month at 06:30:00. RTCADAY would be set to 5, RTCAHOUR would be set to 6 and RTCAMIN would be set to 30. By setting the AE bits of RTCADAY, RTCAHOUR and RTCAMIN, the alarm is enabled. Once enabled, the AF is set when the the time count transitions from 06:29:59 to 06:30:00 and the RTCDAY equals 5.

NOTE: Invalid alarm settings

Invalid alarm settings are not checked via hardware. It is the user's responsibility to ensure that valid alarm settings are entered.

NOTE: Invalid time and date values

Writing of invalid date and/or time information or data values outside the legal ranges specified in the RTCSEC, RTCMIN, RTCHOUR, RTCDAY, RTCDOW, RTCYEARH, RTCYEARL, RTCAMIN, RTCAHOUR, RTCADAY, and RTCADOW registers can result in unpredictable behavior.

NOTE: Setting the alarm

To prevent potential erroneous alarm conditions from occurring, the alarms should be disabled by clearing the RTCAIE, RTCAIFG, and AE bits prior to writing new time values to the RTC time registers.

22.2.2.3 Reading or Writing Real-Time Clock Registers in Calendar Mode

Because the system clock may be asynchronous to the RTC_A clock source, special care must be taken when accessing the real-time clock registers.

In calendar mode, the real-time clock registers are updated once per second. To prevent reading any real-time clock register at the time of an update, which could result in an invalid time being read, a keepout window is provided. The keepout window is centered approximately $-128/32768$ s around the update transition. The read-only RTCRDY bit is reset during the keepout window period and set outside the keepout window period. Any read of the clock registers while RTCRDY is reset is considered to be potentially invalid, and the time read should be ignored.

An easy way to safely read the real-time clock registers is to use the RTCRDYIFG interrupt flag. Setting RTCRDYIE enables the RTCRDYIFG interrupt. Once enabled, an interrupt is generated based on the rising edge of the RTCRDY bit, causing the RTCRDYIFG to be set. At this point, the application has nearly a complete second to safely read any or all of the real-time clock registers. This synchronization process prevents reading the time value during transition. The RTCRDYIFG flag is reset automatically when the interrupt is serviced, or can be reset with software.

In counter mode, the RTCRDY bit remains reset. RTCRDYIE is a don't care and RTCRDYIFG remains reset.

NOTE: Reading or writing real-time clock registers

When the counter clock is asynchronous to the CPU clock, any read from any RTCSEC, RTCMIN, RTCHOUR, RTCDOW, RTCDAY, RTCMON, RTCYEARL, or RTCYEARH register while the RTCRDY is reset may result in invalid data being read. To safely read the counting registers, either polling of the RTCRDY bit or the synchronization procedure previously described can be used. Alternatively, the counter register can be read multiple times while operating, and a majority vote taken in software to determine the correct reading. Reading the RT0PS and RT1PS can only be handled by reading the registers multiple times and a majority vote taken in software to determine the correct reading.

Any write to any counting register takes effect immediately. However, the clock is stopped during the write. In addition, RT0PS and RT1PS registers are reset. This could result in losing up to 1 s during a write. Writing of data outside the legal ranges or invalid time stamp combinations results in unpredictable behavior.

22.2.3 Real-Time Clock Interrupts

The RTC_A module has five interrupt sources available, each with independent enables and flags.

22.2.3.1 Real-Time Clock Interrupts in Calendar Mode

In calendar mode, five sources for interrupts are available, namely RT0PSIFG, RT1PSIFG, RTCRDYIFG, RTCTEVIFG, and RTCAIFG. These flags are prioritized and combined to source a single interrupt vector. The interrupt vector register (RTCIV) is used to determine which flag requested an interrupt.

The highest-priority enabled interrupt generates a number in the RTCIV register (see register description). This number can be evaluated or added to the program counter (PC) to automatically enter the appropriate software routine. Disabled RTC interrupts do not affect the RTCIV value.

Any access, read or write, of the RTCIV register automatically resets the highest-pending interrupt flag. If another interrupt flag is set, another interrupt is immediately generated after servicing the initial interrupt. In addition, all flags can be cleared via software.

The user-programmable alarm event sources the real-time clock interrupt, RTCAIFG. Setting RTCAIE enables the interrupt. In addition to the user-programmable alarm, the RTC_A module provides for an interval alarm that sources real-time clock interrupt, RTCTEVIFG. The interval alarm can be selected to cause an alarm event when RTCMIN changed or RTCHOUR changed, every day at midnight (00:00:00) or every day at noon (12:00:00). The event is selectable with the RTCTEV bits. Setting the RTCTEVIE bit enables the interrupt.

The RTCRDY bit sources the real-time clock interrupt, RTCRDYIFG, and is useful in synchronizing the read of time registers with the system clock. Setting the RTCRDYIE bit enables the interrupt.

RT0PSIFG can be used to generate interrupt intervals selectable by the RT0IP bits. In calendar mode, RT0PS is sourced with ACLK at 32768 Hz, so intervals of 16384 Hz, 8192 Hz, 4096 Hz, 2048 Hz, 1024 Hz, 512 Hz, 256 Hz, or 128 Hz are possible. Setting the RT0PSIE bit enables the interrupt.

RT1PSIFG can generate interrupt intervals selectable by the RT1IP bits. In calendar mode, RT1PS is sourced with the output of RT0PS, which is 128 Hz (32768/256 Hz). Therefore, intervals of 64 Hz, 32 Hz, 16 Hz, 8 Hz, 4 Hz, 2 Hz, 1 Hz, or 0.5 Hz are possible. Setting the RT1PSIE bit enables the interrupt.

22.2.3.2 Real-Time Clock Interrupts in Counter Mode

In counter mode, three interrupt sources are available: RT0PSIFG, RT1PSIFG, and RTCTEVIFG. RTCAIFG and RTCRDYIFG are cleared. RTCRDYIE and RTCAIE are don't care.

RT0PSIFG can be used to generate interrupt intervals selectable by the RT0IP bits. In counter mode, RT0PS is sourced with ACLK or SMCLK, so divide ratios of /2, /4, /8, /16, /32, /64, /128, and /256 of the respective clock source are possible. Setting the RT0PSIE bit enables the interrupt.

RT1PSIFG can be used to generate interrupt intervals selectable by the RT1IP bits. In counter mode, RT1PS is sourced with ACLK, SMCLK, or the output of RT0PS, so divide ratios of /2, /4, /8, /16, /32, /64, /128, and /256 of the respective clock source are possible. Setting the RT1PSIE bit enables the interrupt.

The RTC_A module provides for an interval timer that sources real-time clock interrupt, RTCTEVIFG. The interval timer can be selected to cause an interrupt event when an 8-bit, 16-bit, 24-bit, or 32-bit overflow occurs within the 32-bit counter. The event is selectable with the RTCTEV bits. Setting the RTCTEVIE bit enables the interrupt.

22.2.3.2.1 RTCIV Software Example

The following software example shows the recommended use of RTCIV and the handling overhead. The RTCIV value is added to the PC to automatically jump to the appropriate routine.

The numbers at the right margin show the necessary CPU cycles for each instruction. The software overhead for different interrupt sources includes interrupt latency and return-from-interrupt cycles, but not the task handling itself.

```

; Interrupt handler for RTC interrupt flags.                               Cycles
RTC_HND                               ; Interrupt latency                6
  ADD  &RTCIV,PC                       ; Add offset to Jump table    3
  RETI                               ; Vector 0: No interrupt          5
  JMP  RTCRDYIFG_HND                   ; Vector 2: RTCRDYIFG          2
  JMP  RTCTEVIFG_HND                   ; Vector 4: RTCTEVIFG          2
  JMP  RTCAIFG                          ; Vector 6: RTCAIFG           5
  JMP  RT0PSIFG                         ; Vector 8: RT0PSIFG         5
  JMP  RT1PSIFG                         ; Vector A: RT1PSIFG        5
  RETI                               ; Vector C: Reserved            5
RTCRDYIFG_HND                          ; Vector 2: RTCRDYIFG Flag
  to                                   ; Task starts here
  RETI                               5
RTCTEVIFG_HND                           ; Vector 4: RTCTEVIFG
  to                                   ; Task starts here
  RETI                               ; Back to main program      5
RTCAIFG_HND                             ; Vector 6: RTCAIFG
  to                                   ; Task starts here
RT0PSIFG_HND                            ; Vector 8: RT0PSIFG
  to                                   ; Task starts here
RT1PSIFG_HND                            ; Vector A: RT1PSIFG
  to                                   ; Task starts here

```

22.2.4 Real-Time Clock Calibration

The RTC_A module has calibration logic that allows for adjusting the crystal frequency in approximately +4-ppm or -2-ppm steps, allowing for higher time keeping accuracy from standard crystals. The RTCCAL bits are used to adjust the frequency. When RTCCALS is set, each RTCCAL LSB causes a $\approx +4$ -ppm adjustment. When RTCCALS is cleared, each RTCCAL LSB causes a ≈ -2 -ppm adjustment. Calibration is available only in calendar mode. In counter mode (RTCMODE = 0), the calibration logic is disabled.

Calibration is accomplished by periodically adjusting the RT1PS counter based on the RTCCALS and RTCCALx settings. In calendar mode, the RT0PS divides the nominal 37268-Hz low-frequency (LF) crystal clock input by 256. A 64-minute period has $32768 \text{ cycles/sec} \times 60 \text{ sec/min} \times 64 \text{ min} = 125829120$ cycles. Therefore a -2-ppm reduction in frequency (down calibration) approximately equates to adding an additional 256 cycles every 125829120 cycles ($256/125829120 = 2.035$ ppm). This is accomplished by holding the RT1PS counter for one additional clock of the RT0PS output within a 64-minute period. Similarly, a +4-ppm increase in frequency (up calibration) approximately equates to removing 512 cycles every 125829120 cycle ($512/125829120 = 4.069$ ppm). This is accomplished by incrementing the RT1PS counter for two additional clocks of the RT0PS output within a 64-minute period. Each RTCCALx calibration bit causes either 256 LF crystal clock cycles to be added every 64 minutes or 512 LF crystal clock cycles to be subtracted every 64 minutes, giving a frequency adjustment of approximately -2 ppm or +4 ppm, respectively.

To calibrate the frequency, the RTCCLK output signal is available at a pin. The RTCCALF bits can be used to select the frequency rate of the RTCCLK output signal, either no signal, 512 Hz, 256 Hz, or 1 Hz.

The basic flow to calibrate the frequency is as follows:

1. Configure the RTCCLK pin.
2. Measure the RTCCLK output signal with an appropriate resolution frequency counter; that is, within the resolution required.
3. Compute the absolute error in ppm: $\text{Absolute Error (ppm)} = |10^6 \times (f_{\text{MEASURED}} - f_{\text{RTCCLK}}) / f_{\text{RTCCLK}}|$, where f_{RTCCLK} is the expected frequency of 512 Hz, 256 Hz, or 1 Hz.
4. Adjust the frequency, by performing the following:
 - (a) If the frequency is too low, set RTCCALS = 1 and apply the appropriate RTCCALx bits, where $\text{RTCCALx} = (\text{Absolute Error}) / 4.069$, rounded to the nearest integer.
 - (b) If the frequency is too high, clear RTCCALS = 0 and apply the appropriate RTCCALx bits, where $\text{RTCCALx} = (\text{Absolute Error}) / 2.035$, rounded to the nearest integer.

For example, assume that RTCCLK is output at a frequency of 512 Hz. The measured RTCCLK is 511.9658 Hz. The frequency error is approximately 66.8 ppm low. To increase the frequency by 66.8 ppm, RTCCALS would be set, and RTCCAL would be set to 16 ($66.8/4.069$). Similarly, assume that the measured RTCCLK is 512.0125 Hz. The frequency error is approximately 24.4 ppm high. To decrease the frequency by 24.4 ppm, RTCCALS would be cleared, and RTCCAL would be set to 12 ($24.4 / 2.035$).

The calibration corrects only initial offsets and does not adjust for temperature and aging effects. This can be handled by periodically measuring temperature and using the crystal's characteristic curve to adjust the ppm based on temperature as required. In counter mode (RTCMODE = 0), the calibration logic is disabled.

NOTE: Minimum Possible Calibration

The minimal calibration possible is -4 ppm or +8 ppm. For example, setting RTCCALS = 0 and RTCCAL = 0h would result in a -4 ppm decrease in frequency. Similarly, setting RTCCALS = 1 and RTCCAL = 0h would result in a +8 ppm increase in frequency.

NOTE: Calibration output frequency

The 512-Hz and 256-Hz output frequencies observed at the RTCCLK pin are not affected by changes in the calibration settings since these output frequencies are generated prior to the calibration logic. The 1-Hz output frequency is affected by changes in the calibration settings. Because the frequency change is small and infrequent over a very long time interval, it can be difficult to observe.

22.3 RTC_A Registers

The RTC_A module registers are listed in and [Table 22-1](#). The base register for the RTC_A module registers can be found in the device-specific data sheet. The address offsets are given in [Table 22-1](#).

NOTE: All registers have word or byte register access. For a generic register *ANYREG*, the suffix "_L" (*ANYREG_L*) refers to the lower byte of the register (bits 0 through 7). The suffix "_H" (*ANYREG_H*) refers to the upper byte of the register (bits 8 through 15).

Table 22-1. RTC_A Registers

Offset	Acronym	Register Name	Type	Access	Reset
00h	RTCCTL01	Real-Time Clock Control 0, 1	Read/write	Word	4000h
00h	RTCCTL0 or RTCCTL01_L	Real-Time Clock Control 0	Read/write	Byte	00h
01h	RTCCTL1 or RTCCTL01_H	Real-Time Clock Control 1	Read/write	Byte	40h
02h	RTCCTL23	Real-Time Clock Control 2, 3	Read/write	Word	0000h
02h	RTCCTL2 or RTCCTL23_L	Real-Time Clock Control 2	Read/write	Byte	00h
03h	RTCCTL3 or RTCCTL23_H	Real-Time Clock Control 3	Read/write	Byte	00h
08h	RTCPS0CTL	Real-Time Prescale Timer 0 Control	Read/write	Word	0100h
08h	RTCPS0CTLL or RTCPS0CTL_L		Read/write	Byte	00h
09h	RTCPS0CTLH or RTCPS0CTL_H		Read/write	Byte	01h
0Ah	RTCPS1CTL	Real-Time Prescale Timer 1 Control	Read/write	Word	0100h
0Ah	RTCPS1CTLL or RTCPS1CTL_L		Read/write	Byte	00h
0Bh	RTCPS0CTLH or RTCPS0CTL_H		Read/write	Byte	01h
0Ch	RTCPS	Real-Time Prescale Timer 0, 1 Counter	Read/write	Word	undefined
0Ch	RT0PS or RTCPS_L	Real-Time Prescale Timer 0 Counter	Read/write	Byte	undefined
0Dh	RT1PS or RTCPS_H	Real-Time Prescale Timer 1 Counter	Read/write	Byte	undefined
0Eh	RTCIV	Real Time Clock Interrupt Vector	Read	Word	0000h
0Eh	RTCIV_L		Read	Byte	00h
0Fh	RTCIV_H		Read	Byte	00h
10h	RTCTIM0 or RTCNT12	Real-Time Clock Seconds, Minutes Real-Time Counter 1, 2	Read/write	Word	undefined
10h	RTCSEC RTCNT1 or RTCTIM0_L	Real-Time Clock Seconds Real-Time Counter 1	Read/write	Byte	undefined
11h	RTCMIN RTCNT2 or RTCTIM0_H	Real-Time Clock Minutes Real-Time Counter 2	Read/write	Byte	undefined
12h	RTCTIM1 or RTCNT34	Real-Time Clock Hour, Day of Week Real-Time Counter 3, 4	Read/write	Word	undefined
12h	RTCHOUR	Real-Time Clock Hour	Read/write	Byte	undefined

Table 22-1. RTC_A Registers (continued)

Offset	Acronym	Register Name	Type	Access	Reset
	RTCNT3 or RTCTIM1_L	Real-Time Counter 3			
13h	RTCDOW	Real-Time Clock Day of Week	Read/write	Byte	undefined
	RTCNT4 or RTCTIM1_H	Real-Time Counter 4			
14h	RTCDATE	Real-Time Clock Date	Read/write	Word	undefined
14h	RTCDAY	Real-Time Clock Day of Month	Read/write	Byte	undefined
	or RTCDATE_L				
15h	RTCMON	Real-Time Clock Month	Read/write	Byte	undefined
	or RTCDATE_H				
16h	RTCYEAR	Real-Time Clock Year	Read/write	Word	undefined
16h	RTCYEARL		Read/write	Byte	undefined
	or RTCYEAR_L				
17h	RTCYEARH		Read/write	Byte	undefined
	or RTCYEAR_H				
18h	RTCAMINHR	Real-Time Clock Minutes, Hour Alarm	Read/write	Word	undefined
18h	RTCAMIN	Real-Time Clock Minutes Alarm	Read/write	Byte	undefined
	or RTCAMINHR_L				
19h	RTCAHOUR	Real-Time Clock Hours Alarm	Read/write	Byte	undefined
	or RTCAMINHR_H				
1Ah	RTCADOWDAY	Real-Time Clock Day of Week, Day of Month Alarm	Read/write	Word	undefined
1Ah	RTCADOW	Real-Time Clock Day of Week Alarm	Read/write	Byte	undefined
	or RTCADOWDAY_L				
1Bh	RTCADAY	Real-Time Clock Day of Month Alarm	Read/write	Byte	undefined
	or RTCADOWDAY_H				

22.3.1 RTCCTL0 Register

Real-Time Clock Control 0 Register

Figure 22-2. RTCCTL0 Register

7	6	5	4	3	2	1	0
Reserved	RTCTEVIE	RTCAIE	RTCRDYIE	Reserved	RTCTEVIFG	RTCAIFG	RTCRDYIFG
r0	rw-0	rw-0	rw-0	r0	rw-(0)	rw-(0)	rw-(0)

Table 22-2. RTCCTL0 Register Description

Bit	Field	Type	Reset	Description
7	Reserved	R	0h	Reserved. Always reads as 0.
6	RTCTEVIE	RW	0h	Real-time clock time event interrupt enable 0b = Interrupt not enabled 1b = Interrupt enabled
5	RTCAIE	RW	0h	Real-time clock alarm interrupt enable. This bit remains cleared when in counter mode (RTCMODE = 0). 0b = Interrupt not enabled 1b = Interrupt enabled
4	RTCRDYIE	RW	0h	Real-time clock read ready interrupt enable 0b = Interrupt not enabled 1b = Interrupt enabled
3	Reserved	R	0h	Reserved. Always reads as 0.
2	RTCTEVIFG	RW	0h	Real-time clock time event flag 0b = No time event occurred. 1b = Time event occurred.
1	RTCAIFG	RW	0h	Real-time clock alarm flag. This bit remains cleared when in counter mode (RTCMODE = 0). 0b = No time event occurred. 1b = Time event occurred.
0	RTCRDYIFG	RW	0h	Real-time clock read ready flag 0b = RTC cannot be read safely. 1b = RTC can be read safely.

22.3.2 RTCCTL1 Register

Real-Time Clock Control Register 1

Figure 22-3. RTCCTL1 Register

7	6	5	4	3	2	1	0
RTCBCD	RTCHOLD	RTCMODE	RTCRDY	RTCSSEL		RTCTEV	
rw-(0)	rw-(1)	rw-(0)	r-(0)	rw-(0)	rw-(0)	rw-(0)	rw-(0)

Table 22-3. RTCCTL1 Register Description

Bit	Field	Type	Reset	Description
7	RTCBCD	RW	0h	Real-time clock BCD select. Selects BCD counting for real-time clock. Applies to calendar mode (RTCMODE = 1) only; setting is ignored in counter mode. Changing this bit clears seconds, minutes, hours, day of week, and year to 0 and sets day of month and month to 1. The real-time clock registers must be set by software afterwards. 0b = Binary (hexadecimal) code selected 1b = Binary coded decimal (BCD) code selected
6	RTCHOLD	RW	1h	Real-time clock hold 0b = Real-time clock (32-bit counter or calendar mode) is operational. 1b = In counter mode (RTCMODE = 0), only the 32-bit counter is stopped. In calendar mode (RTCMODE = 1), the calendar is stopped as well as the prescale counters, RT0PS and RT1PS. RT0PSHOLD and RT1PSHOLD are don't care.
5	RTCMODE	RW	0h	Real-time clock mode 0b = 32-bit counter mode 1b = Calendar mode. Switching between counter and calendar mode resets the real-time clock counter registers. Switching to calendar mode clears seconds, minutes, hours, day of week, and year to 0 and sets day of month and month to 1. The real-time clock registers must be set by software afterwards. RT0PS and RT1PS are also cleared.
4	RTCRDY	RW	0h	Real-time clock ready 0b = RTC time values in transition (calendar mode only) 1b = RTC time values safe for reading (calendar mode only). This bit indicates when the real-time clock time values are safe for reading (calendar mode only). In counter mode, RTCRDY signal remains cleared.
3-2	RTCSSEL	RW	0h	Real-time clock source select. Selects clock input source to the RTC/32-bit counter. In calendar mode, these bits are don't care. The clock input is automatically set to the output of RT1PS. 00b = ACLK 01b = SMCLK 10b = Output from RT1PS 11b = Output from RT1PS
1-0	RTCTEV	RW	0h	Real-time clock time event Counter mode (RTCMODE = 0) 00b = 8-bit overflow 01b = 16-bit overflow 10b = 24-bit overflow 11b = 32-bit overflow Calendar mode (RTCMODE = 1) 00b = Minute changed 01b = Hour changed 10b = Every day at midnight (00:00) 11b = Every day at noon (12:00)

22.3.3 RTCCTL2 Register

Real-Time Clock Control 2 Register

Figure 22-4. RTCCTL2 Register

7	6	5	4	3	2	1	0
RTCCALS	Reserved	RTCCAL					
rw-(0)	r0	rw-(0)	rw-(0)	rw-(0)	rw-(0)	rw-(0)	rw-(0)

Table 22-4. RTCCTL2 Register Description

Bit	Field	Type	Reset	Description
7	RTCCALS	RW	0h	Real-time clock calibration sign 0b = Frequency adjusted down 1b = Frequency adjusted up
6	Reserved	R	0h	Reserved. Always reads as 0.
5-0	RTCCAL	RW	0h	Real-time clock calibration. Each LSB represents approximately +4ppm (RTCCALS = 1) or a -2ppm (RTCCALS = 0) adjustment in frequency.

22.3.4 RTCCTL3 Register

Real-Time Clock Control 3 Register

Figure 22-5. RTCCTL3 Register

7	6	5	4	3	2	1	0
Reserved						RTCCALF	
r0	r0	r0	r0	r0	r0	rw-(0)	rw-(0)

Table 22-5. RTCCTL3 Register Description

Bit	Field	Type	Reset	Description
7-2	Reserved	R	0h	Reserved. Always reads as 0.
1-0	RTCCALF	RW	0h	Real-time clock calibration frequency. Selects frequency output to RTCCLK pin for calibration measurement. The corresponding port must be configured for the peripheral module function. The RTCCLK is not available in counter mode and remains low, and the RTCCALF bits are don't care. 00b = No frequency output to RTCCLK pin 01b = 512 Hz 10b = 256 Hz 11b = 1 Hz

22.3.5 RTCNT1 Register

Real-Time Clock Counter 1 Register – Counter Mode

Figure 22-6. RTCNT1 Register

7	6	5	4	3	2	1	0
RTCNT1							
rw	rw	rw	rw	rw	rw	rw	rw

Table 22-6. RTCNT1 Register Description

Bit	Field	Type	Reset	Description
7-0	RTCNT1	RW	undefined	The RTCNT1 register is the count of RTCNT1

22.3.6 RTCNT2 Register

Real-Time Clock Counter 2 Register – Counter Mode

Figure 22-7. RTCNT2 Register

7	6	5	4	3	2	1	0
RTCNT2							
rw	rw	rw	rw	rw	rw	rw	rw

Table 22-7. RTCNT2 Register Description

Bit	Field	Type	Reset	Description
7-0	RTCNT2	RW	undefined	The RTCNT2 register is the count of RTCNT2

22.3.7 RTCNT3 Register

Real-Time Clock Counter 3 Register – Counter Mode

Figure 22-8. RTCNT3 Register

7	6	5	4	3	2	1	0
RTCNT3							
rw	rw	rw	rw	rw	rw	rw	rw

Table 22-8. RTCNT3 Register Description

Bit	Field	Type	Reset	Description
7-0	RTCNT3	RW	undefined	The RTCNT3 register is the count of RTCNT3

22.3.8 RTCNT4 Register

Real-Time Clock Counter 4 Register – Counter Mode

Figure 22-9. RTCNT4 Register

7	6	5	4	3	2	1	0
RTCNT4							
rw	rw	rw	rw	rw	rw	rw	rw

Table 22-9. RTCNT4 Register Description

Bit	Field	Type	Reset	Description
7-0	RTCNT4	RW	undefined	The RTCNT4 register is the count of RTCNT4.

22.3.9 RTCSEC Register – Calendar Mode With Hexadecimal Format

Real-Time Clock Seconds Register – Calendar Mode With Hexadecimal Format

Figure 22-10. RTCSEC Register

7	6	5	4	3	2	1	0
0		Seconds					
r-0	r-0	rw	rw	rw	rw	rw	rw

Table 22-10. RTCSEC Register Description

Bit	Field	Type	Reset	Description
7-6	0	R	0h	Always 0
5-0	Seconds	RW	undefined	Seconds (0 to 59)

22.3.10 RTCSEC Register – Calendar Mode With BCD Format

Real-Time Clock Seconds Register – Calendar Mode With BCD Format

Figure 22-11. RTCSEC Register

7	6	5	4	3	2	1	0
0	Seconds – high digit			Seconds – low digit			
r-0	rw	rw	rw	rw	rw	rw	rw

Table 22-11. RTCSEC Register Description

Bit	Field	Type	Reset	Description
7	0	R	0h	Always 0
6-4	Seconds – high digit	RW	undefined	Seconds – high digit (0 to 5)
3-0	Seconds – low digit	RW	undefined	Seconds – low digit (0 to 9)

22.3.11 RTCMIN Register – Calendar Mode With Hexadecimal Format

Real-Time Clock Minutes Register – Calendar Mode With Hexadecimal Format

Figure 22-12. RTCMIN Register

7	6	5	4	3	2	1	0
0		Minutes					
r-0	r-0	rw	rw	rw	rw	rw	rw

Table 22-12. RTCMIN Register Description

Bit	Field	Type	Reset	Description
7-6	0	R	0h	Always 0
5-0	Minutes	RW	undefined	Minutes (0 to 59)

22.3.12 RTCMIN Register – Calendar Mode With BCD Format

Real-Time Clock Minutes Register – Calendar Mode With BCD Format

Figure 22-13. RTCMIN Register

7	6	5	4	3	2	1	0
0	Minutes – high digit			Minutes – low digit			
r-0	rw	rw	rw	rw	rw	rw	rw

Table 22-13. RTCMIN Register Description

Bit	Field	Type	Reset	Description
7	0	R	0h	Always 0
6-4	Minutes – high digit	RW	undefined	Minutes – high digit (0 to 5)
3-0	Minutes – low digit	RW	undefined	Minutes – low digit (0 to 9)

22.3.13 RTCHOUR Register – Calendar Mode With Hexadecimal Format

Real-Time Clock Hours Register – Calendar Mode With Hexadecimal Format

Figure 22-14. RTCHOUR Register

7	6	5	4	3	2	1	0
0			Hours				
r-0	r-0	r-0	rw	rw	rw	rw	rw

Table 22-14. RTCHOUR Register Description

Bit	Field	Type	Reset	Description
7-5	0	R	0h	Always 0
4-0	Hours	RW	undefined	Hours (0 to 23)

22.3.14 RTCHOUR Register – Calendar Mode With BCD Format

Real-Time Clock Hours Register – Calendar Mode With BCD Format

Figure 22-15. RTCHOUR Register

7	6	5	4	3	2	1	0
0		Hours – high digit		Hours – low digit			
r-0	r-0	rw	rw	rw	rw	rw	rw

Table 22-15. RTCHOUR Register Description

Bit	Field	Type	Reset	Description
7-6	0	R	0h	Always 0
5-4	Hours – high digit	RW	undefined	Hours – high digit (0 to 2)
3-0	Hours – low digit	RW	undefined	Hours – low digit (0 to 9)

22.3.15 RTCDOW Register – Calendar Mode

Real-Time Clock Day of Week Register – Calendar Mode

Figure 22-16. RTCDOW Register

7	6	5	4	3	2	1	0
		0				Day of week	
r-0	r-0	r-0	r-0	r-0	rw	rw	rw

Table 22-16. RTCDOW Register Description

Bit	Field	Type	Reset	Description
7-3	0	R	0h	Always 0
2-0	Day of week	RW	undefined	Day of week (0 to 6)

22.3.16 RTCDAY Register – Calendar Mode With Hexadecimal Format

Real-Time Clock Day of Month Register – Calendar Mode With Hexadecimal Format

Figure 22-17. RTCDAY Register

7	6	5	4	3	2	1	0
		0	Day of month				
r-0	r-0	r-0	rw	rw	rw	rw	rw

Table 22-17. RTCDAY Register Description

Bit	Field	Type	Reset	Description
7-5	0	R	0h	Always 0
4-0	Day of month	RW	undefined	Day of month (1 to 28, 29, 30, 31)

22.3.17 RTCDAY Register – Calendar Mode With BCD Format

Real-Time Clock Day of Month Register – Calendar Mode With BCD Format

Figure 22-18. RTCDAY Register

7	6	5	4	3	2	1	0
0		Day of month – high digit		Day of month – low digit			
r-0	r-0	rw	rw	rw	rw	rw	rw

Table 22-18. RTCDAY Register Description

Bit	Field	Type	Reset	Description
7-6	0	R	0h	
5-4	Day of month – high digit	RW	undefined	Day of month – high digit (0 to 3)
3-0	Day of month – low digit	RW	undefined	Day of month – low digit (0 to 9)

22.3.18 RTCMON Register – Calendar Mode With Hexadecimal Format

Real-Time Clock Month Register – Calendar Mode With Hexadecimal Format

Figure 22-19. RTCMON Register

7	6	5	4	3	2	1	0
0				Month			
r-0	r-0	r-0	r-0	rw	rw	rw	rw

Table 22-19. RTCMON Register Description

Bit	Field	Type	Reset	Description
7-4	0	R	0h	Always 0
3-0	Month	RW	undefined	Month (1 to 12)

22.3.19 RTCMON Register – Calendar Mode With BCD Format

Real-Time Clock Month Register – Calendar Mode With BCD Format

Figure 22-20. RTCMON Register

7	6	5	4	3	2	1	0
0			Month – high digit	Month – low digit			
r-0	r-0	r-0	rw	rw	rw	rw	rw

Table 22-20. RTCMON Register Description

Bit	Field	Type	Reset	Description
7-5	0	R	0h	Always 0
4	Month – high digit	RW	undefined	Month – high digit (0 or 1)
3-0	Month – low digit	RW	undefined	Month – low digit (0 to 9)

22.3.20 RTCYEARL Register – Calendar Mode With Hexadecimal Format

Real-Time Clock Year Low-Byte Register – Calendar Mode With Hexadecimal Format

Figure 22-21. RTCYEARL Register

7	6	5	4	3	2	1	0
Year							
rw	rw	rw	rw	rw	rw	rw	rw

Table 22-21. RTCYEARL Register Description

Bit	Field	Type	Reset	Description
7-0	Year	RW	undefined	Year – low byte of 0 to 4095

22.3.21 RTCYEARL Register – Calendar Mode With BCD Format

Real-Time Clock Year Low-Byte Register – Calendar Mode With BCD Format

Figure 22-22. RTCYEARL Register

7	6	5	4	3	2	1	0
Decade				Year – lowest digit			
rw	rw	rw	rw	rw	rw	rw	rw

Table 22-22. RTCYEARL Register Description

Bit	Field	Type	Reset	Description
7-4	Decade	RW	undefined	Decade (0 to 9)
3-0	Year – lowest digit	RW	undefined	Year – lowest digit (0 to 9)

22.3.22 RTCYEARH Register – Calendar Mode With Hexadecimal Format

Real-Time Clock Year High-Byte Register – Calendar Mode With Hexadecimal Format

Figure 22-23. RTCYEARH Register

7	6	5	4	3	2	1	0
0				Year – high byte of 0 to 4095			
r-0	r-0	r-0	r-0	rw	rw	rw	rw

Table 22-23. RTCYEARH Register Description

Bit	Field	Type	Reset	Description
7-4	0	R	0h	Always 0
3-0	Year	RW	undefined	Year – high byte of 0 to 4095

22.3.23 RTCYEARH Register – Calendar Mode With BCD Format

Real-Time Clock Year High-Byte Register – Calendar Mode With BCD Format

Figure 22-24. RTCYEARH Register

7	6	5	4	3	2	1	0
0	Century – high digit			Century – low digit			
r-0	rw	rw	rw	rw	rw	rw	rw

Table 22-24. RTCYEARH Register Description

Bit	Field	Type	Reset	Description
7	0	R	0h	Always 0
6-4	Century – high digit	RW	undefined	Century – high digit (0 to 4)
3-0	Century – low digit	RW	undefined	Century – low digit (0 to 9)

22.3.24 RTCAMIN Register – Calendar Mode With Hexadecimal Format

Real-Time Clock Minutes Alarm Register – Calendar Mode With Hexadecimal Format

Figure 22-25. RTCAMIN Register

7	6	5	4	3	2	1	0
AE	0	Minutes					
rw	r-0	rw	rw	rw	rw	rw	rw

Table 22-25. RTCAMIN Register Description

Bit	Field	Type	Reset	Description
7	AE	RW	undefined	Alarm enable 0b = This alarm register is disabled 1b = This alarm register is enabled
6	0	R	0h	Always 0
5-0	Minutes	RW	undefined	Minutes (0 to 59)

22.3.25 RTCAMIN Register – Calendar Mode With BCD Format

Real-Time Clock Minutes Alarm Register – Calendar Mode With BCD Format

Figure 22-26. RTCAMIN Register

7	6	5	4	3	2	1	0
AE	Minutes – high digit			Minutes – low digit			
rw	rw	rw	rw	rw	rw	rw	rw

Table 22-26. RTCAMIN Register Description

Bit	Field	Type	Reset	Description
7	AE	RW	0h	Alarm enable 0b = This alarm register is disabled 1b = This alarm register is enabled
6-4	Minutes – high digit	RW	undefined	Minutes – high digit (0 to 5)
3-0	Minutes – low digit	RW	undefined	Minutes – low digit (0 to 9)

22.3.26 RTCAHOUR Register – Calendar Mode With Hexadecimal Format

Real-Time Clock Hours Alarm Register – Calendar Mode With Hexadecimal Format

Figure 22-27. RTCAHOUR Register

7	6	5	4	3	2	1	0
AE	0		Hours				
rw	r-0	r-0	rw	rw	rw	rw	rw

Table 22-27. RTCAHOUR Register Description

Bit	Field	Type	Reset	Description
7	AE	RW	undefined	Alarm enable 0b = This alarm register is disabled 1b = This alarm register is enabled
6-5	0	R	0h	Always 0
4-0	Hours	RW	undefined	Hours (0 to 23)

22.3.27 RTCAHOUR Register – Calendar Mode With BCD Format

Real-Time Clock Hours Alarm Register – Calendar Mode With BCD Format

Figure 22-28. RTCAHOUR Register

7	6	5	4	3	2	1	0
AE	0	Hours – high digit		Hours – low digit			
rw	r-0	rw	rw	rw	rw	rw	rw

Table 22-28. RTCAHOUR Register Description

Bit	Field	Type	Reset	Description
7	AE	RW	undefined	Alarm enable 0b = This alarm register is disabled 1b = This alarm register is enabled
6	0	R	0h	Always 0
5-4	Hours – high digit	RW	undefined	Hours – high digit (0 to 2)
3-0	Hours – low digit	RW	undefined	Hours – low digit (0 to 9)

22.3.28 RTCADOW Register

Real-Time Clock Day of Week Alarm Register – Calendar Mode

Figure 22-29. RTCADOW Register

7	6	5	4	3	2	1	0
AE	0			Day of week			
rw	r-0	r-0	r-0	r-0	rw	rw	rw

Table 22-29. RTCADOW Register Description

Bit	Field	Type	Reset	Description
7	AE	RW	undefined	Alarm enable 0b = This alarm register is disabled 1b = This alarm register is enabled
6-3	0	R	0h	Always 0
2-0	Day of week	RW	undefined	Day of week (0 to 6)

22.3.29 RTCADAY Register – Calendar Mode With Hexadecimal Format

Real-Time Clock Day of Month Alarm Register – Calendar Mode With Hexadecimal Format

Figure 22-30. RTCADAY Register

7	6	5	4	3	2	1	0
AE	0		Day of month				
rw	r-0	r-0	rw	rw	rw	rw	rw

Table 22-30. RTCADAY Register Description

Bit	Field	Type	Reset	Description
7	AE	RW	undefined	Alarm enable 0b = This alarm register is disabled 1b = This alarm register is enabled
6-5	0	R	0h	Always 0
4-0	Day of month	RW	undefined	Day of month (1 to 28, 29, 30, 31)

22.3.30 RTCADAY Register – Calendar Mode With BCD Format

Real-Time Clock Day of Month Alarm Register – Calendar Mode With BCD Format

Figure 22-31. RTCADAY Register

7	6	5	4	3	2	1	0
AE	0	Day of month – high digit		Day of month – low digit			
rw	r-0	rw	rw	rw	rw	rw	rw

Table 22-31. RTCADAY Register Description

Bit	Field	Type	Reset	Description
7	AE	RW	undefined	Alarm enable 0b = This alarm register is disabled 1b = This alarm register is enabled
6	0	R	0h	Always 0
5-4	Day of month – high digit	RW	undefined	Day of month – high digit (0 to 3)
3-0	Day of month – low digit	RW	undefined	Day of month – low digit (0 to 9)

22.3.31 RTCPS0CTL Register

Real-Time Clock Prescale Timer 0 Control Register

Figure 22-32. RTCPS0CTL Register

15	14	13	12	11	10	9	8
Reserved	RTOSSEL	RT0PSDIV			Reserved		RT0PSHOLD
rw-0	rw-0	rw-0	rw-0	rw-0	r0	r0	rw-1
7	6	5	4	3	2	1	0
Reserved			RT0IP			RT0PSIE	RT0PSIFG
r0	r0	r0	rw-0	rw-0	rw-0	rw-0	rw-(0)

Table 22-32. RTCPS0CTL Register Description

Bit	Field	Type	Reset	Description
15	Reserved	R	0h	Reserved. Always reads as 0.
14	RTOSSEL	RW	0h	Prescale timer 0 clock source select. Selects clock input source to the RT0PS counter. In real-time clock calendar mode, these bits are do not care. RT0PS clock input is automatically set to the output of RT0PS. 0b = ACLK 1b = SMCLK
13-11	RT0PSDIV	RW	0h	Prescale timer 0 clock divide. These bits control the divide ratio of the RT0PS counter. In real-time clock calendar mode, these bits are don't care for RT0PS and RT1PS. RT0PS clock output is automatically set to /256. RT1PS clock output is automatically set to /128. 00b = Divide by 2 01b = Divide by 4 10b = Divide by 8 11b = Divide by 16 00b = Divide by 32 01b = Divide by 64 10b = Divide by 128 11b = Divide by 256
10-9	Reserved	R	0h	Reserved. Always reads as 0.
8	RT0PSHOLD	RW	1h	Prescale timer 0 hold. In real-time clock calendar mode, this bit is don't care. RT0PS is stopped via the RTCHOLD bit. 0b = RT0PS operational 1b = RT0PS held
7-5	Reserved	R	0h	Reserved. Always reads as 0.
4-2	RT0IP	RW	0h	Prescale timer 0 interrupt interval 00b = Divide by 2 01b = Divide by 4 10b = Divide by 8 11b = Divide by 16 00b = Divide by 32 01b = Divide by 64 10b = Divide by 128 11b = Divide by 256
1	RT0PSIE	RW	0h	Prescale timer 0 interrupt enable 0b = Interrupt not enabled 1b = Interrupt enabled
0	RT0PSIFG	RW	0h	Prescale timer 0 interrupt flag 0b = No time event occurred 1b = Time event occurred

22.3.32 RTCPS1CTL Register

Real-Time Clock Prescale Timer 1 Control Register

Figure 22-33. RTCPS1CTL Register

15	14	13	12	11	10	9	8
RT1SSEL		RT1PSDIV			Reserved		RT1PSHOLD
rw-0	rw-0	rw-0	rw-0	rw-0	r0	r0	rw-1
7	6	5	4	3	2	1	0
Reserved			RT1IP			RT1PSIE	RT1PSIFG
r0	r0	r0	rw-0	rw-0	rw-0	rw-0	rw-(0)

Table 22-33. RTCPS1CTL Register Description

Bit	Field	Type	Reset	Description
15-14	RT1SSEL	RW	0h	Prescale timer 1 clock source select. Selects clock input source to the RT1PS counter. In real-time clock calendar mode, these bits are do not care. RT1PS clock input is automatically set to the output of RT0PS. 00b = ACLK 01b = SMCLK 10b = Output from RT0PS 11b = Output from RT0PS
13-11	RT1PSDIV	RW	0h	Prescale timer 1 clock divide. These bits control the divide ratio of the RT0PS counter. In real-time clock calendar mode, these bits are don't care for RT0PS and RT1PS. RT0PS clock output is automatically set to /256. RT1PS clock output is automatically set to /128. 00b = Divide by 2 01b = Divide by 4 10b = Divide by 8 11b = Divide by 16 00b = Divide by 32 01b = Divide by 64 10b = Divide by 128 11b = Divide by 256
10-9	Reserved	R	0h	Reserved. Always reads as 0.
8	RT1PSHOLD	RW	1h	Prescale timer 1 hold. In real-time clock calendar mode, this bit is don't care. RT1PS is stopped via the RTCHOLD bit. 0b = RT1PS operational 1b = RT1PS held
7-5	Reserved	R	0h	Reserved. Always reads as 0.
4-2	RT1IP	RW	0h	Prescale timer 1 interrupt interval 00b = Divide by 2 01b = Divide by 4 10b = Divide by 8 11b = Divide by 16 00b = Divide by 32 01b = Divide by 64 10b = Divide by 128 11b = Divide by 256
1	RT1PSIE	RW	0h	Prescale timer 1 interrupt enable 0b = Interrupt not enabled 1b = Interrupt enabled
0	RT1PSIFG	RW	0h	Prescale timer 1 interrupt flag 0b = No time event occurred 1b = Time event occurred

22.3.33 RT0PS Register

Real-Time Clock Prescale Timer 0 Counter Register

Figure 22-34. RT0PS Register

7	6	5	4	3	2	1	0
RT0PS							
rw	rw	rw	rw	rw	rw	rw	rw

Table 22-34. RT0PS Register Description

Bit	Field	Type	Reset	Description
7-0	RT0PS	RW	Undefined	Prescale timer 0 counter value

22.3.34 RT1PS Register

Real-Time Clock Prescale Timer 1 Counter Register

Figure 22-35. RT1PS Register

7	6	5	4	3	2	1	0
RT1PS							
rw	rw	rw	rw	rw	rw	rw	rw

Table 22-35. RT1PS Register Description

Bit	Field	Type	Reset	Description
7-0	RT1PS	RW	Undefined	Prescale timer 1 counter value

22.3.35 RTCIV Register

Real-Time Clock Interrupt Vector Register

Figure 22-36. RTCIV Register

15	14	13	12	11	10	9	8
RTCIV							
r0	r0	r0	r0	r0	r0	r0	r0
7	6	5	4	3	2	1	0
RTCIV							
r0	r0	r0	r-(0)	r-(0)	r-(0)	r-(0)	r0

Table 22-36. RTCIV Register Description

Bit	Field	Type	Reset	Description
15-0	RTCIV	R	0h	Real-time clock interrupt vector value 00h = No interrupt pending 02h = Interrupt Source: RTC ready; Interrupt Flag: RTCRDYIFG 04h = Interrupt Source: RTC interval timer; Interrupt Flag: RTCTEVIFG 06h = Interrupt Source: RTC user alarm; Interrupt Flag: RTCAIFG 08h = Interrupt Source: RTC prescaler 0; Interrupt Flag: RT0PSIFG 0Ah = Interrupt Source: RTC prescaler 1; Interrupt Flag: RT1PSIFG 0Ch = Reserved 0Eh = Reserved 10h = Reserved ; Interrupt Priority: Lowest

Real-Time Clock B (RTC_B)

The real-time clock RTC_B module provides clock counters with calendar mode, a flexible programmable alarm, and calibration. Note that the RTC_B supports only calendar mode and not counter mode. The RTC_B also supports operation in LPM3.5 and device-dependent operation from a backup supply. See the device-specific data sheet for the supported features. This chapter describes the RTC_B module.

Topic	Page
23.1 Real-Time Clock RTC_B Introduction	595
23.2 RTC_B Operation.....	597
23.3 RTC_B Registers	602

23.1 Real-Time Clock RTC_B Introduction

The RTC_B module provides configurable clock counters.

RTC_B features include:

- Real-time clock and calendar mode providing seconds, minutes, hours, day of week, day of month, month, and year (including leap year correction)

Note that only the calendar mode is supported by RTC_B; the counter mode that is available in some other RTC modules is not supported.

- Interrupt capability
- Selectable BCD or binary format
- Programmable alarms
- Calibration logic for time offset correction
- Operation in LPM3.5
- Operation from backup supply with programmable charger for backup supply (device-dependent) (see the [Battery Backup chapter](#)).

The RTC_B block diagram for devices supporting LPM3.5 is shown in [Figure 23-1](#).

NOTE: Real-time clock initialization

Most RTC_B module registers have no initial condition. These registers must be configured by user software before use.

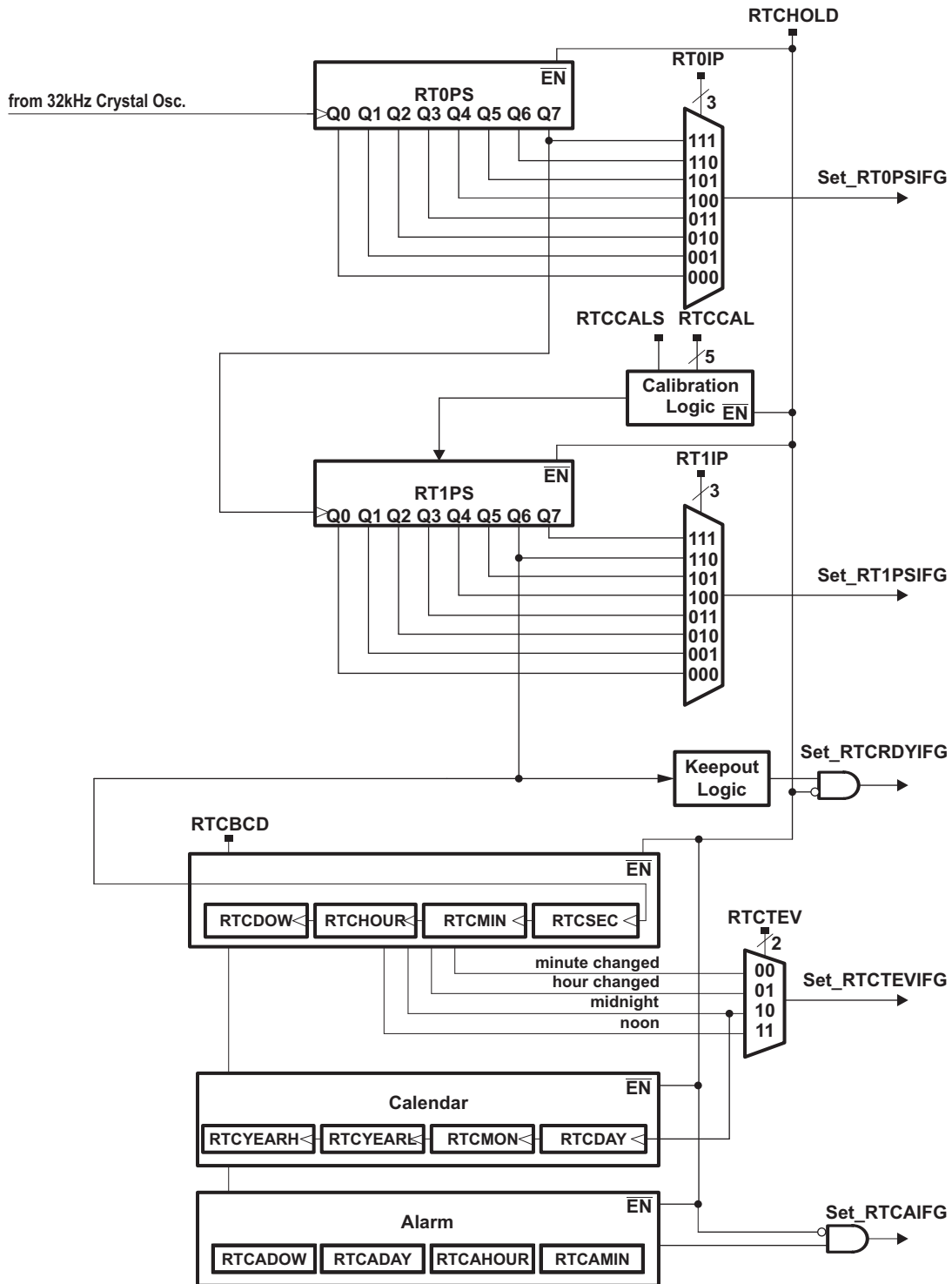


Figure 23-1. RTC_B Block Diagram

23.2 RTC_B Operation

The RTC_B module provides seconds, minutes, hours, day of week, day of month, month, and year in selectable BCD or hexadecimal format. The calendar includes a leap-year algorithm that considers all years evenly divisible by four as leap years. This algorithm is accurate from the year 1901 through 2099.

23.2.1 Real-Time Clock and Prescale Dividers

The prescale dividers, RT0PS and RT1PS, are automatically configured to provide a 1-s clock interval for the RTC_B. The low-frequency oscillator must be operated at 32768 Hz (nominal) for proper RTC_B operation. RT0PS is sourced from the low-frequency oscillator XT1. The output of RT0PS / 256 (Q7) is used to source RT1PS. RT1PS is further divider and the /128 output sources the real-time clock counter registers providing the required 1-second time interval.

When RTCBCD = 1, BCD format is selected for the calendar registers. It is possible to switch between BCD and hexadecimal format while the RTC is counting.

Setting RTCHOLD halts the real-time counters and prescale counters, RT0PS, and RT1PS.

23.2.2 Real-Time Clock Alarm Function

The RTC_B module provides for a flexible alarm system. There is a single user-programmable alarm that can be programmed based on the settings contained in the alarm registers for minutes, hours, day of week, and day of month.

Each alarm register contains an alarm enable (AE) bit that can be used to enable the respective alarm register. By setting AE bits of the various alarm registers, a variety of alarm events can be generated.

- Example 1: A user wishes to set an alarm every hour at 15 minutes past the hour (that is, at 00:15:00, 01:15:00, 02:15:00, etc). This is possible by setting RTCAMIN to 15. By setting the AE bit of the RTCAMIN and clearing all other AE bits of the alarm registers, the alarm is enabled. When enabled, the RTCAIFG is set when the count transitions from 00:14:59 to 00:15:00, 01:14:59 to 01:15:00, 02:14:59 to 02:15:00, and so on.
- Example 2: A user wishes to set an alarm every day at 04:00:00. This is possible by setting RTCAHOUR to 4. By setting the AE bit of the RTCHOUR and clearing all other AE bits of the alarm registers, the alarm is enabled. When enabled, the RTCAIFG is set when the count transitions from 03:59:59 to 04:00:00.
- Example 3: A user wishes to set an alarm for 06:30:00. RTCAHOUR would be set to 6 and RTCAMIN would be set to 30. By setting the AE bits of RTCAHOUR and RTCAMIN, the alarm is enabled. Once enabled, the RTCAIFG is set when the time count transitions from 06:29:59 to 06:30:00. In this case, the alarm event occurs every day at 06:30:00.
- Example 4: A user wishes to set an alarm every Tuesday at 06:30:00. RTCADOW would be set to 2, RTCAHOUR would be set to 6, and RTCAMIN would be set to 30. By setting the AE bits of RTCADOW, RTCAHOUR, and RTCAMIN, the alarm is enabled. Once enabled, the RTCAIFG is set when the time count transitions from 06:29:59 to 06:30:00 and the RTCDOW transitions from 1 to 2.
- Example 5: A user wishes to set an alarm the fifth day of each month at 06:30:00. RTCADAY would be set to 5, RTCAHOUR would be set to 6, and RTCAMIN would be set to 30. By setting the AE bits of RTCADAY, RTCAHOUR, and RTCAMIN, the alarm is enabled. Once enabled, the RTCAIFG is set when the time count transitions from 06:29:59 to 06:30:00 and the RTCDAY equals 5.

NOTE: Setting the alarm

Before setting an initial alarm, all alarm registers including the AE bits should be cleared.

To prevent potential erroneous alarm conditions from occurring, the alarms should be disabled by clearing the RTCAIE, RTCAIFG, and AE bits before writing initial or new time values to the RTC time registers.

NOTE: Invalid alarm settings

Invalid alarm settings are not checked by hardware. It is the user's responsibility that valid alarm settings are entered.

NOTE: Invalid time and date values

Writing of invalid date or time information or data values outside the legal ranges specified in the RTCSEC, RTCMIN, RTCHOUR, RTCDAY, RTCDOW, RTCYEAR, RTCAMIN, RTCAHOUR, RTCADAY, and RTCADOW registers can result in unpredictable behavior.

23.2.3 Reading or Writing Real-Time Clock Registers

Because the system clock may in fact be asynchronous to the RTC_B clock source, special care must be used when accessing the real-time clock registers.

The real-time clock registers are updated once per second. To prevent reading any real-time clock register at the time of an update, which could result in an invalid time being read, a keep-out window is provided. The keep-out window is centered approximately 128/32768 seconds around the update transition. The read-only RTCRDY bit is reset during the keep-out window period and set outside the keep-out the window period. Any read of the clock registers while RTCRDY is reset is considered to be potentially invalid, and the time read should be ignored.

An easy way to safely read the real-time clock registers is to utilize the RTCRDYIFG interrupt flag. Setting RTCRDYIE enables the RTCRDYIFG interrupt. Once enabled, an interrupt is generated based on the rising edge of the RTCRDY bit, causing the RTCRDYIFG to be set. At this point, the application has nearly a complete second to safely read any or all of the real-time clock registers. This synchronization process prevents reading the time value during transition. The RTCRDYIFG flag is reset automatically when the interrupt is serviced, or it can be reset with software.

NOTE: Reading or writing real-time clock registers

When the counter clock is asynchronous to the CPU clock, any read from any RTCSEC, RTCMIN, RTCHOUR, RTCDOW, RTCDAY, RTCMON, or RTCYEAR register while the RTCRDY is reset may result in invalid data being read. To safely read the counting registers, either polling of the RTCRDY bit or the synchronization procedure previously described can be used. Alternatively, the counter register can be read multiple times while operating, and a majority vote taken in software to determine the correct reading. Reading the RT0PS and RT1PS can only be handled by reading the registers multiple times and a majority vote taken in software to determine the correct reading.

Any write to any counting register takes effect immediately. However, the clock is stopped during the write. In addition, RT0PS and RT1PS registers are reset. This could result in losing up to 1 second during a write. Writing of data outside the legal ranges or invalid time stamp combinations results in unpredictable behavior.

23.2.4 Real-Time Clock Interrupts

Six sources for interrupts are available, namely RT0PSIFG, RT1PSIFG, RTCRDYIFG, RTCTEVIFG, RTCAIFG, and RTCOFIFG. These flags are prioritized and combined to source a single interrupt vector. The interrupt vector register (RTCIV) is used to determine which flag requested an interrupt.

The highest-priority enabled interrupt generates a number in the RTCIV register (see register description). This number can be evaluated or added to the program counter (PC) to automatically enter the appropriate software routine. Disabled RTC interrupts do not affect the RTCIV value.

Any access, read or write, of the RTCIV register automatically resets the highest-pending interrupt flag. If another interrupt flag is set, another interrupt is immediately generated after servicing the initial interrupt. In addition, all flags can be cleared by software.

The user-programmable alarm event sources the real-time clock interrupt, RTCAIFG. Setting RTCAIE enables the interrupt. In addition to the user-programmable alarm, the RTC_B module provides for an interval alarm that sources real-time clock interrupt, RTCTEVIFG. The interval alarm can be selected to cause an alarm event when RTCMIN changed or RTCHOUR changed, every day at midnight (00:00:00) or every day at noon (12:00:00). The event is selectable with the RTCTEV bits. Setting the RTCTEVIE bit enables the interrupt.

The RTCRDY bit sources the real-time clock interrupt, RTCRDYIFG, and is useful in synchronizing the read of time registers with the system clock. Setting the RTCRDYIE bit enables the interrupt.

RT0PSIFG can be used to generate interrupt intervals selectable by the RT0IP bits. RT0PS is sourced with low-frequency oscillator clock at 32768 Hz, so intervals of 16384 Hz, 8192 Hz, 4096 Hz, 2048 Hz, 1024 Hz, 512 Hz, 256 Hz, or 128 Hz are possible. Setting the RT0PSIE bit enables the interrupt.

RT1PSIFG can be used to generate interrupt intervals selectable by the RT1IP bits. RT1PS is sourced with the output of RT0PS, which is 128 Hz (32768/256 Hz). Therefore, intervals of 64 Hz, 32 Hz, 16 Hz, 8 Hz, 4 Hz, 2 Hz, 1 Hz, or 0.5 Hz are possible. Setting the RT1PSIE bit enables the interrupt.

NOTE: Changing RT0IP or RT1IP

Changing the settings of the interrupt interval bits RT0IP or RT1IP while the corresponding prescaler is running or is stopped in a non-zero state can result in setting the corresponding interrupt flags.

The RTCOFIFG bit flags a failure of the 32-kHz crystal oscillator. Its main purpose is to wake up the CPU from LPM3.5 if an oscillator failure occurs. On devices with a backup-supply subsystem, it also stores a failure event that occurred while the RTC was operating on the backup supply.

23.2.4.1 RTCIV Software Example

The following software example shows the recommended use of RTCIV and the handling overhead. The RTCIV value is added to the PC to automatically jump to the appropriate routine.

The numbers at the right margin show the necessary CPU cycles for each instruction. The software overhead for different interrupt sources includes interrupt latency and return-from-interrupt cycles, but not the task handling itself.

```

; Interrupt handler for RTC interrupt flags.

RTC_HND                                ; Interrupt latency          6
    ADD &RTCIV,PC                       ; Add offset to Jump table  3
    RETI                                 ; Vector 0: No interrupt    5
    JMP RTCRDYIFG_HND                   ; Vector 2: RTCRDYIFG      2
    JMP RTCTEVIFG_HND                   ; Vector 4: RTCTEVIFG      2
    JMP RTCAIFG_HND                     ; Vector 6: RTCAIFG        5
    JMP RT0PSIFG_HND                    ; Vector 8: RT0PSIFG       5
    JMP RT1PSIFG_HND                    ; Vector A: RT1PSIFG       5
    JMP RTCOFIFG_HND                    ; Vector C: RTCOFIFG       5
    RETI                                 ; Vector E: Reserved       5

RTCRDYIFG_HND                          ; Vector 2: RTCRDYIFG Flag
    ...                                 ; Task starts here
    RETI                                 ; Back to main program     5

RTCTEVIFG_HND                          ; Vector 4: RTCTEVIFG Flag
    ...                                 ; Task starts here
    RETI                                 ; Back to main program     5

RTCAIFG_HND                             ; Vector 6: RTCAIFG Flag
    ...                                 ; Task starts here
    RETI                                 ; Back to main program     5

```

```

RT0PSIFG_HND          ; Vector 8: RT0PSIFG Flag
...                   ; Task starts here
    RETI               ; Back to main program          5

RT1PSIFG_HND          ; Vector A: RT1PSIFG Flag
...                   ; Task starts here
    RETI               ; Back to main program          5

RTC0FIFG_HND          ; Vector C: RTC0FIFG Flag
...                   ; Task starts here
    RETI               ; Back to main program          5

```

23.2.5 Real-Time Clock Calibration

The RTC_B module has calibration logic that allows for adjusting the crystal frequency in approximately +4-ppm or -2-ppm steps, allowing for higher time keeping accuracy from standard crystals. The RTCCALx bits are used to adjust the frequency. When RTCCALS is set, each RTCCALx LSB causes a $\approx +4$ -ppm adjustment. When RTCCALS is cleared, each RTCCALx LSB causes a ≈ -2 -ppm adjustment.

Calibration is accomplished by periodically adjusting the RT1PS counter based on the RTCCALS and RTCCALx settings. The RT0PS divides the nominal 37268-Hz low-frequency (LF) crystal clock input by 256. A 60-minute period has $32768 \text{ cycles/sec} \times 60 \text{ sec/min} \times 60 \text{ min} = 117964800$ cycles. Therefore, a -2-ppm reduction in frequency (down calibration) approximately equates to adding an additional 256 cycles every 117964800 cycles ($256/117964800 = 2.17$ ppm). This is accomplished by holding the RT1PS counter for one additional clock of the RT0PS output within a 60-minute period. Similarly, a +4-ppm increase in frequency (up calibration) approximately equates to removing 512 cycles every 117964800 cycle ($512/117964800 = 4.34$ ppm). This is accomplished by incrementing the RT1PS counter for two additional clocks of the RT0PS output within a 60-minute period. Each RTCCALx calibration bit causes either 256 LF crystal clock cycles to be added every 60 minutes or 512 LF crystal clock cycles to be subtracted every 60 minutes, giving a frequency adjustment of approximately -2 ppm or +4 ppm, respectively.

To calibrate the frequency, the RTCCLK output signal is available at a pin. RTCCALF bits can be used to select the frequency rate of the output signal, either no signal, 512 Hz, 256 Hz, or 1 Hz.

The basic flow to calibrate the frequency is as follows:

1. Configure the RTCCLK pin.
2. Measure the RTCCLK output signal with an appropriate resolution frequency counter ; that is, within the resolution required.
3. Compute the absolute error in ppm: $\text{Absolute error (ppm)} = |10^6 (f_{\text{MEASURED}} - f_{\text{RTCCLK}})/f_{\text{RTCCLK}}|$, where f_{RTCCLK} is the expected frequency of 512 Hz, 256 Hz, or 1 Hz.
4. Adjust the frequency by performing the following:
 - (a) If the frequency is too low, set RTCCALS = 1 and apply the appropriate RTCCALx bits, where $\text{RTCCALx} = (\text{Absolute Error}) / 4.34$ rounded to the nearest integer
 - (b) If the frequency is too high, clear RTCCALS = 0 and apply the appropriate RTCCALx bits, where $\text{RTCCALx} = (\text{Absolute Error}) / 2.17$ rounded to the nearest integer

For example, assume that RTCCLK is configured to output at a frequency of 512 Hz. The measured RTCCLK is 511.9658 Hz. This frequency error is approximately 66.8 ppm too low. To increase the frequency by 66.8 ppm, RTCCALS would be set, and RTCCALx would be set to 15 ($66.8 / 4.34$). Similarly, assume that the measured RTCCLK is 512.0125 Hz. The frequency error is approximately 24.4 ppm too high. To decrease the frequency by 24.4 ppm, RTCCALS would be cleared, and RTCCAL would be set to 11 ($24.4 / 2.17$).

The calibration corrects only initial offsets and does not adjust for temperature and aging effects. These effects can be handled by periodically measuring temperature and using the crystal's characteristic curve to adjust the ppm based on temperature, as required.

NOTE: Minimum Possible Calibration

The minimal calibration possible is -4 ppm or +8 ppm. For example, setting RTCCALS = 0 and RTCCAL = 0h would result in a -4 ppm decrease in frequency. Similarly, setting RTCCALS = 1 and RTCCAL = 0h would result in a +8 ppm increase in frequency.

NOTE: Calibration output frequency

The 512-Hz and 256-Hz output frequencies observed at the RTCCLK pin are not affected by changes in the calibration settings, because these output frequencies are generated before the calibration logic. The 1-Hz output frequency is affected by changes in the calibration settings. Because the frequency change is small and infrequent over a very long time interval, it can be difficult to observe.

23.2.6 Real-Time Clock Operation in LPM3.5 Low-Power Mode

The regulator of the Power Management Module (PMM) is disabled upon entering LPM3.5, which causes most of the RTC_B configuration registers to be lost; only the counters and the backup RAM are retained. [Table 23-1](#) lists the retained registers in LPM3.5. Also the configuration of the interrupts is stored so that the configured interrupts can cause a wakeup upon exit from LPM3.5. Interrupt flags that are set before entering LPM3.5 are cleared upon entering LPM3.5 (Note: this can only happen if the corresponding interrupt is not enabled). The interrupt flags RTCTEVIFG, RTCAIFG, RT1PSIFG, and RTCOFIFG can be used as RTC_B wake-up interrupt sources. After restoring the configuration registers (and clearing LOCKLPM5) the interrupts can be serviced as usual. The detailed flow is as follows:

1. Set all I/Os to general purpose I/Os and configure as needed. Optionally configure input interrupt pins for wake-up. Configure RTC_B interrupts for wake-up (set RTCTEVIE, RTCAIE, RT1PSIE, or RTCOFIE. If the alarm interrupt is also used as wake-up event, the alarm registers must be configured as needed).
2. Enter LPMx.5 with LPMx.5 entry sequence.


```
MOV #PMMKEY + PMMREGOFF, &PMMCTL0 ; Open PMM registers for write and set PMMREGOFF
;
BIS #LPM4,SR ; Enter LPMx.5 when PMMREGOFF is set
```
3. LOCKLPM5 is automatically set by hardware upon entering LPMx.5, the core voltage regulator is disabled, and all clocks are disabled except for the 32-kHz crystal oscillator clock if the RTC is enabled with RTCHOLD = 0.
4. An LPMx.5 wake-up event, such as an edge on a wake-up input pin, or an RTC_B interrupt event will start the BOR entry sequence together with the core voltage regulator. All peripheral registers are set to their default conditions. The I/O pin state remains locked as well as the interrupt configuration for the RTC_B.
5. The device can be configured. The I/O configuration and the RTC_B interrupt configuration that was not retained during LPM3.5 should be restored to the values before entering LPM3.5. Then the LOCKLPM5 bit can be cleared, this releases the I/O pin conditions as well as the RTC_B interrupt configuration.
6. After enabling I/O and RTC_B interrupts, the interrupt that caused the wake-up can be serviced.
7. To re-enter LPMx.5, the LOCKLPM5 bit must be cleared before re-entry, otherwise LPMx.5 is not entered.

If the RTC is enabled (RTCHOLD = 0), the 32-kHz oscillator remains active during LPM3.5. The fault detection also remains functional. If a fault occurs during LPM3.5 and the RTCOFIE was set before entering LPM3.5, a wake-up event is issued.

23.3 RTC_B Registers

The RTC_B module registers are listed in [Table 23-1](#). This table also lists the retention during LPMx.5. Registers that are not retained during LPMx.5 must be restored after exit from LPMx.5. The base address for the RTC_B module registers can be found in the device-specific data sheet. The address offsets are given in [Table 23-1](#).

NOTE: Most registers have word or byte register access. For a generic register *ANYREG*, the suffix "_L" (*ANYREG_L*) refers to the lower byte of the register (bits 0 through 7). The suffix "_H" (*ANYREG_H*) refers to the upper byte of the register (bits 8 through 15).

Table 23-1. RTC_B Registers

Offset	Acronym	Register Name	Type	Access	Reset	LPMx.5 Operation
00h	RTCCTL01	Real-Time Clock Control 0, 1	Read/write	Word	7000h	not retained
00h	RTCCTL0 or RTCCTL01_L	Real-Time Clock Control 0	Read/write	Byte	00h	not retained
01h	RTCCTL1 or RTCCTL01_H	Real-Time Clock Control 1	Read/write	Byte	70h	not retained
02h	RTCCTL23	Real-Time Clock Control 2, 3	Read/write	Word	0000h	retained
02h	RTCCTL2 or RTCCTL23_L	Real-Time Clock Control 2	Read/write	Byte	00h	retained
03h	RTCCTL3 or RTCCTL23_H	Real-Time Clock Control 3	Read/write	Byte	00h	retained
08h	RTCPS0CTL	Real-Time Prescale Timer 0 Control	Read/write	Word	0000h	not retained
08h	RTCPS0CTLL or RTCPS0CTL_L		Read/write	Byte	00h	not retained
09h	RTCPS0CTLH or RTCPS0CTL_H		Read/write	Byte	00h	not retained
0Ah	RTCPS1CTL	Real-Time Prescale Timer 1 Control	Read/write	Word	0000h	not retained
0Ah	RTCPS1CTLL or RTCPS1CTL_L		Read/write	Byte	00h	not retained
0Bh	RTCPS0CTLH or RTCPS0CTL_H		Read/write	Byte	00h	not retained
0Ch	RTCPS	Real-Time Prescale Timer 0, 1 Counter	Read/write	Word	none	retained
0Ch	RT0PS or RTCPS_L	Real-Time Prescale Timer 0 Counter	Read/write	Byte	none	retained
0Dh	RT1PS or RTCPS_H	Real-Time Prescale Timer 1 Counter	Read/write	Byte	none	retained
0Eh	RTCIV	Real Time Clock Interrupt Vector	Read	Word	0000h	not retained
10h	RTCTIM0	Real-Time Clock Seconds, Minutes	Read/write	Word	undefined	retained
10h	RTCSEC or RTCTIM0_L	Real-Time Clock Seconds	Read/write	Byte	undefined	retained
11h	RTCMIN or RTCTIM0_H	Real-Time Clock Minutes	Read/write	Byte	undefined	retained
12h	RTCTIM1	Real-Time Clock Hour, Day of Week	Read/write	Word	undefined	retained
12h	RTCHOUR or RTCTIM1_L	Real-Time Clock Hour	Read/write	Byte	undefined	retained
13h	RTCDOW or RTCTIM1_H	Real-Time Clock Day of Week	Read/write	Byte	undefined	retained

Table 23-1. RTC_B Registers (continued)

Offset	Acronym	Register Name	Type	Access	Reset	LPMx.5 Operation
14h	RTCDATE	Real-Time Clock Date	Read/write	Word	undefined	retained
14h	RTCDA Y or RTCDATE_L	Real-Time Clock Day of Month	Read/write	Byte	undefined	retained
15h	RTCMON or RTCDATE_H	Real-Time Clock Month	Read/write	Byte	undefined	retained
16h	RTCYEAR	Real-Time Clock Year ⁽¹⁾	Read/write	Word	undefined	retained
18h	RTCAMINHR	Real-Time Clock Minutes, Hour Alarm	Read/write	Word	undefined	retained
18h	RTCAMIN or RTCAMINHR_L	Real-Time Clock Minutes Alarm	Read/write	Byte	undefined	retained
19h	RTCAHOUR or RTCAMINHR_H	Real-Time Clock Hours Alarm	Read/write	Byte	undefined	retained
1Ah	RTCADOWDAY	Real-Time Clock Day of Week, Day of Month Alarm	Read/write	Word	undefined	retained
1Ah	RTCADOW or RTCADOWDAY_L	Real-Time Clock Day of Week Alarm	Read/write	Byte	undefined	retained
1Bh	RTCADAY or RTCADOWDAY_H	Real-Time Clock Day of Month Alarm	Read/write	Byte	undefined	retained
1Ch	BIN2BCD	Binary-to-BCD Conversion Register	Read/write	Word	00h	not retained
1Eh	BCD2BIN	BCD-to-Binary Conversion Register	Read/write	Word	00h	not retained

⁽¹⁾ Do not access the RTCYEAR register in byte mode.

23.3.1 RTCCTL0 Register

Real-Time Clock Control 0 Register

Figure 23-2. RTCCTL0 Register

7	6	5	4	3	2	1	0
RTCOFIE ⁽¹⁾	RTCDEVIE ⁽¹⁾	RTCAIE ⁽¹⁾	RTCRDYIE	RTCOFIG	RTCDEVIFG	RTCAIFG	RTCRDYIFG
rw-0	rw-0	rw-0	rw-0	rw-(0)	rw-(0)	rw-(0)	rw-(0)

⁽¹⁾ The configuration of these bits is retained during LPMx.5 until LOCKLPM5 is cleared, but not the register bits itself; therefore, reconfiguration after wake-up from LPMx.5 before clearing LOCKLPM5 is required.

Table 23-2. RTCCTL0 Register Description

Bit	Field	Type	Reset	Description
7	RTCOFIE	RW	0h	32-kHz crystal oscillator fault interrupt enable. This interrupt can be used as LPMx.5 wake-up event. 0b = Interrupt not enabled 1b = Interrupt enabled (LPMx.5 wake-up enabled)
6	RTCDEVIE	RW	0h	Real-time clock time event interrupt enable. In modules supporting LPMx.5 this interrupt can be used as LPMx.5 wake-up event. 0b = Interrupt not enabled 1b = Interrupt enabled (LPMx.5 wake-up enabled)
5	RTCAIE	RW	0h	Real-time clock alarm interrupt enable. In modules supporting LPMx.5 this interrupt can be used as LPMx.5 wake-up event. 0b = Interrupt not enabled 1b = Interrupt enabled (LPMx.5 wake-up enabled)
4	RTCRDYIE	RW	0h	Real-time clock ready interrupt enable. 0b = Interrupt not enabled 1b = Interrupt enabled
3	RTCOFIG	RW	0h	32-kHz crystal oscillator fault interrupt flag. This interrupt can be used as LPMx.5 wake-up event. 0b = No interrupt pending 1b = Interrupt pending. A 32-kHz crystal oscillator fault occurred after last reset.
2	RTCDEVIFG	RW	0h	Real-time clock time event interrupt flag. In modules supporting LPMx.5 this interrupt can be used as LPMx.5 wake-up event. 0b = No time event occurred 1b = Time event occurred
1	RTCAIFG	RW	0h	Real-time clock alarm interrupt flag. In modules supporting LPMx.5 this interrupt can be used as LPMx.5 wake-up event. 0b = No time event occurred 1b = Time event occurred
0	RTCRDYIFG	RW	0h	Real-time clock ready interrupt flag 0b = RTC cannot be read safely 1b = RTC can be read safely

23.3.2 RTCCTL1 Register

Real-Time Clock Control Register 1

Figure 23-3. RTCCTL1 Register

7	6	5	4	3	2	1	0
RTCBCD	RTCHOLD ⁽¹⁾	Reserved	RTCRDY	Reserved		RTCTEVx ⁽¹⁾	
rw-(0)	rw-(1)	r1	r-(1)	r0	r0	rw-(0)	rw-(0)

⁽¹⁾ The configuration of these bits is retained during LPMx.5 until LOCKLPM5 is cleared, but not the register bits itself; therefore, reconfiguration after wake-up from LPMx.5 before clearing LOCKLPM5 is required.

Table 23-3. RTCCTL1 Register Description

Bit	Field	Type	Reset	Description
7	RTCBCD	RW	0h	Real-time clock BCD select. Selects BCD counting for real-time clock. 0b = Binary-hexadecimal code selected 1b = BCD Binary coded decimal (BCD) code selected
6	RTCHOLD	RW	1h	Real-time clock hold 0b = Real-time clock is operational. 1b = The calendar is stopped as well as the prescale counters, RT0PS, and RT1PS.
5	Reserved	R	1h	Reserved. Always read as 1.
4	RTCRDY	RW	1h	Real-time clock ready 0b = RTC time values in transition 1b = RTC time values safe for reading. This bit indicates when the real-time clock time values are safe for reading.
3-2	Reserved	R	0h	Reserved. Always read as 0.
1-0	RTCTEVx	RW	0h	Real-time clock time interrupt event 00b = Minute changed 01b = Hour changed 10b = Every day at midnight (00:00) 11b = Every day at noon (12:00)

23.3.3 RTCCTL2 Register

Real-Time Clock Control 2 Register

Figure 23-4. RTCCTL2 Register

7	6	5	4	3	2	1	0
RTCCALS	Reserved	RTCCALx					
rw-(0)	r0	rw-(0)	rw-(0)	rw-(0)	rw-(0)	rw-(0)	rw-(0)

Table 23-4. RTCCTL2 Register Description

Bit	Field	Type	Reset	Description
7	RTCCALS	RW	0h	Real-time clock calibration sign 0b = Frequency adjusted down 1b = Frequency adjusted up
6	Reserved	R	0h	Reserved. Always read as 0.
5-0	RTCCALx	RW	0h	Real-time clock calibration. Each LSB represents approximately +4-ppm (RTCCALS = 1) or a -2-ppm (RTCCALS = 0) adjustment in frequency.

23.3.4 RTCCTL3 Register

Real-Time Clock Control 3 Register

Figure 23-5. RTCCTL3 Register

7	6	5	4	3	2	1	0
Reserved						RTCCALFx	
r0	r0	r0	r0	r0	r0	rw-(0)	rw-(0)

Table 23-5. RTCCTL3 Register Description

Bit	Field	Type	Reset	Description
7-2	Reserved	R	0h	Reserved. Always read as 0.
1-0	RTCCALFx	RW	0h	Real-time clock calibration frequency. Selects frequency output to RTCCLK pin for calibration measurement. The corresponding port must be configured for the peripheral module function. 00b = No frequency output to RTCCLK pin 01b = 512 Hz 10b = 256 Hz 11b = 1 Hz

23.3.5 RTCSEC Register – Hexadecimal Format

Real-Time Clock Seconds Register – Hexadecimal Format

Figure 23-6. RTCSEC Register

7	6	5	4	3	2	1	0
0	0	Seconds					
r-0	r-0	rw	rw	rw	rw	rw	rw

Table 23-6. RTCSEC Register Description

Bit	Field	Type	Reset	Description
7-6	0	R	0h	Always reads as 0.
5-0	Seconds	RW	undefined	Seconds. Valid values are 0 to 59.

23.3.6 RTCSEC Register – BCD Format

Real-Time Clock Seconds Register – BCD Format

Figure 23-7. RTCSEC Register

7	6	5	4	3	2	1	0
0	Seconds – high digit			Seconds – low digit			
r-0	rw	rw	rw	rw	rw	rw	rw

Table 23-7. RTCSEC Register Description

Bit	Field	Type	Reset	Description
7	0	R	0h	Always reads as 0.
6-4	Seconds – high digit	RW	undefined	Seconds – high digit. Valid values are 0 to 5.
3-0	Seconds – low digit	RW	undefined	Seconds – low digit. Valid values are 0 to 9.

23.3.7 RTCMIN Register – Hexadecimal Format

Real-Time Clock Minutes Register – Hexadecimal Format

Figure 23-8. RTCMIN Register

7	6	5	4	3	2	1	0
0	0	Minutes					
r-0	r-0	rw	rw	rw	rw	rw	rw

Table 23-8. RTCMIN Register Description

Bit	Field	Type	Reset	Description
7-6	0	R	0h	Always reads as 0.
5-0	Minutes	RW	undefined	Minutes. Valid values are 0 to 59.

23.3.8 RTCMIN Register – BCD Format

Real-Time Clock Minutes Register – BCD Format

Figure 23-9. RTCMIN Register

7	6	5	4	3	2	1	0
0	Minutes – high digit			Minutes – low digit			
r-0	rw	rw	rw	rw	rw	rw	rw

Table 23-9. RTCMIN Register Description

Bit	Field	Type	Reset	Description
7	0	R	0h	Always reads as 0.
6-4	Minutes – high digit	RW	undefined	Minutes – high digit. Valid values are 0 to 5.
3-0	Minutes – low digit	RW	undefined	Minutes – low digit. Valid values are 0 to 9.

23.3.9 RTCHOUR Register – Hexadecimal Format

Real-Time Clock Hours Register – Hexadecimal Format

Figure 23-10. RTCHOUR Register

7	6	5	4	3	2	1	0
0	0	0	Hours				
r-0	r-0	r-0	rw	rw	rw	rw	rw

Table 23-10. RTCHOUR Register Description

Bit	Field	Type	Reset	Description
7-5	0	R	0h	Always reads as 0.
4-0	Hours	RW	undefined	Hours. Valid values are 0 to 23.

23.3.10 RTCHOUR Register – BCD Format

Real-Time Clock Hours Register – BCD Format

Figure 23-11. RTCHOUR Register

7	6	5	4	3	2	1	0
0	0	Hours – high digit		Hours – low digit			
r-0	r-0	rw	rw	rw	rw	rw	rw

Table 23-11. RTCHOUR Register Description

Bit	Field	Type	Reset	Description
7-6	0	R	0h	Always reads as 0.
5-4	Hours – high digit	RW	undefined	Hours – high digit. Valid values are 0 to 2.
3-0	Hours – low digit	RW	undefined	Hours – low digit. Valid values are 0 to 9.

23.3.11 RTCDOW Register

Real-Time Clock Day of Week Register

Figure 23-12. RTCDOW Register

7	6	5	4	3	2	1	0
0	0	0	0	0	Day of week		
r-0	r-0	r-0	r-0	r-0	rw	rw	rw

Table 23-12. RTCDOW Register Description

Bit	Field	Type	Reset	Description
7-3	0	R	0h	Always reads as 0.
2-0	Day of week	RW	undefined	Day of week. Valid values are 0 to 6.

23.3.12 RTCDAY Register – Hexadecimal Format

Real-Time Clock Day of Month Register – Hexadecimal Format

Figure 23-13. RTCDAY Register

7	6	5	4	3	2	1	0
0	0	0	Day of month				
r-0	r-0	r-0	rw	rw	rw	rw	rw

Table 23-13. RTCDAY Register Description

Bit	Field	Type	Reset	Description
7-5	0	R	0h	Always reads as 0.
4-0	Day of month	RW	undefined	Day of month. Valid values are 1 to 31.

23.3.13 RTCDAY Register – BCD Format

Real-Time Clock Day of Month Register – BCD Format

Figure 23-14. RTCDAY Register

7	6	5	4	3	2	1	0
0	0	Day of month – high digit		Day of month – low digit			
r-0	r-0	rw	rw	rw	rw	rw	rw

Table 23-14. RTCDAY Register Description

Bit	Field	Type	Reset	Description
7-6	0	R	0h	Always reads as 0.
5-4	Day of month – high digit	RW	undefined	Day of month – high digit. Valid values are 0 to 3.
3-0	Day of month – low digit	RW	undefined	Day of month – low digit. Valid values are 0 to 9.

23.3.14 RTCMON Register – Hexadecimal Format

Real-Time Clock Month Register – Hexadecimal Format

Figure 23-15. RTCMON Register

7	6	5	4	3	2	1	0
0	0	0	0	Month			
r-0	r-0	r-0	r-0	rw	rw	rw	rw

Table 23-15. RTCMON Register Description

Bit	Field	Type	Reset	Description
7-4	0	R	0h	Always reads as 0.
3-0	Month	RW	undefined	Month. Valid values are 1 to 12.

23.3.15 RTCMON Register – BCD Format

Real-Time Clock Month Register

Figure 23-16. RTCMON Register

7	6	5	4	3	2	1	0
0	0	0	Month – high digit	Month – low digit			
r-0	r-0	r-0	rw	rw	rw	rw	rw

Table 23-16. RTCMON Register Description

Bit	Field	Type	Reset	Description
7-5	0	R	0h	Always reads as 0.
4	Month – high digit	RW	undefined	Month – high digit. Valid values are 0 or 1.
3-0	Month – low digit	RW	undefined	Month – low digit. Valid values are 0 to 9.

23.3.16 RTCYEAR Register – Hexadecimal Format

Real-Time Clock Year Register – Hexadecimal Format

Figure 23-17. RTCYEAR Register

15	14	13	12	11	10	9	8
0	0	0	0	Year – high byte			
r-0	r-0	r-0	r-0	rw	rw	rw	rw
7	6	5	4	3	2	1	0
rw	rw	rw	rw	rw	rw	rw	rw

Table 23-17. RTCYEAR Register Description

Bit	Field	Type	Reset	Description
15-12	0	R	0h	Always reads as 0.
11-8	Year – high byte	RW	undefined	Year – high byte. Valid values of Year are 0 to 4095.
7-0	Year – low byte	RW	undefined	Year – low byte. Valid values of Year are 0 to 4095.

23.3.17 RTCYEAR Register – BCD Format

Real-Time Clock Year Register – BCD Format

Figure 23-18. RTCYEAR Register

15	14	13	12	11	10	9	8
0	Century – high digit			Century – low digit			
r-0	rw	rw	rw	rw	rw	rw	rw
7	6	5	4	3	2	1	0
Decade				Year – lowest digit			
rw	rw	rw	rw	rw	rw	rw	rw

Table 23-18. RTCYEAR Register Description

Bit	Field	Type	Reset	Description
15	0	R	0h	Always reads as 0.
14-12	Century – high digit	RW	undefined	Century – high digit . Valid values are 0 to 4.
11-8	Century – low digit	RW	undefined	Century – low digit. Valid values are 0 to 9.
7-4	Decade	RW	undefined	Decade. Valid values are 0 to 9.
3-0	Year – lowest digit	RW	undefined	Year – lowest digit. Valid values are 0 to 9.

23.3.18 RTCAMIN Register – Hexadecimal Format

Real-Time Clock Minutes Alarm Register – Hexadecimal Format

Figure 23-19. RTCAMIN Register

7	6	5	4	3	2	1	0
AE	0	Minutes					
rw	r-0	rw	rw	rw	rw	rw	rw

Table 23-19. RTCAMIN Register Description

Bit	Field	Type	Reset	Description
7	AE	RW	undefined	Alarm enable 0b = This alarm register is disabled 1b = This alarm register is enabled
6	0	R	0h	Always reads as 0.
5-0	Minutes	RW	undefined	Minutes. Valid values are 0 to 59.

23.3.19 RTCAMIN Register – BCD Format

Real-Time Clock Minutes Alarm Register – BCD Format

Figure 23-20. RTCAMIN Register

7	6	5	4	3	2	1	0
AE	Minutes – high digit			Minutes – low digit			
rw	rw	rw	rw	rw	rw	rw	rw

Table 23-20. RTCAMIN Register Description

Bit	Field	Type	Reset	Description
7	AE	RW	undefined	Alarm enable 0b = This alarm register is disabled 1b = This alarm register is enabled
6-4	Minutes – high digit	RW	undefined	Minutes – high digit. Valid values are 0 to 5.
3-0	Minutes – low digit	RW	undefined	Minutes – low digit. Valid values are 0 to 9.

23.3.20 RTCAHOUR Register – Hexadecimal Format

Real-Time Clock Hours Alarm Register – Hexadecimal Format

Figure 23-21. RTCAHOUR Register

7	6	5	4	3	2	1	0
AE	0	0	Hours				
rw	r-0	r-0	rw	rw	rw	rw	rw

Table 23-21. RTCAHOUR Register Description

Bit	Field	Type	Reset	Description
7	AE	RW	undefined	Alarm enable 0b = This alarm register is disabled 1b = This alarm register is enabled
6-5	0	R	0h	Always reads as 0.
4-0	Hours	RW	undefined	Hours. Valid values are 0 to 23.

23.3.21 RTCAHOUR Register – BCD Format

Real-Time Clock Hours Alarm Register – BCD Format

Figure 23-22. RTCAHOUR Register

7	6	5	4	3	2	1	0
AE	0	Hours – high digit		Hours – low digit			
rw	r-0	rw	rw	rw	rw	rw	rw

Table 23-22. RTCAHOUR Register Description

Bit	Field	Type	Reset	Description
7	AE	RW	undefined	Alarm enable 0b = This alarm register is disabled 1b = This alarm register is enabled
6	0	R	0h	Always reads as 0.
5-4	Hours – high digit	RW	undefined	Hours – high digit. Valid values are 0 to 2.
3-0	Hours – low digit	RW	undefined	Hours – low digit. Valid values are 0 to 9.

23.3.22 RTCADOW Register

Real-Time Clock Day of Week Alarm Register

Figure 23-23. RTCADOW Register

7	6	5	4	3	2	1	0
AE	0	0	0	0	Day of week		
rw	r-0	r-0	r-0	r-0	rw	rw	rw

Table 23-23. RTCADOW Register Description

Bit	Field	Type	Reset	Description
7	AE	RW	undefined	Alarm enable 0b = This alarm register is disabled 1b = This alarm register is enabled
6-3	0	R	0h	Always reads as 0.
2-0	Day of week	RW	undefined	Day of week. Valid values are 0 to 6.

23.3.23 RTCADAY Register – Hexadecimal Format

Real-Time Clock Day of Month Alarm Register – Hexadecimal Format

Figure 23-24. RTCADAY Register

7	6	5	4	3	2	1	0
AE	0	0	Day of month				
rw	r-0	r-0	rw	rw	rw	rw	rw

Table 23-24. RTCADAY Register Description

Bit	Field	Type	Reset	Description
7	AE	RW	undefined	Alarm enable 0b = This alarm register is disabled 1b = This alarm register is enabled
6-5	0	R	0h	Always reads as 0.
4-0	Day of month	RW	undefined	Day of month. Valid values are 1 to 31.

23.3.24 RTCADAY Register – BCD Format

Real-Time Clock Day of Month Alarm Register – BCD Format

Figure 23-25. RTCADAY Register

7	6	5	4	3	2	1	0
AE	0	Day of month – high digit		Day of month – low digit			
rw	r-0	rw	rw	rw	rw	rw	rw

Table 23-25. RTCADAY Register Description

Bit	Field	Type	Reset	Description
7	AE	RW	undefined	Alarm enable 0b = This alarm register is disabled 1b = This alarm register is enabled
6	0	R	0h	Always reads as 0.
5-4	Day of month – high digit	RW	undefined	Day of month – high digit. Valid values are 0 to 3.
3-0	Day of month – low digit	RW	undefined	Day of month – low digit. Valid values are 0 to 9.

23.3.25 RTCPS0CTL Register

Real-Time Clock Prescale Timer 0 Control Register

Figure 23-26. RTCPS0CTL Register

15	14	13	12	11	10	9	8
Reserved							
r0	r0	r0	r0	r0	r0	r0	r0
7	6	5	4	3	2	1	0
Reserved			RT0IPx ⁽¹⁾			RT0PSIE	RT0PSIFG
r0	r0	r0	rw-(0)	rw-(0)	rw-(0)	rw-0	rw-(0)

⁽¹⁾ The configuration of these bits is retained during LPMx.5 until LOCKLPM5 is cleared, but not the register bits itself; therefore, reconfiguration after wake-up from LPMx.5 before clearing LOCKLPM5 is required.

Table 23-26. RTCPS0CTL Register Description

Bit	Field	Type	Reset	Description
15-5	Reserved	R	0h	Reserved. Always reads as 0.
4-2	RT0IPx	RW	0h	Prescale timer 0 interrupt interval 000b = Divide by 2 001b = Divide by 4 010b = Divide by 8 011b = Divide by 16 100b = Divide by 32 101b = Divide by 64 110b = Divide by 128 111b = Divide by 256
1	RT0PSIE	RW	0h	Prescale timer 0 interrupt enable 0b = Interrupt not enabled 1b = Interrupt enabled
0	RT0PSIFG	RW	0h	Prescale timer 0 interrupt flag 0b = No time event occurred 1b = Time event occurred

23.3.26 RTCPS1CTL Register

Real-Time Clock Prescale Timer 1 Control Register

Figure 23-27. RTCPS1CTL Register

15	14	13	12	11	10	9	8
Reserved							
r0	r0	r0	r0	r0	r0	r0	r0
7	6	5	4	3	2	1	0
Reserved			RT1IPx ⁽¹⁾			RT1PSIE ⁽¹⁾	RT1PSIFG
r0	r0	r0	rw-(0)	rw-(0)	rw-(0)	rw-0	rw-(0)

⁽¹⁾ The configuration of these bits is retained during LPMx.5 until LOCKLPM5 is cleared, but not the register bits themselves; therefore, reconfiguration after wake-up from LPMx.5 before clearing LOCKLPM5 is required.

Table 23-27. RTCPS1CTL Register Description

Bit	Field	Type	Reset	Description
15-5	Reserved	R	0h	Reserved. Always reads as 0.
4-2	RT1IPx	RW	0h	Prescale timer 1 interrupt interval 000b = Divide by 2 001b = Divide by 4 010b = Divide by 8 011b = Divide by 16 100b = Divide by 32 101b = Divide by 64 110b = Divide by 128 111b = Divide by 256
1	RT1PSIE	RW	0h	Prescale timer 1 interrupt enable 0b = Interrupt not enabled 1b = Interrupt enabled (LPMx.5 wake-up enabled)
0	RT1PSIFG	RW	0h	Prescale timer 1 interrupt flag. In modules supporting LPMx.5 this interrupt can be used as LPMx.5 wake-up event. 0b = No time event occurred 1b = Time event occurred

23.3.27 RTCPS0 Register

Real-Time Clock Prescale Timer 0 Counter Register

Figure 23-28. RTCPS0 Register

7	6	5	4	3	2	1	0
RT0PS							
rw	rw	rw	rw	rw	rw	rw	rw

Table 23-28. RTCPS0 Register Description

Bit	Field	Type	Reset	Description
7-0	RT0PS	RW	undefined	Prescale timer 0 counter value

23.3.28 RTCPS1 Register

Real-Time Clock Prescale Timer 1 Counter Register

Figure 23-29. RTCPS1 Register

7	6	5	4	3	2	1	0
RT1PS							
rw	rw	rw	rw	rw	rw	rw	rw

Table 23-29. RTCPS1 Register Description

Bit	Field	Type	Reset	Description
7-0	RT1PS	RW	undefined	Prescale timer 1 counter value

23.3.29 RTCIV Register

Real-Time Clock Interrupt Vector Register

Figure 23-30. RTCIV Register

15	14	13	12	11	10	9	8
RTCIVx							
r0	r0	r0	r0	r0	r0	r0	r0
7	6	5	4	3	2	1	0
RTCIVx							
r0	r0	r0	r0	r-(0)	r-(0)	r-(0)	r0

Table 23-30. RTCIV Register Description

Bit	Field	Type	Reset	Description
15-0	RTCIVx	R	0h	Real-time clock interrupt vector value 00h = No interrupt pending 02h = Interrupt Source: RTC ready; Interrupt Flag: RTCRDYIFG; Interrupt Priority: Highest 04h = Interrupt Source: RTC interval timer; Interrupt Flag: RTCTEVIFG 06h = Interrupt Source: RTC user alarm; Interrupt Flag: RTCAIFG 08h = Interrupt Source: RTC prescaler 0; Interrupt Flag: RT0PSIFG 0Ah = Interrupt Source: RTC prescaler 1; Interrupt Flag: RT1PSIFG 0Ch = Interrupt Source: RTC oscillator failure; Interrupt Flag: RTCOFIFG 0Eh = Reserved; Interrupt Priority: Lowest

23.3.30 BIN2BCD Register

Binary-to-BCD Conversion Register

Figure 23-31. BIN2BCD Register

15	14	13	12	11	10	9	8
BIN2BCDx							
rw-0	rw-0	rw-0	rw-0	rw-0	rw-0	rw-0	rw-0
7	6	5	4	3	2	1	0
BIN2BCDx							
rw-0	rw-0	rw-0	rw-0	rw-0	rw-0	rw-0	rw-0

Table 23-31. BIN2BCD Register Description

Bit	Field	Type	Reset	Description
15-0	BIN2BCDx	RW	0h	Read: 16-bit BCD conversion of previously written 12-bit binary number Write: 12-bit binary number to be converted

23.3.31 BCD2BIN Register

BCD-to-Binary Conversion Register

Figure 23-32. BCD2BIN Register

15	14	13	12	11	10	9	8
BCD2BINx							
rw-0	rw-0	rw-0	rw-0	rw-0	rw-0	rw-0	rw-0
7	6	5	4	3	2	1	0
BCD2BINx							
rw-0	rw-0	rw-0	rw-0	rw-0	rw-0	rw-0	rw-0

Table 23-32. BCD2BIN Register Description

Bit	Field	Type	Reset	Description
15-0	BCD2BINx	RW	0h	Read: 12-bit binary conversion of previously written 16-bit BCD number Write: 16-bit BCD number to be converted

Real-Time Clock C (RTC_C)

The Real-Time Clock C (RTC_C) module provides clock counters with calendar mode, a flexible programmable alarm, offset calibration, and a provision for temperature compensation. The RTC_C also supports operation in LPM3.5. This chapter describes the RTC_C module.

Topic	Page
24.1 Real-Time Clock (RTC_C) Introduction	623
24.2 RTC_C Operation.....	625
24.3 RTC_C Operation - Device-Dependent Features	634
24.4 RTC_C Registers	639

24.1 Real-Time Clock (RTC_C) Introduction

The RTC_C module provides configurable clock counters.

RTC_C features include:

- Real-time clock and calendar mode that provides seconds, minutes, hours, day of week, day of month, month, and year (including leap year correction)
- Protection for real-time clock registers
- Interrupt capability
- Selectable BCD or binary format
- Programmable alarms
- Real-time clock calibration for crystal offset error
- Real-time clock compensation for crystal temperature drift
- Operation in LPM3.5

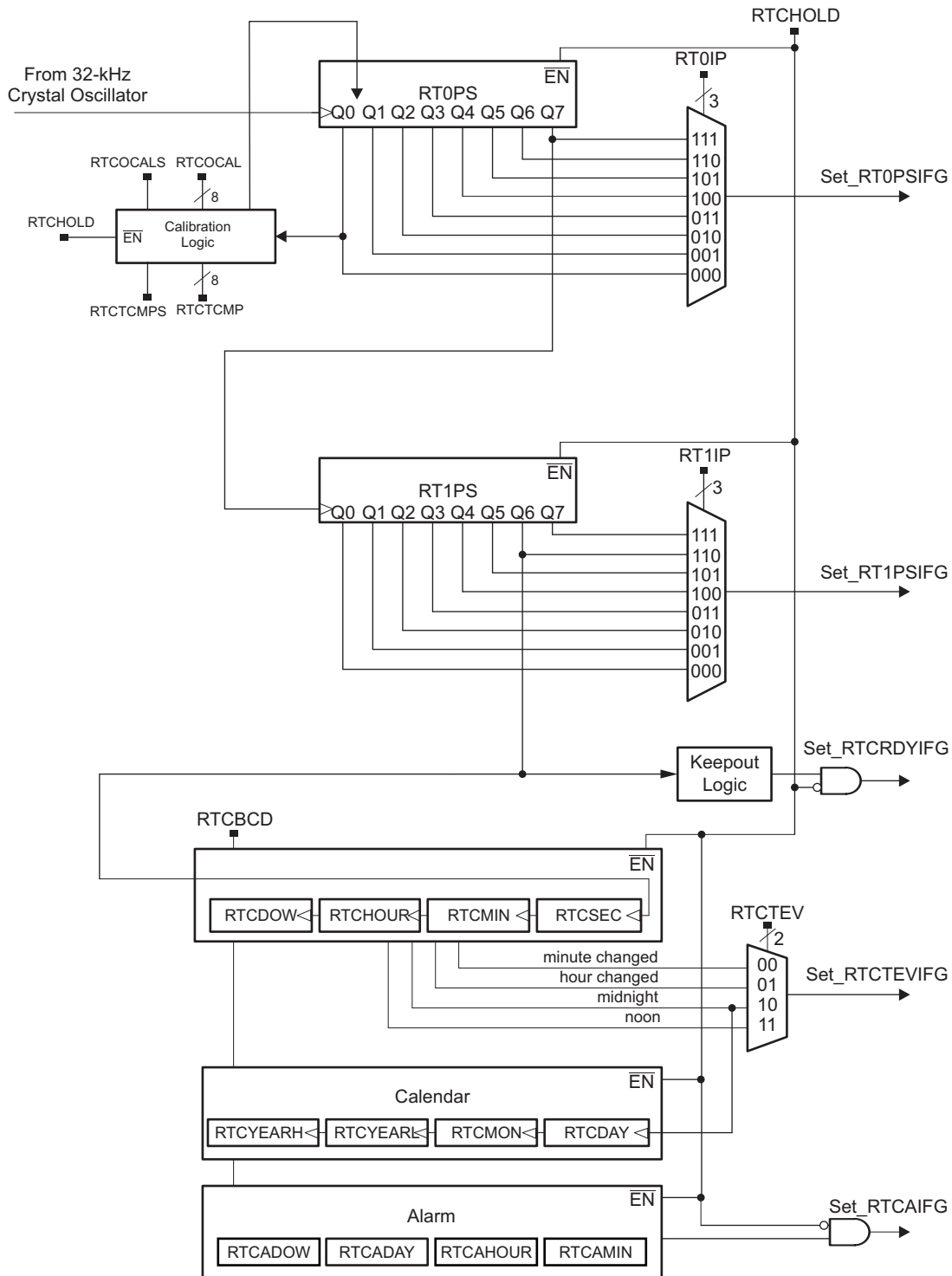
The RTC_C module can provide the following device-dependent features. Refer to the device-specific data sheet to determine if these features are available in a particular device.

- General-purpose counter mode (see [Section 24.3.1](#))
- Event and tamper detection with time stamp (see [Section 24.3.2](#))
- Operation from a separate voltage supply

NOTE: Real-time clock initialization

Most RTC_C module registers have no initial condition. These registers must be configured by user software before use.

[Figure 24-1](#) shows the RTC_C block diagram.



Copyright © 2016, Texas Instruments Incorporated

Figure 24-1. RTC_C Block Diagram (RTCMODE = 1)

24.2 RTC_C Operation

24.2.1 Calendar Mode

Calendar mode is selected when RTCMODE is set. In calendar mode, the RTC_C module provides seconds, minutes, hours, day of week, day of month, month, and year in selectable BCD or hexadecimal format. The calendar includes a leap-year algorithm that considers all years evenly divisible by four as leap years. This algorithm is accurate from the year 1901 through 2099. Switching from counter mode (if available) to calendar mode **does not** reset the calendar registers (RTCSEC, RTCMIN, RTCHOUR, RTCDAY, RTCDOW, and RTCYEAR) and the prescale counters (RT0PS, RT1PS). These registers must be configured by user software before use.

24.2.2 Real-Time Clock and Prescale Dividers

The prescale dividers, RT0PS and RT1PS, are automatically configured to provide a 1-second clock interval for the RTC_C. The low-frequency oscillator must be operated at 32768 Hz (nominal) for proper RTC_C operation. RT0PS is sourced from the low-frequency oscillator XT1. The output of RT0PS divided by 256 (Q7) sources RT1PS. RT1PS is further divided by 128 to source the real-time clock counter registers that provide the required 1-second time interval.

When RTCBCD = 1, BCD format is selected for the calendar registers. It is possible to switch between BCD and hexadecimal format while the RTC is counting.

Setting RTCHOLD halts the real-time counters and prescale counters, RT0PS and RT1PS.

NOTE: For reliable update to all Calendar Mode registers

Set RTCHOLD = 1 before writing into any of the calendar or prescaler registers (RTCPS0, RTCPS1, RTCSEC, RTCMIN, RTCHOUR, RTCDAY, RTCDOW, RTCMON, and RTCYEAR).

24.2.3 Real-Time Clock Alarm Function

The RTC_C module provides for a flexible alarm system. There is a single user-programmable alarm that can be programmed based on the settings contained in the alarm registers for minutes, hours, day of week, and day of month.

Each alarm register contains an alarm enable (AE) bit that can be used to enable the respective alarm register. By setting AE bits of the various alarm registers, a variety of alarm events can be generated.

- Example 1: A user wishes to set an alarm every hour at 15 minutes past the hour (that is, 00:15:00, 01:15:00, 02:15:00, and so on). This is possible by setting RTCAMIN to 15. By setting the AE bit of the RTCAMIN and clearing all other AE bits of the alarm registers, the alarm is enabled. When enabled, the RTCAIFG is set when the count transitions from 00:14:59 to 00:15:00, 01:14:59 to 01:15:00, 02:14:59 to 02:15:00, and so on.
- Example 2: A user wishes to set an alarm every day at 04:00:00. This is possible by setting RTCAHOUR to 4. By setting the AE bit of the RTCHOUR and clearing all other AE bits of the alarm registers, the alarm is enabled. When enabled, the RTCAIFG is set when the count transitions from 03:59:59 to 04:00:00.
- Example 3: A user wishes to set an alarm for 06:30:00. RTCAHOUR would be set to 6, and RTCAMIN would be set to 30. By setting the AE bits of RTCAHOUR and RTCAMIN, the alarm is enabled. When enabled, the RTCAIFG is set when the time count transitions from 06:29:59 to 06:30:00. In this case, the alarm event occurs every day at 06:30:00.
- Example 4: A user wishes to set an alarm every Tuesday at 06:30:00. RTCADOW would be set to 2, RTCAHOUR would be set to 6, and RTCAMIN would be set to 30. By setting the AE bits of RTCADOW, RTCAHOUR, and RTCAMIN, the alarm is enabled. When enabled, the RTCAIFG is set when the time count transitions from 06:29:59 to 06:30:00 and the RTCDOW transitions from 1 to 2.
- Example 5: A user wishes to set an alarm the fifth day of each month at 06:30:00. RTCADAY would be set to 5, RTCAHOUR would be set to 6, and RTCAMIN would be set to 30. By setting the AE bits of RTCADAY, RTCAHOUR, and RTCAMIN, the alarm is enabled. When enabled, the RTCAIFG is set when the time count transitions from 06:29:59 to 06:30:00 and the RTCDAY equals 5.

NOTE: Invalid alarm settings

Invalid alarm settings are not checked by hardware. It is the user's responsibility that valid alarm settings are entered.

NOTE: Invalid time and date values

Writing of invalid date or time information or data values outside the legal ranges specified in the RTCSEC, RTCMIN, RTCHOUR, RTCDAY, RTCDOW, RTCYEARH, RTCYEARL, RTCAMIN, RTCAHOUR, RTCADAY, and RTCADOW registers can result in unpredictable behavior.

NOTE: Setting the alarm

Before setting an initial alarm, all alarm registers including the AE bits should be cleared.

To prevent potential erroneous alarm conditions from occurring, the alarms should be disabled by clearing the RTCAIE, RTCAIFG, and AE bits before writing initial or new time values to the RTC time registers.

24.2.4 Real-Time Clock Protection

RTC_C registers are key protected to ensure clock integrity and module configuration against software crash or from runaway code. Key protection does not apply for reads from the RTC_C registers. That is, any RTC_C register can be read at any time without having to unlock the module. Some predefined registers of RTC_C are key protected for write access. The control registers, clock registers, calendar register, prescale timer registers, and offset error calibration registers are protected. RTC_C alarm function registers, prescale timer control registers, interrupt vector register, and temperature compensation registers are not protected. RTC_C registers that are not protected can be written at any time without unlocking the module. [Table 24-2](#) shows which registers are affected by the protection scheme.

The RTCCTL0_H register implements key protection and controls the lock or unlock state of the module. When this register is written with correct key, 0A5h, the module is unlocked and unlimited write access possible to RTC_C registers. After the module is unlocked, it remains unlocked until the user writes any incorrect key or until the module is reset. A read from RTCCTL0_H register returns value 96h. Write access to any protected registers of RTC_C is ignored when the module is locked.

RTC_C Key Protection Software Example

```

; Unlock/lock sequence for RTC_C
MOV.B  #RTCKEY, &RTCCTL0_H      ; Write correct key to unlock RTC_C
MOV.B  #8bit_value, &RTCSEC      ; Write 8 bit value into RTCSEC
MOV.B  #8bit_value, &RTCMIN      ; Write 8 bit value into RTCMIN
MOV.W  #16bit_value, &RTCTIM1    ; Write 16bit value into RTCTIM1
MOV.W  #RTCKEY+8bit_value, &RTCCTL0 ; Write into RTCCTL0 with correct key in word mode
...

MOV.B  #00h, &RTCCTL0_H          ; Write incorrect key to lock RTC_C

```

24.2.5 Reading or Writing Real-Time Clock Registers

Because the system clock may be asynchronous to the RTC_C clock source, special care must be used when accessing the real-time clock registers.

The real-time clock registers are updated once per second. To prevent reading any real-time clock register at the time of an update that could result in an invalid time being read, a keep-out window is provided. The keep-out window is centered approximately 128/32768 seconds around the update transition. The read-only RTCRDY bit is reset during the keep-out window period and set outside the keep-out the window period. Any read of the clock registers while RTCRDY is reset is considered to be potentially invalid, and the time read should be ignored.

An easy way to safely read the real-time clock registers is to use the RTCRDYIFG interrupt flag. Setting RTCRDYIE enables the RTCRDYIFG interrupt. When enabled, an interrupt is generated based on the rising edge of the RTCRDY bit, causing the RTCRDYIFG to be set. At this point, the application has nearly a complete second to safely read any or all of the real-time clock registers. This synchronization process prevents reading the time value during transition. The RTCRDYIFG flag is reset automatically when the interrupt is serviced or can be reset with software.

NOTE: Reading or writing real-time clock registers

When the counter clock is asynchronous to the CPU clock, any read from any RTCSEC, RTCMIN, RTCHOUR, RTCDOW, RTCDAY, RTCMON, RTCYEARL, or RTCYEARH register while the RTCRDY is reset may result in invalid data being read. To safely read the counting registers, either polling of the RTCRDY bit or the synchronization procedure previously described can be used. Alternatively, the counter register can be read multiple times while operating, and a majority vote taken in software to determine the correct reading. Reading the RT0PS and RT1PS can only be handled by reading the registers multiple times and a majority vote taken in software to determine the correct reading.

Any write to any counting register takes effect immediately. However, the clock is stopped during the write. In addition, RT0PS and RT1PS registers are reset. This could result in losing up to 1 second during a write. Writing of data outside the legal ranges or invalid time stamp combinations results in unpredictable behavior.

24.2.6 Real-Time Clock Interrupts

At least six sources for interrupts are available, namely RT0PSIFG, RT1PSIFG, RTCRDYIFG, RTCTEVIFG, RTCAIFG, and RTCOFIFG. These flags are prioritized and combined to source a single interrupt vector. The interrupt vector register (RTCIV) is used to determine which flag requested an interrupt.

The highest-priority enabled interrupt generates a number in the RTCIV register (see register description). This number can be evaluated or added to the program counter (PC) to automatically enter the appropriate software routine. Disabled RTC interrupts do not affect the RTCIV value.

Writes into RTCIV register clear all pending interrupt conditions. Reads from RTCIV register clear the highest priority pending interrupt condition. If another interrupt flag is set, another interrupt is immediately generated after servicing the initial interrupt. In addition, all flags can be cleared by software.

The user-programmable alarm event sources the real-time clock interrupt, RTCAIFG. Setting RTCAIE enables the interrupt. In addition to the user-programmable alarm, the RTC_C module provides for an interval alarm that sources real-time clock interrupt, RTCTEVIFG. The interval alarm can be selected to cause an alarm event when RTCMIN changed or RTCHOUR changed, every day at midnight (00:00:00) or every day at noon (12:00:00). The event is selectable with the RTCTEV bits. Setting the RTCTEVIE bit enables the interrupt.

The RTCRDY bit sources the real-time clock interrupt, RTCRDYIFG, and is useful in synchronizing the read of time registers with the system clock. Setting the RTCRDYIE bit enables the interrupt.

RT0PSIFG can be used to generate interrupt intervals selectable by the RT0IP bits. RT0PS is sourced with low-frequency oscillator clock at 32768 Hz, so intervals of 16384 Hz, 8192 Hz, 4096 Hz, 2048 Hz, 1024 Hz, 512 Hz, 256 Hz, or 128 Hz are possible. Setting the RT0PSIE bit enables the interrupt.

RT1PSIFG can be used to generate interrupt intervals selectable by the RT1IP bits. RT1PS is sourced with the output of RT0PS, which is 128 Hz (32768/256 Hz). Therefore, intervals of 64 Hz, 32 Hz, 16 Hz, 8 Hz, 4 Hz, 2 Hz, 1 Hz, or 0.5 Hz are possible. Setting the RT1PSIE bit enables the interrupt.

NOTE: Changing RT0IP or RT1IP

Changing the settings of the interrupt interval bits RT0IP or RT1IP while the corresponding prescaler is running or is stopped in a non-zero state can result in setting the corresponding interrupt flags.

The RTCOFIFG bit flags the failure of the 32-kHz crystal oscillator. Its main purpose is to wake up the CPU from LPM3.5 if an oscillator failure occurs. On devices with separate supply for RTC, this flag also stores a failure event that occurs when the core supply is not available.

24.2.6.1 RTCIV Software Example

The following software example shows the recommended use of RTCIV and the handling overhead. The RTCIV value is added to the PC to automatically jump to the appropriate routine.

The numbers at the right margin show the necessary CPU cycles for each instruction. The software overhead for different interrupt sources includes interrupt latency and return-from-interrupt cycles, but not the task handling itself.

```

; Interrupt handler for RTC interrupt flags.

RTC_HND
    ADD    &RTCIV,PC    ; Interrupt latency          6
    RETI   ; Add offset to Jump table                3
    JMP    RTCOFIFG_HND ; Vector 0: No interrupt      5
    JMP    RTCRDYIFG_HND ; Vector 2: RTCOFIFG         2
    JMP    RTCTEVIFG_HND ; Vector 4: RTCRDYIFG        2
    JMP    RTCAIFG      ; Vector 6: RTCTEVIFG         2
    JMP    RT0PSIFG     ; Vector 8: RTCAIFG           5
    JMP    RT1PSIFG     ; Vector A: RT0PSIFG          5
    RETI   ; Vector C: RT1PSIFG                     5
    RETI   ; Vector E: Reserved                      5

RTCOFIFG_HND
    ...    ; Vector 2: RTCOFIFG Flag
    RETI   ; Task starts here
    RETI   ; Back to main program                    5

RTCRDYIFG_HND
    ...    ; Vector 4: RTCRDYIFG Flag
    RETI   ; Task starts here
    RETI   ; Back to main program                    5

RTCTEVIFG_HND
    ...    ; Vector 6: RTCTEVIFG
    RETI   ; Task starts here
    RETI   ; Back to main program                    5

RTCAIFG_HND
    ...    ; Vector 8: RTCAIFG
    RETI   ; Task starts here
    RETI   ; Back to main program                    5

RT0PSIFG_HND
    ...    ; Vector A: RT0PSIFG
    RETI   ; Task starts here
    RETI   ; Back to main program                    5

RT1PSIFG_HND
    ...    ; Vector C: RT1PSIFG
    RETI   ; Task starts here
    RETI   ; Back to main program                    5

```

24.2.7 Real-Time Clock Calibration for Crystal Offset Error

The RTC_C module can be calibrated for crystal manufacturing tolerance or offset error to enable better accuracy of time keeping accuracy. The crystal frequency error of up to ± 240 ppm can be calibrated smoothly over a period of 60 seconds. RTCOCAL_L register is used to adjust the frequency. The calibration value is written into RTCOCAL_L register, and each LSB in this register represent approximately ± 1 -ppm correction based on RTCOCALS bit in RTCOCAL_H register. When RTCOCALS bit is set (up calibration), each LSB in RTCOCAL_L represent +1-ppm adjustment. When RTCOCALS is cleared (down calibration), each LSB in RTCOCAL_L represent -1 -ppm adjustment to frequency. Both RTCOCAL_L and RTCOCAL_H registers are protected and require RTC_C to be unlocked before writing into these registers.

24.2.7.1 Calibration Frequency

To calibrate the frequency, the RTCCLK output signal is available at a pin. RTCCALFx bits in RTCCTL3 register can be used to select the frequency rate of the output signal. When RTCCALFx = 00, no signal is output on RTCCLK pin. The other settings of RTCCALFx select one the three frequencies: 512 Hz, 256 Hz, or 1 Hz. RTCCLK can be measured, and the result of this measurement can be applied to the RTCOCALS and RTCOCALx bits to effectively reduce the initial offset of the clock.

24.2.7.1.1 Calibration Mechanism

RTCOCAL_L is an 8-bit register. Software can write a value of up to 256 ppm into this register, but the maximum frequency error that can be corrected is only 240 ppm. Software must make sure to write legal values into this register. A read from RTCOCAL always returns the value that was written by software. Real-time clock offset error calibration is inactive when RTC_C is not enabled (RTCHOLD = 0) or when RTCOCALx bits are zero. RTCOCAL should only be written when RTCHOLD = 1. Writing RTCOCAL resets temperature compensation to zero.

In RTC_C, the offset error calibration takes place over a period of 60 seconds. To achieve approximately ± 1 -ppm correction, the 16-kHz clock (Q0 output of RT0PS) is adjusted to add or subtract one clock pulse. For +1-ppm correction, one clock pulse is added to the 16-kHz clock, and for -1 -ppm correction, one clock pulse is subtracted from the 16-kHz clock. This correction happens once every quarter second until the programmed ppm error is compensated.

$$f_{\text{ACLK,meas}} < 32768 \text{ Hz} \rightarrow \text{RTCOCALS} = 1, \text{RTCOCALx} = \text{Round} (60 \times 16384 \times (1 - f_{\text{ACLK,meas}}/32768))$$

$$f_{\text{ACLK,meas}} \geq 32768 \text{ Hz} \rightarrow \text{RTCOCALS} = 0, \text{RTCOCALx} = \text{Round} (60 \times 16384 \times (1 - f_{\text{ACLK,meas}}/32768))$$

As an example for up calibration, when the measured frequency is 511.9658 Hz against the reference frequency of 512 Hz, the frequency error is approximately 67 ppm low. To increase the frequency by 67 ppm, RTCOCALS should be set, and RTCOCALx should be set to $\text{Round} (60 \times 16384 \times (1 - 511.9658 \times 64 / 32768)) = 66$.

As an example for down calibration, when the measured frequency is 512.0241 Hz against the reference frequency of 512 Hz, the frequency error is approximately 47 ppm high. To decrease the frequency by 47 ppm, RTCOCALS should be cleared, and RTCOCALx should be set to $\text{Round} (60 \times 16384 \times (1 - 512.0241 \times 64 / 32768)) = 46$.

All three possible output frequencies (512 Hz, 256 Hz, and 1 Hz) at RTCCLK pin are affected by calibration settings. RT0PS interrupt triggered by RT0PS – Q0 (RT0IPx = 000) is based on the uncalibrated clock, while RT0PS interrupt triggered by RT0PS – Q1 to Q7 (RT0IPx \neq 000) is based on the calibrated clock. RT1PS interrupt (RT1PSIFG) and RTC counter interrupt (RTCTEVIFG) are also based on the calibrated clock.

24.2.8 Real-Time Clock Compensation for Crystal Temperature Drift

The frequency output of the crystal varies considerably due to drift in temperature. It would be necessary to compensate the real-time clock for this temperature drift for higher time keeping accuracy from standard crystals. A hybrid software and hardware approach can be followed to achieve temperature compensation for RTC_C.

The software can make use of an (on-chip) temperature sensor to measure the temperature at desired intervals (for example, once every few seconds or minutes). The temperature sensor parameters are calibrated at production and stored in the nonvolatile memory. Using the temperature sensor parameters and the measured temperature, software can do parabolic calculations to find out the corresponding frequency error in ppm.

This frequency error can be written into RTCTCMP_L register for temperature compensation. RTCTCMP_L is an 8-bit register that allows correction for a frequency error up to ± 240 ppm. Each LSB in this register represent ± 1 ppm based on the RTCTCMPS bit in the RTCTCMP_H register. When RTCTCMPS bit is set, each LSB in RTCTCMP represents +1-ppm adjustment (up calibration). When RTCTCMPS is cleared, each LSB in RTCTCMP represents -1-ppm adjustment (down calibration). RTCTCMP register is not protected and can be written any time without unlocking RTC_C.

24.2.8.1 Temperature Compensation Scheme

RTCTCMP_L is an 8-bit register. Software can write up to value of 256 ppm into this register, but the maximum frequency error that can be corrected including the crystal offset error is 240 ppm. Real-time clock temperature compensation is inactive when RTC_C is not enabled (RTCHOLD = 0) or when RTCTCMPx bits are zero.

When the temperature compensation value is written into RTCTCMP_L, it is added to the offset error calibration value, and the resulting value is taken into account from next calibration cycle onwards. The ongoing calibration cycle is not affected by writes into the RTCTCMP register. The maximum frequency error that can be corrected to account for both offset error and temperature variation is ± 240 ppm. This means the sign addition of offset error value and temperature compensation value should not exceed maximum of ± 240 ppm; otherwise, the excess value above ± 240 ppm is ignored by hardware. Reading from the RTCTCMP register at any time returns the cumulative value which is the signed addition of RTCOCALx and RTCTCMPx values. (Note that writing RTCOCAL resets the temperature compensation value to zero.)

For example, when RTCOCAL value is +150 ppm, and the value written into RTCTCMP is +200 ppm, the effective value taken in for next calibration cycle is +240 ppm. Software is expected to do temperature measurement at certain regularity, calculate the frequency error, and write into RTCTCMP register to not exceed the maximum limit of ± 240 ppm.

Changing the sign bit by writing to RTCTCMP_H becomes effective only after also writing RTCTCMP_L. Thus TI recommends writing the sign bit together with compensation value as a 16-bit value into RTCTCMP.

24.2.8.2 Writing to RTCTCMP Register

Because the system clock can be asynchronous to the RTC_C clock source, the RTCTCRDY bit in the RTCTCMP_H register should be considered for reliable writing into RTCTCMP register. RTCTCRDY is a read-only bit that is set when the hardware is ready to take in the new temperature compensation value. A write to RTCTCMP should be avoided when RTCTCRDY bit is reset. Writes into RTCTCMP register when RTCTCRDY is reset are ignored.

RTCTCOK is a status bit that indicates if the write to RTCTCMP register is successful or not. RTCTCOK is set if the write to RTCTCMP is successful and reset if the write is unsuccessful. The status remains the same until the next write to the RTCTCMP register. If the write to RTCTCMP is unsuccessful, then the user needs to attempt writing into RTCTCMP again when RTCTCRDY is set.

Figure 24-2 shows the scheme for real-time clock offset error calibration and temperature compensation.

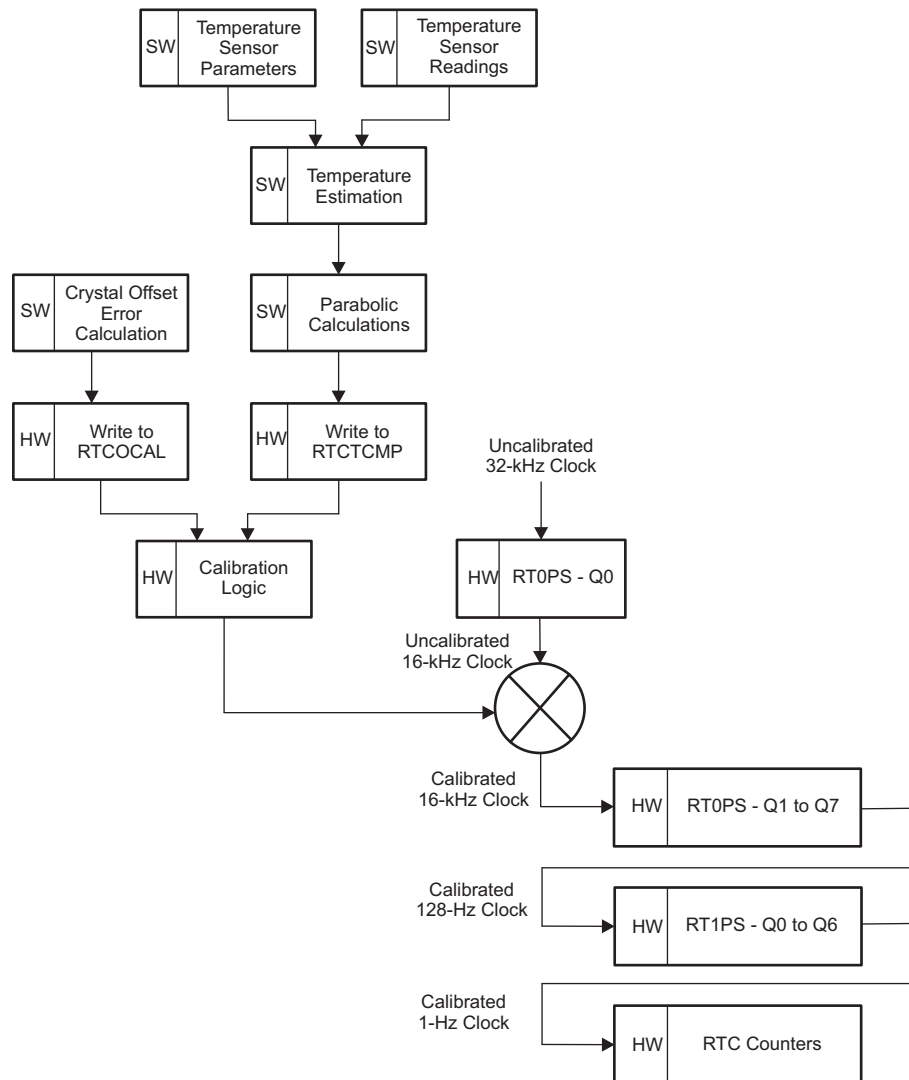


Figure 24-2. RTC_C Offset Error Calibration and Temperature Compensation Scheme

24.2.8.3 Temperature Measurement and Updates to RTC_C

The user may wish to perform temperature measurement once every few seconds or once every minute or once in several minutes. Writing to RTCTCMP register for temperature compensation is effective always once in one minute. This means that if the user performs temperature measurement every minute and updates RTCTCMP register with the frequency error, compensation would immediately work fine. But if software performs temperature measurement more frequently than once per minute (for example once every 5 seconds) then it needs to average the error over one minute and update RTCTCMP register once per minute. If the software performs temperature measurement less frequently than once per minute (for example, once every 5 minutes) then it needs to calculate the frequency error for the measured temperature and write into RTCTCMP register. The value written into RTCTCMP in this case would be effective until it is updated again by software.

24.2.9 Real-Time Clock Operation in LPM3.5 Low-Power Mode

The regulator of the Power Management Module (PMM) is disabled when the device enters LPM3.5, which causes most of the RTC_C configuration registers to be lost; only the counters and calibration registers are retained. [Table 24-2](#) shows which registers are retained in LPM3.5. Also the configuration of the interrupt enables is stored so that the configured interrupts can cause a wakeup upon exit from LPM3.5. Interrupt flags that are set before entering LPM3.5 are cleared upon entering LPM3.5 (Note: this can only happen if the corresponding interrupt is not enabled). The interrupt flags RTCTEVIFG, RTCAIFG, RT1PSIFG, and RTCOFIFG can be used as RTC_C wakeup interrupt sources. Any interrupt event that occurs during LPM3.5 is stored in the corresponding flags, but only enabled interrupts can wake up the device. After restoring the configuration registers (and clearing LOCKLPM5), the interrupts can be serviced as usual.

The detailed flow is as follows:

1. Set all I/Os to general-purpose I/Os and configure as needed. Optionally, configure input interrupt pins for wakeup. Configure RTC_C interrupts for wake-up (set RTCTEVIE, RTCAIE, RT1PSIE, or RTCOFIE. If the alarm interrupt is also used as wake-up event, the alarm registers must be configured as needed).
2. Enter LPM3.5 with LPM3.5 entry sequence:


```

bic #RTCHOLD, &RTCCTL13
bis #PMMKEY + REGOFF, &PMMCTL0
bis #LPM4, SR
            
```
3. LOCKLPM5 is automatically set by hardware upon entering LPM3.5, the core voltage regulator is disabled, and all clocks are disabled except for the 32-kHz crystal oscillator clock as the RTC_C is enabled with RTCHOLD = 0.
4. An LPM3.5 wake-up event like an edge on a wake-up input pin or an RTC_C interrupt event starts the BOR entry sequence and the core voltage regulator. All peripheral registers are set to their default conditions. The I/O pin state and the interrupt configuration for the RTC_C remain locked.
5. The device can be configured. The I/O configuration and the RTC_C interrupt configuration that was not retained during LPM3.5 should be restored to the values that they had before entering LPM3.5. Then the LOCKLPM5 bit can be cleared, which releases the I/O pin conditions and the RTC_C interrupt configuration. Registers that are retained during LPM3.5 should not be altered before LOCKLPM5 is cleared.
6. After enabling I/O and RTC_C interrupts, the interrupt that caused the wake-up can be serviced.

If the RTC_C is enabled (RTCHOLD = 0), the 32-kHz oscillator remains active during LPM3.5. The fault detection also remains functional. If a fault occurs during LPM3.5 and the RTCOFIE was set before entering LPM3.5, a wake-up event is issued.

In F677xA, F673xA, and F672xA devices, the RTCLOCK bit in RTCCTL3 allows to keep all LPM3.5 retention logic from write and reset operations. In addition, the following interrupt bits are also protected:

- RTCTCTL1: RTCCAPIFG
- RTCCAPxCTL: CAPEV

When set, this bit also affects XT1 LF control bits which can be retained in LPM3.5. These XT1 control bits include:

- UCSCTL6: XT1DRIVE, XTS, XT1BYPASS, XCAP

When this bit is set, LPM3.5 retention logic is not writable, and any reset cannot change its operation unless a power cycle occurs. Meanwhile, an unlock operation is required to open the write access of interrupt flags before they are cleared in ISR. If this bit is clear, these logics are writable and can be reset by PUC, POR, and BOR.

24.3 RTC_C Operation - Device-Dependent Features

24.3.1 Counter Mode

NOTE: This feature is available only on selected devices. See the device-specific data sheet to determine if this feature is available.

The RTC_C module can be configured as a real-time clock with calendar function (calendar mode) or as a 32-bit general-purpose counter (counter mode) with the RTCMODE bit.

Counter mode is selected when RTCMODE is reset. In this mode, a 32-bit counter is provided that is directly accessible by software. Figure 24-3 shows the functional block diagram of a RTC_C module in counter mode (RTCMODE = 0).

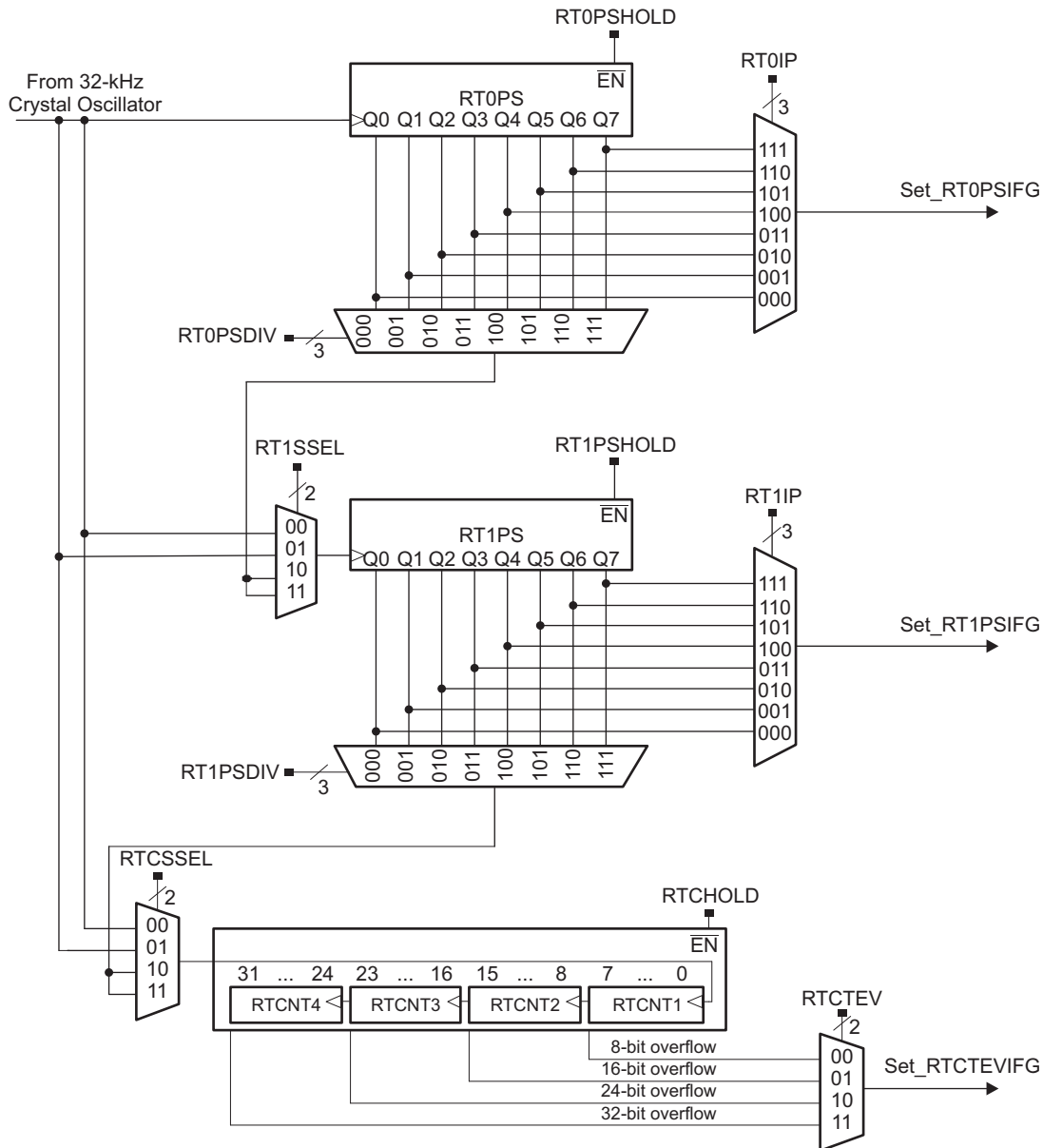


Figure 24-3. RTC_C Functional Block Diagram in Counter Mode (RTCMODE = 0)

24.3.1.1 Switching between Calendar and Counter Mode

To switch from calendar mode to counter mode do the following steps:

1. Stop the RTC with RTCHOLD=1.
2. Clear the RTCMODE bit to enable the counter mode.
3. Initialize the count registers (RTCNT1, RTCNT2, RTCNT3, RTCNT4) and the prescale counters (RT0PS, RT1PS) as needed. (The switch from calendar mode to counter mode **does not** reset the count value (RTCNT1, RTCNT2, RTCNT3, RTCNT4) or the prescale counters (RT0PS, RT1PS). These registers must be configured by user software before use.)
4. Clear the RTCHOLD bit to start the counters.

To switch back from counter mode to calendar mode do the following steps:

1. Stop the counters with RTCHOLD=1.
2. Set RTCMODE=1 to enable the calendar mode.
3. Initialize the clock and calendar registers and the prescale counters (RT0PS, RT1PS) as needed. (The switch from counter mode to calendar mode **does not** reset the clock and calendar registers nor the prescale counters (RT0PS, RT1PS). These registers must be configured by user software before use.)
4. Clear the RTCHOLD bit to start the RTC.

24.3.1.2 Counter Mode Operation

The clock that increments the counter can be sourced from the 32-kHz crystal oscillator or from prescaled versions of the 32-kHz crystal oscillator clock. Prescaled versions are sourced from the prescale dividers (RT0PS and RT1PS). RT0PS and RT1PS can output /2, /4, /8, /16, /32, /64, /128, and /256 versions of the 32-kHz clock. The output of RT0PS can be cascaded with RT1PS. The cascaded output can also be used as a clock source input to the 32-bit counter.

Four individual 8-bit counters are cascaded to provide the 32-bit counter. This provides 8-bit, 16-bit, 24-bit, or 32-bit overflow intervals of the counter clock. The RTCTEV bits select the respective trigger event. An RTCTEV event can trigger an interrupt by setting the RTCTEVIE bit. Each counter, RTCNT1 through RTCNT4, is individually accessible and may be written.

RT0PS and RT1PS can be configured as two 8-bit counters or cascaded into a single 16-bit counter. RT0PS and RT1PS can be halted on an individual basis by setting their respective RT0PSHOLD and RT1PSHOLD bits. When RT0PS is cascaded with RT1PS, setting RT0PSHOLD causes both RT0PS and RT1PS to be halted. The 32-bit counter can be halted several ways, depending on the configuration. If the 32-bit counter is sourced directly by the 32-kHz crystal clock, it can be halted by setting RTCHOLD. If it is sourced from the output of RT1PS, it can be halted by setting RT1PSHOLD or RTCHOLD. Finally, if it is sourced from the cascaded outputs of RT0PS and RT1PS, it can be halted by setting RT0PSHOLD, RT1PSHOLD, or RTCHOLD.

NOTE: Accessing the RTCNT1, RTCNT2, RTCNT3, RTCNT4, RT0PS, RT1PS registers

When the counter clock is asynchronous to the CPU clock, any read from any RTCNT1, RTCNT2, RTCNT3, RTCNT4, RT0PS, or RT1PS register should occur while the counter is not operating. Otherwise, the results may be unpredictable. Alternatively, the counter may be read multiple times while operating, and a majority vote taken in software to determine the correct reading. Any write to these registers takes effect immediately.

NOTE: For reliable update to all Counter Mode registers

Depending on the cascading of counters, when a write occurs, hold all subsequent counters. For example, if RTPS0 is being updated, set RTCPS1HOLD = 1, and if RTPS1 is being updated, set RTCHOLD = 1.

24.3.1.3 Real-Time Clock Interrupts in Counter Mode

In counter mode, four interrupt sources are available: RT0PSIFG, RT1PSIFG, RTCTEVIFG, and RTCOFIFG. RTCAIFG and RTCRDYIFG are cleared. RTCRDYIE and RTCAIE are don't care.

RT0PSIFG can be used to generate interrupt intervals selectable by the RT0IP bits. In counter mode, divide ratios of /2, /4, /8, /16, /32, /64, /128, and /256 of the clock source are possible. Setting the RT0PSIE bit enables the interrupt.

RT1PSIFG can be used to generate interrupt intervals selectable by the RT1IP bits. In counter mode, RT1PS is sourced with low-frequency oscillator clock, or the output of RT0PS, so divide ratios of /2, /4, /8, /16, /32, /64, /128, and /256 of the respective clock source are possible. Setting the RT1PSIE bit enables the interrupt.

In Counter Mode, the RTC_C module provides for an interval timer that sources real-time clock interrupt, RTCTEVIFG. The interval timer can be selected to cause an interrupt event when an 8-bit, 16-bit, 24-bit, or 32-bit overflow occurs within the 32-bit counter. The event is selectable with the RTCTEV bits. Setting the RTCTEVIE bit enables the interrupt.

The RTCOFIFG bit flags a failure of the 32-kHz crystal oscillator. It's main purpose is to wake-up the CPU from LPM3.5 in case an oscillator failure occurred.

24.3.2 Real-Time Clock Event/Tamper Detection With Time Stamp

NOTE: This feature is available only on selected devices. See the device-specific data sheet to determine if this feature is available.

The RTC_C module provides an external event or tamper detection and time stamp for up to two external events. The pins RTCCAP0 and RTCCAP1 ⁽¹⁾ can be used as an event or tamper detection input of an external switch (mechanical or electronic). After device power-up, this feature can be enabled by setting the TCEN bit in the RTCTCCTL0 register. Event and tamper detection with time stamp is supported in all MSP430 operating modes, as long as there is a valid RTC power supply.

- When there is an event on RTCCAPx pin and the time capture feature is enabled (TCEN = 1), the corresponding CAPEV bit in RTCCAPxCTL register is set and the corresponding time stamp information (seconds, minutes, hours, day of month, month and year) is stored in the respective backup registers (RTCSECBAKx, RTCMINBAKx, RTCHOURBAKx, RTCDAYBAKx, RTCMONBAKx and RTCYEARBAKx).
- In case of multiple events, **ONLY** the time stamp of the event that occurred first is stored in the respective backup registers. After CAPEV is set by the first event on RTCCAPx, all subsequent events on RTCCAPx are ignored until the CAPEV bit is cleared by the user.
- The CAPES bit in the RTCCAPxCTL register sets the event edge for the corresponding RTCCAPx pin.
 - Bit = 0: CAPEV flag is set with a low-to-high transition.
 - Bit = 1: CAPEV flag is set with a high-to-low transition.

NOTE: Writing to CAPESx

Writing to CAPES can result in setting the corresponding interrupt flags.

CAPESx	RTCCAPx	RTCCAPIFG
0 → 1	0	May be set
0 → 1	1	Unchanged
1 → 0	0	Unchanged
1 → 0	1	May be set

⁽¹⁾ These pins are present only on devices that support this feature of RTC_C. Refer to the device-specific data sheet to determine the availability of this feature.

- The interrupt flag RTCCAPIFG is set when any of the individual CAPEV bits are set. If the RTCIV is read, RTCCAPIFG is cleared but not the status flags (CAPEV bits). They are then read by the CPU and must be cleared by software only.
- By setting the RTCCAPIE bit, an event on RTCCAPx generates an interrupt. This interrupt can be used as LPM3.5 or LPM4.5 wake-up event in modules that support LPM3.5 or LPM4.5.
- When the time capture feature is enabled (TCEN = 1), all of the backup registers (RTCSECBAKx, RTCMINBAKx, RTCHOURBAKx, RTCDAYBAKx, RTCMONBAKx, and RTCYEARBAKx) are read-only to user and can be written only by the RTC hardware. When RTCBCD = 1 and TCEN = 1, BCD format is selected for the backup registers. If the backup registers were written to by the hardware before TCEN was set, then the previous values are retained until there is a time capture event that overrides the values with the time stamp.
- When the time capture feature is disabled (TCEN = 0), all of the backup registers (RTCSECBAKx, RTCMINBAKx, RTCHOURBAKx, RTCDAYBAKx, RTCMONBAKx, and RTCYEARBAKx) can be written only by the CPU. When TCEN = 0, the RTCBCD bit setting is ignored for the backup registers. The data in the backup registers when TCEN = 1 is retained until the user writes new values after TCEN is cleared.
- When TCEN is cleared, all CAPEV bits and RTCCAPIFG are cleared.
- [Table 24-1](#) shows how to use the DIR, REN, and OUT bits in RTCCAPxCTL for proper configuration of RTCCAPx pins.

Table 24-1. RTCCAPx Pin Configuration

DIR	REN	OUT	RTCCAPx Configuration
0	0	x	Input
0	1	0	Input with pulldown resistor
0	1	1	Input with pullup resistor
1	x	x	Output

24.3.2.1 Real-Time Clock Event/Tamper Detection Interrupts

With the event or tamper detection feature, one additional interrupt sources is available, RTCCAPIFG. This flag is prioritized and combined with the other interrupt flags to source a single interrupt vector. The interrupt vector register (RTCIV) is used to determine which flag requested an interrupt.

The RTCCAPIFG bit flags the occurrence of a tamper event. The exact source of the interrupt among multiple tamper events can be found out by reading the CAPEV bit in the respective RTCCAPxCTL registers (one per tamper source). When RTCIV is read, the RTCCAPIFG is cleared but not the status flags (CAPEV bits).

24.4 RTC_C Registers

The RTC_C module registers are shown in [Table 24-2](#). This table also shows which registers are key protected and which are retained during LPM3.5. The registers that are retained during LPM3.5 and given with a reset value are not reset on POR; they are reset based on a signal derived from the RTC supply. Registers that are not retained during LPM3.5 must be restored after exit from LPM3.5.

The high-side SVS must not be disabled by software if the real-time clock feature is needed. When the high-side SVS is disabled, the RTC_C registers with LPM3.5 retention are not accessible by the CPU.

The base address for the RTC_C module registers can be found in the device-specific data sheet. The address offsets are shown in [Table 24-2](#).

The additional registers that are available if Event/Tamper Detection is implemented are shown in [Table 24-3](#) together with the corresponding address offsets.

If the counter mode is supported, the register aliases shown in [Table 24-4](#) can be used to access the counter registers.

NOTE: Most registers have word or byte register access. For a generic register *ANYREG*, the suffix "_L" (*ANYREG_L*) refers to the lower byte of the register (bits 0 through 7). The suffix "_H" (*ANYREG_H*) refers to the upper byte of the register (bits 8 through 15).

Table 24-2. RTC_C Registers

Offset	Acronym	Register Name	Type	Access	Reset	Key Protected	LPM3.5 Retention
00h	RTCCTL0	Real-Time Clock Control 0	Read/write	Word	9600h	yes	not retained
00h	RTCCTL0_L	Real-Time Clock Control 0 Low	Read/write	Byte	00h	yes	not retained
01h	RTCCTL0_H	Real-Time Clock Control 0 High	Read/write	Byte	96h	n/a	not retained
02h	RTCCTL13	Real-Time Clock Control 1, 3	Read/write	Word	0070h	yes	high byte retained
02h	RTCCTL1 or RTCCTL13_L	Real-Time Clock Control 1	Read/write	Byte	70h	yes	not retained
03h	RTCCTL3 or RTCCTL13_H	Real-Time Clock Control 3	Read/write	Byte	00h	yes	retained
04h	RTCOCAL	Real-Time Clock Offset Calibration	Read/write	Word	0000h	yes	retained
04h	RTCOCAL_L		Read/write	Byte	00h	yes	retained
05h	RTCOCAL_H		Read/write	Byte	00h	yes	retained
06h	RTCTCMP	Real-Time Clock Temperature Compensation	Read/write	Word	4000h	no	retained
06h	RTCTCMP_L		Read/write	Byte	00h	no	retained
07h	RTCTCMP_H		Read/write	Byte	40h	no	retained
08h	RTCPS0CTL	Real-Time Prescale Timer 0 Control	Read/write	Word	0100h	no	not retained
08h	RTCPS0CTL_L		Read/write	Byte	00h	no	not retained
09h	RTCPS0CTL_H		Read/write	Byte	01h	no	not retained
0Ah	RTCPS1CTL	Real-Time Prescale Timer 1 Control	Read/write	Word	0100h	no	not retained
0Ah	RTCPS1CTL_L		Read/write	Byte	00h	no	not retained
0Bh	RTCPS1CTL_H		Read/write	Byte	01h	no	not retained
0Ch	RTCPS	Real-Time Prescale Timer 0, 1 Counter	Read/write	Word	none	yes	retained
0Ch	RT0PS or RTCPS_L	Real-Time Prescale Timer 0 Counter	Read/write	Byte	none	yes	retained

Table 24-2. RTC_C Registers (continued)

Offset	Acronym	Register Name	Type	Access	Reset	Key Protected	LPM3.5 Retention
0Dh	RT1PS or RTCPS_H	Real-Time Prescale Timer 1 Counter	Read/write	Byte	none	yes	retained
0Eh	RTCIV	Real Time Clock Interrupt Vector	Read	Word	0000h	no	not retained
10h	RTCTIM0	Real-Time Clock Seconds, Minutes	Read/write	Word	undefined	yes	retained
10h	RTCSEC or RTCTIM0_L	Real-Time Clock Seconds	Read/write	Byte	undefined	yes	retained
11h	RCMIN or RTCTIM0_H	Real-Time Clock Minutes	Read/write	Byte	undefined	yes	retained
12h	RTCTIM1	Real-Time Clock Hour, Day of Week	Read/write	Word	undefined	yes	retained
12h	RTCHOUR or RTCTIM1_L	Real-Time Clock Hour	Read/write	Byte	undefined	yes	retained
13h	RTCADOW or RTCTIM1_H	Real-Time Clock Day of Week	Read/write	Byte	undefined	yes	retained
14h	RTCDATE	Real-Time Clock Date	Read/write	Word	undefined	yes	retained
14h	RTCADAY or RTCDATE_L	Real-Time Clock Day of Month	Read/write	Byte	undefined	yes	retained
15h	RCMON or RTCDATE_H	Real-Time Clock Month	Read/write	Byte	undefined	yes	retained
16h	RTCYEAR	Real-Time Clock Year ⁽¹⁾	Read/write	Word	undefined	yes	retained
18h	RTCAMINHR	Real-Time Clock Minutes, Hour Alarm	Read/write	Word	undefined	no	retained
18h	RTCAMIN or RTCAMINHR_L	Real-Time Clock Minutes Alarm	Read/write	Byte	undefined	no	retained
19h	RTCAHOUR or RTCAMINHR_H	Real-Time Clock Hours Alarm	Read/write	Byte	undefined	no	retained
1Ah	RTCADOWDAY	Real-Time Clock Day of Week, Day of Month Alarm	Read/write	Word	undefined	no	retained
1Ah	RTCADOW or RTCADOWDAY_L	Real-Time Clock Day of Week Alarm	Read/write	Byte	undefined	no	retained
1Bh	RTCADAY or RTCADOWDAY_H	Real-Time Clock Day of Month Alarm	Read/write	Byte	undefined	no	retained
1Ch	BIN2BCD	Binary-to-BCD conversion register	Read/write	Word	0000h	no	not retained
1Eh	BCD2BIN	BCD-to-binary conversion register	Read/write	Word	0000h	no	not retained

⁽¹⁾ Do not access the year register RTCYEAR in byte mode.

Table 24-3. RTC_C Event and Tamper Detection Registers

Offset	Acronym	Register Name	Type	Access	Reset	Key Protected	LPM3.5 Retention
20h	RTCTCCTL0	Real-Time Clock Time Capture Control Register 0	Read/write	Byte	02h	yes	retained
21h	RTCTCCTL1	Real-Time Clock Time Capture Control Register 1	Read/write	Byte	00h	yes	not retained
22h	RTCCAP0CTL	Tamper Detect Pin 0 Control Register	Read/write	Byte	00h	yes	not retained
23h	RTCCAP1CTL	Tamper Detect Pin 1 Control Register	Read/write	Byte	00h	yes	not retained
30h	RTCSECBK0	Real-Time Clock Seconds Backup Register 0	Read/write	Byte	00h	yes	retained
31h	RTCMINBAK0	Real-Time Clock Minutes Backup Register 0	Read/write	Byte	00h	yes	retained
32h	RTCHOURBAK0	Real-Time Clock Hours Backup Register 0	Read/write	Byte	00h	yes	retained
33h	RTCDAYBAK0	Real-Time Clock Days Backup Register 0	Read/write	Byte	00h	yes	retained
34h	RTCMONBAK0	Real-Time Clock Months Backup Register 0	Read/write	Byte	00h	yes	retained
36h	RTCYEARBAK0	Real-Time Clock year Backup Register 0	Read/write	Word	00h	yes	retained
38h	RTCSECBK1	Real-Time Clock Seconds Backup Register 1	Read/write	Byte	00h	yes	retained
39h	RTCMINBAK1	Real-Time Clock Minutes Backup Register 1	Read/write	Byte	00h	yes	retained
3Ah	RTCHOURBAK1	Real-Time Clock Hours Backup Register 1	Read/write	Byte	00h	yes	retained
3Bh	RTCDAYBAK1	Real-Time Clock Days Backup Register 1	Read/write	Byte	00h	yes	retained
3Ch	RTCMONBAK1	Real-Time Clock Months Backup Register 1	Read/write	Byte	00h	yes	retained
3Eh	RTCYEARBAK1	Real-Time Clock Year Backup Register 1	Read/write	Word	00h	yes	retained

Table 24-4. RTC_C Real-Time Clock Counter Mode Aliases

Offset	Acronym	Register Name	Type	Access	Reset	Key Protected	LPM3.5 Retention
10h	RTCCNT12	Real-Time Counter 1, 2	Read/write	Word	undefined	yes	retained
10h	RTCCNT1	Real-Time Counter 1	Read/write	Byte	undefined	yes	retained
11h	RTCCNT2	Real-Time Counter 2	Read/write	Byte	undefined	yes	retained
12h	RTCCNT34	Real-Time Counter 3, 4	Read/write	Word	undefined	yes	retained
12h	RTCCNT3	Real-Time Counter 3	Read/write	Byte	undefined	yes	retained
13h	RTCCNT4	Real-Time Counter 4	Read/write	Byte	undefined	yes	retained

24.4.1 RTCCTL0_L Register

Real-Time Clock Control 0 Low Register

Figure 24-4. RTCCTL0_L Register

7	6	5	4	3	2	1	0
RTCOFIE ⁽¹⁾	RTCTEVIE ⁽¹⁾	RTCAIE ⁽¹⁾	RTCRDYIE	RTCOFIG	RTCTEVIFG	RTCAIFG	RTCRDYIFG
rw-0	rw-0	rw-0	rw-0	rw-(0)	rw-(0)	rw-(0)	rw-(0)

⁽¹⁾ The configuration of these bits is retained during LPMx.5 until LOCKLPM5 is cleared, but not the register bits themselves; therefore, reconfiguration is required after wakeup from LPMx.5 before clearing LOCKLPM5.

Table 24-5. RTCCTL0_L Register Description

Bit	Field	Type	Reset	Description
7	RTCOFIE	RW	0h	32-kHz crystal oscillator fault interrupt enable. This interrupt can be used as LPM3.5 wake-up event. 0b = Interrupt not enabled 1b = Interrupt enabled (LPM3.5 wake-up enabled)
6	RTCTEVIE	RW	0h	Real-time clock time event interrupt enable. In modules supporting LPM3.5 this interrupt can be used as LPM3.5 wake-up event. 0b = Interrupt not enabled 1b = Interrupt enabled (LPM3.5 wake-up enabled)
5	RTCAIE	RW	0h	Real-time clock alarm interrupt enable. In modules supporting LPM3.5 this interrupt can be used as LPM3.5 wake-up event. 0b = Interrupt not enabled 1b = Interrupt enabled (LPM3.5 wake-up enabled)
4	RTCRDYIE	RW	0h	Real-time clock ready interrupt enable 0b = Interrupt not enabled 1b = Interrupt enabled
3	RTCOFIG	RW	0h	32-kHz crystal oscillator fault interrupt flag. This interrupt can be used as LPM3.5 wake-up event. It also indicates a clock failure during backup operation. 0b = No interrupt pending 1b = Interrupt pending. A 32-kHz crystal oscillator fault occurred after last reset.
2	RTCTEVIFG	RW	0h	Real-time clock time event interrupt flag. In modules supporting LPM3.5 this interrupt can be used as LPM3.5 wake-up event. 0b = No time event occurred 1b = Time event occurred
1	RTCAIFG	RW	0h	Real-time clock alarm interrupt flag. In modules supporting LPM3.5 this interrupt can be used as LPM3.5 wake-up event. 0b = No time event occurred 1b = Time event occurred
0	RTCRDYIFG	RW	0h	Real-time clock ready interrupt flag 0b = RTC cannot be read safely 1b = RTC can be read safely

24.4.2 RTCCTL0_H Register

Real-Time Clock Control 0 High Register

Figure 24-5. RTCCTL0_H Register

7	6	5	4	3	2	1	0
RTCKEY							
rw-1	rw-0	rw-0	rw-1	rw-0	rw-1	rw-1	rw-0

Table 24-6. RTCCTL0_H Register Description

Bit	Field	Type	Reset	Description
7-0	RTCKEY	RW	96h	Real-time clock key. This register should be written with A5h to unlock RTC_C. A write with a value other than A5h locks the module. A read from this register always returns 96h.

24.4.3 RTCCTL1 Register

Real-Time Clock Control Register 1

Figure 24-6. RTCCTL1 Register

7	6	5	4	3	2	1	0
RTCBCD	RTCHOLD ⁽¹⁾	RTCMODE ⁽¹⁾	RTCRDY	RTCSSELx ⁽¹⁾		RTCTEVx ⁽¹⁾	
rw-(0)	rw-(1)	rw-(1)	r-(1)	rw-(0)	rw-(0)	rw-(0)	rw-(0)

⁽¹⁾ The configuration of these bits is retained during LPMx.5 until LOCKLPM5 is cleared, but not the register bits themselves; therefore, reconfiguration is required after wakeup from LPMx.5 before clearing LOCKLPM5.

Table 24-7. RTCCTL1 Register Description

Bit	Field	Type	Reset	Description
7	RTCBCD	RW	0h	Real-time clock BCD select. Selects BCD counting for real-time clock. Applies to calendar mode (RTCMODE = 1) only; setting is ignored in counter mode. 0b = Binary (hexadecimal) code selected 1b = Binary coded decimal (BCD) code selected
6	RTCHOLD	RW	1h	Real-time clock hold 0b = Real-time clock (32-bit counter or calendar mode) is operational. 1b = In counter mode (RTCMODE = 0), only the 32-bit counter is stopped. In calendar mode (RTCMODE = 1), the calendar is stopped as well as the prescale counters, RT0PS and RT1PS. RT0PSHOLD and RT1PSHOLD are don't care.
5	RTCMODE	RW	1h	Real-time clock mode. In RTC_C modules without counter mode support this bit is read-only and always reads 1. 0b = 32-bit counter mode 1b = Calendar mode. Switching between counter and calendar mode does not reset the real-time clock counter registers. These registers must be configured by user software before use.
4	RTCRDY	R	1h	Real-time clock ready 0b = RTC time values in transition (calendar mode only) 1b = RTC time values safe for reading (calendar mode only). This bit indicates when the real-time clock time values are safe for reading (calendar mode only). In counter mode, RTCRDY remains cleared.
3-2	RTCSSELx	RW	0h	Real-time clock source select. In counter mode, selects clock input source to the 32-bit counter. In calendar mode, these bits are don't care. The clock input is automatically set to the output of RT1PS. 00b = 32-kHz crystal oscillator clock 01b = 32-kHz crystal oscillator clock 10b = Output from RT1PS 11b = Output from RT1PS
1-0	RTCTEVx	RW	0h	Real-time clock time event Calendar Mode (RTCMODE = 1) 00b = Minute changed 01b = Hour changed 10b = Every day at midnight (00:00) 11b = Every day at noon (12:00) Counter Mode (RTCMODE = 0) 00b = 8-bit overflow 01b = 16-bit overflow 10b = 24-bit overflow 11b = 32-bit overflow

24.4.4 RTCCTL3 Register

Real-Time Clock Control 3 Register

Figure 24-7. RTCCTL3 Register

7	6	5	4	3	2	1	0
Reserved					RTCLOCK ⁽¹⁾	RTCCALFx ⁽²⁾	
r0	r0	r0	r0	r0	rw-[0]	rw-(0)	rw-(0)

⁽¹⁾ This bit is implemented in only the F677xA, F673xA, and F672xA devices. For other devices, this bit is reserved and always reads as 0.

⁽²⁾ These bits are not reset on POR; they are reset based on a signal derived from the AUXVCC3 supply voltage level.

Table 24-8. RTCCTL3 Register Description

Bit	Field	Type	Reset	Description
7-3	Reserved	R	0h	Reserved. Always reads as 0.
2	RTCLOCK ⁽¹⁾	RW	0h	Real-time clock lock. When this bit is set, all control in LPM3.5 retention is held and not accessible even when the device is under BOR. 0b = LPM3.5 retention logic unlocked 1b = LPM3.5 retention logic locked
1-0	RTCCALFx	RW	0h	Real-time clock calibration frequency. Selects frequency output to RTCCLK pin for calibration measurement. The corresponding port must be configured for the peripheral module function. The RTCCLK is not available in counter mode and remains low, and the RTCCALF bits are don't care. 00b = No frequency output to RTCCLK pin 01b = 512 Hz 10b = 256 Hz 11b = 1 Hz

⁽¹⁾ This bit is implemented in only the F677xA, F673xA, and F672xA devices. For other devices, this bit is reserved and always reads as 0.

24.4.5 RTCOCAL Register

Real-Time Clock Offset Calibration Register

Figure 24-8. RTCOCAL Register

15	14	13	12	11	10	9	8
RTCOCALS ⁽¹⁾		Reserved					
rw-(0)	r0	r0	r0	r0	r0	r0	r0
7	6	5	4	3	2	1	0
RTCOCALx ⁽¹⁾							
rw-(0)	rw-(0)	rw-(0)	rw-(0)	rw-(0)	rw-(0)	rw-(0)	rw-(0)

⁽¹⁾ These bits are not reset on POR; they are reset based on a signal derived from the AUXVCC3 supply voltage level.

Table 24-9. RTCOCAL Register Description

Bit	Field	Type	Reset	Description
15	RTCOCALS	RW	0h	Real-time clock offset error calibration sign. This bit decides the sign of offset error calibration. 0b = Down calibration. Frequency adjusted down. 1b = Up calibration. Frequency adjusted up.
14-8	Reserved	R	0h	Reserved. Always reads as 0.
7-0	RTCOCALx	RW	0h	Real-time clock offset error calibration. Each LSB represents approximately +1 ppm (RTCOCALS = 1) or -1 ppm (RTCOCALS = 0) adjustment in frequency. Maximum effective calibration value is ± 240 ppm. Excess values written above ± 240 ppm are ignored by hardware.

24.4.6 RTTCMP Register

Real-Time Clock Temperature Compensation Register

Figure 24-9. RTTCMP Register

15	14	13	12	11	10	9	8
RTTCMPS ⁽¹⁾	RTTCRDY ⁽¹⁾	RTTCOK ⁽¹⁾	Reserved				
rw-(0)	r-(1)	r-(0)	r0	r0	r0	r0	r0
7	6	5	4	3	2	1	0
RTTCMPx ⁽¹⁾							
rw-(0)	rw-(0)	rw-(0)	rw-(0)	rw-(0)	rw-(0)	rw-(0)	rw-(0)

⁽¹⁾ These bits are not reset on POR; they are reset based on a signal derived from the AUXVCC3 supply voltage level.

Table 24-10. RTTCMP Register Description

Bit	Field	Type	Reset	Description
15	RTTCMPS	RW	0h	Real-time clock temperature compensation sign. This bit decides the sign of temperature compensation. ⁽¹⁾ 0b = Down calibration. Frequency adjusted down. 1b = Up calibration. Frequency adjusted up.
14	RTTCRDY	R	1h	Real-time clock temperature compensation ready. This is a read only bit that indicates when the RTTCMPx can be written. Write to RTTCMPx should be avoided when RTTCRDY is reset.
13	RTTCOK	R	0h	Real-time clock temperature compensation write OK. This is a read-only bit that indicates if the write to RTTCMP is successful or not. 0b = Write to RTTCMPx is unsuccessful 1b = Write to RTTCMPx is successful
12-8	Reserved	R	0h	Reserved. Always reads as 0.
7-0	RTTCMPx	RW	0h	Real-time clock temperature compensation. Value written into this register is used for temperature compensation of RTC_C. Each LSB represents approximately +1 ppm (RTTCMPS = 1) or -1 ppm (RTTCMPS = 0) adjustment in frequency. Maximum effective calibration value is ± 240 ppm. Excess values written above ± 240 ppm are ignored by hardware.

⁽¹⁾ Changing the sign-bit by writing to RTTCMP_H becomes effective only after also writing RTTCMP_L.

24.4.7 RTCNT1 Register

Real-Time Clock Counter 1 Register – Counter Mode

Figure 24-10. RTCNT1 Register

7	6	5	4	3	2	1	0
RTCNT1							
rw	rw	rw	rw	rw	rw	rw	rw

Table 24-11. RTCNT1 Register Description

Bit	Field	Type	Reset	Description
7-0	RTCNT1	RW	undefined	The RTCNT1 register is the count of RTCNT1

24.4.8 RTCNT2 Register

Real-Time Clock Counter 2 Register – Counter Mode

Figure 24-11. RTCNT2 Register

7	6	5	4	3	2	1	0
RTCNT2							
rw	rw	rw	rw	rw	rw	rw	rw

Table 24-12. RTCNT2 Register Description

Bit	Field	Type	Reset	Description
7-0	RTCNT2	RW	undefined	The RTCNT2 register is the count of RTCNT2

24.4.9 RTCNT3 Register

Real-Time Clock Counter 3 Register – Counter Mode

Figure 24-12. RTCNT3 Register

7	6	5	4	3	2	1	0
RTCNT3							
rw	rw	rw	rw	rw	rw	rw	rw

Table 24-13. RTCNT3 Register Description

Bit	Field	Type	Reset	Description
7-0	RTCNT3	RW	undefined	The RTCNT3 register is the count of RTCNT3

24.4.10 RTCNT4 Register

Real-Time Clock Counter 4 Register – Counter Mode

Figure 24-13. RTCNT4 Register

7	6	5	4	3	2	1	0
RTCNT4							
rw	rw	rw	rw	rw	rw	rw	rw

Table 24-14. RTCNT4 Register Description

Bit	Field	Type	Reset	Description
7-0	RTCNT4	RW	undefined	The RTCNT4 register is the count of RTCNT4.

24.4.11 RTCSEC Register – Calendar Mode With Hexadecimal Format

Real-Time Clock Seconds Register – Calendar Mode With Hexadecimal Format

Figure 24-14. RTCSEC Register

7	6	5	4	3	2	1	0
0		Seconds					
r-0	r-0	rw	rw	rw	rw	rw	rw

Table 24-15. RTCSEC Register Description

Bit	Field	Type	Reset	Description
7-6	0	R	0h	Always 0
5-0	Seconds	RW	undefined	Seconds (0 to 59)

24.4.12 RTCSEC Register – Calendar Mode With BCD Format

Real-Time Clock Seconds Register – Calendar Mode With BCD Format

Figure 24-15. RTCSEC Register

7	6	5	4	3	2	1	0
0	Seconds – high digit			Seconds – low digit			
r-0	rw	rw	rw	rw	rw	rw	rw

Table 24-16. RTCSEC Register Description

Bit	Field	Type	Reset	Description
7	0	R	0h	Always 0
6-4	Seconds – high digit	RW	undefined	Seconds – high digit (0 to 5)
3-0	Seconds – low digit	RW	undefined	Seconds – low digit (0 to 9)

24.4.13 RTCMIN Register – Calendar Mode With Hexadecimal Format

Real-Time Clock Minutes Register – Calendar Mode With Hexadecimal Format

Figure 24-16. RTCMIN Register

7	6	5	4	3	2	1	0
0		Minutes					
r-0	r-0	rw	rw	rw	rw	rw	rw

Table 24-17. RTCMIN Register Description

Bit	Field	Type	Reset	Description
7-6	0	R	0h	Always 0
5-0	Minutes	RW	undefined	Minutes (0 to 59)

24.4.14 RTCMIN Register – Calendar Mode With BCD Format

Real-Time Clock Minutes Register – Calendar Mode With BCD Format

Figure 24-17. RTCMIN Register

7	6	5	4	3	2	1	0
0	Minutes – high digit			Minutes – low digit			
r-0	rw	rw	rw	rw	rw	rw	rw

Table 24-18. RTCMIN Register Description

Bit	Field	Type	Reset	Description
7	0	R	0h	Always 0
6-4	Minutes – high digit	RW	undefined	Minutes – high digit (0 to 5)
3-0	Minutes – low digit	RW	undefined	Minutes – low digit (0 to 9)

24.4.15 RTCHOUR Register – Calendar Mode With Hexadecimal Format

Real-Time Clock Hours Register – Calendar Mode With Hexadecimal Format

Figure 24-18. RTCHOUR Register

7	6	5	4	3	2	1	0
0			Hours				
r-0	r-0	r-0	rw	rw	rw	rw	rw

Table 24-19. RTCHOUR Register Description

Bit	Field	Type	Reset	Description
7-5	0	R	0h	Always 0
4-0	Hours	RW	undefined	Hours (0 to 23)

24.4.16 RTCHOUR Register – Calendar Mode With BCD Format

Real-Time Clock Hours Register – Calendar Mode With BCD Format

Figure 24-19. RTCHOUR Register

7	6	5	4	3	2	1	0
0		Hours – high digit		Hours – low digit			
r-0	r-0	rw	rw	rw	rw	rw	rw

Table 24-20. RTCHOUR Register Description

Bit	Field	Type	Reset	Description
7-6	0	R	0h	Always 0
5-4	Hours – high digit	RW	undefined	Hours – high digit (0 to 2)
3-0	Hours – low digit	RW	undefined	Hours – low digit (0 to 9)

24.4.17 RTCDOW Register – Calendar Mode

Real-Time Clock Day of Week Register – Calendar Mode

Figure 24-20. RTCDOW Register

7	6	5	4	3	2	1	0
		0				Day of week	
r-0	r-0	r-0	r-0	r-0	rw	rw	rw

Table 24-21. RTCDOW Register Description

Bit	Field	Type	Reset	Description
7-3	0	R	0h	Always 0
2-0	Day of week	RW	undefined	Day of week (0 to 6)

24.4.18 RTCDAY Register – Calendar Mode With Hexadecimal Format

Real-Time Clock Day of Month Register – Calendar Mode With Hexadecimal Format

Figure 24-21. RTCDAY Register

7	6	5	4	3	2	1	0
		0	Day of month				
r-0	r-0	r-0	rw	rw	rw	rw	rw

Table 24-22. RTCDAY Register Description

Bit	Field	Type	Reset	Description
7-5	0	R	0h	Always 0
4-0	Day of month	RW	undefined	Day of month (1 to 28, 29, 30, 31)

24.4.19 RTCDAY Register – Calendar Mode With BCD Format

Real-Time Clock Day of Month Register – Calendar Mode With BCD Format

Figure 24-22. RTCDAY Register

7	6	5	4	3	2	1	0
0		Day of month – high digit		Day of month – low digit			
r-0	r-0	rw	rw	rw	rw	rw	rw

Table 24-23. RTCDAY Register Description

Bit	Field	Type	Reset	Description
7-6	0	R	0h	
5-4	Day of month – high digit	RW	undefined	Day of month – high digit (0 to 3)
3-0	Day of month – low digit	RW	undefined	Day of month – low digit (0 to 9)

24.4.20 RTCMON Register – Calendar Mode With Hexadecimal Format

Real-Time Clock Month Register – Calendar Mode With Hexadecimal Format

Figure 24-23. RTCMON Register

7	6	5	4	3	2	1	0
0				Month			
r-0	r-0	r-0	r-0	rw	rw	rw	rw

Table 24-24. RTCMON Register Description

Bit	Field	Type	Reset	Description
7-4	0	R	0h	Always 0
3-0	Month	RW	undefined	Month (1 to 12)

24.4.21 RTCMON Register – Calendar Mode With BCD Format

Real-Time Clock Month Register – Calendar Mode With BCD Format

Figure 24-24. RTCMON Register

7	6	5	4	3	2	1	0
0			Month – high digit	Month – low digit			
r-0	r-0	r-0	rw	rw	rw	rw	rw

Table 24-25. RTCMON Register Description

Bit	Field	Type	Reset	Description
7-5	0	R	0h	Always 0
4	Month – high digit	RW	undefined	Month – high digit (0 or 1)
3-0	Month – low digit	RW	undefined	Month – low digit (0 to 9)

24.4.22 RTCYEAR Register – Calendar Mode With Hexadecimal Format

Real-Time Clock Year Low-Byte Register – Calendar Mode With Hexadecimal Format

Figure 24-25. RTCYEAR Register

15	14	13	12	11	10	9	8
0				Year – high byte			
r-0	r-0	r-0	r-0	rw	rw	rw	rw
7	6	5	4	3	2	1	0
rw	rw	rw	rw	rw	rw	rw	rw

Table 24-26. RTCYEAR Register Description

Bit	Field	Type	Reset	Description
15-12	0	R	0h	Always 0
11-8	Year – high byte	RW	undefined	Year – high byte. Valid values for Year are 0 to 4095.
7-0	Year – low byte	RW	undefined	Year – low byte. Valid values for Year are 0 to 4095.

24.4.23 RTCYEAR Register – Calendar Mode With BCD Format

Real-Time Clock Year Low-Byte Register – Calendar Mode With BCD Format

Figure 24-26. RTCYEAR Register

15	14	13	12	11	10	9	8
0	Century – high digit			Century – low digit			
r-0	rw	rw	rw	rw	rw	rw	rw
7	6	5	4	3	2	1	0
Decade				Year – lowest digit			
rw	rw	rw	rw	rw	rw	rw	rw

Table 24-27. RTCYEAR Register Description

Bit	Field	Type	Reset	Description
15	0	R	0h	Always 0
14-10	Century – high digit	RW	undefined	Century – high digit (0 to 4)
11-8	Century – low digit	RW	undefined	Century – low digit (0 to 9)
7-4	Decade	RW	undefined	Decade (0 to 9)
3-0	Year – lowest digit	RW	undefined	Year – lowest digit (0 to 9)

24.4.24 RTCAMIN Register – Calendar Mode With Hexadecimal Format

Real-Time Clock Minutes Alarm Register – Calendar Mode With Hexadecimal Format

Figure 24-27. RTCAMIN Register

7	6	5	4	3	2	1	0
AE	0	Minutes					
rw	r-0	rw	rw	rw	rw	rw	rw

Table 24-28. RTCAMIN Register Description

Bit	Field	Type	Reset	Description
7	AE	RW	undefined	Alarm enable 0b = This alarm register is disabled 1b = This alarm register is enabled
6	0	R	0h	Always 0.
5-0	Minutes	RW	undefined	Minutes (0 to 59)

24.4.25 RTCAMIN Register – Calendar Mode With BCD Format

Real-Time Clock Minutes Alarm Register – Calendar Mode With BCD Format

Figure 24-28. RTCAMIN Register

7	6	5	4	3	2	1	0
AE	Minutes – high digit			Minutes – low digit			
rw	rw	rw	rw	rw	rw	rw	rw

Table 24-29. RTCAMIN Register Description

Bit	Field	Type	Reset	Description
7	AE	RW	0h	Alarm enable 0b = This alarm register is disabled 1b = This alarm register is enabled
6-4	Minutes – high digit	RW	undefined	Minutes – high digit (0 to 5)
3-0	Minutes – low digit	RW	undefined	Minutes – low digit (0 to 9)

24.4.26 RTCAHOUR Register

Real-Time Clock Hours Alarm Register – Calendar Mode With Hexadecimal Format

Figure 24-29. RTCAHOUR Register

7	6	5	4	3	2	1	0
AE	0		Hours				
rw	r-0	r-0	rw	rw	rw	rw	rw

Table 24-30. RTCAHOUR Register Description

Bit	Field	Type	Reset	Description
7	AE	RW	undefined	Alarm enable 0b = This alarm register is disabled 1b = This alarm register is enabled
6-5	0	R	0h	Always 0
4-0	Hours	RW	undefined	Hours (0 to 23)

24.4.27 RTCAHOUR Register – Calendar Mode With BCD Format

Real-Time Clock Hours Alarm Register – Calendar Mode With BCD Format

Figure 24-30. RTCAHOUR Register

7	6	5	4	3	2	1	0
AE	0	Hours – high digit		Hours – low digit			
rw	r-0	rw	rw	rw	rw	rw	rw

Table 24-31. RTCAHOUR Register Description

Bit	Field	Type	Reset	Description
7	AE	RW	undefined	Alarm enable 0b = This alarm register is disabled 1b = This alarm register is enabled
6	0	R	0h	Always 0
5-4	Hours – high digit	RW	undefined	Hours – high digit (0 to 2)
3-0	Hours – low digit	RW	undefined	Hours – low digit (0 to 9)

24.4.28 RTCADOW Register – Calendar Mode

Real-Time Clock Day of Week Alarm Register – Calendar Mode

Figure 24-31. RTCADOW Register

7	6	5	4	3	2	1	0
AE	0			Day of week			
rw	r-0	r-0	r-0	r-0	rw	rw	rw

Table 24-32. RTCADOW Register Description

Bit	Field	Type	Reset	Description
7	AE	RW	undefined	Alarm enable 0b = This alarm register is disabled 1b = This alarm register is enabled
6-3	0	R	0h	Always 0
2-0	Day of week	RW	undefined	Day of week (0 to 6)

24.4.29 RTCADAY Register – Calendar Mode With Hexadecimal Format

Real-Time Clock Day of Month Alarm Register – Calendar Mode With Hexadecimal Format

Figure 24-32. RTCADAY Register

7	6	5	4	3	2	1	0
AE	0		Day of month				
rw	r-0	r-0	rw	rw	rw	rw	rw

Table 24-33. RTCADAY Register Description

Bit	Field	Type	Reset	Description
7	AE	RW	undefined	Alarm enable 0b = This alarm register is disabled 1b = This alarm register is enabled
6-5	0	R	0h	Always 0
4-0	Day of month	RW	undefined	Day of month (1 to 28, 29, 30, 31)

24.4.30 RTCADAY Register – Calendar Mode With BCD Format

Real-Time Clock Day of Month Alarm Register – Calendar Mode With BCD Format

Figure 24-33. RTCADAY Register

7	6	5	4	3	2	1	0
AE	0	Day of month – high digit		Day of month – low digit			
rw	r-0	rw	rw	rw	rw	rw	rw

Table 24-34. RTCADAY Register Description

Bit	Field	Type	Reset	Description
7	AE	RW	undefined	Alarm enable 0b = This alarm register is disabled 1b = This alarm register is enabled
6	0	R	0h	Always 0
5-4	Day of month – high digit	RW	undefined	Day of month – high digit (0 to 3)
3-0	Day of month – low digit	RW	undefined	Day of month – low digit (0 to 9)

24.4.31 RTCPS0CTL Register

Real-Time Clock Prescale Timer 0 Control Register

Figure 24-34. RTCPS0CTL Register

15	14	13	12	11	10	9	8
Reserved		RT0PSDIV ⁽¹⁾			Reserved		RT0PSHOLD ⁽¹⁾
r0	r0	rw-(0)	rw-(0)	rw-(0)	r0	r0	rw-(1)
7	6	5	4	3	2	1	0
Reserved			RT0IP ⁽¹⁾			RT0PSIE	RT0PSIFG
r0	r0	r0	rw-(0)	rw-(0)	rw-(0)	rw-0	rw-(0)

⁽¹⁾ The configuration of these bits is retained during LPMx.5 until LOCKLPM5 is cleared, but not the register bits themselves; therefore, reconfiguration is required after wake-up from LPMx.5 before clearing LOCKLPM5.

Table 24-35. RTCPS0CTL Register Description

Bit	Field	Type	Reset	Description
15-14	Reserved	R	0h	Reserved. Always reads as 0.
13-11	RT0PSDIV	RW	0h	Prescale timer 0 clock divide. These bits control the divide ratio of the RT0PS counter. In real-time clock calendar mode, these bits are don't care for RT0PS and RT1PS. RT0PS clock output is automatically set to /256. RT1PS clock output is automatically set to /128. 000b = Divide by 2 001b = Divide by 4 010b = Divide by 8 011b = Divide by 16 100b = Divide by 32 101b = Divide by 64 110b = Divide by 128 111b = Divide by 256
10-9	Reserved	R	0h	Reserved. Always reads as 0.
8	RT0PSHOLD	RW	1h	Prescale timer 0 hold. In real-time clock calendar mode, this bit is don't care. RT0PS is stopped by the RTCHOLD bit. 0b = RT0PS is operational 1b = RT0PS is held
7-5	Reserved	R	0h	Reserved. Always reads as 0.
4-2	RT0IP	RW	0h	Prescale timer 0 interrupt interval 000b = Divide by 2 001b = Divide by 4 010b = Divide by 8 011b = Divide by 16 100b = Divide by 32 101b = Divide by 64 110b = Divide by 128 111b = Divide by 256
1	RT0PSIE	RW	0h	Prescale timer 0 interrupt enable 0b = Interrupt not enabled 1b = Interrupt enabled
0	RT0PSIFG	RW	0h	Prescale timer 0 interrupt flag 0b = No time event occurred 1b = Time event occurred

24.4.32 RTCPS1CTL Register

Real-Time Clock Prescale Timer 1 Control Register

Figure 24-35. RTCPS1CTL Register

15	14	13	12	11	10	9	8
RT1SSELx ⁽¹⁾		RT1PSDIVx ⁽¹⁾			Reserved		RT1PSHOLD ⁽¹⁾
rw-(0)	rw-(0)	rw-(0)	rw-(0)	rw-(0)	r0	r0	rw-(1)
7	6	5	4	3	2	1	0
Reserved			RT1IPx ⁽¹⁾			RT1PSIE	RT1PSIFG
r0	r0	r0	rw-(0)	rw-(0)	rw-(0)	rw-0	rw-(0)

⁽¹⁾ The configuration of these bits is retained during LPMx.5 until LOCKLPM5 is cleared, but not the register bits themselves; therefore, reconfiguration is required after wake-up from LPMx.5 before clearing LOCKLPM5.

Table 24-36. RTCPS1CTL Register Description

Bit	Field	Type	Reset	Description
15-14	RT1SSELx	RW	0h	Prescale timer 1 clock source select. Selects clock input source to the RT1PS counter. In real-time clock calendar mode, these bits are do not care. RT1PS clock input is automatically set to the output of RT0PS. 00b = 32-kHz crystal oscillator clock 01b = 32-kHz crystal oscillator clock 10b = Output from RT0PS 11b = Output from RT0PS
13-11	RT1PSDIVx	RW	0h	Prescale timer 1 clock divide. These bits control the divide ratio of the RT0PS counter. In real-time clock calendar mode, these bits are don't care for RT0PS and RT1PS. RT0PS clock output is automatically set to /256. RT1PS clock output is automatically set to /128. 000b = Divide by 2 001b = Divide by 4 010b = Divide by 8 011b = Divide by 16 100b = Divide by 32 101b = Divide by 64 110b = Divide by 128 111b = Divide by 256
10-9	Reserved	R	0h	Reserved. Always reads as 0.
8	RT1PSHOLD	RW	1h	Prescale timer 1 hold. In real-time clock calendar mode, this bit is don't care. RT1PS is stopped by the RTCHOLD bit. 0b = RT1PS is operational 1b = RT1PS is held
7-5	Reserved	R	0h	Reserved. Always reads as 0.
4-2	RT1IPx	RW	0h	Prescale timer 1 interrupt interval 000b = Divide by 2 001b = Divide by 4 010b = Divide by 8 011b = Divide by 16 100b = Divide by 32 101b = Divide by 64 110b = Divide by 128 111b = Divide by 256
1	RT1PSIE	RW	0h	Prescale timer 1 interrupt enable 0b = Interrupt not enabled 1b = Interrupt enabled (LPMx.5 wake-up enabled)

Table 24-36. RTCPS1CTL Register Description (continued)

Bit	Field	Type	Reset	Description
0	RT1PSIFG	RW	0h	Prescale timer 1 interrupt flag. This interrupt can be used as LPMx.5 wake-up event. 0b = No time event occurred 1b = Time event occurred

24.4.33 RTCPS0 Register

Real-Time Clock Prescale Timer 0 Counter Register

Figure 24-36. RTCPS0 Register

7	6	5	4	3	2	1	0
RT0PS							
rw	rw	rw	rw	rw	rw	rw	rw

Table 24-37. RTCPS0 Register Description

Bit	Field	Type	Reset	Description
7-0	RT0PS	RW	undefined	Prescale timer 0 counter value

24.4.34 RTCPS1 Register

Real-Time Clock Prescale Timer 1 Counter Register

Figure 24-37. RTCPS1 Register

7	6	5	4	3	2	1	0
RT1PS							
rw	rw	rw	rw	rw	rw	rw	rw

Table 24-38. RTCPS1 Register Description

Bit	Field	Type	Reset	Description
7-0	RT1PS	RW	undefined	Prescale timer 1 counter value

24.4.35 RTCIV Register

Real-Time Clock Interrupt Vector Register

Figure 24-38. RTCIV Register

15	14	13	12	11	10	9	8
RTCIVx							
r0	r0	r0	r0	r0	r0	r0	r0
7	6	5	4	3	2	1	0
RTCIVx							
r0	r0	r0	r-(0)	r-(0)	r-(0)	r-(0)	r0

Table 24-39. RTCIV Register Description

Bit	Field	Type	Reset	Description
15-0	RTCIVx	R	0h	Real-time clock interrupt vector value Without Event/Tamper Detection implemented: 00h = No interrupt pending 02h = Interrupt Source: RTC oscillator failure; Interrupt Flag: RTCOFIFG; Interrupt Priority: Highest 04h = Interrupt Source: RTC ready; Interrupt Flag: RTCRDYIFG 06h = Interrupt Source: RTC interval timer; Interrupt Flag: RTCTEVIFG 08h = Interrupt Source: RTC user alarm; Interrupt Flag: RTCAIFG 0Ah = Interrupt Source: RTC prescaler 0; Interrupt Flag: RT0PSIFG 0Ch = Interrupt Source: RTC prescaler 1; Interrupt Flag: RT1PSIFG 0Eh = Reserved 10h = Reserved ; Interrupt Priority: Lowest With Event/Tamper Detection implemented: 00h = No interrupt pending 02h = Interrupt Source: RTC oscillator failure; Interrupt Flag: RTCOFIFG; Interrupt Priority: Highest 04h = Interrupt Source: RTC Tamper Event; Interrupt Flag: RTCCAPIFG 06h = Interrupt Source: RTC ready; Interrupt Flag: RTCRDYIFG 08h = Interrupt Source: RTC interval timer; Interrupt Flag: RTCTEVIFG 0Ah = Interrupt Source: RTC user alarm; Interrupt Flag: RTCAIFG 0Ch = Interrupt Source: RTC prescaler 0; Interrupt Flag: RT0PSIFG 0Eh = Interrupt Source: RTC prescaler 1; Interrupt Flag: RT1PSIFG 10h = Reserved ; Interrupt Priority: Lowest

24.4.36 BIN2BCD Register

Binary-to-BCD Conversion Register

Figure 24-39. BIN2BCD Register

15	14	13	12	11	10	9	8
BIN2BCDx							
rw-0	rw-0	rw-0	rw-0	rw-0	rw-0	rw-0	rw-0
7	6	5	4	3	2	1	0
BIN2BCDx							
rw-0	rw-0	rw-0	rw-0	rw-0	rw-0	rw-0	rw-0

Table 24-40. BIN2BCD Register Description

Bit	Field	Type	Reset	Description
15-0	BIN2BCDx	RW	0h	Read: 16-bit BCD conversion of previously written 12-bit binary number. Write: 12-bit binary number to be converted.

24.4.37 BCD2BIN Register

BCD-to-Binary Conversion Register

Figure 24-40. BCD2BIN Register

15	14	13	12	11	10	9	8
BCD2BINx							
rw-0	rw-0	rw-0	rw-0	rw-0	rw-0	rw-0	rw-0
7	6	5	4	3	2	1	0
BCD2BINx							
rw-0	rw-0	rw-0	rw-0	rw-0	rw-0	rw-0	rw-0

Table 24-41. BCD2BIN Register Description

Bit	Field	Type	Reset	Description
15-0	BCD2BINx	RW	0h	Read: 12-bit binary conversion of previously written 16-bit BCD number. Write: 16-bit BCD number to be converted.

24.4.38 RTCSECBAKx Register – Hexadecimal Format

Real-Time Clock Seconds Backup Register – Hexadecimal Format

Figure 24-41. RTCSECBAKx Register

7	6	5	4	3	2	1	0
0	0	Seconds ⁽¹⁾					
rw-(0)	rw-(0)	rw-(0)	rw-(0)	rw-(0)	rw-(0)	rw-(0)	rw-(0)

⁽¹⁾ These bits are not reset on POR; they are reset based on a signal derived from the RTC supply.

Table 24-42. RTCSECBAKx Register Description

Bit	Field	Type	Reset	Description
7-6	0	RW	0h	Always 0.
5-0	Seconds	RW	0h	Seconds. Valid values are 0 to 59.

24.4.39 RTCSECBAKx Register – BCD Format

Real-Time Clock Seconds Backup Register – BCD Format

Figure 24-42. RTCSECBAKx Register

7	6	5	4	3	2	1	0
0	Seconds – high digit ⁽¹⁾			Seconds – low digit ⁽¹⁾			
rw-(0)	rw-(0)	rw-(0)	rw-(0)	rw-(0)	rw-(0)	rw-(0)	rw-(0)

⁽¹⁾ These bits are not reset on POR; they are reset based on a signal derived from the RTC supply.

Table 24-43. RTCSECBAKx Register Description

Bit	Field	Type	Reset	Description
7	0	RW	0h	Always 0.
6-4	Seconds – high digit	RW	0h	Seconds – high digit. Valid values are 0 to 5.
3-0	Seconds – low digit	RW	0h	Seconds – low digit. Valid values are 0 to 9.

24.4.40 RTCMINBAKx Register – Hexadecimal Format

Real-Time Clock Minutes Backup Register – Hexadecimal Format

Figure 24-43. RTCMINBAKx Register

7	6	5	4	3	2	1	0
0	0	Minutes ⁽¹⁾					
rw-(0)	rw-(0)	rw-(0)	rw-(0)	rw-(0)	rw-(0)	rw-(0)	rw-(0)

⁽¹⁾ These bits are not reset on POR; they are reset based on a signal derived from the RTC supply.

Table 24-44. RTCMINBAKx Register Description

Bit	Field	Type	Reset	Description
7-6	0	RW	0h	Always 0.
5-0	Minutes	RW	0h	Minutes. Valid values are 0 to 59.

24.4.41 RTCMINBAKx Register – BCD Format

Real-Time Clock Minutes Backup Register – BCD Format

Figure 24-44. RTCMINBAKx Register

7	6	5	4	3	2	1	0
0	Minutes – high digit ⁽¹⁾			Minutes – low digit ⁽¹⁾			
rw-(0)	rw-(0)	rw-(0)	rw-(0)	rw-(0)	rw-(0)	rw-(0)	rw-(0)

⁽¹⁾ These bits are not reset on POR; they are reset based on a signal derived from the RTC supply.

Table 24-45. RTCMINBAKx Register Description

Bit	Field	Type	Reset	Description
7	0	RW	0h	Always 0.
6-4	Minutes – high digit	RW	0h	Minutes – high digit. Valid values are 0 to 5.
3-0	Minutes – low digit	RW	0h	Minutes – low digit. Valid values are 0 to 9.

24.4.42 RTCHOURBAKx Register – Hexadecimal Format

Real-Time Clock Hours Backup Register – Hexadecimal Format

Figure 24-45. RTCHOURBAKx Register

7	6	5	4	3	2	1	0
0	0	0	Hours ⁽¹⁾				
rw-(0)	rw-(0)	rw-(0)	rw-(0)	rw-(0)	rw-(0)	rw-(0)	rw-(0)

⁽¹⁾ These bits are not reset on POR; they are reset based on a signal derived from the RTC supply.

Table 24-46. RTCHOURBAKx Register Description

Bit	Field	Type	Reset	Description
7-5	0	RW	0h	Always 0.
4-0	Hours	RW	0h	Hours. Valid values are 0 to 23.

24.4.43 RTCHOURBAKx Register – BCD Format

Real-Time Clock Hours Backup Register – BCD Format

Figure 24-46. RTCHOURBAKx Register

7	6	5	4	3	2	1	0
0	0	Hours – high digit ⁽¹⁾		Hours – low digit ⁽¹⁾			
rw-(0)	rw-(0)	rw-(0)	rw-(0)	rw-(0)	rw-(0)	rw-(0)	rw-(0)

⁽¹⁾ These bits are not reset on POR; they are reset based on a signal derived from the RTC supply.

Table 24-47. RTCHOURBAKx Register Description

Bit	Field	Type	Reset	Description
7-6	0	RW	0h	Always 0.
5-4	Hours – high digit	RW	0h	Hours – high digit. Valid values are 0 to 2.
3-0	Hours – low digit	RW	0h	Hours – low digit. Valid values are 0 to 9.

24.4.44 RTCDAYBAKx Register – Hexadecimal Format

Real-Time Clock Day of Month Backup Register – Hexadecimal Format

Figure 24-47. RTCDAYBAKx Register

7	6	5	4	3	2	1	0
0	0	0	Day of month ⁽¹⁾				
rw-(0)	rw-(0)	rw-(0)	rw-(0)	rw-(0)	rw-(0)	rw-(0)	rw-(0)

⁽¹⁾ These bits are not reset on POR; they are reset based on a signal derived from the RTC supply.

Table 24-48. RTCDAYBAKx Register Description

Bit	Field	Type	Reset	Description
7-5	0	RW	0h	Always 0.
4-0	Day of month	RW	0h	Day of month. Valid values are 1 to 31.

24.4.45 RTCDAYBAKx Register – BCD Format

Real-Time Clock Day of Month Backup Register – BCD Format

Figure 24-48. RTCDAYBAKx Register

7	6	5	4	3	2	1	0
0	0	Day of month – high digit ⁽¹⁾		Day of month – low digit ⁽¹⁾			
rw-(0)	rw-(0)	rw-(0)	rw-(0)	rw-(0)	rw-(0)	rw-(0)	rw-(0)

⁽¹⁾ These bits are not reset on POR; they are reset based on a signal derived from the RTC supply.

Table 24-49. RTCDAYBAKx Register Description

Bit	Field	Type	Reset	Description
7-6	0	RW	0h	Always 0.
5-4	Day of month – high digit	RW	0h	Day of month – high digit. Valid values are 0 to 3.
3-0	Day of month – low digit	RW	0h	Day of month – low digit. Valid values are 0 to 9.

24.4.46 RTCMONBAKx Register – Hexadecimal Format

Real-Time Clock Month Backup Register – Hexadecimal Format

Figure 24-49. RTCMONBAKx Register

7	6	5	4	3	2	1	0
0	0	0	0	Month ⁽¹⁾			
rw-(0)	rw-(0)	rw-(0)	rw-(0)	rw-(0)	rw-(0)	rw-(0)	rw-(0)

⁽¹⁾ These bits are not reset on POR; they are reset based on a signal derived from the RTC supply.

Table 24-50. RTCMONBAKx Register Description

Bit	Field	Type	Reset	Description
7-4	0	RW	0h	Always 0.
3-0	Month	RW	0h	Month. Valid values are 1 to 12.

24.4.47 RTCMONBAKx Register – BCD Format

Real-Time Clock Month Backup Register – BCD Format

Figure 24-50. RTCMONBAKx Register

7	6	5	4	3	2	1	0
0	0	Month – high digit ⁽¹⁾		Month – low digit ⁽¹⁾			
rw-(0)	rw-(0)	rw-(0)	rw-(0)	rw-(0)	rw-(0)	rw-(0)	rw-(0)

⁽¹⁾ These bits are not reset on POR; they are reset based on a signal derived from the RTC supply.

Table 24-51. RTCMONBAKx Register Description

Bit	Field	Type	Reset	Description
7-6	0	RW	0h	Always 0.
5-4	Month – high digit	RW	0h	Month – high digit. Valid values are 0 to 3.
3-0	Month – low digit	RW	0h	Month – low digit. Valid values are 0 to 9.

24.4.48 RTCYEARBAKx Register – Hexadecimal Format

Real-Time Clock Year Low-Byte Backup Register – Hexadecimal Format

Figure 24-51. RTCYEARBAKx Register

15	14	13	12	11	10	9	8
0	0	0	0	Year – high byte ⁽¹⁾			
rw-(0)	rw-(0)	rw-(0)	rw-(0)	rw-(0)	rw-(0)	rw-(0)	rw-(0)
7	6	5	4	3	2	1	0
rw-(0)	rw-(0)	rw-(0)	rw-(0)	rw-(0)	rw-(0)	rw-(0)	rw-(0)

⁽¹⁾ These bits are not reset on POR; they are reset based on a signal derived from the RTC supply.

Table 24-52. RTCYEARBAKx Register Description

Bit	Field	Type	Reset	Description
15-12	0	RW	0h	Always 0.
11-8	Year – high byte	RW	0h	Year – high byte. Valid values of Year are 0 to 4095.
7-0	Year – low byte	RW	0h	Year – low byte. Valid values of Year are 0 to 4095.

24.4.49 RTCYEARBAKx Register – BCD Format

Real-Time Clock Year Low-Byte Backup Register – BCD Format

Figure 24-52. RTCYEARBAKx Register

15	14	13	12	11	10	9	8
0	Century – high digit ⁽¹⁾			Century – low digit ⁽¹⁾			
rw-(0)	rw-(0)	rw-(0)	rw-(0)	rw-(0)	rw-(0)	rw-(0)	rw-(0)
7	6	5	4	3	2	1	0
Decade ⁽¹⁾				Year – lowest digit ⁽¹⁾			
rw-(0)	rw-(0)	rw-(0)	rw-(0)	rw-(0)	rw-(0)	rw-(0)	rw-(0)

⁽¹⁾ These bits are not reset on POR; they are reset based on a signal derived from the RTC supply.

Table 24-53. RTCYEARBAKx Register Description

Bit	Field	Type	Reset	Description
15	0	RW	0h	Always 0.
14-12	Century – high digit	RW	0h	Century – high digit. Valid values are 0 to 4.
11-8	Century – low digit	RW	0h	Century – low digit. Valid values are 0 to 9.
7-4	Decade	RW	0h	Decade. Valid values are 0 to 9.
3-0	Year – lowest digit	RW	0h	Year – lowest digit. Valid values are 0 to 9.

24.4.50 RTCTCCTL0 Register

Real-Time Clock Time Capture Control Register 0

Figure 24-53. RTCTCCTL0 Register

7	6	5	4	3	2	1	0
Reserved						AUX3RST ⁽¹⁾	TCEN ⁽¹⁾
r-0	r-0	r-0	r-0	r-0	r-0	rw-(1)	rw-(0)

⁽¹⁾ These bits are not reset on POR; they are reset based on a signal derived from the RTC supply.

Table 24-54. RTCTCCTL0 Register Description

Bit	Field	Type	Reset	Description
7-2	Reserved	R	0h	Reserved. Always reads as 0.
1	AUX3RST	RW	1h	Indication of power cycle on AUXVCC3 0b = No power cycle on AUXVCC3 since the last clear by the User 1b = Indication of AUXVCC3 power cycle. Needs to be cleared by User to observe the next power cycle on AUXVCC3
0	TCEN	RW	0h	Enable for RTC tamper detection with time stamp 0b = Tamper detection with time stamp disabled 1b = Tamper detection with time stamp enabled

24.4.51 RTCTCCTL1 Register

Real-Time Clock Time Capture Control Register 1

Figure 24-54. RTCTCCTL1 Register

7	6	5	4	3	2	1	0
Reserved						RTCCAPIE	RTCCAPIFG
r-0	r-0	r-0	r-0	r-0	r-0	rw-(0)	rw-(0)

Table 24-55. RTCTCCTL1 Register Description

Bit	Field	Type	Reset	Description
7-2	Reserved	R	0h	Reserved. Always reads as 0.
1	RTCCAPIE	RW	0h	Tamper event interrupt enable. In modules that support LPM3.5 or LPM4.5, this interrupt can be used as LPM3.5 or LPM4.5 wake-up event. 0b = Interrupt not enabled 1b = Interrupt enabled (LPM3.5 and LPM4.5 wake-up enabled)
0	RTCCAPIFG	RW	0h	Common interrupt flag for all tamper events. In modules that support LPM3.5 or LPM4.5, this interrupt can be used as LPM3.5 or LPM4.5 wake-up event. 0b = Tamper event did not occur 1b = At least one tamper event occurred. Status of individual tamper events can be found from the CAPEV bit in RTCCAPxCTL.

24.4.52 RTCCAPxCTL Register

Tamper Detect Pin Control Register

Figure 24-55. RTCCAPxCTL Register

7	6	5	4	3	2	1	0
Reserved	OUT ⁽¹⁾	DIR ⁽¹⁾	IN ⁽¹⁾	REN ⁽¹⁾	CAPES ⁽¹⁾	Reserved	CAPEV ⁽¹⁾
r-0	rw-(0)	rw-(0)	r	rw-(0)	rw-(0)	r-0	r/w0

⁽¹⁾ The configuration of these bits is retained during LPMx.5 until LOCKLPM5 is cleared, but not the bits themselves; therefore, reconfiguration is required after wakeup from LPMx.5 before clearing LOCKLPM5.

Table 24-56. RTCCAPxCTL Register Description

Bit	Field	Type	Reset	Description
7	Reserved	R	0h	Reserved. Always reads as 0.
6	OUT	RW	0h	RTCCAPx output 0b = Output low 1b = Output high
5	DIR	RW	0h	RTCCAPx pin direction 0b = RTCCAPx pin configured as input 1b = RTCCAPx pin configured as output
4	IN	R	0h	RTCCAPx input. The external input on RTCCAPx pin can be read by this bit. 0b = Input is low 1b = Input is high
3	REN	RW	0h	RTCCAPx pin pullup or pulldown resistor enable. When respective pin is configured as input, setting this bit enables the pullup or pulldown (see Table 24-1). 0b = Pullup or pulldown disabled 1b = Pullup or pulldown enabled
2	CAPES	RW	0h	Event edge selection 0b = Event on a low-to-high transition 1b = Event on a high-to-low transition
1	Reserved	R	0h	Reserved. Always reads as 0.
0	CAPEV	RW	0h	Tamper event status flag. All subsequent events on RTCCAPx after CAPEV is set are ignored until CAPEV is cleared by the user. Can only be written as 0. 0b = Tamper event did not occur 1b = Tamper event occurred

32-Bit Hardware Multiplier (MPY32)

This chapter describes the 32-bit hardware multiplier (MPY32). The MPY32 module is implemented in all devices.

Topic	Page
25.1 32-Bit Hardware Multiplier (MPY32) Introduction	673
25.2 MPY32 Operation	675
25.3 MPY32 Registers	687

25.1 32-Bit Hardware Multiplier (MPY32) Introduction

The MPY32 is a peripheral and is not part of the CPU. This means its activities do not interfere with the CPU activities. The multiplier registers are peripheral registers that are loaded and read with CPU instructions.

The MPY32 supports:

- Unsigned multiply
- Signed multiply
- Unsigned multiply accumulate
- Signed multiply accumulate
- 8-bit, 16-bit, 24-bit, and 32-bit operands
- Saturation
- Fractional numbers
- 8-bit and 16-bit operation compatible with 16-bit hardware multiplier
- 8-bit and 24-bit multiplications without requiring a "sign extend" instruction

The MPY32 block diagram is shown in [Figure 25-1](#).

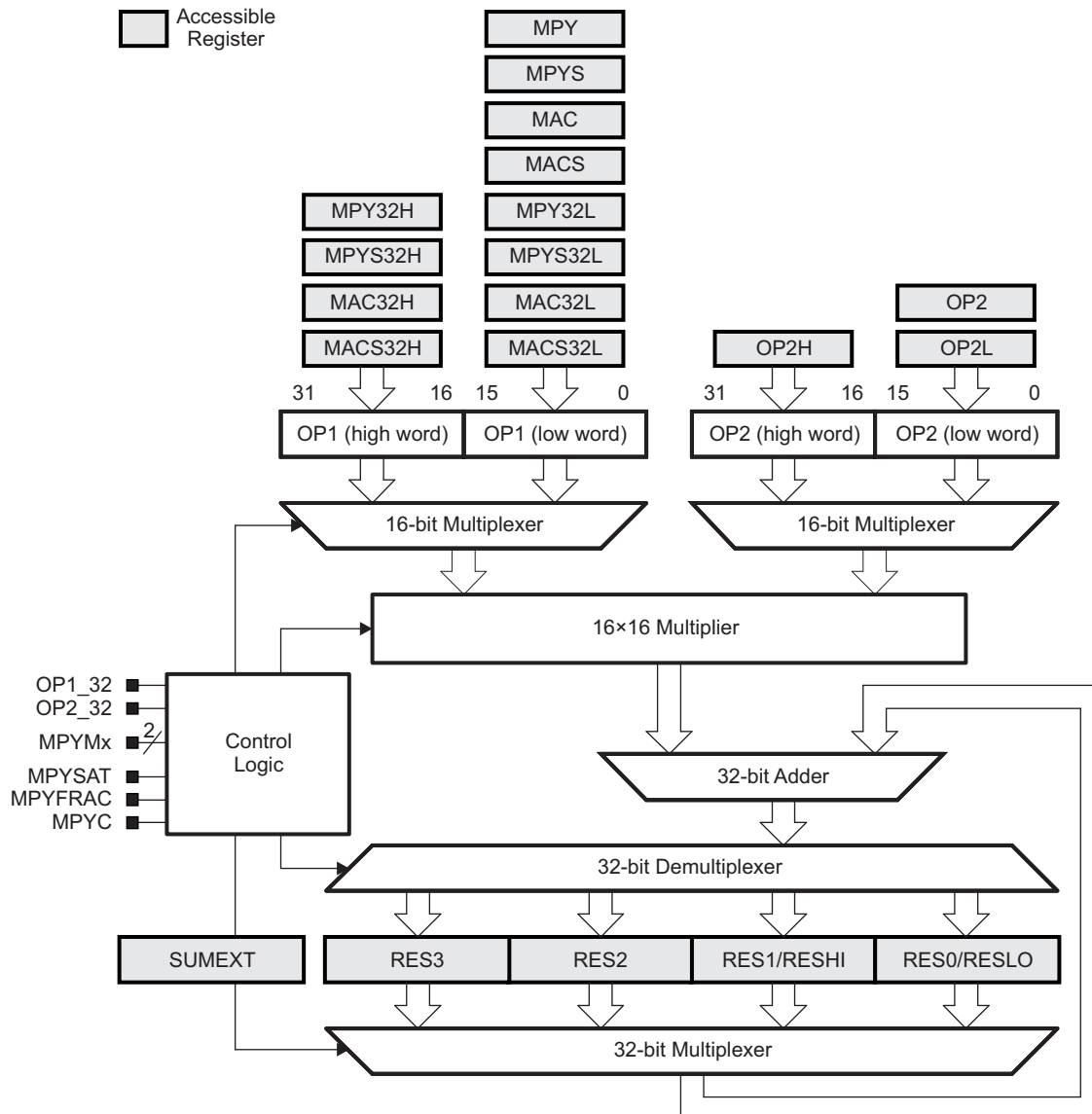


Figure 25-1. MPY32 Block Diagram

25.2 MPY32 Operation

The MPY32 supports 8-bit, 16-bit, 24-bit, and 32-bit operands with unsigned multiply, signed multiply, unsigned multiply-accumulate, and signed multiply-accumulate operations. The size of the operands are defined by the address the operand is written to and if it is written as word or byte. The type of operation is selected by the address the first operand is written to.

The hardware multiplier has two 32-bit operand registers – operand one (OP1) and operand two (OP2), and a 64-bit result register accessible through registers RES0 to RES3. For compatibility with the 16×16 hardware multiplier, the result of a 8-bit or 16-bit operation is accessible through RESLO, RESHI, and SUMEXT, as well. RESLO stores the low word of the 16×16-bit result, RESHI stores the high word of the result, and SUMEXT stores information about the result.

The result of a 8-bit or 16-bit operation is ready in three MCLK cycles and can be read with the next instruction after writing to OP2, except when using an indirect addressing mode to access the result. When using indirect addressing for the result, a `NOB` is required before the result is ready.

The result of a 24-bit or 32-bit operation can be read with successive instructions after writing OP2 or OP2H starting with RES0, except when using an indirect addressing mode to access the result. When using indirect addressing for the result, a `NOB` is required before the result is ready.

[Table 25-1](#) summarizes when each word of the 64-bit result is available for the various combinations of operand sizes. With a 32-bit-wide second operand, OP2L and OP2H must be written. Depending on when the two 16-bit parts are written, the result availability may vary; thus, the table shows two entries, one for OP2L written and one for OP2H written. The worst case defines the actual result availability.

Table 25-1. Result Availability (MPYFRAC = 0, MPYSAT = 0)

Operation (OP1 × OP2)	Result Ready in MCLK Cycles					After
	RES0	RES1	RES2	RES3	MPYC Bit	
8/16 × 8/16	3	3	4	4	3	OP2 written
24/32 × 8/16	3	5	6	7	7	OP2 written
8/16 × 24/32	3	5	6	7	7	OP2L written
	N/A	3	4	4	4	OP2H written
24/32 × 24/32	3	8	10	11	11	OP2L written
	N/A	3	5	6	6	OP2H written

25.2.1 Operand Registers

Operand one (OP1) has 12 registers (see [Table 25-2](#)) used to load data into the multiplier and also select the multiply mode. Writing the low word of the first operand to a given address selects the type of multiply operation to be performed, but does not start any operation. When writing a second word to a high-word register with suffix 32H, the multiplier assumes a 32-bit-wide OP1, otherwise, 16 bits are assumed. The last address written prior to writing OP2 defines the width of the first operand. For example, if MPY32L is written first followed by MPY32H, all 32 bits are used and the data width of OP1 is set to 32 bits. If MPY32H is written first followed by MPY32L, the multiplication ignores MPY32H and assumes a 16-bit-wide OP1 using the data written into MPY32L.

Repeated multiply operations may be performed without reloading OP1 if the OP1 value is used for successive operations. It is not necessary to rewrite the OP1 value to perform the operations.

Table 25-2. OP1 Registers

OP1 Register	Operation
MPY	Unsigned multiply – operand bits 0 up to 15
MPYS	Signed multiply – operand bits 0 up to 15
MAC	Unsigned multiply accumulate –operand bits 0 up to 15
MACS	Signed multiply accumulate – operand bits 0 up to 15
MPY32L	Unsigned multiply – operand bits 0 up to 15
MPY32H	Unsigned multiply – operand bits 16 up to 31
MPYS32L	Signed multiply – operand bits 0 up to 15
MPYS32H	Signed multiply – operand bits 16 up to 31
MAC32L	Unsigned multiply accumulate – operand bits 0 up to 15
MAC32H	Unsigned multiply accumulate – operand bits 16 up to 31
MACS32L	Signed multiply accumulate – operand bits 0 up to 15
MACS32H	Signed multiply accumulate – operand bits 16 up to 31

Writing the second operand to the OP2 initiates the multiply operation. Writing OP2 starts the selected operation with a 16-bit-wide second operand together with the values stored in OP1. Writing OP2L starts the selected operation with a 32-bit-wide second operand and the multiplier expects a the high word to be written to OP2H. Writing to OP2H without a preceding write to OP2L is ignored.

Table 25-3. OP2 Registers

OP2 Register	Operation
OP2	Start multiplication with 16-bit-wide OP2 – operand bits 0 up to 15
OP2L	Start multiplication with 32-bit-wide OP2 – operand bits 0 up to 15
OP2H	Continue multiplication with 32-bit-wide OP2 – operand bits 16 up to 31

For 8-bit or 24-bit operands, the operand registers can be accessed with byte instructions. Accessing the multiplier with a byte instruction during a signed operation automatically causes a sign extension of the byte within the multiplier module. For 24-bit operands, only the high word should be written as byte. If the 24-bit operands are sign-extended as defined by the register, that is used to write the low word to, because this register defines if the operation is unsigned or signed.

The high-word of a 32-bit operand remains unchanged when changing the size of the operand to 16 bit, either by modifying the operand size bits or by writing to the respective operand register. During the execution of the 16-bit operation, the content of the high-word is ignored.

NOTE: Changing of first or second operand during multiplication

By default, changing OP1 or OP2 while the selected multiply operation is being calculated renders any results invalid that are not ready at the time the new operands are changed. Writing OP2 or OP2L aborts any ongoing calculation and starts a new operation. Results that are not ready at that time are also invalid for following MAC or MACS operations.

To avoid this behavior, the MPYDLYWRTEEN bit can be set to 1. Then, all writes to any MPY32 registers are delayed with MPYDLY32 = 0 until the 64-bit result is ready or with MPYDLY32 = 1 until the 32-bit result is ready. For MAC and MACS operations, the complete 64-bit result should always be ready.

See [Table 25-1](#) for how many CPU cycles are needed until a certain result register is ready and valid for each of the different modes.

25.2.2 Result Registers

The multiplication result is always 64 bits wide. It is accessible through registers RES0 to RES3. Used with a signed operation, MPYS or MACS, the results are appropriately sign extended. If the result registers are loaded with initial values before a MACS operation, the user software must take care that the written value is properly sign extended to 64 bits.

NOTE: Changing of result registers during multiplication

The result registers must not be modified by the user software after writing the second operand into OP2 or OP2L until the initiated operation is completed.

In addition to RES0 to RES3, for compatibility with the 16x16 hardware multiplier, the 32-bit result of a 8-bit or 16-bit operation is accessible through RESLO, RESHI, and SUMEXT. In this case, the result low register RESLO holds the lower 16 bits of the calculation result and the result high register RESHI holds the upper 16 bits. RES0 and RES1 are identical to RESLO and RESHI, respectively, in usage and access of calculated results.

The sum extension register SUMEXT contents depend on the multiply operation and are listed in [Table 25-4](#). If all operands are 16 bits wide or less, the 32-bit result is used to determine sign and carry. If one of the operands is larger than 16 bits, the 64-bit result is used.

The MPYC bit reflects the multiplier's carry as listed in [Table 25-4](#) and, thus, can be used as 33rd or 65th bit of the result, if fractional or saturation mode is not selected. With MAC or MACS operations, the MPYC bit reflects the carry of the 32-bit or 64-bit accumulation and is not taken into account for successive MAC and MACS operations as the 33rd or 65th bit.

Table 25-4. SUMEXT and MPYC Contents

Mode	SUMEXT	MPYC
MPY	SUMEXT is always 0000h.	MPYC is always 0.
MPYS	SUMEXT contains the extended sign of the result. 00000h = Result was positive or zero 0FFFFh = Result was negative	MPYC contains the sign of the result. 0 = Result was positive or zero 1 = Result was negative
MAC	SUMEXT contains the carry of the result. 0000h = No carry for result 0001h =	MPYC contains the carry of the result. 0 = No carry for result 1 = Result has a carry
MACS	SUMEXT contains the extended sign of the result. 00000h = Result was positive or zero 0FFFFh = Result was negative	MPYC contains the carry of the result. 0 = No carry for result 1 = Result has a carry

25.2.2.1 MACS Underflow and Overflow

The multiplier does not automatically detect underflow or overflow in MACS mode. For example, working with 16-bit input data and 32-bit results (that is, using only RESLO and RESHI), the available range for positive numbers is 0 to 07FFF FFFFh and for negative numbers is 0FFFF FFFFh to 08000 0000h. An underflow occurs when the sum of two negative numbers yields a result that is in the range for a positive number. An overflow occurs when the sum of two positive numbers yields a result that is in the range for a negative number.

The SUMEXT register contains the sign of the result in both cases described above, 0FFFFh for a 32-bit overflow and 0000h for a 32-bit underflow. The MPYC bit in MPY32CTL0 can be used to detect the overflow condition. If the carry is different from the sign reflected by the SUMEXT register, an overflow or underflow occurred. User software must handle these conditions appropriately.

25.2.3 Software Examples

Examples for all multiplier modes follow. All 8x8 modes use the absolute address for the registers, because the assembler does not allow .B access to word registers when using the labels from the standard definitions file.

There is no sign extension necessary in software. Accessing the multiplier with a byte instruction during a signed operation automatically causes a sign extension of the byte within the multiplier module.

```

; 32x32 Unsigned Multiply
    MOV    #01234h,&MPY32L    ; Load low word of 1st operand
    MOV    #01234h,&MPY32H    ; Load high word of 1st operand
    MOV    #05678h,&OP2L     ; Load low word of 2nd operand
    MOV    #05678h,&OP2H     ; Load high word of 2nd operand
;    ...                      ; Process results

; 16x16 Unsigned Multiply
    MOV    #01234h,&MPY      ; Load 1st operand
    MOV    #05678h,&OP2     ; Load 2nd operand
;    ...                      ; Process results

; 8x8 Unsigned Multiply. Absolute addressing.
    MOV.B  #012h,&MPY_B     ; Load 1st operand
    MOV.B  #034h,&OP2_B     ; Load 2nd operand
;    ...                      ; Process results

; 32x32 Signed Multiply
    MOV    #01234h,&MPYS32L  ; Load low word of 1st operand
    MOV    #01234h,&MPYS32H  ; Load high word of 1st operand
    MOV    #05678h,&OP2L     ; Load low word of 2nd operand
    MOV    #05678h,&OP2H     ; Load high word of 2nd operand
;    ...                      ; Process results

; 16x16 Signed Multiply
    MOV    #01234h,&MPYS     ; Load 1st operand
    MOV    #05678h,&OP2     ; Load 2nd operand
;    ...                      ; Process results

; 8x8 Signed Multiply. Absolute addressing.
    MOV.B  #012h,&MPYS_B     ; Load 1st operand
    MOV.B  #034h,&OP2_B     ; Load 2nd operand
;    ...                      ; Process results

```

25.2.4 Fractional Numbers

The MPY32 provides support for fixed-point signal processing. In fixed-point signal processing, fractional numbers are numbers that have a fixed number of digits after (and sometimes also before) the radix point. To classify different ranges of binary fixed-point numbers, a Q-format is used. Different Q-formats represent different locations of the radix point. Figure 25-2 shows the format of a signed Q15 number using 16 bits. Every bit after the radix point has a resolution of $1/2$, and the most significant bit (MSB) is used as the sign bit. The most negative number is 08000h and the maximum positive number is 07FFFh. This gives a range from -1.0 to $0.999969482 \approx 1.0$ for the signed Q15 format with 16 bits.

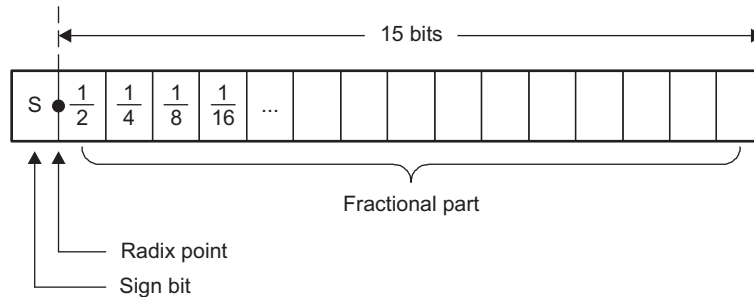


Figure 25-2. Q15 Format Representation

The range can be increased by shifting the radix point to the right as shown in Figure 25-3. The signed Q14 format with 16 bits gives a range from -2.0 to $1.999938965 \approx 2.0$.

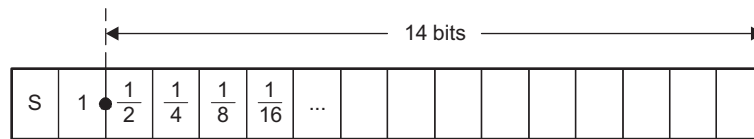


Figure 25-3. Q14 Format Representation

The benefit of using 16-bit signed Q15 or 32-bit signed Q31 numbers with multiplication is that the product of two numbers in the range from -1.0 to 1.0 is always in that same range.

25.2.4.1 Fractional Number Mode

Multiplying two fractional numbers using the default multiplication mode with $MPYFRAC = 0$ and $MPYSAT = 0$ gives a result with two sign bits. For example, if two 16-bit Q15 numbers are multiplied, a 32-bit result in Q30 format is obtained. To convert the result into Q15 format manually, the first 15 trailing bits and the extended sign bit must be removed. However, when the fractional mode of the multiplier is used, the redundant sign bit is automatically removed, yielding a result in Q31 format for the multiplication of two 16-bit Q15 numbers. Reading the result register RES1 gives the result as 16-bit Q15 number. The 32-bit Q31 result of a multiplication of two 32-bit Q31 numbers is accessed by reading registers RES2 and RES3.

The fractional mode is enabled with $MPYFRAC = 1$ in register MPY32CTL0. The actual content of the result registers is not modified when $MPYFRAC = 1$. When the result is accessed using software, the value is left shifted one bit, resulting in the final Q formatted result. This allows user software to switch between reading both the shifted (fractional) and the unshifted result. The fractional mode should only be enabled when required and disabled after use.

In fractional mode, the SUMEXT register contains the sign extended bits 32 and 33 of the shifted result for 16×16 -bit operations and bits 64 and 65 for 32×32 -bit operations – not only bits 32 or 64, respectively.

The MPYC bit is not affected by the fractional mode. It always reads the carry of the nonfractional result.

```

; Example using
; Fractional 16x16 multiplication
BIS      #MPYFRAC, &MPY32CTL0 ; Turn on fractional mode
MOV      &FRACT1, &MPYS      ; Load 1st operand as Q15
MOV      &FRACT2, &OP2       ; Load 2nd operand as Q15
MOV      &RES1, &PROD        ; Save result as Q15
BIC      #MPYFRAC, &MPY32CTL0 ; Back to normal mode
    
```

Table 25-5. Result Availability in Fractional Mode (MPYFRAC = 1, MPYSAT = 0)

Operation (OP1 × OP2)	Result Ready in MCLK Cycles					After
	RES0	RES1	RES2	RES3	MPYC Bit	
8/16 × 8/16	3	3	4	4	3	OP2 written
24/32 × 8/16	3	5	6	7	7	OP2 written
8/16 × 24/32	3	5	6	7	7	OP2L written
	N/A	3	4	4	4	OP2H written
24/32 × 24/32	3	8	10	11	11	OP2L written
	N/A	3	5	6	6	OP2H written

25.2.4.2 Saturation Mode

The multiplier prevents overflow and underflow of signed operations in saturation mode. The saturation mode is enabled with MPYSAT = 1 in register MPY32CTL0. If an overflow occurs, the result is set to the most-positive value available. If an underflow occurs, the result is set to the most-negative value available. This is useful to reduce mathematical artifacts in control systems on overflow and underflow conditions. The saturation mode should only be enabled when required and disabled after use.

The actual content of the result registers is not modified when MPYSAT = 1. When the result is accessed using software, the value is automatically adjusted to provide the most-positive or most-negative result when an overflow or underflow has occurred. The adjusted result is also used for successive multiply-and-accumulate operations. This allows user software to switch between reading the saturated and the nonsaturated result.

With 16×16 operations, the saturation mode only applies to the least significant 32 bits; that is, the result registers RES0 and RES1. Using the saturation mode in MAC or MACS operations that mix 16×16 operations with 32×32, 16×32, or 32×16 operations leads to unpredictable results.

With 32×32, 16×32, and 32×16 operations, the saturated result can only be calculated when RES3 is ready.

Enabling the saturation mode does not affect the content of the SUMEXT register nor the content of the MPYC bit.

```

; Example using
; Fractional 16x16 multiply accumulate with Saturation
; Turn on fractional and saturation mode:
BIS      #MPYSAT+MPYFRAC, &MPY32CTL0
MOV      &A1, &MPYS          ; Load A1 for 1st term
MOV      &K1, &OP2           ; Load K1 to get A1*K1
MOV      &A2, &MACS          ; Load A2 for 2nd term
MOV      &K2, &OP2           ; Load K2 to get A2*K2
MOV      &RES1, &PROD        ; Save A1*K1+A2*K2 as result
BIC      #MPYSAT+MPYFRAC, &MPY32CTL0 ; turn back to normal
    
```


Table 25-6. Result Availability in Saturation Mode (MPYSAT = 1)

Operation (OP1 × OP2)	Result Ready in MCLK Cycles					After
	RES0	RES1	RES2	RES3	MPYC Bit	
8/16 × 8/16	3	3	N/A	N/A	3	OP2 written
24/32 × 8/16	7	7	7	7	7	OP2 written
8/16 × 24/32	7	7	7	7	7	OP2L written
	4	4	4	4	4	OP2H written
24/32 × 24/32	11	11	11	11	11	OP2L written
	6	6	6	6	6	OP2H written

Figure 25-4 shows the flow for 32-bit saturation used for 16×16 bit multiplications and the flow for 64-bit saturation used in all other cases. Primarily, the saturated results depends on the carry bit MPYC and the MSB of the result. Secondly, if the fractional mode is enabled, it depends also on the two MSBs of the unshifted result, that is, the result that is read with fractional mode disabled.

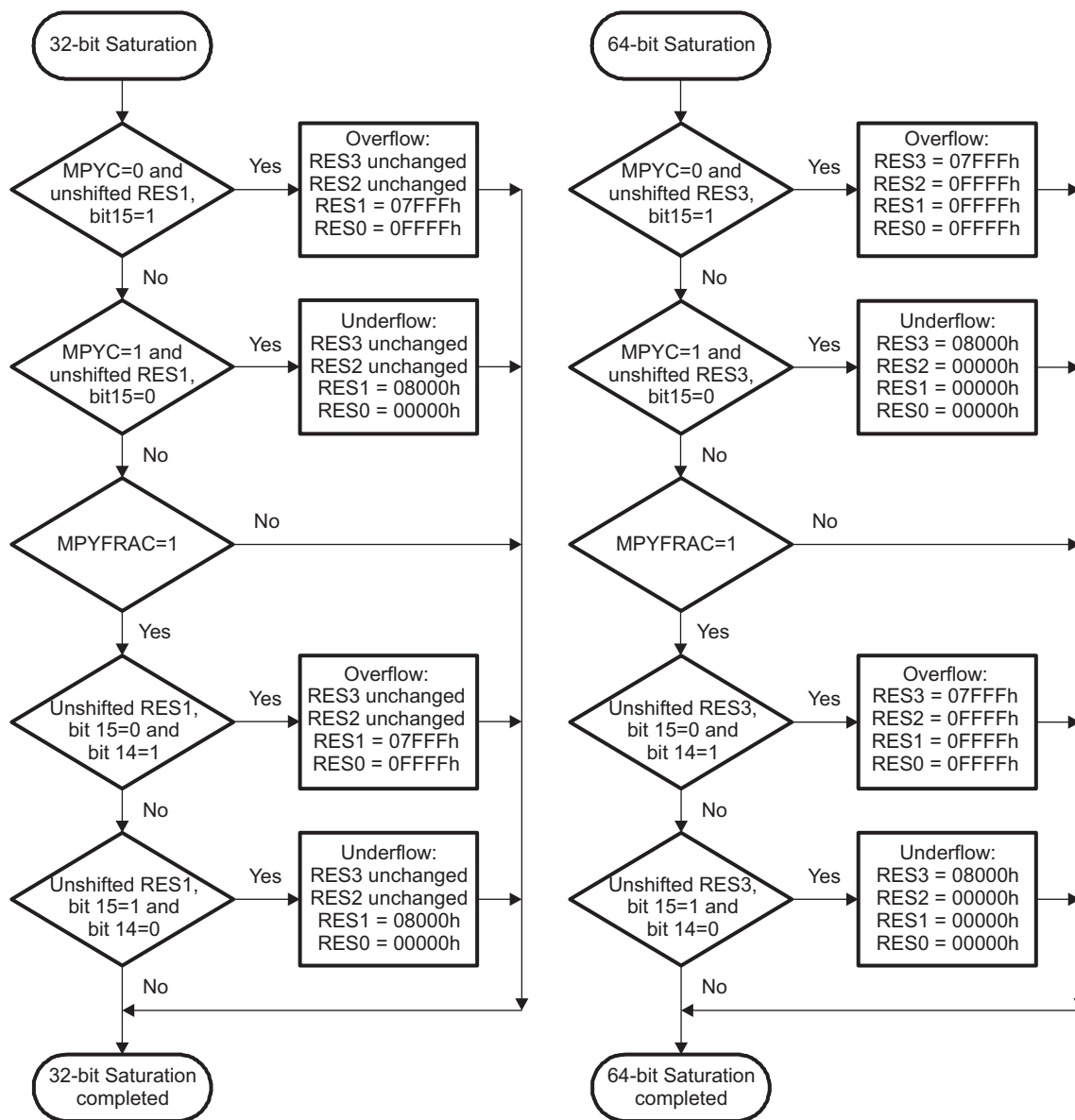


Figure 25-4. Saturation Flow Chart

NOTE: Saturation in fractional mode

In case of multiplying -1.0×-1.0 in fractional mode, the result of $+1.0$ is out of range, thus, the saturated result gives the most positive result.

When using multiply-and-accumulate operations, the accumulated values are saturated as if $MPYFRAC = 0$; only during read accesses to the result registers the values are saturated taking the fractional mode into account. This provides additional dynamic range during the calculation and only the end result is then saturated if needed.

The following example illustrates a special case showing the saturation function in fractional mode. It also uses the 8-bit functionality of the MPY32 module.

```

; Turn on fractional and saturation mode,
; clear all other bits in MPY32CTL0:
MOV      #MPYSAT+MPYFRAC,&MPY32CTL0
;Pre-load result registers to demonstrate overflow
MOV      #0,&RES3      ;
MOV      #0,&RES2      ;
MOV      #07FFFh,&RES1  ;
MOV      #0FA60h,&RES0  ;
MOV.B    #050h,&MACS_B  ; 8-bit signed MAC operation
MOV.B    #012h,&OP2_B   ; Start 16x16 bit operation
MOV      &RES0,R6      ; R6 = 0FFFFh
MOV      &RES1,R7      ; R7 = 07FFFh
  
```

The result is saturated because already the result not converted into a fractional number shows an overflow. The multiplication of the two positive numbers $00050h$ and $00012h$ gives $005A0h$. $005A0h$ added to $07FFF\ FA60h$ results in $8000\ 059Fh$, without $MPYC$ being set. Because the MSB of the unmodified result $RES1$ is 1 and $MPYC = 0$, the result is saturated according [Figure 25-4](#).

NOTE: Validity of saturated result

The saturated result is valid only if the registers $RES0$ to $RES3$, the size of $OP1$ and $OP2$, and $MPYC$ are not modified.

If the saturation mode is used with a preloaded result, user software must ensure that $MPYC$ in the $MPY32CTL0$ register is loaded with the sign bit of the written result; otherwise, the saturation mode erroneously saturates the result.

25.2.5 Putting It All Together

[Figure 25-5](#) shows the complete multiplication flow, depending on the various selectable modes for the MPY32 module.

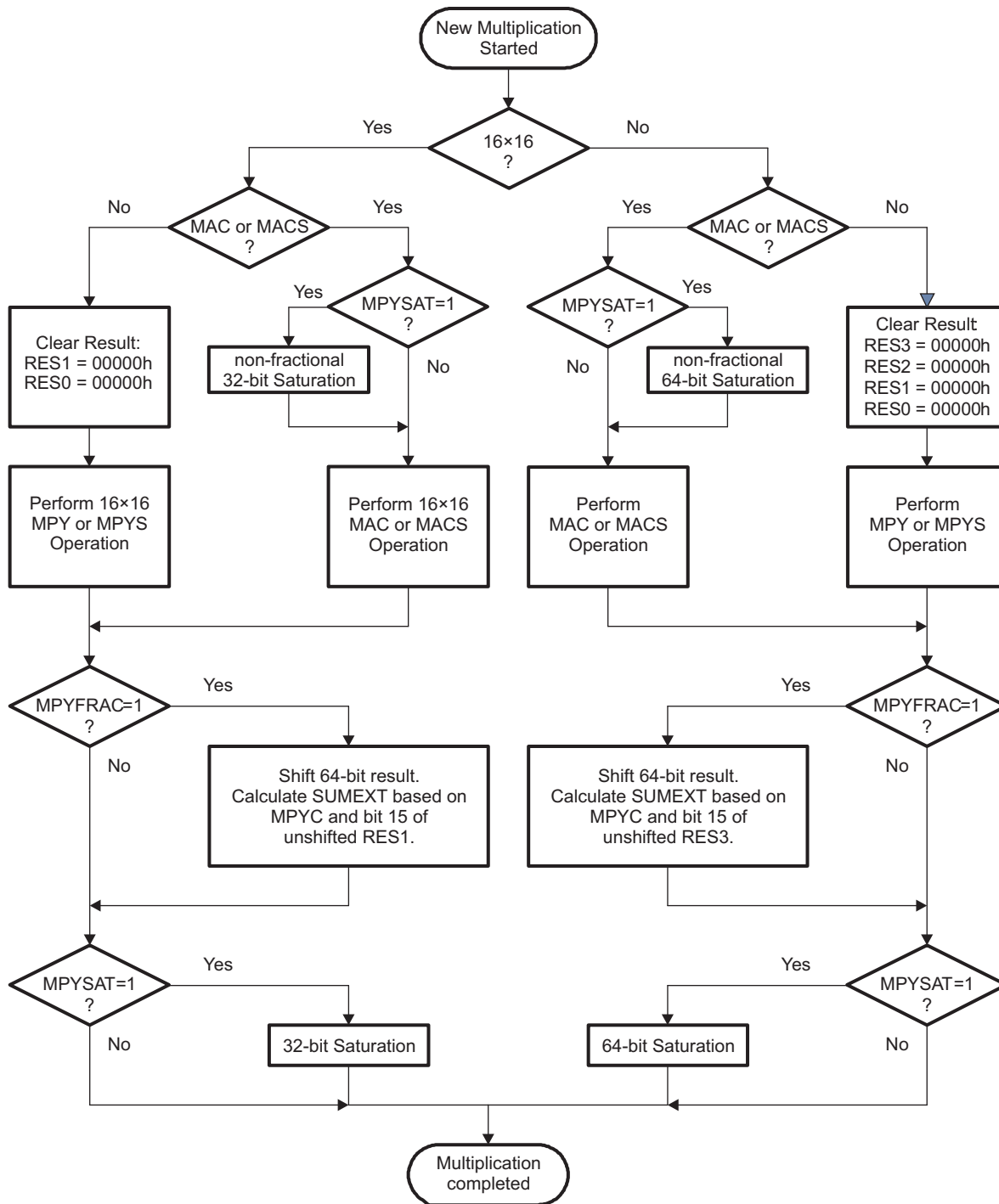


Figure 25-5. Multiplication Flow Chart

Given the separation in processing of 16-bit operations (32-bit results) and 32-bit operations (64-bit results) by the module, it is important to understand the implications when using MAC/MACS operations and mixing 16-bit operands or results with 32-bit operands or results. User software must address these points during use when mixing these operations. The following code illustrates the issue.

```

; Mixing 32x24 multiplication with 16x16 MACS operation
MOV     #MPYSAT,&MPY32CTL0    ; Saturation mode
MOV     #052C5h,&MPY32L      ; Load low word of 1st operand
MOV     #06153h,&MPY32H      ; Load high word of 1st operand
MOV     #001ABh,&OP2L        ; Load low word of 2nd operand
MOV.B   #023h,&OP2H_B        ; Load high word of 2nd operand
; ... 5 NOPs required

MOV     &RES0,R6             ; R6 = 00E97h
MOV     &RES1,R7             ; R7 = 0A6EAh
MOV     &RES2,R8             ; R8 = 04F06h
MOV     &RES3,R9             ; R9 = 0000Dh
; Note that MPYC = 0!

MOV     #0CCC3h,&MACS        ; Signed MAC operation
MOV     #0FFB6h,&OP2         ; 16x16 bit operation
MOV     &RESLO,R6           ; R6 = 0FFFFh
MOV     &RESHI,R7           ; R7 = 07FFFh

```

The second operation gives a saturated result because the 32-bit value used for the 16x16-bit MACS operation was already saturated when the operation was started; the carry bit MPYC was 0 from the previous operation, but the MSB in result register RES1 is set. As one can see in the flow chart, the content of the result registers are saturated for multiply-and-accumulate operations after starting a new operation based on the previous results, but depending on the size of the result (32 bit or 64 bit) of the newly initiated operation.

The saturation before the multiplication can cause issues if the MPYC bit is not properly set as the following code shows.

```

;Pre-load result registers to demonstrate overflow
MOV     #0,&RES3             ;
MOV     #0,&RES2             ;
MOV     #0,&RES1             ;
MOV     #0,&RES0             ;
; Saturation mode and set MPYC:
MOV     #MPYSAT+MPYC,&MPY32CTL0
MOV.B   #082h,&MACS_B        ; 8-bit signed MAC operation
MOV.B   #04Fh,&OP2_B         ; Start 16x16 bit operation
MOV     &RES0,R6             ; R6 = 00000h
MOV     &RES1,R7             ; R7 = 08000h

```

Even though the result registers were loaded with all zeros, the final result is saturated. This is because the MPYC bit was set, causing the result used for the multiply-and-accumulate to be saturated to 08000 0000h. Adding a negative number to it would again cause an underflow, thus, the final result is also saturated to 08000 0000h.

25.2.6 Indirect Addressing of Result Registers

When using indirect or indirect autoincrement addressing mode to access the result registers and the multiplier requires three cycles until result availability according to [Table 25-1](#), at least one instruction is needed between loading the second operand and accessing the result registers:

```

; Access multiplier 16x16 results with indirect addressing
MOV    #RES0,R5          ; RES0 address in R5 for indirect
MOV    &OPER1,&MPY       ; Load 1st operand
MOV    &OPER2,&OP2       ; Load 2nd operand
NOP                               ; Need one cycle
MOV    @R5+,&xxx         ; Move RES0
MOV    @R5,&xxx          ; Move RES1
  
```

In case of a 32x16 multiplication, there is also one instruction required between reading the first result register RES0 and the second result register RES1:

```

; Access multiplier 32x16 results with indirect addressing
MOV    #RES0,R5          ; RES0 address in R5 for indirect
MOV    &OPER1L,&MPY32L   ; Load low word of 1st operand
MOV    &OPER1H,&MPY32H   ; Load high word of 1st operand
MOV    &OPER2,&OP2       ; Load 2nd operand (16 bits)
NOP                               ; Need one cycle
MOV    @R5+,&xxx         ; Move RES0
NOP                               ; Need one additional cycle
MOV    @R5,&xxx          ; Move RES1
                               ; No additional cycles required!
MOV    @R5,&xxx          ; Move RES2
  
```

25.2.7 Using Interrupts

If an interrupt occurs after writing OP, but before writing OP2, and the multiplier is used in servicing that interrupt, the original multiplier mode selection is lost and the results are unpredictable. To avoid this, disable interrupts before using the MPY32, do not use the MPY32 in interrupt service routines, or use the save and restore functionality of the MPY32.

```

; Disable interrupts before using the hardware multiplier
DINT                               ; Disable interrupts
NOP                               ; Required for DINT
MOV    #xxh,&MPY         ; Load 1st operand
MOV    #xxh,&OP2         ; Load 2nd operand
EINT                               ; Interrupts may be enabled before
                               ; processing results if result
                               ; registers are stored and restored in
                               ; interrupt service routines
  
```

25.2.7.1 Save and Restore

If the multiplier is used in interrupt service routines, its state can be saved and restored using the MPY32CTL0 register. The following code example shows how the complete multiplier status can be saved and restored to allow interruptible multiplications together with the usage of the multiplier in interrupt service routines. Because the state of the MPYSAT and MPYFRAC bits are unknown, they should be cleared before the registers are saved as shown in the code example.

```

; Interrupt service routine using multiplier
MPY_USING_ISR
  PUSH  &MPY32CTL0      ; Save multiplier mode, etc.
  BIC   #MPYSAT+MPYFRAC,&MPY32CTL0
                          ; Clear MPYSAT+MPYFRAC

  PUSH  &RES3           ; Save result 3
  PUSH  &RES2           ; Save result 2
  PUSH  &RES1           ; Save result 1
  PUSH  &RES0           ; Save result 0
  PUSH  &MPY32H         ; Save operand 1, high word
  PUSH  &MPY32L         ; Save operand 1, low word
  PUSH  &OP2H           ; Save operand 2, high word
  PUSH  &OP2L           ; Save operand 2, low word
                          ;
  ...                    ; Main part of ISR
                          ; Using standard MPY routines
                          ;

  POP   &OP2L           ; Restore operand 2, low word
  POP   &OP2H           ; Restore operand 2, high word
                          ; Starts dummy multiplication but
                          ; result is overwritten by
                          ; following restore operations:

  POP   &MPY32L         ; Restore operand 1, low word
  POP   &MPY32H         ; Restore operand 1, high word
  POP   &RES0           ; Restore result 0
  POP   &RES1           ; Restore result 1
  POP   &RES2           ; Restore result 2
  POP   &RES3           ; Restore result 3
  POP   &MPY32CTL0     ; Restore multiplier mode, etc.
  reti                    ; End of interrupt service routine

```

25.2.8 Using DMA

In devices with a DMA controller, the multiplier can trigger a transfer when the complete result is available. The DMA controller needs to start reading the result with MPY32RES0 successively up to MPY32RES3. Not all registers need to be read. The trigger timing is such that the DMA controller starts reading MPY32RES0 when its ready, and that the MPY32RES3 can be read exactly in the clock cycle when it is available to allow the fastest access through the DMA. The signal into the DMA controller is 'Multiplier ready' (see the *DMA Controller* chapter for details).

25.3 MPY32 Registers

MPY32 registers are listed in [Table 25-7](#). The base address can be found in the device-specific data sheet. The address offsets are listed in [Table 25-7](#).

NOTE: All registers have word or byte register access. For a generic register *ANYREG*, the suffix "_L" (*ANYREG_L*) refers to the lower byte of the register (bits 0 through 7). The suffix "_H" (*ANYREG_H*) refers to the upper byte of the register (bits 8 through 15).

Table 25-7. MPY32 Registers

Offset	Acronym	Register Name	Type	Access	Reset
00h	MPY	16-bit operand one – multiply	Read/write	Word	Undefined
00h	MPY_L		Read/write	Byte	Undefined
01h	MPY_H		Read/write	Byte	Undefined
00h	MPY_B	8-bit operand one – multiply	Read/write	Byte	Undefined
02h	MPYS	16-bit operand one – signed multiply	Read/write	Word	Undefined
02h	MPYS_L		Read/write	Byte	Undefined
03h	MPYS_H		Read/write	Byte	Undefined
02h	MPYS_B	8-bit operand one – signed multiply	Read/write	Byte	Undefined
04h	MAC	16-bit operand one – multiply accumulate	Read/write	Word	Undefined
04h	MAC_L		Read/write	Byte	Undefined
05h	MAC_H		Read/write	Byte	Undefined
04h	MAC_B	8-bit operand one – multiply accumulate	Read/write	Byte	Undefined
06h	MACS	16-bit operand one – signed multiply accumulate	Read/write	Word	Undefined
06h	MACS_L		Read/write	Byte	Undefined
07h	MACS_H		Read/write	Byte	Undefined
06h	MACS_B	8-bit operand one – signed multiply accumulate	Read/write	Byte	Undefined
08h	OP2	16-bit operand two	Read/write	Word	Undefined
08h	OP2_L		Read/write	Byte	Undefined
09h	OP2_H		Read/write	Byte	Undefined
08h	OP2_B	8-bit operand two	Read/write	Byte	Undefined
0Ah	RESLO	16x16-bit result low word	Read/write	Word	Undefined
0Ah	RESLO_L		Read/write	Byte	Undefined
0Ch	RESHI	16x16-bit result high word	Read/write	Word	Undefined
0Eh	SUMEXT	16x16-bit sum extension register	Read	Word	Undefined
10h	MPY32L	32-bit operand 1 – multiply – low word	Read/write	Word	Undefined
10h	MPY32L_L		Read/write	Byte	Undefined
11h	MPY32L_H		Read/write	Byte	Undefined
12h	MPY32H	32-bit operand 1 – multiply – high word	Read/write	Word	Undefined
12h	MPY32H_L		Read/write	Byte	Undefined
13h	MPY32H_H		Read/write	Byte	Undefined
12h	MPY32H_B	24-bit operand 1 – multiply – high byte	Read/write	Byte	Undefined
14h	MPYS32L	32-bit operand 1 – signed multiply – low word	Read/write	Word	Undefined
14h	MPYS32L_L		Read/write	Byte	Undefined
15h	MPYS32L_H		Read/write	Byte	Undefined
16h	MPYS32H	32-bit operand 1 – signed multiply – high word	Read/write	Word	Undefined
16h	MPYS32H_L		Read/write	Byte	Undefined
17h	MPYS32H_H		Read/write	Byte	Undefined
16h	MPYS32H_B	24-bit operand 1 – signed multiply – high byte	Read/write	Byte	Undefined
18h	MAC32L	32-bit operand 1 – multiply accumulate – low word	Read/write	Word	Undefined

Table 25-7. MPY32 Registers (continued)

Offset	Acronym	Register Name	Type	Access	Reset
18h	MAC32L_L		Read/write	Byte	Undefined
19h	MAC32L_H		Read/write	Byte	Undefined
1Ah	MAC32H	32-bit operand 1 – multiply accumulate – high word	Read/write	Word	Undefined
1Ah	MAC32H_L		Read/write	Byte	Undefined
1Bh	MAC32H_H		Read/write	Byte	Undefined
1Ah	MAC32H_B	24-bit operand 1 – multiply accumulate – high byte	Read/write	Byte	Undefined
1Ch	MACS32L	32-bit operand 1 – signed multiply accumulate – low word	Read/write	Word	Undefined
1Ch	MACS32L_L		Read/write	Byte	Undefined
1Dh	MACS32L_H		Read/write	Byte	Undefined
1Eh	MACS32H	32-bit operand 1 – signed multiply accumulate – high word	Read/write	Word	Undefined
1Eh	MACS32H_L		Read/write	Byte	Undefined
1Fh	MACS32H_H		Read/write	Byte	Undefined
1Eh	MACS32H_B	24-bit operand 1 – signed multiply accumulate – high byte	Read/write	Byte	Undefined
20h	OP2L	32-bit operand 2 – low word	Read/write	Word	Undefined
20h	OP2L_L		Read/write	Byte	Undefined
21h	OP2L_H		Read/write	Byte	Undefined
22h	OP2H	32-bit operand 2 – high word	Read/write	Word	Undefined
22h	OP2H_L		Read/write	Byte	Undefined
23h	OP2H_H		Read/write	Byte	Undefined
22h	OP2H_B	24-bit operand 2 – high byte	Read/write	Byte	Undefined
24h	RES0	32x32-bit result 0 – least significant word	Read/write	Word	Undefined
24h	RES0_L		Read/write	Byte	Undefined
26h	RES1	32x32-bit result 1	Read/write	Word	Undefined
28h	RES2	32x32-bit result 2	Read/write	Word	Undefined
2Ah	RES3	32x32-bit result 3 – most significant word	Read/write	Word	Undefined
2Ch	MPY32CTL0	MPY32 control register 0	Read/write	Word	Undefined
2Ch	MPY32CTL0_L		Read/write	Byte	Undefined
2Dh	MPY32CTL0_H		Read/write	Byte	00h

The registers listed in [Table 25-8](#) are treated equally.

Table 25-8. Alternative Registers

Register	Alternative 1	Alternative 2
16-bit operand one – multiply	MPY	MPY32L
8-bit operand one – multiply	MPY_B or MPY_L	MPY32L_B or MPY32L_L
16-bit operand one – signed multiply	MPYS	MPYS32L
8-bit operand one – signed multiply	MPYS_B or MPYS_L	MPYS32L_B or MPYS32L_L
16-bit operand one – multiply accumulate	MAC	MAC32L
8-bit operand one – multiply accumulate	MAC_B or MAC_L	MAC32L_B or MAC32L_L
16-bit operand one – signed multiply accumulate	MACS	MACS32L
8-bit operand one – signed multiply accumulate	MACS_B or MACS_L	MACS32L_B or MACS32L_L
16x16-bit result low word	RESLO	RES0
16x16-bit result high word	RESHI	RES1

25.3.1 MPY32CTL0 Register

32-Bit Hardware Multiplier Control 0 Register

Figure 25-6. MPY32CTL0 Register

15	14	13	12	11	10	9	8
Reserved						MPYDLY32	MPYDLYWRTEN
r-0	r-0	r-0	r-0	r-0	r-0	rw-0	rw-0
7	6	5	4	3	2	1	0
MPYOP2_32	MPYOP1_32	MPYMx		MPYSAT	MPYFRAC	Reserved	MPYC
rw	rw	rw	rw	rw-0	rw-0	rw-0	rw

Table 25-9. MPY32CTL0 Register Description

Bit	Field	Type	Reset	Description
15-10	Reserved	R	0h	Reserved. Always reads as 0.
9	MPYDLY32	RW	0h	Delayed write mode 0b = Writes are delayed until 64-bit result (RES0 to RES3) is available. 1b = Writes are delayed until 32-bit result (RES0 to RES1) is available.
8	MPYDLYWRTEN	RW	0h	Delayed write enable All writes to any MPY32 register are delayed until the 64-bit (MPYDLY32 = 0) or 32-bit (MPYDLY32 = 1) result is ready. 0b = Writes are not delayed. 1b = Writes are delayed.
7	MPYOP2_32	RW	0h	Multiplier bit width of operand 2 0b = 16 bits 1b = 32 bits
6	MPYOP1_32	RW	0h	Multiplier bit width of operand 1 0b = 16 bits 1b = 32 bits
5-4	MPYMx	RW	0h	Multiplier mode 00b = MPY – Multiply 01b = MPYS – Signed multiply 10b = MAC – Multiply accumulate 11b = MACS – Signed multiply accumulate
3	MPYSAT	RW	0h	Saturation mode 0b = Saturation mode disabled 1b = Saturation mode enabled
2	MPYFRAC	RW	0h	Fractional mode 0b = Fractional mode disabled 1b = Fractional mode enabled
1	Reserved	RW	0h	Reserved. Always reads as 0.
0	MPYC	RW	0h	Carry of the multiplier. It can be considered as 33rd or 65th bit of the result if fractional or saturation mode is not selected, because the MPYC bit does not change when switching to saturation or fractional mode. It is used to restore the SUMEXT content in MAC mode. 0b = No carry for result 1b = Result has a carry

REF

The REF module is a general-purpose reference system that generates voltage references required for other subsystems on a given device such as digital-to-analog converters, analog-to-digital converters, or comparators. This chapter describes the REF module.

Topic	Page
26.1 REF Introduction	691
26.2 Principle of Operation	694
26.3 REF Registers	700

26.1 REF Introduction

The reference module (REF) generates all critical reference voltages that can be used by various analog peripherals in a given device. These include, but are not necessarily limited to, the ADC10_A, ADC12_A, CTSD16, DAC12_A, LCD_B, and COMP_B modules (availability of a given module depends on the particular device). The heart of the reference system is the bandgap from which all other references are derived by unity or noninverting gain stages. The REFGEN subsystem consists of the bandgap, the bandgap bias, and the noninverting buffer stage, which generates the three primary voltage reference available in the system, namely 1.5 V, 2.0 V, and 2.5 V. In addition, when enabled, a buffered bandgap voltage is also available.

Features of the REF include:

- Centralized factory-trimmed bandgap with excellent PSRR, temperature coefficient, and accuracy
- 1.5-V, 2.0-V, or 2.5-V user-selectable internal references
- Buffered bandgap voltage available to rest of system
- Power saving features
- Backward compatibility to existing reference system

Figure 26-1 shows the block diagram of the REF module in an example device with ADC12_A. Figure 26-2 shows the block diagram of the REF module in an example device with a CTSD16 module.

NOTE: For devices with the CTSD16 module, external reference V_{eREF+} cannot be applied while internal reference V_{REFBG} is being used by another module, because they share the same pin, and contention on the signal line will occur. Therefore, if the external reference is used, make sure that no modules request the internal reference V_{REFBG} .

Devices with ADC10_A might not include the reference voltage output to an external pin. Refer to the device-specific data sheet.

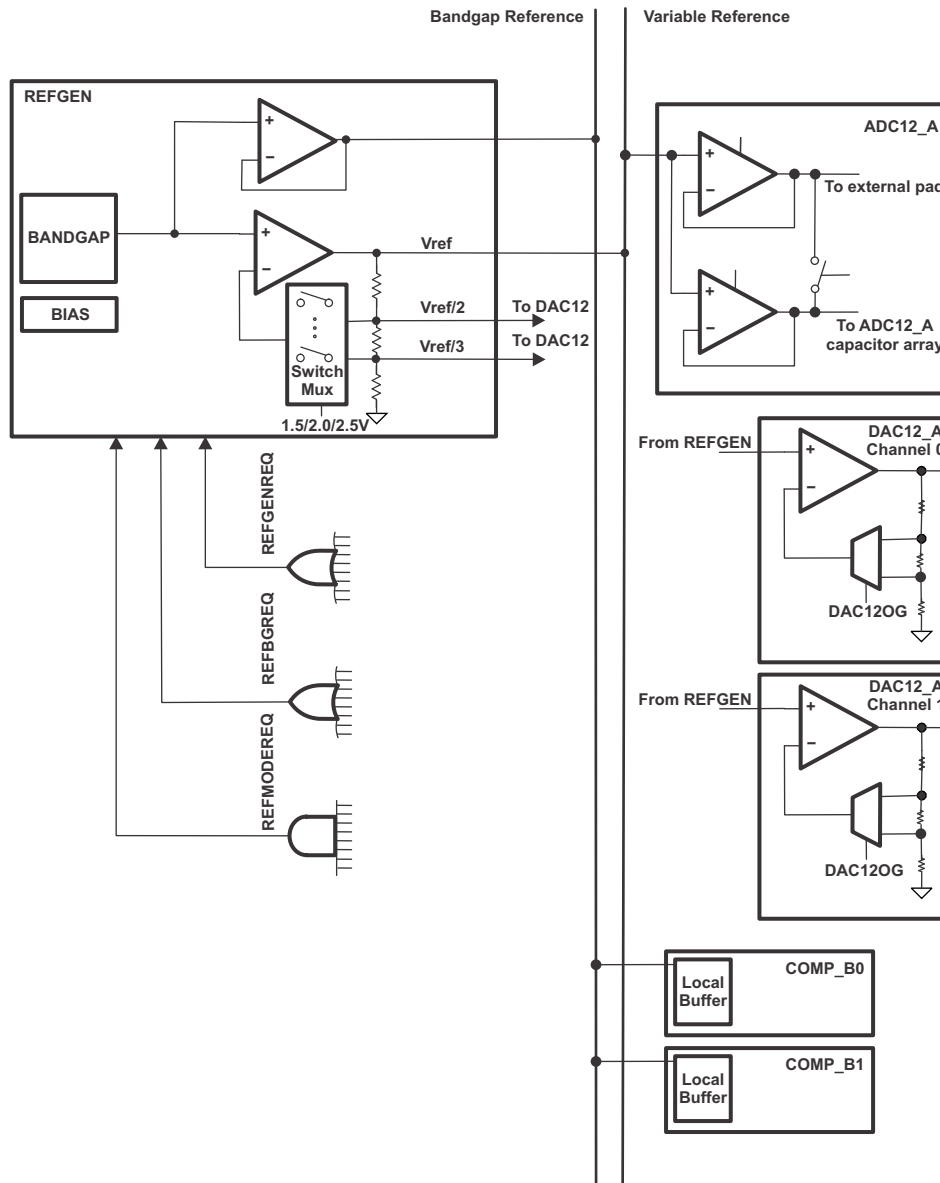


Figure 26-1. REF Block Diagram

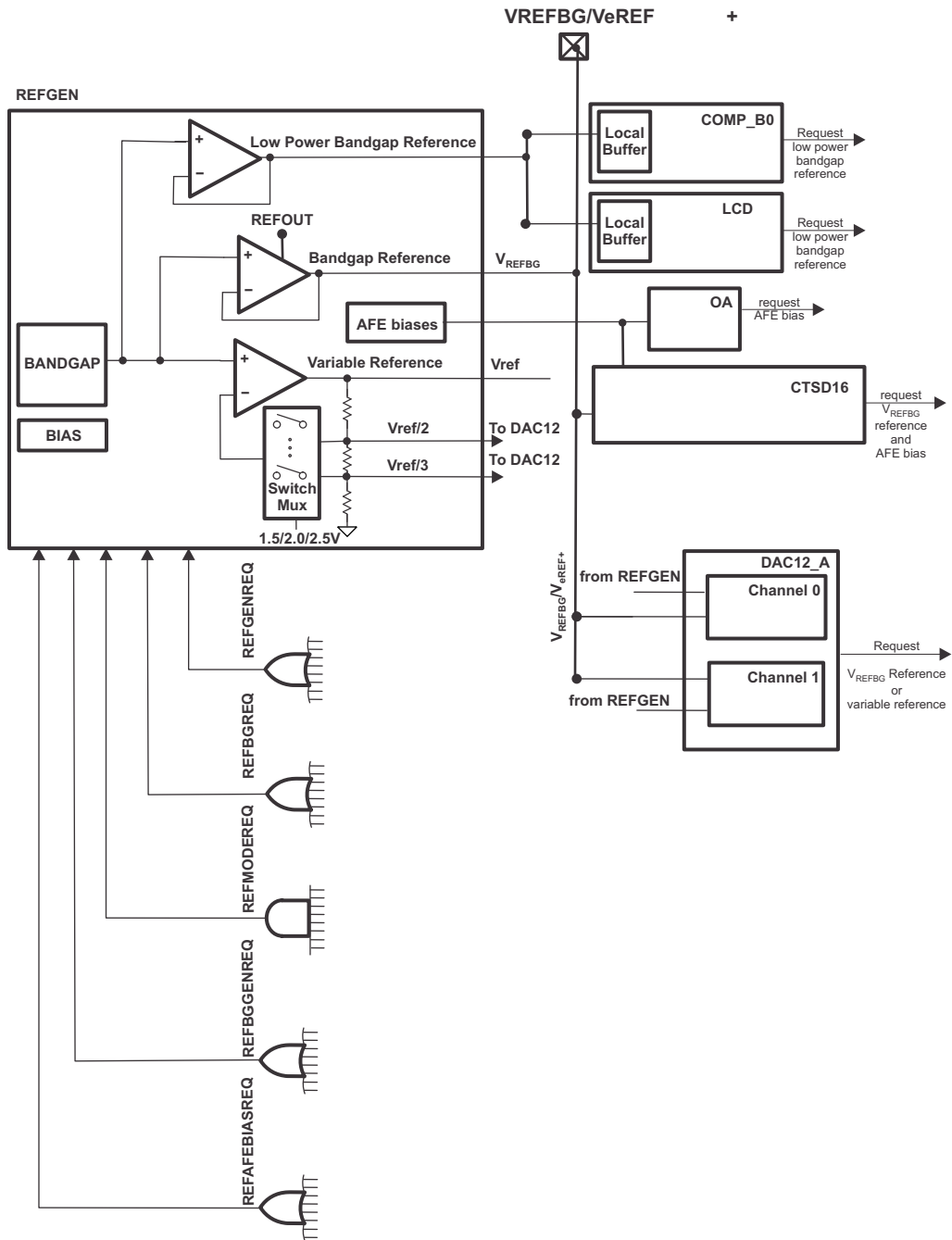


Figure 26-2. REF Block Diagram for Devices With a CTSD16 Module

26.2 Principle of Operation

The REF module provides all of the necessary voltage references to be used by various peripheral modules throughout the system. These peripherals include but are not limited to the ADC10_A, ADC12_A, CTSD16, DAC12_A, LCD_B, and COMP_B.

The REFGEN subsystem contains a high-performance bandgap. This bandgap has very good accuracy (factory trimmed), low temperature coefficient, and high PSRR even while operating at low power. The bandgap voltage is used to generate three voltages (1.5 V, 2.0 V, and 2.5 V) through a noninverting amplifier stage. One voltage can be selected at a time.

One output of the REFGEN subsystem is the variable reference line. The variable reference line provides either 1.5 V, 2.0 V, or 2.5 V to the rest of the system.

A second output of the REFGEN subsystem provides a buffered bandgap reference line that can also be used by modules throughout the system. Devices with a CTSD16 module have a second buffered bandgap reference line, V_{REFBG} , which is available internally as well as external to the device (refer to the device-specific data sheet for PxSEL.y bit requirements).

Additionally, the REFGEN supports the voltage references required for the DAC12_A module, when available. Lastly, the REFGEN subsystem also includes the temperature sensor circuitry, because it is derived from the bandgap. The temperature sensor is used by an ADC to measure a voltage proportional to temperature.

Table 26-1 describes the difference reference voltages that are available and how to enable them.

Table 26-1. Reference Voltage Generation for Different Devices⁽¹⁾

REF Voltage	Voltage Available	How to Enable on Devices Without CTSD16	How to Enable On Devices With CTSD16	External Reference Input to Device (VeREF+) is Available
Low-power bandgap	Internal on request from module	Module requests it	Module requests it	Y
	Internal continuously	REFON = 1	REFON = 1	Y
V_{REF} 1.5 V, 2.0 V, 2.5 V	Internally on request from module	Module requests it, set REFVSEL as desired	DAC requests it, set REFVSEL as desired	Y
	Internally continuously	REFON = 1, set REFVSEL as desired	REFON = 1, set REFVSEL as desired	Y
	Internally and externally continuously	REFOUT = 1, set REFVSEL as desired	NA	Not when VREF and VeREF+ (external reference input to device) share a single pin
V_{REFBG}	Internally and externally, on request from module	NA	REFOUT = 1, Set PxSEL.y, and request from module V_{REFBG} is always available inside the device and on the pin. If PxSEL.y is not set, V_{REFBG} is not available inside the chip.	N ⁽²⁾
	Internally and externally continuously	NA	REFON = 1, REFOUT = 1, and set PxSEL.y. V_{REFBG} is always available inside the device and on the pin. If PxSEL.y is not set, V_{REFBG} is not available inside the chip.	N ⁽²⁾

⁽¹⁾ Refer to the block diagrams in this user's guide for each module to determine which reference voltages are available for each module.

⁽²⁾ External reference $V_{\text{bREF+}}$ cannot be applied while internal reference V_{REFBG} is being used by another module, because they share the same pin, and contention on the signal line will occur. Therefore, if the external reference is selected, make sure that no other modules are requesting internal reference V_{REFBG} . $V_{\text{bREF+}}$ is available when V_{REFBG} is not enabled.

26.2.1 Low-Power Operation

The REF module supports low-power applications such as LCD generation. Many of these applications do not require a very accurate reference, compared to data conversion, yet power is of prime concern. To support these kinds of applications, the bandgap can be used in a sampled mode. In sampled mode, the bandgap circuitry is clocked by the VLO at an appropriate duty cycle. This reduces the average power of the bandgap circuitry significantly, at the cost of accuracy. When not in sampled mode, the bandgap is in static mode. Its power is at its highest, but so is its accuracy.

Modules automatically can request static mode or sampled mode using their own individual request lines. In this way, the particular module determines which mode is appropriate for its proper operation and performance. If any one active module requests static mode, all other modules use static mode, even if another module requests sampled mode. In other words, static mode always has higher priority than sampled mode.

26.2.2 REFCTL

The REFCTL registers provide a way to control the reference system from one centralized set of registers. By default, REFCTL is used as the primary control of the reference system.

26.2.2.1 REFMSTR = 1

This mode is implemented in all devices with ADC10_A and CTSD16. Also all ADC12_A devices except for MSP430F5438 and MSP430F5438A support this mode.

Setting the reference master bit (REFMSTR = 1), allows the reference system to be controlled through the REFCTL register. This is the default setting.

Devices with ADC12_A: In this mode (REFMSTR = 1), the legacy control bits inside the ADC register set (ADC12REFON, ADC12REF2_5V, ADC12TCOFF, and ADC12REFOUT) are don't care. The ADC12SR and ADC12REFBURST are still controlled through the ADC12_A, because these are very specific to the ADC12_A module. If REFMSTR is cleared, all settings in the REFCTL are don't care and the reference system is controlled completely by the legacy control bits inside the ADC12_A module.

Devices with ADC10_A: This is the only mode supported. REFMSTR must be set at all times. ADC10SR is controlled by the ADC10_A, because these are very specific to the ADC10_A module.

Devices with CTSD16: This is the only mode supported. REFMSTR must be set at all times.

[Table 26-2](#) summarizes the REFCTL bits and their effect on the REF module for all devices except those with CTSD16. [Table 26-3](#) summarizes the REFCTL bits and their effect on the REF module for devices with CTSD16.

Table 26-2. REF Control of Reference System (REFMSTR = 1) (Default) for Devices Without CTSD16

REF Register Setting	Function
REFON	Setting this bit enables the REFGEN subsystem, which includes the bandgap, the bandgap bias circuitry, and the 1.5-V, 2.0-V, or 2.5-V buffer. Setting this bit causes the REFGEN subsystem to remain enabled regardless of whether or not any module has requested it. Clearing this bit disables the REFGEN subsystem only when there are no pending requests for REFGEN from any module. REFON must also be set to enable the temperature sensor when required.
REFVSEL	Selects 1.5 V, 2.0 V, or 2.5 V to be present on the variable reference line when REFON = 1 or REFGEN is requested by any module.
REFOUT	Setting this bits enables the variable reference line voltage to be present external to the device through a buffer (external reference buffer).
REFTCOFF	Setting this bit disables the temperature sensor (when available) to conserve power.

Table 26-3. REF Control of Reference System (REFMSTR = 1) (Default) for Devices With CTSD16

REF Register Setting	Function
REFON	Setting this bit enables the REFGEN subsystem, which includes the bandgap, the bandgap bias circuitry, AFE biases, and the 1.5-V, 2.0-V, or 2.5-V buffer. Setting this bit causes the REFGEN subsystem to remain enabled regardless of whether or not any module has requested it. Clearing this bit disables the REFGEN subsystem only when there are no pending requests for REFGEN from any module. REFON must also be set to enable the temperature sensor when required.
REFVSEL	Selects 1.5 V, 2.0 V, or 2.5 V to be present on the variable reference line when REFON = 1.
REFOUT	Setting this bits enables the V_{REFBG} voltage to be present internally and external to the device through a buffer when REFON = 1 or a module requests V_{REFBG} .
REFTCOFF	Setting this bit disables the temperature sensor (when available) to conserve power.

26.2.2.2 REFMSTR = 0

Devices with ADC10_A: Do not support this mode. REFMSTR bit must not be cleared.

Devices with CTSD16: Do not support this mode. REFMSTR bit must not be cleared.

Devices with ADC12_A: This setting is applicable. On legacy devices, the ADC12_A provided the control bits necessary to configure the reference system, namely ADC12REFON, ADC12REF2_5V, ADC12TCOFF, ADC12REFOUT, ADC12SR, and ADC12REFBURST. The ADC12SR and ADC12REFBURST bits are very specific to the ADC12 operation and, therefore, are not included in REFCTL. All legacy control bits can still be used to configure the reference system, which allows for backward compatibility by clearing REFMSTR. In this case, the REFCTL register bits are don't care.

[Table 26-4](#) summarizes the ADC12_A control bits and their effect on the REF module. See the ADC12_A module description for further details.

NOTE: Although the REF module supports using the ADC12_A bits as control for the reference system, it is recommended that the use of the new REFCTL register be used and older code migrated to this methodology. This allows the logical partitioning of the reference system to be separate from the ADC12_A system and forms a more natural partitioning for future products.

Table 26-4. Control of Reference System (REFMSTR = 0, ADC12_A Only)

ADC12_A Register Setting	Function
ADC12REFON	Setting this bit enables the REFGEN subsystem which includes the bandgap, the bandgap bias circuitry, and the 1.5-V, 2.0-V, or 2.5-V buffer. Setting this bit causes the REFGEN subsystem to remain enabled regardless of whether or not any module has requested it. Clearing this bit disables the REFGEN subsystem only when there are no pending requests for REFGEN from any module.
ADC12REF2_5 V	Setting this bits causes 2.5 V to be present on the variable reference line when ADC12REFON = 1. Clearing this bit causes 1.5 V to be present on the variable reference line when ADC12REFON = 1.
ADC12REFOUT	Setting this bits enables the variable reference line voltage to be present external to the device through a buffer (external reference buffer).
ADC12TCOFF	Setting this bit disables the temperature sensor to conserve power.

As stated previously, the ADC12REFBURST has an effect on the reference system and can be controlled through the ADC12_A. This bit is in effect regardless of whether REFCTL or the ADC12_A is controlling the reference system. Setting ADC12REFBURST = 1 enables burst mode when REFON = 1 and REFMSTR = 1 or when ADC12REFON = 1 and REFMSTR = 0. In burst mode, the internal buffer (ADC12REFOUT = 0) or the external buffer (ADC12REFOUT = 1) is enabled only during a conversion and is disabled automatically to conserve power.

NOTE: The legacy ADC12_A bit ADC12REF2_5V only allows for selecting either 1.5 V or 2.5 V. To select 2.0 V, the REFVSEL control bits must be used (REFMSTR = 1).

26.2.3 Reference System Requests

There are three basic reference system requests that are used by the reference system. Each module can use these requests to obtain the proper response from the reference system. The three basic requests are REFGENREQ, REFBGREQ, and REFMODEREQ. No interaction is required by the user code. The modules select the proper requests automatically.

A reference request signal, REFGENREQ, is available as an input into the REFGEN subsystem. This signal represents a logical OR of individual requests coming from the various modules in the system that require a voltage reference to be available on the variable reference line. When a module requires a voltage reference, it asserts its corresponding REFGENREQ signal. When the REFGENREQ is asserted, the REFGEN subsystem is enabled. After the specified settling time, the variable reference line voltage is stable and ready for use. The REFVSEL settings determine which voltage is generated on the variable reference line.

In addition to the REFGENREQ, a second reference request signal, REFBGREQ is available. The REFBGREQ signal represents a logical OR of requests coming from the various modules that require the bandgap reference line. When the REFBGREQ is asserted, the bandgap, along with its bias circuitry and local buffer, is enabled if it is not already enabled by a prior request.

The REFMODEREQ request signal is available that configures the bandgap and its bias circuitry to operate in a sampled or static mode of operation. The REFMODEREQ signal basically represents a logical AND of individual requests coming from the various analog modules. A REFMODEREQ occurs only if a REFGENREQ or REFBGQ is also asserted by a module, otherwise it is a don't care. When REFMODEREQ = 1, the bandgap operates in sampled mode. When a module asserts its corresponding REFMODEREQ signal, it is requesting that the bandgap operate in sampled mode. Because REMODEREQ is a logical AND of all individual requests, any modules that request static mode cause the bandgap to operate in static mode. The BGMODE bit can be read as an indicator of static or sampled mode of operation.

26.2.3.1 Specifics for Devices With CTSD16

Devices with a CTSD16 module have two additional request signals.

The REFBGGENREQ signal represents a logical OR of individual requests coming from the various modules in the system that require the bandgap voltage reference V_{REFBG} to be available on the $V_{\text{REFBG}}/V_{\text{REF+}}$ signal line. When a module requires a bandgap voltage reference V_{REFBG} , it asserts its corresponding REFBGGENREQ signal. When the REFBGGENREQ is asserted, the REFGEN subsystem required to generate the bandgap voltage is enabled. This is different from the bandgap reference line, labeled as low-power bandgap reference in the block diagram (Figure 26-2), which is requested with the REFGENREQ.

The second request signal specific to devices with a CTSD16 module is the REFAFEBIASREQ. This signal represents a logical OR of individual requests coming from the various modules in the system that require the AFE biases. When a module requires the AFE biases, it asserts its corresponding REFAFEBIASREQ signal. When the REFAFEBIASREQ is asserted, the REFGEN subsystem required to generate the AFE biases is enabled.

26.2.3.2 REFBGACT, REFGENACT, REFGENBUSY

Any module that uses the variable reference line causes REFGENACT to be set inside the REFCTL register. This bit is read only and indicates whether the REFGEN is active or off. Similarly, the REFBGACT is active any time one or more modules is actively using the bandgap reference line and indicates whether the REFBG is active or off.

The REFGENBUSY signal is asserted to indicate that a module is using the reference and that reference settings cannot be changed. For example, during an active ADC12_A conversion, the reference voltage level should not be changed.

REFGENBUSY is asserted when any of the following are true:

- There is an active ADC12_A conversion (ADC12BUSY = 1).
- The DAC12_A is actively converting [DAC12AMPx > 1 and DAC12SREFx = 0 or on devices with CTSD16 if DAC12SREFx = {2,3} and REFOUT = 1 and REFON = 1 (or bandgap is requested)].
- The CTSD16 is actively converting (CTSD16SC = 1 and CTSD16REFS = 1).

REFGENBUSY when asserted, write protects the REFCTL register. This prevents the reference from being disabled or its level changed during any active conversion. Note that there is no such protection for the DAC12_A if the ADC12_A legacy control bits are used for the reference control. If the user changes the ADC12_A settings and the DAC12_A is using the reference, the DAC12_A conversion is affected.

26.2.3.3 ADC10_A

For devices that contain an ADC10_A module, the ADC10_A module contains only one local buffer. This buffer is required when using the internal reference voltage and must be enabled and stable prior to a conversion.

In devices without a reference output buffer, REFOUT must be written 0. Refer to the device-specific data sheet.

In devices with ADC10_A, the REFMSTR bit must be set at all times.

In devices with ADC10_A, the REFON bit must be set if the internal reference voltage is used.

26.2.3.4 ADC12_A

For devices that contain an ADC12_A module, the ADC12_A module contains two local buffers. The larger buffer can be used to drive the reference voltage, present on the variable reference line, external to the device. This buffer has larger power consumption due to a selectable burst mode as well as its need to drive larger DC loads that may be present outside the device. The large buffer is enabled continuously when REFON = 1, REFOUT = 1, and ADC12REFBURST = 0. When ADC12REFBURST = 1, the buffer is enabled only during an ADC conversion, shutting down automatically upon completion of a conversion to save power. In addition, when REFON = 1 and REFOUT = 1, the second smaller buffer is automatically disabled. In this case, the output of the large buffer is connected to the capacitor array through an internal analog switch. This ensures the same reference is used throughout the system. If REFON = 1 and REFOUT = 0, the internal buffer is used for ADC conversion and the large buffer remains disabled. The small internal buffer can operate in burst mode as well by setting ADC12REFBURST = 1.

26.2.3.5 CTSD16

For devices that contain a CTSD16 module, the V_{REFBG} signal is driven external to the device even if it is only used internally and requires that PxSEL.y bit = 1. If PxSEL.y is not set, V_{REFBG} is not driven even internal to the chip. The V_{REFBG} signal is enabled continuously when REFON = 1 and REFOUT = 1. The CTSD16 module only requests V_{REFBG} during active conversions, when CTSD16SC = 1, and bursts the V_{REFBG} signal unless REFON = 1 and REFOUT = 1. The DAC12_A similarly bursts the request for the voltage.

26.2.3.6 DAC12_A

Some devices contain a DAC12_A module. The DAC12_A can use the 1.5 V, 2.0 V, or 2.5 V from the variable reference line, and on devices with a CTSD16 module, the DAC12_A can use the 1.16 V from the V_{REFBG} reference line for its reference. The DAC12_A can request its reference directly by the settings within the DAC12_A module itself except the 1.16 V, which also requires REFOUT = 1. Therefore, if the DAC is enabled and the internal reference is selected, the DAC requests the reference voltage from the REF module. In addition, setting REFON = 1 (REFMSTR = 1) or ADC12REFON = 1 (REFMSTR = 0) can enable the variable reference line independent of the DAC12_A control bits.

The REFGEN subsystem provides divided versions of the variable reference line for use in the DAC12_A module. The DAC12_A module requires either /2 or /3 of the variable reference. The selection of these depends on the control bits inside the DAC12_A module (DAC12IR, DAC12OG) and is handled automatically by the REF module.

When the DAC12_A selects AV_{CC} or V_{eREF+} or V_{REFBG} (if available) as its reference, the DAC12_A has its own /2 and /3 resistor string available that scales the input reference appropriately based on the DAC12IR and DAC12OG settings.

26.2.3.7 LCD_B, LCD_C

In devices that contain an LCD module, the LCD module requires a reference to generate the proper LCD voltages. The bandgap reference line from the REFGEN subsystem is used for this purpose. The LCD is enabled when LCDON = 1 of the LCD_B or LCD_C module. This causes a REFDBGREQ from the LCD module to be asserted. The buffered bandgap is available on the bandgap reference line for use by the LCD module.

26.3 REF Registers

The REF registers are listed in [Table 26-5](#). The base address can be found in the device specific datasheet. The address offset is listed in [Table 26-5](#).

NOTE: All registers have word or byte register access. For a generic register *ANYREG*, the suffix "_L" (*ANYREG_L*) refers to the lower byte of the register (bits 0 through 7). The suffix "_H" (*ANYREG_H*) refers to the upper byte of the register (bits 8 through 15).

Table 26-5. REF Registers

Offset	Acronym	Register Name	Type	Access	Reset	Section
00h	REFCTL0	REF Control Register 0	Read/write	Word	0080h	Section 26.3.1
00h	REFCTL0_L		Read/write	Byte	80h	
01h	REFCTL0_H		Read/write	Byte	00h	

26.3.1 REFCTL0 Register (offset = 00h) [reset = 0080h]

REF Control Register 0

Figure 26-3. REFCTL0 Register

15	14	13	12	11	10	9	8
Reserved				BGMODE	REFGENBUSY	REFBGACT	REFGENACT
r0	r0	r0	r0	r-(0)	r-(0)	r-(0)	r-(0)
7	6	5	4	3	2	1	0
REFMSTR	Reserved	REFVSEL		REFTCOFF	Reserved	REFOUT	REFON
rw-(1)	r0	rw-(0)	rw-(0)	rw-(0)	r0	rw-(0)	rw-(0)

Can be modified only when REFGENBUSY = 0.

Table 26-6. REFCTL0 Register Description

Bit	Field	Type	Reset	Description
15-12	Reserved	R	0h	Reserved. Always reads as 0.
11	BGMODE	R	0h	Bandgap mode. Read only. 0b = Static mode 1b = Sampled mode
10	REFGENBUSY	R	0h	Reference generator busy. Read only. 0b = Reference generator not busy 1b = Reference generator busy
9	REFBGACT	R	0h	Reference bandgap active. Read only. 0b = Reference bandgap buffer not active 1b = Reference bandgap buffer active
8	REFGENACT	R	0h	Reference generator active. Read only. 0b = Reference generator not active 1b = Reference generator active
7	REFMSTR	RW	1h	REF master control. ADC10_A and CTSD16 devices: Must be written 1. 0b = Reference system controlled by legacy control bits inside the ADC12_A module when available. 1b = Reference system controlled by REFCTL register. Common settings inside the ADC12_A module (if exists) are don't care.
6	Reserved	R	0h	Reserved. Always reads as 0.
5-4	REFVSEL	RW	0h	Reference voltage level select for devices 00b = 1.5 V available when reference requested or REFON = 1 01b = 2.0 V available when reference requested or REFON = 1 10b = 2.5 V available when reference requested or REFON = 1 11b = 2.5 V available when reference requested or REFON = 1
3	REFTCOFF	RW	0h	Temperature sensor disabled 0b = Temperature sensor enabled 1b = Temperature sensor disabled to save power
2	Reserved	R	0h	Reserved. Always reads as 0.
1	REFOUT	RW	0h	Reference output buffer. ADC10_A devices without reference output buffer: Must be written 0. 0b = Reference output not available externally 1b = Reference output available externally. If ADC12REFBURST = 0, or DAC12_A is enabled, output is available continuously. If ADC12REFBURST = 1, output is available only during an ADC12_A conversion. For devices with CTSD16, REFON must also be set to 1 for V _{REFBG} to be available continuously. Otherwise, V _{REFBG} is only available externally when a module requests it.

Table 26-6. REFCTL0 Register Description (continued)

Bit	Field	Type	Reset	Description
0	REFON	RW	0h	<p>Reference enable.</p> <p>ADC10_A: The ADC10_A does not support the reference request. REFON must be set if the internal reference voltage is used.</p> <p>0b = Disables reference if no other reference requests are pending.</p> <p>1b = Enables reference.</p>

ADC10_A

The ADC10_A module is a high-performance 10-bit analog-to-digital converter (ADC). This chapter describes the operation of the ADC10_A module.

Topic	Page
27.1 ADC10_A Introduction.....	704
27.2 ADC10_A Operation.....	706
27.3 ADC10_A Registers	718

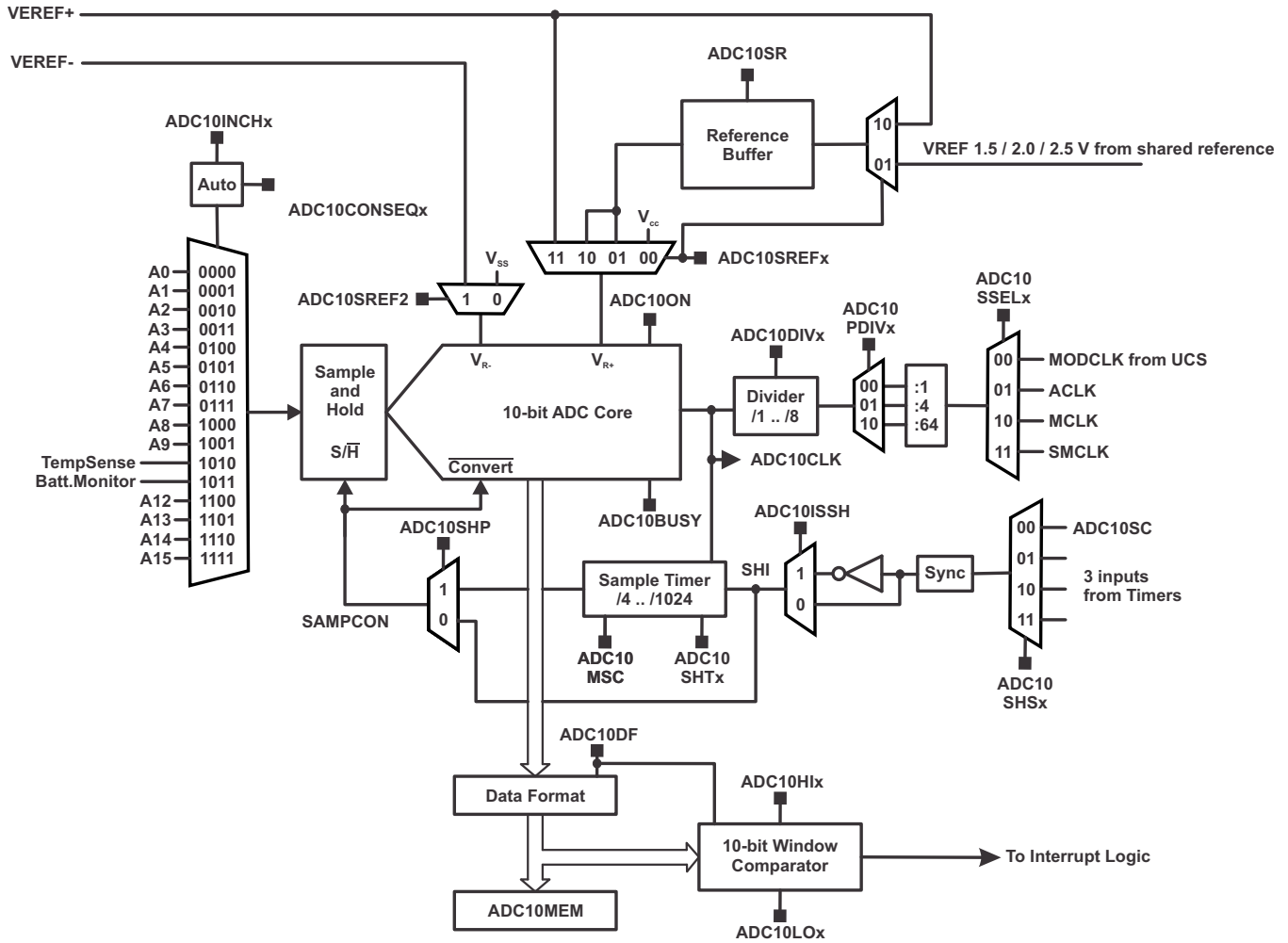
27.1 ADC10_A Introduction

The ADC10_A module supports fast 10-bit analog-to-digital conversions. The module implements a 10-bit SAR core with sample select control and a window comparator.

ADC10_A features include:

- Greater than 200-ksps maximum conversion rate
- Monotonic 10-bit converter with no missing codes
- Sample-and-hold with programmable sampling periods controlled by software or timers.
- Conversion initiation by software or different Timers
- Software-selectable on-chip reference using the REF module or external reference
- 12 individually configurable external input channels
- Conversion channel for temperature sensor of the REF module
- Selectable conversion clock source
- Single-channel, repeat-single-channel, sequence (autoscan), and repeat-sequence (repeated autoscan) conversion modes
- Window comparator for low-power monitoring of input signals
- Interrupt vector register for fast decoding of six ADC interrupts (ADC10IFG0, ADC10TOVIFG, ADC10OVIFG, ADC10LOIFG, ADC10INIFG, ADC10HIIFG)

[Figure 27-1](#) shows the block diagram of ADC10_A. The on-chip reference voltage generation is located in the reference module (see the device-specific data sheet).



- A MODCLK is generated by the MODOSC, which is part of the UCS. See the [UCS chapter](#) for more information.
- B When using ADC10SHP = 0 no synchronisation of the trigger input is done.

Figure 27-1. ADC10_A Block Diagram

27.2 ADC10_A Operation

The ADC10_A module is configured with user software. The setup and operation of the ADC10_A is discussed in the following sections.

27.2.1 10-Bit ADC Core

The ADC core converts an analog input to its 10-bit digital representation and stores the result in the conversion register ADC10MEM0. The core uses two programmable/selectable voltage levels (V_{R+} and V_{R-}) to define the upper and lower limits of the conversion. The digital output (N_{ADC}) is full scale (03FFh) when the input signal is equal to or higher than V_{R+} , and zero when the input signal is equal to or lower than V_{R-} . The input channel and the reference voltage levels (V_{R+} and V_{R-}) are defined in the conversion-control memory. Equation 13 shows the conversion formula for the ADC result, N_{ADC} .

$$N_{ADC} = 1023 \times \frac{V_{in} - V_{R-}}{V_{R+} - V_{R-}} \quad (13)$$

The control registers ADC10CTL0, ADC10CTL1 and ADC10CTL2 configure the ADC10_A core. The ADC10ON bit enables or disables the core. The ADC10_A can be turned off when not in use to save power. With few exceptions, the ADC10_A control bits can be modified only when ADC10ENC = 0. ADC10ENC must be set to 1 before any conversion can take place.

27.2.1.1 Conversion Clock Selection

The ADC10CLK is used both as the conversion clock and to generate the sampling period when the pulse sampling mode is selected. The ADC10_A source clock is selected using the ADC10SSELx bits. Possible ADC10CLK sources are SMCLK, MCLK, ACLK, and the MODCLK. The input clock can be divided by a value of 1 through 512 using both the ADC10DIVx bits and the ADC10PDIVx bits.

MODCLK, generated internally in the UCS, is in the 5-MHz range but varies with individual devices, supply voltage, and temperature. See the device-specific data sheet for the MODOSC specification.

The user must ensure that the clock chosen for ADC10CLK remains active until the end of a conversion. If the clock is removed during a conversion, the operation does not complete and any result is invalid.

27.2.2 ADC10_A Inputs and Multiplexer

The 14 external and 2 internal analog signals are selected as the channel for conversion by the analog input multiplexer. The input multiplexer is a break-before-make type to reduce input-to-input noise injection resulting from channel switching (see Figure 27-2). The input multiplexer is also a T-switch to minimize the coupling between channels. Channels that are not selected are isolated from the ADC and the intermediate node is connected to analog ground (AV_{SS}) so that the stray capacitance is grounded to eliminate crosstalk.

The ADC10_A uses the charge redistribution method. When the inputs are internally switched, the switching action may cause transients on the input signal. These transients decay and settle before causing an errant conversion.

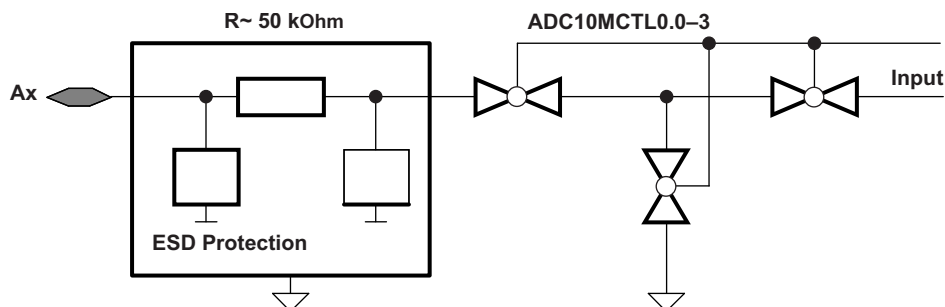


Figure 27-2. Analog Multiplexer

27.2.2.1 Analog Port Selection

The ADC10_A inputs are multiplexed with digital port pins. When analog signals are applied to digital gates, parasitic current can flow from V_{CC} to GND. This parasitic current occurs if the input voltage is near the transition level of the gate. Disabling the digital part of the port pin eliminates the parasitic current flow and, therefore, reduces overall current consumption. The PxSEL.y bits can disable the port pin input and output buffers.

```

; Px.0 and Px.1 configured for analog input
BIS.B #3h,&PxSEL ; Px.1 and Px.0 ADC10_A function

```

27.2.3 Voltage Reference Generator

The ADC10_A module can be used either with the on-chip reference supplied by the REF module or an externally reference voltage supplied on external pins.

The on-chip reference supplies 1.5 V, 2.0 V, and 2.5 V. The reference voltages are controlled by the control registers of the REF module (see the [REF chapter](#) for details). The internal V_{CC} can also be used as the voltage reference.

External reference voltages may be supplied for V_{R+} and V_{R-} through pins VEREF+ and VEREF-, respectively.

27.2.3.1 Internal Reference Low-Power Features

The on-chip reference is designed for low-power applications. This reference includes a bandgap voltage source and a separate reference buffer both located in the REF module. The current consumption of each is specified separately in the device-specific data sheet. The ADC10_A also contains an internal buffer for reference voltages. This buffer is automatically enabled when the internal reference is selected for VREF+, but it is also optionally available for VEREF+. The on-chip reference from the REF module must be enabled by software. Its settling time is 25 μ s (typical). See the device-specific data sheet and the [REF chapter](#) for further information on the on-chip reference.

The reference buffer of the ADC10_A also has selectable speed versus power settings. When the maximum conversion rate is below 50 ksps, setting ADC10SR = 1 reduces the current consumption of the buffer by approximately 50%.

27.2.4 Auto Power Down

The ADC10_A is designed for low-power applications. When the ADC10_A is not actively converting, the core is automatically disabled, and it is automatically reenabled when needed. The MODOSC is also automatically enabled when needed and disabled when not needed.

27.2.5 Sample and Conversion Timing

An analog-to-digital conversion is initiated with a rising edge of the sample input signal, SHI. The source for SHI is selected with the ADC10SHSx bits and includes the following:

- ADC10SC bit
- Three timer outputs

The polarity of the SHI signal source can be inverted with the ADC10ISSH bit. The SAMPCON signal controls the sample period and start of conversion. When SAMPCON is high, sampling is active. The high-to-low SAMPCON transition starts the analog-to-digital conversion, which requires 12 ADC10CLK cycles in 10-bit resolution mode. One additional ADC10CLK is used for the window comparator. Two different sample-timing methods are defined by control bit ADC10SHP, extended sample mode and pulse mode.

27.2.5.1 Extended Sample Mode

The extended sample mode is selected when $ADC10SHP = 0$. The SHI signal directly controls $SAMPCON$ and defines the length of the sample period t_{sample} . When $SAMPCON$ is high, sampling is active. The high-to-low $SAMPCON$ transition starts the conversion after synchronization with $ADC10CLK$ (see Figure 27-3).

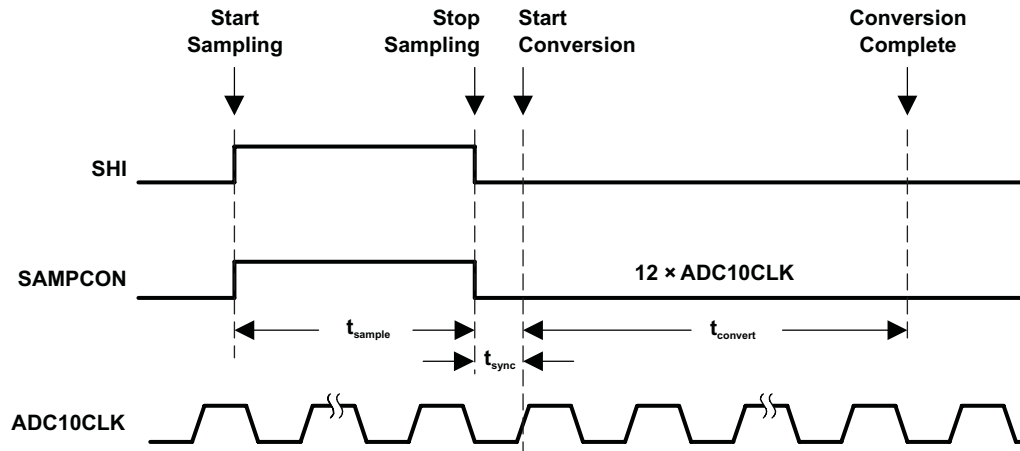


Figure 27-3. Extended Sample Mode

27.2.5.2 Pulse Sample Mode

The pulse sample mode is selected when $ADC10SHP = 1$. The SHI signal triggers the sampling timer. The $ADC10SHTx$ bits in $ADC10CTL0$ control the interval of the sampling timer that defines the $SAMPCON$ sample period, t_{sample} . The sampling timer keeps $SAMPCON$ high after synchronization with $ADC10CLK$ for a programmed interval of t_{sample} . The total sampling time is t_{sample} plus t_{sync} (see Figure 27-4).

The $ADC10SHTx$ bits select the sampling time in 4x multiples of $ADC10CLK$.

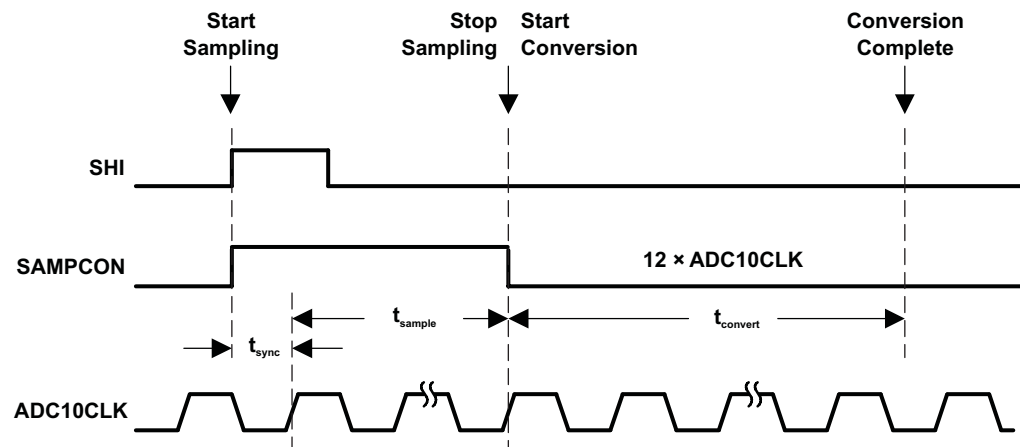


Figure 27-4. Pulse Sample Mode

27.2.5.3 Sample Timing Considerations

When SAMPCON = 0, all Ax inputs are high impedance. When SAMPCON = 1, the selected Ax input can be modeled as an RC low-pass filter during the sampling time t_{sample} (see Figure 27-5). An internal MUX-on input resistance R_i (see the device-specific data sheet) in series with capacitor C_i (see the device-specific data sheet) is seen by the source. The capacitor C_i voltage V_c must be charged to within one-half LSB of the source voltage V_s for an accurate 10-bit conversion.

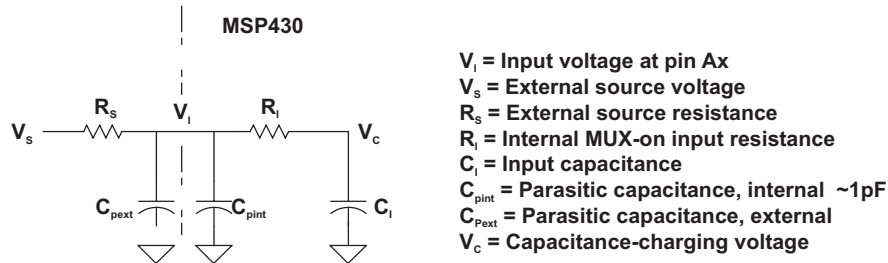


Figure 27-5. Analog Input Equivalent Circuit

The resistance of the source R_s and R_i affect t_{sample} . The minimum sample time must not be violated. Violation of the minimum sample time may cause a conversion not to take place. See the device-specific data sheet for the t_{sample} limits.

27.2.6 Conversion Result

The conversion result is accessible using the ADC10MEM0 register independently of the conversion mode selected by the user. When a conversion result is written to ADC10MEM0, the ADC10IFG0 is set.

27.2.7 ADC10_A Conversion Modes

The ADC10_A has four operating modes selected by the CONSEQx bits (see Table 27-1).

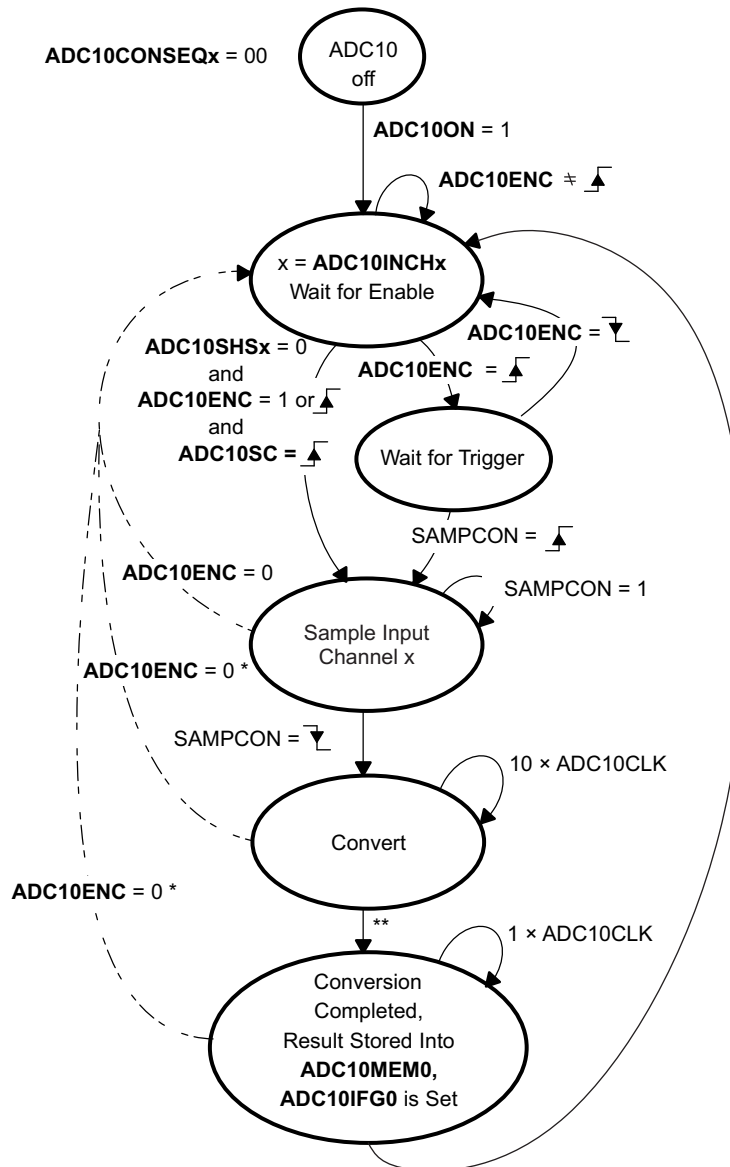
Table 27-1. Conversion Mode Summary

ADC10CONSEQx	Mode	Operation
00	Single-channel single-conversion	A single channel is converted once.
01	Sequence-of-channels (autoscan)	A sequence of channels is converted once.
10	Repeat-single-channel	A single channel is converted repeatedly.
11	Repeat-sequence-of-channels (repeated autoscan)	A sequence of channels is converted repeatedly.

27.2.7.1 Single-Channel Single-Conversion Mode

A single channel selected by ADC10INCHx is sampled and converted once. The ADC result is written to ADC10MEM0. Figure 27-6 shows the flow of the single-channel single-conversion mode. When ADC10SC triggers a conversion, successive conversions can be triggered by the ADC10SC bit. When any other trigger source is used, ADC10ENC must be toggled between each conversion.

Resetting the ADC10ON bit during a conversion causes the ADC10_A to enter the "ADC10 off" state. In this case, the value of the conversion register and the value of the interrupt flags are unpredictable.



* Conversion result is unpredictable

** Two ADC10CLK cycles needed

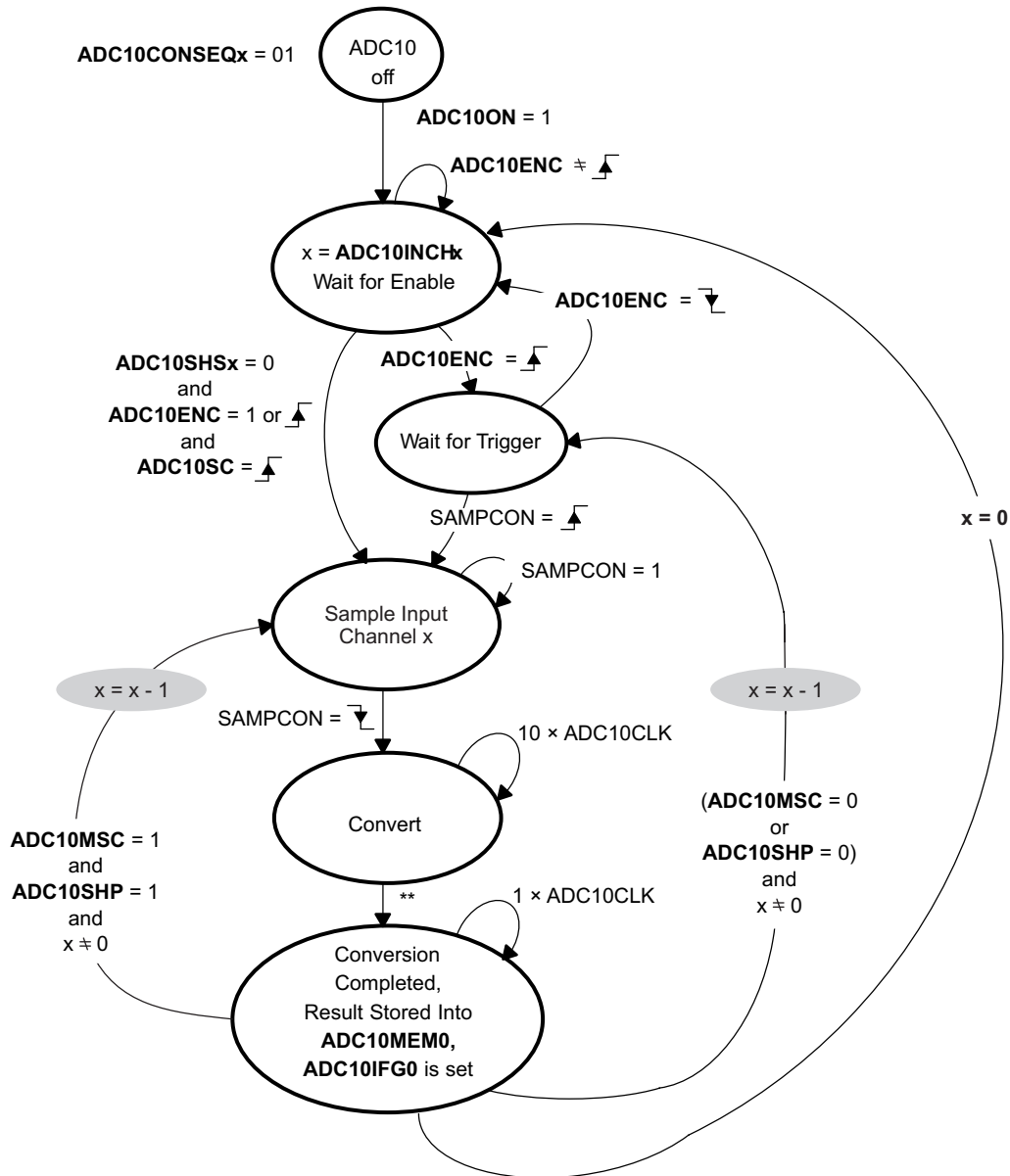
x = Pointer to the selected ADC10_A channel defined by ADC10INCHx

All bit and register names are bold font; signals names are normal font.

Figure 27-6. Single-Channel Single-Conversion Mode

27.2.7.2 Sequence-of-Channels Mode (Autoscan Mode)

In sequence-of-channels mode, also referred to as autoscan mode, a sequence of channels is sampled and converted once. The sequence begins with the channel selected by the ADC10INCHx bits and decrements to channel A0. Each ADC result is written to ADC10MEM0. The sequence stops after conversion of channel A0. Figure 27-7 shows the sequence-of-channels mode. When ADC10SC triggers a sequence, successive sequences can be triggered by the ADC10SC bit. When any other trigger source is used, ADC10ENC must be toggled between each sequence. As in all conversion modes resetting ADC10ON bit within a conversion causes the ADC10_A to go back into "ADC10 off" state.

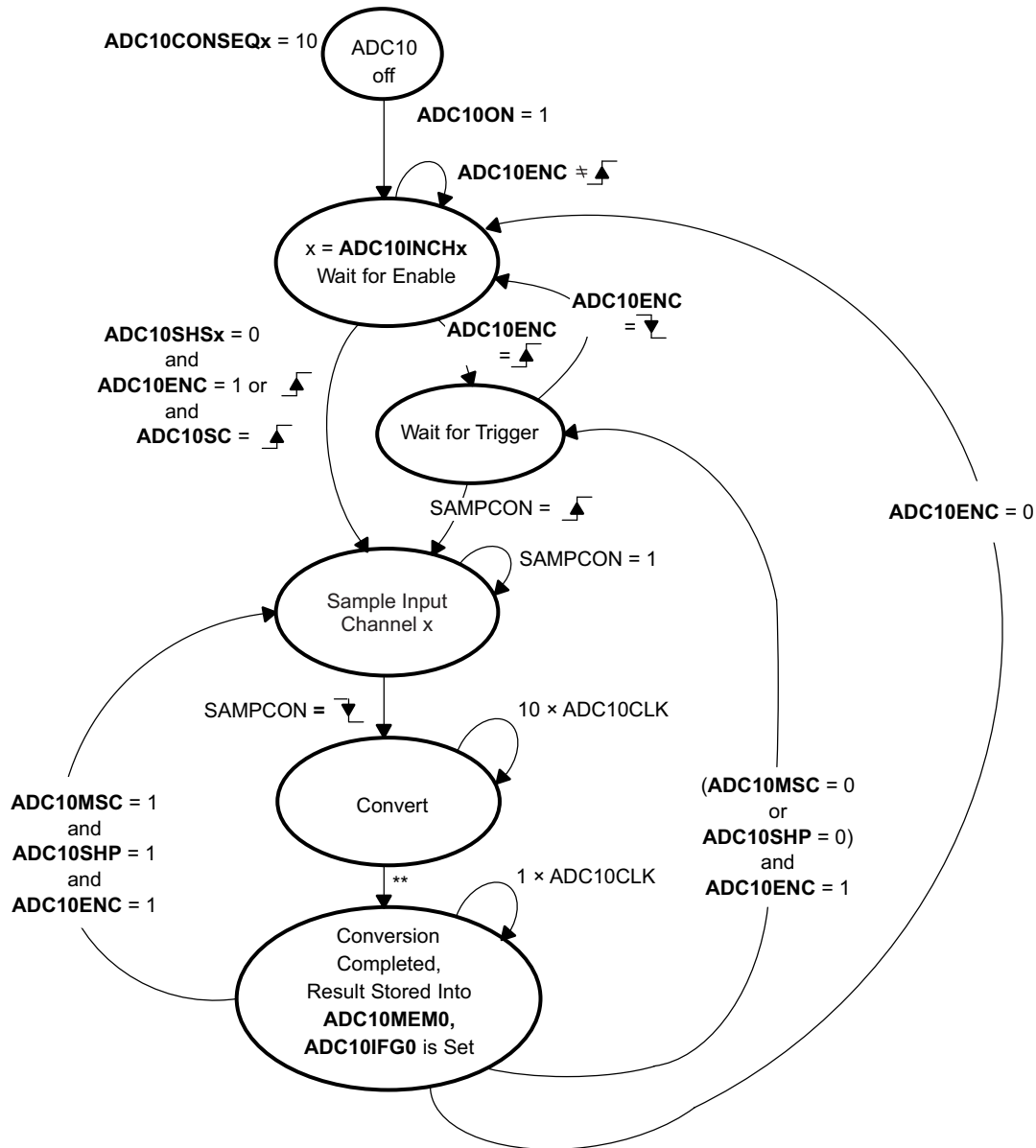


x = Input channel Ax
 ** Two ADC10CLK cycles are needed.
 All bit and register names are bold font; signals names are normal font.

Figure 27-7. Sequence-of-Channels Mode

27.2.7.3 Repeat-Single-Channel Mode

A single channel selected by ADC10INCHx is sampled and converted continuously. Each ADC result is written to ADC10MEM0. Figure 27-8 shows the repeat-single-channel mode.



x = Pointer to the selected ADC10_A channel defined by ADC10INCHx.

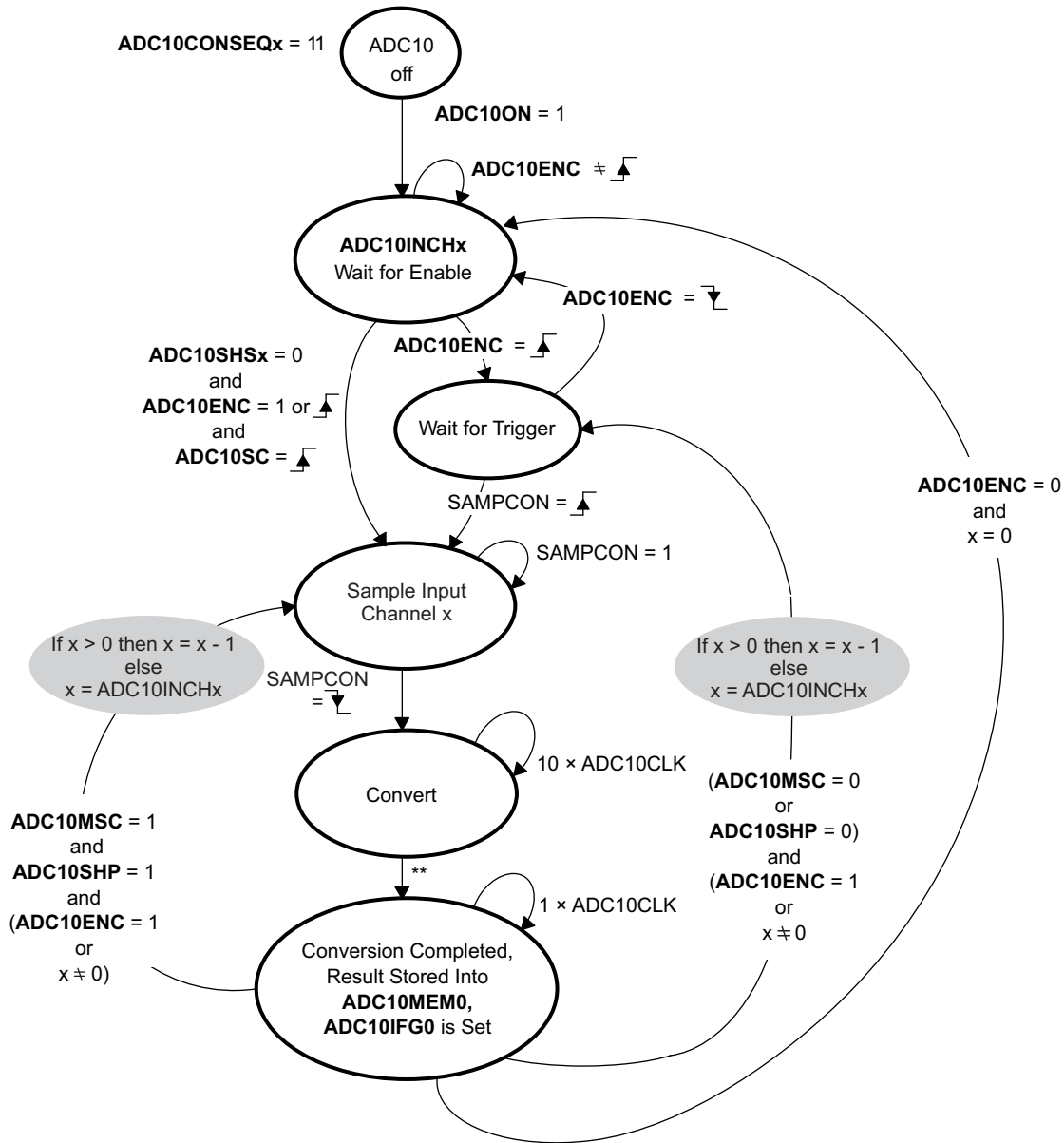
** Two ADC10CLK cycles are needed.

All bit and register names are bold font; signals names are normal font.

Figure 27-8. Repeat-Single-Channel Mode

27.2.7.4 Repeat-Sequence-of-Channels Mode (Repeated Autoscan Mode)

In this mode, a sequence of channels is sampled and converted repeatedly. This mode is also referred to as repeated autoscan mode. The sequence begins with the channel selected by ADC10INCHx and decrements to channel A0. Each ADC result is written to ADC10MEM0. The sequence ends after conversion of channel A0, and the next trigger signal re-starts the sequence. Figure 27-9 shows the repeat-sequence-of-channels mode.



x = Input channel Ax
 ** Two ADC10CLK cycles are needed.
 All bit and register names are bold font; signals names are normal font.

Figure 27-9. Repeat-Sequence-of-Channels Mode

27.2.7.5 Using the Multiple Sample and Convert (ADC10MSC) Bit

To configure the converter to perform successive conversions automatically and as quickly as possible, a multiple sample and convert function is available. When $ADC10MSC = 1$, $CONSEQx > 0$, and the sample timer is used, the first rising edge of the SHI signal triggers the first conversion. Successive conversions are triggered automatically as soon as the prior conversion is completed. Additional rising edges on SHI are ignored until the sequence is completed in the single-sequence mode, or until the ADC10ENC bit is toggled in repeat-single-channel or repeated-sequence modes. The function of the ADC10ENC bit is unchanged when using the ADC10MSC bit.

27.2.7.6 Stopping Conversions

Stopping ADC10_A activity depends on the mode of operation. The recommended ways to stop an active conversion or conversion sequence are:

- Resetting ADC10ENC in single-channel single-conversion mode stops a conversion immediately and the results are unpredictable. For correct results, poll the busy bit until reset before clearing ADC10ENC.
- Resetting ADC10ENC during repeat-single-channel operation stops the converter at the end of the current conversion.
- Resetting ADC10ENC during a sequence or repeat-sequence mode stops the converter at the end of the sequence.
- Any conversion mode may be stopped immediately by setting the $CONSEQx = 0$ and resetting the ADC10ENC bit. Conversion data are unreliable.

27.2.8 Window Comparator

The window comparator monitors analog signals without any CPU interaction. The following list describes the available interrupt flags and the conditions when they are asserted:

- The ADC10LO interrupt flag (ADC10LOIFG) is set if the current result of the ADC10_A conversion is below the low threshold defined in register ADC10LO.
- The ADC10HI interrupt flag (ADC10HIIFG) is set if the current result of the ADC10_A conversion is greater than the high threshold defined in register ADC10HI.
- The ADC10IN interrupt flag (ADC10INIFG) is set if the current result of the ADC10_A conversion is greater than the low threshold defined in register ADC10LO and less than the high threshold defined in ADC10HI.

These interrupts are generated independent of the conversion mode selected by the user. The update of the window comparator interrupt flags happens in parallel to the ADC10IFG0.

Make sure that the values in the ADC10HI and ADC10LO registers are in the correct data format. For example, if the binary data format is selected ($ADC10DF = 0$), then the thresholds in the threshold registers ADC10HI and ADC10LO also must be entered binary coded. Changing ADC10DF or the ADC10RES resets the threshold registers.

The interrupt flags must be reset by the user software. The ADC10_A only updates the flags each time a new value is available in the ADC10MEM0. This update is only a set of the corresponding interrupt flag. When the user uses the window comparator flags, it must be ensured that they are reset by software according to the application needs.

27.2.9 Using the Integrated Temperature Sensor

To use the on-chip temperature sensor, select the analog input channel ADC10INCHx = 1010. Any other configuration is done as if an external channel is selected, including reference selection, conversion-mode selection, and other settings. The temperature sensor is located in the REF module of the device and is configured by the REF module control registers.

Figure 27-10 shows the typical temperature sensor transfer function. When using the temperature sensor, the sample period must be greater than 30 μ s. The temperature sensor offset error can be large and may need to be calibrated for most applications (see the device-specific data sheet for parameters). Some MSP430 devices include calibration data that can be used to compute temperature more accurately. For more information, refer to Section 1.13.5.3.

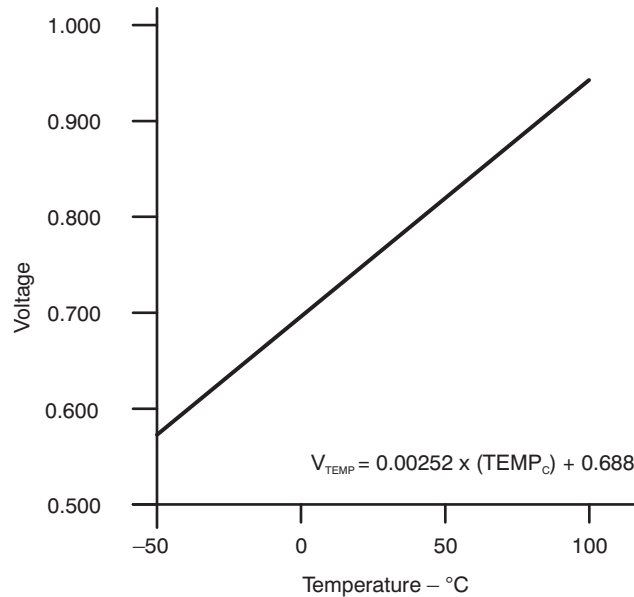


Figure 27-10. Typical Temperature Sensor Transfer Function

27.2.10 ADC10_A Grounding and Noise Considerations

As with any high-resolution ADC, appropriate printed-circuit-board layout and grounding techniques must be followed to eliminate ground loops, unwanted parasitic effects, and noise.

Ground loops are formed when return current from the ADC flows through paths that are common with other analog or digital circuitry. If care is not taken, this current can generate small, unwanted offset voltages that can add to or subtract from the reference or input voltages of the ADC. The connections shown in [Figure 27-11](#) prevent this.

In addition to grounding, ripple and noise spikes on the power-supply lines due to digital switching or switching power supplies can corrupt the conversion result. TI recommends a noise-free design using separate analog and digital ground planes with a single-point connection to achieve high accuracy.

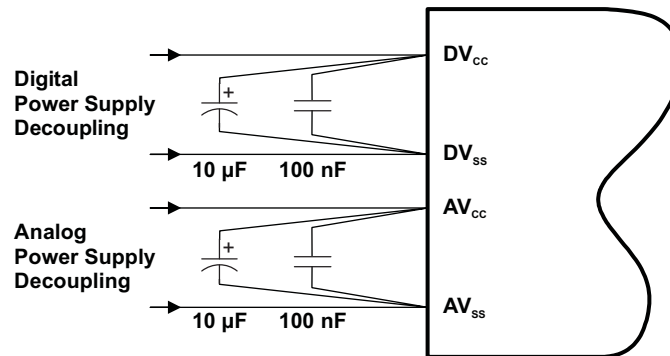


Figure 27-11. ADC10_A Grounding and Noise Considerations

27.2.11 ADC10_A Interrupts

The ADC10_A has six interrupt sources:

- ADC10IFG0 : conversion ready
- ADC10OVIFG : ADC10MEM0 overflow
- ADC10TOVIFG : ADC10_A conversion time overflow
- ADC10LOIFG, ADC10INIFG, ADC10HIIFG : window comparator interrupt flags

The ADC10IFG0 bit is set when the ADC10MEM0 memory register is loaded with the conversion result. An interrupt request is generated if ADC10IE0 bit and the GIE bit are set. The ADC10OV condition occurs when a conversion result is written to the ADC10MEM0 before its previous conversion result was read. The ADC10TOV condition is generated when another sample-and-conversion is requested before the current conversion is completed. The DMA is triggered after each conversion with the ADC10IE0 bit reset.

The window comparator interrupt flags are set corresponding to the description in the Window Comparator section (see [Section 27.2.8](#)).

27.2.11.1 ADC10IV, Interrupt Vector Generator

All ADC10_A interrupt sources are prioritized and combined to source a single interrupt vector. The interrupt vector register ADC10IV is used to determine which enabled ADC10_A interrupt source requested an interrupt.

The highest-priority enabled ADC10_A interrupt generates a number in the ADC10IV register (see register description). This number can be evaluated or added to the program counter (PC) to automatically enter the appropriate software routine. Disabled ADC10_A interrupts do not affect the ADC10IV value.

Read access of the ADC10IV register automatically resets the highest-pending interrupt condition and flag. Only the ADC10IFG0 is not reset by this ADC10IV read access. ADC10IFG0 is automatically reset by reading the ADC10MEM0 register or may be reset with software.

Write access of the ADC10IV register clears all pending interrupt conditions and flags.

If another interrupt is pending after servicing of an interrupt, another interrupt is generated. For example, if the ADC10OV, ADC10HIIFG and ADC10IFG0 interrupts are pending when the interrupt service routine accesses the ADC10IV register, the highest priority interrupt (ADC10OV interrupt condition) is reset automatically. After the RETI instruction of the interrupt service routine is executed, the ADC10HIIFG generates another interrupt.

27.2.11.2 ADC10_A Interrupt Handling Software Example

The following software example shows the recommended use of the ADC10IV. The ADC10IV value is added to the PC to automatically jump to the appropriate routine.

- ADC10IFG0, ADC10TOV, and ADC10OV: 16 cycles

```

; Interrupt handler for ADC10_A.
INT_ADC10_A                                ; Enter Interrupt Service Routine
ADD    &ADC10IV,PC                          ; Add offset to PC
RETI                                       ; Vector 0: No interrupt
JMP    ADOV                                 ; Vector 2: ADC10_A overflow
JMP    ADTOV                                ; Vector 4: ADC10_A timing overflow
JMP    ADHI                                 ; Vector 6: ADC10_A window comparator high
interrupt
JMP    ADLO                                 ; Vector 8: ADC10_A window comparator low
interrupt
JMP    ADIN                                 ; Vector 10: ADC10_A window comparator in
interrupt
;
; Handler for ADC10IFG0 starts here. No JMP required.
;
ADMEM  MOV &ADC10MEM0,xxx                   ; Move result, flag is reset
      ...                                   ; Other instruction needed?
      RETI                                  ; Return ;
ADOV   ...                                   ; Handle ADCMEM0 overflow
      RETI                                  ; Return ;
ADTOV  ...                                   ; Handle Conv. time overflow
      RETI                                  ; Return ;
ADHI   ...                                   ; Handle window comparator high interrupt
      RETI                                  ; Return ;
ADLO   ...                                   ; Handle window comparator low interrupt
      RETI                                  ; Return ;
ADIN   ...                                   ; Handle window comparator in window interrupt
      RETI                                  ; Return

```

27.3 ADC10_A Registers

The ADC10_A registers are listed in [Table 27-2](#). The base address of the ADC10_A can be found in the device-specific data sheet. The address offset of each ADC10_A register is given in [Table 27-2](#).

Table 27-2. ADC10_A Registers

Offset	Acronym	Register Name	Type	Reset	Section
00h	ADC10CTL0	ADC10_A Control 0 register	Read/write	0000h	Section 27.3.1
02h	ADC10CTL1	ADC10_A Control 1 register	Read/write	0000h	Section 27.3.2
04h	ADC10CTL2	ADC10_A Control 2 register	Read/write	1000h	Section 27.3.3
06h	ADC10LO	ADC10_A Window Comparator Low Threshold register	Read/write	0000h	Section 27.3.9
08h	ADC10HI	ADC10_A Window Comparator High Threshold register	Read/write	FF03h	Section 27.3.7
0Ah	ADC10MCTL0	ADC10_A Memory Control register	Read/write	00h	Section 27.3.6
12h	ADC10MEM0	ADC10_A Conversion Memory register	Read/write	undefined	Section 27.3.4
1Ah	ADC10IE	ADC10_A Interrupt Enable register	Read/write	0000h	Section 27.3.11
1Ch	ADC10IFG	ADC10_A Interrupt Flag register	Read/write	0000h	Section 27.3.12
1Eh	ADC10IV	ADC10_A Interrupt Vector register	Read/write	0000h	Section 27.3.13

27.3.1 ADC10CTL0 Register

ADC10_A Control Register 0

Figure 27-12. ADC10CTL0 Register

15	14	13	12	11	10	9	8
Reserved				ADC10SHTx			
r0	r0	r0	r0	rw-(0)	rw-(0)	rw-(0)	rw-(0)
7	6	5	4	3	2	1	0
ADC10MSC	Reserved		ADC10ON	Reserved		ADC10ENC	ADC10SC
rw-(0)	r0	r0	rw-(0)	r0	r0	rw-(0)	rw-(0)

Can be modified only when ADC10ENC = 0. Resetting ADC10ENC = 0 by software and changing these fields immediately shows effect when a conversion is active.

Table 27-3. ADC10CTL0 Register Description

Bit	Field	Type	Reset	Description
15-12	Reserved	R	0h	Reserved. Always reads as 0.
11-8	ADC10SHTx	RW	0h	ADC10_A sample-and-hold time. These bits define the number of ADC10CLK cycles in the sampling period for the ADC10. 0000b = 4 ADC10CLK cycles 0001b = 8 ADC10CLK cycles 0010b = 16 ADC10CLK cycles 0011b = 32 ADC10CLK cycles 0100b = 64 ADC10CLK cycles 0101b = 96 ADC10CLK cycles 0110b = 128 ADC10CLK cycles 0111b = 192 ADC10CLK cycles 1000b = 256 ADC10CLK cycles 1001b = 384 ADC10CLK cycles 1010b = 512 ADC10CLK cycles 1011b = 768 ADC10CLK cycles 1100b = 1024 ADC10CLK cycles 1101b = 1024 ADC10CLK cycles 1110b = 1024 ADC10CLK cycles 1111b = 1024 ADC10CLK cycles
7	ADC10MSC	RW	0h	ADC10_A multiple sample and conversion. Valid only for sequence or repeated modes. 0b = The sampling timer requires a rising edge of the SHI signal to trigger each sample-and-convert. 1b = The first rising edge of the SHI signal triggers the sampling timer, but further sample-and-conversions are performed automatically as soon as the prior conversion is completed.
6-5	Reserved	R	0h	Reserved. Always reads as 0.
4	ADC10ON	RW	0h	ADC10_A on 0b = ADC10_A off 1b = ADC10_A on
3-2	Reserved	R	0h	Reserved. Always reads as 0.
1	ADC10ENC	RW	0h	ADC10_A enable conversion 0b = ADC10_A disabled 1b = ADC10_A enabled
0	ADC10SC	RW	0h	ADC10_A start conversion. Software-controlled sample-and-conversion start. ADC10SC and ADC10ENC may be set together with one instruction. ADC10SC is reset automatically. 0b = No sample-and-conversion-start 1b = Start sample-and-conversion

27.3.2 ADC10CTL1 Register

ADC10_A Control Register 1

Figure 27-13. ADC10CTL1 Register

15	14	13	12	11	10	9	8
Reserved				ADC10SHSx		ADC10SHP	ADC10ISSH
r0	r0	r0	r0	rw-(0)	rw-(0)	rw-(0)	rw-(0)
7	6	5	4	3	2	1	0
ADC10DIVx			ADC10SSELx		ADC10CONSEQx		ADC10BUSY
rw-(0)	rw-(0)	rw-(0)	rw-(0)	rw-(0)	rw-(0)	rw-(0)	r-(0)

Can be modified only when ADC10ENC = 0. Resetting ADC10ENC = 0 by software and changing these fields immediately shows effect when a conversion is active.

Table 27-4. ADC10CTL1 Register Description

Bit	Field	Type	Reset	Description
15-12	Reserved	R	0h	Reserved. Always reads as 0.
11-10	ADC10SHSx	RW	0h	ADC10_A sample-and-hold source select Can be modified only when ADC10ENC = 0. Resetting ADC10ENC = 0 by software and changing these fields immediately shows effect also when a conversion is active. 00b = ADC10SC bit 01b = Timer trigger 0 - see the device-specific data sheet 10b = Timer trigger 1 - see the device-specific data sheet 11b = Timer trigger 2 - see the device-specific data sheet
9	ADC10SHP	RW	0h	ADC10_A sample-and-hold pulse-mode select. This bit selects the source of the sampling signal (SAMPCON) to be either the output of the sampling timer or the sample-input signal directly. Can be modified only when ADC10ENC = 0. Resetting ADC10ENC = 0 by software and changing these fields immediately shows effect also when a conversion is active. 0b = SAMPCON signal is sourced from the sample-input signal 1b = SAMPCON signal is sourced from the sampling timer
8	ADC10ISSH	RW	0h	ADC10_A invert signal sample-and-hold Can be modified only when ADC10ENC = 0. Resetting ADC10ENC = 0 by software and changing these fields immediately shows effect also when a conversion is active. 0b = The sample-input signal is not inverted 1b = The sample-input signal is inverted
7-5	ADC10DIVx	RW	0h	ADC10_A clock divider Can be modified only when ADC10ENC = 0. Resetting ADC10ENC = 0 by software and changing these fields immediately shows effect also when a conversion is active. 000b = Divide by 1 001b = Divide by 2 010b = Divide by 3 011b = Divide by 4 100b = Divide by 5 101b = Divide by 6 110b = Divide by 7 111b = Divide by 8

Table 27-4. ADC10CTL1 Register Description (continued)

Bit	Field	Type	Reset	Description
4-3	ADC10SSELx	RW	0h	<p>ADC10_A clock source select</p> <p>Can be modified only when ADC10ENC = 0. Resetting ADC10ENC = 0 by software and changing these fields immediately shows effect also when a conversion is active.</p> <p>00b = MODCLK 01b = ACLK 10b = MCLK 11b = SMCLK</p>
2-1	ADC10CONSEQx	RW	0h	<p>ADC10_A conversion sequence mode select</p> <p>Can be modified only when ADC10ENC = 0. Resetting ADC10ENC = 0 by software and changing these fields immediately shows effect also when a conversion is active.</p> <p>00b = Single-channel, single-conversion 01b = Sequence-of-channels 10b = Repeat-single-channel 11b = Repeat-sequence-of-channels</p>
0	ADC10BUSY	R	0h	<p>ADC10_A busy. This bit indicates an active sample or conversion operation.</p> <p>0b = No operation is active 1b = A sequence, sample, or conversion is active</p>

27.3.3 ADC10CTL2 Register

ADC10_A Control Register 2

Figure 27-14. ADC10CTL2 Register

15	14	13	12	11	10	9	8
Reserved						ADC10PDIVx	
r0	r0	r0	r0	r0	r0	rw-(0)	rw-(0)
7	6	5	4	3	2	1	0
Reserved			ADC10RES	ADC10DF	ADC10SR	Reserved	
r0	r0	r0	rw-(1)	rw-(0)	rw-(0)	r0	r0

Can be modified only when ADC10ENC = 0. Resetting ADC10ENC = 0 by software and changing these fields immediately shows effect when a conversion is active.

Table 27-5. ADC10CTL2 Register Description

Bit	Field	Type	Reset	Description
15-10	Reserved	R	0h	Reserved. Always reads as 0.
9-8	ADC10PDIVx	RW	0h	ADC10_A predivider. This bit predivides the selected ADC10_A clock source before it gets divided again using ADC10DIVx. 00b = Predivide by 1 01b = Predivide by 4 10b = Predivide by 64 11b = Reserved
7-5	Reserved	R	0h	Reserved. Always reads as 0.
4	ADC10RES	RW	1h	ADC10_A resolution. This bit defines the conversion result resolution. 0b = 8 bit (10 clock cycle conversion time) 1b = 10 bit (12 clock cycle conversion time)
3	ADC10DF	RW	0h	ADC10_A data read-back format. Data is always stored in the binary unsigned format. 0b = Binary unsigned. Theoretically, the analog input voltage -V(REF) results in 0000h, and the analog input voltage +V(REF) results in 03FFh. 1b = Signed binary (twos complement), left aligned. Theoretically, the analog input voltage -V(REF) results in 8000h, and the analog input voltage +V(REF) results in 7FC0h.
2	ADC10SR	RW	0h	ADC10_A sampling rate. This bit selects drive capability of the ADC10_A reference buffer for the maximum sampling rate. Setting ADC10SR reduces the current consumption of this buffer. 0b = ADC10_A buffer supports up to approximately 200 ksps. 1b = ADC10_A buffer supports up to approximately 50 ksps.
1-0	Reserved	R	0h	Reserved. Always reads as 0.

27.3.4 ADC10MEM0 Register

ADC10_A Conversion Memory Register

Figure 27-15. ADC10MEM0 Register

15	14	13	12	11	10	9	8
Reserved						Conversion_Results	
r0	r0	r0	r0	r0	r0	rw	rw
7	6	5	4	3	2	1	0
Conversion_Results							
rw	rw	rw	rw	rw	rw	rw	rw

Table 27-6. ADC10MEM0 Register Description

Bit	Field	Type	Reset	Description
15-10	Reserved	R	0h	Reserved. Always reads as 0.
9-0	Conversion_Results	RW	undefined	The 10-bit conversion results are right justified. Bit 9 is the MSB. Bits 15-10 are 0 in 10-bit mode, and bits 15-8 are 0 in 8-bit mode. Writing to the conversion memory register corrupts the results. This data format is used if ADC10DF = 0.

27.3.5 ADC10MEM0 Register, Twos-Complement Format

ADC10_A Conversion Memory Register, Twos-Complement Format

Figure 27-16. ADC10MEM0 Register

15	14	13	12	11	10	9	8
Conversion_Results							
rw	rw	rw	rw	rw	rw	rw	rw
7	6	5	4	3	2	1	0
Conversion_Results		Reserved					
rw	rw	r0	r0	r0	r0	r0	r0

Table 27-7. ADC10MEM0 Register Description

Bit	Field	Type	Reset	Description
15-6	Conversion_Results	RW	undefined	The 10-bit conversion results are left justified, twos-complement format. Bit 15 is the MSB. Bits 5-0 are 0 in 10-bit mode, and bits 7-0 are 0 in 8-bit mode. This data format is used if ADC10DF = 1. The data is stored in the right-justified format and is converted to the left-justified twos-complement format during read back. Writing to the conversion memory register corrupts the results.
5-0	Reserved	R	0h	Reserved. Always reads as 0.

27.3.6 ADC10MCTL0 Register

ADC10_A Conversion Memory Control Register

Figure 27-17. ADC10MCTL0 Register

7	6	5	4	3	2	1	0
Reserved	ADC10SREFx			ADC10INCHx			
r0	rw-(0)	rw-(0)	rw-(0)	rw-(0)	rw-(0)	rw-(0)	rw-(0)

Can be modified only when ADC10ENC = 0. Resetting ADC10ENC = 0 by software and changing these fields immediately shows effect when a conversion is active.

Table 27-8. ADC10MCTL0 Register Description

Bit	Field	Type	Reset	Description
7	Reserved	R	0h	Reserved. Always reads as 0.
6-4	ADC10SREFx	RW	0h	<p>Select reference. It is not recommended to change this setting while a conversion is ongoing.</p> <p>Can be modified only when ADC10ENC = 0. Resetting ADC10ENC = 0 by software and changing these fields immediately shows effect also when a conversion is active.</p> <p>000b = $V_{R+} = AVCC$ and $V_{R-} = AVSS$ 001b = $V_{R+} = VREF$ and $V_{R-} = AVSS$ 010b = $V_{R+} = VREF+$ buffered and $V_{R-} = AVSS$ 011b = $V_{R+} = VREF+$ and $V_{R-} = AVSS$ 100b = $V_{R+} = AVCC$ and $V_{R-} = VREF-$ 101b = $V_{R+} = VREF$ and $V_{R-} = VREF-$ 110b = $V_{R+} = VREF+$ buffered and $V_{R-} = VREF-$ 111b = $V_{R+} = VREF+$ and $V_{R-} = VREF-$</p>
3-0	ADC10INCHx	RW	0h	<p>Input channel select. Writing these bits select the channel for a single-conversion or the highest channel for a sequence of conversions. Reading these bits in ADC10CONSEQ = 01 or 11 returns the channel currently converted. ADC10INCHx is not synchronized, so a read while the state machine is not in "wait for enable" or "wait for trigger" could lead to a wrong result.</p> <p>Can be modified only when ADC10ENC = 0. Resetting ADC10ENC = 0 by software and changing these fields immediately shows effect also when a conversion is active.</p> <p>0000b = A0 0001b = A1 0010b = A2 0011b = A3 0100b = A4 0101b = A5 0110b = A6 0111b = A7 1000b = A8 1001b = A9 1010b = A10 1011b = A11 1100b = A12 1101b = A13 1110b = A14 1111b = A15</p>

27.3.7 ADC10HI Register

ADC10_A Window Comparator High Threshold Register

Figure 27-18. ADC10HI Register

15	14	13	12	11	10	9	8
Reserved						High_Threshold	
r0	r0	r0	r0	r0	r0	rw-(1)	rw-(1)
7	6	5	4	3	2	1	0
High_Threshold							
rw-(1)	rw-(1)	rw-(1)	rw-(1)	rw-(1)	rw-(1)	rw-(1)	rw-(1)

Table 27-9. ADC10HI Register Description

Bit	Field	Type	Reset	Description
15-10	Reserved	R	0h	Reserved. Always reads as 0.
9-0	High_Threshold	RW	3FFh	The 10-bit threshold value needs to be right justified. Bit 9 is the MSB. Bits 15-10 are 0 in 10-bit mode, and bits 15-8 are 0 in 8-bit mode. This data format is used if ADC10DF = 0.

27.3.8 ADC10HI Register, Twos-Complement Format

ADC10_A Window Comparator High Threshold Register, Twos-Complement Format

Figure 27-19. ADC10HI Register

15	14	13	12	11	10	9	8
High_Threshold							
rw-(0)	rw-(1)	rw-(1)	rw-(1)	rw-(1)	rw-(1)	rw-(1)	rw-(1)
7	6	5	4	3	2	1	0
High_Threshold		Reserved					
rw-(1)	rw-(1)	r0	r0	r0	r0	r0	r0

Table 27-10. ADC10HI Register Description

Bit	Field	Type	Reset	Description
15-6	High_Threshold	RW	1FFh	The 10-bit threshold value needs to be left justified if twos-complement format is chosen. Bit 15 is the MSB. Bits 5-0 are 0 in 10-bit mode, and bits 7-0 are 0 in 8-bit mode. This data format is used if ADC10DF = 1.
5-0	Reserved	R	0h	Reserved. Always reads as 0.

27.3.9 ADC10LO Register

ADC10_A Window Comparator Low Threshold Register

Figure 27-20. ADC10LO Register

15	14	13	12	11	10	9	8
Reserved						Low_Threshold	
r0	r0	r0	r0	r0	r0	rw-(0)	rw-(0)
7	6	5	4	3	2	1	0
Low_Threshold							
rw-(0)	rw-(0)	rw-(0)	rw-(0)	rw-(0)	rw-(0)	rw-(0)	rw-(0)

Table 27-11. ADC10LO Register Description

Bit	Field	Type	Reset	Description
15-10	Reserved	R	0h	Reserved. Always reads as 0.
9-0	Low_Threshold	RW	0h	The 10-bit threshold value needs to be right justified. Bit 9 is the MSB. Bits 15-10 are 0 in 10-bit mode, and bits 15-8 are 0 in 8-bit mode. This data format is used if ADC10DF = 0.

27.3.10 ADC10LO Register, Twos-Complement Format

ADC10_A Window Comparator Low Threshold Register, Twos-Complement Format

Figure 27-21. ADC10LO Register

15	14	13	12	11	10	9	8
Low_Threshold							
rw-(1)	rw-(0)	rw-(0)	rw-(0)	rw-(0)	rw-(0)	rw-(0)	rw-(0)
7	6	5	4	3	2	1	0
Low_Threshold		Reserved					
rw-(0)	rw-(0)	r0	r0	r0	r0	r0	r0

Table 27-12. ADC10LO Register Description

Bit	Field	Type	Reset	Description
15-6	Low_Threshold	RW	200h	The 10-bit threshold value needs to be left justified if twos-complement format is chosen. Bit 15 is the MSB. Bits 5-0 are 0 in 10-bit mode, and bits 7-0 are 0 in 8-bit mode. This data format is used if ADC10DF = 1.
5-0	Reserved	R	0h	Reserved. Always reads as 0.

27.3.11 ADC10IE Register

ADC10_A Interrupt Enable Register

Figure 27-22. ADC10IE Register

15	14	13	12	11	10	9	8
Reserved							
r0	r0	r0	r0	r0	r0	r0	r0
7	6	5	4	3	2	1	0
Reserved		ADC10TOVIE	ADC10OVIE	ADC10HIIE	ADC10LOIE	ADC10INIE	ADC10IE0
r0	r0	rw-(0)	rw-(0)	rw-(0)	rw-(0)	rw-(0)	rw-(0)

Table 27-13. ADC10IE Register Description

Bit	Field	Type	Reset	Description
15-6	Reserved	R	0h	Reserved. Always reads as 0.
5	ADC10TOVIE	RW	0h	ADC10_A conversion-time-overflow interrupt enable. 0b = Conversion time overflow interrupt disabled 1b = Conversion time overflow interrupt enabled
4	ADC10OVIE	RW	0h	ADC10MEM0 overflow interrupt enable. 0b = Overflow interrupt disabled 1b = Overflow interrupt enabled
3	ADC10HIIE	RW	0h	Interrupt enable for the above upper threshold interrupt of the window comparator. 0b = Above upper threshold interrupt disabled 1b = Above upper threshold interrupt enabled
2	ADC10LOIE	RW	0h	Interrupt enable for the below lower threshold interrupt of the window comparator. 0b = Below lower threshold interrupt disabled 1b = Below lower threshold interrupt enabled
1	ADC10INIE	RW	0h	Interrupt enable for the inside of window interrupt of the window comparator. 0b = Inside of window interrupt disabled 1b = Inside of window interrupt enabled
0	ADC10IE0	RW	0h	Interrupt enable. This bits enable or disable the interrupt request for a completed ADC10_A conversion. 0b = Interrupt disabled 1b = Interrupt enabled

27.3.12 ADC10IFG Register

ADC10_A Interrupt Flag Register

Figure 27-23. ADC10IFG Register

15	14	13	12	11	10	9	8
Reserved							
r0	r0	r0	r0	r0	r0	r0	r0
7	6	5	4	3	2	1	0
Reserved		ADC10TOVIFG	ADC10OVIFG	ADC10HIIFG	ADC10LOIFG	ADC10INIFG	ADC10IFG0
r0	r0	rw-(0)	rw-(0)	rw-(0)	rw-(0)	rw-(0)	rw-(0)

Table 27-14. ADC10IFG Register Description

Bit	Field	Type	Reset	Description
15-6	Reserved	R	0h	Reserved. Always reads as 0.
5	ADC10TOVIFG	RW	0h	The ADC10TOVIFG is set when an ADC10_A conversion is triggered before the actual conversion has completed. 0b = No interrupt pending 1b = Interrupt pending
4	ADC10OVIFG	RW	0h	The ADC10OVIFG is set when the ADC10MEM0 register is written before the last conversion result has been read. 0b = No interrupt pending 1b = Interrupt pending
3	ADC10HIIFG	RW	0h	The ADC10HIIFG is set when the result of the current ADC10_A conversion is greater than the upper threshold defined by the window comparator's upper threshold register. 0b = No interrupt pending 1b = Interrupt pending
2	ADC10LOIFG	RW	0h	The ADC10LOIFG is set when the result of the current ADC10_A conversion is below the lower threshold defined by the window comparator's lower threshold register. 0b = No interrupt pending 1b = Interrupt pending
1	ADC10INIFG	RW	0h	The ADC10INIFG is set when the result of the current ADC10_A conversion is within the thresholds defined by the window comparator's threshold registers. 0b = No interrupt pending 1b = Interrupt pending
0	ADC10IFG0	RW	0h	The ADC10IFG0 is set when an ADC10_A conversion is completed. This bit gets reset, when the ADC10MEM0 get read, or may be reset by software. 0b = No interrupt pending 1b = Interrupt pending

27.3.13 ADC10IV Register

ADC10_A Interrupt Vector Register

Figure 27-24. ADC10IV Register

15	14	13	12	11	10	9	8
ADC10IVx							
r0	r0	r0	r0	r0	r0	r0	r0
7	6	5	4	3	2	1	0
ADC10IVx							
r0	r0	r0	r0	r-(0)	r-(0)	r-(0)	r0

Table 27-15. ADC10IV Register Description

Bit	Field	Type	Reset	Description
15-0	ADC10IVx	R	0h	ADC10_A interrupt vector value. It generates an value that can be used as address offset for fast interrupt service routine handling. Writing to this register clears all pending interrupt flags. 00h = No interrupt pending 02h = Interrupt Source: ADC10MEM0 overflow; Interrupt Flag: ADC10OVIFG; Interrupt Priority: Highest 04h = Interrupt Source: Conversion time overflow; Interrupt Flag: ADC10TOVIFG 06h = Interrupt Source: ADC10HI Interrupt flag; Interrupt Flag: ADC10HIIFG 08h = Interrupt Source: ADC10LO Interrupt flag; Interrupt Flag: ADC10LOIFG 0Ah = Interrupt Source: ADC10IN Interrupt flag; Interrupt Flag: ADC10INIFG 0Ch = Interrupt Source: ADC10_A memory Interrupt flag; Interrupt Flag: ADC10IFG0; Interrupt Priority: Lowest

ADC12_A

The ADC12_A module is a high-performance 12-bit analog-to-digital converter (ADC). This chapter describes the operation of the ADC12_A module.

Topic	Page
28.1 ADC12_A Introduction	731
28.2 ADC12_A Operation	734
28.3 ADC12_A Registers	748

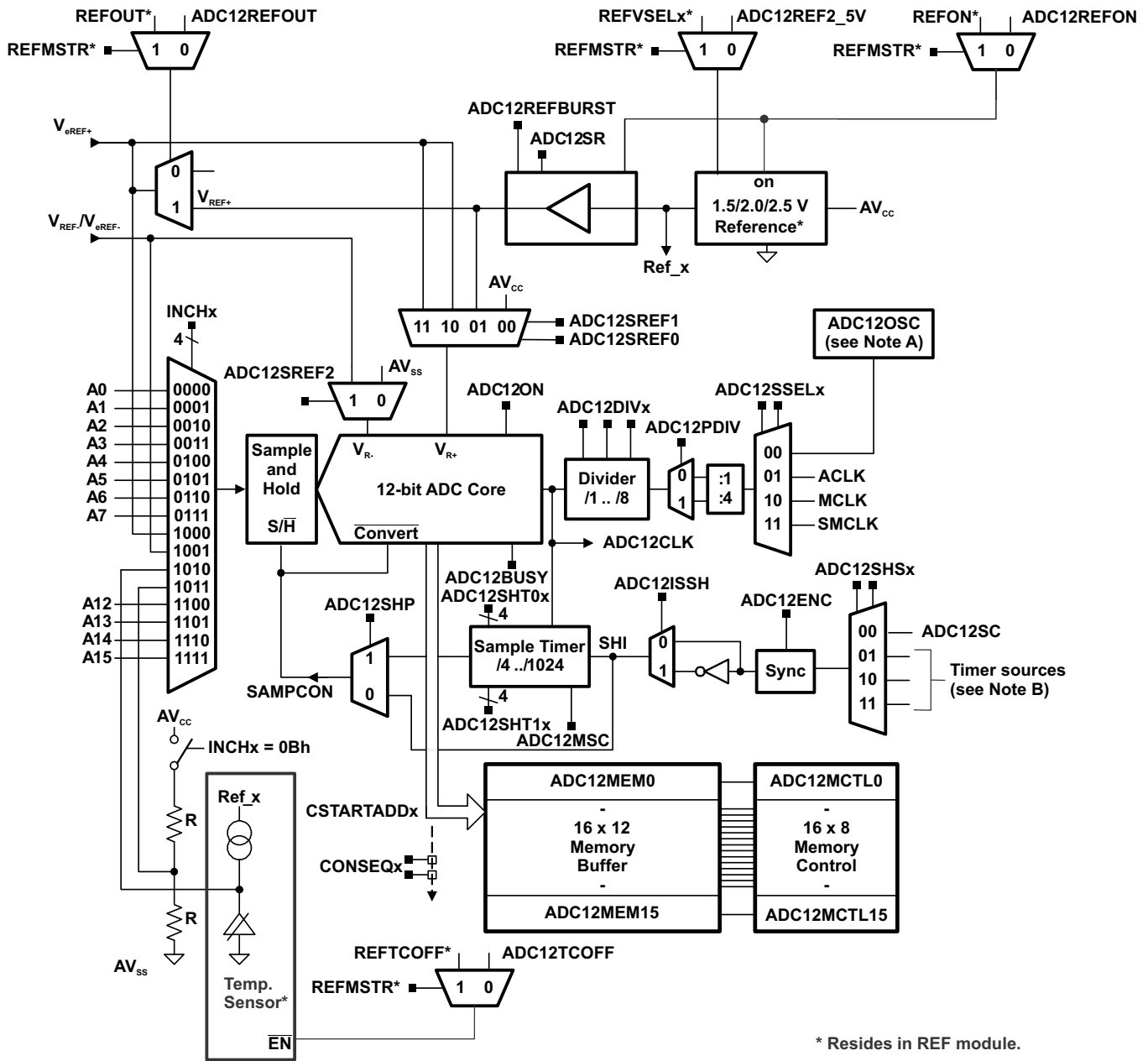
28.1 ADC12_A Introduction

The ADC12_A module supports fast 12-bit analog-to-digital conversions. The module implements a 12-bit SAR core, sample select control, reference generator (MSP430F54xx (non-A only) – in other devices, separate REF module), and a 16-word conversion-and-control buffer. The conversion-and-control buffer allows up to 16 independent analog-to-digital converter (ADC) samples to be converted and stored without any CPU intervention.

ADC12_A features include:

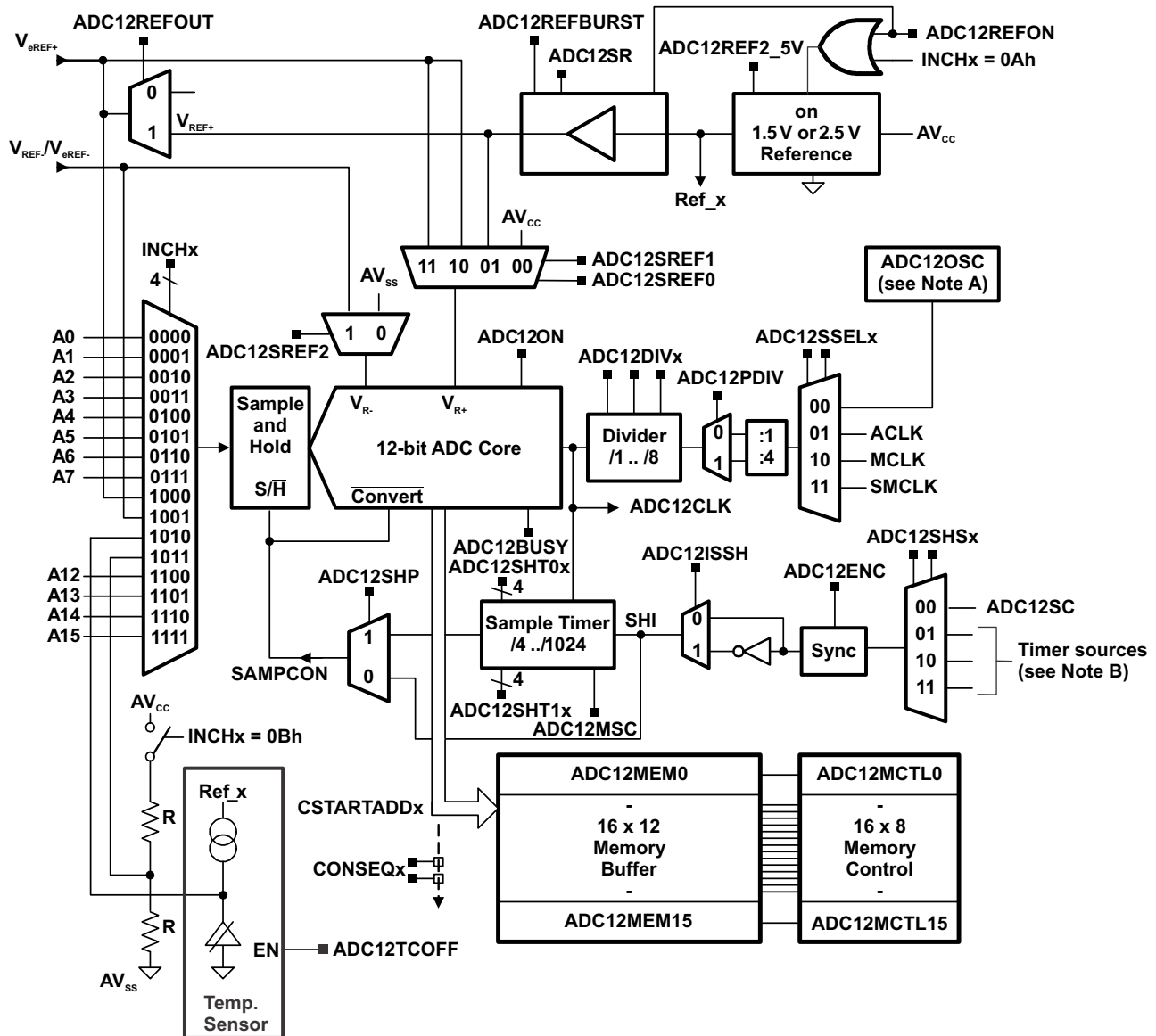
- Greater than 200-ksps maximum conversion rate
- Monotonic 12-bit converter with no missing codes
- Sample-and-hold with programmable sampling periods controlled by software or timers
- Conversion initiation by software or timers
- Software-selectable on-chip reference voltage generation (MSP430F54xx (non-A only): 1.5 V or 2.5 V, all other devices: 1.5 V, 2.0 V, or 2.5 V)
- Software-selectable internal or external reference
- Up to 12 individually configurable external input channels
- Conversion channels for internal temperature sensor, AV_{CC} , and external references
- Independent channel-selectable reference sources for both positive and negative references
- Selectable conversion clock source
- Single-channel, repeat-single-channel, sequence (autoscan), and repeat-sequence (repeated autoscan) conversion modes
- ADC core and reference voltage can be powered down separately
- Interrupt vector register for fast decoding of 18 ADC interrupts
- 16 conversion-result storage registers

[Figure 28-1](#) shows the block diagram of the ADC12_A. In MSP430F54xx (non-A only), the reference generator is located in the ADC12_A module itself. In other devices, the reference generator is located in the reference module, REF. See the REF module chapter and the device-specific data sheet for further details. [Figure 28-1](#) shows the block diagram for devices that have the REF module available. [Figure 28-2](#) shows the block diagram for the MSP430F54xx (non-A only) which does not incorporate the REF module.



- A ADC12OSC refers to the MODCLK from the UCS. See the [UCS chapter](#) for more information.
- B See the device-specific data sheet for timer sources available.

Figure 28-1. ADC12_A Block Diagram (Devices With REF Module)



- A ADC12OSC refers to the MODCLK from the UCS. See the [UCS chapter](#) for more information.
- B See the device-specific data sheet for timer sources available.

Figure 28-2. ADC12_A MSP430F54xx (non-A) Block Diagram

28.2 ADC12_A Operation

The ADC12_A module is configured with user software. The setup and operation of the ADC12_A is discussed in the following sections.

28.2.1 12-Bit ADC Core

The ADC core converts an analog input to its 12-bit digital representation and stores the result in conversion memory. The core uses two programmable and selectable voltage levels (V_{R+} and V_{R-}) to define the upper and lower limits of the conversion. The digital output (N_{ADC}) is full scale (0FFFh) when the input signal is equal to or higher than V_{R+} . The digital output (N_{ADC}) is zero when the input signal is equal to or lower than V_{R-} . The input channel and the reference voltage levels (V_{R+} and V_{R-}) are defined in the

conversion-control memory. The conversion formula for the ADC result N_{ADC} is:

$$N_{ADC} = 4095 \times \frac{V_{in} - V_{R-}}{V_{R+} - V_{R-}}$$

The ADC12_A core is configured by two control registers, ADC12CTL0 and ADC12CTL1. The core is enabled with the ADC12ON bit. The ADC12_A can be turned off when it is not in use to save power. With few exceptions, the ADC12_A control bits can be modified only when ADC12ENC = 0. ADC12ENC must be set to 1 before any conversion can take place.

28.2.1.1 Conversion Clock Selection

The ADC12CLK is used both as the conversion clock and to generate the sampling period when the pulse sampling mode is selected. The ADC12_A source clock is selected using the predivider controlled by the ADC12PDIV bit and the divider using the ADC12SSELx bits. The input clock can be divided from 1 to 32 using both the ADC12DIVx bits and the ADC12PDIV bit. Possible ADC12CLK sources are SMCLK, MCLK, ACLK, and the ADC12OSC.

The ADC12OSC in the block diagram (see Figure 28-1) refers to the MODCLK 5-MHz oscillator from the UCS (see the UCS module for more information) which can vary with individual devices, supply voltage, and temperature. See the device-specific data sheet for the ADC12OSC specification.

The user must ensure that the clock chosen for ADC12CLK remains active until the end of a conversion. If the clock is removed during a conversion, the operation does not complete and the results are invalid.

28.2.2 ADC12_A Inputs and Multiplexer

The 12 external and 4 internal analog signals are selected as the channel for conversion by the analog input multiplexer. The input multiplexer is a break-before-make type to reduce input-to-input noise injection resulting from channel switching (see Figure 28-3). The input multiplexer is also a T-switch to minimize the coupling between channels. Channels that are not selected are isolated from the ADC, and the intermediate node is connected to analog ground (AV_{SS}) so that the stray capacitance is grounded to eliminate crosstalk.

The ADC12_A uses the charge redistribution method. When the inputs are internally switched, the switching action may cause transients on the input signal. These transients decay and settle before causing errant conversion.

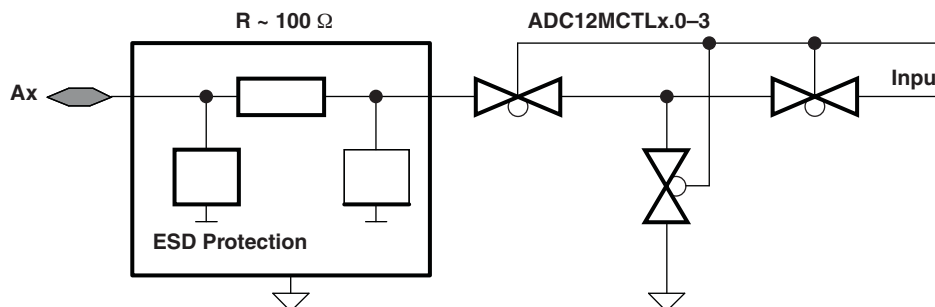


Figure 28-3. Analog Multiplexer

28.2.2.1 Analog Port Selection

The ADC12_A inputs are multiplexed with digital port pins. When analog signals are applied to digital gates, parasitic current can flow from V_{CC} to GND. This parasitic current occurs if the input voltage is near the transition level of the gate. Disabling the digital part of the port pin eliminates the parasitic current flow and, therefore, reduces overall current consumption. The PxSEL.y bits provide the ability to disable the port pin input and output buffers.

```
; Px.0 and Px.1 configured for analog input
BIS.B #3h,&PxSEL ; Px.1 and Px.0 ADC12_A function
```

28.2.3 Voltage Reference Generator

The ADC12_A modules have a separate reference module (REF) that supplies three selectable voltage levels, 1.5 V, 2.0 V, and 2.5 V to the ADC12_A. Any of these voltages may be used internally and externally on pin VREF+. The internal AV_{CC} can also be used as the reference.

The ADC12_A module of the MSP430F54xx devices (non-A only) does not use the REF module and only has two selectable voltage levels, 1.5 V and 2.5 V. The internal AV_{CC} can also be used as the reference.

On devices with the REF module, the voltage reference settings can be controlled either by the REF module or by the ADC12_A module. This is to allow for backward compatibility with older families. This is handled by the REFMSTR bit in the REF module. If REFMSTR = 1 (default), the REF module registers control the reference settings. If REFMSTR = 0, the ADC12_A reference setting define the reference voltage of the ADC12_A module. Four control settings that reside in the ADC12_A can be controlled also by four corresponding settings in the REF module: ADC12REF2_5V (REFVSEL), ADC12REFON (REFON), ADC12REFOUT (REFOUT), and ADC12TCOFF (REFTCOFF), respectively. When REFMSTR = 1, ADC12REF2_5V, ADC12REFON, ADC12REFOUT, and ADC12TCOFF are do not care. Similarly, when REFMSTR = 0, REFVSEL, REFON, REFOUT, and REFTCOFF are do not care. See the REF module chapter for further details.

On devices with the REF module, to use the ADC12_A reference control bits, set REFMSTR = 0. In this case, setting ADC12REFON = 1 enables the reference voltage of the ADC12_A module. When ADC12REF2_5V = 1, the internal reference is 2.5 V; when ADC12REF2_5V = 0, the reference is 1.5 V. Similarly, on devices with the REF module, to use the REF module reference control bits, set REFMSTR = 1. In this case, setting REFON = 1 of the REF module enables the reference voltage. The REFVSEL bits of the REF module can be used to select either 1.5 V, 2.0 V, or 2.5 V. The reference can be turned off to save power when not in use. On the MSP430F54xx devices (non-A only), as stated previously, the REF module is not present, and these devices behave the same as devices with the REF module with REFMSTR = 0.

External references may be supplied for V_{R+} and V_{R-} through pins VREF+/VeREF+ and VREF-/VeREF-, respectively.

External storage capacitors are required only if ADC12REFOUT = 1 (REFOUT = 1 when using REF module) and the reference voltage is made available at the pins.

28.2.3.1 Internal Reference Low-Power Features

The ADC12_A internal reference generator is designed for low-power applications. The reference generator includes a bandgap voltage source and a separate buffer. When ADC12REFON = 1 (REFON = 1 when using REF module), both are enabled; when ADC12REFON = 0 (REFON = 0 when using REF module), both are disabled.

When ADC12REFON = 1 (REFON = 1 when using REF module) and ADC12REFBURST = 1 but no conversion is active, the buffer is automatically disabled and automatically reenabled when needed. When the buffer is disabled, it consumes no current. In this case, the bandgap voltage source remains enabled.

The ADC12REFBURST bit controls the operation of the reference buffer. When ADC12REFBURST = 1, the buffer is automatically disabled when the ADC12_A is not actively converting, and is automatically reenabled when needed. When ADC12REFBURST = 0, the buffer is on continuously. This allows the reference voltage to be present outside the device continuously if ADC12REFOUT = 1 (REFOUT = 1 when using REF module).

The internal reference buffer also has selectable speed versus power settings. When the maximum conversion rate is below 50 ksp/s, setting $ADC12SR = 1$ reduces the current consumption of the buffer by approximately 50%.

28.2.4 Auto Power Down

The ADC12_A is designed for low-power applications. When the ADC12_A is not actively converting, the core is automatically disabled, and it is automatically reenabled when needed. The MODOSC is also automatically enabled when needed and disabled when not needed.

28.2.5 Sample and Conversion Timing

An analog-to-digital conversion is initiated with a rising edge of the sample input signal SHI. The source for SHI is selected with the SHSx bits and includes the following:

- ADC12SC bit
- Up to three timer outputs (see the device-specific data sheet for available timer sources)

The ADC12_A supports 8-bit, 10-bit, and 12-bit resolution modes selectable by the ADC12RES bits. The analog-to-digital conversion requires 9, 11, and 13 ADC12CLK cycles, respectively. The polarity of the SHI signal source can be inverted with the ADC12ISSH bit. The SAMPCON signal controls the sample period and start of conversion. When SAMPCON is high, sampling is active. The high-to-low SAMPCON transition starts the analog-to-digital conversion. Two different sample-timing methods are defined by control bit ADC12SHP, extended sample mode and pulse mode. See the device-specific data sheet for available timers for SHI sources.

28.2.5.1 Extended Sample Mode

The extended sample mode is selected when $ADC12SHP = 0$. The SHI signal directly controls SAMPCON and defines the length of the sample period t_{sample} . When SAMPCON is high, sampling is active. The high-to-low SAMPCON transition starts the conversion after synchronization with ADC12CLK (see Figure 28-4).

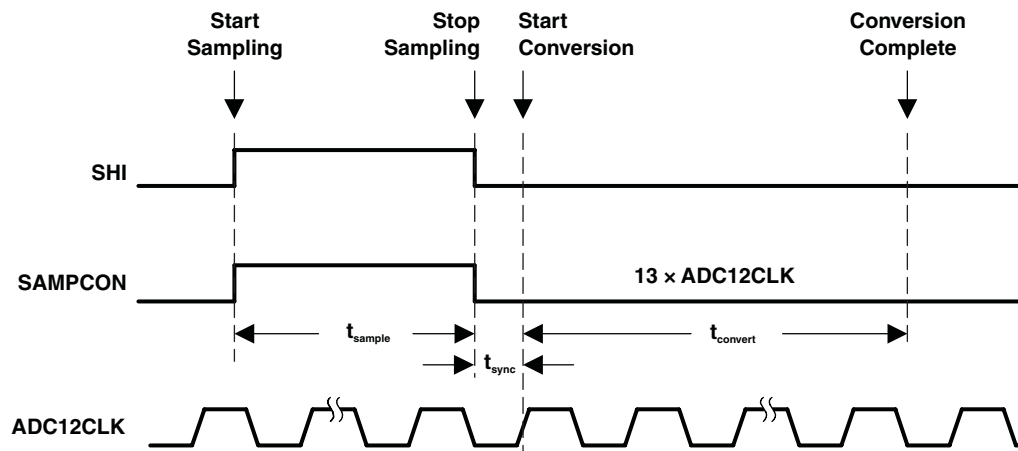


Figure 28-4. Extended Sample Mode

28.2.5.2 Pulse Sample Mode

Set $ADC12SHP = 1$ to select the pulse sample mode. The SHI signal is used to trigger the sampling timer. The ADC12SHT0x and ADC12SHT1x bits in ADC12CTL0 control the interval of the sampling timer that defines the SAMPCON sample period t_{sample} . The sampling timer keeps SAMPCON high after synchronization with ADC12CLK for a programmed interval t_{sample} . The total sampling time is t_{sample} plus t_{sync} (see Figure 28-5).

The ADC12SHTx bits select the sampling time in 4x multiples of ADC12CLK. ADC12SHT0x selects the sampling time for ADC12MCTL0 to ADC12MCTL7. ADC12SHT1x selects the sampling time for ADC12MCTL8 to ADC12MCTL15.

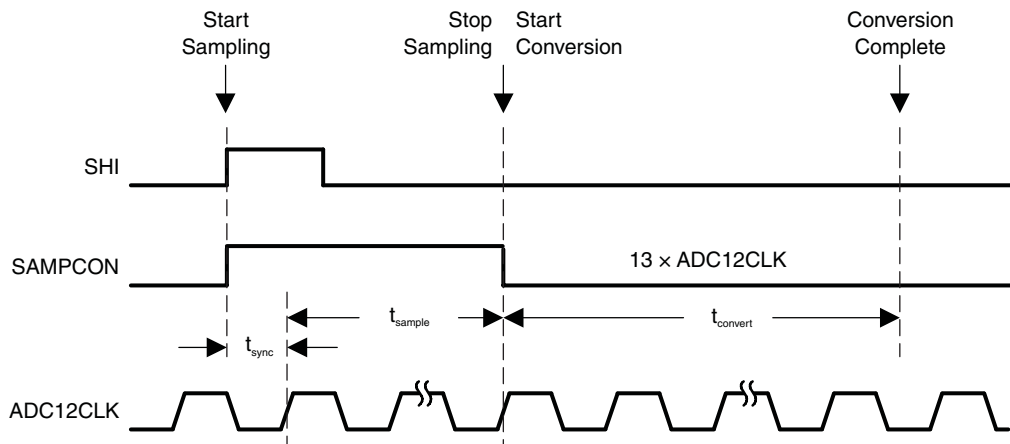


Figure 28-5. Pulse Sample Mode

28.2.5.3 Sample Timing Considerations

When SAMPCON = 0, all Ax inputs are high impedance. When SAMPCON = 1, the selected Ax input can be modeled as an RC low-pass filter during the sampling time t_{sample} (see Figure 28-6). An internal MUX-on input resistance R_1 (maximum 1.8 k Ω) in series with capacitor C_1 (25 pF maximum) is seen by the source. The capacitor C_1 voltage V_c must be charged to within one-half LSB of the source voltage V_s for an accurate n-bit conversion, where n is the bits of resolution required.

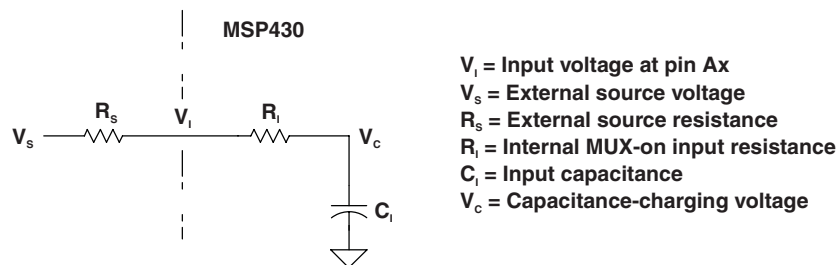


Figure 28-6. Analog Input Equivalent Circuit

The resistance of the source R_s and R_1 affect t_{sample} . The following equation can be used to calculate the minimum sampling time t_{sample} for a n-bit conversion, where n equals the bits of resolution:

$$t_{\text{sample}} > (R_s + R_1) \times \ln(2^{n+1}) \times C_1 + 800 \text{ ns}$$

Substituting the values for R_1 and C_1 given above, the equation becomes:

$$t_{\text{sample}} > (R_s + 1.8 \text{ k}\Omega) \times \ln(2^{n+1}) \times 25 \text{ pF} + 800 \text{ ns}$$

For example, for 12-bit resolution, if R_s is 10 k Ω , t_{sample} must be greater than 3.46 μs .

28.2.6 Conversion Memory

There are 16 ADC12MEMx conversion memory registers to store conversion results. Each ADC12MEMx is configured with an associated ADC12MCTLx control register. The SREFx bits define the voltage reference and the INCHx bits select the input channel. The ADC12EOS bit defines the end of sequence when a sequential conversion mode is used. A sequence rolls over from ADC12MEM15 to ADC12MEM0 when the ADC12EOS bit in ADC12MCTL15 is not set.

The CSTARTADDx bits define the first ADC12MCTLx used for any conversion. If the conversion mode is single-channel or repeat-single-channel, the CSTARTADDx points to the single ADC12MCTLx to be used.

If the conversion mode selected is either sequence-of-channels or repeat-sequence-of-channels, CSTARTADDx points to the first ADC12MCTLx location to be used in a sequence. A pointer, not visible to software, is incremented automatically to the next ADC12MCTLx in a sequence when each conversion completes. The sequence continues until an ADC12EOS bit in ADC12MCTLx is processed; this is the last control byte processed.

When conversion results are written to a selected ADC12MEMx, the corresponding flag in the ADC12IFGx register is set.

There are two formats available to store the conversion result, ADC12MEMx. When ADC12DF = 0, the conversion is right justified, unsigned. For 8-bit, 10-bit, and 12-bit resolutions, the upper 8, 6, and 4 bits of ADC12MEMx are always zeros, respectively. When ADC12DF = 1, the conversion result is left justified, two's complement. For 8-bit, 10-bit, and 12-bit resolutions, the lower 8, 6, and 4 bits of ADC12MEMx are always zeros, respectively. This is summarized in [Table 28-1](#).

Table 28-1. ADC12_A Conversion Result Formats

Analog Input Voltage	ADC12DF	ADC12RES	Ideal Conversion Results	ADC12MEMx
-V _{REF} to +V _{REF}	0	00	0 to 255	0000h to 00FFh
	0	01	0 to 1023	0000h to 03FFh
	0	10	0 to 4095	0000h to 0FFFh
	1	00	-128 to 127	8000h to 7F00h
	1	01	-512 to 511	8000h to 7FC0h
	1	10	-2048 to 2047	8000h to 7FF0h

28.2.7 ADC12_A Conversion Modes

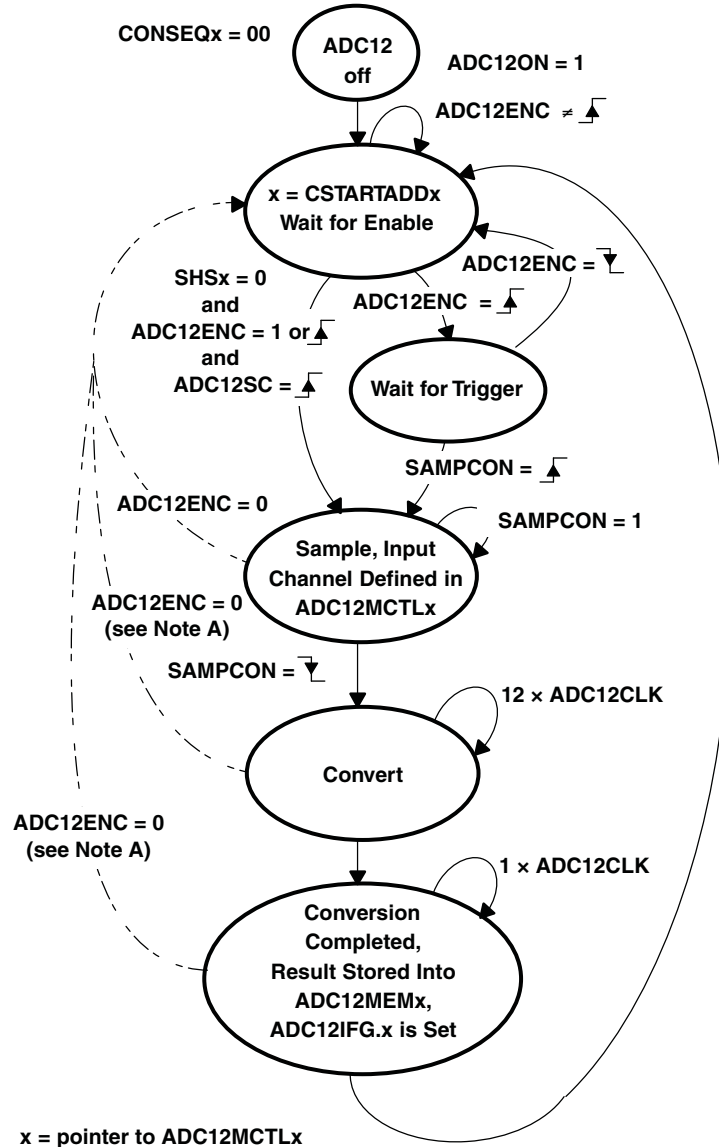
The ADC12_A has four operating modes selected by the CONSEQx bits (see [Table 28-2](#)). All state diagrams assume a 12-bit resolution setting.

Table 28-2. Conversion Mode Summary

ADC12CONSEQx	Mode	Operation
00	Single-channel single-conversion	A single channel is converted once.
01	Sequence-of-channels (autoscan)	A sequence of channels is converted once.
10	Repeat-single-channel	A single channel is converted repeatedly.
11	Repeat-sequence-of-channels (repeated autoscan)	A sequence of channels is converted repeatedly.

28.2.7.1 Single-Channel Single-Conversion Mode

A single channel is sampled and converted once. The ADC result is written to the ADC12MEMx defined by the CSTARTADDx bits. Figure 28-7 shows the flow of the single-channel single-conversion mode. When ADC12SC triggers a conversion, successive conversions can be triggered by the ADC12SC bit. When any other trigger source is used, ADC12ENC must be toggled between each conversion.

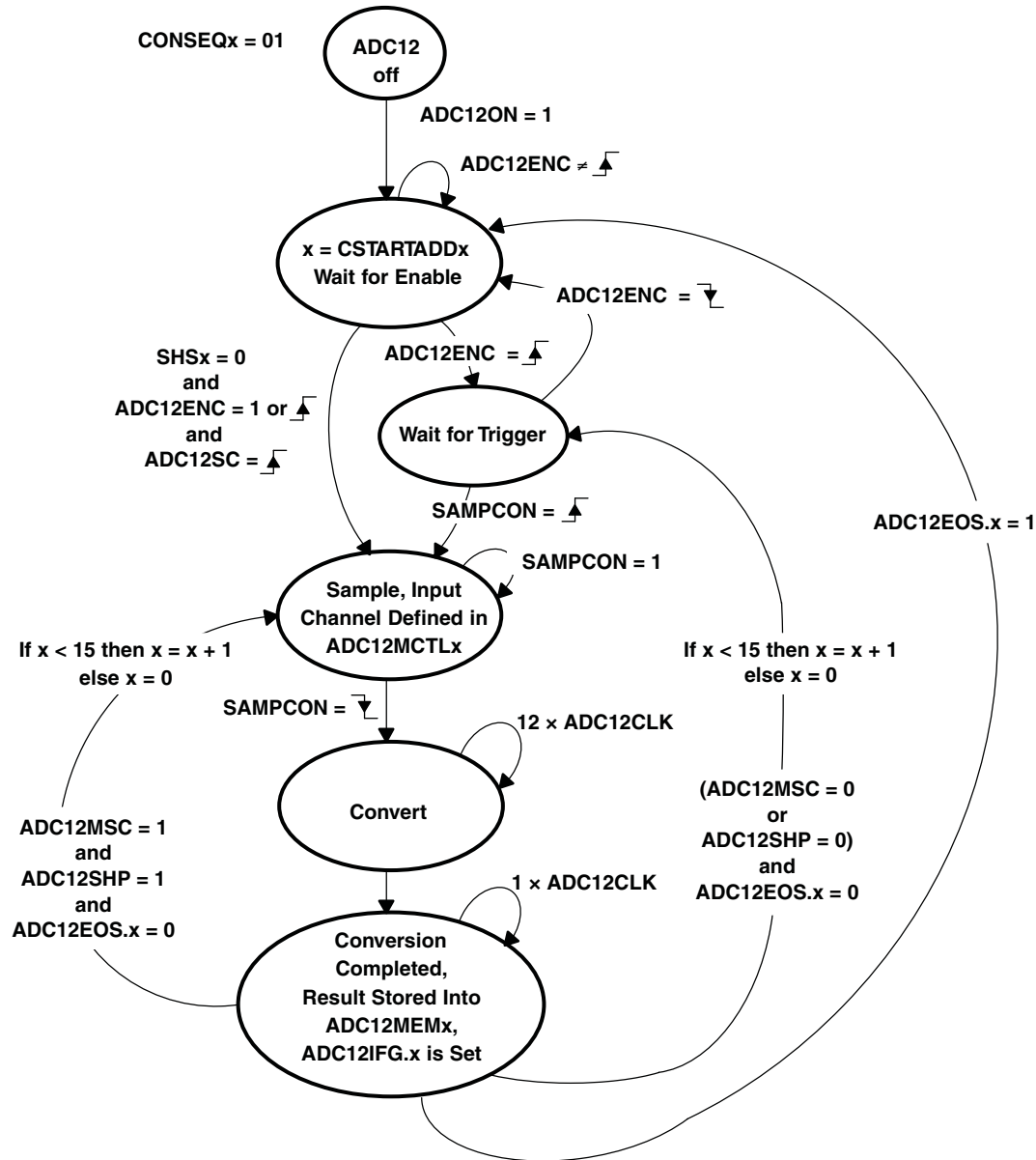


A Conversion result is unpredictable.

Figure 28-7. Single-Channel Single-Conversion Mode

28.2.7.2 Sequence-of-Channels Mode (Autoscan Mode)

In sequence-of-channels mode, also referred to as autoscan mode, a sequence of channels is sampled and converted one time. The ADC results are written to the conversion memories starting with the ADCMEM_x defined by the CSTARTADD_x bits. The sequence stops after the measurement of the channel with a set ADC12EOS bit. Figure 28-8 shows the sequence-of-channels mode. When ADC12SC triggers a sequence, successive sequences can be triggered by the ADC12SC bit. The ADC12SC must be cleared by software after each sequence to trigger another sequence. When any other trigger source is used, ADC12ENC must be toggled between each sequence.



x = pointer to ADC12MCTL_x

Figure 28-8. Sequence-of-Channels Mode

28.2.7.3 Repeat-Single-Channel Mode

A single channel is sampled and converted continuously. The ADC results are written to the ADC12MEMx defined by the CSTARTADDx bits. It is necessary to read the result after each completed conversion, because only one ADC12MEMx memory is used and is overwritten by the next conversion. Figure 28-9 shows the repeat-single-channel mode.

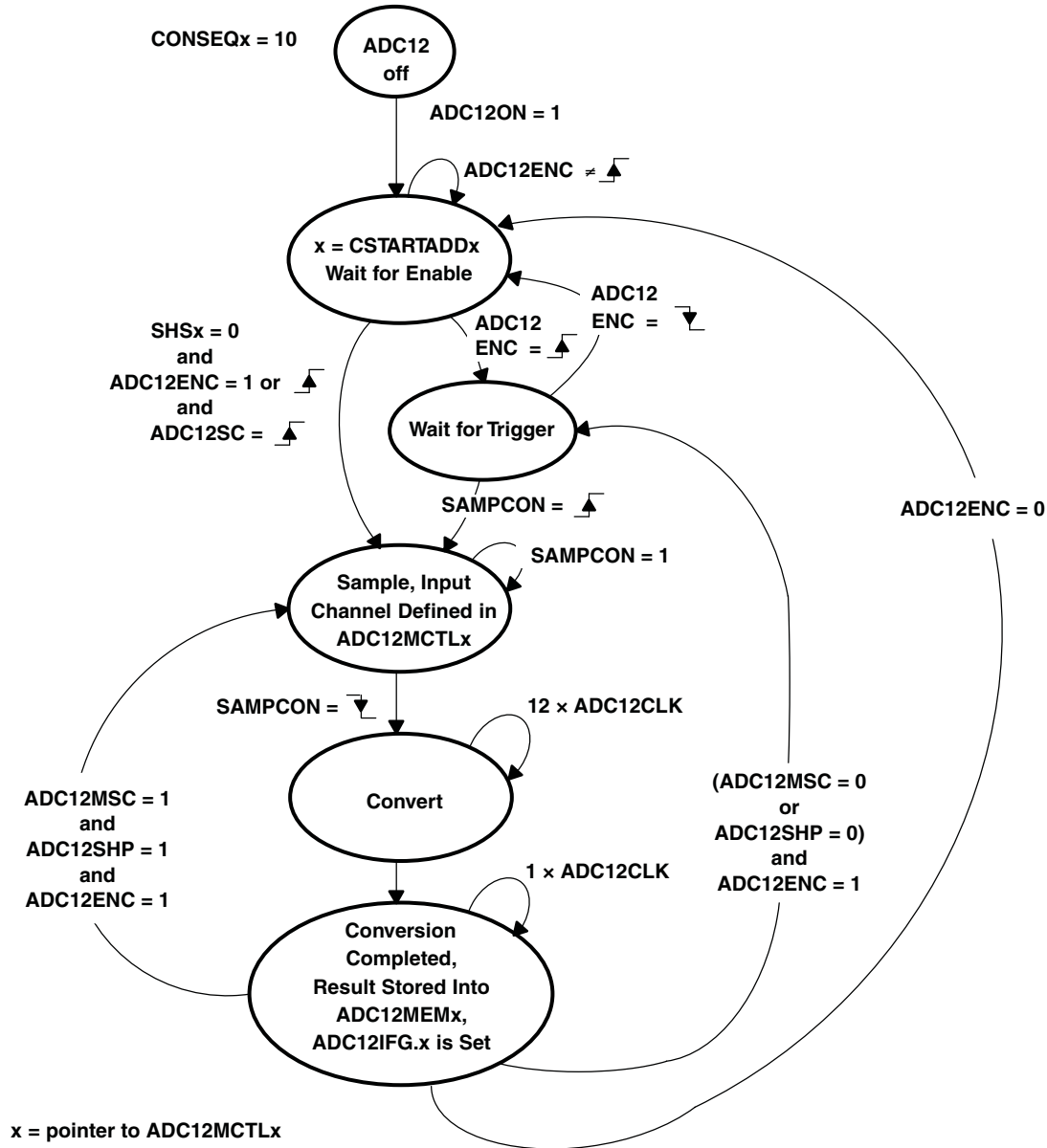


Figure 28-9. Repeat-Single-Channel Mode

28.2.7.4 Repeat-Sequence-of-Channels Mode (Repeated Autoscan Mode)

In this mode, a sequence of channels is sampled and converted repeatedly. This mode is also referred to as repeated autoscan mode. The ADC results are written to the conversion memories starting with the ADC12MEMx defined by the CSTARTADDx bits. The sequence ends after the measurement of the channel with a set ADC12EOS bit and the next trigger signal restarts the sequence. Figure 28-10 shows the repeat-sequence-of-channels mode.

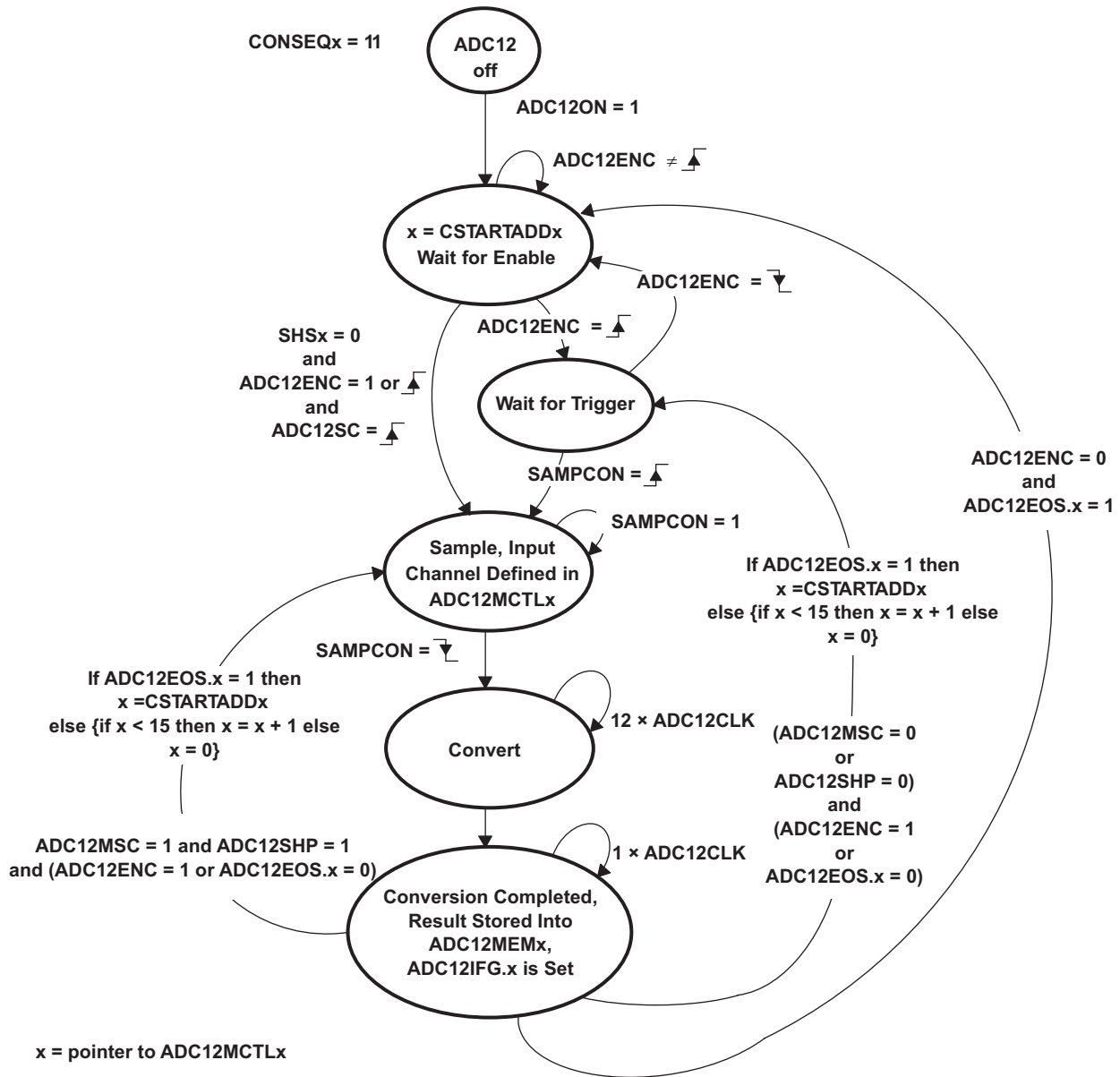


Figure 28-10. Repeat-Sequence-of-Channels Mode

28.2.7.5 Using the Multiple Sample and Convert (ADC12MSC) Bit

To configure the converter to perform successive conversions automatically and as quickly as possible, a multiple sample-and-convert function is available. When $ADC12MSC = 1$, $CONSEQx > 0$, and the sample timer is used, the first rising edge of the SHI signal triggers the first conversion. Successive conversions are triggered automatically as soon as the prior conversion is completed. Additional rising edges on SHI are ignored until the sequence is completed in the single-sequence mode, or until the ADC12ENC bit is toggled in repeat-single-channel or repeated-sequence modes. The function of the ADC12ENC bit is unchanged when using the ADC12MSC bit.

28.2.7.6 Stopping Conversions

Stopping ADC12_A activity depends on the mode of operation. The recommended ways to stop an active conversion or conversion sequence are:

- Resetting ADC12ENC in single-channel single-conversion mode stops a conversion immediately and the results are unpredictable. For correct results, poll the busy bit until reset before clearing ADC12ENC.
- Resetting ADC12ENC during repeat-single-channel operation stops the converter at the end of the current conversion.
- Resetting ADC12ENC during a sequence or repeat-sequence mode stops the converter at the end of the sequence.
- Any conversion mode may be stopped immediately by setting the $CONSEQx = 0$ and resetting the ADC12ENC bit. Conversion data are unreliable.

NOTE: No ADC12EOS bit set for sequence

If no ADC12EOS bit is set and a sequence mode is selected, resetting the ADC12ENC bit does not stop the sequence. To stop the sequence, first select a single-channel mode and then reset ADC12ENC.

28.2.8 Using the Integrated Temperature Sensor

To use the on-chip temperature sensor, select the analog input channel $INCHx = 1010$. Any other configuration is done as if an external channel were selected, including reference selection and conversion-memory selection. The temperature sensor is part of the reference. Therefore, for devices with the REF module, in addition to the input channels selection $INCHx = 1010$, configuring $ADC12REFON = 1$ (for $REFMSTR = 0$) or $REFON = 1$ (for $REFMSTR = 1$) is required to enable the temperature sensor.

For the MSP430F54xx (non-A) devices, which do not include the REF module, selecting the temperature sensor by configuring $INCHx = 1010$ automatically enables the reference generator required for the temperature sensor. Any other configuration is done as if an external channel were selected, including reference selection and conversion-memory selection.

Figure 28-11 shows a typical temperature sensor transfer function. The transfer function that is shown is only an example; the device-specific data sheet contains the actual parameters for a given device. When using the temperature sensor, the sample period must be greater than $30\ \mu\text{s}$. The temperature sensor offset error can be large and may need to be calibrated for most applications. Temperature calibration values are available for use in the TLV descriptors (see the device-specific data sheet for locations). Some MSP430 devices include calibration data that can be used to compute temperature more accurately. For more information, refer to [Section 1.13.5.3](#).

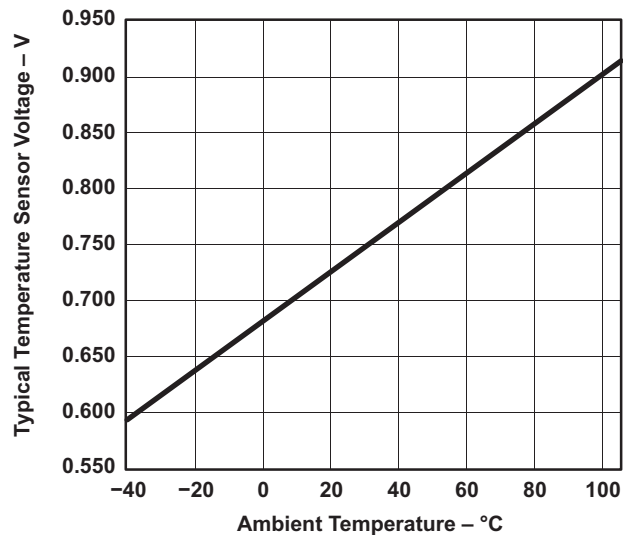


Figure 28-11. Typical Temperature Sensor Transfer Function

28.2.9 ADC12_A Grounding and Noise Considerations

As with any high-resolution ADC, appropriate printed circuit board layout and grounding techniques should be followed to eliminate ground loops, unwanted parasitic effects, and noise.

Ground loops are formed when return current from the ADC flows through paths that are common with other analog or digital circuitry. If care is not taken, this current can generate small unwanted offset voltages that can add to or subtract from the reference or input voltages of the ADC. The connections shown in Figure 28-12 prevent this.

In addition to grounding, ripple and noise spikes on the power-supply lines due to digital switching or switching power supplies can corrupt the conversion result. To achieve high accuracy, TI recommends a noise-free design using separate analog and digital ground planes with a single-point connection.

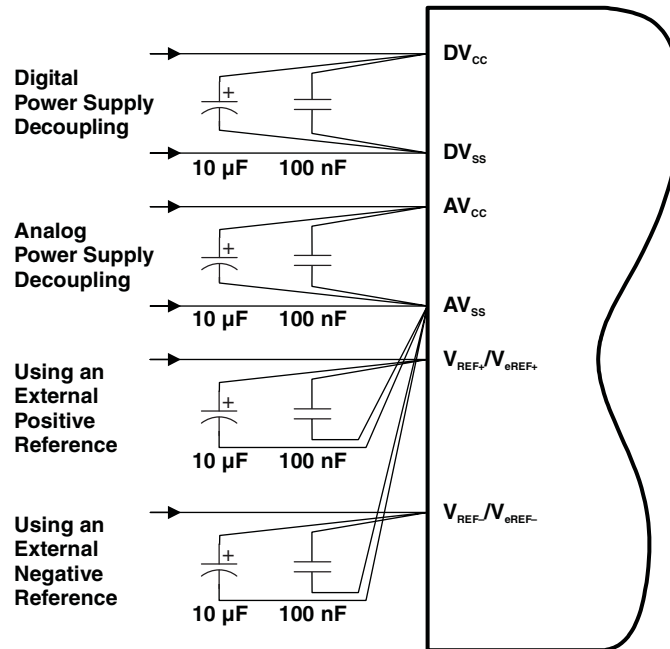


Figure 28-12. ADC12_A Grounding and Noise Considerations

28.2.10 ADC12_A Interrupts

The ADC12_A has 18 interrupt sources:

- ADC12IFG0 to ADC12IFG15
- ADC12OV, ADC12MEMx overflow
- ADC12TOV, ADC12_A conversion time overflow

The ADC12IFGx bits are set when their corresponding ADC12MEMx memory register is loaded with a conversion result. An interrupt request is generated if the corresponding ADC12IEx bit and the GIE bit are set. The ADC12OV condition occurs when a conversion result is written to any ADC12MEMx before its previous conversion result was read. The ADC12TOV condition is generated when another sample-and-conversion is requested before the current conversion is completed. The DMA is triggered after the conversion in single-channel conversion mode or after the completion of a sequence of channel conversions in sequence-of-channels conversion mode with the corresponding ADC12IE bit reset.

28.2.10.1 ADC12IV, Interrupt Vector Generator

All ADC12_A interrupt sources are prioritized and combined to source a single interrupt vector. The interrupt vector register ADC12IV is used to determine which enabled ADC12_A interrupt source requested an interrupt.

The highest-priority enabled ADC12_A interrupt generates a number in the ADC12IV register (see register description). This number can be evaluated or added to the program counter (PC) to automatically enter the appropriate software routine. Disabled ADC12_A interrupts do not affect the ADC12IV value.

Any access, read or write, of the ADC12IV register automatically resets the ADC12OV condition or the ADC12TOV condition if either was the highest-pending interrupt. Neither interrupt condition has an accessible interrupt flag. The ADC12IFGx flags are not reset by an ADC12IV access. ADC12IFGx bits are reset automatically by accessing their associated ADC12MEMx register or may be reset with software.

If another interrupt is pending after servicing of an interrupt, another interrupt is generated. For example, if the ADC12OV and ADC12IFG3 interrupts are pending when the interrupt service routine accesses the ADC12IV register, the ADC12OV interrupt condition is reset automatically. After the RETI instruction of the interrupt service routine is executed, the ADC12IFG3 generates another interrupt.

28.2.10.2 ADC12_A Interrupt Handling Software Example

The following software example shows the recommended use of the ADC12IV and handling overhead. The ADC12IV value is added to the PC to automatically jump to the appropriate routine.

The software overhead for different interrupt sources includes interrupt latency and return-from-interrupt cycles, but not the task handling itself. The latencies are:

- ADC12IFG0 to ADC12IFG14, ADC12TOV, and ADC12OV: 16 cycles
- ADC12IFG15: 14 cycles

The interrupt handler for ADC12IFG15 shows a way to check immediately if a higher-prioritized interrupt occurred during the processing of ADC12IFG15. This saves nine cycles if another ADC12_A interrupt is pending.

```

; Interrupt handler for ADC12.
INT_ADC12          ; Enter Interrupt Service Routine
  ADD      &ADC12IV,PC ; Add offset to PC
  RETI     ; Vector 0: No interrupt
  JMP      ADOV      ; Vector 2: ADC overflow
  JMP      ADTOV     ; Vector 4: ADC timing overflow
  JMP      ADM0      ; Vector 6: ADC12IFG0
  ...      ; Vectors 8-32
  JMP      ADM14     ; Vector 34: ADC12IFG14
;
; Handler for ADC12IFG15 starts here. No JMP required.
;
ADM15      MOV      &ADC12MEM15,xxx ; Move result, flag is reset
  ...      ; Other instruction needed?
  JMP      INT_ADC12 ; Check other int pending
;
; ADC12IFG14-ADC12IFG1 handlers go here
;
ADM0      MOV      &ADC12MEM0,xxx ; Move result, flag is reset
  ...      ; Other instruction needed?
RETI     ; Return
;
ADTOV     ...      ; Handle Conv. time overflow
  RETI     ; Return
;
ADOV      ...      ; Handle ADCMEMx overflow
  RETI     ; Return

```

28.3 ADC12_A Registers

The ADC12_A registers are listed in [Table 28-3](#). The base address of the ADC12_A can be found in the device-specific data sheet. The address offset of each ADC12_A register is given in [Table 28-3](#).

NOTE: All registers have word or byte register access. For a generic register *ANYREG*, the suffix "_L" (*ANYREG_L*) refers to the lower byte of the register (bits 0 through 7). The suffix "_H" (*ANYREG_H*) refers to the upper byte of the register (bits 8 through 15).

Table 28-3. ADC12_A Registers

Offset	Acronym	Register Name	Type	Access	Reset	Section
00h	ADC12CTL0	ADC12_A Control 0	Read/write	Word	0000h	Section 28.3.1
00h	ADC12CTL0_L		Read/write	Byte	00h	
01h	ADC12CTL0_H		Read/write	Byte	00h	
02h	ADC12CTL1	ADC12_A Control 1	Read/write	Word	0000h	Section 28.3.2
02h	ADC12CTL1_L		Read/write	Byte	00h	
03h	ADC12CTL1_H		Read/write	Byte	00h	
04h	ADC12CTL2	ADC12_A Control 2	Read/write	Word	0020h	Section 28.3.3
04h	ADC12CTL2_L		Read/write	Byte	20h	
05h	ADC12CTL2_H		Read/write	Byte	00h	
0Ah	ADC12IFG	ADC12_A Interrupt Flag	Read/write	Word	0000h	Section 28.3.7
0Ah	ADC12IFG_L		Read/write	Byte	00h	
0Bh	ADC12IFG_H		Read/write	Byte	00h	
0Ch	ADC12IE	ADC12_A Interrupt Enable	Read/write	Word	0000h	Section 28.3.6
0Ch	ADC12IE_L		Read/write	Byte	00h	
0Dh	ADC12IE_H		Read/write	Byte	00h	
0Eh	ADC12IV	ADC12_A Interrupt Vector	Read	Word	0000h	Section 28.3.8
0Eh	ADC12IV_L		Read	Byte	00h	
0Fh	ADC12IV_H		Read	Byte	00h	
20h	ADC12MEM0	ADC12_A Memory 0	Read/write	Word	undefined	Section 28.3.4
20h	ADC12MEM0_L		Read/write	Byte	undefined	
21h	ADC12MEM0_H		Read/write	Byte	undefined	
22h	ADC12MEM1	ADC12_A Memory 1	Read/write	Word	undefined	Section 28.3.4
22h	ADC12MEM1_L		Read/write	Byte	undefined	
23h	ADC12MEM1_H		Read/write	Byte	undefined	
24h	ADC12MEM2	ADC12_A Memory 2	Read/write	Word	undefined	Section 28.3.4
24h	ADC12MEM2_L		Read/write	Byte	undefined	
25h	ADC12MEM2_H		Read/write	Byte	undefined	
26h	ADC12MEM3	ADC12_A Memory 3	Read/write	Word	undefined	Section 28.3.4
26h	ADC12MEM3_L		Read/write	Byte	undefined	
27h	ADC12MEM3_H		Read/write	Byte	undefined	
28h	ADC12MEM4	ADC12_A Memory 4	Read/write	Word	undefined	Section 28.3.4
28h	ADC12MEM4_L		Read/write	Byte	undefined	
29h	ADC12MEM4_H		Read/write	Byte	undefined	
2Ah	ADC12MEM5	ADC12_A Memory 5	Read/write	Word	undefined	Section 28.3.4
2Ah	ADC12MEM5_L		Read/write	Byte	undefined	
2Bh	ADC12MEM5_H		Read/write	Byte	undefined	
2Ch	ADC12MEM6	ADC12_A Memory 6	Read/write	Word	undefined	Section 28.3.4
2Ch	ADC12MEM6_L		Read/write	Byte	undefined	
2Dh	ADC12MEM6_H		Read/write	Byte	undefined	

Table 28-3. ADC12_A Registers (continued)

Offset	Acronym	Register Name	Type	Access	Reset	Section
2Eh	ADC12MEM7	ADC12_A Memory 7	Read/write	Word	undefined	Section 28.3.4
2Eh	ADC12MEM7_L		Read/write	Byte	undefined	
2Fh	ADC12MEM7_H		Read/write	Byte	undefined	
30h	ADC12MEM8	ADC12_A Memory 8	Read/write	Word	undefined	Section 28.3.4
30h	ADC12MEM8_L		Read/write	Byte	undefined	
31h	ADC12MEM8_H		Read/write	Byte	undefined	
32h	ADC12MEM9	ADC12_A Memory 9	Read/write	Word	undefined	Section 28.3.4
32h	ADC12MEM9_L		Read/write	Byte	undefined	
33h	ADC12MEM9_H		Read/write	Byte	undefined	
34h	ADC12MEM10	ADC12_A Memory 10	Read/write	Word	undefined	Section 28.3.4
34h	ADC12MEM10_L		Read/write	Byte	undefined	
35h	ADC12MEM10_H		Read/write	Byte	undefined	
36h	ADC12MEM11	ADC12_A Memory 11	Read/write	Word	undefined	Section 28.3.4
36h	ADC12MEM11_L		Read/write	Byte	undefined	
37h	ADC12MEM11_H		Read/write	Byte	undefined	
38h	ADC12MEM12	ADC12_A Memory 12	Read/write	Word	undefined	Section 28.3.4
38h	ADC12MEM12_L		Read/write	Byte	undefined	
39h	ADC12MEM12_H		Read/write	Byte	undefined	
3Ah	ADC12MEM13	ADC12_A Memory 13	Read/write	Word	undefined	Section 28.3.4
3Ah	ADC12MEM13_L		Read/write	Byte	undefined	
3Bh	ADC12MEM13_H		Read/write	Byte	undefined	
3Ch	ADC12MEM14	ADC12_A Memory 14	Read/write	Word	undefined	Section 28.3.4
3Ch	ADC12MEM14_L		Read/write	Byte	undefined	
3Dh	ADC12MEM14_H		Read/write	Byte	undefined	
3Eh	ADC12MEM15	ADC12_A Memory 15	Read/write	Word	undefined	Section 28.3.4
3Eh	ADC12MEM15_L		Read/write	Byte	undefined	
3Fh	ADC12MEM15_H		Read/write	Byte	undefined	
10h	ADC12MCTL0	ADC12_A Memory Control 0	Read/write	Byte	undefined	Section 28.3.5
11h	ADC12MCTL1	ADC12_A Memory Control 1	Read/write	Byte	undefined	Section 28.3.5
12h	ADC12MCTL2	ADC12_A Memory Control 2	Read/write	Byte	undefined	Section 28.3.5
13h	ADC12MCTL3	ADC12_A Memory Control 3	Read/write	Byte	undefined	Section 28.3.5
14h	ADC12MCTL4	ADC12_A Memory Control 4	Read/write	Byte	undefined	Section 28.3.5
15h	ADC12MCTL5	ADC12_A Memory Control 5	Read/write	Byte	undefined	Section 28.3.5
16h	ADC12MCTL6	ADC12_A Memory Control 6	Read/write	Byte	undefined	Section 28.3.5
17h	ADC12MCTL7	ADC12_A Memory Control 7	Read/write	Byte	undefined	Section 28.3.5
18h	ADC12MCTL8	ADC12_A Memory Control 8	Read/write	Byte	undefined	Section 28.3.5
19h	ADC12MCTL9	ADC12_A Memory Control 9	Read/write	Byte	undefined	Section 28.3.5
1Ah	ADC12MCTL10	ADC12_A Memory Control 10	Read/write	Byte	undefined	Section 28.3.5
1Bh	ADC12MCTL11	ADC12_A Memory Control 11	Read/write	Byte	undefined	Section 28.3.5
1Ch	ADC12MCTL12	ADC12_A Memory Control 12	Read/write	Byte	undefined	Section 28.3.5
1Dh	ADC12MCTL13	ADC12_A Memory Control 13	Read/write	Byte	undefined	Section 28.3.5
1Eh	ADC12MCTL14	ADC12_A Memory Control 14	Read/write	Byte	undefined	Section 28.3.5
1Fh	ADC12MCTL15	ADC12_A Memory Control 15	Read/write	Byte	undefined	Section 28.3.5

28.3.1 ADC12CTL0 Register

ADC12_A Control Register 0

Figure 28-13. ADC12CTL0 Register

15	14	13	12	11	10	9	8
ADC12SHT1x				ADC12SHT0x			
rw-(0)	rw-(0)	rw-(0)	rw-(0)	rw-(0)	rw-(0)	rw-(0)	rw-(0)
7	6	5	4	3	2	1	0
ADC12MSC	ADC12REF2_5V	ADC12REFON	ADC12ON	ADC12OVIE	ADC12TOVIE	ADC12ENC	ADC12SC
rw-(0)	rw-(0)	rw-(0)	rw-(0)	rw-(0)	rw-(0)	rw-(0)	rw-(0)

Can be modified only when ADC12ENC = 0

Table 28-4. ADC12CTL0 Register Description

Bit	Field	Type	Reset	Description
15-12	ADC12SHT1x	RW	0h	ADC12_A sample-and-hold time. These bits define the number of ADC12CLK cycles in the sampling period for registers ADC12MEM8 to ADC12MEM15.
11-8	ADC12SHT0x	RW	0h	ADC12_A sample-and-hold time. These bits define the number of ADC12CLK cycles in the sampling period for registers ADC12MEM0 to ADC12MEM7. 0000b = 4 ADC12CLK cycles 0001b = 8 ADC12CLK cycles 0010b = 16 ADC12CLK cycles 0011b = 32 ADC12CLK cycles 0100b = 64 ADC12CLK cycles 0101b = 96 ADC12CLK cycles 0110b = 128 ADC12CLK cycles 0111b = 192 ADC12CLK cycles 1000b = 256 ADC12CLK cycles 1001b = 384 ADC12CLK cycles 1010b = 512 ADC12CLK cycles 1011b = 768 ADC12CLK cycles 1100b = 1024 ADC12CLK cycles 1101b = 1024 ADC12CLK cycles 1110b = 1024 ADC12CLK cycles 1111b = 1024 ADC12CLK cycles
7	ADC12MSC	RW	0h	ADC12_A multiple sample and conversion. Valid only for sequence or repeated modes. 0b = The sampling timer requires a rising edge of the SHI signal to trigger each sample-and-convert. 1b = The first rising edge of the SHI signal triggers the sampling timer, but further sample-and-conversions are performed automatically as soon as the prior conversion is completed.
6	ADC12REF2_5V	RW	0h	ADC12_A reference generator voltage. ADC12REFON must also be set. In devices with the REF module, this bit is only valid if the REFMSTR bit of the REF module is set to 0. In the F54xx devices (non-A), the REF module is not available. 0b = 1.5 V 1b = 2.5 V
5	ADC12REFON	RW	0h	ADC12_A reference generator on. In devices with the REF module, this bit is only valid if the REFMSTR bit of the REF module is set to 0. In the F54xx devices (non-A), the REF module is not available. 0b = Reference off 1b = Reference on
4	ADC12ON	RW	0h	ADC12_A on 0b = ADC12_A off 1b = ADC12_A on

Table 28-4. ADC12CTL0 Register Description (continued)

Bit	Field	Type	Reset	Description
3	ADC12OVIE	RW	0h	ADC12MEMx overflow-interrupt enable. The GIE bit must also be set to enable the interrupt. 0b = Overflow interrupt disabled 1b = Overflow interrupt enabled
2	ADC12TOVIE	RW	0h	ADC12_A conversion-time-overflow interrupt enable. The GIE bit must also be set to enable the interrupt. 0b = Conversion time overflow interrupt disabled 1b = Conversion time overflow interrupt enabled
1	ADC12ENC	RW	0h	ADC12_A enable conversion 0b = ADC12_A disabled 1b = ADC12_A enabled
0	ADC12SC	RW	0h	ADC12_A start conversion. Software-controlled sample-and-conversion start. ADC12SC and ADC12ENC may be set together with one instruction. ADC12SC is reset automatically. 0b = No sample-and-conversion-start 1b = Start sample-and-conversion

28.3.2 ADC12CTL1 Register

ADC12_A Control Register 1

Figure 28-14. ADC12CTL1 Register

15	14	13	12	11	10	9	8
ADC12CSTARTADDx				ADC12SHSx		ADC12SHP	ADC12ISSH
rw-(0)	rw-(0)	rw-(0)	rw-(0)	rw-(0)	rw-(0)	rw-(0)	rw-(0)
7	6	5	4	3	2	1	0
ADC12DIVx			ADC12SSELx		ADC12CONSEQx		ADC12BUSY
rw-(0)	rw-(0)	rw-(0)	rw-(0)	rw-(0)	rw-(0)	rw-(0)	r-(0)

Can be modified only when ADC12ENC = 0

Table 28-5. ADC12CTL1 Register Description

Bit	Field	Type	Reset	Description
15-12	ADC12CSTARTADDx	RW	0h	ADC12_A conversion start address. These bits select which ADC12_A conversion-memory register is used for a single conversion or for the first conversion in a sequence. The value of CSTARTADDx is 0 to 0Fh, corresponding to ADC12MEM0 to ADC12MEM15.
11-10	ADC12SHSx	RW	0h	ADC12_A sample-and-hold source select 00b = ADC12SC bit 01b = Timer source (see device-specific data sheet for exact timer and locations) 10b = Timer source (see device-specific data sheet for exact timer and locations) 11b = Timer source (see device-specific data sheet for exact timer and locations)
9	ADC12SHP	RW	0h	ADC12_A sample-and-hold pulse-mode select. This bit selects the source of the sampling signal (SAMPCON) to be either the output of the sampling timer or the sample-input signal directly. 0b = SAMPCON signal is sourced from the sample-input signal. 1b = SAMPCON signal is sourced from the sampling timer.
8	ADC12ISSH	RW	0h	ADC12_A invert signal sample-and-hold 0b = The sample-input signal is not inverted. 1b = The sample-input signal is inverted.
7-5	ADC12DIVx	RW	0h	ADC12_A clock divider 000b = Divide by 1 001b = Divide by 2 010b = Divide by 3 011b = Divide by 4 100b = Divide by 5 101b = Divide by 6 110b = Divide by 7 111b = Divide by 8
4-3	ADC12SSELx	RW	0h	ADC12_A clock source select 00b = ADC12OSC (MODCLK) 01b = ACLK 10b = MCLK 11b = SMCLK
2-1	ADC12CONSEQx	RW	0h	ADC12_A conversion sequence mode select 00b = Single-channel, single-conversion 01b = Sequence-of-channels 10b = Repeat-single-channel 11b = Repeat-sequence-of-channels
0	ADC12BUSY	R	0h	ADC12_A busy. This bit indicates an active sample or conversion operation. 0b = No operation is active. 1b = A sequence, sample, or conversion is active.

28.3.3 ADC12CTL2 Register

ADC12_A Control Register 2

Figure 28-15. ADC12CTL2 Register

15	14	13	12	11	10	9	8
Reserved							ADC12PDIV
r-0	r-0	r-0	r-0	r-0	r-0	r-0	rw-0
7	6	5	4	3	2	1	0
ADC12TCOFF	Reserved	ADC12RES	ADC12DF	ADC12SR	ADC12REFOUT	ADC12REFBURST	
rw-(0)	r-0	rw-(1)	rw-(0)	rw-(0)	rw-(0)	rw-(0)	rw-(0)

Can be modified only when ADC12ENC = 0

Table 28-6. ADC12CTL2 Register Description

Bit	Field	Type	Reset	Description
15-9	Reserved	R	0h	Reserved. Always reads as 0.
8	ADC12PDIV	RW	0h	ADC12_A predivider. This bit predivides the selected ADC12_A clock source. 0b = Predivide by 1 1b = Predivide by 4
7	ADC12TCOFF	RW	0h	ADC12_A temperature sensor off. If the bit is set, the temperature sensor turned off. This is used to save power. In devices with the REF module, this bit is only valid if the REFMSTR bit of the REF module is set to 0. In the F54xx devices (non-A), the REF module is not available. 0b = Temperature sensor on 1b = Temperature sensor off
6	Reserved	R	0h	Reserved. Always reads as 0.
5-4	ADC12RES	RW	2h	ADC12_A resolution. This bit defines the conversion result resolution. 00b = 8 bit (9 clock cycle conversion time) 01b = 10 bit (11 clock cycle conversion time) 10b = 12 bit (13 clock cycle conversion time) 11b = Reserved
3	ADC12DF	RW	0h	ADC12_A data read-back format. Data is always stored in the binary unsigned format. 0b = Binary unsigned. Theoretically, the analog input voltage -VREF results in 0000h, the analog input voltage +VREF results in 0FFFh. 1b = Signed binary (twos complement), left aligned. Theoretically, the analog input voltage -VREF results in 8000h, the analog input voltage +VREF results in 7FF0h.
2	ADC12SR	RW	0h	ADC12_A sampling rate. This bit selects the reference buffer drive capability for the maximum sampling rate. Setting ADC12SR reduces the current consumption of the reference buffer. 0b = Reference buffer supports up to approximately 200 ksps. 1b = Reference buffer supports up to approximately 50 ksps.
1	ADC12REFOUT	RW	0h	Reference output. In devices with the REF module, this bit is only valid if the REFMSTR bit of the REF module is set to 0. In the F54xx devices (non-A), the REF module is not available. 0b = Reference output off 1b = Reference output on
0	ADC12REFBURST	RW	0h	Reference burst 0b = Reference buffer on continuously 1b = Reference buffer on only during sample-and-conversion

28.3.4 ADC12MEMx Register

ADC12_A Conversion Memory Register

Figure 28-16. ADC12MEMx Register

15	14	13	12	11	10	9	8
Conversion Results							
rw	rw	rw	rw	rw	rw	rw	rw
7	6	5	4	3	2	1	0
Conversion Results							
rw	rw	rw	rw	rw	rw	rw	rw

Table 28-7. ADC12MEMx Register Description

Bit	Field	Type	Reset	Description
15-0	Conversion Results	RW	undefined	<p>Binary unsigned format: This data format is used if ADC12DF = 0. The 12-bit conversion results are right justified. Bit 11 is the MSB. Bits 15–12 are 0 in 12-bit mode, bits 15–10 are 0 in 10-bit mode, and bits 15–8 are 0 in 8-bit mode. Writing to the conversion memory registers corrupts the results.</p> <p>Twos-complement format: This data format is used if ADC12DF = 1. The 12-bit conversion results are left justified, twos-complement format. Bit 15 is the MSB. Bits 3–0 are 0 in 12-bit mode, bits 5–0 are 0 in 10-bit mode, and bits 7–0 are 0 in 8-bit mode. The data is stored in the right-justified format and is converted to the left-justified twos-complement format during read back.</p>

28.3.5 ADC12MCTLx Register

ADC12_A Conversion Memory Control Register

Figure 28-17. ADC12MCTLx Register

7	6	5	4	3	2	1	0
ADC12EOS	ADC12SREFx			ADC12INCHx			
rw	rw	rw	rw	rw	rw	rw	rw

Can be modified only when ADC12ENC = 0

Table 28-8. ADC12MCTLx Register Description

Bit	Field	Type	Reset	Description
7	ADC12EOS	RW	0h	End of sequence. Indicates the last conversion in a sequence. 0b = Not end of sequence 1b = End of sequence
6-4	ADC12SREFx	RW	0h	Select reference 000b = $V_{R+} = AVCC$ and $V_{R-} = AVSS$ 001b = $V_{R+} = VREF+$ and $V_{R-} = AVSS$ 010b = $V_{R+} = VeREF+$ and $V_{R-} = AVSS$ 011b = $V_{R+} = VeREF+$ and $V_{R-} = AVSS$ 100b = $V_{R+} = AVCC$ and $V_{R-} = VREF-/VeREF-$ 101b = $V_{R+} = VREF+$ and $V_{R-} = VREF-/VeREF-$ 110b = $V_{R+} = VeREF+$ and $V_{R-} = VREF-/VeREF-$ 111b = $V_{R+} = VeREF+$ and $V_{R-} = VREF-/VeREF-$
3-0	ADC12INCHx	RW	0h	Input channel select 0000b = A0 0001b = A1 0010b = A2 0011b = A3 0100b = A4 0101b = A5 0110b = A6 0111b = A7 1000b = VeREF+ 1001b = VREF-/VeREF- 1010b = Temperature diode 1011b = $(AVCC - AVSS) / 2$ 1100b = A12. On devices with the Battery Backup System, VBAT can be measured internally by the ADC. 1101b = A13 1110b = A14 1111b = A15

28.3.6 ADC12IE Register

ADC12_A Interrupt Enable Register

Figure 28-18. ADC12IE Register

15	14	13	12	11	10	9	8
ADC12IE15	ADC12IE14	ADC12IE13	ADC12IE12	ADC12IE11	ADC12IE10	ADC12IE9	ADC12IE8
rw-(0)	rw-(0)	rw-(0)	rw-(0)	rw-(0)	rw-(0)	rw-(0)	rw-(0)
7	6	5	4	3	2	1	0
ADC12IE7	ADC12IE6	ADC12IE5	ADC12IE4	ADC12IE3	ADC12IE2	ADC12IE1	ADC12IE0
rw-(0)	rw-(0)	rw-(0)	rw-(0)	rw-(0)	rw-(0)	rw-(0)	rw-(0)

Table 28-9. ADC12IE Register Description

Bit	Field	Type	Reset	Description
15	ADC12IE15	RW	0h	Interrupt enable. This bit enables or disables the interrupt request for the ADC12IFG15 bit. 0b = Interrupt disabled 1b = Interrupt enabled
14	ADC12IE14	RW	0h	Interrupt enable. This bit enables or disables the interrupt request for the ADC12IFG14 bit. 0b = Interrupt disabled 1b = Interrupt enabled
13	ADC12IE13	RW	0h	Interrupt enable. This bit enables or disables the interrupt request for the ADC12IFG13 bit. 0b = Interrupt disabled 1b = Interrupt enabled
12	ADC12IE12	RW	0h	Interrupt enable. This bit enables or disables the interrupt request for the ADC12IFG12 bit. 0b = Interrupt disabled 1b = Interrupt enabled
11	ADC12IE11	RW	0h	Interrupt enable. This bit enables or disables the interrupt request for the ADC12IFG11 bit. 0b = Interrupt disabled 1b = Interrupt enabled
10	ADC12IE10	RW	0h	Interrupt enable. This bit enables or disables the interrupt request for the ADC12IFG10 bit. 0b = Interrupt disabled 1b = Interrupt enabled
9	ADC12IE9	RW	0h	Interrupt enable. This bit enables or disables the interrupt request for the ADC12IFG9 bit. 0b = Interrupt disabled 1b = Interrupt enabled
8	ADC12IE8	RW	0h	Interrupt enable. This bit enables or disables the interrupt request for the ADC12IFG8 bit. 0b = Interrupt disabled 1b = Interrupt enabled
7	ADC12IE7	RW	0h	Interrupt enable. This bit enables or disables the interrupt request for the ADC12IFG7 bit. 0b = Interrupt disabled 1b = Interrupt enabled
6	ADC12IE6	RW	0h	Interrupt enable. This bit enables or disables the interrupt request for the ADC12IFG6 bit. 0b = Interrupt disabled 1b = Interrupt enabled

Table 28-9. ADC12IE Register Description (continued)

Bit	Field	Type	Reset	Description
5	ADC12IE5	RW	0h	Interrupt enable. This bit enables or disables the interrupt request for the ADC12IFG5 bit. 0b = Interrupt disabled 1b = Interrupt enabled
4	ADC12IE4	RW	0h	Interrupt enable. This bit enables or disables the interrupt request for the ADC12IFG4 bit. 0b = Interrupt disabled 1b = Interrupt enabled
3	ADC12IE3	RW	0h	Interrupt enable. This bit enables or disables the interrupt request for the ADC12IFG3 bit. 0b = Interrupt disabled 1b = Interrupt enabled
2	ADC12IE2	RW	0h	Interrupt enable. This bit enables or disables the interrupt request for the ADC12IFG2 bit. 0b = Interrupt disabled 1b = Interrupt enabled
1	ADC12IE1	RW	0h	Interrupt enable. This bit enables or disables the interrupt request for the ADC12IFG1 bit. 0b = Interrupt disabled 1b = Interrupt enabled
0	ADC12IE0	RW	0h	Interrupt enable. This bit enables or disables the interrupt request for the ADC12IFG0 bit. 0b = Interrupt disabled 1b = Interrupt enabled

28.3.7 ADC12IFG Register

ADC12_A Interrupt Flag Register

Figure 28-19. ADC12IFG Register

15	14	13	12	11	10	9	8
ADC12IFG15	ADC12IFG14	ADC12IFG13	ADC12IFG12	ADC12IFG11	ADC12IFG10	ADC12IFG9	ADC12IFG8
rw-(0)	rw-(0)	rw-(0)	rw-(0)	rw-(0)	rw-(0)	rw-(0)	rw-(0)
7	6	5	4	3	2	1	0
ADC12IFG7	ADC12IFG6	ADC12IFG5	ADC12IFG4	ADC12IFG3	ADC12IFG2	ADC12IFG1	ADC12IFG0
rw-(0)	rw-(0)	rw-(0)	rw-(0)	rw-(0)	rw-(0)	rw-(0)	rw-(0)

Table 28-10. ADC12IFG Register Description

Bit	Field	Type	Reset	Description
15	ADC12IFG15	RW	0h	ADC12MEM15 interrupt flag. This bit is set when ADC12MEM15 is loaded with a conversion result. This bit is reset if the ADC12MEM15 is accessed, or it may be reset with software. 0b = No interrupt pending 1b = Interrupt pending
14	ADC12IFG14	RW	0h	ADC12MEM14 interrupt flag. This bit is set when ADC12MEM14 is loaded with a conversion result. This bit is reset if the ADC12MEM14 is accessed, or it may be reset with software. 0b = No interrupt pending 1b = Interrupt pending
13	ADC12IFG13	RW	0h	ADC12MEM13 interrupt flag. This bit is set when ADC12MEM13 is loaded with a conversion result. This bit is reset if the ADC12MEM13 is accessed, or it may be reset with software. 0b = No interrupt pending 1b = Interrupt pending
12	ADC12IFG12	RW	0h	ADC12MEM12 interrupt flag. This bit is set when ADC12MEM12 is loaded with a conversion result. This bit is reset if the ADC12MEM12 is accessed, or it may be reset with software. 0b = No interrupt pending 1b = Interrupt pending
11	ADC12IFG11	RW	0h	ADC12MEM11 interrupt flag. This bit is set when ADC12MEM11 is loaded with a conversion result. This bit is reset if the ADC12MEM11 is accessed, or it may be reset with software. 0b = No interrupt pending 1b = Interrupt pending
10	ADC12IFG10	RW	0h	ADC12MEM10 interrupt flag. This bit is set when ADC12MEM10 is loaded with a conversion result. This bit is reset if the ADC12MEM10 is accessed, or it may be reset with software. 0b = No interrupt pending 1b = Interrupt pending
9	ADC12IFG9	RW	0h	ADC12MEM9 interrupt flag. This bit is set when ADC12MEM9 is loaded with a conversion result. This bit is reset if the ADC12MEM9 is accessed, or it may be reset with software. 0b = No interrupt pending 1b = Interrupt pending
8	ADC12IFG8	RW	0h	ADC12MEM8 interrupt flag. This bit is set when ADC12MEM8 is loaded with a conversion result. This bit is reset if the ADC12MEM8 is accessed, or it may be reset with software. 0b = No interrupt pending 1b = Interrupt pending

Table 28-10. ADC12IFG Register Description (continued)

Bit	Field	Type	Reset	Description
7	ADC12IFG7	RW	0h	ADC12MEM7 interrupt flag. This bit is set when ADC12MEM7 is loaded with a conversion result. This bit is reset if the ADC12MEM7 is accessed, or it may be reset with software. 0b = No interrupt pending 1b = Interrupt pending
6	ADC12IFG6	RW	0h	ADC12MEM6 interrupt flag. This bit is set when ADC12MEM6 is loaded with a conversion result. This bit is reset if the ADC12MEM6 is accessed, or it may be reset with software. 0b = No interrupt pending 1b = Interrupt pending
5	ADC12IFG5	RW	0h	ADC12MEM5 interrupt flag. This bit is set when ADC12MEM5 is loaded with a conversion result. This bit is reset if the ADC12MEM5 is accessed, or it may be reset with software. 0b = No interrupt pending 1b = Interrupt pending
4	ADC12IFG4	RW	0h	ADC12MEM4 interrupt flag. This bit is set when ADC12MEM4 is loaded with a conversion result. This bit is reset if the ADC12MEM4 is accessed, or it may be reset with software. 0b = No interrupt pending 1b = Interrupt pending
3	ADC12IFG3	RW	0h	ADC12MEM3 interrupt flag. This bit is set when ADC12MEM3 is loaded with a conversion result. This bit is reset if the ADC12MEM3 is accessed, or it may be reset with software. 0b = No interrupt pending 1b = Interrupt pending
2	ADC12IFG2	RW	0h	ADC12MEM2 interrupt flag. This bit is set when ADC12MEM2 is loaded with a conversion result. This bit is reset if the ADC12MEM2 is accessed, or it may be reset with software. 0b = No interrupt pending 1b = Interrupt pending
1	ADC12IFG1	RW	0h	ADC12MEM1 interrupt flag. This bit is set when ADC12MEM1 is loaded with a conversion result. This bit is reset if the ADC12MEM1 is accessed, or it may be reset with software. 0b = No interrupt pending 1b = Interrupt pending
0	ADC12IFG0	RW	0h	ADC12MEM0 interrupt flag. This bit is set when ADC12MEM0 is loaded with a conversion result. This bit is reset if the ADC12MEM0 is accessed, or it may be reset with software. 0b = No interrupt pending 1b = Interrupt pending

28.3.8 ADC12IV Register

ADC12_A Interrupt Vector Register

Figure 28-20. ADC12IV Register

15	14	13	12	11	10	9	8
ADC12IVx							
r0	r0	r0	r0	r0	r0	r0	r0
7	6	5	4	3	2	1	0
ADC12IVx							
r0	r0	r-(0)	r-(0)	r-(0)	r-(0)	r-(0)	r0

Table 28-11. ADC12IV Register Description

Bit	Field	Type	Reset	Description
15-0	ADC12IVx	R	0h	ADC12_A interrupt vector value 00h = No interrupt pending 02h = Interrupt Source: ADC12MEMx overflow; Interrupt Flag: –; Interrupt Priority: Highest 04h = Interrupt Source: Conversion time overflow; Interrupt Flag: – 06h = Interrupt Source: ADC12MEM0 interrupt flag; Interrupt Flag: ADC12IFG0 08h = Interrupt Source: ADC12MEM1 interrupt flag; Interrupt Flag: ADC12IFG1 0Ah = Interrupt Source: ADC12MEM2 interrupt flag; Interrupt Flag: ADC12IFG2 0Ch = Interrupt Source: ADC12MEM3 interrupt flag; Interrupt Flag: ADC12IFG3 0Eh = Interrupt Source: ADC12MEM4 interrupt flag; Interrupt Flag: ADC12IFG4 10h = Interrupt Source: ADC12MEM5 interrupt flag; Interrupt Flag: ADC12IFG5 12h = Interrupt Source: ADC12MEM6 interrupt flag; Interrupt Flag: ADC12IFG6 14h = Interrupt Source: ADC12MEM7 interrupt flag; Interrupt Flag: ADC12IFG7 16h = Interrupt Source: ADC12MEM8 interrupt flag; Interrupt Flag: ADC12IFG8 18h = Interrupt Source: ADC12MEM9 interrupt flag; Interrupt Flag: ADC12IFG9 1Ah = Interrupt Source: ADC12MEM10 interrupt flag; Interrupt Flag: ADC12IFG10 1Ch = Interrupt Source: ADC12MEM11 interrupt flag; Interrupt Flag: ADC12IFG11 1Eh = Interrupt Source: ADC12MEM12 interrupt flag; Interrupt Flag: ADC12IFG12 20h = Interrupt Source: ADC12MEM13 interrupt flag; Interrupt Flag: ADC12IFG13 22h = Interrupt Source: ADC12MEM14 interrupt flag; Interrupt Flag: ADC12IFG14 24h = Interrupt Source: ADC12MEM15 interrupt flag; Interrupt Flag: ADC12IFG15; Interrupt Priority: Lowest

SD24_B

The SD24_B is a multiple-input multiple-converter sigma-delta analog-to-digital conversion module. This chapter describes the operation of the SD24_B module.

Topic	Page
29.1 SD24_B Introduction	762
29.2 SD24_B Operation	766
29.3 SD24_B Registers	778

29.1 SD24_B Introduction

The SD24_B module consists of up to eight independent sigma-delta analog-to-digital converters. The converters are based on second-order oversampling sigma-delta modulators and digital decimation filters. The decimation filters are comb filters with selectable oversampling ratios of up to 1024. Additional filtering can be done in software.

Features of the SD24_B include:

- Second-order sigma-delta architecture
- Up to eight independent simultaneously-sampling ADCs (the number of converters is device dependent, see the device-specific data sheet).

[Figure 29-1](#) shows an overview block diagram of the SD24_B module. [Figure 29-2](#) shows the block diagram of the voltage reference and clock generation circuitry. The reference voltage generation is located in the shared reference module (see the device-specific data sheet). [Figure 29-3](#) shows the converter-specific block diagram.

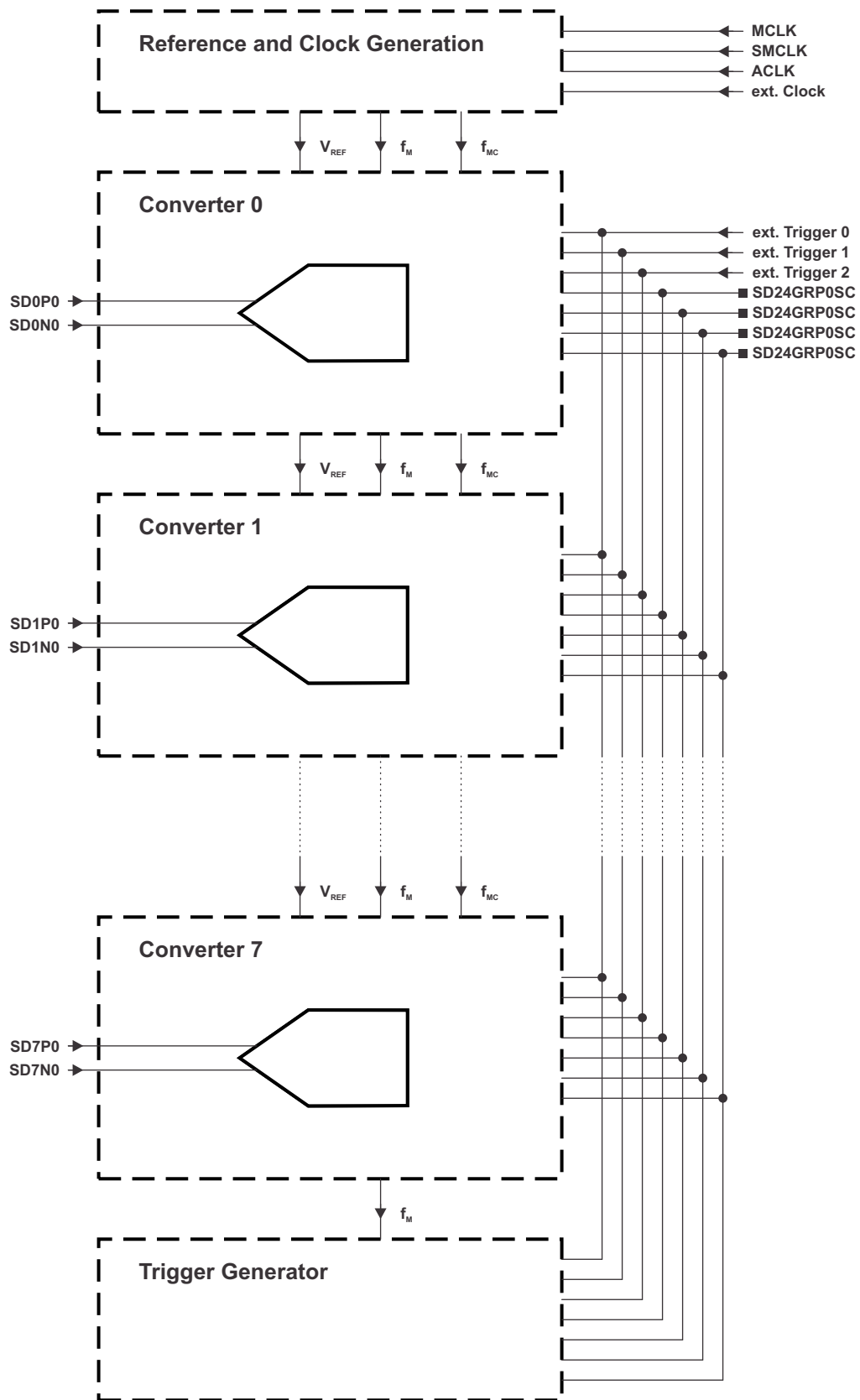


Figure 29-1. SD24_B Overview Block Diagram

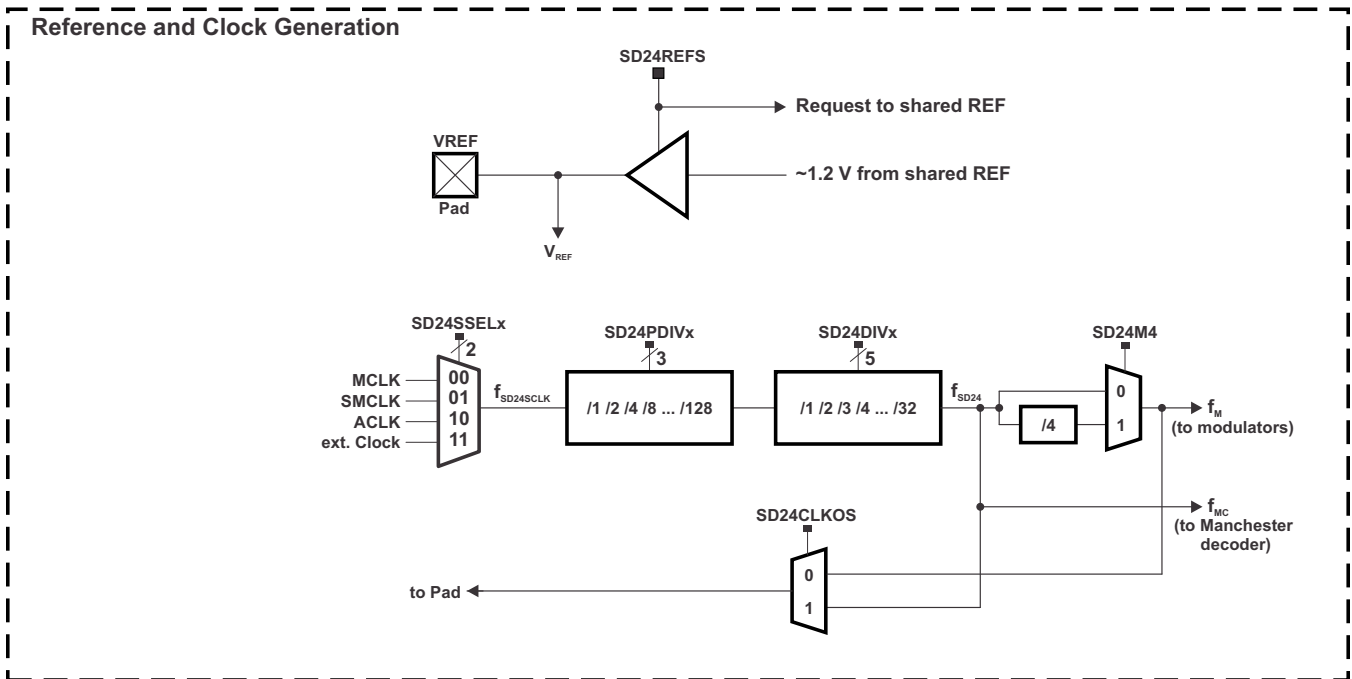


Figure 29-2. SD24_B Reference and Clock Generation Block Diagram

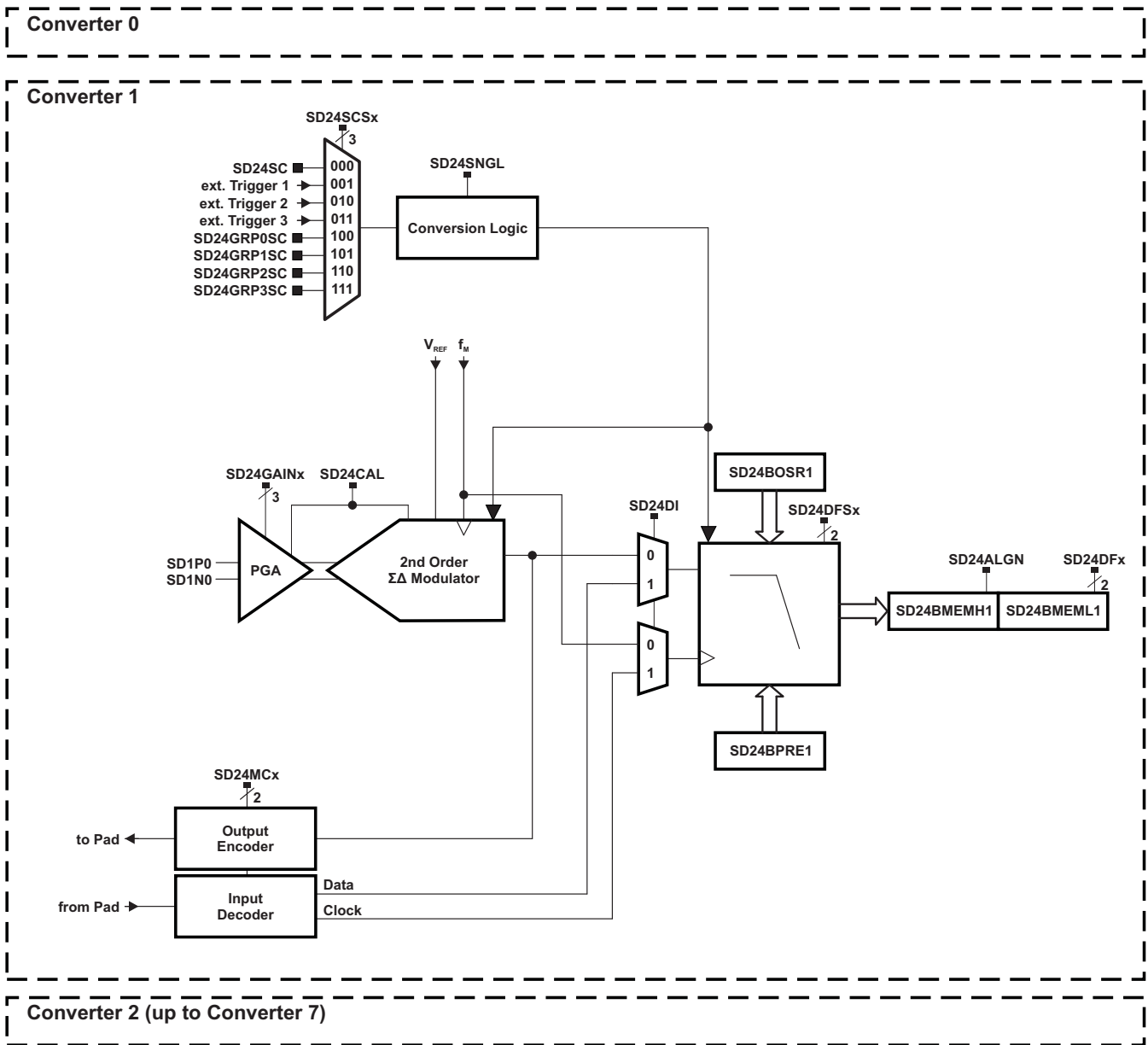


Figure 29-3. SD24_B Converter Block Diagram

29.2 SD24_B Operation

The SD24_B module is configured with user software. The setup and operation of the SD24_B is described in the following sections.

29.2.1 Principle of Operation

A sigma-delta analog-to-digital converter basically consists of two parts: the analog part (called the modulator) and the digital part (called the decimation filter). The modulator of the SD24_B provides a bitstream of zeros and ones to the digital decimation filter. The digital filter averages the bitstream from the modulator over a given number of bits (specified by the oversampling rate) and provides samples at a reduced rate for further processing to the CPU.

Averaging can be used to increase the signal-to-noise performance of a conversion (see [Figure 30-2 a](#) and [b](#)). With a conventional ADC, each factor-of-4 oversampling can improve the SNR by approximately 6 dB or 1 bit. To achieve a 16-bit resolution out of a simple 1-bit ADC would require an impractical oversampling rate of $4^{15} = 1\,073\,741\,824$. To overcome this limitation, the sigma-delta modulator implements a technique called noise-shaping—due to an implemented feedback loop and integrators, the quantization noise is pushed to higher frequencies and, thus, much lower oversampling rates are sufficient to achieve high resolutions (see [Figure 30-2 c](#)).

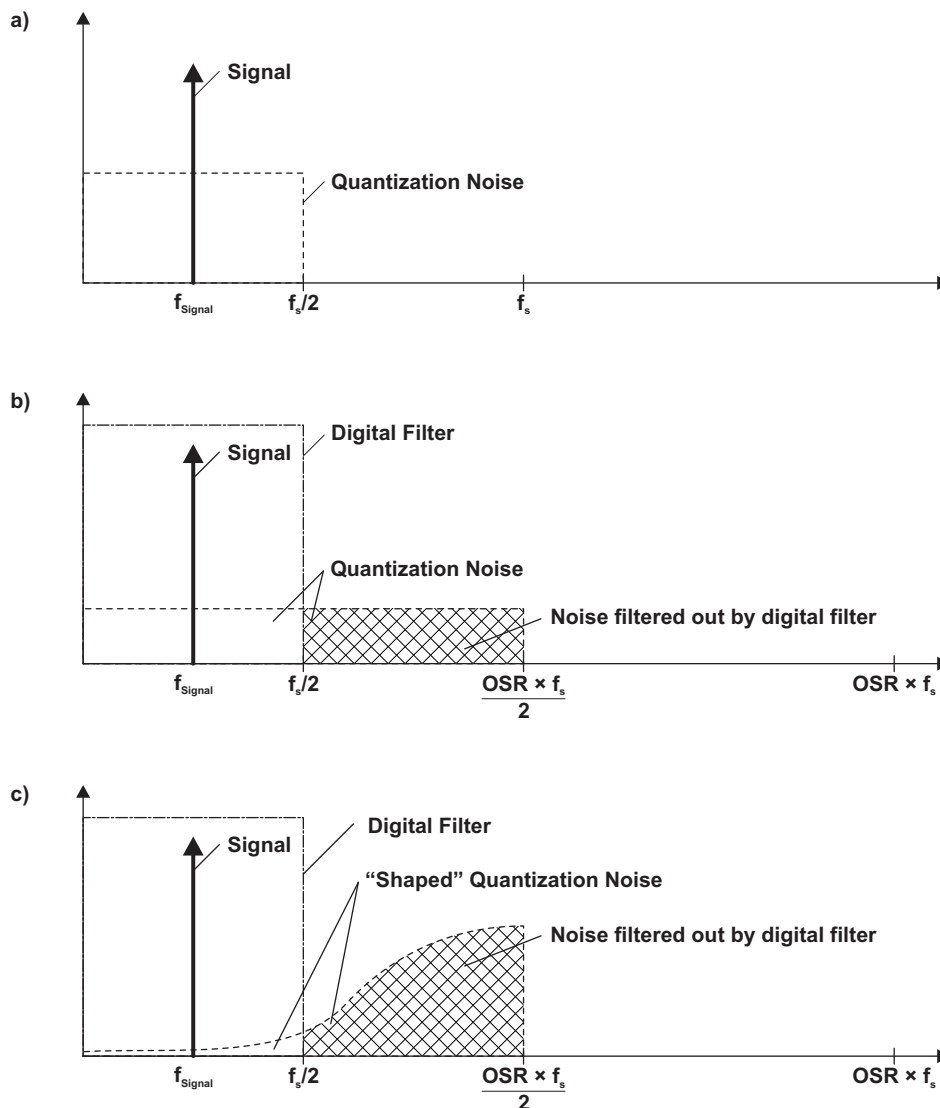


Figure 29-4. Sigma-Delta Principle

29.2.2 ADC Core

The analog-to-digital conversion is performed by a 1-bit second-order sigma-delta modulator. A single-bit comparator within the modulator quantizes the input signal with the modulator frequency f_M . The resulting 1-bit data stream is averaged by the digital filter for the conversion result.

29.2.3 Voltage Reference

The SD24_B module can use an external reference voltage (SD24REFS = 0) or an internal reference (SD24REFS = 1).

The internal SD24_B reference provides one fixed voltage of approximately 1.2 V. It requests and uses the bandgap voltage provided by the shared reference (REF) module as its reference voltage. The internal reference voltage is used by all SD24_B converters when requested with SD24REFS = 1. When using the internal reference, connect an external 100-nF capacitor connected from VREF to AVSS to reduce noise. See the device-specific data sheet for the parameters of the internal reference.

An external voltage reference must be applied to the VREF input when SD24REFS = 0. See the device-specific data sheet for the supported voltage range.

29.2.4 Modulator Clock

The modulator clock is generated globally for all modulators so that all modulators convert synchronously.

NOTE: Using an FLL-Based Clock

When an FLL-based clock with enabled clock modulation (DISMOD = 0 in UCSCTL1) is selected to clock the sigma-delta modulator, the clock that is provided to the modulator must be DCOCLK divided at least by 2. The division can be done in the FLL itself by selecting DCOCLKDIV instead of DCOCLK as the clock source and setting the FLLD bits to a non-zero value, by using the clock system clock dividers DIVM, DIVS, or DIVA corresponding to the sigma-delta input clock MCLK, SMCLK, or ACLK, respectively, or by using the clock divider build into the sigma-delta module.

29.2.5 Auto Power-Down

The SD24_B is designed for low-power applications. When a SD24_B converter is not actively converting, it is automatically disabled; it is automatically re-enabled when a conversion is started. When a converter is disabled, it consumes no current.

29.2.6 Analog Inputs

29.2.6.1 Analog Input Range and PGA

The full-scale input voltage range for each analog input pair is dependent on the gain setting of each converter. See the device-specific data sheet for full-scale input specifications.

29.2.6.2 Analog Input Setup

The analog input of each converter is configured using the SD24BINCTLx register. These settings can be independently configured for each SD24_B converter.

The gain for each PGA is selected by the SD24GAINx bits. A total of eight gain settings are available.

During conversion, any modification of the SD24BINCTLx register becomes effective with the next decimation step of the digital filter. After these bits are modified, the next three conversions may be invalid due to the settling time of the digital filter. This can be handled automatically with the SD24INTDLYx bits. When SD24INTDLYx = 00b, conversion interrupt requests do not begin until the fourth conversion after a start condition.

An external RC anti-aliasing filter is recommended for the SD24_B to prevent aliasing of the input signal. The cutoff frequency should be less than 10 kHz for a 1-MHz modulator clock and OSR = 256. The cutoff frequency may be set to a lower frequency for applications that have lower bandwidth requirements.

With SD24CAL = 1, the offset of the converter can be measured and calibrated in software afterwards.

29.2.6.3 Analog Input Characteristics

The SD24_B uses a switched-capacitor input stage that appears as an impedance to external circuitry (see Figure 29-5).

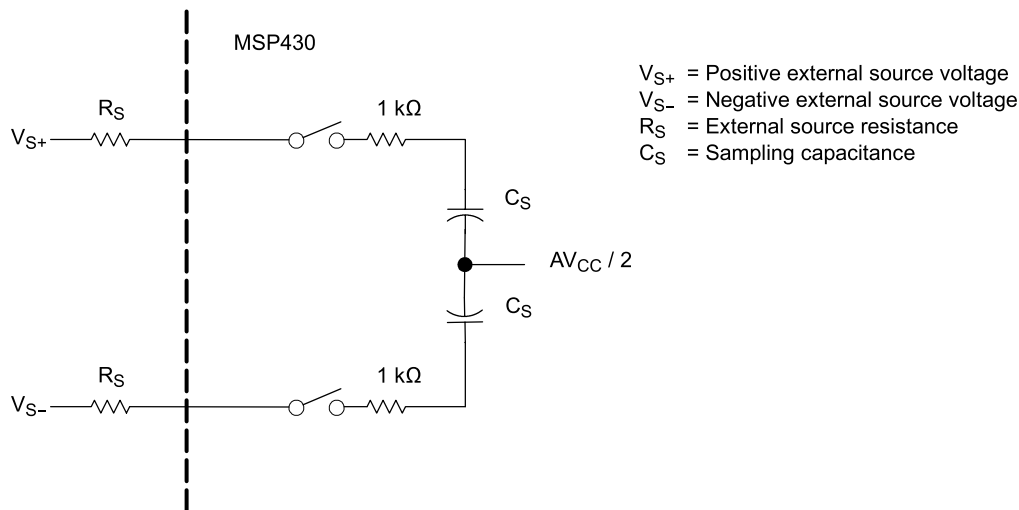


Figure 29-5. Analog Input Equivalent Circuit

The maximum modulator frequency f_M may be calculated from the minimum settling time t_{Settling} of the sampling circuit.

$$t_{\text{Settling}} \geq (R_S + 1\text{ k}\Omega) \times C_S \times \ln \left(\frac{\text{GAIN} \times 2^{17} \times V_{Ax}}{V_{REF}} \right) \quad (14)$$

Where

$$f_M = \left(\frac{1}{2 \times t_{\text{settling}}} \right) \quad \text{and} \quad V_{Ax} = \max \left(\left| \frac{AV_{CC}}{2} - V_{S+} \right|, \left| \frac{AV_{CC}}{2} - V_{S-} \right| \right) \quad (15)$$

The sampling capacitor C_S varies with the gain setting. See the device-specific data sheet for parameters.

29.2.7 Digital Filter

The digital filter processes the 1-bit data stream from the modulator.

29.2.7.1 SINC³ Filter

Figure 29-6 shows the structure of a SINC³ filter.

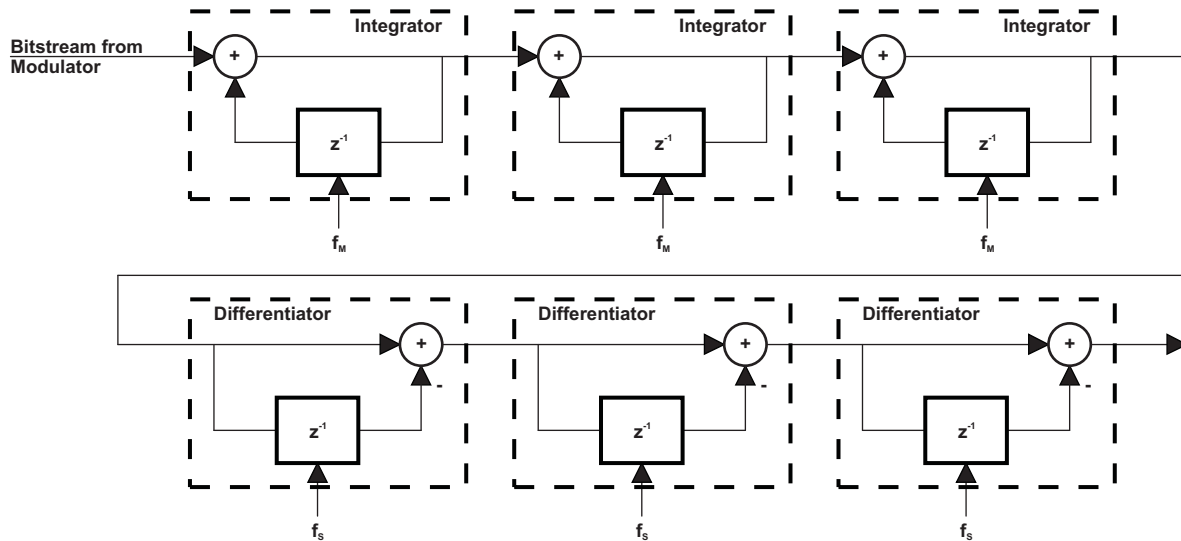


Figure 29-6. SINC³ Filter Structure

The transfer function is described in the z-domain by:

$$H(z) = \left(\frac{1}{OSR} \times \frac{1 - z^{-OSR}}{1 - z^{-1}} \right)^3 \tag{16}$$

The transfer function is described in the frequency domain by:

$$H(f) = \left(\frac{\text{sinc}\left(OSR \pi \frac{f}{f_M} \right)}{\text{sinc}\left(\pi \frac{f}{f_M} \right)} \right)^3 = \left(\frac{1}{OSR} \times \frac{\sin\left(OSR \times \pi \times \frac{f}{f_M} \right)}{\sin\left(\pi \times \frac{f}{f_M} \right)} \right)^3 \tag{17}$$

where the oversampling rate, OSR, is the ratio of the modulator frequency f_M to the sample frequency f_S . Figure 29-7 shows the filter's frequency response for an OSR of 32. The first filter notch is always at $f_S = f_M/OSR$. The notch's frequency can be adjusted by changing the modulator's frequency, f_M , using SD24SSELx, SD24PDIVx, and SD24DIVx or by adjusting the oversampling rate using the SD24BOSRx registers.

The digital filter for each enabled ADC converter completes the decimation of the digital bitstream and outputs new conversion results to the corresponding SD24BMEMx register at the sample frequency f_S .

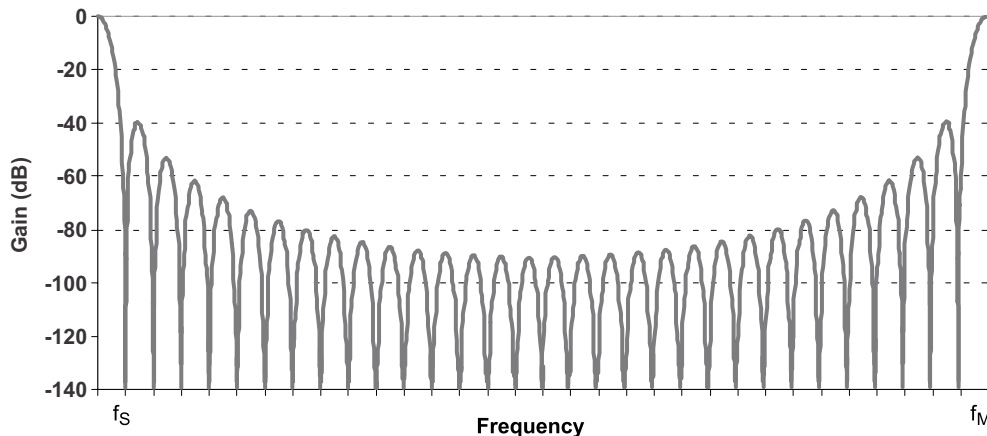


Figure 29-7. Comb Filter's Frequency Response With OSR = 32

Figure 29-8 shows the digital filter step response and conversion points. For step changes at the input after start of conversion, a settling time must be allowed before a valid conversion result is available. The SD24INTDLYx bits can provide sufficient filter settling time for a full-scale change at the ADC input. If the step occurs synchronously to the decimation of the digital filter, the valid data is available on the third conversion. An asynchronous step requires one additional conversion before valid data is available.

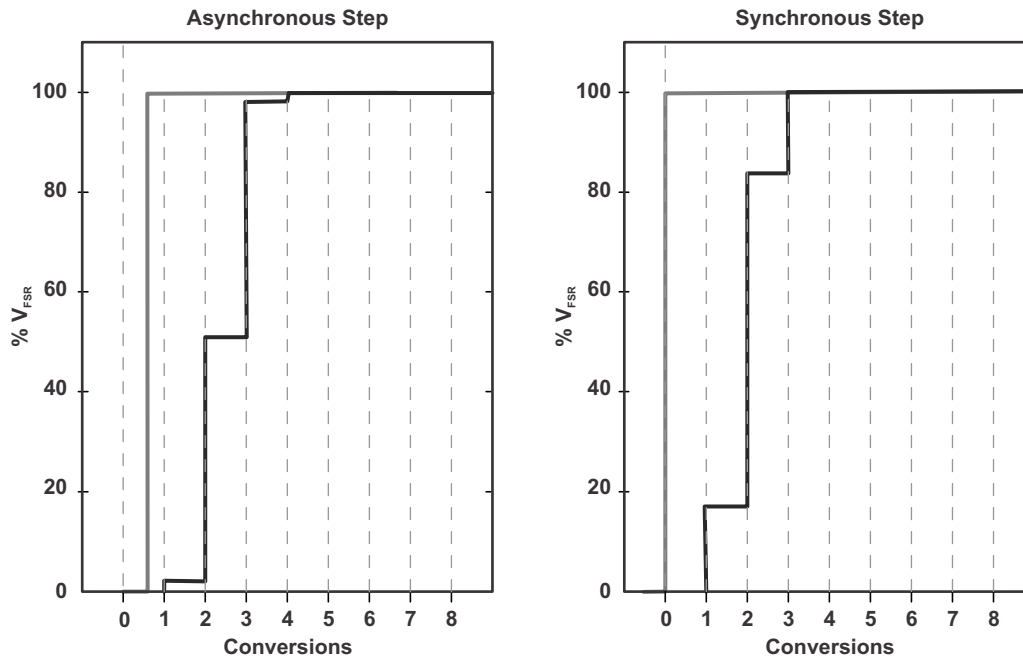


Figure 29-8. Digital Filter Step Response and Conversion Points Digital Filter Output

29.2.7.2 Cascade of Integrators

With each start of conversion or after change of the SD24INCTLx register for a given converter, the digital filter of this converter is reset. This allows the integrators implemented into the SINC filter to be used as a "Cascade of Integrators" by setting the interrupt delay to SD24INTDLYx = 11b and starting a new conversion (for example by writing SD24INCTLx) after each decimation step.

The full-scale value output by the "Cascade of Integrators" is given by $FS = 1/6 \times (OSR^3 + 3 \times OSR^2 + 2 \times OSR)$. In offset binary mode, the full-scale range is from 0 to FS. In twos-complement mode, the full-scale range is from -FS to +FS.

29.2.7.3 Digital Filter Output

The full-scale value output by the SINC³ digital filter is dependent on the oversampling ratio OSR and is given by $FS = 2^{(3 \times \log_2(OSR))}$. In offset binary mode, the full-scale range is from 0 to FS. In twos-complement mode, the full-scale range is from -FS to +FS.

For example, the maximum OSR of 1024 results in a full-scale value of 1073741824 or 4000 000h; that is, a value that can be represented by 31 bits. All 31 bits can be accessed using the SD24BMEMHx and SD24BMEMLx registers. Depending on the selected data format and alignment, the representation within the SD24BMEMx registers differs.

In offset binary mode (SD24DFx = 00b), the bitstream coming from the modulator is interpreted as a stream of ones (1) and zeros (0). In twos-complement mode (SD24DFx = 01b), the bitstream is interpreted as ones (1) and minus ones (-1). In offset binary mode (SD24DFx = 00b) the output values range from 0 to FS. In twos-complement mode (SD24DFx = 01b), the output values range from -FS to +FS.

If right alignment is selected with SD24ALGN = 0, the digital filter's output value is directly mapped to the SD24_B conversion result registers SD24BMEMHx and SD24BMEMLx with the LSB of the filter's output being mapped to the LSB of SD24BMEMLx.

If left alignment is selected with $SD24ALGN = 1$, the mapping of the filter's output value to the conversion registers is dependent on the selected oversampling rate. In left aligned offset binary mode, the 32-bit value is left-shifted according to [Table 29-1](#). In left aligned twos-complement mode, the 32-bit twos complement of the digital filter's output is left-shifted according to [Table 29-2](#).

[Table 29-3](#) gives an example for an oversampling rate of 256.

Table 29-1. Offset Binary Left Aligned Mapping

OSR Range	SD24BOSRx Register	Filter Output Left Shifted by	Filter's LSB Mapped to
1 to 32	0000h to 001Fh	17 bits	Bit 1 of SD24BMEMHx
33 to 64	0020h to 003Fh	14 bits	Bit 14 of SD24BMEMLx
65 to 128	0040h to 007Fh	11 bits	Bit 11 of SD24BMEMLx
129 to 256	0080h to 00FFh	8 bits	Bit 8 of SD24BMEMLx
257 to 512	0100h to 01FFh	5 bits	Bit 5 of SD24BMEMLx
513 to 1024	0200h to 03FFh	2 bits	Bit 2 of SD24BMEMLx

Table 29-2. Twos-Complement Left Aligned Mapping

OSR Range	SD24BOSRx Register	Filter Output Left Shifted by	Filter's LSB Mapped to
1 to 32	0000h to 001Fh	16 bits	Bit 16 of SD24BMEMLx
33 to 64	0020h to 003Fh	13 bits	Bit 13 of SD24BMEMLx
65 to 128	0040h to 007Fh	10 bits	Bit 10 of SD24BMEMLx
129 to 256	0080h to 00FFh	7 bits	Bit 7 of SD24BMEMLx
257 to 512	0100h to 01FFh	4 bits	Bit 4 of SD24BMEMLx
513 to 1024	0200h to 03FFh	1 bit	Bit 1 of SD24BMEMLx

Table 29-3. Data Format Example for OSR = 256

SD24DFx	SD24ALGN	Format	Analog Input	Filter Output (hex)	SD24BMEMHx SD24BMEMLx (hex)
00b	0	Bipolar offset binary, right aligned	$+V_{FSR}$	0FF FFFF	00FF FFFF
			0 V	080 0000	0080 0000
			$-V_{FSR}$	000 0000	0000 0000
00b	1	Bipolar offset binary, left aligned	$+V_{FSR}$	0FF FFFF	FFFF FF00
			0 V	080 0000	8000 0000
			$-V_{FSR}$	000 0000	0000 0000
01b	0	Bipolar twos complement, right aligned	$+V_{FSR}$	00FF FFFF	00FF FFFF
			0 V	0000 0000	0000 0000
			$-V_{FSR}$	FF00 0000	FF00 0000
01b	1	Bipolar twos complement, left aligned	$+V_{FSR}$	00FF FFFF	7FFF FF80
			0 V	0000 0000	0000 0000
			$-V_{FSR}$	FF00 0000	8000 0000

29.2.8 Bitstream Input and Output

The bitstream of each modulator can be fed to pins. The SD24MCx selects the encoding of the output bitstream.

The SD24_B module also allows to feed in a modulator bitstream into the digital filter with SD24DI = 1. Setting SD24DI = 1 for a converter disables the associated modulator. The incoming bitstream can be either synchronous to the modulator frequency f_M or it can be a Manchester decoded bitstream. The format is selected with the SD24MCx bits. The Manchester decoder requires a zero-to-one or a one-to-zero transition in the incoming bitstream to be able to synchronize correctly to it. Up to the first transition, the decoded data can be incorrect.

Figure 29-9 shows the block diagram of the output encoder and the input decoder.

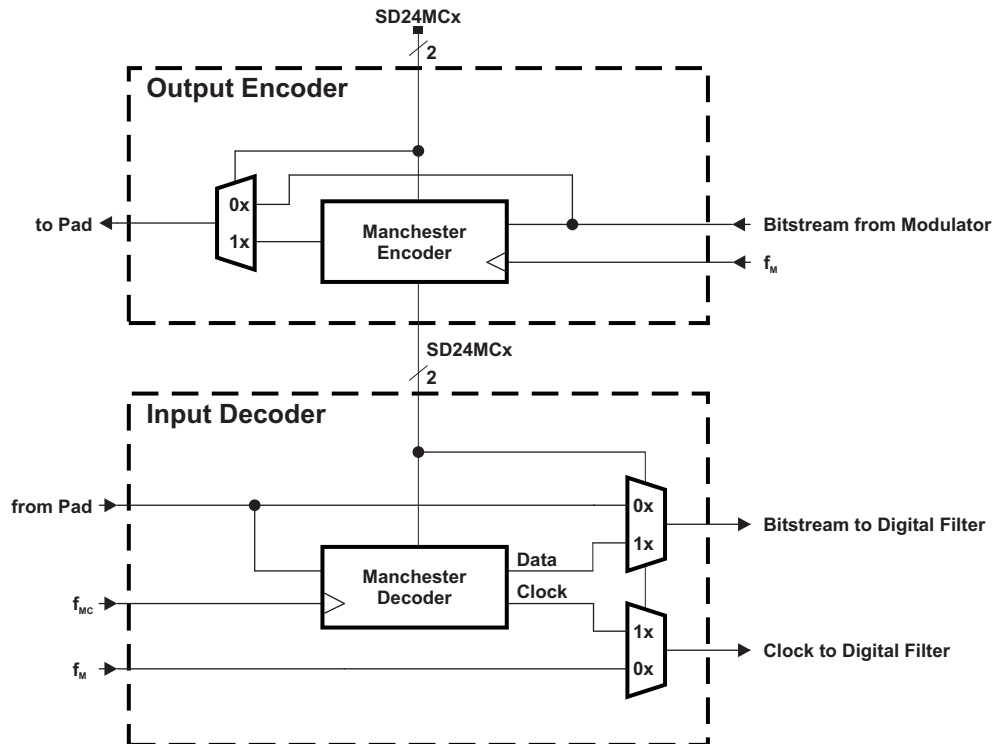


Figure 29-9. SD24_B Output Encoder and Input Decoder Block Diagram

29.2.9 Conversion Modes

Each SD24_B converter can be configured for two modes of operation, single conversion and continuous conversion, as listed in Table 29-4. The SD24SNGL bit selects the converter's conversion mode.

Table 29-4. Conversion Mode Summary

SD24SNGL	Mode	Operation
1	Single conversion	The converter converts once, until the corresponding IFG is set.
0	Continuous conversion	The converter converts continuously.

In addition, the converters can be grouped together by selecting a common start-of-conversion trigger using the SD24SCSx bits. There are up to four software start-of-conversion triggers and three external (for example a timer output) start-of-conversion triggers available.

29.2.9.1 Single Converter, Single Conversion

Setting the SD24SC bit of a converter initiates one conversion on that converter when SD24SNGL = 1 and SD24SCSx = 00b; that is, the converter is not grouped with any other converters. The SD24SC bit is automatically cleared after conversion completion; that is, when the converter's interrupt flag is set. Clearing SD24SC before the conversion is completed immediately stops conversion of the selected converter, the converter is powered down, and the corresponding digital filter is turned off.

Figure 29-10 shows examples of single conversions with different SD24INTDLYx and SD24PREx settings.

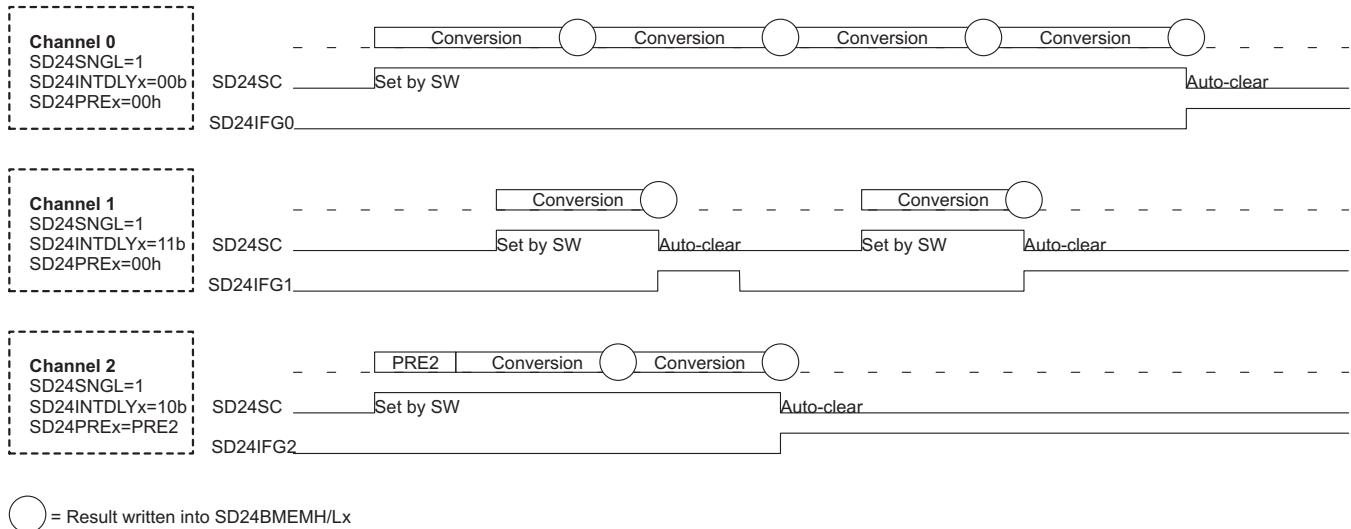


Figure 29-10. Single Conversion Examples

29.2.9.2 Single Converter, Continuous Conversion

When SD24SNGL = 0, continuous conversion mode is selected. A converter configured with SD24SCSx = 00b begins converting when SD24SC is set and continues until the SD24SC bit is cleared by software. Clearing SD24SC immediately stops conversion of the selected converter, the converter is powered down, and the corresponding digital filter is turned off.

29.2.9.3 Group of Converters

SD24_B converters can be grouped together with a common start-of-conversion trigger by setting SD24SCSx to a non-zero value. All converters with the same SD24SCS settings form a group, and the conversion is started by the selected group for all attached converters synchronously. The conversion can be started either by software by setting the respective SD24GRP_xSC bit (see Figure 29-11) or by a rising edge on an external trigger signal like a timer output (see Figure 29-12). The connected trigger sources are device dependent—see the device-specific data sheet for details.

When SD24SNGL = 1 for a converter in a group, single conversion mode is selected. A single conversion of this converter occurs synchronously when the group trigger starts conversion.

The start of conversion is also reflected in each converter's SD24SC bit. By clearing the SD24SC bit of one converter in a group, the conversion of this converter is immediately stopped. Setting the SD24SC bit of an individual converter in a group immediately starts conversion for this converter independent of the group's start of conversion trigger.

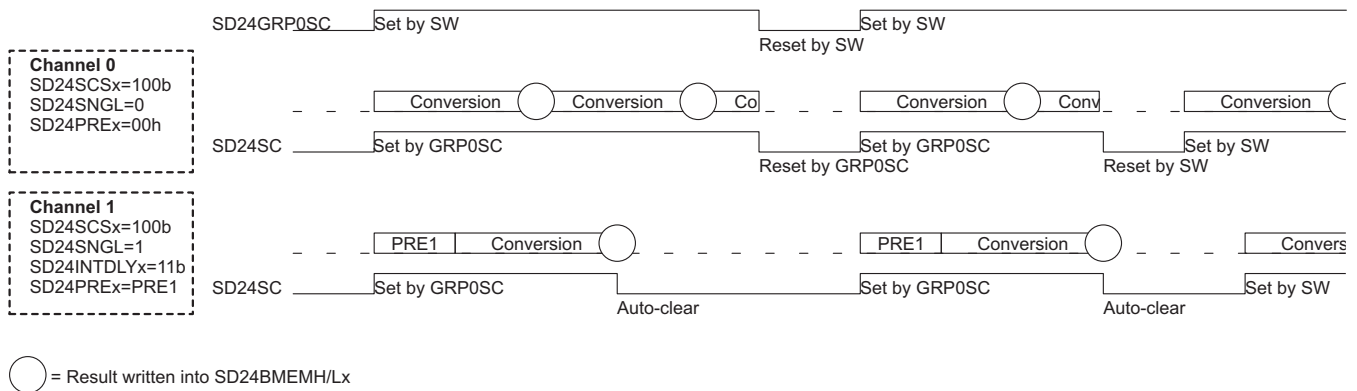


Figure 29-11. Grouped Operation - Internal Start-of-Conversion Trigger

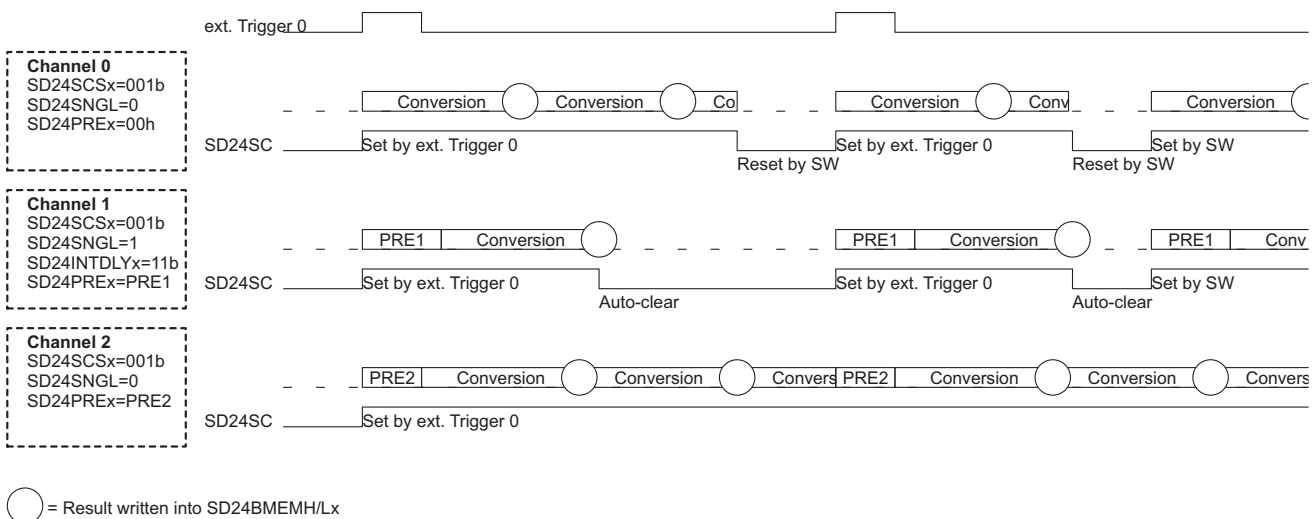


Figure 29-12. Grouped Operation - External Start-of-Conversion Trigger

29.2.10 Conversion Operation Using Preload

When multiple converters are grouped, the SD24BPRES registers can be used to delay the conversion time frame for each converter. Using SD24BPRES, the decimation time of the digital filter is delayed one time by the specified number of f_M clock cycles, which can range from 0 to 1023. Figure 29-13 shows an example using SD24BPRES.

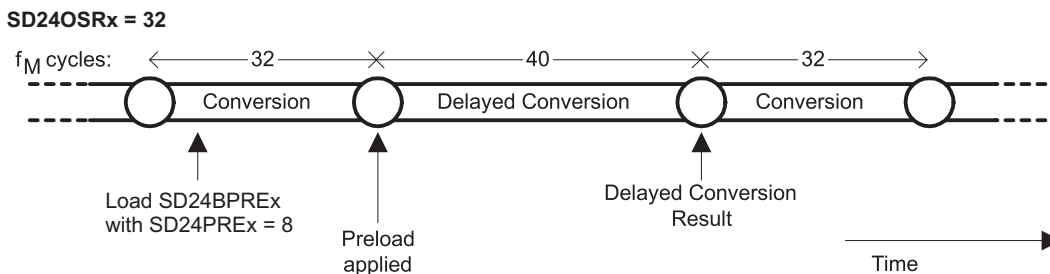


Figure 29-13. Conversion Delay Using Preload - Example

The SD24BPRES delay is applied at the beginning of the next conversion cycle after it is written; that is, the specified number of delay cycles is applied to the conversion cycle following the write to SD24BPRES. Further conversions are not delayed. After modifying SD24BPRES, the next write to SD24BPRES should not occur until the current conversion cycle is completed and the written value is applied. For example, the preload value can be modified after the corresponding SD24IFGx is set. At start of conversion, the first conversion is delayed by the latest value written into SD24BPRES. If no delay at start of conversion is desired, a previously written non-zero value must be changed to zero before starting the conversion.

The accuracy of the result for the delayed conversion cycle using SD24BPRES is dependent on the length of the delay and the frequency of the analog signal being sampled. For example, when measuring a dc signal, SD24BPRES delay has no effect on the conversion result regardless of the duration. The user must determine when the delayed conversion result is useful in an application.

Figure 29-14 shows the operation of grouped converters 0 and 1. The preload register of converter 1 is loaded with zero, which results in immediate conversion, while the conversion cycle of converter 0 is delayed by setting SD24BPRES = 8. The first converter 0 conversion uses SD24BPRES = 8, shifting all subsequent conversions by 8 f_M clock cycles.

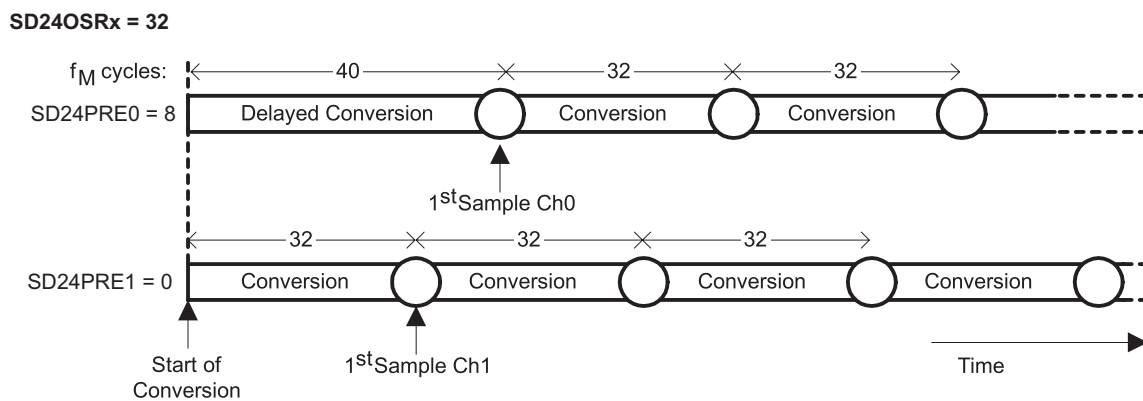


Figure 29-14. Start of Conversion Using Preload - Example

29.2.11 Grounding and Noise Considerations

As with any high-resolution ADC, appropriate printed circuit board layout and grounding techniques should be followed to eliminate ground loops, unwanted parasitic effects, and noise.

Ground loops are formed when return current from the ADC flows through paths that are common with other analog or digital circuitry. If care is not taken, this current can generate small unwanted offset voltages that can add to or subtract from the reference or input voltages of the ADC. Therefore, solid decoupling on both the digital and analog supply is required (best with two capacitors, one 10 μ F and one 100 nF, per supply).

In addition to grounding, ripple and noise spikes on the power-supply lines due to digital switching or switching power supplies can corrupt the conversion result. A noise-free design using separate analog and digital ground planes with a single-point connection is recommended to achieve high accuracy.

If the internal reference is used, the reference voltage should be buffered externally by connecting a small (approximately 100 nF) capacitor to VREF to reduce the noise on the reference.

29.2.12 Trigger Generator

The SD24_B module provides a trigger generator that allows synchronization of external modules (for example other ADCs) with the SD24_B. Configuration of the trigger generator (see the block diagram in Figure 29-15) is similar to a converter (although it does not provide the analog part and thus all associated digital logic). It can be started the same as a converter, and the trigger pulse and the setting of the interrupt flag is generated as it would be generated by a converter with the same OSR and preload settings. This means that the trigger generator mimics the timing of a converter. If the trigger generator is configured the same as the converters and is started together with the converters, it can trigger external modules synchronous with the conversion (that is, decimation) of the SD24_B converters.

NOTE: Only the MSP430F676x1(A) devices support the trigger generator.

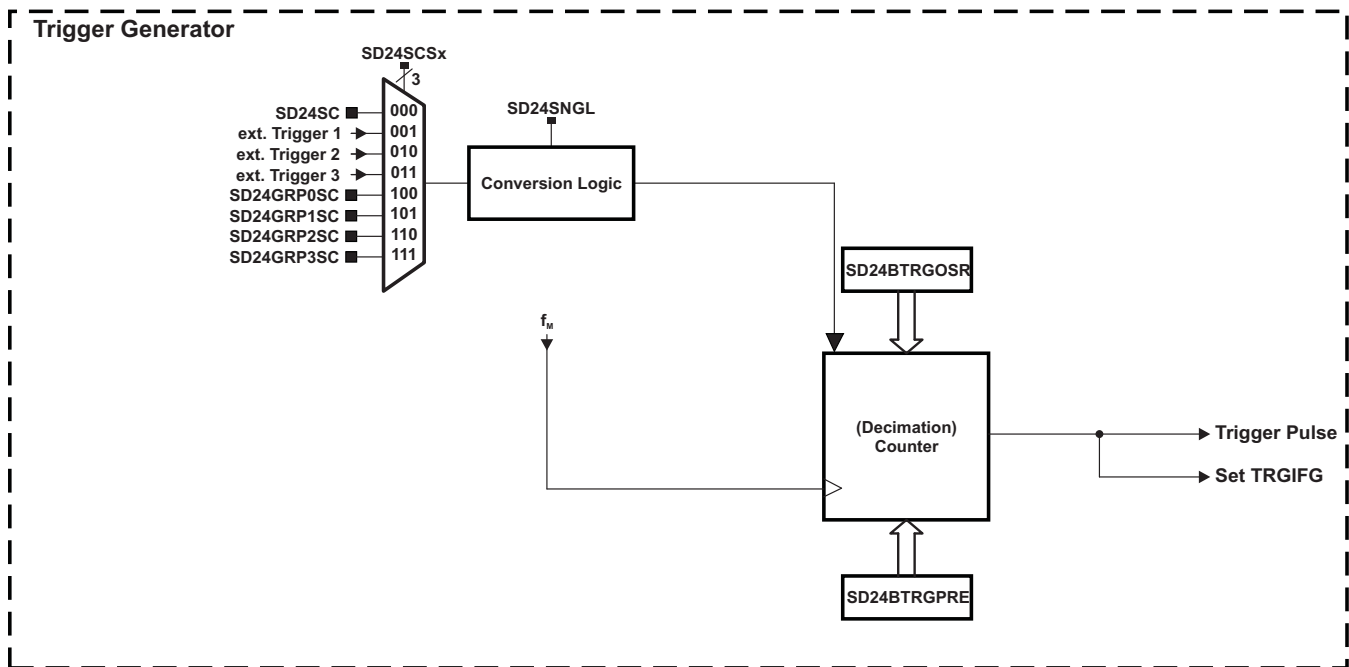


Figure 29-15. SD24_B Trigger Generator Block Diagram

29.2.13 SD24_B Interrupts

The SD24_B has these interrupt sources for each ADC converter:

- SD24IFGx : conversion ready interrupt
- SD24OVIFGx : conversion memory overflow
- SD24TRGIFG: trigger generator interrupt

The SD24IFGx bits are set when their corresponding SD24BMEMHx and SD24BMEMLx memory registers are written with a conversion result. An interrupt request is generated if the corresponding SD24IEx bit and the GIE bit are set. Whether or not an SD24_B overflow condition sets a SD24OVIFG depends on the SD24OV32 setting: If SD24OV32 = 0, the overflow occurs when a conversion result is written to a SD24BMEMHx and SD24BMEMLx register pair before one of the registers was read. If SD24OV32 = 1, the overflow occurs when a new conversion result is written before the complete 32-bit of the previous conversion result was read.

29.2.13.1 SD24BIV, Interrupt Vector Generator

All SD24_B interrupt sources are prioritized and combined to source a single interrupt vector. SD24BIV is used to determine which enabled SD24_B interrupt source requested an interrupt. The highest priority SD24_B interrupt request that is enabled generates a number in the SD24BIV register (see register description). This number can be evaluated or added to the program counter to automatically enter the appropriate software routine. Disabled SD24_B interrupts do not affect the SD24BIV value.

Any read access of the SD24BIV register has no effect on the SD24OVIFG or SD24IFG flags. The SD24IFG flags are reset by reading the associated SD24BMEMx register or by clearing the flags in software. SD24OVIFG bits can only be reset with software. The SD24TRGIFG is reset by reading SD24BIV or by clearing the flag in software. A write access to SD24BIV clears all interrupt flags.

If another interrupt is pending after servicing of an interrupt, another interrupt is generated. For example, if a SD24OVIFGx and one or more SD24IFGx interrupts are pending when the interrupt service routine accesses the SD24BIV register, the SD24OVIFGx interrupt condition is serviced first and the corresponding flags must be cleared in software. After the RETI instruction of the interrupt service routine is executed, the highest priority SD24IFGx pending generates another interrupt request.

29.2.13.2 Interrupt Delay Operation

The SD24INTDLYx bits control the timing for the first interrupt service request for the corresponding converter. This feature delays the interrupt request for a completed conversion by up to four conversion cycles allowing the digital filter to settle prior to generating an interrupt request. The delay is applied each time the conversion is started or when the SD24BINCTLx register is modified. SD24INTDLYx disables overflow interrupt generation for the converter for the selected number of delay cycles. Interrupt requests for the delayed conversions are not generated during the delay.

29.2.14 Using SD24_B With DMA

Devices with an integrated DMA controller can automatically move data from any SD24BMEMHx and SD24BMEMLx register to another location. DMA transfers are done without CPU intervention and independent of any low-power modes.

The SD24DMAx bits in SD24BCTL1 register select the converter that triggers a DMA transfer. The transfer is triggered by the respective SD24IFGx flag. If the respective interrupt enable bit SD24IEx is set, the selected SD24IFGx flag does not trigger a transfer. Any SD24IFGx is automatically cleared when the DMA controller accesses the corresponding SD24BMEMHx and SD24BMEMLx registers.

29.3 SD24_B Registers

The SD24_B registers are listed in [Table 29-5](#). The available converter registers are device-specific depending on the number of implemented converters.

The base address of the SD24_B module can be found in the device-specific data sheet. The address offset of each SD24_B register is given in [Table 29-5](#).

Table 29-5. SD24_B Registers

Offset	Acronym	Register Name	Type	Reset	Section
00h	SD24BCTL0	SD24_B Control 0 Register	Read/write	0000h	Section 29.3.1
02h	SD24BCTL1	SD24_B Control 1 Register	Read/write	0800h	Section 29.3.2
04h	SD24BTRGCTL	SD24_B Trigger Control Register	Read/write	0000h	Section 29.3.3
06h	SD24BTRGOSR	SD24_B Trigger OSR Control Register	Read/write	00FFh	Section 29.3.10
08h	SD24BTRGPRES	SD24_B Trigger Preload Register	Read/write	0000h	Section 29.3.12
0Ah	SD24BIFG	SD24_B Interrupt Flag Register	Read/write	0000h	Section 29.3.4
0Ch	SD24BIE	SD24_B Interrupt Enable Register	Read/write	0000h	Section 29.3.5
0Eh	SD24BIV	SD24_B Interrupt Vector Register	Read/write	0000h	Section 29.3.6
10h	SD24BCCTL0	SD24_B Converter 0 Control Register	Read/write	0000h	Section 29.3.7
12h	SD24BINCTL0	SD24_B Converter 0 Input Control Register	Read/write	0000h	Section 29.3.8
14h	SD24BOSR0	SD24_B Converter 0 OSR Control Register	Read/write	00FFh	Section 29.3.9
16h	SD24BPRES0	SD24_B Converter 0 Preload Register	Read/write	0000h	Section 29.3.11
18h	SD24BCCTL1	SD24_B Converter 1 Control Register	Read/write	0000h	Section 29.3.7
1Ah	SD24BINCTL1	SD24_B Converter 1 Input Control Register	Read/write	0000h	Section 29.3.8
1Ch	SD24BOSR1	SD24_B Converter 1 OSR Control Register	Read/write	00FFh	Section 29.3.9
1Eh	SD24BPRES1	SD24_B Converter 1 Preload Register	Read/write	0000h	Section 29.3.11
20h	SD24BCCTL2	SD24_B Converter 2 Control Register	Read/write	0000h	Section 29.3.7
22h	SD24BINCTL2	SD24_B Converter 2 Input Control Register	Read/write	0000h	Section 29.3.8
24h	SD24BOSR2	SD24_B Converter 2 OSR Control Register	Read/write	00FFh	Section 29.3.9
26h	SD24BPRES2	SD24_B Converter 2 Preload Register	Read/write	0000h	Section 29.3.11
28h	SD24BCCTL3	SD24_B Converter 3 Control Register	Read/write	0000h	Section 29.3.7
2Ah	SD24BINCTL3	SD24_B Converter 3 Input Control Register	Read/write	0000h	Section 29.3.8
2Ch	SD24BOSR3	SD24_B Converter 3 OSR Control Register	Read/write	00FFh	Section 29.3.9
2Eh	SD24BPRES3	SD24_B Converter 3 Preload Register	Read/write	0000h	Section 29.3.11
30h	SD24BCCTL4	SD24_B Converter 4 Control Register	Read/write	0000h	Section 29.3.7
32h	SD24BINCTL4	SD24_B Converter 4 Input Control Register	Read/write	0000h	Section 29.3.8
34h	SD24BOSR4	SD24_B Converter 4 OSR Control Register	Read/write	00FFh	Section 29.3.9
36h	SD24BPRES4	SD24_B Converter 4 Preload Register	Read/write	0000h	Section 29.3.11
38h	SD24BCCTL5	SD24_B Converter 5 Control Register	Read/write	0000h	Section 29.3.7
3Ah	SD24BINCTL5	SD24_B Converter 5 Input Control Register	Read/write	0000h	Section 29.3.8
3Ch	SD24BOSR5	SD24_B Converter 5 OSR Control Register	Read/write	00FFh	Section 29.3.9
3Eh	SD24BPRES5	SD24_B Converter 5 Preload Register	Read/write	0000h	Section 29.3.11
40h	SD24BCCTL6	SD24_B Converter 6 Control Register	Read/write	0000h	Section 29.3.7
42h	SD24BINCTL6	SD24_B Converter 6 Input Control Register	Read/write	0000h	Section 29.3.8
44h	SD24BOSR6	SD24_B Converter 6 OSR Control Register	Read/write	00FFh	Section 29.3.9
46h	SD24BPRES6	SD24_B Converter 6 Preload Register	Read/write	0000h	Section 29.3.11
48h	SD24BCCTL7	SD24_B Converter 7 Control Register	Read/write	0000h	Section 29.3.7
4Ah	SD24BINCTL7	SD24_B Converter 7 Input Control Register	Read/write	0000h	Section 29.3.8
4Ch	SD24BOSR7	SD24_B Converter 7 OSR Control Register	Read/write	00FFh	Section 29.3.9
4Eh	SD24BPRES7	SD24_B Converter 7 Preload Register	Read/write	0000h	Section 29.3.11
50h	SD24BMEML0	SD24_B Converter 0 Conversion Memory Low Word Register	Read/write	0000h	Section 29.3.13

Table 29-5. SD24_B Registers (continued)

Offset	Acronym	Register Name	Type	Reset	Section
52h	SD24BMEMH0	SD24_B Converter 0 Conversion Memory High Word Register	Read/write	0000h	Section 29.3.14
54h	SD24BMEML1	SD24_B Converter 1 Conversion Memory Low Word Register	Read/write	0000h	Section 29.3.13
56h	SD24BMEMH1	SD24_B Converter 1 Conversion Memory High Word Register	Read/write	0000h	Section 29.3.14
58h	SD24BMEML2	SD24_B Converter 2 Conversion Memory Low Word Register	Read/write	0000h	Section 29.3.13
5Ah	SD24BMEMH2	SD24_B Converter 2 Conversion Memory High Word Register	Read/write	0000h	Section 29.3.14
5Ch	SD24BMEML3	SD24_B Converter 3 Conversion Memory Low Word Register	Read/write	0000h	Section 29.3.13
5Eh	SD24BMEMH3	SD24_B Converter 3 Conversion Memory High Word Register	Read/write	0000h	Section 29.3.14
60h	SD24BMEML4	SD24_B Converter 4 Conversion Memory Low Word Register	Read/write	0000h	Section 29.3.13
62h	SD24BMEMH4	SD24_B Converter 4 Conversion Memory High Word Register	Read/write	0000h	Section 29.3.14
64h	SD24BMEML5	SD24_B Converter 5 Conversion Memory Low Word Register	Read/write	0000h	Section 29.3.13
66h	SD24BMEMH5	SD24_B Converter 5 Conversion Memory High Word Register	Read/write	0000h	Section 29.3.14
68h	SD24BMEML6	SD24_B Converter 6 Conversion Memory Low Word Register	Read/write	0000h	Section 29.3.13
6Ah	SD24BMEMH6	SD24_B Converter 6 Conversion Memory High Word Register	Read/write	0000h	Section 29.3.14
6Ch	SD24BMEML7	SD24_B Converter 7 Conversion Memory Low Word Register	Read/write	0000h	Section 29.3.13
6Eh	SD24BMEMH7	SD24_B Converter 7 Conversion Memory High Word Register	Read/write	0000h	Section 29.3.14

29.3.1 SD24BCTL0 Register

SD24_B Control Register 0

Figure 29-16. SD24BCTL0 Register

15	14	13	12	11	10	9	8
SD24DIVx					SD24PDIVx		
rw-0	rw-0	rw-0	rw-0	rw-0	rw-0	rw-0	rw-0
7	6	5	4	3	2	1	0
SD24CLKOS	SD24M4	SD24SSELx		Reserved	SD24REFS	SD24OV32	Reserved
rw-0	rw-0	rw-0	rw-0	r0	rw-0	rw-0	r0

Table 29-6. SD24BCTL0 Register Description

Bit	Field	Type	Reset	Description
15-11	SD24DIVx	RW	0h	SD24_B frequency divider. Together with SD24PDIVx, the SD24_B frequency f_{SD24} is calculated as $f_{SD24} = f_{SD24SCLK} / [(SD24DIVx + 1) \times 2^{SD24PDIVx}]$. 0000b = Divide by 1 0001b = Divide by 2 ⋮ 11110b = Divide by 31 11111b = Divide by 32
10-8	SD24PDIVx	RW	0h	SD24_B frequency pre-scaler. Together with SD24DIVx, the SD24_B frequency f_{SD24} is calculated as $f_{SD24} = f_{SD24SCLK} / [(SD24DIVx + 1) \times 2^{SD24PDIVx}]$. 000b = Divide by 1 001b = Divide by 2 010b = Divide by 4 011b = Divide by 8 100b = Divide by 16 101b = Divide by 32 110b = Divide by 64 111b = Divide by 128
7	SD24CLKOS	RW	0h	Clock output select 0b = Modulator clock, f_M 1b = Manchester decoder clock, f_{MC} . Depending on SD24M4, the Manchester decoder clock is equal to the modulator clock or four times the modulator clock.
6	SD24M4	RW	0h	Modulator clock to Manchester decoder clock ratio 0b = Modulator clock equals Manchester decoder clock, $f_M = f_{MC} = f_{SD24}$ 1b = Modulator clock is 1/4 of the Manchester decoder clock, $f_M = f_{MC}/4 = f_{SD24}/4$, $f_{MC} = f_{SD24}$
5-4	SD24SSEL	RW	0h	SD24_B clock source select 00b = MCLK 01b = SMCLK 10b = ACLK 11b = External SD24_B clock (SD24CLK)
3	Reserved	R	0h	Reserved. Always reads as 0.
2	SD24REFS	RW	0h	Reference select 0b = External reference selected. Internal reference voltage buffer disabled. 1b = Internal reference from shared REF selected. This requests the reference voltage from the shared REF and buffers it internally to the SD24_B.
1	SD24OV32	RW	0h	SD24_B overflow control 0b = Overflow on 16-bit (1 word) only; that is, only one of the SD24BMEMLx and SD24BMEMHx registers must be read to prevent the overflow interrupt flag being set. 1b = Overflow on 32-bit (2 words); that is, both SD24BMEMx and SD24BMEMHx registers must be read to prevent the overflow interrupt flag being set.
0	Reserved	R	0h	Reserved. Always reads as 0.

29.3.2 SD24BCTL1 Register

SD24_B Control Register 1

Figure 29-17. SD24BCTL1 Register

15	14	13	12	11	10	9	8
Reserved				SD24DMAx			
r0	r0	r0	r0	rw-1	rw-0	rw-0	rw-0
7	6	5	4	3	2	1	0
Reserved				SD24GRP3SC	SD24GRP2SC	SD24GRP1SC	SD24GRP0SC
r0	r0	r0	r0	rw-0	rw-0	rw-0	rw-0

Table 29-7. SD24BCTL1 Register Description

Bit	Field	Type	Reset	Description
15-12	Reserved	R	0h	Reserved. Always reads as 0.
11-8	SD24DMAx	RW	8h	DMA trigger select. Selects the converter that should trigger a DMA transfer. 0000b = SD24IFG0 triggers DMA (if SD24IE0 = 0) 0001b = SD24IFG1 triggers DMA (if SD24IE1 = 0) 0010b = SD24IFG2 triggers DMA (if SD24IE2 = 0) 0011b = SD24IFG3 triggers DMA (if SD24IE3 = 0) 0100b = SD24IFG4 triggers DMA (if SD24IE4 = 0) 0101b = SD24IFG5 triggers DMA (if SD24IE5 = 0) 0110b = SD24IFG6 triggers DMA (if SD24IE6 = 0) 0111b = SD24IFG7 triggers DMA (if SD24IE7 = 0) 1000b = SD24TRGIFG triggers DMA (if SD24TRGIE = 0) 1001b = SD24TRGIFG triggers DMA (if SD24TRGIE = 0) 1010b = SD24TRGIFG triggers DMA (if SD24TRGIE = 0) 1011b = SD24TRGIFG triggers DMA (if SD24TRGIE = 0) 1100b = SD24TRGIFG triggers DMA (if SD24TRGIE = 0) 1101b = SD24TRGIFG triggers DMA (if SD24TRGIE = 0) 1110b = SD24TRGIFG triggers DMA (if SD24TRGIE = 0) 1111b = SD24TRGIFG triggers DMA (if SD24TRGIE = 0)
7-4	Reserved	R	0h	Reserved. Always reads as 0.
3	SD24GRP3SC	RW	0h	SD24_B Group 3 start of conversion. Software controlled start of conversion for all converters belonging to group 3. 0b = No conversion start 1b = Start conversion for group 3
2	SD24GRP2SC	RW	0h	SD24_B Group 2 start of conversion. Software controlled start of conversion for all converters belonging to group 2. 0b = No conversion start 1b = Start conversion for group 2
1	SD24GRP1SC	RW	0h	SD24_B Group 1 start of conversion. Software controlled start of conversion for all converters belonging to group 1. 0b = No conversion start 1b = Start conversion for group 1
0	SD24GRP0SC	RW	0h	SD24_B Group 0 start of conversion. Software controlled start of conversion for all converters belonging to group 0. 0b = No conversion start 1b = Start conversion for group 0

29.3.3 SD24BTRGCTL Register

SD24_B Trigger Control Register

Note: Only the MSP430F676x1(A) devices support the trigger generator.

Figure 29-18. SD24BTRGCTL Register

15	14	13	12	11	10	9	8
Reserved				SD24TRGIE	SD24TRGIFG	Reserved	SD24SNGL
r0	r0	r0	r0	rw-0	rw-0	r0	rw-0
7	6	5	4	3	2	1	0
Reserved				SD24SCSx			SD24SC
r0	r0	r0	r0	rw-0	rw-0	rw-0	rw-0

Table 29-8. SD24BTRGCTL Register Description

Bit	Field	Type	Reset	Description
15-12	Reserved	R	0h	Reserved. Always reads as 0.
11	SD24TRGIE	RW	0h	SD24_B trigger interrupt enable 0b = Interrupt disabled 1b = Interrupt enabled
10	SD24TRGIFG	RW	0h	SD24_B trigger interrupt flag 0b = No interrupt pending 1b = Interrupt pending
9	Reserved	R	0h	Reserved. Always reads as 0.
8	SD24SNGL	RW	0h	Single trigger mode select 0b = Continuous triggers generated (like a converter in continuous conversion mode). 1b = Single trigger generated (like a converter in single conversion mode).
7-4	Reserved	R	0h	Reserved. Always reads as 0.
3-1	SD24SCSx	RW	0h	Start of conversion or trigger generation select 000b = SD24SC bit 001b = External trigger 1 (see the device-specific data sheet) 010b = External trigger 2 (see the device-specific data sheet) 011b = External trigger 3 (see the device-specific data sheet) 100b = Group 0 - Start of conversion defined by SD24GRP0SC bits in register SD24BCTL1 101b = Group 1 - Start of conversion defined by SD24GRP1SC bits in register SD24BCTL1 110b = Group 2 - Start of conversion defined by SD24GRP2SC bits in register SD24BCTL1 111b = Group 3 - Start of conversion defined by SD24GRP3SC bits in register SD24BCTL1
0	SD24SC	RW	0h	Start of conversion or trigger generation. Software controlled start of conversion if SD24SCS = 00b. Manual stop of conversion (independent of SD24SCS setting). If a conversion is ongoing (triggered by any source selected through SD24SCS) this is indicated by SD24SC = 1. 0b = No conversion start or stop conversion 1b = Start conversion or trigger generation

29.3.4 SD24BIFG Register

SD24_B Interrupt Flag Register

Figure 29-19. SD24BIFG Register

15	14	13	12	11	10	9	8
SD24OVIFG7	SD24OVIFG6	SD24OVIFG5	SD24OVIFG4	SD24OVIFG3	SD24OVIFG2	SD24OVIFG1	SD24OVIFG0
rw-0	rw-0	rw-0	rw-0	rw-0	rw-0	rw-0	rw-0
7	6	5	4	3	2	1	0
SD24IFG7	SD24IFG6	SD24IFG5	SD24IFG4	SD24IFG3	SD24IFG2	SD24IFG1	SD24IFG0
rw-0	rw-0	rw-0	rw-0	rw-0	rw-0	rw-0	rw-0

Table 29-9. SD24BIFG Register Description

Bit	Field	Type	Reset	Description
15	SD24OVIFG7	RW	0h	SD24_B converter 7 overflow interrupt flag. These bits are set depending on the SD24OV32 bit settings: When none of the corresponding conversion registers SD24BMEML7 or SD24BMEMH7 are read before new values are loaded (SD24OV32 = 0). When only one of the corresponding conversion registers SD24BMEML7 or SD24BMEMH7 is read before new values are loaded (SD24OV32 = 1). 0b = No interrupt pending 1b = Interrupt pending
14	SD24OVIFG6	RW	0h	SD24_B converter 6 overflow interrupt flag. These bits are set depending on the SD24OV32 bit settings: When none of the corresponding conversion registers SD24BMEML6 or SD24BMEMH6 are read before new values are loaded (SD24OV32 = 0). When only one of the corresponding conversion registers SD24BMEML6 or SD24BMEMH6 is read before new values are loaded (SD24OV32 = 1). 0b = No interrupt pending 1b = Interrupt pending
13	SD24OVIFG5	RW	0h	SD24_B converter 5 overflow interrupt flag. These bits are set depending on the SD24OV32 bit settings: When none of the corresponding conversion registers SD24BMEML5 or SD24BMEMH5 are read before new values are loaded (SD24OV32 = 0). When only one of the corresponding conversion registers SD24BMEML5 or SD24BMEMH5 is read before new values are loaded (SD24OV32 = 1). 0b = No interrupt pending 1b = Interrupt pending
12	SD24OVIFG4	RW	0h	SD24_B converter 4 overflow interrupt flag. These bits are set depending on the SD24OV32 bit settings: When none of the corresponding conversion registers SD24BMEML4 or SD24BMEMH4 are read before new values are loaded (SD24OV32 = 0). When only one of the corresponding conversion registers SD24BMEML4 or SD24BMEMH4 is read before new values are loaded (SD24OV32 = 1). 0b = No interrupt pending 1b = Interrupt pending
11	SD24OVIFG3	RW	0h	SD24_B converter 3 overflow interrupt flag. These bits are set depending on the SD24OV32 bit settings: When none of the corresponding conversion registers SD24BMEML3 or SD24BMEMH3 are read before new values are loaded (SD24OV32 = 0). When only one of the corresponding conversion registers SD24BMEML3 or SD24BMEMH3 is read before new values are loaded (SD24OV32 = 1). 0b = No interrupt pending 1b = Interrupt pending

Table 29-9. SD24BIFG Register Description (continued)

Bit	Field	Type	Reset	Description
10	SD24OVIFG2	RW	0h	SD24_B converter 2 overflow interrupt flag. These bits are set depending on the SD24OV32 bit settings: When none of the corresponding conversion registers SD24BMEML2 or SD24BMEMH2 are read before new values are loaded (SD24OV32 = 0). When only one of the corresponding conversion registers SD24BMEML2 or SD24BMEMH2 is read before new values are loaded (SD24OV32 = 1). 0b = No interrupt pending 1b = Interrupt pending
9	SD24OVIFG1	RW	0h	SD24_B converter 1 overflow interrupt flag. These bits are set depending on the SD24OV32 bit settings: When none of the corresponding conversion registers SD24BMEML1 or SD24BMEMH1 are read before new values are loaded (SD24OV32 = 0). When only one of the corresponding conversion registers SD24BMEML1 or SD24BMEMH1 is read before new values are loaded (SD24OV32 = 1). 0b = No interrupt pending 1b = Interrupt pending
8	SD24OVIFG0	RW	0h	SD24_B converter 0 overflow interrupt flag. These bits are set depending on the SD24OV32 bit settings: When none of the corresponding conversion registers SD24BMEML0 or SD24BMEMH0 are read before new values are loaded (SD24OV32 = 0). When only one of the corresponding conversion registers SD24BMEML0 or SD24BMEMH0 is read before new values are loaded (SD24OV32 = 1). 0b = No interrupt pending 1b = Interrupt pending
7	SD24IFG7	RW	0h	SD24_B converter 7 interrupt flag. These bits are set when the corresponding conversion registers SD24BMEML7 and SD24BMEMH7 are loaded with a new conversion result. The bits are reset by reading one of the SD24BMEML7 or SD24BMEMH7 registers, or may be reset by software. 0b = No interrupt pending 1b = Interrupt pending
6	SD24IFG6	RW	0h	SD24_B converter 6 interrupt flag. These bits are set when the corresponding conversion registers SD24BMEML6 and SD24BMEMH6 are loaded with a new conversion result. The bits are reset by reading one of the SD24BMEML6 or SD24BMEMH6 registers, or may be reset by software. 0b = No interrupt pending 1b = Interrupt pending
5	SD24IFG5	RW	0h	SD24_B converter 5 interrupt flag. These bits are set when the corresponding conversion registers SD24BMEML5 and SD24BMEMH5 are loaded with a new conversion result. The bits are reset by reading one of the SD24BMEML5 or SD24BMEMH5 registers, or may be reset by software. 0b = No interrupt pending 1b = Interrupt pending
4	SD24IFG4	RW	0h	SD24_B converter 4 interrupt flag. These bits are set when the corresponding conversion registers SD24BMEML4 and SD24BMEMH4 are loaded with a new conversion result. The bits are reset by reading one of the SD24BMEML4 or SD24BMEMH4 registers, or may be reset by software. 0b = No interrupt pending 1b = Interrupt pending
3	SD24IFG3	RW	0h	SD24_B converter 3 interrupt flag. These bits are set when the corresponding conversion registers SD24BMEML3 and SD24BMEMH3 are loaded with a new conversion result. The bits are reset by reading one of the SD24BMEML3 or SD24BMEMH3 registers, or may be reset by software. 0b = No interrupt pending 1b = Interrupt pending

Table 29-9. SD24BIFG Register Description (continued)

Bit	Field	Type	Reset	Description
2	SD24IFG2	RW	0h	SD24_B converter 2 interrupt flag. These bits are set when the corresponding conversion registers SD24BMEML2 and SD24BMEMH2 are loaded with a new conversion result. The bits are reset by reading one of the SD24BMEML2 or SD24BMEMH2 registers, or may be reset by software. 0b = No interrupt pending 1b = Interrupt pending
1	SD24IFG1	RW	0h	SD24_B converter 1 interrupt flag. These bits are set when the corresponding conversion registers SD24BMEML1 and SD24BMEMH1 are loaded with a new conversion result. The bits are reset by reading one of the SD24BMEML1 or SD24BMEMH1 registers, or may be reset by software. 0b = No interrupt pending 1b = Interrupt pending
0	SD24IFG0	RW	0h	SD24_B converter 0 interrupt flag. These bits are set when the corresponding conversion registers SD24BMEML0 and SD24BMEMH0 are loaded with a new conversion result. The bits are reset by reading one of the SD24BMEML0 or SD24BMEMH0 registers, or may be reset by software. 0b = No interrupt pending 1b = Interrupt pending

29.3.5 SD24BIE Register

SD24_B Interrupt Enable Register

Figure 29-20. SD24BIE Register

15	14	13	12	11	10	9	8
SD24OVIE7	SD24OVIE6	SD24OVIE5	SD24OVIE4	SD24OVIE3	SD24OVIE2	SD24OVIE1	SD24OVIE0
rw-0	rw-0	rw-0	rw-0	rw-0	rw-0	rw-0	rw-0
7	6	5	4	3	2	1	0
SD24IE7	SD24IE6	SD24IE5	SD24IE4	SD24IE3	SD24IE2	SD24IE1	SD24IE0
rw-0	rw-0	rw-0	rw-0	rw-0	rw-0	rw-0	rw-0

Table 29-10. SD24BIE Register Description

Bit	Field	Type	Reset	Description
15	SD24OVIE7	RW	0h	SD24_B converter 7 overflow interrupt enable 0b = Interrupt disabled 1b = Interrupt enabled
14	SD24OVIE6	RW	0h	SD24_B converter 6 overflow interrupt enable 0b = Interrupt disabled 1b = Interrupt enabled
13	SD24OVIE5	RW	0h	SD24_B converter 5 overflow interrupt enable 0b = Interrupt disabled 1b = Interrupt enabled
12	SD24OVIE4	RW	0h	SD24_B converter 4 overflow interrupt enable 0b = Interrupt disabled 1b = Interrupt enabled
11	SD24OVIE3	RW	0h	SD24_B converter 3 overflow interrupt enable 0b = Interrupt disabled 1b = Interrupt enabled
10	SD24OVIE2	RW	0h	SD24_B converter 2 overflow interrupt enable 0b = Interrupt disabled 1b = Interrupt enabled
9	SD24OVIE1	RW	0h	SD24_B converter 1 overflow interrupt enable 0b = Interrupt disabled 1b = Interrupt enabled
8	SD24OVIE0	RW	0h	SD24_B converter 0 overflow interrupt enable 0b = Interrupt disabled 1b = Interrupt enabled
7	SD24IE7	RW	0h	SD24_B converter 7 interrupt enable 0b = Interrupt disabled 1b = Interrupt enabled
6	SD24IE6	RW	0h	SD24_B converter 6 interrupt enable 0b = Interrupt disabled 1b = Interrupt enabled
5	SD24IE5	RW	0h	SD24_B converter 5 interrupt enable 0b = Interrupt disabled 1b = Interrupt enabled
4	SD24IE4	RW	0h	SD24_B converter 4 interrupt enable 0b = Interrupt disabled 1b = Interrupt enabled
3	SD24IE3	RW	0h	SD24_B converter 3 interrupt enable 0b = Interrupt disabled 1b = Interrupt enabled

Table 29-10. SD24BIE Register Description (continued)

Bit	Field	Type	Reset	Description
2	SD24IE2	RW	0h	SD24_B converter 2 interrupt enable 0b = Interrupt disabled 1b = Interrupt enabled
1	SD24IE1	RW	0h	SD24_B converter 1 interrupt enable 0b = Interrupt disabled 1b = Interrupt enabled
0	SD24IE0	RW	0h	SD24_B converter 0 interrupt enable 0b = Interrupt disabled 1b = Interrupt enabled

29.3.6 SD24BIV Register

SD24_B Interrupt Vector Register

Figure 29-21. SD24BIV Register

15	14	13	12	11	10	9	8
SD24BIVx							
r0	r0	r0	r0	r0	r0	r0	r0
7	6	5	4	3	2	1	0
SD24BIVx							
r0	r0	r0	r-0	r-0	r-0	r-0	r0

Table 29-11. SD24BIV Register Description

Bit	Field	Type	Reset	Description
15-0	SD24BIVx	R	0h	<p>SD24_B Interrupt vector value. It generates an value that can be used as address offset for fast interrupt service routine handling. Writing to this register clears all pending interrupt flags.</p> <p>When an overflow occurs (02h), the software must check all SD24OVIFGx flags to determine which converter caused the overflow.</p> <p>00h = No Interrupt pending</p> <p>02h = Interrupt Source: SD24_B memory overflow; Interrupt Flag: SD24OVIFGx; Interrupt Priority: Highest</p> <p>04h = Interrupt Source: SD24_B trigger interrupt flag; Interrupt Flag: SD24TRGIFG</p> <p>06h = Interrupt Source: SD24_B converter 0 memory interrupt flag; Interrupt Flag: SD24IFG0</p> <p>08h = Interrupt Source: SD24_B converter 1 memory interrupt flag; Interrupt Flag: SD24IFG1</p> <p>0Ah = Interrupt Source: SD24_B converter 2 memory interrupt flag; Interrupt Flag: SD24IFG2</p> <p>0Ch = Interrupt Source: SD24_B converter 3 memory interrupt flag; Interrupt Flag: SD24IFG3</p> <p>0Eh = Interrupt Source: SD24_B converter 4 memory interrupt flag; Interrupt Flag: SD24IFG4</p> <p>10h = Interrupt Source: SD24_B converter 5 memory interrupt flag; Interrupt Flag: SD24IFG5</p> <p>12h = Interrupt Source: SD24_B converter 6 memory interrupt flag; Interrupt Flag: SD24IFG6</p> <p>14h = Interrupt Source: SD24_B converter 7 memory interrupt flag; Interrupt Flag: SD24IFG7; Interrupt Priority: Lowest</p>

29.3.7 SD24BCCTLx Register

SD24_B Converter x Control Register

Figure 29-22. SD24BCCTLx Register

15	14	13	12	11	10	9	8
Reserved	SD24MCx		SD24DI	SD24DFSx		SD24CAL	SD24SNGL
r0	rw-0	rw-0	rw-0	rw-0	rw-0	rw-0	rw-0
7	6	5	4	3	2	1	0
Reserved	SD24ALGN	SD24DFx		SD24SCSx		SD24SC	
r0	rw-0	rw-0	rw-0	rw-0	rw-0	rw-0	rw-0

Table 29-12. SD24BCCTLx Register Description

Bit	Field	Type	Reset	Description
15	Reserved	R	0h	Reserved. Always reads as 0.
14-16	SD24MCx	RW	0h	Manchester Coding of bitstream. 00b = Bitstream synchronous to f_M . Output data changes with falling clock edge, input data is captured with rising clock edge. 01b = Bitstream synchronous to f_M . Output data changes with rising clock edge, input data is captured with falling clock edge. 10b = Output bitstream Manchester encoded. Input bitstream Manchester decoded with oversampling of the input signal. A logic 1 is represented by a high-low transition, a logic 0 is represented by a low-high transition. 11b = Output bitstream Manchester encoded. Input bitstream Manchester decoded with oversampling of the input signal. A logic 1 is represented by a low-high transition, a logic 0 is represented by a high-low transition.
12	SD24DI	RW	0h	Digital bitstream input 0b = Bitstream from modulator fed into digital filter 1b = External bitstream fed into digital filter. Modulator is off.
11-10	SD24DFSx	RW	0h	Digital filter select 00b = SINC3 filter 01b = Reserved (defaults to 00, SINC). 10b = Reserved (defaults to 00, SINC). 11b = Reserved (defaults to 00, SINC).
9	SD24CAL	RW	0h	Calibration 0b = Calibration disabled. 1b = Calibration enabled. With a single conversion the offset of the modulator and PGA can be measured.
8	SD24SNGL	RW	0h	Single conversion mode select 0b = Continuous conversion mode 1b = Single conversion mode
7	Reserved	R	0h	Reserved. Always reads as 0.
6	SD24ALGN	RW	0h	Data alignment 0b = Right-aligned. LSB of filter output is Bit 0. 1b = Left-aligned. MSB of filter output (depending on OSR) is Bit 31.
5-4	SD24DFx	RW	0h	Data format 00b = Offset binary 01b = Twos complement 10b = Reserved (defaults to 00, Offset binary) 11b = Reserved (defaults to 01, twos complement)

Table 29-12. SD24BCCTLx Register Description (continued)

Bit	Field	Type	Reset	Description
3-1	SD24SCSx	RW	0h	Start of conversion select 000b = SD24SC bit 001b = External trigger 1. See the device-specific data sheet. 010b = External trigger 2. See the device-specific data sheet. 011b = External trigger 3. See the device-specific data sheet. 100b = Group 0 - Start of conversion defined by SD24GRP0SC bits in register SD24BCTL1. 101b = Group 1 - Start of conversion defined by SD24GRP1SC bits in register SD24BCTL1. 110b = Group 2 - Start of conversion defined by SD24GRP2SC bits in register SD24BCTL1. 111b = Group 3 - Start of conversion defined by SD24GRP3SC bits in register SD24BCTL1.
0	SD24SC	RW	0h	Start of conversion. Software controlled start of conversion if SD24SCS = 00b. Manual stop of conversion (independent of SD24SCS setting). If a conversion is ongoing (triggered by any source selected through SD24SCS) this is indicated by SD24SC = 1. When starting the conversion (also by setting SD24SC) this bit will only read 1 when the start of conversion was synchronization to the modulator clock and the actual conversion started. 0b = No conversion start (that is, conversion stopped) 1b = Conversion ongoing

29.3.8 SD24BINCTLx Register

SD24_B Converter x Input Control Register

Figure 29-23. SD24BINCTLx Register

15	14	13	12	11	10	9	8
Reserved							
r0	r0	r0	r0	r0	r0	r0	r0
7	6	5	4	3	2	1	0
SD24INTDLYx		SD24GAINx			Reserved		
rw-0	rw-0	rw-0	rw-0	rw-0	rw-0	rw-0	rw-0

Table 29-13. SD24BINCTLx Register Description

Bit	Field	Type	Reset	Description
15-8	Reserved	R	0h	Reserved. Always reads as 0.
7-6	SD24INTDLYx	RW	0h	Interrupt delay generation after conversion start. These bits select the delay for the first interrupt after conversion start. 00b = Fourth sample causes interrupt 01b = Third sample causes interrupt 10b = Second sample causes interrupt 11b = First sample causes interrupt
5-3	SD24GAINx	RW	0h	Gain 000b = 1 001b = 2 010b = 4 011b = 8 100b = 16 101b = 32 110b = 64 111b = 128
2-0	Reserved	RW	0h	Reserved

29.3.9 SD24BOSRx Register

SD24_B Converter x Oversampling Control Register

Figure 29-24. SD24BOSRx Register

15	14	13	12	11	10	9	8
Reserved						SD24OSRx	
r0	r0	r0	r0	r0	r0	rw-0	rw-0
7	6	5	4	3	2	1	0
SD24OSRx							
rw-1	rw-1	rw-1	rw-1	rw-1	rw-1	rw-1	rw-1

Table 29-14. SD24BOSRx Register Description

Bit	Field	Type	Reset	Description
15-10	Reserved	R	0h	Reserved. Always reads as 0.
9-0	SD24OSRx	RW	0h	Oversampling rate. The oversampling rate is defined as OSRx + 1. Valid oversampling rates are 1 to 1024. Default is 256.

29.3.10 SD24BTRGOSR Register

SD24_B Trigger Oversampling Control Register

Note: Only the MSP430F676x1(A) devices support the trigger generator.

Figure 29-25. SD24BTRGOSR Register

15	14	13	12	11	10	9	8
Reserved						SD24OSRx	
r0	r0	r0	r0	r0	r0	rw-0	rw-0
7	6	5	4	3	2	1	0
SD24OSRx							
rw-1	rw-1	rw-1	rw-1	rw-1	rw-1	rw-1	rw-1

Table 29-15. SD24BTRGOSR Register Description

Bit	Field	Type	Reset	Description
15-10	Reserved	R	0h	Reserved. Always reads as 0.
9-0	SD24OSRx	RW	0h	Oversampling rate. The oversampling rate is defined as OSRx + 1. Valid oversampling rates are 1 to 1024. Default is 256.

29.3.11 SD24BPRES Register

SD24_B Converter x Preload Register

Figure 29-26. SD24BPRES Register

15	14	13	12	11	10	9	8
Reserved						SD24PREx	
r0	r0	r0	r0	r0	r0	rw-0	rw-0
7	6	5	4	3	2	1	0
SD24PREx							
rw-0	rw-0	rw-0	rw-0	rw-0	rw-0	rw-0	rw-0

Table 29-16. SD24BPRES Register Description

Bit	Field	Type	Reset	Description
15-10	Reserved	R	0h	Reserved. Always reads as 0.
9-0	SD24BPRES	RW	0h	Digital filter preload value

29.3.12 SD24BTRGPRE Register

SD24_B Trigger Preload Register

Note: Only the MSP430F676x1(A) devices support the trigger generator.

Figure 29-27. SD24BTRGPRE Register

15	14	13	12	11	10	9	8
Reserved						SD24PREx	
r0	r0	r0	r0	r0	r0	rw-0	rw-0
7	6	5	4	3	2	1	0
SD24PREx							
rw-0	rw-0	rw-0	rw-0	rw-0	rw-0	rw-0	rw-0

Table 29-17. SD24BTRGPRE Register Description

Bit	Field	Type	Reset	Description
15-10	Reserved	R	0h	Reserved. Always reads as 0.
9-0	SD24BPRES	RW	0h	Digital filter preload value

29.3.13 SD24BMEMLx Register

SD24_B Converter x Conversion Memory Low Word Register

Figure 29-28. SD24BMEMLx Register

15	14	13	12	11	10	9	8
Conversion Results - Low Word							
r-0	r-0	r-0	r-0	r-0	r-0	r-0	r-0
7	6	5	4	3	2	1	0
Conversion Results - Low Word							
r-0	r-0	r-0	r-0	r-0	r-0	r-0	r-0

Table 29-18. SD24BMEMLx Register Description

Bit	Field	Type	Reset	Description
15-0	Conversion Results - Low Word	R	0h	Conversion results. Actual format depends on selected data format, and oversampling rate.

29.3.14 SD24BMEMHx Register

SD24_B Converter x Conversion Memory High Word Register

Figure 29-29. SD24BMEMHx Register

15	14	13	12	11	10	9	8
Conversion Results - High Word							
r-0	r-0	r-0	r-0	r-0	r-0	r-0	r-0
7	6	5	4	3	2	1	0
Conversion Results - High Word							
r-0	r-0	r-0	r-0	r-0	r-0	r-0	r-0

Table 29-19. SD24BMEMHx Register Description

Bit	Field	Type	Reset	Description
15-0	Conversion Results - High Word	R	0h	Conversion results. Actual format depends on selected data format, and oversampling rate.

CTSD16

The CTSD16 is a multiple-input multiple-converter sigma-delta analog-to-digital conversion module. This chapter describes the operation of the CTSD16 module.

Topic	Page
30.1 CTSD16 Introduction	796
30.2 CTSD16 Operation	798
30.3 CTSD16 Registers	811

30.1 CTSD16 Introduction

The CTSD16 module consists of up to seven independent sigma-delta analog-to-digital converters, referred to as channels. The converters are based on second-order oversampling sigma-delta modulators and digital decimation filters. The decimation filters are comb-type filters with selectable oversampling ratios of up to 256. Additional filtering can be done in software.

Features of the CTSD16 include:

- Second-order sigma-delta architecture
- Up to seven independent simultaneously-sampling ADCs (the number of channels is device dependent, see the device-specific data sheet)
- Up to six single-ended external analog inputs, up to four differential or single-ended external analog inputs (which can also be configured as single-ended), internal temperature sense input, internal AVCC sense input, internal VBAT sense, and internal shorted differential inputs to V_{REFBG}/V_{REF+} signal or DAC0 output per channel (the number of inputs is device dependent, see the device-specific data sheet)
- Fixed 1.024-MHz modulator input frequency
- Software-selectable internal or external voltage reference
- Software-selectable AVCC sense, VBAT sense, and temperature sensor accessible by all channels

Figure 30-1 shows the block diagram of the CTSD16 module.

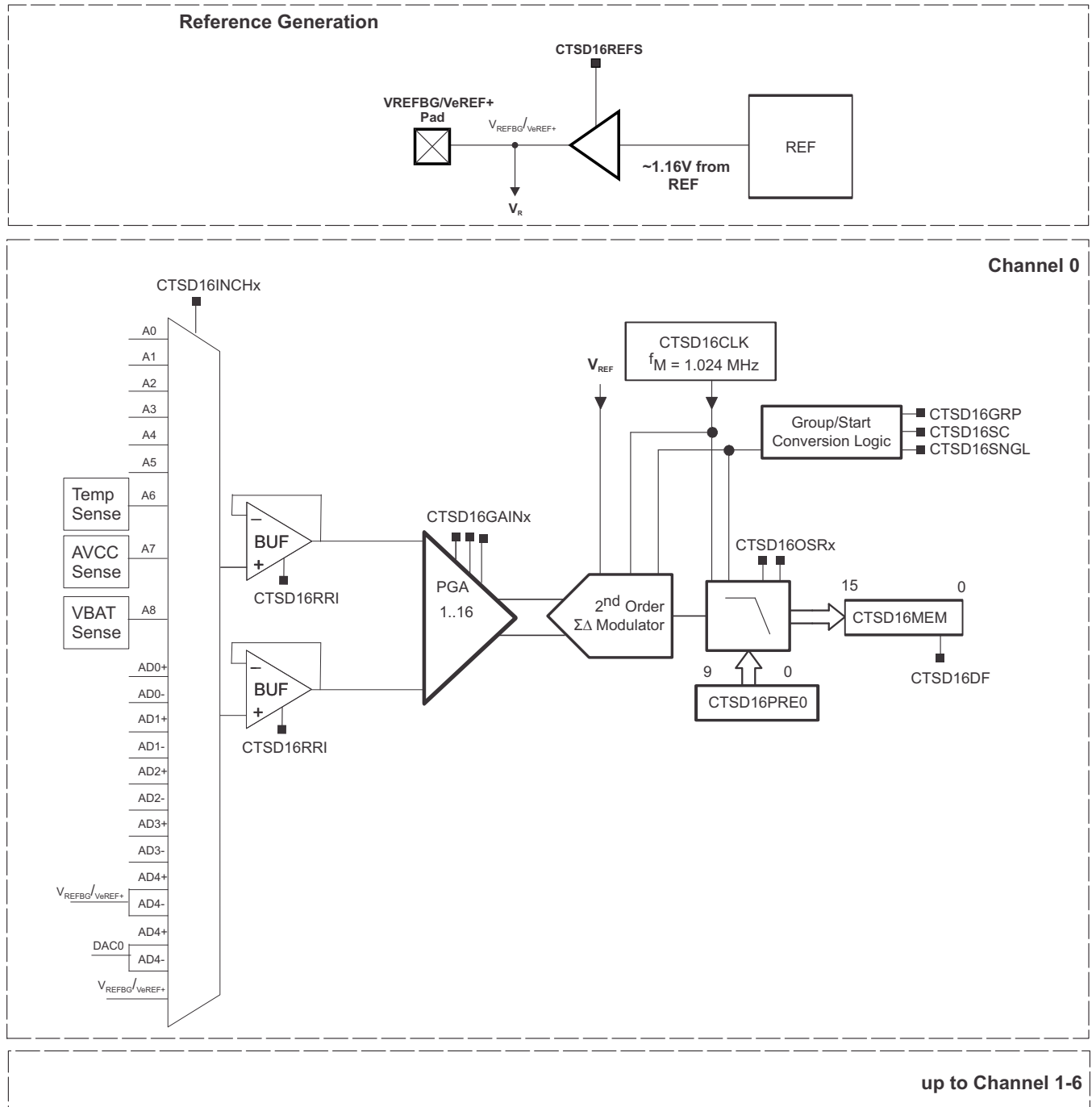


Figure 30-1. CTSD16 Block Diagram

30.2 CTSD16 Operation

The CTSD16 module is configured with user software. The following sections describe the setup and operation of the CTSD16.

30.2.1 Principle of Operation

A sigma-delta analog-to-digital converter consists of two parts: the analog part (called the modulator) and the digital part (called the decimation filter). The modulator of the CTSD16 provides a bitstream of zeros and ones to the digital decimation filter. The digital filter averages the bitstream from the modulator over a given number of bits (specified by the oversampling rate) and provides samples at a reduced rate for further processing to the CPU.

Averaging can be used to increase the signal-to-noise performance of a conversion [see Figure 30-2 a) and b)]. With a conventional ADC, each factor-of-4 oversampling improves the SNR by approximately 6 dB or 1 bit. To achieve a 16-bit resolution out of a simple 1-bit ADC would require an impractical oversampling rate of $4^{15} = 1\,073\,741\,824$. To overcome this limitation, the sigma-delta modulator implements a technique called noise shaping. Due to a feedback loop and integrators, the quantization noise is pushed to higher frequencies, and thus much lower oversampling rates are sufficient to achieve high resolutions [see Figure 30-2 c)].

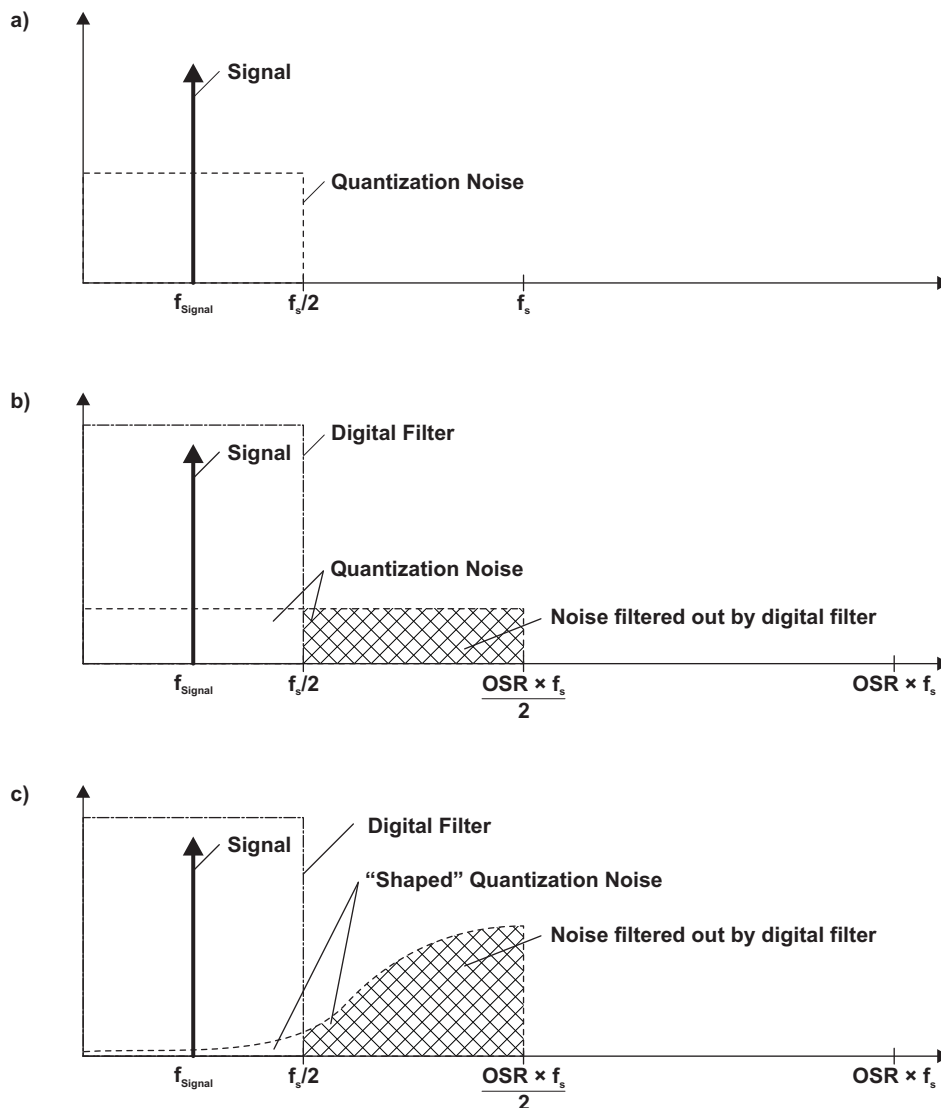


Figure 30-2. Sigma-Delta Principle

30.2.2 ADC Core

The analog-to-digital conversion is performed by a 1-bit second-order sigma-delta modulator. A single-bit comparator within the modulator quantizes the input signal with the modulator frequency f_M . The resulting 1-bit data stream is averaged by the digital filter for the conversion result.

30.2.3 Voltage Reference

The CTSD16 module can use an external reference voltage with CTSD16REFS = 0 or an internal reference with CTSD16REFS = 1. CTSD16 uses the shared reference (REF) module as its internal voltage reference source and will request it when needed. REF is used for each CTSD16 channel when requested with CTSD16REFS = 1. When using the internal reference, refer to the device-specific data sheet for PxSEL.y bit requirements for the internal reference pin. Also, TI recommends using an external capacitor connected from the VREFBG pin to AVSS to reduce noise with the internal reference. See the device-specific data sheet for the capacitor value and other reference parametrics.

An external voltage reference must be applied to the VeREF+ input when CTSD16REFS = 0.

NOTE: The external reference VeREF+ cannot be applied while the internal reference V_{REFBG} is being used by another module, because VeREF+ and V_{REFBG} share the same pin, and contention on the signal line will occur. Therefore, if the user selects the external reference, care must be taken to ensure no other modules are requesting the internal reference V_{REFBG} .

Table 30-1. Voltage Reference Signal Selection Requirements

Signal Selected	REFOUT	REFON	PxSEL.y	CTSD16REFS ⁽¹⁾
VeREF+	0	x	1	If the CTSD16 module is used, CTSD16REFS must be set to 0.
V_{REFBG}	1	1	1 ⁽²⁾	If the CTSD16 module is used, CTSD16REFS must be set to 1.

⁽¹⁾ If CTSD16 is used, CTSD16REFS bit must be set according to this table as external voltage reference V_{eREF+} and internal voltage reference V_{REFBG} cannot both be used at the same time as they use the same pin.

⁽²⁾ When V_{REFBG} is selected, PxSEL.y must always be set even if V_{REFBG} is only used inside the device.

30.2.4 CTSD16 Clock

The CTSD16 clock (CTSD16CLK) generates a 1.024-MHz fixed frequency clock (f_M). This clock is supplied to all modulators so that all modulators convert synchronously. It also supplies the device charge pump used for rail-to-rail CTSD16 inputs and rail-to-rail operational amplifier (OA) operation on devices with an OA module. This is not a free running clock, and it runs only when a CTSD16 channel conversion is active or if the charge pump is on (CTSD16RRIBURST = 0 or OARRI = 1).

The CTSD16CLK has fault detection. If the CTSD16CLK detects any abnormality, then the CTSD16OFFG bit is set to 1 to indicate a CTSD16CLK fault. After it is set, the fault bit remains set until reset in software, even if the fault condition no longer exists. If the user clears the fault bit and the fault condition still exists, the fault bit is automatically set again; otherwise, it remains cleared. The fault condition is removed when CTSD16CLK is powered off. Note that if only the CTSD16 is requesting the CTSD16CLK, the clock is powered down when not actively converting to save power, so if the fault condition still exists when the CTSD16CLK is powered down and the user clears the fault bit, the fault will not reappear until the CTSD16CLK is powered up again.

The CTSD16OFFG bit also sets the OFIFG bit in SFRIFG1 register, which is shared with the system oscillators fault conditions. OFIFG can source a nonmaskable interrupt to the CPU when the OFIE bit is enabled in the SFRIE1 register. CTSD16OFFG is a status bit and is set or cleared based on CTSD16CLK fault indication. OFIFG is a sticky bit that is set when CTSD16OFFG is set, and it cannot be cleared as long as CTSD16OFFG is set. When CTSD16OFFG is cleared by software, OFIFG is not cleared automatically and must be cleared by software.

30.2.5 Automatic Power Down

The CTSD16 module is designed for low-power applications. When a CTSD16 channel is not actively converting, it is automatically disabled and the CTSD16CLK request removed and automatically re-enabled when a conversion is started. When a channel is disabled, it consumes no current. If CTSD16REFS = 1, the CTSD16 module bursts the request for the V_{REFBG} signal to the REF module so it is only requested when CTSD16 is actively converting.

30.2.6 Analog Inputs

30.2.6.1 Analog Input Range and PGA

The full-scale input voltage range for each analog input pair is dependent on the gain setting of each channel. See the device-specific data sheet for full-scale input specifications.

30.2.6.2 Analog Input Pair Selection

The CTSD16 can convert up to 15 inputs multiplexed into the buffer and PGA. Up to four differential analog input pairs (AD0 to AD3) and up to six single-ended analog inputs (A0 to A5) are available externally on the device. The four differential analog input pairs (AD0 to AD3) can also be configured as single-ended with CTSD16INCHx to save an input pin if differential input is not needed. For lowest noise, differential input should be used even for single-ended signals. When any single-ended input is selected, the positive input is the Ax input and the negative input is internally connected to the $V_{\text{REFBG}}/V_{\text{eREF+}}$ signal. Thus, it is pseudo single-ended as only one external pin is needed but internally the full differential path is used. An internal temperature sensor is available using the A6 multiplexer input. A resistive divider to measure the supply voltage is available using the A7 multiplexer input. VBAT can be measured on the internal input A8. Inputs AD4+ and AD4- are tied together, and when CTSD16INCHx = 0x11, they are connected to the $V_{\text{REFBG}}/V_{\text{eREF+}}$ signal. When CTSD16INCHx = 0x12, they are connected to the DAC0 output to calibrate the offset of each CTSD16 input stage. Note that the measured offset depends on the impedance of the external circuitry; thus, the actual offset seen at any of the analog inputs may be different.

30.2.6.3 Analog Input Setup

The analog input of each channel is configured using the CTSD16INCTLx register. These settings can be independently configured for each CTSD16 channel.

The gain for each PGA is selected by the CTSD16GAINx bits. A total of five gain settings are available.

During conversion, any modification of the CTSD16INCTLx register bits INTDLYx, GAINx, and INCHx becomes effective with the next decimation step of the digital filter. After these bits are modified, the next three conversions may be invalid due to the settling time of the digital filter. This can be handled automatically with the CTSD16INTDLY bit. When CTSD16INTDLY = 0b, conversion interrupt requests do not begin until the fourth conversion after a start condition. The preferred method is to modify the CTSD16INCTLx register when CTSD16 is not converting (CTSD16SC = 0).

An external RC anti-aliasing filter is recommended for the CTSD16 to prevent aliasing of the input signal. The cutoff frequency should be <10 kHz for a 1-MHz modulator clock and OSR = 256. The cutoff frequency may be set to a lower frequency for applications that have lower bandwidth requirements.

30.2.6.3.1 Rail-to-Rail Input

The input buffers allow rail-to-rail operation when CTSD16RRI = 1. Rail-to-rail operation can be useful for signals whose common mode voltage is close to the rail (see device-specific data sheet OA section V_{CM} parameter for the input range supported when CTSD16RRI (OARRI) = 0 or 1) as it allows linear operation over a wider range with the charge pump enabled at the cost of additional current. Refer to the device-specific data sheet OA section I_{CP} for the charge pump current consumption as well as other parametrics such as turnon time. For more details on rail-to-rail operation, refer to [Chapter 33](#). Rail-to-rail requires a single external capacitor from the CPCAP terminal to ground for proper operation. See the data sheet for proper value and tolerances. Rail-to-rail input mode ready is indicated by CTSD16RRIRDY bit being set or refer to device-specific data sheet OA section for charge pump settle time.

Rail-to-rail input mode takes time to enable if the charge pump is not already on. CTSD16RRIRDY bit is set once rail-to-rail input is ready or refer to device-specific data sheet OA section for charge pump settle time. If power is a concern and the OA module is not in rail-to-rail input mode (OARRI = 1), the CTSD16RRIBURST bit can be set to allow the CTSD16 to only request the charge pump for rail-to-rail input mode when CTSD16 is converting.

30.2.6.4 Analog Port Selection

The CTSD16 inputs are multiplexed with digital port pins. When analog signals are applied to digital gates, parasitic current can flow from VCC to GND. This parasitic current occurs if the input voltage is near the transition level of the gate. Disabling the digital part of the port pin eliminates the parasitic current flow and, therefore, reduces overall current consumption. The PxSEL.y bits provide the ability to disable the port pin input and output buffers.

30.2.7 Digital Filter

The digital filter processes the 1-bit data stream from the modulator using a SINC³ comb filter.

30.2.7.1 SINC³ Filter

The structure of a SINC³ filter is shown in Figure 30-3.

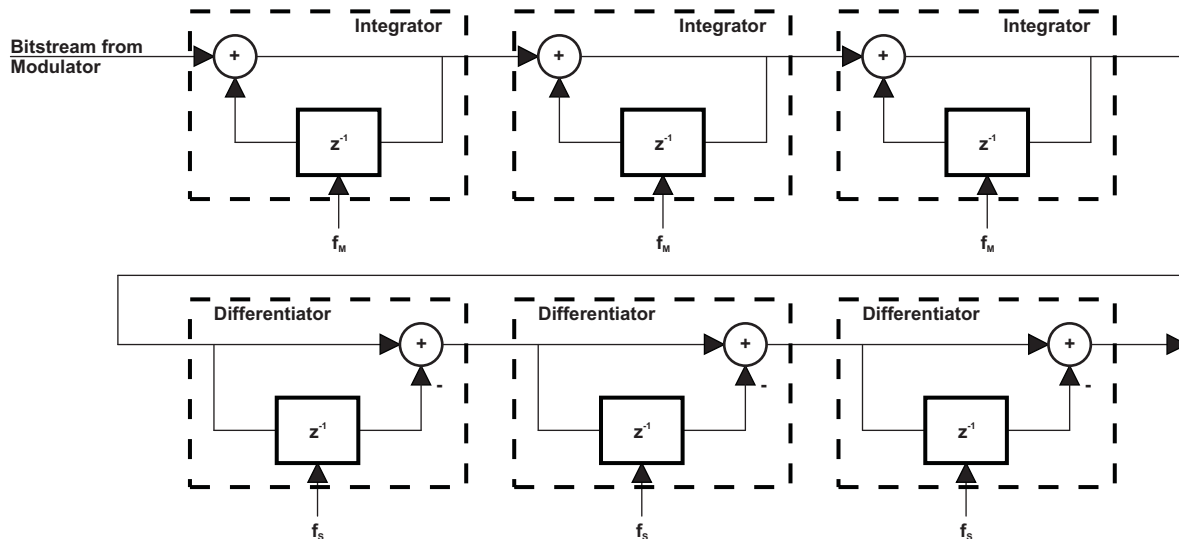


Figure 30-3. SINC³ Filter Structure

The transfer function is described in the z-domain by:

$$H(z) = \left(\frac{1}{OSR} \times \frac{1 - z^{-OSR}}{1 - z^{-1}} \right)^3 \quad (18)$$

The transfer function is described in the frequency domain by:

$$H(f) = \left(\frac{\text{sinc}\left(OSR \pi \frac{f}{f_M} \right)}{\text{sinc}\left(\pi \frac{f}{f_M} \right)} \right)^3 = \left(\frac{1}{OSR} \times \frac{\sin\left(OSR \times \pi \times \frac{f}{f_M} \right)}{\sin\left(\pi \times \frac{f}{f_M} \right)} \right)^3 \quad (19)$$

Where the oversampling rate, OSR, is the ratio of the modulator frequency f_M to the sample frequency f_S . Figure 30-4 shows the filter's frequency response for an OSR of 32. The first filter notch is always at $f_S = f_M/OSR$. The notch's frequency can be adjusted by changing the oversampling rate using the CTSD16OSRx bits.

The digital filter for each enabled ADC channel completes the decimation of the digital bitstream and outputs new conversion results to the corresponding CTSD16MEMx register at the sample frequency f_s .

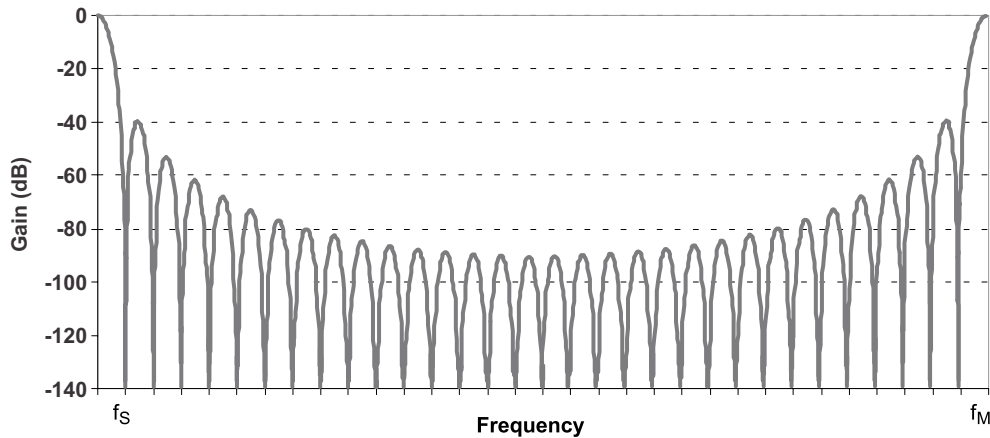


Figure 30-4. Comb Filter Frequency Response With OSR = 32

Figure 30-5 shows the digital filter step response and conversion points. For step changes at the input after start of conversion, a settling time must be allowed before a valid conversion result is available. The CTSD16INTDLY bit can provide sufficient filter settling time for a full-scale change at the ADC input. If the step occurs synchronously to the decimation of the digital filter, the valid data is available on the third conversion. An asynchronous step requires one additional conversion before valid data is available.

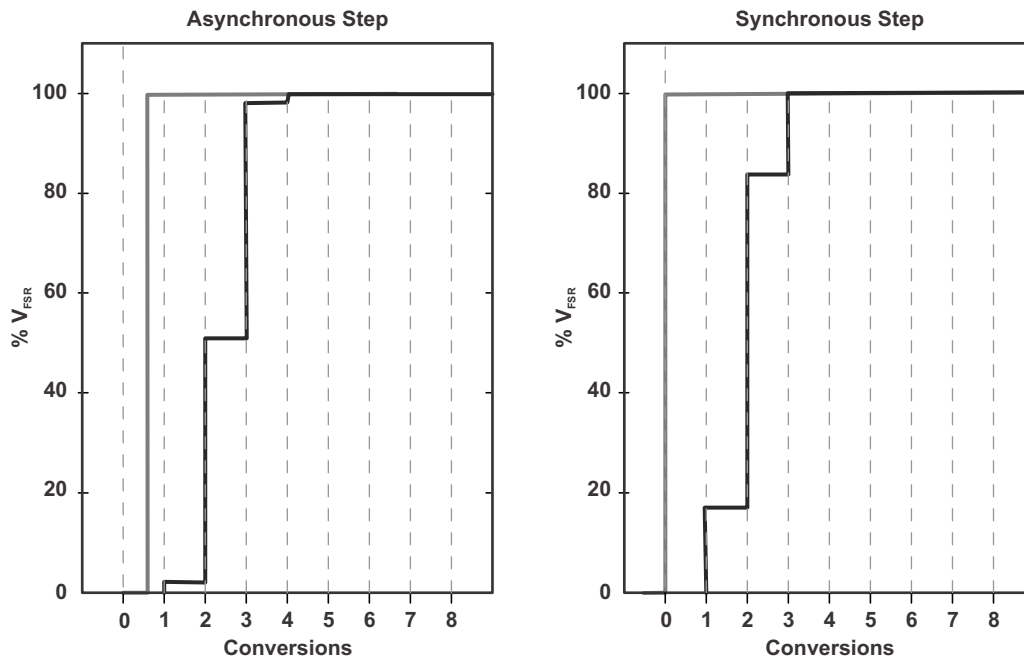


Figure 30-5. Digital Filter Step Response and Conversion Points Digital Filter Output

30.2.7.2 Digital Filter Output

The number of bits output by each digital filter is dependent on the oversampling ratio and ranges from 16 to 24 bits. Figure 30-6 shows the digital filter output bits and their relation to CTSD16MEMx for each OSR. For example, for OSR = 256 and LSBACC = 0, the CTSD16MEMx register contains bits 23-8 of the digital filter output. When OSR = 32, the CTSD16MEMx LSB is always zero.

The CTSD16LSBACC and CTSD16LSBTOG bits give access to the least significant bits of the digital filter output. When CTSD16LSBACC = 1 the 16 least significant bits of the digital filter's output are read from CTSD16MEMx using word instructions. The CTSD16MEMx register can also be accessed with byte instructions returning only the 8 least significant bits of the digital filter output.

When CTSD16LSBTOG = 1 the CTSD16LSBACC bit is automatically toggled each time the corresponding channel's CTSD16MEMx register is read. This allows the complete digital filter output result to be read with two read accesses of CTSD16MEMx. Setting or clearing CTSD16LSBTOG does not change CTSD16LSBACC until the next CTSD16MEMx access.

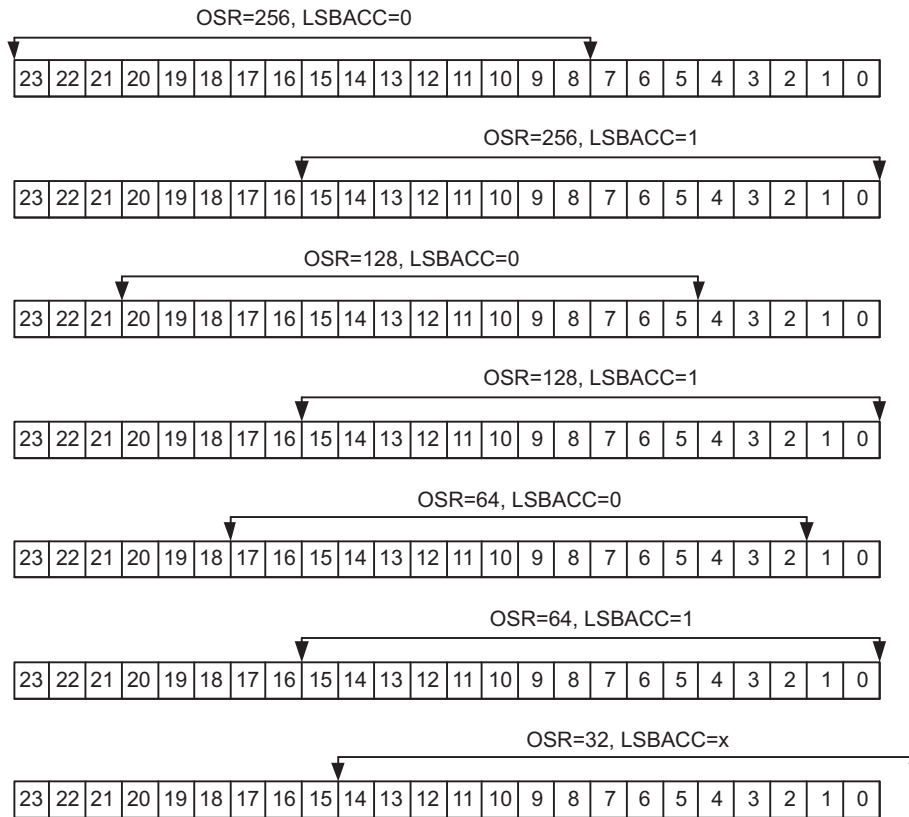


Figure 30-6. Used Bits of Digital Filter Output

30.2.8 Conversion Memory Registers: CTSD16MEMx

One CTSD16MEMx register is associated with each CTSD16 channel. Conversion results for each channel are moved to the corresponding CTSD16MEMx register with each decimation step of the digital filter. The CTSD16IFG bit for a given channel is set when new data is written to CTSD16MEMx. CTSD16IFG is automatically cleared when CTSD16MEMx is read by the CPU or may be cleared with software.

30.2.8.1 Output Data Format

The output data format is configurable in twos complement or offset binary as shown in Table 30-2. The data format is selected by the CTSD16DF bit.

Table 30-2. Data Format

CTSD16DF	Format	Analog Input	CTSD16MEMx ⁽¹⁾	Digital Filter Output (OSR = 256)
0	Offset binary	+FSR	FFFF	FFFFFF
		ZERO	8000	800000
		-FSR	0000	000000
1	Twos complement	+FSR	7FFF	7FFFFFFF
		ZERO	0000	000000
		-FSR	8000	800000

⁽¹⁾ Independent of SD24OSRx setting; SD24LSBACC = 0

Figure 30-7 shows the relationship between the full-scale input voltage range from $-V_{FSR}$ to $+V_{FSR}$ and the conversion result, including the digital values for both data formats.

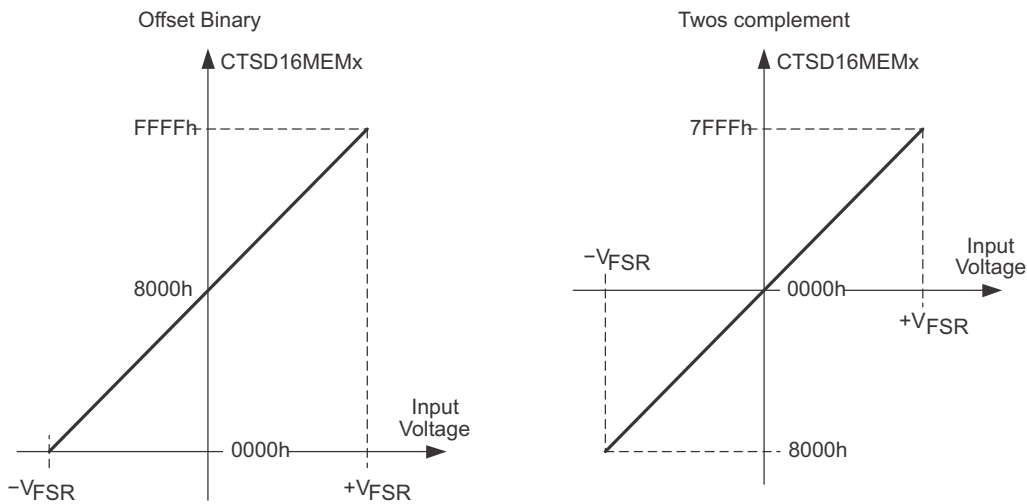


Figure 30-7. Input Voltage vs Digital Output

30.2.9 Conversion Modes

The CTSD16 module can be configured for four modes of operation (see Table 30-3). The CTSD16SNGL and CTSD16GRP bits for each channel select the conversion mode.

Table 30-3. Conversion Mode Summary

CTSD16SNGL	CTSD16GRP ⁽¹⁾	Mode	Operation
1	0	Single channel, single conversion	A single channel is converted once.
0	0	Single channel, continuous conversion	A single channel is converted continuously.
1	1	Group of channels, single conversion	A group of channels is converted once.
0	1	Group of channels, continuous conversion	A group of channels is converted continuously.

⁽¹⁾ A channel is grouped and is the master channel of the group when CTSD16GRP = 0 if CTSD16GRP for the prior channel is set.

30.2.9.1 Single Channel, Single Conversion

Setting the CTSD16SC bit of a channel initiates one conversion on that channel when CTSD16SNGL = 1 and it is not grouped with any other channels. The CTSD16SC bit is automatically cleared after conversion is complete.

Clearing CTSD16SC before the conversion is completed immediately stops conversion of the selected channel, powers down the channel, and turns off the corresponding digital filter. The value in CTSD16MEMx can change when CTSD16SC is cleared. TI recommends reading the conversion data in CTSD16MEMx before clearing CTSD16SC to avoid reading an invalid result.

30.2.9.2 Single Channel, Continuous Conversion

When CTSD16SNGL = 0, continuous conversion mode is selected. Conversion of the selected channel begins when CTSD16SC is set and continues until the CTSD16SC bit is cleared by software when the channel is not grouped with any other channel.

Clearing CTSD16SC immediately stops conversion of the selected channel, powers down the channel, and turns off the corresponding digital filter. The value in CTSD16MEMx can change when CTSD16SC is cleared. TI recommends reading the conversion data in CTSD16MEMx before clearing CTSD16SC to avoid reading an invalid result.

Figure 30-8 shows single channel operation for single conversion mode and continuous conversion mode.

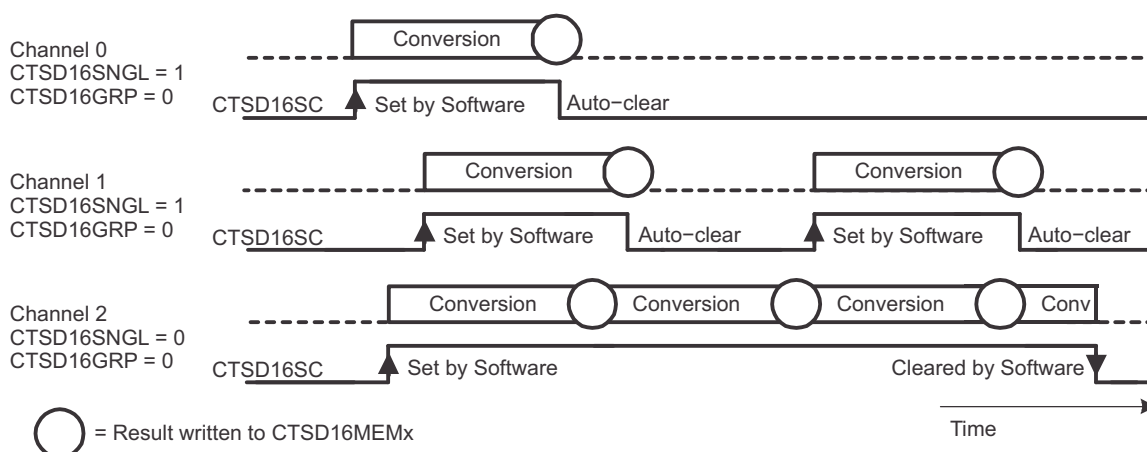


Figure 30-8. Single Channel Operation Example

30.2.9.3 Group of Channels, Single Conversion

Consecutive CTSD16 channels can be grouped together with the CTSD16GRP bit to synchronize conversions. Setting CTSD16GRP for a channel groups that channel with the next channel in the module. For example, setting CTSD16GRP for channel 0 groups that channel with channel 1. In this case, channel 1 is the master channel, enabling and disabling conversion of all channels in the group with its CTSD16SC bit. The CTSD16GRP bit of the master channel is always 0. The CTSD16GRP bit of last channel in CTSD16 has no function and is always 0.

When CTSD16SNGL = 1 for a channel in a group, single conversion mode is selected. A single conversion of that channel will occur synchronously when the master channel CTSD16SC bit is set. The CTSD16SC bit of all channels in the group will automatically be set and cleared by CTSD16SC of the master channel. CTSD16SC for each channel can also be cleared in software independently.

Clearing CTSD16SC of the master channel before the conversions are completed immediately stops conversions of all channels in the group, powers down the channels, and turns off the corresponding digital filters. Values in CTSD16MEMx can change when CTSD16SC is cleared. TI recommends reading the conversion data in CTSD16MEMx before clearing CTSD16SC to avoid reading an invalid result.

30.2.9.4 Group of Channels, Continuous Conversion

When CTSD16SNGL = 0 for a channel in a group, continuous conversion mode is selected. Continuous conversion of that channel occurs synchronously when the master channel CTSD16SC bit is set. CTSD16SC bits for all grouped channels are automatically set and cleared with the master channel's CTSD16SC bit. CTSD16SC for each channel in the group can also be cleared in software independently.

When CTSD16SC of a grouped channel is set by software independently of the master, conversion of that channel automatically synchronizes to conversions of the master channel. This ensures that conversions for grouped channels are always synchronous to the master.

Clearing CTSD16SC of the master channel immediately stops conversions of all channels in the group, powers down the channels, and turns off the corresponding digital filters. Values in CTSD16MEMx can change when CTSD16SC is cleared. TI recommends reading the conversion data in CTSD16MEMx before clearing CTSD16SC to avoid reading an invalid result.

Figure 30-9 shows grouped channel operation for three CTSD16 channels. Channel 0 is configured for single conversion mode, CTSD16SNGL = 1, and channels 1 and 2 are in continuous conversion mode, CTSD16SNGL = 0. Channel two, the last channel in the group, is the master channel. Conversions of all channels in the group occur synchronously to the master channel regardless of when each CTSD16SC bit is set using software.

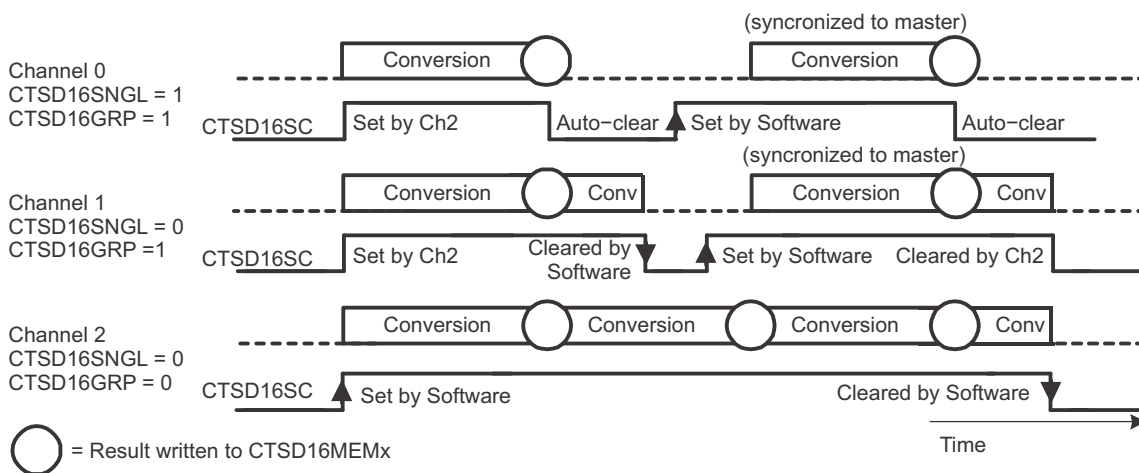


Figure 30-9. Grouped Channel Operation Example

30.2.10 Conversion Operation Using Preload

The CTSD16PREx register is used to determine a delay based on start-up time requirements and, when multiple channels are grouped, the CTSD16PREx registers can be used to delay the conversion time frame for each channel. Using CTSD16PREx, the decimation time of the digital filter is delayed by the specified number of f_M clock cycles and can range from 0 to 1023. Figure 30-10 shows an example using CTSD16PREx.

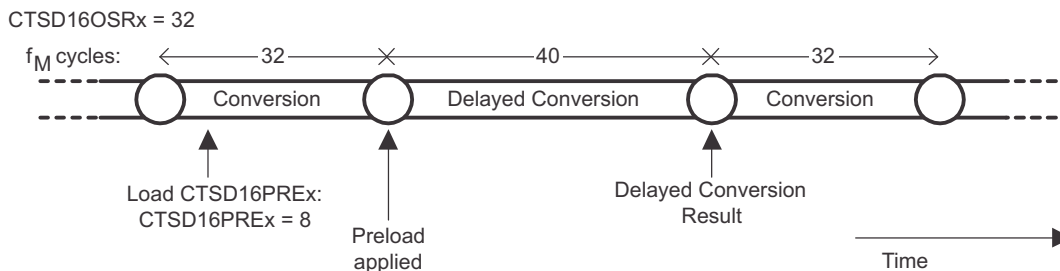


Figure 30-10. Conversion Delay Using Preload Example

The CTSD16PREx delay is applied to the beginning of the next conversion cycle after being written. The delay is used on the first conversion after CTSD16SC is set and on the conversion cycle following each write to CTSD16PREx. Following conversions are not delayed. After modifying CTSD16PREx, the next write to CTSD16PREx should not occur until the next conversion cycle is completed, otherwise the conversion results may be incorrect.

The accuracy of the result for the delayed conversion cycle using CTSD16PREx is dependent on the length of the delay and the frequency of the analog signal being sampled. For example, when measuring a DC signal, if there is no start-up time required (see the CTSD16PREx register PreloadValue bit description for details), CTSD16PREx delay has no effect on the conversion result regardless of the duration. The user must determine when the delayed conversion result is useful in their application.

Figure 30-11 shows the operation of grouped channels 0 and 1. The preload register of channel 1 is loaded with zero, resulting in immediate conversion. The conversion cycle of channel 0 is delayed by setting CTSD16PRE0 = 8. The first channel 0 conversion uses CTSD16PREx = 8, shifting all subsequent conversions by 8 f_M clock cycles.

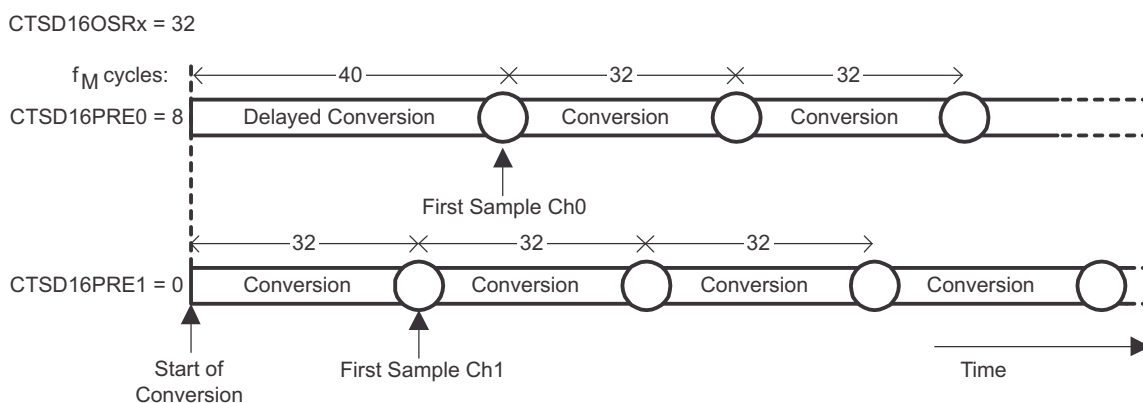


Figure 30-11. Start of Conversion Using Preload Example

When channels are grouped, care must be taken when a channel or channels operate in single conversion mode or are disabled in software while the master channel remains active. Each time channels in the group are re-enabled and resynchronized with the master channel, the preload delay for that channel is reintroduced. Figure 30-12 shows the resynchronization and preload delays for channels in a group. It is recommended that CTSD16PREx = 0 for the master channel to maintain a consistent delay between the master and remaining channels in the group when they are re-enabled.

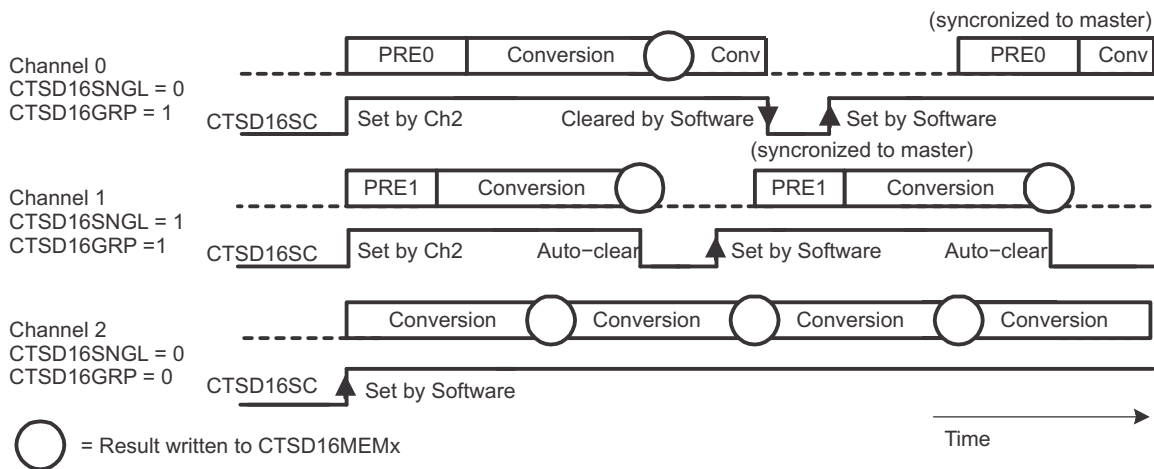


Figure 30-12. Preload and Channel Synchronization

30.2.11 Using the Integrated Temperature Sensor

To use the on-chip temperature sensor, select the analog input pair CTSD16INCHx = 0x6 and set REFTCOFF = 0 in REFCTL0 (REF module). This connects the temperature sensor to the positive CTSD16 input and connects the negative input to V_{REFBG}/V_{REF+} , as for any single-ended input selection. Any other configuration is done as if an external analog input pair was selected, including CTSD16INTDLYx and CTSD16GAINx settings. The temperature sensor is part of the reference. It is possible to use the temperature sensor together with any of the available CTSD16 channels. However, it is not possible to use the temperature sensor with more than one CTSD16 channel at a time. The temperature measurement results will not be correct if more than one CTSD16 channel selects temperature sensor for conversion. CTSD16 can operate with either internal or external reference while using the temperature sensor.

Figure 30-13 shows the typical temperature sensor transfer function. When switching inputs of an CTSD16 channel to the temperature sensor, adequate delay must be provided using CTSD16INTDLYx to allow the digital filter to settle and make sure that conversion results are valid. The temperature sensor offset error can be large. TLV temperature sensor calibration values can be used as described in Section 1.13, Device Descriptor Table.

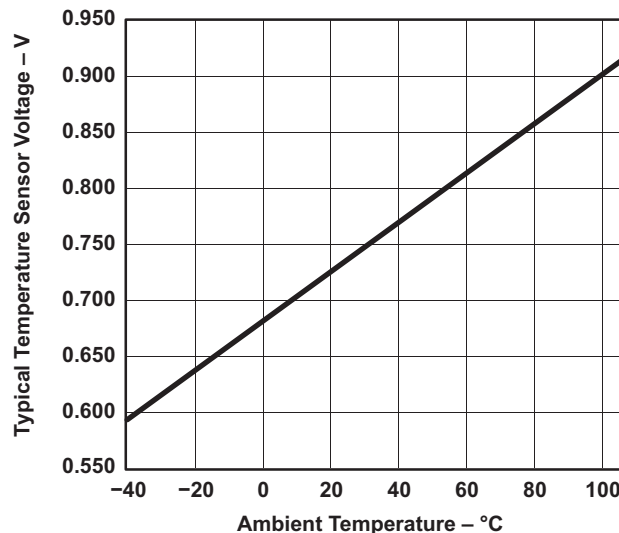


Figure 30-13. Typical Temperature Sensor Transfer Function

30.2.12 Using the Integrated AVCC Sense

To use the on-chip AVCC measurement, select the analog input pair $CTSD16INCHx = 0x7$. This connects AVCC sense to the positive CTSD16 input and connects the negative input to V_{REFBG}/V_{eREF+} , as for any single-ended input selection. Any other configuration is done as if an external analog input pair was selected, including CTSD16INTDLYx and CTSD16GAINx settings. It is possible to use the AVCC sense together with any of the available CTSD16 channels. However, it is not possible to use the AVCC sense with more than one CTSD16 channel at a time. The AVCC measurement results will not be correct if more than one CTSD16 channel selects AVCC sense for conversion. CTSD16 can operate with either internal or external reference while using the AVCC sense. AVCC sense measures the AVCC voltage divided by 2.

30.2.13 Grounding and Noise Considerations

As with any high-resolution ADC, appropriate printed circuit board layout and grounding techniques must be followed to eliminate ground loops, unwanted parasitic effects, and noise.

Ground loops are formed when return current from the ADC flows through paths that are common with other analog or digital circuitry. If care is not taken, this current can generate small unwanted offset voltages that can add to or subtract from the reference or input voltages of the ADC. Therefore, solid decoupling on both the digital and analog supply is required (best with two capacitors, one 10 μ F and one 100 nF, per supply).

In addition to grounding, ripple and noise spikes on the power-supply lines due to digital switching or switching power supplies can corrupt the conversion result. To achieve high accuracy, TI recommends a noise-free design using separate analog and digital ground planes with a single-point connection.

If the internal reference is used, the reference voltage should be buffered externally by connecting a small capacitor as defined in the device-specific data sheet (C_{VREFBG}) to the VREFBG pin to reduce the noise on the reference.

30.2.14 Interrupt Handling

The CTSD16 has two interrupt sources for each channel:

- CTSD16IFGx: conversion ready
- CTSD16OVIFGx: conversion memory overflow

The CTSD16IFGx bits are set when their corresponding CTSD16MEMx memory register is written with a conversion result. An interrupt request is generated if the corresponding CTSD16IE bit and the GIE bit are set. The CTSD16 overflow condition occurs when a conversion result is written to any CTSD16MEMx location before the previous conversion result was read.

The CTSD16 also has the CTSD16OFFG bit (the CTSD16 clock fault bit) which sets the OFIFG bit in SFRIFG1 register. OFIFG is shared with the system oscillators fault conditions.

30.2.14.1 CTSD16IV, Interrupt Vector Generator

All CTSD16 interrupt sources are prioritized and combined to source a single interrupt vector. CTSD16IV is used to determine which enabled CTSD16 interrupt source requested an interrupt. The highest priority CTSD16 interrupt request that is enabled generates a number in the CTSD16IV register (see [Section 30.3.8](#)). This number can be evaluated or added to the program counter to automatically enter the appropriate software routine. Disabled CTSD16 interrupts do not affect the CTSD16IV value.

Any read access of the CTSD16IV register has no effect on the CTSD16OVIFGx or CTSD16IFGx. The CTSD16IFGx flags are reset by reading the associated CTSD16MEMx register or by clearing the flags in software. CTSD16OVIFGx bits can only be reset with software. A write access to CTSD16IV clears all interrupt flags. If another interrupt is pending after servicing of an interrupt, another interrupt is generated. For example, if the CTSD16OVIFG0 and one or more CTSD16IFGx interrupts are pending when the interrupt service routine accesses the CTSD16IV register, the CTSD16OVIFG0 interrupt condition is serviced first and the corresponding flags must be cleared in software. After the RETI instruction of the interrupt service routine is executed, the highest priority CTSD16IFG pending generates another interrupt request.

30.2.14.2 Interrupt Delay Operation

The CTSD16INTDLY bit controls the timing for the first interrupt service request for the corresponding channel. This feature delays the interrupt request for a completed conversion by up to four conversion cycles to allow the digital filter to settle before generating an interrupt request. The delay is applied each time the CTSD16SC bit is set or when the CTSD16GAINx or CTSD16INCHx bits for the channel are modified. CTSD16INTDLY disables overflow interrupt generation for the channel for the selected number of delay cycles. Interrupt requests for the delayed conversions are not generated during the delay.

[Example 30-1](#) shows the recommended use of CTSD16IV and the handling overhead. The CTSD16IV value is added to the PC to automatically jump to the appropriate routine.

Example 30-1. CTSD16 Interrupt Handling Software Example

The numbers at the right margin show the necessary CPU cycles for each instruction. The software overhead for different interrupt sources includes interrupt latency and return-from-interrupt cycles, but not the task handling itself. The latencies are:

- CTSD16OVIFG, CH0 CTSD16IFG, CH1 CTSD16IFG: 16 cycles
- CH2 CTSD16IFG: 14 cycles

The interrupt handler for channel 2 CTSD16IFG2 shows a way to check immediately if a higher prioritized interrupt occurred during the processing of the ISR. This saves nine cycles if another CTSD16 interrupt is pending.

```

; Interrupt handler for CTSD16.

INT_CTSD16                ; Enter Interrupt Service Routine    6
  ADD  &CTSD16IV,PC        ; Add offset to PC                3
  RETI                      ; Vector 0: No interrupt          5
  JMP  ADOV                 ; Vector 2: ADC overflow          2
  JMP  ADM0                 ; Vector 4: CH_0 CTSD16IFG0         2
  JMP  ADM1                 ; Vector 6: CH_1 CTSD16IFG1         2
;
; Handler for CH_2 CTSD16IFG2 starts here. No JMP required.
;
ADM2    MOV    &CTSD16MEM2,xxx ; Move result, flag is reset
        ...    ; Other instruction needed?
        JMP  INT_CTSD16        ; Check other int pending    2
;
; Remaining Handlers
;
ADM1    MOV    &CTSD16MEM1,xxx ; Move result, flag is reset
        ...    ; Other instruction needed?
        RETI                      ; Return                    5
;
ADM0    MOV    &CTSD16MEM0,xxx ; Move result, flag is reset
        RETI                      ; Return                    5
;
ADOV    ...    ; Handle CTSD16MEMx overflow
        RETI                      ; Return                    5
    
```

30.2.14.3 Using CTSD16 With DMA

Devices with an integrated DMA controller can automatically move data from any CTSD16MEMx to another location. DMA transfers are done without CPU intervention and are independent of any low-power modes.

If the respective interrupt enable bit CTSD16IE_x is set, the selected CTSD16IFG_x flag does not trigger a transfer. Any CTSD16IFG_x is automatically cleared when the DMA controller accesses the corresponding CTSD16MEM_x registers.

30.3 CTSD16 Registers

The CTSD16 registers are listed in [Table 30-4](#). The base address can be found in the device-specific data sheet. The address offset is listed in [Table 30-4](#).

Table 30-4. CTSD16 Registers

Offset	Acronym	Register Name	Type	Access	Reset	Section
00h	CTSD16CTL	CTSD16 Control	Read/write	Word	0000h	Section 30.3.1
02h	CTSD16CCTL0	CTSD16 Control Channel 0	Read/write	Word	0000h	Section 30.3.2
32h	CTSD16MEM0	CTSD16 Channel 0 Conversion Memory	Read	Word	0000h	Section 30.3.3
04h	CTSD16INCTL0	CTSD16 Channel 0 Input Control	Read/write	Word	0000h	Section 30.3.4
06h	CTSD16PRE0	CTSD16 Channel 0 Preload	Read/write	Word	0030h	Section 30.3.5
08h	CTSD16CCTL1	CTSD16 Channel 1 Control	Read/write	Word	0000h	Section 30.3.2
34h	CTSD16MEM1	CTSD16 Channel 1 Conversion Memory	Read	Word	0000h	Section 30.3.3
0Ah	CTSD16INCTL1	CTSD16 Channel 1 Input Control	Read/write	Word	0000h	Section 30.3.4
0Ch	CTSD16PRE1	CTSD16 Channel 1 Preload	Read/write	Word	00h	Section 30.3.5
0Eh	CTSD16CCTL2	CTSD16 Channel 2 Control	Read/write	Word	0000h	Section 30.3.2
36h	CTSD16MEM2	CTSD16 Channel 2 Conversion Memory	Read	Word	0000h	Section 30.3.3
10h	CTSD16INCTL2	CTSD16 Channel 2 Input Control	Read/write	Word	0000h	Section 30.3.4
12h	CTSD16PRE2	CTSD16 Channel 2 Preload	Read/write	Word	00h	Section 30.3.5
14h	CTSD16CCTL3	CTSD16 Channel 3 Control	Read/write	Word	0000h	Section 30.3.2
38h	CTSD16MEM3	CTSD16 Channel 3 Conversion Memory	Read	Word	0000h	Section 30.3.3
16h	CTSD16INCTL3	CTSD16 Channel 3 Input Control	Read/write	Word	0000h	Section 30.3.4
18h	CTSD16PRE3	CTSD16 Channel 3 Preload	Read/write	Word	00h	Section 30.3.5
1Ah	CTSD16CCTL4	CTSD16 Channel 4 Control	Read/write	Word	0000h	Section 30.3.2
3Ah	CTSD16MEM4	CTSD16 Channel 4 Conversion Memory	Read	Word	0000h	Section 30.3.3
1Ch	CTSD16INCTL4	CTSD16 Channel 4 Input Control	Read/write	Word	0000h	Section 30.3.4
1Eh	CTSD16PRE4	CTSD16 Channel 4 Preload	Read/write	Word	00h	Section 30.3.5
20h	CTSD16CCTL5	CTSD16 Channel 5 Control	Read/write	Word	0000h	Section 30.3.2
3Ch	CTSD16MEM5	CTSD16 Channel 5 Conversion Memory	Read	Word	0000h	Section 30.3.3
22h	CTSD16INCTL5	CTSD16 Channel 5 Input Control	Read/write	Word	0000h	Section 30.3.4
24h	CTSD16PRE5	CTSD16 Channel 5 Preload	Read/write	Word	00h	Section 30.3.5
26h	CTSD16CCTL6	CTSD16 Channel 6 Control	Read/write	Word	0000h	Section 30.3.2
3Eh	CTSD16MEM6	CTSD16 Channel 6 Conversion Memory	Read	Word	0000h	Section 30.3.3
28h	CTSD16INCTL6	CTSD16 Channel 6 Input Control	Read/write	Word	0000h	Section 30.3.4
2Ah	CTSD16PRE6	CTSD16 Channel 6 Preload	Read/write	Word	00h	Section 30.3.5
2C	CTSD16IFG	CTSD16 Interrupt Flag Register	Read/write	Word	0000h	Section 30.3.6
2E	CTSD16IE	CTSD16 Interrupt Enable Register	Read/write	Word	0000h	Section 30.3.7
30	CTSD16IV	CTSD16 Interrupt Vector	Read/write	Word	0000h	Section 30.3.8

30.3.1 CTSD16CTL Register

CTSD16 Control Register

Figure 30-14. CTSD16CTL Register

15	14	13	12	11	10	9	8
Reserved					CTSD16RRIERR	CTSD16RRIRDY	CTSD16RRIBURST
r0	r0	r0	r0	r0	r0	r0	rw-0
7	6	5	4	3	2	1	0
Reserved			CTSD16OFFG	Reserved	CTSD16REFS	Reserved	Reserved
r0	r0	r0	rw-0	rw-0	rw-0	r0	r0

Table 30-5. CTSD16CTL Register Description

Bit	Field	Type	Reset	Description
15-11	Reserved	R	0h	Reserved. Always reads as 0.
10	CTSD16RRIERR	R	0h	Rail-to-rail input error 0b = Rail-to-rail input no error (ready) 1b = Rail-to-rail input error (was ready but then not ready)
9	CTSD16RRIRDY	R	0	Rail-to-rail input ready 0b = Rail-to-rail input not ready 1b = Rail-to-rail input ready
8	CTSD16RRIBURST	RW	0h	Rail-to-rail input charge pump burst mode request from CTSD16 0b = Disables the rail-to-rail input charge pump burst mode request from CTSD16 1b = Enables the rail-to-rail input charge pump burst mode request from CTSD16, where charge pump is only enable when CTSD16 is converting to save power however the enable time of the charge pump must be considered. See the device specific OA data sheet section for the charge pump enable time.
7-5	Reserved	R	0h	Reserved. Always reads as 0.
4	CTSD16OFFG	RW	0h	CTSD16 clock fault flag. If this bit is set, the OFIFG flag is also set. CTSD16OFFG bit is set when a fault is detected with the CTSD16 clock (used by OA in rail-to-rail mode or CTSD16 module) 0b = No CTSD16 clock fault 1b = CTSD16 clock fault detected
3	Reserved	RW	0h	Reserved. Always write as 0.
2	CTSD16REFS	RW	0h	CTSD16 reference select. 0b = External reference selected. Internal reference voltage buffer disabled. 1b = Internal reference from shared REF selected and buffered internally to CTSD16
1	Reserved	R	0h	Reserved. Always reads as 0.
0	Reserved	R	0h	Reserved. Always reads as 0.

30.3.2 CTSD16CCTL0 to CTSD16CCTL6 Register

CTSD16 Channel x Control Register (x = 0 to 6)

Figure 30-15. CTSD16CCTL0 to CTSD16CCTL6 Register

15	14	13	12	11	10	9	8
Reserved			Reserved		CTSD16SNGL	CTSD16OSRx	
r0	r0	r0	r0	r0	rw-0	rw-0	rw-0
7	6	5	4	3	2	1	0
CTSD16LSBTOG	CTSD16LSBACC	Reserved	CTSD16DF	Reserved		CTSD16SC	CTSD16GRP
rw-0	rw-0	r0	rw-0	r0	r0	rw-0	rw-0

Table 30-6. CTSD16CCTL0 to CTSD16CCTL6 Register Description

Bit	Field	Type	Reset	Description
15-11	Reserved	R	0h	Reserved. Always reads as 0.
10	CTSD16SNGL	RW	0h	Single conversion mode select 0b = Continuous conversion mode 1b = Single conversion mode
9-8	CTSD16OSRx	RW	0h	Oversampling ratio 00b = 256 01b = 128 10b = 64 11b = 32
7	CTSD16LSBTOG	RW	0h	LSB toggle. This bit, when set, causes CTSD16LSBACC to toggle each time the CTSD16MEMx register is read. 0b = CTSD16LSBACC does not toggle with each CTSD16MEMx read 1b = CTSD16LSBACC toggles with each CTSD16MEMx read
6	CTSD16LSBACC	RW	0h	LSB access. This bit allows access to the upper or lower 16-bits of the CTSD16 conversion result. 0b = CTSD16MEMx contains the most significant 16-bits of the conversion. 1b = CTSD16MEMx contains the least significant 16-bits of the conversion.
5	Reserved	R	0h	Reserved. Always reads as 0.
4	CTSD16DF	RW	0h	CTSD16 data format 0b = Offset binary 1b = Twos complement
3-2	Reserved	R	0h	Reserved. Always reads as 0.
1	CTSD16SC	RW	0h	CTSD16 start conversion 0b = No conversion start 1b = Start conversion
0	CTSD16GRP	RW	0h	CTSD16 group. Groups CTSD16 channel with next higher channel. Not used for the last channel. 0b = Not grouped 1b = Grouped

30.3.3 CTSD16MEM0 to CTSD16MEM6 Register

CTSD16 Channel x Conversion Memory Register (x = 0 to 6)

Figure 30-16. CTSD16MEM0 to CTSD16MEM6 Register

15	14	13	12	11	10	9	8
Conversion Results							
r-0	r-0	r-0	r-0	r-0	r-0	r-0	r-0
7	6	5	4	3	2	1	0
Conversion Results							
r-0	r-0	r-0	r-0	r-0	r-0	r-0	r-0

Table 30-7. CTSD16MEM0 to CTSD16MEM6 Register Description

Bit	Field	Type	Reset	Description
15-0	Conversion Results	R	0h	Conversion results. This register holds the upper or lower 16-bits of the digital filter output, depending on the CTSD16LSBACC bit.

30.3.4 CTSD16INCTL0 to CTSD16INCTL6 Register

CTSD16 Channel x Input Control Register (x = 0 to 6)

Figure 30-17. CTSD16INCTL0 to CTSD16INCTL6 Register

15	14	13	12	11	10	9	8
Reserved				CTSD16RRI	Reserved	Reserved	CTSD16INTDLY
r0	r0	r0	r0	rw-0	rw-0	r0	rw-0
7	6	5	4	3	2	1	0
CTSD16GAINx				CTSD16INCHx			
rw-0	rw-0	rw-0	rw-0	rw-0	rw-0	rw-0	rw-0

Table 30-8. CTSD16INCTL0 to CTSD16INCTL6 Register Description

Bit	Field	Type	Reset	Description
15-12	Reserved	R	0h	Reserved. Always reads as 0.
11	CTSD16RRI	RW	0h	Rail-to-rail input enable. 0b = Rail-to-rail input disabled 1b = Rail-to-rail input enabled
10	Reserved	RW	0h	Reserved. Always write as 0.
9	Reserved	R	0h	Reserved. Always reads as 0.
8	CTSD16INTDLY	RW	0h	Interrupt delay generation after conversion start. This bit selects the delay for the first interrupt after conversion start. 0b = Fourth sample causes interrupt 1b = First sample causes interrupt
7-5	CTSD16GAINx	RW	0h	CTSD16 preamplifier gain 000b = x1 001b = x2 010b = x4 011b = x8 100b = x16 101b = Reserved 110b = Reserved 111b = Reserved
4-0	CTSD16INCHx	RW	0h	CTSD16 channel input 00000b = in+ = A0, in- = V_{REFBG}/V_{eREF+} 00001b = in+ = A1, in- = V_{REFBG}/V_{eREF+} 00010b = in+ = A2, in- = V_{REFBG}/V_{eREF+} 00011b = in+ = A3, in- = V_{REFBG}/V_{eREF+} 00100b = in+ = A4, in- = V_{REFBG}/V_{eREF+} 00101b = in+ = A5, in- = V_{REFBG}/V_{eREF+} 00110b = in+ = internal temperature sensor in- = V_{REFBG}/V_{eREF+} 00111b = in+ = internal VCC sense in- = V_{REFBG}/V_{eREF+} 01000b = in+ = internal VBAT sense in- = V_{REFBG}/V_{eREF+} 01001b = in+ = AD0+, in- = AD0- 01010b = in+ = AD0+, in- = V_{REFBG}/V_{eREF+} 01011b = in+ = AD1+, in- = AD1- 01100b = in+ = AD1+, in- = V_{REFBG}/V_{eREF+} 01101b = in+ = AD2+, in- = AD2- 01110b = in+ = AD2+, in- = V_{REFBG}/V_{eREF+} 01111b = in+ = AD3+, in- = AD3- 10000b = in+ = AD3+, in- = V_{REFBG}/V_{eREF+} 10001b = AD4x, shorted differential inputs to V_{REFBG}/V_{eREF+} 10010b = AD4x, shorted differential inputs to DAC0 output

30.3.5 CTSD16PRE0 to CTSD16PRE6 Register

CTSD16 Channel x Preload Register (x = 0 to 6)

Figure 30-18. CTSD16PRE0 to CTSD16PRE6 Register

15	14	13	12	11	10	9	8
Reserved						PreloadValue	
r0	r0	r0	r0	r0	r0	rw-0	rw-0
7	6	5	4	3	2	1	0
PreloadValue							
rw-0	rw-0	rw-1	rw-1	rw-0	rw-0	rw-0	rw-0

Table 30-9. CTSD16PRE0 to CTSD16PRE6 Register Description

Bit	Field	Type	Reset	Description
15-10	Reserved	R	0h	Reserved. Always reads as 0.
9-0	PreloadValue	RW	30h	CTSD16 digital filter preload value. Value represents number of CTSD16 clock cycles. <ul style="list-style-type: none"> If internal reference is used and but not already on and settle when CTSD16 starts a conversion, refer to device-specific data sheet for V_{REFBG} settle time to determine preload minimum value. Note V_{REFBG} can be turned on with $REFON = 1$ and $REFOUT = 1$. Else, if $CTSD16RRI = 1$ need to use the charge pump startup time if not already on ($OARRI = 1$ or $CTSD16RRIBURST = 0$). Refer to the device data sheet OA section for charge pump enable time t_{CP_EN}. If charge pump is already on there is no minimum preload value If internal reference is already settled or not used and $CTSD16RRI = 0$ and $OARRI = 1$ there is no preload minimum value required. If internal reference is already settled or not used and $CTSD16RRI = 0$ and $OARRI = 0$ then the minimum preload value is the default one.

30.3.6 CTSD16IFG Register

CTSD16 Interrupt Flag Register

Figure 30-19. CTSD16IFG Register

15	14	13	12	11	10	9	8
Reserved	CTSD16OVIFG6	CTSD16OVIFG5	CTSD16OVIFG4	CTSD16OVIFG3	CTSD16OVIFG2	CTSD16OVIFG1	CTSD16OVIFG0
r0	rw-0	rw-0	rw-0	rw-0	rw-0	rw-0	rw-0
7	6	5	4	3	2	1	0
Reserved	CTSD16IFG6	CTSD16IFG5	CTSD16IFG4	CTSD16IFG3	CTSD16IFG2	CTSD16IFG1	CTSD16IFG0
r0	rw-0	rw-0	rw-0	rw-0	rw-0	rw-0	rw-0

Table 30-10. CTSD16IFG Register Description

Bit	Field	Type	Reset	Description
15	Reserved	R	0h	Reserved. Always reads as 0.
14	CTSD16OVIFG6	RW	0h	CTSD16 converter 6 overflow interrupt flag 0b = No interrupt pending 1b = Interrupt pending
13	CTSD16OVIFG5	RW	0h	CTSD16 converter 5 overflow interrupt flag 0b = No interrupt pending 1b = Interrupt pending
12	CTSD16OVIFG4	RW	0h	CTSD16 converter 4 overflow interrupt flag 0b = No interrupt pending 1b = Interrupt pending
11	CTSD16OVIFG3	RW	0h	CTSD16 converter 3 overflow interrupt flag 0b = No interrupt pending 1b = Interrupt pending
10	CTSD16OVIFG2	RW	0h	CTSD16 converter 2 overflow interrupt flag 0b = No interrupt pending 1b = Interrupt pending
9	CTSD16OVIFG1	RW	0h	CTSD16 converter 1 overflow interrupt flag 0b = No interrupt pending 1b = Interrupt pending
8	CTSD16OVIFG0	RW	0h	CTSD16 converter 0 overflow interrupt flag 0b = No interrupt pending 1b = Interrupt pending
7	Reserved	R	0h	Reserved. Always reads as 0.
6	CTSD16IFG6	RW	0h	CTSD16 converter 6 interrupt flag. CTSD16IFG6 is set when new conversion results are available. CTSD16IFG6 is automatically reset when the CTSD16MEM6 register is read, or may be cleared with software. 0b = No interrupt pending 1b = Interrupt pending
5	CTSD16IFG5	RW	0h	CTSD16 converter 5 interrupt flag. CTSD16IFG5 is set when new conversion results are available. CTSD16IFG5 is automatically reset when the CTSD16MEM5 register is read, or may be cleared with software. 0b = No interrupt pending 1b = Interrupt pending
4	CTSD16IFG4	RW	0h	CTSD16 converter 4 interrupt flag. CTSD16IFG4 is set when new conversion results are available. CTSD16IFG4 is automatically reset when the CTSD16MEM4 register is read, or may be cleared with software. 0b = No interrupt pending 1b = Interrupt pending

Table 30-10. CTSD16IFG Register Description (continued)

Bit	Field	Type	Reset	Description
3	CTSD16IFG3	RW	0h	CTSD16 converter 3 interrupt flag. CTSD16IFG3 is set when new conversion results are available. CTSD16IFG3 is automatically reset when the CTSD16MEM3 register is read, or may be cleared with software. 0b = No interrupt pending 1b = Interrupt pending
2	CTSD16IFG2	RW	0h	CTSD16 converter 2 interrupt flag. CTSD16IFG2 is set when new conversion results are available. CTSD16IFG2 is automatically reset when the CTSD16MEM2 register is read, or may be cleared with software. 0b = No interrupt pending 1b = Interrupt pending
1	CTSD16IFG1	RW	0h	CTSD16 converter 1 interrupt flag. CTSD16IFG1 is set when new conversion results are available. CTSD16IFG1 is automatically reset when the CTSD16MEM1 register is read, or may be cleared with software 0b = No interrupt pending 1b = Interrupt pending
0	CTSD16IFG0	RW	0h	CTSD16 converter 0 interrupt flag. CTSD16IFG0 is set when new conversion results are available. CTSD16IFG0 is automatically reset when the CTSD16MEM0 register is read, or may be cleared with software 0b = No interrupt pending 1b = Interrupt pending

30.3.7 CTSD16IE Register

CTSD16 Interrupt Enable Register

Figure 30-20. CTSD16IE Register

15	14	13	12	11	10	9	8
Reserved	CTSD16OVIE6	CTSD16OVIE5	CTSD16OVIE4	CTSD16OVIE3	CTSD16OVIE2	CTSD16OVIE1	CTSD16OVIE0
r0	rw-0	rw-0	rw-0	rw-0	rw-0	rw-0	rw-0
7	6	5	4	3	2	1	0
Reserved	CTSD16IE6	CTSD16IE5	CTSD16IE4	CTSD16IE3	CTSD16IE2	CTSD16IE1	CTSD16IE0
r0	rw-0	rw-0	rw-0	rw-0	rw-0	rw-0	rw-0

Table 30-11. CTSD16IE Register Description

Bit	Field	Type	Reset	Description
15	Reserved	R	0h	Reserved. Always reads as 0.
14	CTSD16OVIE6	RW	0h	CTSD16 converter 6 overflow interrupt enable 0b = Interrupt disabled 1b = Interrupt enabled
13	CTSD16OVIE5	RW	0h	CTSD16 converter 5 overflow interrupt enable 0b = Interrupt disabled 1b = Interrupt enabled
12	CTSD16OVIE4	RW	0h	CTSD16 converter 4 overflow interrupt enable 0b = Interrupt disabled 1b = Interrupt enabled
11	CTSD16OVIE3	RW	0h	CTSD16 converter 3 overflow interrupt enable 0b = Interrupt disabled 1b = Interrupt enabled
10	CTSD16OVIE2	RW	0h	CTSD16 converter 2 overflow interrupt enable 0b = Interrupt disabled 1b = Interrupt enabled
9	CTSD16OVIE1	RW	0h	CTSD16 converter 1 overflow interrupt enable 0b = Interrupt disabled 1b = Interrupt enabled
8	CTSD16OVIE0	RW	0h	CTSD16 converter 0 overflow interrupt enable 0b = Interrupt disabled 1b = Interrupt enabled
7	Reserved	R	0h	Reserved. Always reads as 0.
6	CTSD16IE6	RW	0h	CTSD16 converter 6 interrupt enable 0b = Interrupt disabled 1b = Interrupt enabled
5	CTSD16IE5	RW	0h	CTSD16 converter 5 interrupt enable 0b = Interrupt disabled 1b = Interrupt enabled
4	CTSD16IE4	RW	0h	CTSD16 converter 4 interrupt enable 0b = Interrupt disabled 1b = Interrupt enabled
3	CTSD16IE3	RW	0h	CTSD16 converter 3 interrupt enable 0b = Interrupt disabled 1b = Interrupt enabled
2	CTSD16IE2	RW	0h	CTSD16 converter 2 interrupt enable 0b = Interrupt disabled 1b = Interrupt enabled

Table 30-11. CTSD16IE Register Description (continued)

Bit	Field	Type	Reset	Description
1	CTSD16IE1	RW	0h	CTSD16 converter 1 interrupt enable 0b = Interrupt disabled 1b = Interrupt enabled
0	CTSD16IE0	RW	0h	CTSD16 converter 0 interrupt enable 0b = Interrupt disabled 1b = Interrupt enabled

30.3.8 CTSD16IV Register

CTSD16 Interrupt Vector Register

Figure 30-21. CTSD16IV Register

15	14	13	12	11	10	9	8	
0	0	0	0	0	0	0	0	
r0	r0	r0	r0	r0	r0	r0	r0	
7	6	5	4	3	2	1	0	
0	0	0	CTSD16IVx					
r0	r0	r0	rw-0	rw-0	rw-0	rw-0	rw-0	

Table 30-12. CTSD16IV Register Description

Bit	Field	Type	Reset	Description
15-5	Reserved	R	0h	Reserved. Always reads as 0.
4-0	CTSD16IVx	RW	0h	<p>CTSD16 interrupt vector value. Writing to this register clears all pending interrupt flags.</p> <p>00h = No interrupt pending</p> <p>02h = Interrupt Source: CTSD16MEMx overflow; Interrupt Flag: CTSD16OVIFG⁽¹⁾; Interrupt Priority = Highest.</p> <p>04h = Interrupt Source: CTSD16_0 Interrupt; Interrupt Flag: CTSD16IFG0</p> <p>06h = Interrupt Source: CTSD16_1 Interrupt; Interrupt Flag: CTSD16IFG1</p> <p>08h = Interrupt Source: CTSD16_2 Interrupt; Interrupt Flag: CTSD16IFG2</p> <p>0Ah = Interrupt Source: CTSD16_3 Interrupt; Interrupt Flag: CTSD16IFG3</p> <p>0Ch = Interrupt Source: CTSD16_4 Interrupt; Interrupt Flag: CTSD16IFG4</p> <p>0Eh = Interrupt Source: CTSD16_5 Interrupt; Interrupt Flag: CTSD16IFG5</p> <p>10h = Interrupt Source: CTSD16_6 Interrupt; Interrupt Flag: CTSD16IFG6; Interrupt Priority = Lowest</p>

⁽¹⁾ When an CTSD16 overflow occurs, the user must check all CTSD16CCTLx CTSD16OVIFG flags to determine which channel overflowed.

DAC12_A

The DAC12_A module is a 12-bit, voltage output digital-to-analog converter. This chapter describes the operation and use of the DAC12_A module.

Topic	Page
31.1 DAC12_A Introduction.....	823
31.2 DAC12_A Operation.....	826
31.3 DAC Outputs.....	831
31.4 DAC12_A Registers	832

31.1 DAC12_A Introduction

The DAC12_A module is a 12-bit voltage-output DAC. The DAC12_A can be configured in 8-bit or 12-bit mode and can be used in conjunction with the DMA controller. When multiple DAC12_A modules are present, they can be grouped together for synchronous operation.

Features of the DAC12_A include:

- 12-bit monotonic output
- 8-bit or 12-bit voltage-output resolution
- Programmable settling time vs power consumption
- Internal or external reference selection
- Straight binary or twos-complement data format, right or left justified
- Self-calibration option for offset correction
- Synchronized update capability for multiple DAC12_A modules

NOTE: Multiple DAC12_A Modules

Some devices may integrate more than one DAC12_A module. In the case where more than one DAC12_A is present on a device, the multiple DAC12_A modules operate identically.

Throughout this chapter, nomenclature appears such as DAC12_xDAT or DAC12_xCTL to describe register names. When this occurs, the x is used to indicate which DAC12 module is being discussed. In cases where operation is identical, the register is simply referred to as DAC12_xCTL.

[Figure 31-1](#) shows the block diagram for devices with two DAC12_A modules. [Figure 31-2](#) shows the block diagram for devices with one DAC12_A module.

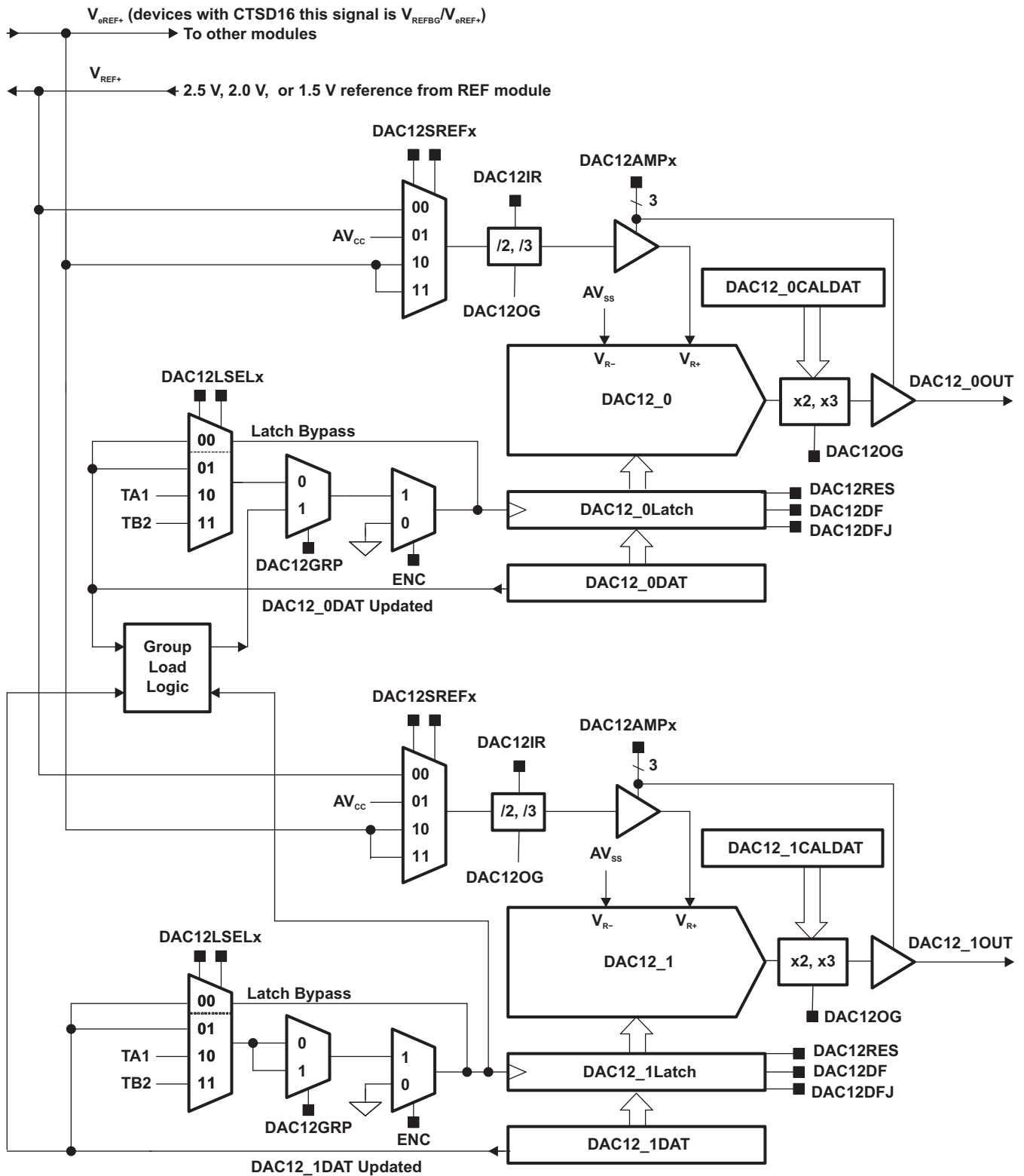


Figure 31-1. DAC12_A Block Diagram for Two-Module Devices

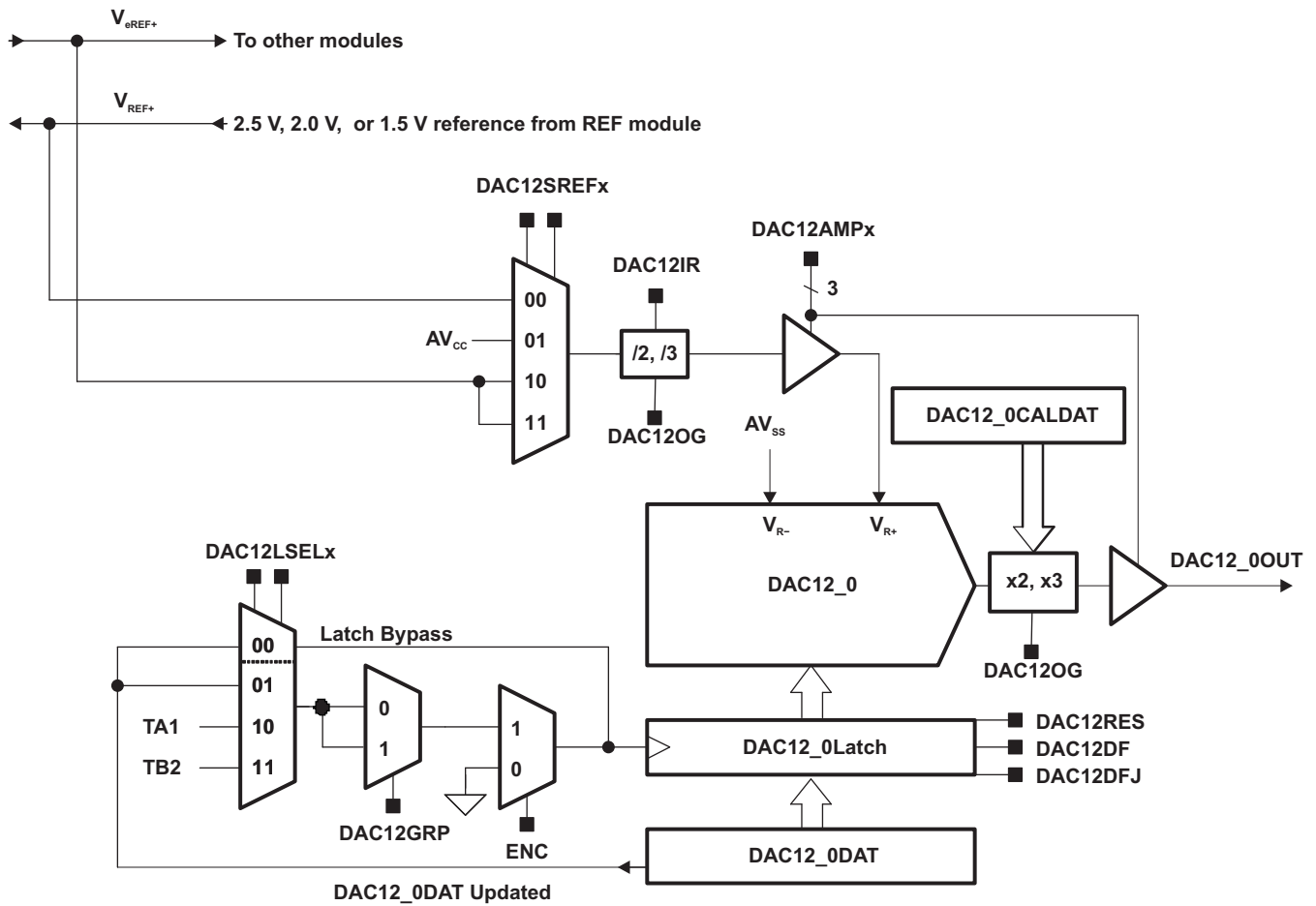


Figure 31-2. DAC12_A Block Diagram For One-Module Devices

31.2 DAC12_A Operation

The DAC12_A module is configured with user software. The setup and operation of the DAC12_A is discussed in the following sections.

31.2.1 DAC12_A Core

The DAC12_A can be configured to operate in 8-bit or 12-bit mode using the DAC12RES bit. The full-scale output is programmable to be 1x, 2x, or 3x the selected reference voltage using the DAC12IR and DAC12OG bits. This feature allows the user to control the dynamic range of the DAC. The DAC12DF bit allows the user to select between straight-binary data and twos-complement data for the DAC. When using straight-binary data format, the formula for the output voltage is given in [Table 31-1](#).

Table 31-1. DAC Full-Scale Range ($V_{ref} = V_{eREF+}$ or V_{REF+} or V_{REFBG})⁽¹⁾

Resolution	DAC12RES	DAC12OG	DAC12IR	Output Voltage Formula
12 bit	0	0	0	$V_{out} = V_{ref} \times 3 \times (DAC12_xDAT/4096)$
		1		$V_{out} = V_{ref} \times 2 \times (DAC12_xDAT/4096)$
		x	1	$V_{out} = V_{ref} \times (DAC12_xDAT/4096)$
8 bit	1	0	0	$V_{out} = V_{ref} \times 3 \times (DAC12_xDAT/256)$
		1		$V_{out} = V_{ref} \times 2 \times (DAC12_xDAT/256)$
		x	1	$V_{out} = V_{ref} \times (DAC12_xDAT/256)$

⁽¹⁾ V_{REFBG} is not available on all devices; see the device-specific data sheet for availability.

In 8-bit mode, the maximum useable value for DAC12_xDAT is 0FFh. In 12-bit mode, the maximum useable value for DAC12_xDAT is 0FFFh. Values greater than these may be written to the register, but all leading bits are ignored.

31.2.2 DAC12_A Port Selection

On most devices, the DAC outputs are multiplexed with the port Px pins and potentially other secondary functions. When DAC12AMPx > 0, the DAC function is automatically selected for the pin, regardless of the state of the associated PxSEL.y and PxDIR.y bits. See the port pin schematic in the device-specific data sheet for more details.

31.2.3 DAC12_A Reference

The reference for the DAC12_A is configured to use AV_{CC} , an external reference voltage, or internal 1.16-V, V_{REFBG} , voltage reference (only available on devices with a CTSD16 module, refer to the device-specific data sheet), or the internal 1.5-V, 2.0-V, or 2.5-V reference from the REF module with the DAC12SREFx bits. When DAC12SREFx = {0} and DAC12AMPx > {1}, V_{REF+} is used as the reference, which is supplied from the REF module. See the [REF](#) chapter for further information. When DAC12SREFx = {1}, AV_{CC} is used as the reference, and when DAC12SREFx = {2,3} the external reference, V_{eREF+} signal, is used as the reference unless the device has a CTSD16 module. On devices that have a CTSD16 module (refer to the device-specific data sheet), when DAC12SREFx = {2,3} either the external reference signal, V_{eREF+} , or the internally generated reference signal, V_{REFBG} , is selected. See [Table 31-2](#) for details on which bits to set to select between the V_{eREF+} and V_{REFBG} signals.

Table 31-2. DAC12SREFx = {2,3} Signal Selection Requirements for Devices With a CTSD16 Module

Signal Selected	REFOUT	REFON	PxSEL.y	CTSD16REFS ⁽¹⁾
V_{eREF+}	0	x	1	If the CTSD16 module is used, CTSD16REFS must be set to 0.
V_{REFBG}	1	1	1 ⁽²⁾	If the CTSD16 module is used, CTSD16REFS must be set to 1.

⁽¹⁾ If CTSD16 is used, CTSD16REFS bit must be set according to this table as external voltage reference V_{eREF+} and internal voltage reference V_{REFBG} cannot both be used at the same time as they use the same pin.

⁽²⁾ When V_{REFBG} is selected, PxSEL.y must always be set even if V_{REFBG} is only used inside the device.

31.2.3.1 DAC12_A Reference Input and Voltage Output Buffers

The reference input and voltage output buffers of the DAC can be configured to optimize the balance of settling time and power consumption. Eight combinations are selected using the DAC12AMPx bits. In the low/low setting, the settling time is the slowest, and the current consumption of both buffers is the lowest. The medium and high settings have faster settling times, but the current consumption increases. See the device-specific data sheet for parameters.

31.2.4 Updating the DAC12_A Voltage Output

The DAC12_xDAT register can be connected directly to the DAC core or double buffered. The trigger for updating the DAC voltage output is selected with the DAC12LSELx bits.

When DAC12LSELx = 0 the data latch is transparent and the DAC12_xDAT register is applied directly to the DAC core. The DAC output updates immediately when new DAC data is written to the DAC12_xDAT register, regardless of the state of the DAC12ENC bit.

When DAC12LSELx = 1, DAC data is latched and applied to the DAC core after new data is written to DAC12_xDAT. When DAC12LSELx = 2 or 3, data is latched on the rising edge from the Timer_A CCR1 output or Timer_B CCR2 output, respectively. DAC12ENC must be set to latch the new data when DAC12LSELx > 0.

31.2.5 DAC12_xDAT Data Formats

The DAC12_A supports both straight-binary and twos-complement data formats. When using straight-binary data format, the full-scale output value is 0FFFh in 12-bit mode (0FFh in 8-bit mode) (see [Figure 31-3](#)).

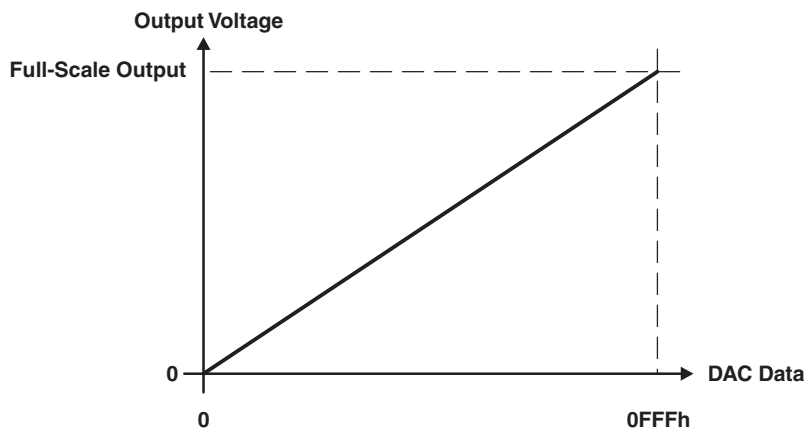


Figure 31-3. Output Voltage vs DAC Data, 12-Bit Straight-Binary Mode

When using twos-complement data format, the range is shifted such that a DAC12_xDAT value of 0800h (0080h in 8-bit mode) results in a zero output voltage, 0000h is the mid-scale output voltage, and 07FFh (007Fh for 8-bit mode) is the full-scale voltage output (see [Figure 31-4](#)).

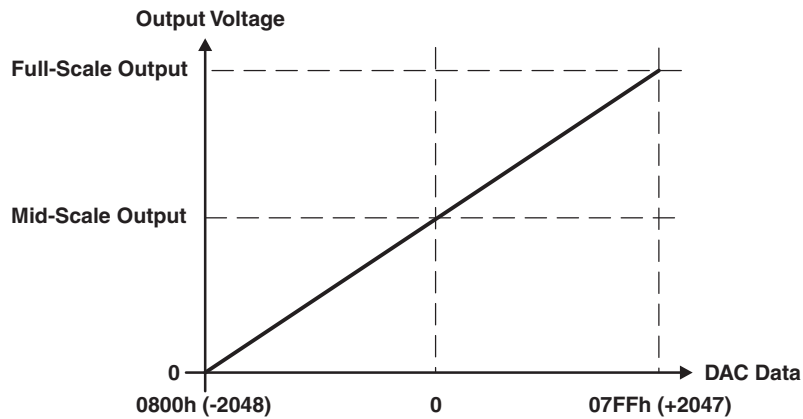


Figure 31-4. Output Voltage vs DAC Data, 12-Bit Twos-Complement Mode

31.2.6 DAC12_A Output Amplifier Offset Calibration

The offset voltage of the DAC output amplifier can be positive or negative. When the offset is negative, the output amplifier attempts to drive the voltage negative, but cannot do so. The output voltage remains at zero until the DAC digital input produces a sufficient positive output voltage to overcome the negative offset voltage, resulting in the transfer function in Figure 31-5.

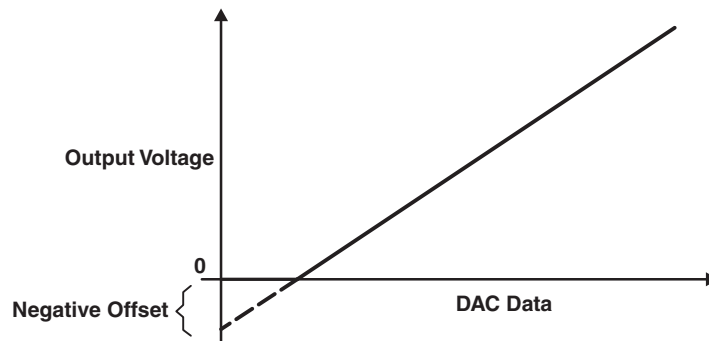


Figure 31-5. Negative Offset

When the output amplifier has a positive offset, a digital input of zero does not result in a zero output voltage. The DAC12_A output voltage reaches the maximum output level before the DAC12_A data reaches the maximum code (see Figure 31-6).

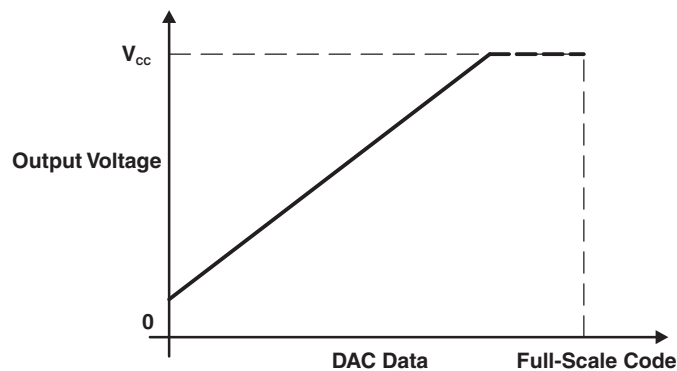


Figure 31-6. Positive Offset

The DAC12_A can calibrate the offset voltage of the output amplifier. Setting the DAC12CALON bit initiates the offset calibration. Allow the calibration to complete before using the DAC. This can be checked by monitoring the DAC12CALON bit. When the calibration is complete, the DAC12CALON bit is automatically reset. The DAC12AMPx bits should be configured before calibration. For best calibration results, port and CPU activity should be minimized during calibration.

The contents of DAC12x_CALDAT can be protected from inadvertent write access by a lock mechanism controlled by the DAC12x_CALCTL register. At power up, the LOCK bit is set, and calibration is not possible and writing to the DAC12x_CALDAT is ignored. To perform calibration, the LOCK bit must be cleared by writing the correct password to DAC12x_CALCTL and clearing the LOCK bit. After LOCK is cleared, calibration or writing to the DAC12x_CALDAT can be performed. After calibration is performed, lock the calibration registers by writing the correct password to DAC12x_CALCTL and setting the LOCK bit.

Reading DAC12_xCALDAT should only be performed while the DAC12CALON bit is cleared, otherwise incorrect values may be read. The DAC12xCAL data format is twos complement. Only the lower byte is used and the upper byte has no affect on the calibration.

31.2.7 Grouping Multiple DAC12_A Modules

Multiple DAC12_A modules can be grouped together with the DAC12GRP bit to synchronize the update of each DAC output. Hardware ensures that all DAC12_A modules in a group update simultaneously independent of any interrupt or NMI event.

On devices that contain more than one DAC, DAC12_0 and DAC12_1 are grouped by setting the DAC12GRP bit of DAC12_0. The DAC12GRP bit of DAC12_1 is don't care. When DAC12_0 and DAC12_1 are grouped:

- The DAC12_0 and DAC12_1 DAC12LSELx bits select the update trigger for both DACs.
- The DAC12LSELx bits for both DACs must be the same.
- The DAC12LSELx bits for both DACs must be > 0
- The DAC12ENC bits of both DACs must be set to 1

When DAC12_0 and DAC12_1 are grouped, both DAC12_xDAT registers must be written before the outputs update, even if data for one or both of the DACs is not changed. Figure 31-7 shows a latch-update timing example for grouped DAC12_0 and DAC12_1.

When DAC12_0 DAC12GRP = 1 and both DAC12_x DAC12LSELx > 0 and either DAC12ENC = 0, neither DAC updates.

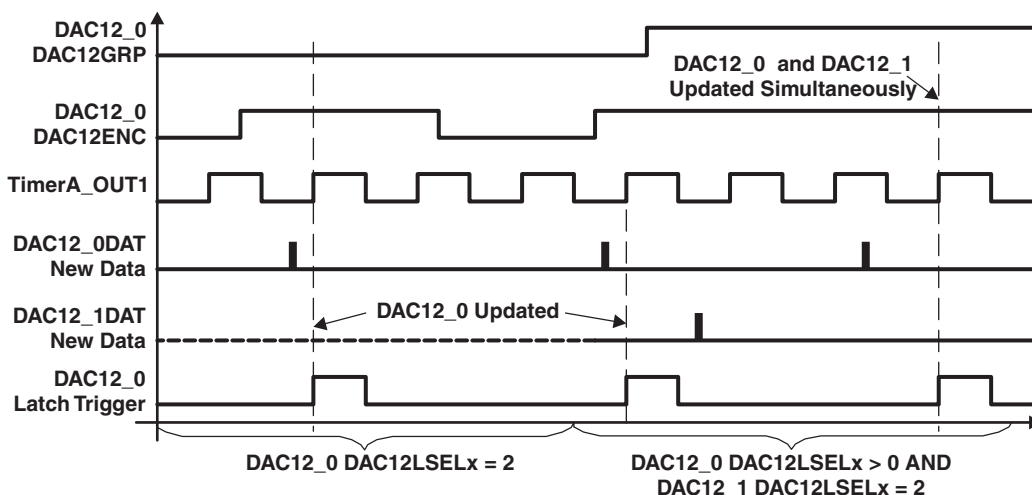


Figure 31-7. DAC12_A Group Update Example, Timer_A3 Trigger

NOTE: DAC12_A Settling Time

The DMA controller can transfer data to the DAC12_A faster than the DAC12_A output can settle. The user must make sure that the DAC12_A settling time is not violated when using the DMA controller. See the device-specific data sheet for parameters.

31.2.8 DAC12_A Interrupts

The DAC12IFG bit is set when $DAC12LSELx > 0$ and DAC data is latched from the DAC12_xDAT register into the data latch. When $DAC12LSELx = 0$, the DAC12IFG flag is not set.

A set DAC12IFG bit indicates that the DAC is ready for new data. If both the DAC12IE and GIE bits are set, the DAC12IFG generates an interrupt request. The DAC12IFG flag must be reset by software or can be reset automatically by accessing the DAC12IV register. See the DAC12IV description for further information.

For devices that contain a DMA, each DAC channel has a DMA trigger associated with it. When DAC12IFG is set, it can trigger a DMA transfer to the DAC12_xDAT register. DAC12IFG is automatically reset when the transfer begins. If the DAC12IE is also set, no DMA transfer occurs when the DAC12IFG is set.

31.2.8.1 DAC12IV, Interrupt Vector Generator

The DAC12_A flags are prioritized and combined to source a single interrupt vector. The interrupt vector register DAC12IV is used to determine which flag requested an interrupt.

The highest priority enabled interrupt generates a number in the DAC12IV register (see register description). This number can be evaluated or added to the program counter to automatically enter the appropriate software routine. Disabled DAC interrupts do not affect the DAC12IV value.

Any access, read or write, of the DAC12IV register automatically resets the highest pending interrupt flag. If another interrupt flag is set, another interrupt is immediately generated after servicing the initial interrupt. For example, if the DAC12IFG_0 and DAC12IFG_1 flags are set when the interrupt service routine accesses the DAC12IV register, the DAC12IFG_0 flag is reset automatically. After the RETI instruction of the interrupt service routine is executed, the DAC12IFG_1 flag generates another interrupt.

31.2.8.1.1 DAC12IV Software Example

The following software example shows the recommended use of DAC12IV and the handling overhead. The DAC12IV value is added to the PC to automatically jump to the appropriate routine.

The numbers at the right margin show the necessary CPU cycles for each instruction. The software overhead for different interrupt sources includes interrupt latency and return-from-interrupt cycles, but not the task handling itself. The latencies are:

	Cycles
<code>; Interrupt handler for DAC12_A.</code>	
<code>DAC12_HND ; Interrupt latency</code>	6
<code> ADD &DAC12IV,PC ; Add offset to Jump table</code>	3
<code> RETI ; Vector 0: No interrupt</code>	5
<code> JMP DAC12IFG_0_HND ; Vector 2: DAC12_0</code>	2
<code> JMP DAC12IFG_1_HND ; Vector 4: DAC12_1</code>	2
<code> RETI ; Vector 6: Reserved</code>	5
<code> RETI ; Vector 8: Reserved</code>	5
<code> RETI ; Vector 8: Reserved</code>	5
<code> RETI ; Vector 10: Reserved</code>	5
<code>DAC12IFG_1_HND ; Vector 4: DAC12_1</code>	
<code> ... ; Task starts here</code>	
<code> RETI ; Back to main program</code>	
<code>DAC12IFG_0_HND ; Vector 2: DAC12_0</code>	
<code> ... ; Task starts here</code>	
<code> RETI ; Back to main program</code>	5

31.3 DAC Outputs

On most devices, each DAC channel can be output to two different port pins selected by the DAC12OPS bit. When DAC12OPS = 0, one of the two ports is selected as the DAC output. Similarly, when DAC12OPS = 1, the other port is selected as the DAC output. [Table 31-3](#) summarizes this for a single DAC channel that can be output to either ports Pm.y or Pn.z.

Table 31-3. DAC Output Selection

DAC12OPS	DAC12AMP	Pm.y Function	Pn.z Function
0	{0}	I/O	I/O
0	{1}	I/O	DAC output, 0 V
0	{>1}	I/O	DAC output
1	{0}	I/O	I/O
1	{1}	DAC output, 0 V	I/O
1	{>1}	DAC output	I/O

31.4 DAC12_A Registers

The DAC12_A registers are listed in [Table 31-4](#). The base address can be found in the device-specific data sheet. The address offset is listed in [Table 31-4](#).

Table 31-4. DAC12_A Registers

Offset	Acronym	Register Name	Type	Access	Reset	Section
00h	DAC12_0CTL0	DAC12_0 Control 0	Read/write	Word	0000h	Section 31.4.1
02h	DAC12_0CTL1	DAC12_0 Control 1	Read/write	Word	0000h	Section 31.4.2
04h	DAC12_0DAT	DAC12_0 Data	Read/write	Word	0000h	Section 31.4.3 through Section 31.4.10
06h	DAC12_0CALCTL	DAC12_0 Calibration Control	Read/write	Word	9601h	Section 31.4.11
08h	DAC12_0CALDAT	DAC12_0 Calibration Data	Read/write	Word	0000h	Section 31.4.12
10h	DAC12_1CTL0	DAC12_1 Control 0	Read/write	Word	0000h	Section 31.4.1
12h	DAC12_1CTL1	DAC12_1 Control 1	Read/write	Word	0000h	Section 31.4.2
14h	DAC12_1DAT	DAC12_1 Data	Read/write	Word	0000h	Section 31.4.3 through Section 31.4.10
16h	DAC12_1CALCTL	DAC12_1 Calibration Control	Read/write	Word	0000h	Section 31.4.11
18h	DAC12_1CALDAT	DAC12_1 Calibration Data	Read/write	Word	0000h	Section 31.4.12
1Eh	DAC12IV	DAC12IV	Read	Word	0000h	Section 31.4.13

31.4.1 DAC12_xCTL0 Register

DAC12 Control Register 0

Figure 31-8. DAC12_xCTL0 Register

15	14	13	12	11	10	9	8
DAC12OPS	DAC12SREFx		DAC12RES	DAC12LSELx		DAC12CALON	DAC12IR
rw-(0)	rw-(0)	rw-(0)	rw-(0)	rw-(0)	rw-(0)	rw-(0)	rw-(0)
7	6	5	4	3	2	1	0
DAC12AMPx			DAC12DF	DAC12IE	DAC12IFG	DAC12ENC	DAC12GRP
rw-(0)	rw-(0)	rw-(0)	rw-(0)	rw-(0)	rw-(0)	rw-(0)	rw-(0)

Can be modified only when DAC12ENC = 0

Table 31-5. DAC12_xCTL0 Register Description

Bit	Field	Type	Reset	Description
15	DAC12OPS	RW	0h	DAC output select 0b = DAC12_x channel output on Pm.y 1b = DAC12_x channel output on Pn.z
14-13	DAC12SREFx	RW	0h	DAC select reference voltage 00b = VREF+ 01b = AVCC 10b = VeREF+; for devices with CTSD16 = VeREF+/VREFBG, see Table 31-2 for details on the selection between external reference V_{eREF+} and the internally generated V_{REFBG} signal 11b = VeREF+; for devices with CTSD16 = VeREF+/VREFBG, see Table 31-2 for details on the selection between external reference V_{eREF+} and the internally generated V_{REFBG} signal
12	DAC12RES	RW	0h	DAC resolution select 0b = 12-bit resolution 1b = 8-bit resolution
11-10	DAC12LSELx	RW	0h	DAC load select. Selects the load trigger for the DAC latch. DAC12ENC must be set for the DAC to update, except when DAC12LSELx = 0. 00b = DAC latch loads when DAC12_xDAT written (DAC12ENC is ignored) 01b = DAC latch loads when DAC12_xDAT written, or, when grouped, when all DAC12_xDAT registers in the group have been written. 10b = Rising edge of Timer_A.OUT1 (TA1) 11b = Rising edge of Timer_B.OUT2 (TB2)
9	DAC12CALON	RW	0h	DAC calibration on. This bit initiates the DAC offset calibration sequence and is automatically reset when the calibration completes. 0b = Calibration is not active 1b = Initiate calibration or calibration in progress
8	DAC12IR	RW	0h	DAC input range. The DAC12IR bit along with the DAC12OG bit set the reference input and voltage output range. 0b = If DAC12OG = 0, then DAC12 full-scale output = 3x reference voltage; if DAC12OG = 1, then DAC12 full-scale output = 2x reference voltage 1b = DAC12 full-scale output = 1x reference voltage

Table 31-5. DAC12_xCTL0 Register Description (continued)

Bit	Field	Type	Reset	Description
7-5	DAC12AMPx	RW	0h	DAC amplifier setting. These bits select settling time vs current consumption for the DAC input and output amplifiers. 000b = Input Buffer: Off; Output Buffer: DAC Off, output high impedance 001b = Input Buffer: Off; Output Buffer: DAC Off, output 0 V 010b = Input Buffer: Low speed and current; Output Buffer: Low speed and current 011b = Input Buffer: Low speed and current; Output Buffer: Medium speed and current 100b = Input Buffer: Low speed and current; Output Buffer: High speed and current 101b = Input Buffer: Medium speed and current; Output Buffer: Medium speed and current 110b = Input Buffer: Medium speed and current; Output Buffer: High speed and current 111b = Input Buffer: High speed and current; Output Buffer: High speed and current
4	DAC12DF	RW	0h	DAC data format 0b = Straight binary 1b = Twos complement
3	DAC12IE	RW	0h	DAC interrupt enable 0b = Disabled 1b = Enabled
2	DAC12IFG	RW	0h	DAC interrupt flag 0b = No interrupt pending 1b = Interrupt pending
1	DAC12ENC	RW	0h	DAC enable conversion. This bit enables the DAC12_A module when DAC12LSELx > 0. when DAC12LSELx = 0, DAC12ENC is ignored. 0b = DAC disabled 1b = DAC enabled
0	DAC12GRP	RW	0h	DAC group. Groups DAC12_x with the next higher DAC12_x. Not used for DAC12_1 on dual DAC devices. 0b = Not grouped 1b = Grouped

31.4.2 DAC12_xCTL1 Register

DAC12 Control Register 1

Figure 31-9. DAC12_xCTL1 Register

15	14	13	12	11	10	9	8
Reserved							
r0	r0	r0	r0	r0	r0	r0	r0
7	6	5	4	3	2	1	0
Reserved						DAC12OG	DAC12DFJ
r0	r0	r0	r0	r0	r0	rw-(0)	rw-(0)

Can be modified only when DAC12ENC = 0

Table 31-6. DAC12_xCTL1 Register Description

Bit	Field	Type	Reset	Description
15-2	Reserved	R	0h	Reserved. Always reads as 0.
1	DAC12OG	RW	0h	DAC output buffer gain. Can be modified only when DAC12ENC = 0. 0b = 3x gain 1b = 2x gain
0	DAC12DFJ	RW	0h	DAC data format justification. Can be modified only when DAC12ENC = 0. 0b = Data format right justified 1b = Data format left justified

31.4.3 DAC12_xDAT Register, Unsigned 12-Bit Binary Format, Right Justified

DAC12 Data Register unsigned 12-bit binary format, right justified (DAC12RES = 0, DAC12DF = 0, DAC12DFJ = 0)

Figure 31-10. DAC12_xDAT Register

15	14	13	12	11	10	9	8
Reserved				DAC12 Data			
r(0)	r(0)	r(0)	r(0)	rw-(0)	rw-(0)	rw-(0)	rw-(0)
7	6	5	4	3	2	1	0
DAC12 Data							
rw-(0)	rw-(0)	rw-(0)	rw-(0)	rw-(0)	rw-(0)	rw-(0)	rw-(0)

Table 31-7. DAC12_xDAT Register Description

Bit	Field	Type	Reset	Description
15-12	Reserved	R	0h	Reserved. Always reads as 0.
11-0	DAC12 Data	RW	0h	DAC data in unsigned format. Bit 11 represents the MSB.

31.4.4 DAC12_xDAT Register, Unsigned 12-Bit Binary Format, Left Justified

DAC12 Data Register unsigned 12-bit binary format, left justified (DAC12RES = 0, DAC12DF = 0, DAC12DFJ = 1)

Figure 31-11. DAC12_xDAT Register

15	14	13	12	11	10	9	8
DAC12 Data							
rw-(0)	rw-(0)	rw-(0)	rw-(0)	rw-(0)	rw-(0)	rw-(0)	rw-(0)
7	6	5	4	3	2	1	0
DAC12 Data				Reserved			
rw-(0)	rw-(0)	rw-(0)	rw-(0)	r(0)	r(0)	r(0)	r(0)

Table 31-8. DAC12_xDAT Register Description

Bit	Field	Type	Reset	Description
15-4	DAC12 Data	RW	0h	DAC data in unsigned format. Bit 15 represents the MSB.
3-0	Reserved	R	0h	Reserved. Always reads as 0.

31.4.5 DAC12_xDAT Register, Twos-Complement 12-Bit Binary Format, Right Justified

DAC12 Data Register twos complement 12-bit binary format, right justified (DAC12RES = 0, DAC12DF = 1, DAC12DFJ = 0)

Figure 31-12. DAC12_xDAT Register

15	14	13	12	11	10	9	8
Bit 11	Bit 11	Bit 11	Bit 11	DAC12 Data			
r(0)	r(0)	r(0)	r(0)	rw-(0)	rw-(0)	rw-(0)	rw-(0)
7	6	5	4	3	2	1	0
DAC12 Data							
rw-(0)	rw-(0)	rw-(0)	rw-(0)	rw-(0)	rw-(0)	rw-(0)	rw-(0)

Table 31-9. DAC12_xDAT Register Description

Bit	Field	Type	Reset	Description
15-12	Bit 11	R	0h	These bits are sign extension bits and are equal to the contents of bit 11. These bits are automatically updated with the contents of bit 11.
11-0	DAC12 Data	RW	0h	DAC data in twos complement format. Bit 11 represents the sign bit of the twos complement value.

31.4.6 DAC12_xDAT Register, Twos-Complement 12-Bit Binary Format, Left Justified

DAC12 Data Register twos complement 12-bit binary format, left justified (DAC12RES = 0, DAC12DF = 1, DAC12DFJ = 1)

Figure 31-13. DAC12_xDAT Register

15	14	13	12	11	10	9	8
DAC12 Data							
rw-(0)	rw-(0)	rw-(0)	rw-(0)	rw-(0)	rw-(0)	rw-(0)	rw-(0)
7	6	5	4	3	2	1	0
DAC12 Data				Reserved			
rw-(0)	rw-(0)	rw-(0)	rw-(0)	r(0)	r(0)	r(0)	r(0)

Table 31-10. DAC12_xDAT Register Description

Bit	Field	Type	Reset	Description
15-4	DAC12 Data	RW	0h	DAC data in twos complement format. Bit 15 represents the sign bit of the twos complement value.
3-0	Reserved	R	0h	Reserved. Always reads as 0.

31.4.7 DAC12_xDAT Register, Unsigned 8-Bit Binary Format, Right Justified

DAC12 Data Register unsigned 8-bit binary format, right justified (DAC12RES = 1, DAC12DF = 0, DAC12DFJ = 0)

Figure 31-14. DAC12_xDAT Register

15	14	13	12	11	10	9	8
Reserved							
r(0)	r(0)	r(0)	r(0)	r(0)	r(0)	r(0)	r(0)
7	6	5	4	3	2	1	0
DAC12 Data							
rw-(0)	rw-(0)	rw-(0)	rw-(0)	rw-(0)	rw-(0)	rw-(0)	rw-(0)

Table 31-11. DAC12_xDAT Register Description

Bit	Field	Type	Reset	Description
15-8	Reserved	R	0h	Reserved. Always reads as 0.
7-0	DAC12 Data	RW	0h	DAC data in unsigned format. Bit 7 represents the MSB.

31.4.8 DAC12_xDAT Register, Unsigned 8-Bit Binary Format, Left Justified

DAC12 Data Register unsigned 8-bit binary format, left justified (DAC12RES = 1, DAC12DF = 0, DAC12DFJ = 1)

Figure 31-15. DAC12_xDAT Register

15	14	13	12	11	10	9	8
DAC12 Data							
rw-(0)	rw-(0)	rw-(0)	rw-(0)	rw-(0)	rw-(0)	rw-(0)	rw-(0)
7	6	5	4	3	2	1	0
Reserved							
r(0)	r(0)	r(0)	r(0)	r(0)	r(0)	r(0)	r(0)

Table 31-12. DAC12_xDAT Register Description

Bit	Field	Type	Reset	Description
15-8	DAC12 Data	RW	0h	DAC data in unsigned format. Bit 15 represents the MSB.
7-0	Reserved	R	0h	Reserved. Always reads as 0.

31.4.9 DAC12_xDAT Register, Twos-Complement 8-Bit Binary Format, Right Justified

DAC12 Data Register twos complement 8-bit binary format, right justified (DAC12RES = 1, DAC12DF = 1, DAC12DFJ = 0)

Figure 31-16. DAC12_xDAT Register

15	14	13	12	11	10	9	8
Bit 7	Bit 7	Bit 7	Bit 7	Bit 7	Bit 7	Bit 7	Bit 7
r(0)	r(0)	r(0)	r(0)	r(0)	r(0)	r(0)	r(0)
7	6	5	4	3	2	1	0
DAC12 Data							
rw-(0)	rw-(0)	rw-(0)	rw-(0)	rw-(0)	rw-(0)	rw-(0)	rw-(0)

Table 31-13. DAC12_xDAT Register Description

Bit	Field	Type	Reset	Description
15-8	Bit 7	R	0h	These bits are sign extension bits and are equal to the contents of bit 7. These bits are automatically updated with the contents of bit 7.
7-0	DAC12 Data	RW	0h	DAC data in twos complement format. Bit 7 represents the sign bit of the twos complement value.

31.4.10 DAC12_xDAT Register, Twos-Complement 8-Bit Binary Format, Left Justified

DAC12 Data Register twos complement 8-bit binary format, left justified (DAC12RES = 1, DAC12DF = 1, DAC12DFJ = 1)

Figure 31-17. DAC12_xDAT Register

15	14	13	12	11	10	9	8
DAC12 Data							
rw-(0)	rw-(0)	rw-(0)	rw-(0)	rw-(0)	rw-(0)	rw-(0)	rw-(0)
7	6	5	4	3	2	1	0
Reserved							
r(0)	r(0)	r(0)	r(0)	r(0)	r(0)	r(0)	r(0)

Table 31-14. DAC12_xDAT Register Description

Bit	Field	Type	Reset	Description
15-8	DAC12 Data	RW	0h	DAC data in twos complement format. Bit 15 represents the sign bit of the twos complement value.
7-0	Reserved	R	0h	Reserved. Always reads as 0.

31.4.11 DAC12_xCALCTL Register

DAC12 Calibration Control Register

Figure 31-18. DAC12_xCALCTL Register

15	14	13	12	11	10	9	8
DAC12KEY							
rw	rw	rw	rw	rw	rw	rw	rw
7	6	5	4	3	2	1	0
Reserved							LOCK
r0	r0	r0	r0	r0	r0	r0	rw-(1)

Table 31-15. DAC12_xCALCTL Register Description

Bit	Field	Type	Reset	Description
15-8	DAC12KEY	RW	96h	DAC calibration lock password. Always reads as 0x96. Must be written with 0xA5 for LOCK bit to be set or cleared. An incorrect key results in the LOCK bit being set, thereby disabling write access to DAC12_xCALDAT.
7-1	Reserved	R	0h	Reserved. Always reads as 0.
0	LOCK	RW	1h	DAC calibration lock. To enable write access to the DAC12 calibration data register, this bit must be cleared by writing 0xA5 to DAC12KEY along with LOCK = 0. Writing an incorrect key or writing to DAC12x_CALCTL using byte mode causes the LOCK bit to be automatically set. If the LOCK bit is set, write access to the calibration data registers and hardware calibration is not possible. All previous values in the DAC12_xCALDAT are retained. 0b = Calibration data register write access enabled, calibration can be performed. 1b = Calibration data register write access disabled, calibration disabled.

31.4.12 DAC12_xCALDAT Register

DAC12 Calibration DATA Register

Figure 31-19. DAC12_xCALDAT Register

15	14	13	12	11	10	9	8
Reserved							
r0	r0	r0	r0	r0	r0	r0	r0
7	6	5	4	3	2	1	0
DAC12 Calibration Data							
rw-(0)	rw-(0)	rw-(0)	rw-(0)	rw-(0)	rw-(0)	rw-(0)	rw-(0)

Table 31-16. DAC12_xCALDAT Register Description

Bit	Field	Type	Reset	Description
15-8	Reserved	R	0h	Reserved. Always reads as 0.
7-0	DAC12 Calibration Data	RW	0h	DAC calibration data. The DAC calibration data is represented in twos complement format providing a range of -128 to +127.

31.4.13 DAC12IV Register

DAC12 Interrupt Vector Register

Figure 31-20. DAC12IV Register

15	14	13	12	11	10	9	8
DAC12IVx							
r(0)	r(0)	r(0)	r(0)	r(0)	r(0)	r(0)	r(0)
7	6	5	4	3	2	1	0
DAC12IVx							
r(0)	r(0)	r(0)	r(0)	r(0)	r(0)	r(0)	r(0)

Table 31-17. DAC12IV Register Description

Bit	Field	Type	Reset	Description
15-0	DAC12IVx	R	0h	DAC interrupt vector value 00h = No interrupt pending 02h = Interrupt Source: DAC12 channel 0; Interrupt Flag: DAC12IFG_0; Interrupt Priority: Highest 04h = Interrupt Source: DAC12 channel 1; Interrupt Flag: DAC12IFG_1; Interrupt Priority: Lowest 06h = Reserved 08h = Reserved 0Ah = Reserved 0Ch = Reserved 0Eh = Reserved

Comparator B (Comp_B)

Comp_B is an analog voltage comparator. This chapter describes the Comp_B. Comp_B supports general comparator functionality for up to 16 channels.

Topic	Page
32.1 Comp_B Introduction	843
32.2 Comp_B Operation	844
32.3 Comp_B Registers	850

32.1 Comp_B Introduction

The Comp_B module supports precision slope analog-to-digital conversions, supply voltage supervision, and monitoring of external analog signals.

Features of Comp_B include:

- Inverting and noninverting terminal input multiplexer
- Software-selectable RC filter for the comparator output
- Output provided to Timer_A capture input
- Software control of the port input buffer
- Interrupt capability
- Selectable reference voltage generator, voltage hysteresis generator
- Reference voltage input from shared reference
- Ultra-low-power comparator mode
- Interrupt driven measurement system – low-power operation support

Figure 32-1 shows the Comp_B block diagram.

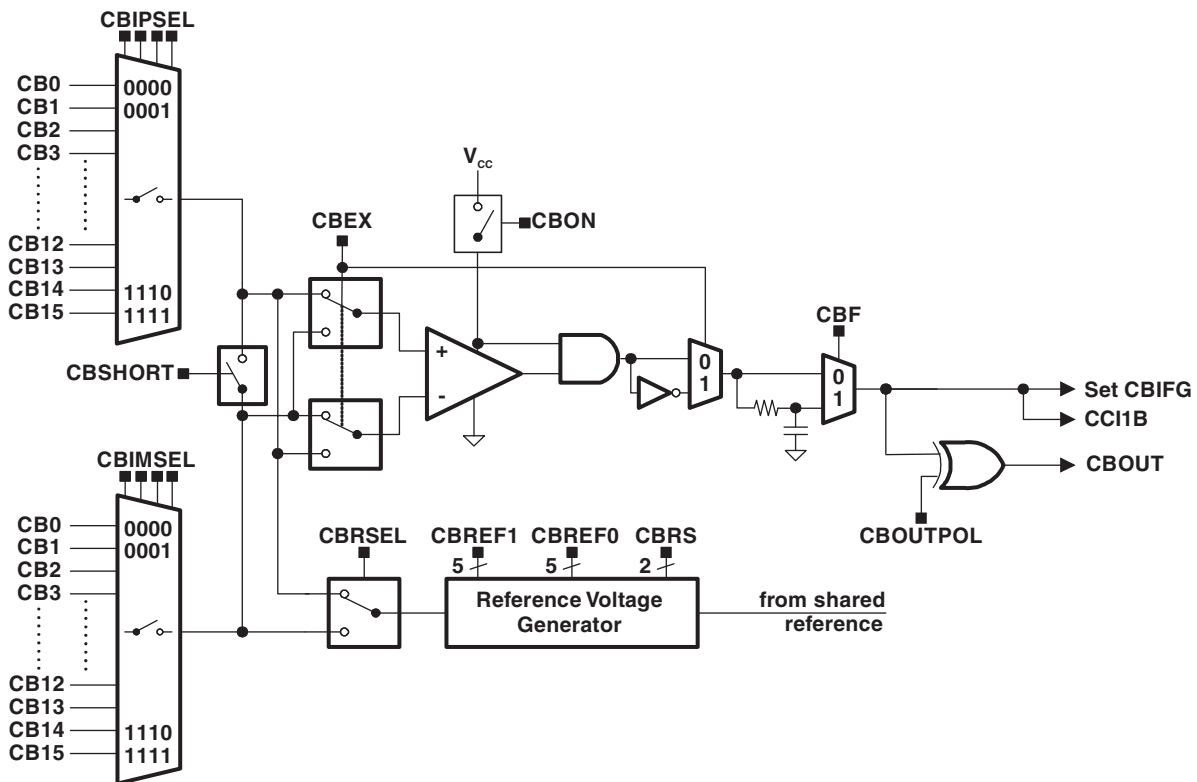


Figure 32-1. Comp_B Block Diagram

32.2 Comp_B Operation

The Comp_B module is configured by user software. The following sections describe the setup and operation of Comp_B.

32.2.1 Comparator

The comparator compares the analog voltages at the + and – input terminals. If the + terminal is more positive than the – terminal, the comparator output CBOUT is high. The comparator can be switched on or off using control bit CBON. The comparator should be switched off when not in use to reduce current consumption. When the comparator is off, CBOUT is low when CBOUTPOL bit is set to 0, and CBOUT is high when CBOUTPOL bit is set to 1.

To optimize current consumption for the application, the lowest power mode that meets the comparator speed requirements (see the device-specific data sheet for the comparator propagation delay and response time) should be selected with the CBPWRMD bits. The CBPWRMD bits default to 0x0, which is the highest power and fastest speed. CBPWRMD = 0x2 is the lowest power and slowest speed option.

32.2.2 Analog Input Switches

The analog input switches connect or disconnect the two comparator input terminals to associated port pins using the CBIPSELx and CBIMSELx bits. The comparator terminal inputs can be controlled individually. The CBIPSELx and CBIMSELx bits allow:

- Application of an external signal to the + and – terminals of the comparator
- Application of an external current source (for example, a resistor) to the + or – terminal of the comparator
- The mapping of both terminals of the internal multiplexer to the outside

Internally, the input switch is constructed as a T-switch to suppress distortion in the signal path.

NOTE: Comparator input connection

When the comparator is on, the input terminals should be connected to a signal, power, or ground. Otherwise, floating levels may cause unexpected interrupts and increased current consumption.

The CBEX bit controls the input multiplexer, permuting the input signals of the comparator's + and – terminals. Additionally, when the comparator terminals are permuted, the output signal from the comparator is inverted too. This allows the user to determine or compensate for the comparator input offset voltage.

32.2.3 Port Logic

The Px.y pins associated with a comparator channel are enabled by the CBIPSELx or CBIMSELx bits to disable its digital components while used as comparator input. Only one of the comparator input pins is selected as input to the comparator by the input multiplexer at a time.

32.2.4 Input Short Switch

The CBSHORT bit shorts the Comp_B inputs. This can be used to build a simple sample-and-hold for the comparator as shown in [Figure 32-2](#).

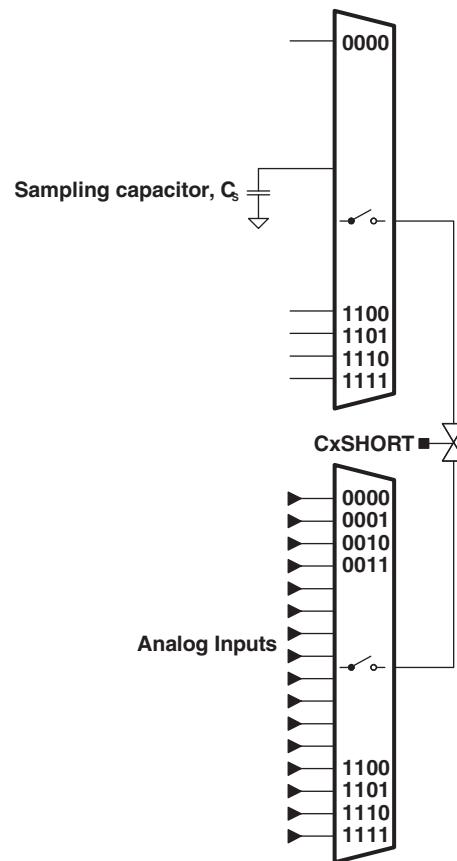


Figure 32-2. Comp_B Sample-And-Hold

The required sampling time is proportional to the size of the sampling capacitor (C_s), the resistance of the input switches in series with the short switch (R_i), and the resistance of the external source (R_s). The total internal resistance (R_i) is typically in the range of 1 k Ω . The sampling capacitor C_s should be greater than 100 pF. The time constant, τ , to charge the sampling capacitor C_s can be calculated with the following equation:

$$\tau = (R_i + R_s) \times C_s$$

Depending on the required accuracy, 3 to 10 τ should be used as a sampling time. With 3 τ the sampling capacitor is charged to approximately 95% of the input signal voltage level, with 5 τ it is charged to more than 99%, and with 10 τ the sampled voltage is sufficient for 12-bit accuracy.

32.2.5 Output Filter

The output of the comparator can be used with or without internal filtering. When control bit CBF is set, the output is filtered with an on-chip RC filter. The delay of the filter can be adjusted in four different steps.

All comparator outputs oscillate if the voltage difference across the input terminals is small (see [Figure 32-3](#)). Internal and external parasitic effects and cross coupling on and between signal lines, power supply lines, and other parts of the system are responsible for this behavior. The comparator output oscillation reduces the accuracy and resolution of the comparison result. Selecting the output filter can reduce errors associated with comparator oscillation.

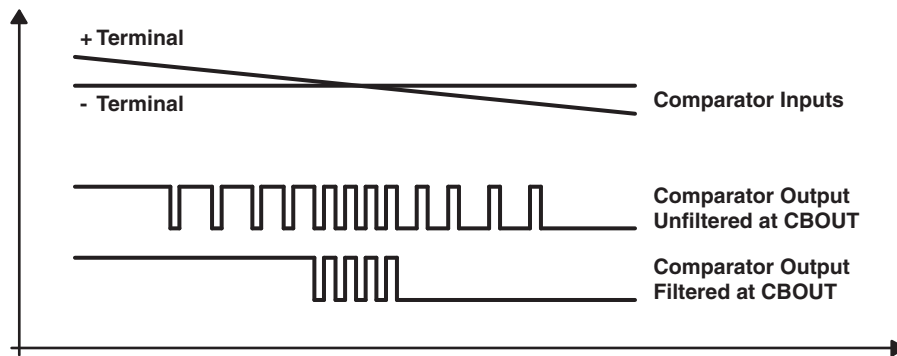


Figure 32-3. RC-Filter Response at the Output of the Comparator

32.2.6 Reference Voltage Generator

Figure 32-4 shows the Comp_B reference block diagram.

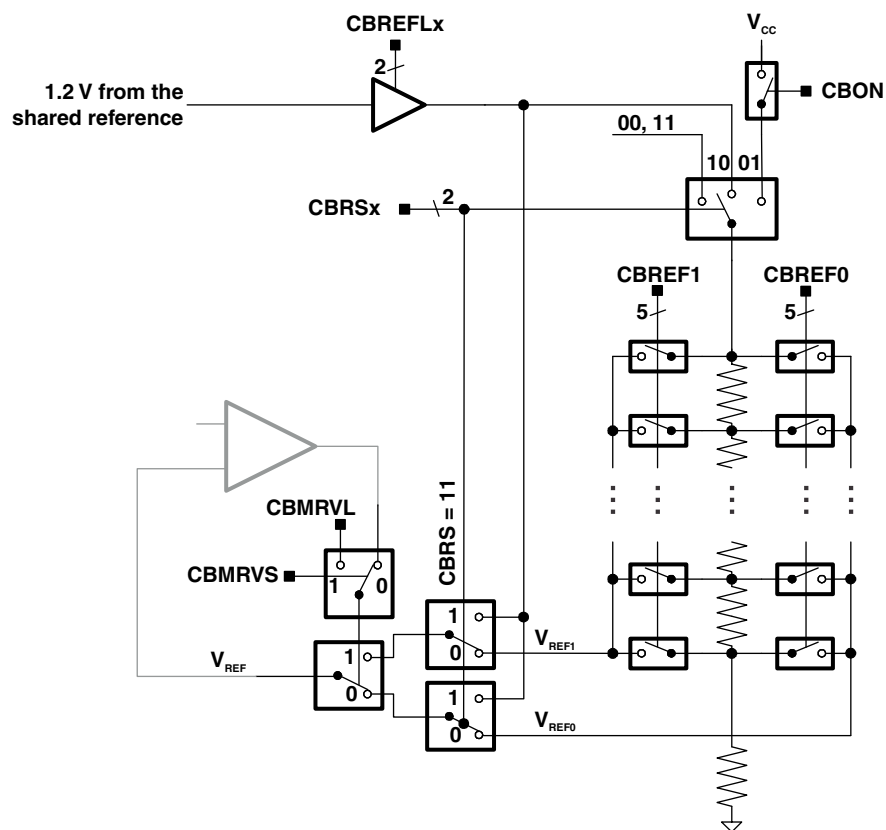


Figure 32-4. Reference Generator Block Diagram

The voltage reference generator is used to generate VREF, which can be applied to either comparator input terminal. The CBREF1x (VREF1) and CBREF0x (VREF0) bits control the output of the voltage generator. The CBRSEL bit selects the comparator terminal to which VREF is applied. If external signals are applied to both comparator input terminals, the internal reference generator should be turned off to reduce current consumption. The voltage reference generator can generate a fraction of the device's V_{CC} or of the voltage reference of the integrated precision voltage reference source. Vref1 is used while CBOUN is 1 and Vref0 is used while CBOUN is 0. This allows the generation of a hysteresis without using external components.

32.2.7 Comp_B Port Disable Register CBCTL3

The comparator input and output functions are multiplexed with the associated I/O port pins, which are digital CMOS gates. When analog signals are applied to digital CMOS gates, parasitic current can flow from V_{CC} to GND. This parasitic current occurs if the input voltage is near the transition level of the gate. Disabling the port pin buffer eliminates the parasitic current flow and therefore reduces overall current consumption.

The CBPDx bits in the CBCTL3 register, when set, disable the corresponding Px.y input buffer (see [Figure 32-5](#)). When current consumption is critical, any Px.y pin connected to analog signals should be disabled with the associated CBPDx bits.

Selecting an input pin to the comparator multiplexer with the CBIPSEL or CBIMSEL bits automatically disables the input buffer for that pin, regardless of the state of the associated CBPDx bit.

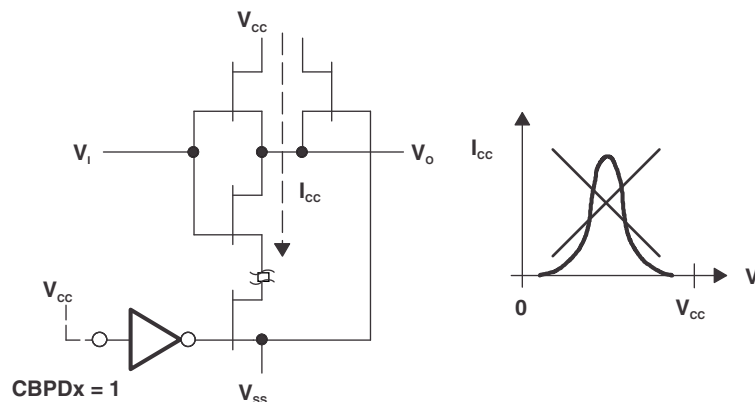


Figure 32-5. Transfer Characteristic and Power Dissipation in a CMOS Inverter/Buffer

32.2.8 Comp_B Interrupts

One interrupt flag and one interrupt vector is associated with the Comp_B.

The interrupt flag CBIFG is set on either the rising or falling edge of the comparator output, selected by the CBIES bit. If both the CBIE and the GIE bits are set, the CBIFG interrupt flag generates an interrupt request.

NOTE: Changing the value of the CBIES bit might set the comparator interrupt flag CBIFG. This can happen even when the comparator is disabled (CBON = 0). TI recommends clearing CBIFG after configuring the comparator for proper interrupt behavior during operation.

32.2.9 Comp_B Used to Measure Resistive Elements

The Comp_B can be optimized to precisely measure resistive elements using single slope analog-to-digital conversion. For example, temperature can be converted into digital data using a thermistor, by comparing the thermistor's capacitor discharge time to that of a reference resistor (see [Figure 32-6](#)). Reference resistor R_{ref} is compared to R_{meas} .

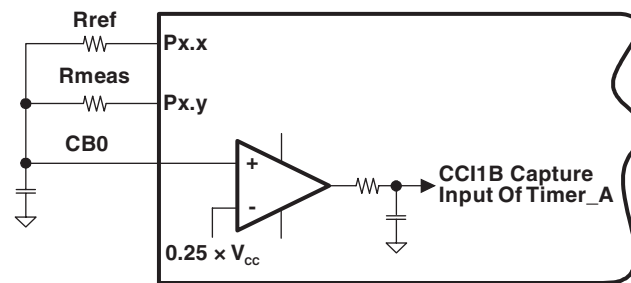


Figure 32-6. Temperature Measurement System

The resources used to calculate the temperature sensed by Rmeas are:

- Two digital I/O pins charge and discharge the capacitor.
- I/O is set to output high (V_{CC}) to charge capacitor, reset to discharge.
- I/O is switched to high-impedance input with CBPDx set when not in use.
- One output charges and discharges the capacitor through Rref.
- One output discharges capacitor through Rmeas.
- The + terminal is connected to the positive terminal of the capacitor.
- The – terminal is connected to a reference level, for example $0.25 \times V_{CC}$.
- The output filter should be used to minimize switching noise.
- CBOOUT is used to gate Timer_A CCI1B, capturing capacitor discharge time.

More than one resistive element can be measured. Additional elements are connected to CB0 with available I/O pins and switched to high impedance when not being measured.

The thermistor measurement is based on a ratiometric conversion principle. The ratio of two capacitor discharge times is calculated as shown in Figure 32-7.

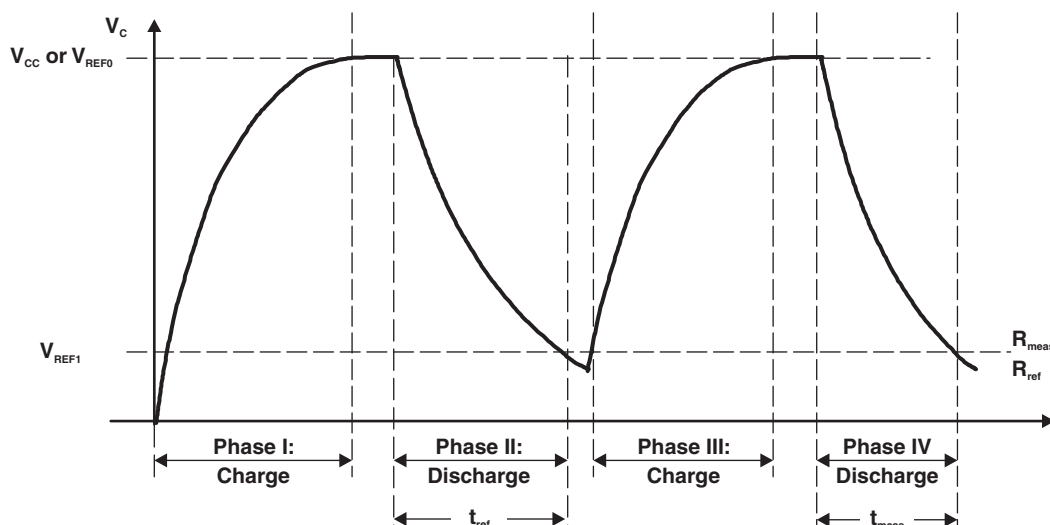


Figure 32-7. Timing for Temperature Measurement Systems

The V_{CC} voltage and the capacitor value should remain constant during the conversion but are not critical, because they cancel in the ratio:

$$\frac{N_{\text{meas}}}{N_{\text{ref}}} = \frac{-R_{\text{meas}} \times C \times \ln \frac{V_{\text{ref1}}}{V_{\text{CC}}}}{-R_{\text{ref}} \times C \times \ln \frac{V_{\text{ref1}}}{V_{\text{CC}}}}$$

$$\frac{N_{\text{meas}}}{N_{\text{ref}}} = \frac{R_{\text{meas}}}{R_{\text{ref}}}$$

$$R_{\text{meas}} = R_{\text{ref}} \times \frac{N_{\text{meas}}}{N_{\text{ref}}}$$

32.3 Comp_B Registers

The Comp_B registers are listed in [Table 32-1](#). The base address of the Comp_B module can be found in the device-specific data sheet.

Table 32-1. Comp_B Registers

Offset	Acronym	Register Name	Type	Access	Reset	Section
00h	CBCTL0	Comp_B control register 0	Read/write	Word	0000h	Section 32.3.1
02h	CBCTL1	Comp_B control register 1	Read/write	Word	0000h	Section 32.3.2
04h	CBCTL2	Comp_B control register 2	Read/write	Word	0000h	Section 32.3.3
06h	CBCTL3	Comp_B control register 3	Read/write	Word	0000h	Section 32.3.4
0Ch	CBINT	Comp_B interrupt register	Read/write	Word	0000h	Section 32.3.5
0Eh	CBIV	Comp_B interrupt vector word	Read	Word	0000h	Section 32.3.6

32.3.1 CBCTL0 Register

Comp_B Control Register 0

Figure 32-8. CBCTL0 Register

15	14	13	12	11	10	9	8
CBIMEN	Reserved			CBIMSEL			
rw-0	r-0	r-0	r-0	rw-0	rw-0	rw-0	rw-0
7	6	5	4	3	2	1	0
CBIPEN	Reserved			CBIPSEL			
rw-0	r-0	r-0	r-0	rw-0	rw-0	rw-0	rw-0

Table 32-2. CBCTL0 Register Description

Bit	Field	Type	Reset	Description
15	CBIMEN	RW	0h	Channel input enable for the V ⁻ terminal of the comparator. 0b = Selected analog input channel for V ⁻ terminal is disabled. 1b = Selected analog input channel for V ⁻ terminal is enabled.
14-12	Reserved	R	0h	Reserved. Always reads as 0.
11-8	CBIMSEL	RW	0h	Channel input selected for the V ⁻ terminal of the comparator if CBIMEN is set to 1.
7	CBIPEN	RW	0h	Channel input enable for the V ⁺ terminal of the comparator. 0b = Selected analog input channel for V ⁺ terminal is disabled. 1b = Selected analog input channel for V ⁺ terminal is enabled.
6-4	Reserved	R	0h	Reserved. Always reads as 0.
3-0	CBIPSEL	RW	0h	Channel input selected for the V ⁺ terminal of the comparator if CBIPEN is set to 1.

32.3.2 CBCTL1 Register

Comp_B Control Register 1

Figure 32-9. CBCTL1 Register

15	14	13	12	11	10	9	8
Reserved			CBMRVS	CBMRVL	CBON	CBPWRMD	
r-0	r-0	r-0	rw-0	rw-0	rw-0	rw-0	rw-0
7	6	5	4	3	2	1	0
CBFDLY		CBEX	CBSHORT	CBIES	CBF	CBOUTPOL	CBOU
rw-0	rw-0	rw-0	rw-0	rw-0	rw-0	rw-0	r-0

Table 32-3. CBCTL1 Register Description

Bit	Field	Type	Reset	Description
15-13	Reserved	R	0h	Reserved. Always reads as 0.
12	CBMRVS	RW	0h	This bit defines if the comparator output selects between VREF0 or VREF1 if CBRS = 00, 01, or 10. 0b = Comparator output state selects between VREF0 or VREF1. 1b = CBMRVL selects between VREF0 or VREF1.
11	CBMRVL	RW	0h	This bit is valid if CBMRVS is set to 1. 0b = VREF0 is selected if CBRS = 00, 01, or 10. 1b = VREF1 is selected if CBRS = 00, 01, or 10.
10	CBON	RW	0h	On. This bit turns the comparator on. When the comparator is turned off the Comp_B consumes no power. 0b = Off 1b = On
9-8	CBPWRMD	RW	0h	Power mode. Not all modes are supported in all products. See device specific data sheet for details. 00b = High-speed mode (optional) 01b = Normal mode (optional) 10b = Ultra-low-power mode (optional) 11b = Reserved
7-6	CBFDLY	RW	0h	Filter delay. The filter delay can be selected in 4 steps. See the device-specific data sheet for details. 00b = Typical filter delay of 450 ns 01b = Typical filter delay of 900 ns 10b = Typical filter delay of 1800 ns 11b = Typical filter delay of 3600 ns
5	CBEX	RW	0h	Exchange. This bit permutes the comparator 0 inputs and inverts the comparator 0 output.
4	CBSHORT	RW	0h	Input short. This bit shorts the + and – input terminals. 0b = Inputs not shorted 1b = Inputs shorted
3	CBIES	RW	0h	Interrupt edge select for CBIIFG and CBIFG 0b = Rising edge for CBIFG, falling edge for CBIIFG 1b = Falling edge for CBIFG, rising edge for CBIIFG
2	CBF	RW	0h	Output filter 0b = Comp_B output is not filtered 1b = Comp_B output is filtered
1	CBOUTPOL	RW	0h	Output polarity. This bit defines the CBOU polarity. 0b = Noninverted 1b = Inverted
0	CBOU	R	0h	Output value. This bit reflects the value of the Comp_B output. Writing this bit has no effect on the comparator output.

32.3.3 CBCTL2 Register

Comp_B Control Register 2

Figure 32-10. CBCTL2 Register

15	14	13	12	11	10	9	8
CBREFACC	CBREFL		CBREF1				
rw-0	rw-0	rw-0	rw-0	rw-0	rw-0	rw-0	rw-0
7	6	5	4	3	2	1	0
CBRS		CBRSEL	CBREF0				
rw-0	rw-0	rw-0	rw-0	rw-0	rw-0	rw-0	rw-0

Table 32-4. CBCTL2 Register Description

Bit	Field	Type	Reset	Description
15	CBREFACC	RW	0h	Reference accuracy. A reference voltage is requested only if CBREFL > 0. 0b = Static mode 1b = Clocked (low-power, low-accuracy) mode
14-13	CBREFL	RW	0h	Reference voltage level 00b = Reference voltage is disabled. No reference voltage is requested. 01b = 1.5 V 10b = 2.0 V 11b = 2.5 V
12-8	CBREF1	RW	0h	Reference resistor tap 1. This register defines the tap of the resistor string while CROUT = 1.
7-6	CBRS	RW	0h	Reference source. This bit define if the reference voltage is derived from VCC or from the precise shared reference. 00b = No current is drawn by the reference circuitry. 01b = VCC applied to the resistor ladder 10b = Shared reference voltage applied to the resistor ladder. 11b = Shared reference voltage supplied to V _{CREF} . Resistor ladder is off.
5	CBRSEL	RW	0h	Reference select. This bit selects which terminal the V _{CCREF} is applied to. 0b = When CBEX = 0: V _{REF} is applied to the + terminal; When CBEX = 1: V _{REF} is applied to the – terminal 1b = When CBEX = 0: V _{REF} is applied to the – terminal; When CBEX = 1: V _{REF} is applied to the + terminal
4-0	CBREF0	RW	0h	Reference resistor tap 0. This register defines the tap of the resistor string while CROUT = 0.

32.3.4 CBCTL3 Register

Comp_B Control Register 3

Figure 32-11. CBCTL3 Register

15	14	13	12	11	10	9	8
CBPD15	CBPD14	CBPD13	CBPD14	CBPD11	CBPD10	CBPD9	CBPD8
rw-(0)	rw-(0)	rw-(0)	rw-(0)	rw-(0)	rw-(0)	rw-(0)	rw-(0)
7	6	5	4	3	2	1	0
CBPD7	CBPD6	CBPD5	CBPD4	CBPD3	CBPD2	CBPD1	CBPD0
rw-(0)	rw-(0)	rw-(0)	rw-(0)	rw-(0)	rw-(0)	rw-(0)	rw-(0)

Table 32-5. CBCTL3 Register Description

Bit	Field	Type	Reset	Description
15	CBPD15	RW	0h	Port disable. This bit individually disables the input buffer for the pins of the port associated with Comp_B. The bit CBPD15 disables the port of the comparator channel 15. 0b = Input buffer enabled 1b = Input buffer disabled
14	CBPD14	RW	0h	Port disable. This bit individually disables the input buffer for the pins of the port associated with Comp_B. The bit CBPD14 disables the port of the comparator channel 14. 0b = Input buffer enabled 1b = Input buffer disabled
13	CBPD13	RW	0h	Port disable. This bit individually disables the input buffer for the pins of the port associated with Comp_B. The bit CBPD13 disables the port of the comparator channel 13. 0b = Input buffer enabled 1b = Input buffer disabled
12	CBPD12	RW	0h	Port disable. This bit individually disables the input buffer for the pins of the port associated with Comp_B. The bit CBPD12 disables the port of the comparator channel 12. 0b = Input buffer enabled 1b = Input buffer disabled
11	CBPD11	RW	0h	Port disable. This bit individually disables the input buffer for the pins of the port associated with Comp_B. The bit CBPD11 disables the port of the comparator channel 11. 0b = Input buffer enabled 1b = Input buffer disabled
10	CBPD10	RW	0h	Port disable. This bit individually disables the input buffer for the pins of the port associated with Comp_B. The bit CBPD10 disables the port of the comparator channel 10. 0b = Input buffer enabled 1b = Input buffer disabled
9	CBPD9	RW	0h	Port disable. This bit individually disables the input buffer for the pins of the port associated with Comp_B. The bit CBPD9 disables the port of the comparator channel 9. 0b = Input buffer enabled 1b = Input buffer disabled
8	CBPD8	RW	0h	Port disable. This bit individually disables the input buffer for the pins of the port associated with Comp_B. The bit CBPD8 disables the port of the comparator channel 8. 0b = Input buffer enabled 1b = Input buffer disabled

Table 32-5. CBCTL3 Register Description (continued)

Bit	Field	Type	Reset	Description
7	CBPD7	RW	0h	Port disable. This bit individually disables the input buffer for the pins of the port associated with Comp_B. The bit CBPD7 disables the port of the comparator channel 7. 0b = Input buffer enabled 1b = Input buffer disabled
6	CBPD6	RW	0h	Port disable. This bit individually disables the input buffer for the pins of the port associated with Comp_B. The bit CBPD6 disables the port of the comparator channel 6. 0b = Input buffer enabled 1b = Input buffer disabled
5	CBPD5	RW	0h	Port disable. This bit individually disables the input buffer for the pins of the port associated with Comp_B. The bit CBPD5 disables the port of the comparator channel 5. 0b = Input buffer enabled 1b = Input buffer disabled
4	CBPD4	RW	0h	Port disable. This bit individually disables the input buffer for the pins of the port associated with Comp_B. The bit CBPD4 disables the port of the comparator channel 4. 0b = Input buffer enabled 1b = Input buffer disabled
3	CBPD3	RW	0h	Port disable. This bit individually disables the input buffer for the pins of the port associated with Comp_B. The bit CBPD3 disables the port of the comparator channel 3. 0b = Input buffer enabled 1b = Input buffer disabled
2	CBPD2	RW	0h	Port disable. This bit individually disables the input buffer for the pins of the port associated with Comp_B. The bit CBPD2 disables the port of the comparator channel 2. 0b = Input buffer enabled 1b = Input buffer disabled
1	CBPD1	RW	0h	Port disable. This bit individually disables the input buffer for the pins of the port associated with Comp_B. The bit CBPD1 disables the port of the comparator channel 1. 0b = Input buffer enabled 1b = Input buffer disabled
0	CBPD0	RW	0h	Port disable. This bit individually disables the input buffer for the pins of the port associated with Comp_B. The bit CBPD0 disables the port of the comparator channel 0. 0b = Input buffer enabled 1b = Input buffer disabled

32.3.5 CBINT Register

Comp_B Interrupt Control Register

Figure 32-12. CBINT Register

15	14	13	12	11	10	9	8
Reserved						CBIIIE	CBIE
r-0	r-0	r-0	r-0	r-0	r-0	rw-0	rw-0
7	6	5	4	3	2	1	0
Reserved						CBIIIFG	CBIFG
r-0	r-0	r-0	r-0	r-0	r-0	rw-0	rw-0

Table 32-6. CBINT Register Description

Bit	Field	Type	Reset	Description
15-10	Reserved	R	0h	Reserved. Always reads as 0.
9	CBIIIE	RW	0h	Comp_B output interrupt enable inverted polarity 0b = Interrupt is disabled 1b = Interrupt is enabled
8	CBIE	RW	0h	Comp_B output interrupt enable 0b = Interrupt is disabled 1b = Interrupt is enabled
7-2	Reserved	R	0h	Reserved. Always reads as 0.
1	CBIIIFG	RW	0h	Comp_B output inverted interrupt flag. The bit CBIES defines the transition of the output setting this bit. 0b = No interrupt pending 1b = Output interrupt pending
0	CBIFG	RW	0h	Comp_B output interrupt flag. The bit CBIES defines the transition of the output setting this bit. 0b = No interrupt pending 1b = Output interrupt pending

32.3.6 CBIV Register

Comp_B Interrupt Vector Word Register

Figure 32-13. CBIV Register

15	14	13	12	11	10	9	8
CBIV							
r0	r0	r0	r0	r0	r0	r0	r0
7	6	5	4	3	2	1	0
CBIV							
r0	r0	r0	r0	r0	r-0	r-0	r0

Table 32-7. CBIV Register Description

Bit	Field	Type	Reset	Description
15-0	CBIV	R	0h	Comp_B interrupt vector word register. The interrupt vector register reflects only interrupt flags whose interrupt enable bit are set. Reading the CBIV register clears the pending interrupt flag with the highest priority. 00h = No interrupt pending 02h = Interrupt Source: CBOUT interrupt; Interrupt Flag: CBIFG; Interrupt Priority: Highest 04h = Interrupt Source: CBOUT interrupt inverted polarity; Interrupt Flag: CBIIFG; Interrupt Priority: Lowest

Operational Amplifier (OA)

The operational amplifier (OA) module is a general-purpose operational amplifier. This chapter describes the OA.

Topic	Page
33.1 OA Introduction.....	859
33.2 OA Operation.....	861
33.3 Ground Switches.....	862
33.4 OA and Power Modes.....	862
33.5 OA Registers.....	863

33.1 OA Introduction

The OA operational amplifiers can be used to support front-end analog signal conditioning before analog-to-digital conversion as well as other general-purpose applications.

Features of the OA include:

- Single-supply low-current operation
- Software selectable rail-to-rail input
- Rail-to-rail output
- Input switches on positive and negative inputs individually software selectable
- Internal voltage follower setting
- Low-impedance ground switches individually software selectable (not available on all devices)

NOTE: Multiple OA Modules

Some devices may integrate more than one OA module. If more than one OA is present on a device, the multiple OA modules operate identically.

Throughout this chapter, nomenclature appears such as OAnCTL0 to describe register names. When this occurs, the *n* indicates which OA module is being discussed. In cases where operation is identical, the register is simply referred to as OAnCTL0.

NOTE: Switches and Configurations

The connections of the amplifier to device pins or internal connections are device specific. Refer to the device-specific data sheet for specific interconnections and device pin connections. The information in this chapter applies to all operational amplifiers in the family.

Figure 33-1 shows the block diagram of the OA module.

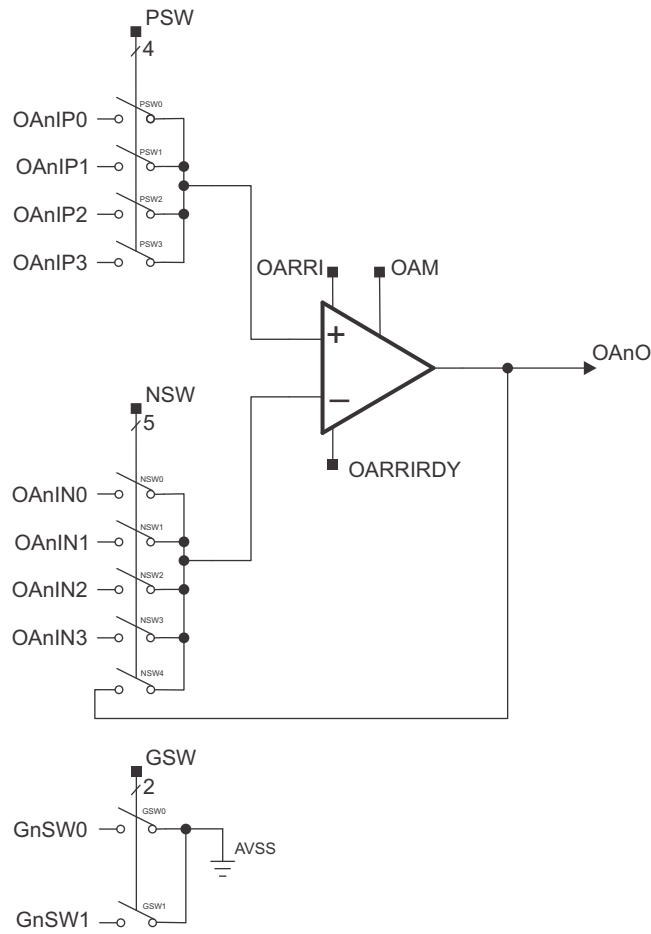


Figure 33-1. OA Block Diagram

33.2 OA Operation

The OA module is configured with user software. The setup and operation of the OA is discussed in the following sections.

33.2.1 OA Modes

The OA can be enabled and disabled using OAM as listed in [Table 33-1](#). To speed up the enable time of the OA, The REF module REFON bit in the REFCTL register can be set before enabling OA to allow the AFE bias, required by the OA, to turn on.

Table 33-1. OA Mode Select

OAM	OA Function
0	Disabled. Output high impedance. All input switches opened, regardless of PSW or NSW settings.
1	Enabled. If OA output is shared with a digital I/O port, the digital I/O port is automatically disabled regardless of the PxSEL settings of the respective port.

33.2.2 Rail-to-Rail Input Modes

Each operational amplifier supports rail-to-rail input swings. Setting OARRI = 1 enables the rail-to-rail input mode but requires additional current. Thus, to save current, rail-to-rail input mode (OARRI) should be selected only if the dynamic range required for the application requires it. Refer to the common-mode voltage range V_{CM} specified in the device-specific data sheet for OARRI = 0 and 1. Rail-to-rail operation is made possible by an integrated charge pump that increases the internal supply of the respective amplifier's input stage to allow linear operation over the complete common mode range. The charge pump is shared with all operational amplifier instantiations. Setting any OARRI = 1 of any respective OA will enable the charge pump independently of the OAM setting. The charge pump can also be enabled from the CTSD16 module if in rail-to-rail input mode, CTSD16RRI = 1. When OARRI = 1 is set, the charge pump, if not already enabled, is enabled. OARRIRDY = 1 indicates the charge pump is ready and stable, and the rail-to-rail input mode is ready for usage. Setting OARRI = 0 causes OARRIDY = 0 for the corresponding OA. The charge pump does incur additional power to operate. The charge pump requires a single external capacitor from the CPCAP terminal to ground for proper operation. See the device-specific data sheet for proper value and tolerances. Setting OARRI = 0 provides for a reduced input swing range on the respective amplifier. Setting OARRI = 0 of all OA instances and setting CTSD16RRI=0 is required to disable the charge pump. See the device-specific data sheet for input ranges supported for all OARRI settings.

NOTE: On devices that contain the CTSD16, the charge pump is also used for PGA buffers when rail-to-rail input mode is selected, CTSD16RRI = 1. Therefore, the charge pump may remain enabled although OARRI = 0 for all OA instances.

NOTE: On devices that contain the CTSD16, the charge pump uses a clock that is provided by the CTSD16CLK. If any OA is enabled and set to rail-to-rail input mode, the CTSD16CLK will automatically be enabled regardless if the CTSD16 is enabled or not. In addition, the CTSD16CLK has fault detection logic that may cause an NMI to occur. Any existing fault should be corrected for proper OA operation.

33.2.3 OA Inputs

The OA has a configurable input selection. The signals for the + and – inputs are individually selected with the OAxPSW and OAxNSW bits, respectively. Each switch is independently selectable. The connection of inputs can either be internal or external connections and are device specific. Refer to the device-specific data sheet for all operational amplifier connections. When OAM = 0, the OA is disabled and all input switches are opened regardless of the OAxPSW and OAxNSW settings.

Negative input terminal switch 4 control, NSW4, allows for an internally connected voltage follower configuration. Refer to device-specific data sheet for other internal connection options.

33.3 Ground Switches

Ground switches are an optional feature of the operational amplifier module. Refer to device-specific data sheet for availability and connections. Each ground switch can be enabled individually by software using the GSW bits. Setting GSW = 1 closes the switch and provides a low-ohmic connection to the analog ground to the GxSWx external pin and internal connections (see device-specific data sheet for internal connections available). If a ground switch output is shared with a digital I/O port, the digital I/O port is automatically disabled when GSW = 1, regardless of the PxSEL settings of the respective port.

33.4 OA and Power Modes

The OA can be used in all power modes except LPMx.5 modes. Note that although the respective LPM mode can be entered, there is additional power dissipation due to the OA being active. Therefore, entering some of the lower-power modes, such as LPM2 through LPM4, while the module is enabled has reduced low-power benefits.

33.5 OA Registers

Table 33-2 lists the OA module registers. The base address can be found in the device-specific data sheet. The address offset is listed in Table 33-2.

NOTE: All registers have word or byte register access. For a generic register *ANYREG*, the suffix "_L" (*ANYREG_L*) refers to the lower byte of the register (bits 0 through 7). The suffix "_H" (*ANYREG_H*) refers to the upper byte of the register (bits 8 through 15).

Table 33-2. OA Registers

Offset	Acronym	Register Name	Type	Access	Reset	Section
00h	OAnCTL0	OAn Control 0	Read/write	Word	0000h	Section 33.5.1
00h	OAnCTL0_L		Read/write	Byte	00h	
01h	OAnCTL0_H		Read/write	Byte	00h	
02h	OAnPSW	OAn Positive Input Terminal Switches	Read/write	Word	0000h	Section 33.5.2
02h	OAnPSW_L		Read/write	Byte	00h	
03h	OAnPSW_H		Read/write	Byte	00h	
04h	OAnNSW	OAn Negative Input Terminal Switches	Read/write	Word	0000h	Section 33.5.3
04h	OAnNSW_L		Read/write	Byte	00h	
05h	OAnNSW_H		Read/write	Byte	00h	
0Eh	OAnGSW	OAn Ground Switches	Read/write	Word	0000h	Section 33.5.4
0Eh	OAnGSW_L		Read/write	Byte	00h	
0Fh	OAnGSW_H		Read/write	Byte	00h	

33.5.1 OAnCTL0 Register

Operational Amplifier n Control 0

Figure 33-2. OAnCTL0 Register

15	14	13	12	11	10	9	8
Reserved							
r0	r0	r0	r0	r0	r0	r0	r0
7	6	5	4	3	2	1	0
Reserved	OARRIRDY	OARRI	Reserved	Reserved		OAM	
r0	r-0	rw-0	r0	r0	r0	r0	rw-0

Table 33-3. OAnCTL0 Register Description

Bit	Field	Type	Reset	Description
15-7	Reserved	R	0h	Reserved. Always reads as 0.
6	OARRIRDY	R	0h	Rail-to-rail input ready status. 0b = Rail-to-rail input not ready 1b = Rail-to-rail input ready
5	OARRI	RW	0h	Rail-to-rail input enable. 0b = Rail-to-rail input disabled 1b = Rail-to-rail input enabled
4	Reserved	R	0h	Reserved. Always read as 0.
3-1	Reserved	R	0h	Reserved. Always read as 0. These bits are reserved for future amplifier mode (OAM) settings.
0	OAM	RW	0h	Amplifier mode selection. 0b = Disabled. Output high impedance. All input switches opened, regardless of PSW and NSW settings. 1b = Enabled. If OA output is shared with a digital I/O port, the digital I/O port is automatically disabled regardless of the PxSEL settings of the respective port.

33.5.2 OAnPSW Register

Operational Amplifier n Positive Terminal Switches

Figure 33-3. OAnPSW Register

15	14	13	12	11	10	9	8
Reserved							
r0	r0	r0	r0	r0	r0	r0	r0
7	6	5	4	3	2	1	0
Reserved				PSW3	PSW2	PSW1	PSW0
r0	r0	r0	r0	rw-0	rw-0	rw-0	rw-0

Table 33-4. OAnPSW Register Description

Bit	Field	Type	Reset	Description
15-4	Reserved	R	0h	Reserved. Always reads as 0.
3	PSW3	RW	0h	Positive input terminal switch 3 control. 0b = Switch open 1b = Switch closed
2	PSW2	RW	0h	Positive input terminal switch 2 control. 0b = Switch open 1b = Switch closed
1	PSW1	RW	0h	Positive input terminal switch 1 control. 0b = Switch open 1b = Switch closed
0	PSW0	RW	0h	Positive input terminal switch 0 control. 0b = Switch open 1b = Switch closed

33.5.3 OAnNSW Register

Operational Amplifier n Negative Terminal Switches

Figure 33-4. OAnNSW Register

15	14	13	12	11	10	9	8
Reserved							
r0	r0	r0	r0	r0	r0	r0	r0
7	6	5	4	3	2	1	0
Reserved			NSW4	NSW3	NSW2	NSW1	NSW0
r0	r0	r0	rw-0	rw-0	rw-0	rw-0	rw-0

Table 33-5. OAnNSW Register Description

Bit	Field	Type	Reset	Description
15-5	Reserved	R	0h	Reserved. Always reads as 0.
4	NSW4	RW	0h	Negative input terminal switch 4 control. Voltage follower configuration. 0b = Switch open 1b = Switch closed. Amplifier output internally connected to negative input terminal.
3	NSW3	RW	0h	Negative input terminal switch 3 control. 0b = Switch open 1b = Switch closed
2	NSW2	RW	0h	Negative input terminal switch 2 control. 0b = Switch open 1b = Switch closed
1	NSW1	RW	0h	Negative input terminal switch 1 control. 0b = Switch open 1b = Switch closed
0	NSW0	RW	0h	Negative input terminal switch 0 control. 0b = Switch open 1b = Switch closed

33.5.4 OAnGSW Register

Operational Amplifier n Ground Switches

Figure 33-5. OAnGSW Register

15	14	13	12	11	10	9	8
Reserved							
r0	r0	r0	r0	r0	r0	r0	r0
7	6	5	4	3	2	1	0
Reserved						GSW1	GSW0
r0	r0	r0	r0	r0	r0	rw-0	rw-0

Table 33-6. OAnGSW Register Description

Bit	Field	Type	Reset	Description
15-2	Reserved	R	0h	Reserved. Always reads as 0.
1	GSW1	RW	0h	Ground switch. 0b = Switch open 1b = Switch closed and external GxSW1 pin and internal connections (see device-specific data sheet for internal connections available) are connected to analog ground. If ground switch output is shared with a digital I/O port, the digital I/O port is automatically disabled regardless of the PxSEL settings of the respective port.
0	GSW0	RW	0h	Ground switch. 0b = Switch open 1b = Switch closed and external GxSW0 pin and internal connections (see device-specific data sheet for internal connections available) are connected to analog ground. If ground switch output is shared with a digital I/O port, the digital I/O port is automatically disabled regardless of the PxSEL settings of the respective port.

LCD_B Controller

The LCD_B controller drives static, 2-mux, 3-mux, or 4-mux LCDs. This chapter describes the LCD_B controller.

Topic	Page
34.1 LCD_B Controller Introduction	869
34.2 LCD_B Controller Operation	871
34.3 LCD_B Registers	889

34.1 LCD_B Controller Introduction

The LCD_B controller directly drives LCD displays by creating the ac segment and common voltage signals automatically. The LCD_B controller can support static, 2-mux, 3-mux, and 4-mux LCD glasses.

The LCD_B controller features are:

- Display memory
- Automatic signal generation
- Configurable frame frequency
- Blinking of individual segments with separate blinking memory
- Regulated charge pump
- Contrast control by software
- Support for four types of LCDs
 - Static
 - 2-mux, 1/2 bias or 1/3 bias
 - 3-mux, 1/2 bias or 1/3 bias
 - 4-mux, 1/2 bias or 1/3 bias

The LCD_B controller block diagram for a configuration with a maximum of 160 segments is shown in [Figure 34-1](#).

NOTE: Maximum LCD Segment Control

The maximum number of segment lines and memory registers available differs with device. See the device-specific data sheet for available segment pins and the maximum number of segments supported.

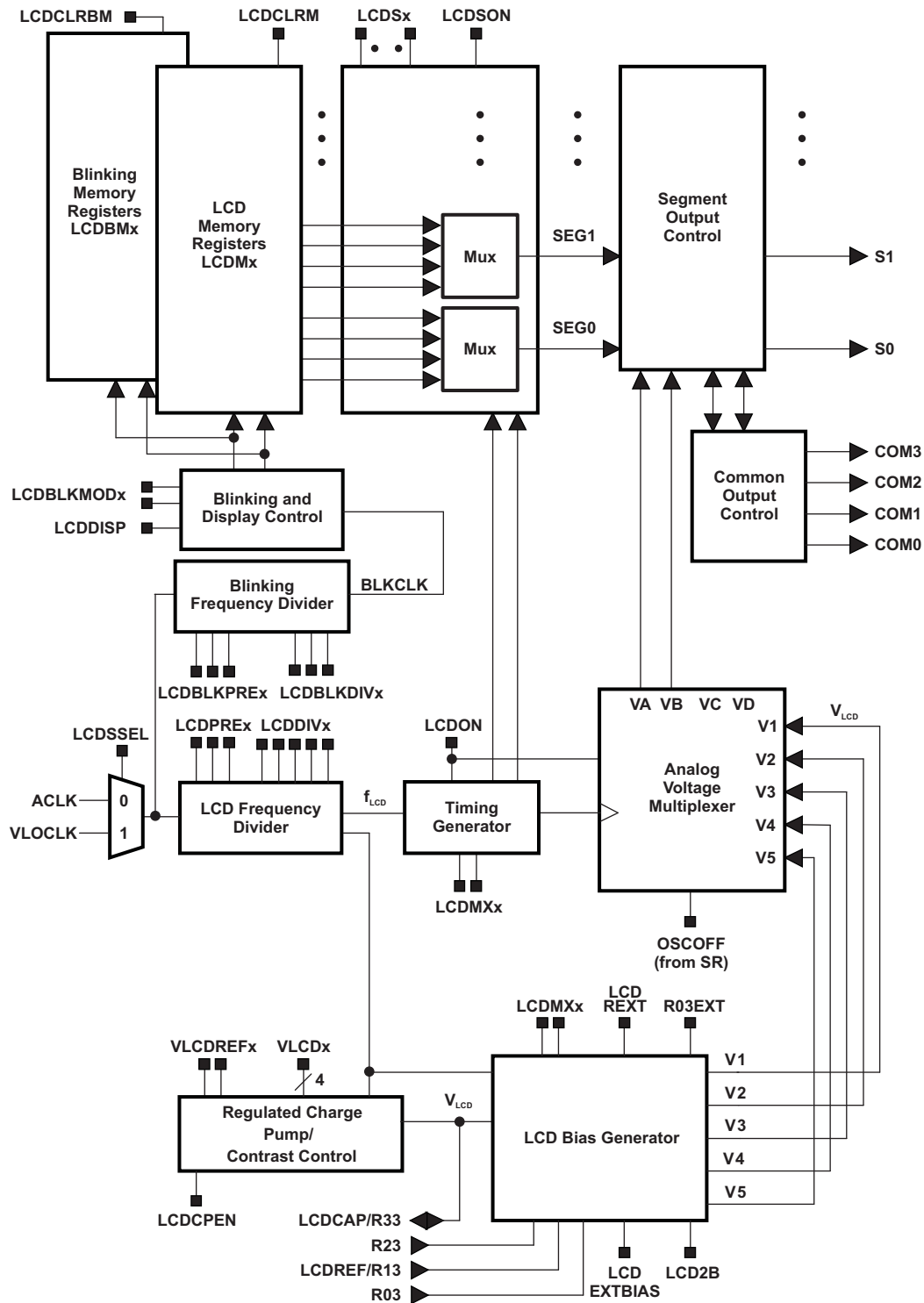


Figure 34-1. LCD_B Controller Block Diagram

34.2 LCD_B Controller Operation

The LCD_B controller is configured with user software. The setup and operation of the LCD_B controller is discussed in the following sections.

34.2.1 LCD Memory

The LCD memory map for a device with a 160-segment maximum is shown in Figure 34-2. Each memory bit corresponds to one LCD segment or is not used, depending on the mode. To turn on an LCD segment, its corresponding memory bit is set.

The memory can also be accessed word-wise using the even addresses starting at LCDM1, LCDM3, etc.

Setting the bit LCDCLRM clears all LCD memory registers at the next frame boundary. It is reset automatically after the registers are cleared.

Register	Associated Common Pins								Register	n	Associated Segment Pins
	3	2	1	0	3	2	1	0			
LCDM20	--	--	--	--	--	--	--	--	38	39, 38	
LCDM19	--	--	--	--	--	--	--	--	36	37, 36	
LCDM18	--	--	--	--	--	--	--	--	34	35, 34	
LCDM17	--	--	--	--	--	--	--	--	32	33, 32	
LCDM16	--	--	--	--	--	--	--	--	30	31, 30	
LCDM15	--	--	--	--	--	--	--	--	28	29, 28	
LCDM14	--	--	--	--	--	--	--	--	26	27, 26	
LCDM13	--	--	--	--	--	--	--	--	24	25, 24	
LCDM12	--	--	--	--	--	--	--	--	22	23, 22	
LCDM11	--	--	--	--	--	--	--	--	20	21, 20	
LCDM10	--	--	--	--	--	--	--	--	18	19, 18	
LCDM9	--	--	--	--	--	--	--	--	16	17, 16	
LCDM8	--	--	--	--	--	--	--	--	14	15, 14	
LCDM7	--	--	--	--	--	--	--	--	12	13, 12	
LCDM6	--	--	--	--	--	--	--	--	10	1, 10	
LCDM5	--	--	--	--	--	--	--	--	8	9, 8	
LCDM4	--	--	--	--	--	--	--	--	6	7, 6	
LCDM3	--	--	--	--	--	--	--	--	4	5, 4	
LCDM2	--	--	--	--	--	--	--	--	2	3, 2	
LCDM1	--	--	--	--	--	--	--	--	0	1, 0	

} Sn+1
} Sn

Figure 34-2. LCD Memory - Example for 160 Segments Maximum

34.2.2 LCD Timing Generation

The LCD_B controller uses the f_{LCD} signal from the integrated clock divider to generate the timing for common and segment lines. With the LCDSEL bit ACLK with a frequency between 30 kHz and 40 kHz or VLOCLK can be selected as clock source into the divider. The f_{LCD} frequency is selected with the LCDPREx and LCDDIVx bits. The resulting f_{LCD} frequency is calculated by:

$$f_{LCD} = \frac{f_{ACLK/VLOCLK}}{(LCDDIVx + 1) \times 2^{LCDPRE}}$$

The proper f_{LCD} frequency depends on the LCD's requirement for framing frequency and the LCD multiplex rate and is calculated by:

$$f_{LCD} = 2 \times \text{mux} \times f_{Frame}$$

For example, to calculate f_{LCD} for a 3-mux LCD, with a frame frequency of 30 Hz to 100 Hz:

f_{Frame} (from LCD data sheet) = 30 Hz to 100 Hz

$f_{LCD} = 2 \times 3 \times f_{Frame}$

$f_{LCD(min)} = 180$ Hz

$f_{LCD(max)} = 600$ Hz

With $f_{ACLK/VLOCLK} = 32768$ Hz, LCDPREx = 011, and LCDDIVx = 10101:

$f_{LCD} = 32768 \text{ Hz} / ((21+1) \times 2^3) = 32768 \text{ Hz} / 176 = 186$ Hz

With LCDPREx = 001 and LCDDIVx = 11011:

$f_{LCD} = 32768 \text{ Hz} / ((27+1) \times 2^1) = 32768 \text{ Hz} / 56 = 585$ Hz

The lowest frequency has the lowest current consumption. The highest frequency has the least flicker.

34.2.3 Blanking the LCD

The LCD controller allows to blank the complete LCD. The LCDSON bit is ANDed with each segment's memory bit. When LCDSON = 1, each segment is on or off according to its bit value. When LCDSON = 0, each LCD segment is off.

34.2.4 LCD Blinking

The LCD_B controller also supports blinking. The blinking mode LCDBLKMODx = 01 allows to blink individual segments, with LCDBLKMODx = 10 all segments are blinking, and with LCDBLKMODx = 00 blinking is disabled.

34.2.4.1 Blinking Memory

To enable individual segments for blinking the corresponding bit in the blinking memory LCDBMx registers needs to be set. The memory uses the same structure as the LCD memory shown in [Figure 34-2](#). Each memory bit corresponds to one LCD segment, or is not used, depending on the multiplexing mode LCDMxx. To enable blinking for a LCD segment, its corresponding memory bit is set.

The blinking memory can also be accessed word-wise using the even addresses starting at LCDBM1, LCDBM3, etc.

Setting the bit LCDCLRBM clears all blinking memory registers at the next frame boundary. It is automatically reset after the registers are cleared.

34.2.4.2 Blinking Frequency

The blinking frequency f_{BLINK} is selected with the LCDBLKPREx and LCDBLKDIVx bits. The same clock is used as selected for the LCD frequency f_{LCD} . The resulting f_{BLINK} frequency is calculated by:

$$f_{Blink} = \frac{f_{ACLK/VLO}}{(LCDBLKDIVx + 1) \times 2^{9+LCDBLKPREx}}$$

The divider generating the blinking frequency f_{BLINK} is reset while LCDBLKMODx = 00. After a blinking mode LCDBLKMODx = 01 or 10 is selected, the enabled segments or all segments go blank at the next frame boundary and stay off for half a BLKCLK period. Then they go active at the next frame boundary and stay on for another half BLKCLK period before they go blank again at a frame boundary.

NOTE: Blinking Frequency Restrictions

The blinking frequency must be smaller than the frame frequency, f_{Frame} .

The blinking frequency should be changed only when LCDBLKMODx = 00.

34.2.4.3 Dual Display Memory

The blinking memory can also be used as a secondary display memory when no blinking mode LCDBLKMODx = 01 or 10 is selected. The memory to be displayed can be selected either manually using the LCDDISP bit or automatically with LCDBLKMODx = 11.

With LCDDISP = 0 the LCD memory is selected, with LCDDISP = 1 the blinking memory is selected as display memory. Switching between the memories is synchronized to the frame boundaries.

With LCDBLKMODx = 11 the LCD controller switches automatically between the memories using the divider to generate the blinking frequency. After LCDBLKMODx = 11 is selected the memory to be displayed for the first half a BLKCLK period is the LCD memory. In the second half the blinking memory is used as display memory. Switching between the memories is synchronized to the frame boundaries.

34.2.5 LCD_B Voltage And Bias Generation

The LCD_B module allows selectable sources for the peak output waveform voltage, V1, as well as the fractional LCD biasing voltages V2 to V5. V_{LCD} may be sourced from V_{CC} , an internal charge pump, or externally.

All internal voltage generation is disabled if the selected clock source (ACLK or VLOCLK) is turned off (OSCOFF = 1) or the LCD_B module is disabled (LCDON = 0).

34.2.5.1 LCD Voltage Selection

V_{LCD} is sourced from V_{CC} when VLCDEXT = 0, VLCDx = 0, and VREFx = 0. V_{LCD} is sourced from the internal charge pump when VLCDEXT = 0, VLCDPEN = 1, and VLCDx > 0. The charge pump is always sourced from DV_{CC} . The VLCDx bits provide a software selectable LCD voltage from 2.6 V to 3.44 V (typical) independent of DV_{CC} . See the device-specific data sheet for specifications.

When the internal charge pump is used, a 4.7- μ F or larger capacitor must be connected between pin LCDCAP and ground. If no capacitor is connected and the charge pump is enabled, the LCDNOCAPIFG interrupt flag is set, and the charge pump is disabled to prevent damage to the device. The charge pump may be temporarily disabled by setting LCDCPEN = 0 with VLCDx > 0 to reduce system noise, or it can be automatically disabled during certain periods by setting the corresponding bits in the LCDBCPCTL register. In this case, the voltage present at the external capacitor is used for the LCD voltages until the charge pump is re-enabled.

NOTE: Capacitor Required For Internal Charge Pump

A 4.7- μ F or larger capacitor must be connected from pin LCDCAP to ground when the internal charge pump is enabled. If no capacitor is connected, the LCDNOCAPIFG interrupt flag is set and the charge pump is disabled.

The internal charge pump may use an external reference voltage when VLCDREFx = 01 (and LCDREXT = 0 and LCDEXTBIAS = 0). In this case, the charge pump voltage is set to a multiply of the external reference voltage according to the VLCDx bits setting.

When VLCDEXT = 1, V_{LCD} is sourced externally from the LCDCAP, pin and the internal charge pump is disabled.

34.2.5.2 LCD Bias Generation

The fractional LCD biasing voltages, V2 to V5 can be generated internally or externally, independent of the source for V_{LCD} . The LCD bias generation block diagram is shown in [Figure 34-3](#).

The internally generated bias voltages V2 to V4 are switched to external pins with LCDREXT = 1.

To source the bias voltages V2 to V4 externally, LCDEXTBIAS is set. This also disables the internal bias generation. Typically, an equally weighted resistor divider is used with resistors ranging from a few k Ω to 1 M Ω , depending on the size of the display. When using an external resistor divider, the V_{LCD} voltage may be sourced from the internal charge pump when VLCDEXT = 0 taking the maximum charge pump load current into account. V5 can also be sourced externally when R03EXT is set to control the contrast of the connected display by changing the voltage at the low end of the external resistor divider as shown in the left part of [Figure 34-3](#).

When using an external resistor divider R33 may serve as a switched V_{LCD} output when VLCDEXT = 0. This allows the power to the resistor ladder to be turned off, eliminating current consumption when the LCD is not used. When VLCDEXT = 1, R33 serves as a V_{LCD} input.

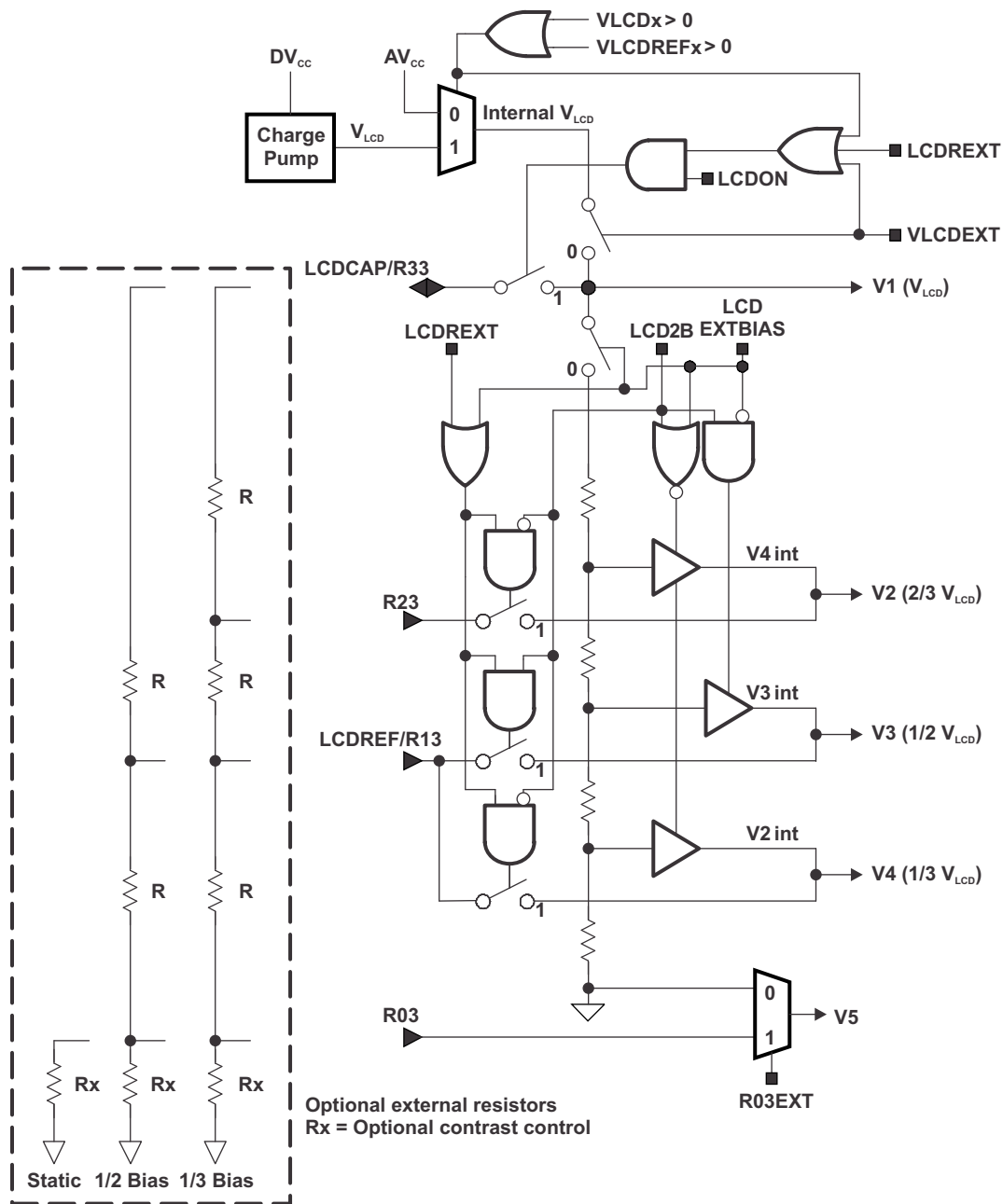


Figure 34-3. Bias Generation

The internal bias generator supports 1/2 bias LCDs when LCD2B = 1, and 1/3 bias LCDs when LCD2B = 0 in 2-mux, 3-mux, and 4-mux modes. In static mode, the internal divider is disabled.

Some devices share the LCDCAP, R33, and R23 functions. In this case, the charge pump cannot be used together with an external resistor divider with 1/3 biasing. When R03 is not available externally, V5 is always V_{SS} .

34.2.5.3 LCD Contrast Control

The peak voltage of the output waveforms together with the selected mode and biasing determine the contrast and the contrast ratio of the LCD. The LCD contrast can be controlled in software by adjusting the LCD voltage generated by the integrated charge pump using the VLCDx settings.

The contrast ratio depends on the used LCD display and the selected biasing scheme. [Table 34-1](#) shows the biasing configurations that apply to the different modes together with the RMS voltages for the segments turned on ($V_{RMS,ON}$) and turned off ($V_{RMS,OFF}$) as functions of V_{LCD} . It also shows the resulting contrast ratios between the on and off states.

Table 34-1. LCD Voltage and Biasing Characteristics

Mode	Bias Config	LCDMx	LCD2B	COM Lines	Voltage Levels	$V_{RMS,OFF}/V_{LCD}$	$V_{RMS,ON}/V_{LCD}$	Contrast Ratio $V_{RMS,ON}/V_{RMS,OFF}$
Static	Static	0	X	1	V1, V5	0	1	1/0
2-mux	1/2	1	1	2	V1, V3, V5	0.354	0.791	2.236
2-mux	1/3	1	0	2	V1, V2, V4, V5	0.333	0.745	2.236
3-mux	1/2	10	1	3	V1, V3, V5	0.408	0.707	1.732
3-mux	1/3	10	0	3	V1, V2, V4, V5	0.333	0.638	1.915
4-mux	1/2	11	1	4	V1, V3, V5	0.433	0.661	1.528
4-mux	1/3	11	0	4	V1, V2, V4, V5	0.333	0.577	1.732

A typical approach to determine the required V_{LCD} is by equating $V_{RMS,OFF}$ with a defined LCD threshold voltage, typically when the LCD exhibits approximately 10% contrast ($V_{th,10\%}$): $V_{RMS,OFF} = V_{th,10\%}$. Using the values for $V_{RMS,OFF}/V_{LCD}$ provided in the table results in $V_{LCD} = V_{th,10\%}/(V_{RMS,OFF}/V_{LCD})$. In the static mode, a suitable choice is V_{LCD} greater or equal than 3 times $V_{th,10\%}$.

In 3-mux and 4-mux mode typically a 1/3 biasing is used but a 1/2 biasing scheme is also possible. The 1/2 bias reduces the contrast ratio but the advantage is a reduction of the required full-scale LCD voltage V_{LCD} .

34.2.6 LCD Outputs

Some LCD segment, common, and Rxx functions are multiplexed with digital I/O functions. These pins can function either as digital I/O or as LCD functions.

The LCD segment functions, when multiplexed with digital I/O, are selected using the LCDSx bits in the LCDBPCTLx registers. The LCDSx bits select the LCD function for each segment line. When $LCDSx = 0$, a multiplexed pin is set to digital I/O function. When $LCDSx = 1$, a multiplexed pin is selected as LCD function.

The pin functions for COMx and Rxx, when multiplexed with digital I/O, are selected as described in the port schematic section of the device-specific datasheet. The COM1 to COM3 pins are shared with segment lines. If these pins are required as COM pins due to the selected LCD multiplexing mode the COM functionality takes precedence over the segment function that can be selected for those pins with the LCDSx bits as for all other segment pins.

See the port schematic section of the device-specific data sheet for details on controlling the pin functionality.

NOTE: LCDSx Bits Do Not Affect Dedicated LCD Segment Pins

The LCDSx bits only affect pins with multiplexed LCD segment functions and digital I/O functions. Dedicated LCD segment pins are not affected by the LCDSx bits.

34.2.7 LCD_B Interrupts

The LCD_B module has four interrupt sources available, each with independent enables and flags.

The four interrupt flags, namely LCDFRMIFG, LCDBLKOFFIFG, LCDBLKONIFG, and LCDNOCAPIFG, are prioritized and combined to source a single interrupt vector. The interrupt vector register LCDBIV is used to determine which flag requested an interrupt.

The highest priority enabled interrupt generates a number in the LCDBIV register (see register description). This number can be evaluated or added to the program counter to automatically enter the appropriate software routine. Disabled LCD_B interrupts do not affect the LCDBIV value.

Any read access of the LCDBIV register automatically resets the highest pending interrupt flag. If another interrupt flag is set, another interrupt is immediately generated after servicing the initial interrupt. A write access to the LCDBIV register automatically resets all pending interrupt flags. In addition, all flags can be cleared via software.

The LCDNOCAPIFG indicates that no capacitor is present at the LCDCAP pin when the charge pump is enabled. Setting the LCDNOCAPIE bit enables the interrupt.

The LCDBLKONIFG is set at the BLKCLK edge synchronized to the frame boundaries that turns on the segments when blinking is enabled with LCDBLKMODx = 01 or 10. It is also set at the BLKCLK edge synchronized to the frame boundaries that selects the blinking memory as display memory when LCDBLKMODx = 11. It is automatically cleared when a LCD or blinking memory register is written. Setting the LCDBLKONIE bit enables the interrupt.

The LCDBLKOFFIFG is set at the BLKCLK edge synchronized to the frame boundaries that blanks the segments when blinking is enabled with LCDBLKMODx = 01 or 10. It is also set at the BLKCLK edge synchronized to the frame boundaries that selects the LCD memory as display memory when LCDBLKMODx = 11. It is automatically cleared when a LCD or blinking memory register is written. Setting the LCDBLKOFFIE bit enables the interrupt.

The LCDFRMIFG is set at a frame boundary. It is automatically cleared when a LCD or blinking memory register is written. Setting the LCDFRMIFGIE bit enables the interrupt.

34.2.7.1 LCDBIV Software Example

The following software example shows the recommended use of LCDBIV and the handling overhead. The LCDBIV value is added to the PC to automatically jump to the appropriate routine.

The numbers at the right margin show the necessary CPU cycles for each instruction. The software overhead for different interrupt sources includes interrupt latency and return-from-interrupt cycles but not the task handling itself.

```

; Interrupt handler for LCD_B interrupt flags.
LCDB_HND          ; Interrupt latency          6
  ADD &LCDBIV,PC  ; Add offset to Jump table   3
  RETI           ; Vector 0: No interrupt      5
  JMP LCDNOCAP_HND ; Vector 2: LCDNOCAPIFG     2
  JMP LCDBLKON_HND ; Vector 4: LCDBLKONIFG     2
  JMP LCDBLKOFF_HND ; Vector 6: LCDBLKOFFIFG  2
LCDFRM_HND        ; Vector 8: LCDFRMIFG
  ...           ; Task starts here
  RETI           ;                               5
LCDNOCAP_HND ; Vector 2: LCDNOCAPIFG
  ...           ; Task starts here
  RETI           ;                               5
LCDBLKON_HND ; Vector 4: LCDBLKONIFG
  ...           ; Task starts here
  RETI ; Back to main program                    5
LCDBLKOFF_HND ; Vector 6: LCDBLKOFFIFG
  ...           ; Task starts here
  RETI ; Back to main program                    5

```

34.2.8 Static Mode

In static mode, each MSP430 segment pin drives one LCD segment and one common line, COM0, is used. Figure 34-4 shows some example static waveforms.

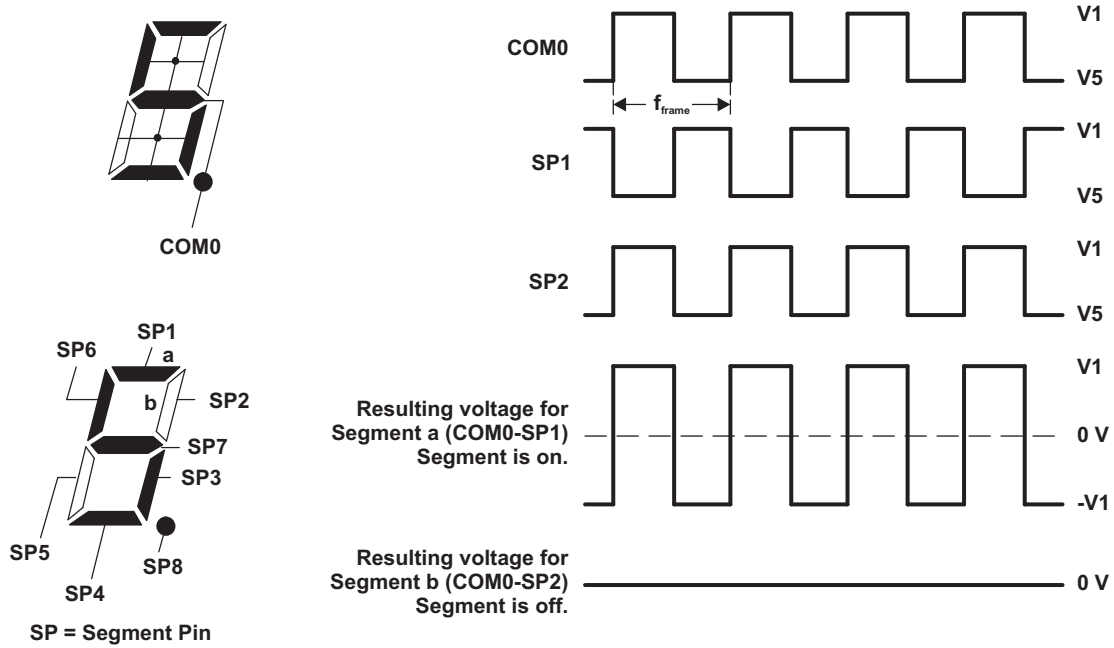


Figure 34-4. Example Static Waveforms

Figure 34-5 shows an example static LCD, pinout, LCD-to-MSP430 connections, and the resulting segment mapping. This is only an example. Segment mapping in a user's application depends on the LCD pinout and on the MSP430-to-LCD connections.

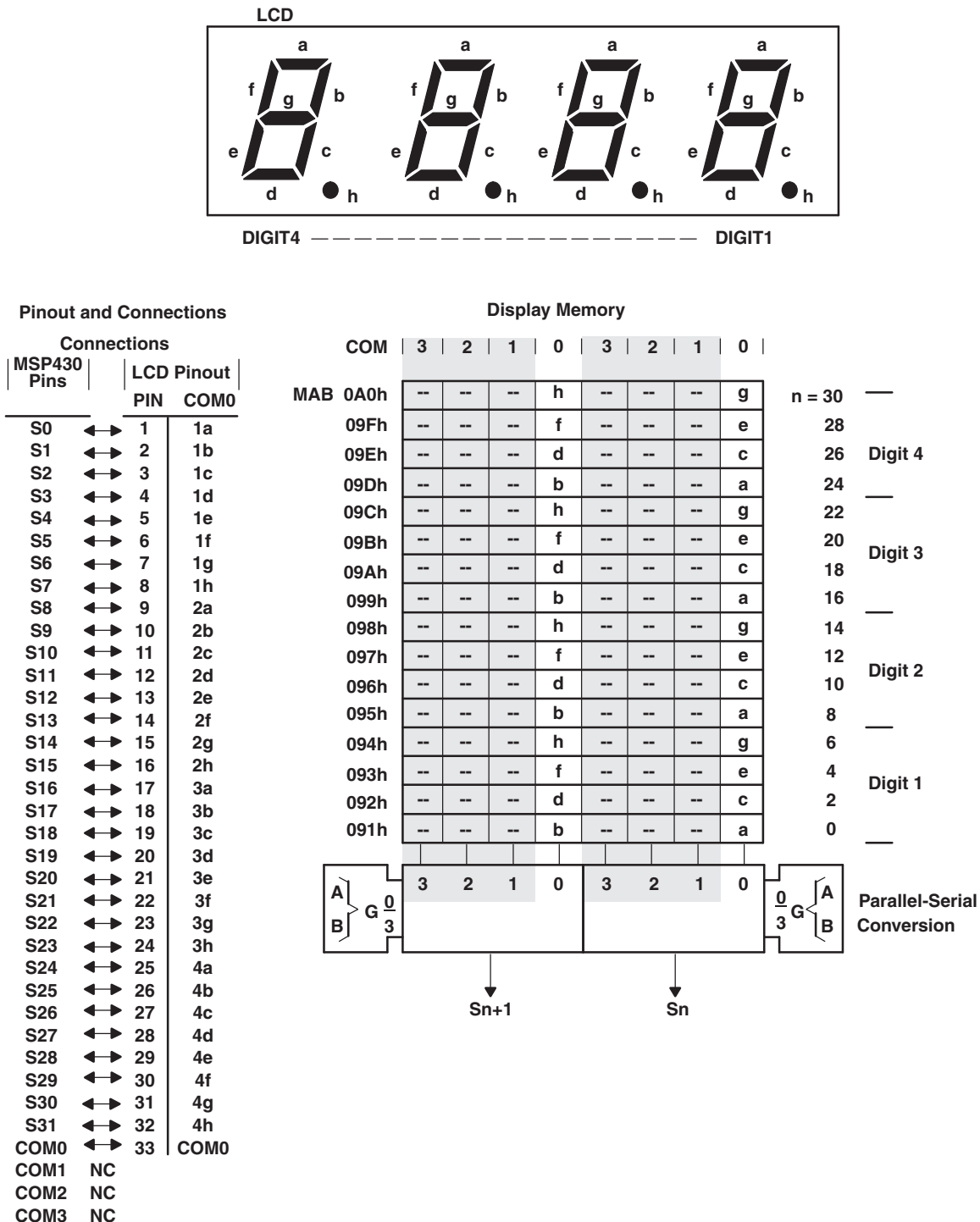


Figure 34-5. Static LCD Example (MAB addresses need to be replaced with LCDMx)

34.2.8.1 Static Mode Software Example

```

; All eight segments of a digit are often located in four
; display memory bytes with the static display method.
;
a EQU 001h
b EQU 010h
c EQU 002h
d EQU 020h
e EQU 004h
f EQU 040h
g EQU 008h
h EQU 080h
; The register content of Rx should be displayed.
; The Table represents the 'on'-segments according to the
; content of Rx.
    MOV.B Table (Rx),RY ; Load segment information
                        ; into temporary memory.
                        ; (Ry) = 0000 0000 hfdb geca
    MOV.B Ry,&LCDn ; Note:
                        ; All bits of an LCD memory
                        ; byte are written
    RRA Ry ; (Ry) = 0000 0000 0hfd bgec
    MOV.B Ry,&LCDn+1 ; Note:
                        ; All bits of an LCD memory
                        ; byte are written
    RRA Ry ; (Ry) = 0000 0000 00hf dbge
    MOV.B Ry,&LCDn+2 ; Note:
                        ; All bits of an LCD memory
                        ; byte are written
    RRA Ry ; (Ry) = 0000 0000 000h fdbg
    MOV.B Ry,&LCDn+3 ; Note:
                        ; All bits of an LCD memory
                        ; byte are written
    ..... ; Table
    DB a+b+c+d+e+f ; displays "0"
    DB b+c; ; displays "1"
    .....
    DB .....

```

34.2.9 2-Mux Mode

In 2-mux mode, each MSP430 segment pin drives two LCD segments and two common lines, COM0 and COM1, are used. Figure 34-6 shows some example 2-mux, 1/2 bias waveforms.

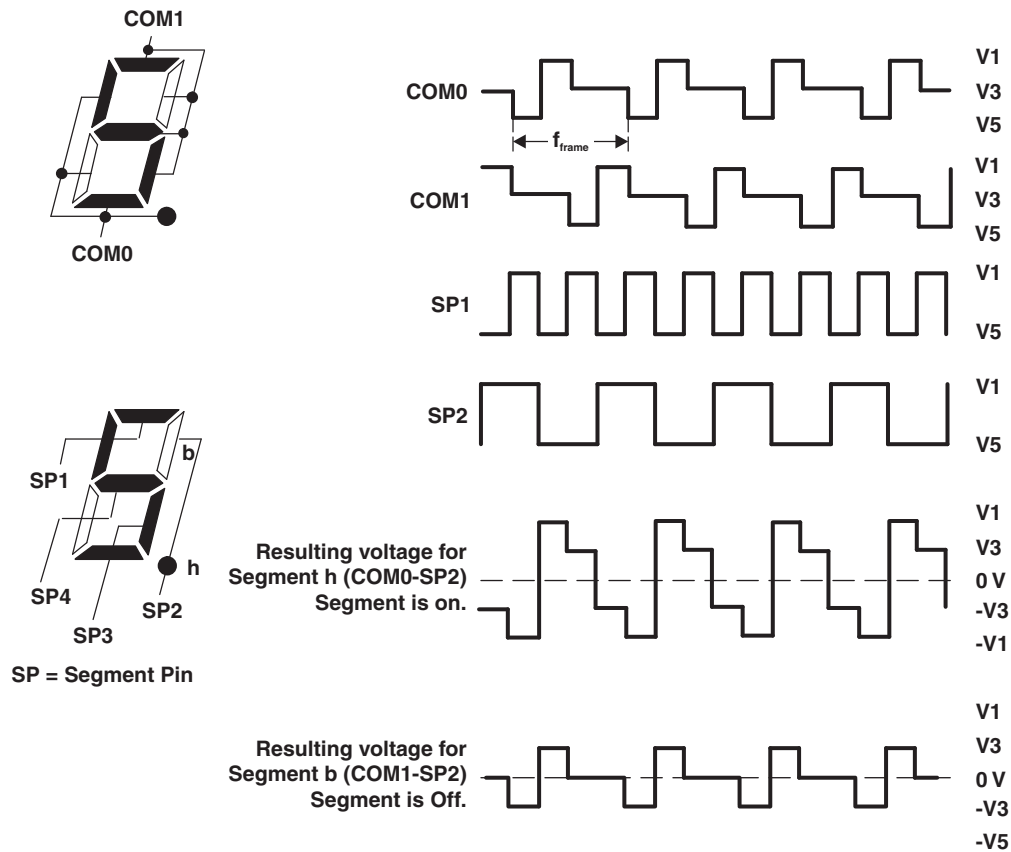


Figure 34-6. Example 2-Mux Waveforms

Figure 34-7 shows an example 2-mux LCD, pinout, LCD-to-MSP430 connections, and the resulting segment mapping. This is only an example. Segment mapping in a user's application completely depends on the LCD pinout and on the MSP430-to-LCD connections.

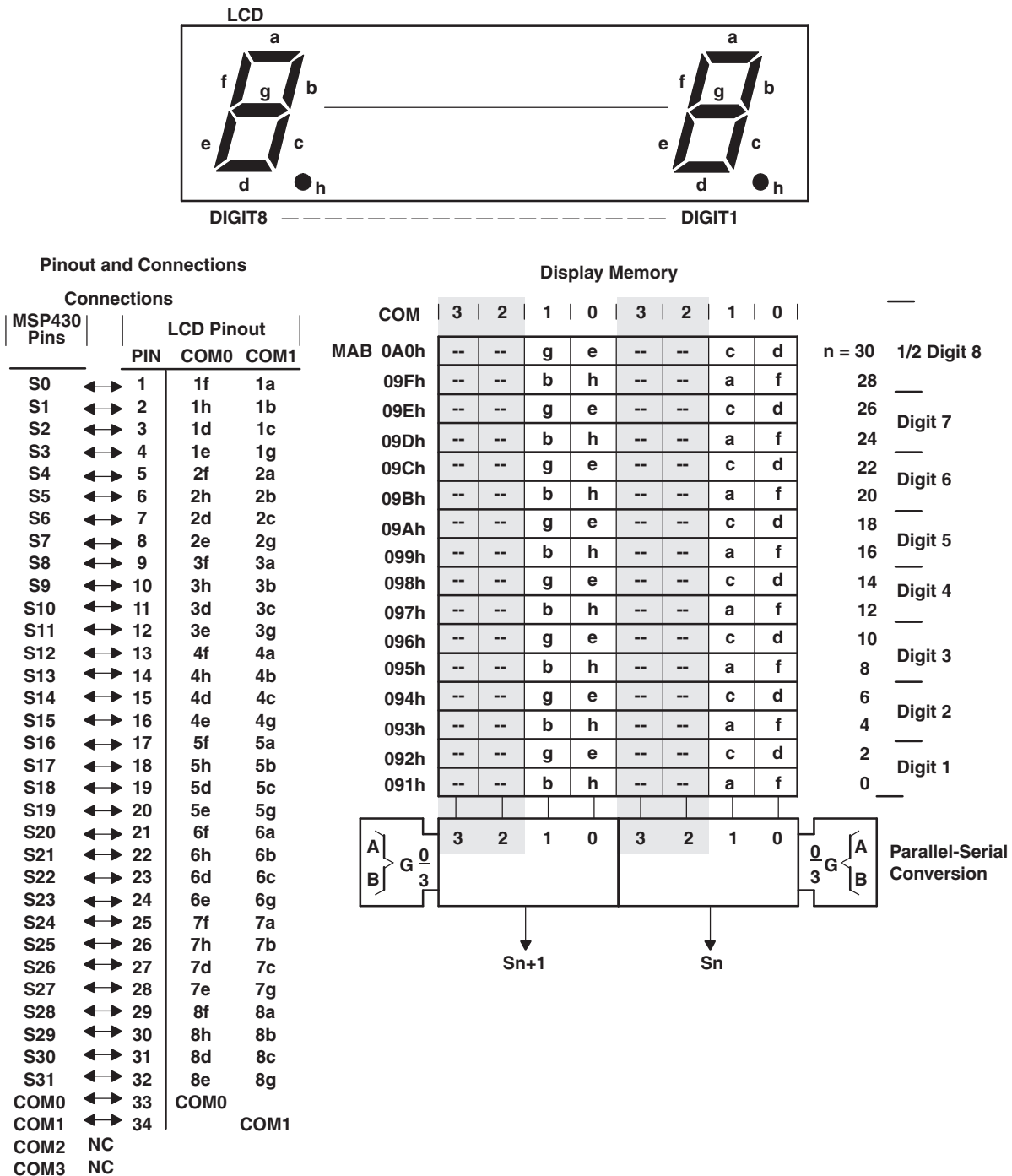


Figure 34-7. 2-Mux LCD Example (MAB addresses need to be replaced with LCDMx)

34.2.9.1 2-Mux Mode Software Example

```

; All eight segments of a digit are often located in two
; display memory bytes with the 2-mux display rate ;
a EQU 002h
b EQU 020h
c EQU 008h
d EQU 004h
e EQU 040h
f EQU 001h
g EQU 080h
h EQU 010h
; The register content of Rx should be displayed.
; The Table represents the 'on'-segments according to the
; content of Rx. ;
.....
MOV.B Table(Rx),Ry ; Load segment information into
                    ; temporary memory.
MOV.B Ry,&LCDn ; (Ry) = 0000 0000 gebh cdaf
                    ; Note:
                    ; All bits of an LCD memory byte
                    ; are written
RRA Ry ; (Ry) = 0000 0000 0geb hcda
RRA Ry ; (Ry) = 0000 0000 00ge bhcd
MOV.B Ry,&LCDn+1 ; Note:
                 ; All bits of an LCD memory byte
                 ; are written
.....
Table
DB a+b+c+d+e+f ; displays "0"
.....
DB a+b+c+d+e+f+g ; displays "8"
.....
DB ..... ;

```

34.2.10 3-Mux Mode

In 3-mux mode, each MSP430 segment pin drives three LCD segments and three common lines (COM0, COM1, and COM2) are used. Figure 34-8 shows some example 3-mux, 1/3 bias waveforms.

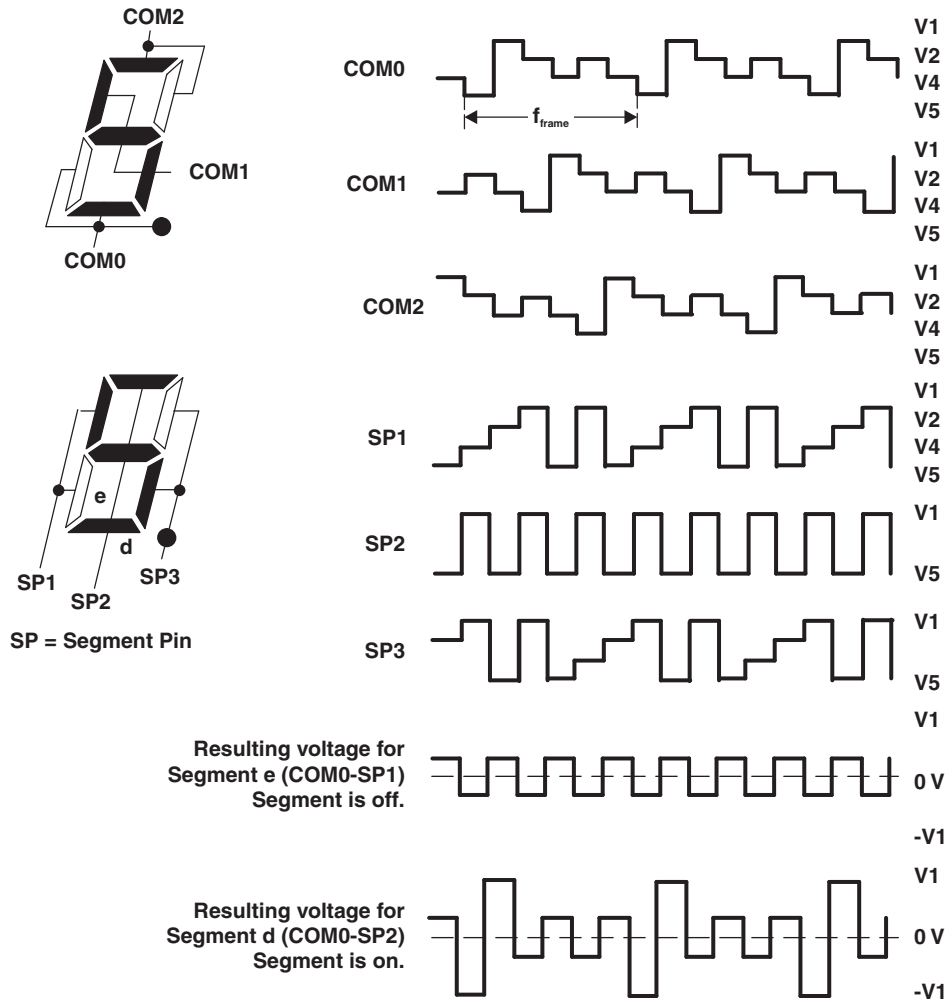


Figure 34-8. Example 3-Mux Waveforms

Figure 34-9 shows an example 3-mux LCD, pinout, LCD-to-MSP430 connections, and the resulting segment mapping. This is only an example. Segment mapping in a user's application depends on the LCD pinout and on the MSP430-to-LCD connections.

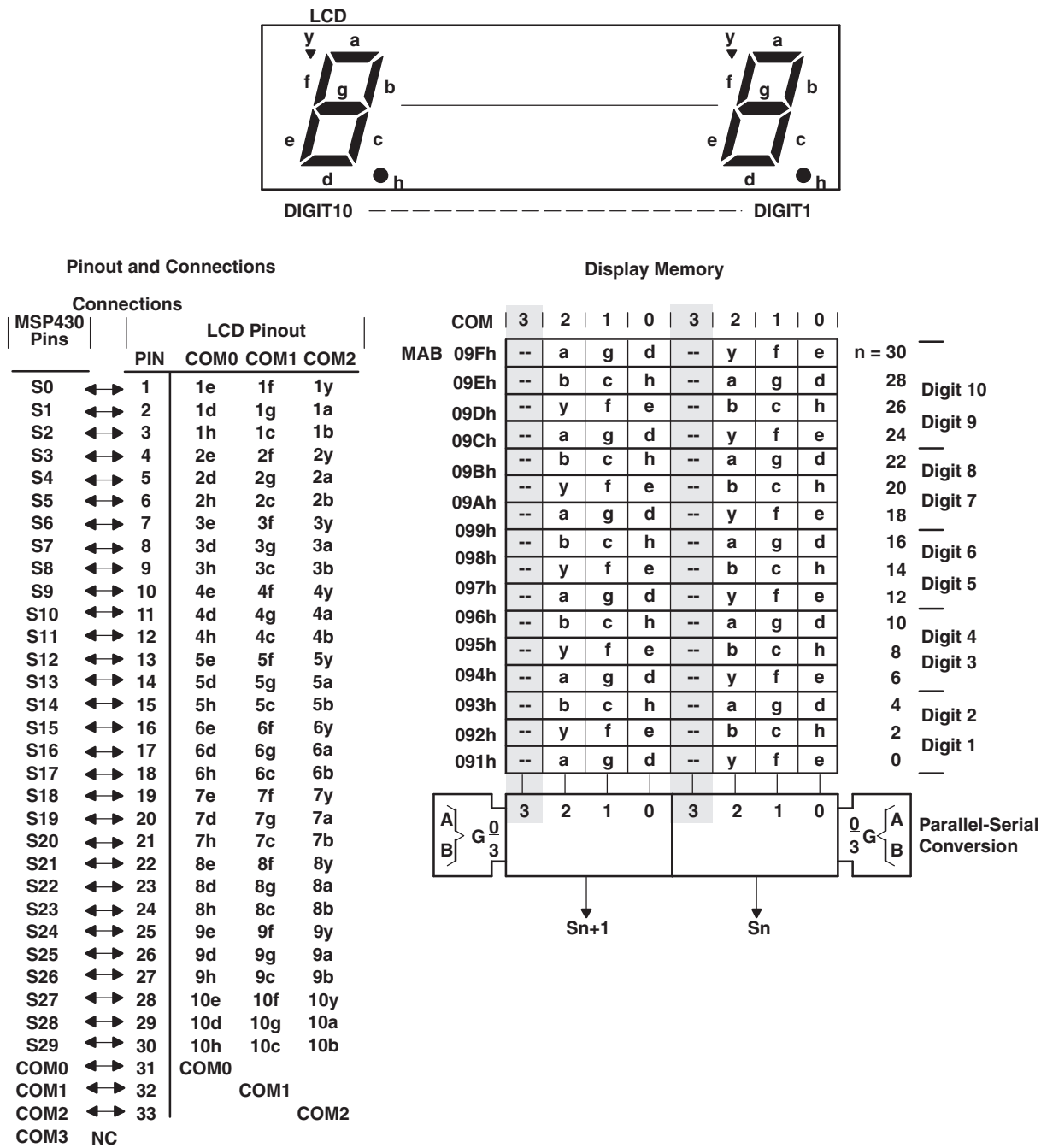


Figure 34-9. 3-Mux LCD Example (MAB addresses need to be replaced with LCDMx)

34.2.10.1 3-Mux Mode Software Example

```

; The 3-mux rate can support nine segments for each
; digit. The nine segments of a digit are located in
; 1 1/2 display memory bytes.
;
a EQU 0040h
b EQU 0400h
c EQU 0200h
d EQU 0010h
e EQU 0001h
f EQU 0002h
g EQU 0020h
h EQU 0100h
Y EQU 0004h
; The LSDigit of register Rx should be displayed.
; The Table represents the 'on'-segments according to the
; LSDigit of register of Rx.
; The register Ry is used for temporary memory
;
ODDDIG
  RLA Rx ; LCD in 3-mux has 9 segments per
        ; digit
        ; word table required for
        ; displayed characters.
  MOV Table(Rx),Ry ; Load segment information to
                  ; temporary mem.
                  ; (Ry) = 0000 0bch 0agd 0yfe
  MOV.B Ry,&LCDn ; write 'a, g, d, y, f, e' of
                ; Digit n (LowByte)
  SWPB Ry ; (Ry) = 0agd 0yfe 0000 0bch
  BIC.B #07h,&LCDn+1 ; write 'b, c, h' of Digit n
                  ; (HighByte)

  BIS.B Ry,&LCDn+1
  .....
EVNDIG
  RLA Rx ; LCD in 3-mux has 9 segments per
        ; digit
        ; word table required for
        ; displayed characters.
  MOV Table(Rx),Ry ; Load segment information to
                  ; temporary mem.
                  ; (Ry) = 0000 0bch 0agd 0yfe
  RLA Ry ; (Ry) = 0000 bch0 agd0 yfe0
  RLA Ry ; (Ry) = 000b ch0a gd0y fe00
  RLA Ry ; (Ry) = 00bc h0ag d0yf e000
  RLA Ry ; (Ry) = 0bch 0agd 0yfe 0000
  BIC.B #070h,&LCDn+1
  BIS.B Ry,&LCDn+1 ; write 'y, f, e' of Digit n+1
                  ; (LowByte)
  SWPB Ry ; (Ry) = 0yfe 0000 0bch 0agd
  MOV.B Ry,&LCDn+2 ; write 'b, c, h, a, g, d' of
                  ; Digit n+1 (HighByte)

  .....
Table
  DW a+b+c+d+e+f ; displays "0"
  DW b+c         ; displays "1"
  .....
  DW a+e+f+g    ; displays "F"

```

34.2.11 4-Mux Mode

In 4-mux mode, each MSP430 segment pin drives four LCD segments and all four common lines (COM0, COM1, COM2, and COM3) are used. Figure 34-10 shows some example 4-mux, 1/3 bias waveforms.

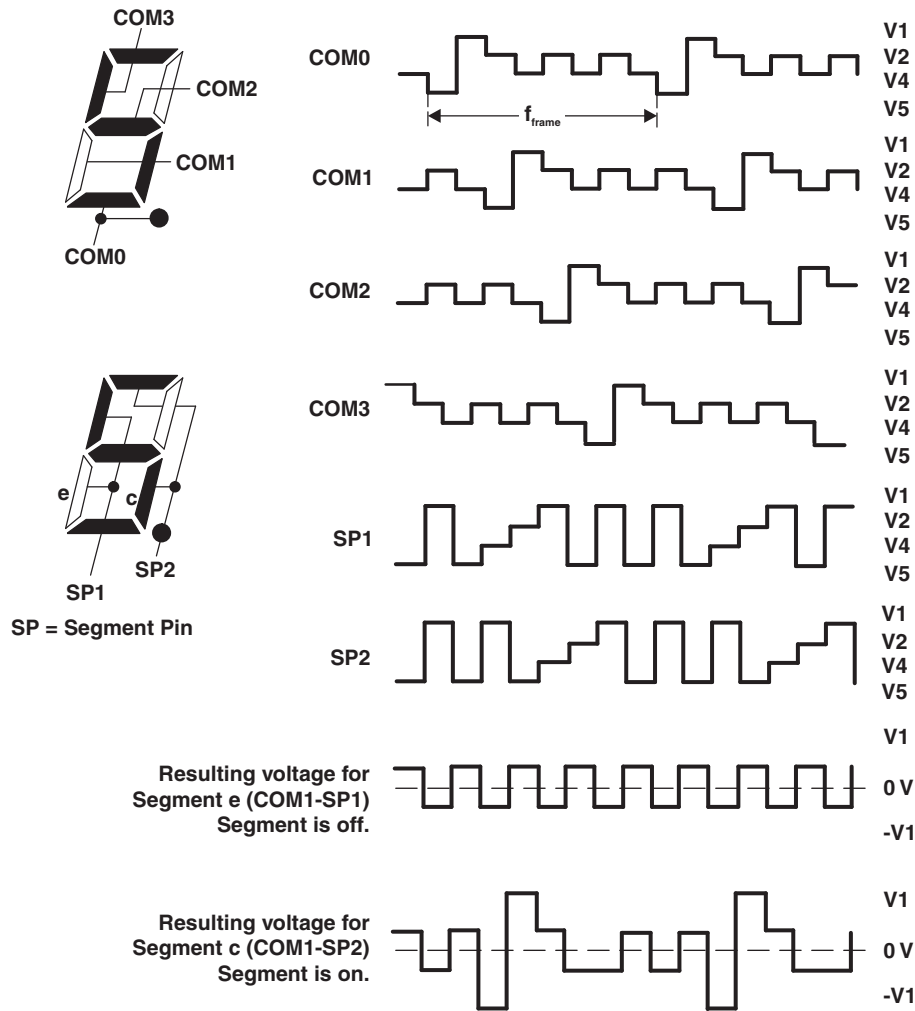


Figure 34-10. Example 4-Mux Waveforms

Figure 34-11 shows an example 4-mux LCD, pinout, LCD-to-MSP430 connections, and the resulting segment mapping. This is only an example. Segment mapping in a user's application depends on the LCD pinout and on the MSP430-to-LCD connections.

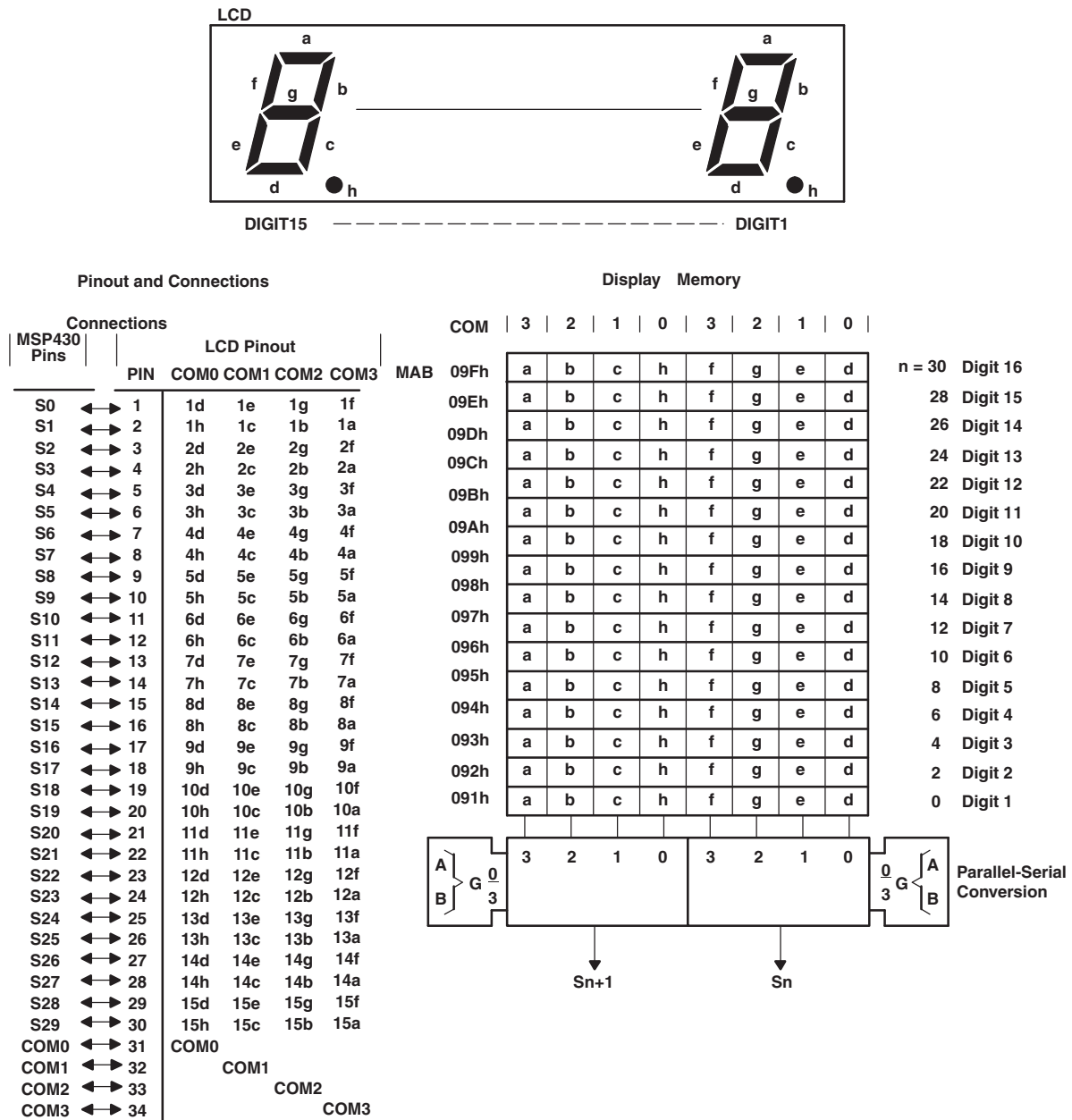


Figure 34-11. 4-Mux LCD Example (MAB addresses need to be replaced with LCDMx)

34.2.11.1 4-Mux Mode Software Example

```

; The 4-mux rate supports eight segments for each digit.
; All eight segments of a digit can often be located in
; one display memory byte
a EQU 080h
b EQU 040h
c EQU 020h
d EQU 001h
e EQU 002h
f EQU 008h
g EQU 004h
h EQU 010h
;
; The LSDigit of register Rx should be displayed.
; The Table represents the 'on'-segments according to the
; content of Rx.
;
    MOV.B Table(Rx),&LCDn ; n = 1 ..... 15
                                ; all eight segments are
                                ; written to the display
                                ; memory
.....
Table
    DB a+b+c+d+e+f ; displays "0"
    DB b+c          ; displays "1"
.....
    DB b+c+d+e+g   ; displays "d"
    DB a+d+e+f+g   ; displays "E"
    DB a+e+f+g     ; displays "F"

```


34.3 LCD_B Registers

The LCD_B registers are listed in [Table 34-2](#) to [Table 34-4](#). The LCD memory and blinking memory registers can also be accessed as word.

Table 34-2. LCD_B Registers

Offset	Acronym	Register Name	Type	Reset	Section
000h	LCDBCTL0	LCD_B control register 0	Read/write	0000h	Section 34.3.1
002h	LCDBCTL1	LCD_B control register 1	Read/write	0000h	Section 34.3.2
004h	LCDBBLKCTL	LCD_B blinking control register	Read/write	0000h	Section 34.3.3
006h	LCDBMEMCTL	LCD_B memory control register	Read/write	0000h	Section 34.3.4
008h	LCDBVCTL	LCD_B voltage control register	Read/write	0000h	Section 34.3.5
00Ah	LCDBPCTL0	LCD_B port control 0	Read/write	0000h	Section 34.3.6
00Ch	LCDBPCTL1	LCD_B port control 1	Read/write	0000h	Section 34.3.7
00Eh	LCDBPCTL2	LCD_B port control 2 (≥128 segments)	Read/write	0000h	Section 34.3.8
010h	LCDBPCTL3	LCD_B port control 3 (192 segments)	Read/write	0000h	Section 34.3.9
012h	LCDBCPCCTL	LCD_B charge pump control	Read/write	0000h	Section 34.3.10
014h		Reserved			
016h		Reserved			
018h		Reserved			
01Ah		Reserved			
01Ch		Reserved			
01Eh	LCDBIV	LCD_B interrupt vector	Read/write	0000h	Section 34.3.11

Table 34-3. LCD_B Memory Registers⁽¹⁾

Offset	Acronym	Register Name	Type	Reset
020h	LCDM1	LCD memory 1 (S1/S0)	Read/write	Unchanged
021h	LCDM2	LCD memory 2 (S3/S2)	Read/write	Unchanged
022h	LCDM3	LCD memory 3 (S5/S4)	Read/write	Unchanged
023h	LCDM4	LCD memory 4 (S7/S6)	Read/write	Unchanged
024h	LCDM5	LCD memory 5 (S9/S8)	Read/write	Unchanged
025h	LCDM6	LCD memory 6 (S11/S10)	Read/write	Unchanged
026h	LCDM7	LCD memory 7 (S13/S12)	Read/write	Unchanged
027h	LCDM8	LCD memory 8 (S15/S14)	Read/write	Unchanged
028h	LCDM9	LCD memory 9 (S17/S16)	Read/write	Unchanged
029h	LCDM10	LCD memory 10 (S19/S18)	Read/write	Unchanged
02Ah	LCDM11	LCD memory 11 (S21/S20)	Read/write	Unchanged
02Bh	LCDM12	LCD memory 12 (S23/S22)	Read/write	Unchanged
02Ch	LCDM13	LCD memory 13 (S25/S24)	Read/write	Unchanged
02Dh	LCDM14	LCD memory 14 (S27/S26)	Read/write	Unchanged
02Eh	LCDM15	LCD memory 15 (S29/S28, ≥ 128 segments)	Read/write	Unchanged
02Fh	LCDM16	LCD memory 16 (S31/S30, ≥ 128 segments)	Read/write	Unchanged
030h	LCDM17	LCD memory 17 (S33/S32, ≥ 128 segments)	Read/write	Unchanged
031h	LCDM18	LCD memory 18 (S35/S34, ≥ 128 segments)	Read/write	Unchanged
032h	LCDM19	LCD memory 19 (S37/S36, ≥ 160 segments)	Read/write	Unchanged
033h	LCDM20	LCD memory 20 (S39/S38, ≥ 160 segments)	Read/write	Unchanged
034h	LCDM21	LCD memory 21 (S41/S40, ≥ 160 segments)	Read/write	Unchanged
035h	LCDM22	LCD memory 22 (S43/S42, ≥ 160 segments)	Read/write	Unchanged
036h	LCDM23	LCD memory 23 (S45/S44, 192 segments)	Read/write	Unchanged
037h	LCDM24	LCD memory 24 (S47/S46, 192 segments)	Read/write	Unchanged
038h	LCDM25	LCD memory 25 (S49/S48, 192 segments)	Read/write	Unchanged
039h	LCDM26	LCD memory 26 (S50, 192 segments)	Read/write	Unchanged
03Ah		Reserved	Read/write	Unchanged
03Bh		Reserved	Read/write	Unchanged
03Ch		Reserved	Read/write	Unchanged
03Dh		Reserved	Read/write	Unchanged
03Eh		Reserved	Read/write	Unchanged
03Fh		Reserved	Read/write	Unchanged

⁽¹⁾ The LCD memory registers can also be accessed as word.

Table 34-4. LCD_B Blinking Memory Registers⁽¹⁾

Offset	Acronym	Register Name	Type	Reset
040h	LCDBM1	LCD blinking memory 1	Read/write	Unchanged
041h	LCDBM2	LCD blinking memory 2	Read/write	Unchanged
042h	LCDBM3	LCD blinking memory 3	Read/write	Unchanged
043h	LCDBM4	LCD blinking memory 4	Read/write	Unchanged
044h	LCDBM5	LCD blinking memory 5	Read/write	Unchanged
045h	LCDBM6	LCD blinking memory 6	Read/write	Unchanged
046h	LCDBM7	LCD blinking memory 7	Read/write	Unchanged
047h	LCDBM8	LCD blinking memory 8	Read/write	Unchanged
048h	LCDBM9	LCD blinking memory 9	Read/write	Unchanged
049h	LCDBM10	LCD blinking memory 10	Read/write	Unchanged
04Ah	LCDBM11	LCD blinking memory 11	Read/write	Unchanged
04Bh	LCDBM12	LCD blinking memory 12	Read/write	Unchanged
04Ch	LCDBM13	LCD blinking memory 13	Read/write	Unchanged
04Dh	LCDBM14	LCD blinking memory 14	Read/write	Unchanged
04Eh	LCDBM15	LCD blinking memory 15 (≥ 128 segments)	Read/write	Unchanged
04Fh	LCDBM16	LCD blinking memory 16 (≥ 128 segments)	Read/write	Unchanged
050h	LCDBM17	LCD blinking memory 17 (≥ 128 segments)	Read/write	Unchanged
051h	LCDBM18	LCD blinking memory 18 (≥ 128 segments)	Read/write	Unchanged
052h	LCDBM19	LCD blinking memory 19 (≥ 160 segments)	Read/write	Unchanged
053h	LCDBM20	LCD blinking memory 20 (≥ 160 segments)	Read/write	Unchanged
054h	LCDBM21	LCD blinking memory 21 (≥ 160 segments)	Read/write	Unchanged
055h	LCDBM22	LCD blinking memory 22 (≥ 160 segments)	Read/write	Unchanged
056h	LCDBM23	LCD blinking memory 23 (190 segments)	Read/write	Unchanged
057h	LCDBM24	LCD blinking memory 24 (190 segments)	Read/write	Unchanged
058h	LCDBM25	LCD blinking memory 25 (190 segments)	Read/write	Unchanged
059h	LCDBM26	LCD blinking memory 26 (190 segments)	Read/write	Unchanged
05Ah		Reserved	Read/write	Unchanged
05Bh		Reserved	Read/write	Unchanged
05Ch		Reserved	Read/write	Unchanged
05Dh		Reserved	Read/write	Unchanged
05Eh		Reserved	Read/write	Unchanged
05Fh		Reserved	Read/write	Unchanged

⁽¹⁾ The LCD blinking memory registers can also be accessed as word.

34.3.1 LCDBCTL0 Register

LCD_B Control Register 0

Figure 34-12. LCDBCTL0 Register

15	14	13	12	11	10	9	8
LCDDIVx					LCDPREx		
rw-0	rw-0	rw-0	rw-0	rw-0	rw-0	rw-0	rw-0
7	6	5	4	3	2	1	0
LCDSSSEL	Reserved		LCDMXx		LCDSON	Reserved	LCDON
rw-0	r0	r0	rw-0	rw-0	rw-0	r0	rw-0

Table 34-5. LCDBCTL0 Register Description

Bit	Field	Type	Reset	Description
15-11	LCDDIVx	RW	0h	LCD frequency divider. Together with LCDPREx the LCD frequency f_{LCD} is calculated as $f_{LCD} = f_{ACLK/VLO} / [(LCDDIVx + 1) \times 2^{LCDPREx}]$. Settings for this bit should be changed only while LCDON = 0. 00000b = Divide by 1 00001b = Divide by 2 ⋮ 11110b = Divide by 31 11111b = Divide by 32
10-8	LCDPREx	RW	0h	LCD frequency pre-scaler. Together with LCDDIVx the LCD frequency f_{LCD} is calculated as $f_{LCD} = f_{ACLK/VLO} / [(LCDDIVx + 1) \times 2^{LCDPREx}]$. Settings for this bit should be changed only while LCDON = 0. 000b = Divide by 1 001b = Divide by 2 010b = Divide by 4 011b = Divide by 8 100b = Divide by 16 101b = Divide by 32 110b = Reserved - Defaults to divide by 32 111b = Reserved - Defaults to divide by 32
7	LCDSSSEL	RW	0h	Clock source select for LCD and blinking frequency Settings for this bit should be changed only while LCDON = 0. 0b = ACLK (30 kHz to 40 kHz) 1b = VLOCLK
6-5	Reserved	R	0h	Reserved. Always reads as 0.
4-3	LCDMXx	RW	0h	LCD mux rate. These bits select the LCD mode. Settings for this bit should be changed only while LCDON = 0. 00b = Static 01b = 2-mux 10b = 3-mux 11b = 4-mux
2	LCDSON	RW	0h	LCD segments on. This bit supports flashing LCD applications by turning off all segment lines, while leaving the LCD timing generator and R33 enabled. 0b = All LCD segments are off. 1b = All LCD segments are enabled and on or off according to their corresponding memory location.
1	Reserved	R	0h	Reserved. Always reads as 0.
0	LCDON	RW	0h	LCD on. This bit turns the LCD_B module on or off. 0b = LCD_B module off 1b = LCD_B module on

34.3.2 LCDBCTL1 Register

LCD_B Control Register 1

Figure 34-13. LCDBCTL1 Register

15	14	13	12	11	10	9	8
Reserved				LCDNOCAPIE	LCDBLKONIE	LCDBLKOFFIE	LCDFRMIE
r0	r0	r0	r0	rw-0	rw-0	rw-0	rw-0
7	6	5	4	3	2	1	0
Reserved				LCDNOCAPIFG	LCDBLKONIFG	LCDBLKOFFIFG	LCDFRMIFG
r0	r0	r0	r0	rw-0	rw-0	rw-0	rw-0

Table 34-6. LCDBCTL1 Register Description

Bit	Field	Type	Reset	Description
15-12	Reserved	R	0h	Reserved. Always reads as 0.
11	LCDNOCAPIE	RW	0h	No capacitance connected interrupt enable 0b = Interrupt disabled 1b = Interrupt enabled
10	LCDBLKONIE	RW	0h	LCD blinking interrupt enable, segments switched on 0b = Interrupt disabled 1b = Interrupt enabled
9	LCDBLKOFFIE	RW	0h	LCD blinking interrupt enable, segments switched off 0b = Interrupt disabled 1b = Interrupt enabled
8	LCDFRMIE	RW	0h	LCD frame interrupt enable 0b = Interrupt disabled 1b = Interrupt enabled
7-4	Reserved	R	0h	Reserved. Always reads as 0.
3	LCDNOCAPIFG	RW	0h	No capacitance connected interrupt flag. Set when charge pump is enabled but no capacitance is connected to LCDCAP pin. 0b = No interrupt pending 1b = Interrupt pending
2	LCDBLKONIFG	RW	0h	LCD blinking interrupt flag, segments switched on. Automatically cleared when data is written into a memory register. 0b = No interrupt pending 1b = Interrupt pending
1	LCDBLKOFFIFG	RW	0h	LCD blinking interrupt flag, segments switched off. Automatically cleared when data is written into a memory register. 0b = No interrupt pending 1b = Interrupt pending
0	LCDFRMIFG	RW	0h	LCD frame interrupt flag. Automatically cleared when data is written into a memory register. 0b = No interrupt pending 1b = Interrupt pending

34.3.3 LCDBLKCTL Register

LCD_B Blink Control Register

Figure 34-14. LCDBLKCTL Register

15	14	13	12	11	10	9	8
Reserved							
r0	r0	r0	r0	r0	r0	r0	r0
7	6	5	4	3	2	1	0
LCDBLKDIVx			LCDBLKPREx			LCDBLKMODx	
rw-0	rw-0	rw-0	rw-0	rw-0	rw-0	rw-0	rw-0

Table 34-7. LCDBLKCTL Register Description

Bit	Field	Type	Reset	Description
15-8	Reserved	R	0h	Reserved. Always reads as 0.
7-5	LCDBLKDIVx	RW	0h	Clock divider for blinking frequency. Together with LCDBLKPREx, the blinking frequency f_{BLINK} is calculated as $f_{\text{BLINK}} = f_{\text{ACLK/VLO}} / [(\text{LCDBLKDIVx} + 1) \times 2^{9+\text{LCDBLKPREx}}]$. Settings for this bit should be changed only while LCDBLKMODx = 00. 000b = Divide by 1 001b = Divide by 2 010b = Divide by 3 011b = Divide by 4 100b = Divide by 5 101b = Divide by 6 110b = Divide by 7 111b = Divide by 8
4-2	LCDBLKPREx	RW	0h	Clock pre-scaler for blinking frequency. Together with LCDBLKDIVx, the blinking frequency f_{BLINK} is calculated as $f_{\text{BLINK}} = f_{\text{ACLK/VLO}} / ((\text{LCDBLKDIVx} + 1) \times 2^{9+\text{LCDBLKPREx}})$. Settings for this bit should be changed only while LCDBLKMODx = 00. 000b = Divide by 512 001b = Divide by 1024 010b = Divide by 2048 011b = Divide by 4096 100b = Divide by 8162 101b = Divide by 16384 110b = Divide by 32768 111b = Divide by 65536
1-0	LCDBLKMODx	RW	0h	Blinking mode 00b = Blinking disabled 01b = Blinking of individual segments as enabled in blinking memory register LCDBMx 10b = Blinking of all segments 11b = Switching between display contents as stored in LCDMx and LCDBMx memory registers.

34.3.4 LCDBMEMCTL Register

LCD_B Memory Control Register

Figure 34-15. LCDBMEMCTL Register

15	14	13	12	11	10	9	8
Reserved							
r0	r0	r0	r0	r0	r0	r0	r0
7	6	5	4	3	2	1	0
Reserved					LCDCLRBM	LCDCLRM	LCDDISP
r0	r0	r0	r0	r0	rw-0	rw-0	rw-0

Table 34-8. LCDBMEMCTL Register Description

Bit	Field	Type	Reset	Description
15-3	Reserved	R	0h	Reserved. Always reads as 0.
2	LCDCLRBM	RW	0h	Clear LCD blinking memory Clears all blinking memory registers LCDBMx. The bit is automatically reset when the blinking memory is cleared. 0b = Contents of blinking memory registers LCDBMx remain unchanged 1b = Clear content of all blinking memory registers LCDBMx
1	LCDCLRM	RW	0h	Clear LCD memory Clears all LCD memory registers LCDMx. The bit is automatically reset when the LCD memory is cleared. 0b = Contents of LCD memory registers LCDMx remain unchanged 1b = Clear content of all LCD memory registers LCDMx
0	LCDDISP	RW	0h	Select LCD memory registers for display The bit is cleared in LCDBLKMODx = 01 and LCDBLKMODx = 10 and cannot be changed by software. When LCDBLKMODx = 11, this bit reflects the currently displayed memory but cannot be changed by software. When returning to LCDBLKMODx = 00 the bit is cleared. 0b = Display content of LCD memory registers LCDMx 1b = Display content of LCD blinking memory registers LCDBMx

34.3.5 LCDBVCTL Register

LCD_B Voltage Control Register

Figure 34-16. LCDBVCTL Register

15	14	13	12	11	10	9	8
Reserved			VLCDx				Reserved
r0	r0	r0	rw-0	rw-0	rw-0	rw-0	r0
7	6	5	4	3	2	1	0
LCDREXT	R03EXT	LCDEXTBIAS	VLCDEXT	LCDCPEN	VLCDREFx		LCD2B
rw-0	rw-0	rw-0	rw-0	rw-0	rw-0	rw-0	rw-0

Table 34-9. LCDBVCTL Register Description

Bit	Field	Type	Reset	Description
15-13	Reserved	R	0h	Reserved. Always reads as 0.
12-9	VLCDx	RW	0h	Charge pump voltage select. LCDCPEN must be 1 for the charge pump to be enabled. V(CC) is used for V_{LCD} when VLCDx = 0000 and VLCDREFx = 00 and VLCDEXT = 0. If VLCDREFx = 00 or 10: 0000b = Charge pump disabled 0001b = $V_{LCD} = 2.60\text{ V}$ 0010b = $V_{LCD} = 2.66\text{ V}$ 0011b = $V_{LCD} = 2.72\text{ V}$ 0100b = $V_{LCD} = 2.78\text{ V}$ 0101b = $V_{LCD} = 2.84\text{ V}$ 0110b = $V_{LCD} = 2.90\text{ V}$ 0111b = $V_{LCD} = 2.96\text{ V}$ 1000b = $V_{LCD} = 3.02\text{ V}$ 1001b = $V_{LCD} = 3.08\text{ V}$ 1010b = $V_{LCD} = 3.14\text{ V}$ 1011b = $V_{LCD} = 3.20\text{ V}$ 1100b = $V_{LCD} = 3.26\text{ V}$ 1101b = $V_{LCD} = 3.32\text{ V}$ 1110b = $V_{LCD} = 3.38\text{ V}$ 1111b = $V_{LCD} = 3.44\text{ V}$ If VLCDREFx = 01 or 11: 0000b = Charge pump disabled 0001b = $V_{LCD} = 2.17 \times V_{REF}$ 0010b = $V_{LCD} = 2.22 \times V_{REF}$ 0011b = $V_{LCD} = 2.27 \times V_{REF}$ 0100b = $V_{LCD} = 2.32 \times V_{REF}$ 0101b = $V_{LCD} = 2.37 \times V_{REF}$ 0110b = $V_{LCD} = 2.42 \times V_{REF}$ 0111b = $V_{LCD} = 2.47 \times V_{REF}$ 1000b = $V_{LCD} = 2.52 \times V_{REF}$ 1001b = $V_{LCD} = 2.57 \times V_{REF}$ 1010b = $V_{LCD} = 2.62 \times V_{REF}$ 1011b = $V_{LCD} = 2.67 \times V_{REF}$ 1100b = $V_{LCD} = 2.72 \times V_{REF}$ 1101b = $V_{LCD} = 2.77 \times V_{REF}$ 1110b = $V_{LCD} = 2.82 \times V_{REF}$ 1111b = $V_{LCD} = 2.87 \times V_{REF}$
8	Reserved	R	0h	Reserved. Always reads as 0.

Table 34-9. LCDBVCTL Register Description (continued)

Bit	Field	Type	Reset	Description
7	LCDREXT	RW	0h	V2 to V4 voltage on external Rx3 pins. This bit selects the external connections for voltages V2 to V4 with internal bias generation (LCDEXTBIAS = 0). The bit is don't care if external biasing is selected (LCDEXTBIAS = 1). Settings for this bit should be changed only while LCDON = 0. 0b = Internally generated V2 to V4 are not switched to pins (LCDEXTBIAS = 0). 1b = Internally generated V2 to V4 are switched to pins (LCDEXTBIAS = 0).
6	R03EXT	RW	0h	V5 voltage select. This bit selects the external connection for the lowest LCD voltage. R03EXT is ignored if there is no R03 pin available. Settings for this bit should be changed only while LCDON = 0. 0b = V5 is V _{SS} 1b = V5 is sourced from the R03 pin
5	LCDEXTBIAS	RW	0h	V2 to V4 voltage select. This bit selects the generation for voltages V2 to V4. Settings for this bit should be changed only while LCDON = 0. 0b = V2 to V4 are generated internally. 1b = V2 to V4 are sourced externally and the internal bias generator is switched off.
4	VLCDEXT	RW	0h	V _{LCD} source select Settings for this bit should be changed only while LCDON = 0. 0b = V _{LCD} is generated internally. 1b = V _{LCD} is sourced externally.
3	LCDCPEN	RW	0h	Charge pump enable 0b = Charge pump disabled 1b = Charge pump enabled when V _{LCD} is generated internally (VLCDEXT = 0) and VLCDx > 0 or VLCDREFx > 0.
2-1	VLCDREFx	RW	0h	Charge pump reference select If LCDEXTBIAS = 1 or LCDREXT = 1 settings 01, 10 and 11 are not supported. Internal reference voltage used instead. Settings for this bit should be changed only while LCDON = 0. 00b = Internal reference voltage 01b = External reference voltage 10b = Internal reference voltage switched to external pin LCDREF/R13. 11b = Reserved. Defaults to external reference voltage.
0	LCD2B	RW	0h	Bias select. LCD2B is ignored when LCDMx = 00. 0b = 1/3 bias 1b = 1/2 bias

34.3.6 LCDBPCTL0 Register

LCD_B Port Control Register 0

Figure 34-17. LCDBPCTL0 Register

15	14	13	12	11	10	9	8
LCDS15	LCDS14	LCDS13	LCDS12	LCDS11	LCDS10	LCDS9	LCDS8
rw-0	rw-0	rw-0	rw-0	rw-0	rw-0	rw-0	rw-0
7	6	5	4	3	2	1	0
LCDS7	LCDS6	LCDS5	LCDS4	LCDS3	LCDS2	LCDS1	LCDS0
rw-0	rw-0	rw-0	rw-0	rw-0	rw-0	rw-0	rw-0

Table 34-10. LCDBPCTL0 Register Description

Bit	Field	Type	Reset	Description
15-0	LCDSx	RW	0h	LCD segment line x enable This bit affects only pins with multiplexed functions. Dedicated LCD pins are always LCD function. 0b = Multiplexed pins are port functions. 1b = Pins are LCD functions.

34.3.7 LCDBPCTL1 Register

LCD_B Port Control Register 1

Figure 34-18. LCDBPCTL1 Register

15	14	13	12	11	10	9	8
LCDS31	LCDS30	LCDS29	LCDS28	LCDS27	LCDS26	LCDS25	LCDS24
rw-0	rw-0	rw-0	rw-0	rw-0	rw-0	rw-0	rw-0
7	6	5	4	3	2	1	0
LCDS23	LCDS22	LCDS21	LCDS20	LCDS19	LCDS18	LCDS17	LCDS16
rw-0	rw-0	rw-0	rw-0	rw-0	rw-0	rw-0	rw-0

Table 34-11. LCDBPCTL1 Register Description

Bit	Field	Type	Reset	Description
15-0	LCDSx	RW	0h	LCD segment line x enable LCDS27 to LCDS31 are reserved on devices supporting a maximum of 96 segments. This bit affects only pins with multiplexed functions. Dedicated LCD pins are always LCD function. 0b = Multiplexed pins are port functions. 1b = Pins are LCD functions.

34.3.8 LCDBPCTL2 Register

LCD_B Port Control Register 2 (≥ 128 Segments)

Figure 34-19. LCDBPCTL2 Register

15	14	13	12	11	10	9	8
LCDS47	LCDS46	LCDS45	LCDS44	LCDS43	LCDS42	LCDS41	LCDS40
rw-0	rw-0	rw-0	rw-0	rw-0	rw-0	rw-0	rw-0
7	6	5	4	3	2	1	0
LCDS39	LCDS38	LCDS37	LCDS36	LCDS35	LCDS34	LCDS33	LCDS32
rw-0	rw-0	rw-0	rw-0	rw-0	rw-0	rw-0	rw-0

Table 34-12. LCDBPCTL2 Register Description

Bit	Field	Type	Reset	Description
15-0	LCDSx	RW	0h	<p>LCD segment line x enable</p> <p>LCDS35 to LCDS47 are reserved on devices supporting a maximum of 128 segments.</p> <p>LCDS43 to LCDS47 are reserved on devices supporting a maximum of 160 segments.</p> <p>This bit affects only pins with multiplexed functions. Dedicated LCD pins are always LCD function.</p> <p>0b = Multiplexed pins are port functions.</p> <p>1b = Pins are LCD functions.</p>

34.3.9 LCDBPCTL3 Register

LCD_B Port Control Register 2 (192 Segments)

Figure 34-20. LCDBPCTL3 Register

15	14	13	12	11	10	9	8
Reserved							
r0	r0	r0	r0	r0	r0	r0	r0
7	6	5	4	3	2	1	0
Reserved					LCDS50	LCDS49	LCDS48
r0	r0	r0	r0	r0	rw-0	rw-0	rw-0

Table 34-13. LCDBPCTL3 Register Description

Bit	Field	Type	Reset	Description
15-3	Reserved	R	0h	Reserved. Always reads as 0.
2-0	LCDSx	RW	0h	<p>LCD segment line x enable</p> <p>This bit affects only pins with multiplexed functions. Dedicated LCD pins are always LCD function.</p> <p>NOTE: Settings for LCDSx should be changed only while LCDON = 0.</p> <p>0b = Multiplexed pins are port functions.</p> <p>1b = Pins are LCD functions.</p>

34.3.10 LCDBCCTL Register

LCD_B Charge Pump Control Register

Figure 34-21. LCDBCCTL Register

15	14	13	12	11	10	9	8
Reserved							
r0	r0	r0	r0	r0	r0	r0	r0
7	6	5	4	3	2	1	0
LCDCPDIS7	LCDCPDIS6	LCDCPDIS5	LCDCPDIS4	LCDCPDIS3	LCDCPDIS2	LCDCPDIS1	LCDCPDIS0
rw-0	rw-0	rw-0	rw-0	rw-0	rw-0	rw-0	rw-0

Table 34-14. LCDBCCTL Register Description

Bit	Field	Type	Reset	Description
15-8	Reserved	R	0h	Reserved. Always reads as 0.
7	LCDCPDIS7	RW	0h	Reserved
6	LCDCPDIS6	RW	0h	Reserved
5	LCDCPDIS5	RW	0h	Reserved
4	LCDCPDIS4	RW	0h	Reserved
3	LCDCPDIS3	RW	0h	Reserved
2	LCDCPDIS2	RW	0h	LCD charge pump disable during ADC12 conversion 0b = LCD charge pump not automatically disabled during conversion. 1b = LCD charge pump automatically disabled during conversion.
1	LCDCPDIS1	RW	0h	Reserved
0	LCDCPDIS0	RW	0h	Reserved

34.3.11 LCDBIV Register

LCD_B Interrupt Vector Register

Figure 34-22. LCDBIV Register

15	14	13	12	11	10	9	8
LCDBIVx							
r0	r0	r0	r0	r0	r0	r0	r0
7	6	5	4	3	2	1	0
LCDBIVx							
r0	r0	r0	r0	r0	r0	r0	r0

Table 34-15. LCDBIV Register Description

Bit	Field	Type	Reset	Description
15-0	LCDBIVx	R	0h	LCD_B interrupt vector value 00h = No interrupt pending 02h = Interrupt Source: No capacitor connected; Interrupt Flag: LCDNOCAPIFG; Interrupt Priority: Highest 04h = Interrupt Source: Blink, segments off; Interrupt Flag: LCDBLKOFFIFG 06h = Interrupt Source: Blink, segments on; Interrupt Flag: LCDBLKONIFG 08h = Interrupt Source: Frame interrupt; Interrupt Flag: LCDFRMIFG; Interrupt Priority: Lowest

LCD_C Controller

The LCD_C controller drives static and 2-mux to 8-mux LCDs. This chapter describes the LCD_C controller. The differences between LCD_B and LCD_C are listed in [Table 35-1](#).

Topic	Page
35.1 LCD_C Introduction	903
35.2 LCD_C Operation.....	905
35.3 LCD_C Registers	921

35.1 LCD_C Introduction

The LCD_C controller directly drives LCD displays by automatically creating the ac segment and common voltage signals. The LCD_C controller can support static and 2-mux to 8-mux LCD glasses.

The LCD_C controller features are:

- Display memory
- Automatic signal generation
- Configurable frame frequency
- Blinking of individual segments with separate blinking memory for static, and 2- to 4-mux LCDs
- Blinking of complete display for 5- to 8-mux LCDs
- Regulated charge pump up to 3.44 V (typical)
- Contrast control by software
- Support for the following types of LCDs
 - Static
 - 2-mux, 1/2 bias or 1/3 bias
 - 3-mux, 1/2 bias or 1/3 bias
 - 4-mux, 1/2 bias or 1/3 bias
 - 5-mux, 1/3 bias
 - 6-mux, 1/3 bias
 - 7-mux, 1/3 bias
 - 8-mux, 1/3 bias

The differences between LCD_B and LCD_C are listed in [Table 35-1](#).

Table 35-1. Differences Between LCD_B and LCD_C

Feature	LCD_B	LCD_C
Supported types of LCDs	Static, 2-, 3-, 4-mux	Static, 2-, 3-, 4-, 5-, 6-, 7, 8-mux
Maximum VLCDx settings	001111b	001111b
Maximum LCD voltage ($V_{LCD,typ}$)	3.44 V	3.44 V
Supported biasing schemes for 5-mux to 8-mux	5- to 8-mux not supported	1/3 biasing

[Figure 35-1](#) shows the LCD controller block diagram.

NOTE: Maximum LCD Segment Control

The maximum number of segment lines and memory registers available differs with device. See the device-specific data sheet for available segment pins and the maximum number of segments supported.

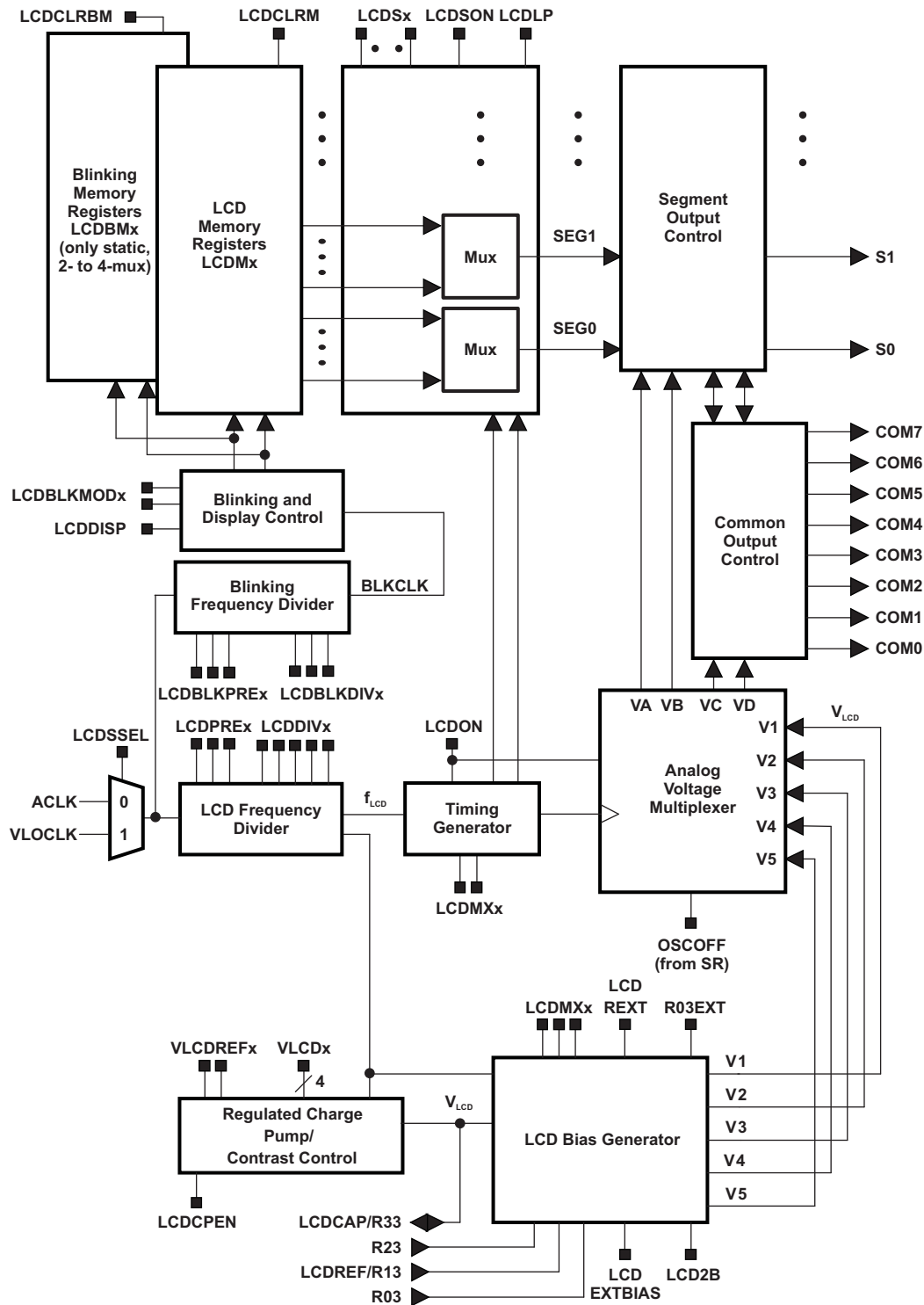


Figure 35-1. LCD Controller Block Diagram

35.2 LCD_C Operation

The LCD controller is configured with user software. The setup and operation of the LCD controller is discussed in the following sections.

35.2.1 LCD Memory

The LCD memory organization differs slightly depending on the mode.

Each memory bit corresponds to one LCD segment or is not used, depending on the mode. To turn on an LCD segment, its corresponding memory bit is set.

The memory can also be accessed word-wise using the even addresses starting at LCDM1, LCDM3, ...

Setting the bit LCDCLRM clears all LCD memory registers at the next frame boundary. It is reset automatically after the registers are cleared.

35.2.1.1 Static and 2-Mux to 4-Mux Mode

For static and 2-mux to 4-mux modes, one byte of the LCD memory contains the information for two segment lines. Figure 35-2 shows an example LCD memory map for these modes with 160 segments.

Register	Associated Common Pins								n	Associated Segment Pins	
	3	2	1	0	3	2	1	0			
LCDM20	--	--	--	--	--	--	--	--	38	39, 38	
LCDM19	--	--	--	--	--	--	--	--	36	37, 36	
LCDM18	--	--	--	--	--	--	--	--	34	35, 34	
LCDM17	--	--	--	--	--	--	--	--	32	33, 32	
LCDM16	--	--	--	--	--	--	--	--	30	31, 30	
LCDM15	--	--	--	--	--	--	--	--	28	29, 28	
LCDM14	--	--	--	--	--	--	--	--	26	27, 26	
LCDM13	--	--	--	--	--	--	--	--	24	25, 24	
LCDM12	--	--	--	--	--	--	--	--	22	23, 22	
LCDM11	--	--	--	--	--	--	--	--	20	21, 20	
LCDM10	--	--	--	--	--	--	--	--	18	19, 18	
LCDM9	--	--	--	--	--	--	--	--	16	17, 16	
LCDM8	--	--	--	--	--	--	--	--	14	15, 14	
LCDM7	--	--	--	--	--	--	--	--	12	13, 12	
LCDM6	--	--	--	--	--	--	--	--	10	1, 10	
LCDM5	--	--	--	--	--	--	--	--	8	9, 8	
LCDM4	--	--	--	--	--	--	--	--	6	7, 6	
LCDM3	--	--	--	--	--	--	--	--	4	5, 4	
LCDM2	--	--	--	--	--	--	--	--	2	3, 2	
LCDM1	--	--	--	--	--	--	--	--	0	1, 0	

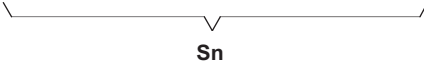
} Sn+1
} Sn

Figure 35-2. LCD Memory for Static and 2-Mux to 4-Mux Mode - Example for 160 Segments

35.2.1.2 5-Mux to 8-Mux Mode

For 5-mux to 8-mux modes, one byte of the LCD memory contains the information for one segment line. Figure 35-3 shows an example LCD memory map for these modes with 160 segments.

Associated Common Pins	7	6	5	4	3	2	1	0		Associated Segment Pins
Register	7							0	n	
LCDM20	--	--	--	--	--	--	--	--	19	19
LCDM19	--	--	--	--	--	--	--	--	18	18
LCDM18	--	--	--	--	--	--	--	--	17	17
LCDM17	--	--	--	--	--	--	--	--	16	16
LCDM16	--	--	--	--	--	--	--	--	15	15
LCDM15	--	--	--	--	--	--	--	--	14	14
LCDM14	--	--	--	--	--	--	--	--	13	13
LCDM13	--	--	--	--	--	--	--	--	12	12
LCDM12	--	--	--	--	--	--	--	--	11	11
LCDM11	--	--	--	--	--	--	--	--	10	10
LCDM10	--	--	--	--	--	--	--	--	9	9
LCDM9	--	--	--	--	--	--	--	--	8	8
LCDM8	--	--	--	--	--	--	--	--	7	7
LCDM7	--	--	--	--	--	--	--	--	6	6
LCDM6	--	--	--	--	--	--	--	--	5	5
LCDM5	--	--	--	--	--	--	--	--	4	4
LCDM4	--	--	--	--	--	--	--	--	3	3
LCDM3	--	--	--	--	--	--	--	--	2	2
LCDM2	--	--	--	--	--	--	--	--	1	1
LCDM1	--	--	--	--	--	--	--	--	0	0



 Sn

Figure 35-3. LCD Memory for 5-Mux to 8-Mux Mode - Example for 160 Segments

35.2.2 LCD Timing Generation

The LCD_C controller uses the f_{LCD} signal from the integrated clock divider to generate the timing for common and segment lines. With the LCDSSEL bit, ACLK with a frequency between 30 kHz and 40 kHz or VLOCLK can be selected as clock source into the divider. The f_{LCD} frequency is selected with the LCDPREx and LCDDIVx bits. The resulting f_{LCD} frequency is calculated by:

$$f_{LCD} = \frac{f_{ACLK/VLOCLK}}{(LCDDIVx + 1) \times 2^{LCDPRE}}$$

The proper f_{LCD} frequency depends on the LCD's requirement for framing frequency and the LCD multiplex rate. It is calculated by:

$$f_{LCD} = 2 \times \text{mux} \times f_{Frame}$$

For example, to calculate f_{LCD} for a 3-mux LCD with a frame frequency of 30 Hz to 100 Hz:

$$f_{Frame} \text{ (from LCD data sheet)} = 30 \text{ Hz to } 100 \text{ Hz}$$

$$f_{LCD} = 2 \times 3 \times f_{Frame}$$

$$f_{LCD}(\text{min}) = 180 \text{ Hz}$$

$$f_{LCD}(\text{max}) = 600 \text{ Hz}$$

With $f_{ACLK/VLOCLK} = 32768 \text{ Hz}$, LCDPREx = 011, and LCDDIVx = 10101:

$$f_{LCD} = 32768 \text{ Hz} / ((21+1) \times 2^3) = 32768 \text{ Hz} / 176 = 186 \text{ Hz}$$

With LCDPREx = 001 and LCDDIVx = 11011:

$$f_{\text{LCD}} = 32768 \text{ Hz} / ((27+1) \times 2^1) = 32768 \text{ Hz} / 56 = 585 \text{ Hz}$$

The lowest frequency has the lowest current consumption. The highest frequency has the least flicker.

35.2.3 Blanking the LCD

The LCD controller allows blanking the complete LCD. The LCDSON bit is combined with a logical AND with each segment's memory bit. When LCDSON = 1, each segment is on or off according to its bit value. When LCDSON = 0, each LCD segment is off.

35.2.4 LCD Blinking

The LCD controller also supports blinking. In static and 2-mux to 4-mux mode, the blinking mode LCDBLKMODx = 01 allows blinking of individual segments; with LCDBLKMODx = 10 all segments are blinking; and with LCDBLKMODx = 00 blinking is disabled. In 5-mux mode and above, only blinking mode LCDBLKMODx = 10 that allows blinking of all segments is available; if another mode is selected, blinking is disabled.

35.2.4.1 Blinking Memory

In static and 2-mux to 4-mux mode, a separate blinking memory is implemented to select the blinking segments. To enable individual segments for blinking, the corresponding bit in the blinking memory LCDBMx registers must be set. The memory uses the same structure as the LCD memory (see [Figure 35-2](#)). Each memory bit corresponds to one LCD segment or is not used, depending on the multiplexing mode LCDMXx. To enable blinking for a LCD segment, its corresponding memory bit is set.

The blinking memory can also be accessed word-wise using the even addresses starting at LCDBM1, LCDBM3, ...

Setting the bit LCDCLRBM clears all blinking memory registers at the next frame boundary. It is automatically reset after the registers are cleared.

35.2.4.2 Blinking Frequency

The blinking frequency f_{BLINK} is selected with the LCDBLKPREx and LCDBLKDIVx bits. The same clock is used as selected for the LCD frequency f_{LCD} . The resulting f_{BLINK} frequency is calculated by:

$$f_{\text{Blink}} = \frac{f_{\text{ACLK/VLO}}}{(\text{LCDBLKDIVx} + 1) \times 2^{9+\text{LCDBLKPREx}}}$$

The divider generating the blinking frequency f_{BLINK} is reset when LCDBLKMODx = 00. After a blinking mode LCDBLKMODx = 01 or 10 is selected, the enabled segments or all segments go blank at the next frame boundary and stay off for half of a BLKCLK period. Then they go active at the next frame boundary and stay on for another half BLKCLK period before they go blank again at a frame boundary.

NOTE: Blinking Frequency Restrictions

The blinking frequency must be smaller than the frame frequency f_{Frame} .

The blinking frequency should only be changed when LCDBLKMODx = 00.

35.2.4.3 Dual Display Memory

In static and 2-mux to 4-mux mode, the blinking memory can also be used as a secondary display memory when no blinking mode LCDBLKMODx = 01 or 10 is selected. The memory to be displayed can be selected either manually using the LCDDISP bit or automatically with LCDBLKMODx = 11.

With LCDDISP = 0, the LCD memory is selected, and with LCDDISP = 1 the blinking memory is selected as display memory. Switching between the memories is synchronized to the frame boundaries.

With LCDBLKMODx = 11 the LCD controller switches automatically between the memories using the divider to generate the blinking frequency. After LCDBLKMODx = 11 is selected, the memory to be displayed for the first half a BLKCLK period is the LCD memory. In the second half, the blinking memory is used as display memory. Switching between the memories is synchronized to the frame boundaries.

35.2.5 LCD Voltage And Bias Generation

The LCD_C module allows selectable sources for the peak output waveform voltage, V1, as well as the fractional LCD biasing voltages V2 to V5. V_{LCD} may be sourced from V_{CC} , an internal charge pump, or externally.

All internal voltage generation is disabled if the selected clock source (ACLK or VLOCLK) is turned off (OSCOFF = 1) or the LCD_C module is disabled (LCDON = 0).

35.2.5.1 LCD Voltage Selection

V_{LCD} is sourced from V_{CC} when VLCDEXT = 0, VLCDx = 0, and VREFx = 0. V_{LCD} is sourced from the internal charge pump when VLCDEXT = 0, VLCDPEN = 1, and VLCDx > 0. The charge pump is always sourced from DV_{CC} . The VLCDx bits provide a software selectable LCD voltage from 2.6 V to 3.44 V (typical) independent of DV_{CC} . See the device-specific data sheet for specifications.

When the internal charge pump is used, a 4.7- μ F or larger capacitor must be connected between the LCDCAP pin and ground. If no capacitor is connected and the charge pump is enabled, the LCDNOCAPIFG interrupt flag is set, and the charge pump is disabled to prevent damage to the device.

To reduce system noise the charge pump can be temporarily disabled. It is disabled when LCDCPEN = 0 and re-enabled when LCDCPEN is changed back to 1. If the charge pump is temporarily disabled the voltage stored on the external capacitor is used for the LCD voltages until the charge pump is re-enabled.

Some devices can also automatically disable the charge pump during certain periods of time (for example during an ADC conversion). To enable this feature set the corresponding LCDCPDISx bits in the LCDBCPCTL register. For details see the device-specific data sheet (if the feature is not listed in the data sheet it is not supported by the respective device).

NOTE: Capacitor Required For Internal Charge Pump

A 4.7- μ F or larger capacitor must be connected from the LCDCAP pin to ground when the internal charge pump is enabled. If no capacitor is connected, the LCDNOCAPIFG interrupt flag is set and the charge pump is disabled.

The internal charge pump may use an external reference voltage when VLCDREFx = 01 (and LCDREXT = 0 and LCDEXTBIAS = 0). In this case, the charge pump voltage is set to a multiply of the external reference voltage according to the VLCDx bits setting.

When VLCDEXT = 1, V_{LCD} is sourced externally from the LCDCAP, pin and the internal charge pump is disabled.

35.2.5.2 LCD Bias Generation

The fractional LCD biasing voltages, V2 to V5 can be generated internally or externally, independent of the source for V_{LCD} .

The bias generation block diagram for LCD_C static and 2-mux to 8-mux modes is shown in [Figure 35-4](#).

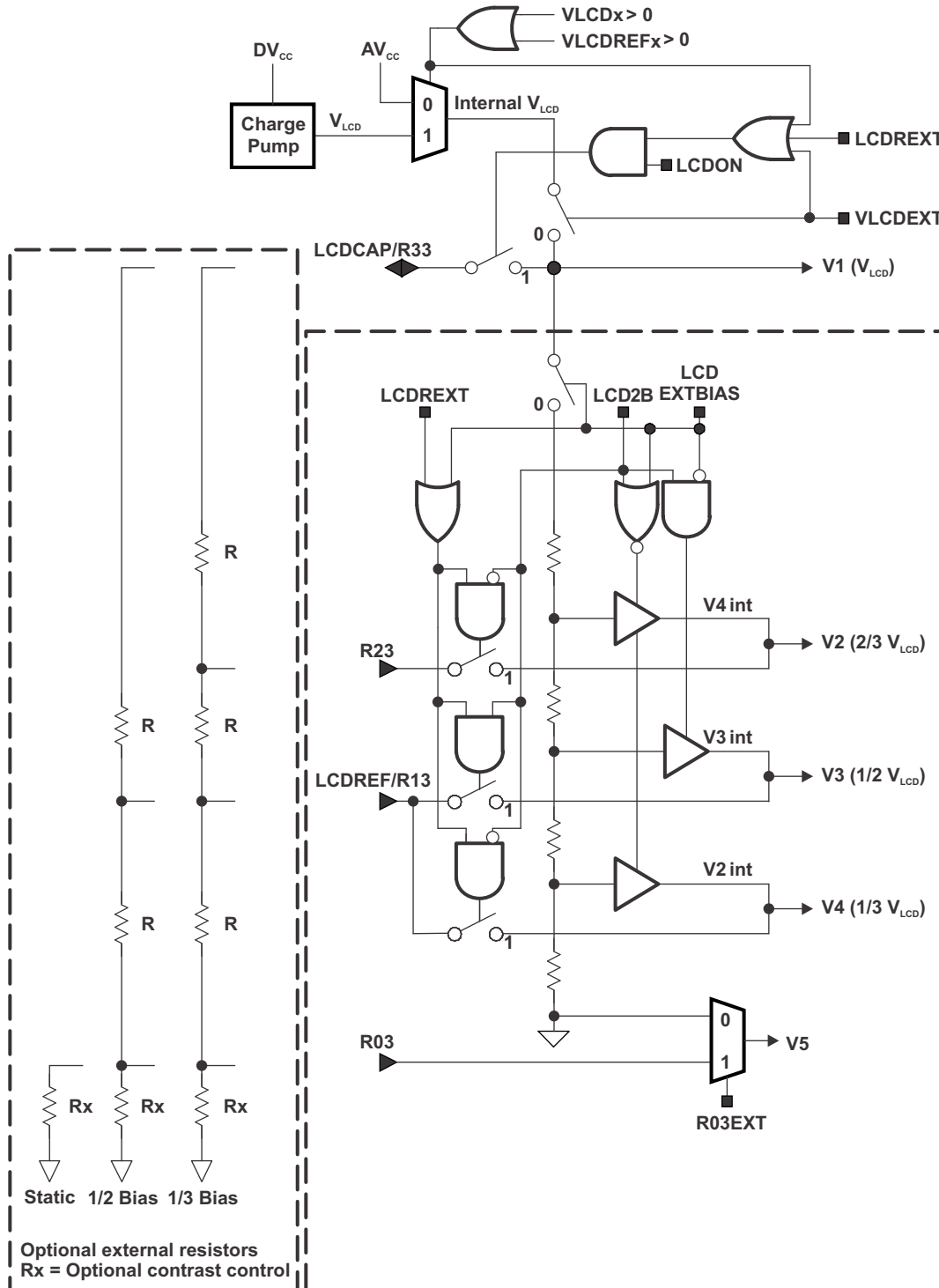


Figure 35-4. Bias Generation

The internally generated bias voltages V2 to V4 are switched to external pins with LCDREXT = 1.

To source the bias voltages V2 to V4 externally, LCDEXTBIAS is set. This also disables the internal bias generation. Typically, an equally weighted resistor divider is used with resistors ranging from a few k Ω to 1 M Ω , depending on the size of the display. When using an external resistor divider, the V_{LCD} voltage may be sourced from the internal charge pump when VLCDEXT = 0 taking the maximum charge pump load current into account. V5 can also be sourced externally when R03EXT = 1. In static mode and all mux modes using 1/2 biasing or 1/3 biasing, when R03EXT = 1 V5 can control the contrast of the connected display by changing the voltage at the low end of the external resistor divider Rx as shown in the left part of Figure 35-4.

When using an external resistor divider, R33 may serve as a switched V_{LCD} output when VLCDEXT = 0. This allows the power to the resistor ladder to be turned off, which eliminates current consumption when the LCD is not used. When VLCDEXT = 1, R33 serves as a V_{LCD} input.

The bias generator supports 1/2 biasing when LCD2B = 1 and 1/3 biasing when LCD2B = 0. In static mode, the internal divider is disabled.

Table 35-2. Bias Voltages and external Pins

Mode	Bias Configuration	LCD2B	Voltage Level	Pin	Condition
Static	Static	X	V1 ("1")	R33	if LCDREXT = 1 or LCDEXTBIAS = 1
			V5 ("0")	R03	if R03EXT = 1
2-mux, 3-mux, 4-mux	1/2	1	V1 ("1")	R33	if LCDREXT = 1 or LCDEXTBIAS = 1
			V3 ("1/2")	R13	if LCDREXT = 1 or LCDEXTBIAS = 1
			V5 ("0")	R03	if R03EXT = 1
2-mux, 3-mux, 4-mux	1/3	0	V1 ("1")	R33	if LCDREXT = 1 or LCDEXTBIAS = 1
			V2 ("2/3")	R23	if LCDREXT = 1 or LCDEXTBIAS = 1
			V4 ("1/3")	R13	if LCDREXT = 1 or LCDEXTBIAS = 1
			V5 ("0")	R03	if R03EXT = 1
5-mux to 8-mux	1/3	0	V1 ("1")	R33	if LCDREXT = 1 or LCDEXTBIAS = 1
			V2 ("2/3")	R23	if LCDREXT = 1 or LCDEXTBIAS = 1
			V4 ("1/3")	R13	if LCDREXT = 1 or LCDEXTBIAS = 1
			V5 ("0")	R03	if R03EXT = 1

35.2.5.3 LCD Contrast Control

The peak voltage of the output waveforms together with the selected mode and biasing determine the contrast and the contrast ratio of the LCD. The LCD contrast can be controlled in software by adjusting the LCD voltage generated by the integrated charge pump using the VLCDx settings.

The contrast ratio depends on the used LCD display and the selected biasing scheme. Table 35-3 shows the biasing configurations that apply to the different modes together with the RMS voltages for the segments turned on ($V_{RMS,ON}$) and turned off ($V_{RMS,OFF}$) as functions of V_{LCD} . It also shows the resulting contrast ratios between the on and off states.

Table 35-3. LCD Voltage and Biasing Characteristics

Mode	Bias Config	LCDMx	LCD2B	COM Lines	Voltage Levels	$V_{RMS,OFF}/V_{LCD}$	$V_{RMS,ON}/V_{LCD}$	Contrast Ratio $V_{RMS,ON}/V_{RMS,OFF}$
Static	Static	0000	X	1	V1, V5	0	1	1/0
2-mux	1/2 ⁽¹⁾	0001	1	2	V1, V3, V5	0.354	0.791	2.236
	1/3	0001	0	2	V1, V2, V4, V5	0.333	0.745	2.236
3-mux	1/2	0010	1	3	V1, V3, V5	0.408	0.707	1.732
	1/3 ⁽¹⁾	0010	0	3	V1, V2, V4, V5	0.333	0.638	1.915
4-mux	1/2	0011	1	4	V1, V3, V5	0.433	0.661	1.528
	1/3 ⁽¹⁾	0011	0	4	V1, V2, V4, V5	0.333	0.577	1.732
5-mux	1/3 ⁽¹⁾	0100	0	5	V1, V2, V4, V5	0.333	0.537	1.612
6-mux	1/3 ⁽¹⁾	0101	0	6	V1, V2, V4, V5	0.333	0.509	1.528
7-mux	1/3 ⁽¹⁾	0110	0	7	V1, V2, V4, V5	0.333	0.488	1.464
8-mux	1/3 ⁽¹⁾	0111	0	8	V1, V2, V4, V5	0.333	0.471	1.414

⁽¹⁾ Recommended setting to achieve best contrast

A typical approach to determine the required V_{LCD} is by equating $V_{RMS,OFF}$ with a LCD threshold voltage provided by the LCD manufacturer, for example when the LCD exhibits approximately 10% contrast ($V_{th,10\%}$): $V_{RMS,OFF} = V_{th,10\%}$. Using the values for $V_{RMS,OFF}/V_{LCD}$ provided in the table results in $V_{LCD} = V_{th,10\%}/(V_{RMS,OFF}/V_{LCD})$. In the static mode, a suitable choice is V_{LCD} greater than or equal to three times $V_{th,10\%}$.

In 3-mux and 4-mux mode, a 1/3 biasing is typically used, but a 1/2 biasing scheme is also possible. The 1/2 bias reduces the contrast ratio, but the advantage is a reduction of the required full-scale LCD voltage V_{LCD} .

35.2.6 LCD Outputs

Some LCD segment, common, and Rxx functions are multiplexed with digital I/O functions. These pins can function either as digital I/O or as LCD functions.

The LCD segment functions, when multiplexed with digital I/O, are selected using the LCDSx bits in the LCDCPCTLx registers. The LCDSx bits select the LCD function for each segment line. When LCDSx = 0, a multiplexed pin is set to digital I/O function. When LCDSx = 1, a multiplexed pin is selected as LCD function.

The pin functions for COMx and Rxx, when multiplexed with digital I/O, are selected as described in the port schematic section of the device-specific data sheet. An some devices the COM1 to COM7 pins are shared with segment lines, refer to the device-specific data sheet. If these pins are required as COM pins due to the selected LCD multiplexing mode, the COM functionality takes precedence over the segment function that can be selected for those pins with the LCDSx bits as for all other segment pins.

See the port schematic section of the device-specific data sheet for details on controlling the pin functionality.

NOTE: LCDSx Bits Do Not Affect Dedicated LCD Segment Pins

The LCDSx bits only affect pins with multiplexed LCD segment functions and digital I/O functions. Dedicated LCD segment pins are not affected by the LCDSx bits.

35.2.7 LCD Interrupts

The LCD_C module has four interrupt sources available, each with independent enables and flags.

The four interrupt flags, namely LCDFRMIFG, LCDBLKOFFIFG, LCDBLKONIFG, and LCDNOCAPIFG, are prioritized and combined to source a single interrupt vector. The interrupt vector register LCDCIV is used to determine which flag requested an interrupt.

The highest priority enabled interrupt generates a number in the LCDCIV register (see register description). This number can be evaluated or added to the program counter to automatically enter the appropriate software routine. Disabled LCD interrupts do not affect the LCDCIV value.

Any read access of the LCDCIV register automatically resets the highest pending interrupt flag. If another interrupt flag is set, another interrupt is immediately generated after servicing the initial interrupt. A write access to the LCDCIV register automatically resets all pending interrupt flags. In addition, all flags can be cleared by software.

The LCDNOCAPIFG indicates that no capacitor is present at the LCDCAP pin when the charge pump is enabled. Setting the LCDNOCAPIE bit enables the interrupt.

The LCDBLKONIFG is set at the BLKCLK edge synchronized to the frame boundaries that turns on the segments when blinking is enabled with LCDBLKMODx = 01 or 10. It is also set at the BLKCLK edge synchronized to the frame boundaries that selects the blinking memory as display memory when LCDBLKMODx = 11. It is automatically cleared when a LCD or blinking memory register is written. Setting the LCDBLKONIE bit enables the interrupt.

The LCDBLKOFFIFG is set at the BLKCLK edge synchronized to the frame boundaries that blanks the segments when blinking is enabled with LCDBLKMODx = 01 or 10. It is also set at the BLKCLK edge synchronized to the frame boundaries that selects the LCD memory as display memory when LCDBLKMODx = 11. It is automatically cleared when a LCD or blinking memory register is written. Setting the LCDBLKOFFIE bit enables the interrupt.

The LCDFRMIFG is set at a frame boundary. It is automatically cleared when a LCD or blinking memory register is written. Setting the LCDFRMIFGIE bit enables the interrupt.

35.2.7.1 LCDCIV Software Example

The following software example shows the recommended use of LCDCIV and the handling overhead. The LCDCIV value is added to the PC to automatically jump to the appropriate routine.

The numbers at the right margin show the necessary CPU cycles for each instruction. The software overhead for different interrupt sources includes interrupt latency and return-from-interrupt cycles, but not the task handling itself.

```

; Interrupt handler for LCD_B interrupt flags.
LCDB_HND          ; Interrupt latency          6
  ADD &LCDBIV,PC  ; Add offset to Jump table  3
  RETI           ; Vector 0: No interrupt     5
  JMP LCDNOCAP_HND ; Vector 2: LCDNOCAPIFG    2
  JMP LCDBLKON_HND ; Vector 4: LCDBLKONIFG    2
  JMP LCDBLKOFF_HND ; Vector 6: LCDBLKOFFIFG  2
LCDFRM_HND        ; Vector 8: LCDFRMIFG
  ...           ; Task starts here
  RETI           ;                               5
LCDNOCAP_HND ; Vector 2: LCDNOCAPIFG
  ...           ; Task starts here
  RETI           ;                               5
LCDBLKON_HND ; Vector 4: LCDBLKONIFG
  ...           ; Task starts here
  RETI           ; Back to main program        5
LCDBLKOFF_HND ; Vector 6: LCDBLKOFFIFG
  ...           ; Task starts here
  RETI           ; Back to main program        5

```

35.2.8 Static Mode

In static mode, each MSP430 segment pin drives one LCD segment, and one common line (COM0) is used. [Figure 35-5](#) shows some example static waveforms.

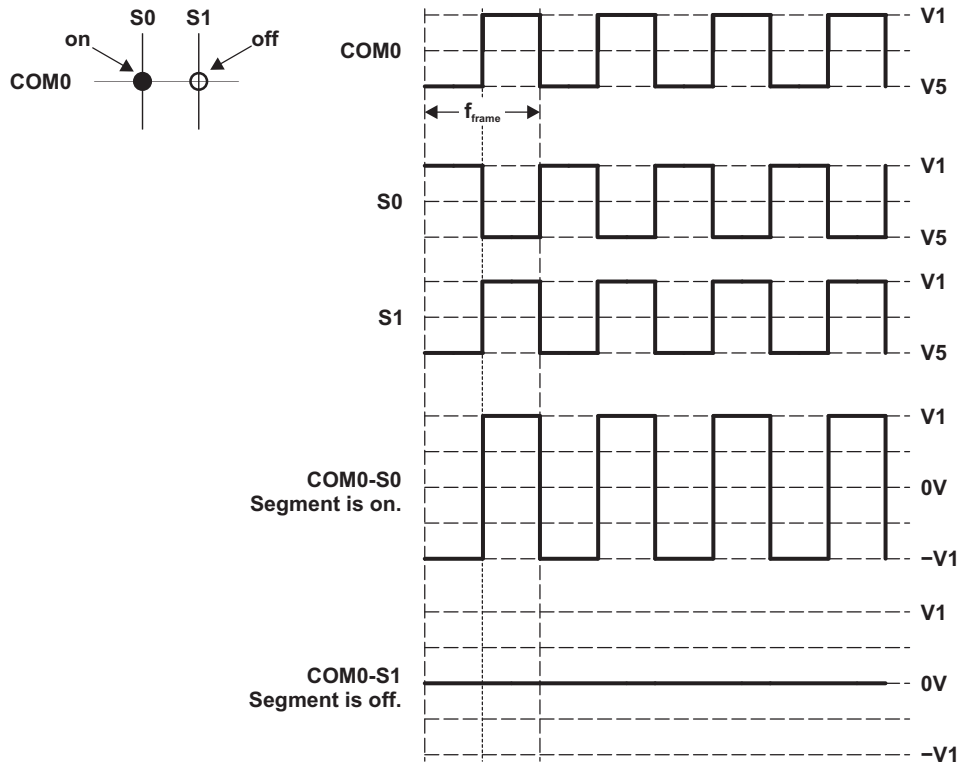


Figure 35-5. Example Static Waveforms

35.2.9 2-Mux Mode

In 2-mux mode, each MSP430 segment pin drives two LCD segments, and two common lines (COM0 and COM1) are used. Figure 35-6 shows some example 2-mux 1/2-bias waveforms.

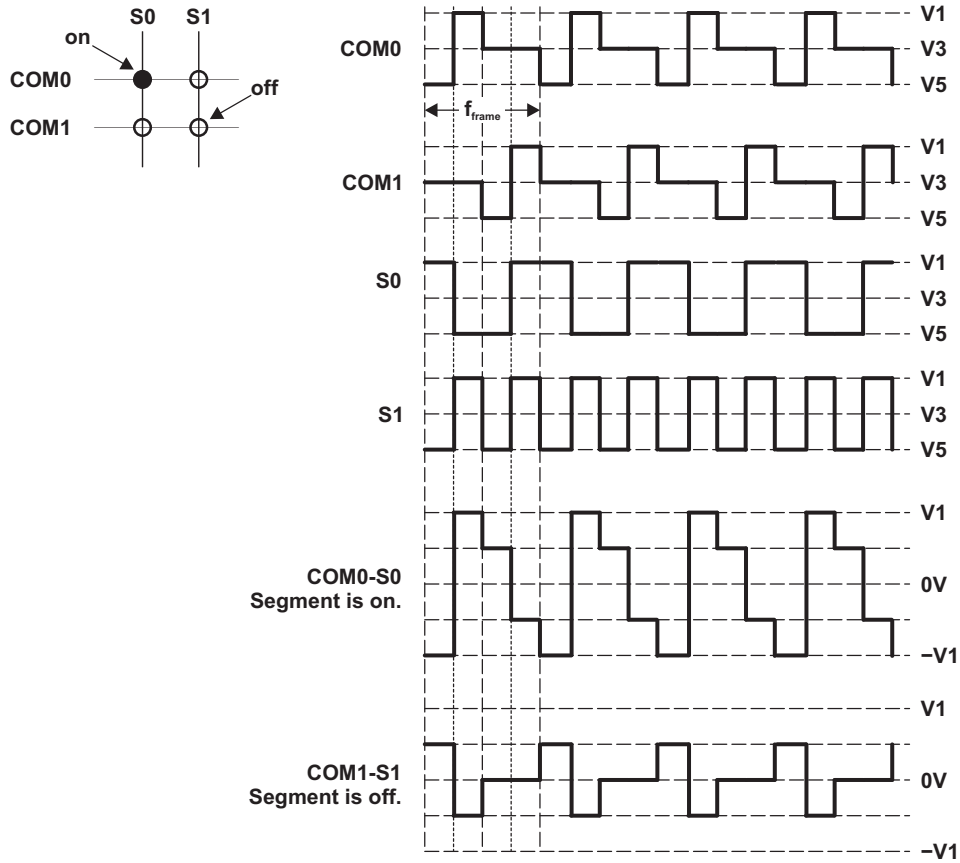


Figure 35-6. Example 2-Mux Waveforms

35.2.10 3-Mux Mode

In 3-mux mode, each MSP430 segment pin drives three LCD segments, and three common lines (COM0, COM1, and COM2) are used. Figure 35-7 shows some example 3-mux 1/3-bias waveforms.

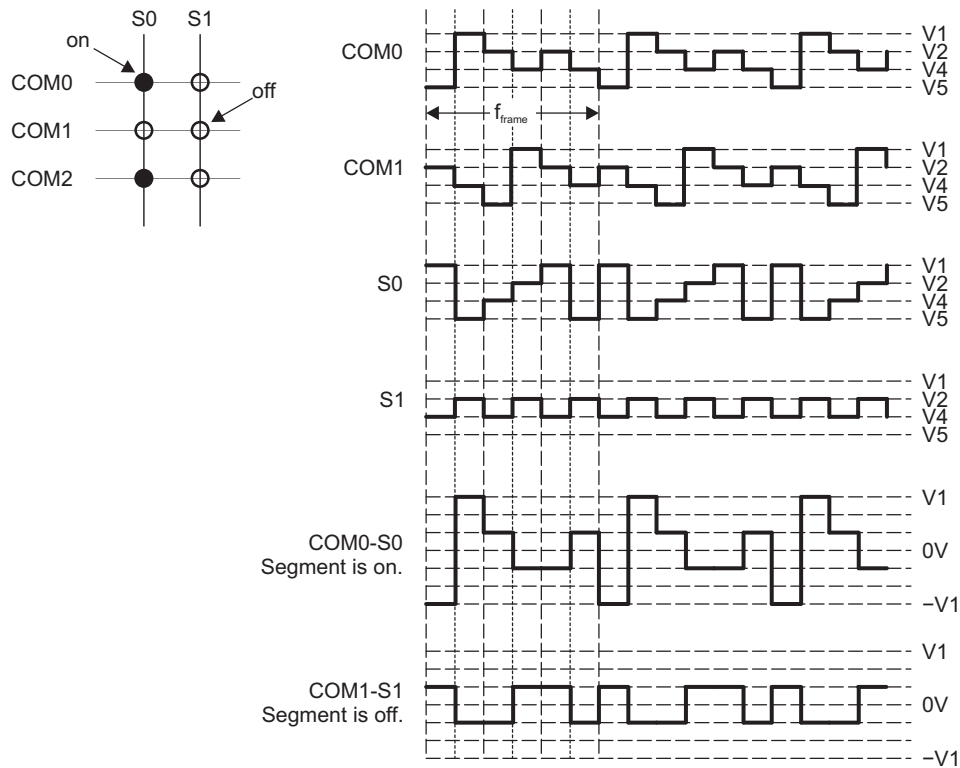


Figure 35-7. Example 3-Mux Waveforms

35.2.11 4-Mux Mode

In 4-mux mode, each MSP430 segment pin drives four LCD segments and four common lines (COM0, COM1, COM2, and COM3) are used. [Figure 35-8](#) shows some example 4-mux 1/3-bias waveforms.

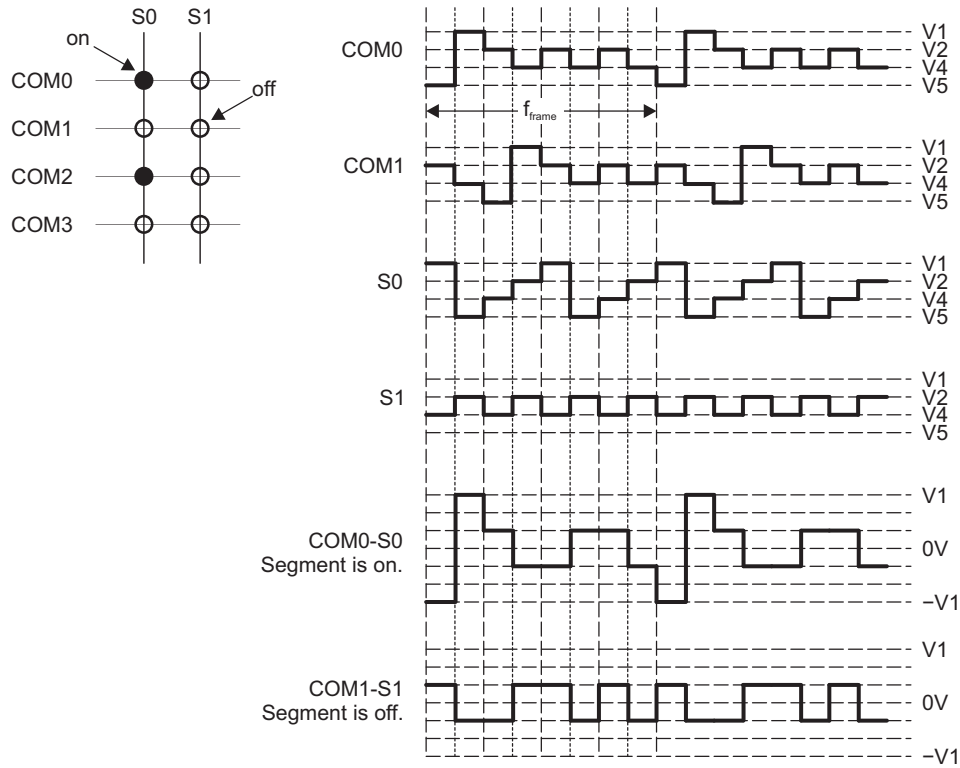


Figure 35-8. Example 4-Mux Waveforms

35.2.12 6-Mux Mode

In 6-mux mode, each MSP430 segment pin drives six LCD segments, and six common lines (COM0, COM1, COM2, COM3, COM4, and COM5) are used. [Figure 35-9](#) shows some example 6-mux 1/3-bias waveforms.

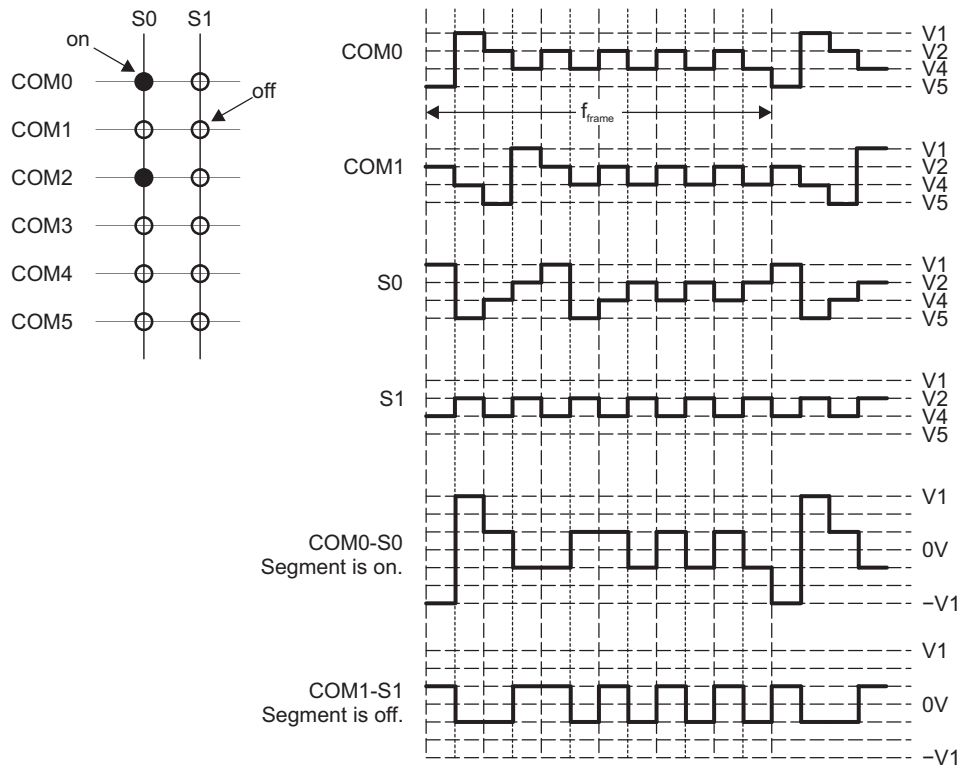


Figure 35-9. Example 6-Mux Waveforms

35.2.13 8-Mux Mode

In 8-mux mode, each MSP430 segment pin drives eight LCD segments, and eight common lines (COM0 through COM7) are used. Figure 35-10 shows some example 8-mux 1/3-bias waveforms.

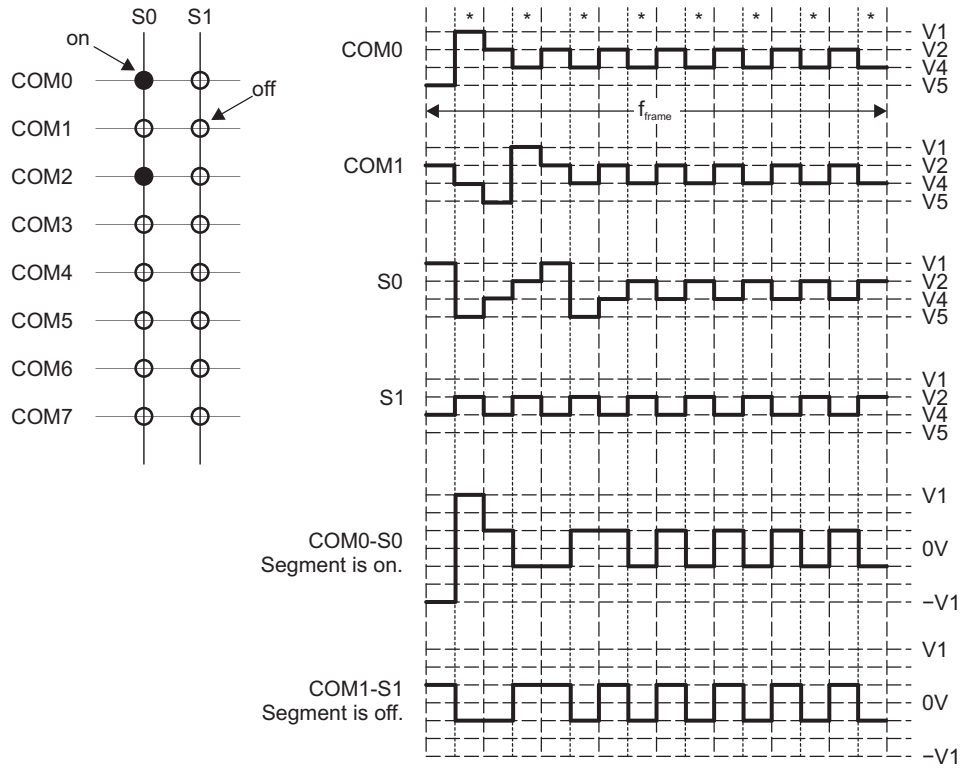


Figure 35-10. Example 8-Mux, 1/3 Bias Waveforms (LCDLP = 0)

Figure 35-11 shows some example 8-mux 1/3-bias waveforms with LCDLP = 1. With LCDLP = 1, the voltage sequence compared to the non-low power waveform is reshuffled; that is, all of the timeslots marked with "*" in Figure 35-10 are grouped together. The same principle applies to all mux modes.

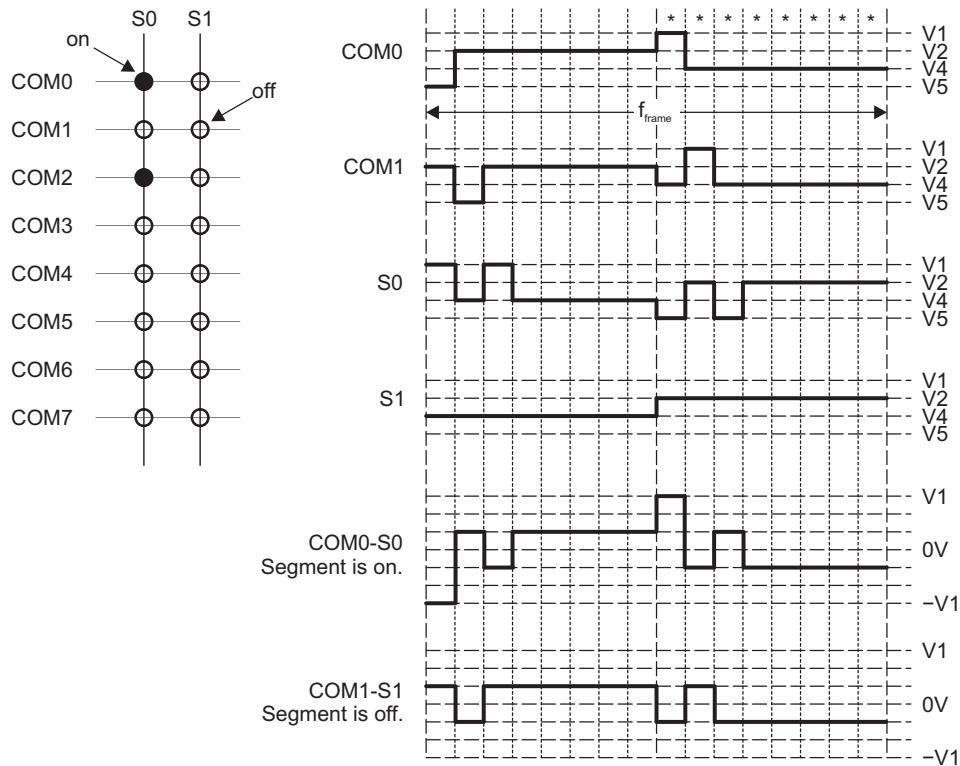


Figure 35-11. Example 8-Mux, 1/3 Bias Low-Power Waveforms (LCDLP = 1)

35.3 LCD_C Registers

The LCD_C registers are listed in [Table 35-4](#) to [Table 35-7](#). The LCD memory and blinking memory registers can also be accessed as word.

The number of available memory registers on a given device depends on the number of available segment pins; see the device-specific data sheet.

Table 35-4. LCD_C Control Registers

Offset	Acronym	Register Name	Type	Reset	Section
000h	LCDCCTL0	LCD_C control 0	Read/write	0000h	Section 35.3.1
002h	LCDCCTL1	LCD_C control 1	Read/write	0000h	Section 35.3.2
004h	LCDCBLKCTL	LCD_C blinking control	Read/write	0000h	Section 35.3.3
006h	LCDCMEMCTL	LCD_C memory control	Read/write	0000h	Section 35.3.4
008h	LCDCVCTL	LCD_C voltage control	Read/write	0000h	Section 35.3.5
00Ah	LCDCPCTL0	LCD_C port control 0	Read/write	0000h	Section 35.3.6
00Ch	LCDCPCTL1	LCD_C port control 1	Read/write	0000h	Section 35.3.7
00Eh	LCDCPCTL2	LCD_C port control 2 (≥ 256 segments)	Read/write	0000h	Section 35.3.8
010h	LCDCPCTL3	LCD_C port control 3 (384 segments)	Read/write	0000h	Section 35.3.9
012h	LCDCCPCTL	LCD_C charge pump control	Read/write	0000h	Section 35.3.10
014h		Reserved			
016h		Reserved			
018h		Reserved			
01Ah		Reserved			
01Ch		Reserved			
01Eh	LCDCIV	LCD_C interrupt vector	Read/write	0000h	Section 35.3.11

Table 35-5. LCD_C Memory Registers for Static and 2-Mux to 4-Mux Modes⁽¹⁾⁽²⁾

Offset	Acronym	Register Name	Type	Reset
020h	LCDM1	LCD memory 1 (S1/S0)	Read/write	Unchanged
021h	LCDM2	LCD memory 2 (S3/S2)	Read/write	Unchanged
022h	LCDM3	LCD memory 3 (S5/S4)	Read/write	Unchanged
023h	LCDM4	LCD memory 4 (S7/S6)	Read/write	Unchanged
024h	LCDM5	LCD memory 5 (S9/S8)	Read/write	Unchanged
025h	LCDM6	LCD memory 6 (S11/S10)	Read/write	Unchanged
026h	LCDM7	LCD memory 7 (S13/S12)	Read/write	Unchanged
027h	LCDM8	LCD memory 8 (S15/S14)	Read/write	Unchanged
028h	LCDM9	LCD memory 9 (S17/S16)	Read/write	Unchanged
029h	LCDM10	LCD memory 10 (S19/S18)	Read/write	Unchanged
02Ah	LCDM11	LCD memory 11 (S21/S20)	Read/write	Unchanged
02Bh	LCDM12	LCD memory 12 (S23/S22)	Read/write	Unchanged
02Ch	LCDM13	LCD memory 13 (S25/S24)	Read/write	Unchanged
02Dh	LCDM14	LCD memory 14 (S27/S26)	Read/write	Unchanged
02Eh	LCDM15	LCD memory 15 (S29/S28)	Read/write	Unchanged
02Fh	LCDM16	LCD memory 16 (S31/S30)	Read/write	Unchanged
030h	LCDM17	LCD memory 17 (S33/S32)	Read/write	Unchanged
031h	LCDM18	LCD memory 18 (S35/S34)	Read/write	Unchanged
032h	LCDM19	LCD memory 19 (S37/S36)	Read/write	Unchanged
033h	LCDM20	LCD memory 20 (S39/S38)	Read/write	Unchanged
034h	LCDM21	LCD memory 21 (S41/S40)	Read/write	Unchanged
035h	LCDM22	LCD memory 22 (S43/S42)	Read/write	Unchanged
036h	LCDM23	LCD memory 23 (S45/S44)	Read/write	Unchanged
037h	LCDM24	LCD memory 24 (S47/S46)	Read/write	Unchanged
038h	LCDM25	LCD memory 25 (S49/S48)	Read/write	Unchanged
039h	LCDM26	LCD memory 26 (S51/S50)	Read/write	Unchanged
03Ah	LCDM27	LCD memory 27 (S53/S52)	Read/write	Unchanged
03Bh	LCDM28	LCD memory 28 (S54)	Read/write	Unchanged
03Ch		Reserved		
03Dh		Reserved		
03Eh		Reserved		
03Fh		Reserved		

⁽¹⁾ The LCD memory registers can also be accessed as word.

⁽²⁾ The number of available memory registers on a given device depends on the number of available segment pins; see the device-specific data sheet.

Table 35-6. LCD Blinking Memory Registers for Static and 2-Mux to 4-Mux Modes⁽¹⁾⁽²⁾

Offset	Acronym	Register Name	Type	Reset
040h	LCDBM1	LCD blinking memory 1	Read/write	Unchanged
041h	LCDBM2	LCD blinking memory 2	Read/write	Unchanged
042h	LCDBM3	LCD blinking memory 3	Read/write	Unchanged
043h	LCDBM4	LCD blinking memory 4	Read/write	Unchanged
044h	LCDBM5	LCD blinking memory 5	Read/write	Unchanged
045h	LCDBM6	LCD blinking memory 6	Read/write	Unchanged
046h	LCDBM7	LCD blinking memory 7	Read/write	Unchanged
047h	LCDBM8	LCD blinking memory 8	Read/write	Unchanged
048h	LCDBM9	LCD blinking memory 9	Read/write	Unchanged
049h	LCDBM10	LCD blinking memory 10	Read/write	Unchanged
04Ah	LCDBM11	LCD blinking memory 11	Read/write	Unchanged
04Bh	LCDBM12	LCD blinking memory 12	Read/write	Unchanged
04Ch	LCDBM13	LCD blinking memory 13	Read/write	Unchanged
04Dh	LCDBM14	LCD blinking memory 14	Read/write	Unchanged
04Eh	LCDBM15	LCD blinking memory 15	Read/write	Unchanged
04Fh	LCDBM16	LCD blinking memory 16	Read/write	Unchanged
050h	LCDBM17	LCD blinking memory 17	Read/write	Unchanged
051h	LCDBM18	LCD blinking memory 18	Read/write	Unchanged
052h	LCDBM19	LCD blinking memory 19	Read/write	Unchanged
053h	LCDBM20	LCD blinking memory 20	Read/write	Unchanged
054h	LCDBM21	LCD blinking memory 21	Read/write	Unchanged
055h	LCDBM22	LCD blinking memory 22	Read/write	Unchanged
056h	LCDBM23	LCD blinking memory 23	Read/write	Unchanged
057h	LCDBM24	LCD blinking memory 24	Read/write	Unchanged
058h	LCDBM25	LCD blinking memory 25	Read/write	Unchanged
059h	LCDBM26	LCD blinking memory 26	Read/write	Unchanged
05Ah	LCDBM27	LCD blinking memory 27	Read/write	Unchanged
05Bh	LCDBM28	LCD blinking memory 28	Read/write	Unchanged
05Ch		Reserved		
05Dh		Reserved		
05Eh		Reserved		
05Fh		Reserved		

⁽¹⁾ The LCD blinking memory registers can also be accessed as word.

⁽²⁾ The number of available memory registers on a given device depends on the number of available segment pins; see the device-specific data sheet.

Table 35-7. LCD Memory Registers for 5-Mux to 8-Mux⁽¹⁾⁽²⁾

Offset	Acronym	Register Name	Type	Reset
020h	LCDM1	LCD memory 1 (S0)	Read/write	Unchanged
021h	LCDM2	LCD memory 2 (S1)	Read/write	Unchanged
022h	LCDM3	LCD memory 3 (S2)	Read/write	Unchanged
023h	LCDM4	LCD memory 4 (S3)	Read/write	Unchanged
024h	LCDM5	LCD memory 5 (S4)	Read/write	Unchanged
025h	LCDM6	LCD memory 6 (S5)	Read/write	Unchanged
026h	LCDM7	LCD memory 7 (S6)	Read/write	Unchanged
027h	LCDM8	LCD memory 8 (S7)	Read/write	Unchanged
028h	LCDM9	LCD memory 9 (S8)	Read/write	Unchanged
029h	LCDM10	LCD memory 10 (S9)	Read/write	Unchanged
02Ah	LCDM11	LCD memory 11 (S10)	Read/write	Unchanged
02Bh	LCDM12	LCD memory 12 (S11)	Read/write	Unchanged
02Ch	LCDM13	LCD memory 13 (S12)	Read/write	Unchanged
02Dh	LCDM14	LCD memory 14 (S13)	Read/write	Unchanged
02Eh	LCDM15	LCD memory 15 (S14)	Read/write	Unchanged
02Fh	LCDM16	LCD memory 16 (S15)	Read/write	Unchanged
030h	LCDM17	LCD memory 17 (S16)	Read/write	Unchanged
031h	LCDM18	LCD memory 18 (S17)	Read/write	Unchanged
032h	LCDM19	LCD memory 19 (S18)	Read/write	Unchanged
033h	LCDM20	LCD memory 20 (S19)	Read/write	Unchanged
034h	LCDM21	LCD memory 21 (S20)	Read/write	Unchanged
035h	LCDM22	LCD memory 22 (S21)	Read/write	Unchanged
036h	LCDM23	LCD memory 23 (S22)	Read/write	Unchanged
037h	LCDM24	LCD memory 24 (S23)	Read/write	Unchanged
038h	LCDM25	LCD memory 25 (S24)	Read/write	Unchanged
039h	LCDM26	LCD memory 26 (S25)	Read/write	Unchanged
03Ah	LCDM27	LCD memory 27 (S26)	Read/write	Unchanged
03Bh	LCDM28	LCD memory 28 (S27)	Read/write	Unchanged
03Ch	LCDM29	LCD memory 29 (S28)	Read/write	Unchanged
03Dh	LCDM30	LCD memory 30 (S29)	Read/write	Unchanged
03Eh	LCDM31	LCD memory 31 (S30)	Read/write	Unchanged
03Fh	LCDM32	LCD memory 32 (S31)	Read/write	Unchanged
040h	LCDM33	LCD memory 33 (S32)	Read/write	Unchanged
041h	LCDM34	LCD memory 34 (S33)	Read/write	Unchanged
042h	LCDM35	LCD memory 35 (S34)	Read/write	Unchanged
043h	LCDM36	LCD memory 36 (S35)	Read/write	Unchanged
044h	LCDM37	LCD memory 37 (S36)	Read/write	Unchanged
045h	LCDM38	LCD memory 38 (S37)	Read/write	Unchanged
046h	LCDM39	LCD memory 39 (S38)	Read/write	Unchanged
047h	LCDM40	LCD memory 40 (S39)	Read/write	Unchanged
048h	LCDM41	LCD memory 41 (S40)	Read/write	Unchanged
049h	LCDM42	LCD memory 42 (S41)	Read/write	Unchanged
04Ah	LCDM43	LCD memory 43 (S42)	Read/write	Unchanged
04Bh	LCDM44	LCD memory 44 (S43)	Read/write	Unchanged
04Ch	LCDM45	LCD memory 45 (S44)	Read/write	Unchanged

⁽¹⁾ The LCD memory registers can also be accessed as word.

⁽²⁾ The number of available memory registers on a given device depends on the number of available segment pins; see the device-specific data sheet.

Table 35-7. LCD Memory Registers for 5-Mux to 8-Mux⁽¹⁾⁽²⁾ (continued)

Offset	Acronym	Register Name	Type	Reset
04Dh	LCDM46	LCD memory 46 (S45)	Read/write	Unchanged
04Eh	LCDM47	LCD memory 47 (S46)	Read/write	Unchanged
04Fh	LCDM48	LCD memory 48 (S47)	Read/write	Unchanged
050h	LCDM49	LCD memory 49 (S48)	Read/write	Unchanged
051h	LCDM50	LCD memory 50 (S49)	Read/write	Unchanged
052h	LCDM51	LCD memory 51 (S50)	Read/write	Unchanged
053h	LCDM52	LCD memory 52 (S51)	Read/write	Unchanged
054h		Reserved		
055h		Reserved		
056h		Reserved		
057h		Reserved		
058h		Reserved		
059h		Reserved		
05Ah		Reserved		
05Bh		Reserved		
05Ch		Reserved		
05Dh		Reserved		
05Eh		Reserved		
05Fh		Reserved		

35.3.1 LCDCCTL0 Register

LCD_C Control Register 0

NOTE: Settings for LCDDIVx, LCDPREx, LCDSSEL, LCDLP and LCDMXx should be changed only while LCDON = 0.

Figure 35-12. LCDCCTL0 Register

15	14	13	12	11	10	9	8
LCDDIVx				LCDPREx			
rw-0	rw-0	rw-0	rw-0	rw-0	rw-0	rw-0	rw-0
7	6	5	4	3	2	1	0
LCDSSSEL	Reserved	LCDMXx			LCDSON	LCDLP	LCDON
rw-0	r0	rw-0	rw-0	rw-0	rw-0	rw-0	rw-0

Table 35-8. LCDCCTL0 Register Description

Bit	Field	Type	Reset	Description
15-11	LCDDIVx	RW	0h	LCD frequency divider. Together with LCDPREx the LCD frequency f_{LCD} is calculated as $f_{LCD} = f_{ACLK/VLO} / ((LCDDIVx + 1) \times 2^{LCDPREx})$. 00000b = Divide by 1 00001b = Divide by 2 : 11110b = Divide by 31 11111b = Divide by 32
10-8	LCDPREx	RW	0h	LCD frequency pre-scaler. Together with LCDDIVx the LCD frequency f_{LCD} is calculated as $f_{LCD} = f_{ACLK/VLO} / ((LCDDIVx + 1) \times 2^{LCDPREx})$. 000b = Divide by 1 001b = Divide by 2 010b = Divide by 4 011b = Divide by 8 100b = Divide by 16 101b = Divide by 32 110b = Reserved (defaults to divide by 32) 111b = Reserved (defaults to divide by 32)
7	LCDSSSEL	RW	0h	Clock source select for LCD and blinking frequency 0b = ACLK (30 kHz to 40 kHz) 1b = VLOCLK
6	Reserved	R	0h	Reserved
5-3	LCDMXx	RW	0h	LCD mux rate. These bits select the LCD mode. 000b = Static 001b = 2-mux 010b = 3-mux 011b = 4-mux 100b = 5-mux 101b = 6-mux 110b = 7-mux 111b = 8-mux
2	LCDSON	RW	0h	LCD segments on. This bit supports flashing LCD applications by turning off all segment lines, while leaving the LCD timing generator and R33 enabled. 0b = All LCD segments are off 1b = All LCD segments are enabled and on or off according to their corresponding memory location
1	LCDLP	RW	0h	LCD low-power waveform 0b = Standard LCD waveforms on segment and common lines selected 1b = Low-power LCD waveforms on segment and common lines selected

Table 35-8. LCDCCTL0 Register Description (continued)

Bit	Field	Type	Reset	Description
0	LCDON	RW	0h	LCD on. This bit turns the LCD_C module on or off. 0b = LCD_C module off 1b = LCD_C module on

35.3.2 LCDCTL1 Register

LCD_C Control Register 1

Figure 35-13. LCDCTL1 Register

15	14	13	12	11	10	9	8
Reserved				LCDNOCAPIE	LCDBLKONIE	LCDBLKOFFIE	LCDFRMIE
r0	r0	r0	r0	rw-0	rw-0	rw-0	rw-0
7	6	5	4	3	2	1	0
Reserved				LCDNOCAPIFG	LCDBLKONIFG	LCDBLKOFFIFG	LCDFRMIFG
r0	r0	r0	r0	rw-0	rw-0	rw-0	rw-0

Table 35-9. LCDCTL1 Register Description

Bit	Field	Type	Reset	Description
15-12	Reserved	R	0h	Reserved
11	LCDNOCAPIE	RW	0h	No capacitance connected interrupt enable 0b = Interrupt disabled 1b = Interrupt enabled
10	LCDBLKONIE	RW	0h	LCD blinking interrupt enable, segments switched on 0b = Interrupt disabled 1b = Interrupt enabled
9	LCDBLKOFFIE	RW	0h	LCD blinking interrupt enable, segments switched off 0b = Interrupt disabled 1b = Interrupt enabled
8	LCDFRMIE	RW	0h	LCD frame interrupt enable 0b = Interrupt disabled 1b = Interrupt enabled
7-4	Reserved	R	0h	Reserved
3	LCDNOCAPIFG	RW	0h	No capacitance connected interrupt flag. Set when charge pump is enabled but no capacitance is connected to LCDCAP pin. 0b = No interrupt pending 1b = Interrupt pending
2	LCDBLKONIFG	RW	0h	LCD blinking interrupt flag, segments switched on. Automatically cleared when data is written into a memory register. 0b = No interrupt pending 1b = Interrupt pending
1	LCDBLKOFFIFG	RW	0h	LCD blinking interrupt flag, segments switched off. Automatically cleared when data is written into a memory register. 0b = No interrupt pending 1b = Interrupt pending
0	LCDFRMIFG	RW	0h	LCD frame interrupt flag. Automatically cleared when data is written into a memory register. 0b = No interrupt pending 1b = Interrupt pending

35.3.3 LCDCBLKCTL Register

LCD_C Blink Control Register

NOTE: Settings for LCDBLKDIVx and LCDBLKPREx should only be changed while LCDBLKMODx = 00.

Figure 35-14. LCDCBLKCTL Register

15	14	13	12	11	10	9	8
Reserved							
r0	r0	r0	r0	r0	r0	r0	r0
7	6	5	4	3	2	1	0
LCDBLKDIVx			LCDBLKPREx			LCDBLKMODx	
rw-0	rw-0	rw-0	rw-0	rw-0	rw-0	rw-0	rw-0

Table 35-10. LCDCBLKCTL Register Description

Bit	Field	Type	Reset	Description
15-8	Reserved	R	0h	Reserved
7-5	LCDBLKDIVx	RW	0h	Clock divider for blinking frequency. Together with LCDBLKPREx, the blinking frequency f_{BLINK} is calculated as $f_{\text{BLINK}} = f_{\text{ACLK/VLO}} / ((\text{LCDBLKDIVx} + 1) \times 2^{9+\text{LCDBLKPREx}})$. NOTE: Should only be changed while LCDBLKMODx = 00. 000b = Divide by 1 001b = Divide by 2 010b = Divide by 3 011b = Divide by 4 100b = Divide by 5 101b = Divide by 6 110b = Divide by 7 111b = Divide by 8
4-2	LCDBLKPREx	RW	0h	Clock pre-scaler for blinking frequency. Together with LCDBLKDIVx, the blinking frequency f_{BLINK} is calculated as $f_{\text{BLINK}} = f_{\text{ACLK/VLO}} / ((\text{LCDBLKDIVx} + 1) \times 2^{9+\text{LCDBLKPREx}})$. NOTE: Should only be changed while LCDBLKMODx = 00. 000b = Divide by 512 001b = Divide by 1024 010b = Divide by 2048 011b = Divide by 4096 100b = Divide by 8192 101b = Divide by 16384 110b = Divide by 32768 111b = Divide by 65536
1-0	LCDBLKMODx	RW	0h	Blinking mode 00b = Blinking disabled 01b = Blinking of individual segments as enabled in blinking memory register LCDBMx. In mux mode >5 blinking is disabled. 10b = Blinking of all segments 11b = Switching between display contents as stored in LCDMx and LCDBMx memory registers. In mux mode >5 blinking is disabled.

35.3.4 LCDCMEMCTL Register

LCD_C Memory Control Register

Figure 35-15. LCDCMEMCTL Register

15	14	13	12	11	10	9	8
Reserved							
r0	r0	r0	r0	r0	r0	r0	r0
7	6	5	4	3	2	1	0
Reserved					LCDCCLRBM	LCDCCLRM	LCDDISP
r0	r0	r0	r0	r0	rw-0	rw-0	rw-0

Table 35-11. LCDCMEMCTL Register Description

Bit	Field	Type	Reset	Description
15-3	Reserved	R	0h	Reserved
2	LCDCCLRBM	RW	0h	Clear LCD blinking memory Clears all blinking memory registers LCDBMx. The bit is automatically reset when the blinking memory is cleared. Setting this bit has in 5-mux mode and above has no effect. It's immediately reset again. 0b = Contents of blinking memory registers LCDBMx remain unchanged 1b = Clear content of all blinking memory registers LCDBMx
1	LCDCCLRM	RW	0h	Clear LCD memory Clears all LCD memory registers LCDMx. The bit is automatically reset when the LCD memory is cleared. 0b = Contents of LCD memory registers LCDMx remain unchanged 1b = Clear content of all LCD memory registers LCDMx
0	LCDDISP	RW	0h	Select LCD memory registers for display The bit is cleared in LCDBLKMODx = 01 and LCDBLKMODx = 10 or if a mux mode ≥5 is selected and cannot be changed by software. When LCDBLKMODx = 11, this bit reflects the currently displayed memory but cannot be changed by software. When returning to LCDBLKMODx = 00 the bit is cleared. 0b = Display content of LCD memory registers LCDMx 1b = Display content of LCD blinking memory registers LCDBMx

35.3.5 LCDCVCTL Register

LCD_C Voltage Control Register

NOTE: Settings for LCDREXT, R03EXT, LCDEXTBIAS, VLCDEXT, VLCDREFx, and LCD2B should be changed only while LCDON = 0.

Figure 35-16. LCDCVCTL Register

15	14	13	12	11	10	9	8
Reserved			VLCDx				Reserved
r0	rw-0	rw-0	rw-0	rw-0	rw-0	rw-0	r0
7	6	5	4	3	2	1	0
LCDREXT	R03EXT	LCDEXTBIAS	VLCDEXT	LCDCPEN	VLCDREFx		LCD2B
rw-0	rw-0	rw-0	rw-0	rw-0	rw-0	rw-0	rw-0

Table 35-12. LCDCVCTL Register Description

Bit	Field	Type	Reset	Description
15-13	Reserved	R	0h	Reserved
12-9	VLCDx	RW	0h	Charge pump voltage select. LCDCPEN must be 1 for the charge pump to be enabled. VCC is used for V_{LCD} when VLCDx = 0000 and VLCDREFx = 00 and VLCDEXT = 0. 0000b = Charge pump disabled 0001b = If VLCDREFx = 00 or 10: $V_{LCD} = 2.60\text{ V}$; If VLCDREFx = 01 or 11: $V_{LCD} = 2.17 \times V_{REF}$ 0010b to 1110b = If VLCDREFx = 00 or 10: $V_{LCD} = 2.60\text{ V} + (VLCDx - 1) \times 0.06\text{ V}$; If VLCDREFx = 01 or 11: $V_{LCD} = 2.17 \times V_{REF} + (VLCDx - 1) \times 0.05 \times V_{REF}$ 1111b = If VLCDREFx = 00 or 10: $V_{LCD} = 2.60\text{ V} + (15 - 1) \times 0.06\text{ V} = 3.44\text{ V}$; If VLCDREFx = 01 or 11: $V_{LCD} = 2.17 \times V_{REF} + (15 - 1) \times 0.05 \times V_{REF} = 2.87 \times V_{REF}$
8	Reserved	R	0h	Reserved
7	LCDREXT	RW	0h	V2 to V4 voltage on external Rx3 pins. This bit selects the external connections for voltages V2 to V4 with internal bias generation (LCDEXTBIAS = 0). The bit is don't care if external biasing is selected (LCDEXTBIAS = 1). NOTE: Should be changed only while LCDON = 0. 0b = Internally generated V2 to V4 are not switched to pins (LCDEXTBIAS = 0) 1b = Internally generated V2 to V4 are switched to pins (LCDEXTBIAS = 0)
6	R03EXT	RW	0h	V5 voltage select. This bit selects the external connection for the lowest LCD voltage. R03EXT is ignored if there is no R03 pin available. NOTE: Should be changed only while LCDON = 0. 0b = V5 is VSS 1b = V5 is sourced from the R03 pin
5	LCDEXTBIAS	RW	0h	V2 to V4 voltage select. This bit selects the generation for voltages V2 to V4. NOTE: Should be changed only while LCDON = 0. 0b = V2 to V4 are generated internally 1b = V2 to V4 are sourced externally and the internal bias generator is switched off
4	VLCDEXT	RW	0h	V_{LCD} source select NOTE: Should be changed only while LCDON = 0. 0b = V_{LCD} is generated internally 1b = V_{LCD} is sourced externally

Table 35-12. LCDCVCTL Register Description (continued)

Bit	Field	Type	Reset	Description
3	LCDCPEN	RW	0h	Charge pump enable 0b = Charge pump disabled 1b = Charge pump enabled when V_{LCD} is generated internally (VLCDEXT = 0) and VLCDx > 0 or VLCDREFx > 0
2-1	VLCDREFx	RW	0h	Charge pump reference select. If LCDEXTBIAS = 1 or LCDREXT = 1, settings 01, 10, and 11 are not supported; the internal reference voltage is used instead. NOTE: Should be changed only while LCDON = 0. 00b = Internal reference voltage 01b = External reference voltage 10b = Internal reference voltage switched to external pin LCDREF/R13 11b = Reserved (defaults to external reference voltage)
0	LCD2B	RW	0h	Bias select. LCD2B is ignored in static mode or mux modes ≥ 5 . NOTE: Should be changed only while LCDON = 0. 0b = 1/3 bias 1b = 1/2 bias

35.3.6 LCDCPCTL0 Register

LCD_C Port Control Register 0

NOTE: Settings for LCDSx should be changed only while LCDON = 0.

Figure 35-17. LCDCPCTL0 Register

15	14	13	12	11	10	9	8
LCDS15	LCDS14	LCDS13	LCDS12	LCDS11	LCDS10	LCDS9	LCDS8
rw-0	rw-0	rw-0	rw-0	rw-0	rw-0	rw-0	rw-0
7	6	5	4	3	2	1	0
LCDS7	LCDS6	LCDS5	LCDS4	LCDS3	LCDS2	LCDS1	LCDS0
rw-0	rw-0	rw-0	rw-0	rw-0	rw-0	rw-0	rw-0

Table 35-13. LCDCPCTL0 Register Description

Bit	Field	Type	Reset	Description
15-0	LCDSx	RW	0h	LCD segment line x enable. This bit affects only pins with multiplexed functions. Dedicated LCD pins are always LCD function. NOTE: Settings for LCDSx should be changed only while LCDON = 0. 0b = Multiplexed pins are port functions 1b = Pins are LCD functions

35.3.7 LCDCPCTL1 Register

LCD_C Port Control Register 1

NOTE: Settings for LCDSx should be changed only while LCDON = 0.

Figure 35-18. LCDCPCTL1 Register

15	14	13	12	11	10	9	8
LCDS31	LCDS30	LCDS29	LCDS28	LCDS27	LCDS26	LCDS25	LCDS24
rw-0	rw-0	rw-0	rw-0	rw-0	rw-0	rw-0	rw-0
7	6	5	4	3	2	1	0
LCDS23	LCDS22	LCDS21	LCDS20	LCDS19	LCDS18	LCDS17	LCDS16
rw-0	rw-0	rw-0	rw-0	rw-0	rw-0	rw-0	rw-0

Table 35-14. LCDCPCTL1 Register Description

Bit	Field	Type	Reset	Description
15-0	LCDSx	RW	0h	LCD segment line x enable. On devices supporting a maximum of 192 segments LCDS31 is reserved, if COM7 to COM1 are shared with segments. If COM7 to COM1 are not shared with segments LCDS24 to LCDS31 are reserved. This bit affects only pins with multiplexed functions. Dedicated LCD pins are always LCD function. NOTE: Settings for LCDSx should be changed only while LCDON = 0. 0b = Multiplexed pins are port functions 1b = Pins are LCD functions

35.3.8 LCDCPCTL2 Register

LCD_C Port Control Register 2 (≥ 256 Segments)

NOTE: Settings for LCDSx should be changed only while LCDON = 0.

Figure 35-19. LCDCPCTL2 Register

15	14	13	12	11	10	9	8
LCDS47	LCDS46	LCDS45	LCDS44	LCDS43	LCDS42	LCDS41	LCDS40
rw-0	rw-0	rw-0	rw-0	rw-0	rw-0	rw-0	rw-0
7	6	5	4	3	2	1	0
LCDS39	LCDS38	LCDS37	LCDS36	LCDS35	LCDS34	LCDS33	LCDS32
rw-0	rw-0	rw-0	rw-0	rw-0	rw-0	rw-0	rw-0

Table 35-15. LCDCPCTL2 Register Description

Bit	Field	Type	Reset	Description
15-0	LCDSx	RW	0h	LCD segment line x enable. On devices supporting a maximum of 256 segments LCDS39 to LCDS47 are reserved, if COM7 to COM1 are shared with segments. If COM7 to COM1 are not shared with segments the complete register LCDCPCTL2 is not available. On devices supporting a maximum of 320 segments, LCDS47 is reserved if COM7 to COM1 are shared with segments. If COM7 to COM1 are not shared with segments, LCDS40 to LCDS47 are reserved. This bit affects only pins with multiplexed functions. Dedicated LCD pins are always LCD function. NOTE: Settings for LCDSx should be changed only while LCDON = 0. 0b = Multiplexed pins are port functions 1b = Pins are LCD functions

35.3.9 LCDCPCTL3 Register

LCD_C Port Control Register 2 (384 Segments, COMs Shared With Segments)

NOTE: Settings for LCDSx should be changed only while LCDON = 0.

Figure 35-20. LCDCPCTL3 Register

15	14	13	12	11	10	9	8
Reserved							
r0	r0	r0	r0	r0	r0	r0	r0
7	6	5	4	3	2	1	0
Reserved		LCDS53	LCDS52	LCDS51	LCDS50	LCDS49	LCDS48
r0	r0	rw-0	rw-0	rw-0	rw-0	rw-0	rw-0

Table 35-16. LCDCPCTL3 Register Description

Bit	Field	Type	Reset	Description
15-6	Reserved	R	0h	Reserved
5-0	LCDSx	RW	0h	LCD segment line x enable. This bit affects only pins with multiplexed functions. Dedicated LCD pins are always LCD function. NOTE: Settings for LCDSx should be changed only while LCDON = 0. 0b = Multiplexed pins are port functions 1b = Pins are LCD functions

35.3.10 LCDCCPCTL Register

LCD_C Charge Pump Control Register

Figure 35-21. LCDCCPCTL Register

15	14	13	12	11	10	9	8
LDCPCLK SYNC	Reserved						
rw-0	r0	r0	r0	r0	r0	r0	r0
7	6	5	4	3	2	1	0
LCDCPDISx							
rw-0	rw-0	rw-0	rw-0	rw-0	rw-0	rw-0	rw-0

Table 35-17. LCDCCPCTL Register Description

Bit	Field	Type	Reset	Description
15	LDCPCLKSYNC	RW	0h	LCD charge pump clock synchronization (device specific). The charge pump clock is synchronized to a device specific clock (device-specific) when the respective clock source is enabled and does not indicate a fault with its fault signal - if available. 0b = Synchronization disabled 1b = Synchronization enabled
14-8	Reserved	R	0h	Reserved
7-0	LDCPDISx	RW	0h	LCD charge pump disable (number of implemented bits and connected function is device-specific) 0b = Connected function cannot disable charge pump 1b = Connected function can disable charge pump

35.3.11 LCDCIV Register

LCD_C Interrupt Vector Register

Figure 35-22. LCDCIV Register

15	14	13	12	11	10	9	8
LCDCIVx							
r0	r0	r0	r0	r0	r0	r0	r0
7	6	5	4	3	2	1	0
LCDCIVx							
r0	r0	r0	r0	r0	r0	r0	r0

Table 35-18. LCDCIV Register Description

Bit	Field	Type	Reset	Description
15-0	LCDCIVx	R	0h	LCD_C interrupt vector value 00h = No interrupt pending 02h = Interrupt Source: No capacitor connected; Interrupt Flag: LCDNOCAPIFG; Interrupt Priority: Highest 04h = Interrupt Source: Blink, segments off; Interrupt Flag: LCDBLKOFFIFG 06h = Interrupt Source: Blink, segments on; Interrupt Flag: LCDBLKONIFG 08h = Interrupt Source: Frame interrupt; Interrupt Flag: LCDFRMIFG; Interrupt Priority: Lowest

Universal Serial Communication Interface – UART Mode

The universal serial communication interface (USCI) supports multiple serial communication modes with one hardware module. This chapter discusses the operation of the asynchronous UART mode.

Topic	Page
36.1 Universal Serial Communication Interface (USCI) Overview	937
36.2 USCI Introduction – UART Mode.....	938
36.3 USCI Operation – UART Mode	940
36.4 USCI_A UART Mode Registers	956

36.1 Universal Serial Communication Interface (USCI) Overview

The USCI modules support multiple serial communication modes. Different USCI modules support different modes. Each different USCI module is named with a different letter. For example, USCI_A is different from USCI_B, etc. If more than one identical USCI module is implemented on one device, those modules are named with incrementing numbers. For example, if one device has two USCI_A modules, they are named USCI_A0 and USCI_A1. See the device-specific data sheet to determine which USCI modules, if any, are implemented on which devices.

USCI_Ax modules support:

- UART mode
- Pulse shaping for IrDA communications
- Automatic baud-rate detection for LIN communications
- SPI mode

USCI_Bx modules support:

- I²C mode
- SPI mode

36.2 USCI Introduction – UART Mode

In asynchronous mode, the USCI_Ax modules connect the device to an external system via two external pins, UCxAxRXD and UCxAxTXD. UART mode is selected when the UCSYNC bit is cleared.

UART mode features include:

- 7- or 8-bit data with odd, even, or non-parity
- Independent transmit and receive shift registers
- Separate transmit and receive buffer registers
- LSB-first or MSB-first data transmit and receive
- Built-in idle-line and address-bit communication protocols for multiprocessor systems
- Receiver start-edge detection for auto wake up from LPMx modes (wake up from LPMx.5 is not supported)
- Programmable baud rate with modulation for fractional baud-rate support
- Status flags for error detection and suppression
- Status flags for address detection
- Independent interrupt capability for receive and transmit

Figure 36-1 shows the USCI_Ax when configured for UART mode.

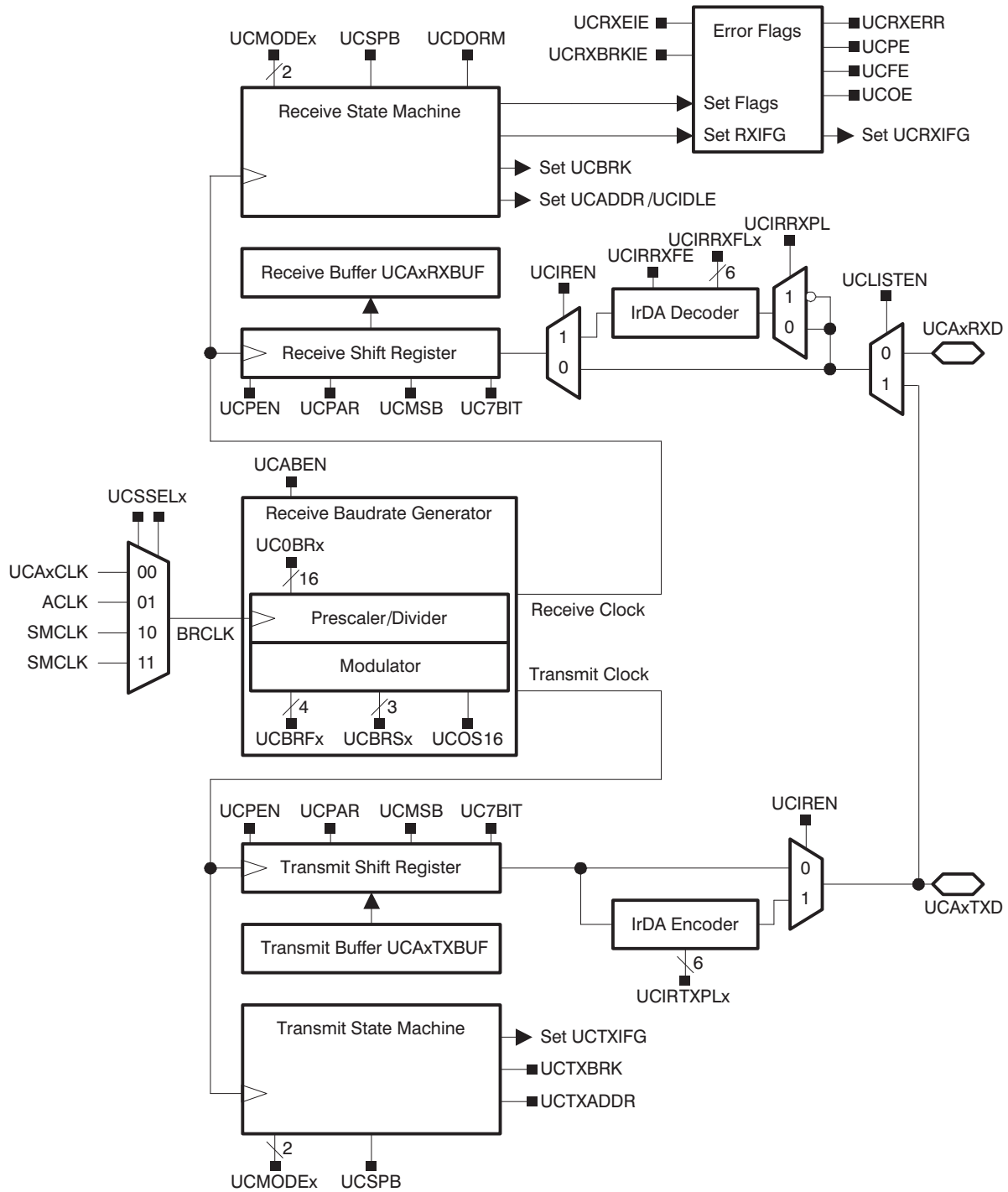


Figure 36-1. USCI_Ax Block Diagram – UART Mode (UCSYNC = 0)

36.3 USCI Operation – UART Mode

In UART mode, the USCI transmits and receives characters at a bit rate asynchronous to another device. Timing for each character is based on the selected baud rate of the USCI. The transmit and receive functions use the same baud-rate frequency.

36.3.1 USCI Initialization and Reset

The USCI is reset by a PUC or by setting the UCSWRST bit. After a PUC, the UCSWRST bit is automatically set, keeping the USCI in a reset condition. When set, the UCSWRST bit resets the UCRXIE, UCTXIE, UCRXIFG, UCRXERR, UCBRK, UCPE, UCOE, UCFE, UCSTOE, and UCBTOE bits, and sets the UCTXIFG bit. Clearing UCSWRST releases the USCI for operation.

To avoid unpredictable behavior, configure or reconfigure the USCI_A module only when UCSWRST is set.

NOTE: Initializing or reconfiguring the USCI module

The recommended USCI initialization/reconfiguration process is:

1. Set UCSWRST (BIS.B
#UCSWRST, &UCAxCTL1).
 2. Initialize all USCI registers with UCSWRST = 1 (including UCAxCTL1).
 3. Configure ports.
 4. Clear UCSWRST via software (BIC.B
#UCSWRST, &UCAxCTL1).
 5. Enable interrupts (optional) via UCRXIE and/or UCTXIE.
-

36.3.2 Character Format

The UART character format (see [Figure 36-2](#)) consists of a start bit, seven or eight data bits, an even/odd/no parity bit, an address bit (address-bit mode), and one or two stop bits. The UCMSB bit controls the direction of the transfer and selects LSB or MSB first. LSB first is typically required for UART communication.

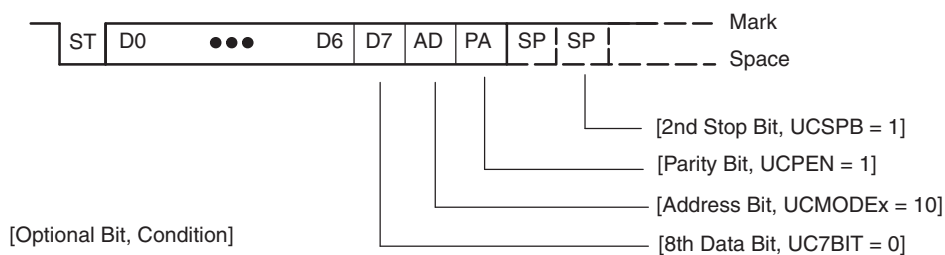


Figure 36-2. Character Format

36.3.3 Asynchronous Communication Format

When two devices communicate asynchronously, no multiprocessor format is required for the protocol. When three or more devices communicate, the USCI supports the idle-line and address-bit multiprocessor communication formats.

36.3.3.1 Idle-Line Multiprocessor Format

When UCMODEx = 01, the idle-line multiprocessor format is selected. Blocks of data are separated by an idle time on the transmit or receive lines (see [Figure 36-3](#)). An idle receive line is detected when ten or more continuous ones (marks) are received after the one or two stop bits of a character. The baud-rate generator is switched off after reception of an idle line until the next start edge is detected. When an idle line is detected, the UCIDLE bit is set.

The first character received after an idle period is an address character. The UCIDLE bit is used as an address tag for each block of characters. In idle-line multiprocessor format, this bit is set when a received character is an address.

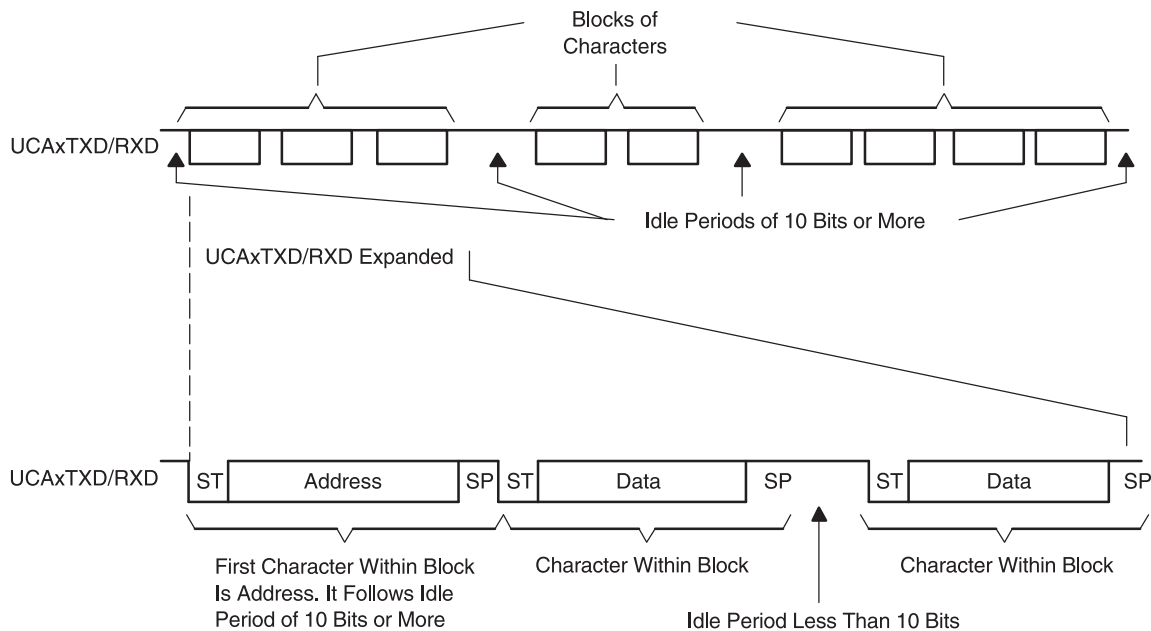


Figure 36-3. Idle-Line Format

The UCDORM bit is used to control data reception in the idle-line multiprocessor format. When UCDORM = 1, all non-address characters are assembled but not transferred into the UCAxRXBUF, and interrupts are not generated. When an address character is received, the character is transferred into UCAxRXBUF, UCRXIFG is set, and any applicable error flag is set when UCRXEIE = 1. When UCRXEIE = 0 and an address character is received but has a framing error or parity error, the character is not transferred into UCAxRXBUF and UCRXIFG is not set.

If an address is received, user software can validate the address and must reset UCDORM to continue receiving data. If UCDORM remains set, only address characters are received. When UCDORM is cleared during the reception of a character, the receive interrupt flag is set after the reception completed. The UCDORM bit is not modified by the USCI hardware automatically.

For address transmission in idle-line multiprocessor format, a precise idle period can be generated by the USCI to generate address character identifiers on UCAxTXD. The double-buffered UCTXADDR flag indicates if the next character loaded into UCAxTXBUF is preceded by an idle line of 11 bits. UCTXADDR is automatically cleared when the start bit is generated.

36.3.3.1.1 Transmitting an Idle Frame

The following procedure sends out an idle frame to indicate an address character followed by associated data:

1. Set UCTXADDR, then write the address character to UCAxTXBUF. UCAxTXBUF must be ready for new data (UCTXIFG = 1).
This generates an idle period of exactly 11 bits followed by the address character. UCTXADDR is reset automatically when the address character is transferred from UCAxTXBUF into the shift register.
2. Write desired data characters to UCAxTXBUF. UCAxTXBUF must be ready for new data (UCTXIFG = 1).
The data written to UCAxTXBUF is transferred to the shift register and transmitted as soon as the shift register is ready for new data.
The idle-line time must not be exceeded between address and data transmission or between data transmissions. Otherwise, the transmitted data is misinterpreted as an address.

36.3.3.2 Address-Bit Multiprocessor Format

When UCMODEx = 10, the address-bit multiprocessor format is selected. Each processed character contains an extra bit used as an address indicator (see Figure 36-4). The first character in a block of characters carries a set address bit that indicates that the character is an address. The USCI UCADDR bit is set when a received character has its address bit set and is transferred to UCAXRXBUF.

The UCDORM bit is used to control data reception in the address-bit multiprocessor format. When UCDORM is set, data characters with address bit = 0 are assembled by the receiver but are not transferred to UCAXRXBUF and no interrupts are generated. When a character containing a set address bit is received, the character is transferred into UCAXRXBUF, UCRXIFG is set, and any applicable error flag is set when UCRXEIE = 1. When UCRXEIE = 0 and a character containing a set address bit is received but has a framing error or parity error, the character is not transferred into UCAXRXBUF and UCRXIFG is not set.

If an address is received, user software can validate the address and must reset UCDORM to continue receiving data. If UCDORM remains set, only address characters with address bit = 1 are received. The UCDORM bit is not modified by the USCI hardware automatically.

When UCDORM = 0, all received characters set the receive interrupt flag UCRXIFG. If UCDORM is cleared during the reception of a character, the receive interrupt flag is set after the reception is completed.

For address transmission in address-bit multiprocessor mode, the address bit of a character is controlled by the UCTXADDR bit. The value of the UCTXADDR bit is loaded into the address bit of the character transferred from UCAXTXBUF to the transmit shift register. UCTXADDR is automatically cleared when the start bit is generated.

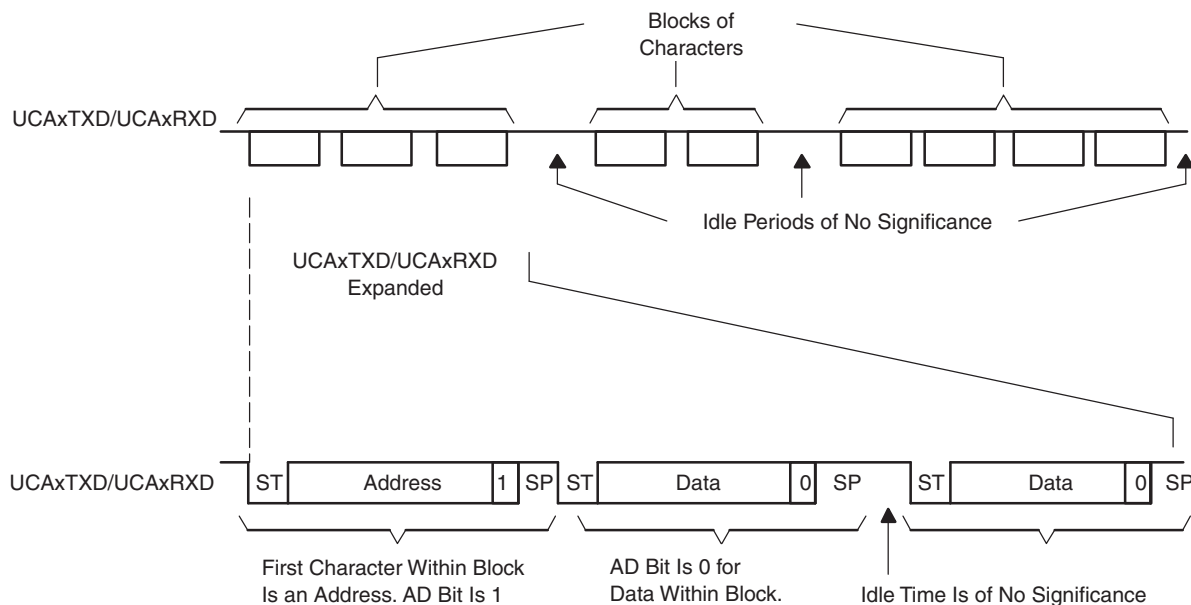


Figure 36-4. Address-Bit Multiprocessor Format

36.3.3.2.1 Break Reception and Generation

When UCMODEx = 00, 01, or 10, the receiver detects a break when all data, parity, and stop bits are low, regardless of the parity, address mode, or other character settings. When a break is detected, the UCBRK bit is set. If the break interrupt enable bit (UCBRKIE) is set, the receive interrupt flag UCRXIFG is also set. In this case, the value in UCAXRXBUF is 0h, because all data bits were zero.

To transmit a break, set the UCTXBRK bit, then write 0h to UCAXTXBUF. UCAXTXBUF must be ready for new data (UCTXIFG = 1). This generates a break with all bits low. UCTXBRK is automatically cleared when the start bit is generated.

36.3.4 Automatic Baud-Rate Detection

When UCMODEx = 11, UART mode with automatic baud-rate detection is selected. For automatic baud-rate detection, a data frame is preceded by a synchronization sequence that consists of a break and a synch field. A break is detected when 11 or more continuous zeros (spaces) are received. If the length of the break exceeds 21 bit times the break timeout error flag UCBTOE is set. The USCI can not transmit data while receiving the break/synch field. The synch field follows the break as shown in Figure 36-5.

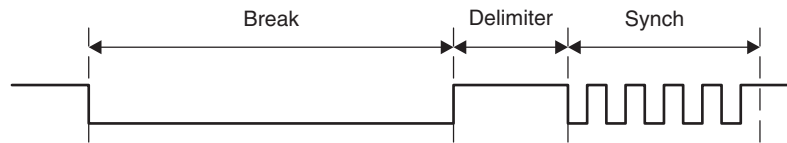


Figure 36-5. Auto Baud-Rate Detection – Break/Synch Sequence

For LIN conformance, the character format should be set to eight data bits, LSB first, no parity, and one stop bit. No address bit is available.

The synch field consists of the data 055h inside a byte field (see Figure 36-6). The synchronization is based on the time measurement between the first falling edge and the last falling edge of the pattern. The transmit baud-rate generator is used for the measurement if automatic baud-rate detection is enabled by setting UCABDEN. Otherwise, the pattern is received but not measured. The result of the measurement is transferred into the baud-rate control registers (UCAxBR0, UCAxBR1, and UCAxMCTL). If the length of the synch field exceeds the measurable time, the synch timeout error flag UCSTOE is set.

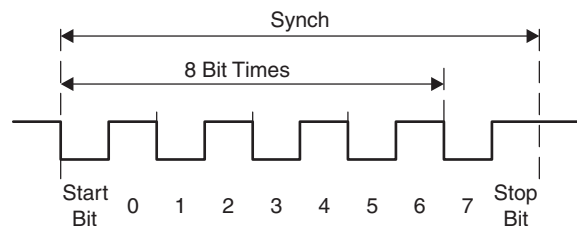


Figure 36-6. Auto Baud-Rate Detection – Synch Field

The UCDORM bit is used to control data reception in this mode. When UCDORM is set, all characters are received but not transferred into the UCAxRXBUF, and interrupts are not generated. When a break/synch field is detected, the UCBRK flag is set. The character following the break/synch field is transferred into UCAxRXBUF and the UCRXIFG interrupt flag is set. Any applicable error flag is also set. If the UCBRKIE bit is set, reception of the break/synch sets the UCRXIFG. The UCBRK bit is reset by user software or by reading the receive buffer UCAxRXBUF.

When a break/synch field is received, user software must reset UCDORM to continue receiving data. If UCDORM remains set, only the character after the next reception of a break/synch field is received. The UCDORM bit is not modified by the USCI hardware automatically.

When UCDORM = 0, all received characters set the receive interrupt flag UCRXIFG. If UCDORM is cleared during the reception of a character, the receive interrupt flag is set after the reception is complete.

The counter used to detect the baud rate is limited to 07FFFh (32767) counts. This means the minimum baud rate detectable is 488 baud in oversampling mode and 30 baud in low-frequency mode.

The automatic baud-rate detection mode can be used in a full-duplex communication system with some restrictions. The USCI can not transmit data while receiving the break/synch field and, if a 0h byte with framing error is received, any data transmitted during this time gets corrupted. The latter case can be discovered by checking the received data and the UCFE bit.

36.3.4.1 Transmitting a Break/Synch Field

The following procedure transmits a break/synch field:

1. Set UCTXBRK with UMODEx = 11.
2. Write 055h to UCAXTXBUF. UCAXTXBUF must be ready for new data (UCTXIFG = 1).
This generates a break field of 13 bits followed by a break delimiter and the synch character. The length of the break delimiter is controlled with the UCDELIMx bits. UCTXBRK is reset automatically when the synch character is transferred from UCAXTXBUF into the shift register.

3. Write desired data characters to UCAXTXBUF. UCAXTXBUF must be ready for new data (UCTXIFG = 1).

The data written to UCAXTXBUF is transferred to the shift register and transmitted as soon as the shift register is ready for new data.

36.3.5 IrDA Encoding and Decoding

When UCIREN is set, the IrDA encoder and decoder are enabled and provide hardware bit shaping for IrDA communication.

36.3.5.1 IrDA Encoding

The encoder sends a pulse for every zero bit in the transmit bitstream coming from the UART (see [Figure 36-7](#)). The pulse duration is defined by UCIRTXPLx bits specifying the number of one-half clock periods of the clock selected by UCIRTXCLK.

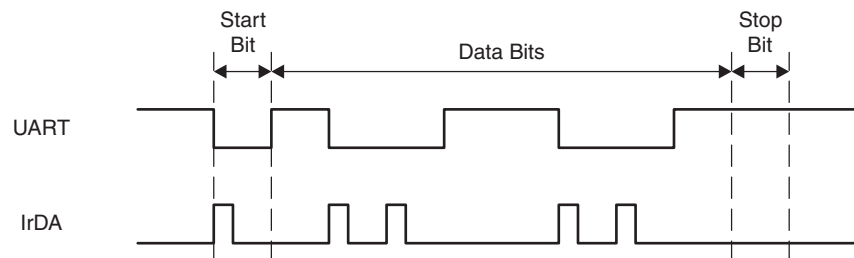


Figure 36-7. UART vs IrDA Data Format

To set the pulse time of 3/16 bit period required by the IrDA standard, the BITCLK16 clock is selected with UCIRTXCLK = 1, and the pulse length is set to six one-half clock cycles with UCIRTXPLx = 6 – 1 = 5.

When UCIRTXCLK = 0, the pulse length t_{PULSE} is based on BRCLK and is calculated as:

$$UCIRTXPLx = t_{PULSE} \times 2 \times f_{BRCLK} - 1$$

When UCIRTXCLK = 0, the prescaler UCBRx must to be set to a value greater or equal to 5.

36.3.5.2 IrDA Decoding

The decoder detects high pulses when UCIRRXP = 0. Otherwise, it detects low pulses. In addition to the analog deglitch filter, an additional programmable digital filter stage can be enabled by setting UCIRRFE. When UCIRRFE is set, only pulses longer than the programmed filter length are passed. Shorter pulses are discarded. The equation to program the filter length UCIRRFLx is:

$$UCIRRFLx = (t_{PULSE} - t_{WAKE}) \times 2 \times f_{BRCLK} - 4$$

Where:

t_{PULSE} = Minimum receive pulse width

t_{WAKE} = Wake time from any low-power mode. Zero when the device is in active mode.

36.3.6 Automatic Error Detection

Glitch suppression prevents the USCI from being accidentally started. Any pulse on UCAXRXD shorter than the deglitch time t_d (approximately 150 ns) is ignored (see the device-specific data sheet for parameters).

When a low period on UCAXRXD exceeds t_d , a majority vote is taken for the start bit. If the majority vote fails to detect a valid start bit, the USCI halts character reception and waits for the next low period on UCAXRXD. The majority vote is also used for each bit in a character to prevent bit errors.

The USCI module automatically detects framing errors, parity errors, overrun errors, and break conditions when receiving characters. The bits UCFE, UCPE, UCOE, and UCBRK are set when their respective condition is detected. When the error flags UCFE, UCPE, or UCOE are set, UCRXERR is also set. The error conditions are described in [Table 36-1](#).

Table 36-1. Receive Error Conditions

Error Condition	Error Flag	Description
Framing error	UCFE	A framing error occurs when a low stop bit is detected. When two stop bits are used, both stop bits are checked for framing error. When a framing error is detected, the UCFE bit is set.
Parity error	UCPE	A parity error is a mismatch between the number of 1s in a character and the value of the parity bit. When an address bit is included in the character, it is included in the parity calculation. When a parity error is detected, the UCPE bit is set.
Receive overrun	UCOE	An overrun error occurs when a character is loaded into UCAXRXBUF before the prior character has been read. When an overrun occurs, the UCOE bit is set.
Break condition	UCBRK	When not using automatic baud-rate detection, a break is detected when all data, parity, and stop bits are low. When a break condition is detected, the UCBRK bit is set. A break condition can also set the interrupt flag UCRXIFG if the break interrupt enable UCBRKIE bit is set.

When UCRXEIE = 0 and a framing error or parity error is detected, no character is received into UCAXRXBUF. When UCRXEIE = 1, characters are received into UCAXRXBUF and any applicable error bit is set.

When any of the UCFE, UCPE, UCOE, UCBRK, or UCRXERR bit is set, the bit remains set until user software resets it or UCAXRXBUF is read. UCOE must be reset by reading UCAXRXBUF. Otherwise, it does not function properly. To detect overflows reliably the following flow is recommended. After a character was received and UCAXRXIFG is set, first read UCAXSTAT to check the error flags including the overflow flag UCOE. Read UCAXRXBUF next. This clears all error flags except UCOE, if UCAXRXBUF was overwritten between the read access to UCAXSTAT and to UCAXRXBUF. Therefore, the UCOE flag should be checked after reading UCAXRXBUF to detect this condition. Note that, in this case, the UCRXERR flag is not set.

36.3.7 USCI Receive Enable

The USCI module is enabled by clearing the UCSWRST bit and the receiver is ready and in an idle state. The receive baud rate generator is in a ready state but is not clocked nor producing any clocks.

The falling edge of the start bit enables the baud rate generator and the UART state machine checks for a valid start bit. If no valid start bit is detected the UART state machine returns to its idle state and the baud rate generator is turned off again. If a valid start bit is detected, a character is received.

When the idle-line multiprocessor mode is selected with UCMODEx = 01 the UART state machine checks for an idle line after receiving a character. If a start bit is detected another character is received. Otherwise the UCIDLE flag is set after 10 ones are received and the UART state machine returns to its idle state and the baud rate generator is turned off.

36.3.7.1 Receive Data Glitch Suppression

Glitch suppression prevents the USCI from being accidentally started. Any glitch on UCAXRXD shorter than the deglitch time t_d (approximately 150 ns) is ignored by the USCI, and further action is initiated as shown in Figure 36-8 (see the device-specific data sheet for parameters).

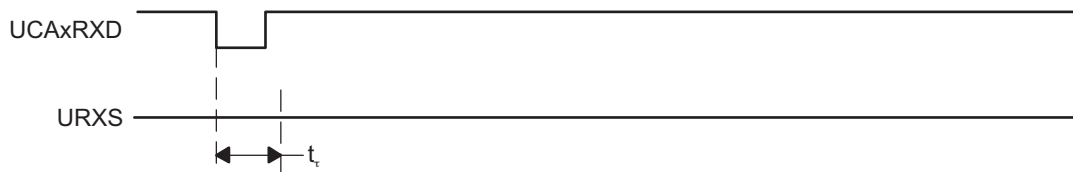


Figure 36-8. Glitch Suppression, USCI Receive Not Started

When a glitch is longer than t_d or a valid start bit occurs on UCAXRXD, the USCI receive operation is started and a majority vote is taken (see Figure 36-9). If the majority vote fails to detect a start bit, the USCI halts character reception.

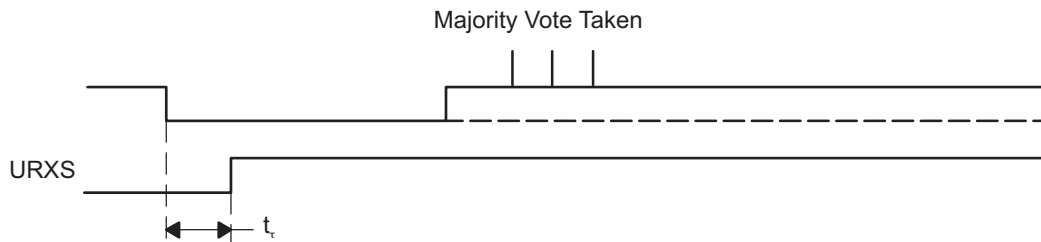


Figure 36-9. Glitch Suppression, USCI Activated

36.3.8 USCI Transmit Enable

The USCI module is enabled by clearing the UCSWRST bit and the transmitter is ready and in an idle state. The transmit baud-rate generator is ready but is not clocked nor producing any clocks.

A transmission is initiated by writing data to UCAXTXBUF. When this occurs, the baud-rate generator is enabled, and the data in UCAXTXBUF is moved to the transmit shift register on the next BITCLK after the transmit shift register is empty. UCTXIFG is set when new data can be written into UCAXTXBUF.

Transmission continues as long as new data is available in UCAXTXBUF at the end of the previous byte transmission. If new data is not in UCAXTXBUF when the previous byte has transmitted, the transmitter returns to its idle state and the baud-rate generator is turned off.

36.3.9 UART Baud-Rate Generation

The USCI baud-rate generator is capable of producing standard baud rates from nonstandard source frequencies. It provides two modes of operation selected by the UCOS16 bit. The baud-rate is generate using the BRCLK that can be sourced by the external clock UCAxCLK, or the internal clocks ACLK or SMCLK depending on the UCSSELx settings.

36.3.9.1 Low-Frequency Baud-Rate Generation

The low-frequency mode is selected when UCOS16 = 0. This mode allows generation of baud rates from low frequency clock sources (for example, 9600 baud from a 32768-Hz crystal). By using a lower input frequency, the power consumption of the module is reduced. Using this mode with higher frequencies and higher prescaler settings causes the majority votes to be taken in an increasingly smaller window and, thus, decrease the benefit of the majority vote.

In low-frequency mode, the baud-rate generator uses one prescaler and one modulator to generate bit clock timing. This combination supports fractional divisors for baud-rate generation. In this mode, the maximum USCI baud rate is one-third the UART source clock frequency BRCLK.

Timing for each bit is shown in Figure 36-10. For each bit received, a majority vote is taken to determine the bit value. These samples occur at the $N/2 - 1/2$, $N/2$, and $N/2 + 1/2$ BRCLK periods, where N is the number of BRCLKs per BITCLK.

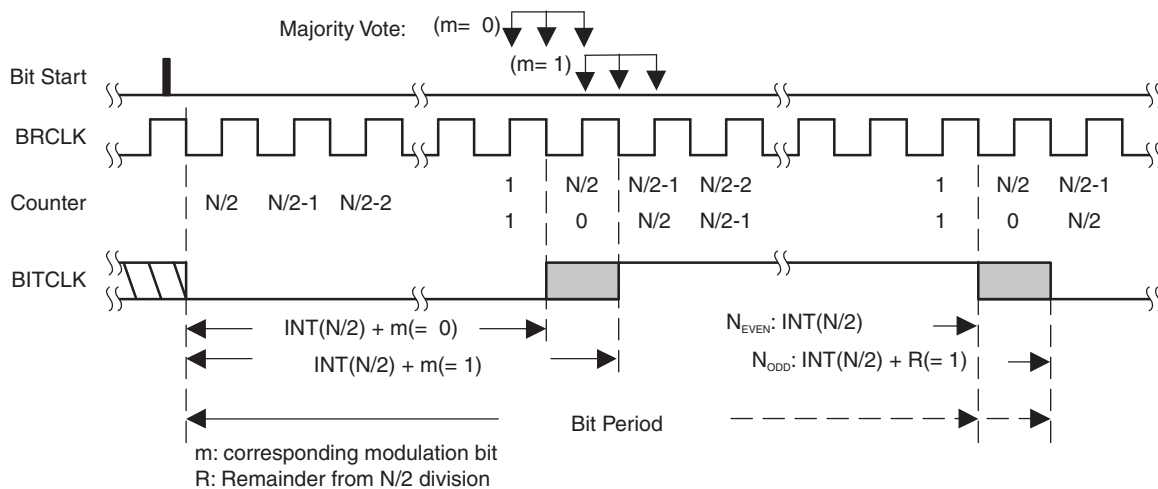


Figure 36-10. BITCLK Baud-Rate Timing With UCOS16 = 0

Modulation is based on the UCBSRx setting (see Table 36-2). A 1 in the table indicates that $m = 1$ and the corresponding BITCLK period is one BRCLK period longer than a BITCLK period with $m = 0$. The modulation wraps around after eight bits but restarts with each new start bit.

Table 36-2. BITCLK Modulation Pattern

UCBSRx	Bit 0 (Start Bit)	Bit 1	Bit 2	Bit 3	Bit 4	Bit 5	Bit 6	Bit 7
0	0	0	0	0	0	0	0	0
1	0	1	0	0	0	0	0	0
2	0	1	0	0	0	1	0	0
3	0	1	0	1	0	1	0	0
4	0	1	0	1	0	1	0	1
5	0	1	1	1	0	1	0	1
6	0	1	1	1	0	1	1	1
7	0	1	1	1	1	1	1	1

36.3.9.2 Oversampling Baud-Rate Generation

The oversampling mode is selected when UCOS16 = 1. This mode supports sampling a UART bitstream with higher input clock frequencies. This results in majority votes that are always 1/16 of a bit clock period apart. This mode also easily supports IrDA pulses with a 3/16 bit time when the IrDA encoder and decoder are enabled.

This mode uses one prescaler and one modulator to generate the BITCLK16 clock that is 16 times faster than the BITCLK. An additional divider and modulator stage generates BITCLK from BITCLK16. This combination supports fractional divisions of both BITCLK16 and BITCLK for baud-rate generation. In this mode, the maximum USCI baud rate is 1/16 the UART source clock frequency BRCLK. When UCBRx is set to 0 or 1, the first prescaler and modulator stage is bypassed and BRCLK is equal to BITCLK16 – in this case, no modulation for the BITCLK16 is possible and, thus, the UCBRFx bits are ignored.

Modulation for BITCLK16 is based on the UCBRFx setting (see [Table 36-3](#)). A 1 in the table indicates that the corresponding BITCLK16 period is one BRCLK period longer than the periods m = 0. The modulation restarts with each new bit timing.

Modulation for BITCLK is based on the UCBRSx setting (see [Table 36-2](#)) as previously described.

Table 36-3. BITCLK16 Modulation Pattern

UCBRFx	Number of BITCLK16 Clocks After Last Falling BITCLK Edge															
	0	1	2	3	4	5	6	7	8	9	10	11	12	13	14	15
00h	0	0	0	0	0	0	0	0	0	0	0	0	0	0	0	0
01h	0	1	0	0	0	0	0	0	0	0	0	0	0	0	0	0
02h	0	1	0	0	0	0	0	0	0	0	0	0	0	0	0	1
03h	0	1	1	0	0	0	0	0	0	0	0	0	0	0	0	1
04h	0	1	1	0	0	0	0	0	0	0	0	0	0	0	1	1
05h	0	1	1	1	0	0	0	0	0	0	0	0	0	0	1	1
06h	0	1	1	1	0	0	0	0	0	0	0	0	0	1	1	1
07h	0	1	1	1	1	0	0	0	0	0	0	0	0	1	1	1
08h	0	1	1	1	1	0	0	0	0	0	0	0	1	1	1	1
09h	0	1	1	1	1	1	0	0	0	0	0	0	1	1	1	1
0Ah	0	1	1	1	1	1	0	0	0	0	0	1	1	1	1	1
0Bh	0	1	1	1	1	1	1	0	0	0	0	1	1	1	1	1
0Ch	0	1	1	1	1	1	1	0	0	0	1	1	1	1	1	1
0Dh	0	1	1	1	1	1	1	1	0	0	1	1	1	1	1	1
0Eh	0	1	1	1	1	1	1	1	0	1	1	1	1	1	1	1
0Fh	0	1	1	1	1	1	1	1	1	1	1	1	1	1	1	1

36.3.10 Setting a Baud Rate

For a given BRCLK clock source, the baud rate used determines the required division factor N:

$$N = f_{BRCLK} / \text{Baudrate}$$

The division factor N is often a noninteger value, thus, at least one divider and one modulator stage is used to meet the factor as closely as possible.

If N is equal or greater than 16, the oversampling baud-rate generation mode can be chosen by setting UCOS16.

36.3.10.1 Low-Frequency Baud-Rate Mode Setting

In low-frequency mode, the integer portion of the divisor is realized by the prescaler:

$$UCBRx = \text{INT}(N)$$

and the fractional portion is realized by the modulator with the following nominal formula:

$$UCBRSx = \text{round}[(N - \text{INT}(N)) \times 8]$$

Incrementing or decrementing the UCBRSx setting by one count may give a lower maximum bit error for any given bit. To determine if this is the case, a detailed error calculation must be performed for each bit for each UCBRSx setting.

36.3.10.2 Oversampling Baud-Rate Mode Setting

In the oversampling mode, the prescaler is set to:

$$UCBRx = \text{INT}(N/16)$$

and the first stage modulator is set to:

$$UCBRFx = \text{round}[(N/16 - \text{INT}(N/16)) \times 16]$$

When greater accuracy is required, the UCBRSx modulator can also be implemented with values from 0 to 7. To find the setting that gives the lowest maximum bit error rate for any given bit, a detailed error calculation must be performed for all settings of UCBRSx from 0 to 7 with the initial UCBRFx setting, and with the UCBRFx setting incremented and decremented by one.

36.3.11 Transmit Bit Timing

The timing for each character is the sum of the individual bit timings. Using the modulation features of the baud-rate generator reduces the cumulative bit error. The individual bit error can be calculated using the following steps.

36.3.11.1 Low-Frequency Baud-Rate Mode Bit Timing

In low-frequency mode, calculate the length of bit i $T_{\text{bit,TX}}[i]$ based on the UCBRx and UCBRSx settings:

$$T_{\text{bit,TX}}[i] = (1/f_{BRCLK})(UCBRx + m_{UCBRSx}[i])$$

Where:

$$m_{UCBRSx}[i] = \text{Modulation of bit } i \text{ from Table 36-2}$$

36.3.11.2 Oversampling Baud-Rate Mode Bit Timing

In oversampling baud-rate mode, calculate the length of bit i $T_{\text{bit,TX}}[i]$ based on the baud-rate generator UCBRx, UCBRFx and UCBRSx settings:

$$T_{\text{bit,TX}}[i] = \frac{1}{f_{BRCLK}} \left((16 + m_{UCBRSx}[i]) \times UCBRx + \sum_{j=0}^{15} m_{UCBRFx}[j] \right)$$

Where:

$$\sum_{j=0}^{15} m_{UCBRFx}[j] = \text{Sum of ones from the corresponding row in Table 36-3}$$

$$m_{UCBRSx}[i] = \text{Modulation of bit } i \text{ from Table 36-2}$$

This results in an end-of-bit time $t_{\text{bit,TX}[i]}$ equal to the sum of all previous and the current bit times:

$$T_{\text{bit,TX}[i]} = \sum_{j=0}^i T_{\text{bit,TX}[j]}$$

To calculate bit error, this time is compared to the ideal bit time $t_{\text{bit,ideal,TX}[i]}$:

$$t_{\text{bit,ideal,TX}[i]} = (1/\text{Baudrate})(i + 1)$$

This results in an error normalized to one ideal bit time (1/baudrate):

$$\text{Error}_{\text{TX}[i]} = (t_{\text{bit,TX}[i]} - t_{\text{bit,ideal,TX}[i]}) \times \text{Baudrate} \times 100\%$$

36.3.12 Receive Bit Timing

Receive timing error consists of two error sources. The first is the bit-to-bit timing error similar to the transmit bit timing error. The second is the error between a start edge occurring and the start edge being accepted by the USCI module. [Figure 36-11](#) shows the asynchronous timing errors between data on the UCAXRXD pin and the internal baud-rate clock. This results in an additional synchronization error. The synchronization error t_{SYNC} is between -0.5 BRCLKs and $+0.5$ RCLKs, independent of the selected baud-rate generation mode.

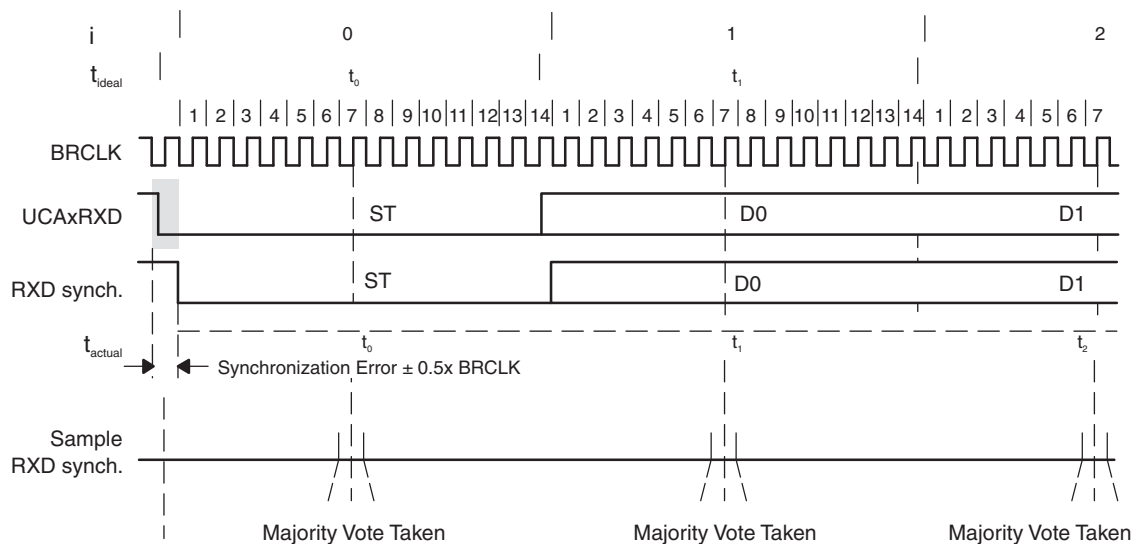


Figure 36-11. Receive Error

The ideal sampling time $t_{\text{bit,ideal,RX}[i]}$ is in the middle of a bit period:

$$t_{\text{bit,ideal,RX}[i]} = (1/\text{Baudrate})(i + 0.5)$$

The real sampling time, $t_{\text{bit,RX}[i]}$, is equal to the sum of all previous bits according to the formulas shown in the transmit timing section, plus one-half BITCLK for the current bit i , plus the synchronization error t_{SYNC} .

This results in the following $t_{\text{bit,RX}[i]}$ for the low-frequency baud-rate mode:

$$t_{\text{bit,RX}[i]} = t_{\text{SYNC}} + \sum_{j=0}^{i-1} T_{\text{bit,RX}[j]} + \frac{1}{f_{\text{BRCLK}}} \left(\text{INT}(\frac{1}{2} \text{UCBRx}) + m_{\text{UCBRsx}[i]} \right)$$

Where:

$$T_{\text{bit,RX}[i]} = (1/f_{\text{BRCLK}})(\text{UCBRx} + m_{\text{UCBRsx}[i]})$$

$$m_{\text{UCBRsx}[i]} = \text{Modulation of bit } i \text{ from } \text{Table 36-2}$$

For the oversampling baud-rate mode, the sampling time $t_{\text{bit,RX}}[i]$ of bit i is calculated by:

$$t_{\text{bit,RX}}[i] = t_{\text{SYNC}} + \sum_{j=0}^{i-1} T_{\text{bit,RX}}[j] + \frac{1}{f_{\text{BRCLK}}} \left((8 + m_{\text{UCBRx}}[i]) \times \text{UCBRx} + \sum_{j=0}^{7+m_{\text{UCBRs}}[i]} m_{\text{UCBRFx}}[j] \right)$$

Where:

$$T_{\text{bit,RX}}[i] = \frac{1}{f_{\text{BRCLK}}} \left((16 + m_{\text{UCBRs}}[i]) \times \text{UCBRx} + \sum_{j=0}^{15} m_{\text{UCBRFx}}[j] \right)$$

$\sum_{j=0}^{7+m_{\text{UCBRs}}[i]} m_{\text{UCBRFx}}[j]$ = Sum of ones from columns 0 to $(7 + m_{\text{UCBRs}}[i])$ from the corresponding row in [Table 36-3](#).

$m_{\text{UCBRs}}[i]$ = Modulation of bit i from [Table 36-2](#)

This results in an error normalized to one ideal bit time (1/baudrate) according to the following formula:

$$\text{Error}_{\text{RX}}[i] = (t_{\text{bit,RX}}[i] - t_{\text{bit,ideal,RX}}[i]) \times \text{Baudrate} \times 100\%$$

36.3.13 Typical Baud Rates and Errors

Standard baud-rate data for UCBRx, UCBRs, and UCBRFx are listed in [Table 36-4](#) and [Table 36-5](#) for a 32,768-Hz crystal sourcing ACLK and typical SMCLK frequencies. Make sure that the selected BRCLK frequency does not exceed the device-specific maximum USCI input frequency (see the device-specific data sheet).

The receive error is the accumulated time versus the ideal scanning time in the middle of each bit. The worst-case error is given for the reception of an 8-bit character with parity and one stop bit including synchronization error.

The transmit error is the accumulated timing error versus the ideal time of the bit period. The worst-case error is given for the transmission of an 8-bit character with parity and stop bit.

Table 36-4. Commonly Used Baud Rates, Settings, and Errors, UCOS16 = 0

BRCLK Frequency (Hz)	Baud Rate (baud)	UCBRx	UCBRs	UCBRFx	Maximum TX Error (%)		Maximum RX Error (%)	
32 768	1200	27	2	0	-2.8	1.4	-5.9	2.0
32 768	2400	13	6	0	-4.8	6.0	-9.7	8.3
32 768	4800	6	7	0	-12.1	5.7	-13.4	19.0
32 768	9600	3	3	0	-21.1	15.2	-44.3	21.3
1 000 000	9600	104	1	0	-0.5	0.6	-0.9	1.2
1 000 000	19200	52	0	0	-1.8	0	-2.6	0.9
1 000 000	38400	26	0	0	-1.8	0	-3.6	1.8
1 000 000	57600	17	3	0	-2.1	4.8	-6.8	5.8
1 000 000	115200	8	6	0	-7.8	6.4	-9.7	16.1
1 048 576	9600	109	2	0	-0.2	0.7	-1.0	0.8
1 048 576	19200	54	5	0	-1.1	1.0	-1.5	2.5
1 048 576	38400	27	2	0	-2.8	1.4	-5.9	2.0
1 048 576	57600	18	1	0	-4.6	3.3	-6.8	6.6
1 048 576	115200	9	1	0	-1.1	10.7	-11.5	11.3
4 000 000	9600	416	6	0	-0.2	0.2	-0.2	0.4
4 000 000	19200	208	3	0	-0.2	0.5	-0.3	0.8
4 000 000	38400	104	1	0	-0.5	0.6	-0.9	1.2
4 000 000	57600	69	4	0	-0.6	0.8	-1.8	1.1
4 000 000	115200	34	6	0	-2.1	0.6	-2.5	3.1
4 000 000	230400	17	3	0	-2.1	4.8	-6.8	5.8
4 194 304	9600	436	7	0	-0.3	0	-0.3	0.2

Table 36-4. Commonly Used Baud Rates, Settings, and Errors, UCOS16 = 0 (continued)

BRCLK Frequency (Hz)	Baud Rate (baud)	UCBRx	UCBR5x	UCBRFx	Maximum TX Error (%)		Maximum RX Error (%)	
4 194 304	19200	218	4	0	-0.2	0.2	-0.3	0.6
4 194 304	57600	72	7	0	-1.1	0.6	-1.3	1.9
4 194 304	115200	36	3	0	-1.9	1.5	-2.7	3.4
8 000 000	9600	833	2	0	-0.1	0	-0.2	0.1
8 000 000	19200	416	6	0	-0.2	0.2	-0.2	0.4
8 000 000	38400	208	3	0	-0.2	0.5	-0.3	0.8
8 000 000	57600	138	7	0	-0.7	0	-0.8	0.6
8 000 000	115200	69	4	0	-0.6	0.8	-1.8	1.1
8 000 000	230400	34	6	0	-2.1	0.6	-2.5	3.1
8 000 000	460800	17	3	0	-2.1	4.8	-6.8	5.8
8 388 608	9600	873	7	0	-0.1	0.06	-0.2	0.1
8 388 608	19200	436	7	0	-0.3	0	-0.3	0.2
8 388 608	57600	145	5	0	-0.5	0.3	-1.0	0.5
8 388 608	115200	72	7	0	-1.1	0.6	-1.3	1.9
12 000 000	9600	1250	0	0	0	0	-0.05	0.05
12 000 000	19200	625	0	0	0	0	-0.2	0
12 000 000	38400	312	4	0	-0.2	0	-0.2	0.2
12 000 000	57600	208	2	0	-0.5	0.2	-0.6	0.5
12 000 000	115200	104	1	0	-0.5	0.6	-0.9	1.2
12 000 000	230400	52	0	0	-1.8	0	-2.6	0.9
12 000 000	460800	26	0	0	-1.8	0	-3.6	1.8
16 000 000	9600	1666	6	0	-0.05	0.05	-0.05	0.1
16 000 000	19200	833	2	0	-0.1	0.05	-0.2	0.1
16 000 000	38400	416	6	0	-0.2	0.2	-0.2	0.4
16 000 000	57600	277	7	0	-0.3	0.3	-0.5	0.4
16 000 000	115200	138	7	0	-0.7	0	-0.8	0.6
16 000 000	230400	69	4	0	-0.6	0.8	-1.8	1.1
16 000 000	460800	34	6	0	-2.1	0.6	-2.5	3.1
16 777 216	9600	1747	5	0	-0.04	0.03	-0.08	0.05
16 777 216	19200	873	7	0	-0.09	0.06	-0.2	0.1
16 777 216	57600	291	2	0	-0.2	0.2	-0.5	0.2
16 777 216	115200	145	5	0	-0.5	0.3	-1.0	0.5
20 000 000	9600	2083	2	0	-0.05	0.02	-0.09	0.02
20 000 000	19200	1041	6	0	-0.06	0.06	-0.1	0.1
20 000 000	38400	520	7	0	-0.2	0.06	-0.2	0.2
20 000 000	57600	347	2	0	-0.06	0.2	-0.3	0.3
20 000 000	115200	173	5	0	-0.4	0.3	-0.8	0.5
20 000 000	230400	86	7	0	-1.0	0.6	-1.0	1.7
20 000 000	460800	43	3	0	-1.4	1.3	-3.3	1.8

Table 36-5. Commonly Used Baud Rates, Settings, and Errors, UCOS16 = 1

BRCLK Frequency (Hz)	Baud Rate (baud)	UCBRx	UCBRsx	UCBRFx	Maximum TX Error (%)		Maximum RX Error (%)	
1 000 000	9600	6	0	8	-1.8	0	-2.2	0.4
1 000 000	19200	3	0	4	-1.8	0	-2.6	0.9
1 048 576	9600	6	0	13	-2.3	0	-2.2	0.8
1 048 576	19200	3	1	6	-4.6	3.2	-5.0	4.7
4 000 000	9600	26	0	1	0	0.9	0	1.1
4 000 000	19200	13	0	0	-1.8	0	-1.9	0.2
4 000 000	38400	6	0	8	-1.8	0	-2.2	0.4
4 000 000	57600	4	5	3	-3.5	3.2	-1.8	6.4
4 000 000	115200	2	3	2	-2.1	4.8	-2.5	7.3
4 194 304	9600	27	0	5	0	0.2	0	0.5
4 194 304	19200	13	0	10	-2.3	0	-2.4	0.1
4 194 304	57600	4	4	7	-2.5	2.5	-1.3	5.1
4 194 304	115200	2	6	3	-3.9	2.0	-1.9	6.7
8 000 000	9600	52	0	1	-0.4	0	-0.4	0.1
8 000 000	19200	26	0	1	0	0.9	0	1.1
8 000 000	38400	13	0	0	-1.8	0	-1.9	0.2
8 000 000	57600	8	0	11	0	0.88	0	1.6
8 000 000	115200	4	5	3	-3.5	3.2	-1.8	6.4
8 000 000	230400	2	3	2	-2.1	4.8	-2.5	7.3
8 388 608	9600	54	0	10	0	0.2	-0.05	0.3
8 388 608	19200	27	0	5	0	0.2	0	0.5
8 388 608	57600	9	0	2	0	2.8	-0.2	3.0
8 388 608	115200	4	4	7	-2.5	2.5	-1.3	5.1
12 000 000	9600	78	0	2	0	0	-0.05	0.05
12 000 000	19200	39	0	1	0	0	0	0.2
12 000 000	38400	19	0	8	-1.8	0	-1.8	0.1
12 000 000	57600	13	0	0	-1.8	0	-1.9	0.2
12 000 000	115200	6	0	8	-1.8	0	-2.2	0.4
12 000 000	230400	3	0	4	-1.8	0	-2.6	0.9
16 000 000	9600	104	0	3	0	0.2	0	0.3
16 000 000	19200	52	0	1	-0.4	0	-0.4	0.1
16 000 000	38400	26	0	1	0	0.9	0	1.1
16 000 000	57600	17	0	6	0	0.9	-0.1	1.0
16 000 000	115200	8	0	11	0	0.9	0	1.6
16 000 000	230400	4	5	3	-3.5	3.2	-1.8	6.4
16 000 000	460800	2	3	2	-2.1	4.8	-2.5	7.3
16 777 216	9600	109	0	4	0	0.2	-0.02	0.3
16 777 216	19200	54	0	10	0	0.2	-0.05	0.3
16 777 216	57600	18	0	3	-1.0	0	-1.0	0.3
16 777 216	115200	9	0	2	0	2.8	-0.2	3.0
20 000 000	9600	130	0	3	-0.2	0	-0.2	0.04
20 000 000	19200	65	0	2	0	0.4	-0.03	0.4
20 000 000	38400	32	0	9	0	0.4	0	0.5
20 000 000	57600	21	0	11	-0.7	0	-0.7	0.3
20 000 000	115200	10	0	14	0	2.5	-0.2	2.6
20 000 000	230400	5	0	7	0	2.5	0	3.5

Table 36-5. Commonly Used Baud Rates, Settings, and Errors, UCOS16 = 1 (continued)

BRCLK Frequency (Hz)	Baud Rate (baud)	UCBRx	UCBRSx	UCBRFx	Maximum TX Error (%)		Maximum RX Error (%)	
20 000 000	460800	2	6	10	-3.2	1.8	-2.8	4.6

36.3.14 Using the USCI Module in UART Mode With Low-Power Modes

The USCI module provides automatic clock activation for use with low-power modes. When the USCI clock source is inactive because the device is in a low-power mode, the USCI module automatically activates it when needed, regardless of the control-bit settings for the clock source. The clock remains active until the USCI module returns to its idle condition. After the USCI module returns to the idle condition, control of the clock source reverts to the settings of its control bits.

36.3.15 USCI Interrupts in UART Mode

The USCI has only one interrupt vector that is shared for transmission and for reception. USCI_Ax and USC_Bx do not share the same interrupt vector.

36.3.15.1 UART Transmit Interrupt Operation

The UCTXIFG interrupt flag is set by the transmitter to indicate that UCAXTXBUF is ready to accept another character. An interrupt request is generated if UCTXIE and GIE are also set. UCTXIFG is automatically reset if a character is written to UCAXTXBUF.

UCTXIFG is set after a PUC or when UCSWRST = 1. UCTXIE is reset after a PUC or when UCSWRST = 1.

36.3.15.2 UART Receive Interrupt Operation

The UCRXIFG interrupt flag is set each time a character is received and loaded into UCAXRXBUF. An interrupt request is generated if UCRXIE and GIE are also set. UCRXIFG and UCRXIE are reset by a system reset PUC signal or when UCSWRST = 1. UCRXIFG is automatically reset when UCAXRXBUF is read.

Additional interrupt control features include:

- When UCAXRXEIE = 0, erroneous characters do not set UCRXIFG.
- When UCDORM = 1, nonaddress characters do not set UCRXIFG in multiprocessor modes. In plain UART mode, no characters are set UCRXIFG.
- When UCBRKIE = 1, a break condition sets the UCBRK bit and the UCRXIFG flag.

36.3.15.3 UCAXIV, Interrupt Vector Generator

The USCI interrupt flags are prioritized and combined to source a single interrupt vector. The interrupt vector register UCAXIV is used to determine which flag requested an interrupt. The highest-priority enabled interrupt generates a number in the UCAXIV register that can be evaluated or added to the program counter to automatically enter the appropriate software routine. Disabled interrupts do not affect the UCAXIV value.

Any access, read or write, of the UCAXIV register automatically resets the highest-pending interrupt flag. If another interrupt flag is set, another interrupt is immediately generated after servicing the initial interrupt.

36.3.15.3.1 UCAXIV Software Example

The following software example shows the recommended use of UCAXIV. The UCAXIV value is added to the PC to automatically jump to the appropriate routine. The following example is given for USCI_A0.

```

USCI_UART_ISR
    ADD    &UCA0IV, PC    ; Add offset to jump table
    RETI                               ; Vector 0: No interrupt
    JMP    RXIFG_ISR      ; Vector 2: RXIFG
TXIFG_ISR
    ...                               ; Task starts here
    RETI                               ; Return
RXIFG_ISR
    ...                               ; Vector 2
    ...                               ; Task starts here
    RETI                               ; Return
  
```

36.3.16 DMA Operation

In devices with a DMA controller, the eUSCI module can trigger DMA transfers when the transmit buffer UCAXTXBUF is empty or when data was received in the UCAXRXBUF buffer. The DMA trigger signals correspond to the UCTXIFG transmit interrupt flag and the UCRXIFG receive interrupt flag, respectively. The interrupt functionality must be disabled for the selected DMA triggers with UCTXIE = 0 and UCRXIE = 0.

A DMA read access to UCAXRXBUF has the same effects as a CPU (software) read: all error flags (UCRXERR, UCFE, UCPE, UCOE, and UCBRK) are cleared after the read. Thus these errors might go unnoticed.

36.4 USCI_A UART Mode Registers

The USCI registers applicable in UART mode listed in [Table 36-6](#). The base address can be found in the device-specific data sheet. The address offsets are listed in [Table 36-6](#).

Table 36-6. USCI_A UART Mode Registers

Offset	Acronym	Register Name	Type	Access	Reset	Section
00h	UCAxCTLW0	USCI_Ax Control Word 0	Read/write	Word	0001h	
00h	UCAxCTL1	USCI_Ax Control 1	Read/write	Byte	01h	Section 36.4.2
01h	UCAxCTL0	USCI_Ax Control 0	Read/write	Byte	00h	Section 36.4.1
06h	UCAxBRW	USCI_Ax Baud Rate Control Word	Read/write	Word	0000h	
06h	UCAxBR0	USCI_Ax Baud Rate Control 0	Read/write	Byte	00h	Section 36.4.3
07h	UCAxBR1	USCI_Ax Baud Rate Control 1	Read/write	Byte	00h	Section 36.4.4
08h	UCAxMCTL	USCI_Ax Modulation Control	Read/write	Byte	00h	Section 36.4.5
09h		Reserved - reads zero	Read	Byte	00h	
0Ah	UCAxSTAT	USCI_Ax Status	Read/write	Byte	00h	Section 36.4.6
0Bh		Reserved - reads zero	Read	Byte	00h	
0Ch	UCAxRXBUF	USCI_Ax Receive Buffer	Read/write	Byte	00h	Section 36.4.7
0Dh		Reserved - reads zero	Read	Byte	00h	
0Eh	UCAxTXBUF	USCI_Ax Transmit Buffer	Read/write	Byte	00h	Section 36.4.8
0Fh		Reserved - reads zero	Read	Byte	00h	
10h	UCAxABCTL	USCI_Ax Auto Baud Rate Control	Read/write	Byte	00h	Section 36.4.11
11h		Reserved - reads zero	Read	Byte	00h	
12h	UCAxIRCTL	USCI_Ax IrDA Control	Read/write	Word	0000h	
12h	UCAxIRTCTL	USCI_Ax IrDA Transmit Control	Read/write	Byte	00h	Section 36.4.9
13h	UCAxIRRCTL	USCI_Ax IrDA Receive Control	Read/write	Byte	00h	Section 36.4.10
1Ch	UCAxICTL	USCI_Ax Interrupt Control	Read/write	Word	0000h	
1Ch	UCAxIE	USCI_Ax Interrupt Enable	Read/write	Byte	00h	Section 36.4.12
1Dh	UCAxIFG	USCI_Ax Interrupt Flag	Read/write	Byte	00h	Section 36.4.13
1Eh	UCAxIV	USCI_Ax Interrupt Vector	Read	Word	0000h	Section 36.4.14

36.4.1 UCAXCTL0 Register

USCI_Ax Control Register 0

Figure 36-12. UCAXCTL0 Register

7	6	5	4	3	2	1	0
UCPEN	UCPAR	UCMSB	UC7BIT	UCSPB	UCMODEx		UCSYNC
rw-0	rw-0	rw-0	rw-0	rw-0	rw-0	rw-0	rw-0

Can be modified only when UCSWRST = 1.

Table 36-7. UCAXCTL0 Register Description

Bit	Field	Type	Reset	Description
7	UCPEN	RW	0h	Parity enable 0b = Parity disabled 1b = Parity enabled. Parity bit is generated (UCAxTXD) and expected (UCAxRXD). In address-bit multiprocessor mode, the address bit is included in the parity calculation.
6	UCPAR	RW	0h	Parity select. UCPAR is not used when parity is disabled. 0b = Odd parity 1b = Even parity
5	UCMSB	RW	0h	MSB first select. Controls the direction of the receive and transmit shift register. 0b = LSB first 1b = MSB first
4	UC7BIT	RW	0h	Character length. Selects 7-bit or 8-bit character length. 0b = 8-bit data 1b = 7-bit data
3	UCSPB	RW	0h	Stop bit select. Number of stop bits. 0b = One stop bit 1b = Two stop bits
2-1	UCMODEx	RW	0h	USCI mode. The UCMODEx bits select the asynchronous mode when UCSYNC = 0. 00b = UART mode 01b = Idle-line multiprocessor mode 10b = Address-bit multiprocessor mode 11b = UART mode with automatic baud-rate detection
0	UCSYNC	RW	0h	Synchronous mode enable 0b = Asynchronous mode 1b = Synchronous mode

36.4.2 UCAXCTL1 Register

USCI_Ax Control Register 1

Figure 36-13. UCAXCTL1 Register

7	6	5	4	3	2	1	0
UCSSELx		UCRXEIE	UCBRKIE	UCDORM	UCTXADDR	UCTXBRK	UCSWRST
rw-0		rw-0	rw-0	rw-0	rw-0	rw-0	rw-1

Can be modified only when UCSWRST = 1.

Table 36-8. UCAXCTL1 Register Description

Bit	Field	Type	Reset	Description
7-6	UCSSELx	RW	0h	USCI clock source select. These bits select the BRCLK source clock. 00b = UCAXCLK (external USCI clock) 01b = ACLK 10b = SMCLK 11b = SMCLK
5	UCRXEIE	RW	0h	Receive erroneous-character interrupt enable 0b = Erroneous characters rejected and UCRXIFG is not set. 1b = Erroneous characters received set UCRXIFG.
4	UCBRKIE	RW	0h	Receive break character interrupt enable 0b = Received break characters do not set UCRXIFG. 1b = Received break characters set UCRXIFG.
3	UCDORM	RW	0h	Dormant. Puts USCI into sleep mode. 0b = Not dormant. All received characters set UCRXIFG. 1b = Dormant. Only characters that are preceded by an idle-line or with address bit set UCRXIFG. In UART mode with automatic baud-rate detection, only the combination of a break and synch field sets UCRXIFG.
2	UCTXADDR	RW	0h	Transmit address. Next frame to be transmitted is marked as address, depending on the selected multiprocessor mode. 0b = Next frame transmitted is data. 1b = Next frame transmitted is an address.
1	UCTXBRK	RW	0h	Transmit break. Transmits a break with the next write to the transmit buffer. In UART mode with automatic baud-rate detection, 055h must be written into UCAXTXBUF to generate the required break/synch fields. Otherwise, 0h must be written into the transmit buffer. 0b = Next frame transmitted is not a break. 1b = Next frame transmitted is a break or a break/synch.
0	UCSWRST	RW	1h	Software reset enable 0b = Disabled. USCI reset released for operation. 1b = Enabled. USCI logic held in reset state.

36.4.3 UCxBR0 Register

USCI_Ax Baud Rate Control Register 0

Figure 36-14. UCxBR0 Register

7	6	5	4	3	2	1	0
UCBRx							
rw	rw	rw	rw	rw	rw	rw	rw

Can be modified only when UCSWRST = 1.

Table 36-9. UCxBR0 Register Description

Bit	Field	Type	Reset	Description
7-0	UCBRx	RW	undefined	Low byte of clock prescaler setting of the baud-rate generator. The 16-bit value of (UCxBR0 + UCxBR1 × 256) forms the prescaler value UCBRx.

36.4.4 UCxBR1 Register

USCI_Ax Baud Rate Control Register 1

Figure 36-15. UCxBR1 Register

7	6	5	4	3	2	1	0
UCBRx							
rw	rw	rw	rw	rw	rw	rw	rw

Can be modified only when UCSWRST = 1.

Table 36-10. UCxBR1 Register Description

Bit	Field	Type	Reset	Description
7-0	UCBRx	RW	undefined	High byte of clock prescaler setting of the baud-rate generator. The 16-bit value of (UCxBR0 + UCxBR1 × 256) forms the prescaler value UCBRx.

36.4.5 UCxMCTL Register

USCI_Ax Modulation Control Register

Figure 36-16. UCxMCTL Register

7	6	5	4	3	2	1	0
UCBRFx				UCBRsX		UCOS16	
rw-0	rw-0	rw-0	rw-0	rw-0	rw-0	rw-0	rw-0

Can be modified only when UCSWRST = 1.

Table 36-11. UCxMCTL Register Description

Bit	Field	Type	Reset	Description
7-4	UCBRFx	RW	0h	First modulation stage select. These bits determine the modulation pattern for BITCLK16 when UCOS16 = 1. Ignored with UCOS16 = 0. Table 36-2 shows the modulation pattern.
3-1	UCBRsX	RW	0h	Second modulation stage select. These bits determine the modulation pattern for BITCLK. Table 36-2 shows the modulation pattern.
0	UCOS16	RW	0h	Oversampling mode enabled 0b = Disabled 1b = Enabled

36.4.6 UCxSTAT Register

USCI_Ax Status Register

Figure 36-17. UCxSTAT Register

7	6	5	4	3	2	1	0
UCLISTEN	UCFE	UCOE	UCPE	UCBRK	UCRXERR	UCADDR/ UCIDLE	UCBUSY
rw-0	rw-0	rw-0	rw-0	rw-0	rw-0	rw-0	r-0

Can be modified only when UCSWRST = 1.

Table 36-12. UCxSTAT Register Description

Bit	Field	Type	Reset	Description
7	UCLISTEN	RW	0h	Listen enable. The UCLISTEN bit selects loopback mode. 0b = Disabled 1b = Enabled. UCxTXD is internally fed back to the receiver.
6	UCFE	RW	0h	Framing error flag. UCFE is cleared when UCxRXBUF is read. 0b = No error 1b = Character received with low stop bit
5	UCOE	RW	0h	Overrun error flag. This bit is set when a character is transferred into UCxRXBUF before the previous character was read. UCOE is cleared automatically when UCxRXBUF is read, and must not be cleared by software. Otherwise, it does not function correctly. 0b = No error 1b = Overrun error occurred
4	UCPE	RW	0h	Parity error flag. When UCPE = 0, UCPE is read as 0. UCPE is cleared when UCxRXBUF is read. 0b = No error 1b = Character received with parity error
3	UCBRK	RW	0h	Break detect flag. UCBRK is cleared when UCxRXBUF is read. 0b = No break condition 1b = Break condition occurred
2	UCRXERR	RW	0h	Receive error flag. This bit indicates a character was received with error(s). When UCRXERR = 1, one or more error flags, UCFE, UCPE, or UCOE is also set. UCRXERR is cleared when UCxRXBUF is read. 0b = No receive errors detected 1b = Receive error detected
1	UCADDR/UCIDLE	RW	0h	UCADDR: Address received in address-bit multiprocessor mode. UCADDR is cleared when UCxRXBUF is read. 0b = Received character is data. 1b = Received character is an address. UCIDLE: Idle line detected in idle-line multiprocessor mode. UCIDLE is cleared when UCxRXBUF is read. 0b = No idle line detected 1b = Idle line detected
0	UCBUSY	R	0h	USCI busy. This bit indicates if a transmit or receive operation is in progress. 0b = USCI inactive 1b = USCI transmitting or receiving

36.4.7 UCAXRXBUF Register

USCI_Ax Receive Buffer Register

Figure 36-18. UCAXRXBUF Register

7	6	5	4	3	2	1	0
UCRXBUFx							
r	r	r	r	r	r	r	r

Table 36-13. UCAXRXBUF Register Description

Bit	Field	Type	Reset	Description
7-0	UCRXBUFx	R	undefined	The receive-data buffer is user accessible and contains the last received character from the receive shift register. Reading UCAXRXBUF resets the receive-error bits, the UCADDR or UCIDLE bit, and UCRXIFG. In 7-bit data mode, UCAXRXBUF is LSB justified and the MSB is always reset.

36.4.8 UCAXTXBUF Register

USCI_Ax Transmit Buffer Register

Figure 36-19. UCAXTXBUF Register

7	6	5	4	3	2	1	0
UCTXBUFx							
rw	rw	rw	rw	rw	rw	rw	rw

Table 36-14. UCAXTXBUF Register Description

Bit	Field	Type	Reset	Description
7-0	UCTXBUFx	RW	undefined	The transmit data buffer is user accessible and holds the data waiting to be moved into the transmit shift register and transmitted on UCAXTXD. Writing to the transmit data buffer clears UCTXIFG. The MSB of UCAXTXBUF is not used for 7-bit data and is reset.

36.4.9 UCAXIRTCTL Register

USCI_Ax IrDA Transmit Control Register

Figure 36-20. UCAXIRTCTL Register

7	6	5	4	3	2	1	0
UCIRTXPLx						UCIRTXCLK	UCIREN
rw-0	rw-0	rw-0	rw-0	rw-0	rw-0	rw-0	rw-0

Can be modified only when UCSWRST = 1.

Table 36-15. UCAXIRTCTL Register Description

Bit	Field	Type	Reset	Description
7-2	UCIRTXPLx	RW	0h	Transmit pulse length. Pulse length $t_{PULSE} = (UCIRTXPLx + 1) / (2 \times f_{IRTCLK})$
1	UCIRTXCLK	RW	0h	IrDA transmit pulse clock select 0b = BRCLK 1b = BITCLK16 when UCOS16 = 1. Otherwise, BRCLK.
0	UCIREN	RW	0h	IrDA encoder and decoder enable 0b = IrDA encoder and decoder disabled 1b = IrDA encoder and decoder enabled

36.4.10 UCAXIRRCTL Register

USCI_Ax IrDA Receive Control Register

Figure 36-21. UCAXIRRCTL Register

7	6	5	4	3	2	1	0
UCIRRFLx						UCIRRXP	UCIRRXFE
rw-0	rw-0	rw-0	rw-0	rw-0	rw-0	rw-0	rw-0

Can be modified only when UCSWRST = 1.

Table 36-16. UCAXIRRCTL Register Description

Bit	Field	Type	Reset	Description
7-2	UCIRRFLx	RW	0h	Receive filter length. The minimum pulse length for receive is given by: $t_{MIN} = (UCIRRFLx + 4) / (2 \times f_{BRCLK})$
1	UCIRRXP	RW	0h	IrDA receive input UCAXRXD polarity 0b = IrDA transceiver delivers a high pulse when a light pulse is seen. 1b = IrDA transceiver delivers a low pulse when a light pulse is seen.
0	UCIRRXFE	RW	0h	IrDA receive filter enabled 0b = Receive filter disabled 1b = Receive filter enabled

36.4.11 UCxABCTL Register

USCI_Ax Auto Baud Rate Control Register

Figure 36-22. UCxABCTL Register

7	6	5	4	3	2	1	0
Reserved		UCDELIMx		UCSTOE	UCBTOE	Reserved	UCABDEN
r-0	r-0	rw-0	rw-0	rw-0	rw-0	r-0	rw-0

Can be modified only when UCSWRST = 1.

Table 36-17. UCxABCTL Register Description

Bit	Field	Type	Reset	Description
7-6	Reserved	R	0h	Reserved. Always reads as 0.
5-4	UCDELIMx	RW	0h	Break and synch delimiter length 00b = 1 bit time 01b = 2 bit times 10b = 3 bit times 11b = 4 bit times
3	UCSTOE	RW	0h	Synch field time out error 0b = No error 1b = Length of synch field exceeded measurable time.
2	UCBTOE	RW	0h	Break time out error 0b = No error 1b = Length of break field exceeded 22 bit times.
1	Reserved	R	0h	Reserved. Always reads as 0.
0	UCABDEN	RW	0h	Automatic baud-rate detect enable 0b = Baud-rate detection disabled. Length of break and synch field is not measured. 1b = Baud-rate detection enabled. Length of break and synch field is measured and baud-rate settings are changed accordingly.

36.4.12 UCAXIE Register

USCI_Ax Interrupt Enable Register

Figure 36-23. UCAXIE Register

7	6	5	4	3	2	1	0
Reserved						UCTXIE	UCRXIE
r-0	r-0	r-0	r-0	r-0	r-0	rw-0	rw-0

Table 36-18. UCAXIE Register Description

Bit	Field	Type	Reset	Description
7-2	Reserved	R	0h	Reserved. Always reads as 0.
1	UCTXIE	RW	0h	Transmit interrupt enable 0b = Interrupt disabled 1b = Interrupt enabled
0	UCRXIE	RW	0h	Receive interrupt enable 0b = Interrupt disabled 1b = Interrupt enabled

36.4.13 UCAXIFG Register

USCI_Ax Interrupt Flag Register

Figure 36-24. UCAXIFG Register

7	6	5	4	3	2	1	0
Reserved						UCTXIFG	UCRXIFG
r-0	r-0	r-0	r-0	r-0	r-0	rw-1	rw-0

Table 36-19. UCAXIFG Register Description

Bit	Field	Type	Reset	Description
7-2	Reserved	R	0h	Reserved. Always reads as 0.
1	UCTXIFG	RW	1h	Transmit interrupt flag. UCTXIFG is set when UCAXTXBUF empty. 0b = No interrupt pending 1b = Interrupt pending
0	UCRXIFG	RW	0h	Receive interrupt flag. UCRXIFG is set when UCAXRXBUF has received a complete character. 0b = No interrupt pending 1b = Interrupt pending

36.4.14 UCAXIV Register

USCI_Ax Interrupt Vector Register

Figure 36-25. UCAXIV Register

15	14	13	12	11	10	9	8
UCIVx							
r0	r0	r0	r0	r0	r0	r0	r0
7	6	5	4	3	2	1	0
UCIVx							
r0	r0	r0	r-0	r-0	r-0	r-0	r0

Table 36-20. UCAXIV Register Description

Bit	Field	Type	Reset	Description
15-0	UCIVx	R	0h	USCI interrupt vector value 00h = No interrupt pending 02h = Interrupt Source: Data received; Interrupt Flag: UCRXIFG; Interrupt Priority: Highest 04h = Interrupt Source: Transmit buffer empty; Interrupt Flag: UCTXIFG; Interrupt Priority: Lowest

Universal Serial Communication Interface – SPI Mode

The universal serial communication interface (USCI) supports multiple serial communication modes with one hardware module. This chapter discusses the operation of the synchronous peripheral interface (SPI) mode.

Topic	Page
37.1 Universal Serial Communication Interface (USCI) Overview	967
37.2 USCI Introduction – SPI Mode	968
37.3 USCI Operation – SPI Mode	970
37.4 USCI_A SPI Mode Registers.....	976
37.5 USCI_B SPI Mode Registers.....	984

37.1 Universal Serial Communication Interface (USCI) Overview

The universal serial communication interface (USCI) modules support multiple serial communication modes. Different USCI modules support different modes. Each different USCI module is named with a different letter. For example, USCI_A is different from USCI_B. If more than one identical USCI module is implemented on one device, those modules are named with incrementing numbers. For example, if one device has two USCI_A modules, they are named USCI_A0 and USCI_A1. See the device-specific data sheet to determine which USCI modules, if any, are implemented on which devices.

USCI_Ax modules support:

- UART mode
- Pulse shaping for IrDA communications
- Automatic baud-rate detection for LIN communications
- SPI mode

USCI_Bx modules support:

- I²C mode
- SPI mode

37.2 USCI Introduction – SPI Mode

In synchronous mode, the USCI connects the device to an external system via three or four pins: UCxSIMO, UCxSOMI, UCxCLK, and UCxSTE. SPI mode is selected when the UCSYNC bit is set, and SPI mode (3-pin or 4-pin) is selected with the UCMODEx bits.

SPI mode features include:

- 7-bit or 8-bit data length
- LSB-first or MSB-first data transmit and receive
- 3-pin and 4-pin SPI operation
- Master or slave modes
- Independent transmit and receive shift registers
- Separate transmit and receive buffer registers
- Continuous transmit and receive operation
- Selectable clock polarity and phase control
- Programmable clock frequency in master mode
- Independent interrupt capability for receive and transmit
- Slave operation in LPM4

[Figure 37-1](#) shows the USCI when configured for SPI mode.

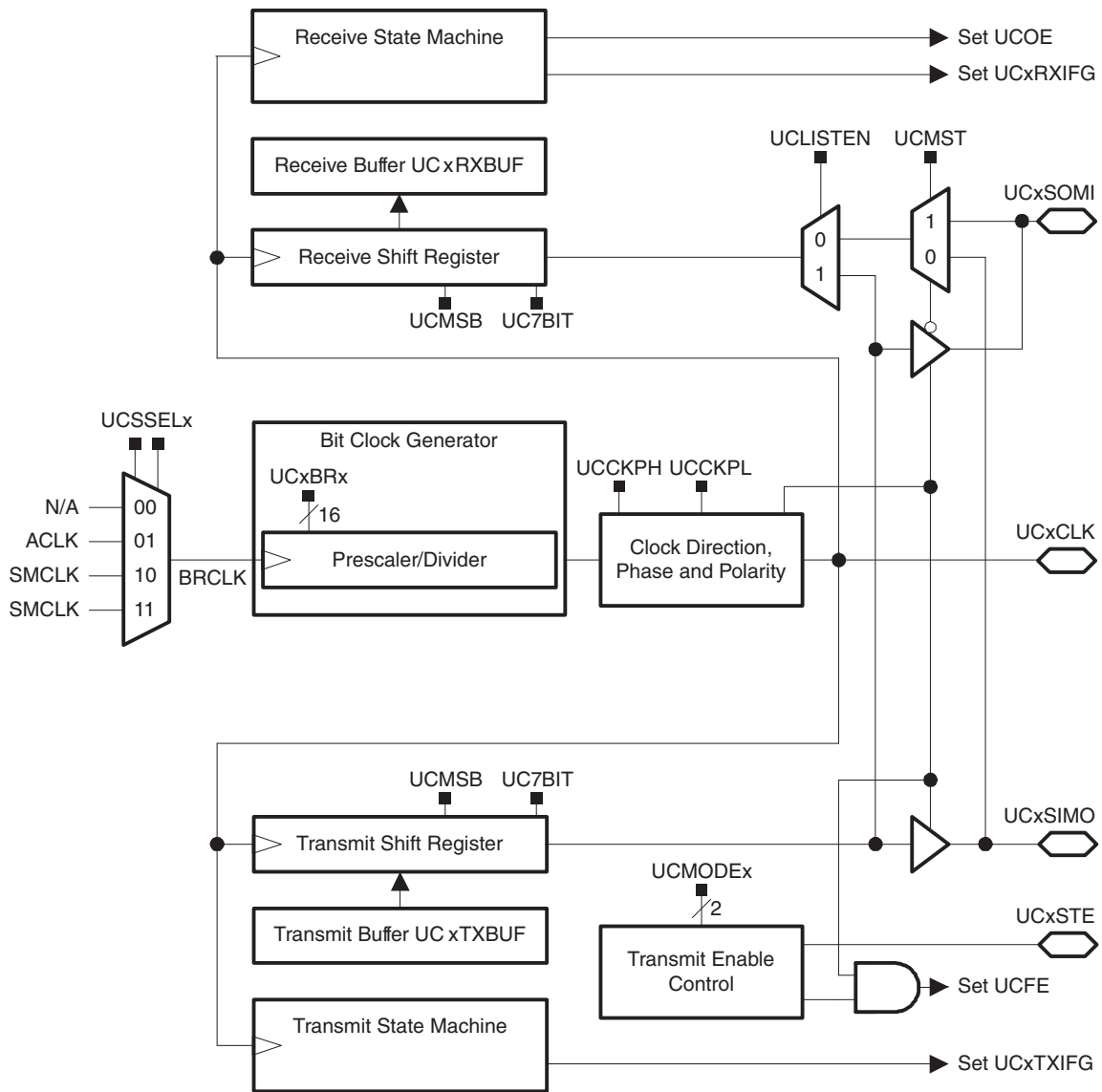


Figure 37-1. USCI Block Diagram – SPI Mode

37.3 USCI Operation – SPI Mode

In SPI mode, serial data is transmitted and received by multiple devices using a shared clock provided by the master. An additional pin, UCxSTE, is provided to enable a device to receive and transmit data and is controlled by the master.

Three or four signals are used for SPI data exchange:

- UCxSIMO – slave in, master out
Master mode: UCxSIMO is the data output line.
Slave mode: UCxSIMO is the data input line.
- UCxSOMI – slave out, master in
Master mode: UCxSOMI is the data input line.
Slave mode: UCxSOMI is the data output line.
- UCxCLK – USCI SPI clock
Master mode: UCxCLK is an output.
Slave mode: UCxCLK is an input.
- UCxSTE – slave transmit enable
Used in 4-pin mode to allow multiple masters on a single bus. Not used in 3-pin mode.

[Table 37-1](#) describes the UCxSTE operation.

Table 37-1. UCxSTE Operation

UCMODEx	UCxSTE Active State	UCxSTE	Slave	Master
01	High	0	Inactive	Active
		1	Active	Inactive
10	Low	0	Active	Inactive
		1	Inactive	Active

37.3.1 USCI Initialization and Reset

The USCI is reset by a PUC or by the UCSWRST bit. After a PUC, the UCSWRST bit is automatically set, keeping the USCI in a reset condition. When set, the UCSWRST bit resets the UCRXIE, UCTXIE, UCRXIFG, UCOE, and UCFE bits, and sets the UCTXIFG flag. Clearing UCSWRST releases the USCI for operation.

To avoid unpredictable behavior, configure or reconfigure the USCI module only when UCSWRST is set.

NOTE: Initializing or reconfiguring the USCI module

The recommended USCI initialization/reconfiguration process is:

1. Set UCSWRST (`BIS.B #UCSWRST, &UCxCTL1`).
 2. Initialize all USCI registers with UCSWRST = 1 (including UCxCTL1).
 3. Configure ports.
 4. Clear UCSWRST via software (`BIC.B #UCSWRST, &UCxCTL1`).
 5. Enable interrupts (optional) via UCRXIE and/or UCTXIE.
-

37.3.2 Character Format

The USCI module in SPI mode supports 7-bit and 8-bit character lengths selected by the UC7BIT bit. In 7-bit data mode, UCxRXBUF is LSB justified and the MSB is always reset. The UCMSB bit controls the direction of the transfer and selects LSB or MSB first.

NOTE: Default character format

The default SPI character transmission is LSB first. For communication with other SPI interfaces, MSB-first mode may be required.

NOTE: Character format for Figures

Figures throughout this chapter use MSB-first format.

37.3.3 Master Mode

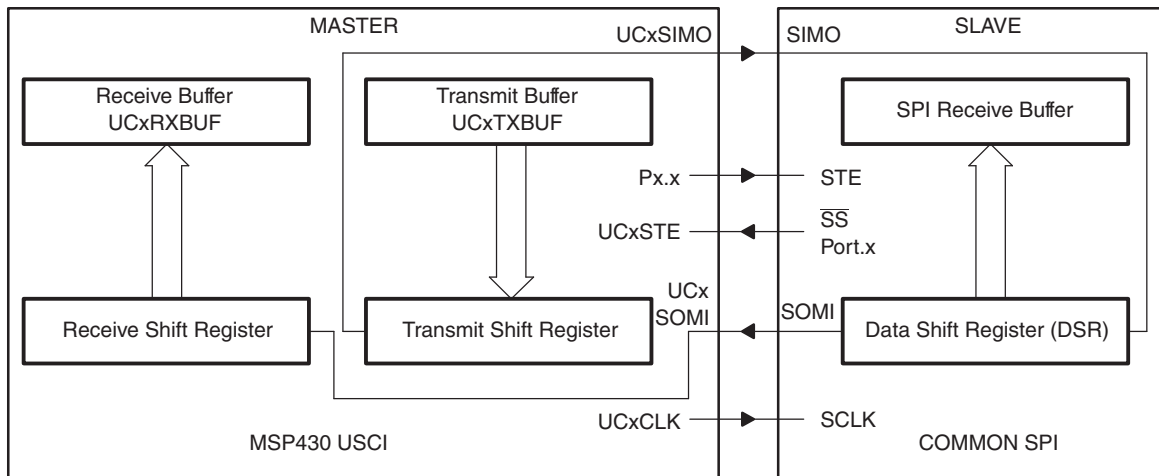


Figure 37-2. USCI Master and External Slave

Figure 37-2 shows the USCI as a master in both 3-pin and 4-pin configurations. The USCI initiates data transfer when data is moved to the transmit data buffer UCxTXBUF. The UCxTXBUF data is moved to the transmit (TX) shift register when the TX shift register is empty, initiating data transfer on UCxSIMO starting with either the MSB or LSB, depending on the UCMSB setting. Data on UCxSOMI is shifted into the receive shift register on the opposite clock edge. When the character is received, the receive data is moved from the receive (RX) shift register to the received data buffer UCxRXBUF and the receive interrupt flag UCRXIFG is set, indicating the RX/TX operation is complete.

A set transmit interrupt flag, UCTXIFG, indicates that data has moved from UCxTXBUF to the TX shift register and UCxTXBUF is ready for new data. It does not indicate RX/TX completion.

To receive data into the USCI in master mode, data must be written to UCxTXBUF, because receive and transmit operations operate concurrently.

37.3.3.1 4-Pin SPI Master Mode

In 4-pin master mode, UCxSTE is used to prevent conflicts with another master and controls the master as described in Table 37-1. When UCxSTE is in the master-inactive state:

- UCxSIMO and UCxCLK are set to inputs and no longer drive the bus.
- The error bit UCFE is set, indicating a communication integrity violation to be handled by the user.
- The internal state machines are reset and the shift operation is aborted.

If data is written into UCxTXBUF while the master is held inactive by UCxSTE, it is transmit as soon as UCxSTE transitions to the master-active state. If an active transfer is aborted by UCxSTE transitioning to the master-inactive state, the data must be rewritten into UCxTXBUF to be transferred when UCxSTE transitions back to the master-active state. The UCxSTE input signal is not used in 3-pin master mode.

NOTE: Shared UCxSTE and UCxCLK pins

On some devices the UCxSTE functionality of an USCI_Ax module shares the same pin with the UCxCLK functionality of the corresponding USCI_Bx module and vice versa (UCBxSTE shared with UCxCLK). If the UCxCLK functionality is required by the corresponding module the UCxSTE functionality cannot be used by the other module. If the latter is configured in 4-pin SPI master mode, the clock signal will be interpreted as the STE signal and will corrupt its communication. To avoid this error, make sure that the latter module is configured in 3-pin SPI master mode.

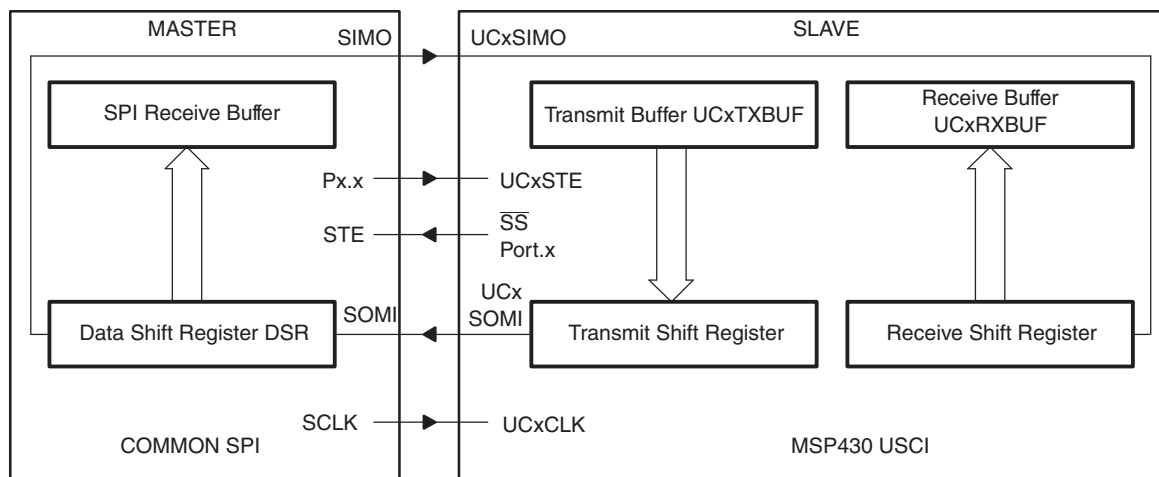
37.3.4 Slave Mode

Figure 37-3. USCI Slave and External Master

Figure 37-3 shows the USCI as a slave in both 3-pin and 4-pin configurations. UCxCLK is used as the input for the SPI clock and must be supplied by the external master. The data-transfer rate is determined by this clock and not by the internal bit clock generator. Data written to UCxTXBUF and moved to the TX shift register before the start of UCxCLK is transmitted on UCxSOMI. Data on UCxSIMO is shifted into the receive shift register on the opposite edge of UCxCLK and moved to UCxRXBUF when the set number of bits are received. When data is moved from the RX shift register to UCxRXBUF, the UCRXIFG interrupt flag is set, indicating that data has been received. The overrun error bit UCOE is set when the previously received data is not read from UCxRXBUF before new data is moved to UCxRXBUF.

37.3.4.1 4-Pin SPI Slave Mode

In 4-pin slave mode, UCxSTE is used by the slave to enable the transmit and receive operations and is provided by the SPI master. When UCxSTE is in the slave-active state, the slave operates normally. When UCxSTE is in the slave-inactive state:

- Any receive operation in progress on UCxSIMO is halted.
- UCxSOMI is set to the input direction.
- The shift operation is halted until the UCxSTE line transitions into the slave transmit active state.

The UCxSTE input signal is not used in 3-pin slave mode.

NOTE: Shared UCxSTE and UCxCLK pins

On some devices the UCxSTE functionality of an USCI_Ax module shares the same pin with the UCxCLK functionality of the corresponding USCI_Bx module and vice versa (UCxCLK shared with UCxSTE). If the UCxCLK functionality is required by the corresponding module the UCxSTE functionality cannot be used by the other module. If the latter is configured in 4-pin SPI master mode, the clock signal will be interpreted as the STE signal and will corrupt its communication. To avoid this error, make sure that the latter module is configured in 3-pin SPI master mode.

37.3.5 SPI Enable

When the USCI module is enabled by clearing the UCSWRST bit, it is ready to receive and transmit. In master mode, the bit clock generator is ready, but is not clocked nor producing any clocks. In slave mode, the bit clock generator is disabled and the clock is provided by the master.

A transmit or receive operation is indicated by UCBUSY = 1.

A PUC or set UCSWRST bit disables the USCI immediately and any active transfer is terminated.

37.3.5.1 Transmit Enable

In master mode, writing to UCxTXBUF activates the bit clock generator, and the data begins to transmit.

In slave mode, transmission begins when a master provides a clock and, in 4-pin mode, when the UCxSTE is in the slave-active state.

37.3.5.2 Receive Enable

The SPI receives data when a transmission is active. Receive and transmit operations operate concurrently.

37.3.6 Serial Clock Control

UCxCLK is provided by the master on the SPI bus. When UCMST = 1, the bit clock is provided by the USCI bit clock generator on the UCxCLK pin. The clock used to generate the bit clock is selected with the UCSSELx bits. When UCMST = 0, the USCI clock is provided on the UCxCLK pin by the master, the bit clock generator is not used, and the UCSSELx bits are don't care. The SPI receiver and transmitter operate in parallel and use the same clock source for data transfer.

The 16-bit value of UCBRx in the bit rate control registers (UCxxBR1 and UCxxBR0) is the division factor of the USCI clock source, BRCLK. The maximum bit clock that can be generated in master mode is BRCLK. Modulation is not used in SPI mode, and UCxMCTL should be cleared when using SPI mode for USCI_A.

The UCxCLK/UCBxCLK frequency is given by:

$$f_{\text{BitClock}} = f_{\text{BRCLK}} / \text{UCBRx}$$

If UCBRx = 0, $f_{\text{BitClock}} = f_{\text{BRCLK}}$

Even UCBRx settings result in even divisions and, thus, generate a bit clock with a 50/50 duty cycle.

Odd UCBRx settings result in odd divisions. In this case, the high phase of the bit clock is one BRCLK cycle longer than the low phase.

When UCBRx = 0, no division is applied to BRCLK, and the bit clock equals BRCLK.

37.3.6.1 Serial Clock Polarity and Phase

The polarity and phase of UCxCLK are independently configured via the UCCKPL and UCCKPH control bits of the USCI. Timing for each case is shown in [Figure 37-4](#).

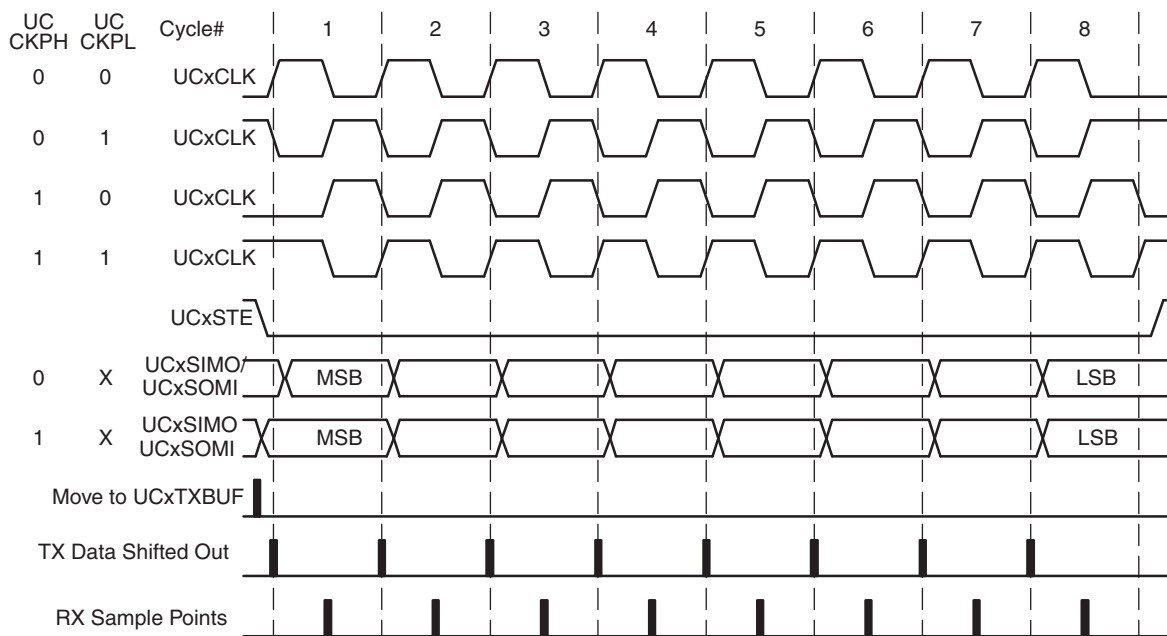


Figure 37-4. USCI SPI Timing With UCMSB = 1

37.3.7 Using the SPI Mode With Low-Power Modes

The USCI module provides automatic clock activation for use with low-power modes. When the USCI clock source is inactive because the device is in a low-power mode, the USCI module automatically activates it when needed, regardless of the control-bit settings for the clock source. The clock remains active until the USCI module returns to its idle condition. After the USCI module returns to the idle condition, control of the clock source reverts to the settings of its control bits.

In SPI slave mode, no internal clock source is required because the clock is provided by the external master. It is possible to operate the USCI in SPI slave mode while the device is in LPM4 and all clock sources are disabled. The receive or transmit interrupt can wake up the CPU from any low-power mode.

37.3.8 USCI Interrupts in SPI Mode

The USCI has only one interrupt vector that is shared for transmission and for reception. USCI_Ax and USC_Bx do not share the same interrupt vector.

37.3.8.1 SPI Transmit Interrupt Operation

The UCTXIFG interrupt flag is set by the transmitter to indicate that UCxTXBUF is ready to accept another character. An interrupt request is generated if UCTXIE and GIE are also set. UCTXIFG is automatically reset if a character is written to UCxTXBUF. UCTXIFG is set after a PUC or when UCSWRST = 1. UCTXIE is reset after a PUC or when UCSWRST = 1.

NOTE: Writing to UCxTXBUF in SPI mode

Data written to UCxTXBUF when UCTXIFG = 0 may result in erroneous data transmission.

37.3.8.2 SPI Receive Interrupt Operation

The UCRXIFG interrupt flag is set each time a character is received and loaded into UCxRXBUF. An interrupt request is generated if UCRXIE and GIE are also set. UCRXIFG and UCRXIE are reset by a system reset PUC signal or when UCSWRST = 1. UCRXIFG is automatically reset when UCxRXBUF is read.

37.3.8.3 UCxIV, Interrupt Vector Generator

The USCI interrupt flags are prioritized and combined to source a single interrupt vector. The interrupt vector register UCxIV is used to determine which flag requested an interrupt. The highest-priority enabled interrupt generates a number in the UCxIV register that can be evaluated or added to the program counter (PC) to automatically enter the appropriate software routine. Disabled interrupts do not affect the UCxIV value.

Any access, read or write, of the UCxIV register automatically resets the highest-pending interrupt flag. If another interrupt flag is set, another interrupt is immediately generated after servicing the initial interrupt.

37.3.8.3.1 UCxIV Software Example

The following software example shows the recommended use of UCxIV. The UCxIV value is added to the PC to automatically jump to the appropriate routine. The following example is given for USCI_B0.

```
USCI_SPI_ISR
    ADD    &UCB0IV, PC    ; Add offset to jump table
    RETI   ; Vector 0: No interrupt
    JMP    RXIFG_ISR     ; Vector 2: RXIFG
TXIFG_ISR
    ...    ; Task starts here
    RETI   ; Return
RXIFG_ISR
    ...    ; Task starts here
    RETI   ; Return
```

37.4 USCI_A SPI Mode Registers

The USCI_A registers that are applicable in SPI mode are listed in [Table 37-2](#). The base addresses can be found in the device-specific data sheet. The address offsets are listed in [Table 37-2](#).

Table 37-2. USCI_A SPI Mode Registers

Offset	Acronym	Register Name	Type	Access	Reset	Section
00h	UCAxCTLW0	USCI_Ax Control Word 0	Read/write	Word	0001h	
00h	UCAxCTL1	USCI_Ax Control 1	Read/write	Byte	01h	Section 37.4.2
01h	UCAxCTL0	USCI_Ax Control 0	Read/write	Byte	00h	Section 37.4.1
06h	UCAxBRW	USCI_Ax Bit Rate Control Word	Read/write	Word	0000h	
06h	UCAxBR0	USCI_Ax Bit Rate Control 0	Read/write	Byte	00h	Section 37.4.3
07h	UCAxBR1	USCI_Ax Bit Rate Control 1	Read/write	Byte	00h	Section 37.4.4
08h	UCAxMCTL	USCI_Ax Modulation Control	Read/write	Byte	00h	Section 37.4.5
0Ah	UCAxSTAT	USCI_Ax Status	Read/write	Byte	00h	Section 37.4.6
0Bh		Reserved - reads zero	Read	Byte	00h	
0Ch	UCAxRXBUF	USCI_Ax Receive Buffer	Read/write	Byte	00h	Section 37.4.7
0Dh		Reserved - reads zero	Read	Byte	00h	
0Eh	UCAxTXBUF	USCI_Ax Transmit Buffer	Read/write	Byte	00h	Section 37.4.8
0Fh		Reserved - reads zero	Read	Byte	00h	
1Ch	UCAxICTL	USCI_Ax Interrupt Control	Read/write	Word	0200h	
1Ch	UCAxIE	USCI_Ax Interrupt Enable	Read/write	Byte	00h	Section 37.4.9
1Dh	UCAxIFG	USCI_Ax Interrupt Flag	Read/write	Byte	02h	Section 37.4.10
1Eh	UCAxIV	USCI_Ax Interrupt Vector	Read	Word	0000h	Section 37.4.11

37.4.1 UCAXCTL0 Register

USCI_Ax Control Register 0

Figure 37-5. UCAXCTL0 Register

7	6	5	4	3	2	1	0
UCCKPH	UCCKPL	UCMSB	UC7BIT	UCMST	UCMODEx		UCSYNC
rw-0	rw-0	rw-0	rw-0	rw-0	rw-0	rw-0	rw-0

Can be modified only when UCSWRST = 1.

Table 37-3. UCAXCTL0 Register Description

Bit	Field	Type	Reset	Description
7	UCCKPH	RW	0h	Clock phase select 0b = Data is changed on the first UCLK edge and captured on the following edge. 1b = Data is captured on the first UCLK edge and changed on the following edge.
6	UCCKPL	RW	0h	Clock polarity select 0b = The inactive state is low. 1b = The inactive state is high.
5	UCMSB	RW	0h	MSB first select. Controls the direction of the receive and transmit shift register. 0b = LSB first 1b = MSB first
4	UC7BIT	RW	0h	Character length. Selects 7-bit or 8-bit character length. 0b = 8-bit data 1b = 7-bit data
3	UCMST	RW	0h	Master mode select 0b = Slave mode 1b = Master mode
2-1	UCMODEx	RW	0h	USCI mode. The UCMODEx bits select the synchronous mode when UCSYNC = 1. 00b = 3-pin SPI 01b = 4-pin SPI with UCxSTE active high: Slave enabled when UCxSTE = 1 10b = 4-pin SPI with UCxSTE active low: Slave enabled when UCxSTE = 0 11b = I ² C mode
0	UCSYNC	RW	0h	Synchronous mode enable 0b = Asynchronous mode 1b = Synchronous mode

37.4.2 UCxCTL1 Register

USCI_Ax Control Register 1

Figure 37-6. UCxCTL1 Register

7	6	5	4	3	2	1	0
UCSSELx		Reserved					UCSWRST
rw-0	rw-0	rw-0	rw-0	rw-0	rw-0	rw-0	rw-1

Can be modified only when UCSWRST = 1.

Table 37-4. UCxCTL1 Register Description

Bit	Field	Type	Reset	Description
7-6	UCSSELx	RW	0h	USCI clock source select. These bits select the BRCLK source clock in master mode. UCxCLK is always used in slave mode. 00b = Reserved 01b = ACLK 10b = SMCLK 11b = SMCLK
5-1	Reserved	RW	0h	Reserved. Always write as 0.
0	UCSWRST	RW	1h	Software reset enable 0b = Disabled. USCI reset released for operation. 1b = Enabled. USCI logic held in reset state.

37.4.3 UCxBR0 Register

USCI_Ax Bit Rate Control Register 0

Figure 37-7. UCxBR0 Register

7	6	5	4	3	2	1	0
UCBRx							
rw	rw	rw	rw	rw	rw	rw	rw

Can be modified only when UCSWRST = 1.

Table 37-5. UCxBR0 Register Description

Bit	Field	Type	Reset	Description
7-0	UCBRx	RW	undefined	Bit clock prescaler low byte. The 16-bit value of (UCxBR0 + UCxBR1 × 256) forms the prescaler value UCBRx. $f_{\text{BitClock}} = f_{\text{BRCLK}} / \text{UCBRx}$ If UCBRx = 0, $f_{\text{BitClock}} = f_{\text{BRCLK}}$

37.4.4 UCxBR1 Register

USCI_Ax Bit Rate Control Register 1

Figure 37-8. UCxBR1 Register

7	6	5	4	3	2	1	0
UCBRx							
rw	rw	rw	rw	rw	rw	rw	rw

Can be modified only when UCSWRST = 1.

Table 37-6. UCxBR1 Register Description

Bit	Field	Type	Reset	Description
7-0	UCBRx	RW	undefined	Bit clock prescaler high byte. The 16-bit value of (UCxBR0 + UCxBR1 × 256) forms the prescaler value UCBRx. $f_{\text{BitClock}} = f_{\text{BRCLK}} / \text{UCBRx}$ If UCBRx = 0, $f_{\text{BitClock}} = f_{\text{BRCLK}}$

37.4.5 UCxMCTL Register

USCI_Ax Modulation Control Register

Figure 37-9. UCxMCTL Register

7	6	5	4	3	2	1	0
Reserved							
rw-0	rw-0	rw-0	rw-0	rw-0	rw-0	rw-0	rw-0

Table 37-7. UCxMCTL Register Description

Bit	Field	Type	Reset	Description
7-0	Reserved	R	0h	Reserved. Always write as 0.

37.4.6 UCxSTAT Register

USCI_Ax Status Register

Figure 37-10. UCxSTAT Register

7	6	5	4	3	2	1	0
UCLISTEN	UCFE	UCOE	Reserved			UCBUSY	
rw-0	rw-0	rw-0	rw-0	rw-0	rw-0	rw-0	r-0

Can be modified only when UCSWRST = 1.

Table 37-8. UCxSTAT Register Description

Bit	Field	Type	Reset	Description
7	UCLISTEN	RW	0h	Listen enable. The UCLISTEN bit selects loopback mode. 0b = Disabled 1b = Enabled. The transmitter output is internally fed back to the receiver.
6	UCFE	RW	0h	Framing error flag. This bit indicates a bus conflict in 4-wire master mode. UCFE is not used in 3-wire master or any slave mode. 0b = No error 1b = Bus conflict occurred.
5	UCOE	RW	0h	Overrun error flag. This bit is set when a character is transferred into UCxRXBUF before the previous character was read. UCOE is cleared automatically when UCxRXBUF is read, and must not be cleared by software. Otherwise, it does not function correctly. 0b = No error 1b = Overrun error occurred
4-1	Reserved	R	0h	Reserved. Always reads as 0.
0	UCBUSY	R	0h	USCI busy. This bit indicates if a transmit or receive operation is in progress. 0b = USCI inactive 1b = USCI transmitting or receiving

37.4.7 UCAXRXBUF Register

USCI_Ax Receive Buffer Register

Figure 37-11. UCAXRXBUF Register

7	6	5	4	3	2	1	0
UCRXBUFx							
r	r	r	r	r	r	r	r

Table 37-9. UCAXRXBUF Register Description

Bit	Field	Type	Reset	Description
7-0	UCRXBUFx	R	undefined	The receive-data buffer is user accessible and contains the last received character from the receive shift register. Reading UCRXBUF resets the receive-error bits and UCRXIFG. In 7-bit data mode, UCRXBUF is LSB justified and the MSB is always reset.

37.4.8 UCAXTXBUF Register

USCI_Ax Transmit Buffer Register

Figure 37-12. UCAXTXBUF Register

7	6	5	4	3	2	1	0
UCTXBUFx							
rw	rw	rw	rw	rw	rw	rw	rw

Table 37-10. UCAXTXBUF Register Description

Bit	Field	Type	Reset	Description
7-0	UCTXBUFx	RW	undefined	The transmit data buffer is user accessible and holds the data waiting to be moved into the transmit shift register and transmitted. Writing to the transmit data buffer clears UCTXIFG. The MSB of UCAXTXBUF is not used for 7-bit data and is reset.

37.4.9 UCAXIE Register

USCI_Ax Interrupt Enable Register

Figure 37-13. UCAXIE Register

7	6	5	4	3	2	1	0
Reserved						UCTXIE	UCRXIE
r-0	r-0	r-0	r-0	r-0	r-0	rw-0	rw-0

Table 37-11. UCAXIE Register Description

Bit	Field	Type	Reset	Description
7-2	Reserved	R	0h	Reserved. Always reads as 0.
1	UCTXIE	RW	0h	Transmit interrupt enable 0b = Interrupt disabled 1b = Interrupt enabled
0	UCRXIE	RW	0h	Receive interrupt enable 0b = Interrupt disabled 1b = Interrupt enabled

37.4.10 UCAXIFG Register

USCI_Ax Interrupt Flag Register

Figure 37-14. UCAXIFG Register

7	6	5	4	3	2	1	0
Reserved						UCTXIFG	UCRXIFG
r-0	r-0	r-0	r-0	r-0	r-0	rw-1	rw-0

Table 37-12. UCAXIFG Register Description

Bit	Field	Type	Reset	Description
7-2	Reserved	R	0h	Reserved. Always reads as 0.
1	UCTXIFG	RW	1h	Transmit interrupt flag. UCTXIFG is set when UCAXTXBUF empty. 0b = No interrupt pending 1b = Interrupt pending
0	UCRXIFG	RW	0h	Receive interrupt flag. UCRXIFG is set when UCAXRXBUF has received a complete character. 0b = No interrupt pending 1b = Interrupt pending

37.4.11 UCAXIV Register

USCI_Ax Interrupt Vector Register

Figure 37-15. UCAXIV Register

15	14	13	12	11	10	9	8
UCIVx							
r0	r0	r0	r0	r0	r0	r0	r0
7	6	5	4	3	2	1	0
UCIVx							
r0	r0	r0	r-0	r-0	r-0	r-0	r0

Table 37-13. UCAXIV Register Description

Bit	Field	Type	Reset	Description
15-0	UCIVx	R	0h	USCI interrupt vector value 00h = No interrupt pending 02h = Interrupt Source: Data received; Interrupt Flag: UCRXIFG; Interrupt Priority: Highest 04h = Interrupt Source: Transmit buffer empty; Interrupt Flag: UCTXIFG; Interrupt Priority: Lowest

37.5 USCI_B SPI Mode Registers

The USCI_B registers applicable in SPI mode are listed in [Table 37-14](#). The base addresses can be found in the device-specific data sheet. The address offsets are listed in [Table 37-14](#).

Table 37-14. USCI_B SPI Mode Registers

Offset	Acronym	Register Name	Type	Access	Reset	Section
00h	UCBxCTLW0	USCI_Bx Control Word 0	Read/write	Word	0101h	
00h	UCBxCTL1	USCI_Bx Control 1	Read/write	Byte	01h	Section 37.5.2
01h	UCBxCTL0	USCI_Bx Control 0	Read/write	Byte	01h	Section 37.5.1
06h	UCBxBRW	USCI_Bx Bit Rate Control Word	Read/write	Word	0000h	
06h	UCBxBR0	USCI_Bx Bit Rate Control 0	Read/write	Byte	00h	Section 37.5.3
07h	UCBxBR1	USCI_Bx Bit Rate Control 1	Read/write	Byte	00h	Section 37.5.4
08h	UCBxMCTL	USCI_Bx Modulation Control	Read/write	Byte	00h	Section 37.5.5
0Ah	UCBxSTAT	USCI_Bx Status	Read/write	Byte	00h	Section 37.5.6
0Bh		Reserved - reads zero	Read	Byte	00h	
0Ch	UCBxRXBUF	USCI_Bx Receive Buffer	Read/write	Byte	00h	Section 37.5.7
0Dh		Reserved - reads zero	Read	Byte	00h	
0Eh	UCBxTXBUF	USCI_Bx Transmit Buffer	Read/write	Byte	00h	Section 37.5.8
0Fh		Reserved - reads zero	Read	Byte	00h	
1Ch	UCBxICTL	USCI_Bx Interrupt Control	Read/write	Word	0200h	
1Ch	UCBxIE	USCI_Bx Interrupt Enable	Read/write	Byte	00h	Section 37.5.9
1Dh	UCBxIFG	USCI_Bx Interrupt Flag	Read/write	Byte	02h	Section 37.5.10
1Eh	UCBxIV	USCI_Bx Interrupt Vector	Read	Word	0000h	Section 37.5.11

37.5.1 UCBxCTL0 Register

USCI_Bx Control Register 0

Figure 37-16. UCBxCTL0 Register

7	6	5	4	3	2	1	0
UCCKPH	UCCKPL	UCMSB	UC7BIT	UCMST	UCMODEx		UCSYNC
rw-0	rw-0	rw-0	rw-0	rw-0	rw-0	rw-0	rw-1

Can be modified only when UCSWRST = 1.

Table 37-15. UCBxCTL0 Register Description

Bit	Field	Type	Reset	Description
7	UCCKPH	RW	0h	Clock phase select 0b = Data is changed on the first UCLK edge and captured on the following edge. 1b = Data is captured on the first UCLK edge and changed on the following edge.
6	UCCKPL	RW	0h	Clock polarity select 0b = The inactive state is low. 1b = The inactive state is high.
5	UCMSB	RW	0h	MSB first select. Controls the direction of the receive and transmit shift register. 0b = LSB first 1b = MSB first
4	UC7BIT	RW	0h	Character length. Selects 7-bit or 8-bit character length. 0b = 8-bit data 1b = 7-bit data
3	UCMST	RW	0h	Master mode select 0b = Slave mode 1b = Master mode
2-1	UCMODEx	RW	0h	USCI mode. The UCMODEx bits select the synchronous mode when UCSYNC = 1. 00b = 3-pin SPI 01b = 4-pin SPI with UCxSTE active high: Slave enabled when UCxSTE = 1 10b = 4-pin SPI with UCxSTE active low: Slave enabled when UCxSTE = 0 11b = I ² C mode
0	UCSYNC	RW	1h	Synchronous mode enable 0b = Asynchronous mode 1b = Synchronous mode

37.5.2 UCBxCTL1 Register

USCI_Bx Control Register 1

Figure 37-17. UCBxCTL1 Register

7	6	5	4	3	2	1	0
UCSSELx		Reserved					UCSWRST
rw-0	rw-0	r0	rw-0	rw-0	rw-0	rw-0	rw-1

Can be modified only when UCSWRST = 1.

Table 37-16. UCBxCTL1 Register Description

Bit	Field	Type	Reset	Description
7-6	UCSSELx	RW	0h	USCI clock source select. These bits select the BRCLK source clock in master mode. UCxCLK is always used in slave mode. 00b = Reserved 01b = ACLK 10b = SMCLK 11b = SMCLK
5-1	Reserved	RW	0h	Reserved. Always write as 0.
0	UCSWRST	RW	1h	Software reset enable 0b = Disabled. USCI reset released for operation. 1b = Enabled. USCI logic held in reset state.

37.5.3 UCBxBR0 Register

USCI_Bx Bit Rate Control Register 0

Figure 37-18. UCBxBR0 Register

7	6	5	4	3	2	1	0
UCBRx							
rw	rw	rw	rw	rw	rw	rw	rw

Can be modified only when UCSWRST = 1.

Table 37-17. UCBxBR0 Register Description

Bit	Field	Type	Reset	Description
7-0	UCBRx	RW	undefined	Bit clock prescaler low byte. The 16-bit value of (UCBxBR0 + UCBxBR1 × 256) forms the prescaler value UCBRx. $f_{\text{BitClock}} = f_{\text{BRCLK}} / \text{UCBRx}$ If UCBRx = 0, $f_{\text{BitClock}} = f_{\text{BRCLK}}$

37.5.4 UCBxBR1 Register

USCI_Bx Bit Rate Control Register 1

Figure 37-19. UCBxBR1 Register

7	6	5	4	3	2	1	0
UCBRx							
rw	rw	rw	rw	rw	rw	rw	rw

Can be modified only when UCSWRST = 1.

Table 37-18. UCBxBR1 Register Description

Bit	Field	Type	Reset	Description
7-0	UCBRx	RW	undefined	Bit clock prescaler high byte. The 16-bit value of (UCBxBR0 + UCBxBR1 × 256) forms the prescaler value UCBRx. $f_{\text{BitClock}} = f_{\text{BRCLK}} / \text{UCBRx}$ If UCBRx = 0, $f_{\text{BitClock}} = f_{\text{BRCLK}}$

37.5.5 UCBxMCTL Register

USCI_Bx Modulation Control Register

Figure 37-20. UCBxMCTL Register

7	6	5	4	3	2	1	0
Reserved							
rw-0	rw-0	rw-0	rw-0	rw-0	rw-0	rw-0	rw-0

Table 37-19. UCBxMCTL Register Description

Bit	Field	Type	Reset	Description
7-0	Reserved	R	0h	Reserved. Always write as 0.

37.5.6 UCBxSTAT Register

USCI_Bx Status Register

Figure 37-21. UCBxSTAT Register

7	6	5	4	3	2	1	0
UCLISTEN	UCFE	UCOE	Reserved			UCBUSY	
rw-0	rw-0	rw-0	r0	r0	r0	r0	r-0

Can be modified only when UCSWRST = 1.

Table 37-20. UCBxSTAT Register Description

Bit	Field	Type	Reset	Description
7	UCLISTEN	RW	0h	Listen enable. The UCLISTEN bit selects loopback mode. 0b = Disabled 1b = Enabled. The transmitter output is internally fed back to the receiver.
6	UCFE	RW	0h	Framing error flag. This bit indicates a bus conflict in 4-wire master mode. UCFE is not used in 3-wire master or any slave mode. 0b = No error 1b = Bus conflict occurred.
5	UCOE	RW	0h	Overrun error flag. This bit is set when a character is transferred into UCxRXBUF before the previous character was read. UCOE is cleared automatically when UCxRXBUF is read, and must not be cleared by software. Otherwise, it does not function correctly. 0b = No error 1b = Overrun error occurred
4-1	Reserved	R	0h	Reserved. Always reads as 0.
0	UCBUSY	R	0h	USCI busy. This bit indicates if a transmit or receive operation is in progress. 0b = USCI inactive 1b = USCI transmitting or receiving

37.5.7 UCBxRXBUF Register

USCI_Bx Receive Buffer Register

Figure 37-22. UCBxRXBUF Register

7	6	5	4	3	2	1	0
UCRXBUFx							
r	r	r	r	r	r	r	r

Table 37-21. UCBxRXBUF Register Description

Bit	Field	Type	Reset	Description
7-0	UCRXBUFx	R	undefined	The receive-data buffer is user accessible and contains the last received character from the receive shift register. Reading UCRXBUF resets the receive-error bits and UCRXIFG. In 7-bit data mode, UCRXBUF is LSB justified and the MSB is always reset.

37.5.8 UCBxTXBUF Register

USCI_Bx Transmit Buffer Register

Figure 37-23. UCBxTXBUF Register

7	6	5	4	3	2	1	0
UCTXBUFx							
rw	rw	rw	rw	rw	rw	rw	rw

Table 37-22. UCBxTXBUF Register Description

Bit	Field	Type	Reset	Description
7-0	UCTXBUFx	RW	undefined	The transmit data buffer is user accessible and holds the data waiting to be moved into the transmit shift register and transmitted. Writing to the transmit data buffer clears UCTXIFG. The MSB of UCBxTXBUF is not used for 7-bit data and is reset.

37.5.9 UCBxIE Register

USCI_Bx Interrupt Enable Register

Figure 37-24. UCBxIE Register

7	6	5	4	3	2	1	0
Reserved						UCTXIE	UCRXIE
r-0	r-0	r-0	r-0	r-0	r-0	rw-0	rw-0

Table 37-23. UCBxIE Register Description

Bit	Field	Type	Reset	Description
7-2	Reserved	R	0h	Reserved. Always reads as 0.
1	UCTXIE	RW	0h	Transmit interrupt enable 0b = Interrupt disabled 1b = Interrupt enabled
0	UCRXIE	RW	0h	Receive interrupt enable 0b = Interrupt disabled 1b = Interrupt enabled

37.5.10 UCBxIFG Register

USCI_Bx Interrupt Flag Register

Figure 37-25. UCBxIFG Register

7	6	5	4	3	2	1	0
Reserved						UCTXIFG	UCRXIFG
r-0	r-0	r-0	r-0	r-0	r-0	rw-1	rw-0

Table 37-24. UCBxIFG Register Description

Bit	Field	Type	Reset	Description
7-2	Reserved	R	0h	Reserved. Always reads as 0.
1	UCTXIFG	RW	1h	Transmit interrupt flag. UCTXIFG is set when UCBxTXBUF empty. 0b = No interrupt pending 1b = Interrupt pending
0	UCRXIFG	RW	0h	Receive interrupt flag. UCRXIFG is set when UCBxRXBUF has received a complete character. 0b = No interrupt pending 1b = Interrupt pending

37.5.11 UCBxIV Register

USCI_Bx Interrupt Vector Register

Figure 37-26. UCBxIV Register

15	14	13	12	11	10	9	8
UCIVx							
r0	r0	r0	r0	r0	r0	r0	r0
7	6	5	4	3	2	1	0
UCIVx							
r0	r0	r0	r-0	r-0	r-0	r-0	r0

Table 37-25. UCBxIV Register Description

Bit	Field	Type	Reset	Description
15-0	UCIVx	R	0h	USCI interrupt vector value 00h = No interrupt pending 02h = Interrupt Source: Data received; Interrupt Flag: UCRXIFG; Interrupt Priority: Highest 04h = Interrupt Source: Transmit buffer empty; Interrupt Flag: UCTXIFG; Interrupt Priority: Lowest

Universal Serial Communication Interface – I²C Mode

The universal serial communication interface (USCI) supports multiple serial communication modes with one hardware module. This chapter discusses the operation of the I²C mode.

Topic	Page
38.1 Universal Serial Communication Interface (USCI) Overview	993
38.2 USCI Introduction – I²C Mode	994
38.3 USCI Operation – I²C Mode	995
38.4 USCI_B I2C Mode Registers	1014

38.1 Universal Serial Communication Interface (USCI) Overview

The USCI modules support multiple serial communication modes. Different USCI modules support different modes. Each different USCI module is named with a different letter. For example, USCI_A is different from USCI_B, etc. If more than one identical USCI module is implemented on one device, those modules are named with incrementing numbers. For example, if one device has two USCI_A modules, they are named USCI_A0 and USCI_A1. See the device-specific data sheet to determine which USCI modules, if any, are implemented on each device.

USCI_Ax modules support:

- UART mode
- Pulse shaping for IrDA communications
- Automatic baud-rate detection for LIN communications
- SPI mode

USCI_Bx modules support:

- I²C mode
- SPI mode

38.2 USCI Introduction – I²C Mode

In I²C mode, the USCI module provides an interface between the device and I²C-compatible devices connected by the two-wire I²C serial bus. External components attached to the I²C bus serially transmit and/or receive serial data to/from the USCI module through the 2-wire I²C interface.

The I²C mode features include:

- Compliance to the Philips Semiconductor I²C specification v2.1
- 7-bit and 10-bit device addressing modes
- General call
- START/RESTART/STOP
- Multi-master transmitter/receiver mode
- Slave receiver/transmitter mode
- Standard mode up to 100 kbps and fast mode up to 400 kbps support
- Programmable UCxCLK frequency in master mode
- Designed for low power
- Slave receiver START detection for auto wake up from LPMx modes (wake up from LPMx.5 is not supported)
- Slave operation in LPM4

[Figure 38-1](#) shows the USCI when configured in I²C mode.

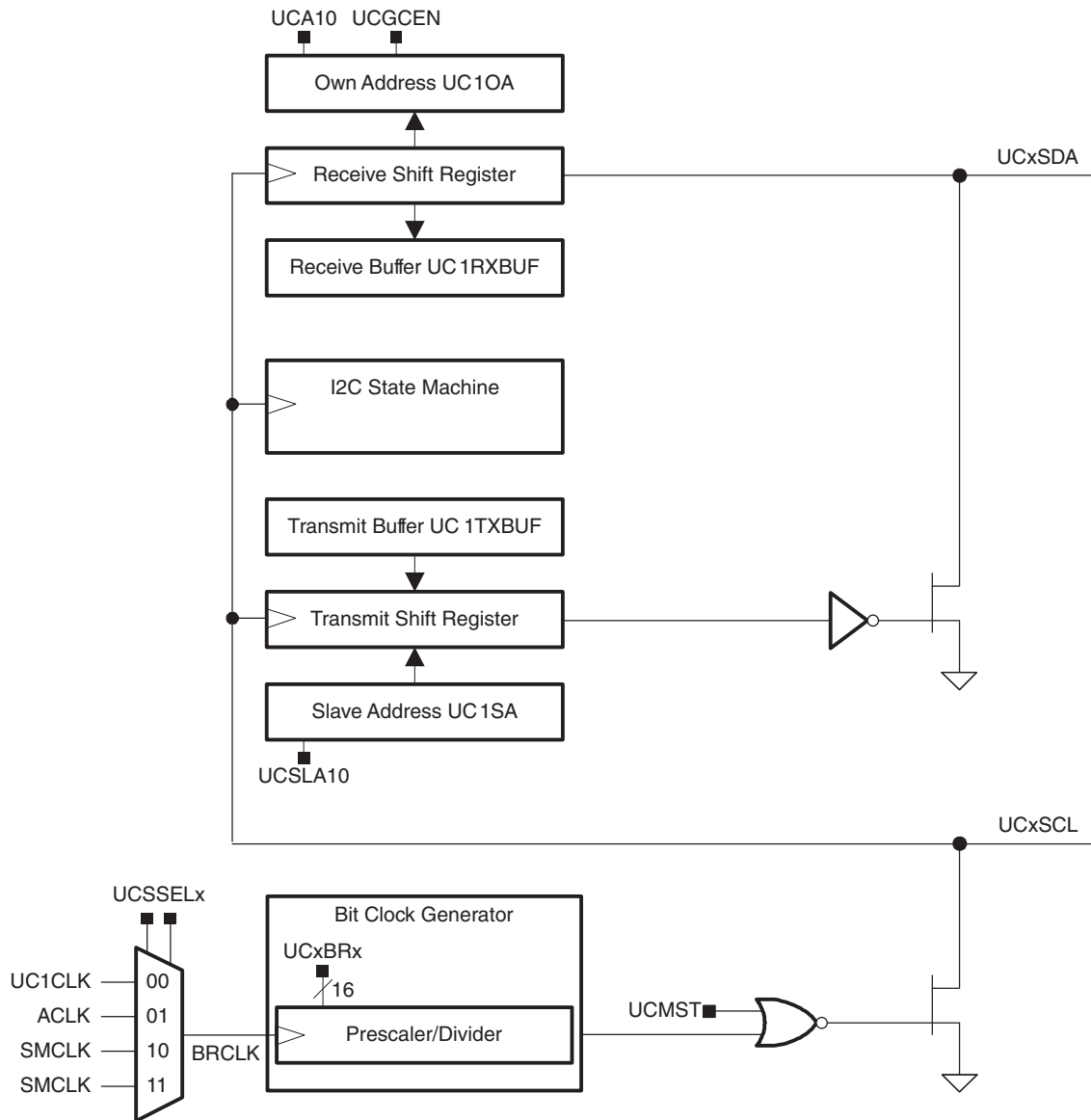
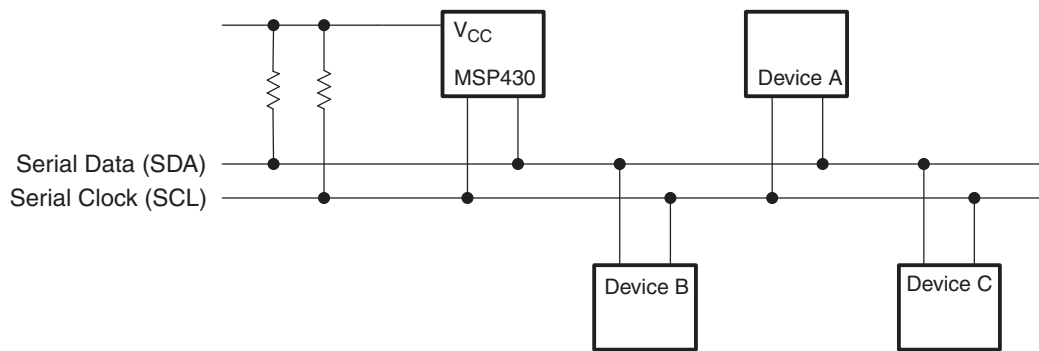


Figure 38-1. USCI Block Diagram – I²C Mode

38.3 USCI Operation – I²C Mode

The I²C mode supports any slave or master I²C-compatible device. Figure 38-2 shows an example of an I²C bus. Each I²C device is recognized by a unique address and can operate as either a transmitter or a receiver. A device connected to the I²C bus can be considered as the master or the slave when performing data transfers. A master initiates a data transfer and generates the clock signal SCL. Any device addressed by a master is considered a slave.

I²C data is communicated using the serial data (SDA) pin and the serial clock (SCL) pin. Both SDA and SCL are bidirectional and must be connected to a positive supply voltage using a pullup resistor.


Figure 38-2. I²C Bus Connection Diagram

NOTE: SDA and SCL levels

The SDA and SCL pins must not be pulled up above the device V_{CC} level.

38.3.1 USCI Initialization and Reset

The USCI is reset by a PUC or by setting the UCSWRST bit. After a PUC, the UCSWRST bit is automatically set, keeping the USCI in a reset condition. To select I²C operation, the UCMODEx bits must be set to 11b. After module initialization, it is ready for transmit or receive operation. Clear UCSWRST to release the USCI for operation.

To avoid unpredictable behavior, configure or reconfigure the USCI module only when UCSWRST is set.

Setting UCSWRST in I²C mode has the following effects:

- I²C communication stops.
- SDA and SCL are high impedance.
- UCBxI2CSTAT, bits 6–0 are cleared.
- Registers UCBxIE and UCBxIFG are cleared.
- All other bits and register remain unchanged.

NOTE: Initializing or reconfiguring the USCI module

The recommended USCI initialization/reconfiguration process is:

1. Set UCSWRST (BIS.B
#UCSWRST, &UCxCTL1).
 2. Initialize all USCI registers with UCSWRST = 1.
 3. Configure ports.
 4. Clear UCSWRST through software (BIC.B
#UCSWRST, &UCxCTL1).
 5. Enable interrupts (optional).
-

38.3.2 I²C Serial Data

One clock pulse is generated by the master device for each data bit transferred. The I²C mode operates with byte data. Data is transferred MSB first as shown in [Figure 38-3](#).

The first byte after a START condition consists of a 7-bit slave address and the R/W bit. When $R/\bar{W} = 0$, the master transmits data to a slave. When $R/\bar{W} = 1$, the master receives data from a slave. The ACK bit is sent from the receiver after each byte on the ninth SCL clock.

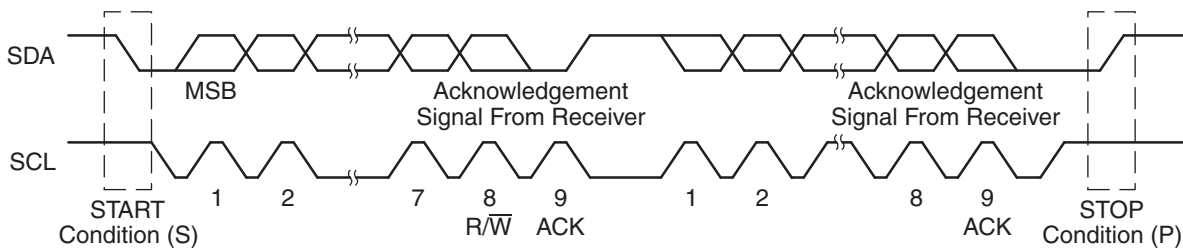


Figure 38-3. I²C Module Data Transfer

START and STOP conditions are generated by the master and are shown in [Figure 38-3](#). A START condition is a high-to-low transition on the SDA line while SCL is high. A STOP condition is a low-to-high transition on the SDA line while SCL is high. The bus busy bit, UCBBUSY, is set after a START and cleared after a STOP.

Data on SDA must be stable during the high period of SCL (see [Figure 38-4](#)). The high and low state of SDA can only change when SCL is low, otherwise START or STOP conditions are generated.

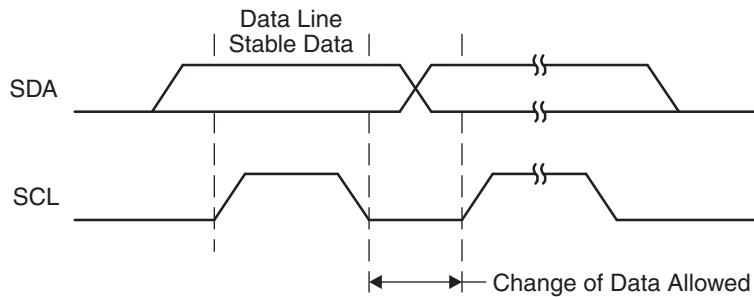


Figure 38-4. Bit Transfer on I²C Bus

38.3.3 I²C Addressing Modes

The I²C mode supports 7-bit and 10-bit addressing modes.

38.3.3.1 7-Bit Addressing

In the 7-bit addressing format (see [Figure 38-5](#)), the first byte is the 7-bit slave address and the R/W bit. The ACK bit is sent from the receiver after each byte.

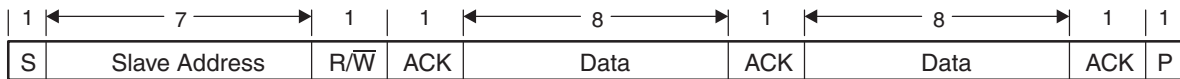


Figure 38-5. I²C Module 7-Bit Addressing Format

38.3.3.2 10-Bit Addressing

In the 10-bit addressing format (see [Figure 38-6](#)), the first byte is made up of 11110b plus the two MSBs of the 10-bit slave address and the R/W bit. The ACK bit is sent from the receiver after each byte. The next byte is the remaining eight bits of the 10-bit slave address, followed by the ACK bit and the 8-bit data. See [I²C Slave 10-bit Addressing Mode](#) and [I²C Master 10-bit Addressing Mode](#) for details how to use the 10-bit addressing mode with the USCI module.

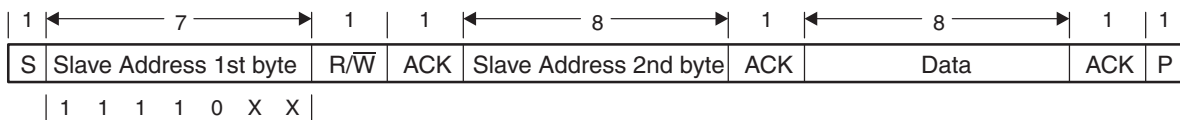


Figure 38-6. I²C Module 10-Bit Addressing Format

38.3.3.3 Repeated Start Conditions

The direction of data flow on SDA can be changed by the master, without first stopping a transfer, by issuing a repeated START condition. This is called a RESTART. After a RESTART is issued, the slave address is again sent out with the new data direction specified by the R/W bit. The RESTART condition is shown in [Figure 38-7](#).

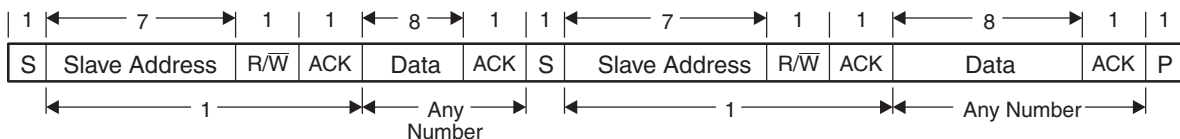


Figure 38-7. I²C Module Addressing Format With Repeated START Condition

38.3.4 I²C Module Operating Modes

In I²C mode, the USCI module can operate in master transmitter, master receiver, slave transmitter, or slave receiver mode. The modes are discussed in the following sections. Time lines are used to illustrate the modes.

Figure 38-8 shows how to interpret the time-line figures. Data transmitted by the master is represented by grey rectangles; data transmitted by the slave is represented by white rectangles. Data transmitted by the USCI module, either as master or slave, is shown by rectangles that are taller than the others.

Actions taken by the USCI module are shown in grey rectangles with an arrow indicating where in the data stream the action occurs. Actions that must be handled with software are indicated with white rectangles with an arrow pointing to where in the data stream the action must take place.

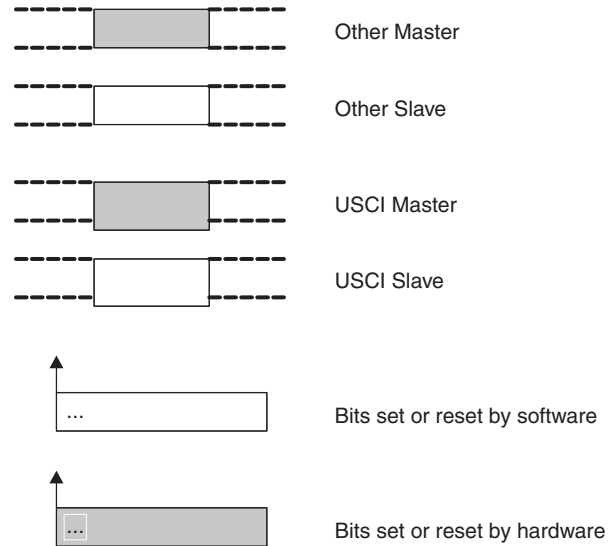


Figure 38-8. I²C Time-Line Legend

38.3.4.1 Slave Mode

The USCI module is configured as an I²C slave by selecting the I²C mode with UCMODEx = 11 and UCSYNC = 1 and clearing the UCMST bit.

Initially, the USCI module must be configured in receiver mode by clearing the UCTR bit to receive the I²C address. Afterwards, transmit and receive operations are controlled automatically, depending on the R/W bit received together with the slave address.

The USCI slave address is programmed with the UCBxI2COA register. When UCA10 = 0, 7-bit addressing is selected. When UCA10 = 1, 10-bit addressing is selected. The UCGCEN bit selects if the slave responds to a general call.

When a START condition is detected on the bus, the USCI module receives the transmitted address and compare it against its own address stored in UCBxI2COA. The UCSTTIFG flag is set when address received matches the USCI slave address.

38.3.4.1.1 I²C Slave Transmitter Mode

Slave transmitter mode is entered when the slave address transmitted by the master is identical to its own address with a set R/W bit. The slave transmitter shifts the serial data out on SDA with the clock pulses that are generated by the master device. The slave device does not generate the clock, but it does hold SCL low while intervention of the CPU is required after a byte has been transmitted.

If the master requests data from the slave, the USCI module is automatically configured as a transmitter and UCTR and UCTXIFG become set. The SCL line is held low until the first data to be sent is written into the transmit buffer UCBxTXBUF. Then the address is acknowledged, the UCSTTIFG flag is cleared, and the data is transmitted. As soon as the data is transferred into the shift register, the UCTXIFG is set again. After the data is acknowledged by the master, the next data byte written into UCBxTXBUF is transmitted or, if the buffer is empty, the bus is stalled during the acknowledge cycle by holding SCL low until new data is written into UCBxTXBUF. If the master sends a NACK succeeded by a STOP condition, the UCSTPIFG flag is set. If the NACK is succeeded by a repeated START condition, the USCI I²C state machine returns to its address-reception state.

Figure 38-9 shows the slave transmitter operation.

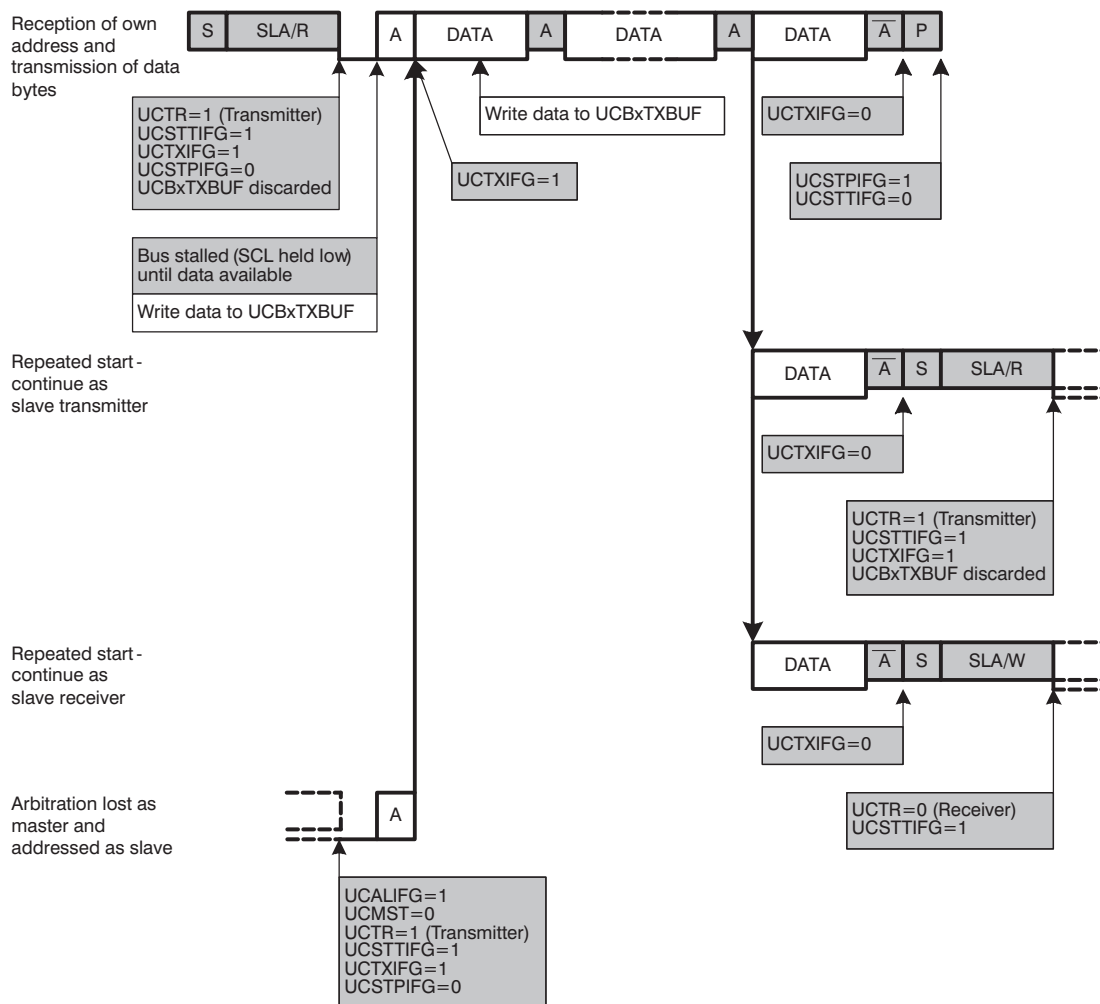


Figure 38-9. I²C Slave Transmitter Mode

38.3.4.1.2 I²C Slave Receiver Mode

Slave receiver mode is entered when the slave address transmitted by the master is identical to its own address and a cleared R/W bit is received. In slave receiver mode, serial data bits received on SDA are shifted in with the clock pulses that are generated by the master device. The slave device does not generate the clock, but it can hold SCL low if intervention of the CPU is required after a byte has been received.

If the slave should receive data from the master, the USCI module is automatically configured as a receiver and UCTR is cleared. After the first data byte is received, the receive interrupt flag UCRXIFG is set. The USCI module automatically acknowledges the received data and can receive the next data byte.

If the previous data was not read from the receive buffer UCBxRXBUF at the end of a reception, the bus is stalled by holding SCL low. As soon as UCBxRXBUF is read, the new data is transferred into UCBxRXBUF, an acknowledge is sent to the master, and the next data can be received.

Setting the UCTXNACK bit causes a NACK to be transmitted to the master during the next acknowledgment cycle. A NACK is sent even if UCBxRXBUF is not ready to receive the latest data. If the UCTXNACK bit is set while SCL is held low, the bus is released, a NACK is transmitted immediately, and UCBxRXBUF is loaded with the last received data. Because the previous data was not read, that data is lost. To avoid loss of data, the UCBxRXBUF must be read before UCTXNACK is set.

When the master generates a STOP condition, the UCSTPIFG flag is set.

If the master generates a repeated START condition, the USCI I²C state machine returns to its address reception state.

[Figure 38-10](#) shows the I²C slave receiver operation.

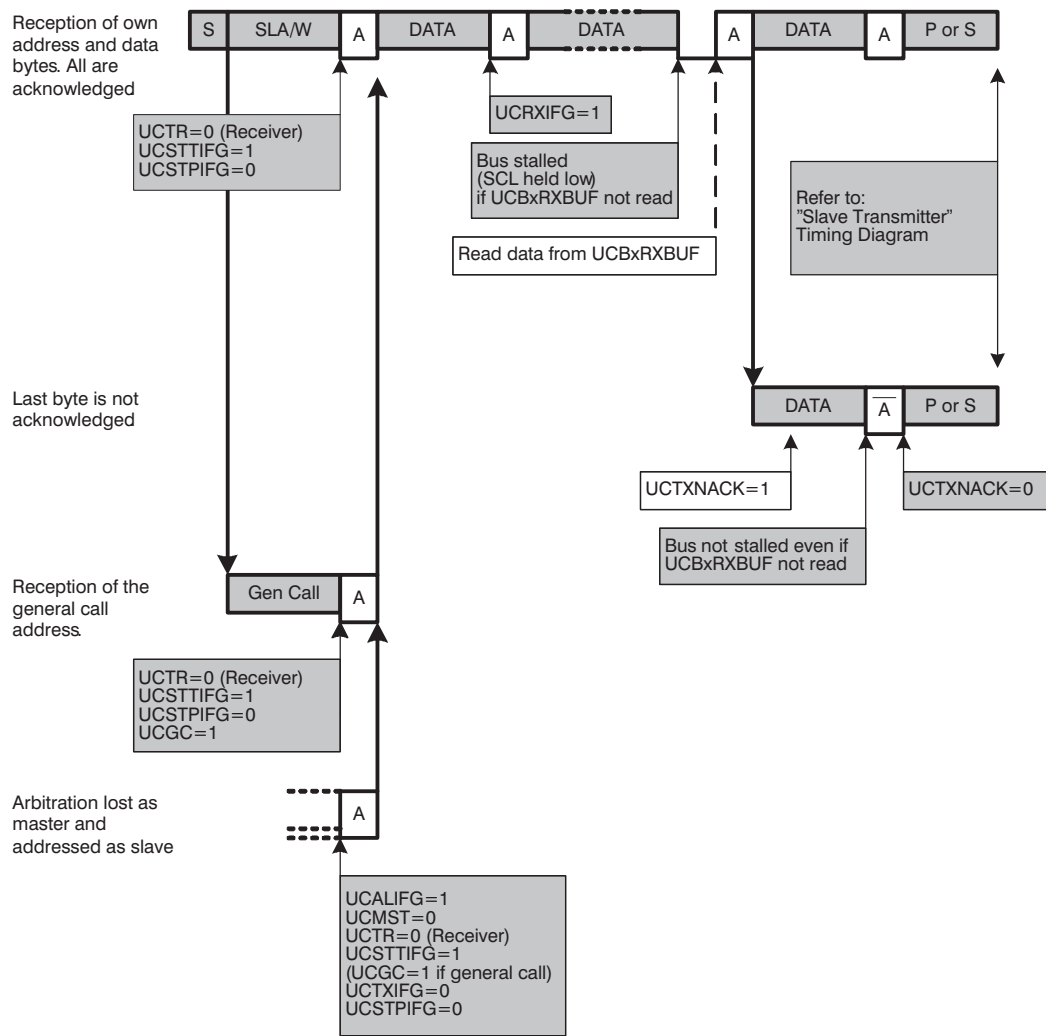


Figure 38-10. I²C Slave Receiver Mode

38.3.4.1.3 I²C Slave 10-Bit Addressing Mode

The 10-bit addressing mode is selected when UCA10 = 1 and is as shown in Figure 38-11. In 10-bit addressing mode, the slave is in receive mode after the full address is received. The USCI module indicates this by setting the UCSTTIFG flag while the UCTR bit is cleared. To switch the slave into transmitter mode, the master sends a repeated START condition together with the first byte of the address but with the R/W bit set. This sets the UCSTTIFG flag if it was previously cleared by software, and the USCI module switches to transmitter mode with UCTR = 1.

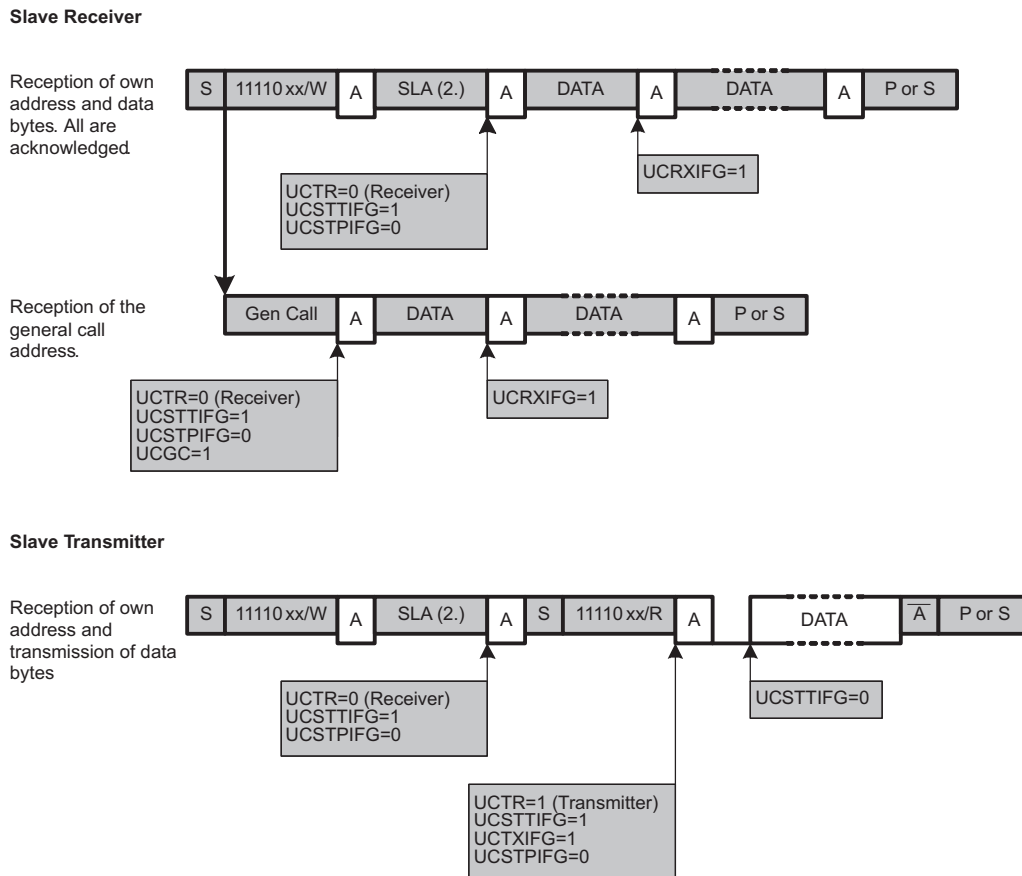


Figure 38-11. I²C Slave 10-Bit Addressing Mode

38.3.4.2 Master Mode

The USCI module is configured as an I²C master by selecting the I²C mode with UCMODEx = 11 and UCSYNC = 1 and setting the UCMST bit. When the master is part of a multi-master system, UCMMM must be set and its own address must be programmed into the UCBxI2COA register. When UCA10 = 0, 7-bit addressing is selected. When UCA10 = 1, 10-bit addressing is selected. The UCGCEN bit selects if the USCI module responds to a general call.

38.3.4.2.1 I²C Master Transmitter Mode

After initialization, master transmitter mode is initiated by writing the desired slave address to the UCBxI2CSA register, selecting the size of the slave address with the UCCLA10 bit, setting UCTR for transmitter mode, and setting UCTXSTT to generate a START condition.

The USCI module checks if the bus is available, generates the START condition, and transmits the slave address. The UCTXIFG bit is set when the START condition is generated and the first data to be transmitted can be written into UCBxTXBUF. As soon as the slave acknowledges the address, the UCTXSTT bit is cleared.

NOTE: Handling of TXIFG in a multi-master system

In a multi-master system (UCMM =1), if the bus is unavailable, the USCI module waits and checks for bus release. Bus unavailability can occur even after the UCTXSTT bit has been set. While waiting for the bus to become available, the USCI may update the TXIFG based on SCL clock line activity. Checking the UCTXSTT bit to verify if the START condition has been sent ensures that the TXIFG is being serviced correctly.

The data written into UCBxTXBUF is transmitted if arbitration is not lost during transmission of the slave address. UCTXIFG is set again as soon as the data is transferred from the buffer into the shift register. If there is no data loaded to UCBxTXBUF before the acknowledge cycle, the bus is held during the acknowledge cycle with SCL low until data is written into UCBxTXBUF. Data is transmitted or the bus is held, as long as the UCTXSTP bit or UCTXSTT bit is not set.

Setting UCTXSTP generates a STOP condition after the next acknowledge from the slave. If UCTXSTP is set during the transmission of the slave's address or while the USCI module waits for data to be written into UCBxTXBUF, a STOP condition is generated, even if no data was transmitted to the slave. When transmitting a single byte of data, the UCTXSTP bit must be set while the byte is being transmitted or anytime after transmission begins, without writing new data into UCBxTXBUF. Otherwise, only the address is transmitted. When the data is transferred from the buffer to the shift register, UCTXIFG is set, indicating data transmission has begun, and the UCTXSTP bit may be set.

Setting UCTXSTT generates a repeated START condition. In this case, UCTR may be set or cleared to configure transmitter or receiver, and a different slave address may be written into UCBxI2CSA if desired.

If the slave does not acknowledge the transmitted data, the not-acknowledge interrupt flag UCNACKIFG is set. The master must react with either a STOP condition or a repeated START condition. If data was already written into UCBxTXBUF, it is discarded. If this data should be transmitted after a repeated START, it must be written into UCBxTXBUF again. Any set UCTXSTT is also discarded. To trigger a repeated START, UCTXSTT must be set again.

Figure 38-12 shows the I²C master transmitter operation.

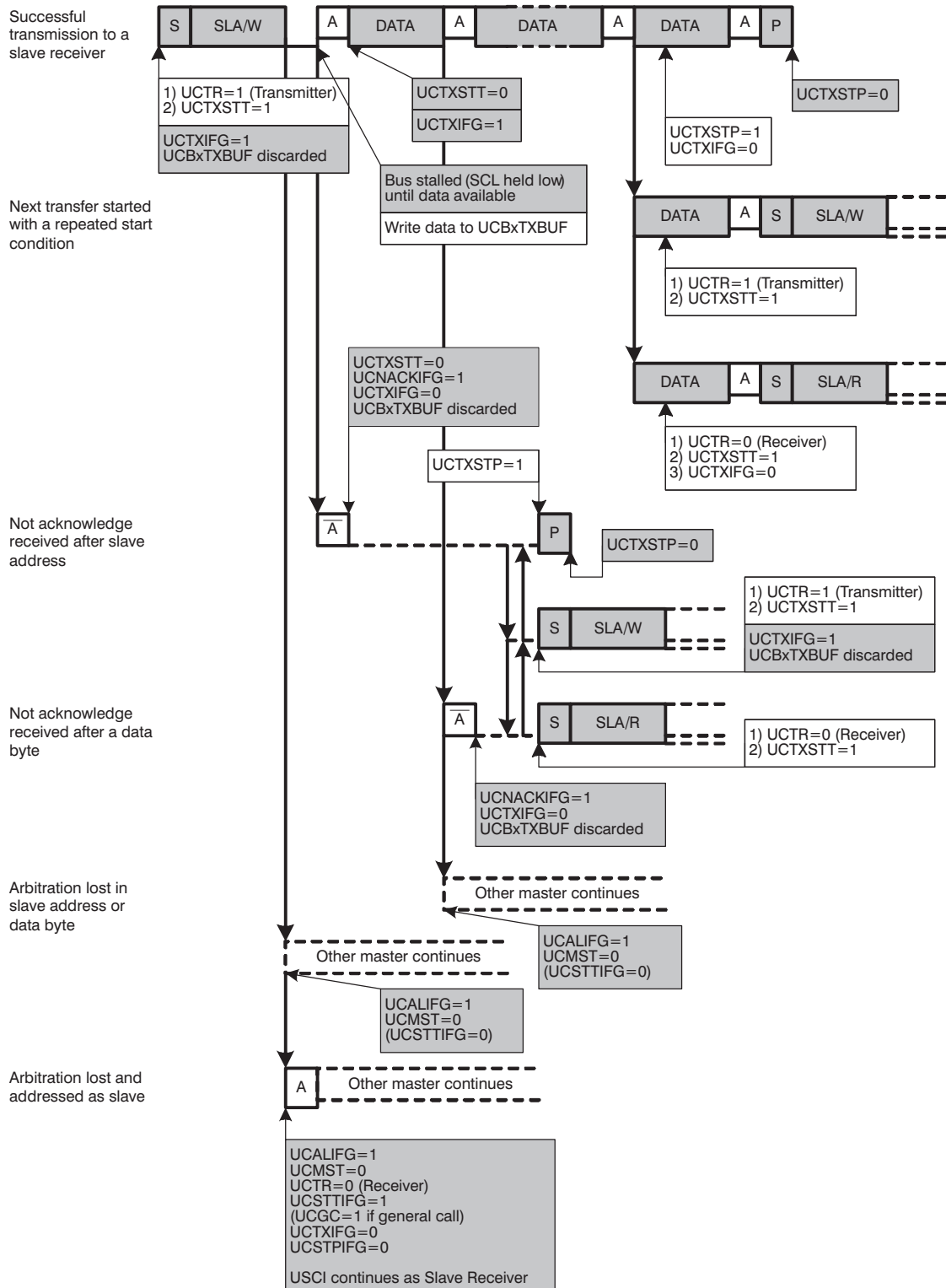


Figure 38-12. I²C Master Transmitter Mode

38.3.4.2.2 I²C Master Receiver Mode

After initialization, master receiver mode is initiated by writing the desired slave address to the UCBxI2CSA register, selecting the size of the slave address with the UCLSA10 bit, clearing UCTR for receiver mode, and setting UCTXSTT to generate a START condition.

The USCI module checks if the bus is available, generates the START condition, and transmits the slave address. As soon as the slave acknowledges the address, the UCTXSTT bit is cleared.

After the acknowledge of the address from the slave, the first data byte from the slave is received and acknowledged and the UCRXIFG flag is set. Data is received from the slave, as long as UCTXSTP or UCTXSTT is not set. If UCBxRXBUF is not read, the master holds the bus during reception of the last data bit and until the UCBxRXBUF is read.

If the slave does not acknowledge the transmitted address, the not-acknowledge interrupt flag UCNACKIFG is set. The master must react with either a STOP condition or a repeated START condition.

Setting the UCTXSTP bit generates a STOP condition. After setting UCTXSTP, a NACK followed by a STOP condition is generated after reception of the data from the slave, or immediately if the USCI module is currently waiting for UCBxRXBUF to be read.

If a master wants to receive a single byte only, the UCTXSTP bit must be set while the byte is being received. For this case, the UCTXSTT may be polled to determine when it is cleared:

```

        BIS.B    #UCTXSTT, &UCB0CTL1 ;Transmit START cond.
POLL_STT  BIT.B    #UCTXSTT, &UCB0CTL1 ;Poll UCTXSTT bit
        JC      POLL_STT           ;When cleared,
        BIS.B    #UCTXSTP, &UCB0CTL1 ;transmit STOP cond.

```

Setting UCTXSTT generates a repeated START condition. In this case, UCTR may be set or cleared to configure transmitter or receiver, and a different slave address may be written into UCBxI2CSA if desired.

NOTE: Repeated START

The UCTXSTT bit must be set before the last data byte is received; that is, immediately after the UCRXIFG is set and the UCRXBUF with the second to last byte is read, the UCTXSTT bit should be set.

NOTE: Consecutive master transactions without repeated START

When performing multiple consecutive I²C master transactions without the repeated START feature, the current transaction must be completed before the next one is initiated. This can be done by ensuring that the transmit STOP condition flag UCTXSTP is cleared before the next I²C transaction is initiated with setting UCTXSTT = 1. Otherwise, the current transaction might be affected.

Figure 38-13 shows the I²C master receiver operation.

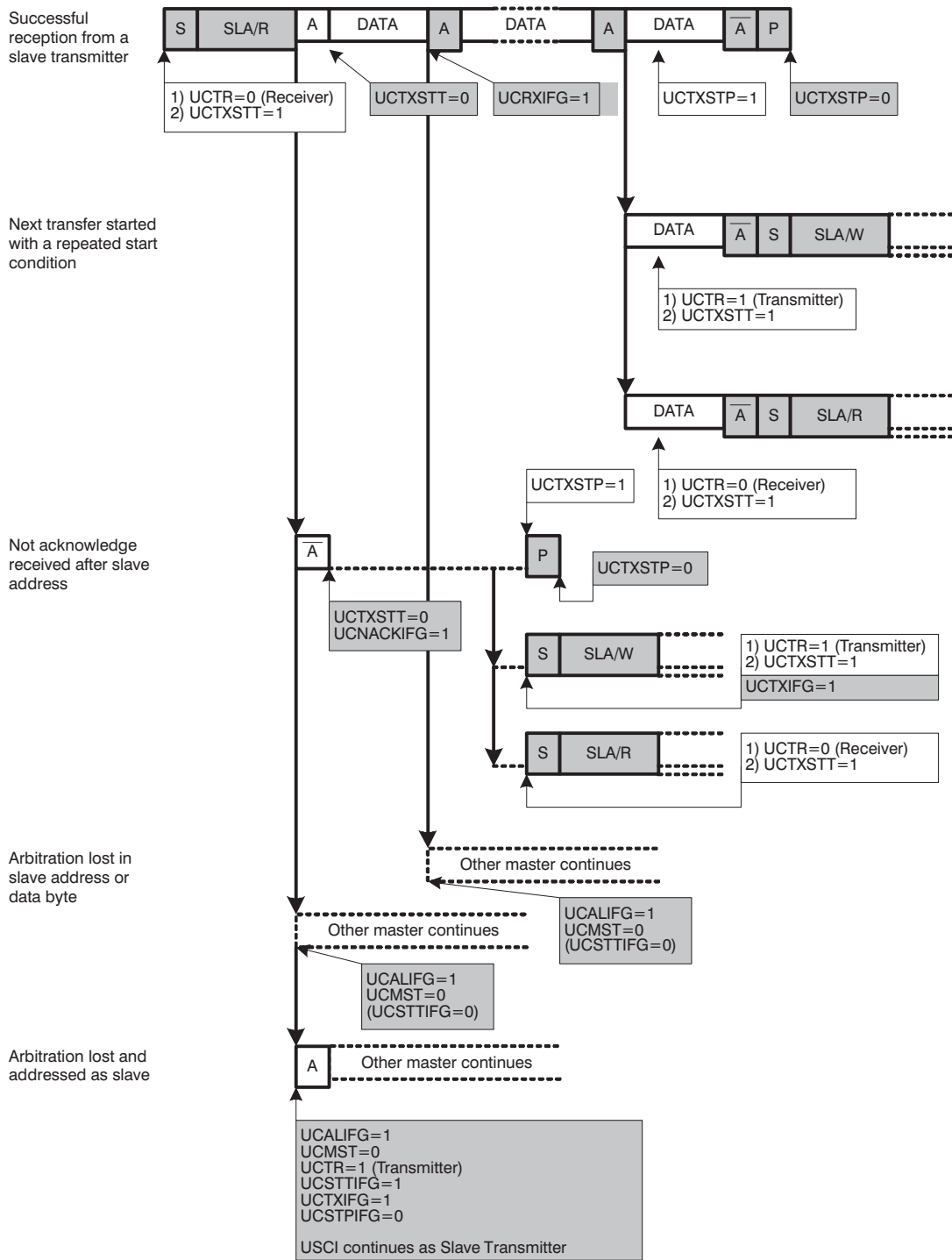
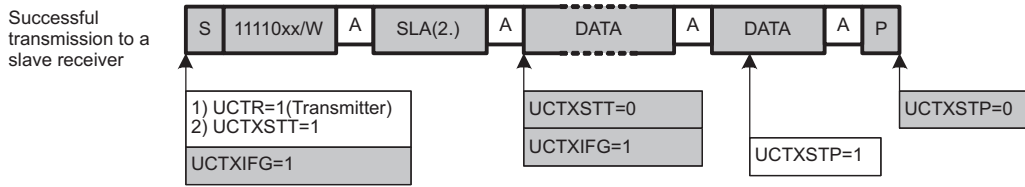


Figure 38-13. I²C Master Receiver Mode

38.3.4.2.3 I²C Master 10-Bit Addressing Mode

The 10-bit addressing mode is selected when UCCLA10 = 1 and is shown in Figure 38-14.

Master Transmitter



Master Receiver

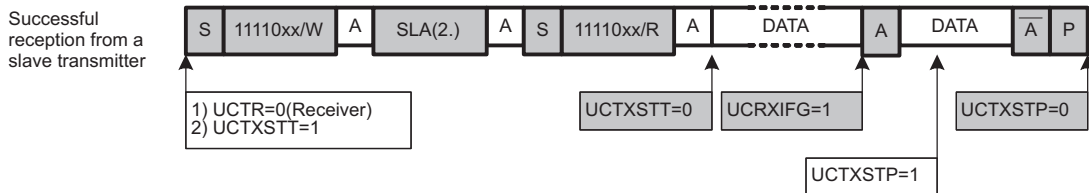


Figure 38-14. I²C Master 10-Bit Addressing Mode

38.3.4.3 Arbitration

If two or more master transmitters simultaneously start a transmission on the bus, an arbitration procedure is invoked. Figure 38-15 shows the arbitration procedure between two devices. The arbitration procedure uses the data presented on SDA by the competing transmitters. The first master transmitter that generates a logic high is overruled by the opposing master generating a logic low. The arbitration procedure gives priority to the device that transmits the serial data stream with the lowest binary value. The master transmitter that lost arbitration switches to the slave receiver mode and sets the arbitration lost flag UCALIFG. If two or more devices send identical first bytes, arbitration continues on the subsequent bytes.

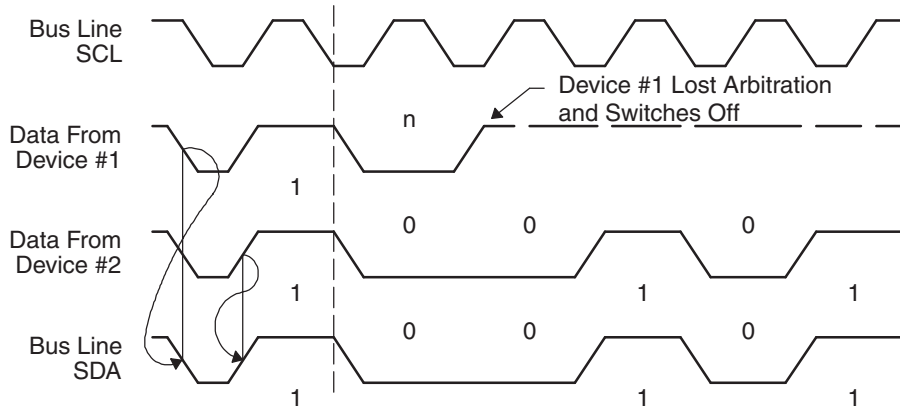


Figure 38-15. Arbitration Procedure Between Two Master Transmitters

If the arbitration procedure is in progress when a repeated START condition or STOP condition is transmitted on SDA, the master transmitters involved in arbitration must send the repeated START condition or STOP condition at the same position in the format frame. Arbitration is not allowed between:

- A repeated START condition and a data bit
- A STOP condition and a data bit
- A repeated START condition and a STOP condition

38.3.5 I²C Clock Generation and Synchronization

The I²C clock SCL is provided by the master on the I²C bus. When the USCI is in master mode, BITCLK is provided by the USCI bit clock generator and the clock source is selected with the UCSSELx bits. In slave mode, the bit clock generator is not used and the UCSSELx bits are don't care.

The 16-bit value of UCBRx in registers UCBxBR1 and UCBxBR0 is the division factor of the USCI clock source, BRCLK. The maximum bit clock that can be used in single master mode is $f_{BRCLK}/4$. In multi-master mode, the maximum bit clock is $f_{BRCLK}/8$. The BITCLK frequency is given by:

$$f_{\text{BitClock}} = f_{\text{BRCLK}} / \text{UCBRx}$$

The minimum high and low periods of the generated SCL are:

$$t_{\text{LOW,MIN}} = t_{\text{HIGH,MIN}} = (\text{UCBRx}/2) / f_{\text{BRCLK}} \text{ when UCBRx is even}$$

$$t_{\text{LOW,MIN}} = t_{\text{HIGH,MIN}} = ((\text{UCBRx} - 1)/2) / f_{\text{BRCLK}} \text{ when UCBRx is odd}$$

The USCI clock source frequency and the prescaler setting UCBRx must to be chosen such that the minimum low and high period times of the I²C specification are met.

During the arbitration procedure the clocks from the different masters must be synchronized. A device that first generates a low period on SCL overrules the other devices, forcing them to start their own low periods. SCL is then held low by the device with the longest low period. The other devices must wait for SCL to be released before starting their high periods. Figure 38-16 shows the clock synchronization. This allows a slow slave to slow down a fast master.

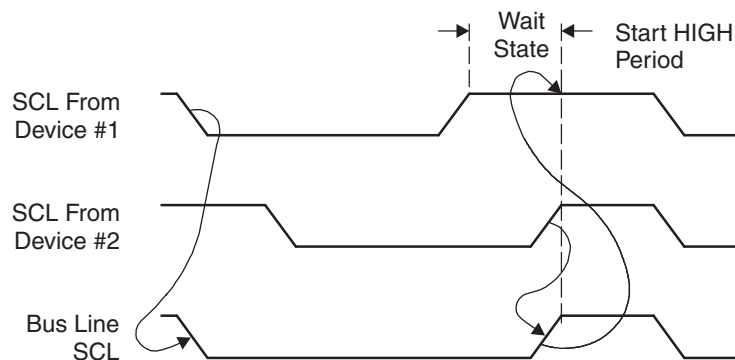


Figure 38-16. Synchronization of Two I²C Clock Generators During Arbitration

38.3.5.1 Clock Stretching

The USCI module supports clock stretching and also makes use of this feature as described in the Operation Mode sections.

The UCSCLOW bit can be used to observe if another device pulls SCL low while the USCI module already released SCL due to the following conditions:

- USCI is acting as master and a connected slave drives SCL low.
- USCI is acting as master and another master drives SCL low during arbitration.

The UCSCLOW bit is also active if the USCI holds SCL low because it is waiting as transmitter for data being written into UCBxTXBUF or as receiver for the data being read from UCBxRXBUF.

The UCSCLOW bit might get set for a short time with each rising SCL edge because the logic observes the external SCL and compares it to the internally generated SCL.

38.3.6 Using the USCI Module in I²C Mode With Low-Power Modes

The USCI module provides automatic clock activation for use with low-power modes. When the USCI clock source is inactive because the device is in a low-power mode, the USCI module automatically activates it when needed, regardless of the control-bit settings for the clock source. The clock remains active until the USCI module returns to its idle condition. After the USCI module returns to the idle condition, control of the clock source reverts to the settings of its control bits.

In I²C slave mode, no internal clock source is required because the clock is provided by the external master. It is possible to operate the USCI in I²C slave mode while the device is in LPM4 and all internal clock sources are disabled. The receive or transmit interrupts can wake up the CPU from any low-power mode.

38.3.7 USCI Interrupts in I²C Mode

The USCI has only one interrupt vector that is shared for transmission, reception, and the state change. USCI_Ax and USC_Bx do not share the same interrupt vector.

Each interrupt flag has its own interrupt enable bit. When an interrupt is enabled and the GIE bit is set, the interrupt flag generates an interrupt request. DMA transfers are controlled by the UCTXIFG and UCRXIFG flags on devices with a DMA controller.

38.3.7.1 I²C Transmit Interrupt Operation

The UCTXIFG interrupt flag is set by the transmitter to indicate that UCBxTXBUF is ready to accept another character. An interrupt request is generated if UCTXIE and GIE are also set. UCTXIFG is automatically reset if a character is written to UCBxTXBUF or if a NACK is received. UCTXIFG is set when UCSWRST = 1 and the I²C mode is selected. UCTXIE is reset after a PUC or when UCSWRST = 1.

38.3.7.2 I²C Receive Interrupt Operation

The UCRXIFG interrupt flag is set when a character is received and loaded into UCBxRXBUF. An interrupt request is generated if UCRXIE and GIE are also set. UCRXIFG and UCRXIE are reset after a PUC signal or when UCSWRST = 1. UCRXIFG is automatically reset when UCxRXBUF is read.

38.3.7.3 I²C State Change Interrupt Operation

Table 38-1 describes the I²C state change interrupt flags.

Table 38-1. I²C State Change Interrupt Flags

Interrupt Flag	Interrupt Condition
UCALIFG	Arbitration-lost. Arbitration can be lost when two or more transmitters start a transmission simultaneously, or when the USCI operates as master but is addressed as a slave by another master in the system. The UCALIFG flag is set when arbitration is lost. When UCALIFG is set, the UCMST bit is cleared and the I ² C controller becomes a slave.
UCNACKIFG	Not-acknowledge interrupt. This flag is set when an acknowledge is expected but is not received. UCNACKIFG is automatically cleared when a START condition is received.
UCSTTIFG	START condition detected interrupt. This flag is set when the I ² C module detects a START condition together with its own address while in slave mode. UCSTTIFG is used in slave mode only and is automatically cleared when a STOP condition is received.
UCSTPIFG	STOP condition detected interrupt. This flag is set when the I ² C module detects a STOP condition while in slave mode. UCSTPIFG is used in slave mode only and is automatically cleared when a START condition is received.

38.3.7.4 UCBxIV, Interrupt Vector Generator

The USCI interrupt flags are prioritized and combined to source a single interrupt vector. The interrupt vector register UCBxIV is used to determine which flag requested an interrupt. The highest-priority enabled interrupt generates a number in the UCBxIV register that can be evaluated or added to the PC to automatically enter the appropriate software routine. Disabled interrupts do not affect the UCBxIV value.

Any access, read or write, of the UCBxIV register automatically resets the highest-pending interrupt flag. If another interrupt flag is set, another interrupt is immediately generated after servicing the initial interrupt.

38.3.7.4.1 UCBxIV Software Example

The following software example shows the recommended use of UCBxIV. The UCBxIV value is added to the PC to automatically jump to the appropriate routine. The example is given for USCI_B0.

```

USCI_I2C_ISR
    ADD        &UCB0IV, PC    ; Add offset to jump table
    RETI                               ; Vector 0: No interrupt
    JMP        ALIFG_ISR      ; Vector 2: ALIFG
    JMP        NACKIFG_ISR    ; Vector 4: NACKIFG
    JMP        STTIFG_ISR     ; Vector 6: STTIFG
    JMP        STPIFG_ISR     ; Vector 8: STPIFG
    JMP        RXIFG_ISR      ; Vector 10: RXIFG
TXIFG_ISR                                ; Vector 12
    ...                                ; Task starts here
    RETI                               ; Return
ALIFG_ISR                                ; Vector 2
    ...                                ; Task starts here
    RETI                               ; Return
NACKIFG_ISR                              ; Vector 4
    ...                                ; Task starts here
    RETI                               ; Return
STTIFG_ISR                               ; Vector 6
    ...                                ; Task starts here
    RETI                               ; Return
STPIFG_ISR                              ; Vector 8
    ...                                ; Task starts here
    RETI                               ; Return
RXIFG_ISR                                ; Vector 10
    ...                                ; Task starts here
    RETI                               ; Return

```

38.4 USCI_B I2C Mode Registers

The USCI registers applicable in I2C mode are listed in [Table 38-2](#). The base address can be found in the device-specific data sheet. The address offsets are listed in [Table 38-2](#).

Table 38-2. USCI_B Registers

Offset	Acronym	Register Name	Type	Access	Reset	Section
00h	UCBxCTLW0	USCI_Bx Control Word 0	Read/write	Word	0101h	
00h	UCBxCTL1	USCI_Bx Control 1	Read/write	Byte	01h	Section 38.4.2
01h	UCBxCTL0	USCI_Bx Control 0	Read/write	Byte	01h	Section 38.4.1
06h	UCBxBRW	USCI_Bx Bit Rate Control Word	Read/write	Word	0000h	
06h	UCBxBR0	USCI_Bx Bit Rate Control 0	Read/write	Byte	00h	Section 38.4.3
07h	UCBxBR1	USCI_Bx Bit Rate Control 1	Read/write	Byte	00h	Section 38.4.4
0Ah	UCBxSTAT	USCI_Bx Status	Read/write	Byte	00h	Section 38.4.5
0Bh		Reserved - reads zero	Read	Byte	00h	
0Ch	UCBxRXBUF	USCI_Bx Receive Buffer	Read/write	Byte	00h	Section 38.4.6
0Dh		Reserved - reads zero	Read	Byte	00h	
0Eh	UCBxTXBUF	USCI_Bx Transmit Buffer	Read/write	Byte	00h	Section 38.4.7
0Fh		Reserved - reads zero	Read	Byte	00h	
10h	UCBxI2COA	USCI_Bx I2C Own Address	Read/write	Word	0000h	Section 38.4.8
12h	UCBxI2CSA	USCI_Bx I2C Slave Address	Read/write	Word	0000h	Section 38.4.9
1Ch	UCBxICTL	USCI_Bx Interrupt Control	Read/write	Word	0200h	
1Ch	UCBxIE	USCI_Bx Interrupt Enable	Read/write	Byte	00h	Section 38.4.10
1Dh	UCBxIFG	USCI_Bx Interrupt Flag	Read/write	Byte	02h	Section 38.4.11
1Eh	UCBxIV	USCI_Bx Interrupt Vector	Read	Word	0000h	Section 38.4.12

38.4.1 UCBxCTL0 Register

USCI_Bx Control Register 0

Figure 38-17. UCBxCTL0 Register

7	6	5	4	3	2	1	0
UCA10	UCSLA10	UCMM	Reserved	UCMST	UCMODEx		UCSYNC
rw-0	rw-0	rw-0	rw-0	rw-0	rw-0	rw-0	r-1

Can be modified only when UCSWRST = 1.

Table 38-3. UCBxCTL0 Register Description

Bit	Field	Type	Reset	Description
7	UCA10	RW	0h	Own addressing mode select 0b = Own address is a 7-bit address 1b = Own address is a 10-bit address
6	UCSLA10	RW	0h	Slave addressing mode select 0b = Address slave with 7-bit address 1b = Address slave with 10-bit address
5	UCMM	RW	0h	Multi-master environment select 0b = Single master environment. There is no other master in the system. The address compare unit is disabled. 1b = Multi-master environment
4	Reserved	R	0h	Reserved. Always reads as 0.
3	UCMST	RW	0h	Master mode select. When a master loses arbitration in a multi-master environment (UCMM = 1), the UCMST bit is automatically cleared and the module acts as slave. 0b = Slave mode 1b = Master mode
2-1	UCMODEx	RW	0h	USCI mode. The UCMODEx bits select the synchronous mode when UCSYNC = 1. 00b = 3-pin SPI 01b = 4-pin SPI (master/slave enabled if STE = 1) 10b = 4-pin SPI (master/slave enabled if STE = 0) 11b = I ² C mode
0	UCSYNC	R	1h	Synchronous mode enable 0b = Asynchronous mode 1b = Synchronous mode

38.4.2 UCBxCTL1 Register

USCI_Bx Control Register 1

Figure 38-18. UCBxCTL1 Register

7	6	5	4	3	2	1	0
UCSSELx		Reserved	UCTR	UCTXNACK	UCTXSTP	UCTXSTT	UCSWRST
rw-0	rw-0	r0	rw-0	rw-0	rw-0	rw-0	rw-1

Can be modified only when UCSWRST = 1.

Table 38-4. UCBxCTL1 Register Description

Bit	Field	Type	Reset	Description
7-6	UCSSELx	RW	0h	USCI clock source select. These bits select the BRCLK source clock. 00b = UCLKI 01b = ACLK 10b = SMCLK 11b = SMCLK
5	Reserved	RW	0h	Reserved. Always reads as 0.
4	UCTR	RW	0h	Transmitter or receiver 0b = Receiver 1b = Transmitter
3	UCTXNACK	RW	0h	Transmit a NACK. UCTXNACK is automatically cleared after a NACK is transmitted. 0b = Acknowledge normally 1b = Generate NACK
2	UCTXSTP	RW	0h	Transmit STOP condition in master mode. Ignored in slave mode. In master receiver mode, the STOP condition is preceded by a NACK. UCTXSTP is automatically cleared after STOP is generated. 0b = No STOP generated 1b = Generate STOP
1	UCTXSTT	RW	0h	Transmit START condition in master mode. Ignored in slave mode. In master receiver mode, a repeated START condition is preceded by a NACK. UCTXSTT is automatically cleared after START condition and address information is transmitted. Ignored in slave mode. 0b = Do not generate START condition 1b = Generate START condition
0	UCSWRST	RW	1h	Software reset enable 0b = Disabled. USCI reset released for operation. 1b = Enabled. USCI logic held in reset state.

38.4.3 UCBxBR0 Register

USCI_Bx Baud Rate Control Register 0

Figure 38-19. UCBxBR0 Register

7	6	5	4	3	2	1	0
UCBRx							
rw	rw	rw	rw	rw	rw	rw	rw

Can be modified only when UCSWRST = 1.

Table 38-5. UCBxBR0 Register Description

Bit	Field	Type	Reset	Description
7-0	UCBRx	RW	undefined	Bit clock prescaler low byte. The 16-bit value of (UCxxBR0 + UCxxBR1 × 256) forms the prescaler value UCBRx.

38.4.4 UCBxBR1 Register

USCI_Bx Baud Rate Control Register 1

Figure 38-20. UCBxBR1 Register

7	6	5	4	3	2	1	0
UCBRx							
rw	rw	rw	rw	rw	rw	rw	rw

Can be modified only when UCSWRST = 1.

Table 38-6. UCBxBR1 Register Description

Bit	Field	Type	Reset	Description
7-0	UCBRx	RW	undefined	Bit clock prescaler high byte. The 16-bit value of (UCxxBR0 + UCxxBR1 × 256) forms the prescaler value UCBRx.

38.4.5 UCBxSTAT Register

USCI_Bx Status Register

Figure 38-21. UCBxSTAT Register

7	6	5	4	3	2	1	0
Reserved	UCSCLLOW	UCGC	UCBBUSY	Reserved			
rw-0	r-0	rw-0	r-0	r0	r0	r0	r0

Table 38-7. UCBxSTAT Register Description

Bit	Field	Type	Reset	Description
7	Reserved	RW	0h	Reserved. Always reads as 0.
6	UCSCLLOW	R	0h	SCL low 0b = SCL is not held low. 1b = SCL is held low.
5	UCGC	RW	0h	General call address received. UCGC is automatically cleared when a START condition is received. 0b = No general call address received 1b = General call address received
4	UCBBUSY	R	0h	Bus busy 0b = Bus inactive 1b = Bus busy
3-0	Reserved	R	0h	Reserved. Always reads as 0.

38.4.6 UCBxRXBUF Register

USCI_Bx Receive Buffer Register

Figure 38-22. UCBxRXBUF Register

7	6	5	4	3	2	1	0
UCRXBUFx							
r	r	r	r	r	r	r	r

Table 38-8. UCBxRXBUF Register Description

Bit	Field	Type	Reset	Description
7-0	UCRXBUFx	R	undefined	The receive-data buffer is user accessible and contains the last received character from the receive shift register. Reading UCBxRXBUF resets UCRXIFG.

38.4.7 UCBxTXBUF Register

USCI_Bx Transmit Buffer Register

Figure 38-23. UCBxTXBUF Register

7	6	5	4	3	2	1	0
UCTXBUFx							
rw	rw	rw	rw	rw	rw	rw	rw

Table 38-9. UCBxTXBUF Register Description

Bit	Field	Type	Reset	Description
7-0	UCTXBUFx	RW	undefined	The transmit data buffer is user accessible and holds the data waiting to be moved into the transmit shift register and transmitted. Writing to the transmit data buffer clears UCTXIFG.

38.4.8 UCBxI2COA Register

USCIBx I2C Own Address Register

Figure 38-24. UCBxI2COA Register

15	14	13	12	11	10	9	8
Reserved						I2COAx	
rw-0	r0	r0	r0	r0	r0	rw-0	rw-0
7	6	5	4	3	2	1	0
I2COAx							
rw-0	rw-0	rw-0	rw-0	rw-0	rw-0	rw-0	rw-0

Can be modified only when UCSWRST = 1.

Table 38-10. UCBxI2COA Register Description

Bit	Field	Type	Reset	Description
15	UCGCEN	RW	0h	General call response enable 0b = Do not respond to a general call 1b = Respond to a general call
14-10	Reserved	R	0h	Reserved. Always reads as 0.
9-0	I2COAx	RW	0h	I2C own address. The I2COAx bits contain the local address of the USCI_Bx I2C controller. The address is right justified. In 7-bit addressing mode, bit 6 is the MSB and bits 9-7 are ignored. In 10-bit addressing mode, bit 9 is the MSB.

38.4.9 UCBxI2CSA Register

USCI_Bx I2C Slave Address Register

Figure 38-25. UCBxI2CSA Register

15	14	13	12	11	10	9	8
Reserved						I2CSAx	
r0	r0	r0	r0	r0	r0	rw-0	rw-0
7	6	5	4	3	2	1	0
I2CSAx							
rw-0	rw-0	rw-0	rw-0	rw-0	rw-0	rw-0	rw-0

Table 38-11. UCBxI2CSA Register Description

Bit	Field	Type	Reset	Description
15-10	Reserved	R	0h	Reserved. Always reads as 0.
9-0	I2CSAx	RW	0h	I2C slave address. The I2CSAx bits contain the slave address of the external device to be addressed by the USCI_Bx module. It is only used in master mode. The address is right justified. In 7-bit slave addressing mode, bit 6 is the MSB and bits 9-7 are ignored. In 10-bit slave addressing mode, bit 9 is the MSB.

38.4.10 UCBxIE Register

USCI_Bx I2C Interrupt Enable Register

Figure 38-26. UCBxIE Register

7	6	5	4	3	2	1	0
Reserved		UCNACKIE	UCALIE	UCSTPIE	UCSTTIE	UCTXIE	UCRXIE
r-0	r-0	rw-0	rw-0	rw-0	rw-0	rw-0	rw-0

Table 38-12. UCBxIE Register Description

Bit	Field	Type	Reset	Description
7-6	Reserved	R	0h	Reserved. Always reads as 0.
5	UCNACKIE	RW	0h	Not-acknowledge interrupt enable 0b = Interrupt disabled 1b = Interrupt enabled
4	UCALIE	RW	0h	Arbitration lost interrupt enable 0b = Interrupt disabled 1b = Interrupt enabled
3	UCSTPIE	RW	0h	STOP condition interrupt enable 0b = Interrupt disabled 1b = Interrupt enabled
2	UCSTTIE	RW	0h	START condition interrupt enable 0b = Interrupt disabled 1b = Interrupt enabled
1	UCTXIE	RW	0h	Transmit interrupt enable 0b = Interrupt disabled 1b = Interrupt enabled
0	UCRXIE	RW	0h	Receive interrupt enable 0b = Interrupt disabled 1b = Interrupt enabled

38.4.11 UCBxIFG Register

USCI_Bx I2C Interrupt Flag Register

Figure 38-27. UCBxIFG Register

7	6	5	4	3	2	1	0
Reserved		UCNACKIFG	UCALIFG	UCSTPIFG	UCSTTIFG	UCTXIFG	UCRXIFG
r-0	r-0	rw-0	rw-0	rw-0	rw-0	rw-1	rw-0

Table 38-13. UCBxIFG Register Description

Bit	Field	Type	Reset	Description
7-6	Reserved	R	0h	Reserved. Always reads as 0.
5	UCNACKIFG	RW	0h	Not-acknowledge received interrupt flag. UCNACKIFG is automatically cleared when a START condition is received. 0b = No interrupt pending 1b = Interrupt pending
4	UCALIFG	RW	0h	Arbitration lost interrupt flag 0b = No interrupt pending 1b = Interrupt pending
3	UCSTPIFG	RW	0h	STOP condition interrupt flag. UCSTPIFG is automatically cleared when a START condition is received. 0b = No interrupt pending 1b = Interrupt pending
2	UCSTTIFG	RW	0h	START condition interrupt flag. UCSTTIFG is automatically cleared if a STOP condition is received. 0b = No interrupt pending 1b = Interrupt pending
1	UCTXIFG	RW	0h	USCI transmit interrupt flag. UCTXIFG is set when UCBxTXBUF is empty. 0b = No interrupt pending 1b = Interrupt pending
0	UCRXIFG	RW	0h	USCI receive interrupt flag. UCRXIFG is set when UCBxRXBUF has received a complete character. 0b = No interrupt pending 1b = Interrupt pending

38.4.12 UCBxIV Register

USCI_Bx Interrupt Vector Register

Figure 38-28. UCBxIV Register

15	14	13	12	11	10	9	8
UCIVx							
r0	r0	r0	r0	r0	r0	r0	r0
7	6	5	4	3	2	1	0
UCIVx							
r0	r0	r0	r0	r-0	r-0	r-0	r0

Table 38-14. UCBxIV Register Description

Bit	Field	Type	Reset	Description
15-0	UCIVx	R	0h	USCI interrupt vector value 00h = No interrupt pending 02h = Interrupt Source: Arbitration lost; Interrupt Flag: UCALIFG; Interrupt Priority: Highest 04h = Interrupt Source: Not acknowledgment; Interrupt Flag: UCNACKIFG 06h = Interrupt Source: Start condition received; Interrupt Flag: UCSTTIFG 08h = Interrupt Source: Stop condition received; Interrupt Flag: UCSTPIFG 0Ah = Interrupt Source: Data received; Interrupt Flag: UCRXIFG 0Ch = Interrupt Source: Transmit buffer empty; Interrupt Flag: UCTXIFG; Interrupt Priority: Lowest

Enhanced Universal Serial Communication Interface (eUSCI) – UART Mode

The enhanced universal serial communication interface A (eUSCI_A) supports multiple serial communication modes with one hardware module. This chapter discusses the operation of the asynchronous UART mode.

Topic	Page
39.1 Enhanced Universal Serial Communication Interface A (eUSCI_A) Overview	1025
39.2 eUSCI_A Introduction – UART Mode	1025
39.3 eUSCI_A Operation – UART Mode	1027
39.4 eUSCI_A UART Registers	1043

39.1 Enhanced Universal Serial Communication Interface A (eUSCI_A) Overview

The eUSCI_A module supports two serial communication modes:

- UART mode
- SPI mode

39.2 eUSCI_A Introduction – UART Mode

In asynchronous mode, the eUSCI_Ax modules connect the device to an external system through two external pins, UCxAxRXD and UCxAxTXD. UART mode is selected when the UCSYNC bit is cleared.

UART mode features include:

- 7-bit or 8-bit data with odd, even, or no parity
- Independent transmit and receive shift registers
- Separate transmit and receive buffer registers
- LSB-first or MSB-first data transmit and receive
- Built-in idle-line and address-bit communication protocols for multiprocessor systems
- Receiver start-edge detection for auto wake up from LPMx modes (wake up from LPMx.5 is not supported)
- Programmable baud rate with modulation for fractional baud-rate support
- Status flags for error detection and suppression
- Status flags for address detection
- Independent interrupt capability for receive, transmit, start bit received, and transmit complete

[Figure 39-1](#) shows the eUSCI_Ax when configured for UART mode.

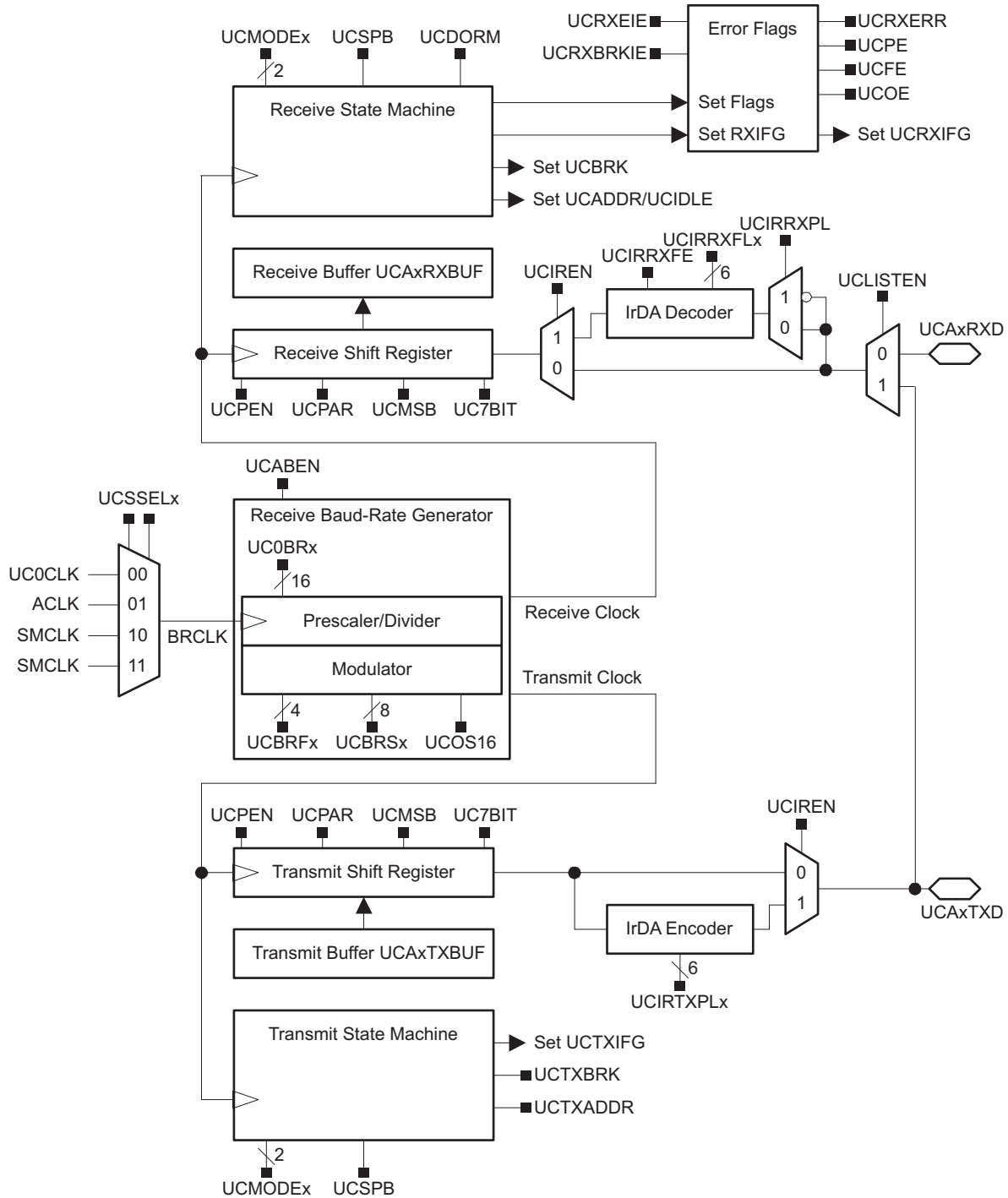


Figure 39-1. eUSCI_Ax Block Diagram – UART Mode (UCSYNC = 0)

39.3 eUSCI_A Operation – UART Mode

In UART mode, the eUSCI_A transmits and receives characters at a bit rate asynchronous to another device. Timing for each character is based on the selected baud rate of the eUSCI_A. The transmit and receive functions use the same baud-rate frequency.

39.3.1 eUSCI_A Initialization and Reset

The eUSCI_A is reset by a PUC or by setting the UCSWRST bit. After a PUC, the UCSWRST bit is automatically set, keeping the eUSCI_A in a reset condition. When set, the UCSWRST bit sets the UCTXIFG bit and resets the UCRXIE, UCTXIE, UCRXIFG, UCRXERR, UCBRK, UCPE, UCOE, UCFE, UCSTOE, and UCBTOE bits. Clearing UCSWRST releases the eUSCI_A for operation.

Configuring and reconfiguring the eUSCI_A module should be done when UCSWRST is set to avoid unpredictable behavior.

NOTE: Initializing or reconfiguring the eUSCI_A module

The recommended eUSCI_A initialization/reconfiguration process is:

1. Set UCSWRST (BIS.B
#UCSWRST, &UCAxCTL1).
2. Initialize all eUSCI_A registers with UCSWRST = 1 (including UCAxCTL1).
3. Configure ports.
4. Clear UCSWRST through software (BIC.B
#UCSWRST, &UCAxCTL1).
5. Enable interrupts (optional) through UCRXIE or UCTXIE.

39.3.2 Character Format

The UART character format (see Figure 39-2) consists of a start bit, seven or eight data bits, an even/odd/no parity bit, an address bit (address-bit mode), and one or two stop bits. The UCM LSB bit controls the direction of the transfer and selects LSB or MSB first. LSB first is typically required for UART communication.

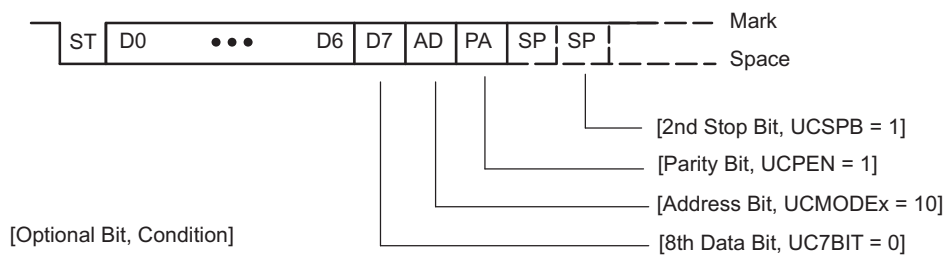


Figure 39-2. Character Format

39.3.3 Asynchronous Communication Format

When two devices communicate asynchronously, no multiprocessor format is required for the protocol. When three or more devices communicate, the eUSCI_A supports the idle-line and address-bit multiprocessor communication formats.

39.3.3.1 Idle-Line Multiprocessor Format

When UCMODEx = 01, the idle-line multiprocessor format is selected. Blocks of data are separated by an idle time on the transmit or receive lines (see Figure 39-3). An idle receive line is detected when ten or more continuous ones (marks) are received after the one or two stop bits of a character. The baud-rate generator is switched off after reception of an idle line until the next start edge is detected. When an idle line is detected, the UCIDLE bit is set.

The first character received after an idle period is an address character. The UCIDLE bit is used as an address tag for each block of characters. In idle-line multiprocessor format, this bit is set when a received character is an address.

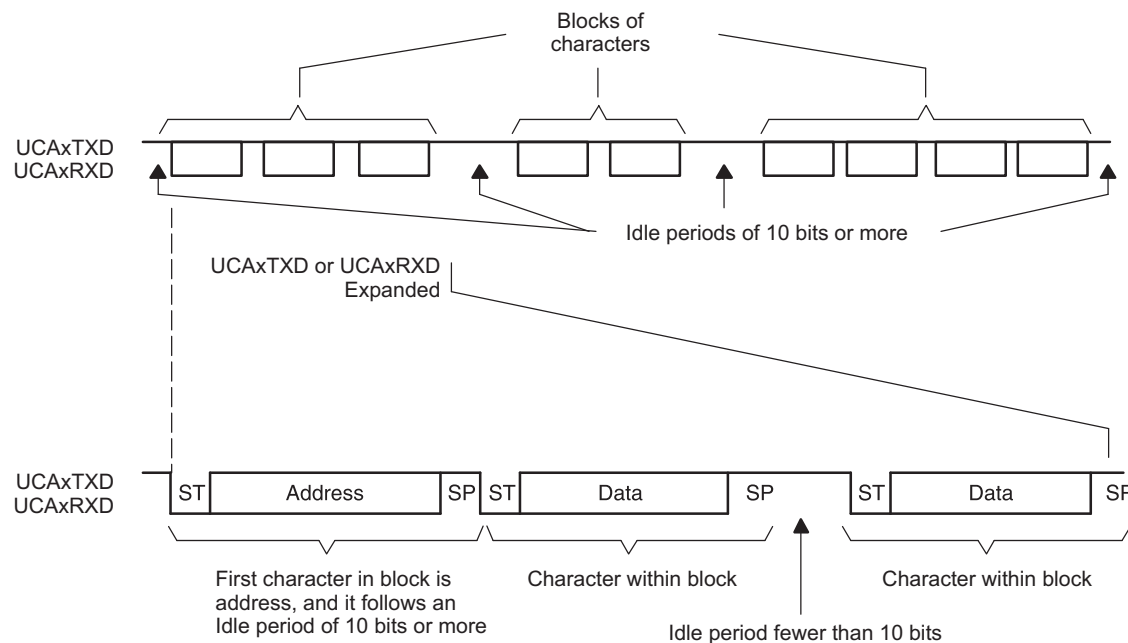


Figure 39-3. Idle-Line Format

The UCDORM bit is used to control data reception in the idle-line multiprocessor format. When UCDORM = 1, all non-address characters are assembled but not transferred into the UCAxRXBUF, and interrupts are not generated. When an address character is received, the character is transferred into UCAxRXBUF, UCRXIFG is set, and any applicable error flag is set when UCRXEIE = 1. When UCRXEIE = 0 and an address character is received but has a framing error or parity error, the character is not transferred into UCAxRXBUF and UCRXIFG is not set.

If an address is received, user software can validate the address and must reset UCDORM to continue receiving data. If UCDORM remains set, only address characters are received. When UCDORM is cleared during the reception of a character, the receive interrupt flag is set after the reception completed. The UCDORM bit is not modified automatically by the eUSCI_A hardware.

For address transmission in idle-line multiprocessor format, a precise idle period can be generated by the eUSCI_A to generate address character identifiers on UCAxTXD. The double-buffered UCTXADDR flag indicates if the next character loaded into UCAxTXBUF is preceded by an idle line of 11 bits. UCTXADDR is automatically cleared when the start bit is generated.

39.3.3.1.1 Transmitting an Idle Frame

The following procedure sends out an idle frame to indicate an address character followed by associated data:

1. Set UCTXADDR, then write the address character to UCAxTXBUF. UCAxTXBUF must be ready for new data (UCTXIFG = 1).

This generates an idle period of exactly 11 bits followed by the address character. UCTXADDR is reset automatically when the address character is transferred from UCAxTXBUF into the shift register.

2. Write desired data characters to UCAxTXBUF. UCAxTXBUF must be ready for new data (UCTXIFG = 1).

The data written to UCAxTXBUF is transferred to the shift register and transmitted as soon as the shift register is ready for new data.

The idle-line time must not be exceeded between address and data transmission or between data transmissions. Otherwise, the transmitted data is misinterpreted as an address.

39.3.3.2 Address-Bit Multiprocessor Format

When UCMODEx = 10, the address-bit multiprocessor format is selected. Each processed character contains an extra bit used as an address indicator (see Figure 39-4). The first character in a block of characters carries a set address bit that indicates that the character is an address. The eUSCI_A UCADDR bit is set when a received character has its address bit set and is transferred to UCAXRXBUF.

The UCDORM bit is used to control data reception in the address-bit multiprocessor format. When UCDORM is set, data characters with address bit = 0 are assembled by the receiver but are not transferred to UCAXRXBUF and no interrupts are generated. When a character containing a set address bit is received, the character is transferred into UCAXRXBUF, UCRXIFG is set, and any applicable error flag is set when UCRXEIE = 1. When UCRXEIE = 0 and a character containing a set address bit is received but has a framing error or parity error, the character is not transferred into UCAXRXBUF and UCRXIFG is not set.

If an address is received, user software can validate the address and must reset UCDORM to continue receiving data. If UCDORM remains set, only address characters with address bit = 1 are received. The UCDORM bit is not modified by the eUSCI_A hardware automatically.

When UCDORM = 0, all received characters set the receive interrupt flag UCRXIFG. If UCDORM is cleared during the reception of a character, the receive interrupt flag is set after the reception is completed.

For address transmission in address-bit multiprocessor mode, the address bit of a character is controlled by the UCTXADDR bit. The value of the UCTXADDR bit is loaded into the address bit of the character transferred from UCAXTXBUF to the transmit shift register. UCTXADDR is automatically cleared when the start bit is generated.

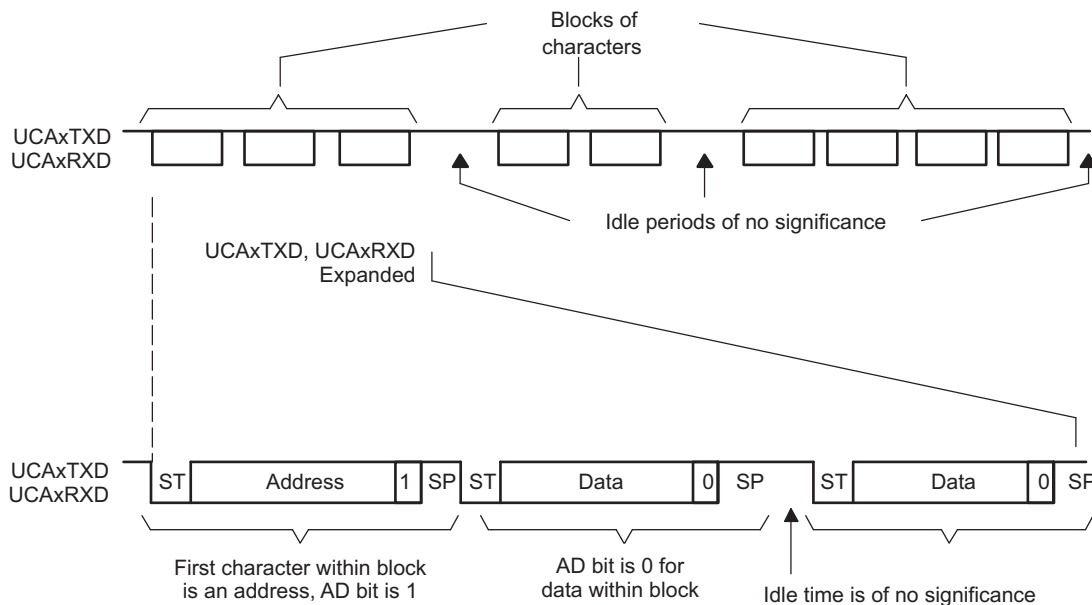


Figure 39-4. Address-Bit Multiprocessor Format

39.3.3.2.1 Break Reception and Generation

When UCMODEx = 00, 01, or 10, the receiver detects a break when all data, parity, and stop bits are low, regardless of the parity, address mode, or other character settings. When a break is detected, the UCBRK bit is set. If the break interrupt enable bit (UCBRKIE) is set, the receive interrupt flag UCRXIFG is also set. In this case, the value in UCAXRXBUF is 0h, because all data bits were zero.

To transmit a break, set the UCTXBRK bit, then write 0h to UCAXTXBUF. UCAXTXBUF must be ready for new data (UCTXIFG = 1). This generates a break with all bits low. UCTXBRK is automatically cleared when the start bit is generated.

39.3.4 Automatic Baud-Rate Detection

When UCMODEx = 11, UART mode with automatic baud-rate detection is selected. For automatic baud-rate detection, a data frame is preceded by a synchronization sequence that consists of a break and a synch field. A break is detected when 11 or more continuous zeros (spaces) are received. If the length of the break exceeds 21 bit times, the break timeout error flag UCBTOE is set. The eUSCI_A cannot transmit data while receiving the break/synch field. The synch field follows the break as shown in Figure 39-5.

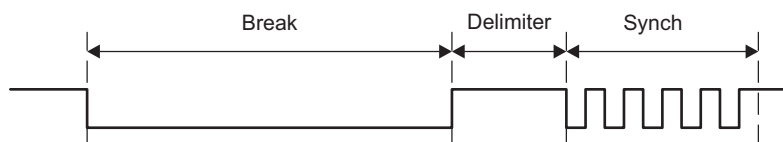


Figure 39-5. Auto Baud-Rate Detection – Break/Synch Sequence

For LIN conformance, the character format should be set to eight data bits, LSB first, no parity, and one stop bit. No address bit is available.

The synch field consists of the data 055h inside a byte field (see Figure 39-6). The synchronization is based on the time measurement between the first falling edge and the last falling edge of the pattern. The transmit baud-rate generator is used for the measurement if automatic baud-rate detection is enabled by setting UCABDEN. Otherwise, the pattern is received but not measured. The result of the measurement is transferred into the baud-rate control registers (UCAxBRW and UCAxMCTLW). If the length of the synch field exceeds the measurable time, the synch timeout error flag UCSTOE is set. The result can be read after the receive interrupt flag UCRXIFG is set.

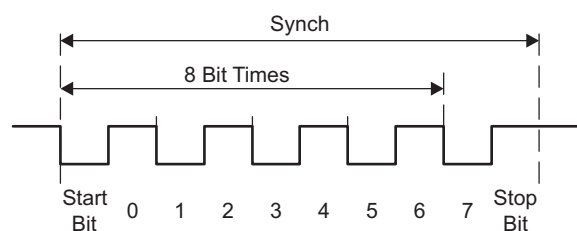


Figure 39-6. Auto Baud-Rate Detection – Synch Field

The UCDORM bit is used to control data reception in this mode. When UCDORM is set, all characters are received but not transferred into the UCAxRXBUF, and interrupts are not generated. When a break/synch field is detected, the UCBRK flag is set. The character following the break/synch field is transferred into UCAxRXBUF and the UCRXIFG interrupt flag is set. Any applicable error flag is also set. If the UCBRKIE bit is set, reception of the break/synch sets the UCRXIFG. The UCBRK bit is reset by user software or by reading the receive buffer UCAxRXBUF.

When a break/synch field is received, user software must reset UCDORM to continue receiving data. If UCDORM remains set, only the character after the next reception of a break/synch field is received. The UCDORM bit is not modified by the eUSCI_A hardware automatically.

When UCDORM = 0, all received characters set the receive interrupt flag UCRXIFG. If UCDORM is cleared during the reception of a character, the receive interrupt flag is set after the reception is complete.

The counter used to detect the baud rate is limited to 0FFFFh (2^{16}) counts. This means the minimum baud rate detectable is 244 baud in oversampling mode and 15 baud in low-frequency mode. The highest detectable baud rate is 1 Mbaud.

The automatic baud-rate detection mode can be used in a full-duplex communication system with some restrictions. The eUSCI_A cannot transmit data while receiving the break/synch field and, if a 0h byte with framing error is received, any data transmitted during this time is corrupted. The latter case can be discovered by checking the received data and the UCFE bit.

39.3.4.1 Transmitting a Break/Synch Field

The following procedure transmits a break/synch field:

1. Set UCTXBRK with UMODEx = 11.
2. Write 055h to UCAXTXBUF. UCAXTXBUF must be ready for new data (UCTXIFG = 1).
This generates a break field of 13 bits followed by a break delimiter and the synch character. The length of the break delimiter is controlled with the UCDELIMx bits. UCTXBRK is reset automatically when the synch character is transferred from UCAXTXBUF into the shift register.
3. Write desired data characters to UCAXTXBUF. UCAXTXBUF must be ready for new data (UCTXIFG = 1).
The data written to UCAXTXBUF is transferred to the shift register and transmitted as soon as the shift register is ready for new data.

39.3.5 IrDA Encoding and Decoding

When UCIREN is set, the IrDA encoder and decoder are enabled and provide hardware bit shaping for IrDA communication.

39.3.5.1 IrDA Encoding

The encoder sends a pulse for every zero bit in the transmit bitstream coming from the UART (see [Figure 39-7](#)). The pulse duration is defined by UCIRTXPLx bits specifying the number of one-half clock periods of the clock selected by UCIRTXCLK.

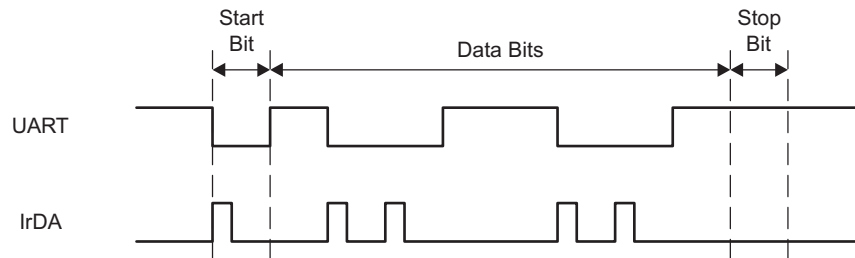


Figure 39-7. UART vs IrDA Data Format

To set the pulse time of 3/16 bit period required by the IrDA standard, the BITCLK16 clock is selected with UCIRTXCLK = 1, and the pulse length is set to six one-half clock cycles with UCIRTXPLx = 6 – 1 = 5.

When UCIRTXCLK = 0, the pulse length t_{PULSE} is based on BRCLK and is calculated as:

$$UCIRTXPLx = t_{PULSE} \times 2 \times f_{BRCLK} - 1$$

When UCIRTXCLK = 0, the prescaler UCBRx must be set to a value greater or equal to 5.

39.3.5.2 IrDA Decoding

The decoder detects high pulses when UCIRRXPL = 0. Otherwise, it detects low pulses. In addition to the analog deglitch filter, an additional programmable digital filter stage can be enabled by setting UCIRRXFE. When UCIRRXFE is set, only pulses longer than the programmed filter length are passed. Shorter pulses are discarded. The equation to program the filter length UCIRRXFLx is:

$$UCIRRXFLx = (t_{PULSE} - t_{WAKE}) \times 2 \times f_{BRCLK} - 4$$

Where:

t_{PULSE} = Minimum receive pulse width

t_{WAKE} = Wake time from any low-power mode. Zero when the device is in active mode.

39.3.6 Automatic Error Detection

Glitch suppression prevents the eUSCI_A from being accidentally started. Any pulse on UCAXRXD shorter than the deglitch time t_d (selected by UCGLITx) is ignored (see the device-specific data sheet for parameters).

When a low period on UCAXRXD exceeds t_d , a majority vote is taken for the start bit. If the majority vote fails to detect a valid start bit, the eUSCI_A halts character reception and waits for the next low period on UCAXRXD. The majority vote is also used for each bit in a character to prevent bit errors.

The eUSCI_A module automatically detects framing errors, parity errors, overrun errors, and break conditions when receiving characters. The bits UCFE, UCPE, UCOE, and UCBRK are set when their respective condition is detected. When the error flags UCFE, UCPE, or UCOE are set, UCRXERR is also set. The error conditions are described in [Table 39-1](#).

Table 39-1. Receive Error Conditions

Error Condition	Error Flag	Description
Framing error	UCFE	A framing error occurs when a low stop bit is detected. When two stop bits are used, both stop bits are checked for framing error. When a framing error is detected, the UCFE bit is set.
Parity error	UCPE	A parity error is a mismatch between the number of 1s in a character and the value of the parity bit. When an address bit is included in the character, it is included in the parity calculation. When a parity error is detected, the UCPE bit is set.
Receive overrun	UCOE	An overrun error occurs when a character is loaded into UCAXRXBUF before the prior character has been read. When an overrun occurs, the UCOE bit is set.
Break condition	UCBRK	When not using automatic baud-rate detection, a break is detected when all data, parity, and stop bits are low. When a break condition is detected, the UCBRK bit is set. A break condition can also set the interrupt flag UCRXIFG if the break interrupt enable UCBRKIE bit is set.

When UCRXEIE = 0 and a framing error or parity error is detected, no character is received into UCAXRXBUF. When UCRXEIE = 1, characters are received into UCAXRXBUF and any applicable error bit is set.

When any of the UCFE, UCPE, UCOE, UCBRK, or UCRXERR bit is set, the bit remains set until user software resets it or UCAXRXBUF is read. UCOE must be reset by reading UCAXRXBUF. Otherwise, it does not function properly. To detect overflows reliably, TI recommends the following flow. After a character is received and UCRXIFG is set, first read UCAXSTATW to check the error flags including the overflow flag UCOE. Read UCAXRXBUF next. This clears all error flags except UCOE, if UCAXRXBUF was overwritten between the read access to UCAXSTATW and to UCAXRXBUF. Therefore, the UCOE flag should be checked after reading UCAXRXBUF to detect this condition. Note that, in this case, the UCRXERR flag is not set.

39.3.7 eUSCI_A Receive Enable

The eUSCI_A module is enabled by clearing the UCSWRST bit and the receiver is ready and in an idle state. The receive baud rate generator is in a ready state but is not clocked nor producing any clocks.

The falling edge of the start bit enables the baud rate generator and the UART state machine checks for a valid start bit. If no valid start bit is detected the UART state machine returns to its idle state and the baud rate generator is turned off again. If a valid start bit is detected, a character is received.

When the idle-line multiprocessor mode is selected with UCMODEx = 01, the UART state machine checks for an idle line after receiving a character. If a start bit is detected, another character is received. Otherwise, the UCIDLE flag is set after 10 ones are received, the UART state machine returns to its idle state, and the baud rate generator is turned off.

39.3.7.1 Receive Data Glitch Suppression

Glitch suppression prevents the eUSCI_A from being accidentally started. Any glitch on UCAxRXD shorter than the deglitch time t_d is ignored by the eUSCI_A, and further action is initiated as shown in Figure 39-8 (see the device-specific data sheet for parameters). The deglitch time t_d can be set to four different values using the UCGLITx bits.

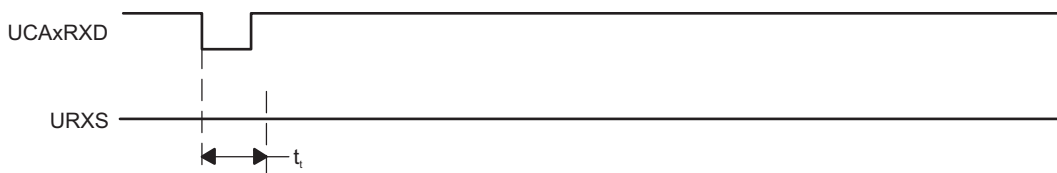


Figure 39-8. Glitch Suppression, eUSCI_A Receive Not Started

When a glitch is longer than t_d or a valid start bit occurs on UCAxRXD, the eUSCI_A receive operation is started and a majority vote is taken (see Figure 39-9). If the majority vote fails to detect a start bit, the eUSCI_A halts character reception.

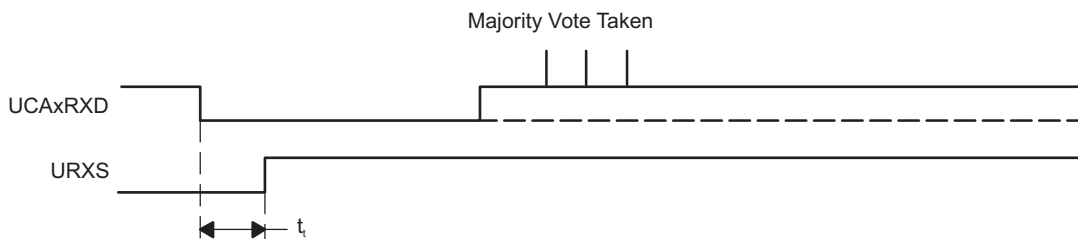


Figure 39-9. Glitch Suppression, eUSCI_A Activated

39.3.8 eUSCI_A Transmit Enable

The eUSCI_A module is enabled by clearing the UCSWRST bit and the transmitter is ready and in an idle state. The transmit baud-rate generator is ready but is not clocked nor producing any clocks.

A transmission is initiated by writing data to UCAxTXBUF. When this occurs, the baud-rate generator is enabled, and the data in UCAxTXBUF is moved to the transmit shift register on the next BITCLK after the transmit shift register is empty. UCTXIFG is set when new data can be written into UCAxTXBUF.

Transmission continues as long as new data is available in UCAxTXBUF at the end of the previous byte transmission. If new data is not in UCAxTXBUF when the previous byte has transmitted, the transmitter returns to its idle state and the baud-rate generator is turned off.

39.3.9 UART Baud-Rate Generation

The eUSCI_A baud-rate generator is capable of producing standard baud rates from nonstandard source frequencies. It provides two modes of operation selected by the UCOS16 bit.

A quick setup for finding the correct baud rate settings for the eUSCI_A can be found in [Section 39.3.10](#).

39.3.9.1 Low-Frequency Baud-Rate Generation

The low-frequency mode is selected when UCOS16 = 0. This mode allows generation of baud rates from low-frequency clock sources (for example, 9600 baud from a 32768-Hz crystal). By using a lower input frequency, the power consumption of the module is reduced. Using this mode with higher frequencies and higher prescaler settings causes the majority votes to be taken in an increasingly smaller window and, thus, decrease the benefit of the majority vote.

In low-frequency mode, the baud-rate generator uses one prescaler and one modulator to generate bit clock timing. This combination supports fractional divisors for baud-rate generation. In this mode, the maximum eUSCI_A baud rate is one-third the UART source clock frequency BRCLK.

Timing for each bit is shown in [Figure 39-10](#). For each bit received, a majority vote is taken to determine the bit value. These samples occur at the $N/2 - 1/2$, $N/2$, and $N/2 + 1/2$ BRCLK periods, where N is the number of BRCLKs per BITCLK.

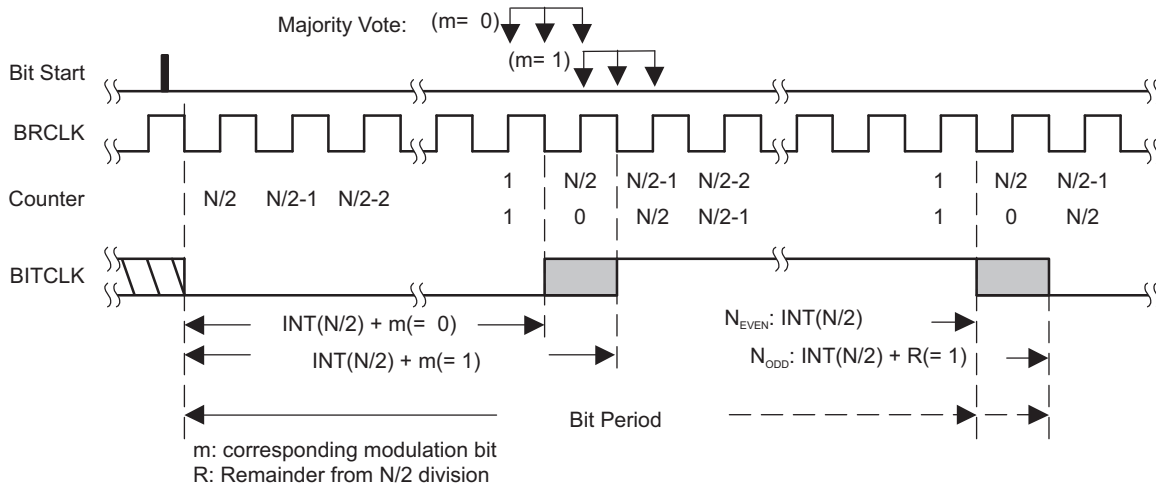


Figure 39-10. BITCLK Baud-Rate Timing With UCOS16 = 0

Modulation is based on the UCBSx setting as shown in [Table 39-2](#). A 1 in the table indicates that $m = 1$ and the corresponding BITCLK period is one BRCLK period longer than a BITCLK period with $m = 0$. The modulation wraps around after 8 bits but restarts with each new start bit.

Table 39-2. Modulation Pattern Examples

UCBSx	Bit 0 (Start Bit)	Bit 1	Bit 2	Bit 3	Bit 4	Bit 5	Bit 6	Bit 7
0x00	0	0	0	0	0	0	0	0
0x01	0	0	0	0	0	0	0	1
				⋮				
0x35	0	0	1	1	0	1	0	1
0x36	0	0	1	1	0	1	1	0
0x37	0	0	1	1	0	1	1	1
				⋮				
0xff	1	1	1	1	1	1	1	1

The correct setting of UCBSx can be found as described in [Section 39.3.10](#).

39.3.9.2 Oversampling Baud-Rate Generation

The oversampling mode is selected when UCOS16 = 1. This mode supports sampling a UART bitstream with higher input clock frequencies. This results in majority votes that are always 1/16 of a bit clock period apart. This mode also easily supports IrDA pulses with a 3/16 bit time when the IrDA encoder and decoder are enabled.

This mode uses one prescaler and one modulator to generate the BITCLK16 clock that is 16 times faster than the BITCLK. An additional divider by 16 and modulator stage generates BITCLK from BITCLK16. This combination supports fractional divisions of both BITCLK16 and BITCLK for baud-rate generation. In this mode, the maximum eUSCI_A baud rate is 1/16 the UART source clock frequency BRCLK.

Modulation for BITCLK16 is based on the UCBRFx setting (see [Table 39-3](#)). A 1 in the table indicates that the corresponding BITCLK16 period is one BRCLK period longer than the periods m = 0. The modulation restarts with each new bit timing.

Modulation for BITCLK is based on the UCBRsX setting as previously described.

Table 39-3. BITCLK16 Modulation Pattern

UCBRFx	Number of BITCLK16 Clocks After Last Falling BITCLK Edge															
	0	1	2	3	4	5	6	7	8	9	10	11	12	13	14	15
00h	0	0	0	0	0	0	0	0	0	0	0	0	0	0	0	0
01h	0	1	0	0	0	0	0	0	0	0	0	0	0	0	0	0
02h	0	1	0	0	0	0	0	0	0	0	0	0	0	0	0	1
03h	0	1	1	0	0	0	0	0	0	0	0	0	0	0	0	1
04h	0	1	1	0	0	0	0	0	0	0	0	0	0	0	1	1
05h	0	1	1	1	0	0	0	0	0	0	0	0	0	0	1	1
06h	0	1	1	1	0	0	0	0	0	0	0	0	0	1	1	1
07h	0	1	1	1	1	0	0	0	0	0	0	0	0	1	1	1
08h	0	1	1	1	1	0	0	0	0	0	0	1	1	1	1	1
09h	0	1	1	1	1	1	0	0	0	0	0	1	1	1	1	1
0Ah	0	1	1	1	1	1	0	0	0	0	1	1	1	1	1	1
0Bh	0	1	1	1	1	1	1	0	0	0	1	1	1	1	1	1
0Ch	0	1	1	1	1	1	1	0	0	1	1	1	1	1	1	1
0Dh	0	1	1	1	1	1	1	1	0	0	1	1	1	1	1	1
0Eh	0	1	1	1	1	1	1	1	0	1	1	1	1	1	1	1
0Fh	0	1	1	1	1	1	1	1	1	1	1	1	1	1	1	1

39.3.10 Setting a Baud Rate

For a given BRCLK clock source, the baud rate used determines the required division factor N:

$$N = f_{BRCLK} / \text{baud rate}$$

The division factor N is often a noninteger value, thus, at least one divider and one modulator stage is used to meet the factor as closely as possible.

If N is equal or greater than 16, TI recommends using the oversampling baud-rate generation mode by setting UCOS16.

NOTE: Baud-rate settings quick set up

To calculate the correct the correct settings for the baud-rate generation, perform these steps:

1. Calculate $N = f_{BRCLK} / \text{baud rate}$ [if $N > 16$ continue with step 3, otherwise with step 2]
 2. $OS16 = 0$, $UCBRx = INT(N)$ [continue with step 4]
 3. $OS16 = 1$, $UCBRx = INT(N/16)$, $UCBRFx = INT([(N/16) - INT(N/16)] \times 16)$
 4. UCBSx can be found by looking up the fractional part of $N (= N - INT(N))$ in table [Table 39-4](#)
 5. If $OS16 = 0$ was chosen, TI recommends performing a detailed error calculation.
-

[Table 39-4](#) can be used as a lookup table for finding the correct UCBSx modulation pattern for the corresponding fractional part of N. The values there are optimized for transmitting.

Table 39-4. UCBSx Settings for Fractional Portion of $N = f_{BRCLK} / \text{Baud Rate}$

Fractional Portion of N	UCBSx ⁽¹⁾	Fractional Portion of N	UCBSx ⁽¹⁾
0.0000	0x00	0.5002	0xAA
0.0529	0x01	0.5715	0x6B
0.0715	0x02	0.6003	0xAD
0.0835	0x04	0.6254	0xB5
0.1001	0x08	0.6432	0xB6
0.1252	0x10	0.6667	0xD6
0.1430	0x20	0.7001	0xB7
0.1670	0x11	0.7147	0xBB
0.2147	0x21	0.7503	0xDD
0.2224	0x22	0.7861	0xED
0.2503	0x44	0.8004	0xEE
0.3000	0x25	0.8333	0xBF
0.3335	0x49	0.8464	0xDF
0.3575	0x4A	0.8572	0xEF
0.3753	0x52	0.8751	0xF7
0.4003	0x92	0.9004	0xFB
0.4286	0x53	0.9170	0xFD
0.4378	0x55	0.9288	0xFE

⁽¹⁾ The UCBSx setting in one row is valid from the fractional portion given in that row until the one in the next row

39.3.10.1 Low-Frequency Baud-Rate Mode Setting

In low-frequency mode, the integer portion of the divisor is realized by the prescaler:

$$UCBRx = INT(N)$$

The fractional portion is realized by the modulator with its UCBSx setting. The recommended way of determining the correct UCBSx is performing a detailed error calculation as explained in the following sections. However it is also possible to look up the correct settings in table with typical crystals (see [Table 39-5](#)).

39.3.10.2 Oversampling Baud-Rate Mode Setting

In the oversampling mode, the prescaler is set to:

$$\text{UCBRx} = \text{INT}(N/16)$$

and the first stage modulator is set to:

$$\text{UCBRFx} = \text{INT}([(N/16) - \text{INT}(N/16)] \times 16)$$

The second modulation stage setting (UCBRSx) can be found by performing a detailed error calculation or by using [Table 39-4](#) and the fractional part of $N = f_{\text{BRCLK}}/\text{baud rate}$.

39.3.11 Transmit Bit Timing - Error calculation

The timing for each character is the sum of the individual bit timings. Using the modulation features of the baud-rate generator reduces the cumulative bit error. The individual bit error can be calculated using the following steps.

39.3.11.1 Low-Frequency Baud-Rate Mode Bit Timing

In low-frequency mode, calculation of the length of bit i $T_{\text{bit,TX}}[i]$ is based on the UCBRx and UCBRSx settings:

$$T_{\text{bit,TX}}[i] = (1/f_{\text{BRCLK}})(\text{UCBRx} + m_{\text{UCBRSx}}[i])$$

Where:

$$m_{\text{UCBRSx}}[i] = \text{Modulation of bit } i \text{ of UCBRSx}$$

39.3.11.2 Oversampling Baud-Rate Mode Bit Timing

In oversampling baud-rate mode, calculation of the length of bit i $T_{\text{bit,TX}}[i]$ is based on the baud-rate generator UCBRx, UCBRFx and UCBRSx settings:

$$t_{\text{bit,TX}}[i] = \frac{1}{f_{\text{BRCLK}}} \left((16 \times \text{UCBRx}) + \sum_{j=0}^{15} m_{\text{UCBRFx}}[j] + m_{\text{UCBRSx}}[i] \right)$$

Where:

$$\sum_{j=0}^{15} m_{\text{UCBRFx}}[j] = \text{Sum of ones from the corresponding row in } \a href="#">\text{Table 39-3}$$

$$m_{\text{UCBRSx}}[i] = \text{Modulation of bit } i \text{ of UCBRSx}$$

This results in an end-of-bit time $t_{\text{bit,TX}}[i]$ equal to the sum of all previous and the current bit times:

$$t_{\text{bit,TX}}[i] = \sum_{j=0}^i t_{\text{bit,TX}}[j]$$

To calculate bit error, this time is compared to the ideal bit time $t_{\text{bit,ideal,TX}}[i]$:

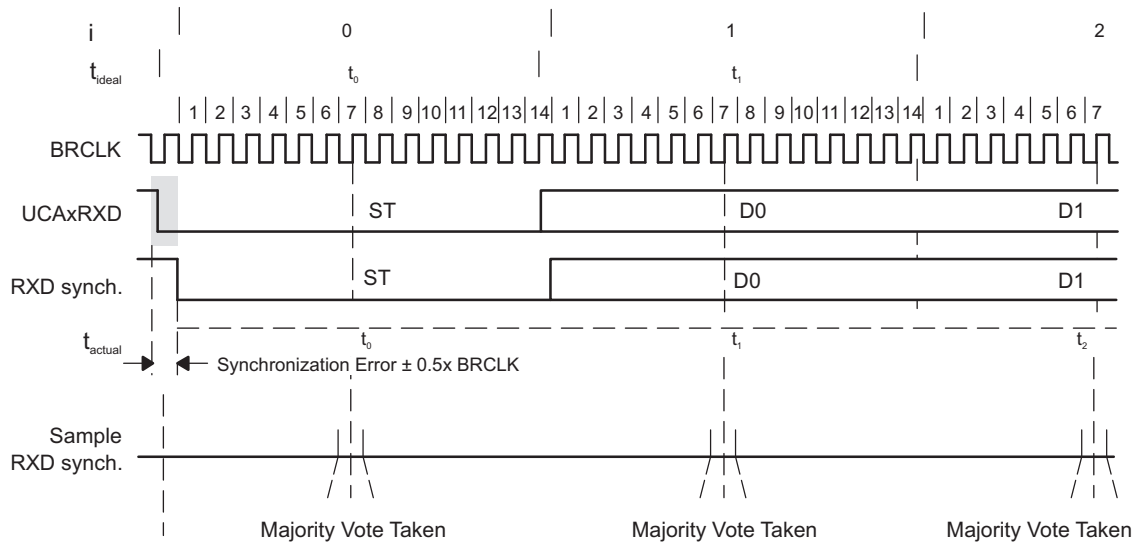
$$t_{\text{bit,ideal,TX}}[i] = (1/\text{baud rate})(i + 1)$$

This results in an error normalized to one ideal bit time (1/baud rate):

$$\text{Error}_{\text{TX}}[i] = (t_{\text{bit,TX}}[i] - t_{\text{bit,ideal,TX}}[i]) \times \text{baud rate} \times 100\%$$

39.3.12 Receive Bit Timing – Error Calculation

Receive timing error consists of two error sources. The first is the bit-to-bit timing error similar to the transmit bit timing error. The second is the error between a start edge occurring and the start edge being accepted by the eUSCI_A module. [Figure 39-11](#) shows the asynchronous timing errors between data on the UCAXRXD pin and the internal baud-rate clock. This results in an additional synchronization error. The synchronization error t_{SYNC} is between -0.5 BRCLKs and $+0.5$ RCLKs, independent of the selected baud-rate generation mode.


Figure 39-11. Receive Error

The ideal sampling time $t_{\text{bit,ideal,RX}}[i]$ is in the middle of a bit period:

$$t_{\text{bit,ideal,RX}}[i] = (1/\text{baud rate})(i + 0.5)$$

The real sampling time, $t_{\text{bit,RX}}[i]$, is equal to the sum of all previous bits according to the formulas shown in the transmit timing section, plus one-half BITCLK for the current bit i , plus the synchronization error t_{SYNC} .

This results in the following $t_{\text{bit,RX}}[i]$ for the low-frequency baud-rate mode:

$$t_{\text{bit,RX}}[i] = t_{\text{SYNC}} + \sum_{j=0}^{i-1} T_{\text{bit,RX}}[j] + \frac{1}{f_{\text{BRCLK}}} \left(\text{INT}(\frac{1}{2} \text{UCBRx}) + m_{\text{UCBRsX}}[i] \right)$$

Where:

$$T_{\text{bit,RX}}[i] = (1/f_{\text{BRCLK}})(\text{UCBRx} + m_{\text{UCBRsX}}[i])$$

$$m_{\text{UCBRsX}}[i] = \text{Modulation of bit } i \text{ of UCBRSx}$$

For the oversampling baud-rate mode, the sampling time $t_{\text{bit,RX}}[i]$ of bit i is calculated by:

$$t_{\text{bit,RX}}[i] = t_{\text{SYNC}} + \sum_{j=0}^{i-1} T_{\text{bit,RX}}[j] + \frac{1}{f_{\text{BRCLK}}} \left((8 * \text{UCBRx}) + \sum_{j=0}^7 m_{\text{UCBRfX}}[j] + m_{\text{UCBRsX}}[i] \right)$$

Where:

$$t_{\text{bit,RX}}[i] = \frac{1}{f_{\text{BRCLK}}} \left((16 * \text{UCBRx}) + \sum_{j=0}^{15} m_{\text{UCBRfX}}[j] + m_{\text{UCBRsX}}[i] \right)$$

$$\sum_{j=0}^{7+m_{\text{UCBRsX}}[i]} m_{\text{UCBRfX}}[j]$$

= Sum of ones from columns 0 to $(7 + m_{\text{UCBRsX}}[i])$ from the corresponding row in

[Table 39-3](#).

$$m_{\text{UCBRsX}}[i] = \text{Modulation of bit } i \text{ of UCBRSx}$$

This results in an error normalized to one ideal bit time (1/baud rate) according to the following formula:

$$\text{Error}_{\text{RX}}[i] = (t_{\text{bit,RX}}[i] - t_{\text{bit,ideal,RX}}[i]) \times \text{baud rate} \times 100\%$$

39.3.13 Typical Baud Rates and Errors

Standard baud-rate data for UCBRx, UCBRSx, and UCBRFx are listed in [Table 39-5](#) for a 32768-Hz crystal sourcing ACLK and typical SMCLK frequencies. Make sure that the selected BRCLK frequency does not exceed the device specific maximum eUSCI_A input frequency (see the device-specific data sheet).

The receive error is the accumulated time versus the ideal scanning time in the middle of each bit. The worst-case error is given for the reception of an 8-bit character with parity and one stop bit including synchronization error.

The transmit error is the accumulated timing error versus the ideal time of the bit period. The worst-case error is given for the transmission of an 8-bit character with parity and stop bit.

Table 39-5. Recommended Settings for Typical Crystals and Baud Rates⁽¹⁾

BRCLK	Baud Rate	UCOS16	UCBRx	UCBRFx	UCBRSx ⁽²⁾	TX Error ⁽²⁾ (%)		RX Error ⁽²⁾ (%)	
						neg	pos	neg	pos
32768	1200	1	1	11	0x25	-2.29	2.25	-2.56	5.35
32768	2400	0	13	-	0xB6	-3.12	3.91	-5.52	8.84
32768	4800	0	6	-	0xEE	-7.62	8.98	-21	10.25
32768	9600	0	3	-	0x92	-17.19	16.02	-23.24	37.3
1000000	9600	1	6	8	0x20	-0.48	0.64	-1.04	1.04
1000000	19200	1	3	4	0x2	-0.8	0.96	-1.84	1.84
1000000	38400	1	1	10	0x0	0	1.76	0	3.44
1000000	57600	0	17	-	0x4A	-2.72	2.56	-3.76	7.28
1000000	115200	0	8	-	0xD6	-7.36	5.6	-17.04	6.96
1048576	9600	1	6	13	0x22	-0.46	0.42	-0.48	1.23
1048576	19200	1	3	6	0xAD	-0.88	0.83	-2.36	1.18
1048576	38400	1	1	11	0x25	-2.29	2.25	-2.56	5.35
1048576	57600	0	18	-	0x11	-2	3.37	-5.31	5.55
1048576	115200	0	9	-	0x08	-5.37	4.49	-5.93	14.92
4000000	9600	1	26	0	0xB6	-0.08	0.16	-0.28	0.2
4000000	19200	1	13	0	0x84	-0.32	0.32	-0.64	0.48
4000000	38400	1	6	8	0x20	-0.48	0.64	-1.04	1.04
4000000	57600	1	4	5	0x55	-0.8	0.64	-1.12	1.76
4000000	115200	1	2	2	0xBB	-1.44	1.28	-3.92	1.68
4000000	230400	0	17	-	0x4A	-2.72	2.56	-3.76	7.28
4194304	9600	1	27	4	0xFB	-0.11	0.1	-0.33	0
4194304	19200	1	13	10	0x55	-0.21	0.21	-0.55	0.33
4194304	38400	1	6	13	0x22	-0.46	0.42	-0.48	1.23
4194304	57600	1	4	8	0xEE	-0.75	0.74	-2	0.87
4194304	115200	1	2	4	0x92	-1.62	1.37	-3.56	2.06
4194304	230400	0	18	-	0x11	-2	3.37	-5.31	5.55
8000000	9600	1	52	1	0x49	-0.08	0.04	-0.1	0.14
8000000	19200	1	26	0	0xB6	-0.08	0.16	-0.28	0.2
8000000	38400	1	13	0	0x84	-0.32	0.32	-0.64	0.48
8000000	57600	1	8	10	0xF7	-0.32	0.32	-1	0.36
8000000	115200	1	4	5	0x55	-0.8	0.64	-1.12	1.76
8000000	230400	1	2	2	0xBB	-1.44	1.28	-3.92	1.68
8000000	460800	0	17	-	0x4A	-2.72	2.56	-3.76	7.28
8388608	9600	1	54	9	0xEE	-0.06	0.06	-0.11	0.13
8388608	19200	1	27	4	0xFB	-0.11	0.1	-0.33	0
8388608	38400	1	13	10	0x55	-0.21	0.21	-0.55	0.33
8388608	57600	1	9	1	0xB5	-0.31	0.31	-0.53	0.78
8388608	115200	1	4	8	0xEE	-0.75	0.74	-2	0.87

⁽¹⁾ The listed UCBRSx settings are determined by a search algorithm for the lowest error. Other settings for UCBRSx might result in similar or same errors.

⁽²⁾ Assumes a stable clock source for BRCLK with negligible jitter (for example, from a crystal oscillator). Any frequency variation or jitter of the clock source will make the errors worse.

Table 39-5. Recommended Settings for Typical Crystals and Baud Rates⁽¹⁾ (continued)

BRCLK	Baud Rate	UCOS16	UCBRx	UCBRFx	UCBRs ⁽²⁾	TX Error ⁽²⁾ (%)		RX Error ⁽²⁾ (%)	
						neg	pos	neg	pos
8388608	230400	1	2	4	0x92	-1.62	1.37	-3.56	2.06
8388608	460800	0	18	-	0x11	-2	3.37	-5.31	5.55
12000000	9600	1	78	2	0x0	0	0	0	0.04
12000000	19200	1	39	1	0x0	0	0	0	0.16
12000000	38400	1	19	8	0x65	-0.16	0.16	-0.4	0.24
12000000	57600	1	13	0	0x25	-0.16	0.32	-0.48	0.48
12000000	115200	1	6	8	0x20	-0.48	0.64	-1.04	1.04
12000000	230400	1	3	4	0x2	-0.8	0.96	-1.84	1.84
12000000	460800	1	1	10	0x0	0	1.76	0	3.44
16000000	9600	1	104	2	0xD6	-0.04	0.02	-0.09	0.03
16000000	19200	1	52	1	0x49	-0.08	0.04	-0.1	0.14
16000000	38400	1	26	0	0xB6	-0.08	0.16	-0.28	0.2
16000000	57600	1	17	5	0xDD	-0.16	0.2	-0.3	0.38
16000000	115200	1	8	10	0xF7	-0.32	0.32	-1	0.36
16000000	230400	1	4	5	0x55	-0.8	0.64	-1.12	1.76
16000000	460800	1	2	2	0xBB	-1.44	1.28	-3.92	1.68
16777216	9600	1	109	3	0xB5	-0.03	0.02	-0.05	0.06
16777216	19200	1	54	9	0xEE	-0.06	0.06	-0.11	0.13
16777216	38400	1	27	4	0xFB	-0.11	0.1	-0.33	0
16777216	57600	1	18	3	0x44	-0.16	0.15	-0.2	0.45
16777216	115200	1	9	1	0xB5	-0.31	0.31	-0.53	0.78
16777216	230400	1	4	8	0xEE	-0.75	0.74	-2	0.87
16777216	460800	1	2	4	0x92	-1.62	1.37	-3.56	2.06
20000000	9600	1	130	3	0x25	-0.02	0.03	0	0.07
20000000	19200	1	65	1	0xD6	-0.06	0.03	-0.1	0.1
20000000	38400	1	32	8	0xEE	-0.1	0.13	-0.27	0.14
20000000	57600	1	21	11	0x22	-0.16	0.13	-0.16	0.38
20000000	115200	1	10	13	0xAD	-0.29	0.26	-0.46	0.66
20000000	230400	1	5	6	0xEE	-0.67	0.51	-1.71	0.62
20000000	460800	1	2	11	0x92	-1.38	0.99	-1.84	2.8

39.3.14 Using the eUSCI_A Module in UART Mode With Low-Power Modes

The eUSCI_A module provides automatic clock activation for use with low-power modes. When the eUSCI_A clock source is inactive because the device is in a low-power mode, the eUSCI_A module automatically activates it when needed, regardless of the control-bit settings for the clock source. The clock remains active until the eUSCI_A module returns to its idle condition. After the eUSCI_A module returns to the idle condition, control of the clock source reverts to the settings of its control bits.

NOTE: Clock Activation Time

If the clock source is not already active when the eUSCI_A module requests it then the clock must be activated. This takes time. This clock activation time depending on the selected clock source and the selected low power mode. If the DCO is used as clock source the activation time is approximately the wake-up time as specified in the device-specific data sheet.

39.3.15 eUSCI_A Interrupts in UART Mode

The eUSCI_A has only one interrupt vector that is shared for transmission and for reception.

39.3.15.1 UART Transmit Interrupt Operation

The UCTXIFG interrupt flag is set by the transmitter to indicate that UCAXTXBUF is ready to accept another character. An interrupt request is generated if UCTXIE and GIE are also set. UCTXIFG is automatically reset if a character is written to UCAXTXBUF.

UCTXIFG is set after a PUC or when UCSWRST = 1. UCTXIE is reset after a PUC or when UCSWRST = 1.

39.3.15.2 UART Receive Interrupt Operation

The UCRXIFG interrupt flag is set each time a character is received and loaded into UCAXRXBUF. An interrupt request is generated if UCRXIE and GIE are also set. UCRXIFG and UCRXIE are reset by a system reset PUC signal or when UCSWRST = 1. UCRXIFG is automatically reset when UCAXRXBUF is read.

Additional interrupt control features include:

- When UCAXRXEIE = 0, erroneous characters do not set UCRXIFG.
- When UCDORM = 1, nonaddress characters do not set UCRXIFG in multiprocessor modes. In plain UART mode, no characters are set UCRXIFG.
- When UCBRKIE = 1, a break condition sets the UCBRK bit and the UCRXIFG flag.

39.3.15.3 UART State Change Interrupt Operation

[Table 39-6](#) describes the UART state change interrupt flags.

Table 39-6. UART State Change Interrupt Flags

Interrupt Flag	Interrupt Condition
UCSTTIFG	START byte received interrupt. This flag is set when the UART module receives a START byte.
UCTXCPTIFG	Transmit complete interrupt. This flag is set, after the complete UART byte in the internal shift register including STOP bit got shifted out and UCAXTXBUF is empty.

39.3.15.4 UCAXIV, Interrupt Vector Generator

The eUSCI_A interrupt flags are prioritized and combined to source a single interrupt vector. The interrupt vector register UCAXIV is used to determine which flag requested an interrupt. The highest-priority enabled interrupt generates a number in the UCAXIV register that can be evaluated or added to the program counter to automatically enter the appropriate software routine. Disabled interrupts do not affect the UCAXIV value.

Read access of the UCAXIV register automatically resets the highest-pending Interrupt condition and flag. Write access of the UCAXIV register clears all pending Interrupt conditions and flags. If another interrupt flag is set, another interrupt is generated immediately after servicing the initial interrupt.

[Example 39-1](#) shows the recommended use of UCAXIV. The UCAXIV value is added to the PC to automatically jump to the appropriate routine. The following example is given for eUSCI_A0.

Example 39-1. UCAXIV Software Example

```
#pragma vector = USCI_A0_VECTOR __interrupt void USCI_A0_ISR(void) {
    switch(__even_in_range(UCA0IV,18)) {
        case 0x00:    // Vector 0: No interrupts
            break;
        case 0x02: ... // Vector 2: UCRXIFG
            break;
        case 0x04: ... // Vector 4: UCTXIFG
            break;
        case 0x06: ... // Vector 6: UCSTTIFG
            break;
        case 0x08: ... // Vector 8: UCTXCPITIFG
            break;
        default: break;
    }
}
```

39.3.16 DMA Operation

In devices with a DMA controller, the eUSCI module can trigger DMA transfers when the transmit buffer UCAXTXBUF is empty or when data was received in the UCAXRXBUF buffer. The DMA trigger signals correspond to the UCTXIFG transmit interrupt flag and the UCRXIFG receive interrupt flag, respectively. The interrupt functionality must be disabled for the selected DMA triggers with UCTXIE = 0 and UCRXIE = 0.

A DMA read access to UCAXRXBUF has the same effects as a CPU (software) read: all error flags (UCRXERR, UCFE, UCPE, UCOE, and UCBRK) are cleared after the read. Thus these errors might go unnoticed.

39.4 eUSCI_A UART Registers

The eUSCI_A registers applicable in UART mode and their address offsets are listed in [Table 39-7](#). The base address can be found in the device-specific data sheet.

Table 39-7. eUSCI_A UART Registers

Offset	Acronym	Register Name	Type	Access	Reset	Section
00h	UCAxCTLW0	eUSCI_Ax Control Word 0	Read/write	Word	0001h	Section 39.4.1
01h	UCAxCTL0 ⁽¹⁾	eUSCI_Ax Control 0	Read/write	Byte	00h	
00h	UCAxCTL1	eUSCI_Ax Control 1	Read/write	Byte	01h	
02h	UCAxCTLW1	eUSCI_Ax Control Word 1	Read/write	Word	0003h	Section 39.4.2
06h	UCAxBRW	eUSCI_Ax Baud Rate Control Word	Read/write	Word	0000h	Section 39.4.3
06h	UCAxBR0 ⁽¹⁾	eUSCI_Ax Baud Rate Control 0	Read/write	Byte	00h	
07h	UCAxBR1	eUSCI_Ax Baud Rate Control 1	Read/write	Byte	00h	
08h	UCAxMCTLW	eUSCI_Ax Modulation Control Word	Read/write	Word	00h	Section 39.4.4
0Ah	UCAxSTATW	eUSCI_Ax Status	Read/write	Word	00h	Section 39.4.5
0Ch	UCAxRXBUF	eUSCI_Ax Receive Buffer	Read/write	Word	00h	Section 39.4.6
0Eh	UCAxTXBUF	eUSCI_Ax Transmit Buffer	Read/write	Word	00h	Section 39.4.7
10h	UCAxABCTL	eUSCI_Ax Auto Baud Rate Control	Read/write	Word	00h	Section 39.4.8
12h	UCAxIRCTL	eUSCI_Ax IrDA Control	Read/write	Word	0000h	Section 39.4.9
12h	UCAxIRTCTL	eUSCI_Ax IrDA Transmit Control	Read/write	Byte	00h	
13h	UCAxIRRCTL	eUSCI_Ax IrDA Receive Control	Read/write	Byte	00h	
1Ah	UCAxIE	eUSCI_Ax Interrupt Enable	Read/write	Word	00h	Section 39.4.10
1Ch	UCAxIFG	eUSCI_Ax Interrupt Flag	Read/write	Word	02h	Section 39.4.11
1Eh	UCAxIV	eUSCI_Ax Interrupt Vector	Read	Word	0000h	Section 39.4.12

⁽¹⁾ It is recommended to access these registers using 16-bit access. If 8-bit access is used, the corresponding bit names must be followed by "_H".

39.4.1 UCAXCTLW0 Register

eUSCI_Ax Control Word Register 0

Figure 39-12. UCAXCTLW0 Register

15	14	13	12	11	10	9	8
UCPEN	UCPAR	UCMSB	UC7BIT	UCSPB	UCMODEx		UCSYNC
rw-0	rw-0	rw-0	rw-0	rw-0	rw-0	rw-0	rw-0
7	6	5	4	3	2	1	0
UCSSELx		UCRXEIE	UCBRKIE	UCDORM	UCTXADDR	UCTXBRK	UCSWRST
rw-0	rw-0	rw-0	rw-0	rw-0	rw-0	rw-0	rw-1

Can be modified only when UCSWRST = 1.

Table 39-8. UCAXCTLW0 Register Description

Bit	Field	Type	Reset	Description
15	UCPEN	RW	0h	Parity enable 0b = Parity disabled 1b = Parity enabled. Parity bit is generated (UCAxTXD) and expected (UCAxRXD). In address-bit multiprocessor mode, the address bit is included in the parity calculation.
14	UCPAR	RW	0h	Parity select. UCPAR is not used when parity is disabled. 0b = Odd parity 1b = Even parity
13	UCMSB	RW	0h	MSB first select. Controls the direction of the receive and transmit shift register. 0b = LSB first 1b = MSB first
12	UC7BIT	RW	0h	Character length. Selects 7-bit or 8-bit character length. 0b = 8-bit data 1b = 7-bit data
11	UCSPB	RW	0h	Stop bit select. Number of stop bits. 0b = One stop bit 1b = Two stop bits
10-9	UCMODEx	RW	0h	eUSCI_A mode. The UCMODEx bits select the asynchronous mode when UCSYNC = 0. 00b = UART mode 01b = Idle-line multiprocessor mode 10b = Address-bit multiprocessor mode 11b = UART mode with automatic baud-rate detection
8	UCSYNC	RW	0h	Synchronous mode enable 0b = Asynchronous mode 1b = Synchronous mode
7-6	UCSSELx	RW	0h	eUSCI_A clock source select. These bits select the BRCLK source clock. 00b = UCLK 01b = ACLK 10b = SMCLK 11b = SMCLK
5	UCRXEIE	RW	0h	Receive erroneous-character interrupt enable 0b = Erroneous characters rejected and UCRXIFG is not set. 1b = Erroneous characters received set UCRXIFG.
4	UCBRKIE	RW	0h	Receive break character interrupt enable 0b = Received break characters do not set UCRXIFG. 1b = Received break characters set UCRXIFG.

Table 39-8. UCxCTLW0 Register Description (continued)

Bit	Field	Type	Reset	Description
3	UCDORM	RW	0h	Dormant. Puts eUSCI_A into sleep mode. 0b = Not dormant. All received characters set UCRXIFG. 1b = Dormant. Only characters that are preceded by an idle-line or with address bit set UCRXIFG. In UART mode with automatic baud-rate detection, only the combination of a break and synch field sets UCRXIFG.
2	UCTXADDR	RW	0h	Transmit address. Next frame to be transmitted is marked as address, depending on the selected multiprocessor mode. 0b = Next frame transmitted is data. 1b = Next frame transmitted is an address.
1	UCTXBRK	RW	0h	Transmit break. Transmits a break with the next write to the transmit buffer. In UART mode with automatic baud-rate detection, 055h must be written into UCxTXBUF to generate the required break/synch fields. Otherwise, 0h must be written into the transmit buffer. 0b = Next frame transmitted is not a break. 1b = Next frame transmitted is a break or a break/synch.
0	UCSWRST	RW	1h	Software reset enable 0b = Disabled. eUSCI_A reset released for operation. 1b = Enabled. eUSCI_A logic held in reset state.

39.4.2 UCxCTLW1 Register

eUSCI_Ax Control Word Register 1

Figure 39-13. UCxCTLW1 Register

15	14	13	12	11	10	9	8
Reserved							
r-0	r-0	r-0	r-0	r-0	r-0	r-0	r-0
7	6	5	4	3	2	1	0
Reserved						UCGLITx	
r-0	r-0	r-0	r-0	r-0	r-0	rw-1	rw-1

Table 39-9. UCxCTLW1 Register Description

Bit	Field	Type	Reset	Description
15-2	Reserved	R	0h	Reserved
1-0	UCGLITx	RW	3h	Deglintch time 00b = Approximately 2 ns 01b = Approximately 50 ns 10b = Approximately 100 ns 11b = Approximately 200 ns

39.4.3 UCAXBRW Register

eUSCI_Ax Baud Rate Control Word Register

Figure 39-14. UCAXBRW Register

15	14	13	12	11	10	9	8
UCBRx							
rw	rw	rw	rw	rw	rw	rw	rw
7	6	5	4	3	2	1	0
UCBRx							
rw	rw	rw	rw	rw	rw	rw	rw

Can be modified only when UCSWRST = 1.

Table 39-10. UCAXBRW Register Description

Bit	Field	Type	Reset	Description
15-0	UCBRx	RW	0h	Clock prescaler setting of the Baud rate generator

39.4.4 UCAXMCTLW Register

eUSCI_Ax Modulation Control Word Register

Figure 39-15. UCAXMCTLW Register

15	14	13	12	11	10	9	8
UCBRSx							
rw-0	rw-0	rw-0	rw-0	rw-0	rw-0	rw-0	rw-0
7	6	5	4	3	2	1	0
UCBRFx				Reserved			UCOS16
rw-0	rw-0	rw-0	rw-0	r0	r0	r0	rw-0

Can be modified only when UCSWRST = 1.

Table 39-11. UCAXMCTLW Register Description

Bit	Field	Type	Reset	Description
15-8	UCBRSx	RW	0h	Second modulation stage select. These bits hold a free modulation pattern for BITCLK.
7-4	UCBRFx	RW	0h	First modulation stage select. These bits determine the modulation pattern for BITCLK16 when UCOS16 = 1. Ignored with UCOS16 = 0. The "Oversampling Baud-Rate Generation" section shows the modulation pattern.
3-1	Reserved	R	0h	Reserved
0	UCOS16	RW	0h	Oversampling mode enabled 0b = Disabled 1b = Enabled

39.4.5 UCxSTATW Register

eUSCI_Ax Status Register

Figure 39-16. UCxSTATW Register

15	14	13	12	11	10	9	8
Reserved							
r0	r0	r0	r0	r0	r0	r0	r0
7	6	5	4	3	2	1	0
UCLISTEN	UCFE	UCOE	UCPE	UCBRK	UCRXERR	UCADDR UCIDLE	UCBUSY
rw-0	rw-0	rw-0	rw-0	rw-0	rw-0	rw-0	r-0

Can be modified only when UCSWRST = 1.

Table 39-12. UCxSTATW Register Description

Bit	Field	Type	Reset	Description
15-8	Reserved	R	0h	Reserved
7	UCLISTEN	RW	0h	Listen enable. The UCLISTEN bit selects loopback mode. 0b = Disabled 1b = Enabled. UCxTXD is internally fed back to the receiver.
6	UCFE	RW	0h	Framing error flag. UCFE is cleared when UCxRXBUF is read. 0b = No error 1b = Character received with low stop bit
5	UCOE	RW	0h	Overrun error flag. This bit is set when a character is transferred into UCxRXBUF before the previous character was read. UCOE is cleared automatically when UCxRXBUF is read, and must not be cleared by software. Otherwise, it does not function correctly. 0b = No error 1b = Overrun error occurred.
4	UCPE	RW	0h	Parity error flag. When UCPE = 0, UCPE is read as 0. UCPE is cleared when UCxRXBUF is read. 0b = No error 1b = Character received with parity error
3	UCBRK	RW	0h	Break detect flag. UCBRK is cleared when UCxRXBUF is read. 0b = No break condition 1b = Break condition occurred.
2	UCRXERR	RW	0h	Receive error flag. This bit indicates a character was received with one or more errors. When UCRXERR = 1, on or more error flags, UCFE, UCPE, or UCOE is also set. UCRXERR is cleared when UCxRXBUF is read. 0b = No receive errors detected 1b = Receive error detected
1	UCADDR UCIDLE	RW	0h	UCADDR: Address received in address-bit multiprocessor mode. UCADDR is cleared when UCxRXBUF is read. UCIDLE: Idle line detected in idle-line multiprocessor mode. UCIDLE is cleared when UCxRXBUF is read. 0b = UCADDR: Received character is data. UCIDLE: No idle line detected 1b = UCADDR: Received character is an address. UCIDLE: Idle line detected
0	UCBUSY	R	0h	eUSCI_A busy. This bit indicates if a transmit or receive operation is in progress. 0b = eUSCI_A inactive 1b = eUSCI_A transmitting or receiving

39.4.6 UCAXRXBUF Register

eUSCI_Ax Receive Buffer Register

Figure 39-17. UCAXRXBUF Register

15	14	13	12	11	10	9	8
Reserved							
r-0	r-0	r-0	r-0	r-0	r-0	r-0	r-0
7	6	5	4	3	2	1	0
UCRXBUFx							
r	r	r	r	r	r	r	r

Table 39-13. UCAXRXBUF Register Description

Bit	Field	Type	Reset	Description
15-8	Reserved	R	0h	Reserved
7-0	UCRXBUFx	R	0h	The receive-data buffer is user accessible and contains the last received character from the receive shift register. Reading UCAXRXBUF resets the receive-error bits, the UCADDR or UCIDLE bit, and UCRXIFG. In 7-bit data mode, UCAXRXBUF is LSB justified and the MSB is always reset.

39.4.7 UCAXTXBUF Register

eUSCI_Ax Transmit Buffer Register

Figure 39-18. UCAXTXBUF Register

15	14	13	12	11	10	9	8
Reserved							
r-0	r-0	r-0	r-0	r-0	r-0	r-0	r-0
7	6	5	4	3	2	1	0
UCTXBUFx							
rw	rw	rw	rw	rw	rw	rw	rw

Table 39-14. UCAXTXBUF Register Description

Bit	Field	Type	Reset	Description
15-8	Reserved	R	0h	Reserved
7-0	UCTXBUFx	RW	0h	The transmit data buffer is user accessible and holds the data waiting to be moved into the transmit shift register and transmitted on UCAXTXD. Writing to the transmit data buffer clears UCTXIFG. The MSB of UCAXTXBUF is not used for 7-bit data and is reset.

39.4.8 UCxABCTL Register

eUSCI_Ax Auto Baud Rate Control Register

Figure 39-19. UCxABCTL Register

15	14	13	12	11	10	9	8
Reserved							
r-0	r-0	r-0	r-0	r-0	r-0	r-0	r-0
7	6	5	4	3	2	1	0
Reserved		UCDELIMx		UCSTOE	UCBTOE	Reserved	UCABDEN
r-0	r-0	rw-0	rw-0	rw-0	rw-0	r-0	rw-0

Can be modified only when UCSWRST = 1.

Table 39-15. UCxABCTL Register Description

Bit	Field	Type	Reset	Description
15-6	Reserved	R	0h	Reserved
5-4	UCDELIMx	RW	0h	Break/synch delimiter length 00b = 1 bit time 01b = 2 bit times 10b = 3 bit times 11b = 4 bit times
3	UCSTOE	RW	0h	Synch field time out error 0b = No error 1b = Length of synch field exceeded measurable time.
2	UCBTOE	RW	0h	Break time out error 0b = No error 1b = Length of break field exceeded 22 bit times.
1	Reserved	R	0h	Reserved
0	UCABDEN	RW	0h	Automatic baud-rate detect enable 0b = Baud-rate detection disabled. Length of break and synch field is not measured. 1b = Baud-rate detection enabled. Length of break and synch field is measured and baud-rate settings are changed accordingly.

39.4.9 UCAXIRCTL Register

eUSCI_Ax IrDA Control Word Register

Figure 39-20. UCAXIRCTL Register

15	14	13	12	11	10	9	8
UCIRRXFLx						UCIRRXPL	UCIRRXFE
rw-0	rw-0	rw-0	rw-0	rw-0	rw-0	rw-0	rw-0
7	6	5	4	3	2	1	0
UCIRTXPLx						UCIRTXCLK	UCIREN
rw-0	rw-0	rw-0	rw-0	rw-0	rw-0	rw-0	rw-0

Can be modified only when UCSWRST = 1.

Table 39-16. UCAXIRCTL Register Description

Bit	Field	Type	Reset	Description
15-10	UCIRRXFLx	RW	0h	Receive filter length. The minimum pulse length for receive is given by: $t_{MIN} = (UCIRRXFLx + 4) / [2 \times f_{IRTXCLK}]$
9	UCIRRXPL	RW	0h	IrDA receive input UCAXRXD polarity 0b = IrDA transceiver delivers a high pulse when a light pulse is seen. 1b = IrDA transceiver delivers a low pulse when a light pulse is seen.
8	UCIRRXFE	RW	0h	IrDA receive filter enabled 0b = Receive filter disabled 1b = Receive filter enabled
7-2	UCIRTXPLx	RW	0h	Transmit pulse length. Pulse length $t_{PULSE} = (UCIRTXPLx + 1) / [2 \times f_{IRTXCLK}]$
1	UCIRTXCLK	RW	0h	IrDA transmit pulse clock select 0b = BRCLK 1b = BITCLK16 when UCOS16 = 1. Otherwise, BRCLK.
0	UCIREN	RW	0h	IrDA encoder/decoder enable 0b = IrDA encoder/decoder disabled 1b = IrDA encoder/decoder enabled

39.4.10 UCAXIE Register

eUSCI_Ax Interrupt Enable Register

Figure 39-21. UCAXIE Register

15	14	13	12	11	10	9	8
Reserved							
r-0	r-0	r-0	r-0	r-0	r-0	r-0	r-0
7	6	5	4	3	2	1	0
Reserved				UCTXCPTIE	UCSTTIE	UCTXIE	UCRXIE
r-0	r-0	r-0	r-0	rw-0	rw-0	rw-0	rw-0

Table 39-17. UCAXIE Register Description

Bit	Field	Type	Reset	Description
15-4	Reserved	R	0h	Reserved
3	UCTXCPTIE	RW	0h	Transmit complete interrupt enable 0b = Interrupt disabled 1b = Interrupt enabled
2	UCSTTIE	RW	0h	Start bit interrupt enable 0b = Interrupt disabled 1b = Interrupt enabled
1	UCTXIE	RW	0h	Transmit interrupt enable 0b = Interrupt disabled 1b = Interrupt enabled
0	UCRXIE	RW	0h	Receive interrupt enable 0b = Interrupt disabled 1b = Interrupt enabled

39.4.11 UCxIFG Register

eUSCI_Ax Interrupt Flag Register

Figure 39-22. UCxIFG Register

15	14	13	12	11	10	9	8
Reserved							
r-0	r-0	r-0	r-0	r-0	r-0	r-0	r-0
7	6	5	4	3	2	1	0
Reserved				UCTXCPTIFG	UCSTTIFG	UCTXIFG	UCRXIFG
r-0	r-0	r-0	r-0	rw-0	rw-0	rw-1	rw-0

Table 39-18. UCxIFG Register Description

Bit	Field	Type	Reset	Description
15-4	Reserved	R	0h	Reserved
3	UCTXCPTIFG	RW	0h	Transmit complete interrupt flag. UCTXCPTIFG is set when the entire byte in the internal shift register got shifted out and UCxTXBUF is empty. 0b = No interrupt pending 1b = Interrupt pending
2	UCSTTIFG	RW	0h	Start bit interrupt flag. UCSTTIFG is set after a Start bit was received 0b = No interrupt pending 1b = Interrupt pending
1	UCTXIFG	RW	1h	Transmit interrupt flag. UCTXIFG is set when UCxTXBUF empty. 0b = No interrupt pending 1b = Interrupt pending
0	UCRXIFG	RW	0h	Receive interrupt flag. UCRXIFG is set when UCxRXBUF has received a complete character. 0b = No interrupt pending 1b = Interrupt pending

39.4.12 UCAXIV Register

eUSCI_Ax Interrupt Vector Register

Figure 39-23. UCAXIV Register

15	14	13	12	11	10	9	8
UCIVx							
r0	r0	r0	r0	r0	r0	r0	r0
7	6	5	4	3	2	1	0
UCIVx							
r0	r0	r0	r0	r-(0)	r-(0)	r-(0)	r0

Table 39-19. UCAXIV Register Description

Bit	Field	Type	Reset	Description
15-0	UCIVx	R	0h	eUSCI_A interrupt vector value 00h = No interrupt pending 02h = Interrupt Source: Receive buffer full; Interrupt Flag: UCRXIFG; Interrupt Priority: Highest 04h = Interrupt Source: Transmit buffer empty; Interrupt Flag: UCTXIFG 06h = Interrupt Source: Start bit received; Interrupt Flag: UCSTTIFG 08h = Interrupt Source: Transmit complete; Interrupt Flag: UCTXCPITFG; Interrupt Priority: Lowest

Enhanced Universal Serial Communication Interface (eUSCI) – SPI Mode

The enhanced universal serial communication interfaces, eUSCI_A and eUSCI_B, support multiple serial communication modes with one hardware module. This chapter discusses the operation of the synchronous peripheral interface (SPI) mode.

Topic	Page
40.1 Enhanced Universal Serial Communication Interfaces (eUSCI_A, eUSCI_B) Overview.....	1055
40.2 eUSCI Introduction – SPI Mode.....	1055
40.3 eUSCI Operation – SPI Mode	1057
40.4 eUSCI_A SPI Registers	1063
40.5 eUSCI_B SPI Registers	1072

40.1 Enhanced Universal Serial Communication Interfaces (eUSCI_A, eUSCI_B) Overview

Both the eUSCI_A and the eUSCI_B support serial communication in SPI mode.

40.2 eUSCI Introduction – SPI Mode

In synchronous mode, the eUSCI connects the device to an external system through three or four pins: UCxSIMO, UCxSOMI, UCxCLK, and UCxSTE. SPI mode is selected when the UCSYNC bit is set, and SPI mode (3-pin or 4-pin) is selected with the UCMODEx bits.

SPI mode features include:

- 7-bit or 8-bit data length
- LSB-first or MSB-first data transmit and receive
- 3-pin and 4-pin SPI operation
- Master or slave modes
- Independent transmit and receive shift registers
- Separate transmit and receive buffer registers
- Continuous transmit and receive operation
- Selectable clock polarity and phase control
- Programmable clock frequency in master mode
- Independent interrupt capability for receive and transmit
- Slave operation in LPM4

[Figure 40-1](#) shows the eUSCI when configured for SPI mode.

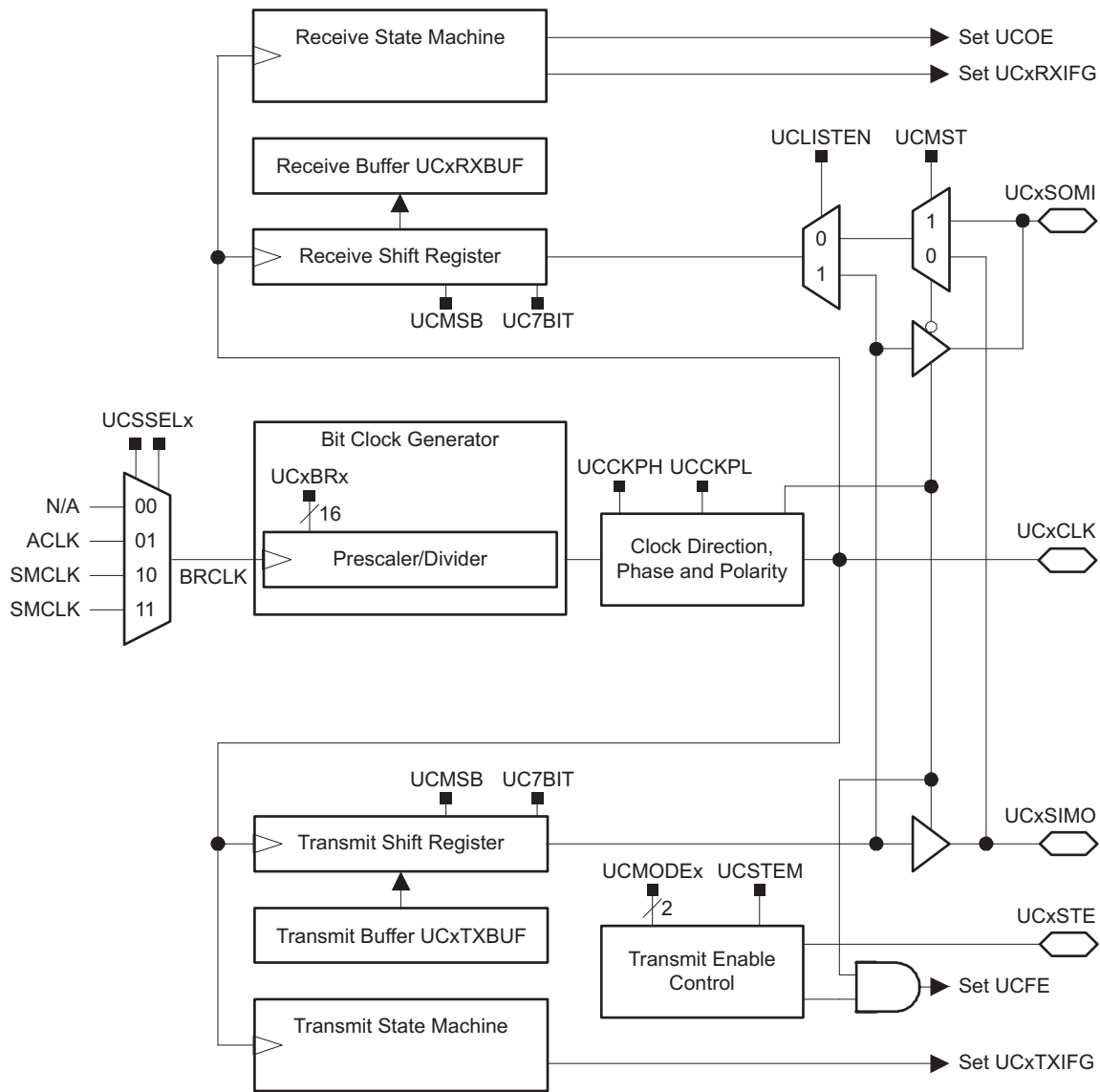


Figure 40-1. eUSCI Block Diagram – SPI Mode

40.3 eUSCI Operation – SPI Mode

In SPI mode, serial data is transmitted and received by multiple devices using a shared clock provided by the master. An additional pin controlled by the master, UCxSTE, is provided to enable a device to receive and transmit data.

Three or four signals are used for SPI data exchange:

- UCxSIMO – slave in, master out
Master mode: UCxSIMO is the data output line.
Slave mode: UCxSIMO is the data input line.
- UCxSOMI – slave out, master in
Master mode: UCxSOMI is the data input line.
Slave mode: UCxSOMI is the data output line.
- UCxCLK – eUSCI SPI clock
Master mode: UCxCLK is an output.
Slave mode: UCxCLK is an input.
- UCxSTE – slave transmit enable.

Used in 4-pin mode to allow multiple masters on a single bus. Not used in 3-pin mode. [Table 40-1](#) describes the UCxSTE operation.

Table 40-1. UCxSTE Operation

UCMODEx	UCxSTE Active State	UCxSTE	Slave	Master
01	High	0	Inactive	Active
		1	Active	Inactive
10	Low	0	Active	Inactive
		1	Inactive	Active

40.3.1 eUSCI Initialization and Reset

The eUSCI is reset by a PUC or by the UCSWRST bit. After a PUC, the UCSWRST bit is automatically set, keeping the eUSCI in a reset condition. When set, the UCSWRST bit resets the UCRXIE, UCTXIE, UCRXIFG, UCOE, and UCFE bits, and sets the UCTXIFG flag. Clearing UCSWRST releases the eUSCI for operation.

Configuring and reconfiguring the eUSCI module should be done when UCSWRST is set to avoid unpredictable behavior.

NOTE: Initializing or reconfiguring the eUSCI module

The recommended eUSCI initialization or reconfiguration process is:

1. Set UCSWRST.
`BIS.B #UCSWRST,&UCxCTL1`
 2. Initialize all eUSCI registers with UCSWRST = 1 (including UCxCTL1).
 3. Configure ports.
 4. Ensure that any input signals into the SPI module such as UCxSOMI (in master mode) or UCxSIMO and UCxCLK (in slave mode) have settled to their final voltage levels before clearing UCSWRST and avoid any unwanted transitions during operation.
 5. Clear UCSWRST.
`BIC.B #UCSWRST,&UCxCTL1`
 6. Enable interrupts (optional) with UCRXIE or UCTXIE.
-

40.3.2 Character Format

The eUSCI module in SPI mode supports 7-bit and 8-bit character lengths selected by the UC7BIT bit. In 7-bit data mode, UCxRXBUF is LSB justified and the MSB is always reset. The UCMSB bit controls the direction of the transfer and selects LSB or MSB first.

NOTE: Default character format

The default SPI character transmission is LSB first. For communication with other SPI interfaces, MSB-first mode may be required.

NOTE: Character format for figures

Figures throughout this chapter use MSB-first format.

40.3.3 Master Mode

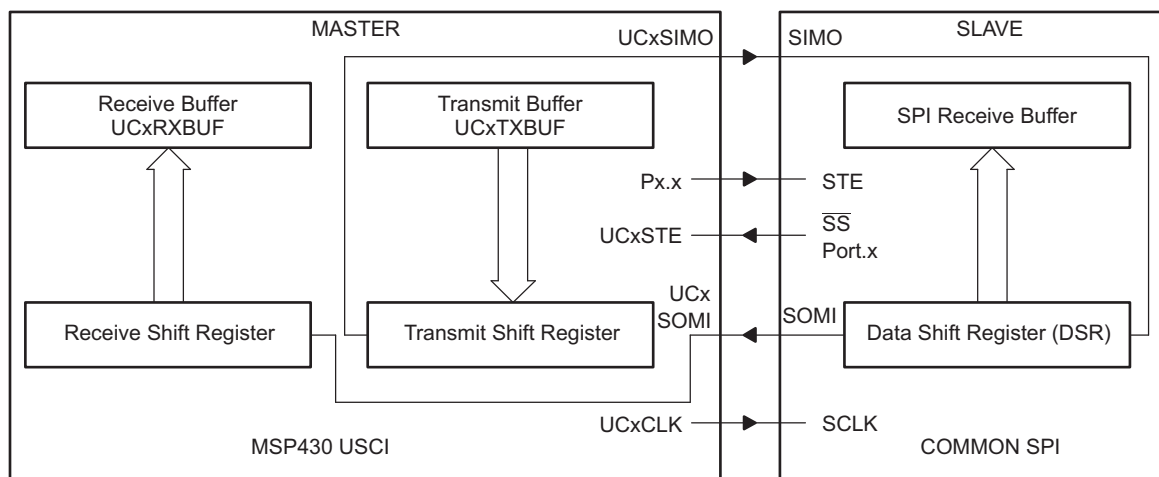


Figure 40-2. eUSCI Master and External Slave (UCSTEM = 0)

Figure 40-2 shows the eUSCI as a master in both 3-pin and 4-pin configurations. The eUSCI initiates data transfer when data is moved to the transmit data buffer UCxTXBUF. The UCxTXBUF data is moved to the transmit (TX) shift register when the TX shift register is empty, initiating data transfer on UCxSIMO starting with either the MSB or LSB, depending on the UCMSB setting. Data on UCxSOMI is shifted into the receive shift register on the opposite clock edge. When the character is received, the receive data is moved from the receive (RX) shift register to the received data buffer UCxRXBUF and the receive interrupt flag UCRXIFG is set, indicating the RX/TX operation is complete.

A set transmit interrupt flag, UCTXIFG, indicates that data has moved from UCxTXBUF to the TX shift register and UCxTXBUF is ready for new data. It does not indicate RX/TX completion.

To receive data into the eUSCI in master mode, data must be written to UCxTXBUF, because receive and transmit operations operate concurrently.

There are two different options for configuring the eUSCI as a 4-pin master, which are described in the next sections:

- The fourth pin is used as input to prevent conflicts with other masters (UCSTEM = 0).
- The fourth pin is used as output to generate a slave enable signal (UCSTEM = 1).

The bit UCSTEM is used to select the corresponding mode.

40.3.3.1 4-Pin SPI Master Mode (UCSTEM = 0)

In 4-pin master mode with UCSTEM = 0, UCxSTE is a digital input that can be used to prevent conflicts with another master and controls the master as described in Table 40-1. When UCxSTE is in the master-inactive state and UCSTEM = 0:

- UCxSIMO and UCxCLK are set to inputs and no longer drive the bus.
- The error bit UCFE is set, indicating a communication integrity violation to be handled by the user.
- The internal state machines are reset and the shift operation is aborted.

If data is written into UCxTXBUF while the master is held inactive by UCxSTE, it is transmit as soon as UCxSTE transitions to the master-active state. If an active transfer is aborted by UCxSTE transitioning to the master-inactive state, the data must be rewritten into UCxTXBUF to be transferred when UCxSTE transitions back to the master-active state. The UCxSTE input signal is not used in 3-pin master mode.

40.3.3.2 4-Pin SPI Master Mode (UCSTEM = 1)

If UCSTEM = 1 in 4-pin master mode, UCxSTE is a digital output. In this mode the slave enable signal for a single slave is automatically generated on UCxSTE. The corresponding behavior can be seen in Figure 40-4.

If multiple slaves are desired, this feature is not applicable and the software needs to use general purpose I/O pins instead to generate STE signals for each slave individually.

40.3.4 Slave Mode

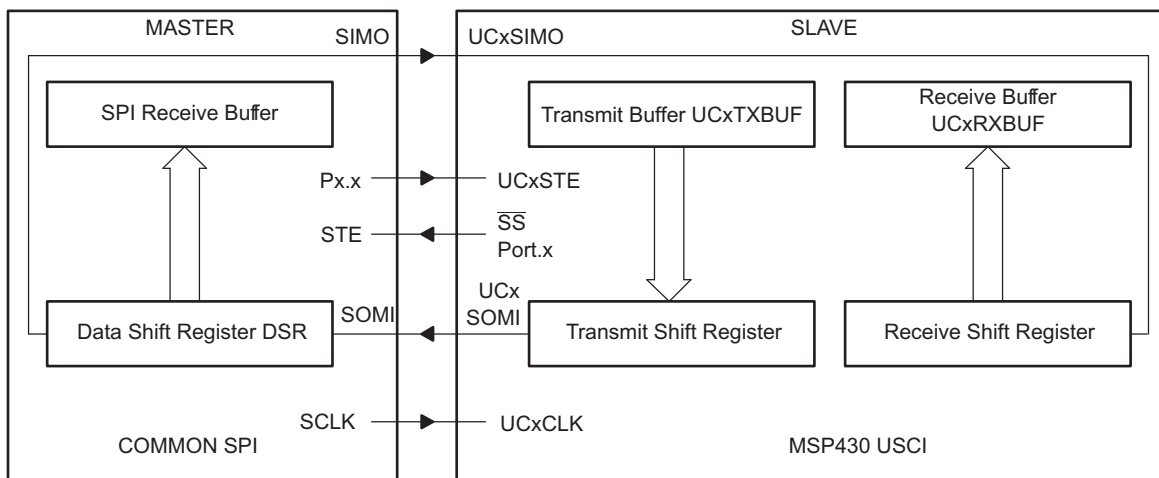


Figure 40-3. eUSCI Slave and External Master

Figure 40-3 shows the eUSCI as a slave in both 3-pin and 4-pin configurations. UCxCLK is used as the input for the SPI clock and must be supplied by the external master. The data-transfer rate is determined by this clock and not by the internal bit clock generator. Data written to UCxTXBUF and moved to the TX shift register before the start of UCxCLK is transmitted on UCxSOMI. Data on UCxSIMO is shifted into the receive shift register on the opposite edge of UCxCLK and moved to UCxRXBUF when the set number of bits are received. When data is moved from the RX shift register to UCxRXBUF, the UCRXIFG interrupt flag is set, indicating that data has been received. The overrun error bit UCOE is set when the previously received data is not read from UCxRXBUF before new data is moved to UCxRXBUF.

40.3.4.1 4-Pin SPI Slave Mode

In 4-pin slave mode, UCxSTE is a digital input used by the slave to enable the transmit and receive operations and is driven by the SPI master. When UCxSTE is in the slave-active state, the slave operates normally. When UCxSTE is in the slave-inactive state:

- Any receive operation in progress on UCxSIMO is halted.
- UCxSOMI is set to the input direction.
- The shift operation is halted until the UCxSTE line transitions into the slave transmit active state.

The UCxSTE input signal is not used in 3-pin slave mode.

40.3.5 SPI Enable

When the eUSCI module is enabled by clearing the UCSWRST bit, it is ready to receive and transmit. In master mode, the bit clock generator is ready, but is not clocked nor producing any clocks. In slave mode, the bit clock generator is disabled and the clock is provided by the master.

A transmit or receive operation is indicated by UCBUSY = 1.

A PUC or set UCSWRST bit disables the eUSCI immediately and any active transfer is terminated.

40.3.5.1 Transmit Enable

In master mode, writing to UCxTXBUF activates the bit clock generator, and the data begins to transmit.

In slave mode, transmission begins when a master provides a clock and, in 4-pin mode, when the UCxSTE is in the slave-active state.

40.3.5.2 Receive Enable

The SPI receives data when a transmission is active. Receive and transmit operations operate concurrently.

40.3.6 Serial Clock Control

UCxCLK is provided by the master on the SPI bus. When UCMST = 1, the bit clock is provided by the eUSCI bit clock generator on the UCxCLK pin. The clock used to generate the bit clock is selected with the UCSSELx bits. When UCMST = 0, the eUSCI clock is provided on the UCxCLK pin by the master, the bit clock generator is not used, but the UCSSELx bits must be set to 0. The SPI receiver and transmitter operate in parallel and use the same clock source for data transfer.

The 16-bit value of UCBRx in the bit rate control registers UCxxBRW is the division factor of the eUSCI clock source, BRCLK. With UCBRx = 0 the maximum bit clock that can be generated in master mode is BRCLK. Modulation is not used in SPI mode, and UCAxMCTL should be cleared when using SPI mode for eUSCI_A.

The UCAxCLK or UCBxCLK frequency is given by:

$$f_{\text{BitClock}} = f_{\text{BRCLK}} / \text{UCBRx}$$

If UCBRx = 0, $f_{\text{BitClock}} = f_{\text{BRCLK}}$

Even UCBRx settings result in even divisions and, thus, generate a bit clock with a 50/50 duty cycle.

Odd UCBRx settings result in odd divisions. In this case, the high phase of the bit clock is one BRCLK cycle longer than the low phase.

When UCBRx = 0, no division is applied to BRCLK, and the bit clock equals BRCLK.

40.3.6.1 Serial Clock Polarity and Phase

The polarity and phase of UCxCLK are independently configured through the UCCKPL and UCCKPH control bits of the eUSCI. Timing for each case is shown in [Figure 40-4](#).

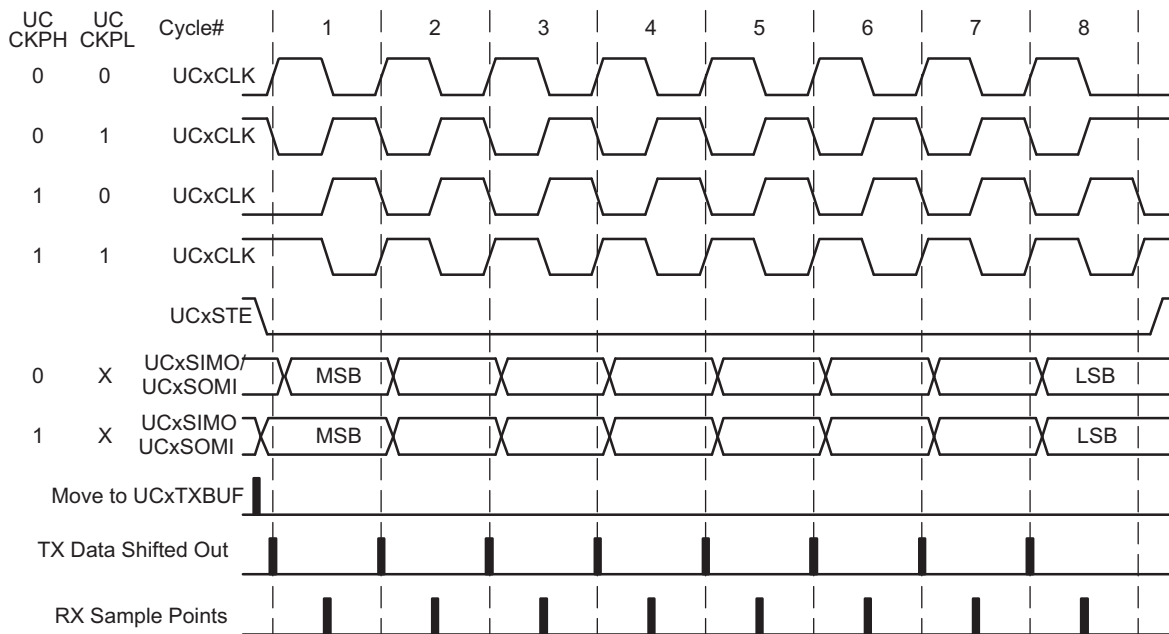


Figure 40-4. eUSCI SPI Timing With UCMSB = 1

40.3.7 Using the SPI Mode With Low-Power Modes

The eUSCI module provides automatic clock activation for use with low-power modes. When the eUSCI clock source is inactive because the device is in a low-power mode, the eUSCI module automatically activates it when needed, regardless of the control-bit settings for the clock source. The clock remains active until the eUSCI module returns to its idle condition. After the eUSCI module returns to the idle condition, control of the clock source reverts to the settings of its control bits.

In SPI slave mode, no internal clock source is required because the clock is provided by the external master. It is possible to operate the eUSCI in SPI slave mode while the device is in LPM4 and all clock sources are disabled. The receive or transmit interrupt can wake up the CPU from any low-power mode.

40.3.8 eUSCI Interrupts in SPI Mode

The eUSCI has only one interrupt vector that is shared for transmission and for reception. eUSCI_Ax and eUSCI_Bx do not share the same interrupt vector.

40.3.8.1 SPI Transmit Interrupt Operation

The UCTXIFG interrupt flag is set by the transmitter to indicate that UCxTXBUF is ready to accept another character. An interrupt request is generated if UCTXIE and GIE are also set. UCTXIFG is automatically reset if a character is written to UCxTXBUF. UCTXIFG is set after a PUC or when UCSWRST = 1. UCTXIE is reset after a PUC or when UCSWRST = 1.

NOTE: Writing to UCxTXBUF in SPI mode

Data written to UCxTXBUF when UCTXIFG = 0 may result in erroneous data transmission.

40.3.8.2 SPI Receive Interrupt Operation

The UCRXIFG interrupt flag is set each time a character is received and loaded into UCxRXBUF. An interrupt request is generated if UCRXIE and GIE are also set. UCRXIFG and UCRXIE are reset by a system reset PUC signal or when UCSWRST = 1. UCRXIFG is automatically reset when UCxRXBUF is read.

40.3.8.3 UCxIV, Interrupt Vector Generator

The eUSCI interrupt flags are prioritized and combined to source a single interrupt vector. The interrupt vector register UCxIV is used to determine which flag requested an interrupt. The highest-priority enabled interrupt generates a number in the UCxIV register that can be evaluated or added to the program counter (PC) to automatically enter the appropriate software routine. Disabled interrupts do not affect the UCxIV value.

Any access, read or write, of the UCxIV register automatically resets the highest-pending interrupt flag. If another interrupt flag is set, another interrupt is immediately generated after servicing the initial interrupt.

40.3.8.3.1 UCxIV Software Example

The following software example shows the recommended use of UCxIV. The UCxIV value is added to the PC to automatically jump to the appropriate routine. The following example is given for eUSCI_B0.

```

USCI_SPI_ISR
    ADD    &UCB0IV, PC    ; Add offset to jump table
    RETI   ; Vector 0: No interrupt
    JMP    RXIFG_ISR     ; Vector 2: RXIFG
TXIFG_ISR
    ...      ; Task starts here
    RETI   ; Return
RXIFG_ISR
    ...      ; Task starts here
    RETI   ; Return

```

40.4 eUSCI_A SPI Registers

The eUSCI_A registers applicable in SPI mode and their address offsets are listed in [Table 40-2](#). The base addresses can be found in the device-specific data sheet.

Table 40-2. eUSCI_A SPI Registers

Offset	Acronym	Register Name	Type	Access	Reset	Section
00h	UCAxCTLW0	eUSCI_Ax Control Word 0	Read/write	Word	0001h	Section 40.4.1
00h	UCAxCTL1	eUSCI_Ax Control 1	Read/write	Byte	01h	
01h	UCAxCTL0	eUSCI_Ax Control 0	Read/write	Byte	00h	
06h	UCAxBRW	eUSCI_Ax Bit Rate Control Word	Read/write	Word	0000h	Section 40.4.2
06h	UCAxBR0	eUSCI_Ax Bit Rate Control 0	Read/write	Byte	00h	
07h	UCAxBR1	eUSCI_Ax Bit Rate Control 1	Read/write	Byte	00h	
0Ah	UCAxSTATW	eUSCI_Ax Status	Read/write	Word	00h	Section 40.4.3
0Ch	UCAxRXBUF	eUSCI_Ax Receive Buffer	Read/write	Word	00h	Section 40.4.4
0Eh	UCAxTXBUF	eUSCI_Ax Transmit Buffer	Read/write	Word	00h	Section 40.4.5
1Ah	UCAxIE	eUSCI_Ax Interrupt Enable	Read/write	Word	00h	Section 40.4.6
1Ch	UCAxIFG	eUSCI_Ax Interrupt Flag	Read/write	Word	02h	Section 40.4.7
1Eh	UCAxIV	eUSCI_Ax Interrupt Vector	Read	Word	0000h	Section 40.4.8

40.4.1 UCAXCTLW0 Register

eUSCI_Ax Control Register 0

Figure 40-5. UCAXCTLW0 Register

15	14	13	12	11	10	9	8
UCCKPH	UCCKPL	UCMSB	UC7BIT	UCMST	UCMODEx		UCSYNC
rw-0	rw-0	rw-0	rw-0	rw-0	rw-0	rw-0	rw-0
7	6	5	4	3	2	1	0
UCSSELx		Reserved				UCSTEM	UCSWRST
rw-0	rw-0	rw-0	rw-0	rw-0	rw-0	rw-0	rw-1

Can be modified only when UCSWRST = 1.

Table 40-3. UCAXCTLW0 Register Description

Bit	Field	Type	Reset	Description
15	UCCKPH	RW	0h	Clock phase select 0b = Data is changed on the first UCLK edge and captured on the following edge. 1b = Data is captured on the first UCLK edge and changed on the following edge.
14	UCCKPL	RW	0h	Clock polarity select 0b = The inactive state is low. 1b = The inactive state is high.
13	UCMSB	RW	0h	MSB first select. Controls the direction of the receive and transmit shift register. 0b = LSB first 1b = MSB first
12	UC7BIT	RW	0h	Character length. Selects 7-bit or 8-bit character length. 0b = 8-bit data 1b = 7-bit data
11	UCMST	RW	0h	Master mode select 0b = Slave mode 1b = Master mode
10-9	UCMODEx	RW	0h	eUSCI mode. The UCMODEx bits select the synchronous mode when UCSYNC = 1. 00b = 3-pin SPI 01b = 4-pin SPI with UCxSTE active high: Slave enabled when UCxSTE = 1 10b = 4-pin SPI with UCxSTE active low: Slave enabled when UCxSTE = 0 11b = Reserved
8	UCSYNC	RW	0h	Synchronous mode enable 0b = Asynchronous mode 1b = Synchronous mode
7-6	UCSSELx	RW	0h	eUSCI clock source select. These bits select the BRCLK source clock. 00b = UCxCLK in slave mode. Do not use in master mode. 01b = ACLK in master mode. Do not use in slave mode. 10b = SMCLK in master mode. Do not use in slave mode. 11b = SMCLK in master mode. Do not use in slave mode.
5-2	Reserved	R	0h	Reserved
1	UCSTEM	RW	0h	STE mode select in master mode. This byte is ignored in slave or 3-wire mode. 0b = STE pin is used to prevent conflicts with other masters 1b = STE pin is used to generate the enable signal for a 4-wire slave
0	UCSWRST	RW	1h	Software reset enable 0b = Disabled. eUSCI reset released for operation. 1b = Enabled. eUSCI logic held in reset state.

40.4.2 UCAXBRW Register

eUSCI_Ax Bit Rate Control Register 1

Figure 40-6. UCAXBRW Register

15	14	13	12	11	10	9	8
UCBRx							
rw	rw	rw	rw	rw	rw	rw	rw
7	6	5	4	3	2	1	0
UCBRx							
rw	rw	rw	rw	rw	rw	rw	rw

Can be modified only when UCSWRST = 1.

Table 40-4. UCAXBRW Register Description

Bit	Field	Type	Reset	Description
15-0	UCBRx	RW	0h	Bit clock prescaler setting. $f_{\text{BitClock}} = f_{\text{BRCLK}} / \text{UCBRx}$ If UCBRx = 0, $f_{\text{BitClock}} = f_{\text{BRCLK}}$

40.4.3 UCxSTATW Register

eUSCI_Ax Status Register

Figure 40-7. UCxSTATW Register

15	14	13	12	11	10	9	8	
Reserved								
r0	r0	r0	r0	r0	r0	r0	r0	
7	6	5	4	3	2	1	0	
UCLISTEN	UCFE	UCOE	Reserved				UCBUSY	
rw-0	rw-0	rw-0	rw-0	rw-0	rw-0	rw-0	r-0	

Can be modified only when UCSWRST = 1.

Table 40-5. UCxSTATW Register Description

Bit	Field	Type	Reset	Description
15-8	Reserved	R	0h	Reserved
7	UCLISTEN	RW	0h	Listen enable. The UCLISTEN bit selects loopback mode. 0b = Disabled 1b = Enabled. The transmitter output is internally fed back to the receiver.
6	UCFE	RW	0h	Framing error flag. This bit indicates a bus conflict in 4-wire master mode. UCFE is not used in 3-wire master or any slave mode. 0b = No error 1b = Bus conflict occurred
5	UCOE	RW	0h	Overrun error flag. This bit is set when a character is transferred into UCxRXBUF before the previous character was read. UCOE is cleared automatically when UCxRXBUF is read, and must not be cleared by software. Otherwise, it does not function correctly. 0b = No error 1b = Overrun error occurred
4-1	Reserved	RW	0h	Reserved
0	UCBUSY	R	0h	eUSCI busy. This bit indicates if a transmit or receive operation is in progress. 0b = eUSCI inactive 1b = eUSCI transmitting or receiving

40.4.4 UCxRXBUF Register

eUSCI_Ax Receive Buffer Register

Figure 40-8. UCxRXBUF Register

15	14	13	12	11	10	9	8
Reserved							
r0	r0	r0	r0	r0	r0	r0	r0
7	6	5	4	3	2	1	0
UCRXBUFx							
rw	rw	rw	rw	rw	rw	rw	rw

Table 40-6. UCxRXBUF Register Description

Bit	Field	Type	Reset	Description
15-8	Reserved	R	0h	Reserved
7-0	UCRXBUFx	R	0h	The receive-data buffer is user accessible and contains the last received character from the receive shift register. Reading UCxRXBUF resets the receive-error bits and UCRXIFG. In 7-bit data mode, UCxRXBUF is LSB justified and the MSB is always reset.

40.4.5 UCxTXBUF Register

eUSCI_Ax Transmit Buffer Register

Figure 40-9. UCxTXBUF Register

15	14	13	12	11	10	9	8
Reserved							
r0	r0	r0	r0	r0	r0	r0	r0
7	6	5	4	3	2	1	0
UCTXBUFx							
rw	rw	rw	rw	rw	rw	rw	rw

Table 40-7. UCxTXBUF Register Description

Bit	Field	Type	Reset	Description
15-8	Reserved	R	0h	Reserved
7-0	UCTXBUFx	RW	0h	The transmit data buffer is user accessible and holds the data waiting to be moved into the transmit shift register and transmitted. Writing to the transmit data buffer clears UCTXIFG. The MSB of UCxTXBUF is not used for 7-bit data and is reset.

40.4.6 UCAXIE Register

eUSCI_Ax Interrupt Enable Register

Figure 40-10. UCAXIE Register

15	14	13	12	11	10	9	8
Reserved							
r0	r0	r0	r0	r0	r0	r0	r0
7	6	5	4	3	2	1	0
Reserved						UCTXIE	UCRXIE
r-0	r-0	r-0	r-0	r-0	r-0	rw-0	rw-0

Table 40-8. UCAXIE Register Description

Bit	Field	Type	Reset	Description
15-2	Reserved	R	0h	Reserved
1	UCTXIE	RW	0h	Transmit interrupt enable 0b = Interrupt disabled 1b = Interrupt enabled
0	UCRXIE	RW	0h	Receive interrupt enable 0b = Interrupt disabled 1b = Interrupt enabled

40.4.7 UCxIFG Register

eUSCI_Ax Interrupt Flag Register

Figure 40-11. UCxIFG Register

15	14	13	12	11	10	9	8
Reserved							
r0	r0	r0	r0	r0	r0	r0	r0
7	6	5	4	3	2	1	0
Reserved						UCTXIFG	UCRXIFG
r-0	r-0	r-0	r-0	r-0	r-0	rw-1	rw-0

Table 40-9. UCxIFG Register Description

Bit	Field	Type	Reset	Description
15-2	Reserved	R	0h	Reserved
1	UCTXIFG	RW	1h	Transmit interrupt flag. UCTXIFG is set when UCxxTXBUF empty. 0b = No interrupt pending 1b = Interrupt pending
0	UCRXIFG	RW	0h	Receive interrupt flag. UCRXIFG is set when UCxxRXBUF has received a complete character. 0b = No interrupt pending 1b = Interrupt pending

40.4.8 UCAXIV Register

eUSCI_Ax Interrupt Vector Register

Figure 40-12. UCAXIV Register

15	14	13	12	11	10	9	8
UCIVx							
r0	r0	r0	r0	r0	r0	r0	r0
7	6	5	4	3	2	1	0
UCIVx							
r0	r0	r0	r-0	r-0	r-0	r-0	r0

Table 40-10. UCAXIV Register Description

Bit	Field	Type	Reset	Description
15-0	UCIVx	R	0h	eUSCI interrupt vector value 000h = No interrupt pending 002h = Interrupt Source: Data received; Interrupt Flag: UCRXIFG; Interrupt Priority: Highest 004h = Interrupt Source: Transmit buffer empty; Interrupt Flag: UCTXIFG; Interrupt Priority: Lowest

40.5 eUSCI_B SPI Registers

The eUSCI_B registers applicable in SPI mode and their address offsets are listed in [Table 40-11](#). The base addresses can be found in the device-specific data sheet.

Table 40-11. eUSCI_B SPI Registers

Offset	Acronym	Register Name	Type	Access	Reset	Section
00h	UCBxCTLW0	eUSCI_Bx Control Word 0	Read/write	Word	01C1h	Section 40.5.1
00h	UCBxCTL1	eUSCI_Bx Control 1	Read/write	Byte	C1h	
01h	UCBxCTL0	eUSCI_Bx Control 0	Read/write	Byte	01h	
06h	UCBxBRW	eUSCI_Bx Bit Rate Control Word	Read/write	Word	0000h	Section 40.5.2
06h	UCBxBR0	eUSCI_Bx Bit Rate Control 0	Read/write	Byte	00h	
07h	UCBxBR1	eUSCI_Bx Bit Rate Control 1	Read/write	Byte	00h	
08h	UCBxSTATW	eUSCI_Bx Status	Read/write	Word	00h	Section 40.5.3
0Ch	UCBxRXBUF	eUSCI_Bx Receive Buffer	Read/write	Word	00h	Section 40.5.4
0Eh	UCBxTXBUF	eUSCI_Bx Transmit Buffer	Read/write	Word	00h	Section 40.5.5
2Ah	UCBxIE	eUSCI_Bx Interrupt Enable	Read/write	Word	00h	Section 40.5.6
2Ch	UCBxIFG	eUSCI_Bx Interrupt Flag	Read/write	Word	02h	Section 40.5.7
2Eh	UCBxIV	eUSCI_Bx Interrupt Vector	Read	Word	0000h	Section 40.5.8

40.5.1 UCBxCTLW0 Register

eUSCI_Bx Control Register 0

Figure 40-13. UCBxCTLW0 Register

15		14		13		12		11		10		9		8	
UCCKPH		UCCKPL		UCMSB		UC7BIT		UCMST		UCMODEx		UCSYNC			
rw-0		rw-0		rw-0		rw-0		rw-0		rw-0		rw-0		rw-1	
7		6		5		4		3		2		1		0	
UCSSELx				Reserved								UCSTEM		UCSWRST	
rw-1		rw-1		r0		rw-0		rw-0		rw-0		rw-0		rw-1	

Can be modified only when UCSWRST = 1.

Table 40-12. UCBxCTLW0 Register Description

Bit	Field	Type	Reset	Description
15	UCCKPH	RW	0h	Clock phase select 0b = Data is changed on the first UCLK edge and captured on the following edge. 1b = Data is captured on the first UCLK edge and changed on the following edge.
14	UCCKPL	RW	0h	Clock polarity select 0b = The inactive state is low. 1b = The inactive state is high.
13	UCMSB	RW	0h	MSB first select. Controls the direction of the receive and transmit shift register. 0b = LSB first 1b = MSB first
12	UC7BIT	RW	0h	Character length. Selects 7-bit or 8-bit character length. 0b = 8-bit data 1b = 7-bit data
11	UCMST	RW	0h	Master mode select 0b = Slave mode 1b = Master mode
10-9	UCMODEx	RW	0h	eUSCI mode. The UCMODEx bits select the synchronous mode when UCSYNC = 1. 00b = 3-pin SPI 01b = 4-pin SPI with UCxSTE active high: Slave enabled when UCxSTE = 1 10b = 4-pin SPI with UCxSTE active low: Slave enabled when UCxSTE = 0 11b = I2C mode
8	UCSYNC	RW	1h	Synchronous mode enable 0b = Asynchronous mode 1b = Synchronous mode
7-6	UCSSELx	RW	3h	eUSCI clock source select. These bits select the BRCLK source clock. 00b = UCxCLK in slave mode. Don't use in master mode. 01b = ACLK in master mode. Don't use in slave mode. 10b = SMCLK in master mode. Don't use in slave mode. 11b = SMCLK in master mode. Don't use in slave mode.
5-2	Reserved	R	0h	Reserved
1	UCSTEM	RW	0h	STE mode select in master mode. This byte is ignored in slave or 3-wire mode. 0b = STE pin is used to prevent conflicts with other masters 1b = STE pin is used to generate the enable signal for a 4-wire slave
0	UCSWRST	RW	1h	Software reset enable 0b = Disabled. eUSCI reset released for operation. 1b = Enabled. eUSCI logic held in reset state.

40.5.2 UCBxBRW Register

eUSCI_Bx Bit Rate Control Register 1

Figure 40-14. UCBxBRW Register

15	14	13	12	11	10	9	8
UCBRx							
rw	rw	rw	rw	rw	rw	rw	rw
7	6	5	4	3	2	1	0
UCBRx							
rw	rw	rw	rw	rw	rw	rw	rw

Can be modified only when UCSWRST = 1.

Table 40-13. UCBxBRW Register Description

Bit	Field	Type	Reset	Description
15-0	UCBRx	RW	0h	Bit clock prescaler setting. $f_{\text{BitClock}} = f_{\text{BRCLK}} / \text{UCBRx}$ If UCBRx = 0, $f_{\text{BitClock}} = f_{\text{BRCLK}}$

40.5.3 UCBxSTATW Register

eUSCI_Bx Status Register

Figure 40-15. UCBxSTATW Register

15	14	13	12	11	10	9	8	
Reserved								
r0	r0	r0	r0	r0	r0	r0	r0	
7	6	5	4	3	2	1	0	
UCLISTEN	UCFE	UCOE	Reserved				UCBUSY	
rw-0	rw-0	rw-0	r0	r0	r0	r0	r-0	

Can be modified only when UCSWRST = 1.

Table 40-14. UCBxSTATW Register Description

Bit	Field	Type	Reset	Description
15-8	Reserved	R	0h	Reserved
7	UCLISTEN	RW	0h	Listen enable. The UCLISTEN bit selects loopback mode. 0b = Disabled 1b = Enabled. The transmitter output is internally fed back to the receiver.
6	UCFE	RW	0h	Framing error flag. This bit indicates a bus conflict in 4-wire master mode. UCFE is not used in 3-wire master or any slave mode. 0b = No error 1b = Bus conflict occurred
5	UCOE	RW	0h	Overrun error flag. This bit is set when a character is transferred into UCxRXBUF before the previous character was read. UCOE is cleared automatically when UCxRXBUF is read, and must not be cleared by software. Otherwise, it does not function correctly. 0b = No error 1b = Overrun error occurred
4-1	Reserved	R	0h	Reserved
0	UCBUSY	R	0h	eUSCI busy. This bit indicates if a transmit or receive operation is in progress. 0b = eUSCI inactive 1b = eUSCI transmitting or receiving

40.5.4 UCBxRXBUF Register

eUSCI_Bx Receive Buffer Register

Figure 40-16. UCBxRXBUF Register

15	14	13	12	11	10	9	8
Reserved							
r0	r0	r0	r0	r0	r0	r0	r0
7	6	5	4	3	2	1	0
UCRXBUFx							
rw	rw	rw	rw	rw	rw	rw	rw

Table 40-15. UCBxRXBUF Register Description

Bit	Field	Type	Reset	Description
15-8	Reserved	R	0h	Reserved
7-0	UCRXBUFx	R	0h	The receive-data buffer is user accessible and contains the last received character from the receive shift register. Reading UCxRXBUF resets the receive-error bits and UCRXIFG. In 7-bit data mode, UCxRXBUF is LSB justified and the MSB is always reset.

40.5.5 UCBxTXBUF Register

eUSCI_Bx Transmit Buffer Register

Figure 40-17. UCBxTXBUF Register

15	14	13	12	11	10	9	8
Reserved							
r0	r0	r0	r0	r0	r0	r0	r0
7	6	5	4	3	2	1	0
UCTXBUFx							
rw	rw	rw	rw	rw	rw	rw	rw

Table 40-16. UCBxTXBUF Register Description

Bit	Field	Type	Reset	Description
15-8	Reserved	R	0h	Reserved
7-0	UCTXBUFx	RW	0h	The transmit data buffer is user accessible and holds the data waiting to be moved into the transmit shift register and transmitted. Writing to the transmit data buffer clears UCTXIFG. The MSB of UCxTXBUF is not used for 7-bit data and is reset.

40.5.6 UCBxIE Register

eUSCI_Bx Interrupt Enable Register

Figure 40-18. UCBxIE Register

15	14	13	12	11	10	9	8
Reserved							
r0	r0	r0	r0	r0	r0	r0	r0
7	6	5	4	3	2	1	0
Reserved						UCTXIE	UCRXIE
r-0	r-0	r-0	r-0	r-0	r-0	rw-0	rw-0

Table 40-17. UCBxIE Register Description

Bit	Field	Type	Reset	Description
15-2	Reserved	R	0h	Reserved
1	UCTXIE	RW	0h	Transmit interrupt enable 0b = Interrupt disabled 1b = Interrupt enabled
0	UCRXIE	RW	0h	Receive interrupt enable 0b = Interrupt disabled 1b = Interrupt enabled

40.5.7 UCBxIFG Register

eUSCI_Bx Interrupt Flag Register

Figure 40-19. UCBxIFG Register

15	14	13	12	11	10	9	8
Reserved							
r0	r0	r0	r0	r0	r0	r0	r0
7	6	5	4	3	2	1	0
Reserved						UCTXIFG	UCRXIFG
r-0	r-0	r-0	r-0	r-0	r-0	rw-1	rw-0

Table 40-18. UCBxIFG Register Description

Bit	Field	Type	Reset	Description
15-2	Reserved	R	0h	Reserved
1	UCTXIFG	RW	1h	Transmit interrupt flag. UCTXIFG is set when UCxxTXBUF empty. 0b = No interrupt pending 1b = Interrupt pending
0	UCRXIFG	RW	0h	Receive interrupt flag. UCRXIFG is set when UCxxRXBUF has received a complete character. 0b = No interrupt pending 1b = Interrupt pending

40.5.8 UCBxIV Register

eUSCI_Bx Interrupt Vector Register

Figure 40-20. UCBxIV Register

15	14	13	12	11	10	9	8
UCIVx							
r0	r0	r0	r0	r0	r0	r0	r0
7	6	5	4	3	2	1	0
UCIVx							
r0	r0	r0	r-0	r-0	r-0	r-0	r0

Table 40-19. UCBxIV Register Description

Bit	Field	Type	Reset	Description
15-0	UCIVx	R	0h	eUSCI interrupt vector value 0000h = No interrupt pending 0002h = Interrupt Source: Data received; Interrupt Flag: UCRXIFG; Interrupt Priority: Highest 0004h = Interrupt Source: Transmit buffer empty; Interrupt Flag: UCTXIFG; Interrupt Priority: Lowest

Enhanced Universal Serial Communication Interface (eUSCI) – I²C Mode

The enhanced universal serial communication interface B (eUSCI_B) supports multiple serial communication modes with one hardware module. This chapter discusses the operation of the I²C mode.

Topic	Page
41.1 Enhanced Universal Serial Communication Interface B (eUSCI_B) Overview	1079
41.2 eUSCI_B Introduction – I²C Mode.....	1079
41.3 eUSCI_B Operation – I²C Mode	1080
41.4 eUSCI_B I2C Registers	1100

41.1 Enhanced Universal Serial Communication Interface B (eUSCI_B) Overview

The eUSCI_B module supports two serial communication modes:

- I²C mode
- SPI mode

If more than one eUSCI_B module is implemented on one device, those modules are named with incrementing numbers. For example, if one device has two eUSCI_B modules, they are named eUSCI0_B and eUSCI1_B.

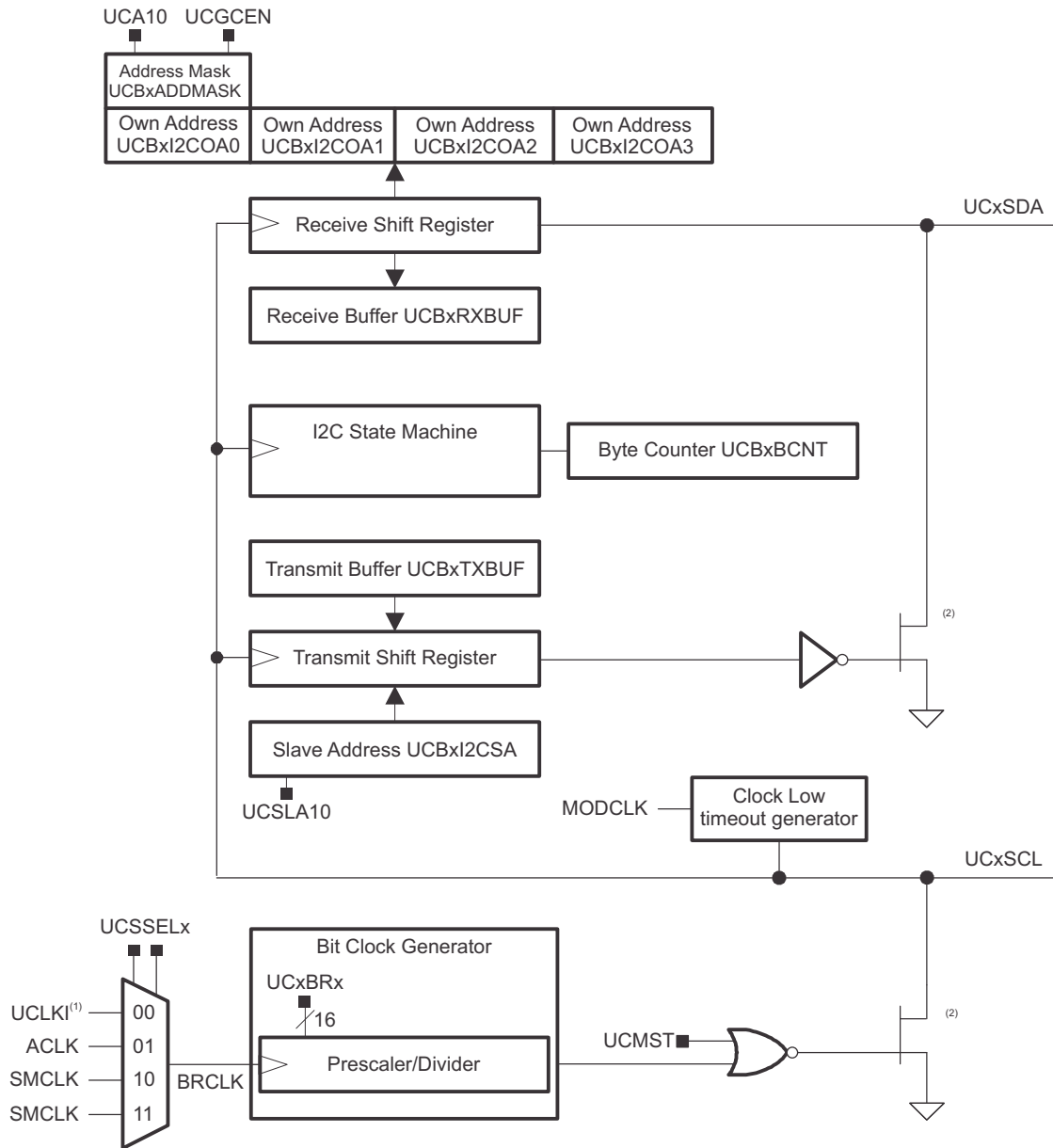
41.2 eUSCI_B Introduction – I²C Mode

In I²C mode, the eUSCI_B module provides an interface between the device and I²C-compatible devices connected by the two-wire I²C serial bus. External components attached to the I²C bus serially transmit or receive serial data to or from the eUSCI_B module through the 2-wire I²C interface.

The eUSCI_B I²C mode features include:

- 7-bit and 10-bit device addressing modes
- General call
- START, RESTART, STOP
- Multi-master transmitter or receiver mode
- Slave receiver or transmitter mode
- Standard mode up to 100 kbps and fast mode up to 400 kbps support
- Programmable UCxCLK frequency in master mode
- Designed for low power
- 8-bit byte counter with interrupt capability and automatic STOP assertion
- Up to four hardware slave addresses, each having its own interrupt and DMA trigger
- Mask register for slave address and address received interrupt
- Clock low time-out interrupt to avoid bus stalls
- Slave operation in LPM4
- Slave receiver START detection for auto wake-up from LPMx modes (not LPM3.5 and LPM4.5)

[Figure 41-1](#) shows the eUSCI_B when configured in I²C mode.



(1) Externally provided clock on the eUSCI_B SPI clock input pin
 (2) Not the actual implementation (transistor not located in eUSCI_B module)

Figure 41-1. eUSCI_B Block Diagram – I²C Mode

41.3 eUSCI_B Operation – I²C Mode

The I²C mode supports any slave or master I²C-compatible device. Figure 41-2 shows an example of an I²C bus. Each I²C device is recognized by a unique address and can operate as either a transmitter or a receiver. A device connected to the I²C bus can be considered as the master or the slave when performing data transfers. A master initiates a data transfer and generates the clock signal SCL. Any device addressed by a master is considered a slave.

I²C data is communicated using the serial data (SDA) pin and the serial clock (SCL) pin. Both SDA and SCL are bidirectional and must be connected to a positive supply voltage using a pullup resistor.

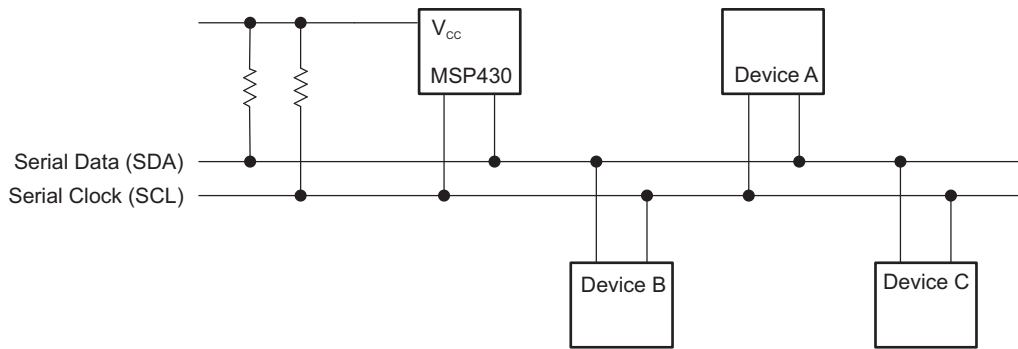


Figure 41-2. I²C Bus Connection Diagram

NOTE: SDA and SCL levels

The SDA and SCL pins must not be pulled up above the device V_{CC} level.

41.3.1 eUSCI_B Initialization and Reset

The eUSCI_B is reset by a PUC or by setting the UCSWRST bit. After a PUC, the UCSWRST bit is automatically set, keeping the eUSCI_B in a reset condition. To select I²C operation, the UCMODEx bits must be set to 11b. After module initialization, it is ready for transmit or receive operation. Clear UCSWRST to release the eUSCI_B for operation.

To avoid unpredictable behavior, configure or reconfigure the eUSCI_B module only when UCSWRST is set. Setting UCSWRST in I²C mode has the following effects:

- I²C communication stops.
- SDA and SCL are high impedance.
- UCBxSTAT, bits 15-8 and 6-4 are cleared.
- Registers UCBxIE and UCBxIFG are cleared.
- All other bits and registers remain unchanged.

NOTE: Initializing or reconfiguring the eUSCI_B module

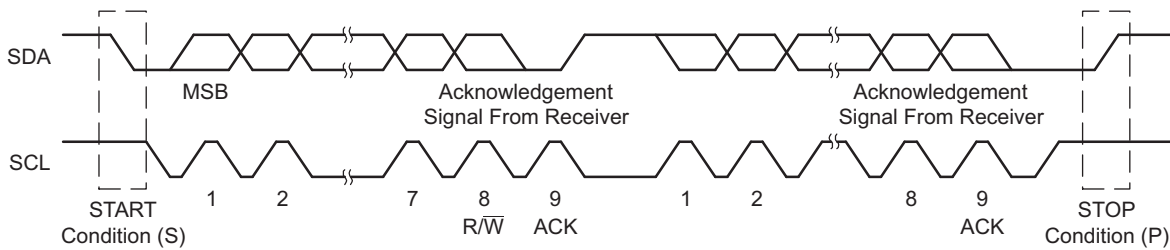
The recommended eUSCI_B initialization/reconfiguration process is:

1. Set UCSWRST (BIS.B
#UCSWRST, &UCxCTL1).
2. Initialize all eUSCI_B registers with UCSWRST = 1 (including UCxCTL1).
3. Configure ports.
4. Clear UCSWRST through software (BIC.B
#UCSWRST, &UCxCTL1).
5. Enable interrupts (optional).

41.3.2 I²C Serial Data

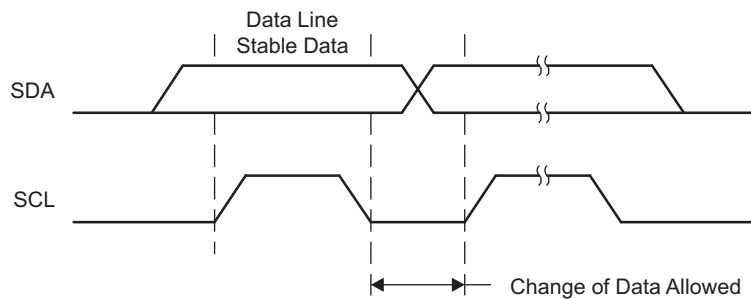
One clock pulse is generated by the master device for each data bit transferred. The I²C mode operates with byte data. Data is transferred MSB first as shown in Figure 41-3.

The first byte after a START condition consists of a 7-bit slave address and the R/W bit. When R/W = 0, the master transmits data to a slave. When R/W = 1, the master receives data from a slave. The ACK bit is sent from the receiver after each byte on the ninth SCL clock.


Figure 41-3. I²C Module Data Transfer

START and STOP conditions are generated by the master and are shown in [Figure 41-3](#). A START condition is a high-to-low transition on the SDA line while SCL is high. A STOP condition is a low-to-high transition on the SDA line while SCL is high. The bus busy bit, UCBBUSY, is set after a START and cleared after a STOP.

Data on SDA must be stable during the high period of SCL (see [Figure 41-4](#)). The high and low state of SDA can change only when SCL is low, otherwise START or STOP conditions are generated.

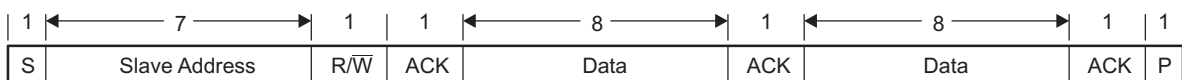

Figure 41-4. Bit Transfer on I²C Bus

41.3.3 I²C Addressing Modes

The I²C mode supports 7-bit and 10-bit addressing modes.

41.3.3.1 7-Bit Addressing

In the 7-bit addressing format (see [Figure 41-5](#)), the first byte is the 7-bit slave address and the R/W bit. The ACK bit is sent from the receiver after each byte.


Figure 41-5. I²C Module 7-Bit Addressing Format

41.3.3.2 10-Bit Addressing

In the 10-bit addressing format (see [Figure 41-6](#)), the first byte is made up of 11110b plus the two MSBs of the 10-bit slave address and the R/W bit. The ACK bit is sent from the receiver after each byte. The next byte is the remaining eight bits of the 10-bit slave address, followed by the ACK bit and the 8-bit data. See [I²C Slave 10-bit Addressing Mode](#) and [I²C Master 10-bit Addressing Mode](#) for details how to use the 10-bit addressing mode with the eUSCI_B module.

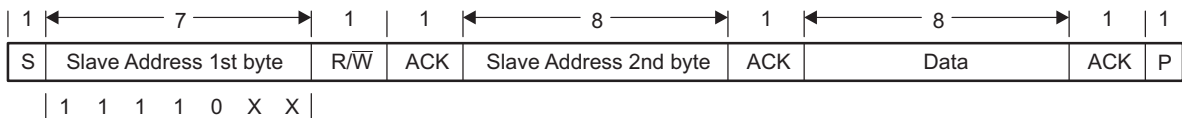


Figure 41-6. I²C Module 10-Bit Addressing Format

41.3.3.3 Repeated Start Conditions

The direction of data flow on SDA can be changed by the master, without first stopping a transfer, by issuing a repeated START condition. This is called a RESTART. After a RESTART is issued, the slave address is again sent out with the new data direction specified by the R/W bit. The RESTART condition is shown in Figure 41-7.

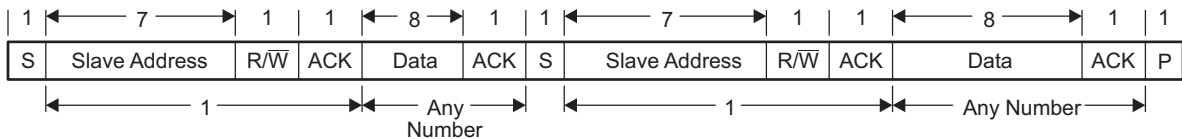


Figure 41-7. I²C Module Addressing Format With Repeated START Condition

41.3.4 I²C Quick Setup

This section gives a quick introduction into the operation of the eUSCI_B in I²C mode. The basic steps to start communication are described and shown as a software example. More detailed information about the possible configurations and details can be found in Section 41.3.5.

The latest code examples can be found on the MSP430 web under "Code Examples".

To set up the eUSCI_B as a master transmitter that transmits to a slave with the address 0x12h, only a few steps are needed (see Example 41-1).

Example 41-1. Master TX With 7-Bit Address

```
UCBxCTL1 |= UCSWRST;           // put eUSCI_B in reset state
UCBxCTLW0 |= UCMODE_3 + UCMST; // I2C master mode
UCBxBRW = 0x0008;             // baud rate = SMCLK / 8
UCBxCTLW1 = UCSTP_2;         // automatic STOP assertion
UCBxTBCNT = 0x07;            // TX 7 bytes of data
UCBxI2CSA = 0x0012;          // address slave is 12hex
P2SEL |= 0x03;               // configure I2C pins (device specific)
UCBxCTL1 &= ^UCSWRST;        // eUSCI_B in operational state
UCBxIE |= UCTXIE;            // enable TX-interrupt
GIE;                          // general interrupt enable
...
// inside the eUSCI_B TX interrupt service routine
UCBxTXBUF = 0x77;            // fill TX buffer
```

As shown in the code example, all configurations must be done while UCSWRST is set. To select the I²C operation of the eUSCI_B, UCMODE must be set accordingly. The baud rate of the transmission is set by writing the correct divider in the UCBxBRW register. The default clock selected is SMCLK. How many bytes are transmitted in one frame is controlled by the byte counter threshold register UCBxTBCNT together with the UCSTPx bits.

The slave address to send to is specified in the UCBxI2CSA register. Finally, the ports must be configured. This step is device dependent; see the data sheet for the pins that must be used.

Each byte that is to be transmitted must be written to the UCBxTXBUF inside the interrupt service routine. The recommended structure of the interrupt service routine can be found in Example 41-3.

[Example 41-2](#) shows the steps needed to set up the eUSCI_B as a slave with the address 0x12h that is able to receive and transmit data to the master.

Example 41-2. Slave RX With 7-Bit Address

```

UCBxCTL1 |= UCSWRST;           // eUSCI_B in reset state
UCBxCTLW0 |= UCMODE_3;        // I2C slave mode
UCBxI2COA0 = 0x0012;         // own address is 12hex
P2SEL |= 0x03;               // configure I2C pins (device specific)
UCBxCTL1 &= ^UCSWRST;        // eUSCI_B in operational state
UCBxIE |= UCTXIE + UCRXIE;    // enable TX&RX-interrupt
GIE;                           // general interrupt enable
...
// inside the eUSCI_B TX interrupt service routine
UCBxTXBUF = 0x77;             // send 077h
...
// inside the eUSCI_B RX interrupt service routine
data = UCBxRXBUF;             // data is the internal variable

```

As shown in [Example 41-2](#), all configurations must be done while UCSWRST is set. For the slave, I²C operation is selected by setting UCMODE. The slave address is specified in the UCBxI2COA0 register. To enable the interrupts for receive and transmit requests, the according bits in UCBxIE and, at the end, GIE need to be set. Finally the ports must be configured. This step is device dependent; see the data sheet for the pins that are used.

The RX interrupt service routine is called for every byte received by a master device. The TX interrupt service routine is executed each time the master requests a byte. The recommended structure of the interrupt service routine can be found in [Example 41-3](#).

41.3.5 I²C Module Operating Modes

In I²C mode, the eUSCI_B module can operate in master transmitter, master receiver, slave transmitter, or slave receiver mode. The modes are discussed in the following sections. Time lines are used to illustrate the modes.

[Figure 41-8](#) shows how to interpret the time-line figures. Data transmitted by the master is represented by grey rectangles; data transmitted by the slave is represented by white rectangles. Data transmitted by the eUSCI_B module, either as master or slave, is shown by rectangles that are taller than the others.

Actions taken by the eUSCI_B module are shown in grey rectangles with an arrow indicating where in the data stream the action occurs. Actions that must be handled with software are indicated with white rectangles with an arrow pointing to where in the data stream the action must take place.

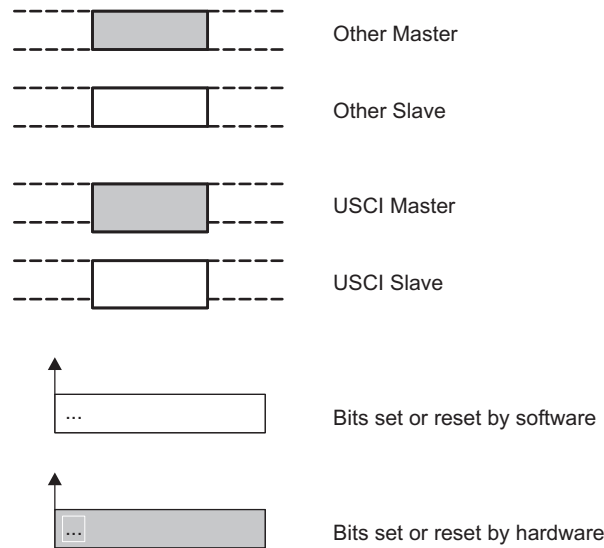


Figure 41-8. I²C Time-Line Legend

41.3.5.1 Slave Mode

The eUSCI_B module is configured as an I²C slave by selecting the I²C mode with UCMODEx = 11 and UCSYNC = 1 and clearing the UCMST bit.

Initially, the eUSCI_B module must be configured in receiver mode by clearing the UCTR bit to receive the I²C address. Afterwards, transmit and receive operations are controlled automatically, depending on the R/W bit received together with the slave address.

The eUSCI_B slave address is programmed with the UCBxI2COA0 register. Support for multiple slave addresses is explained in [Section 41.3.9](#). When UCA10 = 0, 7-bit addressing is selected. When UCA10 = 1, 10-bit addressing is selected. The UCGCEN bit selects if the slave responds to a general call.

When a START condition is detected on the bus, the eUSCI_B module receives the transmitted address and compares it against its own address stored in UCBxI2COA0. The UCSTTIFG flag is set when address received matches the eUSCI_B slave address.

41.3.5.1.1 I²C Slave Transmitter Mode

Slave transmitter mode is entered when the slave address transmitted by the master is identical to its own address with a set R/W bit. The slave transmitter shifts the serial data out on SDA with the clock pulses that are generated by the master device. The slave device does not generate the clock, but it does hold SCL low while intervention of the CPU is required after a byte has been transmitted.

If the master requests data from the slave, the eUSCI_B module is automatically configured as a transmitter and UCTR and UCTXIFG0 become set. The SCL line is held low until the first data to be sent is written into the transmit buffer UCBxTXBUF. Then the address is acknowledged and the data is transmitted. As soon as the data is transferred into the shift register, the UCTXIFG0 is set again. After the data is acknowledged by the master, the next data byte written into UCBxTXBUF is transmitted or, if the buffer is empty, the bus is stalled during the acknowledge cycle by holding SCL low until new data is written into UCBxTXBUF. If the master sends a NACK followed by a STOP condition, the UCSTPIFG flag is set. If the NACK is followed by a repeated START condition, the eUSCI_B I²C state machine returns to its address-reception state.

[Figure 41-9](#) shows the slave transmitter operation.

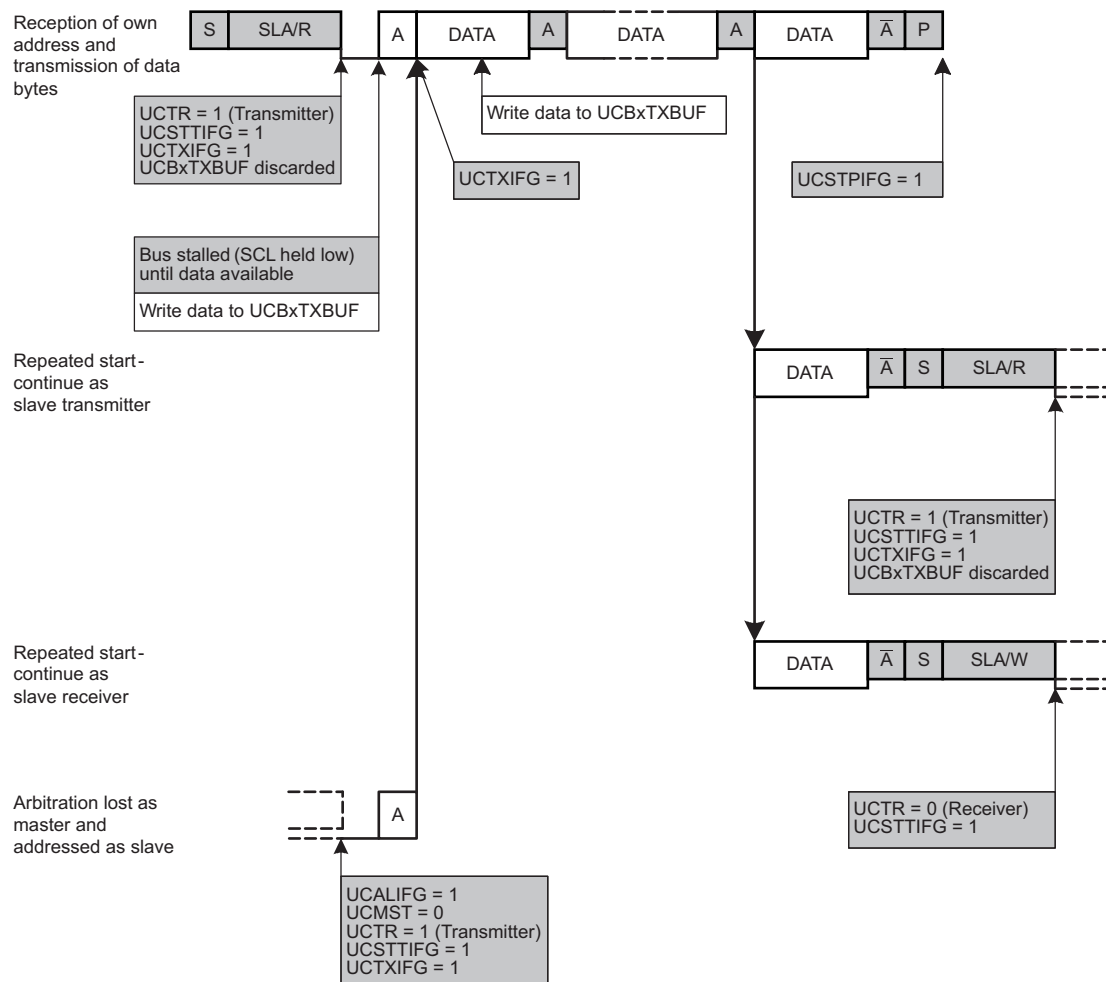


Figure 41-9. I²C Slave Transmitter Mode

41.3.5.1.2 I²C Slave Receiver Mode

Slave receiver mode is entered when the slave address transmitted by the master is identical to its own address and a cleared R/W bit is received. In slave receiver mode, serial data bits received on SDA are shifted in with the clock pulses that are generated by the master device. The slave device does not generate the clock, but it can hold SCL low if intervention of the CPU is required after a byte has been received.

If the slave receives data from the master, the eUSCI_B module is automatically configured as a receiver and UCTR is cleared. After the first data byte is received, the receive interrupt flag UCRXIFG0 is set. The eUSCI_B module automatically acknowledges the received data and can receive the next data byte.

If the previous data was not read from the receive buffer UCBxRXBUF at the end of a reception, the bus is stalled by holding SCL low. As soon as UCBxRXBUF is read, the new data is transferred into UCBxRXBUF, an acknowledge is sent to the master, and the next data can be received.

Setting the UCTXNACK bit causes a NACK to be transmitted to the master during the next acknowledgment cycle. A NACK is sent even if UCBxRXBUF is not ready to receive the latest data. If the UCTXNACK bit is set while SCL is held low, the bus is released, a NACK is transmitted immediately, and UCBxRXBUF is loaded with the last received data. Because the previous data was not read, that data is lost. To avoid loss of data, the UCBxRXBUF must be read before UCTXNACK is set.

When the master generates a STOP condition, the UCSTPIFG flag is set.

If the master generates a repeated START condition, the eUSCI_B I²C state machine returns to its address-reception state.

Figure 41-10 shows the I²C slave receiver operation.

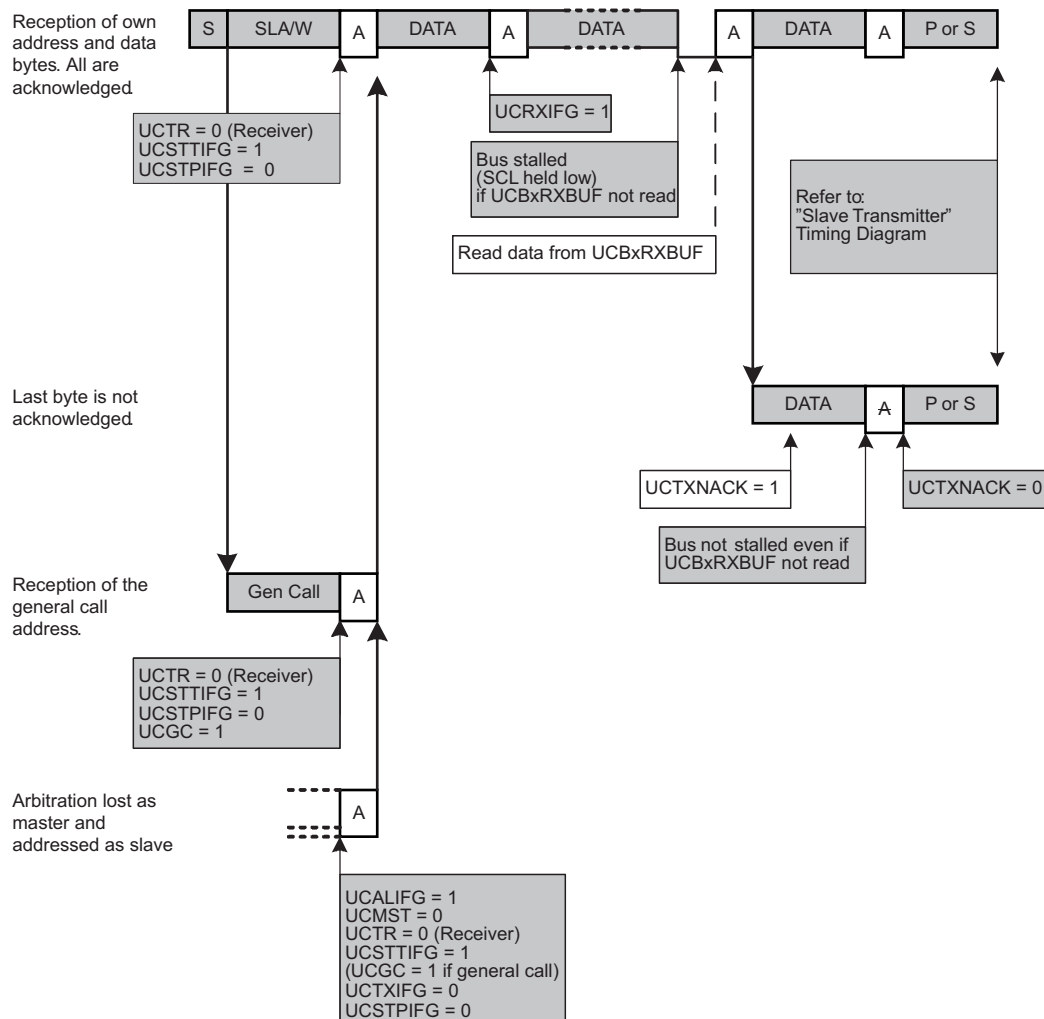
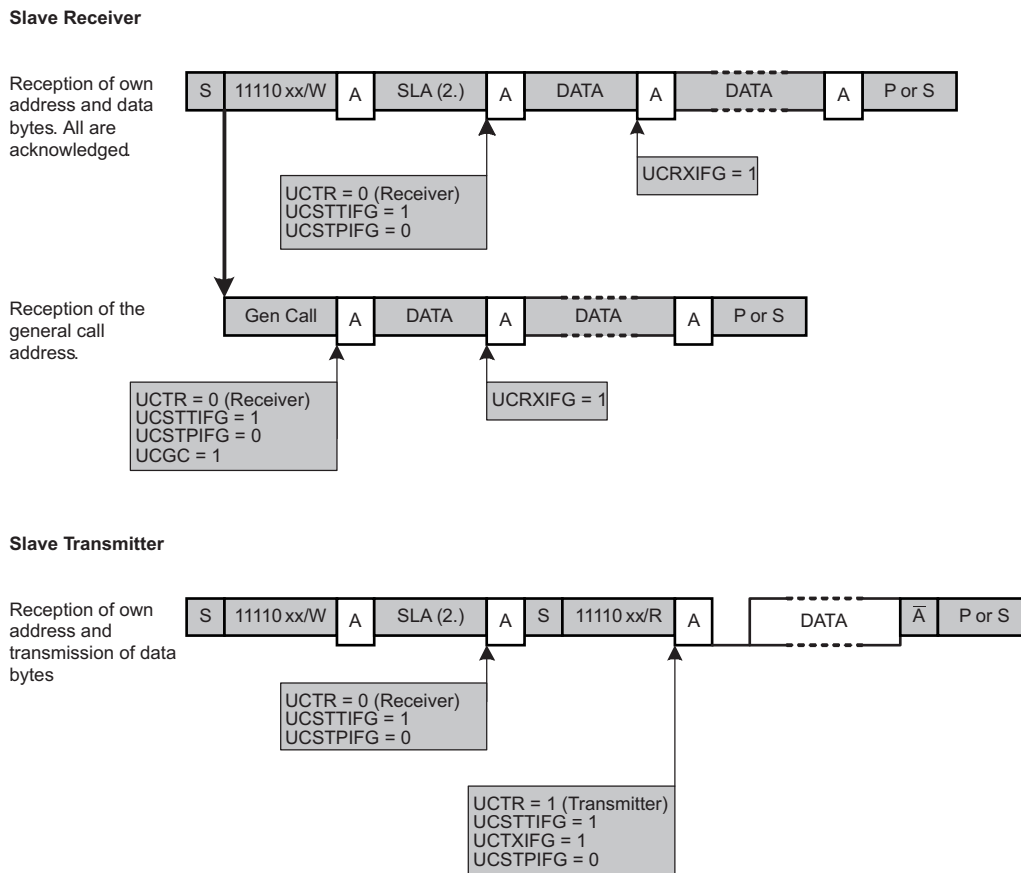


Figure 41-10. I²C Slave Receiver Mode

41.3.5.1.3 I²C Slave 10-Bit Addressing Mode

The 10-bit addressing mode is selected when UCA10 = 1 and is as shown in Figure 41-11. In 10-bit addressing mode, the slave is in receive mode after the full address is received. The eUSCI_B module indicates this by setting the UCSTTIFG flag while the UCTR bit is cleared. To switch the slave into transmitter mode, the master sends a repeated START condition together with the first byte of the address but with the R/W bit set. This sets the UCSTTIFG flag if it was previously cleared by software, and the eUSCI_B modules switches to transmitter mode with UCTR = 1.


Figure 41-11. I²C Slave 10-Bit Addressing Mode

41.3.5.2 Master Mode

The eUSCI_B module is configured as an I²C master by selecting the I²C mode with UCMODEx = 11 and UCSYNC = 1 and setting the UCMST bit. When the master is part of a multi-master system, UCMM must be set and its own address must be programmed into the UCxBxI2COA0 register. Support for multiple slave addresses is explained in [Section 41.3.9](#). When UCA10 = 0, 7-bit addressing is selected. When UCA10 = 1, 10-bit addressing is selected. The UCGCEN bit selects if the eUSCI_B module responds to a general call.

NOTE: Addresses and multi-master systems

In master mode with own-address detection enabled (UCOAEN = 1)—especially in multi-master systems—it is not allowed to specify the same address and slave address register (UCxBxI2CSA = UCxBxI2COAx). This would mean that the eUSCI_B addresses itself.

The user software must ensure that this situation does not occur. There is no hardware detection for this case, and the consequence is unpredictable behavior of the eUSCI_B.

41.3.5.2.1 I²C Master Transmitter Mode

After initialization, master transmitter mode is initiated by writing the desired slave address to the UCBxI2CSA register, selecting the size of the slave address with the UCSLA10 bit, setting UCTR for transmitter mode, and setting UCTXSTT to generate a START condition.

The eUSCI_B module waits until the bus is available, then generates the START condition, and transmits the slave address. The UCTXIFG0 bit is set when the START condition is generated and the first data to be transmitted can be written into UCBxTXBUF. **The UCTXSTT flag is cleared as soon as the complete address is sent.**

The data written into UCBxTXBUF is transmitted if arbitration is not lost during transmission of the slave address. UCTXIFG0 is set again as soon as the data is transferred from the buffer into the shift register. If there is no data loaded to UCBxTXBUF before the acknowledge cycle, the bus is held during the acknowledge cycle with SCL low until data is written into UCBxTXBUF. Data is transmitted or the bus is held, as long as:

- No automatic STOP is generated
- The UCTXSTP bit is not set
- The UCTXSTT bit is not set

Setting UCTXSTP generates a STOP condition after the next acknowledge from the slave. If UCTXSTP is set during the transmission of the slave address or while the eUSCI_B module waits for data to be written into UCBxTXBUF, a STOP condition is generated, even if no data was transmitted to the slave. **In this case, the UCSTPIFG is set.** When transmitting a single byte of data, the UCTXSTP bit must be set while the byte is being transmitted or any time after transmission begins, without writing new data into UCBxTXBUF. Otherwise, only the address is transmitted. When the data is transferred from the buffer to the shift register, UCTXIFG0 is set, indicating data transmission has begun, and the UCTXSTP bit may be set. When UCASTPx = 10 is set, the byte counter is used for STOP generation and the user does not need to set the UCTXSTP. **This is recommended when transmitting only one byte.**

Setting UCTXSTT generates a repeated START condition. In this case, UCTR may be set or cleared to configure transmitter or receiver, and a different slave address may be written into UCBxI2CSA, if desired.

If the slave does not acknowledge the transmitted data, the not-acknowledge interrupt flag UCNACKIFG is set. The master must react with either a STOP condition or a repeated START condition. If data was already written into UCBxTXBUF, it is discarded. If this data should be transmitted after a repeated START, it must be written into UCBxTXBUF again. Any set UCTXSTT or UCTXSTP is also discarded.

Figure 41-12 shows the I²C master transmitter operation.

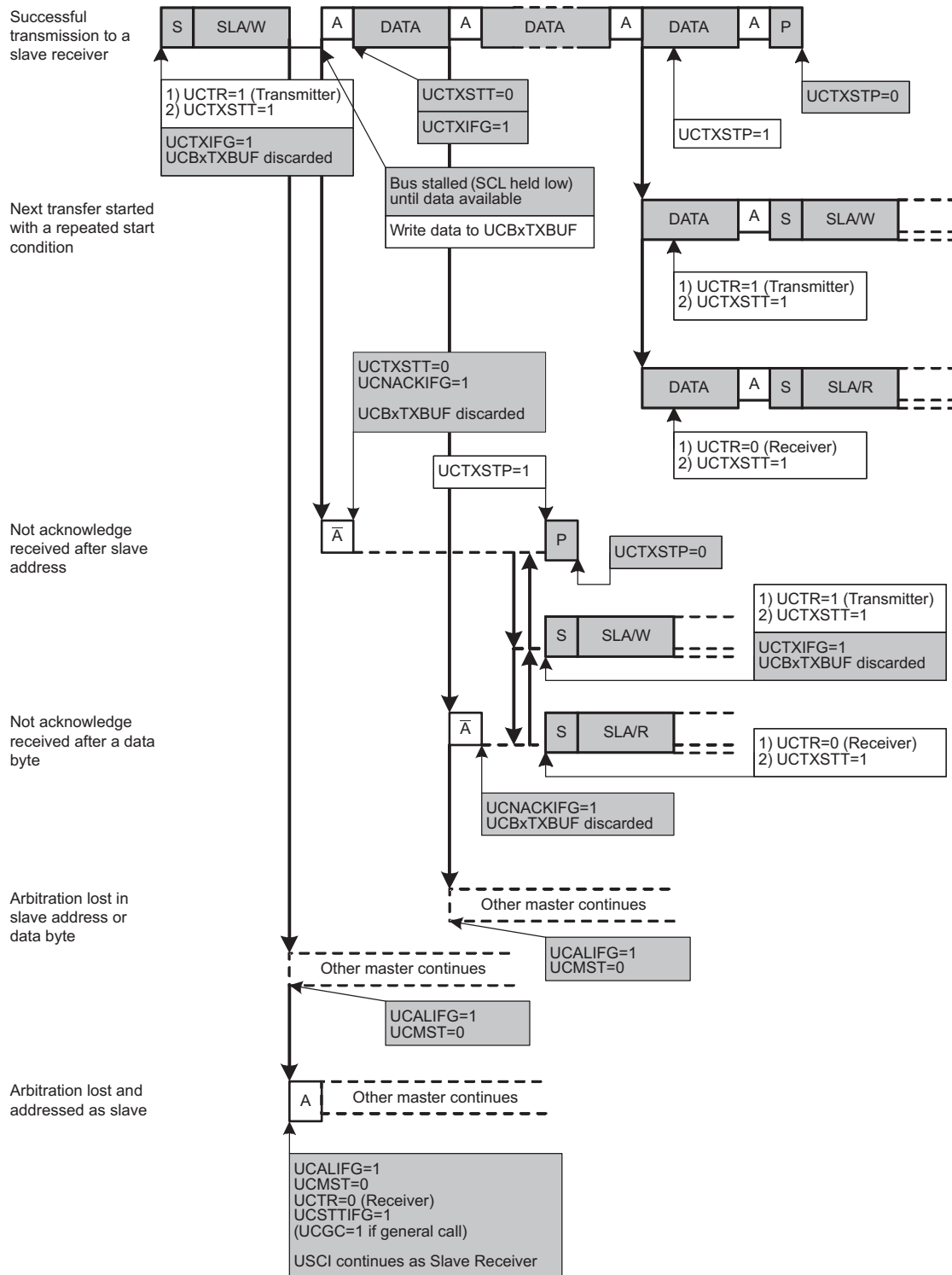


Figure 41-12. I²C Master Transmitter Mode

41.3.5.2.2 I²C Master Receiver Mode

After initialization, master receiver mode is initiated by writing the desired slave address to the UCBxI2CSA register, selecting the size of the slave address with the UCSLA10 bit, clearing UCTR for receiver mode, and setting UCTXSTT to generate a START condition.

The eUSCI_B module checks if the bus is available, generates the START condition, and transmits the slave address. The UCTXSTT flag is cleared as soon as the complete address is sent.

After the acknowledge of the address from the slave, the first data byte from the slave is received and acknowledged and the UCRXIFG flag is set. Data is received from the slave, as long as:

- No automatic STOP is generated
- The UCTXSTP bit is not set
- The UCTXSTT bit is not set

If a STOP condition was generated by the eUSCI_B module, the UCSTPIFG is set. If UCBxRXBUF is not read, the master holds the bus during reception of the last data bit and until the UCBxRXBUF is read.

If the slave does not acknowledge the transmitted address, the not-acknowledge interrupt flag UCNACKIFG is set. The master must react with either a STOP condition or a repeated START condition.

A STOP condition is either generated by the automatic STOP generation or by setting the UCTXSTP bit. The next byte received from the slave is followed by a NACK and a STOP condition. This NACK occurs immediately if the eUSCI_B module is currently waiting for UCBxRXBUF to be read.

If a RESTART is sent, UCTR may be set or cleared to configure transmitter or receiver, and a different slave address may be written into UCBxI2CSA if desired.

Figure 41-13 shows the I²C master receiver operation.

NOTE: Consecutive master transactions without repeated START

When performing multiple consecutive I²C master transactions without the repeated START feature, the current transaction must be completed before the next one is initiated. This can be done by ensuring that the transmit STOP condition flag UCTXSTP is cleared before the next I²C transaction is initiated with setting UCTXSTT = 1. Otherwise, the current transaction might be affected.

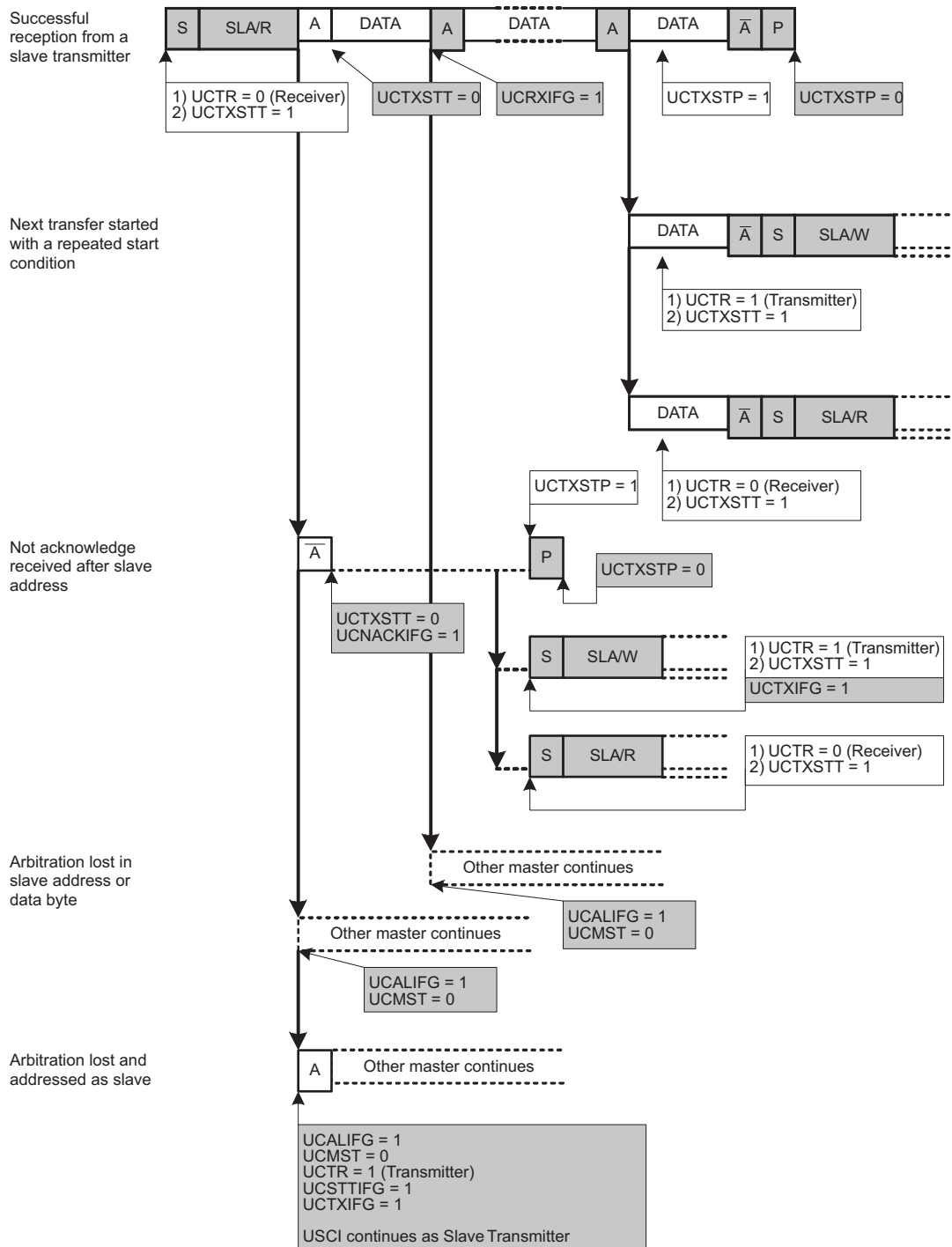


Figure 41-13. I²C Master Receiver Mode

41.3.5.2.3 I²C Master 10-Bit Addressing Mode

The 10-bit addressing mode is selected when UCSLA10 = 1 and is shown in Figure 41-14.

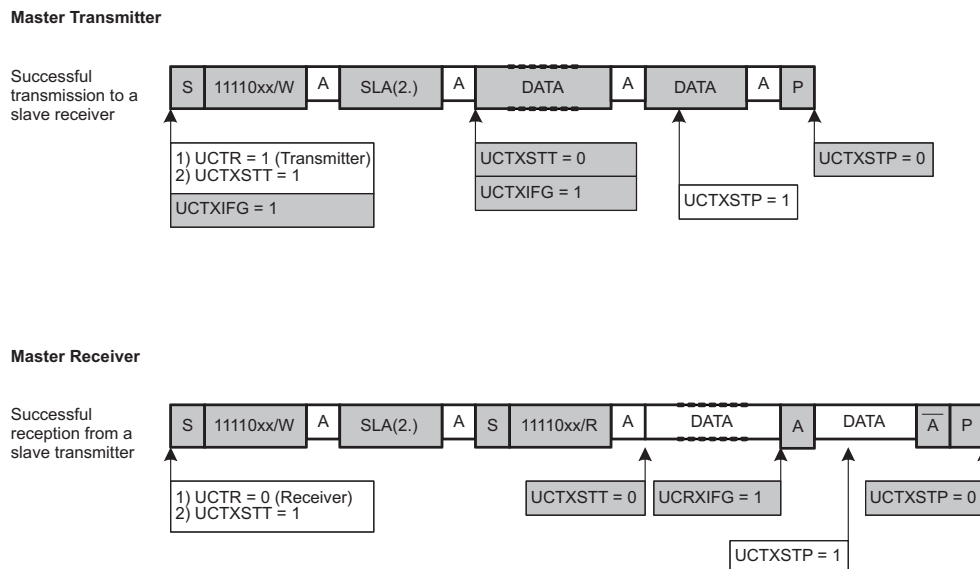


Figure 41-14. I²C Master 10-Bit Addressing Mode

41.3.5.3 Arbitration

If two or more master transmitters simultaneously start a transmission on the bus, an arbitration procedure is invoked. Figure 41-15 shows the arbitration procedure between two devices. The arbitration procedure uses the data presented on SDA by the competing transmitters. The first master transmitter that generates a logic high is overruled by the opposing master generating a logic low. The arbitration procedure gives priority to the device that transmits the serial data stream with the lowest binary value. The master transmitter that lost arbitration switches to the slave receiver mode and sets the arbitration lost flag bytes. UCALIFG. If two or more devices send identical first bytes, arbitration continues on the subsequent bytes.

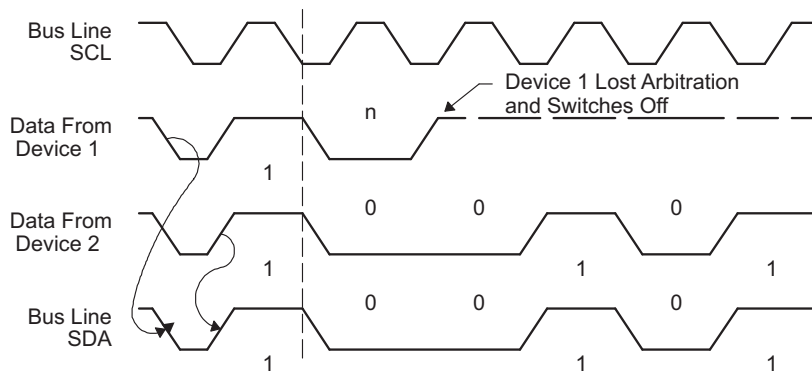


Figure 41-15. Arbitration Procedure Between Two Master Transmitters

There is an undefined condition if the arbitration procedure is still in progress when one master sends a repeated START or a STOP condition while the other master is still sending data. In other words, the following combinations result in an undefined condition:

- Master 1 sends a repeated START condition and master 2 sends a data bit.
- Master 1 sends a STOP condition and master 2 sends a data bit.
- Master 1 sends a repeated START condition and master 2 sends a STOP condition.

41.3.6 Glitch Filtering

According to the I²C standard, both the SDA and the SCL line need to be glitch filtered. The eUSCI_B module provides the UCGLITx bits to configure the length of this glitch filter:

Table 41-1. Glitch Filter Length Selection Bits

UCGLITx	Corresponding Glitch Filter Length on SDA and SCL	According to I ² C Standard
00	Pulses of max 50-ns length are filtered	yes
01	Pulses of max 25-ns length are filtered.	no
10	Pulses of max 12.5-ns length are filtered.	no
11	Pulses of max 6.25-ns length are filtered.	no

41.3.7 I²C Clock Generation and Synchronization

The I²C clock SCL is provided by the master on the I²C bus. When the eUSCI_B is in master mode, BITCLK is provided by the eUSCI_B bit clock generator and the clock source is selected with the UCSSELx bits. In slave mode, the bit clock generator is not used and the UCSSELx bits are don't care.

The 16-bit value of UCBRx in register UCBxBRW is the division factor of the eUSCI_B clock source, BRCLK. The maximum bit clock that can be used in single master mode is $f_{BRCLK}/4$. In multi-master mode, the maximum bit clock is $f_{BRCLK}/8$. The BITCLK frequency is given by:

$$f_{BitClock} = f_{BRCLK}/UCBRx$$

The minimum high and low periods of the generated SCL are:

$$t_{LOW,MIN} = t_{HIGH,MIN} = (UCBRx/2)/f_{BRCLK} \text{ when UCBRx is even}$$

$$t_{LOW,MIN} = t_{HIGH,MIN} = ((UCBRx - 1)/2)/f_{BRCLK} \text{ when UCBRx is odd}$$

The eUSCI_B clock source frequency and the prescaler setting UCBRx must to be chosen such that the minimum low and high period times of the I²C specification are met.

During the arbitration procedure the clocks from the different masters must be synchronized. A device that first generates a low period on SCL overrules the other devices, forcing them to start their own low periods. SCL is then held low by the device with the longest low period. The other devices must wait for SCL to be released before starting their high periods. Figure 41-16 shows the clock synchronization. This allows a slow slave to slow down a fast master.

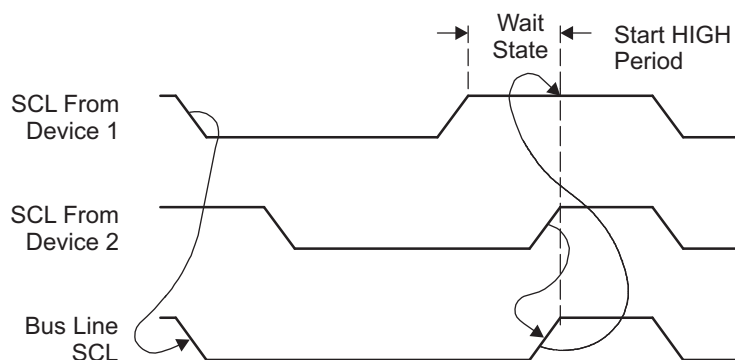


Figure 41-16. Synchronization of Two I²C Clock Generators During Arbitration

41.3.7.1 Clock Stretching

The eUSCI_B module supports clock stretching and also makes use of this feature as described in the Operation Mode sections.

The UCSCLOW bit can be used to observe if another device pulls SCL low while the eUSCI_B module already released SCL due to the following conditions:

- eUSCI_B is acting as master and a connected slave drives SCL low.

- eUSCI_B is acting as master and another master drives SCL low during arbitration.

The UCSCLOW bit is also active if the eUSCI_B holds SCL low because it is waiting as transmitter for data being written into UCBxTXBUF or as receiver for the data being read from UCBxRXBUF. The UCSCLOW bit might be set for a short time with each rising SCL edge because the logic observes the external SCL and compares it to the internally generated SCL.

41.3.7.2 Avoiding Clock Stretching

Even though clock stretching is part of the I²C specification, there are applications in which clock stretching should be avoided.

The clock is stretched by the eUSCI_B under the following conditions:

- The internal shift register is expecting data, but the TXIFG is still pending
- The internal shift register is full, but the RXIFG is still pending
- The arbitration lost interrupt is pending
- UCSWACK is selected and UCBxI2COA0 did cause a match

To avoid clock stretching, all of these situations for clock stretch either need to be avoided or the corresponding interrupt flags need to be processed before the actual clock stretch can occur.

Using the DMA (on devices that contain a DMA) is the most secure way to avoid clock stretching. If no DMA is available, the software must ensure that the corresponding interrupts are serviced in time before the clock is stretched.

In slave transmitter mode, the TXIFG is set only after the reception of the direction bit; therefore, there is only a short amount of time for the software to write the TXBUF before a clock stretch occurs. This situation can be remedied by using the early Transmit Interrupt (see [Section 41.3.11.2](#)).

41.3.7.3 Clock Low Time-out

The UCCLTOIFG interrupt allows the software to react if the clock is low longer than a defined time. It is possible to detect the situation, when a clock is stretched by a master or slave for a too long time. The user can then, for example, reset the eUSCI_B module by using the UCSWRST bit.

The clock low time-out feature is enabled using the UCCLTO bits. It is possible to select one of three predefined times for the clock low time-out. If the clock has been low longer than the time defined with the UCCLTO bits and the eUSCI_B was actively receiving or transmitting, the UCCLTOIFG is set and an interrupt request is generated if UCCLTOIE and GIE are set as well. The UCCLTOIFG is set only once, even if the clock is stretched a multiple of the time defined in UCCLTO.

41.3.8 Byte Counter

The eUSCI_B module supports hardware counting of the bytes received or transmitted. The counter is automatically active and counts up for each byte seen on the bus in both master and slave mode.

The byte counter is incremented at the second bit position of each byte independently of the following ACK or NACK. A START or RESTART condition resets the counter value to zero. Address bytes do not increment the counter. The byte counter is also incremented at the second bit position, if an arbitration lost occurs during the first bit of data.

41.3.8.1 Byte Counter Interrupt

If UCASTPx = 01 or 10 the UCBCNTIFG is set when the byte counter threshold value UCBxTBCNT is reached in both master- and slave-mode. Writing zero to UCBxTBCNT does not generate an interrupt.

Because the UCBCNTIFG has a lower interrupt priority than the UCBTXIFG and UCBRXIFG, TI recommends using it only for protocol control together with the DMA handling the received and transmitted bytes. Otherwise, the application must have enough processor bandwidth to ensure that the UCBCNT interrupt routine is executed in time to generate for example a RESTART.

41.3.8.2 Automatic STOP Generation

When the eUSCI_B module is configured as a master, the byte counter can be used for automatic STOP generation by setting the UCASTPx = 10. Before starting the transmission using UCTXSTT, the byte counter threshold UCBxTBCNT must be set to the number of bytes that are to be transmitted or received. After the number of bytes that are configured in UCBxTBCNT have been transmitted, the eUSCI_B automatically generates a STOP condition.

UCBxTBCNT cannot be used if the user wants to transmit the slave address only without any data. In this case, TI recommends setting UCTXSTT and UCTXSTP at the same time.

41.3.9 Multiple Slave Addresses

The eUSCI_B module supports two different ways of implementing multiple slave addresses at the same time:

- Hardware support for up to 4 different slave addresses, each with its own interrupt flag and DMA trigger
- Software support for up to 2^{10} different slave addresses all sharing one interrupt

41.3.9.1 Multiple Slave Address Registers

The registers UCBxI2COA0, UCBxI2COA1, UCBxI2COA2, and UCBxI2COA3 contain four slave addresses. Up to four address registers are compared against a received 7- or 10-bit address. Each slave address must be activated by setting the UCAOEN bit in the corresponding UCBxI2COAx register. Register UCBxI2COA3 has the highest priority if the address received on the bus matches more than one of the slave address registers. The priority decreases with the index number of the address register, so that UCBxI2COA0 in combination with the address mask has the lowest priority.

When one of the slave registers matches the 7- or 10-bit address seen on the bus, the address is acknowledged. In the following the corresponding receive- or transmit-interrupt flag (UCTXIFGx or UCRXIFGx) to the received address is updated. The state change interrupt flags are independent of the address comparison result. They are updated according to the bus condition.

41.3.9.2 Address Mask Register

The address mask register can be used when the eUSCI_B is configured in slave or in multiple-master mode. To activate this feature, at least one bit of the address mask in register UCBxADDMASK must be cleared.

If the received address matches the own address in UCBxI2COA0 on all bit positions that are not masked by UCBxADDMASK, the eUSCI_B module considers the received address as its own address. If UCSWACK = 0, the module sends an acknowledge automatically. If UCSWACK = 1, the user software must evaluate the received address in register UCBxADDRX after the UCSTTIFG is set. To acknowledge the received address, the software must set UCTXACK to 1.

The eUSCI_B module also automatically acknowledges a slave address that is seen on the bus if the address matches any of the enabled slave addresses defined in UCBxI2COA1 to UCBxI2COA3.

NOTE: UCSWACK and slave-transmitter

If the user selects manual acknowledge of slave addresses, TXIFG is set if the slave is addressed as a transmitter. If the software decides not to acknowledge the address, TXIFG0 must be reset.

41.3.10 Using the eUSCI_B Module in \bar{P} C Mode With Low-Power Modes

The eUSCI_B module provides automatic clock activation for use with low-power modes. When the eUSCI_B clock source is inactive because the device is in a low-power mode, the eUSCI_B module automatically activates it when needed, regardless of the control-bit settings for the clock source. The clock remains active until the eUSCI_B module returns to its idle condition. After the eUSCI_B module returns to the idle condition, control of the clock source reverts to the settings of its control bits.

In I²C slave mode, no internal clock source is required because the clock is provided by the external master. It is possible to operate the eUSCI_B in I²C slave mode while the device is in LPM4 and all internal clock sources are disabled. The receive or transmit interrupts can wake up the CPU from any low-power mode.

41.3.11 eUSCI_B Interrupts in I²C Mode

The eUSCI_B has only one interrupt vector that is shared for transmission, reception, and the state change.

Each interrupt flag has its own interrupt enable bit. When an interrupt is enabled and the GIE bit is set, the interrupt flag generates an interrupt request. DMA transfers are controlled by the UCTXIFGx and UCRXIFGx flags on devices with a DMA controller. It is possible to react on each slave address with an individual DMA channel.

All interrupt flags are not cleared automatically, but they need to be cleared together by user interactions (for example, reading the UCRXBUF clears UCRXIFGx). If the user wants to use an interrupt flag he needs to ensure that the flag has the correct state before the corresponding interrupt is enabled.

41.3.11.1 I²C Transmit Interrupt Operation

The UCTXIFG0 interrupt flag is set whenever the transmitter is able to accept a new byte. When operating as a slave with multiple slave addresses, the UCTXIFGx flags are set corresponding to which address was received before. If, for example, the slave address specified in register UCBxI2COA3 did match the address seen on the bus, the UCTXIFG3 indicates that the UCBxTXBUF is ready to accept a new byte.

When operating in master mode with automatic STOP generation (UCASTPx = 10), the UCTXIFG0 is set as many times as defined in UCBxTBCNT.

An interrupt request is generated if UCTXIE_x and GIE are also set. UCTXIFG_x is automatically reset if a write to UCBxTXBUF occurs or if the UCALIFG is cleared. UCTXIFG_x is set when:

- Master mode: UCTXSTT was set by the user
- Slave mode: own address was received (UCETXINT = 0) or START was received (UCETXINT = 1)

UCTXIE_x is reset after a PUC or when UCSWRST = 1.

41.3.11.2 Early I²C Transmit Interrupt

Setting the UCETXINT causes UCTXIFG0 to be sent out automatically when a START condition is sent and the eUSCI_B is configured as slave. In this case, it is not allowed to enable the other slave addresses UCBxI2COA1-UCBxI2COA3. This allows the software more time to handle the UCTXIFG0 compared to the normal situation, when UCTXIFG0 is sent out after the slave address match was detected. Situations where the UCTXIFG0 was set and afterward no slave address match occurred need to be handled in software. TI recommends using the byte counter to handle this.

41.3.11.3 I²C Receive Interrupt Operation

The UCRXIFG0 interrupt flag is set when a character is received and loaded into UCBxRXBUF. When operating as a slave with multiple slave addresses, the UCRXIFGx flag is set corresponding to which address was received before.

An interrupt request is generated if UCRXIE_x and GIE are also set. UCRXIFG_x and UCRXIE_x are reset after a PUC signal or when UCSWRST = 1. UCRXIFG_x is automatically reset when UCxRXBUF is read.

41.3.11.4 I²C State Change Interrupt Operation

[Table 41-2](#) describes the I²C state change interrupt flags.

Table 41-2. I²C State Change Interrupt Flags

Interrupt Flag	Interrupt Condition
UCALIFG	Arbitration lost interrupt. Arbitration can be lost when two or more transmitters start a transmission simultaneously, or when the eUSCI_B operates as master but is addressed as a slave by another master in the system. The UCALIFG flag is set when arbitration is lost. When UCALIFG is set, the UCMST bit is cleared and the I ² C controller becomes a slave.
UCNACKIFG	Not acknowledge interrupt. This flag is set when an acknowledge is expected but is not received. UCNACKIFG is used in master mode only.
UCCLTOIFG	Clock low time-out. This interrupt flag is set, if the clock is held low longer than defined by the UCCLTO bits.
UCBIT9IFG	This interrupt flag is generated each time the eUSCI_B is transferring the ninth clock cycle of a byte of data. This gives the user the ability to follow the I ² C communication in software if wanted. UCBIT9IFG is not set for address information.
UCBCNTIFG	Byte counter interrupt. This flag is set when the byte counter value reaches the value defined in UCBxTBCNT and UCASTPx = 01 or 10. This bit allows to organize following communications, especially if a RESTART will be issued.
UCSTTIFG	START condition detected interrupt. This flag is set when the I ² C module detects a START condition together with its own address ⁽¹⁾ . UCSTTIFG is used in slave mode only.
UCSTPIFG	STOP condition detected interrupt. This flag is set when the I ² C module detects a STOP condition on the bus. UCSTPIFG is used in slave and master mode.

⁽¹⁾ The address evaluation includes the address mask register if it is used.

41.3.11.5 UCBxIV, Interrupt Vector Generator

The eUSCI_B interrupt flags are prioritized and combined to source a single interrupt vector. The interrupt vector register UCBxIV is used to determine which flag requested an interrupt. The highest-priority enabled interrupt generates a number in the UCBxIV register that can be evaluated or added to the PC to automatically enter the appropriate software routine. Disabled interrupts do not affect the UCBxIV value.

Read access of the UCBxIV register automatically resets the highest-pending interrupt flag. If another interrupt flag is set, another interrupt is immediately generated after servicing the initial interrupt.

Write access of the UCBxIV register clears all pending Interrupt conditions and flags.

[Example 41-3](#) shows the recommended use of UCBxIV. The UCBxIV value is added to the PC to automatically jump to the appropriate routine. The example is given for eUSCI0_B.

Example 41-3. UCBxIV Software Example

```

#pragma vector = USCI_B0_VECTOR __interrupt void USCI_B0_ISR(void) {
    switch(__even_in_range(UCB0IV,0x1e))    {
        case 0x00:    // Vector 0: No interrupts
            break;
        case 0x02:    ... // Vector 2: ALIFG
            break;
        case 0x04:    ... // Vector 4: NACKIFG
            break;
        case 0x06:    ... // Vector 6: STTIFG
            break;
        case 0x08:    ... // Vector 8: STPIFG
            break;
        case 0x0a:    ... // Vector 10: RXIFG3
            break;
        case 0x0c:    ... // Vector 12: TXIFG3
            break;
        case 0x0e:    ... // Vector 14: RXIFG2
            break;
        case 0x10:    ... // Vector 16: TXIFG2
            break;
        case 0x12:    ... // Vector 18: RXIFG1
            break;
        case 0x14:    ... // Vector 20: TXIFG1
            break;
        case 0x16:    ... // Vector 22: RXIFG0
            break;
        case 0x18:    ... // Vector 24: TXIFG0
            break;
        case 0x1a:    ... // Vector 26: BCNTIFG
            break;
        case 0x1c:    ... // Vector 28: clock low time-out
            break;
        case 0x1e:    ... // Vector 30: 9th bit
            break;
        default:    break;
    }
}

```

41.4 eUSCI_B I2C Registers

The eUSCI_B registers applicable in I²C mode and their address offsets are listed in [Table 41-3](#). The base address can be found in the device-specific data sheet.

Table 41-3. eUSCI_B Registers

Offset	Acronym	Register Name	Type	Access	Reset	Section
00h	UCBxCTLW0	eUSCI_Bx Control Word 0	Read/write	Word	01C1h	Section 41.4.1
00h	UCBxCTL1	eUSCI_Bx Control 1	Read/write	Byte	C1h	
01h	UCBxCTL0	eUSCI_Bx Control 0	Read/write	Byte	01h	
02h	UCBxCTLW1	eUSCI_Bx Control Word 1	Read/write	Word	0000h	Section 41.4.2
06h	UCBxBRW	eUSCI_Bx Bit Rate Control Word	Read/write	Word	0000h	Section 41.4.3
06h	UCBxBR0	eUSCI_Bx Bit Rate Control 0	Read/write	Byte	00h	
07h	UCBxBR1	eUSCI_Bx Bit Rate Control 1	Read/write	Byte	00h	
08h	UCBxSTATW	eUSCI_Bx Status Word	Read	Word	0000h	Section 41.4.4
08h	UCBxSTAT	eUSCI_Bx Status	Read	Byte	00h	
09h	UCBxBCNT	eUSCI_Bx Byte Counter Register	Read	Byte	00h	
0Ah	UCBxTBCNT	eUSCI_Bx Byte Counter Threshold Register	Read/Write	Word	00h	Section 41.4.5
0Ch	UCBxRXBUF	eUSCI_Bx Receive Buffer	Read/write	Word	00h	Section 41.4.6
0Eh	UCBxTXBUF	eUSCI_Bx Transmit Buffer	Read/write	Word	00h	Section 41.4.7
14h	UCBxI2COA0	eUSCI_Bx I2C Own Address 0	Read/write	Word	0000h	Section 41.4.8
16h	UCBxI2COA1	eUSCI_Bx I2C Own Address 1	Read/write	Word	0000h	Section 41.4.9
18h	UCBxI2COA2	eUSCI_Bx I2C Own Address 2	Read/write	Word	0000h	Section 41.4.10
1Ah	UCBxI2COA3	eUSCI_Bx I2C Own Address 3	Read/write	Word	0000h	Section 41.4.11
1Ch	UCBxADDRX	eUSCI_Bx Received Address Register	Read	Word		Section 41.4.12
1Eh	UCBxADDMASK	eUSCI_Bx Address Mask Register	Read/write	Word	03FFh	Section 41.4.13
20h	UCBxI2CSA	eUSCI_Bx I2C Slave Address	Read/write	Word	0000h	Section 41.4.14
2Ah	UCBxIE	eUSCI_Bx Interrupt Enable	Read/write	Word	0000h	Section 41.4.15
2Ch	UCBxIFG	eUSCI_Bx Interrupt Flag	Read/write	Word	0002h	Section 41.4.16
2Eh	UCBxIV	eUSCI_Bx Interrupt Vector	Read	Word	0000h	Section 41.4.17

41.4.1 UCBxCTLW0 Register

eUSCI_Bx Control Word Register 0

Figure 41-17. UCBxCTLW0 Register

15	14	13	12	11	10	9	8
UCA10	UCSLA10	UCMM	Reserved	UCMST	UCMODEx		UCSYNC
rw-0	rw-0	rw-0	r0	rw-0	rw-0	rw-0	r1
7	6	5	4	3	2	1	0
UCSSELx		UCTXACK	UCTR	UCTXNACK	UCTXSTP	UCTXSTT	UCSWRST
rw-1	rw-1	rw-0	rw-0	rw-0	rw-0	rw-0	rw-1

Can be modified only when UCSWRST = 1.

Table 41-4. UCBxCTLW0 Register Description

Bit	Field	Type	Reset	Description
15	UCA10	RW	0h	Own addressing mode select. Modify only when UCSWRST = 1. 0b = Own address is a 7-bit address. 1b = Own address is a 10-bit address.
14	UCSLA10	RW	0h	Slave addressing mode select 0b = Address slave with 7-bit address 1b = Address slave with 10-bit address
13	UCMM	RW	0h	Multi-master environment select. Modify only when UCSWRST = 1. 0b = Single master environment. There is no other master in the system. The address compare unit is disabled. 1b = Multi-master environment
12	Reserved	R	0h	Reserved
11	UCMST	RW	0h	Master mode select. When a master loses arbitration in a multi-master environment (UCMM = 1), the UCMST bit is automatically cleared and the module acts as slave. 0b = Slave mode 1b = Master mode
10-9	UCMODEx	RW	0h	eUSCI_B mode. The UCMODEx bits select the synchronous mode when UCSYNC = 1. Modify only when UCSWRST = 1. 00b = 3-pin SPI 01b = 4-pin SPI (master or slave enabled if STE = 1) 10b = 4-pin SPI (master or slave enabled if STE = 0) 11b = I2C mode
8	UCSYNC	RW	1h	Synchronous mode enable. For eUSCI_B always read and write as 1.
7-6	UCSSELx	RW	3h	eUSCI_B clock source select. These bits select the BRCLK source clock. These bits are ignored in slave mode. Modify only when UCSWRST = 1. 00b = UCLKI 01b = ACLK 10b = SMCLK 11b = SMCLK
5	UCTXACK	RW	0h	Transmit ACK condition in slave mode with enabled address mask register. After the UCSTTIFG has been set, the user needs to set or reset the UCTXACK flag to continue with the I2C protocol. The clock is stretched until the UCBxCTL1 register has been written. This bit is cleared automatically after the ACK has been send. 0b = Do not acknowledge the slave address 1b = Acknowledge the slave address

Table 41-4. UCBxCTLW0 Register Description (continued)

Bit	Field	Type	Reset	Description
4	UCTR	RW	0h	Transmitter/receiver 0b = Receiver 1b = Transmitter
3	UCTXNACK	RW	0h	Transmit a NACK. UCTXNACK is automatically cleared after a NACK is transmitted. Only for slave receiver mode. 0b = Acknowledge normally 1b = Generate NACK
2	UCTXSTP	RW	0h	Transmit STOP condition in master mode. Ignored in slave mode. In master receiver mode, the STOP condition is preceded by a NACK. UCTXSTP is automatically cleared after STOP is generated. This bit is a don't care, if automatic UCASTPx is different from 01 or 10. 0b = No STOP generated 1b = Generate STOP
1	UCTXSTT	RW	0h	Transmit START condition in master mode. Ignored in slave mode. In master receiver mode, a repeated START condition is preceded by a NACK. UCTXSTT is automatically cleared after START condition and address information is transmitted. Ignored in slave mode. 0b = Do not generate START condition 1b = Generate START condition
0	UCSWRST	RW	1h	Software reset enable. 0b = Disabled. eUSCI_B released for operation. 1b = Enabled. eUSCI_B logic held in reset state.

41.4.2 UCBxCTLW1 Register

eUSCI_Bx Control Word Register 1

Figure 41-18. UCBxCTLW1 Register

15	14	13	12	11	10	9	8
Reserved							UCETXINT
r0	r0	r0	r0	r0	r0	r0	rw-0
7	6	5	4	3	2	1	0
UCCLTO		UCSTPNACK	UCSWACK	UCASTPx		UCGLITx	
rw-0	rw-0	rw-0	rw-0	rw-0	rw-0	rw-0	rw-0

Can be modified only when UCSWRST = 1.

Table 41-5. UCBxCTLW1 Register Description

Bit	Field	Type	Reset	Description
15-9	Reserved	R	0h	Reserved
8	UCETXINT	RW	0h	Early UCTXIFG0. Only in slave mode. When this bit is set, the slave addresses defined in UCxI2COA1 to UCxI2COA3 must be disabled. Modify only when UCSWRST = 1. 0b = UCTXIFGx is set after an address match with UCxI2COAx and the direction bit indicating slave transmit 1b = UCTXIFG0 is set for each START condition
7-6	UCCLTO	RW	0h	Clock low time-out select. Modify only when UCSWRST = 1. 00b = Disable clock low time-out counter 01b = 135000 MODCLK cycles (approximately 28 ms) 10b = 150000 MODCLK cycles (approximately 31 ms) 11b = 165000 MODCLK cycles (approximately 34 ms)
5	UCSTPNACK	RW	0h	The UCSTPNACK bit allows to make the eUSCI_B master acknowledge the last byte in master receiver mode as well. This does not conform to the I2C specification and should only be used for slaves that automatically release the SDA after a fixed packet length. Modify only when UCSWRST = 1. 0b = Send a not acknowledge before the STOP condition as a master receiver (conform to I2C standard) 1b = All bytes are acknowledged by the eUSCI_B when configured as master receiver
4	UCSWACK	RW	0h	This bit selects whether sending an ACK of the address is triggered by the eUSCI_B module or is controlled by software. 0b = The address acknowledge of the slave is controlled by the eUSCI_B module 1b = The user needs to trigger the sending of the address ACK by issuing UCTXACK
3-2	UCASTPx	RW	0h	Automatic STOP condition generation. In slave mode, only settings 00b and 01b are available. Modify only when UCSWRST = 1. 00b = No automatic STOP generation. The STOP condition is generated after the user sets the UCTXSTP bit. The value in UCBxTBCNT is a don't care. 01b = UCBCNTIFG is set with the byte counter reaches the threshold defined in UCBxTBCNT 10b = A STOP condition is generated automatically after the byte counter value reached UCBxTBCNT. UCBCNTIFG is set with the byte counter reaching the threshold. 11b = Reserved

Table 41-5. UCBxCTLW1 Register Description (continued)

Bit	Field	Type	Reset	Description
1-0	UCGLITx	RW	0h	Deglitch time 00b = 50 ns 01b = 25 ns 10b = 12.5 ns 11b = 6.25 ns

41.4.3 UCBxBRW Register

eUSCI_Bx Bit Rate Control Word Register

Figure 41-19. UCBxBRW Register

15	14	13	12	11	10	9	8
UCBRx							
rw	rw	rw	rw	rw	rw	rw	rw
7	6	5	4	3	2	1	0
UCBRx							
rw	rw	rw	rw	rw	rw	rw	rw

Can be modified only when UCSWRST = 1.

Table 41-6. UCBxBRW Register Description

Bit	Field	Type	Reset	Description
15-0	UCBRx	RW	0h	Bit clock prescaler. Modify only when UCSWRST = 1.

41.4.4 UCBxSTATW

eUSCI_Bx Status Word Register

Figure 41-20. UCBxSTATW Register

15	14	13	12	11	10	9	8
UCBCNTx							
r-0	r-0	r-0	r-0	r-0	r-0	r-0	r-0
7	6	5	4	3	2	1	0
Reserved	UCSCLLOW	UCGC	UCBBUSY	Reserved			
r0	r-0	r-0	r-0	r-0	r0	r0	r0

Table 41-7. UCBxSTATW Register Description

Bit	Field	Type	Reset	Description
15-8	UCBCNTx	R	0h	Hardware byte counter value. Reading this register returns the number of bytes received or transmitted on the I2C-Bus since the last START or RESTART. There is no synchronization of this register done. When reading UCBxBCNT during the first bit position, a faulty read back can occur.
7	Reserved	R	0h	Reserved
6	UCSCLLOW	R	0h	SCL low 0b = SCL is not held low 1b = SCL is held low
5	UCGC	R	0h	General call address received. UCGC is automatically cleared when a START condition is received. 0b = No general call address received 1b = General call address received
4	UCBBUSY	R	0h	Bus busy 0b = Bus inactive 1b = Bus busy
3-0	Reserved	R	0h	Reserved

41.4.5 UCBxTBCNT Register

eUSCI_Bx Byte Counter Threshold Register

Figure 41-21. UCBxTBCNT Register

15	14	13	12	11	10	9	8
Reserved							
r0	r0	r0	r0	r0	r0	r0	r0
7	6	5	4	3	2	1	0
UCTBCNTx							
rw-0	rw-0	rw-0	rw-0	rw-0	rw-0	rw-0	rw-0

Can be modified only when UCSWRST = 1.

Table 41-8. UCBxTBCNT Register Description

Bit	Field	Type	Reset	Description
15-8	Reserved	R	0h	Reserved
7-0	UCTBCNTx	RW	0h	The byte counter threshold value is used to set the number of I2C data bytes after which the automatic STOP or the UCSTPIFG should occur. This value is evaluated only if UCASTPx is different from 00. Modify only when UCSWRST = 1.

41.4.6 UCBxRXBUF Register

eUSCI_Bx Receive Buffer Register

Figure 41-22. UCBxRXBUF Register

15	14	13	12	11	10	9	8
Reserved							
r0	r0	r0	r0	r0	r0	r0	r0
7	6	5	4	3	2	1	0
UCRXBUFx							
r	r	r	r	r	r	r	r

Table 41-9. UCBxRXBUF Register Description

Bit	Field	Type	Reset	Description
15-8	Reserved	R	0h	Reserved
7-0	UCRXBUFx	R	0h	The receive-data buffer is user accessible and contains the last received character from the receive shift register. Reading UCBxRXBUF resets the UCRXIFGx flags.

41.4.7 UCBxTXBUF

eUSCI_Bx Transmit Buffer Register

Figure 41-23. UCBxTXBUF Register

15	14	13	12	11	10	9	8
Reserved							
r0	r0	r0	r0	r0	r0	r0	r0
7	6	5	4	3	2	1	0
UCTXBUFx							
rw	rw	rw	rw	rw	rw	rw	rw

Table 41-10. UCBxTXBUF Register Description

Bit	Field	Type	Reset	Description
15-8	Reserved	R	0h	Reserved
7-0	UCTXBUFx	RW	0h	The transmit data buffer is user accessible and holds the data waiting to be moved into the transmit shift register and transmitted. Writing to the transmit data buffer clears the UCTXIFGx flags.

41.4.8 UCBxI2COA0 Register

eUSCI_Bx I2C Own Address 0 Register

Figure 41-24. UCBxI2COA0 Register

15	14	13	12	11	10	9	8
UCGCEN	Reserved				UCOAEN	I2COA0	
rw-0	r0	r0	r0	r0	rw-0	rw-0	rw-0
7	6	5	4	3	2	1	0
I2COA0							
rw-0	rw-0	rw-0	rw-0	rw-0	rw-0	rw-0	rw-0

Can be modified only when UCSWRST = 1.

Table 41-11. UCBxI2COA0 Register Description

Bit	Field	Type	Reset	Description
15	UCGCEN	RW	0h	General call response enable. This bit is only available in UCBxI2COA0. Modify only when UCSWRST = 1. 0b = Do not respond to a general call 1b = Respond to a general call
14-11	Reserved	R	0h	Reserved
10	UCOAEN	RW	0h	Own Address enable register. With this register it can be selected if the I2C slave-address related to this register UCBxI2COA0 is evaluated or not. Modify only when UCSWRST = 1. 0b = The slave address defined in I2COA0 is disabled 1b = The slave address defined in I2COA0 is enabled
9-0	I2COAx	RW	0h	I2C own address. The I2COA0 bits contain the local address of the eUSCIx_B I2C controller. The address is right justified. In 7-bit addressing mode, bit 6 is the MSB and bits 9-7 are ignored. In 10-bit addressing mode, bit 9 is the MSB. Modify only when UCSWRST = 1.

41.4.9 UCBxI2COA1 Register

eUSCI_Bx I2C Own Address 1 Register

Figure 41-25. UCBxI2COA1 Register

15	14	13	12	11	10	9	8
Reserved					UCOAEN	I2COA1	
rw-0	r0	r0	r0	r0	rw-0	rw-0	rw-0
7	6	5	4	3	2	1	0
I2COA1							
rw-0	rw-0	rw-0	rw-0	rw-0	rw-0	rw-0	rw-0

Can be modified only when UCSWRST = 1.

Table 41-12. UCBxI2COA1 Register Description

Bit	Field	Type	Reset	Description
15-11	Reserved	R	0h	Reserved
10	UCOAEN	RW	0h	Own Address enable register. With this register it can be selected if the I2C slave-address related to this register UCBxI2COA1 is evaluated or not. Modify only when UCSWRST = 1. 0b = The slave address defined in I2COA1 is disabled 1b = The slave address defined in I2COA1 is enabled
9-0	I2COA1	RW	0h	I2C own address. The I2COAx bits contain the local address of the eUSCIx_B I2C controller. The address is right justified. In 7-bit addressing mode, bit 6 is the MSB and bits 9-7 are ignored. In 10-bit addressing mode, bit 9 is the MSB. Modify only when UCSWRST = 1.

41.4.10 UCBxI2COA2 Register

eUSCI_Bx I2C Own Address 2 Register

Figure 41-26. UCBxI2COA2 Register

15	14	13	12	11	10	9	8
Reserved					UCOAEN	I2COA2	
rw-0	r0	r0	r0	r0	rw-0	rw-0	rw-0
7	6	5	4	3	2	1	0
I2COA2							
rw-0	rw-0	rw-0	rw-0	rw-0	rw-0	rw-0	rw-0

Can be modified only when UCSWRST = 1.

Table 41-13. UCBxI2COA2 Register Description

Bit	Field	Type	Reset	Description
15-11	Reserved	R	0h	Reserved
10	UCOAEN	RW	0h	Own Address enable register. With this register it can be selected if the I2C slave-address related to this register UCBxI2COA2 is evaluated or not. Modify only when UCSWRST = 1. 0b = The slave address defined in I2COA2 is disabled 1b = The slave address defined in I2COA2 is enabled
9-0	I2COA2	RW	0h	I2C own address. The I2COAx bits contain the local address of the eUSCIx_B I2C controller. The address is right justified. In 7-bit addressing mode, bit 6 is the MSB and bits 9-7 are ignored. In 10-bit addressing mode, bit 9 is the MSB. Modify only when UCSWRST = 1.

41.4.11 UCBxI2COA3 Register

eUSCI_Bx I2C Own Address 3 Register

Figure 41-27. UCBxI2COA3 Register

15	14	13	12	11	10	9	8
Reserved					UCOAEN	I2COA3	
rw-0	r0	r0	r0	r0	rw-0	rw-0	rw-0
7	6	5	4	3	2	1	0
I2COA3							
rw-0	rw-0	rw-0	rw-0	rw-0	rw-0	rw-0	rw-0

Can be modified only when UCSWRST = 1.

Table 41-14. UCBxI2COA3 Register Description

Bit	Field	Type	Reset	Description
15-11	Reserved	R	0h	Reserved
10	UCOAEN	RW	0h	Own Address enable register. With this register it can be selected if the I2C slave-address related to this register UCBxI2COA3 is evaluated or not. Modify only when UCSWRST = 1. 0b = The slave address defined in I2COA3 is disabled 1b = The slave address defined in I2COA3 is enabled
9-0	I2COA3	RW	0h	I2C own address. The I2COA3 bits contain the local address of the eUSCIx_B I2C controller. The address is right justified. In 7-bit addressing mode, bit 6 is the MSB and bits 9-7 are ignored. In 10-bit addressing mode, bit 9 is the MSB. Modify only when UCSWRST = 1.

41.4.12 UCBxADDRX Register

eUSCI_Bx I2C Received Address Register

Figure 41-28. UCBxADDRX Register

15	14	13	12	11	10	9	8
Reserved					ADDRXx		
r-0	r0	r0	r0	r0	r0	r-0	r-0
7	6	5	4	3	2	1	0
ADDRXx							
r-0	r-0	r-0	r-0	r-0	r-0	r-0	r-0

Table 41-15. UCBxADDRX Register Description

Bit	Field	Type	Reset	Description
15-10	Reserved	R	0h	Reserved
9-0	ADDRXx	R	0h	Received Address Register. This register contains the last received slave address on the bus. Using this register and the address mask register it is possible to react on more than one slave address using one eUSCI_B module.

41.4.13 UCBxADDMASK Register

eUSCI_Bx I2C Address Mask Register

Figure 41-29. UCBxADDMASK Register

15	14	13	12	11	10	9	8
Reserved						ADDMASKx	
r-0	r0	r0	r0	r0	r0	rw-1	rw-1
7	6	5	4	3	2	1	0
ADDMASKx							
rw-1	rw-1	rw-1	rw-1	rw-1	rw-1	rw-1	rw-1

Can be modified only when UCSWRST = 1.

Table 41-16. UCBxADDMASK Register Description

Bit	Field	Type	Reset	Description
15-10	Reserved	R	0h	Reserved
9-0	ADDMASKx	RW	3FFh	Address Mask Register. By clearing the corresponding bit of the own address, this bit is a don't care when comparing the address on the bus to the own address. Using this method, it is possible to react on more than one slave address. When all bits of ADDMASKx are set, the address mask feature is deactivated. Modify only when UCSWRST = 1.

41.4.14 UCBxI2CSA Register

eUSCI_Bx I2C Slave Address Register

Figure 41-30. UCBxI2CSA Register

15	14	13	12	11	10	9	8
Reserved						I2CSAx	
r-0	r0	r0	r0	r0	r0	rw-0	rw-0
7	6	5	4	3	2	1	0
I2CSAx							
rw-0	rw-0	rw-0	rw-0	rw-0	rw-0	rw-0	rw-0

Table 41-17. UCBxI2CSA Register Description

Bit	Field	Type	Reset	Description
15-10	Reserved	R	0h	Reserved
9-0	I2CSAx	RW	0h	I2C slave address. The I2CSAx bits contain the slave address of the external device to be addressed by the eUSCIx_B module. It is only used in master mode. The address is right justified. In 7-bit slave addressing mode, bit 6 is the MSB and bits 9-7 are ignored. In 10-bit slave addressing mode, bit 9 is the MSB.

41.4.15 UCBxIE Register

eUSCI_Bx I2C Interrupt Enable Register

Figure 41-31. UCBxIE Register

15	14	13	12	11	10	9	8
Reserved	UCBIT9IE	UCTXIE3	UCRXIE3	UCTXIE2	UCRXIE2	UCTXIE1	UCRXIE1
r0	rw-0	rw-0	rw-0	rw-0	rw-0	rw-0	rw-0
7	6	5	4	3	2	1	0
UCCLTOIE	UCBCNTIE	UCNACKIE	UCALIE	UCSTPIE	UCSTTIE	UCTXIE0	UCRXIE0
rw-0	rw-0	rw-0	rw-0	rw-0	rw-0	rw-0	rw-0

Table 41-18. UCBxIE Register Description

Bit	Field	Type	Reset	Description
15	Reserved	R	0h	Reserved
14	UCBIT9IE	RW	0h	Bit position 9 interrupt enable 0b = Interrupt disabled 1b = Interrupt enabled
13	UCTXIE3	RW	0h	Transmit interrupt enable 3 0b = Interrupt disabled 1b = Interrupt enabled
12	UCRXIE3	RW	0h	Receive interrupt enable 3 0b = Interrupt disabled 1b = Interrupt enabled
11	UCTXIE2	RW	0h	Transmit interrupt enable 2 0b = Interrupt disabled 1b = Interrupt enabled
10	UCRXIE2	RW	0h	Receive interrupt enable 2 0b = Interrupt disabled 1b = Interrupt enabled
9	UCTXIE1	RW	0h	Transmit interrupt enable 1 0b = Interrupt disabled 1b = Interrupt enabled
8	UCRXIE1	RW	0h	Receive interrupt enable 1 0b = Interrupt disabled 1b = Interrupt enabled
7	UCCLTOIE	RW	0h	Clock low time-out interrupt enable. 0b = Interrupt disabled 1b = Interrupt enabled
6	UCBCNTIE	RW	0h	Byte counter interrupt enable. 0b = Interrupt disabled 1b = Interrupt enabled
5	UCNACKIE	RW	0h	Not-acknowledge interrupt enable 0b = Interrupt disabled 1b = Interrupt enabled
4	UCALIE	RW	0h	Arbitration lost interrupt enable 0b = Interrupt disabled 1b = Interrupt enabled
3	UCSTPIE	RW	0h	STOP condition interrupt enable 0b = Interrupt disabled 1b = Interrupt enabled

Table 41-18. UCBxIE Register Description (continued)

Bit	Field	Type	Reset	Description
2	UCSTTIE	RW	0h	START condition interrupt enable 0b = Interrupt disabled 1b = Interrupt enabled
1	UCTXIE0	RW	0h	Transmit interrupt enable 0 0b = Interrupt disabled 1b = Interrupt enabled
0	UCRXIE0	RW	0h	Receive interrupt enable 0 0b = Interrupt disabled 1b = Interrupt enabled

41.4.16 UCBxIFG Register

eUSCI_Bx I2C Interrupt Flag Register

Figure 41-32. UCBxIFG Register

15	14	13	12	11	10	9	8
Reserved	UCBIT9IFG	UCTXIFG3	UCRXIFG3	UCTXIFG2	UCRXIFG2	UCTXIFG1	UCRXIFG1
r0	rw-0	rw-0	rw-0	rw-0	rw-0	rw-0	rw-0
7	6	5	4	3	2	1	0
UCCLTOIFG	UCBCNTIFG	UCNACKIFG	UCALIFG	UCSTPIFG	UCSTTIFG	UCTXIFG0	UCRXIFG0
rw-0	rw-0	rw-0	rw-0	rw-0	rw-0	rw-1	rw-0

Table 41-19. UCBxIFG Register Description

Bit	Field	Type	Reset	Description
15	Reserved	R	0h	Reserved
14	UCBIT9IFG	RW	0h	Bit position 9 interrupt flag 0b = No interrupt pending 1b = Interrupt pending
13	UCTXIFG3	RW	0h	eUSCI_B transmit interrupt flag 3. UCTXIFG3 is set when UCBxTXBUF is empty in slave mode, if the slave address defined in UCBxI2COA3 was on the bus in the same frame. 0b = No interrupt pending 1b = Interrupt pending
12	UCRXIFG3	RW	0h	Receive interrupt flag 2. UCRXIFG2 is set when UCBxRXBUF has received a complete byte in slave mode and if the slave address defined in UCBxI2COA2 was on the bus in the same frame. 0b = No interrupt pending 1b = Interrupt pending
11	UCTXIFG2	RW	0h	eUSCI_B transmit interrupt flag 2. UCTXIFG2 is set when UCBxTXBUF is empty in slave mode, if the slave address defined in UCBxI2COA2 was on the bus in the same frame. 0b = No interrupt pending 1b = Interrupt pending
10	UCRXIFG2	RW	0h	Receive interrupt flag 2. UCRXIFG2 is set when UCBxRXBUF has received a complete byte in slave mode and if the slave address defined in UCBxI2COA2 was on the bus in the same frame. 0b = No interrupt pending 1b = Interrupt pending
9	UCTXIFG1	RW	0h	eUSCI_B transmit interrupt flag 1. UCTXIFG1 is set when UCBxTXBUF is empty in slave mode, if the slave address defined in UCBxI2COA1 was on the bus in the same frame. 0b = No interrupt pending 1b = Interrupt pending
8	UCRXIFG1	RW	0h	Receive interrupt flag 1. UCRXIFG1 is set when UCBxRXBUF has received a complete byte in slave mode and if the slave address defined in UCBxI2COA1 was on the bus in the same frame. 0b = No interrupt pending 1b = Interrupt pending
7	UCCLTOIFG	RW	0h	Clock low time-out interrupt flag 0b = No interrupt pending 1b = Interrupt pending
6	UCBCNTIFG	RW	0h	Byte counter interrupt flag. When using this interrupt the user needs to ensure enough processing bandwidth (see the Byte Counter Interrupt section). 0b = No interrupt pending 1b = Interrupt pending

Table 41-19. UCBxIFG Register Description (continued)

Bit	Field	Type	Reset	Description
5	UCNACKIFG	RW	0h	Not-acknowledge received interrupt flag. This flag only is updated when operating in master mode. 0b = No interrupt pending 1b = Interrupt pending
4	UCALIFG	RW	0h	Arbitration lost interrupt flag 0b = No interrupt pending 1b = Interrupt pending
3	UCSTPIFG	RW	0h	STOP condition interrupt flag 0b = No interrupt pending 1b = Interrupt pending
2	UCSTTIFG	RW	0h	START condition interrupt flag 0b = No interrupt pending 1b = Interrupt pending
1	UCTXIFG0	RW	0h	eUSCI_B transmit interrupt flag 0. UCTXIFG0 is set when UCBxTXBUF is empty in master mode or in slave mode, if the slave address defined in UCBxI2COA0 was on the bus in the same frame. 0b = No interrupt pending 1b = Interrupt pending
0	UCRXIFG0	RW	0h	eUSCI_B receive interrupt flag 0. UCRXIFG0 is set when UCBxRXBUF has received a complete character in master mode or in slave mode, if the slave address defined in UCBxI2COA0 was on the bus in the same frame. 0b = No interrupt pending 1b = Interrupt pending

41.4.17 UCBxIV Register

eUSCI_Bx Interrupt Vector Register

Figure 41-33. UCBxIV Register

15	14	13	12	11	10	9	8
UCIVx							
r0	r0	r0	r0	r0	r0	r0	r0
7	6	5	4	3	2	1	0
UCIVx							
r0	r0	r0	r0	r-0	r-0	r-0	r0

Table 41-20. UCBxIV Register Description

Bit	Field	Type	Reset	Description
15-0	UCIVx	R	0h	<p>eUSCI_B interrupt vector value. It generates an value that can be used as address offset for fast interrupt service routine handling. Writing to this register clears all pending interrupt flags.</p> <p>00h = No interrupt pending</p> <p>02h = Interrupt Source: Arbitration lost; Interrupt Flag: UCALIFG; Interrupt Priority: Highest</p> <p>04h = Interrupt Source: Not acknowledgment; Interrupt Flag: UCNACKIFG</p> <p>06h = Interrupt Source: Start condition received; Interrupt Flag: UCSTTIFG</p> <p>08h = Interrupt Source: Stop condition received; Interrupt Flag: UCSTPIFG</p> <p>0Ah = Interrupt Source: Slave 3 Data received; Interrupt Flag: UCRXIFG3</p> <p>0Ch = Interrupt Source: Slave 3 Transmit buffer empty; Interrupt Flag: UCTXIFG3</p> <p>0Eh = Interrupt Source: Slave 2 Data received; Interrupt Flag: UCRXIFG2</p> <p>10h = Interrupt Source: Slave 2 Transmit buffer empty; Interrupt Flag: UCTXIFG2</p> <p>12h = Interrupt Source: Slave 1 Data received; Interrupt Flag: UCRXIFG1</p> <p>14h = Interrupt Source: Slave 1 Transmit buffer empty; Interrupt Flag: UCTXIFG1</p> <p>16h = Interrupt Source: Data received; Interrupt Flag: UCRXIFG0</p> <p>18h = Interrupt Source: Transmit buffer empty; Interrupt Flag: UCTXIFG0</p> <p>1Ah = Interrupt Source: Byte counter zero; Interrupt Flag: UCBCNTIFG</p> <p>1Ch = Interrupt Source: Clock low time-out; Interrupt Flag: UCCLTOIFG</p> <p>1Eh = Interrupt Source: 9th bit position; Interrupt Flag: UCBIT9IFG; Priority: Lowest</p>

USB Module

This chapter describes the USB module that is available in some devices.

Topic	Page
42.1 USB Introduction	1118
42.2 USB Operation.....	1120
42.3 USB Transfers	1131
42.4 USB Registers	1138

42.1 USB Introduction

The features of the USB module include:

- Fully compliant with the USB 2.0 full-speed specification
 - Full-speed device (12 Mbps) with integrated USB transceiver (PHY)
 - Up to eight input and eight output endpoints
 - Supports control, interrupt, and bulk transfers
 - Supports USB suspend, resume, and remote wakeup
- A power supply system independent from the PMM system
 - Integrated 3.3-V LDO regulator with sufficient output to power entire MSP430 and system circuitry from 5-V VBUS
 - Integrated 1.8-V LDO regulator for PHY and PLL
 - Easily used in either bus-powered or self-powered operation
 - Current-limiting capability on 3.3-V LDO output
 - Autonomous power-up of device on arrival of USB power possible (low or no battery condition)
- Internal 48-MHz USB clock
 - Integrated programmable PLL
 - Highly-flexible input clock frequencies for use with lowest-cost crystals
- 1904 bytes of dedicated USB buffer space for endpoints, with fully configurable size to a granularity of eight bytes
- Timestamp generator with 62.5-ns resolution
- When USB is disabled
 - Buffer space is mapped into general RAM, providing additional 2KB to the system
 - USB interface pins become high-current general purpose I/O pins

NOTE: **Use of the word *device***

The word *device* is used throughout the chapter. This word can mean one of two things, depending on the context. In a USB context, it means what the USB specification refers to as a device, function, or peripheral; that is, a piece of equipment that can be attached to a USB host or hub. In a semiconductor context, it refers to an integrated circuit such as the MSP430.

To avoid confusion, the term *USB device* in this document refers to the USB-context meaning of the word. The word *device* by itself refers to silicon devices such as the MSP430.

Figure 42-1 shows a block diagram of the USB module.

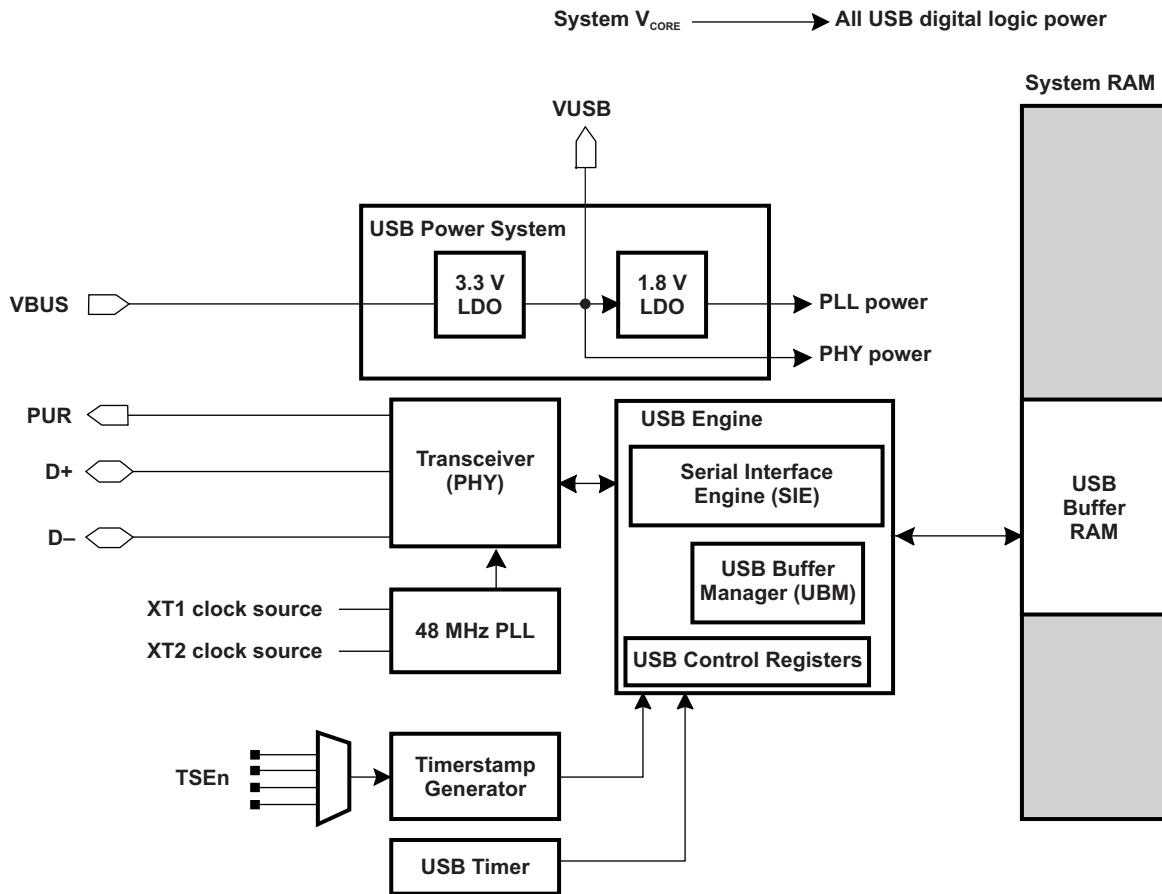


Figure 42-1. USB Block Diagram

42.2 USB Operation

The USB module is a comprehensive full-speed USB device compliant with the USB 2.0 specification.

The USB engine coordinates all USB-related traffic. It consists of the USB SIE (serial interface engine) and USB Buffer Manager (UBM). All traffic received on the USB receive path is de-serialized and placed into receive buffers in the USB buffer RAM. Data in the buffer RAM marked 'ready to be sent' are serialized into packets and sent to the USB host.

The USB engine requires an accurate 48-MHz clock to sample the incoming data stream. This is generated by a PLL that is fed from one of the system oscillators (XT1 or XT2). A crystal of 4 MHz or greater is required. In addition to crystal operation, the crystal bypass mode can also be used to supply the clock required by the PLL. The PLL is very flexible and can adapt to a wide range of crystal and input frequencies, allowing for cost-effective clock designs.

NOTE: The reference clock to the PLL depends on the device configuration. On devices that contain the optional XT2, the reference clock to the PLL is XT2CLK, regardless of whether or not XT1 is available. If the device has only XT1, then the reference is XT1CLK. See the device-specific data sheet for clock sources available.

NOTE: The USB module only supports active operation during power modes AM through LPM1.

The USB buffer memory is where data is exchanged between the USB interface and the application software. It is also where the usage of endpoints 1 to 7 are defined. This buffer memory is implemented such that it can be easily accessed like RAM by the CPU or DMA while USB module is not in suspend condition.

42.2.1 USB Transceiver (PHY)

The physical layer interface (USB transceiver) is a differential line driver directly powered from VUSB (3.3 V). The line driver is connected to the DP and DM pins, which form the signaling mechanism of the USB interface.

When the PUSEL bit is set, DP and DM are configured to function as USB drivers controlled by the USB core logic. When the bit is cleared, these two pins become "Port U", which is a pair of high-current general purpose I/O pins. In this case, the pins are controlled by the Port U control registers. Port U is powered from the VUSB rail, separate from the main device DVCC. If these pins are to be used, whether for USB or general purpose use, it is necessary that VUSB be properly powered from either the internal regulators or an external source.

42.2.1.1 D+ Pullup Via PUR Pin

When a full-speed USB device is attached to a USB host, it must pull up the D+ line (DP pin) for the host to recognize its presence. The MSP430 USB module implements this with a software-controlled pin that activates a pullup resistor. The bit that controls this function is PUR_EN. If software control is not desired, the pullup can be connected directly to VUSB.

42.2.1.2 Shorts on Damaged Cables and Clamping

USB devices must tolerate connection to a cable that is damaged, such that it has developed shorts on either ground or VBUS. The device should not become damaged by this event, either electrically or physically. To this end, the MSP430 USB power system features a current limitation mechanism that limits the available transceiver current in the event of a short to ground. The transceiver interface itself therefore does not need a current limiting function.

Note that if VUSB is to be powered from a source other than the integrated regulator, the absence of current-limiting in the transceiver means that the external power source must itself be tolerant of this same shorting event, through its own means of current limiting.

42.2.1.3 Port U Control

When PUSEL is cleared, the Port U pins (PU.0 and PU.1) function as general-purpose, high-current I/O pins. These pins can only be configured together as either both inputs or both outputs. Port U is supplied by the VUSB rail. If the 3.3-V LDO is not being used in the system (disabled), the VUSB pin can be supplied externally.

PUOPE controls the enable of both outputs residing on the Port U pins. Setting PUIPE = 1 causes both input buffers to be enabled. When Port U outputs are enabled (PUOPE = 1), the PUIIN0 and PUIIN1 pins mirror what is present on the outputs assuming PUIPE = 1. To use the Port U pins as inputs, the outputs should be disabled by setting PUOPE = 0, and enabling the input buffers by setting PUIPE = 1. Once configured as inputs (PUIPE = 1), the PUIIN0 and PUIIN1 bits can be read to determine the respective input values.

When PUOPE is set, both Port U pins function as outputs, controlled by PUOUT0 and PUOUT1. When driven high, they use the VUSB rail, and they are capable of a drive current higher than other I/O pins on the device. See the device-specific datasheet for parameters.

By default, PUOPE and PUIPE are cleared. PU.0 and PU.1 are high-impedance (input buffers are disabled and outputs are disabled).

42.2.2 USB Power System

The USB power system incorporates dual LDO regulators (3.3 V and 1.8 V) that allow the entire MSP430 device to be powered from 5-V VBUS when it is made available from the USB host. Alternatively, the power system can supply power only to the USB module, or it can be unused altogether, as in a fully self-powered device. The block diagram is shown in Figure 42-2.

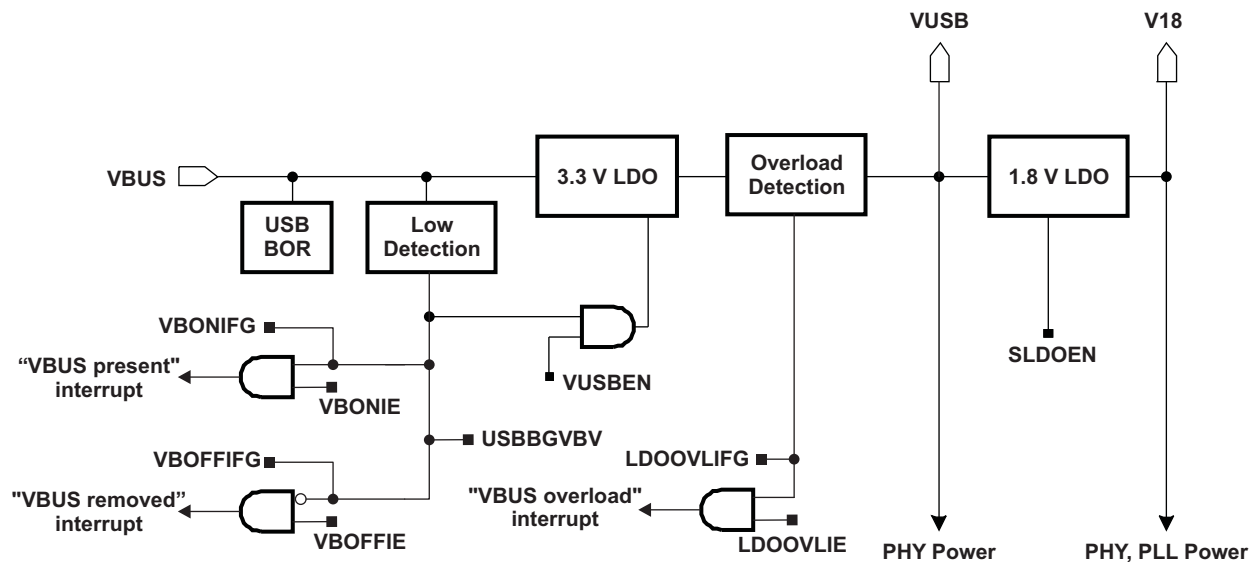


Figure 42-2. USB Power System

The 3.3-V LDO receives 5 V from VBUS and provides power to the transceiver, as well as the VUSB pin. Using this setup prevents the relatively high load of the transceiver and PLL from loading a local system power supply, if used. Thus it is very useful in battery-powered devices.

The 1.8-V LDO receives power from the VUSB pin – which is to be sourced either from the internal 3.3-V LDO or externally – and provides power to the USB PLL and transceiver. The 1.8-V LDO in the USB module is not related to the LDO that resides in the MSP430 Power Management Module (PMM).

The inputs and outputs of the LDOs are shown in Figure 42-2. VBUS, VUSB, and V18 need to be connected to external capacitors. The V18 pin is not intended to source other components in the system, rather it exists solely for the attachment of a load capacitor.

42.2.2.1 Enabling and Disabling

The 3.3-V LDO is enabled or disabled by setting or clearing VUSBEN, respectively. Even if enabled, if the voltage on VBUS is detected to be low or nonexistent, the LDO is suspended. No additional current is consumed while the LDO is suspended. When VBUS rises above the USB power brownout level, the LDO reference and low voltage detection become enabled. When VBUS rises further above the launch voltage V_{LAUNCH} , the LDO module becomes enabled (see Figure 42-3). See device-specific data sheet for value of V_{LAUNCH} .

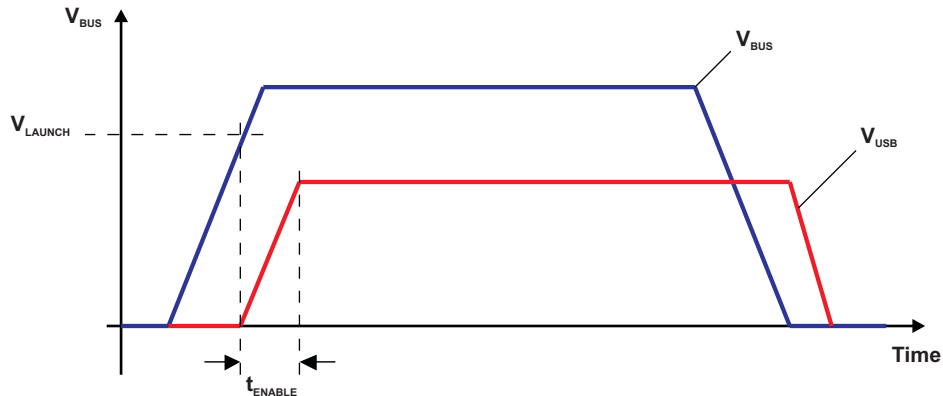


Figure 42-3. USB Power Up and Down Profile

The 1.8-V LDO can be enabled or disabled by setting SLDOEN accordingly. By default, the 1.8-V LDO is controlled automatically according to whether power is available on VBUS. This auto-enable feature is controlled by SLDOAON. In this case, that the SLDOEN bit does not reflect the state of the 1.8-V LDO. If the user wishes to know the state while using the auto-enable feature, the USBBGVBV bit in USBPWRCTL can be read. In addition, to disable the 1.8-V LDO, SLDOAON must be cleared along with SLDOEN. If providing VUSB from an external source, rather than through the integrated 3.3-V LDO, keep in mind that if 5 V is not present on VBUS, the 1.8-V LDO is not automatically enabled. In this situation, either VBUS must be attached to USB bus power, or the SLDOAON bit must be cleared and SLDOEN set.

It is required that power from the USB cable's VBUS be directed through a Schottky diode prior to entering the VBUS terminal. This prevents current from draining into the cable's VBUS from the LDO input, allowing the MSP430 to tolerate a suspended or unpowered USB cable that remains electrically connected.

The VBONIFG flag can be used to indicate that the voltage on VBUS has risen above the launch voltage. In addition to the VBONIFG being set, an interrupt is also generated when VBONIE = 1. Similarly, the VBOFFIFG flag can be used to indicate that the voltage on VBUS has fallen below the launch voltage. In addition to the VBOFFIFG being set, an interrupt is also generated when VBOFFIE = 1. The USBBGVBV bit can also be polled to indicate the level of VBUS; that is, above or below the launch voltage.

42.2.2.2 Powering the Rest of the MSP430 From USB Bus Power Via VUSB

The output of the 3.3-V LDO can be used to power the entire MSP430 device, sourcing the DVCC rail. If this is desired, the VUSB and DVCC should be connected externally. Power from the 3.3-V LDO is sourced into DVCC (see Figure 42-4).

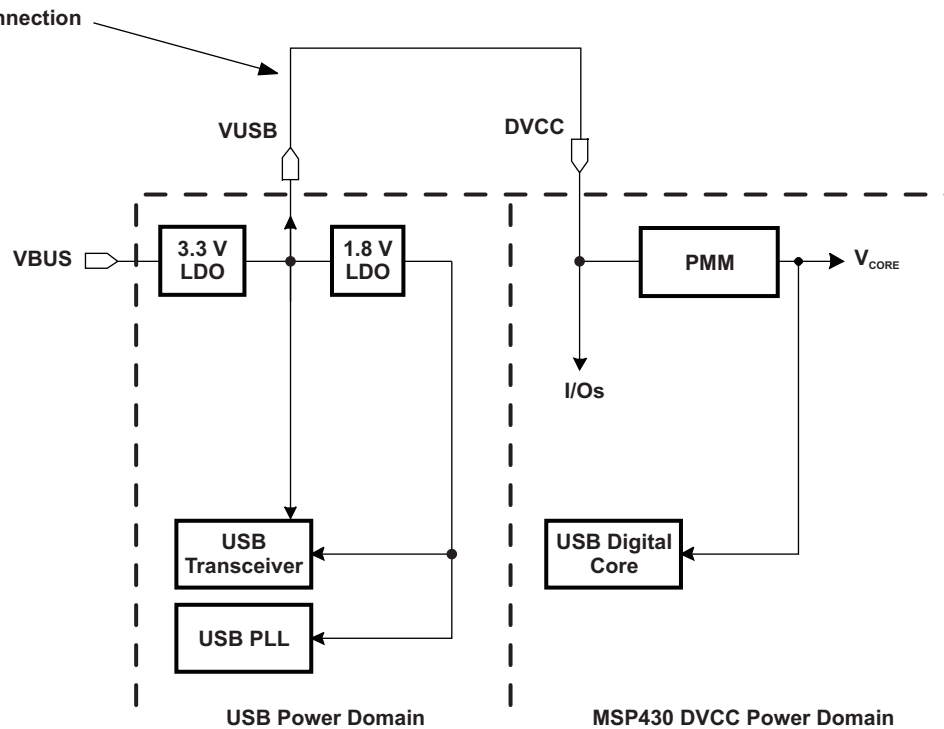


Figure 42-4. Powering Entire MSP430 From VBUS

With this connection made, the MSP430 allows for autonomous power up of the device when VBUS rises above V_{LAUNCH} . If no voltage is present on V_{CORE} – meaning the device is unpowered (or, in LPMx.5 mode) – then both the 3.3-V and 1.8-V LDOs automatically turn on when VBUS rises above V_{LAUNCH} .

Note that if DVCC is being driven from VUSB in this manner, and if power is available from VUSB, attempting to place the device into LPMx.5 results in the device immediately re-powering. This is because it re-creates the conditions of the autonomous feature described above (no V_{CORE} but power available on VBUS). The resulting drop of V_{CORE} would cause the system to immediately power up again.

When DVCC is being powered from VUSB, it is up to the user to ensure that the total current being drawn from VBUS stays below I_{DET} .

42.2.2.3 Powering Other Components in the System from VUSB

There is sufficient current capacity available from the 3.3-V LDO to power not only the entire MSP430 but also other components in the system, via the VUSB pin.

If the device is to always be connected to USB, then perhaps no other power system is needed. If it only occasionally connects to USB and is battery-powered otherwise, then sourcing system power via the 3.3-V LDO takes power burden away from the battery. Alternatively, if the battery is rechargeable, the recharging can be driven from VUSB.

42.2.2.4 Self-Powered Devices

Some applications may be self-powered, in that the VUSB power is supplied externally. In these cases, the 3.3-V LDO would be disabled ($VUSBEN = 0$). For proper USB operation, the voltage on VBUS can still be detected, even while the 3.3-V LDO disabled, by setting $USBDETEN = 1$. When VBUS rises above the USB power brownout level, low voltage detection becomes enabled. When VBUS rises further above the launch voltage V_{LAUNCH} , the voltage on VBUS is detected.

42.2.2.5 Current Limitation and Overload Protection

The 3.3-V LDO features current limitation to protect the transceiver during shorted-cable conditions. A short or overload condition – that is, when the output of the LDO becomes current-limited to I_{DET} . This is reported to software via the VUOVLIFG flag. See device-specific data sheet for value of I_{DET} .

If this event occurs, it means USB operation may become unreliable, due to insufficient power supply. As a result, software may wish to cease USB operation. If the OVLAOFF bit is set, USB operation is automatically terminated by clearing VUSBEN.

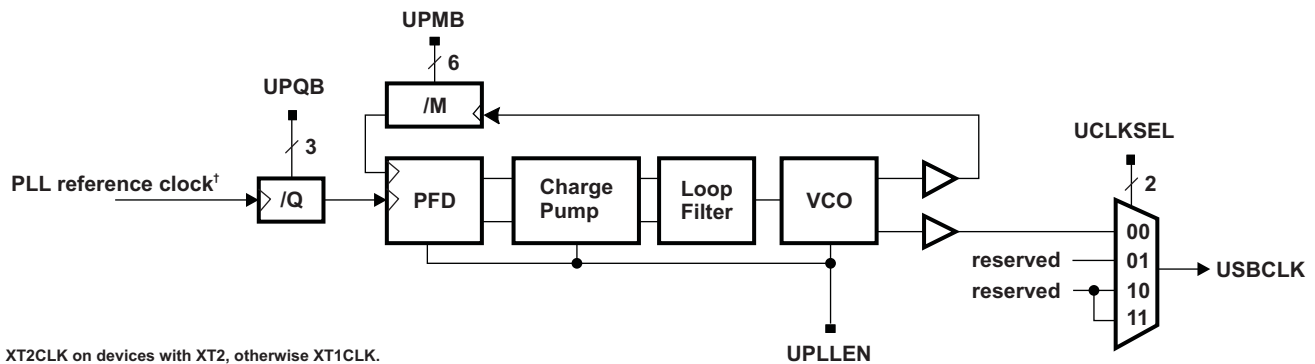
During overload conditions, VUSB and V18 drop below their nominal output voltage. In power scenarios where DVCC is exclusively supplied from VUSB, repetitive system restarts may be triggered as long the short or overload condition exists. For this reason, firmware should avoid re-enabling USB after detection of an overload on the previous power session, until the cause of failure can be identified. Ultimately, it is the user's responsibility to ensure that the current drawn from VBUS does not exceed I_{DET} .

The VUOVLIFG flag can be used to indicate an overcurrent condition on the 3.3-V LDO. When an overcurrent condition is detected, VUOVLIFG = 1. In addition to the VUOVLIFG being set, an interrupt is also generated when VUOVLIE = 1.

The USB power system brownout circuit is supplied from VBUS or DVCC, whichever carries the higher voltage.

42.2.3 USB Phase-Locked Loop (PLL)

The PLL provides the low-jitter high-accuracy clock needed for USB operation (see [Figure 42-5](#)).



[†] XT2CLK on devices with XT2, otherwise XT1CLK.

Figure 42-5. USB-PLL Analog Block Diagram

The reference clock to the PLL depends on the device configuration. On devices that contain the optional XT2, the reference clock to the PLL is XT2CLK, regardless if XT1 is available. If the device has only XT1, then the reference is XT1CLK. A four-bit prescale counter controlled by the UPQB bits allows division of the reference to generate the PLL update clock. The UPMB bits control the divider in the feedback path and define the multiplication rate of the PLL (see [Equation 20](#)).

$$f_{OUT} = CLK_{SEL} \times \frac{DIVM}{DIVQ} \quad \text{with} \quad \frac{CLK_{SEL}}{DIVQ} = f_{UPD} \geq 1.5 \text{ MHz} \quad (20)$$

Where

CLK_{SEL} is the PLL reference clock frequency

DIVQ is derived from [Table 42-1](#)

DIVM represents the value of UPMB field

[Table 42-2](#) lists some common clock input frequencies for CLK_{SEL} , along with the appropriate register settings for generating the nominal 48-MHz clock required by the USB serial engine. For crystal operation, a 4 MHz or higher crystal is required. For crystal bypass mode of operation, 1.5 MHz is the lowest external clock input possible for CLK_{SEL} .

If USB operation is used in a bus-powered configuration, disabling the PLL is necessary to pass the USB requirement of not consuming more than 500 μ A. The UPLEN bit enables or disables the PLL. The PFDEN bit must be set to enable the phase and frequency discriminator. Out-of-lock, loss-of-signal, and out-of-range are indicated and flagged in the interrupt flags OOLIFG, LOSIFG, OORIFG, respectively.

NOTE: UCLKSEL bits should always be cleared, which is the default operation. All other combinations are reserved for future usages.

Table 42-1. USB-PLL Pre-Scale Divider

UPQB	DIVQ
000	1
001	2
010	3
011	4
100	6
101	8
110	13
111	16

Table 42-2. Register Settings to Generate 48 MHz Using Common Clock Input Frequencies

CLK _{SEL} (MHz)	UPQB	UPMB	DIVQ	DIVM	CLKLOOP (MHz)	UPLLCLK (MHz)	ACCURACY (ppm)
1.5	000	011111	1	32	1.5	48	0
1.6	000	011101	1	30	1.6	48	0
1.7778	000	011010	1	27	1.7778	48	0
1.8432	000	011001	1	26	1.8432	47.92	-1570
1.8461	000	011001	1	26	1.8461	48	0
1.92	000	011000	1	25	1.92	48	0
2	000	010111	1	24	2	48	0
2.4	000	010011	1	20	2.4	48	0
2.6667	000	010001	1	18	2.6667	48	0
3	000	001111	1	16	3	48	0
3.2	001	011110	2	30	1.6	48	0
3.5556	001	011010	2	27	1.7778	48	0
3.84	001	011001	2	25	1.92	48	0
4 ⁽¹⁾	001	010111	2	24	2	48	0
4.1739	001	010110	2	23	2.086	48	0
4.3636	001	010101	2	22	2.1818	48	0
4.5	010	011111	3	32	1.5	48	0
4.8	001	010011	2	20	2.4	48	0
5.33 \neq (16/3)	001	010001	2	18	2.6667	48	0
5.76	010	011000	3	25	1.92	48	0
6	010	010111	3	24	2	48	0
6.4	011	011101	4	30	1.6	48	0
7.2	010	010011	3	20	2.4	48	0
7.68	011	011000	4	25	1.92	48	0
8 ⁽¹⁾	010	010001	3	18	2.6667	48	0
9	010	001111	3	16	3	48	0

⁽¹⁾ This frequency can be automatically detected by the factory-supplied BSL, for use in production programming of the MSP430 via USB. See the *MSP430 Programming Via the Bootstrap Loader User's Guide (SLAU319)* for details.

Table 42-2. Register Settings to Generate 48 MHz Using Common Clock Input Frequencies (continued)

CLK _{SEL} (MHz)	UPQB	UPMB	DIVQ	DIVM	CLKLOOP (MHz)	UPLLCLK (MHz)	ACCURACY (ppm)
9.6	011	010011	4	20	2.4	48	0
10.66 \neq (32/3)	011	010001	4	18	2.6667	48	0
12 ⁽¹⁾	011	001111	4	16	3	48	0
12.8	101	011101	8	30	1.6	48	0
14.4	100	010011	6	20	2.4	48	0
16	100	010001	6	18	2.6667	48	0
16.9344	100	010000	6	17	2.8224	47.98	-400
16.94118	100	010000	6	17	2.8235	48	0
18	100	001111	6	16	3	48	0
19.2	101	010011	8	20	2.4	48	0
24 ⁽¹⁾	101	001111	8	16	3	48	0
25.6	111	011101	16	30	1.6	48	0
26.0	110	010111	13	24	2	48	0
32	111	010111	16	24	2.6667	48	0

42.2.3.1 Modifying the Divider Values

Updating the values of UPQB (DIVQ) and UPMB (DIVM) to select the desired PLL frequency must occur simultaneously to avoid spurious frequency artifacts. The values of UPQB and UPMB can be calculated and written to their buffer registers; the final update of UPQB and UPMB occurs when the upper byte of UPLLDIVB (UPQB) is written.

42.2.3.2 PLL Error Indicators

The PLL can detect three kinds of errors. Out-of-lock (OOL) is indicated if a frequency correction is performed in the same direction (that is, up or down) for four consecutive update periods. Loss-of-signal (LOS) is indicated if a frequency correction is performed in the same direction (that is, up or down) for 16 consecutive update periods. Out-of-range (OOR) is indicated if PLL was unable to lock for more than 32 update periods.

OOL, LOS, and OOR trigger their respective interrupt flags (USBOOLIFG, USBLOSIFG, USBOORIFG) if errors occur, and interrupts are generated if enabled by their enable bits (USBOOLIE, USBLOSIE, USBOORIE).

42.2.3.3 PLL Startup Sequence

To achieve the fastest startup of the PLL, the following sequence is recommended.

1. Enable VUSB and V18.
2. Wait 2 ms for external capacitors to charge, so that proper VUSB is in place. (During this time, the USB registers and buffers can be initialized.)
3. Activate the PLL, using the required divider values.
4. Wait 2 ms and check PLL. If it stays locked, it is ready to be used.

42.2.4 USB Controller Engine

The USB controller engine transfers data packets arriving from the USB host into the USB buffers, and also transmits valid data from the buffers to the USB host. The controller engine has dedicated, fixed buffer space for input endpoint 0 and output endpoint 0, which are the default USB endpoints for control transfers.

The 14 remaining endpoints (seven input and seven output) may have one or more USB buffers assigned to them. All the buffers are located in the USB buffer memory. This memory is implemented as "multiport" memory, in that it can be accessed both by the USB buffer manager and also by the CPU and DMA.

Each endpoint has a dedicated set of descriptor registers that describe the use of that endpoint (see Figure 42-6). Configuration of each endpoint is performed by setting its descriptor registers. These data structures are located in the USB buffer memory and contain address pointers to the next memory buffer for receive or transmit.

Assigning one or two data buffers to an endpoint, of up to 64 bytes, requires no further software involvement after configuration. If more than two buffers per endpoint are desired, however, software must change the address pointers on the fly during a receive or transmit process.

Synchronization of empty and full buffers is done using validation flags. All events are indicated by flags and fire a vector interrupt when enabled. Transfer event indication can be enabled separately.

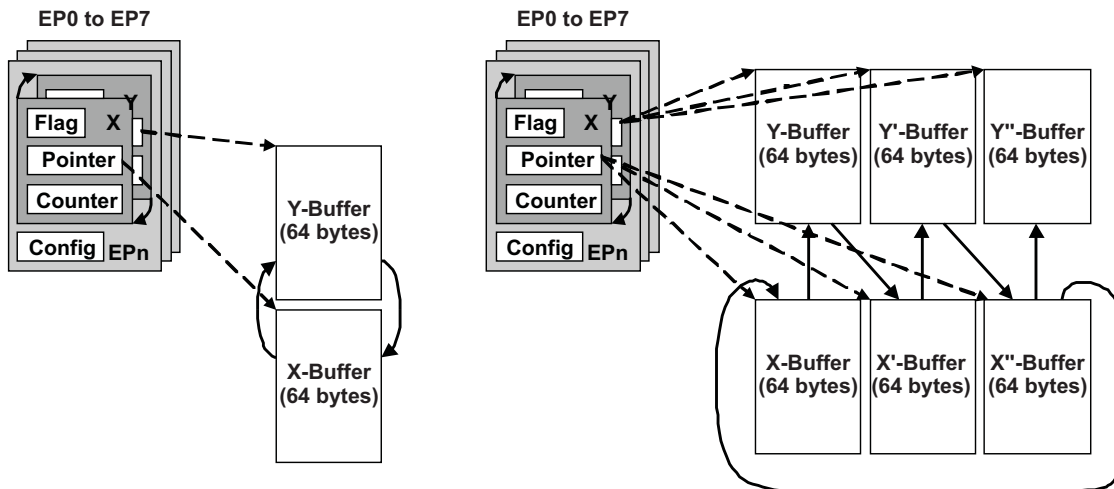


Figure 42-6. Data Buffers and Descriptors

42.2.4.1 USB Serial Interface Engine (SIE)

The SIE logic manages the USB packet protocol requirements for the packets being received and transmitted on the bus. For packets being received, the SIE decodes the packet identifier field (packet ID) to determine the type of packet being received and to ensure the packet ID is valid. For token and data packets being received, the SIE calculates the packet cycle redundancy check (CRC) and compares the value to the CRC contained in the packet to verify that the packet was not corrupted during transmission.

For token and data packets being transmitted, the SIE generates the CRC that is transmitted with the packet. For packets being transmitted, the SIE also generates the synchronization field (SYNC), which is an eight-bit field at the beginning of each packet. In addition, the SIE generates the correct packet ID for all packets being transmitted.

Another major function of the SIE is the overall serial-to-parallel conversion of the data packets being received or transmitted.

42.2.4.2 USB Buffer Manager (UBM)

The USB buffer manager provides the control logic that interfaces the SIE to the USB endpoint buffers.

One of the major functions of the UBM is to decode the USB device address to determine if the USB host is addressing this particular USB device. In addition, the endpoint address field and direction signal are decoded to determine which particular USB endpoint is being addressed. Based on the direction of the USB transaction and the endpoint number, the UBM either writes or reads the data packet to or from the appropriate USB endpoint data buffer.

The TOGGLE bit for each output endpoint configuration register is used by the UBM to track successful output data transactions. If a valid data packet is received and the data packet ID matches the expected packet ID, the TOGGLE bit is toggled. Similarly, the TOGGLE bit for each input endpoint configuration is used by the UBM to track successful input data transactions. If a valid data packet is transmitted, the TOGGLE bit is toggled. If the TOGGLE bit is cleared, a DATA0 packet ID is transmitted in the data packet to the host. If the TOGGLE bit is set, a DATA1 packet ID is transmitted in the data packet to the host. See [Section 42.3](#) regarding details of USB transfers.

42.2.4.3 USB Buffer Memory

The USB buffer memory contains the data buffers for all endpoints and for SETUP packets. In that the buffers for endpoints 1 to 7 are flexible, there are USB buffer configuration registers that define them, and these too are in the USB buffer memory. (Endpoint 0 is defined with a set of registers in the USB control register space.) Storing these in open memory allows for efficient, flexible use, which is advantageous because use of these endpoints is very application-specific.

This memory is implemented as "multiport" memory, in that it can be accessed both by the USB buffer manager and also by the CPU and DMA. The SIE allows CPU or DMA access, but reserves priority. As a result, CPU or DMA access is delayed using wait states if a conflict arises with an SIE access.

When the USB module is disabled (USBEN = 0), the buffer memory behaves like regular RAM. When changing the state of the USBEN bit (enabling or disabling the USB module), the USB buffer memory should not be accessed within four clocks before and eight clocks after changing this bit, as doing so reconfigures the access method to the USB memory.

Accessing of the USB buffer memory by CPU or DMA is only possible if the USB PLL is active. When a host requests suspend condition the application software (for example, USB stack) of client has to switch off the PLL within 10 ms. Note that the MSP430 USB suspend interrupt occurs around 5 ms after the host request.

Each endpoint is defined by a block of six configuration "registers" (based in RAM, they are not true registers in the strict sense of the word). These registers specify the endpoint type, buffer address, buffer size and data packet byte count. They define an endpoint buffer space that is 1904 bytes in size. An additional 24 bytes are allotted to three remaining blocks – the EP0_IN buffer, the EP0_OUT buffer, and the SETUP packet buffer (see [Table 42-3](#)).

Table 42-3. USB Buffer Memory Map

Memory	Short Form	Access Type	Address Offset
Start of buffer space	STABUFF	Read/Write	0000h
1904 bytes of configurable buffer space	:	Read/Write	:
End of buffer space	TOPBUFF	Read/Write	076Fh
Output endpoint_0 buffer	USBOEP0BUF	Read/Write	0770h
		Read/Write	:
		Read/Write	0777h
Input endpoint_0 buffer	USBIEP0BUF	Read/Write	0778h
		Read/Write	:
		Read/Write	077Fh
Setup Packet Block	USBSUBLK	Read/Write	0780h
		Read/Write	:
		Read/Write	0787h

Software can configure each buffer according to the total number of endpoints needed. Single or double buffering of each endpoint is possible.

Unlike the descriptor registers for endpoints 1 to 7, which are defined as memory entries in USB RAM, endpoint 0 is described by a set of four registers (two for output and two for input) in the USB control register set. Endpoint 0 has no base-address register, since these addresses are hardwired. The bit positions have been preserved to provide consistency with endpoint_n (n = 1 to 7).

42.2.4.4 USB Fine Timestamp

The USB module is capable of saving a timestamp associated with particular USB events (see Figure 42-7). This can be useful in compensating for delays in software response. The timestamp values are based on the USB module's internal timer, driven by USBCLK.

Up to four events can be selected to generate the timestamp, selected with the TSESEL bits. When they occur, the value of the USB timer is transferred to the timestamp register USBTSREG, and thus the exact moment of the event is recorded. The trigger options include one of three DMA channels, or a software-driven event. The USB timer cannot be directly accessed by reading.

Furthermore, the value of the USB timer can be used to generate periodic interrupts. Since the USBCLK can have a frequency different from the other system clocks, this gives another option for periodic system interrupts. The UTSEL bits select the divider from the USB clock. UTIE must be set for an interrupt vector to get triggered.

The timestamp register is set to zero on a frame-number-receive event and pseudo-start-of-frame.

TSGEN enables or disables the time stamp generator.

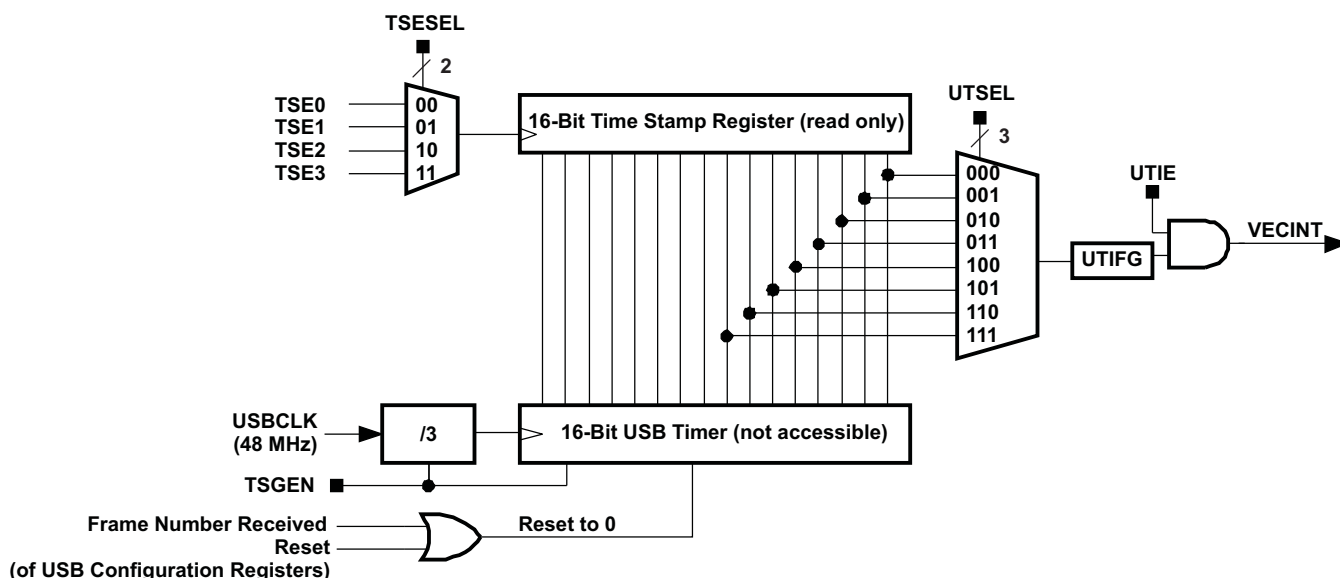


Figure 42-7. USB Timer and Time Stamp Generation

42.2.4.5 Suspend and Resume Logic

The USB suspend and resume logic detects suspend and resume conditions on the USB bus. These events are flagged in SUSRIFG and RESRIFG, respectively, and they fire dedicated interrupts, if the interrupts are enabled (SUSRIE and RESRIE).

The remote wakeup mechanism, in which a USB device can cause the USB host to awaken and resume the device, is triggered by setting the RWUP bit of the USBCTL register.

See Section 42.2.6 for more information.

42.2.4.6 Reset Logic

A PUC resets the USB module logic. When FRSTE = 1, the logic is also reset when a USB reset event occurs on the bus, triggered from the USB host. (A USB reset also sets the RSTRIFG flag.) USB buffer memory is not reset by a USB reset.

42.2.5 USB Vector Interrupts

The USB module uses a single interrupt vector generator register to handle multiple USB interrupts. All USB-related interrupt sources trigger the USBVECINT (also called USBIV) vector, which then contains a 6-bit vector value that identifies the interrupt source. Each of the interrupt sources results in a different offset value read. The interrupt vector returns zero when no interrupt is pending.

Reading the interrupt vector register clears the corresponding interrupt flag and updates its value. The interrupt with highest priority returns the value 0002h; the interrupt with lowest priority returns the value 003Eh when reading the interrupt vector register. Writing to this register clears all interrupt flags.

For each input and output endpoints resides an USB transaction interrupt indication enable. Software may set this bit to define if interrupts are to be flagged in general. To generate an interrupt the corresponding interrupt enable and flag must be set.

Table 42-4. USB Interrupt Vector Generation

USBVECINT Value	Interrupt Source	Interrupt Flag Bit	Interrupt Enable Bit	Indication Enable Bit
0000h	no interrupt	–	–	–
0002h	USB-PWR drop ind.	USBPWRCTL.VUOVLIFG	USBPWRCTL.VUOVLIE	–
0004h	USB-PLL lock error	USBPLLIR.USBPLLOOLIFG	USBPLLIR.USBPLLOOLIE	–
0006h	USB-PLL signal error	USBPLLIR.USBPLLOSIFG	USBPLLIR.USBPLLOSIE	–
0008h	USB-PLL range error	USBPLLIR.USBPLLOORIFG	USBPLLIR.USBPLLOORIE	–
000Ah	USB-PWR VBUS-on	USBPWRCTL.VBONIFG	USBPWRCTL.VBONIE	–
000Ch	USB-PWR VBUS-off	USBPWRCTL.VBOFFIFG	USBPWRCTL.VBOFFIE	–
000Eh	reserved	–	–	–
0010h	USB timestamp event	USBMAINTL.UTIFG	USBMAINTL.UTIE	–
0012h	Input Endpoint-0	USBIEPIFG.EP0	USBIEPIE.EP0	USBIEPCNFG_0.USBIIE
0014h	Output Endpoint-0	USBOEPIFG.EP0	USBOEPIE.EP0	USBOEPCNFG_0.USBIIE
0016h	RSTR interrupt	USBIFG.RSTRIFG	USBIE.RSTRIE	–
0018h	SUSR interrupt	USBIFG.SUSRIFG	USBIE.SUSRIE	–
001Ah	RESR interrupt	USBIFG.RESRIFG	USBIE.RESRIE	–
001Ch	reserved	–	–	–
001Eh	reserved	–	–	–
0020h	Setup packet received	USBIFG.SETUPIFG	USBIE.SETUPIE	–
0022h	Setup packet overwrite	USBIFG.STPOWIFG	USBIE.STPOWIE	–
0024h	Input Endpoint-1	USBIEPIFG.EP1	USBIEPIE.EP1	USBIEPCNF_1.USBIIE
0026h	Input Endpoint-2	USBIEPIFG.EP2	USBIEPIE.EP2	USBIEPCNF_2.USBIIE
0028h	Input Endpoint-3	USBIEPIFG.EP3	USBIEPIE.EP3	USBIEPCNF_3.USBIIE
002Ah	Input Endpoint-4	USBIEPIFG.EP4	USBIEPIE.EP4	USBIEPCNF_4.USBIIE
002Ch	Input Endpoint-5	USBIEPIFG.EP5	USBIEPIE.EP5	USBIEPCNF_5.USBIIE
002Eh	Input Endpoint-6	USBIEPIFG.EP6	USBIEPIE.EP6	USBIEPCNF_6.USBIIE
0030h	Input Endpoint-7	USBIEPIFG.EP7	USBIEPIE.EP7	USBIEPCNF_7.USBIIE
0032h	Output Endpoint-1	USBOEPIFG.EP1	USBOEPIE.EP1	USBOEPCNF_1.USBIIE
0034h	Output Endpoint-2	USBOEPIFG.EP2	USBOEPIE.EP2	USBOEPCNF_2.USBIIE
0036h	Output Endpoint-3	USBOEPIFG.EP3	USBOEPIE.EP3	USBOEPCNF_3.USBIIE
0038h	Output Endpoint-4	USBOEPIFG.EP4	USBOEPIE.EP4	USBOEPCNF_4.USBIIE
003Ah	Output Endpoint-5	USBOEPIFG.EP5	USBOEPIE.EP5	USBOEPCNF_5.USBIIE
003Ch	Output Endpoint-6	USBOEPIFG.EP6	USBOEPIE.EP6	USBOEPCNF_6.USBIIE
003Eh	Output Endpoint-7	USBOEPIFG.EP7	USBOEPIE.EP7	USBOEPCNF_7.USBIIE

42.2.6 Power Consumption

USB functionality consumes more power than is typically drawn in the MSP430. Since most MSP430 applications are power sensitive, the MSP430 USB module has been designed to protect the battery by ensuring that significant power load only occurs when attached to the bus, allowing power to be drawn from VBUS.

The two components of the USB module that draw the most current are the transceiver and the PLL. The transceiver can consume large amounts of power while transmitting, but in its quiescent state – that is, when not transmitting data – the transceiver actually consumes very little power. This is the amount specified as I_{IDLE} . This amount is so little that the transceiver can be kept active during suspend mode without presenting a problem for bus-powered applications. Fortunately the transceiver always has access to VBUS power when drawing the level of current required for transmitting.

The PLL consumes a larger amount of current. However, it need only be active while connected to the host, and the host can supply the power. When the PLL is disabled (for example, during USB suspend), USBCLK automatically is sourced from the VLO.

42.2.7 Suspend and Resume

All USB devices must support the ability to be suspended into a no-activity state, and later resumed. When suspended, a device is not allowed to consume more than 500uA from the USB's VBUS power rail, if the device is drawing any power from that source. A suspended device must also monitor for a resume event on the bus.

The host initiates a suspend condition by creating a constant idle state on the bus for more than 3.0 ms. It is the responsibility of the software to ensure the device enters its low power suspend state within 10 ms of the suspend condition. The USB specification requires that a suspended bus-powered USB device not draw in excess of 500 μ A from the bus.

42.2.7.1 Entering Suspend

When the host suspends the USB device, a suspend interrupt is generated (SUSRIFG). From this point, the software has 10 ms to ensure that no more than 500uA is being drawn from the host via VBUS.

For most applications, the integrated 3.3-V LDO is being used. In this case, the following actions should be taken:

- Disable the PLL by clearing UPLLEN (UPLLEN = 0)
- Limit all current sourced from VBUS that causes the total current sourced from VBUS equal to 500 μ A minus the suspend current, $I_{SUSPEND}$ (see the device-specific data sheet).

Disabling the PLL eliminates the largest on-chip draw of power from VBUS. During suspend, the USBCLK is automatically sourced by the VLO (VLOCLK), allowing the USB module to detect resume when it occurs. It is a good idea to also then ensure that the RESRIE bit is also set, so that an interrupt is generated when the host resumes the device. If desired, the high frequency crystal can also be disabled to save additional system power, however it does not contribute to the power from VBUS since it draws power from the DVCC supply.

42.2.7.2 Entering Resume Mode

When the USB device is in a suspended condition, any non-idle signaling, including reset signaling, on the host side is detected by the suspend and resume logic and device operation is resumed. RESRIFG is set, causing an USB interrupt. The interrupt service routine can be used to resume USB operation.

42.3 USB Transfers

The USB module supports control, bulk, and interrupt data transfer types. In accordance with the USB specification, endpoint 0 is reserved for the control endpoint and is bidirectional. In addition to the control endpoint, the USB module is capable of supporting up to 7 input endpoints and 7 output endpoints. These additional endpoints can be configured either as bulk or interrupt endpoints. The software handles all control, bulk, and interrupt endpoint transactions.

42.3.1 Control Transfers

Control transfers are used for configuration, command, and status communication between the host and the USB device. Control transfers to the USB device use input endpoint 0 and output endpoint 0. The three types of control transfers are control write, control write with no data stage, and control read. Note that the control endpoint must be initialized before connecting the USB device to the USB.

42.3.1.1 Control Write Transfer

The host uses a control write transfer to write data to the USB device. A control write transfer consists of a setup stage transaction, at least one output data stage transaction, and an input status stage transaction.

The stage transactions for a control write transfer are:

- Setup stage transaction:
 1. Input endpoint 0 and output endpoint 0 are initialized by programming the appropriate USB endpoint configuration blocks. This entails enabling the endpoint interrupt (USBIE = 1) and enabling the endpoint (UBME = 1). The NAK bit for both input endpoint 0 and output endpoint 0 must be cleared.
 2. The host sends a setup token packet followed by the setup data packet addressed to output endpoint 0. If the data is received without an error, then the UBM writes the data to the setup data packet buffer, sets the setup stage transaction bit (SETUPIFG = 1) in the USB Interrupt Flag register (USBIFG), returns an ACK handshake to the host, and asserts the setup stage transaction interrupt. Note that as long as SETUPIFG = 1, the UBM returns a NAK handshake for any data stage or status stage transactions regardless of the endpoint 0 NAK or STALL bit values.
 3. The software services the interrupt, reads the setup data packet from the buffer, and then decodes the command. If the command is not supported or invalid, the software should set the STALL bit in the output endpoint 0 configuration register (USBOEPCNFG_0) and the input endpoint 0 configuration register (USBIEPCNFG_0). This causes the device to return a STALL handshake for any data or status stage transaction. For control write transfers, the packet ID used by the host for the first data packet output is a DATA1 packet ID and the TOGGLE bit must match.

NOTE: When using USBIV, SETUPIFG is cleared upon reading USBIV. In addition, the NAK on input endpoint 0 and output endpoint 0 are also cleared. In this case, the host may send or receive the next setup packet even if MSP430 did not perform the first setup packet. To prevent this, first read the SETUPIFG directly, perform the required setup, and then use the USBIV for further processing.

NOTE: The priority of input endpoint 0 is higher than the setup flag inside USBIV (SETUPIFG). Therefore, if both the USBIEPIFG.EP0 and SETUPIFG are pending, reading USBIV gives the higher priority interrupt (EP0) as opposed to SETUPIFG. Therefore, read SETUPIFG directly, process the pending setup packet, then proceed to read the USBIV.

- Data stage transaction:
 1. The host sends an OUT token packet followed by a data packet addressed to output endpoint 0. If the data is received without an error, the UBM writes the data to the output endpoint buffer (USBOEP0BUF), updates the data count value, toggles the TOGGLE bit, sets the NAK bit, returns an ACK handshake to the host, and asserts the output endpoint interrupt 0 (OEPIFG0).
 2. The software services the interrupt and reads the data packet from the output endpoint buffer. To read the data packet, the software first needs to obtain the data count value inside the USBOEPCNT_0 register. After reading the data packet, the software should clear the NAK bit to allow the reception of the next data packet from the host.
 3. If the NAK bit is set when the data packet is received, the UBM simply returns a NAK handshake to the host. If the STALL bit is set when the data packet is received, the UBM simply returns a STALL handshake to the host. If a CRC or bit stuff error occurs when the data packet is received, then no handshake is returned to the host.
- Status stage transaction:
 1. For input endpoint 0, the software updates the data count value to zero, sets the TOGGLE bit, then clears the NAK bit to enable the data packet to be sent to the host. Note that for a status stage transaction, a null data packet with a DATA1 packet ID is sent to the host.
 2. The host sends an IN token packet addressed to input endpoint 0. After receiving the IN token, the UBM transmits a null data packet to the host. If the data packet is received without errors by the host, then an ACK handshake is returned. The UBM then toggles the TOGGLE bit and sets the NAK bit.

3. If the NAK bit is set when the IN token packet is received, the UBM simply returns a NAK handshake to the host. If the STALL bit is set when the IN token packet is received, the UBM simply returns a STALL handshake to the host. If no handshake packet is received from the host, then the UBM prepares to retransmit the same data packet again.

42.3.1.2 Control Write Transfer with No Data Stage Transfer

The host uses a control write transfer to write data to the USB device. A control write with no data stage transfer consists of a setup stage transaction and an input status stage transaction. For this type of transfer, the data to be written to the USB device is contained in the two byte value field of the setup stage transaction data packet.

The stage transactions for a control write transfer with no data stage transfer are:

- Setup stage transaction:
 1. Input endpoint 0 and output endpoint 0 are initialized by programming the appropriate USB endpoint configuration blocks. This entails programming the buffer size and buffer base address, selecting the buffer mode, enabling the endpoint interrupt (USBIE = 1), initializing the TOGGLE bit, enabling the endpoint (UBME = 1). The NAK bit for both input endpoint 0 and output endpoint 0 must be cleared.
 2. The host sends a setup token packet followed by the setup data packet addressed to output endpoint 0. If the data is received without an error then the UBM writes the data to the setup data packet buffer, sets the setup stage transaction (SETUP) bit in the USB status register, returns an ACK handshake to the host, and asserts the setup stage transaction interrupt. Note that as long as the setup transaction (SETUP) bit is set, the UBM returns a NAK handshake for any data stage or status stage transaction regardless of the endpoint 0 NAK or STALL bit values.
 3. The software services the interrupt and reads the setup data packet from the buffer then decodes the command. If the command is not supported or invalid, the software should set the STALL bits in the output endpoint 0 and the input endpoint 0 configuration registers before clearing the setup stage transaction (SETUP) bit. This causes the device to return a STALL handshake for data or status stage transactions. After reading the data packet and decoding the command, the software should clear the interrupt, which automatically clears the setup stage transaction status bit.

NOTE: When using USBIV, the SETUPIFG is cleared upon reading USBIV. In addition, the NAK on input endpoint 0 and output endpoint 0 is also cleared. In this case, the host may send or receive the next setup packet even if MSP430 did not perform the first setup packet. To prevent this, first read the SETUPIFG directly, perform the required setup, and then use the USBIV for further processing.

NOTE: The priority of input endpoint 0 is higher than setup flag inside USBIV. Therefore, if both the USBIEPIFG.EP0 and SETUPIFG are pending, reading the USBIV gives the higher priority interrupt (EP0) as opposed to the SETUPIFG. Therefore, read SETUPIFG directly, process the pending setup packet, then proceed to read the USBIV.

- Status stage transaction:
 1. For input endpoint 0, the software updates the data count value to zero, sets the TOGGLE bit, then clears the NAK bit to enable the data packet to be sent to the host. Note that for a status stage transaction a null data packet with a DATA1 packet ID is sent to the host.
 2. The host sends an IN token packet addressed to input endpoint 0. After receiving the IN token, the UBM transmits a null data packet to the host. If the data packet is received without errors by the host, then an ACK handshake is returned. The UBM then toggles the TOGGLE bit, sets the NAK bit, and asserts the endpoint interrupt.
 3. If the NAK bit is set when the IN token packet is received, the UBM simply returns a NAK handshake to the host. If the STALL bit is set when the IN token packet is received, the UBM simply returns a STALL handshake to the host. If no handshake packet is received from the host, then the UBM prepares to retransmit the same data packet again.

42.3.1.3 Control Read Transfer

The host uses a control read transfer to read data from the USB device. A control read transfer consists of a setup stage transaction, at least one input data stage transaction and an output status stage transaction.

The stage transactions for a control read transfer are:

- Setup stage transaction:
 1. Input endpoint 0 and output endpoint 0 are initialized by programming the appropriate USB endpoint configuration blocks. This entails enabling the endpoint interrupt (USBIE = 1) and enabling the endpoint (UBME = 1). The NAK bit for both input endpoint 0 and output endpoint 0 must be cleared.
 2. The host sends a setup token packet followed by the setup data packet addressed to output endpoint 0. If the data is received without an error, then the UBM writes the data to the setup buffer, sets the setup stage transaction (SETUP) bit in the USB status register, returns an ACK handshake to the host, and asserts the setup stage transaction interrupt. Note that as long as the setup transaction (SETUP) bit is set, the UBM returns a NAK handshake for any data stage or status stage transactions regardless of the endpoint 0 NAK or STALL bit values.
 3. The software services the interrupt and reads the setup data packet from the buffer then decodes the command. If the command is not supported or invalid, the software should set the STALL bits in the output endpoint 0 and the input endpoint 0 configuration registers before clearing the setup stage transaction (SETUP) bit. This causes the device to return a STALL handshake for a data stage or status stage transactions. After reading the data packet and decoding the command, the software should clear the interrupt, which automatically clears the setup stage transaction status bit. The software should also set the TOGGLE bit in the input endpoint 0 configuration register. For control read transfers, the packet ID used by the host for the first input data packet is a DATA1 packet ID.

NOTE: When using USBIV, the SETUPIFG is cleared upon reading USBIV. In addition, it also clears NAK on input endpoint 0 and output endpoint 0. In this case, the host may send or receive the next setup packet even if MSP430 did not perform the first setup packet. To prevent this, first read the SETUPIFG directly, perform the required setup, and then use the USBIV for further processing.

NOTE: The priority of input endpoint 0 is higher than the setup flag inside USBIV. Therefore, if both the USBIEPIFG.EP0 and SETUPIFG are pending, reading the USBIV gives the higher priority interrupt (EP0) as opposed to the SETUPIFG. Therefore, read SETUPIFG directly, process the pending setup packet, then proceed to read the USBIV.

- Data stage transaction:
 1. The data packet to be sent to the host is written to the input endpoint 0 buffer by the software. The software also updates the data count value then clears the input endpoint 0 NAK bit to enable the data packet to be sent to the host.
 2. The host sends an IN token packet addressed to input endpoint 0. After receiving the IN token, the UBM transmits the data packet to the host. If the data packet is received without errors by the host, then an ACK handshake is returned. The UBM sets the NAK bit and asserts the endpoint interrupt.
 3. The software services the interrupt and prepares to send the next data packet to the host.
 4. If the NAK bit is set when the IN token packet is received, the UBM simply returns a NAK handshake to the host. If the STALL bit is set when the IN token packet is received, the UBM simply returns a STALL handshake to the host. If no handshake packet is received from the host, then the UBM prepares to retransmit the same data packet again.
 5. The software continues to send data packets until all data has been sent to the host.
- Status stage transaction:
 1. For output endpoint 0, the software sets the TOGGLE bit, then clears the NAK bit to enable the data packet to be sent to the host. Note that for a status stage transaction a null data packet with a DATA1 packet ID is sent to the host.
 2. The host sends an OUT token packet addressed to output endpoint 0. If the data packet is received

without an error then the UBM updates the data count value, toggles the TOGGLE bit, sets the NAK bit, returns an ACK handshake to the host, and asserts the endpoint interrupt.

3. The software services the interrupt. If the status stage transaction completed successfully, then the software should clear the interrupt and clear the NAK bit.
4. If the NAK bit is set when the input data packet is received, the UBM simply returns a NAK handshake to the host. If the STALL bit is set when the in data packet is received, the UBM simply returns a STALL handshake to the host. If a CRC or bit stuff error occurs when the data packet is received, then no handshake is returned to the host.

42.3.2 Interrupt Transfers

The USB module supports interrupt data transfers both to and from the host. Devices that need to send or receive a small amount of data with a specified service period are best served by the interrupt transfer type. Input endpoints 1 through 7 and output endpoints 1 through 7 can be configured as interrupt endpoints.

42.3.2.1 Interrupt OUT Transfer

The steps for an interrupt OUT transfer are:

1. The software initializes one of the output endpoints as an output interrupt endpoint by programming the appropriate endpoint configuration block. This entails programming the buffer size and buffer base address, selecting the buffer mode, enabling the endpoint interrupt, initializing the toggle bit, enabling the endpoint, and clearing the NAK bit.
2. The host sends an OUT token packet followed by a data packet addressed to the output endpoint. If the data is received without an error then the UBM writes the data to the endpoint buffer, updates the data count value, toggles the toggle bit, sets the NAK bit, returns an ACK handshake to the host, and asserts the endpoint interrupt.
3. The software services the interrupt and reads the data packet from the buffer. To read the data packet, the software first needs to obtain the data count value. After reading the data packet, the software should clear the interrupt and clear the NAK bit to allow the reception of the next data packet from the host.
4. If the NAK bit is set when the data packet is received, the UBM simply returns a NAK handshake to the host. If the STALL bit is set when the data packet is received, the UBM simply returns a STALL handshake to the host. If a CRC or bit stuff error occurs when the data packet is received, then no handshake is returned to the host device.

In double buffer mode, the UBM selects between the X and Y buffer based on the value of the toggle bit. If the toggle bit is a 0, the UBM writes the data packet to the X buffer. If the toggle bit is a 1, the UBM writes the data packet to the Y buffer. When a data packet is received, the software could determine which buffer contains the data packet by reading the toggle bit. However, when using double buffer mode, the possibility exists for data packets to be received and written to both the X and Y buffer before the software responds to the endpoint interrupt. In this case, simply using the toggle bit to determine which buffer contains the data packet would not work. Hence, in double buffer mode, the software should read the X buffer NAK bit, the Y buffer NAK bit, and the toggle bits to determine the status of the buffers.

42.3.2.2 Interrupt IN Transfer

The steps for an interrupt IN transfer are:

1. The software initializes one of the input endpoints as an input interrupt endpoint by programming the appropriate endpoint configuration block. This entails programming the buffer size and buffer base address, selecting the buffer mode, enabling the endpoint interrupt, initializing the toggle bit, enabling the endpoint, and setting the NAK bit.
2. The data packet to be sent to the host is written to the buffer by the software. The software also updates the data count value then clears the NAK bit to enable the data packet to be sent to the host.
3. The host sends an IN token packet addressed to the input endpoint. After receiving the IN token, the UBM transmits the data packet to the host. If the data packet is received without errors by the host, then an ACK handshake is returned. The UBM then toggles the toggle bit, sets the NAK bit, and asserts the endpoint interrupt.

4. The software services the interrupt and prepares to send the next data packet to the host.
5. If the NAK bit is set when the in token packet is received, the UBM simply returns a NAK handshake to the host. If the STALL bit is set when the IN token packet is received, the UBM simply returns a STALL handshake to the host. If no handshake packet is received from the host, then the UBM prepares to retransmit the same data packet again.

In double buffer mode, the UBM selects between the X and Y buffer based on the value of the toggle bit. If the toggle bit is a 0, the UBM reads the data packet from the X buffer. If the toggle bit is a 1, the UBM reads the data packet from the Y buffer.

42.3.3 Bulk Transfers

The USB module supports bulk data transfers both to and from the host. Devices that need to send or receive a large amount of data without a suitable bandwidth are best served by the bulk transfer type. In endpoints 1 through 7 and out endpoints 1 through 7 can all be configured as bulk endpoints.

42.3.3.1 Bulk OUT Transfer

The steps for a bulk OUT transfer are:

1. The software initializes one of the output endpoints as an output bulk endpoint by programming the appropriate endpoint configuration block. This entails programming the buffer size and buffer base address, selecting the buffer mode, enabling the endpoint interrupt, initializing the toggle bit, enabling the endpoint, and clearing the NAK bit.
2. The host sends an out token packet followed by a data packet addressed to the output endpoint. If the data is received without an error then the UBM writes the data to the endpoint buffer, updates the data count value, toggles the toggle bit, sets the NAK bit, returns an ACK handshake to the host, and asserts the endpoint interrupt.
3. The software services the interrupt and reads the data packet from the buffer. To read the data packet, the software first needs to obtain the data count value. After reading the data packet, the software should clear the interrupt and clear the NAK bit to allow the reception of the next data packet from the host.
4. If the NAK bit is set when the data packet is received, the UBM simply returns a NAK handshake to the host. If the STALL bit is set when the data packet is received, the UBM simply returns a STALL handshake to the host. If a CRC or bit stuff error occurs when the data packet is received, then no handshake is returned to the host.

In double buffer mode, the UBM selects between the X and Y buffer based on the value of the toggle bit. If the toggle bit is a 0, the UBM writes the data packet to the X buffer. If the toggle bit is a 1, the UBM writes the data packet to the Y buffer. When a data packet is received, the software could determine which buffer contains the data packet by reading the toggle bit. However, when using double buffer mode, the possibility exists for data packets to be received and written to both the X and Y buffer before the software responds to the endpoint interrupt. In this case, simply using the toggle bit to determine which buffer contains the data packet would not work. Hence, in double buffer mode, the software should read the X buffer NAK bit, the Y buffer NAK bit, and the toggle bits to determine the status of the buffers.

42.3.3.2 Bulk IN Transfer

The steps for a bulk IN transfer are:

1. The software initializes one of the input endpoints as an input bulk endpoint by programming the appropriate endpoint configuration block. This entails programming the buffer size and buffer base address, selecting the buffer mode, enabling the endpoint interrupt, initializing the toggle bit, enabling the endpoint, and setting the NAK bit.
2. The data packet to be sent to the host is written to the buffer by the software. The software also updates the data count value then clears the NAK bit to enable the data packet to be sent to the host.
3. The host sends an IN token packet addressed to the input endpoint. After receiving the IN token, the UBM transmits the data packet to the host. If the data packet is received without errors by the host, then an ACK handshake is returned. The UBM then toggles the toggle bit, sets the NAK bit, and asserts the endpoint interrupt.

4. The software services the interrupt and prepares to send the next data packet to the host.
5. If the NAK bit is set when the in token packet is received, the UBM simply returns a NAK handshake to the host. If the STALL bit is set when the In token packet is received, the UBM simply returns a STALL handshake to the host. If no handshake packet is received from the host, then the UBM prepares to retransmit the same data packet again.

In double buffer mode , the UBM selects between the X and Y buffer based on the value of the toggle bit. If the toggle bit is a 0, the UBM reads the data packet from the X buffer. If the toggle bit is a 1, the UBM reads the data packet from the Y buffer.

42.4 USB Registers

The USB register space is subdivided into configuration registers, control registers, and USB buffer memory.

The configuration and control registers are physical registers located in peripheral memory, while the buffer memory is implemented in RAM. See the device-specific data sheet for base addresses of these register groupings.

The USB control registers can be written only while the USB module is enabled.

When the USB module is disabled, it no longer uses the RAM buffer memory. This memory then behaves as a 2KB RAM block and can be used by the CPU or DMA without any limitation.

42.4.1 USB Configuration Registers

The configuration registers control the hardware functions needed to make a USB connection, including the PHY, PLL, and LDOs.

Access to the configuration registers is allowed or disallowed using the USBKEYPID register. Writing the proper value (9628h) unlocks the configuration registers and enables access. Writing any other value disables access while leaving the values of the registers intact. Locking should be done intentionally after the configuration is finished. Read access is available without the need to write to the USBKEYPID register.

The configuration registers are listed in [Table 42-5](#). All addresses are expressed as offsets; the base address can be found in the device-specific data sheet.

All registers are byte and word accessible.

Table 42-5. USB Configuration Registers

Offset	Acronym	Register Name	Type	Reset	Section
00h	USBKEYPID	USB controller key and ID register	Read/Write	0000h	Section 42.4.1.1
02h	USBCNF	USB controller configuration register	Read/Write	0000h	Section 42.4.1.2
04h	USBPHYCTL	USB-PHY control register	Read/Write	0000h	Section 42.4.1.3
08h	USBPWRCTL	USB-PWR control register	Read/Write	1850h	Section 42.4.1.4
10h	USBPLLCTL	USB-PLL control register	Read/Write	0000h	Section 42.4.1.5
12h	USBPLLDIVB	USB-PLL divider buffer register	Read/Write	0000h	Section 42.4.1.6
14h	USBPLLIR	USB-PLL interrupt register	Read/Write	0000h	Section 42.4.1.7

42.4.1.1 USBKEYPID Register

USB Key Register

Figure 42-8. USBKEYPID Register

15	14	13	12	11	10	9	8
USBKEY							
rw-0	rw-0	rw-0	rw-0	rw-0	rw-0	rw-0	rw-0
7	6	5	4	3	2	1	0
USBKEY							
rw-0	rw-0	rw-0	rw-0	rw-0	rw-0	rw-0	rw-0

Table 42-6. USBKEYPID Register Description

Bit	Field	Type	Reset	Description
15-0	USBKEY	RW	00h	Key register. Must be written with a value of 9628h to be recognized as a valid key. This "unlocks" the configuration registers. If written with any other value, the registers become "locked". Reads back as A528h if the registers are unlocked.

42.4.1.2 USBCNF Register

USB Module Configuration Register

This register can be modified only when USBKEYPID is unlocked.

Figure 42-9. USBCNF Register

15	14	13	12	11	10	9	8
Reserved							
r0	r0	r0	r0	r0	r0	r0	r0
7	6	5	4	3	2	1	0
Reserved			FNTEN	BLKRDY	PUR_IN	PUR_EN	USB_EN
r0	r0	r0	rw-0	rw-0	r	rw-0	rw-0

Can be modified only when USBKEYPID is unlocked.

Table 42-7. USBCNF Register Description

Bit	Field	Type	Reset	Description
15-5	Reserved	R	0h	Reserved. Always reads as 0.
4	FNTEN	RW	0h	Frame number receive trigger enable for DMA transfers 0b = Frame number receive trigger is blocked. 1b = Frame number receive trigger is gated through to DMA.
3	BLKRDY	RW	0h	Block transfer ready signaling for DMA transfers 0b = DMA triggering is disabled. 1b = DMA is triggered whenever the USB bus interface can accept new write transfers.
2	PUR_IN	R	0h	PUR input value. This bit reflects the input value present on PUR. This bit may be used as an indication to start a USB based boot loading program (USB-BSL). The PUR input logic is powered by VUSB. PUR_IN returns zero when VUSB is zero.
1	PUR_EN	RW	0h	PUR pin enable 0b = PUR pin is in high-impedance state 1b = PUR pin is driven high
0	USB_EN	RW	0h	USB module enable 0b = USB module is disabled 1b = USB module is enabled

42.4.1.3 USBPHYCTL Register

USB-PHY Control Register

This register can be modified only when USBKEYPID is unlocked.

Figure 42-10. USBPHYCTL Register

15	14	13	12	11	10	9	8
Reserved						Reserved	PUIPE
r0	r0	r0	r0	r0	r0	rw-0	rw-0
7	6	5	4	3	2	1	0
PUSEL	Reserved	PUOPE	Reserved	PUIN1	PUIN0	PUOUT1	PUOUT0
rw-0	r	rw-0	rw-0	r	r	rw-0	rw-0

Can be modified only when USBKEYPID is unlocked.

Table 42-8. USBPHYCTL Register Description

Bit	Field	Type	Reset	Description
15-10	Reserved	R	0h	Reserved. Always reads as 0.
9	Reserved	RW	0h	Reserved. Always write as 0.
8	PUIPE	RW	0h	PU input enable. This bit is valid only when PUSEL = 0. 0b = PU.0 and PU.1 inputs are disabled 1b = PU.0 and PU.1 inputs are enabled
7	PUSEL	RW	0h	USB port function select. This bit selects the function of the PU.0/DP and PU.1/DM pins. 0b = PU.0 and PU.1 function selected (general purpose I/O) 1b = DP and DM function selected (USB terminals)
6	Reserved	R	0h	Reserved. Always reads as 0.
5	PUOPE	RW	0h	PU output enable. This bit is valid only when PUSEL = 0. 0b = PU.0 and PU.1 outputs are disabled 1b = PU.0 and PU.1 outputs are enabled.
4	Reserved	RW	0h	Reserved. Always write as 0.
3	PUIN1	R	0h	PU.1 input data. This bit reflects the logic value on the PU.1 terminal when PUIPE = 1.
2	PUIN0	R	0h	PU.0 input data. This bit reflects the logic value on the PU.0 terminal when PUIPE = 1.
1	PUOUT1	RW	0h	PU.1 output data. This bits defines the value of the PU.1 pin when PUOPE = 1.
0	PUOUT0	RW	0h	PU.0 output data. This bits defines the value of the PU.0 pin when PUOPE = 1.

42.4.1.4 USBPWRCTL Register

USB-Power Control Register

This register can be modified only when USBKEYPID is unlocked.

Figure 42-11. USBPWRCTL Register

15	14	13	12	11	10	9	8
Reserved			SLDOEN	VUSBEN	VBOFFIE	VBONIE	VUOVLIE
r0	r0	r0	rw-1	rw-1	rw-0	rw-0	rw-0
7	6	5	4	3	2	1	0
Reserved	SLDOAON	OVLAOFF	USBDETEN	USBBGVBV	VBOFFIFG	VBONIFG	VUOVLIFG
r0	rw-1	rw-0	rw-1	r	rw-0	rw-0	rw-0

Can be modified only when USBKEYPID is unlocked.

Table 42-9. USBPWRCTL Register Description

Bit	Field	Type	Reset	Description
15-13	Reserved	R	0h	Reserved. Always reads as 0.
12	SLDOEN	RW	1h	1.8-V (secondary) LDO enable. When set, the LDO is enabled. Can be cleared only if SLDOAON = 0. 0b = 1.8-V LDO is disabled 1b = 1.8-V LDO is enabled
11	VUSBEN	RW	1h	3.3-V LDO enable. When set, the LDO is enabled. 0b = 3.3-V LDO is disabled 1b = 3.3-V LDO is enabled
10	VBOFFIE	RW	0h	VBUS "going OFF" interrupt enable 0b = Interrupt disabled 1b = Interrupt enabled
9	VBONIE	RW	0h	VBUS "coming ON" interrupt enable 0b = Interrupt disabled 1b = Interrupt enabled
8	VUOVLIE	RW	0h	VUSB overload indication interrupt enable 0b = Interrupt disabled 1b = Interrupt enabled
7	Reserved	R	0h	Reserved. Always reads as 0.
6	SLDOAON	RW	1h	1.8-V LDO auto-on enable 0b = LDO must be turned on manually using SLDOEN 1b = A "VBUS coming on" enables the secondary LDO, but SLDOEN is not set automatically.
5	OVLAOFF	RW	0h	LDO overload auto-off enable 0b = During an overload on the 3.3-V LDO, the LDO automatically enters current-limiting mode and stays there until the condition stops. 1b = An overload indication clears the VUSBEN bit.
4	USBDETEN	RW	1h	Enable bit for VBUS on and off events. 0b = USB module does not detect USB-PWR VBUS on and off events 1b = USB module does detect USB-PWR VBUS on and off events
3	USBBGVBV	R	0h	VBUS valid 0b = VBUS is not valid yet 1b = VBUS is valid and within bounds

Table 42-9. USBPWRCTL Register Description (continued)

Bit	Field	Type	Reset	Description
2	VBOFFIFG	RW	0h	VBUS "going OFF" interrupt flag. This bit indicates that VBUS fell below the launch voltage. It is automatically cleared when the corresponding vector of the USB interrupt vector register is read, or if a value is written to the interrupt vector register. 0b = VBUS did not fall below the launch voltage. 1b = VBUS fell below the launch voltage.
1	VBONIFG	RW	0h	VBUS "coming ON" interrupt flag. This bit indicates that VBUS rose above the launch voltage. This bit is automatically cleared when the corresponding vector of the USB interrupt vector register is read, or if a value is written to the interrupt vector register. 0b = VUSB did not rise above the launch voltage. 1b = VUSB rose above the launch voltage.
0	VUOVLIFG	RW	0h	VUSB overload interrupt flag. This bit indicates that the 3.3-V LDO entered an overload condition. 0b = No overload condition detected. 1b = Overload condition detected.

42.4.1.5 USBPLLCTL Register

USB-PLL Control Register

This register can be modified only when USBKEYPID is unlocked.

Figure 42-12. USBPLLCTL Register

15	14	13	12	11	10	9	8
Reserved			Reserved	Reserved		UPFDEN	UPLLEN
r0	r0	r0	rw-0	r0	r0	rw-0	rw-0
7	6	5	4	3	2	1	0
UCLKSEL		Reserved					
rw-0	rw-0	r0	r0	r0	r0	r0	r0

Can be modified only when USBKEYPID is unlocked.

Table 42-10. USBPLLCTL Register Description

Bit	Field	Type	Reset	Description
15-13	Reserved	R	0h	Reserved. Always reads as 0.
12	Reserved	RW	0h	Reserved. Always write as 0.
11-10	Reserved	R	0h	Reserved. Always reads as 0.
9	UPFDEN	RW	0h	Phase frequency discriminator (PFD) enable 0b = PFD is disabled 1b = PFD is enabled
8	UPLLEN	RW	0h	PLL enable 0b = PLL is disabled 1b = PLL is enabled
7-6	UCLKSEL	RW	0h	USB module clock select. Must always be written with 00. 00b = PLLCLK (default) 01b = Reserved 10b = Reserved 11b = Reserved
5-0	Reserved	R	0h	Reserved. Always reads as 0.

42.4.1.6 USBPLLDIVB Register

USB-PLL Clock Divider Buffer Register

This register can be modified only when USBKEYPID is unlocked.

Figure 42-13. USBPLLDIVB Register

15	14	13	12	11	10	9	8
Reserved					UPQB		
r0	r0	r0	r0	r0	rw-0	rw-0	rw-0
7	6	5	4	3	2	1	0
Reserved		UPMB					
r0	r0	rw-0	rw-0	rw-0	rw-0	rw-0	rw-0

Can be modified only when USBKEYPID is unlocked.

Table 42-11. USBPLLDIVB Register Description

Bit	Field	Type	Reset	Description
15-11	Reserved	R	0h	Reserved. Always reads as 0.
10-8	UPQB	RW	0h	PLL pre-scale divider buffer register. These bits select the pre-scale division value. The value of this register is transferred to UPQB as soon it is written. 000b = $f_{UPD} = f_{REF}$ 001b = $f_{UPD} = f_{REF} / 2$ 010b = $f_{UPD} = f_{REF} / 3$ 011b = $f_{UPD} = f_{REF} / 4$ 100b = $f_{UPD} = f_{REF} / 6$ 101b = $f_{UPD} = f_{REF} / 8$ 110b = $f_{UPD} = f_{REF} / 13$ 111b = $f_{UPD} = f_{REF} / 16$
7-6	Reserved	R	0h	Reserved. Always reads as 0.
5-0	UPMB	RW	0h	USB PLL feedback divider buffer register. These bits select the value of the feedback divider. The value of this register is transferred to UPMB automatically when UPQB is written. 000000b = Feedback division rate: 1 000001b = Feedback division rate: 2 ⋮ 111111b = Feedback division rate: 64

42.4.1.7 USBPLLIR Register

USB-PLL Interrupt Register

This register can be modified only when USBKEYPID is unlocked.

Figure 42-14. USBPLLIR Register

15	14	13	12	11	10	9	8
Reserved					USBOORIE	USBLOSIE	USBOOLIE
r0	r0	r0	r0	r0	rw-0	rw-0	rw-0
7	6	5	4	3	2	1	0
Reserved					USBOORIFG	USBLOSIFG	USBOOLIFG
r0	r0	r0	r0	r0	rw-0	rw-0	rw-0

Can be modified only when USBKEYPID is unlocked.

Table 42-12. USBPLLIR Register Description

Bit	Field	Type	Reset	Description
15-11	Reserved	R	0h	Reserved. Always reads as 0.
10	USBOORIE	RW	0h	PLL out-of-range interrupt enable 0b = Interrupt disabled 1b = Interrupt enabled
9	USBLOSIE	RW	0h	PLL loss-of-signal interrupt enable 0b = Interrupt disabled 1b = Interrupt enabled
8	USBOOLIE	RW	0h	PLL out-of-lock interrupt enable 0b = Interrupt disabled 1b = Interrupt enabled
7-3	Reserved	R	0h	Reserved. Always reads as 0.
2	USBOORIFG	RW	0h	PLL out-of-range interrupt flag 0b = No interrupt pending 1b = Interrupt pending
1	USBLOSIFG	RW	0h	PLL loss-of-signal interrupt flag 0b = No interrupt pending 1b = Interrupt pending
0	USBOOLIFG	RW	0h	PLL out-of-lock interrupt flag 0b = No interrupt pending 1b = Interrupt pending

42.4.2 USB Control Registers

The control registers affect core USB operations that are fundamental for any USB connection. This includes control endpoint 0, interrupts, bus address and frame, and timestamps. Control of endpoints other than zero are found in the operation registers. Unlike the operation registers, the control registers are actual physical registers, whereas the operation registers exist in RAM, which can be re-allocated to general-purpose use.

The control registers are listed in [Table 42-13](#). All addresses are expressed as offsets; the base address can be found in the device-specific data sheet.

All registers are byte and word accessible.

Table 42-13. USB Control Registers

Offset	Acronym	Register Name	Type	Reset	Section
00h	USBIEPCNF_0	Input endpoint_0: Configuration	Read/Write	00h	Section 42.4.2.1
01h	USBIEPBCNT_0	Input endpoint_0: Byte Count	Read/Write	80h	Section 42.4.2.2
02h	USBOEPCNFG_0	Output endpoint_0: Configuration	Read/Write	00h	Section 42.4.2.3
03h	USBOEPBCNT_0	Output endpoint_0: Byte count	Read/Write	00h	Section 42.4.2.4
0Eh	USBIEPIE	Input endpoint interrupt enables	Read/Write	00h	Section 42.4.2.5
0Fh	USBOEPIE	Output endpoint interrupt enables	Read/Write	00h	Section 42.4.2.6
10h	USBIEPIFG	Input endpoint interrupt flags	Read/Write	00h	Section 42.4.2.7
11h	USBOEPIFG	Output endpoint interrupt flags	Read/Write	00h	Section 42.4.2.8
12h	USBVECINT or USBIV	Vector interrupt register	Read/Write	0000h	Section 42.4.2.9
16h	USBMAINT	Timestamp maintenance register	Read/Write	0000h	Section 42.4.2.10
18h	USBTSREG	Timestamp register	Read/Write	0000h	Section 42.4.2.11
1Ah	USBFN	USB frame number	Read only	0000h	Section 42.4.2.12
1Ch	USBCTL	USB control register	Read/Write	00h	Section 42.4.2.13
1Dh	USBIE	USB interrupt enable register	Read/Write	00h	Section 42.4.2.14
1Eh	USBIFG	USB interrupt flag register	Read/Write	00h	Section 42.4.2.15
1Fh	USBFUNADR	Function address register	Read/Write	00h	Section 42.4.2.16

42.4.2.1 USBIEPCNF_0 Register

USB Input Endpoint-0 Configuration Register

Figure 42-15. USBIEPCNF_0 Register

7	6	5	4	3	2	1	0
UBME	Reserved	TOGGLE	Reserved	STALL	USBIIE	Reserved	
rw-0	r0	r-0	r0	rw-0	rw-0	r0	r0

Can be modified only when USBEN = 1.

Table 42-14. USBIEPCNF_0 Register Description

Bit	Field	Type	Reset	Description
7	UBME	RW	0h	UBM in endpoint-0 enable 0b = UBM cannot use this endpoint 1b = UBM can use this endpoint
6	Reserved	R	0h	Reserved. Always reads as 0.
5	TOGGLE	R	0h	Toggle bit. Reads as 0, because the configuration endpoint does not need to toggle.
4	Reserved	R	0h	Reserved. Always reads as 0.
3	STALL	RW	0h	USB stall condition. When set, hardware automatically returns a stall handshake to the USB host for any transaction transmitted from endpoint-0. The stall bit is cleared automatically by the next setup transaction. 0b = Indicates no stall 1b = Indicates stall
2	USBIIE	RW	0h	USB transaction interrupt indication enable. Software may set this bit to define if interrupts are to be flagged in general. To generate an interrupt the corresponding interrupt flag must be set (IEPIE). 0b = Corresponding interrupt flag is not set 1b = Corresponding interrupt flag is set
1-0	Reserved	R	0h	Reserved. Always reads as 0.

42.4.2.2 USBIEPBCNT_0 Register

USB Input Endpoint-0 Byte Count Register

Figure 42-16. USBIEPBCNT_0 Register

7	6	5	4	3	2	1	0
NAK	Reserved			CNT			
rw-0	r0	r0	r0	rw-0	rw-0	rw-0	rw-0

Can be modified only when USBEN = 1

Table 42-15. USBIEPBCNT_0 Register Description

Bit	Field	Type	Reset	Description
7	NAK	RW	0h	No acknowledge status bit. This bit is set by the UBM at the end of a successful USB IN transaction from endpoint-0, to indicate that the EP-0 IN buffer is empty. When this bit is set, all subsequent transactions from endpoint-0 result in a NAK handshake response to the USB host. To re-enable this endpoint to transmit another data packet to the host, this bit must be cleared by software. 0b = Buffer contains a valid data packet for host device 1b = Buffer is empty (Host-In request receives a NAK)
6-4	Reserved	R	0h	Reserved. Always reads as 0.
3-0	CNT	RW	0h	Byte count. The In_EP-0 buffer data count value should be set by software when a new data packet is written to the buffer. This four-bit value contains the number of bytes in the data packet. 0000b to 1000b are valid numbers for 0 to 8 bytes to be sent. 1001b to 1111b are reserved values (if used, defaults to 8).

42.4.2.3 USBOEPCNFG_0 Register

USB Output Endpoint-0 Configuration Register

Figure 42-17. USBOEPCNFG_0 Register

7	6	5	4	3	2	1	0
UBME	Reserved	TOGGLE	Reserved	STALL	USBIIE	Reserved	
rw-0	r0	r-0	r0	rw-0	rw-0	r0	r0

Can be modified only when USBEN = 1

Table 42-16. USBOEPCNFG_0 Register Description

Bit	Field	Type	Reset	Description
7	UBME	RW	0h	UBM out Endpoint-0 enable 0b = UBM cannot use this endpoint 1b = UBM can use this endpoint
6	Reserved	R	0h	Reserved. Always reads as 0.
5	TOGGLE	RW	0h	Toggle bit. Reads as 0, because the configuration endpoint does not need to toggle.
4	Reserved	R	0h	Reserved. Always reads as 0.
3	STALL	RW	0h	USB stall condition. When set, hardware automatically returns a stall handshake to the USB host for any transaction transmitted into endpoint-0. The stall bit is cleared automatically by the next setup transaction. 0b = Indicates no stall 1b = Indicates stall
2	USBIIE	RW	0h	USB transaction interrupt indication enable. Software may set this bit to define if interrupts are to be flagged in general. To generate an interrupt the corresponding interrupt flag must be set (OEPIE). 0b = Corresponding interrupt flag will not be set 1b = Corresponding interrupt flag will be set
1-0	Reserved	R	0h	Reserved. Always reads as 0.

42.4.2.4 USBOEPBCNT_0 Register

USB Output Endpoint-0 Byte Count Register

Figure 42-18. USBOEPBCNT_0 Register

7	6	5	4	3	2	1	0
NAK	Reserved			CNT			
rw-0	r0	r0	r0	rw-0	rw-0	rw-0	rw-0

Can be modified only when USBEN = 1

Table 42-17. USBOEPBCNT_0 Register Description

Bit	Field	Type	Reset	Description
7	NAK	RW	0h	No acknowledge status bit. This bit is set by the UBM at the end of a successful USB out transaction into endpoint-0, to indicate that the EP-0 buffer contains a valid data packet and that the buffer data count value is valid. When this bit is set, all subsequent transactions to endpoint-0 result in a NAK handshake response to the USB host. To re-enable this endpoint to receive another data packet from the host, this bit must be cleared by software. 0b = No valid data in the buffer. The buffer is ready to receive a host OUT transaction 1b = The buffer contains a valid packet from the host that has not been picked up. (Any subsequent Host-Out requests receive a NAK.)
6-4	Reserved	R	0h	Reserved. Always reads as 0.
3-0	CNT	RW	0h	Byte count. This data count value is set by the UBM when a new data packet is received by the buffer for the out endpoint-0. The four-bit value contains the number of bytes received in the data buffer. 0000b to 1000b are valid numbers for 0 to 8 received bytes 1001b to 1111b are reserved values

42.4.2.5 USBIEPIE Register

USB Input Endpoint Interrupt Enable Register

Figure 42-19. USBIEPIE Register

7	6	5	4	3	2	1	0
IEPIE7	IEPIE6	IEPIE5	IEPIE4	IEPIE3	IEPIE2	IEPIE1	IEPIE0
rw-0	rw-0	rw-0	rw-0	rw-0	rw-0	rw-0	rw-0

Can be modified only when USBEN = 1

Table 42-18. USBIEPIE Register Description

Bit	Field	Type	Reset	Description
7	IEPIE7	RW	0h	Input endpoint interrupt enable 7. This bit enables or disables whether an event can trigger an interrupt. It does not influence whether the event is flagged; the flag is enabled or disabled with the interrupt indication enable bit in the Endpoint descriptors. 0b = Event does not generate an interrupt 1b = Event does generate an interrupt
6	IEPIE6	RW	0h	Input endpoint interrupt enable 6. This bit enables or disables whether an event can trigger an interrupt. It does not influence whether the event is flagged; the flag is enabled or disabled with the interrupt indication enable bit in the Endpoint descriptors. 0b = Event does not generate an interrupt 1b = Event does generate an interrupt
5	IEPIE5	RW	0h	Input endpoint interrupt enable 5. This bit enables or disables whether an event can trigger an interrupt. It does not influence whether the event is flagged; the flag is enabled or disabled with the interrupt indication enable bit in the Endpoint descriptors. 0b = Event does not generate an interrupt 1b = Event does generate an interrupt
4	IEPIE4	RW	0h	Input endpoint interrupt enable 4. This bit enables or disables whether an event can trigger an interrupt. It does not influence whether the event is flagged; the flag is enabled or disabled with the interrupt indication enable bit in the Endpoint descriptors. 0b = Event does not generate an interrupt 1b = Event does generate an interrupt
3	IEPIE3	RW	0h	Input endpoint interrupt enable 3. This bit enables or disables whether an event can trigger an interrupt. It does not influence whether the event is flagged; the flag is enabled or disabled with the interrupt indication enable bit in the Endpoint descriptors. 0b = Event does not generate an interrupt 1b = Event does generate an interrupt
2	IEPIE2	RW	0h	Input endpoint interrupt enable 2. This bit enables or disables whether an event can trigger an interrupt. It does not influence whether the event is flagged; the flag is enabled or disabled with the interrupt indication enable bit in the Endpoint descriptors. 0b = Event does not generate an interrupt 1b = Event does generate an interrupt
1	IEPIE1	RW	0h	Input endpoint interrupt enable 1. This bit enables or disables whether an event can trigger an interrupt. It does not influence whether the event is flagged; the flag is enabled or disabled with the interrupt indication enable bit in the Endpoint descriptors. 0b = Event does not generate an interrupt 1b = Event does generate an interrupt

Table 42-18. USBIEPIE Register Description (continued)

Bit	Field	Type	Reset	Description
0	IEPIE0	RW	0h	Input endpoint interrupt enable 0. This bit enables or disables whether an event can trigger an interrupt. It does not influence whether the event is flagged; the flag is enabled or disabled with the interrupt indication enable bit in the Endpoint descriptors. 0b = Event does not generate an interrupt 1b = Event does generate an interrupt

42.4.2.6 USBOEPIE Register

USB Output Endpoint Interrupt Enable Register

Figure 42-20. USBOEPIE Register

7	6	5	4	3	2	1	0
OEPIE7	OEPIE6	OEPIE5	OEPIE4	OEPIE3	OEPIE2	OEPIE1	OEPIE0
rw-0	rw-0	rw-0	rw-0	rw-0	rw-0	rw-0	rw-0

Can be modified only when USBEN = 1

Table 42-19. USBOEPIE Register Description

Bit	Field	Type	Reset	Description
7	OEPIE7	RW	0h	Output endpoint interrupt enable 7. This bit enables or disables whether an event can trigger an interrupt. It does not influence whether the event is flagged; the flag is enabled or disabled with the interrupt indication enable bit in the Endpoint descriptors. 0b = Event does not generate an interrupt 1b = Event does generate an interrupt
6	OEPIE6	RW	0h	Output endpoint interrupt enable 6. This bit enables or disables whether an event can trigger an interrupt. It does not influence whether the event is flagged; the flag is enabled or disabled with the interrupt indication enable bit in the Endpoint descriptors. 0b = Event does not generate an interrupt 1b = Event does generate an interrupt
5	OEPIE5	RW	0h	Output endpoint interrupt enable 5. This bit enables or disables whether an event can trigger an interrupt. It does not influence whether the event is flagged; the flag is enabled or disabled with the interrupt indication enable bit in the Endpoint descriptors. 0b = Event does not generate an interrupt 1b = Event does generate an interrupt
4	OEPIE4	RW	0h	Output endpoint interrupt enable 4. This bit enables or disables whether an event can trigger an interrupt. It does not influence whether the event is flagged; the flag is enabled or disabled with the interrupt indication enable bit in the Endpoint descriptors. 0b = Event does not generate an interrupt 1b = Event does generate an interrupt
3	OEPIE3	RW	0h	Output endpoint interrupt enable 3. This bit enables or disables whether an event can trigger an interrupt. It does not influence whether the event is flagged; the flag is enabled or disabled with the interrupt indication enable bit in the Endpoint descriptors. 0b = Event does not generate an interrupt 1b = Event does generate an interrupt
2	OEPIE2	RW	0h	Output endpoint interrupt enable 2. This bit enables or disables whether an event can trigger an interrupt. It does not influence whether the event is flagged; the flag is enabled or disabled with the interrupt indication enable bit in the Endpoint descriptors. 0b = Event does not generate an interrupt 1b = Event does generate an interrupt
1	OEPIE1	RW	0h	Output endpoint interrupt enable 1. This bit enables or disables whether an event can trigger an interrupt. It does not influence whether the event is flagged; the flag is enabled or disabled with the interrupt indication enable bit in the Endpoint descriptors. 0b = Event does not generate an interrupt 1b = Event does generate an interrupt

Table 42-19. USBOEPIE Register Description (continued)

Bit	Field	Type	Reset	Description
0	OEPIE0	RW	0h	Output endpoint interrupt enable 0. This bit enables or disables whether an event can trigger an interrupt. It does not influence whether the event is flagged; the flag is enabled or disabled with the interrupt indication enable bit in the Endpoint descriptors. 0b = Event does not generate an interrupt 1b = Event does generate an interrupt

42.4.2.7 USBIEPIFG Register

USB Input Endpoint Interrupt Flag Register

Figure 42-21. USBIEPIFG Register

7	6	5	4	3	2	1	0
IEPIFG7	IEPIFG6	IEPIFG5	IEPIFG4	IEPIFG3	IEPIFG2	IEPIFG1	IEPIFG0
rw-0	rw-0	rw-0	rw-0	rw-0	rw-0	rw-0	rw-0

Can be modified only when USBEN = 1

Table 42-20. USBIEPIFG Register Description

Bit	Field	Type	Reset	Description
7	IEPIFG7	RW	0h	Input endpoint interrupt flag 7. This bit is set by the UBM when a successful completion of a transaction occurs for this endpoint. When set, a USB interrupt is generated. The interrupt flag is cleared when the MCU reads the value from the USBVECINT (USBIV) register corresponding with this interrupt, or when it writes any value to the interrupt vector register. An interrupt flag can also be cleared by writing zero to that bit location.
6	IEPIFG6	RW	0h	Input endpoint interrupt flag 6. This bit is set by the UBM when a successful completion of a transaction occurs for this endpoint. When set, a USB interrupt is generated. The interrupt flag is cleared when the MCU reads the value from the USBVECINT (USBIV) register corresponding with this interrupt, or when it writes any value to the interrupt vector register. An interrupt flag can also be cleared by writing zero to that bit location.
5	IEPIFG5	RW	0h	Input endpoint interrupt flag 5. This bit is set by the UBM when a successful completion of a transaction occurs for this endpoint. When set, a USB interrupt is generated. The interrupt flag is cleared when the MCU reads the value from the USBVECINT (USBIV) register corresponding with this interrupt, or when it writes any value to the interrupt vector register. An interrupt flag can also be cleared by writing zero to that bit location.
4	IEPIFG4	RW	0h	Input endpoint interrupt flag 4. This bit is set by the UBM when a successful completion of a transaction occurs for this endpoint. When set, a USB interrupt is generated. The interrupt flag is cleared when the MCU reads the value from the USBVECINT (USBIV) register corresponding with this interrupt, or when it writes any value to the interrupt vector register. An interrupt flag can also be cleared by writing zero to that bit location.
3	IEPIFG3	RW	0h	Input endpoint interrupt flag 3. This bit is set by the UBM when a successful completion of a transaction occurs for this endpoint. When set, a USB interrupt is generated. The interrupt flag is cleared when the MCU reads the value from the USBVECINT (USBIV) register corresponding with this interrupt, or when it writes any value to the interrupt vector register. An interrupt flag can also be cleared by writing zero to that bit location.
2	IEPIFG2	RW	0h	Input endpoint interrupt flag 2. This bit is set by the UBM when a successful completion of a transaction occurs for this endpoint. When set, a USB interrupt is generated. The interrupt flag is cleared when the MCU reads the value from the USBVECINT (USBIV) register corresponding with this interrupt, or when it writes any value to the interrupt vector register. An interrupt flag can also be cleared by writing zero to that bit location.
1	IEPIFG1	RW	0h	Input endpoint interrupt flag 1. This bit is set by the UBM when a successful completion of a transaction occurs for this endpoint. When set, a USB interrupt is generated. The interrupt flag is cleared when the MCU reads the value from the USBVECINT (USBIV) register corresponding with this interrupt, or when it writes any value to the interrupt vector register. An interrupt flag can also be cleared by writing zero to that bit location.
0	IEPIFG0	RW	0h	Input endpoint interrupt flag 0. This bit is set by the UBM when a successful completion of a transaction occurs for this endpoint. When set, a USB interrupt is generated. The interrupt flag is cleared when the MCU reads the value from the USBVECINT (USBIV) register corresponding with this interrupt, or when it writes any value to the interrupt vector register. An interrupt flag can also be cleared by writing zero to that bit location.

42.4.2.8 USBOEPIFG Register

USB Output Endpoint Interrupt Flag Register

Figure 42-22. USBOEPIFG Register

7	6	5	4	3	2	1	0
OEPIFG7	OEPIFG6	OEPIFG5	OEPIFG4	OEPIFG3	OEPIFG2	OEPIFG1	OEPIFG0
rw-0	rw-0	rw-0	rw-0	rw-0	rw-0	rw-0	rw-0

Can be modified only when USBEN = 1

Table 42-21. USBOEPIFG Register Description

Bit	Field	Type	Reset	Description
7	OEPIFG7	RW	0h	Output endpoint interrupt flag 7. The output endpoint interrupt flag is set to 1 by the UBM when a successful completion of a transaction occurs to that out endpoint. When the bit is set, a USB interrupt is generated. The interrupt flag is cleared when the MCU reads the value from the USBVECINT (USBIV) register corresponding with this interrupt, or when it writes any value to the interrupt vector register. An interrupt flag can also be cleared by writing a zero to this bit location.
6	OEPIFG6	RW	0h	Output endpoint interrupt flag 6. The output endpoint interrupt flag is set to 1 by the UBM when a successful completion of a transaction occurs to that out endpoint. When the bit is set, a USB interrupt is generated. The interrupt flag is cleared when the MCU reads the value from the USBVECINT (USBIV) register corresponding with this interrupt, or when it writes any value to the interrupt vector register. An interrupt flag can also be cleared by writing a zero to this bit location.
5	OEPIFG5	RW	0h	Output endpoint interrupt flag 5. The output endpoint interrupt flag is set to 1 by the UBM when a successful completion of a transaction occurs to that out endpoint. When the bit is set, a USB interrupt is generated. The interrupt flag is cleared when the MCU reads the value from the USBVECINT (USBIV) register corresponding with this interrupt, or when it writes any value to the interrupt vector register. An interrupt flag can also be cleared by writing a zero to this bit location.
4	OEPIFG4	RW	0h	Output endpoint interrupt flag 4. The output endpoint interrupt flag is set to 1 by the UBM when a successful completion of a transaction occurs to that out endpoint. When the bit is set, a USB interrupt is generated. The interrupt flag is cleared when the MCU reads the value from the USBVECINT (USBIV) register corresponding with this interrupt, or when it writes any value to the interrupt vector register. An interrupt flag can also be cleared by writing a zero to this bit location.
3	OEPIFG3	RW	0h	Output endpoint interrupt flag 3. The output endpoint interrupt flag set to 1 by the UBM when a successful completion of a transaction occurs to that out endpoint. When the bit is set, a USB interrupt is generated. The interrupt flag is cleared when the MCU reads the value from the USBVECINT (USBIV) register corresponding with this interrupt, or when it writes any value to the interrupt vector register. An interrupt flag can also be cleared by writing a zero to this bit location.
2	OEPIFG2	RW	0h	Output endpoint interrupt flag 2. The output endpoint interrupt flag set to 1 by the UBM when a successful completion of a transaction occurs to that out endpoint. When the bit is set, a USB interrupt is generated. The interrupt flag is cleared when the MCU reads the value from the USBVECINT (USBIV) register corresponding with this interrupt, or when it writes any value to the interrupt vector register. An interrupt flag can also be cleared by writing a zero to this bit location.
1	OEPIFG1	RW	0h	Output endpoint interrupt flag 1. The output endpoint interrupt flag set to 1 by the UBM when a successful completion of a transaction occurs to that out endpoint. When the bit is set, a USB interrupt is generated. The interrupt flag is cleared when the MCU reads the value from the USBVECINT (USBIV) register corresponding with this interrupt, or when it writes any value to the interrupt vector register. An interrupt flag can also be cleared by writing a zero to this bit location.

Table 42-21. USBOEPIFG Register Description (continued)

Bit	Field	Type	Reset	Description
0	OEPIFG0	RW	0h	Output endpoint interrupt flag 0. The output endpoint interrupt flag set to 1 by the UBM when a successful completion of a transaction occurs to that out endpoint. When the bit is set, a USB interrupt is generated. The interrupt flag is cleared when the MCU reads the value from the USBVECINT (USBIV) register corresponding with this interrupt, or when it writes any value to the interrupt vector register. An interrupt flag can also be cleared by writing a zero to this bit location.

42.4.2.9 USBVECINT Register

USB Interrupt Vector Register

This register is also referred to as USBIV.

Figure 42-23. USBVECINT Register

15	14	13	12	11	10	9	8
USBIV							
r0	r0	r0	r0	r0	r0	r0	r0
7	6	5	4	3	2	1	0
USBIV							
r0	r0	r-0	r-0	r-0	r-0	r-0	r0

Table 42-22. USBVECINT Register Description

Bit	Field	Type	Reset	Description
15-0	USBIV	R	0h	<p>USB interrupt vector value. This register is to be accessed as a whole word only. When an interrupt is pending, reading this register results in a value that can be added to the program counter to handle the corresponding event. Writing to this register clears all pending USB interrupt flags independent of the status of USBEN.</p> <p>00h = No interrupt pending 02h = See Section 42.2.5; Interrupt Priority: Highest 3Eh = Interrupt Priority: Lowest</p>

42.4.2.10 USBMAINT Register

Timestamp Maintenance Register

Figure 42-24. USBMAINT Register

15	14	13	12	11	10	9	8
UTSEL			Reserved	TSE3	TSESEL		TSGEN
rw-0	rw-0	rw-0	r0	rw-0	rw-0	rw-0	rw-0
7	6	5	4	3	2	1	0
Reserved						UTIE	UTIFG
r0	r0	r0	r0	r0	r0	rw-0	rw-0

Can be modified only when USBEN = 1

Table 42-23. USBMAINT Register Description

Bit	Field	Type	Reset	Description
15-13	UTSEL	RW	0h	USB timer selection 000b = USB Timer Period: 4096 μ s; Approximate Frequency: 250 Hz (244 Hz) 001b = USB Timer Period: 2048 μ s; Approximate Frequency: 500 Hz (488 Hz) 010b = USB Timer Period: 1024 μ s; Approximate Frequency: 1 kHz (977 Hz) 011b = USB Timer Period: 512 μ s; Approximate Frequency: 2 kHz (1953 Hz) 100b = USB Timer Period: 256 μ s; Approximate Frequency: 4 kHz (3906 Hz) 101b = USB Timer Period: 128 μ s; Approximate Frequency: 8 kHz (7812 Hz) 110b = USB Timer Period: 64 μ s; Approximate Frequency: 16 kHz (15625 Hz) 111b = USB Timer Period: 32 μ s; Approximate Frequency: 31 kHz (31250 Hz)
12	Reserved	R	0h	Reserved. Always reads as 0.
11	TSE3	RW	0h	Timestamp Event 3 bit. This bit allows the triggering of a software-driven timestamp event (when TSESEL = 11b). 0b = No TSE3 event signaled 1b = TSE3 event signaled
10-9	TSESEL	RW	0h	Timestamp Event Selection. TSE[2:0] are connected to the event multiplexer of the three DMA channels of the DMA controller if not otherwise noted in data sheet 00b = TSE0 (DMA0) signal is qualified timestamp event 01b = TSE1 (DMA1) signal is qualified timestamp event 10b = TSE2 (DMA2) signal is qualified timestamp event 11b = Software-driven timestamp event
8	TSGEN	RW	0h	Timestamp generator enable 0b = Timestamp mechanism disabled 1b = Timestamp mechanism enabled
7-2	Reserved	R	0h	Reserved. Always reads as 0.
1	UTIE	RW	0h	USB timer interrupt enable bit 0b = USB timer interrupt disabled 1b = USB timer interrupt enabled
0	UTIFG	RW	0h	USB timer interrupt flag 0b = No interrupt pending 1b = Interrupt pending

42.4.2.11 USBTSREG Register

USB Timestamp Register

Figure 42-25. USBTSREG Register

15	14	13	12	11	10	9	8
TVAL							
r-0	r-0	r-0	r-0	r-0	r-0	r-0	r-0
7	6	5	4	3	2	1	0
TVAL							
r-0	r-0	r-0	r-0	r-0	r-0	r-0	r-0

Can be modified only when USBEN = 1

Table 42-24. USBTSREG Register Description

Bit	Field	Type	Reset	Description
15-0	TVAL	R	0h	Timestamp high register. The timestamp value is updated by hardware from the USB timer. A qualified timestamp trigger signal causes the current timer value to be latched into this register.

42.4.2.12 USBFN Register

USB Frame Number Register

Figure 42-26. USBFN Register

15	14	13	12	11	10	9	8
Reserved					USBFN		
r0	r0	r0	r0	r0	r-0	r-0	r-0
7	6	5	4	3	2	1	0
USBFN							
r-0	r-0	r-0	r-0	r-0	r-0	r-0	r-0

Table 42-25. USBFN Register Description

Bit	Field	Type	Reset	Description
15-11	Reserved	R	0h	Reserved. Always reads as 0.
10-0	USBFN	R	0h	USB Frame Number register. The frame number bit values are updated by hardware; each USB frame with the frame number field value received in the USB start-of-frame packet. The frame number can be used as a timestamp. If the local (MSP430's) frame timer is not locked to the USB host's frame timer, then the frame number is automatically incremented from the previous value when a pseudo start-of-frame occurs.

42.4.2.13 USBCTL Register

USB Control Register

Figure 42-27. USBCTL Register

7	6	5	4	3	2	1	0
Reserved	FEN	RWUP	FRSTE	Reserved			DIR
r0	rw-0	rw-0	rw-0	r0	r0	r0	rw-0

Can be modified only when USBEN = 1

Table 42-26. USBCTL Register Description

Bit	Field	Type	Reset	Description
7	Reserved	R	0h	Reserved. Always reads as 0.
6	FEN	RW	0h	Function Enable Bit. This bit needs to be set to enable the USB device to respond to USB transactions. If this bit is not set, the UBM ignores all USB transactions. It is cleared by a USB reset. (This bit is primarily intended for debugging.) 0b = Function is disabled 1b = Function is enabled
5	RWUP	RW	0h	Device Remote Wakeup request. The remote wake-up bit is set by software to request the suspend/resume logic to generate resume signaling upstream on the USB. This bit is used to exit a USB low-power suspend state when a remote wake-up event occurs. The bit is self-clearing. 0b = Writing 0 has no effect 1b = A Remote-Wakeup pulse is generated
4	FRSTE	RW	0h	Function Reset Connection Enable. This bit selects whether a bus reset on the USB causes an internal reset of the USB module. 0b = Bus reset does not cause a reset of the module 1b = Bus reset does cause a reset of the module
3-1	Reserved	R	0h	Reserved. Always reads as 0.
0	DIR	RW	0h	Data response to setup packet interrupt status bit. Software must decode the request and set/clear this bit to reflect the data transfer direction. 0b = USB data-OUT transaction (from host to device) 1b = USB data-IN transaction (from device to host)

42.4.2.14 USBIE Register

USB Interrupt Enable Register

Figure 42-28. USBIE Register

7	6	5	4	3	2	1	0
RSTRIE	SUSRIE	RESRIE	Reserved		SETUPIE	Reserved	STPOWIE
rw-0	rw-0	rw-0	r0	r0	rw-0	r0	rw-0

Can be modified only when USBEN = 1

Table 42-27. USBIE Register Description

Bit	Field	Type	Reset	Description
7	RSTRIE	RW	0h	USB reset interrupt enable. Causes an interrupt to be generated if the RSTRIFG bit is set. 0b = Function Reset interrupt disabled 1b = Function Reset interrupt enabled
6	SUSRIE	RW	0h	Suspend interrupt enable. Causes an interrupt to be generated if the SUSRIFG bit is set. 0b = Suspend interrupt disabled 1b = Suspend interrupt enabled
5	RESRIE	RW	0h	Resume interrupt enable. Causes an interrupt to be generated if the RESRIFG bit is set. 0b = Resume interrupt disabled 1b = Resume interrupt enabled
4-3	Reserved	R	0h	Reserved. Always reads as 0.
2	SETUPIE	RW	0h	Setup interrupt enable. Causes an interrupt to be generated if the SETUPIFG bit is set. 0b = Setup interrupt disabled 1b = Setup interrupt enabled
1	Reserved	R	0h	Reserved. Always reads as 0.
0	STPOWIE	RW	0h	Setup Overwrite interrupt enable. Causes an interrupt to be generated if the STPOWIFG bit is set. 0b = Setup Overwrite interrupt disabled 1b = Setup Overwrite interrupt enabled

42.4.2.15 USBIFG Register

USB Interrupt Flag Register

Figure 42-29. USBIFG Register

7	6	5	4	3	2	1	0
RSTRIFG	SUSRIFG	RESRIFG	Reserved		SETUPIFG	Reserved	STPOWIFG
rw-0	rw-0	rw-0	r0	r0	rw-0	r0	rw-0

Can be modified only when USBEN = 1

Table 42-28. USBIFG Register Description

Bit	Field	Type	Reset	Description
7	RSTRIFG	RW	0h	USB reset request bit. This bit is set to one by hardware in response to the host initiating a USB port reset. A USB reset causes a reset of the USB module logic, but this bit is not affected.
6	SUSRIFG	RW	0h	Suspend request bit. This bit is set by hardware in response to the host/hub causing a global or selective suspend condition.
5	RESRIFG	RW	0h	Resume request bit. This bit is set by hardware in response to the host/hub causing a resume event.
4-3	Reserved	R	0h	Reserved. Always reads as 0.
2	SETUPIFG	RW	0h	Setup transaction received bit. This bit is set by hardware when a SETUP transaction is received. As long as this bit is set, transactions on IN and OUT on endpoint-0 receive a NAK, regardless of their corresponding NAK bit value.
1	Reserved	R	0h	Reserved. Always reads as 0.
0	STPOWIFG	RW	0h	Setup overwrite bit. This bit is set by hardware when a setup packet is received while there is already a packet in the setup buffer.

42.4.2.16 USBFUNADR Register

USB Function Address Register

Figure 42-30. USBFUNADR Register

7	6	5	4	3	2	1	0
Reserved	FA6	FA5	FA4	FA3	FA2	FA1	FA0
r0	rw-0	rw-0	rw-0	rw-0	rw-0	rw-0	rw-0

Can be modified only when USBEN = 1

Table 42-29. USBFUNADR Register Description

Bit	Field	Type	Reset	Description
7	Reserved	R	0h	Reserved. Always reads as 0.
6-0	FA[6:0]	RW	0h	Function address (USB address 0 to 127). These bits define the current device address assigned to this USB device. Software must write a value from 0 to 127 when a Set-Address command is received from the host.

42.4.3 USB Buffer Registers and Memory

The data buffers for all endpoints, as well as the registers that define endpoints 1 to 7, are stored in the USB RAM buffer memory. Doing so allows for efficient and flexible use of this memory. The memory area is known as the USB buffer memory, and the registers that define its use are the buffer descriptor registers.

The buffer memory blocks are listed in [Table 42-30](#). The registers are listed in [Table 42-31](#). All addresses are expressed as offsets; the base address can be found in the device-specific data sheet.

All memory is byte and word accessible.

Table 42-30. USB Buffer Memory

Offset	Acronym	Memory	Type
0000h	USBSTABUFF	Start of buffer space	Read/Write
⋮	⋮	1904 bytes of configurable buffer space	⋮
076Fh	USBTOPBUFF	End of buffer space	Read/Write
0770h	USBOEP0BUF	Output endpoint_0 buffer	Read/Write
⋮			⋮
0777h			Read/Write
0778h	USBIEP0BUF	Input endpoint_0 buffer	Read/Write
⋮			⋮
077Fh			Read/Write
0780h	USBSUBLK	Setup Packet Block	Read/Write
⋮			⋮
0787h			Read/Write

Table 42-31. USB Buffer Descriptor Registers

Offset	Acronym	Register Name	Type	Section
0788h	USBOEPCNF_1	Output Endpoint_1 Configuration Register	Read/Write	Section 42.4.3.1
0789h	USBOEPBBAX_1	Output Endpoint_1 X Buffer Base Address Register	Read/Write	Section 42.4.3.2
078Ah	USBOEPBCTX_1	Output Endpoint_1 X Byte Count Register	Read/Write	Section 42.4.3.3
078Dh	USBOEPBBAY_1	Output Endpoint_1 Y Buffer Base Address Register	Read/Write	Section 42.4.3.4
078Eh	USBOEPBCTY_1	Output Endpoint_1 Y Byte Count Register	Read/Write	Section 42.4.3.5
078Fh	USBOEPSIZXY_1	Output Endpoint_1 X and Y Buffer Size Register	Read/Write	Section 42.4.3.6
0790h	USBOEPCNF_2	Output Endpoint_2 Configuration Register	Read/Write	Section 42.4.3.1
0791h	USBOEPBBAX_2	Output Endpoint_2 X Buffer Base Address Register	Read/Write	Section 42.4.3.2
0792h	USBOEPBCTX_2	Output Endpoint_2 X Byte Count Register	Read/Write	Section 42.4.3.3
0795h	USBOEPBBAY_2	Output Endpoint_2 Y Buffer Base Address Register	Read/Write	Section 42.4.3.4
0796h	USBOEPBCTY_2	Output Endpoint_2 Y Byte Count Register	Read/Write	Section 42.4.3.5
0797h	USBOEPSIZXY_2	Output Endpoint_2 X and Y Buffer Size Register	Read/Write	Section 42.4.3.6
0798h	USBOEPCNF_3	Output Endpoint_3 Configuration Register	Read/Write	Section 42.4.3.1
0799h	USBOEPBBAX_3	Output Endpoint_3 X Buffer Base Address Register	Read/Write	Section 42.4.3.2
079Ah	USBOEPBCTX_3	Output Endpoint_3 X Byte Count Register	Read/Write	Section 42.4.3.3
079Dh	USBOEPBBAY_3	Output Endpoint_3 Y Buffer Base Address Register	Read/Write	Section 42.4.3.4
079Eh	USBOEPBCTY_3	Output Endpoint_3 Y Byte Count Register	Read/Write	Section 42.4.3.5
079Fh	USBOEPSIZXY_3	Output Endpoint_3 X and Y Buffer Size Register	Read/Write	Section 42.4.3.6

Table 42-31. USB Buffer Descriptor Registers (continued)

Offset	Acronym	Register Name	Type	Section
07A0h	USBOEPCNF_4	Output Endpoint_4 Configuration Register	Read/Write	Section 42.4.3.1
07A1h	USBOEPBBAX_4	Output Endpoint_4 X Buffer Base Address Register	Read/Write	Section 42.4.3.2
07A2h	USBOEPBCTX_4	Output Endpoint_4 X Byte Count Register	Read/Write	Section 42.4.3.3
07A5h	USBOEPBBAY_4	Output Endpoint_4 Y Buffer Base Address Register	Read/Write	Section 42.4.3.4
07A6h	USBOEPBCTY_4	Output Endpoint_4 Y Byte Count Register	Read/Write	Section 42.4.3.5
07A7h	USBOEPSIZXY_4	Output Endpoint_4 X and Y Buffer Size Register	Read/Write	Section 42.4.3.6
07A8h	USBOEPCNF_5	Output Endpoint_5 Configuration Register	Read/Write	Section 42.4.3.1
07A9h	USBOEPBBAX_5	Output Endpoint_5 X Buffer Base Address Register	Read/Write	Section 42.4.3.2
07AAh	USBOEPBCTX_5	Output Endpoint_5 X Byte Count Register	Read/Write	Section 42.4.3.3
07ADh	USBOEPBBAY_5	Output Endpoint_5 Y Buffer Base Address Register	Read/Write	Section 42.4.3.4
07AEh	USBOEPBCTY_5	Output Endpoint_5 Y Byte Count Register	Read/Write	Section 42.4.3.5
07AFh	USBOEPSIZXY_5	Output Endpoint_5 X and Y Buffer Size Register	Read/Write	Section 42.4.3.6
07B0h	USBOEPCNF_6	Output Endpoint_6 Configuration Register	Read/Write	Section 42.4.3.1
07B1h	USBOEPBBAX_6	Output Endpoint_6 X Buffer Base Address Register	Read/Write	Section 42.4.3.2
07B2h	USBOEPBCTX_6	Output Endpoint_6 X Byte Count Register	Read/Write	Section 42.4.3.3
07B5h	USBOEPBBAY_6	Output Endpoint_6 Y Buffer Base Address Register	Read/Write	Section 42.4.3.4
07B6h	USBOEPBCTY_6	Output Endpoint_6 Y Byte Count Register	Read/Write	Section 42.4.3.5
07B7h	USBOEPSIZXY_6	Output Endpoint_6 X and Y Buffer Size Register	Read/Write	Section 42.4.3.6
07B8h	USBOEPCNF_7	Output Endpoint_7 Configuration Register	Read/Write	Section 42.4.3.1
07B9h	USBOEPBBAX_7	Output Endpoint_7 X Buffer Base Address Register	Read/Write	Section 42.4.3.2
07BAh	USBOEPBCTX_7	Output Endpoint_7 X Byte Count Register	Read/Write	Section 42.4.3.3
07BDh	USBOEPBBAY_7	Output Endpoint_7 Y Buffer Base Address Register	Read/Write	Section 42.4.3.4
07BEh	USBOEPBCTY_7	Output Endpoint_7 Y Byte Count Register	Read/Write	Section 42.4.3.5
07BFh	USBOEPSIZXY_7	Output Endpoint_7 X and Y Buffer Size Register	Read/Write	Section 42.4.3.6
07C8h	USBIEPCNF_1	Input Endpoint_1 Configuration Register	Read/Write	Section 42.4.3.7
07C9h	USBIEPBAX_1	Input Endpoint_1 X Buffer Base Address Register	Read/Write	Section 42.4.3.8
07CAh	USBIEPBCTX_1	Input Endpoint_1 X Byte Count Register	Read/Write	Section 42.4.3.9
07CDh	USBIEPBAY_1	Input Endpoint_1 Y Buffer Base Address Register	Read/Write	Section 42.4.3.10
07CEh	USBIEPBCTY_1	Input Endpoint_1 Y Byte Count Register	Read/Write	Section 42.4.3.11
07CFh	USBIEPSIZXY_1	Input Endpoint_1 X and Y Buffer Size Register	Read/Write	Section 42.4.3.12
07D0h	USBIEPCNF_2	Input Endpoint_2 Configuration Register	Read/Write	Section 42.4.3.7
07D1h	USBIEPBAX_2	Input Endpoint_2 X Buffer Base Address Register	Read/Write	Section 42.4.3.8
07D2h	USBIEPBCTX_2	Input Endpoint_2 X Byte Count Register	Read/Write	Section 42.4.3.9
07D5h	USBIEPBAY_2	Input Endpoint_2 Y Buffer Base Address Register	Read/Write	Section 42.4.3.10
07D6h	USBIEPBCTY_2	Input Endpoint_2 Y Byte Count Register	Read/Write	Section 42.4.3.11
07D7h	USBIEPSIZXY_2	Input Endpoint_2 X and Y Buffer Size Register	Read/Write	Section 42.4.3.12
07D8h	USBIEPCNF_3	Input Endpoint_3 Configuration Register	Read/Write	Section 42.4.3.7
07D9h	USBIEPBAX_3	Input Endpoint_3 X Buffer Base Address Register	Read/Write	Section 42.4.3.8
07DAh	USBIEPBCTX_3	Input Endpoint_3 X Byte Count Register	Read/Write	Section 42.4.3.9
07DDh	USBIEPBAY_3	Input Endpoint_3 Y Buffer Base Address Register	Read/Write	Section 42.4.3.10
07DEh	USBIEPBCTY_3	Input Endpoint_3 Y Byte Count Register	Read/Write	Section 42.4.3.11
07DFh	USBIEPSIZXY_3	Input Endpoint_3 X and Y Buffer Size Register	Read/Write	Section 42.4.3.12

Table 42-31. USB Buffer Descriptor Registers (continued)

Offset	Acronym	Register Name	Type	Section
07E0h	USBIEPCNF_4	Input Endpoint_4 Configuration Register	Read/Write	Section 42.4.3.7
07E1h	USBIEPBAX_4	Input Endpoint_4 X Buffer Base Address Register	Read/Write	Section 42.4.3.8
07E2h	USBIEPBCTX_4	Input Endpoint_4 X Byte Count Register	Read/Write	Section 42.4.3.9
07E5h	USBIEPBAY_4	Input Endpoint_4 Y Buffer Base Address Register	Read/Write	Section 42.4.3.10
07E6h	USBIEPBCTY_4	Input Endpoint_4 Y Byte Count Register	Read/Write	Section 42.4.3.11
07E7h	USBIEPSIZXY_4	Input Endpoint_4 X and Y Buffer Size Register	Read/Write	Section 42.4.3.12
07E8h	USBIEPCNF_5	Input Endpoint_5 Configuration Register	Read/Write	Section 42.4.3.7
07E9h	USBIEPBAX_5	Input Endpoint_5 X Buffer Base Address Register	Read/Write	Section 42.4.3.8
07EAh	USBIEPBCTX_5	Input Endpoint_5 X Byte Count Register	Read/Write	Section 42.4.3.9
07EDh	USBIEPBAY_5	Input Endpoint_5 Y Buffer Base Address Register	Read/Write	Section 42.4.3.10
07EEh	USBIEPBCTY_5	Input Endpoint_5 Y Byte Count Register	Read/Write	Section 42.4.3.11
07EFh	USBIEPSIZXY_5	Input Endpoint_5 X and Y Buffer Size Register	Read/Write	Section 42.4.3.12
07F0h	USBIEPCNF_6	Input Endpoint_6 Configuration Register	Read/Write	Section 42.4.3.7
07F1h	USBIEPBAX_6	Input Endpoint_6 X Buffer Base Address Register	Read/Write	Section 42.4.3.8
07F2h	USBIEPBCTX_6	Input Endpoint_6 X Byte Count Register	Read/Write	Section 42.4.3.9
07F5h	USBIEPBAY_6	Input Endpoint_6 Y Buffer Base Address Register	Read/Write	Section 42.4.3.10
07F6h	USBIEPBCTY_6	Input Endpoint_6 Y Byte Count Register	Read/Write	Section 42.4.3.11
07F7h	USBIEPSIZXY_6	Input Endpoint_6 X and Y Buffer Size Register	Read/Write	Section 42.4.3.12
07F8h	USBIEPCNF_7	Input Endpoint_7 Configuration Register	Read/Write	Section 42.4.3.7
07F9h	USBIEPBAX_7	Input Endpoint_7 X Buffer Base Address Register	Read/Write	Section 42.4.3.8
07FAh	USBIEPBCTX_7	Input Endpoint_7 X Byte Count Register	Read/Write	Section 42.4.3.9
07FDh	USBIEPBAY_7	Input Endpoint_7 Y Buffer Base Address Register	Read/Write	Section 42.4.3.10
07FEh	USBIEPBCTY_7	Input Endpoint_7 Y Byte Count Register	Read/Write	Section 42.4.3.11
07FFh	USBIEPSIZXY_7	Input Endpoint_7 X and Y Buffer Size Register	Read/Write	Section 42.4.3.12

42.4.3.1 USBOEPCNF_n Register

Output Endpoint-n Configuration Register

This register can be modified only when USBEN = 1.

Figure 42-31. USBOEPCNF_n Register

7	6	5	4	3	2	1	0
UBME	Reserved	TOGGLE	DBUF	STALL	USBIIE	Reserved	
rw	r0	rw	rw	rw	rw	r0	r0

Can be modified only when USBEN = 1

Table 42-32. USBOEPCNF_n Register Description

Bit	Field	Type	Reset	Description
7	UBME	RW	0h	UBM out endpoint-n enable. This bit is to be set or cleared by software. 0b = UBM cannot use this endpoint 1b = UBM can use this endpoint
6	Reserved	R	0h	Reserved. Always reads as 0.
5	TOGGLE	RW	0h	Toggle bit. The toggle bit is controlled by the UBM and is toggled at the end of a successful out data stage transaction, if a valid data packet is received and the data packet's packet ID matches the expected packet ID.
4	DBUF	RW	0h	Double buffer enable. This bit can be set to enable the use of both the X and Y data packet buffers for USB transactions, for a particular out endpoint. Clearing it results in the use of single buffer mode. In this mode, only the X buffer is used. 0b = Primary buffer only (X-buffer only) 1b = Toggle bit selects buffer
3	STALL	RW	0h	USB stall condition. This bit can be set to cause endpoint transactions to be stalled. When set, the hardware automatically returns a stall handshake to the host for any transaction received on endpoint-0. The stall bit is cleared automatically by the next setup transaction. 0b = Indicates no stall 1b = Indicates stall
2	USBIIE	RW	0h	USB transaction interrupt indication enable. Can be set or cleared to define if interrupts are to be flagged in general. To generate an interrupt, the corresponding interrupt flag must be set (OEPIE). 0b = Corresponding interrupt flag will not be set 1b = Corresponding interrupt flag will be set
1-0	Reserved	R	0h	Reserved. Always reads as 0.

42.4.3.2 USBOEPBAX_n Register

Output Endpoint-n X Buffer Base Address Register

This register can be modified only when USBEN = 1.

Figure 42-32. USBOEPBAX_n Register

7	6	5	4	3	2	1	0
ADR							
rw	rw	rw	rw	rw	rw	rw	rw

Can be modified only when USBEN = 1

Table 42-33. USBOEPBAX_n Register Description

Bit	Field	Type	Reset	Description
7-0	ADR	RW	0h	X-buffer base address. These are the upper eight bits of the X-buffer's base address. The three LSBs are assumed to be zero, for a total of 11 bits. This value needs to be set by software. The UBM uses this value as the start address of a given transaction. It does not change this value at the end of a transaction.

42.4.3.3 USBOEPBCTX_n Register

Output Endpoint-n X Byte Count Register

This register can be modified only when USBEN = 1.

Figure 42-33. USBOEPBCTX_n Register

7	6	5	4	3	2	1	0
NAK	CNT						
rw	rw	rw	rw	rw	rw	rw	rw

Can be modified only when USBEN = 1

Table 42-34. USBOEPBCTX_n Register Description

Bit	Field	Type	Reset	Description
7	NAK	RW	0h	No-acknowledge status bit. The NAK status bit is set by the UBM at the end of a successful USB out transaction to that endpoint, to indicate that the USB endpoint-"n" buffer contains a valid data packet, and that the buffer data count value is valid. When this bit is set, all subsequent transactions to that endpoint result in a NAK handshake response to the USB host. To re-enable this endpoint to receive another data packet from the host, this bit must be cleared. 0b = No valid data in buffer. The buffer is ready to receive OUT packets from the host. 1b = The buffer contains a valid packet from the host, and it has not been picked up (subsequent host-out requests receive a NAK)
6-0	CNT	RW	0h	X-buffer data count. The Out_EP-n data count value is set by the UBM when a new data packet is written to the X-buffer for that out endpoint. It is set to the number of bytes received in the data buffer.

42.4.3.4 USBOEPBBAY_n Register

Output Endpoint-n Y Buffer Base Address Register

This register can be modified only when USBEN = 1.

Figure 42-34. USBOEPBBAY_n Register

7	6	5	4	3	2	1	0
ADR							
rw	rw	rw	rw	rw	rw	rw	rw

Can be modified only when USBEN = 1

Table 42-35. USBOEPBBAY_n Register Description

Bit	Field	Type	Reset	Description
7-0	ADR	RW	0h	Y-buffer base address. These are the upper eight bits of the Y-buffer's base address. The three LSBs are assumed to be zero, for a total of 11 bits. This value needs to be set by software. The UBM uses this value as the start address of a given transaction. It does not change this value at the end of a transaction.

42.4.3.5 USBOEPBCTY_n Register

Output Endpoint-n X Byte Count Register

This register can be modified only when USBEN = 1.

Figure 42-35. USBOEPBCTY_n Register

7	6	5	4	3	2	1	0
NAK	CNT						
rw	rw	rw	rw	rw	rw	rw	rw

Can be modified only when USBEN = 1

Table 42-36. USBOEPBCTY_n Register Description

Bit	Field	Type	Reset	Description
7	NAK	RW	0h	No-acknowledge status bit. The NAK status bit is set by the UBM at the end of a successful USB out transaction to that endpoint, to indicate that the USB endpoint-"n" buffer contains a valid data packet, and that the buffer data count value is valid. When this bit is set, all subsequent transactions to that endpoint result in a NAK handshake response to the USB host. To re-enable this endpoint to receive another data packet from the host, this bit must be cleared. 0b = No valid data in buffer. The buffer is ready to receive OUT packets from the host. 1b = The buffer contains a valid packet from the host, and it has not been picked up (subsequent host-out requests receive a NAK)
6-0	CNT	RW	0h	Y-buffer data count. The Out_EP-n data count value is set by the UBM when a new data packet is written to the X-buffer for that out endpoint. It is set to the number of bytes received in the data buffer.

42.4.3.6 USBOEPSIZXY_n Register

Output Endpoint-n X and Y Buffer Size Register

This register can be modified only when USBEN = 1.

Figure 42-36. USBOEPSIZXY_n Register

7	6	5	4	3	2	1	0
Reserved	SIZx						
r0	rw	rw	rw	rw	rw	rw	rw

Can be modified only when USBEN = 1

Table 42-37. USBOEPSIZXY_n Register Description

Bit	Field	Type	Reset	Description
7	Reserved	R	0h	Reserved. Always reads as 0.
6-0	SIZx	RW	0h	Buffer size count. This value needs to be set by software to configure the size of the X and Y data packet buffers. Both buffers are set to the same size, based on this value. 000:0000b to 100:0000b are valid numbers for 0 to 64 bytes. Any value greater than or equal to 100:0001b results in unpredictable results.

42.4.3.7 USBIEPCNF_n Register

Input Endpoint-n Configuration Register

This register can be modified only when USBEN = 1.

Figure 42-37. USBIEPCNF_n Register

7	6	5	4	3	2	1	0
UBME	Reserved	TOGGLE	DBUF	STALL	USBIIE	Reserved	
rw	r0	rw	rw	rw	rw	r0	r0

Can be modified only when USBEN = 1

Table 42-38. USBIEPCNF_n Register Description

Bit	Field	Type	Reset	Description
7	UBME	RW	0h	UBM in endpoint-n enable. This value needs to be set or cleared by software. 0b = UBM cannot use this endpoint 1b = UBM can use this endpoint
6	Reserved	R	0h	Reserved. Always reads as 0.
5	TOGGLE	RW	0h	Toggle bit. The toggle bit is controlled by the UBM and is toggled at the end of a successful in data stage transaction, if a valid data packet is transmitted. If this bit is cleared, a DATA0 packet ID is transmitted in the data packet to the host. If this bit is set, a DATA1 packet ID is transmitted in the data packet.
4	DBUF	RW	0h	Double buffer enable. This bit can be set to enable the use of both the X and Y data packet buffers for USB transactions, for a particular out endpoint. Clearing it results in the use of single buffer mode. In this mode, only the X buffer is used. 0b = Primary buffer only (X-buffer only) 1b = Toggle bit selects buffer
3	STALL	RW	0h	USB stall condition. This bit can be set to cause endpoint transactions to be stalled. When set, the hardware automatically returns a stall handshake to the host for any transaction received on endpoint-0. The stall bit is cleared automatically by the next setup transaction. 0b = Indicates no stall 1b = Indicates stall
2	USBIIE	RW	0h	USB transaction interrupt indication enable. Can be set or cleared to define if interrupts are to be flagged in general. To generate an interrupt the corresponding interrupt flag must be set (OEPIE). 0b = Corresponding interrupt flag will not be set 1b = Corresponding interrupt flag will be set
1-0	Reserved	R	0h	Reserved. Always reads as 0.

42.4.3.8 USBIEPBAX_n Register

Input Endpoint-n X Buffer Base Address Register

This register can be modified only when USBEN = 1.

Figure 42-38. USBIEPBAX_n Register

7	6	5	4	3	2	1	0
ADR							
rw	rw	rw	rw	rw	rw	rw	rw

Can be modified only when USBEN = 1

Table 42-39. USBIEPBAX_n Register Description

Bit	Field	Type	Reset	Description
7-0	ADR	RW	0h	X-buffer base address. These are the upper eight bits of the X-buffer's base address. The three LSBs are assumed to be zero, for a total of 11 bits. This value needs to be set by software. The UBM uses this value as the start address of a given transaction. It does not change this value at the end of a transaction.

42.4.3.9 USBIEPBCTX_n Register

Input Endpoint-n X Byte Count Register

This register can be modified only when USBEN = 1.

Figure 42-39. USBIEPBCTX_n Register

7	6	5	4	3	2	1	0
NAK							
rw	rw	rw	rw	rw	rw	rw	rw

Can be modified only when USBEN = 1

Table 42-40. USBIEPBCTX_n Register Description

Bit	Field	Type	Reset	Description
7	NAK	RW	0h	No-acknowledge status bit. The NAK status bit is set by the UBM at the end of a successful USB in transaction from that endpoint, to indicate that the EP-n in buffer is empty. For interrupt or bulk endpoints, when this bit is set, all subsequent transactions from that endpoint result in a NAK handshake response to the USB host. To re-enable this endpoint to transmit another data packet to the host, this bit must be cleared. 0b = Buffer contains a valid data packet for the host 1b = Buffer is empty (any host-In requests receive a NAK)
6-0	CNT	RW	0h	X-buffer data count. The In_EP-n X-buffer data count value must be set by software when a new data packet is written to the buffer. It should be the number of bytes in the data packet for interrupt, or bulk endpoint transfers. 000:0000b to 100:0000b are valid numbers for 0 to 64 bytes. Any value greater than or equal to 100:0001b results in unpredictable results.

42.4.3.10 USBIEPBAY_n Register

Input Endpoint-n Y Buffer Base Address Register

This register can be modified only when USBEN = 1.

Figure 42-40. USBIEPBAY_n Register

7	6	5	4	3	2	1	0
ADR							
rw	rw	rw	rw	rw	rw	rw	rw

Can be modified only when USBEN = 1

Table 42-41. USBIEPBAY_n Register Description

Bit	Field	Type	Reset	Description
7-0	ADR	RW	0h	Y-buffer base address. These are the upper eight bits of the Y-buffer's base address. The three LSBs are assumed to be zero, for a total of 11 bits. This value needs to be set by software. The UBM uses this value as the start address of a given transaction. It does not change this value at the end of a transaction.

42.4.3.11 USBIEPBCTY_n Register

Input Endpoint-n Y Byte Count Register

This register can be modified only when USBEN = 1.

Figure 42-41. USBIEPBCTY_n Register

7	6	5	4	3	2	1	0
NAK	CNT						
rw	rw	rw	rw	rw	rw	rw	rw

Can be modified only when USBEN = 1

Table 42-42. USBIEPBCTY_n Register Description

Bit	Field	Type	Reset	Description
7	NAK	RW	0h	No-acknowledge status bit. The NAK status bit is set by the UBM at the end of a successful USB in transaction from that endpoint, to indicate that the EP-n in buffer is empty. For interrupt or bulk endpoints, when this bit is set, all subsequent transactions from that endpoint result in a NAK handshake response to the host. To re-enable this endpoint to transmit another data packet to the host, this bit must be cleared. This bit is set by USB SW-init. 0b = Buffer contains a valid data packet for host device 1b = Buffer is empty (any host-in requests receive a NAK)
6-0	CNT	RW	0h	Y-Buffer data count. The In EP-n Y-buffer data count value needs to be set by software when a new data packet is written to the buffer. It should be the number of bytes in the data packet for interrupt, or bulk endpoint transfers. 000:0000b to 100:0000b are valid numbers for 0 to 64 bytes. Any value greater than or equal to 100:0001b results in unpredictable results.

42.4.3.12 USBIEPSIZXY_n Register

Input Endpoint-n X and Y Buffer Size Register

This register can be modified only when USBEN = 1.

Figure 42-42. USBIEPSIZXY_n Register

7	6	5	4	3	2	1	0
Reserved	SIZ						
r0	rw	rw	rw	rw	rw	rw	rw

Can be modified only when USBEN = 1

Table 42-43. USBIEPSIZXY_n Register Description

Bit	Field	Type	Reset	Description
7	Reserved	R	0h	Reserved. Always reads as 0.
6-0		RW	0h	Buffer size count. This value needs to be set by software to configure the size of the X and Y data packet buffers. Both buffers are set to the same size, based on this value. 000:0000b to 100:0000b are valid numbers for 0 to 64 bytes. Any value greater than or equal to 100:0001b results in unpredictable results.

LDO-PWR Module

This chapter describes the LDO-PWR module that is available in some devices.

Topic	Page
43.1 LDO-PWR Introduction	1175
43.2 LDO-PWR Operation.....	1176
43.3 LDO-PWR Registers	1179

43.1 LDO-PWR Introduction

The features of the LDO-PWR module include:

- Integrated 3.3-V LDO regulator with sufficient output to power the entire MSP430™ microcontroller and system circuitry from 5-V external supply
- Current-limiting capability on 3.3-V LDO output with detection flag and interrupt generation
- LDO input voltage detection flag and interrupt generation

Figure 43-1 shows a block diagram of the LDO-PWR module.

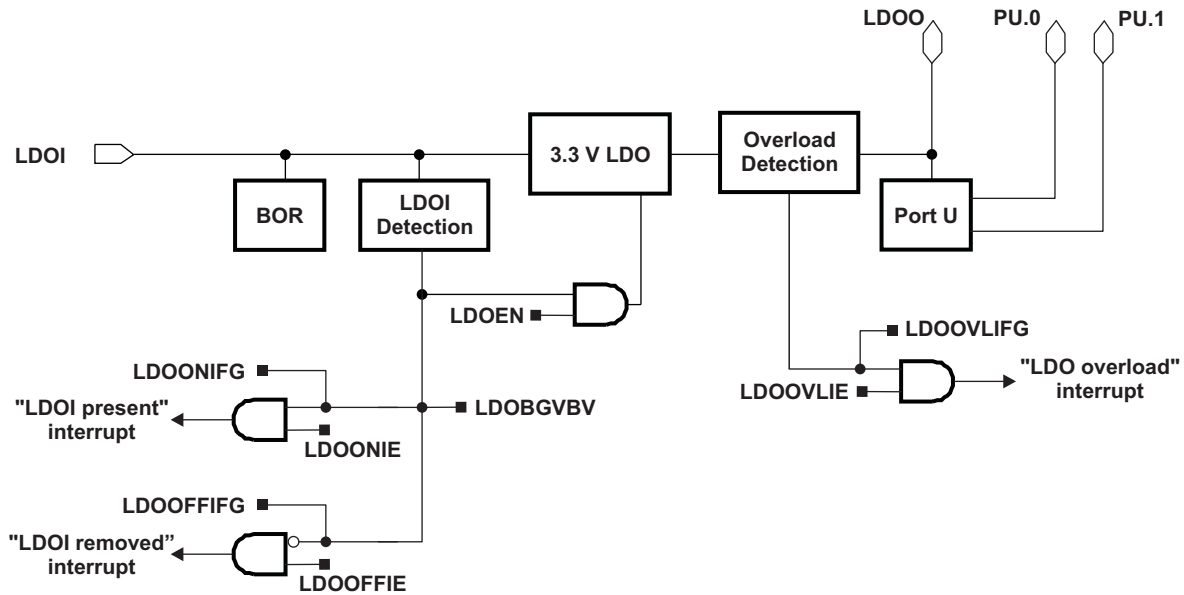


Figure 43-1. LDO Block Diagram

43.2 LDO-PWR Operation

The LDO-PWR power system incorporates an integrated 3.3-V LDO regulator that allows the entire MSP430 microcontroller to be powered from nominal 5-V LDOI when it is made available from the system. Alternatively, the power system can supply power only to other components within the system, or it can be unused altogether. The LDO-PWR, when enabled, also supplies power to Port U.

43.2.1 Enabling/Disabling

The 3.3-V LDO is enabled/disabled by setting/clearing LDOEN (LDOEN = 1 by default). If the voltage on LDOI is detected to be low or nonexistent, the LDO is suspended even if enabled by LDOEN = 1. No additional current is consumed while the LDO is suspended. When the voltage on LDOI rises above the LDO power brownout level, the LDO reference and low voltage detection become enabled. When the voltage on LDOI rises further above the launch voltage V_{LAUNCH} , the 3.3-V LDO becomes enabled (see [Figure 43-2](#)). See device-specific data sheet for value of V_{LAUNCH} .

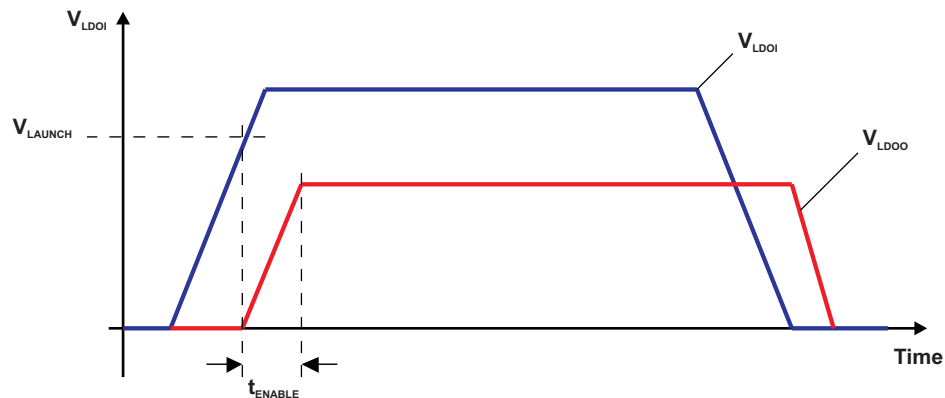


Figure 43-2. 3.3-V LDO Power Up/Down Profile

43.2.2 Powering the Rest of the MSP430 from the LDO-PWR

The output of the 3.3-V LDO (LDOO) can be used to power the entire MSP430 device, sourcing the DVCC rail. If this is desired, LDOO and DVCC should be connected externally. Power from the 3.3-V LDO is sourced into DVCC (see [Figure 43-3](#)).

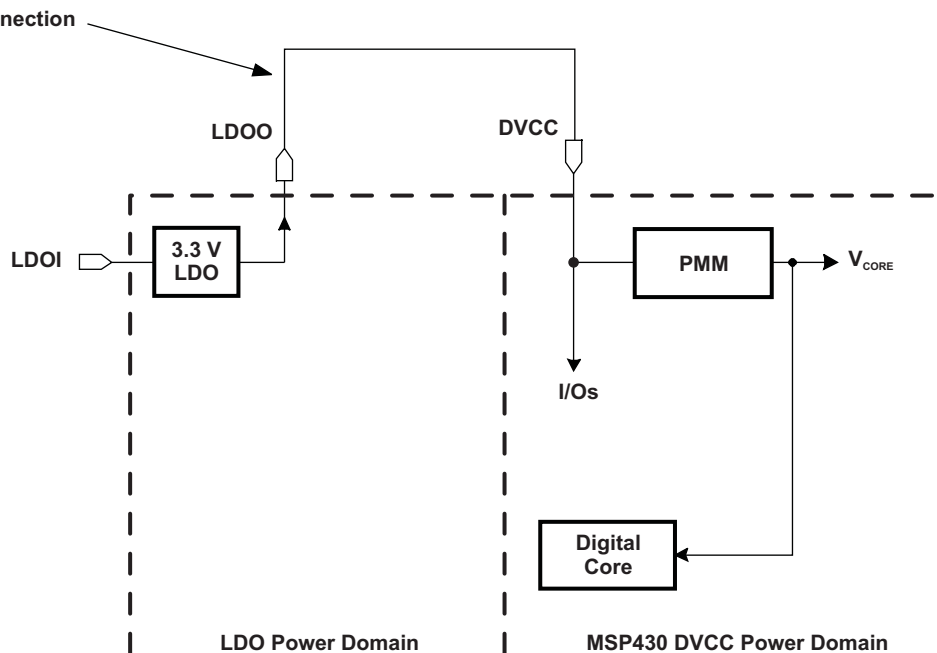


Figure 43-3. Powering Entire MSP430 From LDOI

With this connection made, the MSP430 allows for autonomous power up of the device when the voltage on LDOI rises above V_{LAUNCH} . If no voltage is present on V_{CORE} – meaning the device is unpowered (or, in LPMx.5 mode) – then the 3.3-V LDO automatically turns on when the voltage on LDOI rises above V_{LAUNCH} .

Note that if DVCC is being driven from the 3.3-V LDO in this manner, and if power is available from LDOI, attempting to place the device into LPMx.5 results in the device immediately re-powering. This is because it recreates the conditions of the autonomous feature described above (no V_{CORE} but power available on LDOI). The resulting drop of V_{CORE} would cause the system to immediately power up again.

When DVCC is being powered from LDOI, it is up to the user to ensure that the total current being drawn from LDOI stays below the current overload detection, I_{DET} .

43.2.3 Powering Other Components in the System from LDO-PWR

There is sufficient current capacity available from the 3.3-V LDO to power not only the entire MSP430 but also other components in the system, via the LDOO pin. It is also possible to use the 3.3-V LDO only to power other components in the system.

43.2.4 Applications That Do Not Require LDO-PWR

There may be applications where the 3.3-V LDO is not required. In these cases, keep LDOI tied low to prevent the 3.3-V LDO from turning on and drawing any current even if $LDOEN = 1$. If Port U operation is desired, since the 3.3-V LDO is not enabled, an external voltage to the LDOO pin is required.

43.2.5 Current Limitation and Overload Protection

The 3.3-V LDO features current limitation to protect itself from an overload condition; that is, when the output of the LDO becomes current-limited to I_{DET} . This is reported to software via the VUOVLIFG flag. See device-specific data sheet for value of I_{DET} .

During overload conditions, LDOO drops below its nominal output voltage. In power scenarios where DVCC is exclusively supplied from LDOO, repetitive system restarts may be triggered as long the overload condition exists. For this reason, firmware should avoid re-enabling high current draw modules after detection of an overload on the previous power session, until the cause of failure can be identified and corrected. Ultimately, it is the user's responsibility to ensure that the current drawn from LDOI does not exceed I_{DET} .

The LDO-PWR power system brownout circuit is supplied from LDOI or DVCC, whichever carries the higher voltage.

43.2.6 LDO-PWR Interrupts

The LDO-PWR module shares a single interrupt vector to handle multiple LDO-PWR interrupts.

The LDOONIFG flag can be used to indicate that the voltage on LDOI has risen above the launch voltage. In addition to the LDOONIFG being set, an interrupt is also generated when LDOONIE = 1. Similarly, the LDOOFFIFG flag can be used to indicate that the voltage on LDOI has fallen below the launch voltage. In addition to the LDOOFFIFG being set, an interrupt is also generated when LDOOFFIE = 1. The LDOBGVBV bit can also be polled to indicate the level of LDOI; that is, above or below the launch voltage.

The LDOOVLIFG flag can be used to indicate an overcurrent condition on the 3.3-V LDO. When an overcurrent condition is detected, LDOOVLIFG = 1. In addition to the LDOOVLIFG being set, an interrupt is also generated when LDOOVLIE = 1.

43.2.7 Port U Control

The Port U pins (PU.0/PU.1) function as general-purpose high-current I/O pins. These pins can only be configured together as either both inputs or both outputs. Port U is supplied by the LDOO rail. If the 3.3-V LDO is not being used in the system (disabled), the LDOO pin can be supplied externally.

PUOPE controls the enable of both outputs residing on the Port U pins. Setting PUIPE = 1 causes both input buffers to be enabled. When Port U outputs are enabled (PUOPE = 1), the PUIN0 and PUIN1 pins mirror what is present on the outputs assuming PUIPE = 1. To use the Port U pins as inputs, the outputs should be disabled by setting PUOPE = 0, and enabling the input buffers by setting PUIPE = 1. Once configured as inputs (PUIPE = 1), the PUIN0 and PUIN1 bits can be read to determine the respective input values.

When PUOPE is set, both Port U pins function as outputs, controlled by PUOUT0/PUOUT1. When driven high, they use the LDOO rail, and they are capable of a drive current higher than other I/O pins on the device. See the device-specific datasheet for parameters.

By default, PUOPE and PUIPE are cleared. PU.0/PU.1 are high-impedance (input buffers are disabled and outputs are disabled).

43.3 LDO-PWR Registers

Write access to the configuration registers is allowed or disallowed using the LDOKEYPID register. Writing the proper value (9628h) unlocks the configuration registers and enables write access. Writing any other value disables access while leaving the values of the registers intact. Locking should be done intentionally after the configuration is finished. Read access is available without the need to write to the LDOKEYPID register.

The configuration registers are listed in [Table 43-1](#). All addresses are expressed as offsets; the base address can be found in the device-specific data sheet.

All registers are byte and word accessible.

Table 43-1. LDO-PWR Registers

Offset	Acronym	Register Name	Type	Reset	Section
00h	LDOKEYPID	LDO key and ID register	Read/Write	0000h	Section 43.3.1
04h	PUCTL	Port U control register	Read/Write	0000h	Section 43.3.2
08h	LDOPWRCTL	LDO-PWR control register	Read/Write	0810h	Section 43.3.3

43.3.1 LDOKEYPID Register

LDO Key Register

Figure 43-4. LDOKEYPID Register

15	14	13	12	11	10	9	8
LDOKEY							
rw-0	rw-0	rw-0	rw-0	rw-0	rw-0	rw-0	rw-0
7	6	5	4	3	2	1	0
LDOKEY							
rw-0	rw-0	rw-0	rw-0	rw-0	rw-0	rw-0	rw-0

Table 43-2. LDOKEYPID Register Description

Bit	Field	Type	Reset	Description
15-0	LDOKEY	RW	0h	Key register. Must be written with a value of 9628h in order to be recognized as a valid key. This "unlocks" the configuration registers. If written with any other value, the registers become "locked". Reads back as A528h if the registers are unlocked.

43.3.2 PUCTL Register

Port U Control Register

Figure 43-5. PUCTL Register

15	14	13	12	11	10	9	8
Reserved						Reserved	PUIPE
r0	r0	r0	r0	r0	r0	rw-0	rw-0
7	6	5	4	3	2	1	0
Reserved		PUOPE	Reserved	PUIN1	PUIN0	PUOUT1	PUOUT0
r0	r0	rw-0	rw-0	r	r	rw-0	rw-0

Can be modified only when LDOKEYPID is unlocked.

Table 43-3. PUCTL Register Description

Bit	Field	Type	Reset	Description
15-10	Reserved	R	0h	Reserved. Always reads as 0.
9	Reserved	RW	0h	Reserved. Always write as 0.
8	PUIPE	RW	0h	PU input enable 0b = PU.0 and PU.1 inputs are disabled 1b = PU.0 and PU.1 inputs are enabled
7-6	Reserved	R	0h	Reserved. Always reads as 0.
5	PUOPE	RW	0h	PU output enable 0b = PU.0 and PU.1 outputs are disabled 1b = PU.0 and PU.1 outputs are enabled
4	Reserved	R	0h	Reserved. Always write as 0.
3	PUIN1	R	0h	PU.1 input data, This bit reflects the logic value on the PU.1 terminal when PUIPE = 1.
2	PUIN0	R	0h	PU.0 input data, This bit reflects the logic value on the PU.0 terminal when PUIPE = 1.
1	PUOUT1	RW	0h	PU.1 output data. This bits defines the value of the PU.1 pin when PUOPE = 1.
0	PUOUT0	RW	0h	PU.0 output data. This bits defines the value of the PU.0 pin when PUOPE = 1.

43.3.3 LDOPWRCTL Register

LDO-Power Control Register

Figure 43-6. LDOPWRCTL Register

15	14	13	12	11	10	9	8
Reserved			Reserved	LDOEN	LDOOFFIE	LDOONIE	LDOOVLIE
r0	r0	r0	rw-0	rw-1	rw-0	rw-0	rw-0
7	6	5	4	3	2	1	0
Reserved		OVLAOFF	Reserved	LDOBGVBV	LDOOFFIFG	LDOONIFG	LDOOVLIFG
r0	r0	rw-0	rw-1	r	rw-0	rw-0	rw-0

Can be modified only when LDOKEYPID is unlocked.

Table 43-4. LDOPWRCTL Register Description

Bit	Field	Type	Reset	Description
15-13	Reserved	R	0h	Reserved. Always reads as 0.
12	Reserved	RW	0h	Reserved. Always reads as 0.
11	LDOEN	RW	1h	3.3V LDO enable. When set, the LDO is enabled. 0b = LDO disabled 1b = LDO enabled
10	LDOOFFIE	RW	0h	LDO voltage "going OFF" interrupt enable 0b = Interrupt disabled 1b = Interrupt enabled
9	LDOONIE	RW	0h	LDO voltage "coming ON" interrupt enable 0b = Interrupt disabled 1b = Interrupt enabled
8	LDOOVLIE	RW	0h	LDO overload indication interrupt enable 0b = Interrupt disabled 1b = Interrupt enabled
7-6	Reserved	R	0h	Reserved. Always reads as 0.
5	OVLAOFF	RW	0h	LDO overload auto-off enable 0b = During an overload on the 3.3-V LDO, the LDO automatically enters current-limiting mode and stays there until the condition stops. 1b = An overload indication clears the LDOEN bit.
4	Reserved	RW	1h	Reserved
3	LDOBGVBV	RW	0h	LDO valid 0b = LDO is not valid yet 1b = LDO is valid and within bounds
2	LDOOFFIFG	RW	0h	LDO "going OFF" interrupt flag. This bit indicates that LDO fell below the launch voltage. 0b = LDO did not fall below the launch voltage. 1b = LDO fell below the launch voltage.
1	LDOONIFG	RW	0h	LDO "coming ON" interrupt flag. This bit indicates that LDO rose above the launch voltage. 0b = LDO did not rise above the launch voltage. 1b = LDO rose above the launch voltage.
0	LDOOVLIFG	RW	0h	LDO overload interrupt flag. This bit indicates that the 3.3-V LDO entered an overload condition. 0b = No overload condition detected. 1b = Overload condition detected.

Embedded Emulation Module (EEM)

This chapter describes the embedded emulation module (EEM) that is implemented in all devices.

Topic	Page
44.1 Embedded Emulation Module (EEM) Introduction	1183
44.2 EEM Building Blocks	1185
44.3 EEM Configurations	1186

44.1 Embedded Emulation Module (EEM) Introduction

Every MSP430 microcontroller implements an EEM. It is accessed and controlled through either 4-wire JTAG mode or Spy-Bi-Wire mode. Each implementation is device-dependent and is described in [Section 44.3](#), the EEM Configurations section, and the device-specific data sheet.

In general, the following features are available:

- Nonintrusive code execution with real-time breakpoint control
- Single-step, step-into, and step-over functionality
- Full support of all low-power modes
- Support for all system frequencies, for all clock sources
- Up to eight (device-dependent) hardware triggers or breakpoints on memory address bus (MAB) or memory data bus (MDB)
- Up to two (device-dependent) hardware triggers or breakpoints on CPU register write accesses
- MAB, MDB, and CPU register access triggers can be combined to form up to ten (device-dependent) complex triggers or breakpoints
- Up to two (device-dependent) cycle counters
- Trigger sequencing (device-dependent)
- Storage of internal bus and control signals using an integrated trace buffer (device-dependent)
- Clock control for timers, communication peripherals, and other modules on a global device level or on a per-module basis during an emulation stop

[Figure 44-1](#) shows a simplified block diagram of the largest currently-available EEM implementation.

For more details on how the features of the EEM can be used together with the IAR Embedded Workbench™ debugger or with Code Composer Studio (CCS), see *Advanced Debugging Using the Enhanced Emulation Module (SLAA393)* at www.msp430.com. Most other debuggers supporting the MSP430 devices have the same or a similar feature set. For details, see the user's guide of the applicable debugger.

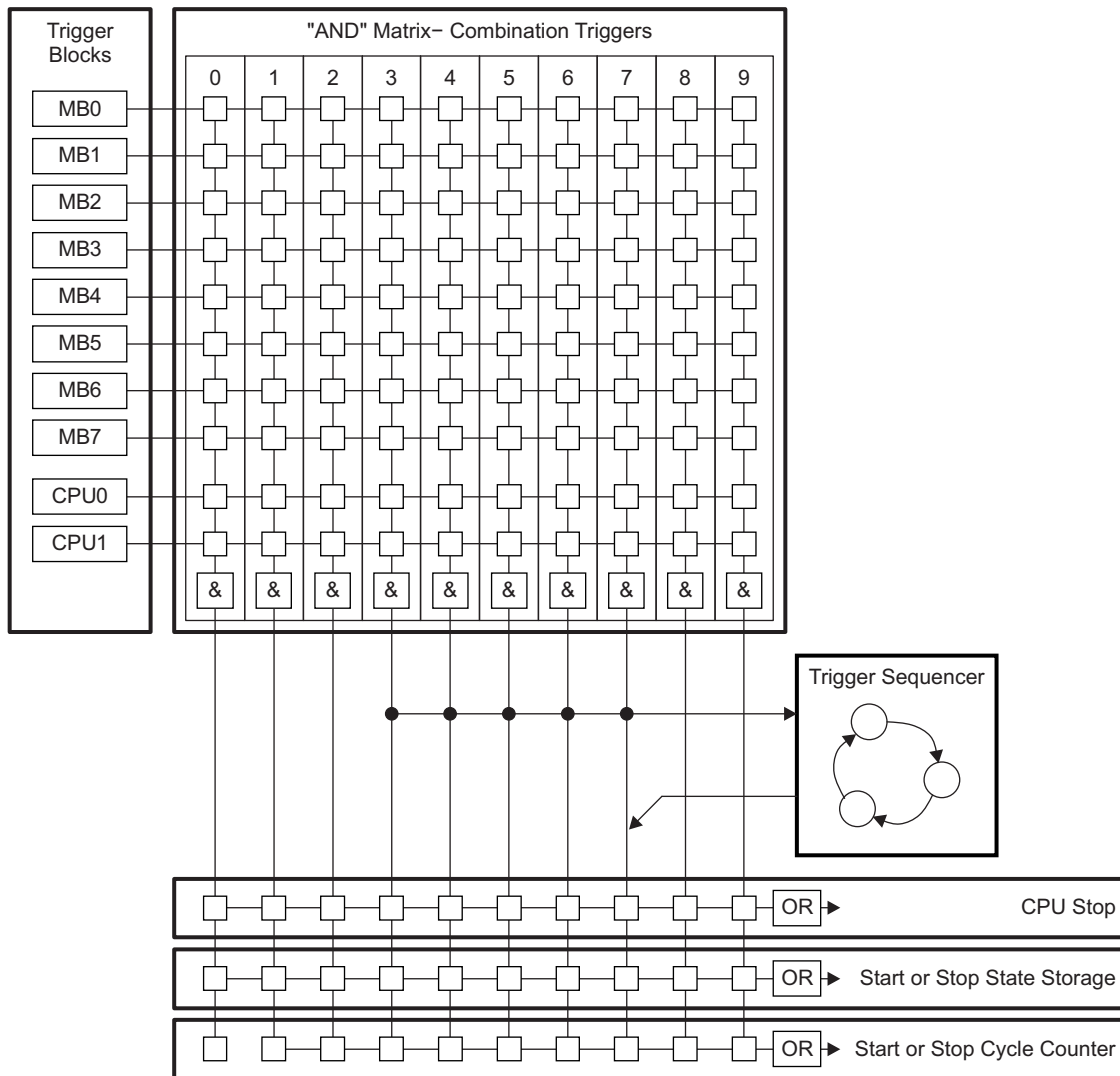


Figure 44-1. Large Implementation of EEM

44.2 EEM Building Blocks

44.2.1 Triggers

The event control in the EEM of the MSP430 system consists of triggers, which are internal signals indicating that a certain event has happened. These triggers may be used as simple breakpoints, but it is also possible to combine two or more triggers to allow detection of complex events and cause various reactions other than stopping the CPU.

In general, the triggers can be used to control the following functional blocks of the EEM:

- Breakpoints (CPU stop)
- State storage
- Sequencer
- Cycle counter

There are two different types of triggers – the memory trigger and the CPU register write trigger.

Each memory trigger block can be independently selected to compare either the MAB or the MDB with a given value. Depending on the implemented EEM, the comparison can be =, ≠, ≥, or ≤. The comparison can also be limited to certain bits with the use of a mask. The mask is either bit-wise or byte-wise, depending upon the device. In addition to selecting the bus and the comparison, the condition under which the trigger is active can be selected. The conditions include read access, write access, DMA access, and instruction fetch.

Each CPU register write trigger block can be independently selected to compare what is written into a selected register with a given value. The observed register can be selected for each trigger independently. The comparison can be =, ≠, ≥, or ≤. The comparison can also be limited to certain bits with the use of a bit mask.

Both types of triggers can be combined to form more complex triggers. For example, a complex trigger can signal when a particular value is written into a user-specified address.

44.2.2 Trigger Sequencer

The trigger sequencer allows the definition of a certain sequence of trigger signals before an event is accepted for a break or state storage event. Within the trigger sequencer, it is possible to use the following features:

- Four states (State 0 to State 3)
- Two transitions per state to any other state
- Reset trigger that resets the sequencer to State 0.

The trigger sequencer always starts at State 0 and must execute to State 3 to generate an action. If State 1 or State 2 are not required, they can be bypassed.

44.2.3 State Storage (Internal Trace Buffer)

The state storage function uses a built-in buffer to store MAB, MDB, and CPU control signal information (that is, read, write, or instruction fetch) in a nonintrusive manner. The built-in buffer can hold up to eight entries. The flexible configuration allows the user to record the information of interest very efficiently.

44.2.4 Cycle Counter

The cycle counter provides one or two 40-bit counters to measure the cycles used by the CPU to execute certain tasks. On some devices, the cycle counter operation can be controlled using triggers. This allows, for example, conditional profiling, such as profiling a specific section of code.

44.2.5 Clock Control

The EEM provides device-dependent flexible clock control. This is useful in applications where a running clock is needed for peripherals after the CPU is stopped (for example, to allow a UART module to complete its transfer of a character or to allow a timer to continue generating a PWM signal).

The clock control is flexible and supports both modules that need a running clock and modules that must be stopped when the CPU is stopped due to a breakpoint.

44.3 EEM Configurations

[Table 44-1](#) gives an overview of the EEM configurations. The implemented configuration is device-dependent, and details can be found in the device-specific data sheet and these documents:

Advanced Debugging Using the Enhanced Emulation Module (EEM) With CCS ([SLAA393](#))

IAR Embedded Workbench Version 3+ for MSP430 User's Guide ([SLAU138](#))

Code Composer Studio for MSP430 User's Guide ([SLAU157](#))

Table 44-1. EEM Configurations

Feature	XS	S	M	L
Memory bus triggers	2 (=, ≠ only)	3	5	8
Memory bus trigger mask for	1) Low byte 2) High byte 3) Four upper addr bits	1) Low byte 2) High byte 3) Four upper addr bits	1) Low byte 2) High byte 3) Four upper addr bits	All 16 or 20 bits
CPU register write triggers	0	1	1	2
Combination triggers	2	4	6	10
Sequencer	No	No	Yes	Yes
State storage	No	No	No	Yes
Cycle counter	1	1	1	2 (including triggered start or stop)

In general, the following features can be found on any device:

- At least two MAB or MDB triggers supporting:
 - Distinction between CPU, DMA, read, and write accesses
 - =, ≠, ≥, or ≤ comparison (in XS, only =, ≠)
- At least two trigger combination registers
- Hardware breakpoints using the CPU stop reaction
- At least one 40-bit cycle counter
- Enhanced clock control with individual control of module clocks

Revision History

NOTE: Page numbers for previous revisions may differ from page numbers in the current version.

Changes from May 26, 2015 to October 26, 2016	Page
• Corrected table references in column "SVM _L Control Mode" of Table 2-5 .	39
• Corrected table references in column "SVM _H Control Mode" of Table 2-10 .	39
• Added example C code to Section 1.4.1, Entering and Exiting Low-Power Modes LPM0 Through LPM4 .	67
• Changed the note that starts "The MSP430 Driver Library..." in Section 2.2.4, Increasing V_{CORE} to Support Higher MCLK Frequencies .	109
• Corrected table references in column "SVM _L Control Mode" of Table 2-5 .	111
• Corrected table references in column "SVM _H Control Mode" of Table 2-10 .	112
• Added "Note: This bit also affects the control mode selection" to SVSHMD bit description in Table 2-18, SVSMHCTL Register Description .	117
• Added "Note: This bit also affects the control mode selection" to SVSLMD bit description.	118
• Added the note "Disabled SVS _H restricts access to backup subsystem"	134
• Corrected bit and signal names and added XT1OFF in Figure 5-1, UCS Block Diagram .	161
• Corrected signal names (removed extra underscores) in Figure 5-3, Module Request Clock System .	168
• Removed incorrect emulation function and corrected description of N status bit in Section 6.6.2.14, CMP .	246
• Deleted "The ACCVIFG bit is set if VPE is set" from the VPE bit description in Table 7-8, FCTL4 Register Description .	364
• Added "...with the ADC10IE0 bit reset" to the first sentence of the ADC10_A Operation description in Table 11-2, DMA Trigger Operation .	391
• Added "...with the corresponding ADC12IE bit reset" to the first sentence of the ADC12_A Operation description in Table 11-2, DMA Trigger Operation .	391
• Added "...as long as the ADC10IE0 bit is reset" to the description in Section 11.2.11, Using ADC10 With the DMA Controller .	394
• Added "...as long as the corresponding ADC12IE bit is reset" to the description in Section 11.2.12, Using ADC12 With the DMA Controller .	394
• Deleted "PJ contains only four I/O lines" from the end of the paragraph that starts "Devices within the family may have up to..."	409
• Added PJSEL to Table 12-2, Digital I/O Registers .	421
• Removed all references to the AESACTL1, AESAXDIN, and AESAXIN registers and the AESCMEN, AESCMx, and AESKLx bits throughout Section 15.3, AES_ACCEL Registers (registers are not implemented in this device family)...	448
• Changed bits 15 and 6:2 to Reserved in Section 15.3.1, AESACTL0 Register (removed the AESCMEN, AESCMx, and AESKLx bits).	449
• Removed "or by halting the counters" from the end of the first paragraph in the note "Reading or writing real-time clock registers"	570
• Removed "or by halting the counters" from the end of the first paragraph in the note "Reading or writing real-time clock registers"	598
• Removed "or by halting the counters" from the end of the first paragraph in the note "Reading or writing real-time clock registers"	627
• Added link to calibration information at the end of the second paragraph in Section 27.2.9, Using the Integrated Temperature Sensor .	715
• Added "...with the ADC10IE0 bit reset" to the sentence "The DMA is triggered after each conversion with the ADC10IE0 bit reset" in Section 27.2.11, ADC10_A Interrupts .	716
• Added link to calibration information at the end of the second paragraph in Section 28.2.8, Using the Integrated Temperature Sensor .	744
• Added "...with the corresponding ADC12IE bit reset" to the sentence that starts "The DMA is triggered after the conversion..." in Section 28.2.10, ADC12_A Interrupts .	746
• Corrected the address offset of ADC12MEM15 in Table 28-3, ADC12_A Registers .	749
• Changed Figure 29-5, Analog Input Equivalent Circuit (removed preamp and related note).	768
• Changed "Using CTSD16PREx, the decimation time of the digital filter is <i>increased</i> ..." to "Using CTSD16PREx, the decimation time of the digital filter is <i>delayed</i> ..."	807
• Updated CBOUT behavior when comparator is disabled to be dependent on CBOUTPOL bit setting.	844
• Removed the sentence "The bias current of the comparator is programmable" in Section 32.2.1, Comparator .	844
• Added the paragraph that starts "To optimize current consumption for the application..." in Section 32.2.1,	

<i>Comparator</i>	844
• Changed "...the voltage present at the external capacitor is used..." to "...the voltage stored on the external capacitor is used...".....	908
• Changed paragraphs about how to temporarily disable the LCD charge pump	908
• Corrected software reset (UCSWRST = 1) conditions.	996
• Added note "Handling of TXIFG in a multi-master system".	1004
• Added note that starts "The listed UCBR _{Sx} settings..." to Table 39-5, Recommended Settings for Typical Crystals and Baud Rates	1039
• Added note that starts "Assumes a stable clock source..." to Table 39-5	1039
• Changed from "bits 15-9" to "bits 15-8" in the list item "UCB _x STAT, bits 15-8 and 6-4 are cleared"	1081
• Corrected software reset (UCSWRST = 1) conditions.....	1081
• Replaced "in registers UCB _x BR1 and UCB _x BR0" with "in register UCB _x BRW" in the second paragraph of Section 41.3.7, f²C Clock Generation and Synchronization	1094
• Removed "Modify only when UCSWRST = 1" from the description of UCSWRST in Table 41-4, UCB_xCTLW0 Register Description	1102
• Changed description of UCASTP _x bit in Table 41-5, UCB_xCTLW1 Register Description	1103

IMPORTANT NOTICE

Texas Instruments Incorporated and its subsidiaries (TI) reserve the right to make corrections, enhancements, improvements and other changes to its semiconductor products and services per JESD46, latest issue, and to discontinue any product or service per JESD48, latest issue. Buyers should obtain the latest relevant information before placing orders and should verify that such information is current and complete. All semiconductor products (also referred to herein as "components") are sold subject to TI's terms and conditions of sale supplied at the time of order acknowledgment.

TI warrants performance of its components to the specifications applicable at the time of sale, in accordance with the warranty in TI's terms and conditions of sale of semiconductor products. Testing and other quality control techniques are used to the extent TI deems necessary to support this warranty. Except where mandated by applicable law, testing of all parameters of each component is not necessarily performed.

TI assumes no liability for applications assistance or the design of Buyers' products. Buyers are responsible for their products and applications using TI components. To minimize the risks associated with Buyers' products and applications, Buyers should provide adequate design and operating safeguards.

TI does not warrant or represent that any license, either express or implied, is granted under any patent right, copyright, mask work right, or other intellectual property right relating to any combination, machine, or process in which TI components or services are used. Information published by TI regarding third-party products or services does not constitute a license to use such products or services or a warranty or endorsement thereof. Use of such information may require a license from a third party under the patents or other intellectual property of the third party, or a license from TI under the patents or other intellectual property of TI.

Reproduction of significant portions of TI information in TI data books or data sheets is permissible only if reproduction is without alteration and is accompanied by all associated warranties, conditions, limitations, and notices. TI is not responsible or liable for such altered documentation. Information of third parties may be subject to additional restrictions.

Resale of TI components or services with statements different from or beyond the parameters stated by TI for that component or service voids all express and any implied warranties for the associated TI component or service and is an unfair and deceptive business practice. TI is not responsible or liable for any such statements.

Buyer acknowledges and agrees that it is solely responsible for compliance with all legal, regulatory and safety-related requirements concerning its products, and any use of TI components in its applications, notwithstanding any applications-related information or support that may be provided by TI. Buyer represents and agrees that it has all the necessary expertise to create and implement safeguards which anticipate dangerous consequences of failures, monitor failures and their consequences, lessen the likelihood of failures that might cause harm and take appropriate remedial actions. Buyer will fully indemnify TI and its representatives against any damages arising out of the use of any TI components in safety-critical applications.

In some cases, TI components may be promoted specifically to facilitate safety-related applications. With such components, TI's goal is to help enable customers to design and create their own end-product solutions that meet applicable functional safety standards and requirements. Nonetheless, such components are subject to these terms.

No TI components are authorized for use in FDA Class III (or similar life-critical medical equipment) unless authorized officers of the parties have executed a special agreement specifically governing such use.

Only those TI components which TI has specifically designated as military grade or "enhanced plastic" are designed and intended for use in military/aerospace applications or environments. Buyer acknowledges and agrees that any military or aerospace use of TI components which have **not** been so designated is solely at the Buyer's risk, and that Buyer is solely responsible for compliance with all legal and regulatory requirements in connection with such use.

TI has specifically designated certain components as meeting ISO/TS16949 requirements, mainly for automotive use. In any case of use of non-designated products, TI will not be responsible for any failure to meet ISO/TS16949.

Products

Audio	www.ti.com/audio
Amplifiers	amplifier.ti.com
Data Converters	dataconverter.ti.com
DLP® Products	www.dlp.com
DSP	dsp.ti.com
Clocks and Timers	www.ti.com/clocks
Interface	interface.ti.com
Logic	logic.ti.com
Power Mgmt	power.ti.com
Microcontrollers	microcontroller.ti.com
RFID	www.ti-rfid.com
OMAP Applications Processors	www.ti.com/omap
Wireless Connectivity	www.ti.com/wirelessconnectivity

Applications

Automotive and Transportation	www.ti.com/automotive
Communications and Telecom	www.ti.com/communications
Computers and Peripherals	www.ti.com/computers
Consumer Electronics	www.ti.com/consumer-apps
Energy and Lighting	www.ti.com/energy
Industrial	www.ti.com/industrial
Medical	www.ti.com/medical
Security	www.ti.com/security
Space, Avionics and Defense	www.ti.com/space-avionics-defense
Video and Imaging	www.ti.com/video

TI E2E Community

e2e.ti.com