

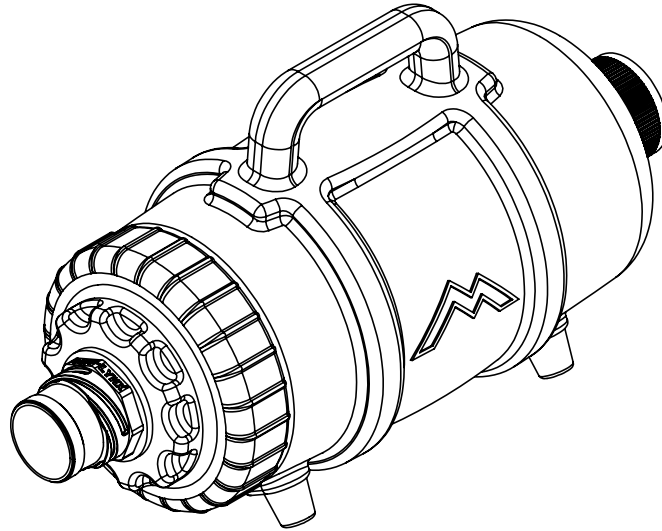
Instructions for F200/F250 Lint Hog™



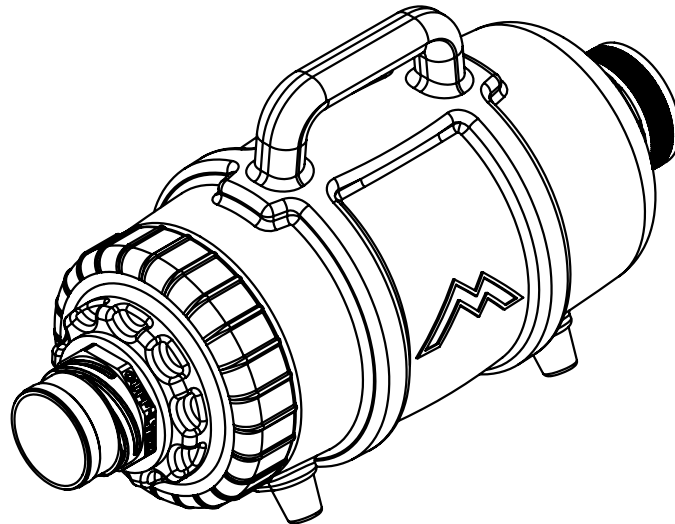
Please read before use.



Register your product
at <http://www.mytee.com/support/register>



Lint Hog F200



Lint Hog F250

F200 Set up p. 2
F200 Parts & pricing p. 4
F250 Set up p. 5
F250 Parts & pricing p. 7
General information p. 8

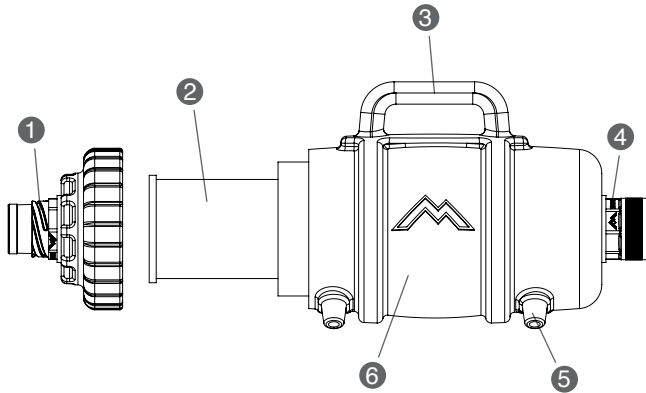
Model # _____

Serial # _____

Form # ADP-F200

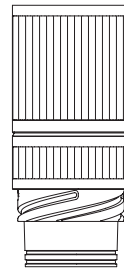
3-14

F200 LINT HOG™ SIDE VIEW

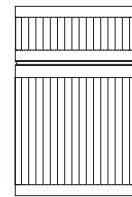


1. 2" Inlet to cleaning tool
2. Stainless-steel mesh filter
3. Handle
4. 2" Inlet to extractor
5. Rubber feet
6. Translucent, roto-molded polyethylene body

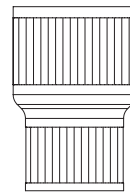
ACCESSORIES



H136 - Coupler Swivel,
2" male x 2" female vac hose



H110 - Coupler Swivel,
2" female x 2" female vac hose

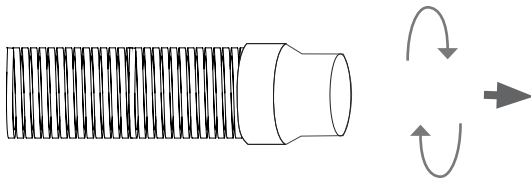


H141 - Reducer,
2" female x 1.5" female vac hose

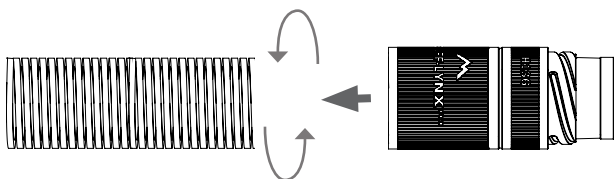


G008 - Pack of Piglet™
filters

REPLACING HOSE CUFFS WITH CUFF-LYNX™



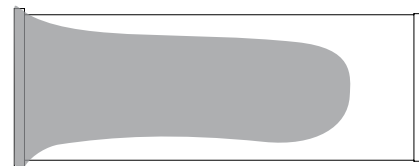
Twist clock-wise to remove standard cuffs.



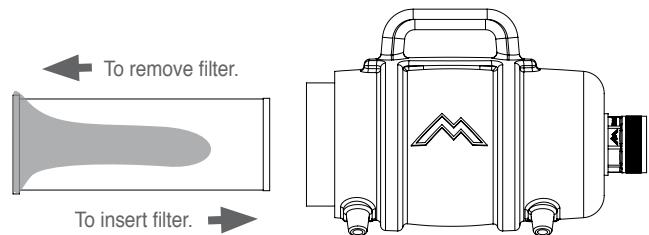
Twist counter clock-wise to attach Cuff-Lynx™ to vac. hose.

Once you receive your Lint Hog™, you will need to replace the cuffs on your vacuum hose. To remove old cuffs, twist clock-wise. To attach either male, female or reducer Cuff-lynx™ to vacuum hose twist counter clock-wise.

PIGLET FILTER & MESH FILTER

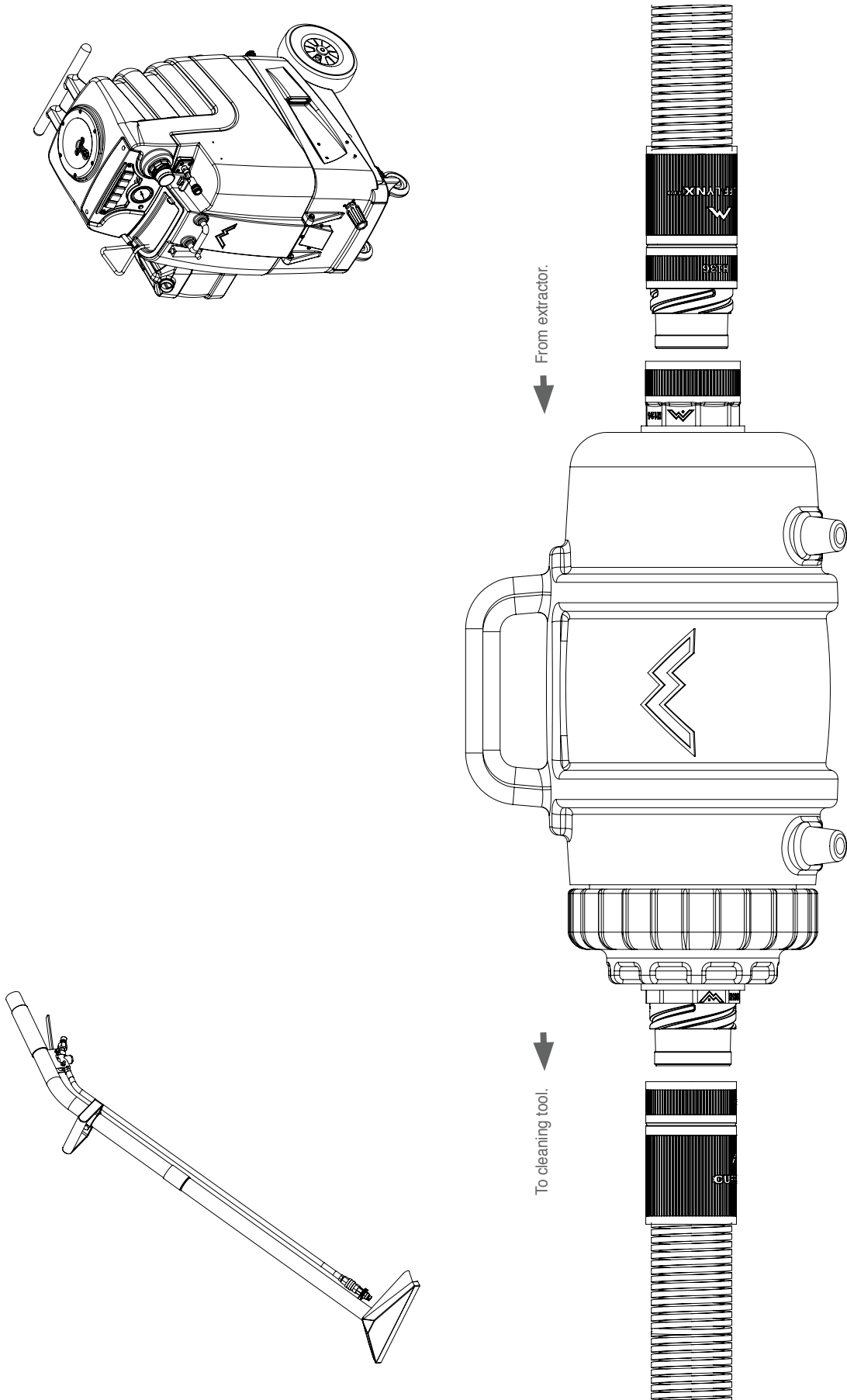


Insert one of the Piglet™ filters over the mesh filter opening for added protection. Once Piglet™ is added, insert mesh filter within the Lint-Hog™



When the translucent Lint Hog™ mesh filter fills up or you notice a change in performance, empty the unit, clean the mesh filter and replace Piglet™. Insert filter back in the Lint Hog™.

LINT HOG™ SET UP



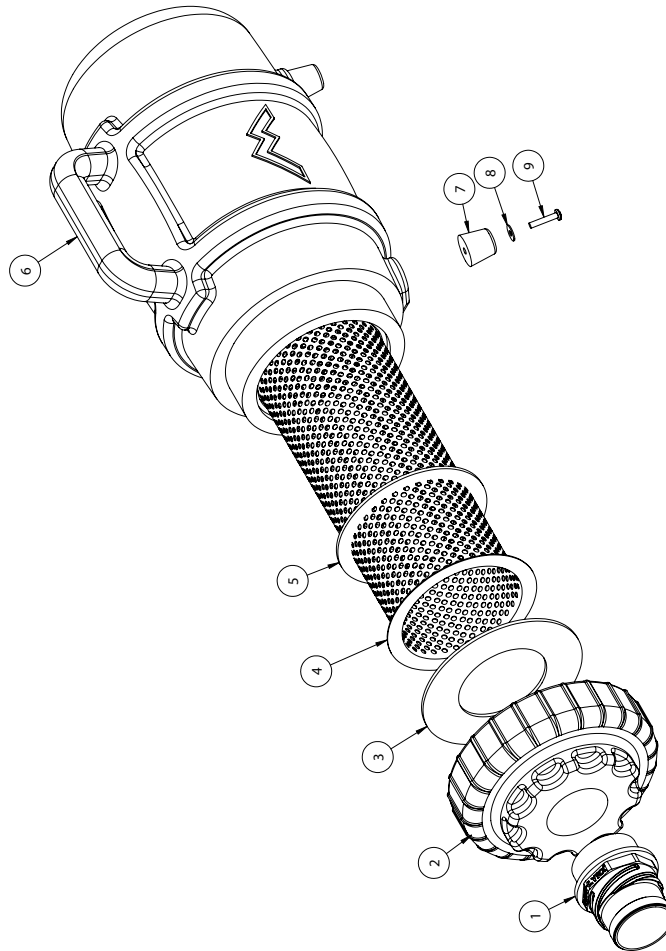
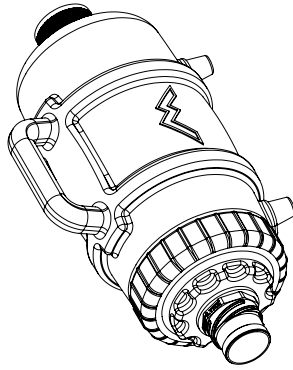
Position the Lint Hog™ in line between the cleaning tool and the truck mount or portable extractor. Connect vacuum hoses to both ends of the Lint Hog™. Connect one hose to the wand, the other to the extractor. Proceed with carpet cleaning. The Lint Hog™ will collect debris.

F200 LINT HOG™ PARTS & PRICING

ITEM NO.	PART NO.	DESCRIPTION	QTY.	MSRP
1	H135	Cuff-Lynx, 2" m cuff x 2" mpt	1	\$3.99 ea
2	P561	cap, 6", threaded, w/ 2" npt	1	\$23.99 ea
3	G031	gasket, 3.25" i.d. x 5.88" od.	1	\$6.99 ea
4	H359	basket, strainer, 4.5 DIA x 12.5	1	\$36.99 ea
5	G084	gasket, 4.5" x 5.5"	1	\$4.99 ea
6	P563A	body, lint hog, new style	1	\$34.99 ea
7	G211	rubber feet, 1-1/8" bas diag, 1" height	4	\$3.99 ea
8	H289	Washer #10 flat, s/s	4	\$0.99 ea
9	H231	screw, 10-32 x 1" phill pan head, s/s	4	\$0.99 ea
10	H124	Cuff-Lynx, 2" mpt x 2" female cuff	1	\$3.99 ea

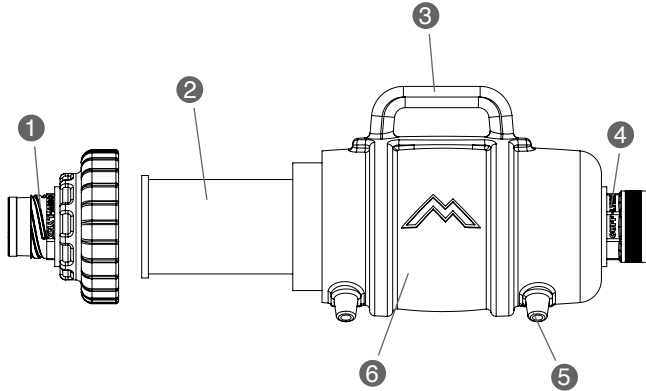
ACCESSORIES NOT SHOWN

PART NO.	DESCRIPTION	QTY.	MSRP
ADM-F200	manual, lint hog, QR codes	1	
G008	SEE PAK NUMBER black piglet filters - bag of 25	1	\$6.29 ea
H110	Cuff-Lynx, 2" hose x 2" swivel	1	\$3.99 ea
H136	Cuff-Lynx, 2" hose x 2" male swivel	1	\$3.99 ea
H141	Cuff-Lynx, 2" hose to 1.5" reducer	1	\$3.99 ea



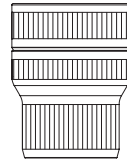
DRAWN	NAME	DATE	mytee PRODUCTS, INC. 888.929.1191
CHECKED	M. Lubben	5/25/11	
TITLE:			2" lint hog
SIZE	DWG. NO.	REV	OD
C	F200		
SCALE: 1:3	SCALE: 1:3		SHEET 1 OF 1

F250 LINT HOG™ SIDE VIEW

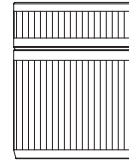


- 1. 2.5" Inlet to cleaning tool
- 2. Stainless-steel mesh filter
- 3. Handle
- 4. 2.5" Inlet to extractor
- 5. Rubber feet
- 6. Translucent, roto-molded polyethylene body

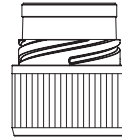
ACCESSORIES



H106 - Swivel reducer – 2.5" female Cuff Lynx™ x 2" female vac hose



H107 - Coupler Swivel – 2.5" female Cuff Lynx™ x 2.5" female vac hose

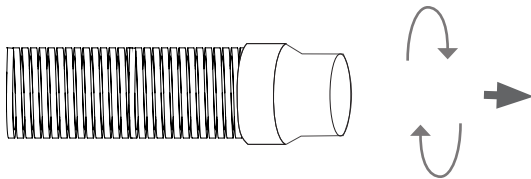


H108 - Coupler – 2.5" male Cuff Lynx™ x 2.5" female vac hose

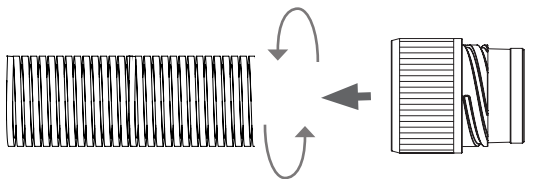


G008 - Pack of Piglet™ filters

REPLACING HOSE CUFFS WITH CUFF-LYNX™



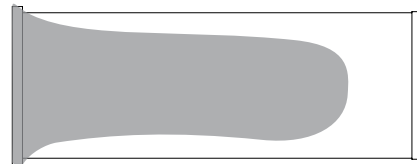
Twist clock-wise to remove standard cuffs.



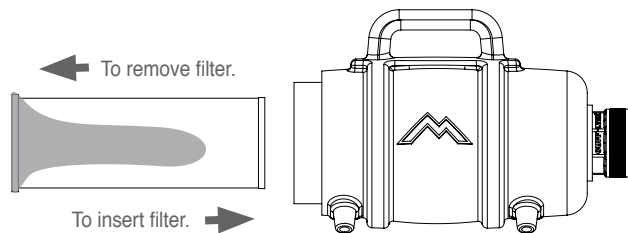
Twist counter clock-wise to attach Cuff-Lynx™ to vac. hose.

Once you receive your Lint Hog™, you will need to replace the cuffs on your vacuum hose. To remove old cuffs, twist clock-wise. To attach either male, female or reducer Cuff-lynx™ to vacuum hose twist counter clock-wise.

PIGLET FILTER & MESH FILTER



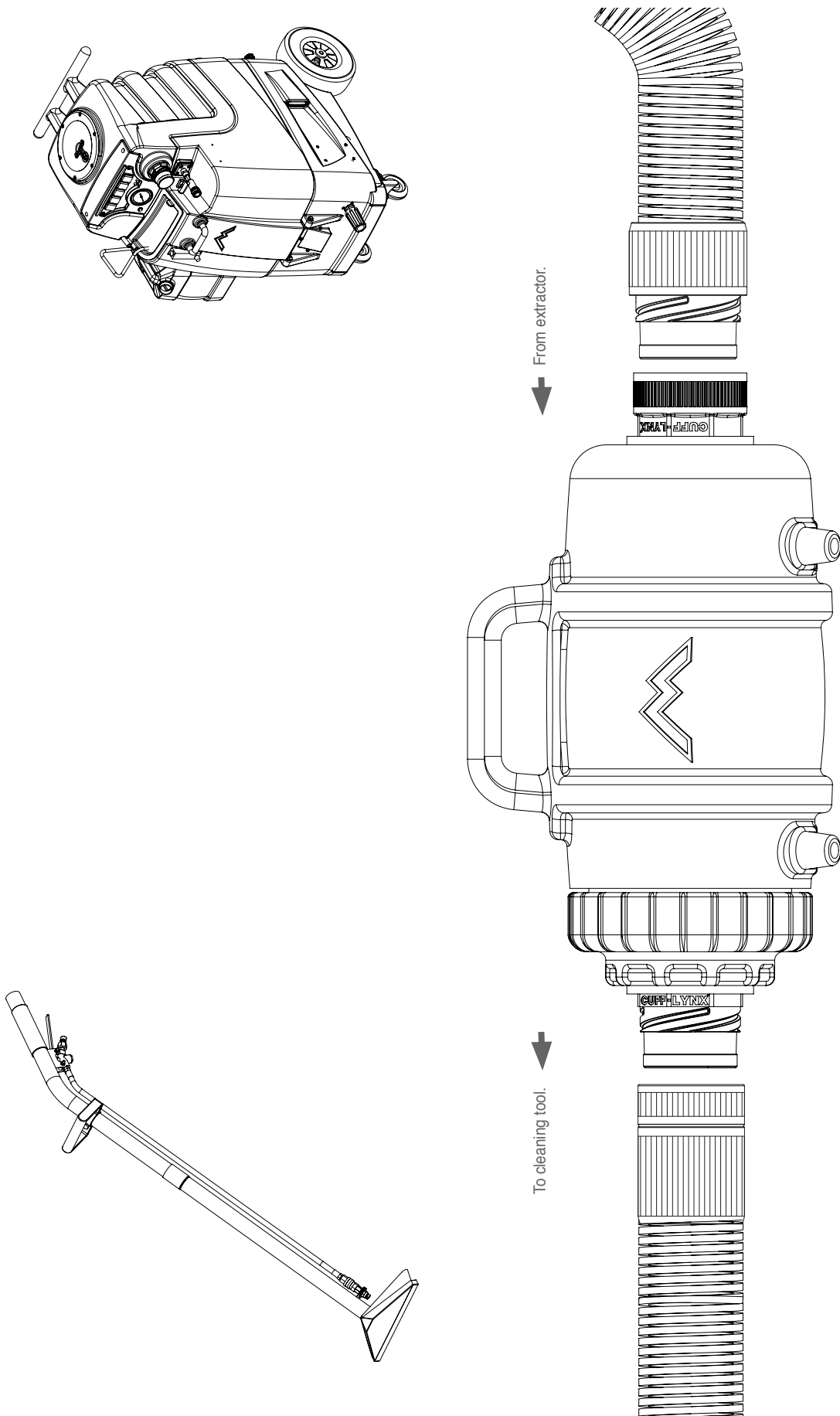
Insert one of the Piglet™ filters over the mesh filter opening for added protection. Once Piglet™ is added, insert mesh filter within the Lint-Hog™



When the translucent Lint Hog™ mesh filter fills up or you notice a change in performance, empty the unit, clean the mesh filter and replace Piglet™. Insert filter back in the Lint Hog™.

F250 LINT HOG™

LINT HOG™ SET UP



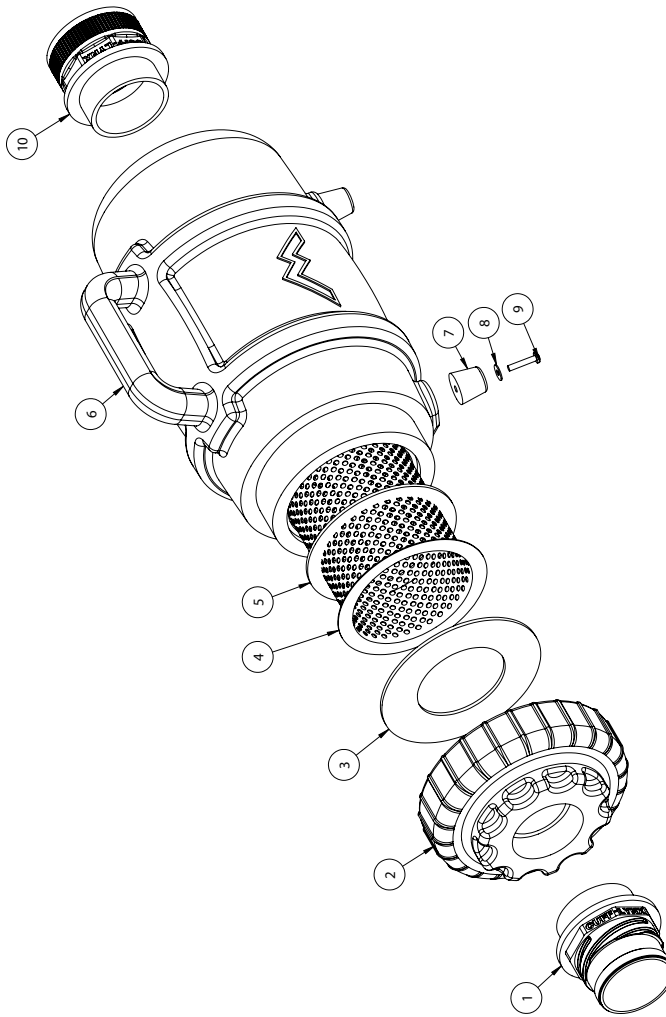
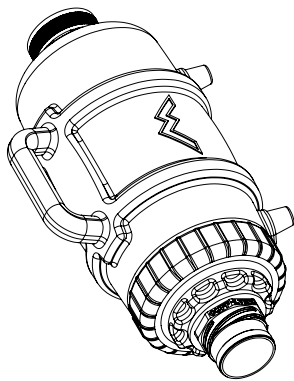
Position the Lint Hog™ in line between the cleaning tool and the truck mount or portable extractor. Connect vacuum hoses to both ends of the Lint Hog™. Connect one hose to the wand, the other to the extractor. Proceed with carpet cleaning. The Lint Hog™ will collect debris.

F250 LINT HOG™ PARTS & PRICING

ITEM NO.	PART NO.	DESCRIPTION	QTY.	MSRP
1	H132	Cuff-Lynx, 2.5" m cuff x 2.5" mpt	1	\$4.99 ea
2	P562	cap, 6", threaded, w/ 2.5" npt	1	\$9.99 ea
3	G031	gasket, 3.25" i.d. x 5.88" o.d.	1	\$6.99 ea
4	H359	basket, strainer, 4.5 DIA x 12.5	1	\$36.99 ea
5	G084	gasket, 4.55" x 5.5"	1	\$4.99 ea
6	P563A	body, lint hog, new style	1	\$34.99 ea
7	G211	rubber feet, 1-1/8" bas diag, 1" height	4	\$3.99 ea
8	H289	Washer #10 flat, s/s	4	\$0.99 ea
9	H231	screw, 10-32 x 1", phil pan head, s/s	4	\$0.99 ea
10	H123	Cuff-Lynx, 2.5" mpt x 2.5" female cuff	1	\$4.99 ea

ACCESSORIES NOT SHOWN

PART NO.	DESCRIPTION	QTY.	MSRP
ADM-F200	manual, lint hog, QR codes	1	
G008	SEE PAK NUMBER black piglet filters - bag of 25	1	\$6.29 ea
H106	Cuff-Lynx, 2" hose x 2.5" female reducer	1	\$4.99 ea
H107	Cuff-Lynx, 2.5" hose x 2.5" f avivel	1	\$4.99 ea
H108	Cuff-Lynx, 2.5" hose x 2.5" male	1	\$4.99 ea



DRAWN	NAME	DATE	mytee
CREATED	M. Lubbers	5/23/11	PRODUCTS, INC.
			888/523.1971
TITLE			
2.5" lint hog			
SIZE	DWG. NO.	REV	OD
C	F250		
SCALE: 1:3	SCALE: 1:3	SCALE: 1:3	SCALE: 1:3
			SHEET 1 OF 1

INFORMATION: THIS DOCUMENT IS THE PROPERTY OF MYTEE PRODUCTS, INC. IT IS TO BE USED FOR THE DESIGN AND MANUFACTURE OF MYTEE PRODUCTS ONLY. REPRODUCTION OR TRANSMISSION OF THIS DOCUMENT IN ANY FORM OR BY ANY MEANS WITHOUT THE WRITTEN PERMISSION OF MYTEE PRODUCTS, INC. IS PROHIBITED.

GENERAL INFORMATION

Dear Customer:

Congratulations on the purchase of your new Lint Hog™. Just one example of how Mytee Products Inc., is strive to keep you on the cutting edge with superior quality and technology.

Neglect or abuse of the Lint Hog™ will void the warranty. With simple maintenance this product will give quality performance for many years to come.

If warranty questions arise, please consult user manual or get in touch with your distributor. If you have questions about maintenance, replacing parts or ordering parts, please call an authorized Mytee Products Inc. Service Center. To see an updated list, visit our website at www.mytee.com

Before you begin using, please read your manual thoroughly.

Sincerely,
Mytee Customer Care Dept.

Parts and Service

Repairs, when required, should be performed by Mytee service personnel or Mytee authorized Service Center using Mytee original replacement parts and accessories. Call Mytee for repair parts or service. Please specify the Model and Serial Number when discussing your machine.

Unpacking the Machine

When the machine is delivered, carefully inspect the shipping carton and the machine for damage. If damage is evident, save the shipping carton so that it can be inspected by the carrier that delivered it. Contact the carrier immediately to file a freight damage claim.

After Use

1. Disconnect the Lint Hog™ from vacuum hoses at both ends, make sure the unit is emptied and cleaned for the next job.
2. Store indoors in a clean, dry place.

Maintenance Schedule

Make sure unit is emptied and cleaned after each use.

Trouble Shooting

My Lint Hog™ isn't collecting debris.

1. Make sure the stainless steel filter has been emptied and cleaned. Check that your vacuum hoses are correctly attached to both hose inlets, and the wand and extractor. Also, make sure that your wand and extractor are in good working order.

FAQs

Q: How much does the Lint Hog™ weigh?

A: F200 weighs 5 pounds. F250 weighs 6 pounds.

Warranty

MYTEE LIFETIME LIMITED WARRANTY POLICY

Mytee Products, Inc. endeavors to provide high quality products and product support to its customers and therefore backs up all of its new products purchased from Mytee Products Inc. ("Mytee") or any authorized Mytee distributor/service center with this lifetime limited warranty. This limited warranty begins on the date of the customer's purchase and is valid and available to the original purchaser with proof of purchase, and is not transferable. Mytee's products are for commercial use only and are not intended for personal, family or household uses.

HOUSING LIMITED LIFETIME WARRANTY: Mytee warrants for life that its rotationally-molded housings will be free from manufacturing defects. This warranty covers the cost of replacement or repair only and does not cover shipping or labor costs.

WEAR PARTS 90-DAY LIMITED WARRANTY: Mytee will replace all wear parts for 90 days from the date of original purchase. "Wear parts" are items which wear out as a result of usage or the passage of time and are consumed despite attempts to maintain them, such as gaskets, wheels, brass, cords, wires, electrical terminals, hoses, switches, thermostats, plastisol parts, filters, bearings, brushes, solenoids, O-rings, bulbs, heating elements, castors, or other parts deemed wear items in Mytee's sole discretion. This warranty covers the cost of replacement only and does not cover shipping or labor costs.

HOWEVER, OTHER THAN SET FORTH HEREIN, MYTEE GIVES NO WARRANTY, EXPRESS OR IMPLIED, AS TO DESCRIPTION, QUALITY, MERCHANTABILITY, FITNESS FOR ANY PARTICULAR PURPOSE, PRODUCTIVENESS, INFRINGEMENT, OR OTHER MATTER, OF ANY GOODS WHICH MYTEE SHALL SUPPLY. THERE ARE NO WARRANTIES WHICH EXTEND BEYOND THE DESCRIPTION

ON THE FACE HEREOF. MYTEE SHALL IN NO WAY BE RESPONSIBLE FOR THE PROPER USE AND APPLICATION OF THE GOODS. MYTEE NEITHER ASSUMES NOR AUTHORIZES ANY OTHER PERSON TO ASSUME FOR MYTEE ANY OTHER LIABILITY IN CONNECTION WITH THE SALE OF MYTEE'S GOODS. THIS LIMITED WARRANTY POLICY MAY BE CHANGED OR WITHDRAWN BY MYTEE AT ANY TIME WITHOUT NOTICE.

LIMITATION OF DAMAGES: THE REMEDY OF REPLACEMENT OR REPAIR OF ANY DEFECTIVE GOODS SHALL BE THE EXCLUSIVE REMEDY UNDER ANY WARRANTY MADE BY MYTEE, WHETHER EXPRESS OR IMPLIED. IN NO EVENT SHALL MYTEE BE LIABLE FOR ANY INCIDENTAL OR CONSEQUENTIAL DAMAGES, PROPERTY DAMAGES, OR PERSONAL INJURIES.

All limited warranties are void for, and Mytee does not warrant in any way, any product that evidences misapplication, improper installation, abuse, lack of maintenance, negligence in use or care, abnormal use, alteration of design, modification, use of incompatible or corrosive chemicals, use in a rental service, and/or servicing, installation of parts, or repairs by anyone other than Mytee or a Mytee authorized distributor or service center. Mytee may make changes in products it manufactures and markets at any time; these changes are made without obligation to change, retrofit, or upgrade any product previously sold or manufactured.

Mytee has no obligation to honor the limited warranties set forth herein unless the original purchaser, promptly upon discovering the warranty claim and prior to continuing to use the product, contacts Mytee or a Mytee authorized distributor or service center to describe the claim and to receive and follow instructions for documenting and resolving the claim. In addition, the purchaser must provide the product to which the claim applies to Mytee or a Mytee authorized distributor or service center for a thorough inspection. In addition, the purchaser must provide/return the product intact, unmodified, with all of its original parts.

If any provision or portion of this limited warranty policy is found to be unenforceable, then the remaining provisions and portions shall remain valid and enforceable. If any provision or portion of this limited warranty policy is found to be limited by law, then that provision or portion shall be construed to make it effective within the bounds of law. For example, if there are legal limitations on the duration of warranties, the warranties made herein shall be construed to have the minimum duration required by law, or, if there are legal limitations of exclusion of remedies, the exclusions made herein shall be construed to apply to the fullest extent possible without violating the law.

The validity, construction and performance of this warranty policy shall be governed by the laws of the State of California, without respect to conflicts of laws principles. The exclusive jurisdiction of any legal action arising from or related to this warranty policy shall be in the State of California and no legal action shall be commenced elsewhere.

Return Material Authorization Procedure

It is the responsibility of any Authorized Service Center (ASC) or Distributor with written authorization to ensure the Customers equipment is repaired as soon as possible. Only Mytee Products Inc. or it's authorized dealers with written authorization, service centers, and agents may make warranty repairs on these products. All others do so at their own risk and expense.

The Distributor must follow Mytee Products, Inc. standard RMA procedure:

1. When a repair falls within the Warranty time period for a piece of equipment, the Distributor will fill out a RMA/Warranty claim form. This form will act as a repair order to replace any defective parts.
2. All defective parts must be returned to Mytee Products, Inc. with the RMA/claim form for evaluation at the customer's expense. This shipping is non-refundable. All warranty claims are subject to an evaluation by Mytee Products, Inc. to determine if warranty will be approved. Any credit for repair and/or parts will only be issued upon evaluation and approval from Mytee Products, Inc.
3. When Warranty is approved, the Distributor's account will be credited for the replacement part(s). Mytee Products, Inc. will ship the warranted replacement part(s) to the Distributor prepaid. If Warranty is denied the Distributor's account will not be credited for any parts sent for this claim.



Mytee Products Inc.
13655 Stowe Dr.
Poway, Ca. 92064
www.mytee.com
FX 858.679.7814

© 2014 Mytee Products Inc.
Printed in the U.S.A.