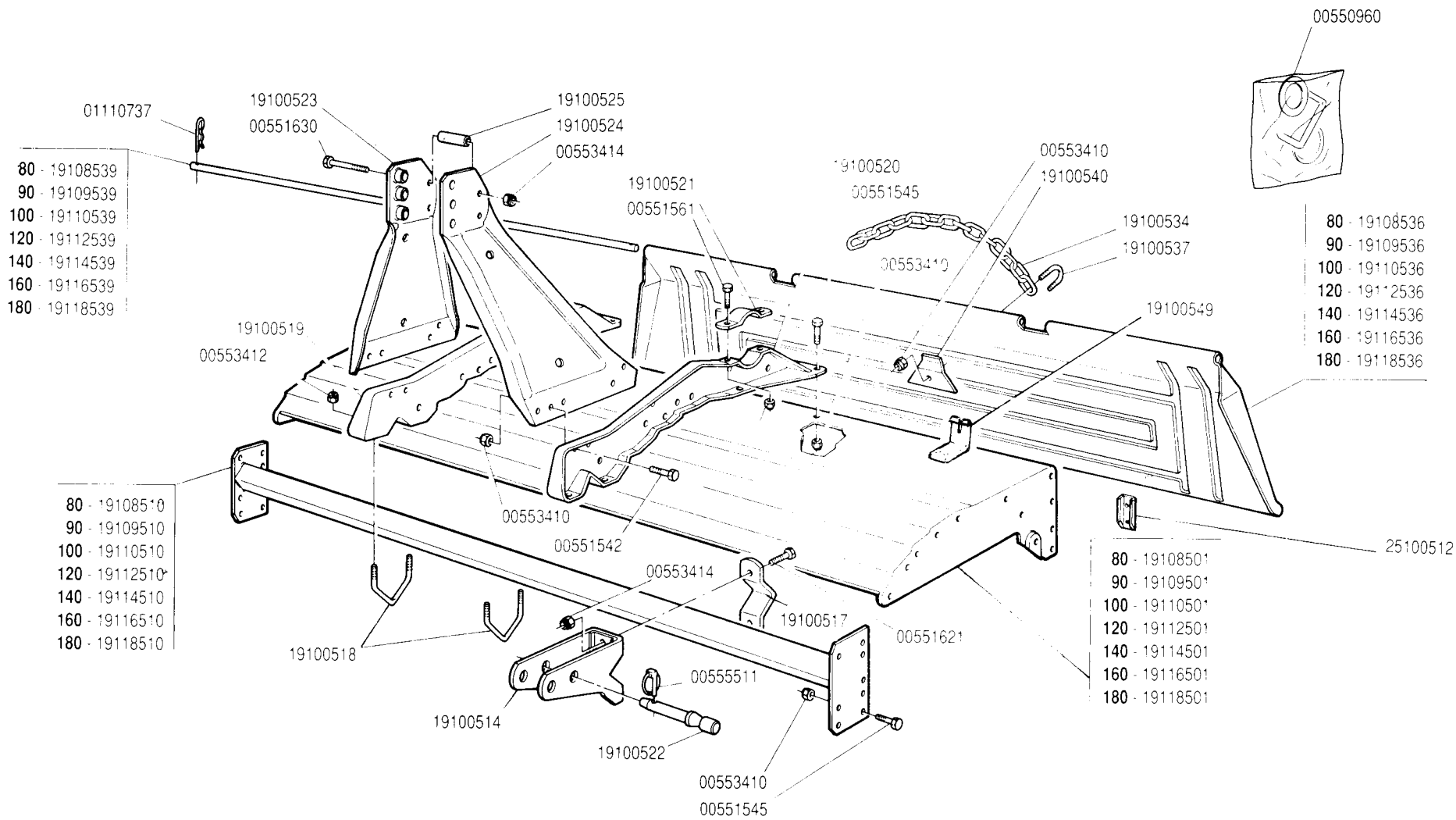


**MASCHIO**

**Catalogo ricambi**  
**Spare parts catalogue**  
**Catalogue pièces de rechange**  
**Ersatzteilkatalog**  
**Catalogo piezas de repuesto**

**TYPE A**

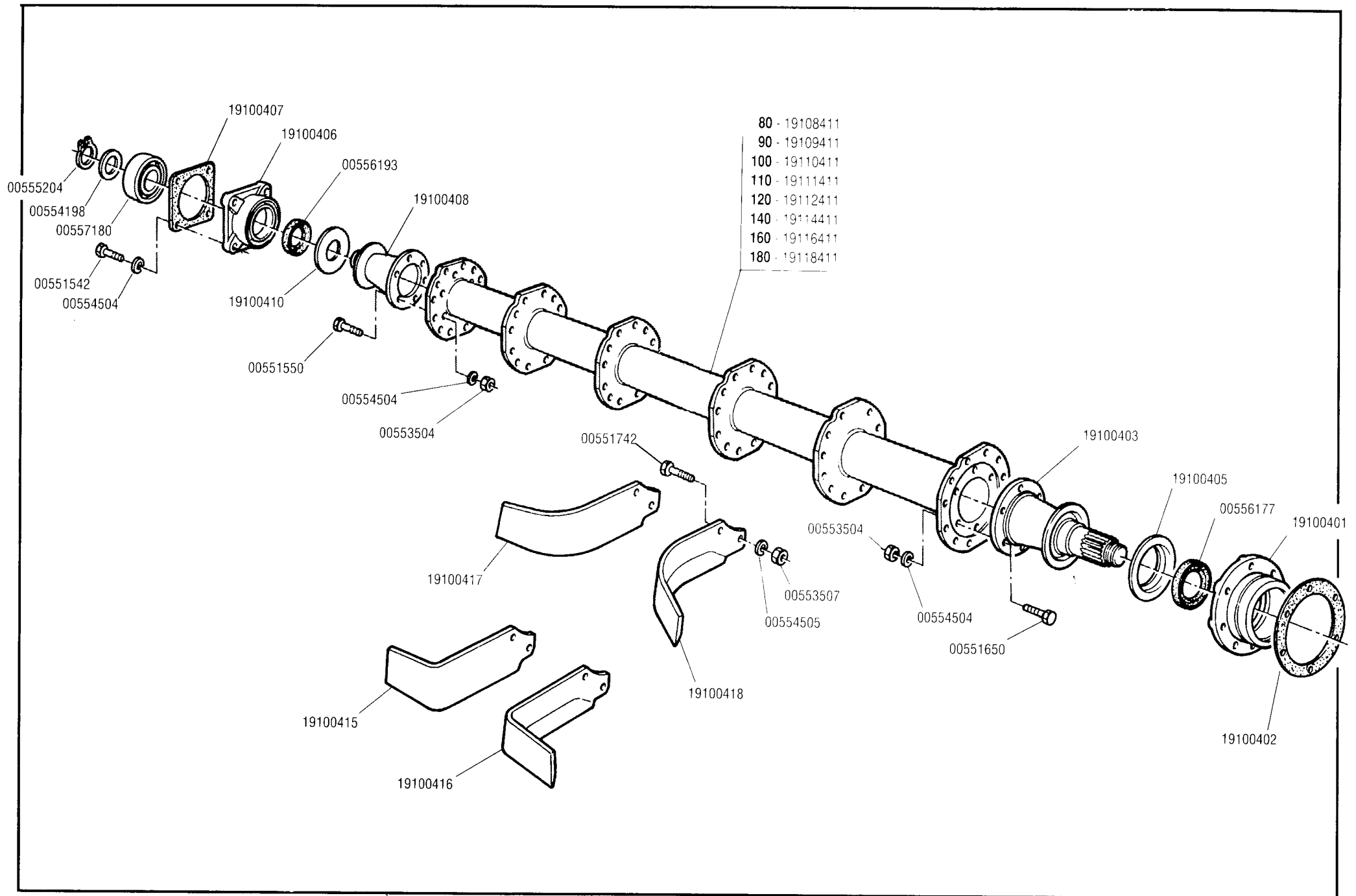
TAVOLA 35/1



## TAVOLA 35/1

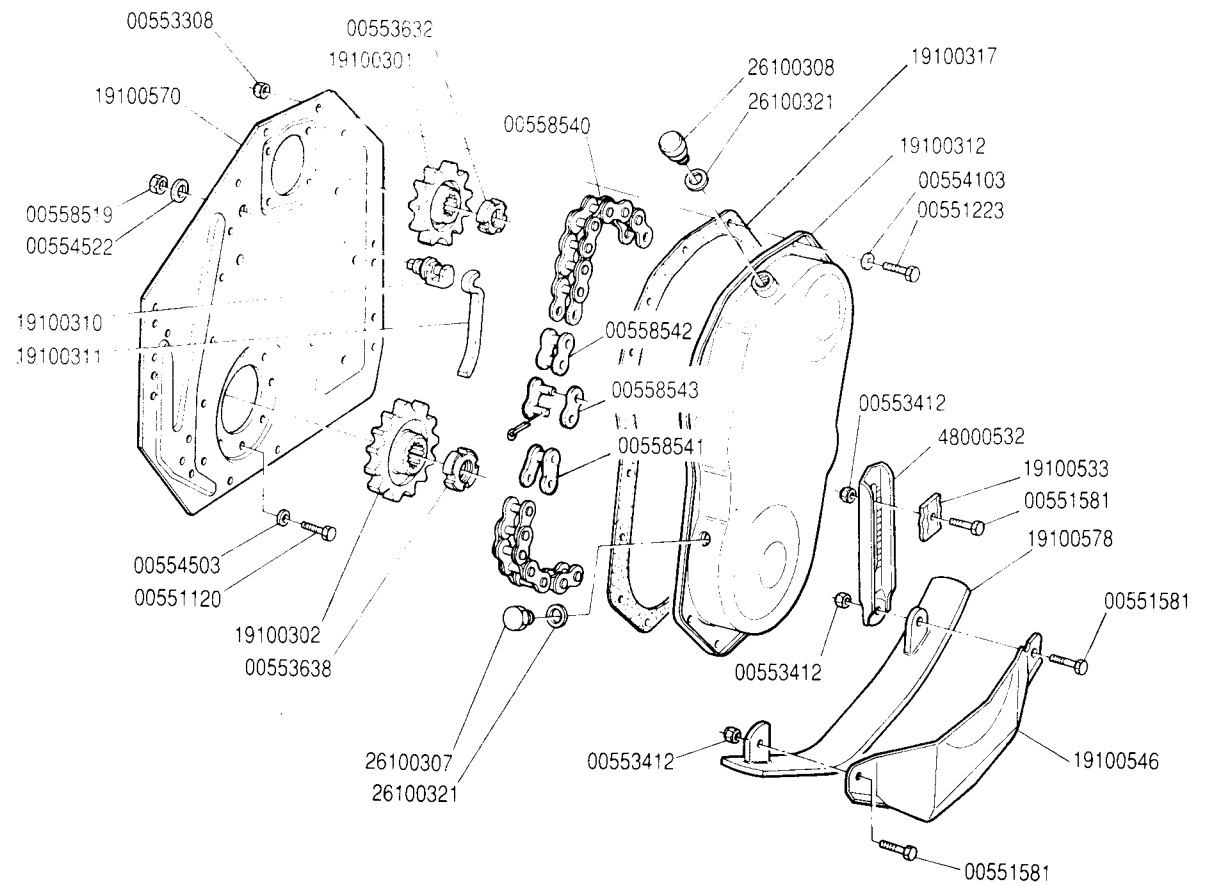
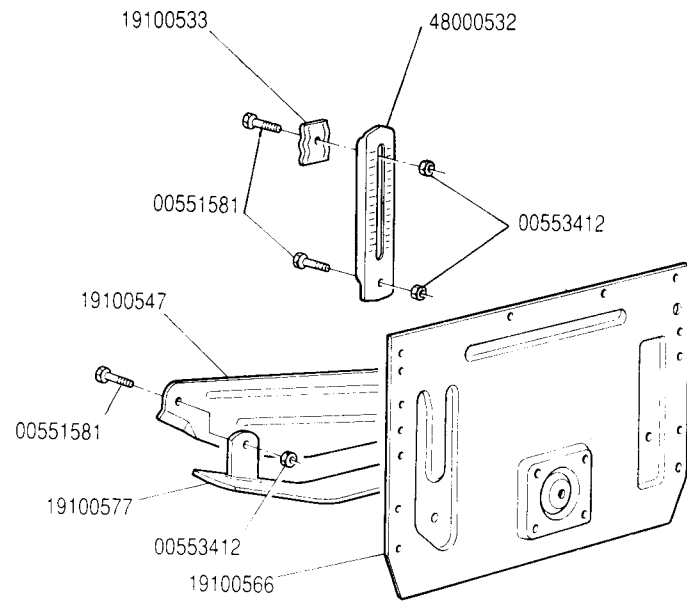
CODICE	DESCRIZIONE	DESCRIPTION	BENENNUNG	DESCRIPTION	DESCRIPCION
00550960	SERIE GUARNIZIONI	GASKET SET	DICHTUNGSSATZ	SERIE JOINTS	SERIE JUNTAS
00551543	VITE TE.8G.M10X1,25X20 UNI 574C	BOLT M 10X1,25X20	SCHRAUBE M 10X1,25X20	VIS M 10X1,25X20	TORNILLO M 10X1,25X20
00551544	VITE TE.8G.M10X1,25X25 UNI 5740	BOLT M 10X1,25X25	SCHRAUBE M 10X1,25X25	VIS M 10X1,25X25	TORNILLO M 10X1,25X25
00551561	VITE TE.8G.M10X1,25X50 UNI 574C	BOLT M 10X1,25X50	SCHRAUBE M 10X1,25X50	VIS M 10X1,25X50	TORNILLO M 10X1,25X50
00551621	VITE TE.8G.M14X1,5X40 FILETTO M4.20	BOLT M 14X1,5X40	SCHRAUBE M 14X1,5X40	VIS M 14X1,5X40	TORNILLO M 14X1,5X40
00551630	VITE TE.8G.M14X1,5X90 UNI 573C	BOLT M 14X1,5X90	SCHRAUBE M 14X1,5X90	VIS M 14X1,5X90	TORNILLO M 14X1,5X90
00553410	DADO AUTOFRENANTE M10X1,25 USM8 980-V	SELF LOCKING NUT M10X1,25 980V	SELBSTSP.MUTT. M10X1,25 980-V	ECROU AUTOBL. M10X1,25 980-V	DADO AUTOBL. M10X1,25 980-V
00553412	DADO AUTOFRENANTE M12X1,25 USM8 980-V	SELF LOCKING NUT M12X1,25 980V	SELBSTSP.MUTT. M12X1,25 980-V	ECROU AUTOBL. M12X1,25 980-V	DADO AUTOBL. M12X1,25 980-V
00553414	DADO AUTOFRENANTE M14X1,5 USM8 980-V	SELF LOCKING NUT M14X1,5 980V	SELBSTSP.MUTT. M14X1,5 980-V	ECROU AUTOBL. M14X1,5 980-V	DADO AUTOBL. M14X1,5 980-V
00555511	COPIGLIA A SCATTO D.11	SPLIT PIN D.11	SPLINT D.11	GOUFILLE D.11	RODETE D.11
01110737	COPIGLIA A MOLLA 4X80	SPLIT PIN 4X80	SPLINT 4X80	COUPELLE 4X80	RODETE 4X80
19100514	ATTACCO BARRE	STIRKUP LINKAGE BAR	BUEGEL VERB. SCHUTZ HOLM	ETRIER D'ATTELAGE BARRE	ESTRIBO ATAQUE BARRA
19100517	CONTROSTAFFA ATTACCO BARRE	U BOLT	U BOLZEN	BLOCAGE	BLOQUEO
19100518	ATTACCO COLLEGAMENTO TRASVERSALE	CONNECTION	VERBINDUNG	ATTELAGE	ATAQUE
19100519	COLLEGAMENTO TRASVERSALE DESTRO	RIGHT CONNECTION	QUERVERBINDUNG RECHTS	CONNECTION DROIT	COLIGAMIENTO TRASVERSAL D.
19100520	COLLEGAMENTO TRASVERSALE SINISTRO	LEFT CONNECTION	QUERVERBINDUNG LINKS	CONNECTION GAUCHE	COLIGAMIENTO TRASVERSAL I.
19100521	STAFFA BLOCCAGGIO TUBO TRASMISSIONE	BLOCKING STIRKUP	BLOCKIERUNGSBUEGEL	ETRIER DE BLOCAGE	ESTRIBO BLOQUEO
19100522	PERNO ATTACCO BARRE D.22	PIN FOR BAR LINKAGE D.22	VERB.BOLZEN SCHUTZ HOLM D.22	GOUJON ATTELAGE BARRE D.22	PERNO ATAQUE BARRA D.22
19100523	FIANCATA DESTRA TERZO PUNTO	RIGHT SIDE PANEL 3RD POINT	SEITENWAND RECHTS 3.PUNKT	COTE DROIT 3EME POINT	FLANCO DERECHO 3 PUNTO
19100524	FIANCATA SINISTRA TERZO PUNTO	LEFT SIDE PANEL 3RD POINT	SEITENWAND LINKS 3. PUNKT	COTE GAUCHE 3EME POINT	FLANCO IZQUIERDO 3 PUNTO
19100525	DISTANZIALE TERZO PUNTO	BUSH SPACER 3RD POINT	DISTANZBUECHSE DREI PUNKT	BOUSSOLE D'ENTRETROISE	BRUJULA DISTANCIADOR
19100534	CATENA AD ANELLI	TRAILING SHIELD CHAIN	PLANIERHAUBE KETTE	CHAINE CAPOT NIVELEUR	CADENA PLANCHA NIVELADOR
19100537	ATTACCO CATENA SU LAMIERA	CHAIN LINKAGE	KETTENVERBINDUNG	ATTELAGE CHAINE	ATAQUE CADENA
19100540	RINFORZO PER ATTACCO CATENA	REINFORCEMENT	KETTENVERB. VERSTAERKUNG	RENFORCEMENT	REFUERZO
19100549	MOLLA ATTACCO CATENA	SPRING	FEDER	RESSORT ATTELAGE CHAINE	MUELLE ATAQUE CADENA
19108501	TELAIO 80	FRAME 80	RAHMEN 80	CHASSIS 80	TELAR 80
19108510	TUBO ANTERIORE COMPLETO 80	COMPLETE FRONT TUBE 80	KOMPL. VORDERROHR 80	TUBE ANTERIEUR COMPL. 80	TUBO ANTERIOR COMPL. 80
19108536	LAMIERA LIVELLATRICE 80	LEVELLING BONNET 80	PLANIERHAUBE 80	CAPOT NIVELEUR 80	PLANCHA NIVELADOR 80
19108539	PERNO CERNIERA LAMIERA LIVELLATR. 80	HINGE PIN LEVELLING PLATE 80	SCH.BOLZEN PLANIERHAUBE 80	GOUJON CHARN. CAPOT NIV. 80	PERNO CHARN. PLANCHA NIV. 80
19109501	TELAIO 90	FRAME 90	RAHMEN 90	CHASSIS 90	TELAR 90
19109510	TUBO ANTERIORE COMPLETO 90	COMPLETE FRONT TUBE 90	KOMPL. VORDERROHR 90	TUBE ANTERIEUR COMPL. 90	TUBO ANTERIOR COMPL. 90
19109536	LAMIERA LIVELLATRICE 90	LEVELLING BONNET 90	PLANIERHAUBE 90	CAPOT NIVELEUR 90	PLANCHA NIVELADOR 90
19109539	PERNO CERNIERA LAMIERA LIVELLATR. 90	HINGE PIN LEVELLING PLATE 90	SCH.BOLZEN PLANIERHAUBE 90	GOUJON CHARN. CAPOT NIV. 90	PERNO CHARN. PLANCHA NIV. 90
19110501	TELAIO 100	FRAME 100	RAHMEN 100	CHASSIS 100	TELAR 100
19110510	TUBO ANTERIORE COMPLETO 100	COMPLETE FRONT TUBE 100	KOMPL. VORDERROHR 100	TUBE ANTERIEUR COMPL. 100	TUBO ANTERIOR COMPL. 100
19110536	LAMIERA LIVELLATRICE 100	LEVELLING BONNET 100	PLANIERHAUBE 100	CAPOT NIVELEUR 100	PLANCHA NIVELADOR 100
19110539	PERNO CERNIERA LAMIERA LIVELLATR. 100	HINGE PIN LEVELLING PLATE 100	SCH.BOLZEN PLANIERHAUBE 100	GOUJON CHARN. CAPOT NIV. 100	PERNO CHARN. PLANCHA NIV. 100
191112501	TELAIO 120	FRAME 120	RAHMEN 120	CHASSIS 120	TELAR 120
191112510	TUBO ANTERIORE COMPLETO 120	COMPLETE FRONT TUBE 120	KOMPL. VORDERROHR 120	TUBE ANTERIEUR COMPL. 120	TUBO ANTERIOR COMPL. 120
191112536	LAMIERA LIVELLATRICE 120	LEVELLING BONNET 120	PLANIERHAUBE 120	CAPOT NIVELEUR 120	PLANCHA NIVELADOR 120
191112539	PERNO CERNIERA LAMIERA LIVELLATR. 120	HINGE PIN LEVELLING PLATE 120	SCH.BOLZEN PLANIERHAUBE 120	GOUJON CHARN. CAPOT NIV. 120	PERNO CHARN. PLANCHA NIV. 120
191114501	TELAIO 140	FRAME 140	RAHMEN 140	CHASSIS 140	TELAR 140
191114510	TUBO ANTERIORE COMPLETO 140	COMPLETE FRONT TUBE 140	KOMPL. VORDERROHR 140	TUBE ANTERIEUR COMPL. 140	TUBO ANTERIOR COMPL. 140
191114536	LAMIERA LIVELLATRICE 140	LEVELLING BONNET 140	PLANIERHAUBE 140	CAPOT NIVELEUR 140	PLANCHA NIVELADOR 140
191114539	PERNO CERNIERA LAMIERA LIVELLATR. 140	HINGE PIN LEVELLING PLATE 140	SCH.BOLZEN PLANIERHAUBE 140	GOUJON CHARN. CAPOT NIV. 140	PERNO CHARN. PLANCHA NIV. 140
191116501	TELAIO 160	FRAME 160	RAHMEN 160	CHASSIS 160	TELAR 160
191116510	TUBO ANTERIORE COMPLETO 160	COMPLETE FRONT TUBE 160	KOMPL. VORDERROHR 160	TUBE ANTERIEUR COMPL. 160	TUBO ANTERIOR COMPL. 160
191116536	LAMIERA LIVELLATRICE 160	LEVELLING BONNET 160	PLANIERHAUBE 160	CAPOT NIVELEUR 160	PLANCHA NIVELADOR 160
191116539	PERNO CERNIERA LAMIERA LIVELLATR. 160	HINGE PIN LEVELLING PLATE 160	SCH.BOLZEN PLANIERHAUBE 160	GOUJON CHARN. CAPOT NIV. 160	PERNO CHARN. PLANCHA NIV. 160
191118501	TELAIO 180	FRAME 180	RAHMEN 180	CHASSIS 180	TELAR 180
191118510	TUBO ANTERIORE COMPLETO 180	COMPLETE FRONT TUBE 180	KOMPL. VORDERROHR 180	TUBE ANTERIEUR COMPL. 180	TUBO ANTERIOR COMPL. 180
191118536	LAMIERA LIVELLATRICE 180	LEVELLING BONNET 180	PLANIERHAUBE 180	CAPOT NIVELEUR 180	PLANCHA NIVELADOR 180
191118539	PERNO CERNIERA LAMIERA LIVELLATR. 180	HINGE PIN LEVELLING PLATE 180	SCH.BOLZEN PLANIERHAUBE 180	GOUJON CHARN. CAPOT NIV. 180	PERNO CHARN. PLANCHA NIV. 180
25100512	RINFORZO ATTACCO CATENA	REINFORCEMENT	KETTENVERB. VERSTAERKUNG	RENFORCEMENT D'ATTELAGE CHAINE	REFUERZO ATAQUE CADENA

TAVOLA 35/2



## TAVOLA 35/2

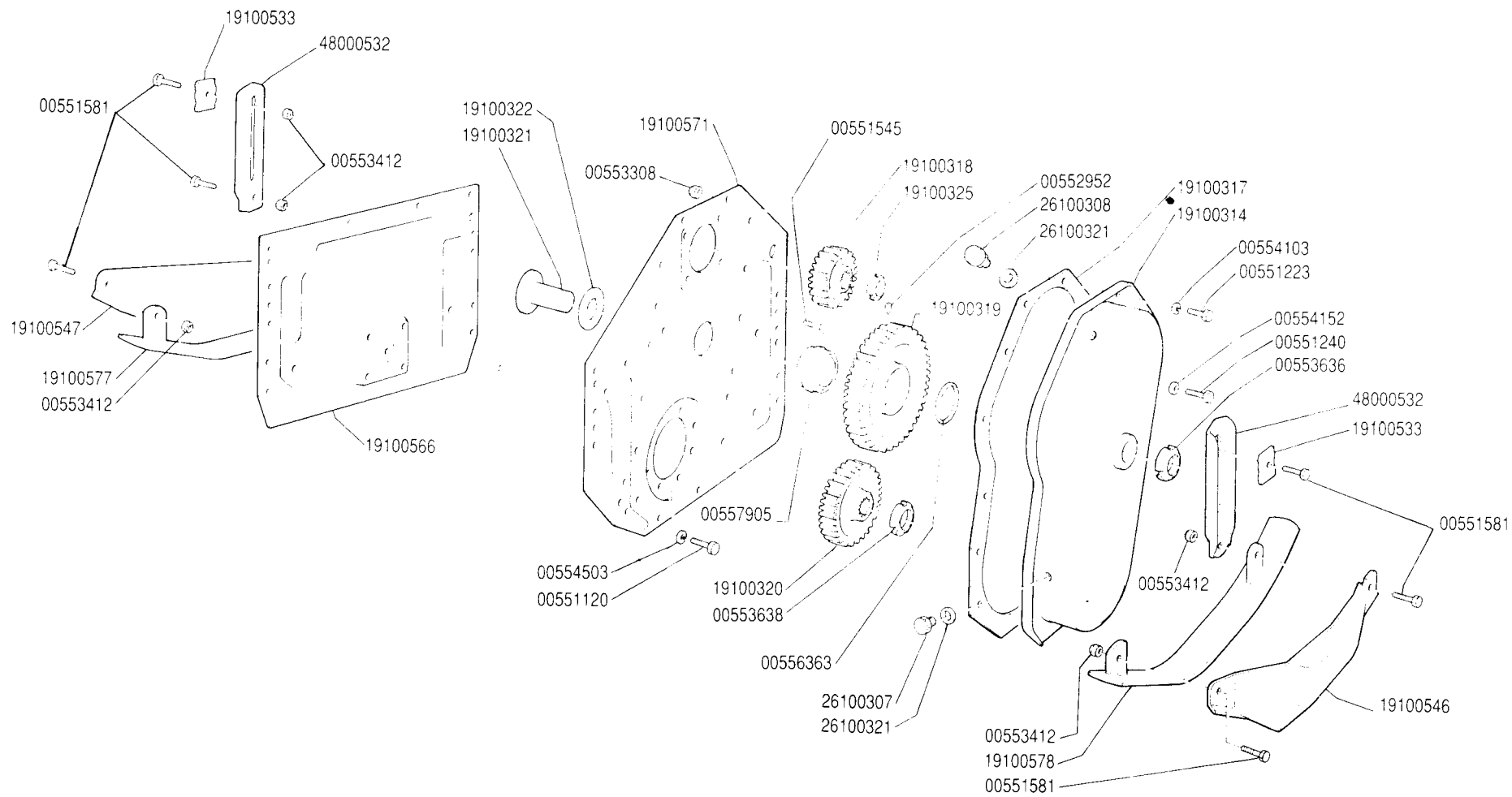
CODICE	DESCRIZIONE	DESCRIPTION	BENENNUNG	DESCRIPTION	DESCRIPCION
00551543	VITE TE.8G.M10X1,25X20 UNI 5740	BOLT M 10X1,25X20	SCHRAUBE M 10X1,25X20	VIS M 10X1,25X20	TORNILLO M 10X1,25X20
00551550	VITE TE.8G.M10X1,25X30 FILETTO MM.18	BOLT M 10X1,25X30	SCHRAUBE M 10X1,25X30	VIS M 10X1,25X30	TORNILLO M 10X1,25X30
00551650	VITE TE.8G.M16X1,5X45 UNI 5740	BOLT M 16X1,5X45	SCHRAUBE M 16X1,5X45	VIS M 16X1,5X45	TORNILLO M 16X1,5X45
00551742	VITE TE.8G.M12X1,25X35 FILETTO MM.18	BOLT M 12X1,25X35	SCHRAUBE M 12X1,25X35	VIS M 12X1,25X35	TORNILLO M 12X1,25X35
00553504	DADO E.6S.M10X1,25 UNI 5587	NUT M10X1,25	MUTTER M10X1,25	ECROU M10X1,25	DADO M10X1,25
00553507	DADO E.6S.M12X1,25 UNI 5587	NUT M12X1,25	MUTTER M12X1,25	ECROU M12X1,25	DADO M12X1,25
00554198	HOLLA A DISCO D.35,2X45X1 C72	SPRING WASHER D.35,2X45X1	FEDER D.35,2X45X1	RESSORT A DISQUES D.35,2X45X1	MUELLE DISCO D.35,2X45X1
00554504	RONDELLA GROWER D.10 EXTRA PESANTE	GROWER WASHER D.10	SCHEIBE GROWER D.10	RONDELLE GROWER D.10	ARANDELA GROWER D.10
00554505	RONDELLA GROWER D.12 EXTRA PESANTE	GROWER WASHER D.12	SCHEIBE GROWER D.12	RONDELLE GROWER D.12	ARANDELA GROWER D.12
00555204	ANELLO SEEGER D.35 UNI 7435	SEEGER RING D.35	SEEGERRING D.35	BAGUE SEEGER D.35	ANILLO SEEGER D.35
00556177	PARAOILIO 55X72X10 RIP. POLV.	OIL SEAL 55X72X10	DELABDICHTUNG 55X72X10	PARA-HUILE 55X72X10	PARA-ACEITE 55X72X10
00556190	PARAOILIO 45X60X7 RIP. POLV.	OIL SEAL 45X60X7	DELABDICHTUNG 45X60X7	PARA-HUILE 45X60X7	PARA-ACEITE 45X60X7
00557180	CUSCINETTO 6307	BEARING 6307	LAGER 6307	ROULEMENT 6307	COJINETE 6207
19100401	SUPPORTO ROTORE LATO CATENA	ROTOR SUPPORT CHAIN SIDE	ROTORHALTER KETTENSEITE	SUPPORT ROTOR COTE CHAINE	SOPORTE ROTOR LADO CADENA
19100402	GUARNIZIONE SUPPORTO ROT. LATO CATENA	GASKET SUPPORT ROTOR	HALTERDICHTUNG ROTOR	JOINT SUPPORT ROTOR	JUNTA SOPORTE ROTOR
19100403	MOZZO ROTORE LATO CATENA COMPLETC	ROTOR PIN CHAIN SIDE ASSY	ROTORNABE KETTENSEITE	MOYEU ROTOR COTE CHAINE	CUBO ROTOR FLANCO CADENA
19100405	ANELLO RIPARO POLVERE LATO CATENA	DUST-COVER RING	STAUBSCHUTZRING	BAGUE	ANILLO
19100406	SUPPORTO ROTORE LATO FIANCATA	ROTOR SUPPORT SIDE PANEL	ROTORHALTER SEITENWAND	SUPPORT ROTOR PARTIE LATERALE	SOPORTE ROTOR FLANCO
19100407	GUARNIZIONE SUPPORTO ROT.LATO FIANCATA	GASKET SUPPORT ROTOR	HALTERDICHTUNG ROTOR	JOINT SUPPORT ROTOR	JUNTA SOPORTE ROTOR
19100408	MOZZO ROTORE LATO FIANCATA	ROTOR PIN SIDE PANEL	ROTORNABE SEITENWAND	MOYEU ROTOR PARTIE LATERALE	CUBO ROTOR FLANCO
19100410	ANELLO RIPARO POLVERE LATO FIANCATA	DUST-COVER RING	STAUBSCHUTZRING	BAGUE	ANILLO
19100415	ZAPPA SQUADRA DESTRA	RIGHT SQUARE BLADE	RECHTES WINKELMESSER	LAME EQUERRE DROITE	AZADA ESQUADRA DERECHA
19100416	ZAPPA SQUADRA SINISTRA	LEFT SQUARE BLADE	LINKES WINKELMESSER	LAME EQUERRE GAUCHE	AZADA ESQUADRA IZQUIERDA
19100417	ZAPPA ELICA DESTRA	RIGHT HELICOIDAL BLADE	RECHTES BOGENMESSER	LAME HELICE DROITE	AZADA HELICE DERECHA
19100418	ZAPPA ELICA SINISTRA	LEFT HELICOIDAL BLADE	LINKES BOGENMESSER	LAME HELICE GAUCHE	AZADA HELICE IZQUIERDA
19108411	ROTORE PORTAZAPPE 80	BLADES HOLDER ROTOR 80	MESSERHALTERROTOR 80	ROTOR FORTE COUTEAUX 80	ROTOR PORTA-AZADAS 80
19109411	ROTORE PORTAZAPPE 90	BLADES HOLDER ROTOR 90	MESSERHALTERROTOR 90	ROTOR FORTE COUTEAUX 90	ROTOR PORTA-AZADAS 90
19110411	ROTORE PORTAZAPPE 100	BLADES HOLDER ROTOR 100	MESSERHALTERROTOR 100	ROTOR FORTE COUTEAUX 100	ROTOR PORTA-AZADAS 100
19112411	ROTORE PORTAZAPPE 120	BLADES HOLDER ROTOR 120	MESSERHALTERROTOR 120	ROTOR FORTE COUTEAUX 120	ROTOR PORTA-AZADAS 120
19114411	ROTORE PORTAZAPPE 140	BLADES HOLDER ROTOR 140	MESSERHALTERROTOR 140	ROTOR FORTE COUTEAUX 140	ROTOR PORTA-AZADAS 140
19116411	ROTORE PORTAZAPPE 160	BLADES HOLDER ROTOR 160	MESSERHALTERROTOR 160	ROTOR FORTE COUTEAUX 160	ROTOR PORTA-AZADAS 160
19118411	ROTORE PORTAZAPPE 180	BLADES HOLDER ROTOR 180	MESSERHALTERROTOR 180	ROTOR FORTE COUTEAUX 180	ROTOR PORTA-AZADAS 180



## TAVOLA 35/3

COBICE	DESCRIZIONE	DESCRIPTION	BENENNUNG	DESCRIPTION	DESCRIPCION
00551120	VITE TE.8G.M8X20 UNI 5739 PLAST.	BOLT M 8X20	SCHRAUBE M 8X20	VIS M 8X20	TORNILLO M 8X20
00551223	VITE TE.8G.M8X20 UNI 5739	BOLT M 8X20	SCHRAUBE M 8X20	VIS M 8X20	TORNILLO M 8X20
00551581	VITE TE.8G.M12X1,25X30 UNI 5740	BOLT M 12X1,25X30	SCHRAUBE M 12X1,25X30	VIS M 12X1,25X30	TORNILLO M 12X1,25X30
00553308	DADO AUTOFRENANTE M8X1,25 USM8 980-V	SELF LOCKING NUT M8X1,25 980V	SELBSTSP.MUTT. M8X1,25 980-V	ECROU AUTOBL. M8X1,25 980-V	DADO AUTOBL. M8X1,25 980-V
00553412	DADO AUTOFRENANTE M12X1,25 USM8 980-V	SELF LOCKING NUT M12X1,25 980V	SELBSTSP.MUTT. M12X1,25 980-V	ECROU AUTOBL. M12X1,25 980-V	DADO AUTOBL. M12X1,25 980-V
00553519	DADO E.6S.M22X1,5 UNI 5588	NUT M22X1,5	MUTTER M22X1,5	ECROU M22X1,5	DADO M22X1,5
00553632	GHIERA M30X1,5 GUP AUTOBLOCCANTE	SELF LOCKING NUT M30X1,5	SELBSTSP. NUTMUTTER M30X1,5	COLLIER AUTOBL. M30X1,5	VITOLA AUTOBL. M30X1,5
00553638	GHIERA M40X1,5 GUP AUTOBLOCCANTE	SELF LOCKING NUT M40X1,5	SELBSTSP. NUTMUTTER M40X1,5	COLLIER AUTOBL. M40X1,5	VITOLA AUTOBL. M40X1,5
00554103	RONDELLA PIANA D.8 UNI 6592	PLANK WASHER D.8	SCHLEIBE D.8	RONDELLE D.8	ARANDELA D.8
00554503	RONDELLA GROWER D.8 EXTRA PESANTE	GROWER WASHER D.8	SCHLEIBE GROWER D.8	RONDELLE GROWER D.8	ARANDELA GROWER D.8
00554522	RONDELLA GROWER D.22 EXTRA PESANTE	GROWER WASHER D.22	SCHLEIBE GROWER D.22	RONDELLE GROWER D.22	ARANDELA GROWER D.22
00558540	CATENA ASA 100 34 MAGLIE	CHAIN ASA 100 34 LINKS	KETTE ASA 100 34 GLIEDER	CHAINE ASA 100 34 MAILLON	CADENA ASA 100 34 ES LABON
00558541	MAGLIA FALSA ASA 100	DUMMY LINK ASA 100	BLINDES GLIED ASA 100	MAILLE FAUSSE ASA 100	MALLA ENTREDOS ASA 100
00558542	MAGLIA INTERNA ASA 100	INNER LINK ASA 100	INNENGLIED ASA 100	MAILLE INTERIEUR ASA 100	MALLA INTERNA ASA 100
00558543	MAGLIA DI GIUNZIONE ASA 100	CHAIN JOINT ASA 100	VERBINDUNGSGLIED ASA 100	JOINT CHAINE ASA 100	MALLA CONJUNCION ASA 100
19100301	PIGNONE CATENA SUPERIORE	UPPER CHAIN PINION	OBERRKETTENRITZEL	PIGNON CHAINE SUPERIEUR	PINON CADENA SUPERIOR
19100302	PIGNONE CATENA INFERIORE	LOWER CHAIN PINION	UNTERKETTENRITZEL	PIGNON CHAINE INFERIEUR	PINON CADENA INFERIOR
19100310	PERNO TENDICATENA	CHAIN STRETCHER PIN	KETTENSANNERBOLZEN	GOUJON TENDEUR DE CHAINE	PERNO TENSOR DE CADENAS
19100311	PATTINO TENDICATENA	CHAIN STRETCHER PAD	KETTENSANNER	PATIN TENDEUR DE CHAINE	PATIN TENSOR DE CADENAS
19100312	CARTER CATENA	CHAIN COVER	KETTENGEHAEUSE	CARTER CHAINE	CARTER CADENA
19100317	GUARNIZIONE CARTER	CARTER GASKET	DICHTUNG	JOINT CARTER	JUNTA CARTER
19100533	PIASTRINA REGISTRO	ADJUSTER PLATE	REGULIERUNGSPLATE	PLAQUETTE DE REGISTRE	PLAQUITA REGISTRO
19100546	PROTEZIONE PER SLITTA LATO CATENA	SKID PROTECTION	GLEITLAGERSCHUTZ	PROTECTION POUR GLISSIER	PROTECCION TRINEO
19100547	PROTEZIONE PER SLITTA LATO ESTERNO	SKID PROTECTION	GLEITLAGERSCHUTZ	PROTECTION POUR GLISSIER	PROTECCION TRINEO
19100566	FIANCATA DESTRA	EXTERNAL SIDE PANEL	AUSSENSEITENWAND	COTE EXTERIEUR	FLANCO LATO EXTERNO
19100570	FIANCATA LATO TRASMISSIONE	CHAIN SIDE PANEL	KETTENSEITENWAND	COTE CHAINE	FLANCO LATO CADENA
19100577	SLITTA DESTRA	SIDE PANEL SKID	GLEITKUFE SEITENWAND	GLISSIERE PARTIE LATERALE	TRINEO LATO FLANCO
19100578	SLITTA SINISTRA	CHAIN SIDE SKID	GLEITKUFE KETTENSEITE	GLISSIERE COTE CHAINE	TRINEO LATO CADENA
26100308	TAPPO SFIATC	OIL BREATHER PLUG	ENTLUEFTERPFROPFEN	BOUCHON DE SOUPIRAIL	TAPON RESPIRADERO
26100321	GUARNIZIONE PER TAPPO	GASKET	DICHTUNG	JOINT	JUNTA
36100307	ESTRATTORE PER CUSCINETTI	EXTRACTOR	LAGER AUSZIEHER	EXTRACTEUR	EXTRACTOR PARA RODAMIENTO
48000532	REGISTRO SLITTA	SKID ADJUSTER	GLEITLAGERREGULIERUNG	REGISTRE GLISSIERE	REGISTRO TRINEO

TAVOLA 35/4

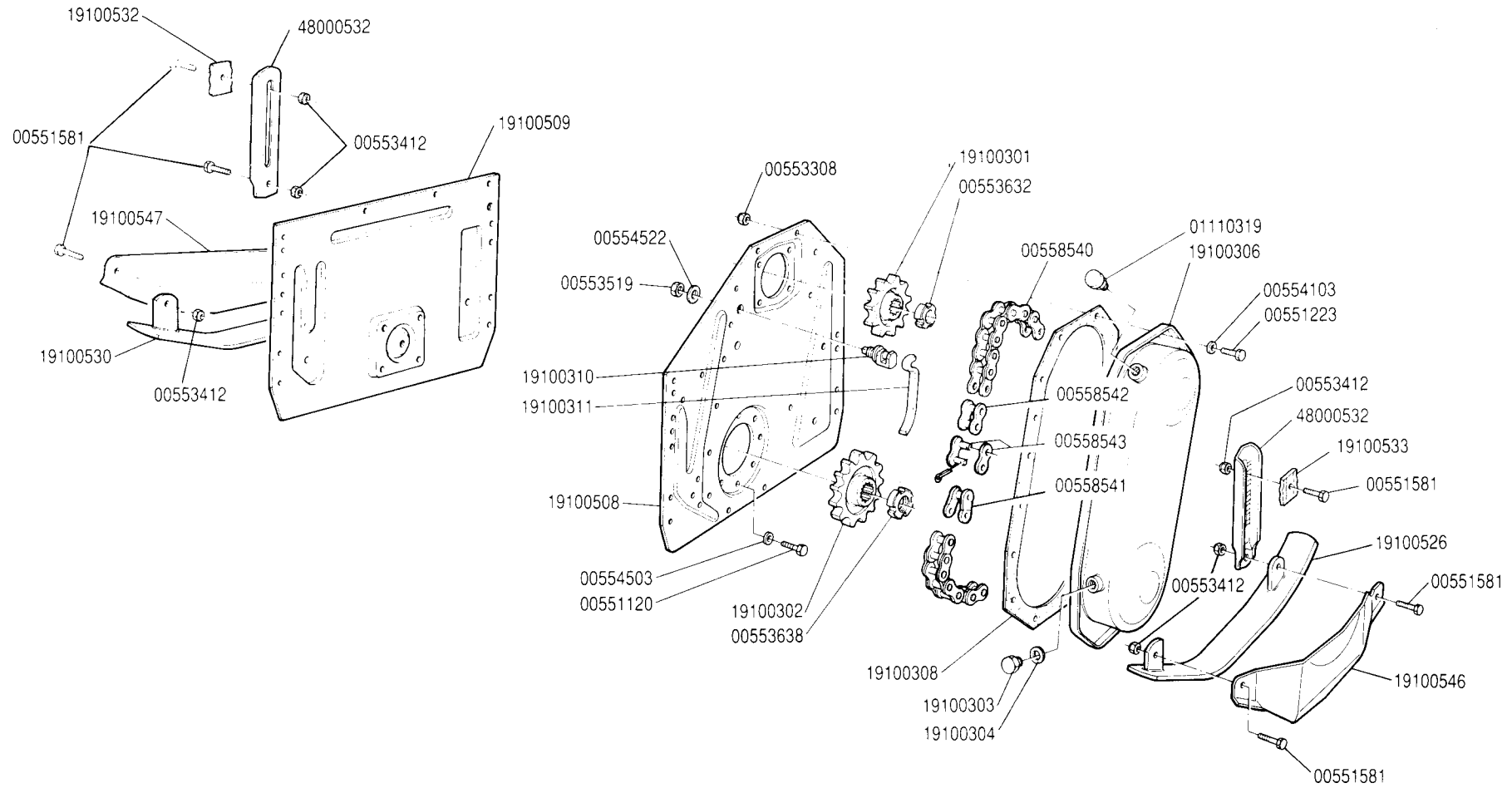




## TAVOLA 35/4

CODICE	DESCRIZIONE	DESCRIPTION	BENENNUNG	DESCRIPTION	DESCRIPCION
00551120	VITE TE.BG.M8X20 UNI 5739 PLAST.	BOLT M 8X20	SCHRAUBE M 8X20	VIS M 8X20	TORNILLO M 8X20
00551223	VITE TE.BG.M8X20 UNI 5739	BOLT M 8X20	SCHRAUBE M 8X20	VIS M 8X20	TORNILLO M 8X20
00551240	VITE TE.BG.M10X1,25X16 UNI 5740	BOLT M 10X1,25X16	SCHRAUBE M 10X1,25X16	VIS M 10X1,25X16	TORNILLO M 10X1,25X16
00551544	VITE TE.BG.M10X1,25X25 UNI 5740	BOLT M 10X1,25X25	SCHRAUBE M 10X1,25X25	VIS M 10X1,25X25	TORNILLO M 10X1,25X25
00551581	VITE TE.BG.M12X1,25X30 UNI 5740	BOLT M 12X1,25X30	SCHRAUBE M 12X1,25X30	VIS M 12X1,25X30	TORNILLO M 12X1,25X30
00552952	VITE STEI M6X10 UNI 5927	BOLT M 6X10	SCHRAUBE M 6X10	VIS M 6X10	TORNILLO M 6X10
00553308	DADO AUTOFRENANTE M8X1,25 USMB 980-V	SELF LOCKING NUT M8X1,25 980V	SELBSTSP.MUTT. M8X1,25 980-V	ECROU AUTOBL. M8X1,25 980-V	DADO AUTOBL. M8X1,25 980-V
00553412	DADO AUTOFRENANTE M12X1,25 USMB 980-V	SELF LOCKING NUT M12X1,25 980V	SELBSTSP.MUTT. M12X1,25 980-V	ECROU AUTOBL. M12X1,25 980-V	DADO AUTOBL. M12X1,25 980-V
00553636	GHIERA M35X1,5 GUP AUTOBLOCCANTE	SELF LOCKING NUT M30X1,5	SELBSTSP. NUTMUTTER M35X1,5	COLLIER AUTOBL. M35X1,5	VIROLA AUTOBL. M30X1,5
00553638	GHIERA M40X1,5 GUP AUTOBLOCCANTE	SELF LOCKING NUT M40X1,5	SELBSTSP. NUTMUTTER M40X1,5	COLLIER AUTOBL. M40X1,5	VIROLA AUTOBL. M40X1,5
00554103	RONDELLA PIANA D.8 UNI 6592	FLANK WASHER D.8	SCHEIBE D.8	RONDELLE D.8	ARANDELA D.8
00554152	RONDELLA RAME D.10	COFFER WASHER D.10	KUPFERSCHEIBE D.10	RONDELLE CUIVRE D.10	ARANDELA D.10
00554503	RONDELLA GROWER D.8 EXTRA PESANTE	GROWER WASHER D.8	SCHEIBE GROWER D.8	RONDELLE GROWER D.8	ARANDELA GROWER D.8
00556363	ANELLO OR 2137	GASKET OR 2137	RING OR 2137	BAGUE OR 2137	ANILLO OR 2137
00557905	CUSCINETTO KIT	BEARING SET	LAGERSATZ	KIT ROULEMENT	KIT COJINETE
19100314	CARTER INGRANAGGI	GEARS CARTER	ZAHNRAEDERGEHAUESE	CARTER ENGRENAGES	CARTER ENGRANAJE
19100317	GUARNIZIONE CARTER	CARTER GASKET	DICHTUNG	JOINT CARTER	JUNTA CARTER
19100318	INGRANAGGIO CENTRALE Z=24	UPPER GEAR Z=24	OBERES ZAHNRAD Z=24	ENGRENAGE SUPERIEUR Z=24	ENGRANAJE SUPERIOR Z=24
19100319	INGRANAGGIO SUPERIORE Z=42	CENTRAL GEAR Z=42	ZAHNRAD ZENTR. Z=42	ENGRENAGE CENTR. Z=42	ENGRANAJE CENTR. Z=42
19100320	INGRANAGGIO INFERIORE Z=33	LOWER GEAR Z=33	ZAHNRAD Z=33	ENGRENAGE INFERIEUR Z=33	ENGRANAJE INFERIOR Z=33
19100321	PERNO INGRANAGGIO CENTRALE	GEAR HUB	ZAHNRADNABE	MOYEU ENGRENAGE	CUBO ENGRANAJE
19100322	GUARNIZIONE	GASKET	DICHTUNG	JOINT	JUNTA
19100325	GHIERA AUTOBLOCCANTE	SELF LOCKING NUT	SELBSTSP. NUTMUTTER	COLLIER AUTOBL.	VIROLA AUTOBL.
19100533	PIASTRINA REGISTRO	ADJUSTER FLATE	REGULIERUNGSPLATE	PLAQUETTE DE REGISTRE	PLAQUITA REGISTRO
19100546	PROTEZIONE PER SLITTA LATO CATENA	SKID PROTECTION	GLEITLAGERSCHUTZ	PROTECTION POUR GLISSIER	PROTECCION TRINED
19100547	PROTEZIONE PER SLITTA LATO ESTERNO	SKID PROTECTION	GLEITLAGERSCHUTZ	PROTECTION POUR GLISSIER	PROTECCION TRINED
19100566	FIANCATA DESTRA	EXTERNAL SIDE PANEL	AUSSENSEITENWAND	COTE EXTERIEUR	FLANCO LATO EXTERNOO
19100571	FIANCATA LATO TRASMISSIONE	TRANSMISSION SIDE PANEL	ANTRIEBSSEITENWAND	COTE TRANSMISSION	FLANCO LATO TRASHMISION
19100577	SLITTA DESTRA	SIDE PANEL SKID	GLEITKUFE SEITENWAND	GLISSIERE PARTIE LATERALE	TRINED LATO FLANCO
19100578	SLITTA SINISTRA	CHAIN SIDE SKID	GLEITKUFE KETTENSEITE	GLISSIERE COTE CHAINE	TRINED LATO CADENA
26100307	TAPPO SCARICO OLIO	OIL OUTLET FLUG	OELABLASSPFROFFEN	BOUCHON DE VIDANGE HUILE	TAPON DESCARGADO ACEITE
26100308	TAPPO SFIATO	OIL BREATHER FLUG	ENTLUEFTERFFROFFEN	BOUCHON DE SOUFIRAIL	TAPON RESPIRADERO
26100321	GUARNIZIONE PER TAPPO	GASKET	DICHTUNG	JOINT	JUNTA
48000532	REGISTRO SLITTA	SKID ADJUSTER	GLEITLAGERREGULIERUNG	REGISTRE GLISSIERE	REGISTRO TRINED

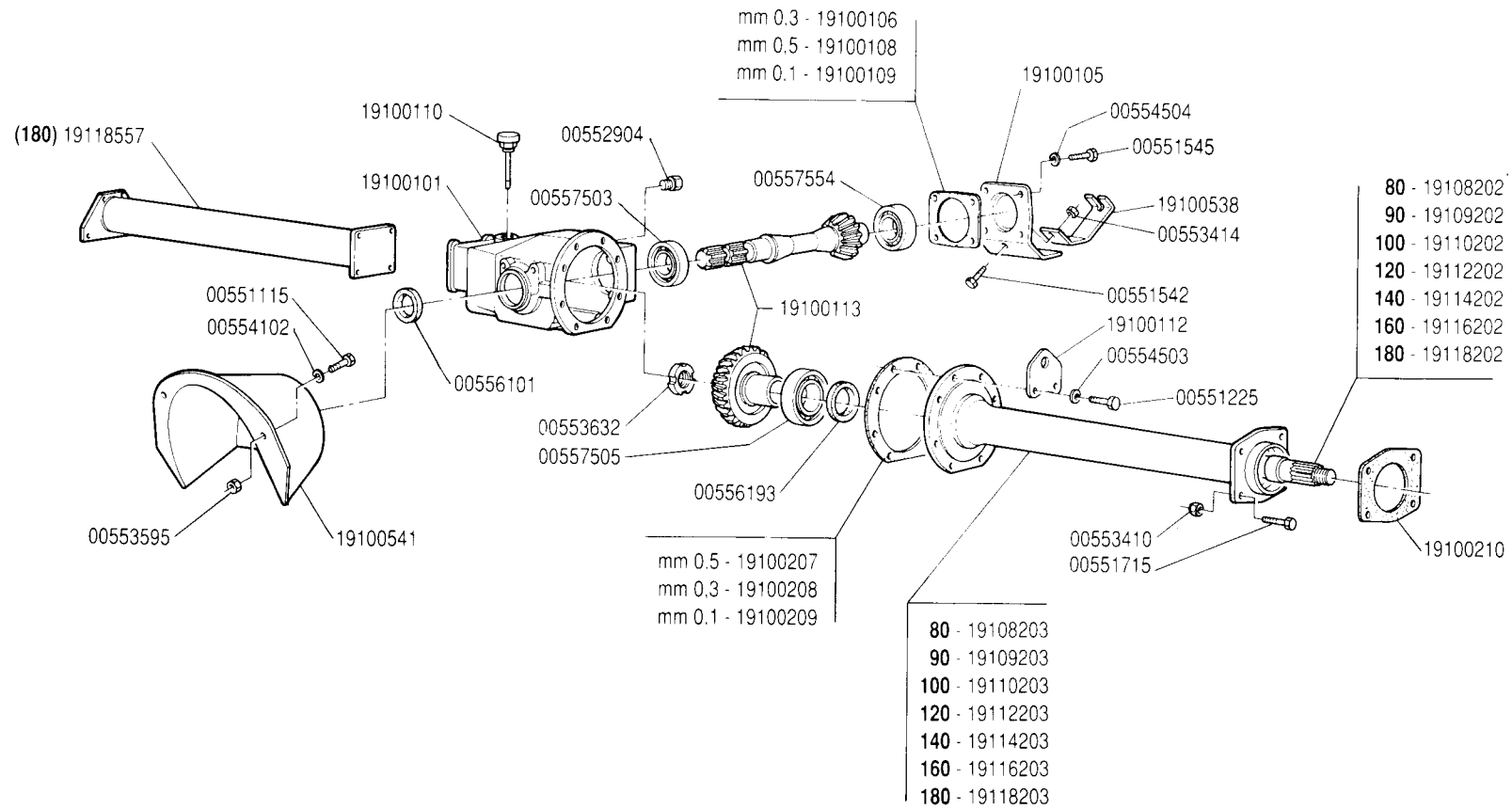
TAVOLA 35/5



## TAVOLA 35/5

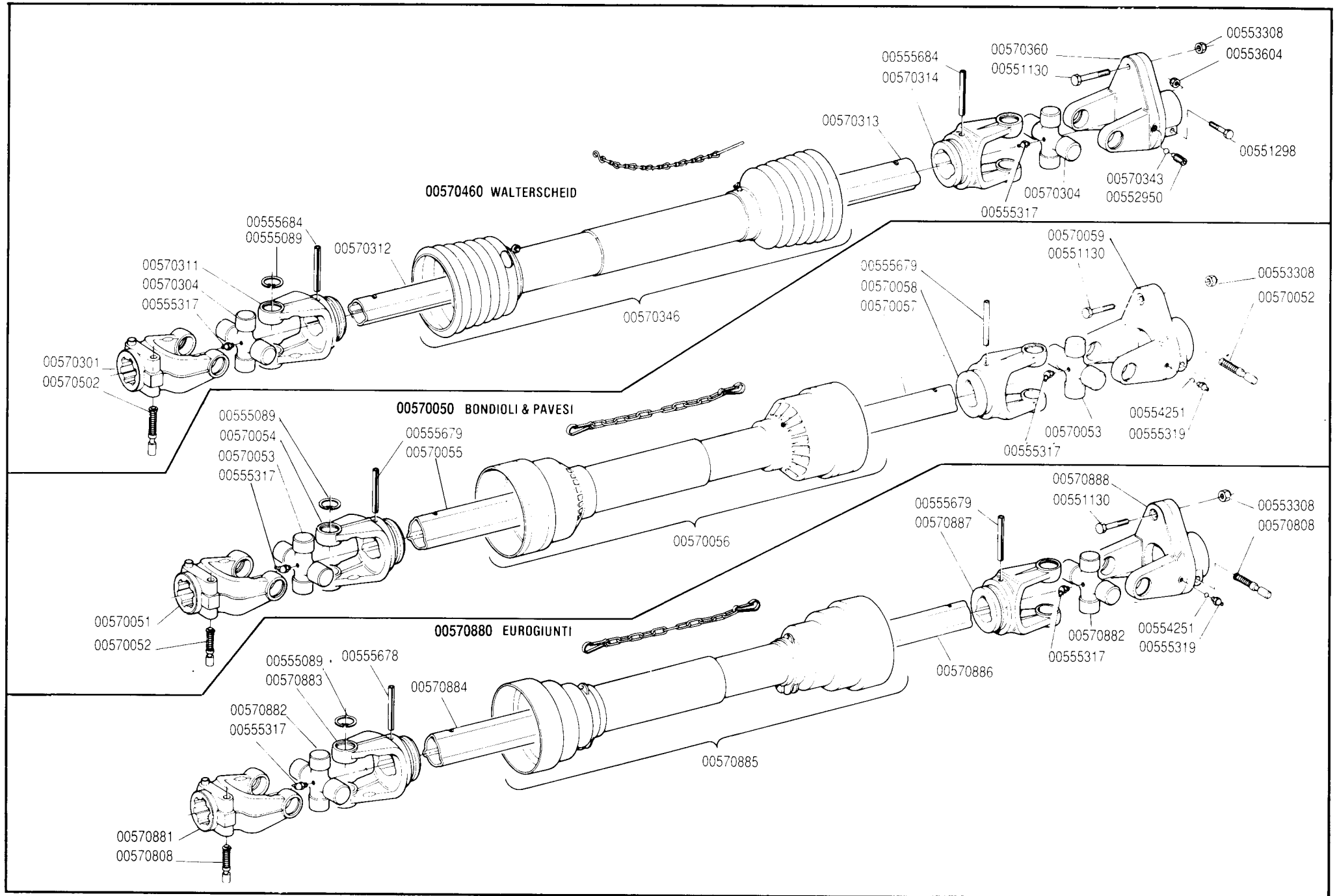
RIF.	CODICE	DESCRIZIONE	DESCRIPTION	BENENNUNG	DESCRIPTION	DESCRIPCION
00551120		VITE TE.86.M8X20 UNI 5739 PLAST.	BOLT M 8X20	SCHRAUBE M 8X20	VIS M 8X20	TORNILLO M 8X20
00551223		VITE TE.86.M6X20 UNI 5739	BOLT M 8X20	SCHRAUBE M 8X20	VIS M 8X20	TORNILLO M 8X20
00551581		VITE TE.86.M12X1,25X30 UNI 5740	BOLT M 12X1,25X30	SCHRAUBE M 12X1,25X30	VIS M 12X1,25X30	TORNILLO M 12X1,25X30
00553308		DADO AUTOFRENANTE M8X1,25 USMB 980-V	SELF LOCKING NUT M8X1,25 980V	SELBSTSP.MUTT. M8X1,25 980-V	ECROU AUTOBL. M8X1,25 980-V	DADO AUTOBL. M8X1,25 980-V
00553412		DADO AUTOFRENANTE M12X1,25 USMB 980-V	SELF LOCKING NUT M12X1,25 980V	SELBSTSP.MUTT. M12X1,25 980-V	ECROU AUTOBL. M12X1,25 980-V	DADO AUTOBL. M12X1,25 980-V
00553519		DADO E.6S.M22X1,5 UNI 558E	NUT M22X1,5	MUTTER M22X1,5	ECROU M22X1,5	DADO M22X1,5
00553632		GHIERA M30X1,5 GUP AUTOBLOCCANTE	SELF LOCKING NUT M30X1,5	SELBSTSP. NUTMUTTER M30X1,5	COLLIER AUTOBL. M30X1,5	VIROLA AUTOBL. M30X1,5
00553638		GHIERA M40X1,5 GUP AUTOBLOCCANTE	SELF LOCKING NUT M40X1,5	SELBSTSP. NUTMUTTER M40X1,5	COLLIER AUTOBL. M40X1,5	VIROLA AUTOBL. M40X1,5
00554103		RONDELLA PIANA D.8 UNI 4592	PLANK WASHER D.8	SCHEIBE D.8	RONDELLE D.8	ARANDELA D.8
00554503		RONDELLA GROWER D.8 EXTRA PESANTE	GROWER WASHER D.8	SCHEIBE GROWER D.8	RONDELLE GROWER D.8	ARANDELA GROWER D.8
00554522		RONDELLA GROWER D.22 EXTRA PESANTE	GROWER WASHER D.22	SCHEIBE GROWER D.22	RONDELLE GROWER D.22	ARANDELA GROWER D.22
00558540		CATENA ASA 100 34 MAGLIE	CHAIN ASA 100 34 LINKS	KETTE ASA 100 34 GLIEDER	CHAINE ASA 100 34 MAILLON	CADENA ASA 100 34 ESLABON
00558541		MAGLIA FALSA ASA 100	DUMMY LINK ASA 100	BLINDES GLIED ASA 100	MAILLE FAUSSE ASA 100	MALLA ENTREDOS ASA 100
00558542		MAGLIA INTERNA ASA 100	INNER LINK ASA 100	INNENGLIED ASA 100	MAILLE INTERIEUR ASA 100	MALLA INTERNA ASA 100
00558543		MAGLIA DI GIUNZIONE ASA 100	CHAIN JOINT ASA 100	VERBINDUNGSGLIED ASA 100	JOINT CHAINE ASA 100	MALLA CONJUNCION ASA 100
01110319		TAPPO SFIATO OLIO	OIL BREATHER PLUG	DELENTLUEFTERSTOFFEN	BOUCHON D'HUILE SOUFIRAIL	TAPON ACEITE
19100301		PIGNONE CATENA SUPERIORE	UPPER CHAIN PINION	OBERRETTENRITZEL	PIGNON CHAINE SUPERIEUR	PINON CADENA SUPERIOR
19100302		PIGNONE CATENA INFERIORE	LOWER CHAIN PINION	UNTERKETTENRITZEL	PIGNON CHAINE INFERIEUR	PINON CADENA INFERIOR
19100303		TAPPO SCARICO OLIO	OIL OUTLET PLUG	DELABLASSPFROFFEN	BOUCHON DE VIDANGE HUILE	TAPON DESCARGADO ACEITE
19100304		GUARNIZIONE PER TAPPO	GASKET	DICHTUNG	JOINT	JUNTA
19100306		CARTER CATENA	CHAIN COVER	KETTENGEGAEUSE	CARTER CHAINE	CARTER CADENA
19100308		GUARNIZIONE CARTER CATENA	CARTER CHAIN GASKET	DICHTUNG KETTENGEGAEUSE	JOINT CARTER CHAINE	JUNTA CARTER CADENA
19100310		PERNO TENDICATENA	CHAIN STRETCHER PIN	KETTENSANNERBOLZEN	GOUJON TENDEUR DE CHAINE	PERNO TENSOR DE CADENAS
19100311		PATTINO TENDICATENA	CHAIN STRETCHER PAD	KETTENSANNER	FATIN TENDEUR DE CHAINE	PATIN TENSOR DE CADENAS
19100508		FIANCATA LATO CATENA	CHAIN SIDE PANEL	KETTENSEITENWAND	COTE CHAINE	FLANCO LATO CADENA
19100509		FIANCATA DESTRA	EXTERNAL SIDE PANEL	AUSSENSEITENWAND	COTE EXTERIEUR	FLANCO LATO EXTERNOO
19100526		SLITTA SINISTRA	CHAIN SIDE SKID	GLEITKUFE KETTENSEITE	GLISSIERE COTE CHAINE	TRINEO LATO CADENA
19100530		SLITTA DESTRA	SIDE PANEL SKID	GLEITKUFE SEITENWAND	GLISSIERE PARTIE LATERALE	TRINEO LATO FLANCO
19100533		PIASTRINA REGISTRO	ADJUSTER PLATE	REGULIERUNGSPLATTE	PLAQUETTE DE REGISTRE	PLAQUITA REGISTRO
19100546		PROTEZIONE PER SLITTA LATO CATENA	SKID PROTECTION	GLEITLAGERSCHUTZ	PROTECTION FOUR GLISSIER	PROTECCION TRINEO
19100547		PROTEZIONE PER SLITTA LATO ESTERNO	SKID PROTECTION	GLEITLAGERSCHUTZ	PROTECTION POUR GLISSIER	PROTECCION TRINEO
48000532		REGISTRO SLITTA	SKID ADJUSTER	GLEITLAGERREGULIERUNG	REGISTRE GLISSIERE	REGISTRO TRINEO

TAVOLA 35/6



## TAVOLA 35/6

CODICE	DESCRIZIONE	DESCRIPTION	BENENNUNG	DESCRIPTION	DESCRIPCION
00551115	VITE TE.86.M6X25 UNI 5739	BOLT M 6X25	SCHRAUBE M 6X25	VIS M 6X25	TORNILLO M 6X25
00551225	VITE TE.86.M8X25 UNI 5739	BOLT M 8X25	SCHRAUBE M 8X25	VIS M 8X25	TORNILLO M 8X25
00551543	VITE TE.86.M10X1,25X20 UNI 5740	BOLT M 10X1,25X20	SCHRAUBE M 10X1,25X20	VIS M 10X1,25X20	TORNILLO M 10X1,25X20
00551544	VITE TE.86.M10X1,25X25 UNI 5740	BOLT M 10X1,25X25	SCHRAUBE M 10X1,25X25	VIS M 10X1,25X25	TORNILLO M 10X1,25X25
00551715	VITE TE.86.M10X1,25X25 FILETTO MM.17	BOLT M 10X1,25X25	SCHRAUBE M 10X1,25X25	VIS M 10X1,25X25	TORNILLO M 10X1,25X25
00552904	TAPPO SCARICO OLIO TE.1/2 GAS E.17	OIL OUTLET PLUG 1/2	ÖLABLASSPFROPFEN 1/2	BOUCHON DE VIDANGE HUILE 1/2	TAPON DESCARGADO ACEITE 1/2
00553410	DADO AUTOFRENANTE M10X1,25 USM8 980-V	SELF LOCKING NUT M10X1,25 980V	SELBSTSP.MUTT. M10X1,25 980-V	ECROU AUTOBL. M10X1,25 980-V	DADO AUTOBL. M10X1,25 980-V
00553414	DADO AUTOFRENANTE M14X1,5 USM8 980-V	SELF LOCKING NUT M14X1,5 980V	SELBSTSP.MUTT. M14X1,5 980-V	ECROU AUTOBL. M14X1,5 980-V	DADO AUTOBL. M14X1,5 980-V
00553595	DADO AUTOBLOCCANTE M6 UNI 7437	SELF LOCKING NUT M6	SELBSTSP.FERR.MUTTER M6	ECROU AUTOBL. M6	DADO AUTOBL. M6
00553632	SHIERA M30X1,5 GUF AUTOBLOCCANTE	SELF LOCKING NUT M30X1,5	SELBSTSP. NUTMUTTER M30X1,5	COLLIER AUTOBL. M30X1,5	VIROLA AUTOBL. M30X1,5
00554102	RONDELLA PIANA D.6 UNI 6592	PLANK WASHER D.6	SCHEIBE D.6	RONDELLE D.6	ARANDELA D.6
00554503	RONDELLA GROWER D.8 EXTRA PESANTE	GROWER WASHER D.8	SCHEIBE GROWER D.8	RONDELLE GROWER D.8	ARANDELA GROWER D.8
00554504	RONDELLA GROWER D.10 EXTRA PESANTE	GROWER WASHER D.10	SCHEIBE GROWER D.10	RONDELLE GROWER D.10	ARANDELA GROWER D.10
00556101	PARAOLIO 35X47X7	OIL SEAL 35X47X7	ÖLABDICHTUNG 35X47X7	PARE-HUILE 35X47X7	PARA-ACEITE 35X47X7
00556193	PARAOLIO 45X60X7 RIP. POLV.	OIL SEAL 45X60X7	ÖLABDICHTUNG 45X60X7	PARE-HUILE 45X60X7	PARA-ACEITE 45X60X7
00557505	CUSCINETTO 30209	BEARING 30209	LAGER 30209	ROULEMENT 30209	COJINETE 30209
00557503	CUSCINETTO 30207	BEARING 30207	LAGER 30207	ROULEMENT 30207	COJINETE 30207
00557554	CUSCINETTO 32208	BEARING 32208	LAGER 32208	ROULEMENT 32208	COJINETE 32208
19100101	SCATOLA RIDUTTORE	GEARBOX	WECHSELGETRIEBEGEHAUSE	BOITE DE VITESSE	CAJA CAMBIO
19100105	COFERCHIO CAMBIO	GEARBOX COVER	WECHSELGETRIEBEBECKEN	COUVERCLE BOITE DE VITESSE	TAPA CAMBIO
19100106	GUARNIZIONE SU COFERCHIO CAMBIO MM.0,3	GASKET MM.0,3	DICHTUNG MM.0,3	JOINT MM.0,3	JUNTA MM.0,3
19100109	GUARNIZIONE SU COFERCHIO CAMBIO MM.0,1	GASKET MM.0,1	DICHTUNG MM.0,1	JOINT MM.0,1	JUNTA MM.0,1
19100110	TAPPO SFIATO E LIVELLO OLIO	OIL BREATHER PLUG	ÖLENTLUEFTERSTOFFEN	BOUCHON D'HUILE SOUPIRAIL	TAPON ACEITE
19100112	STAFFA SOLLEVAMENTO FRESA	LIFTING STIRKUP	HEBEREGEL FRAESE	ETRIER DE LEVEAGE FRAISE	ESTRIBO LEVANTAMIENTO FRESA
19100113	COFFIA CONICA	BEVEL GEAR PAIR	KEGELRITZELSATZ	COUPLE CONIQUE	PAR CONICO
19100207	GUARNIZIONE FLANGIA CORONA MM.0,5	GASKET MM.0,5	FLANSCHDICHTUNG MM.0,5	JOINT COURONNE MM.0,5	JUNTA BRIDA MM.0,5
19100208	GUARNIZIONE FLANGIA CORONA MM.0,3	GASKET MM.0,3	FLANSCHDICHTUNG MM.0,3	JOINT COURONNE MM.0,3	JUNTA BRIDA MM.0,3
19100209	GUARNIZIONE FLANGIA CORONA MM.0,1	GASKET MM.0,1	FLANSCHDICHTUNG MM.0,1	JOINT COURONNE MM.0,1	JUNTA BRIDA MM.0,1
19100210	GUARNIZIONE FLANGIA DISTANZ. CATENA	GASKET	FLANSCHDICHTUNG	JOINT FLASQUE	JUNTA BRIDA
19100538	MOLLA ATTACCO CATENA	SPRING	FEDER	RESSORT ATTELAGE CHAINE	MUELLE ATAQUE CADENA
19100541	PROTEZIONE CARDAN	CARDAN PROTECTION	GELENKWELLENSCHUTZ	PROTECTION CARDAN	PROTECCION CARDANICO
19108202	ALBERO DI TRASMISSIONE 80-100L	TRANSMISSION SHAFT 80-100L	ANTRIEBSWELLE 80-100L	ARBRE DE TRANSMISSION 80-100L	EJE DE TRASMISION 80-100L
19108203	TROMBA SINISTRA 80-100L	LEFT SPACER 80-100L	LINKES DISTANZROHR 80-100L	ENTRETOISE GAUCHE 80-100L	DISTANCIADOR IZQ. 80-100L
19109202	ALBERO DI TRASMISSIONE 90	TRANSMISSION SHAFT 90	ANTRIEBSWELLE 90	ARBRE DE TRANSMISSION 90	EJE DE TRASMISION 90
19109203	TROMBA SINISTRA 90	LEFT SPACER 90	LINKES DISTANZROHR 90	ENTRETOISE GAUCHE 90	DISTANCIADOR IZQ. 90
19110202	ALBERO DI TRASMISSIONE 100-120L	TRANSMISSION SHAFT 100-120L	ANTRIEBSWELLE 100-120L	ARBRE DE TRANSMISSION 100-120L	EJE DE TRASMISION 100-120L
19110203	TROMBA SINISTRA 100-120L	LEFT SPACER 100-120L	LINKES DISTANZROHR 100-120L	ENTRETOISE GAUCHE 100-120L	DISTANCIADOR IZQ. 100-120L
19112202	ALBERO DI TRASMISSIONE 120-140L	TRANSMISSION SHAFT 120-140L	ANTRIEBSWELLE 120-140L	ARBRE DE TRANSMISSION 120-140L	EJE DE TRASMISION 120-140L
19112203	TROMBA SINISTRA 120-140L	LEFT SPACER 120-140L	LINKES DISTANZROHR 120-140L	ENTRETOISE GAUCHE 120-140L	DISTANCIADOR IZQ. 120-140L
19114202	ALBERO DI TRASMISSIONE 140-160L	TRANSMISSION SHAFT 140-160L	ANTRIEBSWELLE 140-160L	ARBRE DE TRANSMISSION 140-160L	EJE DE TRASMISION 140-160L
19114203	TROMBA SINISTRA 140-160L	LEFT SPACER 140L-160L	LINKES DISTANZROHR 140-160L	ENTRETOISE GAUCHE 140-160L	DISTANCIADOR IZQ. 140L-160L
19116202	ALBERO DI TRASMISSIONE 160	TRANSMISSION SHAFT 160	ANTRIEBSWELLE 160	ARBRE DE TRANSMISSION 160	EJE DE TRASMISION 160
19116203	TROMBA SINISTRA 160	LEFT SPACER 160	LINKES DISTANZROHR 160	ENTRETOISE GAUCHE 160	DISTANCIADOR IZQ. 160
19118202	ALBERO DI TRASMISSIONE 180	TRANSMISSION SHAFT 180	ANTRIEBSWELLE 180	ARBRE DE TRANSMISSION 180	EJE DE TRASMISION 180
19118203	TROMBA SINISTRA 180	LEFT SPACER 180	LINKES DISTANZROHR 180	ENTRETOISE GAUCHE 180	DISTANCIADOR IZQ. 180
19118557	TROMBA DESTRA 180	RIGHT SPACER 180	RECHTES DISTANZROHR 180	ENTRETOISE DROITE 180	DISTANCIADOR DERECHO 180



## TAVOLA 13/12

CODICE	DESCRIZIONE	DESCRIPTION	BENENNUNG	DESCRIPTION	DESCRIPCION
00551130	VITE TE 10X.M8X50 UNI 5737	BOLT M 8X50	SCHRAUBE M 8X50	VIT M 8X50	TORNILLO M 8X50
00551298	VITE TE.BG.M12X60 UNI 5737	BOLT M 12X60	SCHRAUBE M 12X60	VIS M 12X60	TORNILLO M 12X60
00552950	VITE STEI M10X16 UNI 5925	BOLT M 10X16	SCHRAUBE M 10X16	VIS M 10X16	TORNILLO M 10X16
00553308	DADO AUTOFRENANTE M8X1,25 USMB 980-V	SELF LOCKING NUT M8X1,25 980V	SELBSTSP.MUTT. M8X1,25 980-V	ECROU AUTOBL. M8X1,25 980-V	DADO AUTOBL. M8X1,25 980-V
00553604	DADO AUTOBLOCCANTE M12 UNI 7473	SELF LOCKING NUT M12	SELBSTSPERR.MUTTER M12	ECROU AUTOBL. M12	DADO AUTOBL. M12
00554251	SFERA 1/4"	SPHERE 1/4"	KUGEL 1/4"	SPHERE 1/4"	BOLA 1/4"
00555089	ANELLO SEEGER D.27 UNI 7437	SEEGER RING D.27	SEEGERRING D.27	BAGUE SEEGER D.27	ANILLO SEEGER D.27
00555317	INGRASSATORE M8X1 OBLIQUO B/2	GREASE NIPPLE M8X1	SCHMIERBUECHSE M8X1	GRAISSEUR M8X1	ENGRASADOR M8X1
00555319	INGRASSATORE M8X1 DIRITTO A/5	GREASE NIPPLE M8X1	SCHMIERBUECHSE M8X1	GRAISSEUR M8X1	ENGRASADOR M8X1
00555678	SPINA ELASTICA 8X55	ELASTIC PIN 8X55	SPANNHUELSE 8X55	GOUJON ELASTIQUE 8X55	ESPINA ELASTICA 8X55
00555679	SPINA ELASTICA 8X60	ELASTIC PIN 8X60	SPANNHUELSE 8X60	GOUJON ELASTIQUE 8X60	ESPINA ELASTICA 8X60
00555684	SPINA ELASTICA 10X75	ELASTIC PIN 10X75	SPANNHUELSE 10X75	GOUJON ELASTIQUE 10X75	ESPINA ELASTICA 10X75
00570050	ALBERO CARDANICO	UNIVERSAL P T O SHAFT	GELENKWELLE	ARBRE A CARDAN	ARBOL CARDANICO
00570051	FORCELLA ATTACCO 1 3/8 Z6	LINKAGE FORK 1 3/8 Z6	GABELSTUECK 1 3/8 Z6	FOURCHE ATTELAGE 1 3/8 Z6	HORQUILLA ATAQUE 1 3/8 Z6
00570052	PULSANTE COMPLETO	PUSHBUTTON ASSY	DRUCKKNOPF KOMPL.	POUSSOIR COMPL.	PULSADOR COMPL.
00570053	CROCIERA COMPLETA	SPIDER ASSY	GELENKKREUZ KOMPL.	CROISIERE COMPL.	CRUCETA COMPLETA
00570054	FORCELLA TUBO INTERNO	FORK FOR INTERNAL PIPE	GABELSTUECK FUER INNENROHR	FOURCHE TUBE INTERIEUR	HORQUILLA TUBO INTERIOR
00570055	TUBO PROFILATO INTERNO	INNER TUBE	PROFILIERTES INNENROHR	TUBE PROFILE INTERIEUR	TUBO PERFILADO INTERNO
00570056	PROTEZIONE COMPLETA	PROTECTION ASSY	KOMPL. SCHUTZ	PROTECTION COMPL.	PROTECCION COMPL.
00570057	TUBO PROFILATO ESTERNO	OUTER TUBE	PROFILIERTES AUSSENROHR	TUBE PROFILE EXTERIEUR	TUBO PERFILADO ESTERNO
00570058	FORCELLA TUBO ESTERNO	FORK FOR EXTERNAL PIPE	GABELSTUECK FUER AUSSENROHR	FOURCHE TUBE EXTERIEUR	HORQUILLA TUBO EXTERNO
00570059	LIMITATORE A BULLONE	SHEAR PIN	SCHERSTIFT	LIMITEUR	LIMITADOR
00570301	FORCELLA ATTACCO 1 3/8 Z6	LINKAGE FORK 1 3/8 Z6	GABELSTUECK 1 3/8 Z6	FOURCHE ATTELAGE 1 3/8 Z6	HORQUILLA ATAQUE 1 3/8 Z6
00570304	CROCIERA COMPLETA	SPIDER ASSY	GELENKKREUZ KOMPL.	CROISIERE COMPL.	CRUCETA COMPLETA
00570311	FORCELLA TUBO INTERNO	FORK FOR INTERNAL PIPE	GABELSTUECK FUER INNENROHR	FOURCHE TUBE INTERIEUR	HORQUILLA TUBO INTERIOR
00570312	TUBO PROFILATO INTERNO	INNER TUBE	PROFILIERTES INNENROHR	TUBE PROFILE INTERIEUR	TUBO PERFILADO INTERNO
00570313	TUBO PROFILATO ESTERNO	OUTER TUBE	PROFILIERTES AUSSENROHR	TUBE PROFILE EXTERIEUR	TUBO PERFILADO ESTERNO
00570314	FORCELLA TUBO ESTERNO	FORK FOR EXTERNAL PIPE	GABELSTUECK FUER AUSSENROHR	FOURCHE TUBE EXTERIEUR	HORQUILLA TUBO EXTERNO
00570343	SFERA 5/16"	BALL 5/16"	KUGEL 5/16"	SPHERE 5/16	BOLA 5/16
00570346	PROTEZIONE COMPLETA	PROTECTION ASSY	KOMPL. SCHUTZ	PROTECTION COMPL.	PROTECCION COMPL.
00570360	LIMITATORE A BULLONE	SHEAR PIN	SCHERSTIFT	LIMITEUR	LIMITADOR
00570502	PULSANTE COMPLETO	PUSHBUTTON ASSY	DRUCKKNOPF KOMPL.	POUSSOIR COMPL.	PULSADOR COMPL.
00570808	PULSANTE COMPLETO	PUSHBUTTON ASSY	DRUCKKNOPF KOMPL.	POUSSOIR COMPL.	PULSADOR COMPL.
00570800	ALBERO CARDANICO T40	UNIVERSAL P T O SHAFT	GELENKWELLE	ARBRE A CARDAN	ARBOL CARDANICO
00570801	FORCELLA ATTACCO 1 3/8 Z6	LINKAGE FORK 1 3/8 Z6	GABELSTUECK 1 3/8 Z6	FOURCHE ATTELAGE 1 3/8 Z6	HORQUILLA ATAQUE 1 3/8 Z6
00570802	CROCIERA COMPLETA	SPIDER ASSY	GELENKKREUZ KOMPL.	CROISIERE COMPL.	CRUCETA COMPLETA
00570803	FORCELLA TUBO INTERNO	FORK FOR INTERNAL PIPE	GABELSTUECK FUER INNENROHR	FOURCHE TUBE INTERIEUR	HORQUILLA TUBO INTERIOR
00570804	TUBO PROFILATO INTERNO	INNER TUBE	PROFILIERTES INNENROHR	TUBE PROFILE INTERIEUR	TUBO PERFILADO INTERNO
00570805	PROTEZIONE COMPLETA	PROTECTION ASSY	KOMPL. SCHUTZ	PROTECTION COMPL.	PROTECCION COMPL.
00570806	TUBO PROFILATO ESTERNO	OUTER TUBE	PROFILIERTES AUSSENROHR	TUBE PROFILE EXTERIEUR	TUBO PERFILADO ESTERNO
00570807	FORCELLA TUBO ESTERNO	FORK FOR EXTERNAL PIPE	GABELSTUECK FUER AUSSENROHR	FOURCHE TUBE EXTERIEUR	HORQUILLA TUBO EXTERNO
00570808	LIMITATORE A BULLONE	SHEAR PIN	SCHERSTIFT	LIMITEUR	LIMITADOR
00571305	ALBERO CARDANICO W2300	UNIVERSAL P T O SHAFT	GELENKWELLE	ARBRE A CARDAN	ARBOL CARDANICO