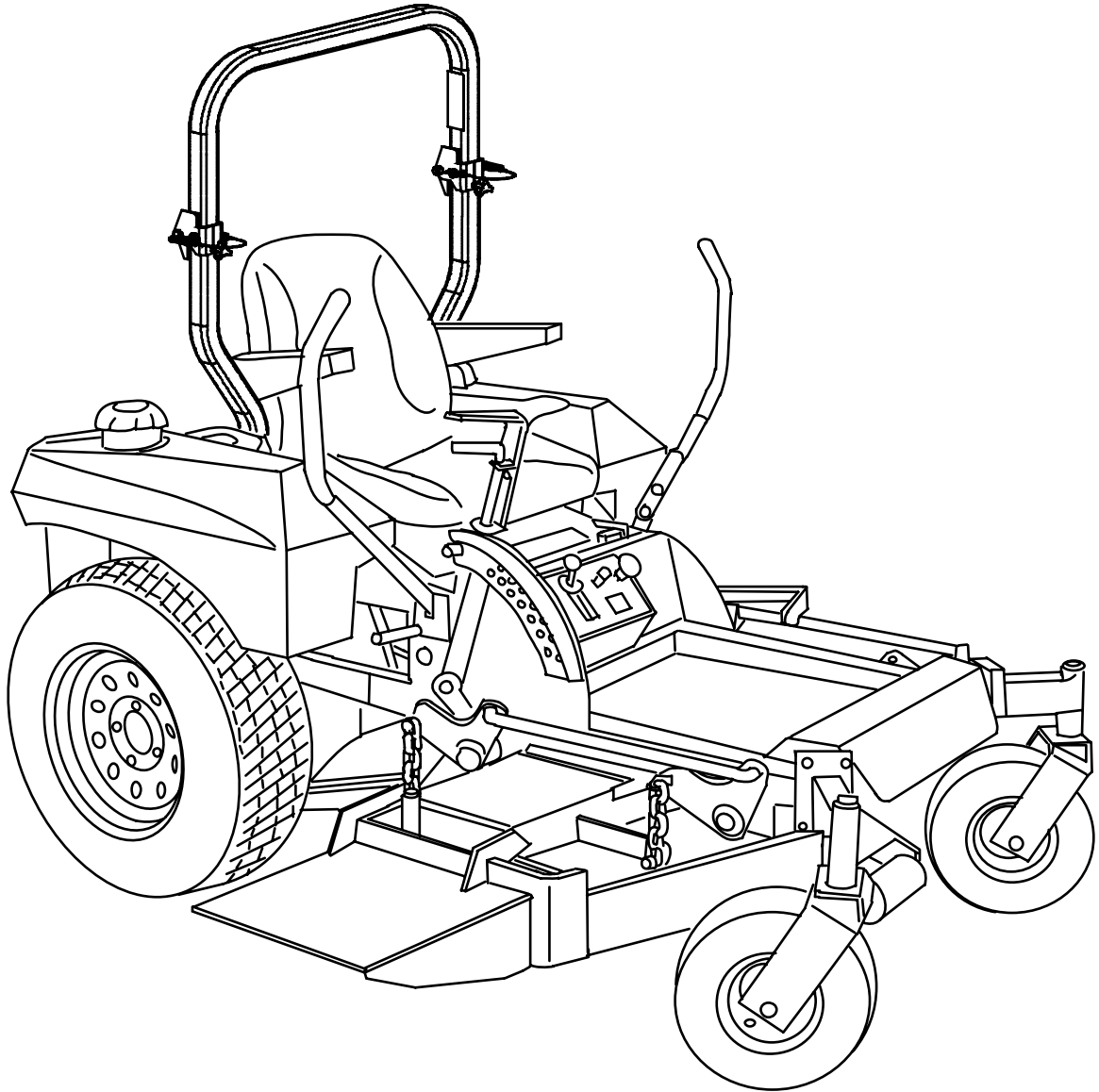


YAZOO/KEES



Parts Manual

ZMKW52212 / 968999660

ZMKH52252 / 968999661

ZMKH61252 / 968999662

ZMKW48172 / 968999730

ZMKW48190 / 968999779

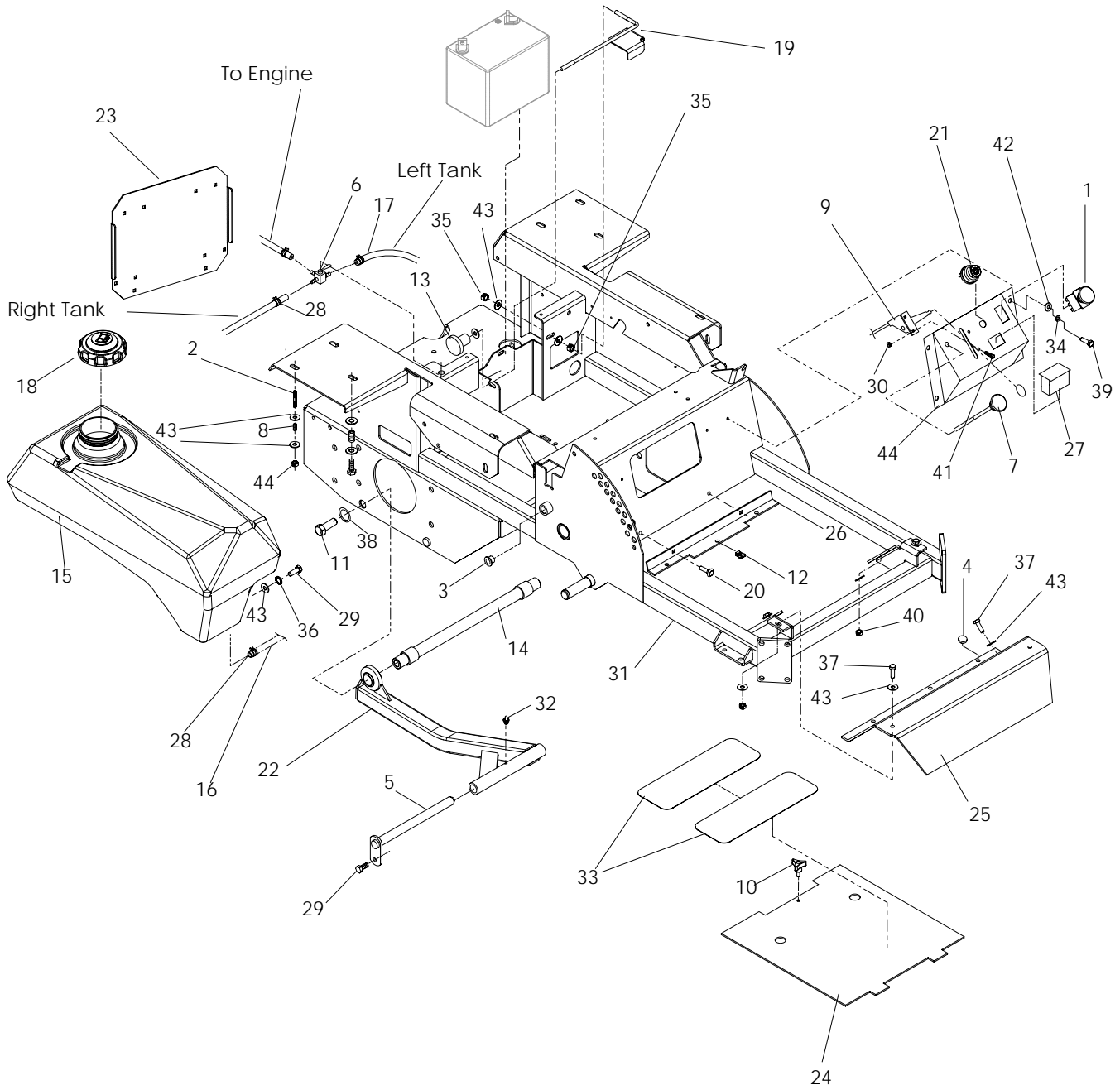
Please read the operator's manual carefully and make sure you understand the instructions before using the machine.

CONTENTS

SECTION	PAGE	SECTION	PAGE
CHASSIS / FRAME	4	ELECTRICAL	38
ENGINES		SCHEMATIC.....	40
ZMKW52212	6	DECALS	42
ZMKH52252, ZMKH61252	8	ROLLOVER PROTECTION SYSTEM.....	44
ZMKW48172, ZMKW48190	10	ACCESSORIES.....	45
STEERING	12	LIGHT KIT	45
PARKING BRAKE	14	MULCH KIT	46
ZMKW48172, ZMKW48190	16	HOOD ASSEMBLY.....	48
HYDRAULIC MOTOR - PUMP	18	BLOWER ASSEMBLY	50
ZMKW48172, ZMKW48190	20	MOUNTING KIT	52
MOWER LIFT / DECK LIFT	22	HITCH ASSEMBLY	54
48" CUTTING DECK	24	HITCH ASSEMBLY	56
52" CUTTING DECK	26	WEIGHT KIT	56
61" CUTTING DECK	28	DRIVE KIT ASSEMBLY.....	58
SEAT	30	LIFT PEDAL KIT	58
ZMKW48172, ZMKW4819	32		
CASTERS.....	34		
ZMKW48172, ZMKW4819	36		

NOTE: ALL FASTENERS ARE GRADE 5 UNLESS OTHERWISE SPECIFIED.

CHASSIS / FRAME

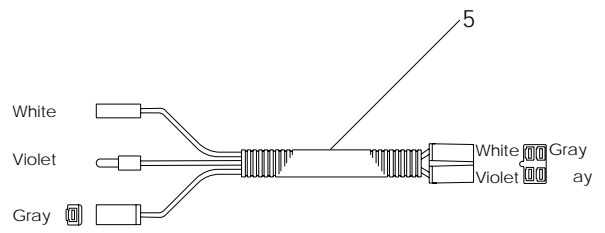
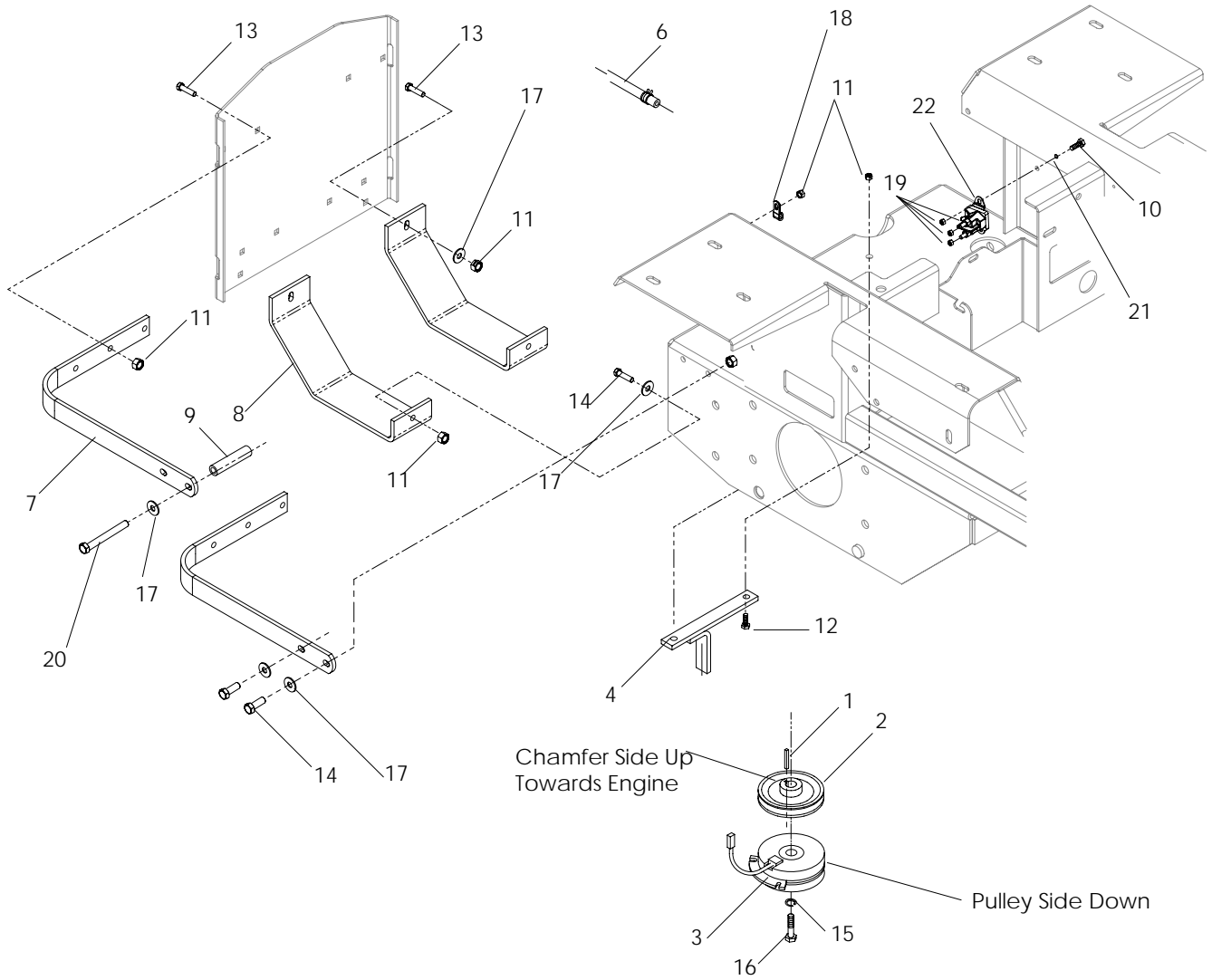


CHASSIS / FRAME

ITEM	PART NO.	QTY.	DESCRIPTION	ITEM	PART NO.	QTY.	DESCRIPTION
1...	539 101768	1...	SWITCH, BLADE	22...	539 108350	1...	STRUT, RT
2...	539 102502	6...	STUD		539 108351	1...	STRUT, LT
3...	539 102519	2...	BUSHING	23...	539 108575	1...	ENGINE GUARD
4...	539 102587	5...	BUMPER	24...	539 108599	1...	FOOT PLATE
5...	539 102619	2...	PIVOT PIN	25...	539 108601	1...	FOOT REST
6...	539 102679	1...	FUEL VALVE	26...	539 108603	1...	FLOOR PAN BKT
7...	539 102733	1...	CHOKE CONTROL 968999661, 968999662	27...	539 110074	1...	HOUR METER
	539 113458	1 ..	CHOKE CONTROL 968999659, 968999660, 968999730, 968999779	28...	539 912222	6...	HOSE CLAMP
8...	539 102845	8...	SPRING	29...	539 976934	8...	HCS $\frac{5}{16}$ -18 x $\frac{3}{4}$
9...	539 103275	1...	THROTTLE CABLE	30...	539 976977	4...	NUT 10-24, NYLOC
10...	539 104411	1...	KNOB W/STUD	31...	539 111099	1...	FRAME W/DECALS
11...	539 104199	2...	HCS $\frac{5}{8}$ -11 x 2	32...	539 976998	2...	ZERK, STRAIGHT $\frac{1}{4}$ -28
12...	539 104763	5...	"U" CLIP	33...	539 977778	3...	PAD, ANTI-SKID
13...	539 105169	1...	KNOB	34...	539 990052	4...	LOCKWASHER, $\frac{1}{4}$
14...	539 104197	1...	STRUT MOUNT	35...	539 990184	6...	NUT $\frac{5}{16}$ -18 HEX CTRLK
15...	539 105451	1...	FUEL TANK, RIGHT	36...	539 990187	2...	LOCK WASHER $\frac{5}{16}$
	539 105452	1...	FUEL TANK, LEFT	37...	539 990209	8...	HCS $\frac{5}{16}$ -18 x 1
16...	539 105527	1...	FUEL HOSE, 24"	38...	539 990333	2...	WASHER, $\frac{5}{8}$ SPLT LOCK
17...	539 105530	1...	FUEL HOSE, 34"	39...	539 990362	4...	SCREW $\frac{1}{4}$ -20 x $\frac{5}{8}$ THD FRM
18...	539 106188	2...	FUEL CAP	40...	539 990717	24...	NUT $\frac{5}{16}$ -18 HEX NYLOC
19...	539 106899	1...	BATTERY HOLD DOWN	41...	539 990411	2...	SCREW 10-24 x $\frac{1}{2}$
20...	539 107271	2...	RHSNB $\frac{5}{16}$ -18 x 1	42...	539 990598	4...	WASHER $\frac{1}{4}$ STD FLT
21...	539 107541	1...	SWITCH, IGNITION	43...	539 990692	29...	WASHER $\frac{5}{16}$ STD FLT
				44...	539 110955	1...	CONSOLE

ENGINE

ZMKW52212



ENGINE

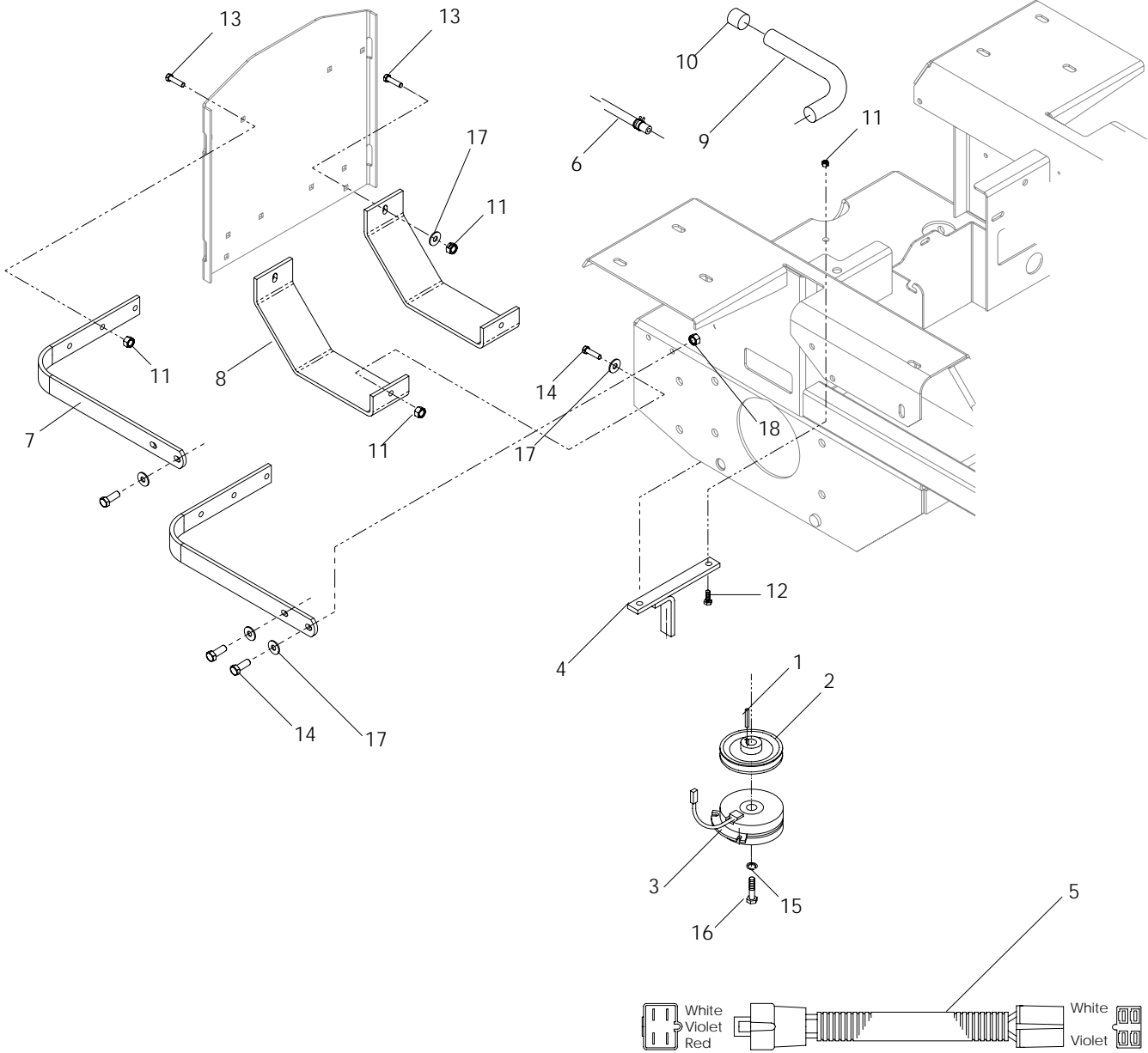
ZMKW52212

ITEM	PART NO.	QTY.	DESCRIPTION
1...	539 912757 ...	1...	KEY ¼ SQ x 1¼
2...	539 106992 ...	1...	PULLEY
3...	539 106880 ...	1...	CLUTCH
4...	539 106819 ...	1...	CLUTCH TIE DOWN
5...	539 104415 ...	1...	PIGTAIL, KAWASAKI
6...	539 105281 ...	2...	FUEL HOSE
7...	539 106961 ...	4...	STRAP
8...	539 106957 ...	2...	SKID PLATE
9...	539 106962 ...	2...	SPACER
10...	539 990072 ...	2...	HCS ¼-20 x 5/8
11...	539 990717 .	22...	NUT 5/16-18 HEX NYLOC

ITEM	PART NO.	QTY.	DESCRIPTION
12...	539 990669 ...	4...	HCS 5/16-18 x 1¾
13...	539 107271 .	10...	RHSNB 5/16-18 x 1
14...	539 990209 ...	7...	HCS 5/16-18 x 1
15...	539 990247 ...	1...	WASHER, 7/16 SPLT LOCK
16...	539 991120 ...	1...	HCS 7/16-20 x 2½
17...	539 990692 .	10...	WASHER 5/16 STD FLT
18...	539 109867 ...	1...	DOUBLE TUBE CLAMP
19...	539 976978 ...	6...	NUT ¼-20, NYLOC
20...	539 102335 ...	1...	HCS 5/16-18 x 4
21...	539 990053 ...	2...	LOCKWASHER ¼ IT
22...	539 101714 ...	1...	SOLENOID

ENGINE

ZMKH52252, ZMKH61252



ENGINE

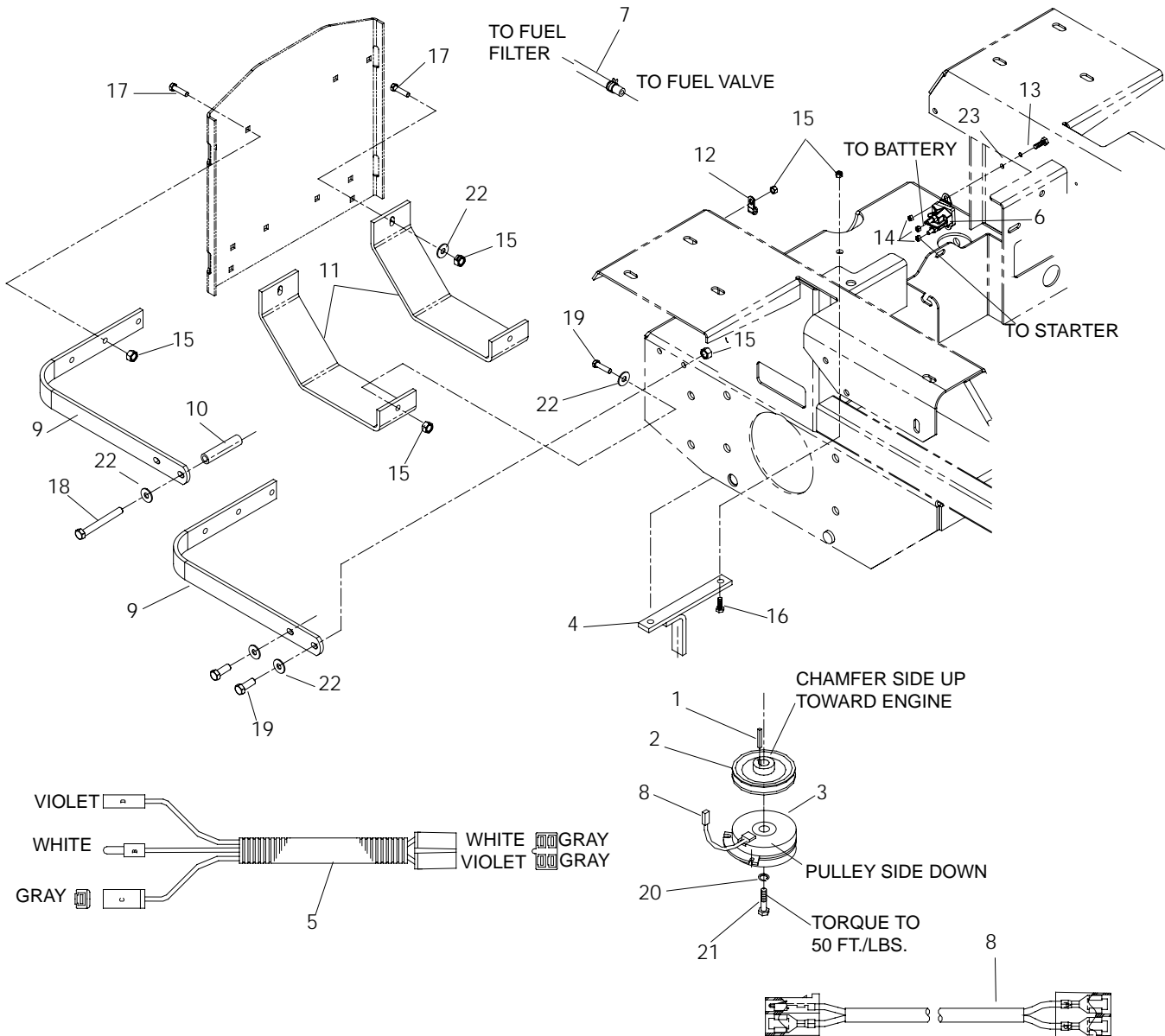
ZMKH52252, ZMKH61252

ITEM	PART NO.	QTY.	DESCRIPTION
1...	539 912757 ...	1...	KEY ¼ SQ x 1¼
2...	539 112774 ...	1...	PULLEY
3...	539 105406 ...	1...	CLUTCH
4...	539 106819 ...	1...	CLUTCH TIE DOWN
5...	539 104416 ...	1...	PIGTAIL, KOHLER
6...	539 108212 ...	2...	FUEL LINE
7...	539 106961 ...	4...	STRAP
8...	539 106957 ...	2...	SKID PLATE
9...	539 101362 ...	1...	HOSE, OIL DRAIN

ITEM	PART NO.	QTY.	DESCRIPTION
10...	539 101364 ...	1...	PLUG, OIL DRAIN
11...	539 990717 .	22...	NUT 5/16-18 HEX NYLOC
12...	539 990669 ...	4...	HCS 5/16-18 x 1¾
13...	539 107271 .	10...	RHSNB 5/16-18 x 1
14...	539 990209 ...	8...	HCS 5/16-18 x 1
15...	539 990247 ...	1...	WASHER, 7/16 SPLT LOCK
16...	539 991120 ...	1...	HCS 7/16-20 x 2½
17...	539 990692 .	10...	WASHER 5/16 STD FLT

ENGINE

ZMKW48172, ZMKW48190



ENGINE

ZMKW48172, ZMKW48190

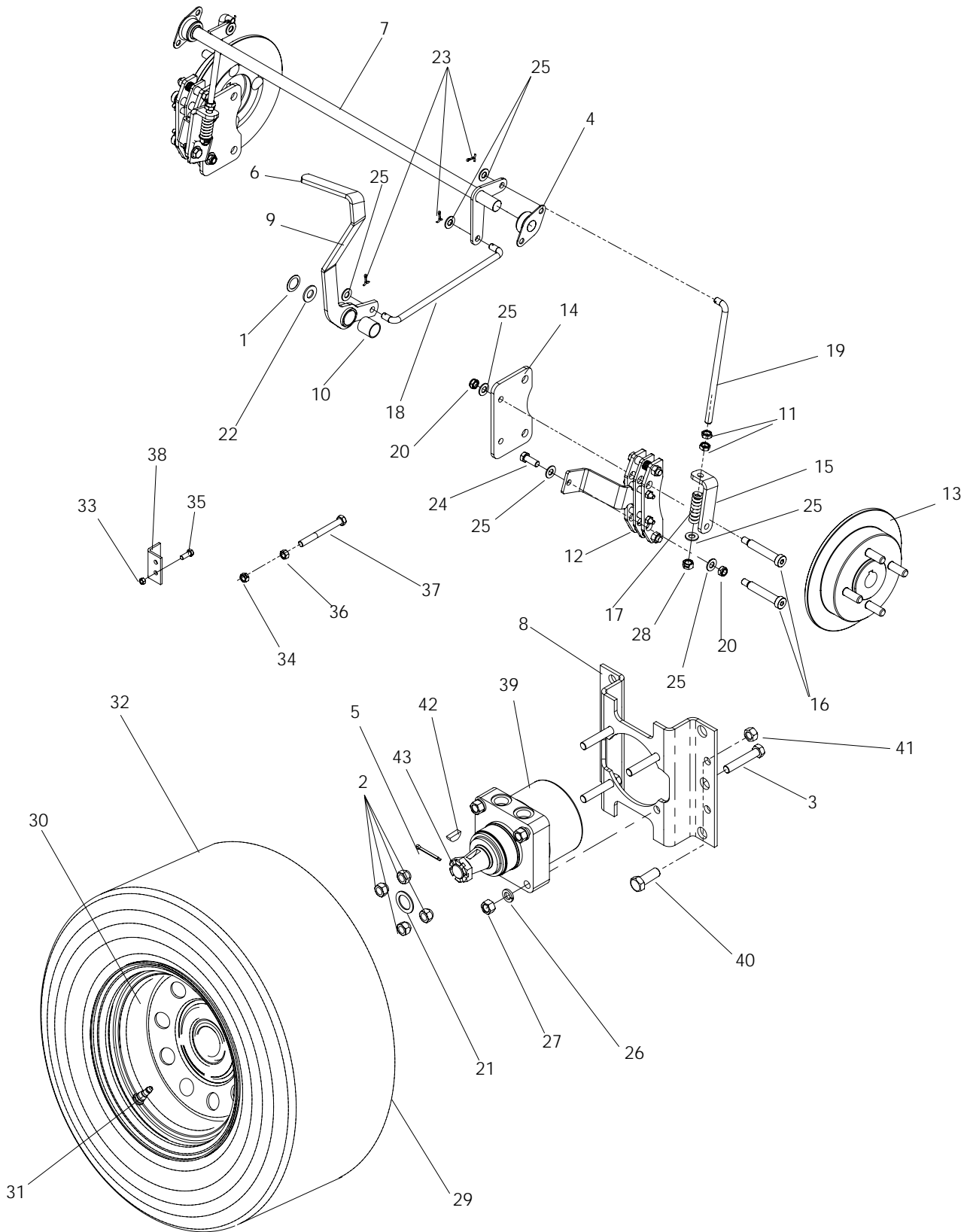
ITEM	PART NO.	QTY.	DESCRIPTION
1...	539 912757	1...	KEY ¼ SQ x 1¼
2...	539 106992	1...	PULLEY
3...	539 105804	1...	CLUTCH
4...	539 106819	1...	CLUTCH TIE DOWN
5...	539 104415	1...	PIGTAIL, KAWASAKI
6...	539 101714	1...	SOLENOID
7...	539 105281	1...	FUEL HOSE
8...	539 105637	1...	CLUTCH HARNESS
9...	539 106961	4...	STRAP
10...	539 106962	1...	SPACER
11...	539 106957	2...	SKID PLATE
12...	539 109867	1...	DOUBLE TUBE CLAMP
13...	539 990072	2...	HCS ¼-20 x 5/8
14...	539 976978	5...	NUT ¼-20, NYLOC

ITEM	PART NO.	QTY.	DESCRIPTION
15...	539 990717	22...	NUT 5/16-18 HEX NYLOC
16...	539 990669	4...	HCS 5/16-18 x 1¾
17...	539 107271	10...	RHSNB 5/16-18 x 1
18...	539 102335	1...	HCS 5/16-18 x 4
19...	539 990209	7...	HCS 5/16-18 x 1
20...	539 990247	1...	WASHER, 7/16 SPLT LOCK
21...	539 991120	1...	HCS 7/16-20 x 2½
22...	539 990692	10...	WASHER 5/16 STD FLT
23...	539 990053	2...	LOCKWASHER, ¼
NOT SHOWN			
...	539 976856	1...	WIRE TIE

STEERING

ITEM	PART NO.	QTY.	DESCRIPTION	ITEM	PART NO.	QTY.	DESCRIPTION
1...	539 101080	3...	SWITCH, BRAKE	19...	539 110943	4...	NUT ⁵ / ₁₆ F NYLOC
2...	539 991073	2...	NUT ⁵ / ₁₆ -24 HEX HD	20...	539 130703	1...	DRIVE CONTROL ASSM, RT
3...	539 101949	2...	E-RING ¹ / ₂	...	539 130704	1...	DRIVE CONTROL ASSM, LT
4...	539 130894	2...	GRIP	21...	539 976952	4...	SCREW 10-24 x ⁵ / ₈
5...	539 102678	2...	TAPPED PLATE	22...	539 976979	6...	NUT ³ / ₈ -16, HEX NYLOC
6...	539 103003	1...	TRACKING KNOB	23...	539 976998	2...	ZERK, STRAIGHT ¹ / ₄ -28
7...	539 103264	2...	LINKAGE	24...	539 990184	6...	NUT ⁵ / ₁₆ -18 HEX CTRLK
8...	539 104763	5...	"U" CLIP	25...	539 990196	1...	NUT ⁵ / ₁₆ -18 HEX
9...	539 108394	1...	HCS ⁵ / ₁₆ -18 x 1 ³ / ₄ TAPBOLT	26...	539 990223	6...	NUT ⁵ / ₁₆ -24 HEX LH
10...	539 108659	1...	CONTROL SHAFT	27...	539 990717	4...	NUT ⁵ / ₁₆ -18 HEX NYLOC
11...	539 110603	2...	SPHERICAL ROD END, RT	28...	539 990730	6...	HCS ³ / ₈ -16 x 1 ³ / ₄
12...	539 110604	2...	SPHERICAL ROD END, LT	29...	539 990692	2...	WASHER ⁵ / ₁₆ STD FLT
13...	539 131932	2...	DAMPENER	30...	539 111039	1...	SPRING
14...	539 110607	4...	BALL STUD	31...	539 990563	1...	HCS ³ / ₈ -16 x 1
15...	539 110638	2...	ARM, CONTROL SHAFT	32...	539 102593	4...	WASHER, ³ / ₈ DISK SPRING
16...	539 110811	2...	DAMPENER ARM	33...	539 976934	4...	HCS ⁵ / ₁₆ -18 x ³ / ₄
17...	539 131623	1...	DRIVE LEVER, RT W/GRIP				
18...	539 131622	1...	DRIVE LEVER, LT W/GRIP				

PARKING BRAKE

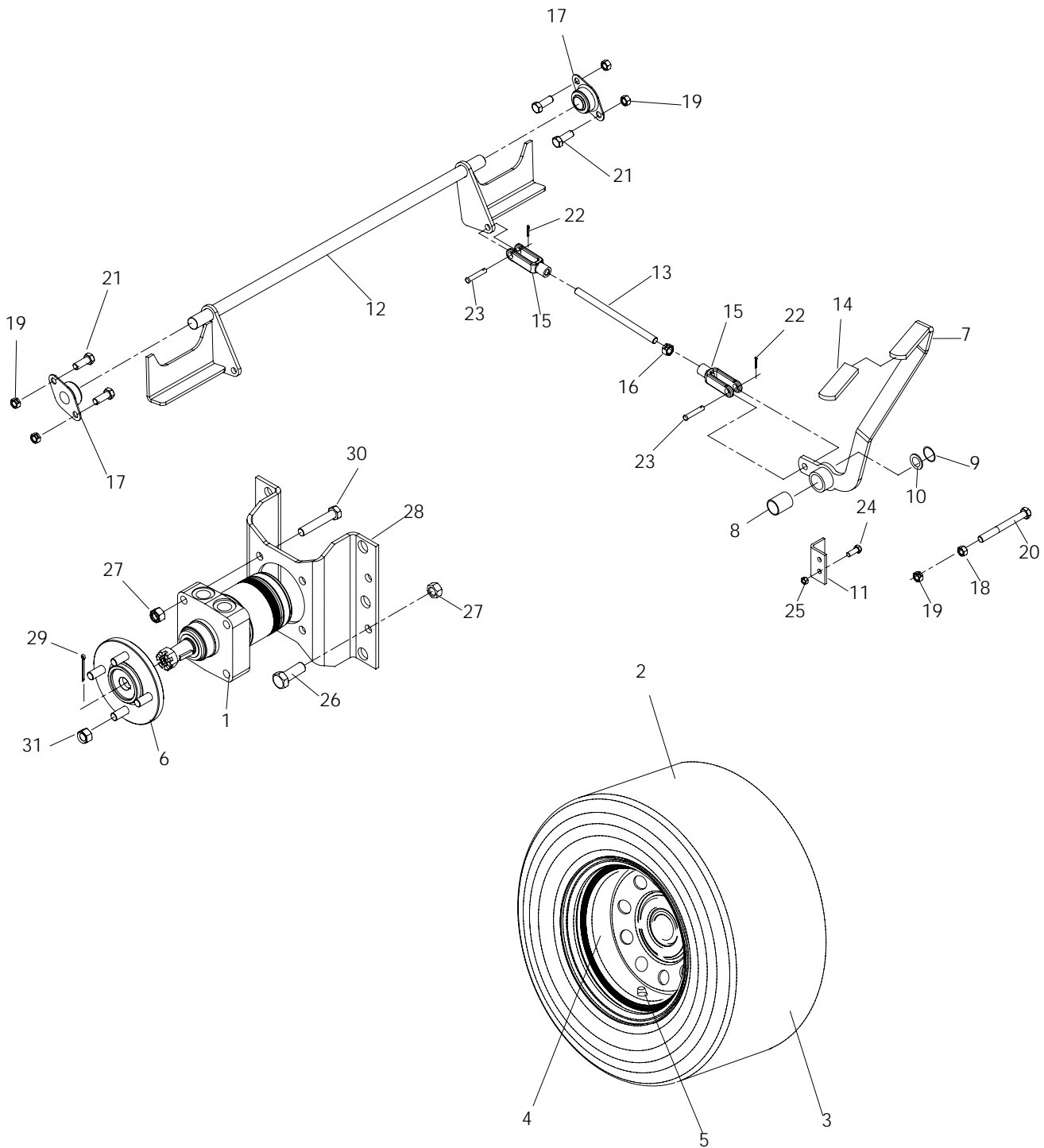


PARKING BRAKE

ITEM	PART NO.	QTY.	DESCRIPTION	ITEM	PART NO.	QTY.	DESCRIPTION
1...	539 101151	1...	RING, RETAINING, EXT 7/8	23...	539 990037	3...	PIN, COTTER ^{3/32} x 3/4
2...	539 101173	8...	NUT 1/2-20, LUG	24...	539 990563	2...	HCS 3/8-16 x 1
3...	539 101332	8...	HCS 1/2-13 x 2 3/4	25...	539 990122	1...	WASHER, 3/8 SAE FLT
4...	539 102797	2...	FLANGED BEARING	26...	539 990254	8...	WASHER, 1/2 SPLT LOCK
5...	539 104288	1...	PIN, COTTER	27...	539 990258	8...	NUT 1/2-13 HEX
6...	539 105036	1...	GRIP, PARK BRAKE	28...	539 990289	1...	NUT 3/8-24 HEX CTR LK
7...	539 106969	1...	BRAKE CROSS SHAFT	29...	539 106883	2...	TIRE, COMPLETE
8...	539 106989	2...	MOTOR STANDOFF	30...	539 105983	2...	RIM
9...	539 108616	1...	BRAKE LEVER	31...	539 912234	2...	VALVE STEM
10...	539 108619	1...	BUSHING	32...	539 107431	2...	TIRE
11...	539 108732	2...	NUT 3/8-24 HEX JAM	33...	539 976978	2...	NUT 1/4-20, NYLOC
12...	539 133047	2...	CALIPER	34...	539 976979	5...	NUT 3/8-16, HEX NYLOC
13...	539 113945	2...	HUB	35...	539 990580	2...	HCS 1/4-20 x 3/4
14...	539 113948	2...	PLATE, BRAKE	36...	539 990613	1...	NUT 3/8-16 HEX WHIZLK
15...	539 113950	1...	L BRACKET	37...	539 990637	1...	HCS 3/8-16 x 2 1/2
16...	539 113951	4...	SB 3/8-16 x 2 1/4 SKT HD	38...	539 105029	1...	BRACKET
17...	539 113952	1...	SPRING				Units produced before Serial No. 074841364
18...	539 113954	1...	LINKAGE, BRAKE	...	539 114803	1...	BRACKET
19...	539 113955	1...	LINKAGE, REAR BRAKE				Serial No. 074841364 and later
20...	539 200282	6...	NUT 3/8-16 HEX JAM NYLOC	39...	539 110823	2...	MOTOR, WHEEL
21...	539 916561	2...	BUSHING MACH, 1 x 14 GA	40...	539 990622	8...	BOLT 1/2-13 x 1 1/4 WHIZLK
22...	539 923787	1...	BUSHING, .875"	41...	539 101331	8...	NUT 1/2-13, HEX NYLOC
				42...	539 105278	2...	KEY WOODRUFF
				43...	539 105277	2...	CASTLE NUT

PARKING BRAKE

ZMKW48172, ZMKW48190

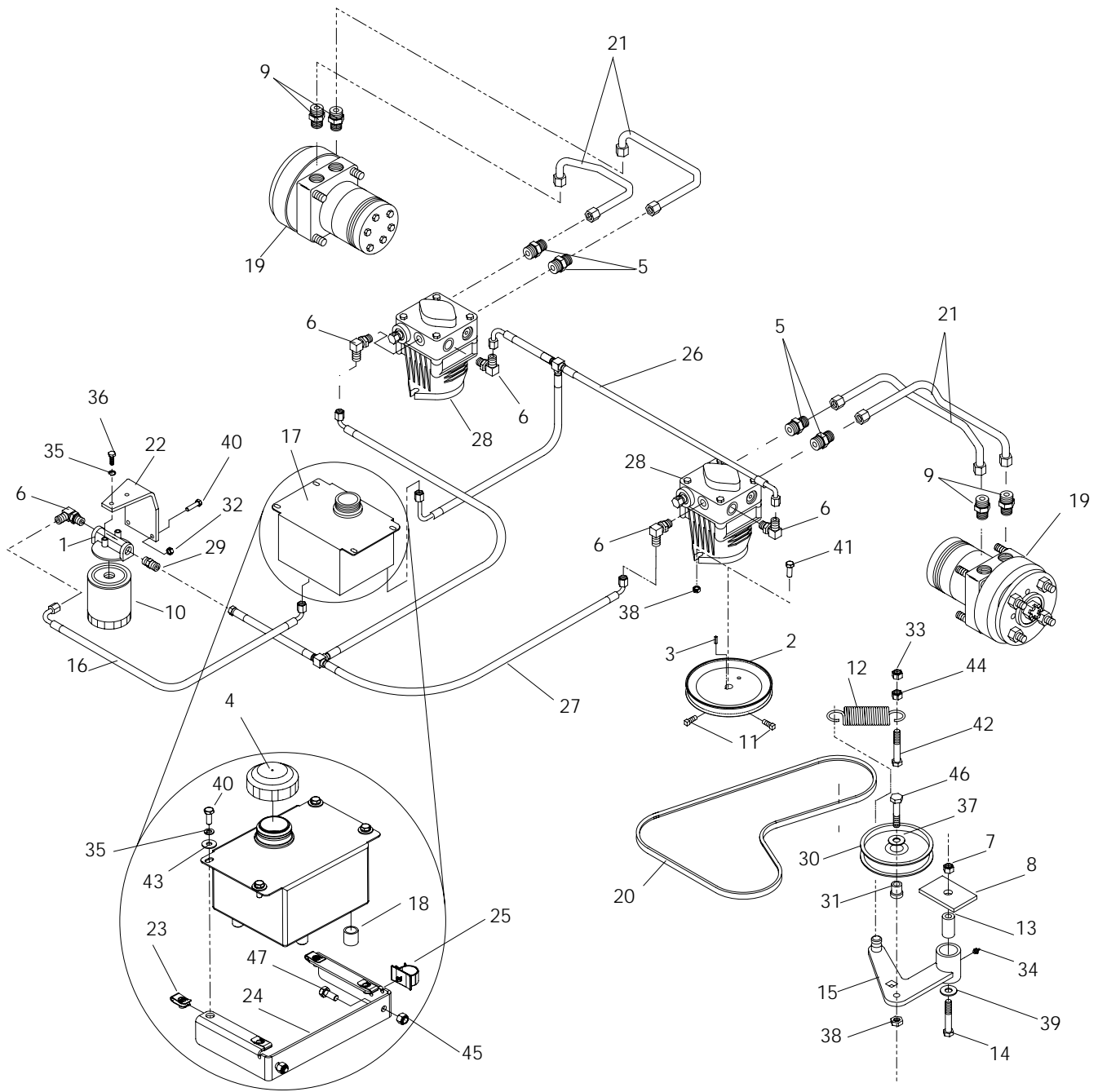


PARKING BRAKE

ZMKW48172, ZMKW48190

ITEM	PART NO.	QTY.	DESCRIPTION	ITEM	PART NO.	QTY.	DESCRIPTION
1...	539 103527	...	2... HYDRAULIC MTR W/RTNS	15...	539 977465	...	2... YOKE, $\frac{3}{8}$ -24
2...	539 108614	...	2... TIRE, COMPLETE	16...	539 990155	...	1... NUT $\frac{3}{8}$ -24
3...	539 107432	...	1... TIRE	17...	539 102797	...	2... FLANGE BEARING
4...	539 109344	...	1... RIM	18...	539 990613	...	1... NUT $\frac{3}{8}$ -16 HEX WHIZLK
5...	539 912234	...	1... VALVE STEM	19...	539 976979	...	5... NUT $\frac{3}{8}$ -16, HEX NYLOC
6...	539 101109	...	2... HUB	20...	539 990637	...	1... HCS $\frac{3}{8}$ -16 x 2 $\frac{1}{2}$
7...	539 108616	...	1... BRAKE LEVER	21...	539 990563	...	4... HCS $\frac{3}{8}$ -16 x 1
8...	539 108619	...	1... BUSHING	22...	539 990365	...	2... PIN, COTTER
9...	539 101151	...	1... RING, RETAINING, EXT, $\frac{7}{8}$	23...	539 977703	...	2... PIN, CLEVIS $\frac{3}{8}$ x 1 $\frac{1}{8}$
10...	539 923787	...	1... BUSHING, .875"	24...	539 990580	...	8... HCS $\frac{1}{4}$ -20 x $\frac{3}{4}$
11...	539 105029	...	1... BRACKET	25...	539 976978	...	4... NUT $\frac{1}{4}$ -20, NYLOC
			Units produced before Serial No. 074841364	26...	539 990622	...	8... BOLT $\frac{1}{2}$ -13 x 1 $\frac{1}{4}$ WHIZLK
	...	539 114803	...	27...	539 101331	...	16... NUT $\frac{1}{2}$ -13, HEX NYLOC
			Serial No. 074841364 and later	28...	539 108554	...	2... MOTOR STANDOFF, TE
12...	539 108621	...	1... BRAKE CROSS SHAFT	29...	539 990297	...	2... PIN COTTER, $\frac{1}{8}$ x 1 $\frac{1}{2}$
13...	539 108637	...	1... LINKAGE	30...	539 101332	...	8... HCS $\frac{1}{2}$ -13 x 2 $\frac{3}{4}$
14...	539 105036	...	1... GRIP, PARK BRAKE	31...	539 101173	...	8... NUT $\frac{1}{2}$ -20, LUG

HYDRAULIC MOTOR - PUMP

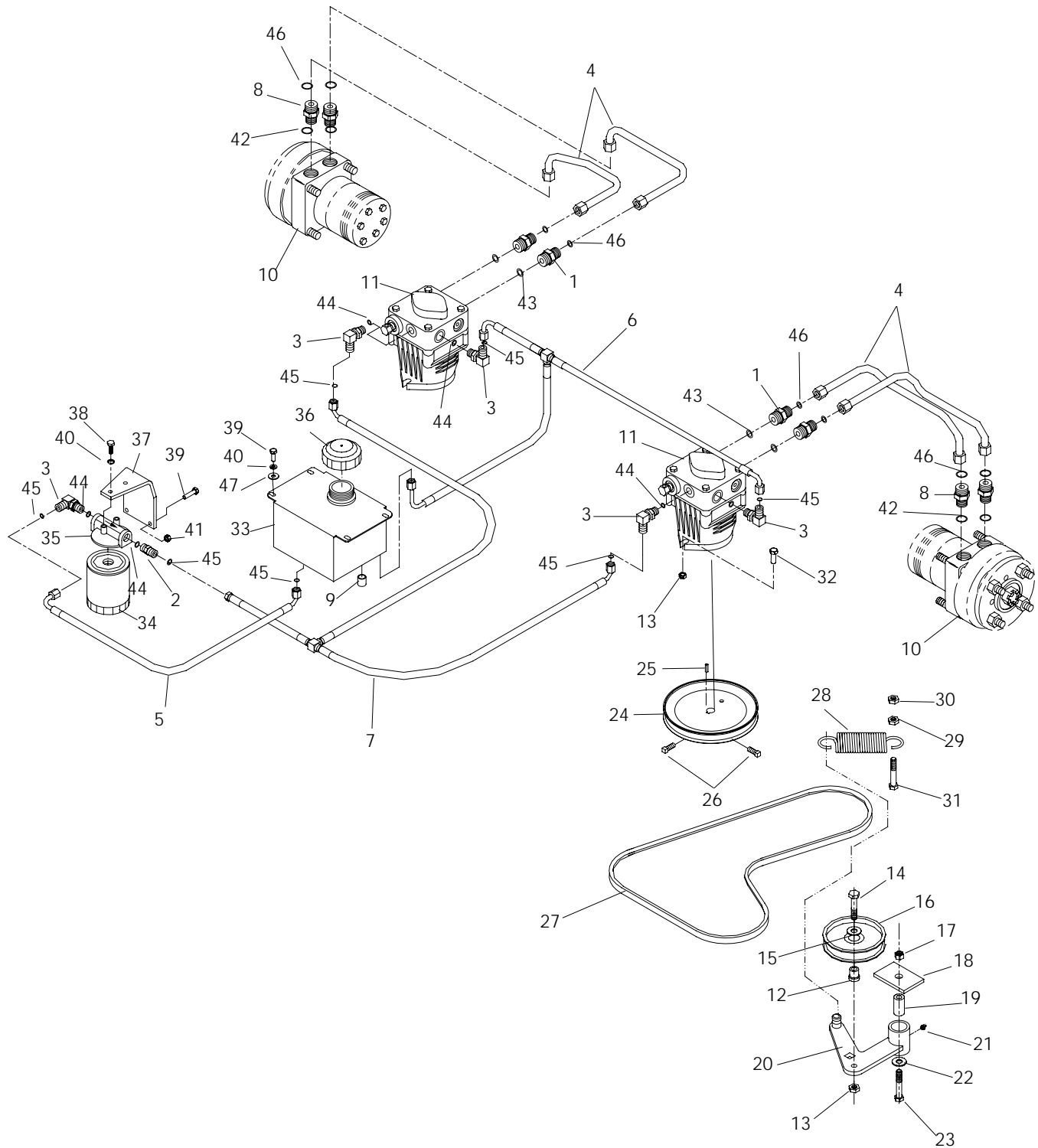


HYDRAULIC MOTOR - PUMP

ITEM	PART NO.	QTY.	DESCRIPTION	ITEM	PART NO.	QTY.	DESCRIPTION
1...	539 101165 ...	1...	FILTER HEAD	25...	539 110815 ...	1...	WIRECLIP, PUSH MOUNT
2...	539 101176 ...	2...	PULLEY	26...	539 110837 ...	1...	"T" ASSEMBLY
3...	539 101177 ...	2...	KEY, 5MM SQ x 30MM	27...	539 111814 ...	1...	"T" ASSEMBLY
4...	539 101202 ...	1...	CAP, HYDRO RESERVOIR	28...	539 112671 ...	2...	PUMP W/RTNS, 10CC
5...	539 101237 ...	4...	FITTING	29...	539 113782 ...	1...	HYDRAULIC FITTING
6...	539 101238 ...	5...	FITTING	30...	539 976688 ...	1...	PULLEY, IDLER
7...	539 101331 ...	1...	NUT ½-13, HEX NYLOC	31...	539 976695 ...	1...	BUSHING, IDLER FLANGE
8...	539 102236 ...	1...	PAD	32...	539 976978 ...	4...	NUT ¼-20, NYLOC
9...	539 102396 ...	4...	STRAIGHT FITTING	33...	539 976979 ...	4...	NUT ¾-16, HEX NYLOC
10...	539 102606 ...	1...	FILTER ELEMENT	34...	539 976998 ...	1...	ZERK, STRAIGHT, ¼-28
11...	539 102717 ...	4...	SCREW 5/16-18 x 5/8	35...	539 990052 ...	6...	LOCKWASHER, ¼
12...	539 103256 ...	1...	SPRING, EXTENSION	36...	539 990072 ...	2...	HCS ¼-20 x 5/8
13...	539 103427 ...	1...	BUSHING, PIVOT	37...	539 990517 ...	1...	WASHER, ¾ STD FLT
14...	539 103433 ...	1...	HCS ½-13 x ¾	38...	539 990546 ...	5...	NUT ¾-16, CENTERLOCK
15...	539 104388 ...	1...	IDLER ARM	39...	539 990550 ...	1...	WASHER, 9/16
16...	539 104722 ...	1...	HOSE	40...	539 990580 ...	6...	HCS ¼-20 x ¾
17...	539 105024 ...	1...	OIL TANK	41...	539 990582 ...	4...	HCS ¾-16 x 1 WHIZLK
18...	539 105168 ...	1...	CAP	42...	539 990588 ...	1...	HCS ¾-16 x 2
19...	539 103527 ...	2...	HYDRAULIC MTR W/RTNS	43...	539 990598 ...	8...	WASHER ¼ STD FLT
20...	539 106887 ...	1...	BELT, PUMP	44...	539 990613 ...	1...	NUT ¾-16 HEX WHIZLK
21...	539 106896 ...	4...	HYDRAULIC LINE	45...	539 990717 ...	4...	NUT 5/16-18 HEX NYLOC
22...	539 106933 ...	1...	BRACKET, OIL FILTER	46...	539 990730 ...	1...	HCS ¾-16 x 1¾
23...	539 110813 ...	4...	RETAINER, "U" TYPE	47...	539 976934 ...	4...	HCS 5/16-18 x ¾
24...	539 110814 ...	1...	TANK MOUNT				

HYDRAULIC MOTOR - PUMP

ZMKW48172, ZMKW48190

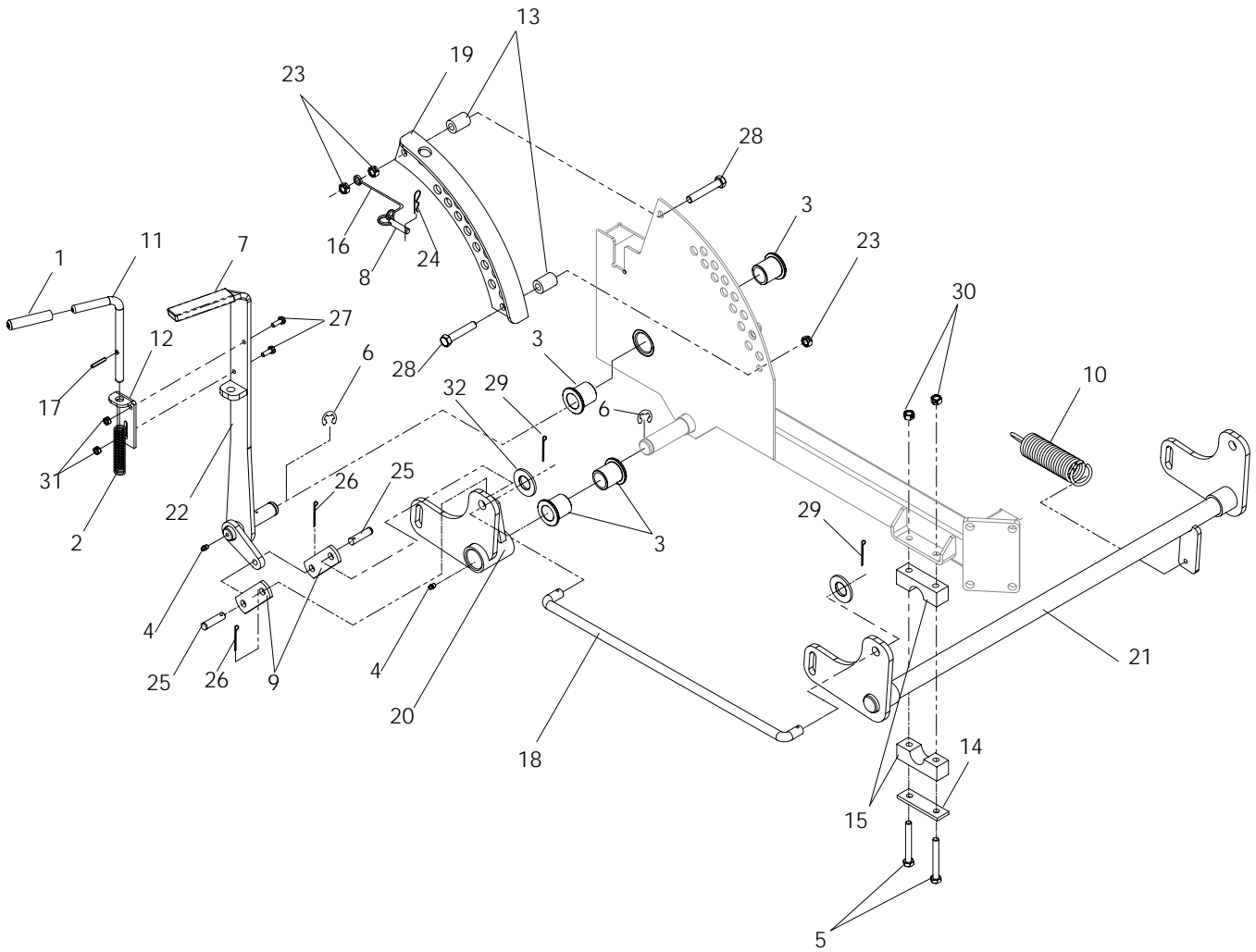


HYDRAULIC MOTOR - PUMP

ZMKW48172, ZMKW48190

ITEM	PART NO.	QTY.	DESCRIPTION	ITEM	PART NO.	QTY.	DESCRIPTION
1...	539 101237	4...	FITTING	25...	539 101177	2...	KEY, 5MM SQ x 30MM
2...	539 113782	1...	HYDRAULIC FITTING	26...	539 102717	4...	SCREW ⁵ / ₁₆ -18 x ⁵ / ₈
3...	539 101238	5...	FITTING	27...	539 106887	1...	BELT, PUMP
4...	539 106896	4...	HYDRAULIC LINE	28...	539 103256	1...	SPRING, EXTENSION
5...	539 104722	1...	HOSE	29...	539 990613	1...	NUT ³ / ₈ -16 HEX WHIZLK
6...	539 111814	1...	"T" ASSEMBLY	30...	539 976979	1...	NUT ³ / ₈ -16, HEX NYLOC
7...	539 110837	1...	"T" ASSEMBLY	31...	539 990588	1...	HCS ³ / ₈ -16 x 2
8...	539 102396	4...	STRAIGHT FITTING	32...	539 990582	4...	HCS ³ / ₈ -16 x 1 WHIZLK
9...	539 105168	1...	CAP	33...	539 105024	1...	OIL TANK
10...	539 103527	2...	HYDRAULIC MTR W/RTNS	34...	539 102606	1...	FILTER ELEMENT
11...	539 112671	2...	PUMP W/RTNS, 10CC	35...	539 101165	1...	FILTER HEAD
12...	539 976695	1...	BUSHING, IDLER FLANGE	36...	539 101202	1...	CAP, HYDRO RESERVOIR
13...	539 990546	5...	NUT ³ / ₈ -16, CENTERLOCK	37...	539 106933	1...	BRACKET, OIL FILTER
14...	539 990730	1...	HCS ³ / ₈ -16 x 1 ³ / ₄	38...	539 990072	2...	HCS ¹ / ₄ -20 x ⁵ / ₈
15...	539 990517	1...	WASHER, ³ / ₈ STD FLT	39...	539 990580	6...	HCS ¹ / ₄ -20 x ³ / ₄
16...	539 976688	1...	PULLEY, IDLER	40...	539 990052	8...	LOCKWASHER, ¹ / ₄
17...	539 101331	1...	NUT ¹ / ₂ -13, HEX NYLOC	41...	539 976978	2...	NUT ¹ / ₄ -20, NYLOC
18...	539 102236	1...	SUPPORT PLATE	42...	539 103115	4...	'O' RING
19...	539 103427	1...	BUSHING, PIVOT	43...	539 103116	4...	'O' RING
20...	539 104388	1...	IDLER ARM	44...	539 103117	6...	'O' RING
21...	539 976998	1...	ZERK, STRAIGHT ¹ / ₄ -28	45...	539 103118	8...	'O' RING
22...	539 990550	1...	WASHER, ⁹ / ₁₆	46...	539 103119	8...	'O' RING
23...	539 103433	1...	HCS ¹ / ₂ -13 x 3 ¹ / ₄	47...	539 990598	8...	WASHER ¹ / ₄ STD FLT
24...	539 101176	2...	PULLEY				

MOWER LIFT / DECK LIFT

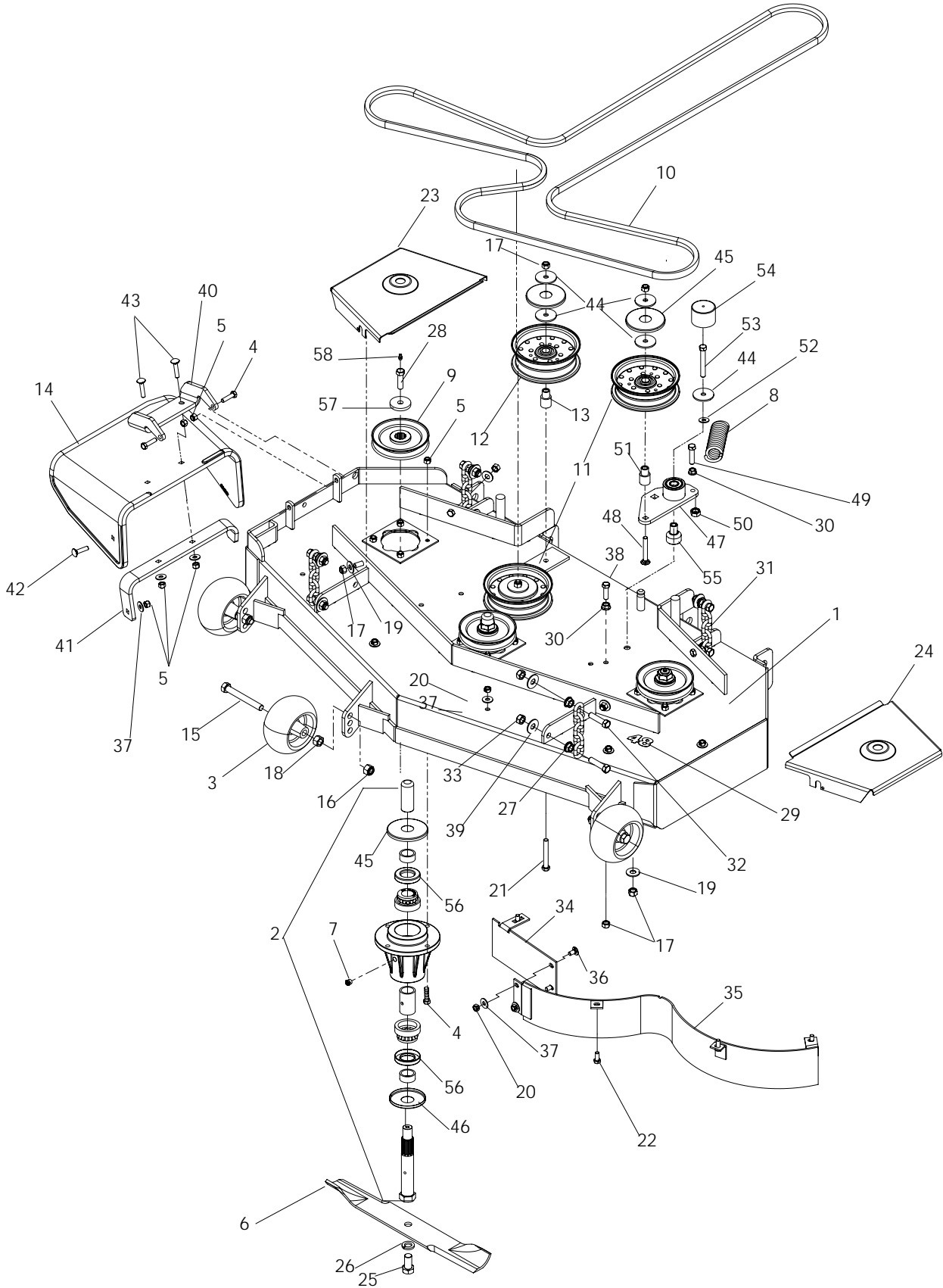


MOWER LIFT / DECK LIFT

ITEM	PART NO.	QTY.	DESCRIPTION	ITEM	PART NO.	QTY.	DESCRIPTION
1...	539 101050	1...	GRIP, VINYL	18...	539 106891	2...	CROSS LINK
2...	539 101058	1...	SPRING, COMPRESSION	19...	539 106976	1...	ADJUSTMENT PLATE
3...	539 101232	4...	BUSHING, FLANGED	20...	539 107032	1...	BELLCRANK RT
4...	539 101474	2...	ZERK	...	539 107031	1...	BELLCRANK LT
5...	539 101721	4...	HCS $\frac{5}{16}$ -18 x $2\frac{3}{4}$	21...	539 108349	1...	FRONT LIFT SHAFT
6...	539 101802	3...	E-RING $\frac{7}{8}$	22...	539 108862	1...	LIFT LEVER
7...	539 102515	1...	GRIP, LIFT LEVER	23...	539 976979	4...	NUT $\frac{3}{8}$ -16, HEX NYLOC
8...	539 102526	1...	PIN HITCH $\frac{1}{2}$ x 2	24...	539 976989	1...	PIN, HAIR $\frac{1}{8}$ x $2\frac{1}{2}$
9...	539 102565	2...	LINKAGE	25...	539 977703	2...	PIN, CLEVIS $\frac{3}{8}$ x $1\frac{1}{8}$
10...	539 102642	4...	SPRING, DECK LIFT	26...	539 990365	2...	PIN, COTTER
11...	539 103533	1...	PIN, "L"	27...	539 990580	2...	HCS $\frac{1}{4}$ -20 x $\frac{3}{4}$
12...	539 103534	1...	PIN MOUNT	28...	539 990637	2...	HCS $\frac{3}{8}$ -16 x $2\frac{1}{2}$
13...	539 103543	2...	SPACER	29...	539 990654	4...	PIN, COTTER, $\frac{5}{32}$ x $1\frac{1}{4}$
14...	539 104807	4...	SUPPORT PLATE	30...	539 990717	4...	NUT $\frac{5}{16}$ -18 HEX NYLOC
15...	539 104808	4...	BLOCK, PILLOW	31...	539 990761	2...	NUT $\frac{1}{4}$ -20, CENTERLOCK
16...	539 105059	1...	LANYARD	32...	539 991043	4...	BUSHING
17...	539 106532	1...	PIN, GROOVED, $\frac{3}{16}$ x $1\frac{1}{4}$				

48" CUTTING DECK

ZMKW48172, ZMKW48190



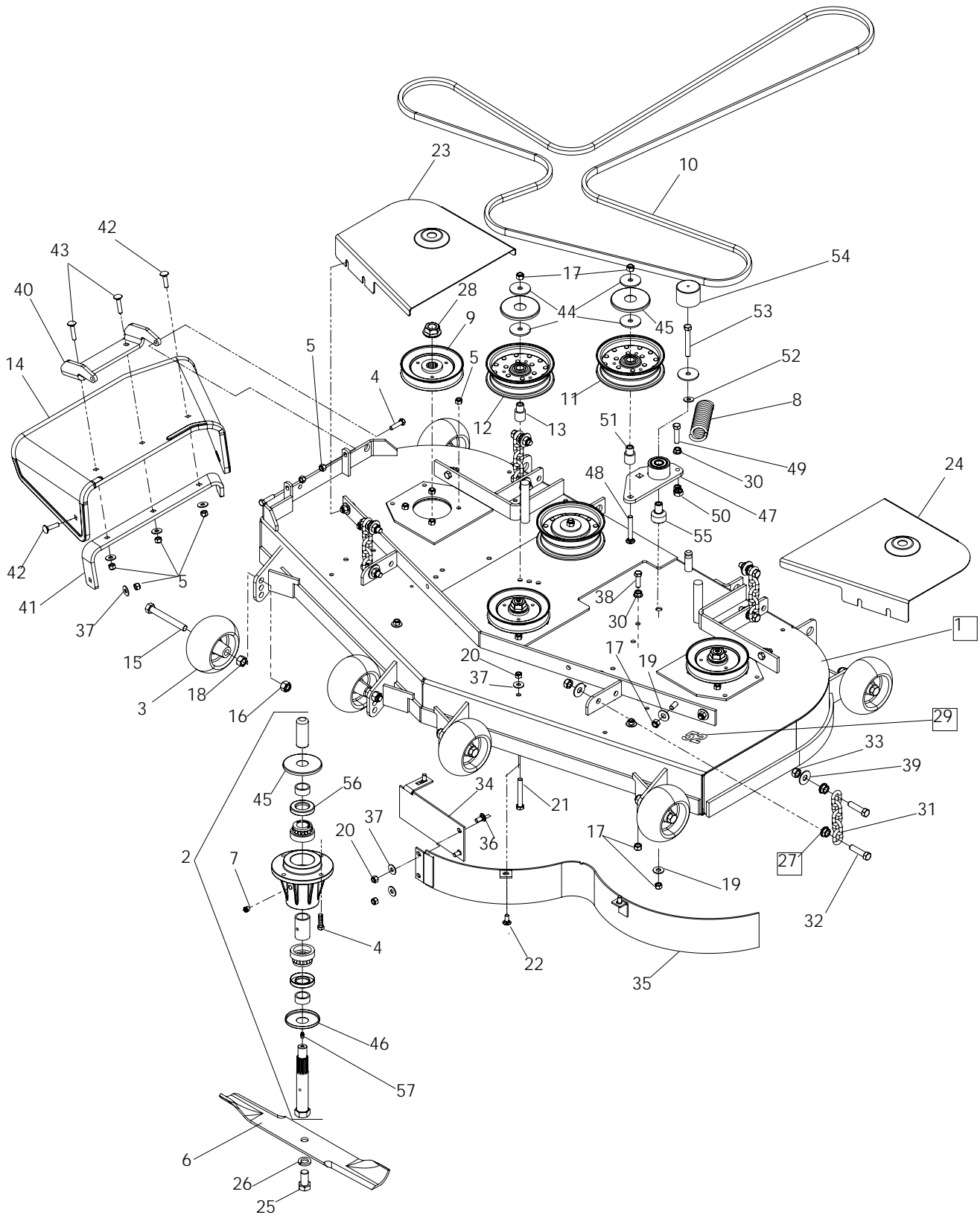
48" CUTTING DECK

ZMKW48172, ZMKW48190

ITEM	PART NO.	QTY.	DESCRIPTION	ITEM	PART NO.	QTY.	DESCRIPTION
1	...539 131840	. 1	.. DECK W/DECALS	30	...539 990613	.. 2	.. NUT $\frac{3}{8}$ -16 HEX WHIZLK
2	...539 112933	.. 3	.. HOUSING ASSEMBLY	31	...539 102641	.. 4	.. LIFT CHAIN
3	...539 107610	.. 3	.. WHEEL, GAUGE	32	...539 108073	.. 8	.. HCS $\frac{7}{16}$ -14 x $1\frac{3}{4}$
4	...539 990627	14	.. HCS $\frac{5}{16}$ -18 x $1\frac{1}{4}$	33	...539 119124	.. 8	.. NUT $\frac{7}{16}$ -14 HEX NYLOC
5	...539 990717	17	.. NUT $\frac{5}{16}$ -18 HEX NYLOC	34	...539 105444	.. 1	.. CENTER BAFFLE
6	...539 100340	.. 3	.. BLADE, $16\frac{1}{4}$ "	35	...539 105448	.. 1	.. MAIN BAFFLE
7	...539 977326	... 1	... GREASE POPPET	36	...539 990799	.. 4	.. RHSNB $\frac{5}{16}$ -18 x $\frac{5}{8}$
8	...539 103256	.. 1	.. SPRING, EXTENSION	37	...539 990692	.. 9	.. WASHER $\frac{5}{16}$ STD FLT
9	...539 112141	.. 3	.. 42-48 PULLEY	38	...539 976941	.. 1	.. HCS $\frac{3}{8}$ -16 x $1\frac{1}{4}$
10	...539 111949	.. 1	.. DECK BELT, 48"	39	...539 104864	.. 8	.. WASHER, $\frac{7}{16}$ FLAT
11	...539 103257	.. 2	... IDLER PULLEY	40	...539 130916	.. 1	.. PIVOT BRACKET- DECK
12	...539 103258	.. 1	.. IDLER PULLEY (TALL)	41	...539 130919	.. 1	.. BRACKET REINFORCEMENT
13	...539 103295	.. 2	.. IDLER BUSHING	42	...539 100472	.. 1	.. RHSNB $\frac{5}{16}$ -18 x $1\frac{1}{4}$
14	...539 130900	.. 1	.. RUBBER CHUTE	43	...539 102933	.. 2	.. RHSNB $\frac{5}{16}$ -18 x $1\frac{1}{2}$
15	...539 108366	.. 3	.. HCS $\frac{1}{2}$ -13 x 4	44	...539 111897	.. 7	.. WASHER- $\frac{3}{8}$ SPECIAL
16	...539 101331	.. 3	.. NUT $\frac{1}{2}$ -13, HEX NYLOC	45	...539 108450	.. 4	.. TOP DUST CAP
17	...539 976979	.. 9	.. NUT $\frac{3}{8}$ -16 HEX NYLOC	46	...539 108449	... 1	... BOTTOM DUST CAP
18	...539 990258	.. 3	.. NUT $\frac{1}{2}$ -13 HEX	47	...539 130391	.. 1	.. ARM, IDLER- W/BEARINGS
19	...539 990517	.. 5	.. WASHER, $\frac{3}{8}$ FLAT STD	48	...539 130235	.. 1	.. RHSNB $\frac{3}{8}$ -16 x $2\frac{3}{4}$
20	...539 990184	.. 6	.. NUT $\frac{5}{16}$ -18 HEX CTRLK	49	...539 107042	.. 1	.. HCS $\frac{3}{8}$ -16 x $1\frac{1}{2}$ GR 8
21	...539 102612	.. 2	.. HCS $\frac{3}{8}$ -16 x $2\frac{3}{4}$	50	...539 109332	.. 1	.. NUT $\frac{3}{8}$ -16 HEX JAM
22	...539 976934	.. 2	.. HCS $\frac{5}{16}$ -18 x $\frac{3}{4}$	51	...539 130242	.. 1	.. BUSHING, IDLER
23	...539 108903	.. 1	.. BELT SHIELD, RT	52	...539 990122	.. 1	.. WASHER, $\frac{3}{8}$ SAE FLT
24	...539 108905	.. 1	.. BELT SHIELD, LT	53	...539 101341	.. 1	.. HCS $\frac{3}{8}$ -16 x 3
25	...539 103299	.. 3	.. HCS $\frac{5}{8}$ -18 x $1\frac{1}{4}$	54	...539 114823	.. 1	.. CAP, VINYL
26	...539 990333	.. 3	.. WASHER, $\frac{5}{8}$ SPLT LOCK	55	...539 130205	.. 1	.. PIVOT, BEARING
27	...539 102582	.. 8	.. NUT $\frac{7}{16}$ -14 HEX WHIZ LK	56	...539 108754	... 2	... SHAFT SEAL
28	...539 112120	... 3	... HCS $\frac{7}{16}$ -20 x $1\frac{1}{2}$, GR8	57	...539 106504	... 3	... HEAVY WASHER
29	...539 101369	.. 1	.. DECAL, 48	58	...539 976998	... 3	... ZERK, STRAIGHT $\frac{1}{4}$ -28

52" CUTTING DECK

ZMKW52212, ZMKH52252



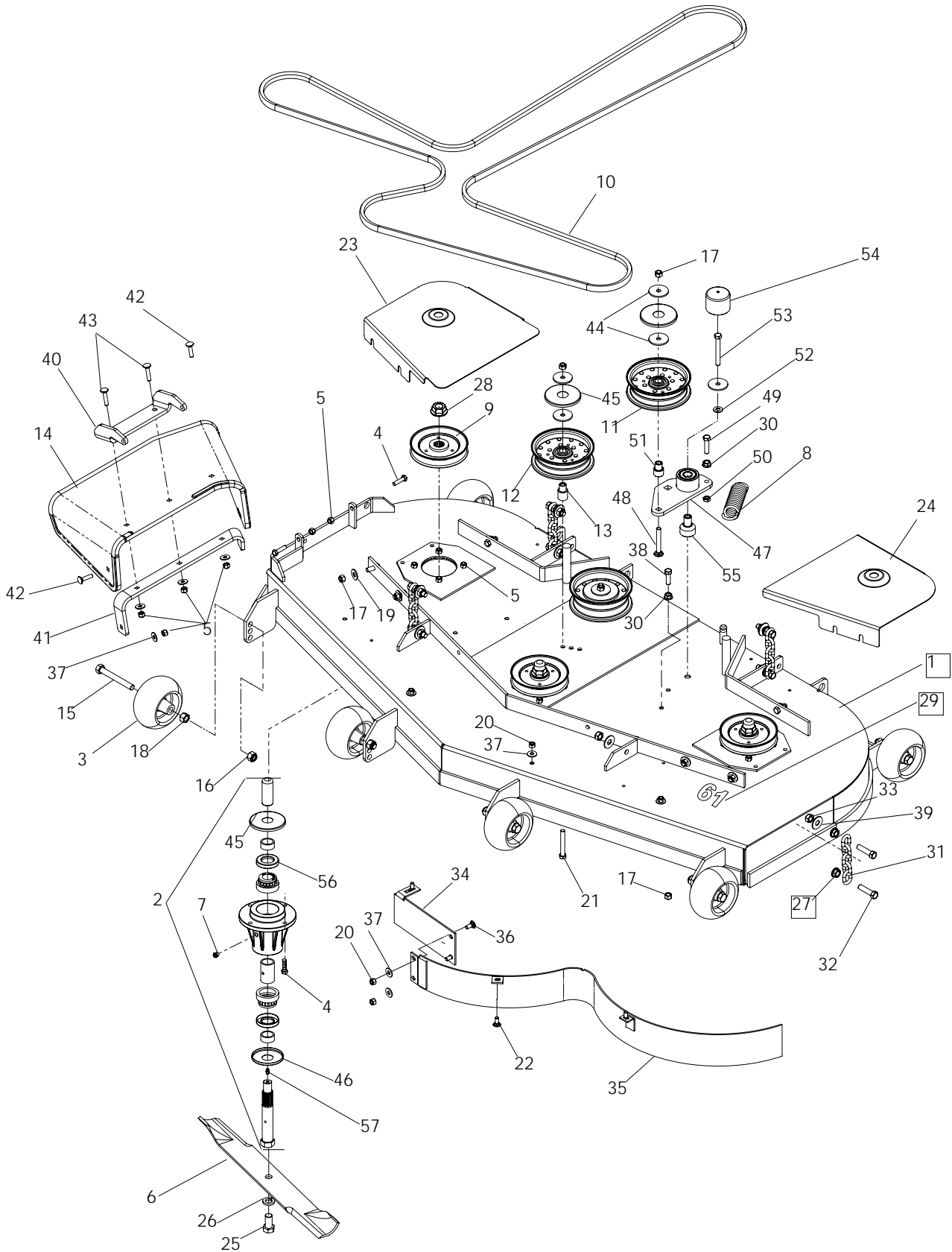
52" CUTTING DECK

ZMKW52212, ZMKH52252

ITEM	PART NO.	QTY.	DESCRIPTION	ITEM	PART NO.	QTY.	DESCRIPTION
1	...539 131841	.. 1	.. DECK W/DECALS	30	...539 990613	.. 2	.. NUT $\frac{3}{8}$ -16 HEX WHIZLK
2	...539 131381	.. 3	.. HOUSING ASSEMBLY	31	...539 102641	.. 4	.. LIFT CHAIN
3	...539 107610	.. 3	.. WHEEL, GAUGE	32	...539 108073	.. 8	.. HCS $\frac{7}{16}$ -14 x $1\frac{3}{4}$
4	...539 990627	14	.. HCS $\frac{5}{16}$ -18 x $1\frac{1}{4}$	33	...539 119124	.. 8	.. NUT $\frac{7}{16}$ -14 HEX NYLOC
5	...539 990717	17	.. NUT $\frac{5}{16}$ -18 HEX NYLOC	34	...539 105453	.. 1	.. CENTER BAFFLE
6	...539 100341	.. 3	.. BLADE, 18"	35	...539 105457	.. 1	.. MAIN BAFFLE
7	...539 977326	... 1	.. GREASE POPPET	36	...539 990799	.. 4	.. RHSNB $\frac{5}{16}$ -18 x $\frac{5}{8}$
8	...539 103256	.. 1	.. SPRING, EXTENSION	37	...539 990692	.. 9	.. WASHER $\frac{5}{16}$ STD FLT
9	...539 112124	.. 3	.. PULLEY	38	...539 976941	.. 1	.. HCS $\frac{3}{8}$ -16 x $1\frac{1}{4}$
10	...539 106884	.. 1	.. DECK BELT, 52"	39	...539 104864	.. 8	.. WASHER, $\frac{7}{16}$ FLAT
11	...539 103257	.. 2	.. IDLER PULLEY	40	...539 130917	.. 1	.. PIVOT BRACKET - DECK
12	...539 103258	.. 1	.. IDLER PULLEY (TALL)	41	...539 130920	.. 1	.. BRACKET REINFORCEMENT
13	...539 103295	.. 2	.. IDLER BUSHING	42	...539 100472	.. 1	.. RHSNB $\frac{5}{16}$ -18 x $1\frac{1}{4}$
14	...539 130901	.. 1	.. RUBBER CHUTE	43	...539 102933	.. 2	.. RHSNB $\frac{5}{16}$ -18 x $1\frac{1}{2}$
15	...539 108366	.. 3	.. HCS $\frac{1}{2}$ -13 x 4	44	...539 111897	.. 7	.. WASHER - $\frac{3}{8}$ SPECIAL
16	...539 101331	.. 3	.. NUT $\frac{1}{2}$ -13, HEX NYLOC	45	...539 108450	.. 4	.. TOP DUST CAP
17	...539 976979	.. 9	.. NUT $\frac{3}{8}$ -16 HEX NYLOC	46	...539 108449	... 1	.. BOTTOM DUST CAP
18	...539 990258	.. 3	.. NUT $\frac{1}{2}$ -13 HEX	47	...539 130391	.. 1	.. ARM, IDLER - W/BEARINGS
19	...539 990517	.. 5	.. WASHER, $\frac{3}{8}$ FLAT STD	48	...539 130235	.. 1	.. RHSNB $\frac{3}{8}$ -16 x $2\frac{3}{4}$
20	...539 990184	.. 6	.. NUT $\frac{5}{16}$ -18 HEX CTRLK	49	...539 107042	.. 1	.. HCS $\frac{3}{8}$ -16 x $1\frac{1}{2}$ GR 8
21	...539 102612	.. 2	.. HCS $\frac{3}{8}$ -16 x $2\frac{3}{4}$	50	...539 109332	.. 1	.. NUT $\frac{3}{8}$ -16 HEX JAM
22	...539 976934	.. 2	.. HCS $\frac{5}{16}$ -18 x $\frac{3}{4}$	51	...539 130242	.. 1	.. BUSHING, IDLER
23	...539 108909	.. 1	.. BELT SHIELD, RT	52	...539 990122	.. 1	.. WASHER, $\frac{3}{8}$ SAE FLT
24	...539 108911	.. 1	.. BELT SHIELD, LT	53	...539 101341	.. 1	.. HCS $\frac{3}{8}$ -16 x 3
25	...539 103299	.. 3	.. HCS $\frac{5}{8}$ -18 x $1\frac{1}{4}$	54	...539 114823	.. 1	.. CAP, VINYL
26	...539 990333	.. 3	.. WASHER, $\frac{5}{8}$ SPLT LOCK	55	...539 130205	.. 1	.. PIVOT, BEARING
27	...539 102582	.. 8	.. NUT $\frac{7}{16}$ -14 HEX WHIZ LK	56	...539 108754	... 2	.. SHAFT SEAL
28	...539 130653	.. 3	.. NUT - FLANGE $\frac{3}{4}$ -16	57	...539 101474	... 1	.. ZERK
29	...539 101099	.. 1	.. DECAL, 52				

61" CUTTING DECK

ZMKH61252

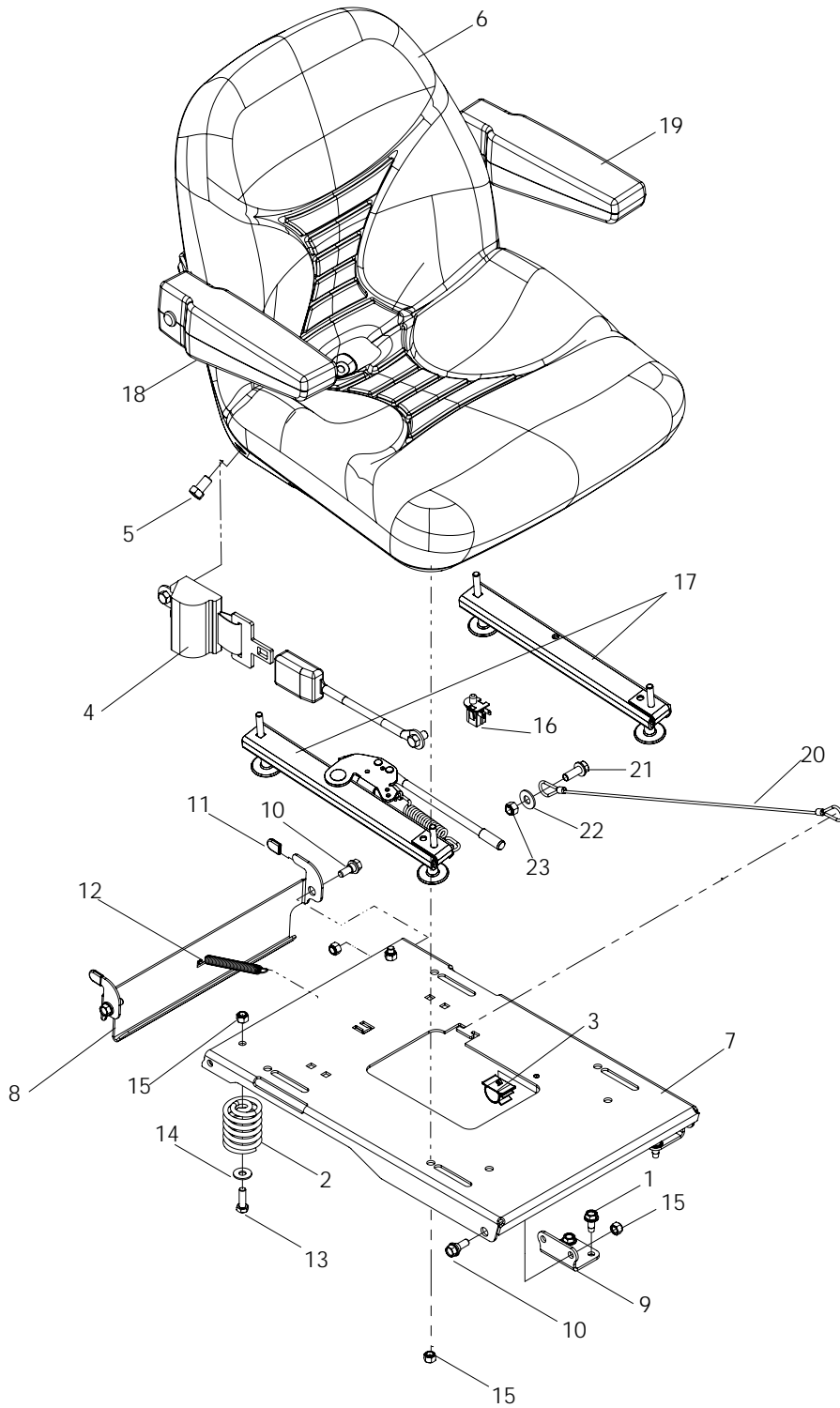


61" CUTTING DECK

ZMKH61252

ITEM	PART NO.	QTY.	DESCRIPTION	ITEM	PART NO.	QTY.	DESCRIPTION
1	...539 131842	..1	.. DECK W/DECALS	30	...539 990613	..2	.. NUT $\frac{3}{8}$ -16 HEX WHIZLK
2	...539 131381	..3	.. HOUSING ASSEMBLY	31	...539 102641	..4	.. LIFT CHAIN
3	...539 107610	..3	.. WHEEL, GAUGE	32	...539 108073	..8	.. HCS $\frac{7}{16}$ -14 x $1\frac{3}{4}$
4	...539 990627	14	.. HCS $\frac{5}{16}$ -18 x $1\frac{1}{4}$	33	...539 119124	..8	.. NUT $\frac{7}{16}$ -14 HEX NYLOC
5	...539 990717	17	.. NUT $\frac{5}{16}$ -18 HEX NYLOC	34	...539 105461	..1	.. CENTER BAFFLE
6	...539 101733	..3	.. BLADE, 21"	35	...539 105465	..1	.. MAIN BAFFLE
7	...539 977326	...1	... GREASE POPPET	36	...539 990799	..4	.. RHSNB $\frac{5}{16}$ -18 x $\frac{5}{8}$
8	...539 103256	..1	.. SPRING, EXTENSION	37	...539 990692	..9	.. WASHER $\frac{5}{16}$ STD FLT
9	...539 112124	..3	.. PULLEY	38	...539 976941	..1	.. HCS $\frac{3}{8}$ -16 x $1\frac{1}{4}$
10	...539 108656	...1	.. DECK BELT, 61"	39	...539 104864	..8	.. WASHER, $\frac{7}{16}$ FLAT
11	...539 103257	..2	... IDLER PULLEY	40	...539 130917	..1	.. PIVOT BRACKET - DECK
12	...539 103258	..1	.. IDLER PULLEY (TALL)	41	...539 130920	..1	.. BRACKET REINFORCEMENT
13	...539 103295	..2	.. IDLER BUSHING	42	...539 100472	..1	.. RHSNB $\frac{5}{16}$ -18 x $1\frac{1}{4}$
14	...539 130901	..1	.. RUBBER CHUTE	43	...539 102933	..2	.. RHSNB $\frac{5}{16}$ -18 x $1\frac{1}{2}$
15	...539 108366	..3	.. HCS $\frac{1}{2}$ -13 x 4	44	...539 111897	..7	.. WASHER - $\frac{3}{8}$ SPECIAL
16	...539 101331	..3	.. NUT $\frac{1}{2}$ -13, HEX NYLOC	45	...539 108450	..4	.. TOP DUST CAP
17	...539 976979	..9	.. NUT $\frac{3}{8}$ -16 HEX NYLOC	46	...539 108449	...1	... BOTTOM DUST CAP
18	...539 990258	..3	.. NUT $\frac{1}{2}$ -13 HEX	47	...539 130391	..1	.. ARM, IDLER - W/BEARINGS
19	...539 990517	..5	.. WASHER, $\frac{3}{8}$ FLAT STD	48	...539 130235	..1	.. RHSNB $\frac{3}{8}$ -16 x $2\frac{3}{4}$
20	...539 990184	..6	.. NUT $\frac{5}{16}$ -18 HEX CTRLK	49	...539 107042	..1	.. HCS $\frac{3}{8}$ -16 x $1\frac{1}{2}$ GR 8
21	...539 102612	..2	.. HCS $\frac{3}{8}$ -16 x $2\frac{3}{4}$	50	...539 109332	..1	.. NUT $\frac{3}{8}$ -16 HEX JAM
22	...539 976934	..2	.. HCS $\frac{5}{16}$ -18 x $\frac{3}{4}$	51	...539 130242	..1	.. BUSHING, IDLER
23	...539 108609	..1	.. BELT SHIELD, RT	52	...539 990122	..1	.. WASHER, $\frac{3}{8}$ SAE FLT
24	...539 108608	..1	.. BELT SHIELD, LT	53	...539 101341	..1	.. HCS $\frac{3}{8}$ -16 x 3
25	...539 103299	..3	.. HCS $\frac{5}{8}$ -18 x $1\frac{1}{4}$	54	...539 114823	..1	.. CAP, VINYL
26	...539 990333	..3	.. WASHER, $\frac{5}{8}$ SPLT LOCK	55	...539 130205	..1	.. PIVOT, BEARING
27	...539 102582	..8	.. NUT $\frac{7}{16}$ -14 HEX WHIZ LK	56	...539 108754	...2	... SHAFT SEAL
28	...539 130653	..3	.. NUT - FLANGE $\frac{3}{4}$ -16	57	...539 101474	...1	... ZERK
29	...539 101751	..1	.. DECAL, 61				

SEAT

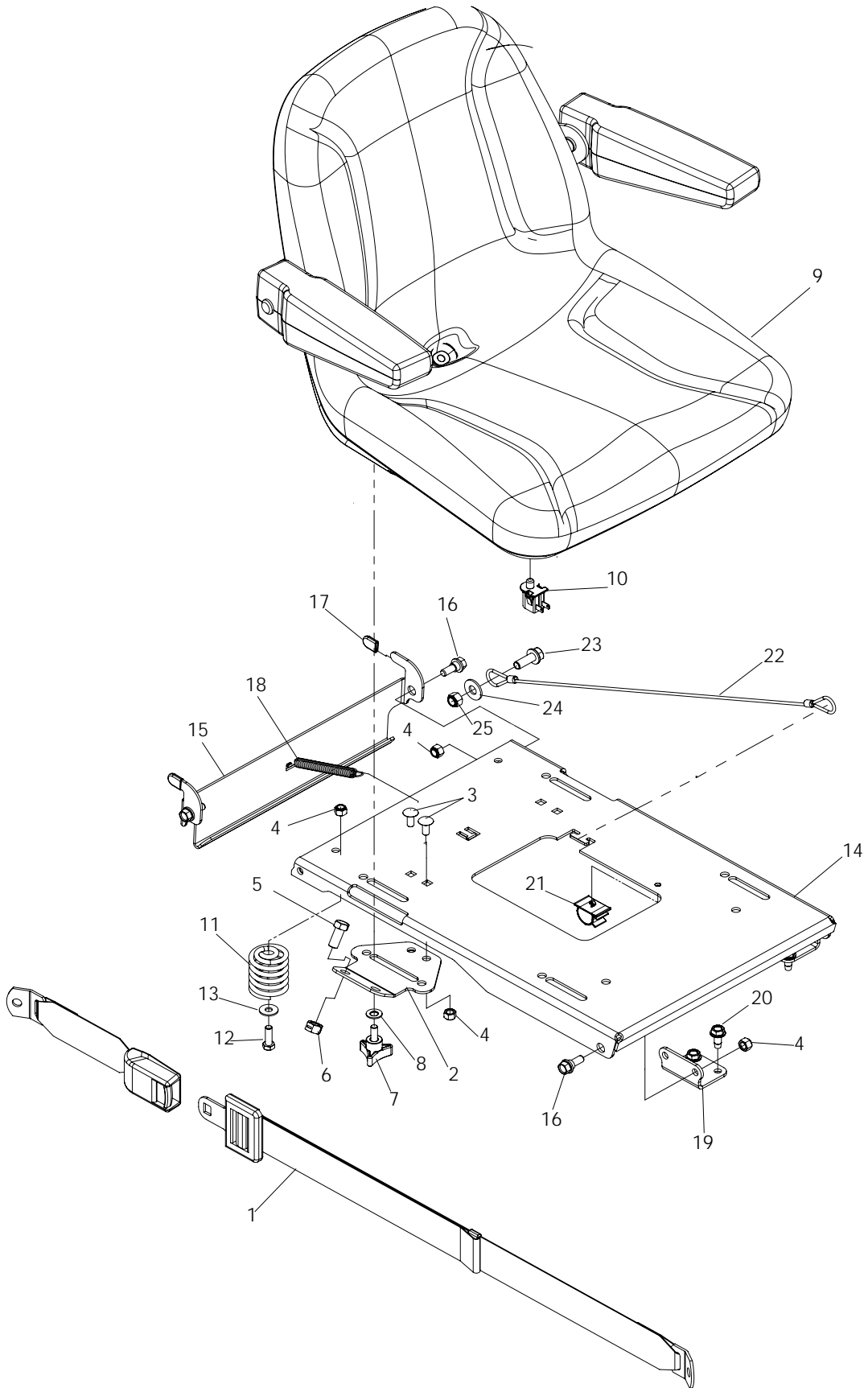


SEAT

ITEM	PART NO.	QTY.	DESCRIPTION	ITEM	PART NO.	QTY.	DESCRIPTION
1...	539 107475	4...	BOLT ⁵ / ₁₆ -18 x ³ / ₄ THD FRM	15...	539 990717	10...	NUT ⁵ / ₁₆ -18 HEX NYLOC
2...	539 110300	2...	SPRING, SEAT	16...	539 107523	1...	SWITCH, SEAT
3...	539 110815	1...	WIRECLIP, PUSH MOUNT				Units produced before Serial No. 074841364
4...	539 130359	1...	SEAT BELT, RETRACTABLE	...	539 119741	1...	SWITCH, SEAT
5...	539 112034	2...	HCS ⁷ / ₁₆ -20 x ³ / ₄				Serial No. 074841364 and later
6...	539 130873	1...	SEAT	17...	539 112037	1...	SEAT RAIL SET COMPLETE
7...	539 130785	1...	PAN, SEAT	18...	539 112035	1...	ARM REST ASSEM, RT
8...	539 130787	1...	LATCH, SEAT	19...	539 112036	1...	ARM REST ASSEM, LT
9...	539 130789	2...	PIVOT, SEAT PAN	20...	539 103247	1...	SEAT LANYARD
10...	539 130896	4...	BOLT ⁵ / ₁₆ -18 HEX HD	21...	539 990582	1...	HCS ³ / ₈ -16 x 1 WHIZLK
11...	539 130898	2...	GRIP, VINYL	22...	539 990517	1...	WASHER, ³ / ₈ FLAT STD
12...	539 977250	1...	SPRING	23...	539 976979	1...	NUT ³ / ₈ -16, HEX NYLOC
13...	539 990209	2...	HCS ⁵ / ₁₆ -18 x 1				
14...	539 990692	2...	WASHER ⁵ / ₁₆ STD FLT				

SEAT

ZMKW48172, ZMKW4819

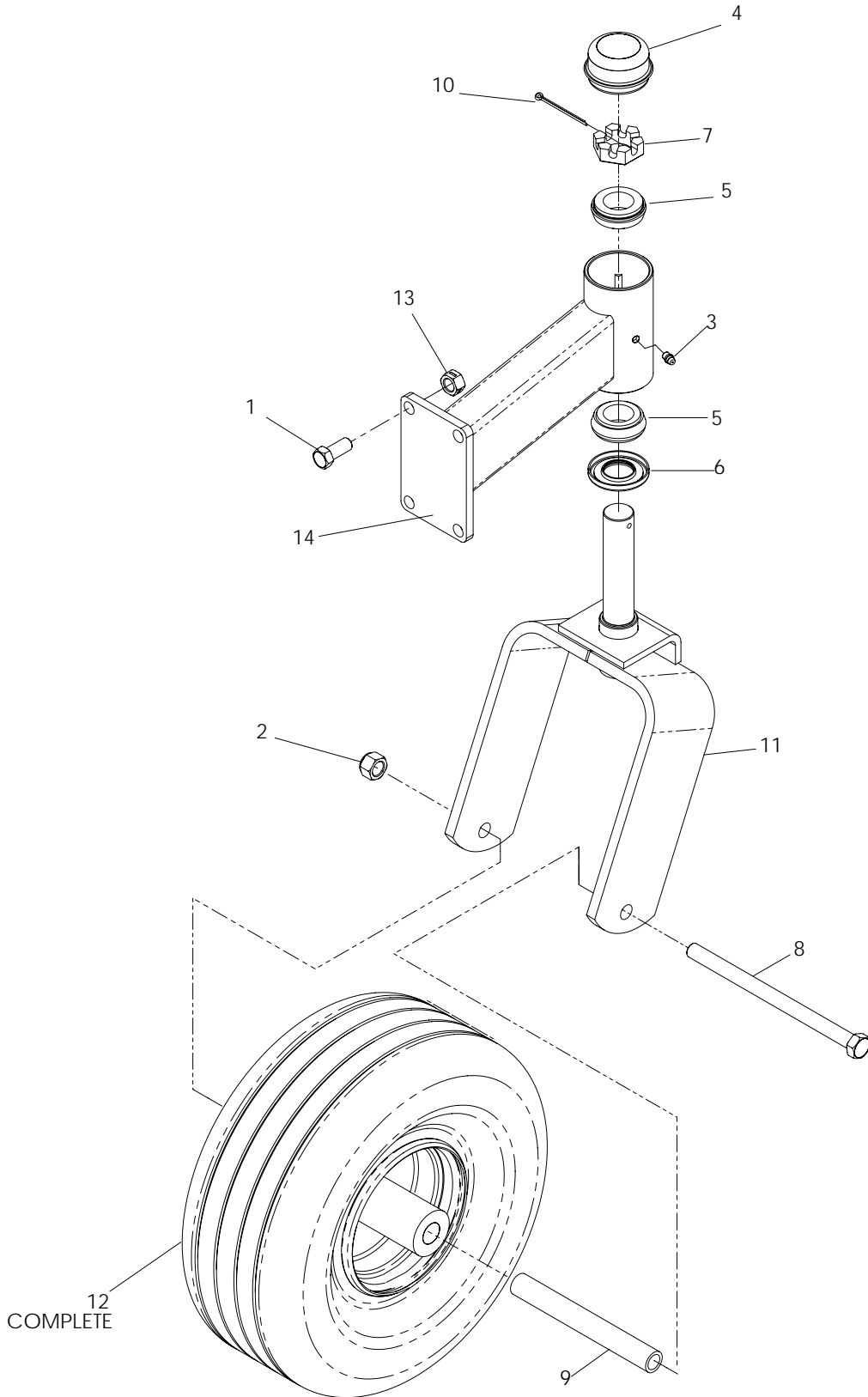


SEAT

ZMKW48172, ZMKW4819

ITEM	PART NO.	QTY.	DESCRIPTION	ITEM	PART NO.	QTY.	DESCRIPTION
1...	539 111026	...	1... SEAT BELT	14...	539 130785	...	1... PAN, SEAT
2...	539 130791	...	2... MOUNT SEAT BELT	15...	539 130787	...	1... LATCH, SEAT
3...	539 109100	...	4... RHSNB $\frac{5}{16}$ -18 x $\frac{3}{4}$	16...	539 130896	...	4... SB $\frac{5}{16}$ -18
4...	539 990717	...	10... NUT $\frac{5}{16}$ -18 HEX NYLOC	17...	539 130898	...	2... GRIP, VINYL
5...	539 100143	...	2... HCS $\frac{7}{16}$ -14 x 1	18...	539 977250	...	1... SPRING
6...	539 990839	...	2... NUT $\frac{7}{16}$ -14 CTRLK GR A	19...	539 130789	...	2... PIVOT, SEAT PAN
7...	539 104411	...	4... KNOB W/STUD	20...	539 107475	...	4... BOLT $\frac{5}{16}$ -18 x $\frac{3}{4}$ THD FRM
8...	539 102593	...	4... WASHER, $\frac{3}{8}$ DISK SPRING	21...	539 110815	...	1... WIRECLIP, PUSH MOUNT
9...	539 108744	...	1... SEAT W/ARMREST	22...	539 103247	...	1... SEAT LANYARD
10...	539 107523	...	1... SWITCH, SEAT Units produced before Serial No. 074841364	23...	539 990582	...	1... HCS $\frac{3}{8}$ -16 x 1 WHIZLK
...	539 119741	...	1... SWITCH, SEAT Serial No. 074841364 and later	24...	539 990517	...	1... WASHER, $\frac{3}{8}$ STD FLT
11...	539 110300	...	2... SPRING, SEAT	25...	539 976979	...	1... NUT $\frac{3}{8}$ -16, HEX NYLOC
12...	539 990209	...	2... HCS $\frac{5}{16}$ -18 x 1	NOT SHOWN			
13...	539 990692	...	2... WASHER $\frac{5}{16}$ STD FLT	...	539 104392	...	1... SEAT HARNESS Units produced before Serial No. 074841364
				...	539 119741	...	1... SEAT HARNESS Serial No. 074841364 and later

CASTERS



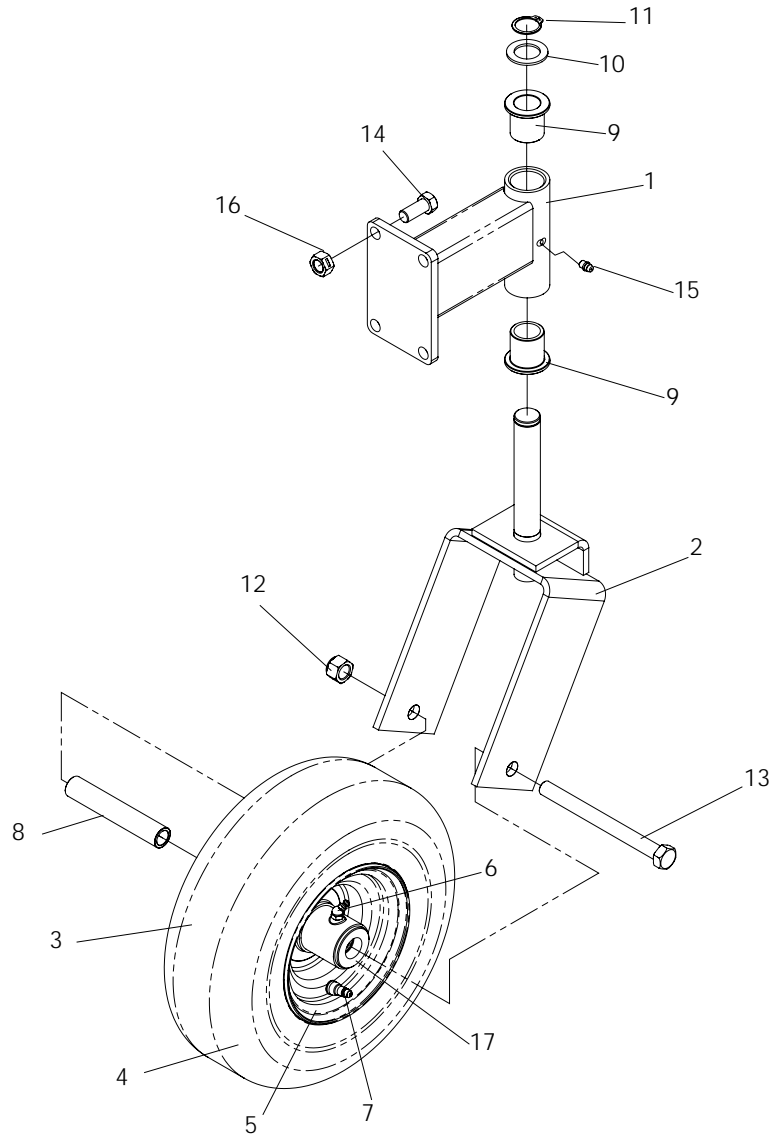
CASTERS

ITEM	PART NO.	QTY.	DESCRIPTION
1...	539 100143 ...	8...	HCS $\frac{7}{16}$ -14 x 1
2...	539 101331 ...	2...	NUT $\frac{1}{2}$ -13, HEX NYLOC
3...	539 101474 ...	2...	ZERK
4...	539 102535 ...	2...	CAP, GREASE
5...	539 102543 ...	4...	BEARING, TAPERED
6...	539 102851 ...	2...	SEAL
7...	539 102852 ...	2...	NUT 1-14, SLOTTED JAM
8...	539 102855 ...	2...	HCS $\frac{1}{2}$ -13 x $7\frac{1}{2}$
9...	539 102856 ...	2...	SPACER
10...	539 102889 ...	2...	PIN COTTER, $\frac{1}{8}$ x 2

ITEM	PART NO.	QTY.	DESCRIPTION
11...	539 104571 ...	2...	CASTER YOKE
12...	539 104572 ...	2...	TIRE, COMPLETE
13...	539 990839 ...	8...	NUT $\frac{7}{16}$ -14 CTRLK GR A
14...	539 108597 ...	2...	CASTER ARM
	...539 108655 ...	2...	CASTER ARM MODEL 968999662
NOT SHOWN			
	...539 102485 ...	2...	ROLLER BEARING, $2\frac{1}{2}$ "

CASTERS

ZMKW48172, ZMKW4819

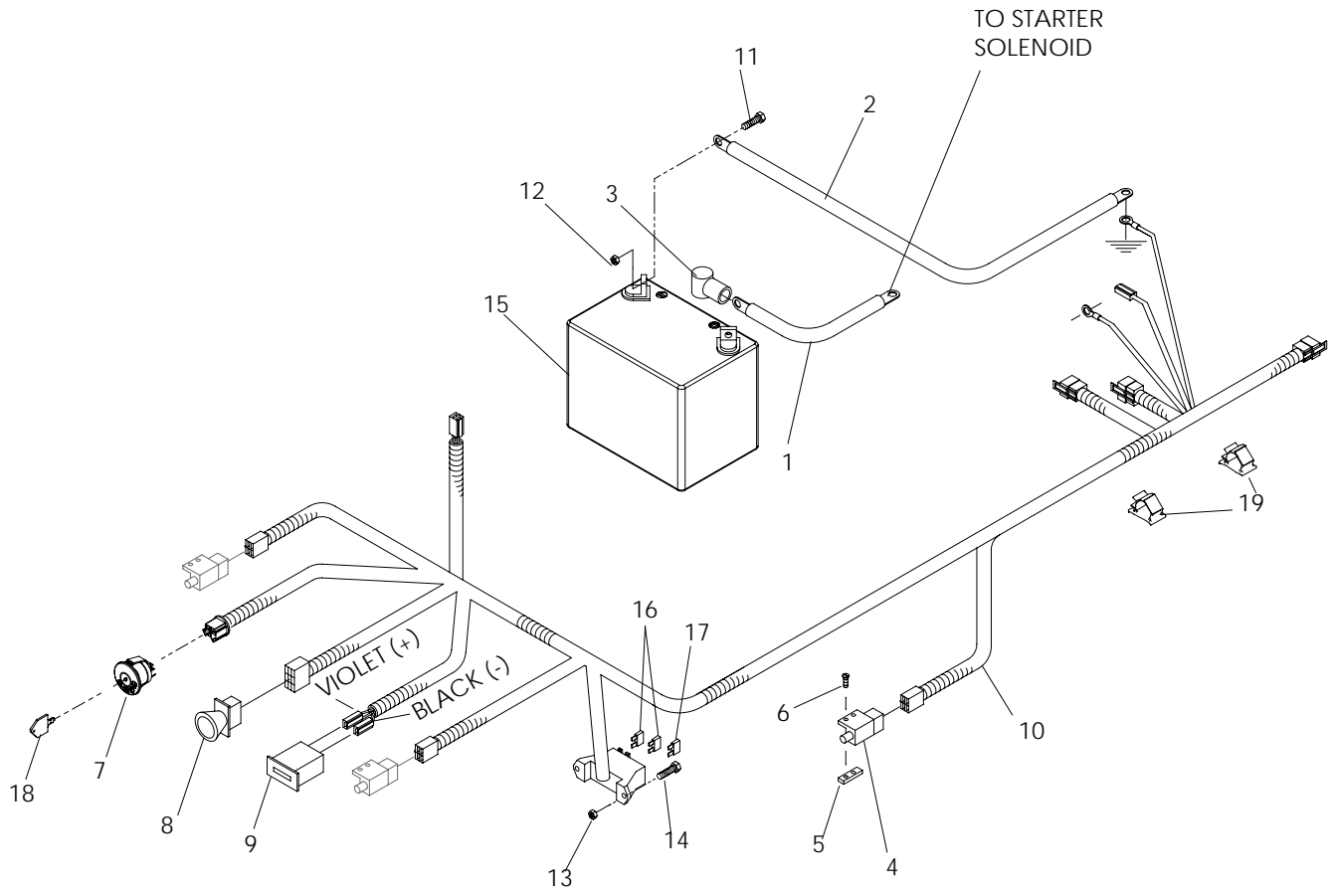


CASTERS

ZMKW48172, ZMKW4819

ITEM	PART NO.	QTY.	DESCRIPTION	ITEM	PART NO.	QTY.	DESCRIPTION
1...	539 108593	2...	CASTER ARM	10...	539 923787	2...	BUSHING, .875"
2...	539 103228	2...	CASTER YOKE	11...	539 101151	2...	RING, RETAINING, EXT 7/8
3...	539 106993	2...	TIRE, COMPLETE	12...	539 101331	2...	NUT 1/2-13, HEX NYLOC
4...	539 106995	2...	TIRE	13...	539 101907	2...	HCS 1/2-13 x 5 1/2
5...	539 106994	2...	RIM	14...	539 100143	8...	HCS 7/16-14 x 1
6...	539 103300	2...	ZERK	15...	539 101474	2...	ZERK
7...	539 912234	2...	VALVE STEM	16...	539 990839	8...	NUT 7/16-14 CTRLK GR A
8...	539 101872	2...	SPACER	17...	539 102484	4...	FLANGE BEARING
9...	539 101232	2...	BUSHING, FLANGED				

ELECTRICAL

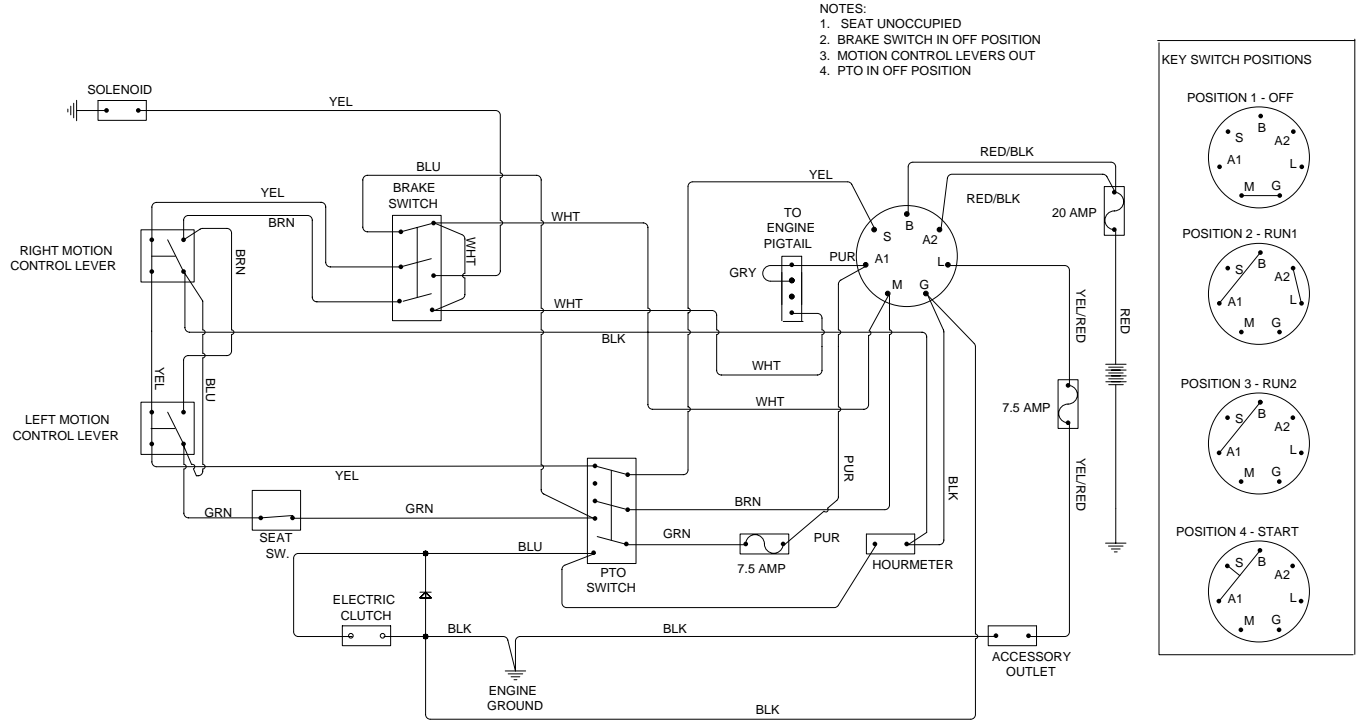


ELECTRICAL

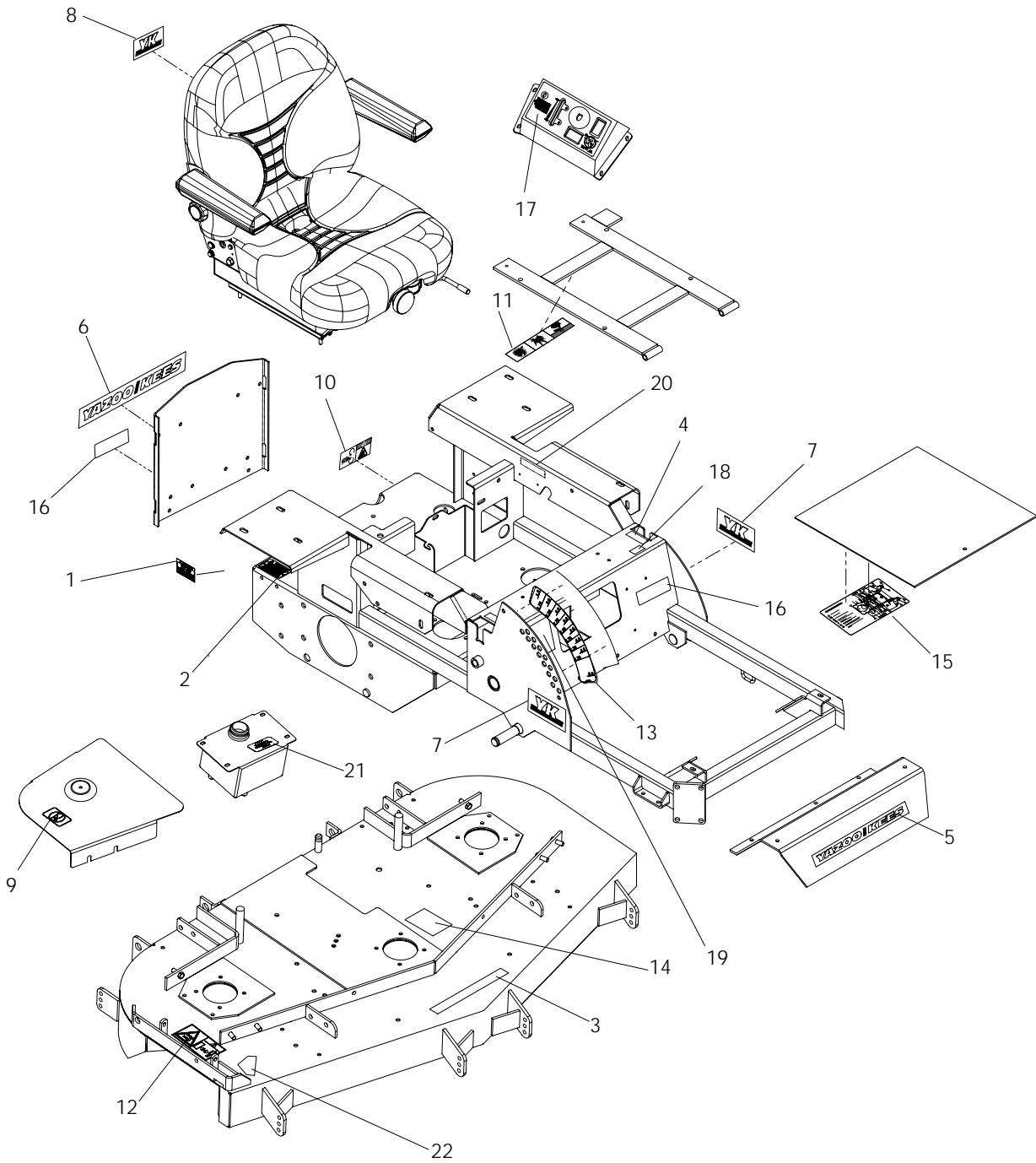
ITEM	PART NO.	QTY.	DESCRIPTION	ITEM	PART NO.	QTY.	DESCRIPTION
1...	539 103306	1...	CABLE, POSITIVE	11...	539 976934	2...	HCS $\frac{5}{16}$ -18 x $\frac{3}{4}$
2...	539 102758	1...	CABLE, NEGATIVE	12...	539 990717	2...	NUT $\frac{5}{16}$ -18 HEX NYLOC
3...	539 102759	2...	INSULATOR	13...	539 976977	2...	NUT 10-24, NYLOC
4...	539 101080	1...	SWITCH, BRAKE Units produced before Serial No. 074841364	14...	539 102617	2...	SCREW 10-24 x $\frac{7}{8}$
...	539 113792	1...	SWITCH, BRAKE 3 POLE Serial No. 074841364 and later	15...	539 102436	1...	BATTERY, DRY
5...	539 102678	1...	TAPPED PLATE	16...	539 101771	1...	FUSE, 7.5 AMP, 32V, ATO
6...	539 976952	2...	SCREW 10-24 x $\frac{5}{8}$	17...	539 102086	1...	FUSE, 20 AMP, 32V, ATO
7...	539 107541	1...	SWITCH, IGNITION	18...	539 107544	1...	KEY, PADDED
8...	539 131627	1...	SWITCH, PTO	19...	539 110815	2...	WIRECLIP, PUSH MOUNT
9...	539 110074	1...	HOUR METER	NOT SHOWN			
10...	539 110950	1...	HARNESS, FRAME Units produced before Serial No. 074841364	...	539 102914	3...	RELAY Units produced before Serial No. 074841364
...	539 113791	1...	HARNESS, FRAME Serial No. 074841364 and later				

SCHEMATIC

For Serial No. 074841364 And After



DECALS

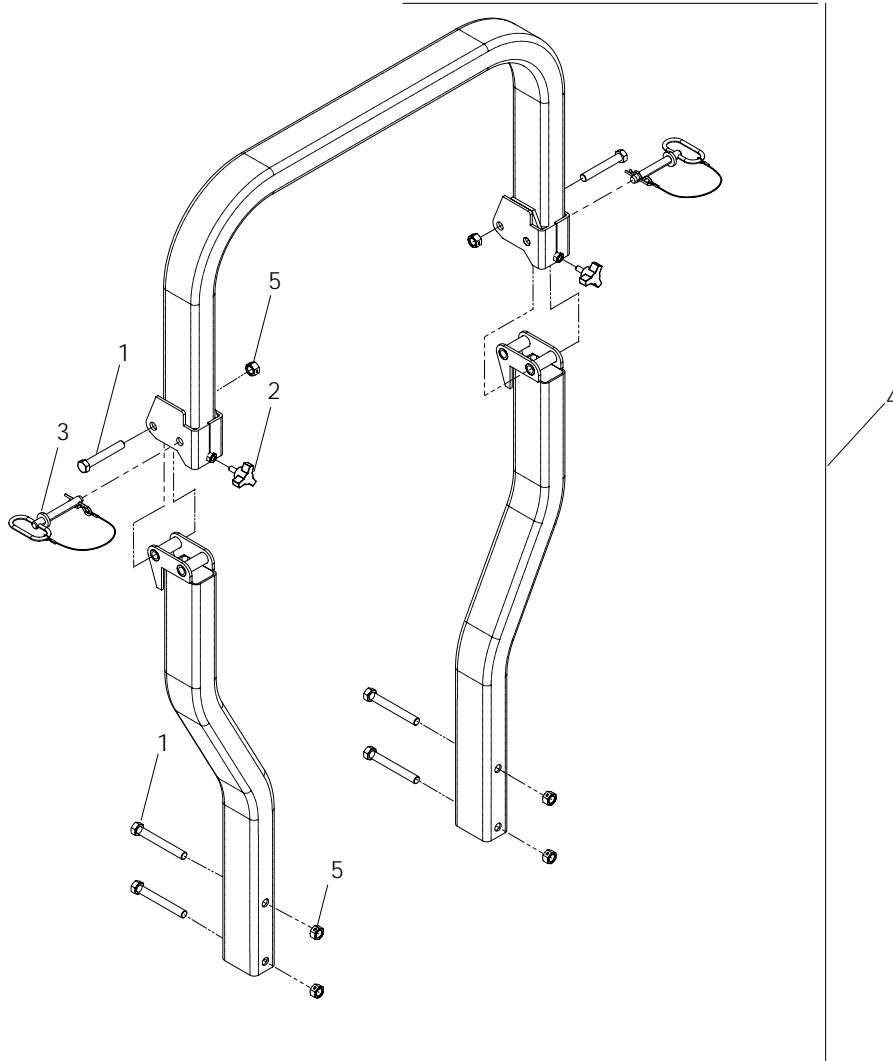


DECALS

ITEM	PART NO.	QTY.	DESCRIPTION	ITEM	PART NO.	QTY.	DESCRIPTION
1...	539 100128 ...	1...	DECAL, EXHAUST	13...	539 107260 ...	1...	DECAL, HEIGHT
2...	539 101881 ...	1...	DECAL, PROP 65	14...	539 107288 ...	1...	DECAL, BELT ROUTING
3...	539 102063 ...	1...	DECAL, COMMERCIAL	15...	539 107289 ...	1...	DECAL, SERVICE
4...	539 103333 ...	2...	DECAL, MOTION CONTROL	16...	539 109377 ...	2...	DECAL, MIDMAX
5...	539 103420 ...	1...	DECAL, YAZOO/KEES	17...	539 110957 ...	1...	DECAL, CONSOLE
6...	539 103421 ...	1...	DECAL, YAZOO/KEES	18...	539 110974 ...	1...	DECAL, TRACKING
7...	539 103423 ...	2...	DECAL, YAZOO/KEES	19...	539 111575 ...	1...	DECAL, WARNING
8...	539 103424 ...	1...	DECAL, YAZOO/KEES	20...	539 111597 ...	1...	DECAL, RELAYS
9...	539 105743 ...	2...	DECAL, NO STEP	21...	539 114832 ...	1...	DECAL, OIL TANK
10...	539 105744 ...	1...	DECAL, DNGR, BELT DRVES	22...	539 913010 ...	1...	DECAL, WARNING
11...	539 105745 ...	1...	DECAL, BATTERY WARNING	NOT SHOWN			
12...	539 105746 ...	2...	DECAL, SEVERING	...	539 102670 ...	1...	DECAL, FUEL

PROTECTION FRAME

ROLLOVER PROTECTION SYSTEM (ROPS)

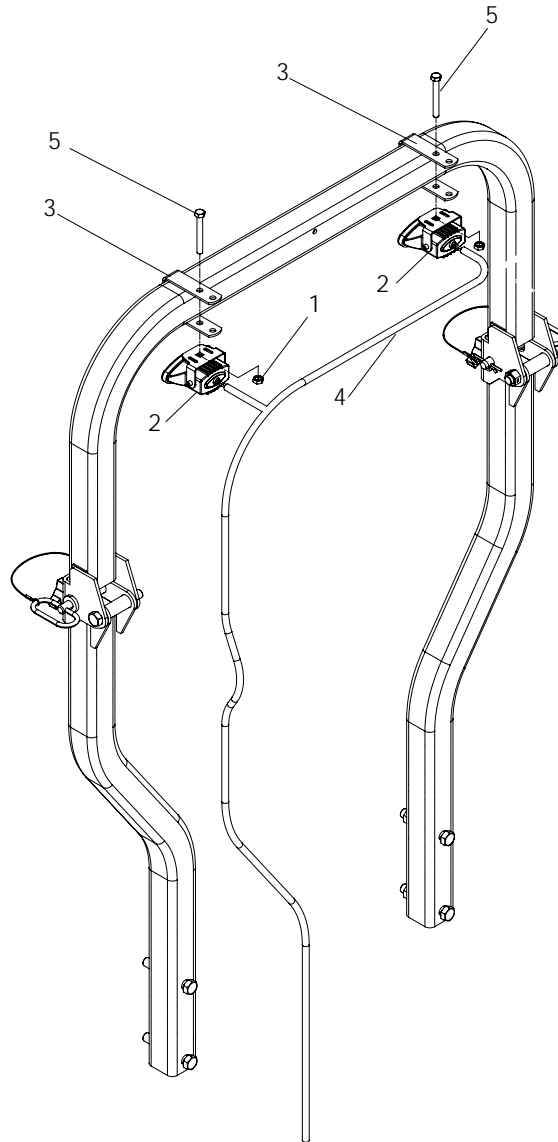


ITEM	PART NO.	QTY.	DESCRIPTION
1...	539 103433 ...	6...	HCS ½C x 3¼
2...	539 132083 ...	2...	KNOB W STUD
3...	539 111036 ...	2...	LANYARD W/PIN, ½"

ITEM	PART NO.	QTY.	DESCRIPTION
4...	539 111443 ...	1...	ROPS, COMP W/SEAT BELT
5...	539 200100 ...	6...	NUT ½-13, CENTERLOCK

ACCESSORIES

LIGHT KIT P/N 539 111579

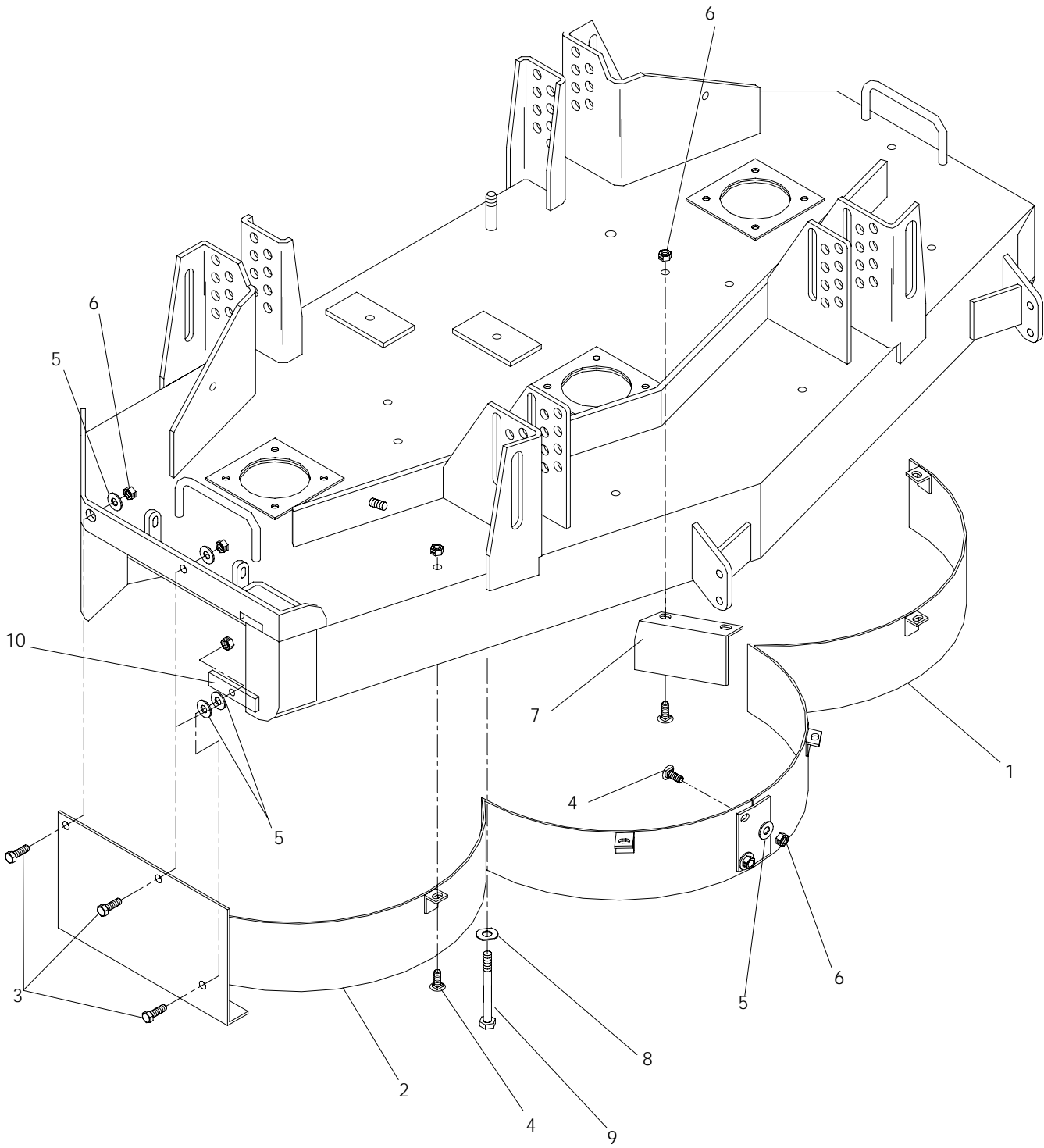


ITEM	PART NO.	QTY.	DESCRIPTION
1	539 107897	2	NUT $\frac{5}{16}$ -18, JAM
2	539 111577	2	LIGHT W/BRKT & HRDWARE
3	539 111578	2	BRACKET, LIGHT MOUNT
4	539 111580	1	HARNES, LIGHT
5	539 991046	2	HCS $\frac{5}{16}$ -18 x 2 $\frac{1}{2}$

ITEM	PART NO.	QTY.	DESCRIPTION
NOT SHOWN			
...	539 976856	16	WIRE TIE
...	539 111815	1	REPLACEMENT BULB 12V, 35 WATT (NOT INCLUDED IN KIT)

ACCESSORIES

MULCH KIT



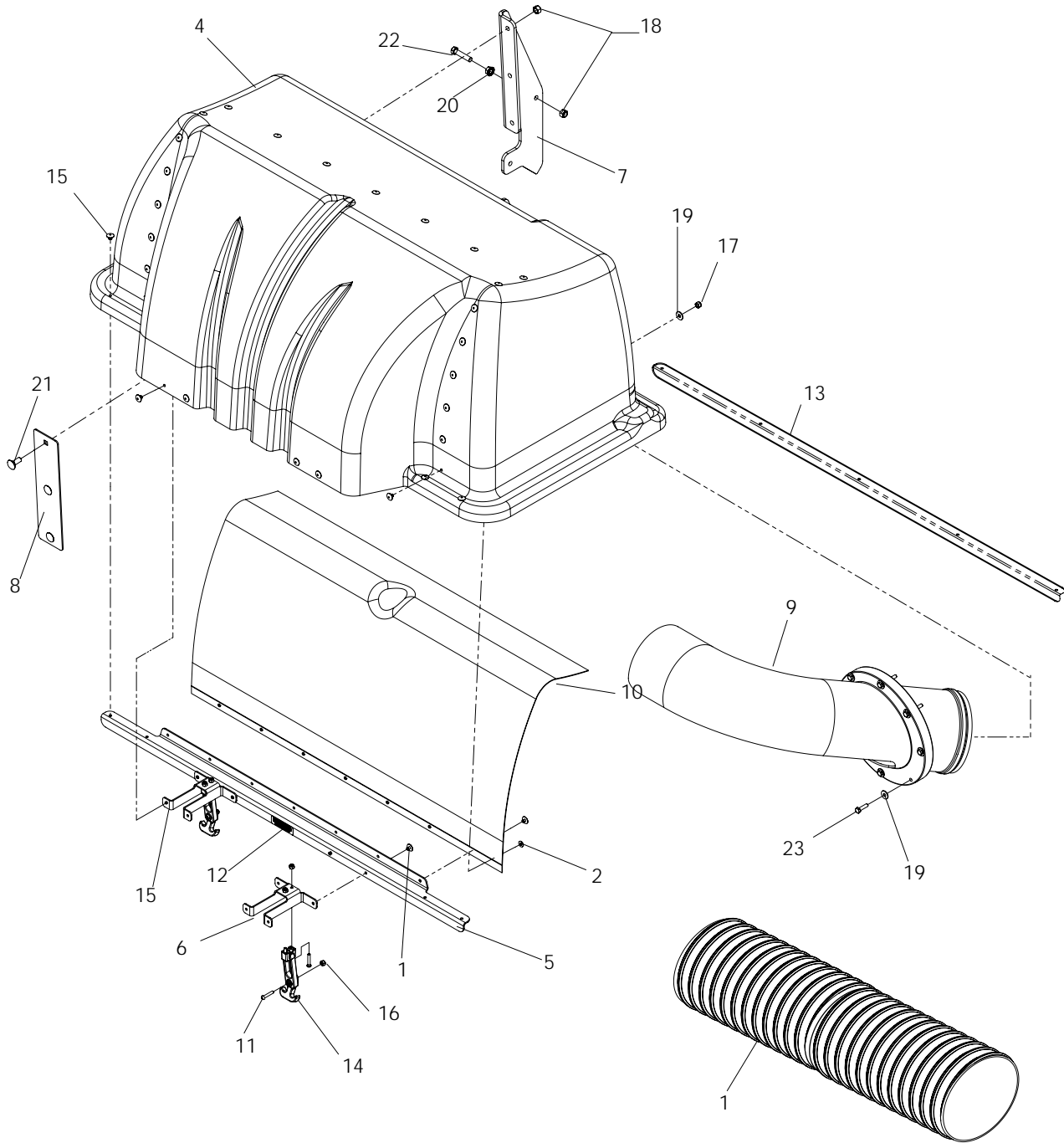
ACCESSORIES

MULCH KIT

ITEM	PART NO.	QTY.	DESCRIPTION	ITEM	PART NO.	QTY.	DESCRIPTION
1	539 103439	1	BAFFLE, LT 48"	8	539 103606	2	WASHER, ¹³ / ₃₂
	539 103391	1	BAFFLE, LT, 52"	9	539 976940	2	HCS ⁵ / ₁₆ -18 x 4½ (48")
	539 103375	1	BAFFLE, LT, 61"		539 102335	2	HCS ⁵ / ₁₆ -18 x 4 (52", 61")
2	539 103440	1	BAFFLE, RT 48"	10	539 101595	1	CLAMP
	539 105125	1	BAFFLE, RT 52"	NOT SHOWN			
	539 105122	1	BAFFLE, RT 61"		539 109756	3	48 MULCH BLADE, 16¼"
3	539 990209	3	HCS ⁵ / ₁₆ -18 x 1		539 109757	3	52 MULCH BLADE, 18"
4	539 990799	11	BOLT, ⁵ / ₁₆ C x ⁵ / ₈ (48")		539 109755	3	61 MULCH BLADE, 21"
	539 990316	8	RHSNB ⁵ / ₁₆ -18 x ¾(52", 61")		539 976934	2	HCS ⁵ / ₁₆ -18 x ¾
5	539 990692	10	WASHER ⁵ / ₁₆ STD FLT				
6	539 990184	16	NUT ⁵ / ₁₆ -18 HEX CTRLK				
7	539 103441	2	DEFLECTOR, CENTER 48"				
	539 105132	2	DEFLECTOR, CENTER 52"				
	539 105131	2	DEFLECTOR, CENTER 61"				

ACCESSORIES

HOOD ASSEMBLY CS9 - 539 111282



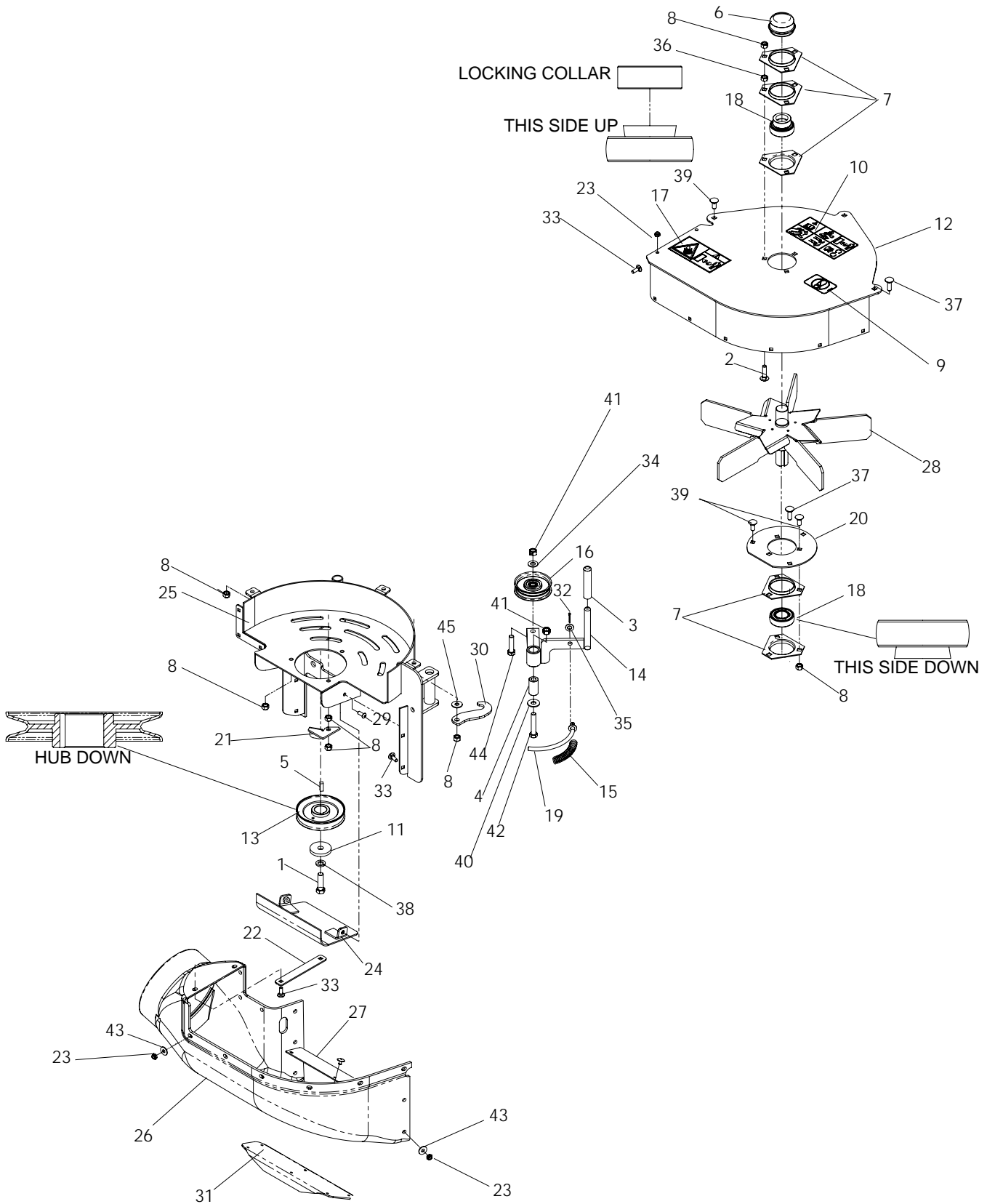
ACCESSORIES

HOOD ASSEMBLY CS9 - 539 111282

ITEM	PART NO.	QTY.	DESCRIPTION	ITEM	PART NO.	QTY.	DESCRIPTION
1...	539 111314	1...	HOSE	13...	539 111339	1...	HOOD SUPPORT, REAR
2...	539 105408	21...	WASHER, 10	14...	539 200478	2...	DRAW LATCH, T-HANDLE
3...	539 110033	8...	WASHER, 10, MACH	15...	539 200684	38...	RIVET, $\frac{3}{16}$
4...	539 111172	1...	HOOD	16...	539 976977	6...	NUT 10-24, NYLOC
5...	539 111174	1...	SUPPORT, HOOD	17...	539 976978	8...	NUT $\frac{1}{4}$ -20, NYLOC
6...	539 111175	2...	SUPPORT, DRAW LATCH	18...	539 976979	8...	NUT $\frac{3}{8}$ -16, HEX NYLOC
7...	539 111177	2...	HINGE, HOOD	19...	539 990598	16...	WASHER $\frac{1}{4}$ STD FLT
8...	539 111181	2...	MOUNT PLATE	20...	539 990613	2...	NUT $\frac{3}{8}$ -16 HEX WHIZLK
9...	539 111182	1...	TUBE, INLET	21...	539 990645	6...	RHSNB, $\frac{3}{8}$ -16 x 1
10...	539 111183	1...	MESH, POLY DIAMOND	22...	539 990730	2...	HCS $\frac{3}{8}$ -16 x $1\frac{3}{4}$
11...	539 111186	6...	SCREW 10-24 x $1\frac{1}{8}$	23...	539 991003	8...	HCS $\frac{1}{4}$ -20 x $1\frac{3}{4}$
12...	539 111260	1...	DECAL, VENTILATION				

ACCESSORIES

BLOWER ASSEMBLY CS9 - 539 111282



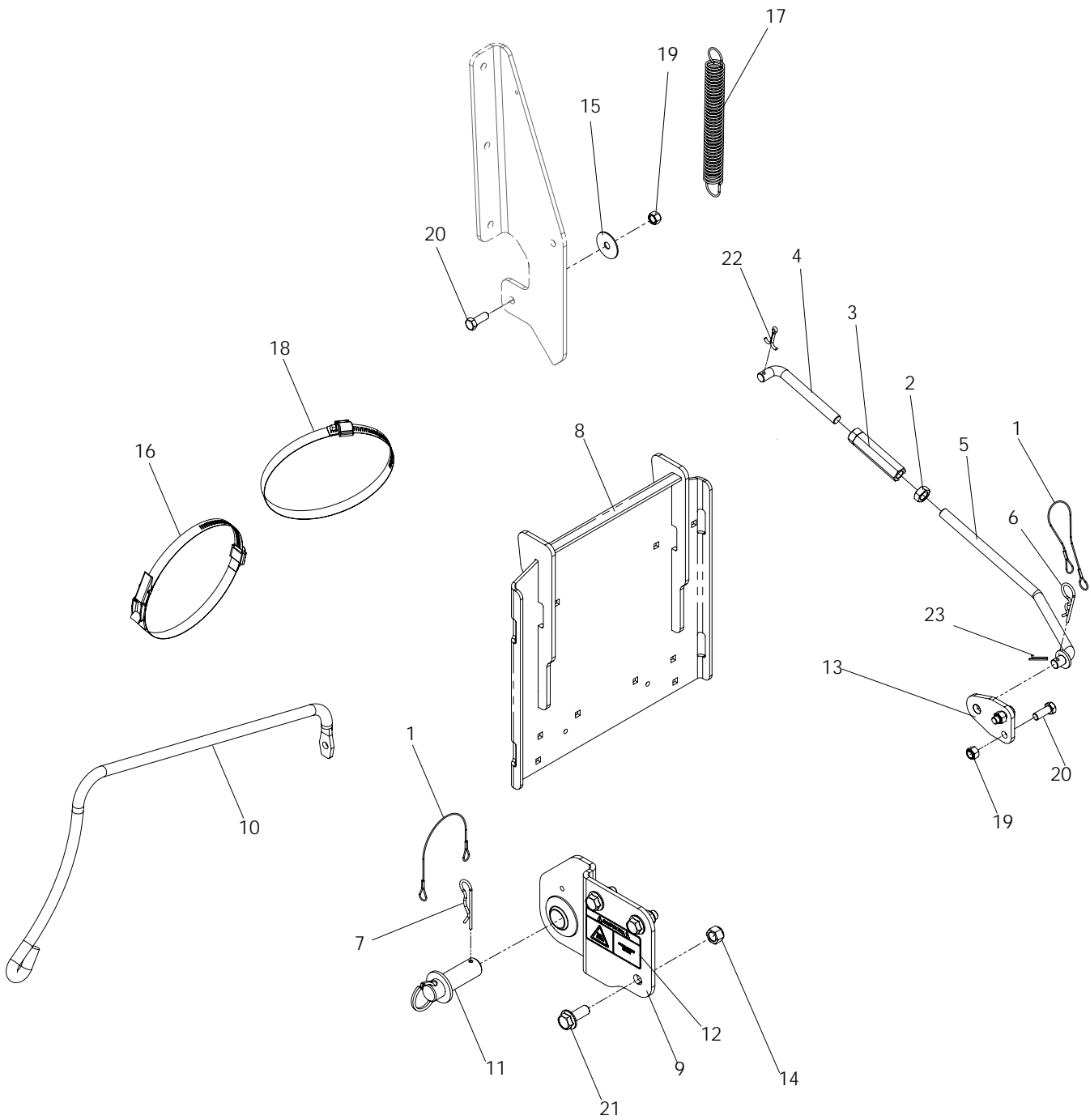
ACCESSORIES

BLOWER ASSEMBLY CS9 - 539 111282

ITEM	PART NO.	QTY.	DESCRIPTION	ITEM	PART NO.	QTY.	DESCRIPTION
1...	539 100141	1...	HCS 7/16-20 x 1 1/2	24...	539 108301	1...	COVER PLATE WLDMT
2...	539 100472	3...	RHSNB 5/16-18 x 1 1/4	25...	539 108941	1...	BLOWER HSG WLDMT
3...	539 101050	1...	GRIP, VINYL	26...	539 109900	1...	LOWER HOUSING
4...	539 101836	1...	SLEEVE BUSHING	27...	539 110058	1...	PLATE, BLOWOUT
5...	539 102067	1...	KEY 1/4" SQ x 3/4"	28...	539 110111	1...	FAN WELDMENT
6...	539 102535	1...	CAP, GREASE	29...	539 111229	2...	SCREW 1/4-20 x 5/8 SKT HD
7...	539 102691	5...	FLANGETTE	30...	539 111303	1...	IDLER ARM KEEPER
8...	539 990717	12...	NUT 5/16-18 HEX NYLOC	31...	539 111340	1...	BLOWER SUPPORT
9...	539 105743	1...	DECAL, NO STEP	32...	539 990037	1...	PIN, COTTER 3/32 x 3/4
10...	539 105785	1...	DECAL, WARNING	33...	539 990074	16...	RHSNB 1/4-20 x 3/4 GR2
11...	539 106504	1...	HEAVY WASHER	34...	539 990122	1...	WASHER, 3/8 SAE FLT
12...	539 106690	1...	FAN COVER WLDMT	35...	539 990188	1...	WASHER, 5/16 SAE FLT
13...	539 106713	1...	SHEAVE, 4"	36...	539 990196	4...	NUT 5/16-18 HEX
14...	539 106715	1...	IDLER ARM WLDMT	37...	539 990208	2...	RHSNB 5/16-18 x 1
15...	539 106720	1...	SPRING	38...	539 990247	1...	WASHER, 7/16 SPLT LOCK
16...	539 106721	1...	IDLER	39...	539 990316	7...	RHSNB 5/16-18 x 3/4
17...	539 106741	1...	DECAL, SEVERING	40...	539 990517	1...	WASHER, 3/8 STD FLT
18...	539 106786	2...	BEARING	41...	539 990546	2...	NUT 3/8-16 CENTERLOCK
19...	539 106801	1...	SPRING ROD WLDMT	42...	539 990588	1...	HCS 3/8-16 x 2
20...	539 106809	1...	BEARING PLATE	43...	539 990598	14...	WASHER, 1/4 STD FLT
21...	539 106811	1...	BELT GUIDE	44...	539 990655	1...	HCS 3/8-16 x 1 1/2
22...	539 106812	1...	BACKING	45...	539 990692	1...	WASHER 5/16 STD FLT
23...	539 108120	16...	NUT 1/4-20, THIN NYLOC				

ACCESSORIES

MOUNTING KIT CS9 - 539 111282



ACCESSORIES

MOUNTING KIT CS9 - 539 111282

ITEM	PART NO.	QTY.	DESCRIPTION	ITEM	PART NO.	QTY.	DESCRIPTION
1	539 102563	4	LANYARD	15	539 102998	2	WASHER, .39
2	539 108736	2	NUT ½-20, JAM	16	539 109901	1	OVERCENTER BAND
3	539 111207	2	TURNBUCKLE, ½	17	539 111191	2	SPRING
4	539 111208	2	SUPPORT LINKAGE, LH	18	539 097076	1	HOSE CLAMP
5	539 111209	2	SUPPORT LINKAGE, MID	19	539 976979	6	NUT ¾-16, HEX NYLOC
6	539 976989	2	PIN, HAIR ⅛ x 2½	20	539 990655	4	HCS ¾-16 x 1½
7	539 111192	2	HAIRPIN	21	539 990622	6	BOLT ½-13 x 1¼ WHIZLK
8	539 111195	1	REAR GUARD, MID	22	539 990654	2	PIN, COTTER, ⅝ x 1¼
9	539 111294	1	HITCH BRACKET, RT	23	539 916459	2	RING, RETAINING, SPEC
	539 111203	1	HITCH BRACKET, LT	NOT SHOWN			
10	539 113018	1	HOSE SUPPORT		539 990692	2	WASHER ⅝ STD FLT
11	539 111206	2	HITCH PIN		539 990627	1	HCS ⅝-18 x 1¼
12	539 111212	1	DECAL, HOT SURFACE				
13	539 111215	2	BRACKET, SUPPORT				
14	539 101331	6	NUT ½-13, HEX NYLOC				

ACCESSORIES

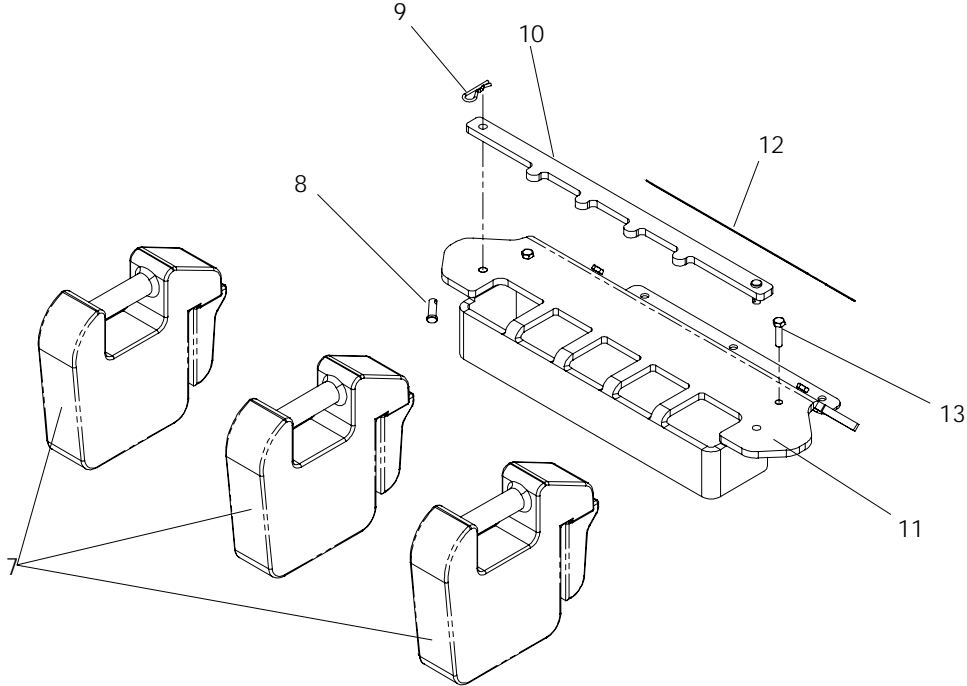
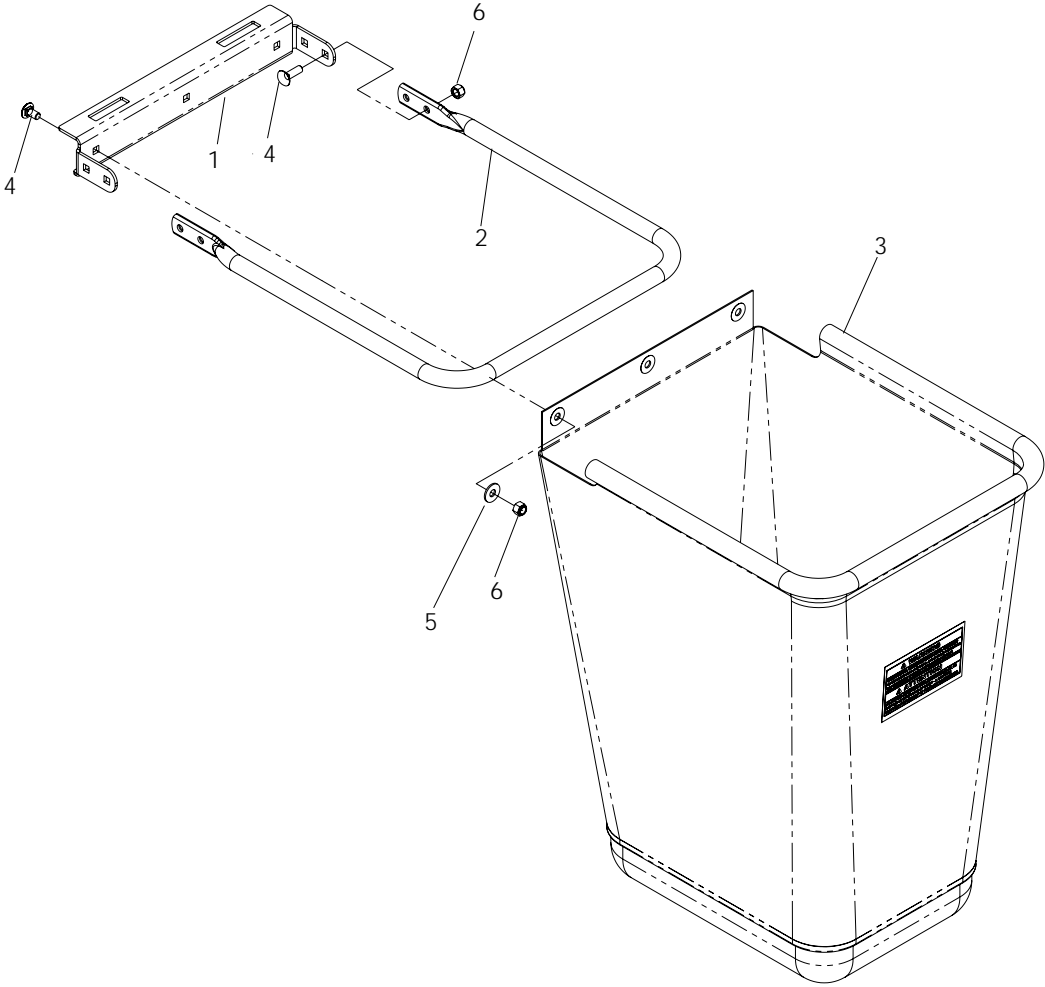
HITCH ASSEMBLY CS9 - 539 111282

ITEM	PART NO.	QTY.	DESCRIPTION	ITEM	PART NO.	QTY.	DESCRIPTION
1...	539 101331	...	NUT ½-13, HEX NYLOC	12...	539 990655	...	HCS ¾-16 x 1½
2...	539 108369	...	HCS ½-13 x 1¼	13...	539 976978	...	NUT ¼-20, NYLOC
3....	539 111155	...	HITCH	14...	539 976979	...	NUT ¾-16, HEX NYLOC
4....	539 111157	...	MOUNT Z BRACE	15...	539 977250	...	SPRING
5....	539 111158	...	SUPPORT, OUTER	16...	539 990254	...	WASHER, ½ SPLT LOCK
6....	539 111162	...	SUPPORT ARM	17...	539 990563	...	HCS ¾-16 x 1
7....	539 111167	...	SEAL, RUBBER	18...	539 990580	...	HCS ¼-20 x ¾
8....	539 111171	...	SEAL STRAP	19...	539 990613	...	NUT ¾-16 HEX WHIZLK
9....	539 111187	...	NUT ½-13, WHIZLK	20...	539 990625	...	NUT ½-13, JAM
10....	539 111190	...	LATCH	NOT SHOWN			
11...	539 111267	...	BRACKET, SUPPORT	...	539 917150	...	DECAL, PATENT PENDING

ACCESSORIES

HITCH ASSEMBLY
CS9 - 539 111282

WEIGHT KIT
CS9 - 539 111282



ACCESSORIES

HITCH ASSEMBLY CS9 - 539 111282

ITEM	PART NO.	QTY.	DESCRIPTION
1...	539 110063	3...	HANGER, BAG
2....	539 111166	3...	TUBE, BAG FRAME
3...	539 111300	3...	BAG, SMALL
4...	539 990316	2...	RHSNB $\frac{5}{16}$ -18 x $\frac{3}{4}$
5...	539 990692	9...	WASHER $\frac{5}{16}$ STD FLT
6...	539 990717	5...	NUT $\frac{5}{16}$ -18 HEX NYLOC
7...	539 092531	3...	FRONT WEIGHT

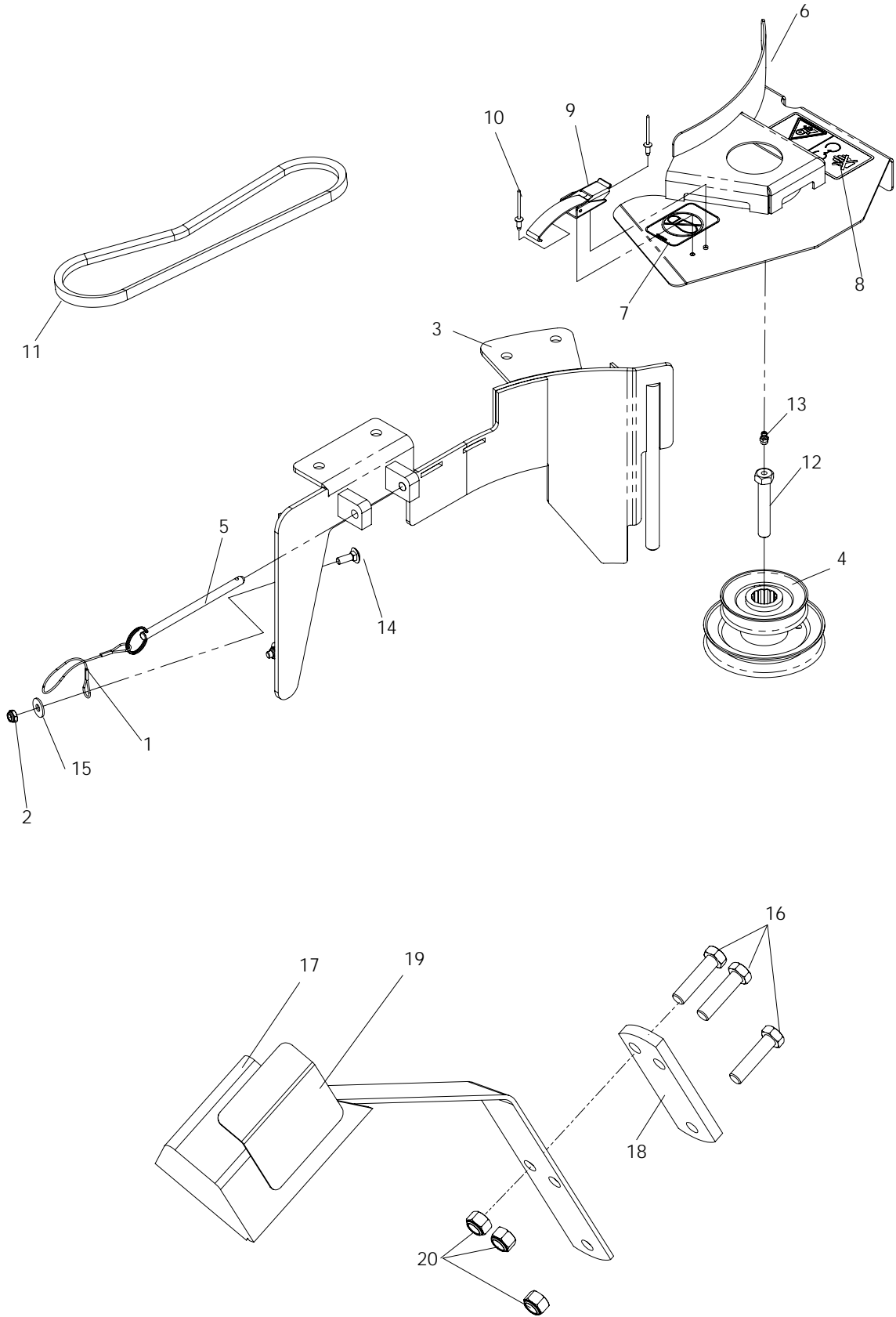
WEIGHT KIT CS9 - 539 111282

ITEM	PART NO.	QTY.	DESCRIPTION
8...	539 102049	2...	PIN, CLEVIS $\frac{3}{8}$ x 1
9...	539 108096	2...	PIN, HAIR $\frac{1}{8}$ x $1\frac{13}{16}$
10...	539 111313	1...	HOLD DOWN
11...	539 111337	1...	WEIGHT BAR
12...	539 977778	1...	PAD, ANTI-SKID
13...	539 990627	4...	HCS $\frac{5}{16}$ -18 x $1\frac{1}{4}$

ACCESSORIES

DRIVE KIT ASSEMBLY
CS9 - 539 111282

LIFT PEDAL KIT
P/N 539 105550



ACCESSORIES

DRIVE KIT ASSEMBLY CS9 - 539 111282

ITEM	PART NO.	QTY.	DESCRIPTION
1...	539 102563	1...	LANYARD
2...	539 108120	4...	NUT ¼-20, THIN NYLOC
3...	539 111236	1...	BLOWER PLATE, 48"
	539 111264	1...	BLOWER PLATE, 52"
	539 111240	1...	BLOWER PLATE, 61"
4...	539 111255	1...	PULLEY, STACKED DBL 48"
	539 111256	1...	PULLEY, STACKED DBL 52"
	539 111257	1...	PULLEY, STACKED DBL 61"
5...	539 111270	1...	PIN
6...	539 111272	1...	BELT SHIELD, 48" DECKS
	539 111273	1...	BELT SHIELD, 52" DECKS
	539 111274	1...	BELT SHIELD, 61" DECKS
7...	539 105743	1...	DECAL, NO STEP
8...	539 105744	1...	DECAL, DNGR, BELT DRVES
9...	539 109660	1...	DRAW LATCH

LIFT PEDAL KIT P/N 539 105550

ITEM	PART NO.	QTY.	DESCRIPTION
10...	539 110740	2...	POP RIVET
11...	539 111305	1...	BELT, 48" DECKS
	539 111306	1...	BELT, 52" DECKS
	539 111307	1...	BELT, 61" DECKS
12...	539 112138	1...	HCS 7/16-20 x 2½, GR8
13...	539 976998	1...	ZERK, STRAIGHT ¼-28
14...	539 990074	4...	RHSNB ¼-20 x ¾ GR2
15...	539 990598	4...	WASHER ¼ STD FLT
16...	539 990655	3...	HCS 3/8-16 x 1½
17...	539 105549	1...	LIFT PEDAL
18...	539 105552	1...	TIGHTENING PLATE
19...	539 105187	1...	PAD, ANTI SKID
20...	539 976979	3...	NUT 3/8-16, HEX NYLOC

YAZOO/KEES