

CPU BOARD
Sheet 1 of 22

INFORMATION CONTAINED HEREIN IS CONFIDENTIAL PROPERTY AND MAY NOT BE USED OR DISCLOSED WITHOUT EXPRESS WRITTEN CONSENT FROM THE COMPANY.			
PROJECT ENG.	FIRST PROJ. NO.	DATE	WILLIAMS ELECTRONICS AND GAMES INC.
REM	40023	09DEC92	MIDWAY MANUFACTURING COMPANY
DWR. BY	DATE	FIRST USAGE	3401 N. CALIFORNIA AVE. CHICAGO IL.
REM	A-14816	09DEC92	TITLE
CHECKED	DATE	COMMENT PROJECT DATE	34010 PROCESSOR
REM	40023	19AUG93	
APPROVED	DATE	SHEET	PART NO. 16-9470
		01	REV. 5

1 2 3 4 5 6 7 8

D

D

C

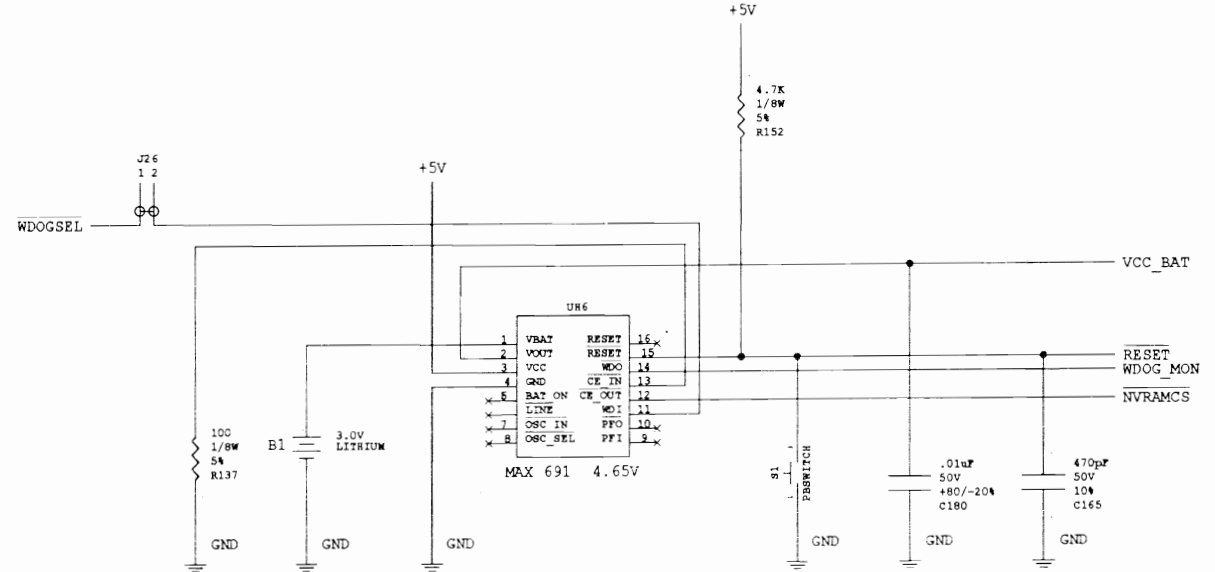
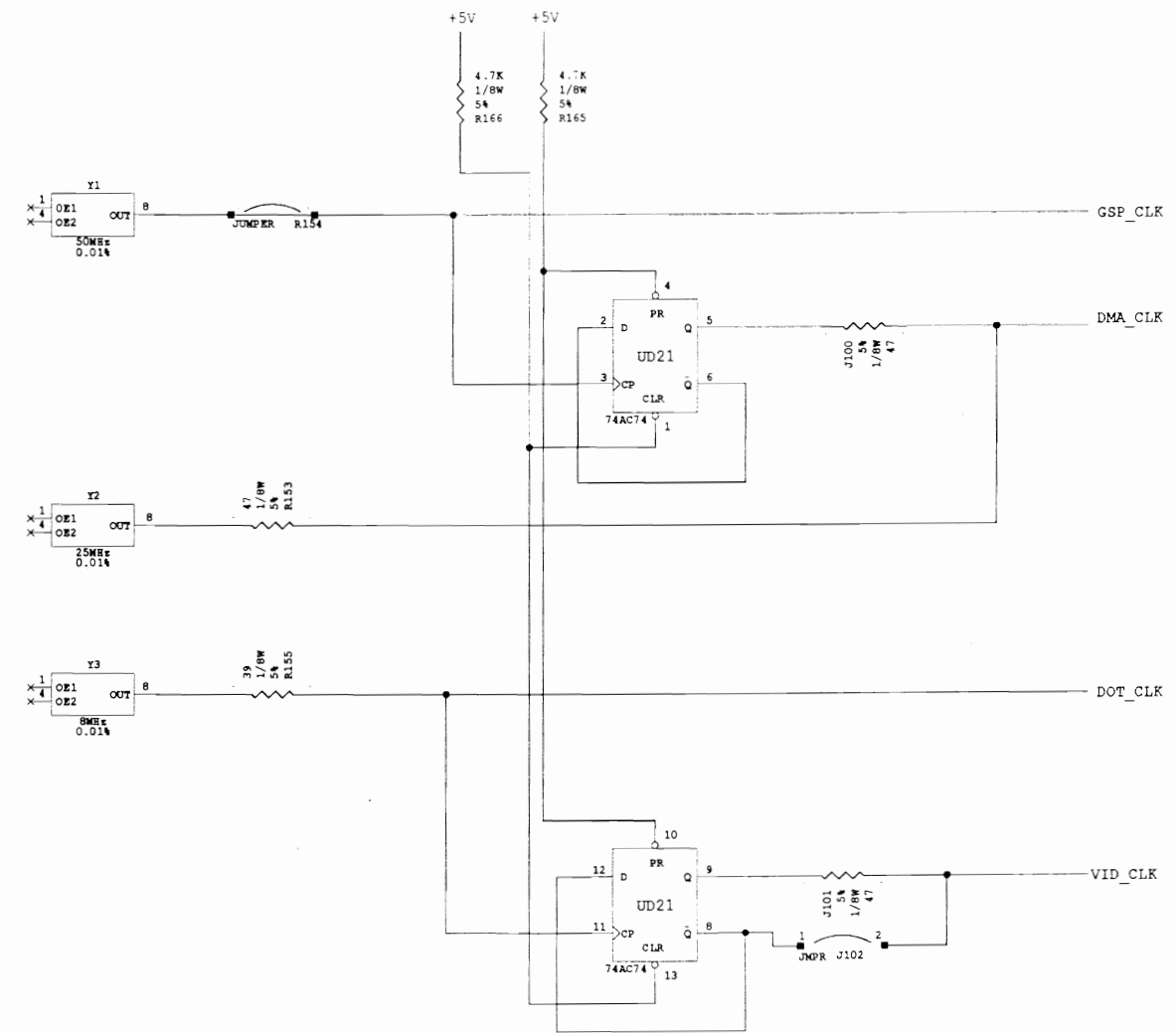
C

B

B

A

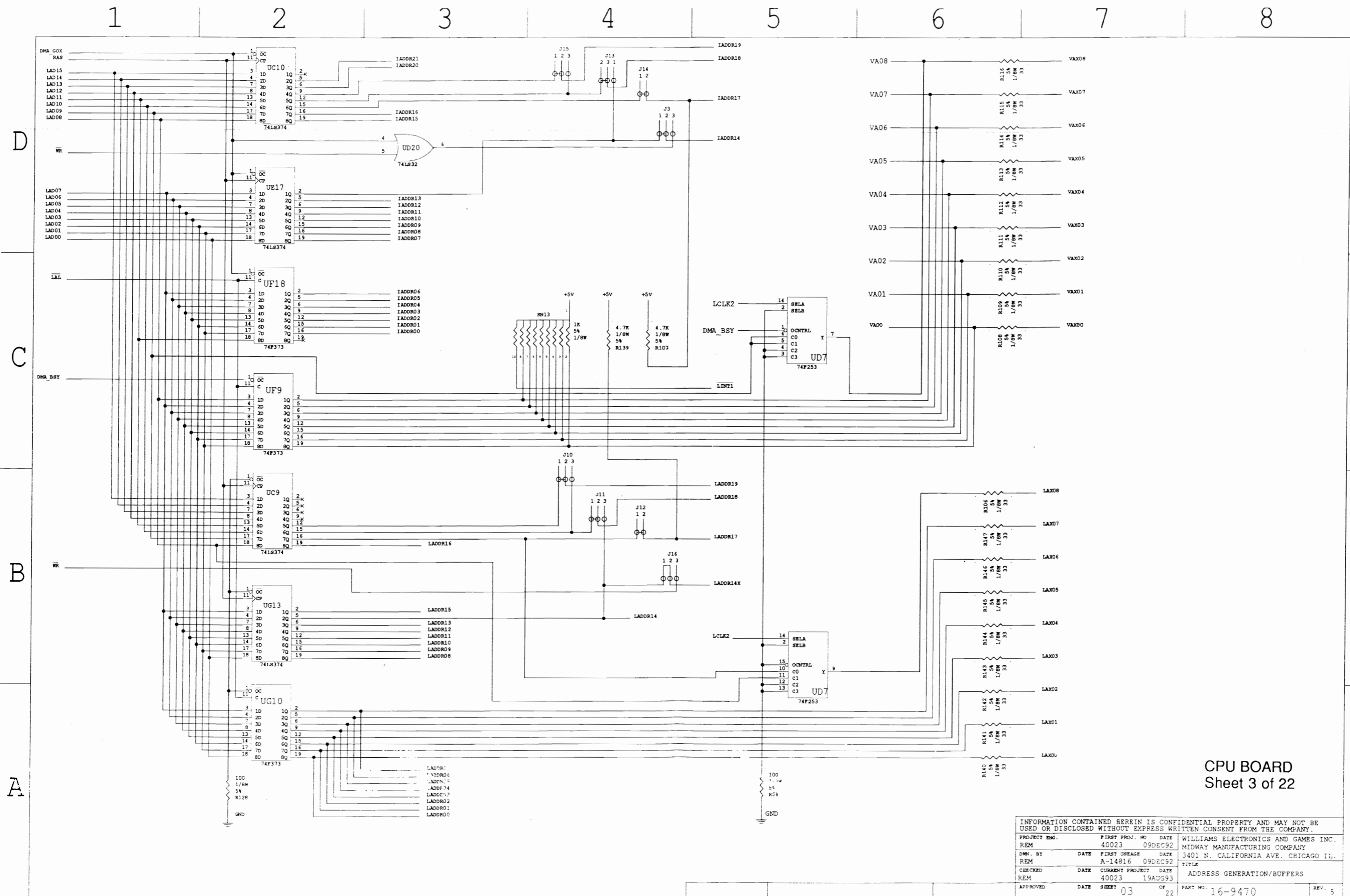
A



CPU BOARD
Sheet 2 of 22

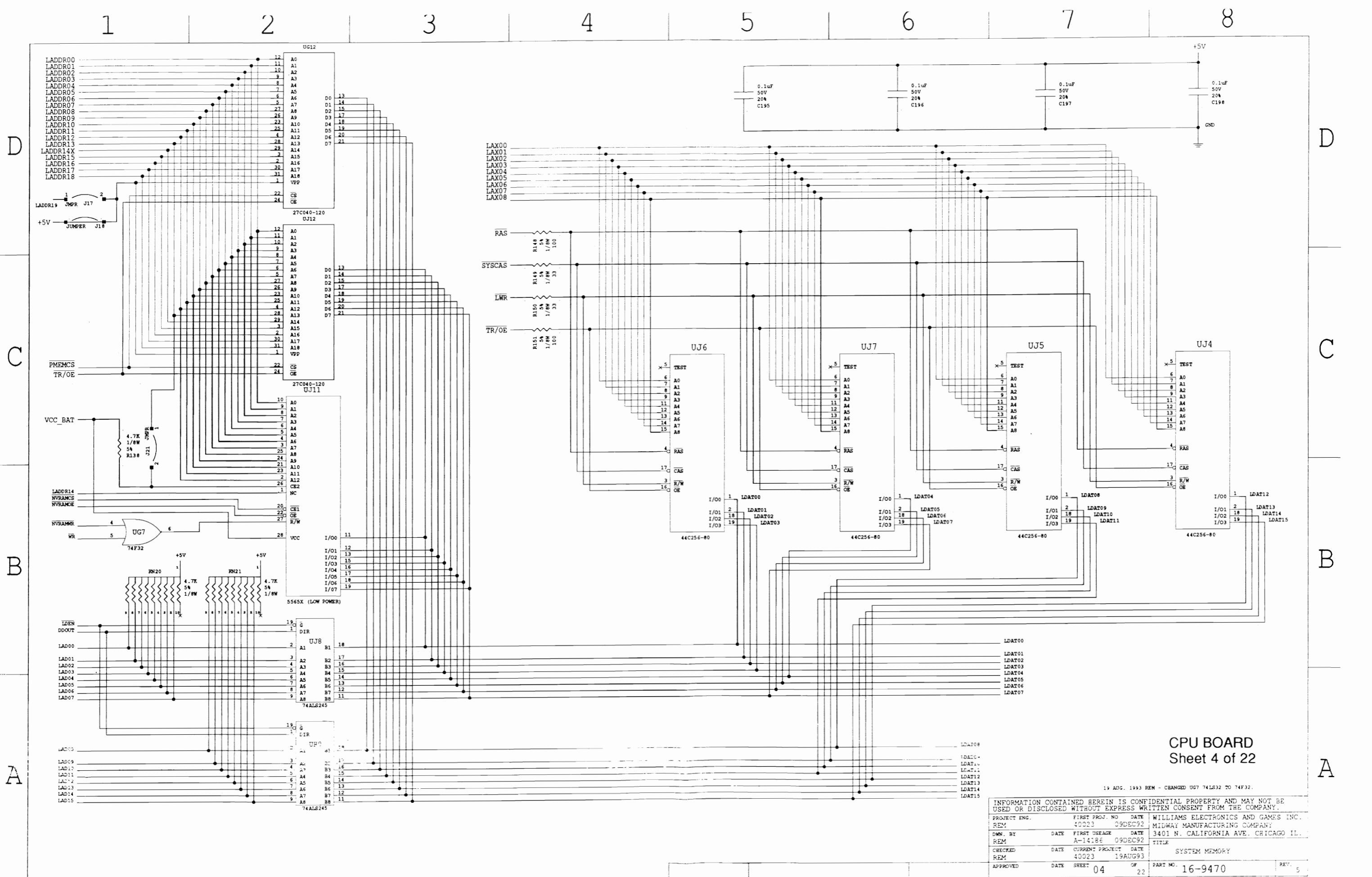
INFORMATION CONTAINED HEREIN IS CONFIDENTIAL PROPERTY AND MAY NOT BE USED OR DISCLOSED WITHOUT EXPRESS WRITTEN CONSENT FROM THE COMPANY.			
PROJECT ENG.	FIRST PROJ. NO.	DATE	WILLIAMS ELECTRONICS AND GAMES INC.
REM	40023	09DEC92	MIDWAY MANUFACTURING COMPANY
OWN. BY	DATE	FIRST USAGE	3401 N. CALIFORNIA AVE. CHICAGO, IL.
REM	A-14810	09DEC92	TITLE
CHECKED	DATE	CURRENT PROJECT	CLOCK GENERATION/POWER MONITOR
REM	40023	13AUG93	
APPROVED	DATE	SHEET	PART NO. 16-9470
		12	22

1 2 3 4 5 6 7 8 3-6



CPU BOARD
Sheet 3 of 22

INFORMATION CONTAINED HEREIN IS CONFIDENTIAL PROPERTY AND MAY NOT BE USED OR DISCLOSED WITHOUT EXPRESS WRITTEN CONSENT FROM THE COMPANY.			
PROJECT ENG.	FIRST PROJ. NO	DATE	WILLIAMS ELECTRONICS AND GAMES INC.
REM	40023	09DEC92	MIDWAY MANUFACTURING COMPANY
DWN. BY	DATE	FIRST USEAGE	3401 N. CALIFORNIA AVE. CHICAGO IL.
REM	A-14816	09DEC92	TITLE
CHECKED	DATE	CURRENT PROJECT	ADDRESS GENERATION/BUFFERS
REM	40023	19AUG93	
APPROVED	DATE	SHEET	PART NO. 16-9470
		03	REV. 5

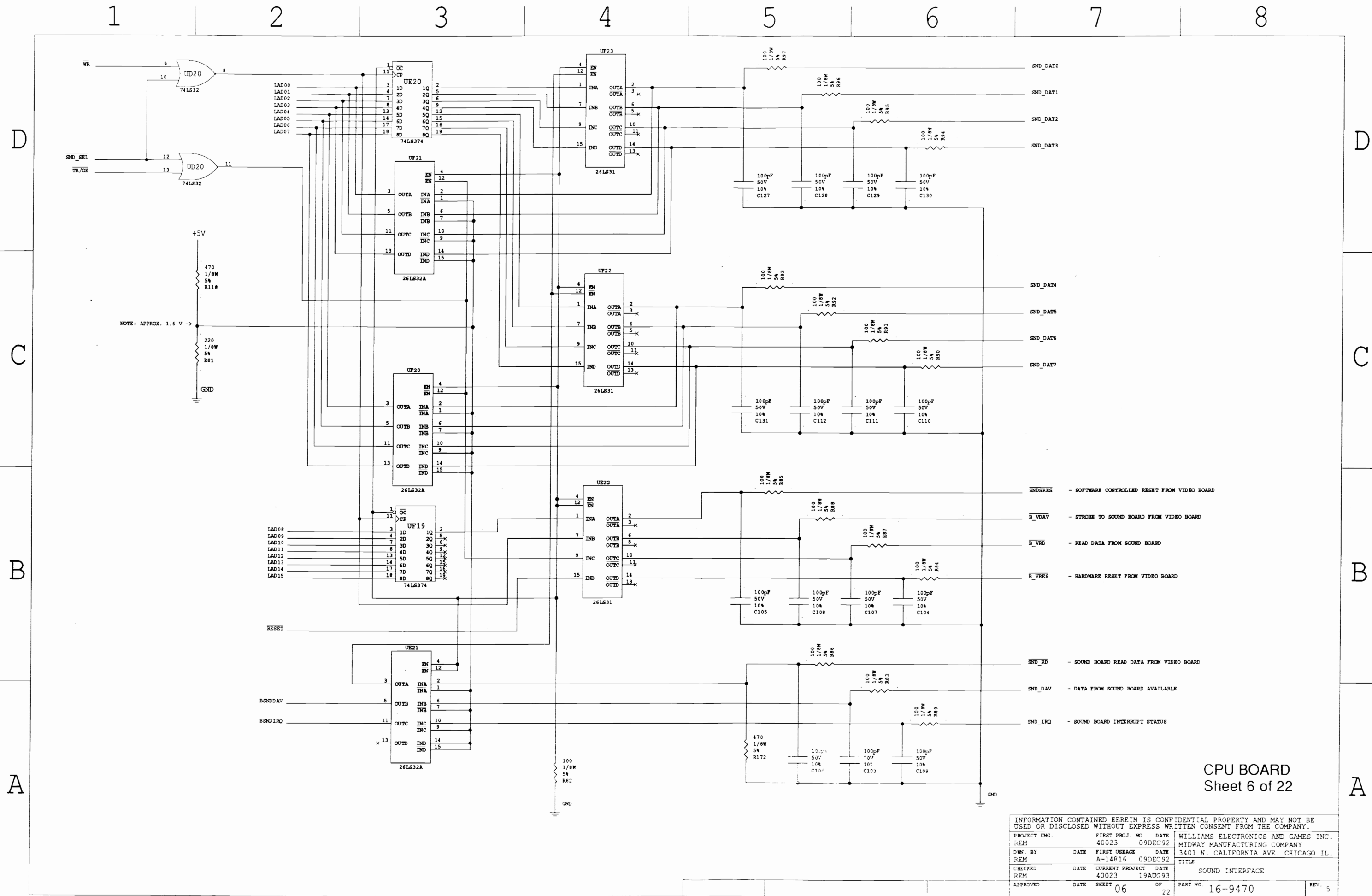


CPU BOARD
Sheet 4 of 22

19 AUG. 1993 REM - CHANGED UG7 74LS32 TO 74F32.

INFORMATION CONTAINED HEREIN IS CONFIDENTIAL PROPERTY AND MAY NOT BE USED OR DISCLOSED WITHOUT EXPRESS WRITTEN CONSENT FROM THE COMPANY.

PROJECT ENG. REM	FIRST PROJ. NO. 40023	DATE 09DEC92	WILLIAMS ELECTRONICS AND GAMES INC. MIDWAY MANUFACTURING COMPANY 3401 N. CALIFORNIA AVE. CHICAGO IL.
DWN. BY REM	DATE FIRST USAGE A-14186	DATE 09DEC92	TITLE
CHECKED REM	DATE CURRENT PROJECT 40023	DATE 19AUG93	SYSTEM MEMORY
APPROVED	DATE SHEET 04	OF 22	PART NO. 16-9470 REV. 5



CPU BOARD
Sheet 6 of 22

INFORMATION CONTAINED HEREIN IS CONFIDENTIAL PROPERTY AND MAY NOT BE USED OR DISCLOSED WITHOUT EXPRESS WRITTEN CONSENT FROM THE COMPANY.			
PROJECT ENG.	FIRST PROJ. NO.	DATE	WILLIAMS ELECTRONICS AND GAMES INC.
REM	40023	09DEC92	MIDWAY MANUFACTURING COMPANY
DWN. BY	DATE	FIRST USAGE	DATE
REM	A-14816	09DEC92	3401 N. CALIFORNIA AVE. CHICAGO IL.
CHECKED	DATE	CURRENT PROJECT	DATE
REM	40023	19AUG93	SOUND INTERFACE
APPROVED	DATE	SHEET	OF
		06	22
PART NO. 16-9470			REV. 5

D

D

C

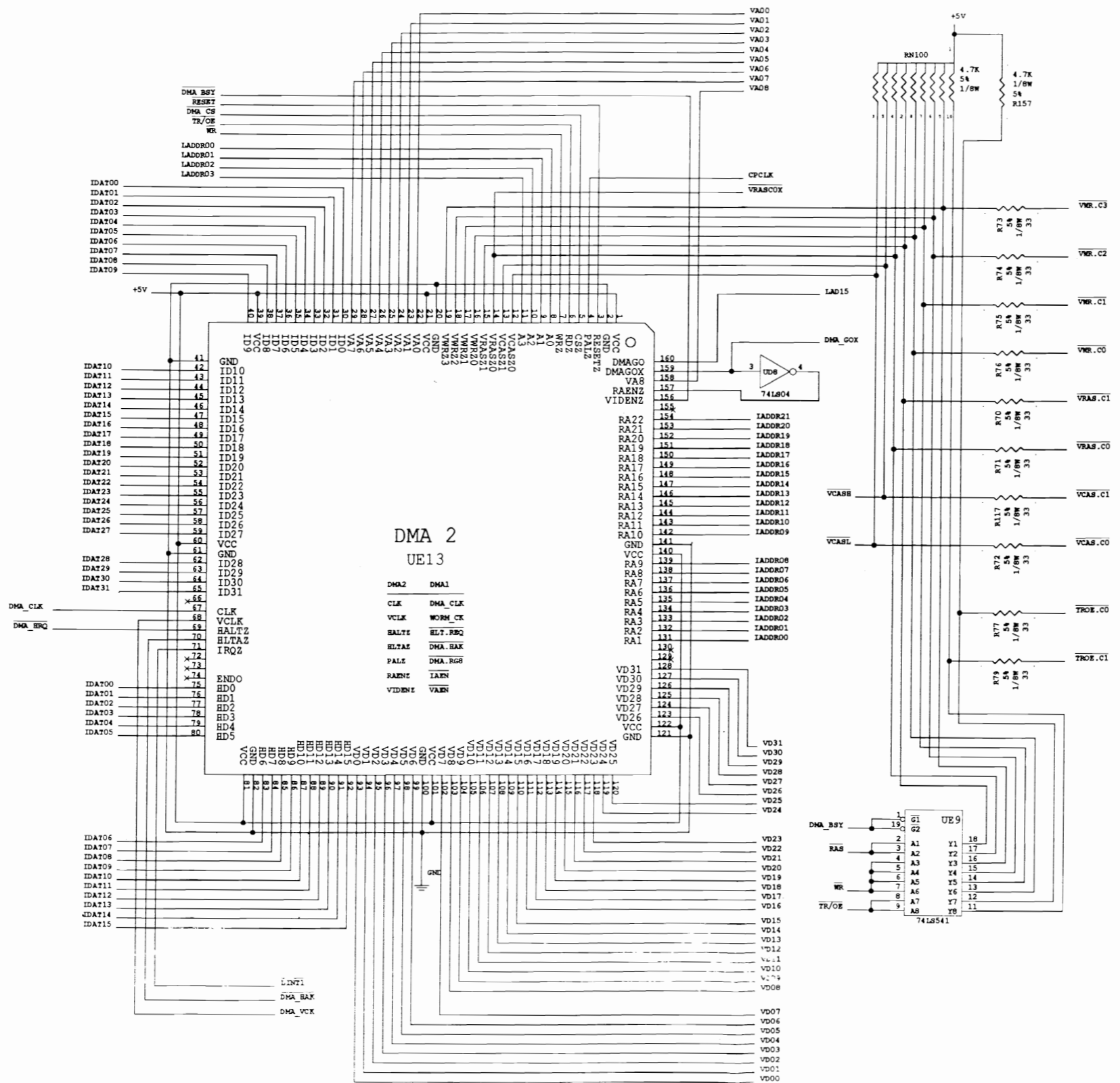
C

B

B

A

A



CPU BOARD
Sheet 8 of 22

INFORMATION CONTAINED HEREIN IS CONFIDENTIAL PROPERTY AND MAY NOT BE USED OR DISCLOSED WITHOUT EXPRESS WRITTEN CONSENT FROM THE COMPANY.			
PROJECT ENG. REM	FIRST PROJ. NO. 40023	DATE 09DEC92	WILLIAMS ELECTRONICS AND GAMES INC. MIDWAY MANUFACTURING COMPANY 3401 N. CALIFORNIA AVE. CHICAGO IL.
DWN. BY	DATE	FIRST USAGE	DATE
REM		A-14816	09DEC92
CHECKED	DATE	CURRENT PROJECT	DATE
REM		40023	19AUG93
APPROVED	DATE	SECT	OF
		08	22
PART NO. 16-3470		REV. 5	

1 2 3 4 5 6 7 8

D

D

C

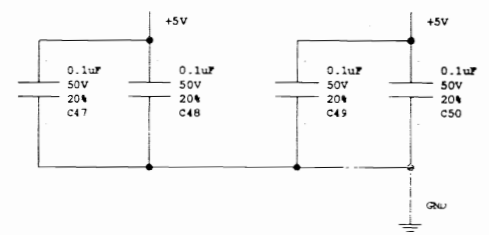
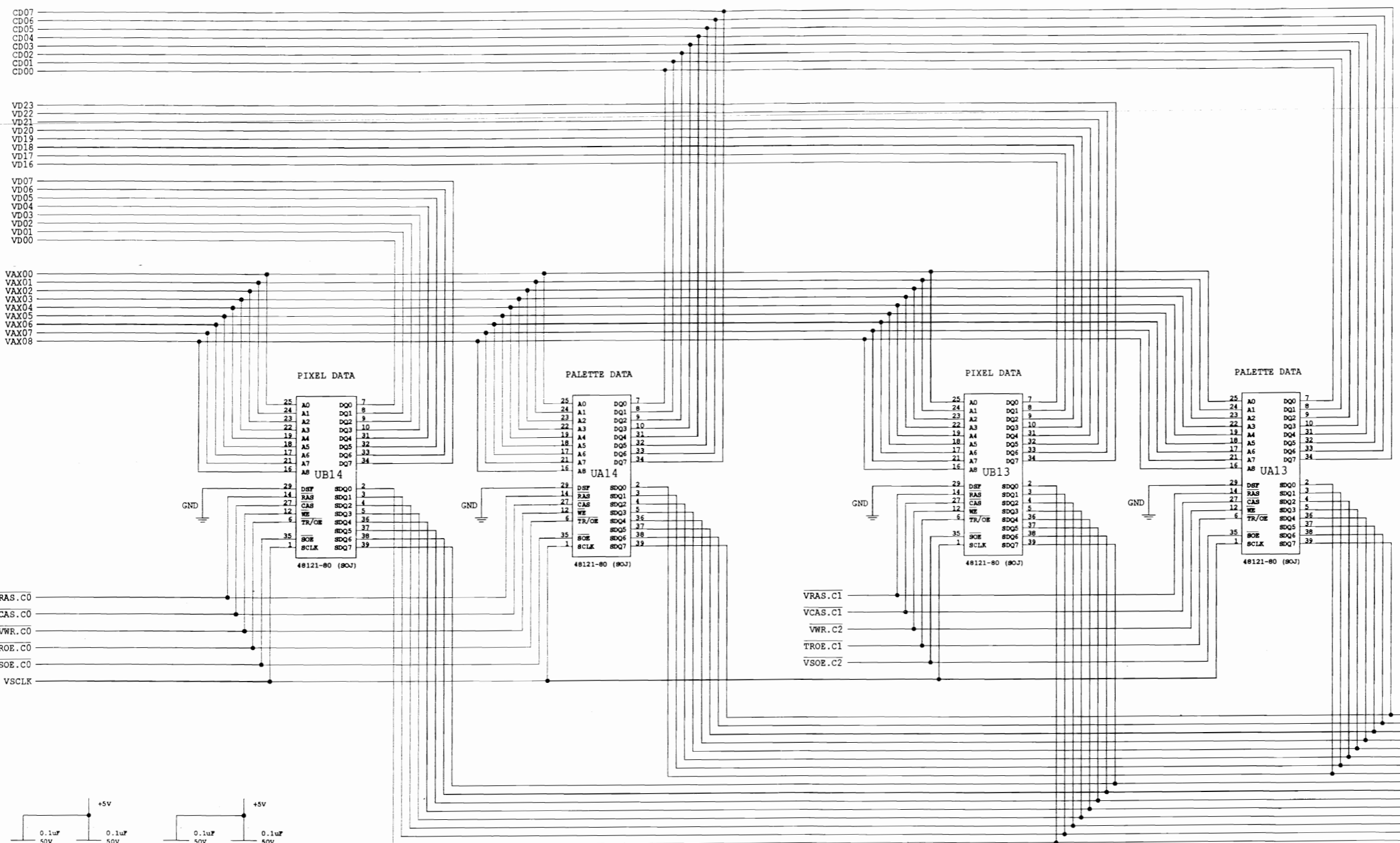
C

B

B

A

A



VIDEO RAM - BANK 0

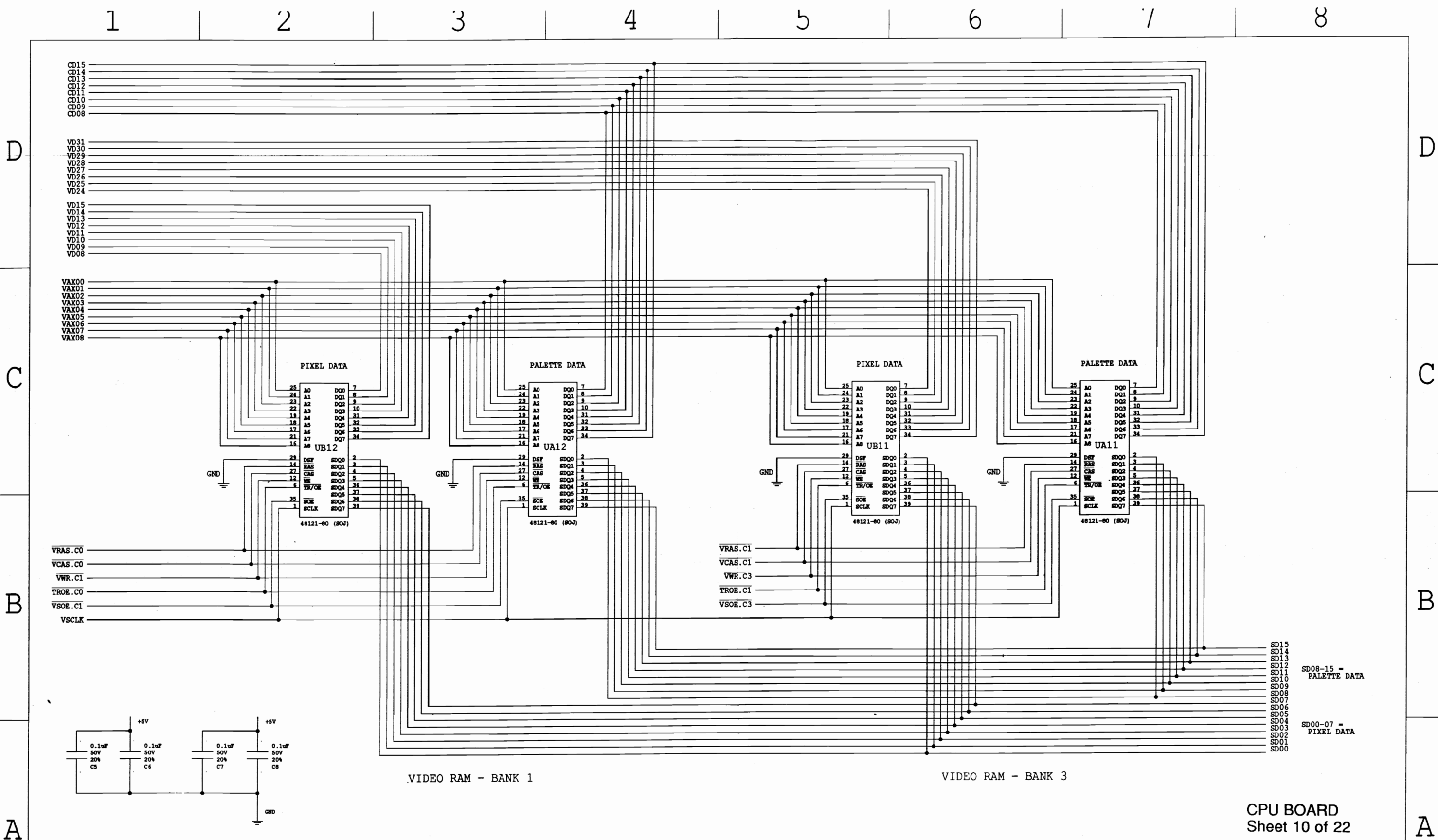
VIDEO RAM - BANK 2

SD15
SD14
SD13
SD12
SD11 = PALETTE DATA
SD10
SD09
SD08
SD07
SD06
SD05
SD04 = PIXEL DATA
SD03
SD02
SD01
SD00

CPU BOARD
Sheet 9 of 22

INFORMATION CONTAINED HEREIN IS CONFIDENTIAL PROPERTY AND MAY NOT BE USED OR DISCLOSED WITHOUT EXPRESS WRITTEN CONSENT FROM THE COMPANY.				
PROJECT ENG.	FIRST PROJ. NO.	DATE	WILLIAMS ELECTRONICS AND GAMES INC.	
REM	40023	09DEC92	MIDWAY MANUFACTURING COMPANY	
DWN. BY	DATE	FIRST USAGE	DATE	3401 N. CALIFORNIA AVE. CHICAGO IL.
REM	A-14816	09DEC92	TITLE	
CHECKED	DATE	CURRENT PROJECT	DATE	VIDEO RAM BANK 0/BANK 2
REM	40023	19AUG93		
APPROVED	DATE	SHEET	OF	PART NO. 16-9470
		09	22	REV. 5

1 2 3 4 5 6 7 8



VIDEO RAM - BANK 1

VIDEO RAM - BANK 3

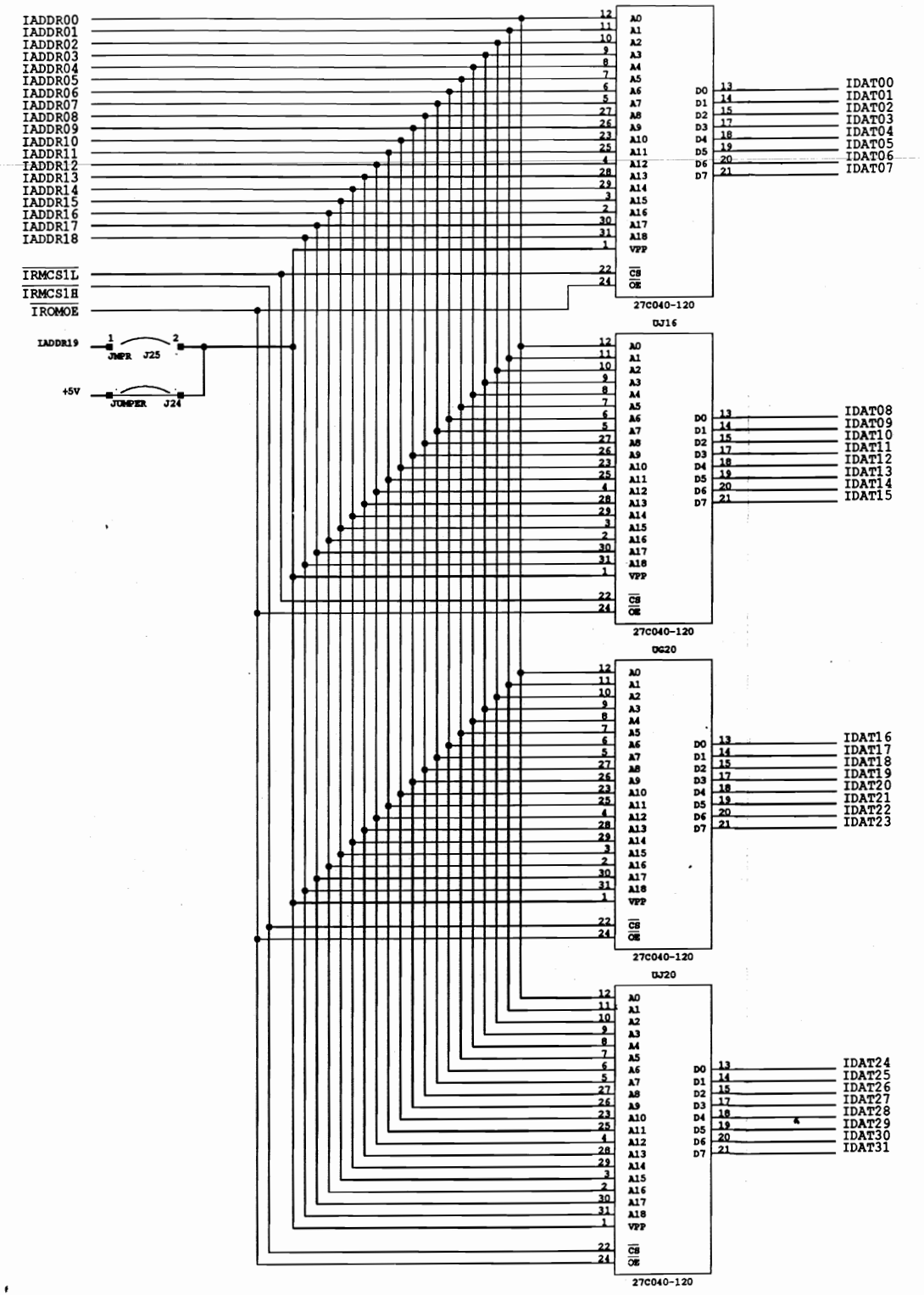
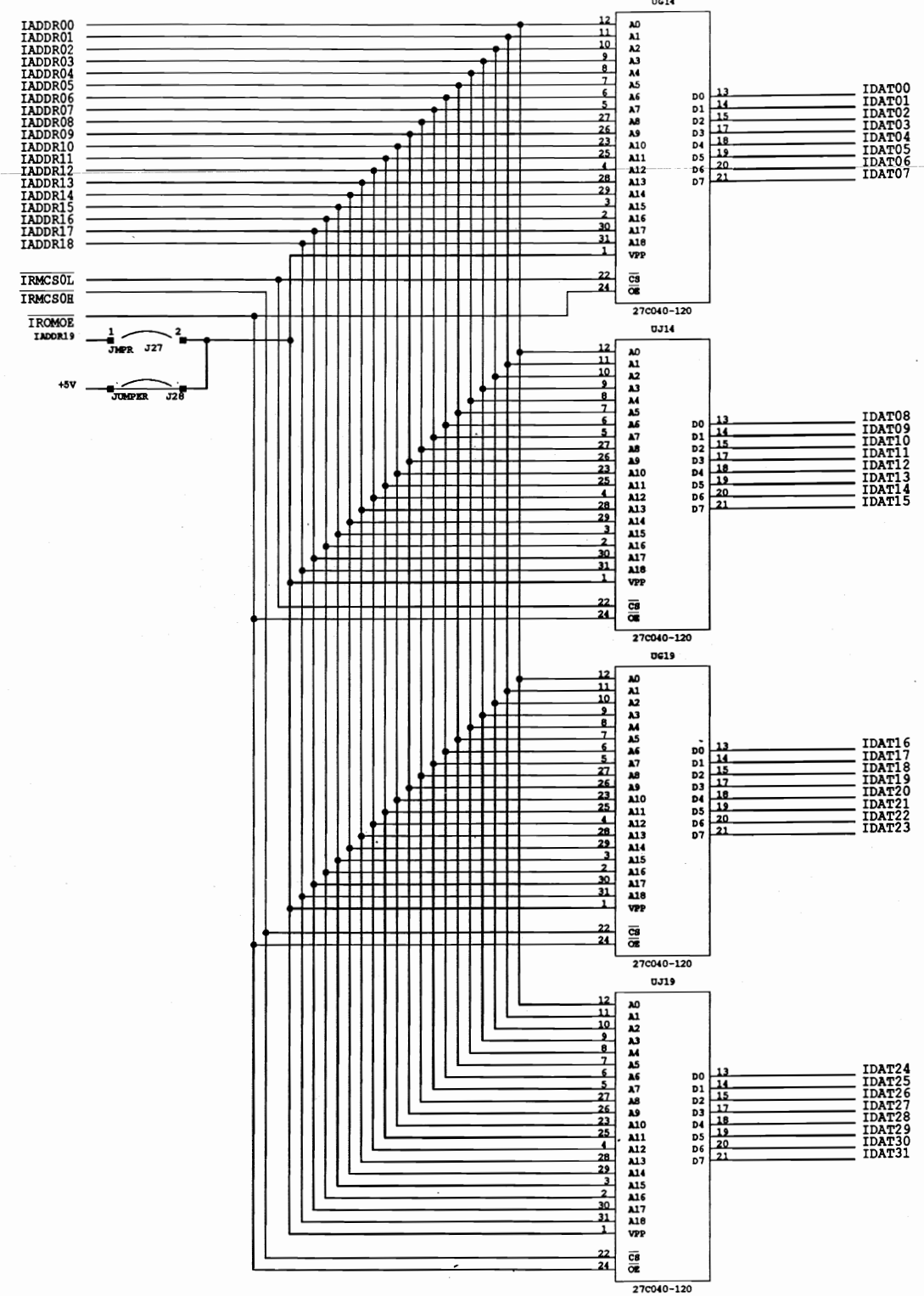
CPU BOARD
Sheet 10 of 22

INFORMATION CONTAINED HEREIN IS CONFIDENTIAL PROPERTY AND MAY NOT BE USED OR DISCLOSED WITHOUT EXPRESS WRITTEN CONSENT FROM THE COMPANY.			
PROJECT ENG.	FIRST PROJ. NO.	DATE	WILLIAMS ELECTRONICS AND GAMES INC.
REM	40023	09DEC92	MIDWAY MANUFACTURING COMPANY
DWN. BY	DATE	FIRST USAGE	DATE
REM	A-14816	09DEC92	3401 N. CALIFORNIA AVE. CHICAGO IL.
CHECKED	DATE	CURRENT PROJECT	DATE
REM	40023	19AUG93	
APPROVED	DATE	SHEET	OF
		10	22
PART NO. 16-9470			REV. 5

1 2 3 4 5 6 7 8

D
C
B
A

D
C
B
A



CPU BOARD
Sheet 11 of 22

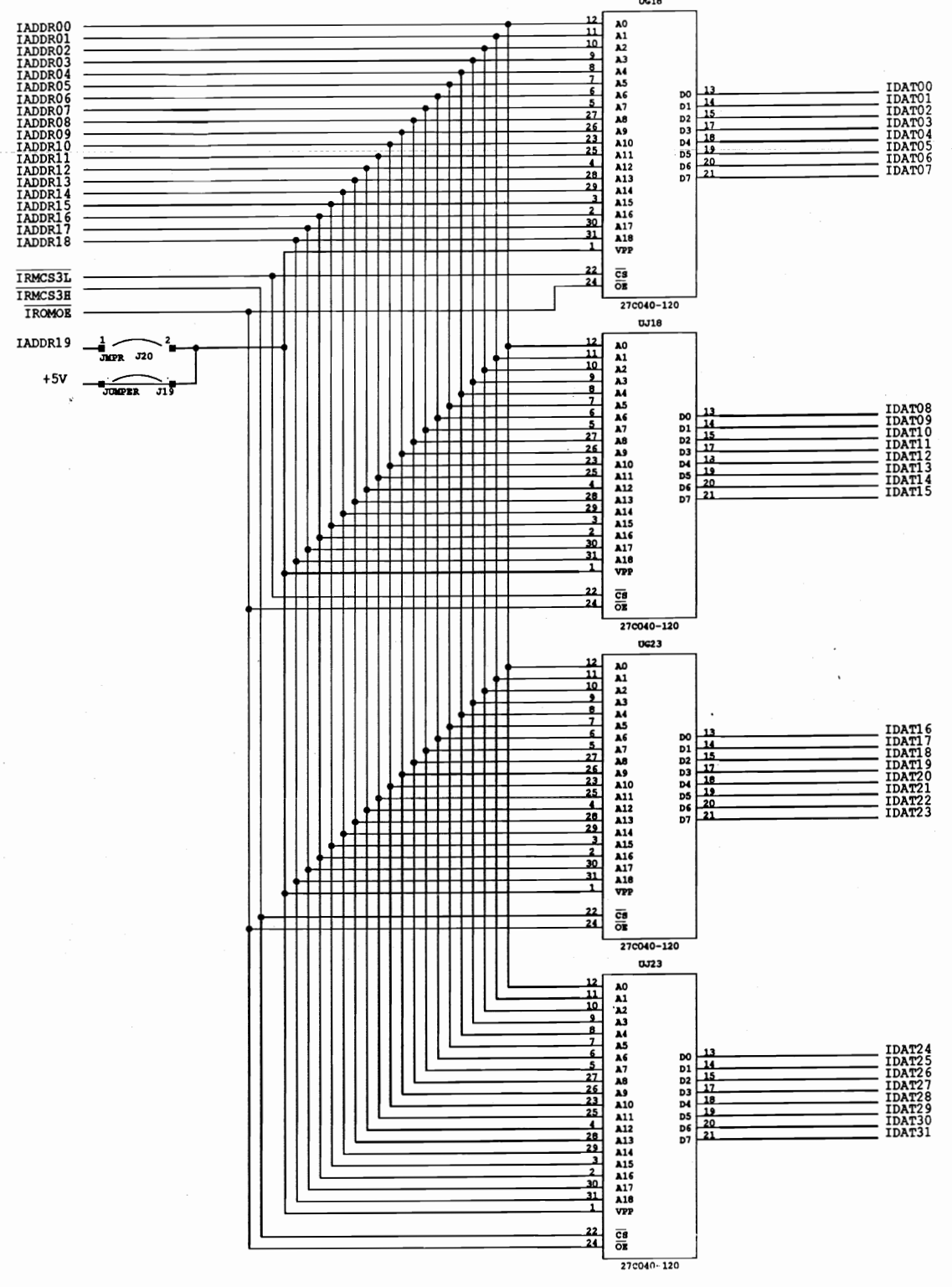
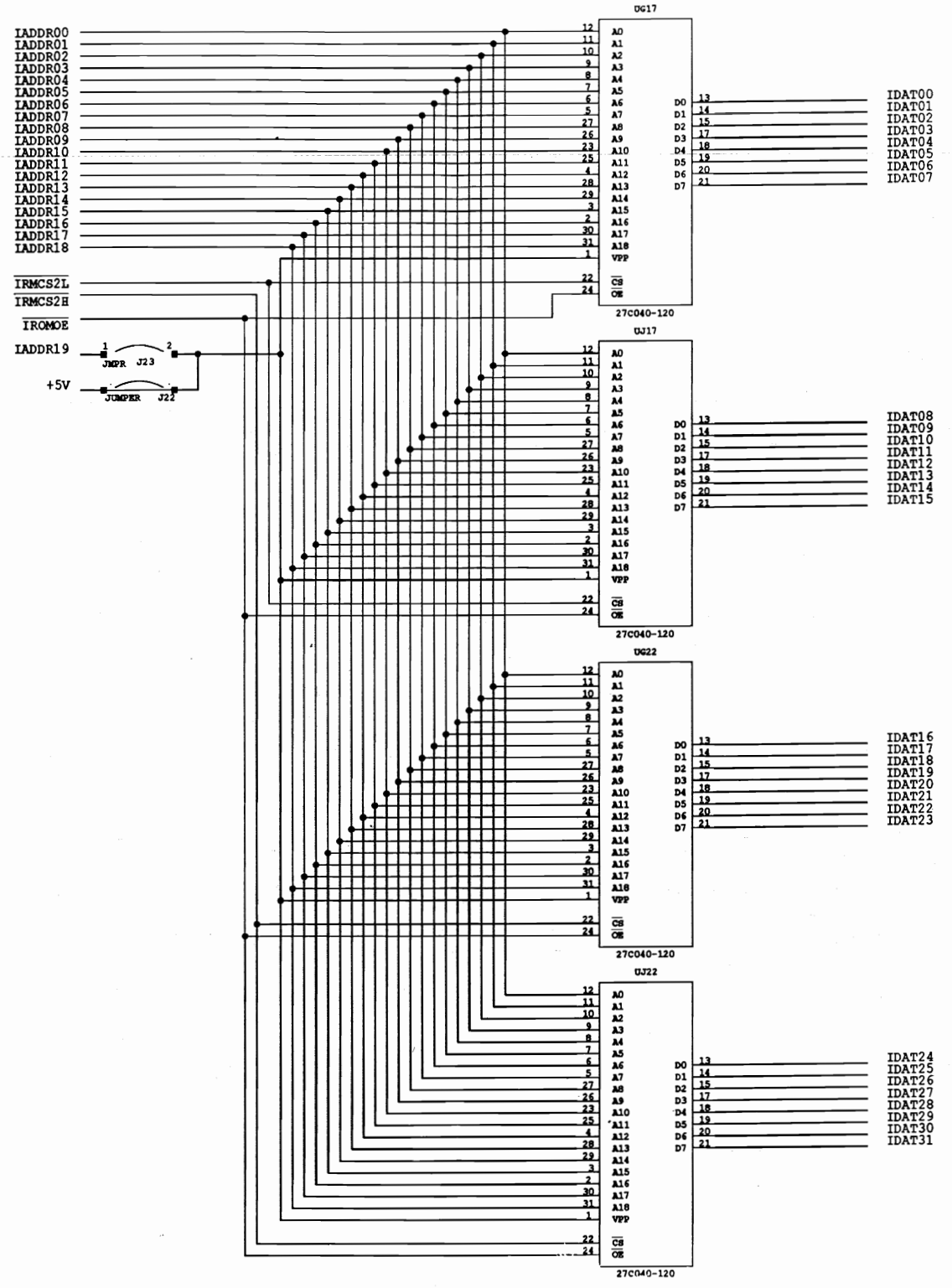
INFORMATION CONTAINED HEREIN IS CONFIDENTIAL PROPERTY AND MAY NOT BE USED OR DISCLOSED WITHOUT EXPRESS WRITTEN CONSENT FROM THE COMPANY.			
PROJECT ENG.	FIRST PROJ. NO.	DATE	WILLIAMS ELECTRONICS AND GAMES INC.
REM	40023	09DEC92	MIDWAY MANUFACTURING COMPANY
DNW. BY	DATE	FIRST USAGE	DATE
REM		A-14816	09DEC92
CHECKED	DATE	CURRENT PROJECT	DATE
REM		40023	19AUG93
APPROVED	DATE	SHEET	OF
		11	22
PART NO. 16-9470			REV. 5

1 2 3 4 5 6 7 8 3-15

1 2 3 4 5 6 7 8

D
C
B
A

D
C
B
A



CPU BOARD
Sheet 12 of 22

INFORMATION CONTAINED HEREIN IS CONFIDENTIAL PROPERTY AND MAY NOT BE USED OR DISCLOSED WITHOUT EXPRESS WRITTEN CONSENT FROM THE COMPANY.			
PROJECT ENG.	FIRST PROJ. NO	DATE	WILLIAMS ELECTRONICS AND GAMES INC.
REM	40023	09DEC92	MIDWAY MANUFACTURING COMPANY
OWN. BY	DATE	FIRST USAGE	3401 N. CALIFORNIA AVE. CHICAGO IL.
REM	A-14816	09DEC92	TITLE
CHECKED	DATE	CURRENT PROJECT	DATE
REM	40023	19AUG93	IMAGE ROM BANK 2/BANK 3
APPROVED	DATE	SHEET	OF
		12	22
PART NO. 16-9470		REV. 5	

1 2 3 4 5 6 7 8 3-16

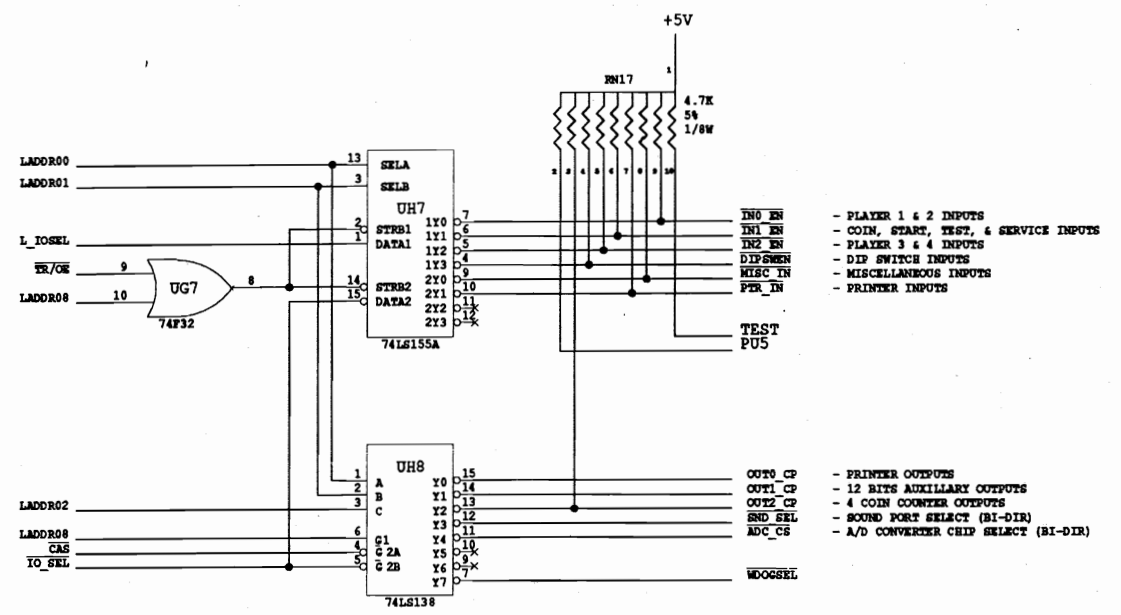
1 2 3 4 5 6 7 8

D D

C C

B B

A A



CPU BOARD
Sheet 13 of 22

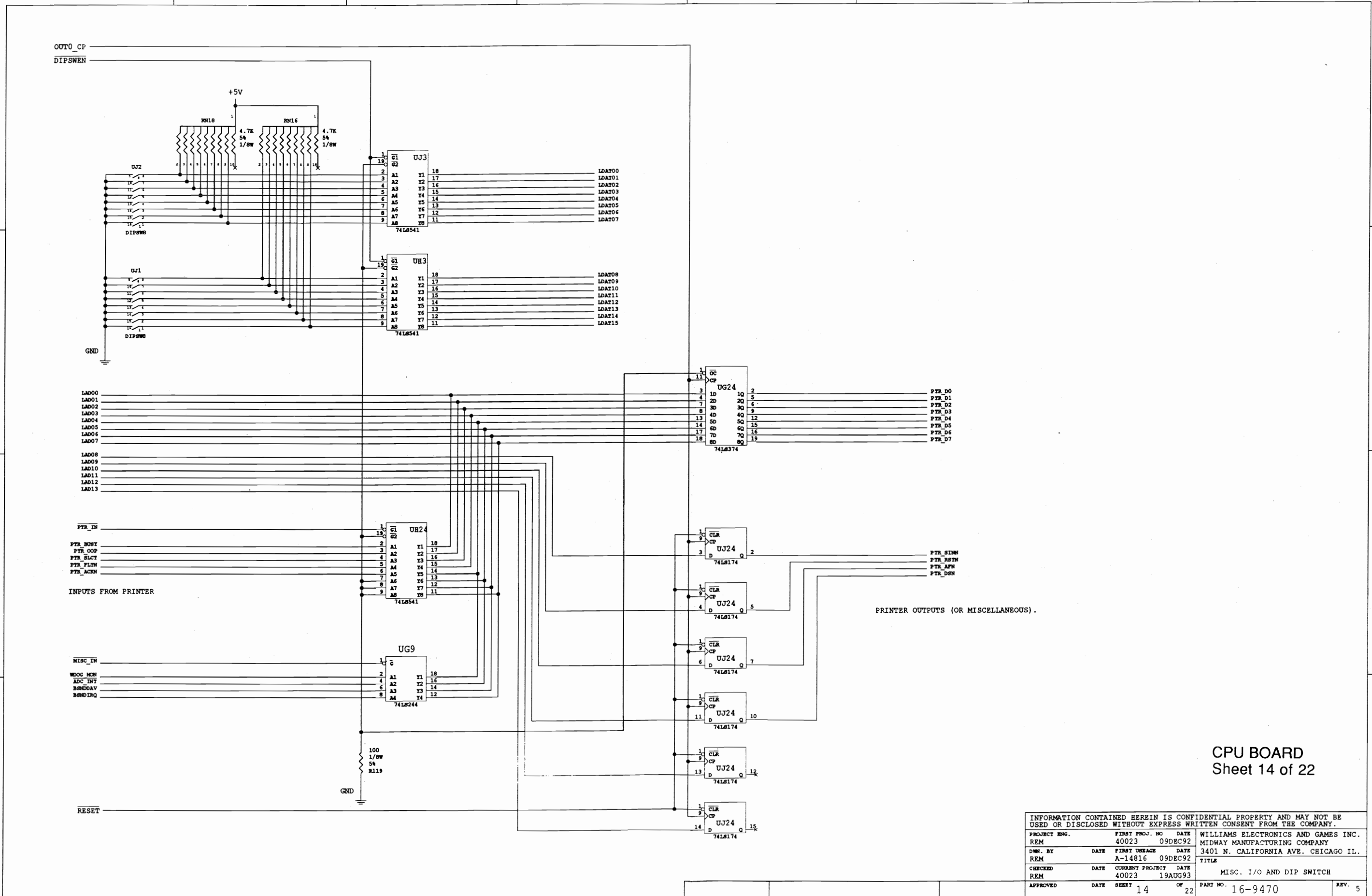
19 AUG. 1993 REM - CHANGED UG7 74LS32 TO 74F32.

INFORMATION CONTAINED HEREIN IS CONFIDENTIAL PROPERTY AND MAY NOT BE USED OR DISCLOSED WITHOUT EXPRESS WRITTEN CONSENT FROM THE COMPANY.			
PROJECT ENG.	FIRST PROJ. NO	DATE	WILLIAMS ELECTRONICS AND GAMES INC. MIDWAY MANUFACTURING COMPANY 3401 N. CALIFORNIA AVE. CHICAGO IL.
REM	40023	09DEC92	
DNW. BY	DATE	FIRST USAGE	TITLE
REM	A-14816	09DEC92	
CHECKED	DATE	CURRENT PROJECT	I/O DECODING
REM	40023	19AUG93	
APPROVED	DATE	SHEET 13	PART NO. 16-9470
		OF 22	REV. 5

1 2 3 4 5 6 7 8 3-17

D
C
B
A

D
C
B
A



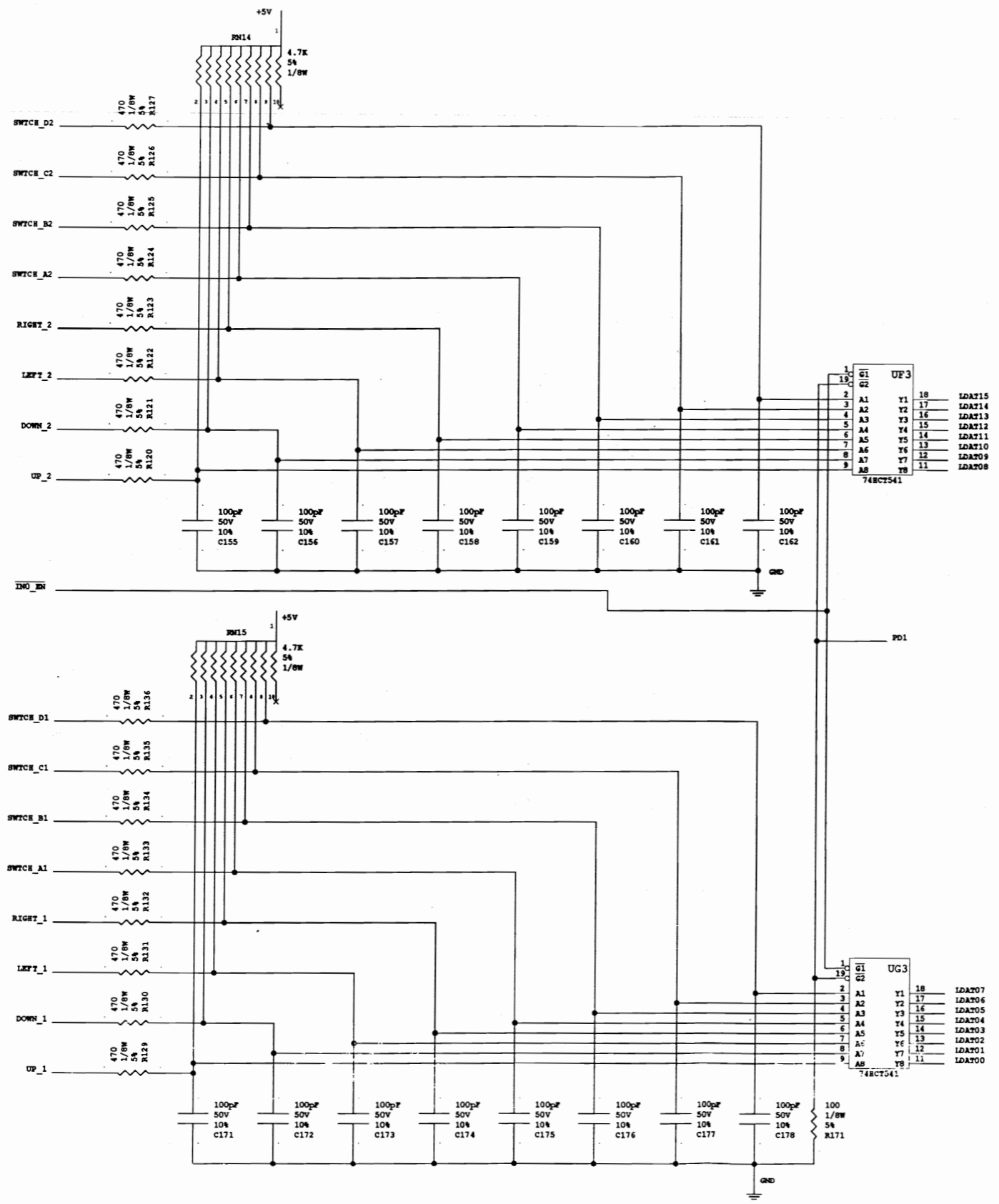
CPU BOARD
Sheet 14 of 22

INFORMATION CONTAINED HEREIN IS CONFIDENTIAL PROPERTY AND MAY NOT BE USED OR DISCLOSED WITHOUT EXPRESS WRITTEN CONSENT FROM THE COMPANY.			
PROJECT ENG.	FIRST PROJ. NO	DATE	WILLIAMS ELECTRONICS AND GAMES INC.
REM	40023	09DEC92	MIDWAY MANUFACTURING COMPANY
DWN. BY	DATE	FIRST USAGE	3401 N. CALIFORNIA AVE. CHICAGO IL.
REM		A-14816	09DEC92
CHECKED	DATE	CURRENT PROJECT	DATE
REM		40023	19AUG93
APPROVED	DATE	SHEET	REV.
		14	5

1 2 3 4 5 6 7 8

D
C
B
A

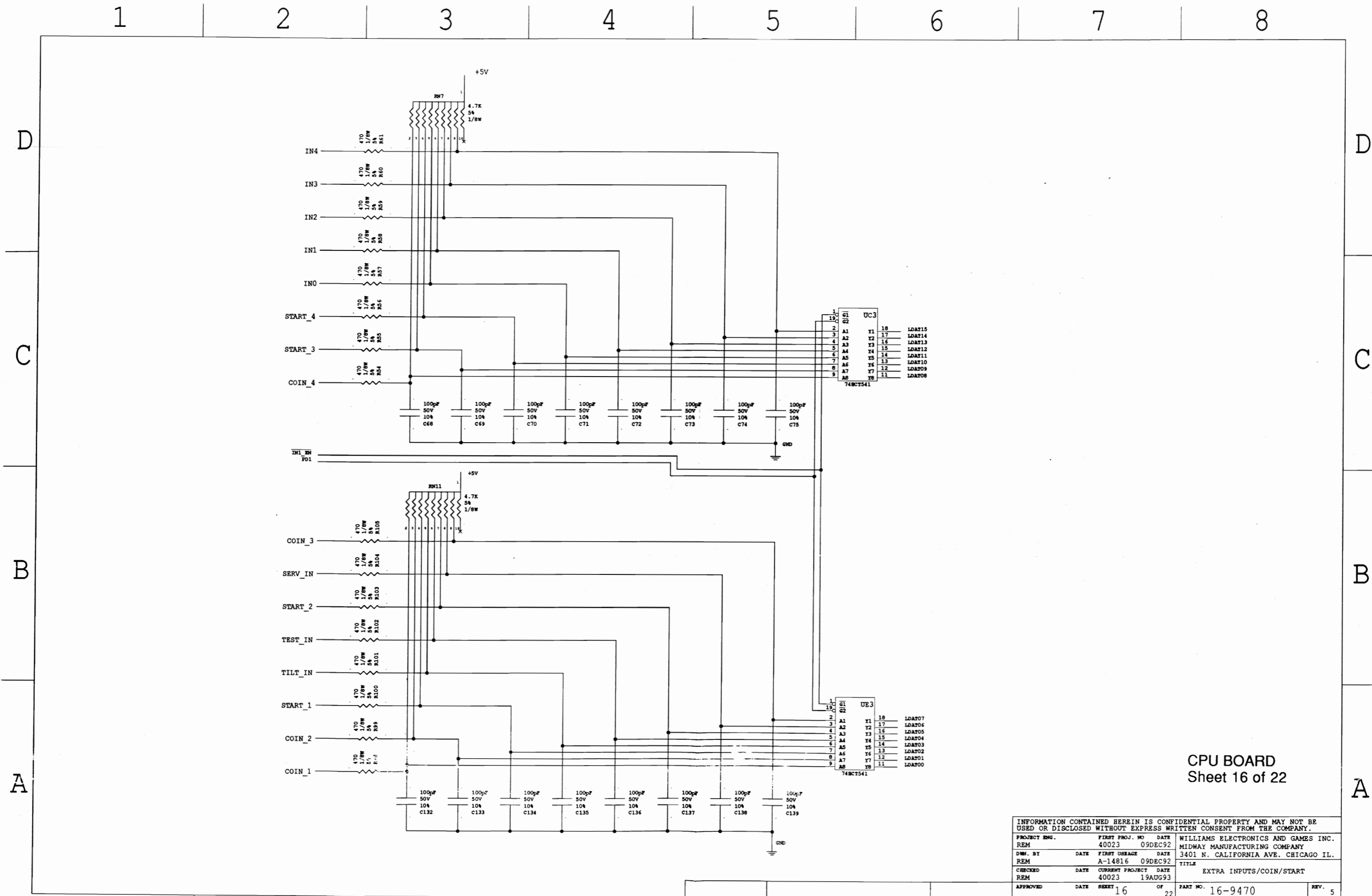
D
C
B
A



CPU BOARD
Sheet 15 of 22

INFORMATION CONTAINED HEREIN IS CONFIDENTIAL PROPERTY AND MAY NOT BE USED OR DISCLOSED WITHOUT EXPRESS WRITTEN CONSENT FROM THE COMPANY.			
PROJECT ENG.	FIRST PROJ. NO	DATE	WILLIAMS ELECTRONICS AND GAMES INC.
REM	40023	09DEC92	MIDWAY MANUFACTURING COMPANY
DWN. BY	DATE	FIRST USAGE	DATE
REM		A-14816	09DEC92
CHECKED	DATE	CURRENT PROJECT	DATE
REM		40023	19AUG93
APPROVED	DATE	SHEET	OF
		15	22
PART NO.		REV.	
16-9470		5	

1 2 3 4 5 6 7 8 3-19



CPU BOARD
Sheet 16 of 22

INFORMATION CONTAINED HEREIN IS CONFIDENTIAL PROPERTY AND MAY NOT BE USED OR DISCLOSED WITHOUT EXPRESS WRITTEN CONSENT FROM THE COMPANY.			
PROJECT ENG.	FIRST PROJ. NO	DATE	WILLIAMS ELECTRONICS AND GAMES INC.
REM	40023	09DEC92	MIDWAY MANUFACTURING COMPANY
DWN. BY	DATE	FIRST USAGE	3401 N. CALIFORNIA AVE. CHICAGO IL.
REM	A-14816	09DEC92	TITLE
CHECKED	DATE	CURRENT PROJECT	EXTRA INPUTS/COIN/START
REM	40023	19AUG93	
APPROVED	DATE	SHEET	PART NO.
		16	16-9470
		OF	REV.
		22	5

1 2 3 4 5 6 7 8

D

D

C

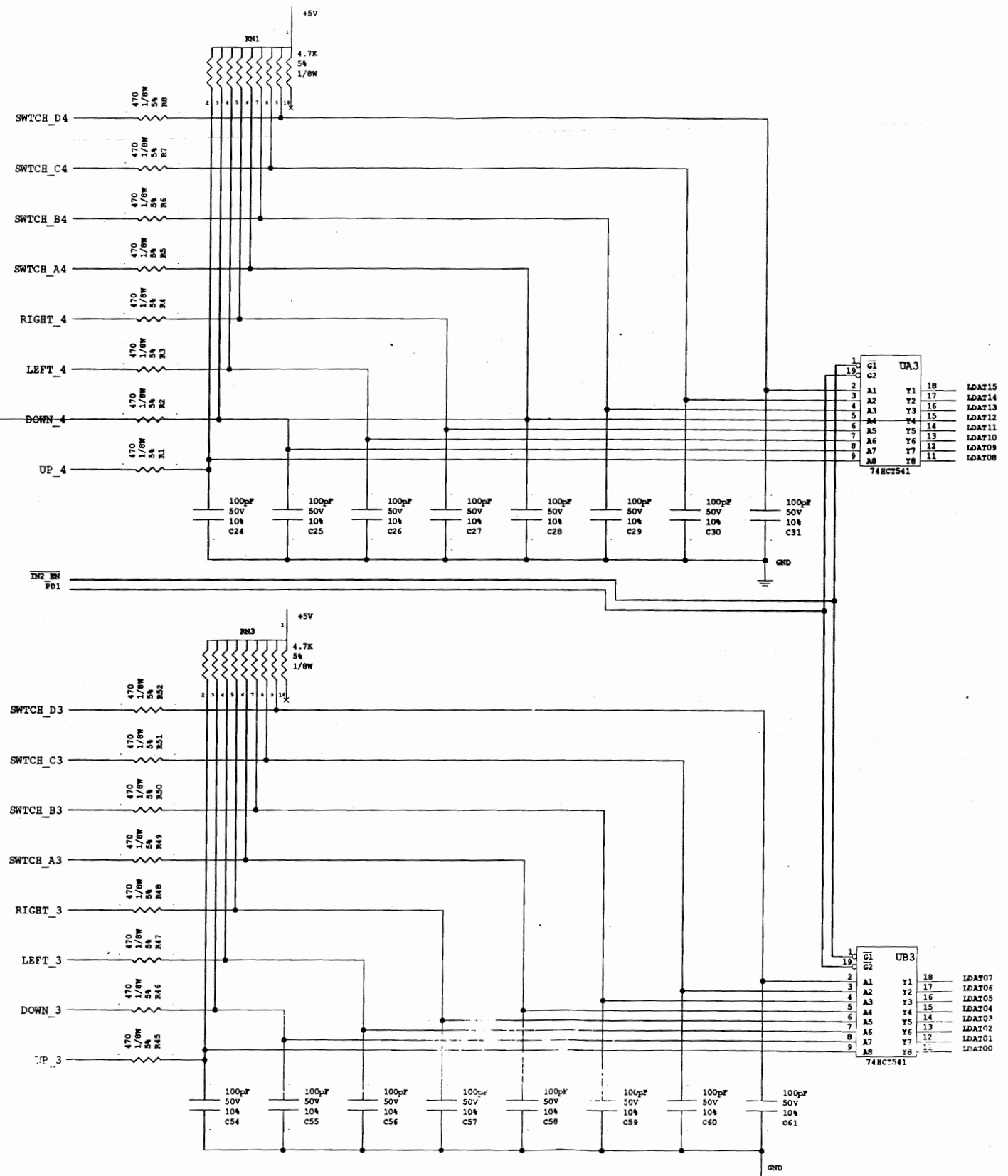
C

B

B

A

A



CPU BOARD
Sheet 17 of 22

INFORMATION CONTAINED HEREIN IS CONFIDENTIAL PROPERTY AND MAY NOT BE USED OR DISCLOSED WITHOUT EXPRESS WRITTEN CONSENT FROM THE COMPANY.			
PROJECT ENG.	FIRST PROJ. NO.	DATE	WILLIAMS ELECTRONICS AND GAMES INC.
REM	40023	09DEC92	MIDWAY MANUFACTURING COMPANY
DWN. BY	DATE	FIRST USAGE	DATE
REM		A-14816	09DEC92
CHECKED	DATE	CURRENT PROJECT	DATE
REM		40023	19AUG93
APPROVED	DATE	SHEET	OF
		17	22
PART NO. 16-9470			REV. 5

1 2 3 4 5 6 7 8 3-21

1 2 3 4 5 6 7 8

D

D

C

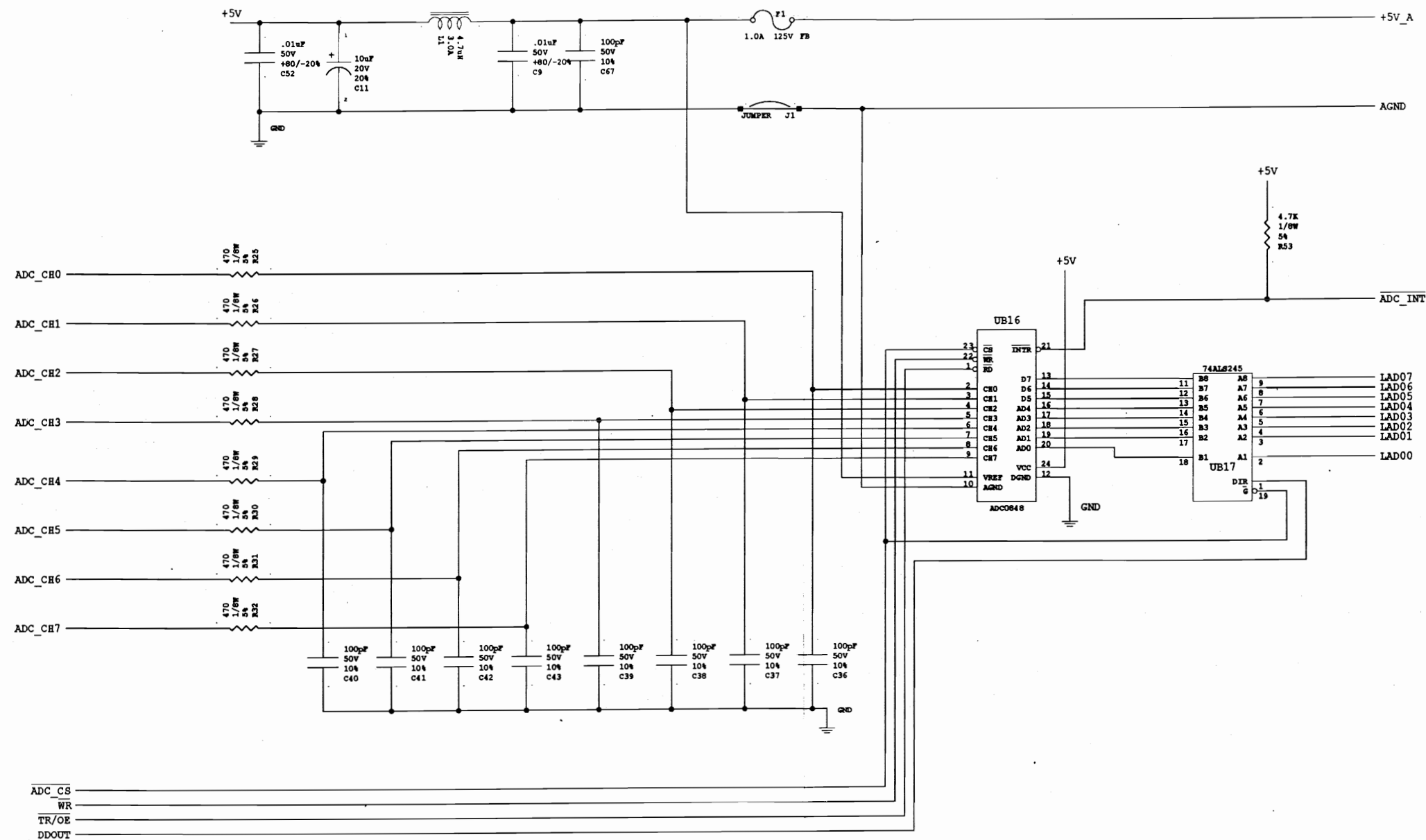
C

B

B

A

A



CPU BOARD
Sheet 18 of 22

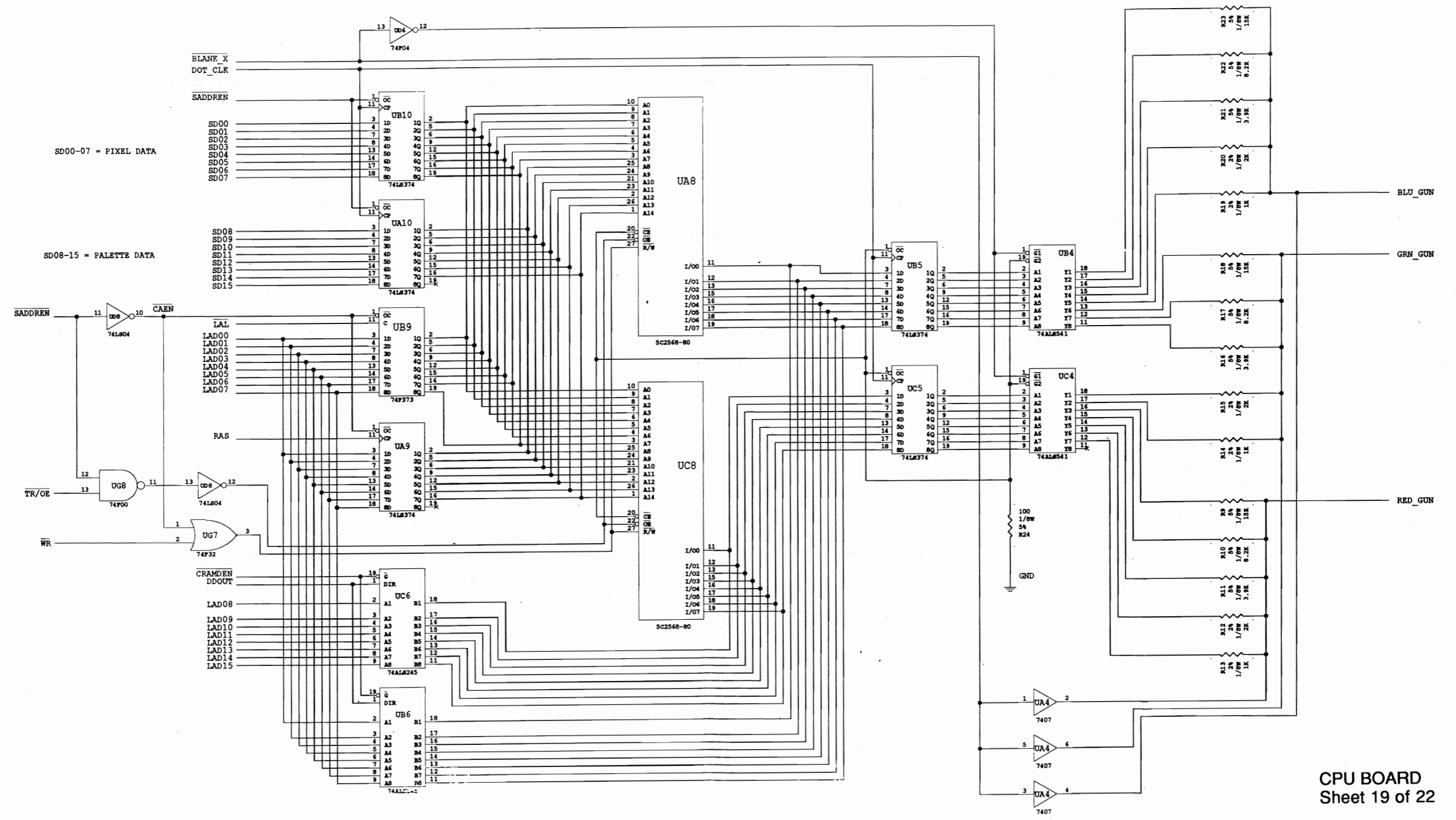
INFORMATION CONTAINED HEREIN IS CONFIDENTIAL PROPERTY AND MAY NOT BE USED OR DISCLOSED WITHOUT EXPRESS WRITTEN CONSENT FROM THE COMPANY.			
PROJECT ENG.	FIRST PROJ. NO.	DATE	WILLIAMS ELECTRONICS AND GAMES INC.
REM	40023	09DEC92	MIDWAY MANUFACTURING COMPANY
DWN. BY	DATE	FIRST USAGE	DATE
REM	A-14816	09DEC92	3401 N. CALIFORNIA AVE. CHICAGO IL.
CHECKED	DATE	CURRENT PROJECT	DATE
REM	40023	19AUG93	
APPROVED	DATE	SHEET	OF
		18	22
PART NO. 16-9470			REV. 5

1 2 3 4 5 6 7 8 3-22

1 2 3 4 5 6 7 8

D
C
B
A

D
C
B
A



CPU BOARD
Sheet 19 of 22

19 AUG. 1993 REM - CHANGED UG7 74LS32 TO 74F32.

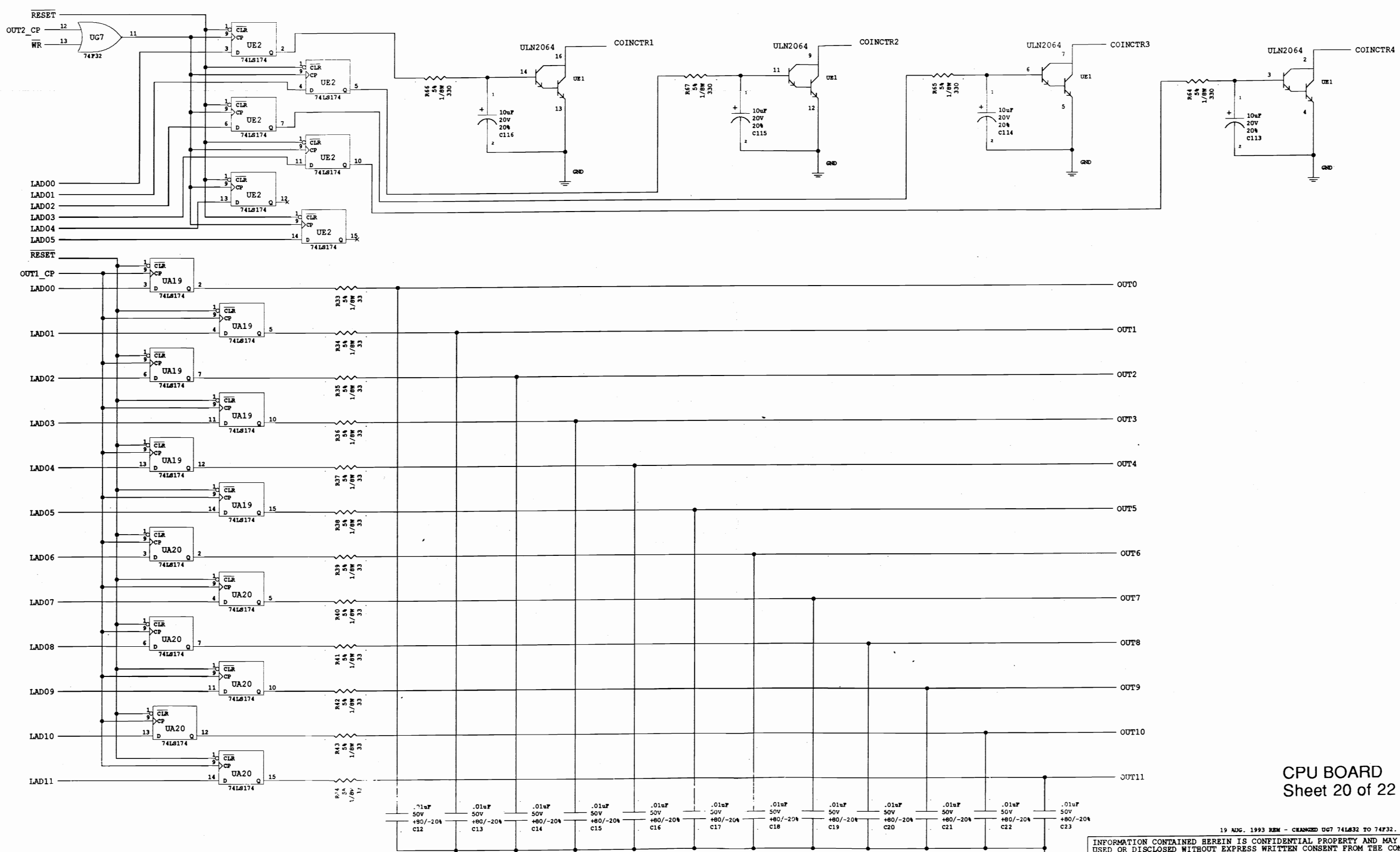
INFORMATION CONTAINED HEREIN IS CONFIDENTIAL PROPERTY AND MAY NOT BE USED OR DISCLOSED WITHOUT EXPRESS WRITTEN CONSENT FROM THE COMPANY.			
PROJECT ENG.	FIRST PROJ. NO	DATE	WILLIAMS ELECTRONICS AND GAMES INC.
REM	40023	09DEC92	MIDWAY MANUFACTURING COMPANY
DWN. BY	DATE	FIRST USAGE	3401 N. CALIFORNIA AVE. CHICAGO IL.
REM	A-14816	09DEC92	TITLE
CHECKED	DATE	CURRENT PROJECT	DATE
REM	40023	19AUG93	RAMDAC
APPROVED	DATE	SHEET	OF
		19	
PART NO. 16-9470			REV. 5

1 2 3 4 5 6 7 8 3-23

1 2 3 4 5 6 7 8

D
C
B
A

D
C
B
A



CPU BOARD
Sheet 20 of 22

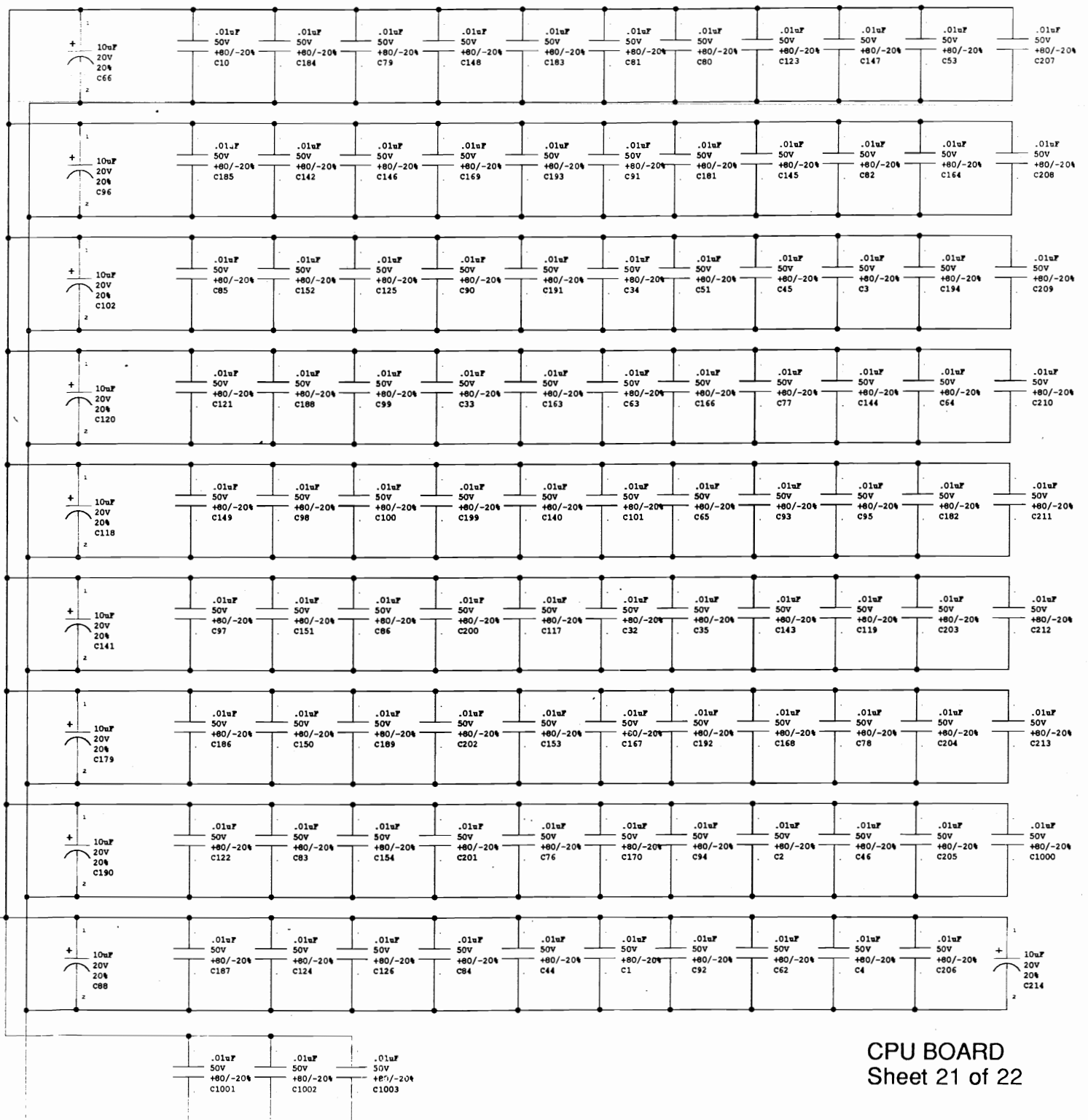
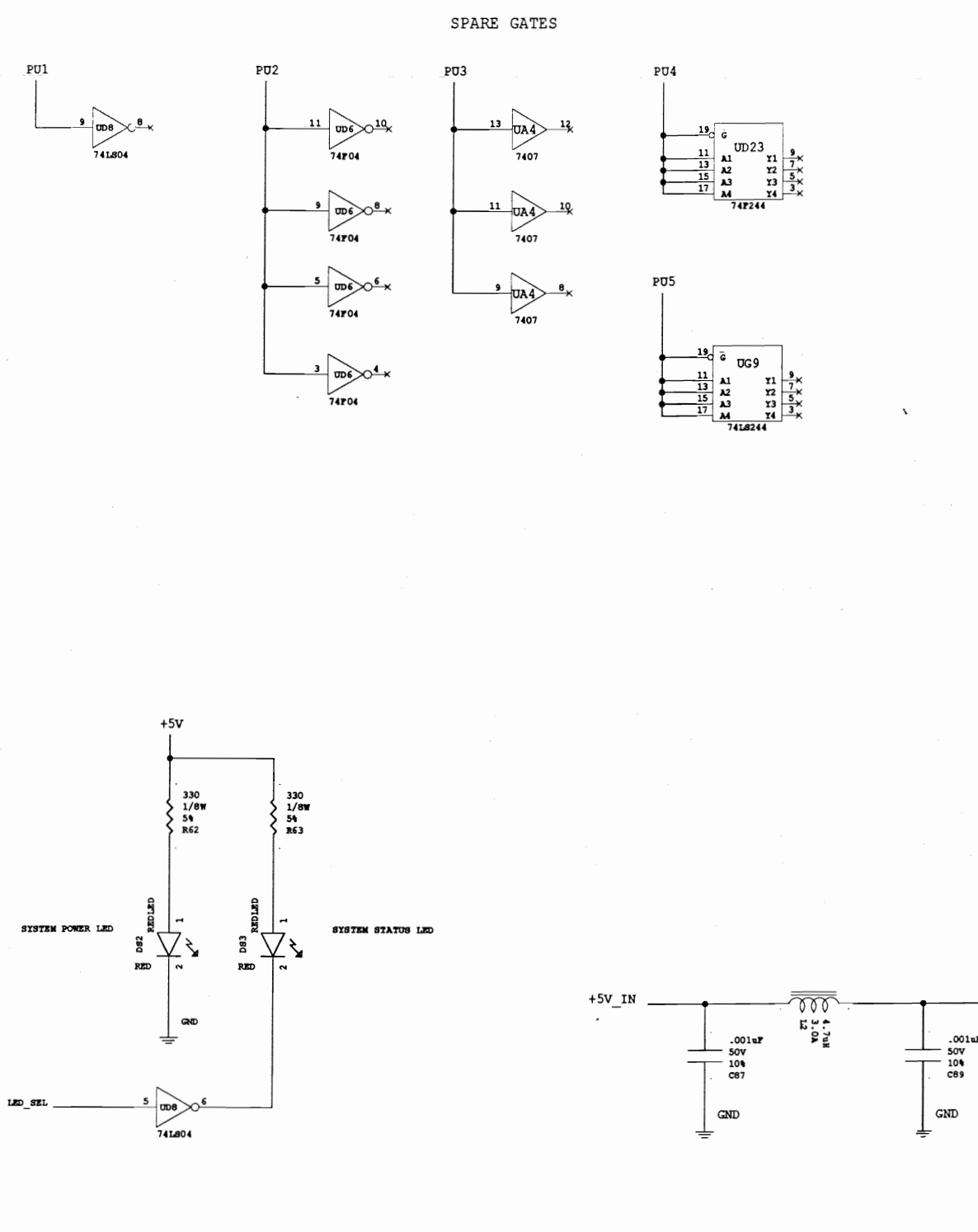
19 AUG. 1993 REM - CHANGED UG7 74LS32 TO 74F32.

INFORMATION CONTAINED HEREIN IS CONFIDENTIAL PROPERTY AND MAY NOT BE USED OR DISCLOSED WITHOUT EXPRESS WRITTEN CONSENT FROM THE COMPANY.			
PROJECT ENG.	FIRST PROJ. NO	DATE	WILLIAMS ELECTRONICS AND GAMES INC.
REM	40023	09DEC92	MIDWAY MANUFACTURING COMPANY
DN: BY	DATE	FIRST USAGE	DATE
REM	A-14816	09DEC92	3401 N. CALIFORNIA AVE. CHICAGO IL.
CHECKED	DATE	CURRENT PROJECT	DATE
REM	40023	19AUG93	OUTPUTS
APPROVED	DATE	SHEET	PART NO. 16-9470
		20	REV. 5

1 2 3 4 5 6 7 8

D
C
B
A

D
C
B
A



CPU BOARD
Sheet 21 of 22

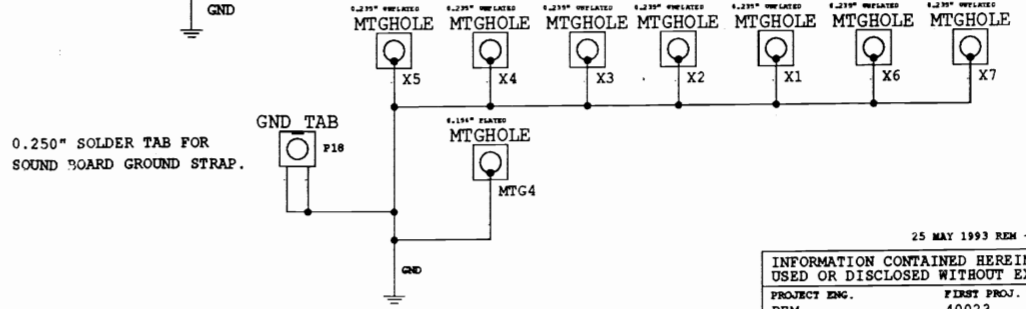
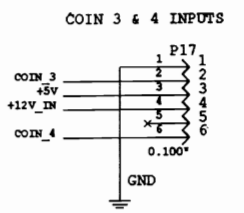
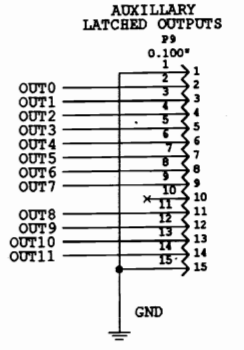
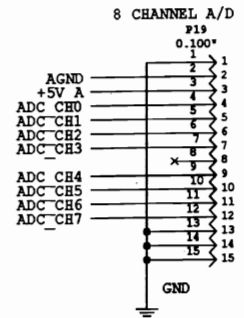
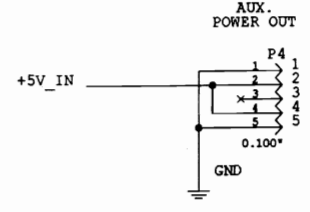
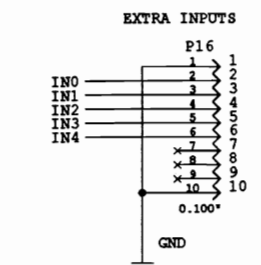
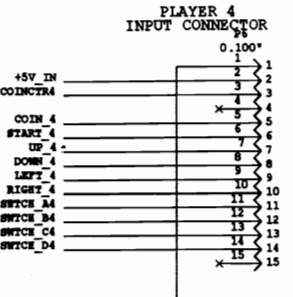
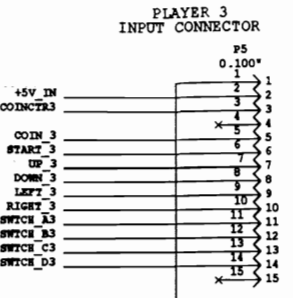
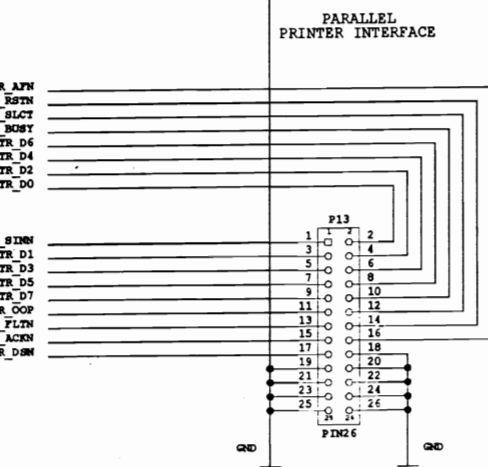
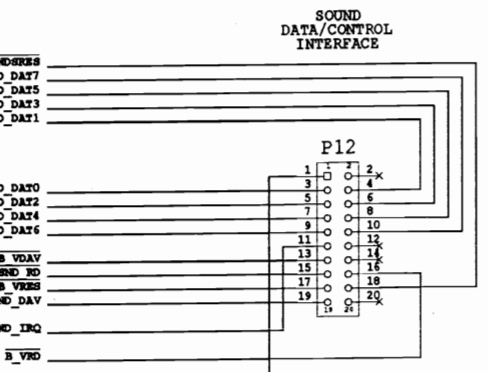
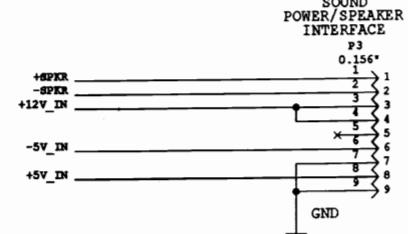
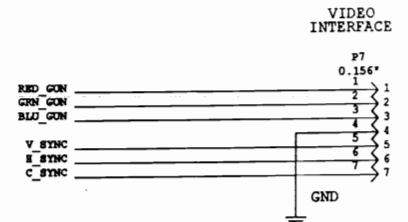
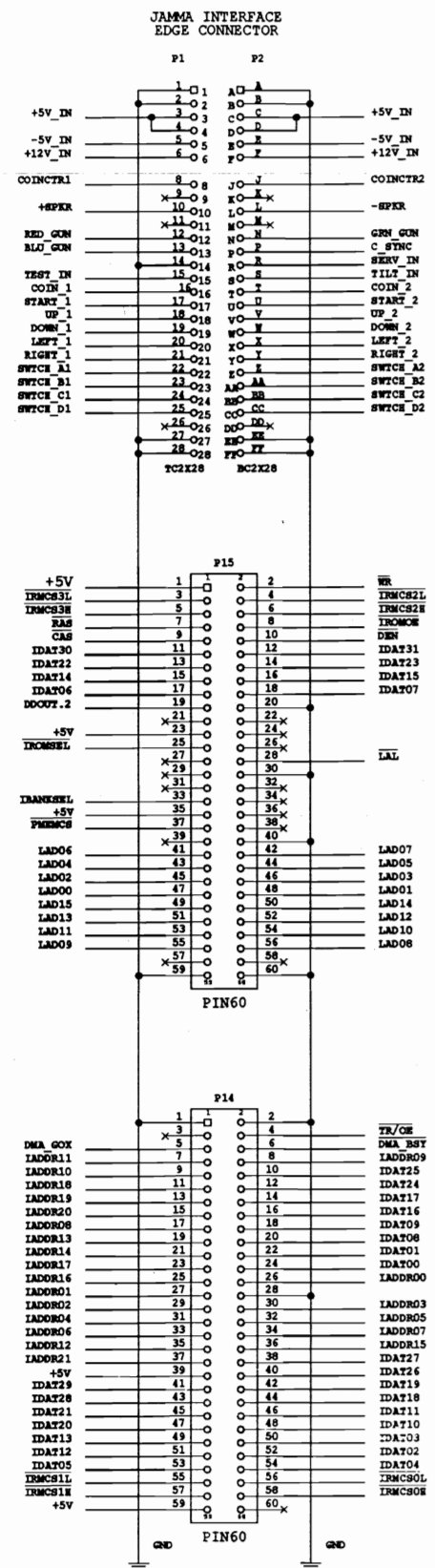
25 MAY 1993 REM - ADDED C1001, C1002, C1003

INFORMATION CONTAINED HEREIN IS CONFIDENTIAL PROPERTY AND MAY NOT BE USED OR DISCLOSED WITHOUT EXPRESS WRITTEN CONSENT FROM THE COMPANY.			
PROJECT ENG.	FIRST PROJ. NO.	DATE	WILLIAMS ELECTRONICS AND COMPANY INC.
REM	40023	09DEC92	MIDWAY MANUFACTURING COMPANY
DWN. BY	DATE	FIRST USAGE	DATE
REM		A-14816	09DEC92
			3401 N. CALIFORNIA AVE. CHICAGO IL.
CHECKED	DATE	CURRENT PROJECT	DATE
REM		40023	19AUG93
			TITLE
			POWER
APPROVED	DATE	SHEET	OF
		21	22
		PART NO.	REV.
		16-9470	5

1 2 3 4 5 6 7 8 3-25

D
C
B
A

D
C
B
A

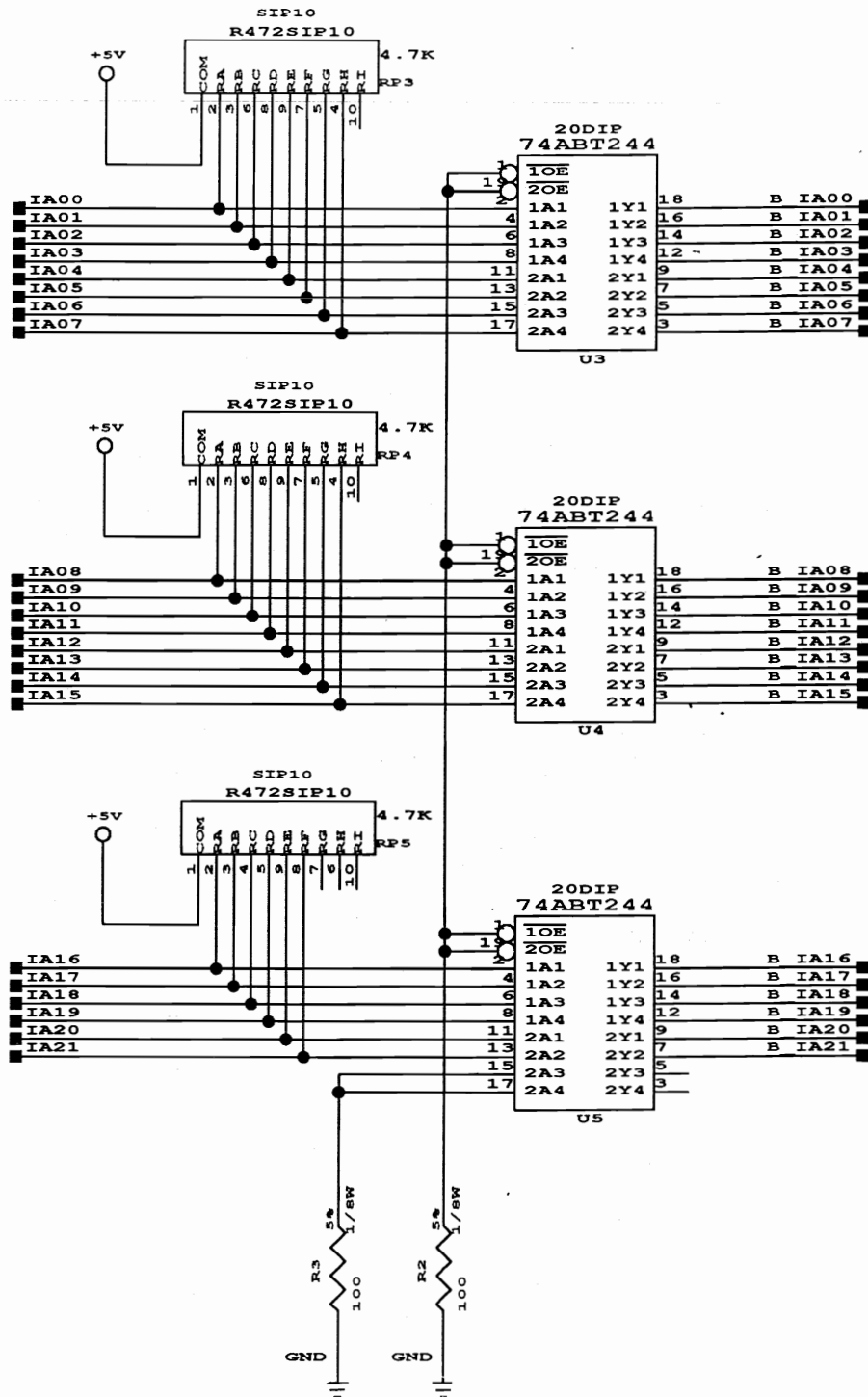


CPU BOARD
Sheet 22 of 22

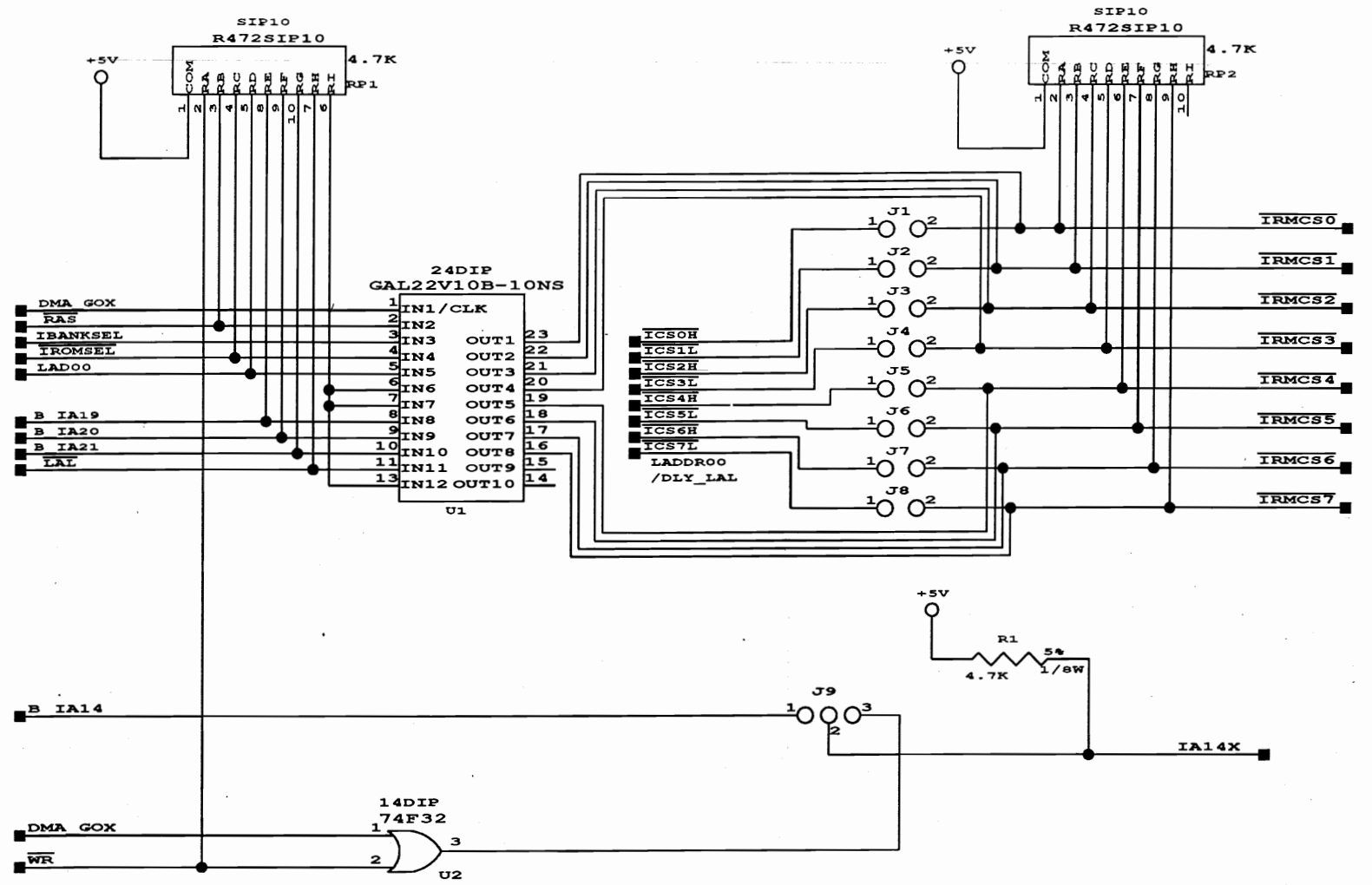
25 MAY 1993 REM - ADDED PWR, GND, IROMSEL-, & IBANKSEL TO P14 & P15.

INFORMATION CONTAINED HEREIN IS CONFIDENTIAL PROPERTY AND MAY NOT BE USED OR DISCLOSED WITHOUT EXPRESS WRITTEN CONSENT FROM THE COMPANY.			
PROJECT ENG.	FIRST PROJ. NO	DATE	WILLIAMS ELECTRONICS AND GAMES INC.
REM	40023	09DEC92	MIDWAY MANUFACTURING COMPANY
DWN. BY	DATE	FIRST USAGE	DATE
REM	A-14816	09DEC92	3401 N. CALIFORNIA AVE. CHICAGO IL.
CHECKED	DATE	CURRENT PROJECT	DATE
REM	40023	19AUG93	
APPROVED	DATE	SHEET	OF
		22	22
PART NO. 16-9470			REV. 5

IROM ADDRESS BUFFERS

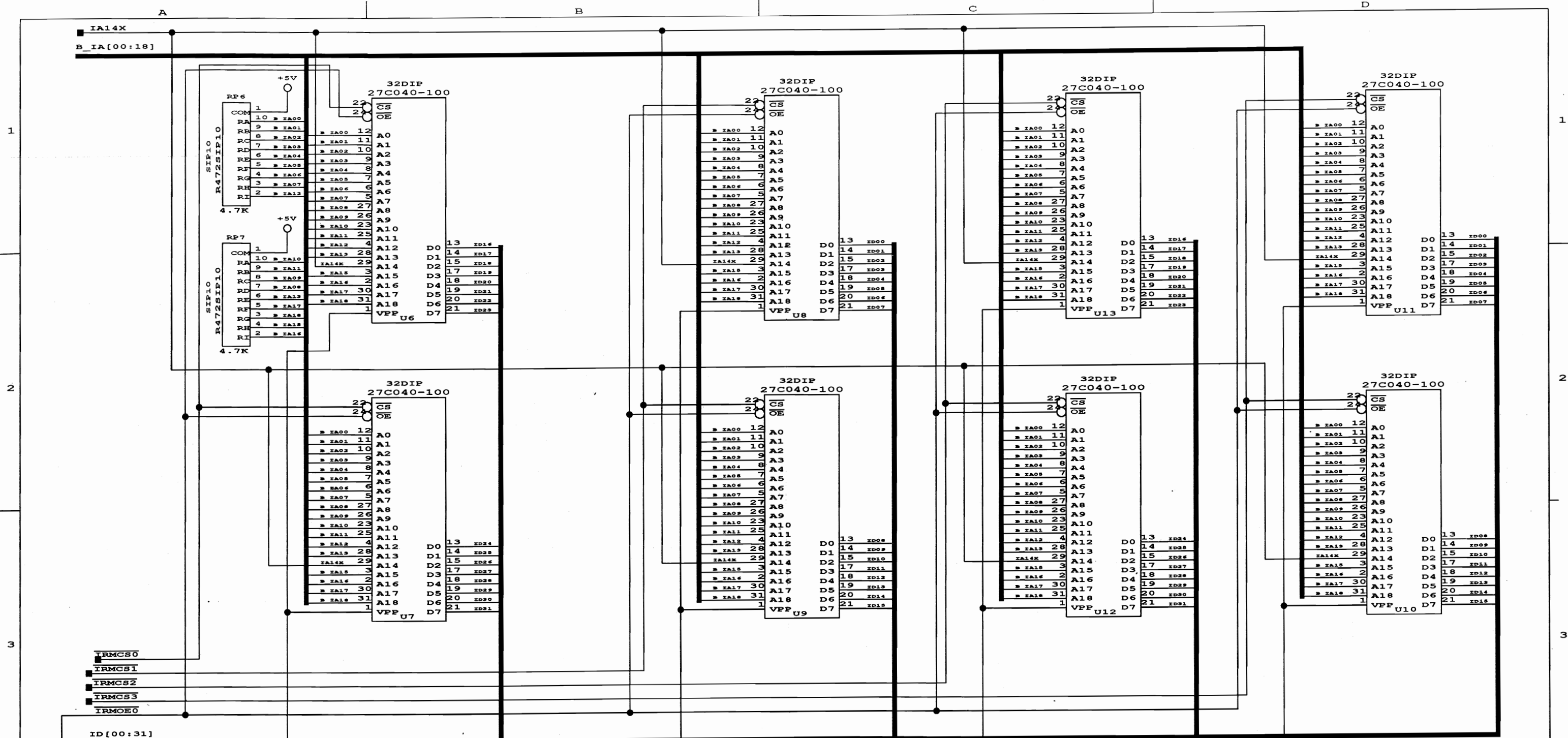


IROM CS GENERATOR



MEMORY EXPANSION BOARD
Sheet 1 of 5

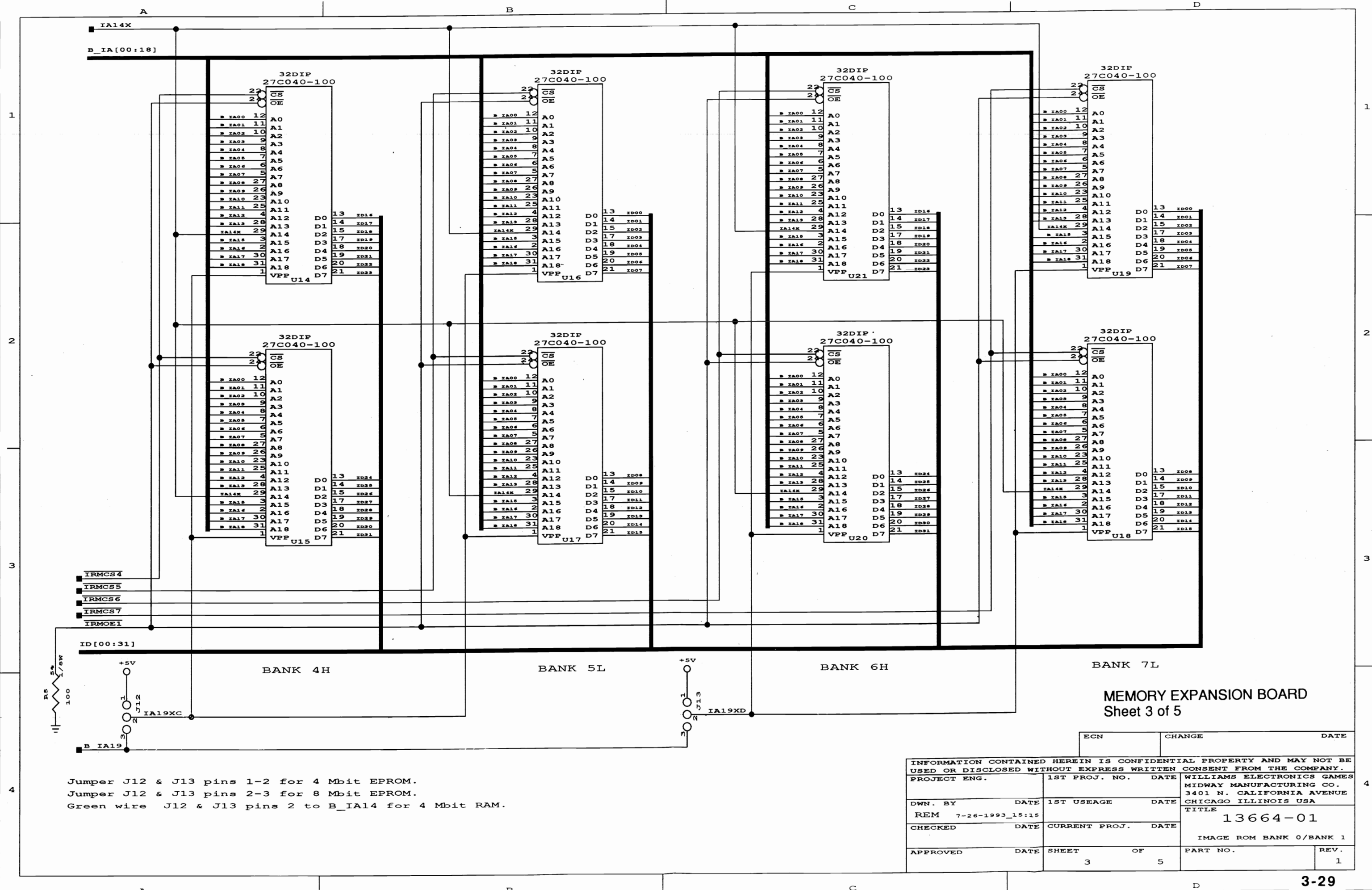
ECN		CHANGE		DATE	
INFORMATION CONTAINED HEREIN IS CONFIDENTIAL PROPERTY AND MAY NOT BE USED OR DISCLOSED WITHOUT EXPRESS WRITTEN CONSENT FROM THE COMPANY.					
PROJECT ENG.	1ST PROJ. NO.	DATE	DATE	WILLIAMS ELECTRONICS GAMES MIDWAY MANUFACTURING CO. 3401 N. CALIFORNIA AVENUE CHICAGO ILLINOIS USA	
DWN. BY	DATE	1ST USAGE	DATE	TITLE 13664-01	
REM 8-20-1993_6:34				PLD/CONTROL & IA BUFFERS	
CHECKED	DATE	CURRENT PROJ.	DATE	PART NO.	REV.
					1
APPROVED	DATE	SHEET	OF	PART NO.	
		1	5		



MEMORY EXPANSION BOARD
Sheet 2 of 5

Jumper J10 & J11 pins 1-2 for 4 Mbit EPROM.
 Jumper J10 & J11 pins 2-3 for 8 Mbit EPROM.
 Green wire J10 & J11 pins 2 to B_IA14 for 4 Mbit RAM.

ECN		CHANGE		DATE
INFORMATION CONTAINED HEREIN IS CONFIDENTIAL PROPERTY AND MAY NOT BE USED OR DISCLOSED WITHOUT EXPRESS WRITTEN CONSENT FROM THE COMPANY.				
PROJECT ENG.	1ST PROJ. NO.	DATE	WILLIAMS ELECTRONICS GAMES MIDWAY MANUFACTURING CO. 3401 N. CALIFORNIA AVENUE CHICAGO ILLINOIS USA	
DWN. BY	DATE	1ST USAGE	DATE	TITLE
REM	7-26-1993_15:15			13664-01
CHECKED	DATE	CURRENT PROJ.	DATE	IMAGE ROM BANK 0/BANK 1
APPROVED	DATE	SHEET	OF	PART NO. REV.
		2	5	

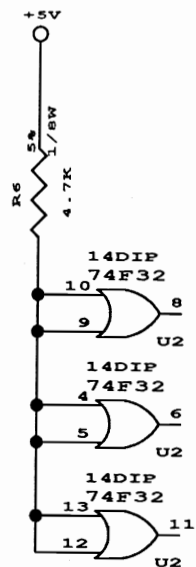


MEMORY EXPANSION BOARD
Sheet 3 of 5

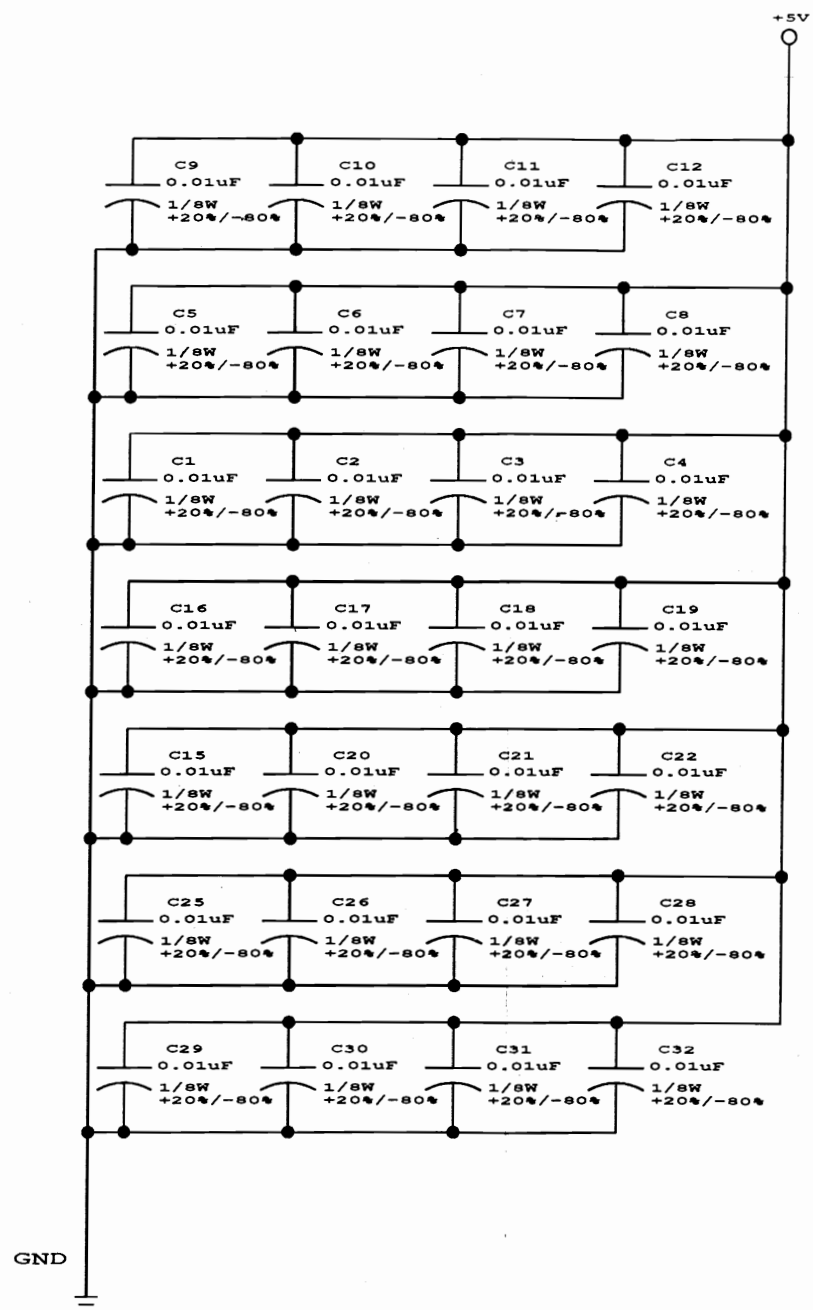
Jumper J12 & J13 pins 1-2 for 4 Mbit EPROM.
 Jumper J12 & J13 pins 2-3 for 8 Mbit EPROM.
 Green wire J12 & J13 pins 2 to B_IA14 for 4 Mbit RAM.

ECN		CHANGE		DATE
INFORMATION CONTAINED HEREIN IS CONFIDENTIAL PROPERTY AND MAY NOT BE USED OR DISCLOSED WITHOUT EXPRESS WRITTEN CONSENT FROM THE COMPANY.				
PROJECT ENG.	1ST PROJ. NO.	DATE	WILLIAMS ELECTRONICS GAMES MIDWAY MANUFACTURING CO. 3401 N. CALIFORNIA AVENUE CHICAGO ILLINOIS USA	
DWN. BY	DATE	1ST USAGE	DATE	TITLE
REM	7-26-1993_15:15			13664-01
CHECKED	DATE	CURRENT PROJ.	DATE	IMAGE ROM BANK 0/BANK 1
APPROVED	DATE	SHEET	OF	PART NO.
		3	5	REV. 1

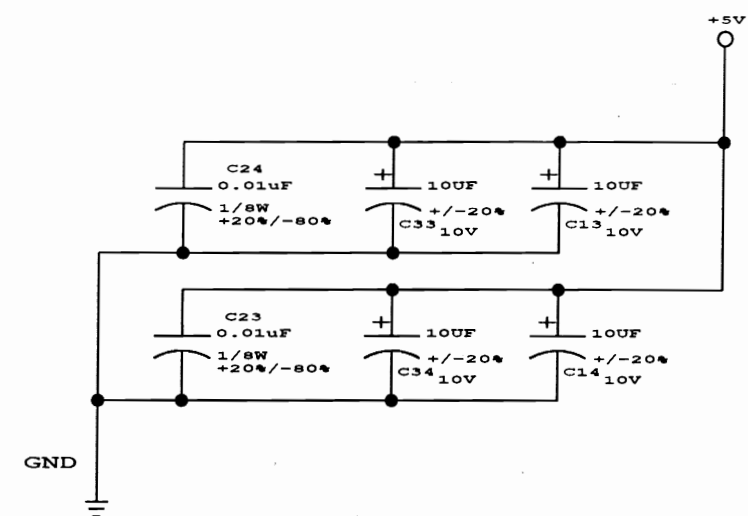
SPARE GATES



BYPASS CAPS



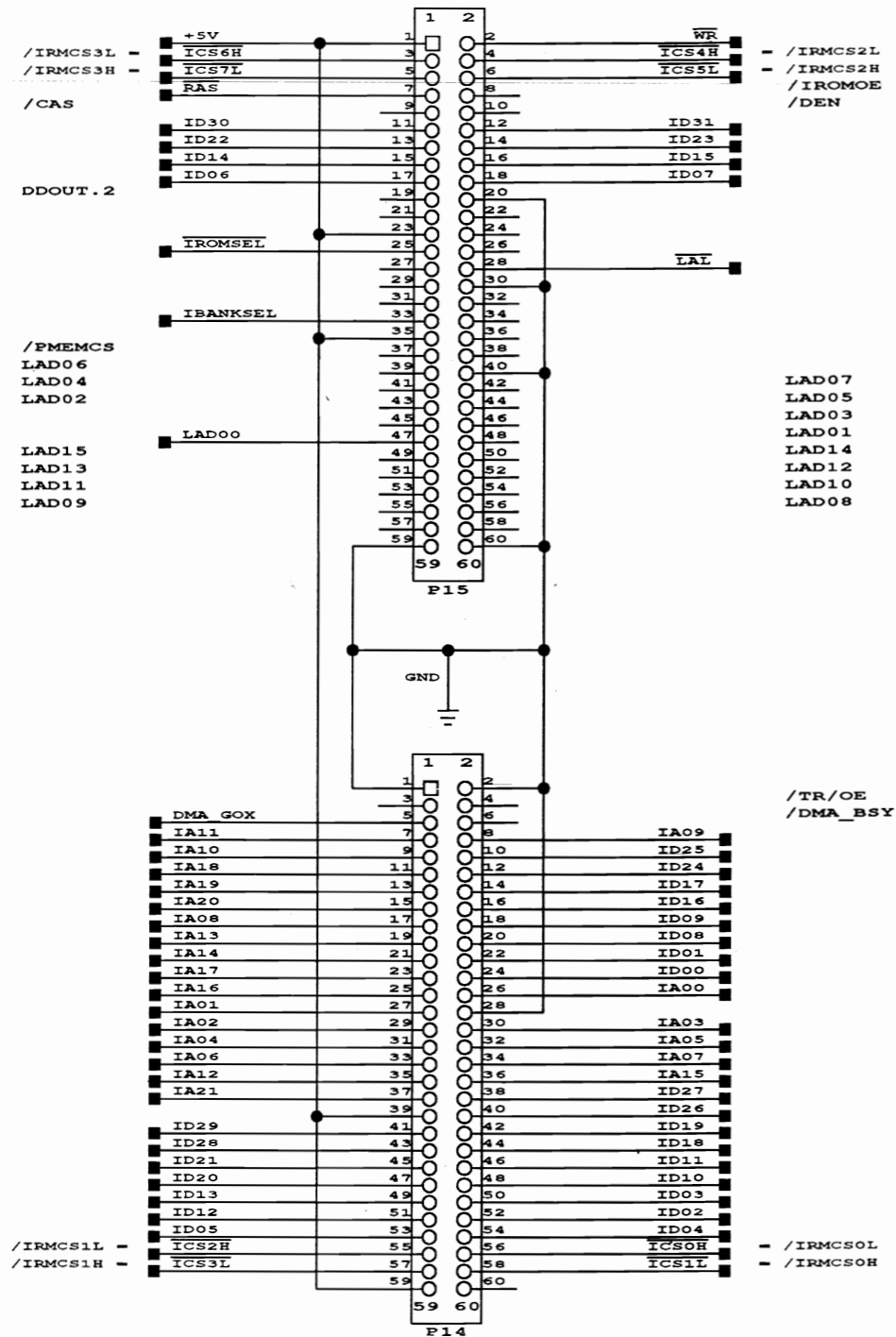
FILTER CAPS



MEMORY EXPANSION BOARD
Sheet 4 of 5

ECN		CHANGE		DATE
INFORMATION CONTAINED HEREIN IS CONFIDENTIAL PROPERTY AND MAY NOT BE USED OR DISCLOSED WITHOUT EXPRESS WRITTEN CONSENT FROM THE COMPANY.				
PROJECT ENG.	1ST PROJ. NO.	DATE	WILLIAMS ELECTRONICS GAMES MIDWAY MANUFACTURING CO. 3401 N. CALIFORNIA AVENUE CHICAGO ILLINOIS USA	
DWN. BY	DATE	1ST USAGE	DATE	TITLE
REM 7-26-1993_15:15				13664-01
CHECKED	DATE	CURRENT PROJ.	DATE	CAPS/SPARE GATES
APPROVED	DATE	SHEET	OF	PART NO.
		4	5	REV. 1

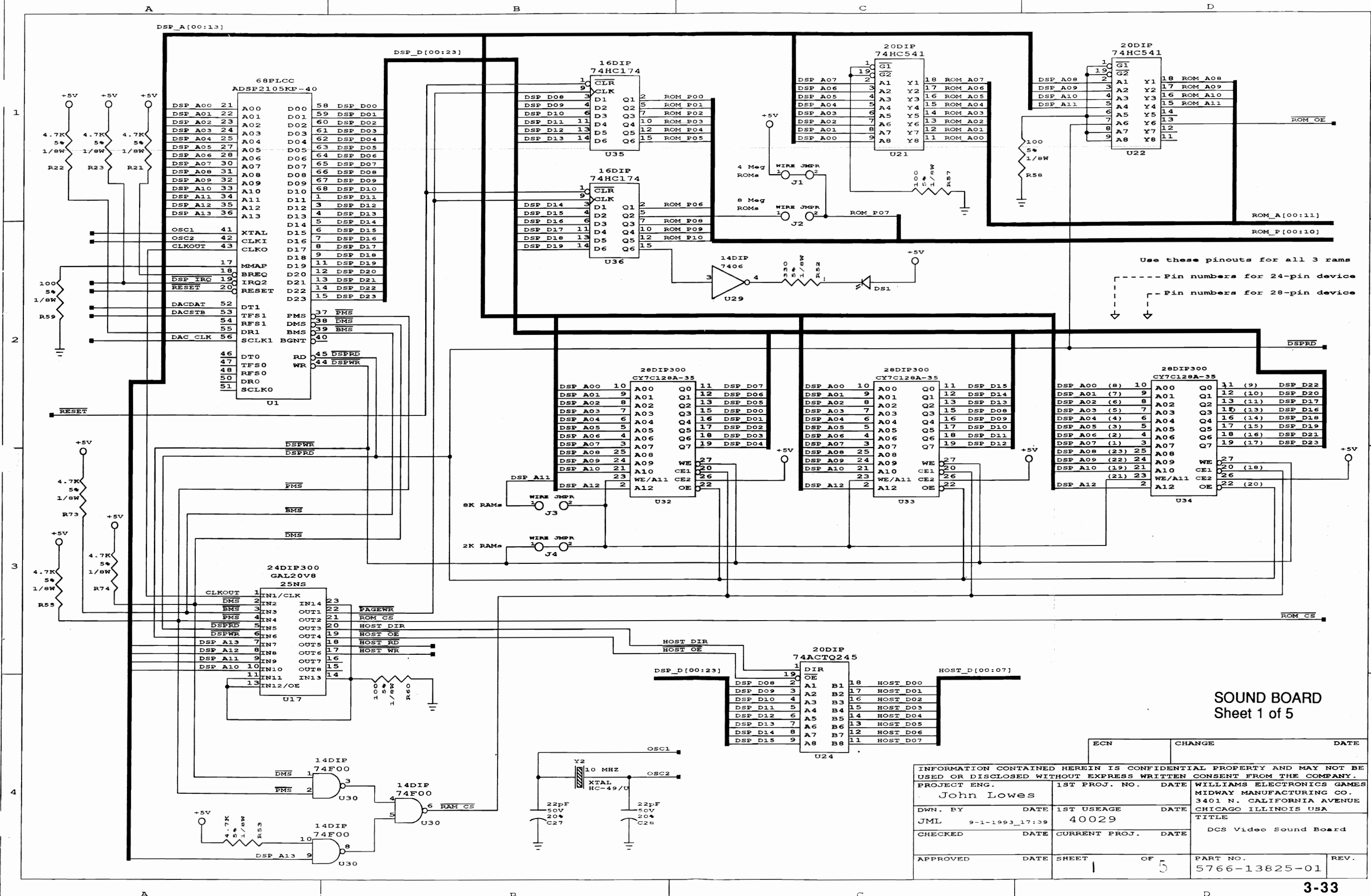
T-UNIT EXPANSION CONNECTORS



TUNIT CPU BOARD	EXPANSION CARD
/IRMCS0L	= /ICS0H - /IRMSC0
/IRMCS0H	= /ICS1L - /IRMSC1
/IRMCS1L	= /ICS2H - /IRMSC2
/IRMCS1H	= /ICS3L - /IRMSC3
/IRMCS2L	= /ICS4H - /IRMSC4
/IRMCS2H	= /ICS5L - /IRMSC5
/IRMCS3L	= /ICS6H - /IRMSC6
/IRMCS3H	= /ICS7L - /IRMSC7

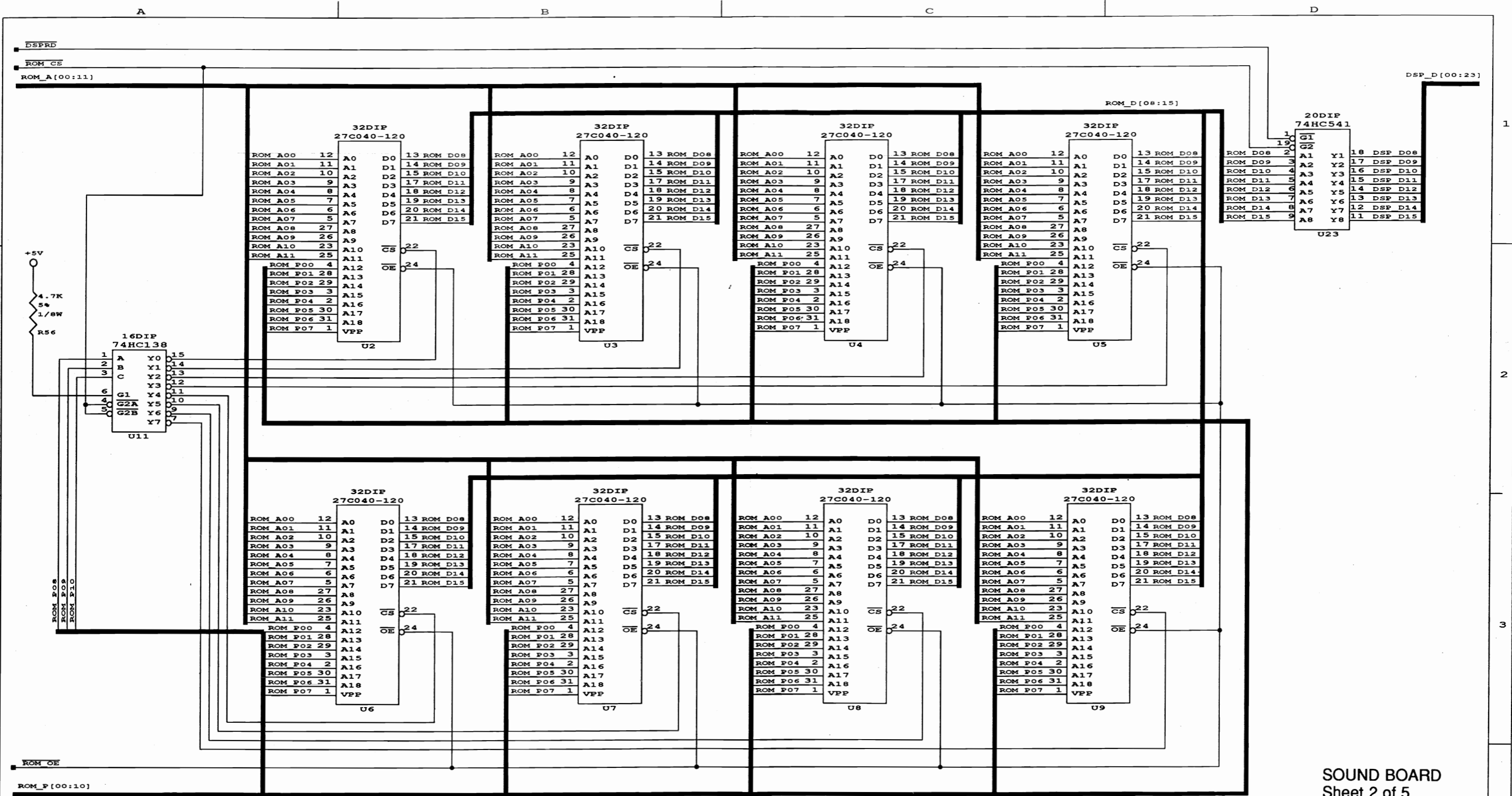
MEMORY EXPANSION BOARD
Sheet 5 of 5

ECN		CHANGE		DATE
INFORMATION CONTAINED HEREIN IS CONFIDENTIAL PROPERTY AND MAY NOT BE USED OR DISCLOSED WITHOUT EXPRESS WRITTEN CONSENT FROM THE COMPANY.				
PROJECT ENG.	1ST PROJ. NO.	DATE	WILLIAMS ELECTRONICS GAMES MIDWAY MANUFACTURING CO. 3401 N. CALIFORNIA AVENUE CHICAGO ILLINOIS USA	
DWN. BY	DATE	1ST USAGE	DATE	TITLE 13664-01
CHECKED	DATE	CURRENT PROJ.	DATE	EXP. CONNECTORS
APPROVED	DATE	SHEET	OF	PART NO. REV.
		5	5	1



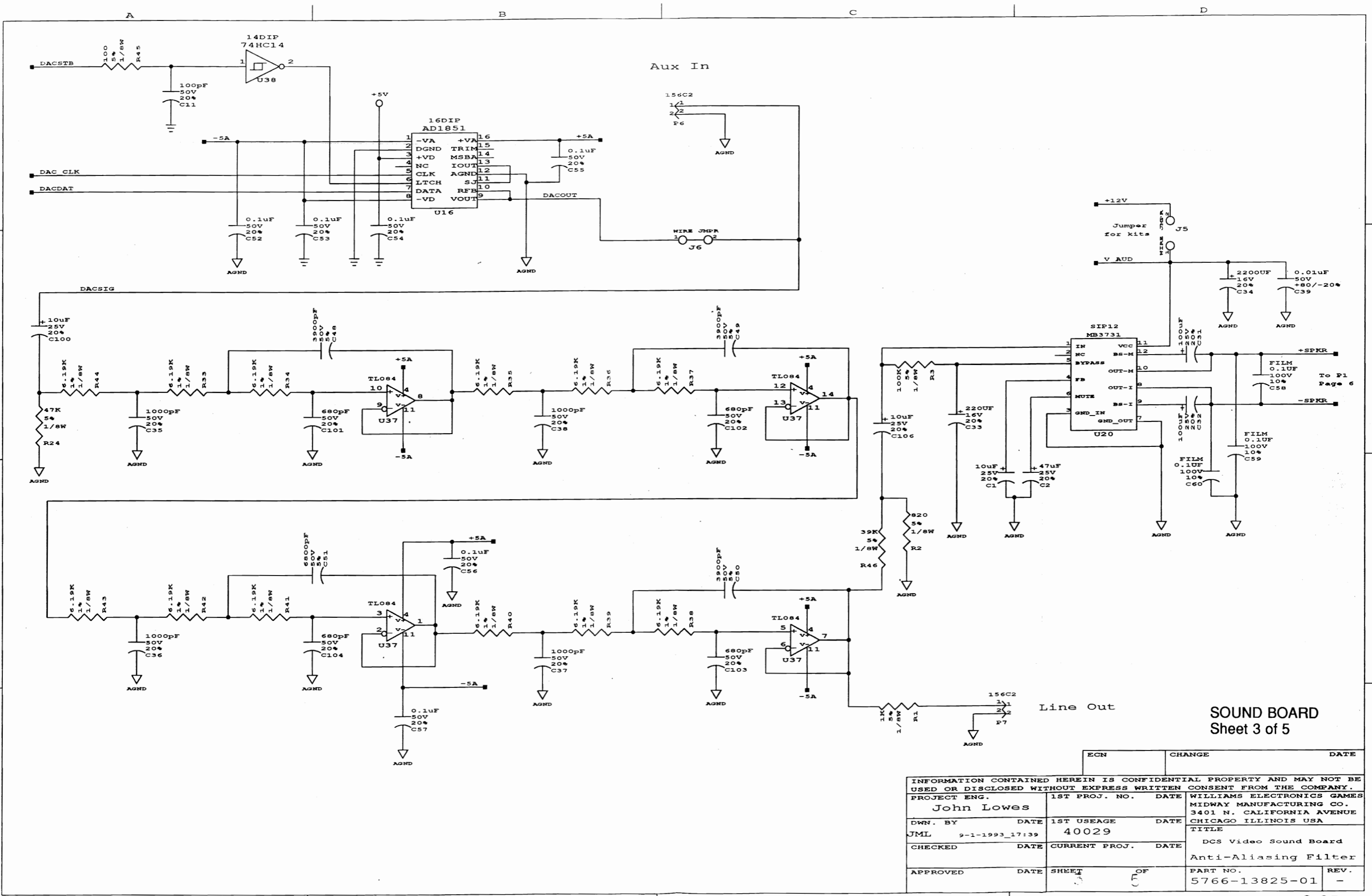
SOUND BOARD
Sheet 1 of 5

ECN	CHANGE	DATE
INFORMATION CONTAINED HEREIN IS CONFIDENTIAL PROPERTY AND MAY NOT BE USED OR DISCLOSED WITHOUT EXPRESS WRITTEN CONSENT FROM THE COMPANY.		
PROJECT ENG.	1ST PROJ. NO.	DATE
John Lowes		
DWN. BY	DATE	1ST USAGE
JML	9-1-1993_17:39	40029
CHECKED	DATE	CURRENT PROJ.
APPROVED	DATE	SHEET
		1
		OF
		5
PART NO.	REV.	
5766-13825-01		



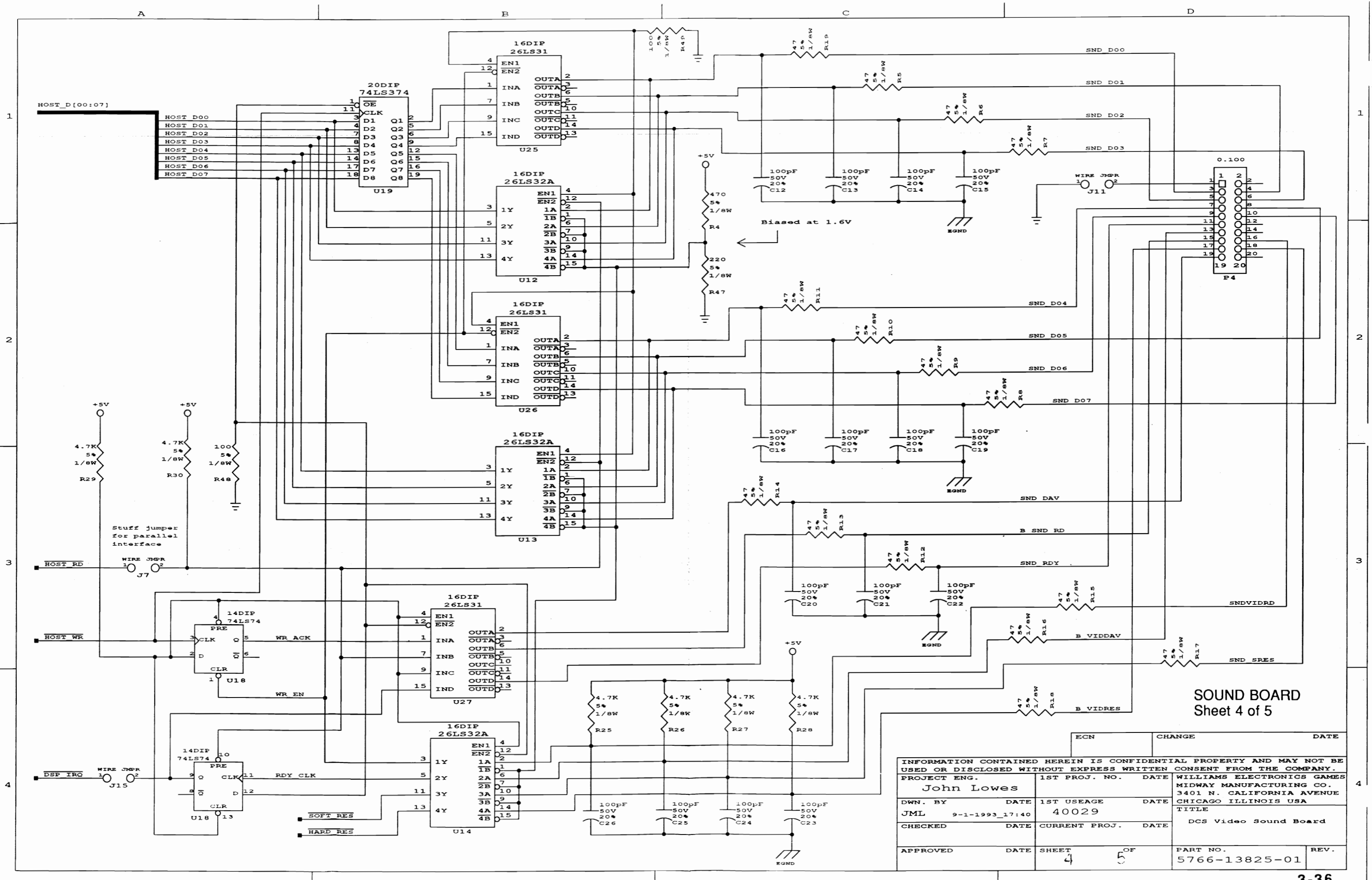
SOUND BOARD
Sheet 2 of 5

ECN	CHANGE	DATE
INFORMATION CONTAINED HEREIN IS CONFIDENTIAL PROPERTY AND MAY NOT BE USED OR DISCLOSED WITHOUT EXPRESS WRITTEN CONSENT FROM THE COMPANY.		
PROJECT ENG.	1ST PROJ. NO.	DATE
John Lowes		
DWN. BY	DATE	1ST USAGE DATE
JML	9-1-1993_17:39	40029
CHECKED	DATE	CURRENT PROJ. DATE
APPROVED	DATE	SHEET 2 OF 5
		PART NO. 5766-13825-01
		REV.



SOUND BOARD
Sheet 3 of 5

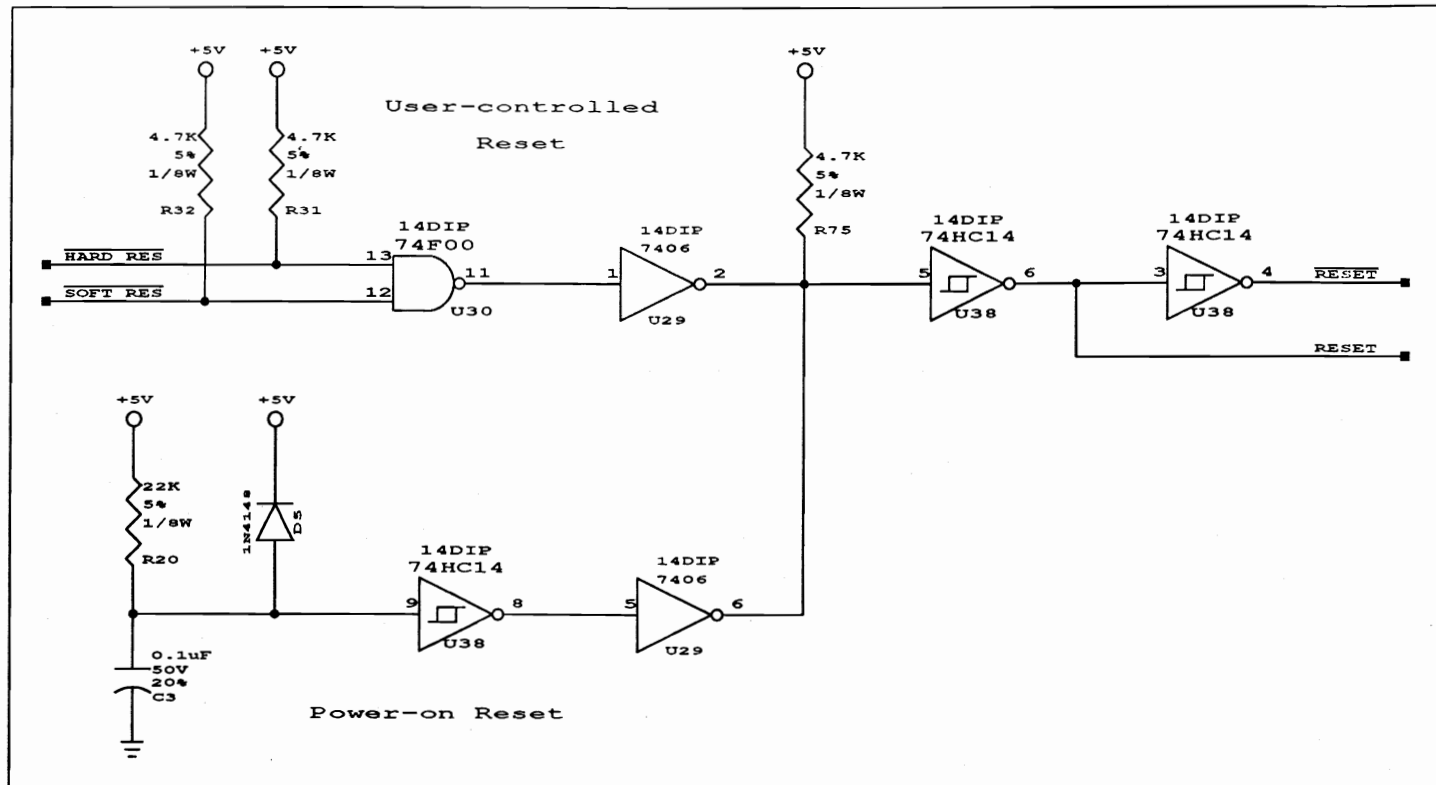
ECN		CHANGE		DATE	
INFORMATION CONTAINED HEREIN IS CONFIDENTIAL PROPERTY AND MAY NOT BE USED OR DISCLOSED WITHOUT EXPRESS WRITTEN CONSENT FROM THE COMPANY.					
PROJECT ENG.	1ST PROJ. NO.	DATE	WILLIAMS ELECTRONICS GAMES		
John Lowes	40029		MIDWAY MANUFACTURING CO.		
DWN. BY	DATE	1ST USAGE	3401 N. CALIFORNIA AVENUE		
JML	9-1-1993_17:39	40029	CHICAGO ILLINOIS USA		
CHECKED	DATE	CURRENT PROJ.	TITLE		
			DCS Video Sound Board		
APPROVED	DATE	SHEET	OF	PART NO.	REV.
		3	5	5766-13825-01	-



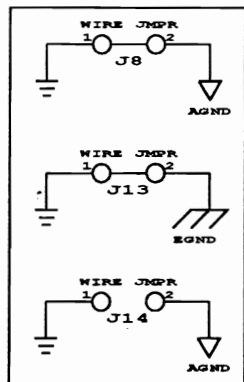
SOUND BOARD
Sheet 4 of 5

ECN		CHANGE		DATE
INFORMATION CONTAINED HEREIN IS CONFIDENTIAL PROPERTY AND MAY NOT BE USED OR DISCLOSED WITHOUT EXPRESS WRITTEN CONSENT FROM THE COMPANY.				
PROJECT ENG.		1ST PROJ. NO.	DATE	WILLIAMS ELECTRONICS GAMES
John Lowes		40029		MIDWAY MANUFACTURING CO.
DWN. BY	DATE	1ST USAGE	DATE	3401 N. CALIFORNIA AVENUE
JML	9-1-1993_17:40	40029		CHICAGO ILLINOIS USA
CHECKED	DATE	CURRENT PROJ.	DATE	TITLE
				DCS Video Sound Board
APPROVED	DATE	SHEET	OF	PART NO.
		4	5	5766-13825-01
				REV.

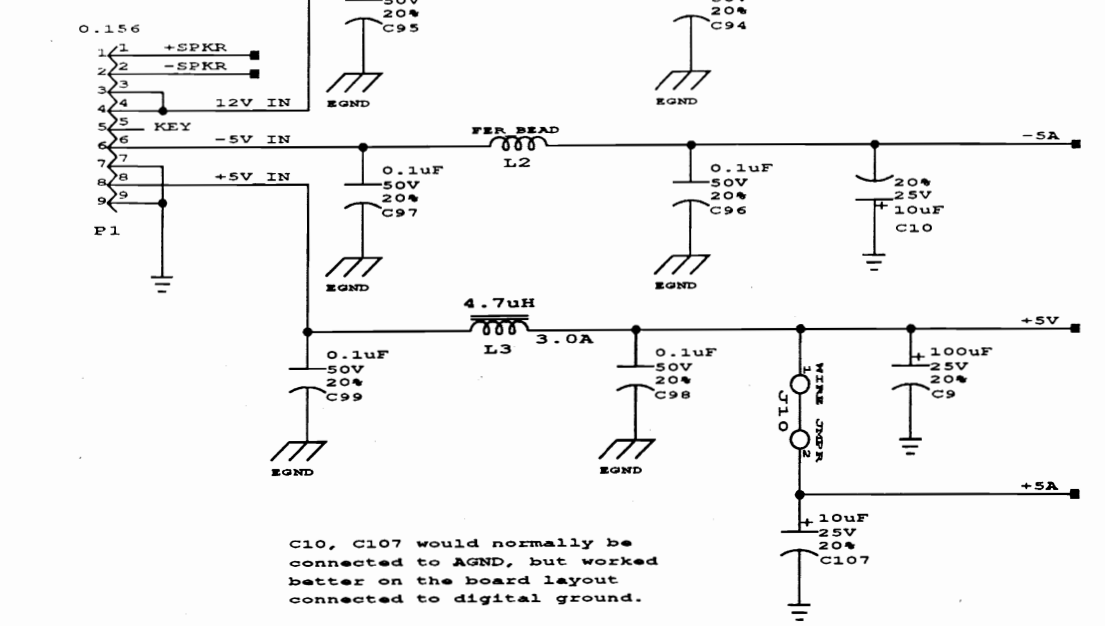
Reset Circuit



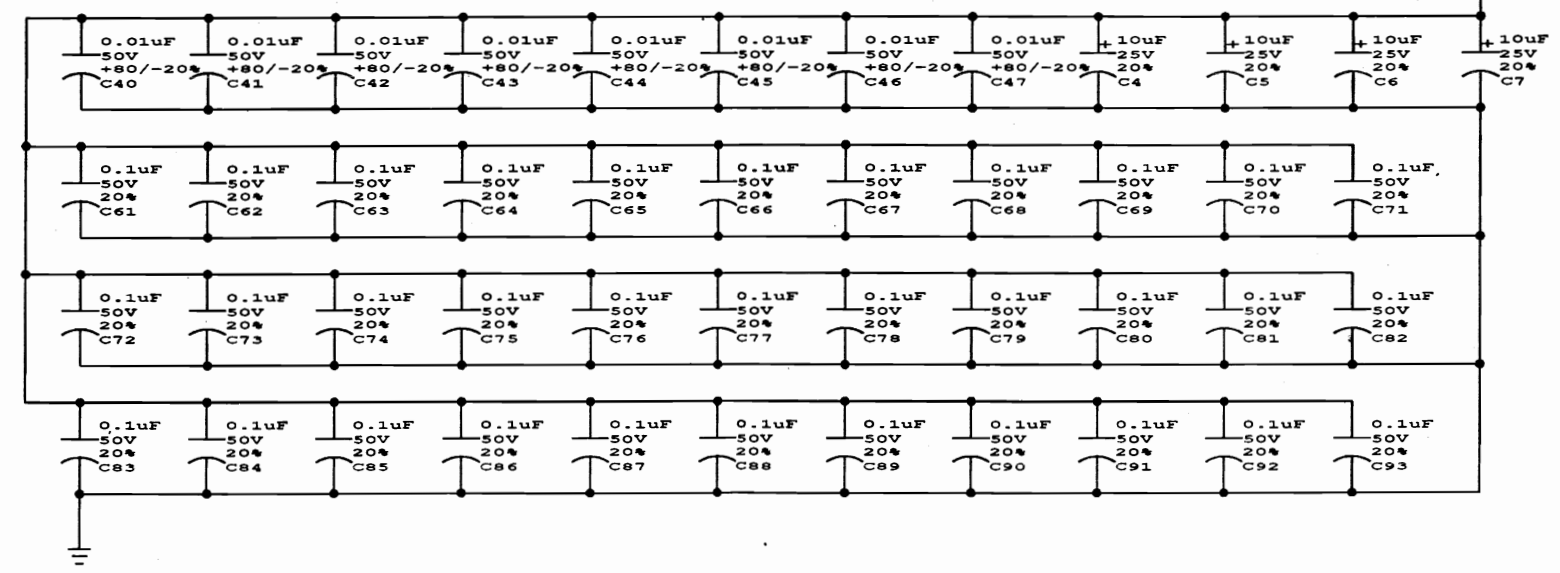
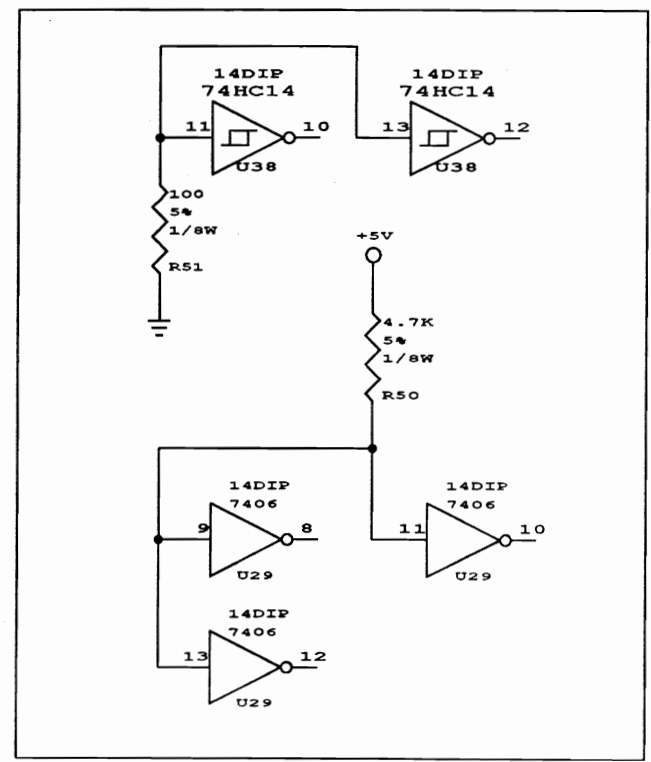
GROUND ISOLATION



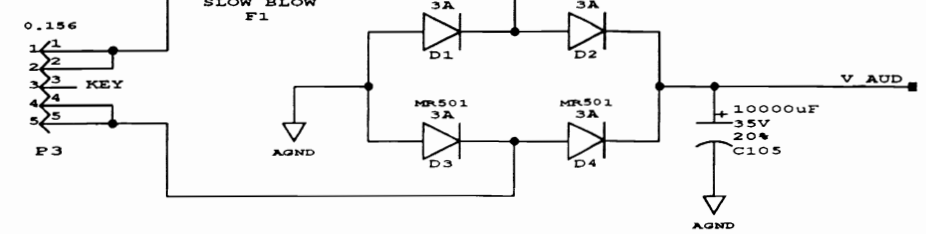
Analog/Digital Power



Spare Gates



16VAC

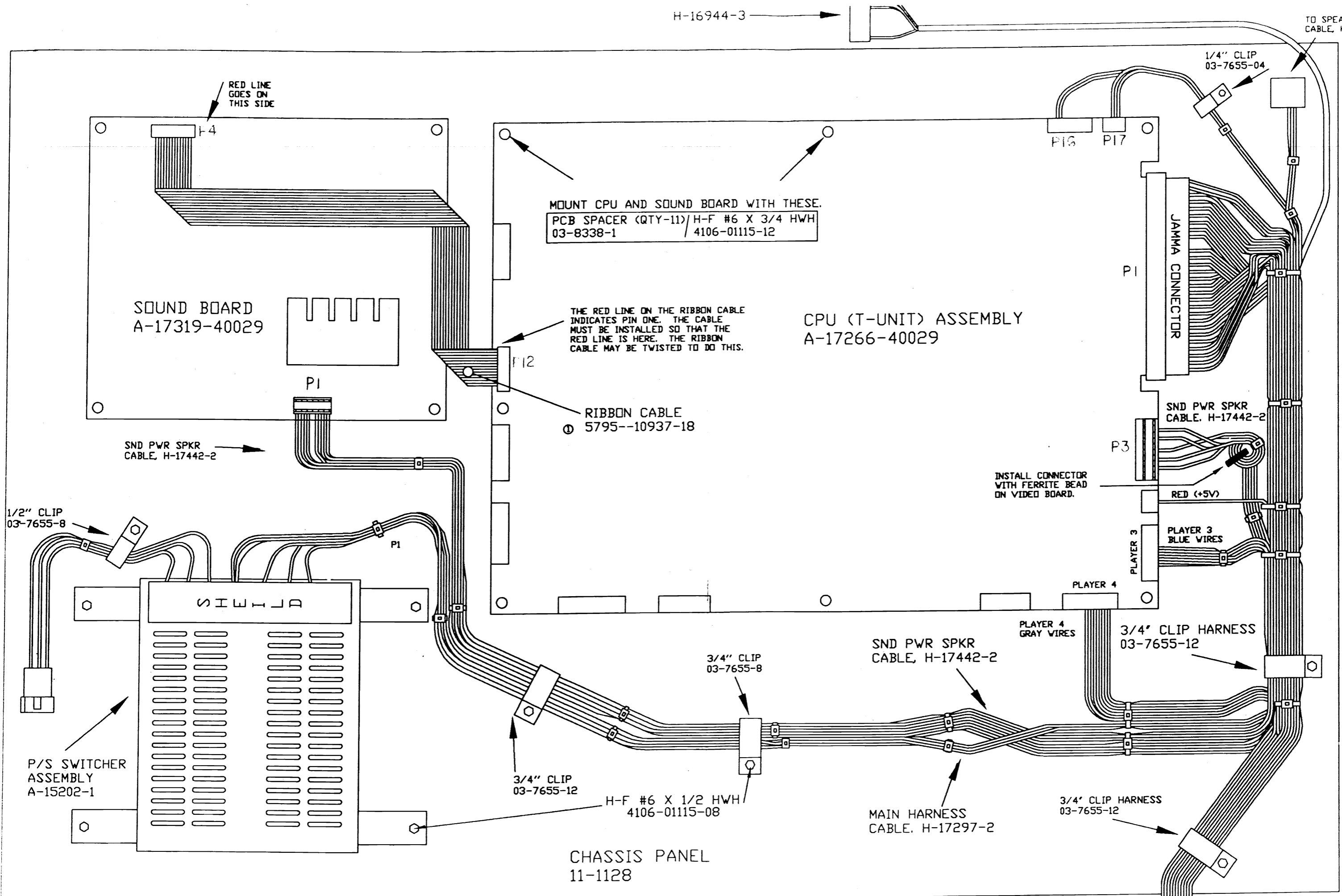


SOUND BOARD Sheet 5 of 5

ECN	CHANGE	DATE
INFORMATION CONTAINED HEREIN IS CONFIDENTIAL PROPERTY AND MAY NOT BE USED OR DISCLOSED WITHOUT EXPRESS WRITTEN CONSENT FROM THE COMPANY.		
PROJECT ENG.	1ST PROJ. NO.	DATE
John Lowes		
DWN. BY	DATE	1ST USAGE
JML	9-1-1993_17:41	40029
CHECKED	DATE	CURRENT PROJ.
APPROVED	DATE	SHEET
		5
		OF
		5
PART NO.	REV.	
5766-13825-01		

H-16944-3

TO SPEAKER
CABLE, H-173



THIS SIDE UP