



ZUME VOLLEYBALL

Official Guide

Meet ZUME VOLLEYBALL – the new, Portable Volleyball game that’s inspiring people everywhere to GO OUT AND PLAY! Whether you’re interested in building Volleyball skills or playing just for fun, ZUME VOLLEYBALL brings the court to you.

Check out our website to get more information and exciting news on other Zume Game Products.

www.Zume-Games.com

Product Info - Playing Tips - News & Events - Replacement Parts

Please Do Not Return This Product To The Store!

Contact Escalade® Sports customer service department at:

Phone: 1-888-784-4288 Toll-Free!

Fax: 1-866-873-3536 Toll-Free!

E-mail: customerservice@escaladesports.com

Mailing Address (correspondence only):

Escalade Sports

PO Box 889

Evansville, IN 47706

 **CAUTION**

Adult supervision is required at all times when children are playing this game or are in the area.

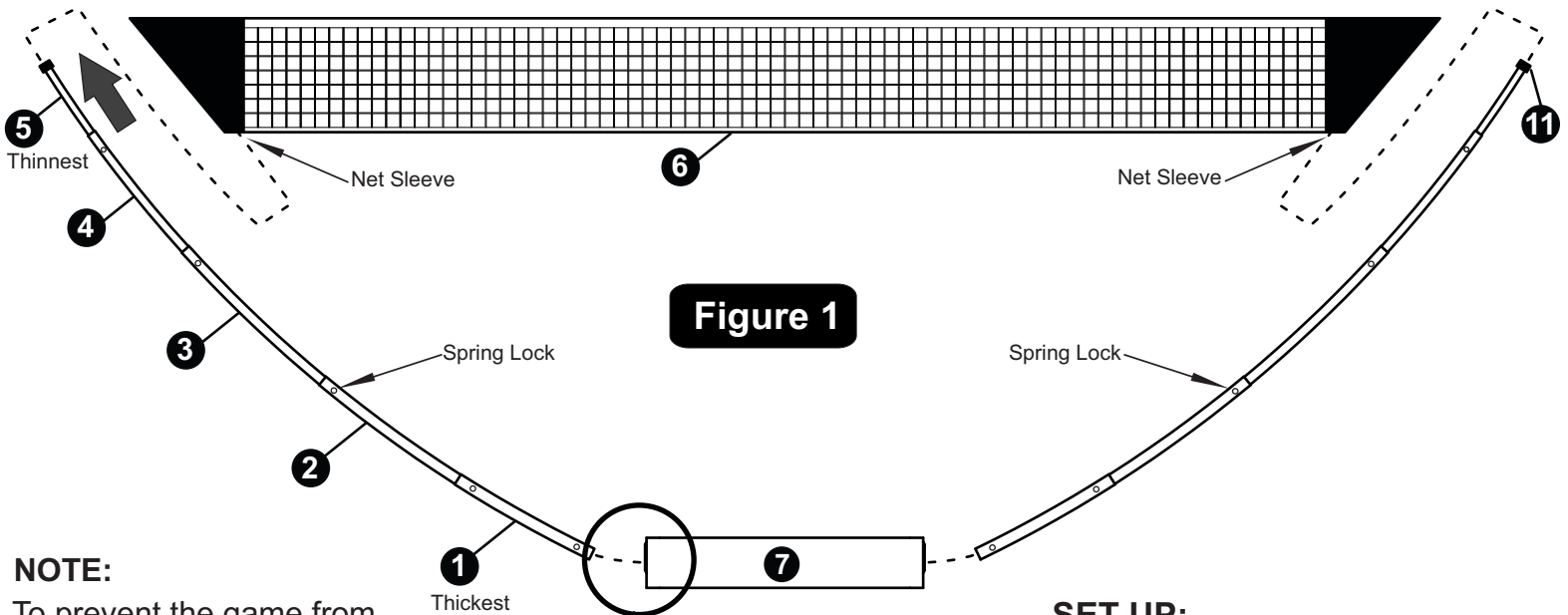
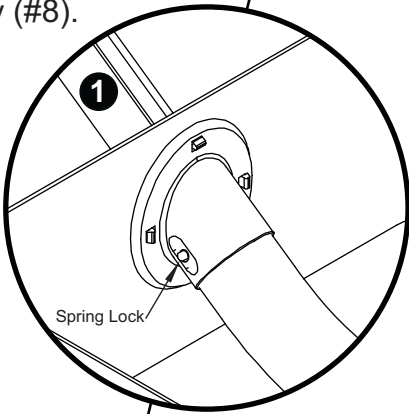


Figure 1

NOTE:
To prevent the game from tipping over during windy conditions or when playing on grass put something to weigh down the game preferably inside the Storage Tray (#8).

SET-UP:

1. Open the case and remove the two red telescoping poles. Starting at the top, (small end), of each pole, slowly pull out each stage of the telescoping pole until the snap locks pop into place. See **Figure 1**. **Note:** Both are identical **five** stage poles. When the poles are fully extended, double check to insure that there are **five** stages and that all snap locks have popped correctly into place. Also note, that it is possible for a snap lock to move away from it's correct position. Should this happen, simply take the tubes apart, look inside the tubes for the missing snap lock, poke it out and reinstall it into the correct position.
2. Insert the large bottom pole #1 into each end of the case until you both hear and see the snap locks, on each side of the pole, pop into place as shown in **Detail A** & **Figure 2**.
3. With the help of another adult, insert the top #5 (smallest) end of the pole into the sleeve on one end of the net. Next, carefully "BOW" both poles and insert the other end of the net onto the top end of the other pole.



Detail A

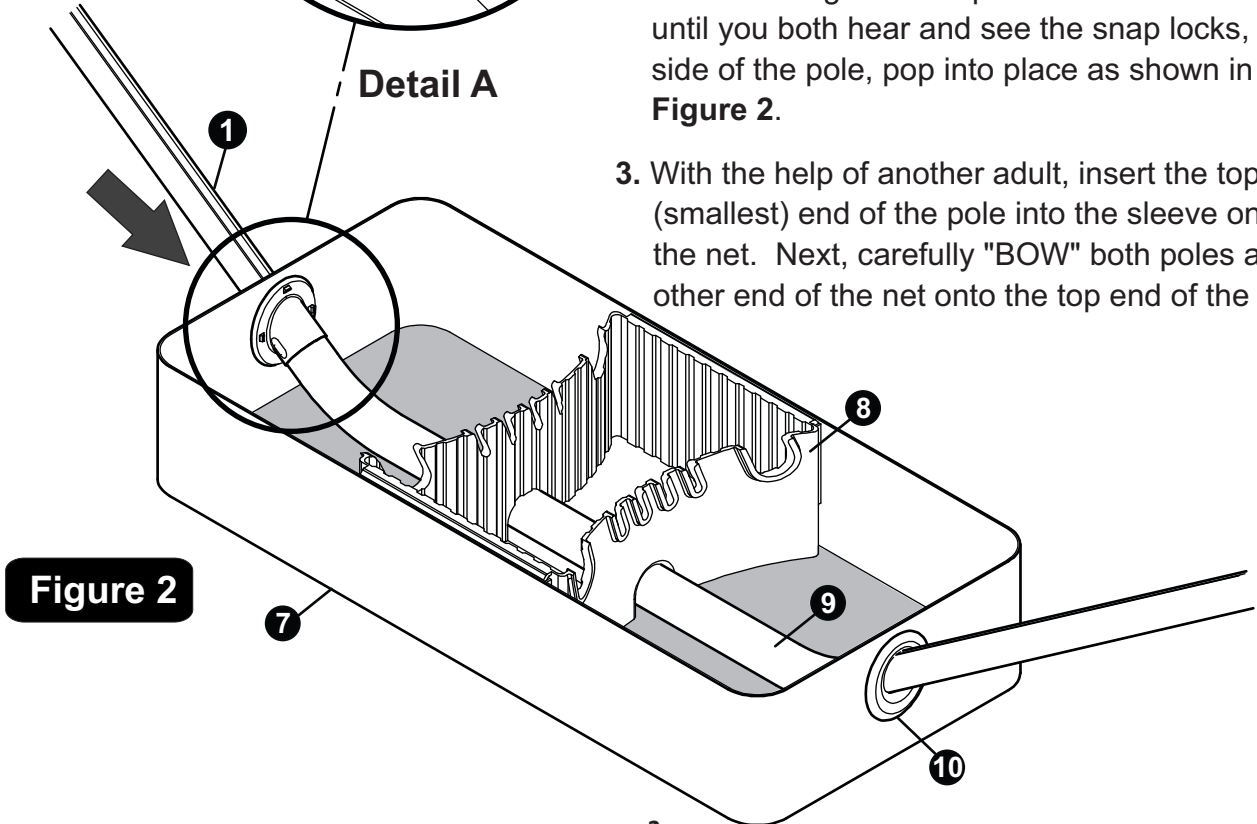


Figure 2

4. Locate the plastic bag of parts inside the case. Note that there are **two** large aluminum clips and **four** smaller aluminum clips. Attach the **two** larger aluminum clips to each brass grommet located on the top ends of the net as shown in **Figure 3**. The **four** smaller aluminum clips attach to the plastic grommets on each water bag, if you are using the water bags.

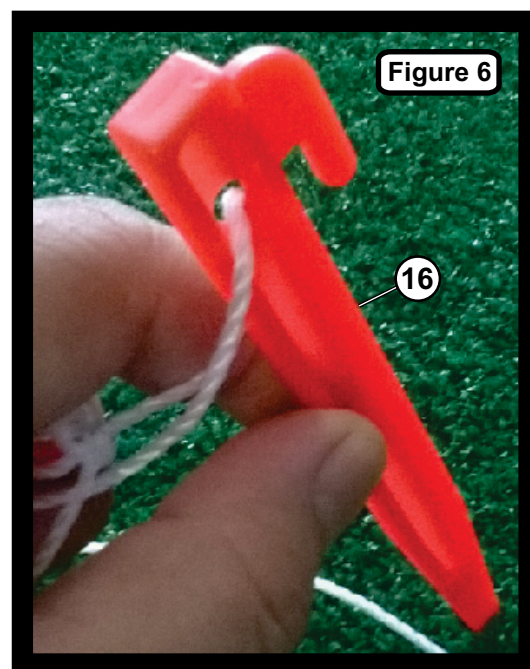
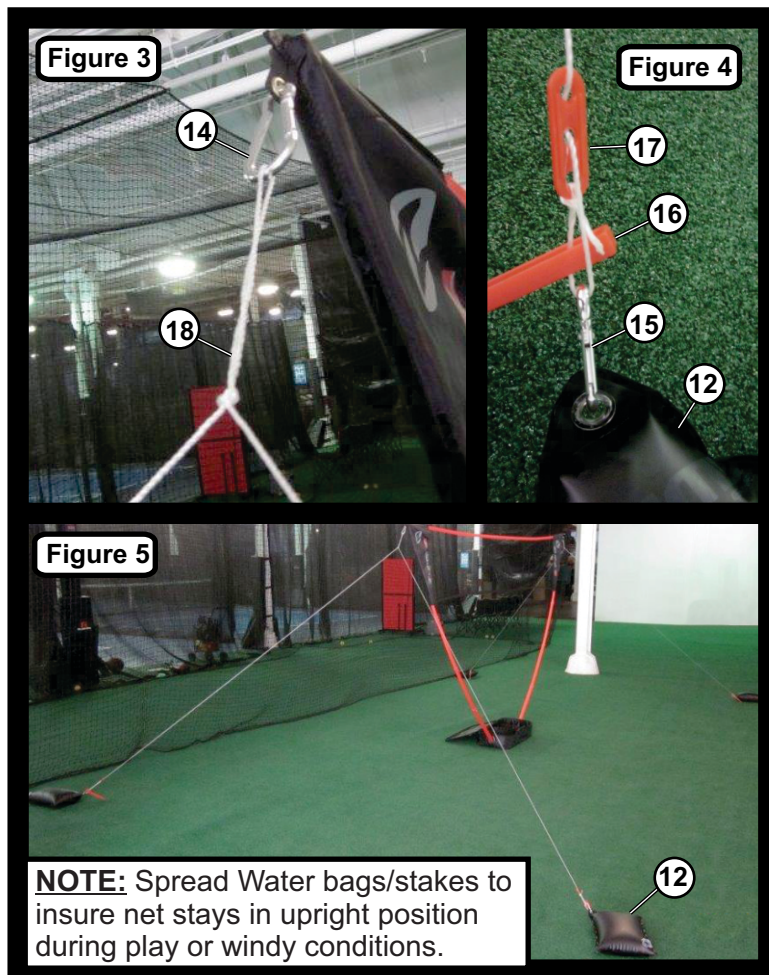
5. Locate the two poly strings in the parts kit. Both are identical. Attach the middle loop of the poly string to the top alum clip on the net as shown of **Figure 3**. If using the water bags, attach the ends of the poly string to the aluminum clips on the water bags. See **Figure 4**. **Note:** If using the water bags, carefully untie the knots and **remove** the ground stakes as a precautionary measure. Store unused ground stakes in the case. Retie the knot. If using the ground stakes, position them as shown in **Figure 6** and drive into the ground using a rubber mallet. Store unused water bags in the case to avoid becoming lost. **Note:** The ends of the poly string have a plastic tensioner adjustment attached. See **Figure 4**. Carefully, adjust the poly string tension by adjustment of the tensioner to hold the net in the upright position.

6. Lastly, remove the air pump needle from the air pump handle, screw the needle into the end of the air pump, moisten the needle, install it into the balls air valve, and inflate the ball to two to 4 lbs. psi. Do not over inflate the ball !

DISASSEMBLY

Simply disassemble in reverse order of set up. To deflate the ball, simply moisten the needle and insert it into the balls air valve.

NOTE: You have the option of using either the four water bags as ballast or the four ground stakes. These are used to keep the net in the upright position during play and windy days. If using the water bags, fill them with water now.



SAFETY AND OPERATIONAL NOTES:

1. Do not step on the water bags. Keep stored when not in use.
Do the weed eat or allow lawn mowers to get close the water bags or ground stakes.
Do not allow water bags to freeze.
Do not pull the water bags with the anchor string , always lift the water bags by hand.
2. While this volley ball game is an outdoor game , it is recommended that this game be stored indoors when not in use.
3. Advise players of the anchor strings , water bags and or ground stakes as not to be a trip hazard.
4. When driving ground stakes into the ground be cautious of underground utilities and sprinkler systems.
5. Always set this game up only where the playing surface is smooth and flat with no holes.
6. For additional stability , additional weight can be added to the inside of the case.

TIPS TO AVOID VOLLEYBALL INJURIES:

1. Always take time to warm up and stretch .
2. Use knee pads to protect yourself from injury when you fall or dive onto the court.
3. Wear lightweight shoes that provide strong ankle and arch support and offer good shock absorption.
4. The volleyball court should have 23 feet of overhead clearance.
5. Don't grab or pull on the net, or hang on the supports as this could cause the net to overturn and fall onto you or another player.
6. "Call" the ball to reduce the chance of colliding with another player.
7. Be knowledgeable about First Aid and be able to administer it to minor injuries, such as facial cuts, bruises, or minor tendinitis, strains or sprains.
8. Before playing an outdoor volleyball game, always check the ground for sharp objects, broken glass ,and uneven or holes in the playing surfaces.

WHERE TO PLAY:

NOTE: This volleyball game will not be set up under official dimensions as set forth for Volleyball. This Volleyball court and net are intended for recreational purposes only. Volleyball can be played on nearly any flat surface! Try it outdoors or indoors - as long as there is enough space on concrete, bare ground, or grass ,etc. If desired , the court can be marked with cones , paint or chalk lines , or natural boundaries such as the edge of a driveway or a tree.

SINGLES OR DOUBLES :You can have either two or four players on a volleyball court : one player on each side , or a team or two players on each side. One - against- one is called singles ; two - against -two is called doubles .In doubles , either player can hit the volley , you do not have to take it in turns.

BASIC RULES OF PLAY :

Serving: You can have either two or four players on this volleyball court : one player on each side ,or a team of two players on each side . As previously explained , this is simply called singles or doubles . The team or player winning the coin toss have the option of serving first , receiving the serve or choosing the court end . The team or player that serves first has only one service to start the game . When the game begins each team or player has two serves.

DOUBLES:

During each possession on one side of the net , a team can only have three contacts with the ball. The ideal sequence of contacts is usually a pass, a set , and a hit - even if terminology has changes over the years . These skills were traditionally called bump, set and spike.

SINGLES AND DOUBLES :

The server has the freedom to serve from wherever he or she pleases as long as their foot does not touch or cross the back boundary line of the court . The server must make the ball go over the net and it still an allowable serve if the ball touches the net on the way over.

SCORING :

Most matches are now played as the best three out of five games to 25 points. Teams must win by at least two points for games to end . Points keep going until one team or player wins with a margin of victory of two points even if the score is greater than 25.

MOST IMPORTANT RULE : *HAVE FUN !*

STORAGE AND CARE:

Zume Volleyball is built to last! Durable construction and a convenient storage case make it easy to keep your game looking and playing great . After use, simply disassemble the net, and telescoping poles and place all components back into the case. For best results, store the case indoors - away from extreme temperatures and moisture.

90-Day Limited Warranty

This consumer warranty extends to the original consumer purchase of any ESCALADE® SPORTS Product (hereinafter referred as the "Product").

WARRANTY DURATION: This Product is warranted to the original consumer purchase of a period of ninety (90) days from the original purchase.

WARRANTY COVERAGE: ESCALADE® SPORTS warrants to the original Consumer Purchaser that any Product of its manufacture is free from defects in material and workmanship when used for the intended purpose under normal use and conditions. THIS WARRANTY IS VOID IF THE PRODUCT HAS BEEN DAMAGED BY ACCIDENT, UNREASONABLE USE, NEGLIGENCE, IMPROPER SERVICE, FAILURE TO FOLLOW INSTRUCTIONS PROVIDED WITH THE PRODUCT OR OTHER CAUSES NOT ARISING OUT OF DEFECTS IN MATERIAL AND WORKMANSHIP.

WARRANTY PERFORMANCE: During the above ninety (90) day warranty period, ESCALADE® SPORTS shall repair or replace with a comparable model, and Product, or component thereof, which may prove defective under normal use and proper care, and which our examination shall disclose to our satisfaction to be thus defective, please contact our Warranty Dept.

1-866-873-3528 / Warranty Dept.

Or Write us at:

Escalade® Sports, Inc. - P.O. Box 889, Evansville, IN 47706 - Attn: Warranty Dept.

Or E-mail us at:

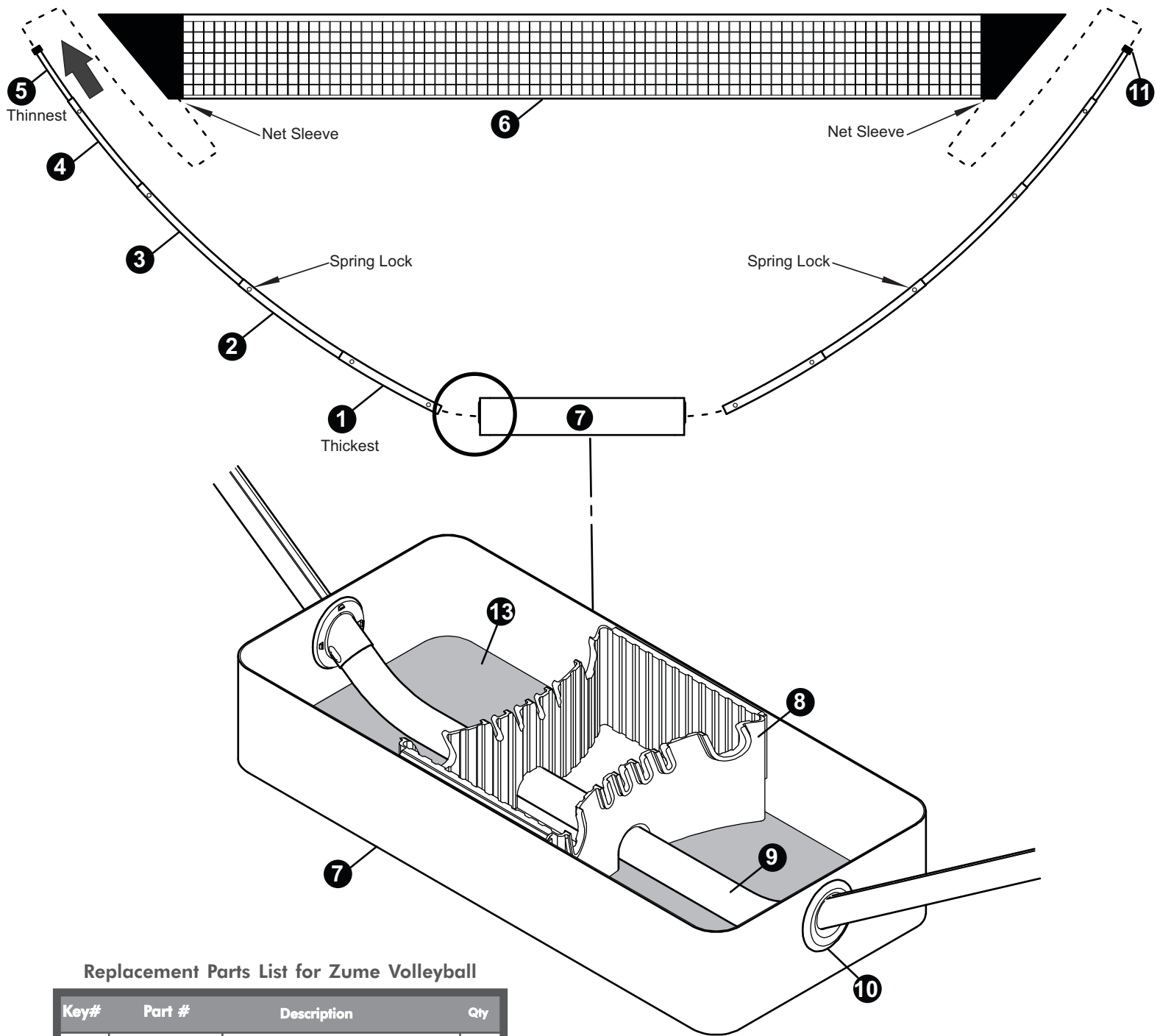
customerservice@escaladesports.com

Other than shipping requirements no charge will be made for such repair or replacement of in-warranty Products. ESCALADE® SPORTS strongly recommends that the Product is insured for value prior to mailing.

WARRANTY DISCLAIMERS: ANY IMPLIED WARRANTIES ARISING OUT OF THIS SALE, INCLUDING BUT NOT LIMITED TO THE IMPLIED WARRANTIES OF MERCHANTABILITY AND FITNESS FOR A PARTICULAR PURPOSE, ARE LIMITED IN DURATION TO THE ABOVE NINETY (90) DAY WARRANTY PERIOD. ESCALADE® SPORTS SHALL NOT BE LIABLE FOR LOSS OF USE OF THE PRODUCT OR OTHER CONSEQUENTIAL OR INCIDENTAL COSTS, EXPENSES OR DAMAGES INCURRED BY THE CONSUMER OF ANY OTHER USE.

Some states do not allow the exclusion or limitation of implied warranties or consequential or incidental damages, so the above limitations or exclusions may not apply to you.

LEGAL REMEDIES: This warranty gives you specific legal rights and you may also have other rights which may vary from state to state.



Replacement Parts List for Zume Volleyball

Key#	Part #	Description	Qty
1	OD0015-P1	PLASTIC TUBE (THICK)	2
2	OD0015-P2	PLASTIC TUBE	2
3	OD0015-P3	PLASTIC TUBE	2
4	OD0015-P4	PLASTIC TUBE	2
5	OD0015-P5	PLASTIC TUBE (THIN)	2
6	OD0015-P6	NET	1
7	OD0015-P7	STORAGE CASE	1
8	OD0015-P8	STORAGE TRAY	1
9	OD0015-P9	BASE TUBE	1
10	OD0015-P10	CASE INSERT	2
11	OD0015-P11	RUBBER END CAP FOR KEY #5	2
12	OD0015-P12	WATER BAG	4
13	OD0015-P13	FOAM PADDING	1
14	OD0015-H1	SPRING CLIP (LARGE)	2
15	OD0015-H2	SPRING CLIP (SMALL)	4
16	OD0015-H3	STAKE	4
17	OD0015-H4	PLASTIC TENSIONER	4
18	OD0015-H5	STRING	2
19	OD0015-A1	VOLLEYBALL (NOT SHOWN)	1

