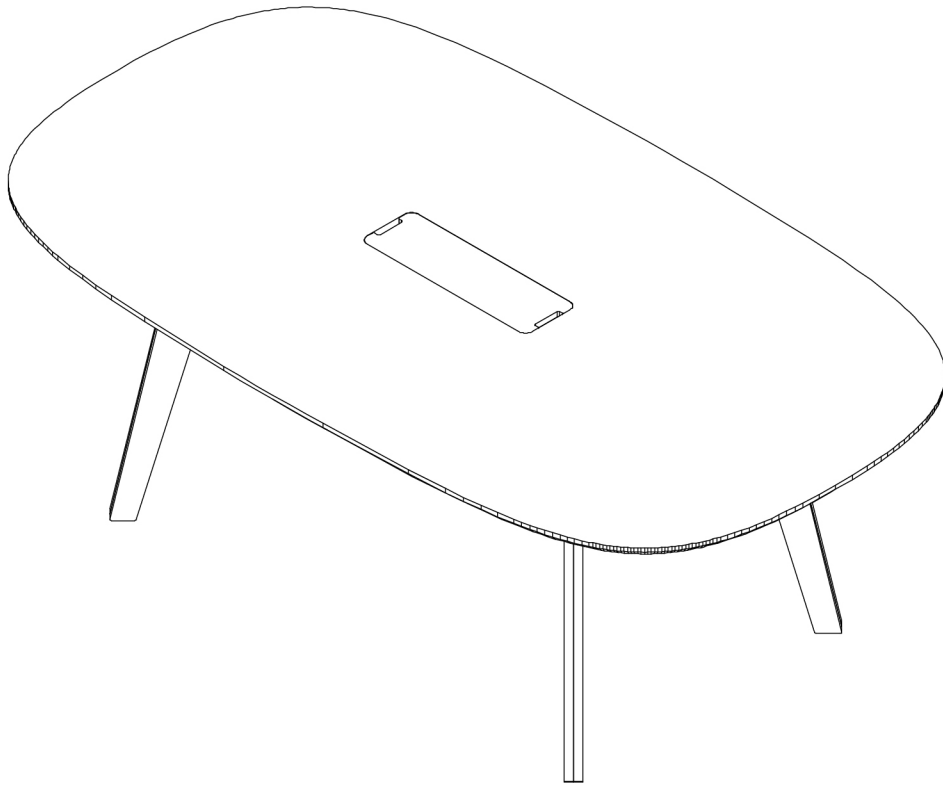




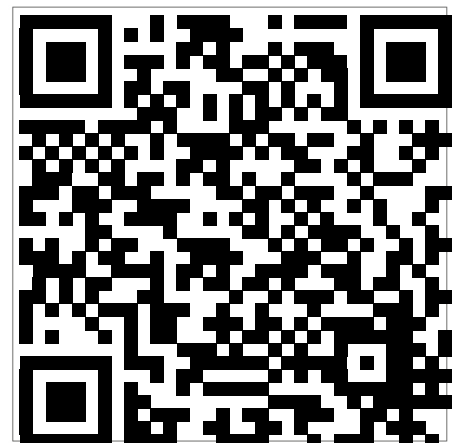
# Meeting Table



Range: Lean  
Designed by: Joni & David Steiner

*Downloaded by alex on  
2018-04-04 for non-commercial use.*

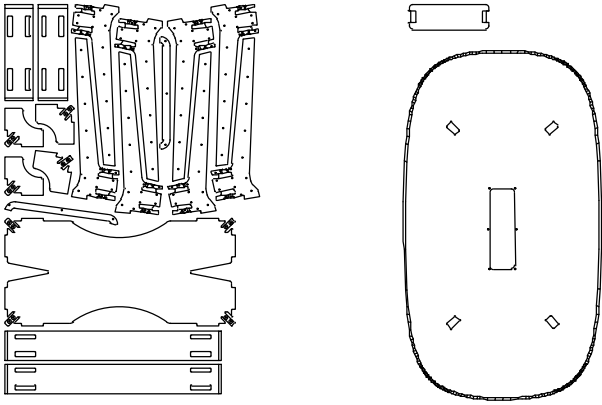
YOUR PRODUCT'S UNIQUE CODE



opendesk

twitter @open\_desk  
opendesk.cc

## 1. PARTS



## 2. HARDWARE & TOOLS

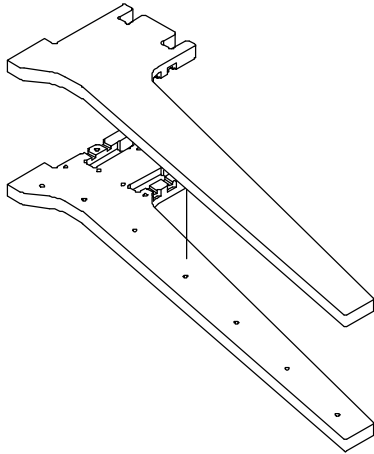
### HARDWARE

- 22 X M6X13MM INSERT NUTS
- 22 X M6X30MM FURNITURE CONNECTOR BOLTS
- 22 X M6 WASHERS
- 6X25MM WOODEN DOWELS

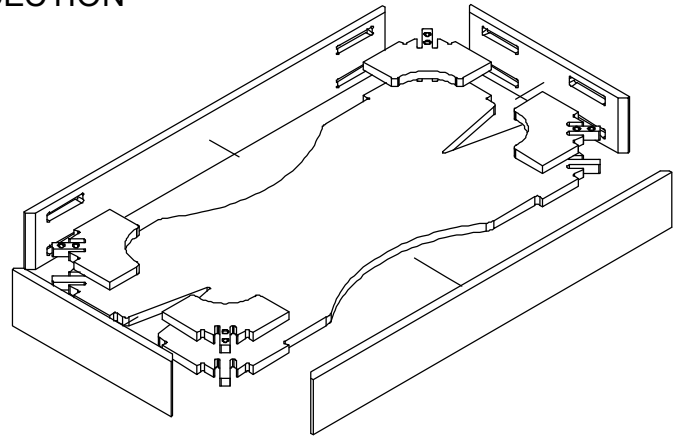
### TOOLS

- H4 ALLEN KEY
- H6 ALLEN KEY

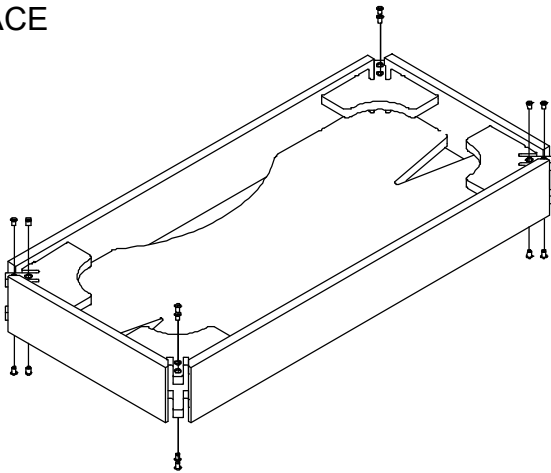
## 3. DOWEL AND GLUE LEGS



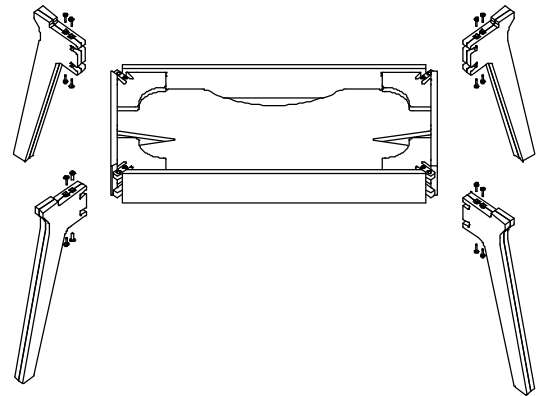
## 4. ASSEMBLE AND GLUE BOX SECTION



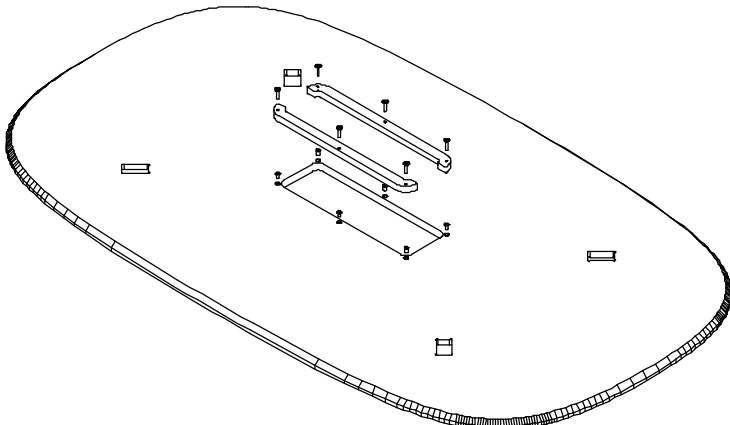
## 5. SCREW INSERT NUTS IN PLACE



## 6. ATTACH LEGS AND BOLT TO BOX



## 7. ATTACH CABLE STRIPS TO TOP



## 8. PLACE TOP ON FRAME

