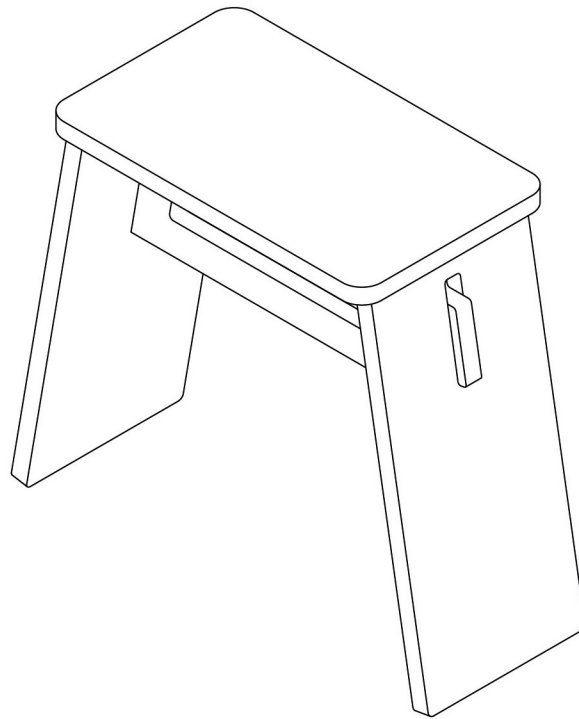




Johann Stool



Range: Nouvelle Fabrique
Designed by: Johann Ausage

*Downloaded by alex on
2018-04-04 for non-commercial use.*

opendesk

twitter @open_desk
opendesk.cc

YOUR PRODUCT'S UNIQUE CODE



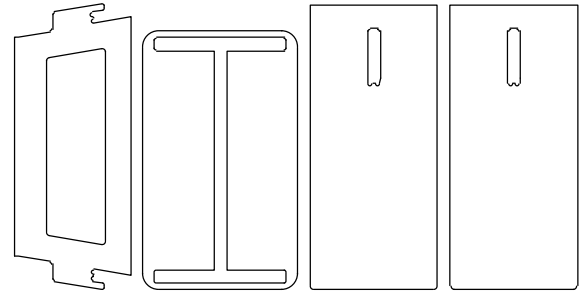
PRODUCT ASSEMBLY INSTRUCTIONS

PRODUCT: JOHANN STOOL
RANGE: NOUVELLE FABRIQUE
DESIGNER: JOHANN AUSSAGE
PUBLISHED: 17/10/2016

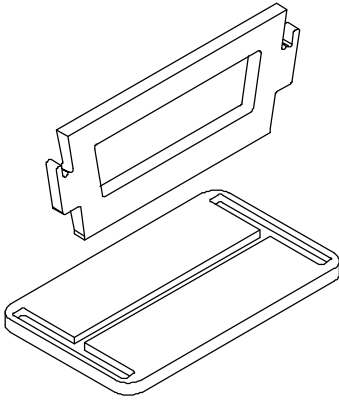
HARDWARE & TOOLS REQUIRED

- CLEAR PVA GLUE
- RUBBER MALLET

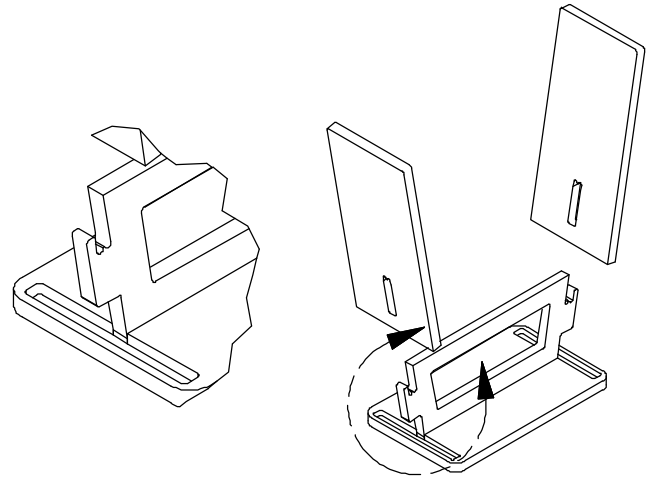
1. PARTS



2. GLUE BEAM TO BOTTOM OF TOP



3. HOOK AND GLUE LEGS ON BEAM



4. FINISHED ASSEMBLY

