

Contents

Operating Instructions

WARNING

| | |
|-----------------------------------|---|
| WARNING | 3 |
| CAUTION | 3 |
| PRECAUTIONS | 4 |
| Discs playable on this unit | 5 |

Getting Started

| | |
|--------------------------------------|---|
| When Using the Remote Control | 7 |
| Battery Replacement | 7 |
| Turning Power On and Off | 8 |
| Initial System Start-Up | 9 |
| Switching between NTSC and PAL | 9 |
| Loading and Unloading Discs | 9 |

DVD/Video CD

| | |
|--|----|
| Playing DVD/Video CD | 10 |
| Stopping Playback (PRE-STOP) | 10 |
| Stopping Playback | 10 |
| Fast-forwarding/Fast-reversing | 10 |
| Finding the Beginning of Chapters or Tracks ... | 11 |
| Playing Still Frames (pausing) | 11 |
| Frame-by-frame Playback | 11 |
| Slow Motion Playback | 11 |
| Searching by Title Number (DVD only) | 11 |
| Searching Directly by Chapter or Track Number ... | 11 |
| Chapter/Track/Title Repeat Playback | 12 |
| Switching the Audio Tracks | 12 |
| Switching the Angle (DVD only) | 12 |
| Switching the Subtitles (subtitle language) (DVD only) | 12 |
| Displaying the Disc Status (DVD only) | 13 |
| Displaying the Disc Status (Video CD only) | 13 |
| To Output DVD Video While Listening to Another Source (CD/radio etc.) (only when using Ai-NET) | 13 |

CD

| | |
|----------------------------|----|
| Playback | 14 |
| M.I.X. (Random Play) | 14 |
| Repeat Play | 14 |

MP3/WMA

| | |
|----------------------------|----|
| Playback | 15 |
| Selecting Folders | 15 |
| Playing MP3/WMA Data | 15 |
| M.I.X. (Random Play) | 16 |
| Repeat Play | 16 |
| Folder/File Search | 16 |
| About MP3/WMA | 16 |

DVD Setup

| | |
|--|----|
| DVD Setup Operation | 18 |
| Setting the Language | 18 |
| Setting the TV Screen | 18 |
| Setting the Country Code | 19 |
| Setting the Rating Level (Parental Lock) | 19 |
| Setting the Digital Output | 20 |

Custom Setup

| | |
|-----------------------------------|----|
| Custom Setup operation | 20 |
| Setting the Ai-NET | 21 |
| Sound (Beep) Guide Function | 21 |
| Setting the Scroll Type | 21 |
| Setting the Title Scroll | 21 |

Other Useful Features

| | |
|---|----|
| Operating from the Head Unit | 22 |
| Playing DVDs, Video CDs, CDs and MP3/WMA | 22 |

Information

| | |
|------------------------------|----|
| About DVDs | 23 |
| Terminology | 24 |
| List of Language Codes | 25 |
| List of Country Codes | 26 |
| In Case of Difficulty | 28 |
| Specifications | 29 |

Installation and Connections



WARNING

| | |
|--|-----------|
| WARNING | 30 |
| CAUTION | 30 |
| PRECAUTIONS | 30 |
| Installation | 31 |
| Connections | 32 |
| Setting the System Switch | 32 |
| System Example | 33 |
| Operating the DVA-5210 Video Player | 36 |
| Operating from the optional remote control (RUE-4190) | 37 |

LIMITED WARRANTY

Operating Instructions

WARNING



This symbol means important instructions. Failure to heed them can result in serious injury or death.

INSTALL THE PRODUCT CORRECTLY SO THAT THE DRIVER CANNOT WATCH TV/VIDEO UNLESS THE VEHICLE IS STOPPED AND THE EMERGENCY BRAKE IS APPLIED.

It is dangerous (and illegal in many states) for the driver to watch TV/Video while driving a vehicle. Installing this product incorrectly enables the driver to watch TV/Video while driving. This may cause a distraction, preventing the driver from looking ahead, thus causing an accident. The driver or other people could be severely injured.

DO NOT WATCH VIDEO WHILE DRIVING.

Watching the video may distract the driver from looking ahead of the vehicle and cause an accident.

DO NOT OPERATE ANY FUNCTION THAT TAKES YOUR ATTENTION AWAY FROM SAFELY DRIVING YOUR VEHICLE.

Any function that requires your prolonged attention should only be performed after coming to a complete stop. Always stop the vehicle in a safe location before performing these functions. Failure to do so may result in an accident.

KEEP THE VOLUME AT A LEVEL WHERE YOU CAN STILL HEAR OUTSIDE NOISE WHILE DRIVING.

Failure to do so may result in an accident.

MINIMIZE DISPLAY VIEWING WHILE DRIVING.

Viewing the display may distract the driver from looking ahead of the vehicle and cause an accident.

DO NOT DISASSEMBLE OR ALTER.

Doing so may result in an accident, fire or electric shock.

USE ONLY IN CARS WITH A 12 VOLT NEGATIVE GROUND.

(Check with your dealer if you are not sure.) Failure to do so may result in fire, etc.

KEEP SMALL OBJECTS SUCH AS BATTERIES OUT OF THE REACH OF CHILDREN.

Swallowing them may result in serious injury. If swallowed, consult a physician immediately.

USE THE CORRECT AMPERE RATING WHEN REPLACING FUSES.

Failure to do so may result in fire or electric shock.

DO NOT BLOCK VENTS OR RADIATOR PANELS.

Doing so may cause heat to build up inside and may result in fire.

USE THIS PRODUCT FOR MOBILE 12V APPLICATIONS.

Use for other than its designed application may result in fire, electric shock or other injury.

DO NOT PLACE HANDS, FINGERS OR FOREIGN OBJECTS IN INSERTION SLOTS OR GAPS.

Doing so may result in personal injury or damage to the product.



This symbol means important instructions. Failure to heed them can result in injury or material property damage.

HALT USE IMMEDIATELY IF A PROBLEM APPEARS.

Failure to do so may cause personal injury or damage to the product. Return it to your authorized Alpine dealer or the nearest Alpine Service Center for repairing.

DO NOT MIX NEW BATTERIES WITH OLD BATTERIES. INSERT WITH THE CORRECT BATTERY POLARITY.

When inserting the batteries, be sure to observe proper polarity (+ and -) as instructed. Rupture or chemical leakage from the battery may cause fire or personal injury.

KEEP FINGERS AWAY WHILE THE MOTORIZED FRONT PANEL OR MOVING MONITOR IS IN MOTION.

Failure to do so may result in personal injury or damage to the product.

PRECAUTIONS

Product Cleaning

Use a soft dry cloth for periodic cleaning of the product. For more severe stains, please dampen the cloth with water only. Anything else has the chance of dissolving the paint or damaging the plastic.

Temperature

Do not operate your unit in ambient temperature above +60°C (+140°F) or below -10°C (+14°F).

Moisture Condensation

You may notice the disc playback sound wavering due to condensation. If this happens, remove the disc from the player and wait about an hour for the moisture to evaporate.

Damaged Disc

Do not attempt to play cracked, warped, or damaged discs. Playing a bad disc could severely damage the playback mechanism.

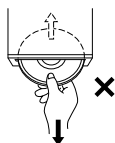
Maintenance

If you have problems, do not attempt to repair the unit yourself. Return it to your Alpine dealer or the nearest Alpine Service Station for servicing.

Never Attempt the Following

Do not grip or pull out the disc while it is being pulled back into the player by the automatic reloading mechanism.


Do not attempt to insert a disc into the unit when the unit power is off.



Inserting Discs


Your player accepts only one disc at a time for playback. Do not attempt to load more than one disc.

Make sure the label side is facing up when you insert the disc.

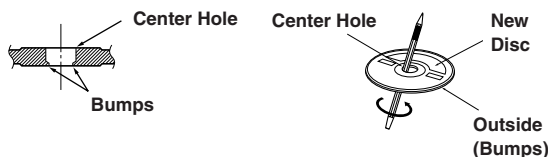
Press  to eject any disc that is inserted incorrectly.

Playing a disc while driving on a very bumpy road may result in skips, but this will not scratch the disc or damage the player.

New Discs

As a protective measure to prevent the disc from jamming, press  to eject any disc with irregular surface or inserted incorrectly.

When a new disc is inserted into the player and ejected after initial loading, using your finger, feel around the inside of the center hole and outside edge of the disc. If you feel any small bumps or irregularities, this could inhibit proper loading of the disc. To remove the bumps, rub the inside edge of the hole and outside edge of the disc with a ball-point pen or other such instrument, then insert the disc again.



Irregular Shaped Discs

Be sure to use round shaped discs only for this unit and never use any special shaped discs.

Use of special shaped discs may cause damage to the mechanism.



Installation Location

Make sure the DVA-5210 will not be installed in a location subjected to:

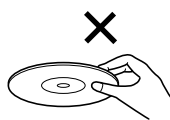
- Direct sun and heat
- High humidity and water
- Excessive dust
- Excessive vibrations

Correct Handling

Do not drop the disc while handling. Hold the disc so you will not leave fingerprints on the surface. Do not affix tape, paper, or gummed labels to the disc. Do not write on the disc.



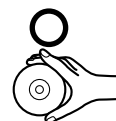
INCORRECT



CORRECT



CORRECT



Disc Cleaning

Fingerprints, dust, or soil on the surface of the disc could cause the DVD player to skip. For routine cleaning, wipe the playing surface with a clean, soft cloth from the center of the disc to the outer edge. If the surface is heavily soiled, dampen a clean, soft cloth in a solution of mild neutral detergent before cleaning the disc.

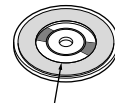


Disc Accessories

There are various accessories available on the market for protecting the disc surface and improving sound quality. However, most of them will influence the thickness and/or diameter of the disc. Using such accessories can cause operational problems. We recommend not using these accessories on discs played in Alpine DVD players.



Transparent Sheet



Disc Stabilizer

Discs playable on this unit

Playable Discs

The discs listed below can be played on this unit.

| | Mark (logo) | Recorded content | Disc size | Max. playing time |
|-----------|---|---------------------------------|------------------|---------------------------------------|
| DVD Video |  | Audio + Video (Moving pictures) | 12 cm* | One-sided disc Approx. 4 hours |
| | | | | Two-sided disc Approx. 8 hours |
| | | | 8 cm | One-sided disc Approx. 80 Minutes |
| | | | | Two-sided disc Approx. 160 Minutes |
| Video CD |  | Audio + Video (Moving pictures) | 12 cm | Approx. 74 Minutes |
| | | | 8 cm | Approx. 20 Minutes |
| Music CD |  | Audio | 12 cm | Approx. 74 Minutes |
| | | | 8 cm (CD single) | Approx. 20 Minutes |

* Two-layer DVD disc compatible

Discs that cannot be played

DVD-ROMs, DVD-RAMs, DVD + Rs, DVD + RWs, CD-ROMs (excluding MP3/WMA files), photo CDs, etc.

DVD region number (playable region number)

This DVD player will play back any disc whose region number is 1 (or All). DVDs with a region number other than those listed below, cannot be played on this DVD player.



Video CDs

This DVD head unit is compatible with playback control (PBC) compatible video CDs (version 2.0).

“PBC” is a function by which you can use menu screens recorded on the disc to find the scene you want to watch and view various types of information in dialog style.

Using compact discs (CD/CD-R/CD-RW)

If you use unspecified compact discs, correct performance cannot be guaranteed.

You can play CD-Rs (CD-Recordable)/CD-RWs (CD-ReWritable) which have been recorded only on audio devices. You can also play CD-Rs/CD-RWs containing MP3/WMA formatted audio files.

- Some of the following discs may not play on this unit:
 - Flawed discs, discs with fingerprints, discs exposed to extreme temperatures or sunlight (e.g., left in the car or this unit), discs recorded under unstable conditions, discs on which a recording failed or a re-recording was attempted, copy-protected CDs which do not conform to the audio CD industry standard.
- Use discs with MP3/WMA files written in a format compliant with ISO9660 level 1 or level 2. For details, see pages 16 and 17.

To customers using CD-R/CD-RW

- If a CD-R/CD-RW cannot be played back, make sure the last recording session was closed (finalized).
- Finalize the CD-R/CD-RW if necessary, and attempt playback again.

Tips for making your own CDs

The DVA-5210 plays DVD Video, Video CD, Audio CD and has a built in MP3/WMA decoder.

The following information is designed to help you create your own music CDs (either Audio CD or MP3/WMA encoded CD-R/RW files).

What is the difference between an Audio and MP3/WMA CD?

An Audio CD is the same format as the commercial CDs you buy in the store (also known as CD-DA). MP3 (MPEG-1 Audio Layer 3)/WMA (Windows Media Audio) is a data file that uses a compression scheme to reduce the size of the music file.*

Hybrid Audio CD and Data (MP3/WMA) CD-R/RW discs:

The DVA-5210 can read either sector on the disc. Choose CD-DA to play the CD audio section or MP3/WMA to play the MP3/WMA section.*

Continued

Multisession CD-R/RW:

Once a recording has been stopped, this is considered one session. If the disc is not closed (finalized), additional data may be added. Once this additional data has been recorded, this becomes a "multisession" CD. The DVA-5210 can only read multisession DATA Formatted discs (MP3/WMA files - Not Audio CD files).

MP3 ID3 Tag/WMA Tag Information:

The DVA-5210 read and displays MP3 ID3v1 tag or WMA tag information. MP3 files created with ID3v2 tag information can be played back but the tag info cannot be read or displayed.

Properly formatted MP3/WMA Discs:

Use ISO9660 formatting to insure proper playback. You may use standard ISO naming Level 1 (8.3 DOS standard), Level 2 (32 characters) or Joliet (Windows or Macintosh long filenames) file naming conventions*.

*Please consult the Owner's manual for additional information.

On handling compact discs (CD/CD-R/CD-RW)

- Do not touch the surface.
- Do not expose the disc to direct sunlight.
- Do not affix stickers or labels.
- Clean the disc when it is dusty.
- Make sure that the disc is smooth and flat.
- Do not use commercially available disc accessories.

Do not leave the disc in the car or the unit for a long time.

Never expose the disc to direct sunlight.

Heat and humidity may damage the disc and you may not be able to play it again.

Using DVD-Rs/DVD-RWs

- This unit is compatible only with discs recorded in the DVD-Video mode.
Discs recorded in the DVD-VR mode cannot be played back.
- Note that discs not finalized (processed to enable to play on playback-only DVD players) cannot be played on this DVD player.
- Some discs may not play back, depending on the recording device. (This unit has a copy protection function. Discs copied illegally will not be played back. Some files recorded by a software using an improper recording system may be recognized as illegally copied.)
- In the following cases, the disc may not play on this unit: discs recorded by certain DVD recorders, certain irregular discs, flawed discs, dirty discs, when the pickup lens of this DVD player is dirty, or when moisture condensation has occurred inside the unit.
- Be sure to follow all cautions included with your DVD-Rs/ DVD-RWs discs.
- Do not put stickers, seals, or tape on the label side of DVD-Rs/ DVD-RWs.
- Compared to the regular discs, DVD-Rs/DVD-RWs are more affected by heat, moisture, and direct sunlight. If left in a car, etc., damage may occur and it might not play on this unit.

Disc terminology

Title

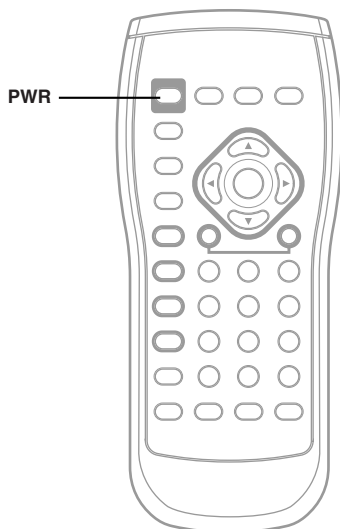
If titles are programmed for the DVD, these are the largest units of division of the information recorded on the disc.

Chapter

Each Title may also be divided into smaller divisions, called chapters. These can be specific scenes or musical selections.

- *This product incorporates copyright protection technology that is protected by method claims of certain U.S. patents and other intellectual property rights owned by Macrovision Corporation and other rights owners. Use of this copyright protection technology must be authorized by Macrovision Corporation, and is intended for home and other limited viewing uses only unless otherwise authorized by Macrovision Corporation. Reverse engineering or disassembly is prohibited.*
- *Manufactured under license from Dolby Laboratories. "Dolby," "Pro Logic" and the double-D symbol are trademarks of Dolby Laboratories. Confidential unpublished works. ©1992-1997 Dolby Laboratories. All rights reserved.*
- *"DTS" and "DTS2.0 + Digital Out" are trademarks of Digital Theater Systems, inc.*
- *Windows Media and the Windows logo are trademarks, or registered trademarks of Microsoft Corporation in the United States and/or other countries.*

Getting Started



When Using the Remote Control

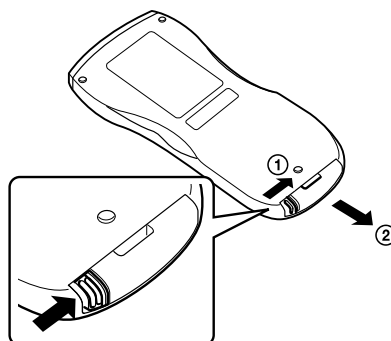
- Point the remote control at the remote sensor within about 2 meters.
- It may not be possible to operate the remote control if the remote control sensor is exposed to direct sunlight.
- The remote control is a small, lightweight precision device. To avoid damage, short battery life, operational errors and poor response, observe the following.
 - Do not subject the remote control to excessive shock.
 - Do not put in a trouser pocket.
 - Keep away from food, moisture and dirt.
 - Do not place in direct sunshine.

Battery Replacement

Battery type: CR2025 battery or equivalent.

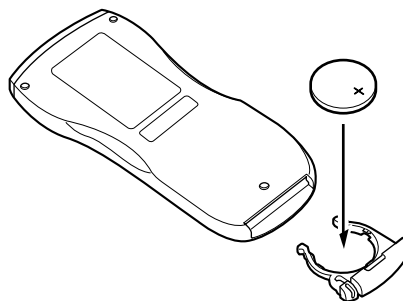
1 Opening the battery case

Slide out the battery cover while firmly pressing in the direction of the arrow.



2 Replacing the battery

Put the battery in the case with the (+) indication upward as shown in the illustration.

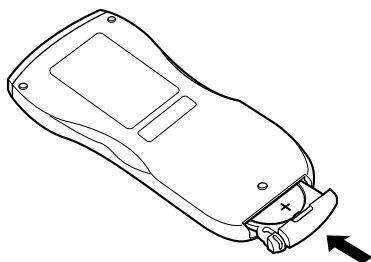


- *Placing a battery in backwards way may cause a malfunction.*

Continued

3 Closing the cover

Slide the cover as illustrated until a click is heard.



Warning

DO NOT OPERATE ANY FUNCTION THAT TAKES YOUR ATTENTION AWAY FROM SAFELY DRIVING YOUR VEHICLE.

Any function that requires your prolonged attention should only be performed after coming to a complete stop. Always stop the vehicle in a safe location before performing these functions. Failure to do so may result in an accident.

Turning Power On and Off

Play Position Memory Function

If you turn power off or switch the ignition key to OFF during playback or change the source, playback will continue from the point where playback stopped when the power is turned ON again. The play position memory is canceled when the disc is removed.

When connecting to the head unit using Ai-NET

Caution

- To customers using the ALPINE head unit. Before using this unit connected to an Ai-NET compatible AV head unit or Ai-NET compatible head unit, make the appropriate settings in "Setting the System Switch" (page 32) and "Setting the Ai-NET" (page 21).
- With this unit connected to an Ai-NET compatible AV head unit or Ai-NET compatible head unit, there may be some delay during power-up from the remote control. This is caused by the systems communications being carried out by the various components and is not a defect.
- When connected with an Ai-NET compatible AV head unit or Ai-NET compatible head unit, the power cannot be turned off from the remote control. Turn off the DVA-5210 power by switching the head unit's source. For details, refer to "Operating from the head unit" (page 22).

1 Set the head unit's source to DVD.

The power turns on.

- You cannot set the source to DVD on some head units. In this case, press **PWR** on the remote control to turn the power on.

2 To turn the power off, change the head unit's source.

When connecting to the head unit without using Ai-NET

Caution

To customers connecting the head unit without Ai-NET. When using this unit without an Ai-NET connection, read "Setting the System Switch" on page 32 and set "system switching" to "2" (STANDALONE).

1 Press **PWR** of the remote control.

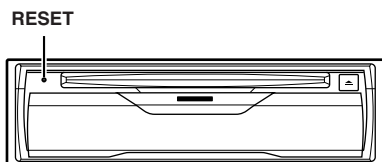
The power turns on.

2 To turn the power off, press **PWR** again.

Initial System Start-Up

Be sure to press the RESET switch when using the unit for the first time, after installing the CD changer, after changing the car battery, etc.

- 1 Turn off the unit power.
- 2 Open the door.
Refer to "Loading and Unloading Discs" on this page.
- 3 Press **RESET** with a ball-point pen or similar pointed object.



Switching between NTSC and PAL

Set the output configuration to NTSC or PAL, depending on the disc.

Press and hold **PWR** for at least 2 seconds.

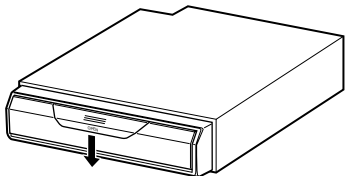
- NTSC is the standard and there is no need to change the setting. The system is set to NTSC at time of shipment from the factory.
- The image output configuration must be correct. Otherwise the following message appears and playback does not start: "VIDEO SIGNAL SYSTEM IS NOT CORRECT."

Loading and Unloading Discs

Turn on the power before loading and unloading discs. (Refer to "Turning the power on and off" on page 8.)

Loading discs

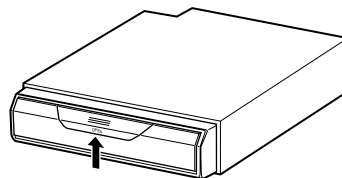
- 1 Slide the door down to open.



- 2 Insert the disc with the label side facing upwards.
Once the disc is partially inserted, it is drawn in automatically. Playback starts.

- 3 Close the door.

Be sure to close the door to prevent dust from entering the unit.

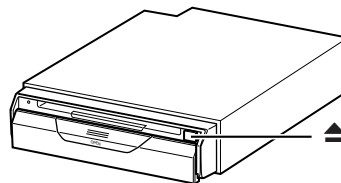


- If the ignition key is on ACC or ON, a disc can be inserted even when the power is OFF.
- For two-sided DVDs, play one side of the disc to the end, then unload the disc, turn it over and reload it to play the other side.
- Never insert map discs for navigation purposes as they could damage the equipment.
- If wrong disc, upside-down discs or dirty discs have been inserted, "DISC ERROR" is displayed. Open the door and remove the disc.

Unloading discs

- 1 Slide the door down to open.

- 2 Press ▲.
Be sure to remove the disc.



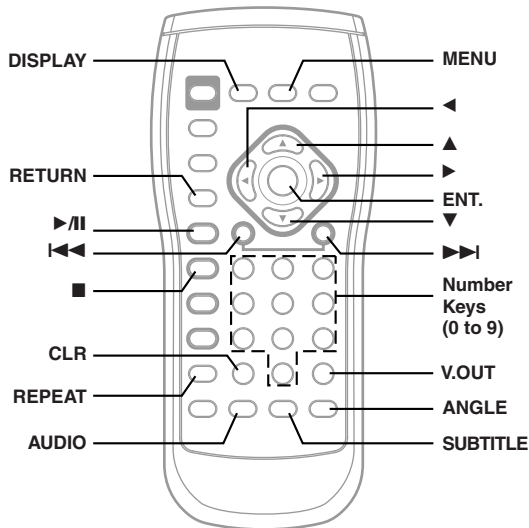
- If the disc is not removed within a few moments, it will be reloaded automatically.

- 3 Close the door.

Be sure to close the door to prevent dust from entering the unit.

- Never close the door while the disc is being unloaded. Doing so could scratch the disc or damage the player.
- If the ignition key is set to ACC or ON, a disc can be removed even when the power is OFF. After removing the disc, the power turns OFF again automatically.
- During ACC OFF or while the disc is being loaded ("LOADING" is displayed), the disc will not be ejected even if you press ▲.

DVD/Video CD



Playing DVD/Video CD

Caution

- Not all functions will operate for every DVD. See the individual DVD's instructions for details on the features supported.
- Fingerprints on a disc may adversely affect playback. If a problem occurs, remove the disc and check for fingerprints on the playback side. Clean the disc if necessary.
- When using the remote control, be careful to press one button at a time. Pressing multiple buttons at the same time may cause erroneous operation.
- If you switch the power or ignition key OFF, or change sources during playback, playback will continue where you left off when you resume playback.
- If you try to perform an invalid operation (based on the type of disc being played), the following mark is displayed on the monitor screen:

Insert a disc with the label side facing up.

To load discs, see "Loading and Unloading Discs" on page 9.

Playback starts. The front panel VIDEO indicator lights in amber during playback.

- The reverse side of a double-sided DVD will not be played automatically. Remove the disc, turn it over, and reinsert it.

If a menu screen appears

On DVDs and video CDs with playback control (PBC), menu screens may appear automatically. If this happens, perform the operation described below to start playback.

- For many discs, the menu screen can also be displayed by pressing **MENU**.

DVD menu

Press **▲**, **▼**, **◀** or **▶** to select the desired item, then press **ENT.**

- For some discs it is possible to select items directly from the menu screen using the **number keys** ("0" to "9").

Video CD menu

Use the **number keys** ("0" to "9") to select the desired number, then press **ENT.**

- The menu screen does not appear when the PBC function is turned off. If this is the case, press **MENU** to turn on the PBC function.

Stopping Playback (PRE-STOP)

Press **■** during playback to stop playback. That position is stored in memory.

- 1 Press **■** during playback.
"PRE-STOP" is displayed.

- 2 Press **▶/II** in the PRE-STOP mode.
Playback starts from the position at which it was stopped.

- For some discs, the position at which playback was stopped may not be accurate.

Stopping Playback

Press **■** twice during playback.
"STOP" is displayed, and playback stops.

- Playback stops also when **■** is pressed for more than 2 seconds.
- Playback starts from the beginning when **▶/II** is pressed while playback is stopped.

Fast-forwarding/Fast-reversing

- 1 During playback, press and hold **◀◀** (fast-reverse) or **▶▶** (fast-forward).

When pressed for more than 1 second, the disc is forwarded/reversed at double speed.

When held in 5 more seconds, the disc is forwarded/reversed at 8 times the normal speed.

- 2 Release **◀◀** or **▶▶** to return to normal playback.

- No sound and no subtitles appear during fast-forward/fast-reverse.
- For DVDs and video CDs with playback control (PBC), the menu screen may reappear during fast-forwarding/fast-reversing.

Finding the Beginning of Chapters or Tracks

During playback, press ◀◀ or ▶▶.

The chapter/track switches each time the button is pressed, and playback of the selected chapter/track starts.

▶▶: Press this to start playback from the beginning of the following chapter or track.

◀◀: Press this to start playback from the beginning of the current chapter or track.

- Some DVDs do not have chapters.

Supplementary explanation

"Chapters" are divisions of movies or musical selections on DVDs.

"Tracks" are divisions of movies or musical selections on video and music CDs.

Playing Still Frames (pausing)

1 During playback, press ▶/II.

2 Press ▶/II to resume playback.

- No sound is played during the still mode.
- The image or sound may stop temporarily when playback starts from the pause mode. This is not a malfunction.

Frame-by-frame Playback

1 In the pause mode, press ▶▶.

The picture advances by one frame each time the button is pressed.

2 Press ▶/II to resume normal playback.

- No sound is played during frame-by-frame playback.

Slow Motion Playback

1 When ▶▶ is pressed and held in while in the pause mode, the 1/8th speed slow motion playback mode is set.

When held in for 5 more seconds, the slow motion speed switches to 1/2 the normal speed.

2 Release ▶▶ to pause, and press ▶/II to playback.

- No sound is played during slow motion playback.
- Slow playback is not available when playing back a slide show.
- 1/2 and 1/8 are approximate speeds. The actual speed differs from disc to disc.
- Reverse slow motion playback is not available.

Searching by Title Number (DVD only)

Use this function to easily find positions on the DVD using the DVD's title.

1 When playback stops, input the number of the title you want to play using the number keys ("0" to "9").

2 Press ENT.

Playback starts from the selected title number.

- This function cannot be used on discs on which no title numbers are recorded.
- Press CLR to delete the last digit in the title number. Press and hold CLR for at least 2 seconds to clear all title numbers.
- Press RETURN to cancel the title search mode and resume normal playback.
- The playback starts automatically for two digit title numbers even if ENT. in procedure 2 is not pressed.
- Playback starts from the beginning of the chapter/track number in the state of PRE-STOP.

Searching Directly by Chapter or Track Number

Use this function to easily move to the beginning of the chapters or tracks on the disc.

1 During playback or pre-stop, input the number of chapter or track you desire by using the number keys ("0" to "9").

2 Press ENT.

Playback starts from the selected chapter or track.

- This function cannot be used on discs on which no chapter numbers are recorded.
- Depending on the number of digits input, playback may start automatically even if ENT. is not pressed in step 2.
- Press CLR to delete the last digit in the chapter/track number. Press and hold CLR for at least 2 seconds to clear "Chapter" and "Track" numbers.
- Press RETURN to cancel the chapter/track search mode and resume normal playback.

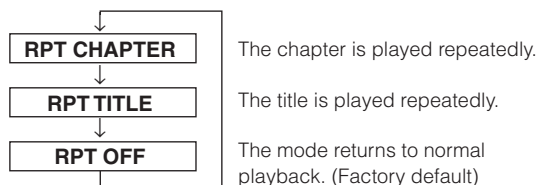
Chapter/Track/Title Repeat Playback

Use this function to play the disc's titles, chapters or tracks repeatedly.

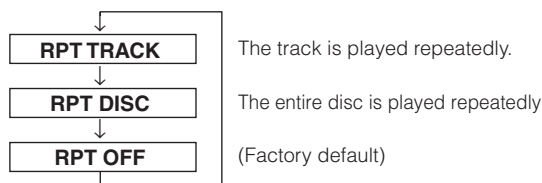
During playback, press **REPEAT**.

The repeat mode switches each time the button is pressed.

DVD



VIDEO CD



- The track/disc repeat modes cannot be used on video CDs with playback control (PBC). Press **MENU** to turn the PBC function off.
- For some discs it is not possible to switch the repeat mode.

Switching the Audio Tracks

DVDs can have up to 8 different audio tracks. These alternate tracks can be switched during playback.

During playback, press **AUDIO**.

The sound switches between the alternate audio tracks recorded on the disc each time the button is pressed.

- The selected alternate track becomes the default setting every time the power is turned on or the disc is replaced. If the disc does not include that track, the disc's default language is selected instead.
- Not all discs will allow changing the alternate audio tracks during playback. In these cases, select audio tracks from the DVDs menu.
- There may be a delay before the selected alternate track begins to play.

Video CDs with multiplex audio

During playback, press **AUDIO**.

The left and right channels will be output as shown in the figure below, each time the button is pressed.

LR → LL → RR → LR

Switching the Angle (DVD only)

On DVDs in which scenes have been filmed from multiple angles, the angle can be switched during playback.

During playback, press **ANGLE**.

The angle switches between the angles recorded on the disc each time the button is pressed.

- Some time may be required for the angle to change.
- Depending on the disc, the angle may switch in one of two ways.
 - Seamless: The angle switches smoothly.
 - Non-seamless: When the angle is switched, a still picture is displayed first, after which the angle switches.

Switching the Subtitles (subtitle language) (DVD only)

With multiple subtitle language DVDs, the subtitle language can be switched during playback, or subtitles can be hidden.

During playback, press **SUBTITLE**.

The subtitle switches between the languages recorded on the disc and OFF each time the button is pressed.

- There may be a delay before the selected subtitle appears.
- Not all discs will allow changing the subtitles during playback. In these cases, select subtitles from the DVD's menu.
- The selected subtitle language becomes the default setting every time the power is turned on or the disc is replaced. If the disc does not include that language, the disc's default language is selected instead.
- For some discs, the subtitles will be displayed even when this is set to off.

Tips

Switching from the disc menu.

For some discs, the audio language, angle and subtitles can be switched from the disc menu.

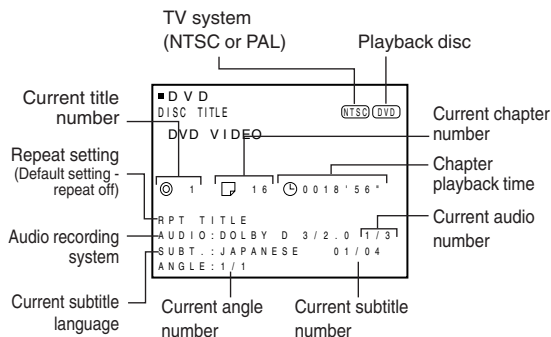
- 1 Press **MENU**, select the item, then press **ENT**.
- 2 Press **▲**, **▼**, **◀** or **▶** to select the language or angle, then press **ENT**.
(For some discs, they can be selected using the number keys "0" to "9" while the language or the angle menu is displayed.)

Displaying the Disc Status (DVD only)

Use the procedure described below to display the status (title number, chapter number, etc.) of the currently playing DVD on the monitor screen.

During playback, press **DISPLAY**.

The playback status is displayed for 5 seconds.

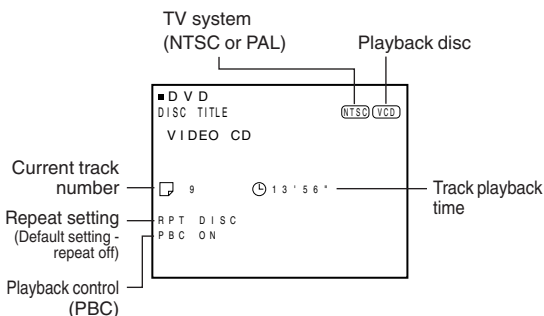


Displaying the Disc Status (Video CD only)

Use the procedure described below to obtain an on-screen display of the status (track number, etc.) of the currently playing video CD on the monitor screen.

During playback, press **DISPLAY**.

The playback status is displayed for 5 seconds.



To Output DVD Video While Listening to Another Source (CD/radio etc.) (only when using Ai-NET)

When the DVA-5210 is connected to an Ai-NET compatible head unit or Ai-NET compatible AV head unit, DVD video can be output independently on the monitor.

If the rear monitor is connected, DVD video and audio can be output independently on the rear monitor.

For example, DVD video can be output on the front or rear monitor, while listening to the CD/radio from the head unit.

- 1 **Change the source on the head unit or AV head unit's to CD or radio, etc.**
- 2 **Select the DVD image from this unit with the V.SEL button (use the Simultaneous Function) on the AV head unit or front monitor.**
- 3 **Press V.OUT on the remote control for this unit.** You can watch the DVD/video CD.
- 4 **After using this function, press V.OUT to deactivate the video output mode.**

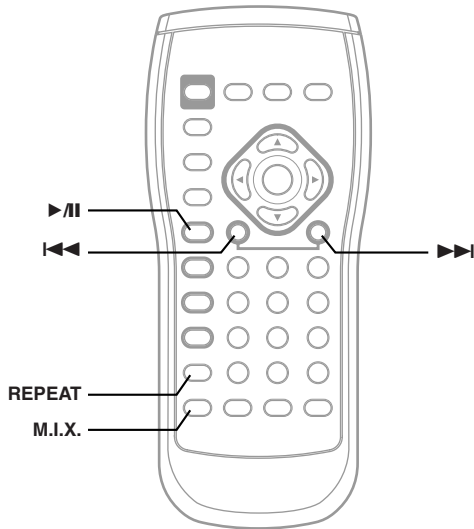
To watch the DVD on the rear monitor

- 5 **See "Rear Monitor Select Function (AUX OUT)" in the AV head unit or front monitor's owner's manual to select the DVD image from this unit.**

Caution

If the power or the ignition key is turned off without canceling the video output mode, the set will start up in the video output mode the next time the power is turned on, and the DVA-5210's power will remain on even if the source is switched with the head unit/AV head unit or if you try to turn off the power of the DVA-5210. If this happens, press V.OUT to cancel the video output mode.

- If the monitor has no rear monitor select function, the rear monitor cannot be connected.
- Buttons to operate, etc., vary depending on the product. Refer to the owner's manual of the connected product for details.



Repeat Play

Press **REPEAT** to play back repeatedly the track being played.

The track will be played repeatedly.

Press **REPEAT** again and select OFF to deactivate repeat play.

Playback

1 Insert a disc with the label side facing up.

To load discs, see "Loading and Unloading Discs" on page 9.

Playback starts. The front panel AUDIO CD indicator lights in amber during playback.

2 Press << or >> to select the desired track.

Returning to the beginning of the current track:

Press <<.

Fast backward :

Press and hold <<<.

Advancing to the beginning of the next track :

Press >>.

Fast forward :

Press and hold >>>.

3 To pause playback, press >||.

Pressing >|| again will resume playback.

- CD playback information (track no., TEXT etc.) will be displayed on the monitor during playback.
- Three-inch (8cm) CD's can be used.

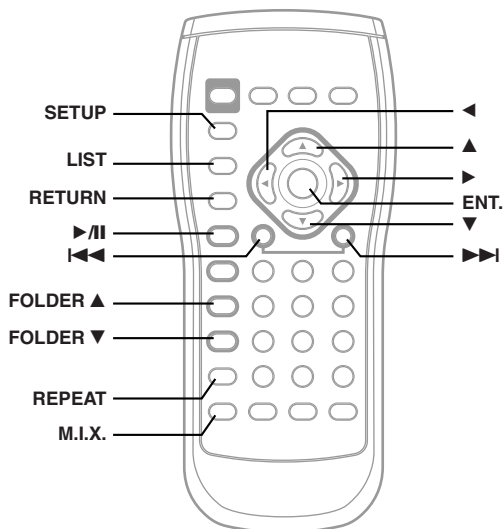
M.I.X. (Random Play)

Press **M.I.X.** in the play or pause mode.

The tracks on the disc will be played back in random sequence.

To cancel M.I.X. play, press **M.I.X.** again.

MP3/WMA



Playback

The DVA-5210 will play back MP3/WMA files stored on CD-ROMs, CD-Rs, and CD-RWs. The format used must be compliant with ISO 9660 level 1 or level 2.

For further information about playing or storing MP3/WMA files, refer to pages 16 and 17 before using the unit.

A WMA format file that is protected by DRM (Digital Rights Management) cannot be played back on this unit.

1 Insert a disc containing an MP3/WMA file with the label side facing up.

To load discs, see "Loading and Unloading Discs" on page 9.

Playback starts. The front panel MP3/WMA indicator lights in amber during playback.

2 Press **◀◀** or **▶▶** to select the desired track.

Returning to the beginning of the current track:

Press **◀◀**.

Fast backward :

Press and hold **◀◀**.

Advancing to the beginning of the next track :

Press **▶▶**.

Fast forward :

Press and hold **▶▶**.

3 To pause playback, press **▶/II**.

Pressing **▶/II** again will resume playback.

- MP3/WMA playback information (folder no., file no., tag information, etc.) will be displayed on the monitor during playback.
- The CD-player can play discs containing audio data, MP3 data and WMA data.
- For MP3 discs, some time may be required until playback starts.
- Some discs will not play back depending on the writing or MP3 conversion software used for the disc. In that case, try other software.
- The unit will fast backward only the current track.
- No sound is output during fast forward/fast backward.

Selecting Folders

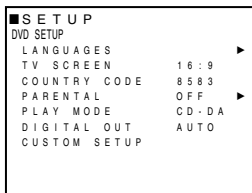
Press **FOLDER ▲** or **FOLDER ▼** to select the folder.

Playing MP3/WMA Data

The unit can be set to play only the audio data or only the MP3/WMA files on discs containing both audio data and MP3/WMA data (when using discs containing both audio data and MP3/WMA data).

1 Press **SETUP** before inserting a disc.

The setup menu appears on the monitor screen.



2 Press **▲** or **▼** to select "PLAY MODE".

3 Press **◀**, **▶** or **ENT.** to select CD-DA or MP3/WMA.

CD-DA:

Plays only audio data on discs containing both audio data and MP3/WMA data.

The initial setting at the factory is CD-DA.

MP3/WMA:

Plays only MP3/WMA files on discs containing both audio data and MP3/WMA data.

4 Press **SETUP**.

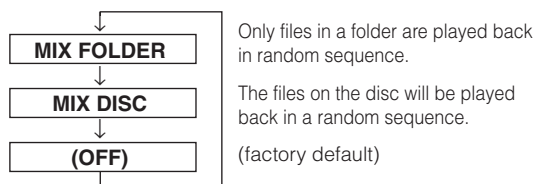
The settings are stored and the setup mode is deactivated.

- If a disc has already been inserted, perform the setting after you remove the disc.

M.I.X. (Random Play)

Press M.I.X. in the play or pause mode.

The M.I.X. mode switches each time the button is pressed.

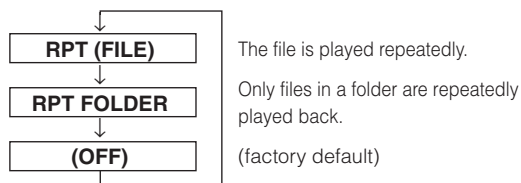


Press M.I.X. again and select OFF to deactivate the M.I.X. play.

Repeat Play

During playback, press REPEAT.

The repeat mode switches each time the button is pressed.



Press REPEAT again and select OFF to deactivate the repeat play.

Folder/File Search

You can display the names of folders/files and search for a folder/file to play.

1 Press LIST during playback.

The Folder Name list is displayed.

Each press changes the list.

Folder Name list → File Name list → List display OFF → Folder Name list

2 Press ▲ or ▼ to select a folder/file name, then press ENT.

- When there are more than 9 names on the list, “▲” or “▼” is displayed. Press ▲ or ▼ to scroll.
- Press RETURN to deactivate the Search mode.

About MP3/WMA

CAUTION

Except for private use, duplicating audio data (including MP3/WMA data) or distributing, transferring, or copying it, whether for free or for a fee, without permission of the copyright holder is strictly prohibited by the Copyright Act and by international treaty.

What is MP3?

MP3 (MPEG-1 Audio Layer 3) is a compression standard prescribed by the ISO, the International Standardization Organization and MPEG, which is a joint activity institution of the IEC.

MP3 files contain compressed audio data. MP3 encoding is capable of compressing audio data at extremely high ratios, reducing the size of music files to as much as one-tenth their original size. This is achieved while still maintaining near CD quality. The MP3 format realizes such high compression ratios by eliminating the sounds that are either inaudible to the human ear or masked by other sounds.

What is WMA?

WMA, or “Windows Media™ Audio,” is compressed audio data.

WMA allows you to create music files and store them at higher ratios of compression than MP3 audio data (approx. half original size). This is achieved while still maintaining CD quality sound.

Method for creating MP3/WMA files

Audio data is compressed by using MP3/WMA specified software. For details on creating MP3/WMA files, refer to the user’s manual for that software.

MP3/WMA files that can be played back by this device have the file extension “mp3”/“rmp”, “wma”. Files with no extension cannot be played back. (WMA ver. 7.1 and 8 are supported)

Supported playback sampling rates and bit rates

MP3

Sampling rates: 32 kHz - 48kHz

Bit rates: 32 - 320 kbps

WMA

Sampling rates: 32 kHz - 48 kHz

Bit rates: 32 - 192 kbps

Note that for sampling rates such as 22.05 kHz, this device may not display correctly.

ID3 tags/WMA tags

This device supports ID3 tag v1 and WMA tag.

If tag data is in an MP3/WMA file, this device can display the title (track title), artist name, and album name ID3 tag/WMA tag data.

This device can only display single-byte alphanumeric characters and the underscore.

Producing MP3/WMA discs

MP3/WMA files are prepared, then written to a CD-R or CD-RW using CD-R writing software. A disc can hold a maximum of 255 files, and 255 folders.

Media supported

The media that this device can play back are CD-ROMs, CD-Rs, and CD-RWs.

Corresponding File Systems

This device supports discs formatted with ISO9660 Level 1 or Level 2.

Under the ISO9660 standard, there are some restrictions to remember.

The maximum nested folder depth is 8 (including the root directory). File/folder names are limited to 31 characters (including the extension).

Valid characters for folder/file names are letters A-Z (all caps), numbers 0-9, and '_' (underscore).

This device also can play back discs in Joliet, etc., and other standards that conform to ISO9660. However, sometimes the file names, folder names, etc., are not displayed correctly.

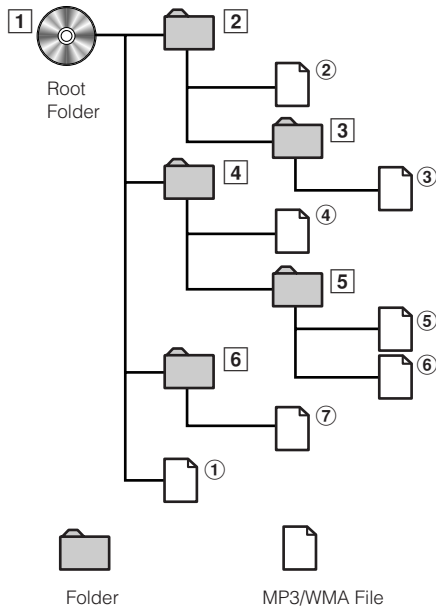
Formats supported

This device supports CD-ROM XA, Mixed Mode CD, Enhanced CD (CD-Extra) and Multi-Session.

This device cannot correctly play back discs recorded with Track At Once or packet writing.

Order of files

The unit plays the files in the order that the writing software writes them. Therefore, the playing order may not be the same as the order you input. The playback order of the folders and files is as follows. However, the folder and file playback order differs from the folder no. and file no. indicated on the display.



Terminology

Bit rate

This is the "sound" compression rate specified for encoding. The higher the bit rate, the higher the sound quality, but also the larger the files.

Sampling rate

This value shows how many times per second the data is sampled (recorded). For example, music CDs use a sampling rate of 44.1 kHz, so the sound is sampled (recorded) 44,100 times per second. The higher the sampling rate, the higher the sound quality, but also the larger the volume of data.

Encoding

Converting music CDs, WAVE (AIFF) files, and other sound files into the specified audio compression format.

Tag

Song information such as track title, artist name, album name, etc., written into MP3/WMA files.

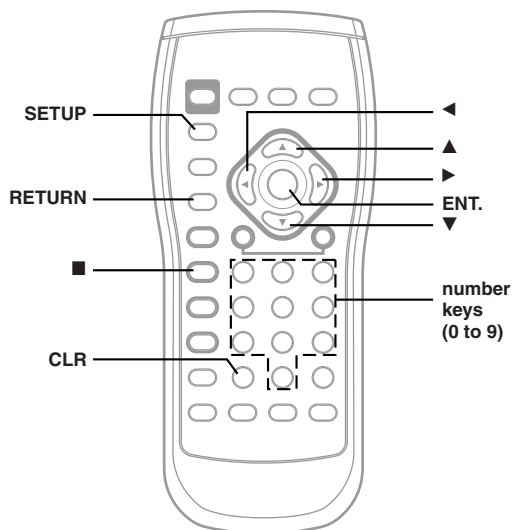
MP3: ID3 tag

WMA: WMA tag

Root folder

The root folder is found at the top of the file system. The root folder contains all folders and files.

DVD Setup



- When the settings are changed, the old settings are overwritten. Make a note of the current settings before making changes. The settings are not cleared even when the vehicle's battery is disconnected.

Setting the language

The audio language, subtitle language and menu language can be set according to your preferences.

Once set, this becomes the default language. This function is convenient when you always want to listen in English. (Not all discs allow changing the default language. If not, the factory default language applies.)

Setting item: Language

Further setting items: MENU / AUDIO / SUBTITLE

MENU:

Set the language used for the menus (title menu, etc.).

AUDIO:

Set the audio track language.

SUBTITLE:

Set the language of the subtitles displayed on the screen.

```

■ S E T U P
LANGUAGES
MENU          AUTO
AUDIO         AUTO
SUBTITLE      AUTO
◀RETURN
    
```

Setting contents:

AUTO *1 / **OTHERS** *2 / **ENGLISH** / **JAPANESE** / **GERMAN** / **SPANISH** / **FRENCH** / **HINDI** / **HUNGARIAN** / **ITALIAN** / **YIDDISH** / **PORTUGUESE** / **RUSSIAN** / **CHINESE**

Press ◀ or ▶ to select your desired language.

*1 AUTO:

The disc is played with the audio language or subtitle language set as the priority language for the disc.

*2 OTHERS:

Set this to play the disc with a language other than one of the languages displayed. Press ENT. then use the number keys "0" to "9" to input the 4-digit language code. Then press ENT. again. For the language codes, refer to "List of Language Codes" (page 25).

- If you change the language setting when the disc is inside, the setting is decided with one of the following operations.
 - Disc eject
 - Turn OFF the main unit
 - Switch the source on the head unit.
- To temporarily change the language of the current disc, either do so from the DVD menu or using the operation described in the section "Switching the audio tracks" (page 12).
- If the disc does not include the selected language, the disc's default language is set.
- Languages set upon shipment from the factory:
 - Audio language : AUTO
 - Subtitle language : AUTO
 - Menu language : AUTO
- Press RETURN, or press ▲ or ▼ to select "RETURN," then press ENT. to return to the previous display.

Setting the TV Screen

Use the procedure described below to set the output screen according to the type of TV monitor being used.

Setting item: TV SCREEN

Setting contents: 16:9 / 4:3 LB / 4:3 PAN

- For some discs, the picture may not be set to the selected screen size. (For details, refer to the explanation on the disc's jacket.)
- Press RETURN to return to the previous screen.

DVD Setup Operation

The following steps 1 to 4 are common operations to each setting item of DVD settings. Refer to each section for details.

1 Press SETUP before inserting a disc, or when in stop mode.

The setup menu appears on the monitor.

```

■ S E T U P
DVD SETUP
LANGUAGES          16:9 ▶
TV SCREEN          8583 ▶
COUNTRY CODE      OFF
PARENTAL          CD-DA
PLAY MODE         DIGITAL OUT
DIGITAL OUT       CUSTOM SETUP
    
```

2 Press ▲ or ▼ to select your desired setting item. If ▶ is indicated at the right of the item, select the item then press ▶ or ENT.

Further items will be displayed.

Setting items:

LANGUAGES / TV SCREEN / COUNTRY CODE / PARENTAL / PLAY MODE*1 / DIGITAL OUT / CUSTOM SETUP*2

*1 Refer to "Playing MP3/WMA Data" on page 15.

*2 Refer to "Custom Setup" on page 20.

3 Press ◀, ▶ or ENT. to change the setting.

4 Press SETUP.

The settings are stored and the setup mode is deactivated.

16:9 (WIDE)

Select this when connected to a wide screen TV. This is selected upon shipment from the factory.



4:3 LB (LETTER BOX)

Select this when connected to a conventional 4:3 size (normal TV aspect ratio) monitor. There may be black bands visible at the top and bottom of the screen (when playing a 16 : 9 size movie). The width of these stripes will depend upon the original aspect ratio of the theatre release of the movie.



4:3 PAN (PAN-SCAN)

Select this when connected to a conventional 4:3 size monitor. The picture will fill the entire TV screen. However, due to the mismatch in aspect ratio, parts of the movie at the extreme left and right sides will not be visible (when playing a 16 : 9 size movie).



Setting the Country Code

Set the country code when setting the rating level (Parental lock).

Setting item: COUNTRY CODE

Setting contents: CODE

- 1 Press ▲ or ▼ to select "COUNTRY CODE," then press ENT.
"COUNTRY CODE" will be reset.

COUNTRY CODE - - - -

- 2 Use the number keys "0" to "9" to input the 4-digit country code, then press ENT.
Example: US "8583" is input

COUNTRY CODE 8 5 8 3

- If the input code is wrong, "CODE ERROR" is displayed and the unit returns to the setup display again.
- For the country codes, refer to "List of Country Codes" (Pages 26 to 27).
- Can be erased one digit at a time each time CLR is pressed. Press CLR for at least 2 seconds to delete all digits.
- Press RETURN to return to the previous screen.

Setting the Rating Level (Parental Lock)

Use this function to restrict the viewing of movies to children of appropriate age levels only.

Setting item: PARENTAL

Setting contents: Password

- 1 Press ▲ or ▼ to select "PARENTAL," then press ENT.
The password input mode is activated.

- 2 Use the number keys "0" to "9" to input the 4-digit password, then press ENT.

PARENTAL * * * *

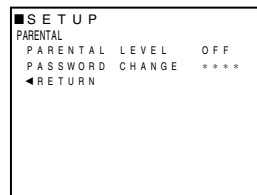
Input numbers are displayed "*.*"

The default password is 1111 upon shipment from the factory.

The restriction level (PARENTAL LEVEL) input display appears.

- Can be erased one digit at a time each time CLR is pressed. Press CLR for at least 2 seconds to delete all digits.
- Press RETURN to return to the previous screen.
- If the password is wrong, the unit returns to the SETUP display.

- 3 Press ▲ or ▼ to select "PARENTAL LEVEL".



- 4 Press ◀, ▶ or ENT. to select the restriction level (1 to 8), then press ENT.

Select "OFF" to cancel the parental lock or if you do not want to set a rating level.

The lower the number, the higher the rating level.

- Press RETURN, or press ▲ or ▼ to select "RETURN," then press ENT. to return to the previous display.

- 5 Press SETUP.

The settings are stored and the setup mode is deactivated.

- If you want to change the password, select "PASSWORD CHANGE," then input the new password (4 digits).
- Write down the password on a piece of paper and store the piece of paper somewhere in case you forget it.
- On unrated DVDs, playback will not be restricted even if the rating level is set.
- Once set, this rating level remains in memory until changed. To enable the play of discs of higher rating levels or to cancel the parental lock, the setting must be changed.
- Not all DVDs provide a Parental Lock feature. If you are unsure about a DVD, play it first to confirm. Do not leave DVDs accessible to young children for whom you deem them inappropriate.

Tips

- **Changing the rating level temporarily**
Some discs may request that you change the rating level set in the default settings during playback. In this case, the message appears on the monitor screen "PARENTAL LEVEL CHANGE OK?"
- To change parental level and play, press ENT.
- To play without changing the parental level, press ■.
(When ■ is pressed, playback will be at the parental level set with "Setting Parental Lock.")

Setting the Digital Output

Use the following procedure to set the digital audio signal output from the DVA-5210.

Setting item: DIGITAL OUT

Setting contents: AUTO / LPCM

AUTO: The digital output is switched automatically according to the type of audio signal being played.

Be sure to select "AUTO" when you want to connect a digital audio processor and play Dolby Digital audio. "AUTO" is selected upon shipment from the factory.

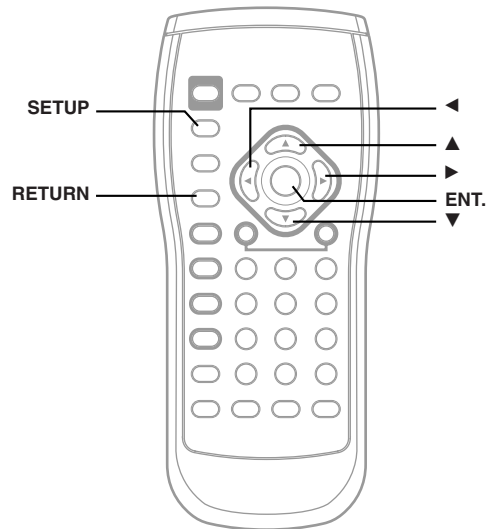
LPCM: The audio signal recorded on the disc are converted to 48 kHz/16 bit (for DVDs) or 44.1 kHz (for video CDs and CDs) linear PCM audio signals for output.

- Press **RETURN** to return to the previous screen.

Audio output/Optical digital audio output

| Disc | Audio recording format | Digital output setting | Optical digital audio output (when a digital audio processor is connected) | Analog audio output (Ai-NET, RCA output) | | | |
|-------------|------------------------|------------------------|--|--|--------------|---------------------------------|----|
| DVD | DTS | AUTO | DTS Elementary Stream | OK | | | |
| | | LPCM | LPCM Encode 2ch Down mix (48kHz/16bit) | OK | | | |
| | Dolby Digital | AUTO | Dolby Digital | OK | | | |
| | | LPCM | LPCM (48kHz/16bit) | OK | | | |
| | Linear PCM | 48kHz/16bit | AUTO or LPCM | LPCM (48kHz/16bit) | OK | | |
| | | 48kHz/20bit | AUTO or LPCM | LPCM (48kHz/16bit) | OK | | |
| | | 48kHz/24bit | AUTO or LPCM | LPCM (48kHz/16bit) | OK | | |
| | | 96kHz/16bit | AUTO or LPCM | LPCM (48kHz/16bit) | OK | | |
| | | 96kHz/20bit | AUTO or LPCM | LPCM (48kHz/16bit) | OK | | |
| | | 96kHz/24bit | AUTO or LPCM | LPCM (48kHz/16bit) | OK | | |
| MPEG2 | AUTO or LPCM | LPCM (48kHz/16bit) | OK | | | | |
| Video CD | MPEG1 | AUTO or LPCM | LPCM (44.1kHz) | OK | | | |
| CD | Linear PCM | AUTO or LPCM | LPCM (44.1kHz) | OK | | | |
| | | DTS | AUTO | DTS Elementary Stream | OK | | |
| | | LPCM | LPCM Encode 2ch Down mix (44.1kHz/16bit) | OK | | | |
| | | MP3 | MPEG-1 Audio Layer3 | 32kHz/16bit | AUTO or LPCM | LPCM Encode 2ch (32kHz/16bit) | OK |
| | | | | 44.1kHz/16bit | AUTO or LPCM | LPCM Encode 2ch (44.1kHz/16bit) | OK |
| | | 48kHz/16bit | AUTO or LPCM | LPCM Encode 2ch (48kHz/16bit) | OK | | |
| | | WMA | Windows Media™ Audio | 32kHz/16bit | AUTO or LPCM | LPCM Encode 2ch (32kHz/16bit) | OK |
| | | | | 44.1kHz/16bit | AUTO or LPCM | LPCM Encode 2ch (44.1kHz/16bit) | OK |
| 48kHz/16bit | AUTO or LPCM | | | LPCM Encode 2ch (48kHz/16bit) | OK | | |

Custom Setup

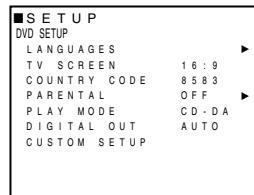


Custom Setup Operation

The following steps 1 to 5 are common operations to each setting item of CUSTOM settings. Refer to each section for details.

1 Press **SETUP** before inserting a disc, or when in stop mode.

The setup menu appears on the monitor.

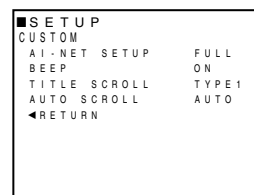


2 Press **▲** or **▼** to select "CUSTOM SETUP," then press **▶** or **ENT.**

3 Press **▲** or **▼** to select your desired setting item.

CUSTOM SETUP items:

Ai-NET SETUP / BEEP / TITLE SCROLL / AUTO SCROLL



4 Press **◀**, **▶** or **ENT.** to change the setting.

5 Press **SETUP**.

The settings are stored and the setup mode is deactivated.

- Press **RETURN**, or press **▲** or **▼** to select “**RETURN**,” then press **ENT**. to return to the previous display.

Setting the Ai-NET

Use the connected Ai-NET compatible head unit or AV head unit to display the information from the disc being played on the DVA-5210.

Setting item: **Ai-NET SETUP**

Setting contents: **FULL / TIME**

FULL: When connecting to an Ai-NET compatible AV head unit (e.g. IVA-D300) marketed after December 2003. The information compatible with the displays on these AV head units will be transferred. The factory default is FULL.

TIME: When connecting to an Ai-NET compatible AV head unit marketed before January 2004 (e.g. IVA-D900) or an Ai-NET compatible head unit. Playback time and track no. display information will be transferred to the head unit. Other information, such as CD TEXT, titles, etc., cannot be displayed on the head unit.

If set to FULL with one of these head units connected, the head unit cannot recognize the information from the DVA-5210, so even playback time and track no. will not be displayed properly.

- *Some Ai-NET compatible head units display differently when connected.*
- *The Ai-NET compatible head units and Ai-NET compatible AV head units marketed before January 2001 do not display information from the DVA-5210 properly, even if set to TIME.*

Sound (Beep) Guide Function

This function will give audible feedback with varying tones depending upon the button pressed.

Setting item: **BEEP**

Setting contents: **ON / OFF**

ON: Activate the Sound Guide mode.

The initial setting at the factory is BEEP ON.

OFF: Deactivate the Sound Guide mode. The sound guide beep will not be produced when a button on the unit is pressed.

Setting the Scroll Type

Set the scroll type for CD TEXT information of audio CDs, or tag information (album name, artist name) of MP3/WMA.

Setting item: **TITLE SCROLL**

Setting contents: **TYPE1 / TYPE2**

TYPE1: Both CD TEXT and tag information are scrolled simultaneously.

The factory default is TYPE1.

TYPE2: 2 lines of CD TEXT and tag information are scrolled in turn.

Setting the Title Scroll

CD TEXT information of audio CDs, or tag information (album name, artist name) of MP3/WMA can be scrolled.

Setting item: **AUTO SCROLL**

Setting contents: **AUTO / MANUAL**

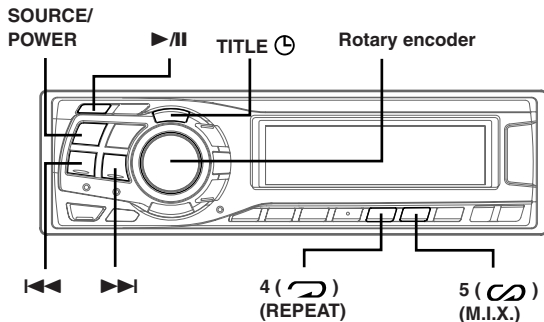
AUTO: The CD TEXT and tag information will be automatically scrolled.

MANUAL: The CD TEXT and tag information will not be scrolled.

The factory default is MANUAL.

Other Useful Features

Operating from the Head Unit



CDA-9835 (Head unit)

The DVA-5210 can also be operated from the ALPINE Ai-NET compatible head unit. Refer to the manual of the head unit. Note that some of the functions cannot be operated from the DVA-5210.

Functions operable from the head unit

| Switch | Operation |
|----------------|--|
| SOURCE | Switches the audio source. Turns the DVD player's power ON in the DVD mode. Turns OFF in a mode other than main DVD. |
| TITLE | Switches the display pattern of the head unit. |
| REPEAT | DVD: Repeat switching Video CD/CD/MP3/WMA: Repeat switching |
| M.I.X. | DVD/Video CD: Not used CD/MP3/WMA: M.I.X. play switching |
| ▶▶ | Starts playback from the beginning of the following chapter/track. When pressed and held in, fast-forwards the disc. |
| ◀◀ | Starts playback from the beginning of the current chapter/track. When pressed and held in, fast-reverses the disc. |
| ▶ | Switches between play and pause. |
| Rotary Encoder | Adjust the volume. |

Playing DVDs, video CDs, CDs and MP3/WMA

1 Press **SOURCE** and select the DVD mode.

DVD mode:

The power of the DVA-5210 turns ON and playback starts automatically.

Other modes:

The power of the DVA-5210 turns OFF automatically.

2 To set the pause mode, press **▶||**.

Press **▶||** again to resume playback.

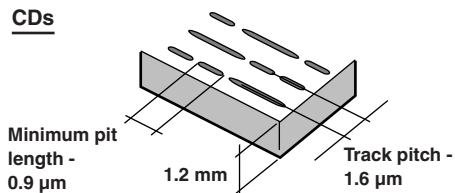
- You cannot set the source to DVD on some head units. In this case, press **PWR** on the remote control to turn the power on.
- For video CDs with playback control (PBC), turn PBC off.
- The disc name, track name, and other information can be displayed on the display of the head unit for music CDs that support CD text. This can only be used with alphanumeric text. See the instruction manual of the head unit side for further details.
- In the case of MP3/WMA, tag information (disc/artist name etc.) can be displayed. Refer to the instruction manual of the head unit for details. Tag information cannot be displayed on some head units.
- SCAN play for CDs, MP3/WMA and video CDs cannot be performed.

Information

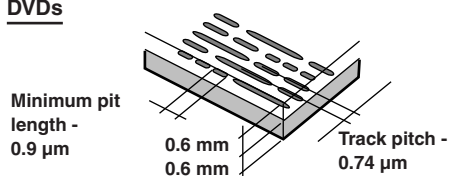
About DVDs

Music CDs and DVDs have grooves (tracks) in which the digital data is recorded. The data is represented as microscopic pits recorded into the track – these pits are read by a laser beam to play the disc. On DVDs, the density of the tracks and pits is twice that of CDs, so DVDs can contain more data in less space.

CDs



DVDs



A 12 cm disc can contain one movie or about four hours of music. In addition, DVDs provide sharp picture quality with vivid colors thanks to a horizontal resolution of over 500 lines (compared to less than 300 for VHS tape). With the addition of an optional, digital audio processor (PXA-H900, PXA-H510, PXA-H700), you can recreate the power and presence of a movie theater with Dolby Digital 5.1-channel Surround.

In addition, DVDs offer a variety of functions.

- **Multiple audio*** (page 12)
Movies can be recorded in up to eight languages. The desired language can be selected from the remote control.
- **Subtitles function*** (page 12)
Movies can include subtitles in up to 32 languages. The desired subtitle language can be selected from the remote control.
- **Multi angle function*** (page 12)
When the DVD contains a movie shot from multiple angles, the desired angle can be selected from the remote control.
- **Multi story function***
With this function, a single movie includes various story lines. You can select different story lines to view various versions of the same movie. Operation differs from disc to disc. Story line selection screens including instructions appear during the movie. Just follow the instructions.

* *The functions, audio languages, subtitle languages, angles, etc., differ from disc to disc. For details, refer to the disc's instructions.*

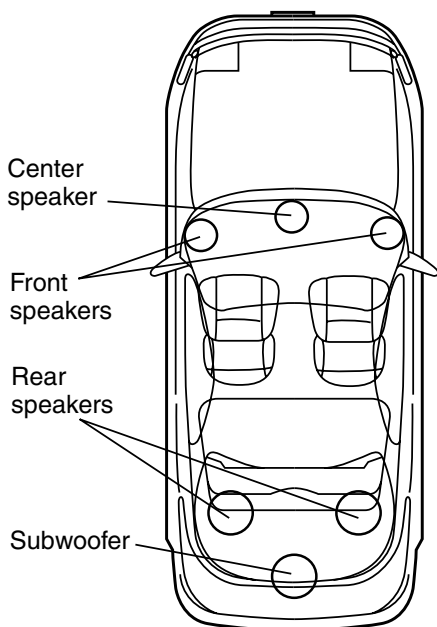
Terminology

Dolby Digital

Dolby Digital is a digital audio compression technology developed by Dolby Laboratories that allows large quantities of audio data to be efficiently recorded on discs. It is compatible with audio signals from mono (1 channel) all the way up to 5.1-channel surround sound. The signals for the different channels are completely independent, and since the sound is high quality digital there is no loss of sound quality.

* *The separately sold digital audio processor (PXA-H510, PXA-H900, PXA-H700) is required to enjoy full 5.1-channel surround sound.*

The DVA-5210 performs Dolby Digital decoding when it outputs analog audio signals; 2-channel audio, not 5.1-channel.



Speaker layout for enjoying Dolby Digital sound/dts sound

DTS

This is a home-use digital sound format of the DTS Sound System. This is a high quality sound system, developed by Digital Theater Systems Corp. for use in movie theaters. DTS has six independent sound tracks. The theater presentation is fully realized in the home, etc. DTS is the abbreviation for Digital Theater System.

* *To enjoy DTS surround sound you need the separately sold DTS digital audio processor (PXA-H900, PXA-H700). The DVD video software must also have a DTS sound track.*

The DVA-5210 has a built-in DTS 2-channel audio decoder. Analog audio outputs are available.

Dolby Pro Logic

Dolby Pro Logic is the technology used to decode programs encoded in Dolby Surround. Pro logic decoding will provide you with four channels of sound (front left/right, center and monaural rear surround) from a 2-channel (stereo) source.

* *The separately sold digital audio processor (PXA-H510, PXA-H900) is required to enjoy Dolby Pro Logic surround sound.*

Dolby Pro Logic II

Dolby Pro Logic II plays 2-channel sources in 5 channels over the entire frequency range.

This is done with an advanced, high sound quality matrix surround decoder which draws out the spatial properties of the original recording without adding any sounds to or changing the sound of the source.

* *The separately sold digital audio processor (PXA-H700) is required to enjoy Dolby Pro Logic II surround sound.*

Linear PCM audio (LPCM)

LPCM is a signal recording format used for music CDs. Whereas music CDs are recorded at 44.1 kHz/16 bits, DVDs are recorded at 48 kHz/16 bits to 96 kHz/24 bits, thereby achieving higher sound quality than music CDs.

Rating levels (parental lock)

This is a DVD function for restricting the viewing age as stipulated by censorship laws in different countries. The way in which viewing is restricted differs from DVD to DVD. Sometimes the DVD cannot be played at all, other times certain scenes are skipped, and other times certain scenes are replaced with other scenes.

List of Language Codes

(For details, see page 18.)

| Abbreviation | Code | Language | Abbreviation | Code | Language | Abbreviation | Code | Language |
|--------------|------|-----------------|--------------|------|------------------|--------------|------|----------------|
| AA | 6565 | Afar | IE | 7369 | Interlingue | RN | 8278 | Kirundi |
| AB | 6566 | Abkhazian | IK | 7375 | Inupiak | RO | 8279 | Romanian |
| AF | 6570 | Afrikaans | IN | 7378 | Indonesian | RU | 8285 | Russian |
| AM | 6577 | Amharic | IS | 7383 | Icelandic | RW | 8287 | Kinyarwanda |
| AR | 6582 | Arabic | IT | 7384 | Italian | SA | 8365 | Sanskrit |
| AS | 6583 | Assamese | IW | 7387 | Hebrew | SD | 8368 | Sindhi |
| AY | 6589 | Aymara | JA | 7465 | Japanese | SG | 8371 | Sangho |
| AZ | 6590 | Azerbaijani | JI | 7473 | Yiddish | SH | 8372 | Serbo-Croatian |
| BA | 6665 | Bashkir | JW | 7487 | Javanese | SI | 8373 | Singhalese |
| BE | 6669 | Byelorussian | KA | 7565 | Georgian | SK | 8375 | Slovak |
| BG | 6671 | Bulgarian | KK | 7575 | Kazakh | SL | 8376 | Slovenian |
| BH | 6672 | Bihari | KL | 7576 | Greenlandic | SM | 8377 | Samoan |
| BI | 6673 | Bislama | KM | 7577 | Cambodian | SN | 8378 | Shona |
| BN | 6678 | Bengali, Bangla | KN | 7578 | Kannada | SO | 8379 | Somali |
| BO | 6679 | Tibetan | KO | 7579 | Korean | SQ | 8381 | Albanian |
| BR | 6682 | Breton | KS | 7583 | Kashmiri | SR | 8382 | Serbian |
| CA | 6765 | Catalan | KU | 7585 | Kurdish | SS | 8383 | Siswati |
| CO | 6779 | Corsican | KY | 7589 | Kirghiz | ST | 8384 | Sesotho |
| CS | 6783 | Czech | LA | 7665 | Latin | SU | 8385 | Sundanese |
| CY | 6789 | Welsh | LN | 7678 | Lingala | SV | 8386 | Swedish |
| DA | 6865 | Danish | LO | 7679 | Laothian | SW | 8387 | Swahili |
| DE | 6869 | German | LT | 7684 | Lithuanian | TA | 8465 | Tamil |
| DZ | 6890 | Bhutani | LV | 7686 | Latvian, Lettish | TE | 8469 | Telugu |
| EL | 6976 | Greek | MG | 7771 | Malagasy | TG | 8471 | Tajik |
| EN | 6978 | English | MI | 7773 | Maori | TH | 8472 | Thai |
| EO | 6979 | Esperanto | MK | 7775 | Macedonian | TI | 8473 | Tigrinya |
| ES | 6983 | Spanish | ML | 7776 | Malayalam | TK | 8475 | Turkmen |
| ET | 6984 | Estonian | MN | 7778 | Mongolian | TL | 8476 | Tagalog |
| EU | 6985 | Basque | MO | 7779 | Moldavian | TN | 8478 | Setswana |
| FA | 7065 | Persian | MR | 7782 | Marathi | TO | 8479 | Tonga |
| FI | 7073 | Finnish | MS | 7783 | Malay | TR | 8482 | Turkish |
| FJ | 7074 | Fiji | MT | 7784 | Maltese | TS | 8483 | Tsonga |
| FO | 7079 | Faroese | MY | 7789 | Burmese | TT | 8484 | Tatar |
| FR | 7082 | French | NA | 7865 | Nauru | TW | 8487 | Twi |
| FY | 7089 | Frisian | NE | 7869 | Nepali | UK | 8575 | Ukrainian |
| GA | 7165 | Irish | NL | 7876 | Dutch | UR | 8582 | Urdu |
| GD | 7168 | Scots Gaelic | NO | 7879 | Norwegian | UZ | 8590 | Uzbek |
| GL | 7176 | Galician | OC | 7967 | Occitan | VI | 8673 | Vietnamese |
| GN | 7178 | Guarani | OM | 7977 | (Afan) Oromo | VO | 8679 | Volapuk |
| GU | 7185 | Gujarati | OR | 7982 | Oriya | WO | 8779 | Wolof |
| HA | 7265 | Hausa | PA | 8065 | Punjabi | XH | 8872 | Xhosa |
| HI | 7273 | Hindi | PL | 8076 | Polish | YO | 8979 | Yoruba |
| HR | 7282 | Croatian | PS | 8083 | Pashto, Pushto | ZH | 9072 | Chinese |
| HU | 7285 | Hungarian | PT | 8084 | Portuguese | ZU | 9085 | Zulu |
| HY | 7289 | Armenian | QU | 8185 | Quechua | | | |
| IA | 7365 | Interlingua | RM | 8277 | Rhaeto-Romance | | | |

List of Country Codes

(For details, see page 19.)

| Abbreviation | Code | Country | Abbreviation | Code | Country | Abbreviation | Code | Country |
|--------------|------|---------------------------------------|--------------|------|--|--------------|------|--|
| AD | 6568 | Andorra | DM | 6877 | Dominica | KI | 7573 | Kiribati |
| AE | 6569 | United Arab Emirates | DO | 6879 | Dominican Republic | KM | 7577 | Comoros |
| AF | 6570 | Afghanistan | DZ | 6890 | Algeria | KN | 7578 | Saint Kitts and Nevis |
| AG | 6571 | Antigua and Barbuda | EC | 6967 | Ecuador | KP | 7580 | Korea, Democratic People's Republic of |
| AI | 6573 | Anguilla | EE | 6969 | Estonia | | | |
| AL | 6576 | Albania | EG | 6971 | Egypt | KR | 7582 | Korea, Republic of |
| AM | 6577 | Armenia | EH | 6972 | Western Sahara | KW | 7587 | Kuwait |
| AN | 6578 | Netherlands Antilles | ER | 6982 | Eritrea | KY | 7589 | Cayman Islands |
| AO | 6579 | Angola | ES | 6983 | Spain | KZ | 7590 | Kazakstan |
| AQ | 6581 | Antarctica | ET | 6984 | Ethiopia | LA | 7665 | Lao People's Democratic Republic |
| AR | 6582 | Argentina | FI | 7073 | Finland | | | |
| AS | 6583 | American Samoa | FJ | 7074 | Fiji | LB | 7666 | Lebanon |
| AT | 6584 | Austria | FK | 7075 | Falkland Islands | LC | 7667 | Saint Lucia |
| AU | 6585 | Australia | FM | 7077 | Micronesia, Federated States of | LI | 7673 | Liechtenstein |
| AW | 6587 | Aruba | FO | 7079 | Faroe Islands | LK | 7675 | Sri Lanka |
| AZ | 6590 | Azerbaijan | FR | 7082 | France | LR | 7682 | Liberia |
| BA | 6665 | Bosnia and Herzegovina | GA | 7165 | Gabon | LS | 7683 | Lesotho |
| BB | 6666 | Barbados | GB | 7166 | United Kingdom | LT | 7684 | Lithuania |
| BD | 6668 | Bangladesh | GD | 7168 | Grenada | LU | 7685 | Luxembourg |
| BE | 6669 | Belgium | GE | 7169 | Georgia | LV | 7686 | Latvia |
| BF | 6670 | Burkina Faso | GF | 7170 | French Guiana | LY | 7689 | Libyan Arab Jamahiriya |
| BG | 6671 | Bulgaria | GH | 7172 | Ghana | MA | 7765 | Morocco |
| BH | 6672 | Bahrain | GI | 7173 | Gibraltar | MC | 7767 | Monaco |
| BI | 6673 | Burundi | GL | 7176 | Greenland | MD | 7768 | Moldova, Republic of |
| BJ | 6674 | Benin | GM | 7177 | Gambia | MG | 7771 | Madagascar |
| BM | 6677 | Bermuda | GN | 7178 | Guinea | MH | 7772 | Marshall Islands |
| BN | 6678 | Brunei Darussalam | GP | 7180 | Guadeloupe | MK | 7775 | Macedonia, The former Yugoslav Republic of |
| BO | 6679 | Bolivia | GQ | 7181 | Equatorial Guinea | | | |
| BR | 6682 | Brazil | GR | 7182 | Greece | ML | 7776 | Mali |
| BS | 6683 | Bahamas | GS | 7183 | South Georgia and the South Sandwich Islands | MM | 7777 | Myanmar |
| BT | 6684 | Bhutan | | | | MN | 7778 | Mongolia |
| BV | 6686 | Bouvet Island | GT | 7184 | Guatemala | MO | 7779 | Macau |
| BW | 6687 | Botswana | GU | 7185 | Guam | MP | 7780 | Northern Mariana Islands |
| BY | 6689 | Belarus | GW | 7187 | Guinea-Bissau | MQ | 7781 | Martinique |
| BZ | 6690 | Belize | GY | 7189 | Guyana | MR | 7782 | Mauritania |
| CA | 6765 | Canada | HK | 7275 | Hong Kong | MS | 7783 | Montserrat |
| CC | 6767 | Cocos (Keeling) Islands | HM | 7277 | Heard Island and McDonald Islands | MT | 7784 | Malta |
| CD | 6768 | Congo, the Democratic Republic of the | HN | 7278 | Honduras | MU | 7785 | Mauritius |
| CF | 6770 | Central African Republic | HR | 7282 | Croatia | MV | 7786 | Maldives |
| CG | 6771 | Congo | HT | 7284 | Haiti | MW | 7787 | Malawi |
| CH | 6772 | Switzerland | HU | 7285 | Hungary | MX | 7788 | Mexico |
| CI | 6773 | Cote d'Ivoire | ID | 7368 | Indonesia | MY | 7789 | Malaysia |
| CK | 6775 | Cook Islands | IE | 7369 | Ireland | MZ | 7790 | Mozambique |
| CL | 6776 | Chile | IL | 7376 | Israel | NA | 7865 | Namibia |
| CM | 6777 | Cameroon | IN | 7378 | India | NC | 7867 | New Caledonia |
| CN | 6778 | China | IO | 7379 | British Indian Ocean Territory | NE | 7869 | Niger |
| CO | 6779 | Colombia | IQ | 7381 | Iraq | NF | 7870 | Norfolk Island |
| CR | 6782 | Costa Rica | IR | 7382 | Iran, Islamic Republic of | NG | 7871 | Nigeria |
| CU | 6785 | Cuba | IS | 7383 | Iceland | NI | 7873 | Nicaragua |
| CV | 6786 | Cape Verde | IT | 7384 | Italy | NL | 7876 | Netherlands |
| CX | 6788 | Christmas Island | JM | 7477 | Jamaica | NO | 7879 | Norway |
| CY | 6789 | Cyprus | JO | 7479 | Jordan | NP | 7880 | Nepal |
| CZ | 6790 | Czech Republic | JP | 7480 | Japan | NR | 7882 | Nauru |
| DE | 6869 | Germany | KE | 7569 | Kenya | NU | 7885 | Niue |
| DJ | 6874 | Djibouti | KG | 7571 | Kyrgyzstan | NZ | 7890 | New Zealand |
| DK | 6875 | Denmark | KH | 7572 | Cambodia | OM | 7977 | Oman |
| | | | | | | PA | 8065 | Panama |

| Abbreviation | Code | Country | Abbreviation | Code | Country | Abbreviation | Code | Country |
|--------------|------|---------------------------|--------------|------|-----------------------------|--------------|------|--------------------------------------|
| PE | 8069 | Peru | SJ | 8374 | Svalbard and Jan Mayen | TW | 8487 | Taiwan, Province of China |
| PF | 8070 | French Polynesia | SK | 8375 | Slovakia | TZ | 8490 | Tanzania, United Republic of |
| PG | 8071 | Papua New Guinea | SL | 8376 | Sierra Leone | UA | 8565 | Ukraine |
| PH | 8072 | Philippines | SM | 8377 | San Marino | UG | 8571 | Uganda |
| PK | 8075 | Pakistan | SN | 8378 | Senegal | UM | 8577 | United States Minor Outlying Islands |
| PL | 8076 | Poland | SO | 8379 | Somalia | US | 8583 | United States |
| PM | 8077 | Saint Pierre and Miquelon | SR | 8382 | Suriname | UY | 8589 | Uruguay |
| PN | 8078 | Pitcairn | ST | 8384 | Sao Tome and Principe | UZ | 8590 | Uzbekistan |
| PR | 8082 | Puerto Rico | SV | 8386 | El Salvador | VA | 8665 | Holy See (Vatican City State) |
| PT | 8084 | Portugal | SY | 8389 | Syrian Arab Republic | VC | 8667 | Saint Vincent and the Grenadines |
| PW | 8087 | Palau | SZ | 8390 | Swaziland | VE | 8669 | Venezuela |
| PY | 8089 | Paraguay | TC | 8467 | Turks and Caicos Islands | VG | 8671 | Virgin Island, British |
| QA | 8165 | Qatar | TD | 8468 | Chad | VI | 8673 | Virgin Islands, U.S |
| RE | 8269 | Reunion | TF | 8470 | French Southern Territories | VN | 8678 | Viet Nam |
| RO | 8279 | Romania | TG | 8471 | Togo | VU | 8685 | Vanuatu |
| RU | 8285 | Russian Federation | TH | 8472 | Thailand | WF | 8770 | Wallis and Futuna |
| RW | 8287 | Rwanda | TJ | 8474 | Tajikistan | WS | 8783 | Samoa |
| SA | 8365 | Saudi Arabia | TK | 8475 | Tokelau | YE | 8969 | Yemen |
| SB | 8366 | Solomon Islands | TM | 8477 | Turkmenistan | YT | 8984 | Mayotte |
| SC | 8367 | Seychelles | TN | 8478 | Tunisia | YU | 8985 | Yugoslavia |
| SD | 8368 | Sudan | TO | 8479 | Tonga | ZA | 9065 | South Africa |
| SE | 8369 | Sweden | TP | 8480 | East Timor | ZM | 9077 | Zambia |
| SG | 8371 | Singapore | TR | 8482 | Turkey | ZW | 9087 | Zimbabwe |
| SH | 8372 | Saint Helena | TT | 8484 | Trinidad and Tobago | | | |
| SI | 8373 | Slovenia | TV | 8486 | Tuvalu | | | |

In Case of Difficulty

If you encounter a problem, please turn the power off, then on again. If the unit is still not functioning normally, please review the items in the following checklist. This guide will help you isolate the problem if the unit is at fault. Otherwise, make sure the rest of your system is properly connected or consult your authorized Alpine dealer.

No function or display.

- Vehicle's ignition is off.
 - If connected following the instructions, the unit will not operate with the vehicle's ignition off.
- Improper power lead connections.
 - Check power lead connections.
- Blown fuse.
 - Replace the fuse on the battery lead of the unit with the proper value.

Disc playback sound is wavering.

- Moisture condensation in the disc unit.
 - Allow enough time for the condensation to evaporate (about 1 hour).

Disc insertion not possible.

- A disc is already in the DVD player.
 - Eject the disc and remove it.
- The disc is being improperly inserted.
 - Re-insert the disc following the instructions in the "loading and unloading discs" section.

Unable to fast forward or reverse the disc.

- The disc has been damaged.
 - Eject the disc and discard it; using a damaged disc in your unit can cause damage to the mechanism.

Disc playback sound skips due to vibration.

- Improper mounting of the unit.
 - Securely re-mount the unit.
- Disc is very dirty.
 - Clean the disc.
- Disc has scratches.
 - Change the disc.
- The pick-up lens is dirty.
 - Do not use a commercial available lens cleaner disc. Consult your nearest ALPINE dealer.

Disc playback sound skips without vibration.

- Dirty or scratched disc.
 - Clean the disc; damaged disc should be replaced.

CD-R/CD-RW playback not possible.

- Close session (finalization) has not been performed.
 - Perform finalization and attempt playback again.

Error displays

- Mechanical error
 - Press **▲**. After the error indication disappears, insert the disc again. If the above-mentioned solution does not solve the problem, consult your nearest ALPINE dealer.

MP3 is not played back.

- Writing error occurred. The CD format is not compatible.
 - Make sure the CD has been written in a supported format. Refer to "About MP3/WMA" on pages 16-17, then rewrite in the format supported by this device.

Unit does not operate.

- Monitor's power is not turned on.
 - Turn on the monitor's power.
- Condensation.
 - Wait a while (about 1 hour) for the condensation to dry.

No picture is produced.

- Monitor's mode is not switched to the mode you want to see.
 - Switch to the mode you want to see.
- Monitor's parking brake cord is not connected.
 - Connect the monitor's parking brake cord and set the parking brake. (For details, refer to the monitor's instructions.)
- Monitor's parking brake is not set.
 - Connect the monitor's parking brake cord and set the parking brake. (For details, refer to the monitor's instructions.)

Playback does not start.

- Disc is loaded upside-down.
 - Check the disc and load it with the labeled side facing upward.
- Disc is dirty.
 - Clean the disc.
- A disc not able to playback with this unit is loaded.
 - Check if the disc is able to be played back.
- Parental lock is set.
 - Cancel the parental lock or change the rating level.
- Setup menu is displayed.
 - Press **SETUP** to turn the menu off.

Picture is unclear or noisy.

- Disc is being fast-forwarded or fast-reversed.
 - The picture may be unclear, but this is normal.
- Vehicle's battery power is weak.
 - Check the battery power and wiring. (The unit may malfunction if the battery power is under 11 volts with a load applied.)
- Monitor's fluorescent tube is worn out.
 - Replace the monitor's fluorescent tube.

Image stops sometimes.

- Disc is scratched.
 - Replace with a non-scratched disc.

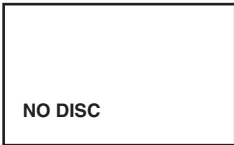
Unable to turn the power off by switching sources on the head unit. (Only when an Ai-NET compatible (AV) head unit is connected)

- The switched (ignition) power lead for this unit is connected.
 - Do not connect the switched (ignition) power lead for this unit when an Ai-NET compatible (AV) head unit is connected.

Indication

DISC ERROR

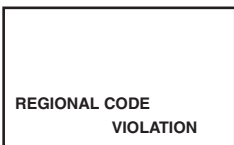
- Mechanism error.
 - 1) Press **▲** and eject the CD.
 - If the disc does not eject, press **▲** again for at least 3 seconds and eject the disc.
 - If the disc still does not eject, consult your Alpine dealer.
 - 2) When the error indication remains after ejecting, press **▲** again.
 - If the error indication still does not turn off after pressing **▲** a few times, consult your Alpine dealer.
- The temperature in the car is too low.
 - Raise the temperature in the car to normal temperature.
- A disc which contains audio data and JPEG data has been inserted.
 - Set the PLAY MODE setting to "CD-DA" (Refer to "Playing MP3/WMA Data" on page 15.)



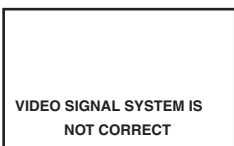
- No disc is inserted.
 - Insert a disc.
- Although a disc is inserted, "NO DISC" is displayed and the unit does not start to play or eject the disc.
 - Remove the disc by following these steps:
 - 1) Open the door.
 - 2) Press **▲** again for at least 3 seconds.



- Remote control operation is not possible.
 - For some discs or playing modes, certain operations are not possible. This is not a malfunction.



- Disc does not match regional code number.
 - Load a disc that matches the regional code number.



- PAL disc is loaded.
 - Load an NTSC disc.



- Protective circuit is activated at high temperature.
 - The indicator will disappear when the temperature returns to within operation range.
 - Leave the power OFF until the temperature decreases and then turn the power ON again.



- Mechanism error.
 - 1) Press **▲** and eject the disc.
 - If the disc does not eject, press **▲** again for at least 3 seconds and eject the disc.
 - If the disc still does not eject, consult your Alpine dealer.
 - 2) When the error indication remains after ejecting, press **▲** again.
 - If the error indication still does not turn off after pressing **▲** a few times, consult your Alpine dealer.

Specifications

Frequency Response

DVD: 5 – 22,000 Hz (± 1 dB) (48 kHz sampling)
 5 – 44,000 Hz (± 1 dB) (96 kHz sampling)
 CD: 5 – 20,000 Hz (± 1 dB)

| | |
|---------------------------|-------------------------|
| Wow & Flutter (% WRMS) | Below measurable limits |
| Total Harmonic Distortion | 0.03% (at 1 kHz) |
| Dynamic Range | 90 dB (at 1 kHz) |
| Channel Separation | 85 dB (at 1 kHz) |
| Signal system | NTSC |
| Horizontal resolution | 500 lines or greater |
| Video output level | 1Vp-p (75 ohms) |
| Video S/N ratio | DVD: 60 dB |
| Audio S/N ratio | DVD: 95 dB |
| | CD: 90 dB |

PICKUP

| | |
|-------------|-------------|
| Wave length | DVD: 665 nm |
| | CD: 800 nm |
| Laser power | CLASS II |

REMOTE CONTROL

| | |
|--------------|-----------------------------------|
| Battery Type | CR2025 battery |
| Width | 51 mm (2") |
| Height | 119 mm (4-11/16") |
| Depth | 13 mm (33/64") |
| Weight | 50 g (1.75 oz) (battery excluded) |

GENERAL

| | |
|-----------------------|--------------------------------------|
| Power Requirement | 14.4 V DC (11–16 V allowable) |
| Operating Temperature | +14°F to +140°F (-10°C to + 60°C) |
| Audio Output Level | |
| Auxout: | 1.2V/10k ohms |
| Ai-NET: | 850 mV |

CHASSIS SIZE

| | |
|--------|---------------------|
| Width | 178 mm (7") |
| Height | 50 mm (2") |
| Depth | 165 mm (6-1/2") |
| Weight | 1.5kg (3 lbs. 5 oz) |

- *Due to continuous product improvement, specifications and design are subject to change without notice.*

CAUTION

CAUTION-Laser radiation when open, DO NOT STARE INTO BEAM

(Bottom side of player)

Installation and Connections

Before installing or connecting the unit, please read the following and pages 3 and 4 of this manual thoroughly for proper use.

Warning

MAKE THE CORRECT CONNECTIONS.

Failure to make the proper connections may result in fire or product damage.

USE ONLY IN CARS WITH A 12 VOLT NEGATIVE GROUND.

(Check with your dealer if you are not sure.) Failure to do so may result in fire, etc.

BEFORE WIRING, DISCONNECT THE CABLE FROM THE NEGATIVE BATTERY TERMINAL.

Failure to do so may result in electric shock or injury due to electrical shorts.

DO NOT ALLOW CABLES TO BECOME ENTANGLED IN SURROUNDING OBJECTS.

Arrange wiring and cables in compliance with the manual to prevent obstructions when driving. Cables or wiring that obstruct or hang up on places such as the steering wheel, gear lever, brake pedals, etc., can be extremely hazardous.

DO NOT SPLICE INTO ELECTRICAL CABLES.

Never cut away cable insulation to supply power to other equipment. Doing so will exceed the current carrying capacity of the wire and result in fire or electric shock.

DO NOT DAMAGE PIPE OR WIRING WHEN DRILLING HOLES.

When drilling holes in the chassis for installation, take precautions so as not to contact, damage or obstruct pipes, fuel lines, tanks or electrical wiring. Failure to take such precautions may result in fire.

DO NOT USE BOLTS OR NUTS IN THE BRAKE OR STEERING SYSTEMS TO MAKE GROUND CONNECTIONS.

Bolts or nuts used for the brake or steering systems (or any other safety-related system), or tanks should NEVER be used for installations or ground connections. Using such parts could disable control of the vehicle and cause fire, etc.

KEEP SMALL OBJECTS SUCH AS BATTERIES OUT OF THE REACH OF CHILDREN.

Swallowing them may result in serious injury. If swallowed, consult a physician immediately.

DO NOT INSTALL IN LOCATIONS WHICH MIGHT HINDER VEHICLE OPERATION, SUCH AS THE STEERING WHEEL OR GEARSHIFT.

Doing so may obstruct forward vision or hamper movement, etc., and result in a serious accident.

Caution

HAVE THE WIRING AND INSTALLATION DONE BY EXPERTS.

The wiring and installation of this unit requires special technical skill and experience. To ensure safety, always contact the dealer where you purchased this product to have the work done.

USE SPECIFIED ACCESSORY PARTS AND INSTALL THEM SECURELY.

Be sure to use only the specified accessory parts. Use of other than designated parts may damage this unit internally or may not securely install the unit in place. This may cause parts to become loose resulting in hazards or product failure.

ARRANGE THE WIRING SO IT IS NOT CRIMPED OR PINCHED BY A SHARP METAL EDGE.

Route the cables and wiring away from moving parts (like the seat rails) or sharp or pointed edges. This will prevent crimping and damage to the wiring. If wiring passes through a hole in metal, use a rubber grommet to prevent the wire's insulation from being cut by the metal edge of the hole.

DO NOT INSTALL IN LOCATIONS WITH HIGH MOISTURE OR DUST.

Avoid installing the unit in locations with high incidence of moisture or dust. Moisture or dust that penetrates into this unit may result in product failure.

Precautions

- Be sure to disconnect the cable from the (-) battery post before installing your DVA-5210. This will reduce any chance of damage to the unit in case of a short-circuit.
- Be sure to connect the color coded leads according to the diagram. Incorrect connections may cause the unit to malfunction or damage to the vehicle's electrical system.
- When making connections to the vehicle's electrical system, be aware of the factory installed components (e.g. on-board computer). Do not tap into these leads to provide power for this unit. When connecting the DVA-5210 to the fuse box, make sure the fuse for the intended circuit of the DVA-5210 has the appropriate amperage. Failure to do so may result in damage to the unit and/or the vehicle. When in doubt, consult your ALPINE dealer.
- The DVA-5210 uses female RCA-type jacks for connection to other units (e.g. amplifier) having RCA connectors. You may need an adaptor to connect other units. If so, please contact your authorized ALPINE dealer for assistance.

IMPORTANT

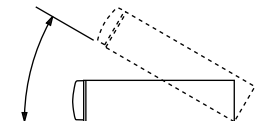
Please record the serial number of your unit in the space provided below and keep it as a permanent record. The serial number plate is located on the bottom of the unit.

SERIAL NUMBER: _____
INSTALLATION DATE: _____
INSTALLATION TECHNICIAN: _____
PLACE OF PURCHASE: _____

Installation

Installation Location

Before deciding on the mounting location, check that opening and closing the display will not hamper the gear shift in any position.

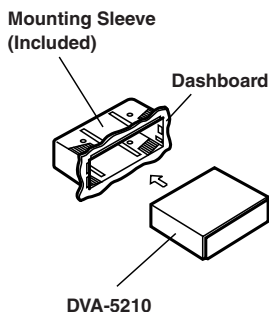


- Install at an angle of within 35 degrees from the horizontal.

Caution for installation

Be sure to remove the mounting sleeve squarely from the product.

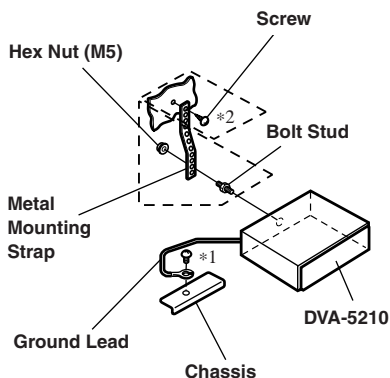
1



Slide the mounting sleeve into the dashboard.

- Remove the wrapping from the unit.

2

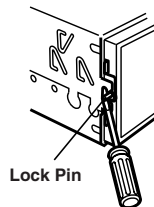


Reinforce the head unit with the metal mounting strap (not supplied). Secure the ground lead of the unit to a clean metal spot using a screw (*1) already attached to the vehicle's chassis.

- For the screw marked *2, use an appropriate screw for the chosen mounting location.

Connect each input lead coming from an amplifier or equalizer to the corresponding output lead coming from the left rear of the DVA-5210. Connect all other leads of the DVA-5210 according to details described in the CONNECTIONS section.

3

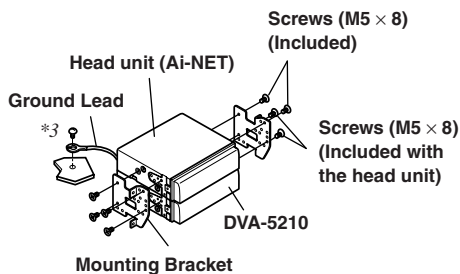
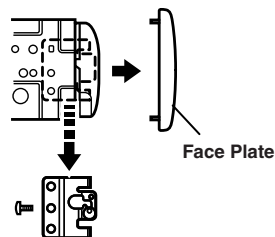


Slide the DVA-5210 into the dashboard. When the unit is in place, make sure the locking pins are fully seated in the down position. This can be done by pressing firmly in on the unit while pushing the locking pin down with a small screwdriver. This ensures that the unit is properly locked and will not accidentally come out from the dashboard. Install the Detachable Front Panel.

Removal

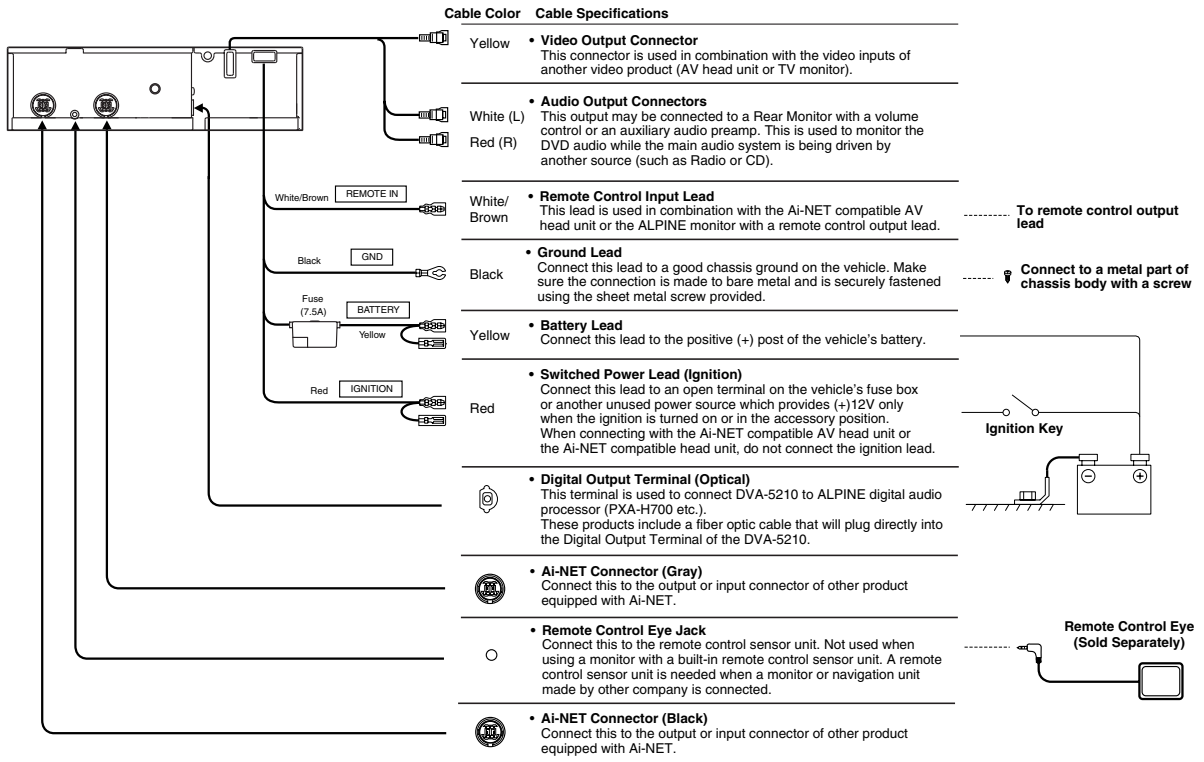
- 1 Use a small screwdriver (or similar tool) to push the locking pins to the "up" position (see above drawing). As each pin is unlocked, gently pull out on the unit to make sure it does not re-lock before unlocking the second pin.
- 2 Pull the unit out, keeping it unlocked as you do so.

<JAPANESE CAR>



- Secure the ground lead of the unit to a clean metal spot using a screw (*3) already attached to the vehicle's chassis.

Connections



- Connect properly.
- Never connect to parts other than the ones indicated in these operating instructions.
- Also refer to the operating instructions of the other products in the system.

Setting the System Switch

Switch to operate from either an Ai-NET compatible head unit or Ai-NET compatible AV head unit connected to this unit. Be sure to set the system switch before fastening the DVA-5210 in place.

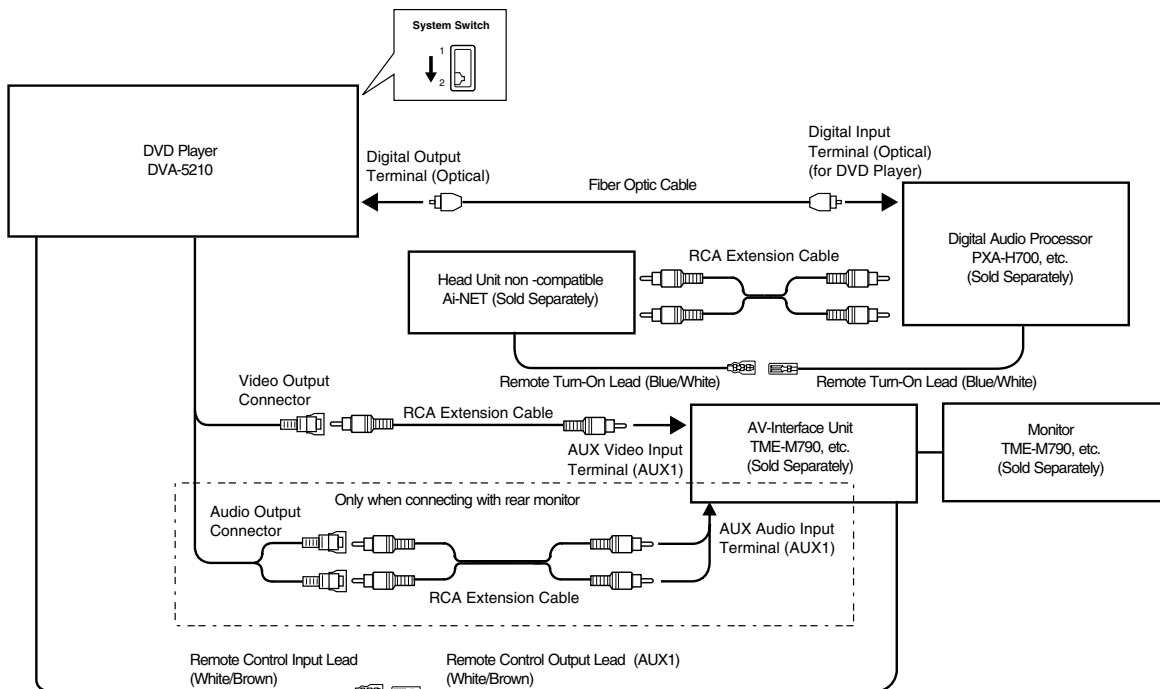
- 1 Disconnect the power plug.**
- 2 Set the system switch at the bottom of this unit with a pointed object.**
 - 1:**
When connecting to an Ai-NET compatible head unit or Ai-NET compatible AV head unit.
If set to 2, with any of the Ai-NET compatible (AV) head units connected, you may not be able to operate from the head unit, or listen to audio from some external devices, etc.
The factory default is 1.
 - 2:**
When connecting to an Ai-NET incompatible head unit or another manufacturer's head unit.
- 3 Connect the power plug.**

System Example

Precautions when Making System Upgrades

- After connections are completed, it will be necessary to change the system settings of the DVA-5210. Before installing the product, please see "Setting the System Switch" on page 32 and "Setting the Ai-NET" on page 21.
- When connecting the DVA-5210 to a head unit or Ai-NET compatible AV head unit, do not connect the switched (ignition) power lead.
- When connecting the DVA-5210 to an Alpine TV monitor and Ai-NET compatible AV head unit together, the remote control input cable (white/brown) of both units must be connected. Failing to do so will result in a loss of remote control operation. When making connections to another brand of TV monitor, please use the optional remote control sensor unit.

Connecting a non Ai-NET compatible Head Unit, Digital Audio Processor (PXA-H700, PXA-H900, etc.) and TV Monitor



Setting of DVA-5210

The DVA-5210's system settings must be made after connections are completed. Before fixing the unit in place, refer to "Setting the System Switch" on page 32 and "Setting the Ai-NET" on page 21.

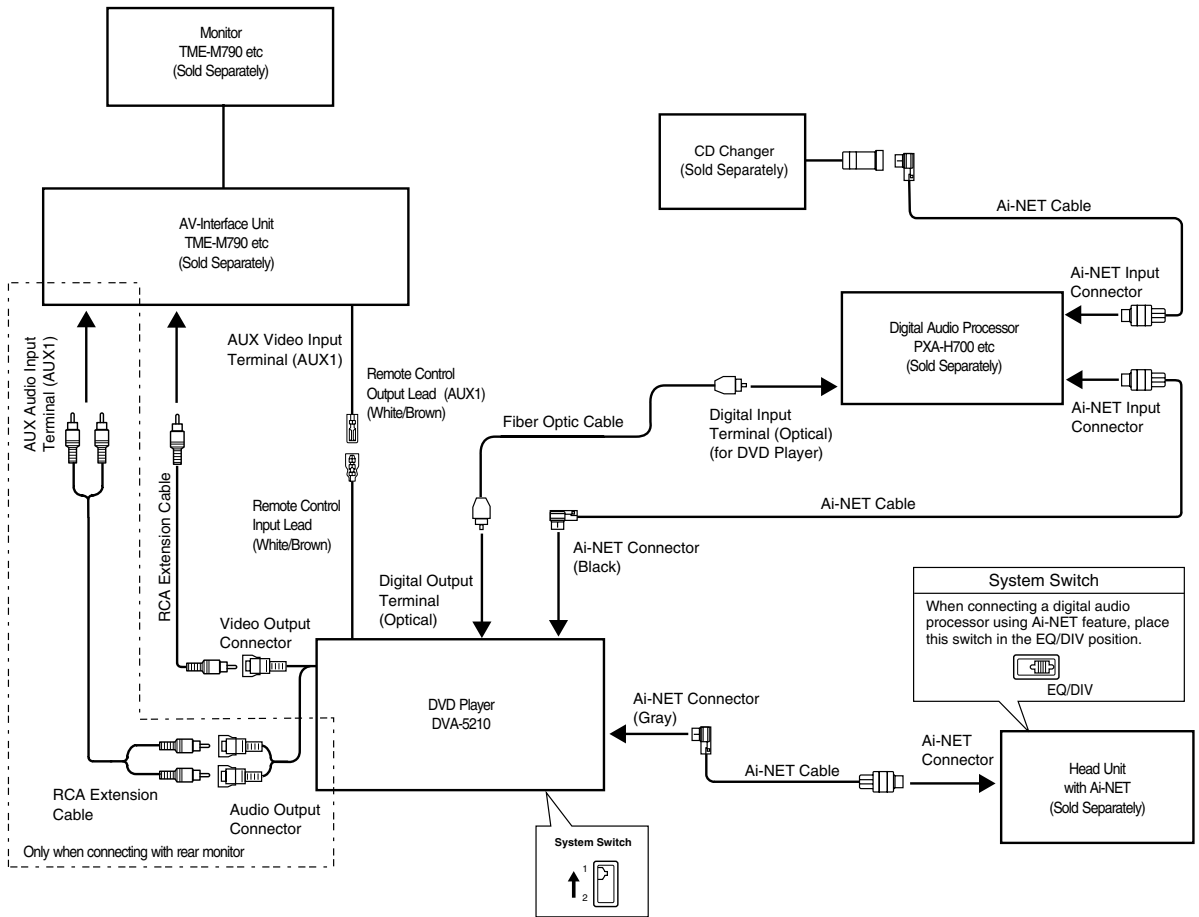
| Setting Item | Setting |
|----------------|----------------|
| System switch | 2 (STANDALONE) |
| Ai-NET setting | - |

- If using in a system with a head unit that is not fully Ai-NET compatible (no processor control) and a digital audio processor, do not connect the head unit's Ai-NET cable. Only connect the DVA-5210 and digital audio processor using an optical fiber cable and its own Ai-NET cable. Use the head unit's analog output (Front or rear) connected to the analog input of the processor.
- When connecting only to a digital audio processor (with a non-Alpine head unit or Alpine head unit without Ai-NET), it is possible to use both an optical fiber cable and an Ai-NET output cable.
- When connecting another brand of TV monitor; there is no need to connect the remote control input cord (white/brown). Use the optional remote control sensor unit.
- Be sure to connect the switched (ignition) power lead.
- Also refer to the operating instructions of the other products in the system.

Please observe the following when using Fiber Optic Cable.

- Do not coil the Fiber Optic smaller than a 30 mm radius.
- Do not place anything on top of the Fiber Optic Cable.

Connecting an Ai-NET compatible Head Unit, Digital Audio Processor (PXA-H700, PXA-H900, etc.) and TV Monitor



Setting of DVA-5210

The DVA-5210's system settings must be made after connections are completed. Before fixing the unit in place, refer to "Setting the System Switch" on page 32 and "Setting the Ai-NET" on page 21.

| Setting Item | Setting | |
|----------------|---|---|
| | AV Head unit available after December 2003 (IVA-D300, etc.) | AV head unit available before January 2004 (IVA-D900, etc.) or head unit. |
| System switch | 1 (Ai-NET) | |
| Ai-NET setting | FULL | TIME |

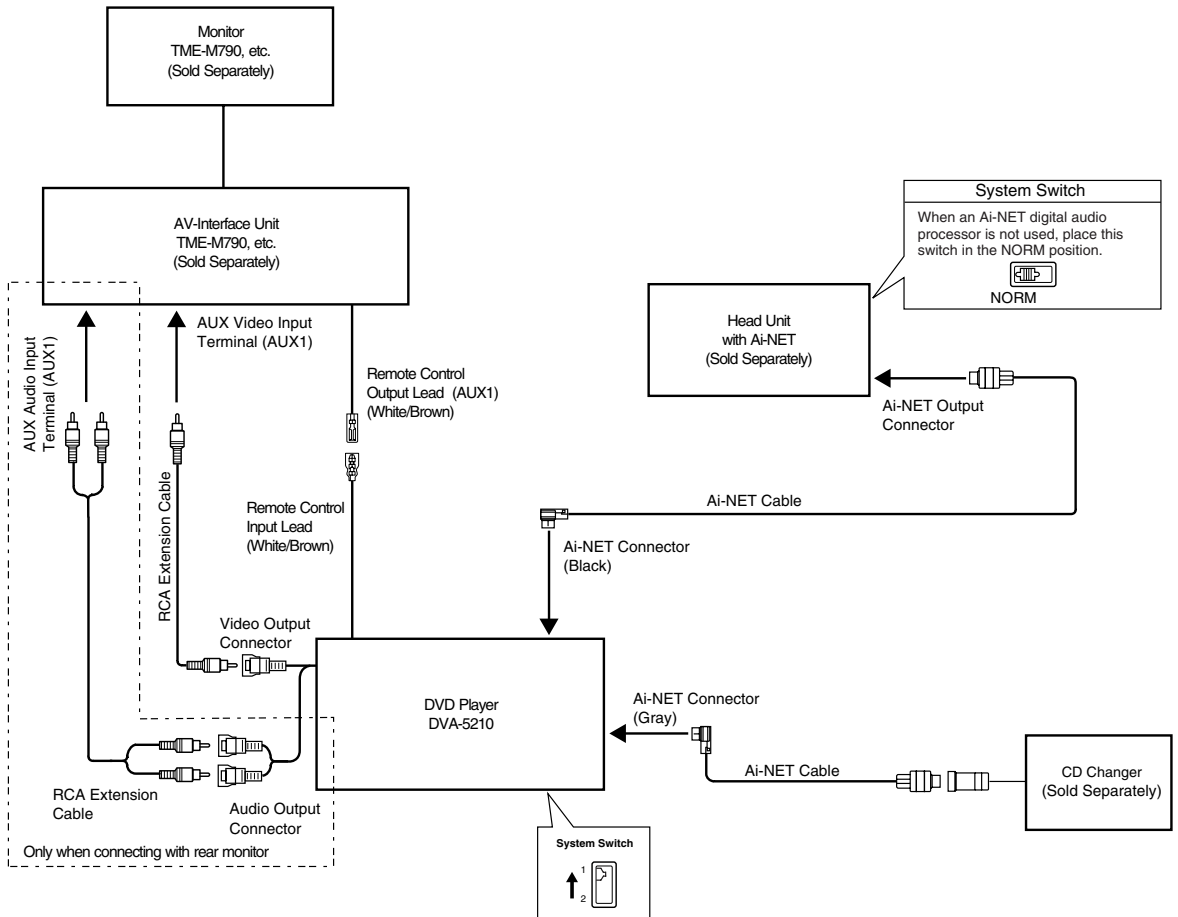
- Be sure to switch the head unit's system switch before turning the power on.
- Also refer to the operating instructions of the other products in the system.
- To connect a rear monitor, connect to the front monitor's RCA output (TV Tuner Box).

Please observe the following when using Fiber Optic Cable.

- Do not coil the Fiber Optic smaller than a 30 mm radius.
- Do not place anything on top of the Fiber Optic Cable.

The switched (ignition) power lead connection is not needed.

Connecting an Ai-NET compatible Head Unit and TV Monitor



Setting of DVA-5210

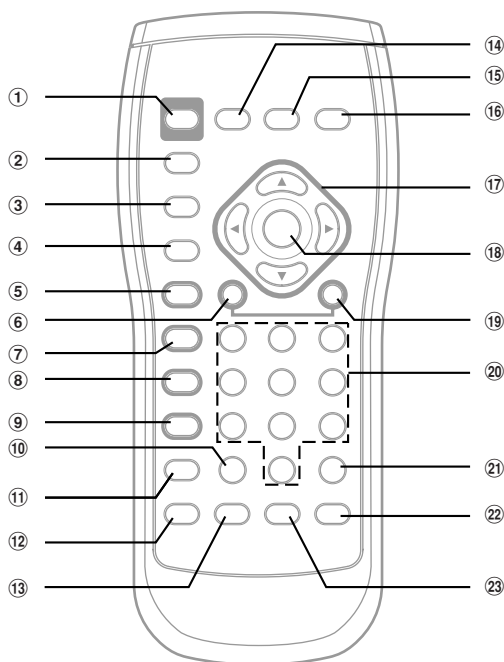
The DVA-5210's system settings must be made after connections are completed. Before fixing the unit in place, refer to "Setting the System Switch" on page 32 and "Setting the Ai-NET" on page 21.

| Setting Item | Setting | |
|----------------|---|---|
| | AV Head unit available after December 2003 (IVA-D300, etc.) | AV head unit available before January 2004 (IVA-D900, etc.) or head unit. |
| System switch | 1 (Ai-NET) | |
| Ai-NET setting | FULL | TIME |

- Be sure to switch the head unit's system switch before turning the power on.
- Also refer to the operating instructions of the other products in the system.
- To connect a rear monitor, connect to the front monitor's RCA output (TV Tuner Box).

The switched (ignition) power lead connection is not needed.

Operating the DVA-5210 Video Player

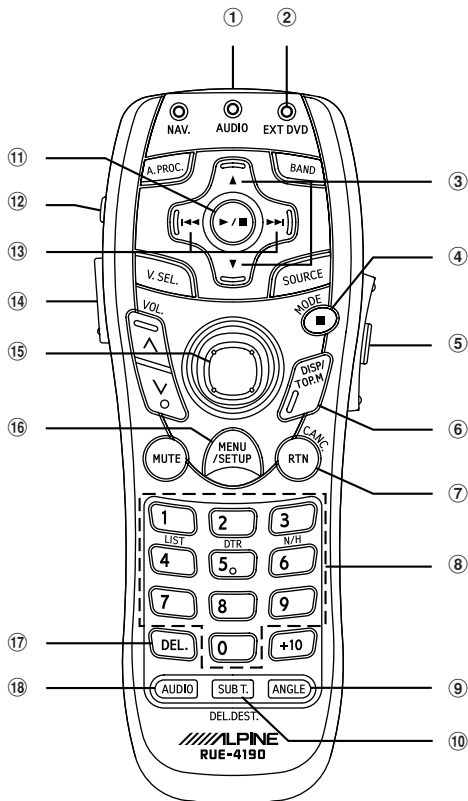


- ① **PWR button**
Turns the power ON and OFF.
Press and hold for at least 2 seconds to switch NTSC/PAL.
- ② **SETUP button**
Displays the SETUP (initial setting) screen.
- ③ **LIST button**
Switches between Folder Search and File Search mode.
- ④ **RETURN button**
Returns to the selection screen just prior to the current screen.
- ⑤ **▶/|| button**
Switches between play and pause.
- ⑥ **◀◀ button**
CD mode: Press the button to go back to the beginning of the current track. Press and hold to fast reverse.
MP3/WMA mode: Press the button to go back to the beginning of the current file.
DVD/Video CD:
 - Move to the desired position on the disc.
 - During playback, press and hold for more than 1 second to reverse the disc at double speed. Hold for more than 5 seconds to reverse the disc at 8 times the normal speed.
- ⑦ **■ button**
Performs PRE STOP. Press again to cancel PRE STOP and stop the playback.
- ⑧ **FOLDER ▲ button**
Selects MP3/WMA folders.

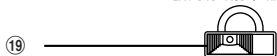
- ⑨ **FOLDER ▼ button**
Selects MP3/WMA folders.
- ⑩ **CLR (ALL CLR) button**
Removes numbers (one character at a time) that have been selected and input.
Press and hold for 2 seconds. All the characters which were selected and input are erased.
- ⑪ **REPEAT button**
Repeats playback.
- ⑫ **M.I.X. button**
M.I.X. play for CDs and MP3/WMA
- ⑬ **AUDIO button**
Switches the audio tracks.
- ⑭ **DISPLAY button**
Displays playback status on the screen.
- ⑮ **MENU button**
Displays the DVD menu.
- ⑯ **TOP M. button**
Displays the title Menu.
- ⑰ **▲, ▼, ◀, ▶**
Selects the items displayed on the screen.
- ⑱ **ENT. button**
Determines the selected item.
- ⑲ **▶▶ button**
CD mode: Press the button to advance to the beginning of the next track. Press and hold to fast forward.
MP3/WMA mode:
Press the button to advance to the beginning of the next file.
DVD/Video CD:
 - Move to the desired position on the disc.
 - During playback, press and hold for more than 1 second to forward the disc at double speed. Hold for more than 5 seconds to forward the disc at 8 times the normal speed.
 - When pressed and held in while in the pause mode, the disc is played in slow motion at 1/8th the normal speed. When held in for 5 more seconds, the slow motion speed switches to 1/2 the normal speed.
 - The picture is forwarded by one frame each time the button is pressed in the pause mode.
- ⑳ **Numeric Keypad**
Inputs numbers
- ㉑ **V.OUT button**
Outputs the DVD video to the monitor when in other source.
- ㉒ **ANGLE button**
Switches the angle.
- ㉓ **SUBTITLE button**
Switches the subtitle.
- Operation may not be possible depending on the type of disc and the playback conditions. At such a time the following mark is displayed on the screen: Ⓞ

Operating from the optional remote control (RUE-4190)


Set the mode selector switch to "EXT DVD" to operate this unit.



PUSH TV/MON.
EXT DVD AUDIO NAV.



- ⑬ Switches between chapter, track and file. Press and hold to fastforward/fastreverse.
- ⑭ Turns the backlight on for the remote control buttons.
- ⑮ Selects/decides an item on the screen.
- ⑯ Displays the DVD menu. Press and hold to access the SETUP (initial setting) screen.
- ⑰ Deletes one of the selected/inputted numbers. Press and hold to delete all of the selected/inputted numbers.
- ⑱ Switches audio. Press and hold to switch repeat mode.
- ⑲ Set to "EXT DVD" to operate this unit.

• Operation may not be possible depending on the type of disc and the playback conditions. In this case, the following mark is displayed on the screen: 

- ① Transmits remote control signals.
- ② Indicates EXT DVD transmission.
- ③ Switches folders.
- ④ Stop
- ⑤ Outputs the DVD picture while another source is on. (Only for an Ai-NET connection.)
- ⑥ Displays the playback status. Press and hold to display the title menu.
- ⑦ Returns to the previous screen.
- ⑧ Inputs numbers.
- ⑨ Switches the angle. Press and hold to switch M.I.X. mode.
- ⑩ Switches the subtitle.
- ⑪ Switches between play and pause.
- ⑫ Switches the power on and off. Press and hold to switch between NTSC and PAL.

LIMITED WARRANTY

ALPINE ELECTRONICS OF AMERICA, INC. AND ALPINE OF CANADA INC. ("Alpine"), are dedicated to quality craftsmanship and are pleased to offer this Warranty. We suggest that you read it thoroughly. Should you have any questions, please contact your Dealer or Alpine at one of the telephone numbers listed below.

●PRODUCTS COVERED:

This Warranty covers Car Audio/Visual Products and Related Accessories ("the product"). Products purchased in the Canada are covered only in the Canada. Products purchased in the U.S.A. are covered only in the U.S.A.

●LENGTH OF WARRANTY:

This Warranty is in effect for one year from the date of the first consumer purchase.

●LIFETIME TAPE HEAD WARRANTY:

All Alpine Car Audio analog tape heads excluding Video tape heads are warranted for life against manufacturing defects causing failure.

●WHO IS COVERED:

This Warranty only covers the original purchaser of the product, who must reside in the United States, Puerto Rico or Canada.

●WHAT IS COVERED:

This Warranty covers defects in materials or workmanship (parts and labor) in the product.

●WHAT IS NOT COVERED:

This Warranty does not cover the following:

- ① Damage occurring during shipment of the product to Alpine for repair (claims must be presented to the carrier).
- ② Damage caused by accident, abuse, negligence, misuse, improper connections, improper operation or failure to follow instructions contained in the Owner's manual.
- ③ Damage caused by act of God, including without limitation, earthquake, fire, flood, storms or other acts of nature.
- ④ Any cost or expense related to the removal or reinstallation of the product.
- ⑤ Service performed by an unauthorized person, company or association.
- ⑥ Any product which has the serial number defaced, altered or removed.
- ⑦ Any product which has been adjusted, altered or modified without Alpine's consent.
- ⑧ Any product not distributed by Alpine within the United States, Puerto Rico or Canada.
- ⑨ Any product not purchased from an Authorized Alpine Dealer.
- ⑩ Any product that has been determined to contain an excessive amount of dust or dirt and any product that contains other contaminants including liquid or foreign objects.

●HOW TO OBTAIN WARRANTY SERVICE:

- ① You are responsible for delivery of the product to an Authorized Alpine Service Center or Alpine for repair and for payment of any initial shipping charges. Alpine will, at its option, repair or replace the product with a new or reconditioned product without charge. If the repairs are covered by the warranty, and if the product was shipped to an Authorized Alpine Service Center or Alpine, Alpine will pay the return shipping charges.

- ② You should provide a detailed description of the problem(s) for which service is required.

- ③ You must supply proof of your purchase of the product.

- ④ You must package the product securely to avoid damage during shipment.

●HOW WE LIMIT IMPLIED WARRANTIES:

ANY IMPLIED WARRANTIES INCLUDING FITNESS FOR USE AND MERCHANTABILITY ARE LIMITED IN DURATION TO THE PERIOD OF THE EXPRESS WARRANTY SET FORTH ABOVE AND NO PERSON IS AUTHORIZED TO ASSUME FOR ALPINE ANY OTHER LIABILITY IN CONNECTION WITH THE SALE OF THE PRODUCT.

●HOW WE EXCLUDE CERTAIN DAMAGES:

ALPINE EXPRESSLY DISCLAIMS LIABILITY FOR INCIDENTAL AND CONSEQUENTIAL DAMAGES CAUSED BY THE PRODUCT. THE TERM "INCIDENTAL DAMAGES" REFERS TO EXPENSES OF TRANSPORTING THE PRODUCT TO THE ALPINE SERVICE CENTER, LOSS OF THE ORIGINAL PURCHASER'S TIME, LOSS OF THE USE OF THE PRODUCT, BUS FARES, CAR RENTALS OR OTHERS COSTS RELATING TO THE CARE AND CUSTODY OF THE PRODUCT. THE TERM "CONSEQUENTIAL DAMAGES" REFERS TO THE COST OF REPAIRING OR REPLACING OTHER PROPERTY WHICH IS DAMAGED WHEN THIS PRODUCT DOES NOT WORK PROPERLY. THE REMEDIES PROVIDED UNDER THIS WARRANTY ARE EXCLUSIVE AND IN LIEU OF ALL OTHERS.

●HOW STATE/PROVINCIAL LAW RELATES TO THE WARRANTY:

This Warranty gives you specific legal rights, and you may also have other rights which vary from state to state and province to province. In addition, some states/provinces do not allow limitations on how long an implied warranty lasts, and some do not allow the exclusion or limitation of incidental or consequential damages. Accordingly, limitations as to these matters contained herein may not apply to you.

●IN CANADA ONLY:

This Warranty is not valid unless your Alpine car audio product has been installed in your vehicle by an Authorized Installation Center, and this warranty stamped upon installation by the installation center.

●HOW TO CONTACT CUSTOMER SERVICE:

Should the product require service, please call the following number for your nearest Authorized Alpine Service Center.

| | |
|--------|---------------------------------|
| U.S.A. | 1-800-ALPINE-1 (1-800-257-4631) |
| CANADA | 1-800-ALPINE-1 (1-800-257-4631) |