



# Oben<sup>®</sup>

## CTT-1000

3-Section Carbon-Fiber Tabletop Tripod



You're on steady ground<sup>®</sup>

### Thank you for choosing Oben!

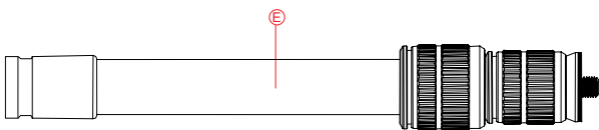
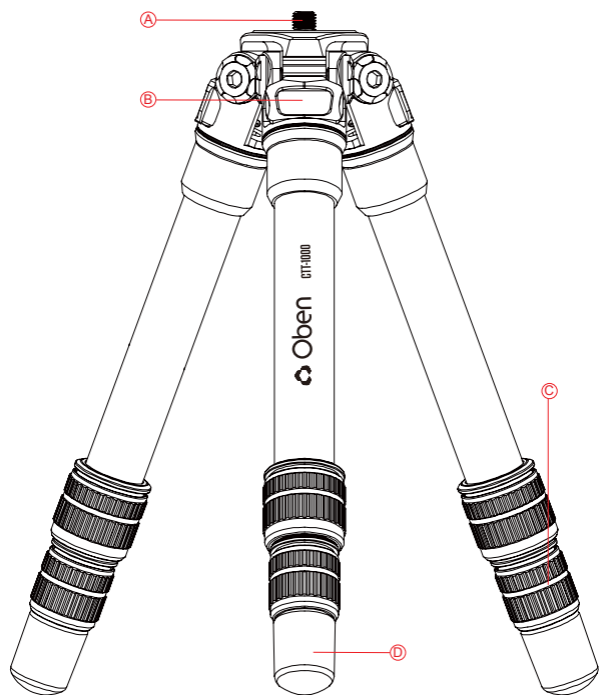
The Oben CTT tripod is a sturdy and high-quality carbon-fiber tabletop tripod that provides a compact and secure platform for vlogging, mobile, and low-angle photography. This tripod offers a variety of options ideal for the photographer on the go. Twist-locking adjustable legs make this tripod quick to set up and simple to operate.

The 11-pound weight capacity makes the tripod ideal for cameras from smartphones to full-featured DSLRs. The included ballhead is outfitted with an Arca-compatible quick-release plate for rapid camera mounting and swapping. And for uneven or soft surfaces, the nonskid rubber feet can be removed to expose spiked feet.

An extender is included for extra height, and it can even be used as a selfie stick. The CTT-1000 tripod is a great addition to the camera bag of photographers and vloggers who insist on portability and rapid deployment.

<b>Key Features</b>	<b>4-7</b>
<b>Ballhead Operation</b>	<b>8-12</b>
Mounting the Ballhead	8
Mounting the Quick-Release Plate to the Camera	9
Mounting the Camera and Quick-Release Plate to the Ballhead	10
Main Locking Knob Operation	11
Panoramic Base	12
<b>Tripod Operation</b>	<b>12-14</b>
Leg Length Adjustment	12
Leg Angle Adjustment	13
Attaching the Extender	13
Spiked Feet	14
<b>Specifications</b>	<b>14</b>
<b>Warnings</b>	<b>15</b>

## KEY FEATURES

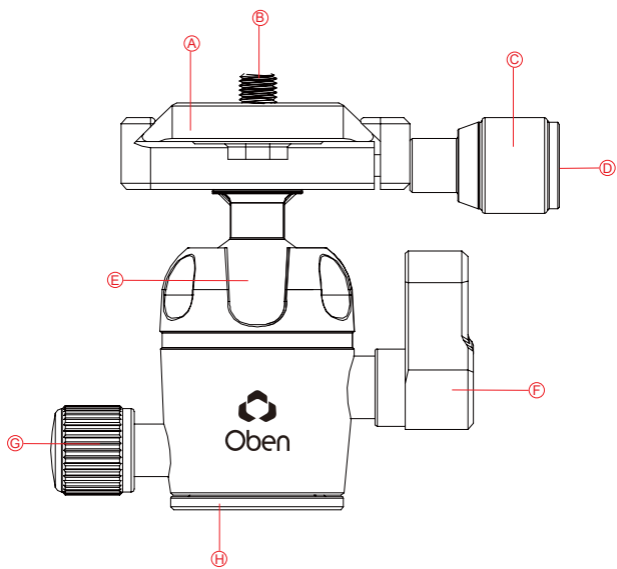


- Ⓐ 1/4-20 mounting screw
- Ⓑ 3-angle leg adjustment
- Ⓒ Leg adjustment twist locks
- Ⓓ Rubber/spiked Feet
- Ⓔ Extender/selfie stick

Also Included: 3/8-16 to 1/4-20 reducer bushings (×2)

Hex keys (×2)

## KEY FEATURES



- Ⓐ Quick-release plate
- Ⓑ 1/4-20 mounting screw
- Ⓒ Quick-release knob
- Ⓓ Vertical bubble level
- Ⓔ 90° notch
- Ⓕ Locking knob
- Ⓖ Pan knob
- Ⓗ Panoramic base with 360° markings

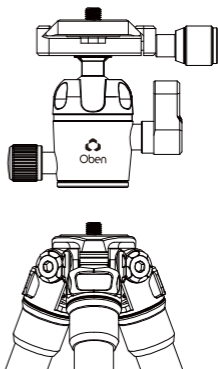
## Ballhead Operation

### MOUNTING THE BALLHEAD

During normal operation, the ballhead will occasionally have to be removed. To mount it back onto the tripod:

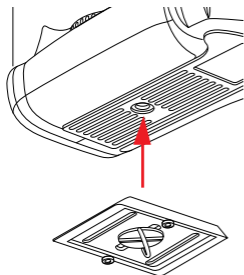
1. Align the ballhead socket with the tripod mounting screw.
2. Rotate the ballhead clockwise onto the tripod, and tighten it by hand.

*Note: To use the ballhead with a tripod that has a 3/8-16 threaded mounting post, remove the reducer bushing from the ballhead's mounting socket.*



## MOUNTING THE QUICK-RELEASE PLATE TO THE CAMERA

The quick-release plate has a 1/4-20 screw that fits most cameras.



1. Loosen the quick-release knob by turning it counterclockwise, and remove the quick-release plate from the ballhead.
2. Screw the plate onto the bottom of the camera.
3. Use the D-ring, a slotted screwdriver, or a coin to tighten the screw into the camera's socket.

**Warning:** Some manufacturers' plates do not meet our specifications and may not lock your equipment securely in the Oben quick-release clamp. Test any camera and lens plates made by manufacturers other than Oben to ensure compatibility.

## Ballhead Operation (continued)

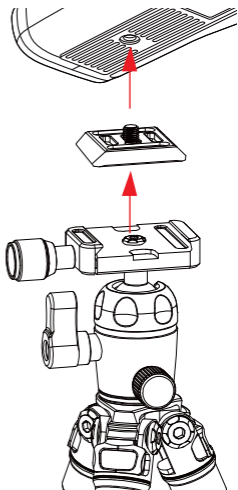
### MOUNTING THE CAMERA AND QUICK-RELEASE PLATE TO THE BALLHEAD

Make sure that all knobs on the ballhead are tightened, except for the quick-release knob.

1. Turn the quick-release knob counterclockwise until it stops.
2. Mount the camera to the ballhead by sliding one edge of the quick-release plate into the ballhead. Then lower the other side until the quick-release plate is lying flat in the quick-release clamp.

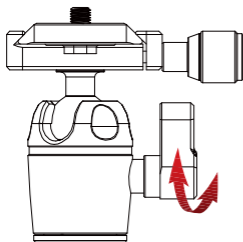
*Note: Make sure the mounting screw's D-ring is flush with the bottom of the plate.*

3. Turn the quick-release knob clockwise to lock the plate.



## MAIN LOCKING KNOB OPERATION

The main locking knob locks and unlocks the ballhead, which allows for changing the position of the camera.



Always use one hand to secure the camera while adjusting the ballhead, and make sure the lock is engaged before letting go of the camera.

*Note: To adjust the tension in a tight space, or if something is blocking your ability to turn the knob, pull the knob out, reposition it so it can turn without interference, and release it. The knob will engage and can be loosened.*

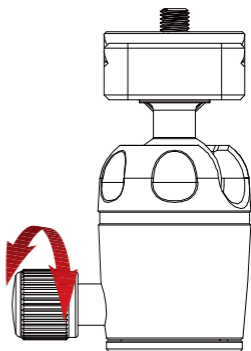
Use the 90° notch to quickly switch between landscape and portrait orientations.

## Ballhead Operation (continued)

### PANORAMIC BASE

The base of the ballhead can be independently rotated 360°. Use the degree markings on the base of the ballhead to accurately set up panoramic shots.

1. Twist the pan knob counterclockwise to unlock the base.
2. Rotate the base to the desired position, and then lock the base by turning the knob clockwise.



## Tripod Operation

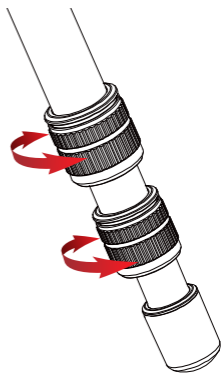
### LEG LENGTH ADJUSTMENT

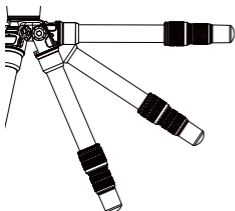
To independently adjust the height of each leg, do the following:

1. Loosen the twist locks enough so that the legs can be adjusted.

*Note: Don't over-loosen the twist locks.*

2. Adjust the leg to the desired height.
3. Tighten the twist locks to secure the leg in place.

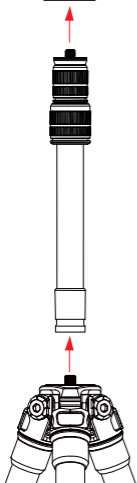
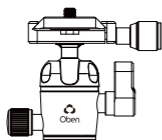




## LEG ANGLE ADJUSTMENT

For stable support when shooting on an uneven surface, or for low-angle shots, each leg can be adjusted to 3 preset angles. To set the leg angle:

1. Lift the angle adjustment lock.
2. Set the angle of the leg to one of the three preset positions.
3. Press in the release lock to secure the leg at the desired angle.



## ATTACHING THE EXTENDER

The included extender provides up to 12.25 inches of height to the tripod. To attach the extender:

1. Unscrew the ballhead, and attach the extender by screwing it onto the tripod's mounting post.
2. Attach the ballhead to the extender's mounting post, or attach a camera or other piece of gear directly to the extender.

*Note: The extender comes with an installed 3/8-16 to 1/4-20 reducer bushing. To use it with a tripod that has a 3/8-16 threaded mounting post, remove the bushing from the extender's socket.*

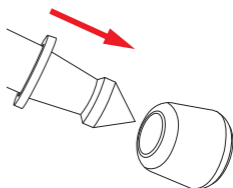
3. Adjust the extender height with the two twist locks.

## Tripod Operation (continued)

### SPIKED FEET

The rubber nonskid feet are for use indoors or on flat surfaces. The spikes are for soft ground, grass, sand, and uneven terrain.

To expose the spikes, remove the rubber feet by pulling them off.



## Specifications

Maximum Load	11 lb. (5 kg)
Maximum Height	15.5 in. (39.4 cm)
Minimum Height	4.2 in. (10.7 cm)
Folded Length	10.4 in. (26.4 cm)
Weight	0.98 lb. (444 g)
Leg Sections	3
Maximum Height with Extender	27.7 in. (70.4 cm)
Ballhead	Dual action
Quick-Release Plate	Arca compatible
Spikes	Yes

**Warnings:**

- *Do not exceed the tripod's maximum load capacity (see Specifications).*
- *Ensure that all appropriate locks are engaged when necessary.*
- *This tripod should be used only in temperatures between -22°F and 140°F (-30°C and 60°C).*
- *Do not use this tripod in salt water. Dry the tripod off if it becomes wet.*
- *Remove the camera from the tripod during transport.*
- *Keep the tripod out of reach of children.*
- *To avoid injury, always support your device or camera with one hand while adjusting height and locking the twist lock with the other hand.*
- *All images are for illustrative purposes only.*



Oben is a registered trademark of the Gradus Group.  
© 2018 Gradus Group LLC. All Rights Reserved.