



International Commercial
Supply Corporation, LLC

2007-2008 EDITION

Toll Free Phone: 800-243-1290
Toll Free Fax: 800-253-8499
International Fax: 860-738-7104
Website: www.icseparts.com



COPYRIGHT AND TRADEMARK INFORMATION

THIS ENTIRE CATALOG, COPY, PART NUMBERS AND UNIQUE METHOD OF SHOWCASING PRODUCTS IS COPYRIGHT 2006 INTERNATIONAL COMMERCIAL SUPPLY CORPORATION, LLC. ALL RIGHTS RESERVED.

NO PORTION OF THIS CATALOG MAY BE REPRODUCED IN ANY FORM OR BY ANY MEANS, IN WHOLE OR IN PART, WITHOUT THE WRITTEN PERMISSION OF INTERNATIONAL COMMERCIAL SUPPLY CORPORATION, LLC

© 2006 INTERNATIONAL COMMERCIAL SUPPLY CORPORATION, LLC



IS A REGISTERED TRADEMARK OF INTERNATIONAL COMMERCIAL SUPPLY CORPORATION, LLC

COVER PHOTOGRAPHS CONNECTICUT - © GETTYIMAGES.COM

NEVADA - © GETTYIMAGES.COM

LIMITED WARRANTY POLICY

NO WARRANTY IS OFFERED TO CONSUMERS, AS DEFINED IN THE MAGNUSON-MOSS WARRANTY ACT. ALL ITEMS SOLD ARE INTENDED FOR RESALE, BUSINESS USE OR EQUIPMENT MANUFACTURE AND WARRANTED AGAINST DEFECTS IN WORKMANSHIP OR MATERIALS ONLY TO THE EXTENT OF THE WARRANTY SUPPLIED BY THE MANUFACTURER.

EACH ITEM CARRIES THE FULL WARRANTY OF THE MANUFACTURER. INTERNATIONAL COMMERCIAL SUPPLY CORPORATION, LLC. ASSUMES NO OBLIGATION ON THE PART OF ANY MANUFACTURER EXCEPT TO PROCESS WARRANTY CLAIMS TO THE MANUFACTURER ON BEHALF OF OUR CUSTOMERS, INDIVIDUAL MANUFACTURER'S WARRANTY POLICIES WILL BE PROVIDED UPON REQUEST.

ILLUSTRATIONS AND DESCRIPTIONS ARE PROVIDED FOR IDENTIFICATION PURPOSES. WE TAKE NO RESPONSIBILITY THAT AN ITEM WILL SUIT A SPECIFIC PURPOSE. ANY LIABILITY CLAIM WILL BE LIMITED TO THE PURCHASE PRICE.

IN CASE OF DAMAGE OR SHORTAGES IN TRANSIT VIA U.P.S.

UPON DELIVERY OF SHIPMENT, MERCHANDISE SHOULD BE CAREFULLY INSPECTED BY YOU FOR DAMAGES/SHORTAGES DURING SHIPMENT. IF YOU RECEIVE DAMAGED ITEMS, PLEASE FOLLOW THE PROCEDURE BELOW:

1. HOLD THE FOLLOWING ITEMS AT THE ORIGINAL DESTINATION FOR INSPECTION BY U.P.S.:
 - A. THE OUTSIDE CARTON
 - B. ALL INSIDE PACKING MATERIAL
 - C. ANY BROKEN ARTICLES
2. HAVE OUR SHIPPER NUMBER AND TRACING NUMBER LOCATED ON THE U.P.S. LABEL AVAILABLE FOR U.P.S. FROM CT SHIPPER #017055, FROM NV SHIPPER #8X5814.
3. CONTACT U.P.S. IN YOUR AREA TO REQUEST U.P.S. INSPECTION NO LATER THAN 24 HOURS OF RECEIPT OF PACKAGE.
4. OBTAIN AN LDI# (LOSS DAMAGE INSPECTION #) FROM U.P.S. AND REPORT IT TO US SO THAT A DAMAGE CLAIM MAY BE FILED.

FOR ASSISTANCE FOR CARRIERS OTHER THAN U.P.S., CALL 800-243-1290 OR 860-738-7112.

TABLE OF CONTENTS

INDEX - SPECIFIC USE ITEMS	i3 - i8
INDEX - MULTI-USE ITEMS	i9 - i15
BEVERAGE	1 - 29
COFFEE MAKERS, DISPENSING EQUIPMENT	
SANITATION	30 - 95
BOOSTERS, DISHWASHERS, GLASS WASHERS, WASTE DISPOSERS	
FRYERS, GREASE FILTERS, WATER COOKERS	96 - 160
GRILLS	161 - 242
CHAR BROILERS, GRIDDLES, HOT DOG MACHINES, SKILLETTS, WAFFLE BAKER	
OVENS, RANGES, BROILERS	243 - 375
PREPARATION	376 - 429
BLENDERS, CAN OPENERS, CHOPPERS, CUTTERS, JUICERS, MIXERS, SHREDDERS, SLICERS	
STEAMERS	430 - 501
BOILERS, COOKERS, KETTLES	
TOASTERS	502 - 535
WARMERS	536 - 600
CHEESE MELTERS, FOOD WARMERS, POPCORN MACHINES	
ELECTRICAL SUPPLIES	601 - 645
GAS SUPPLIES	646 - 692
HARDWARE, SERVICE SUPPLIES	693 - 712
PLUMBING SUPPLIES	713 - 760
REFRIGERATION	761 - 788
THERMOMETERS, GAUGES	789 - 794
TOOLS, CHEMICALS, LUBRICANTS	795 - 820
TECHNICAL INFORMATION	821 - 845
FUNCTIONAL REPLACEMENT CROSS REFERENCE	846 - 932
STOCK NUMBER TO PAGE INDEX	933 - 964
FORMS	965 - 969
CUSTOM GASKET, CUSTOM SHELF, ORDER, CREDIT APPLICATION, PASSWORD REQUEST	

SALES POLICY

- 1 POSSESSION OF THIS CATALOG DOES NOT OBLIGATE US TO ACCEPT A PURCHASE ORDER OR CONSTITUTE AN OFFER TO SELL. THIS CATALOG IS INTENDED FOR USE BY THE SERVICE TRADE.
- 2 MINIMUM ORDER IS \$10.00.
- 3 CHARGE ACCOUNTS MAY BE ESTABLISHED BY REQUESTING A CREDIT APPLICATION. CUSTOMERS WITHOUT APPROVED CREDIT MAY ARRANGE FOR PAYMENT WITH A CREDIT CARD, CHECK IN ADVANCE OR PAYMENT UPON DELIVERY.
- 4 A SIGNED RESALE CERTIFICATE OR TAX EXEMPT CERTIFICATE MUST BE PROVIDED OR APPLICABLE SALES TAXES MAY BE CHARGED. CUSTOMERS ARE RESPONSIBLE FOR ALL LOCAL, COUNTY, STATE OR FEDERAL TAXES DUE.
- 5 SHIPPING, HANDLING AND INSURANCE COSTS ARE PAYABLE BY THE CUSTOMER.
- 6 MANUFACTURERS PART NUMBERS ARE LISTED ONLY AS A GUIDE AND ARE NOT INTENDED TO IMPLY THAT THE ITEMS WE SUPPLY WERE PURCHASED FROM OR MADE FOR A PARTICULAR MANUFACTURER.

ALL PART NUMBERS SHOWN ARE FOR IDENTIFICATION AND REFERENCE PURPOSES ONLY.

MANUFACTURERS PART NUMBERS LISTED REPRESENT AN ACCUMULATION OF INFORMATION WE HAVE COMPILED FROM TRADE PUBLICATIONS, OTHER DISTRIBUTORS, CUSTOMERS AND OUR OWN INVESTIGATION. ALTHOUGH WE HAVE ATTEMPTED TO VERIFY THE ACCURACY OF THE INFORMATION, WE CANNOT GUARANTEE THAT THE CONTENTS ARE CORRECT.

- 7 RETURNED GOODS WILL NOT BE ACCEPTED UNLESS PRIOR APPROVAL IS ISSUED BY US AND MAY BE SUBJECT TO A RESTOCKING FEE. SPECIAL ORDERS ARE NOT RETURNABLE.

WE ACCEPT THESE CREDIT CARDS:





International Commercial Supply Corporation, LLC

P.O. Box 999 * 200 International Way * Winchester Business Park

Winsted, Connecticut 06098

800-243-1290 * (Fax) 800-253-8499

E-Mail - ICS@ICSCPARTS.COM

ORDER FORM

PLEASE TYPE OR PRINT NEATLY

Date: _____

Ship Via: _____

Bill To

Ship To

Your Cust No.	Purchase Order Number	Your Phone Number	Your Name
---------------	-----------------------	-------------------	-----------

	Qty	Part Number	Description	Ea Price	Ext Price
1					
2					
3					
4					
5					
6					
7					
8					
9					
10					
11					
12					
13					
14					
15					

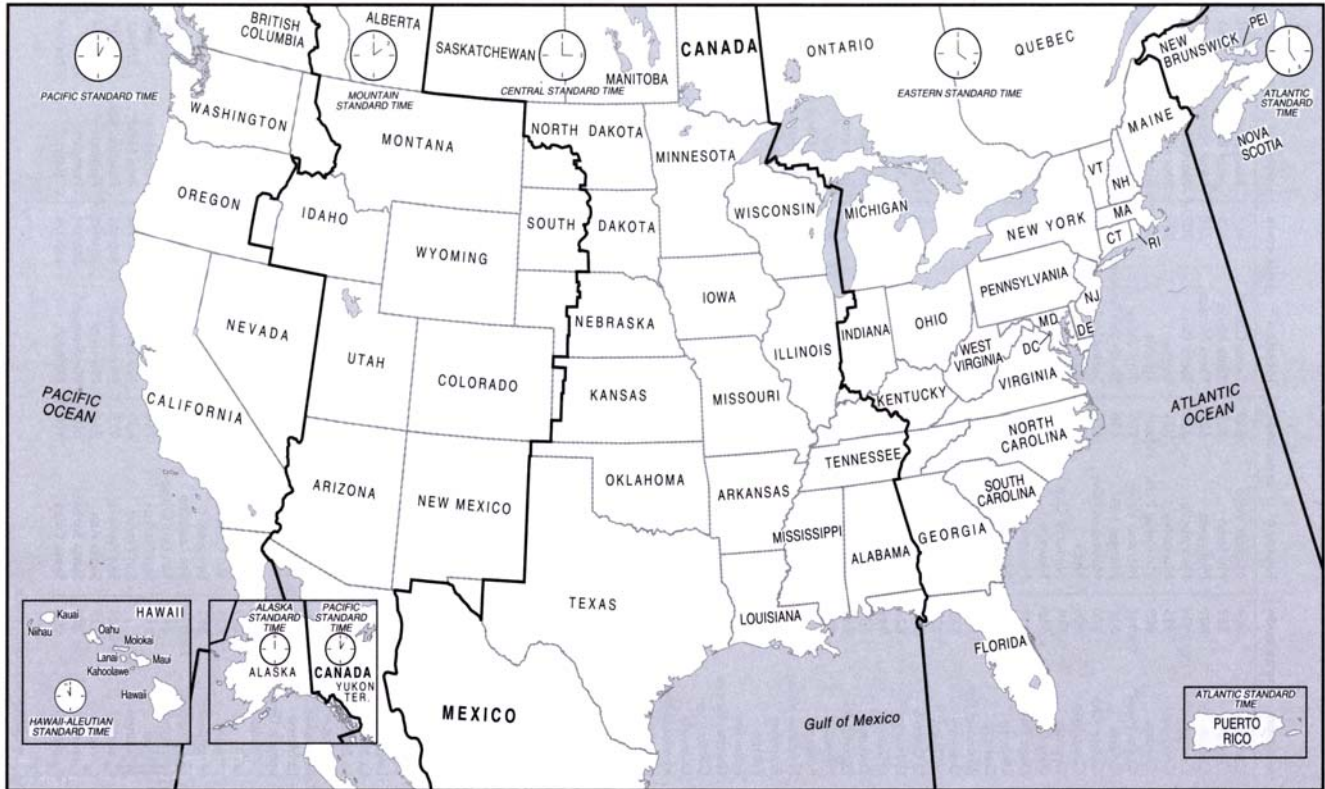
Comment: _____

HOURS OF OPERATION

PHONE: 800-243-1290

FAX: 800-253-8499

E-MAIL: ICS@ICSPARTS.COM



EASTERN AND CENTRAL TIME ZONE:

SERVED BY WINSTED, CT. SALES AND DISTRIBUTION CENTER.

MONDAY THRU FRIDAY 8:00 AM - 5:45 PM EASTERN TIME.

(NOTE: FOR EMERGENCY ORDERS BETWEEN 5:45 - 7:00 PM EASTERN TIME,
CONTACT OUR LAS VEGAS FACILITY AT 702-876-0667)

MOUNTAIN AND PACIFIC TIME ZONE:

SERVED BY LAS VEGAS, NV. SALES AND DISTRIBUTION CENTER.

MONDAY THRU FRIDAY 7:00 AM - 4:30 PM PACIFIC TIME.



International Commercial Supply Corporation, LLC

P.O. Box 999 * 200 International Way * Winchester Business Park

Winsted, Connecticut 06098

860-738-7112 * (Fax) 860-738-7140

E-Mail - ICS@ICSCPARTS.COM

CREDIT APPLICATION

PLEASE TYPE OR PRINT NEATLY

Date: _____

Company: _____

Address: _____

City, State, Zip: _____

Phone: (_____) _____

Fax: (_____) _____

E-MAIL: _____

WEBSITE: _____

Type Of Business: _____

Date Business Was Established: _____

Name Of Person Authorized To Approve Purchases And Payments: _____

Estimated Yearly Dollar Amount To Be Purchased: _____

TRADE REFERENCES

ACCOUNT No.	NAME	ADDRESS	FAX #
-------------	------	---------	-------

1 _____

City, St, Zip: _____

2 _____

City, St, Zip: _____

3 _____

City, St, Zip: _____

4 _____

City, St, Zip: _____

BANK REFERENCE(S)

ACCOUNT No.	NAME	ADDRESS	PHONE	FAX #
-------------	------	---------	-------	-------

City, St, Zip: _____

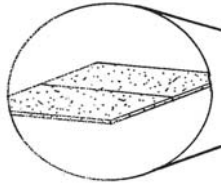
The information provided in this application is true and accurate. I authorize the bank named herein as reference to reveal normal credit information to International Commercial Supply Corp LLC for purposes of credit consideration.

Authorized Signature: _____ Title _____ Date: _____

BROILERS/OVENS/RANGES

QUICK REFERENCE TO MULTI-USE AND MANUFACTURERS

THIS PAGE IS A QUICK REFERENCE TO FIND PARTS FOR BROILERS, OVENS AND RANGES.



BAKING DECKS



BULBS



BULB SOCKETS



DIALS & KNOBS



DOOR GASKETS



DOOR HANDLE



FLAME SWITCHES



MINI PILOTS



REDUCER FITTINGS



SAFETY VALVES



THERMOCOUPLES



THERMOSTAT BULB CLIPS



THERMOSTATS



TIMERS

MULTI-USE INDEX

DESCRIPTION	PAGE	DESCRIPTION	PAGE
• BAKING DECKS	252	• REDUCER FITTINGS	251
• BULBS	251	• SAFETY VALVES	247-248
• BULB SOCKETS	251	• THERMOCOUPLES	250
• DIALS & KNOBS	251, 670	• THERMOSTAT BULB CLIPS	251
• DOOR GASKETS	251	• THERMOSTATS	244-246
• DOOR HANDLE	251	• TIMERS	251
• FLAME SWITCHES	249		
• MINI PILOTS	249		

MANUFACTURER INDEX	PAGE
ALTO SHAAM	253-256
AMERICAN RANGE	257-258
ANETS	259
BAKERS PRIDE	260-264
BARRI	264
BLODGETT	265-281
CADCO (UNOX)	282-283
COMSTOCK	284
DUKE	285-286
DYNAMIC COOKING SYSTEM (DCS)	287-289
FRANKLIN CHEF	290-292
GARLAND	293-310
GE/HOBART	311-314
HICKORY	315
IMPERIAL	315-319
JADE RANGE	320-322
LANG	323-324
LINCOLN	325-328
MARKET FORGE	329-330
MIDDLEBY MARSHALL	331-332
MONTAGUE	333-338
SOUTHBEND	339-349
TOASTMASTER	350-351
US RANGE	352-354
VULCAN HART	355-368
WELLS	369
WOLF	370-375

OVENS/RANGES

MULTI-USE GAS THERMOSTATS

THERMOSTATS ARE 4-POSITION TAPPED AND MAY BE MOUNTED IN ANY OF THE FOUR MANIFOLD POSITIONS. REAR HOUSING MAY BE ROTATED AS REQUIRED. SUPPLIED WITH 4-POSITION DIALS



G-507, G-168, G-169

A-373

ROBERTSHAW BJWA THERMOSTAT KITS AND DIAL

STOCK No.	REAR BODY POSITION	TEMP. RANGE	BULB	CAPILLARY	PIPE SIZE	DIAL ONLY
G-507	*UP	250°-500°F	3/16" X 11-5/8"	48"	1/4"	
G-168	*DOWN	250°-550°F		72"		A-373
G-169						

NOTE: KITS ARE SUPPLIED WITH DIAL AND HARDWARE.

* REAR BODY POSITION IS IDENTIFIED BY LOOKING AT THE DIAL WITH THE GAS INLET DOWN.

THERMOSTATS ARE SAME AS ABOVE BUT HAVE ONLY ONE 7/16" REAR TAPPED OUTLET FITTING.



G-192

G-193

A-373

ROBERTSHAW BJWA THERMOSTAT KITS AND DIAL

STOCK No.	REAR BODY POSITION	TEMP. RANGE	BULB	CAPILLARY	OUTLET SIZE	DIAL ONLY
G-192	*DOWN	250°-550°F	3/16" X 11-5/8"	48"	7/16" REAR	A-373
G-193		250°-550°F		72"		

NOTE: KITS ARE SUPPLIED WITH DIAL, HARDWARE, 1/4" PIPE AND 3/8" TUBING FITTINGS.

* REAR BODY POSITION IS IDENTIFIED BY LOOKING AT THE DIAL WITH THE GAS INLET DOWN.

OVENS/RANGES

MULTI-USE GAS THERMOSTATS

THERMOSTAT KITS HAVE FOUR 3/8" PIPE FITTINGS. 2 PLUGS ARE SUPPLIED. TWO 1/4" TUBE PILOT OUTLETS ARE PROVIDED WITH 3/16" TUBE ADAPTER AND 1/4" PLUG. 4-POSITION DIAL ALLOWS THERMOSTAT TO BE MOUNTED IN ANY ONE OF 4 MOUNTING POSITIONS.



G-182A, G-183, G-184



A-254



A-255



A-256

ROBERTSHAW FD STYLE THERMOSTAT KITS AND DIALS

STOCK No.	TYPE	RANGE	BULB	CAPILLARY	PIPE SIZE	COMMENTS	DIAL ONLY
G-182A	FDO	150°-550°F	3/16" X 14-3/4"	54"	3/8"	KITS	A-254
G-183	FDTO	LOW°-550°F					A-255
G-184	FDTH	300°-650°F					A-256

NOTE: KITS ARE SUPPLIED WITH DIAL AND HARDWARE.



G-185



A-256

FDH THERMOSTAT AND DIAL

STOCK No.	TYPE	RANGE	BULB	CAPILLARY	PIPE SIZE	COMMENTS	DIAL ONLY
G-185	FDH	300°-650°F	3/16" X 14-3/4"	54"	1/2"	WITH DIAL	A-256

OVEN, RANGES, BROILERS

OVENS/RANGES

MULTI-USE ELECTRIC THERMOSTATS



SINGLE POLE THERMOSTAT KITS AND DIALS

STOCK No.	AMPS	RANGE	BULB	CAPILLARY	COMMENTS	DIAL ONLY
G-164	30	175°-550°F	3/16" X 11-5/8"	60"	KIT	A-252
G-164RS						A-253
G-165		300°-700°F	3/16" X 12-1/4"			A-253

NOTE: KITS ARE SUPPLIED WITH 4-WAY MOUNTING DIAL AND HARDWARE.



SINGLE POLE PILOT-DUTY THERMOSTAT AND DIAL

STOCK No.	TYPE	RANGE	BULB	CAPILLARY	COMMENTS	DIAL ONLY
G-196	KX	175°-550°F	3/16" X 11-5/8"	60"	WITH DIAL	A-252



DOUBLE POLE THERMOSTAT KITS AND DIALS

STOCK No.	TYPE	RANGE	BULB	CAPILLARY	COMMENTS	DIAL ONLY
G-166	D1/D18	100°-550°F	3/16" X 13"	60"	KIT	A-250
G-167		300°-700°F				A-253

NOTE: KIT SUPPLIED WITH 4-WAY MOUNTING DIAL AND HARDWARE

OVENS/RANGES

MULTI-USE SAFETY PILOT VALVES

ROBERTSHAW (TS) BODY AND MAGNET HEAD ASSEMBLIES INLET AND OUTLET STYLE

STOCK No.	BODY SIZE	HEAD SIZE
H-337	1/4" PIPE	3/16" TUBE
H-880		1/4" TUBE
H-335	3/8" PIPE	3/16" TUBE
H-339		1/8" PIPE
H-1033		
H-338	7/16" TUBE	1/4" TUBE
H-336	1/2" PIPE	



ROBERTSHAW (TS) BODY AND MAGNET HEAD ASSEMBLY - OUTLET ONLY

STOCK No.	BODY SIZE	HEAD SIZE
H-888	3/8" PIPE	1/4" TUBE



H-888

ROBERTSHAW (TS) MAGNET HEAD KITS

STOCK No.	DESCRIPTION	SPECIFICATIONS
H-207	PILOT IN AND OUT	INLET & OUTLET 1/8" PIPE WITH ADAPTERS FOR 3/16" & 1/4" TUBING
H-208	PILOT OUT ONLY	OUTLET 1/8" PIPE WITH ADAPTERS FOR 3/16" & 1/4" TUBING



H-207



H-208

ROBERTSHAW BODY FOR (TS) SAFETY VALVES

STOCK No.	SIZE
H-247	1/4" PIPE
H-248	3/8" PIPE
H-249	1/2" PIPE
H-250	7/16" COMPRESSION



OVEN, RANGES, BROILERS

OVENS/RANGES

MULTI-USE SAFETY PILOT VALVES



H-198
H-201



H-199



H-200



H-202

FMDA SAFETY VALVES

STOCK No.	CAPILLARY	SIZE	BUTTON LENGTH	PILOT SIZE	COMMENTS
H-198	24"	1/2"	1 1/64"	1/4" CC	PILOT/IN AND OUT
H-199	18"	3/8"		1/8" FPT	
H-200	48"		1/2"	1/4" CC	
H-201		1 5/64"			
H-202	54"	1 5/64"			



H-203



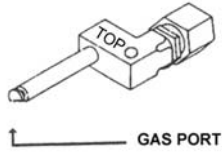
H-205
H-206

FMEA SAFETY VALVES

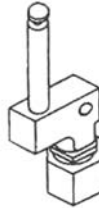
STOCK No.	CAPILLARY	SIZE	BUTTON LENGTH	PILOT SIZE	COMMENTS
H-203	48"	1/2"	43/64"	1/4" CC	PILOT/OUT ONLY
H-205		3/8"	1 5/64"		
H-206	54"	1/2"			

OVENS/RANGES

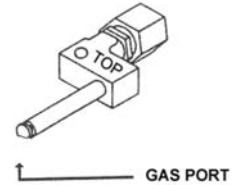
MULTI-USE MINI-PILOTS AND FLAME SWITCHES



H-265



H-577
H-578



H-210

MINI PILOTS			
STOCK No.	SIZE	STYLE	COMMENTS
H-265	24"	GAS	HORIZONTAL MOUNT
H-577			VERTICAL MOUNT
H-210	36"		HORIZONTAL MOUNT
H-578	48"		VERTICAL MOUNT



E-109A



E-109



E-224



E-253



E-279

GAS FLAME SWITCHES			
STOCK No.	SIZE	STYLE	COMMENTS
E-109A	22"	GFS-9	SPST (N.O.)
E-109		-	SPST (N.O.) WITH PILOT
E-224	17"	6311	SPST (N.O.)
E-253	36"	FSD	SPDT 3 TERMINALS
E-279	26"	FSS	COMMON/N.O. 2 TERMINALS

OVEN, RANGES, BROTHERS

OVENS/RANGES

MULTI-USE GAS THERMOCOUPLES



THERMOCOUPLES 1970 UNI-COUPLE (WITH ZIP TIP)

STOCK No.	SIZE	ROBERTSHAW No.
*H-219	-	1970-001
H-220	18"	1970-018
H-221	24"	1970-024
H-222	30"	1970-030
H-223	36"	1970-036
H-224	48"	1970-048
H-225	60"	1970-060
H-226	72"	1970-072

* ASSORTED 10-PACK INCLUDES:
1-(18"), 4-(24"), 4-(36") AND 1-(48")



THERMOCOUPLES 1980 SNAP-FIT™

STOCK No.	SIZE	ROBERTSHAW No.
H-456	18"	1980-018
H-457	24"	1980-024
H-458	30"	1980-030
H-459	36"	1980-036
H-460	48"	1980-048
H-461	60"	1980-060
H-462	72"	1980-072



H-942
H-960
H-834



H-227
H-228

ROBERTSHAW HEAVY DUTY THERMOCOUPLES 1900 SERIES

STOCK No.	SIZE	ROBERTSHAW No.
H-912	18"	1900-018
H-668	24"	1900-024
H-669	36"	1900-036
H-1080	48"	1900-048

JOHNSON HEAVY DUTY THERMOCOUPLES

STOCK No.	SIZE	JOHNSON No.
H-942	18"	K16BT-18
H-960	24"	K16BT-24
H-834	36"	K16BT-36
*H-227	48"	K16RA-48
*H-228	60"	K16RA-60

* NICKEL-PLATED FOR (PIZZA OVENS)

OVENS/RANGES

MULTI-USE PARTS



D-100



E-395



A-1803



E-108



A-1462



A-417



A-1804



A-997



A-4295



A-1917



A-1494



B-642



B-859



B-449



D-365



L-258



L-338

MULTI-USE ITEMS

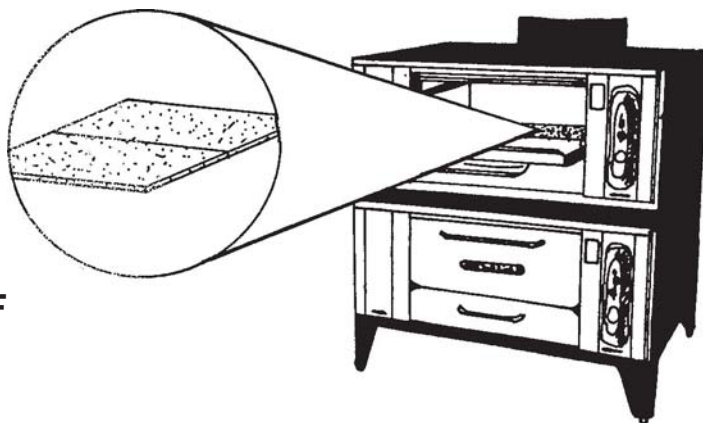
STOCK No.	SPECIFICATIONS	COMMENTS
D-100	115V/ 50W	CLEAR COMMERCIAL OVEN LAMP
E-395	0-15 MINUTES	MECHANICAL TIMER W/ DIAL & KNOB
A-1803	-	KNOB FOR D-STEM
E-108	0-60 MINUTES	MECHANICAL TIMER W/ DIAL
A-1462	-	KNOB FOR DOUBLE D-STEM
A-417	1/4" TUBING TO 3/16" TUBING	MALE TUBING REDUCER
A-1804	1/4" CC TO 3/16" TUBING	FEMALE CC X TUBING REDUCER
A-997	SNAP IN HOLE TYPE	UNIVERSAL THERMOSTAT CAPILLARY CLAMP
A-4295		
A-1917		
A-1494	1" SS TUBING 28" LONG	UNIVERSAL DOOR HANDLE ASSEMBLY
B-642	OVEN DOOR GASKET (SOLD BY FOOT)	500° F FIBERGLASS COATED 7/8" WIDE WITH 3/8" BEAD
B-859	5/8" WIDE X 1/2" HIGH, GRAY SILICONE	UNIVERSAL OVEN DOOR GASKET (SOLD BY THE FOOT)
B-449	3/4" WIDE X 9/16" HIGH, GRAY SILICONE	
D-365	230V / 40W	TEFLON COATED LIGHT BULB
L-258	PORCELAIN SOCKET	SNAP-IN
L-338		WITH WIRE LEADS

OVEN, RANGES, BROILERS

OVENS

MULTI-USE BAKING DECKS

- REVOLUTIONARY BAKING DECK FOR COMMERCIAL OVENS
- REPLACEMENT FOR CEMENT ASBESTOS BOARDS AND CERAMIC BAKING DECKS
- PERFECTED FEATURES ARE:
EVEN HEAT TRANSFER
QUICK RECOVERY TIME
LONG LASTING STRENGTH
- TEMPERATURE LIMIT IS 1000°F
CONTINUOUS USE
- CUSTOM CUT TO SIZE
AVAILABLE THICKNESS - 1/2", 3/4", 1", 1-1/2"



COMMERCIAL BAKING DECKS		
STOCK No.	THICKNESS	CUT TO ORDER
S-250	1/2"	SPECIFY SIZE
S-251	3/4"	
S-252	1"	
S-253	1-1/2"	
NOTE: CUSTOM CUT DECKS ARE NOT RETURNABLE. PLEASE MEASURE CAREFULLY.		



A-2890

COMMERCIAL BAKING DECK			
STOCK No.	THICKNESS	SIZE	SHAPE
A-2890	3/4"	13-3/8" X 17-1/2"	RECTANGLE

NOTE: FOR BAKERS PRIDE OVEN BAKING DECKS SEE PAGE 261
FOR BLODGETT OVEN BAKING DECKS SEE PAGE 271

OVENS/WARMERS

ALTO-SHAAM SPECIFIC PARTS



G-346



G-347



G-510



G-511



G-509



F-395



G-803



THERMOSTATS, HI LIMIT, AND PROBE

STOCK No.	TYPE	RANGE	REPLACES	DESCRIPTION	MODELS
G-346	B10-36	60-200°F	TT-3057	HOLD THERMOSTAT	COOK/HOLD OVENS
G-803	B10-84		TT-33432		1767-SK, 1000-UP/HD, P, STD, HD
G-347	S	100-325°F	TT-3329	COOK THERMOSTAT	-
G-510	S	100-450°F	TT-3498	THERMOSTAT	300-HFT/CB, 300-TMC
G-511	B10	60-250°F	TT-3978	THERMOSTAT	100-HSL/C-LUX, 300-HST
G-509	-	RESET	TT-3859	HI LIMIT	500-ID
F-395	-	-	14785	SENSOR PROBE	TH/III SERIES

DIAL ONLY
A-928
A-929
A-2410
A-2699



E-344



E-292



E-345



E-113



E-115



E-909

SWITCHES

STOCK No.	SPECIFICATIONS	REPLACES	COMMENTS
E-344	16A, 125/250V, SPST	SW-3409	FOR MODELS 100-PC, 200-CT, 500-1D, 500-2D, 500-3A
E-292	20A, 250V, DPST	SW-3040	USED BEFORE 1985 FOR MODELS 500-TH, 750-TH, 1000-TH-1, TH-11, 750-B/TRP
E-345	20A, 250V, DPST	SW-3528	FOR MODELS 500-TH, 750-TH, 1000-TH-1, 1000-TH-11, 767-SK
E-113	10A, 250V, SPST	SW-3041	FOR MODELS 100-HSL, HSL/CBD, 200-SWL, 300-HFT, 300-SB
E-115	10A, 250V, DPDT-CTR-OFF	SW-3616	FOR ALL DELI CASES
E-909	22A-125V, DPST (ON-OFF)	SW-3887	FOR MODELS 500-PH, 500-PH/GD

OVEN, RANGES, BROILERS

OVENS/WARMERS

ALTO-SHAAM SPECIFIC PARTS

NOTE: ONE KIT IS
NEEDED PER
CAVITY.



C-622
C-623
C-843



C-1268



C-844
C-1167

HEATERS AND CABLE HEATING KITS

STOCK No.	SPECIFICATIONS	REPLACES	COMMENTS
C-622	210' OF HEATER WIRE AND ALL HARDWARE NEEDED FOR INSTALLATION (WIRE IS CREAM OR TAN COLOR)	4881	HIGH TEMP HEATER CABLE KIT FOR MODELS REQUIRING 210 FT OF WIRE
C-623	134' OF HEATER WIRE AND ALL HARDWARE NEEDED FOR INSTALLATION (WIRE IS CREAM OR TAN COLOR)	4880	HIGH TEMP HEATER CABLE KIT FOR MODELS REQUIRING 134 FT OF WIRE
C-843	106' OF HEATER WIRE AND ALL HARDWARE NEEDED FOR INSTALLATION (WIRE IS SILVER - METAL BRAID)	4874	LOW TEMP HEATER CABLE KIT FOR MODELS 500-1D, 500-2D, 500-3D, 500-S, 500-PH, 500-PH/GD, 750-S, 1000-S, 1000-UP, 1000-UPS
C-1268	85' OF HEATER WIRE AND ALL HARDWARE NEEDED FOR INSTALLATION (WIRE IS CREAM OR TAN COLOR)	4878	FOR MODEL TY-30, TY-96 SERIES SELF SERVICE
C-844	CARTRIDGE HEATER - 240V	CB-3538	FOR MODEL 767-SK, CHS-76
C-1167	CARTRIDGE HEATER -120V	CB-3537	FOR MODEL 767-SK, CHS-76



E-258
E-529



A-1638



A-1462



M-164



A-1695



M-165

TIMERS AND FAN MOTORS

STOCK No.	SPECIFICATIONS	REPLACES	COMMENTS
E-258	240 VOLT	TR-3318	12 HOUR TIMER FOR COOK/HOLD OVENS
E-529	120 VOLT	TR-3504	
A-1638	-	PA-3766	FACE PLATE ONLY FOR E-258 AND E-529
A-1462	-	KN-3765	KNOB ONLY FOR E-258, E-529
M-164	230 VOLT	FA-3342	FAN MOTOR FOR 500-TH-11, 750-TH-11, 767-SK, 1000-TH-11
A-1695	3"	FA-3343	FAN BLADE FOR 500-TH-11, 750-TH-11, 767-SK, 1000-TH-11
M-165	115 VOLT	FA-3485	FAN MOTOR FOR 767-SK, 500-1D, 500-2D, 500-3D, 500-E, COOK-HOLD-115V UNITS

OVENS/WARMERS

ALTO-SHAAM SPECIFIC PARTS



D-105



D-193



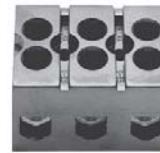
D-277



D-167



D-125



D-252



L-278



L-263

SIGNAL LIGHTS AND WIRING COMPONENTS

STOCK No.	SPECIFICATIONS	REPLACES	DESCRIPTION	MODELS
D-105	1/2" HOLE, 250V RED	LI-3025	SIGNAL LIGHT	ALL 208-240V UNITS
D-193	1/2" HOLE, 120V RED	LI-3027		ALL 115V UNITS
D-277	RECTANGLE, 120V RED	LI-3493		767-SK, HOLDING CABINETS
D-167	RECTANGLE, 250V AMBER/RED	LI-3024		1000-TH, 750-B/TRP
D-125	SC-15	FU-3298	FUSE	-
D-252	3 POLE	BK-3019	TERMINAL BLOCK	-
L-278	6 FT	CD-3029	CORD SET	HOLDING UNITS 125V
L-263	RECESSED-MALE 125V	IT-3001	FLANGED INLET	500S, 750S, 1000S



A-1022



A-1023



A-1024



A-1198



A-1189



A-2404



A-4311



A-4312



A-4313

DOOR HARDWARE AND OVERLAYS

STOCK No.	SPECIFICATIONS	REPLACES	COMMENTS
A-1022	4-1/2" OUTSIDE SCREW CENTERS	HD-2007	HANDLE WITH STRIKE FOR COOK/HOLD OVENS
A-1023	5-7/8" OUTSIDE SCREW CENTERS	HD-2566	MAGNETIC HANDLE FOR COOK/HOLD OVENS
A-1024	1-1/8" OFFSET	HG-2014	HINGE FOR COOK/HOLD OVENS
A-1198	7/8" OFFSET	HG-2535	HINGE FOR MODEL 1000-UP, 1000-S
A-1189	5/8" OFFSET	HG-2015	HINGE FOR COOK/HOLD OVENS
A-2404	-	LT-2040	BALL CATCH FOR MODELS 500-PH, 500-PH/GD, 750-B/TRP
A-4311	6-1/2" LONG	HD-2934	DOOR HANDLE FOR ALL COMBI OVENS
A-4312	4-1/4" X 21-1/2"	PE-2689	LABEL FOR MODEL 1000TH/I UPPER
A-4313	3-1/4" X 21-1/2"	PE-2691	LABEL FOR MODEL 1000TH/I LOWER

OVEN, RANGES, BROILERS

OVENS/WARMERS/STEAMERS

ALTO-SHAAM SPECIFIC PARTS



B-424
B-424-1



J-147



J-174

GASKET AND THERMOMETERS

STOCK No.	SPECIFICATIONS	REPLACES	COMMENTS
B-424	10 FT LENGTH	GS-2398	GRAY DOOR GASKET
B-424-1	CUT TO LENGTH	GS-2398	
J-147	100°-350°F	GU-33384	GAUGE FOR COOK/HOLD OVENS
J-174	70°-220°F	GU-3273	



B-780



B-781



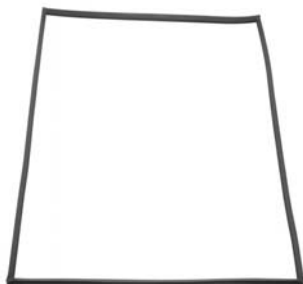
B-782

GASKETS FOR COMBITHERM OVENS/STEAMERS

STOCK No.	REPLACES	SIZE	DESCRIPTION
B-780	GS-22694	24-1/2" X 32-1/4"	DOOR GASKET MODEL 10-18
B-781	GS-22163	6 FT PIECE	INSIDE WINDOW GASKET
B-782	GS-22252		OUTSIDE WINDOW GASKET

FORMED DOOR GASKETS

B-774
B-775
B-776
B-777



STOCK No.	REPLACES	SIZE	MODELS
B-774	GS-23790	21-3/8" X 15"	500-S-AFTER S/N 5918-00
B-775	GS-23778	21-1/8" X 23"	750-S-AFTER S/N 5885-00
B-776	GS-23794	19-1/2" X 28-1/2"	1000-S AFTER S/N 5876-00
B-777	GS-23796	22" X 30-1/2"	1000-UP/VSI-UPS/SR AFTER S/N 5932-00

DOOR WINDOW GASKET

B-778



STOCK No.	REPLACES	COMMENT
B-778	GS-2721	CUT TO LENGTH - PER FOOT



A-3112



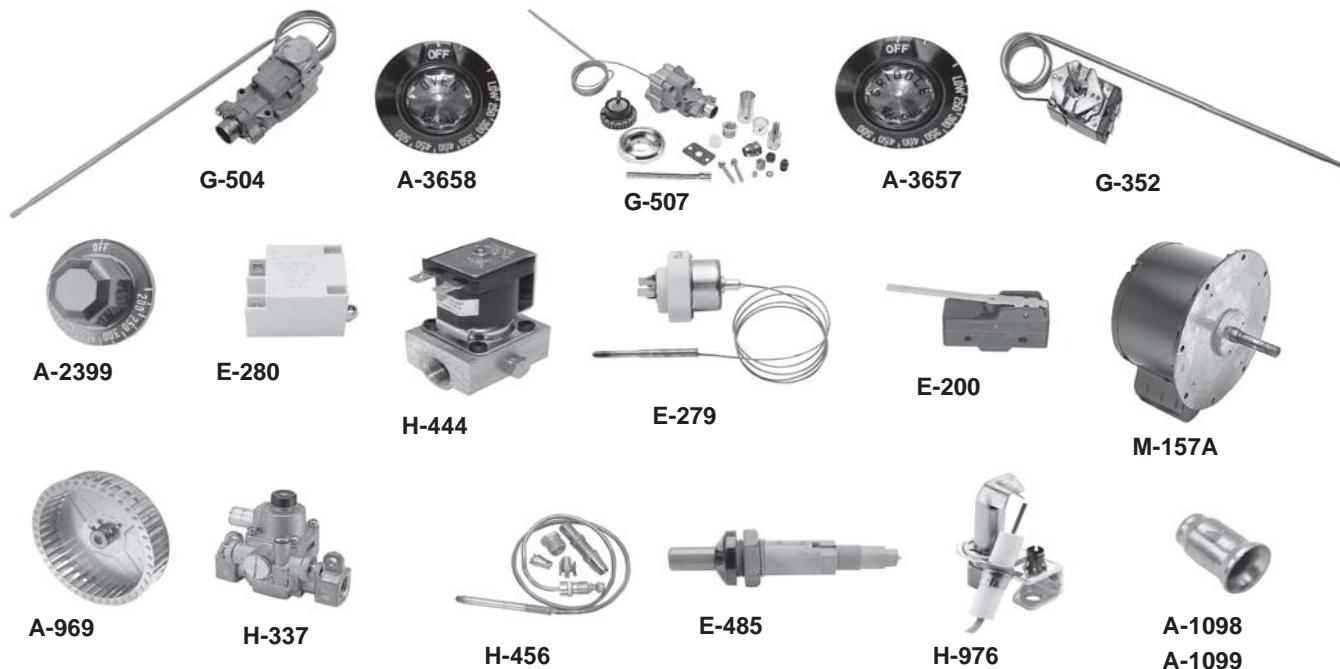
B-1041

CASTER AND INSULATION

STOCK No.	REPLACES	COMMENT
A-3112	CS-2026	5" WHEEL WITH BRAKE
B-1041	IN-22364	INSULATION FOR C&H 500, 750, 1000

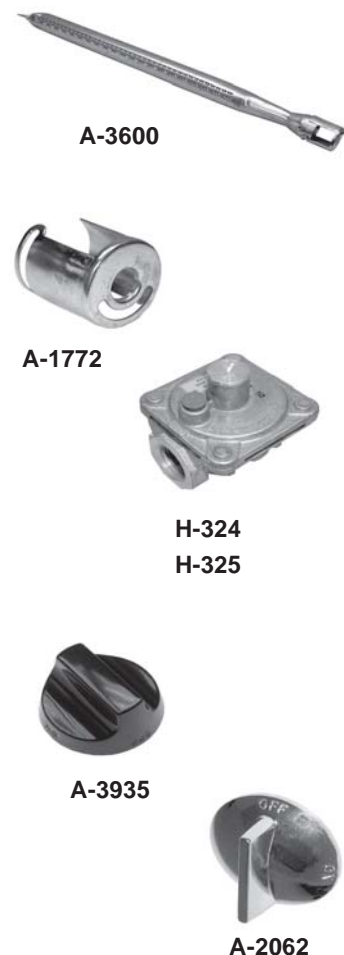
OVENS/RANGES

AMERICAN RANGE SPECIFIC PARTS



COMPONENT PARTS

STOCK No.	REPLACES	DESCRIPTION	MODELS
G-504	10421	OVEN THERMOSTAT	AR
A-3658	10484	OVEN THERMOSTAT DIAL	
G-507	10482	GRIDDLE THERMOSTAT	AR, AR-C
A-3657	10483	GRIDDLE THERMOSTAT DIAL	
G-352	10404	OVEN THERMOSTAT	AR-C, M-1
A-2399	10411	OVEN THERMOSTAT DIAL	
E-280	10414	SPARK MODULE	
H-444	10415	SOLENOID VALVE	
E-279	10401	FLAME SWITCH	AR-C
E-200	10412	DOOR SWITCH	
M-157A	10403	MOTOR	AR-C
A-969	10405	BLOWER WHEEL	
H-337	10425	SAFETY VALVE	AR
H-456	10485	THERMOCOUPLE	
E-485	10434	PIEZO IGNITOR	AR
H-976	10413	OVEN PILOT NAT	
A-1099	11001	NAT OVEN PILOT ORIFICE	AR, AR-C
A-1098	11002	LP OVEN PILOT ORIFICE	
A-3600	10469	OVEN BURNER	
A-1772	10474	AIR SHUTTER FOR OVEN BURNER	
H-324	10480	NAT REGULATOR	
H-325	10481	LP REGULATOR	
A-3935	A32001	BLACK KNOB - NEW STYLE	
A-2062	10420	CHROME KNOB - OLD STYLE	



OVEN, RANGES, BROTILERS

OVENS/RANGES/GRIDDLE

AMERICAN RANGE SPECIFIC PARTS



A-2356



B-297



A-2645



A-2630



A-1188



H-644



A-3659



A-3660



A-1509

OPEN TOP BURNER COMPONENTS

STOCK No.	REPLACES	DESCRIPTION	MODELS
A-2356	10460	BURNER HEAD	AR, AR-C
B-297	10461	GASKET FOR BURNER HEAD	
A-2645	10463	SHORT VENTURI	
A-2630	10462	LONG VENTURI	
A-1188	10464	AIR SHUTTER FOR OPEN BURNER	
H-644	10418	GRIDDLE PILOT VALVE	
A-3659	10240	PILOT TUBE - GRIDDLE	
A-3660	10245	PILOT TUBE - RAISED GRIDDLE	
A-1509	10247	PILOT TUBE - OPEN BURNER	



A-3936



A-3937

DOOR FRAME AND LEG

STOCK No.	REPLACES	DESCRIPTION	MODELS
A-3936	1109-36	DOOR FRAME ASSY FOR 36" DOOR	AR, AR-C
A-3937	10422	6" LEG	

OVENS

ANETS SPECIFIC PARTS



M-119



M-123

MOTORS

STOCK No.	SPECIFICATIONS	REPLACES	COMMENTS
M-119	1/2 HP, 115/230V, 1 PH	P8110-16	HOWELL BLOWER MOTOR
*M-123		E3297-01	CENTURY BLOWER MOTOR

* M-123 CENTURY (AO SMITH) MOTOR MAY BE USED TO REPLACE M-119 HOWELL OR CENTURY MOTOR

SAME DAY SHIPPING ON MOST ORDERS?

***STOCK ORDERS RECEIVED IN CONNECTICUT BY 5:00PM OR 4:00PM IN LAS VEGAS ARE NORMALLY SHIPPED THE SAME DAY.**

* SUBJECT TO INVENTORY AVAILABILITY

OVEN, RANGES, BROILERS

OVENS

BAKERS PRIDE SPECIFIC PARTS



THERMOSTATS, SENSOR AND DIALS

STOCK No.	TYPE	RANGE	REPLACES	STYLE	COMMENTS	DIAL EXACT	
G-242	FDTH	300°-650°F	M1005X	GAS	-	A-2335	
G-312	FDTO	LOW-200°-550°F	M1006X			A-2336	
G-351	SJ	300°-650°F	M1022X	ELECTRIC	72" CAPILLARY	A-2338	
G-164	TB125/S	175°-550°F	M1024X		-	A-2337	
G-166	D1/D18	100°-550°F	M1032X		WITH DIAL	-	-
G-167	D1/D18	300°-700°F	M1031X			-	A-4142
G-594	EGO		M1120X			-	-
G-739		-	M1098X	-	-		
G-665	-	150°-550°F	M1203X	GAS 120 VOLT	WITH DIAL	A-1379	
G-666			M1227X	ELECTRIC 208/240V	-	-	
F-397		-	-	M1204X	SENSOR PROBE	FOR G-665, G-666	-



IGNITION CONTROL COMPONENTS

STOCK No.	MODEL	REPLACES	DESCRIPTION
E-786	CO11-G CONV. OVEN	M2140X	IGNITOR
F-336		M2138X	IGNITION CONTROL 24V
F-452	FC	M1167X	FLAME SENSOR
F-352	FC SERIES BRICK OVEN	M1196X	IGNITION MODULE
F-497	BCO-G, GDCO-G, CO11-G	M1323X	FLAME SENSOR
E-660	FC SERIES BRICK OVEN	M2040X	IGNITOR

BROILERS/OVENS

BAKERS PRIDE SPECIFIC PARTS

PILOT SAFETY, CONTROL VALVES AND THERMOPILE

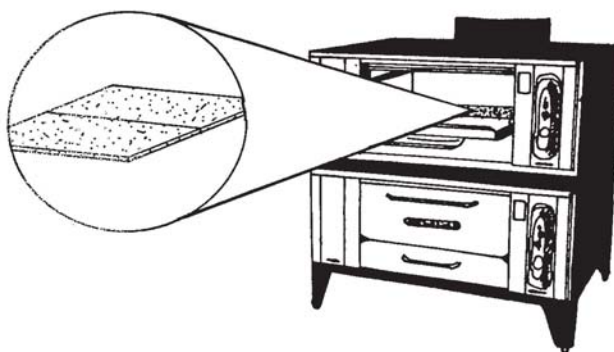
STOCK No.	TYPE	SPECIFICATIONS	REPLACES
*H-206	FMEA	1/2" PIPE, 54" CAP., 1-5/64" BUTTON	M1004X
H-232	BMVR	1/2" X 3/4" NPT LP MILLIVOLT VALVE	R3124X
H-233		1/2" X 3/4" NPT NAT MILLIVOLT VALVE	R3104X
H-1259	-	THERMOPILE FOR N/S CONTROL	M1265X

* H-206 PILOT OUT ONLY



PILOT ASSY

STOCK No.	REPLACES	DESCRIPTION
H-517	M1054X	PILOT ASSY NAT/LP
A-243	M1056X	NAT ORIFICE
A-244	M1057X	LP ORIFICE
H-559	M1220X, M1222X	NAT/LP PILOT ASSY
A-1099	M1244X	NAT PILOT ORIFICE
A-1098	M1245X	LP PILOT ORIFICE



OVEN BAKING DECKS

STOCK No.	FITS OVEN SIZE	PIECE SIZE	REPLACES	MODELS
A-3638	60"	1-1/2", 2 EA 24" & 1 EA 12"	T1118X	Y600
A-2639	48"	1-1/2", 2 EA 24"	T1107X	GS, DS805, D125
A-4182	21"	2PCS 20-13/16" X 20-13/16" X 1/2"	T1121X	DP2, P-22S, P-44S
A-4445	18"	2PCS 17-1/2" X 17-3/4" X 1/2"	T1120X	P18, MO

OVEN, RANGES, BROILERS

BROILERS/OVENS

BAKERS PRIDE SPECIFIC PARTS



H-419



A-884



E-395



E-844



E-843



A-3968



E-871

CONTROL COMPONENTS

STOCK No.	SPECIFICATIONS	REPLACES	COMMENTS
H-419	1/2"	R3001X	GAS SHUT OFF VALVE WITH HANDLE
A-884	-	S1001T	HANDLE ONLY FOR H-419
E-395	15 MIN. BELL TIMER	M1017X	TIMER WITH DIAL & KNOB
E-844	240V, 15 MIN	M1384A	ROTARY TIMER FOR M451
E-843	-	M1282X	ROTARY SWITCH FOR P, B, R, 540 SERIES
A-3968	-	S1306X	KNOB FOR E-843
E-871	3A	M1330A	CIRCUIT BREAKER



J-165



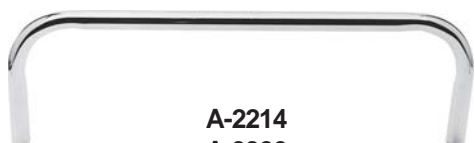
D-100



L-258

THERMOMETER, OVEN LAMP & SOCKET

STOCK No.	REPLACES	DESCRIPTION
J-165	M1013A	200-1000° F THERMOMETER
D-100	P1020A	115V / 50W LAMP
L-258	P1005X	PORCELAIN SOCKET



A-2214
A-3306



A-3307



A-3155



A-4183



A-4184



A-4185



A-4186



A-4187

MECHANICAL COMPONENTS

STOCK No.	REPLACES	DESCRIPTION
A-2214	S1002X	DOOR HANDLE 17-5/8" CTRS
A-3306	S1196X	DOOR HANDLE 30" CTRS
A-3307	U1043X	13" NAMEPLATE
A-3155	S1005X	3/8" THREADED DAMPER KNOB
A-4183	S1031X	5-1/2" HANDLE
A-4184	S8768A	CATCH ROLLER
A-4185	S8019A	STRIKE PLATE
A-4186	U1224A	4-1/2" X 6-1/2" PUSH/PULL PLATE
A-4187	R3002Y	6" FLUE DIVERTER

OVENS

BAKERS PRIDE SPECIFIC PARTS



DOOR COMPONENT PARTS

STOCK No.	REPLACES	DESCRIPTION	MODELS
A-2342	S3010W	9/16" X 8" DOOR ROD COMPLETE O/S	101, 151, 201, 251, 301, 351, 401, 451
A-2345	S3039W	3/4" X 8" DOOR ROD COMPLETE N/S	
A-2344	S3073X	9/16" X 8" DOOR ROD COMPLETE O/S	104, 104P, 204, 204P, 304, 304P, 404, 404P
A-2343	S3072X	3/4" X 8" DOOR ROD COMPLETE N/S	
A-2339	S3010X	9/16" X 8" DOOR ROD ONLY O/S	USED IN A-2342
A-2340	S3039X	3/4" X 8" DOOR ROD ONLY N/S	USED IN A-2345
A-2341	S3013X	DOOR ROD	DS805, D125
A-2448	S3018X	9/16" X 14-1/2" DOOR ROD ONLY O/S	Y600, Y612
A-2449	S3040X	3/4" X 14-1/2" DOOR ROD ONLY N/S	
A-2464	S3018W	9/16" X 14-1/2" DOOR ROD COMPLETE O/S	Y600
A-2465	S3040W	3/4" X 14-1/2" DOOR ROD COMPLETE N/S	
A-2372	S3009X	9/16" X 3" DOOR PIN	101, 151, 201, 251, 301, 351, 401, 451, DS805, D125
A-2334	S3008X	BUSHING FOR 9/16" DOOR ROD	OLD STYLE
A-2333	S3135X	BUSHING W/SLEEVE FOR 3/4" DOOR ROD	NEW STYLE
A-3675	S3133X	SLEEVE FOR A-2333 BUSHING	
A-2347	Q3023X	SPACER KIT FOR 9/16" DOOR ROD	OLD STYLE
A-2217	Q3024X	SPACER KIT FOR 3/4" DOOR ROD	NEW STYLE
A-2221	S3007X	SPRING ROLLER	ALL MODELS
A-2216	Q2301X	BOLT FOR SPRING ROLLER	
A-2220	S3004X	SPRING 7" LONG	100'S, 200'S, DS805, FS805, GS805
A-2348	S3003X	SPRING 9-3/4" LONG	300'S, 400'S, D125, Y600, Y612
A-2213	S3002X	SPRING 11-1/2" LONG	100'S, 200'S, 300'S, 400'S, Y600, Y612
A-2450	S3105X	SPRING 6-1/2" LONG	932
A-2452	S3056X	LEVER FOR 8" DOORS	Y612, 104, 104P, 204, 204P, 304, 304P, 404, 404P
A-2453	S3055X	LEVER FOR 12" DOORS	Y600, 104, 104P, 204, 204P, 304, 304P, 404, 404P
A-3667	S3128W	DOOR ROD COMPLETE	Y800
A-3668	S3138X	BUSHING N/S	USED ON A-2343, A-2345, A-2465
A-4188	Q2303X	3/8" X 1" BOLT FOR DOOR RODS	MOST MODELS

OVEN, RANGES, BROILERS

OVENS

BAKERS PRIDE/BARRI SPECIFIC PARTS



*A-2219
*A-2346



A-243
A-244



H-324
H-325



*A-2219
*A-2346



A-1098
A-1099



H-510, H-511

OLD STYLE CONVERSION PARTS

STOCK No.	DESCRIPTION	REPLACES
*A-2219	#3 BLANK BURNER ORIFICE	R3008X
*A-2346	#4 BLANK BURNER ORIFICE	R3016X
A-243	NAT PILOT ORIFICE	M1056X
A-244	LP PILOT ORIFICE	M1057X
H-324	NAT 3/4" REGULATOR	M1008X
H-325	LP 3/4" REGULATOR	M1009X

NEW STYLE CONVERSION PARTS

STOCK No.	DESCRIPTION	REPLACES
*A-2219	#3 BLANK BURNER ORIFICE	R3008X
*A-2346	#4 BLANK BURNER ORIFICE	R3016X
A-1098	LP PILOT ORIFICE	M1245X
A-1099	NAT PILOT ORIFICE	M1244X
H-510	NAT REGULATOR FOR VALVE	M1260X
H-511	LP REGULATOR FOR VALVE	M1221X

* FOR PROPER ORIFICE OR CONVERSIONS SPECIFY OLD OR NEW STYLE, LP OR NAT.



A-2215
A-2350



A-2218
A-2349



A-2451



A-3953



A-3954



A-3955



A-3956

A-4189



A-4190



A-4191

OVEN BURNER COMPONENTS

STOCK No.	REPLACES	DESCRIPTION
A-2215	L5001X	#3 INSPIRATOR
A-2350	L5002X	#4 INSPIRATOR
A-2218	R3007X	#3 SPUD ASSY LESS ORIFICE
A-2349	R3015P	#4 SPUD ASSY LESS ORIFICE
A-2451	A3079X	FLAMEDIVERTER - Y600, Y612, D125, DS805, GS805
*A-3953	L5015X	LEFT BURNER ASSY FOR Y600 O/S
*A-3954	L5016X	RIGHT BURNER ASSY FOR Y600 O/S
A-3955	L5026W	RIGHT BURNER FOR D125
A-3956	L5025W	LEFT BURNER FOR D125
A-4189	L5031X	BURNER ASSY FOR 922
A-4190	L5008X	BURNER ASSY FOR Y600 O/S
A-4191	L5006X	BURNER ASSY DS805, GS805

*A-3953, A-3954 OLD STYLE WITH 15" CROSS OVER PIPE



H-201

BARRI SAFETY PILOT VALVE

STOCK No.	TYPE	SPECIFICATIONS	COMMENT
H-201	FMDA	1/2" PIPE, 48" CAP, 11/64" BUTTON	PILOT IN AND OUT

OVENS

BLODGETT SPECIFIC PARTS



G-174, G-175
G-176, G-177



G-334
G-353
G-667
G-668



G-615

THERMOSTATS

STOCK No.	TYPE	RANGE	REPLACES	MODELS	DIAL EXACT
G-174	FDO	150°-500°F	11528	FA, GZL	A-1026
G-175	FDTO	200°-500°F	11526	900 SERIES SHALLOWSET AFTER 11/61	A-2411
G-176	FDTH	300°-650°F	11527		A-2335
G-177	FDH		11529		90M, 999, 1000M, 1048, 1060
G-334	KX	140°-550°F	16536	1200, CTB, CTBR, RE, ZEPHAIRE E & G, MARK V, DFG50	*
G-353	K	140°-500°F	11513	DFG 100, 200 BEFORE 8/86(COOK ONLY)	A-923
G-615		200°-600°F	20546	1400, 1500	A-1379
G-667		120°-200°F	15365	FA/GZL, MARK V, CTB/CTBR, PG	-
G-668	KX	200°-650°F	9062	1200	A-3957

(*) MODEL NUMBER REQUIRED FOR PROPER DIAL IDENTIFICATION



DIALS AND KNOBS

STOCK No.	TYPE	RANGE	REPLACES	STYLE	COMMENTS
A-1026	FDO	150°-500°F	10564	GAS	OVEN DIAL FOR G-174
A-744	-	OFF-LOW-MED-HIGH	17469	ELECTRIC	3-HEAT SWITCH KNOB
A-923	K	200°-500°F	16393		OVEN DIAL FOR G-353
A-1379	-	-	17212		FOR DFG MODELS WITH S/S CONTROLS, 1400 SERIES
A-885	-	-	7855	GAS	HANDLE FOR H-420
A-2411	FDTO	LOW-500°F	10563		USED ON G-175
A-2335	FDTH	300°-650°F	10392		USED ON G-176 & G-177
A-2412	K	200°-550°F	11224	ELECTRIC	DIAL USED ON CTB, CTBR
A-2644	-	POINTER	16030		KNOB USED ON CTB, CTBR
A-255	FDTO	LOW-550°F	-	GAS	-
A-256	FDTH	300°-650°F	-		-
A-3957	KX	250°-650°F	19262	ELECTRIC	MODEL 1200

OVEN, RANGES, BROTILERS

OVENS

BLODGETT SPECIFIC PARTS



H-203



H-208



A-4147

SAFETY PILOT VALVES

STOCK No.	TYPE	SPECIFICATIONS	REPLACES	STYLE	COMMENTS
H-203	FMEA	1/2" PIPE, 48" CAP, 43/64" BUTTON	11523	GAS	PILOT/OUT ONLY
H-208	TS	OLD STYLE SAFETY HEAD ONLY	3930		
A-4147		1/2" CLOSE NIPPLE	1949	-	FOR H-203



H-566



H-513



H-594
H-595



E-347



L-310



H-991



H-1152



L-345



F-490



F-491



A-4233

PILOT BURNERS AND FLAME SENSORS

STOCK No.	TYPE	DESCRIPTION	REPLACES	COMMENTS
H-566	IIEA	PILOT BURNER-NAT/LP	8711/7908	900 SERIES
H-513		PILOT BURNER-NAT/LP	11334/11335	1000, 1048, 1060, FA, GZL
H-594	-	PILOT BURNER-NAT	18584	DFG
H-595		PILOT BURNER-LP	18585	
E-347		FLAME SENSOR FOR H-594, H-595	18256	
L-310	-	FLAME SENSOR WIRE	19677	FOR E-347 SENSOR
H-991	452 OEL	PILOT ASSY-NAT	21071	ZEPHAIRE-G BEFORE 9/29/96
H-1152	IIEA	PILOT ASSY-NAT/LP	8706/8707	OVENS WITH OLD STYLE TS11K
L-345	-	SPARK WIRE	36605	SHOG
F-490		SPARK IGNITOR	38521	AC-500XL, DFG-1XL, SHOG
F-491		FLAME SENSOR	39987	
A-4233		PILOT TUBING	8922	999, 1000, FA/GZL

OVENS

BLODGETT SPECIFIC PARTS

MOTORS AND CAPACITOR

STOCK No.	SPECIFICATIONS	REPLACES	MODELS
M-116	1-SPEED, 1/3 HP, 115/230V, 1 PH	32232	FA/GZL, EF/EZE, DFG/RE
M-128	2-SPEED, 1/3 HP, 115V, 1 PH	32256	FA/GZL
M-129	2-SPEED, 1/3 HP, 208/240V, 1 PH	32244	EF/EZE, RE/MARK V
M-134	1-SPEED, 1/4 HP, 208/240V, 1 PH	32313	CTB
M-210	1-SPEED, 1/3 HP, 208-230/460V, 3 PH	32268	EF/EZE, FA/GZL, RE
M-211	2-SPEED, 1/3 HP, 115V, 1 PH	32291	DFG100, ZEPHAIRE-G, SHOG N/S
M-245	2-SPEED, 1/3 HP, 208/230V, 1PH	32302	CTB, CTBR
M-247	1-SPEED, 1/3 HP, 115/230V, 1PH	32280	DFG50
M-358	2 SPEED 3/4 HP, 115V, 1PH	37022	SHOG O/S, AC500XCEL
F-365	USED WITH 2-SPEED MOTOR	23077	DFG100, DFG200



F-365



A-696
A-1273



A-1021



A-2455



A-4236

BLOWER WHEELS

STOCK No.	SPECIFICATIONS	REPLACES	MODELS
*A-696	5/8" HOLE, 9-3/4" X 2-1/8"	5001	FA/GZL, EF/EZE, ZEPHAIRE E
*A-1021	5/8" HOLE, 10-3/4" X 2-1/8", DUAL	15853	DFG, ZEPHAIRE G, SHOG N/S
*A-1273	5/8" HOLE, 8-1/2" X 2-1/8"	6138	CTB
A-2455	1/2" HOLE, 10-3/4" X 2-1/8", DUAL	16994	DFG50
*A-4236	5/8" HOLE, 9-7/8" X 2-1/8"	33171	2SPEED SHOG O/S AND AC500XCEL

* A-3695 KEYWAY FOR 5/8" HOLE - BLOWER WHEELS.

COOLING FANS

STOCK No.	SPECIFICATIONS	REPLACES
M-350	115V, 4-1/8" CENTER MOUNT	22301
M-213	240V, 4-1/8" CENTER MOUNT	22302
M-236	115V, 2-13/16" CENTER MOUNT	21134
M-237	240V, 2-13/16" CENTER MOUNT	21430



M-350
M-213



M-236
M-237

OVEN, RANGES, BROLLERS

OVENS

BLODGETT SPECIFIC PARTS



C-509
C-510
C-974



C-861
C-860
C-859



C-975
C-1047

HEATING ELEMENTS

STOCK No.	DESCRIPTION	VOLTAGE	WATTAGE	REPLACES	MODEL
C-509	SET OF 3 ELEMENTS	208	10,000	8619	EF, EZE, RE
C-510		230		8620	
C-974		480		10218	
C-861		208		33245	MARK V, ZEPHAIRE-E, SHO-E
C-860		240		33244	
C-859		480		20319	
C-975	SET OF 2 ELEMENTS	208	5,000	19118	CTB, CTBR
C-1047		230		8596	



F-111B, F-112B
F-115B, F-116B, F-122B



F-498



F-453

CONTACTORS/RELAY

STOCK No.	SPECIFICATIONS	REPLACES
F-111B	3 POLE, 35A RES, 120V COIL	91182
F-112B	3 POLE, 35A RES, 240V COIL	20547
F-115B	3 POLE, 40A RES, 120V COIL	5923
F-116B	3 POLE, 40A RES, 240V COIL	5913
F-122B	3 POLE, 50A RES, 240V COIL	90588
F-498	3 POLE, 50A RES, 240V COIL	38559
F-453	3 POLE, 120V RELAY	18587



F-306



F-428

MERCURY RELAYS

STOCK No.	SPECIFICATIONS	REPLACES
F-306	3 POLE, 30A RES, 240V COIL	19634
F-428	3 POLE, 35A RES, 240V COIL	37295/96

OVENS

BLODGETT SPECIFIC PARTS



E-155, E-156,
E-158, E-159



E-157
E-160



E-663



E-638



E-334



E-198



E-337



E-217
E-350



E-348



E-349



E-535



E-536



E-829



E-323



E-882

SWITCHES AND CIRCUIT BREAKER

STOCK No.	DESCRIPTION	ACTION	REPLACES	MODELS
E-155	BLUE BLOWER SWITCH	SPST	6496	DFG, MARK V, FA, GZL
E-156	WHITE LIGHT SWITCH		6497	
E-157	RED COOL DOWN SWITCH	SPDT	6498	DFG, MARK V, ZEPHAIRE, FA, GZL
E-158	BLUE BLOWER SWITCH	DPST	6500	FA, GZL, ZEPHAIRE
E-159	WHITE LIGHT SWITCH		6501	
E-160	RED COOL DOWN SWITCH	DPDT	6502	FA, GZL
*E-663	MICROSWITCH KIT	-	35918	DFG100/DFG200, ZEPHAIRE E & G, MARK V, FA100, EF/EZE
E-638	DOOR MICROSWITCH		20734	DFG50
E-334	DOOR SWITCH		16880	CTB, CTBR
E-198			35919	ALL HATCHABLE AND HATCHABLE DEEP OVENS ONLY
E-337	BLACK BLOWER SWITCH	SPDT	6499	FA, GZL
E-217	MODE SELECTOR SWITCH	3POS. ROTARY	18868	DFG, MARK V, CTB
E-350		4POS. ROTARY	20347	(DFG-COOK/HOLD-SOLID STATE & C/H AFTER 1-85)
E-348	BREAKER 60A 3 POLE	-	11203	1200, EF, EZE
E-349	8-POSITION SWITCH		18577	DFG, MARK V
E-535	BLACK ROCKER SWITCH	3PDT	20530	DFG100, DFG200
E-536		DPDT	6503	FA, GZL, EF, EZE
E-829	BLACK ROCKER SWITCH	3PDT	7636	FA, GZL, ZEPHAIRE
E-323	BLACK ON/OFF	SPST	M5132	MG32, MG3270 AFTER 3/15/93
E-882	MODE SELECTOR SWITCH	4POS. ROTARY	21068	AC500XCEL, DFGXCEL

*E-663 KIT EXCLUDES ALL HATCHABLE AND HATCHABLE DEEP OVENS.

OVEN, RANGES, BROILERS

OVENS

BLODGETT SPECIFIC PARTS



E-215



E-219



A-1651



F-171



E-352



E-253



F-263



F-410



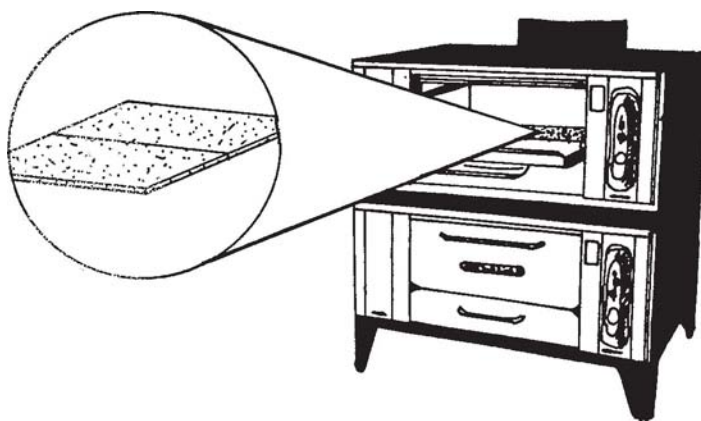
F-465

CONTROL COMPONENTS

STOCK No.	DESCRIPTION	REPLACES	MODELS
E-215	IGNITOR	17952	FA, GZL, EF, EZE
E-219		32265	DFG-CARBORUNDUM IGN. PRIOR 2/86
A-1651	BRACKET FOR E-219	18414	DFG
F-171	THERMAL DELAY RELAY	16529	FA, GZL, (DFG-PRIOR TO 2/86)
E-352	BASE AND BRACKET	17962	DFG-CARBORUNDUM IGN, PRIOR 2/86
E-253	FLAME SWITCH	21069	DFG, ZEPHAIRE
F-263	IGNITION CONTROL 24V NAT GAS	-	-
F-410	IGNITION CONTROL 24V	20348	DFG-AFTER 1/86 JOHNSON
F-465	IGNITION CONTROL	36432	DFG100XCEL, SHOG

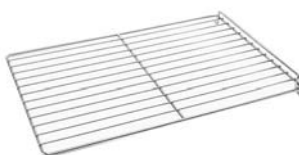
OVENS

BLODGETT SPECIFIC PARTS



OVEN BAKING DECKS

STOCK No.	FITS OVEN SIZE	PIECE SIZE	REPLACES	MODELS
A-1455	47-1/2"	1-1/2" X 36" X 24" & 23-1/2" (2 PIECE)	24664	999
A-2639	48"	1-1/2" X 36", X24" (2 PIECES)	-	1000, 1048
A-1456	42"	1" X 30-3/8" (1 PIECE)	35057	951, 961, 966, 981



WIRE OVEN RACKS

STOCK No.	SPECIFICATIONS	REPLACES	MODELS
A-838	28-1/4" X 20-3/4"	4701	DFG100, EF, FA, MARK V, SERIES
*A-2469	14-3/4" X 20-7/8"	22637	DFG50, CTB, CTBR
A-3790	27-7/8" X 28-3/16"	20246	ZEPHAIRE

* A-2469 FOR MODELS LISTED ABOVE - BEFORE 8/91

NAME PLATE

STOCK No.	REPLACES	SPECIFICATIONS
A-2906	11255	1-3/4" X 12-3/4"



OVEN, RANGES, BROILERS

OVENS

BLODGETT SPECIFIC PARTS



A-243
A-244



A-1099
A-1100



A-1246
A-1247



A-1241

GAS-CONVERSION PARTS

STOCK No.	DESCRIPTION	REPLACES
A-243	PILOT ORIFICE .018	5386
A-244	PILOT ORIFICE .010	5387
A-1099	PILOT ORIFICE .018	20589
A-1100	PILOT ORIFICE .016	20193
A-1246	PILOT ORIFICE .021	18263
A-1247	PILOT ORIFICE .012	18257
A-1241	BURNER ORIFICE (BLANK)	19409



H-731



H-732



H-733
H-737



H-734



H-745
H-746

GAS CONVERSION KITS - CONVECTION OVENS

STOCK No.	MODEL	CONVERT TO	DATE	REPLACES	COMMENTS
*H-731	DFG100	NAT	1/86 TO 7/12/93	18866	JOHNSON IGN & JOHNSON 24V G53 VALVE
*H-732		LP		18777	
H-733		NAT	AFTER 7/12/93	30396	JOHNSON IGN & HONEYWELL 24V GAS VALVE
H-734		LP		30397	
H-737	DFG200	NAT	AFTER 7/12/93	30514	JOHNSON IGN & HONEYWELL 24V GAS VALVE
H-734		LP		30397	
H-737	ZEPHAIRE G	NAT	AFTER 9/29/93	30514	JOHNSON IGN & HONEYWELL 24V GAS VALVE
H-734		LP		30397	
H-745	FA100	NAT	ALL	20107	
H-746		LP		20108	

* G53 JOHNSON GAS VALVE IS NLA-KIT COMES WITH HONEYWELL GAS VALVE TO RETROFIT FOR CONVERSION.

NOTE: SOME PARTS IN CONVERSION KITS ARE NOT SHOWN ABOVE.

OVENS

BLODGETT SPECIFIC PARTS



A-243
A-244



A-1241



A-1652



H-324
H-325

GAS-CONVERSION PARTS

STOCK No.	DESCRIPTION	REPLACES
A-243	PILOT ORIFICE NAT	5386
A-244	PILOT ORIFICE LP	5387
A-1241	BURNER ORIFICE (BLANK)	19409
A-1652		19410
H-324	REGULATOR NAT	4589
H-325	REGULATOR LP	10441

NOTE: FOR GAS CONVERSION ON BAKE AND PIZZA OVENS CALL SALES WITH MODEL AND TYPE OF GAS NEEDED.



D-100



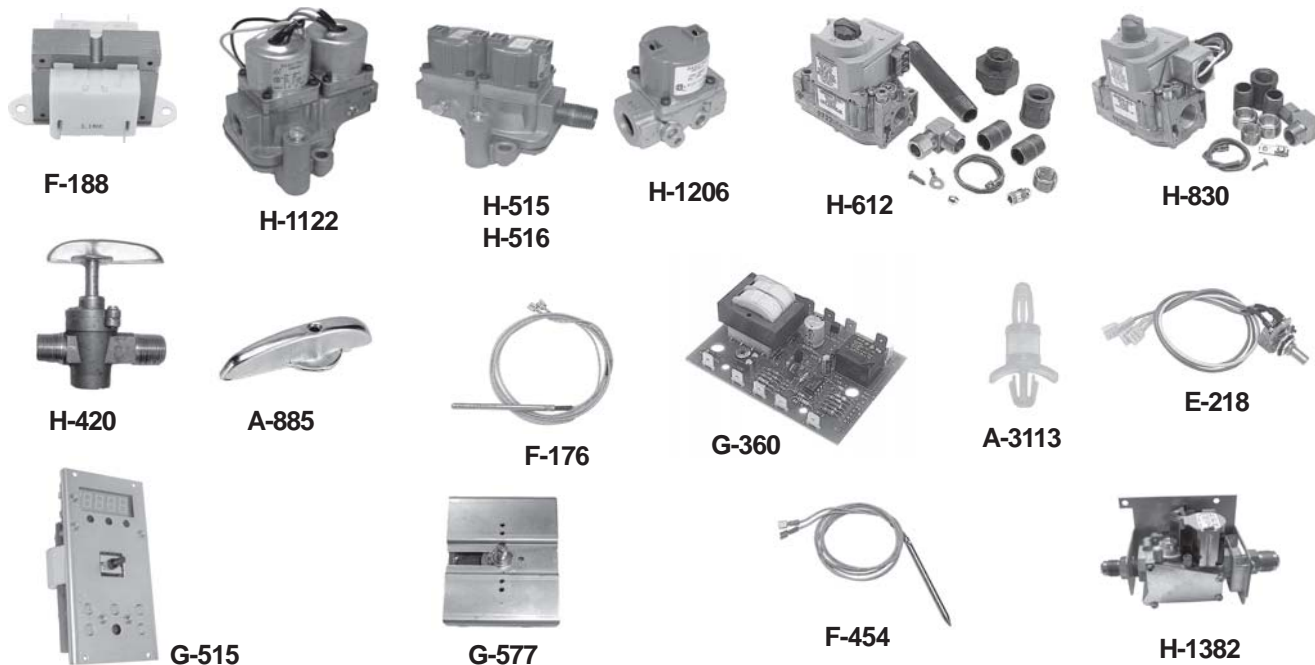
L-258

OVEN LAMP AND SOCKET

STOCK No.	SPECIFICATIONS	REPLACES
D-100	115V / 50W LAMP	4342
L-258	PORCELAIN SOCKET	4922

OVENS

BLODGETT SPECIFIC PARTS



CONTROL COMPONENTS

STOCK No.	SPECIFICATIONS	REPLACES	COMMENTS
F-188	115/24 VOLT	20355	TRANSFORMER FOR DFG MODELS
H-1122	24V, 1/2" NAT	22190	DUAL SOLENOID VALVE ONLY
*H-515	120 VOLT, NATURAL	20325	SOLENOID VALVE FOR DFG MODELS
*H-516	120 VOLT, LP	20275	
H-1206	1/2" 120 VOLT	20287	SOLENOID VALVE FOR FA/GZL COOK/HOLD, DFG BEFORE 7/84
‡H-612	24 VOLT, NATURAL/LP	30216	DFG & SOLENOID VALVE FOR ZEPHAIRE WITH S/S CONTROLS
H-830	120 VOLT, NATURAL/LP	30218	SOLENOID VALVE FOR ZEPHAIRE W/ MANUAL CONTROLS
H-420	1/2" PIPE	7854	GAS SHUT OFF VALVE WITH HANDLE
A-885	-	7855	HANDLE ONLY FOR H-420
F-176	-	18588	PROBE FOR DFG/MARK V MODELS
G-360	SOLID STATE BOARD	18578	TEMPERATURE CONTROLLER FOR DFG/ MARK V MODELS
A-3113	-	-	PLASTIC STANDOFF FOR G-360
E-218	-	18234	REMOTE POTENTIOMETER FOR DFG/ MARK V MODELS
G-515	CONTROLLER	30658	CTB, CTBR, MARK V, DFG50, DFG100, DFG200
G-577		33152	ZEPHAIRE G & E
F-454	PROBE	23392	CTB W/ INTELLIPLUS, INTELLIHOLD
H-1382	24V, 1/2" NAT	37971	CONTROL VALVE FOR SHOG

*H-515 AND H-516 FOR USE WITH OVENS WITH CARBORUNDUM IGNITION MANUFACTURED FROM 7/84 TO 1/86.

‡H-612 FOR USE WITH OVENS WITH JOHNSON IID SPARK IGNITION MANUFACTURED AS OF 2/86. ALSO USED ON ZEPHAIRE W/ SS CONTROLS.

OVENS

BLODGETT SPECIFIC PARTS



CONTROL COMPONENTS

STOCK No.	DESCRIPTION	REPLACES	MODELS
D-169	KTKR-10 FUSE 10A	16605	CTB, CTBR, MARK V B4 6/88 & AFTER 2/15/07
D-170	ABC-5 FUSE 5A	16372	DFG, FA, GZL
D-124	SC-10 FUSE 10A	20162	CTB, CTBR, MARK 6/88 - 2/15/07
D-115	FUSE HOLDER	11267	1200
D-390	FUSE HOLDER FOR D-124	20163	CTB, CTBR, MARK V, 6/88-2/15/07
D-230	FUSE HOLDER FOR D-169	20442	CTB, CTBR, MARK B4 6/88 & AFTER 2/15/07
D-105	1/2" HOLE RED SIGNAL LIGHT 250V	16037	CTB, CTBR, MARK V, ZEPHAIRE-E
D-107	3/8" X 1-5/16" HOLE RED SIGNAL LIGHT 250V	6504	CTB, CTBR-PRIOR TO 7/5/83, EF, EZE, FA, GZL
D-108	3/8" X 1-5/16" HOLE RED SIGNAL LIGHT 125V	15549	FA, GZL
E-272	TIMER 60 MINUTE 120V	18225	DFG
E-336	TIMER 60 MINUTE 240V	18226	
E-845	TIMER 10 MINUTE 240V	18291	DFG, MARK V
E-537	10 MIN, 120V TIMER	18290	DFG50, DFG100, DFG200
E-538	30 MIN, 120V TIMER	18292	
D-180	SIGNAL LIGHT RED 28V	18265	DFG
E-246	TIMER 60 MIN. (MECH. WITH SWITCH TERMINALS)	16948	CTB, CTBR, DFG, MARK V, ZEPHAIRE
D-233	BUZZER 120V	20349	1200, DFG, EF, EZE, MARK V, ZEPHAIRE
D-293	BUZZER 240V	20350	
A-1379	KNOB FOR E-272, E-336	17212	DFG, MARK V
L-258	LAMP SOCKET	4922	DFG, 999, FA, GZL, MARK V, ZEPHAIRE
E-108	TIMER 60 MINUTE MECH. BELL	5147	FA, GZL, EF, EZE, ZEPHAIRE, RE, 1200
D-402	TERMINAL BLOCK	17556	1400/1500, MARK V, ZEPHAIRE E
E-887	PRE-PURGE TIMER	37987	SHOG BEFORE 11/9/04

OVEN, RANGES, BROILERS

OVENS

BLODGETT SPECIFIC PARTS



A-748
A-938



A-2882



A-2456



A-2457



A-1241



A-1652



A-4259

BURNERS AND ORIFICES

STOCK No.	DESCRIPTION	REPLACES	MODELS
A-748	BURNERS SET OF 2	8324	FA
A-2882		18799	DFG100
A-938	BURNERS SET OF 2	7942	1000, (1060-PRIOR TO 8/86)
A-2456		33294	1048, (1060-AFTER 7/86)
A-2457	BURNER ASSY	36156	951, 961, 966, 981
*A-1241	BURNER ORIFICE (BLANK)	19409	1000, 1048, 1060, DFG, FA, GZL, ZEPHAIRE
*A-1652		19410	900, 999
A-4259	BURNER ORIFICE SET OF 2 (#56)	8717	1000, 1048, 1060, DFG, FA, GZL, ZEPHAIRE

* A-1241 AND A-1652 MUST BE DRILLED TO SIZE



DOOR SPRINGS

STOCK No.	DESCRIPTION	REPLACES	MODELS
A-2628	8" X 1-3/4" SPRING	17712	1048, 1060
A-2712	6-1/4" X 1-1/2"	17713	1060
A-2717	6-3/4" X 1-1/4"	19780	1048

OVENS

BLODGETT SPECIFIC PARTS



A-749



B-298
B-454
B-731



B-455



B-299
B-752



A-1380



B-300
B-456



A-3310

INTERIOR COMPONENTS

STOCK No.	DESCRIPTION	REPLACES	MODELS
A-749	DEFLECTOR ASSY WITH BURNER DIVIDER	8733	FA
B-454	DEFLECTOR ASSY-SET OF 3	9321	981, (951, 961, 966 USED WITH CORDIERITE DECK)
B-455	DEFLECTOR-CENTER PANEL ONLY	93	
B-456	DEFLECTOR-END PANEL ONLY	86	
B-752	DEFLECTOR-CENTER PANEL ONLY	3583	951, 961, 966 USED WITH STEEL OR ROKITE DECK
B-298	DEFLECTOR ASSY-SET OF 3	4644	999, 1000, 1048
*B-299	DEFLECTOR-CENTER PANEL ONLY	5593	999, 1000, 1060, 1048
*B-300	DEFLECTOR-END PANEL ONLY	4643	999, 1000, 1048
B-731	DEFLECTOR ASSY-SET OF 3	23107	1060
A-1380	BURNER DIVIDER - 30-1/2"	7853	LARGE 900 SERIES
A-3310	BURNER DIVIDER - 20-1/2"	7852	SMALL 900 SERIES

* FOR MODEL 1048 WITH 3 PIECE SET. IF IT HAS 2 PIECE ORDER B-298 3 PIECE REPLACEMENT SET.

OVEN, RANGES, BROILERS

OVENS

BLODGETT SPECIFIC PARTS



DOOR COMPONENTS

STOCK No.	DESCRIPTION	REPLACES	MODELS
A-1381	SPROCKET AND PIN	9978	FA, GZL, EF, EZE
*A-700	LOWER HINGE PIN-SQUARE-AFTER 6/76	11172/17557	
A-701	UPPER HINGE PIN-ROUND	11173/11320	
A-1442	LOWER HINGE PIN-ROUND-BEFORE 6/76	11321	
A-1468	DOOR HINGE BUSHINGS-SET OF 2	90004	DFG, MARK V
A-3161	SET OF 2 DOOR WASHERS	90017	DFG, MARK V, CTB
A-1654	CAM FOR DOOR SWITCH	11698	FA, GZL, EF, EZE
A-1655		90077	DFG, MARK V
A-1657	HINGE PIN	8338/7873/8594	CTB, 900 SERIES, 999, 1000, 1200
A-1658	LH DOOR ARM ASSY	20359	DFG, MARK V
A-1659	RH DOOR ARM ASSY	90076	
A-3100	LOWER DOOR SUPPORT ARM WITH HARDWARE	20659	DFG100, MARK V
A-699	CHAIN AND TURNBUCKLE ASSY	4887	DFG, MARK V, FA, GZL, EF, EZE
A-2454	LH LINK ASSY	8342	1048, 1060, 999, 1000, 1200
A-2466	RH LINK ASSY	8343	
A-3256	SPROCKET - AFTER 1/83	90074	DFG, MARK V
A-4234	ROLL PIN	5878	1048, 1060, 999, 1000
A-4235	HINGE PIN	21433	1048, 1060

* A-700 ALSO USED AS UPPER HINGE PIN FOR DFG, MARKV.

OVENS

BLODGETT SPECIFIC PARTS



A-702



A-1660



A-1463
A-1533
A-1661



A-3309



A-3308



A-1438



A-3958



A-939



A-1662
A-1663



A-2468



A-2584



A-2908

DOOR COMPONENT PARTS

STOCK No.	DESCRIPTION	REPLACES	MODELS
A-702	CENTER DOOR-GASKET (2 PC) AFTER 5/76	10471	FA, GZL, EF, EZE
A-1660	CENTER DOOR-GASKET (2 PC) BEFORE 6/76	7801	
*A-1463	PERIMETER DOOR GASKET BEFORE 3/76	11541	
A-1533	PERIMETER DOOR GASKET	90010	FA, GZL, EF, EZE (DFG-BEFORE 7/84)
A-1661		17519	DFG, ZEPHAIRE
A-3309		39606	ZEPHAIRE 50
A-3308		17862	DFG 50
A-1438	CENTER DOOR GASKET	16448	DFG, MARK V
A-3958	CENTER DOOR TRIM ASSY	17311	DFG100, DFG200, MARK V
A-939	TOP DOOR SEAL	3666	999, 1000
A-1662	WINDOW 17-1/8" X 10-1/8"	9036	DFG, MARK V, CTB, BCG
A-1663	WINDOW 20-1/2" X 14-1/4"	11867	DFG, ZEPHAIRE, FA, GZL, EF, EZE
A-2468	GASKET	23120	ZEPHAIRE-G
A-2584	BAKING DOOR SEAL (CRUMB CATCHER)	4598	999, 1000
A-2908	44-1/2" BAKING DOOR SEAL	18113	1048

*NOTE: A-1463 REPLACES FIBERGLASS AND SILICONE GASKETS ON OLDER MODELS. UNITS PRIOR TO MARCH 1976 REQUIRE SIDE TRIM. SIDE TRIM INCLUDED IN A-1463

OVEN, RANGES, BROTILERS

OVENS

BLODGETT SPECIFIC PARTS



A-697



A-698



A-1664



A-1665



A-1666



A-1667



A-1668



A-1669



A-2458



A-2467

DOOR COMPONENT PARTS

STOCK No.	DESCRIPTION	REPLACES	MODELS
A-697	DOOR STRIKE PLATE	8583	FA, GZL, EF, EZE (DFG-BEFORE 1/83)
A-698	DOOR BALL PLUNGER	8584	
A-1664	CATCH (2 PIECE) SPRING TYPE	8736	FA, GZL, EF, EZE-BEFORE 12/66
A-1665	CATCH AND SPRING KIT	90087	(CTB-BEFORE 1/85) (DFG-50 BEFORE 9/84)
A-1666	CATCH DOOR ROLLER-ON DOOR	17944	(CTB-AFTER 9/86)
A-1667		17945	(CTBR-AFTER 9/86)
A-1668		17946	DFG-50
A-1669		CATCH BRACKET-ON OVEN	17865
A-2458	CATCH ASSY	21098	ZEPHAIRE-E, ZEPHAIRE-G
A-2467	STRIKE PLATE	21100	



A-1670



A-3312

A-940
A-2462
A-3162
A-3576



A-4232



A-2461

DOOR HANDLES AND VENT DRAFT HOOD

STOCK No.	DESCRIPTION	REPLACES	MODELS
A-1670	DOOR HANDLE 22-1/2"	17558	DFG, MARK V-AFTER 6/84
A-940	DOOR HANDLE 20-5/8"	8341	999, 1000
A-2462	DOOR HANDLE 13-3/8"	8589	(CTB, CTBR-AFTER 9/86) DFG-50, AFTER 9/84, 900
A-2463	DOOR HANDLE 20-5/8"	9038	FA, GZL-PRIOR TO 6/76, EF, EZE-PRIOR TO 6/76, 1200-PRIOR TO 7-1-77
A-2461	DOOR HANDLE 22-3/4"	21097	ZEPHAIRE-G, ZEPHAIRE-E
A-2460	DOOR HANDLE 21-3/4"	10233	EF, EZE-PRIOR TO 12/81, FA, GZL-PRIOR TO 12/81, 1200-AFTER 7-1-77
A-3162	DOOR HANDLE 29-3/8"	18660	1048
A-3576	DOOR HANDLE - 43"	17963	1060
A-3312	10" DRAFTHOOD DIRECT VENT	8348	1000
A-4232	FLUE CONNECTOR	8349	

OVENS

BLODGETT SPECIFIC PARTS



A-1379



A-3656



B-894



B-1025



D-100



D-230



D-293



E-218



E-347



E-883



F-410



G-751



G-789



H-1361



H-1362



M-357

COMBI OVEN COMPONENTS

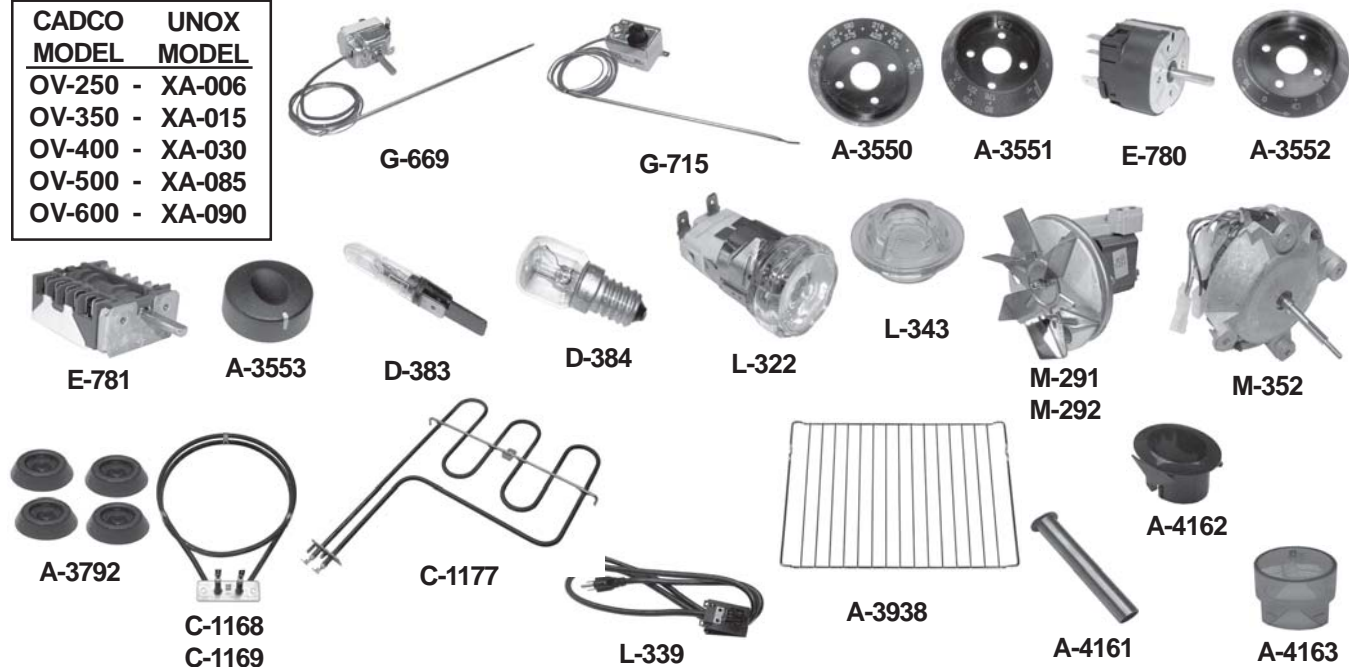
STOCK No.	DESCRIPTION	REPLACES	MODELS
A-1379	CONTROL KNOB	16686	COS-8G, BCS-8G, CNV-8G, COS-20G, COS-5HD, COS-5HS
A-3656	LATCH ASSY	R6313	COS8G, BCS-8G, CWV8G, COS101S AFTER 12/1/98
B-894	PERIMETER GASKET	R3695	COS-8E, COS-8G, BCS-8G, CNV-8G
B-1025	RUBBER DRAIN BOOT	R2467	COS-8G, BCS-8G, CNV-8G, COS-20G
D-100	50W LAMP	4342	COS-8G, BCS-8G, CNV-8G
D-230	FUSE HOLDER	20442	COS-5HD & COS-5HS W/ S/N HU & HY
D-293	240V BUZZER		
E-218	POTENTIOMETER	18234	COS-20G
E-347	FLAME PROBE	18256	COS-8G, BCS-8G, CNV-8G
E-883	FLOAT SWITCH ASSEMBLY	R10472	BC-20G, BC-14G
F-410	SPARK BOX	20348	COS-8G, BCS-8G, CNV-8G, COS-20G
G-751	TEMPERATURE CONTROLLER	R6407	COS-5, 6, 8E, 8G
G-789	HIGH LIMIT THERMOSTAT	R2630	COS-5H W/ S/N HV, COS-8G, BCS-8G, CNV-8G, COS-20G, COS-GHD
H-1361	120V SOLENOID KIT W/ 3 OUTLETS	R5095	COS-8G, COS-8E
H-1362	120V SOLENOID KIT W/ 1 OUTLET	R5096	
M-357	208/240V DRAIN PUMP	R2726	COS-6, COS-8E, COS-20E, CNV-8G

OVEN, RANGES, BROILERS

OVENS

CADCO (UNOX) SPECIFIC PARTS

CADCO MODEL	UNOX MODEL
OV-250	- XA-006
OV-350	- XA-015
OV-400	- XA-030
OV-500	- XA-085
OV-600	- XA-090

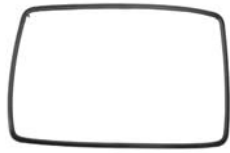


CONTROL AND COMPONENT PARTS

STOCK No.	DESCRIPTION	REPLACES	MODELS
G-669	THERMOSTAT	TR006	OV250, OV300, OV350, OV400, OV500, OV600
G-715	SAFETY THERMOSTAT	TR253	
A-3550	DIAL FOR G-669	MN1055A0	OV250, OV400, OV500, OV600
A-3551	DIAL FOR G-669	MN1060A0	OV350
E-780	120 MIN TIMER	TM023	OV250, OV350, OV400, OV500, OV600
A-3552	DIAL PLATE FOR E-780	MN1050A0	
E-781	ROTARY SWITCH	VE025	OV350
A-3553	KNOB FOR USE ON TIMER & THERMOSTATS	MN1000A0	OV250, OV350, OV400, OV500, OV600
D-383	110V SIGNAL LIGHT	VE178	OV500, OV600, OV250, OV 300, OV350
D-384	15W 240V BULB	VE032	
L-322	250V OVEN LIGHT ASSY WITH BULB	VE030	OV400, OV500, OV600
L-343	OVEN LIGHT COVER	VE027	
M-291	120V MOTOR & FAN	VN051	OV250, OV300, OV350
M-292	220V MOTOR & FAN	VN052	OV400
M-352	220V MOTOR	VN027	OV500, OV-600
A-3792	FOOT/SPACER PK 4	PD020	OV250, OV350
C-1168	HEATING ELEMENT 120V 1365W	RS012	
C-1177	HEATING ELEMENT 120V 1365W	RS031	OV350
C-1169	HEATING ELEMENT 220V, 1260W	RS090	OV400
L-339	CORD AND PLUG	CE123	OV250, OV350
A-3938	18" X 12-1/2" OVEN RACK	GR091A	OV350, OV400
A-4161	4" S/S EXHAUST TUBE	6X459	OV-250, OV350, OV-400
A-4162	ELLIPTICAL SUPPORT	VE161	OV250, OV350, OV400, OV500, OV600
A-4163	GREEN OVAL COVER	VE164	

OVENS

CADCO (UNOX) SPECIFIC PARTS



B-826
B-827



B-828, B-878
B-890



A-3554
A-3555



A-3927



A-3570



A-3582



A-3556



A-3557



A-3558



A-3559



A-3560



A-3561



A-3928



A-3929
A-3930



A-4164

DOOR COMPONENT PARTS

STOCK No.	DESCRIPTION	REPLACES	MODELS
B-826	9" X 14-1/4" DOOR GASKET	GN072	OV250
B-827	9" X 18-1/2" DOOR GASKET	GN070	OV350
B-828	14" X 18-1/2" DOOR GASKET	GN021A	OV400
B-890	10" X 26" DOOR GASKET	GN060A	OV500
B-878	14" X 26" DOOR GASKET	GN036A	OV600
A-3554	DOOR HINGE	CR025	OV250, OV300, OV350
A-3555		CR070	OV400, OV500
A-3927		CR065	OV600
A-3570	INNER DOOR HINGE	CR100	OV250, OV350, OV400, OV500, OV600
A-3582	DOOR HANDLE TERMINAL	MG119	OV250, OV300, OV350, OV400, OV500, OV600
A-3556	11-1/4" X 18-11/16" OUTER DOOR GLASS	VT026	OV250
A-3557	10-15/16" X 15-1/4" INNER DOOR GLASS	VT027	
A-3558	11-1/4" X 22-3/4" OUTER DOOR GLASS	VT028	OV350
A-3559	10-15/16" X 19-3/8" INNER DOOR GLASS	VT029	
A-3560	17-11/16" X 22-3/4" OUTER DOOR GLASS	VT017A	OV400
A-3561	17-7/16" X 19-5/16" INNER DOOR GLASS	VT018A	
A-3928	17-5/8" X 32" OUTER DOOR GLASS	VT066A	OV600
A-3929	16-3/8" DOOR HANDLE BAR	2H013	OV250
A-3930	20-1/2" DOOR HANDLE BAR	2H038	OV350, OV400
A-4164	11-1/4" X 22-7/8" DOOR ASSEMBLY	ZW015	OV350

OVEN, RANGES, BROILERS

OVENS/RANGES

COMSTOCK CASTLE SPECIFIC PARTS



H-1131



A-2838



A-2161



A-241-44
A-241-55



A-2837

RANGE TOP COMPONENT PARTS

STOCK No.	REPLACES	DESCRIPTION
H-1131	65	GAS VALVE
A-2838	18030	BLUE KNOB FOR H-1131
A-2161	-	ELBOW ORIFICE HOLDER
A-241-44	ORN-44	NAT GAS ORIFICE
A-241-55	ORL-55	LP GAS ORIFICE
A-2837	BC10	TOP GRATE



G-192



H-335



A-2777



H-365



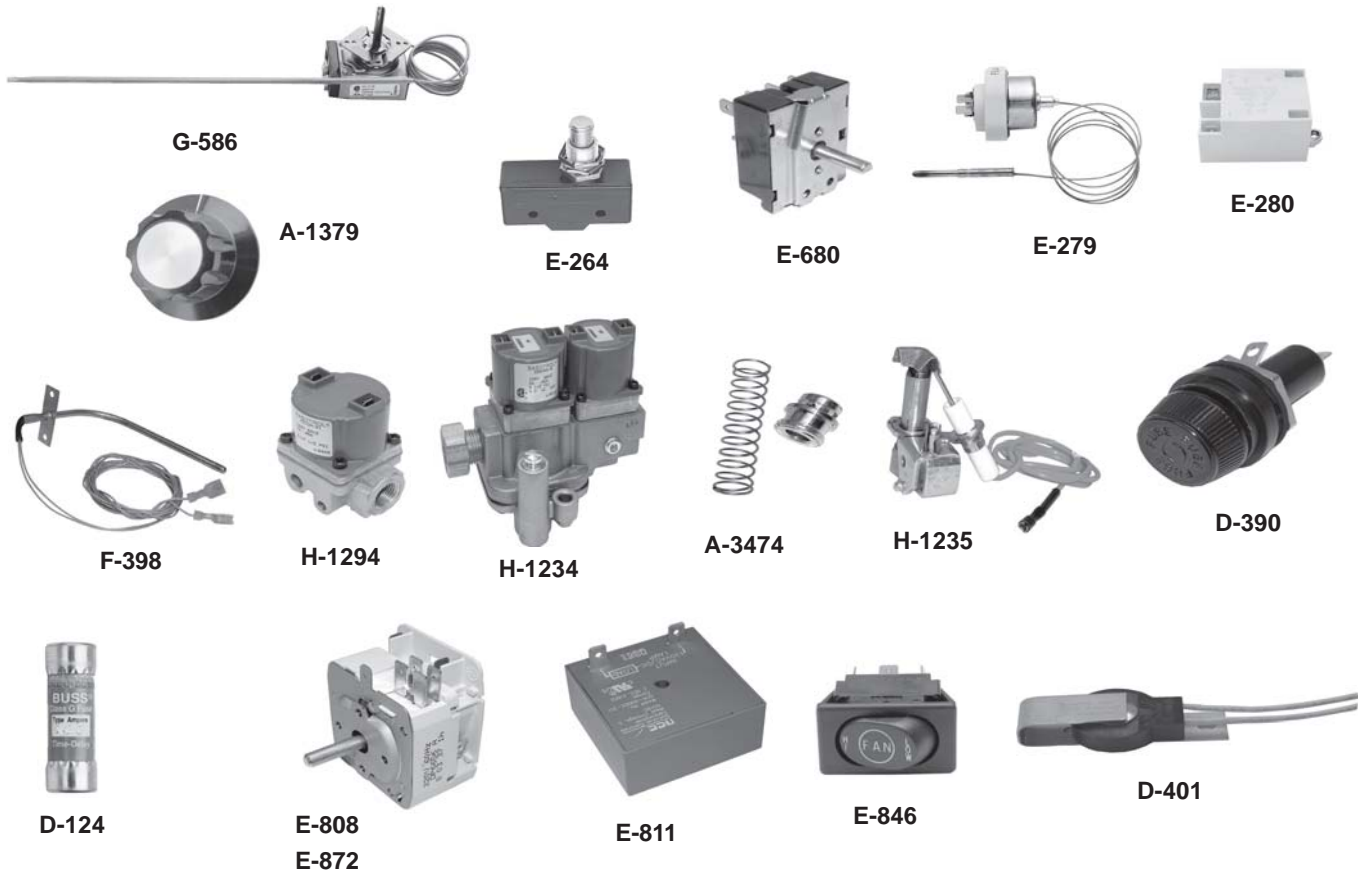
H-456

OVEN COMPONENT PARTS

STOCK No.	REPLACES	DESCRIPTION
G-192	33	THERMOSTAT KIT WITH DIAL
H-335	TS11	PILOT SAFETY VALVE
A-2777	42	DOOR SPRING
H-365	2 CH-1	PILOT NAT/LP
H-456	T46	THERMOCOUPLE

OVENS

DUKE SPECIFIC PARTS



CONTROL COMPONENTS

STOCK No.	REPLACES	DESCRIPTION
G-586	149403	KXP TYPE THERMOSTAT
A-1379	153142	KNOB FOR G-586, E-808 AND E-680
E-264	153114	DOOR SWITCH
E-680	153460	3 HEAT SWITCH
E-279	153119	FLAME SWITCH
E-280	153981	IGNITION MODULE
F-398	153177	TEMPERATURE PROBE
H-1294	153111	GAS VALVE
H-1234	600107	120V DUAL SOLENOID COMBO VALVE
A-3474	-	LP CONVERSION FOR H-1234
H-1235	153922, 23	NAT/LP PILOT IGNITER ASSY
D-390	153200	FUSE HOLDER
D-124	153201	10A FUSE
E-808	512971	230V TIMER 60 MIN
E-872	156258	120V TIMER 60 MIN
E-811	153324	DELAY TIMER
E-846	153144	HI - LOW FAN SWITCH
D-401	154075	240V BUZZER

OVEN, RANGES, BROLLERS

OVENS

DUKE SPECIFIC PARTS



C-1143
C-1144
C-1145



C-1146
C-1147
C-1148



M-218
M-294



A-696



A-3639



A-3332



A-3579

ELECTRICAL AND MECHANICAL PARTS

STOCK No.	REPLACES	DESCRIPTION
C-1143	153102	208V ELEMENT
C-1144	153103	240V ELEMENT
C-1145	153104	480V ELEMENT
C-1146	153345	208V ELEMENT ASSY
C-1147	153346	240V ELEMENT ASSY
C-1148	153347	480V ELEMENT ASSY
M-294	153565	120V 1/3 HP 2 SPEED MOTOR
M-218	153036	230V 1/2 HP 2 SPEED MOTOR
A-696	153093	BLOWER WHEEL
A-3639	153056	DOOR BEARING
A-3332	153801	DOOR ROLLER CATCH
A-3579	153416	DOOR CATCH

OVENS/RANGES/BROILERS

DYNAMIC COOKING SYSTEMS (DCS) SPECIFIC PARTS



G-161
G-168



H-975



H-881



H-644



H-529



H-879



H-877



H-456



E-459



H-880

GAS COMPONENTS

STOCK No.	DESCRIPTION	REPLACES	COMMENTS
G-161	GRIDDLE THERMOSTAT	55764-04	BJWA - LOW TO 400° F
G-168	OVEN THERMOSTAT	55764-02	BJWA - LOW TO 500° F
H-975	BURNER VALVE	13034	OPEN TOP/GRIDDLE/BROILER/SALAMANDER
H-881	MANUAL VALVE	13023	OLD STYLE CHEESEMELTER 3/8" CC
H-644	PILOT VALVE	13029-1	OPEN TOP/GRIDDLE/BROILER/WOK
H-529	PILOT TUBE ASSY	13045-4	FOR OPEN TOP BURNERS
H-879	PILOT ASSY NAT/LP	13001-4	FOR SALAMANDER
H-877	SPARK IGNITION PILOT ASSY NAT/LP	13001-1/2	FOR OVEN
H-456	THERMOCOUPLE	13007	
E-459	PIEZO IGNITOR	16025-4	
H-880	SAFETY VALVE	13002	

OVEN, RANGES, BROILERS

OVENS/RANGES

DYNAMIC COOKING SYSTEMS (DCS) SPECIFIC PARTS



E-460



E-461



E-462



E-464



F-283



E-463



L-272



M-297



H-444

ELECTRICAL COMPONENTS

STOCK No.	DESCRIPTION	REPLACES	COMMENTS
E-460	POWER SWITCH - LIGHTED	16087-1	FOR CONVECTION OVEN
E-461	LIGHT SWITCH	16087-2	
E-462	FAN SWITCH	16087-3	
E-464	DOOR MICRO SWITCH	56170	
F-283	SPARK IGNITION MODULE	13059	
L-272	IGNITION CABLE	13061-1	
E-463	ELECTRODE	215151	
H-444	120V SOLENOID SAFETY	16110	
M-297	115V 2 SPEED MOTOR	16204	

OVENS/RANGES/BROILERS

DYNAMIC COOKING SYSTEMS (DCS) SPECIFIC PARTS



A-2061



A-2063



A-2062



A-2064



A-2067



A-2054



A-3163



A-3164



B-297



A-2069
A-2070



A-3305

BURNERS AND HARDWARE COMPONENTS

STOCK No.	DESCRIPTION	REPLACES	COMMENTS
A-2061	OVEN THERMOSTAT DIAL	14005-2	RANGE - LOW TO 500° F
A-2063	BURNER VALVE KNOB	14020-02	OPEN TOP/GRIDDLE/BROILER/STOCK POT
A-2062	MANUAL VALVE KNOB	14008-1	FOR CHEESEMELTER/SALAMANDER
A-2064	DOOR SPRING	14035	FOR RANGE OVEN
A-2067	DOOR BUSHING	15081	FOR CONVECTION OVEN
A-2054	OPEN TOP HEX BURNER	12123	FOR RANGE
A-3163	FRONT BURNER VENTURI	12007-9	
A-3164	REAR BURNER VENTURI	12007-10	
B-297	HEX BURNER GASKET	14000	
A-2069	NAT JET BURNER	57057-1	FOR JET WOK/STOCK POT
A-2070	LP JET BURNER	57057-2	
A-3305	OVEN RACK	19015	26" X 18-1/4" RANGE OVEN

OVEN, RANGES, BROILERS

OVENS/RANGES

FRANKLIN CHEF SPECIFIC PARTS



G-180A



G-168



A-254

THERMOSTATS

STOCK No.	TYPE	RANGE	REPLACES	COMMENTS	DIAL ONLY
G-180A	FDO	150-550° F	-	3/16" X 14" BULB	A-254
*G-168	BJWA	250-550° F	MULTI USE THERMOSTAT	3/16" X 11-1/2" BULB	

* KITS ARE SUPPLIED WITH DIAL AND HARDWARE.



H-200



H-205



H-339

SAFETY PILOT VALVES

STOCK No.	TYPE	SPECIFICATIONS	REPLACES	STYLE	COMMENTS
H-200	FMDA	3/8" PIPE, 48" CAP, 1-5/64" BUTTON	145298	GAS	PILOT - IN AND OUT
H-205	FMEA	3/8" PIPE, 48" CAP, 1-5/64" BUTTON	142159		PILOT - OUT ONLY
H-339	TS	3/8" PIPE	140398		1/8" PILOT - IN AND OUT



H-517



E-279



H-456

FLAME SWITCH, THERMOCOUPLE & PILOT ASSY

STOCK No.	REPLACES	DESCRIPTION
E-279	153119	FLAME SWITCH (FSS TYPE)
H-517	149611	PILOT ASSY NAT/LP
H-456	148789	THERMOCOUPLE

RANGES

FRANKLIN CHEF SPECIFIC PARTS



A-1383

TOP GRATE			
STOCK No.	REPLACES	SPECIFICATIONS	MODELS
A-1383	147054	9-1/4" RING X 14-1/8" MAX	AX, GR, GRC WITH SN 1035087 AND LATER



A-2332



A-521



H-528



A-2330

TOP BURNER COMPONENTS		
STOCK No.	REPLACES	DESCRIPTION
A-2332	148321	FLASH TUBE INSERT
A-521	148309	CHARGE PORT
H-528	140436	PILOT VALVE
A-2330	140397	TOP BURNER VALVE KNOB

OVEN, RANGES, BROILERS

BROILERS/OVENS/RANGES

FRANKLIN CHEF SPECIFIC PARTS



A-2320



A-2321

CERAMICS

STOCK No.	REPLACES	DESCRIPTION
A-2320	141196	2-1/2" X 6-1/4" CERAMICS
A-2321	141197	5" X 6-1/4" CERAMICS



OVEN SHELF

STOCK No.	REPLACES	DESCRIPTION
A-2323	142333	25-5/8" LR X 20-3/4" FB

NOTE: THIS SHELF HAS A BACK STOP



A-2328



A-2329



A-2327



A-1441

OVEN DOOR COMPONENTS

STOCK No.	REPLACES	DESCRIPTION	MODEL SERIES
A-2328	142110	DOOR SPRING 7-3/4"	GH
A-2329	143860	DOOR SPRING 10"	GR
A-1441	142380	S-HOOK 3-1/8" OD	GH
A-2327	149049	S-HOOK 2-7/8" OD	GR

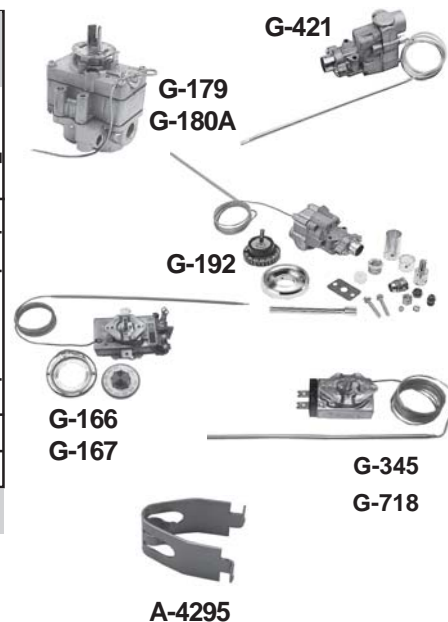
OVENS/RANGES

GARLAND SPECIFIC PARTS

THERMOSTATS AND CLAMP

STOCK No.	TYPE	RANGE	REPLACES	COMMENTS
G-179	FDO	150°-550°F	G03145-048	REAR FITTINGS
G-180A			1019400	OVENS
G-421	BJWA	100°-450°F	1360200	GRILLS
*G-192		250°-550°F	1086700	OVENS
G-345	S	150°-550°F	G0894-01	
*G-166	D1/D18		250°-700°F	1010300
*G-167		1010304		RANGE TOPS
G-718	KX	150°-550°F	1611900	OVENS
A-4295	-	-	GF138	CAPILLARY CLAMP

* INCLUDES UNIVERSAL DIAL



DIALS

STOCK No.	STEM FLAT	REPLACES
A-3697	.187	G02716-1
A-3700	.290	G02716-3
A-3702	.240	G02716-2



A-3697 .187 USED ON ELECTRIC CONTROLS
 A-3700 .290 USED ON FDO CONTROLS
 A-3702 .240 USED ON UN GAS CONTROLS

INSERTS

STOCK No.	RANGE	REPLACES
A-3709	BLANK	G02725-21
A-3699	1-10	G02725-13
A-3701	150-500°F	G02725-16
A-3698	150-550°F	G02725-17
A-3712	100-450°F	G02725-14
A-3704	OFF-MIN-2-6-MAX	G02725-4
A-3703	OFF-MAX-MED-MIN	G02725-2
A-4289	OFF 0-60 MINUTE	1314134



A-3709



A-3699



A-3701



A-3698



A-3712



A-3704



A-3703



A-4289

OVEN, RANGES, BROILERS

OVENS/RANGES

GARLAND SPECIFIC PARTS



C-1263
C-1264

SURFACE UNITS FOR 10 AND 36E SERIES				
STOCK No.	VOLTAGE	WATTAGE	REPLACES	DESCRIPTION
C-1263	208V	2100	CK102-208V	ELEMENT ASSEMBLY
C-1264	240V		CK102-240V	



C-1211
C-1212

SURFACE UNITS FOR S684, S686, 680 SERIES				
STOCK No.	VOLTAGE	WATTAGE	REPLACES	DESCRIPTION
C-1211	208	2000	2590200	7-1/2" SOLID TOP
C-1212	240		2590202	
C-1213	208	2600	2147100	9" SOLID TOP
C-699	240		2147102	



C-699
C-1213



C-985
C-986

SURFACE UNITS AND PAN 680 SERIES (JAN 1984 - DEC 1992)				
STOCK No.	VOLTAGE	WATTAGE	REPLACES	DESCRIPTION
C-985	208V	2100	CK100-208	8" DIA. 1 LOOP ELEMENT
C-986	240V		CK100-240	
A-3606	-	-	2195300	8" DRIP PAN

A-3606



C-1126, C-1127



A-3606



A-3607



C-1128
C-1129



A-3608



A-3609

680 SERIES SURFACE UNITS, PANS AND RINGS AFTER DEC 1992				
STOCK No.	VOLTAGE	WATTAGE	REPLACES	DESCRIPTION
C-1126	208	2100	2195000	8" DIA. 1 LOOP ELEMENT
C-1127	240		2195001	
A-3606	-	-	2195300	8" DRIP PAN
A-3607	-	-	2602399	8" RING
C-1128	208	1250	2195100	6-1/2" DIA. 1 LOOP ELEMENT
C-1129	240		2195101	
A-3608	-	-	2195200	6-1/2" DRIP PAN
A-3609	-	-	2602499	6-1/2" RING

OVENS/RANGES

GARLAND SPECIFIC PARTS



A-2726



A-2737



A-316



A-999



A-3979



A-2511



A-2512



A-2319



A-3003



A-3996



A-4290

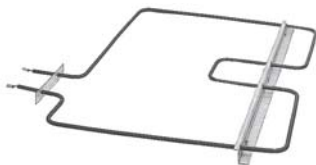


A-4291

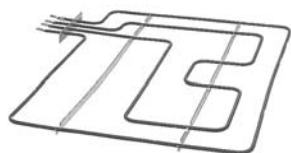
DIALS AND KNOBS

STOCK No.	STEM FLAT	RANGE	REPLACES	STYLE
A-2726	ROUND	LOW-500°F	1086703	BJ
A-2737		100°-450°F	1360201	
A-316	.240	TOP BURNER KNOB	1089100	GAS
A-999		OVEN KNOB	1089101	
A-3979		BLANK POINTER	4512144	
A-2511		TOP BURNER KNOB	4512147	
A-2512	.290	150°-500°F OVEN KNOB	4512141	
*A-2319	-	CLIP FOR TOP BURNER KNOB	2527600	-
A-3003	.312	SAFETY SHUT OFF KNOB	4512150	GAS
A-3996	.187	BLANK	4512224	ELECTIC
A-4290	.240	OVEN KNOB	224274-1	GAS
A-4291		BROILER KNOB	4512145	

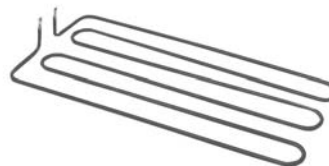
* A-2319 CONVERTS A-2511 KNOB TO .240 STEM WHERE NEEDED.



C-125



C-609
C-1082



C-937



C-1048

HEATING ELEMENTS

STOCK No.	VOLTAGE	WATTAGE	REPLACES	COMMENTS
C-125	240	3000	G1862A2	USED 1958 TO 1975 RESTAURANT SERIES
C-1082	208	4100	G01042-1	USED SINCE 1976 RESTAURANT SERIES
C-609	240		G01042-2	
C-937	208	5000	1197300	22" X 9-3/4" HEAVY DUTY RANGE
C-1048		2050	1102103	HOT TOP UNIT 680 SERIES

OVEN, RANGES, BROILERS

OVENS/RANGES

GARLAND SPECIFIC PARTS



M-119



M-123



M-175



M-176
M-177



M-217
M-218



M-302



M-363



M-364

MOTORS

STOCK No.	SPECIFICATIONS	REPLACES
M-119	1/2 HP, 115/230V, 1 PH	228001
* M-123		1686703
M-175	MOTOR ONLY - 1/3 HP, 115V, 1 PH	2485801
M-176	1/20 HP, 115V (2-1/4" SHAFT)	1003031
M-177	1/20 HP, 115V (2-7/8" SHAFT)	1003021
M-217	3/4 HP, 115V 2 SPEED, 1 PH	1686711
M-218	1/2 HP, 230V 2 SPEED, 1 PH	1686702
M-302	3/4 HP, 115/240V 1725 RPM	1615001
M-363	1/4 HP, 208/230V 2 SPEED, 1 PH	1773802
M-364	3/4 HP, 208/240V 2 SPEED, 1 PH	1686712

*M-123 A.O. SMITH MOTOR MAY BE USED TO REPLACE M-119 HOWELL OR CENTURY MOTOR.



A-963
A-1273
A-1897



A-1898



A-3602



A-3603

BLOWER WHEELS

STOCK No.	SPECIFICATIONS	REPLACES
A-963	10-3/4" X 1-7/8"	G02952-01P
A-1897	7" X 2"	1270301
A-1898	4-3/4" X 3"	1025360
A-3602	CW - 10-3/4" X 3-1/8"	1613900
A-3603	CCW - 10-3/4" X 3-1/8"	1613901
A-1273	CW - 8-1/2" X 2-1/8"	1765704

OVENS/RANGES

GARLAND SPECIFIC PARTS



H-335
H-336



H-656



H-1000
H-1185



H-1146
H-1151



H-1174

GAS VALVES

STOCK No.	TYPE	SPECIFICATIONS	REPLACES	COMMENTS
H-335	TS	3/8" PIPE	G01479-01	3/16" TUBE PILOT IN AND OUT
H-336		1/2" PIPE	1027001	1/4" TUBE PILOT IN AND OUT
H-656	H15HR	3/8" PIPE	1415703	3/16" TUBE PILOT IN AND OUT FOR BASO
H-1000	G196HGH	1/2" PIPE	1935701	24V NAT DUAL SOLENOID WITH SHUT OFF
H-1185	G196HGK		1935702	24V LP DUAL SOLENOID WITH SHUT OFF
H-1151	G96HGH		1754901	24V NAT DUAL SOLENOID VALVE
H-1146	G96HGK		1754902	24V LP DUAL SOLENOID VALVE
H-1174	PEL	7/16" CC INLET	CK179	OVEN SHUT OFF SAFETY VALVE



H-210



H-645



H-559



H-1002



H-1385



H-1004



A-2894
A-2895



E-636



H-1417
H-1418



H-1270
H-1271



H-1386

PILOT BURNERS & COMPONENT PARTS

STOCK No.	TYPE	DESCRIPTION	REPLACES	COMMENTS
H-210	-	36" MINI-PILOT	1191300	MINI-PILOT
H-645	3CH-4	NAT/LP PILOT BURNER	1028288/1028289	TG3/TG4 OVENS
H-559	2 CH-10		1028299/1028298	RESTAURANT & HEAVY DUTY SERIES
H-1002	Q345	NAT PILOT BURNER	1814901-OS	MODELS MCO-GS-10, MCO-GD-10
H-1385	Q345		1935802-NS	MODELS MCO
H-1004	-		2200799	MODELS S288, ST288, ST284, GD304
A-2894	NAT	ORIFICE	2200702	FOR H-1004 PILOT
A-2895	LP		2200703	
E-636	-	ELECTRODE	2200708	
H-1417	2C-2	NAT PILOT BURNER	1415300	G280, HP280, G342, 40, 50
H-1418		LP PILOT BURNER	1415301	
H-1270		NAT PILOT	2206400	IR MODELS M100R, RC, ST
H-1271		LP PILOT	2206401	
H-1386	6CH106	LP PILOT BURNER	1806602	-

OVEN, RANGES, BROILERS

OVENS/RANGES

GARLAND SPECIFIC PARTS



H-1006
H-1024



A-2514



A-2520



A-3165



A-1236



A-4042

GAS COMPONENT PARTS

STOCK No.	TYPE	DESCRIPTION	REPLACES	COMMENTS
H-1006	METRIC	24" THERMOCOUPLE	2200602	MODELS GD152HFF, GD304HFF, GD24GFF
H-1024		60" THERMOCOUPLE	2200601	MODELS S28, ST28, S286, ST286, S288, RC, RCE
A-2514	LP	ORIFICE FITTING	1265556	MODELS FCO, ICO, TG3, TG4
A-2520	-	7/16" TUBING	1090311	MODELS G280
A-3165		OVEN ORIFICE FITTING	1088286	
*A-1236		ORIFICE FOR A-3165	1021300	DRILL ORIFICE TO SIZE
A-4042		OVEN PILOT TUBE	2229800	FOR MASTER SERIES

*A-1236 CAN BE DRILLED TO SIZE.

CAN'T FIND THE PART YOU'RE LOOKING FOR?

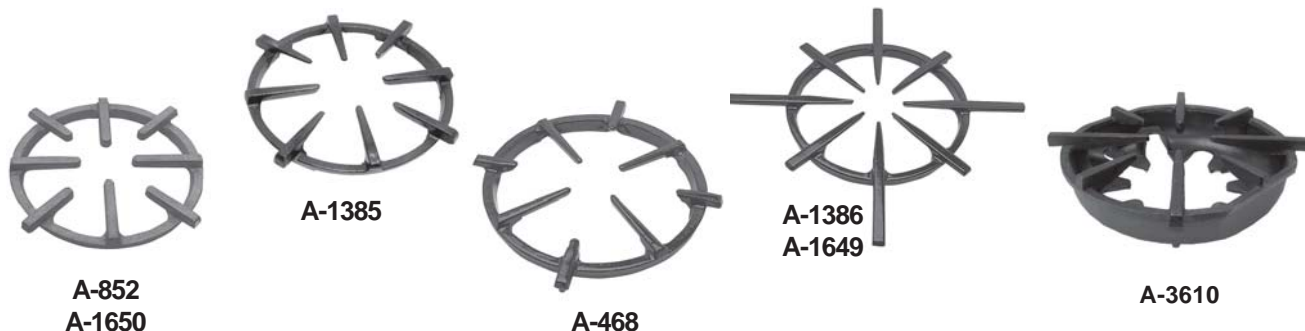
CUSTOMER SERVICE REPRESENTATIVES ARE ALWAYS
AVAILABLE TO ASSIST YOU.

JUST CALL OUR TOLL FREE NUMBER.

800-243-1290

OVENS/RANGES

GARLAND SPECIFIC PARTS



TOP GRATES			
STOCK No.	SPECIFICATIONS	REPLACES	COMMENTS
A-852 A-1650	9-1/2" CAST IRON	1047500	RING GRATE FOR 40/50 SERIES BEFORE 3/84
A-1385	9-1/4" CAST IRON-NO PIN	G6214	RING GRATE FOR 43-40, H280
A-1650	9-7/8" CAST IRON-NO PIN	G0594-1	RING GRATE FOR 44-40 SERIES
A-468	9-1/4" PORCELAIN-2 PIN	G5429E	RING GRATE FOR REST. SERIES BEFORE 6/86
A-1386	9-1/4" PORCELAIN-1 PIN	1361601	RING GRATE FOR REST. SERIES FROM 6/86 TO 3/92
A-1649	9-1/2" PORCELAIN-2 PIN	1689802	RING GRATE FOR REST. SERIES AFTER 3/92
A-3610	13" DIA	1769101	TOP GRATE FOR 35K BURNER



A-467



A-2836



A-2883

OVEN RACKS			
STOCK No.	SPECIFICATIONS	REPLACES	COMMENTS
A-467	26" X 20-1/2"	2117000	WIRE OVEN RACK FOR G30, 280, 380, 680, 780 SERIES
A-2836	26" X 19-3/4"	2301200	
A-2883	26" X 25-1/2"	G01544-01-5	40/50 SERIES, E36

CASTERS		
STOCK No.	REPLACES	DESCRIPTION
A-3133	1027800	4" WHEEL
A-3134	1027801	4" WHEEL WITH BRAKE



A-3133



A-3134

OVEN, RANGES, BROILERS

BROILERS/OVENS/RANGES

GARLAND SPECIFIC PARTS



A-1086
A-1737
A-1735



A-1087
A-1736



A-3004



A-3005



A-3611



A-3612



A-3613



A-2499



A-2121



A-2478

BURNERS AND AIR SHUTTERS

STOCK No.	SPECIFICATIONS	REPLACES	COMMENTS
A-1086	7 BURNER HOLES PER LEG	1089201	FRONT TOP BURNER FOR RESTAURANT RANGES BEFORE 5/89
A-1087		1089200	REAR TOP BURNER FOR RESTAURANT RANGES BEFORE 5/89
A-1737	8 TOP BURNER HOLES PER LEG	1553800	FRONT BURNER FOR SERIES 280 RESTAURANT RANGES
A-3004	7 SIDE BURNER HOLES PER LEG	2217300	20K FRONT BURNER FOR 43-40 AFTER 10/15/93
A-3005		2217301	20K REAR BURNER FOR 43-40 AFTER 10/15/93
A-1735	8 TOP BURNER HOLES PER LEG	G6107	FRONT BURNER FOR 44-40 BEFORE 10/19/93
A-1736		G6113	REAR BURNER FOR 44-40 BEFORE 10/19/93
A-3611	9" DIA LIFT OFF	2528200	35K BURNER HEAD - MODELS M42, M44, M54
A-3612	9" LONG	2528000	35K FRONT BURNER HOUSING - MODELS M42, M44, M54
A-3613	22" LONG	2528100	35K REAR BURNER HOUSING - MODELS M42, M44, M54
A-2499	20" H BURNER	1014900	HOT TOP BURNER
A-2121	1 SLOT	1028002	AIR SHUTTER
A-2478	2 SLOT	1028000	

BROILERS/OVENS/RANGES

GARLAND SPECIFIC PARTS



A-465



A-466



H-1266



H-729



H-1269



A-469



A-3693



H-251



H-615



H-557
H-558



A-1384



A-2513



H-1007
H-527



H-971



A-3338



A-3339



A-4043

RANGE TOP COMPONENT PARTS

STOCK No.	SPECIFICATIONS	REPLACES	COMMENTS
A-465	7-1/4" X 10-3/4"	G6030	CERAMIC FOR 6040, 6043, 640D, 6050, 6053, 650D, MODELS
A-466	3-3/8" X 7-1/2"	1091000	CERAMIC FOR 280 AND 380 SERIES RESTAURANT RANGES
H-1266	-	2200199	HOT TOP VALVE - MODEL STW286
H-729	1/8" MPT X 3/16" CC	1510402	OPEN TOP PILOT VALVE
H-1269	1/8" MPT X 1/8" CC + 3/16" CC	1510403	
A-469	FROM 1968	G7804-280	OPEN TOP PILOT FOR RESTAURANT RANGES
A-3693	1/8" CC INLET - STRAIGHT TUBES	1801401	OPEN TOP PILOT FOR MODELS M42, M44, M54
H-251	NAT / LP	227053	TOP BURNER VALVE FOR 280 AND 380 SERIES REST RANGES
H-615		1562598/1562599	
H-557	1/8" X 7/16" TUBE	1085999	OVEN VALVE FOR RESTAURANT RANGES
H-558	1/4" X 7/16" TUBE	1150399	OVEN VALVE FOR HEAVY DUTY RANGES
A-1384	FROM 1958 TO OCT 1968	1192000	FLASH TUBE FOR RESTAURANT RANGES
A-2513	1/8" X 18"	1032617	LIGHTER TUBE FOR PILOT VALVE
H-1007	1/8" CC X 1/8" MPT	1086199	1/8" PILOT VALVE
H-527	3/16" CC X 1/8" MPT	1086597	3/16" PILOT VALVE
H-971	1/8" MPT	1086588/89	ON / OFF VALVE
A-3338	21-1/2" WIDE X 25-1/2" LONG	1090003	LARGE DRIP PAN - FOR RESTAURANT RANGES
A-3339	10" WIDE X 25-1/2" LONG	1090103	SMALL DRIP PAN - FOR RESTAURANT RANGES
A-4043	3/4" WIDE	1731501	TOP LIGHTER SUPPORT FOR HP280

OVEN, RANGES, BROILERS

OVENS/RANGES

GARLAND SPECIFIC PARTS



E-332



E-132A
E-133A



E-323



E-624



E-311



E-264



D-102
D-304



D-303



D-187
D-126



E-548



E-681



E-738



E-739



D-379



E-904

SWITCHES, SIGNAL LIGHTS AND FUSES

STOCK No.	DESCRIPTION	REPLACES	MODELS
E-332	ROCKER SWITCH	1358900	G280, (USED AFTER 5/95)
E-132A	ROCKER SWITCH ON-ON	1019209	ICO, ECO, TG3, TG4, MCO
E-323	ROCKER SWITCH	1019203	FOR "RC" OVEN BEFORE 10/90
E-624		1955401	FOR "RC" OVEN AFTER 10/90
E-133A	ROCKER SWITCH ON-OFF-ON	G03055-1	TG3, TG4
E-311	DOOR SWITCH-ROLLER	G01137	280
E-264	DOOR SWITCH-PLUNGER	1019600	MCO, ECO, ICO
D-102	SIGNAL LIGHT AMBER 250V	1006498	MCO, ECO, ICO, TG3, TG4
D-303	SIGNAL LIGHT GREEN 120V	1006489	
D-304	SIGNAL LIGHT AMBER 28V	1270000	
D-126	SC20 FUSE	1130103	-
D-187	SC30 FUSE	1130105	-
E-548	DOOR SWITCH-PIN	1019603	HP280
E-681	3 POSITION SWITCH	1729100	HP280/ELECTRIC RANGES
E-738	ON/OFF GREEN LIGHT ROCKER SWITCH	2146800	STW28, STW286
E-739	DOOR SWITCH	2628000	
D-379	24V SIGNAL LIGHT	2667200	
E-904	DOOR SWITCH W/ROLLER	4519715	MCO-ES/MCO-ED REV5, MCO-GS/GD10 REV19

OVENS/RANGES

GARLAND SPECIFIC PARTS



E-550



E-291



A-2609



D-100



E-790



E-791



E-848



E-849

ELECTRICAL COMPONENTS

STOCK No.	DESCRIPTION	REPLACES	MODELS
E-550	60 MIN 115V TIMER	1285700	MCO, ECO, ICO, TG3, TG4
E-291	3 HEAT ROTARY SWITCH	G02667-1	36E HEAVY DUTY SERIES
A-2609	KNOB ONLY FOR E-291	G1035-1	
D-100	115V/50W LAMP	1026050	-
E-790	CIRCUIT BREAKER 50A	1026200	680-2
E-791	POTENTIOMETER 300 SERIES	1911801	MCO-GS, GD-10
E-848	POTENTIOMETER 200 SERIES	1955601	MCO-ES, GS, ED, GD, SGM
E-849	POTENTIOMETER 400 SERIES	1911601	
E-903	60 MIN 115V TIMER	1956001	MCO-G REV 7



E-903



E-898



E-899



E-900



E-901



E-902



G-799



G-800



G-801

CONTROL COMPONENTS

STOCK No.	DESCRIPTION	REPLACES	MODELS
E-898	PANEL ASSEMBLY - 30 KEYPAD	1952886	SGM100, SGM200 AFTER S/N 9908CJ0001
E-899	PANEL ASSEMBLY - 300L KEYPAD	1952893	MCO-ES/MCO-ED REV 5
E-900	PANEL ASSEMBLY - 300N KEYPAD	1952894	
E-901	PANEL ASSEMBLY - 450 KEYPAD	1952898	MCO-GS-E-10/MCO-GD-E-10 REV 3
E-902	PANEL ASSEMBLY - 410 KEYPAD	1952899	MCO-ES/MCO-ED REV 5
*G-799	CONTROLLER PANEL ASSEMBLY	4518889	MCO GS/D 115V GAS UP TO 2/28/99
*G-800		4518903	MCO ES/D 208/240V ELECTRIC UP TO 2/28/99
*G-801		4518961	ECO/ICO 115V GAS AFTER 8/12/94

*REPLACES CONTROLLER #1517706.

OVEN, RANGES, BROILERS

OVENS/RANGES

GARLAND SPECIFIC PARTS



A-3341
A-4433



G-673



F-399



E-346
F-319



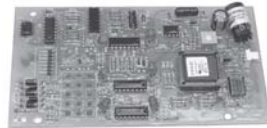
F-411



H-690



F-418



G-719



E-485



F-362



H-444



H-1322



H-549



F-408



F-469



G-761

CONTROL COMPONENTS

STOCK No.	DESCRIPTION	REPLACES	MODELS
A-4433	KNOB - 1/4" ROUND HOLE	1720502	MCO SERIES
A-3341	KNOB - 3/16" D HOLE	1720501	MCO SERIES, TG3, TG4
G-673	410 DIGITAL CONTROL PANEL	1905702	MCO-GS/GD-10
F-399	RELAY BOARD	1916901	
E-346	NAT IGNITION CONTROL G770KHA2	1269600	(JOHNSON) TG3, TG4
F-411	IGNITION CONTROL	1516301	TG, ECO, ICO
H-690	NAT/LP PILOT	1758901	
F-319	IGNITION CONTROL G760CAD1	1680801	(JOHNSON) MCO
F-418	IGNITION CONTROL	CK02-008	MCO-GS, GD-10 3/03 TO DATE
G-719	S/S CONTROL	1905701	MCO-GS, GD-10 3/99 TO DATE
E-485	SPARK UNIT	1309201	R280, MASTER SERIES ECO, ICO, TG3, TG4
F-362	IGNITION MODULE G770-MGA	2152700	
H-444	3/8" 120V SOLENOID VALVE	1027300	MCO, ECO, ICO, TG3, TG4
H-1322	BLACK NEW STYLE COIL	-	
H-549	WHITE OLD STYLE COIL	-	
F-408	24V IGNITION CONTROL	2619600	STW28, STW286
F-469	40VA 120V PRI. 24V SEC. TRANSFORMER	G03559-1	ECO, BCO, ICO, SDG, SGM
G-761	TEMPERATURE CONTROL	1955501	MCO-ES, GS, GD, MCO-E-5, MCO-G5

OVENS/RANGES

GARLAND SPECIFIC PARTS



E-547



E-602



F-244



E-594



L-282



L-286



L-323



E-792



E-793



E-662

IGNITION CONTROL COMPONENTS

STOCK No.	DESCRIPTION	REPLACES	MODELS
E-547	ELECTRODE	G03151-1	MCO
E-602	PROBE	9006800	MCO, ECO, ICO, TG3
F-244	PROBE FOR E-346	1269701	TG3, TG4
E-594	FLAME SENSOR FOR H-690	1466100	TG3, TG4, MCO, ECO, ICO
L-282	IGNITION CABLE	1815002	MCO
L-286	SENSOR WIRE	4517368	MCO, ECO, ICO, TG3, TG4
L-323	WIRE FOR E-485	2200205	MASTER SERIES
E-792	2" PROBE	1842901	MCO-GS, GD-10 UP TO 11/00
E-793	1-7/8" PROBE	1906002	MCO-GS, GD-10 11/00 - TO DATE
E-662	SPARK ELECTRODE	1415200	-

OVEN, RANGES, BROILERS

OVENS/RANGES

GARLAND SPECIFIC PARTS



A-1083



A-3861



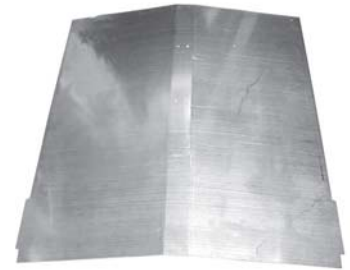
A-2501



A-1084
A-1641



A-2506



A-3337

BURNERS, OVEN BOTTOMS AND FIRE PLATES

STOCK No.	DESCRIPTION	REPLACES	MODELS
A-1083	20" BURNER	1028197	280, 380, SERIES
A-3861	BURNER ASSY	CK4532	MCO, ECO, ICO, BCO, SERIES - OLD STYLE CONV.
A-2501	25-1/4" BURNER	1467400	ECO, ICO, BCO SERIES (USED IN A-3861)
A-1084	21" X 26" OVEN BOTTOM	1438494	280, 380 SERIES
A-1641	26" X 28" OVEN BOTTOM	1438485	40/50 SERIES
A-2506	24" X 27-1/2" FIRE PLATE	1013400	TG3, ECO
A-3337	26-3/4" X 31" FIRE PLATE	1013401	TG4, ICO

BROILERS

GARLAND SPECIFIC PARTS



A-1642
A-1643



A-1916



A-3918



A-3919



A-3920
A-3921



A-1644



A-1645



A-3604



A-4280

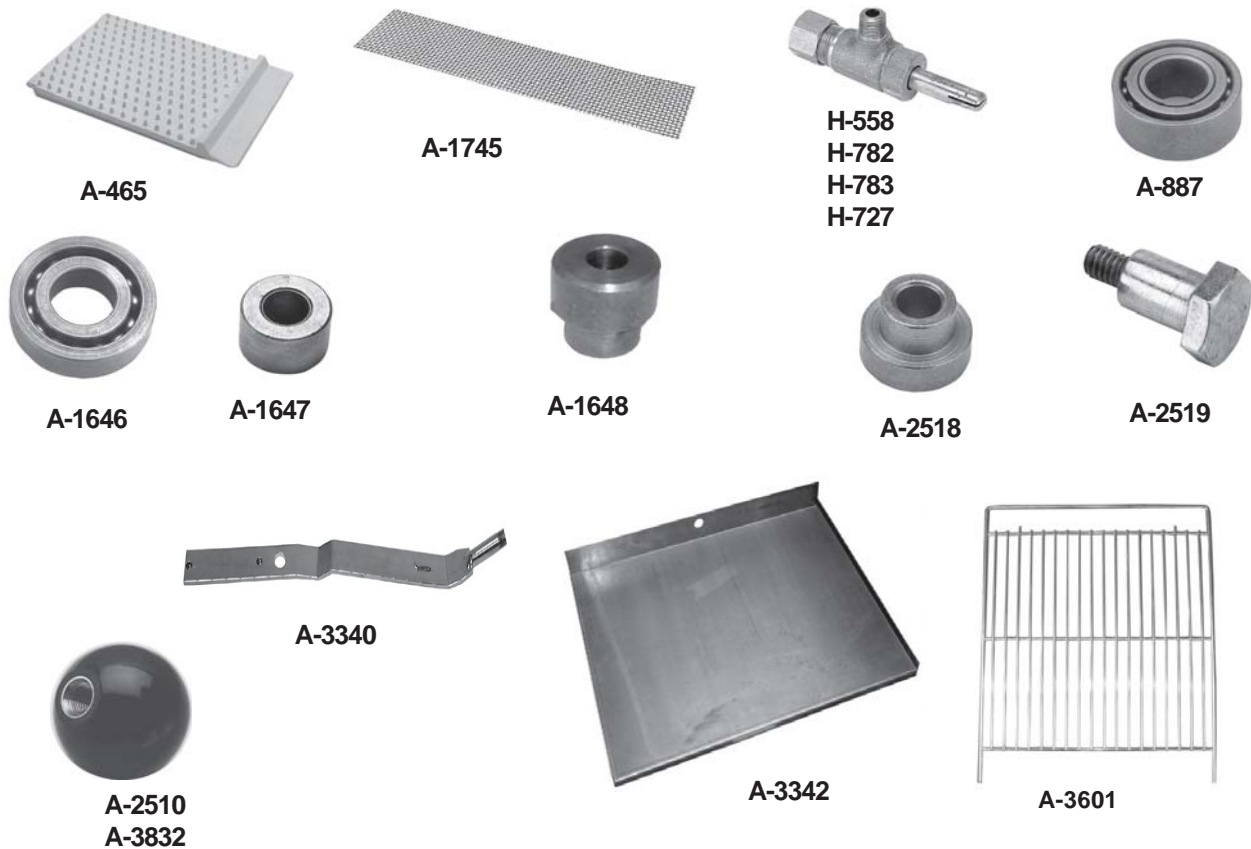
BROILER BURNERS AND COMPONENTS

STOCK No.	SPECIFICATIONS	REPLACES	COMMENTS
A-1642	4-1/8" X 18" LP	1008898	BURNER FOR HEAVY DUTY INFRA-RED BROILERS
A-1643	4-1/8" X 18" NAT	1008899	
A-1916	4-1/8" X 18"	1008897	BURNER BOX ASSY ONLY (LESS VENTURI TUBE)
A-3918	-	1008890	VENTURI FOR A-1642 AND A-1643
A-3919	-	1008819	ORIFICE HOLDER FOR A-1642 AND A-1643
A-3920	#57 LP	1008821	LP ORIFICE FOR A-1642 AND A-1643
A-3921	#50 NAT	1008820	NAT ORIFICE FOR A-1642 AND A-1643
A-1644	6-1/2" X 15"	CK117	BURNER FOR SALAMANDER INFRA-RED BROILER BEFORE 6/88 & AFTER 11/90
A-1645	8-3/8" X 15-1/8"	1542800	BURNER FOR SALAMANDER INFRA-RED BROILER BETWEEN 6/88 AND 11/90
A-3604	4" X 23"	1647100	IR BURNER FOR M100R, RC, S, T
A-4280	5" X 18-3/4"	222011-1	IR BURNER FOR IRCM-24

OVEN, RANGES, BROILERS

BROILERS

GARLAND SPECIFIC PARTS



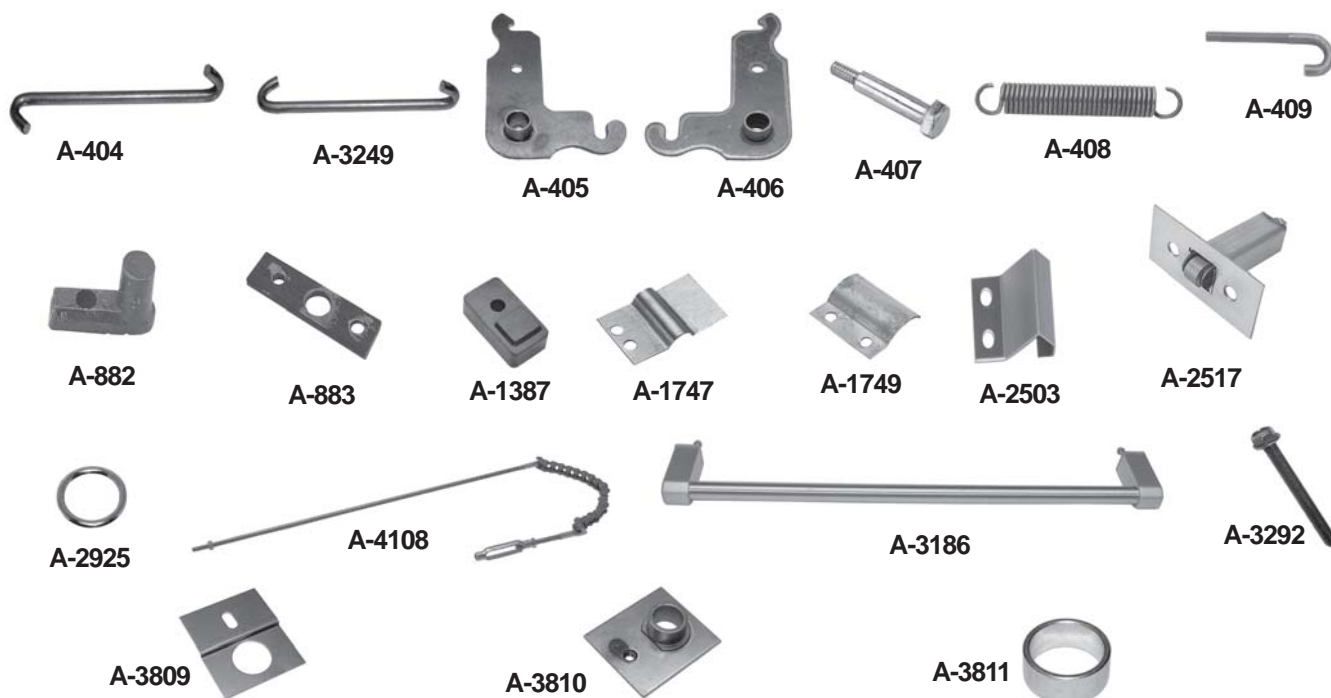
BROILER COMPONENT PARTS

STOCK No.	SPECIFICATIONS	REPLACES	COMMENTS
A-465	7-1/4" X 10-3/4"	G6030	CERAMIC FOR MODELS 6040, 6043, 640D, 6050, 6053, 650D
A-1745	4-3/4" X 20-1/2"	G6295-1	INCOLOY MESH SCREEN
H-558	1/4" X 7/16" TUBE	1150399	BURNER VALVE FOR 60 SERIES HEAVY DUTY BROILERS
H-782	NAT GAS	1139997	BURNER VALVE FOR INFRA-RED HEAVY DUTY BROILERS
H-783	LP GAS	1139996	
H-727	1/4" X 7/16" TUBE	G01410-1	BURNER VALVE FOR SALAMANDER INFRA-RED BROILERS
A-887	7/16" ID X 15/16" OD	1035400	SMALL GRID ROLLER BEARING
*A-1646	3/4" ID X 1-11/16" OD	G01244-1	LARGE RACK ROLLER BEARING
A-1647	3/8" ID X 3/4" OD	G01247-2	FRONT BEARING BUSHING
A-1648	3/8" ID X 1" OD	G01247-3	REAR BEARING BUSHING
A-2518	1/4" ID X 5/8" OD	1031300	ROLLER BUSHING FOR SALAMANDER INFRA-RED BROILERS
A-2519	7/16" DIA X 5/8" LONG	1031301	ROLLER PIN FOR HD GAS INFRA-RED CERAMIC BROILERS
A-2510	1-3/8" DIA	1039603	BALL KNOB HANDLE FOR INFRA-RED BROILERS
A-3832	1-7/8" DIA	1039601	BALL KNOB FOR A-3340 USED ON HEAVY DUTY BROILERS
A-3340	20-1/2" LONG	1137999	RACK RAISING LEVER FOR HEAVY DUTY BROILERS
A-3342	28" WIDE	2580300	WARMING OVEN BOTTOM FOR HEAVY DUTY BROILERS
A-3601	19-1/8" X 25-1/2"	1090600	BROILER RACK FOR HP280, G280

* NOTE: A-1646 BROILER GRID BEARING STYLE USED SINCE MARCH 1979.

OVENS/RANGES

GARLAND SPECIFIC PARTS



DOOR COMPONENT PARTS

STOCK No.	DESCRIPTION	REPLACES	COMMENTS
A-404	4-3/8" LONG - RIGHT	1082802	BELL CRANK HOOK FOR HEAVY DUTY & REST. SERIES RANGES
A-3249	4-3/8" LONG - LEFT	1082803	
A-405	LEFT	1082198	BELL CRANK FOR HEAVY DUTY & REST. SERIES RANGES
A-406	RIGHT	1082199	
A-407	-	GF299	BELL CRANK BOLT FOR HEAVY DUTY & REST. SERIES RANGES
A-408	6-1/4" LONG	1005800	DOOR SPRING FOR HEAVY DUTY & REST. SERIES RANGES
A-409		9004701	SPRING HOOK FOR HEAVY DUTY & REST. SERIES RANGES
A-882		1082500	DOOR TRUNNION FOR HEAVY DUTY & REST. SERIES RANGES
A-883		1083001	TRUNNION SUPPORT FOR HEAVY DUTY & REST. SERIES RANGES
A-1387		1016703	SPACER FOR OLD STYLE OVENS PRIOR TO 1985
A-1747	1-1/8" WIDE-ON FRAME	1021902	DOOR CATCH FOR CONVECTION OVENS SERIES ECO, ICO, TE2, TG2, TG3, TG4
A-1749	1-3/4" WIDE-ON DOOR	1021904	DOOR CATCH FOR CONVECTION OVENS SERIES ECO, ICO, TE3, TE4, TG3, TG4
A-2503		1810201	DOOR CATCH FOR MODELS MCO
A-2517		CK1757998	ROLLER ASSY FOR MODELS MCO, BCO, GD-10
A-2925	1-3/8" OD	1082700	HARNES RING FOR DOOR SPACER
#A-4108	-	4520166	CHAIN AND TURNBUCKLE - FOR TG, TE, ECO, ICO
A-3186	-	CK30	DOOR HANDLE ASSY
A-3292	-	F540	SELF TAPPING SCREW FOR A-3186 HANDLE
A-3809	-	1302800	UPPER DOOR BEARING RETAINER FOR MCO, BCO, ECO, ICO
*A-3810	-	1010589	DOOR HINGE BRACKET W/ BEARING FOR MCO, BCO, ECO, ICO
A-3811	-	1011201	CHROME SPACER FOR MCO, BCO, ECO, ICO

* MCO BEFORE S/N 0004 APRIL 2000. GAR 1923499 AFTER S/N 0004.

A-4108 SOLD EACH - 2 ARE NEEDED PER OVEN.

OVEN, RANGES, BROLLERS

OVENS/RANGES

GARLAND SPECIFIC PARTS



A-2504



B-642



A-3705

A-3706



A-3995



A-4292



A-4293



A-4294

DOOR COMPONENTS

STOCK No.	DESCRIPTION	REPLACES	COMMENTS
A-2504	10-3/16" X 17-3/16" WINDOW	1010999	MCO, BCO, ICO, TG3, TG4
*B-642	DOOR GASKET SOLD BY THE FOOT	G03269R	CONVECTION OVENS
A-3705	S/S SIDE DOOR BRACKET	1304201	
A-3706	S/S TOP & BOTTOM DOOR BRACKET	1304202	
A-3995	BOTTOM DOOR SEAL	1534500	ECO, ICO, SDG-1, 2
A-4292	HINGE PIN W/HOOK	1054325	GPD48, 60
A-4293	7-1/4" DOOR SPRING	1760401	G56PB/PT E56PB/PT
A-4294	6-1/4" DOOR SPRING	4512585	GPD48

* FOR TG3 GASKET KIT ORDER 9 FT OF B-642, 2 EA A-3705 AND 2 EA A-3706.

OVENS/RANGES

G.E./HOBART SPECIFIC PARTS



G-170
G-197



G-172



G-251



G-252



G-171



A-2762
A-2763



A-2764

THERMOSTATS

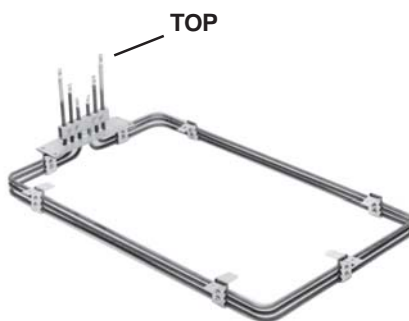
STOCK No.	TYPE	RANGE	REPLACES	STYLE	COMMENTS	DIAL EXACT
G-170	S	100°-450°F	342027-4	ELECTRIC	OVENS/RANGE TOPS	A-2763
G-172		200°-500°F	342027-3		A-2762	
G-251	KX	140°-425°F	343385-1		OVENS	A-2763
G-252			345517-1		A-2763	
G-197	KNP	250°-950°F	346746-1		RANGE TOPS	A-2764
G-171	D1/D18	200°-550°F	350815-2		OVENS	A-2762

OVEN, RANGES, BROILERS

OVENS/RANGES

G.E./HOBART SPECIFIC PARTS

C-511
C-512



C-123
C-124
C-159



A-566



A-611

HEATING ELEMENTS AND RELATED COMPONENTS

STOCK No.	SPECIFICATIONS	VOLTAGE	WATTAGE	REPLACES	COMMENTS
CONVECTION OVEN ELEMENT SETS					
C-511	3 ELEMENT SET	208	10,000	342170-1	CONVECTION OVEN ELEMENT SET
C-512		230		342170-2	
INDIVIDUAL HEATING ELEMENTS FOR C-511, C-512					
C-624	TOP	208	3333	347193-1	HEATING ELEMENT
C-625	MIDDLE			347193-2	
C-626	BOTTOM			347193-3	
C-627	TOP	230		347199-1	
C-628	MIDDLE			347199-2	
C-629	BOTTOM			347199-3	
RANGE TOP HEATING ELEMENTS AND HARDWARE					
C-123	12" X 24" RANGE TOPS	208	5300	351419-17	RANGE TOP HEATING ELEMENT
C-124		240		351419-18	
C-159		480		351419-19	
A-566	-	-	-	347119-1	HARDWARE KIT
A-611	-	-	-	342212-1	PRESSURE PLATE

HOTPLATES/OVENS/RANGES

G.E./HOBART SPECIFIC PARTS



C-484, C-485, C-486



C-699, C-941

HEATING ELEMENTS

STOCK No.	VOLTAGE	WATTAGE	REPLACES	COMMENTS
HEATING ELEMENTS FOR RANGE CONVECTION OVEN				
C-484	208	3400	347195-1	ELEMENT FOR RANGE CONVECTION OVEN
C-485	240		347195-2	
C-486	480		343432-3	
SOLID TOP RANGE UNIT				
C-941	208	2600	355089-1	HEATING ELEMENT
C-699	240		355089-2	



M-151



M-178



M-282

MOTORS

STOCK No.	SPECIFICATIONS	REPLACES
*M-151	1/3 HP, 230V, 1 PH	345201-1
M-178	1/3 HP, 120V, 2 SPEED	358516-1
M-282	1/2 HP, 240V, 2 SPEED	358516-2

*M-151 IS A K48 FRAME MOTOR - OTHER FRAME MOTORS ARE USED ON THE SAME MODELS AND ARE NOT INTERCHANGABLE.

BLOWER WHEELS

STOCK No.	SPECIFICATIONS	REPLACES	COMMENTS
A-966	9-7/8" X 2-1/8"	347237-1	FLATBACK
A-967	9-7/8" X 1-5/8"	355548-1	
A-2848		358638-1	CONCAVED BACK



OVEN, RANGES, BROILERS

HOTPLATES/OVENS/RANGES

G.E./HOBART SPECIFIC PARTS



OVEN RACK

STOCK No.	SPECIFICATIONS	REPLACES	COMMENTS
A-840	28" X 20-1/2"	342142-1	WIRE OVEN RACK FOR CN90, 92, 95 SERIES



E-129
E-130



E-624



E-625



E-622



D-135

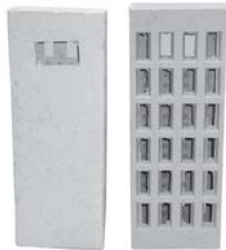
ELECTRICAL COMPONENT PARTS

STOCK No.	SPECIFICATIONS	REPLACES	COMMENTS
E-129	208V-HOTPLATES, RANGES	340197-4	INFINITE HEAT SWITCH
E-130	240V-HOTPLATES, RANGES	340197-1	
E-624	DPDT (CTR-OFF) ON/OFF/ON	358628-1	ROCKER SWITCH
E-625	SPST (CTR-OFF) ON/OFF/ON	358628-2	
E-622	NO/Common DOOR SWITCH	342147-1	LEVER SWITCH
D-135	120V 40W	342766-1	LAMP

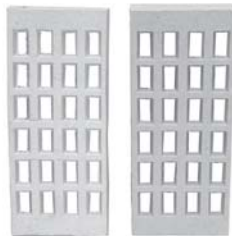
ROTISSERIES/OVENS/RANGES

HICKORY/IMPERIAL SPECIFIC PARTS

HICKORY



BACK FRONT
A-2124



BACK FRONT
A-2125



A-3241



A-3242



A-3243



A-3244

COMPONENT PARTS

STOCK No.	SPECIFICATIONS	DESCRIPTION
A-2124	8-1/4" HIGH X 2-7/8" WIDE	SINGLE SIDE CERAMIC RADIANT
A-2125	1-5/8" THICK AT BOTTOM X 1" THICK AT TOP	DOUBLE SIDE CERAMIC RADIANT
A-3241	STAINLESS STEEL	SINGLE SKEWER, 3-1/2" LONG
A-3242		DOUBLE SKEWER, 7-1/4" LONG
A-3243		SPIT COLLAR
A-3244		THUMBSCREW
H-547		H43AB 3/8"
H-459	36"	THERMOCOUPLE



H-547



H-459

IMPERIAL



G-504



A-2396



G-336



A-254



H-971



A-241

CONTROL COMPONENTS

STOCK No.	REPLACES	DESCRIPTION	MODELS
G-504	1150	THERMOSTAT BJ	IR
A-2396	1151	DIAL BJ	
G-336	1153	THERMOSTAT FDO	IHR
A-254	1154	DIAL FDO	
H-971	1610	TOP BURNER VALVE	IR
*A-241-??	1700-??	ORIFICE (SPECIFY SIZE)	IR, IRH
G-352	1160	THERMOSTAT KX	IR
A-2399	1161	DIAL FOR G-352	
A-4144	1009	CHROME VALVE KNOB	-

* NOTE: SPECIFY SIZE.



G-352



A-2399



A-4144

OVEN, RANGES, BROILERS

OVENS/RANGES

IMPERIAL SPECIFIC PARTS



H-220
H-222



H-337



H-976



E-279



E-280



H-324
H-325



H-444



E-571



M-252



H-1214



A-3240
A-3922



D-135



M-157A



A-969



H-1333



E-885



A-4260



D-408

COMPONENT PARTS

STOCK No.	REPLACES	DESCRIPTION	MODELS
H-220	1121	THERMOCOUPLE 18"	IR
H-222	1138	THERMOCOUPLE 30"	IR, IRH
H-337	1110	SAFETY VALVE	
H-976	1120	OVEN PILOT NAT	IHR
E-279	1133	FLAME SWITCH	IR
E-280	1140	SPARK MODULE SM2	
H-324	1050	REGULATOR NAT	IR, IHR
H-325	1051	REGULATOR LP	
H-444	1134	SOLENOID VALVE	IR
E-571	1126	SWITCH	ICV, ICVD
M-252	1164	MOTOR	ICV
H-1214	1097	LP/NAT OVEN PILOT	
A-3240	20001	PILOT ASSY FOR TOP GRATE	IR, ELITE
A-3922	2683	PILOT ASSY FOR OPEN TOP	IR2000
D-135	1157	120V 40W LAMP	-
M-157A	1165	BLOWER MOTOR	IRC
A-969	1166	BLOWER WHEEL	IRC, ICV
H-1333	1110-1	BASO SAFETY VALVE	IR, IRH
E-885	1170	TIMER 0-60 MIN	IR, ICV, ICVD, IDR
A-4260	1171	TIMER KNOB	
D-408	1136	TERMINAL BLOCK	IR, ICV, ICVD

BROILER/CHEESE MELTER/OVENS/RANGES

IMPERIAL SPECIFIC PARTS



MECHANICAL COMPONENTS

STOCK No.	REPLACES	DESCRIPTION	MODELS
A-2931	20161	DOOR CLOSING MECHANISM	IR (26-1/2")
A-3167	1840	5/8" DOOR BUSHING	ICV
A-2594	1851	CHAIN LINK	
A-3169	1852	SHORT DOOR ROD	
A-3170	1853	LONG DOOR ROD	
A-3171	1854	TURNBUCKLE	
A-3172	1860	DOOR GLASS	ISB SERIES
A-2363	1800	SPRING	
A-3591	23025	SPROCKET	ICV
A-3592	22104	DOOR BRACKET (2 PC)	ICV
A-3749	23015TL	TOP LEFT DOOR PIN	
A-3750	23015TR	TOP RIGHT DOOR PIN	
A-3751	23015BL	BOTTOM LEFT DOOR PIN	
A-3752	23015BR	BOTTOM RIGHT DOOR PIN	
A-3965	20297	FLAME SPREADER	
A-3060	1060	6" HIGH CASTER	ICV
A-3061	1061	6" HIGH CASTER W/BRAKE	
A-3773	-	6" HIGH STEM CASTER	
A-3774	-	6" HIGH STEM CASTER W/BRAKE	
A-4309	1356	DOOR SWITCH ACTUATOR	



A-3965



A-3060



A-3061



A-3773



A-3774



A-4309



A-3173
A-4296



A-3812

INFRARED BURNERS

STOCK No.	REPLACES	SIZE	COMMENT
A-3173	1040	7-1/2" X 27"	LARGE BURNER FOR ISB SERIES BROILERS, ICMA SERIES CHEESE MELTERS
A-4296	1039	7-1/4" X 15-3/4"	SMALL BURNER FOR ISB SERIES BROILERS, ICMA SERIES CHEESE MELTERS
A-3812	1299	9" X 28-3/4"	FOR NEW STYLE WITH 2 VENTURIES

OVEN, RANGES, BROILERS

BROILERS/HOTPLATES/OVENS/RANGES

IMPERIAL SPECIFIC PARTS



OPEN TOP BURNER ASSY

STOCK No.	REPLACES	DESCRIPTION	COMMENTS
A-2354	20050	FRONT-OPEN TOP BURNER ASSY	FOR RANGES & HOT PLATES
A-2355	20051	REAR-OPEN TOP BURNER ASSY	
A-2356	1182	BURNER HEAD ONLY	
A-1483	1006	BURNER GASKET	



BURNER COMPONENTS

STOCK No.	REPLACES	DESCRIPTION	MODEL	COMMENTS
A-2357	1230-A	ALL PURPOSE BURNER HEAD	IR	FOR ELITE SERIES RANGES
A-3923	2680	BURNER HEAD NS-ANTI CLOG		
A-3966	1230-S	SAUTE BURNER HEAD		
A-2358	1231	2 PC FRONT VENTURI ONLY		
A-2359	1232	2 PC REAR VENTURI ONLY		
A-3368	21015	BURNER HANGER	ICV, IR	CONVECTION OVEN
A-3600	1035	OVEN BURNER		STANDARD OVEN
A-3617	20120	GRIDDLE/BROILER	IR	FOR ELITE SERIES RANGES
A-3618	20125	GRIDDLE/BROILER	IHR	
A-1888	1030	U BURNER ASSEMBLY		



OPEN TOP GRATES

STOCK No.	REPLACES	DESCRIPTION	COMMENTS
A-2360	1233	OPEN TOP GRATE 12" X 12"	ELITE SERIES RANGES
A-2361	1181	OPEN TOP GRATE 12" X 24"	RANGES & HOT PLATES

OVENS/RANGES

IMPERIAL SPECIFIC PARTS



H-970



A-3465



H-975



A-2062



A-2069
A-2070



A-1769
A-2351



A-1781
A-1782

CHINESE RANGE COMPONENTS

STOCK No.	REPLACES	DESCRIPTION	COMMENTS
H-970	1620	MAIN GAS VALVE	1/2" X 1/2"
A-3465	1195	"L" SHAPED HANDLE	FOR GAS VALVE
H-975	1610	GAS VALVE	FOR 3-BURNER RING
A-2062	1008	KNOB	FOR H-975
A-2069	1270	DUCK JET BURNER	NAT GAS 18 TIP
A-2070	1271		LP GAS 18 TIP
A-1769	1272	JET BURNER	NAT GAS 23 TIP
A-2351	1273		LP GAS 23 TIP
A-1781	1600	BURNER TIP	NAT GAS
A-1782	1601		LP GAS



OVEN RACK

STOCK No.	SPECIFICATIONS	REPLACES	COMMENTS
A-3597	26-3/8" X 20-1/2"	2021	MODEL IR
A-4297	26-3/8" X 25"	2130	MODEL IR2000
A-4308	19-7/8" X 20-5/8"	2020	MODEL IR (20")

OVEN, RANGES, BROILERS

OVENS/RANGES

JADE RANGE SPECIFIC PARTS



G-507



A-2398
A-2400



G-506



A-1561



H-971



A-2735
A-3175



A-3176



A-241-??



A-3174



G-616

THERMOSTATS AND CONTROL COMPONENTS

STOCK No.	REPLACES	DESCRIPTION	MODELS
G-507	4610700000	THERMOSTAT BJWA	JSR
A-2398	3018600000	DIAL BJWA - D STEM FLAT TOP	
A-2400	3018500000	DIAL BJWA - D STEM FLAT BOTTOM	
G-506	4615300000	THERMOSTAT (FDO) AFTER 6/93	JTRH
A-1561	3026500000	DIAL FDO	JSR, JTRH
H-971	4411000000	BURNER VALVE	
A-2735	3023100200	RED INLAY KNOB FOR H-971	
A-3175	3034300000	BLACK INLAY KNOB FOR H-971	-
A-3176	3023000000	INSERT ONLY FOR A-2735 & A-3175	
*A-241-??	-	BURNER ORIFICE (SPECIFY SIZE)	
G-616	4630100000	THERMOSTAT	JCO
A-3174	3033800000	DIAL FOR G-616 THERMOSTAT	

* SPECIFY SIZE.

BROILERS/OVENS/RANGES

JADE RANGE SPECIFIC PARTS



COMPONENT PARTS

STOCK No.	REPLACES	DESCRIPTION	MODELS
E-682	2039400000	ON-OFF POWER SWITCH	JCO
E-683	3033100000	TIMER	JTRH
A-3174	3033800000	KNOB FOR E-683 TIMER	
H-941	4616600000	OVEN PILOT NAT	JSR, JTRH
H-912	4612600000	THERMOCOUPLE	JSR-24, JSR-36, JTRH
E-280	4616100000	SPARK MODULE	JTRH
H-880	4615200000	SAFETY VALVE TS	
M-239	3098700000	120V, 1 SPEED MOTOR ASSY WITH BLOWER WHEEL	JSR, JTRH, JSLB
M-367	8400119000	120V MOTOR ONLY FOR M-239	
A-3006	3018800000	BLOWER WHEEL 8"	
M-250	2048500000	120V, 1/3 HP 2 SPEED MOTOR ASSY	JCO
A-2884	3033700000	BLOWER WHEEL 10"	
E-652	2035100000	DOOR MICROSWITCH	JST

INFRARED BURNER

STOCK No.	REPLACES	SIZE	COMMENT
A-3814	1212200000	9" X 23-1/4"	MODEL JSB



A-3814

BROILER CERAMIC RADIANTS

STOCK No.	REPLACES	DESCRIPTION	MODELS
A-3463	3039000000	FULL CERAMIC (8 REQUIRED)	JSHBR
A-3464	3039100000	HALF CERAMIC (20 REQUIRED)	



A-3463



A-3464

OVEN, RANGES, BROILERS

OVENS/RANGES

JADE RANGE SPECIFIC PARTS



A-2373

A-2374

A-2375



SPIDER GRATES FOR MODEL JHPE

STOCK No.	REPLACES	DESCRIPTION
A-2373	1011800100	SPIDER GRATE #968 5-5/8"
A-2374	1011900100	SPIDER GRATE #978 6-5/8"
A-2375	1012000000	SPIDER GRATE #988 7-5/8"



A-2376



A-2379



B-643



A-2382



A-3815



A-2377

A-2378

BURNER COMPONENTS

STOCK No.	REPLACES	DESCRIPTION	COMMENTS
A-2376	8492300000	FRONT OPEN TOP BURNER ASSY	FOR MODEL JSR, JTRH
A-2377	8424000000	21" REAR OPEN TOP BURNER ASSY	FOR MODEL JSR
A-2378	8492500000	22" REAR OPEN TOP BURNER ASSY	FOR MODEL JTRH
A-2379	1013500000	OPEN TOP BURNER HEAD 920	FOR ABOVE BURNER ASSY'S
B-643	3022600000	OPEN TOP BURNER GASKET	
A-2382	4611200000	PILOT HEAD WITH NUT AND SLEEVE	MOST MODELS
A-3815	1213600100	26-1/2" BROILER BURNER	JSHBR



A-2363



A-3460



A-2380



A-2381



A-2235



A-3461



A-3816



A-3906

DOOR PARTS FOR MODELS JSR, JTRH

STOCK No.	REPLACES	DESCRIPTION
A-2363	3014400000	DOOR SPRING
A-3460	3052600000	DOOR SPRING JTRH, CONV. OVEN
A-2380	3012900000	SHOOK
A-2381	3419500000	EYE BOLT
A-2235	1012700000	ROCKER ARM
A-3461	1017400000	ROCKER ARM JTRH, CONV. OVEN, JSR AFTER 10/98
A-3816	3010400100	HANDLE BRACKET
A-3906	1112000000	HANDLE FOR 36" DOOR - JSR

OVENS/RANGES

LANG SPECIFIC PARTS



G-390
G-392



G-335



A-2765

THERMOSTATS AND DIAL

STOCK No.	TYPE	RANGE	REPLACES	STYLE	COMMENTS	DIAL EXACT
G-390	SP	100°-450°F	30402-08	ELECTRIC	72" CAPILLARY	-
G-392	KNP	200°-850°F	30402-23			-
G-335	D1/D18	200°-550°F	30402-09			A-2765

CONTROL, PROBE AND DIAL

STOCK No.	REPLACES	DESCRIPTION
G-796	40101-19	TEMPERATURE CONTROL
F-510	41100-12	PROBE
A-4273	70701-28	DIAL



G-796



F-510



A-4273



E-273



E-279



E-280



A-941



D-100



L-258



F-417



A-4027



F-483



F-511



F-512



H-1413



H-1412

COMPONENT PARTS

STOCK No.	SPECIFICATIONS	REPLACES	COMMENTS
E-273	3-HEAT, 25 AMP 250V, 15 AMP 480V	30304-06	ARK-LES ROTARY SWITCH
E-279	MODEL FSS-27" CAPILLARY	80506-04	FLAME SWITCH
E-280	MODEL SM2-120 VOLT	80300-03	SPARK IGNITION MODULE
A-941	OFF-LOW-MED-HIGH	70701-10	KNOB FOR E-273
D-100	115V 50W	31603-09	LAMP
L-258	PORCELAIN	31602-04	SOCKET
F-417	1/8" X 18" SENSOR	41100-08	FOR MODEL ECCO, GCCO SERIES
A-4027	10-3/4" X 1-1/2" X 1/2"	71500-05	BLOWER WHEEL FOR ECO, GCO, EHS
F-483	2 POLE, 24V, 30A	30701-05	CONTACTOR FOR EHS, EQS
F-511	-	30304-16	CIRCUIT BOARD SWITCH
F-512	24V	80300-08	SPARK MODULE
H-1413	-	80201-14	PILOT
H-1412	120V	80502-01	SOLENOID VALVE

OVEN, RANGES, BROLLERS

OVENS/RANGES

LANG SPECIFIC PARTS

12" X 24" RANGE TOP HEATING ELEMENTS				
STOCK No.	SPECIFICATIONS	VOLTAGE	WATTAGE	REPLACES
C-578	6" X 18-3/8" INNER	208	3000	11010-10
C-579		240		11010-22
C-580		480		11010-24
C-581	7-1/2" X 21-1/4" OUTER	208	2000	11010-09
C-582		240		11010-21
C-583		480		11010-23



C-578

C-579

C-580



C-581

C-582

C-583

**WE SPECIALIZE IN HARD TO FIND PARTS!
 OUR CUSTOMER SERVICE REPRESENTATIVES ARE
 AVAILABLE TO ASSIST YOU IN LOCATING MOST ANY
 PART YOU NEED.**

800-243-1290

OVENS

LINCOLN SPECIFIC PARTS



G-618



G-617



G-762



F-374



H-1207



H-1087



H-1206



E-796



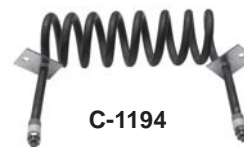
E-797



G-724



F-421



C-1194



C-1272



F-363



F-518



H-1421

COMPONENT PARTS

STOCK No.	REPLACES	DESCRIPTION	MODELS
G-618	369728	TEMPERATURE CONTROL BOARD	1100, 1600 SERIES
G-617	369465	ELECTRONIC TEMPERATURE CONTROL	1300 SERIES S/N 3000481 AND UP
G-762	369431	HI-LIMIT	1300, 1116-000A, 1117-000A, 1130-000A, 1133-000A
F-374	369417	TIME DELAY RELAY	1300 SERIES
H-1207	369263	JOHNSON NAT/LP GAS VALVE	1116, 1117
H-1087	369529	HONEYWELL NAT/LP GAS VALVE	
H-1206	369398	1/2", 120V, GAS SOLENOID VALVE	1040, 1041, 1116, 1117
E-796	369430	AIR SWITCH	1300
E-797	369432	SWITCH	1300, 1130-000A THRU 1133-000A
G-724	369464	CONVEYOR CONTROL	1300 SN 3000481 TO 3007663
C-1194	369183	208V/1600W HEATING ELEMENT	1100, 1116-000A, 1117-000A, 1130-000A, 1131-000A
C-1272	369418	208V/5600W HEATING ELEMENT	1300
F-363	369422	240V 8PIN RELAY	
F-421	369393	IGNITION MODULE	1040, 1041, 1000, 1001, 1004, 1005, 1050, 1051, 1240, 1241, 1200, 1201, 1204, 1205
F-518	369640	STEPPER CONTROL	1002-1023, 1040-1041, 1100-1105
H-1421	369076	BURNER IGNITOR	1000, 1001, 1004, 1005, 1040, 1041, 1050, 1051

OVEN, RANGES, BROILERS

OVENS

LINCOLN SPECIFIC PARTS



M-279



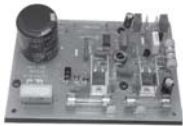
M-280



M-303



G-743



F-456



A-3817



F-457



A-4318



A-4319



M-368



M-369



A-4320



F-519



F-520

COMPONENT PARTS

STOCK No.	REPLACES	DESCRIPTION	MODELS
M-279	369366	115V, BURNER BLOWER MOTOR	1000 SERIES, 1116, 1117, 1200 SERIES
M-280	369466	CONVEYOR MOTOR	1300 SERIES S/N 3000481 AND UP
M-303	369181	208/230V MAIN FAN MOTOR	1100-1103, 1130-1133, 1151, 1160-1163
G-743	357067	THERMOSTAT	1100A SERIES
F-456	369155	CONVEYOR MOTOR CONTROL	1000 SERIES S/N 4390 AND UP
A-3817	369384	BRUSH SET (2)	
F-457	369532	IGNITION CONTROL	1100A SERIES
A-4318	369522	THERMOSTAT KNOB	1100 SERIES
A-4319	369822	MAGNET 8-POLE	1300, 1600-000A, 1601-000-A
M-368	369485	208/240V MOTOR ASSY	1300
M-369	369291	130VDC MOTOR & GEAR BOX ASSY	1240-1241 - SR# 4390 AND UP
A-4320	369409	9" BLOWER WHEEL	1300
F-519	369803	CONVEYOR CONTROL	1600-000-A, 1601-000-A
F-520	369605	120V PRI-24V SEC TRANSFORMER	1022-1023, 1040-1041, 1100-1105

OVENS

LINCOLN SPECIFIC PARTS



F-371



F-373



F-375



F-394



F-370



F-372



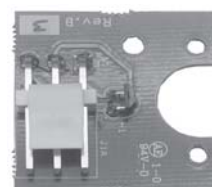
F-420



L-326



F-376



F-521



F-458

POTENTIOMETERS AND SENSORS

STOCK No.	REPLACES	DESCRIPTION	MODELS
F-376	369520	TEMPERATURE POTENTIOMETER	1100, 1106, 1130, 1150, 1151, 1154, 1155, 1160, 1164
F-371	369152	CONVEYOR CONTROL POTENTIOMETER	1100 SERIES PRIOR TO S/N 2011383 ALL MODELS 1160 THRU 1163 S/N PRIOR TO 2011978
F-373	369391	CONVEYOR CONTROL POTENTIOMETER	1100 SERIES ABOVE S/N 2011383 ALL MODELS 1160 THRU 1163 S/N ABOVE 2011978
F-375	369468	CONVEYOR CONTROL POTENTIOMETER	1300 SERIES S/N 3000481 AND UP
F-394	369449	TEMPERATURE CONTROL POTENTIOMETER	1100A SERIES
F-370	369131	THERMOCOUPLE PROBE	1000, 1100, 1200, 1300 SERIES 1 RED, 1 WHITE LEAD
F-372	369193	THERMISTOR PROBE	1000, 1100, 1200 SERIES, YELLOW LEADS
F-420	369552	HOT SURFACE IGNITOR	1116, 1117, 1116-000-A, 1117-000-A
L-326	9910286	32" WIRE HARNESS	USED ON OLD UNITS USING M-279 BURNER MOTOR
F-521	369823	HALL EFFECT SENSOR	1116-000-A, 1117-000-A, 1130-000-A
F-458	369809	CONVEYOR CONTROL POTENTIOMETER	1100A SERIES

OVEN, RANGES, BROILERS

OVENS

LINCOLN SPECIFIC PARTS



A-3177



A-3374



A-3375



A-3376



A-3377



A-3622



A-3623



A-3820



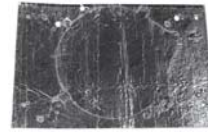
A-3818



A-3819



A-3984



B-903



B-1042

MECHANICAL COMPONENTS

STOCK No.	REPLACES	DESCRIPTION	MODELS
A-3177	369516	CONVEYOR SHAFT BEARING	1100, 1300 SERIES
A-3374	369362	CONVEYOR BELTING 32" W (SOLD BY FOOT)	1000, 1600 SERIES
A-3375	369005	CONVEYOR BELT LINK	
A-3376	369411	CONVEYOR BELTING 16" L X 58-1/4" L	1300 SERIES
A-3377	369412	CONVEYOR BELTING SPLICE CLIP	
A-3622	369190	CONVEYOR DRIVE COUPLING	1100, 1106, 1130, 1136, 1150, 1151 S/N 2011373 & BELOW
A-3623	369512	DRIVE COUPLING SLEEVE	
A-3820	369165	CONNECTING LINK	1100 SERIES
A-3818	369611	CONVEYOR DRIVE COUPLING	1100A
A-3819	369664	DRIVE COUPLING SLEEVE	
A-3984	369194	CONVEYOR BELT	1100, 1116-000A, 1117-000A, 1130-000A, 1131-000A
B-903	369470	INSULATION SEAL	1300
B-1042	369151	COUPLING & ENCODER DISC ASSY	1100 SR# 4390 AND UP

OVENS

MARKET FORGE SPECIFIC PARTS



G-314



A-1545

THERMOSTAT AND DIAL

STOCK No.	TYPE	RANGE	REPLACES	STYLE	COMMENTS	DIAL EXACT
G-314	KX	150°-475°F	10-4714	ELECTRIC	OVENS	A-1545



M-119



M-123



M-253

MOTORS

STOCK No.	SPECIFICATIONS	REPLACES	COMMENTS
M-119	1/2 HP, 115/230V, 1 PH	10-5120	CONVECTION OVEN BLOWER MOTOR
*M-123	1/2 HP, 115/230V, 1 PH	-	
M-253	208/240V	99-4164	BLOWER MOTOR ASSY

*M-123 A.O. SMITH (CENTURY) MOTOR MAY BE USED TO REPLACE M-119 HOWELL OR CENTURY MOTOR
NOTE: 480V OVENS REQUIRE A TRANSFORMER.



BLOWER WHEEL

STOCK No.	SPECIFICATIONS	REPLACES	COMMENTS
A-964	10" X 2"	10-5453	BLOWER WHEEL

OVEN, RANGES, BROILERS

OVENS

MARKET FORGE SPECIFIC PARTS



E-215



F-522



F-171



E-315



A-2160



H-237
H-238



H-460



A-3178



D-100

COMPONENT PARTS

STOCK No.	REPLACES	DESCRIPTION
E-215	10-8259	ELECTRIC IGNITER
F-522	08-7109	FLAME SENSOR
F-171	10-8262	THERMAL DELAY RELAY
E-315	10-6859	DOOR MICROSWITCH
A-2160	99-3362	CATCH
H-237	10-6456	NAT RSW 120V GAS VALVE
H-238	10-6466	LP RSW 120V GAS VALVE
H-460	10-6459	THERMOCOUPLE
A-3178	99-4785	SPRING ARM ROLLER ASSY FOR MODELS 2500, 2700
D-100	10-5148	115V 50W LAMP

OVENS

MIDDLEBY MARSHALL SPECIFIC PARTS



G-625



F-389



F-390



D-361



D-362



E-888

CONTROL COMPONENTS

STOCK No.	REPLACES	DESCRIPTION	MODELS
G-625	47321	TEMPERATURE CONTROL	PS200/224/220FS, PS200-R68, PS250/JS250, PS300/350, PS310/360/360WB
F-389	33985	THERMOCOUPLE	PS200, PS220, PS224, PS200VL, PS224VL, PS220VL, PS536
F-390	33984		PS314SBI, PS300, PS350, PS250, JS250, PS360EBW, PS360WB70 PS555, PS570, PS570S, PS310, PS360, PS360Q, PS360S, PS360WB
D-361	28154-0003	9 AMP TIME DELAY FUSE	-
D-362	28150-0048	15 AMP TIME DELAY FUSE	
E-888	46521	SWITCH KIT	PS200, PS220, PS224 GAS & ELECTRIC, PS300 SERIES



F-391



F-392



M-260



A-3257



A-3259



A-3260



A-3572



A-3640



A-4039



A-4040



A-4041



B-1028

CONVEYOR COMPONENTS AND DOOR GASKET

STOCK No.	REPLACES	DESCRIPTION	MODELS
F-391	58323	SPEED CONTROL BOARD	PS200/224/220FS, PS200-R68, PS300/350, PS310/360/360WB, PS360EBW, PS360WB70, PS570
F-392	46451	SPEED CONTROL PICKUP	
M-260	27384-0008	DRIVEMOTOR - SINGLEBELT UNITS	PS300/350, PS310/360/360WB, PS360EBW, PS360WB70, PS570
A-3257	22450-0052	MOTOR BRUSH (SET OF 2)	FOR M-260 MOTOR
A-3259	22034-0003	SHAFT BUSHING	PS200/224/220FS, PS200-R68, PS310/360, PS360EBW, PS360WB70, PS570
A-3260	35000-1080	NYLON SPACER	
A-3572	35000-1013	DRIVE SHAFT ADAPTER	
A-3640	42400-0309S	DRIVE SPROCKET	
A-4039	22011-0013	SHAFT COLLAR	PS300, PS536, PS555, PS314SBI, PS360EBW
A-4040	22151-0002	SPROCKET	PS200, PS360
A-4041	35000-1012	DRIVE SHAFT	PS200, PS220, PS224
B-1028	22420-0005	GASKET	PS300, PS314SBI, PS360EBW, PS360WB70

OVEN, RANGES, BROILERS

OVENS

MIDDLEBY MARSHALL SPECIFIC PARTS



M-261



F-402



H-1204



H-1203



F-393



H-1205



A-2232



L-325

GAS COMPONENT PARTS

STOCK No.	REPLACES	DESCRIPTION	MODELS
M-261	27170-0011	BURNER MOTOR AND FAN ASSY	PS200/224/220FS, PS200-R68, PS300/350, PS310/360/360WB, PS570
F-402	36510	TIME DELAY RELAY	
*H-1204	42810-0121	NAT COMBINATION GAS VALVE	PS200/224/220FS, PS200-R68, PS310/360/360WB
H-1203	28091-0017	SOLENOID VALVE	PS200/224/220FS, PS200-R68, PS250/JS250, PS300/350, PS310/360/360WB, PS570
F-393	42810-0114	IGNITION CONTROL BOARD	PS200/224/220FS, PS200-R68, PS250/JS250, PS310/360/360EB, PS570
H-1205	42810-0117	NAT PILOT IGNITER ASSY	FOR F-393 CONTROL BOARD
A-2232	22174-0010	LP ORIFICE ONLY	FOR USE WITH H-1205
L-325	27159-0019	IGNITION WIRE ONLY	FOR USE WITH F-393

* H-1204 FOR LP ORDER H-789 CONVERSION KIT



M-262



A-3723



A-3724



E-692



M-331
M-332



E-855



E-888

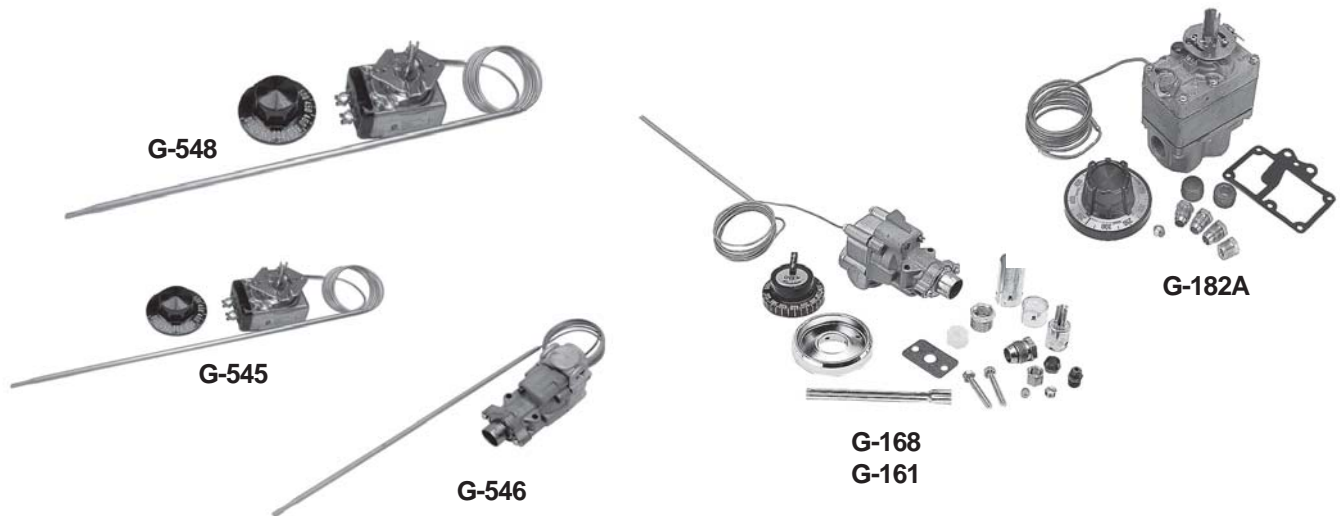
BLOWERS, CONVEYOR MOTOR AND DOOR INTERLOCK SWITCH

STOCK No.	REPLACES	DESCRIPTION	MODELS
M-262	27381-0023	1/3HP 1PH BLOWER MOTOR	PS300, PS350, PS310/360/360S
*A-3723	22523-0002	BLOWER WHEEL	CW - FOR M-262 MOTOR
*A-3724	22523-0003		CCW - FOR M-262 MOTOR
E-692	28021-0047	BLOWER DOOR INTERLOCK SWITCH	PS200/224/220FS, PS200-R68, PS300/350, PS310/360/360WB
M-331	27392-0002	COOLING FAN MOTOR	PS250/JS250, PS300/350, PS310/360/360WB
M-332	97525		PS536, PS555
E-855	46522	BLOWER SWITCH KIT	PS536
E-888	46521	SWITCH KIT	PS200/220/224/300

* A-3723 IS CW FROM BACK OF BLOWER WHEEL. A-3724 IS CCW FROM BACK OF BLOWER WHEEL.

OVENS/RANGES

MONTAGUE SPECIFIC PARTS



THERMOSTATS

STOCK No.	SPECIFICATIONS	REPLACES	MODELS
G-545	KX, 200-500°F	3499-1	115AE1 WITH ELECTRONIC IGNITION
G-548	K, 200-500°F	3500-9	EK15A, 2EK15A
G-546	BJ, 250-500°F	36351-0	G16, G26
*G-168	BJ, 250-550°F	3376-6	R SERIES OVEN
*G-161	BJ, 150-400°F	3384-7	R SERIES GRIDDLE
*G-182A	FD, 150-500°F	3395-2	115 SERIES

*G-161, G-168 AND G-182A ARE UNIVERSAL KITS.



H-839



H-1003



H-1032
H-1033

SAFETY VALVES

STOCK No.	SPECIFICATIONS	REPLACES	MODELS
H-839	H15HR/H15HQ, 3/8" BASO	1025-1	115 SERIES 5/70 TO 1/79, 6/79 TO CURRENT
H-1003	G92, 1/2" BASO 120V	1028-6	115 SERIES 5/70 TO CURRENT (CHANGE 12)
H-1032	TS, 3/8" RSW	1062-6	136 SERIES, V136 SERIES
H-1033		1065-0	115 SERIES 1/79 TO 6/79 (CHANGE 26 ONLY)

OVEN, RANGES, BROILERS

OVENS/RANGES

MONTAGUE SPECIFIC PARTS



A-2595



A-2626



A-2606



A-2411



A-2398



A-2607



A-1026

DIALS, KNOBS AND HANDLES

STOCK No.	SPECIFICATIONS	REPLACES	MODELS
A-2595	D STEM 200°-500°F DIAL	1979-8	115AEI WITH ELECTRONIC IGNITION
A-2398	BJ, LOW-500°F DIAL	1984-4	G16, G26 OVEN
A-2626	BJ, LO-150°-400°-HI DIAL	1982-8	G16, G26 GRIDDLE
A-2607	D STEM CHROME KNOB	2004-4	136, V136 SERIES
A-2606	D STEM BLUE KNOB	11790-0	G16, G26
A-1026	FD, 150°-500°F DIAL	1024-3	115 SERIES
A-2411	FD LOW-250-500°F	1977-1	136 NEW STYLE



E-305



E-593



E-578



E-574



E-575



E-576



D-319

SWITCHES AND SIGNAL LIGHT

STOCK No.	DESCRIPTION	REPLACES	MODELS
E-305	DOOR SWITCH	1300-5	115 SERIES, EK15A
E-593	FAN-OFF-COOL SWITCH	20318-1	136, V136
E-578	LIGHT-OFF SWITCH	23129-0	115 SERIES, EK8, EK15A
E-574	DOOR SWITCH	21863-4	VG26, 136, V136
E-575	FAN-OFF SWITCH	23128-2	115 SERIES, EK8
E-576	PRESSURE SWITCH KIT	22325-5	115 SERIES
D-319	SIGNAL LIGHT 120V F/BURNER	1295-5	

BROILERS/OVENS/RANGES

MONTAGUE SPECIFIC PARTS



H-1019
H-1020



H-1022
H-1023



H-1027



H-1028



H-1030



A-3381



H-364



E-577



A-3593

PILOTS & SENSOR PROBE

STOCK No.	DESCRIPTION	REPLACES	MODELS
H-1019	PILOT ASSY NAT	36349-9	115 SERIES
H-1020	PILOT ASSY LP	36350-2	
H-1022	PILOT ASSY NAT	23218-1	G SERIES
H-1023	PILOT ASSY LP	23220-3	
H-1027	PILOT ASSY NAT	1047-2	13 P-1, 14 P-1, 23 P-2, 24 P-2
H-1028	PILOT ASSY 36" WIRE	25393-6	115AEI
H-1030	OPEN TOP PILOT ASSY	3444-4	R SERIES, R16, R26
A-3381	PILOT LIGHTER - OPEN TOP	3583-1	136 SERIES
H-364	PILOT ASSY NAT/LP	3394-4	C36, C45, 234W36, 136W36, 43W36
E-577	SENSOR PROBE	19187-6	SE SERIES, SE70, SE115
A-3593	OPEN TOP PILOT ASSY	14033-3	G16, G26 20,000 BTU



A-2612
A-2613



A-2617



A-1098
A-1099

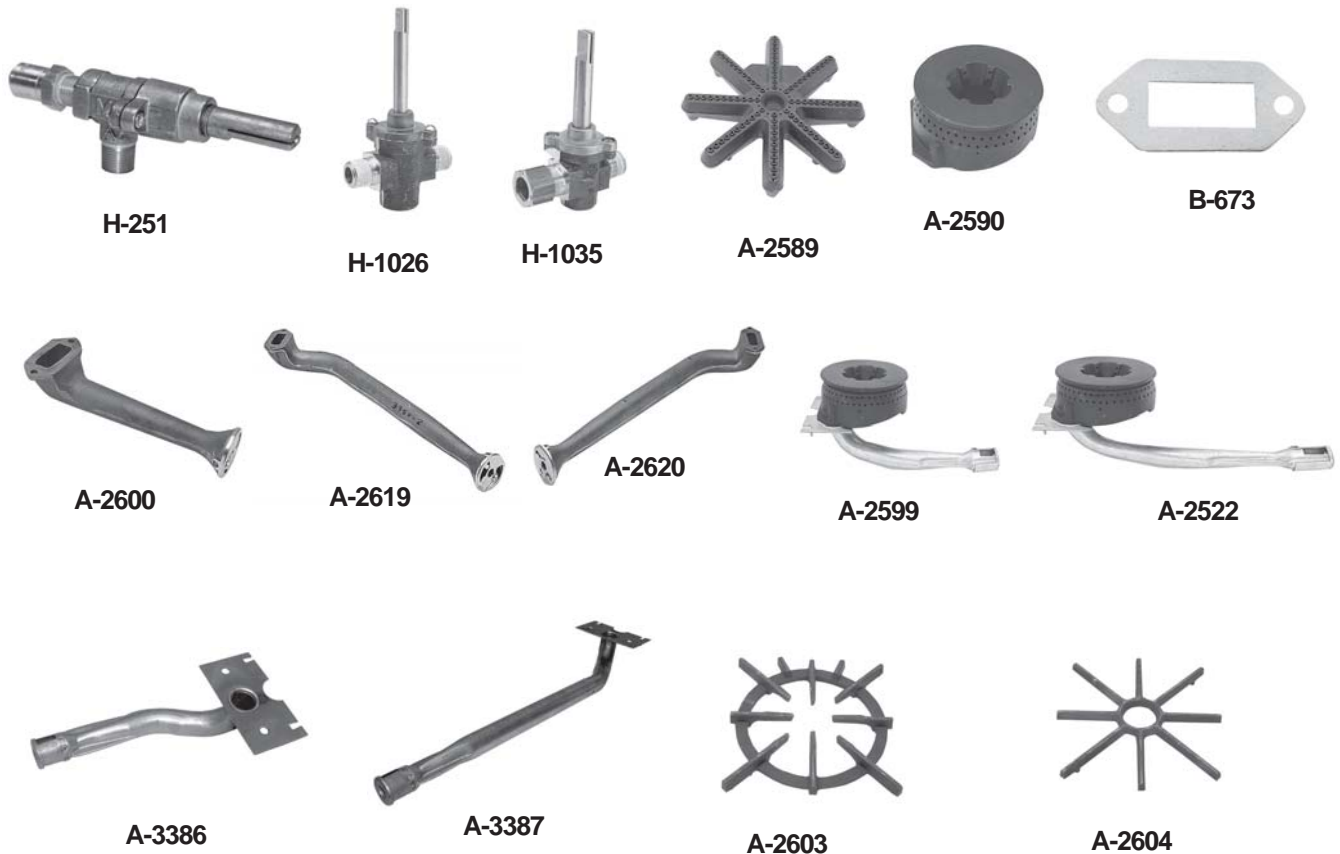
PILOT ORIFICES AND FITTINGS

STOCK No.	DESCRIPTION	REPLACES
A-2612	PILOT ORIFICE LP	2154-7
A-2613	PILOT ORIFICE NAT	2220-9
A-2617	ORIFICE HOLDER	1015-4
A-1098	PILOT ORIFICE LP	2194-6
A-1099	PILOT ORIFICE NAT	2190-3

OVEN, RANGES, BROILERS

BROILERS/OVENS/RANGES

MONTAGUE SPECIFIC PARTS



VALVES, BURNERS AND GRATES

STOCK No.	DESCRIPTION	REPLACES	MODELS
H-251	TOP BURNER VALVE	14608-0	-
H-1026	3/8" VALVE	1038-3	115 SERIES MODELS
H-1035	1/4" MPT X 7/16" CC VALVE	1056-1	136 SERIES MODELS
A-2589	BURNER HEAD	3346-4	136 SERIES
A-2590		3371-5	R SERIES
B-673	GASKET FOR BURNER	2115-6	G AND R SERIES, 136 SERIES
A-2600	FRONT VENTURI	3348-0	136 SERIES
A-2619	REAR VENTURI (LEFT)	3350-2	
A-2620	REAR VENTURI (RIGHT)	3352-9	
A-2599	FRONT BURNER ASSY	15589-6	G SERIES
A-2522	REAR BURNER ASSY	15591-8	
A-3386	FRONT BURNER VENTURI	18895-6	
A-3387	REAR BURNER VENTURI	18894-8	
A-2603	10" RING GRATE 10-1/8" PIN CTRS	11758-7	
A-2604	3-1/4" RING GRATE 11-1/8" PIN CTRS	3370-7	R SERIES

OVENS/RANGES

MONTAGUE SPECIFIC PARTS



D-100



L-287



E-580



A-1462



A-3179

ELECTRICAL COMPONENTS

STOCK No.	DESCRIPTION	REPLACES	MODELS
D-100	115V. 50W. LAMP	1393-5	115V, V20
L-287	LIGHT SOCKET	1408-7	115 SERIES
E-580	TIMER 60 MIN 120V	1406-0	
A-1462	TIMER KNOB DOUBLE D	2041-9	
A-3179	TIMER DIAL PLATE	14734-6	

M-119
M-305
M-306



M-351



A-965

MOTORS & BLOWER WHEEL

STOCK No.	SPECIFICATIONS	REPLACES
M-119	1/2 HP 115/230V 1 PH MOTOR	2167-9
M-305	115V 2 SPEED MOTOR	1397-8
M-306	208/240V 2 SPEED MOTOR	-
M-351	1/4" HP 115/230V 1 PH MOTOR	6382-7
A-965	9" X 1-7/8" BLOWER WHEEL	2123-7



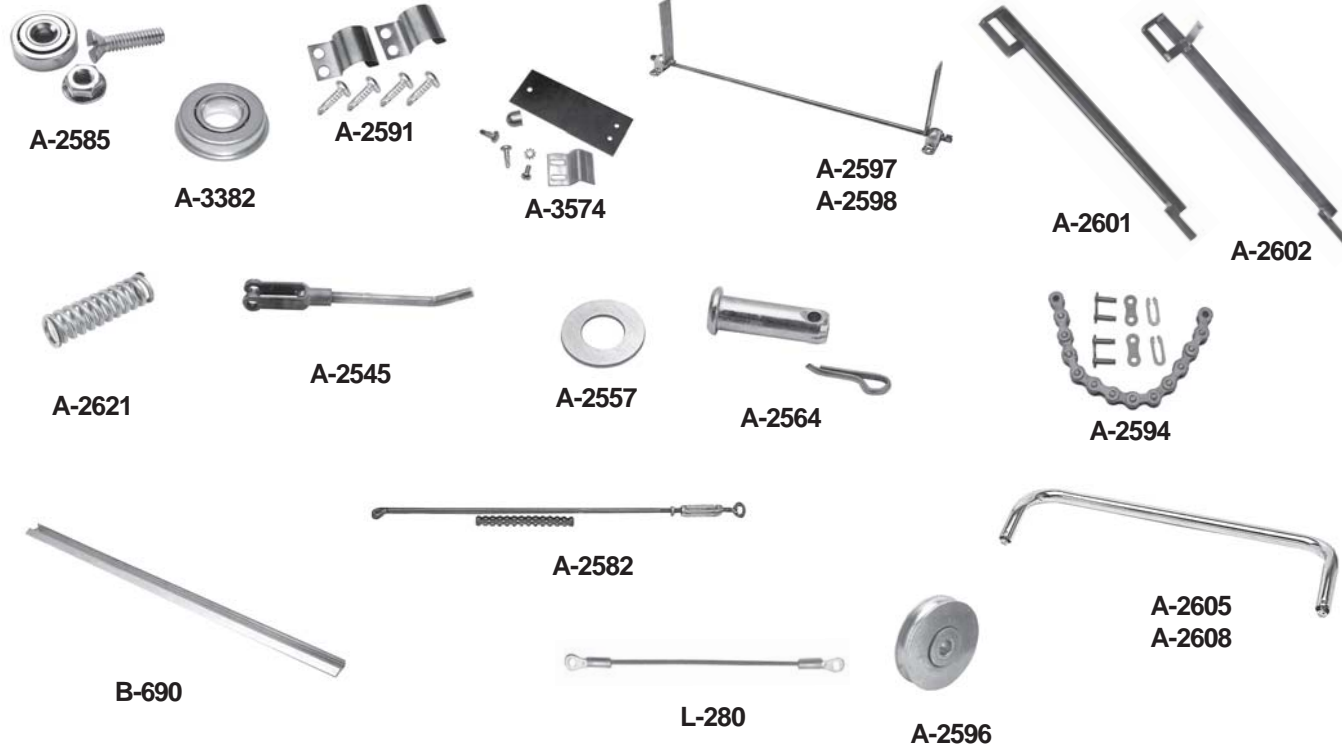
OVEN RACK FOR 115 SERIES

STOCK No.	SPECIFICATIONS	REPLACES
A-2618	25-7/8" FB X 26-3/4" LR	1590-3
A-4159	25-5/8" FB X 26" LR	9005-0

OVEN, RANGES, BROILERS

OVENS/RANGES

MONTAGUE SPECIFIC PARTS



DOOR COMPONENT PARTS

STOCK No.	DESCRIPTION	REPLACES	MODELS
A-2585	BEARING	3413-4	115 SERIES HORIZONTAL DOORS
A-3382		14445-2	115 SERIES - VERTICAL DOORS
A-2591	CATCH (SET OF 2)	3414-2	115 SERIES
A-3574	BALL CATCH	17454-8	115 SERIES 6/89 TO CURRENT
A-2597	DOOR TRUNNION, LOWER	3575-0	115 SERIES HORIZONTAL DOORS
A-2598	DOOR TRUNNION, UPPER	3578-5	
A-2601	GEAR RACK, LEFT	3596-3	115 SERIES HORIZONTAL DOORS 1/63 AND AFTER
A-2602	GEAR RACK, RIGHT	3611-0	115 SERIES HORIZONTAL DOORS 10/74 AND AFTER
A-2621	SPRING	2024-9	115 SERIES HORIZONTAL DOORS
A-2545	YOKE	3408-8	
A-2557	SPRING SPACER	1924-0	
A-2564	YOKE PIN	3412-6	
A-2594	CHAIN WITH LINK	2016-8	115 SERIES VERTICAL DOORS
B-690	CENTER SEAL 23" METAL	4379-6	115 SERIES VERTICAL DOORS 4/94 AND AFTER
*A-2582	CHAIN AND TURNBUCKLE ASSY	19601-0	115 SERIES VERTICAL DOORS (ORDER 2 PER OVEN)
L-280	CABLE ASSY	13445-7	G SERIES, VG60, G60
A-2596	DOOR PULLEY	16257-4	
A-2608	20" CTRS DOOR HANDLE	3173-9	115 SERIES (136 TO CHANGE # 18 3/88), G26)
A-2605	25" CTRS DOOR HANDLE	11776-5	G16, G26 (136 CHANGE 19)

* A-2582 REQUIRES 2 PER OVEN.

BROILERS/OVENS/RANGES

SOUTHBEND SPECIFIC PARTS



G-181



G-624



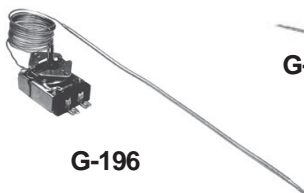
G-180A



A-2656
100-450°F UN



G-312



G-196



A-1027



A-2400
A-3562



A-1026



A-2411



A-252

THERMOSTATS AND DIALS

STOCK No.	TYPE	RANGE	REPLACES	STYLE
G-181	BJFMA	150°-500°F	A81-00054	GAS
G-624	BJWA		B94-00002-01	
G-180A	FDO	150°-550°F	1170193	
G-312	FDTO	LOW-500°F	1010401	
*G-196	KXP	175°-550°F	1161452	ELECTRIC

DIAL ONLY
A-1027
**A-2400
A-1026
A-2411
A-252

* G-196 COMES WITH A DIAL

** FOR 400 SERIES USE A-3562 DIAL

NOTE: A2656 100-450°F DIAL USED ON UN THERMOSTAT WHICH IS NLA



A-2666, A-2667
A-2485, A-893



A-2644
A-2668



A-522
A-765



A-766



A-2936



A-4300

DIALS AND KNOBS

STOCK No.	TYPE	RANGE	REPLACES	COMMENTS
A-2666	.240 FLAT DOWN	OFF-HIGH-LOW	1073495	2" DIA. BROILER VALVE KNOB
A-2667	.240 FLAT UP		1073498	
A-2668	3/16" HOLE	POINTER	1172130	1-3/4" DIA. TIMER KNOB
A-2644	1/4" HOLE		1170337	1-3/4" DIA. KNOB
A-522	.240 FLAT DOWN	OFF-ON	1073496	2" DIA. VALVE KNOB
A-2485	.240 FLAT UP	OFF-HIGH-LOW	1166011	2-1/2" DIA. VALVE KNOB
A-765	.340 FLAT UP	OFF-ON	1160534	2-1/2" DIA. BIG D VALVE KNOB
A-893		OFF-HIGH-LOW	1160532	
A-766		OFF-ON (OVEN)	1160533	
A-2936	.240 FLAT UP	-	1178204	2-1/2" DIA. VALVE KNOB
A-4300			1184689	

OVEN, RANGES, BROILERS

OVENS/RANGES

SOUTHBEND SPECIFIC PARTS



H-263R



H-202



H-336



H-1216



H-494



H-198



H-691



H-1334

SAFETY PILOT VALVES

STOCK No.	TYPE	SPECIFICATIONS	REPLACES	MODELS
**H-263R	5810	7/16" TUBE, MAIN GAS ONLY, PILOT FED FROM T-STAT	1161740	300 SERIES "B" OR "C" SUFFIX
H-494	MSC		1168289	300 SERIES "D" SUFFIX
H-202	FMDA	1/2" PIPE, 54" CAP, 1-1/8" BUTTON	1113999	V, VS SERIES
H-198		1/2" PIPE, 24" CAP, 3/16" BUTTON	1162453	1300, 1400 SERIES AND "B" SUFFIX
*H-336	TS	1/2" PIPE, 1/4" TUBE FOR PILOT	1164037	*(300 "F" SUFFIX) 1300, 1400 "C" AND "D" SUFFIX 300, 1300, 1400 "CO" PREFIX
H-691	-	DUAL SOLENOID VALVE 120 VOLT	4440430	
H-1216	-	SOLENOID VALVE ONLY FOR H-691	1173484	
H-1334	BASO	1/2" PIPE	1180866	-

*ALSO USED ON NEW STYLE 300 AND 400 SERIES OVENS THAT USE G-624 THERMOSTAT.

** H-263R IS A REMANUFACTURED CONTROL AND AN EXCHANGE CORE IS REQUIRED.



H-640



H-209



H-559



H-1042

PILOT BURNERS

STOCK No.	TYPE	REPLACES	COMMENTS
H-640	4304	1168263	USED WITH H-198 AND H-202 SAFETY
H-209	11EA	1046493	
*H-559	2CH10	1163869/70	*USED WITH H-336 SAFETY
H-1042	3CHL1	1165137	NAT PILOT ASSY FOR X, XS SERIES

*ALSO USED ON NEW STYLE 300 AND 400 SERIES OVENS THAT USE G-624 THERMOSTAT.

OVENS/RANGES

SOUTHBEND SPECIFIC PARTS



IGNITION COMPONENTS

STOCK No.	SPECIFICATIONS	REPLACES	DESCRIPTION
E-279	FSS-27" CAPILLARY	1168262	FLAME SWITCH
E-383	-	1164807	SPARK ELECTRODE
E-280	SM2-120 VOLT	1164809	SPARK IGNITION MODULE
F-337	24V 36" LEADS	4440385	MARATHON GLOW IGNITOR - BEFORE 1996
F-357	3/8" X 3" CERAMIC	1183200	MARATHON IGNITOR - AFTER 1996
*F-336	RAM	4440447	IGNITION CONTROL
*L-296	FOR RAM CONTROL	1175724	WIRE HARNESS FOR RAM IGNITION CONTROL
F-334	3" X 1-1/4" L SHAPE PROBE	1175127	FLAME SENSOR
*F-422	3-1/2" X 5"	B93-00006	IGNITION MODULE FOR X SERIES
*E-798	7-1/2" LONG	B93-00008	FLAME SENSOR
*E-219	-	A93-00007	HOT SURFACE IGNITER FOR X SERIES

*NOTE: WHEN REPLACING FENWAL, PETERBORO, CHANNEL IGNITION CONTROLS WITH F-336 RAM CONTROL ORDER L-296 WIRE HARNESS



CONTROL COMPONENTS

STOCK No.	SPECIFICATIONS	REPLACES	DESCRIPTION
G-551	COOK ONLY	1170359	CONTROL BOARD
G-552		1172733	
F-339	3/16" X 4" LONG	1172731	TEMPERATURE PROBE
F-353	-	1181996	TEMPERATURE PROBE FOR GS SERIES
E-585	COOK ONLY	1172734	POTENTIOMETER USED WITH G-552
G-592	-	1181998	COOK CONTROL BOARD FOR G SERIES
G-632	COOK/HOLD	1175024CH	COOK/HOLD BOARD FOR OVEN SUFFIX "CH"
F-514	120/208/240V PRI - 24V SEC	1172277	TRANSFORMER FOR MARATHONER SC MODELS

OVEN, RANGES, BROILERS

OVENS/RANGES

SOUTHBEND SPECIFIC PARTS



H-1040
H-1041



H-1043
H-1021



A-2675

PILOT ASSEMBLIES

STOCK No.	SPECIFICATIONS	REPLACES	COMMENTS
H-1040	1-1/4" LONG TIP, LP	1038099	PILOT ASSY FOR 1/8" TUBE
H-1041	1-1/4" LONG TIP, NAT	1160410	
H-1043	2-1/4" LONG TIP, LP	1176665	
H-1021	2-1/4" LONG TIP, NAT	1176664	
A-2675	PILOT SHIELD 2" X 1-1/2"	1162824	FOR USE WITH H-1040, H-1041
H-729	OPEN TOP PILOT VALVE	1166004	FOR 400 SERIES



H-729



A-1495



A-1496



A-2178



A-519
A-763
A-892



A-3543



A-3544



A-520



A-764
A-2179



A-521



H-519

OPEN TOP PILOTS AND COMPONENTS

STOCK No.	SPECIFICATIONS	REPLACES	DESCRIPTION	MODEL SERIES/SR#
A-1495	11" X 1-1/2" X 3" AT TIP F/3/16" TUBE	1166012	FRONT PILOT ASSY	1300, 1400 "D" SUFFIX
A-1496	23" X 1-1/2" X 3" AT TIP F/3/16" TUBE	1166013	REAR PILOT ASSY	
A-2178	13" X 1-3/4" X 3" AT TIP F/1/4" TUBE	4440364	PILOT ASSY	300, FROM 1988 TO 96H
A-519	13" X 2-1/2" X 3" AT TIP F/1/4" TUBE	B42-00006		300, BEFORE 1988
A-763	17-1/2" X 1-3/8" X 3" AT TIP F/1/4" TUBE	1163889		1300, 1400 4-BURNER
A-892	17-1/4" X 2-3/4" X 3" AT TIP F/1/4" TUBE	1160320		1300, 1400 6-BURNER
A-3543	9-5/16" X 1-5/8" X 4" AT TIP F/3/16" TUBE	1177447	FRONT PILOT ASSY	300, 400 START SR# 99A AND UP
A-3544	16-1/4" X 1-5/8" X 4" AT TIP F/3/16" TUBE	1177448	REAR PILOT ASSY	
A-520	2-1/4" LONG	P3100	FLASH TUBE	300, 1300, 1400
A-764	1-3/4" LONG	2687		1300, 1400
A-2179	2-1/4" LONG	1173544		300, AFTER 96H
A-521	BRASS INSERT	1-5878	CHARGE PORT	F/CAST IRON BURNER
H-519	1/8" MPT INLET	1163844	PILOT FILTER	

BROILERS/OVENS/RANGES

SOUTHBEND SPECIFIC PARTS



H-1017



H-1052



H-1053
H-1054



H-1049
H-1048



H-1050



H-550A



H-421



H-414
H-415



H-520



H-1047



H-1309



H-1311
H-1321



H-1145



H-1310



H-1316

HI-LOW BURNER VALVE REPLACEMENT KITS

STOCK No.	TYPE	REPLACES	MODELS
H-1017	NAT/LP	4440398/97	300 SERIES
H-1052		4440404/03	1300, 1400 SERIES FOR 4-OPEN BURNER RANGE
H-1053	NAT	4440395	1300, 1400 SERIES FOR TOP AND STD CONTROL GRIDDLE
H-1054	LP	4440396	
H-1049	NAT	4440408	MR, MRA INFRA RED SALAMANDER BROILER
H-1048	LP	4440407	
H-1050	NAT/LP	4440410/09	536, 560, 3230 RADIANT SALAMANDER BROILER
ON OFF BURNER VALVE REPLACEMENT KITS			
H-550A	NAT/LP	4440358/59	1300, 1400 SERIES FOR 6-OPEN BURNER RANGE
H-421	-	4440394	1300, 1400 SERIES, OVEN AND T-STAT GRIDDLE

NOTE: BURNER VALVE REPLACEMENT KITS PROVIDE PARTS NEEDED TO REPLACE OLD STYLE VALVE. IF THE TYPE IS NAT/LP THE VALVE IS SET FOR NAT AND ADJUSTABLE FOR LP.

BURNER VALVES

STOCK No.	DESCRIPTION	REPLACES	MODELS
H-414	ON/OFF NAT VALVE	1126842	300 SERIES OLD STYLE
H-415	ON/OFF LP VALVE	1126857	
H-520	NAT/LP	1021697/96	1300, 1400 OLD STYLE 4-OPEN BURNER
H-1047	HI-LOW, NAT/LP VALVE	1176000/01	300 SERIES N/S VALVE ONLY
H-1145	ON/OFF VALVE	1178202	1300, 1400 6-OPEN BURNER
H-1309	HI-LOW, NAT/LP	1176004/05	1300, 1400, FOR 4-OPEN BURNER RANGE
H-1310	HI-LOW, NAT/LP	1176006/07	536, 560, 3230, RADIANT SALAMANDER BROILER
H-1311	HI-LOW, NAT	1176014	MR, MRA, INFRA RED SALAMANDER BROILER
H-1321	HI-LOW, LP	1176015	
H-1316	ON/OFF	1176099	1300, 1400 SERIES, OVEN AND T-STAT GRIDDLE

OVEN, RANGES, BROILERS

OVENS/RANGES

SOUTHBEND SPECIFIC PARTS



A-2653



A-2652



A-2663



A-2654



A-2664



A-2674



A-2173



A-2648



A-1771

OPEN TOP BURNER COMPONENTS

STOCK No.	SPECIFICATIONS	REPLACES	MODEL SERIES/SR#
A-2653	FRONT-CAST IRON	1162932	(300, BEFORE 1988, AFTER 96H), 1300, 1400
A-2652	REAR-CAST IRON	1162930	
A-2663	FRONT-STEEL	1167387	300, 1988 TO 96H
A-2654	REAR-STEEL	C50-00006	
A-2664	FRONT-STEEL VENTURI	1179240	40,000 BTU 4-BURNER UNITS
A-2674	REAR-STEEL VENTURI	1179241	
A-2173	FOR A-2664, A-2674	1179230	BURNER CAP
A-2648	FITS 2-1/2" BURNER	P1146	USED ON A-2652, A-2653
A-1771	FITS 1" BURNER	A14-00032	USED ON A-2654, A-2663, A-2664, A-2674



A-2670



A-2210



A-2729



A-4026



A-4301

OVEN BURNERS AND ORIFICE

STOCK No.	SPECIFICATIONS	REPLACES	MODELS
A-2670	23-1/2" STEEL OVEN BURNER	1164255	(300 SERIES WITH "D" SUFFIX) (1300, 1400 WITH "B" SUFFIX)
A-2210	20-1/4" STEEL OVEN BURNER	1164125	(300 SERIES WITH "F" SUFFIX) (1300, 1400 WITH "C" AND "D" SUFFIX)
A-2729	23-3/4" STEEL OVEN BURNER	1165733	300, 1300, 1400 SERIES WITH "CO" PREFIX
A-4026	5-1/4" STEEL	1175143	SLGB, GS
A-4301	1/8" MPT X 9/16" LONG #55 LP	1176034	FOR USE WITH A-4026

BROILERS/OVENS/RANGES

SOUTHBEND SPECIFIC PARTS



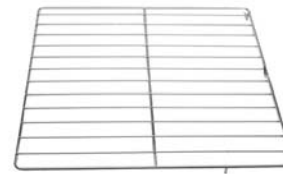
A-518



A-762



A-841



A-2673

GRATES AND OVEN RACKS

STOCK No.	SPECIFICATIONS	REPLACES	DESCRIPTION
A-518	3" CTR RING 11-1/4" PIN CTR	1126900	PORCELAIN SPIDER GRATE FOR 300 SERIES
A-762	9-1/2" RING DIA. 11-1/4" PIN CTR	1160162	MATTE FINISH GRATE FOR 300, 1300, 1400 SERIES
A-841	25-5/8" X 25"	1000315	FOR UNITS WITH "U" CHANNEL SUPPORTS
A-2673	25-5/8" X 25-5/8"	1173545CP	FOR UNITS WITH ROUND ROD SUPPORTS



E-131A



E-587
E-588



E-586



E-308



E-747



E-591



A-1462



E-684



E-799



E-685



D-360
D-200
D-347



D-135

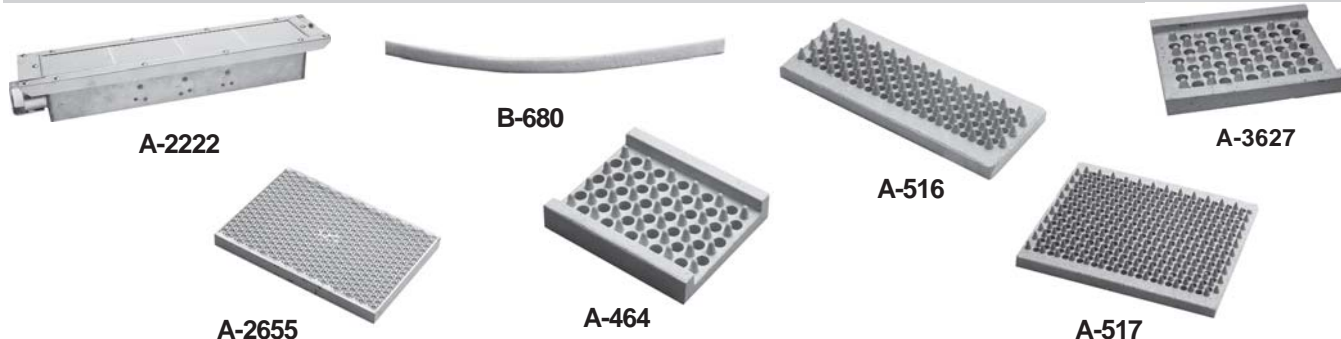
ELECTRICAL COMPONENT PARTS

STOCK No.	SPECIFICATIONS	REPLACES	DESCRIPTION
E-131A	DPST (ON-OFF)	1164503	ROCKER SWITCH
E-587	SPDT-CTR-OFF (ON-OFF-ON)	1011815	
E-588	SPDT (ON-ON)	1164504	
E-586		1170344	
E-308	15A-125/250 VOLTS	1142000	OVEN DOOR SWITCH
E-747	15A SP-DT	1177567	
E-591	60 MIN	1175409	BELL TIMER
A-1462	POINTER DOUBLE "D" STEM	-	KNOB FOR E-591
E-684	208/240V 60 MIN.	4440449	OVEN TIMER
E-799	120V 60 MIN	1175670	MOTORIZED TIMER
E-685	SPDT, 15A	1177566	DOOR SHUTDOWN SWITCH
D-360	120V AMBER	1170347	SIGNAL LIGHT
D-200	240V AMBER	1170350	
D-347	24V AMBER	1177565	
D-135	115V 40W	1160009	OVEN LAMP

OVEN, RANGES, BROILERS

BROILERS/OVENS/RANGES

SOUTHBEND SPECIFIC PARTS



INFRA-RED BURNER, CERAMIC TILES AND FIBER GASKET

STOCK No.	SPECIFICATIONS	REPLACES	MODELS
A-2222	5-1/8" X 24-1/8" IR BURNER	1163875	170D, 171, 171D, 270D, 40D
A-2655	3-5/8" X 5-3/16" CERAMIC TILE	1163578	REPLACEMENT TILES FOR A-2222
*B-680	9/16" WIDE X 1/8" THICK GASKET	1057515	REPLACEMENT FIBER GASKET FOR A-2222
A-464	3-3/4" X 4-1/4" CERAMIC TILE	1-5371	32, 32-40
A-516	3-1/4" X 7-1/2" SIDE CERAMIC TILE	P3111	300 SERIES
A-517	6-3/4" X 7-5/8" CENTER CERAMIC TILE	P3112	
A-3627	3-13/16" X 4-15/16 CERAMIC TILE	P4771	S-36, S-60, 3230

* B-680 IS SOLD BY THE FOOT. A-2222 USES 10 FT OF B-680



MOTORS AND BLOWER WHEELS

STOCK No.	SPECIFICATIONS	REPLACES	COMMENTS
M-119	1/2HP, 115/230V, 1 PH	1162164	MOTOR
M-179	1/3HP, 115/230V, 1 PH	4440299	
M-231	1/2HP, 115V, 2 SPEED, 1 PH	4440367	
M-238	115V	1164095	BROILER BLOWER ASSY "D" SUFFIX
A-966	10" X 2-1/8" X 5/8" HOLE	1046599	BLOWER WHEEL
A-2651	10" X 2-5/8" X 1/2" HOLE	1165521	DUAL BLOWER WHEEL
M-254	120V 2 SPEED	4440297	MOTOR WITH SHAFT REDUCING BUSHING
A-3207	10" X 2-1/4" X 1/2" HOLE	1175196	BLOWER WHEEL
A-3546	8-1/2" X 1-5/8" X 1/2" HOLE	1177581	BLOWER WHEEL FOR 400 SERIES

BROILERS/OVENS/RANGES

SOUTHBEND SPECIFIC PARTS



DOOR PARTS AND BROILER BEARINGS

STOCK No.	DESCRIPTION	REPLACES	MODELS
A-433	RIGHT HAND DOOR HINGE	3515	300 SERIES PRIOR TO 1/88 (OLD STYLE)
A-434	LEFT HAND DOOR HINGE	3516	
A-435	HINGE ASSY	2537	300, 1300, 1400 SERIES
A-3545	DOOR HINGE	1180861	400 SERIES
A-436	CAST IRON QUADRANT	1017800	OLD STYLE
A-3547	STEEL QUADRANT	1180859	400 SERIES
A-2671	STEEL QUADRANT	1119099	NEW STYLE
A-2672	QUADRANT BOLT	1119201	300, 1300, 1400 SERIES
A-2685	QUADRANT KIT	4440165	300, 400, 1300, 1400 SERIES-NOT "CO" PREFIX
A-438	LEFT HAND SPRING HOOK	1034900	
A-439	RIGHT HAND SPRING HOOK	1034901	
A-437	DOOR SPRING	P1089	300, 1300, 1400 "CO" PREFIX
A-2658		1165756	
A-4077	OVEN DOOR SPRING	1183756	PLATINUM SERIES
A-3180		1179030	300, 400 SERIES-SPACE SAVER OVEN
A-888	REAR BROILER GRID BEARING	4440005	1-9/32" OD
A-889	FRONT BROILER GRID BEARING	4440006	1-5/8" OD
A-3628	OVEN DOOR CHAIN	1165905	"CO" MODELS
A-3624	DOOR CHAIN STUD	1165774	
A-4302	THRUST BEARING	1092000	MARATHONER GOLD SILVERSTAR
A-4303	THRUST BEARING - LOWER	1164547	
A-4304	BRONZE BUSHING	1164527	
A-4305	DOOR STAKE	1177778	400 SERIES - SR# BEGINNING 99A

OVEN, RANGES, BROILERS

BROILERS/OVENS/RANGES

SOUTHBEND SPECIFIC PARTS



A-440



B-678



B-642



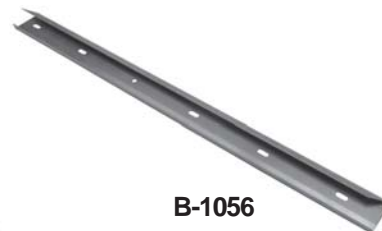
B-1035



B-1036



B-1037



B-1056

DOOR PARTS AND BROILER BEARINGS

STOCK No.	DESCRIPTION	REPLACES	MODELS
A-440	DOOR HANDLE	4440000	300, 1300, 1400 SERIES
B-678	DOOR GASKET KIT	4440335	X, V SERIES
*B-642	DOOR GASKET (PER FOOT)	1176296	300, 1300, 1400 SERIES WITH "CO" PREFIX
B-1035	S/S TOP DOOR SEAL	1181829	MARATHONER GOLD & SILVERSTAR
B-1036	S/S BOTTOM DOOR SEAL	1181826	
B-1037	S/S LEFT SIDE DOOR SEAL	1189504	
B-1056	S/S RIGHT SIDE DOOR SEAL	1189505	

* B-642 DOOR GASKET SOLD BY THE FOOT.

SAME DAY SHIPPING ON MOST ORDERS!

**STOCK ORDERS* RECEIVED IN CONNECTICUT
BY 5:00PM OR 4:00 IN LAS VEGAS ARE
NORMALLY SHIPPED THE SAME DAY.**

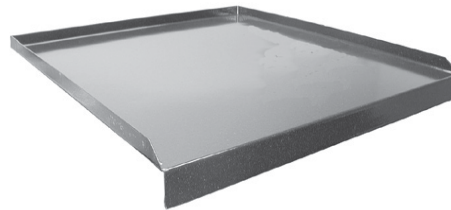
* SUBJECT TO INVENTORY AVAILABILITY

BROILERS/OVENS/RANGES

SOUTHBEND SPECIFIC PARTS



A-2669



A-3548



A-2661



A-2660

OVEN BOTTOMS, FIRE PLATE AND BROILER FILTER

STOCK No.	DESCRIPTION	REPLACES	MODELS
A-2669	OVEN BOTTOM 26-1/4" X 25-3/4"	1107898	300 SERIES
A-3548	OVEN BOTTOM 26-1/2" X 24-5/8"	1180776	400 SERIES
A-2661	FIRE PLATE 20-7/8" X 25-7/8"	1167432	(300 SERIES THRU 2/87) (1300, 1400 AFTER 7/84)
A-2660	FILTER 10" X 20" X 1"	1062599	170A, 171A, 170D, 171D, 270A, 270D BROILER

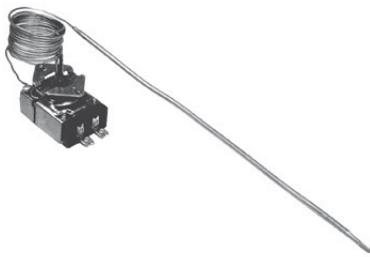
**WOULD YOU RATHER FAX IN YOUR ORDER THAN CALL?
NO PROBLEM!**

**TOLL FREE FAX IN UNITES STATES: 800-253-8499
INTERNATIONAL CUSTOMERS FAX: 860-738-7104**

OVEN, RANGES, BROILERS

OVENS/RANGES

TOASTMASTER SPECIFIC PARTS



G-198
G-308



G-213



A-2190



A-2874



A-2873

THERMOSTATS AND DIALS

STOCK No.	TYPE	RANGE	REPLACES	DESCRIPTION	MODELS	DIAL EXACT
G-308	S	150°-450°F	2662A8723	ELECTRIC	OVENS	A-2190
G-198	KM	250°-850°F	3004281		RANGE TOPS	A-2874
G-213	D1/D18	200°-550°F	3004238		OVENS	A-2873



E-560



A-3016



E-174
E-175



A-947



E-673



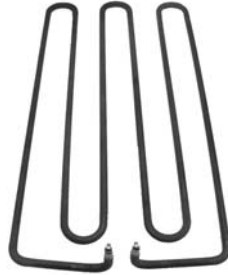
D-100

COMPONENT PARTS

STOCK No.	SPECIFICATIONS	REPLACES	COMMENTS
E-560	20A-480V	34414	3-HEAT ROTARY SWITCH KIT
E-673	20A-480V	32941	SWITCH ONLY FOR E-560
A-3016	HI-LOW-MED-OFF	33432	KNOB FOR E-560, E-673
E-174	15A-120V	15028721	INFINITE HEAT SWITCH
E-175	15A-240V	15028727	
A-947	HI-LOW-MED-OFF	A710E8761	KNOB ONLY FOR E-174, E-175
D-100	115V 50W	3024A8737	LAMP

HOTPLATES/RANGES

TOASTMASTER SPECIFIC PARTS



C-437
C-438
C-439



C-699
C-1049



C-1096

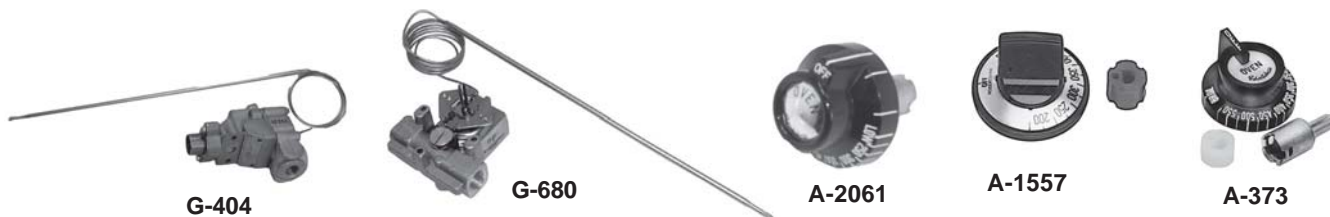
HEATING ELEMENTS

STOCK No.	SPECIFICATIONS	VOLTAGE	WATTAGE	REPLACES	COMMENTS
C-437	-	208	5300	F706A8703	ELEMENT FOR 12" X 24" RANGE TOP
C-438		240		F706A8731	
C-439		480		F706A8729	
SOLID TOP RANGE UNIT					
C-699	9"	240	2600	1132B8703	SURFACE UNIT
C-1049		208	2000	20B2E40	
RANGE OVEN					
C-1096	-	208	7500	3002452	RH36 SERIES OVEN UNIT

OVEN, RANGES, BROILERS

OVENS/RANGES

U.S. RANGE SPECIFIC PARTS



THERMOSTATS AND DIALS				
STOCK No.	TYPE	RANGE	REPLACES	DIAL EXACT
G-404	BJWA	250°-500°F	227019 SK	A-2061
G-680	GS	200°-550°F	227181-1	A-1557
G-192	BJWA	250°-550°F	1086700	* A-373

* A-373 DIAL IS A KIT DIAL.



SAFETY PILOT VALVE			
STOCK No.	TYPE	SPECIFICATIONS	REPLACES
H-337	TS	1/4" PIPE, 3/16" TUBE, PILOT IN/OUT	227010SA



MOTOR & BLOWER WHEEL			
STOCK No.	SPECIFICATIONS	REPLACES	COMMENTS
M-119	1/2 HP, 115/230V, 1 PH	228001	CONVECTION OVEN BLOWER MOTOR
A-967	10" X 1-5/8"	228002	BLOWER WHEEL



INFRARED BURNER FOR BS-R, BS-W, BS-C MODELS		
STOCK No.	REPLACES	COMMENTS
A-2952	222150	8-1/2" X 27-1/2"

BROILERS/RANGES

U.S. RANGE SPECIFIC PARTS



BURNERS, GASKET, AND TOP GRATES

STOCK No.	REPLACES	COMMENTS
A-1480	222162	OPEN TOP BURNER HEAD - ALL EXCEPT 836 FRONT
A-3664	222072	FRONT BURNER HEAD ONLY - MODEL 836 SERIES
A-1481	282554	8-3/4" FRONT BURNER ASSY FOR MODEL PF
A-1482	282555	21" REAR BURNER ASSY FOR MODEL PF
A-1483	224005	BURNER GASKET
A-3563	3019001	FRONT BURNER - S SERIES
A-3564	3019000	REAR BURNER - S SERIES
A-3614	222076	22" X 6-1/4" OVEN BURNER S SERIES
A-4177	2706901	25" X 12" TOP GRATE NEW STYLE
A-2361	222157	24" X 12" TOP GRATE OLD STYLE



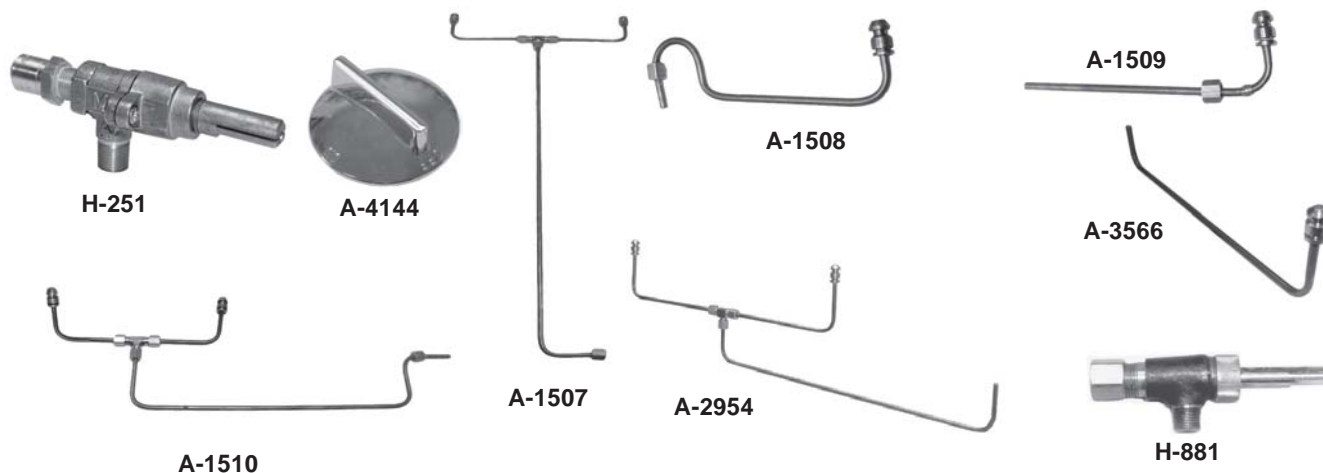
DOOR COMPONENTS

STOCK No.	REPLACES	DESCRIPTION	COMMENTS
A-2363	224004	DOOR SPRING	FOR PF-836 SERIES
A-881	224009	SHOOK	
A-2364	225003	EYE BOLT	
A-2976	224012	ROCKER ARM	FOR PF-836
A-2931	282115	DOOR CLOSING MECHANISM	FOR PERFORMER II 26" OVEN

OVEN, RANGES, BROILERS

BROILERS/OVENS/RANGES

U.S. RANGE SPECIFIC PARTS



RANGE TOP COMPONENT PARTS

STOCK No.	SPECIFICATIONS	REPLACES	COMMENTS
H-251	ADJUSTABLE ORIFICE	227006	BURNER VALVE ALL MODELS
A-4144	CHROME	224002	BURNER VALVE KNOB ALL MODELS
A-1507	7" CTR X 15" X 1-3/4"	253062-3	2 BURNER PILOT ASSEMBLY
A-1508	1-1/2" X 6"	151096	1 BURNER PILOT ASSEMBLY
A-1509	1-3/4" X 5-1/2"	151096-1	1 BURNER PILOT ASSEMBLY
A-1510	6" CTR X 2-1/2" X 12"	253062-2	2-BURNER PILOT ASSEMBLY
A-2954	12-1/4" CTR 3" X 13-1/2" X 2"	CK282626	2-BURNER PILOT ASSEMBLY
A-3566	10-1/4" X 2-1/4"	2704799	PILOT ASSY - S SERIES
H-881	3/8" CC X 1/8" INLET	227005	HOT TOP BURNER VALVE S SERIES



E-280



H-690



E-279



E-200



H-444

CONTROL COMPONENTS

STOCK No.	TYPE	SPECIFICATIONS	REPLACES	COMMENTS
E-280	SM2	120 VOLT	227168	ROBERTSHAW SPARK IGNITION MODULE
H-690	-	-	1758901	PILOT ASSEMBLY WITH LEAD WIRE
E-279		S.P. - S.T.	227175	GAS FLAME SWITCH
E-200		20A-125/250/480V	227034	DOOR MICRO SWITCH
H-444		3/8" 120V	G02965-1	SOLENOID VALVE

OVENS/RANGES

VULCAN HART SPECIFIC PARTS



GAS THERMOSTATS AND DIALS

STOCK No.	TYPE	RANGE	REPLACES	MODELS	DIAL EXACT
*G-168	BJWA	250°-550°F	408823-3	59, 64, 70 SERIES	A-373
G-398		250°-500°F	408823-6	-77R SERIES	A-2407
G-503			417424-G1	24L, 36L, 48L, 148L, 160L, 260L, 481L	A-2409
G-336	FDO	150°-550°F	407522-1	7000, 7800 SERIES, H, GH	A-1026
G-240A	FDTO	100°-450°F	427481-G1	GHX60T, GHXM60T GRIDDLE	A-563
G-622	BJWA	250°500°F	417424-G2	481 FLT	A-3247

* G-168 IS A MULTI-USE THERMOSTAT KIT



ELECTRIC THERMOSTATS, LIMITS AND DIALS

STOCK No.	TYPE	RANGE	REPLACES	MODELS	DIAL EXACT
G-164	TB/S	175-550° F	418053-1	-	A-2721
G-279	KX	175-500° F	411506-3	SG?? 77R SERIES, RGT10, 141, 241, ET8, ET88, ET10, ET1010, GC04, GT8, GT88, RET10, ROE1, ROG1, SG22, SG2, SG10, SG1010, TAG7, TAG77, V007, V077	*A-1396
G-315	SJ	175-550° F	411506-6	E36, E60	**A-2721
G-316	KXP	300-700° F	411506-4	-	A-2720
G-317	SJ		411506-1	VR, VS, VTM, AFTER 11/72	A-2725
G-167	D1/D18		415119-G3	VS-2, VS-6, VTM2, VTM6, VEX2, VTMX-2	A-2725
G-368		200-550° F	415119-G2	VR1, VR2, VR3, VR4, VR5, VR6, VS5, VTMS	A-2721
G-559	KXT	200-500° F	411506-11	24LC, 36LC, 148LC, 160LC, 260LC, 481LC	A-2690
G-578	LIMIT	-	346358-2	GC04D, GC04C, SG4D, SG6D	-
G-560	DISC	550° F	413840-1	SG2	-

* A-1396 DIAL WILL NOT FIT SG??L77R SERIES OR SG7800 SERIES.

** A-2721 IS FLAT DOWN. FOR FLAT LEFT ORDER A-2987.

OVEN, RANGES, BROILERS

OVENS/RANGES

VULCAN HART SPECIFIC PARTS



A-886
A-2318
A-2850



A-2586
A-3821



A-2719



A-2534



A-746



A-2592



A-1396



A-3248



A-4242

KNOBS

STOCK No.	SPECIFICATIONS	REPLACES	MODELS
A-2318	ALU. .240 D-STEM	402957-1	24L, 36L, 48L, 60, 148L, 160L, 59, 64, 70, 77, 7800 SERIES
A-886	RED .240 D-STEM	402957-2	FOR USE ON H422 OVEN SHUT OFF VALVE
A-2850	BLACK .240 D-STEM	402957-3	GC04S, GC044S
A-2586	2" RED .240 D-STEM	420560-1	24L, 36L, 48L, 60L, 148L, 160L, GH, GHM SERIES
A-3821	2" BLACK .240 D-STEM	420560-2	246, 36L, 4BL, 60L, 148L, 160L, GH, GHM SERIES
A-2719	2" RED .187 L/M/H	412251-1	FOR USE ON INFINITE SWITCH
A-2534	2-7/8" RED .240 ON/OFF	407727-3	CMR34
A-746	2-7/8" RED .210 OFF/HI/LO/MED	407727-2	FOR 3-HEAT SWITCH - E-561
A-2592	2-7/8" RED .240 OFF/HI/LO/MED	407727-4	IR44
A-1396	2" BLACK .187 D-STEM	411242-1	SG2, SG10, GC04S, SG22
A-3248	2-1/2" BLACK .240 D-STEM	426745-1	24L, 36L, 48L, 60L
A-4242	2-1/2" BLACK .240 D-STEM	421949-2	24L, 36L, 48L, 60L, 148L, 160L



A-2721
A-2987
A-3964



A-2720



A-2690



A-2725



A-2407
A-2409



A-1026

DIALS

STOCK No.	SPECIFICATIONS	REPLACES	MODELS
A-3964	2" RED 200°-550°F, FLAT UP	418060-2	E36, E60, VR SERIES
A-2721	2" BLACK 200°-550°F, FLAT DOWN	418060-1	
A-2987	2" RED 200°-550°F, FLAT LEFT	415119-4	
A-2720	2-1/4" BLACK 300°-700°F	413812-1	
A-2690	2-1/4" RED 200°-500°F .187	417490-1	24LC, 36LC, 48LC, 60LC, 160LC, 260LC
A-2725	2" RED 1-10 .187	418061-1	
A-2407	BJWA, RED, LOW-500°F NOTCH UP	411680-2	77R SERIES
A-2409	BJWA, RED, LOW-500°F NOTCH DOWN	417576-1	24L, 36L, 48L, 60L, 160L, 260L
A-1026	FD, BLACK 150°-550°F	413614-1	GH, 7800 SERIES

OVENS/RANGES

VULCAN HART SPECIFIC PARTS

ELECTRONIC CONTROLS AND PROBES

STOCK No.	REPLACES	DESCRIPTION	MODELS
G-619	353613-2	500° F TEMP CONTROLLER	SG4, SG6 SERIES
F-377	353589-1	TEMP PROBE FOR G-619	
G-727	416280-1	TEMP CONTROLLER	ET-4, ERT-10
F-426	414141-5	TEMP PROBE FOR G-727	



H-263R



H-445



H-338
H-1033



H-200
H-1211



H-1339

SAFETY PILOT VALVES

STOCK No.	TYPE	SPECIFICATIONS	REPLACES	STYLE	COMMENTS
*H-263R	5812	7/16" TUBE	414613-1	GAS	HARPER-WYMAN SAFETY VALVE
H-445	MSC	7/16" TUBING	414644-1		ROBERTSHAW SAFETY VALVE
H-338	TS		405569-2		1/4" TUBE PILOT- (IN AND OUT)
H-200	FMDA		3/8" PIPE, 48" CAP, 1-5/64" BUTTON		407798-4
H-1211	FMDA	3/8" PIPE, 54" CAP, 1-5/64" BUTTON	407798-6		
H-1033	TS	3/8" PIPE	427083-1		1/4" TUBE PILOT- (IN AND OUT)
H-1339		3/8" PIPE LONG BUTTON	427083-2		

* H-263R IS A REMANUFACTURED SAFETY AND AN EXCHANGE CORE IS REQUIRED.



H-444



H-1322



H-549



H-1251



H-360A



E-109



E-109A



H-1243

CONTROL COMPONENTS

STOCK No.	SPECIFICATIONS	REPLACES	COMMENTS
H-444	3/8" 120V	411497-F1	GAS SOLENOID VALVE
H-1322	120V	-	BLACK NEW STYLE COIL
H-549			WHITE OLD STYLE COIL
H-1251	3/8" 24V (ASCO)	428067-G3	GAS SOLENOID VALVE KIT
H-360A	3/4" 120V	411497-F3	GAS SOLENOID VALVE
E-109	26" CAPILLARY	411496-H1	GAS FLAME SWITCH-WITH PILOT
E-109A	26" CAPILLARY	-	GAS FLAME SWITCH-WITHOUT PILOT
H-1243	NAT/LP GAS	410841-18/19	GAS CONTROL VALVE (SG4 SERIES)
E-751	50 AMP	411501-14	CIRCUIT BREAKER - 208/240V RANGES
H-1286	1 COIL, 24V, 3/8"	354344-4	NAT CONTROL VALVE GC04S, 4C, 4D
H-1429	2 COIL, 24V, 3/8"	497269-1	



E-751



H-1286



H-1429

OVEN, RANGES, BROILERS

OVENS/RANGES

VULCAN HART SPECIFIC PARTS



H-265



H-640



H-602



H-209



H-559



H-1292



H-1366

MINI-PILOT AND PILOT BURNERS

STOCK No.	TYPE	SPECIFICATIONS	REPLACES	COMMENTS
H-265	-	24" MINI-PILOT	405568-1	HORIZONTAL MOUNT-LEFT
H-640	43U4	NAT/LP GAS	414645-1	PILOT BURNER
H-602	2C2		409839-1	HEAVY DUTY SERIES TOP BURNER PILOT
H-209	11EA		409125-1/3	HEAVY DUTY SERIES
H-559	2CH-10		412787-1/2	24L, 36L, 48L, 160L, 260L, SG-77R SERIES
H-1292	2SR-10		NAT GAS	426233-1
H-1366	11EA	NAT/LP	409125-10/12	7800, H45, CMR34, IR34



H-644
H-890



H-729
H-1067



H-528

PILOT VALVES

STOCK No.	SPECIFICATIONS	REPLACES	COMMENTS
H-644	3/16" TUBE X 1/8" MPT	404193-2	ELBOW VALVE
H-890	1/4" TUBE X 1/8" MPT	404193-1	
H-729	3/16" X 1/8" MPT	420786-1	TWIN VALVE
H-1067	1/4" TUBE X 1/8" MPT	420786-2	STRAIGHT VALVE
H-528		404738-3	

OVENS/RANGES

VULCAN HART SPECIFIC PARTS



A-1235



A-1398



A-1392



A-1498



A-2705



A-2708



A-2700

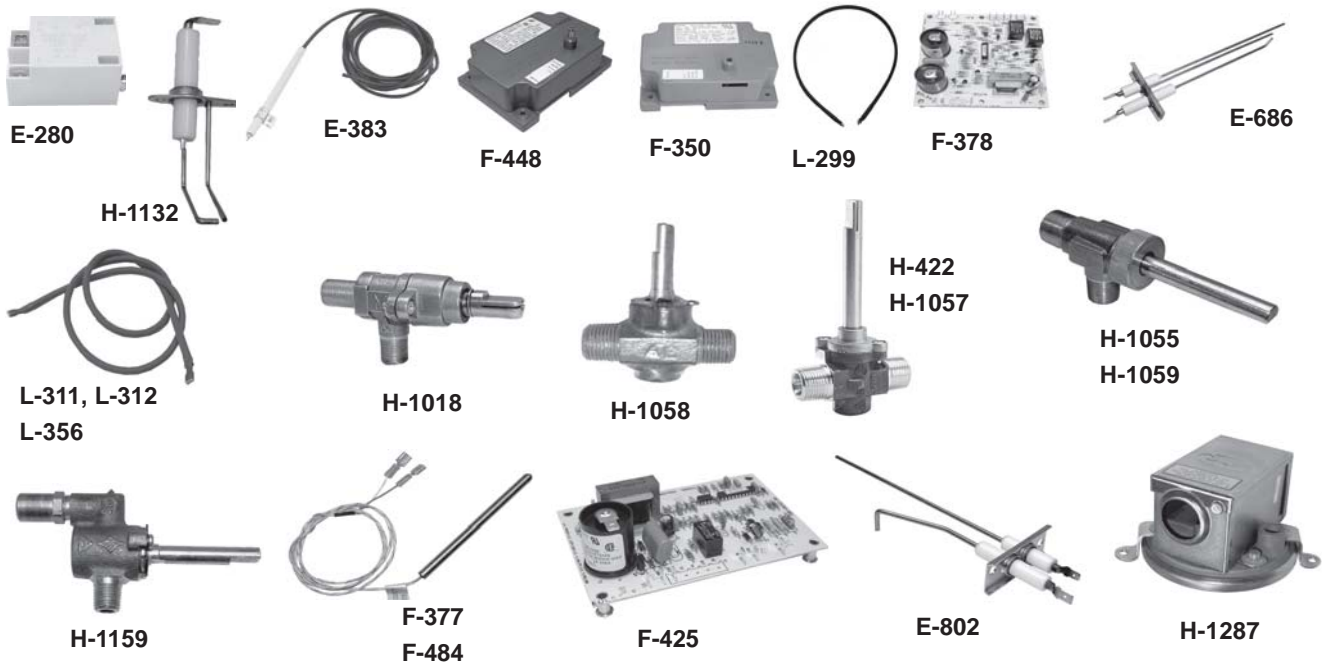
PILOT COMPONENTS

STOCK No.	SPECIFICATIONS	REPLACES	COMMENTS
A-1235	3/16" CC	412063-2	PILOT TIP ONLY
A-1398	2-3/8" X 18-3/8" TUBE W/TIP	421573-G4	REAR PILOT FOR 70 SERIES AFTER 11/74 & 77R SERIES
A-1392	2-1/2" X 5-3/4" X 2-3/4" TUBE W/ TIP	421573-G3	FRONT PILOT FOR 70 SERIES AFTER 11/74 & 77R SERIES
A-1498	3-1/4" X 17-1/2" X 3-1/4"	-	2 BURNER PILOT ASSY
A-2705	1" X 4-3/4" X 1-5/8" TUBE	417415-1	FRONT TUBE FOR 24L, 36L, 48L, 60L, 160L, 260L
A-2708	1-1/8" X 16" X 4-1/2" X 1-1/8" TUBE	428112-G1	REAR TUBE FOR 24L, 36L, 48L, 60L, 160L, 260L
A-2700	PILOT CLIP	413302-1	FOR USE ON BURNER TO HOLD PILOT TUBE

OVEN, RANGES, BROILERS

BROILERS/OVENS/RANGES

VULCAN HART SPECIFIC PARTS



GAS CONTROL COMPONENTS

STOCK No.	SPECIFICATIONS	REPLACES	COMMENTS
E-280	SM2-120V	414806-1	SPARK IGNITION MODULE
H-1132	-	356587-1	ELECTRODE FOR MODELS GC04D, GC04
E-383	-	414805-1	OVEN IGNITOR
F-448	FENWAL	354447-1	SPARK IGNITION MODULE - MODEL GC02
F-350		356589-2	SPARK IGNITION MODULE FOR MODEL GC04S
L-299	27" LONG	356595-1	HIGH VOLTAGE CABLE FOR MODELS GC04S, GC044S
F-378	5-1/8" X 5-1/4"	423756-3	DUAL SPARK IGNITION CONTROL FOR SG4, SG6
E-686	6" & 5" PROBES	423754-1	BURNER IGNITOR SG4, SG6
L-311	50" WIRE	423813-1	LH IGNITION WIRE SG4, SG6
L-356	36" WIRE	423813-3	IGNITION WIRE VL4GS, VC4GD, VC6GS, VC6GD
L-312	24" WIRE	423813-2	RH IGNITION WIRE SG4, SG6
H-1018	1/8" MPT X NO ORIFICE	404076	(FLAT UP) BURNER VALVE
*H-1058	3/8" MPT X 2-1/8" CTR	407789-3	SHUT OFF VALVE
*H-422	3/8" MPT X 3-1/2" CTR	407789-1	OVEN SHUT OFF VALVE
*H-1057	1/4" MPT X 3-3/8" CTR	402077-2	SHUT OFF VALVE
H-1055	1/4" MPT X 1/2" CC	408379-3	
H-1059	1/4" MPT X 7/16" CC	408379-4	
H-1159	1/4" MPT X 1/2-27	402601	BURNER VALVE
F-377	1/4" X 4" LONG 36" WIRE	353589-1	PROBE FOR VC4ES, 4ED, 4EC, 6ES, 6ED, 6EC, VC4GS, 4GD, 6GS, 6GD
F-484	1/4" X 4" LONG 64" WIRE	414141-4	PROBE
F-425	24V, 3-1/2" X 5-1/4"	424137-2	IGNITION MODULE VC4GS, 4GD, 6GS, 6GD
E-802	6" LONG	424194-1	IGNITOR VC4GS, 4GD, 6GS, 6GD
H-1287	-	414755-1	PRESSURE SWITCH IR44

* CTR IS CENTER OF INLET TO END OF STEM.

BROILERS/OVENS/RANGES

VULCAN HART SPECIFIC PARTS

TIMERS, BUZZER AND RELAYS



STOCK No.	SPECIFICATIONS	REPLACES	COMMENTS
E-379	1 HOUR, 120V	411690-1	OVEN TIMER
E-380	1 HOUR, 240V	411690-2	
E-381	5 HOUR, 120V	411690-3	
D-363	115V	411499-4	BUZZER
F-340	120V COIL-SPDT	411497-A1	RELAY
F-423	120V	416535-6	



BURNER COMPONENTS

STOCK No.	SPECIFICATIONS	REPLACES	COMMENTS
A-525	26-1/2" LONG	411551-G1	BROILER BURNER FOR 7840 SERIES
A-1920	5-1/2" X 24"	414754-3	IR BURNER ASSY (NEW STYLE SUFFIX-P)
A-2686	21-3/4" LONG	413225-G1	OVEN BURNER
A-2687	4-11/16" DIA.	417608-1	BURNER HEAD
A-2693	12-1/4" LONG	417258-1	FRONT VENTURI
A-2711	20-1/4" LONG	417260-1	REAR VENTURI
A-1029	FITS 2" BURNER	404060-1	AIR SHUTTER FOR A-2693, A2711, A-3182, A-3183
A-2617	FOR 7/16" CC TUBING	404079-F	ORIFICE HOLDER
A-2541-1	FOR 7/16" TUBE X 3/8" MPT	FP-085-42	ADAPTER FITTING
A-3181	8-3/4" X 26"	410611-G1	IR BURNER ASSY, SUFFIX S 2 BURNER BROILER
A-3182	10-1/2" LONG, 6" DIA. HEAD	413776-G4	FRONT BURNER - GH56 SERIES
A-3183	23-1/2" LONG, 6" DIA. HEAD	413776-G3	REAR BURNER FOR - GH56 SERIES
A-3251	11-1/2" LONG, 5" DIA. HEAD	426211-G1	FRONT BURNER FOR -77 SERIES
A-3252	19-5/8" LONG, 5" DIA. HEAD	426210-G1	REAR BURNER FOR -77 SERIES
A-3406	13-1/4" RING DIA X 21" LONG	409412-G1	OUTER TOP BURNER - 7830 RANGE
A-3407	8-1/2" RING DIA X 18-1/2" LONG	409413-G1	MIDDLE TOP BURNER - 7830 RANGE
A-3408	5-3/4" RING DIA X 16-1/2" LONG	409414-G1	INNER TOP BURNER - 7830 RANGE
A-3629	5-1/8" DIA	409417-1	BURNER HEAD H45

OVENS/RANGES

VULCAN HART SPECIFIC PARTS



A-526



A-527



A-1393



A-3411



A-2694 A-2695



A-528



A-529



A-530



A-4243

GRATES, CASTINGS AND RANGE CERAMICS

STOCK No.	SPECIFICATIONS	REPLACES	COMMENTS
A-526	CAST IRON	409432-1	TOP GRATE FOR 7800 SERIES HEAVY DUTY
A-527	PORCELAIN	406820-1	TOP GRATE FOR RESTAURANT SERIES
A-1393	CAST IRON	413773-1	TOP GRATE FOR MDLS. 7856A, SG7856A, H53-72, H54, H56
A-3411	11-1/4" X 13-3/8"	425791-1	TOP GRATE FOR GH-6 SERIES
A-2695	11-1/8" X 13-1/4"	417805-1	TOP GRATE
A-2694	12" X 12"	417256-1	
*A-528	-	405817-1	HALF MOON FOR HEAVY DUTY
A-529		400705-1	RING FOR HEAVY DUTY
A-530		406460-1	LID FOR HEAVY DUTY
A-4243		425882-G1	CERAMICS FOR 12" GRIDDLE SECTION 36L, 60L, 48L, 160L

*A-528 SOLD INDIVIDUALLY - 2 REQUIRED FOR COMPLETE SET



OVEN RACKS

STOCK No.	SPECIFICATIONS	REPLACES	COMMENTS
A-842	28-1/4" X 24-1/2"	411265-10	WIRE OVEN RACK FOR RET-10, RGT-10, ROG, SGI0 SERIES
A-843	28-1/4" X 21-1/4"	411265-5	WIRE OVEN RACK FOR ET-8, GT-8, SG-2, TAG-7 SERIES
A-844	25-3/4" X 21-1/8"	413991-1	WIRE OVEN RACK FOR SG7800 SERIES
A-845	25-5/8" X 27-1/16"	404074-2	WIRE OVEN RACK FOR 7800 SERIES
A-846	25-3/4" X 19"	413991-2	WIRE OVEN RACK FOR SG77 SERIES
A-847	25-3/4" X 20-1/4"	413300-1	WIRE OVEN RACK FOR 59, 64, 70, 77R, E36, E60 SERIES, L SERIES
A-3971	19-3/4" X 20-5/8"	417248-1	WIRE OVEN RACK FOR 24L, 48L

OVEN, RANGES, BROILERS

BROILERS/OVENS/RANGES

VULCAN HART SPECIFIC PARTS



M-119
M-305
M-306



M-157A



M-123



M-249
M-255



M-178
M-282



M-304



A-3739



B-876



M-315

MOTORS, BLOWERS, BRACKET & GASKET

STOCK No.	SPECIFICATIONS	REPLACES	COMMENTS
M-119	1/2 HP, 115/230V, 1 PH	411205-5	CONVECTION OVEN BLOWER MOTOR
M-305	115V, 2 SPEED 1PH	-	
M-306	208/240V, 2 SPEED 1PH	-	
M-123	1/2 HP, 115/230V, 1 PH	419720-G1	RANGE-CONV. OVEN BLOWER MOTOR
** M-157A	1/4 HP, 115V	**419730-1	
M-249	1/3 HP, 115V, 2 SPEED	419720-2	SG2, SG22, SG10, SG1010
M-255	1/3 HP, 208/230V, 2 SPEED	419720-3	
M-178	115V 1/2 HP 2 SPEED	358516-1	GC04 CONVECTION OVENS
M-282	208/230V 1/2 HP 2 SPEED	358516-2	
M-304	115V BLOWER ASSY	413552-4	IR1, IR2, IR44
*A-3739	MOTOR BRACKET LARGE	419719-1	USED ON M-123, M-249, M-255
M-315	120V BLOWER ASSY	354984-1	USED ON GC04S, GC04C, G040D
B-876	BLOWER ASSY GASKET	355017-1	

* A-3739 ARE SOLD EACH, ORDER 2 EACH PER MOTOR.

** M-157A IS 115V ONLY.



BLOWER WHEELS

STOCK No.	SPECIFICATIONS	REPLACES
A-970	7" X 2"	415780-8
A-969	8" X 2-1/2"	415780-7
A-968	10" X 2-5/8"	415780-3
A-967	10" X 1-5/8" FLAT BACK	355548-1
A-2848	10" X 1-5/8" CONCAVED BACK	358638-1

NOTE: A-969 AND A-970 ARE 1/2" BORE. OTHERS ARE 5/8"



M-236



M-365



M-283

COOLING FANS

STOCK No.	SPECIFICATIONS	REPLACES
M-236	120V 3-3/16" X 3-3/16"	415207-1
M-365	120V 4-3/4" X 4-3/4"	424940-1
M-283	230V 4-3/4" X 4-3/4"	825100-80

OVENS/RANGES

VULCAN HART SPECIFIC PARTS



C-429
C-430



C-431
C-432
C-433



C-434
C-435
C-436



C-459
C-460



C-462



C-699
C-1052



C-1050
C-1051



A-3273

HEATING ELEMENTS

STOCK No.	SPECIFICATIONS	VOLTAGE	WATTAGE	REPLACES	COMMENTS
C-429	FOR GRILL PLATE	208	5000	411967-4	RANGE TOP HEATING ELEMENT FOR VR5
C-430		240		411967-5	
*C-431	FOR 12" X 24" HOT PLATES	208	1300	410780-2	RANGE TOP HEATING INNER ELEMENT
*C-432		240		410780-3	
*C-433		480		410780-1	
*C-434		208	1200	410778-2	
*C-435		240		410778-3	
*C-436		480		410778-1	
‡C-459		-	208	2000	
‡C-460	240		411861-5		
C-462		208	4000	411860-1	CONVECTION OVEN ELEMENT FOR RET-10
C-699	9"	240	2600	415050-2	SOLID TOP RANGE UNIT
C-1050		208		421240-1	
C-1051		240		421240-2	
C-1052		480		421240-3	
A-3273	ELEMENT MOUNTING BRACKET FOR C-699, C-1050, C-1051, C-1052				

* FOR VR-1, VS-1, VTM-1, VEX-1, VTMX-1, VR-3, VS-3, VTM-3

‡ FOR ET-8, ET-8SM, ET-88

OVEN, RANGES, BROILERS

BROILERS/OVENS/RANGES

VULCAN HART SPECIFIC PARTS



A-462



A-463



A-890



A-3409

BROILER CERAMICS , BEARING AND CARRIAGE

STOCK No.	SPECIFICATIONS	REPLACES	COMMENTS
*A-462	2-7/8" X 5-1/4"	404146-1	SIDE CERAMIC
*A-463	5-1/8" X 5-1/4"	404145-1	CENTER CERAMIC
A-890	BEARING WITH SHAFT	405655-4	BROILER GRID BEARING
A-3409	26-3/4" WIDE	411038-G1	GRID CARRIAGE ASSY

* VULCAN PART #408726G2 SET - ORDER 8EA OF A-462 AND 12EA OF A-463 CERAMICS.



A-1739



A-1740



A-1741



A-1742

OVEN BOTTOM COMPONENTS

STOCK No.	REPLACES	COMMENTS
A-1739	405123-G3	BOTTOM FOR 7800 SERIES
A-1740	405124-5	BAFFLE FOR 7800 SERIES
A-1741	409787-1	INSULATION PAN FOR 7800 SERIES
A-1742	405928-4	FOIL INSULATION FOR 7800 SERIES



B-293



B-294



B-296



B-726



B-877

OVEN DOOR GASKETS

STOCK No.	SPECIFICATIONS	REPLACES	COMMENTS
B-293	24" X 30"	411688-1	FOR ET8, GT8, SG2, SG10, TAG7
B-294	14-3/16" X 27-3/16"	419657-G1	FOR SG7800
B-296	17" X 30"	414417-1	FOR SG77
B-726	-	417426-2	FOR MODELS WITH LC SUFFIX
B-877	21-3/16" LONG	357837-1	DOOR SEAL MODEL GC04, EC04

OVENS/RANGES

VULCAN HART SPECIFIC PARTS



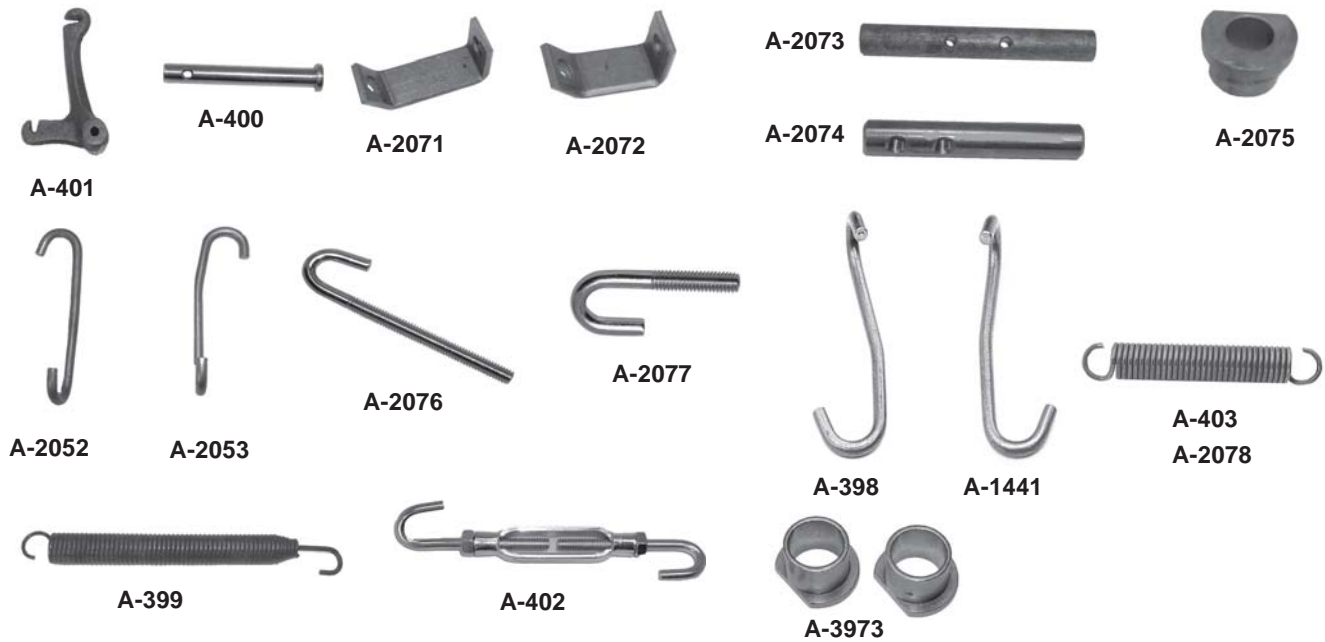
DOOR COMPONENT PARTS

STOCK No.	REPLACES	DESCRIPTION	MODELS
A-2709	413416-1	RH DOOR HANDLE POST	24L, 36L, 48L, 60L, 160L, 260L, 77R SERIES
A-2710	413416-2	LH DOOR HANDLE POST	
A-2691	409790-1	RH DOOR HANDLE POST	H, GH SERIES
A-2692	409790-2	LH DOOR HANDLE POST	
A-2697	417440-2	27-5/16" LONG HANDLE	24L, 36L, 48L, 60L, 160L, 260L, 77R SERIES
A-2698	417440-3	33-1/4" LONG HANDLE	
A-2696	409793-1	23-1/2" LONG HANDLE	
A-3184	347545-1	DOOR CATCH ASSY	SG-4, SG-6 SERIES
A-3185	423014-G1	DOOR KIT WITH CATCHES	
A-2536	411794-1	3/4" X 3/4" DOOR CATCH	SG2, SG10, SG10SM, SG1010
A-2516	411170-1	DOOR STRIKE	
A-2849	423847-1		GC04D, GC040C
A-2718	417810-3	2-1/8" LONG COMPRESSION SPRING	GC04S, GC040D, GC04C
A-2681	414976-1	(NEW STYLE) TRUNNION BLOCK	-77R SERIES, 24L, 36L, 48L
A-2640	411294-2	11-1/8" X 19-1/8" WINDOW	SG2, SG22, SG10, SG1010, SG22E
A-3404	407023-1	LOWER DOOR HANDLE 4" CENTER	7000 SERIES OVENS
A-3972	357929-2	DOOR HANDLE ASSY	ECO, GCO, SG
A-3982	421105-1	STRIKE	GH
A-4299	421106-1	CATCH (PK OF 2)	
A-4240	410258-1	STRIKE	SG
A-4241	417529-1	CATCH	

OVEN, RANGES, BROILERS

OVENS/RANGES

VULCAN HART SPECIFIC PARTS



DOOR COMPONENT PARTS

STOCK No.	REPLACES	DESCRIPTION	MODELS
A-401	403956-1	BELL CRANK	H, 7800, 24L, 36L, 48L, 60L, 148L, 160L, 260L, 481L
A-400	403971-1	BELL CRANK PIN	59, 64, 70, 77 SERIES
A-2071	413090-1	BRACKET 2"	H, 7800
A-2072	417367-1	BRACKET 1-1/2"	24L, 48L
A-2073	413201-1	HINGE PIN 3-3/4"	36L77R, 60L77R, 160L77R, 260L77R
A-2074	417862-9	HINGE PIN 3"	H, 7800, 36L70, 60L70, 160L70, 260L70
A-2075	404629-2	HINGE PIN BUSHING	H, 7800, 64 & 70 SERIES
A-2052	405618-1	S HOOK	H, 7800, 59, 64 & 70 SERIES
A-2053	405618-2		H, 7800
A-2076	413091-2	J HOOK 3-3/4"	24L, 48L
A-2077	417366-1	J HOOK 2-1/4"	
A-398	413381-1	RIGHT HOOK	24L, 36L, 48L, 60L, 148L, 160L, 260L, 481L, 36L77R, 60L77R, 160L77R, 260L77R
A-1441	413381-2	LEFT HOOK	24L, 36L, 48L, 60L, 148L, 160L, 260L, 481L, 36L77R, 60L77R, 160L77R, 260L77R
A-403	404053-1	SPRING 6" OVERALL (4-5/8")	36L, 148L, 160L, 481L, 36L77R, 160L77R, 59, 64 & 70 SERIES
A-399	417429-G1	SPRING 9" OVERALL (7")	GH, H, 7800, 24L, 48L
A-2078	413342-1	SPRING 6" OVERALL (4-3/8")	60L, 260L, 60L77R, 260L77R, H7800
A-402	417865-1	TURNBUCKLE	H, 7800, 36L, 60L, 148L, 160L, 260L, 481L, 36L77R, 60L77R, 160L77R, 260L77R, 59, 64 & 70 SERIES
A-3973	347080-2	BUSHING (SET OF 2)	GCO, ECO, SG, VC

NOTE: PARTS LISTED ABOVE ARE ALSO USED ON (SG) CONVECTION OVENS.

HOTPLATES/OVENS

WELLS SPECIFIC PARTS



C-405



C-699



C-1051

HOTPLATE HEATING ELEMENTS

STOCK No.	SPECIFICATIONS	VOLTAGE	WATTAGE	REPLACES	COMMENTS
C-405	8"	240	2600	50293	SURFACE UNIT
C-699	9"			-	
C-1051			2000	503973	SOLID TOP SURFACE UNIT



E-127

E-128



A-948

INFINITE HEAT SWITCHES AND DIAL

STOCK No.	SPECIFICATIONS	REPLACES	COMMENTS
E-127	15A/120V	50570	INFINITE HEAT SWITCH FOR HOTPLATES
E-128	15A/240V	50562	
A-948	-	50371	KNOB ONLY FOR INFINITE HEAT SWITCH



A-1214

OVEN HANDLE AND LATCH ASSY

STOCK No.	SPECIFICATIONS	REPLACES	COMMENTS
A-1214	5-1/4" OUTSIDE CTRS	63946	HANDLE AND LATCH ASSEMBLY

OVEN, RANGES, BROILERS

OVENS/RANGES

WOLF SPECIFIC PARTS



THERMOSTATS AND DIALS						DIAL EXACT
STOCK No.	TYPE	RANGE	REPLACES	STYLE	COMMENTS	
G-403	BJWA	250 -500° F	719298	GAS	OVENS	A-2398
*G-168		250 -550° F	710451			A-2400
G-352	KX	175 -500° F	719202	ELECTRIC		A-2399
G-619	-	175 -500° F	353613-2	SOLID STATE		FOR WKEF, WKGF

* G-168 IS A BJ MULTI-USE THERMOSTAT KIT.



KNOBS			
STOCK No.	COLOR	REPLACES	DESCRIPTION
A-926	RED	719255	FLAT DOWN
A-1817	BLACK	719256	
A-3425	BLACK-REVERSE	719257-12	FLAT UP
A-259	CHROME	719252	
A-3915	RED	719259	FLAT UP



SAFETY PILOT VALVES					
STOCK No.	TYPE	SPECIFICATIONS	REPLACES	STYLE	COMMENTS
H-199	FMDA	3/8" PIPE, 18" CAP., 11/64" BUT.	719312	GAS	1/8" FPT PILOT IN/OUT
H-202		1/2" PIPE, 54" CAP., 1-5/64" BUT.	718164		1/4" CC PILOT IN/OUT
H-880	TS	1/4" PIPE	714267		
H-623	H15AR	3/8" PIPE	720719		
H-542	HVN	3/8" TUBE, OUTLET FOR ORIFICE	715109	ELECTRIC	BIMETAL OPERATED/ 3.2 TO 3.6 AMPS

OVENS/RANGES

WOLF SPECIFIC PARTS

M-119
M-305
M-306



M-157A



MOTORS

STOCK No.	SPECIFICATIONS	REPLACES
M-119	1/2 HP, 115/230V, 1 PH	718386
M-305	115V, 2 SPEED 1 PH	-
M-306	208/240V, 2 SPEED 1 PH	
M-157A	1/4 HP, 115V, 1 PH	715107



BLOWER WHEELS

STOCK No.	SPECIFICATIONS	REPLACES
A-967	10" X 1-1/2"	718156
A-969	8" X 2-1/2"	715106



H-941



H-1245



H-1246



A-1248

A-1249



H-1158

OVEN PILOTS

STOCK No.	REPLACES	GAS MODELS
H-941	714269	NAT - CH, CHR
H-1245	715004	F, FS, FV, FM, FB (LESS ORIFICE)
H-1246	718327	NAT - AFS, CAF, KAFS, KCAF
A-1248	ORIFICE NAT	FOR H-1245, H-1246
A-1249	ORIFICE LP	
H-1158	714392-42	NAT/LP - KF, KFS, FK, KCH, KCHR

OVEN, RANGES, BROILERS

OVENS/RANGES

WOLF SPECIFIC PARTS



B-297



A-973
A-1029



A-1771



A-1772



H-644



H-729



H-730



H-580



H-1244



A-3425



A-241



A-1500



A-1501



A-1502



H-1158

RANGE COMPONENT PARTS

STOCK No.	SPECIFICATIONS	REPLACES	COMMENTS
B-297	-	714910	OPEN TOP BURNER GASKET FOR CH AND CHSS SERIES
A-1029	2-1/4" DIAMETER	719241	AIR SHUTTER FOR OPEN TOP BURNER
A-973	2-1/2" DIAMETER	719329	AIR SHUTTER FOR FRY OR HOT TOP
A-1771	FOR 1" STEEL BURNER	719662	AIR SHUTTER
A-1772	FOR 1-1/4" STEEL BURNER	719657	
H-644	1/8" MPT X 3/16" CC	719193	90° PILOT VALVE
H-729		719190	DUAL PILOT VALVE
H-730	1/4" MPT X 3/8"-27 FOR ORIFICE	715080	TOP BURNER VALVE
H-580	WITHOUT ORIFICE	719197	TOP BURNER VALVE FOR CH AND CHSS SERIES
H-1244	1/4" MPT INLET	710121	BURNER VALVE FOR SPR 100
A-3425	2-1/2" BLACK	719257-12	KNOB
A-241	MUST BE DRILLED TO SIZE	-	ORIFICE HOOD FOR H-580 & H-730
A-1500	12-1/2" X 5-1/8"	-	SINGLE PILOT ASSEMBLY
A-1501	14-3/8" X 7-5/8"	706617-A	2 BURNER ASSEMBLY
A-1502	14-3/8" X 7-5/8" X 12"	706618-A	4 BURNER ASSEMBLY
H-1158	NAT GAS	714392-42	OVEN PILOT ASSY

OVENS/RANGES

WOLF SPECIFIC PARTS



H-444



H-905



H-1322



H-549



H-422



A-259



A-3188



E-251



F-171



E-280



E-260



E-543
E-603



H-1003

CONTROL COMPONENT PARTS

STOCK No.	REPLACES	DESCRIPTION	SPECIFICATIONS
H-444	770085	GAS SOLENOID VALVE	3/8"-120V
H-905	713656	DUAL SOLENOID VALVE	
H-1322	-	BLACK NEW STYLE COIL	120V
H-549		WHITE OLD STYLE COIL	
H-422	719971	OVEN GAS SHUT OFF VALVE	3/8"
A-259	719252	CHROME KNOB FOR H-422	-
A-3188	719258	RED KNOB FOR H-422	
E-251	718601	IGNITOR	
F-171	718604	TIME DELAY RELAY	SM2-120V
E-280	720385	SPARK IGNITION MODULE	
E-260	718163	CONVECTION OVEN DOOR SWITCH	-
E-543	718194	ON-OFF-ON ROCKER SWITCH	6 TABS
E-603	718194-J	ON-OFF-ON ROCKER SWITCH WITH JUMPER	
H-1003	718326	G92 SAFETY VALVE	1/2" FPT

OVEN, RANGES, BROILERS

OVENS/RANGES

WOLF SPECIFIC PARTS



A-874



A-875



A-876



A-877



A-878



A-879



A-880



A-881



A-3422



A-3423



A-3424



A-3189



B-801

DOOR COMPONENT PARTS FOR CH & CHSS CHALLENGER RANGES

STOCK No.	REPLACES	DESCRIPTION
A-874	719710	LEFT HAND ROCKER ARM
A-875	719711	RIGHT HAND ROCKER ARM
A-876	719350	CLEVIS PIN FOR ROCKER ARM
A-877	719353	TRUNNION BOLT
A-878	718361	DOOR SPRING
A-879	719331	EYE BOLT
A-880	719287	HINGE PIN
A-881	719344	S HOOK
A-3422	719621	LEFT HANDLE BRACKET
A-3423	719622	RIGHT HANDLE BRACKET
A-3424	714254	DOOR HANDLE TUBE FOR 29" OVEN
DOOR RELATED PART FOR CONVECTION OVENS		
A-3189	708560-B	CHAIN MECHANISM ASSEMBLY
B-801	715111-3	DOOR SEAL FOR 29" CONVECTION OVEN

OVENS/RANGES

WOLF SPECIFIC PARTS



A-942



A-2365
A-2366



A-2367



A-2368



A-2369



A-3822

BURNER & GRATE FOR CH SERIES RANGES

STOCK No.	REPLACES	DESCRIPTION	COMMENTS
A-942	714377-PO	SPIDER GRATE	FOR MODELS CH AND CHSS
A-2365	714277-4	OPEN TOP BURNER HEAD	FOR USE ON TUBULAR VENTURI
A-2366	714214		FOR USE ON CAST IRON VENTURI
A-2367	753141-A	OPEN TOP BURNER ASSY	WITH TUBULAR VENTURI
A-2368	705056-A		WITH CAST IRON VENTURI
A-2369	714204	OVEN BURNER	CH & KCH SERIES
A-3822	714540-2	OPEN TOP BURNER HEAD	6 SLOT FOR R SERIES



A-2370



A-1617



A-2211



A-1888



A-2371



A-2851

BURNERS & PARTS FOR F & FS SERIES RANGES

STOCK No.	REPLACES	DESCRIPTION	COMMENTS
A-2370	715201-1/715200-1	5-1/2" BURNER BASE & CAP	BURNER CAP IS LIFT OFF
A-1617	719706	BURNER HEAD	7" DIA
A-2211	719708	OPEN TOP BURNER VENTURI	-
A-2371	706240	PILOT BRACKET	FOR OPEN TOP BURNER ASSY
A-1888	719737-4	BURNER 23-3/4"	-
A-2851	720567	12" X 27" OPEN TOP GRATE	-

OVEN, RANGES, BROILERS