

INSTALLATION INSTRUCTIONS

For Model # P402-33-084, P402-10-084 (New. 08/23/2012)

READ AND SAVE THESE INSTRUCTIONS

WARNING! SHUT POWER OFF AT FUSE OR CIRCUIT BREAKER.

AVERTISSEMENT! COUPER LE COURANT AU NIVEAU DES FUSIBLES OU DU DISJONCTEUR.

HANGING THE FIXTURE (Fig. 1)

1. Shut off power at the circuit breaker and remove old fixture including the mounting hardware.
2. Carefully remove the fixture from the carton and check that all parts are included as shown in the illustration.
3. Attach the Circular Strap (B) to the Outlet box in the ceiling with two screws (C). The side of the Circular Strap marked "GND" must face out.
4. Install the Fixture body (F) onto the Ceiling Plate (E).
5. Tear the paper off the twin adhesive, then stick Transformer (A) into the Outlet Box, make sure it be stuck tightly.
6. The height of this fixture is adjustable. You can determine desired distance from ceiling to hang the Fixture and adjust the length for wire. Please follow the instruction manual step by step as shown in Fig.2.
 - Step ①. Remove set screw on contact. Back out the lower set-screw.
 - Step ②. Withdraw cable.
 - Step ③. Use a wire cutter cut to desired length. Strip away cable and braided sleeve 1-1/4", Trim 1/4" of plastic insulation exposing bare wire.
 - Step ④. To prevent lower set screw from penetration inner wire causing short, secure brass cover (included) over braided wire using pliers to crimp.
 - Step ⑤. Reinsert cable into contact making sure the rabbet on the brass tube are vertical with lower set-screw hole, then tighten set screw and let set screw contact with exposed wire. Pull gently down along the braided cable to smooth out any wrinkles.
 - Step ⑥. Use care not to move the cable position and tighten two lower set-screws first. Be careful not to pierce the insulation by over tightening.

CONNECTING THE WIRES (Fig. 3)

7. At this point, connect the electrical wire as shown in figure 3, making sure that all wire connectors are secured. If your outlet has a ground wire (green or bare copper), connect the fixtures Ground Wire to it. Otherwise, connect the fixture Ground Wire directly to the circular strap using the Green Screw provided.
8. Place Canopy (E) over the Circular Strap (B). Turn the Canopy (E) and let the Stud (D) slide into the slot of Canopy (E). Tighten the Stud (D).
9. Install Xenon bulb (H) (included) into socket (L) in accordance with the fixture's specifications. **(DO NOT EXCEED THE MAXIMUM WATTAGE RATING!) (NE PAS DEPASSER LA PUISSANCE NOMINALE MAXIMALE!)**
10. Place Glass Shade (G) and Plastic Washer (I) over the Socket (L), fasten with Screw Shell (J) by using the Spanner (K) provided.

Your installation is now complete. Return power to the junction box and test the fixture

Fig. 1

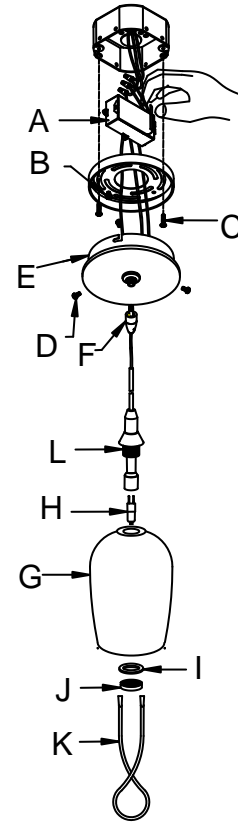


Fig. 2

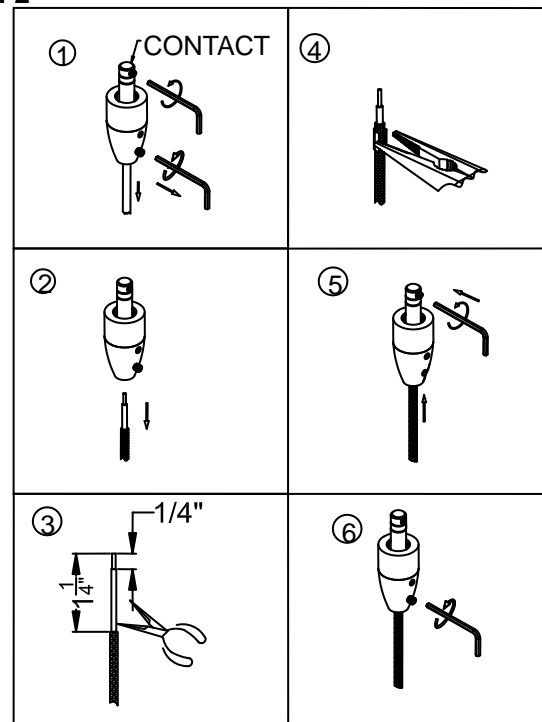
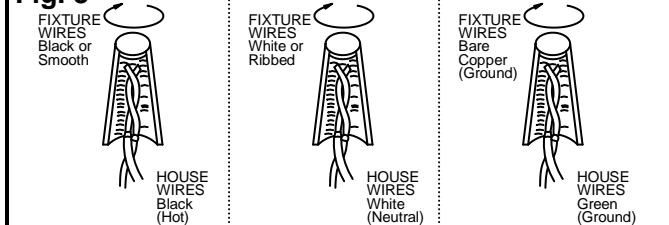


Fig. 3



IMPORTANT: FIXTURE SHOULD BE INSTALLED BY A QUALIFIED ELECTRICIAN TO ENSURE PROPER WIRING AND INSTALLATION.

LA-1390E

