



We strive to ensure that our products are of the highest quality and free of manufacturing defects or missing parts. However, if you have any problems with your new product,

DO NOT RETURN IT TO THE STORE,

please contact us toll free @:

1-866-556-2757

FAX: 1-866-873-3531

pooltables@escaladesports.com

Or write to:

Escalade Sports
Customer Service Department
P.O. Box 889
Evansville IN 47706

Please visit our Web site at:

www.escaladesports.com

Please have your model number when inquiring about parts.

When contacting Escalade Sports please provide your model number, date code (if applicable) and part number if requesting a replacement part. These numbers are located on the product, packaging, and this owners manual.

Your Model Number **P5423W**

Date Code **2-P5423W-** **-WJ**

Purchase Date _____

PLEASE RETAIN THIS INSTRUCTION MANUAL FOR FUTURE REFERENCE



CAUTION



THE SPRAY ADHESIVE USED FOR APPLYING PLAYFIELD CLOTH IS EXTREMELY FLAMMABLE AND UNDER PRESSURE !CAREFULLY READ CAUTIONS ON SPRAY ADHESIVE CONTAINER !KEEP OUT OF THE REACH OF CHILDREN ! DO NOT USE OR STORE NEAR HEAT SOURCE , FLAMES , SPARKS OR WHEN SMOKING! WORK AREA MUST BE WELL VENTILATED. OPEN DOORS AND WINDOWS WHEN USING SPRAY ADHESIVE .

To ensure safety, do not attempt to assemble system without following instructions carefully. Proper and complete assembly, use, and supervision is essential for proper operation and to reduce the risk of accident or injury. A high probability of serious injury exists if this system is not installed, maintained, and operated properly.



WARNING:

READ AND FOLLOW ALL ASSEMBLY, OPERATION, AND SAFETY INSTRUCTIONS CAREFULLY. AT LEAST TWO ADULTS ARE NEEDED TO PUT THIS TABLE TOGETHER.



IMPORTANT



THE DRAWINGS IN THIS MANUAL MAY BE EXAGGERATED OR MODIFIED TO SHOW DETAILS.



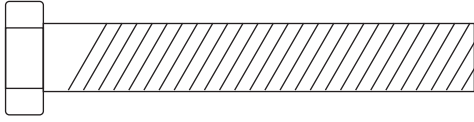
Tools Needed: (Not Included)

- Philips Screwdriver
- Putty Knife
- Needle Nose Pliers
- Tape Measure
- Sanding Block
- Scissors or Sharp Knife
- Adjustable Wrench
- Small Hammer
- Carpenters Level
- Ratchet with socket
- 12mm Socket or End Wrench

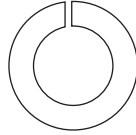
NOTE: This table adds weight to any floor. Be sure floor can withstand this kind of weight. If floor sags, table will be impossible to level.

Part List

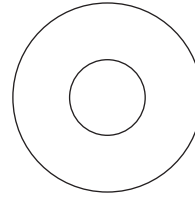
(To Scale)



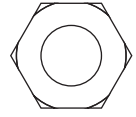
H1 - 3/8" x 2-1/4" Bolt
(8 pcs)



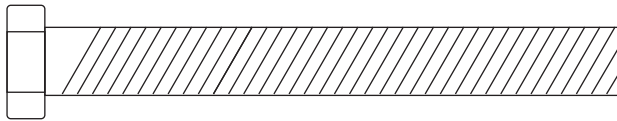
H2 - 3/8" Lock
Washer (16 pcs)



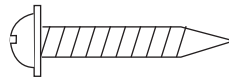
H3 - 3/8" x 25mm
Flat Washer (32 pcs)



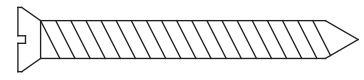
H4 - 3/8" Hex Nut
(16 pcs)



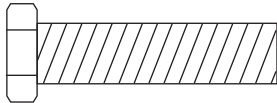
H5 - 3/8" x 3" Bolt
(8 pcs)



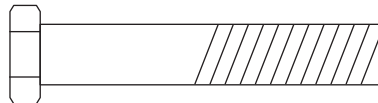
H6 - WP/4 x 1"
Phillips Washer
Head Screw
(12 pcs)



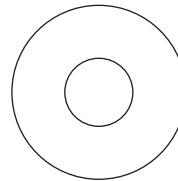
H7 - F5 x 1-3/4"
Phillips Flat Head
Screw
(16 pcs)



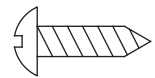
H8 - 5/16" x 1-1/4" Bolt
(8 pcs)



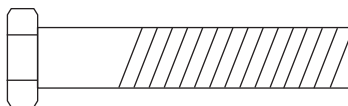
H9 - 5/16" x 1-3/4" Bolt
(12 pcs)



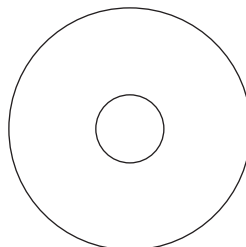
H10 - 5/16" x 23mm
Flat Washer (12 pcs)



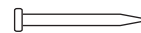
H11 - T4 x 15mm
Phillips Round Head
Screw (24 pcs)



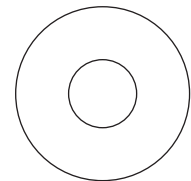
H12 - 5/16" x 1-5/8" Bolt
(18 pcs)



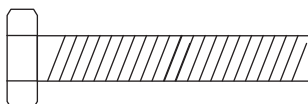
H13 - 5/16" x 32mm
Flat Washer (18 pcs)



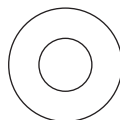
H14 - Pocket Nail
(36 pcs)



H15 - 5/16" x 23mm
Flat Washer
(8 pcs)

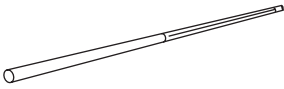


H16 - 1/4" x 1-1/2" Bolt
(4 pcs)



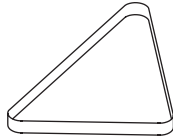
H17 - 1/4" x 15mm
Flat Washer (4 pcs)

A1



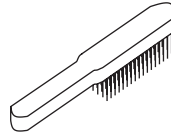
Cue Stick
2 Pcs

A2



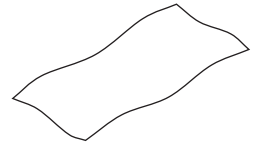
Triangle
1 Pc

A3



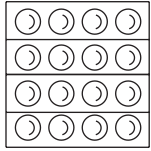
Playfield Cloth Brush
1 Pc

A4



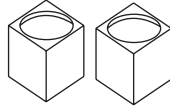
Playfield Cloth
1 Pc

A5



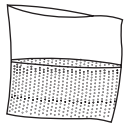
Billiard Ball
1 Set

A6



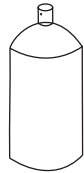
Cue Chalk
2 Pcs

T1



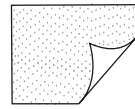
Playfield Grout Kit
1 Pc

T2



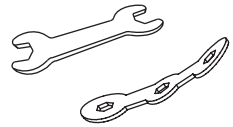
Playfield Cloth to Playfield
- Spray Adhesive -
1 Pc

T3



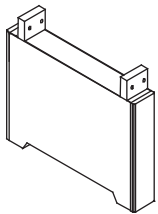
Sand Paper for Dried Grout
1 Pc

T4



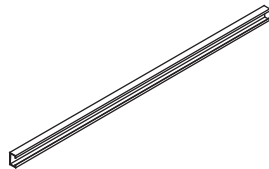
Wrench
1 Set

P1



Leg
2 Pcs

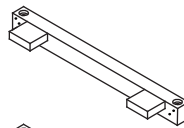
P2



Main Metal Beam
2 Pcs

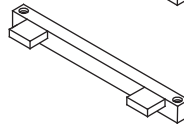
P3A

NOTE: For P5
Installation.



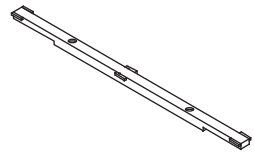
P3B

NOTE: For P16
Installation.



End Slat
2 Pcs

P4



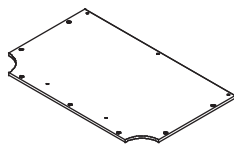
Middle Slat
2 Pcs

P5



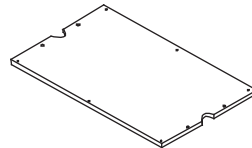
End Board
2 Pcs

P6 - Slatron
P6S - Slate



End Play Bed
2 Pcs

P7 - Slatron
P7S - Slate



Middle Play Bed
1 Pc

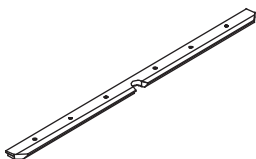
P8



Shim
8 Pcs

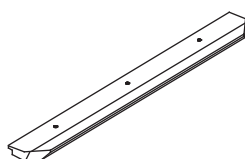
Can also use playing cards (not included)
or Slate / Slatron Shims

P9



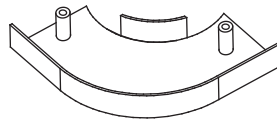
Side Top Rail
2 Pcs

P10



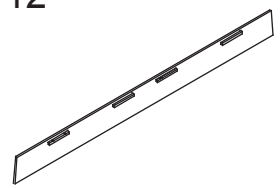
End Top Rail
2 Pcs

P11



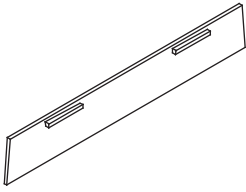
Corner Cap
4 Pcs

P12



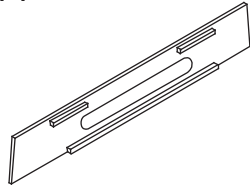
Side Apron
2 Pcs

P13



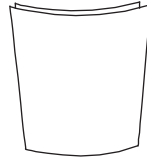
End Apron
1 Pc

P14



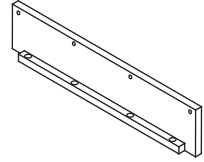
End Apron with Ball
Return Opening
1 Pc

P15



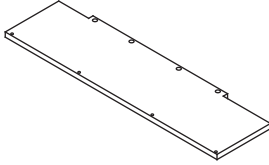
Corner Post
4 Pcs

P16



Ball Return
Support Board
1 Pc

P17



Ball Return Tray Board
1 Pc

P18



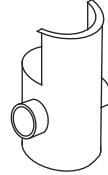
Leg Leveler
4 Pcs

P19



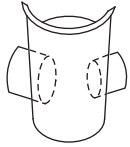
Right Corner Pocket
1 Pc

P20



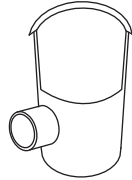
Right Middle Pocket
1 Pc

P21



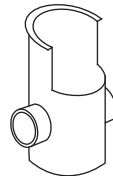
Right Corner Pocket
NOTE: Attach this pocket on
same end as **P14** Apron with
Ball Return Opening
1 Pc

P22



Left Corner Pocket
1 Pc

P23



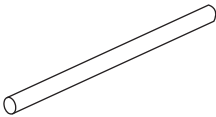
Left Middle Pocket
1 Pc

P24



Left Corner Pocket
NOTE: Attach this pocket on
same end as **P14** Apron with
Ball Return Opening
1 Pc

P25



Ball Return Tube
4 Pcs

PARTS REQUIRED:
2 pcs - P1 Leg
4 pcs - P18 Leg Leveler

STEP 1:
Thread P18 Leg Levelers into P1 Leg as shown in Figure 1.

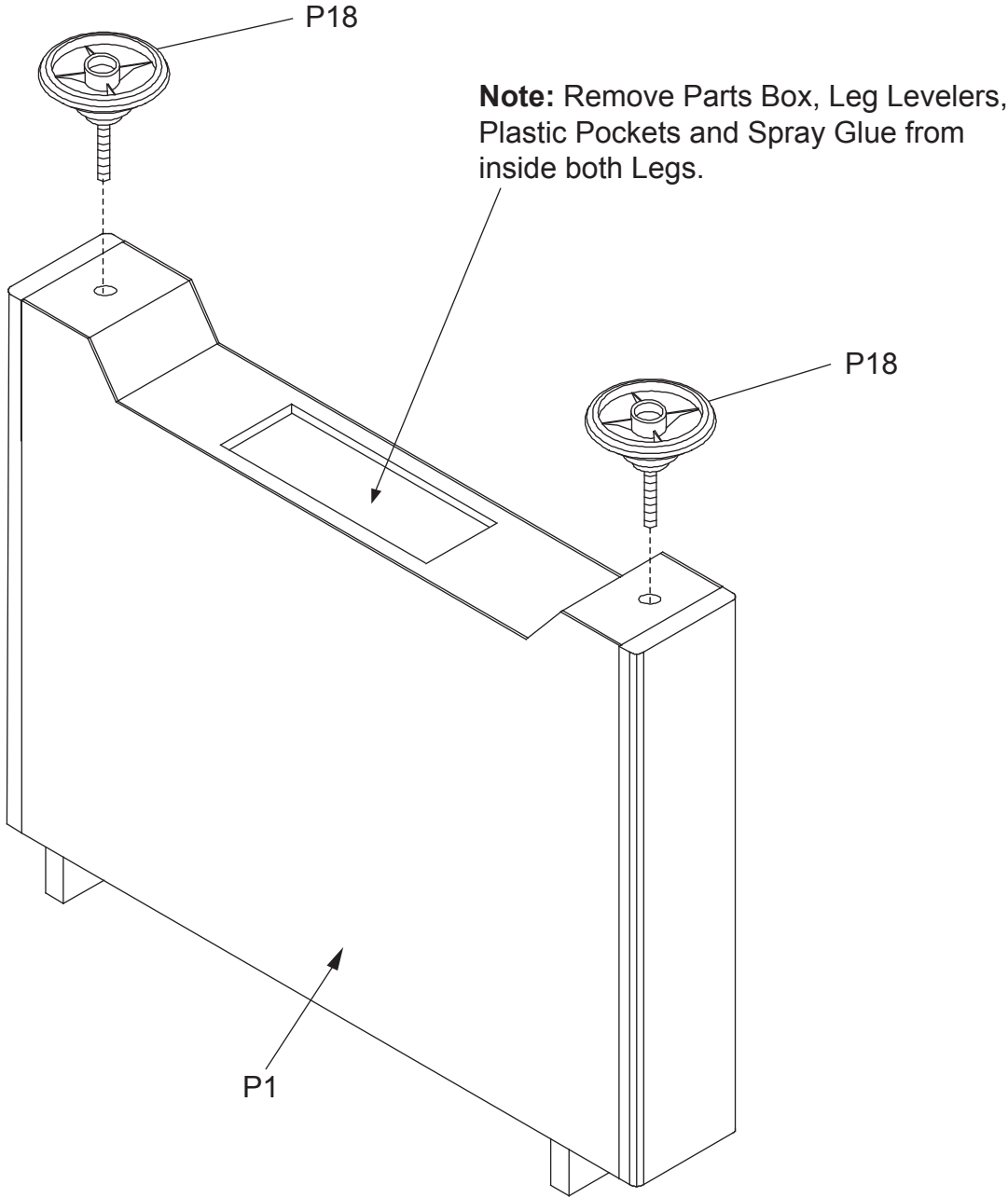


Figure 1

PARTS REQUIRED:

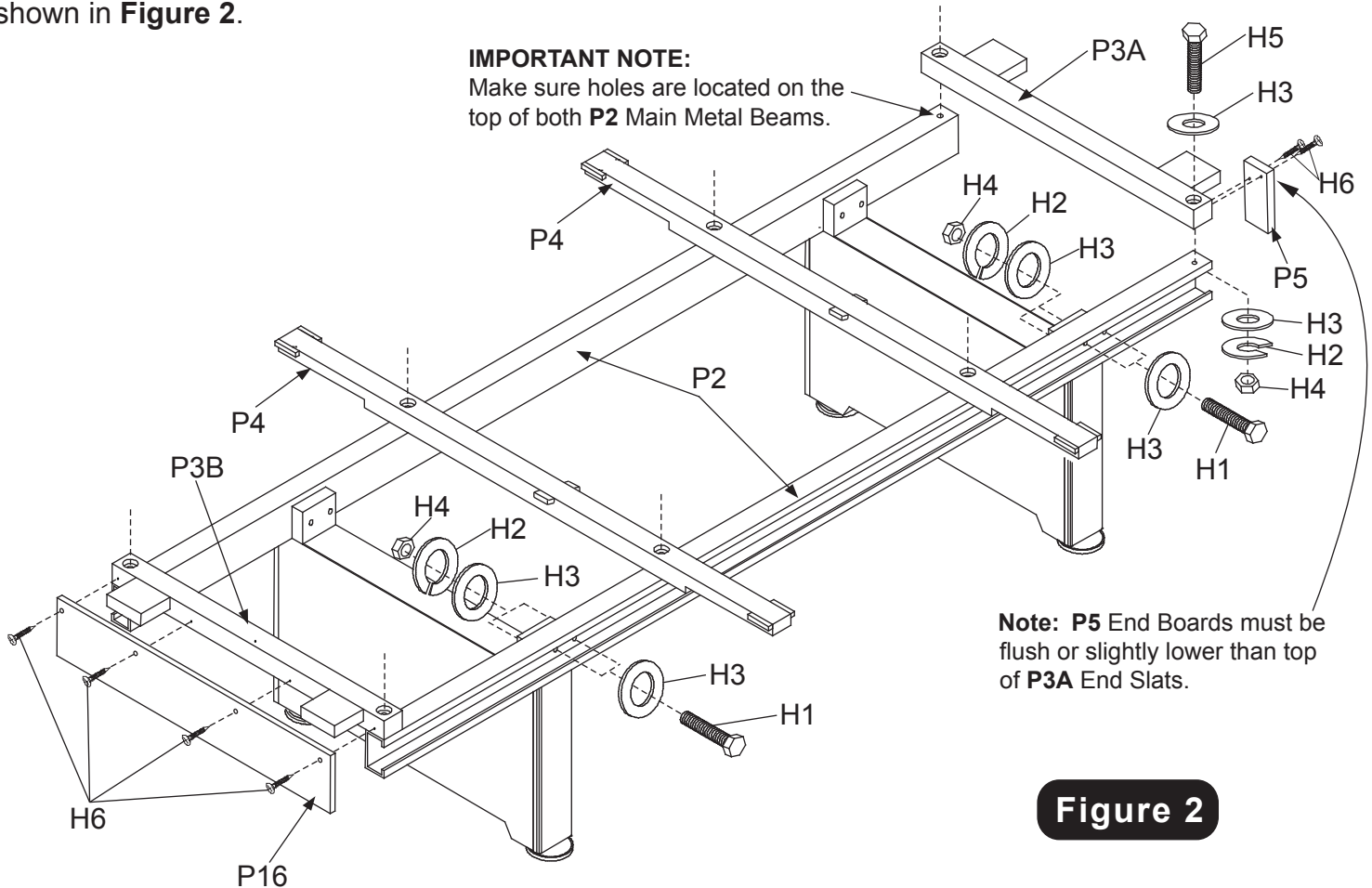
- | | |
|--------------------------------|---|
| 8 pcs - H1 Bolt | 2 pcs - P2 Main Metal Beam |
| 16 pcs - H2 Lock Washer | 2 pcs - P3A & P3B End Slat |
| 32 pcs - H3 Washer | 2 pcs - P4 Middle Slat |
| 16 pcs - H4 Hex Nut | 2 pcs - P5 End Board |
| 8 pcs - H5 Bolt | 1 pc - P16 Ball Return Support Board |
| 8 pcs - H6 Screw | 1 set - T4 Wrench |

STEP 2:

Attach each **P2** Main Metal Beam to **P1** Leg assembly as shown **Figure 2** using **H1** Bolts, **H3** Washers, **H2** Lock Washers and **H4** Hex Nuts. Use the **T4** Wrench to assemble the hardware. **Do not tighten hardware at this time.** Place **P3A** and **P3B** End Slats and **P4** Middle Slats across **P2** Main Beams and attach using **H5** Bolts, **H3** washers, **H2** Lock Washers and **H4** Hex Nuts as shown in **Figure 2**. Attach **P5** End Boards to **P3A** End Slat using pre-drilled pilot holes with **H6** Screws as shown in **Figure 2**. Attach **P16** Ball Return Support Board to **P3B** End Slat using pre-drilled pilot holes with **H6** Screws as shown in **Figure 2**.

IMPORTANT NOTE:

Make sure holes are located on the top of both **P2** Main Metal Beams.



Note: **P5** End Boards must be flush or slightly lower than top of **P3A** End Slats.

Figure 2

STEP 3:

Square up **P4** Slats by measuring diagonally as show in **Figure 3**. Diagonal measurements should be the same within 1/8". If the frame is not square, adjustment can be made by moving table beams **P2** in opposite directions. Once the frame is square, tighten all hardware.

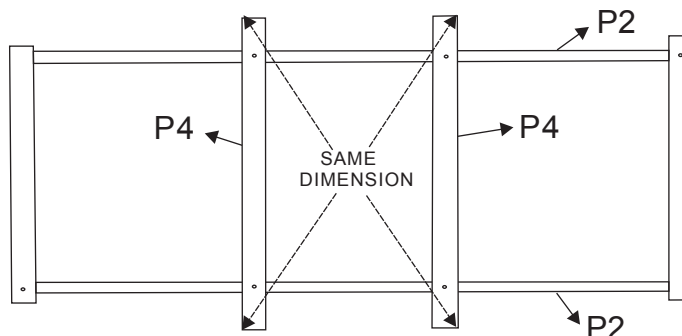


Figure 3

STEP 4:

Use a carpenter's level to level table as close as possible. It is easier to do it now rather than after the Play Bed is on the frame. To determine the highest corner of the frame place the level in following two positions. First check the table from end to end as shown in **Figure 4**. Then check the table at an angle as shown in **Figure 5**.

Can also use playing cards for Slate / Slatron Shimming - not included.

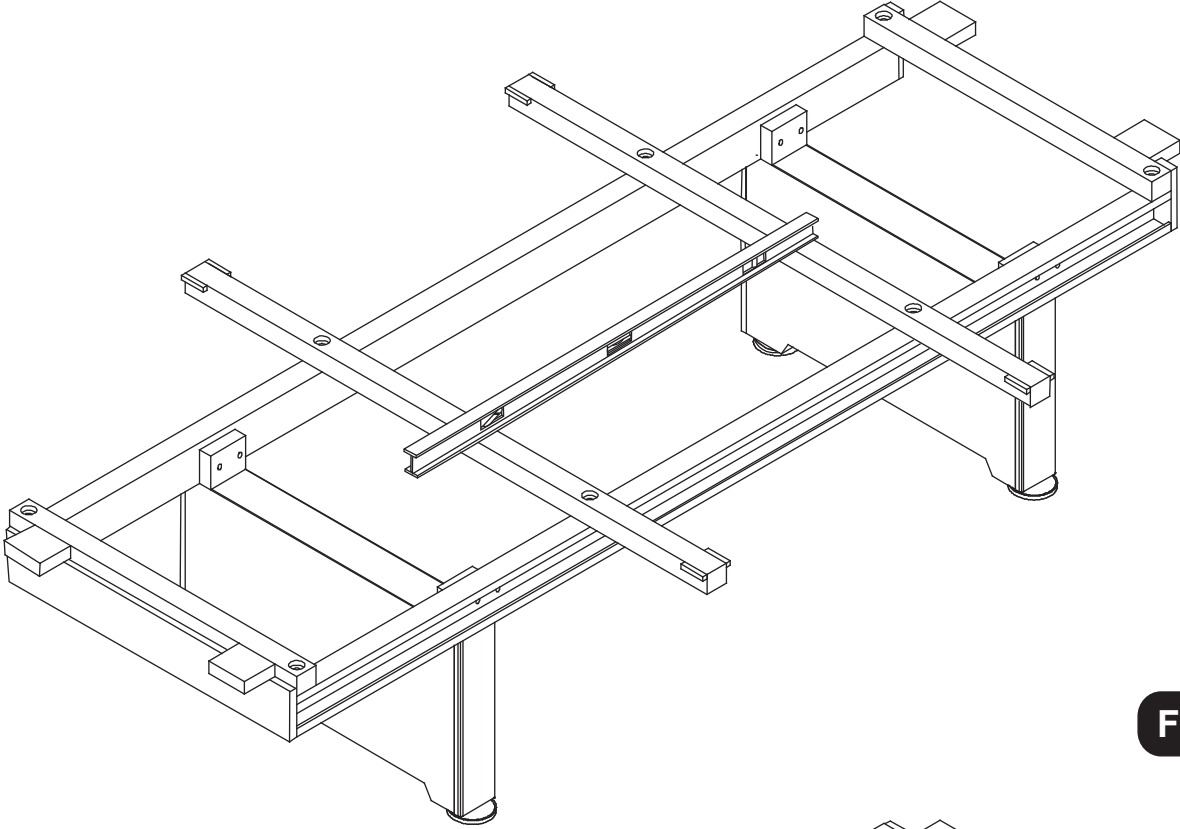


Figure 4

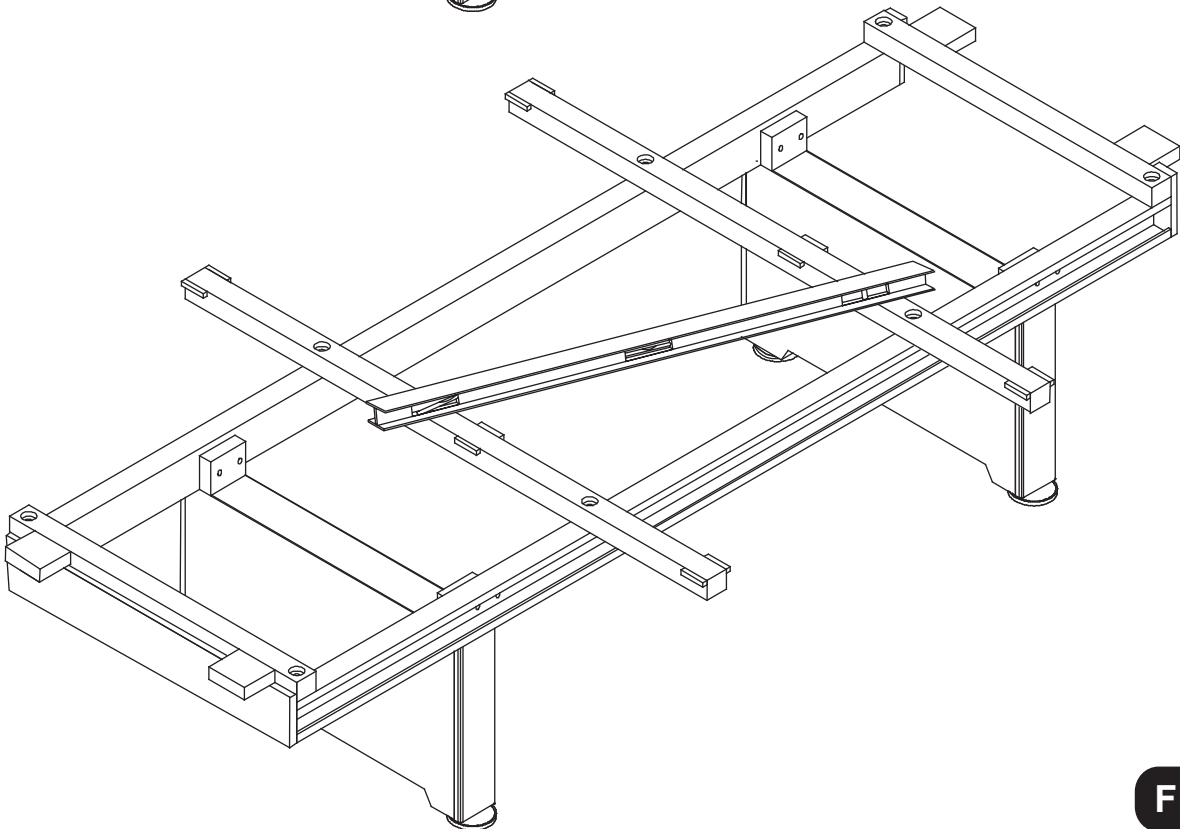


Figure 5

UNBOXING THE SLATE (Slate tables only:)

CAUTION AFTER CRATE PARTS ARE REMOVED, BEND NAILS OR STAPLES OVER WITH A HAMMER AT ONCE! USE CAUTION WHEN HANDLING CRATE PARTS!

It is now time to uncrate the slate pieces. With a claw hammer or crow bar, pry off crate top at the notched corner. (See **FIGURE 6**) **BE CAREFUL NOT TO DAMAGE SLATE INSIDE! SLATE IS BRITTLE AND CAN BE EASILY DAMAGED IF HIT OR PRIED AGAINST!**

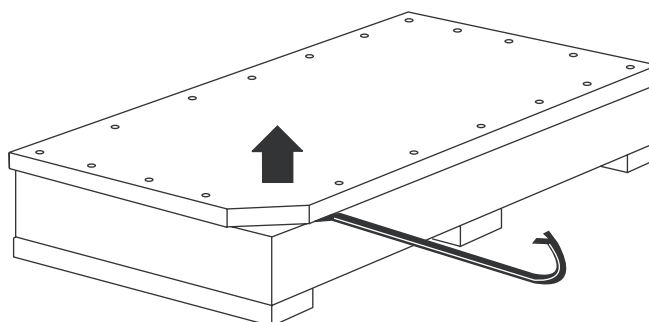
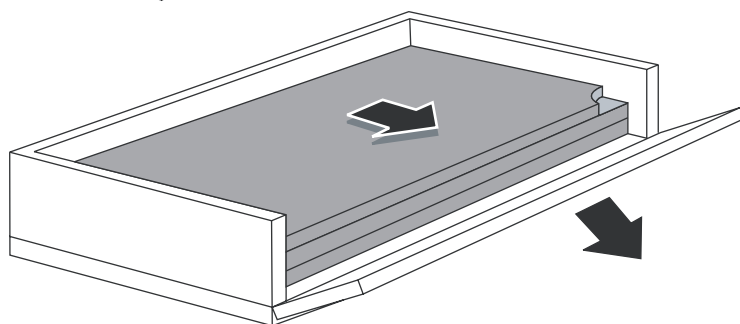


Figure 6

Remove the front rail of the crate. Slide the slate out the front of the crate. (**FIGURE 7**)

Figure 7



UNBOXING THE SLATRON (Slatron tables only:)

It is now time to unbox the slatron pieces. **BE CAREFUL NOT TO DAMAGE SLATRON INSIDE! SLATRON CAN BE EASILY DAMAGED IF HIT OR PRIED AGAINST!** (See **FIGURE 8**)

If the edges of your Slatron has “fuzz” on it, lightly sand to remove with sandpaper provided in the playbed kit.

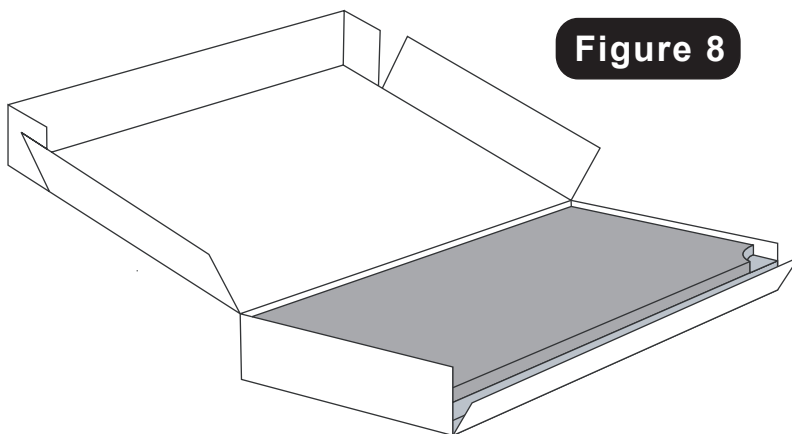


Figure 8

IMPORTANT!

The sheets of slatron may not be completely flat when removed from the shipping carton. This is normal. Once they have been placed on the table frame and securely fastened down, they will become straight and flat.

THE FOLLOWING STEP REQUIRES THE HELP OF ANOTHER ADULT!

- PARTS REQUIRED:**
16 pcs - **H7** Screw
2 pcs - **P6** End Play Bed
1 pcs - **P7** Middle Play Bed

STEP 5:

You can tell the top side of the playfield sections by the beveled edge of the pocket openings and the countersunk mounting holes. The beveled edges and the countersunk holes must face up. **(See Detail A)**

A) Place center section **P7** on the two long slats **P4**. If edges do not align exactly, center playfield as much as you can. The playfield sections are 51 inches wide. The **P4** Middle Slats are 51 inches long. The play bed sections should be flush with the **P4** Middle Slats on both sides of table.

WARNING: This step requires two adults!

REMEMBER: Be sure countersunk holes in the playfield face up!

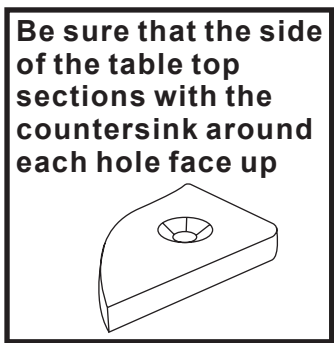
B) Secure center section **P7** to long slats **P4** with screws **H7** into countersunk holes.

Note: It is important that the edges of the three pieces of playfield are flush and square.

DO NOT OVER TIGHTEN SCREWS!

Place end Play Bed section **P6** onto slats. Be sure they are square, in line and butted up tight against center section **P7**. Secure end section **P6** to beams using screws **H7** into countersunk holes. **DO NOT OVER TIGHTEN SCREWS. NOTE:** If necessary, shim underneath Play Bed where they join together to obtain a smooth, even surface. Shims are provided in the slate bed kit.

TOP OF PLAY BED MUST BE PRECISELY LEVEL! EDGES MUST BE EVEN WITH ONE ANOTHER!



Detail A

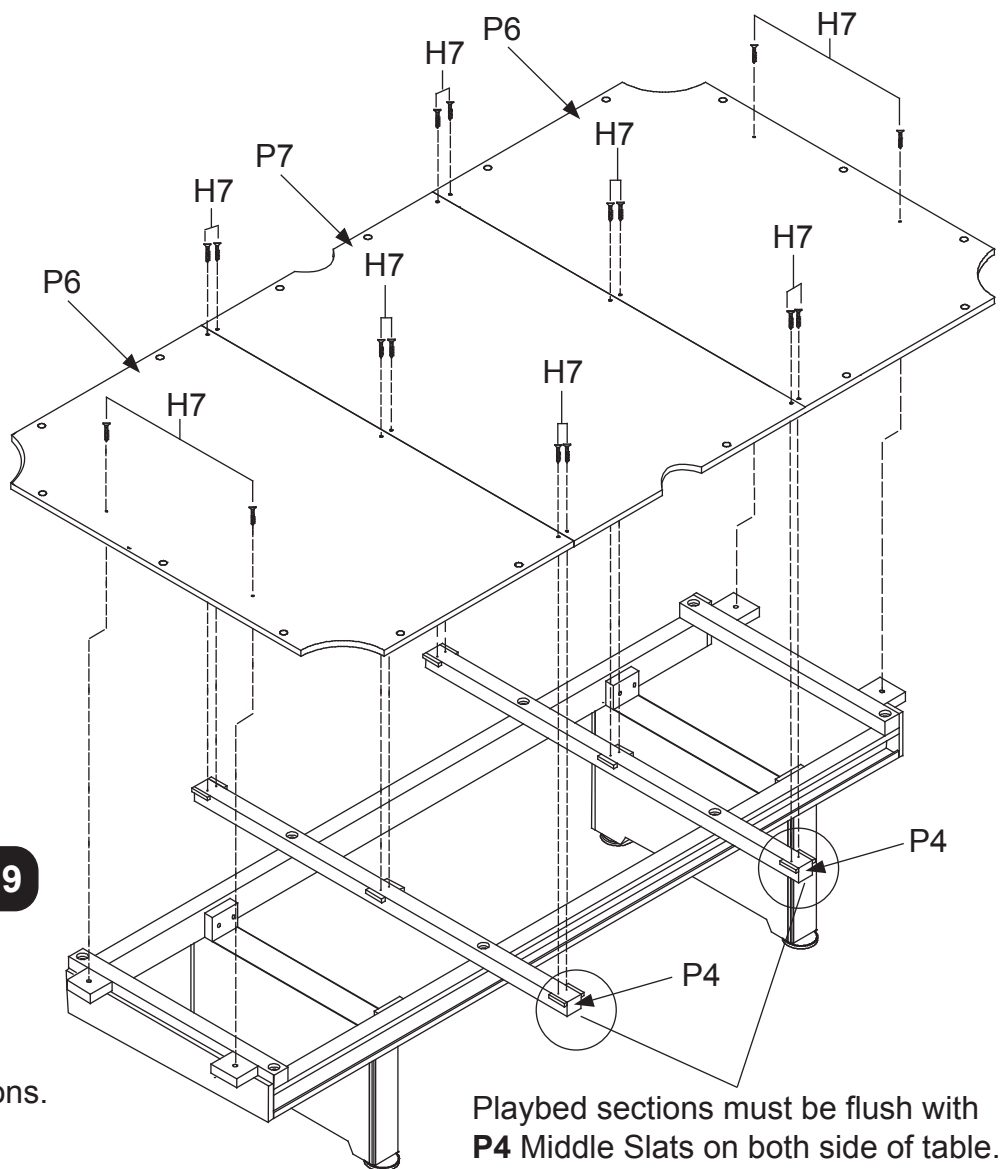


Figure 9

Note: See next page for Playfield Shimming Instructions.

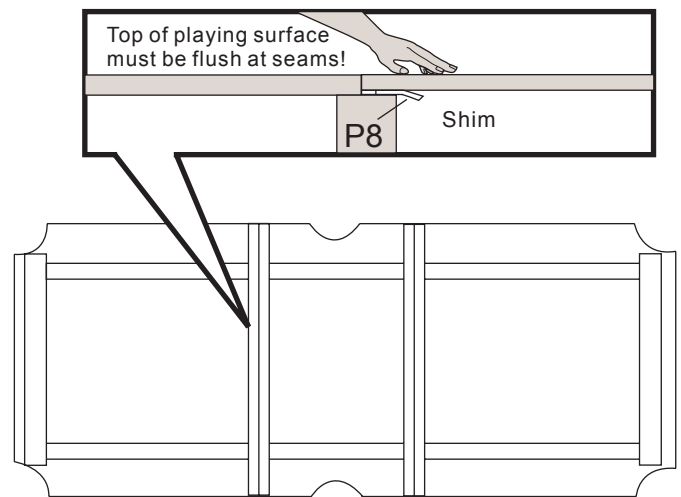
Playbed sections must be flush with **P4** Middle Slats on both side of table.

SHIMMING INSTRUCTIONS

(use deck of cards for shimming, not included)

General Rules

- Accomplish the leveling of the playing surface with as few shims as possible.
- Do not tap with a hammer or tighten screws unreasonably tight. You will not be able to compress the playing surface. You must shim up the playing surface to level. Shims are meant only to raise the low places at the seams and ends. Very short and low places should be grouted. Do not assume the floor is level. Most leveling can be accomplished by working with the frame.
- If using power tools be sure to use only enough torque to reasonably tighten screws.
- Seams can best be checked by passing your finger over the seam and feeling if it is flush.
- All screws must be tightened after shimming.
- No two sets of Play Bed are exactly alike. Some sets require more or less shimming than others.



STEP BY STEP SHIMMING

(use deck of cards for shimming, not included)

- A) Be sure table is set in its final location.
- B) Table must be as level as possible before shimming. Large differences in levelness must be corrected by raising or lowering frame with included leg levelers or shim stock.
DO NOT ASSUME FLOOR IS LEVEL!
- C) Tighten down all the playing surface mounting screws.
- D) Check with a carpenter's level to determine where playfield is low on ends, and use finger tips to locate uneven spots at the seams. Loosen screws at these points and see if playfield comes up to flush. If so, detach individual shims from the sheet shipped with this table and place under these areas. **Place shims next to screws.**
- E) Lay a straight edge across seams to be sure playfield pieces are at the same height.
- F) After top surface of playfield is flat and level, all screws must be snugged down in tight position. **DO NOT OVER-TIGHTEN SCREWS!** Check these screws before proceeding to the next step.

GROUTING INSTRUCTIONS FOR PLAY BED

- Clean top of playfield with a damp cloth. **DO NOT USE TOO MUCH WATER!** Allow enough time for top sections to dry thoroughly before starting the next step.
- A small container of grout has been provided for filling countersinks and small imperfections in the table seams. Empty 1/3 of grout into a mixing container. Add 1 teaspoon of water and stir-add very small quantities of grout or water to achieve a thick paste. When mixed, grout should be a thick paste that will not drip off putty knife. If you do get grout too thin, slowly add more powder.
- Using a putty knife, fill both seams and the four countersunk holes in the center playfield area. (Only the four countersunk holes in the center of the table need to be filled since the other holes will be covered by the rails.) Do not use more grout than you need.
- Let grout dry. Read the rest of this manual while you wait!
- Using a medium grit sandpaper and sanding block, sand the filled areas smooth and flat.
RECHECK THESE AREAS TO MAKE SURE THEY ARE FLAT. Re-grout if you still find low places at countersunk holes or seams.

! WARNING !

DO NOT SMOKE WHILE WORKING WITH CONTACT CEMENT! READ LABEL ON CEMENT CONTAINER CAREFULLY!

Applying the cloth:

1. Make sure Play Bed is dry and free of dust.

NOTE: Before spraying adhesive, cut a portion of the shipping carton to use as a shield to prevent cement over spray.

2. Place cloth over Play Bed with equal overhang on all sides.

NOTE: Cloth may seem small but it will stretch a great deal.

3. Fold cloth away from end to expose Play Bed for your first glue application. Apply contact cement to top surface in a band 4 inches wide on this end. (See **FIGURE 10**) Coat edge also. Spray cement smoothly and evenly. Allow cement to become tacky, wait at least one minute.
4. Fold cloth back over the table. With firm even pressure, press cloth onto the area that has been coated with cement. Smooth cloth down and over edges.
5. Fold cloth away from side to expose Play Bed for your second glue application. (See **FIGURE 11**). Apply cement to the side in the same manner as your first glue application. Allow cement to become tacky, wait at least one minute.
6. Fold cloth back over table. With firm even pressure, press cloth onto the area that has been coated with cement. Smooth cloth down and over edges.
7. Fold cloth away from other side to expose Play Bed for your third glue application. (See **FIGURE 12**). Apply cement to this side in the same manner. Allow cement to become tacky, wait at least one minute.
8. Stretch the cloth across the width and over the edge of the table. **STRETCH HARD ENOUGH TO TAKE OUT WRINKLES, BUT NOT SO HARD THAT THE CLOTH SLIPS.**
9. Fold cloth away from other end to expose Play Bed for your fourth glue application. (See **FIGURE 13**) Apply cement to this end in the same manner. Allow cement to become tacky, wait at least one minute.
10. Make a final stretch along the length of and over the edge of the table, stretch hard enough to work out all wrinkles. (See **FIGURE 14**) If cloth is not smooth, lift and re-apply. **NOTE:** Rubbing fingers lightly across cloth should not make cloth move.
11. Locate center of pocket opening. (See **Detail A** and **B**) Using sharp scissors, make a straight cut. Next, cut to pocket edge to form pie shapes. (See **detail B**) Divide these pie shapes in half. As you do, the pie shapes begin to relax to allow for placement. You may need to make additional cuts.
12. Spray adhesive on the underneath side of the play-bed around pocket face to adhere the cloth. Make sure not to get over spray of glue on table. Allow cement to become tacky, wait at least one minute. Stretch the pie shapes down and under the pocket opening. Press the cloth against the cement on the underside of the Play Bed. Be sure entire pie shape is fully attached to underneath side of table.

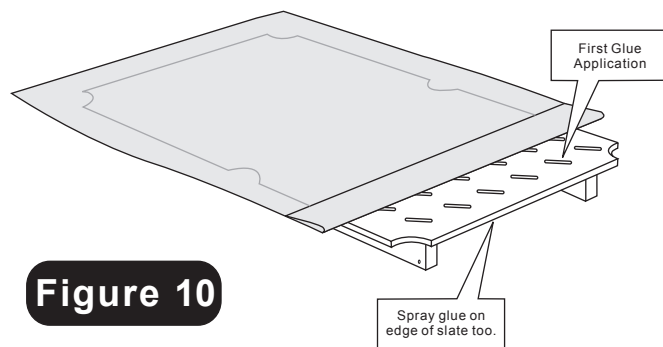


Figure 10

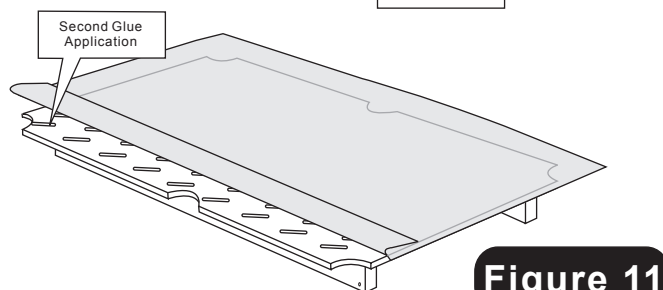


Figure 11

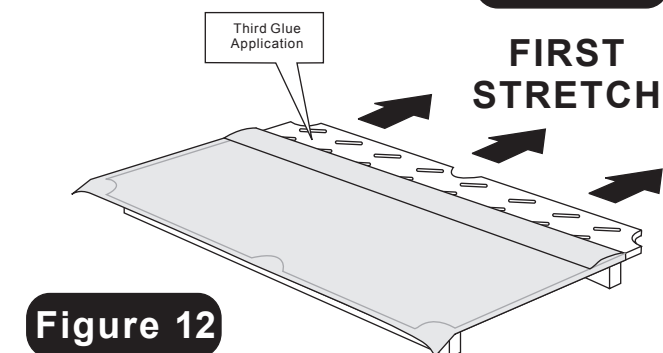


Figure 12

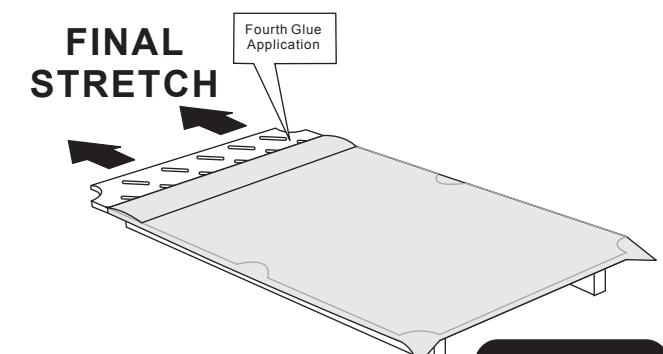


Figure 13

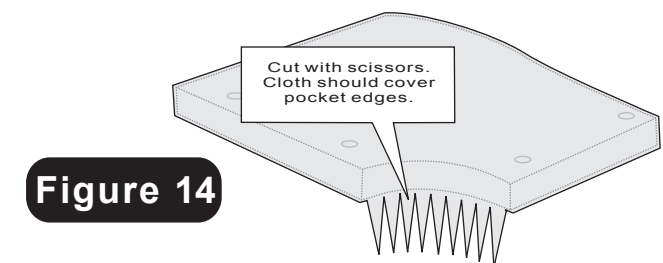
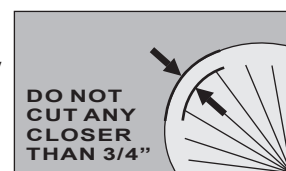
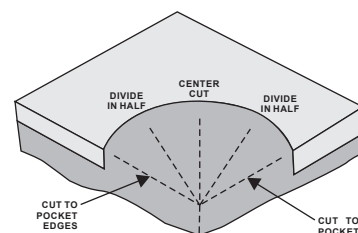


Figure 14



Detail A



Detail B

PARTS REQUIRED:

8 pcs - H8 Bolt 2 pcs - P10 End Top Rail
8 pcs - H15 Flat Washer 4 pcs - P11 Corner Cap
2 pcs - P9 Side Top Rail

STEP 6:

On a clean level surface, lay each P9 Side Top Rail and P10 End Top Rail face down as shown in Figure 15. Next, lay each P11 Corner Cap face down and attach using H8 Bolts with H15 Flat Washers as shown in Figure 15 and Detail A. **Do not tighten H8 Bolts at this time.**

Next, Measure from the outer edge of cushion rubber, on each side of P10 End Top Rail to other end of P10 End Top Rail. These two measurements must be the same in order for this rail assembly to be a perfect rectangle and should measure approx 87 5/8". This measurement may vary slightly from 87 5/8", but both measurements must be the same. Hold each P10 End Top Rail down with your hand and tighten H8 Bolts - in the end top rail only. Check to see that both measurements are still the same.

Next, Measure from the outer edge of cushion rubber, on each end of P9 Side Top Rail to other end of P9 Side Top Rail. These two measurements must be the same in order for this rail assembly to be a perfect rectangle and should measure approx 43 1/2". This measurement may vary slightly from 43 1/2", but both measurements must be the same. Hold each P9 Side Top Rail down with your hand and tighten H8 Bolts - in side top rail only. Check to see that both measurements are still the same.

Lastly, Check all (4) measurements to insure this assembly is a perfect rectangle and double check that all corner cap bolts are tight.

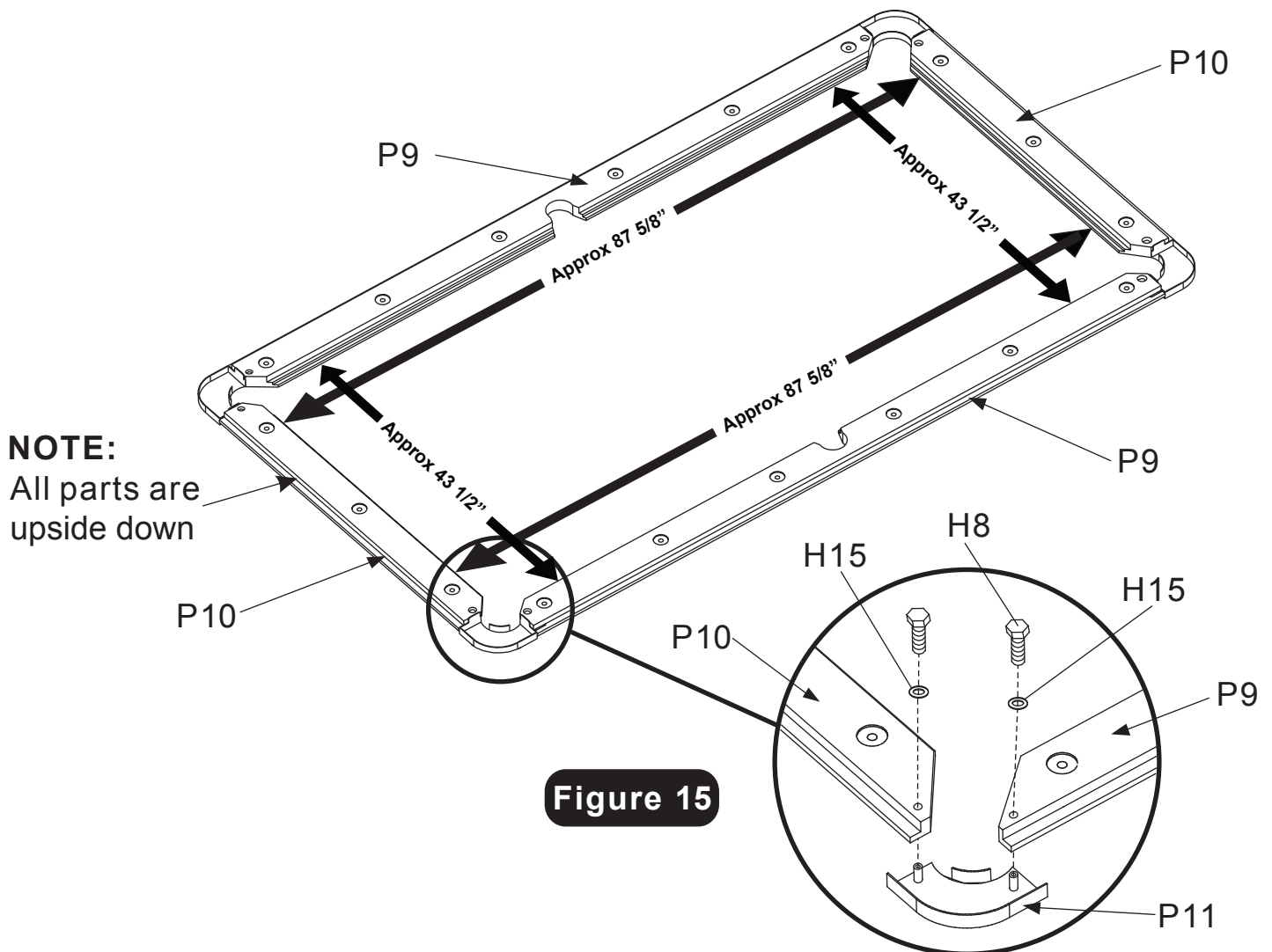


Figure 15

PARTS REQUIRED:

12 pcs - H11 Screw

1 pc - P14 End Apron with Ball Return Opening

1 pc - P13 End Apron

4 pcs - P15 Corner Post

STEP 7:

Slide and attach each P15 Corner Post onto the end of each P13 and P14 End Apron using H11 Screws as shown in Figure 16A. Tighten, but do not strip out H11 Screws.

IMPORTANT NOTE: Study and assemble parts exactly as per Figure 16A.

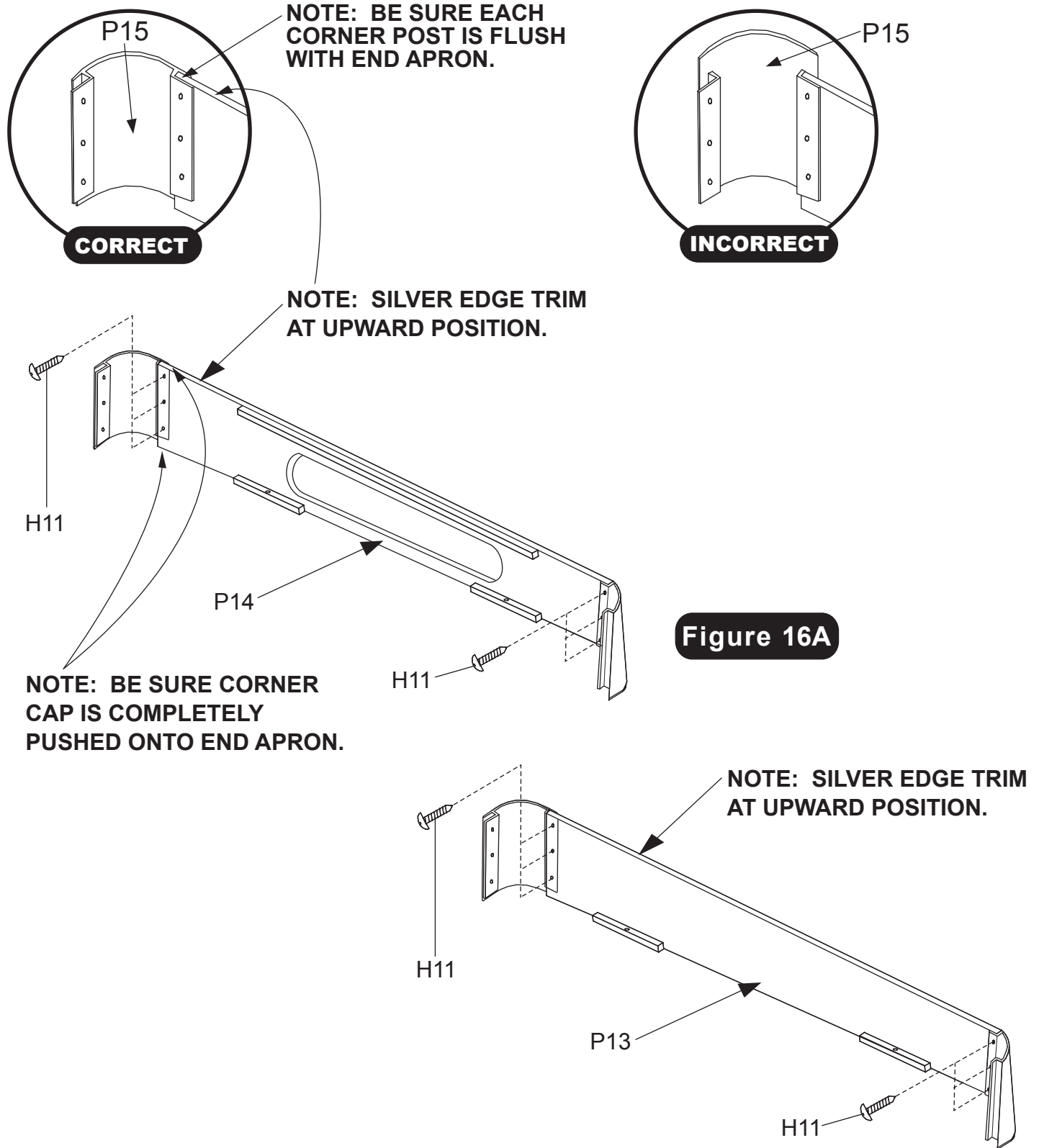


Figure 16A

PARTS REQUIRED:

12 pcs - H9 Bolt
12 pcs - H10 Washer

12 pcs - H11 Screw
2 pcs - P12 Side Apron

STEP 8:

With the rail assembly face down, attach **P12** Side Aprons using **H9** Bolts with **H10** Washers (see inset). **Do not tighten yet.**

Next, attach previous assemblies **P13** and **P14** End Aprons flush against the bottom of the **P10** End Top Rail and align using threaded inserts on the underside of each rail. Attach **P13** and **P14** End Apron assembly using **H9** Bolts with **H10** Washers (see inset). **Do not tighten yet.**

Be sure each **P15** Corner Post is flush with each **P12** Side Apron, then attach using **H11** Screws.

Tighten, but do not strip out H11 Screws.

Lastly, tighten all **H9** Apron Bolts.

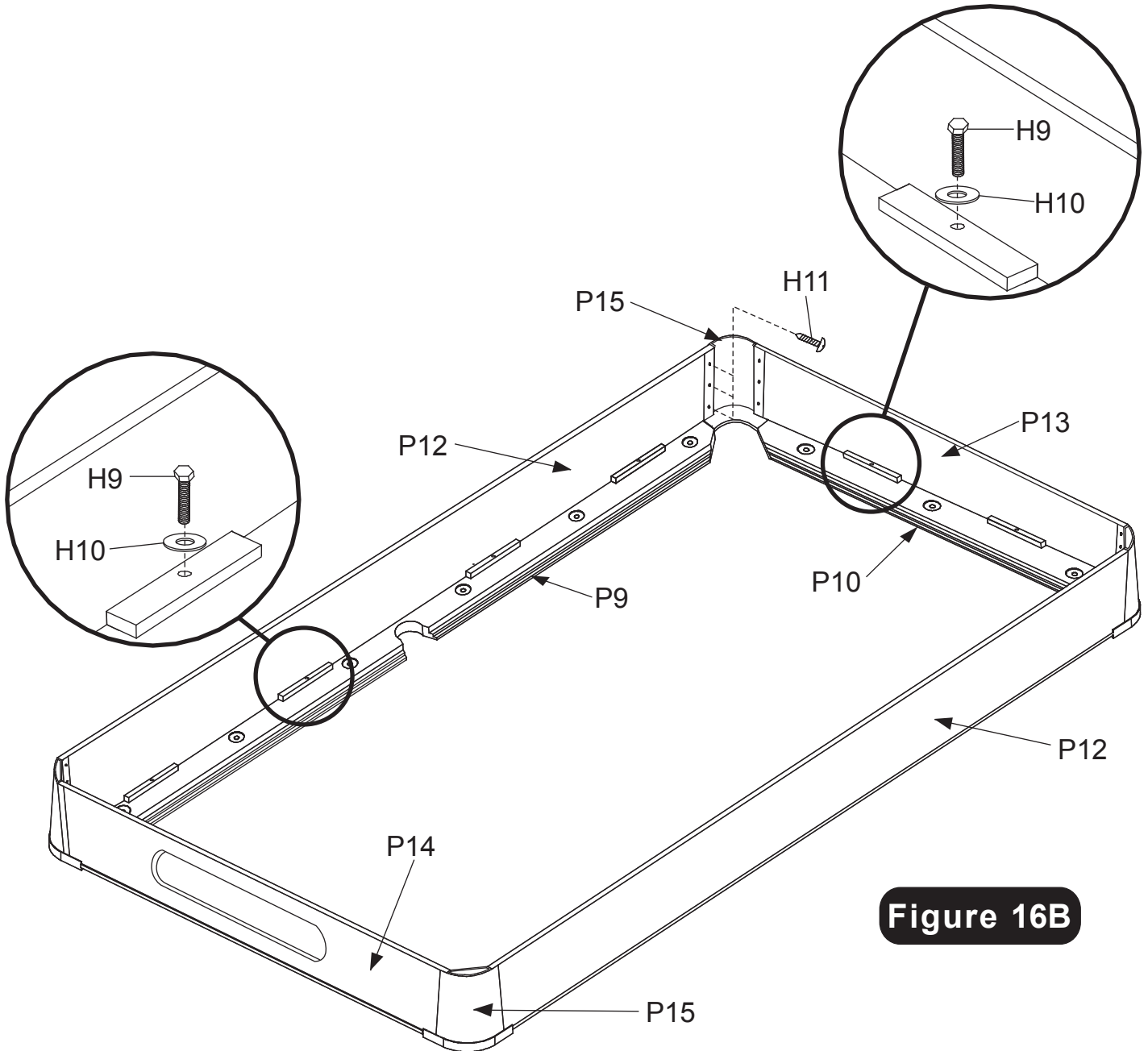


Figure 16B

PARTS REQUIRED:

18 pcs - H12 Bolt

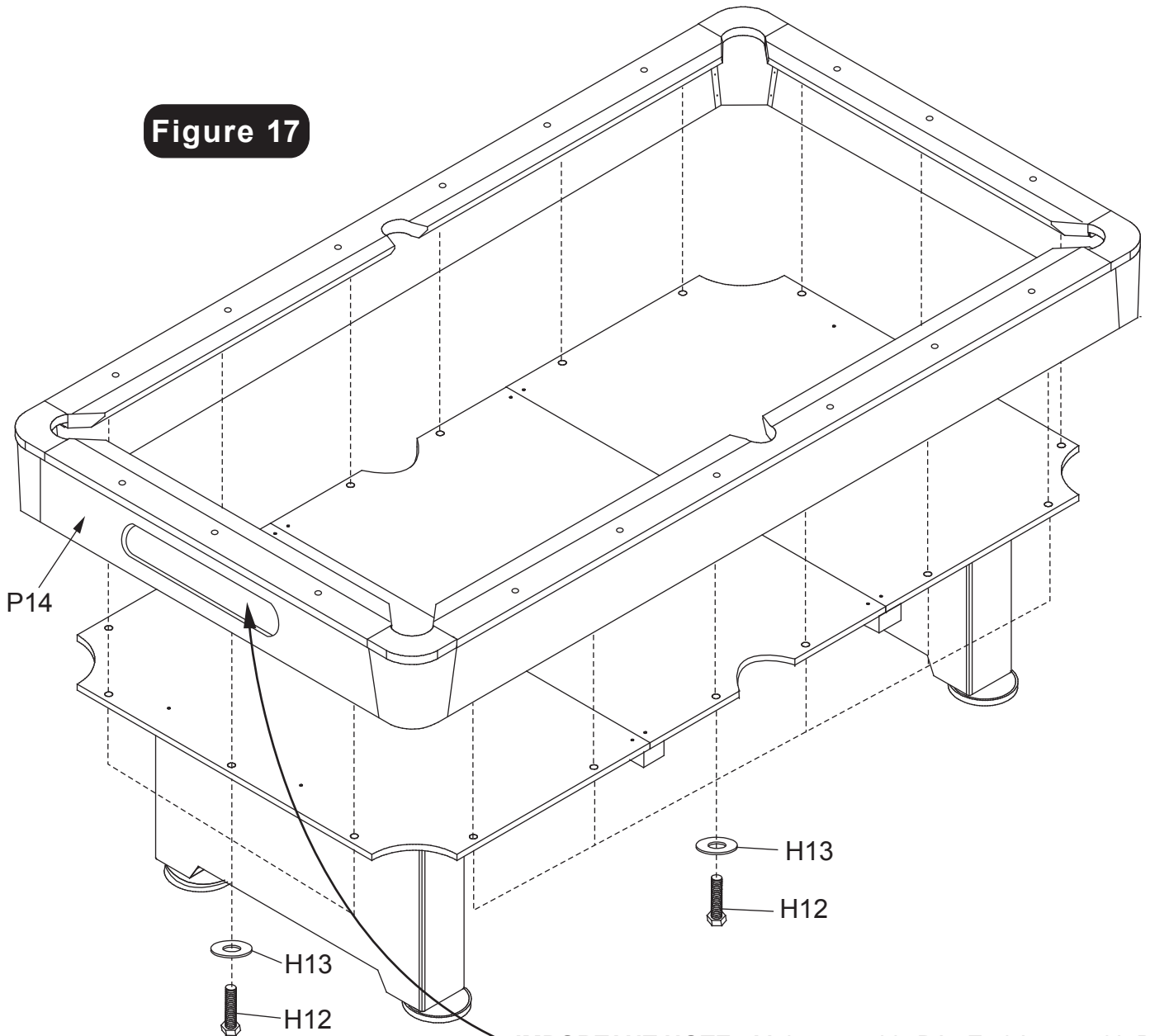
18 pcs - H13 Washer

STEP 9:

With the help of four adults, carefully rotate the rail and apron assembly and then place over the play bed as shown. From the underside of the table, insert H12 Bolts with H13 Washers up through the play bed and into the threaded inserts of each rail. Be sure the rail assembly is aligned with the play bed and pockets, then tighten all bolts.

Important Note : Once Rail and Apron assembly is placed onto the playfield - carefully sight down onto each pocket opening and adjust rail and apron assembly equal to all six pocket openings before tightening H12 bolts.

Figure 17



IMPORTANT NOTE: Make sure this P14 End Apron with Ball Return Opening is on same end as P16 Ball Return Support Board assembled in STEP 2.

PARTS REQUIRED:

- | | |
|---------------------------------------|--------------------------------------|
| 1 pc - P19 Right Corner Pocket | 1 pc - P22 Left Corner Pocket |
| 1 pc - P20 Right Middle Pocket | 1 pc - P23 Left Middle Pocket |
| 1 pc - P21 Right Corner Pocket | 1 pc - P24 Left Corner Pocket |
| | 4 pcs - P25 Ball Return Tube |

STEP 10:

Connect **P22** Left Corner Pocket, **P23** Left Middle Pocket and **P24** Left Corner Pocket with **P25** Ball Return Tubes as shown in **Figure 18**.

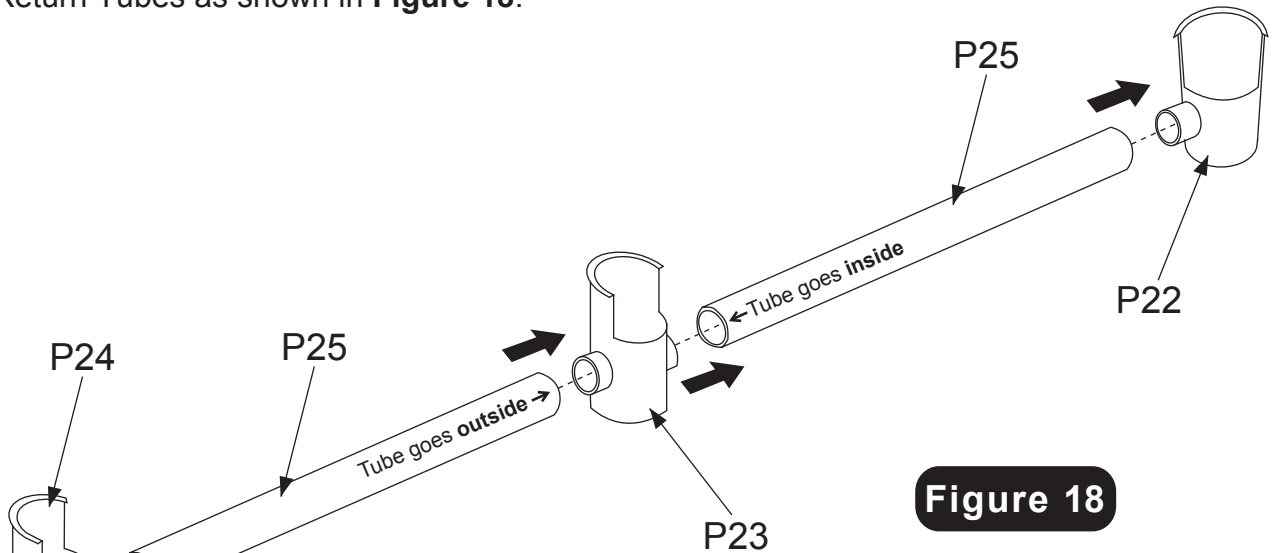


Figure 18

Connect **P19** Right Corner Pocket, **P20** Right Middle Pocket and **P21** Right Corner Pocket with **P25** Ball Return Tubes as shown in **Figure 19**.

**BALL RETURN
OPENING - END
OF TABLE**

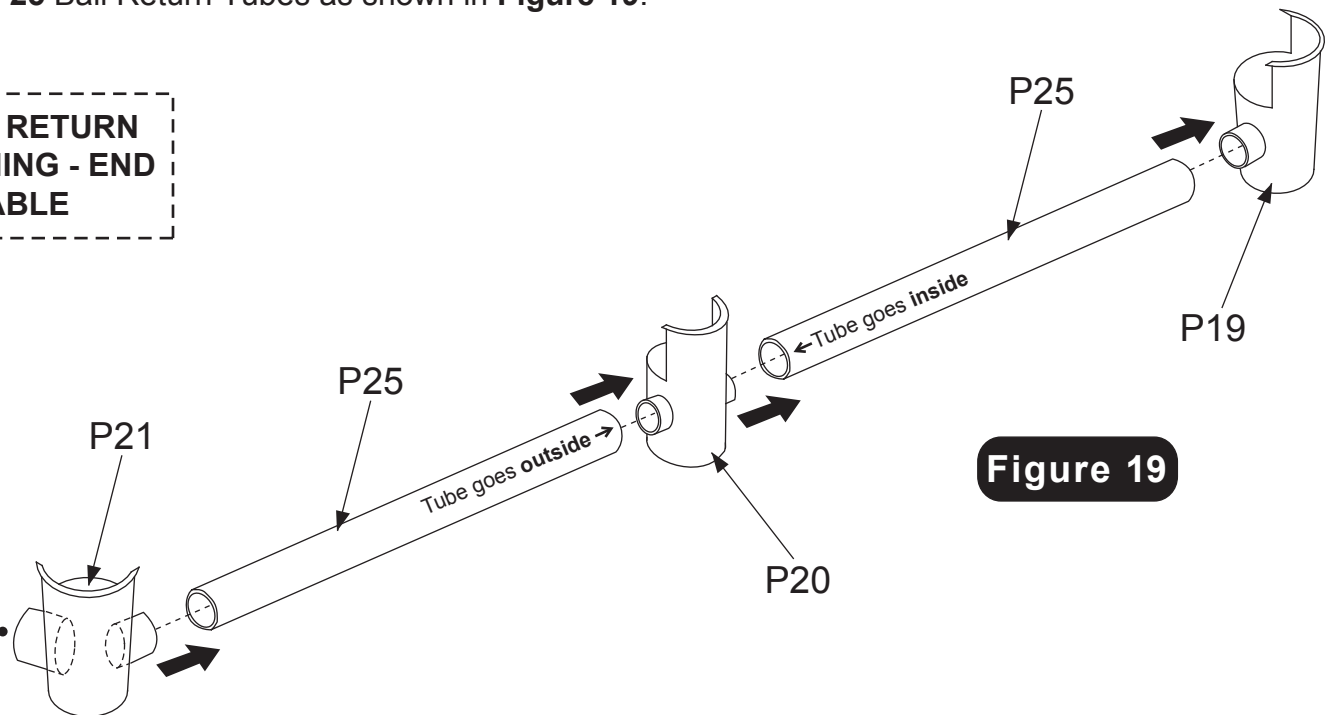


Figure 19

! WARNING:

THIS STEP REQUIRES THREE OR MORE ADULTS.

VERY CAREFULLY INSERT RIGHT POCKET RETURN AND LEFT POCKET RETURN INTO THE DROP POCKET OPENINGS FROM UNDERSIDE OF THE TABLE.

PARTS REQUIRED:

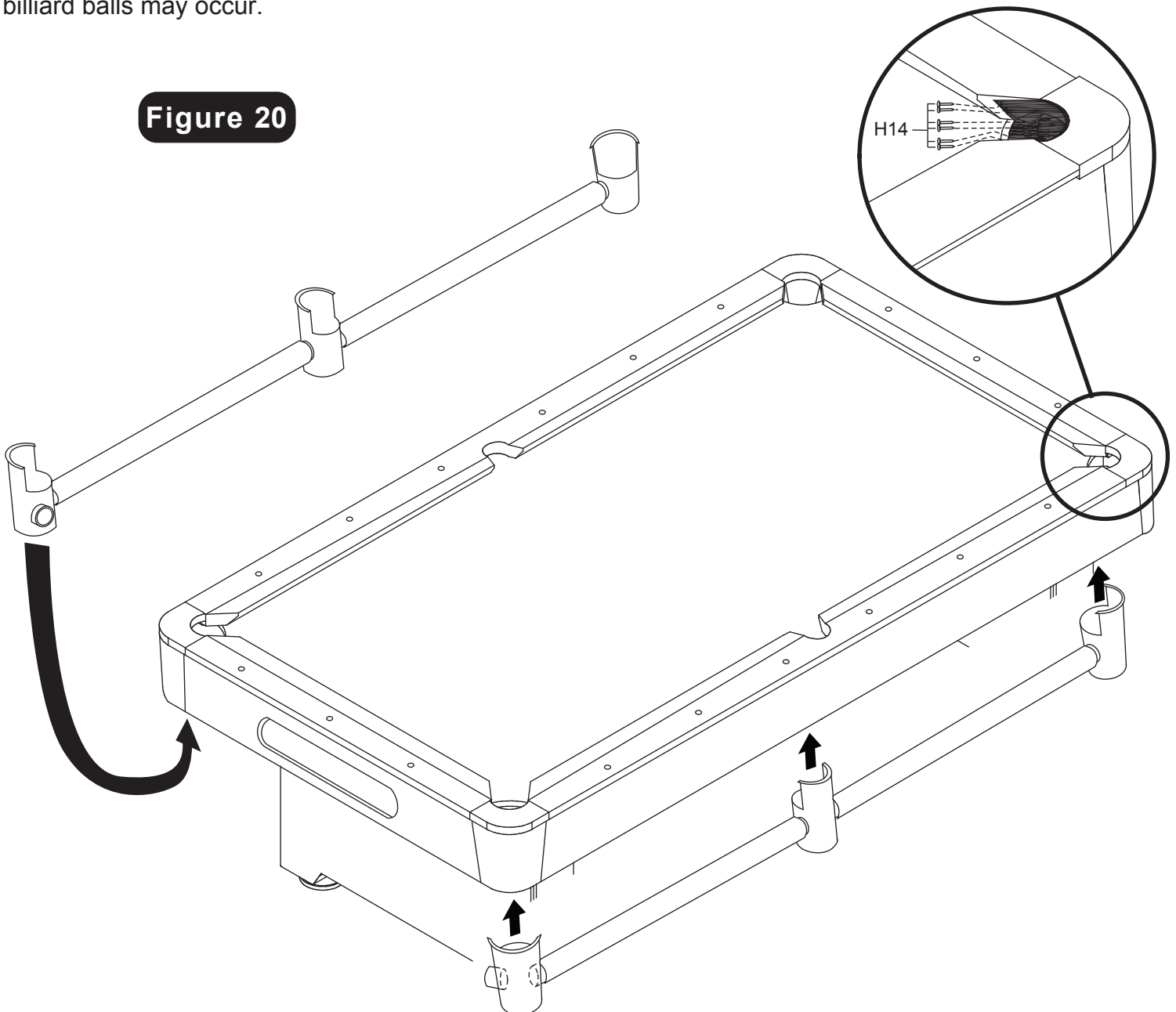
36 pcs - H14 Pocket Nail

STEP 11:

Insert **Right** Pocket Return and **Left** Pocket Return from previous assembly **STEP 10** into the drop pocket openings from underside of the table. Fasten pockets using six **H14** Nails per pocket. Hold the nails with needle nose pliers and tap them in with a small hammer. Once the nails have started into plastic, hammer them completely into the rails until heads are flush with plastic as shown **Figure 20**.

Important Note: All **H14** pocket nails must be tapped completely into place - otherwise - damage to the billiard balls may occur.

Figure 20



PARTS REQUIRED:

4 pcs - H6 Screw
4 pcs - H16 Bolt
4 pcs - H17 Washer

1 pc - P17 Ball Return Tray Board
2 pcs - A1 Cue Stick
1 pc - A2 Triangle

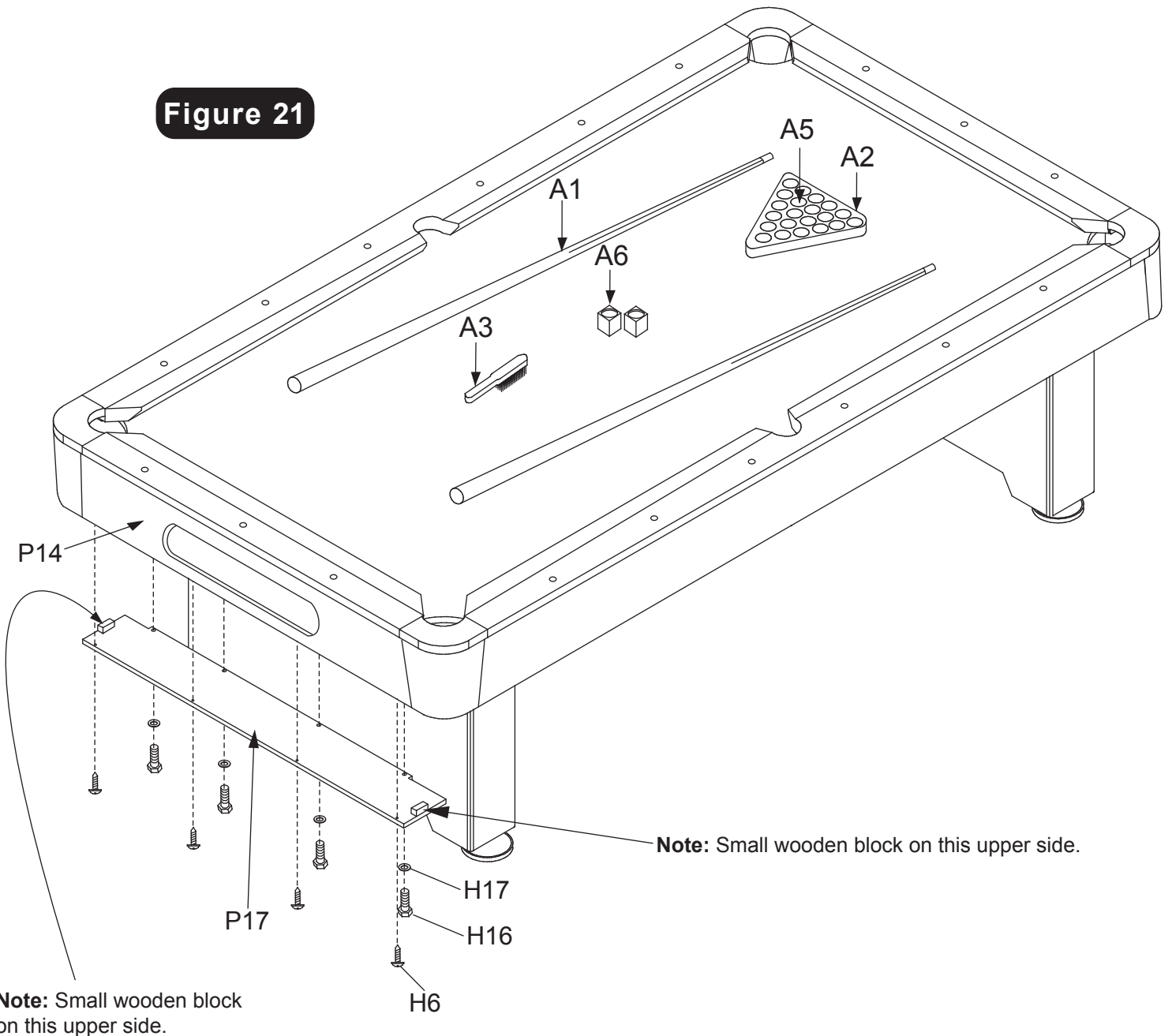
1 pc - A3 Brush
1 set - A5 Billiard Ball
2 pcs - A6 Chalk

STEP 12:

Attach P17 Ball Return Tray Board onto P16 Ball Return Support Board using H16 Bolts and H17 Washers as shown in Figure 21.

Attach P17 Ball Return Tray Board onto P14 End Apron with Opening Ball Return Trim using H6 Screws as shown in Figure 21. Tighten, but do not strip out H6 Screws.

Figure 21



Congratulations! You have now assembled your pool table. Please note the Care and Use instructions below to insure many years of trouble free use of your pool table.

CARE AND USE OF YOUR POOL TABLE

1. Use spray furniture polish to clean all exterior surfaces of your pool table.
2. Use the table brush provided to clean the cloth on the table.
3. Use a carpenters level to properly level table using the leg levelers.
4. This product is intended for INDOOR use only.
5. **DO NOT** sit, climb or lean on the table.
6. **DO NOT** drag the table when moving it. This will damage the legs.
7. **DO NOT** set drinks on the table.
8. The purchase of a billiard table cover will help protect and keep your table clean while not is use.

Need game rules? Get rules and additional information on our website:

[Http://www.escaladesports.com/harvard-game-table/gamerules.html](http://www.escaladesports.com/harvard-game-table/gamerules.html)

PARTS LIST FOR MODEL # P5423W

PART #	KEY #	DESCRIPTION	QTY.
P5423WWJH1	H1	3/8" x 2-1/4" Bolt	8
P5423WWJH2	H2	3/8" Lock Washer	16
P5423WWJH3	H3	3/8" x 25mm Flat Washer	32
P5423WWJH4	H4	3/8" Hex Nut	16
P5423WWJH5	H5	3/8" x 3" Bolt	8
P5423WWJH6	H6	WP/4 x 1" Phillips Washer Head Screw	12
P5423WWJH7	H7	F5 x 1-3/4" Phillips Flat Head Screw	16
P5423WWJH8	H8	5/16" x 1-1/4" Bolt	8
P5423WWJH9	H9	5/16" x 1-3/4" Bolt	12
P5423WWJH10	H10	5/16" x 23mm Flat Washer	12
P5423WWJH11	H11	T4 x 15mm Phillips Round Head Screw	24
P5423WWJH12	H12	5/16" x 1-5/8" Bolt	18
P5423WWJH13	H13	5/16" x 32mm Flat Washer	18
P5423WWJH14	H14	Pocket Nail	36
P5423WWJH15	H15	5/16" x 23mm Flat Washer	8
P5423WWJH16	H16	1/4" x 1-1/2" Bolt	4
P5423WWJH17	H17	1/4" x 15mm Flat Washer	4
P5423WWJT1	T1	Playfield Grout Kit	1
P5423WWJT2	T2	Playfield Cloth to Playfield - Spray Adhesive	1
P5423WWJT3	T3	Sand Paper for Dried Grout	1
P5423WWJT4	T4	Wrench (set)	1
P5423WWJA1	A1	Cue Stick	2
P5423WWJA2	A2	Triangle	1
P5423WWJA3	A3	Playfield Cloth Brush	1
P5423WWJA4	A4	Playfield Cloth	1
P5423WWJA5	A5	Billiard Ball	1
P5423WWJA6	A6	Cue Chalk	2
P5423WWJP1	P1	Leg	2
P5423WWJP2	P2	Main Metal Beam	2
P5423WWJP3A	P3A	End Slat (Note: For P5 Installation)	1
P5423WWJP3B	P3B	End Slat (Note: For P16 Installation)	1
P5423WWJP4	P4	Middle Slat	2
P5423WWJP5	P5	End Board	2
P5423WWJP6	P6	End Play Bed Slatron (P2000W)	2
P5423WWJP6S	P6S	End Play Bed Slate (809-551)	2
P5423WWJP7	P7	Middle Play Bed Slatron (P2000W)	1
P5423WWJP7S	P7S	Middle Play Bed Slate (809-551)	1
P5423WWJP8	P8	Shim	8
P5423WWJP9	P9	Side Top Rail	2
P5423WWJP10	P10	End Top Rail	2
P5423WWJP11	P11	Corner Cap	4
P5423WWJP12	P12	Side Apron	2
P5423WWJP13	P13	End Apron	1
P5423WWJP14	P14	End Apron with Ball Return Opening	1
P5423WWJP15	P15	Corner Post	4
P5423WWJP16	P16	Ball Return Support Board	1
P5423WWJP17	P17	Ball Return Tray Board	1
P5423WWJP18	P18	Leg Leveler	4
P5423WWJP19	P19	Right Corner Pocket	1
P5423WWJP20	P20	Right Middle Pocket	1
P5423WWJP21	P21	Right Corner Pocket	1
P5423WWJP22	P22	Left Corner Pocket	1
P5423WWJP23	P23	Left Middle Pocket	1
P5423WWJP24	P24	Left Corner Pocket	1
P5423WWJP25	P25	Ball Return Tube	4
P5423WWJK1	K1	Hardware Kit	1
P5423WWJM1	M1	Owner's Manual	1

90 DAY LIMITED WARRANTY

This customer warranty extends to the original owner, on the purchase of any ESCALADE SPORTS Product (hereinafter referred as the "Product").

WARRANTY DURATION: This Product is warranted to the original owner, for a period of 90 days from the original purchase.

WARRANTY COVERAGE: ESCALADE SPORTS warrants to the original owner, this product to be free from defects in material and workmanship when used for the intended purpose under normal use and conditions. THIS WARRANTY IS VOID IF THE PRODUCT HAS BEEN DAMAGED BY ACCIDENT, UNREASONABLE USE, NEGLIGENCE, IMPROPER SERVICE, FAILURE TO FOLLOW INSTRUCTIONS PROVIDED WITH THE PRODUCT OR OTHER CAUSES NOT ARISING OUT OF DEFECTS IN MATERIAL AND WORKMANSHIP.

WARRANTY REPLACEMENT: During the above 90 day warranty period, ESCALADE SPORTS shall provide replacement components or replace with a comparable product at our choosing. If product is defective under normal use and proper care, please contact our Customer Service Dept.

1-866-556-2757 / Customer Service Dept.

Or Write us at:

Escalade® Sports, Inc. - P.O. Box 889, Evansville, IN 47706

Attn: Customer Service Dept.

Or E-mail us at:

customerservice@escaladesports.com

Other than shipping requirements no charge will be made for such replacement of in-warranty Products.

WARRANTY ON SLATE/SLATRON™ SURFACE

Manufacturer warrants for five (5) years from the date of purchase for the Slatron™ and ten (10) years for slate, Escalade Sports will repair the playing surface of this table, free of charge, if it fails to remain flat, within a tolerance of + or – 30/1000 of an inch, measuring from any flat plane within the playing surface. NOTE: Cloth not included in warranty. Should this product become defective due to material or workmanship within period, contact the Customer Service Department. This warranty is not transferable and does not cover normal wear and tear, or damage caused by improper handling, installation or use of this product. This warranty is also void if product is in any way abused, damaged, or modified from its original state, or if used for other than indoor residential use. This warranty gives the consumer specific legal rights, and may have other rights which may vary from state to state.

WARRANTY DISCLAIMERS: ANY IMPLIED WARRANTIES ARISING OUT OF THIS SALE, INCLUDING BUT NOT LIMITED TO THE IMPLIED WARRANTIES OF MERCHANTABILITY AND FITNESS FOR A PARTICULAR PURPOSE, ARE LIMITED IN DURATION TO THE ABOVE 90 DAY PERIOD. ESCALADE SPORTS SHALL NOT BE LIABLE FOR LOSS OF USE OF THE PRODUCT OR OTHER CONSEQUENTIAL OR INCIDENTAL COSTS, EXPENSES OR DAMAGES INCURRED BY THE CONSUMER OF ANY OTHER USE.

Some states do not allow the exclusion or limitation of implied warranties or consequential or incidental damages, so the above limitations or exclusions may not apply to you.

LEGAL REMEDIES: This warranty gives you specific legal rights and you may also have other rights which may vary from state to state.