

# PROGRESSIVE<sup>®</sup> f u r n i t u r e

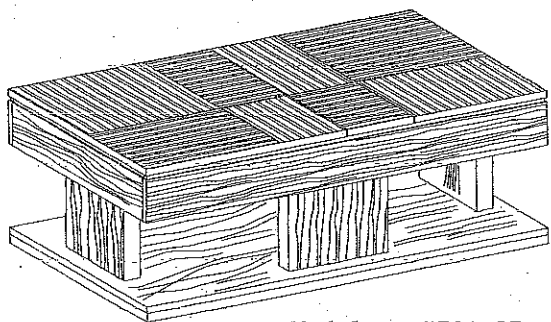
## ASSEMBLY INSTRUCTIONS

Model : #561-25 Table

Thank you for purchasing this quality product. Be sure to check all packing materials carefully for small parts may have come loose inside the carton during shipment, clarify and count all parts and compare with the parts list below.

step:

Begin by placing the cocktail table bottom shelf assembly upside down on a non-abrasive surface.



Model : #561-25

1) Assemble the bottom shelf to the four top support panels using wood dowel, flat washer and bolt, and tighten 100%, then attach the four casters to the bottom shelf using screw, and tighten 100% in Diagram 1.

2) Then turn the bottom shelf upright, assemble the top to the four top support panels using the screw wood dowel, flat washer and bolt, and tighten 100% in Diagram 2.

3) Enjoy your table for a long time to come.

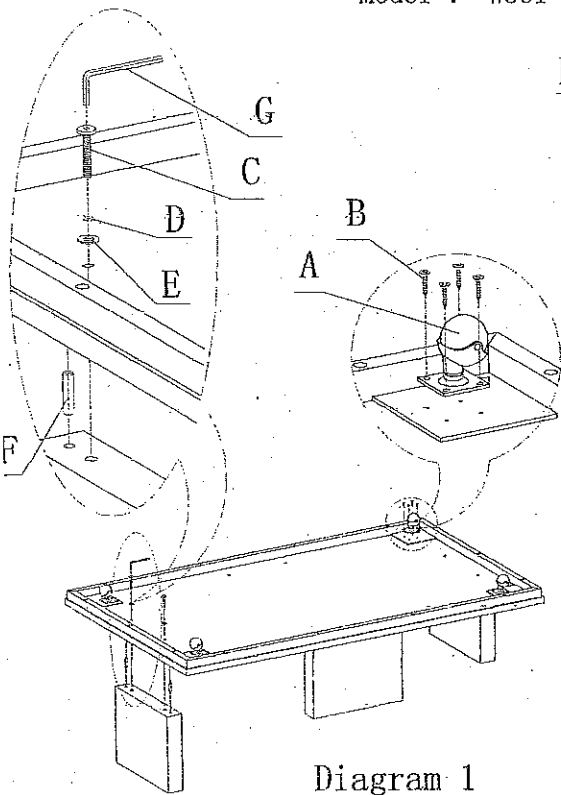


Diagram 1

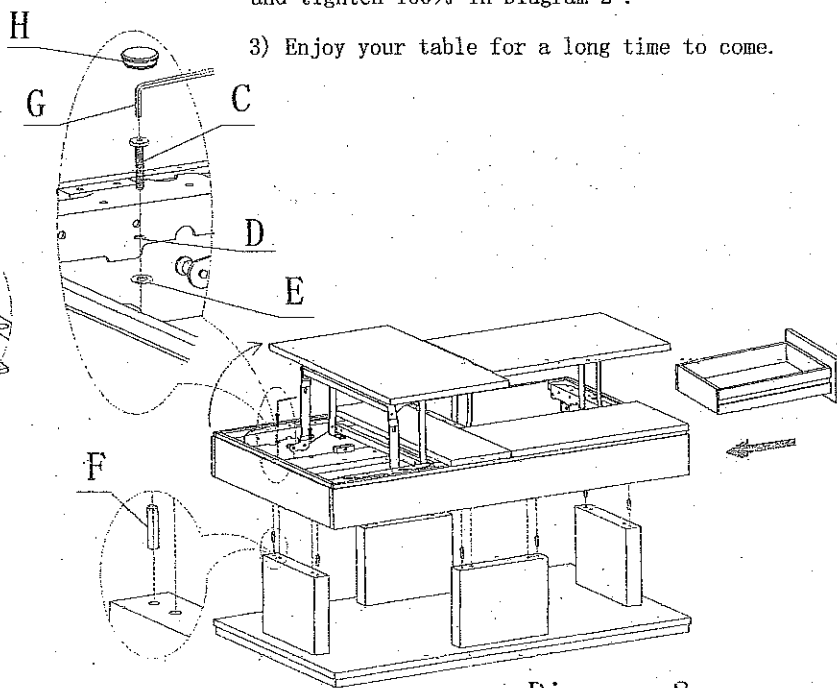





Diagram 2

PARTS LIST					D				
					D	⊙	SPRING WASHER	ø1/4" * 12mm	16PCS
A		CASTER	2"	4PCS	E	⊙	FLAT WASHER	ø1/4" * 16mm	16PCS
B		SCREW	3*15	16PCS	F	⊙	WOOD DOWEL	ø8 * 30mm	16PCS
C		BOLT	ø1/4" * 1-1/2" L.	16PCS	G	⊙	ALLEN WRENCH	4 mm	1PC
					H	⊙	PLASTIC CAP	ø22mm	6pcs

Cleaning Instruction: Clean the table surface with a furniture polish and a soft cloth.

Made In China