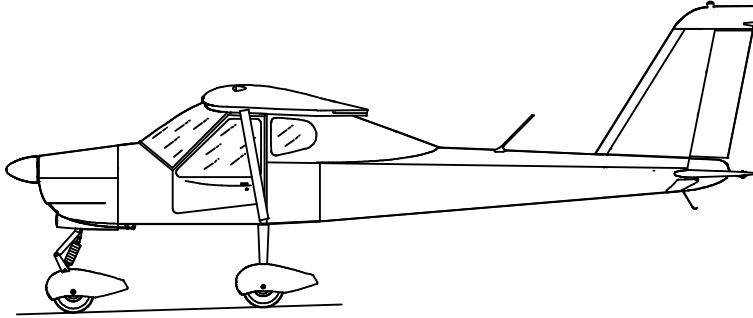




# Flight Manual

## **P92 ECHO & P92 ECHO/100**

(ROTAX 912UL 81Hp or ROTAX 912ULS 100Hp engine )



MANUFACTURER : COSTRUZIONI AERONAUTICHE **TECNAM** S.r.l.

AIRCRAFT TYPE : **P92 ECHO & P92 ECHO/100**

SERIAL NUMBER : .....

MANUFACTURING DATE : .....

### Warning

**This manual is valid for the *P92 Echo* with either Rotax 912 81 Hp engine or Rotax 912S 100 Hp engine( *P92 Echo/100*).**

**For evident safety reasons and upon reading this manual for the first time, it is necessary to underline (perhaps also highlight with a colored marker) any differences in charts and tables as applicable to personal aircraft.**

*The Flight Manual must always be kept on board the aircraft. The aircraft described herein is to be operated in accordance with procedures and limitations described in this Flight Manual.*

## Record of Revisions

All revisions to the current Manual, except for actual weighing data, must be recorded in the following table and, in case of approved sections, must be endorsed by the Responsible Airworthiness Authority.

New text or amendments to revised pages shall be clearly marked by a vertical black line on the left hand margin, with revision N° and date indicated on left side of page.

## Record of Revisions

Rev N°	Affected Sections	Affected Pages	Date	Date inserted



**Table of Contents**

General	Section 1
Limitations	Section 2
Emergency procedures	Section 3
Normal procedures	Section 4
Performance	Section 5
Weight and balance	Section 6
Systems description	Section 7
Ground handling and servicing	Section 8

## **Section 1**

### **General**

#### Table of Contents

INTRODUCTION .....	5
WARNINGS - CAUTIONS - NOTES .....	5
THREE VIEW DRAWING .....	6
DESCRIPTIVE DATA .....	7
CONTROL SURFACES TRAVEL LIMITS .....	7
ENGINE .....	8
PROPELLER.....	8
FUEL .....	9
OIL .....	9
COOLING .....	9
WEIGHTS .....	10
SPECIFIC LOADINGS .....	10
ABBREVIATIONS AND TERMINOLOGY .....	11
UNIT CONVERSION FACTORS.....	14

## Introduction

The **P92 ECHO** is a twin seat single engine aircraft with a strut-braced rectangular high wing, fixed main landing gear and steerable nose wheel.

This Flight Manual has been prepared to provide pilots and instructors with information for the safe and efficient operation of this aircraft.

This Flight Manual contains 8 sections. Section 1 provides basic data and information of general interest in addition to definitions and explanations of symbols, abbreviations and terminology commonly used.

## Warnings - Cautions - Notes

The following definitions apply to warnings, cautions and notes used in the Flight Manual.

**WARNING**

means that the non-observation of the corresponding procedure leads to an immediate or important degradation of the flight safety.

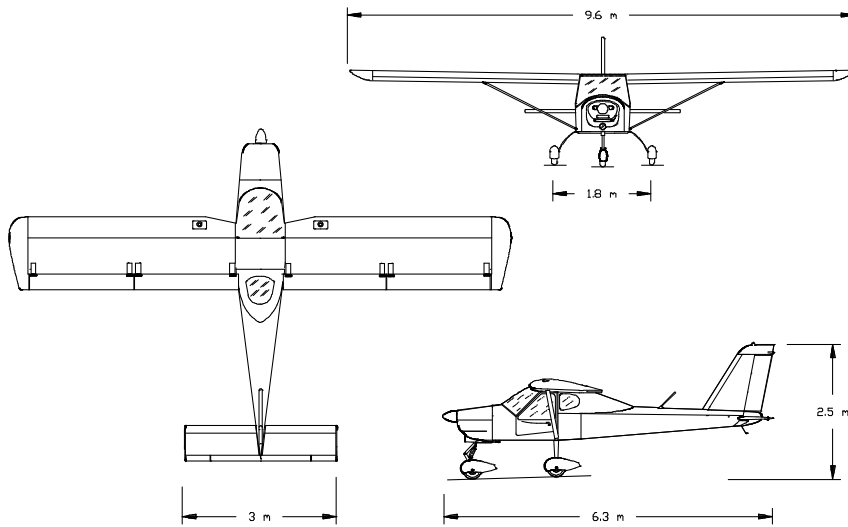
**CAUTION**

means that the non-observation of the corresponding procedure leads to a minor or to a more or less long term degradation of the flight safety.

**NOTE**

draws the attention to any special item not directly related to safety but which is important or unusual.

**Three View Drawing**



- Dimensions shown refer to aircraft weight of 450 kg and normal operating tire pressure.
- Propeller clearance 360mm
- Propeller clearance with deflated front tire and compressed shock absorber 142mm
- Minimum ground steering radius 5.5m

**Descriptive Data (P92 Echo & P92 Echo/100)****Wing**

Wing span:	9.6 m
Wing chord	1.4 m
Wing surface	13.2 m <sup>2</sup>
Wing loading	34.1kg/m <sup>2</sup>
Aspect ratio	6.2
Taper ratio	1.0
Dihedral	1.5°

**Fuselage**

Overall length	6.3 m
Overall width	1.1 m
Overall height	2.5 m

**Empennage**

Stabilator span	2.9 m
Vertical tail span	1.2 m

**Landing Gear**

Wheel track:	1.8 m
Wheel base:	1.6 m
Main gear tire. Air Trac	5.00-5
Wheel hub and brake Marc Ingegno	
Nose gear tire Sava	4.00-6

**Control Surfaces Travel Limits**

Ailerons	Up 20° down 15° ± 2°
Stabilator	Up 18° down 3° ± 1°
Trim-Tab	+2° +12° ± 1°
Rudder	RS 25° LS 25° ± 1°
Flaps	0° - 35° ± 1°

### Engine

	<b>P92 Echo</b>	<b>P92 Echo 100</b>
<i>Manufacturer:</i>	Bombardier-Rotax GmbH	Bombardier-Rotax GmbH
<i>Model</i>	912 UL	912 S
<i>Engine type:</i>	Four cylinder horizontally-opposed twins with overall displacement of 1211.2 c.c., mixed cooling, (water-cooled heads and air-cooled cylinders), twin carburetors, integrated reduction gear, (2.273:1) with torque damper. Compression ratio: 9.0:1.	Four cylinder horizontally-opposed twins with overall displacement of 1352 c.c., mixed cooling, (water-cooled heads and air-cooled cylinders), twin carburetors, integrated reduction gear, (2.4286:1) with torque damper. Compression ratio: 10.3:1.
<i>Maximum power:</i>	81Hp (59.6 kW ) at 5800 rpm - max 5 min..	100 Hp (73.5 kW) at 5800 rpm - max 5 min..

### Propeller

	<b>P92 Echo</b>	<b>P92 Echo 100</b>
<i>Manufacturer:</i>	F.lli Tonini Giancarlo & Felice S.n.c.	F.lli Tonini Giancarlo & Felice S.n.c.
<i>Model:</i>	GT- ECHO 2/166/145	GT- ECHO 2/172/164
<i>Number of blades:</i>	2	2
<i>Diameter:</i>	1660 mm	1720 mm
<i>Type:</i>	Fixed pitch - wood	Fixed pitch - wood



**Fuel** *(P92 Echo E P92 Echo/100)*

- Fuel grade:
- High octane gasoline DIN 51600, O-NORM 1103 (red)
  - Unleaded gasoline DIN 51603, O-NORM 1101
  - AVGAS 100LL
- Fuel tanks: 2 wing tanks integrated within the wing's leading edge with drainage reservoir located in engine cowling
- Capacity of each wing tank 35 liters
- Total capacity 70 liters

**Oil** *(P92 Echo & P92 Echo/100)*

- Oil system: Forced, with external oil reservoir
- Oil: Automotive grade type oil type API "SF" or "SG" preferably synthetic or semi-synthetic
- Oil Capacity: 2.5 liters

**Cooling** *(P92 Echo & P92 Echo/100)*

- Cooling system: Mixed air and liquid pressurized closed circuit system
- Coolant: Antifreeze and water liquid mixture
- Capacity 3 liters

**Weights** (*P92 Echo & P92 Echo/100*)

Maximum takeoff:	450 kg
Standard empty weight	280 kg

**Specific Loadings**

	<b>P92 Echo</b>	<b>P92 Echo 100</b>
<i>Wing Loading</i>	34.1 kg/m <sup>2</sup>	34.1 kg/m <sup>2</sup>
<i>Power Loading</i>	5.5 kg/hp	4.5 kg/hp

## Abbreviations and Terminology

### **Airspeed Terminology and Symbols**

CAS	<u>Calibrated Airspeed</u> is indicated airspeed corrected for position and instrument error.
IAS	<u>Indicated Airspeed</u> : is the speed shown on the on-board airspeed indicator.
TAS	<u>True Airspeed</u> : is calibrated airspeed corrected for altitude and temperature.
V <sub>FE</sub>	<u>Maximum Flap Extended Speed</u> : is the highest speed permissible with wing flaps in a prescribed extended position.
V <sub>NO</sub>	<u>Maximum Structural Cruising Speed</u> : is the speed that should not be exceeded except in smooth air, then only with caution.
V <sub>NE</sub>	<u>Never Exceed Speed</u> : is the speed limit that may not be exceeded at any time.
V <sub>S</sub>	<u>Stalling Speed</u> .
V <sub>S0</sub>	<u>Stalling Speed or the minimum steady flight speed</u> at which the airplane is controllable in the landing configuration at the most forward center of gravity.
V <sub>X</sub>	<u>Best Angle-of-Climb Speed</u> is the speed which results in the greatest gain of altitude in a given horizontal distance.
V <sub>Y</sub>	<u>Best Rate-of-Climb Speed</u> is the speed which results in the greatest gain in altitude in a given time.
V <sub>r</sub>	<u>Rotation speed</u> : is the speed at which the aircraft rotates about the pitch axis during takeoff
V <sub>obs</sub>	<u>Obstacle speed</u> : is the speed at which the aircraft flies over a 15m obstacle during takeoff or landing

**Meteorological Terminology**

- OAT      Outside Air Temperature is the free air static temperature expressed in degrees Celsius (°C).
- T<sub>S</sub>      Standard Temperature is 15°C at sea level pressure altitude and decreased by 2°C for each 1000 ft of altitude.
- H<sub>P</sub>      Pressure Altitude is the altitude read from an altimeter when the barometric subscale has been set to 1013 mb.

**Engine Power Terminology**

- RPM      Revolutions Per Minute: is the number of revolutions per minute of the propeller, multiplied by 2.273 (912UL) or 2.4286 (912S) yields engine RPM.

**Airplane Performance And Flight Planning Terminology**

- Crosswind Velocity*      is the velocity of the crosswind component for which adequate control of the airplane during takeoff and landing was actually demonstrated.
- Usable fuel*      is the fuel available for flight planning.
- Unusable fuel*      is the quantity of fuel that cannot be safely used in flight.
- G*      is the acceleration of gravity.
- TOR*      is the takeoff distance measured from actual start to wheel liftoff point
- TOD*      is total takeoff distance measured from start to 15m obstacle clearing
- GR*      is the distance measured during landing from actual touchdown to stop point
- LD*      is the distance measured during landing, from 15m obstacle clearing to actual stop.
- S/R*      is specific range, that is, the distance (in nautical miles) which can be expected at a specific power setting and/or flight configuration per kilo of fuel consumed

**Weight And Balance Terminology**

<i>Datum</i>	is an imaginary vertical plane from which all horizontal distances are measured for balance purposes.
<i>Arm</i>	is the horizontal distance from the reference datum to the center of gravity (C. G.) of an item.
<i>Moment</i>	is the product of the weight of an item multiplied by its arm.
<i>C. G.</i>	<u>Center of Gravity</u> is the point at which the airplane, or equipment, would balance if suspended. Its distance from the reference datum is found by dividing the total moment by the total weight of the airplane.
<i>Standard Empty Weight</i>	is the weight of a standard airplane, including unusable fuel, full operating fuels and full engine oil.
<i>Basic Empty Weight</i>	is the standard empty weight plus the weight of optional equipment.
<i>Useful Load</i>	is the difference between takeoff weight and the basic empty weight.
<i>Maximum Weight</i>	is the maximum weight of the aircraft.
<i>Maximum Takeoff Weight</i>	is the maximum weight approved for the start of the takeoff run.
<i>Maximum Landing Weight</i>	is the maximum weight approved for the landing touch down.
<i>Tare</i>	is the weight of chocks, blocks, stands, etc. used when weighing an airplane, and is included in the scale readings. Tare is deducted from the scale reading to obtain the actual (net) airplane weight.

### Unit Conversion Factors

<b>Multipling</b>		<b>By →</b>		<b>Yields</b>	
<b>Temperature</b>					
Fahrenheit	[F°]	$\frac{5}{9} \cdot (F - 32)$	Celsius	[C°]	
Celsius	[C°]	$(\frac{9}{5} \cdot C) + 32$	Fahrenheit	[F°]	
<b>Weights</b>					
Kilograms	[Kg]	2.205	Pounds	[Lb]	
Pounds	[Lb]	0.4536	Kilograms	[Kg]	
<b>Speed</b>					
Meters per second	[m/s]	196.86	Feet per minute.	[ft/min]	
Feet per minute	[ft/min]	0.00508	Meters per second.	[m/s]	
Knots	[Kts]	1.852	Kilometers / hour	[Km/h]	
Kilometers / hour	[Km/h]	0.540	Knots	[Kts]	
<b>Pressure</b>					
Atmosphere	[Atm]	29.921	Pounds / sq. in	[psi]	
Pounds / sq. in	[psi]	0.0334	Atmosphere	[Atm]	
<b>Length</b>					
Kilometers	[Km]	0.540	Nautical miles	[nm]	
Nautical miles	[nm]	1.852	Kilometers	[km]	
Meters	[m]	3.281	Feet	[ft]	
Feet	[ft]	0.3048	Meters	[m]	
Centimeters	[cm]	0.3937	Inches	[in]	
Inches	[in]	2.540	Centimeters	[cm]	
<b>Volume</b>					
Liters	[lt]	0.2642	Gallons US	[US gl]	
Gallons US	[US gl]	3.785	Liters	[lt]	
<b>Surface</b>					
Square meters	[m <sup>2</sup> ]	10.76	Square feet	[sq ft]	
Square feet	[sq ft]	0.0929	Square meters	[m <sup>2</sup> ]	

## **Section 2**

### **Limitations**

#### Table Of Contents

INTRODUCTION	16
AIRSPPEED LIMITATIONS	16
AIRSPPEED INDICATOR MARKINGS	17
POWERPLANT LIMITATIONS	18
PROPELLER	19
POWERPLANT INSTRUMENT MARKINGS	20
OTHER INSTRUMENT MARKINGS	21
WEIGHT LIMITS	21
CENTER OF GRAVITY LIMITS	21
APPROVED MANEUVERS	21
FUEL	22



## Introduction

Section 2 includes operating limitations, instrument markings, and basic placards necessary for safe operation of the **P92 ECHO**, its engine, standard systems and standard equipment.

## Airspeed Limitations

### For all models

	<b>SPEED</b> km/h	<b>IAS</b>	<b>REMARKS</b>
V <sub>NE</sub>	Never exceed speed	<b>260</b>	Never exceed this speed in any operation.
V <sub>NO</sub>	Maximum Structural Cruising Speed	<b>200</b>	Never exceed this speed unless in smooth air, and then only with caution.
V <sub>A</sub>	Maneuvering speed	<b>150</b>	Do not make full or abrupt control movements above this speed as this may cause stress in excess of limit load factor
V <sub>FE</sub>	Maximum flap extended speed	<b>110</b>	Never exceed this speed for any given flap setting.





## Airspeed Indicator Markings

Airspeed indicator markings and their color code are explained in the following table:

### *For all models*

Marking	IAS km/h	Significance
White arc	<b>71 – 110</b>	Flap Operating Range (lower limit is $V_{SO}$ , at maximum weight and upper limit is maximum speed permissible with flaps extended at $35^\circ$ )
Green arc	<b>110 – 200</b>	Normal Operating Range (lower limit is $V_{S1}$ at maximum weight and flaps at $0^\circ$ and upper limit is maximum structural speed $V_{NO}$ ).
Yellow arc	<b>200 – 260</b>	Operations must be conducted with caution and only in smooth air.
Red line	<b>260</b>	Maximum speed for all operations.

## Powerplant Limitations

The following table lists operating limitations for aircraft installed engine:

Engine Manufacturer: Bombardier Rotax GmbH.

Engine Model: **912 UL / 912 S**

Maximum Power:

	Max Power (HP)		Max RPM		Max time (minuti)	
	<b>912UL</b>	<b>912 S</b>	<b>912UL</b>	<b>912 S</b>	<b>912UL</b>	<b>912S</b>
Takeoff	<b>81</b>	<b>100</b>	<b>5800</b>	<b>5800</b>	<b>5</b>	<b>5</b>
Max continuous	<b>79</b>	<b>94</b>	<b>5500</b>	<b>5500</b>	<b>/</b>	<b>/</b>

**Temperatures:**

	<b>912UL</b>	<b>912 S</b>
Coolant, monitored at cylinder heads	<b>150°C</b>	<b>135°C</b>
Maximum Oil:	<b>140°C</b>	<b>130°C</b>
Minimum Oil	<b>50°C</b>	<b>50°C</b>

**Oil Pressure:**

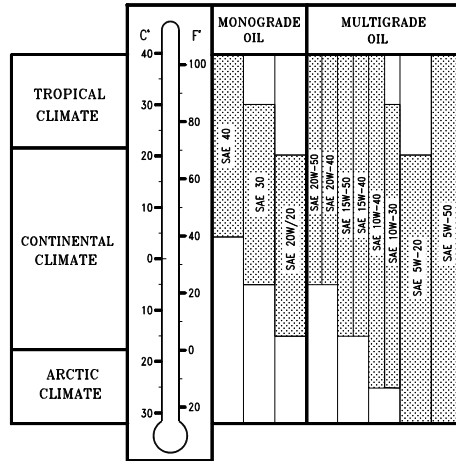
	<b>912UL</b>	<b>912 S</b>
Minimum	<b>1.5 bar</b>	<b>1.5 bar</b>
Maximum	<b>5 bar</b>	<b>5 bar</b>

### Caution

*Admissible pressure for cold start is 7 bar maximum for short periods.*

**Viscosity**

Use viscosity grade oil as specified in the following table:



**CAUTION**

*Use of Aviation Grade Oil with or without additives is not permitted*

**Coolant:**

Mixture: 80% concentrated antifreeze (e.g. Fiat Parafly) with anticorrosion additive and 20% demineralized water.

**Propeller**

	<b>P92 Echo</b>	<b>P92 Echo/100</b>
MANUFACTURER:	F.lli Tonini Giancarlo & Felice	F.lli Tonini Giancarlo & Felice
MODEL:	GT-ECHO 2/166/145	GT-ECHO 2/172/164
PROP. TYPE:	Wood twin blade fixed pitch	Wood twin blade fixed pitch
DIAMETER:	1660 mm	1720 mm

## Powerplant Instrument Markings

Powerplant instrument markings and their color code significance are shown below:

### P92 Echo

Instrument		Red Line Minimum Limit	Green Arc Normal Operating	Yellow Arc Caution	Red Line Maximum Limit
Prop tach	RPM	-----	2160-5500	5500-5800	5800
Oil Temp.	°C	50	90-110	50 - 90 110-140	140
Cylinder heads and coolant temp.	°C	-----	0 - 150	-----	150
Oil pressure	bar	1.5	1.5 - 5	5 - 7	7
Fuel gage	liter s	-----	-----	0-5	-----

### P92 Echo/100

Instrument		Red Line Minimum Limit	Green Arc Normal Operating	Yellow Arc Caution	Red Line Maximum Limit
Prop tach	RPM	-----	2160-5500	5500-5800	5800
Oil Temp.	°C	50	90-100	50 - 90 100-130	130
Cylinder heads and coolant temp.	°C	-----	0 - 135	-----	135
Oil pressure	bar	1.5	1.5 - 5	5 - 7	7
Fuel gage	liter s	-----	-----	0-5	-----



*Note*

The table below is valid for both P92 models.

**Other Instrument Markings**

INSTRUMENT	RED LINE	GREEN ARC	YELLOW ARC	RED LINE
	Minimum limit	Normal operating	Caution	Maximum limit
Voltmeter	10 Volt	12 - 14 Volt	-----	-----

**Weight Limits**

Maximum takeoff weight: 450 kg

**Center Of Gravity Limits**

Forward limit	23% MAC
Aft limit	26% MAC
Datum	Propeller support flange w/o spacer
Bubble Level	Cabin floor

*It is the pilot's responsibility to insure that airplane is properly loaded.*

**Approved Maneuvers**

This aircraft is intended for non-aerobatic operation only. Non-aerobatic operation includes:

- Any maneuver pertaining to “normal” flight
- Stalls (except whip stalls)
- Lazy eights
- Chandelles
- Turns in which the angle of bank is not more than 60°

Acrobatic maneuvers, including spins, are not approved.



## **Fuel**

Two tanks: 35 liters each. Total fuel capacity: 70 liters

Optional: Two tanks, 45 l each, total 90 l.

### Approved Fuel

- \* High octane gasoline DIN 51600, O.NORM 1103
- \* Unleaded gasoline DIN 51603, O.NORM 1101
- \* Avgas 100LL



## **Section 3**

# **Emergency Procedures**

### Table of Contents

<b>introduCTION</b>	<b>24</b>
<b>ENGINE Failure</b>	<b>24</b>
<b>FORCED LANDING</b>	<b>25</b>
<b>SMOKE AND FIRE</b>	<b>25</b>
<b>RECOVERY FROM UNINTENTIONAL SPIN</b>	<b>26</b>
<b>deployment of emergency parachute (OPTIONAL EQUIPMENT)</b>	<b>27</b>



## **Introduction**

Section 3 includes checklists and detailed procedures to be used in the event of emergencies. Emergencies caused by a malfunction of the aircraft or engine are extremely rare if appropriate maintenance and pre-flight inspections are carried out.

In case of emergency, suggestions presented in this section should be considered and applied as necessary to correct the problem.

Before operating the aircraft, the pilot should become thoroughly familiar with the present manual and, in particular, with the present section. Further, a continued and appropriate training should be provided.

## **Engine Failure**

Depending on the case that may apply, the emergency procedure should follow the guidelines listed below.

### Engine failure during takeoff run

1. Throttle: *idle* (fully out)
2. Brakes: *apply as needed*
3. Magnetos: *OFF*
4. Flaps: *extend*
5. Master switch: *OFF*
6. Fuel shutoff valves: *OFF*

### Engine Failure Immediately After Takeoff

1. Locate landing area
2. Throttle: *idle* (fully out)
3. Fuel shutoff valves: *OFF*
4. Magnetos *OFF*
5. Flaps: *as needed*
6. Master switch: *OFF*
7. Land with wings level





## Forced Landing

### Emergency Landing Without Engine Power

1. Set glide speed to optimal value of 110 Km/h
2. Select terrain area most suitable for emergency landing, possibly upwind
3. Fuel shutoff valves: *OFF*
4. Magnetos: *OFF*
5. Tighten safety belts, release door safety lock and unlatch doors
6. Flaps: *as needed*
7. When ready to land, Master switch: *OFF*

### Power-On Forced Landing

1. Adjust descent slope
2. Extend flaps as needed
3. Select terrain area most suitable for emergency landing and flyby checking for obstacles and wind direction
4. Tighten safety belts, release door safety lock and unlatch doors
5. Before touchdown: fuel shutoff valves *OFF*
6. Flaps: *extended*
7. After touchdown: Magnetos: *OFF*, Master switch: *OFF*

## Smoke And Fire

### Engine Fire While Parked Or During Takeoff

1. Fuel shutoff valves: *OFF*
2. Abort takeoff if possible
3. If engine is running let it use up remaining fuel in carburetors
4. Magnetos and Master switch: *OFF*
5. Warn bystanders to clear the area as fast as possible
6. Without removing the engine cowling use a CO<sub>2</sub> or a powder fire extinguisher to put out flames directing spray towards cowling's air intakes

**Note**

**DO NOT USE WATER** to put out fire and do not open engine cowling until absolutely certain fire is extinguished. In case an appropriate fire extinguisher is not handy, still keeping engine cowling closed, it is possible to use a woolen blanket, sand or dirt to try smothering the fire.

**Engine Compartment Fire In Flight**

1. Fuel shutoff valves: *OFF*
2. Throttle: *fully inward*
3. Magnetos: *OFF*
4. Do not try airstarting engine
5. Extend flaps as needed
6. Carry out forced landing emergency procedure
7. Master switch *OFF*

**Cabin Fire During Flight**

1. Master switch *OFF*
2. Door vents: *open*
3. Extinguish fire with on-board fire extinguisher (if available) directing spray towards flame base
4. Land as soon as possible

**Recovery From Unintentional Spin**

In case of unintentional spin entry, follow the emergency procedure described below:

1. Adjust throttle to minimum (full outward position)
2. Activate rudder bar by pushing foot opposite spin direction
3. Push control stick full forward and keep in position until spin is halted
4. Center rudder bar
5. Gradually recover flight attitude easing back on the control stick avoiding to exceed  $V_{NE}$  and maximum load factor
6. Readjust throttle to restore engine power



## Deployment of Emergency Parachute (optional equipment)

Keeping in mind that full deployment of parachute is achieved after two seconds, the following procedure is recommended:

1. Try leveling aircraft as much as possible
2. Minimum altitude for successful deployment is about 33m (100 ft).<sup>1</sup>
3. Pull firing clip **firmly** and to end-travel
4. Shut off fuel valves, magnetos and master switch
5. Tighten safety belt and helmet chinstrap
6. Release door safety lock and unlatch doors
7. Assume tucked position before touch-down

---

<sup>1</sup> This altitude is only representative, successful deployment depends on aircraft attitude  
and speed, greater deployment altitude yields better chances for successful deployment.

---



## **Section 4**

### **Normal Procedures**

#### Table of Contents

INTRODUCTION	29	
RIGGING AND DERIGGING ENGINE COWLING		29
PREFLIGHT INSPECTION	30	
CHECKLISTS	33	

## Introduction

Section 4 contains checklists and amplified procedures for the conduct of normal operation.

## Rigging and Derigging Engine Cowling

Upper Cowling:

- I. Parking brake ON.
- II. Fuel shutoff valves OFF.
- III. Master switch OFF, Magnetos OFF.
- IV. Unlatch all four butterfly Cam-locks mounted on the cowling by rotating them 90° counterclockwise while slightly pushing inwards.
- V. Remove engine cowling paying attention to propeller shaft passing through nose.
- VI. To assemble: rest cowling horizontal insuring proper fitting of nose base reference pins.
- VII. Secure latches by applying light pressure, check for proper assembly and fasten Cam-locks.

**WARNING !**

*Butterfly Cam-locks are locked when tabs are horizontal and open when tabs are vertical. Verify tab is below latch upon closing.*

Lower Cowling

- I. After disassembling upper cowling, bring propeller to horizontal position.
- II. Using a standard screwdriver, press and rotate 90° the two Cam-locks positioned on lower cowling by the firewall.
- III. Disconnect landing light wire
- IV. Pull out the first hinge pin positioned on the side of the firewall, then, while holding cowling, pull out second hinge pin; remove cowling with downward motion.
- V. For installation follow reverse procedure.



## **Preflight Inspection**

Before each flight, it is necessary to carry out a complete inspection of the aircraft as hereby detailed.

### Cabin Inspection

- A *Weight and balance*: check if within limits
- B *Safety belts used to lock controls*: free
- C *Flight controls*: activate flight controls to insure unhindered movement of control rods and surfaces.
- D *Parking brake*: engage
- E *Master switch*: ON
- F Check generator switch is illuminated and ammeter is operational.
- G *Flaps control*: activate control to full extension checking end travel and instrument indication.
- H *Trim control*: activate control to full scale checking end travel and instrument indication
- I *Master switch*: OFF
- J *Fuel level*: check level on the basis of flight plan

### External Inspection

To carry out the external inspection it will be necessary to follow the checklist below with the station order outlined in fig. 4-1

- A Left side tank cap: Check proper fastening.
- B Left fuel tank blow-out plug: check for obstructions
- C Remove protection cap and check pitot is unobstructed, do not blow inside vents, place protection cap inside aircraft.
- D Leading edge and wing skin: check integrity
- E Left aileron: check integrity and unhindered movement
- F Left flap and hinges: check integrity
- G Check integrity of left side main landing gear, tire inflation (1.4 bar), condition and alignment; check fuselage skin condition.

- H Horizontal tail and tab: check integrity and unhindered movement.
  - I Vertical tail and rudder: check integrity and unhindered movement.
  - L Check integrity of right side main landing gear, tire pressure (1.4 bar), condition and alignment; check fuselage skin condition.
  - M Right flap and hinges: check integrity.
  - N Right aileron: check integrity and unhindered movement.
  - O Leading edge and wing skin: check integrity
  - P Check right side tank cap is fastened and blow-out plug is unobstructed.
  - Q Check right side static vent is unobstructed, do not blow inside vents (read note).
  - R Check integrity of nose landing gear strut, tire inflation (1.0 bar) and condition; check condition of rubber shock absorbers.
  - S Propeller and spinner condition: check for nicks and fastening.
  - T Open engine cowling and perform the following checklist:
    - I. Check no foreign objects are present.
    - II. Check the cooling circuit for losses from tubing, check coolant reservoir level, insure radiator honeycomb cooling fins are unobstructed.
    - III. Check lubrication circuit for losses from tubing, check oil reservoir level, insure radiator honeycomb cooling fins are unobstructed
    - IV. Open both fuel taps, inspect fuel circuit for losses from tubing, check integrity of fireproof protection braids, drain circuit using a container to collect fuel activating the specific drainage tap located on the firewall, shut fuel taps. Check for absence of water or other contaminants.
- WARNING !**
- Drainage operation must be carried out with aircraft parked on level surface.*
- V. Check integrity of silent-blocks.
  - VI. Check firmness and integrity of air intake system, check externally that ram air intake is unobstructed.
  - VII. Check that all parts are secure or safetied.
- U Close engine cowling.
- V Check left side static port is unobstructed

Z Remove tow bar and chocks

**NOTE**

*Avoid blowing inside left strut mounted pitot and inside airspeed indicator system's static vents as this may damage instruments.*

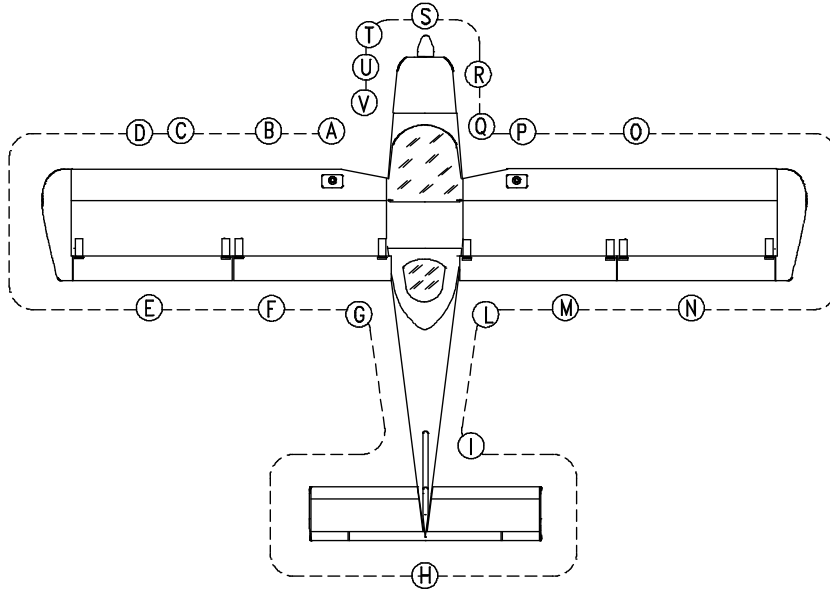


FIG. 4-1



## Checklists

### Before Starting Engine (after preflight inspection)

- I. Flight planning, fuel consumption, refueling.
- II. Aircraft loading and related inspections (see section 6)
- III. Seat and safety belts adjustment
- IV. Doors secured
- V. Parking brake ON.

### Starting Engine

- I. Master switch ON.
- II. Both fuel taps ON.
- III. Engine throttle to idle.
- IV. Choke as needed.
- V. Magnetos switch to ON.
- VI. Prop area: free
- VII. Ignition key set to: START.
- VIII. Prop RPM: 2400 - 2600 RPM
- IX. Choke OFF
- X. Check engine instruments
- XI. Check oil pressure rise (maximum value cold 7 bar)

### Before Taxing

- I. Radio and utilities ON.
- II. Altimeter: reset.
- III. Navigation lights: as required

### Taxiing

- I. Brakes: check operation
- II. Flight instruments: check operation

**Holding**

- I. Parking brake ON.
- II. Turn on navigation lights, strobe light, and landing light (optional equipment)
- III. Check engine parameters.

	912UL	912 S
Oil temperature	50° - 110°	50° - 100°
Cylinder heads temperature	150°	135°
Oil pressure	1.5 - 7	1.5 - 7

- IV. Check ammeter to insure alternator is charging.
- V. Prop rpm's at 3800 RPM and test magnetos.
- VI. Visual check of fuel indicators.
- VII. Flaps at 15° (takeoff)
- VIII. Stick free and zero trim
- IX. Seat belts fastened and doors secured.

**Takeoff And Climb**

- I. Control Tower for takeoff
- II. Check for clear final and wind on runway.
- III. Parking brake OFF, full throttle.
- IV. Carburetor heat: OFF
- V. Taxi to line-up
- VI. Rotation and takeoff
- VII. Slight braking to stop wheel spinning.
- VIII. Flaps retracted
- IX. Landing light OFF.
- X. Trim adjustment
- XI. Establish climb rate

**Cruise**

- I. Reach cruising altitude
- II. Set power and engine rpm's for cruise.
- III. Check engine parameters

	<b>912UL</b>	<b>912 S</b>
Oil temperature	<b>90° - 110°</b>	<b>90° - 100°</b>
Temperature cylinder heads	<b>90° - 150</b>	<b>90° - 135°</b>
Oil pressure	<b>1.5 - 5</b>	<b>1.5 - 5</b>

- IV. Carburetor heat as needed, see paragraph on carb heat in Section 3.

NOTE

*Compensate unpredicted asymmetrical fuel consumption between left and right fuel tanks by shutting off appropriate fuel tap located inside cabin*

**Landing**

- I. Turn on landing light (if installed)
- II. Check runway final and establish descent and approach to final.
- III. Extend flaps gradually to maximum deflection of 35°.
- IV. Optimal touchdown speed 70 Km/h
- V. Land and taxi.
- VI. Flaps to 0°.
- VII. Parking brake ON.
- VIII. Turn off landing light, navigation lights and strobe light.

**Engine Shut Down**

- I. Keep engine running at 3000 RPM for about two minutes in order to reduce latent heat.
- II. Turn off all electrical utilities
- III. Set magnetos switch and Master switch to OFF
- IV. Set both fuel taps to OFF.
- V. Insert hood over pitot tube on left side wing strut.

## Section 5

### Performance

#### Table of Contents

INTRODUCTION .....	37
AIRSPEED CALIBRATION .....	38
STALL SPEEDS .....	38
CROSSWIND.....	39
TAKEOFF PERFORMANCE.....	40
LANDING .....	41
CLIMB PERFORMANCE .....	42
CRUISE.....	43
CONSEQUENCES FROM RAIN AND INSECT .....	43

## Introduction

This section provides all necessary data for accurate and comprehensive planning of flight activity from takeoff to landing.

Data reported in graphs and/or tables were determined using:

- aircraft and engine in good condition
- average piloting techniques

Each graph or table was determined according to ICAO Standard Atmosphere (ISA - m.s.l.); evaluations of the impact on performance was carried out by theoretical means for:

- airspeed
- external temperature
- altitude
- weight

## Airspeed Calibration

The difference between indicated airspeed and calibrated airspeed is within JAR-VLA limits of  $\pm 3\%$  for all speeds above 1.3 Vs.

## Stall Speeds

CONDITIONS: - weight 450 kg  
- engine idle  
- no ground effect

*Note*

The table below is valid for both **P92 Echo** and **P92 Echo/100**.

	Lateral Banking			
	0°	30°	45°	60°
Flaps	IAS km/h	IAS km/h	IAS km/h	IAS km/h
0°	<b>74</b>	<b>78</b>	<b>84</b>	<b>101</b>
15°	<b>69</b>	<b>76</b>	<b>79</b>	<b>97</b>
35°	<b>64</b>	<b>69</b>	<b>76</b>	<b>91</b>



**Crosswind**

Maximum demonstrated crosswind velocity is 15 Kts

⇒ Example:

**Given**  
 Wind direction = 30°  
 Wind velocity = 20 Kts

**Find**  
 Headwind = 17.5 Kts  
 Crosswind = 10 Kts

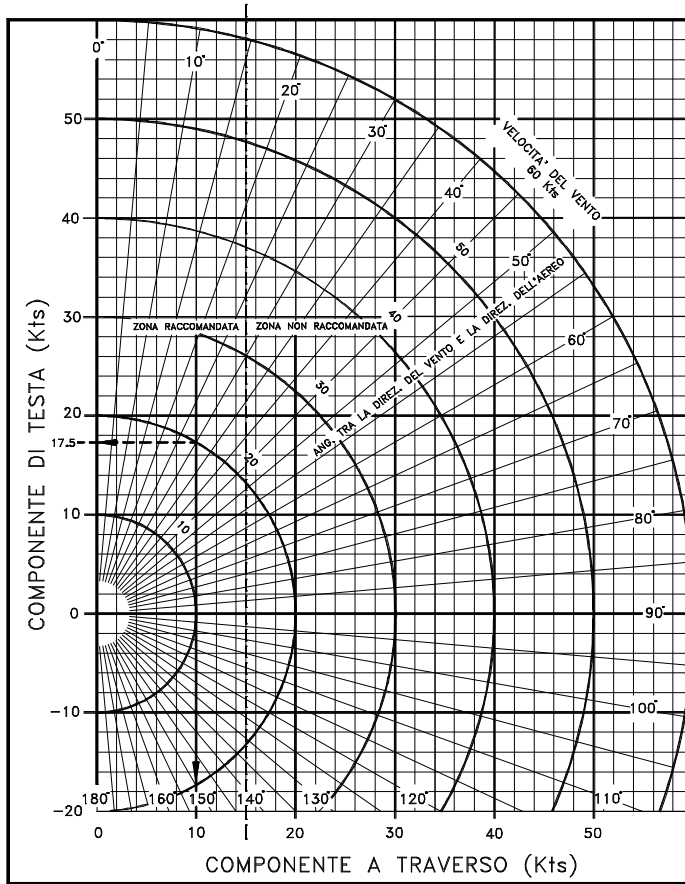


Fig. 5-1 CROSSWIND CHART

## Takeoff Performance

### Takeoff Distance

#### Conditions:

- ISA
- Engine: full throttle
- Runway: dry, compact, grass
- Flaps: 15°
- Slope: 0° Wind: zero

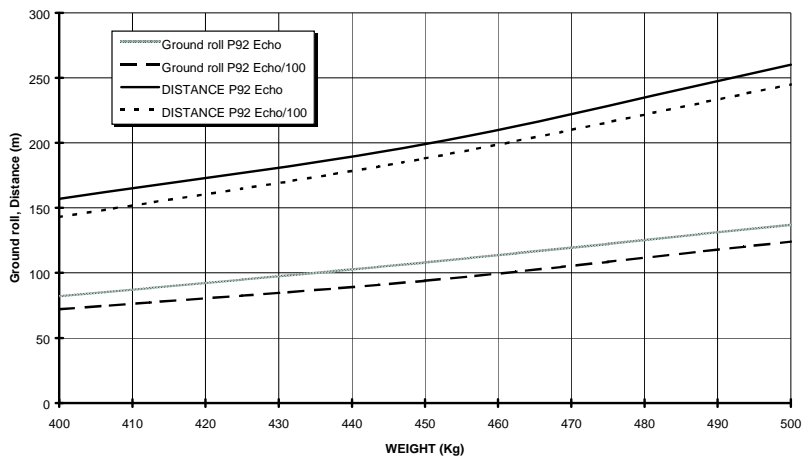


Fig. 5-2 TAKEOFF



## Landing

Ground Roll Distance And Landing Distance (*P92 Echo & P92 Echo/100*)

Conditions:

Flaps: 35°

Runway: dry, compact, grass

Engine: throttle idle

Slope: 0° Wind: zero

*Distance over a 15 m obstacle*

*The graph below is valid for both P92 Echo and P92 Echo/100*

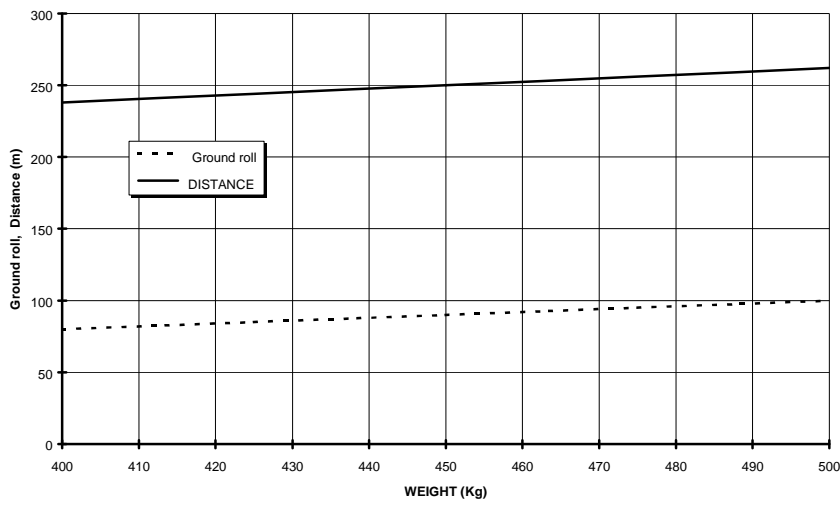


Fig. 5-3 LANDING

## Climb Performance

### Climb Rate In Clean Configuration

Conditions:

- ISA
- Flaps: 0°
- Weight 450 kg
- Engine: full throttle

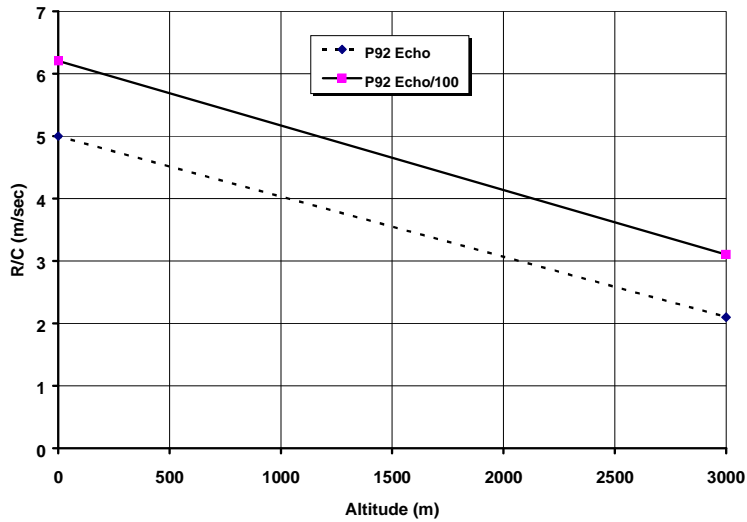


Fig. 5-4 CLIMB RATE

**P92 Echo** →  $V_Y = 120$  km/h

**P92 Echo /100** →  $V_Y = 120$  km/h

**NOTE**

- For each 10 kg weight increase, R/C decreases by 0.15 m/sec (30 ft/min).
- For each 10 kg weight decrease, R/C increases by 0.15 m/sec (30 ft/min).

## Cruise

Conditions:

- ISA
- Altitude: 0
- Wind: 0

### P92 Echo

RPM	CAS km/h	Hourly consumption [lt/h]
4300	155	13
4800	170	14
5000	180	16

### P92 Echo/100

RPM	CAS km/h	Hourly consumption [lt/h]
4300	165	14
4800	180	18
5000	196	20

## Consequences From Rain And Insect

Flight tests have demonstrated that neither rain nor insect impact build-up on leading edge has caused substantial variations on aircraft's flight qualities.

## Section 6

# Weight & Balance

### Table of Contents

<b>INTRODUCTION</b>	<b>45</b>
<b>aircraft weighing procedures</b>	<b>45</b>
<b>weighing report</b>	<b>46</b>
<b>C. G. TRAVEL</b>	<b>47</b>

## Introduction

This section describes the procedure for establishing the basic empty weight and moment of the aircraft. Loading procedure information is also provided.

### Aircraft Weighing Procedures

#### Preparation

- a. Carry out weighing procedure inside closed hangar
- b. Remove from cabin all objects left unintentionally
- c. Align nose wheel
- d. Drain fuel using draining reservoir
- e. Oil, hydraulic fluid and coolant to operating levels
- f. Position seats to most forward position
- g. Flaps retracted (0°)
- h. Control surfaces in neutral position
- i. Place scales (min. capacity 150 kg) under each wheel

#### Leveling

- a. Level the aircraft using cabin floor as datum
- b. Center bubble on level by deflating nose tire

#### Weighing

- a. Record weight shown on each scale
- b. Repeat weighing procedure three times
- c. Calculate empty weight

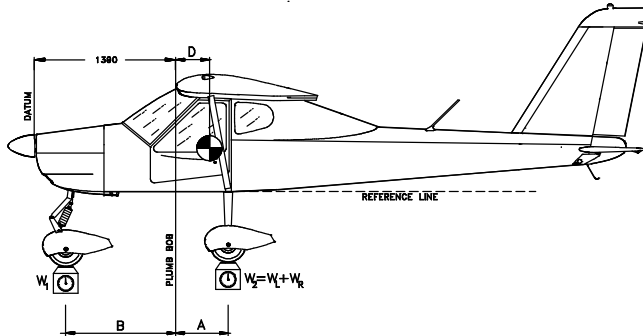
#### Determination of C.G. location

- a. Drop a plumb bob tangent to the leading edge (in non-tapered area of one half-wing, approximately one meter from wing root) and trace reference mark on the floor.
- b. Repeat operation for other half-wing.
- c. Stretch a taught line between the two marks
- d. Measure the distance between the reference line and main wheel axis
- e. Using recorded data it is possible to determine the aircraft's C.G. location and moment (see following table)

**Weighing Report**

Model **P92 ECHO & P92 ECHO/100** s/n: \_\_\_\_\_ Weighing n° \_\_\_\_\_ Date: \_\_\_\_\_

Datum: Propeller support flange without spacer



	<i>Kg</i>		<i>meters</i>
Nose wheel weight	$W_1 =$	Plumb bob distance from LS wheel	$A_L =$
LS wheel weight	$W_L =$	Plumb bob distance from RS wheel	$A_R =$
RS wheel weight	$W_R =$	Average distance $(A_L + A_R)/2$	$A =$
$W_2 = W_L + W_R =$		Bob distance from nose wheel.	$B =$

**Empty weight**  $W_e = W_1 + W_2 =$  \_\_\_\_\_

Deleted: +1.9

$D = \frac{W_2 \cdot A - W_1 \cdot B}{W_e} =$ _____ <i>m</i>	$D\% = \frac{D}{1.4} \cdot 100 =$ _____
--	---

Empty weight moment:  $M = [(D+1.39) \cdot W_e] =$  \_\_\_\_\_ *Kg · m*

Deleted: +3.2

Maximum takeoff weight	$W_T =$ 450 kg
Empty weight	$W_e =$
Maximum useful load $W_T - W_e$	$W_u =$

## **C. G. Travel**

Maximum admissible C.G. travel exceeds actual operational limits. Moreover, occupants and fuel impact only marginally on CG travel.

When on flat terrain, exceeding CG travel aft limit will cause aircraft tail to lower.

## Section 7

### Airplane and System Descriptions

#### Table of Contents

INTRODUCTION	49
AIRFRAME	2
FLIGHT CONTROLS	49
INSTRUMENT PANEL	50
SEATS AND SAFETY HARNESS	51
DOORS	51
BAGGAGE COMPARTMENT	51
ENGINE	52
FUEL SYSTEM	52
ELECTRICAL SYSTEM	52
AIRSPED INDICATOR SYSTEM	53
BRAKES	53



## **Introduction**

This section provides description and operation of the aircraft and its systems.

## **Airframe**

### Wing

The wing is made up of a central light alloy torque box; a composite leading edge is attached to the front spar and geometrically similar flap and aileron are hinged to rear. Flaps and ailerons are both made up of an aluminum spar connected to formed sheet metal leading edge and ribs and are covered by a thermoretractible synthetic material.

### Fuselage

The front part of the fuselage is made up of a truss structure with special steel tubing and, beginning at the cabin's rear section, by an aluminum alloy semi-monocoque structure. The engine housing is isolated from the cabin by a stainless steel firewall; the steel stringers engine mount is attached to the cabin's truss structure in four points.

### Empennage

The vertical tail is entirely metal: the vertical stabilizer is made up of a twin spar with load carrying skin while the rudder consists of an aluminum torque stringer connected to light alloy ribs and skin. The horizontal tail is an all-moving type (stabilator); its structure consists of an aluminum tubular spar connected to ribs and leading edge; the entire structure is covered with thermoretractible synthetic material.

## **Flight Controls**

Aircraft flight controls consist of aileron, rudder and stabilator control surfaces. The control surfaces are manually operated using a control stick for ailerons and stabilator and rudder pedals for the rudder; longitudinal control acts through a system of push-rods and is equipped with a trim tab. Aileron control is of mixed type with push-rods and cables; the cable control circuit is confined within the cabin and is connected to a pair of push-rods positioned in the wings that control ailerons differentially. Aileron trimming is carried out on ground through a small tab positioned on left aileron.

Flaps are extended via an electric servo actuator controlled by a switch on the dashboard. Flaps act in continuous mode, an LED indicator shows surface position. Two lighted LEDs indicate takeoff position (15°). The electric circuit is protected by a breaker positioned on the right side of the dashboard.

Longitudinal trim is performed by a small tab positioned on the stabilator and controlled via an electric servoactuator by pushing an Up/Down push-button located on the control stick or on the dashboard.

## Instrument Panel

The instrument panel is of conventional type, allowing space for a broad range of equipment. Instruments marked with an asterisk (\*) are optional.

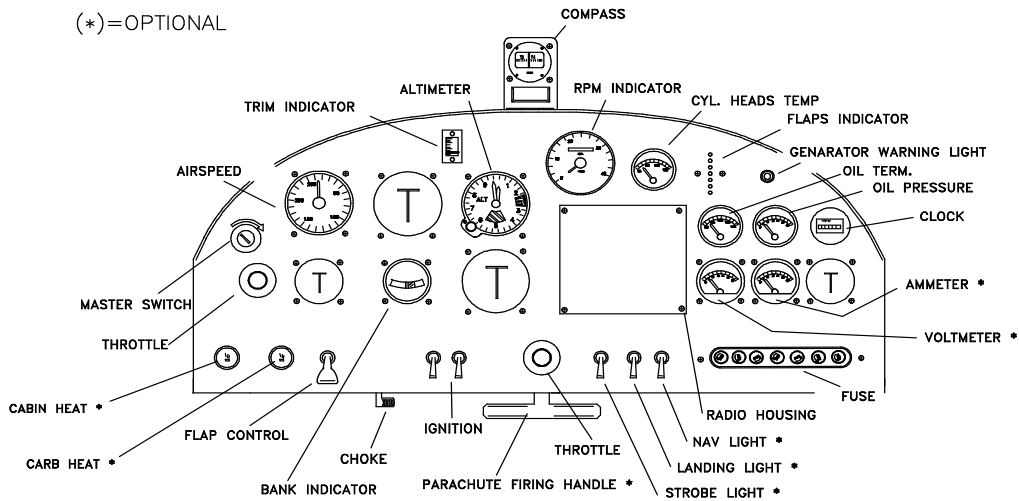


Fig. 7-1. INSTRUMENT PANEL

### Throttle Friction Lock

It is possible to adjust the engine's throttle friction by tightening appropriately the friction lock located on the dashboard near center throttle control.

## **Seats and Safety Harness**

Aircraft features three point fitting safety belts with waist and diagonal straps adjustable via a sliding metal buckle.

Seats on the **P92** can be of two types:

- Standard seats are fiberglass with easily removable cushions. Seats may be adjusted on ground by operating on the latch mechanism located below seating cushion.
- Optional seats (type J) are built with light alloy tube structure and synthetic material cushioning. A lever located on the right lower side of each seat allows adjustment of seat position according to pilot size.

## **Doors**

Doors available on the **P92** can be of two types:

- Standard doors feature a light alloy tubular frame supporting a transparent or tinted panel. An internal safety latch mechanism is positioned in proximity of door's upper edge and must be used before flight to secure door. Mechanism rotates to engage door frame to cabin tubular framework.
- Optional doors can be equipped with door handles on both sides of doors and left side external door handle equipped with a door lock. An internal safety latch mechanism is positioned in proximity of door's upper edge and must be used before flight to secure door. Mechanism rotates to engage door frame to cabin tubular framework.

## **Baggage Compartment**

The baggage compartment is located behind the pilots' seats. Baggage shall be uniformly distributed on utility shelf.

## Engine

### ▶ **P92 Echo**

ROTAX 912UL, 4 stroke, horizontally-opposed 4 cylinder, mixed air and water cooled, twin electronic ignition, forced lubrication

Maximum rating - 81Hp (59.6 kW) at 5800 RPM

Reduction gearbox - 2.273:1

Prop. GT-ECHO 2/166/145

### ▶ **P92 Echo/100**

ROTAX 912S, 4 stroke, horizontally-opposed 4 cylinder, mixed air and water cooled, twin electronic ignition, forced lubrication

Maximum rating - 100 Hp (73.5 kW) a 5800 g/min

Reduction gearbox - 2.4286:1

Prop. GT-ECHO 2/172/164

For further information refer to "*Engine Operating Manual*".

## Fuel System

The system consists of two composite material fuel tanks that are integral part of the leading edge featuring a viewport to visually monitor fuel level of each tank. Capacity is 35 liters each. Each tank is equipped with cabin installed shut-off valve and of a main filter located on the firewall and equipped with a drainage valve.

Fuel level is detected via a calibrated scale located on fuel tank walls visible from cabin. The fuel system also features a mechanical pump operated by the engine and an emergency non-return valve that allows gravity feed in case of main pump failure.

## Electrical System

The aircraft's electrical system consists of a 12 Volt DC circuit controlled by a Master switch located on dashboard. Electricity is provided by an alternator or by a buffer battery placed in tailcone. Generator light is located on the right side of the instrument panel.



### Oil and Cylinder Head Temp. - Oil Pressure

*These instruments are connected in series with their respective sensors. Temperature instruments are protected by the same breaker; oil pressure indicator and a second breaker protects other instruments.*

### Avionics

The central part of the dashboard holds room for avionics equipment. System's manufacturer furnishes features for each system.

## **Airspeed Indicator System**

The aircraft's airspeed indicator system is shown below and consists of two static vents located on both sides of the aircraft forward of cabin and by a pitot tube located on left wing strut

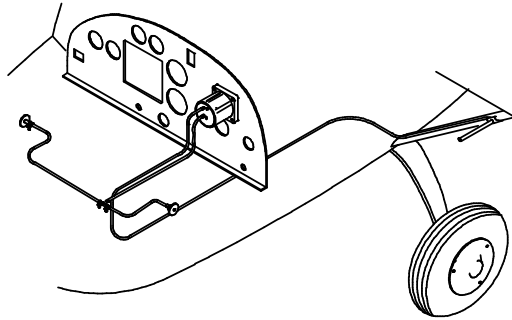


FIG. 7-2. AIRSPEED INDICATOR SYSTEM

## **Brakes**

The aircraft's braking system is a single system acting on both wheels of main landing gear through disk brakes, the same circuit acts as parking brake via an intercept valve.

To activate brakes it is sufficient to verify that brake shut-off valve positioned on tunnel between pilots is OFF, then activate brake lever as necessary.

To activate parking brake pull brake lever and set brake shut-valve to ON.

## Section 8

### Ground Handling And Service

#### Table of Contents

INTRODUCTION	55
AIRPLANE INSPECTION PERIODS	55
GROUND HANDLING	55
CLEANING AND CARE	56

## **Introduction**

This section contains factory-recommended procedures for proper ground handling and routine care and servicing. It also identifies certain inspection and maintenance requirements which must be followed if the aircraft is to retain its new-plane performance and dependability. It is wise to follow a planned schedule of lubrication and preventive maintenance based on climatic and flying conditions encountered locally.

## **Airplane Inspection Periods**

Inspection intervals occur at 50, 100 hours and in accordance with special inspection schedules which are added to regularly scheduled inspections. Correct maintenance procedures are described in the aircraft's Service Manual or in the engine's Service Manual.

## **Ground Handling**

### **Towing**

The aircraft is most easily and safely maneuvered by hand by pushing on wing struts near attachments or by pulling it by its propeller near the axle. A tow bar can be fixed onto nose gear fork. Aircraft may be steered by turning rudder or, for steep turns, by pushing lightly on tailcone to lift nose wheel.

### **Parking And Tie-Down**

When parking airplane outdoors, head it into the wind and set the parking brake. If chocks or wedges are available it is preferable to use the latter.

In severe weather and high wind conditions it is wise to tie the airplane down. Tie-down ropes shall be fastened to the wing strut attachments and anchoring shall be provided by ramp tie-downs. Nose gear fork can be used for front tie-down location.

Flight controls shall be secured to avoid possible weathervaning to end travel damage of moving surfaces. For this purpose, seatbelts may be used to latch control stick to prevent its movement.

**Jacking**

Given the light empty weight, lifting one of the main wheels can easily be accomplished even without the use of hydraulic jacks. It is in fact sufficient that while one person lifts one half-wing by acting on the spar immediately before the wingtip, another person places a suitable stand below the steel spring attachment.

**Leveling**

Aircraft leveling may become necessary to check wing incidence, dihedral or the exact location of CG. Leveling is obtained when the lower cabin edge and the main gear support beam are horizontal.

**Road Transport**

It is recommended to secure tightly all aircraft components onto the cart to avoid damage during transport. Minimum cart size are 7x2.5 meters. It is suggested to place wings under the aircraft's bottom, secured by specific clamps. Secondary components such as stabilators and struts shall be protected from accidental hits using plastic or other material. For correct rigging and derigging procedure, refer to Service Manual.

**Cleaning and Care**

To clean painted surfaces, use a mild detergent such as shampoo normally used for car finish; use a soft cloth for drying

The plastic windshield and windows should never be dusted when dry; use lukewarm soapy water and dry using chamois only. It is possible to use special glass detergents but, in any case, never use products such as gasoline, alcohol, acetone or other solvents.

To clean cabin interior, seats, upholstery and carpet, it is generally recommended to use foam-type detergents.