

System Manual

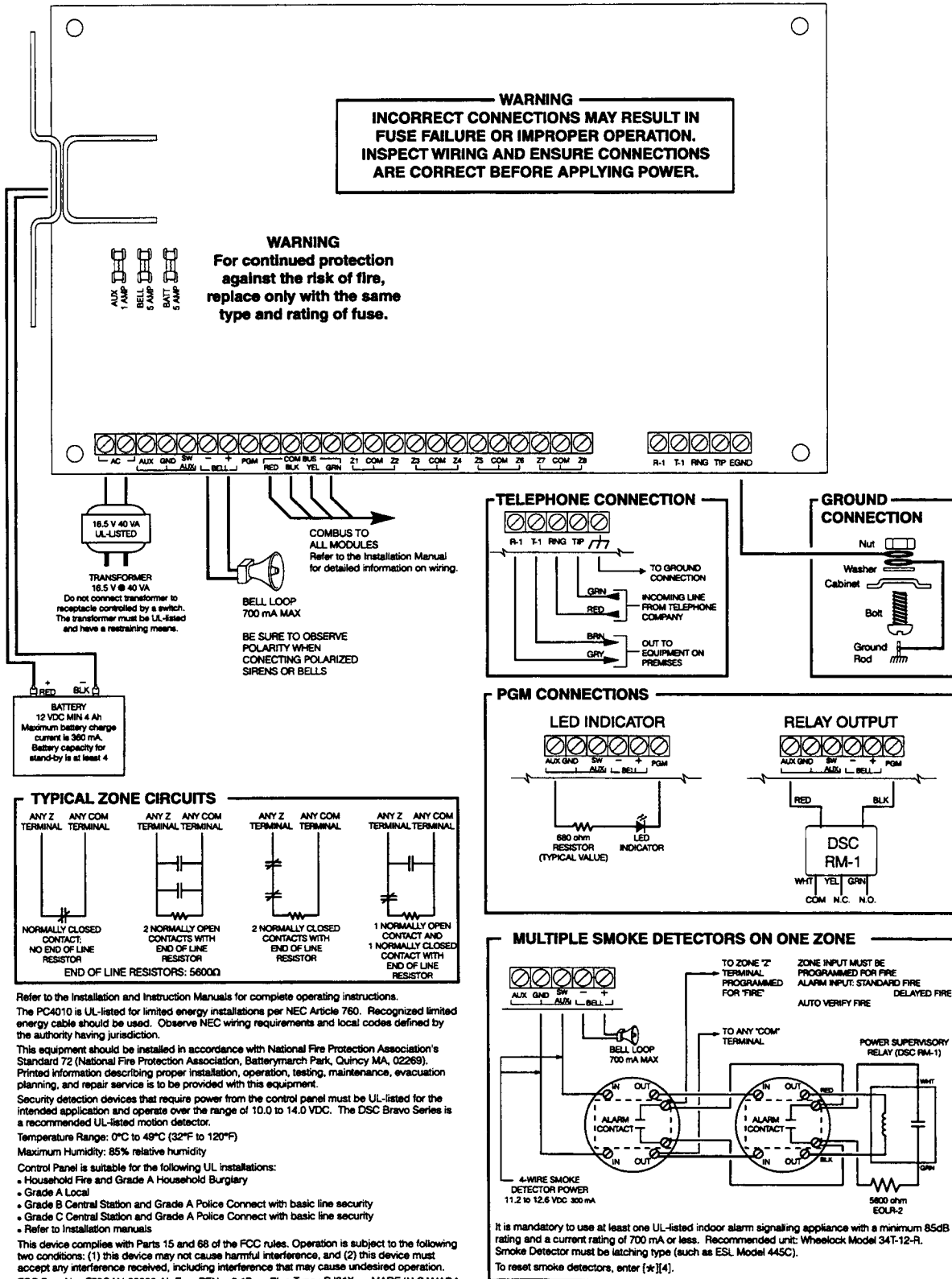


Table of Contents

PC4010 Control Panel Wiring Diagrams _____	ii	Terminal Connections	
Module Hookup diagram _____	iii	"AC" Power Terminals _____	10
Introduction _____	1	Auxiliary Power Terminals "AUX" and "GND" _____	10
System Overview		Switched Auxiliary Power Terminals _____	10
Maximum System Capabilities _____	2	Bell/Siren Terminals _____	10
64 Programmable Zones _____	2	Programmable Output Terminal "PGM" _____	10
Escort 4580 (VPM) _____	2	COMBUS Terminals "RED", "BLK", "YEL" and "GRN" _____	10
LCD Keypads (LCD4500) _____	2	Zone Input Terminals "Z1" to "Z8" _____	10
193 Outputs _____	2	Telephone Terminals "TIP", "RNG", "T-1" and "R-1" _____	11
Switched Auxiliary Output _____	2	Battery Connections _____	11
4 Enclosures _____	2	System Keypad Functions	
Supervised Alarm Output _____	2	Introduction _____	12
Event Buffer _____	2	Partitions _____	12
4 True Partitions _____	2	Access Codes _____	12
RS-Serial Interface Module (PC4400) _____	2	Partition Status Enunciator _____	12
Internal Memory _____	2	Global Keypads _____	12
Keypad User Options _____	2	System Master Code Functions _____	15
Communicator _____	2	Installer's Programming Code _____	15
LINKS Support (Not investigated by UL) _____	2	Auto-bypass/Home-Away Arming _____	15
		Partition Keypads _____	15
Installation and Wiring		Printer Setup	
Suggested Wiring Procedure _____	3	Configuring the Printer _____	24
Creating a System Layout _____	3	Downloading	
RF Zones - Summary _____	4	Downloading over Phone Lines _____	25
Module Placement Test _____	4	Downloading with an On-site Computer _____	25
Wireless PIR Motion Detectors _____	4	UL Listed Commercial and Residential Installations	
Zone Supervisories _____	4	Grade A Local _____	26
Battery Troubles _____	5	Grade B Central Station and Grade A Police Connect _____	26
Restoring Battery Troubles _____	5	Grade C Central Station _____	26
Default Serial Numbers _____	5	All Commercial Installations _____	26
COMBUS Power and Operation _____	5	Residential Installations _____	26
Testing The COMBUS _____	5	Programming _____	26
Mounting the Panel _____	6	Control of the Protected Premises _____	26
Programming the System _____	6	Bell Location _____	26
Hardware Reset of Memory to Factory Defaults _____	7	Protection of the Control Unit _____	26
		Casual Users _____	26
PC4010 Main Board Specifications		User Information _____	26
Control Panel _____	8	Appendix A	
Output Voltage _____	8	List of Available ASCII Characters _____	27
Remote Keypad _____	8	Appendix B	
Module Specifications		List of Diagnostics _____	28
PC4108 Expansion Module _____	9		
PC4116 Expansion Module _____	9		
PC4164 Expansion Module _____	9		
PC4204 High Current Output Module _____	9		
PC4216 Low Current Output Module _____	9		
PC4400 Serial Interface Module _____	9		
PC4700 Fire Module _____	9		
LCD4500 Remote Keypad _____	9		
Escort4580 (Voice Prompting Module) _____	9		



Incorrect connections may result in fuse failure or improper operation. Inspect wiring and ensure connections are correct before applying power. Do not route any wiring over circuit boards. Maintain at least 1" (25.4 mm) distance.



Refer to the Installation and Instruction Manuals for complete operating instructions.

The PC4010 is UL-listed for limited energy installations per NEC Article 760. Recognized limited energy cable should be used. Observe NEC wiring requirements and local codes defined by the authority having jurisdiction.

This equipment should be installed in accordance with National Fire Protection Association's Standard 72 (National Fire Protection Association, Batterymarch Park, Quincy MA, 02269). Printed information describing proper installation, operation, testing, maintenance, evacuation planning, and repair service is to be provided with this equipment.

Security detection devices that require power from the control panel must be UL-listed for the intended application and operate over the range of 10.0 to 14.0 VDC. The DSC Bravo Series is a recommended UL-listed motion detector.

Temperature Range: 0°C to 49°C (32°F to 120°F)
Maximum Humidity: 85% relative humidity

Control Panel is suitable for the following UL installations:

- Household Fire and Grade A Household Burglary
- Grade A Local
- Grade B Central Station and Grade A Police Connect with basic line security
- Grade C Central Station and Grade A Police Connect with basic line security
- Refer to Installation manuals

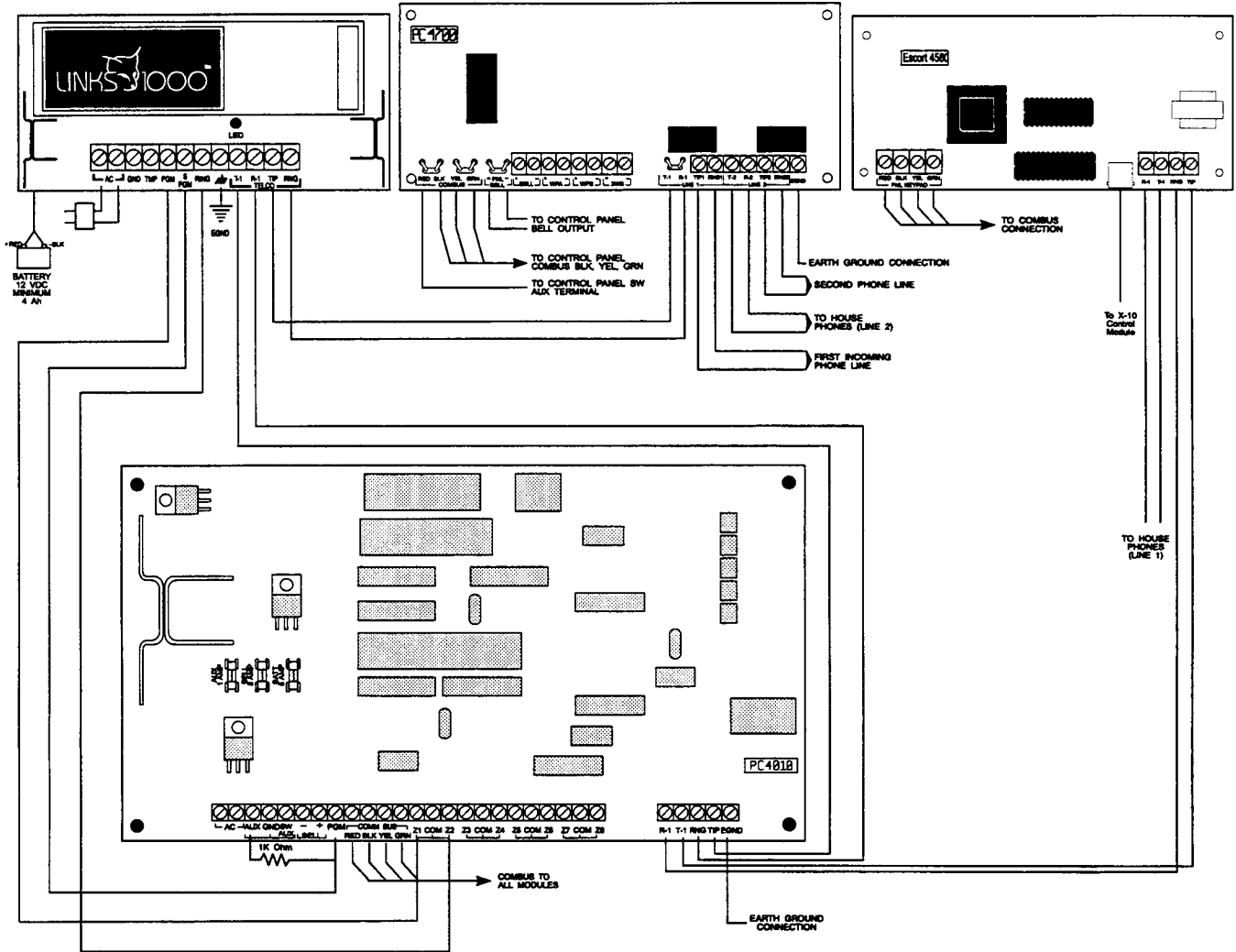
This device complies with Parts 15 and 68 of the FCC rules. Operation is subject to the following two conditions: (1) this device may not cause harmful interference, and (2) this device must accept any interference received, including interference that may cause undesired operation.

FCC Reg. No.: F53CAN-20836-AL-E REN = 0.1B Plug Type: RJ31X MADE IN CANADA

WARNING: Not to be removed by anyone except occupant.

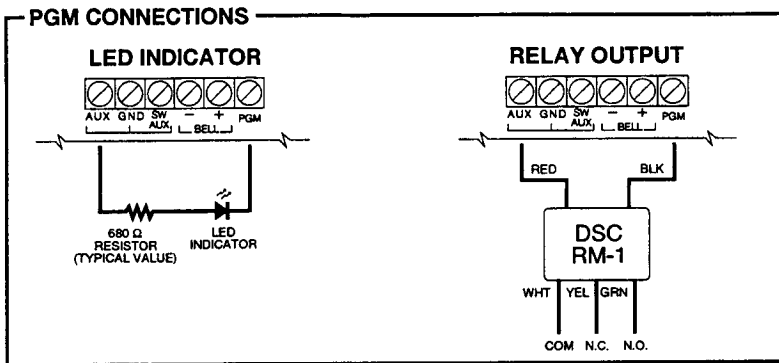
For future reference, detach this sheet and apply to the inside of the cabinet door with the provided double-sided tape.

Module Hookup Diagram



Notes:
 The Escort 4580 must be placed after the control panel. The Escort 4580 will not function if it is located in any other location on the telco lines.
 The Escort 4580 and the PC4700 should not be used together on the same system.

- PGM Connections for LED Indicators and Relays
- SW AUX Connection for Smoke Detector Reset
- Multiple Smoke Detectors on a Single Zone
- COMBUS Connection
- Wiring Charts

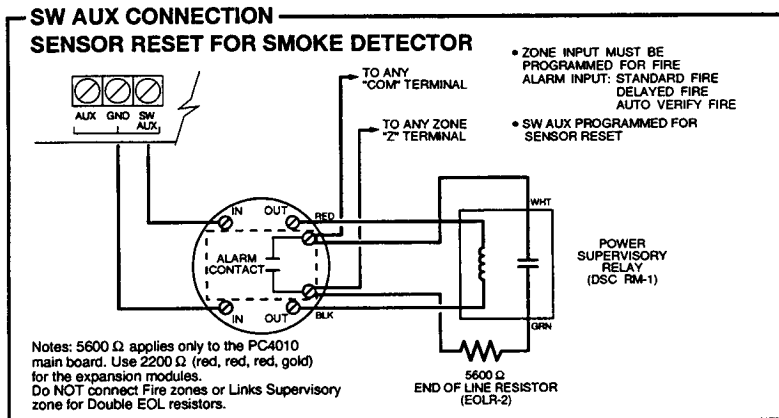


SMOKE DETECTOR POWER LOOP WIRING CHART

Loop Current mA	Maximum wire run to EOL relay in feet/meters				
	AWG14	AWG16	AWG18	AWG19	AWG22
50	2750/838	1740/530	1090/332	869/264	433/131
100	1375/419	870/265	545/166	435/132	217/66
200	690/210	435/132	270/82	217/66	108/33
300	460/140	290/88	180/55	144/33	144/43
400	345/105	215/65	135/41	108/33	54/16

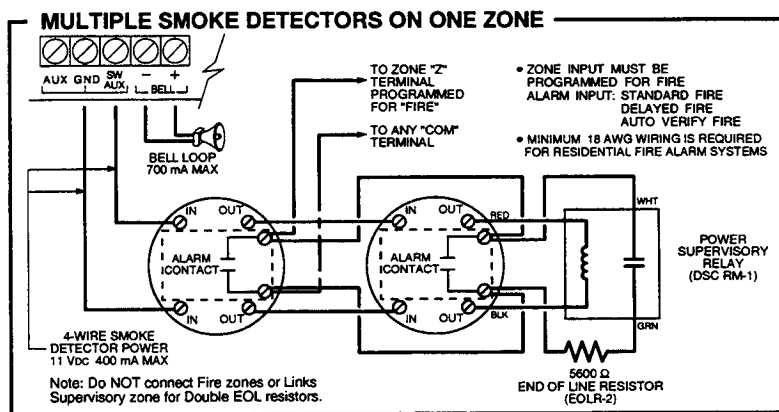
BELL LOOP WIRING CHART

Bell Current mA	Maximum wire run to EOL resistor in feet/meters				
	AWG14	AWG16	AWG18	AWG19	AWG22
50	2750/838	1740/530	1090/332	869/264	433/131
100	1375/419	870/265	545/166	435/132	217/66
200	690/210	435/132	270/82	217/66	108/33
300	460/140	290/88	180/55	144/33	144/43
400	345/105	215/65	135/41	108/33	54/16
500	275/83	170/52	105/32	86/26	43/13
600	230/70	140/43	90/27	72/22	36/11
700	195/59	125/38	80/24	62/19	30/9



ALARM INITIATING LOOP WIRING CHART

Wire Gauge	Maximum Run to End of Line Resistor (feet / meters)
AWG14	15500 / 4724
AWG16	9740 / 2968
AWG18	6120 / 1865
AWG19	4860 / 1481
AWG20	3840 / 1170
AWG21	3060 / 932
AWG22	2420 / 737



INTRODUCTION

The PC4010 is a highly flexible and versatile control which will enable the installer to meet the most demanding security requirements. The heart of the system is the main control panel, designated the PC4010, which is connected to other system elements using common 4 conductor unshielded station wire. The main panel processes signal information and communicating with the monitoring station. The main panel is capable of supervising 8 zones, any of which may be defined for fire or burglary applications and also manages up to 4 separate and fully independent partitions, assigning zones and their controlling keypads in accordance with installer programming.

The basic 8 zone capability of the PC4010 can be expanded using either PC4108, PC4116 or PC4164 modules which provide 8, 16 or 64 zones of additional inputs respectively up to a system maximum of 64 zones. The PC4108 and PC4116 are designed for use within any of the cabinets and are shipped as PC boards only. The PC4164 is designed to be placed inside the supplied cabinet.

Programming and system operation are carried out using the LCD4500 liquid crystal display keypad. The LCD4500 connects at any point in the system to the four wire communication bus or "COMBUS", its specific identification being determined automatically in the process of installing it. A maximum of 8 LCD4500 keypads may be used on any one system regardless of size.

The PC4204 relay output module is available for installations requiring additional power beyond the 500 mA supplied by the PC4010 main panel. This module comprises a 12 volt DC power supply of 1.5 Amp capacity and four 12 volt relays with form C contacts which will provide switched outputs under any of the 35 options available in the list of programmable outputs. The PC4204 connects to the COMBUS via four wires as with other system elements. It requires a 16-18 volt, 40 VA transformer and a 12 volt battery. Up to 12 PC4204 modules may be installed on any one system. The PC4204 is shipped as a PC board only.

The use of any power source other than a PC4204 to repower the COMBUS will result in a system malfunction.

The PC4216 low current module provides 16 separate outputs. Each output may be programmed to operate under the control of 1 of 35 options as listed in the programmable options section of the installation manual. Up to 8 other PC4216's may be used to provide outputs for graphic annunciator or similar devices for the maximum of 64 zones. The PC4216 connects to the COMBUS with four wires. A maximum of 9 PC4216's may be connected to a system. The PC4216 may be installed in the main cabinet or in other cabinet options and is shipped as a board only.

The PC4010 includes the capability of driving a serial printer using a PC4400 serial interface module. The PC4400 connects to the COMBUS with four wires. The printer may be located up to 200 feet (60 meters) away from the module. The PC4010 is also capable of communicating to a DVAC network using the PC4400 serial interface module. The PC4400 is shipped as a board only.

SYSTEM OVERVIEW

Maximum System Capabilities

- Control Units - 1 PC4010 Main Board
- 64 Zones
 - PC4010 Main Board: 8 zones
 - PC4108 Expansion Module: 8 zones
 - PC4116 Expansion Module: 16 zones
 - PC4164 Expansion Module: 64 wireless zones
- 48 High Current Outputs - Up to 12 PC4204 Modules
- 144 Low Current Outputs
 - 9 PC4216 16 Output Modules
- PC4400 Serial Interface module : Serial Printer / or DVACS
- PC4700 Fire Module Support
- 8 Remote LCD Keypads - LCD4500
- Escort 4580 Voice Prompting Module
- 1 Main Board Fully Programmable Output
- 1 12 Vdc Switched Fully Programmable Auxiliary Power Supply (Main Board)
- 1 Supervised Fully Programmable Bell/Siren Output (Main Board)
- 1 Telephone Interface (Main Board)
- 2 Telephone Interface (PC4700)

64 Programmable Zones

- 8 zones on main board expandable by using 8 and 16 zone modules
- 22 zone types including: instant, 2 types of interior, 3 delay, 4 fire, 7-24 hour, forced answer, momentary, maintained arming, Links supervisory and Links answer.
- Zone expansion is done by enrolling a zone expansion module
- Zones can be assigned independently to any partition(s)
- Programmable for NC loops, EOL resistor or double EOL resistors

Escort 4580 (VPM)

- All main user function accessible through the VPM
- Local and remote access abilities
- 241 word library for zone, access code and partition labelling

LCD Keypads (LCD4500)

- Total of 8 on the system
- Can be assigned to any partition
- Single keypad system control

193 Outputs

- 1 main board transistor switch to ground with 3A capabilities (programmable for 1 of 35 options)
- 48 relay outputs programmable for 1 of 35 options each (12-4204 modules with 4 outputs each)
- 144 switched transistor outputs programmable for 1 of 35 options each (9-4216 modules with 16 outputs)

Switched Auxiliary Output

- Programmable for 1 of 35 options

4 Enclosures

- PC4001C - PC4010 plus 2 modules
- PC4002C - 3 modules
- PC4003C - 1 module
- PC4004C - Attack resistant for PC4010 plus 2 modules

Supervised Alarm Output

- Bell Output, 700 mA fused at 5 Amps, 12 Vdc - commercial and 11.6 - 12.6 Vdc - residential
- Steady or Pulsed Output
- Programmable for 1 of 35 options

Event Buffer

- 600 events
- Date and time stamp
- Event Buffer Viewing - any System Master is able to view 512 events through the keypad including date and time stamp
- Event Buffer Printing - the entire event buffer (600 events) can be printed at once through the Installer's mode

4 True Partitions

- Separate or shared zones from other partitions
- Individual keypads per partition
- Individual access codes for each partition
- Individual keypad zones (Fire, Auxiliary, Panic)
- Individual outputs programmable per partition

Serial Interface Module (PC4400)

- Used to output data to a local printer
- Used to communicate to a DVAC network

Internal Memory

- Retains programmed data even when both AC and Battery have been removed.
- The clock will have to be reset after a power down condition which will be indicated by an audible trouble beep and the keypad trouble LED is on.

Keypad User Options

They are all menu driven, including:

- Programming of several types of 4 or 6 digit access codes, 128 in total
- Bypassing from the keypad by authorized personnel
- Utility functions such as remote control of lights, door strikes, etc.

Communicator

- Communicates in all 10 and 20 BPS single line and extended formats
- Radionics Rounds and Radionics Parity
- SESCO Superfast format
- Ademco Contact ID format
- SIA 1986 format
- Sur-gard 4/3 DTMF format
- 3/1 and 4/2 formats
- Hexadecimal numbers
- DTMF and Pulse dialing
- DPDT line seizure
- True dial tone detect
- Anti-jam feature
- Three telephone numbers and nine account codes

LINKS Support (Not investigated by UL)

- 3 telephone numbers for LINKS
- Auto programming for LINKS zones

INSTALLATION AND WIRING

When designing a security system with the PC4010 that will be larger than 8 zones or have two or more Partitions it is best to first lay out the system on paper. This will help determine the total number of zones, additional expansion and power supply modules and other system elements that may be needed.

When the location of all points of protection is known the location of the zone expanders can be made. You will find that working from a plan, a layout will reveal the most economical use of system modules; two eight zone expansion modules instead of one sixteen zone, for example, can save long wire runs because of the location of zones.

The plan will also enable you to make the most efficient layout for the communications bus (COMBUS). This is the four conductor cable which can be standard station wire (four 22 AWG wires colour coded red, black, yellow and green) to which all system modules are connected in parallel. It is not necessary to run the COMBUS in shield unless it is being run through an area of high electrical noise.

The COMBUS may be up to 1,000 ft. (300 m) from the main board to the farthest module, with any number of modules in between. More than one COMBUS of 1,000 ft. (300 m) can run from the PC4010.

Suggested Wiring Procedure

The first step in designing a PC4010 installation is developing a system layout on paper. Doing this will allow you to work from a plan and help to avoid making mistakes and make programming easier.

Creating a System Layout

- 1 Draw a rough sketch of the building(s) layout in the installation including the interior walls. Indicate on the diagram the location of the PC4010 main panel. The panel should be in a dry, secure location close to a non switched AC source, a ground connection and a telephone line connection.
- 2 Indicate on the diagram the location of all zones as well as the device required such as smoke detectors, motion detectors, door contacts etc.
- 3 If using the PC4700 Fire Module, indicate on the diagram the location of the smoke detectors which will be 2 wire and the locations of the waterflow detector.

Note: The fire module is located in the Main Cabinet with the control panel. Be sure to indicate the location of the Bell output.

- 4 Zones may be grouped together into partitions. Knowing the zone number of each zone will allow the partition setup to be done without mistakes. Locate any zone expansion modules (PC4108, PC4116 or PC4164) required close to groups of zones for easier wiring.

Decide on the order to enroll the expansion modules. The first 8 zones (1 through 8) are on the main panel.

As each module is enrolled it will be assigned in sequence the next available group of zones. If an 8 zone module (PC4108) was enrolled first, it would be assigned zones 9 through 16. If then a 16 zone expansion module (PC4116) is enrolled it would be assigned zones 17 through 32.

Once the order to enroll the expansion modules has been determined, number each zone accordingly.

- 5 Wireless zones (used with the PC4164) can be placed anywhere within the reception range of the PC4164. Once the zone that are planned to be used are indicated on the diagram the location of the PC4164 can be shown as well. For best results the PC4164 should be placed in as central of a location as possible. Indicate next to the zone, the serial number of that zone. This will make placement tests easier.
- 6 The PC4700 Fire Module zones (2 wire smoke detector loop and a 4 wire waterflow loop) are system zones (zone which belong to all partitions) a detector should be placed in each partition to allow for the most effective use of the module.
- 7 Indicate each partition by boxing the area of the partition on the diagram. From this diagram it can be quickly determined which zones belong to that partition.
- 8 Determine the number of keypads (LCD4500) required for each partition and their location on the system. The maximum number of keypads on a system is 8. Each keypad on the system assigned to a partition can only be used to operate that partition. (EXCEPTION - A System Master or a multi-partition access code can access any partition that the code is assigned to from any keypad). Indicate on the diagram the location and the partition each keypad will be assigned to.

After the number of zones, keypads, and their locations, expansion modules and separately controlled systems (partitions) have been determined, decide other modules required to complete the installation.

- 9 The Escort4580 (Voice Prompting Module) is a module which is connected to the COMBUS and the Telco lines of the control panel. This module uses the in house telephone(s) to give the user access to any partition the users code may belong to. The module may be enrolled as a Partition or Global unit.

Note: The Escort4580 is located in the Main Cabinet with the control panel.

- 10 Siren outputs can be programmed to activate if one or more partitions go into alarm. The main panel provides one output (The Main Bell Output).

Additional outputs can be obtained from the PC4204 power supply/relay output module(s). Each PC4204 module has 4 form "C" relays, the last 3 of which can be used as any one of the 35 output options (See PGM Output List). Indicate on the diagram the location of each of the sirens, and the location of the PC4204 module(s).

11 The PC4216 module provides up to 16 programmable outputs. Each output can be programmed for 35 different options (See PGM Output List). It is also used to display zones/status on a graphic annunciator. Each of the 9 PC4216 modules is capable of being programmed in any of the 17 available ways. Indicate on the diagram the location of the PC4216, the module number and also the module output option programmed.

See "PC4216 OPTIONS" for a list of the programming options.

12 Indicate the location of the PC4400 serial interface module on the diagram. The PC4400 provides serial output to an on-site printer that will record the identity of the system, description of the occurrence (alarm, trouble etc.) by user, with date and time stamp. The PC4400 may also be used to connect to a DVAC network allowing the PC4010 to communicate to a DVAC receiver.

13 Mount the cabinet, panel (See "Mounting The Panel") and prepare the wires for connection to the panel.

RF Zones - Summary

Placing Components

Before permanently mounting components, each component should be tested in its intended mounting location to ensure it can communicate properly with the PC4164. It is recommended that the Module Placement Test is performed more than once for each zone.

For the best system performance, it is suggested that the PC4164 be mounted in as central location as possible and as elevated a location as possible.

In most installations, selecting a central location for the PC4164 will ensure reliable system operation. When mounting the PC4164 in a basement, it is recommended that the PC4164 be mounted as high and as close to the underside of the first floor as possible.

Module Placement Test

This section will determine if the location of a zone is good. Once this section has been entered, the panel will then prompt the installer to select a zone to be tested. Use the [<][>] keys to scroll to the desired zone. Press the [*] key to select the zone. The keypad will now display the message "Please Activate Zone". When this message is displayed open then close the zone from the intended mounting location. The keypad will display the result of the module placement test (with respect to RF strength). Placement results are as follows:

- Good - This result will be displayed on the keypad as "****good****" and the keypad will beep once indicating that the placement was good. A good placement result means that the zone was placed in a location that has a strong RF transmission strength.

- Fair - This result will be displayed on the keypad as "****fair****" and the keypad will beep twice indicating that the placement was fair. A fair placement result means that the zone was placed in a location that has passed the module placement test.
- Poor - This result will be displayed on the keypad as "****poor****" and the keypad will beep three times, indicating that the placement was poor. A poor placement result means that the zone was placed in a location that has weak RF transmission strength and should be relocated. In most cases, moving the zone a short distance from its original intended location should correct the problem. After relocating the zone, repeat the module placement test. When the test results are satisfactory, continue with the next zone to be tested.

Note: To perform a module placement test on an RF PIR motion detector, the zone must be tampered then restored instead of opened then closed.

Wireless PIR Motion Detectors

To prolong battery life of a PIR Motion Detector, the detector features a High Traffic Shutdown Mode. If a motion detector is activated more than once within a 6 minute period, the detector will temporarily delay reporting activity to the PC4164. The Motion Detector will then require a 12 minute period of no activity before it will resume transmissions to the PC4164. Because the High Traffic Shutdown Mode prevents Motion Detectors from being tested during a regular walk test, the Motion Detector features its own built-in Walk Test Mode. To activate this mode remove the back plate from the detector to be tested, and then reattach it. The Motion Detector will be in Walk Test Mode for 90 seconds. The LED will come on for 3 seconds each time the detector is tripped. (Note: The zone will not transmit the zone trip to the PC4164 during this mode. To perform a walk test of the Wireless PIR the zone must be tampered and restored). At the end of the 90 second period the Motion Detector will return to normal operation.

Zone Supervisories

A zone supervisory is a transmission sent from the wireless zone to the PC4164 as a test transmission to ensure that communications between the zone and the PC4164 are still present. When the PC4164 receives the supervisory from the zone it will then transmit this information to the control panel. If the control panel does not get a supervisory within the "supervision time", the zone will be considered lost and go into the open state.. (If double EOL is being used the zone will go into the Tamper Alarm state). If the partition is armed the zone will go into alarm and transmit the sensor fault and alarm reporting codes if programmed. The next supervisory that the PC4164 receives for a missing zone will restore communication with that zone and restore the Zone Supervisory Fault.

Battery Troubles

If a zone has a low battery trouble, then that zone does not report in with a zone supervisory within the "supervision time". The zone will not go into alarm. This has been included to reduce the possibility of a false alarm from batteries that do not get changed in the zone, and then the zone going into sensor fault.

Restoring Battery Troubles

A wireless zone battery trouble will only be restored after that zone has been Tampered and Restored. This will allow the batteries to be changed without multiple Battery trouble/Battery restoral transmissions taking place. In order for the batteries to be changed the cover must be removed from the back plate (tampering the zone). When the tamper is restored and the zone sends a battery trouble restoral (as well as the tamper restoral) signal to the PC4164, the battery trouble will clear.

Default Serial Numbers

Once this selection has been made the LCD will display the message "Confirm Default Press *". To abort press any other key. Once the [*] key has been pressed the LCD will display the message "Resetting ". All RF zone signatures will have been erased from the PC4164.

Note: Deleting the RF signatures from the PC4164 will not remove the zone(s) from the partition assignment(s).

COMBUS Power and Operation

The PC4010 main board can provide up to 500 mA to power modules, keypads and devices. A PC4204 power module is required when additional current is needed either for powering detection devices or operating bells and sirens. The PC4204 requires its own transformer and battery and can provide up to 1.5A at 12 Vdc. Four relays on the module provide form C switched outputs with contact ratings of 3 amps @ 12 Vdc (10 amps @ 120 VAC) for a variety of programmable options. When used to re-power the COMBUS the PC4204 must be wired in accordance with the instructions supplied with the unit. Use of a power source other than the PC4204 power supply module to supply additional power to the PC4010 system is not recommended for the following reasons:

If the main panel loses communications with a module, within a maximum of 30 seconds the panel will perform a system reset in which power to the COMBUS is removed. Five seconds later power is reapplied and the panel will attempt to communicate with the module. If the panel is unsuccessful communicating with the module it will display and report a COMBUS communications fault.

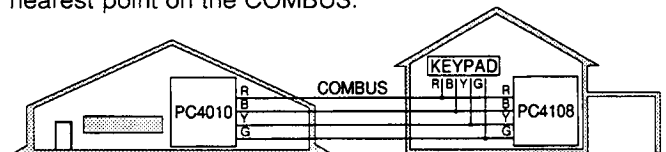
When the main panel performs a reset, relay 1 when programmed for "COMBUS POWER" will open. This will disconnect the power supplied to the modules, resetting them so that communications to the main panel are reinitialized.

For example, if the microprocessor on the module has been scrambled due to a transient, the PC4010 will power down the COMBUS, the PC4204 will mimic the PC4010 and cut off its power supply to the module. The module will be powered down. When the PC4010 returns power to the COMBUS, the PC4204 will reconnect its power supply, and the power to the module will return. Because the module was powered down and powered up, the module is now reset, and can communicate with the PC4010.

If a power supply other than a PC4204 was used, the module would never power down, never reset, and the module will stay off line requiring the attention of service personnel.

CAUTION: When used to power a module, the "RLY 1 COM" terminal of the PC4204 must be connected to the "RED COMBUS" terminal of the module only. The positive (RED) conductor of the COMBUS must be left unconnected to the module that is powered by the PC4204. The "BLK COMBUS" of the module should be run common to the negative ("BLK") of the COMBUS. Use of a power source other than the PC4204 power supply module to supply additional power to the PC4010 system is not recommended.

The COMBUS is a four conductor cable to which all modules and keypads are connected in parallel. Connections to the COMBUS do not have to be home-run. For example if a storage building had an 8 zone expander (PC4108) and a keypad (LCD4500) located in it, the zone expander and keypad could be spliced together and run back on a single 4 wire cable to the nearest point on the COMBUS.



Testing The COMBUS

To test the COMBUS for a low voltage condition, connect all devices to the system (include any motion detectors, glass break detectors, etc.) and enroll each of the modules. Exit installers mode and allow the system to run normally for 5 -10 minutes. This will allow time for any modules that may have battery troubles time to report. If after this time there are any battery troubles be sure that the batteries are "good" by disconnecting the suspect battery and placing a voltage meter across the battery leads (of the module); the output voltage should be 13.85 V. If the voltage is good then check the battery (under load), even if the battery is under a load the voltage should still be above 12.0 V. Once all (if any) battery

troubles have been taken care of, be sure that there are no COMBUS Low Voltage troubles. If there are locate the modules with the low voltage troubles by entering Installers Mode and selecting Diagnostics. Refer to Appendix B for the List of Diagnostics. Once the module(s) have been isolated a PC4204 will be required to increase the power to be module with the low voltage trouble. Now that all trouble have been taken care of the next step is to remove AC power from all modules and allow the panel to run for 10 - 15 minutes on battery power alone. If there are any COMBUS Low Voltage troubles a PC4204 COMBUS repower module may be required at the Low voltage location to insure proper system operation. Repeat this test as required.

Mounting the Panel

Select a dry location close to an unswitched AC source, a ground connection and a telephone connection for mounting the Main Control Cabinet.

Remove the PC4010 printed circuit board, mounting hardware, and keypad from the cardboard retainer inside the large cabinet. Before attaching the cabinet to the wall, press the five white nylon printed circuit board mounting studs into the cabinet from the back.

Pull all cables into the cabinet and prepare them for connection before mounting the circuit board to the back of the cabinet. Press the circuit board down onto the mounting studs.

There is room in the Main Control Cabinet (PC4001C) for any two modules (PC4108, PC4116, PC4216 or PC4400). Modules requiring power (AC and battery PC4204) must be installed in the large Expander Cabinet (PC4002C). This enclosure will accommodate one module (PC4108, PC4116, PC4216 or PC4400) and a powered output (PC4204) or any three modules. A small Expander Cabinet (PC4003C) is available for a single module that does not require external power.

Once the wiring is completed, power the system up by first connecting the battery followed by the AC transformer. All LCD4500 keypads should display the message 'LCD4500 DSC Ltd.'. Press a key on any keypad that is to be assigned to Partition 1. The keypad will beep and display the message '4500 Mod. #1' and the keypad is automatically assigned to Partition 1.

Enroll every module to the system. Make sure you put down the number of each module enrolled. Refer to the Programming Manual for the required procedure.

When enrolling any PC4108 or PC4116 zone expander module make sure to note the zones which you assigned to the module.

This information is very important if it becomes necessary to Add or Delete zones to or from a Partition. Zones 1 through 8 are assigned to Partition 1 by default. This can be changed later in Installer Programming.

In Book 4 (Programming Work Sheets) you will find a System Overview section. Fill in the information as each module is enrolled. These sheets are designed to be left in the panel so if future service is required, the location and assigned number of each module will be readily available.

Once all modules are enrolled perform a diagnostics check on the panel to determine if any problems are present (see "Diagnostics").

Programming the System

The PC4010 has the capability to operate as 4 separate alarm systems called Partitions. Dividing the panel into Partitions will allow you to control access to specific areas.

When the PC4010 is first powered up all zones on the main board and User Codes are assigned to Partition 1. If no other Partitions are required the entire system will be considered Partition 1. This is important to keep in mind as often in programming the panel will require you to enter the Partition to program.

For example, when programming entry and exit times, you must select the menu option 'ADD/EDIT PAR'. The keypad will then prompt you for the Partition to add or edit. You must select Partition 1 for a system that has no additional Partitions.

The factory default setting for all options is provided in the Programming Work Sheets as well as programming 'HOTKEYS' for the option to allow quick programming.

Complete the Programming Work Sheets located in Book 4. Having this information prepared before programming the panel will speed up the process considerably.

All information for the panel may be entered in the Programming Work Sheets.

Any zone expanders on the system will include a similar sheet and the information should be completed for these as well.

There is no set order in which the panel must be programmed, however, if you use the following guideline it may simplify the programming of the panel for the first time.

Step 1 - Define all Partitions

When the panel is first powered up the 8 zones on the main panel are assigned to Partition 1. Additional zone expanders enrolled to the system are NOT assigned to any Partition.

Any zones from 1 through 8 that are required on a different Partition must be DELETED from Partition 1 before they are ADDED to another Partition. Any zones above Zone 8 must be ADDED to the proper Partition. See "Zone Assignment" in the Programming Manual (Book 3) for the procedure to add and delete zones.

When you ADD each zone to the proper Partition it will save time if you also program the Zone Label, Zone Type and Zone Options. All of this information may be entered in the Programming Work Sheets located in Book 4 and in the programming work sheet included with each Zone Expansion module.

Note: Do not program any of the system outputs until all partitions have been added to the system. All output types that are selectable by partition will only allow the choice of enabled partitions.

Step 2 - Program the System

Now that the Partitions have been defined and zones programmed, you are ready to program the rest of the system. It is best to follow the Programming Work Sheets starting at the beginning and carefully programming each section. Having the required information entered ahead of time will speed up this process considerably.

Once the Installer Programming is complete you can program user functions ([*][6][Master Code]). Next, features on each partition can be enabled. Go to a keypad assigned to the desired partition and enable the features through [*][6][Master Code] commands.

Step 3 - Program user Codes

From default the PC4010 comes with one user code assigned as a Grand Master Code ('1234' for 4 digit option, or '123456' for 6 digit option). The other 127 user codes, 4 digit or 6 digit, may be programmed by entering User Programming Commands ([*][5][Access Code]). See 'Programming Additional Access Codes Using a System Master Code or a Supervisory Code' section in this manual.

Step 4 - Testing the System

See "Bell/Comm Test" under [*][6] User Functions or do the following. Contact the monitoring station to request a transmission test. Plug the telephone cord into the RJ31-X jack. If a DTS-1 is being used to monitor communicator transmissions, connect it to the telephone line and place the DTS-1 in the line mode by pressing the red "LINE/LOCAL" button. Arm the panel, wait for the exit delay to expire and trip a detector on an instant circuit. Wait for the communication to complete. Disarm the panel and check with the monitoring station to confirm acceptance of the transmission. Perform additional transmissions required by the monitoring station.

Check the "TROUBLE" light on the keypad. If it is on, press [*] then [2] to determine the trouble. The "Trouble Display" section in "Keypad Functions" gives a description of the different trouble conditions.

Step 5 - Instructing the End User

Describe system operation to authorized users.

Provide user with the instruction manual and instruct them to read it to become familiar with the system operation.

Instruct the user to test the system on a regular basis as described in the Instruction Manual. The Master Code should be changed from the default setting and recorded.

There is a wide range of possible uses for the [*][4] and [*][7] commands which are not described in the instruction manual. Be sure to explain the functions of the [*][4] Sensor Reset and the [*][7] Utility Output to the user if they are incorporated into the system.

Hardware Reset of Memory to Factory Defaults

If the Installer's Code is lost through inadvertent programming, the only means of reprogramming the system is by a hardware reset. If the Installer's Lockout is enabled, there is no way to reprogram the system without entering the correct Installer's Code.

The PC4010 can also be reset through software in the installer's programming. See "Factory Default" in the Programming Guide.

Note: Panels returned to DSC with the Installer's Lockout feature enabled and no other apparent problems will be subject to an additional service charge.

To reset the panel to factory default conditions:

1. Power the system down by removing both AC and battery power to the main panel.
2. Short the zone 1 terminal and the PGM terminal on the main panel.
3. Restore power to the main panel.
4. Wait for 20 seconds then remove the short between the PGM and zone 1.
5. The system will have reloaded the memory with factory defaults. All modules will have to be enrolled again. The event buffer is the only part of memory that is retained during a factory default.

PC4010 MAIN BOARD SPECIFICATIONS

Control Panel

8 zones

- 8 fully programmable supervised zones (EOL resistor)
- Programmable for double EOL resistors

Audible alarm output

- Bell output
700 mA, fused at 5 Amps, 12 Vdc - commercial
11.6 - 12.6 Vdc - residential
- Steady or pulsed output

Nonvolatile RAM (Internal Memory)

- Does not lose codes or system status on complete AC and battery failure

Programmable output

- Transistor switch sinks 3A to ground
- Programmable for 1 of 35 options

Powerful 1.5 amp regulated power supply

- 500 mA auxiliary supply, 11.6 - 12.6 Vdc
(400 mA for UL Listed systems)
- Separately fused for battery, auxiliary supply and bell output
- Electronic shut down protection of the COMBUS
- Supervision for loss of AC power, low battery, electronic shut down of modules
- Internal clock locked to AC power frequency

Switched Auxiliary Supply Output

- Programmable for 1 of 35 options
- 11.6 - 12.6 Vdc
- 300 mA maximum

Battery

- 12 volt 4 Ah minimum rechargeable gel-cell or sealed lead-acid battery

Transformer

- 16.5 VAC, 40 VA

Output Voltage

Typically, with normal AC on and a fully charged battery, the output voltage will be 13.8 Vdc. With AC off and the battery discharging, the voltage will go below 10 volts and then battery cutoff will occur preventing further discharge. Devices that require power from the control panel should be capable of operation over the voltage range of 10 to 14 Vdc.

Remote Keypad

- Four wire (QUAD) hook-up
- Alphanumeric liquid crystal display
- Built-in piezoelectric buzzer
- Full annunciation of zones and system status
- Dimensions 5.5" x 4.5" x 1" deep (150 x 114 x 25 mm)
- Maximum current draw of 55 mA

MODULE SPECIFICATIONS

PC4108 Expansion Module

- Up to 64 zones total on system
- 8 zone expansion module
- Normally closed loops, EOL resistor, double EOL resistor support
- Four wire (QUAD) hook-up to COMBUS
- Nominal current draw of 25 mA
- Provides Tamper Reporting Codes
- Low COMBUS supervision to PC4010 Main Board

PC4116 Expansion Module

- Up to 64 zones in total on system
- Normally closed loops, EOL resistor, double EOL resistor support
- 16 zone expansion module
- Four wire (QUAD) hook-up to COMBUS
- Nominal current draw of 30 mA
- Provides Tamper Reporting Codes
- Low COMBUS supervision to PC4010 Main Board

PC4164 Expansion Module

- Up to 64 zones in total on the system
- One module per system
- 64 zone wireless expansion module
- Support for Universal transmitters and PIRs
- Normally closed and zone module tamper support
- 4 wire quad hookup to the PC4164
- Nominal current draw of 110 mA
- Provides zone alarm/zone low battery/zone tamper reporting codes
- Low COMBUS supervision to the PC4010

PC4204 High Current Output Module

- 4 output high current module
- Up to 12 modules on system
- Minimum 40 VA 16-18 volt transformer required
- Minimum 4 Amp-Hour, 12 volt battery required
- Each output programmable for 1 of 35 options
- Four wire (QUAD) hook-up to COMBUS
- Nominal current draw of 25 mA
- Provides Tamper and Trouble Reporting Codes
- Low COMBUS supervision to PC4010 Main Board
- 1.5 Amp output

PC4216 Low Current Output Module

- 16 output low current module
- Up to 9 modules on system
- All modules programmable for all 16 outputs, 1 of 35 options for each
- Programmable as alarm annunciators or zone followers
- Four wire (QUAD) hook-up to COMBUS
- Nominal current draw of 35 mA
- Provides Tamper Reporting Codes
- Low COMBUS supervision to PC4010 Main Board

PC4400 Serial Interface Module

- True RS-232 technology
 - Handshake software switches
 - Protocol XON/XOFF or DTR
 - 5 possible baud rates 300, 600, 1200, 2400 and 4800
 - DVAC communications
 - Four wire (QUAD) hook-up to COMBUS
 - Nominal current draw of 35 mA
 - Provides Tamper Reporting Codes
 - Low COMBUS supervision to PC4010 Main Board
- Note: 4800 Baud is only available on PC4400 software version 2.00 and above.**

PC4700 Fire Module

- One module per system
- 2 wire Class B/Style B smoke detector circuit (20 detectors maximum)
- 4 wire Class D/ Style D waterflow circuit (5 sensor maximum [NFPA 3-8-6-3])
- 1 fully programmable supervised bell output. (Controlled via the Main Bell Output)
- Dual supervised Telco lines - With the ability to switch to the second line in the event of a line failure.
- Ground fault detection
- Nominal current draw of 35 mA
- Four wire quad connection to COMBUS
- Low COMBUS supervision to the Main Board
- Reporting codes for:
 - Bell CCT Trouble
 - Waterflow Alarm/Trouble
 - 2 Wire smoke Alarm/Trouble
 - TLM trouble/restoral for line 1 and line 2
 - Ground Fault

LCD4500 Remote Keypad

- Up to 8 keypads on system
- Alphanumeric liquid crystal display
- Built-in piezoelectric buzzer
- Full annunciation of zones and system status
- Four wire (QUAD) hook-up to COMBUS
- Nominal current draw of 25 mA (maximum 55 mA)
- Provides Tamper Reporting Codes
- Low COMBUS supervision to PC4010 Main Board
- Dimensions 5.75" x 4.5" x 1" deep (144 x 114 x 25 mm)

Escort4580 (Voice Prompting Module)

- One module per system
- Full voice prompts for all major user accessible sections
- Four wire quad connection to COMBUS
- Nominal current draw of 70 mA - 140 mA
- Automation Control capabilities - up to 32 automation modules per system
- Low COMBUS supervision to the main board

TERMINAL CONNECTIONS

This "Terminal Connections" section only refers to the main board of the PC4010 system. Other connections are shown in the module wiring diagrams.

"AC" Power Terminals

Use a 16.5 VAC transformer with a minimum 40 VA rating to supply AC power to the PC4010. The transformer should not be connected to an outlet that is controlled by a switch. If AC failure occurs, it will be displayed as a trouble on the keypad (see "Keypad Commands, [*][2] Trouble Conditions"). It can also be transmitted to the monitoring station as a trouble condition (see "Programming Manual").

Auxiliary Power Terminals "AUX" and "GND"

The auxiliary power supply can be used to power motion detectors and other 12 Vdc devices. The "AUX" (positive) and "GND" (negative) terminals provide 500 mA when the PC4010 is used with one keypad. For each additional keypad the auxiliary supply rating must be reduced by 25 mA (maximum current draw is 55 mA). The auxiliary supply is fused at 1 amp and a Main Aux Trouble Reporting Code can be transmitted if the fuse fails. (See "Programming Manual".)

Switched Auxiliary Power Terminals "SW AUX" and "GND"

The "SW AUX" terminal is positive while the "GND" terminal is negative. The 500 mA auxiliary supply rating must be reduced by any current taken from the switched auxiliary supply which shares the same fuse as the auxiliary supply. This output is fully programmable, but is most commonly used with the "Sensor Reset" option, allowing the user to control the switch from the keypad. (See "Sensor Reset".)

Bell/Siren Terminals "BELL +" and "BELL -"

These terminals are for powering bells or other devices requiring a steady output voltage on alarm. The bell output is fused for 5 amps. When connecting sirens (speakers with siren driver already built-in), be sure to observe the correct polarity. Connect the positive lead to the "BELL +" terminal and the negative lead to the "BELL -" terminal.

If no siren or bell is used, connect a 1000 ohm resistor (brown, black, red and gold) between "BELL +" and "BELL -".

Programmable Output Terminal "PGM"

The operation of the Programmable Output depends upon which option is selected in the programming table. See the Programming Manual for a list of options for the "PGM" output. The "PGM" is a 3A (maximum) switch to ground. A small relay, a buzzer or other DC operated device may be connected between the "AUX" (positive) terminal and the "PGM" (switched negative) terminal to interface with controlled devices.

COMBUS Terminals "RED", "BLK", "YEL" and "GRN"

Connect the red wire of the COMBUS to the "RED" terminal, the black wire to the "BLK" terminal, the yellow wire to the "YEL" terminal and the green wire to the "GRN" terminal. The COMBUS is wired in the same manner on all modules. The COMBUS is used by the main panel to communicate with and supply power to the modules.

The COMBUS power supply terminals are fused electronically.

Note: When connecting modules to the COMBUS the system must not be powered.

Zone Input Terminals "Z1" to "Z8"

Zone inputs "Z1" to "Z8" can be supervised end-of-line (EOL) resistor circuits, double EOL circuits or normally closed loops. If EOL are used, each input must be terminated with a 5600 ohm EOL resistor (green, blue, red and gold). An alarm condition will be created if a normally open contact is used to short across the EOL resistor. A trouble is created if normally closed contacts, wired in series with the EOL resistor, are opened. See "Zones EOL" in the Programming Manual. See the wiring diagram for normally open and normally closed contact connections.

If double EOL circuits are being used, all zones will use double EOL resistors, except Standard Fire zones, Auto Verify Fire zones, Delay Fire Zones, Links Supervisory Zones, Links Answer, and Forced Answer zones. These zones must only be connected using the EOL resistor. double EOL resistors allows the zone to be capable of detecting zone tampers. The tamper resistor (5600 Ohm) is placed across the alarm activating device, and the single EOL resistor (5600 Ohm) is placed between the alarm contact and the tamper contacts. This configuration will allow the panel to detect Zone faults (zone shorted), zone tampers (open zone), open zones (alarm condition of 11200 Ohms), and restored zones (5600 Ohms).

If the zone is disarmed and the tamper (open) or fault (short) condition is tripped a buzzer will sound from all partition keypads for the length of Bell Time Out or until an access code is entered. A zone tamper will be sent to the monitoring station if programmed. See Reporting Codes for details.

If the zone is armed and the tamper is activated, it will transmit and log both the tamper alarm and the zone alarm. There will be no buzzer sounded if the zone is armed (unless the zone is programmed as a 24 hour buzzer zone). See the "Control Panel Wiring Diagram" for detail on the hookup procedure.

The type of circuit or zone definition (delay, instant, 24 hour, silent, audible, etc.) is programmed from the keypad using the installers programming commands.

Telephone Terminals

"TIP", "RNG", "T-1" and "R-1"

The wires from the RJ31-X telephone jack are connected to these terminals in the following way.

Note: For proper operation, there must be no other telephone equipment connected between the control panel and the telephone company's facilities.

Ensure that plugs and jacks meet the dimension, tolerance and metallic plating requirements of 47 C.F.R. Part 68 Subpart F.

TIP	Green wire	▶	<i>Incoming line from telephone company</i>
RNG	Red wire		
T-1	Brown wire	▶	<i>Outgoing line to house telephone(s)</i>
R-1	Grey wire		

Battery Connections

Do not connect the battery or the transformer until the wiring is complete. Connect the red battery lead to the positive battery terminal and the black lead to the negative battery terminal. If the connection is reversed the battery fuse will blow.

SYSTEM KEYPAD FUNCTIONS

Many of the functions in the PC4010 have limited access so that only certain users may have control of special functions. The installer can program the 2nd Master Code to enable it and have access to the entire panel's operations the same as the Grand Master.

- System Master Code users can have access to all end-user options.
- Supervisory Code users can have access to options related to their partition.
- All other types of users have options available to them for their partitions.

All of the above mentioned keypad functions are listed in the following pages.

Introduction

The LCD4500 remote keypad provides complete information and control of the PC4010 control panel.

- The panel can be fully programmed from any keypad.
- The LCD display provides alarm and status indication for the alarm circuits as well as guiding the user in operating the system.
- The built-in buzzer lets the user hear correct key entries and other alert signals.
- The 12 digit keypad is used for code entry and other programming functions. All keypad entries are made by pressing one key at a time.

The keypad is normally in the arm-disarm mode. In this condition, the LCD message indicates the status of the system. The "Enter Code to Arm System" message comes on when all zones are closed. The system can be directed to perform other functions such as zone bypassing, displaying trouble conditions, displaying alarm memory and programming by entering one of the various [*] commands described below. Pressing the [#] key or not making any key entry for 2 minutes always returns the keypad to the arm-disarm mode.

Partitions

The PC4010 can have up to 64 zones. These zones can be divided by the installer into 4 separate partitions, that can be armed and disarmed separately. Zones can be assigned to more than one partition. Keypads can be individually assigned as a global keypad or to a specific partition. More than one keypad can be global, or can be assigned to each partition. User codes can be enabled to work on one or multiple partitions in the access code partition mask. System Master codes can arm and disarm any partition from any keypad. The default setting for the PC4010 has only partition 1 enabled with zones 1 to 8 assigned to it. To enable more partitions, enter the Partition Area menu of the Installer's Programming section, and select to add/edit the partition to be enabled.

Access Codes

An access code is a 4 or 6 digit (optional) number which will permit access to the system, i.e. Arm/Disarm control, Installer's Programming etc. User access codes are programmed in the User Programming section [*][5]. The default access code is '1234' for 4 digit option, and '123456' for 6 digit option. See 'User Programming Commands' for details on programming access codes.

Partition Status Enunciator

Enabling the Full System Status Toggle in the partition toggle options will display the current status of all partitions on the partition keypads. This feature can also be enabled on global keypads by enabling the Global System Status Toggle in the system toggle options.

The keypads will display

1	2	3	4
A	R	N	F

A = Armed
R = Ready
N = Not Ready
F = Force armed
! = Alarm memory on Partition

Only enabled partitions will be displayed on the partition status enunciator.

Note: Partition keypads will not display the partition status enunciator while armed.

Global Keypads

What is a Global Keypad?

A global keypad is a keypad which belongs to all partitions. It can be accessed by all system users who have a valid access code with the global access attribute enabled. The keypad will prompt the user to arm or disarm their partition(s). The global keypad can also be "loaned" to a partition by selecting options from the global menu then selecting the desired partition. The users can only access partitions which are assigned to their codes.

Why should a Global Keypad be used?

Global keypads allow the entire system to be controlled by one keypad. This is beneficial if the keypad is to be located in a central area, for example, the lobby of an office building where the zones are common to all partitions and each office contains individual zones.

How to create a Global Keypad?

The global keypad may be any keypad on the system. The first keypad on the system is enrolled as a Partition 1 keypad. It may be made into a global keypad by selecting the option, "KYPD #1 Global" found in the system toggle options of Installers Mode. If multiple partitions are enabled on the system this will assign the keypad to all active partitions.

When the next keypad is enrolled onto the system the keypad will prompt with the message "Select (1) <>", options 1 - 4 are the usual partition assignments, the last option (5) is "Global Keypad".

How to use a Global Keypad?

The Global Keypad will display the message

```
ENTER YOUR  
ACCESS CODE
```

or the full system status will be displayed if the global system status option is enabled, or the clock will be displayed if global clock display is enabled. From this state any user entering a valid access code with the global access attribute enabled on their code, may access the system. The system can be directed to perform functions such as arming/disarming and all [*] mode functions. No function can be performed without first entering a valid access code.

• Single Partition Access Code

```
ENTER YOUR  
ACCESS CODE
```

The user enters a valid single partition access code.

```
[*] TO VIEW < >  
SYSTEM TROUBLES
```

This message will be displayed if there are troubles on the system and the installer has enabled the option "GLB KYPD TRB" in the system toggles section.

```
VIEW TROUBLE < >  
<trouble message>
```

Press [*] to view the troubles on the system. The user can scroll through the troubles by using the [<][>] keys.

```
<Partition label>  
[*] TO ARM < >
```

This message will be displayed if the partition is ready to be armed. Press the [*] key to arm.

```
WARNING  
BYPASS ACTIVE
```

This message will be displayed for 3 seconds if the partition is armed with zones bypassed.

```
PARTITION ARMED  
WITH OPEN ZONES
```

This message will be displayed for 3 seconds if the partition is armed with force armable zones open.

```
EXIT DELAY  
IN PROGRESS...
```

This message will be displayed for 3 seconds when a partition is armed.

```
ENTER YOUR  
ACCESS CODE
```

After the exit delay in progress message has been displayed the keypad will return to this message.

```
<Partition label>< >  
* FOR OPEN ZONES
```

If the partition is not ready to be armed because of open zones on the partition, this message will be displayed.

```
ZONE OPEN < >  
<Zone label> 0
```

Press the [*] key to view the open zones on the partition. Open zones can be viewed by pressing the [<][>] keys.

```
[*]TO BYPASS  
ALL OPEN ZONES
```

After all open zones have been viewed the user will be given the option to bypass all open zones. To bypass all open zones press the [*] key.

```
<Partition label>< >  
UNABLE TO ARM
```

This message will be displayed if the partition is not ready to be armed because of something other than open zones on the partition.

```
<Partition label>  
[*] TO DISARM < >
```

This message will be displayed if the partition is armed.

```
NO ALARMS  
IN MEMORY
```

Press the [*] key to disarm the partition. If the partition is disarmed and no alarms occurred during the current armed period this message will be displayed for 3 seconds.

```
ALARM MEMORY < >  
<partition label>
```

If the partition is disarmed with alarms in memory, this message is displayed. Press the [<][>] keys to scroll through the partitions that have alarm memory on them.

```
[*]FOR OTHER  
OPTIONS < >
```

If the user wishes to perform a function to a partition that is not available through the global menu, the keypad can be loaned to the desired partition by pressing the [*] key at this option.

```
ACCESSING  
<Partition label>
```

When a keypad is loaned to another partition this message will be displayed for 3 seconds. Once the keypad is loaned to another partition, it will function as if it was a keypad that belonged to that partition. The user will be able to perform all [*] functions (e.g. [*] [7] Door Strike) and disarm the panel using conventional methods.

```
EXITING FROM  
<Partition Label>
```

The keypad will return to global mode after 20 seconds of no key presses made (this time is programmable by the installer). The keypad will also return to global mode if the [#] key is pressed. This message will be displayed for 3 seconds then the keypad will return to global mode.

• **Multi-partition Access Code**

ENTER YOUR
ACCESS CODE

The user enters a valid multi partition access code.

[*] TO VIEW < >
SYSTEM TROUBLES

This message will be displayed if there are troubles on the system and the installer has enabled the option "GLB KYPD TRB" in the system toggles section.

VIEW TROUBLE < >
< trouble message >

Press [*] to view the troubles on the system. The user can scroll through the troubles by using the [<][>] keys.

[*] TO ARM < >
YOUR PARTITIONS

This message will be displayed if all partitions that the access code belongs to are ready to be armed. Press the [*] key to arm all partitions that the code belongs to. The panel will only arm partitions that belong to the entered access code.

UNABLE TO ARM
YOUR PARTITIONS

This message will be displayed if any one of the partitions that the access code belongs to is not ready to be armed.

[*] TO DISARM < >
YOUR PARTITIONS

This message will be displayed if any of the partitions that the access code belongs to are armed. Press the [*] key to disarm all partitions that the access code belongs to. The panel will only disarm partitions that belong to the entered access code.

<Partition label>
[*] TO ARM < >

Press the [<][>] keys to scroll through the partitions. Note that only partitions that belong to the access code entered can be viewed. This message will be displayed if the partition is ready to be armed. Press the [*] key to arm.

WARNING
BYPASS ACTIVE

This message will be displayed for 3 seconds if the partition is armed with zones bypassed.

PARTITION ARMED
WITH OPEN ZONES

This message will be displayed for 3 seconds if the partition is armed with force armable zones open.

EXIT DELAY
IN PROGRESS...

This message will be displayed for 3 seconds when a partition is armed.

ENTER YOUR
ACCESS CODE

After the exit delay in progress message has been displayed the keypad will return to this message.

<Partition label>< >
* FOR OPEN ZONES

If the partition is not ready to be armed because of open zones on the partition, this message will be displayed.

ZONE OPEN < >
<Zone label> 0

Press the [*] key to view the open zones on the partition. Open zones can be viewed by pressing the [<][>] keys.

[*]TO BYPASS
ALL OPEN ZONES

After all open zones have been viewed the user will be given the option to bypass all open zones. To bypass all open zones press the [*] key.

<Partition label>< >
UNABLE TO ARM

This message will be displayed if the partition is not ready to be armed because of something other than open zones on the partition.

<Partition label>
[*] TO DISARM < >

This message will be displayed if the partition is armed.

NO ALARMS
IN MEMORY

Press the [*] key to disarm the partition. If the partition is disarmed and no alarms occurred during the current armed period this message will be displayed for 3 seconds.

ALARM MEMORY < >
<partition label>

If the partition is disarmed with alarms in memory, this message is displayed. Press the [<][>] keys to scroll through the partitions that have alarm memory on them.

[*]FOR OTHER
OPTIONS < >

If the user wishes to perform a function to a partition that is not available through the global menu, the keypad can be loaned to the desired partition.

[*]TO SELECT
<Partition label>

Press the [<][>] keys to scroll to the desired partition, then press the [*] key.

ACCESSING
<Partition label>

When a keypad is loaned to another partition this message will be displayed for 3 seconds. Once the keypad is loaned to another partition, it will function as if it was a keypad that belonged to that partition. The user will be able to perform all [*] functions (e.g. [*] [7] Door Strike) and disarm the panel using conventional methods.

EXITING FROM
<Partition Label>

The keypad will return to global mode after 20 seconds of no key presses made (this time is programmable by the installer). The keypad will also return to global mode if the [#] key is pressed. This message will be displayed for three seconds, then the keypad will return to global mode.

With the option global keypads annunciate all entry delays disabled, audible entry delay will only be heard on the Global keypad when all activated partitions are armed. If the option global keypads annunciate entry delays is enabled, then any audible entry delay will be enunciated on global keypads.

The Trouble LED of the Global keypad will activate for all troubles, including fire zones that belong to just one partition. If the "Global Keypad Displays Trouble" toggle is disabled, the user must enter a valid access code and then loan the keypad to their partition. From here the user can enter [*] [2] to view the trouble, if it belongs to their partition. If the option is enabled, the troubles can be viewed from the global menu.

To access the System Master Menu from a global keypad, select a partition, re-enter the System Master Code, then press [9] or use the [<][>] keys to scroll through the menu. Press [*] to select the System Master options.

System Master Code Functions

System Master Codes may perform any function for any partition on the system except change or delete the System Grand Master Code. Enter [System Master Code] [9] to display the System Master Code Function Menu:

- | | |
|-----------------------|-----------------------|
| [0] View Event Buffer | [1] Set System Time |
| [2] Set System Date | [3] Enable DLS Window |
| [4] System Reset | [5] Previous Menu |

[0] View Event Buffer - This function allows any Master Code to review the Event Buffer on the keypad display. The first line of the display will show the event number and the partition on which the event occurred; the second line of the display will show the date and time of the event. Press the [*] key to display a description of the event. Use the [<] [>] keys to scroll through the list of events in the Event Buffer. Event 001 is the most recent event and 512 is the oldest one.

[1] Set System Time programs the system's 24 hour clock. Enter 4 digits in 24 hour time to set the clock, the first 2 digits are the hour and the last 2 digits are the minutes. For example, to program 2:35 pm, type 1435.

[2] Set System Date programs the system's calendar. Enter 6 digits, the first two digits are the month, the middle 2 digits are the day and the last two digits are the year. For example, to program Feb 14, 1994 type 021494.

[3] Enable DLS Window - The end user can enable ring detect for 60 minutes to allow a computer to call the panel. The installer can disable this function in the DLS section of the installer's programming.

[4] System Reset - A System Reset turns off the power to the COMBUS for 5 seconds. No programming will be lost and the time will not have to be reprogrammed. A system reset should be done if there is a COMBUS Communications fault or an Internal fault.

[5] Previous Menu - If the user decides to do nothing, either select this option, or press the [#] key to return to the arm/disarm menu.

Installer's Programming Code

A default installer's programming code "4010" is programmed into the PC4010. This code is used with the [*] [8] command by the installer to gain access to the system in order to enter panel or communicator program information. The installer's program code may be changed by the installer.

Auto-bypass/Home-Away Arming

If a correct access code is entered and you do not exit the premises, the system will, at the end of the Exit delay time, arm with interior zones automatically bypassed if those interior zones have been programmed as "Home-Away" zones. These zones will remain bypassed until [*][1] is entered to reactivate bypassed home-away zones.

This is a convenience feature for the user who wishes to remain on the premises with the system armed. The user does not have to manually bypass the Home-Away zones.

To reactivate the Home-away zones that have been automatically bypassed, press [*][1]. This command is a quick method of fully arming the system in residential applications before going to bed.

Note: The auto-bypassed zones will only send a tamper alarm when the tamper condition is activated, using double EOL resistors.

Partition Keypads Arming

Close all protected doors and windows and stop movement in areas covered by motion detectors.

The "Enter Code To Arm System" message should be on the LCD display. The system cannot be armed unless the "Enter Code to Arm System" or "Secure System or Enter Code" message is displayed.

If double EOL resistors are being used, 3 different messages can be displayed when viewing open zones, Zone Open, Zone Tamper and Zone Fault. Zone Open will be displayed if the zone is in the alarm state (total resistance between the zone terminal and common is 11200 ohms. Zone Fault will be displayed if the zone is shorted; and Zone Tamper will be displayed if the zone is open.

The "Secure System or Enter Code" message is used to indicate to the user that a force armable zone is open, and the partition can still be armed. After the partition is armed, if the force armable zone is secured it will become an active zone, and will cause an alarm if the zone opens again.

To program a zone as force armable, see "Zone Options" in the Programming Manual.

Enter a single partition access code. As each digit is entered the keypad will beep.

- If the access code was entered incorrectly, the keypad will beep steadily for 2 seconds.
- If the code was entered correctly but the message "Secure System Before Arming" is on the display, the keypad will beep quickly followed by a steady tone.

- When the correct code is entered, the "Exit delay in Progress" message will come on and the keypad will beep quickly.

If enabled, a timer will appear in the right side of the display indicating the remaining time in the exit delay. Exit the premises through the designated exit-entry door. At the end of the allowed exit time the message on the keypad will change to "Enter Code to Disarm System". See the "Installer's Programming [*][8] Command" section on how to change the exit time. Also see "Quick-arm" and "At-home Arm".

If a multi partition access code is entered the keypad will display the message

```
<0> TO ARM    < >
<Partition Label>R .
```

The lower right hand corner of the display will show the partition status using the letter "R" for Ready, "N" for Not Ready, "A" for Armed and "!" for Partition is in Alarm.

Use the [<] [>] keys to scroll through the assigned partitions. Only partitions to which the access code is assigned will be displayed.

To arm the partition which you are at simply press [*] or use the hotkey (0). The message

```
EXIT DELAY
IN PROGRESS
```

will appear on the keypad with the exit delay timer if it is enabled. Instead of arming their own partition, if the user selects another partition to arm the message

```
SELECT <0>    < >
ARM PARTITION R
```

appears. Selecting (0) "To Arm" will arm the selected partition and display the message

```
EXIT DELAY
IN PROGRESS
```

for 2 seconds and then return the user to the arming menu of their own partition.

If (1) "For Options" is selected the user will be prompted with the message

```
ACCESSING
<Partition Label> .
```

From here the user is capable of performing all [*] functions (e.g. [*] [7] Door Strike) and arm the panel using conventional methods.

Once the [#] key is pressed or the keypad timeout expires (no key presses made) the keypad will return to its home partition displaying the message

```
RETURNING TO
<Partition Label> .
```

Disarming

Enter the premises through the designated exit-entry door. The keypad buzzer will be on. Go to the keypad and enter the access code. If an error is made in entering the code, press the [#] key and enter the code again. The "Armed" light will go out and the keypad buzzer will stop. The correct access code must be entered before the allowed entry time expires. To change the entry time see "Installers Programming Command", [*][8]. If an alarm occurred while the panel was armed, the "View Memory" message will be on the display with the zone label for the zone that caused the alarm. The display will keep those messages on for two minutes or until the [#] key is pressed to return the panel to the normal arm-disarm mode.

To disarm another partition with a multi-partition access code, select the partition. The message

```
SELECT <0>
Disarm Partition
```

will be displayed. Press [*] or [0] to disarm the partition.

Zone Bypassing

[*] [1]

A bypassed zone will not cause an alarm. If a zone is bypassed the panel may be armed even if the zone is open. Use zone bypassing when access is needed to part of the protected area. Also, damaged wiring or contacts on a zone may be temporarily bypassed until repairs can be made so that the panel can be armed.

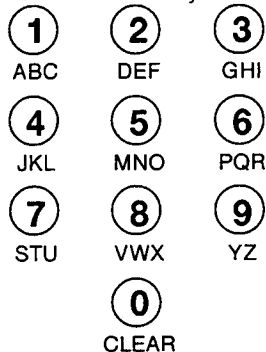
To bypass zones, enter [*] [1]. An access code may be required if the installer has enabled that option. A menu will appear.

[0] **Bypass Open Zones** allows the user to bypass only the open zones that are on that partition. Use the [<][>] keys to scroll through the open zones. Next to the zone label will be a [!] this character is used to indicate that the zone is open. To select the open zone to be bypassed press the [*] key. A [*] will appear next to the zone label to indicate that the zone has been bypassed.

[1] **Bypass Zones** takes you immediately to bypassing zones. Use the [<] [>] to select the zones to be bypassed and press the [*] key to select the zone. A [*] will appear beside the zone label to indicate the zone will be bypassed when the partition is armed.

A zone search routine allows the user to find the desired zone to bypass by entering in the first letter of the zone to search for, and pressing one of the [<][>] keys. The [<] key will search for the first zone on the partition that begins with the letter selected. The [>] key will search for the next zone on the partition that begins with the letter selected.

The letters of the alphabet have been divided up among the 1 to 9 number keys on the keypad.



For example, to search for the first zone that begins with the letter "R", press the [6] key three times until the letter "R" is displayed on the keypad between the "< >". Press the [>] key, the first zone that begins with the letter "R" will then be displayed.

[2] Clear Bypasses removes all bypasses from all the zones in your partition and then takes you to bypassing zones. None of the zones will have a "*" beside them.

[3] Recall Bypasses will bypass all the same zones that were selected the last time zones were bypassed. This is for users that are always bypassing the same zones.

[4] Previous Menu takes you back to the "Enter Code to Arm System".

When the PC4010 is programmed, the ability to bypass certain zones may be eliminated. In this case, the "*" indicator for those zones will not come on in response to the bypass command. Zone bypasses are automatically cancelled when the panel is disarmed.

The installer can choose by partition if a code must be entered with [*] [1] to bypass zones. Only the zones assigned to the same partition of the system as the keypad can be bypassed. Only certain types of access codes can be used to bypass (See [*][5]).

Note: At no time can any armed zone be bypassed.

Trouble Display

[*] [2]

The PC4010 continuously monitors a number of possible trouble conditions. If one of these conditions occurs, the keypad "TROUBLE" indicator will light and the audible indication will sound (two short beeps every 10 seconds). When the [#] key is pressed the audible indication will stop, but the trouble indicator light will remain ON until the trouble is cleared. Trouble conditions can also be transmitted to the monitoring station. Press the [*] then [2] keys to display the types of trouble conditions.

- | | |
|--------------------|--------------------|
| • Battery Trouble | • 4204 Battery TBL |
| • AC Trouble | • 4204 AC Trouble |
| • Aux Supply Troub | • 4204 Aux Trouble |
| • TLM Trouble | • Ground Fault |
| • TLM TBL Line #1 | • Waterflow TBL |

- | | |
|--------------------|--------------------|
| • TLM.TBL Line #2 | • Cellular Trouble |
| • FTC Trouble | • DLS Fault TBL |
| • Bell CCT Trouble | • Zn Sensor Fault |
| • Fire Trouble | • Zn LwBatt Fault |
| • Fire Trouble 2WS | • RF Zn Tamper TBL |
| • Loss of Time | • Automation Fault |
| • Module Com Fault | • Printer Off-Line |
| • COMBUS Low Pwr | • PC4400 Trouble |
| • Internal Fault | |

Battery Trouble - A battery trouble will be displayed and can be reported if the battery is 11.3 volts or less, disconnected or the battery fuse fails. Battery voltage is checked once every 4 minutes, so the battery trouble may not restore instantly when the battery is restored. Initiating a bell/comm test will check the battery voltage. When DC Inhibit Arm is enabled the panel will check the condition of the batteries on the system (main panel and PC4204) when an access code is entered. If during this check the battery shows a low voltage condition the arming will be inhibited. The LCD will display the message "Fail To Arm... Battery Trouble" when this occurs.

The Control panel and each of the PC4204 modules may only have 3 battery trouble alarms in a 24 hour period. After the third battery trouble for a given module the trouble condition will "Shutdown" until midnight of that day. The trouble will still be enunciated with the keypad Trouble LED but the event will not be logged to the event buffer or be communicated.

AC Trouble - There is no audible annunciation on AC power failure. The system "Trouble" light will come ON but the audible indication will not sound until there is a low battery condition. Transmission delay can be programmed for 000 to 255 minutes.

Aux Supply Troub - An Aux trouble is generated if the aux fuse on the main panel opens, or if the Aux or SW Aux terminals are overloaded.

TLM Trouble - A telephone line trouble is generated when the line voltage drops below 3 volts for more than 30 seconds. A keypad trouble is generated when the system is disarmed and if selected, a local alarm sounds when the panel is armed.

TLM TBL Line #1 - When using the PC4700 Fire Module a telephone line trouble is generated when the line voltage drops below 3 volts for more than 30 seconds on line one. A keypad trouble is generated when the system is disarmed and if selected, a local alarm sounds when the panel is armed.

TLM TBL Line #2 - When using the PC4700 Fire Module a telephone line trouble is generated when the line voltage drops below 3 volts for more than 30 seconds on line two. A keypad trouble is generated when the system is disarmed and if selected, a local alarm sounds when the panel is armed.

FTC Trouble - If the digital communicator is unsuccessful in communicating with the monitoring station after 10 attempts, a Fail to Communicate trouble is generated. If a later attempt to communicate is successful the trouble is cleared.

Bell CCT Trouble - If the bell fuse opens or the bell circuit is open, a keypad trouble and a Bell Circuit trouble transmission are generated.

Fire Trouble - If a FIRE loop is open circuit, a keypad trouble and a Fire Loop trouble transmission are generated. A trouble on the FIRE loop will unconditionally initiate an audible and visual (trouble light) indication on the keypad. This means that even if any other previous trouble has been silenced, a FIRE loop trouble will restart the keypad buzzer.

Fire Trouble 2WS - If the fire zone on a PC4700 Fire Module is opened, a visual keypad trouble (Trouble LED will come on) with audible indication and a fire zone trouble transmission is generated. The LCD will show the message "FIRE TROUBLE!! 2 Wire Smoke", until the fire zone trouble is restored. If there is more than one PC4700 trouble condition present these trouble messages will scroll every 3 seconds to the next message.

Loss of Time - When the PC4010 is powered up, the internal time of day clock needs to be set to the correct time. This trouble is cleared when an attempt is made to reset the internal time of day clock. See "System Master Codes" for resetting the time of day clock.

Module Com Fault - The panel has lost communications with a module and cannot recover it. Check to see if the module is connected properly, then do a system reset. See "Diagnostics" in the Programming Manual to determine which module is not communicating.

COMBUS Low Pwr - Modules are not getting enough voltage from the COMBUS. Check for proper connection of COMBUS, or the COMBUS needs to be repowered. See 4204 modules and the 4204 PGM COMBUS power option for supplying voltage to the COMBUS. See "Diagnostics" in the Programming Manual to determine which module has low voltage.

Internal Fault - A problem has occurred with the COMBUS microprocessors. If this trouble occurs, check connections to the COMBUS and do a system reset.

4204 Battery TBL - If any PC4204 relay output module's battery drops below 11.3 volts, a battery trouble is generated.

To determine which of the PC4204's has the low battery, check the reporting code transmitted to the monitoring station or check the event buffer printout if there is a printer attached, or through downloading. The battery voltage is checked once every 4 minutes. So the battery trouble may not restore instantly when the battery voltage is restored.

4204 AC Trouble - If any PC4204 relay output module loses incoming AC power, the keypad trouble light will indicate a 4204 AC trouble. But there will be no audible annunciation until there is also a low battery condition. The PC4204 AC troubles will be transmitted to the monitoring station immediately.

4204 AUX Trouble - If the Aux fuse on any PC4204 relay module should open or if the Aux supply is overloaded, a 4204 Aux trouble is generated.

Ground Fault - A Ground Fault trouble condition will occur if the Earth Ground (EGND) connection is shorted to a positive voltage source or shorted to a non-earth ground potential. This trouble will generate an audible and visual trouble as well as a Ground Fault reporting code transmission.

Waterflow TBL - If the Waterflow zone on a PC4700 Fire Module is opened (WFA or WFB), a visual keypad trouble (Trouble LED will come on) with audible indication and a Waterflow trouble transmission is generated. The LCD will show the message "FIRE TROUBLE!! Waterflow TBL", until the Waterflow zone trouble is restored. If there is more than one PC4700 trouble condition present these trouble messages will scroll every 3 seconds to the next message.

Cellular Trouble - This indicates that the LINKS unit has one or more of the following trouble conditions: AC, battery, loss of cellular or a tamper fault.

DLS Fault TBL - This trouble condition will generate an audible and visual trouble when the control panel fails to complete communications with the downloading computer.

Zn Sensor Fault - This trouble condition will occur when a wireless zone fails to report a zone supervisory. To view which zone has the trouble press the [*] key while viewing the trouble condition. The zone(s) with the trouble condition will be displayed in numerical order on the display. A keypad trouble is generated when the system is disarmed and a visual "Zn Sensor Fault" trouble and trouble reporting code will be transmitted.

Zn LwBatt Fault - This trouble condition will occur when a wireless zone has a low battery condition. To view which zone has the trouble press the [*] key while viewing the trouble condition. The zone(s) with the trouble condition will be displayed in numerical order on the display. A keypad trouble is generated when the system is disarmed and a visual "Zn Low Batt Fault" trouble and trouble reporting code will be transmitted.

RF Zn Tamper TBL - This trouble condition occurs when the system toggle option RF Tmp Disarm is disabled and a wireless zone is tampered on a disarmed partition.

Automation Fault - This trouble condition will occur when the Escort 4580 loses communication with the Automation Output control module. An audible trouble (VIA keypad buzzer) will be generated as well as the trouble LED activating for the keypads. An Automation Fault trouble reporting code will be sent to the monitoring station if programmed. If there is an AC trouble present at the time the panel will not transmit the Automation Fault reporting code.

Printer Off-Line - This trouble condition will occur if the serial printer connected to the PC4400 serial interface module goes off-line.

PC4400 Trouble - This trouble will be displayed when a DVAC Fault occurs (The DVAC line from central station is not present), or a Module Fault occurs (The PC4400 module has failed an internal diagnostics), or DVAC communications has been shut down by central.

Alarm Memory Display

[*] [3]

Press [*] then [3] to enter the alarm memory mode. Any zone alarm caused during the last armed period will be displayed in this menu. Any 24 hour alarms (including fire zones, zone tampers and zone faults) will also appear in the alarm memory. The View memory message will only be displayed when the partition is disarmed and there was an alarm during the last armed period.

Any zone that has gone into zone alarm will be displayed as "Zone Alarm <>" with the zone label on the bottom line of the LCD. Any zone that has gone into zone Fault will be displayed as "Zone Fault <>" with the zone label on the bottom line of the LCD. Any zone that has gone into zone Tamper will be displayed as "Zone Tamper <>" with the zone label on the bottom line of the LCD.

Press [#] to return to "Ready".

Sensor Reset

[*] [4]

The Main Bell, Switched Auxiliary Supply and PGM outputs can be programmed by the installer to be a 'Sensor Reset'. (See 'Sensor Reset' in the Programming Manual). This option allows the user to activate these outputs from the keypad by pressing [*][4]. The keypad will display 'Sensor Reset in Progress..' and a countdown timer will show how long the sensor reset will be active. The Sensor Reset can be from 0 to 255 seconds, which is programmed by the installer. (See PGM Pulse Times, Utility/Sensor section in the Programming Manual).

Note: To perform a sensor reset from a global keypad a partition must first be selected.

User Programming Commands

[*] [5] [System Master Code] or [Supervisory Code]

The [*][5][System Master Code] or [*][5][Supervisory Code] command is used to program the Master Codes and regular access codes.

The first access code is the System Grand Master Code. Normally, only the installer can change the System Grand Master Code. The installer may also program the system to allow the user to change the System Grand Master Code.

Note: When using the global keypad the System Master should assign access codes to prevent duplicate access codes being used.

The System Grand Master Code has no limitations to its use. It may be used to create or delete other System Master Codes or to perform any user function on the system. Note that only to the first access code can be the System Grand Master Code.

Each access code may be programmed as one or a combination of the following options:

System Master Codes may perform any function for any partition on the system except change or delete the System Grand Master Code, and change or delete other System Master Codes.

Supervisory Codes allow the user to program and edit other access codes, except System Master and Duress codes, for any partitions the access code belongs to. It is also used for arming, disarming, bypassing and all other functions that a System Master Code is capable of.

Arm Only Code allows the user to arm only the partitions to which the code is assigned.

Disarm Only Code allows the user to disarm only the partitions to which the code is assigned.

Bypass Only Code allows the user to bypass zones on partitions to which the code is assigned.

Door Strike Code allows the user to operate door strikes only within the partition to which the code is assigned.

Duress Codes will send a duress code transmission to the monitoring station whenever it performs a function. A user would enter a Duress Code to indicate that they are forced by an intruder to perform the functions on the system. When a Duress Code is entered, the partition or partitions to which it is assigned will function normally, and a Duress Code transmission will be sent to the monitoring station. Also, any outputs programmed as "Duress Outputs" will be activated when the Duress Code is entered. A Duress Code may be programmed for any functions except being a System Master Supervisory or One-Time Use Code.

One-Time Use Codes are used to allow infrequent users of the system, such as service personnel, to disarm then arm the system. When the system is disarmed using a One-Time Use Code, the code will be erased once the Exit Delay expires; after this time, the code may not be used again. If the One-Time Use Code is entered before the Exit Delay expires, arming of the system will be cancelled; the One-Time Use Code may then be entered again later to arm the system.

Log Only Codes are used strictly for logging to the event buffer. The system master can log the time, date and location which they were at with the Log Only codes. To enable this code type, enable just door strike or disable all options.

4580 Access allows the user to access the Escort 4580 (Voice Prompting Module) via the in house telephone or remotely through a telephone. The user will have the same abilities through the VPM-2 as they would through a regular keypad (See Programming Manual - Module Hardware for more Detail).

Global Access allows the access code to be used on global keypads. Disabling this toggle option for any access code will inhibit the code from being used on any global keypad.

Partition Selection Menu brings up the partition selection menu when a multi-partition access code is entered on a partition keypad. When this option is disabled, multi-partition access codes will function as a single partition access code for the partitions the access code is enabled on.

Note: Do not program One-Time Use Codes without arming or disarming enabled.

Programming Additional Access Codes Using a System Master or a Supervisory Code

1 Press [*] then [5] to enter the User Programming Commands; the keypad will display the message "Enter Your Access Code". Any System Master Code or Supervisory Code may be entered.

- If the Grand Master Code is entered, System Master Codes and regular access codes for any partition will be able to be programmed.
- If a System Master Code is entered, regular access codes for any partition will be able to be programmed. A System Master Code can also create Supervisory and Duress Codes.
- If a Supervisory Code is entered, only access codes belonging to the partition to which the Supervisory Code is assigned may be changed. Supervisory Codes cannot create System Master or Duress Codes.

When an access code is entered, the keypad will display the number of available access codes on the first line of the screen.

2 The keypad will display the message "Sel Code (xxx) < >". "(xxx)" represents the number of the access code that has been selected for programming. Use the [<] [>] keys to scroll through the list of access codes. When the desired access code number is displayed, press the [*] key to program the code.

3 When an access code is selected for editing by pressing the [*] key, a menu for editing access codes will be displayed. Select one of the menu items by entering a number on the keypad.

[0] Program Code - When [0] is pressed, the keypad will display the message "Enter Digits" and the presently-programmed access code. Enter the new 4 digit or 6 digit access code. If you do not wish to change the code, press [#] key.

[1] Erase Code - If an access code is no longer needed, this selection will erase the code, code options and partition mask, but not the user's name.

[2] Edit Access Code Name - When a PC4400 RS-232 module is enrolled on the system, the name of the code which is used to arm and disarm will be printed out. Also, the access code name helps keep track of the code when programming codes. Move the cursor to left or right by pressing the [<] [>] keys. The letters of the alphabet have been divided up among the 1 to 9 number keys on the keypad as below:

[1] = A, B, C, 1	[2] = D, E, F, 2	[3] = G, H, I, 3
[4] = J, K, L, 4	[5] = M, N, O, 5	[6] = P, Q, R, 6
[7] = S, T, U, 7	[8] = V, W, X, 8	[9] = Y, Z, 9, 0
[0] = Space		

For example, if you press the [4] key once, the letter 'J' will appear above the cursor on the display. Press the [4] key again, the next letter 'K' will appear, and so on. If a different number key is pressed, e.g. the [6] key, the cursor will automatically move to the right one space, i.e. the letter 'P'. To erase a character, use the [<] [>] keys to move the cursor under the character, then press the [0] key.

While programming the access code label, press the [*] key to call up an options menu. To select an option, press the corresponding number key or scroll through the options using the [<] [>] keys, then press the [*] key to select.

- | | |
|-------------------|----------------------------------|
| [0] Clear Display | [1] Clear to End |
| [2] Change Case | [3] ASCII Entry (See appendix A) |

[0] Clear Display will clear the entire code label.

[1] Clear to End will clear the display from the character where the cursor was located to the end of the display.

[2] Change Case will toggle the letter entry between upper case letters (A, B, C...) and lower case letters (a, b, c...).

[3] ASCII Entry is for entering uncommon characters. There are 255 characters, but 000 to 031 are not used. Use the [<] [>] keys to toggle through the characters or enter a 3 digit number from 032 to 255. Press the [*] key to enter the character into the code label.

[3] Edit Access Code Options - When [3] is pressed, the keypad will display the message "Select toggle < >". Use the [<] [>] keys to scroll through the list of options:

- | | Default |
|-----------------------------------|---------|
| • System Master? | N |
| • Supervisory Codes? | N |
| • Arm? | Y |
| • Disarm? | Y |
| • Bypass? | Y |
| • Door Strike? | Y |
| • Duress Pulse? | N |
| • One Time Use? | Y |
| • 4580 Access? | Y |
| • Global Access? | Y |
| • Partition Selection Menu? | Y |

[4] Edit Partition Mask - The Partition Mask is used to assign the access code to one or more partitions. In order for an access code to function, the Partition Mask must be assigned to the access code; **if no partition mask is assigned, the code will not operate on any partition.**

[5] To Exit the menu, press the [#] key.

4 To exit the Access Code Programming Mode, press [#].

User Functions Command

[*] [6] [Access Code]

Enter [*] [6] [Access Code] and then use the [<] [>] keys to display the items of the function menu. Press [*] to select an item.

- | | |
|----------------------|--------------------|
| [0] Quick Arm | [5] Door Chime |
| [1] Quick Exit | [6] Spec. Messages |
| [2] Auto Arm Control | [7] User Call Up |
| [3] Keypad Setup | [8] Lamp Test |
| [4] Bell/Comm Test | |

Item [0], [1], [5] and [6] turn on and off various functions. To enable or disable these functions, press the [*] key to toggle "Y" or "N" on the keypad.

Y - The function is enabled
N - The function is disabled

Quick Arm

[*] [6] [Access Code] [0]

The "Quick Arm" feature is enabled by toggling to "Y" on the keypad. When enabled the panel can be armed by entering [*][0]. Users with a One Time Use access code should not use this feature because the OTU code is only erased when used to arm.

Quick Exit

[*] [6] [Access Code] [1]

The "Quick Exit" function is enabled by toggling to "Y" on the keypad. When enabled the user can exit through any delay zone without altering the status of the system, by entering [*]+[0] on the keypad while the system is armed.

Note: Quick Exit must not be enabled on UL listed systems.

Auto Arm Control

[*] [6] [Access Code] [2]

The Auto Arm Control options can only be accessed if Auto Arm is enabled for the partition. The PC4010 can be programmed to arm a partition at the same time each day, by enabling the Auto Arm function and programming the Auto Arm time.

At the selected Auto Arm time, the system will give a pre-alert. The keypad buzzer begins to sound and the Bell/Siren will pulse once every 10 seconds to alert anyone on the premises that the system is about to arm. The Bell/Siren pulse can be disabled in Installer's Mode.

The keypad buzzer will sound for one minute before Auto Arming unless the Auto Arm is aborted. To abort the Auto Arm and silence the keypad press any key during the pre-alert. The Auto Arm will be attempted at the same time the following day. The PC4010 can be programmed to require a code to be entered for a user to abort the Auto Arm.

Upon selecting the Auto Arm Control function, the Auto Arm Control menu will appear on the LCD keypad.

[0] Auto Arm [1] Schedule Arm [2] Auto Arm Time
[3] Sched Disarm

[0] Auto Arm toggles "Y" or "N" to enable or disable the Auto Arm/Auto Disarm function.

[1] Schedule Arm when this toggle option is enabled the partition will follow the Auto Arm schedule programmed (by the installer) for that partition. When this option is enabled the partition will not follow the Auto Time (programmed in section 2). For the Auto Arm Time to function this option must be disabled.

[2] Auto Arm Time is the time the partition will automatically arm itself every day.

[3] Sched. Disarm when this toggle option is enabled the partition will follow the Autodisarm schedule programmed (by the installer) for that partition.

Note: The Auto Arm time is a 24 hour clock and times must be entered as two digit numbers.

E.g. HH - 00, 01,.....10, 11,22, 23
MM - 00, 01,.....35, 3658, 59

Enter 4 digits representing the time in hours and minutes (HH:MM) based on 24 hour or military time. Always enter a leading zero where only one digit is required, 8:05 am would be entered as 0805, 1:30 pm would be entered as 1330.

Note: The panel will not autoarm, schedule arm, or schedule disarm, if there is a loss of time trouble present on the system.

Keypad Setup

[*] [6] [Access Code] [3]

This function allows the user to adjust the backlighting and contrast of each LCD4500 keypad. When this function is selected, the Keypad Setup menu will appear on the keypad.

- **Bright Control** adjusts the level of backlighting on the LCD display and the backlighting on the keys.
- **Contrast Control** adjusts the contrast of the lettering on the LCD display.

Use the [<][>] keys to toggle through the eight different settings, and press [*] to select the level of preference.

Note: To adjust the keypad brightness and contrast control of a global keypad, the keypad must first be loaned to a partition.

Bell/Comm Test

[*] [6] [Access Code] [4]

This option allows the end user to test the system. This option activates all outputs programmed for 'Fire and Burg', 'Inv Fire/Burg', 'Burg Only' and 'Inv Burg Only' for two seconds, sounds the keypad's for 2 seconds, tests the main board and PC4204 battery voltage, and sends a test code transmission to the monitoring station.

Door Chime

[*] [6] [Access Code] [5]

The Door Chime feature is enabled or disabled on a partition by pressing the [*] key to toggle from "N" to "Y" or "Y" to "N". When the door chime feature is enabled, any zone that has been selected as chimeable will cause the keypad to beep 5 times each time the zone opens or restores while the partition is disarmed (Note that Fire zones and 24 hour zones are never disarmed, therefore they can never chime).

See "Chime Function" in the Programming Manual to enable a zone to use the chime function. While disarmed zone bypass may be used to eliminate the beeping.

Special Messages

[*] [6] [Access Code] [6]

This function enables 2 special event messages to be displayed when one of the special events occurs.

The first message is "System Has Failed To Arm". It will be displayed if the user is unable to arm the partition after entering a valid code (E.g. Because of activity on the zones.).

The second message is "Alarm Occurred While Armed". It will be displayed if an alarm occurred during the previous armed period.

Note: The following messages will be displayed when one of the special events occur regardless of what this toggle option is set for.

The third message is "Fire Alarm !!! 2 Wire Smoke", this message will only be displayed if the 2 wire smoke detector on the PC4700 fire module goes into alarm.

The fourth message is "Fire Alarm !!! Waterflow Sensor", this message will be displayed if the waterflow detector on the PC4700 fire module goes into alarm.

Note: If there is more than one of these fire messages to be displayed at once the messages will scroll one every three seconds to the next message.

Once any fire alarm has been silence a message "Fire Bell Has Been Silenced" will be displayed on the partition and global keypads until the partition is armed.

The fifth message is "Sensor Reset". This message will be displayed when a sensor reset is performed.

The sixth message is "Utility output". This message will be displayed when a utility output is performed.

The seventh message is "Zone Tamper". It will be displayed if the zone is opened while using Double EOL resistors.

The eighth message is "Zone Fault will occur". It will be displayed if the zone loop is shorted while using Double EOL resistors.

See "Event Messages" in the Programming Guide.

Note: The Zone Fault and Zone Tamper event messages will only be displayed when double EOL resistors are being used.

User Call up

[*] [6] [Access Code] [7]

This function must be enabled by the installer. When selected, the panel will call the downloading computer. The downloading computer must be waiting for the panel to call before downloading can be performed.

Lamp Test

[*] [6] [Access Code] [8]

This option allows the user to test the lamp output of the PC4216. If the module is programmed to be included in the Lamp Test then selecting this option will activate all output on the module regardless of the programming.

Walk Test

[*] [6] [Walk Test Code]

There are 3 different types of walk test modes, Local No Bell, Local Walk Test and Local + Comm Test.

[0] **Local, No Bell** will not sound the bell when a zone is tripped and no transmission will take place for the zone alarm. The zone alarms will be logged to the event buffer and displayed in alarm memory.

[1] **Local Walk Test** sounds all Fire/Burg, Invert Fire/Burg, Burg and Inv Burg for 2 seconds regardless of the zone type tripped.

[2] **Local + Comm Test** will function the same as Local Walk Test, but the programmed reporting code will be sent with each zone tripped.

[3] **Disable Walk Test Mode**, either arm the partition or enter [*][6][Walk Test Code] and select 'Disab Walk Test'.

Note: When double EOL resistors are being used during walk test, a zone tamper and alarm will always be logged/transmitted.

Utility Output

[*] [7] or [*] [7] [Access Code]

The Bell output terminals, switched auxiliary terminals or any pgm terminals can be programmed for Utility Output (see Utility Output in the installer's programming guide). Any output that is programmed for utility output will be activated when the user enters [*][7]. See 'Pgm pulse times' for programming how long the outputs are activated and see 'Util Req Code' for programming whether a utility output requires an access code to be activated.

Notes: Regardless of the time remaining for the Door Strike, it will be deactivated at the end of the standard exit delay.

To perform a utility output from a global keypad a partition must first be selected.

Installer's Programming Commands

[*] [8] [Installer's Code]

The PC4010 is completely programmed from the keypad by using commands in the [*][8] section. The commands are described in detail in the Programming Manual.

Note:

DLS IN PROGRESS LOCKOUT

will be displayed on the keypad when the downloading computer is On Line with the panel. Installer's Mode programming will be inhibited.

"At-Home" Arming

[*] [9] [Access Code]

Entering [*], [9] before the arming code, arms the panel without any entry delay on the delay zones and bypasses zones that are defined as "Home-Away". This command is used for arming the system while at home. Once the panel is Armed in this mode, using [*], [1] will remove the bypass from those zones defined as "Home-Away" if they have NOT been manually bypassed. The [*][1] command, as used here, only removes the bypass from zones that were automatically bypassed with the [*][9] command.

The "Armed" light will flash to indicate the partition is "At-Home" armed.

Quick Arm

[*] [0]

Entering [*][0] is accepted as a valid arming code when the "Quick Arm" feature is activated. This command is often used when individuals are required to arm the system but not disarm it. This could be used with home visitors in the case of a residential alarm or junior employees and maintenance staff in the case of a commercial alarm. See instructions in the " [*][6] User Functions Command" section for activating the "Quick Arm" feature.

Quick Exit

[*] [0] When Armed

Entering [*], [0] when the system is fully armed will allow the user 2 minutes to exit the premises through any delay zone without altering the status of the system if the "Quick Exit" feature is enabled. After [*], [0] is entered into an armed system, one and only one delay loop may be tripped. Any additional activity on any other active loop will cause that loop to begin its alarm sequence. Quick exit activation will be logged onto the event buffer.

Keypad Zones

There are three zones which can be activated from the keypad. The alarm and restoral codes for keypad zones are programmed using the [*][8] command.

Pressing the [F] key for 2 seconds activates a fire alarm. The fire alarm sounds the siren/bell in a pulsed fashion.

Pressing the [A] key for 2 seconds activates a silent auxiliary keypad zone.

Pressing the [P] key for 2 seconds activates a silent panic keypad zone.

Programming for the [F], [A], and [P] keys for the global keypad can be found under the System Toggle Options. The global keypad will always send (if programmed) the system area account code. The [F], [A], and [P] keys will activate for all active partitions, any valid access code from any partition may silence the alarm.

Note: See 'KEYPAD TOG OPT' in the Programming Guide for changing keypad zones options.

PRINTER SETUP

Note: Do not connect a printer on UL Listed residential fire alarm systems.

The PC4400 module is used for sending serial communications through an RS232 port to a local printer for on site monitoring of the PC4010.

All programming of the PC4400 is done through the PC4010.

The printer can be located up to 200 ft. (61 m) away from the PC4400.

An 80 character printer is strongly recommended.

Configuring the Printer

1. Serial interface
2. Baud rate = 300, 600, 1200, 2400 or 4800
(PC4010 default setting = 1200 baud)
Note: 4800 baud is only available on PC4400 software version 2.0 and above.
3. Parity = None
4. Character length = 8 bits
5. Auto line feed = Off
6. American/Canadian character set
7. DTR Protocol or XON/XOFF
(by default the PC4010 sends DTR protocol)

The PC4400 comes complete with a DB-25 (male) modular jack adapter, and a 6 ft. (2 m) six wire extension cord. A longer extension cord can be used if required, up to 200 ft. (61 m) maximum.

Power down the PC4010, PC4400 and the printer. Connect one end of the extension cord into the PC4400, and the other end into the DB-25 modular jack adapter. Connect the DB-25 modular jack into the RS232 serial port of the printer. See the PC4400 wiring diagram.

Power up the printer, then the PC4010 and PC4400. If the PC4400 is already enrolled and the printer is on line, the PC4400 will begin transmitting to the printer. Sample 1 is a printout from the serial printer.

Most actions on the PC4010 that require an access code are logged to the event buffer, and are sent to the printer (see Sample 2).

The partition labels, access code names and zone labels can be changed in the PC4010. See "PAR NAME LABEL" in the Programming Manual for programming partition labels. See "EDIT CODE NAME" in the System Manual under [*][5] commands to program the access code names. See "ZONE LABEL" in the Programming Manual for programming zone labels. The printout will then be as Sample 3.

The PC4400 sends events to the printer as they occur.

If the printer is off line or disconnected, the PC4010 keeps new events in memory until they are ready to be printed.

When the printer is brought back on line, the PC4400 will send the new events to the printer. If 450 new events occur before the printer is brought back on line (450 events = 75% of the buffer), the PC4010 will send the "Buf Near Full" reporting code to the monitoring station. (See 'Maint Rep Codes' in the Programming Flow Charts for programming the "Buf Near Full" reporting code). If over 600 events occur before the printer is brought back on line, the oldest events will be overwritten.

The PC4010 contains an event buffer which stores the last 600 events.

To print out the entire event buffer, enter the "Prn Entire Buff" section in installers programming [*][8][Installer's Code][3][0].

The printout will begin with the oldest event in memory and end at the most recent one.

	Partition Label	Date	Time	Event
Sample 1	System Area	05/27/94	13:25	PRINTER ON LINE
	Partition...2	05/27/94	15:00	ALARM ZONE 008
	System Area	06/01/94	08:10	4204 #005 BATTERY TBL ALARM
	System Area	06/02/94	08:13	TAMPER LCD #001
Sample 2	Partition...1	05/27/94	13:40	OPENING ACCESS CODE 001
	System Label	05/27/94	13:51	INSTALLER LEAD IN
	System Label	05/27/94	13:53	INSTALLER LEAD OUT
	Partition...4	05/29/94	15:30	UTIL OUTPUT CODE ACCESS CODE 054
	Partition...1	06/01/94	08:05	SW AUX CODE ACCESS CODE 008
	Partition...3	06/01/94	08:01	SYS MASTER MENU ACCESS CODE 002
	Partition...1	06/02/94	23:59	BYPASS WITH CODE ACCESS CODE 004
Sample 3	West Plaza	06/04/94	02:05	CLOSING Head Custodian
	Assembly Plant	06/04/94	02:09	ALARM Front Office

DOWNLOADING

Note: Downloading is not to be enabled on UL listed systems.

Downloading is the use of an IBM compatible computer to program the PC4010 system. The computer can be located either on site, or communicate over the phone.

The DSC downloading package version 5.4 or later supports downloading to the PC4010.

See the downloading manual for details on specific capabilities and the "DLS" section in the PC4010 Programming Guide for programming DLS options.

Downloading over Phone Lines

Make sure the "TIP" and "RNG" terminals are connected to the phone line. Program the access code and the panel I.D. code in the PC4010.

The PC4010 panel can call the computer, or vice versa. "Ring Detect" or "User enabs DLS" must be enabled for the PC4010 to detect when the phone line is ringing.

The number of times the panel allows the phone line to ring before answering is programmable, and the default setting is 8 rings.

If the panel calls the computer, enable "User call up" and program the phone number of the computer. Initiate the call by entering [*][6][Master Code][7].

Downloading with an On-site Computer

Phone lines are not necessary to download to the panel if the computer is at the same location as the PC4010. The tip and ring lines of the modem can be directly connected to the tip and ring terminals on the panel.

A DTS-1 must be connected to the lines and in the local mode.

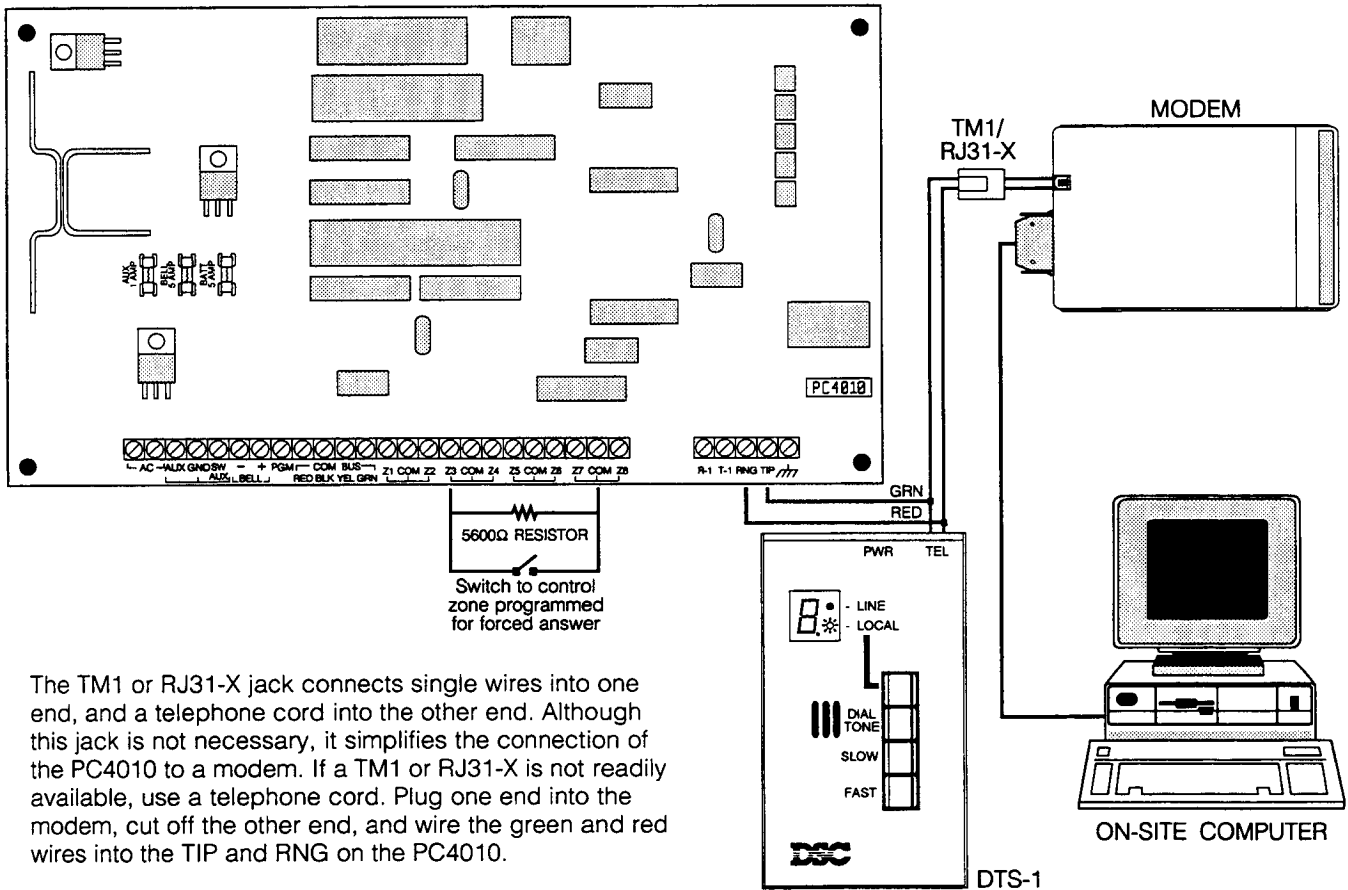
Program the downloading access code and panel I.D. code.

Program a zone for "Forced Answer". See "Zone Type" in the Programming Guide. This zone is only meant to be temporary, to initiate downloading. It can later be changed back to the required zone type.

Make sure the access code and panel I.D. code are the same in the panel and computer. A telephone number must be programmed into the computer to initiate communications, and any number entries are accepted.

Activate the computer to call the panel. When the computer indicates "Dialing...No dial tone", press the dial tone button on the DTS-1 until the modem dialing the phone number is heard. Trip the zone programmed for "Forced Answer". The panel will seize the phone line and initiate communications with the computer. The computer will then display the message "Connected to panel..." and continue with communications.

The DTS-1 must remain connected to the phone line in local mode during the downloading.



The TM1 or RJ31-X jack connects single wires into one end, and a telephone cord into the other end. Although this jack is not necessary, it simplifies the connection of the PC4010 to a modem. If a TM1 or RJ31-X is not readily available, use a telephone cord. Plug one end into the modem, cut off the other end, and wire the green and red wires into the TIP and RNG on the PC4010.

UL LISTED COMMERCIAL AND RESIDENTIAL INSTALLATIONS

The installation requirements listed below must be met for the following grades of service.

Grade A

Local

The installation must have a bell UL Listed for mecatile local alarms (AMSECO MBL10B) with model AB-12 bell housing.

The digital communicator must be enabled.

The control panel must be in the PC4004C Attack Resistant Enclosure.

Grade B Central Station and Grade A Police Connect

The installation must have a bell UL Listed for mecatile local alarms (AMSECO MBL10B).

The digital communicator must be enabled.

The control panel must be in the PC4004C Attack Resistant Enclosure.

Grade C Central Station

The digital communicator must be enabled.

The control panel must be in the PC4004C Attack Resistant Enclosure.

All Commercial Installations

- The entry delay must not exceed 60 seconds
- The exit delay must not exceed 60 seconds.
- The minimum bell cutoff time is 15 minutes.

Residential Installations

- The entry delay must not exceed 45 seconds
- The exit delay must not exceed 60 seconds.
- The minimum bell cutoff time is 4 minutes.

Programming

The notes in the programming sections describing the system configurations for UL Listed installations must be implemented.

Control of the Protected Premises

In order to have a UL Certificated system the protected area is to be under the responsibility of one ownership and management (i.e. one business under one name). This may be a group of buildings attached or unattached with different addresses but under the responsibility of someone having mutual interest. The person of mutual interest is not the alarm installing company.

Bell Location

The alarm sounding device (bell) must be located where it can be heard by the person or persons responsible for maintaining the security system during the daily arming cycle.

Protection of the Control Unit

The local control and the local power supply must be protected by one of the following ways:

- The control unit and audible alarm device must be in a protected area which is armed 24 hours a day.
- Each partition shall arm the area protecting the control unit and the audible alarm device power supply. This may require duplicate protection armed by each partition. Access to this protected area, without causing an alarm, will require that all partitions be disarmed.

In all cases described above, the protected area for the control unit must be programmed as not bypassable.

Casual Users

The installer should caution the user(s) to not give system information to casual users (e.g. codes, bypass methods, etc. to baby-sitters or service people). Only the One-Time Use codes should be given to casual users.

User Information

The installer should advise the users and note in the user instruction manual:

- Service organization name and telephone number
- The programmed exit time
- The programmed entry time

APPENDIX A

List of Available ASCII Characters

032	048	064	080	096	112	160	176	192	208	224	240
!	1	A	Q	~	P	▣	—	ア	ミ	ウ	P
033	049	065	081	097	113	161	177	193	209	225	241
"	2	B	R	b	r	┌	イ	ツ	ム	≡	Q
034	050	066	082	098	114	162	178	194	210	226	242
#	3	C	S	c	s	└	ウ	テ	モ	≡	W
035	051	067	083	099	115	163	179	195	211	227	243
\$	4	D	T	d	t	、	イ	ト	ト	H	Ω
036	052	068	084	100	116	164	180	196	212	228	244
%	5	E	U	e	u	・	オ	ナ	ユ	ε	Ü
037	053	069	085	101	117	165	181	197	213	229	245
&	6	F	V	f	v	ヲ	カ	ニ	ヨ	ρ	Σ
038	054	070	086	102	118	166	182	198	214	230	246
'	7	G	W	g	w	ア	キ	ヌ	ラ	g	π
039	055	071	087	103	119	167	183	199	215	231	247
(8	H	X	h	x	イ	ク	ネ	リ	γ	⊗
040	056	072	088	104	120	168	184	200	216	232	248
)	9	I	Y	i	y	ウ	ケ	ノ	ル	ι	γ
041	057	073	089	105	121	169	185	201	217	233	249
*	:	J	Z	j	z	エ	コ	ハ	レ	j	κ
042	058	074	090	106	122	170	186	202	218	234	250
+	;	K	[k	[オ	サ	ヒ	ロ	×	κ
043	059	075	091	107	123	171	187	203	219	235	251
,	<	L	¥	l		カ	シ	フ	ワ	φ	円
044	060	076	092	108	124	172	188	204	220	236	252
-	=	M]	m	}	ユ	ヌ	ヘ	ン	モ	÷
045	061	077	093	109	125	173	189	205	221	237	253
.	>	N	^	n	+	ヨ	セ	ホ	ン	ニ	
046	062	078	094	110	126	174	190	206	222	238	254
/	?	O	_	o	+	ウ	ソ	マ	□	ö	■
047	063	079	095	111	127	175	191	207	223	239	255

APPENDIX B

List of Diagnostics

E = Communication error
 T = Tamper open
 LV = Low voltage to module

Indicated # Number	For Future Use
1	
2	
3	
4	
5	
6	
7	
8	

Indicated Number	LCD4500 Module
9	1
10	2
11	3
12	4
13	5
14	6
15	7
16	8
17	For future use
18	For future use
19	For future use
20	For future use
21	For future use
22	For future use
23	For future use
24	For future use

Indicated Number	PC4400 Serial Interface Module
25	1

Indicated Number	PC41XX Zone Module
26	1
27	2
28	3
29	4
30	5
31	6
32	7
33	For future use
34	For future use
35	For future use
36	For future use
37	For future use
38	For future use
39	For future use
40	For future use
41	For future use

Indicated Number	PC4216 O/P Module
42	1
43	2
44	3
45	4
46	5
47	6
48	7
49	8
50	9

Indicated Number	PC4204 O/P Module
51	1
52	2
53	3
54	4
55	5
56	6
57	7
58	8
59	9
60	10
61	11
62	12
63	For future use
64	For future use
65	For future use
66	For future use

Indicated Number	PC4700 Fire Module
67	1

Indicated Number	Escort4580 Voice Prompting Module
68	1

Limited Warranty

Digital Security Controls Ltd. warrants that for a period of twelve months from the date of purchase, the product shall be free of defects in materials and workmanship under normal use and that in fulfillment of any breach of such warranty, Digital Security Controls Ltd. shall, at its option, repair or replace the defective equipment upon return of the equipment to its factory. This warranty applies only to defects in parts and workmanship and not to damage incurred in shipping or handling, or damage due to causes beyond the control of Digital Security Controls Ltd. such as lightning, excessive voltage, mechanical shock, water damage, or damage arising out of abuse, alteration or improper application of the equipment.

The foregoing warranty shall apply only to the original buyer, and is and shall be in lieu of any and all other warranties, whether expressed or implied and of all other obligations or liabilities on the part of Digital Security Controls Ltd. This warranty contains the entire warranty. Digital Security Controls Ltd. neither assumes, nor authorizes any other person purporting to act on its behalf to modify or to change this warranty, nor to assume for it any other warranty or liability concerning this product.

In no event shall Digital Security Controls Ltd. be liable for any direct or indirect or consequential damages, loss of anticipated profits, loss of time or any other losses incurred by the buyer in connection with the purchase, installation or operation or failure of this product.

Warning

Digital Security Controls Ltd. recommends that the entire system be completely tested on a regular basis. However, despite frequent testing, and due to, but not limited to, criminal tampering or electrical disruption, it is possible for this product to fail to perform as expected.