

*T*hank you for purchasing the DSC Escort5580 module. When connected to the main control panel, the module turns any touch tone telephone – local or remote – into a fully functional keypad. Once activated, the Escort5580 will act as a guide for the user. The Escort5580 will prompt the user through clear, easy to understand sentences, telling them what the next key entry should be to perform the various functions available.

*I*n addition to an expanded library of over 250 system words, a powerful “say number” command has been added to the Escort5580. This new feature allows any number between zero and 999 to be said in three different ways. Up to six words can be used for Zone Labels, Automation Items, Automation Modes and System Labels, thereby enhancing the Escort5580’s versatility.

*T*he module also has a built-in line carrier interface. This feature allows the module to control up to 32 line carrier automation type items for lighting control, temperature control or other such home automation features. Automation items can be activated manually by the user by using one or more of the 16 available Schedules and 8 available Modes; these items can also be activated by events on the control panel. A full range of dimming levels are also available for lighting control.

*W*e are confident that you and your customer will discover that the Escort5580 module is the most useful alarm control panel enhancement product available on the market today.

*W*e welcome your input. Please send your comments to:

Digital Security Controls
c/o Escort5580 Product Manager
1645 Flint Road, Downsview, Ontario
Canada M3J 2J6

DSC™
Power 832™
S E C U R I T Y S Y S T E M

Table of Contents

Section 1 - System Introduction

1.1	Specifications	5
-----	----------------------	---

Section 2 - Getting Started

2.1	Installation Steps	6
2.2	Keybus Wiring	6
2.3	Telephone Line Wiring	7
2.4	Enrolling the Escort5580 Module	7
2.5	Connecting the PL-513 or PSC04 Controller	8

Section 3 - Escort5580 Operation

3.1	Accessing the Escort5580 Locally	9
3.2	Accessing the Escort5580 Remotely	9
3.3	Global or Partition Operation	9
	3.3.1 Global Operation	10
	3.3.2 Partition Operation	10
3.4	Receiving Incoming Calls	10

Section 4 - How to Program

4.1	How to Enter Installer Programming	11
4.2	Programming Decimal Data	11
4.3	Programming HEX Data	11
4.4	Programming Toggle Data	11
4.5	Programming Labels	12
	4.5.1 Programming Words in Labels	12
	4.5.2 Programming Numbers in Labels	12
4.6	How to Review Programming	12
4.7	How to Exit Programming	12

Section 5 - Program Descriptions

5.1	Escort5580 Star Announcements	13
5.2	Escort5580 Status Prompts	13
5.3	Local/Remote Telephone Access Code	13
5.4	Programming Lockout	13
5.5	Automation Item Schedules	14

Section 6 - Home Automation

- 6.1 Turning On Automation Item Control 15
- 6.2 Activating Automation Items 15
 - 6.2.1 Manual Control 15
 - 6.2.2 Global Control 16
 - 6.2.3 Event Initiated 16
 - 6.2.4 Scheduled 16
 - 6.2.5 Scheduled OR Event Initiated 17
 - 6.2.6 Scheduled AND Event Initiated 17
- 6.3 Mode Assignment 17
- 6.4 Activation Times 18
- 6.5 Dimming 18
- 6.6 Item Prompting 18
- 6.7 Number of Home Automation Transmissions 18

Programming Worksheets

- System Programming 19
- Phone Access Programming 20
- Automation Programming 21
- Automation Items 22
- Automation Item Pulse Schedules 28
- Automation Item Output Follower 29
- Label Programming 30
- Special Programming 32

- Appendix A - Escort5580 Label Library 33**

- Appendix B - Automation Item House Codes & Unit Numbers 34**

- Appendix C - Automation Item Control [*] [5] Menu Commands 35**

- Appendix D - Additional [*] [6] Options 36**

- Appendix E - Access Code Programming 36**

System Introduction

S E C T I O N 1

1.1 Specifications

Escort5580 Module

- Current draw: 150 mA - operating, 65 mA - standby

Voice Prompting

- All prompts are in complete sentences using a pleasant, easy to understand female voice
- All keypad commands are available
- Panel status is constantly announced, when applicable, including bypass, trouble, alarm memory and zone status.

Library

- 250+ system words
- 240+ words for programming labels
- Powerful 'say number' command can announce any number from 0 through 999 in three different ways

Programmable Labels

- System Zone Labels
- Automation Item Labels
- Automation Mode Labels
- Miscellaneous System Labels
- System Partition Labels

Automation item Control

- Requires the connection of the PL-513 or PSC04 Controller Module
- Control up to 32 Line Carrier Automation Items
- 16 Schedules with On Time, Off Time and Day of Week Mask
- 8 User Controlled Automation Modes
- A full range of dimming levels for Lighting Control
- Event Activated Control for any PGM Output Option Supported by the main Control Panel
- Global On/Off Command

Downloading

- All Escort5580 Programming can be done via the DLS Software

Getting Started

S E C T I O N 2

The following steps are provided to assist with the installation of the Escort5580 module. If you are unfamiliar with the Escort5580 module it is suggested you follow these steps in order to help prevent problems and reduce the overall installation time.

2.1 Installation Steps

Step 1 Mount the Escort5580 Module

The Escort5580 module can be installed in the same cabinet as the main control panel using the nylon standoffs provided. The module can also be located in a separate can however it should be located close to the control panel as it must wire to the telephone line connection.

Step 2 Connect the Keybus (*Section 2.2*)

Connect the 4 wire Keybus in accordance to the diagram in *Section 2.2 "Keybus Wiring"*.

Step 3 Telephone Line Connection (*Section 2.3*)

Connect the incoming telephone line in accordance to the diagram in *Section 2.3 "Telephone Line Wiring"*.

Step 4 Enroll the Escort5580 Module (*Section 2.4*)

Enroll the Escort5580 module in accordance to the guideline provided in *Section 2.4 "Enrolling the Escort5580 Module"*.

Step 5 Connect the PL-513 or PSC04 Controller (*Section 2.5*)

If the installation also includes automation items connect the PL-513 or PSC04 Controller in accordance to the diagram provided in *Section 2.5 "Connecting the PL-513 or PSC04 Controller"*.

Step 6 Program the Escort5580

All parameters of the Escort5580 can be programmed via any local touch tone telephone. Follow the guideline provided in *Section 4 "How to Program"*.

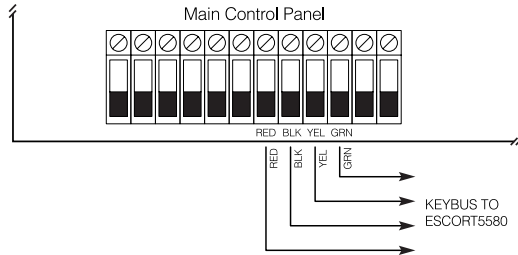
Step 7 Test the System

Test the Escort5580 using both local and remote telephones to ensure both operate properly. Check all programmed labels and the operation of all functions including automation items if connected.

2.2 Keybus Wiring

The Escort5580 module has 4 terminals marked Keybus (red, black, yellow and green). Connect these four terminals to the 4 terminals on the main control panel marked Keybus (red, black, yellow and green).

Keybus Connection



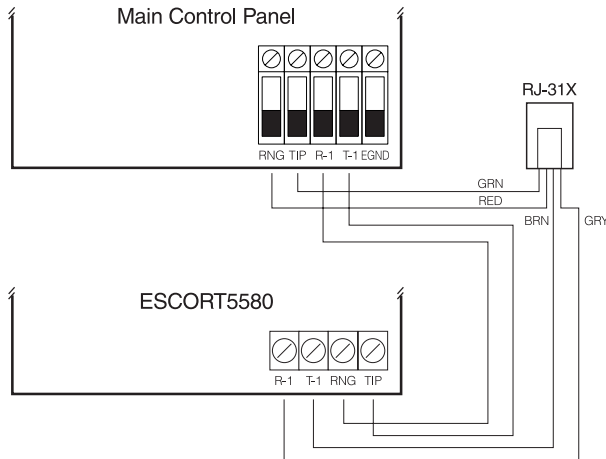
! *If the Keybus is not wired correctly the Escort5580 will not operate properly.*

2.3 Telephone Line Wiring

The Escort5580 module has 4 terminals for the telephone line connection (TIP, RING, T1 and R1). The wiring must be as follows:

- Main Control Panel TIP and RING - incoming line
- Main Control Panel T1 and R1 - Escort5580 TIP and RING
- Escort5580 T1 and R1 - house phones

Telephone Connection



! *If the telephone line is not wired correctly the Escort5580 will not operate properly.*

2.4 Enrolling the Escort5580 Module

The Escort5580 will function properly as soon as all wiring is complete and power is applied. However, to fully supervise the Escort5580 from the main control panel, you will need to follow these steps:

Procedure on the PC5010

- Step 1 Wire the Escort5580 module to the keybus and telephone line.
- Step 2 At a keypad, enter [*][8][Installer Code] to enter Installer Programming.
- Step 3 Enter section [902] followed by the [#] key to exit Installer Programming. The panel will automatically search for all modules on the system. The search takes approximately 1 minute. From this point on, if any modules are removed from the system, a Supervisory Trouble will be generated.
- Step 4 To confirm supervision, re-enter Installer Programming and then enter section [903]. On LED keypads, light 24 ON represents successful Escort5580 supervision. On LCD keypads, the description Escort5580 will be displayed if successful.
- Step 5 If this is not successful, check all wiring to the Escort5580.

Procedure on the PC1575

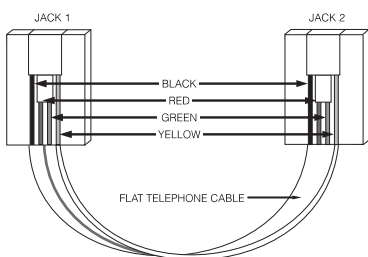
- Step 1 Wire the Escort5580 module to the keybus and telephone line.
- Step 2 At a keypad, enter [*][8][Installer Code] to enter Installer Programming.
- Step 3 Enter section [92][Installer Code][92] followed by the [#] key to exit Installer Programming. The panel will take approximately 1 minute. From this point on, if any modules are removed from the system, a Supervisory Trouble will be generated.
- Step 4 If this is not successful, check all wiring to the Escort5580.

2.5 Connecting the PL-513 or PSC04 Controller

The RJ-11X telephone jack on the Escort5580 is for connecting the PL-513 or PSC04 Controller. Use an RJ-11X connector cable (not supplied) to connect the Escort5580 to the PL-513 or PSC04. Plug the PL-513 or PSC04 Controller module into any unswitched AC outlet. Connect automation items for lighting, outlet and temperature control. These items plug into AC outlets located throughout the installation.

The PL-513 or PSC04 Controller receives commands from the Escort5580 module and sends out signals to control the various automation items connected.

The following diagram shows the cable that we currently require for connecting the Escort5580 to the PL-513 or PSC04. With the jacks side by side (tabs facing up), the colours of the wire in each jack will appear in the same order from left to right. This cable is called a "Straight Through Cable" as per telephone industry standards.



Please do not use a "Swapped", "Flipped" or "Crossover" cable as it will not work with the Escort5580. To verify whether you have the correct type of cable, plug in the PSC04 (PL513). The red LED should turn ON. Connect the telephone cable to both the PSC04 (PL513) and the Escort5580. If the LED on the PSC04 (PL513) turns OFF and remains unlit, you are using the wrong type of cable.

Escort5580 Operation

S E C T I O N 3

3.1 Accessing the Escort5580 Locally

The Escort5580 can be accessed locally using any touch tone telephone on premise. To access the Escort5580 locally simply pick up any local telephone and enter the three digit Local/Remote Phone Access Code (default [***]). The Escort5580 will seize the line and announce **"Hello"**. If the User Code Required for Local Access option is enabled the Escort5580 will announce **"Enter Your Access Code"**. Access to the system will not be granted until a valid access code has been entered. Invalid access codes do count towards Main Panel Keypad Lockout (see the *"Keypad Lockout"* section of your system Installation Manual — section 5.22 of the PC5010 Manual OR section 5.19 of the PC1575 manual).

The Escort5580 will function even if the phone line is disconnected. The panel supervises the phone line and if it senses a fault it will tell the Escort5580 to provide the current required so that locally the Escort5580 will still function. For this to operate properly Telephone Line Supervision must be enabled (See Section 5.11 *"Telephone Line Monitor"* of PC5010 or the PC1575 Installation Manuals).

3.2 Accessing the Escort5580 Remotely



Downloading Answer Enabled must be ON in Section [401] of the PC5010 OR section [71] of the PC1575 for Remote Access.

If the Remote Access option is enabled the Escort5580 can also be accessed remotely from any touch tone phone in the world. The following are the steps required to access the Escort5580 remotely:

- Step 1 - Call the phone number the Escort5580 is connected to.
- Step 2 - Let the phone ring one or two times.
- Step 3 - Hang up the call, wait 10 seconds and call again. On the second phone call the Escort5580 will answer on the first ring and announce **"Hello"**.
- Step 4 - Enter the 3 digit Local/Remote Phone Access Code. If the Local/Remote Phone Access Code is not entered within 10 seconds the Escort5580 will announce **"Goodbye"** and hang up. Once the correct code has been entered the system will announce **"Enter Your Access Code"**.
- Step 5 - Enter a valid 4 or 6 digit User Code. If the user code is not entered within 10 seconds or if the incorrect user code is entered 3 times, the Escort5580 will announce **"Goodbye"** and hang up.

If everything is done correctly the Escort5580 will begin to announce the status of the system.

3.3 Global or Partition Operation

The following is a description of how the Escort5580 can be programmed to access only Partition 1, only Partition 2 or both Partitions (global).

3.3.1 Global Operation

If the PC5010 has been programmed for two Partition operation the Escort5580 will act as a Global module. If the User Code Required for Local Access option is enabled the Escort5580 will act as a Global module.



If the PC5010 has been programmed for two Partition operation the User Code Required for Local Access option should be enabled.

When the Escort5580 is accessed it will automatically determine the ability of the User Code entered. If the User Code entered only works on Partition 1 it will allow access to Partition 1 and begin to announce status. If the User Code entered only works on Partition 2 it will allow access to Partition 2 and begin to announce status.

If the User Code entered has access to both Partitions the Escort5580 will announce the following:

“To Select [Partition 1 Label] Press [1]”

“To Select [Partition 2 Label] Press [2]”

Once the number is pressed the Escort5580 will grant access to the selected Partition and begin to announce status. Once a Partition is selected an additional menu prompt will be announced when in the Ready mode. The Escort5580 will announce one of the following messages:

“To Select [System] Press [#] Then [1]”

“To Select [Partition two] Press [#] Then [2]”

This function will allow the user to select the other Partition after initial access is granted.

3.3.2 Partition Operation

Partition operation only applies to local access and only if the User Code Required for Local Access option is disabled, otherwise See *Section 3.3.1 "Global Operation"*.

If the Partition 1 Access option is enabled and the User Code Required for Local Access option is disabled the Escort5580 will only allow access to Partition 1 locally.

If the Partition 2 Access option is enabled and the User Code Required for Local Access option is disabled the Escort5580 will only allow access to Partition 2 locally.



If both options are disabled the Escort5580 will default to Partition 1 only.

3.4 Receiving Incoming Calls

If the Escort5580 is being accessed on premises and an incoming call is registered, the Escort5580 will announce:

“Attention. You Have an Incoming Call. To Receive the Call Press Pound Now.”

If the [#] key is pressed the Escort5580 will hang up and the user will be connected to the incoming call. If the [#] key is not pressed the user will continue to have access to the

How to Program

S E C T I O N 4

Escort5580.

The following sections describe how to program the various Escort5580 features and functions. All Escort5580 programming can be done via any local touch tone telephone or via the DLS software.



It is extremely important that you read this Section of the manual completely before attempting to program the Escort5580 module.

4.1 How to Enter Installer Programming

From any local touch tone telephone enter the following:

Step 1 - Enter the Local/Remote Access Code (default [***]). The Escort5580 will announce ***“Hello”***.

Step 2 - Press [*], [8]. The Escort5580 will announce ***“Enter Service Code”***.

Step 3 - Enter the Service Code (default [5580]). The Escort5580 will announce ***“Enter a Section Number”***.

Step 4 - Enter the 3 digit Section Number for Programming

If the wrong Service Code is entered the Escort5580 will announce ***“Invalid Service Code”***. If the Service Code Lockout feature is enabled and enough incorrect attempts are made the Escort5580 will announce ***“Access Denied Lockout in Progress”*** (See Section 5.4 “Programming Lockout”).

4.2 Programming Decimal Data

When a decimal Programming Section is entered the Escort5580 will announce the following:

“Section Number XXX”

“Data is AAA”

“Enter New Data”

Using the touch tone telephone enter the new data or press [#] to exit the Section if the data is correct. If new data is entered when the correct number of digits are entered the Escort5580 will announce the new data, save the changes and exit the Section.

4.3 Programming HEX Data

No HEX programming is required for the Escort5580 module.

4.4 Programming Toggle Data

When a toggle Programming Section is entered the Escort5580 will announce the following:

“Section Number XXX”

Depending if none, some or all of the options are on the Escort5580 will announce one of the following:

“All Options are Off”

“All Options are On”

“Option AA is On”

“Options AA, BB and CC are On”

To turn an option off that is on or to turn an option on that is off use the touch tone telephone to enter the 2 digit number for the option. The Escort5580 will again announce which options (if any) are on. When done changing toggle options press the [#] key to exit the Section.

4.5 Programming Labels

When a Label Section is entered the Escort5580 will announce the following:

{ Word 1 } { Word 2 } { Word 3 } { Word 4 } { Word 5 } { Word 6 }
“Enter Three Digit Word”

4.5.1 Programming Words in Labels

Up to 6 words can be programmed for any zone label (See - Appendix A - Escort5580 Word Library for a list of available words). If the ‘say number’ option is used two words will be used for each number. The first word determines how the number will be said, the second word is the number to be announced (See 4.5.2 “Programming Numbers in Labels”).

To program a label enter the following:

- enter the 3 digit number corresponding to the word from the library
- an acknowledgement beep will be heard. After waiting one second the Escort5580 will announce all words programmed.
- enter the 3 digit number corresponding to the next word from the library
- an acknowledgement beep will be heard. After waiting one second the Escort5580 will announce all words programmed.

Continue entering 3 digit numbers corresponding to words from the library until the label is programmed. If all six words are not required for a label press the [#] key to exit the Section after the words required are programmed. The panel will automatically blank the extra words in the label and repeat the words programmed.

If all six words are programmed the Escort5580 will automatically exit the Section after the last word is entered and repeat the words programmed.

4.5.2 Programming Numbers in Labels

Any number from 0 through 999 can be announced by the Escort5580. When the Escort5580 must say a number it will take up two words in the label. The first word determines how the Escort5580 will announce the number. The second word is the actual number the Escort5580 will announce. There are three different ways for the Escort5580 to say the word:

Combined # Command - Number 401 will be announced ***“FOUR HUNDRED AND ONE”***
 Ordered # Command - Number 401 will be announced ***“FOUR HUNDRED AND FIRST”***
 Individual # Command - Number 401 will be announced ***“FOUR ZERO ONE”***

To program the Escort5580 to say a number in a label enter the following:

- [000] for Combined # Command, [001] for Ordered # Command or [002] for Individual # Command
- [XXX] - enter the number to be announced



Programming a number in a label uses up 2 word slots. Therefore, a label programmed with a number in it can only have a maximum of 4 words and 1 number.

4.6 How to Review Programming

Programming for a Section can be reviewed by simply entering the Section. The Escort5580 will announce the data programmed. If the programming is correct press the [#] key to exit the Section otherwise enter the correct data.

4.7 How to Exit Programming

When the Escort5580 announces ***“Enter Section Number”***, press the [#] key.

Program Descriptions

S E C T I O N 5

The following sections explain the options programmable for the Escort5580. Programmable options for automation item control are explained in *Section 6*.

5.1 Escort5580 Star Announcements

The Star Function Prompt Mask Section will allow you to remove prompts that are not applicable to an installation. This will make the system easier for the user to operate. Even if the prompt is disabled the command can still be entered, it is only removed from Escort5580 announcement.

.....
[*] Function Prompt Mask Section [004]
.....

The Escort5580 is designed to make the system easier for the user by acting as a tutor. There are many [*] commands which the user may want to use but remembering these may be difficult. For this reason, when the Escort5580 is accessed the user can press the [*] key to get a list of the available functions.

Certain [*] commands may not be applicable to an installation. For example if the PL-513 Controller is not being used the 'Automation Control' prompt may cause confusion.

5.2 Escort5580 Status Prompts

The Status Prompt Mask Section will allow you to remove status prompts that are not applicable to an installation to make the system easier for the user to operate.

.....
Status Prompt Mask Section [003]
.....

5.3 Local/Remote Telephone Access Code

The Local/Remote Telephone Access Code at default is [***]. This can be changed to any 3 digit code using numbers 0 through 9 as well as the [*] and [#] keys.

! *Avoid programming this code as a valid 3 digit area code or telephone service. Numbers such as [911], [411], [611] or [0XX] should be avoided. For UL Listed installation, Local Access Only must be enabled.*

.....
Local/Remote Telephone Access Code Section [020]
.....

Home Automation

S E C T I O N 6

The Escort5580 has a built-in interface which will allow control of line carrier automation items through a PL-513 Controller module. Up to 32 items can be controlled through any touch tone phone, both local and remote. These automation items can be used to control lighting, outlets, drapes, temperature as well other items.

The PL-513 Controller transmits signals over the 50 or 60 Hz AC power of the home or business to control the automation items. Each automation item uses dials to select an unique address for each. The unique address for each automation item must be programmed into the Escort5580 so that it can tell the PL-513 which automation items to turn on, turn off, or (in the case of lighting), which dimming level to use. The unique address for each is referred to as the **Automation Item House Code and Unit Number**.

One dial is used to select a letter from A through P, the other a number from 1 through 16. Refer to the Automation Item House Code & Unit Number Chart located in Appendix B for the 3 digit number that corresponds to the dial settings.

.....

Automation Item House Code & Unit Number	Section [130] to [285]
Automation Item House Code & Unit Number Chart	Appendix B

.....



If schedules or automation items are programmed, automation must be enabled in section [002].

6.1 Turning On Automation Item Control

If the PL-513 Controller is to be used the Home Automation feature must be enabled in the Escort5580 before it will operate. To enable automation item control turn on the **Home Automation Enable** feature. For additional security the **[*] [5] requires an Access Code** feature can be enabled. If enabled, the Escort5580 will prompt "Enter Your Access Code" after the user enters [*], [5]. Otherwise the Escort5580 will immediately enter the automation item control menu. You must also program what type of AC current you are using (ie. 50 Hz or 60 Hz).

.....

Home Automation Enable	Section [002], Option [03]
[*] [5] Requires an Access Code	Section [002], Option [04]
AC = 50 or 60 Hz	Section [002], Option [05]

.....

6.2 Activating Automation Items

Automation items can be activated 6 ways: manually, globally, event initiated, scheduled, scheduled OR event initiated or scheduled AND event initiated. Each of these will be discussed in detail with examples to help make them clear.

6.2.1 Manual Control

If the **User Controlled** option is enabled for the automation item the item can be controlled by the user even if global control, event initiated control or scheduled control is also used. The user, through a touch tone phone through the Escort5580 can turn the automation item on or off and in the case of lighting can also control dimming.

For example, the user could turn on an outlet in the home to turn on the air conditioning while driving home using a cellular phone. When the customer arrives home the house is cool.

.....
User Controlled Enable Section [131] to [286], Option [02]
.....

6.2.2 Global Control

Several automation items can be grouped for Global operation. If the **Included in Global Command** option is enabled it can also be controlled through a global command.

For example, the user may have several lights downstairs. At bedtime, rather than individually turning each light off the user could issue a global off command. All items included in the Global Command would be turned off.

.....
Included in Global Command Enable Section [131] to [286], Option [03]
.....


6.2.3 Event Initiated

Automation items can be programmed to activate when an event occurs on the panel. The event can be any of the PGM Output options supported by the panel. For the automation item to activate for an event the **Automation Item Output Follower** option must be programmed with the 2 digit PGM Output found in the main control panel Installation Manual. Also the **Item Schedule/Output Condition** option must be programmed for one of the Event Initiated options.

For example, if an alarm were to occur several lights throughout the home or business could be turned on to deter burglars from entering the premises.

.....
Automation Item Output Follower Section [401] to [432]
Item Schedule/Output Condition Section [134] to [289]
.....

Valid PGM entries on the PC5010 are 03 - 14. Valid PGM entries on the PC1575 are 01 and 02.

 ***A maximum of 4 items can be programmed to follow any one PGM from the security system.***

6.2.4 Scheduled

Sixteen schedules are available for automation item control. The **Schedule Assignment** is used to select which schedule(s) the automation item will follow. Also the **Item Schedule/Output Condition** option for the automation item must be programmed for one of the Scheduled options. Schedules include an on time, an off time and a day of week mask.

For example, if a sprinkler was to be turned on from 8:00 am to 9:00 am Monday, Wednesday and Friday one of the 16 schedules could be used to do this. If the sprinkler was also to be turned on from 11:30 am to 12:30 pm on Saturday and Sunday a different schedule would have to be used. The automation item would be told to follow both schedules to operate properly.

.....

Schedule Assignment..... Section [132] to [287]

Item Schedule/Output Condition Section [134] to [289]

.....

6.2.5 Scheduled OR Event Initiated

If the **Item Schedule/Output Condition** option was programmed for Schedule or Event Initiated the automation item would activate following the schedules selected and would also activate if the event programmed for the **Automation Item Output Follower** occurred.

For example, lighting may be controlled by a schedule but you could also have the lights come on in the event of an alarm.

.....

Item Schedule/Output Condition Section [134] to [289]

Automation item Output Follower Section [401] to [432]

.....

6.2.6 Scheduled AND Event Initiated

If the **Item Schedule/Output Condition** option was programmed for Schedule and Event Initiated the automation item would only activate if both the event programmed for the **Automation item Output Follower** occurred and one of the schedules the automation item was selected for was active.

For example, lighting items could be programmed to follow a schedule only if the panel is armed. If someone worked late they could control the lights. As soon as they armed and left the lights would follow the programmed schedules.

.....

Item Schedule/Output Condition Section [134] to [289]

Automation Item Output Follower Section [401] to [432]

.....

6.3 Mode Assignment

Mode Assignment adds additional control over automation items programmed for Scheduled or Event Initiated operation. Basically any automation item can be assigned to one or more of the 8 Modes. If the **Follows Schedule/Output only if a Mode is ON** option is enabled the automation item will only activate at the scheduled times or when an event occurs if at least one of the Modes it is assigned to is on.

For example, an automation item is programmed to follow a schedule to activate from 1:00 am to 3:00 am every day of the week to turn on sprinklers. The automation item is also assigned to a Mode. The sprinklers will only turn on if the Mode is enabled (on). On rainy days the user can turn off the Mode to prevent the sprinklers from coming on. When the weather clears the user can again enable the Mode to again have the sprinklers come on following the schedule.

Another example would be lighting control. Several schedules can be used to give lighting a randomization effect. All these lighting control automation items could be assigned to multiple schedules and a Mode. Before the user leaves for a holiday they could turn on the Mode at which point the lights will follow the scheduled pattern.

.....
 Mode Assignment Section [133] to [288]
 Follows Schedule/Output only if Mode On.... Section [131] to [286], Option [05]

6.4 Activation Times

If the **Item is On Steady** option is enabled the automation item will remain on until it receives an off command. If the **Item Activates for Programmed Time** option is enabled the automation item will remain active for the time programmed in the **Automation Pulse Schedule** option then turn off.

.....
 Item is On Steady Section [131] to [286], Option [06]
 Item Activates for Programmed Time Section [131] to [286], Option [06]
 Automation Pulse Schedule Section [301] to [332]

6.5 Dimming


There is a full range of dimming levels for items used for lighting control. Dimming will only be available if the **Dimming** option is enabled for the item. The user will be able to control the dimming level of the automation item as well as issue on/off commands.

.....
 Dimming Option Section [131] to [286], Option [04]

6.6 Item Prompting

When items are turned on or off the Escort5580 can be programmed to announce differently, depending on the type of automation item being used. The three options are as follows:

- {automation item label}* ON / *{automation item label}* OFF
- {automation item label}* OPEN / *{automation item label}* CLOSED
- {automation item label}* SETBACK ON/ *{automation item label}* SETBACK OFF

 **The Escort5580 will only announce one of the three messages. If multiple options are enabled the Escort5580 will default to the first option selected.**

.....
 Automation Item Prompt is ON/OFF Section [131] to [286], Option [07]
 Automation Item Prompt is OPEN/CLOSED Section [131] to [286], Option [08]
 Automation Item Prompt is SETBACK ON/SETBACK OFF Section [131] to [286], Option [09]

6.7 Number of Home Automation Transmissions

The **Number of Home Automation Transmissions** will allow you to program the number of On and Off transmissions sent to the automation items. Multiple On/Off commands may be sent to ensure more reliable control of the automation items.

.....
 Number of Home Automation Transmissions Section [007]

Programming Worksheets

S Y S T E M P R O G R A M M I N G

System Programming

[001] Escort5580 Service Code

Default

5580 Enter 4 decimal digits

[002] First System Options

Default

	Option ON	Option Off
ON <input type="checkbox"/> Option 01	Partition 1 Access Enabled	Partition 1 Access Disabled
OFF <input type="checkbox"/> Option 02	Partition 2 Access Enabled	Partition 2 Access Disabled
OFF <input type="checkbox"/> Option 03	Home Automation Enabled	Home Automation Disabled
OFF <input type="checkbox"/> Option 04	[*][5] Requires an access code	No access code req'd for [*][5]
OFF <input type="checkbox"/> Option 05	AC = 50Hz	AC = 60 Hz
OFF <input type="checkbox"/> Option 06	For Future Use	
OFF <input type="checkbox"/> Option 07	For Future Use	
OFF <input type="checkbox"/> Option 08	For Future Use	

[003] Status Prompt Mask

Default

	Option ON	Option Off
ON <input type="checkbox"/> Option 01	Warning Bypass On Prompt enabled	Prompt disabled
ON <input type="checkbox"/> Option 02	System Trouble Prompt enabled	Prompt disabled
ON <input type="checkbox"/> Option 03	System Open, Zone Prompt enabled	Prompt disabled
ON <input type="checkbox"/> Option 04	Alarms in Memory Prompt enabled	Prompt disabled
ON <input type="checkbox"/> Option 05	Service Required Prompt enabled	Prompt disabled
ON <input type="checkbox"/> Option 06	AC Power Trouble Prompt enabled	Prompt disabled
ON <input type="checkbox"/> Option 07	Phone Line Trouble Prompt enabled	Prompt disabled
ON <input type="checkbox"/> Option 08	Communication Trouble Prompt enabled	Prompt disabled
ON <input type="checkbox"/> Option 09	Zone Fault Prompt enabled	Prompt disabled
ON <input type="checkbox"/> Option 10	Zone Tamper Prompt enabled	Prompt disabled
ON <input type="checkbox"/> Option 11	Zone Low Battery Prompt enabled	Prompt disabled
ON <input type="checkbox"/> Option 12	Time and Date Incorrect Prompt enabled	Prompt disabled

[004] Star Function Prompt Mask

Default	Option ON	Option Off
ON <input type="checkbox"/> Option 01	<i>For Zone Bypassing</i> Prompt enabled	Prompt disabled
ON <input type="checkbox"/> Option 02	<i>For System Troubles</i> Prompt enabled	Prompt disabled
ON <input type="checkbox"/> Option 03	<i>For Alarm Memory</i> Prompt enabled	Prompt disabled
ON <input type="checkbox"/> Option 04	<i>For Door Chime Control</i> Prompt enabled	Prompt disabled
ON <input type="checkbox"/> Option 05	<i>For Automation Control</i> Prompt enabled	Prompt disabled
ON <input type="checkbox"/> Option 06	<i>For Special Functions</i> Prompt enabled	Prompt disabled
ON <input type="checkbox"/> Option 07	<i>For "Utility Output"</i> Prompt enabled	Prompt disabled
ON <input type="checkbox"/> Option 08	<i>For Arming Without Entry</i> Prompt enabled	Prompt disabled
ON <input type="checkbox"/> Option 09	<i>For Quick Arming</i> Prompt enabled	Prompt disabled
ON <input type="checkbox"/> Option 10	<i>For Quick Exit</i> Prompt enabled	Prompt disabled
ON <input type="checkbox"/> Option 11	<i>To Arm Interior Zones</i> Prompt enabled	Prompt disabled
ON <input type="checkbox"/> Option 12	<i>For Volume Control</i> Prompt enabled	Prompt disabled
ON <input type="checkbox"/> Option 13	<i>For Speech Rate Control</i> Prompt enabled	Prompt disabled
ON <input type="checkbox"/> Option 14	<i>For Future Use</i>	
ON <input type="checkbox"/> Option 15	<i>For Future Use</i>	
ON <input type="checkbox"/> Option 16	<i>For User Programming</i> Prompt enabled	Prompt disabled

[005] Local Programming Lockout Counter

Default
000 (Valid entries are 000-255 attempts)

[006] Local Programming Lockout Duration

Default
000 (Valid entries are 000-255 minutes)

[007] Number of Home Automation Transmissions

Default
001 (Valid entries are 000-255 powerline transmissions)

Phone Access Programming

[020] Local/Remote Phone Access Code

Default
*** Enter 3 digits (0,1,2,3,4,5,6,7,8,9,*,#)



Avoid Codes that coincide with local telephone company 3-digit telephone numbers and services. Also do not exit this section by pressing [#], it will be accepted as a valid digit.

[021] Phone Access Options

Default	Option ON	Option Off
OFF <input type="checkbox"/> Option 01	Local Access Only	Remote and Local Access enabled
OFF <input type="checkbox"/> Option 02	50XX Code always req'd for Local access	No code req'd / Partition Access



Local Access Only must be ON for UL Listed installations.

Automation Programming

Automation Schedules

Schedule 1 On-Time

Default

9999 (Valid entries are 0000-2359, 9999 to disable)

Schedule 1 Off-Time

Default

9999 (Valid entries are 0000-2359, 9999 to disable)

Schedule 1 Day Mask

Default

ON

ON

ON

ON

ON

ON

ON

Option ON

Option 01 Activates on Sunday

Option 02 Activates on Monday

Option 03 Activates on Tuesday

Option 04 Activates on Wednesday

Option 05 Activates on Thursday

Option 06 Activates on Friday

Option 07 Activates on Saturday

Option Off

Does Not Activate on Sunday

Does Not Activate on Monday

Does Not Activate on Tuesday

Does Not Activate on Wednesday

Does Not Activate on Thursday

Does Not Activate on Friday

Does Not Activate on Saturday

On Time

Off Time

Day Mask

01 02 03 04 05 06 07

Schedule 1	[030]	<input type="text"/>	[031]	<input type="text"/>	[032]	<input type="text"/>
Schedule 2	[033]	<input type="text"/>	[034]	<input type="text"/>	[035]	<input type="text"/>
Schedule 3	[036]	<input type="text"/>	[037]	<input type="text"/>	[038]	<input type="text"/>
Schedule 4	[039]	<input type="text"/>	[040]	<input type="text"/>	[041]	<input type="text"/>
Schedule 5	[042]	<input type="text"/>	[043]	<input type="text"/>	[044]	<input type="text"/>
Schedule 6	[045]	<input type="text"/>	[046]	<input type="text"/>	[047]	<input type="text"/>
Schedule 7	[048]	<input type="text"/>	[049]	<input type="text"/>	[050]	<input type="text"/>
Schedule 8	[051]	<input type="text"/>	[052]	<input type="text"/>	[053]	<input type="text"/>
Schedule 9	[054]	<input type="text"/>	[055]	<input type="text"/>	[056]	<input type="text"/>
Schedule 10	[057]	<input type="text"/>	[058]	<input type="text"/>	[059]	<input type="text"/>
Schedule 11	[060]	<input type="text"/>	[061]	<input type="text"/>	[062]	<input type="text"/>
Schedule 12	[063]	<input type="text"/>	[064]	<input type="text"/>	[065]	<input type="text"/>
Schedule 13	[066]	<input type="text"/>	[067]	<input type="text"/>	[068]	<input type="text"/>
Schedule 14	[069]	<input type="text"/>	[070]	<input type="text"/>	[071]	<input type="text"/>
Schedule 15	[072]	<input type="text"/>	[073]	<input type="text"/>	[074]	<input type="text"/>
Schedule 16	[075]	<input type="text"/>	[076]	<input type="text"/>	[077]	<input type="text"/>

Automation Items

[130] Item [01] House Code and Unit Number

Default
 000 (Valid entries are 000-255 from chart on Appendix B)

[131] Item [01] Miscellaneous options

Default	Option ON	Option Off
OFF <input type="checkbox"/> Option 01	Item enabled	Disabled
ON <input type="checkbox"/> Option 02	User controlled (On/Off)	Not user controlled
OFF <input type="checkbox"/> Option 03	Included in Global On/Off command	Not included
OFF <input type="checkbox"/> Option 04	Dimming enabled	Disabled
ON <input type="checkbox"/> Option 05	Follows Schedule / Output always	Follows Schedule / Output only if a Mode is ON
ON <input type="checkbox"/> Option 06	Item is ON steady when active	Item activates for programmed time
ON <input type="checkbox"/> Option 07	Item prompting is <i>"On / Off"</i>	Not this prompting
OFF <input type="checkbox"/> Option 08	Item prompting is <i>"Open / Close"</i>	Not this prompting
OFF <input type="checkbox"/> Option 09	Item prompting is <i>"Setback On/Off"</i>	Not this prompting

[132] Item [01] Schedule Assignment

Default	Option ON	Option Off
OFF <input type="checkbox"/> Option 01	Follows Schedule 1	Does not follow Schedule 1
OFF <input type="checkbox"/> Option 02	Follows Schedule 2	Does not follow Schedule 2
OFF <input type="checkbox"/> Option 03	Follows Schedule 3	Does not follow Schedule 3
OFF <input type="checkbox"/> Option 04	Follows Schedule 4	Does not follow Schedule 4
OFF <input type="checkbox"/> Option 05	Follows Schedule 5	Does not follow Schedule 5
OFF <input type="checkbox"/> Option 06	Follows Schedule 6	Does not follow Schedule 6
OFF <input type="checkbox"/> Option 07	Follows Schedule 7	Does not follow Schedule 7
OFF <input type="checkbox"/> Option 08	Follows Schedule 8	Does not follow Schedule 8
OFF <input type="checkbox"/> Option 09	Follows Schedule 9	Does not follow Schedule 9
OFF <input type="checkbox"/> Option 10	Follows Schedule 10	Does not follow Schedule 10
OFF <input type="checkbox"/> Option 11	Follows Schedule 11	Does not follow Schedule 11
OFF <input type="checkbox"/> Option 12	Follows Schedule 12	Does not follow Schedule 12
OFF <input type="checkbox"/> Option 13	Follows Schedule 13	Does not follow Schedule 13
OFF <input type="checkbox"/> Option 14	Follows Schedule 14	Does not follow Schedule 14
OFF <input type="checkbox"/> Option 15	Follows Schedule 15	Does not follow Schedule 15
OFF <input type="checkbox"/> Option 16	Follows Schedule 16	Does not follow Schedule 16

[133] Item [01] Mode Assignment

Default	Option ON	Option Off
OFF <input type="checkbox"/> Option 01	Assigned to MODE 1	Not assigned to MODE 1
OFF <input type="checkbox"/> Option 02	Assigned to MODE 2	Not assigned to MODE 2
OFF <input type="checkbox"/> Option 03	Assigned to MODE 3	Not assigned to MODE 3
OFF <input type="checkbox"/> Option 04	Assigned to MODE 4	Not assigned to MODE 4
OFF <input type="checkbox"/> Option 05	Assigned to MODE 5	Not assigned to MODE 5
OFF <input type="checkbox"/> Option 06	Assigned to MODE 6	Not assigned to MODE 6
OFF <input type="checkbox"/> Option 07	Assigned to MODE 7	Not assigned to MODE 7
OFF <input type="checkbox"/> Option 08	Assigned to MODE 8	Not assigned to MODE 8

[134] Item [01] Schedule/Output Condition

Default
 00 (Valid Entries are 00-04) (See Sections 401-432 for Output Programming)

[00] No SCHEDULE or Output control	[03] SCHEDULE OR PC50XX Output
[01] 50XX Output only	[04] SCHEDULE AND PC50XX Output
[02] SCHEDULE only	

A U T O M A T I O N I T E M S

- Item [01]** [130] House Code & Unit Number
- [131] Miscellaneous options ,01,02,03,04,05,06,07,08,09,
- [132] Schedule Assignment ,01,02,03,04,05,06,07,08,09,10,11,12,13,14,15,16,
- [133] Mode Assignment ,01,02,03,04,05,06,07,08,
- [134] Schedule/Output Condition
- Item [02]** [135] House Code & Unit Number
- [136] Miscellaneous options ,01,02,03,04,05,06,07,08,09,
- [137] Schedule Assignment ,01,02,03,04,05,06,07,08,09,10,11,12,13,14,15,16,
- [138] Mode Assignment ,01,02,03,04,05,06,07,08,
- [139] Schedule/Output Condition
- Item [03]** [140] House Code & Unit Number
- [141] Miscellaneous options ,01,02,03,04,05,06,07,08,09,
- [142] Schedule Assignment ,01,02,03,04,05,06,07,08,09,10,11,12,13,14,15,16,
- [143] Mode Assignment ,01,02,03,04,05,06,07,08,
- [144] Schedule/Output Condition
- Item [04]** [145] House Code & Unit Number
- [146] Miscellaneous options ,01,02,03,04,05,06,07,08,09,
- [147] Schedule Assignment ,01,02,03,04,05,06,07,08,09,10,11,12,13,14,15,16,
- [148] Mode Assignment ,01,02,03,04,05,06,07,08,
- [149] Schedule/Output Condition
- Item [05]** [150] House Code & Unit Number
- [151] Miscellaneous options ,01,02,03,04,05,06,07,08,09,
- [152] Schedule Assignment ,01,02,03,04,05,06,07,08,09,10,11,12,13,14,15,16,
- [153] Mode Assignment ,01,02,03,04,05,06,07,08,
- [154] Schedule/Output Condition
- Item [06]** [155] House Code & Unit Number
- [156] Miscellaneous options ,01,02,03,04,05,06,07,08,09,
- [157] Schedule Assignment ,01,02,03,04,05,06,07,08,09,10,11,12,13,14,15,16,
- [158] Mode Assignment ,01,02,03,04,05,06,07,08,
- [159] Schedule/Output Condition

A U T O M A T I O N I T E M S

- Item [07]** [160] House Code & Unit Number
- [161] Miscellaneous options 01,02,03,04,05,06,07,08,09
- [162] Schedule Assignment 01,02,03,04,05,06,07,08,09,10,11,12,13,14,15,16
- [163] Mode Assignment 01,02,03,04,05,06,07,08
- [164] Schedule/Output Condition
- Item [08]** [165] House Code & Unit Number
- [166] Miscellaneous options 01,02,03,04,05,06,07,08,09
- [167] Schedule Assignment 01,02,03,04,05,06,07,08,09,10,11,12,13,14,15,16
- [168] Mode Assignment 01,02,03,04,05,06,07,08
- [169] Schedule/Output Condition
- Item [09]** [170] House Code & Unit Number
- [171] Miscellaneous options 01,02,03,04,05,06,07,08,09
- [172] Schedule Assignment 01,02,03,04,05,06,07,08,09,10,11,12,13,14,15,16
- [173] Mode Assignment 01,02,03,04,05,06,07,08
- [174] Schedule/Output Condition
- Item [10]** [175] House Code & Unit Number
- [176] Miscellaneous options 01,02,03,04,05,06,07,08,09
- [177] Schedule Assignment 01,02,03,04,05,06,07,08,09,10,11,12,13,14,15,16
- [178] Mode Assignment 01,02,03,04,05,06,07,08
- [179] Schedule/Output Condition
- Item [11]** [180] House Code & Unit Number
- [181] Miscellaneous options 01,02,03,04,05,06,07,08,09
- [182] Schedule Assignment 01,02,03,04,05,06,07,08,09,10,11,12,13,14,15,16
- [183] Mode Assignment 01,02,03,04,05,06,07,08
- [184] Schedule/Output Condition
- Item [12]** [185] House Code & Unit Number
- [186] Miscellaneous options 01,02,03,04,05,06,07,08,09
- [187] Schedule Assignment 01,02,03,04,05,06,07,08,09,10,11,12,13,14,15,16
- [188] Mode Assignment 01,02,03,04,05,06,07,08
- [189] Schedule/Output Condition

A U T O M A T I O N I T E M S

- Item [13]** [190] House Code & Unit Number
[191] Miscellaneous options ,01,02,03,04,05,06,07,08,09,
[192] Schedule Assignment ,01,02,03,04,05,06,07,08,09,10,11,12,13,14,15,16,
[193] Mode Assignment ,01,02,03,04,05,06,07,08,
[194] Schedule/Output Condition
- Item [14]** [195] House Code & Unit Number
[196] Miscellaneous options ,01,02,03,04,05,06,07,08,09,
[197] Schedule Assignment ,01,02,03,04,05,06,07,08,09,10,11,12,13,14,15,16,
[198] Mode Assignment ,01,02,03,04,05,06,07,08,
[199] Schedule/Output Condition
- Item [15]** [200] House Code & Unit Number
[201] Miscellaneous options ,01,02,03,04,05,06,07,08,09,
[202] Schedule Assignment ,01,02,03,04,05,06,07,08,09,10,11,12,13,14,15,16,
[203] Mode Assignment ,01,02,03,04,05,06,07,08,
[204] Schedule/Output Condition
- Item [16]** [205] House Code & Unit Number
[206] Miscellaneous options ,01,02,03,04,05,06,07,08,09,
[207] Schedule Assignment ,01,02,03,04,05,06,07,08,09,10,11,12,13,14,15,16,
[208] Mode Assignment ,01,02,03,04,05,06,07,08,
[209] Schedule/Output Condition
- Item [17]** [210] House Code & Unit Number
[211] Miscellaneous options ,01,02,03,04,05,06,07,08,09,
[212] Schedule Assignment ,01,02,03,04,05,06,07,08,09,10,11,12,13,14,15,16,
[213] Mode Assignment ,01,02,03,04,05,06,07,08,
[214] Schedule/Output Condition
- Item [18]** [215] House Code & Unit Number
[216] Miscellaneous options ,01,02,03,04,05,06,07,08,09,
[217] Schedule Assignment ,01,02,03,04,05,06,07,08,09,10,11,12,13,14,15,16,
[218] Mode Assignment ,01,02,03,04,05,06,07,08,
[219] Schedule/Output Condition

A U T O M A T I O N I T E M S

- Item [19]** [220] House Code & Unit Number
 [221] Miscellaneous options ,01,02,03,04,05,06,07,08,09,
 [222] Schedule Assignment ,01,02,03,04,05,06,07,08,09,10,11,12,13,14,15,16,
 [223] Mode Assignment ,01,02,03,04,05,06,07,08,
 [224] Schedule/Output Condition
- Item [20]** [225] House Code & Unit Number
 [226] Miscellaneous options ,01,02,03,04,05,06,07,08,09,
 [227] Schedule Assignment ,01,02,03,04,05,06,07,08,09,10,11,12,13,14,15,16,
 [228] Mode Assignment ,01,02,03,04,05,06,07,08,
 [229] Schedule/Output Condition
- Item [21]** [230] House Code & Unit Number
 [231] Miscellaneous options ,01,02,03,04,05,06,07,08,09,
 [232] Schedule Assignment ,01,02,03,04,05,06,07,08,09,10,11,12,13,14,15,16,
 [233] Mode Assignment ,01,02,03,04,05,06,07,08,
 [234] Schedule/Output Condition
- Item [22]** [235] House Code & Unit Number
 [236] Miscellaneous options ,01,02,03,04,05,06,07,08,09,
 [237] Schedule Assignment ,01,02,03,04,05,06,07,08,09,10,11,12,13,14,15,16,
 [238] Mode Assignment ,01,02,03,04,05,06,07,08,
 [239] Schedule/Output Condition
- Item [23]** [240] House Code & Unit Number
 [241] Miscellaneous options ,01,02,03,04,05,06,07,08,09,
 [242] Schedule Assignment ,01,02,03,04,05,06,07,08,09,10,11,12,13,14,15,16,
 [243] Mode Assignment ,01,02,03,04,05,06,07,08,
 [244] Schedule/Output Condition
- Item [24]** [245] House Code & Unit Number
 [246] Miscellaneous options ,01,02,03,04,05,06,07,08,09,
 [247] Schedule Assignment ,01,02,03,04,05,06,07,08,09,10,11,12,13,14,15,16,
 [248] Mode Assignment ,01,02,03,04,05,06,07,08,
 [249] Schedule/Output Condition

A U T O M A T I O N I T E M S

- Item [25]** [250] House Code & Unit Number
[251] Miscellaneous options ,01,02,03,04,05,06,07,08,09,
[252] Schedule Assignment ,01,02,03,04,05,06,07,08,09,10,11,12,13,14,15,16,
[253] Mode Assignment ,01,02,03,04,05,06,07,08,
[254] Schedule/Output Condition
- Item [26]** [255] House Code & Unit Number
[256] Miscellaneous options ,01,02,03,04,05,06,07,08,09,
[257] Schedule Assignment ,01,02,03,04,05,06,07,08,09,10,11,12,13,14,15,16,
[258] Mode Assignment ,01,02,03,04,05,06,07,08,
[259] Schedule/Output Condition
- Item [27]** [260] House Code & Unit Number
[261] Miscellaneous options ,01,02,03,04,05,06,07,08,09,
[262] Schedule Assignment ,01,02,03,04,05,06,07,08,09,10,11,12,13,14,15,16,
[263] Mode Assignment ,01,02,03,04,05,06,07,08,
[264] Schedule/Output Condition
- Item [28]** [265] House Code & Unit Number
[266] Miscellaneous options ,01,02,03,04,05,06,07,08,09,
[267] Schedule Assignment ,01,02,03,04,05,06,07,08,09,10,11,12,13,14,15,16,
[268] Mode Assignment ,01,02,03,04,05,06,07,08,
[269] Schedule/Output Condition
- Item [29]** [270] House Code & Unit Number
[271] Miscellaneous options ,01,02,03,04,05,06,07,08,09,
[272] Schedule Assignment ,01,02,03,04,05,06,07,08,09,10,11,12,13,14,15,16,
[273] Mode Assignment ,01,02,03,04,05,06,07,08,
[274] Schedule/Output Condition
- Item [30]** [275] House Code & Unit Number
[276] Miscellaneous options ,01,02,03,04,05,06,07,08,09,
[277] Schedule Assignment ,01,02,03,04,05,06,07,08,09,10,11,12,13,14,15,16,
[278] Mode Assignment ,01,02,03,04,05,06,07,08,
[279] Schedule/Output Condition

- Item [31]** **[280]** House Code & Unit Number
- [281]** Miscellaneous options
- [282]** Schedule Assignment
- [283]** Mode Assignment
- [284]** Schedule/Output Condition
- Item [32]** **[285]** House Code & Unit Number
- [286]** Miscellaneous options
- [287]** Schedule Assignment
- [288]** Mode Assignment
- [289]** Schedule/Output Condition

Automation Item Pulse Schedules

[301] Automation Item 1: Pulse Timer

Default

005 (Valid entries are 000-255 seconds)

- | | |
|---|---|
| [301] Automation Item 1: Pulse Timer <input type="text"/> <input type="text"/> <input type="text"/> | [317] Automation Item 17: Pulse Timer <input type="text"/> <input type="text"/> <input type="text"/> |
| [302] Automation Item 2: Pulse Timer <input type="text"/> <input type="text"/> <input type="text"/> | [318] Automation Item 18: Pulse Timer <input type="text"/> <input type="text"/> <input type="text"/> |
| [303] Automation Item 3: Pulse Timer <input type="text"/> <input type="text"/> <input type="text"/> | [319] Automation Item 19: Pulse Timer <input type="text"/> <input type="text"/> <input type="text"/> |
| [304] Automation Item 4: Pulse Timer <input type="text"/> <input type="text"/> <input type="text"/> | [320] Automation Item 20: Pulse Timer <input type="text"/> <input type="text"/> <input type="text"/> |
| [305] Automation Item 5: Pulse Timer <input type="text"/> <input type="text"/> <input type="text"/> | [321] Automation Item 21: Pulse Timer <input type="text"/> <input type="text"/> <input type="text"/> |
| [306] Automation Item 6: Pulse Timer <input type="text"/> <input type="text"/> <input type="text"/> | [322] Automation Item 22: Pulse Timer <input type="text"/> <input type="text"/> <input type="text"/> |
| [307] Automation Item 7: Pulse Timer <input type="text"/> <input type="text"/> <input type="text"/> | [323] Automation Item 23: Pulse Timer <input type="text"/> <input type="text"/> <input type="text"/> |
| [308] Automation Item 8: Pulse Timer <input type="text"/> <input type="text"/> <input type="text"/> | [324] Automation Item 24: Pulse Timer <input type="text"/> <input type="text"/> <input type="text"/> |
| [309] Automation Item 9: Pulse Timer <input type="text"/> <input type="text"/> <input type="text"/> | [325] Automation Item 25: Pulse Timer <input type="text"/> <input type="text"/> <input type="text"/> |
| [310] Automation Item 10: Pulse Timer <input type="text"/> <input type="text"/> <input type="text"/> | [326] Automation Item 26: Pulse Timer <input type="text"/> <input type="text"/> <input type="text"/> |
| [311] Automation Item 11: Pulse Timer <input type="text"/> <input type="text"/> <input type="text"/> | [327] Automation Item 27: Pulse Timer <input type="text"/> <input type="text"/> <input type="text"/> |
| [312] Automation Item 12: Pulse Timer <input type="text"/> <input type="text"/> <input type="text"/> | [328] Automation Item 28: Pulse Timer <input type="text"/> <input type="text"/> <input type="text"/> |
| [313] Automation Item 13: Pulse Timer <input type="text"/> <input type="text"/> <input type="text"/> | [329] Automation Item 29: Pulse Timer <input type="text"/> <input type="text"/> <input type="text"/> |
| [314] Automation Item 14: Pulse Timer <input type="text"/> <input type="text"/> <input type="text"/> | [330] Automation Item 30: Pulse Timer <input type="text"/> <input type="text"/> <input type="text"/> |
| [315] Automation Item 15: Pulse Timer <input type="text"/> <input type="text"/> <input type="text"/> | [331] Automation Item 31: Pulse Timer <input type="text"/> <input type="text"/> <input type="text"/> |
| [316] Automation Item 16: Pulse Timer <input type="text"/> <input type="text"/> <input type="text"/> | [332] Automation Item 32: Pulse Timer <input type="text"/> <input type="text"/> <input type="text"/> |

Automation Item Output Follower

[401] Automation Item 1: PC5010 Programmable Output Follower

Default

00

(Valid entries are PC5010 Outputs 03-14. Valid entries are PC1575 Outputs 01 and 02. 00 = not used on both the PC5010 and PC1575.)

- [402] Automation Item 2: PC5010 Programmable Output Follower
- [403] Automation Item 3: PC5010 Programmable Output Follower
- [404] Automation Item 4: PC5010 Programmable Output Follower
- [405] Automation Item 5: PC5010 Programmable Output Follower
- [406] Automation Item 6: PC5010 Programmable Output Follower
- [407] Automation Item 7: PC5010 Programmable Output Follower
- [408] Automation Item 8: PC5010 Programmable Output Follower
- [409] Automation Item 9: PC5010 Programmable Output Follower
- [410] Automation Item 10: PC5010 Programmable Output Follower
- [411] Automation Item 11: PC5010 Programmable Output Follower
- [412] Automation Item 12: PC5010 Programmable Output Follower
- [413] Automation Item 13: PC5010 Programmable Output Follower
- [414] Automation Item 14: PC5010 Programmable Output Follower
- [415] Automation Item 15: PC5010 Programmable Output Follower
- [416] Automation Item 16: PC5010 Programmable Output Follower
- [417] Automation Item 17: PC5010 Programmable Output Follower
- [418] Automation Item 18: PC5010 Programmable Output Follower
- [419] Automation Item 19: PC5010 Programmable Output Follower
- [420] Automation Item 20: PC5010 Programmable Output Follower
- [421] Automation Item 21: PC5010 Programmable Output Follower
- [422] Automation Item 22: PC5010 Programmable Output Follower
- [423] Automation Item 23: PC5010 Programmable Output Follower
- [424] Automation Item 24: PC5010 Programmable Output Follower
- [425] Automation Item 25: PC5010 Programmable Output Follower
- [426] Automation Item 26: PC5010 Programmable Output Follower
- [427] Automation Item 27: PC5010 Programmable Output Follower
- [428] Automation Item 28: PC5010 Programmable Output Follower
- [429] Automation Item 29: PC5010 Programmable Output Follower
- [430] Automation Item 30: PC5010 Programmable Output Follower
- [431] Automation Item 31: PC5010 Programmable Output Follower
- [432] Automation Item 32: PC5010 Programmable Output Follower

Label Programming *(Please see Appendix A for Escort5580 Label Library)*



Do not program a number as the 6th word of a label. See section 4.5.2.

Automation Item Labels

												Default
[451]	Item 1	Label	_____	_____	_____	_____	_____	_____	_____	_____	_____	Item 1
[452]	Item 2	Label	_____	_____	_____	_____	_____	_____	_____	_____	_____	Item 2
[453]	Item 3	Label	_____	_____	_____	_____	_____	_____	_____	_____	_____	Item 3
[454]	Item 4	Label	_____	_____	_____	_____	_____	_____	_____	_____	_____	Item 4
[455]	Item 5	Label	_____	_____	_____	_____	_____	_____	_____	_____	_____	Item 5
[456]	Item 6	Label	_____	_____	_____	_____	_____	_____	_____	_____	_____	Item 6
[457]	Item 7	Label	_____	_____	_____	_____	_____	_____	_____	_____	_____	Item 7
[458]	Item 8	Label	_____	_____	_____	_____	_____	_____	_____	_____	_____	Item 8
[459]	Item 9	Label	_____	_____	_____	_____	_____	_____	_____	_____	_____	Item 9
[460]	Item 10	Label	_____	_____	_____	_____	_____	_____	_____	_____	_____	Item 10
[461]	Item 11	Label	_____	_____	_____	_____	_____	_____	_____	_____	_____	Item 11
[462]	Item 12	Label	_____	_____	_____	_____	_____	_____	_____	_____	_____	Item 12
[463]	Item 13	Label	_____	_____	_____	_____	_____	_____	_____	_____	_____	Item 13
[464]	Item 14	Label	_____	_____	_____	_____	_____	_____	_____	_____	_____	Item 14
[465]	Item 15	Label	_____	_____	_____	_____	_____	_____	_____	_____	_____	Item 15
[466]	Item 16	Label	_____	_____	_____	_____	_____	_____	_____	_____	_____	Item 16
[467]	Item 17	Label	_____	_____	_____	_____	_____	_____	_____	_____	_____	Item 17
[468]	Item 18	Label	_____	_____	_____	_____	_____	_____	_____	_____	_____	Item 18
[469]	Item 19	Label	_____	_____	_____	_____	_____	_____	_____	_____	_____	Item 19
[470]	Item 20	Label	_____	_____	_____	_____	_____	_____	_____	_____	_____	Item 20
[471]	Item 11	Label	_____	_____	_____	_____	_____	_____	_____	_____	_____	Item 21
[472]	Item 22	Label	_____	_____	_____	_____	_____	_____	_____	_____	_____	Item 22
[473]	Item 23	Label	_____	_____	_____	_____	_____	_____	_____	_____	_____	Item 23
[474]	Item 24	Label	_____	_____	_____	_____	_____	_____	_____	_____	_____	Item 24
[475]	Item 25	Label	_____	_____	_____	_____	_____	_____	_____	_____	_____	Item 25
[476]	Item 26	Label	_____	_____	_____	_____	_____	_____	_____	_____	_____	Item 26
[477]	Item 27	Label	_____	_____	_____	_____	_____	_____	_____	_____	_____	Item 27
[478]	Item 28	Label	_____	_____	_____	_____	_____	_____	_____	_____	_____	Item 28
[479]	Item 29	Label	_____	_____	_____	_____	_____	_____	_____	_____	_____	Item 29
[480]	Item 30	Label	_____	_____	_____	_____	_____	_____	_____	_____	_____	Item 30
[481]	Item 31	Label	_____	_____	_____	_____	_____	_____	_____	_____	_____	Item 31
[482]	Item 32	Label	_____	_____	_____	_____	_____	_____	_____	_____	_____	Item 32

Automation Mode Labels

Default

- [521] Mode 1 Label Mode 1
- [522] Mode 2 Label Mode 2
- [523] Mode 3 Label Mode 3
- [524] Mode 4 Label Mode 4
- [525] Mode 5 Label Mode 5
- [526] Mode 6 Label Mode 6
- [527] Mode 7 Label Mode 7
- [528] Mode 8 Label Mode 8

Miscellaneous System Labels

Default

- [545] Sensor Reset Sensor Reset
- [546] Utility Output Utility Output

System Partition Labels

Default

- [561] Partition 1 Label System
- [562] Partition 2 Label Partition 2

System Zone Labels

Default

- [601] Zone 1 Label Zone 1
- [602] Zone 2 Label Zone 2
- [603] Zone 3 Label Zone 3
- [604] Zone 4 Label Zone 4
- [605] Zone 5 Label Zone 5
- [606] Zone 6 Label Zone 6
- [607] Zone 7 Label Zone 7
- [608] Zone 8 Label Zone 8
- [609] Zone 9 Label Zone 9
- [610] Zone 10 Label Zone 10

L A B E L / S P E C I A L P R O G R A M M I N G

	Default
[611] Zone 11 Label <input type="text"/> <input type="text"/> <input type="text"/> <input type="text"/> <input type="text"/> <input type="text"/> <input type="text"/> <input type="text"/>	Zone 11
[612] Zone 12 Label <input type="text"/> <input type="text"/> <input type="text"/> <input type="text"/> <input type="text"/> <input type="text"/> <input type="text"/> <input type="text"/>	Zone 12
[613] Zone 13 Label <input type="text"/> <input type="text"/> <input type="text"/> <input type="text"/> <input type="text"/> <input type="text"/> <input type="text"/> <input type="text"/>	Zone 13
[614] Zone 14 Label <input type="text"/> <input type="text"/> <input type="text"/> <input type="text"/> <input type="text"/> <input type="text"/> <input type="text"/> <input type="text"/>	Zone 14
[615] Zone 15 Label <input type="text"/> <input type="text"/> <input type="text"/> <input type="text"/> <input type="text"/> <input type="text"/> <input type="text"/> <input type="text"/>	Zone 15
[616] Zone 16 Label <input type="text"/> <input type="text"/> <input type="text"/> <input type="text"/> <input type="text"/> <input type="text"/> <input type="text"/> <input type="text"/>	Zone 16
[617] Zone 17 Label <input type="text"/> <input type="text"/> <input type="text"/> <input type="text"/> <input type="text"/> <input type="text"/> <input type="text"/> <input type="text"/>	Zone 17
[618] Zone 18 Label <input type="text"/> <input type="text"/> <input type="text"/> <input type="text"/> <input type="text"/> <input type="text"/> <input type="text"/> <input type="text"/>	Zone 18
[619] Zone 19 Label <input type="text"/> <input type="text"/> <input type="text"/> <input type="text"/> <input type="text"/> <input type="text"/> <input type="text"/> <input type="text"/>	Zone 19
[620] Zone 20 Label <input type="text"/> <input type="text"/> <input type="text"/> <input type="text"/> <input type="text"/> <input type="text"/> <input type="text"/> <input type="text"/>	Zone 20
[621] Zone 21 Label <input type="text"/> <input type="text"/> <input type="text"/> <input type="text"/> <input type="text"/> <input type="text"/> <input type="text"/> <input type="text"/>	Zone 21
[622] Zone 22 Label <input type="text"/> <input type="text"/> <input type="text"/> <input type="text"/> <input type="text"/> <input type="text"/> <input type="text"/> <input type="text"/>	Zone 22
[623] Zone 23 Label <input type="text"/> <input type="text"/> <input type="text"/> <input type="text"/> <input type="text"/> <input type="text"/> <input type="text"/> <input type="text"/>	Zone 23
[624] Zone 24 Label <input type="text"/> <input type="text"/> <input type="text"/> <input type="text"/> <input type="text"/> <input type="text"/> <input type="text"/> <input type="text"/>	Zone 24
[625] Zone 25 Label <input type="text"/> <input type="text"/> <input type="text"/> <input type="text"/> <input type="text"/> <input type="text"/> <input type="text"/> <input type="text"/>	Zone 25
[626] Zone 26 Label <input type="text"/> <input type="text"/> <input type="text"/> <input type="text"/> <input type="text"/> <input type="text"/> <input type="text"/> <input type="text"/>	Zone 26
[627] Zone 27 Label <input type="text"/> <input type="text"/> <input type="text"/> <input type="text"/> <input type="text"/> <input type="text"/> <input type="text"/> <input type="text"/>	Zone 27
[628] Zone 28 Label <input type="text"/> <input type="text"/> <input type="text"/> <input type="text"/> <input type="text"/> <input type="text"/> <input type="text"/> <input type="text"/>	Zone 28
[629] Zone 29 Label <input type="text"/> <input type="text"/> <input type="text"/> <input type="text"/> <input type="text"/> <input type="text"/> <input type="text"/> <input type="text"/>	Zone 29
[630] Zone 30 Label <input type="text"/> <input type="text"/> <input type="text"/> <input type="text"/> <input type="text"/> <input type="text"/> <input type="text"/> <input type="text"/>	Zone 30
[631] Zone 31 Label <input type="text"/> <input type="text"/> <input type="text"/> <input type="text"/> <input type="text"/> <input type="text"/> <input type="text"/> <input type="text"/>	Zone 31
[632] Zone 32 Label <input type="text"/> <input type="text"/> <input type="text"/> <input type="text"/> <input type="text"/> <input type="text"/> <input type="text"/> <input type="text"/>	Zone 32
[633] Fire Alarm Label <input type="text"/> <input type="text"/> <input type="text"/> <input type="text"/> <input type="text"/> <input type="text"/> <input type="text"/> <input type="text"/>	Fire Zone

Special Programming

[999] [Service Code] [999] **Software Default Escort5580 Programming**
 Re-enter Escort5580 Service Code and Section Number [999].

Appendix A

E S C O R T 5 5 8 0 L A B E L L I B R A R Y

[000] Combined #	[048] Curtain	[099] Guest	[149] Nursery	[199] Sounder
Command	[049] Dark	[100] Gun	[150] Office	[200] South
[001] Ordered #	[050] Day	[101] Gym	[151] Outer	[201] Sprinkler
Command	[051] Deck	[102] Hallway	[152] Outlet	[202] Staff
[002] Individual #	[052] Degrees	[103] Heat	[153] Output *	[203] Stairs
Command	[053] Den	[104] Heater	[154] Over	[204] Stereo
[003] Access	[054] Detector	[105] High	[155] Overflow	[205] Stock
[004] Air-conditioning	[055] Dining	[106] Holiday	[156] Overhead	[206] Storage
[005] Alcove	[056] Dishwasher	[107] Home	[157] Panel	[207] Strike
[006] And	[057] Door	[108] Hose	[158] Panic-button	[208] Sump
[007] Apartment	[058] Down	[109] Hot tub	[159] Parking	[209] Supervision
[008] Appliance	[059] Driveway	[110] House	[160] Partition	[210] Swimming-pool
[009] Area	[060] East	[111] Humidity	[161] Patio	[211] System *
[010] Atrium	[061] Electric	[112] Interior	[162] Perimeter	[212] Tamper
[011] Attic	[062] Elevator	[113] Intrusion	[163] Photocopier	[213] Television
[012] Automatic	[063] Employee	[114] Item *	[164] Picture	[214] Temperature
[013] Away	[064] Energy-save	[115] Jewellery	[165] Place	[215] Time
[014] Back	[065] Entertainment	[116] Kitchen	[166] Play	[216] Tool
[015] Backyard	[066] Entry	[117] Ladies'	[167] Porch	[217] Top
[016] Balcony	[067] Equipment	[118] Lamp	[168] Portable	[218] Track
[017] Bar	[068] Exercise	[119] Laundry	[169] Power	[219] Trap
[018] Barn	[069] Exhaust	[120] Lawn	[170] Pressure	[220] Under
[019] Basement	[070] Exit	[121] Left	[171] Proximity	[221] Unit
[020] Bathroom	[071] Exterior	[122] Level	[172] Pull-station	[222] Up
[021] Bay	[072] Extinguisher	[123] Library	[173] Pump	[223] Upper
[022] Beam	[073] Factory	[124] Light	[174] Ramp	[224] Utility *
[023] Bedroom	[074] Family	[125] Lights	[175] Rear	[225] Vault
[024] Blinds	[075] Fan	[126] Liquor	[176] Receiving	[226] Vent
[025] Boat	[076] Fence	[127] Living	[177] Recreation	[227] Vibration
[026] Boiler	[077] File	[128] Loading	[178] Refrigerator	[228] Walkway
[027] Bottom	[078] Fire *	[129] Lobby	[179] Reset *	[229] Warehouse
[028] Boys	[079] Floor	[130] Lot	[180] Restricted	[230] Washroom
[029] Building	[080] Florida	[131] Low	[181] Right	[231] Water
[030] Cabinet	[081] Flow	[132] Lower	[182] Roof	[232] Weekend
[031] Cafeteria	[082] Foil	[133] Machine	[183] Room	[233] Well
[032] Camera	[083] Fountain	[134] Maids	[184] Safe	[234] West
[033] Cash	[084] Foyer	[135] Mail	[185] Sauna	[235] Window
[034] Ceiling	[085] Freezer	[136] Main	[186] Schedule	[236] Wine-cellar
[035] Centre	[086] French	[137] Maintenance	[187] Sensor *	[237] Work
[036] Changeroom	[087] Front	[138] Master	[188] Service	[238] Yard
[037] China	[088] Furnace	[139] Mat	[189] Shed	[239] Zone *
[038] Circuit	[089] Game	[140] Medical	[190] Shipping	[240] <i>Not Used</i>
[039] Classroom	[090] Garage	[141] Meeting	[191] Shop	[241] <i>Not Used</i>
[040] Coffee-maker	[091] Garbage	[142] Men's	[192] Shutter	[242] <i>Not Used</i>
[041] Cold	[092] Gas	[143] Middle	[193] Side	[243] <i>Not Used</i>
[042] Collection	[093] Gate	[144] Mode	[194] Silent	[244] <i>Not Used</i>
[043] Compressor	[094] Girls	[145] Motion	[195] Skylight	[245] (2 Second
[044] Computer	[095] Glassbreak	[146] Night	[196] Sliding	Pause)
[045] Contact	[096] Greenhouse	[147] North	[197] Smoke	
[046] Control	[097] Ground	[148] Number	[198] Solarium	
[047] Crawl-space	[098] Guard			

Appendix B

A U T O M A T I O N I T E M H O U S E C O D E S & U N I T N U M B E R S

<i>Enter</i>	<i>Code</i>	<i>Enter</i>	<i>Code</i>	<i>Enter</i>	<i>Code</i>	<i>Enter</i>	<i>Code</i>	<i>Enter</i>	<i>Code</i>
[000]	A 1	[052]	D 5	[103]	G 8	[154]	J 11	[205]	M 14
[001]	A 2	[053]	D 6	[104]	G 9	[155]	J 12	[206]	M 15
[002]	A 3	[054]	D 7	[105]	G 10	[156]	J 13	[207]	M 16
[003]	A 4	[055]	D 8	[106]	G 11	[157]	J 14	[208]	N 1
[004]	A 5	[056]	D 9	[107]	G 12	[158]	J 15	[209]	N 2
[005]	A 6	[057]	D 10	[108]	G 13	[159]	J 16	[210]	N 3
[006]	A 7	[058]	D 11	[109]	G 14	[160]	K 1	[211]	N 4
[007]	A 8	[059]	D 12	[110]	G 15	[161]	K 2	[212]	N 5
[008]	A 9	[060]	D 13	[111]	G 16	[162]	K 3	[213]	N 6
[009]	A 10	[061]	D 14	[112]	H 1	[163]	K 4	[214]	N 7
[010]	A 11	[062]	D 15	[113]	H 2	[164]	K 5	[215]	N 8
[011]	A 12	[063]	D 16	[114]	H 3	[165]	K 6	[216]	N 9
[012]	A 13	[064]	E 1	[115]	H 4	[166]	K 7	[217]	N 10
[013]	A 14	[065]	E 2	[116]	H 5	[167]	K 8	[218]	N 11
[014]	A 15	[066]	E 3	[117]	H 6	[168]	K 9	[219]	N 12
[015]	A 16	[067]	E 4	[118]	H 7	[169]	K 10	[220]	N 13
[016]	B 1	[068]	E 5	[119]	H 8	[170]	K 11	[221]	N 14
[017]	B 2	[069]	E 6	[120]	H 9	[171]	K 12	[222]	N 15
[018]	B 3	[070]	E 7	[121]	H 10	[172]	K 13	[223]	N 16
[019]	B 4	[071]	E 8	[122]	H 11	[173]	K 14	[224]	O 1
[020]	B 5	[072]	E 9	[123]	H 12	[174]	K 15	[225]	O 2
[021]	B 6	[073]	E 10	[124]	H 13	[175]	K 16	[226]	O 3
[022]	B 7	[074]	E 11	[125]	H 14	[176]	L 1	[227]	O 4
[023]	B 8	[075]	E 12	[126]	H 15	[177]	L 2	[228]	O 5
[024]	B 9	[076]	E 13	[127]	H 16	[178]	L 3	[229]	O 6
[025]	B 10	[077]	E 14	[128]	I 1	[179]	L 4	[230]	O 7
[026]	B 11	[078]	E 15	[129]	I 2	[180]	L 5	[231]	O 8
[027]	B 12	[079]	E 16	[130]	I 3	[181]	L 6	[232]	O 9
[028]	B 13	[080]	F 1	[131]	I 4	[182]	L 7	[233]	O 10
[029]	B 14	[081]	F 2	[132]	I 5	[183]	L 8	[234]	O 11
[030]	B 15	[082]	F 3	[133]	I 6	[184]	L 9	[235]	O 12
[031]	B 16	[083]	F 4	[134]	I 7	[185]	L 10	[236]	O 13
[032]	C 1	[084]	F 5	[135]	I 8	[186]	L 11	[237]	O 14
[033]	C 2	[085]	F 6	[136]	I 9	[187]	L 12	[238]	O 15
[034]	C 3	[086]	F 7	[137]	I 10	[188]	L 13	[239]	O 16
[035]	C 4	[087]	F 8	[138]	I 11	[189]	L 14	[240]	P 1
[036]	C 5	[088]	F 9	[139]	I 12	[190]	L 15	[241]	P 2
[037]	C 6	[089]	F 10	[140]	I 13	[191]	L 16	[242]	P 3
[038]	C 7	[090]	F 11	[141]	I 14	[192]	M 1	[243]	P 4
[039]	C 8	[091]	F 12	[142]	I 15	[193]	M 2	[244]	P 5
[040]	C 9	[092]	F 13	[143]	I 16	[194]	M 3	[245]	P 6
[041]	C 10	[093]	F 14	[144]	J 1	[195]	M 4	[246]	P 7
[042]	C 11	[094]	F 15	[145]	J 2	[196]	M 5	[247]	P 8
[043]	C 12	[095]	F 16	[146]	J 3	[197]	M 6	[248]	P 9
[044]	C 13	[096]	G 1	[147]	J 4	[198]	M 7	[249]	P 10
[045]	C 14	[097]	G 2	[148]	J 5	[199]	M 8	[250]	P 11
[046]	C 15	[098]	G 3	[149]	J 6	[200]	M 9	[251]	P 12
[047]	C 16	[099]	G 4	[150]	J 7	[201]	M 10	[252]	P 13
[048]	D 1	[100]	G 5	[151]	J 8	[202]	M 11	[253]	P 14
[049]	D 2	[101]	G 6	[152]	J 9	[203]	M 12	[254]	P 15
[050]	D 3	[102]	G 7	[153]	J 10	[204]	M 13	[255]	P 16
[051]	D 4								

Appendix C

AUTOMATION ITEM CONTROL [*] [5] MENU COMMANDS

The following are the flow chart of commands available when the [*] [5] command is entered for Home Automation control:

Entering the Home Automation Section

Press [*] [5] [1] to access the Home Automation Section. Access code is required, locally or remotely it is an option. If an access code is required the Escort5580 will prompt the following. If not it will immediately begin to announce the Home Automation menu. Escort5580 will announce

“Enter Your Access Code”

Enter your Access Code.

Home Automation Menu

Escort5580 will announce

“For Individual Item Control, Press One”

“For Mode Control, Press Two”

“For Global Item Control, Press Three”

“To Exit Press Pound”

Individual Item Control Menu

Escort5580 will announce

“{Automation Item Label}”

“To {Turn On/Open/Turn Setback On}, Press One”

“To {Turn Off/Closed/Turn Setback Off}, Press Two”

“To Increase, Press Three” (only if dimming is enabled)

“To Decrease, Press Four” (only if dimming is enabled)

“For the Next Item, Press Five”

“For the Previous Item, Press Six”

“To Select item Using Item Number, Press Seven”

“To Exit, Press Pound”

Mode Control Menu

Escort5580 will announce

“{Mode Label} is {On/Off}”

“To Change, Press One”

“For the Next Mode, Press Two”

“For the Previous Mode, Press Three”

“To Exit, Press Pound”

Escort5580 will announce

“To Turn Global Items On, Press One”

“To Turn Global Items Off, Press Two”

“To Exit, Press Pound”

Appendix D

A D D I T I O N A L [*] [6] O P T I O N S

There are two additional options available in the [*] [6] [Master User Code] User Functions menu. These are Volume Control and Speech Rate.

Volume Control

When Volume Control is accessed the Escort5580 will announce the following:

“Volume is [High/Medium/Low]. To Change, Press One. To Exit, Press Pound”

Speech Rate

When the Speech Rate is accessed the Escort5580 will announce the following:

“Speech Rate is [Slow/Fast]. To Change, Press One. To Exit, Press Pound”

These additional [*], [6] menu options are only available through the Escort5580 module.

Appendix E

A C C E S S C O D E P R O G R A M M I N G

The Access Code Programming function allows you to program access codes that will function on the security system as well as on the Escort5580. The system can be set to accept 4 or 6 digit user codes. Depending on what model of security system you have, you may have the ability to program either 6 or 32 access codes. To program these user codes, follow these steps:

With the system disarmed, access the security system using the steps described in the Accessing Your Security System and Accessing Partitions section of this manual.

Press the [*] key. When the system announces

“For Automation Control and User Programming press [5]”

press the [5] key. The system will then announce

“For Automation Control press [1], for User Programming press [2], to exit press [#]”

Press the [2] key. Enter your master access code. The system will then announce:

“User Code Programming enter the (one/two) digit user number. For User Option programming press [9]. User X, X and X are programmed to exit press [#].”



Your system may or may not prompt you with “User Option Programming”. Please consult your security system instruction manual for more information on user options.

Enter the number of the access code that you wish to program at this time. The system will announce:

“Enter the new (4/6) digit access code. To exit press [#]”

Enter the new code at this point. You will again be prompted by the message:

“User Code Programming Enter the (one/two) digit user number. For User Option programming press [9]. Users X, X and X are programmed to exit. Press [#]”



Your system may or may not prompt you with “User Option Programming”. Please consult your security system instruction manual for more information on user options.

If you wish to program another access code, enter the user number. If not, press [#] to return to the main menu.