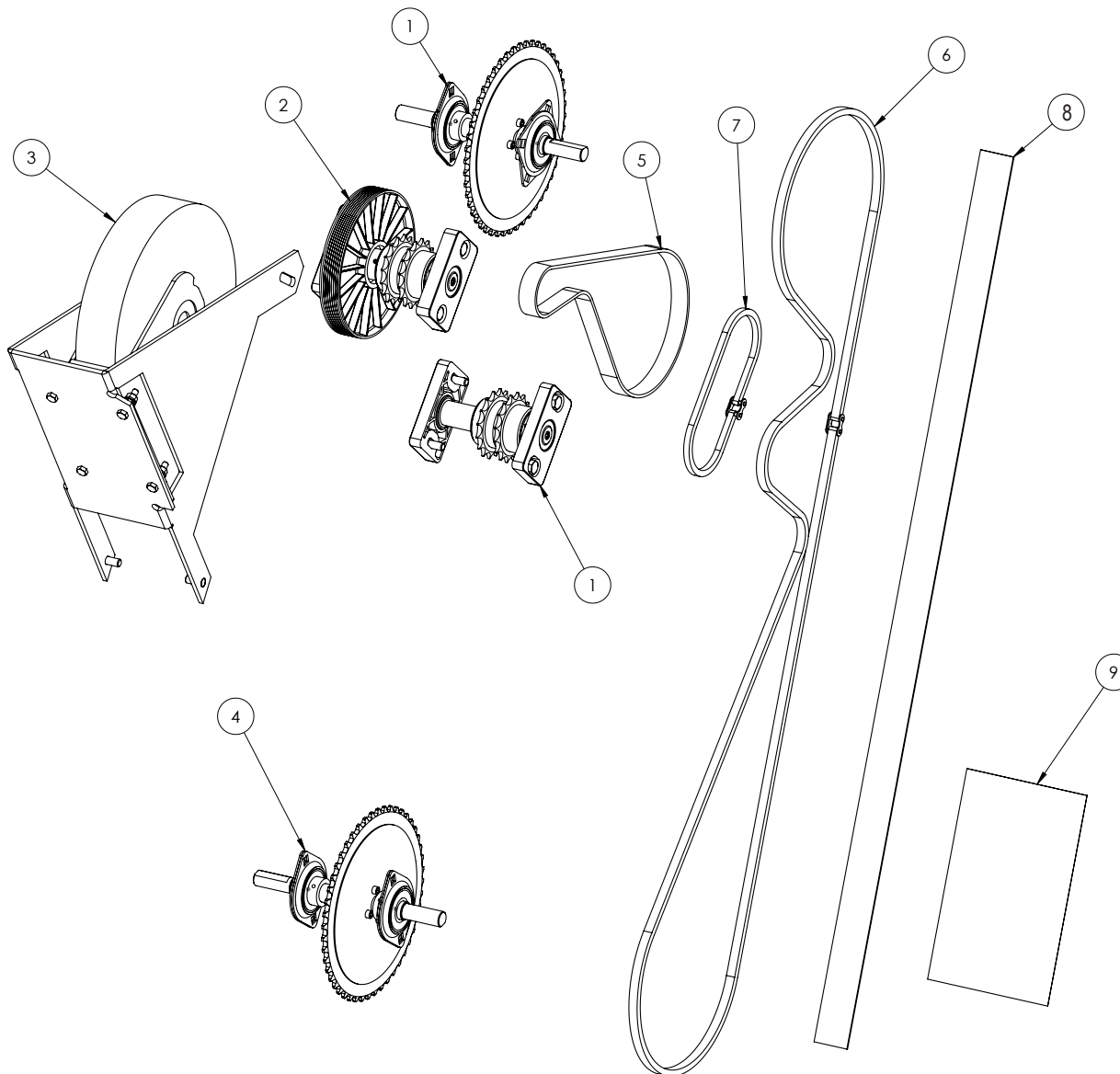


Operation Description: **PRO2 Sport 188 or 190 Pitch
#40 Chain Assembly Replacement**Sub Assy of:
PRO2 SportCreation Date:
12/17/07Originator:
R. GantApprov. Date:
1/17/08Kit Part No. A3912
188 Pitch, #40 ChainKit Part No. A3913
190 Pitch, #40 Chain



Service Part Replacement Instruction

Inst. No.:
M1005

Rev.
A

ECN No.
-

Operation Description: **PRO2 Sport 188 or 190 Pitch
#40 Chain Assembly Replacement**

Sub Assy of:
PRO2 Sport

Creation Date:
12/17/07

Originator:
R. Gant

Approv. Date:
1/17/08

Required Parts				Required Tools
Part No.	Description	Item	Qty.	Description
A3912	Kit, Retrofit, 188 Pitch, #40 Chain, PRO2 Sport			5/32" Allen Wrench
A3914	Kit, Jackshaft, Conversion, Mono, PRO2 Sport	1	1	5/16" Allen Wrench
A3915	Kit, Bi-Directional, Conversion, Mono, PRO2 Sport	2	1	Phillips Screwdriver
A3801	Assy, Bracket, Brake, PRO2 Sport	3	1	Crescent Wrench
A3916	Kit, Sprocket, Spindle, PRO2 Sport	4	2	1/2" Socket or Wrench
P1664	Belt, Poly-V, 8 Groove, J, 310	5	1	Needlenose Pliers
A3908	Kit, Chain, Long, 188P, #40, PRO2 Sport	6	1	Straight Edge
A3120	Kit, Chain, Short, #40, 32P, ISO7000R	7	1	
A3737	Strip, Neoprene, PRO2 Sport	8	1	
P3917	Towelette, Alcohol	9	1	
A3913	Kit, Retrofit, 190 Pitch, #40 Chain, PRO2 Sport			<p>Check contents of kit and verify that all items are recieved. If there are any missing components, contact SCI-FIT customer service at 1-800-745-1373.</p>
A3914	Kit, Jackshaft, Conversion, Mono, PRO2 Sport	1	1	
A3915	Kit, Bi-Directional, Conversion, Mono, PRO2 Sport	2	1	
A3801	Assy, Bracket, Brake, PRO2 Sport	3	1	
A3916	Kit, Sprocket, Spindle, PRO2 Sport	4	2	
P1664	Belt, Poly-V, 8 Groove, J, 310	5	1	
A3906	Kit, Chain, Long, 190P, #40, PRO2 Sport	6	1	
A3120	Kit, Chain, Short, #40, 32P, ISO7000R	7	1	
A3737	Strip, Neoprene, PRO2 Sport	8	1	
P3917	Towelette, Alcohol	9	1	