

# PRINTRONIX®

---

## *Administrator's Manual*



---

## *SL4M™ and T4M™ RFID Smart Label and Thermal Printers*



---

This document contains proprietary information protected by copyright. No part of this document may be reproduced, copied, translated or incorporated in any other material in any form or by any means, whether manual, graphic, electronic, mechanical or otherwise, without the prior written consent of Printronix.

COPYRIGHT © 2007, 2013 PRINTRONIX, INC. All rights reserved.

## **Trademark Acknowledgements**

---

SL4M and T4M are trademarks of Printronix, Inc.

Printronix, IGP, IGP/Auto Label Mapping, PGL, and PrintNet are registered trademarks of Printronix, Inc.

HP is a registered trademark of Hewlett-Packard Company.

PCL is a registered trademark of Hewlett-Packard Company.

IBM is registered trademark of International Business Machines Corp.

MS-DOS and Windows are registered trademarks of Microsoft Corporation.

Centronics is a registered trademark of Genicom Corporation.

IEEE is a registered service mark of the Institute of Electrical and Electronic Engineers, Inc.

ANSI is a registered trademark of American National Standards Institute, Inc.

EIA is a registered service mark of Electronic Industries Association.

ZPL, ZPL II, and Zebra are registered trademarks of Zebra Technologies Corporation.

TEC is a registered trademark of the Toshiba TEC Corporation.

Intermec is a registered trademark of the Intermec Technologies Corporation.

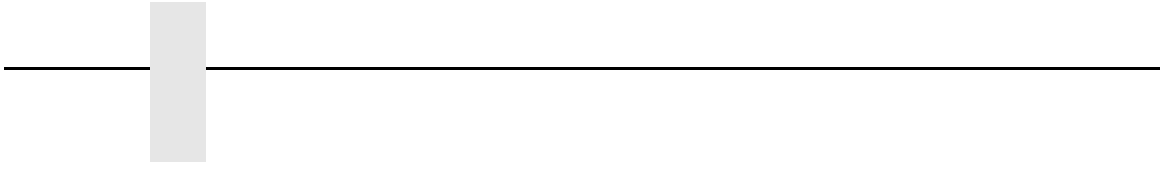
SATO is a registered trademark of SATO America, Inc.

DPL is a trademark and Datamax is a registered trademark of Datamax Technologies Corporation.

Monarch is a registered trademark of Paxar Corporation.

IER is a registered trademark of IER Siège

Andalé is a registered trademark of Monotype Corporation.





# Table of Contents

<b>1</b>	<b>Introduction .....</b>	<b>11</b>
	The SL4M/T4M Thermal Printer .....	11
	Standard Features .....	11
	Optional Features.....	12
	Thermal Printer Technology .....	14
	The Printing Process.....	14
	Manual Conventions .....	14
	Warnings and Special Information.....	15
	Related Documents .....	15
	Thermal Consumables.....	16
	Media Selection.....	16
	Ribbons .....	16
<b>2</b>	<b>Operation .....</b>	<b>17</b>
	Unpacking the Printer .....	17
	Installation.....	18
	Power Cord Requirements .....	21
	Setting Up the Printer .....	21
	Loading Ribbon .....	22
	Loading Roll Media .....	25
	Loading Fanfold Media.....	30
	Operating Modes .....	34
	Controls and Indicators.....	35
	Power Switch .....	35
	Powering On the Printer .....	35
	Control Panel .....	36
	Media Handling Modes .....	40
	Printhead Pressure Adjustment .....	41
	Media Thickness Adjustment .....	41
	Media Width Adjustment .....	42
	Printhead Alignment.....	43
	Positioning the Media Sensors .....	44
	Sensing Different Media Types .....	46
	Running Auto Calibrate.....	47
	Running Media Profile .....	48
	Running Manual Calibrate .....	50

<b>3</b>	<b>Standard Interfaces .....</b>	<b>53</b>
	Overview .....	53
	Auto Switching .....	53
	Parallel Interface .....	54
	Centronics .....	54
	IEEE 1284 .....	56
	Serial Interface .....	59
	RS-232 .....	59
<b>4</b>	<b>Configuring the Printer .....</b>	<b>61</b>
	Overview .....	61
	Setting Printer Configuration Parameters .....	61
	Moving within the Configuration Menu .....	61
	Selecting a Menu Option .....	63
	Changing Printer Settings .....	64
	Hidden Menus .....	64
	Menu Overview .....	65
	Main Menu .....	66
	MEDIA SETUP Menu .....	68
	MEDIA SETUP Submenus .....	69
	SENSOR SETUP Menu .....	84
	SENSOR SETUP Submenus .....	85
	EMULATION MENU .....	91
	Overview .....	91
	EMULATION Submenus .....	97
	PRINTER SETUP Menu .....	106
	PRINTER SETUP Submenus .....	108
	INTERFACES Menu .....	117
	INTERFACES Submenus .....	121
	CONFIGURATION MENU .....	141
	CONFIGURATION Submenus .....	142
	DIAGNOSTICS Menu .....	144
	DIAGNOSTICS Submenus .....	145
	Saving a Configuration .....	148
	Auto Save Configuration .....	149
	Specifying a Power-Up Configuration .....	150
	Modifying a Saved Configuration .....	152
	Printing a Configuration .....	154
	Loading a Saved Configuration .....	155

<b>5</b>	<b>Downloading Software .....</b>	<b>157</b>
	Loading Flash Memory .....	157
	Downloading Software with the Firmware Download Utility.....	158
	Downloading Software through the Parallel Port .....	159
	Downloading Software through the NIC .....	160
	Downloading Software through the NIC Using FTP .....	162
	Downloading Software through the USB Port.....	164
	Downloading Software through the Printronix Windows Driver .....	165
	Downloading Software If Flash Contains Only Boot or Corrupt Code .....	166
	Using TrueType Fonts .....	167
	Downloading TrueType Fonts.....	167
	Printronix Windows Driver .....	167
	PGL Emulation (Online) .....	168
	Download Mode .....	168
	PTX_SETUP .....	171
	Labeling Applications .....	171
	Filename Extensions Not Shown in Menus .....	172
	Select and Print Downloaded TrueType Fonts .....	172
<b>6</b>	<b>Routine Care and Troubleshooting .....</b>	<b>175</b>
	Cleaning.....	175
	Exterior Cleaning.....	175
	Interior Cleaning .....	176
	Cleaning the Printhead, Platen Roller, Media Sensors, and Media Damper.....	176
	Printer Tests .....	180
	Troubleshooting Common Situations.....	180
	Improving Processing Time.....	180
	Data Exchange.....	181
	Controlling Print Quality.....	182
	Determining Printhead Wear .....	182
	Replacing the Printhead .....	183
	Restore the Printer to Operation.....	185
	Diagnostics for E0xx, Bad NVM, or ILL NVM Errors.....	186
	Solving Other Printer Problems.....	187
	Printer Alarms .....	195
	Fault Messages .....	195
	Status Messages.....	215

<b>A Specifications .....</b>	<b>219</b>
Print Method .....	219
Media .....	220
Ribbon .....	222
Indicators and Switches .....	222
Memory .....	223
Optional Expanded Memory Cartridge .....	223
Media Cutter Option .....	223
Host Interfaces .....	224
Power .....	224
Environmental .....	225
Physical .....	225
Acoustic Noise .....	225
<b>B Printer Options .....</b>	<b>227</b>
Hardware Options .....	227
Interface Options .....	229
Software Options .....	229
Installing the QCMC .....	231
Saving the Printer's Configuration to the QCMC .....	233
Copying the QCMC "Snapshot" Image to a Second Printer .....	235
Updating the Printer Configuration to the QCMC .....	237
Loading New Firmware on the Printer .....	237
Installing the EMC .....	238
Using the Standard Peel without Liner Rewinder .....	240
Configure The Printer Menu .....	240
Load Media .....	241
Using the Full Media Rewinder Option .....	243
Configure the Printer Menu .....	243
Load Media .....	243
Rewinder Full Sensor Setup .....	246
Using the Full Media Rewinder with 3 Inch Diameter Core Adapters .....	247
Configure the Printer Menu .....	247
Install the Core Adapters and Media Take-Up Core .....	247
Load Media .....	249
Rewinder Full Sensor Setup .....	251
Using The Standard Peel With Liner Rewinder Option .....	252
Configure The Printer Menu .....	252
Load Media .....	253
Removing Label Liner from the Rewinder .....	257



Supplies .....	258
Genuine Printronix Thermal Transfer Ribbons.....	258
Genuine Printronix Media.....	259
Ribbon and Media Usage.....	260
<b>C ASCII Control Codes.....</b>	<b>261</b>
<b>D PTX_SETUP Commands.....</b>	<b>263</b>
Overview.....	263
The PTX_SETUP Commands .....	263
General Commands .....	264
Thermal Commands.....	271
<b>E Customer Support.....</b>	<b>273</b>
Printronix Customer Support Center.....	273
Printronix Supplies Department.....	273
Corporate Offices .....	274
<b>F Glossary .....</b>	<b>275</b>
<b>G Communication Notices .....</b>	<b>281</b>
Notices.....	281
Communication Notices.....	283
Software License Agreement.....	286
Limited Software Product Warranty .....	292



# 1

## Introduction

### The SL4M/T4M Thermal Printer

**NOTE:** As used in this manual, the terms “SL4M/T4M” and “printer” refer to all models within the series. “SL” refers to all SmartLine RFID models.

The SL4M/T4M series consists of a family of high quality, direct thermal and thermal transfer printers specifically designed for printing labels and tags from any MS-DOS®, Windows®, or ASCII based compatible computer.

The SL4M/T4M, Smart Ready, and SmartLine series are comprised of the products detailed in Table 1.

**NOTE:** All models are RFID Ready.

**Table 1. The SL4M/T4M Thermal Printer**

Model	Max Print Speed (ips)	Printing Density (dpi)	Max Print Width (inches)
SL4M/T4M	10	203	4.1
SL4M/T4M	10	305	4.1

### Standard Features

- **8MB Flash memory** (fixed on controller PCBA)
- **32MB DRAM memory** (fixed on controller PCBA)
- **Bar Codes:** Supports over 30 types of bar codes.
- **Download:** Fonts, forms, and graphics to printer memory.
- **Emulations:**
  - Printronix PGL®. Provides printer system commands for text, barcodes, graphics, lines, and boxes.
  - ZGL, TGL, IGL, STGL, DGL, MGL, and IEGL Interpreters: ZGL (Zebra®), TGL (TEC®), IGL (Intermec®), STGL (SATO®), DGL (Datamax®), MGL (Monarch®), and IEGL (IER Siège®) interpreters are powerful integration tools that allow the SL/T5R to function in virtually all legacy ZPL, TEC, IPL, SATO, DPL™, MPCL II®, and IER® application environments without requiring modification to host data stream.

- **Fanfold media handling**
- **High Resolution Printhead:** 203 dpi or 305 dpi for sharp graphics and text.
- **Media capacity:** Eight inch diameter roll media on three inch core (203mm diameter on 76.2mm diameter core)
- **Media sensing:** Horizontal positioning for gap, notch, hole, or black mark sensing.
- **Print speeds:** Up to 10 ips (both 203 and 305 dpi)
- **Printheads:** Snap-in, interchangeable 203 dpi and 305 dpi
- **Printing:** On demand single label and batch label
- **Resident Fonts:** Letter Gothic Bold (#93779), Courier Bold (#93952), CG Triumvirate Bold Condensed (#92250), OCR-A (#90993), OCR-B (#91409), CG Triumverate (#92244), CG Triumverate Bold (#92248), and CG Times (#92500).
- **Ribbon capacity:** 450m on one inch core (4.5 µm ribbon thickness)
- **Standard Interfaces:**
  - Serial: RS-232
  - USB 2.0 Universal Serial Bus
  - Parallel: Centronics<sup>®</sup>-compatible parallel, IEEE<sup>®</sup> 1284 compliant parallel
- **Thermal Transfer and Direct Thermal Printing**
- **Ventless System:** for operation in environments with airborne particulate matter without compromising performance.

## Optional Features

---

- **Expanded Memory Cartridge (EMC):** The expanded memory cartridge (EMC) is a user installable option. The EMC can be ordered in any of these configurations as a factory option kit or as a field upgrade kit:
  - **Expanded Memory** - 32MB Expanded Memory Cartridge that provides additional Flash memory for forms, logos, and fonts (see "Optional Expanded Memory Cartridge" on page 223).
  - **Asian TrueType<sup>®</sup> Fonts** - Separate cartridges containing fonts for Simplified Chinese, Korean, or Japanese allows PGL or ZGL to print complex Double Byte Character Set (DBCS) characters (see "DBCS Character Sets and Fonts" on page 229).
  - **Andalé TrueType<sup>®</sup> Fonts** - Separate cartridges containing Andalé TrueType<sup>®</sup> fonts allowing PGL or ZGL to print characters for virtually every language used in the world today, including simplified and traditional Chinese, Japanese, and Korean. (see "Andalé Fonts" on page 229).

- **Quick Change Memory Cartridge (QCMC)** - This cartridge option provides an easy way to copy a printer's firmware and configuration settings from one printer to another. A "snapshot image" of the source printer is stored on the QCMC and a simple interface is provided to copy that image to a target printer. Once the image has been copied to the target printer, the two printers will be identically configured. The QCMC has its own resident network MAC address that will be used in place of the printer's LAN/WLAN MAC address when the cartridge is left installed in a printer (see "Quick Change Memory Cartridge (QCMC)" on page 230).

When left installed in the printer, the QCMC adds approximately 24 MByte of Flash memory.

- **Full Media Rewinder:** In batch rewind mode, rewinds printed labels into a removable roll.
- **Label Taken Sensor:** Detects presence and removal of labels in Peel-Off mode. Included only with the Standard Peel without Liner Rewinder or Standard Peel with Liner Rewinder options.
- **Media Cutter:** Automatically cuts printed media when the media exits the printer.
- **Network Interface Card (NIC):** Allows you to attach the printer to a LAN (Local Area Network) rather than attaching it directly to a host computer. The PrintNet Enterprise Suite (PNE) remote management software is standard with this option.

NIC adapters are available as user installable option, mounted inside the printer with the 10/100Base-T (UTP) connection only.

**NOTE:** In this manual, the terms Network Interface Card (NIC) and Ethernet are used interchangeably.

- **NIC, Wireless:** Provides wireless 802.11b/g connectivity without expensive cabling and reconfigurations required from a wired network. PNE is standard with this option.
- **Real Time Clock:** A clock chip with internal battery that keeps track of the year, month, day, hour, minute, and second values. It continues to operate when the printer is off.
- **RFID MP2 (Standard Pitch) Encoder:** The RFID (Radio Frequency Identification) UHF encoder reads and writes information to smart labels (with embedded RFID tags) with a pitch typically two and six inches. These labels are used on shipping cartons and pallets.
- **RFID Short Pitch Encoder:** The RFID (Radio Frequency Identification) UHF encoder reads and writes information to the smart labels (with embedded RFID tags) with a pitch of one to two inches. The RFID inlay is usually short in length and constructed into an item level label.
- **Standard Peel with Liner Rewinder:** In label peel-off mode, peels off labels one at a time before printing the next label and rewinds the liner into a discardable roll.
- **Standard Peel without Liner Rewinder:** The Peel-Off mode peels labels while discarding the dispensed liner in front of the printer.

For more information about printer options, see Appendix B on page 227.

## Thermal Printer Technology

---

Quiet and fast, with excellent print quality, your multifunction thermal printer uses an inline thermal printhead. The thermal printer operates differently from a line matrix or laser printer, because the thermal printer uses a printhead with heating elements and special paper or ribbon.

### The Printing Process

---

The thermal printhead allows two modes of operation:

- **Direct Thermal**

During *direct* thermal printing, the thermal printhead selectively heats small, rectangular *thermal* dots. When these contact the coated thermal paper, the dyes and developers in the coating react to the heat and develop an image. This mode of printing is generally used for short-term labeling applications.

- **Thermal Transfer**

During thermal *transfer* printing, the heated thermal dots contact a thermal ribbon. The heat reacts with the ribbon and bonds the image to the paper. This method is used especially for abrasive, long-storage applications and for specialized applications, such as in extreme environmental conditions or where tamper-proofing is required.

## Manual Conventions

---

- Operator panel keys are often shown by their symbol or icon (located on the control panel directly below the key).  
**Example:** Press the ↵ key for ENTER.
- LCD fault messages display the specific fault in uppercase letters. A corrective action in upper and lowercase letters displays below the fault message.  
**Example:** PAPER OUT  
Load Paper
- Key combinations are indicated by the + (plus) symbol.  
**Example:** Press the Up key + Down key at the same time.

---

## Warnings and Special Information

---

For your safety and to protect valuable equipment, read and comply with all information highlighted under special headings:

- WARNING**    **Conditions that could harm you and damage the equipment.**
- CAUTION**    **Conditions that could damage the printer or related equipment.**
- IMPORTANT**    **Information vital to proper operation of the printer.**
- NOTE:** Information and helpful tips about printer operation.

## Related Documents

---

The following documents are available at [www.primtronix.com](http://www.primtronix.com).

- *User's Guide* — Explains how to unpack, install, and set up the printer.
- *Maintenance Manual* — Explains how to maintain and repair the line matrix printer at the field service level of maintenance.
- *PGL Programmer's Reference Manual* — Provides information used with the optional IGP Printronix emulation enhancement feature.
- *ZGL™ Programmer's Reference Manual* — Provides information for the printer to function in the legacy ZPL application environment without requiring modification to host data stream.
- *TGL™ Programmer's Reference Manual* — Provides information for the printer to function in the legacy TEC application environment without requiring modification to host data stream.
- *IGL™ Programmer's Reference Manual* — Provides information for the printer to function in the legacy IPL application environment without requiring modification to host data stream.
- *STGL™ Programmer's Reference Manual* — Provides information for the printer to function in the legacy SGL application environment without requiring modification to host data stream.
- *DGL™ Programmer's Reference Manual* — Provides information for the printer to function in the legacy DGL application environment without requiring modification to host data stream.
- *MGL™ Programmer's Reference Manual* — Provides information for the printer to function in the legacy MGL application environment without requiring modification to host data stream.
- *IEGL® Programmer's Reference Manual* — Provides information for the printer to function in the legacy IER application environment without requiring modification to host data stream.
- *PXML Application Developer Reference Manual* — Provides information for printers to be managed remotely by a management model.

- *Network Interface Card User's Manual* — Information about network protocols, configuration, and operation.
- *PrintNet Enterprise Suite User's Manual* — Information about the remote management software utility which allows you to organize all of the printers in your office remotely in a single database, download software and printer settings from a host computer with a single mouse click.
- *XML Direct for Oracle Quick Start Guide* — Explains the use of the XML language with the Printronix® SL4M/T4M XML Direct printer.
- *XML Direct for SAP Quick Setup Guide* — Explains the use of the XML language with the Printronix SL4M/T4M XML Direct printer.
- *RFID Label Reference Manual* — Explains the use of the Printronix SL4M/T4M printer and RFID label application.

## Thermal Consumables

---

### Media Selection

---

Since there are two print modes of operation, there are two kinds of thermal media:

- Direct thermal media
- Thermal transfer media

Direct thermal media is paper coated with special chemicals that act as an accelerator, acceptor dye, and binder. During direct thermal mode, the heat from the thermal printhead contacts the paper, causing a chemical reaction which results in a printed image.

Thermal transfer media requires ribbon. A wide range of Printronix thermal transfer media is available, such as film or synthetic paper substitutes. Most of these media options can be die-cut for easy label applications. The wide selection of media sizes and face stocks have been tested with Printronix ribbons for print quality and usage. Consult your Genuine Printronix Supplies Catalog, see “Printronix Customer Support Center” on page 273, or access the Printronix web page at [www.primtronix.com](http://www.primtronix.com).

**NOTE:** The term “media” used in this manual refers to all the different kinds of label or tag stock that can be used in the printer.

See “Genuine Printronix Media” on page 259 for more information.

### Ribbons

---

Printronix offers a wide range of ribbons specifically engineered to enhance printing capabilities and to prevent premature printhead wear. Therefore, you should use a Genuine Printronix Thermal Ribbon in your printer.

See “Genuine Printronix Thermal Transfer Ribbons” on page 258 for more information.



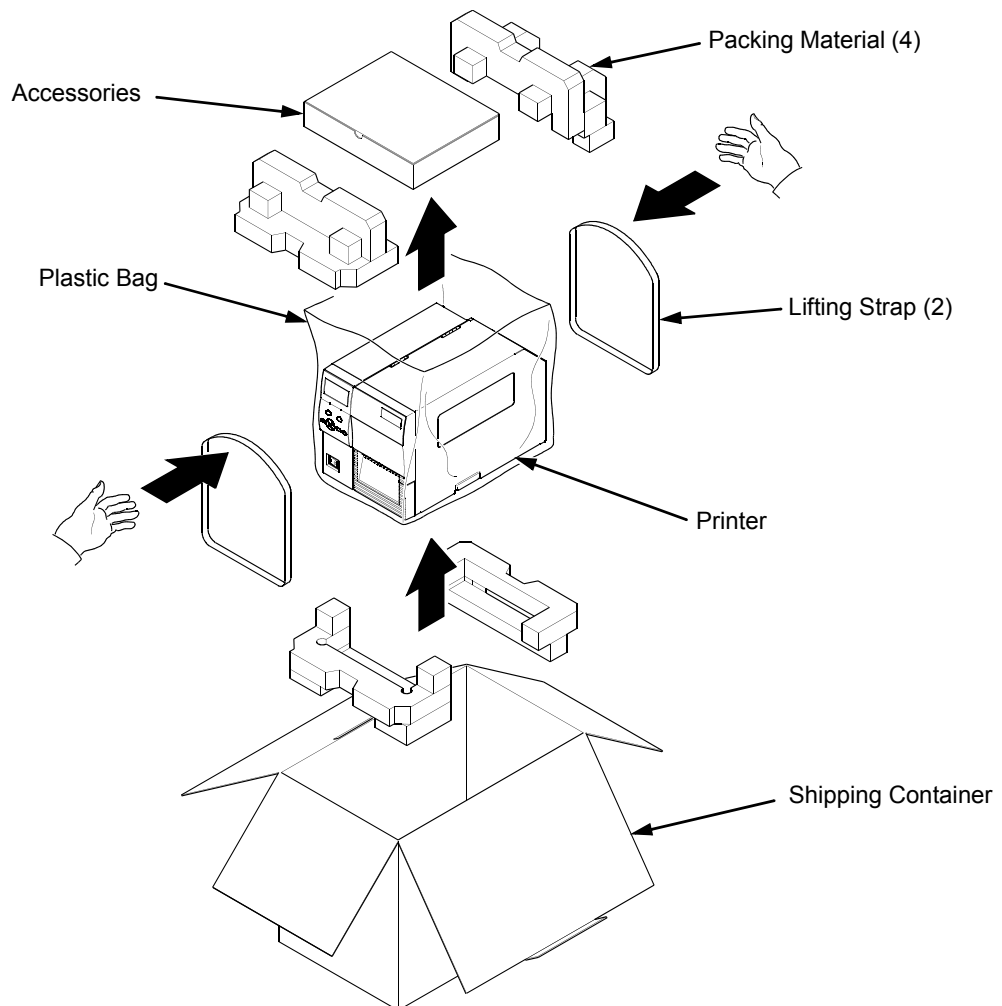
# 2

## Operation

### Unpacking the Printer

The printer is shipped in a carton and protective bag. The top lid of the carton has instructions for removing the internal packing material. Keep all packing material in case repacking is required.

**CAUTION** Avoid touching the electrical connectors to prevent electrostatic discharge damage while setting up the printer. The discharge of accumulated electrostatic energy can damage or destroy the printhead or electronic components used in this device.



1. Place the shipping container upright on a flat, level surface.
2. Open the box and remove the first layer of packing material along with any loose items.
3. Remove the accessories box and set it aside.
4. Pull the printer out of the shipping container by using the two plastic straps as handles.
5. Remove the bands and plastic bag.
6. Check that all components on the packing list are included.

## Installation

---

The following sections will guide you through the printer installation process.

1. Place the printer on a flat level surface that allows easy access to all sides of the printer.

**CAUTION** Never operate the printer on its side or upside down.

2. Set the printer power switch to O (Off).

**WARNING** Failure to properly ground the printer may result in electric shock to the operator.

**In compliance with international safety standards, this printer has been equipped with a three-pronged power cord. When inserted in a correctly wired power outlet, the ground conductor will ensure that the printer chassis is at ground (earth) potential. Do not use adapter plugs or remove the grounding prong from the cable plug. If an extension cord is required, ensure that a three-wire cable with a properly grounded plug is used.**

3. Attach the AC power cord to the AC power receptacle in the back of the printer.
4. Attach the AC power cord to a grounded (three prong) electrical outlet of the proper voltage. See “Power Cord Requirements” on page 21.
5. Attach Communication Interface:
  - a. Parallel Interface  
Attach a suitable parallel printer cable from the computer to the Centronics/IEEE 1284 interface connector at the back of the printer. Snap the bail locks to the Centronics connector to secure the interface cable to the printer.
  - b. Serial Interface  
Attach a suitable serial printer cable from the computer to the DB-9 RS-232 serial interface connector at the back of the printer. For additional information on serial cable wiring, refer to “Routine Care and Troubleshooting” on page 175.

c. USB

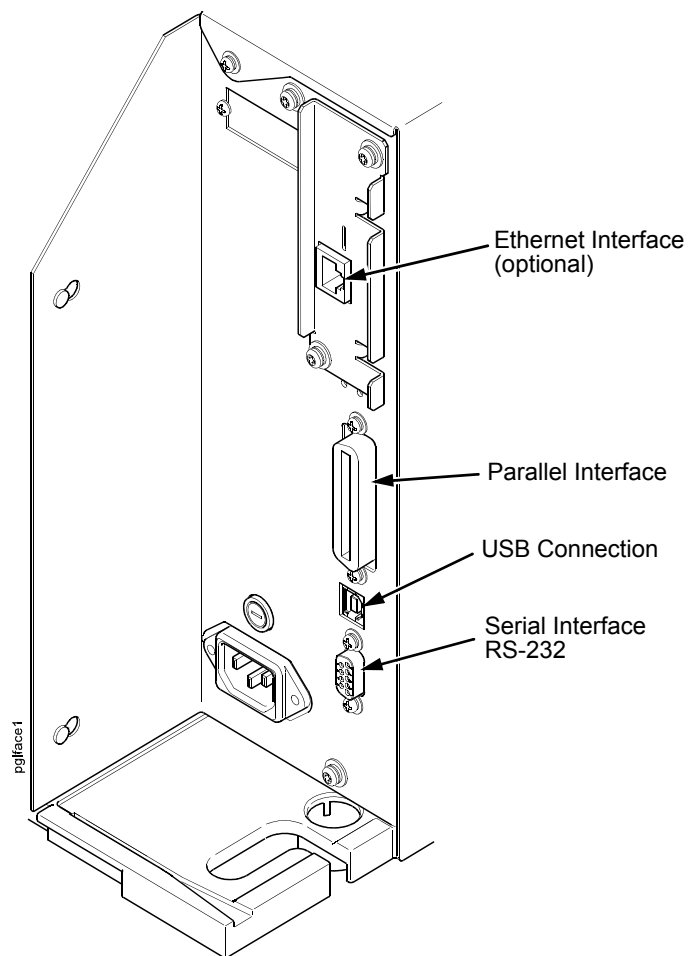
Attach a USB cable with noise suppression filters on BOTH ends from the computer to the USB connector at the back of the printer.

d. NIC Connection

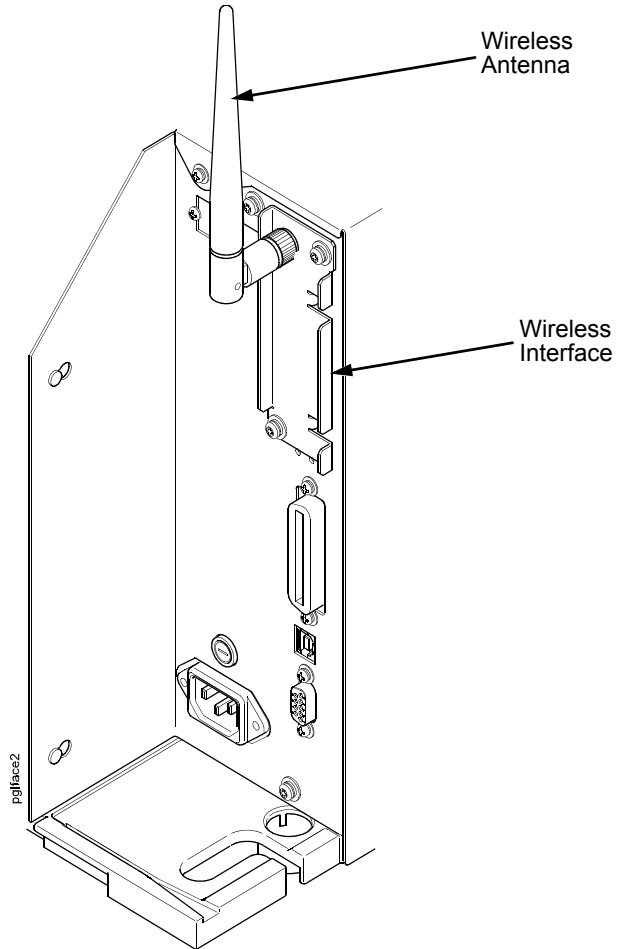
Insert a suitable NIC cable from your hub or switch to the NIC connector located in the I/O panel in the rear of your printer.

**NOTE:** The printer supports simultaneous connection of the parallel, serial, USB, and NIC interfaces using the Auto Switching feature. Auto Switching is described on page 53.

### Interface Panel with Ethernet Option



### Wireless Interface Panel



## Power Cord Requirements

---

In compliance with international safety standards, this printer is equipped with a three-pronged electrical plug on the power cord. When this power cord is plugged into a correctly wired power outlet, the ground conductor ensures that the printer chassis is at ground (earth) electrical potential.

**WARNING** Failure to properly ground the printer can result in electrical shock to the operator.

Never use adapter plugs without grounding prong. Never remove the grounding prong from the power cable plug. If using an extension cord, verify it is a three-wire cable with a properly grounded plug.

## Setting Up the Printer

---

**NOTE:** This section describes the procedures for loading various types of ribbon and media. You can also refer to instructions on the printer itself, on a label on the inside of the media cover.

The term “media” in this manual refers to all the different kinds of paper, label, or tag stock material that can be printed on by the printer. Your thermal printer can print on continuous paper, adhesive backed labels, or non-adhesive tags packaged in roll or fanfold form.

**IMPORTANT** For best results, use only genuine Printronix supplies. See “Supplies” on page 258.

**CAUTION** DO NOT TOUCH the printhead or the electronic components under the pivoting deck. The discharge of electrostatic energy that accumulates on the surface of the human body or other surfaces can damage or destroy the printhead or electronic components used in this device.

**CAUTION** Do not close the pivoting deck without label stock installed between the printhead and the platen, because debris on the platen may damage the printhead.

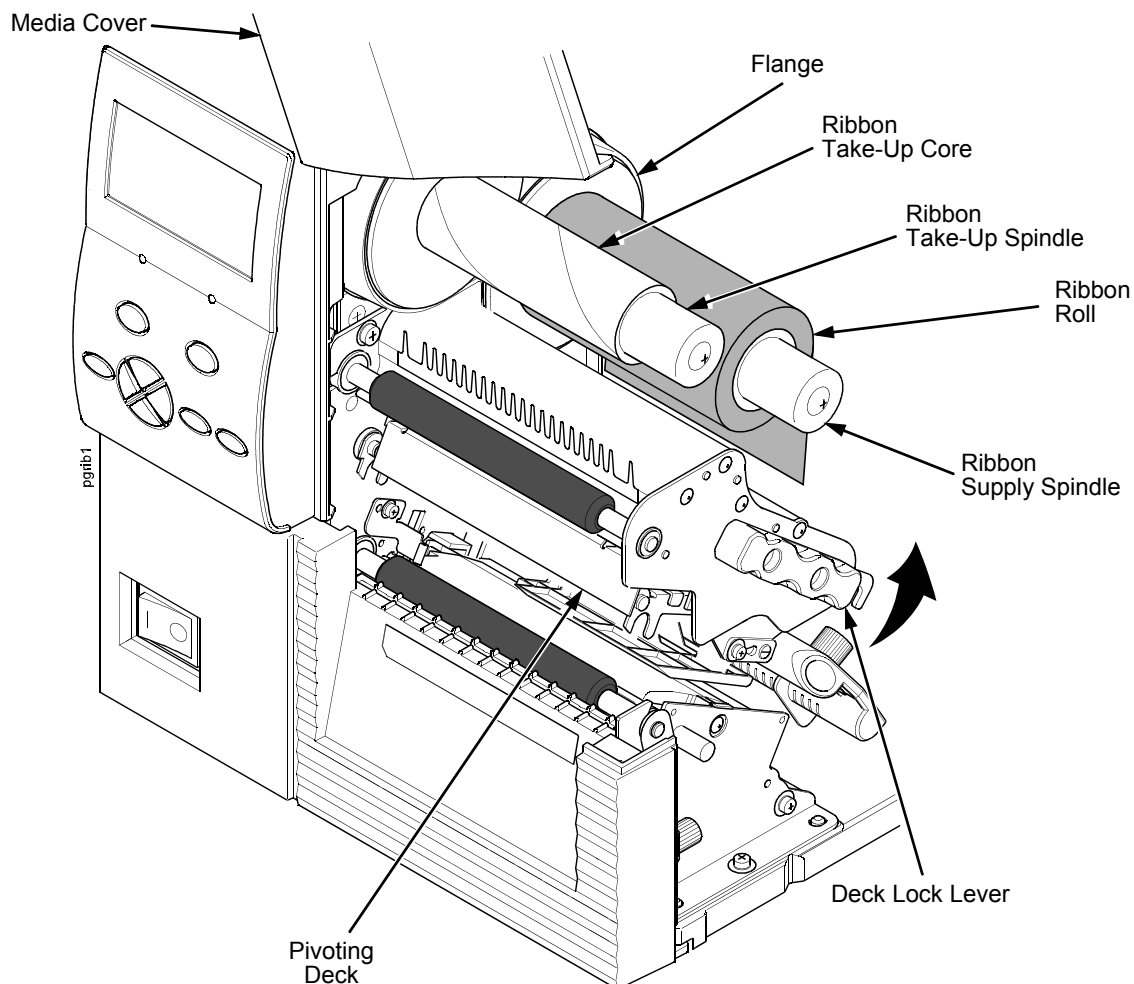
**CAUTION** Avoid touching the electrical connectors while setting up the printer to prevent electrostatic discharge damage. The discharge of accumulated electrostatic energy can damage or destroy the printhead or electronic components used in this printer.

**IMPORTANT** Adhesive backed labels that DO NOT lay flat on the liner can jam the printer. This can cause the label to peel off the liner. The exposed edges can stick to the label guides and rollers inside the printer.

If you run out of labels while printing, do not turn off the printer while reloading labels, because you can lose data.

## Loading Ribbon

For direct thermal media (no ribbon required), go to page 25.



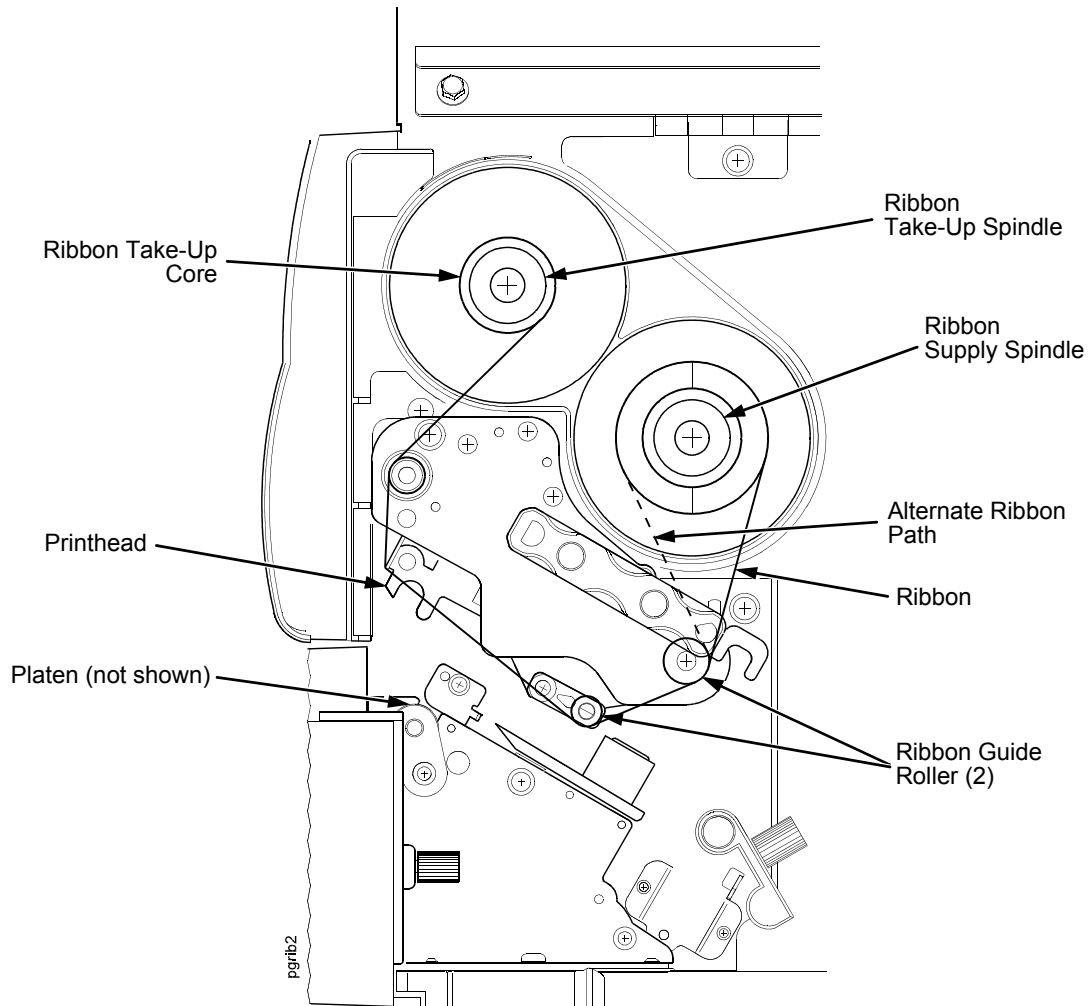
### IMPORTANT

**Clean the printhead, platen roller, and media sensor every time you change the ribbon. See “Cleaning the Printhead, Platen Roller, Media Sensors, and Media Damper” on page 176.**

1. Raise the media cover.
2. Install the ribbon take-up core on the ribbon take-up spindle.

**NOTE:** The first ribbon take-up core comes with the printer. Thereafter, move the empty core from the ribbon supply spindle to the take-up spindle after the ribbon is used up.

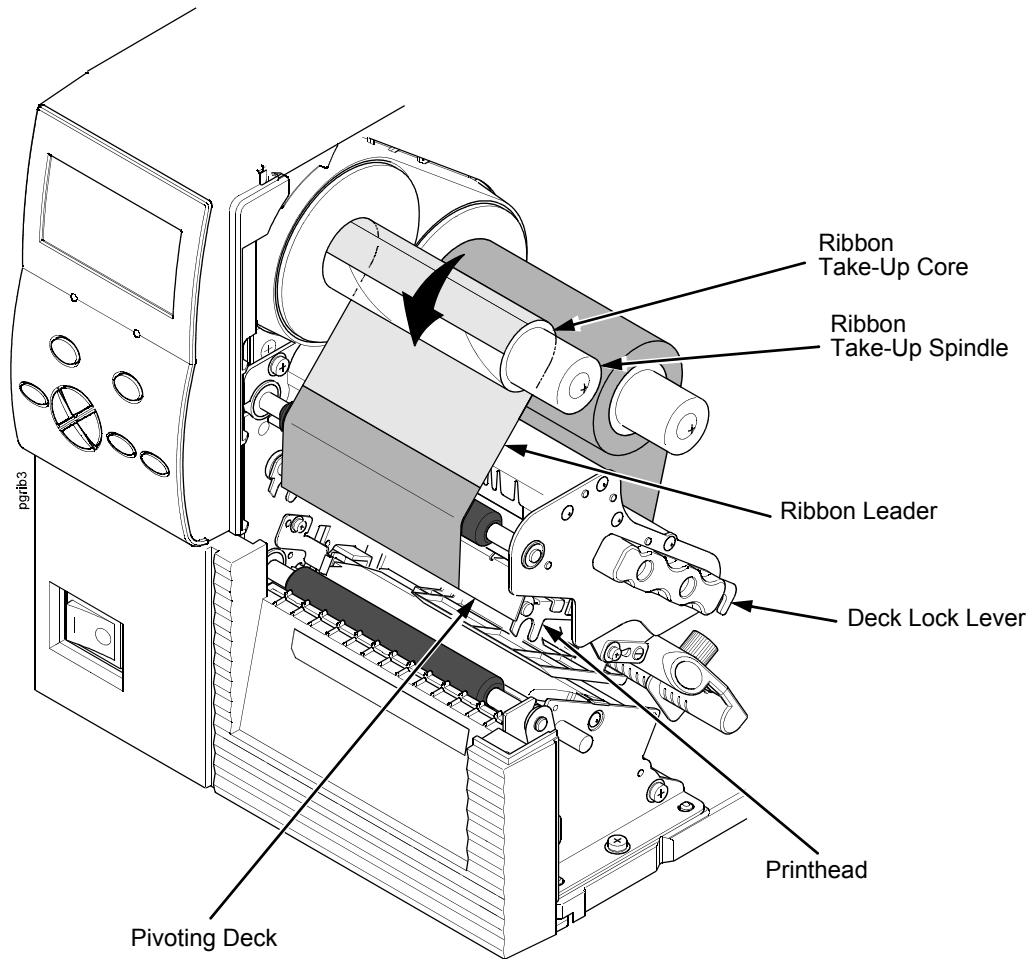
3. Slide the ribbon roll onto the ribbon supply spindle until it is flush with the flange.
4. Open the pivoting deck and printhead by rotating the deck lock lever fully counterclockwise until the deck and printhead swing upward.



5. Thread the end of the ribbon under the ribbon guide rollers, between the platen (rubber drive roller) and the printhead, and between the ribbon take-up and supply spindles.

**NOTE:** Make sure to thread the ribbon behind the ribbon take-up spindle.

**NOTE:** The alternate ribbon path is for inside ink ribbon.

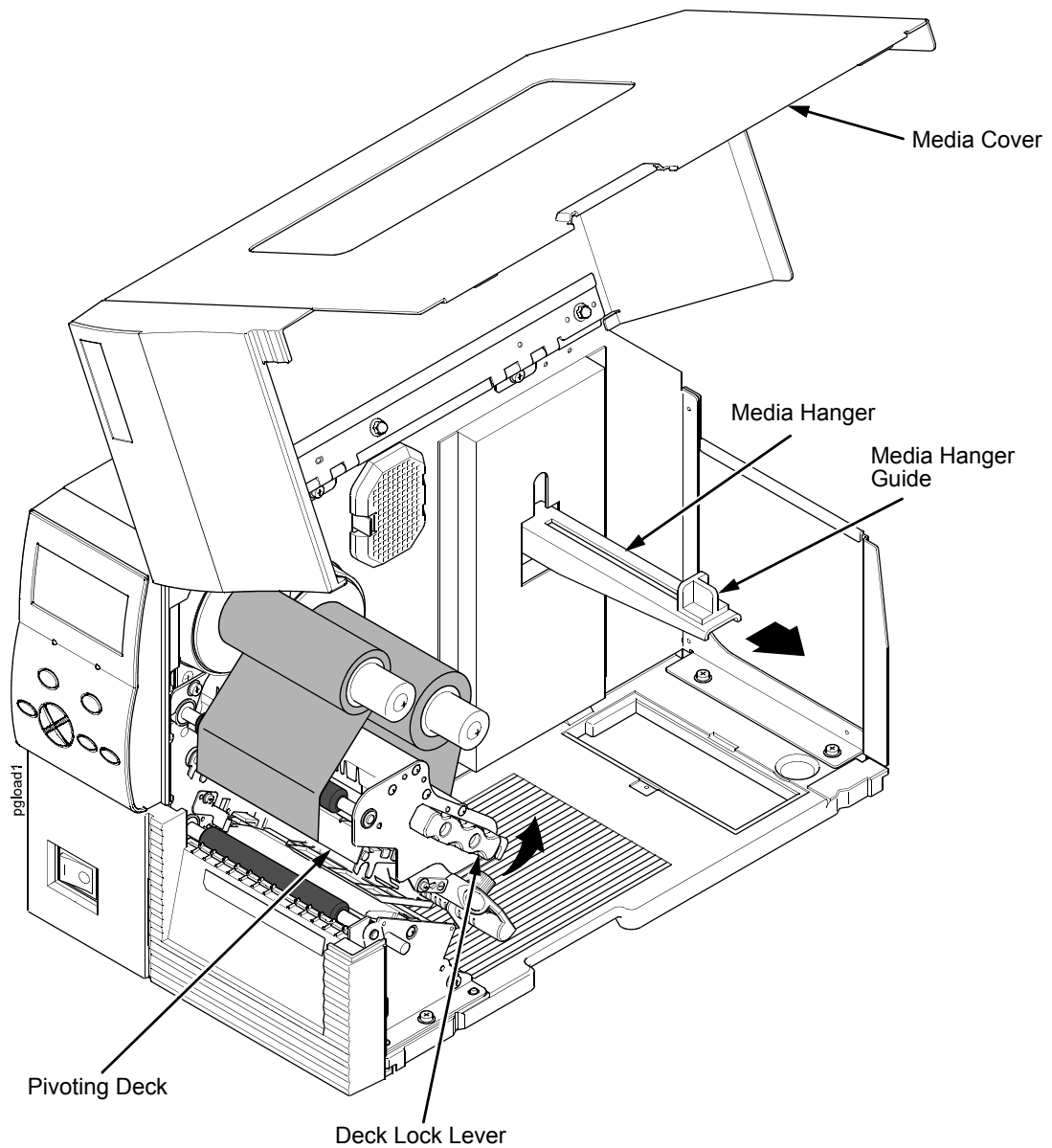


**IMPORTANT** Never attach the ribbon to the ribbon take-up spindle without a ribbon take-up core installed.

6. Attach the ribbon to the ribbon take-up core on the ribbon take-up spindle with tape.
7. Manually rotate the take-up spindle counterclockwise until the ribbon leader has passed the printhead.
8. Rotate the deck lock lever fully clockwise to close the pivoting deck, and attached printhead.

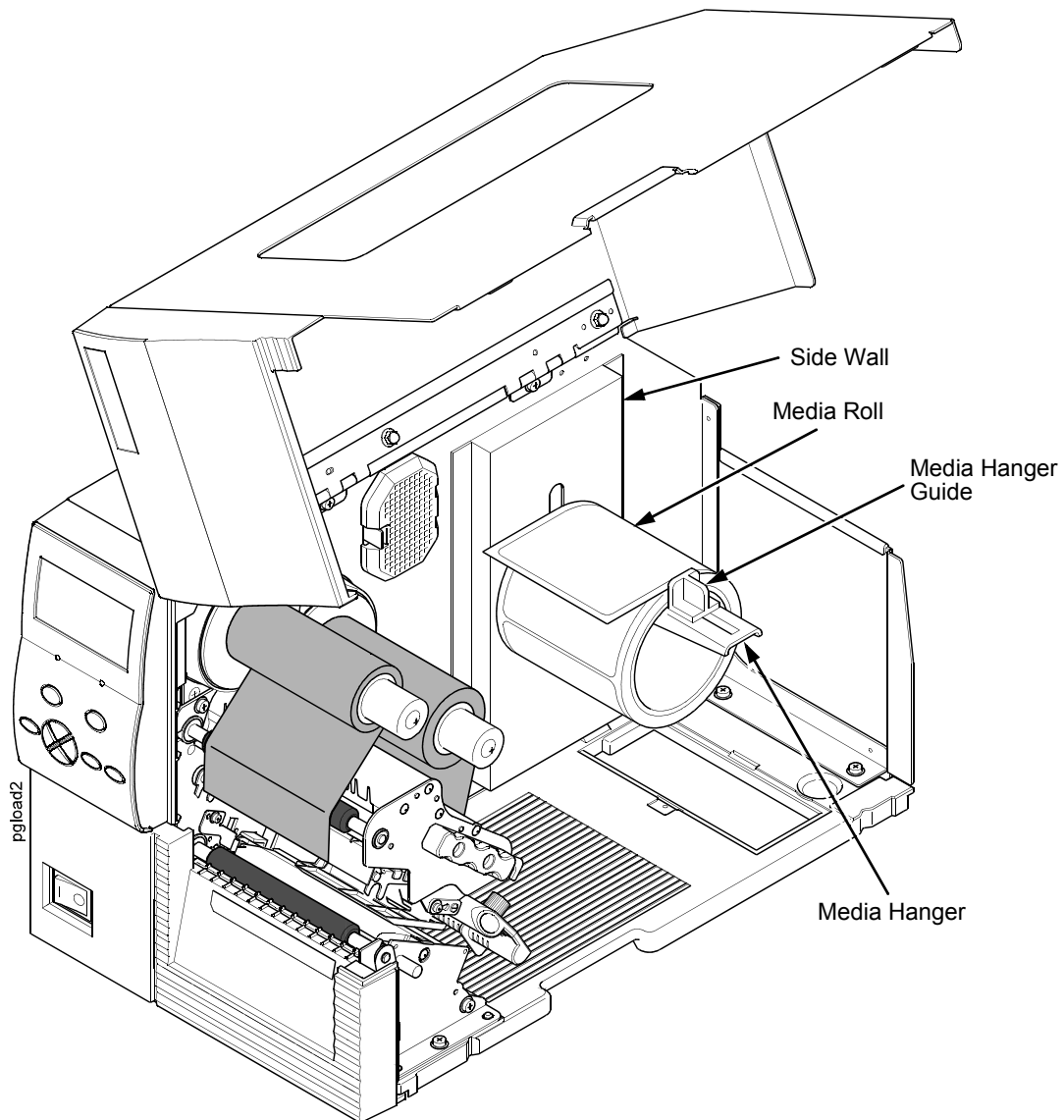


## Loading Roll Media



**IMPORTANT** If you are using direct thermal mode, clean the printhead, platen roller, and lower media sensor every time you change the media. See “Cleaning the Printhead, Platen Roller, Media Sensors, and Media Damper” on page 176.

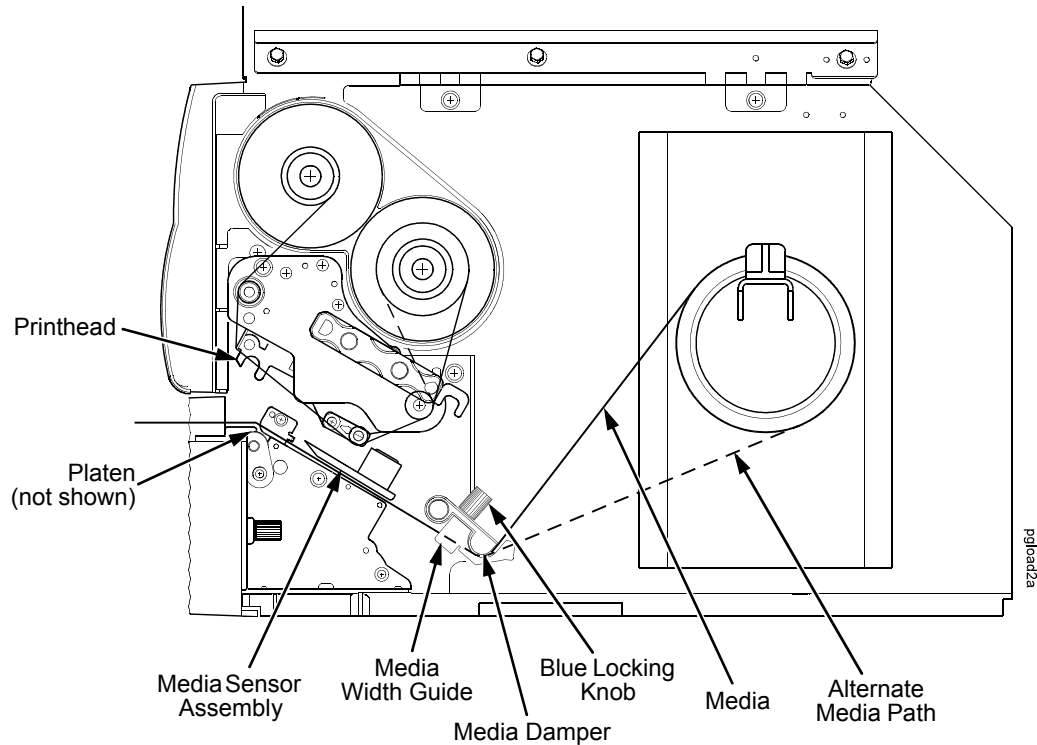
1. Slide the media hanger guide outward to the end of the media hanger as shown.
2. Remove and dispose of any empty media core.
3. Open the pivoting deck by rotating the deck lock lever fully counterclockwise.



4. Place the media roll onto the media hanger and slide the media roll until it is flush with the printer's side wall.

**NOTE:** For information regarding smart labels, refer to the *RFID Labeling Reference Manual*.

5. Slide the media hanger guide against the media roll to prevent horizontal travel, but make sure the media roll can rotate freely.

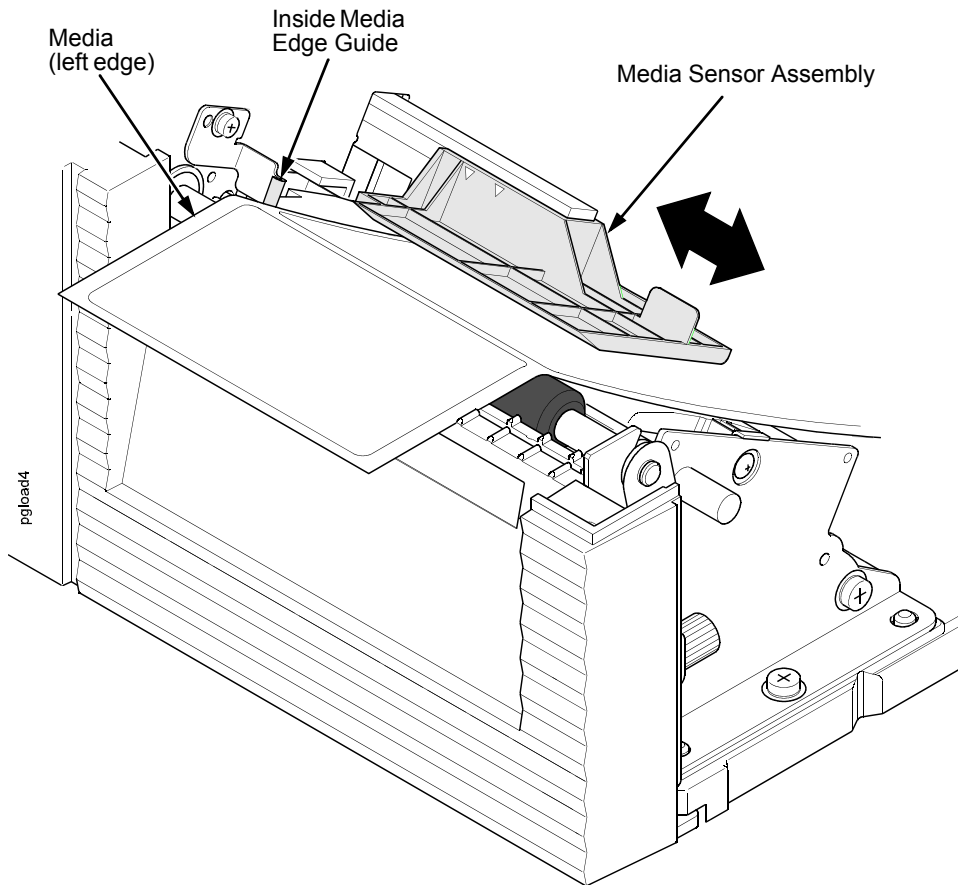


6. Thread the media under the media damper, through the media sensor assembly, and then between the platen (rubber drive roller) and the printhead.

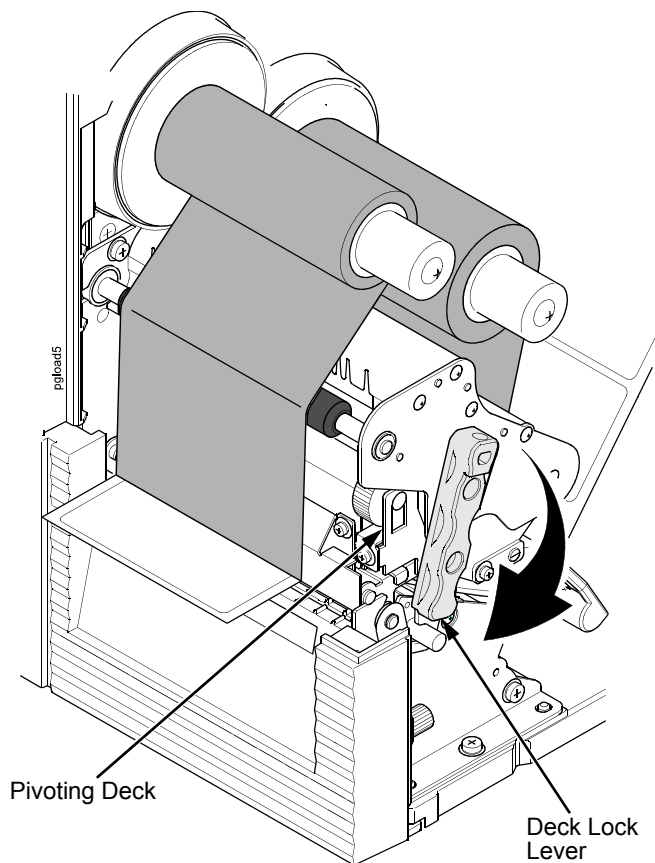
**NOTE:** The alternate media path is for inside wound label media.

**CAUTION** If the blue media width guide locking knob is too loose or is removed, the media width guide will fall off the printer.

7. Turn the blue media width guide locking knob counterclockwise just enough to slide the media width guide, and no more.
8. Position the media width guide lightly against the outside edge of the installed media and tighten the blue locking knob by turning it clockwise.





9. Check the horizontal position of the media sensor assembly (see “Positioning the Media Sensors” on page 44).
  10. Align the left (inside) edge of the media with the inside media edge guide.
- NOTE:** If you have the standard peel option, batch label rewinder (with or without the optional 3 inch core adapters), or peel-liner rewinder, see “Using the Standard Peel without Liner Rewinder” on page 240, “Using the Full Media Rewinder Option” on page 243, “Using the Full Media Rewinder with 3 Inch Diameter Core Adapters” on page 247, or “Using The Standard Peel With Liner Rewinder Option” on page 252 to complete the threading.



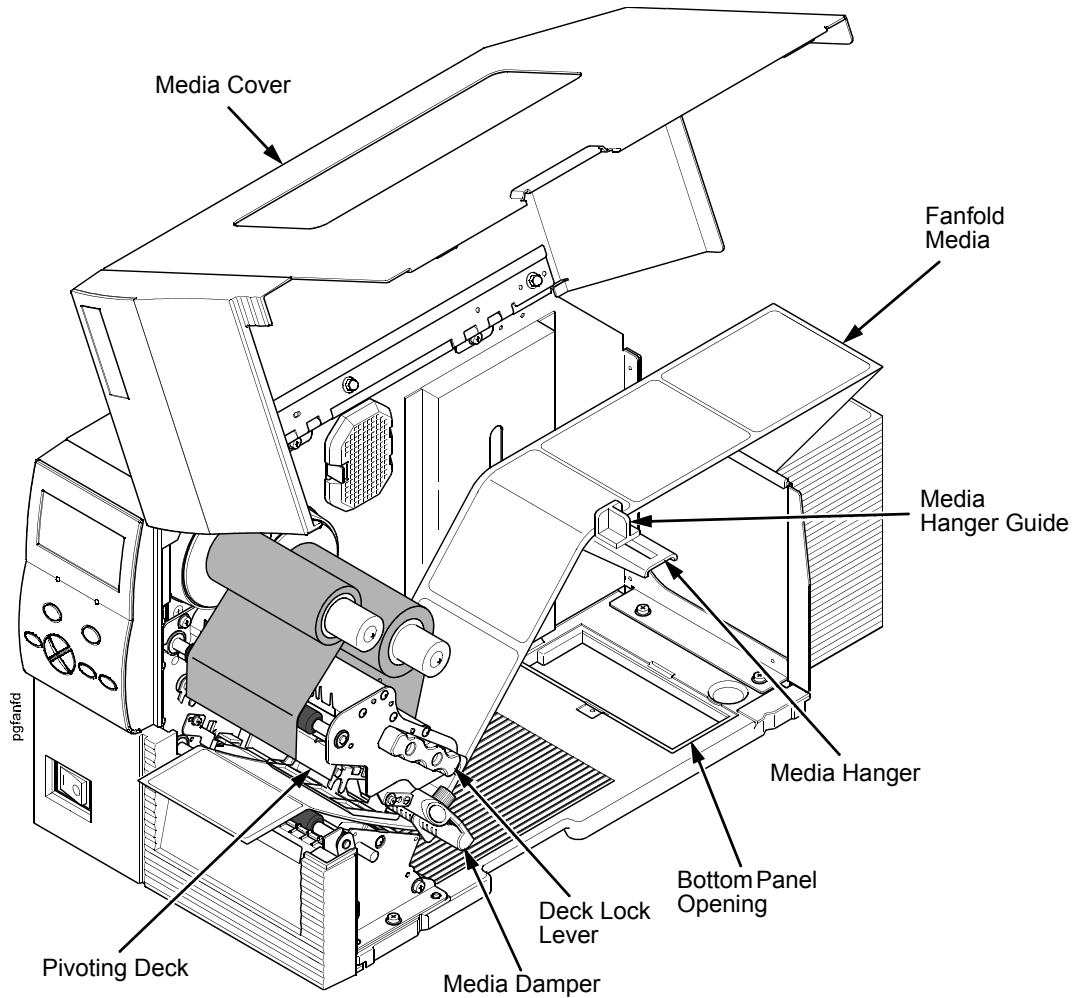
11. Rotate the deck lock lever fully clockwise to close the pivoting deck. This locks the pivoting deck and printhead into print position.

### IMPORTANT

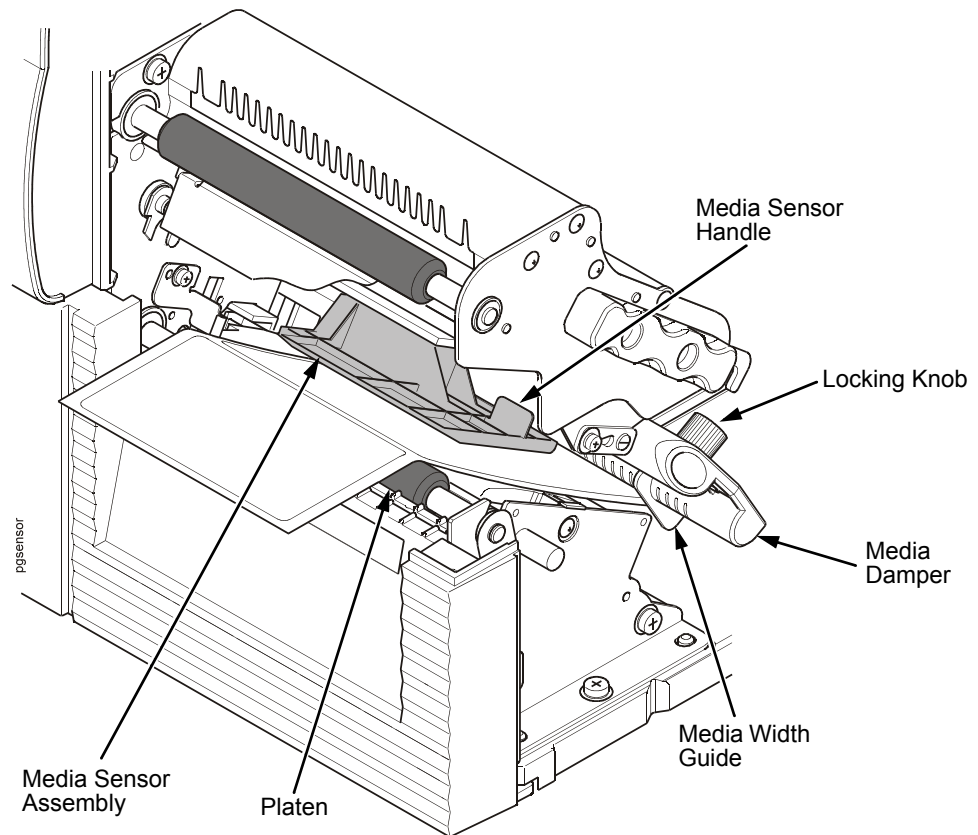
**Ensure the printhead is down and locked before attempting to advance media or print. Failure to do so will cause the “PRINT HEAD UP Close Print Head” fault message to display.**

12. Verify that Print Mode in the printer configuration menu is set for the media type installed (Direct or Transfer). The Print Mode submenu is located in the MEDIA SETUP menu. See “MEDIA SETUP Menu” on page 68 for details.
13. Verify the Gap/Mark Sensor selection matches the type of media installed. See “Sensing Different Media Types” on page 46.
  - If you have not run an Auto Calibrate, do so now. See “Running Auto Calibrate” on page 47.
  - If you have already run an Auto Calibrate, complete the following steps:
    - a. Close the media cover.
    - b. Press the  (Feed) key once to verify that the media advances.
    - c. Press the  (Pause) key to place the printer online.

## Loading Fanfold Media



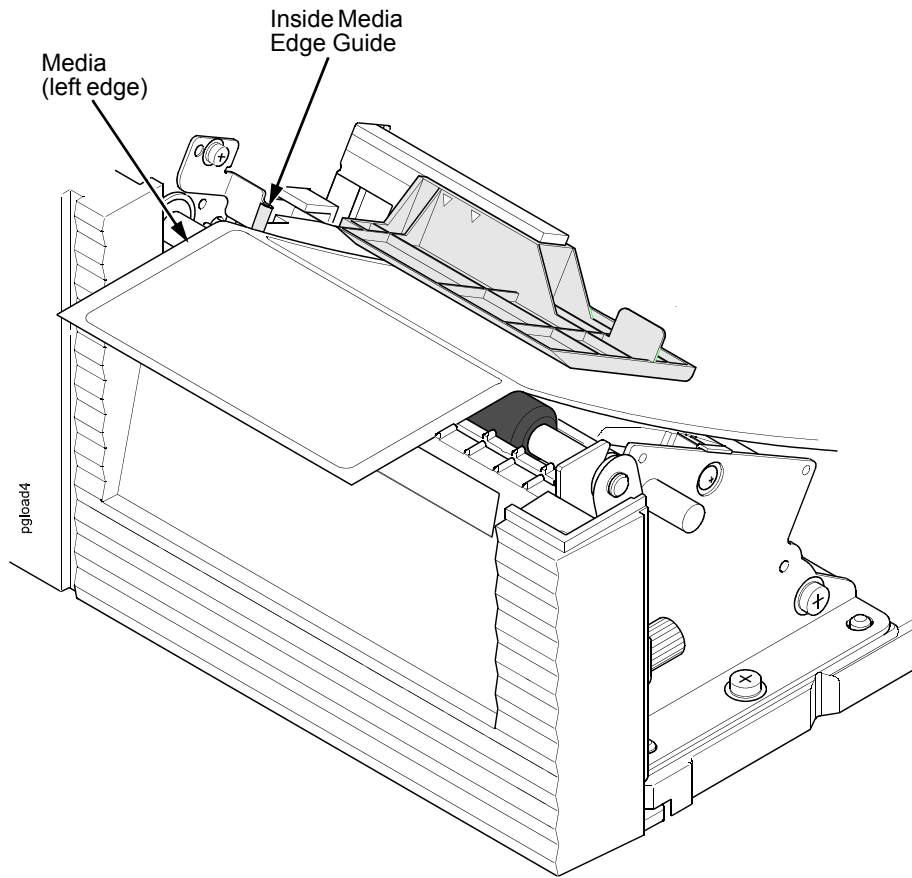
1. Open the media cover.
2. Slide the media hanger guide outward to the end of the media hanger.
3. Place the fanfold media either behind or beneath the printer, depending on the desired fanfold supply location. Insert the first few labels through either the rear or bottom panel opening.
4. Place the media over the media hanger, flush against the back of the printer.
5. Slide the media hanger guide against the outer edge of the fanfold media to prevent horizontal travel.
6. Open the pivoting deck by rotating the deck lock lever fully counterclockwise until the deck and printhead swing upward.



7. Thread the media under the media damper, through the media sensor assembly, and then between the platen (rubber drive roller) and the printhead. You can also refer to the label inside the media cover for media loading instructions.

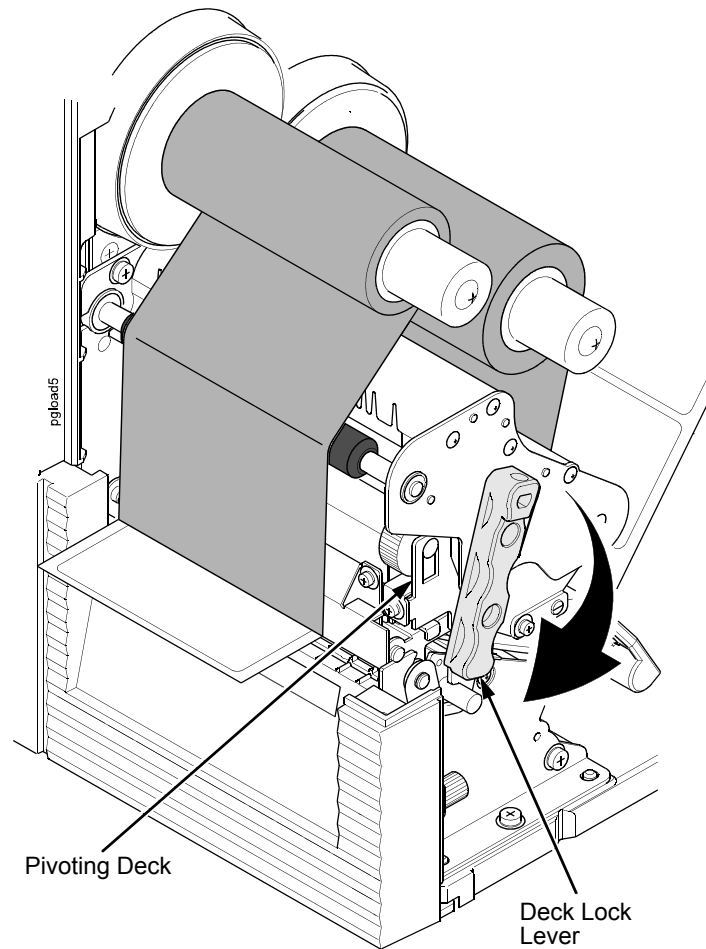
**CAUTION** If the media width guide locking knob is too loose or is removed, the media width guide will fall off the printer.

8. Turn the media width guide locking knob counterclockwise just enough to slide the media width guide, and no more.
9. Position the metal guide lightly against the outside edge of the installed media and tighten the locking knob by turning it clockwise.
10. Check the horizontal position of the media sensor assembly (see "Positioning the Media Sensors" on page 44).



11. Align the left (inside) edge of the media with the inside media edge guide.







12. Close the pivoting deck by rotating the deck lock lever fully clockwise.

**IMPORTANT**

**Ensure the pivoting deck is down and locked before attempting to advance media or print. Failure to do so will cause the “PRINT HEAD UP Close Print Head” fault message to display.**

13. Verify that Print Mode submenu is set for the media type installed (direct or transfer). The Print Mode submenu is located in the MEDIA SETUP menu. See “Main Menu” on page 66 for more information. Also, if thermal transfer media is installed, see “Loading Ribbon” on page 22.
14. Verify the Gap/Mark Sensor selection matches the type of media installed. See “Sensing Different Media Types” on page 46.

**For direct thermal operation (no ribbon required) or thermal transfer operation (ribbon required):**

- If you have not run an Auto Calibrate, do so now. See “Running Auto Calibrate” on page 47.
- If you have already run an Auto Calibrate, complete the following steps:
  - a. Close the media cover.
  - b. Press the  (Feed) key once to verify that the media advances.
  - c. Press the  (Pause) key to place the printer online.

**NOTE:** When changing to Online mode, if the operator has changed menu items, but not saved the changes in a configuration, the operator will be prompted to save the changes.

## Operating Modes

---

The current operating mode can be selected through the control panel keys or can result from routine operations such as powering on the printer.

**Online:** In online mode, the printer can receive and print data sent from the host. Pressing the Pause key toggles the printer between the online and offline modes. The ONLINE status indicator is lit green in online mode.

**Offline:** In offline mode, you can perform operator functions such as loading media or changing ribbon. Pressing the Pause key toggles the printer from offline to online mode. The ONLINE status indicator is not illuminated in offline mode.

**Menu:** Pressing the MENU key takes the printer offline and into Menu mode. In this mode, you can navigate through all configuration and status menus and change the printer configuration.

**Fault:** In fault mode, a fault condition exists that must be cleared before printing can continue. The FAULT status indicator flashes red, the alarm beeps (if configured to do so), and a descriptive fault message displays. The ONLINE status indicator turns off.

The fault must be corrected first and then the message cleared by pressing the Pause key before normal printing can continue.

## Controls and Indicators

---

### Power Switch

---

The power switch is located on the bottom front panel of the printer. To apply power, place the switch in the | (On) position. When you first power on the printer, a series of initialization messages will appear on the LCD (Liquid Crystal Display) on the control panel.

To remove power, place the power switch in the O (Off) position.

### Powering On the Printer

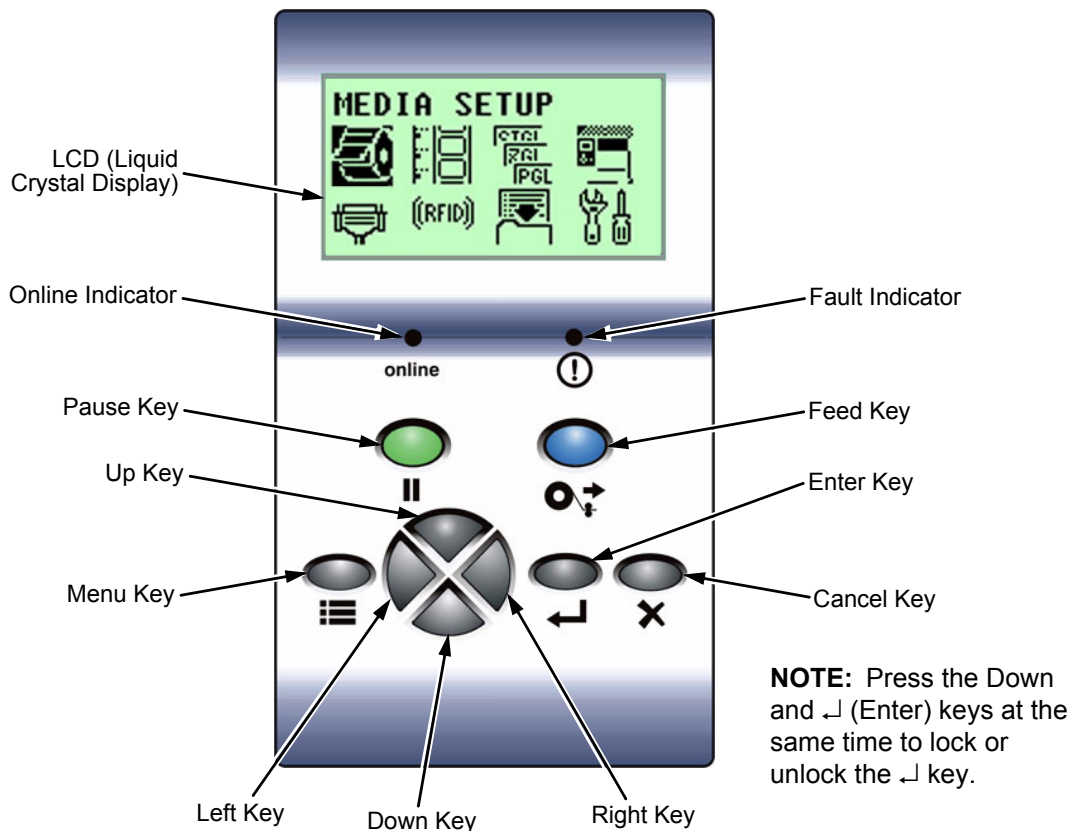
---

When you power on the printer, it executes a self-test. During the self-test, the LCD momentarily displays the DPI resolution (203 or 305 DPI) of the installed printhead. The default power-on state is online. Once the printer has successfully initialized, the ONLINE status indicator light illuminates, and the LCD indicates ONLINE, the printer model (SL4M/T4M), the printhead installed (203 or 305 dpi), the communication interface, and the emulation selected.

If there is a fault during the self-test, the FAULT (!) status indicator flashes, and a fault message appears on the display. The alarm may also sound, if configured to do so.

## Control Panel

The control panel is located on the front of the printer and includes an LCD, indicators, and control keys (buttons).



### Liquid Crystal Display (LCD)

A backlit LCD that will display up to four rows of 16 characters each or eight rows of 21 characters each.

### II Pause Key

The Pause key toggles the printer between Online and Offline Modes. The key performs the following in Online, Offline, Fault, and Menu modes:

- Online Mode – sets the printer to Offline Mode.
- Offline Mode – sets the printer to Online Mode.
- Fault Mode – causes the printer to recheck the faults; if the faults have been cleared, the printer toggles to the Offline mode.
- Menu Mode – sets the printer to Offline Mode.

**NOTE:** When changing to Online mode, if the operator has changed menu items, but not saved the changes in a configuration, the operator will be prompted to save the changes.

## Feed Key

The Feed Key advances the media one label length in Online and Offline Mode. If there is data in the printer, the printer will print the data before ejecting the label. This key is inactive in all other modes.

## Menu Key


In Online, Offline, or Fault modes, the Menu key causes the printer to enter the Menu mode and the top level menu icons to display. In Menu mode, the Menu key will move to the first Icon position in the top level Icon menu. This key is inactive in all other modes.



## Cancel Key

If enabled, the Cancel key clears all data in the printer data buffer in Offline mode. In Menu mode, this key moves up to the previous higher level menu.

## Enter Key

- In Menu mode (at the icon menu level): pressing the Enter key will move down into the menu tree for the highlighted icon.
- Within a menu tree: if the highlighted menu contains submenus instead of a selectable parameter, pressing the Enter key will move down into the submenus of that menu. If the highlighted menu is a display only menu then pressing the Enter key performs no function. If the highlighted menu has selectable parameters, pressing the unlocked Enter key will select the displayed parameter. An asterisk (\*) displays next to the selected parameter.

If the highlighted menu is an executable menu, pressing the unlocked Enter key will cause the function associated with the executable menu to run. If the Enter key is locked, pressing the Enter key for highlighted menus that are executable or contain selectable parameters will cause a momentary display of THE  KEY IS LOCKED message.

**NOTE:** Press the Down and  key at the same time to lock/unlock the  key.

For special Network Address menus or String menus, pressing the Enter key will move down into a special multiple segment setting menu. Exit this menu by pressing Enter again to save the changes or Cancel to exit without saving the changes. This key is inactive in all other modes.

## Up Key

In Menu mode (at the icon menu level), this key will move to the next row of icons. If on the bottom row it will move up the top row of icons. If at the top of the menu tree, pressing the Up key will go to the bottom of the menu tree. Within each menu, this key will scroll to the previous submenu in the menu tree.

If in special multiple segment setting menus for Network Address menus or string menus, pressing the Up key will increment the segment or character value. If at the top of the segment or character value range, pressing the Up key will go to the bottom of that value range.

In Offline mode, the Up key takes you to the Load Config. menu. See “Loading a Saved Configuration” Method 1 on page 155.

This key is inactive in all other states. This key is typematic and if held down will start to accelerate.

## Down Key

In Menu mode (at the icon menu level), this key will move to the next row of icons. If on the top row it will move to the bottom row of icons. If at the bottom of the menu tree, pressing the Down key will go to the top of the menu tree. Within each menu, this key will scroll to the next submenu in the menu tree.

If in special multiple segment setting menus for Network Address menus or String menus, pressing the Down key will decrement the segment or character value. If at the bottom of the segment or character value range, pressing the Down key will go to the top of that value range.

This key is inactive in all other states. This key is typematic and if held down will start to accelerate.

## Right Key

In Offline mode, this key adjusts the display brightness of the LCD. In Menu mode (at the icon menu level), this key will advance from one menu icon to the next menu icon. If at the end of one row of icons it will move to the beginning of the other row of icons.

Within a menu tree, if the highlighted menu has a selectable parameter, pressing the Right key causes the parameter to increment or display the next parameter on the list. If at the top of the parameter range, pressing the Right key will move to the bottom of the parameter range.

If in special multiple segment setting menus for Network Address menus or String menus, pressing the Right key will move to the next segment or character without losing changes made to the current segment or character. If at the end of the segments or characters, pressing the Right key will go to the beginning of the segments or characters. None of the changes to the segments or characters will take effect until the Enter Key is pressed.

This key is inactive in all other states. This key is typematic and if held down will start to accelerate.

## Left Key

In Offline mode, this key adjusts the display brightness of the LCD. In Menu mode (at the icon menu level), this key will advance from one menu icon to the previous menu icon. If at the beginning of one row of icons it will move to the end of the other row of icons.

Within a menu tree, if the highlighted menu has a selectable parameter, pressing the Left key causes the parameter to decrement or display the previous parameter on the list. If at the bottom of the parameter range, pressing the Left key will move to the top of the parameter range.

If in special multiple segment setting menus for Network Address menus or String menus, pressing the Left key will move to the previous segment or character without losing changes made to the current segment or character. If at the beginning of the segments or characters, pressing the Left key will go to the end of the segments or characters. None of the changes to the segments or characters will take effect until the Enter Key is pressed.

This key is inactive in all other states. This key is typematic and if held down will start to accelerate.

## Combination Keys

- **Menu Unlock Combo Key**

A combination key whose default setting is the Enter and Down keys pressed simultaneously. In Menu mode, this key toggles locking and unlocking of the Enter key. This key is inactive in all other modes. When the Enter key is locked it prevents the operator from modifying the menu settings. The default is the Enter and Down keys.

**NOTE:** To change the default menu lock/unlock combo keys to a different key or combination, select PRINTER SETUP ▶ Set Lock Key.  
Admin User must be enabled for the Set Lock Key option to display.

- **Soft Reset Combo Key**

A combination key that causes the printer to perform a soft reset by pressing the Left and Right keys simultaneously in Offline and Menu modes. This combo key is inactive in all other modes.

- **Download Combo Key**

A combination key that places the printer in download mode.  
See “Downloading Software with the Firmware Download Utility” on page 158.

## Online Indicator

Indicates when the printer is online or offline. The online indicator stays lit when the printer is online, ready to print and blinks while accepting data from the host.

## (!) Fault Indicator

Flashes during a fault condition.

## Media Handling Modes

---

Before you load media, you must decide which media handling mode to use:

- **Tear-Off Strip** (factory default). Printer prints on the media and sends it out the front until the print buffer is empty, then positions the last label over the tear bar for removal.
- **Continuous**. Prints on the media and sends it out the front of the printer.
- **Peel-Off**. Prints and peels die-cut labels from the liner without assistance. The printer waits for you to take away the label before printing the next one (on-demand printing). Supported only when Standard Peel or Peel-Liner Rewinder option is installed. When either option is installed with liner attached, a “Remove Label” message will display to remind you to remove the label before the next one can be printed.

**NOTE:** This mode is only supported when the Standard Peel without Liner Rewinder option or Standard Peel with Liner Rewinder option is installed.

**NOTE:** If the Peel-Off option is not installed, the error message “OPTION NOT INSTALLED” displays. Requires the Standard Peel with or without Liner Rewinder options to be installed.

- **Cut**. When the optional media cutter is installed, it automatically cuts media after each label is printed or after a specified number of labels have been printed when a software cut command has been issued. It cuts continuous roll paper, labels, or tag stock.

**NOTE:** The Cut option is not allowed if the cutter is not installed. The error message “OPTION NOT INSTALLED” displays.

- **Rewind**. In rewind mode the printer unwinds the media from the media supply roll or fanfold label stack, prints the labels, and rewinds the printed media and its carrier web onto the optional rewind spindle. For the optional Rewinder, use “Rewind” for Batch Rewind mode (see “Using the Full Media Rewinder Option” on page 243).

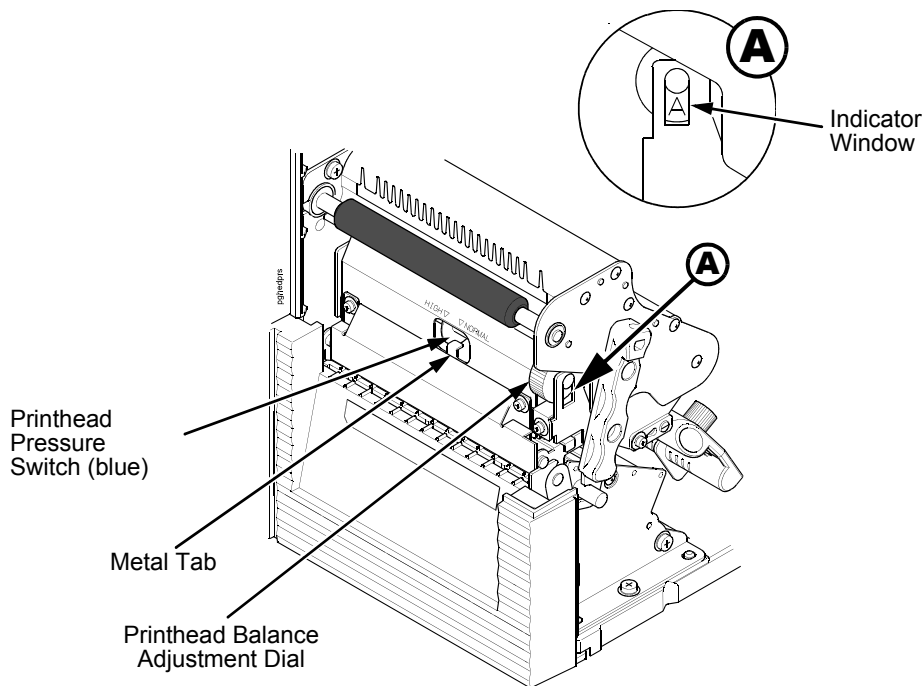
**NOTE:** “OPTION NOT INSTALLED” displays if the Full Media Rewinder option is not installed.

Once you have decided on the mode, configure the printer. See Chapter 4 for more information.



## Printhead Pressure Adjustment

### Media Thickness Adjustment



This procedure adjusts the printhead pressure to accommodate media of different thicknesses. This will minimize printhead wear and optimize print quality. The printhead pressure switch has two positions, high and normal.

Follow this procedure to adjust the media thickness:

1. Rotate the printhead balance adjustment dial until “A” appears in the indicator window (see Detail A above).

**NOTE:** The dial must be set to “A”. If you have the dial set to a numerical value, you cannot slide the printhead pressure switch.

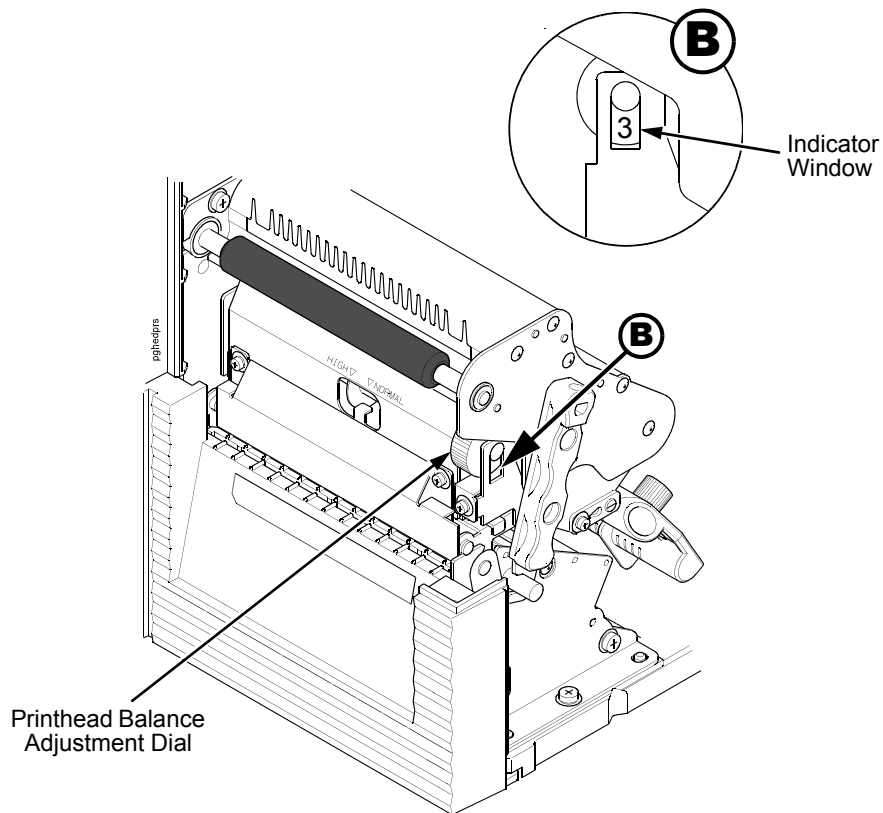
2. Slide the printhead pressure switch to NORMAL or HIGH depending on the media thickness (see Table 2). Make sure to slide the blue printhead pressure switch completely to either side of the metal tab.

**Table 2. Media Thickness Adjustment**

Media	Setting	Inches	Millimeters
Thin paper, normal label, etc.	NORMAL	0.003 to 0.008	0.076 to 0.200
Thick paper, tag stock, etc.	HIGH	0.008 to 0.010	0.200 to 0.254

3. Adjust the media width by rotating the printhead balance adjustment dial to the appropriate setting (see page 42). Do not leave the dial in the “A” position.

## Media Width Adjustment



Media width adjustment allows you to vary printhead pressure along the platen from one end to the other. If the printhead pressure is out of balance, the printed image will be darker on one side of the label than the other and the media will travel in the direction with the least resistance.

The printhead balance adjustment dial is scaled in numerals to help you balance adjustment based on the width of the media. The balance shown in the indicator window is the active setting.

1. Determine the correct value based on the media width (see Table 3).

**Table 3. Printhead Balance Adjustment Ranges**

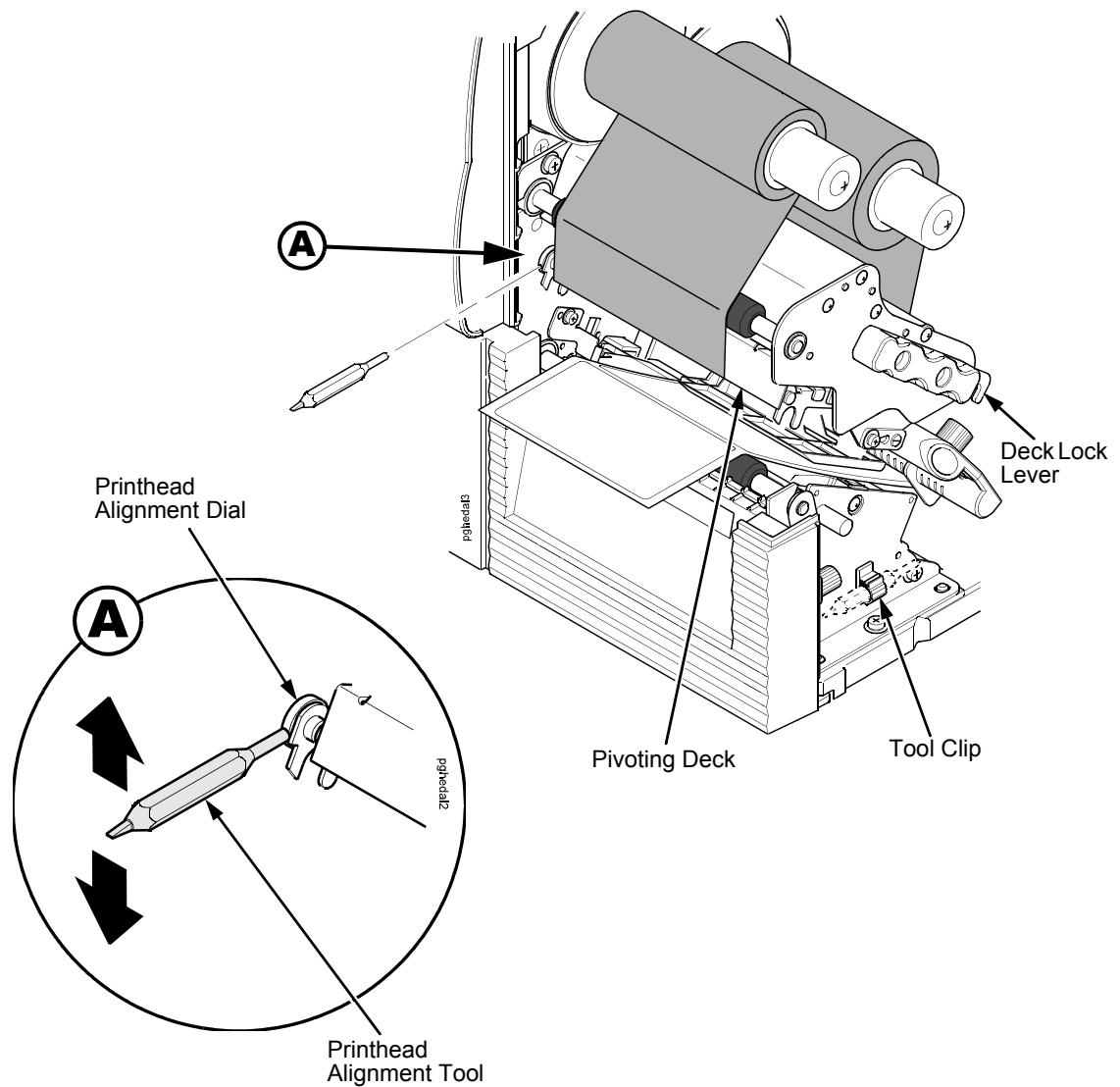
Printhead Balance Dial Setting	A	1 to 2	2 to 4	4 to 5
Paper Width	N/A (Used to adjust the printhead pressure switch only. See page 41)	1.00 to 2.16 inches (25mm to 55mm)	2.16 to 3.15 inches (55mm to 80mm)	3.15 to 5.15 inches (80mm to 131mm)

2. Rotate the printhead balance adjustment dial until the correct value appears in the indicator window (see Detail B above).

## Printhead Alignment

Align the printhead under the following conditions: to improve the print quality when running difficult media with major differences in thickness, when adjusting for media thickness (with the printhead pressure switch) did not yield adequate print quality, or when you replace the printhead.

The printhead must be parallel with the platen for consistent image printing across the label. If the printhead is misaligned, labels will print with uneven ink distribution (i.e. splotches and fading ink). When you align the printhead, you are moving the printhead forward and backward in relation to the platen.



1. Raise the media cover.
2. Open the pivoting deck by rotating the deck lock lever fully counterclockwise.

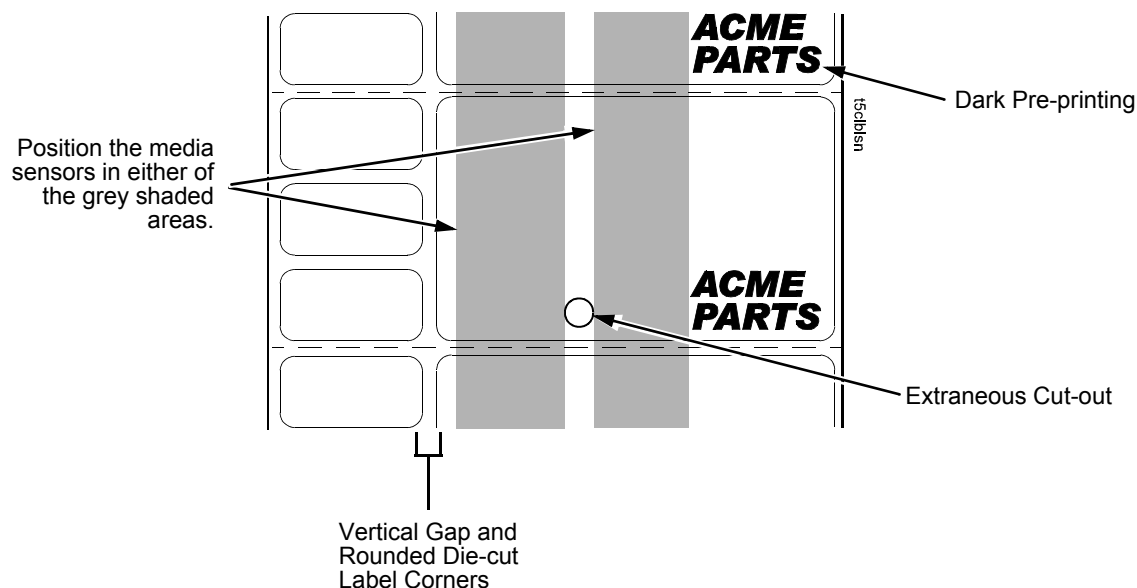
3. Remove the printhead alignment tool (yellow screwdriver) from the tool clip.
4. Use the printhead alignment tool to turn the printhead alignment dial. Turn the printhead alignment dial UP for THICKER stocks and DOWN for THINNER stocks.
5. Close the pivoting deck by rotating the deck lock lever fully clockwise.
6. Run a print test, such as the checkerboard or gray scale. See "Printer Tests" on page 145.
7. If necessary repeat steps 4 to 6 until the desired alignment is achieved.
8. Lower the media cover.

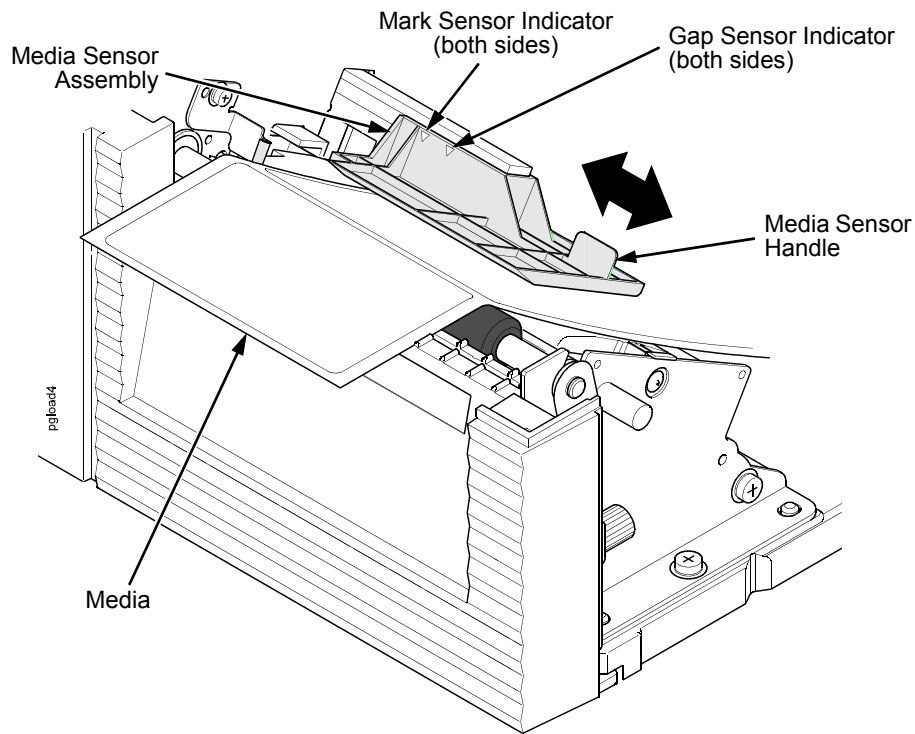
## Positioning the Media Sensors

Your printer is equipped with a media sensor assembly that detects the top-of-form position on media with label length indicators (gaps, notches, holes, or black marks). These sensors also detect when a Paper Out condition exists.

See page 221 for media and label length indicators.

The media sensors should not be placed in the path of media features that could cause false gap detection or paper out faults. Such features are dark pre-printing, rounded die-cut label corners, vertical gaps associated with side-by-side labels, and extraneous cut-outs, as shown below.





### Sensing Media with Horizontal Black Marks or Inboard Notches

1. Use the media sensor handle to horizontally position the media sensor assembly so that the sensor indicators (embossed on both sides) are aligned with the reference marks on the media.
2. Select Mark in the Gap/Mark Sensor submenu under the SENSOR SETUP menu. See “Sensing Different Media Types” on page 46.

**NOTE:** If using media with shallow notches, i.e. notches that are cut short where the media sensor cannot be adjusted to detect the notch, be sure to select Mark in the Gap/Mark Sensor submenu under SENSOR SETUP menu. For Mark sensing, the ribbon must be loaded, see “Loading Ribbon” on page 22.

3. Perform an Auto Calibrate. See “Running Auto Calibrate” on page 47.

### Sensing Media with No Label Length Indicators

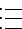




1. When using media without label length indicators (no gaps, notches, holes, or marks) or when you want to ignore all existing length indicators, place the media sensor in the center of the media so it can detect when a Paper Out condition exists.
2. Select Disable in the Gap/Mark Sensor submenu under SENSOR SETUP. See “Sensing Different Media Types” on page 46.
3. Perform an Auto Calibrate. See “Running Auto Calibrate” on page 47.

## Sensing Media with Gapped Liner

1. Use the media sensor handle to horizontally position the media sensor assembly so that the sensor indicators (embossed on both sides) are aligned with the reference marks on the media.
2. Select Gap in the Gap/Mark Sensor submenu under the SENSOR SETUP menu. See “Sensing Different Media Types” on page 46.
3. Perform an Auto Calibrate. See “Running Auto Calibrate” on page 47.

## Sensing Different Media Types

The printer’s media sensors can detect the different types of label length indicators on a large variety of media types. This is accomplished by selecting the correct sensor option: Gap, Mark, or Disable under Gap/Mark Sensor in the SENSOR SETUP menu. Figure 5 on page 221 illustrates the different media types and label length indicators used on them.

1. Press  to place the printer in Menu mode.
  2. Press the Down +  (Enter) keys together until “THE  KEY IS UNLOCKED” displays.
  3. Press the Right key until SENSOR SETUP displays.
  4. Press  to enter the SENSOR SETUP.
  5. Press the Down key until Gap\*Mark Sensor displays.
  6. Press Left or Right keys until the option that matches the type of label length indicators on the installed media displays:
    - **Mark.** Select when using media that has horizontal black marks located on the underside of the label liner or tag stock or narrow width inboard notches.
    - **Gap.** Select when using media with a liner space between die-cut labels or when using tag stock with holes or wide inboard notches as label length indicators on white background media.
    - **Disable.** Select when using media with no label length indicators (no gaps, notches, holes, or black marks) or when you want the printer to ignore all existing label length indicators on the installed media.
- NOTE:** When you select Disable, the length of each label is based on the Label Length value entered in the MEDIA SETUP menu or the value sent via host software.
7. Press  to enable the displayed option. An asterisk (\*) appears next to the selection.
  8. Run Auto Calibrate (see to page 47).
  9. Press Pause until OFFLINE appears on the LCD.

---

## Running Auto Calibrate

---

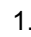
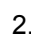
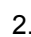
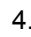
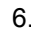
You can initiate Run Auto-Cal (Auto Calibrate) via the the SENSOR SETUP menu.

**NOTE:** Verify that the Gap/Mark Sensor option (Gap, Mark, or Disable) matches the installed media. See “Sensing Different Media Types” on page 46.

Check that the media sensors are horizontally positioned to permit sensing of the label length indicators. See “Positioning the Media Sensors” on page 44.

If Use Label Length is enabled in the SENSOR SETUP menu, make sure the Label Length value entered in the MEDIA SETUP menu matches the physical length of the installed media. Entering the correct length forces the printer to advance media far enough during calibrate for long labels (so actual gaps and marks can be detected).

If you try to do an Auto Calibrate when Peel-Off Media Handling is enabled, the LCD will display “CANNOT CALIBRATE/Disable Peel-Off.” Before you can do an Auto Calibrate, you must select another media handling mode or enable the Cal in Peel mode option under the SENSOR SETUP menu. Cal in Peel Mode displays only if Admin User is Enabled under the PRINTER SETUP menu.

1. Press  to place the printer in Menu mode.
2. Press Down +  (Enter) keys together until “THE  KEY IS UNLOCKED” displays.
3. Press the Right key until SENSOR SETUP displays.
4. Press  to enter the SENSOR SETUP menu.
5. Press Down key until Run Auto-Cal displays.
6. Press  to select the option. Media advances until it can accurately detect the label length indicators and then stops at the Top-of-Form position. The Sensed Distance value will then display for one second.
7. Auto Calibrate is successful when the Sensed Distance value correctly matches that of the installed media:
  - **Gap/Mark Sensor = Gap:** The Sensed Distance value is the physical length of one label plus the length of one gap, notch, or hole.
  - **Gap/Mark Sensor = Mark:** The Sensed Distance value is the physical distance from the trailing edge of one black mark to the trailing edge of the next.
  - **Gap/Mark Sensor = Disable:** Not applicable. If Gap/Mark Sensor is set to Disable, the Sensed Distance value will not be updated.

If “GAP NOT DETECTED” displays, run auto calibrate again.

If auto calibrate continues to end with an incorrect Sensed Distance value displayed or a fault message displayed, run Manual Calibrate as described on page 50 or see Table 15 on page 196.

**NOTE:** The amount of media sampled during Auto Calibrate is based on the length of a label and transitions detected, without error, between a label and its label length indicators.

8. Press the **||** (Pause) key until OFFLINE displays.
9. Press the **●➔** (Feed) key several times. Each time you press Feed, the media advances one label length and stops.

**NOTE:** After a form feed, the position of the leading edge of the next label depends on the type of Media Handling mode selected under the MEDIA SETUP menu. Tear-Off Strip Media Handling will position the label edge at the tear bar, while Continuous will position the label edge under the printhead.

10. Press the **||** (Pause) key until ONLINE displays.

**NOTE:** When changing to Online mode, if the operator has changed menu items, but not saved the changes in a configuration, the operator will be prompted to save the changes.

11. Once the correct Top-Of-Form (TOF) sensing is confirmed, you will need to save it to the desired configuration menu before powering off the printer. See “Saving a Configuration” on page 148.

## Running Media Profile

The Media Profile printout shows the relationship of the Paper Out Threshold and the Gap/Mark Threshold values, illustrates if and when each label length indicator is detected, and shows the difference between the label length indicators and the label. The profile printout (see Figure 1 on page 49) helps you set the thresholds for difficult media. This includes pre-printed labels and labels with poor gap/media dynamic range.

Once Media Profile is initiated, the printer will continue to advance media and print the profile in landscape orientation until you press **↵** to stop printing.

**NOTE:** Verify the SENSOR SETUP menu Gap/Mark Sensor option (Gap, Mark, or Disable) matches the installed media. See “Sensing Different Media Types” on page 46.

You will need a minimum installed label width of two inches to support the Profile printout.

Ensure the media sensors are horizontally positioned to permit sensing of the label length indicators. See “Positioning the Media Sensors” on page 44.

Ensure the Print Mode option selected in the MEDIA SETUP menu matches the media installed. Select Direct for heat sensitive media (no ribbon required) or Transfer for thermal transfer media (ribbon required).

1. Press **☰** to place the printer in Menu mode.
2. Press the Down **+ ↵** (Enter) keys together until “THE **↵** KEY IS UNLOCKED” displays.
3. Press the Right key until SENSOR SETUP displays.



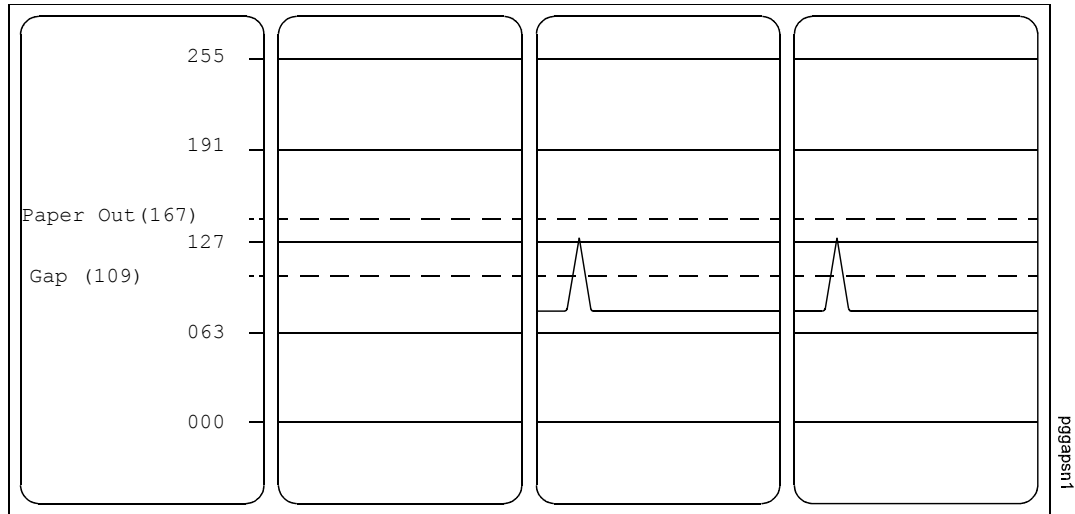
4. Press ↵ to enter the SENSOR SETUP menu.
5. Press the Down key until Run Profile displays and then press ↵.  
(The printer will continue to print the profile until you press ↵.)

The printer will advance media and continue to print a dynamic profile image depicting the relationship of the label and any label length indicators detected.

6. Press ↵. The printer will stop printing.
7. Press the Pause key until OFFLINE displays.

**NOTE:** The Gap/Mark and Paper Out Threshold values shown on the Profile printout represent the last values determined from a successful Auto or Manual Calibrate or the factory default values if no Auto or Manual Calibrate was performed.

← Label Feed Direction



**Figure 1. Media Profile Printout**

In Figure 1, the tent shaped pulse immediately following the liner gap shows that the gap was easily detected. A very low amplitude pulse may be due to a dirty sensor or low contrast media where there is very little opacity difference between the label and the liner gap.

## Running Manual Calibrate

---

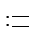
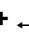
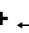
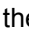

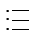
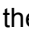

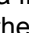
Manual Calibrate should be performed only when the values derived from Auto Calibrate fail to improve the media sensors' ability to sense label length indicators on the installed media. You must first enable Admin User in the PRINTER SETUP menu before accessing or initializing Run Manual Cal (manual calibrate) in the SENSOR SETUP menu.

**NOTE:** Verify the Gap/Mark Sensor option (Gap, Mark, or Disable) matches the installed media. See "Sensing Different Media Types" on page 46.

Ensure the media sensors are horizontally positioned to permit sensing of the label length indicators. See "Positioning the Media Sensors" on page 44.

Ensure the Print Mode option selected in the MEDIA SETUP menu matches the media installed. Select Direct for heat sensitive media (no ribbon required) or Transfer for thermal transfer media (ribbon required).

If you try to do a Manual Calibrate when Peel-Off Media Handling is enabled, the LCD will display, CANNOT CALIBRATE/Disable Peel-Off. Before you can do a Manual Calibrate, you must select another media handling mode or enable the Cal in Peel Mode option under the SENSOR SETUP menu. Cal in Peel Mode displays only if Admin User is enabled under the PRINTER SETUP menu.

1. Press  to place the printer in Menu mode.
2. Press the Down +  (Enter) keys together until "THE  KEY IS UNLOCKED" displays.
3. Press the Right key until PRINTER SETUP displays.
4. Press  to Enter the PRINTER SETUP menu.
5. Press Up key until Admin User displays, then press the Right key until Enable displays.
6. Press  to select Enable. An asterisk (\*) appears next to Enable.
7. Press  to go back to the Main menu.
8. Press the Right key until SENSOR SETUP displays.
9. Press  to Enter the SENSOR SETUP menu.
10. Press Down key until Run Manual Cal displays, then press the .
11. Follow the instructions displayed on the LCD. Example: "REMOVE MEDIA/Press Enter" indicates that you must open the pivoting deck and remove the media from under the printhead, close and lock the pivoting deck, and press the .

**NOTE:** When requested to load an item make sure to place the item in a position where the media sensor can detect the item. For example, when requested to "LOAD MARK" place the Mark (Black TOF Line) at the media sensor.

---

12. During the last step of Run Manual Cal, the printer advances the media and attempts to detect the label length indicators and stop at the Top-of-Form position. The Sensed Distance value will then display for one second. Calibration is successful when the Sensed Distance value correctly matches that of the installed media. If “CALIBRATION FAIL/See Manual” displays, run a manual calibrate again.

**NOTE:** The amount of media sampled during manual calibration is based on the length of a label and the transitions detected without error, between a label and its label length indicators.

13. Press the **||** (Pause) key until OFFLINE displays.

14. Press the **⏪** (Feed) key several times. Each time you press **⏪** the media advances one label length and stops.

**NOTE:** After a form feed, the position of the leading edge of the next label depends on the type of Media Handling mode selected under the MEDIA SETUP menu. Tear-Off Strip Media Handling positions the label edge at the tear bar, while Continuous positions the label edge under the printhead.

15. Once the correct values are confirmed, save them to the desired configuration menu before powering off the printer. See “Saving a Configuration” on page 148.



---

# 3

## *Standard Interfaces*

---

### Overview

This chapter describes the host interfaces provided with the printer. The printer interface is the point where the data line from the host computer plugs into the printer. The interface processes all communications signals and data to and from the host computer. Plus, with the Auto Switching feature, you can configure the printer to accept several interfaces at the same time.

In addition to descriptions for the multi-line interfaces, this chapter also provides instructions for configuration of terminating resistors for the parallel and serial interfaces.

---

### Auto Switching

This feature gives the printer the ability to handle multiple data streams sequentially. With Auto Switching, the printer can service hosts attached to the serial, parallel, USB, or Ethernet as if they were the only interface connected.

For example, if the host computer sends one print job to the RS-232 serial port and a separate print job to the IEEE 1284 parallel port, the printer's Auto Switching will handle both jobs, in the order they were received, without the user having to reconfigure the selected interface between jobs.

#### **Standard Host Interfaces**

- Parallel, configurable to Centronics and IEEE 1284 (parallel bidirectional port)
- RS-232 Serial Port
- USB 2.0 Universal Serial Bus

#### **Optional Host Interfaces**

- Ethernet 10/100Base-T
- Wireless NIC

## Parallel Interface

### Centronics

Table 4. Centronics Interface Connector Pin Assignments

Input Signals		Output Signals		Miscellaneous	
Signal	Pin	Signal	Pin	Signal	Pin
DATA LINE 1	2	ACKNOWLEDGE	10	CHASSIS GROUND	17
Return	20	Return	28		
DATA LINE 2	3	ONLINE	13	GROUND	30
Return	21	Return	28		
DATA LINE 3	4	FAULT	32	Spares	14
Return	22	Return	29		
DATA LINE 4	5	PAPER EMPTY	12	No Connection	34,35,
Return	23	Return	28		36
DATA LINE 5	6	BUSY	11	+5 Volts	18
Return	24	Return	29		
DATA LINE 6	7				
Return	25				
DATA LINE 7	8				
Return	26				
DATA LINE 8	9				
Return	27				
DATA STROBE	1				
Return	19				
PAPER INSTRUCTION	15				
Return	29				
PRIME	31				
Return	30				

**NOTE:** The length of the data cable from the host computer to the printer must not exceed 15 feet (5 meters).

## Centronics Interface Signals

**Table 5. Centronics Parallel Interface Signals**

<b>Signals</b>	<b>Purpose</b>
<b>Data Lines 1 through 8</b>	Provide eight standard or inverted levels from the host that specify character data, plot data, or a control code. Data Line 8 allows access to the extended ASCII character set. You may enable or disable this line via the Data Bit 8 parameter on the Centronics Parallel submenu.
<b>Data Strobe</b>	Carries a low true, 100 ns minimum pulse from the host that clocks data into the printer.
<b>Acknowledge</b>	A low true pulse from the printer indicating the character or function code has been received and the printer is ready for the next data transfer.
<b>Online</b>	A high true level from the printer to indicate the printer is ready for data transfer and the Pause key on the control panel has been activated. When the printer is in online mode, it may accept data from the host.
<b>Paper Empty (PE)</b>	A high true level from the printer to indicate the printer is in a paper empty or paper jam fault.
<b>Busy</b>	A high true level from the printer to indicate the printer cannot receive data.
<b>Prime</b>	A high true level from the host to indicate the printer should perform a warm start (printer is reset to the power-up configuration values).
<b>Paper Instruction (PI)</b>	Carries a VFU signal from the host with the same timing and polarity as the data line.
<b>Fault</b>	A low true level from the printer indicates a printer fault.

## **IEEE 1284**

---

The IEEE 1284 supports three operating modes, which are determined by negotiation between the printer and the host.

### **Compatibility Mode**

This mode provides compatibility with Centronics-like host I/O (see Table 4). Data is transferred from the host to the printer in 8-bit bytes over the data lines.

Compatibility Mode can be combined with Nibble and Byte Modes to provide bidirectional communication.

### **Nibble Mode**

Eight bits equals one byte. When a byte of data is sent to the printer, the eight bits are sent over eight data lines.

Some devices cannot send data over their eight data lines. To bypass this, the IEEE 1284 permits data to be sent as half a byte over four status lines. (Half a byte equals one nibble.) Two sequential four-bit nibbles are sent over the lines.

Data is transferred from printer to host in four-bit nibbles over the status lines, and the host controls the transmission.

### **Byte Mode**

The printer and host send data to each other along eight data lines (one bit per line).

If bidirectional communication is supported by the printer and the host, the host will take control of the data transfer.



## IEEE 1284 Interface Signals

Table 6 lists each of the signals associated with the corresponding pins on the IEEE 1284 interface. Descriptions of the signals follow.

**Table 6. IEEE 1284 Signals**

Pin	Source of Data	Type of Mode		
		Compatible	Nibble	Byte
1	Host	nStrobe	HostClk	Host/Clk
2	Host/Printer	Data 1 (LSB)		
3	Host/Printer	Data 2		
4	Host/Printer	Data 3		
5	Host/Printer	Data 4		
6	Host/Printer	Data 5		
7	Host/Printer	Data 6		
8	Host/Printer	Data 7		
9	Host/Printer	Data 8 (MSB)		
10	Printer	nAck	PtrClk	PtrClk
11	Printer	Busy	PtrBusy	PtrBusy
12	Printer	PError	AckDataReq	AckDataReq
13	Printer	Select	Xflag	Xflag
14	Host	nAutoFd	Host Busy	HostAck
15		Not Defined		
16		Logic Grid		
17		Chassis Grid		
18	Printer	Peripheral Logic High		
19		Signal Ground (nStrobe)		
20		Signal Ground (Data 1)		
21		Signal Ground (Data 2)		
22		Signal Ground (Data 3)		
23		Signal Ground (Data 4)		
24		Signal Ground (Data 5)		
25		Signal Ground (Data 6)		
26		Signal Ground (Data 7)		

Table 6. IEEE 1284 Signals (continued)

Pin	Source of Data	Type of Mode		
		Compatible	Nibble	Byte
27		Signal Ground (Data 8)		
28		Signal Ground (PErrror, Select, nAck)		
29		Signal Ground (Busy, nFault)		
30		Signal Ground (nAutoFd, nSelectIn, nInit)		
31	Host	nInit		
32	Printer	NFault	nDataAvail	aDataAvail
33		Not Defined		
34		Not Defined		
35		Not Defined		
36	Host	nSelectIn	1284 Active	1284 Active

**NOTE:** The length of the data cable from the host computer to the printer should not exceed 32 feet (10 meters).

**Host Clock / nWrite.** Driven by the host. Data is transferred from the host to the printer. When the printer sends data, two types are available. If it is Nibble Mode, the signal is set high. If it is Byte Mode, the signal is set low.

**Data 1 through Data 8.** These pins are host-driven in Compatibility Mode and bidirectional in Byte Mode. They are not used in Nibble Mode. Data 1 is the least significant bit; Data 8 is the most significant bit.

**Printer Clock / Peripheral Clock / Interrupt.** Driven by the printer. A signal from the printer indicating the character or function code has been received and the printer is ready for the next data transfer.

**Printer Busy / Peripheral Acknowledge / nWait.** Driven by the printer. Indicates the printer cannot receive data. (Data bits 4 and 8 in Nibble Mode.)

**Acknowledge Data Request / nAcknowledge Reverse.** Driven by the printer. Indicates the printer is in a fault condition. (Data bits 3 and 7 in Nibble Mode.)

**Xflag.** Driven by the printer. A high true level indicating the printer is ready for data transfer and the printer is online. (Data bits 2 and 6 in Nibble Mode.)

**Host Busy / Host Acknowledge / NDStrobe.** Driven by the host. Activates auto-line feed mode.

**Peripheral Logic High.** Driven by the printer. When the line is high, the printer indicates all of its signals are in a valid state. When the line is low, the printer indicates its power is off or its signals are in an invalid state.

**nReverse Request.** Driven by the host. Resets the interface and forces a return to Compatibility Mode idle phase.

**nData Available / nPeripheral Request.** Driven by the printer. Indicates the printer has encountered an error. (Data bits 1 and 5 in Nibble Mode.)

**1284 Active / nAStrobe.** Driven by the host. A peripheral device is selected.

**Host Logic High.** Driven by the host. When set to high, the host indicates all of its signals are in a valid state. When set to low, the host indicates its power is off or its signals are in an invalid state.

**nInit.** Resets init interface from the host.

## Serial Interface

### RS-232

**NOTE:** The RS-232 serial interface circuit characteristics are compatible with the Electronic Industry Association Specification EIA<sup>®</sup>-232-E.

The RS-232 serial interface enables the printer to operate with bit serial devices that are compatible with an RS-232 controller. The input serial data transfer rate (in baud) is selectable from the printer's control panel. Baud rates of 600, 1200, 2400, 4800, 9600, 19200, 38400, 57600, and 115200 are available.

The length of the data cable from the host computer to the printer must not exceed 50 feet (15 meters) for RS-232

**Table 7. RS-232 Serial Interface Connector (9 Pin) Assignments**

Input Signals		Output Signals		Miscellaneous	
Signal	Pin	Signal	Pin	Signal	Pin
Receive Data (RXD)	2	Transmit Status & Control Data (TXD)	3	Chassis/Signal Ground	5
Clear To Send (CTS)	8	Request To Send (RTS)	7		
Data Set Ready (DSR)	6	Data Terminal Ready (DTR)	4		
Data Carrier Detect (DCD)	1				

**Received Data (RXD).** Serial data stream to the printer.

**Transmitted Data (TXD).** Serial data stream from the printer for transmitting status and control information to the host. Subject to protocol selection.

**Request To Send (RTS).** Control signal from the printer. Subject to configuration.

**Clear To Send (CTS).** Status signal to the printer indicating the host is ready to receive data/status signals from the printer.

**Data Set Ready (DSR).** Status signal to the printer indicating the host is in a ready condition.

**Data Carrier Detect (DCD).** Status signal to the printer. The ON condition is required for the printer to receive data.

**Data Terminal Ready (DTR).** Control signal from the printer. Subject to configuration.

---

# 4

## *Configuring the Printer*

---

### Overview

---

This chapter provides information about:

- Setting, saving, modifying, and printing configurations
- Configuration menus

---

### Setting Printer Configuration Parameters

---

Configuration parameters are set from the control panel or are retrieved from the printer's memory. The parameters define how the printer will respond to command and interface signals from the host computer.

The configuration menu structure consists of main menus and the options applicable to each menu.

**NOTE:** Some configurations refer to printer options that may not be present in your printer. If you select an option or feature that is not present, no action will be performed by the printer or an "OPTION NOT INSTALLED" message will display on the LCD.

---

### Moving within the Configuration Menu

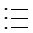
---

You can navigate through the configuration menus using the appropriate navigation keys, as shown in Figure 2. (See "Controls and Indicators" on page 35 for more details on the function of the operator panel keys.)


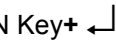

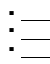
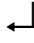
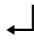

You can select different options and save them as the power on default; however, you can only save them to configuration menus 1-8. The factory configuration menu can be altered, but not saved.

When the printer is online, the first line of the LCD displays "ONLINE" and the second line lists the active interface port and emulation type.

To configure the printer:

1. Press the  key to enter the printer menu system. Eight menu icons display on the LCD. The MEDIA SETUP icon is selected (highlighted).
2. You can move through configuration main menus in two ways:
  - Press the right key to move right or the left key to move left.
  - Press the down key to move down or the up key to move up between menu icons displayed within each column.

**NOTE:** In menus with numeric ranges of more than 50 numbers, hold down the right or left key for more than 2 seconds to move through the range in increments of 5. To move in increments of 1 again, release your hold on the right or left key.

Step	Press	LCD	Notes
1		OFFLINE	
2	DOWN Key+ 	THE  KEY IS UNLOCKED	Unlocks the ENTER key to allow you to make configuration changes.
3		MEDIA SETUP	Enters the printer menus.
4		MEDIA SETUP Print Intensity: -3*	Enters the MEDIA SETUP Menu.
5	DOWN Key UNTIL	Print Mode: Transfer*	Print Mode is selected.
6	LEFT Key or RIGHT Key	Print Mode: Direct	Cycles through the choices.
7		Print Mode Direct*	Selects the Direct transfer mode.
8		MEDIA SETUP	In Menu mode, this key moves up to the previous higher level menu.

**Figure 2. Moving within the Configuration Menu**

---

## Selecting a Menu Option

---

To select an option, you need to press the ↵ key. By default, however, the ↵ key is “locked” when the printer is turned on to prevent accidental changes to the configuration menu. If you press the ↵ key when the key is locked, the message “The ↵ KEY IS LOCKED” displays on the LCD for one second and the value will not be selected.

To unlock the ↵ key, press the Down + ↵ (Enter) keys simultaneously (if the combination keys have not been otherwise reconfigured). This toggles the ENTER/LOCK function.

- If this function is performed while the ↵ key is locked, the message “The ↵ KEY IS UNLOCKED” displays for one second, and the ↵ key will be unlocked.
- If this function is performed while the ↵ key is unlocked, the message “The ↵ KEY IS LOCKED” displays for one second, and the ↵ key will be locked.

When you press the ↵ key (with the ↵ key unlocked), you select the value or option that displays. An asterisk displays after the value you selected, and the configuration is changed immediately.

### IMPORTANT

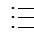


**This change takes effect for all subsequent data and operations for the printer as soon as the ↵ key is pressed and the asterisk (\*) is displayed. The configuration change(s) stay in effect only while the printer is powered on. When the power is turned off, all current configuration changes will be lost unless the changes made to it are saved via the CONFIGURATION menu. To save configuration information permanently or to select it as the power-up default, see “Saving a Configuration” on page 148.**

**When you make a menu change and attempt to go Online without saving the changes to a configuration, you will be prompted to save the changes (provided that Auto Save is set to Enable in the CONFIGURATION MENU). For more information on Auto Save Configuration, see page 149.**

## Changing Printer Settings

---

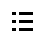



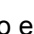

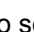
You can change (or “configure”) printer settings, such as print speed or emulations, through the control panel as follows:

1. Press the  key to enter the Menu configuration. MEDIA SETUP is selected.
2. Press the  key to enter the MEDIA SETUP menu. Print Intensity is selected.
3. Press the Down key to cycle through these options:
  - Print Intensity
  - Print Speed
  - Print Mode
  - Media Handling
  - Tear Off Adjust
  - Label Length
  - Label Width
  - Ver Image Shift
  - Hor Image Shift
  - Orientation
  - Units
4. When the desired submenu is selected, press the Left or Right keys to scroll through the values or options.
5. Press the  key to select a value. An asterisk (\*) displays next to the selected value or option.

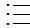

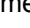
## Hidden Menus

---

By default, menu items for advanced users are hidden (they do not appear in the menu structure). To display these hidden menus:

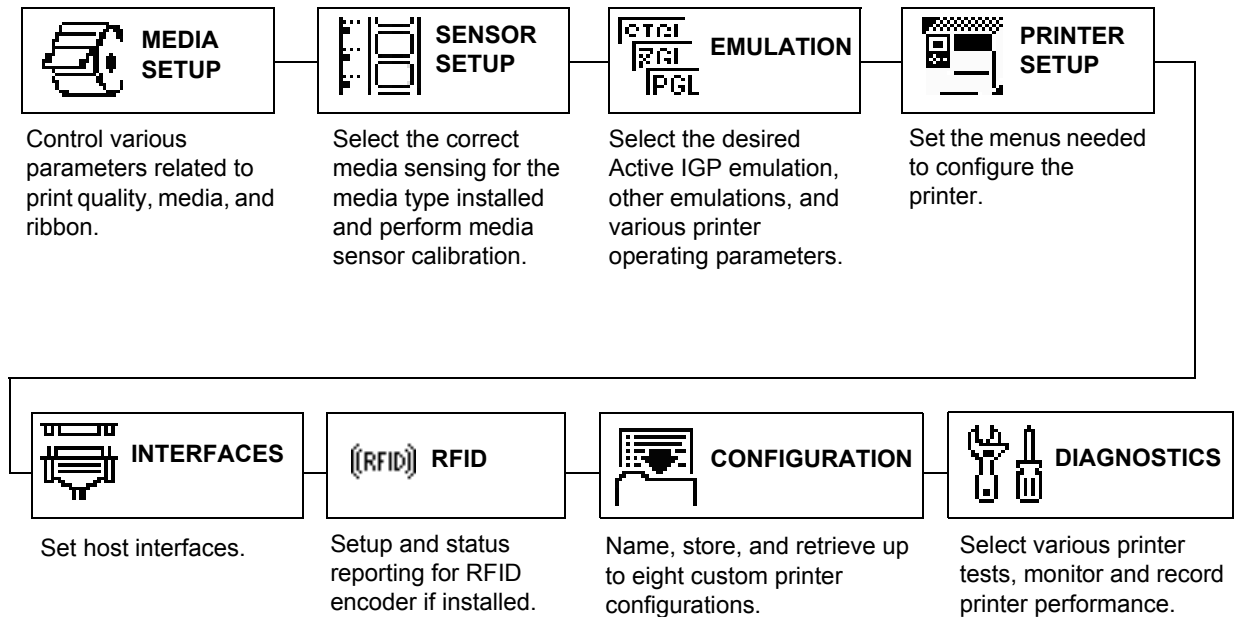
1. Press  to enter Menu mode.
2. Press the Down and  keys at the same time until THE  KEY IS UNLOCKED displays.
3. Press the Right key until  PRINTER SETUP displays.
4. Press  to enter the  PRINTER SETUP menu.
5. Press the Up key until Admin User displays.
6. Press the Right key until Enable displays.
7. Press  to select it. An asterisk (\*) displays after Enable. The hidden menus will now appear.

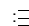


8. If there are more submenu values or options you want to change, use the , Up, Down, Left, and Right keys to access the value and the  key to select it. At any time, you may press the  key to return to the Main menu.
9. At any time, you may press the Pause key twice to exit the Configuration menu and place the printer online. Once you have finished selecting all your options, save your configuration.

**IMPORTANT** If you do not save your configuration, all your new values will be lost when you power off the printer. See “Saving a Configuration” on page 148 and “Auto Save Configuration” on page 149.

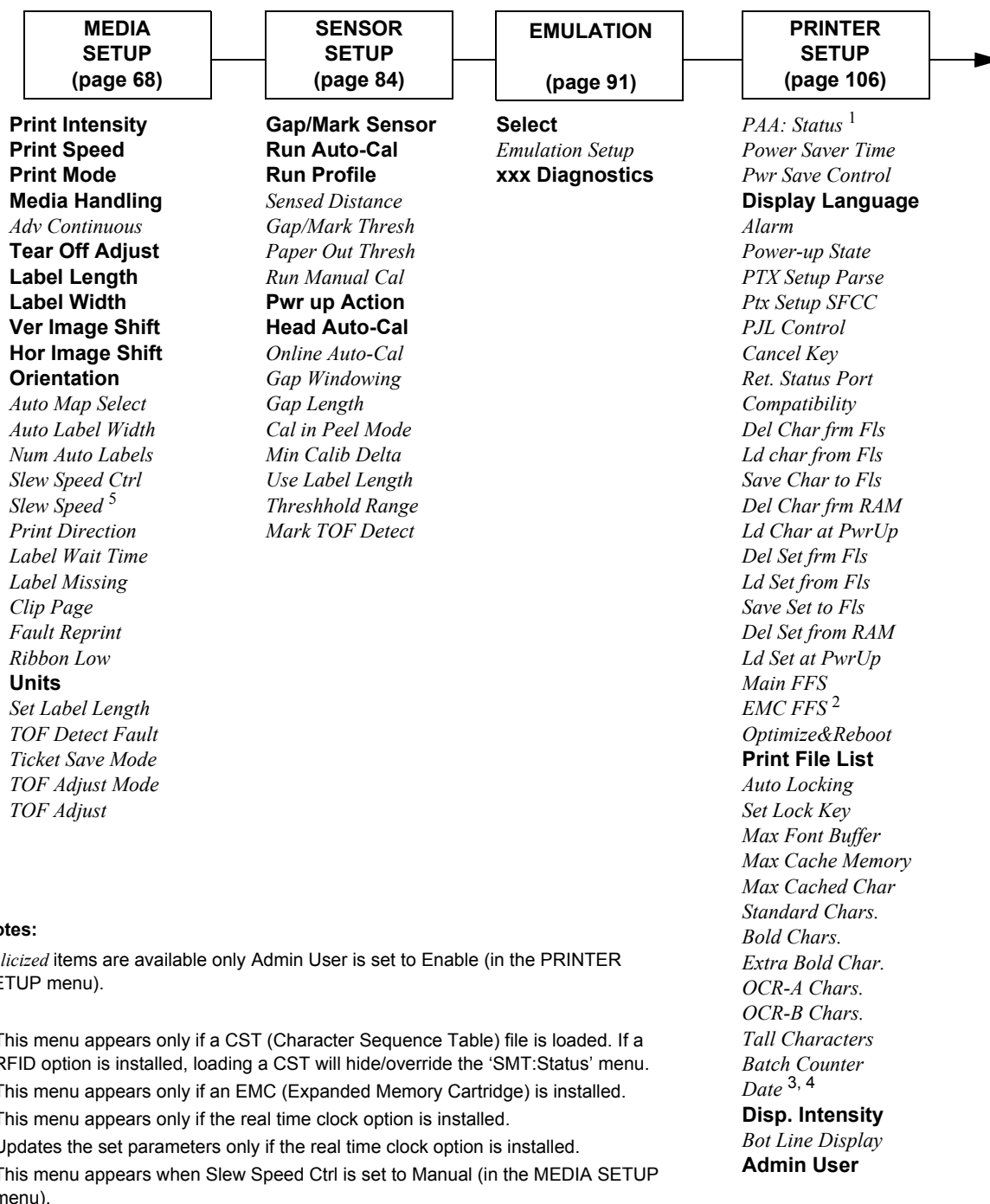
## Menu Overview



Press  to select the next main menu.

Press the Up or Down keys to move within each main menu.

## Main Menu



### Notes:

*Italicized* items are available only Admin User is set to Enable (in the PRINTER SETUP menu).

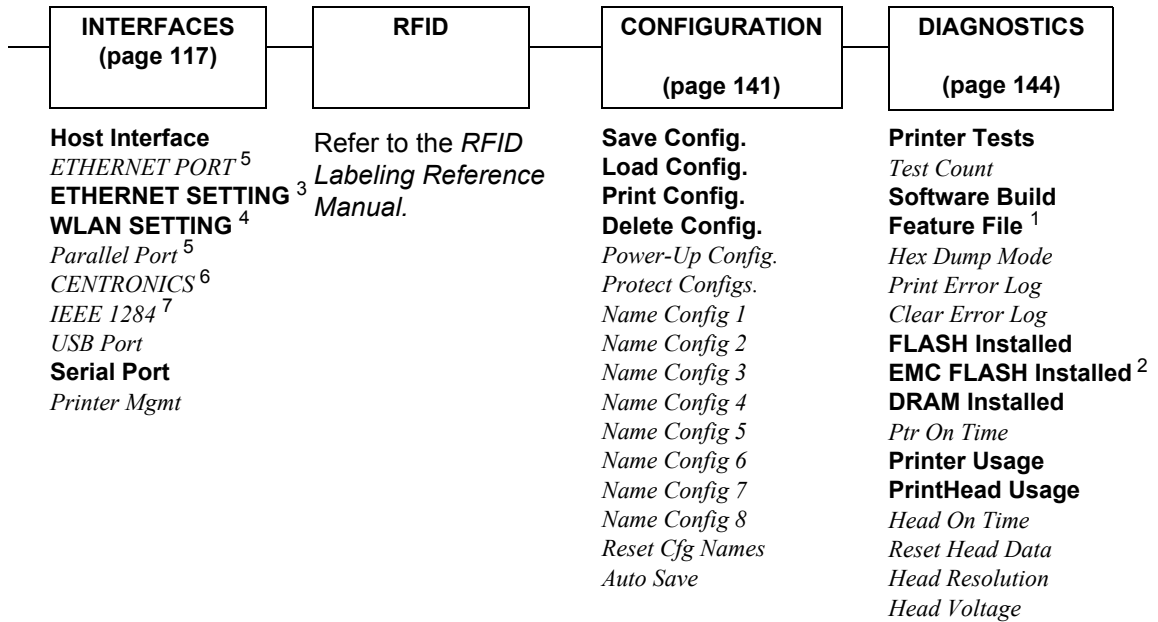
<sup>1</sup> This menu appears only if a CST (Character Sequence Table) file is loaded. If a RFID option is installed, loading a CST will hide/override the 'SMT:Status' menu.

<sup>2</sup> This menu appears only if an EMC (Expanded Memory Cartridge) is installed.

<sup>3</sup> This menu appears only if the real time clock option is installed.

<sup>4</sup> Updates the set parameters only if the real time clock option is installed.

<sup>5</sup> This menu appears when Slew Speed Ctrl is set to Manual (in the MEDIA SETUP menu).

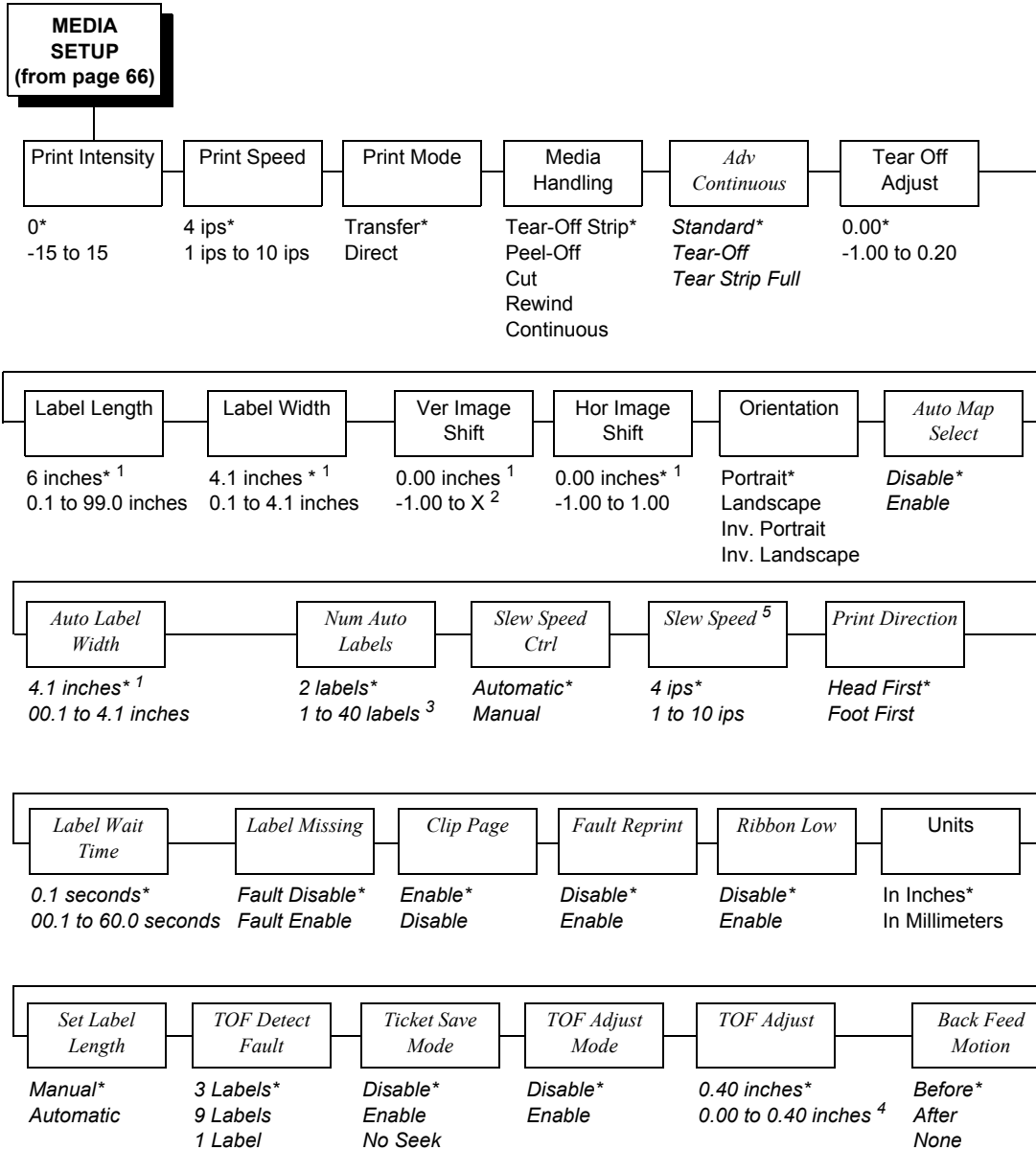


**Notes:**

*Italicized* items are available only when Admin User is set to Enable (in the PRINTER SETUP menu).

- <sup>1</sup> This menu only appears if Feature File is loaded.
- <sup>2</sup> This menu only appears if the EMC is installed.
- <sup>3</sup> This menu only appears only if the NIC is installed.
- <sup>4</sup> This menu only appears only if the Wireless NIC is installed.
- <sup>5</sup> This menu only appears if Host Interface is set to Auto Switching.
- <sup>6</sup> This menu only appears if Host Interface is set to Centronics.
- <sup>7</sup> This menu only appears if Host Interface is set to IEEE 1284.

# MEDIA SETUP Menu



**Notes:**

\* = Factory Default

*Italicized* items are available when Admin User is set to Enable (in the PRINTER SETUP menu).

<sup>1</sup> You can change the unit value from inches to millimeters under Units (in MEDIA SETUP) when Admin User is set to Enable (in the PRINTER SETUP menu).

<sup>2</sup> Based on the current value setting for Label Length (in the MEDIA SETUP menu) up to a maximum of 12.80 inches.

<sup>3</sup> Maximum value depends on the amount of DRAM available for page memory, label length, and label width (see Appendix A, "Specifications").

<sup>4</sup> In increments of 0.01 inch.

<sup>5</sup> This menu appears when Slew Speed Ctrl is set to Manual (in the MEDIA SETUP menu).

## MEDIA SETUP Submenus

---

### Print Intensity

This option specifies the level of thermal energy from the printhead to be used for the type of media and ribbon installed.

Large numbers imply more heat (thermal energy) to be applied for each dot. This has a significant effect on print quality. The print intensity and speed must match the media and ribbon type to obtain the best possible print quality and barcode grades.

The range is -15 to 15.

The factory default is 0.

### Print Speed

This option specifies the speed in inches per second (ips) at which the media passes through the printer while printing.

The range is 1 to 10 ips (in increments of 1 ips).

The factory default is 4 ips.

### Print Mode

This option specifies the type of printing to be done.

- **Transfer** (factory default). Indicates Thermal Transfer printing (ribbon installed).
- **Direct**. Indicates Direct Thermal printing (no ribbon) and requires special heat sensitive media.

### Media Handling

This option specifies how the printer will handle the media (labels or tag stock).

- **Tear-Off Strip** (factory default). Printer prints on the media and sends it out the front until the print buffer is empty, then positions the last label (cross perforation following) over the tear bar for removal.
- **Peel-Off**. Prints and peels die-cut labels from the liner without assistance. The printer waits for you to take away the label before printing the next one (on-demand printing). Supported only when Standard Peel or Peel with Liner Rewinder option is installed. When either option is installed, a "Remove Label" message will display to remind you to remove the label before the next one can be printed.

**NOTE:** If the Peel-Off option is not installed, the error message "OPTION NOT INSTALLED" displays. Requires the Standard Peel without Liner Rewinder or Standard Peel with Liner Rewinder option. Not allowed if the options are not installed.

- **Cut.** When the optional media cutter is installed, it automatically cuts media after each label is printed or after a specified number of labels have been printed when a software cut command has been issued. It cuts continuous roll paper, labels, or tag stock.

**NOTE:** The Cut option is not allowed if the cutter is not installed. The error message “OPTION NOT INSTALLED” displays.

- **Rewind.** In rewind mode the printer unwinds the media from the media supply spindle or fanfold label stack, prints the labels, and rewinds the printed media and its carrier web onto the optional rewind spindle.

**NOTE:** The Batch Label Rewinder option is not allowed if the Rewinder is not installed. The error message “OPTION NOT INSTALLED” displays.

- **Continuous.** Printer prints on the media until the print buffer is empty and then stops at the next top of form.

### Adv Continuous

Allows selection of special media modes when Continuous Media Handling mode (see page 69) is selected.

- **Standard** (factory default). Labels are printed and sent out the front. The cross perforation following the last printed label is not aligned at the tear bar. No auto feeding of a blank label should exist between print jobs, but you may need to press the Feed key to move approximately .80 inches of the last printed label from under the printhead. If performed, this feed causes a blank label at the beginning of the next print job.
- **Tear-Off.** Same as Standard, but the cross perforation following the last printed label is aligned at the tear bar. No blank label is needed to remove the last printed label. No blank label should exist between print jobs. A no print zone, .80 inches long, exists from the leading edge of each printed label. This option supports label lengths 2.50 inches or longer.
- **Tear Strip Full.** Same as Standard, but the cross perforation following the last printed label is automatically aligned at the tear bar once the print buffer is empty for a period of Label Wait Time. (Media does not get aligned at tear bar until Label Wait Time expires.) When printable data is again detected, a blank label is automatically fed, resulting in one blank label between each print job. This option supports label lengths 2.50 inches or longer. Shorter label lengths cause two or more blank labels to be automatically fed at the beginning of each print job.

## Tear Off Adjust

This option represents the distance to advance (+ shift) or pull back (– shift) the stop position of a label when Tear-Off Strip, Peel-Off, or Cut media handling option is enabled. The allowable range is -1.00 inches to + 0.2 inches, in .01 inch increments.

The factory default is 0.00 inches.

## Label Length

This option specifies the user-selected Label Length in inches or millimeters. In most applications, the user-selected Label Length will match the physical label length. Physical label length is the actual label length of the media installed.

When setting label length, consider the following:

Label Length can also be manually entered via the control panel MEDIA SETUP menu or sent via host computer using the appropriate software command.

A Host Forms Length (Label Length) value sent from the host computer will override and change the manually entered Label Length value in the MEDIA SETUP menu.

- **Physical Label Length** is the actual measurable length of the label. The following list of different media types explains how the physical label lengths are determined:
  - Die-cut labels – measurable length of the removable label (leading edge to trailing edge). This does not include the liner material or gap.
  - Tag Stock with notches or holes – measurable length from the trailing edge of one notch or hole to the leading edge of the next notch or hole.
  - Tag Stock with black marks on underside – measurable length from the trailing edge of one black mark to the trailing edge of the next black mark.

**NOTE:** The printer can be configured to detect the leading edge of the black mark using the Mark TOF Detect option in the SENSOR SETUP menu.

- Continuous media (no label length indicators) – measurable length should be within  $\pm$  1-2% the Label Length value entered in the MEDIA SETUP menu, or the value sent via host software command.
- **Logical Label Length** (Host Forms Length) is the length that a user or programmer bases his printable image on. In most cases this length should be slightly less than the Physical Label Length. This allows the entire image to be printed within the boundaries of the label length indicators (gaps, notches, holes, or black marks).

When the Logical Label Length is greater than the Physical Label Length and Clip Page = Enable (in the MEDIA SETUP menu), the printer will clip the bottom portion of the image that exceeds the Physical Label length. In this case, the printable data that was not printed will be lost.

When the Logical Label Length is greater than the Physical Label Length and Clip Page = Disable, the printer will continue to print the image onto the next physical label and ignore the gap or mark based on the label length value set in the MEDIA SETUP menu.

When the Logical Label Length is less than the Physical Label Length, the printer will print the entire image and leave blank the remaining length of the physical label as it advances to the Top-of-Form of the next label. This is true regardless of the Clip Page setting.

The allowable Label Length range is 00.1 to 99.0 inches (2.5 - 2514.6mm). The factory default is 6 inches. Maximum Label Length range is dependent on the Label Width value selected, printhead installed (203 or 305 DPI).

**NOTE:** See “Set Label Length” on page 81.

### Label Width

This option specifies the physical width of the image to be printed. The value can be specified in inches or millimeters depending on the setting of the Units submenu under the MEDIA SETUP menu. The allowable range in inches is 0.1 to 4.1 inches. The allowable range in millimeters is 2.5 to 104 mm.

### Ver Image Shift

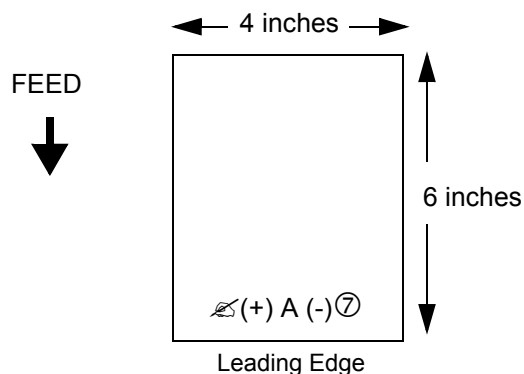
This option specifies the amount to shift an image vertically up (-) toward the leading edge or down (+) toward the trailing edge for precise positioning on the label. The actual height of the image is not affected by this parameter. The allowable range is -1.00 inches to the current Label Length value setting, up to a maximum of 12.80 inches, in .01 inch increments.

The factory default value is 0.00 inches.

### Hor Image Shift

This option specifies the amount to shift an image horizontally outboard (-) or inboard (+) for precise positioning on the label. The actual width of the image is not affected by this parameter. The allowable range is -1.00 to +1.00 inches in .01 inch increments.

The factory default value is 0.00 inches.



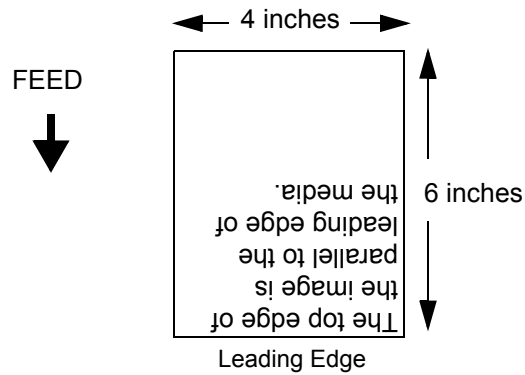


## Orientation

This menu item selects the image orientation to be used when printing the label.

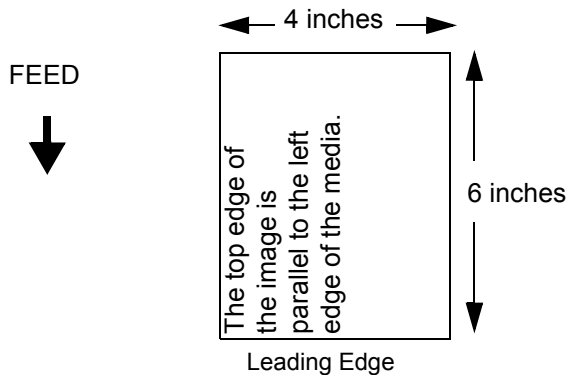
- **Portrait.** Portrait refers to vertical page orientation, where the height of a page is greater than its width. The top edge of the image is parallel to the leading edge of the media. The following illustration is an example, with the operator viewing the front of the printer.

**NOTE:** Portrait orientation applies to the PGL emulation. This is regarded as Inverse Portrait using ZGL.



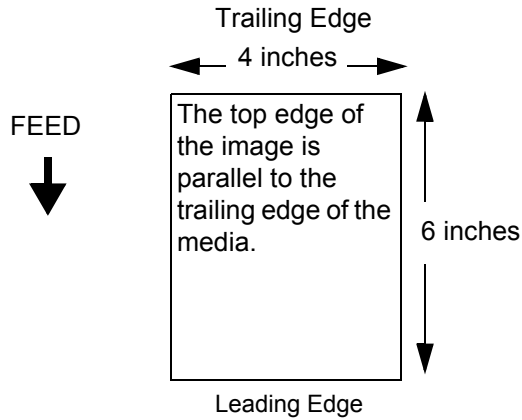
- **Landscape.** Landscape refers to horizontal orientation, where the width of a page is greater than its height. The top edge of the image is the left edge of the media. The following illustration is an example, with the operator viewing the front of the printer.

**NOTE:** Landscape orientation applies to the PGL emulation. This is regarded as Inverse Landscape using ZGL.



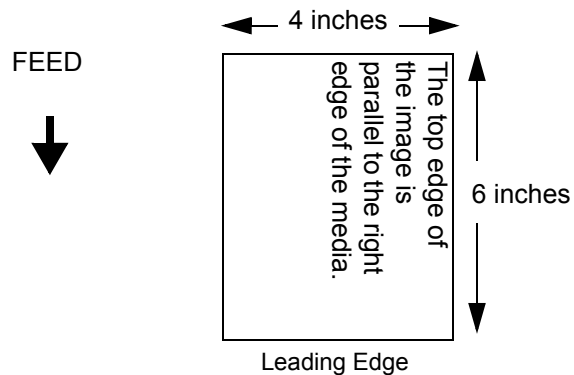
- **Inv. Portrait.** Inverse Portrait refers to vertical page orientation, where the height of a page is greater than its width. The top edge of the image is parallel to the trailing edge of the media. The following illustration is an example, with the operator viewing the front of the printer.

**NOTE:** Inverse Portrait orientation applies to the PGL emulation. This is regarded as Portrait using ZGL.



- **Inv. Landscape.** Inverse Landscape refers to horizontal orientation, where the width of a page is greater than its height. The top edge of the image is the right edge of the media (the left edge of the image is the trailing edge of the media). The factory default is Portrait. The following illustration is an example, with the operator viewing the front of the printer.

**NOTE:** Inverse Landscape orientation applies to the PGL emulation. This is regarded as Landscape using ZGL.



## Auto Map Select

This option specifies the maximum print width to be used by the application. The IGP/Auto Label Mapping<sup>®</sup> feature allows backward compatibility of programs written for P5000 line-matrix printers using the Printronix PGL graphics language. It allows the printer to print two-up (or other multi-up) labels. Instead of printing multiple labels across the printer, it prints the leftmost label and the rightmost label, so the printout will be twice as long but half as wide.

When enabled, the printer will automatically reposition the horizontally adjacent labels to a vertically adjacent position, or a combination of horizontal and vertical positions based on the values selected under the Auto Label Width and Num Auto Labels menu items.

When disabled, excess data in any program sent to the printer with horizontally adjacent labels that exceed the physical page width of the printer will be clipped or wrapped depending upon the setting of the Autowrap menu option.

The options are Disable (the factory default) and Enable.

## Examples

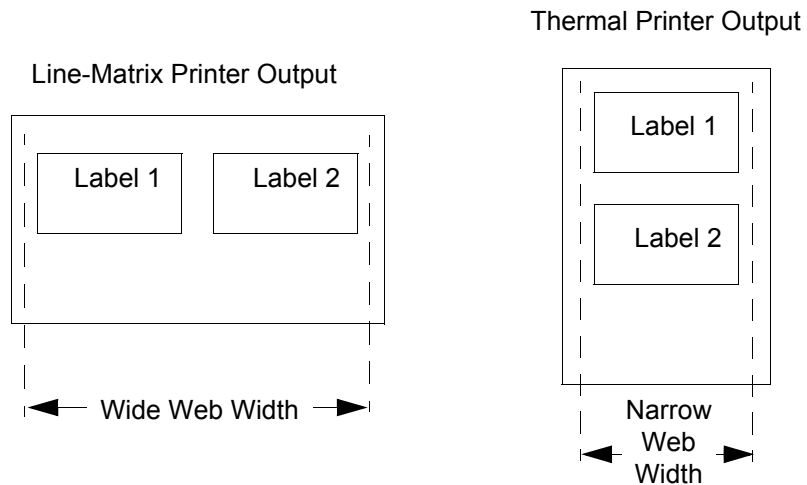
All of the examples below assume that the logical form length is set to the label length.

### Example 1: Simple Case

**Problem:** A file has been constructed with two horizontally adjacent 4" labels for a printer with a physical width of 8". The user now wants to use this file with a printer that has a 4" physical width.

**Solution:** The user sets Auto Label Width to 4" (the width of the label), configures the Num Auto Labels to 2, and enables the Auto Label Mapping feature.

**Printer Operation:** The printer will print the first (leftmost) 4" label first. Once the first label has been completed, the printer will print the second 4" label. These labels will appear vertically adjacent on the form.



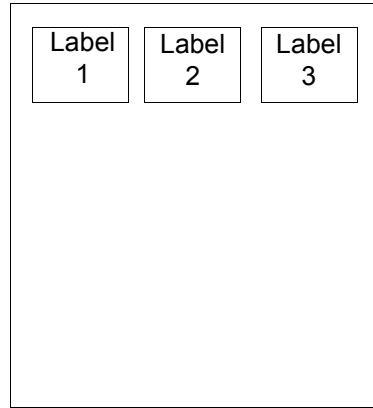
**Example 2: Uneven Number Case**

**Problem:** A file has been constructed with three horizontally adjacent 2” labels. The user now desires to use this file with a printer that has a 4” physical width.

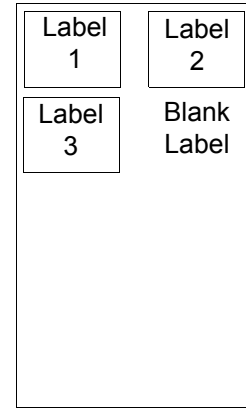
**Solution #1:** The user sets *Auto Label Width* to 4” (the width of two labels), configures the Num Auto Labels to 2, and enables the Auto Label Mapping feature.

**Printer Operation for Solution #1:** The printer will print the first two labels at the same time. These first two labels will be horizontally adjacent. Once these labels have been completed, the printer will print the remaining 2” labels along with a blank 2” label.

File Contents:

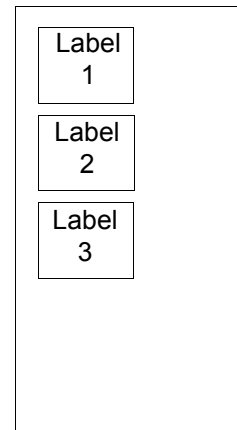
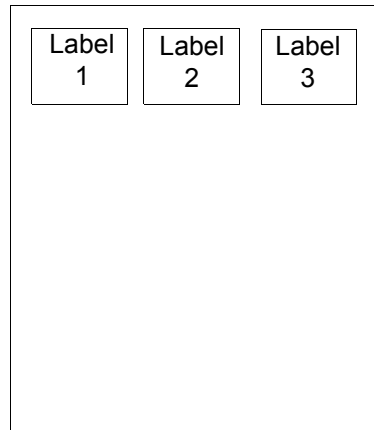


Print Output:



**Solution #2:** The user sets *Auto Label Width* to 2”, configures the Num Auto Labels to 3, and enables the Auto Label Mapping feature.

**Printer Operation for Solution #2:** The printer will print the first 2” label by itself, the second 2” label by itself, and finally, the last 2” label by itself.



**Example 3: Past Maximum File Width**

**Problem:** A file has been constructed with three horizontally adjacent 4” labels. The user now desires to use this file with a printer that has a 8” physical width. The user should have used a solution similar to one of the solutions in the section above, but the user erroneously enters an *Auto Label Width* of 12” and a *Num Auto Labels* of 3.

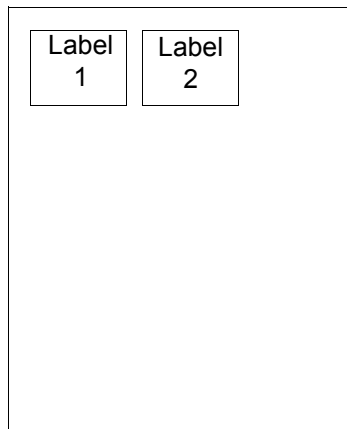
**Printer Operation:**  $Maximum\ Num\ Auto\ Labels = (20"/12") = 1.67$  rounded up to 2. The printer will automatically reduce the *Num Auto Labels* to 2.

**Example 4: Blank Label Case**

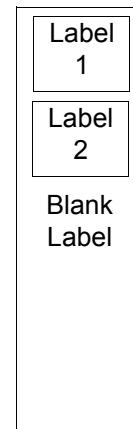
**Problem:** A file exists with two horizontally adjacent 4” labels. The user now wants to use this file with a printer that has a 4” physical width. The user decides to set the *Num Labels* to 3 and the *Label Width* to 4” despite the fact that these values are not optimum.

**Printer Operation:** The maximum  $Num\ Auto\ Labels = (20"/4") = 5$ . The selected value of 3 is legal. After the file is sent, the printer will begin by printing the first 4” width label. Once that label is complete, it will print the second 4” width label. Finally, once both of those labels have been printed, the printer will print a blank 4” label.

File Contents:



Print Output:



**Auto Label Width**

The width of a single label to be printed or the maximum width of the media that will be used for the print file. The value is selectable from 00.1 inch through the maximum print width of the printer.

**NOTE:** The maximum Auto Label Width value will be limited to the current MEDIA CONTROL/Label Width value selected in the configuration menu.

The default value depends on model width and size of DRAM installed.

### Num Auto Labels

The desired number of labels to be printed vertically adjacent on the form. The value is selectable with a range of 1 through 40 labels.

The factory default is 2.

### Slew Speed Ctrl

The speed at which the printer moves media without actually printing on it.

- **Automatic** (factory default). Always the same as the print speed.
- **Manual**. Allows you to set the slew speed. The maximum speed depends on your printer model (see “Print Method” on page 219).

### Print Direction

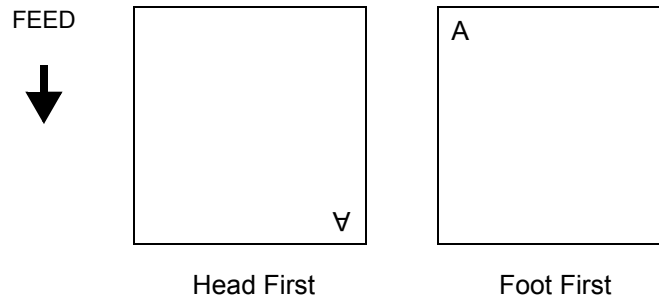
This option determines the basic print image orientation.

**NOTE:** Print Direction will not change the orientation of any print test patterns in the DIAGNOSTIC menu.

Print Direction has two options:

- **Head First**
- **Foot First**

For example, with Portrait orientation, when you select Head First, the top-of-form will come out of the printer first. Conversely, when you select Foot First, the bottom-of-form will come out first.



Print Direction and Orientation are two independent options that can be combined to produce the following results depending on the Active IGP Emulation:

**Table 8. Head First**

Print Direction Option	Orientation Option	Result in Active IGP Emulations (PGL)
Head First	Portrait	Portrait
Head First	Landscape	Landscape
Head First	Inv. Portrait	Inv. Portrait
Head First	Inv. Landscape	Inv. Landscape

**Table 9. Foot First**

Print Direction Option	Orientation Option	Result in Active ZGL Emulation
Foot First	Portrait	Portrait
Foot First	Landscape	Inv. Landscape
Foot First	Inv. Portrait	Inv. Portrait
Foot First	Inv. Landscape	Landscape

The factory default is Head First when PGL is enabled.

The factory default is Foot First when ZGL is enabled.

### Label Wait Time

When Media Handling is set to Tear-Off Strip or Continuous, and Adv Continuous is set to Tear Strip Full, Label Wait Time specifies the number of seconds after printing stops that the printer will wait before it advances media to the tear bar position.

When Media Handling is set to Peel-Off, Label Wait Time specifies the number of seconds the printer will wait after a label is removed from the peel bar before starting to print the next label.

The range is 0.1 to 60.0 seconds, and the factory default is 0.1 second.

**NOTE:** For the SL4M Short Pitch RFID printer, the default is 1.0 second.

### Label Missing

If enabled causes the Label Taken Sensor to first check for the presence of a printed label at the tear bar for Peel Off and Tear Off Media Handling Modes only.

- **Fault Disable** (factory default). The printer does not generate a fault condition if a missing label is encountered. The printer will continue printing the next label.
- **Fault Enable**. The printer generates a fault condition if a missing label is encountered.

## Clip Page

This option determines how the printer handles images that are too large for one physical page length when using gap or black mark media.

- **Enable** (factory default). When the user-selected page length is greater than the physical page length, the printer clips the excess data to fit the physical page. The excess data is lost. The media sensor constantly looks for the gap, notch, hole, or black mark and when detected, uses it as the Top-of-Form position for the next label and clips any remaining data from the label being printed.
- **Disable**. When the user-selected page length (logical length) is greater than the physical page length dictated by the gap, notch, hole, or black mark on media, the printer continues to print the remaining excess data onto the next physical page.

The media sensor looks for the gap, notch, hole, or black mark only after the media has advanced the distance specified by the Label Length value in the MEDIA SETUP menu or by the Host Forms Length value sent via the software. Any gaps, notches, holes, or black marks that exist prior to reaching the Label Length or Host Forms Length value are ignored.

When Clip Page is set to Disable, Mark and Gap media sensing reliability can be improved and the sensor problems described below can be fixed:

- The image starts to print at an erroneous distance from the top-of-form, especially towards the end of a roll where the media is severely curled or scalloped.
- The image is incorrectly positioned as a result of the media sensor triggering off of a dark, pre-printed image on the label or multiple gaps within the label.
- The printer starts to print one label and then another all on the same physical label, especially at the end of a roll where the media is severely curled.
- An occasional blank label appears within a print job (in between printed labels).

When Clip Page is set to Disable, the printer ignores any pre-printed dark marks or multiple gaps on a label that could mistakenly be detected as the next top-of-form position based on the specified Label Length value. The Label Length option is in the MEDIA SETUP menu.

**NOTE:** When Clip Page = Disable, the correct Label Length value must be entered. If the value is too long, the printer will ignore the actual gap or mark it needs to detect. When using Gap sensing, the Label Length value is equal to the physical length of a die cut or removable label. When using Mark sensing, the Label Length value is the physical distance from the leading edge of one black mark to the leading edge of the next black mark.



## Fault Reprint

This option determines how the printer handles data that was printing when an error occurred.

- **Disable** (factory default). The printer will not reprint the label that was printing when the error condition occurred.
- **Enable**. The printer reprints the label that was printing when the error condition occurred.

**NOTE:** When Fault Reprint is set to Enable and a RIBBON OUT condition occurs, some labels may not reprint. This depends on the label length, print speed selected, and the additional time it takes to detect this condition. Be sure to verify that all labels were reprinted after a RIBBON OUT condition by using the Ribbon Low indicator as described on page 81.

## Ribbon Low

When enabled, and the ribbon remaining on the supply spindle is less than 1/8 full, the Attention indicator will flash, and "Ribbon Low" displays on the last line of the LCD. A Ribbon Low warning will not prevent printing.

The options are Disable (factory default) and Enable.

The Ribbon Low submenu is available if Admin User is set to Enable in the PRINTER SETUP menu.

## Units

This item selects either millimeters or inches as the unit of measure.

The options are In Inches (factory default) and In Millimeters.

## Set Label Length

This feature selects whether the Sensed Distance value derived from an Auto or Manual Calibrate will be used to set the Label Length value in the MEDIA SETUP menu.

- **Manual** (factory default). The Sensed Distance value derived from an Auto or Manual Calibrate **will not override** or change the Label Length value.
- **Automatic**. When an Auto or Manual Calibrate is performed, the Sensed Distance value derived from either calibrate **will override** and change the Label Length value. If no Auto or Manual Calibrate is performed, the current Label Length value will be used.

**NOTE:** When Set Label Length = Automatic and Gap/Mark Sensor = Gap, the printer will subtract the Gap Length value (in the SENSOR SETUP menu) from the Sensed Distance value obtained when the Auto or Manual Calibrate was performed.

If you set the label length to Automatic, the Enable setting for Use Label Length under the Sensor Setup menu will be ignored.

## TOF Detect Fault

Allows selection of three different TOF (Top-of-Form) detection faults.

**NOTE:** The correct Label Length value, equal to the physical length of the installed label, must be entered MEDIA SETUP menu.

- **3 Labels** (factory default). The printer displays a Gap Not Detected fault and stops printing when media has advanced a distance equal to three or more times the Label Length value set in menu.
- **9 Labels**
- **1 Label**

## Ticket Save Mode

This option determines the action of the media for Continuous (std), Tear-Off, Tear-Off Strip and Cut Media Handling Modes after the printer is first powered up or after the printhead has been opened and then closed. When enabled, this option eliminates wasting label(s) or ticket stock when the printer advances media to search for the next TOF position.

- **Enable.** The printer will assume that media is at the TOF position after cycling power or after the printhead is opened and then closed. When a print job is sent it is printed without advancing media to search for the next TOF position.

**NOTE:** The user must ensure that media is at the correct TOF position (cross perforation, liner gap, notch or mark at the tear bar edge) before cycling power or before closing and locking the pivoting deck. In addition, media must be calibrated and the correct Media Handling Mode, Label Length and Gap/Mark Sensor selected and saved as the Power-Up Config. Option applies to 3.75 inch or longer label lengths only.

- **Disable** (factory default). The printer assumes that the media is not at the correct TOF position after cycling power or after the printhead is opened and then closed and advances media until the next gap, notch or mark is detected by the Media Sensor(s). When print data is sent, printing begins only after the next TOF is detected, resulting in one or more blank labels being advanced.
- **No Seek.** The printer behaves as mode Enable with one exception: The printer does not save gap position information across power cycles so gaps, notches, or marks between the print head and the sensor will be lost when printing begins.

**NOTE:** When set to Enable, Online Auto-Cal and Head-Auto-Cal will automatically be set to Disable. The printer will not reset any settings to Enable when Ticket Save Mode is later disabled.

## TOF Adjust Mode

- **Disable** (factory default). This option disables the “TOF Adjust” distance set using the TOF Adjust menu (see TOF Adjust below).
- **Enable**. This option enables the “TOF Adjust” distance set using the TOF Adjust menu (see TOF Adjust below).

## TOF Adjust

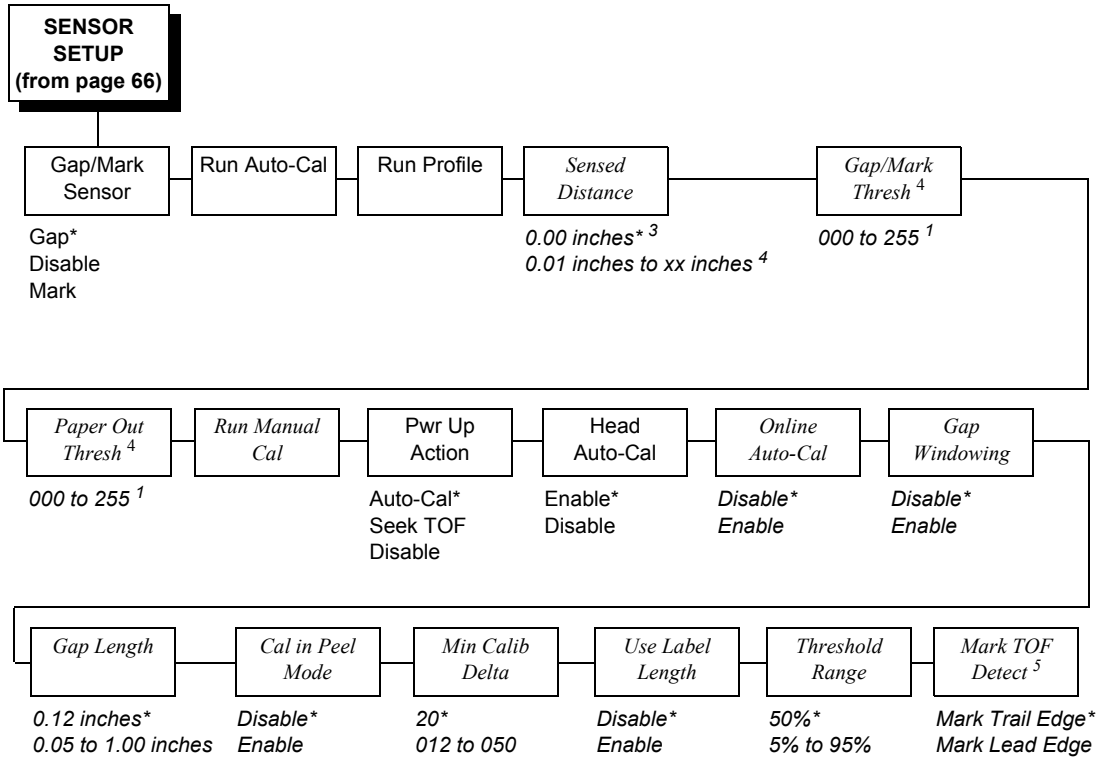
This option sets the distance from the Top Of Form (TOF) that is left blank (unprinted) after a label has been removed in Tear-Off Strip. Normally printing is done starting at TOF, but when this mode is enabled the start position for printing can be adjusted from 0.00 to 0.40 inches from TOF (in increments of 0.01 inch). This adjustment can be helpful if a die cut label sticks to the platen by means of jagged edges created during removal of a poorly die cut label when using the tear bar. By controlling how much blank space there is from TOF, you can control how much the media is called back after it is torn off. The factory default is 0.40 inches.

## BackFeed Motion

This setting controls when paper is fed back to the print position.

- **Before** (factory default). With this setting, paper is fed back to the print position immediately before printing.
- **After**. With this setting, paper is fed back to the print position immediately after a job completes printing.
- **None**. With this setting, the paper will not be fed back to the print position.

# SENSOR SETUP Menu



**Notes:**

\* = Factory Default

*Italicized* items are available only when you enable Admin User (in the PRINTER SETUP menu).

<sup>1</sup> The value depends on the sensor settings and calibration results.

<sup>2</sup> If Gap/Mark Sensor (in the SENSOR SETUP menu) is set for Gap or Disable sensing, the factory default is 190. If Gap/Mark Sensor is set for Mark, the factory default is 150.

<sup>3</sup> You can change the unit value to millimeters. Set Units submenu to "In Millimeters" (in the MEDIA SETUP menu).

<sup>4</sup> The value range varies depending on calibration results.

<sup>5</sup> This option applies only when Gap/Mark Sensor is set to Mark.

---

## SENSOR SETUP Submenus

---

### Gap/Mark Sensor

The available options specify the sensor type needed for detecting the Top-of-Form position on media with label length indicators (gaps, notches, holes, or black marks).

- **Gap** (factory default). Select when using media with a liner space between die-cut labels or when using tag stock with holes as label length indicators on white background media. The Top-of-Form position is the leading edge of the die cut label (trailing edge of the gap, notch, or hole).
- **Disable**. Select when using media with no label length indicators (no gaps, notches, holes, or black marks), or when you want the printer to ignore all existing label length indicators on the installed media.

**NOTE:** When you select Disable, the length of each label is based on the Label Length value entered in the MEDIA SETUP menu or the value sent via host software.

- **Mark**. Select when using media that has horizontal black marks or inboard notches located on the underside of the label liner or tag stock. The Top-of-Form depends on the Mark TOF Detect menu.

**NOTE:** For the SL4M Short Pitch RFID printer, the default is Mark.

### Run Auto-Cal (Auto-Calibrate)

This feature is used to set the sensitivity and reliability of the Media Sensor in detecting gaps, notches, holes, or black marks on the installed media, as well as a paper out condition.

Press the ↵ key with “Run Auto-Cal” displayed. The printer will then advance media the distance needed to accurately detect the label length indicators, then stop at the Top-of-Form position and momentarily display the Sensed Distance. The process takes a few seconds to complete. The end result will be a change to the Gap/Mark Threshold, Paper Out Threshold, and Sensed Distance values that the printer will use. The changes in values take effect immediately within the current configuration menu.

Run Auto-Cal is completed successfully when the Sensed Distance displayed correctly matches that of the installed media. When Gap is selected, the Sensed Distance should match the length from the trailing edge of one gap to the trailing edge of the next gap (one label + one gap). When Mark is selected, the Sensed Distance should match the length from the trailing edge of one black mark to the trailing edge of the next black mark.

Run Auto-Cal supports label lengths up to 35 inches for Gap or Mark sensing when Use Label Length is set to Disable.

## Run Profile

This feature provides a graphical printout showing the relationship of the Paper Out Threshold and the Gap/Mark Threshold. The profile printout assists you in setting the thresholds for difficult media. This includes preprinted labels, and labels with poor gap/media dynamic range.

When selected, the printer will advance media and print the media profile along the length of each label. The printer will continue to print the profile until you press ↵.

## Sensed Distance

This value (in inches) represents the distance that was sensed between the TOF of one label to the TOF of the next label. With gapped media installed, the distance equals the physical label length plus one gap, notch, or hole (trailing edge of one gap, notch, or hole to the trailing edge of the next gap, notch, or hole). With black mark media installed, the distance equals the trailing edge of one black mark to the trailing edge of the next. This value is automatically determined only after successful completion of Auto or Manual Calibrate and cannot be changed manually.

The factory default is 0.00 inches.

## Gap/Mark Thresh

This menu item sets a value that, when exceeded by the output of the media sensor, is recognized by the printer as a gap (or black mark). When Auto or Manual Paper Calibrate is performed, the value displayed is equal to the gap/mark threshold value set by this procedure. If running the procedure does not provide a reliable Top-Of-Form detection, e.g., when using unusual media, the Gap/Mark Thresh value can be manually set to the desired value.

The range is 000 to 255. The factory default value depends on the value set in the Gap/Mark Sensor option (in the SENSOR SETUP menu).

**NOTE:** If Gap/Mark Sensor (in SENSOR SETUP menu) is set for Gap sensing, the factory default is 140. If Gap/Mark Sensor is set for Mark, the factory default is 75.

## Paper Out Thresh

This menu item selects a value that, when exceeded by the output of the media sensor, is recognized by the printer as a paper out condition. When Auto or Manual Calibrate is performed, the value displayed is equal to the paper out threshold value set by this procedure. If running the procedure does not provide a reliable paper out detection, e.g., when using non-standard media, the Paper Out Thresh value can be manually set to the desired value.

The range is 000 to 255. The factory default value depends on the value set in the Gap/Mark Sensor option (in the SENSOR SETUP menu).

**NOTE:** If Gap/Mark Sensor (in SENSOR SETUP menu) is set for Gap or Disable sensing, the factory default is 190. If Gap/Mark Sensor is set for Mark, the factory default is 150.

## Run Manual Cal

Run Manual Cal is another method of improving the printer's media sensing and is only used when Auto Calibrate has failed or the Gap/Mark Threshold or Paper Out Threshold values derived from Auto Calibrate do not improve the media sensors' gap or mark sensing capability.

To initiate Run Manual Cal, press  $\downarrow$  when "Run Manual Cal" displays under the SENSOR SETUP menu. You will then be prompted for the remaining steps.

Example: "REMOVE MEDIA/Press Enter"

**NOTE:** When requested to load an item make sure to place the item in a position where the media sensor can detect the item. For example, when requested to "LOAD MARK" place the Mark (Black TOF Line) at the media sensor.

During the last stage of Run Manual Cal, the printer uses the statically derived values, advances media, stops at the Top-of-Form position, and momentarily displays the Sensed Distance. This process takes longer than Auto Calibrate, and the end result is a change to the Gap/Mark Threshold, Paper Out Threshold, and Sensed Distance values that the printer will use. These value changes take effect immediately within the current configuration menu.

Run Manual Cal is completed successfully when the displayed Sensed Distance correctly matches that of the installed media. When Gap is selected, the Sensed Distance should match the length from the trailing edge of one gap to the trailing edge of the next gap (or one label + one gap). When Mark is selected, the Sensed Distance should match the length from the leading edge of one black mark to the leading edge of the next black mark.

Run Manual Cal supports label lengths up to 35 inches for Gap or Mark sensing when Use Label Length is set to Disable.

## Pwr Up Action

- **Auto-Cal** (factory default). When the printer is first powered on, it will complete its initialization and self-tests and then perform an Auto Calibrate. Once the Auto Calibrate is complete, the printer will momentarily display the Sensed Distance determined by the Auto Calibrate.

**NOTE:** If the printer is in Peel mode a calibration will not be done unless "Cal in Peel Mode" is set to enable.

- **Seek TOF.** Moves the media to TOF at power up provided that the user has already calibrated media using gap/mark sensor. A seek to TOF will not be done if Gap/Mark Sensor is set to Disable or Ticket Save Mode is set to Enable.
- **Disable.** No movement at power up.

## Head Auto-Cal

This option selects whether the printer does a media calibration after a Printhead Open fault.

- **Enable** (factory default). Performs media calibration each time the Printhead Open fault condition is cleared.
- **Disable**. No media calibration after Printhead Open fault.

**NOTE:** 1. A calibration will not be done if there is print data pending (data in buffer) when the head open fault is cleared, and Head Auto-Cal is enabled. If the printer is in Peel mode, the calibration will not be done unless “Cal in Peel Mode” is set to enable.

2. For the SL4M Short Pitch RFID printer, the default is Disabled.

## Online Auto-Cal

The options for Online Auto-Cal are:

- **Disable** (factory default).
- **Enable**. Whenever the printer is brought online, it automatically performs an Run Auto-Cal (see “Run Auto-Cal (Auto-Calibrate)” on page 85). Once the Run Auto-Cal is complete, the printer momentarily displays the Sensed Distance determined by the Auto Calibrate and then resumes printing any pending jobs.

**NOTE:** A calibration will not be done when there is data in the buffer and when Error Recover (in MEDIA SETUP menu) is enabled (see page 68). If the printer is in Peel mode, the calibration will not be done unless “Cal in Peel Mode” is set to enable.

## Gap Windowing

This feature compensates for any early falling edges or spurious peaks and troughs that may appear within the gap length in media. These edges or peaks and troughs can cause unreliable detection of the leading edge of the next label (top-of-form). Use Gap Windowing to resolve the following problems:

- Loss of one or more complete (serialized) labels.
- Start of an image printed in the middle of a gap, especially with fanfold, perforated media.
- Top part of an image lost when printing in head-first orientation.

The options for Gap Windowing are Disable and Enable:

- **Disable** (factory default). When the leading edge of a gap is detected, the printer continuously looks for the leading edge of the next label and uses it as the TOF position. Perforations or unusual media discrepancies within the gap can cause inaccurate TOF detection.



- **Enable.** When the leading edge of a gap is detected, the printer ignores the first 90% of the gap length value specified in the Gap Length menu option. The result is that cross perforations or unusual media discrepancies within the gap are filtered out, allowing the printer to reliably detect the actual leading edge of the next label and use it as the TOF position.

**NOTE:** If Gap Windowing is enabled, the Gap Length menu must be set correctly.

## Gap Length

Gap Length is the actual length (height) of a label gap measured in .01 inch increments. The range is 0.05 to 1.00 inches.

The factory default is 0.12 inches.

**NOTE:** If Gap Windowing is set to Enable, you must enter the correct Gap Length. If the Gap Length is too long, the image will shift down from the leading edge (TOF) of the label.

## Cal in Peel Mode

This option allows you to perform a calibration (Run Auto-Cal or Pwr Up Auto-Cal) in Peel-Off Media Handling mode.

- **Disable** (factory default). The printer will not permit calibration and a “CANNOT CALIBRATE/Disable Peel-Off” message will briefly display. Additionally, if Pwr Up Auto-Cal or Head Auto-Cal is enabled, the printer will not perform calibration at power up or when the head is closed.
- **Enable.** Run Auto-Cal can be performed from the front panel, and if the Pwr Up Auto-Cal option is enabled, calibration will be performed at power up.

**NOTE:** Calibration in Peel-Off mode does not stop and wait for you to remove peeled labels. Therefore, be prepared to remove the labels as they are automatically peeled.

## Min Calib Delta

Minimum Calibrate Delta changes the minimum threshold value the sensor(s) require to detect the difference between the label and a gap, notch, hole or black mark. This allows bolder gaps (such as notches or holes) to be used as the TOF while intermediate gaps (liner) can be ignored. Increasing the Min Calib Delta makes the sensor(s) less sensitive to intermediate gaps and noise. Decreasing the Min Calib Delta makes the sensor(s) more sensitive for detecting gaps on low contrast media, where there is very little difference between the label and the gap (liner).

The range is 012 - 050. The factory default is 20.

## Use Label Length

Determines whether or not the Label Length value set in the MEDIA SETUP menu is used during Run Auto-Cal.

- **Disable** (factory default). Run Auto-Cal relies exclusively in its ability to detect varying transitions between labels and gaps, notches, holes, or black marks while advancing media during the calibrate process to determine Sensed Distance. The amount of media advanced is based on the number of transitions detected.

**NOTE:** Although the “Use Label Length” keeps its value (enable/disable) at all times, it will always be disabled when “Set Label Length” is set to “Automatic”. The correct setting will take effect when “Set Label Length” is set to manual. Based on the setting on the “Set Label Length” menu in the Media Setup menu, the “Use Label Length” menu will be ignored (disabled).

- **Enable.** The Label Length value set in the MEDIA SETUP menu is used in the calibrate algorithm. This causes the Run Auto-Cal process to advance media the minimum distance required to detect the true gap, notch, hole, or black mark used for TOF (Top-of-Form) sensing. This resolves problems where the sensor(s) may mistake high noise levels or preprinted images within the label as the gap, notch, hole, or black mark that could result in a sensed distance value much shorter than the actual label length. Example: A 0.2 inch calibrated Sensed Distance with a 3.0 inch long label installed.

**NOTE:** Setting the Label Length value less than half the actual length of the label in use will result in erroneous Sensed Distance values when Run Auto-Cal is performed.

## Threshold Range

This option allows the user to select the optimal threshold range for the label stock in use. The printer defaults to using a threshold range of 50% of the positive going pulse (see Media Profile) that represents each gap, notch or mark detected after doing an Auto or Manual Calibrate. The printer then detects anything within the label with that threshold range as TOF. While this range is ideal for most medias, some labels with a preprinted image, liner gap or inlay can confuse the media sensor(s) causing a false TOF detection. In most cases this can be resolved by selecting a higher threshold range so the printer will only trigger on the true TOF (gap, notch or mark) position.

The range is: 5% to 95% in 5% increments

The factory default is 50%.

**NOTE:** Set the label length value in the Media Setup menu to the actual length of the installed labels. A new threshold range will not take effect until an Auto or Manual Calibrate is successfully performed. A Media Profile should be run after a Calibrate to visually verify that the new range is the best possible selection.

## Mark TOF Detect

Allows the user to select which edge of the black line is used for TOF (Top of Form). The leading edge refers to the first edge seen by the media sensor as the media feeds out of the printer or the start of the black line.

- **Mark Trail Edge** (factory default). Trailing edge or end of black line denotes TOF.
- **Mark Lead Edge**. Leading edge or start of black line denotes TOF.

**NOTE:** 1. This option applies only when Gap/Mark Sensor is set to Mark.  
2. For the SL4M Short Pitch RFID printer, the default is Mark Lead Edge.

## EMULATION MENU

### Overview

This section covers the following emulations:

- PGL (page 93)
- ZGL Config. (Refer to the *ZGL Programmer's Reference Manual*.)
- TGL Config. (Refer to the *TGL Programmer's Reference Manual*.)
- IGL Config. (Refer to the *IGL Programmer's Reference Manual*.)
- STGL Config. (Refer to the *STGL Programmer's Reference Manual*.)
- DGL Config. (Refer to the *DGL Programmer's Reference Manual*.)
- IEGL Config. (Refer to the *IEGL Programmer's Reference Manual*.)
- MGL Config. (Refer to the *MGL Programmer's Reference Manual*.)

You can select emulation default parameters directly from the control panel, or by control codes as explained in the appropriate Programmer's Reference Manual.

**IMPORTANT** **BEFORE you reconfigure an emulation, print a configuration sheet to see all current settings.**

### PGL

The PGL emulation is the software based Printronix Graphics Language (PGL) for the Printronix thermal printer family. It is based upon, and compatible with, the IGP-100/200/400 board. It includes the following features:

**On-Line Form and Label Generation** makes it easy to create forms or labels with a "preprinted" look for each application. PGL programs control all graphic functions, dramatically reducing host computer programming and processing time.

**Graphic capabilities** include boxes, vertical and horizontal lines with user-selectable thickness, logos, and special alphanumeric print features. Forms and graphic designs can be duplicated horizontally and vertically.

**Alphanumeric data** can appear as prepositioned “fixed” information (entered when the form is created), be overlaid onto the form (positioned in a specific location after the form is created), or may be dynamically merged with the form.

**Selectable Bar Codes** provide you with the appropriate bar code for your application using standard wide-to-narrow ratios. A wide selection of bar codes are available: Australian 4-State, Codabar, Code 39, Code 93, Code 128 Subset A, B and C, Data Matrix, EAN 8, EAN 13, FIM, Interleaved 2 of 5, German I-2/5, Intelligent Mail, ITF 14, Matrix, Maxicode, MSI A through D, PDF-417, Planet, Plessey, POSTNET, PostBar, Royal Mail, UCC/EAN-128, UPC-A, UPC-E, UPCSHIP, and UPS 11. UPC and EAN bar codes can also specify add-on data. Refer to the PGL<sup>®</sup> Programmer’s Reference Manual for more information.

**Expanded and Compressed Character Print** attract attention where needed. Alphanumeric height and width are controlled independently for a wide range of character sizes up to 113 times the standard character size (up to 11.3 inches wide and tall). Compressed print sizes of 12, 13, 15, and 17 characters per inch (cpi) are available.

**Logos** are created using alphanumeric commands and add many print and shading features for a “customized” appearance to forms, reports, and labels.

**Rotated Alphanumerics** permit new concepts in form design. Normal, expanded, and compressed character strings can be rotated 90 degrees clockwise or counterclockwise, or they can be printed upside down.

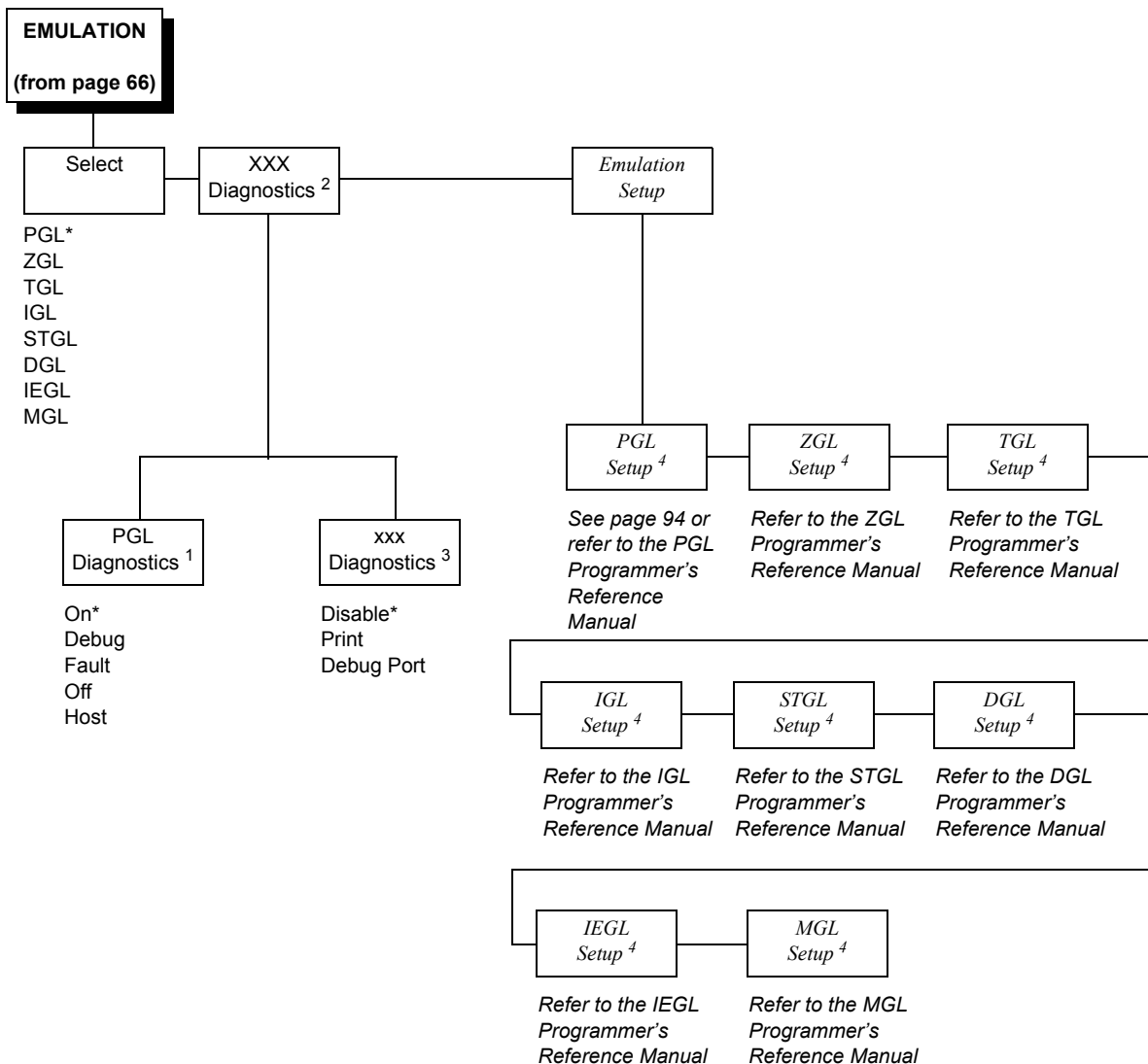
**Reversed Print** permits highlighting and contrasting by printing white characters on a dark background.

**Automatic Increment/Decrement Capability** allows batch form processing. You can identify individual numeric and bar code data fields, which includes automatic increment or decrement functions.

**Scaling Capability** permits graphic elements, such as corners or boxes, to retain their physical shapes and sizes when printed in a horizontal and vertical density other than the base density of 60 x 72 dpi.

**Multinational Character Sets** provide 32 international character sets in which sets 14 - 15 are reserved, sets 16 - 23 are download overlay sets, and sets 24 - 31 are user-defined sets. When using the ~ISET command to select 0 - 13, each character set has 96 characters, from 0x20 - 0x7F. User-defined sets using the ~USET command allows you to create your own character sets using the characters defined and stored in memory.

**Extended Character Sets** provide the user additional character sets besides the 32 international character sets. Use the ~ISET command to select different character sets including UTF-8 as well as alternate character sets by entering a two-byte string enclosed within single quotes.



**Notes:**

\* = Factory Default

*Italicized* items are available only when you enable Admin User (in the PRINTER SETUP menu).

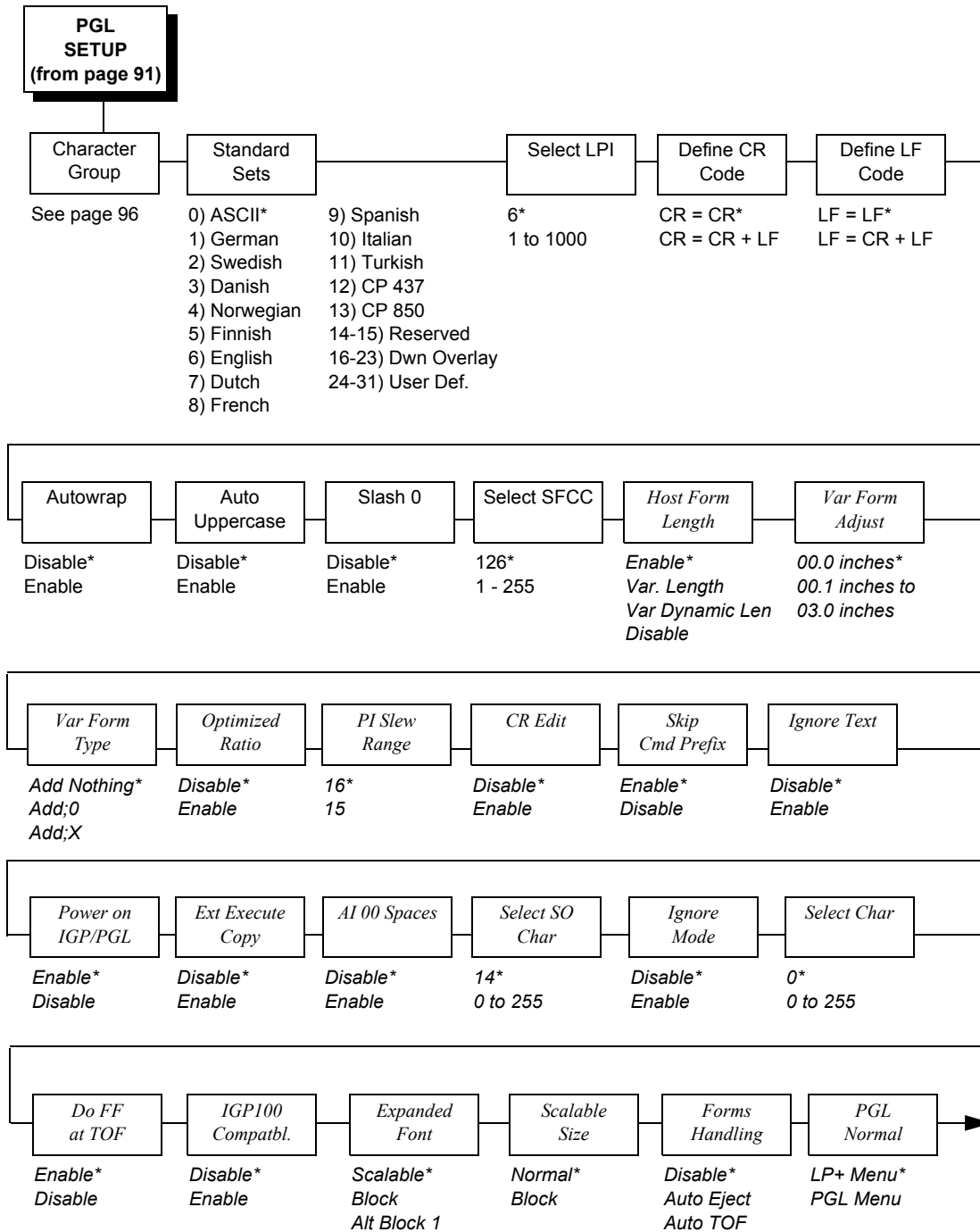
<sup>1</sup> This menu appears only if PGL is selected in the Select submenu.

<sup>2</sup> xxx is set to the active emulation (PGL, ZGL, TGL, IGL, STGL, DGL, IEGL, or MGL).

<sup>3</sup> xxx is set to the active emulation (ZGL, TGL, IGL, STGL, DGL, IEGL, or MGL).

<sup>4</sup> This menu appears only if the emulation is selected in the Select submenu.

## PGL Setup

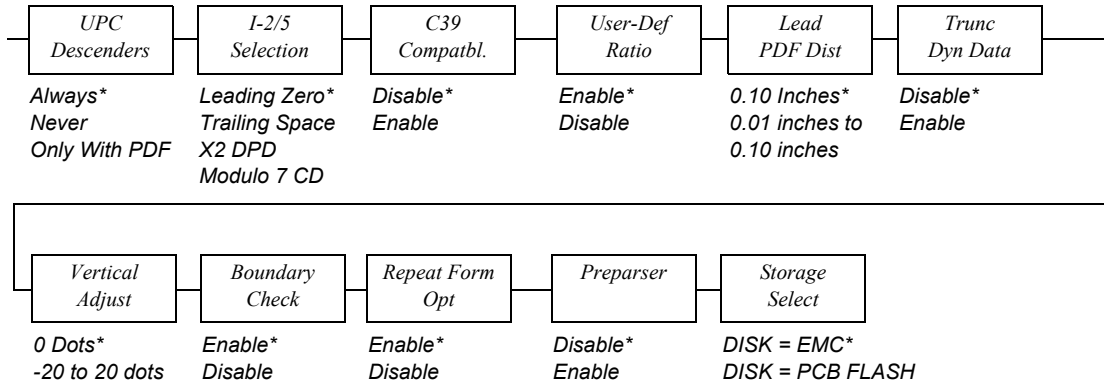


**Notes:**

\* = Factory Default

*Italicized* items are available only when Admin User is set to Enable (in the PRINTER SETUP menu).

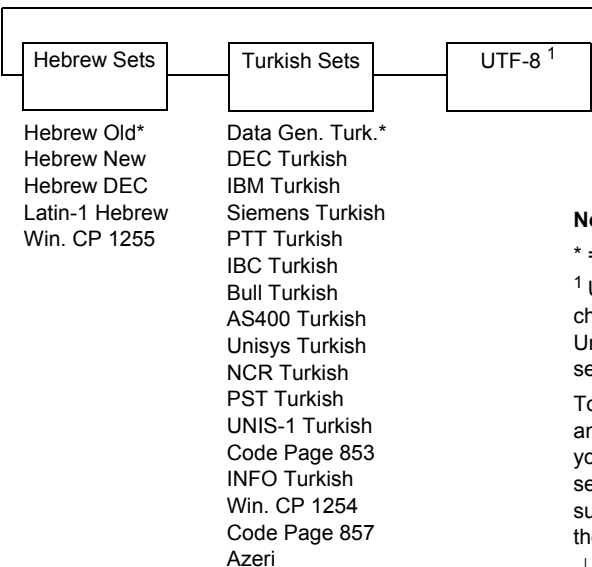
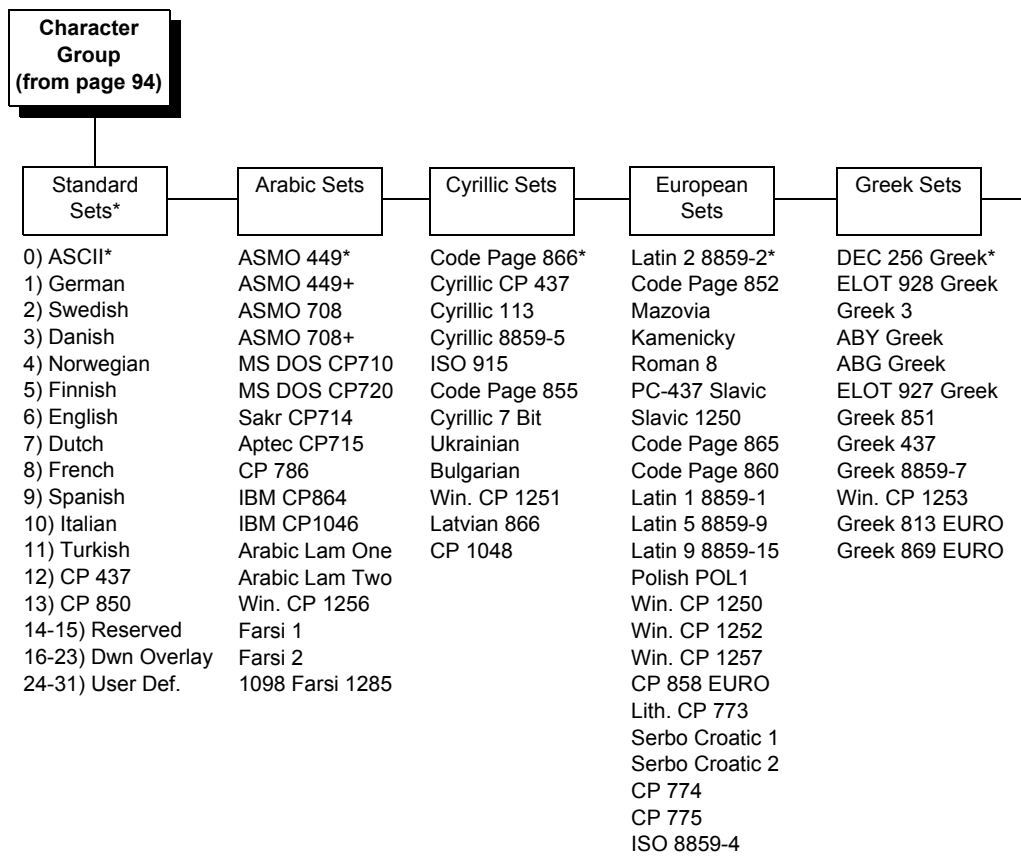
**PGL SETUP**  
(continued  
from page 94)



**Notes:**

\* = Factory Default

*Italicized* items are available only when Admin User is set to Enable (in the PRINTER SETUP menu).



**Notes:**

\* = Factory Default.

<sup>1</sup> UTF-8 can be used with any font to access all of the characters available in that font. For a font with the full Unicode set, the Andalé font is available for purchase, see page 229.

To access the desired basic character set, use the Left and Right keys. To select the set, press the ↵ key. After you have selected the basic set, access the subset selection menu by pressing the Down key. Once in the subset menu, access the desired subset by pressing the Left and Right keys and select it by pressing the ↵ key.



## EMULATION Submenus

---

### Select

This function allows you to activate any resident emulation listed in the menu. The factory default is PGL.

There are two methods for selecting the desired emulation:

- Select the emulation under the Select menu option and save it as Power-up Config.
- Send a host command to switch the emulation automatically (see the appropriate Programmer's Reference Manual for details).

### xxx Diagnostics

**NOTE:** xxx is set to the active emulation (PGL, ZGL, TGL, IGL, STGL, DGL, MGL, or IEGL).

- **PGL Diagnostics.** This item sets the error reporting capability of the printer for PGL forms as follows:
  - **On** (factory default). Full error checking reported. Any element that falls off the current page is reported as an error.
  - **Debug.** Puts the printer in debug mode whenever a form is defined in CREATE mode. Each line of the CREATE form will be printed along with an error if one has occurred.
  - **Fault.** Allows you to halt the printer if a PGL error occurs. If you select this option, the PGL error prints on the paper, the message "IGP/PGL Error" displays on the front panel, and the printer goes offline. You must clear the error before the printer can resume normal operation.
  - **Off.** There is no error checking. Graphic elements such as alpha, line, barcodes, etc. will be clipped if they are beyond the page boundaries.
  - **Host.** Returns error messages to the host computer.
- **xxx Diagnostics**

**NOTE:** xxx is set to the active emulation (ZGL, TGL, IGL, STGL, DGL, MGL, or IEGL).

- **Disable.** Prints the best results and will not log errors.
- **Print.** Prints the labels with best results and prints the errors on a separate label.
- **Debug Port.** Prints the label and sends the errors to the Debug port.

### Emulation Setup

Options for setting up the emulations. The options are PGL Setup, ZGL Setup, TGL Setup, STGL Setup, IGL Setup, DGL Setup, MGL Setup and IEGL Setup. Refer to the appropriate *Programmer's Reference Manual*.

## PGL Setup Submenus

**NOTE:** The submenu descriptions do not include ZGL, TGL, IGL, STGL, DGL, MGL, and IEGL emulations.

### Character Group and Character Sets

This menu item selects the character set used by the printer. See page 96 for the available character sets.

### Select LPI

This is the number of lines to be printed per inch. For example, at 6 lpi there is 1/6 inch from the top of one print line to the top of the next print line.

The options are 1 to 1000 LPI. The factory default is 6.0 LPI.

### Define CR Code

This option controls the action of the printer when it receives a Carriage Return code (0D hex) from the host computer. If this feature is enabled, each time the printer receives a carriage return, it inserts an additional Line Feed code (0A hex) into the data stream. Do not use this feature if the host computer sends line feeds to the printer.

- **CR = CR** (factory default). Does not insert an extra line feed after each carriage return.
- **CR = CR + LF**. Inserts an extra line feed after each carriage return. The next print position will be print position 1 of the next line.

### Define LF Code

This parameter forces the printer to insert an automatic Carriage Return code into the data stream whenever a Line Feed code occurs. This can be used in most installations, but it is required if the host computer does not send carriage returns to the printer.

**NOTE:** For this menu to take effect in PGL, PGL Normal needs to be set to PGL Menu (see page 94).

- **LF = LF** (factory default). Does not perform an automatic carriage return. The next print position will be at the current print character position on the next line.
- **LF = CR + LF**. Performs an automatic carriage return. The next print position will be print position 1 of the next line.

### Autowrap

This parameter determines if text will wrap to the next line when the line of text exceeds the right margin.

- **Disable** (factory default). Truncates the text beyond the right margin until a CR or CR + LF is received.
- **Enable**. Automatically inserts a CR + LF after a full print line.

### Auto Uppercase

This parameter enables the printer to print text in all uppercase when using the ALPHA command.

- **Disable** (factory default). The printer will print text in upper and lowercase.
- **Enable**. The printer will print text in uppercase only.

### Slash 0

This parameter allows you to print the numeral “0” with or without the slash. This option applies to all character sets except OCR A and OCR B.

- **Disable** (factory default). Zero is printed without a slash.
- **Enable**. Zero is printed with a slash.

### Select SFCC

You can specify which decimal code (1-255) will be used as the Special Function Control Code (SFCC). The SFCC denotes that the following data is a PGL command.

The range is 1-255, and the factory default is 126.

### Host Form Length

Determines how the physical label length (see Label Length under the MEDIA SETUP menu) is affected upon receiving an EXECUTE command.

- **Enable** (factory default). The physical label length will change to match the form length (specified in CREATE command). The physical label size remains at the new setting until another EXECUTE command is received, or the PRINTER SETUP menu settings are changed.
- **Var. Length**. The physical label length is the longest print element defined in CREATE mode, including both static and dynamic elements, plus the setting of “Var Form Adjust” with CREATE;NAME;0.
- **Var Dynamic Len**. The physical label length will change to the longest print element defined in the form, including the dynamic element in EXECUTE mode and the static element in CREATE mode, plus the setting of “Var Form Adjust” with CREATE;NAME;0.
- **Disable**. Forms printed in EXECUTE mode do not change the physical label size. Therefore, the size of the form (defined in CREATE mode) must fit within the current label dimensions, or errors may occur.

**NOTE:** The difference between Var. Length and Var Dynamic Len is for example, CREATE;NAME;0. If there are 10 dynamic fields defined in CREATE mode, but only three dynamic fields are used in EXECUTE mode (for Var. Length), the label length will be based on the longest printed element among the 10 dynamic field and the static element defined in CREATE mode. For Var Dynamic Len, the label length will be based on the longest printed element among the three fields defined in EXECUTE mode and the Static element defined in CREATE mode.

### Var Form Adjust

This specifies an amount (in tenths of inches) to add to the length of variable-length forms. Variable-length forms use a semicolon at the end of the CREATE command: ~CREATE;<FORMNAME>;0.

### Var Form Type

- **Add Nothing** (factory default). When selected, no action is taken.
- **Add ;0**. When selected, the form length ends at the longest printed element. (Same as ~CREATE;filename;0)
- **Add ;X**. When selected, the form length is the same as the physical page length (the Label Length menu under MEDIA SETUP). (Same as ~CREATE;filename;X).

### Optimized Ratio

This option selects different bar code ratios for certain bar codes including Code 39 and Interleaved 2 of 5. It is included for compatibility with the IGP-X00 printers.

- **Disable** (factory default). Use standard bar code ratios.
- **Enable**. Select the alternate bar code ratios.

### PI Slew Range

You can specify how many lines the paper will feed.

- **16** (factory default). A paper slew of 0-15 will move 1-16 lines.
- **15**. A paper slew of 1-15 will move 1-15 lines. A paper slew of 0 will move 1 line.

### CR Edit

This parameter determines if a carriage return will be followed by a line feed.

- **Disable** (factory default). The printer ignores all carriage returns that are not followed by line feeds.
- **Enable**. The printer processes all carriage returns, even for those that are not followed by line feeds.

### Skip Cmd Prefix

Stands for Skip Command Prefix. This parameter determines if the printer will print any data before a PGL command is received.

### Ignore Text

- **Disable** (factory default). When disabled, text in normal mode will be printed. Attributes to be printed depend on the PGL Normal menu setting.
- **Enable**. When enabled, any line of text (non-PGL commands) in normal mode will be ignored.

### Power on IGP/PGL

You can set the PGL feature so that it is enabled or disabled when the printer is powered on.

- **Enable** (factory default). IGP/PGL is enabled when the printer is powered on. (The PGL feature is initialized in Normal mode).
- **Disable**. PGL is disabled when the printer is powered on. (The PGL feature is initialized in Quiet mode).

### Ext Execute Copy

- **Disable** (factory default). Dynamic data, overlay data, etc. are not allowed if the optional Form Count parameter (number of forms to print) is specified as part of the Execute command. (This setting is IGP-100 compatible.)
- **Enable**. Dynamic data, overlay data, etc. are allowed within a form where the Form Count parameter is specified in the Execute command. In this case, the same form is printed for whatever the Form Count is. Incremental data is not incremented since the printing page is the same. The overlay data is only printed with the first form and not on subsequent forms, and each form is printed on a separate page.

### AI 00 Spaces

This option is designated for EAN/UCC-128 barcodes whose application identifier (AI) is 00.

- **Disable** (factory default). The printable data field is printed with the AI enclosed in parentheses. This is the standard EAN/UCC-128 format.
- **Enable**. The printable data field is printed with the UCC fields separated by spaces. This option is IGP-X00 compatible.

### Select SO Char

Allows you to specify a decimal code from 0 through 255 to be used in place of SO (Shift Out) as the control code which allows access for the alternate set of control function characters. See the description of the Code 128 barcodes in the *PGL Programmer's Reference Manual* for details.

The range is 0 to 255, and the default is 14.

### Ignore Mode

This parameter instructs the IGP to ignore the character selected under the Select Character menu.

- **Disable** (factory default). The IGP does not ignore any characters.
- **Enable**. The IGP ignores the character specified in the Select Character menu.

### Select Char

This parameter selects which character to discard when Ignore Mode is enabled.

- **0** (the default)
- **0 - 255**. Any character from 0 to 255 in decimal.

### Do FF at TOF

Determines whether the printer, with media already set at the TOF (Top-of-Form) position, will advance media to the next TOF position upon receipt of an FF command.

- **Enable** (factory default). The printer will advance media from the present TOF position to the next TOF position upon receipt of an FF command, causing a blank form.
- **Disable**. The printer will not advance media from the present TOF position to the next TOF position upon receipt of an FF command.

### IGP100 Compatibl.

This parameter forces the output to correspond with IGP-100 printer output in cases where there are differences.

The options are Disable (factory default) and Enable.

### Expanded Font

Expanded font allows you to print characters in different sizes with specified parameters and to select which font face to use.

- **Scalable** (factory default). Uses scalable fonts.
- **Block**. Uses block fonts.
- **Alt Block 1**. Uses alternative block fonts with a different character set.

### Scalable Size

This option determines whether scalable characters are sized based on normal scaling or based on the size of block characters. If the option Block is set, then the scalable character are made to be the same size as block characters in the old IGP-X00 printers.

The options are Normal (factory default) and Block.

### Forms Handling

This submenu allows the user to handle the form in the following ways:

- **Disable** (factory default). No effect.
- **Auto Eject**. Automatically moves to the next TOF if the form is in the middle of the page, and then ejects a page by performing a form feed (FF).
- **Auto TOF**. Automatically does a form feed (FF) to the next top of form if the form is in the middle of the page.

### PGL Normal

This option determines whether PGL passes the text data in Normal mode or whether PGL will print the data text itself.

- **LP+ Menu** (factory default). PGL will pass the text data to the menu only in default setting state.
- **PGL Menu**. PGL will always print the text data itself.

### UPC Descenders

This parameter allows you to print bar code descenders when human readable data is not presented in the UPC/EAN bar codes.

- **Always** (factory default). UPC/EAN bar codes are printed with descenders, even if there is no human readable data.
- **Never**. UPC/EAN bar codes are printed without descenders if the PDF command is present.
- **Only With PDF**. UPC/EAN bar codes are printed with descenders only when the PDF command is presented.

### I-2/5 Selection

This option is added to be compatible with a special IGP-X00 customization. Usually, if Interleaved 2/5 bar codes have an odd number of digits, a leading zero is inserted in front of the data. However, this special IGP-X00 customization gives you the option of adding a space character at the end of the bar code instead.

- **Leading Zero** (factory default). A leading zero is inserted in front of the data.
- **Trailing Space**. A space is inserted at the end of the data instead of a leading zero.
- **X2 DPD**. When selected, I-2/5 bar code with a magnification X2 will use the specially configured ratios 3:3:6:5 rather than 3:6:9:12 for compatibility issues.
- **Modulo 7 CD**. The I-2/5 bar code uses a modulo 7 check digit instead of the default modulo 10 check digit.

### C39 Compatbl.

This menu makes the old method of decoding C39 alternative character set compatible with the new method. For example in the old method for barcode data, %K123%M, the barcode scans as [123]. The new method scans the barcode as %K123%M.

- **Disable** (factory default). Uses the current way of decoding.
- **Enable**. Matches the old method of decoding.

### User-Def Ratio

This option allows you to ignore the user-defined barcode ratio and replace it with the default ratio (X1).

- **Enable** (factory default). Allows the user-defined barcode ratio.
- **Disable**. The user-defined barcode ratio will be replaced with the default ratio (X1).

### Lead PDF Dist

Adjusts the leading and trailing character spacing distance of the PDF for UPC/EAN barcodes.

The range is 0.01- 0.10 inches in 0.01 inch increments, and the factory default is 0.10 inches.

### Trunc Dyn Data

This submenu allows the user to truncate the dynamic data up to the maximum data length specified in Create Mode.

- **Disable** (factory default). If the dynamic data exceeds the maximum data length, an error will report.
- **Enable**. If the dynamic data exceeds the maximum data length, the data truncates.

### Vertical Adjust

This option is to adjust printer dpi to expand or shrink the vertical position of graphic elements and the height of the vertical line. The factory default is 0 dots. The adjustment range is from -20 dots to 20 dots with respect to the current printer dpi.

### Boundary Check

This option turns on or off the page boundary check for all print elements.

- **Enable** (factory default). When enabled, an out of bound error is reported if the print element is out of the page boundary.
- **Disabled**. When disabled, no out of bound error is reported. The out of bound print element prints over the page boundary.

### Repeat Form Opt

- **Enable** (factory default). Speeds up the processing of repeated forms for PGL, thereby resulting in increased printer throughput. This option provides no speed benefit for forms that are unrelated to one another and should be disabled under those circumstances.
- **Disable**. Should be selected when subsequent forms are unrelated to one another.



---

### **Preparser**

Allows users to send the Preparser command to the printer through any port.

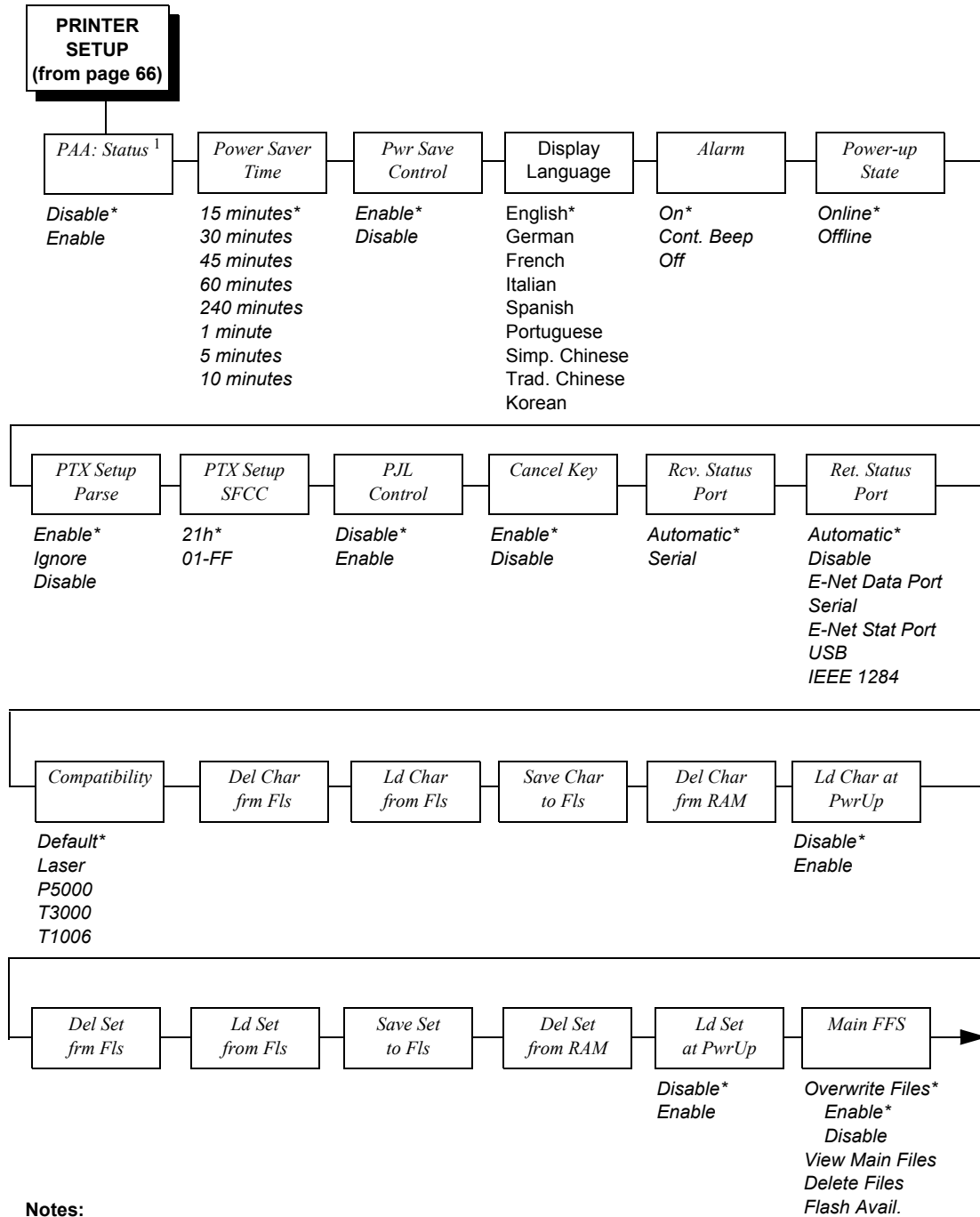
- **Disable** (factory default). Does not use the Preparser command.
- **Enable**. Sends the Preparser command

### **Storage Select**

Allows the user to map the parameter DISK to either EMC (Expanded Memory Cartridge) or PC Flash (PC Board Flash).

- **Disk = EMC** (the factory default)
- **Disk = PCB Flash**

# PRINTER SETUP Menu



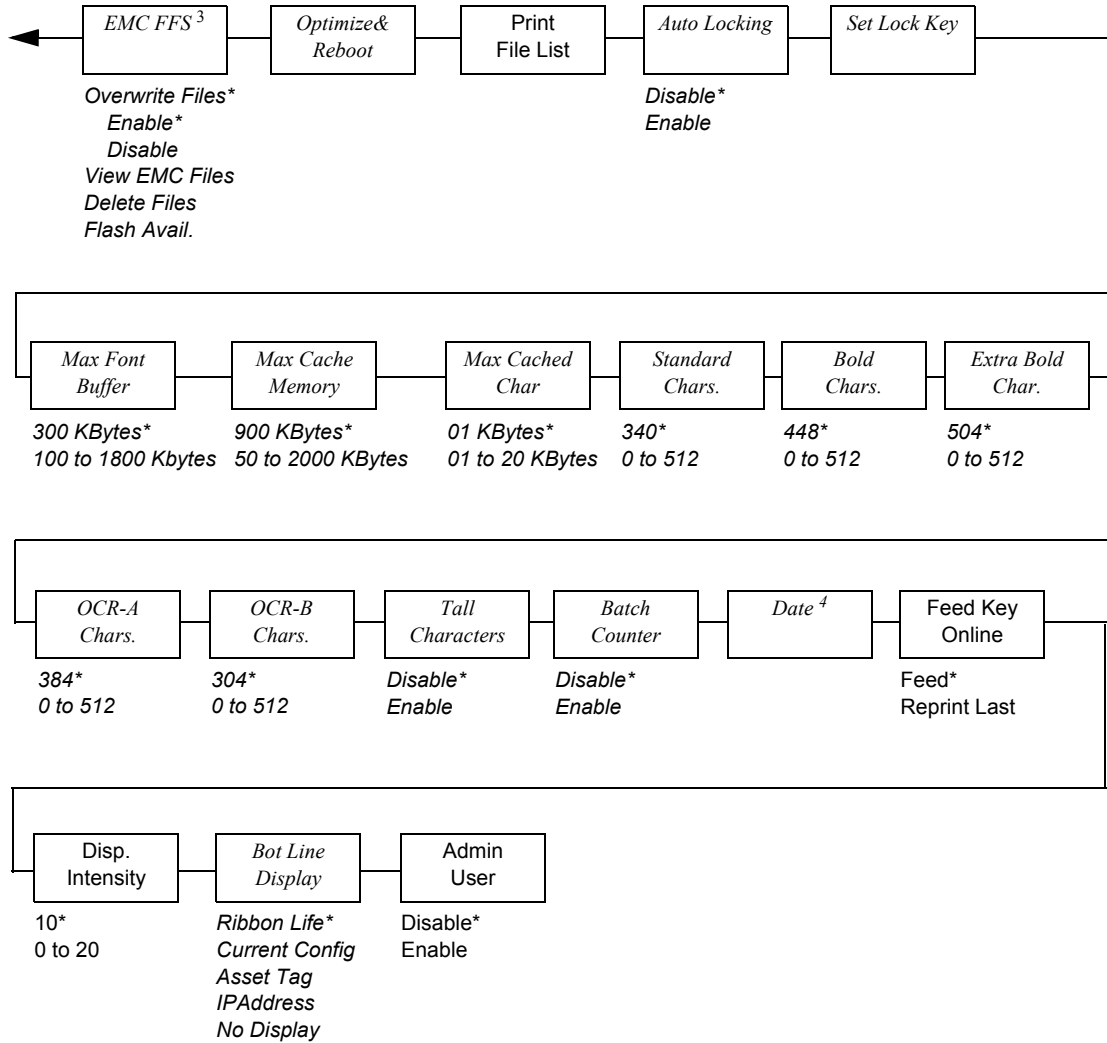
**Notes:**

\* = Factory Default

*Italicized* items are available only when Admin User is set to Enable (in the PRINTER SETUP menu).

<sup>1</sup> This menu appears only if a CST (Character Sequence Table) file is loaded. If a RFID option is installed, loading a CST will hide/override the 'SMT:Status' menu.

**PRINTER SETUP**  
(continued  
from page 106)



**Notes:**

\* = Factory Default

*Italicized* items are available only when Admin User is set to Enable (in the PRINTER SETUP menu).

<sup>3</sup> This menu appears if the EMC is installed.

<sup>4</sup> This menu appears only if the real time clock option is installed.

## PRINTER SETUP Submenus

---

### PAA: Status

See “Printronix Application Adapter” in the *PrintNet Enterprise Suite User’s Manual*.

- **Disable** (factory default). The printer disables the use of PAA functionality.
- **Enable**. The printer enables the use of PAA functionality.

### Power Saver Time

The time interval you specify for this parameter sets the amount of idle time before the printer goes into Power Saver mode.

Pressing any key removes the power saver message from the control panel. Sending a print job to the printer also turns off power saver mode.

The options are 1, 5, 10, 15, 30, 45, 60, and 240 minutes.

The factory default is 15 minutes.

### Pwr Save Control

Pwr Save Control allows you to enable and disable Power Saver mode. If enabled, the menu for Power Saver Time is in effect.

The options are Enable (factory default) and Disable.

### Display Language

This parameter chooses the language that will appear on the LCD: English, German, French, Italian, Spanish, Portuguese, Simplified Chinese, Traditional Chinese, or Korean.

The factory default is English.

### Alarm

- **On** (factory default). An audible alarm sounds (3 beeps) when a fault occurs, such as a paper jam.
- **Cont. Beep**. A continuous audible alarm sounds when a fault occurs, which can be stopped by pressing CLEAR.
- **Off**. No audible alarm sounds.

### Power-up State

- **Online** (factory default). The printer powers up in the online state.
- **Offline**. The printer powers up in the offline state. This selection must be saved as a power-up configuration to be used.

### PTX Setup Parse

- **Enable** (factory default). Will parse and execute the PTX SETUP commands.
- **Ignore**. Will parse the PTX SETUP commands but not act on them.
- **Disable**. Will not parse the PTX SETUP commands so they will print out as text.

### PTX Setup SFCC


Allows you to choose the hex value of the ASCII character you wish to use as the SFCC for the PTX SETUP command. Valid hex values are 01-FF.

The factory default value is hex 21, which corresponds to the “!” character.

### PJL Control

- **Disable** (factory default). Will not parse the PJL commands; they will not print out as text.
- **Enable**. Will parse and execute the PJL commands.

### Cancel Key

- **Enable** (factory default). When enabled, the  key may be used in offline mode to clear all data in the print buffer, and deleted data will not be printed.
- **Disable**.

### Rcv. Status Port

This option defines the interface being used to receive the emulation status command.

- **Automatic** (factory default). When selected, the status command is sent to the printer with the print data through the active host interface.
- **Serial**. When selected, the status command is sent to the printer through the serial interface regardless of the active host interface.

### Ret. Status Port

This option selects the port for the Return Status Commands (i.e., ~STATUS (PGL) and ~HS (ZGL)) to send the status data back to the Host.

The options are Automatic (factory default), Disable, E-NET Data Port, Serial, E-NET Stat Port, USB, and IEEE 1284.

Automatic uses the currently active host port. However, if in AutoSwitching mode and no port is currently active, Automatic will use the last active port.

## Compatibility

This parameter allows you to make SL4M/T4M series thermal printers compatible with other printers.

When trying to preserve compatibility with respect to barcodes, you may not always be able to make them equal in size. This is due to the various dot-per-inch differences between printer types. When an exact match cannot be made, the barcode is reduced in size so that the form bounds will not be compromised and the barcode will be readable.

- **Default** (factory default). Use for optimum performance.
- **Laser**. Forces the output to correspond with the Printronix laser line of printers.
- **P5000**. Forces the output to correspond with the P5000 line of line matrix printers.
- **T3000**. Forces the output to correspond with the T3000 line of thermal printers.
- **T1006**. Forces the output to correspond with the T1006 line of thermal printers.

## Del Char frm Fls

This option deletes downloaded character(s) from flash memory.

## Ld Char from Fls

This option loads downloaded character(s) from flash memory to RAM.

## Save Char to Fls

This option saves downloaded character(s) to flash memory.

## Del Char frm RAM

This option deletes downloaded character(s) from RAM.

## Ld Char at PwrUp

This option loads downloaded character(s) from flash memory to RAM at Power Up. The options are Disable (factory default) and Enable.

## Del Set frm Fls

This option deletes downloaded overlay set(s) from flash memory.

## Ld Set from Fls

This option loads downloaded overlay set(s) from flash memory.

## Save Set to Fls

This option saves downloaded overlay set(s) to flash memory.

## Del Set from RAM

This option deletes the downloaded overlay set(s) from RAM.

## Ld Set at PwrUp

This option loads the downloaded overlay set from flash memory to RAM at Power Up. The options are Disable (factory default) and Enable.

## Main FFS

- **Overwrite Files**
  - **Enable** (factory default). Allows you to overwrite files in the main flash file system with exception to protected files. When you try to overwrite or delete a protected file, the control panel LCD will display an error message.
  - **Disable**. Allows you to prevent files in the main flash file system from being overwritten.
- **View Main Files**. Displays the list of files in the main flash file system. Files with one of the filename extensions listed in the Table 13 on page 172 are not shown in the View Main Files menus..
- **Delete Files**. Allows you to delete files in the main flash file system, with exception to protected files. After a file is deleted, a question mark will appear in front of the deleted file name to indicate that the file in the main FFS is no longer usable. Contact your administrator for further assistance. Files with one of the filename extensions listed in Table 13 on page 172 are not shown in the Delete Files menus .
- **Flash Avail**. The amount of flash available for the user to save or download files into the main flash.

## EMC FFS

- **Overwrite Files**
  - **Enable** (factory default). Allows you to overwrite files in the Extended Flash file system with exception to protected files. When you try to overwrite or delete a protected file, the control panel LCD will display an error message.
  - **Disable**. Allows you to prevent files in the Extended Flash file system from being overwritten.
- **View EMC Files**. Displays the list of files in the Extended Flash file system. Files with one of the filename extensions listed in the Table 13 on page 172 are not shown in the View EMC Files menus.
- **Delete Files**. Allows you to delete files in the Extended Flash file system system with exception to protected files. After a file is deleted, a question mark will appear in front of the deleted file name to indicate that the file in the EMC is no longer usable. Contact your administrator for assistance. Files with one of the filename extensions listed in the Table 13 on page 172 are not shown in the Delete Files menus.
- **Flash Avail**. The amount of flash available for the user to save or download files into Extended Flash.

## Optimize&Reboot

Reclaims flash space from deleted flash files. After pressing ↵ wait for the printer to reboot.

**NOTE:** The Optimize feature will optimize both the Main and Extended Flash file system (if present) and remove any deleted file names indicated by “?Filename”.

## Print File List

Prints a summary of the files stored in the Main and Extended Flash file system (if present).

## Auto Locking

- **Disable** (factory default). The ↵ (ENTER) key must be locked manually.
- **Enable**. The printer automatically locks the ↵ key five minutes after the last control panel key press.

## Set Lock Key

Normally, to lock or unlock the printer menu, the ↓ and ↵ keys are pressed at the same time. The Set Lock Key parameter lets you choose different keys to lock or unlock the printer menu. You may choose almost any group of keys as the new lock and unlock keys. You cannot use the ↵ key or any key combinations which are already used for another function. There is no limit to how many keys can be selected.

To set the new lock key:

1. Go to the PRINTER SETUP main menu and select “Set Lock Key.”
2. Press ↵. The display reads, “Select a new lock key.”
3. Press the combination of keys that you want to be the new lock key. Make sure you press all keys selected at the same time.
4. If the selection is valid, the display will read, “Enter the new lock key again.” Press the same combination of keys a second time. If the selection is invalid, the display will read, “Invalid key selection.” Return to step 2 and start over.
5. If the new lock key combination is entered again correctly, the display will read, “Lock key has been changed.” If it was entered incorrectly, the display will read, “Validation failed.” Start over at step 1.
6. After entering the new lock combination successfully, press the Pause key to put the printer back online.

**NOTE:** The new lock combination will remain even if the printer is powered off and back on.



## Max Font Buffer

The maximum amount of DRAM allocated for downloading fonts (TrueType, Scalable, or Bitmap). DRAM allocation will not take effect unless you save it in a configuration and the printer is powered up with that configuration.

The range is 100 to 1800 Kbytes, and the factory default is 300 Kbytes.

## Max Cache Memory

The Maximum Cache Memory option specifies the size of the memory block that can be allocated to the font cache. The font cache stores bitmaps that are created on demand from the font outlines stored on the printer flash. The cache allows the printer to print scalable fonts at optimum speed. Memory block allocation will not take effect unless you save it in a configuration and the printer is powered up with that configuration.

To calculate the memory requirement, use this equation:

$$(HS \times VS \times \text{Average Height} \times \text{Average Width} \times \text{NumOf Char}) / 8$$

Where: HS = Horizontal resolution

VS = Vertical resolution

Average Height = Average character height (inches)

Average Width = Average character width (inches)

NumOfChar = Number of Characters to be cached

The allowable range is 50 KBytes through 2000 KBytes in 50-KByte increments.

The factory default is 900 KB.

**NOTE:** For most applications, the default settings for font memory are acceptable. Therefore, do not change the defaults unless your application requires an uncommon memory configuration.

## Max Cached Char

The Maximum Cached Characters option specifies the size of the largest character that can be stored in the font cache. This will not take effect unless you save it in a configuration and the printer is powered up with that configuration. To calculate the memory requirement, use this equation:

$$(HS \times VS \times \text{Average Height} \times \text{Average Width}) / 8$$

Where: HS = Horizontal resolution

VS = Vertical resolution

Average Height = Average character height (inches)

Average Width = Average character width (inches)

NumOfChar = Number of Characters to be cached

For example, with a print head that prints at 203 dpi you would use the following formula:

$$\frac{203 \times 203 \times 1 \times 1}{8} = 5,151$$

Therefore, select a value that is equal to or greater than 5,151. The closest available value is 6 KBytes.

The allowable range is 1 KByte through 20 KBytes, in 1 KByte increments.

The factory default is 01 KBytes.

**NOTE:** For most applications, the default settings for font memory are acceptable. Therefore, do not change the defaults unless your application requires an uncommon memory configuration.

### **Standard Chars.**

This menu entry permits you to adjust the thickness or font weight of standard text fonts.

The range is 0 to 512, and the factory default is 340.

### **Bold Chars.**

This menu entry permits you to adjust the thickness or font weight of bold text fonts.

The range is 0 to 512, and the factory default is 448.

### **Extra Bold Char.**

This menu entry permits you to adjust the thickness or font weight of extra bold text fonts.

The range is 0 to 512, and the factory default is 504.

**NOTE:** For most applications, the default settings for font memory are acceptable. Therefore, do not change the defaults unless your application requires an uncommon memory configuration.

### **OCR-A Chars.**

Character weight adjustment of resident OCR-A characters.

The range is 0 to 512, and the factory default is 384.

### **OCR-B Chars.**

Character weight adjustment of resident OCR-B characters.

The range is 0 to 512, and the factory default is 304.

## Tall Characters

Increases the point height of resident Intellifont characters.

- **Disable** (factory default). Standard resident font character point height is maintained.
- **Enable**. Increases the point height of resident Intellifont characters approximately 10%.

## Batch Counter

Displays the number of pages remaining in a print job.

- **Disable** (factory default). The # Pages remaining to be printed will not display. Instead, the Active emulation and interface will display on the second line of the control panel LCD.
- **Enable**. The # Pages remaining to be printed will display on the second line of the control panel LCD. This feature is supported in PGL and ZGL only. The PGL Execute command and parameters that support this feature are `~EXECUTE;formname;[;FC][;ICNTn][;FCNTn]`. The ZGL Execute command is `^PQ(#Pages)`.

**NOTE:** If the correct execute command is absent from the print file, "0 Pages" will continually display on the control panel LCD.

## Date

This menu allows you to set the date and time. The date is expressed in hh:mm YYYYMMDD.

hh = hour (24 hour format)  
 mm = minute  
 MMM = month  
 DD = day  
 YYYY = year

## Feed Key Online

Selects the Feed key action when the printer is online.

- **Feed** (factory default). A blank label is fed when the printer is online and the Feed key is pressed.
- **Reprint Last**. Reprints previous printed label if the printer is online and the Feed key is pressed.

**NOTE:** Pressing the Feed key when the printer is offline results in a blank label being fed. Labels fed while the printer is offline are considered printed pages. This results in blank feeds if online feeds are done following an offline feed when using the Reprint Last setting.

## Disp. Intensity

Sets the Display Intensity values from 0 to 20. The factory default is 10.

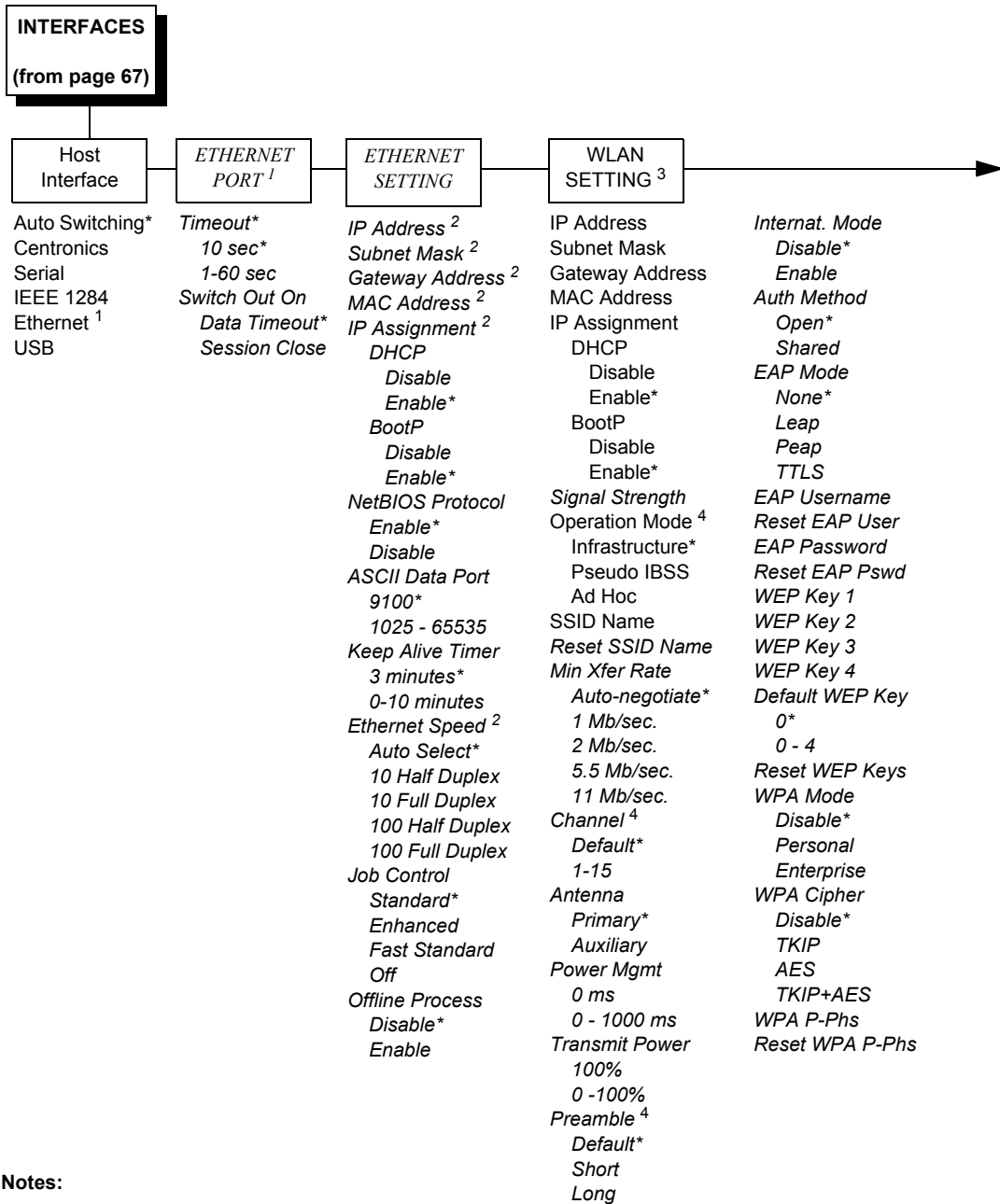
## Bot Line Display

- **Ribbon Life** (factory default). The last line of the display shows the ribbon life. When the printer is online and after a few labels have been fed, "Ribbon Life" and 1 to 4 asterisks will display on the last line of the LCD indicating the approximate amount of ribbon remaining on the supply spindle, based on a standard 450m ribbon. An exact value cannot be determined, since ribbon thickness and roll lengths vary:  
Ribbon Life \*\*\*\* = Full to 3/4 full  
Ribbon Life -\*\*\* = less than 3/4 to 1/2 full  
Ribbon Life --\*\* = less than 1/2 to 1/4 full  
Ribbon Life ---\* = less than 1/4 to 1/8 full
- **Current Config**. The last line of the display shows the name of the current configuration, which is the last loaded or saved configuration.
- **Asset Tag**. When operating the printer in Asset Tag Mode, the last line displayed prompts the user to "Place Tag" or "Place Next Tag". While the asset tag is encoding, the last line displayed will show "Encoding..."
- **IP Address**. The last line of the display shows the IP Address for the TCP/IP protocol if the NIC or Wireless NIC options are installed. If the printer has the Wireless NIC option, the signal strength is indicated by bars in front of the IP Address.
- **No Display**. The last line of the display is empty.

## Admin User

- **Disable** (factory default).
- **Enable**. When enabled, this function permits access to submenu items which would not normally be changed by a typical user.

# INTERFACES Menu



**Notes:**

\* = Factory Default

*Italicized* items are available only when Admin User is set to Enable (in the PRINTER SETUP menu).

<sup>1</sup> This menu appears if a NIC or Wireless NIC is installed.

<sup>2</sup> This menu item appears only if a NIC is installed.

<sup>3</sup> This menu appears only if a Wireless Option is installed.

<sup>4</sup> This menu appears only if a 802.11b radio card is installed.

**INTERFACES**  
(con'd from page 117)

Parallel Port <sup>1, 4</sup>	Centronics <sup>2</sup>	IEEE 1284 <sup>3</sup>	USB Port	Serial Port	Printer Mgmt
Port Type	Data Bit 8 <sup>2</sup>	Prime Signal	Buffer Size in K	See page 119	See page 120
<i>IEEE 1284*</i>	Enable*	Disable*	16*		
Disable	Disable	Enable	1 - 16		
Centronics	PI Ignored <sup>2</sup>	TOF Action	Timeout <sup>1</sup>		
Buffer Size in K	Enable*	Reset*	10 sec.*		
16*	Disable	Do Nothing	1 - 60 sec.		
1-16	Data Polarity <sup>2</sup>	Buffer Size in K			
Auto Trickle	Standard*	16*			
Disable*	Inverted	1-16			
Enable	Resp. Polarity <sup>2</sup>	Offline Process			
Trickle Time	Standard*	Disable*			
1/4 sec*	Inverted	Enable			
1/2 sec	Busy on Strobe <sup>2</sup>				
1 sec	Enable*				
2 sec	Disable				
4 sec	Latch Data On <sup>2</sup>				
8 sec	Leading*				
16 sec	Trailing				
Off	Prime Signal				
Timeout	Disable*				
10 sec.*	Enable				
1 - 60 sec.	TOF Action				
Report Status	Reset*				
Disable*	Do Nothing				
Enable	Buffer Size in K				
Prime Signal	16*				
Disable*	1-16				
Enable					
Offline Process					
Disable*					
Enable					

**Notes:**

\* = Factory Default

*Italicized* items are available only when Admin User is set to Enable (in the PRINTER SETUP menu).

<sup>1</sup> This menu appears only if Host Interface is set to Auto Switching (in the Interfaces menu).

<sup>2</sup> This menu appears only if Host Interface is set to Centronics (in the Interfaces menu).

<sup>3</sup> This menu appears only if Host Interface is set to IEEE 1284 (in the Interfaces menu).

<sup>4</sup> This menu does not appear when Centronics is selected (in the Interfaces menu).

Serial Port  
(from page 118)

Baud Rate	Word Length	Stop Bits	Parity	Data Protocol	Buffer Size in K
9600 BAUD*	8*	1*	None*	XON/XOFF*	16*
600 BAUD to 115200 BAUD	7	2	Odd Even Mark Sense	ETX/ACK ACK/NAK <i>Series1 1Char</i> <i>Series1 2 Char</i> DTR	1 - 16

<i>Trickle Time</i> <sup>1</sup>	<i>Timeout</i> <sup>1</sup>	<i>Report Status</i> <sup>1</sup>	Data Term Ready	<i>Request to Send</i>	<i>Poll Character</i>
1/4 sec*	10 sec.*	Disable*	True*	On-Line and BNF*	00 Hex*
1/2 sec	1 - 60 sec.	Enable	On-Line and BNF	Off-Line or BF	00-FF Hex
1 sec			Off-Line or BF	On-Line	
2 sec			On-Line	False	
4 sec			False	True	
8 sec					
16 sec					
Off					

<i>Poll Response</i>	<i>Idle Response</i>	<i>One Char Enquiry</i>	<i>Printer Status</i>	<i>Framing Errors</i>	<i>Offline Process</i>
0 ms*	Disable*	Disable*	Disable*	Enable*	Disable*
0 - 30 ms	Enable	Enable	ENQ/STX ENQ	Disable	Enable

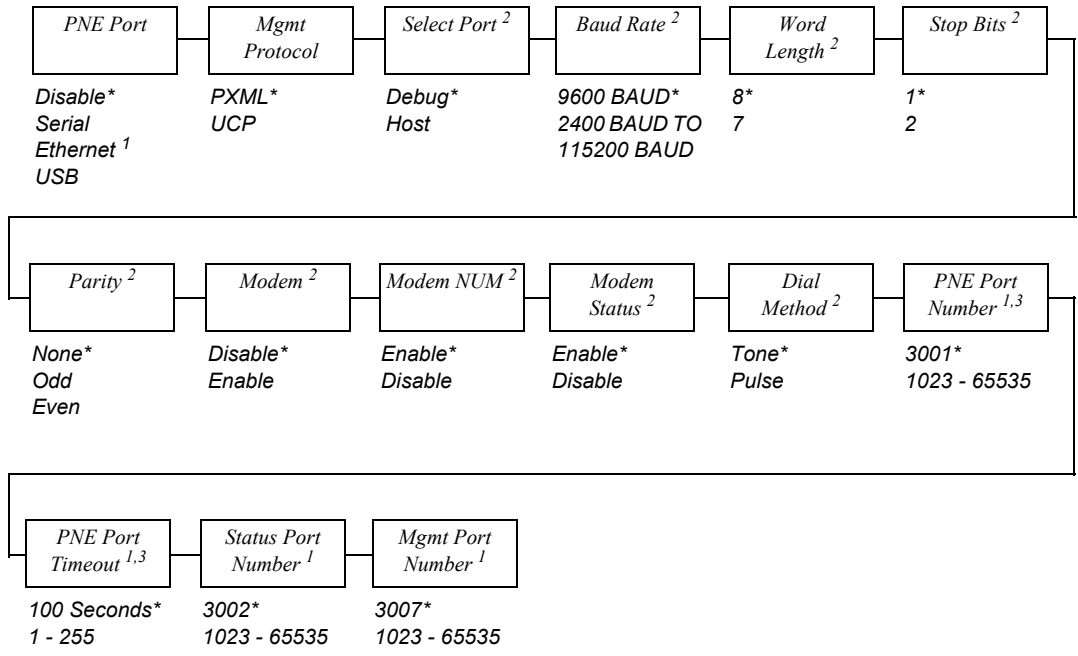
**Notes:**

\* = Factory Default

*Italicized* items are available only when Admin User is set to Enable (in the PRINTER SETUP menu).

<sup>1</sup> This menu appears only when Host Interface (in the Interfaces menu) is set to Auto Switching.

*Printer Mgmt*  
(from page 118)



**Notes:**

\* = Factory Default

*Italicized* items are available only when Admin User is set to Enable (in the PRINTER SETUP menu).

<sup>1</sup> This option appears if a NIC is installed.

<sup>2</sup> This menu appears if PNE Port is set to Serial.

<sup>3</sup> If the PNE port is set to Ethernet.



## INTERFACES Submenus

---

### Host Interface

This option allows you to send print jobs through any interface with autoswitching selected as host interface. It also allows a particular interface from the menu to be selected.

The options are Auto Switching (factory default), Centronics, Serial, IEEE 1284, and Ethernet.

**NOTE:** The Ethernet option appears only if Ethernet is installed.

### ETHERNET PORT

- **Timeout.** This is the value used by the printer to time out the current port and check the other selected Port Types for data to print. When the printer has not received data from the host after a certain period of time, it needs to time out to service the other ports.

The range is 1 to 60 seconds, and the factory default is 10 seconds.

- **Switch Out On.**
  - **Data Timeout** (the default). Allows Autoswitching when no data has been received for the selected timeout period.
  - **Session Close.** Allows Autoswitching only when the Network Socket is closed. If the Ethernet Adapter is not installed the Network Socket is always reported as closed and this menu option is ignored.

### ETHERNET SETTING

- **IP Address.** This item allows you to set the IP Address for the TCP/IP protocol in four three-digit segments (SEG1 through SEG4). If the IP Address is assigned by BootP, ARP or DHCP, it is dynamic and read-only.

The factory defaults for the SEG1 through SEG4 are 000, 000, 000, and 000.

After specifying an IP address, you are prompted to:

Press  $\downarrow$  to Save & Exit

Press  $\times$  to Exit

Press  $\otimes$  to Edit.

**NOTE:** When changing the IP Address, the printer resets the Network Interface Card (NIC) when the printer is placed online. When the printer resets the NIC, the LCD displays DO NOT POWER OFF. The printer will then reboot to re-establish communication with the NIC.

- **Subnet Mask.** This item allows you to set the Subnet Mask for the TCP/IP protocol in four three-digit segments (SEG1 through SEG4). If the Subnet Mask is assigned by BootP, Arp or DHCP, it is dynamic and read-only.

The defaults for the SEG1 through SEG4 are 000, 000, 000, and 000.

After specifying a Subnet Mask, you are prompted to:

Press  $\downarrow$  to Save & Exit

Press  $\times$  to Exit

Press  $\otimes$  to Edit.

**NOTE:** When changing the Subnet Mask, the printer resets the NIC when the printer is placed online. When the printer resets the NIC, the LCD displays DO NOT POWER OFF. The printer will then reboot to re-establish communication with the NIC.

- **Gateway Address.** This item allows you to set the Gateway Address for the TCP/IP protocol in four three-digit segments (SEG1 through SEG4). If the Gateway Address is assigned by BootP, ARP or DHCP, it is dynamic and read-only.

The defaults for the SEG1 through SEG4 are 000, 000, 000, and 000.

After specifying a Gateway address, you are prompted to:

Press  $\downarrow$  to Save & Exit

Press  $\times$  to Exit

Press  $\otimes$  to Edit.

**NOTE:** When changing the Gateway Address, the printer resets the NIC when the printer is placed online. When the printer resets the NIC, the LCD displays DO NOT POWER OFF. The printer will then reboot to re-establish communication with the NIC.

- **MAC Address.** This item is the Manufacturer's Assigned Number, and is unique for each NIC. It is read-only.
- **IP Assignment**

- **DHCP.** You can enable/disable the DHCP protocol using this option, but consult your administrator for the appropriate setting.

The options are Enable (factory default) and Disable.

**NOTE:** When changing the DHCP, the printer resets the NIC when the printer is placed online. When the printer resets the NIC, the LCD displays DO NOT POWER OFF. The printer will then reboot to re-establish communication with the NIC.

- **BootP**

You can enable or disable the BootP protocol using this option, but consult your administration for the appropriate setting.

The options are Enable (factory default) and Disable.

**NOTE:** When changing the BootP option, the printer resets the NIC when the printer is placed online. When the printer resets the NIC, the LCD displays DO NOT POWER OFF. The printer will then reboot to re-establish communication with the NIC.

- **NetBIOS Protocol**

- **Enable** (factory default). The NIC will respond to the NetBIOS protocol.

- **Disable**. The NIC does not recognize the NetBIOS protocol.

- **ASCII Data Port**. This option allows you to set the port number for ASCII print jobs. The data port number needs to match your host system setting.

The range is 1025 - 65535, and the factory default is 9100.

- **Keep Alive Timer**. This is the time that the Keep Alive Timer will run. Keep in mind that with the Keep Alive Timer on, the TCP connection will stay connected even after the print job has terminated.

The range is 0-10 minutes, and the factory default is 3 minutes.

- **Ethernet Speed**. This menu appears only if a 10/100Base-T Network Interface Card (NIC) is installed.

The Ethernet Speed menu has five different speed modes to allow compatibility with different systems and networks:

- **Auto Select** (factory default). Tells the 10/100Base-T NIC to perform an auto detection scheme and configure itself to be 10 Half Duplex, 10 Full Duplex, 100 Half Duplex, or 100 Full Duplex.

- **10 Half Duplex**. Tells the 10/100Base-T NIC to communicate at 10 Megabits per second using half duplex.

- **10 Full Duplex**. Tells the 10/100Base-T NIC to communicate at 10 Megabits per second using full duplex.

- **100 Half Duplex**. Tells the 10/100Base-T NIC to communicate at 100 Megabits per second using half duplex.

- **100 Full Duplex**. Tells the 10/100Base-T NIC to communicate at 100 Megabits per second using full duplex.

- **Job Control**
  - **Standard** (factory default). The NIC waits for the entire job to be received before it indicates the job is done.
  - **Enhanced**. The NIC waits for the entire job to be printed before it indicates the job is done.
  - **Fast Standard**. The EOJ (End of Job) packet is acknowledged immediately. Use this option if the job is timed out due to a delay in the acknowledgement of the EOJ packet because of the amount of data being printed.
  - **Off**. There is no synchronization between the NIC and the printer.

**NOTE:** For detailed information about using the NIC, refer to the Network Interface Card User's Manual.

- **Offline Process**
  - **Disable** (factory default). When set to disable, the printer does not process parallel/network data while offline.
  - **Enable**. When set to enable, the printer continues to process (but not print) the current network/parallel job while the printer is offline until the printer's buffer is full.

## WLAN SETTING

- **IP Address**. This item allows you to set the IP Address for the TCP/IP protocol in four three-digit segments (SEG1 through SEG4). If the IP Address is assigned by BootP, ARP or DHCP, it is dynamic and read-only.

The defaults for the SEG1 through SEG4 are 000, 000, 000, and 000.

After specifying an IP address, you are prompted to:

Press  $\downarrow$  to Save & Exit

Press  $\times$  to Exit

Press  $\otimes$  to Edit.

**NOTE:** When changing the IP Address, the printer resets the Network Interface Card (NIC) when the printer is placed online. When the printer resets the NIC, the LCD displays DO NOT POWER OFF. The printer will then reboot to re-establish communication with the NIC.

- **Subnet Mask.** This item allows you to set the Subnet Mask for the TCP/IP protocol in four three-digit segments (SEG1 through SEG4). If the Subnet Mask is assigned by BootP, Arp or DHCP, it is dynamic and read-only.

The defaults for the SEG1 through SEG4 are 000, 000, 000, and 000.

After specifying a Subnet Mask, you are prompted to:

Press  $\downarrow$  to Save & Exit

Press  $\times$  to Exit

Press  $\otimes$  to Edit.

**NOTE:** When changing the Subnet Mask, the printer resets the NIC when the printer is placed online. When the printer resets the NIC, the LCD displays DO NOT POWER OFF. The printer will then reboot to re-establish communication with the NIC.

- **Gateway Address.** This item allows you to set the Gateway Address for the TCP/IP protocol in four three-digit segments (SEG1 through SEG4). If the Gateway Address is assigned by BootP, ARP or DHCP, it is dynamic and read-only.

The defaults for the SEG1 through SEG4 are 000, 000, 000, and 000.

The defaults for the SEG1 through SEG4 are 000, 000, 000, and 000.

After specifying a Gateway address, you are prompted to:

Press  $\downarrow$  to Save & Exit

Press  $\times$  to Exit

Press  $\otimes$  to Edit.

**NOTE:** When changing the Gateway Address, the printer resets the NIC when the printer is placed online. When the printer resets the NIC, the LCD displays DO NOT POWER OFF. The printer will then reboot to re-establish communication with the NIC.

- **MAC Address.** This item is the Manufacturer's Assigned Number, and is unique for the NIC and the Wireless option. It is read-only.

- **IP Assignment**

- **DHCP.** You can enable/disable the DHCP protocol using this option, but consult your administrator for the appropriate setting.

The options are Enable (factory default) and Disable.

**NOTE:** When changing the DHCP, the printer resets the NIC when the printer is placed online. When the printer resets the NIC, the LCD displays DO NOT POWER OFF. The printer will then reboot to re-establish communication with the NIC.

- **BootP**

You can enable or disable the BootP protocol using this option, but consult your administration for the appropriate setting.

The options are Enable (factory default) and Disable.

**NOTE:** When changing the BootP option, the printer resets the NIC when the printer is placed online. When the printer resets the NIC, the LCD displays DO NOT POWER OFF. The printer will then reboot to re-establish communication with the NIC.

- **Signal Strength.** This menu displays the strength of the wireless signal.

**NOTE:** This is a display value only and cannot be changed.

- **Operation Mode.** Allows you to select the way the Wireless option communicates.

- **Infrastructure** (the default). The wireless option must go through an Access Point.
- **Pseudo IBSS.** Proprietary, peer-to-peer communication (without an Access Point). The two peers must be specific to one manufacturer.
- **Ad Hoc.** Standard, peer-to-peer communication (without an Access Point). The two peers can be from different manufacturers.

- **SSID Name.** A 1-32 character, case-sensitive string that identifies the Extended Service Set Identification (ESS\_ID) network the unit is part of. (ESS\_ID is also called NET\_ID.) These characters can be alphanumeric, symbols, or spaces. The SSID name and alphanumeric characters are divided into three parts in the control panel menu as “SSID Name (01-15)”, “SSID Name (16-30)” and “SSID Name (31-32).

- **Reset SSID Name.** Allows you to reset the SSID name.

- **Min Xfer Rate.** Allows you to set the minimum speed at which the Wireless Option will accept a connection (in millions bits per second). The options are Auto-negotiate (factory default), 1Mb/sec., 2Mb/sec., 5.5Mb/sec., and 11Mb/sec.

- **Channel.** Allows you to select the RF channel. The options are Default and 1-15.

**NOTE:** The Channel option is hidden for 802.11g radio card.

- **Preamble.** The length of the preamble in transmit packets.

- **Default** (the default). The Wireless option automatically determines the length.
- **Short.** For newer printers which can handle higher transfer rate speeds.
- **Long.** For older printers, which cannot handle higher transfer rate speeds.

- **Antenna.** The type of antenna used:
  - **Primary** (factory default). Select when you want to use the Primary antenna on the server.
  - **Auxiliary.** Select when you want to use the Auxiliary antenna on the server.
- **Power Mgmt.** This allows you to set power-save mode and sleep time. A value specifying the sleep time in milliseconds will be provided. If set to zero, power-save mode will be disabled.

The range is 0-1000 ms., and the factory default is 0 ms.
- **Transmit Power.** The power level as a percentage of full power.

The range is 0 - 100%, and the factory default is 100%.
- **Internat. Mode.** When enabled, the Wireless option adapts to international frequency requirements in Europe.

The options are Disable (factory default) and Enable.
- **EAP Mode.** This selects the EAP authentication method.
  - **LEAP** selects Cisco LEAP authentication.
  - **PEAP** selects PEAP authentication.
  - **TTLS** selects TTLS authentication.
  - **None** (factory default) disables EAP authentication.
- **EAP Username**
  - **EAP Username (01-15).** The first 15 characters of the EAP user name (maximum number of characters is 32).
  - **EAP Username (16-30).** Characters 16 to 30 of the EAP user name (maximum number of characters is 32).
  - **EAP User (31-32).** Characters 31 to 32 of the EAP password (maximum number of characters is 32).
- **Reset EAP User**

Resets the EAP user name to an empty string.
- **EAP Password**
  - **EAP Password (01-15).** The first 15 characters of the EAP password (maximum number of characters is 32).
  - **EAP Password (16-30).** Characters 16 to 30 of the EAP password (maximum number of characters is 32).
  - **EAP Password (31-32).** Characters 31 to 32 of the EAP password (maximum number of characters is 32).
- **Reset EAP Pswd**

Resets the EAP password to an empty string.

- **Auth Method.** This feature allows the user to select the authentication method used for the wireless network interface.
  - **Open** (factory default). Selects open authentication.
  - **Shared.** Selects shared key authentication.
- **WEP Key 1 through 4.** These are the individual characters of the encryption key. If the "WEP Key x Width" is set to 40 Bits, the key values can be entered in the following 5 sub menus (BYTE 1, ..., BYTE 5). If the "WEP Key x Width" is set to 128 Bits, the key values can be entered in the following 13 sub menus (BYTE 1, ..., BYTE 13). The key values must configure to match the corresponding key in the Access Point's key configuration.

**NOTE:** The WEP Key Width is the number of bits used for encryption. This can be set to either 40 Bits or 128 Bits and must match the Access Point's configuration.

- **Default WEP Key.** This feature enables you to encrypt (scramble) information for security purposes. With this feature, you can set up to four encryption keys, in either ASCII or hexadecimal format, and in either 40 or 128 bits. (The more bits you choose, the more difficult it will be to decode the information.)

The default key must match the Access Point's configuration. If the Access Point is configured to use "Open System", the default key should be set to 0. If the Access Point is configured to use 40-bit or 128-bit WEP encryption key, the encryption key must be set to the same setting as the Access Point's setting. There are four keys (1-4) that an Access Point can use. If the Access Point is set to use key 1, the default key must be set to 1 to correspond to the Access Point's setting.

**NOTE:** None of the WEP Key Configuration menus display on the configuration printout.

- **Reset WEP Keys.** Allows you to reset all four WEP keys (WEP Key 1 through WEP Key 4) at one time.
- **WPA Mode.** Selects the WPA wireless security mode.
  - **Disable** (the default). WPA security is disabled.
  - **Personal.** Selects personal or pre-shared key mode for WPA security.
  - **Enterprise.** Selects EAP authentication methods.
- **WPA Cipher.** Selects the WPA wireless security cipher setting. Options include:
  - **Disable** (the default)
  - **TKIP**
  - **AES**
  - **TKIP+AES**
- **WPA P-Phs.** Allows you to set the individual bytes of the WPA passphrase.
- **Reset WPA P-Phs.** Allows you to reset all 32 bytes of the WPA passphrase at once.



## Parallel Port

- **Port Type.** This menu item selects the type of printer parallel port interface to be used with the host.  
The options are IEEE 1284 (factory default), Disable, and Centronics.
- **Data Bit 8**
  - **Enable** (factory default). The PI line is not passed directly from host to printer; all 8 bits are used for data bits, and characters in the hex 80-FF range can be accessed.
  - **Disable.** When the host PI line is enabled, data bit 8 internally indicates PI line status. To use the PI line, disable data bit 8, and enable the Host PI configuration option (under the PI Ignored option).

**NOTE:** Data bit 8 is interpreted as either data bit 8 or PI signal, but never both. When enabled as data bit 8, data bit 8 has priority over the PI signal, and all data above hex 7F is used to access character data and not to interpret PI line data.

Conversely, when data bit 8 is disabled and the PI signal is used, data bit 8 of the data is reserved for use as the PI function, and you cannot access characters in the hex 80-FF range. Therefore, to access characters in the hex 80-FF range, data bit 8 must be enabled.

- **PI Ignored.** The PI (Paper Instruction) signal is used to control vertical paper motion.
  - **Enable** (factory default). Ignores the PI signal and treats the data as characters or control codes.
  - **Disable.** Causes the printer to interpret the eight data lines as VFU commands when the PI signal is true.
- **Buffer Size in K.** This option configures the amount of memory allocated for the Ethernet buffer. The range is 1-16 Kbytes, in 1-Kbyte increments.  
The factory default is 16 Kbytes.
- **Auto Trickle.** This feature is used to prevent a host computer from “timing out” because the parallel interface is “busy” for too long.
  - **Disable** (factory default). The Auto Trickle feature is not used.
  - **Enable.** When the printer’s buffers are almost full, the printer begins to trickle data in from the host (at the rate set in the Trickle Time menu) until the buffers start to empty out.
- **Trickle Time.** When the printer is printing data from a host and a second print job is received by the printer from a different host, Trickle Time prevents the second host from timing out while it is waiting for its data to be printed. In order to support this feature, the port has to be able to accept data from the host and store it for future use.

For example, if the printer is printing a job from the serial port, and then receives a second print job from the parallel port, the data from the parallel port will “trickle” bit by bit into the printer buffer to prevent a timeout error from being sent back to the host connected to the parallel port.

The selected value is the time that the printer waits before getting the next byte of data from the host. The Trickle Time value should be less than the host time out value, but not too much shorter or else the printer fills up its buffer too fast.

The options are 1/4 (factory default), 1/2, 1, 2, 4, 8, and 16 seconds and Off.

- **Timeout.** This is the value used by the printer to time out from the current port and check the other selected port types for data to print. When the printer has not received data from the host after a certain period of time, it needs to time out in order to service the other ports.

The range is 1-60 seconds, and the factory default is 10 seconds.

- **Report Status**
  - **Disable** (factory default). When a fault occurs on the printer, only the active port reports the fault to the host.
  - **Enable.** The port will report any fault even when it is not the current active port.
- **Prime Signal**
  - **Disable** (factory default). The parallel port will not perform a warm start (reboot) if the host asserts the Prime Signal.
  - **Enable.** The parallel port will perform a warm start (reboot) if the host asserts the Prime Signal.
- **Data Polarity.** The Data Polarity parameter must be set to match the data polarity of your host computer.
  - **Standard** (factory default). Does not expect the host computer to invert the data.
  - **Inverted.** Expects the data received on the data lines from the host computer to be inverted. Ones become zeros and vice versa.
- **Resp. Polarity.** The Response Polarity parameter must be set to match the response polarity of your host computer.
  - **Standard** (factory default). Does not invert the response signal.
  - **Inverted.** Inverts the response signal sent to the host computer.
- **Busy on Strobe**
  - **Enable** (factory default). Asserts a busy signal after each character is received.
  - **Disable.** Asserts a busy signal only when the print buffers are full.
- **Latch Data On.** Specifies whether the data is read on the leading or trailing edge of the data strobe signal.

The options are Leading (factory default) and Trailing.

- **Offline Process**
  - **Disable** (factory default). When set to disable, the printer does not process parallel/network data while offline.
  - **Enable**. When set to enable, the printer continues to process (but not print) the current network/parallel job while the printer is offline until the printer's buffer is full.

## Centronics

- **Data Bit 8**
  - **Enable** (factory default). The PI line is not passed directly from host to printer; all 8 bits are used for data bits, and characters in the hex 80-FF range can be accessed.
  - **Disable**. When the host PI line is enabled, data bit 8 internally indicates PI line status. To use the PI line, disable data bit 8, and enable the Host PI configuration option (under the PI Ignored option).

**NOTE:** Data bit 8 is interpreted as either data bit 8 or PI signal, but never both. When enabled as data bit 8, data bit 8 has priority over the PI signal, and all data above hex 7F is used to access character data and not to interpret PI line data.

Conversely, when data bit 8 is disabled and the PI signal is used, data bit 8 of the data is reserved for use as the PI function, and you cannot access characters in the hex 80-FF range. Therefore, to access characters in the hex 80-FF range, data bit 8 must be enabled.

- **PI Ignored**. The PI (Paper Instruction) signal is used to control vertical paper motion.
  - **Enable** (factory default). Ignores the PI signal and treats the data as characters or control codes.
  - **Disable**. Causes the printer to interpret the eight data lines as VFU commands when the PI signal is true.
- **Data Polarity**. The Data Polarity parameter must be set to match the data polarity of your host computer.
  - **Standard** (factory default). Does not expect the host computer to invert the data.
  - **Inverted**. Expects the data received on the data lines from the host computer to be inverted. Ones become zeros and vice versa.
- **Resp. Polarity**. The Response Polarity parameter must be set to match the response polarity of your host computer.
  - **Standard** (factory default). Does not invert the response signal.
  - **Inverted**. Inverts the response signal sent to the host computer.
- **Busy on Strobe**
  - **Enable** (factory default). Asserts a busy signal after each character is received.
  - **Disable**. Asserts a busy signal only when the print buffers are full.

- **Latch Data On.** Specifies whether the data is read on the leading or trailing edge of the data strobe signal.  
The options are Leading (factory default) and Trailing.
- **Prime Signal**
  - **Disable** (factory default). A prime signal from the host is ignored.
  - **Enable.** A prime signal from the host resets the printer.
- **TOF Action**
  - **Reset** (factory default). If the printer is reset by a prime signal the printer first moves to the next TOF.
  - **Do Nothing.** If the printer is reset by a prime signal the printer will not move to the next TOF.
- **Buffer Size in K.** This option configures the amount of memory allocated for the Ethernet buffer. The range is 1-16 Kbytes, in 1-Kbyte increments.  
The factory default is 16 Kbytes.

### IEEE 1284

- **Prime Signal**
  - **Disable** (factory default). A prime signal from the host is ignored.
  - **Enable.** A prime signal from the host resets the printer.
- **TOF Action**
  - **Reset** (factory default). If the printer is reset by a prime signal the printer first moves to the next TOF.
  - **Do Nothing.** If the printer is reset by a prime signal the printer will not move to the next TOF.
- **Buffer Size in K.** This option configures the amount of memory allocated for the Ethernet buffer. The range is 1-16 Kbytes, in 1-Kbyte increments.  
The factory default is 16 Kbytes.
- **Offline Process**
  - **Disable** (factory default). When set to disable, the printer does not process parallel/network data while offline.
  - **Enable.** When set to enable, the printer continues to process (but not print) the current network/parallel job while the printer is offline until the printer's buffer is full.

### USB Port

- **Buffer Size in K.** This option configures the amount of memory allocated for the serial port buffer. The range is 1-16 Kbytes, in 1-Kbyte increments.  
The factory default is 16.
- **Timeout.** This item allows you to set the time that the printer, when it has not received data from its host, will begin to service all other host ports looking for data to print.

The range is 1-60 seconds, and the default is 10 seconds.

## Serial Port

- **Baud Rate.** Sets the baud rate of the serial interface in the printer. Baud rate is the speed at which serial data is transferred between the host computer and the printer. The options for the RS-232 interface are 600, 1200, 2400, 4800, 9600, 19200, 38400, 57600, and 115200 Baud.  
The factory default is 9600.
- **Word Length.** Sets the length of the serial data word. The length of the data word can be set to 7 or 8 bits and must match the corresponding data bits setting in the host computer.  
The factory default is 8.
- **Stop Bits.** Sets the number of stop bits in the serial data word. Either 1 or 2 stop bits can be selected. The setting must match the corresponding stop bit setting in the host computer.  
The factory default is 1.
- **Parity.** The options are Odd, Even, Mark, Sense, or None (factory default). The setting must match the corresponding parity setting in the host computer.
- **Data Protocol.** You can select one of the following serial interface protocols to meet the host interface requirements.
  - **XON / XOFF** (factory default). The printer controls the flow of communication from the host by turning the transmission on and off. In some situations, such as when the buffer is full or the timing of signals is too slow or too fast, the printer will tell the host to stop transmission by sending an XOFF character. An XOFF character is sent when the number of empty bytes in the buffer is less than or equal to 25 percent of the buffer size. If the host keeps sending data after an XOFF is sent, the printer firmware will continue to send an XOFF for every 16 characters received. When cleared, the printer will resume receiving data (XON). The data does not have any End of Text codes; XON / XOFF is a non-block protocol.
  - **ETX / ACK.** End of Text / Acknowledge. The host controls the flow of communication to the printer by sending a block of data and ending the block with an End of Text (ETX) character. When the printer receives the ETX character, it will acknowledge the ETX, thereby acknowledging it has received the entire block of data.
  - **ACK / NAK.** ACK means acknowledge; the device acknowledges it has accepted a transmission. NAK means negative acknowledge; the device did not receive the transmission.
  - **Series1 1 Char.** The printer controls the flow of communication from the host by turning the transmission on and off using response characters sent to the host. If the number of valid bytes in the buffer reaches 75 percent of the buffer size, the online or offline and buffer full response character is sent. If the buffer is completely full, an online or offline buffer full response is sent every time a character is sent from the host. Whenever the printer state changes to online or offline, the appropriate response character is sent. If the idle response option is enabled, the printer will send a response character

every two seconds while the number of valid bytes in the buffer is less than 75 percent of the buffer size. If a poll character is received (configurable from the Poll Character *xx* Hex option on the front panel from hex 0 through FF), the printer will send a response character *n* milliseconds later (configurable from the Poll Character *xx* MS on the front panel from 0 through 30). This *n* milliseconds is called the poll delay. The poll character will be removed from the input data stream and will not be processed. This may cause problems with the transmission of binary data (e.g., control codes, bit image, etc.). If a poll delay is started due to the receipt of a poll character and another poll character is received, the second poll character has no effect and is removed from the input data stream. If a transition (from buffer full to empty or online to offline) occurs during a poll delay, the new printer state will be sent at the end of the poll delay.

The response characters are described below.

Printer State	Response
Online and Buffer Empty	CR
Online and Buffer Full	3
Offline and Buffer Empty	0
Offline and Buffer Full	2

- **Series1 2 Char.** This protocol behaves exactly the same as the Series 1 Char except there is a two-character response to the host. The response characters are described in the following table:

Printer State	Response
Online and Buffer Empty	1 CR
Online and Buffer Full	3 CR
Offline and Buffer Empty	0 CR
Offline and Buffer Full	2 CR

- **ENQ/ACK.** Enquiry/Acknowledge. The host controls the flow of communication to the printer by sending a block of data and ending the block with an Enquiry (ENQ) character. When the printer receives the ENQ Character, it acknowledges the ENQ, thereby acknowledging it has received the entire block of data. Status will also be sent before the ACK. The status is as follows:

Printer State	Status
Online	40 06
Online or Paper Motion Fault	43
Platen Open or Paper Out	47

- **DTR.** The printer controls the data flow by sending this hardware signal to the host. If there is enough room in the printer buffer, the printer will send a high signal; if the buffer is full, the printer will send a low signal. DTR tells the host if it is safe to send more data. (If the host sends data during an unsafe condition, data will be lost.)
- **Buffer Size in K.** This option configures the amount of memory allocated for the serial port buffer. The range is 1-16 Kbytes, in 1-Kbyte increments. The factory default is 16.
- **Trickle Time.** When the printer is printing data from a host and a second job is received by the printer from a different host, Trickle Time prevents the second host from timing out while it is waiting for its data to be printed. In order to support this feature, the port has to be able to accept data from the host and store it for future use.

For example, if the printer is printing a job from the serial port and then receives a second print job from the parallel port, the data from the parallel port will “trickle” bit by bit into the printer buffer to prevent a timeout error from being sent back to the host connected to the parallel port.

The selected value is the time that the printer waits before getting the next byte of data from the host. The Trickle Time value should be less than the host time out value, but not too much shorter or else the printer fills up its buffer too fast.

The options are 1/4 (factory default), 1/2, 1, 2, 4, 8, and 16 seconds and Off.

- **Timeout.** This is the value used by the printer to time out from the current port and check the other selected Port Types for data to print. When the printer has not received data from the host after a certain period of time, it needs to time out in order to service the other ports.

The range is 1 to 60 seconds, and the factory default is 10 seconds.

- **Report Status.** When a fault condition occurs in the printer, normally only the active port reports the fault to the host. With this menu item enabled, the port will report any fault even when it is not the current, active port.

The options are Disable (factory default) and Enable.

- **Data Term Ready.** Stands for Data Terminal Ready. This configuration is part of hardware flow control and determines when the Data Terminal Ready (DTR) signal is generated. This signal indicates if the printer is ready to receive data.
  - **True** (factory default). Continuously asserts the DTR signal.
  - **False.** Never asserts the DTR signal.
  - **On-Line and BNF (buffer not full).** Asserts the DTR signal when the printer is online and the internal serial buffer is not full.
  - **Off-Line or BF (buffer full).** Asserts the DTR signal when the printer is offline or the internal serial buffer is full.
  - **On-Line.** Asserts the DTR signal when the printer is online.
- **Request to Send.** This configuration is part of hardware flow control and determines when the Request to Send (RTS) signal is generated. This signal indicates whether or not the printer is ready to receive data.
  - **On-Line and BNF** (factory default). Asserts the RTS signal when the printer is online and the internal serial buffer is not full.
  - **Off-Line or BF.** Asserts the RTS signal when the printer is offline or the internal serial buffer is full.
  - **On-Line.** Asserts the RTS signal when the printer is online.
  - **False.** Never asserts the RTS signal.
  - **True.** Continuously asserts the RTS signal.
- **Poll Character.** This option is for the Series1 protocol. Whenever the printer receives this character, it sends a response to the host indicating the current state of the printer (see Series1 protocol).

The range is 00-FF Hex, and the factory default is 00 Hex.

- **Poll Response.** This option is for the Series1 protocol. After receiving a poll character, the printer will wait the poll response time in milliseconds before sending the response.

The range is 0-30 ms, and the factory default is 0 ms.
- **Idle Response.** This option is for the Series1 protocol.
  - **Disable** (factory default).
  - **Enable.** The printer sends a response character every two seconds while the number of valid bytes in the buffer is less than 75 percent of the buffer size.



- **One Char Enquiry.** The One Char Enquiry mode uses the Poll Character to detect a request from the host and sends a response back to the host. This option also allows you to turn on and off this feature.

**Table 10. One Char Enquiry Response Characters**

Printer State	Response (hex)
Online and Buffer Not Full	22
Online and Buffer Full	23
Offline and Buffer Not Full	20
Offline and Buffer Full	21

The Poll Character is removed from the data stream. If the Data Protocol is set to ETX/ACK, ACK/NAK, or Series1, One Char Enquiry is automatically disabled.

The options are Disable (factory default) and Enable.

- **Printer Status**
  - **Disable** (factory default). Printer status ignored.
  - **ENQ/STX** (see Table 11).
  - **ENQ** (see Table 12).

When enabled, the printer will respond to an ENQ character by sending a status byte to the host. The type of status byte is determined by a Front Panel Menu selection. The selections allowed are ENQ/STX and ENQ. The ENQ is removed from the data stream.

**Table 11. ENQ/STX Status Byte**

Bit	Printer Status
0	Set when the printer is not online or the buffer is full.
1	Set when the printer is offline.
2	Clear during a paper out or RibbonMinder fault.
3	Always set.
4	Set during a Head Open fault.
5	Set during a buffer overflow fault.
6	Set during a parity or framing error fault.
7	Always clear.

Table 12. ENQ Status Byte

Bit	Printer Status
0	Set when the label has printed.
1	Set when the label is presented.
2	Set while the printer is online.
3	Always set.
4	Set printing in the batch mode.
5	Set during a Ribbon fault.
6	Set during a Paper Out fault.
7	Set during a Head Open fault.

- **Framing Errors.** These are possible errors that can occur when serial interface settings of the printer do not match those of the host computer.
  - **Enable** (factory default). If a framing error occurs, a fault message will display on the control panel.
  - **Disable.** If a framing error occurs, a fault message will not display on the control panel.
- **Offline Process**
  - **Disable** (factory default). When set to disable, the printer does not process serial data while offline.
  - **Enable.** When set to enable, the printer continues to process (but not print) the current serial job while the printer is offline until the printer's buffer is full.

### Printer Mgmt

- **PNE Port.** This menu selects which port the printer expects PNE to connect to, via Ethernet, USB, or Serial. The factory default is Disable.
- **Mgmt Protocol.** Since PXML and UCP management protocols share the same Ethernet Port, only one can be active at a time. This menu selects the active Management Protocol Interface, either PXML or UCP. The factory default is PXML.
- **Select Port**
  - **Debug** (factory default). If the PNE Port is set to Serial then the PNE will communicate through the Debug Serial Port.
  - **Host.** If the PNE Port is set to Serial then the PNE will communicate through the Host Serial Port. This cannot be selected if Host Interface is set to Auto Switching or Serial.

- **Baud Rate.** Sets the baud rate of the serial interface used to communicate to the PNE. Baud rate is the speed at which serial data is transferred between the PNE and the printer. The options for the RS-232 interface are 600, 1200, 2400, 4800, 9600, 19200, 38400, 57600, and 115200 Baud.
- **Word Length.** Sets the length of the serial data word. The length of the data word can be set to 7 or 8 bits and must match the corresponding data bits setting in the PNE. The factory default is 8.
- **Stop Bits.** Sets the number of stop bits in the serial data word. Either 1 or 2 stop bits can be selected. The setting must match the corresponding stop bit setting in the PNE. The factory default is 1.
- **Parity.** The options are Odd, Even, Mark, Sense, or None. The setting must match the corresponding parity setting in the PNE. The factory default is None.

- **Modem**

This menu enables or disables the modem interface. After changing the modem menus, save the configuration as the power-up configuration and reboot the printer. The factory default is Disable.

**NOTE:** Connect the modem to the selected serial interface for printer management (debug or host serial), and power on the modem before powering on the printer. The printer will search for a modem at power-up, and display a message on the printer front panel if a modem is detected.

- **Modem NVM**

This setting defines whether the modem configuration, as stored in the modem's NVM, should be used, or if the printer should send a modem initialization string. When enabled, the printer will only send an ATZ0 command to the modem on power-up. This command resets the modem to configuration 0. When disabled, the printer sends a generic modem initialization string on power-up. The factory default is Enable.

**NOTE:** This generic initialization string does not work for all modem types. If the initialization string does not work, the modem must be configured manually, the setting must be stored in configuration 0, and the printer 'Modem NVM' menu must be set to enable.

- **Modem Status**

- **Enable** (factory default). Displays the modem status commands on the printer control panel.
- **Disable.** Does not display the modem status commands on the printer control panel.

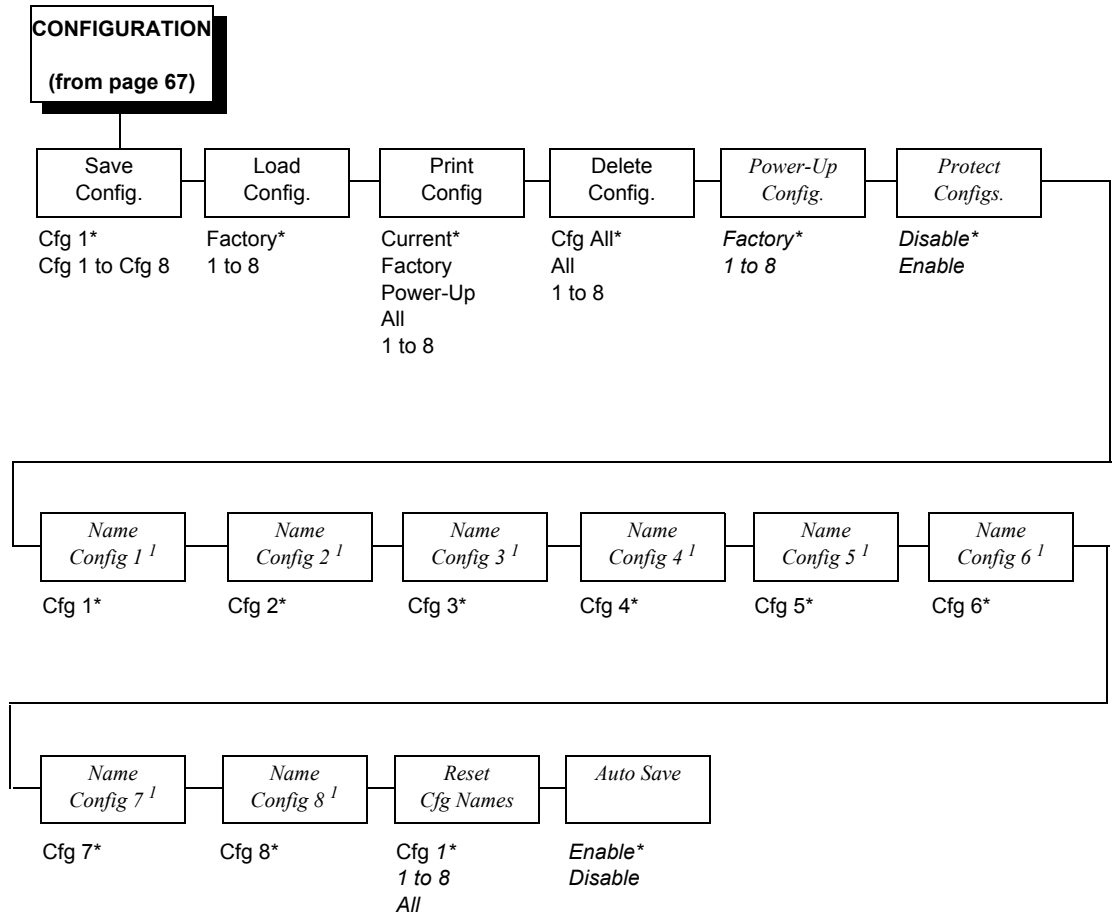
- **Dial Method**

- **Tone** (factory default). Sets the modem to use the tone dialing method.
- **Pulse.** Sets the modem to use the pulse dialing method.

- **PNE Port Number.** This menu selects the port number the printer expects the PNE to connect through. The factory default is 3001 and the range is from 1023 to 65535.

- **PNE Port Timeout.** If the PNE has not communicated to the printer within a timeout period, the PNE session closes. The factory default is 100 seconds. The range is from 1 to 255 seconds.
- **Status Port Number.** This is the Ethernet Port number the emulations can use to communicate status to the host computer.
- **Mgmt Port Number.** This is the Ethernet Port number the PXML or UCP will use to communicate to the printer.

# CONFIGURATION MENU



**Notes:**

\* = Factory Default

*Italicized* items are available only when Admin User is set to Enable (in the PRINTER SETUP menu).

<sup>1</sup> These menus allow the setting of a 15 character string.

## CONFIGURATION Submenus

---

### Save Config

This option allows you to save up to eight unique configurations to meet different print job requirements. This eliminates the need to change the parameter settings for each new job. The configurations are stored in memory and will not be lost if you turn off the printer. If the Protect Configs. parameter is enabled, the new configuration will not be saved unless the existing configuration has been deleted first. The Factory default configuration cannot be changed and saved under the Factory menu, but can be changed and saved as one of the eight unique configurations. See “Saving a Configuration” on page 148 for details.

The factory default is Cfg 1.

### Load Config

The printer can store up to eight configurations in memory. This parameter allows you to select and load a specific configuration.

The options are 1 to 8 and Factory. The factory default is Factory.

### Print Config

This option is used to print a listing of various stored printer configurations. We recommend you store printouts of your configurations in a safe place for quick referral.

The options are Current (factory default), Factory, Power-Up, All, and 1 to 8.

### Delete Config

You can delete one or all of your eight customized configurations. The factory default configuration cannot be deleted. The All selection deletes all previously saved configurations except for the factory default configuration.

The factory default is All.

### Power-Up Config

You can specify any one of nine configurations (1-8 saved custom configurations or Factory) as the power-up configuration.

The factory default is Factory.

### Protect Config

You can specify whether or not a new configuration should overwrite an existing configuration when you activate the Save Configs. parameter. When disabled (factory default), the new configuration will overwrite the existing configuration. When enabled, the new configuration will *not* overwrite the existing configuration, and the message “CONFIG. EXISTS / Delete First” displays.

The factory default is Disable.

## Name Config 1 to Name Config 8

You may specify a 15-character name which can be used to refer to a configuration. The name you enter for a configuration will be used in the Load Config., Save Config., Print Config., Delete Config., and Power-Up Config. menus. The names can only be cleared by using the Reset Cfg Names menu.

When you move into the Name Configs. menu, the middle line of the display shows the current configuration name. The first character of the current configuration name is highlighted.

Press  $\uparrow$  or  $\downarrow$  to cycle through the values available for that character at the cursor location. Press  $\rightarrow$  to move to the next character to be modified. Press  $\leftarrow$  to go back to a character you have already modified. Continue until you have entered the name you want to give to this configuration, then press  $\downarrow$  to save. The name you entered will now represent this configuration on the printer's front panel. To exit this menu without saving, press the **X** key. The configuration name will revert to the last saved value.

The factory default is the configuration number.

## Reset Cfg Names

You can reset specific configuration names back to the default value of the configuration number. You can also reset all configuration names by selecting All.

The options are 1 to 8 and All. The factory default is Cfg 1.

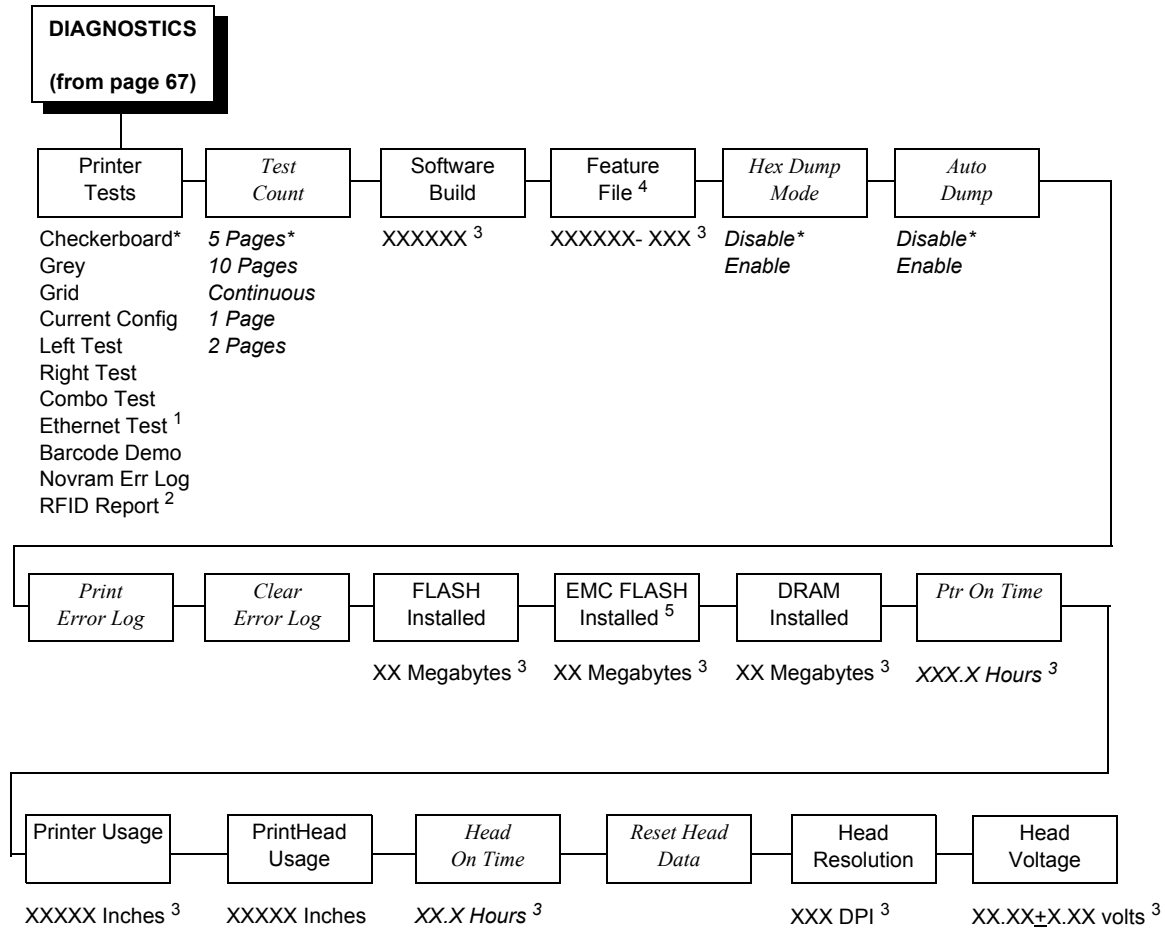
## Auto Save

- **Enable** (factory default). When a change has been made to a Config. menu, this option automatically prompts the user to save or not save the change to a Config #.

If you are currently in the Factory Config. menus and make a change, pressing Enter saves to Config 1 or the next available Config. and becomes the Power-Up Config. If the Current Config is Config 1 and a menu change is made, pressing Enter will save the change to Config 1.

- **Disable**. The printer will not prompt you to save any changes made.

# DIAGNOSTICS Menu



\* = Factory Default

*Italicized items* are available only when Admin User is set to Enable (in the PRINTER SETUP menu).

<sup>1</sup> This menu appears only if the NIC or Wireless NIC is installed.

<sup>2</sup> This menu appears only if the RFID encoder is installed.

<sup>3</sup> You cannot change this value; it is a display only item.

<sup>4</sup> This menu appears only if a Feature file is loaded.

<sup>5</sup> This menu appears only if the EMC (Expanded Memory Cartridge) is installed.



## DIAGNOSTICS Submenus

---

### Printer Tests

The printer tests below allow you to check for proper printer operation and print quality:

- **Checkerboard** (factory default). This pattern helps identify marginal printhead elements, quality of edge sharpness, and uneven print quality.
- **Grey**. This pattern helps identify burned out printhead elements and uneven print quality.
- **Grid**. This pattern helps identify edge sharpness and uneven print quality.
- **Current Config**. Prints the current printer configuration and helps identify the text print quality. Also prints Printhead statistical data in the header.
- **Left Test**. Prints a pattern containing a series of ladder-type bar code symbols, starting with four and decrementing by one symbol on each print until a single symbol prints on the *left* side. This pattern helps identify ribbon wrinkle problems.
- **Right Test**. Prints a pattern containing a series of ladder-type bar code symbols, starting with four and decrementing by one symbol on each print until a single symbol prints on the *right* side. This pattern helps identify ribbon wrinkle problems.
- **Combo Test**. Prints a combined left test and right test.
- **Ethernet Test**. This item appears only if the Network Interface Card (NIC) or Wireless NIC is installed. Prints the NIC statistics stored on the NIC adapter.
- **Barcode Demo**. Prints text and barcodes with the barcodes positioned at the left and right margins of the standard label media supplied with the printer. The test automatically produces output for 4 inch printers at 203 dpi and 305 dpi.
- **Novram Err Log**. Prints detailed information about the most recent Novram related failure. This option is useful when the front panel displays “Bad NVM” or “ILL NVM” type errors. Contact the Customer Support Center if such an error occurs.
- **RFID Report**. This item appears only if the RFID encoder is installed. Prints a report of RFID statistics since the printer was turned on or since the last data reset.

Once you have selected the desired test pattern, press  $\downarrow$  to start printing. If the Test Count option is set to Continuous (factory default), press  $\downarrow$  again to stop printing.

### Test Count

This item selects the number of times the selected test pattern will be printed.

The options are 5 Pages (factory default), 10 Pages, Continuous, 1 Page, and 2 Pages.

### Software Build

This is the reference number which includes the program file part number and revision number of the software installed in the printer, e.g., 358186 V1.07G.

### Feature File

Displays the part number only when a feature file has been installed.

### Hex Dump Mode

- **Disable** (factory default).
- **Enable**. The printer prints out data sent from the host in hexadecimal format.

### Auto Dump

- **Disable** (factory default).
- **Enable**. When the printer displays an E03x type message on the control panel, a dump file is automatically created and stored in flash as “autodbg1.dbg” or “autodbg2.dbg” in the printer file system. This file can be uploaded to the host using the PrintNet Enterprise Suite application. Upon receipt of this file, it should be sent to the Printronix Customer Support Center for review and evaluation.

### Print Error Log

Prints the current log of errors. Most non-routine faults (RIBBON FAULT, PRINT HEAD HOT) are stored in the error log.

### Clear Error Log

Clears entries in the error log.

### FLASH Installed

Displays the amount of FLASH memory installed in megabytes.

### EMC FLASH Installed

Displays the amount of EMC FLASH memory installed in megabytes.

### DRAM Installed

Displays the amount of DRAM installed in megabytes.

### Ptr On Time

Displays the cumulative time in hours the printer has been powered on. This value is set to zero at the factory after burn-in testing.

### Printer Usage

Displays the cumulative number of inches the printer has moved media. This value is set to zero at the factory after burn-in testing.

### **PrintHead Usage**

Displays the length of media actually printed since the last Reset Head Data operation. This value is set to zero at the factory after burn-in testing.

### **Head On Time**

Displays the time that power has been applied to the printhead since the last Reset Head Data operation. This value is set to zero at the factory after burn-in testing.

### **Reset Head Data**

Resets all printhead statistics values (Head Prt Dist and Head On Time) to zero.

### **Head Resolution**

Displays the printhead resolution installed in dots per inch (203 dpi or 305 dpi).

### **Head Voltage**

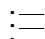
Displays the applied printhead voltage.

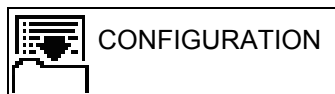
## Saving a Configuration

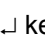
You can save up to eight different configurations to meet eight unique print job requirements. These configurations are saved and stored in the printer and are not lost when the printer is turned off.

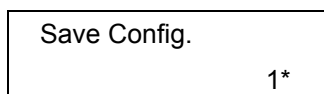
**NOTE:** If the Protect Config. option is enabled, the new configuration will not be saved until the existing configuration is deleted.

Follow these steps to save a new configuration:

1. Press the  key to enter the menu configuration.
2. Press the Right key until CONFIGURATION displays.




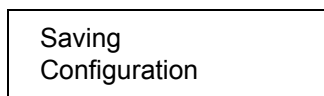
3. Press the  key to enter the CONFIGURATION menu.
4. Press the Down key until the following option is selected:



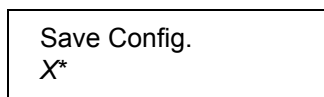
5. Press the Left or Right keys to cycle through the options (1-8).

**NOTE:** Factory is not listed because changes made to the factory configuration cannot be saved under Factory.

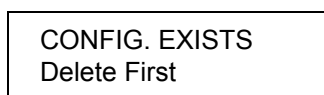
6. When the desired number displays, press the  key to select it. The following message displays briefly:



When processing is completed, the display shows:



**NOTE:** If the configuration number has been previously saved and Protect Config. is enabled under the CONFIGURATION menu, the following error message displays:



If the above occurs, see “Modifying a Saved Configuration” on page 152, step 4.

7. Print your configuration and store it in a safe place for future reference. Refer to “Printing a Configuration” on page 154.

---

## Auto Save Configuration

---

### Auto Save Functionality

The Auto Save Configuration function is triggered when the operator has made a change to a menu that is normally saved as part of a printer configuration and attempts to go online without saving these changes to a configuration.

**NOTE:** Menus that are automatically saved as part of the Printer Settings, such as the Network Addresses, will not trigger the Auto Save Configuration function.

The Auto Save Configuration function works with the active configuration. The active configuration is the configuration that was last loaded or saved. When a configuration is loaded, either as the Power-Up default, by the emulation's response to a host command, or by the operator from the front panel, that configuration is the active configuration. If the operator saves a configuration from the front panel, that configuration becomes the active configuration.

The Auto Save Configuration function will sometimes need to find an open configuration. An open configuration is a configuration that has not yet been used to save a configuration. The Auto Save Configuration function will start with Configuration #1 and check each configuration to see if a configuration has been saved in that configuration number. The first empty configuration found is used as the open configuration.

The Auto Save Configuration cannot save a configuration to the Factory Configuration. If the active configuration is the Factory Configuration then the Auto Save Configuration function must find an open configuration into which to save the active configuration.

To disable the Auto Save Configuration, set Auto Save (in the Configuration menu) to Disable. The Auto Save menu displays only if Admin User is set to Enable in the Printer Setup menu.

### Auto Save Feature

When an operator has made a change to a menu and attempts to go Online without saving the changes to a configuration, the following prompt displays:

Menu Changes Detected

Save Permanently

Save Temporarily

Cancel Changes

Restore Factory

Press ↵ to Select

The active option is highlighted. The operator can use the Up and Down keys to scroll through the different options. The keys will loop at the top and bottom options. The ↵ (Enter) key selects the highlighted option. The printer will go Online after performing the selected option.

**NOTE:** Only the Up, Down, and Enter keys work at the Menu Changes Detected prompt.

- **Save Permanently** (default option). This option will cause the printer to save the configuration to the active configuration and make the active configuration the Power-Up default configuration. If the active configuration is the Factory Configuration, the printer will save the configuration to an open configuration and make that open configuration the Power-Up default configuration.

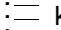
If there is no open configuration, the operator must decide which configuration to overwrite. In this case the printer will display the Save Configuration menu, otherwise, the printer will go Online.

- **Save Temporarily**. Menu changes will be implemented, but will not be saved once the printer is powered off.
- **Cancel Changes**. This option will cause the printer to reload the Active Configuration and then go Online.
- **Restore Factory**. This option will cause the printer to reload the Factory Configuration and then go Online.

**NOTE:** A printer fault during the Auto Save process will cause the automatic selection of Save Temporarily.

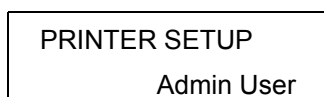
## Specifying a Power-Up Configuration

You can specify any one of the nine configurations (1-8 or Factory) as the power-up configuration:

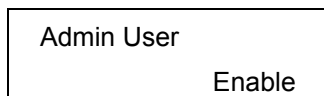
1. Press the  key to enter the menu configuration.
2. Press the Right key until the following displays:



3. Press the ↵ key to enter the PRINTER SETUP menu.
4. Press the Up key until the following option is selected:



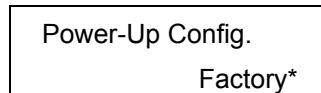
5. Press the ↵ key to enter the Admin User submenu.
6. Press the Right key until the following displays:



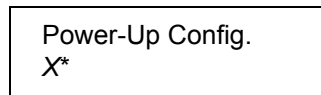
7. Press the  $\downarrow$  key to select Enable. An asterisk appears after Enable. Setting Admin User to Enable allows the user to see hidden submenus.
8. Press the  $\equiv$  key go to the main menu.
9. Press the Right key until the following displays:



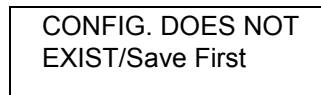
10. Press the  $\downarrow$  key to enter the CONFIGURATION menu.
11. Press the Down key until the following message displays:



12. Press the Left or Right keys to cycle through the options (1-8 and Factory). When the desired number displays, press the  $\downarrow$  key to select it. The following message displays:




**NOTE:** If the configuration number has not been saved previously, the following error message displays:

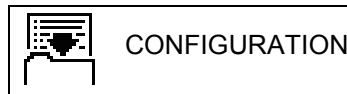



If this error message displays, see "Saving a Configuration" on page 148. Once you have saved a configuration, repeat the steps in this procedure.

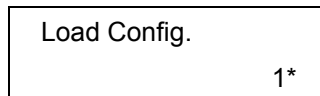
## Modifying a Saved Configuration


You can change a saved configuration by rewriting over it. For example, you can modify Config. 1, shown below. Suppose you want to keep all the settings but you want to select the parallel Centronics interface instead of the IEEE 1284 interface.

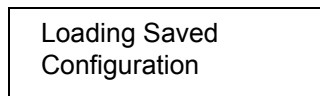
1. Load the configuration to be changed (for example, Config. 1).
  - a. Press the  key to enter the menu configuration. MEDIA SETUP is selected.
  - b. Press the Right key until the following displays:



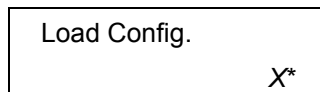
- c. Press the  key to enter the CONFIGURATION menu.
  - d. Press the Down key until the following displays:





- e. Press the Left or Right keys to cycle through the options Factory, 1-8.
  - f. When the desired number displays, press the  key to select it. The following message displays:



Then, the following message displays when it is loaded:



2. Move through the menu and change all the desired values. (In this example, press the  key then the Right key until EMULATION displays. Press the Right key until Select: IGL displays.
3. Press the  key to select each new value. An asterisk (\*) displays.



4. Before saving the modified configuration, you must delete the original configuration if the Protect Config. option is enabled.
  - a. Press the Up or Down keys until the following message displays:

Delete Config.  1*
--------------------------

- b. Press the Left or Right keys to cycle through the options (1-8). When the desired number displays, press the ↵ key to select it. The following message displays:

Deleting Configuration
---------------------------

Then, the following displays when it is deleted:

Delete Config.  X*
--------------------------

5. Save the new configuration as described in the “Saving a Configuration” on page 148. Make sure you select the same number (e.g., Config. 1) when saving the modified configuration. The new configuration writes over the existing one.
      6. Print a copy of this newest configuration and store it in a safe place. Refer to “Printing a Configuration” on page 154.

## Printing a Configuration

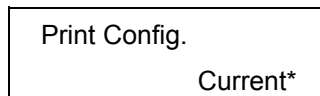
We recommend that you print and store your configurations for future reference. The printout provides a list of the parameters that were set when you configured the printer.

To print a configuration:

1. Press the  $\equiv$  key to enter the Main menu.
2. Press the Right key until the following message displays:

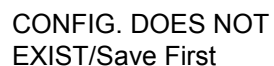


3. Press the  $\downarrow$  key to enter the CONFIGURATION menu.
4. Press the Down key until the following message displays:



5. Press the Left or Right keys to cycle through the following printout options:
  - Current\*
  - Factory
  - Power-Up
  - All
  - 1-8 customized configurations
6. When the desired option displays, press the  $\downarrow$  key. The printer prints the specified configuration.

**NOTE:** If the configuration you want to print has not been saved, the following message displays momentarily:

A screenshot of a printer's menu system. The text "CONFIG. DOES NOT EXIST/Save First" is displayed in two lines, centered on the screen.

This message indicates that no configuration menu has been saved under the configuration value you have selected and therefore cannot be printed. You must either select another configuration to print or load and then save a configuration to that configuration value first.

## Loading a Saved Configuration

### Method 1

1. Press the **||** key to place the printer offline.
2. Press the Up key. The following message displays:

Load Config. <span style="float: right;">Cfg1*</span>
--

3. Press the Up key until the desired configuration displays.
4. Press **↵**. Loading Saved/Configuration displays.

**NOTE:** Only configurations that have previously been saved appear as options in the Load Config menu. If no configurations have been saved, the only option under Load Config will be Factory.

### Method 2

To use a different configuration:

1. Press the **☰** key to enter the Main menu.
2. Press the Right key until the following message displays:

 CONFIGURATION
--

3. Press the **↵** key to enter the CONFIGURATION menu.
4. Press the Right key until the following message displays:

Load Config. <span style="float: right;">Factory*</span>
---

5. Press Left or Right keys until the desired configuration displays.
6. Press **↵**. Loading Saved/Configuration displays.

**NOTE:** Only the saved configuration will display. The factory config will not display. If there are no saved configurations, then the message “No Saved Configs” will display.



---

# 5

## *Downloading Software*

---

### **Loading Flash Memory**

---

Flash memory is contained in a SIMM (single in-line memory module) located on the controller PCBA. Printer control languages (the “emulations”) and printer operating system software are loaded into flash memory at the factory, but there are occasions when you may have to load this software:

- You have replaced the controller PCBA
- You have replaced flash memory
- The customer needs to upgrade printer software

Emulation and operating system software are included as files on a CD that comes with the printer. You will copy the appropriate file from the CD to a computer’s hard disk, then download the file from the computer into printer memory.

#### **IMPORTANT**

**When downloading emulation and operating system software to the printer, all other optional fonts (except those on the EMC), customer-supplied logos, setup files, feature files, and TIFF files will be erased. You will then need to reload those files. Before starting a download procedure, be sure that you have all the necessary files on hand.**

You can load software through the serial, parallel, USB, or ethernet port of the printer, and you can do it four ways:

- You can load software through any printer port except USB by using the Firmware Download Utility included on the CD that comes with the printer. (See page 158.)
- You can use a command prompt session to load software through the parallel port. (See page 159.)
- If the printer has the NIC installed, you can load software through the ethernet port. (See page 160.)
- You can use a command prompt session to load software through the USB port (See page 164.)

## Downloading Software with the Firmware Download Utility

The Firmware Download Utility (FDU) allows you to load program files into the printer with an easy to use graphical interface. The FDU is a utility program included on the CD that comes with the printer. It can be used on computers running the Windows or UNIX<sup>®</sup> (such as Linux<sup>®</sup> or Solaris<sup>™</sup>) operating systems. With the FDU, you can choose the printer port through which to load software (all are supported), configure the port, and initiate the download.

The FDU is a Java<sup>™</sup>-based program, so you need the Java 2 Platform, Standard Edition (J2SE<sup>™</sup>) Java Runtime Environment (JRE) installed on your computer. The Windows version of the J2SE JRE is included on the CD that comes with the printer in the form of an executable file. Copy this file to your computer and double-click it; it will self-extract and install the J2SE JRE on your computer.

**NOTE:** If you have a Linux or Solaris system, you can download the J2SE JRE for your system from <http://java.sun.com/j2se>.

If you have another UNIX system, see your system administrator.

Conditions for use of the included Java Software are set forth in the Sun Microsystems Binary Code License Agreement (<http://java.com/en/download/license.jsp>). In the event of any conflicting terms, the Binary Code License Agreement controls.

1. Make a configuration printout of all saved configurations. See page 154.
2. Set the printer power switch to O (Off).
3. Disconnect the data (signal) cable(s) from the printer interface connectors.
4. Connect a printer data cable to the parallel, serial, or ethernet port of the computer you will use to download the software.
5. Connect the printer data cable to the appropriate I/O port of the printer.
6. On the printer control panel, press and hold down the  $\downarrow$  and  $\times$  keys. Without releasing the keys, power the printer on. When you see "DECOMPRESSING PROGRAM" on the LCD, release the keys.
7. Wait until you see "FIRMWARE DOWNLOAD MODE" on the LCD before doing the next step. This can take about a minute to appear, depending on the emulations and interfaces installed in the printer.
8. On your computer, create a directory named **download** at the root level of the hard drive (e.g., **C:\download** on a Windows computer).
9. Insert the printer emulation software CD into your computer's CD drive.
10. Copy the **FDU.jar** file from the CD to your computer.
11. Select the emulation set you want to download into the printer. The filename is a six digit number plus **.exe**. For example: 123456.exe  
**This is the file you will download into the printer.**
12. Copy the file to the **download** directory you created in step 8.

- 
13. Double-click the **FDU.jar** file (for command line prompt users, type `java -jar fdu.jar`<Enter>). It will launch in its own window. Use the FDU to enter the emulation part number, to select the I/O connection and its corresponding settings, and to initiate the download.

### **IMPORTANT**

**Do not interrupt the downloading process once it has started. Interrupting a download will leave the flash memory on the controller PCBA incompletely loaded, and the printer may not boot up.**

14. When the new software has successfully loaded into flash memory and the printer has reset itself, set the printer power switch to O (Off).
15. Remove the CD from your computer and store it with the printer.
16. If required, reconnect the data input cable(s) to the printer.
17. Set the printer power switch to | (On).
18. Using the configuration printout(s) you made in step 1, page 158, restore the printer configurations.

## **Downloading Software through the Parallel Port**

---

1. Make a configuration printout of all saved configurations. See page 154.
2. Set the printer power switch to O (Off).
3. Disconnect the data (signal) cable(s) from the printer interface connectors.
4. Connect a parallel data printer cable to the LPT1 port of a computer running the Windows (95, 98, Me, NT, 2000, XP, Server 2003, or Vista) operating system.
5. Connect the data cable to the appropriate I/O port of the printer.
6. On the printer control panel, press and hold down the  $\downarrow$  and  $\times$  keys. Without releasing the keys, power the printer on. When you see "DECOMPRESSING PROGRAM" on the LCD, release the keys.
7. Wait until you see "WAITING FOR DOWNLOAD" on the LCD before proceeding. This can take about a minute to appear, depending on the emulations and interfaces installed in the printer.
8. Using Windows Explorer, create a directory named **download** at the root level of your C: hard drive (**C:\download**).
9. Insert the printer emulation software CD into your computer's CD drive.
10. Select the emulation set you want to download into the printer. The filename is a six digit number plus **.exe**. For example: 123456.exe  
**This is the file you will download into the printer.**
11. Copy the file to the **download** directory you created in step 8.
12. Start a command prompt session. (The Start Menu icon is usually labeled **Command Prompt** or **MS-DOS® Prompt**.)
13. At the command prompt type:  
`c: <Enter>`  
`cd \download<Enter>`

14. Enter the following command:  
`filename.exe -pb<Enter>`  
where *filename.exe* is the file name you noted in step 10. This command takes the file on the hard drive and copies it as a binary file into the flash memory on the printer controller board.

**IMPORTANT** Do not interrupt the downloading process once it has started. Interrupting a download will leave the flash memory on the controller PCBA incompletely loaded, and the printer may not boot up.

While the file is copied into memory, the printer LCD informs you of the load process and status.

15. When the new software has successfully loaded into flash memory and the printer has reset itself, set the printer power switch to O (Off).
16. Remove the CD from the host computer and store it with the printer.
17. If required, reconnect the data input cable(s) to the printer.
18. Set the printer power switch to | (On).
19. Using the configuration printout(s) you made in step 1 on page 159, restore the printer configurations.

## Downloading Software through the NIC

---

**IMPORTANT** To load software through the NIC, you need the IP Address of the printer and the flash memory must contain basic printer code. If the flash memory was replaced, or if a download was interrupted (e.g., by a power outage), you must load software through the parallel port. (See “Downloading Software If Flash Contains Only Boot or Corrupt Code” on page 166.)

1. Make a configuration printout of all saved configurations. See page 154.
2. Set the printer power switch to O (Off).
3. Connect the ethernet cable to the printer interface.
4. Set the printer power switch to | (On).
5. Wait until you see “ONLINE” on the LCD before doing the next step. This can take about a minute to appear, depending on the emulations and interfaces installed in the printer.
6. Using Windows Explorer, create a directory named **download** at the root level of your C: hard drive (**C:\download**).
7. Insert the printer emulation software CD into your computer’s CD drive.
8. Select the emulation set you want to download into the printer. The filename is a six digit number plus **.exe**. For example: 123456.exe  
**This is the file you will download into the printer.**
9. Copy the file to the **download** directory you created in step 6.
10. Start a command prompt session. (The Start Menu icon is usually labeled **Command Prompt** or **MS-DOS Prompt**.)



---

11. At the command prompt type:

```
c: <Enter>  
cd \download<Enter>
```

12. Enter the following command:

```
filename.exe -n xxx.xxx.xxx.xxx<Enter>
```

where *filename.exe* is the file name you noted in step 8 and *xxx.xxx.xxx.xxx* is the IP address of the printer. This command takes the file on the hard drive and copies it as a binary file into the flash memory on the printer controller board.

**NOTE:** If the software does not download, use the Firmware Download Utility (page 158).

## **IMPORTANT**

**Do not interrupt the downloading process once it has started. Interrupting a download will leave the flash memory on the controller PCBA incompletely loaded, and the printer may not boot up.**

While the file is copied into memory, the printer LCD informs you of the load process and status.

13. When the new software has successfully loaded into flash memory and the printer has reset itself, set the printer power switch to O (Off).
14. Remove the CD from the host computer and store it with the printer.
15. If required, reconnect the data input cable(s) to the printer.
16. Set the printer power switch to | (On).
17. Using the configuration printout(s) you made in step 1 on page 160, restore the printer configurations.

## Downloading Software through the NIC Using FTP

**IMPORTANT** To load software through the NIC, you need the IP Address of the printer and the flash memory must contain basic printer code. If the flash memory was replaced, or if a download was interrupted (e.g., by a power outage), you must load software through the parallel port. (See “Downloading Software If Flash Contains Only Boot or Corrupt Code” on page 166.)

1. Make a configuration printout of all saved configurations. See page 154.
2. Set the printer power switch to O (Off).
3. Connect the ethernet cable to the printer interface.
4. On the printer control panel, press and hold down the  $\downarrow$  and  $\times$  keys. Without releasing the keys, power the printer on. When you see “DECOMPRESSING PROGRAM” on the LCD, release the keys.
5. Wait until you see “WAITING FOR DOWNLOAD” on the LCD before proceeding. This can take about a minute to appear, depending on the emulations and interfaces installed in the printer.
6. Using Windows Explorer, create a directory named **download** at the root level of your C: hard drive (**C:\download**).
7. Insert the printer emulation software CD into your computer’s CD drive.
8. Select the emulation set you want to download into the printer. The filename is a six digit number plus **.exe**. For example: 123456.exe  
**This file contains the file you will download into the printer.**
9. Copy the file to the **download** directory you created in step 6.
10. Start a command prompt session in Windows. (The Start Menu icon is usually labeled **Command Prompt** or **MS-DOS Prompt**.)
11. At the command prompt type:  

```
c : <Enter>
cd \download<Enter>
```
12. Extract the download file by typing the filename of the .exe file.  
Example: For 123456.exe, the extracted file will be the same name as the .exe file but with a .prg extension. 123456.prg is the file you will download into the printer.
13. Start the FTP (file transfer protocol) program by typing:  

```
ftp xxx.xxx.xxx.xxx<Enter>
```

where xxx.xxx.xxx.xxx is the IP Address of the printer.
14. Log in to the printer by typing:  

```
root<Enter>
```

You are given a password prompt.  
**NOTE:** The default is no password. If the FTP program requires a password, contact the system administrator.
15. At the password prompt, press <Enter>.

- 
16. Once logged in, type the following sequence at the command prompt to download the *filename.prg* file to the printer:

```
cd dest<Enter>
cd d1prn<Enter>
bin<Enter>
put filename.prg<Enter>
```

where *filename.prg* is the file name you noted in step 8.

**IMPORTANT**

**Do not interrupt the downloading process once it has started. Interrupting a download will leave the flash memory on the controller PCBA and NIC incompletely loaded, and the printer may not boot up.**

17. When the download is complete, exit the FTP program by typing:
- ```
quit<Enter>
```
18. When the new software has successfully loaded into flash memory and the printer has reset itself, set the printer power switch to O (Off).
19. Remove the CD from the host computer and store it with the printer.
20. If required, reconnect the data input cable(s) to the printer.
21. Set the printer power switch to | (On).
22. Using the configuration printout(s) you made in step 1 on page 162, restore the printer configurations.

## Downloading Software through the USB Port

Normally the host communicates with the printer's USB port with a Windows driver. To download a file using the USB Port, it needs to be remapped.

To download software through the USB Port, perform the following steps:

1. Using Windows Explorer, create a directory named **download** at the root level of your C: hard drive (**C:\download**).
2. Insert the printer emulation software CD into your computer's CD drive.
3. Select the emulation set you want to download into the printer. The filename is a six digit number plus **.exe**. For example: 123456.exe  
**This file contains the file you will download into the printer.**
4. Copy the file to the **download** directory you created in step 1.
5. Make the printer sharable on the host PC. This is done through the printer's Properties\Sharing tab. Make note of the printer's shared name.
6. Start a command prompt session. (The Start Menu icon is usually labeled **Command Prompt** or **MS-DOS Prompt**.)
7. At the command prompt type:  
C: <Enter>  
cd \download<Enter>
8. Extract the downloaded file by typing the filename of the .exe file.  
Example: For 123456.exe, the extracted file will be the same name as the .exe file but with a .prg extension. 123456.prg is the file you will download into the printer.
9. At the command prompt type:  
**NET USE LPT1\\Comp\_Name\Shared\_Name /Persistent:YES**  
<Enter>  
where *Comp\_Name* is the computer name found in the computer's System Properties\Computer Name tab and *Shared\_Name* is the printer's shared name found in the printer's Properties\Sharing tab.  
This command should be all on the same line. It redirects output on LPT1 to the shared printer.
10. To check status of connection type:  
**Net View \\Comp\_Name**<Enter>  
where *Comp\_Name* is the computer name found in the computer's System Properties\Computer Name tab.  
Now the printer is ready.
11. To use the COPY command to send the program file to the printer type:  
**COPY /b filename.prg lpt1:**<Enter>  
where *filename.prg* is the file name you noted in step 3.
12. To stop using LPT1 for USB, type:  
**NET USE LPT1 /DELETE**<Enter>

## Downloading Software through the Printronix Windows Driver

---

The Printronix Windows Driver contains an option that allows you to download software to the printer. To download software to the printer, perform the following steps:

1. Using Windows Explorer, create a directory named **download** at the root level of your C: hard drive (**C:\download**).
2. Insert the printer emulation software CD into your computer's CD drive.
3. Identify which emulation set you want to download into the printer and note the filename that corresponds to that emulation. The filename is a six digit number plus **.prg**. For example: 123456.prg  
**This is the file you will download into the printer.**
4. Copy the file to the **download** directory you created in step 1.
5. On the printer control panel, press and hold down the **↓** and **✕** keys. Without releasing the keys, power the printer on. When you see "B01: STATUS" on the on the LCD, release the keys.  
  
Wait until you see "PROGRAM DOWNLOAD" on the LCD before proceeding. This can take about a minute to appear, depending on the emulations and interfaces installed in the printer.
6. Load the Printronix Windows driver provided with your printer on the Manuals and Utilities CD on Windows 2000/NT/XP/Server 2003/Vista.
7. Once the printer driver is installed on the PC, right-click the printer driver and select **Properties**.
8. Click the **About/Help** tab to access the software download option.
9. Click the **Firmware Update** button.
10. Enter the full path and location to the printer software:  
**c:\download\firmware.prg** where c:\download is the directory you created in step 1 and firmware.prg is the software you noted in step 3.
11. Click **OK** to send the software to the printer. To abort this operation, click the **Cancel** button.

## Downloading Software If Flash Contains Only Boot or Corrupt Code

If the flash memory contains only boot code (e.g., if it is new), or if a download was interrupted (e.g., by a power outage), you must download software through the printer's parallel port using the three-key initialization sequence covered in this section.

1. Make sure the printer's parallel port is available.
2. Set the printer power switch to O (Off).
3. Disconnect the data (signal) cable(s) from the printer interface connectors.
4. Connect a parallel data printer cable to the LPT1 port of a computer running the Windows (95, 98, Me, NT, 2000, XP, Server 2003, or Vista) operating system.
5. Connect the data cable to the Centronics port of the printer.
6. On the printer control panel, press and hold the DOWN key, the ↵ key, and **X** key. Without releasing the keys, power the printer on. When you see "SDRAM TEST" or "B20 FIRMWARE DOWNLOAD" on the LCD, release the keys.
7. Using Windows Explorer, create a directory named **download** at the root level of your C: hard drive (**C:\download**).
8. Insert the printer emulation software CD into your computer's CD drive.
9. Select the emulation set you want to download into the printer. The filename is a six digit number plus **.exe**. For example: 123456.exe  
**This is the file you will download into the printer.**
10. Copy the file to the **download** directory you created in step 7.
11. Start a command prompt session. (The Start Menu icon is usually labeled **Command Prompt** or **MS-DOS Prompt**.)
12. At the command prompt type:  
c: <Enter>  
cd \download<Enter>
13. Enter the following command:  
**filename.exe -pb**<Enter>  
where *filename.exe* is the file name you noted in step 8. This command decompresses the file on the hard drive and copies it as a binary file into the flash memory on the printer controller board.
14. After the software successfully loads into flash memory, the printer will reset itself.

**NOTE:** For SL4M printers, the RFID reader firmware will not upgrade using this download method. If the RFID reader needs to be upgraded, repeat the download process using one of the methods described earlier after completing the three-key download.

## Using TrueType Fonts

---

TrueType fonts allow you to customize the look of your forms and labels. You are able to download TrueType fonts purchased from various sources into your printer. The fonts are available for purchase on websites such as [www.fonts.com](http://www.fonts.com) and [www.myfonts.com](http://www.myfonts.com).

The following sections discuss how to:

- download TrueType fonts (see below)
- select and print TrueType fonts (see page 172)
- use TrueType fonts to print DBCS using UTF-8 (see page 173)

## Downloading TrueType Fonts

---

You can download TrueType fonts to your printer by using any of the following:

- Printronix Windows Driver
- PGL Emulation (Online)
- Download Mode (after adding a header)
- PTX\_SETUP
- Labeling Applications

Once a TrueType font is downloaded, it will be stored in the Flash file system as a resident font. Regardless of printer power cycles, the downloaded font will stay in the printer until the user deletes it. The user can find the list of all printer resident fonts under **PRINTER SETUP ▶ Main FFS ▶ View File List** after enabling Admin User in the PRINTER SETUP menu. To delete a downloaded font from the Flash file system, the user should select the font under **PRINTER SETUP ▶ Main FFS ▶ Delete File List** and then select **PRINTER SETUP ▶ Optimize & Reboot**.

## Printronix Windows Driver

---

A TrueType font can be downloaded from a PC through the Printronix Windows Driver.

1. Load the Printronix Windows driver provided with your printer on the Manuals and Utilities CD on Windows 2000/XP.
2. Once the printer driver is installed on the PC, right-click the printer driver and select **Properties**.
3. Click the **TT Font Download** tab to access all the available system TrueType fonts.
4. Select the TrueType font(s) from the **Available System TrueType Fonts** pane you want to download.
5. Click the **Download** button to download font(s) to the printer while it is online.

## PGL Emulation (Online)

---

A TrueType font can be loaded by creating a file that appends a PGL command to the font and then sending that file to the printer. Use the PGL FONTLOAD command:

```
~FONTLOAD;FontName;FontSize;Location  
where
```

*FontName* - TrueType font name, e.g. arial.ttf  
*FontSize* - TrueType font size, e.g. file size for arial.ttf  
*Location* - Specify the download location to Flash  
*EMC* - Specify the download location to EMC.

For example:

```
~FONTLOAD;arial.ttf;60548;DISK  
Insert binary data of arial.ttf here...  
END
```

After the file is created, it can be copied to the appropriate I/O port of the printer while the printer is online, just like any other print file (for example: copy/b filename.ext lpt1 or LPT1).

## Download Mode

---

To download a TrueType font to the printer through Download mode, first add a header to the font, then place the printer in Download mode and download the font.

### Adding A Header

A TrueType font can be converted to a downloadable format by appending a header to the font file using the `cnvt2fls.exe` utility and a batch file.

#### Header For Main Flash

1. Start a Command prompt window.
2. Copy `cnvt2fls.exe` and `addtthdr.bat` from your startup CD to your working directory.
3. In your working directory, include the TrueType font file in .tff format (e.g., `arial.tff`).
4. Convert the TrueType font file .tff to a downloadable format .dwn with the following command: `addtthdr (filename without extension)`.

**Example:** `addtthdr arial`  
This creates the file `arial.dwn`.

5. Put the printer in download mode and send the downloadable font file (e.g., `arial.dwn`) to the printer through the appropriate I/O port of the printer.

To put the printer in download mode, see “Download TrueType Fonts via the Parallel or Serial Port” on page 169 and “Download TrueType Fonts via the Ethernet Using FTP” on page 171.



## Header For EMC Flash

1. Start a Command prompt window.
2. Copy cnvt2fls.exe and addttemc.bat from your startup CD to your working directory.
3. In your working directory, include the TrueType font file in .ttf format (e.g., arial.ttf).
4. Convert the TrueType font file .ttf to a downloadable format .dwn with the following command: addttemc (filename without extension).

Example: addttemc arial  
This creates the file arial.dwn.

5. Put the printer in download mode and send the downloadable font file (e.g., arial.dwn) to the printer through the appropriate I/O port of the printer.

To put the printer in download mode, see “Download TrueType Fonts via the Parallel or Serial Port” below and “Download TrueType Fonts via the Ethernet Using FTP” on page 171. If the font is too large to downloading using these methods, then put the printer in download mode using the DOWN key + ↵ + ✕ keys.

## Download TrueType Fonts via the Parallel or Serial Port

1. Set the printer power switch to O (Off).
2. Connect a parallel data cable to the LPT1 port or a serial cable to the COM1 port of an IBM-compatible computer running the Windows (95, 98, Me, NT, 2000, XP, Server 2003, or Vista) operating system.

**NOTE:** You can connect the cable to the LPT2 port on the computer if the LPT1 port is already in use. The load commands are different if you use this port, as described in the notes after step 10.

3. Verify that the data cable is connected to the appropriate I/O port on the printer and to the host computer.
4. Power on the computer and allow it to boot up.
5. On the printer control panel, press and hold down the appropriate combo keys.
  - To download fonts to the EMC, the combo keys are → (Right Arrow), ↵ (Enter), and ✕ (Cancel).
  - To download fonts to Flash, the combo keys are ↵ (Enter) and ✕ (Cancel).

Without releasing the keys, power the printer on. Continue holding down the combo keys.

6. When you see the power-up splash screen on the LCD, release the combo keys.
7. Wait until you see “Status: Firmware Download Mode” on the LCD before proceeding. This can take about a minute to appear, depending on the emulations and interfaces installed in the printer.

8. Start a command prompt session. (The Start Menu icon is usually labeled **Command Prompt** or **MS-DOS Prompt**.)
9. Make note of the file name with the **.dwn** extension of each file you want to download to the printer.
10. At the command prompt type:

```
copy /b filename.dwn LPT1<Enter>
(where filename.dwn is file name you noted in step 9.)
```

**NOTE:** If you are loading the file using the LPT2 port on the computer, type the following command:

```
copy /b filename.dwn LPT2<Enter>
(where filename.dwn is a file you noted in step 9.)
```

If you are loading the file using the serial port on the computer, type the following commands:

```
mode COM1:9600,N,8,1,P<Enter>
copy /b filename.dwn COM1<Enter>
(where filename.dwn is a file you noted in step 9.)
```

The 9600 baud rate is the only selection some systems can use. The baud rate information entered in the above commands must match the Baud Rate setting (in the SERIAL PORT menu) saved in the Power-Up Config.

You can download the fonts one at a time by entering one file name per the **copy** command or you can copy multiple files in one **copy** command.

To download one file at a time, enter the following at the command prompt:

```
copy /b filename.dwn LPT1<Enter>
```

To download multiple files, enter the following at the command prompt, for example:

```
copy /b filename1.dwn+filename2.dwn+...LPT1<Enter>
```

11. While the font file is copied into the flash memory, the printer LCD informs you of the load process and status. When the new file is successfully loaded into memory, the printer will reset itself and go online.
12. To verify that the fonts have been downloaded:

**NOTE:** Admin User must be set to Enable in the PRINTER SETUP menu.

- a. Perform a configuration printout.

— OR —

- b. Select **PRINTER SETUP ▶ Main FFS ▶ View File List** or **PRINTER SETUP ▶ EMC FFS ▶ View File List**, depending on whether you downloaded to the main flash or the optional EMC flash cartridge. The new file names will appear with the same file name you downloaded, but with a **.ttf** extension.

**NOTE:** The TrueType font typefaces cannot be selected via the printer control panel. They can only be selected via a software command from the host.

13. Press **||** (Pause) key to place the printer online and return the printer to normal operation.

### **Download TrueType Fonts via the Ethernet Using FTP**

1. Put the printer into download mode. See “Download Mode” on page 168.
2. Use FTP to transfer the binary font file (.dwn instead of .prg) to the printer through the Ethernet. See “Downloading Software through the NIC Using FTP” on page 162. Follow the instructions for flash download operation.

Once the fonts are loaded, they will be visible in a configuration listing or in a View File List menu option. It may be necessary to enable Admin User to see the View File List menu. The font files will be shown with extension .ttf for “TrueType font.”

## **PTX\_SETUP**

---

PTX\_SETUP can be used to load TrueType fonts into the file system. Please see the PTX\_SETUP chapter in the PGL Programmer’s Reference Manual for details.

Example:

```
!PTX_SETUP  
FILE_IO-CAPTURE; “ARIAL.TTF”.  
PTX_END
```

Arial TrueType font binary data

**NOTE:** Do not add any LF/FF at the end of the binary data

```
!PTX_SETUP  
FILE_IO-CAPTURE;”.”.  
PTX_END
```

## **Labeling Applications**

---

A TrueType font can be downloaded through several labeling applications, such as Codesoft, Loftware, and Bartender. Please contact the appropriate company for more details.

## Filename Extensions Not Shown in Menus

Files with the one of the filename extensions below (upper or lower case) are considered system files and are not shown in the View File List or Delete Files menu. Do not download any user files with these extensions.

**Table 13. File Extensions Not Shown in Menus**

| Extensions |       |       |
|------------|-------|-------|
| *.bin      | *.inf | *.ras |
| *.cpg      | *.lfi | *.rfv |
| *.eng      | *.map | *.sec |
| *.fon      | *.pat |       |
| *.gz       | *.qsm |       |

## Select and Print Downloaded TrueType Fonts

After downloading the TrueType font using any of the following methods, you can access the downloaded TrueType font by using the command as described in the PGL Programmer's Reference Manual.

### To Print ASCII Characters

You can print characters from your font using the currently selected character set. You can also select a new character set using the ISET command.

#### Example:

```
~CREATE;FORM
FONT;NAME ARIAL.TTF
ALPHA
10;10;2;2;$01234$
STOP
END
~EXECUTE;FORM;1
```

### To Print All Characters

You can print all of the characters in your font using UTF-8. You must have a UTF-8 datastream to print.

**Example:**

```

~CREATE;FORM
ISET;'UTF8'
FONT;NAME ARIAL.TTF
ALPHA
10;10;2;2;$UTF-8 data$
STOP
END
~EXECUTE;FORM;1

```

**To Print Double Byte Characters (DBCS)**

You can print double byte (DBCS) characters using the ISET or SYMSET command to select DBCS character set with a non-DBCS printer (without a DBCS font cartridge). The following conditions must be met:

1. The font must be a TrueType font which supports DBCS characters.
2. The font must have the characters arranged in Unicode order.
3. The printer's DRAM, Flash memory, or EMC must have enough memory to hold the font file.

To check for the available amount of Flash memory, select  
PRINTER SETUP ▶ Main FFS ▶ Flash Avail.

To check for the available amount of EMC memory, select PRINTER  
SETUP ▶ EMC FFS ▶ Flash Avail.

You can also print a configuration printout for memory availability, see "CONFIGURATION MENU" on page 141. For information on EMC, see "Expanded Memory Cartridge (EMC)" on page 228.

When all conditions are met, you can access the DBCS TrueType font by using the FONT;NAME command with ISET;11xx or FONT;SYMSET 11xx as described in the *PGL Programmer's Reference Manual*.

**Example:**

```

~CREATE;FORM
ISET;1100
FONT;NAME dbcsfont.ttf
ALPHA
10;10;2;2;$DBCS data$
STOP
END
~EXECUTE;FORM;1

```

**NOTE:** Some DBCS fonts may require a larger buffer size to print, otherwise it will print as blank. To adjust the Max Font Buffer and Max Cache Memory value through the front panel, select PRINTER SETUP ▶ Max Font Buffer or PRINTER SETUP ▶ Max Cache Memory. See "PRINTER SETUP Menu" on page 106.

If the Max Font Buffer or Max Cache Memory value is changed, you must save the config as power-up config and recycle the printer power for the value to take effect.



---

# 6

## *Routine Care and Troubleshooting*

---

### Cleaning

---

Depending on the media used, the printer may accumulate residues (media dust, adhesives, etc.) as a by-product of normal printing. To maintain top printing quality, remove these residues by cleaning the printer periodically.

**WARNING** Set the printer power switch to **O (Off)** prior to performing any cleaning tasks. Leave the power cord connected to keep the printer grounded and to reduce the risk of electrostatic damage.

**IMPORTANT** When the printer is powered off, menu settings that were changed and not saved permanently and any print data remaining in the print buffer will be lost. To prevent loss of recent menu changes, see “Saving a Configuration” on page 148.

- CAUTION**
- Do not wear rings or other metallic objects while cleaning any interior area of the printer.
  - Use only the cleaning agents recommended in this section. Use of other cleaners may damage the printer and void its warranty.
  - Do not spray or drip liquid cleaning solutions directly into the printer. Apply the solution on a clean lint-free cloth and then apply the dampened cloth to the printer.
  - Do not use canned air in the interior of the printer as it can blow dust and debris onto sensors and other critical components.
  - Only use a vacuum cleaner with a nozzle and hose that are conductive and grounded to drain off static build up.
  - All reference in these procedures for use of isopropyl alcohol requires that a 99% or greater isopropyl alcohol content be used to reduce the risk of moisture corrosion to the printhead.

### Exterior Cleaning

---

Clean the exterior surfaces with a clean, lint-free cloth. If necessary, dampen the cloth with a mild detergent or desktop cleaning solution.

## Interior Cleaning

---

Clean the interior of the printer by removing any dirt, lint, or paper dust. Use a vacuum cleaner, described above, or a brush with soft non-metallic bristles.

## Cleaning the Printhead, Platen Roller, Media Sensors, and Media Damper

---

**NOTE:** Even though the printhead, platen roller, media sensors, and media damper are individually listed in these cleaning procedures, debris and adhesive on these components can ultimately travel to the printhead area and therefore should be cleaned and examined each time the printhead is cleaned and in the order shown.

### Printhead Cleaning

As you use your printer, the printhead may become dirty with ribbon residue and label adhesives which can result in poor print quality. Keeping the printhead clean will help maintain its life.

- **Cleaning Agent** - Clean the printhead using a Printhead Cleaning Pen, Printronix PN 203502-002, or an Isopropyl Alcohol Wipe, Printronix PN 254945-901.
- **Schedule** - Clean the printhead each time you install a new roll of ribbon (thermal transfer print mode) or when you install a new roll or box of media (direct thermal print mode).

### WARNING

**If you have just been printing, allow one minute for the printhead to cool down to avoid burns from accidental printhead contact.**

### CAUTION

- **Avoid electrostatic damage to the printhead by first making hand contact with an unpainted part of the printer frame or use an anti-static wrist strap grounded to the printer frame.**
  - **Do not use hard, sharp or abrasive objects to remove residue from the printhead.**
  - **Do not touch the heating element surface of the printhead with your hands to avoid printhead corrosion. Any accidental skin contact with the element surface should be immediately followed by a thorough cleaning with a Printhead Cleaning Pen or an Isopropyl Alcohol Wipe.**
  - **The heating elements surface should be free from any condensation to avoid corrosion.**
1. Rotate the blue deck lock lever counterclockwise to open the pivoting deck and remove the media and ribbon, if installed.
  2. Clean the printhead by gently rubbing an Isopropyl Alcohol Wipe or the felt tip of a Printhead Cleaning Pen across the printhead's light brown heating elements area. Allow the printhead to dry for one minute before reloading ribbon or media.



**NOTE:** Even after a thorough cleaning with a Printhead Cleaning Pen or Alcohol Wipe, you may still see printouts with voids or streaks. This may be the result of baked-on ribbon resin that can be hard to remove when normal cleaning cycles are not maintained. Try using a Thermal Printer Cleaning Card or Sheet. When using a cleaning card or sheet, follow the directions on the packaging.

Thermal printer cleaning cards and sheets are available on the internet.

### Platen Roller Cleaning

Label parts, media dust, and adhesive residue on the platen can degrade print quality and cause voids in your label image.

- **Cleaning Agent** - Use an isopropyl alcohol wipe or a small amount of isopropyl alcohol on a clean cloth to clean the platen roller.
  - **Schedule** - Clean the platen roller each time you clean the printhead.
3. Clean the platen roller by first manually removing any label parts from its surface. Then use an isopropyl alcohol wipe or clean cloth moistened with isopropyl alcohol to remove any remaining paper dust, debris, or label adhesive. The platen roller can be manually rotated forward to access and clean its entire surface area.

**NOTE:** Even though power is removed from the platen motor, some drag will be felt as you rotate the platen.

4. Check the platen roller for razor cuts, nicks, and gouges that may cause voids in the printed image. This type of damage usually requires platen roller replacement.

### Media Sensor Cleaning

The upper and lower media sensors should be cleaned to ensure reliable Top of Form and Paper Out sensing.

**CAUTION** Do not use isopropyl alcohol, solvents, or abrasive agents to clean the media sensors as they can damage sensor lens covers.

- **Cleaning Agent** - No cleaning agent should be used. Use a brush with soft non-metallic bristles or a vacuum cleaner, described on page 175, to remove paper dust.
  - **Schedule** - Clean the media sensors each time you clean the printhead.
5. Brush away or vacuum any dust or debris from the upper and lower media sensors.

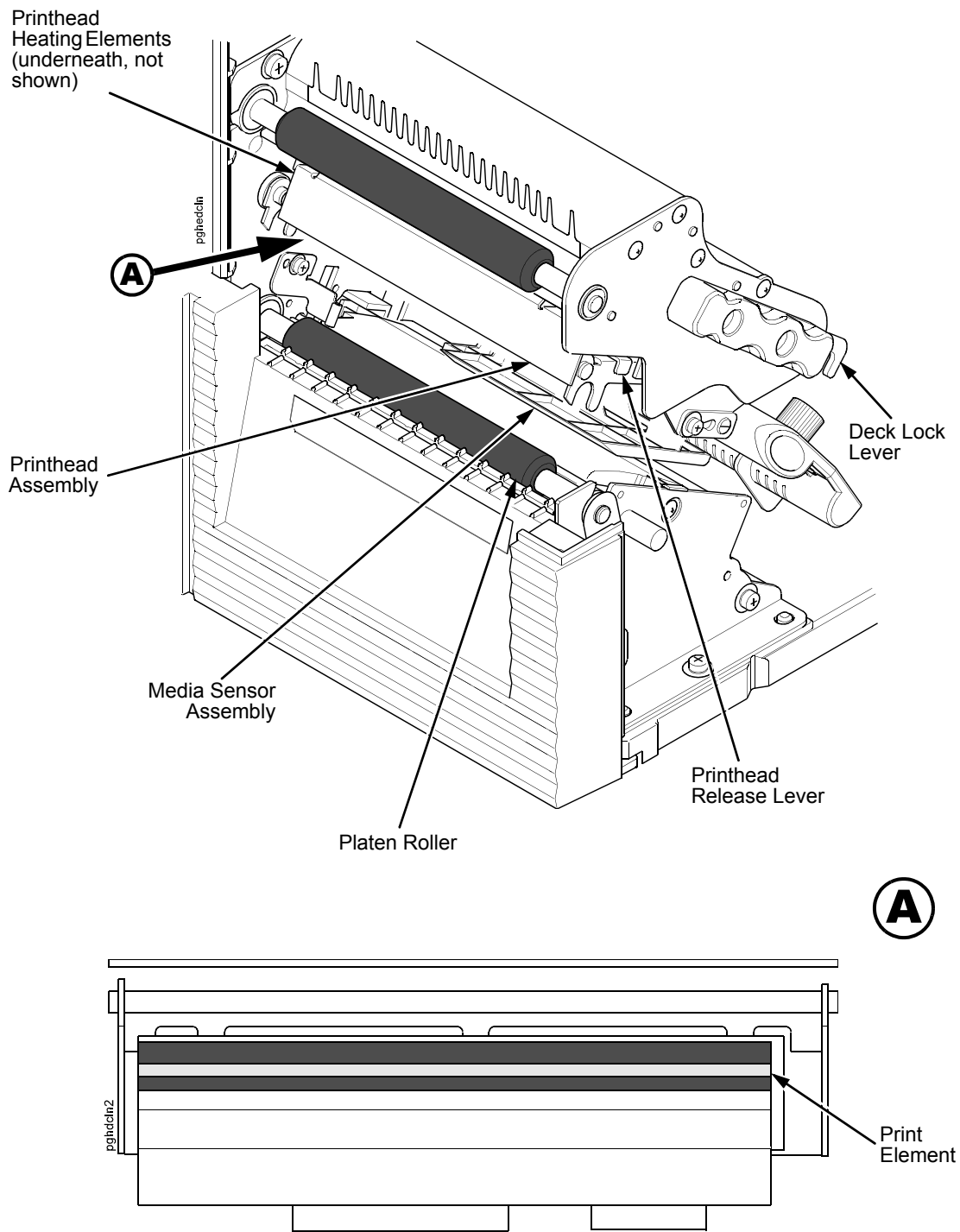


Figure 3. Cleaning the Printhead, Platen Roller, and Media Sensors

## **Media Damper Cleaning**

The media damper and its width guides can accumulate parts of labels, adhesive and paper dust residue that can prevent the proper guiding of labels.

- **Cleaning Agent** - Use an isopropyl alcohol wipe or isopropyl alcohol on a clean cloth.
  - **Schedule** - Clean the media damper and its width guides each time you clean the printhead.
6. Clean the media damper by rotating it counterclockwise and remove any label parts from its bottom surface. Then use an isopropyl alcohol wipe or clean cloth moistened with isopropyl alcohol to remove all remaining debris and adhesive from the damper and its inboard and outboard guides.

**IMPORTANT**    **All adhesive must be completely removed to prevent future die cut labels from being accidentally peeled away from their liner.**

## **Cutter Option Cleaning**

The cutter requires only periodic cleaning.

**WARNING**    **Keep your fingers away from the cutter blade. It is sharp.**

Perform the following procedure whenever too much dust or debris is visible.

1. Set the printer power switch to O (Off).
2. Rotate the deck lock lever fully counterclockwise until the pivoting deck swings upward.
3. Open the cutter cover by sliding the cutter cover release lever to the right.
4. Use a cloth with a light amount of WD-40 oil to clean adhesive from the cutter guides. Adhesive oil must be cleaned from the guides with a dry cloth to prevent dust attraction.
5. Loosen the thumbscrew on the right side of the front panel and swing it open.
6. Use a vacuum or can of compressed air with a nozzle around the area of the cutter blade to remove any dust or debris.
7. Use a cloth with a light amount of WD-40 oil to clean adhesive from the cutter blade. Adhesive oil must be cleaned from the blade and guides with a dry cloth to prevent dust attraction.

**CAUTION**    **Do not use isopropyl alcohol to clean the cutter blade – it dissolves oils required for lubrication.**

8. Close the front panel and tighten the screw.
9. Properly route the media through the printer and cutter.
10. Close the cutter cover.
11. Close the pivoting deck by rotating the deck lock lever fully clockwise.
12. Set the printer power switch to | (On).

13. Test the printer cutting operation by selecting one of the test patterns to print. Select Printer Tests in the DIAGNOSTICS menu (see "DIAGNOSTICS Menu" on page 144).

## Printer Tests

---

A sequence of automatic tests is performed during printer power-up. If any faults are detected at that time, a fault message will display.

Before setting the printer for online operation, run a test print. The printer tests option has various tests which allow you to check for proper printer operation and print quality.

You can print test patterns from the DIAGNOSTICS menu. For more information, see page 145.

**NOTE:** Before attempting to print test labels, you must set up the printer for the type of media installed. See "MEDIA SETUP Menu" on page 68. for more information.

## Troubleshooting Common Situations

---

Occasionally, situations occur that require some troubleshooting skill. Possible problem situations and potential solutions are listed in this section. While not every conceivable situation is addressed here, you may find some of these tips helpful. Contact a qualified service technician for problems that persist or are not covered in this section.

### Improving Processing Time

---

Before looking at solutions for decreasing processing time and increasing throughput, it may help to understand what happens during processing. When the printer receives a format command, it enters the label formatting mode. Label formatting requires time to process the label data into the printer buffers.

The time required varies, depending on the complexity of the label format and on the size of the area being printed. Once the data has been mapped into memory, the printer will start printing as many labels as requested by the quantity command. In most cases, there is no delay between labels, however, when using Label Peel-Off media handling, the printer stops between each label and waits for the label to be removed.

## Data Exchange

---

Many things can cause data loss or communications problems. This section suggests some ways to isolate these problems and determine their cause.

### Handshaking

Handshaking is the exchange of signals between two computers (or a computer and a peripheral input or output device) to indicate the status of the data being transferred. In the serial mode, the printer uses both hardware and software handshaking and transmits both forms simultaneously when the input buffer is full.

The printer can be used with either serial, parallel, USB, or optional NIC host interfaces. Parallel interfaces are usually straightforward, with no special settings required. Serial interfaces; however, have a variety of possible communication parameter settings. The two methods of handshaking that can be used, hardware and software, are explained below.

- **Hardware Handshaking**

This electrical signal is controlled by the logic state on pin 4 of the serial interface connector J2 (at the back of the printer). The signal will go high when the printer is ready to receive data. The signal will go low when the printer is in the busy state, which indicates that the printer input buffer is full and can no longer receive data.

- **Software Handshaking**

XON and XOFF are software signals that control serial data flow between the printer and the host system. When the printer input buffer is full, the printer transmits an XOFF (CTRL S) character that signals the host to stop sending data. When memory space becomes available in the input buffer, the printer sends an XON (CTRL Q) character, which tells the host that the printer is ready to receive more data.

If the printer appears to have communication problems, the self-test configuration test labels (see page 145) and character hex dump mode (see page 146) should be checked. The tests can help identify printer configuration errors that can cause problems.

Both of these test procedures are covered in this chapter. Configuration items to check include the following:

- Check that the data string being sent to the printer contains the correct information.
- Verify that the correct host interface port is being used and that the communication parameters match those of the host (e.g., baud rate, parity, etc.).
- Verify that the correct interface cable is installed between the host and the printer.

## Controlling Print Quality

---

Four factors have the greatest effect on print quality:

- The amount of heat applied by the printhead elements (print intensity)
- The speed at which media is moving under the printhead (print speed)
- The amount of printhead pressure (see page 41 to 44).
- Media and ribbon compatibility (see page 258 to page 260).

For example, low-cost direct thermal media often has very high reaction temperatures, which means that it takes a great deal of heat to make a clear image. Resin ribbons and film media may require higher print intensity for a quality image. Resin ribbons usually transfer images better on smooth surfaced film or polyester labels but do not work as well on rougher textured paper labels.

The printer has two ways to increase the heat of printhead elements:

- Running the printer slower by changing the print speed via the host or the MEDIA SETUP menu.
- Setting the print intensity to a higher value with the Print Intensity function, accessed via the host or through the MEDIA SETUP menu. This causes more heat to be transferred into the media, thereby generating a darker image.

Also, the printhead should be cleaned frequently to ensure that foreign material does not accumulate on the printhead and interfere with heat transfer. If smears, voids, or white lines appear in the printed form, the printhead should be cleaned with a cotton swab and isopropyl alcohol (see Figure 3 on page 178).

The cleaning should be done as a matter of routine whenever you install a new ribbon (thermal transfer mode) or when you install new media (direct thermal mode).

## Determining Printhead Wear

---

The most common signs of a worn printhead are fixed vertical streaks that are always the same size and in the same place on the printout. To determine if vertical streaks are caused by a worn printhead, follow these methods:

1. Clean the printhead thoroughly with a cotton swab and isopropyl alcohol. Test again for vertical streaks.
2. Remove the printhead (see page 183) and examine it for contamination or damage such as scratches, dents, or other marks on the light brown area containing the heating elements. Clean and install it, then test again for vertical streaks.
3. Load an alternate roll of media. Test again for vertical streaks.
4. Load an alternate roll of ribbon. Test again for vertical streaks.

If after performing all these tests you still see fixed vertical streaks, you must replace the printhead.

---

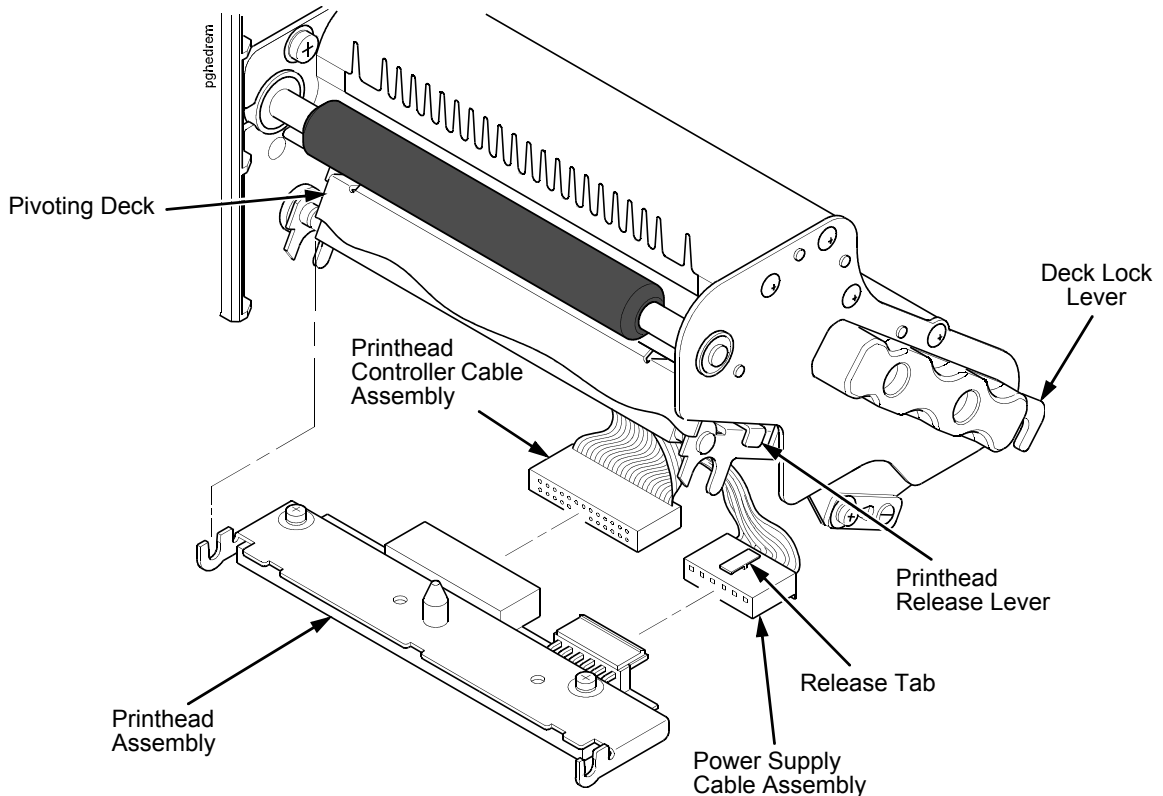
## Replacing the Printhead

---

1. Set the printer power switch to O (Off).

**WARNING** Always unplug the printer power cord from the printer or power outlet before doing any installation procedure. Failure to remove power could result in injury to you and damage the equipment. When applicable, you will be instructed to apply power.

2. Unplug the printer power cord from the printer or the AC power source.
3. Disconnect the data signal cable(s) from the printer interface(s).
4. Remove the ribbon and media (e.g., paper, label, or tag stock material).



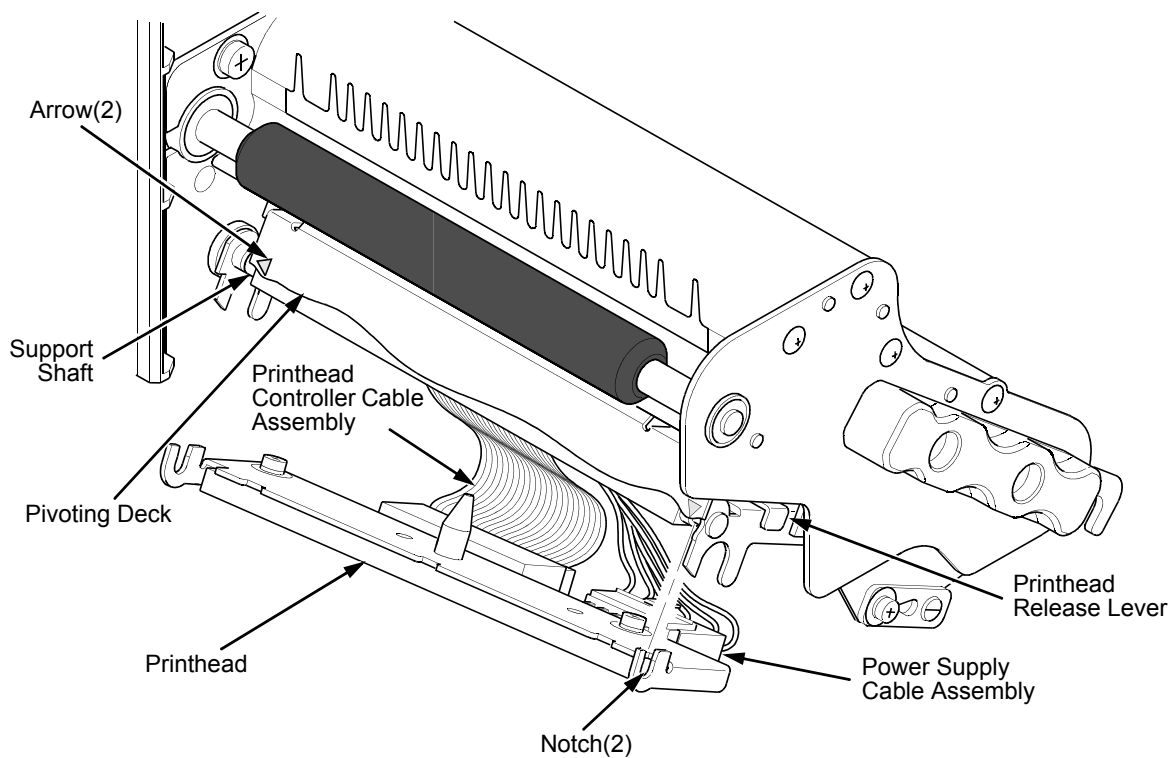
**Figure 4. Replacing the Printhead Assembly**

**CAUTION** Oils from your hands can damage the light brown area (heating elements) of the printhead. Do not touch the light brown area when you handle the printhead assembly.

5. Open the pivoting deck by rotating the deck lock lever fully counterclockwise. The pivoting deck will swing upward, exposing the bottom of the printhead assembly.

**CAUTION** To prevent electrostatic damage to electronic components, ground yourself by touching an unpainted part of the printer frame before handling and installing the printhead.

6. Touch an unpainted part of the printer frame before touching the printhead.
7. Press the printhead release lever and lower the old printhead.
8. Push the release tab down on the power supply cable assembly and remove the cable from the printhead assembly.
9. Remove the printhead controller cable assembly from the printhead assembly.



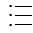



10. Position the new printhead below the pivoting deck and connect the printhead controller and power supply cable assemblies.
11. Lift the printhead upward into the pivoting deck.
12. Align the left printhead notch with the arrow on the left side of the pivoting deck and snap it onto the support shaft.
13. Align the right printhead notch with the arrow on the right side of the pivoting deck and snap it onto the support shaft.
14. Make sure that the cable assemblies do not extend past the printhead cover and into the media or ribbon path.
15. Align the new printhead (see "Media Thickness Adjustment" on page 41 or "Printhead Alignment" on page 43).



---

## Restore the Printer to Operation

---

1. Inspect the light brown area of the printhead for smudges or fingerprints. If necessary, gently clean the light brown area with a soft, lint-free cloth (or a cotton swab) moistened with isopropyl alcohol.
2. Install the ribbon and media (e.g., paper, label, or tag stock material).
3. Close the pivoting deck by rotating the deck lock lever fully clockwise. (Figure 4.)
4. Close the media cover.
5. Plug the AC power cord into the printer and the power source.
6. Set the printer power switch to | (On).
7. Press  to place the printer in Menu mode.
8. Press the Down +  (Enter) keys at the same time until “ENTER SWITCH UNLOCKED” displays.
9. Press the Right key until DIAGNOSTICS displays.
10. Press  to enter the DIAGNOSTICS menu.
11. Press the Down key until Reset Head Data displays.  
**NOTE:** Admin User under the PRINTER SETUP menu must be set to Enable for Reset Head Data to appear.
12. Press  to select Reset Head Data. The message “RESETTING/HEAD DATA” displays. (This sets the Head Print Distance and Head On Time values to zero.)
13. Test printer operation and check print quality by selecting the **DIAGNOSTICS** → **Printer Tests** menu and printing one of the test patterns. (Refer to page 145.)

## Diagnostics for E0xx, Bad NVM, or ILL NVM Errors

---

If the printer stalls with an LCD message such as ‘E03E DSI CXIWX’ or ‘NOVRAM ERR’, reboot the printer and continue. If this situation persists, invoke a diagnostic option that will capture the failure dump in a flash file that can be later uploaded from PrintNet Enterprise Suite and sent to Printronix Customer Support Center (see page 273) for further analysis.

This diagnostic option must be enabled for the printer to capture the information. To perform this diagnostic do the following the procedure:

1. Enable the ‘Admin User’ option under PRINTER CONTROL. This will display the ‘Auto Dump’ option.
2. Enable the ‘Auto Dump’ option under the DIAGNOSTICS menu.
3. When the failure happens, reboot the printer and wait for it to power up again.
4. Under the PRINTER CONTROL menu, go to ‘View File List’.
5. Check the file list to see if files ‘autodmp1’ or ‘autodmp2’ are present.  
If present, use PrintNet Enterprise Suite to upload these files to your host computer.
6. Contact Printronix Customer Support Center and send them the files and the printer’s configuration printout. Refer to the *PrintNet Enterprise Suite User’s Manual* for instructions to accomplish these tasks.

## Solving Other Printer Problems

**Table 14. Printer Problems and Solutions**

| Symptom                                                                                            | Solution/Explanation                                                                                                                                                                                                                                                                                                                                                                                                                                                                                                                                                                                                                                                                                                                                                                                                                                                                                                                                                                                                                                                                                                                                                                                                                                                                                                                                                                                                                                                                                                                 |
|----------------------------------------------------------------------------------------------------|--------------------------------------------------------------------------------------------------------------------------------------------------------------------------------------------------------------------------------------------------------------------------------------------------------------------------------------------------------------------------------------------------------------------------------------------------------------------------------------------------------------------------------------------------------------------------------------------------------------------------------------------------------------------------------------------------------------------------------------------------------------------------------------------------------------------------------------------------------------------------------------------------------------------------------------------------------------------------------------------------------------------------------------------------------------------------------------------------------------------------------------------------------------------------------------------------------------------------------------------------------------------------------------------------------------------------------------------------------------------------------------------------------------------------------------------------------------------------------------------------------------------------------------|
| Communications Failures.                                                                           | <ol style="list-style-type: none"> <li>1. Check the interface cable.</li> <li>2. Check the configuration to ensure the correct interface is enabled.</li> <li>3. Verify the printer is receiving data by viewing the flashing Online indicator on the control panel.</li> </ol>                                                                                                                                                                                                                                                                                                                                                                                                                                                                                                                                                                                                                                                                                                                                                                                                                                                                                                                                                                                                                                                                                                                                                                                                                                                      |
| <b>CONTROL PANEL</b>                                                                               |                                                                                                                                                                                                                                                                                                                                                                                                                                                                                                                                                                                                                                                                                                                                                                                                                                                                                                                                                                                                                                                                                                                                                                                                                                                                                                                                                                                                                                                                                                                                      |
| LCD message display is illuminated and the printer appears to be working, but nothing is printing. | <ol style="list-style-type: none"> <li>1. Verify that the active emulation set on the control panel matches the emulation data sent to the printer.</li> <li>2. Verify that the SFCC selection on the control panel matches the SFCC utilized within the emulation data that is sent to the printer.</li> <li>3. Verify that the labels are the correct type (direct or thermal transfer).</li> <li>4. If using direct thermal media, check that the media is loaded with the direct thermal side facing up.</li> <li>5. Check that the transfer ribbon is correctly routed. Route transfer ribbon with ink side down as it passes under the printhead.</li> <li>6. Check that the printhead assembly is properly closed by making sure the printhead latch is fully engaged.</li> <li>7. Verify that the ribbon and media are compatible; incompatibility can cause extremely light printing. Match the ribbon to the type of media being used.</li> <li>8. Check that the Print Intensity is correct. Set the Print Intensity in the MEDIA SETUP menu or via the host software.</li> <li>9. Check that the Label Width parameter value does not exceed the width of the media installed. Set the Label Width in the MEDIA SETUP menu.</li> <li>10. Run the Checkerboard test print pattern from the DIAGNOSTICS menu. Note any imbalance of the print on the page. The printhead pressure may need adjustment.</li> <li>11. Remove the printhead completely and re-install it ensuring the cables are correctly seated.</li> </ol> |

Table 14. Printer Problems and Solutions (continued)

| Symptom                                                                                                                   | Solution/Explanation                                                                                                                                                                                                                                                                                                                                                                                                                                                                                                                                                                                                                                    |
|---------------------------------------------------------------------------------------------------------------------------|---------------------------------------------------------------------------------------------------------------------------------------------------------------------------------------------------------------------------------------------------------------------------------------------------------------------------------------------------------------------------------------------------------------------------------------------------------------------------------------------------------------------------------------------------------------------------------------------------------------------------------------------------------|
| LCD message display is illuminated and the printer appears to be working, but nothing prints and “Invalid Data” displays. | <p>This message informs the user that the printer has received data, but no valid commands were found. This typically occurs when an incorrect emulation or SFCC was selected. This message will continue to display until new data is received or when the printer is put offline.</p> <ol style="list-style-type: none"> <li>1. If the emulation and SFCC are correct, additional diagnostic information can be obtained by selecting the desired option under the “xxx Diagnostics” menu, found under the Emulations menu.</li> <li>2. After selecting the desired option, rerun the job to obtain the additional diagnostic information.</li> </ol> |
| <b>ATTENTION!</b> status indicator is flashing.                                                                           | <ol style="list-style-type: none"> <li>1. When the status indicator light is flashing, check the LCD for a specific fault message. If a fault message displays, refer to Table 15, Fault Messages on page 196.</li> <li>2. Check for an Out-of-Media condition or missing labels in the middle of a roll. Load the correct media.</li> <li>3. Check that the ribbon and label stock are correctly routed. Load ribbon and label stock correctly.</li> </ol>                                                                                                                                                                                             |

Table 14. Printer Problems and Solutions (continued)

| Symptom                                                                                                                                                                                                                                                | Solution/Explanation                                                                                                                                                                                                                                                                                                                                                                                                                                                                                                                                                                                                                                                                                                                                                              |
|--------------------------------------------------------------------------------------------------------------------------------------------------------------------------------------------------------------------------------------------------------|-----------------------------------------------------------------------------------------------------------------------------------------------------------------------------------------------------------------------------------------------------------------------------------------------------------------------------------------------------------------------------------------------------------------------------------------------------------------------------------------------------------------------------------------------------------------------------------------------------------------------------------------------------------------------------------------------------------------------------------------------------------------------------------|
| <b>POWER FAILURES</b>                                                                                                                                                                                                                                  |                                                                                                                                                                                                                                                                                                                                                                                                                                                                                                                                                                                                                                                                                                                                                                                   |
| Printer fails to turn on, the display is not backlit.                                                                                                                                                                                                  | <ol style="list-style-type: none"> <li>1. Check that the printer AC power cord is correctly attached to the printer and to the AC power outlet.</li> <li>2. Have a qualified electrician test the AC wall outlet for the correct power range. Locate the printer in an area that has the correct power range.</li> <li>3. Check the AC power cord. Replace a damaged AC power cord or one that you suspect may be bad.</li> <li>4. Call your authorized service representative.</li> </ol>                                                                                                                                                                                                                                                                                        |
| <b>PRINT QUALITY</b>                                                                                                                                                                                                                                   |                                                                                                                                                                                                                                                                                                                                                                                                                                                                                                                                                                                                                                                                                                                                                                                   |
| <ul style="list-style-type: none"> <li>• Label(s) did not get printed within a multi label print job.</li> <li>• A portion of the printed image was clipped off and the beginning of the next label was printed on the same physical label.</li> </ul> | <ol style="list-style-type: none"> <li>1. If the serial interface is being used, verify that the correct data protocol is selected to match the host interface protocol. Print data may have been lost.</li> <li>2. If Clip Page = Enable in the MEDIA SETUP menu, the printer may have falsely detected a gap, hole, or black mark and then clipped (discarded) the remaining printable data for the label. To fix this: <ol style="list-style-type: none"> <li>a. Perform Auto Calibrate. See “Running Auto Calibrate” on page 47.</li> <li>b. Decrease Gap Threshold value by 2 or 3 increments. See “Gap/Mark Thresh” on page 86.</li> <li>c. Set Clip Page to Disable. Set Label Length to correct physical length value. See “Clip Page” on page 80.</li> </ol> </li> </ol> |
| Media moves, but no image prints in ONLINE mode.                                                                                                                                                                                                       | <ol style="list-style-type: none"> <li>1. Make sure the power supply cable has a good connection to the right side of the printhead.</li> <li>2. Place the printer offline and print the Checkerboard diagnostic test pattern (see page 145). If the pattern prints, there is a communication problem between the host computer and the printer.</li> </ol>                                                                                                                                                                                                                                                                                                                                                                                                                       |
| Media moves, but no image prints in Direct Thermal mode.                                                                                                                                                                                               | <ol style="list-style-type: none"> <li>1. Media is not the type for direct thermal printing. Install direct thermal media.</li> <li>2. Direct thermal media is installed wrong side up. Reinstall the media with the correct side facing the printhead.</li> </ol>                                                                                                                                                                                                                                                                                                                                                                                                                                                                                                                |

Table 14. Printer Problems and Solutions (continued)

| Symptom                                                              | Solution/Explanation                                                                                                                                                                                                                                                                                                                                                                                                                                                                                                                                                                                                                                                                                        |
|----------------------------------------------------------------------|-------------------------------------------------------------------------------------------------------------------------------------------------------------------------------------------------------------------------------------------------------------------------------------------------------------------------------------------------------------------------------------------------------------------------------------------------------------------------------------------------------------------------------------------------------------------------------------------------------------------------------------------------------------------------------------------------------------|
| Media and ribbon move, but no image prints in Thermal Transfer mode. | <ol style="list-style-type: none"> <li>1. Print the Checkerboard diagnostic test pattern and check that the image appears on the used portion of ribbon. If the image is on the ribbon, the ribbon may be installed with the transfer side against the printhead, instead of against the media.</li> <li>2. The ribbon may be designed for another model printer.</li> <li>3. The ribbon may not be compatible with the media.</li> </ol>                                                                                                                                                                                                                                                                   |
| When narrow media is installed, the media moves but no image prints. | Verify the Label Width value in the MEDIA SETUP menu agrees with the width of the installed media. Too large a value will start the image too far to the right and off the media.                                                                                                                                                                                                                                                                                                                                                                                                                                                                                                                           |
| Printing is faded or of poor quality.                                | <ol style="list-style-type: none"> <li>1. Clean the printhead.</li> <li>2. Close the pivoting deck by rotating the deck lock lever fully clockwise.</li> <li>3. Verify that the printhead balance adjustment dial is properly set. See “Printhead Pressure Adjustment” on page 41.</li> <li>4. Verify that the Print Speed and Intensity values are correct. Adjust Print Speed in the MEDIA SETUP menu or via host software. Adjust Print Intensity in the MEDIA SETUP menu or via host software.</li> <li>5. Verify that the printhead alignment is optimized. See “Printhead Alignment” on page 43.</li> </ol>                                                                                           |
| Prints strange characters instead of the correct label format.       | <ol style="list-style-type: none"> <li>1. If the printer serial interface is being used, check that the printer serial baud rate setting matches the baud rate of the host computer. Reset the printer via software, or turn the printer off and then on.</li> <li>2. Check if the printer serial host interface is set for 8 data bits but the transmitting device is set for 7 data bits (or vice-versa). Check the current setting by viewing it on the LCD, and use the INTERFACES menu to adjust the settings, if necessary.</li> <li>3. If the printer parallel interface is being used, make sure the parallel interface terminating resistors are correct for the host computer drivers.</li> </ol> |

Table 14. Printer Problems and Solutions (continued)

| Symptom                                                                                                                                                                                                                                                                       | Solution/Explanation                                                                                                                                                                                                                                                                                                                                                                                                                                                                                                                                                                                                                                                                                                                                                                                                                                                                                                                                                                   |
|-------------------------------------------------------------------------------------------------------------------------------------------------------------------------------------------------------------------------------------------------------------------------------|----------------------------------------------------------------------------------------------------------------------------------------------------------------------------------------------------------------------------------------------------------------------------------------------------------------------------------------------------------------------------------------------------------------------------------------------------------------------------------------------------------------------------------------------------------------------------------------------------------------------------------------------------------------------------------------------------------------------------------------------------------------------------------------------------------------------------------------------------------------------------------------------------------------------------------------------------------------------------------------|
| <ul style="list-style-type: none"> <li>• Start of image is printed an erroneous distance from the top-of-form.</li> <li>• The printer starts to print one label and then another, all within the same physical label.</li> </ul>                                              | <ol style="list-style-type: none"> <li>1. Make sure the Label Length value matches the actual physical length of the label installed and run Auto-Cal (see page 47).</li> </ol> <p>These symptoms could be caused by:</p> <ul style="list-style-type: none"> <li>• severely curled labels near the end of a media roll</li> <li>• the media sensor triggering off of a dark, preprinted image on the label</li> <li>• multiple gaps within the physical label.</li> </ul> <ol style="list-style-type: none"> <li>2. In the MEDIA SETUP menu, set Clip Page to Disable.</li> <li>3. Run a Media Profile (see page 48).</li> <li>4. If the Media Profile printout shows that preprinted images or an RFID antenna tag has an amplitude approaching the Gap/Mark Threshold level, position the media sensor to avoid the image or increase the Threshold Range percent value in the SENSOR SETUP menu. Run Auto-Cal again and Media Profile to verify there is an improvement.</li> </ol> |
| <ul style="list-style-type: none"> <li>• Loss of one or more serialized labels within a print job.</li> <li>• Start of image is printed in the middle of the gap.</li> <li>• The top part of the image is lost when printing with Head First orientation selected.</li> </ul> | <ol style="list-style-type: none"> <li>1. In the SENSOR SETUP menu, set Gap Windowing to Enable.</li> <li>2. Set Gap Length to equal the physical gap length of the media installed. The range is 0.05 to 1.00 inches.</li> </ol> <p>The likely cause of these symptoms is that Clip Page = Enable and a cross-perforation, radical fold or flaw in the liner has caused the media sensor to detect this as the leading edge (TOF) of the new label or end of label (EOF), or both.</p>                                                                                                                                                                                                                                                                                                                                                                                                                                                                                                |

Table 14. Printer Problems and Solutions (continued)

| Symptom                           | Solution/Explanation                                                                                                                                                                                                                                                                                                                                                                                                                                                                                                                                                                                                                                                                                                                                                                                                                                                                                                                                                                                                                                                                                                                                                                                                                                                                                                                                                                                                                                                                                                                                                                                            |
|-----------------------------------|-----------------------------------------------------------------------------------------------------------------------------------------------------------------------------------------------------------------------------------------------------------------------------------------------------------------------------------------------------------------------------------------------------------------------------------------------------------------------------------------------------------------------------------------------------------------------------------------------------------------------------------------------------------------------------------------------------------------------------------------------------------------------------------------------------------------------------------------------------------------------------------------------------------------------------------------------------------------------------------------------------------------------------------------------------------------------------------------------------------------------------------------------------------------------------------------------------------------------------------------------------------------------------------------------------------------------------------------------------------------------------------------------------------------------------------------------------------------------------------------------------------------------------------------------------------------------------------------------------------------|
| Smears or voids in printed image. | <ol style="list-style-type: none"> <li>1. Clean the printhead.</li> <li>2. Make sure the printhead temperature (Print Intensity) is not too high. Change the Print Intensity value in the MEDIA SETUP menu. See "Print Intensity" on page 69.</li> <li>3. Verify that the printhead pressure switch are positioned correctly to match the media thickness installed.</li> <li>4. Make sure the printhead balance adjustment dial is set properly for the media width installed.</li> <li>5. Make sure that the ribbon is routed correctly and not routed through the media sensor assembly.</li> <li>6. Skin oils can adhere to the surface of label stock, causing fingerprints which inhibit thermal transfer. Wipe label stock with a cloth, or remove a few feet of labels to expose a clean area. Handle labels by the edges.</li> <li>7. Check that the media has not been mishandled before or during installation in the printer. Soiled media or media with fingerprints will prevent proper ribbon transfer.</li> <li>8. Check that media has not been installed inside out. Surfaces on both sides may look identical but can produce big differences in print quality.</li> <li>9. Make sure the correct ribbon and media combination are being used. Use the correct ribbon type.</li> <li>10. Check the ribbon for creases or folds across its surface. Smooth out the ribbon to remove any creases.</li> <li>11. Reduce the Print Speed value through the MEDIA SETUP menu or via host software.</li> <li>12. If using ribbon (Transfer Print mode), do not use direct thermal media.</li> </ol> |



Table 14. Printer Problems and Solutions (continued)

| Symptom                                           | Solution/Explanation                                                                                                                                                                                                                                                                                                                                                                                                                                                                                                                                                                                                                                                                                                                                                                                                                                                                                                                                                                                                                                                                                                              |
|---------------------------------------------------|-----------------------------------------------------------------------------------------------------------------------------------------------------------------------------------------------------------------------------------------------------------------------------------------------------------------------------------------------------------------------------------------------------------------------------------------------------------------------------------------------------------------------------------------------------------------------------------------------------------------------------------------------------------------------------------------------------------------------------------------------------------------------------------------------------------------------------------------------------------------------------------------------------------------------------------------------------------------------------------------------------------------------------------------------------------------------------------------------------------------------------------|
| <b>PRINTER OPERATION</b>                          |                                                                                                                                                                                                                                                                                                                                                                                                                                                                                                                                                                                                                                                                                                                                                                                                                                                                                                                                                                                                                                                                                                                                   |
| Advances several labels when Feed key is pressed. | <ol style="list-style-type: none"> <li>1. Check that labels are loaded correctly. (See “Loading Roll Media” on page 25.)</li> <li>2. Check that the Label Length (in the MEDIA SETUP menu, or sent by the host computer) agrees with the length of the media installed. Although gaps, holes, notches, or black marks are used to establish the Top-of-Form position, a larger page length will override the gap and skip a page or more if Clip Page (in the MEDIA SETUP menu) is set to Disable. Set Page Length to match the media being used.</li> <li>3. Check that the printer is optimized to detect the type of media installed. Perform Auto Calibrate for gapped and black mark media. (See “Running Auto Calibrate” on page 47.)</li> <li>4. Adjust the media sensor horizontally to detect gaps, holes, notches, or narrow width black marks. (See “Positioning the Media Sensors” on page 44.)</li> <li>5. If the problem persists, run the Media Profile printout to see if the label length indicators are being sensed.</li> <li>6. Run Manual Calibrate. (See “Running Manual Calibrate” on page 50.)</li> </ol> |

Table 14. Printer Problems and Solutions (continued)

| Symptom                                                                                                                                                                                                     | Solution/Explanation                                                                                                                                                                                                                                                                                                                                                                                                                                                                                                                                                                                                                                                                                                                                                                                                                                                                                                                                                                                                                                                                                                                                                                                                                                                                                                                                                                                                                                                                                                                                          |
|-------------------------------------------------------------------------------------------------------------------------------------------------------------------------------------------------------------|---------------------------------------------------------------------------------------------------------------------------------------------------------------------------------------------------------------------------------------------------------------------------------------------------------------------------------------------------------------------------------------------------------------------------------------------------------------------------------------------------------------------------------------------------------------------------------------------------------------------------------------------------------------------------------------------------------------------------------------------------------------------------------------------------------------------------------------------------------------------------------------------------------------------------------------------------------------------------------------------------------------------------------------------------------------------------------------------------------------------------------------------------------------------------------------------------------------------------------------------------------------------------------------------------------------------------------------------------------------------------------------------------------------------------------------------------------------------------------------------------------------------------------------------------------------|
| <p>Label wraps around the platen roller.</p>                                                                                                                                                                | <ol style="list-style-type: none"> <li>1. Open the pivoting deck by rotating the blue deck lock lever counterclockwise.</li> <li>2. Remove the front cover thumbscrew and front cover from the printer for better platen access.</li> <li>3. Remove the wrapped label by slowly pulling and unwrapping it from the platen.</li> </ol> <p><b>NOTE:</b> Even though power is removed from the platen motor, some drag will be felt as the platen rotates.</p> <p><b>CAUTION</b></p> <p><b>Never use a sharp object against the platen as cuts and gouges in the platen may cause voids in the printed image and require platen replacement.</b></p> <ol style="list-style-type: none"> <li>4. When all of the label is removed from the platen, use an isopropyl alcohol wipe, Printronix PN 254945-901, to remove all adhesive from the platen to help prevent any future label wraps. Replace the front cover and its thumbscrew.</li> <li>5. A label wrap occurs when a die cut label is incorrectly torn at the tear bar by the user and adhesive is exposed under the leading edge of the next label. When the printer pulls this next label back to TOF this adhesive contacts the platen and when the label advances forward during printing or a Form Feed, it wraps around the platen.</li> <li>6. Avoid label wraps by having the user practice careful tear off techniques and ensuring that the label cross perforations are ideally positioned at the tear bar edge by using the correct Tear Off Adjust value in the MEDIA SETUP menu.</li> </ol> |
| <p>Print is too small or too large.</p>                                                                                                                                                                     | <p>Ensure the proper printhead is installed (203 or 305 dpi).</p>                                                                                                                                                                                                                                                                                                                                                                                                                                                                                                                                                                                                                                                                                                                                                                                                                                                                                                                                                                                                                                                                                                                                                                                                                                                                                                                                                                                                                                                                                             |
| <ul style="list-style-type: none"> <li>• Print quality is good, but the printer skips every other label.</li> <li>• An occasional blank label occurs within a print job, but no labels are lost.</li> </ul> | <ol style="list-style-type: none"> <li>1. Make sure that the label is not formatted too close to the top edge of the form. Leave white space equal to eight dot rows at the top of the label. 305 dpi = .0264 inches. 203 dpi = .04 inches.</li> <li>2. Check that Clip Page = Enable in the MEDIA SETUP menu. Clip Page = Enable causes any printable data to be clipped off and lost once the next TOF position (transmissive gap, notch, hole, or reflective mark) is detected. Clip Page = Disable allows the printer to ignore a gap or mark. The printer looks for the gap or mark after the specified Label Length is first reached.</li> </ol>                                                                                                                                                                                                                                                                                                                                                                                                                                                                                                                                                                                                                                                                                                                                                                                                                                                                                                        |

Table 14. Printer Problems and Solutions (continued)

| Symptom                                                | Solution/Explanation                                                                                                                                                                                                                                                                                                                                                                                                                   |
|--------------------------------------------------------|----------------------------------------------------------------------------------------------------------------------------------------------------------------------------------------------------------------------------------------------------------------------------------------------------------------------------------------------------------------------------------------------------------------------------------------|
| <b>RIBBON</b>                                          |                                                                                                                                                                                                                                                                                                                                                                                                                                        |
| Printer cuts (melts) through the transfer ribbon.      | <ol style="list-style-type: none"> <li>1. Verify that Print Intensity is set to the proper level in the MEDIA SETUP menu.</li> <li>2. Verify that Print Mode in the MEDIA SETUP menu is set for Transfer and not Direct Thermal.</li> </ol>                                                                                                                                                                                            |
| Printing stops and the FAULT status indicator flashes. | <ol style="list-style-type: none"> <li>1. Check that the media sensor is clean and undamaged.</li> <li>2. Check that the gap between the bottom of a label and the top of the next label is at least 0.100 inch. Use only labels and tag stock approved for this printer.</li> <li>3. Inspect for a jammed label. Remove the jammed label.</li> <li>4. Check that the transfer ribbon and label stock are routed correctly.</li> </ol> |

## Printer Alarms

The printer has built-in alarms that monitor printer status and media stock conditions. Alarm messages display indicating the present status of the printer and media stock levels. The alarms also indicate if the printer electronics detect an error condition.

## Fault Messages

If a fault condition occurs in the printer, the FAULT indicator on the control panel flashes on and off and the message display indicates the specific fault. Fault messages are summarized in Table 15.

Displayed faults fall into one of two categories:

- Operator correctable
- Field service required

### Operator-Correctable Fault Messages

For the operator-correctable faults, follow the suggested corrective action under the solution section of the table. After correcting the displayed fault, press the **II** (Pause) key to clear the error message and status indicator and resume printing. If the fault message reappears, power off the printer and wait 15 seconds before powering on the printer again. If the error condition persists, contact your authorized service representative.

## Fault Messages Requiring Field Service Attention

If a fault is not correctable by the operator, the fault message is followed by an asterisk (\*). This usually indicates that an authorized service representative is needed. You should try two steps to clear the fault before calling your authorized service representative:

1. Set the printer power switch to O (off), wait 15 seconds, then turn the printer on again. Run your print job again. If the message does not appear, it was a false indication and no further attention is required.
2. If the message reappears, press the **II** (Pause) key. If the message goes away, it was a false indication and no further attention is required. If the message reappears, call your authorized service representative.

**Table 15. Fault Messages**

| Displayed Message                                 | Can User Correct? | Explanation                                                                                | Solution                                                                                                                                    |
|---------------------------------------------------|-------------------|--------------------------------------------------------------------------------------------|---------------------------------------------------------------------------------------------------------------------------------------------|
| 24V POWER FAIL                                    | Yes               | +24 VDC: an internal power failure.                                                        | Power off the printer for 15 seconds, then power back on. If the problem persists, contact your authorized customer service representative. |
| B11 ERROR:<br>RAM TEST FAILED<br>Cycle Power      | Yes               | The printer found a defective memory location.                                             | Power off the printer for 15 seconds, then power back on. If the problem persists, contact your authorized customer service representative. |
| B12 ERROR:<br>PROGRAM MISSING<br>Repeat Download  | Yes               | The printer cannot find the data controller program or the validation checksum is corrupt. | Cycle power. If problem persists, repeat download.                                                                                          |
| B13 ERROR:<br>NOT COMPATIBLE                      | Yes               | An attempt was made to download firmware for a different printer type.                     | Cycle power. Repeat download for correct printer type.                                                                                      |
| B22 ERROR:<br>DECOMPRESS SIZE<br>Repeat Download  | Yes               | Problem when downloading.                                                                  | Cycle power. If problem persists repeat download.                                                                                           |
| B23 ERROR:<br>DECOMPRESS CKSUM<br>Repeat Download | Yes               | Problem when downloading.                                                                  | Cycle power. If problem persists repeat download.                                                                                           |

Table 15. Fault Messages

| Displayed Message                                                                      | Can User Correct? | Explanation                                                                                                                                                                                                                             | Solution                                                                                                                                                                                                                                                 |
|----------------------------------------------------------------------------------------|-------------------|-----------------------------------------------------------------------------------------------------------------------------------------------------------------------------------------------------------------------------------------|----------------------------------------------------------------------------------------------------------------------------------------------------------------------------------------------------------------------------------------------------------|
| BAD NVM CALL 1<br>BAD NVM CALL 2<br>BAD NVM CALL 3<br>BAD NVM CALL 4<br>BAD NVM CALL A | Yes               | Printer firmware code error.                                                                                                                                                                                                            | <ol style="list-style-type: none"> <li>1. Cycle power.</li> <li>2. If the problem persists, follow the instructions on page 186 and contact your authorized customer service representative.</li> </ol>                                                  |
| BAD VFU CHANNEL                                                                        | Yes               | The user tried to use an undefined VFU channel.                                                                                                                                                                                         | Use defined channels.                                                                                                                                                                                                                                    |
| CALIBRATION FAIL<br>See User Manual                                                    | Yes               | Calibration values derived from Manual Calibrate were not acceptable.                                                                                                                                                                   | Perform a Run Manual Cal (run manual calibrate) again.                                                                                                                                                                                                   |
| CANNOT CALIBRATE<br>Disable Peel-Off                                                   | Yes               | <p>Run Auto-Calibrate was attempted with Peel-Off Media Handling selected.</p> <p><b>NOTE:</b> You can perform Auto Calibrate in Peel-Off mode if Cal in Peel Mode = Enable. Be prepared to catch labels during Run Auto-Calibrate.</p> | <ol style="list-style-type: none"> <li>1. Select another Media Handling option in the MEDIA SETUP menu.</li> <li>2. Enable Cal in Peel Mode in the SENSOR SETUP menu.</li> </ol> <p><b>NOTE:</b> Admin User must = Enable in the PRINTER SETUP menu.</p> |
| CARTRIDGE REMOVED<br>Check Cartridge                                                   | Yes               | The cartridge was removed while the printer was powered on.                                                                                                                                                                             | <ol style="list-style-type: none"> <li>1. Power off the printer.</li> <li>2. Install the cartridge.</li> <li>3. Power on the printer.</li> </ol>                                                                                                         |
| Copy Complete<br>Run Auto-Cal<br>After Reboot                                          | Yes               | The QCMC has finished copying to the printer.                                                                                                                                                                                           | Wait for the printer to reboot, then Run Auto-Cal under the Sensor Setup menu.                                                                                                                                                                           |

Table 15. Fault Messages

| Displayed Message                                       | Can User Correct? | Explanation                                                                                                                                                                                                                                                                        | Solution                                                                                                                                                                                                                                                                                                                                                                     |
|---------------------------------------------------------|-------------------|------------------------------------------------------------------------------------------------------------------------------------------------------------------------------------------------------------------------------------------------------------------------------------|------------------------------------------------------------------------------------------------------------------------------------------------------------------------------------------------------------------------------------------------------------------------------------------------------------------------------------------------------------------------------|
| CUTTER FAULT<br>Jam or Cut Fail                         | Yes               | <ol style="list-style-type: none"> <li>1. Cutter assembly is not in the closed position.</li> <li>2. Cutter option was not able to complete a full cut cycle due to a jam.</li> <li>3. Cutter PCBA detected current overload and opened circuit breaker on cutter PCBA.</li> </ol> | <ol style="list-style-type: none"> <li>1. Place the cutter assembly in the closed position.</li> <li>2. Clear obstruction from the cutter assembly.</li> <li>3. Insure media thickness is within specification. Wait a few minutes for the cutter circuit breaker to automatically reset. Press <b>  </b> (PAUSE) to clear the fault message and resume printing.</li> </ol> |
| DO NOT PWR OFF<br>Copying QCMC to Printer<br>XX%        | Yes               | The QCMC is copying data to the printer.                                                                                                                                                                                                                                           | Wait for the copy to complete and the printer to reboot.                                                                                                                                                                                                                                                                                                                     |
| DO NOT PWR OFF<br>Saving Setup To QCMC...<br>XX%        | Yes               | The printer is saving to a QCMC cartridge.                                                                                                                                                                                                                                         | Wait for the saving to complete and the printer to reboot.                                                                                                                                                                                                                                                                                                                   |
| DOWNLOADER ERROR<br>BEYOND XXMB EMC<br>Repeat Download  | No                | Printer contains an XX MB EMC and the firmware attempted to access the EMC beyond its limit.<br><br><b>NOTE:</b> XX represents the number of Megabytes.                                                                                                                            | Contact your authorized service representative.                                                                                                                                                                                                                                                                                                                              |
| DOWNLOADER ERROR<br>EXT FLASH FULL<br>File Too Big      | Yes               | An attempt was made to download to a Full EMC.                                                                                                                                                                                                                                     | Delete and optimize files.                                                                                                                                                                                                                                                                                                                                                   |
| DOWNLOADER ERROR<br>FLASH NOT ERASED<br>Repeat Download | Yes               | The printer encountered an error trying to program flash memory.                                                                                                                                                                                                                   | Try downloading again or contact your authorized service representative.                                                                                                                                                                                                                                                                                                     |
| DOWNLOADER ERROR<br>FLASH WRITE #1<br>Repeat Download   | No                | A Flash Write to Main Flash failed to complete.                                                                                                                                                                                                                                    | Try downloading again or contact your authorized service representative.                                                                                                                                                                                                                                                                                                     |
| DOWNLOADER ERROR<br>FLASH WRITE #2<br>Repeat Download   | No                | A Flash Write to Main Flash failed to complete.                                                                                                                                                                                                                                    | Try downloading again or contact your authorized service representative.                                                                                                                                                                                                                                                                                                     |

**Table 15. Fault Messages**

| <b>Displayed Message</b>                                 | <b>Can User Correct?</b> | <b>Explanation</b>                                                                | <b>Solution</b>                                                                                                                                                                                                                                                                                               |
|----------------------------------------------------------|--------------------------|-----------------------------------------------------------------------------------|---------------------------------------------------------------------------------------------------------------------------------------------------------------------------------------------------------------------------------------------------------------------------------------------------------------|
| DOWNLOADER ERROR<br>FLASH WRITE #3<br>Repeat Download    | No                       | A Flash Write to Expanded Flash failed to complete.                               | Try downloading again or contact your authorized service representative.                                                                                                                                                                                                                                      |
| DOWNLOADER ERROR<br>FLASH WRITE #4<br>Repeat Download    | No                       | A Flash Write failed to Expanded complete.                                        | Try downloading again or contact your authorized service representative.                                                                                                                                                                                                                                      |
| DOWNLOADER ERROR<br>FLASH: W ADDR BAD<br>Repeat Download | No                       | An attempt was made to write to FLASH where no FLASH exists.                      | Try downloading again or contact your authorized service representative.                                                                                                                                                                                                                                      |
| DOWNLOADER ERROR<br>MAIN FLASH FULL<br>File Too Big      | Yes                      | An attempt was made to download to a full main Flash memory.                      | Delete and optimize files.                                                                                                                                                                                                                                                                                    |
| DOWNLOADER ERROR<br>NO EMC DETECTED<br>Repeat Download   | No                       | The printer does not contain an EMC and the firmware attempted to access the EMC. | Install EMC or contact your authorized service representative.                                                                                                                                                                                                                                                |
| E00 EXE @ ADDR0<br>See User Manual                       | Yes                      | An illegal or unsupported instruction was attempted in the application program.   | <ol style="list-style-type: none"> <li>1. Cycle Power. Run the print job again. If the message appears, load the latest emulation software.</li> <li>2. Cycle power. Run the print job again. If the message appears, record the display message and send it to your next higher support facility.</li> </ol> |

Table 15. Fault Messages

| Displayed Message                                                                                                                                                                                                                                                                                                                              | Can User Correct? | Explanation                                                                                | Solution                                                                                                                                                                                                                                                                                                                                                                  |
|------------------------------------------------------------------------------------------------------------------------------------------------------------------------------------------------------------------------------------------------------------------------------------------------------------------------------------------------|-------------------|--------------------------------------------------------------------------------------------|---------------------------------------------------------------------------------------------------------------------------------------------------------------------------------------------------------------------------------------------------------------------------------------------------------------------------------------------------------------------------|
| E01A TYPE 0x40<br>E01B TYPE 0x60<br>E02 MACHINE CHK<br>E03A DSI HASH L<br>E03B DSI HASH S<br>E03C DSI BAT PL<br>E03D DSI BAT PS<br>E03E DSI CXIWX<br>E03F DSI CXOWX<br>E03G DSI ECXIWX<br>E03H DSI ECXOWX<br>E04A ISI NO TRA<br>E04B ISI DIRECT<br>E04C ISI PROTEC<br>E06 NOT ALIGNED<br>E07 ILLEGAL INS<br>E08 FLOATINGPNT<br>See User Manual | Yes               | An illegal or unsupported instruction was attempted in the application program.            | <ol style="list-style-type: none"> <li>1. Cycle Power. Run the print job again. If the message appears, load the latest emulation software.</li> <li>2. Cycle power. Run the print job again. If the message appears, record the display message and follow the instructions on page 186.</li> <li>3. Contact your authorized customer service representative.</li> </ol> |
| EMC NOT FOUND<br>PWR OFF PRINTER<br>Insert Cartridge                                                                                                                                                                                                                                                                                           | Yes               | The printer does not contain an EMC and the firmware attempted to access the EMC.          | Install EMC or contact your authorized service representative.                                                                                                                                                                                                                                                                                                            |
| ERROR: DC PROGRAM NOT VALID                                                                                                                                                                                                                                                                                                                    | Yes/No            | The printer cannot find the data controller program or the validation checksum is corrupt. | Power off the printer for 15 seconds, then power back on. If the problem persists, contact your authorized customer service representative.                                                                                                                                                                                                                               |
| ERROR: FLASH DID NOT PROGRAM                                                                                                                                                                                                                                                                                                                   | Yes/No            | The printer encountered an error trying to program flash memory.                           | Power off the printer for 15 seconds, then power back on. If the problem persists, contact your authorized customer service representative.                                                                                                                                                                                                                               |



Table 15. Fault Messages

| Displayed Message                              | Can User Correct? | Explanation                                                                                                                                                             | Solution                                                                                                                                                                                                                                                                                                                                                                                                   |
|------------------------------------------------|-------------------|-------------------------------------------------------------------------------------------------------------------------------------------------------------------------|------------------------------------------------------------------------------------------------------------------------------------------------------------------------------------------------------------------------------------------------------------------------------------------------------------------------------------------------------------------------------------------------------------|
| ERROR: INSUFFICIENT DRAM<br>Cycle Power        | Yes/No            | Not enough RAM memory available for a printer function.                                                                                                                 | <ol style="list-style-type: none"> <li>1. Power off the printer for 15 seconds, then power back on again.</li> <li>2. If the message reappears, delete files from FFS as they are copied into RAM.</li> <li>3. Select the menu option, Optimize &amp; Reboot.</li> <li>4. If the message reappears, replace the controller PCBA. Write down the message and return it with the defective board.</li> </ol> |
| ERROR: INSUFFICIENT FLASH<br>Cycle Power       | Yes               | The printer requires more flash memory to run the downloaded program.                                                                                                   | <ol style="list-style-type: none"> <li>1. Power off the printer for 15 seconds, then power back on. If the problem persists, contact your authorized customer service representative.</li> <li>2. Consider installing an optional Expanded Memory Cartridge (EMC) that adds 32 MB of Flash memory to the printer.</li> </ol>                                                                               |
| ERROR OCCURRED: CLEARING QUEUES<br>Please Wait | Yes               | An interim message displays while the printer discards host data it cannot use because a fault condition exists. While this message displays, the asterisk (*) rotates. | Wait. When the asterisk (*) stops rotating, a different fault message will appear; troubleshoot the final message.                                                                                                                                                                                                                                                                                         |
| ERROR: PROGRAM NEEDS MORE DRAM                 | Yes/No            | The program exceeds the memory limitations of the printer.                                                                                                              | Download a smaller program.                                                                                                                                                                                                                                                                                                                                                                                |

Table 15. Fault Messages

| Displayed Message                        | Can User Correct? | Explanation                                                                                                                 | Solution                                                                                                                                                                                                                                                                                                                 |
|------------------------------------------|-------------------|-----------------------------------------------------------------------------------------------------------------------------|--------------------------------------------------------------------------------------------------------------------------------------------------------------------------------------------------------------------------------------------------------------------------------------------------------------------------|
| ERROR: PROGRAM NOT COMPATIBLE            | Yes               | The printer is not compatible with the downloaded program.                                                                  | Power off the printer for 15 seconds, then power back on. If the problem persists, contact your authorized customer service representative.                                                                                                                                                                              |
| ERROR: PROGRAM NOT VALID                 | Yes               | The printer does not see a program in flash memory.                                                                         | Power off the printer for 15 seconds, then power back on. If the problem persists, contact your authorized customer service representative.                                                                                                                                                                              |
| ERROR: SHORT AT ADDRESS XXXX             | Yes/No            | Hardware failure in DRAM or Main PCBA controller circuitry.                                                                 | Power off the printer for 15 seconds, then power back on. If the problem persists, contact your authorized customer service representative.                                                                                                                                                                              |
| ERROR: WRITING TO FLASH                  | Yes/No            | Hardware or software fault in flash memory.                                                                                 | Set the Overwrite Files menu option to Enable.                                                                                                                                                                                                                                                                           |
| ERROR: WRONG CHECKSUM<br>Repeat Download | Yes               | The printer received the complete program but the checksum did not match. The data may have been corrupted during download. | Power off the printer for 15 seconds, then power back on. If the problem persists, contact your authorized customer service representative, or repeat download.                                                                                                                                                          |
| FILE EXISTS<br>Enable Overwrite          | Yes               | The printer operator tried to save a file using the name of an existing stored file.                                        | Set the Overwrite Files menu option to Enable.                                                                                                                                                                                                                                                                           |
| FILE SYS FULL<br>Delete Files            | Yes               | Insufficient flash memory available to store file.                                                                          | <ol style="list-style-type: none"> <li>1. Delete any files that are not used or are no longer needed, by using the Delete Files menu option.</li> <li>2. Select the menu option Optimize &amp; Reboot.</li> <li>3. Check the Flash Avail menu option to determine if there is enough flash to store the file.</li> </ol> |

**Table 15. Fault Messages**

| <b>Displayed Message</b>              | <b>Can User Correct?</b> | <b>Explanation</b>                                                                           | <b>Solution</b>                                                                                                                                                                                                                                                                    |
|---------------------------------------|--------------------------|----------------------------------------------------------------------------------------------|------------------------------------------------------------------------------------------------------------------------------------------------------------------------------------------------------------------------------------------------------------------------------------|
| FILE SYS FULL<br>File Too Big         | Yes/No                   | Insufficient flash memory available to store file.                                           | Delete unnecessary files and select the Optimize&Reboot menu option. Check the Flash Avail menu option to determine if there is enough flash to store the file you wish to save. Files too large for onboard flash may be saved on the (optional) Extended Memory Cartridge (EMC). |
| FILE SYS FULL<br>Optimize & Reboot    | Yes                      | Insufficient flash memory available to store file.                                           | Enter the PRINTER SETUP menu and use the Optimize & Reboot feature.                                                                                                                                                                                                                |
| FILE SYS FULL<br>Delete Files         | Yes                      | Insufficient flash memory available to store the file.                                       | Delete unnecessary files and select the Optimize & Reboot menu option. Check the Flash Avail menu option to determine if there is enough flash.                                                                                                                                    |
| FILE SYS WRITE<br>Check Flash         | Yes/No                   | Problem writing to flash memory.                                                             | Power off the printer for 15 seconds, then power back on. If the problem persists, contact your authorized customer service representative.                                                                                                                                        |
| EXT FILESYS FULL<br>File Too Big      | Yes/No                   | Insufficient flash memory on the Extended Memory Cartridge (EMC) is available to store file. | Delete unnecessary files from the Extended Memory Cartridge (EMC) and select the Optimize & Reboot menu option.                                                                                                                                                                    |
| EXT FILESYS FULL<br>Optimize & Reboot | Yes                      | Insufficient flash memory on the Extended Memory Cartridge (EMC) is available to store file. | Enter the PRINTER SETUP menu and use the Optimize & Reboot feature.                                                                                                                                                                                                                |
| EXT FILESYS FULL<br>Delete Files      | Yes/No                   | Insufficient flash memory on the Extended Memory Cartridge (EMC) is available to store file. | Delete unnecessary files from the Extended Memory Cartridge (EMC) and select the Optimize & Reboot menu option.                                                                                                                                                                    |

Table 15. Fault Messages

| Displayed Message                              | Can User Correct? | Explanation                                                                                                                                          | Solution                                                                                                                                                                                                                                                                                                                                                                                                                                                                                                                                                                                                                                       |
|------------------------------------------------|-------------------|------------------------------------------------------------------------------------------------------------------------------------------------------|------------------------------------------------------------------------------------------------------------------------------------------------------------------------------------------------------------------------------------------------------------------------------------------------------------------------------------------------------------------------------------------------------------------------------------------------------------------------------------------------------------------------------------------------------------------------------------------------------------------------------------------------|
| GAP NOT DETECTED<br>Check Sensor and Calibrate | Yes               | The printer is set for Gap or Mark sensing, but no gap or mark was detected.                                                                         | <ol style="list-style-type: none"> <li>1. Check that the setting of the Gap/Mark Sensor in the SENSOR SETUP menu matches the installed media.</li> <li>2. Check the position of the media sensors. (See "Positioning the Media Sensors" on page 44.)</li> <li>3. Clean the sensor assembly and paper path.</li> <li>4. Run Auto-Cal to improve the sensor's ability to detect the media in use.</li> <li>5. Run the Media Profile printout in the SENSOR SETUP menu.</li> <li>6. Run Manual Calibrate. (See "Running Manual Calibrate" on page 50.)</li> <li>7. Manually change the Gap/Mark Thresh and/or Paper Out Thresh values.</li> </ol> |
| H00: PCI SLOT?<br>See User Manual              | No                | The controller board is not communicating with a PCI card. This could indicate a bad PCI card, poor connection, or problem in the PCI bus.           | Contact your authorized service representative.                                                                                                                                                                                                                                                                                                                                                                                                                                                                                                                                                                                                |
| H01: PCI J24                                   | No                | The controller board is not communicating with the network card. This could indicate a bad network card, poor connection, or problem in the PCI bus. | Contact your authorized service representative.                                                                                                                                                                                                                                                                                                                                                                                                                                                                                                                                                                                                |

Table 15. Fault Messages

| Displayed Message                                     | Can User Correct? | Explanation                                                                                                                                                                                                                      | Solution                                                                                                                                                                                                                                                                                                                                                                 |
|-------------------------------------------------------|-------------------|----------------------------------------------------------------------------------------------------------------------------------------------------------------------------------------------------------------------------------|--------------------------------------------------------------------------------------------------------------------------------------------------------------------------------------------------------------------------------------------------------------------------------------------------------------------------------------------------------------------------|
| Half Speed Mode                                       | Yes               | <p>The printhead is approaching a hot state. Half Speed Mode helps the cooling process and should permit completion of print jobs.</p> <p>Half Speed Mode helps prevent a PRINT HEAD HOT fault, which will stop the printer.</p> | <ol style="list-style-type: none"> <li>1. Allow printer to continue printing. Full speed will resume automatically when a lower printhead temperature is achieved.</li> <li>2. Let the printer cool down. Full speed will be restored when printing is resumed.</li> <li>3. Lower Print Intensity and Print Speed to reduce frequency of Half Speed Mode.</li> </ol>     |
| ILL NVM VALUE 5<br>ILL NVM VALUE 6<br>ILL NVM VALUE 7 | Yes               | Printer firmware code error.                                                                                                                                                                                                     | <ol style="list-style-type: none"> <li>1. Cycle Power. Run the print job again. If the message appears, load the latest emulation software.</li> <li>2. Cycle power. Run the print job again. If the message appears, record the display message and follow the instructions on page 186</li> <li>3. Contact your authorized customer service representative.</li> </ol> |
| INVALID EMC<br>Power off Printer<br>Remove Cartridge  | Yes               | The QCMC is not compatible with the software in the printer.                                                                                                                                                                     | Upgrade printer software.                                                                                                                                                                                                                                                                                                                                                |
| INVALID FILE SYS<br>Optimize&Reboot                   | Yes               | File system not detected or flash was corrupted.                                                                                                                                                                                 | Enter the PRINTER SETUP menu and use the Optimize & Reboot option.                                                                                                                                                                                                                                                                                                       |

Table 15. Fault Messages

| Displayed Message                         | Can User Correct? | Explanation                                                                                                                                                                                                                                                                                                                                                                                                                                                                  | Solution                                                                                                                                                                                                                                                                                                                                                                                                                                                                                                                                                                        |
|-------------------------------------------|-------------------|------------------------------------------------------------------------------------------------------------------------------------------------------------------------------------------------------------------------------------------------------------------------------------------------------------------------------------------------------------------------------------------------------------------------------------------------------------------------------|---------------------------------------------------------------------------------------------------------------------------------------------------------------------------------------------------------------------------------------------------------------------------------------------------------------------------------------------------------------------------------------------------------------------------------------------------------------------------------------------------------------------------------------------------------------------------------|
| <p>LABEL MISSING<br/>Check Media Path</p> | <p>Yes</p>        | <p>The Label Taken Sensor did not detect the label present over the tear bar with Peel-Off Media Handling mode enabled.</p> <ul style="list-style-type: none"> <li>• The label was removed before the printer stopped printing or before the LCD “Remove Label” message displayed.</li> <li>• The label slipped behind the platen roller.</li> <li>• The label wrapped around the platen roller.</li> <li>• Peel-Off Media Handling mode was mistakenly selected.</li> </ul> | <ol style="list-style-type: none"> <li>1. Press the Pause key to continue printing and then wait for the LCD “Remove Label” message before removing the label.</li> <li>2. Open the pivoting deck, reinstall the label, close the printhead, press the Pause key, and continue printing.</li> <li>3. Open the pivoting deck and remove wrapped labels from the platen. Clean all adhesive from the platen. Reinstall labels, close the deck, press the Pause key, and continue printing.</li> <li>4. Select the correct Media Handling mode in the MEDIA SETUP menu.</li> </ol> |
| <p>LABEL READY<br/>Remove Label</p>       | <p>Yes</p>        | <ul style="list-style-type: none"> <li>• A label was detected at the front of the printer by the Label Taken Sensor. This is the normal reminder message when Peel-Off Media Handling has been selected.</li> <li>• A label was removed, but the “Remove Label” message remained.</li> <li>• The incorrect Media Handling mode was selected.</li> </ul>                                                                                                                      | <ol style="list-style-type: none"> <li>1. Remove the label from the front of the printer to allow the next label to print.</li> <li>2. Verify that a front door assembly is installed on the printer and that it is properly closed. Ensure that no debris is obstructing the door mirror or the Label Taken Sensor.</li> <li>3. In the MEDIA SETUP menu, change Media Handling to the correct selection.</li> </ol>                                                                                                                                                            |

Table 15. Fault Messages

| Displayed Message             | Can User Correct? | Explanation                                                                                                                                                                                                                                                                                                                                                                                                                                                                   | Solution                                                                                                                                                                                                                                                                                                                                                                                                                                                                                                                                                                                                                                   |
|-------------------------------|-------------------|-------------------------------------------------------------------------------------------------------------------------------------------------------------------------------------------------------------------------------------------------------------------------------------------------------------------------------------------------------------------------------------------------------------------------------------------------------------------------------|--------------------------------------------------------------------------------------------------------------------------------------------------------------------------------------------------------------------------------------------------------------------------------------------------------------------------------------------------------------------------------------------------------------------------------------------------------------------------------------------------------------------------------------------------------------------------------------------------------------------------------------------|
| LOADING PROGRAM FROM PORT XX% | Yes               | The new emulation program is loading into printer RAM. XX% indicates how much of the program has loaded.                                                                                                                                                                                                                                                                                                                                                                      | No action required.                                                                                                                                                                                                                                                                                                                                                                                                                                                                                                                                                                                                                        |
| LOADING PROGRAM INTO FLASH    | Yes               | A program is getting loaded into flash.                                                                                                                                                                                                                                                                                                                                                                                                                                       | No action required.                                                                                                                                                                                                                                                                                                                                                                                                                                                                                                                                                                                                                        |
| MEMORY REMOVED<br>Check EMC   | Yes               | The EMC was removed while the printer was powered on.                                                                                                                                                                                                                                                                                                                                                                                                                         | <ol style="list-style-type: none"> <li>1. Power off the printer.</li> <li>2. Install the EMC.</li> <li>3. Power on the printer.</li> </ol>                                                                                                                                                                                                                                                                                                                                                                                                                                                                                                 |
| MEDIA OUT<br>Load Media       | Yes               | <p>The printer does not sense media:</p> <ul style="list-style-type: none"> <li>• Media was not installed or has run out.</li> <li>• A break in media has occurred.</li> <li>• Media was not routed or installed correctly.</li> <li>• The media sensor is not positioned correctly.</li> <li>• Media is installed correctly, but the sensor is not detecting it.</li> <li>• Gap/Mark Thresh value may be set too high and/or Paper Out Thresh may be set too low.</li> </ul> | <ol style="list-style-type: none"> <li>1. Install media. If a break occurred, reinstall the media. Press the Pause key to clear the fault message. Check the media installation procedures on page 25.</li> <li>2. Verify the media sensor is properly positioned. Run Auto-Cal to improve the ability of the sensor to detect the installed media.</li> <li>3. Check if the Gap/Mark Thresh is too high or the Paper Out Thresh is too low. Lower the Gap/Mark Thresh or raise the Paper Out Thresh value.</li> <li>4. If using media with no gaps or black marks, perform Run Auto-Cal to establish a valid Paper Out Thresh.</li> </ol> |

Table 15. Fault Messages

| Displayed Message                                       | Can User Correct? | Explanation                                                                                                                                                                         | Solution                                                                                                                                                                                                                                                                                                                                                                  |
|---------------------------------------------------------|-------------------|-------------------------------------------------------------------------------------------------------------------------------------------------------------------------------------|---------------------------------------------------------------------------------------------------------------------------------------------------------------------------------------------------------------------------------------------------------------------------------------------------------------------------------------------------------------------------|
| MODE NOT COMPATIBLE WITH CUTTER<br>Check Media Mode     | Yes               | Peel-Off Media Handling selection was attempted with the cutter option still installed. This mode requires that the front door assembly be installed to use the Label Taken Sensor. | Select a different Media Handling Mode.                                                                                                                                                                                                                                                                                                                                   |
| MISSING PRINT HEAD See Manual                           | Yes               | The printer does not detect installation of the printhead.                                                                                                                          | <ol style="list-style-type: none"> <li>1. Install the printhead.</li> <li>2. Install or reset the printhead signal cable and printer cable.</li> </ol>                                                                                                                                                                                                                    |
| NOT ENOUGH SPACE ON EMC<br>Delete EMC File And Optimize | Yes               | There was not enough room on the expanded memory cartridge (EMC) to save the QCMC.                                                                                                  | <ol style="list-style-type: none"> <li>1. Cycle power, skip the QCMC configuration using the Cancel key.</li> <li>2. Delete some files from the EMC.</li> </ol>                                                                                                                                                                                                           |
| NOVRAM ERROR B                                          | Yes               | Printer firmware code error.                                                                                                                                                        | <ol style="list-style-type: none"> <li>1. Cycle Power. Run the print job again. If the message appears, load the latest emulation software.</li> <li>2. Cycle power. Run the print job again. If the message appears, record the display message and follow the instructions on page 186.</li> <li>3. Contact your authorized customer service representative.</li> </ol> |



Table 15. Fault Messages

| Displayed Message                 | Can User Correct? | Explanation                                                                                                                                                                                                                                        | Solution                                                                                                                                                                                                                                                                                                                                                                  |
|-----------------------------------|-------------------|----------------------------------------------------------------------------------------------------------------------------------------------------------------------------------------------------------------------------------------------------|---------------------------------------------------------------------------------------------------------------------------------------------------------------------------------------------------------------------------------------------------------------------------------------------------------------------------------------------------------------------------|
| NVM HDW FAIL 8                    | Yes               | Printer firmware code error.                                                                                                                                                                                                                       | <ol style="list-style-type: none"> <li>1. Cycle Power. Run the print job again. If the message appears, load the latest emulation software.</li> <li>2. Cycle power. Run the print job again. If the message appears, record the display message and follow the instructions on page 186.</li> <li>3. Contact your authorized customer service representative.</li> </ol> |
| OPTION NOT INSTALLED              | Yes               | <ol style="list-style-type: none"> <li>1. Selection of Peel-Off, Cut, or Rewind Media Handling was attempted when the option was not properly installed.</li> <li>2. The printer is powered on with the cutter not connected correctly.</li> </ol> | <ol style="list-style-type: none"> <li>1. Check that the correct selection was attempted and that the option is installed.</li> <li>2. Check that the appropriate option is installed and connected correctly before powering on the printer.</li> <li>3. If the error persists, contact your authorized customer service representative.</li> </ol>                      |
| PGL ERROR                         | Yes               | Appears when the "Fault" option is selected from Error Report in the front panel.                                                                                                                                                                  | Deselect "Fault" from Error Report on the front control panel.                                                                                                                                                                                                                                                                                                            |
| PRINT HEAD UP<br>Close Print Head | Yes               | Printhead is not closed.                                                                                                                                                                                                                           | Close the printhead pivoting deck.                                                                                                                                                                                                                                                                                                                                        |

Table 15. Fault Messages

| Displayed Message                                                               | Can User Correct? | Explanation                                                                                              | Solution                                                                                                                                                                                                                                                                  |
|---------------------------------------------------------------------------------|-------------------|----------------------------------------------------------------------------------------------------------|---------------------------------------------------------------------------------------------------------------------------------------------------------------------------------------------------------------------------------------------------------------------------|
| PRINTHEAD HOT<br>Wait 5 Minutes<br>Go Online                                    | Yes/No            | The printhead has become overheated.                                                                     | <ol style="list-style-type: none"> <li>1. Allow the printhead to cool down for 5 minutes, then press Pause. Resume printing.</li> <li>2. If possible, reduce print intensity.</li> <li>3. If problem persists, contact your authorized service representative.</li> </ol> |
| PRINTER HARDWARE NOT COMPATIBLE<br>Power Off Printer<br>Remove Cartridge        | Yes               | The printer used to configure the QCMC has different hardware options than the printer to be configured. | Change the hardware configuration of the new printer to match the original printer.                                                                                                                                                                                       |
| PRINTER UNDER REMOTE CONTROL                                                    | Yes               | Indicates that PNE software has control of the printer.                                                  | Press any key on the printer.                                                                                                                                                                                                                                             |
| PROGRAM IS NOT COMPATIBLE WITH THIS PRINTER<br>Repeat Download                  | No                | An attempt was made to download a non-compatible program file.                                           | Try downloading again. If problem persists, contact your authorized service representative.                                                                                                                                                                               |
| QCMC DATA ERROR ON EMC<br>Delete & Resave QCMC Data                             | Yes               | The data on the QCMC is corrupted.                                                                       | Delete the existing QCMC and recopy from the original printer.                                                                                                                                                                                                            |
| QCMC DETECTED<br>Copy to Printer?<br>Yes...Press <ENTER><br>No...Press <CANCEL> | Yes               | The printer detected a QCMC with a saved configuration.                                                  | To configure the printer with the QCMC, press the Enter key, otherwise press the Cancel key.                                                                                                                                                                              |
| QCMC DETECTED<br>Save to QCMC?<br>Yes...Press <ENTER><br>No...Press <CANCEL>    | Yes               | The printer detected a QCMC cartridge without a saved image.                                             | If the printer is completely configured with the desired state, press the Enter key. If you do not wish to save at this time, press Cancel.                                                                                                                               |
| REWINDER FULL<br>Remove Roll                                                    | Yes               | The Rewinder Full Sensor has detected a roll full condition.                                             | Remove the roll from the rewind spindle.                                                                                                                                                                                                                                  |

**Table 15. Fault Messages**

| <b>Displayed Message</b>             | <b>Can User Correct?</b> | <b>Explanation</b>                                                                                                                                              | <b>Solution</b>                                                                                                                               |
|--------------------------------------|--------------------------|-----------------------------------------------------------------------------------------------------------------------------------------------------------------|-----------------------------------------------------------------------------------------------------------------------------------------------|
| RFID CNTRY BAD:<br>Set Country Freq  | No                       | The RFID country frequency has not been set.                                                                                                                    | Set RFID country through RFID menus. If problem persists contact your authorized customer service representative.                             |
| RFID Comm Err<br>Check Cable         | Yes                      | RFID error: communication cannot be established with the RFID encoder.                                                                                          | Disable the RFID reader or contact your authorized customer service representative.                                                           |
| RFID FW ERR<br>Version Mismatch      | Yes                      | The printer firmware version does not match the installed RFID encoder.                                                                                         | Complete the downloading software procedure. See "Downloading Software" on page 157.                                                          |
| RFID KIL FIELD:<br>Not Supported!    | No                       | The KIL field was accessed on a tag which does not support the KIL field.                                                                                       | Contact your authorized customer service representative.                                                                                      |
| RFID LOCK CMD:<br>Not Supported!     | No                       | A lock command was executed on a tag which does not support locking. Most Gen 2 tags support locking but some do not.                                           | Contact your authorized customer service representative.                                                                                      |
| RFID TAG FAILURE<br>Check Media      | Yes                      | Failed tag. Error displays in STOP mode, causing the printer to halt.                                                                                           | Initiate reprint of the label from the host. When the error is cleared, the label with the failed tag moves forward to the next TOF position. |
| RFID TAG MAX<br>RETRY<br>Check Media | Yes                      | Failed tag. Error displays in OVERSTRIKE mode. Each failed label prints with the OVERSTRIKE pattern; the form retries until the label retry count is exhausted. | Clear the error. When the error is cleared, the label with the failed tag moves forward such that the next label is in position.              |

Table 15. Fault Messages

| Displayed Message         | Can User Correct? | Explanation                                                                                                                                                                                                               | Solution                                                                                                                                                                                                                                                                                                                                                               |
|---------------------------|-------------------|---------------------------------------------------------------------------------------------------------------------------------------------------------------------------------------------------------------------------|------------------------------------------------------------------------------------------------------------------------------------------------------------------------------------------------------------------------------------------------------------------------------------------------------------------------------------------------------------------------|
| Ribbon Low                | Yes               | <ol style="list-style-type: none"> <li>1. The supply spool is getting low.</li> <li>2. If there is a large amount of ribbon still on the supply spool, then the Ribbon Low message is being displayed falsely.</li> </ol> | <ol style="list-style-type: none"> <li>1. Replace ribbon.</li> <li>2. Disable Ribbon Low in the MEDIA SETUP menu.</li> </ol>                                                                                                                                                                                                                                           |
| RIBBON OUT<br>Load Ribbon | Yes               | <ol style="list-style-type: none"> <li>1. The ribbon supply spool is empty.</li> <li>2. The ribbon has broken.</li> </ol>                                                                                                 | <ol style="list-style-type: none"> <li>1. Replace the ribbon.</li> <li>2. Reinstall the ribbon.</li> </ol>                                                                                                                                                                                                                                                             |
| SECURITY CODE VIOLATION   | Yes               | The software being used is not correct for the printer.                                                                                                                                                                   | <ol style="list-style-type: none"> <li>1. Load the correct software.</li> <li>2. Power off the printer for 15 seconds, then power back on again. If the problem persists, contact your authorized customer service representative.</li> </ol>                                                                                                                          |
| SERIAL BUFFER OVERFLOW    | Yes               | Host sent data after the printer buffer was full (Serial Interface).                                                                                                                                                      | <ol style="list-style-type: none"> <li>1. Make a configuration printout.</li> <li>2. Verify that the printer matches the host serial interface configuration settings for Data Protocol, Baud Rate, Data Bits, Stop Bits, Parity, Data Terminal Ready, and Request to Send.</li> <li>3. Set printer serial interface parameters to match those of the host.</li> </ol> |

Table 15. Fault Messages

| Displayed Message             | Can User Correct? | Explanation                                                                                                                                                                                | Solution                                                                                                                                                                                                                                                                                                                                                                  |
|-------------------------------|-------------------|--------------------------------------------------------------------------------------------------------------------------------------------------------------------------------------------|---------------------------------------------------------------------------------------------------------------------------------------------------------------------------------------------------------------------------------------------------------------------------------------------------------------------------------------------------------------------------|
| SERIAL BUFFER OVERRUN         | Yes               | Receive overrun (Serial Interface).                                                                                                                                                        | <ol style="list-style-type: none"> <li>1. Make a configuration printout.</li> <li>2. Verify that the printer matches the host serial interface configuration settings for Data Protocol, Baud Rate, Data Bits, Stop Bits, Parity, Data Terminal Ready, and Request to Send.</li> <li>3. Set the printer serial interface parameter to match those of the host.</li> </ol> |
| SERIAL FRAMING ERROR          | Yes               | Serial framing error over a serial interface.                                                                                                                                              | Match the serial interface settings of the printer to those of the host computer.                                                                                                                                                                                                                                                                                         |
| SERIAL PARITY ERROR           | Yes               | Parity error (serial interface).                                                                                                                                                           | Check your serial host interface parameter settings. If necessary, change them so they match the settings of the attached host.                                                                                                                                                                                                                                           |
| SOFTWARE ERROR<br>Cycle Power | Yes/No            | <ol style="list-style-type: none"> <li>1. Application software tried to perform an illegal power function.</li> <li>2. There are damaged logic circuits on the controller PCBA.</li> </ol> | <ol style="list-style-type: none"> <li>1. Recycle the printer power. If possible, print a job that has previously worked.</li> <li>2. If the problem persists, contact your authorized service representative.</li> </ol>                                                                                                                                                 |
| WAITING FOR PROGRAM DOWNLOAD  | Yes               | Normal message when the printer is powered up while holding down both the ↵ (Enter) and ✕ (Cancel) keys in preparation to download software to the printer.                                | <ol style="list-style-type: none"> <li>1. Complete the downloading software procedure. See "Downloading Software" on page 157.</li> <li>2. Exit this procedure by cycling printer power.</li> </ol>                                                                                                                                                                       |

Table 15. Fault Messages

| Displayed Message               | Can User Correct? | Explanation                                                          | Solution                                                                                                                                                                                                                                                                                                                                                 |
|---------------------------------|-------------------|----------------------------------------------------------------------|----------------------------------------------------------------------------------------------------------------------------------------------------------------------------------------------------------------------------------------------------------------------------------------------------------------------------------------------------------|
| WIRELESS ADAPTER NOT COMPATIBLE | Yes               | The type of wireless card is incompatible with the printer software. | The PCMCIA radio card that you installed may be incompatible with the dual NIC interface in the printer. Verify the approved brand and model number of the radio card with your printer service provider and install the correct version. If using the correct radio card does not resolve this problem, call your service provider for further support. |

## Status Messages

**Table 16. Status Messages**

| Displayed Message                                                      | Can User Correct? | Explanation                                                                                                                                                          | Solution               |
|------------------------------------------------------------------------|-------------------|----------------------------------------------------------------------------------------------------------------------------------------------------------------------|------------------------|
| 203 DPI Head Installed                                                 | N/A               | Normal power-up message. The printer is running its initialization routine and indicating DPI resolution of the installed printhead.                                 | No action required.    |
| 305 DPI Head Installed                                                 | N/A               | Normal power-up message. The printer is running its initialization routine and indicating DPI resolution of the installed printhead.                                 | No action required.    |
| B20:FIRMWARE DOWNLOAD                                                  | N/A               | Forced download mode only.                                                                                                                                           | No action is required. |
| B21STATUS: PRINTER RESET                                               | N/A               | The printer is automatically resetting after a download.                                                                                                             | No action is required. |
| CLEARING PROGRAM FROM FLASH                                            | N/A               | Emulation software successfully loaded into printer RAM and the checksum matched. The old program is now being deleted from flash memory.                            | No action required.    |
| D50 STATUS:<br>CLEARING FLASH<br>Please Wait                           | N/A               | Emulation software successfully loaded into printer RAM and the checksum matched. The old program is now being deleted from flash memory. Forced download mode only. | No action required.    |
| D51: PROGRAMMING FLASH<br>LOADING PROGRAM<br>INTO FLASH<br>Please Wait | N/A               | A program is getting loaded into flash.                                                                                                                              | No action is required. |

Table 16. Status Messages


| Displayed Message                          | Can User Correct? | Explanation                                                                                                                                                                                                                                | Solution                                                                                              |
|--------------------------------------------|-------------------|--------------------------------------------------------------------------------------------------------------------------------------------------------------------------------------------------------------------------------------------|-------------------------------------------------------------------------------------------------------|
| DO NOT POWER OFF                           | N/A               | This is a standard warning message that displays while the printer is downloading software.                                                                                                                                                | Do not power off the printer until downloading is complete.                                           |
| ETHERNET INITIALIZING<br>Please Wait       | N/A               | Ethernet is initializing.                                                                                                                                                                                                                  | No action is required.                                                                                |
| ETHERNET READY                             | N/A               | Ethernet Interface has finished initializing.                                                                                                                                                                                              | No action is required.                                                                                |
| ETHERNET RESETTING<br>Please Wait          | N/A               | Ethernet Interface is being reset.                                                                                                                                                                                                         | No action is required.                                                                                |
| LOADING PROGRAM INTO FLASH<br>Please Wait  | N/A               | Expanded Flash Cartridge download mode only.                                                                                                                                                                                               | No action is required.                                                                                |
| POWER SAVER MODE                           | N/A               | This is a status message. The printer is in low-energy idle state, the higher voltages are off, the front panel is dimmed, and only +5Vdc logic circuits are active.                                                                       | No action required. Sending a print job or pressing any control panel key turns off power saver mode. |
| PRINTER RESETTING<br>Please Wait           | N/A               | Printer finished loading the program into flash memory and is automatically resetting itself.                                                                                                                                              | No action is required.                                                                                |
| RESTORING BOOT CODE                        | Yes               | Normal download initialization message.                                                                                                                                                                                                    | No action required.                                                                                   |
| SDRAM TEST 32MB                            | N/A               | Status only not an error.                                                                                                                                                                                                                  | No action is required.                                                                                |
| STATUS:<br>LOADING FIRMWARE<br>Please Wait | N/A               | Normal message when the printer is powered up while holding down both the  (Menu) and the Down keys in preparation to download software to the printer. | Complete the downloading software procedure.                                                          |



Table 16. Status Messages

| Displayed Message               | Can User Correct? | Explanation                                                                                                                                                                                     | Solution                                                                                                                                                                                                                                                                                        |
|---------------------------------|-------------------|-------------------------------------------------------------------------------------------------------------------------------------------------------------------------------------------------|-------------------------------------------------------------------------------------------------------------------------------------------------------------------------------------------------------------------------------------------------------------------------------------------------|
| TESTING HARDWARE<br>PLEASE WAIT | Yes               | Normal power-up message. Printer is running its initialization routine.                                                                                                                         | No action required.                                                                                                                                                                                                                                                                             |
| THE ↵ KEY IS<br>LOCKED          | Yes               | A momentary status message that appears when an attempt is made to change a menu option or perform a diagnostic print test. By default, the ↵ (Enter) key is locked when the printer powers on. | <ol style="list-style-type: none"> <li>1. Unlock the Enter key by pressing DOWN + ↵ at the same time. (This is the factory default key combination.)</li> <li>2. A different unlock key combination will be in affect if the Set Lock Key option in the Printer Setup menu was used.</li> </ol> |
| THE ↵ KEY IS<br>UNLOCKED        | Yes               | A momentary status message that appears when the ↵ (Enter) key is unlocked, permitting configuration parameters to be changed.                                                                  | <ol style="list-style-type: none"> <li>1. No action is necessary if you want the ↵ key unlocked.</li> <li>2. Press the DOWN + ↵ keyat the same time if you want to lock the ↵ key.</li> </ol>                                                                                                   |
| To Stop Press ↵                 | N/A               | Normal message when a test print pattern that will run continuously is printing.                                                                                                                | Press the ↵ (Enter) key to stop printing the test pattern.                                                                                                                                                                                                                                      |



---

# A

# *Specifications*

## **Print Method**

---

|                                                                       | <b>SL4M/T4M</b>            |                            |
|-----------------------------------------------------------------------|----------------------------|----------------------------|
| Print Resolution (dpi)                                                | 203                        | 305                        |
| Method                                                                | Direct or Thermal Transfer | Direct or Thermal Transfer |
| Max. Print Speed (ips)                                                | 10                         | 10                         |
| Max. Slew Speed (ips)                                                 | 10                         | 10                         |
| Max. Print Width (in.)                                                | 4.1 (104.1 mm)             | 4.1 (104.1 mm)             |
| Flash Memory (MB) Standard                                            | 8                          | 8                          |
| Flash Memory (MB) Maximum with Expanded Memory Cartridge (EMC) option | 40                         | 40                         |
| DRAM (MB) Standard/Max (fixed)                                        | 32                         | 32                         |
| Max. Print Length (in.) at max. width, std. MB DRAM                   | 99 (2515 mm)               | 99 (2515 mm)               |

## Media

**Table 17. Media - General Information**

|                           |                                                                                                                                                                                                                                                                                                                                                                                    |
|---------------------------|------------------------------------------------------------------------------------------------------------------------------------------------------------------------------------------------------------------------------------------------------------------------------------------------------------------------------------------------------------------------------------|
| <b>Type</b>               | Roll-fed, die-cut continuous or fanfold labels, tags or tickets; most direct thermal or thermal transfer materials.                                                                                                                                                                                                                                                                |
| <b>Supply Roll</b>        | 8.0 inch (203.2 mm) maximum outside diameter on a 3 inch (76.2 mm) diameter core.                                                                                                                                                                                                                                                                                                  |
| <b>Rewinder</b>           | Accepts a full roll of backing from an 8 inch diameter roll of labels.                                                                                                                                                                                                                                                                                                             |
| <b>Label Material</b>     | Thermal transfer plain-coated papers, vinyl, Mylar, metallized paper, non-woven fabric, fine woven fabric, thermal-visible light scannable paper, infrared scannable paper, thermal ticket/tag stock, thermally-sensitive plastic stock.                                                                                                                                           |
| <b>Media Sensing</b>      | Horizontally moveable sensor assembly. When set to Gap, the assembly detects die-cut labels on liner media and notches and holes in tag stock. When set to Mark, it senses a black mark on the underside of tag or label stock. When set to Disable, it senses no label indicators or ignores all existing label length indicators on the installed media. Also detects paper out. |
| <b>Label Taken Sensor</b> | Detects when a printed label is at the printer exit throat. Used only for Peel-Off Media Handling mode.                                                                                                                                                                                                                                                                            |
| <b>Label Peel-Off</b>     | Peels and presents label to the operator, one at a time. Label Peel-Off is supported only when using the Standard Peel option or Peel-Liner Rewinder option.                                                                                                                                                                                                                       |
| <b>Standard Peel</b>      | Peels labels while discarding the dispensed liner in front of the printer. Optional installation.                                                                                                                                                                                                                                                                                  |

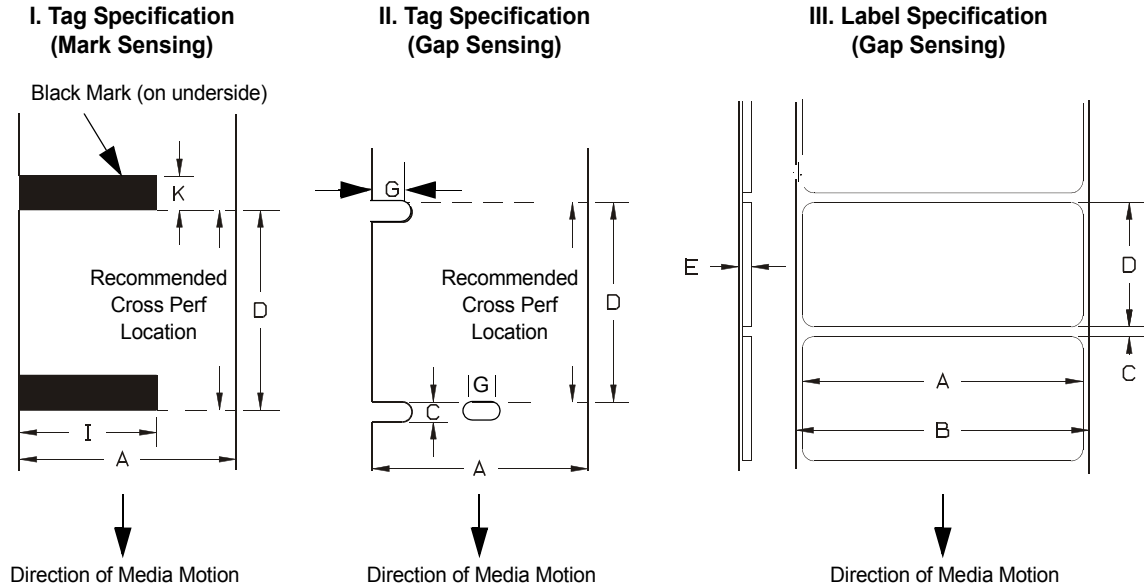


Figure 5. Media Dimensions

Table 18. Media Specifications

| SL4M/T4M                                                                                                                                      |                                 |                                         |
|-----------------------------------------------------------------------------------------------------------------------------------------------|---------------------------------|-----------------------------------------|
| A                                                                                                                                             | Label Width Range               | 0.87 to 5.0 inches<br>22 to 128 mm      |
| B                                                                                                                                             | Liner Width Range               | 1.0 to 5.15 inches<br>25 to 131 mm      |
| C                                                                                                                                             | Min. Gap/Hole/Notch Height      | 0.10 in.<br>2.54 mm                     |
| D                                                                                                                                             | Media Length Range              |                                         |
|                                                                                                                                               | Tear-Off Strip Mode             | 0.25 in. (6 mm) to 99 in. (2515 mm)     |
|                                                                                                                                               | Peel-Off Mode                   | 1 in. (25.4 mm) to 39 in. (991 mm)      |
|                                                                                                                                               | Cut Mode                        | 1 in. (25.4 mm) to 99 in. (2515 mm)     |
|                                                                                                                                               | Rewind Mode                     | 0.5 in. (13 mm) to 99 in. (2515 mm)     |
|                                                                                                                                               | Continuous Mode                 | 0.25 in. (6 mm) to 99 in. (2515 mm)     |
| E                                                                                                                                             | Media Thickness Range           | 0.0023 to 0.010 in.<br>0.06 to 0.254 mm |
| G                                                                                                                                             | Width of Inter-label notch/hole | 0.25* to 0.50 in.<br>6.35 to 12.7 mm    |
| I                                                                                                                                             | Min Refl. Mark Width            | 0.5 in.<br>12.7 mm                      |
| K                                                                                                                                             | Min. Refl. Mark Height          | 0.10 in.<br>2.54 mm                     |
| These figures are approximate and depend upon the active emulation and application.                                                           |                                 |                                         |
| * You may need to select Mark sensing instead of Gap sensing for notch widths .25 in. or less due to limited inside travel of the Gap sensor. |                                 |                                         |

### Media Thickness

The printer supports media thickness ranging from .002 to 0.010 inches (0.051 to 0.254 mm).

### Media Capacity

|                   |                       |                                                                                                |
|-------------------|-----------------------|------------------------------------------------------------------------------------------------|
| <b>Media Type</b> | <b>Roll Supply</b>    | 8.0 inches (maximum outside diameter) on 3 inch inside diameter core<br>203 mm on 76.2 mm core |
|                   | <b>Fanfold Supply</b> | 7.87 inches (200 mm) maximum height at rear entrance.                                          |

### Ribbon

|                                      |                                                                                                          |
|--------------------------------------|----------------------------------------------------------------------------------------------------------|
| Ribbon length                        | 1476 feet (450 m)                                                                                        |
| Ribbon description                   | Coated side in (ink on the inside of the ribbon) and coated side out (ink on the outside of the ribbon). |
| Ribbon core                          | Internal diameter, 1.0 inch (25.4 mm)                                                                    |
| Maximum outer diameter               | 3.3 inches (83.8 mm)                                                                                     |
| Maximum ribbon width                 | 5.0 inches (127 mm)                                                                                      |
| Minimum ribbon width                 | 1.55 inches (39.4 mm)                                                                                    |
| Ribbon width for optimum performance | 0.59 inches (15mm) wider than the media                                                                  |

### Indicators and Switches

**Table 19. Indicators and Switches**

|                   |                                                                                                                                                                                                               |
|-------------------|---------------------------------------------------------------------------------------------------------------------------------------------------------------------------------------------------------------|
| Indicator Lights: | Online, Fault                                                                                                                                                                                                 |
| Switches:         | Power                                                                                                                                                                                                         |
| Keys:             | Pause, Feed, ↑ (Up), ↓ (Down), ← (Left), → (Right), ↵ (Enter), ☰ (Menu), ⊞ (Cancel),                                                                                                                          |
| Message Display:  | One row of text and two rows of menu icons or 4 rows of 16 characters per row for error messages, print status, and recalling stored formats. Eight rows of 21 characters per row for changing menu settings. |

## Memory

---

|                         |                               |
|-------------------------|-------------------------------|
| Flash Memory (standard) | 8MB fixed on Controller PCBA  |
| DRAM (standard)         | 32MB fixed on Controller PCBA |

## Optional Expanded Memory Cartridge

---

**CAUTION** You must power off the printer before you install or remove the EMC, or you may damage the EMC and the printer. If you remove the EMC after powering on the printer with the EMC installed, the fault message "MEMORY REMOVED Check EMC" will display. You cannot clear this message by reinserting the EMC. You must cycle power.

The expanded memory cartridge (EMC) is a user installable 32MB memory storage cartridge that provides additional flash memory for downloading forms, logos, and fonts. The EMC can be ordered as a factory option kit or as a field upgrade kit that allows users to increase the printer flash memory capacity. Refer to page 238 to 240 for installation instructions. The EMC can also come as a preloaded factory kit with one of three Asian TrueType fonts (see "DBCS Character Sets and Fonts" on page 229), one of four Andalé TrueType fonts, or the QCMC option.

## Media Cutter Option

---

The media cutter is designed to cut tags and label liner. Avoid cutting through the adhesive backed portion of any media.

|                       |                                          |
|-----------------------|------------------------------------------|
| Typical Life          | More than 1,000,000 cuts                 |
| Warranty              | 500,000 cuts                             |
| Environment           | Same specifications as printer           |
| Cutting Method        | Single-edged blade, up/down slice motion |
| Media Thickness Range | 0.0025 to 0.010 in. (0.064 to 0.254 mm)  |
| Media Width Range     | 1.00 to 5.15 inches (25.4 to 130.8 mm)   |
| Media Length Range    | 1.00 to 99 in. (25.4 to 2515 mm)         |

## Host Interfaces

|                                                                                                                                                                                                                                                                                                                                       |                                                                                                                                                                                                                                                             |
|---------------------------------------------------------------------------------------------------------------------------------------------------------------------------------------------------------------------------------------------------------------------------------------------------------------------------------------|-------------------------------------------------------------------------------------------------------------------------------------------------------------------------------------------------------------------------------------------------------------|
| <ol style="list-style-type: none"> <li>1. Serial RS-232 at 600, 1200, 2400, 4800, 9600, 19200, 38400, 57600, or 115200 baud.</li> <li>2. Parallel (Centronics compatible) or IEEE 1284 bi-directional.</li> <li>3. USB 2.0 Universal Serial Bus</li> </ol> <p>The RS-232 host interface shall have the following characteristics:</p> |                                                                                                                                                                                                                                                             |
| Character Set:                                                                                                                                                                                                                                                                                                                        | ANSI® ASCII character set                                                                                                                                                                                                                                   |
| Word Length:                                                                                                                                                                                                                                                                                                                          | Selectable 7-bit or 8-bit data format                                                                                                                                                                                                                       |
| Handshaking:                                                                                                                                                                                                                                                                                                                          | XON/XOFF (in receive mode only)<br>CTS/DTR. Clear To Send (CTS)/Data Terminal Ready (DTR)<br>ETX/ACK. End of Text (ETX)/Acknowledge (ACK)<br>ACK/NAK. Acknowledge (ACK)/Negative acknowledge (NAK)<br>Series 1 Char<br>Series 2 Char                        |
| Input Buffer:                                                                                                                                                                                                                                                                                                                         | Selectable from 1 through 16 kbytes. XOFF is transmitted and DTR goes low when buffer is equal to or less than 25% of full. XON is transmitted and DTR goes high when buffer is 25% above empty. Characters are transmitted with no parity from the printer |

## Power

**Table 20. Power Source and Grounding**

|              |                                                           |
|--------------|-----------------------------------------------------------|
| Power Source | 230 VAC 50 Hz auto-ranging power supply.                  |
| Grounding    | Unit must be connected to a properly grounded receptacle. |

**Table 21. Power Consumption**

| Operating Mode | Watts                           |
|----------------|---------------------------------|
| Power Saver    | 15.6 Watts                      |
| Idle           | 24 Watts                        |
| Maximum        | 156 Watts (@ 30% print density) |



## Environmental

|                                                                        |                                                        |
|------------------------------------------------------------------------|--------------------------------------------------------|
| Operating Temperature:                                                 | 40° F to 104° F (5° C to 40° C)                        |
| Storage Temperature:                                                   | 23° F to 140° F (-5° C to 60° C)                       |
| Operating Humidity:<br>Storage Humidity:                               | 10% to 90%, non-condensing<br>5% to 90% non-condensing |
| Ventilation:                                                           | Free air movement                                      |
| Dust:                                                                  | Non-conducting, non-corrosive                          |
| <b>NOTE:</b> These conditions do not apply to media or ribbon storage. |                                                        |

## Physical

|                                         | Dimensions (Inches)      | Weight             |
|-----------------------------------------|--------------------------|--------------------|
| SL4M/T4M, unpacked<br>excluding options | 12.13H x 11.0W x 18.75D  | 31.8 lbs. (14.5kg) |
| Standard Peel with Liner<br>Rewinder    | 18.62H x 11.0W x 18.75D  | 50.0 lbs. (22.7kg) |
| Full Media Rewinder                     | 18.62H x 11.0W x 21.50 D | 50.0 lbs. (22.7kg) |
| Standard Peel without Liner<br>Rewinder | 12.13H x 11.0W x 18.75D  | 33.0 lbs. (15kg)   |
| Cutter                                  | 12.13H x 11.0W x 18.75D  | 33.8 lbs. (15.4kg) |

## Acoustic Noise

Under typical operating conditions the noise level generated will not exceed 66 dBA regardless of printhead resolution, media, ribbon, or print speed. This is in accordance with ISO 7779 and declared in accordance with ISO 9296.



---

# B

## *Printer Options*

Options are offered with the printer to enhance its capabilities and to provide a large degree of application flexibility. A description of the option complement is given below. Field installable options include installation instructions.

### **Hardware Options**

---

#### **Media Cutter**

The printer may be ordered with a cutter mechanism installed (for cutting tags and label liner), or the option can be field installed by the user at a later date. Once installed, the printer can be configured to automatically cut media after each label or after a specified number of labels is printed.

**NOTE:** The Cutter option is not supported when the Full Media Rewinder or either Standard Peel option is installed.

#### **Full Media Rewinder**

In batch rewind mode, rewinds printed labels into a removable roll or a 3 inch diameter media take-up core. The printer may be ordered with this option installed or it can be field installed at a later date by an authorized service representative.

#### **Standard Peel with Liner Rewinder**

In label peel-off mode, peels off labels one at a time before printing the next label and rewinds the liner into a discardable roll. The printer may be ordered with this option installed or it can be field installed by an authorized service representative at a later date.

#### **Standard Peel**

This option provides the ability to peel labels while discarding the dispensed liner in front of the printer. This option may be field installed by the user at a later date.

## Expanded Memory Cartridge (EMC)

The expanded memory cartridge (EMC) is a user installable option. See page 238 for installation instructions. The EMC can be ordered in any of these configurations as a factory option kit or as a field upgrade kit:

- **Expanded Memory** - 32MB Expanded Memory Cartridge that provides additional Flash memory for forms, logos, and fonts (see “Optional Expanded Memory Cartridge” on page 223).
- **Asian TrueType® Fonts** - Separate cartridges containing fonts for Simplified Chinese, Korean, or Japanese allows PGL or ZGL to print complex Double Byte Character Set (DBCS) characters (see “DBCS Character Sets and Fonts” on page 229).
- **Andalé TrueType® Fonts** - Separate cartridges containing Andalé TrueType® fonts allowing PGL or ZGL to print characters for virtually every language used in the world today, including simplified and traditional Chinese, Japanese, and Korean. (see “Andalé Fonts” on page 229).
- **Quick Change Memory Cartridge (QCMC)** - This cartridge option provides an easy way to copy a printer’s firmware and configuration settings from one printer to another. A “snapshot image” of the source printer is stored onto the QCMC and a simple interface is provided to copy that image to a target printer. Once the image has been copied to the target printer, the two printers will be identically configured. The QCMC has its own resident network MAC address that will be used in place of the printer’s LAN/WLAN MAC address when the cartridge is left installed in a printer (see “Quick Change Memory Cartridge (QCMC)” on page 230).

## Real Time Clock

A clock chip with internal battery that keeps track of the year, month, day, hour, minute, and second values. It continues to operate when the printer is off. The printer may be ordered with this option installed or it can be field installed at a later date by an authorized service representative.

## RFID

The RFID encoder programs smart labels (tags with embedded inlays). The printer may be ordered with an RFID encoder installed (making it an SL4M printer) or it can be field installed by an authorized service representative.

---

## Interface Options

---

### Network Interface Card (NIC)

This option permits placing the printer on a LAN rather than attaching it directly to a host system. The printer may be ordered with the NIC included in the shipping carton or it can be field installed at a later date. Two NICs (both are user installable at the rear panel of the printer) are available :

- **Ethernet 10/100Base-T.** The Ethernet 10/100Base-T NIC supports data transfer rates of 100 Mbps.
- **Wireless 802.11b/g.** The wireless NIC provides wireless 802.11b/g connectivity without expensive cabling and reconfigurations required from a wired network. The PrintNet Enterprise Suite (PNE) remote management software is standard with the wireless NIC.

The printer can support only one NIC option at a time. NIC installation instructions are available as part of the option kit as well as in the Maintenance Manual.

---

## Software Options

---

**CAUTION** You must power off the printer before you install or remove the EMC, or you may damage the EMC and the printer. If you remove the EMC after powering on the printer with the EMC installed, the fault message "MEMORY REMOVED Check EMC" will display. You cannot clear this message by reinserting the EMC. You must cycle power.

### DBCS Character Sets and Fonts

Optional Asian Double Byte Character Set (DBCS) language cartridges can be ordered. Each cartridge contains one Asian DBCS character set and font, supporting Simplified Chinese, Korean, or Japanese, as well as user addressable memory area to expand the printer flash memory capacity.

### Andalé Fonts

The optional Andalé font is a TrueType® scalable font containing characters for virtually all languages used in the world today, such as Chinese, Japanese, and Korean. Four different versions of the font are available for purchase. Each of the four versions contains all of the same characters. The files differ in that a few of the characters are customized for certain regions of the world. Use UTF-8 encoded Unicode (recommended) or the 256 character multinational character sets to address the font in PGL and ZGL. With the ZGL emulation, it is also possible to use the Andalé font with downloaded character sets. Only one version of the Andalé font will be present on the EMC cartridge. For the font to be used, the EMC cartridge must be installed at power-up. The font will be listed on the configuration printout under Features Enabled (only one font will be present).

Korean Andale, Ver 1.00A  
Traditional Chinese Andale, Ver 1.00A  
Simplified Chinese Andale, Ver 1.00A  
Japanese Andale, Ver 1.00A

The font name and size will be listed on the configuration printout of the file system, under the EMC FFS file list.

## **Quick Change Memory Cartridge (QCMC)**

The QCMC provides the ability to duplicate an entire printer's firmware, saved configurations, and custom files quickly through the printer's control panel with a user friendly interface. No external host or files are needed to transfer this information to the QCMC. A "snapshot image" is saved of the printer's firmware, configuration settings, and custom files. The saved image can be copied to any number of printers using the same QCMC so that the printers will be identically configured (assumes same printer hardware and options are present).

The QCMC has its own resident network MAC address that will be used in place of the printer's LAN/WLAN MAC address when the cartridge is left installed in a printer. This allows a mission critical printer to be exchanged quickly with a spare printer that will be identically configured, including the network MAC address.

The following are examples of how the QCMC may make printer management more convenient:

- A site has 10 printers to install that should all be configured identically. Rather than inputting the information through the control panel individually to each printer, insert the QCMC into the first printer, capture the changes, then easily share the image with the other nine printers.
- A site is adding additional printers and wants them configured the same as the printers already installed, but is unsure what changes were originally made. By using the QCMC to capture the exact image of the older printers, no custom settings will be missed.
- A printer is set up on a network that is configured to only allow recognized MAC addresses to access the network. If the printer with the QCMC installed needs repair and must be removed from the network, the MAC that resides on the QCMC can be easily transferred to the replacement printer, along with all the configuration information and any other files stored as the "snapshot image" on the QCMC, making the replacement printer an exact duplicate for the downed printer. By using the MAC address that resides on the QCMC, the replacement printer can be installed without notifying the network administrator, thereby simplifying the exchange.

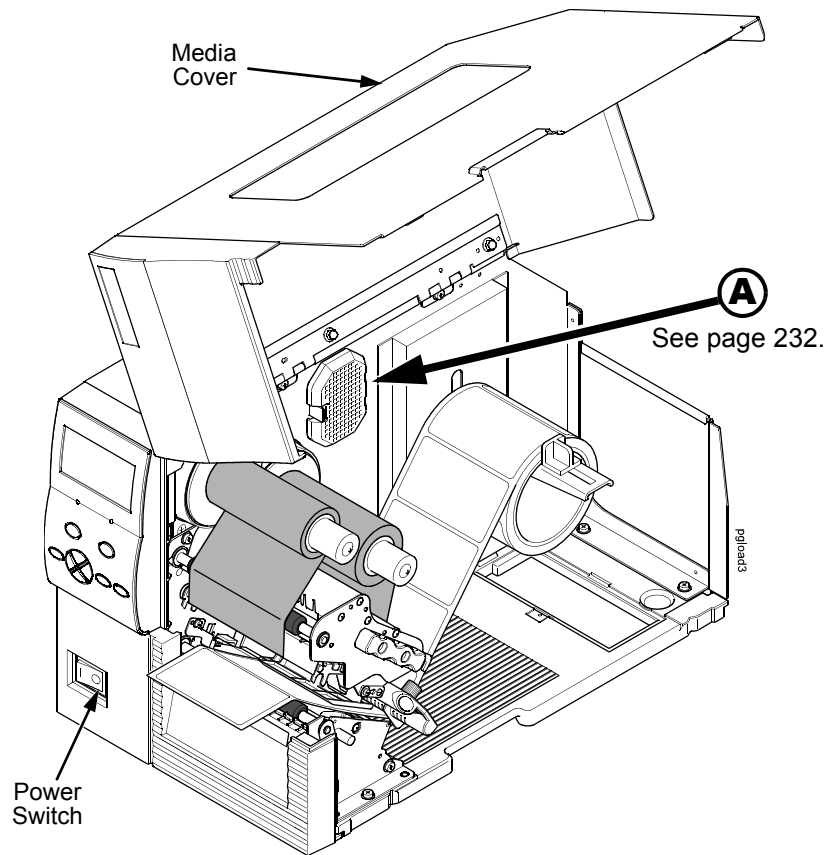
---

## Installing the QCMC

---

**CAUTION** You must power off the printer before you install or remove the QCMC, or you may damage the QCMC and the printer. If you remove the QCMC after powering on the printer with the QCMC installed, the fault message “MEMORY REMOVED Check QCMC” will display. You cannot clear this message by reinserting the QCMC. You must cycle power.

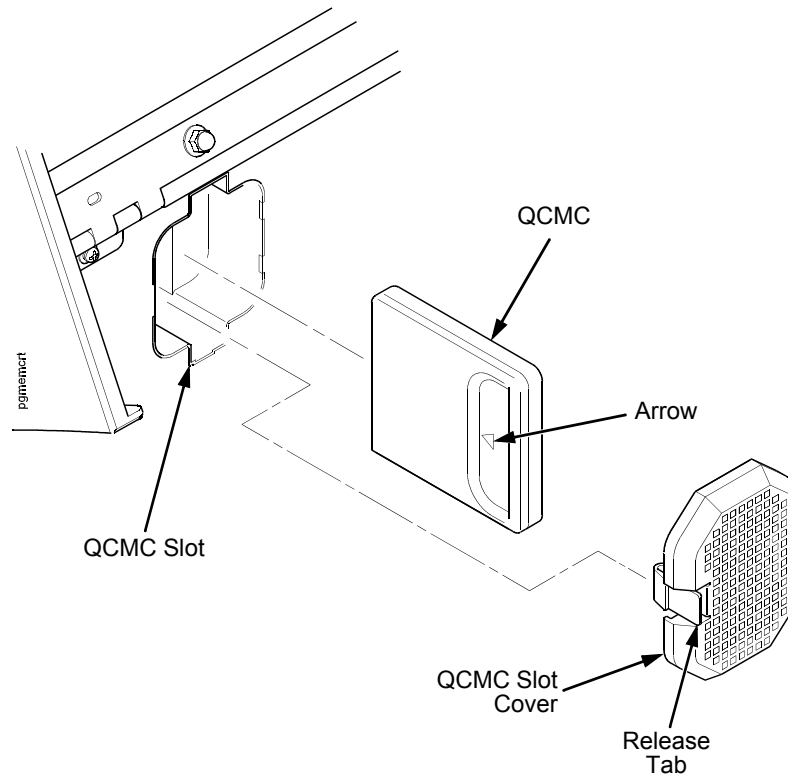
1. Set the printer power switch to O (Off) from the front of the printer.
2. Raise the media cover.



**Figure 6. Powering Off the Printer**

**A**

From page 231.



**Figure 7. Installing the QCMC**

3. Press the release tab and remove the QCMC slot cover.
4. Plug the QCMC (with the arrow positioned as shown) into the QCMC slot.
5. Install the QCMC slot cover.
6. Lower the media cover.
7. Set the printer power switch to | (On).
8. Make sure the Enter key is not locked and that Admin User is set to Enable.
9. Follow the instructions shown on the printer control panel to set up the Quick Change feature. See “Saving the Printer’s Configuration to the QCMC” on page 233.



---

## Saving the Printer's Configuration to the QCMC

---

**NOTE:** The MAC address residing on the QCMC will be used in place of the MAC assigned to the printer's own network card whenever the QCMC is installed. If you do not want to identify the printer with this MAC address, make sure the QCMC is removed from the printer before attaching the printer to the network.

When the printer software detects the presence of a QCMC at power-up, a check of the QCMC will be performed to determine if there is already a saved flash image available. If no printer flash image exists on the QCMC, the software will then check to see if there are any saved configurations in the printer's NVRAM memory. If the QCMC is blank (no flash image) and saved configurations are detected in the printer's NVRAM then the you will be prompted with a message on the front panel to save the printer's configuration to the QCMC.

**QMC DETECTED**  
**Save to QCMC?**  
**Continue Press <ENTER>**  
**Skip Press <CANCEL>**

**NOTE:** This screen will appear every time at power-up until the printer's flash is saved to the QCMC.

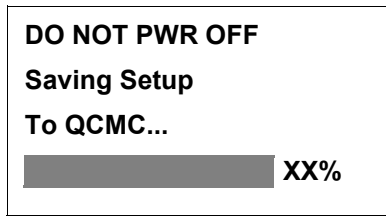
If the <CANCEL> key is pressed, the printer will reboot into normal operation and not save any information to the QCMC. On subsequent power-ups the Save message on page 233 will display again.

When the <ENTER> key is pressed, the printer will not go online, but instead will copy the printer's entire flash image to the QCMC, creating a snapshot of the printer's memory. Information will be stored on the QCMC indicating all of the options that are installed on the printer: DPI, RFID, Cutter, Peel, Rewind, NIC, etc.

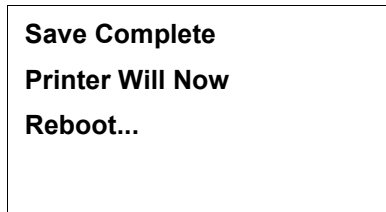
Below is a list of items that will be saved to the QCMC:

- Printer Program File (software)
- Custom configurations (1–8)
- Feature files or CST's that have been downloaded on the printer.
- All variable settings from the printer's NVRAM
- Network settings (if LAN/WLAN is installed), including IP Address
- Other user files, such as fonts, bitmaps, or graphics files downloaded to the printer.

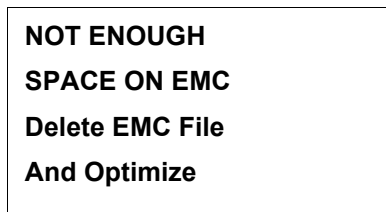
While the printer is saving its QCMC settings to the EMC, the following message will display. Do not interrupt the process.



Upon successful completion of saving a flash image to the QCMC, the printer will display a message indicating the operation is complete. The printer will then reboot into normal operation.



If there is not enough space on the EMC to save the entire flash image, you will be prompted with the following message.



This is a fatal error and requires user intervention. Cycle power on the printer, when prompted to save the QCMC select <CANCEL> to skip. The printer will boot online and allow access to the EMC file menus located under the Printer Control menu (Admin. User must be set to Enable to see the EMC menus. see step b on page 239). Delete unnecessary EMC files then try the QCMC Save operation again.

---

## Copying the QCMC “Snapshot” Image to a Second Printer

---

Always power off the printer before removing or inserting the QCMC. Place the QCMC into the second printer’s memory slot. Upon power up, the printer software detects the presence of a QCMC and a check of the QCMC will be performed to determine if there is already a saved flash image from this QCMC on the printer. If no, the following message will display:

**QCMC DETECTED**  
**Copy to Printer?**  
**Yes...Press <ENTER>**  
**No...Press <CANCEL>**

**NOTE:** This message will appear every time at power-up until the QCMC settings are copied to the printer.

If the <CANCEL> key is pressed, the printer will reboot into normal operation and not copy any information to the printer. On subsequent power-ups the Copy message above will display again if the QCMC remains installed in the printer.

**NOTE:** If the QCMC remains installed in the printer, the MAC address onboard will be used in place of the resident MAC address to the printer’s LAN/WAN interface card.

When the <ENTER> key is pressed, the printer will not go online immediately, but will copy the contents of the QCMC to the printer’s flash, creating a clone of the original printer. Before the copy process is allowed to continue, checks of the printer configuration will be made. If either of the checks fail, a message will display on the front panel (in the hierarchy shown on page 235) and the printer will not copy any settings.

**INVALID EMC**

**Power Off Printer**  
**Remove Cartridge**

This means that the QCMC is not compatible with the printer’s software. A software upgrade is required, or a different configured QCMC will be needed.

**PRINTER HARDWARE  
NOT COMPATIBLE  
Power Off Printer  
Remove Cartridge**

This means that the printer’s hardware options do not match the original printer’s options.

A QCMC validation check will be performed to ensure the data stored on the EMC is not corrupted. If the test fails the following fault message will display.

**QCMC DATA ERROR  
ON EMC  
Delete & Resave  
QCMC Data**

This means that the data on the QCMC was not saved properly, and must be deleted then resaved. Follow the instructions for deleting files, then repeat the copying process.

If all the checks pass, then the printer will copy the files from the QCMC to the target printer.

**DO NOT PWR OFF  
Copying QCMC To  
Printer...  
██████████ XX%**

Upon successful completion, the printer will display the following message on the front panel and reboot into normal operation. Once the printer boots Online, it is necessary to select a “Run Auto-Cal” option located under the “Sensor Setup” menu.

**Copy Complete  
Run Auto-Cal  
After Reboot**

## Updating the Printer Configuration to the QCMC

---

Before a new printer flash image can be saved to a QCMC, the existing QCMC files must first be deleted. With the QCMC installed in the original host printer or a target printer, set “Admin User” to Enable under the “Printer Control” menu. Select the “Delete Saved QCMC/Files And Reboot <ENTER>” option. The files will be deleted and the printer will reboot and optimize the flash on the EMC. Cycle power on the printer and follow the instructions in the “Saving the Printer’s Configuration to the QCMC” section on page 233.

## Loading New Firmware on the Printer

---

Loading new firmware onto the host or to the target printer erases the NVRAM. This is the same as the printer’s flash never being saved to a QCMC, or the printer having never been cloned with a QCMC.

**NOTE:** If an EMC with saved QCMC settings is installed in the printer during program download, all QCMC settings on the EMC will be erased as well.

## Exceptions

If you remove the module with power on, the MEMORY REMOVED Check EMC error message will display. It is necessary to power off and reboot the printer (with the cartridge in or out) to clear this error.

If the cartridge is removed when the printer’s power is off, the printer’s own MAC address will be available to the network when power is restored. No other variable data will be lost. Data on the QCMC will be maintained as well.

## Installing the EMC

**CAUTION** You must power off the printer before you install or remove the EMC, or you may damage the EMC and the printer. If you remove the EMC after powering on the printer with the EMC installed, the fault message “MEMORY REMOVED Check EMC” will display. You cannot clear this message by reinserting the EMC. You must cycle power.

1. Set the printer power switch to O (Off) from the front of the printer.
2. Raise the media cover.

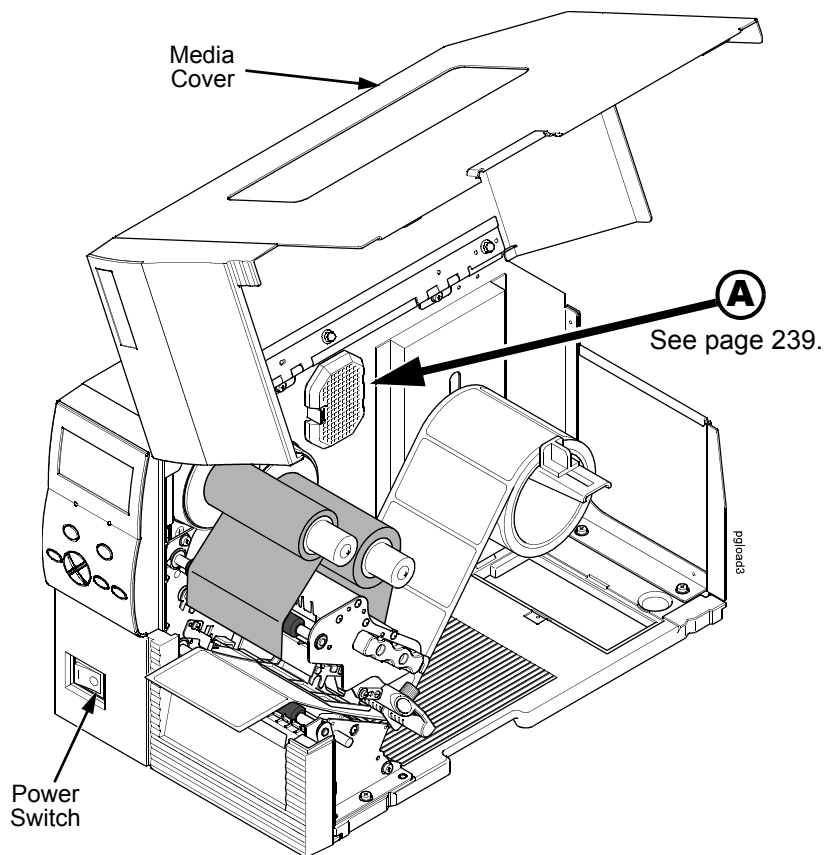
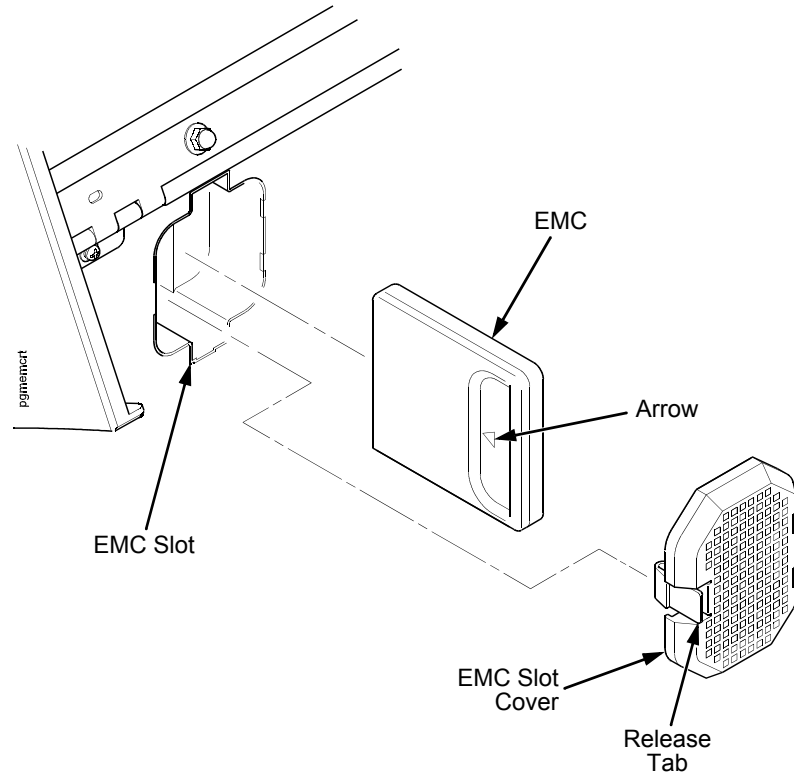


Figure 8. Powering Off the Printer



From page 238.



**Figure 9. Installing the EMC**

3. Press the release tab and remove the EMC slot cover.
4. Plug the EMC (with the arrow positioned as shown) into the EMC slot.
5. Install the EMC slot cover.
6. Lower the media cover.
7. Set the printer power switch to | (On).
8. Make sure the Enter key is not locked and that Admin User is set to Enable.
9. Install the EMC:
  - a. If installing a QCMC, follow the instructions shown on the printer control panel to set up the Quick Change feature. See “Saving the Printer’s Configuration to the QCMC” on page 233.
  - b. If the EMC contains fonts, verify that the fonts are present by doing the following:
    - i. When ONLINE or OFFLINE displays on the printer’s LCD, press to enter Menu mode.
    - ii. Press the Right key until PRINTER SETUP displays.
    - iii. Press to enter the PRINTER SETUP menu.

- iv. Press the Up key until Admin User displays.
  - v. Select Enable and press ↵ to enable the option.
  - vi. Press the Up key until EMC FSS displays.
  - vii. Press ↵ to enter the EMC FSS menu.
  - viii. Press the Down key until View EMC Files displays.
  - ix. Press ↵ to enter the View EMC Files menu.
  - x. Press the Down key to scroll through the list of files stored on the EMC.
  - xi. Find the font file name on the list.
- c. If the EMC is memory only verify that the cartridge is installed correctly by doing the following:
- i. When ONLINE or OFFLINE displays on the printer's LCD, press ☰ to enter Menu mode.
  - ii. Press the Left key until 🛠️ DIAGNOSTICS displays.
  - iii. Press ↵ to enter the 🛠️ DIAGNOSTICS menu.
  - iv. Press the Down key until EMC FLASH Installed displays. The amount of memory displays in megabytes. If this does not appear, the EMC has not been properly installed. Start over at step 1 on page 238.

## Using the Standard Peel without Liner Rewinder

---

### Configure The Printer Menu

---

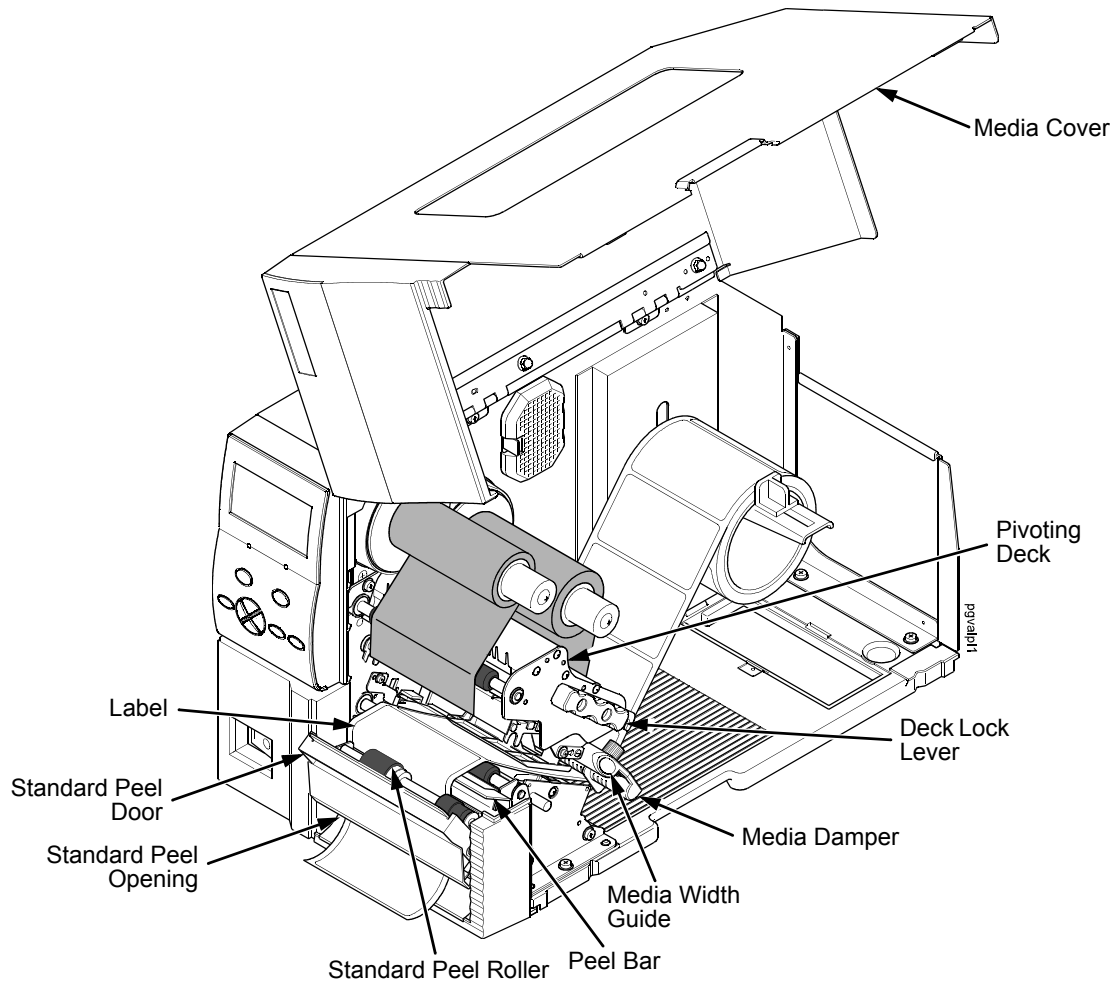
1. Set Media Handling to Peel-Off in the MEDIA SETUP menu.  
See "Configuring the Printer" on page 61 for more information.
2. Calibrate the printer (see "Running Auto Calibrate" on page 47).

**NOTE:** Calibration in Peel-Off mode is allowed only if Cal in Peel Mode is set to Enable. Cal in Peel Mode appears only if Admin User is set to Enable in the PRINTER SETUP menu.

**CAUTION** When the printer calibrates in peel-off mode, a series of labels will quickly dispense. Be prepared to remove the peeled labels as they automatically peel or the printer will jam.

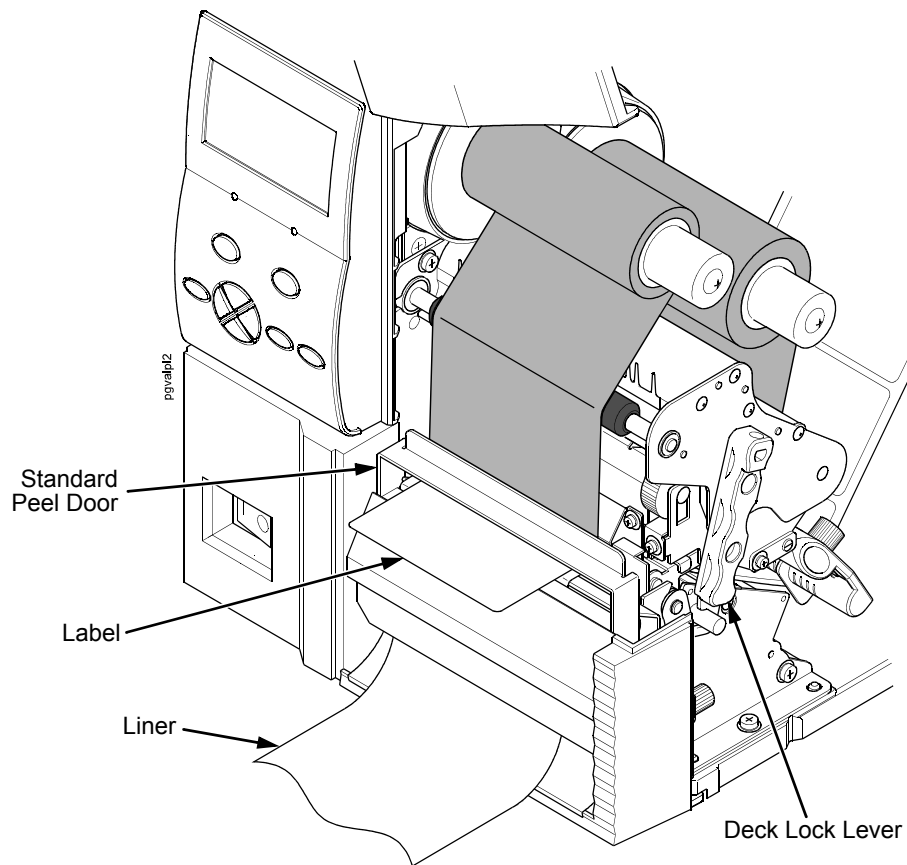


## Load Media





**Figure 10. Loading the Printer for Standard Peel Operation**

1. To load media, refer to “Loading Roll Media” on page 25 and complete step 1 through step 10.
2. Open the standard peel door by pulling it out and down.
3. Thread the media over the peel bar, behind the standard peel roller, and through the standard peel opening (see Figure 10 on page 241).
4. Horizontally center the standard peel roller over the label.
5. Peel the label (located over the tear bar) off the liner (refer to Figure 10 on page 241). This will prevent the labels from sticking to the tear bar during the initial print feed.



**Figure 11. The Standard Peel Option**

6. Rotate the deck lock lever clockwise to close the pivoting deck.
7. Close the standard peel door by pulling upward and it will lock in place.
8. Press the  (Feed) key to advance the media to the next TOF (Top-of-Form) position. A label dispenses with the liner falling in front of the printer.
9. Press the  (Pause) key until ONLINE displays.
10. Close the media cover.

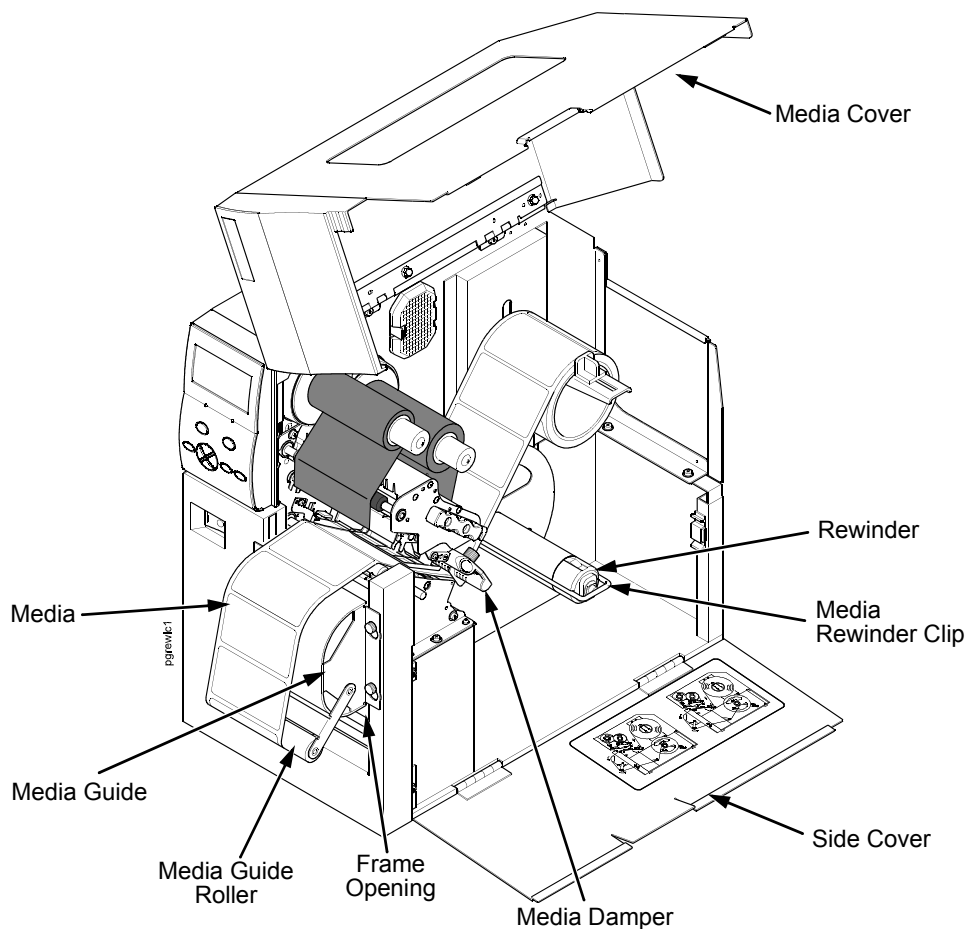
## Using the Full Media Rewinder Option

The full media rewriter allows you to automatically rewind printed labels into a roll after they have been printed.

### Configure the Printer Menu

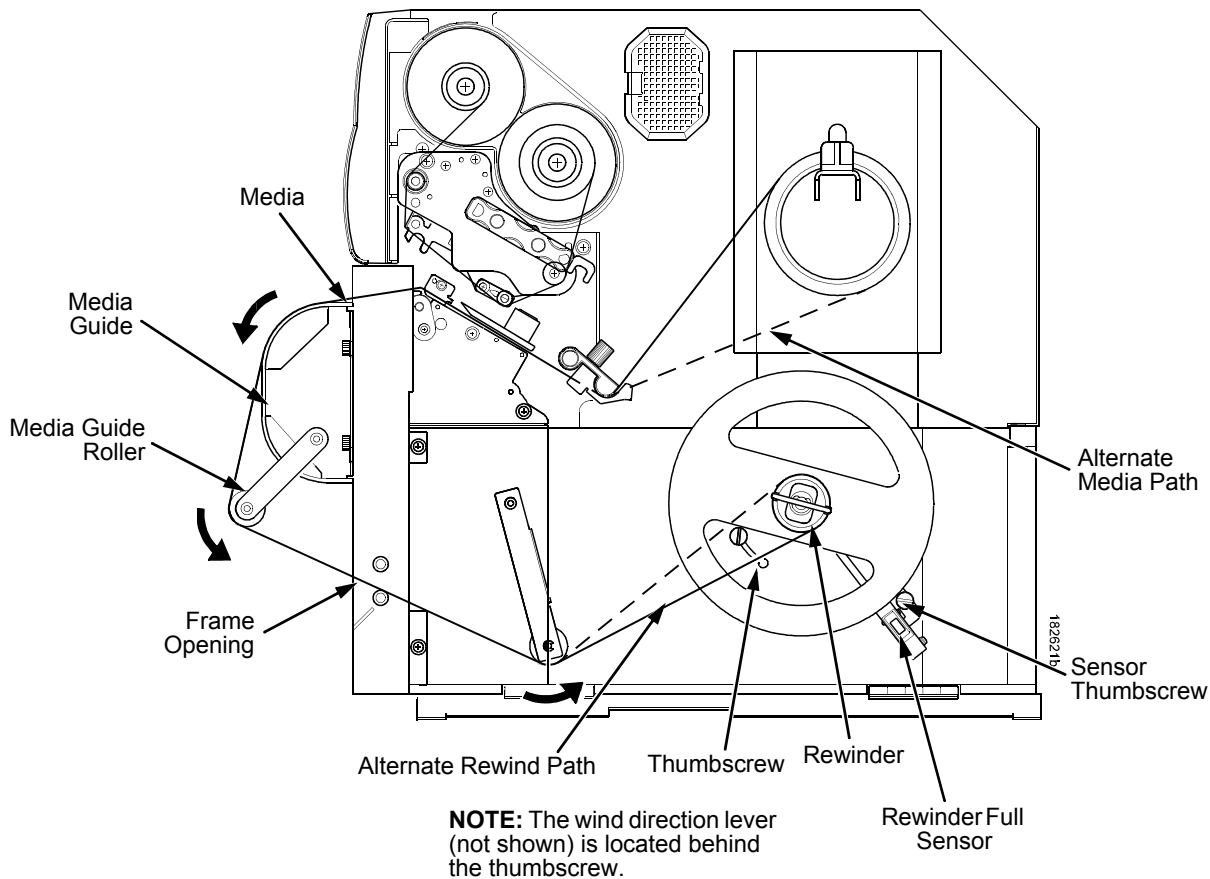
1. Set Media Handling to Rewind in the MEDIA SETUP menu.  
(See “Configuring the Printer” on page 61 for more information.)
2. Calibrate the printer (see “Running Auto Calibrate” on page 47).

### Load Media



**Figure 12. Loading the Media Rewinder**

1. To load media, refer to “Loading Roll Media” on page 25 and complete step 1 through step 10. Be sure to open the side cover.
2. Thread the media over the front of the media guide, around the media guide roller, and through the frame opening toward the rewriter. See Figure 12 and Figure 13.



**Figure 13. Media Rewind Path**

**NOTE:** The alternate media path is for inside wound label.

3. Loosen the thumbscrew, pull it outward, position the wind direction lever in the desired location, and tighten the thumbscrew. See Figure 13.

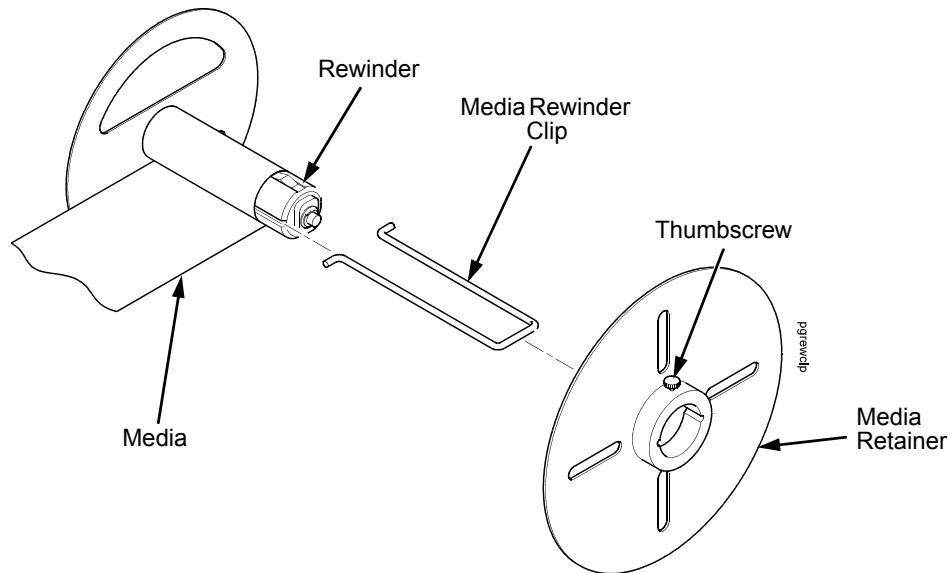
**NOTE:** Wind direction lever in lower position = clockwise rotation.

Wind direction lever in upper position = counterclockwise rotation.



**IMPORTANT**

**If you do not complete the following step, it will be extremely difficult to remove the printed labels from the rewinder.**

4. Remove the media rewinder clip.
5. Wrap the leading edge of the media around the rewinder.
6. Slide the media flush against the left edge of the rewinder.



**Figure 14. Securing Media on the Rewinder**

7. Insert the media rewriter clip to secure the media. See Figure 14.
8. Manually rotate the rewriter one full revolution until the media is taut.
9. Install the media retainer onto the rewriter until it is flush against the liner.
10. Tighten the thumbscrew
11. Rotate the deck lock lever clockwise to close the pivoting deck.
12. Press the  (Feed) key to advance the media to the next TOF (Top-of-Form) position.
13. Press the  (Pause) key until ONLINE displays.
14. Close the side cover and media cover.

**IMPORTANT**

The rewriter supports a maximum diameter of 8 inches of printed labels (including rewriter diameter). Exceeding this diameter can cause printed labels to rub on the bottom pan.

## Rewinder Full Sensor Setup


---

1. Open the side cover and media cover.
2. Position the rewinder full sensor in the lower position and tighten the sensor thumbscrew. See Figure 13 on page 244.

**NOTE:** When the rewinder full sensor detects a roll full condition, the rewinder beeps and the message “REWINDER FULL Remove Roll” displays.

3. Close the side cover and media cover.

## Remove Printed Media from the Rewinder

1. Open the media cover and side cover.
2. Press the  (Feed) key to advance the last printed label past the printhead, and tear the liner from behind the last printed label.
3. Manually rewind the remaining printed labels onto the rewinder by turning the rewinder.
4. Pull the media rewinder clip (along with the printed labels) off the rewinder.
5. Remove the printed labels from the media rewinder clip. Set the printed labels aside.
6. Insert the media rewinder clip into the rewinder.
7. Close the side cover and media cover.

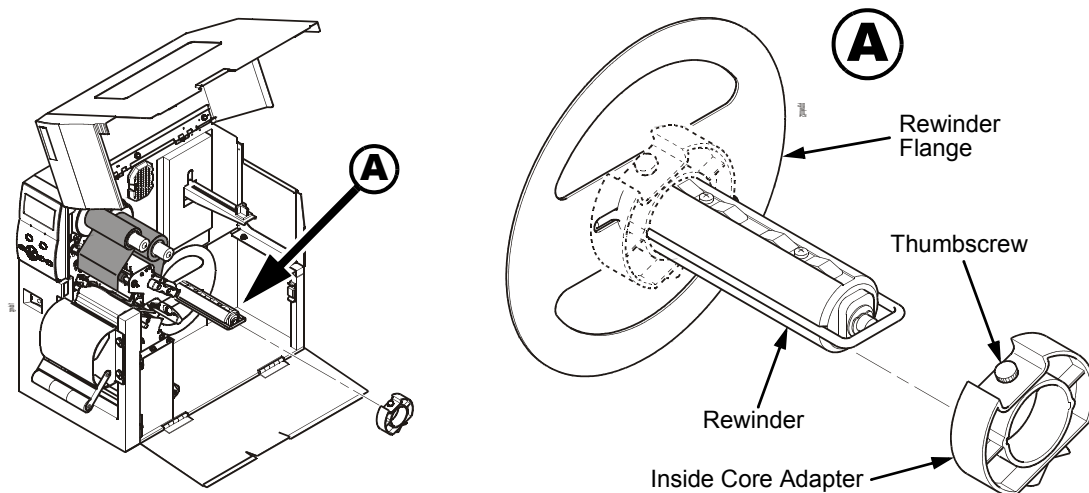
## Using the Full Media Rewinder with 3 Inch Diameter Core Adapters

Using the full media rewriter with 3 inch diameter core adapters allows you to automatically rewind printed labels onto a 3 inch diameter media take-up core after they have been printed.

### Configure the Printer Menu

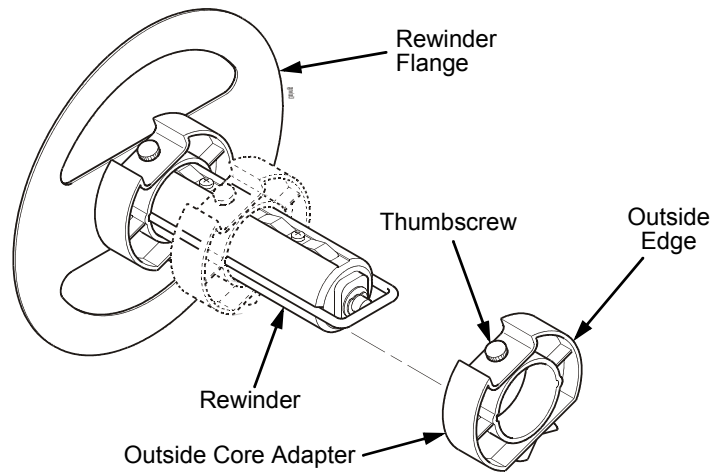
1. Set Media Handling to Rewind in the MEDIA SETUP menu.  
(See “Configuring the Printer” on page 61 for more information.)
2. Calibrate the printer (see “Running Auto Calibrate” on page 47).

### Install the Core Adapters and Media Take-Up Core



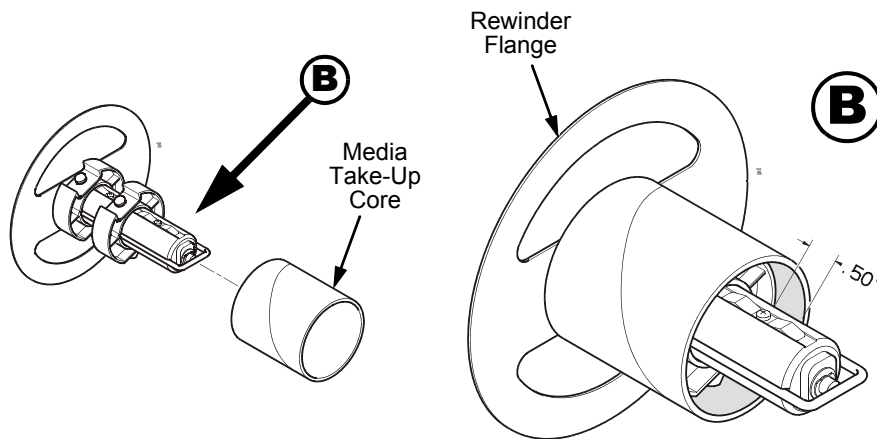
**Figure 15. Installing the Inside Core Adapter**

1. Slide the inside core adapter onto the rewriter until it is flush against the rewriter flange.
2. Tighten the thumbscrew.



**Figure 16. Installing the Outside Core Adapter**

3. Slide the outside core adapter onto the rewriter. Place it about 1/2 inch further in than the width of the media take-up core you are going to use. For example, if the media take-up core is 4 inches wide, the distance from the rewriter flange to the outside edge of the outside core adapter should be about 3 1/2 inches.
4. Tighten the thumbscrew.



**Figure 17. Installing the Media Take-Up Core**

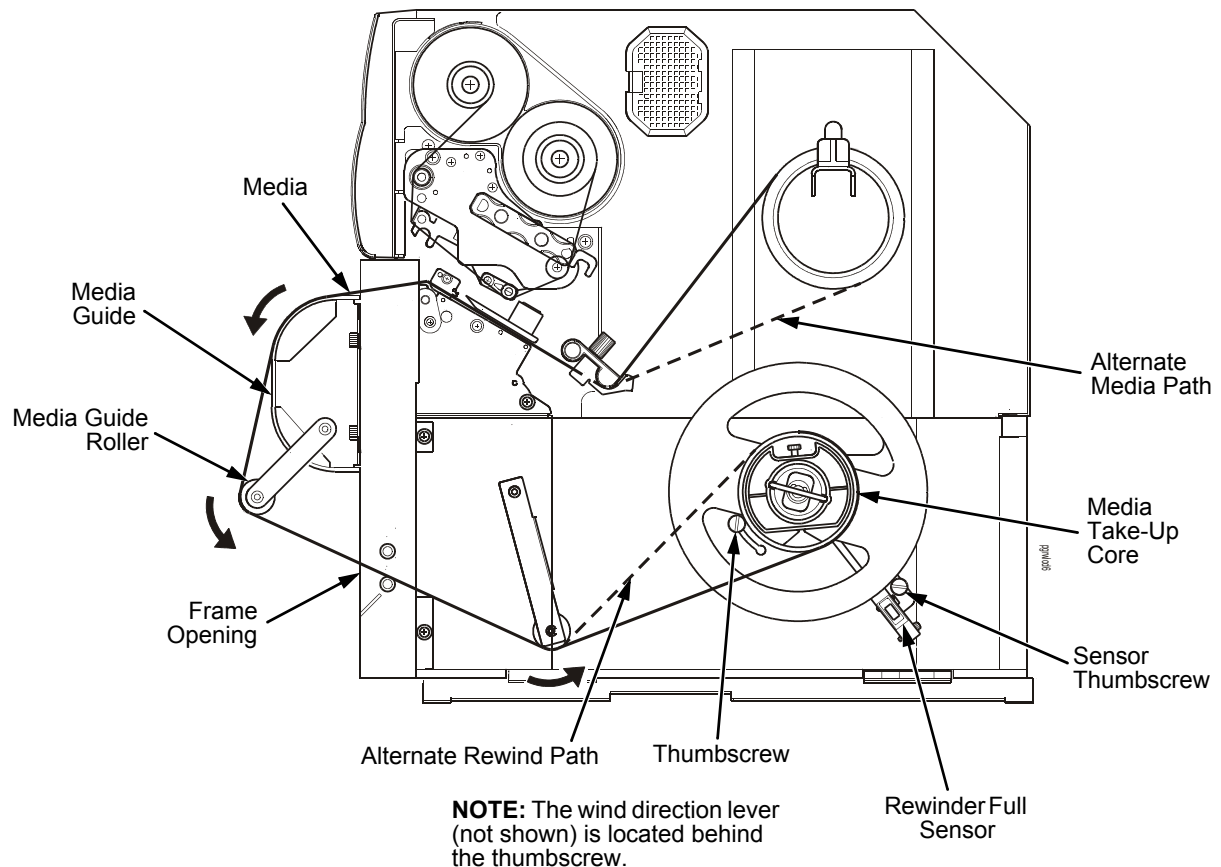
5. Slide a 3 inch diameter media take-up core onto the rewriter over the two core adapters until it is flush with the rewriter flange. You should have about 1/2 inch from the outside edge of the outside core adapter to the edge of the media take-up core.



## Load Media

1. To load media, refer to “Loading Roll Media” on page 25 and complete step 1 through step 10. Be sure to open the side cover.
2. Thread the media over the front of the media guide, around the media guide roller, and through the frame opening toward the media take-up core. See Figure 18.

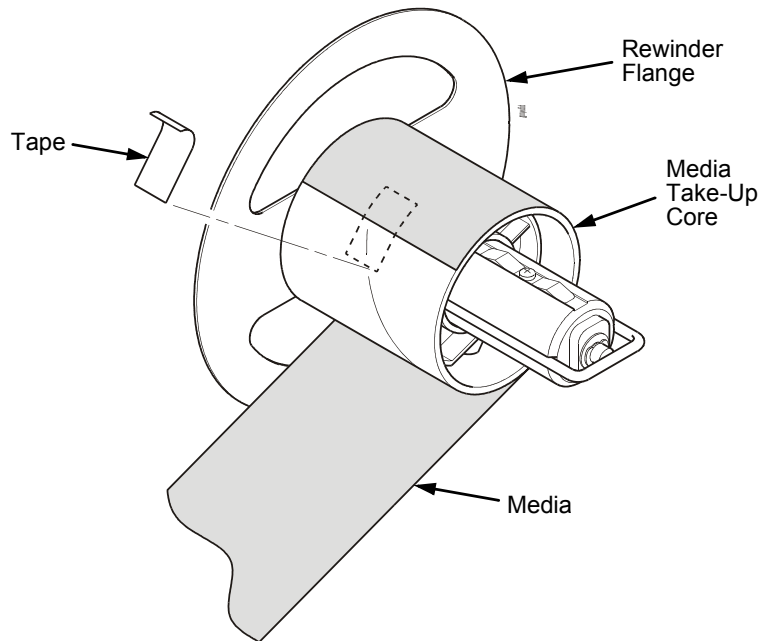
**NOTE:** The alternate media path is for inside wound label.



**Figure 18. Media Rewind Path**

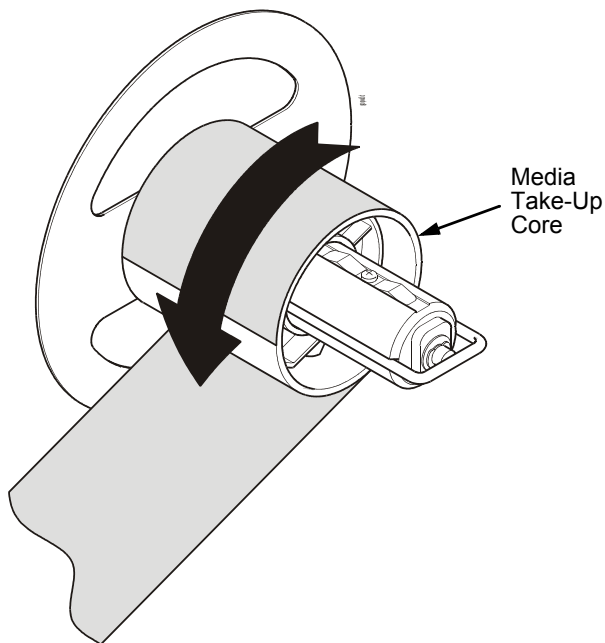
3. Loosen the thumbscrew, pull it outward, position the wind direction lever in the desired location, and tighten the thumbscrew. See Figure 18.

**NOTE:** Wind direction lever in lower position = clockwise rotation.  
Wind direction lever in upper position = counterclockwise rotation.

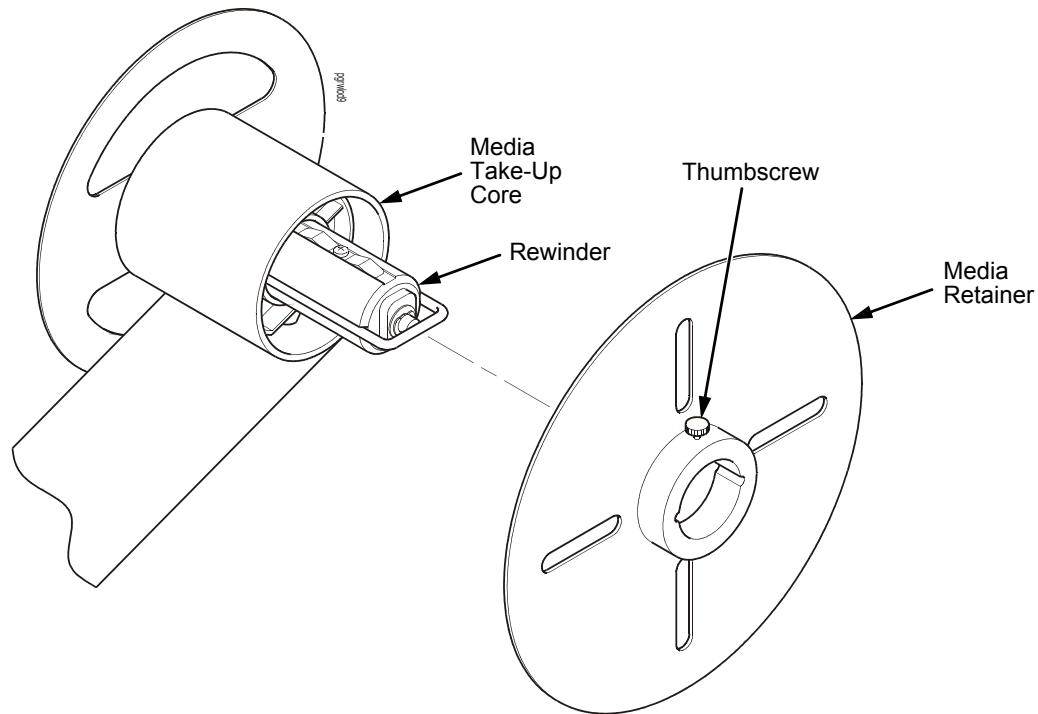


**Figure 19. Securing Media on the Media Take-Up Core**



4. Wrap the leading edge of the media around the media take-up core. See Figure 19.
5. Slide the media flush against the left edge of the rewriter flange.
6. Tape the leading edge of the media onto the media take-up core.
7. Manually rotate the media take-up core one full revolution until the media is taut. See Figure 20.



**Figure 20. Tightening the Media on the Media Take-Up Core**



**Figure 21. Installing the End Plate**

8. Install the media retainer onto the retractor as shown in Figure 21 until it is flush against the media take-up core.
9. Tighten the thumbscrew.
10. Rotate the deck lock lever clockwise to close the pivoting deck.
11. Press the  (Feed) key to advance the media to the next TOF (Top-of-Form) position.
12. Press the  (Pause) key until ONLINE displays.
13. Close the side cover and media cover.

**IMPORTANT**

The retractor supports a maximum diameter of 8 inches of printed labels (including 3 inch media take-up core diameter). Exceeding this diameter can cause printed labels to rub on the bottom pan.

**Rewinder Full Sensor Setup**

1. Open the side cover and media cover.
2. Position the retractor full sensor in the lower position and tighten the sensor thumbscrew. See Figure 18 on page 249.

**NOTE:** When the retractor full sensor detects a roll full condition, the retractor beeps and the message REWINDER FULL Remove Roll displays.

3. Close the side cover and media cover.

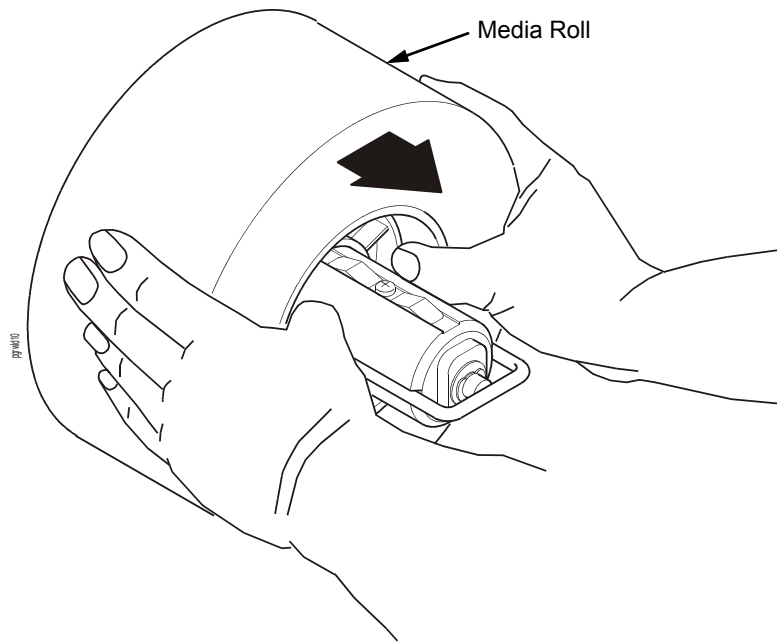



Figure 22. Removing the Media Roll

### Remove Printed Media from the Rewinder

1. Open the media cover and side cover.
2. Press the  (Feed) key to advance the last printed label past the printhead, and tear the liner from behind the last printed label.
3. Manually rewind the remaining printed labels onto the media roll by turning the media retainer (refer to Figure 21 on page 251).
4. Loosen the thumbscrew and remove the media retainer.
5. Remove the media roll from the rewinder as shown in Figure 22, and set the roll aside.
6. Close the side cover and media cover.

## Using The Standard Peel With Liner Rewinder Option

---

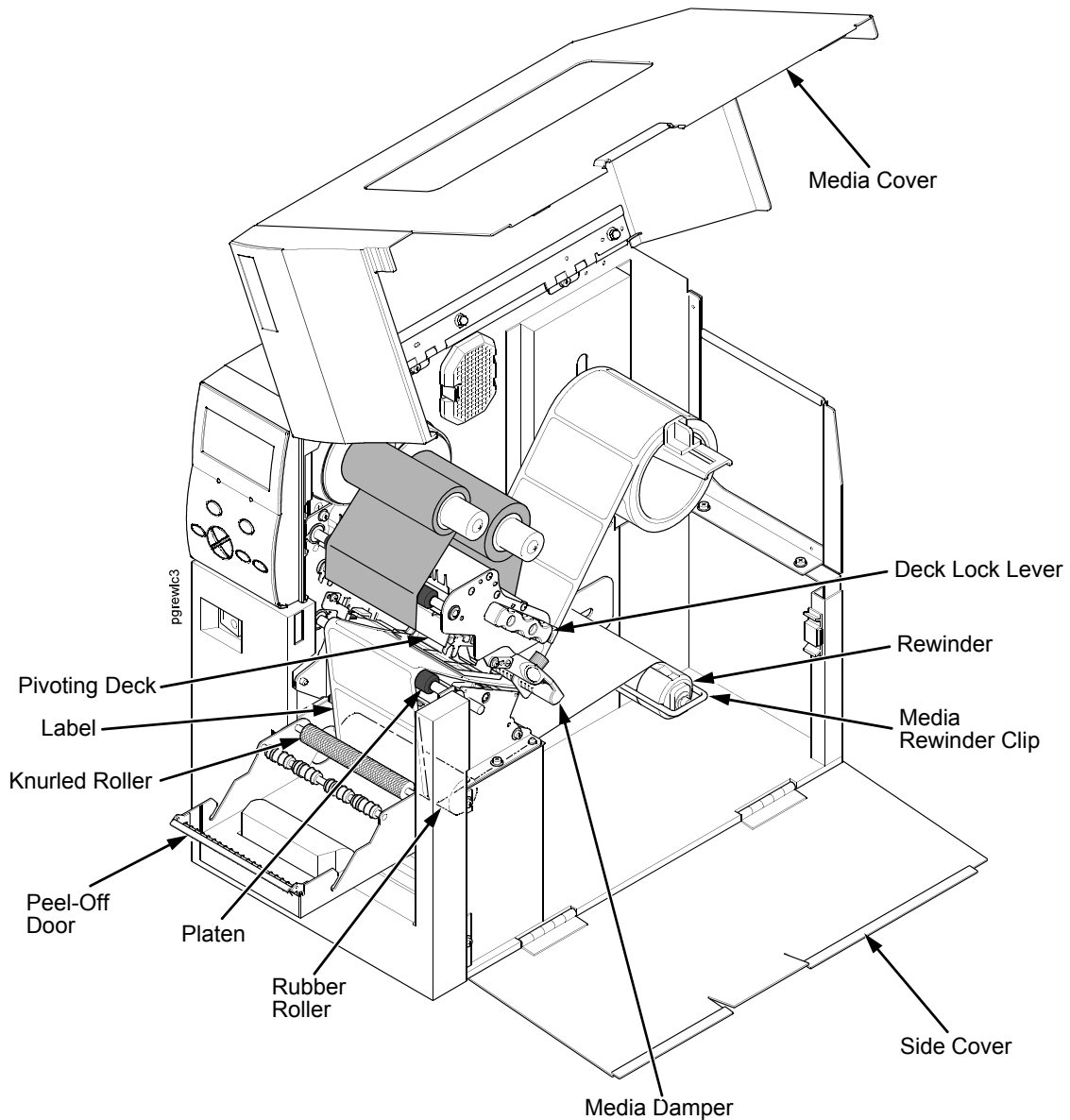
The Standard Peel with Liner Rewinder allows you to automatically peel die-cut labels off their liner (backing) and dispense them one at a time while rewinding the liner.

### Configure The Printer Menu

---

1. Set Media Handling to Peel-Off under the MEDIA SETUP menu. (See “Configuring the Printer” on page 61 for more information.)
2. Calibrate the printer (see “Running Auto Calibrate” on page 47).

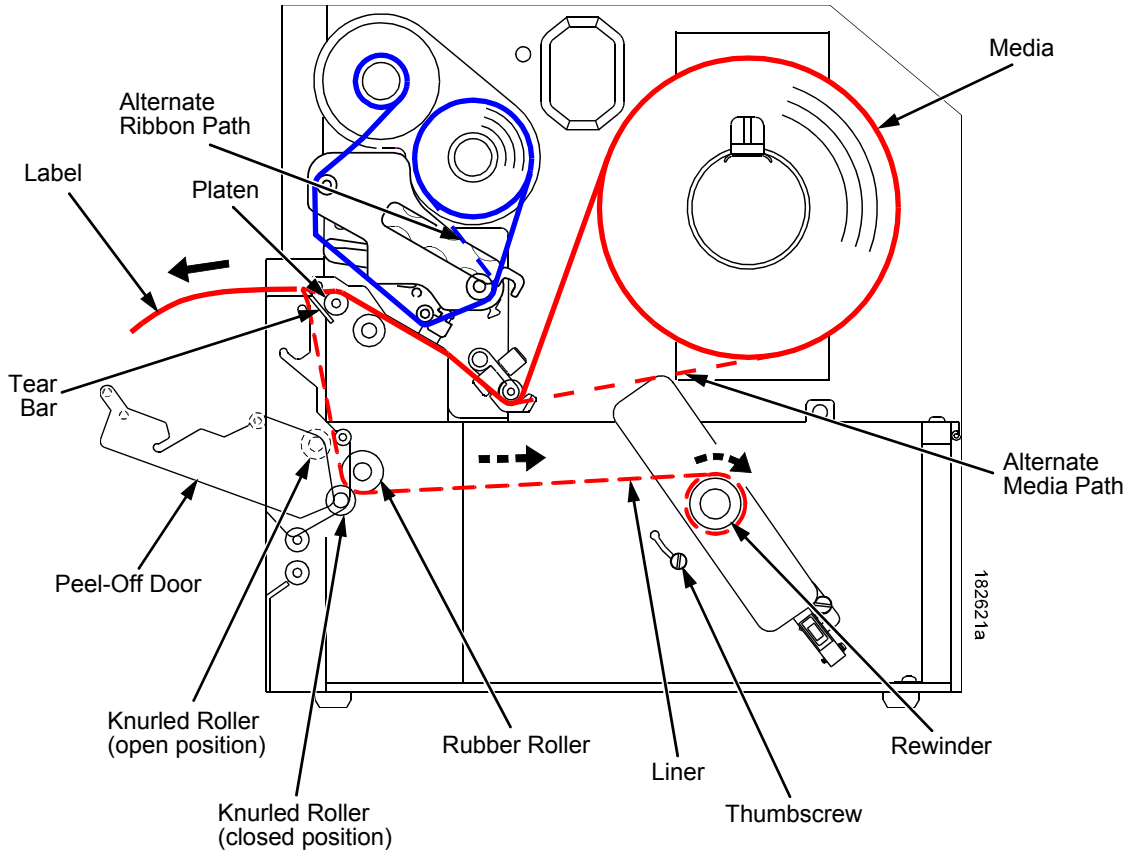
## Load Media



**Figure 23. Loading Media on the Standard Peel with Liner Rewinder**

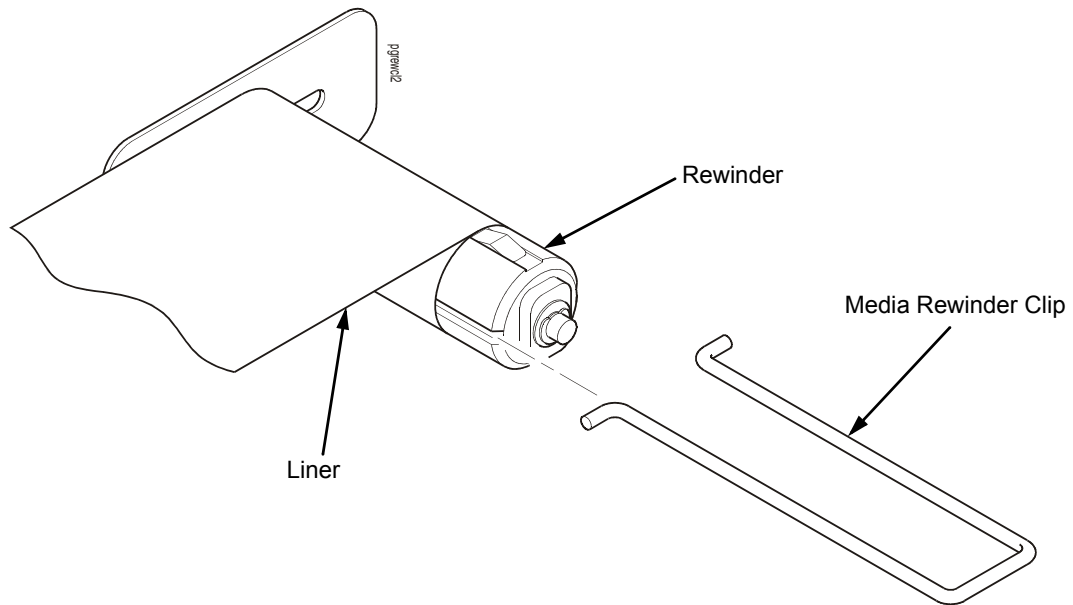
1. Open the media cover.
2. Open the side cover and refer to the Label and Ribbon Routes label on the inside of the side cover.
3. Open the pivoting deck by rotating the deck lock lever fully counterclockwise.
4. Open the peel-off door by pulling it upward, then forward.
5. Remove approximately 18 to 24 inches of labels from the liner. This will prevent the labels from sticking to the tear bar during the initial print feed.

6. Thread the media under the media damper, over the platen, and in between the knurled roller and the rubber roller. See Figure 23 and Figure 24.
7. Thread the liner under the rubber roller.
8. Remove the media rewriter clip.



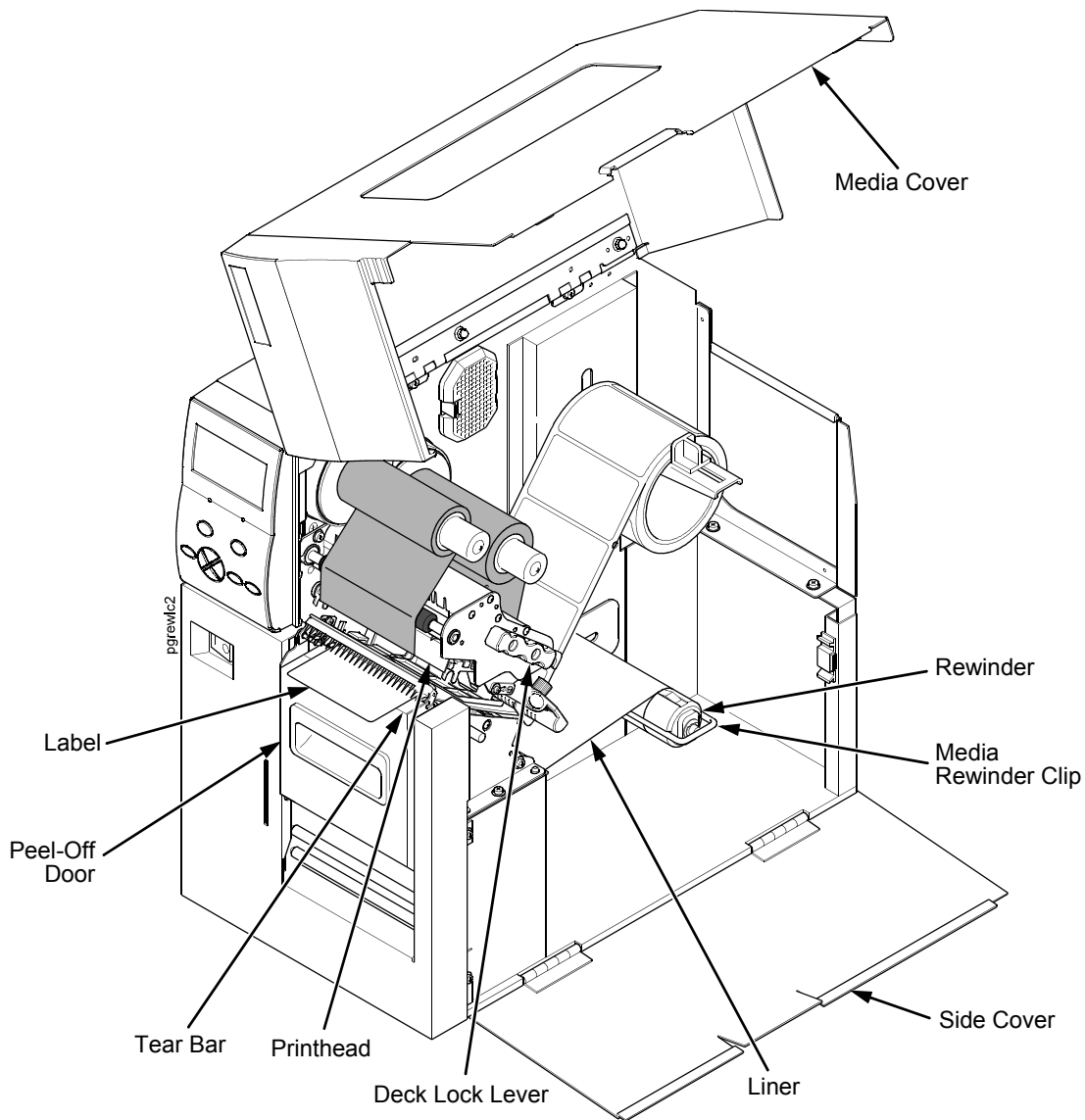
**Figure 24. Standard Peel with Liner Rewinder Media Path**

9. Wrap the leading edge of the liner over and around the rewriter.
10. Slide the liner flush against the left edge of the rewriter.

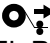



**Figure 25. Securing Liner onto the Rewinder**

11. Insert the media rewriter clip to secure the media. See Figure 25.
12. Manually rotate the rewriter one full revolution clockwise until the liner is taut.
13. Remove labels from the liner so that behind the tear bar the liner is without labels for approximately 1.5 inches.
14. Remove labels from the liner so that below the tear bar the liner is without labels for approximately 2 inches.
15. Rotate the deck lock lever fully clockwise to close the pivoting deck and printhead.



**Figure 26. The Rewinder In Peel-Off Mode**

16. Close the peel-off door and snap it down to lock it in place.
17. Press the  (Feed) key. The label advances to the peel-off position, and "LABEL READY Remove Label" displays on the LCD. The liner remains on the rewriter. See Figure 26.
18. Press the  (Pause) key until ONLINE displays.
19. Close the side cover and media cover.



**IMPORTANT** The rewriter supports a maximum diameter of 8 inches of liner (including rewriter diameter). Exceeding this diameter can cause the liner to rub on the bottom pan.

### Removing Label Liner from the Rewinder

---

1. Open the media cover and side cover.
2. Open the peel-off door by pulling it upward, then forward.
3. Tear the liner at the tear bar.
4. Manually turn the rewriter to rewind the remaining liner onto the rewriter.
5. Pull the media rewriter clip (along with the liner) off the rewriter.
6. Remove the liner from the media rewriter clip and discard the liner.
7. Insert the media rewriter clip into the rewriter.
8. Close the side cover and media cover.
9. Close the peel-off door by pushing it towards the rewriter then snapping it downward.

## Supplies

---

The best printing solution is achieved when the printer, ribbon, and media are matched to the application requirements. The use of Genuine Printronix Thermal Media and Ribbons will ensure optimum image quality, consistent bar code performance, and extended life of the printhead.

Please refer to the Printronix Media Selection Guide for details concerning the application suitability for all media and ribbon products. To obtain a copy of this guide, or for any other questions concerning Genuine Printronix Thermal Supplies, please call:

|                              |                   |                        |
|------------------------------|-------------------|------------------------|
| Americas:                    | (800) 733-1900    | Fax: (714) 368-2354    |
| Europe, Middle East, Africa: | (33) 1-46-25-1900 | Fax: (33) 1-46-25-1919 |
| Asia:                        | (65) 548-4116     | Fax: (65) 546-1588     |

Or visit our website at [www.primtronix.com](http://www.primtronix.com).

### Genuine Printronix Thermal Transfer Ribbons

---

The following is a list of Genuine Printronix Thermal Transfer ribbons:

#### **Printronix Wide Spectrum Wax Ribbon 8300**

Provides superior print quality for coated and uncoated paper and tag stocks.

#### **Printronix Wax Resin Blend Ribbon 8500**

Provides excellent high speed print quality with premium durability performance on a wide range of thermal transfer receptive papers and films.

#### **Printronix Specialty Resin Ribbon 8600**

A premium resin formula for excellent image and scuff resistance, while achieving premium print quality on a wide range of synthetic films and coated papers.

#### **Printronix Harsh Environment Resin Ribbon 8700**

Provides the highest heat, chemical, and abrasion resistance for use with high-end synthetic facestocks. When used with the proper polyester media, meets UL/CSA regulatory requirements.

## Genuine Printronix Media

Printronix provides a wide variety of sizes, colors, and shapes of labels and tags readily available to meet all of your labeling needs. The Printronix Expanded Die Library details hundreds of label sizes and configurations which are quickly obtainable through the Printronix custom order system without the typical added costs and delays associated with the creation and tooling of a special die to match your requirements. To order supplies, see “Supplies” on page 258.

| Genuine Printronix Media        |                                                            |                                                                                                          |
|---------------------------------|------------------------------------------------------------|----------------------------------------------------------------------------------------------------------|
| Media Type                      | Description                                                | Typical Applications                                                                                     |
| Media 110<br>Thermal Transfer   | Premium coated paper, permanent acrylic adhesive           | Compliance shipping, general warehouse, address, AIAG, LOGMARS, product ID, hardware parts supply        |
| Media 120R<br>Thermal Transfer  | Premium coated paper, removable adhesive                   | Temporary product ID, pricing, point of sale, shelf marking labels which can be cleanly removed          |
| Media 180T<br>Thermal Transfer  | 7.0 mil coated paper tagstock                              | Retail hangtag, warehouse bin and pouch inserts, inventory control, work in process, general purpose tag |
| Media 210<br>Direct Thermal     | Economy paper, permanent acrylic adhesive                  | Short life deli, grocery, shipping, work in process                                                      |
| Media 220<br>Direct Thermal     | Premium paper, permanent acrylic adhesive                  | Compliance shipping, general warehouse, address, AIAG, LOGMARS, product ID                               |
| Media 270<br>Direct Thermal     | Infra-Red scannable, permanent acrylic adhesive            | Infra-red scannability for overnight shipping and grocery environments                                   |
| Media 280T<br>Direct Thermal    | 7 mil paper tagstock                                       | Economical ticket and tag stock for general retail and industrial use                                    |
| Media 410<br>Direct Thermal     | 3.3 mil film, permanent acrylic adhesive                   | Excellent moisture resistance and tear strength for applications such as baggage tags, etc.              |
| Media 510<br>Thermal Transfer   | 4.0 mil white polyolefin, permanent acrylic adhesive       | Durable satin finish for chemical pails and drums and general outdoor and industrial use                 |
| Media 520<br>Thermal Transfer   | Smudge-proof white polyolefin, permanent acrylic adhesive  | Outdoor exposures especially chemical drums, etc. provides a markable soundproof topcoat                 |
| Media 580T<br>Thermal Transfer  | 8.5 mil smudge-proof, poly tagstock                        | Outdoor nursery, lumberyard, and industrial environment hangtag and insert tag                           |
| Media 700's<br>Thermal Transfer | 2.0 mil polyester labelstock, white, bright & matte chrome | UL/CSA compliant nameplate labels, harsh environment and laboratory labels                               |

Besides the standard roll label configuration, Genuine Printronix labels are also available in fanfold configurations.

## Ribbon and Media Usage

| Type             | Media (Stock)                                                   | Ribbon                                        | Features                                                                                                                                                          | Typical Applications                                                                                                                     |
|------------------|-----------------------------------------------------------------|-----------------------------------------------|-------------------------------------------------------------------------------------------------------------------------------------------------------------------|------------------------------------------------------------------------------------------------------------------------------------------|
| Direct Thermal   | Paper Label<br>Tag<br>Synthetic Label                           | Not Used                                      | Low cost.<br>Ease of use.<br>Low environmental durability.<br>Limited label life.<br>Will fade and/or discolor when exposed to heat, sunlight, or chemicals.      | Shipping.<br>Inventory tracking.                                                                                                         |
| Thermal Transfer | Paper Label<br>Tag                                              | Printronix<br>Wide Spectrum<br>Wax 8300       | Lowest cost thermal transfer combination.<br>Most commonly used.<br>Low environmental durability.<br>Low abrasion resistance.<br>Longer life than direct thermal. | Shipping.<br>Inventory tracking.<br>Product labeling.<br>Compliance labeling.                                                            |
| Thermal Transfer | Paper Label<br>Tag<br>Synthetic Label<br>Tyvek® and<br>Valeron® | Printronix Wax<br>Resin Blend<br>8500         | Mid-range wax resin performance and characteristics at economy wax prices.<br>Darker, razor-sharp, smudge-proof images.                                           | Same as economy applications with advantage of supporting Polypropylene, Polyethylene, Polyolefin, and Valeron media.                    |
| Thermal Transfer | Paper Label<br>Tag<br>Synthetic Label                           | Printronix<br>Specialty Resin<br>8600         | Better environmental durability.<br>Better abrasion resistance than wax.<br>More expensive than wax.<br>Good aesthetic appearance.                                | Retail applications where labels are handled.<br>Excellent for most applications.<br>Compliance labeling.                                |
| Thermal Transfer | Synthetic Label                                                 | Printronix Harsh<br>Environment<br>Resin 8700 | High environmental durability.<br>High physical durability.<br>Excellent aesthetic appearance.<br>Most expensive label/tag combination.                           | High temperature environments.<br>Medical applications.<br>Outdoor environments.<br>Environments with chemicals.<br>Compliance labeling. |

# C

## ASCII Control Codes

| Char | Dec | Hex | Char | Dec | Hex | Char | Dec | Hex | Char | Dec | Hex |
|------|-----|-----|------|-----|-----|------|-----|-----|------|-----|-----|
| NUL  | 0   | 00  |      | 32  | 20  | @    | 64  | 40  | `    | 96  | 60  |
| SOH  | 1   | 01  | !    | 33  | 21  | A    | 65  | 41  | a    | 97  | 61  |
| STX  | 2   | 02  | +    | 34  | 22  | B    | 66  | 42  | b    | 98  | 62  |
| EXT  | 3   | 03  | #    | 35  | 23  | C    | 67  | 43  | c    | 99  | 63  |
| EOT  | 4   | 04  | \$   | 36  | 24  | D    | 68  | 44  | d    | 100 | 64  |
| ENQ  | 5   | 05  | %    | 37  | 25  | E    | 69  | 45  | e    | 101 | 65  |
| ACK  | 6   | 06  | &    | 38  | 26  | F    | 70  | 46  | f    | 102 | 66  |
| BEL  | 7   | 07  | +    | 39  | 27  | G    | 71  | 47  | g    | 103 | 67  |
| BS   | 8   | 08  | (    | 40  | 28  | H    | 72  | 48  | h    | 104 | 68  |
| HT   | 9   | 09  | )    | 41  | 29  | I    | 73  | 49  | i    | 105 | 69  |
| LF   | 10  | 0A  | *    | 42  | 2A  | J    | 74  | 4A  | j    | 106 | 6A  |
| VT   | 11  | 0B  | +    | 43  | 2B  | K    | 75  | 4B  | k    | 107 | 6B  |
| FF   | 12  | 0C  | ,    | 44  | 2C  | L    | 76  | 4C  | l    | 108 | 6C  |
| CR   | 13  | 0D  | -    | 45  | 2D  | M    | 77  | 4D  | m    | 109 | 6D  |
| SO   | 14  | 0E  | .    | 46  | 2E  | N    | 78  | 4E  | n    | 110 | 6E  |
| SI   | 15  | 0F  | /    | 47  | 2F  | O    | 79  | 4F  | o    | 111 | 6F  |
| DLE  | 16  | 10  | 0    | 48  | 30  | P    | 80  | 50  | p    | 112 | 70  |
| DC1  | 17  | 11  | 1    | 49  | 31  | Q    | 81  | 51  | q    | 113 | 71  |
| DC2  | 18  | 12  | 2    | 50  | 32  | R    | 82  | 52  | r    | 114 | 72  |
| DC3  | 19  | 13  | 3    | 51  | 33  | S    | 83  | 53  | s    | 115 | 73  |
| DC4  | 20  | 14  | 4    | 52  | 34  | T    | 84  | 54  | t    | 116 | 74  |
| NAK  | 21  | 15  | 5    | 53  | 35  | U    | 85  | 55  | u    | 117 | 75  |
| SYN  | 22  | 16  | 6    | 54  | 36  | V    | 86  | 56  | v    | 118 | 76  |
| ETB  | 23  | 17  | 7    | 55  | 37  | W    | 87  | 57  | w    | 119 | 77  |
| CAN  | 24  | 18  | 8    | 56  | 38  | X    | 88  | 58  | x    | 120 | 78  |
| EM   | 25  | 19  | 9    | 57  | 39  | Y    | 89  | 59  | y    | 121 | 79  |
| SUB  | 26  | 1A  | :    | 58  | 3A  | Z    | 90  | 5A  | z    | 122 | 7A  |
| ESC  | 27  | 1B  | ;    | 59  | 3B  | [    | 91  | 5B  | {    | 123 | 7B  |

| Char | Dec | Hex | Char | Dec | Hex | Char | Dec | Hex | Char | Dec | Hex |
|------|-----|-----|------|-----|-----|------|-----|-----|------|-----|-----|
| FS   | 28  | 1C  | <    | 60  | 3C  | \    | 92  | 5C  |      | 124 | 7C  |
| GS   | 29  | 1D  | =    | 61  | 3D  | ]    | 93  | 5D  | }    | 125 | 7D  |
| RS   | 30  | 1E  | >    | 62  | 3E  | ^    | 94  | 5E  | ~    | 126 | 7E  |
| US   | 31  | 1F  | ?    | 63  | 3F  | _    | 95  | 5F  |      | 127 | 7F  |

**NOTE:** For the hardware handshake XON/XOFF commands:  
XON = Ctrl Q (DC1)  
XOFF = Ctrl S (DC3)

---

# D

## *PTX\_SETUP Commands*

---

### Overview

The PTX\_SETUP commands are a superset of commands which allow the printer to perform several tasks by parsing commands either stored in flash or sent to the printer by the host. Commands range from re-routing debug statements to downloading complete printer configurations.

This appendix describes the PTX\_SETUP commands specific to thermal printers, as well as the commands which are not platform specific.

---

### The PTX\_SETUP Commands

Some concepts to keep in mind are as follows:

1. PTX\_SETUP commands are not emulation specific. In a system with an IGP, the IGP level emulation will process the PTX\_SETUP commands. In a system without an IGP, the PTX\_SETUP commands will be processed by the base emulation. The CTHI emulation will not process PTX\_SETUP commands.
2. Since there is no disk on a flash-based printer, DISK\_IO commands are now called FILE\_IO. However, for backwards compatibility DISK\_IO and FILE\_IO are synonymous.
3. The PTX\_SETUP command set is case sensitive; all PTX\_SETUP commands are in upper case characters only.
4. The white space separating commands may be any number of spaces and tabs. This allows a PTX\_SETUP file to be formatted for easier readability.
5. The PTX\_SETUP and PTX\_END command should be followed by a new line character.
6. Any unknown command will terminate the PTX\_SETUP processing. The offending command will be the first line of printed text.
7. Although the original implementation of PTX\_SETUP allowed for only a single parameter, separated from the sub-command by a single semicolon (;) character, the new PTX\_SETUP command set allows for multiple parameters separated by commas, semicolons, spaces or tabs.

## General Commands

---

The original PTX\_SETUP commands were implemented on the disk-based legacy laser printers; however, many commands are also supported for thermal printers. This section describes the existing commands which work across all platforms, and provides a general description of how commands are formed.

Each emulation has modes in which the PTX\_SETUP commands could get missed. For this reason, it is highly recommended that all PTX\_SETUP commands be placed between print jobs, rather than attempting to imbed them within jobs.

PTX\_SETUP commands have the following format:

### **(SFCC)PTX\_SETUP**

*Command–Sub Command;Value*

### **PTX\_END**

For example, if the SFCC assigned to PTX\_SETUP is the default value of the exclamation mark (!, hex 21), and you wanted to load configuration number 4 and capture all incoming data to a file named "BIN", you would use the following command:

```
!PTX_SETUP  
CONFIG–LOAD;4 FILE_IO–CAPTURE;BIN  
PTX_END
```

Table 22 lists all the command, sub-command, and parameter combinations and gives a brief description of the command. This section documents the existence of PTX\_SETUP commands which work across all platforms. The following sections document commands which are specific to thermal.

**NOTE:** When a file system error occurs, a message will be displayed on the front panel indicating the error, and the action needed to take to correct the error.



Table 22. General PTX\_SETUP Commands

| Command | Sub-Command | Parameter             | Description                                                                                                                                                                                                                                         |
|---------|-------------|-----------------------|-----------------------------------------------------------------------------------------------------------------------------------------------------------------------------------------------------------------------------------------------------|
| CONFIG  | LOAD        | <i>Cfg</i>            | <i>Cfg</i> can be 0-8. The PTX_SETUP will load configuration <i>Cfg</i> . If configuration <i>Cfg</i> was not previously saved, the operator panel will display an error message and the current configuration will be kept.                        |
|         | SAVE        | <i>Cfg</i>            | <i>Cfg</i> must be 1-8. This command will save the current configuration as configuration <i>Cfg</i> . If <i>Cfg</i> is not in the range of 1-8, the command is ignored.                                                                            |
|         | SETMENU     | <i>Value;Menu_tag</i> | <i>Menu_tag</i> is the name of the menu as defined in the menu file. <i>Value</i> is the value to which the menu is to be set.                                                                                                                      |
|         | POWERUP     | <i>Cfg</i>            | Sets the power-up configuration to <i>Cfg</i> and loads Configuration <i>Cfg</i> . <i>Cfg</i> can be any value from 0-8, where 0 is the factory default.                                                                                            |
|         | PRINT       | <i>Cfg</i>            | Print Configuration <i>Cfg</i> . <i>Cfg</i> can be a number 1-8, or one of four pre-defined configurations. The four non-numeric configurations are requested using the first character for the CURRENT, FACTORY, POWERUP, or ALL configuration(s). |
|         | DELETE      | <i>Cfg</i>            | Deletes Configuration number <i>Cfg</i> . <i>Cfg</i> must be in the range of 1-8.                                                                                                                                                                   |
|         | UPLOAD      | <i>Port;Cfg</i>       | This command uploads the configuration stored in location <i>Cfg</i> to the port specified by <i>Port</i> . <i>Port</i> must either be 1284 or SERIAL. <i>Cfg</i> may be 1-8 or ALL.                                                                |
|         | DOWNLOAD    | <i>Cfg</i>            | This command saves the configuration data that follows as configuration <i>Cfg</i> . <i>Cfg</i> must be 1-8 or END.                                                                                                                                 |

Table 22. General PTX\_SETUP Commands

| Command | Sub-Command | Parameter     | Description                                                                                                                                                                                                                                                                                                                                                                                                                                                   |
|---------|-------------|---------------|---------------------------------------------------------------------------------------------------------------------------------------------------------------------------------------------------------------------------------------------------------------------------------------------------------------------------------------------------------------------------------------------------------------------------------------------------------------|
| CONFIG  | OVERLAY     | <i>Cfg</i>    | This command overlays the configuration data that follows on existing configuration Cfg. Cfg must be 1-8 (or END). If Cfg does not exist then command is treated the same as DOWNLOAD.                                                                                                                                                                                                                                                                        |
|         | RESET       |               | Reboots the printer.                                                                                                                                                                                                                                                                                                                                                                                                                                          |
|         | GET_NAMES   | <i>"Port"</i> | This command uploads the names of the configurations to the port specified by Port. Port must either be "1284" or "SERIAL".                                                                                                                                                                                                                                                                                                                                   |
|         | SET_NAME    | <i>Cfg</i>    | This command downloads a name for the configuration specified by Cfg. Cfg must be 1-8.                                                                                                                                                                                                                                                                                                                                                                        |
|         | CLEAR_NAMES |               | This command resets all of the configuration names to their default values.                                                                                                                                                                                                                                                                                                                                                                                   |
|         | MPI_SELECT  | <i>MPI</i>    | This command selects the active Management Protocol Interface (MPI). Currently there are two selections "UCP" and "PXML".                                                                                                                                                                                                                                                                                                                                     |
|         | PNE_PORT    | <i>Port</i>   | <p>This command selects the port that the PNE will use to communicate to the printer.</p> <p>The valid ports are:</p> <ul style="list-style-type: none"> <li>• DISABLE</li> <li>• HOST_SERIAL<br/>If Host I/O is set to Auto Switching or Serial, the port defaults to Debug Serial.</li> <li>• DEBUG_SERIAL</li> <li>• ETHERNET</li> <li>• USB</li> </ul> <p><b>NOTE:</b> If ETHERNET is selected but not enabled, the selection will revert to DISABLE.</p> |

Table 22. General PTX\_SETUP Commands

| Command | Sub-Command   | Parameter   | Description                                                                                                                                                                                               |
|---------|---------------|-------------|-----------------------------------------------------------------------------------------------------------------------------------------------------------------------------------------------------------|
| CONFIG  | PANEL         | LOCK        | This command locks the operator out of the printer's configuration menu.                                                                                                                                  |
|         |               | UNLOCK      | This command unlocks the printer's configuration menu and allows the operator access to the menus. By default, the menu is unlocked.                                                                      |
|         | PNE_PORT_NUM  | Port Number | This command sets the Port Number the PNE uses to communicate to the printer if the PNE Port was set to Ethernet. This command causes the printer to automatically reboot.                                |
|         | PXML_PORT_NUM | Port Number | This command sets the Port Number the PXML and UCP will use to communicate to the printer if the PXML Port is set to Ethernet. This command causes the printer to automatically reboot.                   |
| LP MODE | n/a           | Protocol    | <i>Protocol</i> must be 0-4. This command resets the software protocol, and is selected as follows:<br>0 - P-Series<br>1 - P-Series XQ<br>2 - Serial Matrix<br>3 - Proprinter III XL<br>4 - Epson FX-1050 |

Table 22. General PTX\_SETUP Commands

| Command              | Sub-Command | Parameter | Description                                                                                                                                                                                                                                                                                               |
|----------------------|-------------|-----------|-----------------------------------------------------------------------------------------------------------------------------------------------------------------------------------------------------------------------------------------------------------------------------------------------------------|
| FILE_IO<br>(DISK_IO) | CAPTURE     | Filename  | Captures all incoming data into a file named <i>Filename</i> . Receipt of a FILE_IO-CAPTURE command without the <i>Filename</i> parameter will force the file data to be written to flash, and will end the file capture.                                                                                 |
|                      | DRIVE       | Letter    | This command is parsed for backwards compatibility. However, since the flash file system is a single device, the drive letter will be ignored.                                                                                                                                                            |
|                      | PROPS       | File;Prop | The PROPS command will set the file properties of a given file. The file properties are a four letter, case sensitive file descriptor. The properties field can be used to ensure that a file is used for its intended purpose. Once properties have been associated with a file, they cannot be changed. |
|                      | DEL         | Filename  | The DEL command will mark a file as deleted. The space the file occupied will be freed the next time the printer is powered up.                                                                                                                                                                           |

Table 22. General PTX\_SETUP Commands

| Command              | Sub-Command | Parameter | Description                                                                                                                                                                                                                                                                                                                                                             |
|----------------------|-------------|-----------|-------------------------------------------------------------------------------------------------------------------------------------------------------------------------------------------------------------------------------------------------------------------------------------------------------------------------------------------------------------------------|
| FILE_IO<br>(DISK_IO) | RUNFILE     | File;Prop | The RUNFILE command will open the file named <i>File</i> for printing. After the PTX_END command is processed, the contents of <i>File</i> will get printed before any more data is read from the host. If the <i>Prop</i> field is present, RUNFILE will verify that <i>Prop</i> matches the saved file properties. Any mismatch will cause the command to be ignored. |
|                      | UPLOAD      | File;Port | Reads the file named <i>File</i> out of the flash file system and sends it to a host computer via the <i>Port</i> I/O port. <i>Port</i> is either 1284 (for reverse nibble or byte mode transfer using the parallel port), or SERIAL. NOTE: if the Ethernet option is installed, 1284 is used to upload across the network.                                             |
|                      | MAXSIZE     | Kb        | For backwards compatibility.                                                                                                                                                                                                                                                                                                                                            |
|                      | MINSIZE     | Kb        | For backwards compatibility.                                                                                                                                                                                                                                                                                                                                            |
|                      | OPTIMIZE    | (none)    | Causes the printer to optimize the Flash File System. The printer automatically reboots during this process.                                                                                                                                                                                                                                                            |
| PTX_END              | (none)      | (none)    | Exits the PTX_SETUP.                                                                                                                                                                                                                                                                                                                                                    |

### Summary of the CONFIG Command

The UPLOAD and DOWNLOAD command can be used for uploading and downloading complete printer configurations. If a customer needs to configure 50 printers identically, the customer needs only configure one printer and UPLOAD the configurations. The UPLOADED configurations may then be DOWNLOADED to other printers eliminating the necessity for the operator to configure each printer manually.

The UPLOAD command will always place a header and a footer into the uploaded data. This header will be the DOWNLOAD command followed by the configuration number. The footer will be the DOWNLOAD END command. The operator should be aware that the UPLOAD and DOWNLOAD commands use a secondary copy of the menu structure which does not affect the printer's active configuration. This allows the UPLOAD and DOWNLOAD commands to operate without affecting the printer's current configuration. If the operator intends to use one of the DOWNLOADED configurations, the operator should reboot the printer to ensure proper operation. This can be accomplished by adding the RESET command as the last command in your

setup file. This is necessary because the printer caches the active configuration. Rebooting the printer ensures that the desired configuration is correctly read from FLASH.

**NOTE:** While an upload or download is in progress, the Front Panel will be unavailable.

The Configuration Save and Delete commands from the front panel can be blocked by using the Protect Configurations feature. This is intended to prevent someone from inadvertently reconfiguring a printer. The PTX\_SETUP commands, however, will override the protect configurations feature. All PTX\_SETUP commands will be honored regardless of the value of the Protect Configurations feature.

### **Operation of the FILE\_IO Command**

When a file is opened for writing with the FILE\_IO-CAPTURE;*filename* command, the system will allocate RAM for file control blocks and 1 Kbyte for data. If the file already exists on the Flash File System and the Overwrite Enable feature in the Flash File System menu is set to disable, a warning will be displayed on the front panel. After clearing the warning, the file data will be printed. To overwrite the existing file, set the Overwrite Files option to enable.

Due to the nature of writing to flash, any data intended to be stored permanently in flash must first be copied into RAM. As a result, the ability to manipulate files in the Flash File System is dependent upon the printer having sufficient RAM. None of the captured file data will be committed to flash until the entire file is loaded. The PTX\_SETUP parser will interpret the command "FILE\_IO-CAPTURE<lf>" as an end of file marker. Receipt of the command will cause all file data to be written to flash. The file system allocates RAM for temporary data storage in 1 Kbyte blocks. If at any time during the file download the printer runs out of RAM, a warning will be displayed on the front panel and as much of the file as possible will be saved in flash.

Three things can limit the ability to save a file: insufficient RAM, insufficient Flash, and lack of empty file system entries. Flash can only be written once before it needs to be "optimized". As a result, the maximum file size is limited to the largest unwritten block of Flash. If any of these problems occur, the printer will display an error message and will attempt to provide the operator with a description of what steps to take to correct the error. Normally, the solution will involve optimizing the Flash File System. This can be accomplished by selecting the Optimize & Reboot function in the Flash File System menu under PRINTER SETUP.

**NOTE:** After selecting the Optimize & Reboot function, do not shut off the printer's power until after the printer returns to the power-on state. Loss of power during the optimize process may corrupt the printer's program. If this occurs, first attempt to repeat the downloading process. If that fails, contact an authorized service representative.

## Thermal Commands

Table 23 lists PTX\_SETUP commands which apply to thermal printers.

**Table 23. Thermal PTX\_SETUP Commands**

| Command | Sub-Command  | Parameter           | Description                                                                                                                                                                                                                                                                                                                                                                                                                        |
|---------|--------------|---------------------|------------------------------------------------------------------------------------------------------------------------------------------------------------------------------------------------------------------------------------------------------------------------------------------------------------------------------------------------------------------------------------------------------------------------------------|
| ENGINE  | ALM_WIDE     | <i>wide width</i>   | Set the Auto Label Mapping <i>wide width</i> (in units of 1/1000"; e.g., a <i>wide width</i> value of 1000 = 1"), which represents the width of the image in the file sent from the host which is to be auto label mapped into several labels, each of which will have a width of <i>narrow width</i> . # of labels= <i>wide width</i> / <i>narrow width</i> (rounded down)                                                        |
|         | ALM_NARROW   | <i>narrow width</i> | Set the Auto Label Mapping <i>narrow width</i> , which represents the width of one auto mapped label (in units of 1/1000"; e.g., a <i>narrow width</i> value of 1000 = 1"). This width should be set prior to the <i>wide width</i> . In addition, it can never exceed the physical width of the printer. If it does, the <i>narrow width</i> will be automatically reduced to the Page Width value set in the configuration menu. |
|         | ALM_ENABLE   | <i>N/W/*</i>        | Set Auto Label Mapping to Narrow, Wide, or Off. Enter N for Narrow, W for Wide, or any other letter to disable ALM. By default, only the Narrow option is implemented.                                                                                                                                                                                                                                                             |
|         | EJECT        |                     | Performs a page eject.                                                                                                                                                                                                                                                                                                                                                                                                             |
|         | IMAGE_SHFT_H | <i>Value</i>        | Shifts the image <i>Value</i> horizontally in 1/1000" units. If <i>Value</i> is out of the specified range (-1" to +1"), the command will be ignored.                                                                                                                                                                                                                                                                              |
|         | IMAGE_SHFT_V | <i>Value</i>        | Shifts the image <i>Value</i> vertically in 1/1000" units. If <i>Value</i> is out of the specified range (-1" to +6"), the command will be ignored.                                                                                                                                                                                                                                                                                |
|         | LENGTH       | <i>Value</i>        | Sets the page length in 1/1000" units.                                                                                                                                                                                                                                                                                                                                                                                             |

Table 23. Thermal PTX\_SETUP Commands

| Command  | Sub-Command       | Parameter | Description                                                                                                                 |
|----------|-------------------|-----------|-----------------------------------------------------------------------------------------------------------------------------|
| ENGINE   | MEDIA_HANDLING    | Value     | Sets the type of media handling:<br>0 - Continuous<br>1 - Tear-Off Strip<br>2 - Tear-Off<br>3 - Peel-Off<br>4 - Cut         |
|          | MIRROR            | Value     | Value of 0 turns mirroring off, non-zero turns mirroring on.                                                                |
|          | MODE              | X         | Sets the print mode to Thermal Transfer.                                                                                    |
|          |                   | D         | Sets the print mode to Direct Thermal.                                                                                      |
|          | WIDTH             | Value     | Sets the page width in 1/1000" units.                                                                                       |
|          | ODV               | 1         | Enables the ODV unit so that ODV begins verifying printed barcodes.                                                         |
| RFID     | OVERSTRIKE_REPORT | ON/OFF    | Enables/disables reporting of RFID overstrikes to the host. The default is OFF (disabled).                                  |
|          | STATISTICS_REPORT | ON/OFF    | Enables/disables reporting of RFID statistics to the host. The default is OFF (disabled).                                   |
|          | STATISTICS_CLEAR  |           | Clears the RFID statistics.                                                                                                 |
| PRINTJOB | START             | jobID     | Start of job marker. Results in a "start of job" message sent back to host through the PPM port when a job starts printing. |
|          | END               | jobID     | End of job marker. Results in a "end of job" message sent back to host through the PPM port when the job finishes printing. |



---

# E

## *Customer Support*

---

### **Printronix Customer Support Center**

---

#### **IMPORTANT**

**Please have the following information available prior to calling the Printronix Customer Support Center:**

- Model number
- Serial number (located on the back of the printer)
- Installed options (i.e., interface and host type if applicable to the problem)
- Configuration printout:  
See "Printing a Configuration" on page 154.
- Is the problem with a new install or an existing printer?
- Description of the problem (be specific)
- Good and bad samples that clearly show the problem (faxing or emailing of these samples may be required)

Americas (714) 368-2686

Europe, Middle East, and Africa (31) 24 6489 311

Asia Pacific (65) 6548 4114

China (86) 800-999-6836

<http://www.primtronix.com/support.aspx>

---

### **Printronix Supplies Department**

---

Contact the Printronix Supplies Department for genuine Printronix supplies.

Americas (800) 733-1900

Europe, Middle East, and Africa (33) 1 46 25 19 07

Asia Pacific (65) 6548 4116  
or (65) 6548 4132

China (86) 400-886-5598

India (800) 102-7869

<http://www.primtronix.com/supplies-parts.aspx>

## **Corporate Offices**

---

Printronix, Inc.  
15345 Barranca Parkway  
Irvine, CA 92618  
U.S.A.  
Phone: (714) 368-2300  
Fax: (714) 368-2600

Printronix Inc.  
c/o Printronix Nederland BV  
Bijsterhuizen 11-38  
6546 AS Nijmegen  
The Netherlands  
Phone: (31) 24 6489489  
Fax: (31) 24 6489499

Printronix Schweiz GmbH  
42 Changi South Street 1  
Changi South Industrial Estate  
Singapore 486763  
Phone: (65) 6542 0110  
Fax: (65) 6546 1588

Printronix Commercial (Shanghai) Co. Ltd  
22F, Eton Building East  
No.555, Pudong Av.  
Shanghai City, 200120, P R China  
Phone: (86) 400 886 5598  
Fax: (86-21) 5138 0564

Visit the Printronix web site at [www.primtronix.com](http://www.primtronix.com)

---

# F

## *Glossary*

|                                       |                                                                                                                                                                                                                                                                                                |
|---------------------------------------|------------------------------------------------------------------------------------------------------------------------------------------------------------------------------------------------------------------------------------------------------------------------------------------------|
| <b>Baud (rate)</b>                    | Baud Rate is the number of information bits that can be transmitted between the printer and the computer in one second. For example, one baud equals one bit per second in a series of binary signals. Both the printer and the computer must be configured to the same baud rate.             |
| <b>BIT</b>                            | Binary digIT. A digit in the binary number system, represented by a 0 or a 1. A bit is the smallest unit of storage in a digital computer.                                                                                                                                                     |
| <b>Boot-up</b>                        | The start-up procedure which causes a computer operating system to be loaded into main memory.                                                                                                                                                                                                 |
| <b>Buffer</b>                         | An area of storage into which data is read or written temporarily during data transfers.                                                                                                                                                                                                       |
| <b>Configuration</b>                  | Refers to the operating properties that define how the printer responds to signals and commands received from the host computer at the printer interface. These properties are called configuration parameters and are set to match the operating characteristics of the host computer system. |
| <b>Continuous Media</b>               | Media comprised of one continuous length without a gap, notch, hole, or black mark to establish a predetermined label or tag length. With this media type, the Host Form Length or user-selected Label Length sets the desired length of each label.                                           |
| <b>Continuous Media Handling Mode</b> | A media handling mode that advances media in the forward direction only.                                                                                                                                                                                                                       |
| <b>Controller</b>                     | An independent functional logic unit in a data processing system that controls data paths between one or more units of peripheral equipment.                                                                                                                                                   |
| <b>Data Bits</b>                      | Binary information sent to the printer; a character set grouping containing letters, digits, and punctuation marks to be printed.                                                                                                                                                              |

|                                        |                                                                                                                                                                                                                                                                                                                        |
|----------------------------------------|------------------------------------------------------------------------------------------------------------------------------------------------------------------------------------------------------------------------------------------------------------------------------------------------------------------------|
| <b>Default</b>                         | A value, parameter, attribute, or option that is assigned by a program or system when another has not been specified by the user.                                                                                                                                                                                      |
| <b>Diagnostic</b>                      | Pertaining to the detection and isolation of a printer malfunction or mistake.                                                                                                                                                                                                                                         |
| <b>Direct Thermal Media</b>            | Media coated with special chemicals that act as an accelerator, acceptor dye, and binder. In Direct Thermal mode, the heat from the selected rectangular elements in the thermal printhead makes direct contact with the media (no ribbon is used) and causes a chemical reaction that creates the image on the media. |
| <b>Direct Thermal Printing</b>         | A printing method in which no ribbon is used to transfer data from the printhead to the media to create an image. The thermal printhead selectively heats small rectangular elements which make direct contact with the coated media.                                                                                  |
| <b>DRAM</b>                            | Dynamic Random Access Memory. Can be read from or written to at any time. DRAM is volatile: whatever is in DRAM is lost when power is turned off.                                                                                                                                                                      |
| <b>Expanded Memory Cartridge (EMC)</b> | The expanded memory cartridge (EMC) is an extra 32MB Flash memory storage cartridge that allows users to download forms, logos, and fonts.                                                                                                                                                                             |
| <b>Fanfold Media</b>                   | Media supplied in a fanfold stack instead of a roll format.                                                                                                                                                                                                                                                            |
| <b>Flash Memory</b>                    | Nonvolatile memory. See Nonvolatile Memory.                                                                                                                                                                                                                                                                            |
| <b>Font</b>                            | A collection of printing characteristics for printing alphanumeric characters, all of which combine to produce a distinctive style of print.                                                                                                                                                                           |
| <b>Host Computer</b>                   | The computer that stores, processes, and sends data to be printed, which communicates directly with the printer. The term "host" is used to indicate the controlling computer, since modern printers are themselves microprocessor-controlled computer systems.                                                        |
| <b>PGL</b>                             | Intelligent Graphics Printing software for the Printronix Graphics Language, designated for Printronix printers. PGL provides online forms, barcodes, and many alphanumeric text-generation capabilities and is compatible with earlier versions of Printronix IGP protocol and programming.                           |

---

|                              |                                                                                                                                                                                                                                                                                                                                                                                                                                                                                                                                                                                                                                              |
|------------------------------|----------------------------------------------------------------------------------------------------------------------------------------------------------------------------------------------------------------------------------------------------------------------------------------------------------------------------------------------------------------------------------------------------------------------------------------------------------------------------------------------------------------------------------------------------------------------------------------------------------------------------------------------|
| <b>Interface</b>             | The hardware component used to link two devices by common physical interconnection, signal, and functional characteristics.                                                                                                                                                                                                                                                                                                                                                                                                                                                                                                                  |
| <b>IPS</b>                   | The speed at which the media is printed based on a rate of Inches-Per-Second.                                                                                                                                                                                                                                                                                                                                                                                                                                                                                                                                                                |
| <b>Label Liner (backing)</b> | The material labels are attached to during their manufacturing process. Attachment is usually accomplished with an adhesive. After printing, labels can be easily removed from the liner and the liner discarded or recycled.                                                                                                                                                                                                                                                                                                                                                                                                                |
| <b>Label Taken Sensor</b>    | A sensor located at the front of the printer to detect the presence of a label extended out the front of the printer. The sensor is used only during Peel-Off Media Handling to sense a label and then detect its removal prior to printing the next label.                                                                                                                                                                                                                                                                                                                                                                                  |
| <b>Media</b>                 | Material onto which data is printed by the printer. The types of media supported by the printer are die-cut labels or tag stock, supplied in roll or fanfold format. Media is further described by the type of sensing used to detect the Top-of-Form position based on the label length indicators used. Transmissive (Gap) media uses a liner gap, notch, or hole between labels, and Reflective (Mark) media uses a horizontal black mark located on the underside of the tag stock or label liner. Continuous media (with no label length indicators) uses no sensing method, and the operator determines which label length is desired. |
| <b>Media Sensor</b>          | The sensor used to detect the presence of media in the paper path as well as the gap, notch, or hole position of Transmissive media or the horizontal black mark on Reflective media.                                                                                                                                                                                                                                                                                                                                                                                                                                                        |
| <b>Memory</b>                | See RAM, Nonvolatile Memory, DRAM, and Flash Memory.                                                                                                                                                                                                                                                                                                                                                                                                                                                                                                                                                                                         |
| <b>Nonvolatile Memory</b>    | Nonvolatile memory stores variables that must be preserved when the printer is turned off, such as configuration parameters and printer usage statistics. Nonvolatile memory is preserved because RAM is housed on the controller board, which contains an independent, battery-operated power supply. When printer power is turned off, the battery supplies the power needed to keep stored data active. Nonvolatile memory also includes storage in disk.                                                                                                                                                                                 |
| <b>NVRAM</b>                 | Acronym of Nonvolatile Random-Access Memory. See Nonvolatile Memory.                                                                                                                                                                                                                                                                                                                                                                                                                                                                                                                                                                         |

|                                             |                                                                                                                                                                                                                                                                       |
|---------------------------------------------|-----------------------------------------------------------------------------------------------------------------------------------------------------------------------------------------------------------------------------------------------------------------------|
| <b>Parity (check)</b>                       | Parity checking is the addition of a non-data bit to data, resulting in the number of “1 bits” being either always even or always odd. Parity is used to detect transmission errors. Parity represents value in the check digit of the received or transmitted data.  |
| <b>PCBA</b>                                 | Printed Circuit Board Assembly. A PCB with components (ICs, resistors, capacitors, etc.) installed.                                                                                                                                                                   |
| <b>Pitch (RFID)</b>                         | In the RFID industry, pitch is the distance from one point on an inlay to the same point on the next inlay.                                                                                                                                                           |
| <b>Port</b>                                 | A data channel used for receiving data from or transmitting data to one or more external devices.                                                                                                                                                                     |
| <b>Protocol</b>                             | The rules and conventions that govern communication between a printer and a host computer. A protocol includes codes for printing text and graphics and codes instructing the printer to perform special operations.                                                  |
| <b>Quick Change Memory Cartridge (QCMC)</b> | This cartridge provides a way to easily copy a printer’s firmware and configuration settings from one printer to another. A “snapshot image” of the source printer is stored onto the QCMC and a simple interface is provided to copy that image to a target printer. |
| <b>RAM</b>                                  | Random-Access Memory. Also called “main memory” or “working memory.” It is the active memory of the printer into which programs are loaded. RAM is saved to volatile memory because data in RAM is lost when power is turned off or interrupted.                      |
| <b>Reflective Mark Sensing</b>              | Use of the media sensor to transmit and receive infrared light off the underside of media to detect horizontal black marks used for determining the Top-of-Form position on labels or for indicating a Paper Out condition.                                           |
| <b>Resolution</b>                           | A measure expressing the number of component units in a given range used to create an image; in printing, expressed as the number of dots per inch (dpi) horizontally and vertically.                                                                                 |
| <b>RFID Encoder</b>                         | The RFID (Radio Frequency Identification) encoder programs smart labels (tags with embedded inlays).                                                                                                                                                                  |
| <b>Roll Media</b>                           | Media supplied in a roll format, on a 3-inch cardboard core.                                                                                                                                                                                                          |

---

**Sensed Distance**

**Gap/Mark Sensor = Gap:** The Sensed Distance value is the physical length of one label plus the length of one gap.

**Gap/Mark Sensor = Mark:** The Sensed Distance value is the physical distance from the trailing edge of one black mark to the trailing edge of the next.

**Standard-Pitch RFID Labels**

Labels with RFID inlays that typically have a pitch from 2.0 to 6.0 inches. These labels support tag encoding and provide ample space to print text, graphics, barcodes, or logos.

**Short-Pitch RFID Labels**

Labels with RFID inlays that have a pitch from 1.0 to 2.0 inches. The inlay is usually short in length and the label provides limited space to print text, graphics, barcodes, or logos.

**Slew**

Vertical paper movement.

**Stop Bits**

The signal which indicates the end of a character or element.

**Thermal Transfer Media**

Media specifically designed to work with a ribbon for image transfer. In Thermal Transfer mode, compatibility between the ribbon and the media is critical in producing a high quality, long lasting image.

**Thermal Transfer Printing**

A printing method in which the printhead presses a specially coated ribbon against the media. The printhead elements react with the ribbon and bond the image to the media.

**Transmissive (Gap) Sensing**

Use of the media sensor to transmit infrared light through the media to detect gaps, holes, or notches for determining the Top-of-Form position on labels or for indicating a Paper Out condition.





---

# G

## *Communication Notices*

---

### Notices

---

This information was developed for products and services offered in the U.S.A.

Printronix may not offer the products, services, or features discussed in this document in other countries. Consult your Printronix representative for information on the products and services currently available in your area. Any reference to an Printronix product, program, or service is not intended to state or imply that only that Printronix product, program, or service may be used. Any functionally equivalent product, program, or service that does not infringe any Printronix intellectual property rights may be used instead. However, it is the user's responsibility to evaluate and verify the operation of any non-Printronix product, program, or service.

Printronix may have patents or pending patent applications covering subject matter described in this document. The furnishing of this document does not give you any license to these patents. You can send license inquires, in writing, to:

Printronix, Inc.  
15345 Barranca Parkway  
Irvine, CA 92618  
U.S.A.

**The following paragraph does not apply to the United Kingdom or any other country where such provisions are inconsistent with local law:**

PRINTRONIX PROVIDES THIS PUBLICATION "AS IS" WITHOUT WARRANTY OF ANY KIND, EITHER EXPRESS OR IMPLIED, INCLUDING, BUT NOT LIMITED TO, THE IMPLIED WARRANTIES OF NON-INFRINGEMENT, MERCHANTABILITY OR FITNESS FOR A PARTICULAR PURPOSE. Some states do not allow disclaimer of express or implied warranties in certain transactions, therefore, this statement may not apply to you.

This information could include technical inaccuracies or typographical errors. Changes are periodically made to the information herein; these changes will be incorporated in new editions of the publication. Printronix may make improvements and/or changes in the product(s) described in this publication at any time without notice.

Any references in this information to non-Printronix Web sites are provided for convenience only and do not in any manner serve as an endorsement of those Web sites. The materials at those Web sites are not part of the materials for this Printronix product and use of those Web sites is at your own risk.

Any performance data contained herein was determined in a controlled environment. Therefore, the results obtained in other operating environments may vary significantly. Some measurements may have been made on development-level systems and there is no guarantee that these measurements will be the same on generally available systems. Furthermore, some measurement may have been estimated through extrapolation. Actual results may vary. Users of this document should verify the applicable data for their specific environment.

Information concerning non-Printronix products was obtained from the suppliers of those products, their published announcements or other publicly available sources. Printronix has not tested those products and cannot confirm the accuracy of performance, compatibility or any other claims related to non-Printronix products. Questions on the capabilities of non-Printronix products should be addressed to the suppliers of those products.

Printronix encourages owners of information technology (IT) equipment to responsibly recycle their equipment when it is no longer needed. Printronix offers a variety of programs and services to assist equipment owners in recycling their IT products. Information on these product recycling offerings can be found on Printronix's Internet site at <http://www.primtronix.com>.

**Note!**

Before using this information and the product it supports, read the information and Communication Notices on page 283.

If you are viewing this information softcopy, the photographs and color illustrations may not appear.

For online versions of this book, we authorize you to:

- Copy, modify, and print the documentation contained on the media, for use within your enterprise, provided you reproduce the copyright notice, all warning statements, and other required statements on each copy or partial copy.
- Transfer the original unaltered copy of the documentation when you transfer the related Printronix product (which may be either machines you own, or programs, if the program's license terms permit a transfer). You must, at the same time, destroy all other copies of the documentation.

You are responsible for payment of any taxes, including personal property taxes, resulting from this authorization.

Your failure to comply with the terms above terminates this authorization. Upon termination, you must destroy your machine readable documentation.

---

## Communication Notices

---

This equipment has been tested and found to comply with the limits for a Class B digital device, pursuant to Part 15 of the FCC Rules. These limits are designed to provide reasonable protection against harmful interference in a residential installation. This equipment generates, uses, and can radiate radio frequency energy and, if not installed and used in accordance with the instructions, may cause harmful interference to radio communications. However, there is no guarantee that interference will not occur in a particular installation. If this equipment does cause harmful interference to radio or television reception, which can be determined by turning the equipment off and on, the user is encouraged to try to correct the interference by one or more of the following measures:

- Reorient or relocate the receiving antenna.
- Increase the separation between the equipment and receiver.
- Connect the equipment into an outlet on a circuit different from that to which the receiver is connected.
- Consult the dealer or an experienced radio/TV technician for help.

Unauthorized changes or modifications could void the user's authority to operate the equipment.

This device complies with part 15 of the FCC Rules. Operation is subject to the following two conditions: (1) this device may not cause harmful interference, and (2) this device must accept any interference received, including interference that may cause undesired operation.

Any change or modification to this product voids the user's authority to operate it per FCC Part 15 Subpart A Section 15.21 regulations.

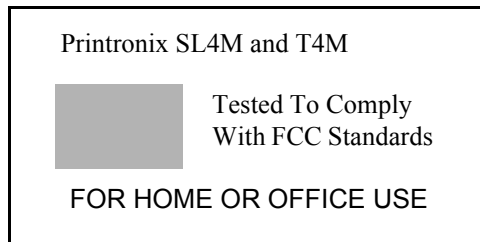
### **RF Exposure**

To comply with FCC and IC RF exposure requirements, the device is approved for operation with a minimum separation distance of 20cm for all persons.

### **Co-location**

To comply with FCC part 15C and IC RSS 210 requirements, the device must not be co-located or operating in conjunction with any other transmitter or antenna other than those allowed by Printronix for this device.

This product contains an intentional radiator with the following parameters:  
Operating Frequency: 902 to 928 MHz  
Typical RF Power: 100 milliwatts  
Maximum RF Power: 700 milliwatts



### **Canada**

This Class B digital apparatus complies with Canadian ICES-003 and RSS 210.

Cet appareil numérique de la classe B est conforme à la norme NMB-003 du Canada.

Operation is subject to the following two conditions: (1) this device may not cause interference, and (2) this device must accept any interference, including interference that may cause undesired operation of the device.

This device has been designed to operate with the antennas listed below, and having a maximum gain of –12 dBi. Antennas not included in this list or having a gain greater than –12 dBi dB are strictly prohibited for use with this device. The required antenna impedance is 50 ohms.

To reduce potential radio interference to other users, the antenna type and its gain should be so chosen that the equivalent isotropically radiated power (e.i.r.p.) is not more than that permitted for successful communication.

### **CE Notice (European Union)**

Marking by the CE symbol indicates compliance of this Printronix system to the EMC Directive and the Low Voltage Directive of the European Union. Such marking is indicative that this Printronix system meets the following technical standards:

- EN 300 220-1 (2000), Electromagnetic Compatibility and Radio Spectrum Matters; Short Range Devices; Radio equipment to be used in the 25 MHz to 1000 MHz frequency range with power levels ranging up to 500 mW.
- EN 55022 — “Limits and Methods of Measurement of Radio Interference Characteristics of Information Technology Equipment.”
- EN 55024 — “Electromagnetic Immunity Requirements for Information Technology Equipment”
- EN 60950 — “Safety of Information Technology Equipment.”

---

Printronic cannot accept responsibility for any failure to satisfy the protection requirements resulting from a non-recommended modification of the product, including the fitting of non-Printronic option cards.

this product has been tested and found to comply with the limits of Class A Information Technology Equipment according to European standard EN 55022. The limits for Class A equipment were derived for commercial and industrial environments to provide reasonable protection against interference with licensed communication devices.

**WARNING**

This is a Class A product. In a domestic environment this product may cause radio interference in which case the user may be required to take adequate measures.

**CE Symbol**



**Taiwan**

經型式認證合格之低功率射頻電機，非經許可，公司、商號或使用者均不得擅自變更頻率、加大功率或變更原設計之特性及功能。

低功率射頻電機之使用不得影響飛航安全及干擾合法通信；經發現有干擾現象時，應立即停用，並改善至無干擾時方得繼續使用。前項合法通信，指依電信法規定作業之無線電通信。低功率射頻電機須忍受合法通信或工業、科學及醫療用電波輻射性電機設備之干擾。

**China**

**海拔高度和非热带性气候声明**



仅适用于海拔 2000M 以下地区安全使用



仅适用于非热带气候条件下安全使用

## RFID

**Intended use:** non-specific short range device operating in the band 869.4 to 869.95 MHz for Home and Office environment in E.E.A and Switzerland.

## Wireless Ethernet

**Intended use:** Low Power 802.11b/g radio LAN product operating indoor in 2.4 GHz bands for Home and Office environment in E.E.A and Switzerland.

# Software License Agreement

---

Your printer contains, among other software, Printronix operating software including, but not limited to the Embedded Configurable Operating System (the “eCos Software”) as embedded software. The terms of this Agreement apply only to the eCos Software, and all other embedded software supplied with the printer. You accept the terms of this Agreement by your initial use of your printer.

## 1. Object Code License

Printronix grants you a nonexclusive license to use the Printronix Software, the eCos Software and all other embedded software (collectively, the “Embedded Software” or the “Software”) only in conjunction with the printer. As the rightful possessor of the printer, you may make a reasonable number of copies of the Software as necessary for backup, configuration, and restoration of the printer. You must reproduce the copyright notice and any other legend of ownership on each copy of the Software you make.

You may transfer possession of the Software and its media to another party only with the transfer of the printer on which the Software is used. If you do so, you must give the other party a copy of these terms and provide all user documentation to that party. When you do so, you must destroy any copies of Software not resident in the printer.

Your license for the Software terminates when you no longer rightfully possess the printer. No other rights under this license are granted.

## 2. Source Code

A source code version of eCos Software is available under the terms of a modified version of the GNU General Public License (GPL) located under PCM eCos 2.0+ at [www.primtronix.com](http://www.primtronix.com). Printronix grants no rights whatsoever in the source code for the Printronix Software.

---

### **3. No Warranty**

THE EMBEDDED SOFTWARE IS PROVIDED UNDER THIS LICENSE ON AN "AS IS" BASIS, WITHOUT WARRANTY OF ANY KIND, EITHER EXPRESSED OR IMPLIED, INCLUDING, WITHOUT LIMITATION, WARRANTIES THAT THE EMBEDDED SOFTWARE IS FREE OF DEFECTS, MERCHANTABILITY, FIT FOR A PARTICULAR PURPOSE OR NON-INFRINGEMENT. THE ENTIRE RISK AS TO THE QUALITY AND PERFORMANCE OF THE EMBEDDED SOFTWARE IS WITH YOU. SHOULD ANY OF THE EMBEDDED SOFTWARE PROVE DEFECTIVE IN ANY RESPECT, YOU (NOT RED HAT, PRINTRONIX, ANY OTHER CONTRIBUTOR OR ANY DISTRIBUTOR) ASSUME THE COST OF ANY NECESSARY SERVICING, REPAIR OR CORRECTION. THIS DISCLAIMER OF WARRANTY CONSTITUTES AN ESSENTIAL PART OF THIS LICENSE. NO USE OF ANY OF THE EMBEDDED SOFTWARE IS AUTHORIZED HEREUNDER EXCEPT UNDER THIS DISCLAIMER.

### **4. Conflicting Terms**

You agree that this Agreement provides you no more rights with regards to warranty, support, indemnity or liability terms with respect to Printronix Inc, or any contributor to the Embedded Software than that provided by any express warranty that may be made by Printronix, Inc.

### **5. Limitation of Liability**

UNDER NO CIRCUMSTANCES AND UNDER NO LEGAL THEORY, WHETHER TORT (INCLUDING NEGLIGENCE), CONTRACT OR OTHERWISE, SHALL RED HAT, PRINTRONIX, ANY OTHER CONTRIBUTOR, OR ANY DISTRIBUTOR OF THE EMBEDDED SOFTWARE, OR ANY PART THEREOF, OR ANY SUPPLIER OF ANY OF SUCH PARTIES, BE LIABLE TO YOU OR ANY OTHER PERSON FOR ANY INDIRECT, SPECIAL, INCIDENTAL, OR CONSEQUENTIAL DAMAGES OF ANY CHARACTER INCLUDING, WITHOUT LIMITATION, DAMAGES FOR LOSS OF GOODWILL, WORK STOPPAGE, COMPUTER FAILURE OR MALFUNCTION. OR ANY AND ALL OTHER COMMERCIAL DAMAGES OR LOSSES, EVEN IF SUCH PARTY SHALL HAVE BEEN INFORMED OF THE POSSIBILITY OF SUCH DAMAGES. THIS LIMITATION OF LIABILITY SHALL NOT APPLY TO LIABILITY FOR DEATH OR PERSONAL INJURY RESULTING FROM SUCH PARTY'S NEGLIGENCE TO THE EXTENT APPLICABLE LAW PROHIBITS SUCH LIMITATION. SOME JURISDICTIONS DO NOT ALLOW THE EXCLUSION OR LIMITATION OF INCIDENTAL OR CONSEQUENTIAL DAMAGES SO THAT EXCLUSION AND LIMITATION MAY NOT APPLY TO YOU.

### **6. U.S. Government Users**

The Embedded Software is a "commercial item," as that term is defined in 48 C.F.R. 2.101 (Oct 1995), consisting of "commercial computer software" and "commercial computer software documentation," as such terms are used in 48 C.F.R 12.212 (Sept. 1995). Consistent with 48 C.F.R. 12.212 and 48 C.F.R. 227.7202-1 through 227.7202-4 (June 1995), all U.S. Government End Users acquire Covered Code with only those rights set forth herein.

**7. Miscellaneous**

This Agreement represents the complete agreement concerning subject matter hereof. If any provision of this Agreement is held to be unenforceable. This Agreement shall be governed by California law provisions (except to the extent applicable law, if any, provides otherwise), excluding its conflict-of-law provisions.

**8. eCos Software**

eCos is free software; you can redistribute it and/or modify it under the terms of the GNU General Public License as published by the Free Software Foundation, version 2 or a later.

eCos is distributed WITHOUT ANY WARRANTY, without even the implied warranty of MERCHANTABILITY or FITNESS FOR A PARTICULAR PURPOSE. See the GNU General Public License for more details.

You should receive a copy of the GNU General Public License along with eCos. If not, write to:

Free Software Foundation, Inc.  
59 Temple Place, Suite 330  
Boston, MA 02111-1307 USA.

As special exception, if other files instantiate templates or use macros or inline functions from this file, you could compile this file and link it with other works to produce work based on this file. This file does not by itself cause the resulting work to be covered by the GNU General Public License. However, the source code for this file must be made available in accordance with section (3) of the GNU General Public License.

This exception does not invalidate any other reasons why work based on this file might be covered by the GNU General Public License.

Alternative licenses for eCos may be arranged by contacting Red Hat, Inc. at <http://sources.redhat.com/ecos/ecos-license/>



---

## OpenSSL License

The OpenSSL toolkit stays under a dual license, i.e. both the conditions of the OpenSSL License and the original SSLeay license apply to the toolkit.

See below for the actual license texts. Actually both licenses are BSD-style Open Source licenses. In case of any license issues related to OpenSSL please contact [openssl-core@openssl.org](mailto:openssl-core@openssl.org).

```
/* =====  
* Copyright (c) 1998-2011 The OpenSSL Project. All rights reserved.  
*  
* Redistribution and use in source and binary forms, with or without  
* modification, are permitted provided that the following conditions  
* are met:  
*  
* 1. Redistributions of source code must retain the above copyright  
* notice, this list of conditions and the following disclaimer.  
*  
* 2. Redistributions in binary form must reproduce the above copyright  
* notice, this list of conditions and the following disclaimer in  
* the documentation and/or other materials provided with the  
* distribution.  
*  
* 3. All advertising materials mentioning features or use of this  
* software must display the following acknowledgment:  
* "This product includes software developed by the OpenSSL Project  
* for use in the OpenSSL Toolkit. (http://www.openssl.org/)"  
*  
* 4. The names "OpenSSL Toolkit" and "OpenSSL Project" must not be used to  
* endorse or promote products derived from this software without  
* prior written permission. For written permission, please contact  
* openssl-core@openssl.org.  
*  
* 5. Products derived from this software may not be called "OpenSSL"  
* nor may "OpenSSL" appear in their names without prior written  
* permission of the OpenSSL Project.  
*  
* 6. Redistributions of any form whatsoever must retain the following  
* acknowledgment:  
* "This product includes software developed by the OpenSSL Project  
* for use in the OpenSSL Toolkit (http://www.openssl.org/)"  
*  
* THIS SOFTWARE IS PROVIDED BY THE OpenSSL PROJECT ``AS IS'' AND ANY  
* EXPRESSED OR IMPLIED WARRANTIES, INCLUDING, BUT NOT LIMITED TO, THE  
* IMPLIED WARRANTIES OF MERCHANTABILITY AND FITNESS FOR A PARTICULAR  
* PURPOSE ARE DISCLAIMED. IN NO EVENT SHALL THE OpenSSL PROJECT OR  
* ITS CONTRIBUTORS BE LIABLE FOR ANY DIRECT, INDIRECT, INCIDENTAL,  
* SPECIAL, EXEMPLARY, OR CONSEQUENTIAL DAMAGES (INCLUDING, BUT  
* NOT LIMITED TO, PROCUREMENT OF SUBSTITUTE GOODS OR SERVICES;  
* LOSS OF USE, DATA, OR PROFITS; OR BUSINESS INTERRUPTION)  
* HOWEVER CAUSED AND ON ANY THEORY OF LIABILITY, WHETHER IN CONTRACT,  
* STRICT LIABILITY, OR TORT (INCLUDING NEGLIGENCE OR OTHERWISE)  
* ARISING IN ANY WAY OUT OF THE USE OF THIS SOFTWARE, EVEN IF ADVISED
```

\* OF THE POSSIBILITY OF SUCH DAMAGE.  
\* =====  
\*  
\* This product includes cryptographic software written by Eric Young  
\* (eay@cryptsoft.com). This product includes software written by Tim  
\* Hudson (tjh@cryptsoft.com).  
\*  
\*/

### **Original SSLeay License**

/\* Copyright (C) 1995-1998 Eric Young (eay@cryptsoft.com)  
\* All rights reserved.  
\*  
\* This package is an SSL implementation written  
\* by Eric Young (eay@cryptsoft.com).  
\* The implementation was written so as to conform with Netscapes SSL.  
\*  
\* This library is free for commercial and non-commercial use as long as  
\* the following conditions are aheared to. The following conditions  
\* apply to all code found in this distribution, be it the RC4, RSA,  
\* lhash, DES, etc., code; not just the SSL code. The SSL documentation  
\* included with this distribution is covered by the same copyright terms  
\* except that the holder is Tim Hudson (tjh@cryptsoft.com).  
\*  
\* Copyright remains Eric Young's, and as such any Copyright notices in  
\* the code are not to be removed.  
\* If this package is used in product, Eric Young should be given attribution  
\* as the author of the parts of the library used.  
\* This can be in the form of a textual message at program startup or  
\* in documentation (online or textual) provided with the package.  
\*  
\* Redistribution and use in source and binary forms, with or without  
\* modification, are permitted provided that the following conditions  
\* are met:  
\* 1. Redistributions of source code must retain the copyright  
\* notice, this list of conditions and the following disclaimer.  
\* 2. Redistributions in binary form must reproduce the above copyright  
\* notice, this list of conditions and the following disclaimer in the  
\* documentation and/or other materials provided with the distribution.  
\* 3. All advertising materials mentioning features or use of this software  
\* must display the following acknowledgement:  
\* "This product includes cryptographic software written by  
\* Eric Young (eay@cryptsoft.com)"  
\* The word 'cryptographic' can be left out if the routines from the  
\* library being used are not cryptographic related :-).  
\* 4. If you include any Windows specific code (or a derivative thereof) from  
\* the apps directory (application code) you must include an  
\* acknowledgement: "This product includes software written by Tim Hudson  
\* (tjh@cryptsoft.com)"  
\*  
\* THIS SOFTWARE IS PROVIDED BY ERIC YOUNG ``AS IS" AND  
\* ANY EXPRESS OR IMPLIED WARRANTIES, INCLUDING, BUT NOT LIMITED TO, THE

---

## IMPLIED WARRANTIES OF MERCHANTABILITY AND FITNESS FOR A PARTICULAR PURPOSE

\* ARE DISCLAIMED. IN NO EVENT SHALL THE AUTHOR OR CONTRIBUTORS BE LIABLE FOR ANY DIRECT, INDIRECT, INCIDENTAL, SPECIAL, EXEMPLARY, OR CONSEQUENTIAL DAMAGES (INCLUDING, BUT NOT LIMITED TO, PROCUREMENT OF SUBSTITUTE GOODS OR SERVICES; LOSS OF USE, DATA, OR PROFITS; OR BUSINESS INTERRUPTION) HOWEVER CAUSED AND ON ANY THEORY OF LIABILITY, WHETHER IN CONTRACT, STRICT LIABILITY, OR TORT (INCLUDING NEGLIGENCE OR OTHERWISE) ARISING IN ANY WAY OUT OF THE USE OF THIS SOFTWARE, EVEN IF ADVISED OF THE POSSIBILITY OF SUCH DAMAGE.

\*

\* The licence and distribution terms for any publically available version or derivative of this code cannot be changed. i.e. this code cannot simply be copied and put under another distribution licence [including the GNU Public Licence.]

## OpenSSL:

The version of OpenSSL used in the SL/T5R printer was prior to introduction of the Heartbleed vulnerability that occurred in December 2011. Therefore it is not affected.

## WPA Supplicant License

Copyright (c) 2003-2013, Jouni Malinen <j@w1.fi> and contributors. All Rights Reserved.

This program is licensed under the BSD license (the one with advertisement clause removed). Redistribution and use in source and binary forms, with or without modification, are permitted provided that the following conditions are met:

1. Redistributions of source code must retain the above copyright notice, this list of conditions and the following disclaimer.
2. Redistributions in binary form must reproduce the above copyright notice, this list of conditions and the following disclaimer in the documentation and/or other materials provided with the distribution.
3. Neither the name(s) of the above-listed copyright holder(s) nor the names of its contributors may be used to endorse or promote products derived from this software without specific prior written permission.

THIS SOFTWARE IS PROVIDED BY THE COPYRIGHT HOLDERS AND CONTRIBUTORS "AS IS" AND ANY EXPRESS OR IMPLIED WARRANTIES, INCLUDING, BUT NOT LIMITED TO, THE IMPLIED WARRANTIES OF MERCHANTABILITY AND FITNESS FOR A PARTICULAR PURPOSE ARE DISCLAIMED. IN NO EVENT SHALL THE COPYRIGHT OWNER OR CONTRIBUTORS BE LIABLE FOR ANY DIRECT, INDIRECT, INCIDENTAL, SPECIAL, EXEMPLARY, OR CONSEQUENTIAL DAMAGES (INCLUDING, BUT NOT LIMITED TO, PROCUREMENT OF SUBSTITUTE GOODS OR SERVICES; LOSS OF USE, DATA, OR PROFITS; OR BUSINESS INTERRUPTION) HOWEVER CAUSED AND ON ANY THEORY OF LIABILITY, WHETHER IN CONTRACT, STRICT LIABILITY, OR TORT (INCLUDING NEGLIGENCE OR OTHERWISE) ARISING IN ANY WAY OUT OF THE USE OF THIS SOFTWARE, EVEN IF ADVISED OF THE POSSIBILITY OF SUCH DAMAGE.

## Limited Software Product Warranty

---

Printronic, Inc. warrants that for ninety (90) days after delivery, the Software will perform in accordance with specifications published by Printronic, Inc. Printronic, Inc. does not warrant that the Software is free from all bugs, errors and omissions.

### **Remedy**

Your exclusive remedy and the sole liability of Printronic, Inc. in connection with the Software is replacement of defective software with a copy of the same version and revision level.

### **Disclaimer of Warranties and Limitation of Remedies**

1. THE PARTIES AGREE THAT ALL OTHER WARRANTIES, EXPRESS OR IMPLIED, INCLUDING WARRANTIES OF FITNESS FOR A PARTICULAR PURPOSE AND MERCHANTABILITY ARE EXCLUDED. Printronic, Inc. does not warrant that the functions contained in the Software will meet your requirements or that the operation of the Software will be uninterrupted or error free. Printronic, Inc. reserves the right to make changes and/or improvements in the Software without notice at any time.
2. IN NO EVENT WILL PRINTRONIX, INC. BE LIABLE FOR LOST PROFITS, LOST DATA, BUSINESS INTERRUPTIONS, OR ANY OTHER DIRECT, INDIRECT, INCIDENTAL OR CONSEQUENTIAL DAMAGES ARISING OUT OF THE USE OF OR INABILITY TO USE THIS PRODUCT, EVEN IF PRINTRONIX, INC. HAS BEEN ADVISED OF THE POSSIBILITY OF SUCH DAMAGES, OR ANY DAMAGES CAUSED BY THE ABUSE OR MANIPULATION OF THE SOFTWARE. SOME STATES DO NOT ALLOW THE EXCLUSION OR LIMITATION OF LIABILITY FOR CONSEQUENTIAL OR INCIDENTAL DAMAGES, SO THE ABOVE LIMITATION MAY NOT APPLY TO YOU.
3. Printronic, Inc. will not be liable for any loss or damage caused by delay in furnishing a Software Product or any other performance under this Agreement.
4. Our entire liability and your exclusive remedies for our liability of any kind (including liability for negligence except liability for personal injury caused solely by our negligence) for the Software Product covered by this Agreement and all other performance or nonperformance by us under or related to this Agreement are limited to the remedies specified by this Agreement.
5. California law governs this Agreement.

---

## **Termination of License Agreement**

This License shall continue until terminated. This license may be terminated by agreement between you and Printronix, Inc. or by Printronix, Inc. If you fail to comply with the terms of this License and such failure is not corrected within thirty (30) days after notice. When this License is terminated, you shall return to the place you obtained them, the printer and all copies of the Software and documentation.

## **U.S. Government Restricted Rights**

Use, duplication or disclosure by the government is subject to restrictions as set forth in the Rights in Technical Data and Computer Software clause at FAR 242.227-7013, subdivision (b) (3) (ii) or subparagraph (c) (1) (ii), as appropriate. Further use, duplication or disclosure is subject to restrictions applicable to restricted rights software as set forth in FAR 52.227-19 (c) (2).

## **Acknowledgement of Terms and Conditions**

YOU ACKNOWLEDGE THAT YOU HAVE READ THIS AGREEMENT, UNDERSTAND IT, AND AGREE TO BE BOUND BY ITS TERMS AND CONDITIONS. NEITHER PARTY SHALL BE BOUND BY ANY STATEMENT OR REPRESENTATION NOT CONTAINED IN THIS AGREEMENT. NO CHANGE IN THIS AGREEMENT IS EFFECTIVE UNLESS WRITTEN AND SIGNED BY PROPERLY AUTHORIZED REPRESENTATIVES OF EACH PARTY. BY USING THIS PRINTER, YOU AGREE TO ACCEPT THE TERMS AND CONDITIONS OF THIS AGREEMENT.



---

# Index

## Numerics

1284 Parallel Interface, 56  
203 DPI, 215  
300 DPI, 215  
40V POWER FAIL, 196

## A

Acoustic Noise, 225  
Adjustments, media width, 42  
Admin User Enable, 64  
Admin User option, 116  
Adv Continuous option, 70  
AI 00 Spaces option, 101  
Alarm option, 108  
Alarms, printer, 195  
Andalé Fonts, 229  
Auto Calibrate, run, 47  
Auto Dump option, 146  
Auto Label Width option, 77  
Auto Locking option, 112  
Auto Map Select option, 75  
Auto Save Configuration, 149  
Auto Save Feature, 149  
Auto Save option, 143  
Auto Switching, 53  
    optional host interfaces, 53  
    standard host interfaces, 53  
Auto Uppercase option, 99  
Autowrap option, 98

## B

B11 ERROR RAM TEST FAILED, 196  
B12 ERROR PROGRAM MISSING, 196  
B13 NOT COMPATIBLE, 196  
B22 DECOMPRESS SIZE, 196  
B23 ERROR DECOMPRESS CKSUM, 196  
BAD NVM CALL 1, 197  
BAD NVM CALL 2, 197  
BAD NVM CALL 3, 197  
BAD NVM CALL 4, 197  
BAD NVM CALL A, 197  
BAD VFU CHANNEL, 197  
Batch Counter option, 115  
Bold Chars. option, 114  
Bot Line Display option, 116  
Boundary Check option, 104  
Byte Mode, IEEE 1284 interface, 56

## C

C39 Compatbl. option, 103  
Cable length  
    Centronics, 54  
    RS-232, 59  
Cal in Peel Mode option, 89  
CALIBRATION FAIL, 197  
Cancel Key, 37  
Cancel Key option, 109  
CANNOT CALIBRATE Disable Peel-Off, 197  
CARTRIDGE REMOVED Check Cartridge, 197  
Centronics, 54  
    interface signals, 55  
    pin assignments, 54

---

Centronics option, 131

Change Printer Settings, 64

Cleaning

- cutter option, 179
- exterior, 175
- interior, 176

Clear Error Log option, 146

CLEARING PROGRAM FROM FLASH, 215

Clip Page option, 80

Command

- operation of FILE\_IO, 270

Commands

- PTX\_SETUP, 263
- thermal, 271

Communication, IEEE 1284 parallel (bidirectional), 56

Compatibility Mode, IEEE 1284 interface, 56

Compatibility option, 110

CONFIG command, summary, 269

CONFIGURATION

- menu, 141
- submenu, 142

Configuration

- auto save, 149
- loading saved, 155
- modify saved, 152
- printing, 154
- save, 148
- specify power-up, 150

Configuration Menu

- move within, 61
- overview, 65

Configure Printer, 61

Control Panel, 36

- Cancel key, 37
- Down key, 38
- Download Combo key, 39
- Enter key, 37
- fault indicator, 39
- Feed key, 37
- Left key, 39
- liquid crystal display (LCD), 36
- Menu key, 37
- Menu Unlock combo key, 39
- online indicator, 39
- Pause key, 36
- Right key, 38
- Soft Reset combo key, 39
- Up key, 38

Control Print Quality, 182

Controls, 35

Copy Complete, 197

Copying QCMC snapshot image, Quick Change Memory Cartridge (QCMC), 235

CR Edit option, 100

CSC, 273

Customer Support Center, 273

CUTTER FAULT Check Cutter, 198

Cutter Option, cleaning, 179

**D**

D50 STATUS CLEARING FLASH, 215

D51 PROGRAMMING FLASH LOADING PROGRAM INTO FLASH, 215

Data Exchange, 181

Date option, 115

DBCS Character Sets, 229

DBCS Fonts, 229

Define CR code option, 98

Define LF code option, 98

Del Char frm Fls option, 110

Del Char frm RAM option, 110

Del Set frm Fls option, 110

Del Set from RAM option, 111

Delete Config option, 142

Determine Printhead Wear, 182

DIAGNOSTICS

- menu, 144
- submenu, 145

Diagnostics

- Bad NVM Error, 186
- E0xx Error, 186

Diagnostics ILLNVM Error, 186

Direct Thermal Printing, 14

Display Intensity option, 115

Display Language option, 108



---

Do FF at TOF option, 102  
DO NOT POWER OFF, 216  
DO NOT PWR OFF Copying QCMC to Printer, 198  
DO NOT PWR OFF Saving QCMC to Printer, 198  
Documentation list, 15  
Down Key, 38  
Download Combo Key, 39  
Download Mode, 168  
Download TrueType Font to DBCS Through UTF-8, 169  
DOWNLOADER ERROR BEYOND 8MB EMC, 198  
DOWNLOADER ERROR EXT FLASH FULL, 198  
DOWNLOADER ERROR FLASH NOT ERASED, 198  
DOWNLOADER ERROR FLASH W ADDR BAD, 199  
DOWNLOADER ERROR FLASH WRITE #1, 198  
DOWNLOADER ERROR FLASH WRITE #2, 198  
DOWNLOADER ERROR FLASH WRITE #3, 199  
DOWNLOADER ERROR FLASH WRITE #4, 199  
DOWNLOADER ERROR MAIN FLASH FULL, 199  
DOWNLOADER ERROR NO EMC DETECTED, 199  
Downloading Software  
    Firmware Download Utility, 158  
    Flash contains Boot Code, 166  
    NIC, 160  
    NIC and FTP, 162  
    Parallel Port, 159  
    Printronix Windows Driver, 165  
    Serial Port, 158  
    USB Port, 164  
Downloading TrueType Fonts, 167  
DRAM Installed option, 146

## E

E00 EXE @ ADDR0 message, 199  
E01A TYPE 0x40 message, 200  
E01B TYPE 0x60 message, 200  
E02 MACHINE CHK message, 200  
E03A DSI HASH L message, 200  
E03B DSI HASH S message, 200  
E03C DSI BAT PL message, 200  
E03C DSI BAT PS message, 200  
E03E DSI CXIWX message, 200  
E03F DSI CXOWX message, 200  
E03G DSI ECXIX message, 200  
E03H DSI ECXOWX message, 200  
E04A ISI NO TRA message, 200  
E04B ISI DIRECT message, 200  
E04C ISI PROTEC message, 200  
E06 NOT ALIGNED message, 200  
E07 ILLEGAL INS message, 200  
E08 FLOATINGPNT message, 200  
EMC FFS option, 111  
EMC FLASH Installed option, 146  
EMC NOT FOUND PWR OFF PRINTER, 200  
EMULATION  
    menu, 91  
    submenus, 97  
Emulation Setup option, 97  
Emulations overview, 91  
Enter Key, 37  
Environmental, specifications, 225  
ERROR DC PROGRAM NOT VALID, 200  
ERROR FLASH DID NOT PROGRAM, 200  
ERROR INSUFFICIENT DRAM, 201  
ERROR INSUFFICIENT FLASH, 201  
ERROR OCCURRED CLEARING QUEUES, 201  
ERROR PROGRAM NEEDS MORE DRAM, 201  
ERROR PROGRAM NOT COMPATIBLE, 202  
ERROR PROGRAM NOT VALID, 202  
ERROR SHORT AT ADDRESS XXXX, 202  
ERROR WRITING TO FLASH, 202  
ERROR WRONG CHECKSUM, 202  
Errors  
    Bad NVM, 186  
    ILL NVM, 186  
Errors, E0xx, 186  
ETHERNET INITIALIZING, 216  
ETHERNET PORT option, 121  
ETHERNET READY, 216  
ETHERNET RESETTING, 216  
ETHERNET SETTING option, 121  
Exchange, data, 181  
Expanded Font option, 102

---

Expanded Memory Cartridge, 223, 228  
Ext Execute Copy option, 101  
Extra Bold Char. option, 114

## F

Fanfold Media, load, 30

Fault Indicator, 39

Fault Message

- 40V POWER FAIL, 196
- B11 ERROR RAM TEST FAILED, 196
- B12 ERROR PROGRAM MISSING, 196
- B13 ERROR NOT COMPATIBLE, 196
- B22 ERROR DECOMPRESS SIZE, 196
- B23 ERROR DECOMPRESS CKSUM, 196
- BAD NVM CALL 1, 197
- BAD NVM CALL 2, 197
- BAD NVM CALL 3, 197
- BAD NVM CALL 4, 197
- BAD NVM CALL A, 197
- BAD VFU CHANNEL, 197
- CALIBRATION FAIL, 197
- CANNOT CALIBRATE Disable Peel-Off, 197
- CARTRIDGE REMOVED Check Cartridge, 197
- Copy Complete, 197
- CUTTER FAULT Check Cutter, 198
- DO NOT PWR OFF Copying QCMC to Printer, 198
- DO NOT PWR OFF Saving QCMC to Printer, 198
- DOWNLOADER ERROR BEYOND 8MB EMC, 198
- DOWNLOADER ERROR EXT FLASH FULL, 198
- DOWNLOADER ERROR FLASH NOT ERASED, 198
- DOWNLOADER ERROR FLASH W ADDR BAD, 199
- DOWNLOADER ERROR FLASH WRITE #1, 198
- DOWNLOADER ERROR FLASH WRITE #2, 198
- DOWNLOADER ERROR FLASH WRITE #3, 199

- DOWNLOADER ERROR FLASH WRITE #4, 199
- DOWNLOADER ERROR MAIN FLASH FULL, 199
- DOWNLOADER ERROR NO EMC DETECTED, 199
- E00 EXE @ ADDR0, 199
- E01A TYPE 0x40, 200
- E01B TYPE 0x60, 200
- E02 MACHINE CHK, 200
- E03A DSI HASH L, 200
- E03B DSI HASH S, 200
- E03C DSI BAT PL, 200
- E03C DSI BAT PS, 200
- E03E DSI CXIWX, 200
- E03F DSI CXOWX, 200
- E03G DSI ECXIXX, 200
- E03H DSI ECXOWX, 200
- E04A ISI NO TRA, 200
- E04B ISI DIRECT, 200
- E04C ISI PROTEC, 200
- E06 NOT ALIGNED, 200
- E07 ILLEGAL INS, 200
- E08 FLOATINGPNT, 200
- EMC NOT FOUND PWR OFF PRINTER, 200
- ERROR DC PROGRAM NOT VALID, 200
- ERROR FLASH DID NOT PROGRAM, 200
- ERROR INSUFFICIENT DRAM, 201
- ERROR INSUFFICIENT FLASH, 201
- ERROR OCCURRED CLEARING QUEUES, 201
- ERROR PROGRAM NEEDS MORE DRAM, 201
- ERROR PROGRAM NOT COMPATIBLE, 202
- ERROR PROGRAM NOT VALID, 202
- ERROR SHORT AT ADDRESS XXXX, 202
- ERROR WRITING TO FLASH, 202
- ERROR WRONG CHECKSUM, 202
- FILE EXISTS Enable Overwrite, 202
- FILE SYS WRITE, 203
- FILE SYSTEM FULL Delete Files, 202
- FILE SYSTEM FULL File Too Big, 203
- FILE SYSTEM FULL Optimize & Reboot, 203

---

GAP NOT DETECTED, 204  
H00 PCI SLOT?, 204  
H01 PCI J24, 204  
Half Speed Mode, 205  
INVALID EMC, 205  
INVALID FILE SYS, 205  
LABEL MISSING, 206  
LABEL READY, 206  
LOADING PROGRAM FROM PORT XX%, 207  
LOADING PROGRAM INTO FLASH, 207  
MEDIA OUT, 207  
MEMORY REMOVED, 207  
MISSING PRINT HEAD, 208  
MODE NOT COMPATIBLE WITH  
    CUTTER, 208  
NOT ENOUGH SPACE ON EMC, 208  
NOVRAM ERROR B, 208  
NVM HDW FAIL 8, 209  
OPTION NOT INSTALLED, 209  
PGL ERROR, 209  
PRINT HEAD UP, 209  
PRINTER HARDWARE NOT  
    COMPATIBLE, 210  
PRINTER UNDER REMOTE CONTROL, 210  
PRINthead HOT, 210  
PROGRAM IS NOT COMPATIBLE WITH THIS  
    PRINTER, 210  
QCMC DATA ERROR ON QCMC, 210  
QCMC DETECTED Copy to Printer?, 210  
QCMC DETECTED Save to QCMC?, 210  
REWINDER FULL, 210  
RFID CNTRY BAD, 211  
RFID Comm Err, 211  
RFID FW ERR, 211  
RFID KIL FIELD, 211  
RFID LOCK CMD, 211  
RFID TAG FAILURE, 211  
RFID TAG MAX RETRY, 211  
Ribbon Low, 212  
RIBBON OUT, 212  
SECURITY CODE VIOLATION, 212  
SERIAL BUFFER OVERFLOW, 212  
SERIAL BUFFER OVERRUN, 213

SERIAL FRAMING ERROR, 213  
SERIAL PARITY ERROR, 213  
SOFTWARE ERROR, 213  
WAITING FOR PROGRAM DOWNLOAD, 213  
WIRELESS ADAPTER NOT  
    COMPATIBLE, 214  
Fault Message ILL NVM VALUE 5, 205  
Fault Message ILL NVM VALUE 6, 205  
Fault Message ILL NVM VALUE 7, 205  
Fault Messages, 195  
Fault Mode, 34  
Fault Reprint option, 81  
Feature File option, 146  
Feed Key, 37  
Feed Key Online option, 115  
FILE EXISTS Enable Overwrite, 202  
FILE SYS WRITE, 203  
FILE SYSTEM FULL Delete Files, 202  
FILE SYSTEM FULL File Too Big, 203  
FILE SYSTEM FULL Optimize & Reboot, 203  
Filename extensions not shown in Menus, 172  
FIRMWARE DOWNLOAD, 215  
Firmware Download Utility, downloading  
    software, 158  
Flash Contains Boot Code, downloading  
    software, 166  
FLASH Installed option, 146  
Flash Memory, load, 157  
Fonts  
    Downloading TrueType, 167  
    TrueType, 167  
Forms Handling option, 102  
Full Media Rewinder, 227, 243  
Full Media Rewinder with 3 Inch Diameter Core  
    Adapters, 247

## **G**

Gap Length option, 89  
GAP NOT DETECTED, 204  
Gap Sensing, 46  
Gap Windowing option, 88  
Gap/Mark Sensor option, 85  
Gap/Mark Thresh option, 86

---

## H

H00 PCI SLOT?, 204  
H01 PCI J24, 204  
Half Speed Mode, 205  
Hardware options, 227  
Head Auto-Cal option, 88  
Head On Time option, 147  
Head Resolution option, 147  
Head Voltage option, 147  
Hex Dump Mode option, 146  
Hidden Menus, 64  
Hor Image Shift option, 72  
Horizontal Black Marks, sensing, 45  
Host Form Length option, 99  
Host interface characteristics, 224  
Host Interface option, 121

## I

I-2/5 Selection option, 103  
IEEE 1284 Interface  
    Byte mode, 56  
    Compatibility mode, 56  
    Nibble mode, 56  
    signals, 57  
IEEE 1284 option, 132  
Ignore Mode option, 101  
Ignore Text option, 100  
ILL NVM VALUE 5, 205  
ILL NVM VALUE 6, 205  
ILL NVM VALUE 7, 205  
Inboard Notches, sensing, 45  
Indicator  
    fault, 39  
    online, 39  
Indicators, 35  
Indicators, specifications, 222  
Installation, printer, 18  
Installing Quick Change Memory Cartridge (QCMC), 231  
Interface options, 229

## INTERFACES

    menu, 117  
    submenu, 121  
Interfaces, 53  
    IEEE 1284, 56  
INVALID EMC, 205  
INVALID FILE SYS, 205

## L

Label Length option, 71  
LABEL MISSING, 206  
Label Missing option, 79  
LABEL READY, 206  
Label Wait Time option, 79  
Label Width option, 72  
Label Wrap, 194  
Labeling Applications, 171  
LCD, 36  
Ld Char at PwrUp option, 110  
Ld Char from Fls option, 110  
Ld Set at PwrUp option, 111  
Ld Set from Fls option, 110  
Lead PDF Dist option, 104  
Left Key, 39  
Liquid Crystal Display, 36  
Liquid Crystal Display (LCD), 36  
Load Config, 142  
Load Fanfold Media, 30  
Load Media, 25, 30  
Load Ribbon, 22  
Load Roll Media, 25  
Load Saved Configuration, 155  
Loading Flash Memory, 157  
Loading New Firmware on Printer, Quick Change Memory Cartridge (QCMC), 237  
LOADING PROGRAM FROM PORT XX%, 207  
LOADING PROGRAM INTO FLASH, 216  
LOADING PROGRAM INTO FLASH, 207  
Locking the Enter key, 37

---

## M

Main FFS option, 111  
Main Menu, 66  
Manual  
    conventions, 14  
    related documents, 15  
    special information, 15  
    warnings, 15  
Manual Calibrate, run, 50  
Mark Sensing, 46  
Mark TOF Detect option, 91  
Max Cache Memory option, 113  
Max Cached Char option, 113  
Max Font Buffer option, 113  
Media, 259  
    dimensions, 221  
    load, 25, 30  
    Printronix, 259  
    specifications, 220  
    usage, 260  
Media Cutter, 227  
Media Cutter, specifications, 223  
Media Handling Modes, 40  
Media Handling option, 69  
MEDIA OUT, 207  
Media Profile, run, 48  
Media Selection, 16  
Media Sensors  
    different media types, 46  
    media with gapped liner, 46  
    media with horizontal black marks, 45  
    media with inboard notches, 45  
    media with no label length indicators, 45  
    positioning, 44  
MEDIA SETUP  
    menu, 68  
    submenus, 69  
Media specifications matrix, 221  
Media Thickness Adjustment, 41  
Media Types, sensing, 46  
Media Width Adjustment, 42  
Media with Gapped Liner, sensing, 46

MEMORY REMOVED, 207  
Memory, specifications, 223  
Menu  
    CONFIGURATION, 141  
    DIAGNOSTICS, 144  
    EMULATION, 91  
    hidden, 64  
    INTERFACES, 117  
    main menu configuration, 66  
    MEDIA SETUP, 68  
    overview, 65  
    PRINTER SETUP, 106  
    select option, 63  
    SENSOR SETUP, 84  
Menu Changes Detected prompt, 149  
Menu Key, 37  
Menu mode, 34  
Menu Unlock Combo Key, 39  
Menus, filename extensions not shown, 172  
Min Calib Delta option, 89  
MISSING PRINT HEAD, 208  
MODE NOT COMPATIBLE WITH CUTTER, 208  
Modes  
    media handling, 40  
    operating, 34  
Modify Saved Configurations, 152

## N

Name Config option, 143  
Nibble Mode, IEEE 1284 interface, 56  
NIC and FTP, downloading software, 162  
NIC, downloading software, 160  
No Label Length Indicators, sensing, 45  
NOT ENOUGH SPACE ON EMC, 208  
NOVRAM ERROR B, 208  
Num Auto Labels option, 78  
NVM HDW FAIL 8, 209

## O

OCR-A Chars. option, 114  
OCR-B Chars. option, 114  
Offline Mode, 34  
Online Auto-Cal option, 88  
Online Indicator, 39

- Online Mode, 34
- Online Status indicator, 36
- Operating Modes, 34
  - Fault, 34
  - Menu, 34
  - Offline, 34
  - Online, 34
- Operation of FILE\_IO command, 270
- Optimize&Reboot option, 112
- Optimized Ratio option, 100
- OPTION NOT INSTALLED, 209
- Optional Features, 12
- Optional Host Interfaces, 53
- Options
  - Andalé Fonts, 229
  - DBCS character sets, 229
  - DBCS fonts, 229
  - expanded memory cartridge, 228
  - full media rewinder, 227, 243
  - full media rewinder with 3 inch diameter core adapters, 247
  - hardware, 227
  - media cutter, 227
  - printer, 227
  - Quick Change Memory Cartridge, 230
  - real time clock, 228
  - RFID, 228
  - standard peel, 227
  - standard peel with liner rewinder, 227, 252
  - standard peel without liner rewinder, 240
- Orientation option, 73

## P

- PAA:Status option, 108
- Paper Out Thresh option, 86
- Parallel Interface, 54
  - Centronics, 54
  - IEEE 1284, 56
- Parallel Port option, 129
- Parallel Port, downloading software, 159
- Pause Key, 36
- PGL Emulation (Online), 168
- PGL Emulation submenus, 98
- PGL ERROR, 209
- PGL Normal option, 103
- Physical Specifications, 225
- PI Slew Range option, 100
- Pin Assignments, Centronics, 54
- PJL Control option, 109
- Platen Label Wrap, 194
- Position Media Sensors, 44
- Power Cord Requirements, 21
- Power on IGP/PGL option, 101
- Power On Printer, 35
- POWER SAVER MODE, 216
- Power Saver Time option, 108
- Power source and grounding, 224
- Power Switch, 35
- Power-Up Config option, 142
- Power-up Configuration, specify, 150
- Power-up State option, 108
- Preparser Port option, 105
- Print Config option, 142
- Print Configuration, 154
- Print Direction option, 78
- Print Error Log option, 146
- Print File List option, 112
- PRINT HEAD UP, 209
- Print Intensity option, 69
- Print Mode option, 69
- Print Quality, control, 182
- Print Speed option, 69
- Printer
  - alarms, 195
  - change settings, 64
  - configure, 61
  - control panel, 36
  - controls, 35
  - exterior cleaning, 175
  - fault messages, 195
  - indicators, 35
  - installation, 18
  - interior cleaning, 176
  - model, 11
  - move within configuration menu, 61
  - operating modes, 34

---

- optional features, 12
- options, 227
- physical specifications, 225
- position media sensors, 44
- power cord requirements, 21
- power on, 35
- power switch, 35
- printing process, 14
- restore operation, 185
- self-test, 180
- set configuration parameters, 61
- setup, 21
- solve problems, 187
- standard features, 11
- standard interfaces, 53
- Status messages, 215
- unpack, 17
- PRINTER HARDWARE NOT COMPATIBLE, 210
- Printer Mgmt option, 138
- PRINTER RESET, 215
- PRINTER RESETTING, 216
- PRINTER SETUP
  - menu, 106
  - submenus, 108
- Printer tests
  - barcode, 145
  - checkerboard, 145
  - combo test, 145
  - current config., 145
  - Ethernet test page, 145
  - grey, 145
  - grid, 145
  - left test, 145
  - Novram Error Log, 145
  - RFID report, 145
  - right test, 145
- Printer Tests option, 145
- PRINTER UNDER REMOTE CONTROL, 210
- Printer Usage option, 146
- Printhead
  - replace, 183
- Printhead Alignment, 43
- PRINthead HOT, 210
- Printhead Pressure Adjustment, 41
- PrintHead Usage option, 147
- Printhead Wear, 182
- Printing Adjustments, media width, 42
- Printing Process, 14
  - direct thermal printing, 14
  - thermal transfer printing, 14
- Printing, specifications, 219
- Printronix Media, 259
  - usage, 260
- Printronix Windows Driver, 167
- Printronix Windows Driver, downloading software, 165
- Printronix\_SETUP Option, overview, 263
- Problems, solve, 187
- Processing Time, improve, 180
- PROGRAM IS NOT COMPATIBLE WITH THIS PRINTER, 210
- Protect Config option, 142
- Ptr On Time option, 146
- PTX Setup Parse option, 109
- PTX Setup SFCC option, 109
- PTX\_SETUP, 171
- PTX\_SETUP commands, 263
- PTX\_SETUP General Commands, 264
- Pwr Save Control option, 108
- Pwr Up Action option, 87

**Q**

- QCMC, 230
- QCMC DATA ERROR ON QCMC, 210
- QCMC DETECTED Copy to Printer?, 210
- QCMC DETECTED Save to QCMC?, 210
- Quick Change Memory Cartridge (QCMC), 230
  - copying QCMC snapshot image, 235
  - installation, 231
  - loading new firmware on printer, 237
  - saving printer's configuration, 233
  - updating printer configuration, 237

---

## R

Rcv. Status Port option, 109  
Real Time Clock, 228  
Repeat Form Opt option, 104  
Replace Printhead, 183  
Reset Cfg Names option, 143  
Reset Head Data option, 147  
Restore Printer To Operation, 185  
RESTORING BOOT CODE, 216  
Ret. Status Port option, 109  
REWINDER FULL, 210  
Rewinder, full media, 243  
Rewinder, full media with 3 inch diameter core adapters, 247  
RFID, 228  
RFID CNTRY BAD, 211  
RFID Comm Err, 211  
RFID FW ERR, 211  
RFID KIL FIELD, 211  
RFID LOCK CMD, 211  
RFID TAG FAILURE, 211  
RFID TAG MAX RETRY, 211  
Ribbon  
    load, 22  
    Ribbon 8300, 258  
    Ribbon 8500, 258  
    Ribbon 8600, 258  
    Ribbon 8700, 258  
    specifications, 222  
Ribbon Low, 212  
Ribbon Low option, 81  
RIBBON OUT, 212  
Ribbons, 16, 258  
    usage, 260  
Right Key, 38  
Roll Media, load, 25  
RS-232 Serial Interface, 59  
Run Auto Calibrate, 47  
Run Auto-Cal option, 85  
Run Manual Cal option, 87  
Run Manual Calibrate, 50

Run Media Profile, 48  
Run Profile option, 86

## S

Save Char to Fls option, 110  
Save Config, 142  
Save Configuration, 148  
Save Set to Fls option, 110  
Save, auto, 149  
Saving Printer's Configuration, Quick Change Memory Cartridge (QCMC), 233  
Scalable Size option, 102  
SECURITY CODE VIOLATION, 212  
Select Char option, 102  
Select LPI option, 98  
Select Menu Option, 63  
Select option, 97  
Select SFCC option, 99  
Select SO Char option, 101  
Self-test, printer, 180  
Sensed Distance, 86  
SENSOR SETUP  
    menu, 84  
    submenus, 85  
SERIAL BUFFER OVERFLOW, 212  
SERIAL BUFFER OVERRUN, 213  
SERIAL FRAMING ERROR, 213  
Serial Interface, RS-232, 59  
SERIAL PARITY ERROR, 213  
Serial Port option, 133  
Serial Port, downloading software, 158  
Set Label Length option, 81  
Set Lock Key option, 112  
Set Printer Configuration Parameters, 61  
Settings, change, 64  
Setup Printer, 21  
    load fanfold media, 30  
    load ribbon, 22  
    load roll media, 25  
Signals  
    Centronics Interface, 55  
    IEEE 1284 Interface, 57  
Skip Cmd Prefix option, 100



---

Slash 0 option, 99  
Slew Speed Ctrl option, 78  
Soft Reset Combo Key, 39  
Software Build option, 146  
SOFTWARE ERROR, 213  
Solve Printer Problems, 187  
Special Information, 15  
Specifications  
    acoustic noise, 225  
    environmental, 225  
    host interface, 224  
    media, 220  
    media cutter, 223  
    media dimensions, 221  
    memory, 223  
    optional expanded memory, 223  
    physical, 225  
    power, 224  
    printing, 219  
    ribbon, 222  
    switches, 222  
Standard Chars. option, 114  
Standard Features, 11  
Standard Host Interfaces, 53  
Standard Interfaces, 53  
Standard Peel, 227  
Standard Peel with Liner Rewinder, 227, 252  
Standard Peel Without Liner Rewinder, 240  
STATUS LOADING FIRMWARE, 216  
Status Message  
    203 DPI, 215  
    305 DPI, 215  
    B20 FIRMWARE DOWNLOAD, 215  
    B21 PRINTER RESET, 215  
    CLEARING PROGRAM FROM FLASH, 215  
    D50 STATUS CLEARING FLASH, 215  
    D51 PROGRAMMING FLASH LOADING  
        PROGRAM INTO FLASH, 215  
    DO NOT POWER OFF, 216  
    ETHERNET INITIALIZING, 216  
    ETHERNET READY, 216  
    ETHERNET RESETTING, 216  
    LOADING PROGRAM INTO FLASH, 216  
    POWER SAVER MODE, 216  
    PRINTER RESETTING, 216  
    RESTORING BOOT CODE, 216  
    STATUS LOADING FIRMWARE, 216  
    TESTING HARDWARE PLEASE WAIT, 217  
    THE ENTER KEY IS LOCKED, 217  
    THE ENTER KEY IS UNLOCKED, 217  
    To stop Press Enter, 217  
Status Messages, 215  
Storage Select option, 105  
Summary, CONFIG command, 269  
Supplies, 258  
Supplies Department, 273  
Switches, specifications, 222

**T**

Tall Characters option, 115  
Tear Off Adjust option, 71  
Technical support, 273  
Test Count option, 145  
TESTING HARDWARE PLEASE WAIT, 217  
THE ENTER KEY IS LOCKED, 217  
THE ENTER KEY IS UNLOCKED, 217  
Thermal commands, 271  
Thermal Consumables, 16  
    media selection, 16  
    ribbons, 16  
Thermal Printer Technology, 14  
Thermal Transfer Printing, 14  
Thermal Transfer Ribbons, 258  
    usage, 260  
Threshold Range option, 90  
Ticket Save Mode option, 82  
To stop Press Enter, 217  
TOF Adjust Mode option, 83  
TOF Adjust option, 83  
TOF Detect Fault option, 82  
Troubleshoot, 180  
    control panel, 187  
    improve processing time, 180  
    power failures, 189  
    print quality, 189  
    printer operation, 193

---

printer problems, 187

ribbon, 195

TrueType Font, download to DBCS through UTF-8,  
169

TrueType Fonts, 167

TrueType Fonts, downloaded, 172

Trunc Dyn Data option, 104

## **U**

Units option, 81

Unlocking the Enter key, 37

Unpack Printer, 17

Up Key, 38

UPC Descenders option, 103

Updating Printer Configuration, Quick Change  
Memory Cartridge (QCMC), 237

USB Port option, 132

USB Port, downloading software, 164

Use Label Length option, 90

User-Def Ratio option, 104

Using Downloaded TrueType Fonts, 172

UTF-8, download TrueType Font to DBCS, 169

## **V**

Var Form Adjust option, 100

Var Form Type option, 100

Ver Image Shift option, 72

Vertical Adjust option, 104

## **W**

WAITING FOR PROGRAM DOWNLOAD, 213

Warnings, 15

Windows Driver, 167

WIRELESS ADAPTER NOT COMPATIBLE, 214

WLAN SETTING option, 124

Wrap, label, 194

## **X**

xxx Diagnostics option, 97





251674-001N