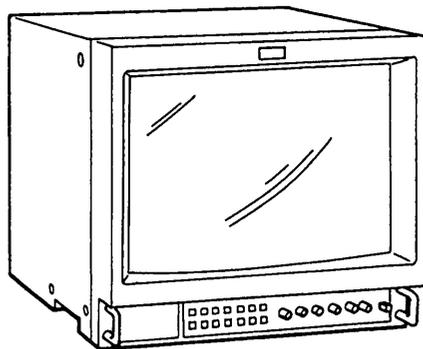


PVM-1350/1351Q/1354Q

SERVICE MANUAL

US Model
Canadian Model



PVM-1350

Chassis No. SCC-G61D-A

PVM-1351Q

Chassis No. SCC-G61C-A

PVM-1354Q

Chassis No. SCC-G61B-A

SPECIFICATIONS (PVM-1351Q/1354Q)

Video signal

Color system	PAL, SECAM, NTSC ^{3.58} , NTSC ^{4.43}
Resolution	600 TV lines (PVM-1354Q) 450 TV lines (PVM-1351Q)
Aperture correction	0dB - +6.0dB
Frequency response	LINE 9.0MHz (-3 dB) RGB 10.0 MHz (-3 dB)
Synchronization	AFC time constant 1.0 msec.

Picture performance

Normal scan	7% over scan of CRT effective screen area
Underscan	5% underscan of CRT effective screen area
H. linearity	Less than 8.0% (typical)
V. linearity	Less than 7.0% (typical)
Convergence	Central area: 0.6 mm (typical) Peripheral area: 0.8 mm (typical)
Raster size stability	H: 1.0%, V: 1.5%
High voltage regulation	3.5%
CRT	SMPTE-C phosphor (PVM-1354Q) P22 phosphor (PVM-1351Q)
Color temperature	6,500K/9,300K (+8MPCD), selectable USER (3200K-10000K, factory setting is 6500K)

1Vp-p \pm 6dB, sync negative
AUDIO IN: phono jack, -5 dBs, more than 47k ohms
R/R-Y, G/Y, B/B-Y IN: BNC connector
R, G, B channels: 0.7 Vp-p, \pm 6dB
Sync on green: 0.3 Vp-p, negative, 75 ohms terminated
R-Y, B-Y channels: 0.7 Vp-p, \pm 6 dB
Y channel: 0.7 Vp-p, \pm 6dB
(Standard color bar signal of 75% chrominance)
EXT SYNC IN: BNC connector
Composite sync 4 Vp-p, \pm 6 dB, negative

Loop-through outputs

Y/C OUT: 4-pin mini DIN connector
VIDEO OUT: BNC connector, 75 ohms terminated
AUDIO OUT: phono jack
R/R-Y, G/Y, B/B-Y OUT: BNC connector, 75 ohms terminated
EXT SYNC OUT: BNC connector, 75 ohms terminated
REMOTE: 20-pin connector (See the pin assignment on the next page.)
Output level 0.8 W

Remote input

Speaker output

Inputs and Outputs

Inputs	Y/C IN: 4-pin mini DIN connector (See the pin assignment on the next page.) VIDEO IN: BNC connector
--------	---

- Continued on page 2 -



TRINITRON® COLOR VIDEO MONITOR
SONY®

General

Power consumption Approx. 99 Wh (incl. SDI)
 Approx. 90 Wh (without. SDI)

Power requirements 120 V AC, 50/60 Hz

Operating temperature range
 0 – 35 °C

Storage temperature range
 –10 – +40 °C

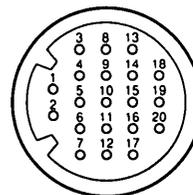
Humidity 0 – 90%

Dimensions Approx. 346 × 340 × 411.5 mm
 (w/h/d)
 (13⁵/₈ × 13¹/₂ × 16¹/₄ inches)
 not incl. projecting parts and controls

Mass Approx. 16.7 kg (36 lb 14 oz) ·

Accessory supplied AC power cord (1)
 AC plug holder (1)
 Tally label (1)
 Cable with a 20-pin connector (1)

REMOTE connector (20-pin)

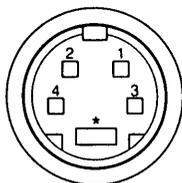


Pin No.	Signal	Wire color
1	Blue only	Brown
2	H/V DELAY	Red
3	MAIN/SUB*	Orange
4	EXT SYNC	Yellow
5	DEGAUSS	Green
6	R ch ON/OFF*	Blue
7	TALLY	Purple
8	LINE B	Grey
9	GND	White
10	GND	Black
11	GND	Pink
12	GND	Light Blue
13	LINE A	Spiral Orange
14	LINE/RGB	Spiral Yellow
15	GND	Spiral Green
16	L ch ON/OFF*	Spiral Blue
17	REMOTE	Spiral Purple
18	LINE C	Spiral Grey
19	UNDER SCAN	Spiral Pink
20	16:9	Spiral Light Blue

(* For digital audio control)

Pin assignment

Y/C IN connector (4-pin mini DIN)



Pin No.	Signal	Description
1	Y-input	1 Vp-p, sync negative, 75 ohms
2	CHROMA sub-carrier-input	300 mVp-p, burst Delay time between Y and C: within 0±100 nsec., 75 ohms
3	GND for Y-input	GND
4	GND for CHROMA-input	GND

SPECIFICATIONS (PVM-1350)

Video signal

Color system	NTSC
Resolution	450 TV lines
Aperture correction	0 dB – +6.0 dB
Frequency response	LINE 9.0 MHz (–3 dB) RGB 10.0 MHz (–3 dB)
Synchronization	AFC time constant 1.0 msec.

Picture performance

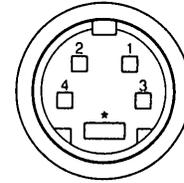
Normal scan	7% over scan of CRT effective screen area
H. linearity	Less than 8.0% (typical)
V. linearity	Less than 7.0% (typical)
Raster size stability	H: 1.0%, V: 1.5%
High voltage regulation	3.5%
CRT	P22 phosphor
Color temperature	6,500K

Inputs and Outputs

Inputs	Y/C IN: 4-pin mini DIN connector (See the pin assignment below.) VIDEO IN: BNC connector 1Vp-p ±6 dB, sync negative AUDIO IN: phono jack, –5 dBs, more than 47k ohms R, G, B IN: BNC connector 0.7 Vp-p, ±6 dB Sync on green: 0.3 Vp-p, negative, 75 ohms terminated RGB SYNC IN: BNC connector Composite sync 4 Vp-p, ±6 dB, negative
Loop-through outputs	Y/C OUT: 4-pin mini DIN connector VIDEO OUT: BNC connector, 75 ohms terminated AUDIO OUT: phono jack
Speaker output	Output level 0.8 W

General

Power consumption	Approx. 90 Wh
Power requirements	120 V AC, 50/60 Hz
Operating temperature range	0 – 35 °C
Storage temperature range	–10 – +40 °C
Humidity	0 – 90%
Dimensions	Approx. 346 × 340 × 411.5 mm (w/h/d) (13 ³ / ₈ × 13 ¹ / ₂ × 16 ¹ / ₄ inches) not incl. projecting parts and controls
Mass	Approx. 16.7 kg (36 lb 14 oz)
Accessory supplied	AC power cord (1) AC plug holder (1)

Pin assignment**Y/C IN connector (4-pin mini DIN)**

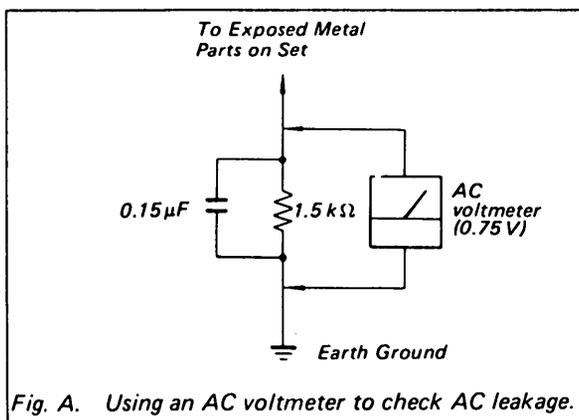
Pin No.	Signal	Description
1	Y-input	1 Vp-p, sync negative, 75 ohms
2	CHROMA sub-carrier-input	300 mVp-p, burst Delay time between Y and C: within 0±100 nsec., 75 ohms
3	GND for Y-input	GND
4	GND for CHROMA-input	GND

Design and specifications are subject to change without notice.

SAFETY CHECK-OUT (US Model Only)

After correcting the original service problem, perform the following safety checks before releasing the set to the customer:

1. Check the area of your repair for unsoldered or poorly-soldered connections. Check the entire board surface for solder splashes and bridges.
2. Check the interboard wiring to ensure that no wires are "pinched" or contact high-wattage resistors.
3. Check that all control knobs, shields, covers, ground straps, and mounting hardware have been replaced. Be absolutely certain that you have replaced all the insulators.
4. Look for unauthorized replacement parts, particularly transistors, that were installed during a previous repair. Point them out to the customer and recommend their replacement.
5. Look for parts which, though functioning, show obvious signs of deterioration. Point them out to the customer and recommend their replacement.
6. Check the line cord for cracks and abrasion. Recommend the replacement of any such line cord to the customer.
7. Check the condition of the monopole antenna (if any).
Make sure the end is not broken off, and has the plastic cap on it. Point out the danger of impalement on a broken antenna to the customer, and recommend the antenna's replacement.
8. Check the B+ and HV to see they are at the values specified. Make sure your instruments are accurate; be suspicious of your HV meter if sets always have low HV.
9. Check the antenna terminals, metal trim, "metallized" knobs, screws, and all other exposed metal parts for AC leakage. Check leakage as described below.



LEAKAGE TEST

The AC leakage from any exposed metal part to earth ground and from all exposed metal parts to any exposed metal part having a return to chassis, must not exceed 0.5 mA (500 microamperes). Leakage current can be measured by any one of three methods.

1. A commercial leakage tester, such as the Simpson 229 or RCA WT-540A. Follow the manufacturers' instructions to use these instruments.
2. A battery-operated AC milliammeter. The Data Precision 245 digital multimeter is suitable for this job.
3. Measuring the voltage drop across a resistor by means of a VOM or battery-operated AC voltmeter. The "limit" indication is 0.75 V, so analog meters must have an accurate low-voltage scale. The Simpson 250 and Sanwa SH-63Trd are examples of a passive VOM that is suitable. Nearly all battery operated digital multimeters that have a 2V AC range are suitable. (See Fig. A)

HOW TO FIND A GOOD EARTH GROUND

A cold-water pipe is guaranteed earth ground; the cover-plate retaining screw on most AC outlet boxes is also at earth ground. If the retaining screw is to be used as your earth-ground, verify that it is at ground by measuring the resistance between it and a cold-water pipe with an ohmmeter. The reading should be zero ohms. If a cold-water pipe is not accessible, connect a 60-100 watts trouble light (not a neon lamp) between the hot side of the receptacle and the retaining screw. Try both slots, if necessary, to locate the hot side of the line, the lamp should light at normal brilliance if the screw is at ground potential. (See Fig. B)

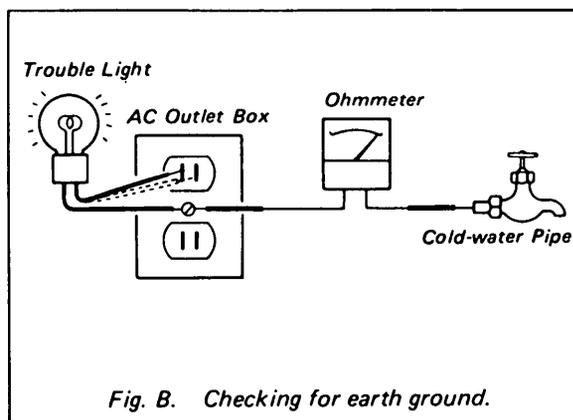


TABLE OF CONTENTS

<u>Section</u>	<u>Title</u>	<u>Page</u>	<u>Section</u>	<u>Title</u>	<u>Page</u>
1. GENERAL			6. DIAGRAMS		
1-1.	General of PVM-1351Q/1354Q	6	6-1.	Block Diagrams (1)	43
1-2.	General of PVM-1350	14		Block Diagrams (2)	48
2. DISASSEMBLY			6-2.	Frame Schematic Diagram	53
2-1.	Top Cover and Rear Cover Removal	20	6-3.	Circuit Boards Location	55
2-2.	Terminal Board Removal	20	6-4.	Printed Wiring Boards and Schematic Diagrams	55
2-3.	Picture Tube Removal	21		• A Board (1/3)	63
3. SET-UP ADJUSTMENTS				• A Board (2/3)	70
3-1.	Preparations	22		• A Board (3/3)	73
3-2.	Writing Model Data	24		• Q Board	78
3-3.	Picture Output	24		• G Board	80
3-4.	Landing Adjustment	24		• S Board	82
3-5.	Convergence Adjustment	25		• J Board	82
3-6.	Deflection Yoke Neck Rotation Adjustment	26		• X Board	82
3-7.	G2 Adjustment	27		• H Board	82
3-8.	White Balance Adjustment	27		• C Board	83
3-9.	Blue-Only White Balance Adjustment	28	6-5.	Semiconductors	89
3-10.	Sub Brt Adjustment	28	7. EXPLODED VIEWS		
3-11.	Focus Adjustment	28	7-1.	Chassis	91
4. SAFETY RELATED ADJUSTMENT		29	7-2.	Picture Tube	92
5. CIRCUIT ADJUSTMENTS			8. ELECTRICAL PARTS LIST		93
5-1.	A Board Adjustments	31			
5-2.	G Board Adjustment	41			

(CAUTION)

SHORT CIRCUIT THE ANODE OF THE PICTURE TUBE AND THE ANODE CAP TO THE METAL CHASSIS, CRT SHIELD, OR CARBON PAINTED ON THE CRT, AFTER REMOVING THE ANODE.

WARNING!!

AN ISOLATION TRANSFORMER SHOULD BE USED DURING ANY SERVICE TO AVOID POSSIBLE SHOCK HAZARD, BECAUSE OF LIVE CHASSIS.

THE CHASSIS OF THIS RECEIVER IS DIRECTLY CONNECTED TO THE AC POWER LINE.

SAFETY-RELATED COMPONENT WARNING !!

COMPONENTS IDENTIFIED BY SHADING AND MARK Δ ON THE SCHEMATIC DIAGRAMS, EXPLODED VIEWS AND IN THE PARTS LIST ARE CRITICAL TO SAFE OPERATION. REPLACE THESE COMPONENTS WITH SONY PARTS WHOSE PART NUMBERS APPEAR AS SHOWN IN THIS MANUAL OR IN SUPPLEMENTS PUBLISHED BY SONY. CIRCUIT ADJUSTMENTS THAT ARE CRITICAL TO SAFE OPERATION ARE IDENTIFIED IN THIS MANUAL. FOLLOW THESE PROCEDURES WHENEVER CRITICAL COMPONENTS ARE REPLACED OR IMPROPER OPERATION IS SUSPECTED.

(ATTENTION)

APRES AVOIR DECONNECTE LE CAP DE L'ANODE, COURT-CIRCUITER L'ANODE DU TUBE CATHODIQUE ET CELUI DE L'ANODE DU CAP AU CHASSIS METALLIQUE DE L'APPAREIL, OU AU COUCHE DE CARBONE PEINTE SUR LE TUBE CATHODIQUE OU AU BLINDAGE DU TUBE CATHODIQUE.

ATTENTION!!

AFIN D'EVITER TOUT RISQUE D'ELECTROCUTION PROVENANT D'UN CHASSIS SOUS TENSION, UN TRANSFORMATEUR D'ISOLEMENT DOIT ETRE UTILISE LORS DE TOUT DEPANNAGE.

LE CHASSIS DE CE RECEPTEUR EST DIRECTEMENT RACCORDE A L'ALIMENTATION SECTEUR.

ATTENTION AUX COMPOSANTS RELATIFS A LA SECURITE!!

LES COMPOSANTS IDENTIFIES PAR UNE TRAME ET PAR UNE MAPQUE Δ SUR LES SCHEMAS DE PRINCIPE, LES VUES EXPLOSEES ET LES LISTES DE PIECES CONT D'UNE IMPORTANCE CRITIQUE POUR LA SECURITE DU FONCTIONNEMENT. NE LES REMPLACER QUE PAR DES COMPOSANTS SONY DONT LE NUMERO DE PIECE EST INDIQUE DANS LE PRESENT MANUEL OU DANS DES SUPPLEMENTS PUBLIES PAR SONY. LES REGLAGES DE CIRCUIT DONT L'IMPORTANCE EST CRITIQUE POUR LA SECURITE DU FONCTIONNEMENT SONT IDENTIFIES DANS LE PRESENT MANUEL. SUIVRE CES PROCEDURES LORS DE CHAQUE REMPLACEMENT DE COMPOSANTS CRITIQUES, OU LORSQU'UN MAUVAIS FONCTIONNEMENT EST SUSPECTE.

SECTION 1 GENERAL

The operating instructions mentioned here are partial abstracts from the Operating Instruction Manual. The page numbers of the Operating Instruction Manual remain as in the manual.

1-1. GENERAL OF PVM-1351Q/1354Q

Features

HR (High Resolution) Trinitron picture tube

HR Trinitron tube provides a high resolution picture. Horizontal resolution is more than 600 (PVM-1354Q/1954Q) or 450 (PVM-1351Q) TV lines at the center of the picture.

Four color systems available

The monitor can display PAL, SECAM, NTSC^{3.58} and NTSC^{4.43}* signals. The appropriate color system is selected automatically.

* A signal of NTSC^{4.43} is used for playing back NTSC recorded video cassettes with a video tape recorder/player especially designed for use with this system.

Blue only mode

In the blue only mode, an apparent monochrome display is obtained with all three cathodes driven with a blue signal. This facilitates color saturation and phase adjustments and observation of VCR noise.

Analog RGB/component input connectors

Analog RGB or component (Y, R-Y and B-Y) signals from video equipment can be input through these connectors.

Y/C input connectors

The video signal, split into the chrominance signal (C) and the luminance signal (Y), can be input through this connector, eliminating the interference between the two signals, which tends to occur in a composite video signal, assuring video quality.

Beam current feedback circuit

The built-in beam current feedback circuit assures stable white balance.

Comb filter

When NTSC video signals are received, a comb filter activates to increase the resolution, resulting in fine picture detail without color spill or color noise.

Automatic termination (connector with \wedge mark only)

The input connector is terminated at 75 ohms inside when no cable is connected to the loop-through output connectors. When a cable is connected to an output connector, the 75-ohms termination is automatically released.

Underscan mode

The signal normally scanned outside of the screen can be monitored in the underscan mode.

Note

When the monitor is in the underscan mode, the dark RGB scanning lines may appear on the top edge of the screen. These are caused by an internal test signal, rather than the input signal.

Horizontal/vertical delay mode

The horizontal and vertical sync signals can be checked simultaneously in the H/V delay mode.

External sync input

When the EXT SYNC selector is in the on position, the monitor can be operated on the sync signal supplied from an external sync generator.

Auto/manual degaussing

Degaussing of the screen can be performed automatically when the power is turned on, or manually by pressing the DEGAUSS button.

On-screen menus

You can set color temperature, CHROMA SET UP, and other settings by using the on-screen menus.

Five menu languages

You can select the menu language from among the five languages on the menu.

EIA standard 19-inch rack mounting

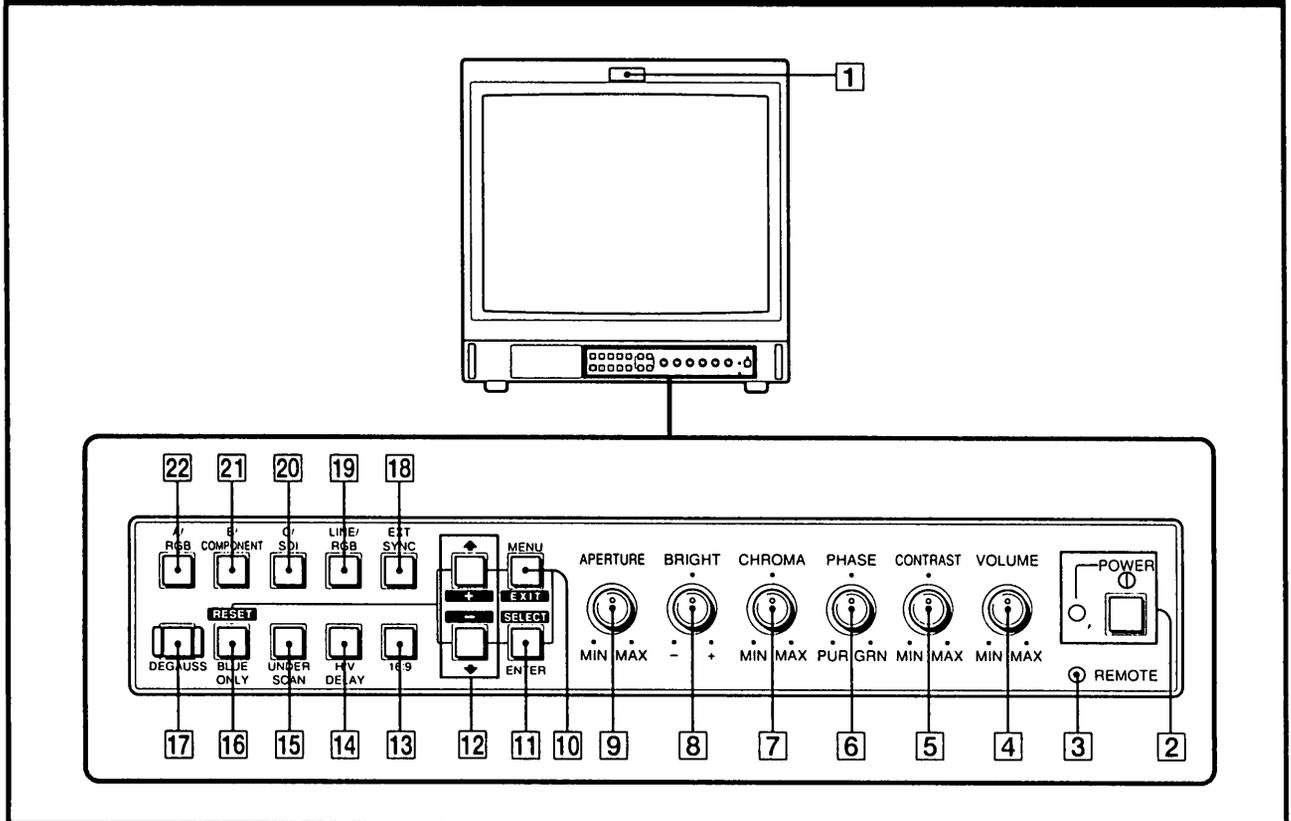
By using an MB-502B (for PVM-1354Q/1351Q) or SLR-103 (for PVM-1954Q) mounting bracket (not supplied), the monitor can be mounted in an EIA standard 19-inch rack. For details on mounting, see the instruction manual of the mounting bracket kit.

SDI (Serial Digital Interface) kit

By using SDI kit, the monitor can display SMPTE 259M 4:2:2 serial digital signal from a digital VTR. (ex. Sony 4:2:2 VTR)
SDI kit: 4:2:2 digital video board
Digital audio board

Location and function of parts and controls

Front panel



1 Tally lamp

Lights up when the video camera connected to this monitor is selected, indicating that the picture is being recorded.

2 POWER switch and indicator

Depress to turn the monitor on. The indicator will light up in green.

3 REMOTE indicator

Lights up when you set USER PRESET to ON in the menu, or when you connect a supplied cable to REMOTE connector (No. 17 pin is ground). The controls on the front panel do not work when this indicator lights up.

4 VOLUME control

Turn this control clockwise or counterclockwise to obtain the desired volume.

5 CONTRAST control

Turn clockwise to make the contrast higher and counterclockwise to make it lower.

6 PHASE control

This control is effective only for the NTSC_{3.58} and NTSC_{4.43} color systems. Turn clockwise to make the skin tones greenish and counterclockwise to make them purplish.

7 CHROMA control

Turn clockwise to make the color intensity higher and counterclockwise to make it lower.

8 BRIGHT (brightness) control

Turn clockwise for more brightness and counterclockwise for less.

9 APERTURE control

Turn clockwise for more sharpness and counterclockwise for less.

Note

The APERTURE, CHROMA, PHASE control settings have no effect on the pictures of RGB signals.

10 MENU (EXIT) button

Press to make the menu appear. Press to return to the previous screen in the menu.

11 ENTER (SELECT) button

Press to decide a selected item in the menu.

12 ↑ (+)/ ↓ (-) buttons

Press to move the cursor (▶) or adjust selected value in the menu.



13 16:9 selector

Press (light on) for the signal of 16:9 picture.

14 H/V DELAY selector

Press (light on) to observe the horizontal and vertical sync signals at the same time.
The horizontal sync signal is displayed in the left quarter of the screen; the vertical sync signal is displayed near the center of the screen.

15 UNDER SCAN selector

Press (light on) for underscanning. The display size is reduced by approximately 5% so that four corners of the raster are visible.

**16 BLUE ONLY selector
RESET button**

Press (light on) to turn off the red and green signals. A blue signal is displayed as an apparent monochrome picture on the screen. This facilitates "chroma" and "phase*" control adjustments and observation of VCR noise.

* "Phase" control adjustment is effective only for the NTSC signals.

Press to reset the setting in the menu.

17 DEGAUSS button

Press this button momentarily. The screen will be demagnetized. Wait for 10 minutes or more before activating this button again.

18 EXT SYNC (external sync) selector

Keep this button in the off position (light off) to operate the monitor on the sync signal from the displayed video signal.

Keep this button in the on position (light on) to operate the monitor on an external sync signal fed through the EXT SYNC connector on the rear panel.

19 LINE/RGB input selector

Select the program to be monitored. Keep this button in the off position (light off) to feed a signal through the LINE A, LINE B or LINE C connectors. Keep this button in the on position (light on) to feed a signal through the RGB connectors.

20 C/SDI selector

When the LINE/RGB input selector is set to LINE (light off), press this button (light on) to feed a signal through the LINE C connectors.

When the LINE/RGB input selector is set to RGB (light on), press this button (light on) to feed the SDI signal (optional board is needed).

21 B/COMPONENT selector

When the LINE/RGB input selector is set to LINE (light off), press this button (light on) to feed a signal through the LINE B connectors.

When the LINE/RGB input selector is set to RGB (light on), press this button (light on) to feed the component signal.

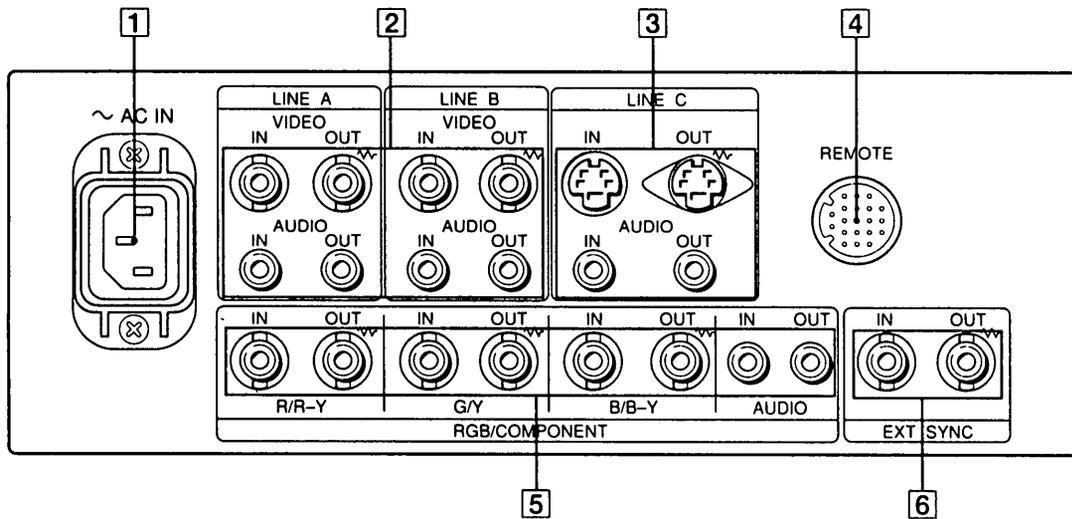
22 A/RGB selector

When the LINE/RGB input selector is set to LINE (light off), press this button (light on) to feed a signal through the LINE A connectors.

When the LINE/RGB input selector is set to RGB (light on), press this button (light on) to feed the RGB signal.

Location and function of parts and controls

Rear panel



(The λ mark indicates automatic termination.)

1 AC IN socket

Connect the supplied AC power cord to this socket and to a wall outlet.

2 LINE A, LINE B connectors

Two groups (A and B) of line input connectors for the composite video and audio signals and their loop-through output connectors.

To monitor the input signal fed through these connectors, keep the LINE/RGB selector in the LINE position (light off) and press the A/RGB or B/COMPONENT selector (light on) on the front panel.

VIDEO IN (BNC)

Connect to the video output of a video equipment, such as a VCR or a color video camera. For a loop-through connection, connect to the video output of another monitor.

VIDEO OUT (BNC)

Loop-through output of the VIDEO IN connector. Connect to the video input for a VCR or another monitor.

When the cable is connected to this connector, the 75-ohms termination of the input is automatically released, and the signal input to the VIDEO IN connector is output from this connector.

AUDIO IN (phono jack)

Connect to the audio output of a VCR or to a microphone via a suitable microphone amplifier. For a loop-through connection, connect to the audio output of another monitor.

AUDIO OUT (phono jack)

Loop-through output of the AUDIO IN jack. Connect to the audio input of a VCR or another monitor.

3 LINE C connectors

Y/C IN (4pin mini DIN)

Connect to the Y/C separate output of a video camera, VCR or other video equipment.

Y/C OUT (4pin mini DIN)

Loop-through output of the Y/C IN connector. Connect to the Y/C separate input of a VCR or another monitor. When the cable is connected to this connector, the 75-ohms termination of the input is automatically released, and the signal input to the Y/C IN connector is output from this connector.

AUDIO IN (phono jack)

Connect to the audio output of a VCR or a microphone (through a suitable microphone amplifier).

AUDIO OUT (phono jack)

Loop-through output of the AUDIO IN connector. Connect to the audio input of a VCR or another monitor.

4 REMOTE connector (20pin)

Connect to the tally output of a control console, special-effect generator, etc. The tally lamp on the front panel will be turned on and off by the connected equipment. This connector can be used for connecting a remote controller. For the pin assignment of this connector, see "Specifications" on page 10.

5 RGB/COMPONENT connectors

RGB signal or component signal input connectors and their loop-through output connectors.

To monitor the input signal fed through these connectors, keep the LINE/RGB selector in the RGB position (light on), and press the A/RGB or B/COMPONENT selector (light on) on the front panel.

R/R-Y IN, G/Y IN, B/B-Y IN (BNC)

When the EXT SYNC selector on the front panel is in the off position (light off), the monitor operates on the sync signal from the G/Y channel.

To monitor the RGB signal

Connect to the analog RGB signal outputs of a video camera.

To monitor the component signal

Connect to the R-Y/Y/B-Y component signal outputs of a Sony Betacam video camera.

R/R-Y OUT, G/Y OUT, B/B-Y OUT (BNC)

Loop-through outputs of the R/R-Y IN, G/Y IN, B/B-Y IN connectors

For RGB signal

Connect to the analog RGB signal inputs of a video printer or another monitor.

For component signal

Connect to the R-Y/Y/B-Y component signal inputs of a Betacam video recorder.

When the cables are connected to these connectors, the 75-ohms termination of the inputs is automatically released, and the signal inputs to the R/R-Y IN, G/Y IN, B/B-Y IN connectors are output from these connectors.

AUDIO IN (phono jack)

Connect to the audio output of video equipment when the analog RGB or component signal is input.

AUDIO OUT (phono jack)

Loop-through outputs of the AUDIO IN connector.

6 EXT SYNC (external sync) connectors

To use the sync signal fed through this connector, press the EXT SYNC selector (light on).

IN (BNC)

When this monitor operates on an external sync signal, connect the reference signal from a sync generator to this connector.

OUT (BNC)

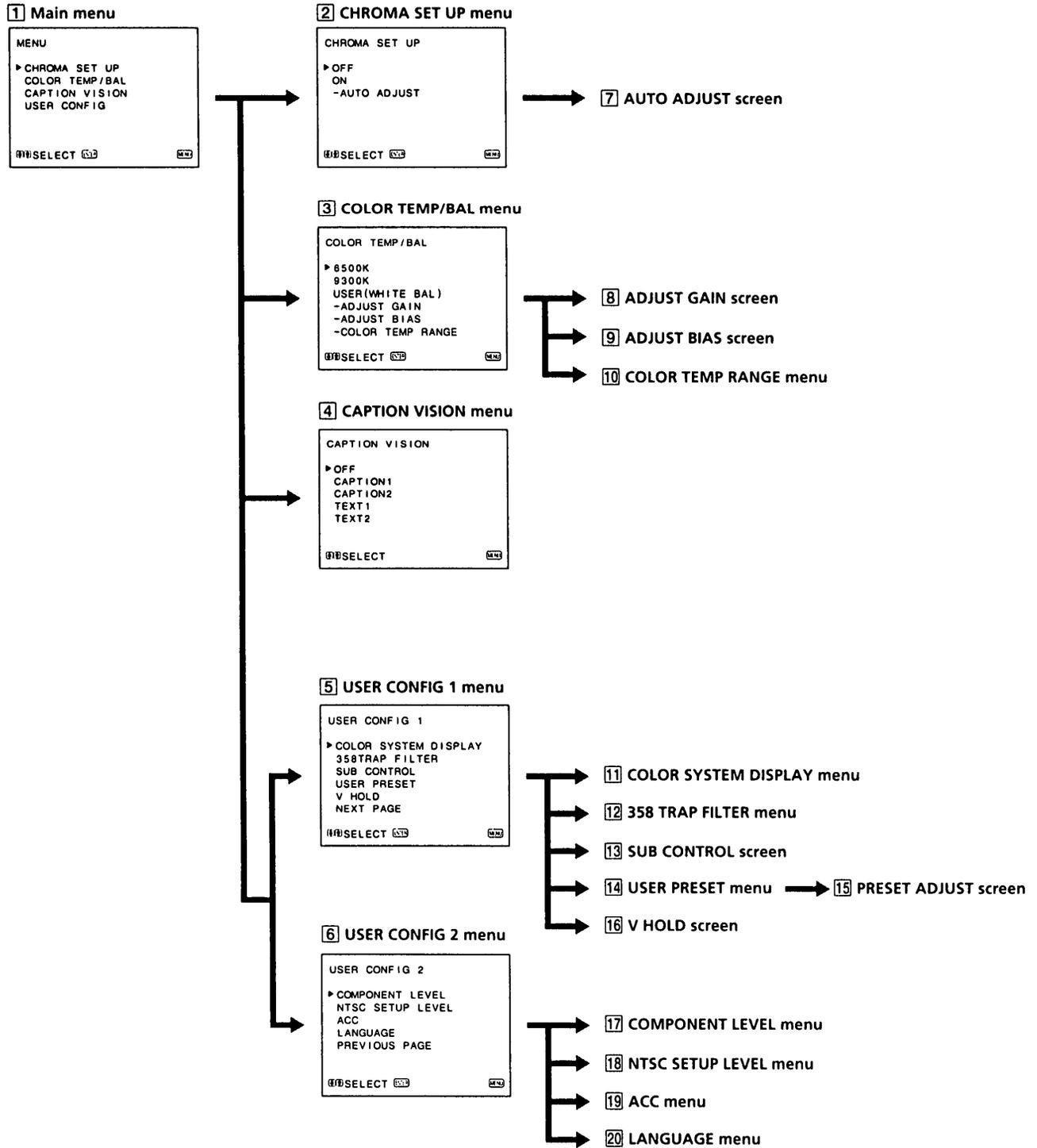
Loop-through output of the EXT SYNC IN connector.

Connect to the external sync input of video equipment to be synchronized with this monitor.

When the cable is connected to this connector, the 75-ohms termination of the input is released, and the signal input to the IN connector is output from this connector.

Using on-screen menus

The flow chart shows the different levels of on-screen menus that you can use to make various adjustments and settings. The boxed number is for instructions on the next page.



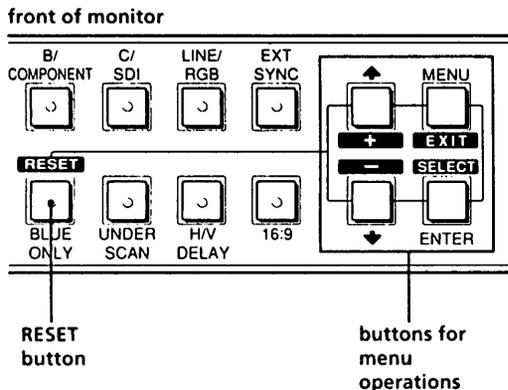
Operating through menus

There are five buttons for menu operations on the front of the monitor. To display the main menu, first press MENU. The buttons you can use appear at the bottom of the menu screen.

Functions of the buttons

Button	To select menu item	To adjust menu item selected
MENU EXIT	return to the previous menu	return to the previous menu
ENTER SELECT	decide a selected item	select an item
↑ +	move the cursor (▶) upwards	increase selected value
↓ -	move the cursor (▶) downwards	decrease selected value
RESET		reset current adjustment value to the factory setting

(The above items in white type correspond to the marks in the menu.)



1 Main menu

Select an item and press ENTER to go to the following menu.

2 CHROMA SET UP menu

Set to ON to adjust the internal decoder for CHROMA and PHASE (NTSC signal only) after AUTO ADJUST (7). [OFF]

3 COLOR TEMP/BAL menu

Select the color temperature from among 6500K, 9300K and USER. USER is set to 6500K in the factory setting. You can adjust or change the color temperature in USER mode (a measuring instrument is needed). [6500K]

4 CAPTION VISION menu

The monitor can display the signal with Caption Vision. To display it, select the caption type in this menu. [OFF]

5 USER CONFIG 1 menu

Select an item to adjust. To go to the USER CONFIG 2 menu, select NEXT PAGE.

6 USER CONFIG 2 menu

Select an item to adjust. To go to the USER CONFIG 1 menu select PREVIOUS PAGE.

7 AUTO ADJUST screen

Select the color bar signal (full, SMPTE, EIA) and press ENTER to start auto adjusting for CHROMA SET UP (NTSC signal only).

8 ADJUST GAIN screen

Adjust GAIN in USER mode.

9 ADJUST BIAS screen

Adjust BIAS in USER mode.

10 COLOR TEMP RANGE menu

Select the color temperature range in USER mode. [5000K-10000K]

11 COLOR SYSTEM DISPLAY menu

Select the color system display mode. In AUTO, the kind of color system being used appears on the screen each time you change the signal input. [AUTO]

12 358 TRAP FILTER menu

Color spill or color noise may be eliminated if you select ON (NTSC_{3.58} signal only). [OFF]

13 SUB CONTROL screen

You can finely adjust the controls on the front panel. CONTRAST, BRIGHT, CHROMA and PHASE control has a click at the center of its adjustment range. You can adjust the setting of the click position with this feature.

14 USER PRESET menu

You can preset each control to a desired level and set it. If you set USER PRESET to ON, the REMOTE indicator lights up and the controls on the front panel do not work. The monitor operates with the internal memory settings. For adjustment, select PRESET ADJUST. [OFF]

15 PRESET ADJUST screen

Adjust CONTRAST, BRIGHT, CHROMA, PHASE, VOLUME, APERTURE in USER PRESET.

16 V HOLD screen

Adjust the vertical hold if the picture rolls vertically. When you cannot read the display, select the input that is not connected.

17 COMPONENT LEVEL menu

Select the component level from among three modes.
 N10/SMPTE for 100/0/100/0 signal
 BETA 7.5 for 100/7.5/75/7.5 signal
 BETA 0 for 100/0/75/0 signal

[BETA 7.5]

18 NTSC SETUP LEVEL menu

Select the NTSC setup level from two modes. The 7.5 setup level is mainly used in north America. The 0 setup level is mainly used in Japan. [7.5]

19 ACC menu

Set ACC (Auto Color Control) circuit on or off. When the fine adjustment is needed, set ACC to OFF. Normally set it to ON. [ON]

20 LANGUAGE menu

You can select the menu language from among the five languages (English, German, French, Italian, Spanish) on the menu.

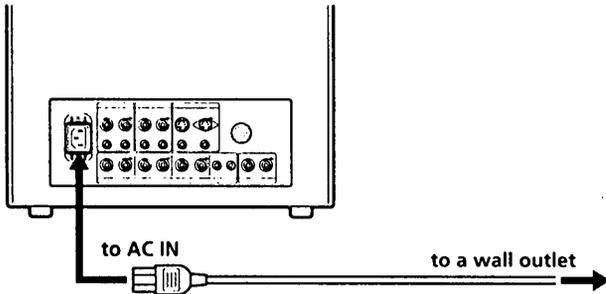
[ENGLISH]

([] indicates the factory setting position.)

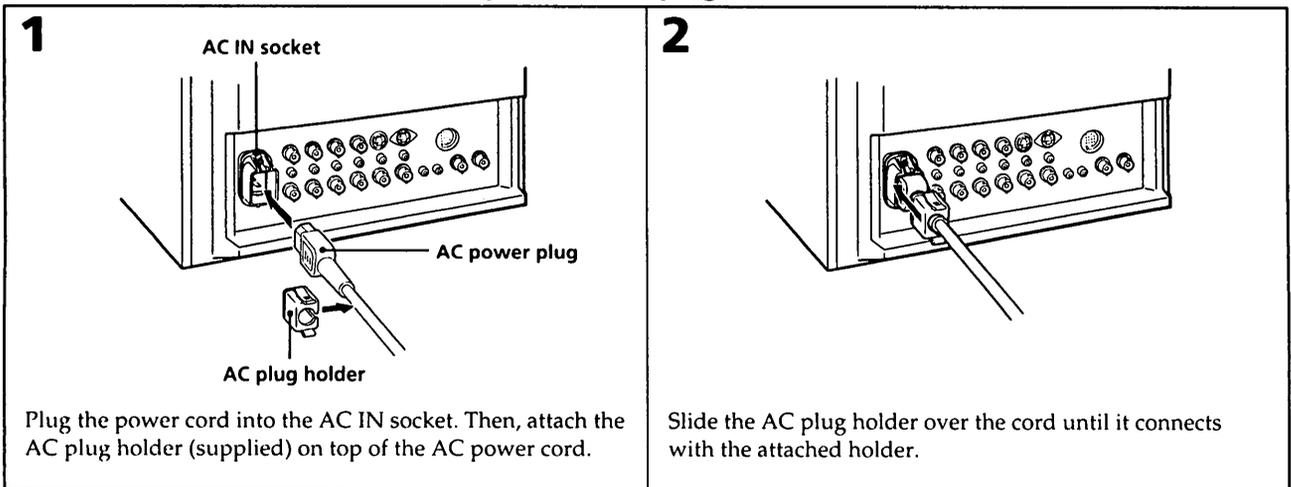
Power sources

House current

Connect the AC power cord (supplied) to the AC IN socket and to a wall outlet.



To connect an AC power cord securely with an AC plug holder



To remove the AC power cord

Pull out AC plug holder by squeezing the left and right sides.

The operating instructions mentioned here are partial abstracts from the Operating Instruction Manual. The page numbers of the Operating Instruction Manual remain as in the manual.

1-2. GENERAL OF PVM-1350

Features

Fine pitch Trinitron picture tube

The fine pitch Trinitron tube provides a high resolution picture. Horizontal resolution is more than 450 TV lines at the center of the picture.

Analog RGB input connectors

Analog RGB signals from video equipment can be input through these connectors.

Y/C input connectors

The video signal, split into the chrominance signal (C) and the luminance signal (Y), can be input through this connector, eliminating the interference between the two signals, which tends to occur in a composite video signal, assuring video quality.

Beam current feedback circuit

The built-in beam current feedback circuit assures stable white balance.

Comb filter

When NTSC video signals are received, a comb filter activates to increase the resolution, resulting in fine picture detail without color spill or color noise.

Automatic termination (connector with \sphericalangle mark only)

The input connector is terminated at 75 ohms inside when no cable is connected to the loop-through output connectors. When a cable is connected to an output connector, the 75-ohms termination is automatically released.

Blue only mode

In the blue only mode, an apparent monochrome display is obtained with all three cathodes driven with a blue signal. This facilitates color saturation and phase adjustments and observation of VCR noise.

Auto/manual degaussing

Degaussing of the screen can be performed automatically when the power is turned on, or manually by pressing the DEGAUSS button.

On-screen menus

You can set CHROMA SET UP and other settings by using the on-screen menus.

Five menu languages

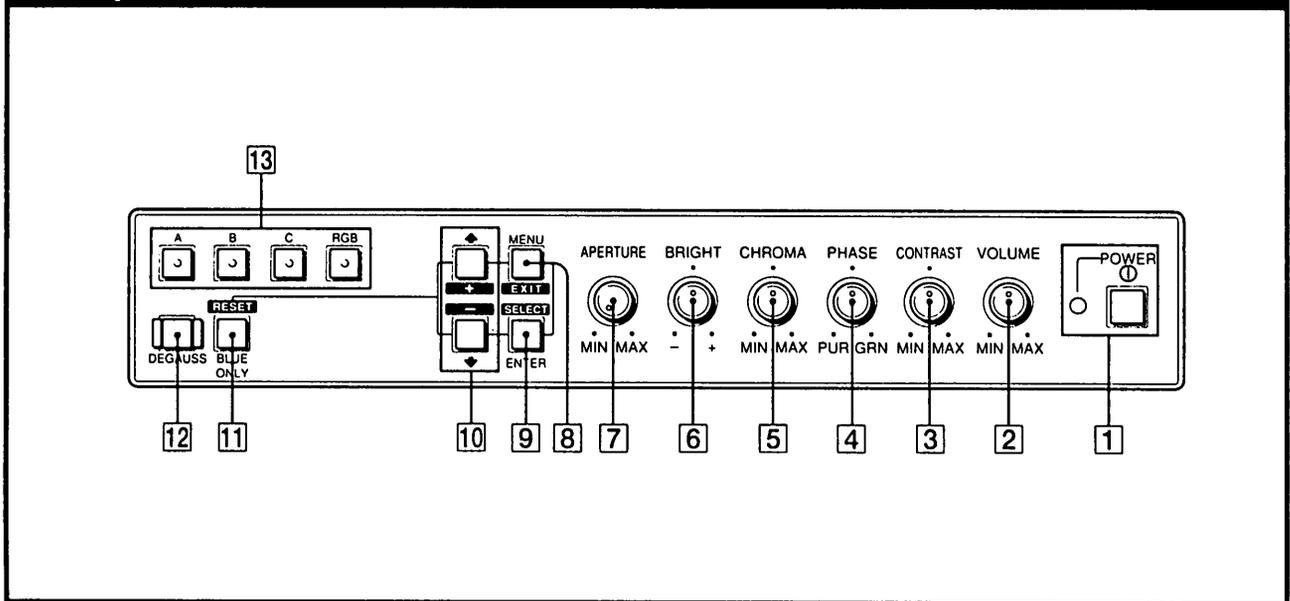
You can select the menu language from among the five languages on the menu.

EIA standard 19-inch rack mounting

By using an MB-502B mounting bracket (not supplied), the monitor can be mounted in an EIA standard 19-inch rack. For details on mounting, see the instruction manual of the mounting bracket kit.

Location and function of parts and controls

Front panel



1 POWER switch and indicator

Depress to turn the monitor on. The indicator will light up in green.

2 VOLUME control

Turn this control clockwise or counterclockwise to obtain the desired volume.

3 CONTRAST control

Turn clockwise to make the contrast higher and counterclockwise to make it lower.

4 PHASE control

Turn clockwise to make the skin tones greenish and counterclockwise to make them purplish.

5 CHROMA control

Turn clockwise to make the color intensity higher and counterclockwise to make it lower.

6 BRIGHT (brightness) control

Turn clockwise for more brightness and counterclockwise for less.

7 APERTURE control

Turn clockwise for more sharpness and counterclockwise for less.

Note

The APERTURE, CHROMA, PHASE control settings have no effect on the pictures of RGB signals.

8 MENU (EXIT) button

Press to make the menu appear. Press to return to the previous screen in the menu.

9 ENTER (SELECT) button

Press to decide a selected item in the menu.

10 ↑ (+) / ↓ (-) buttons

Press to move the cursor (▶) or adjust selected value in the menu.

**11 BLUE ONLY selector
RESET button**

Press (light on) to turn off the red and green signals. A blue signal is displayed as an apparent monochrome picture on the screen. This facilitates "chroma" and "phase" control adjustments and observation of VCR noise.

Press to reset the setting in the menu.

12 DEGAUSS button

Press this button momentarily. The screen will be demagnetized. Wait for 10 minutes or more before activating this button again.

13 Input select buttons

Press (light on) to select the program to be monitored.

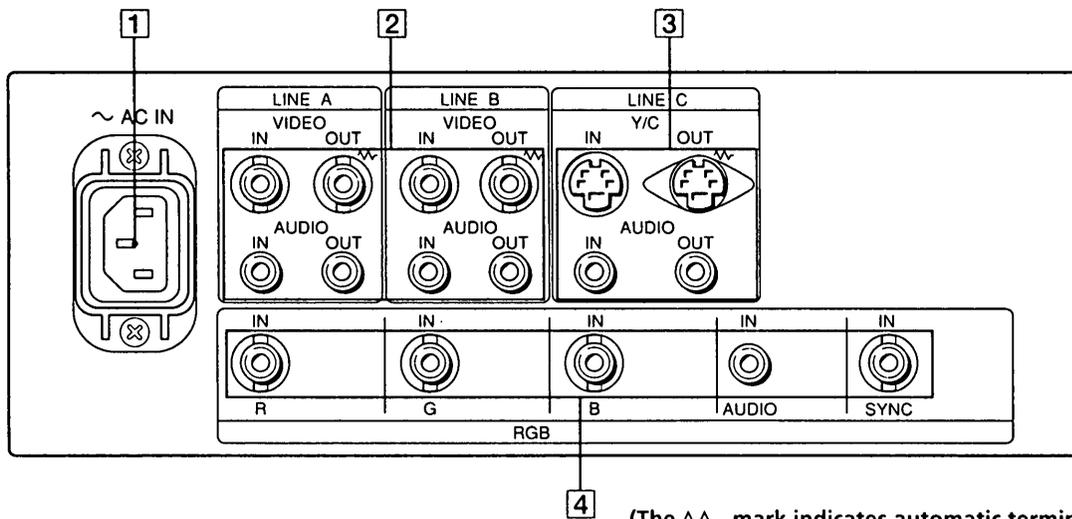
A: for a signal fed through the LINE A connectors.

B: for a signal fed through the LINE B connectors.

C: for a signal fed through the LINE C connectors.

RGB: for a signal fed through the RGB connectors.

Rear panel



(The \sphericalangle mark indicates automatic termination.)

1 AC IN socket

Connect the supplied AC power cord to this socket and to a wall outlet.

2 LINE A, LINE B connectors

Two groups (A and B) of line input connectors for the composite video and audio signals and their loop-through output connectors.

To monitor the input signal fed through these connectors, press the A or B button (light on) on the front panel.

VIDEO IN (BNC)

Connect to the video output of video equipment, such as a VCR or a color video camera. For a loop-through connection, connect to the video output of another monitor.

VIDEO OUT (BNC)

Loop-through output of the VIDEO IN connector. Connect to the video input for a VCR or another monitor.

When the cable is connected to this connector, the 75-ohms termination of the input is automatically released, and the signal input to the VIDEO IN connector is output from this connector.

AUDIO IN (phono jack)

Connect to the audio output of a VCR or to a microphone via a suitable microphone amplifier. For a loop-through connection, connect to the audio output of another monitor.

AUDIO OUT (phono jack)

Loop-through output of the AUDIO IN jack. Connect to the audio input of a VCR or another monitor.

3 LINE C connectors

Y/C IN (4pin mini DIN)

Connect to the Y/C separate output of a video camera, VCR or other video equipment.

Y/C OUT (4pin mini DIN)

Loop-through output of the Y/C IN connector. Connect to the Y/C separate input of a VCR or another monitor. When the cable is connected to this connector, the 75-ohms termination of the input is automatically released, and the signal input to the Y/C IN connector is output from this connector.

AUDIO IN (phono jack)

Connect to the audio output of a VCR or a microphone (through a suitable microphone amplifier).

AUDIO OUT (phono jack)

Loop-through output of the AUDIO IN connector. Connect to the audio input of a VCR or another monitor.

4 RGB IN connectors

Connect to the analog RGB outputs of a video camera. To monitor the input signal fed through these connectors, press RGB button (light on) on the front panel.

R IN, G IN, B IN (BNC)

When you set RGB SYNC to SYNC ON G in the menu, the monitor operates on the sync signal from the G channel.

AUDIO IN (phono jack)

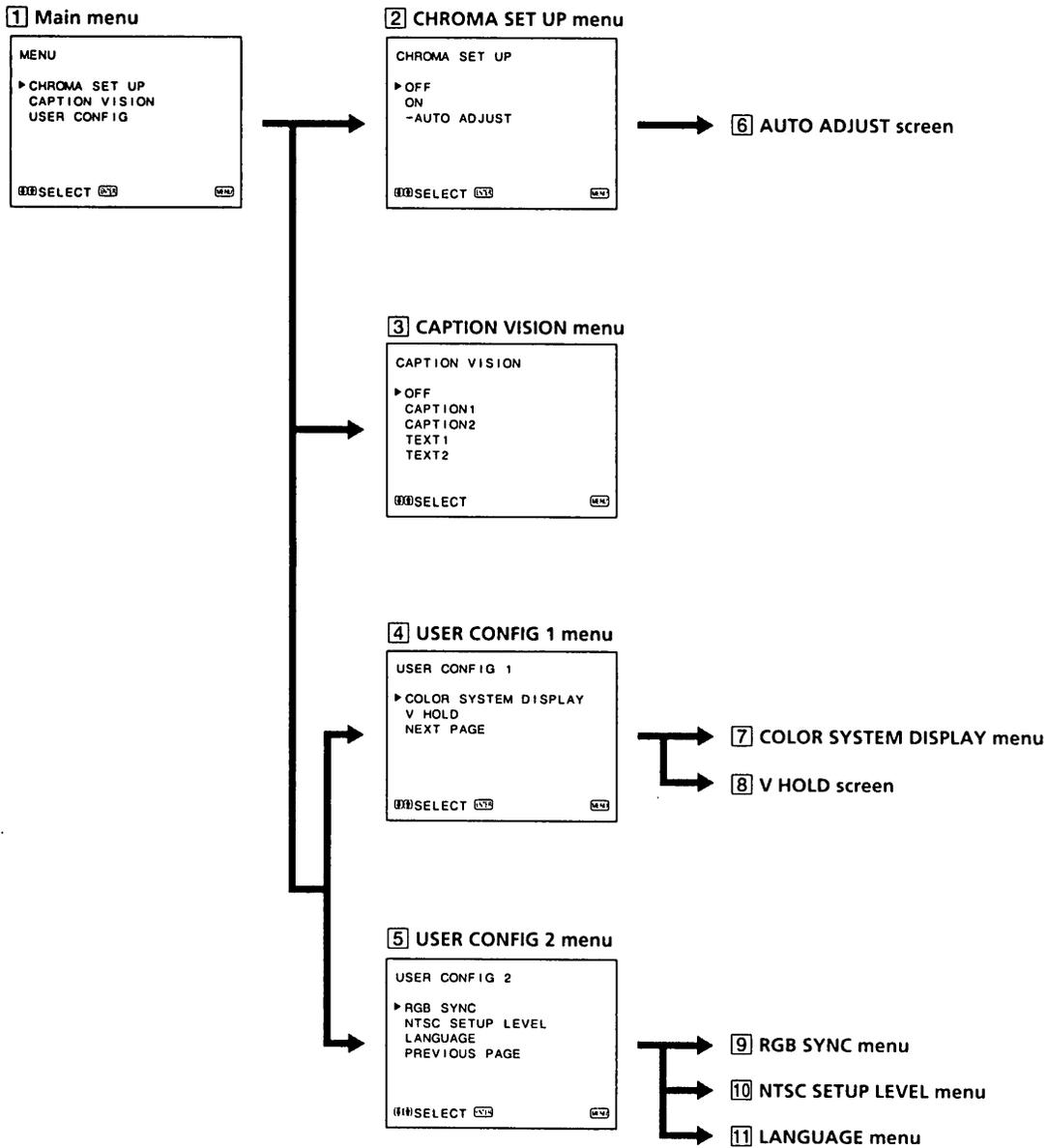
Connect to the audio output of video equipment when the analog RGB signal is input.

SYNC IN (BNC)

To use the sync signal fed through this connector, set RGB SYNC to EXT SYNC in the menu.

Using on-screen menus

The flow chart shows the different levels of on-screen menus that you can use to make various adjustments and settings. The boxed number is for instructions on the next page.



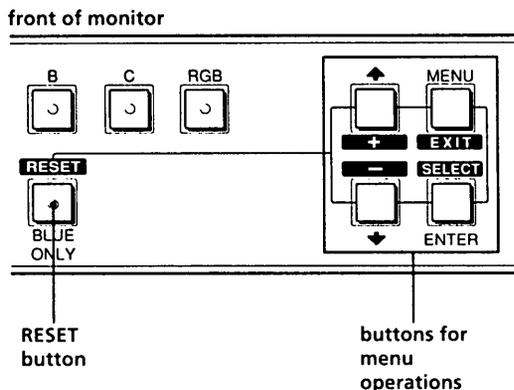
Operating through menus

There are five buttons for menu operations on the front of the monitor. To display the main menu, first press MENU. The buttons you can use appear at the bottom of the menu screen.

Functions of the buttons

Button	To select menu item	To adjust menu item selected
MENU EXIT	return to the previous menu	return to the previous menu
ENTER SELECT	decide a selected item	select an item
↑ +	move the cursor (▶) upwards	increase selected value
↓ -	move the cursor (▶) downwards	decrease selected value
RESET		reset current adjustment value to the factory setting

(The above items in white type correspond to the marks in the menu.)



1 Main menu

Select an item and press ENTER to go to the following menu.

2 CHROMA SET UP menu

Set to ON to adjust the internal decoder for CHROMA and PHASE after AUTO ADJUST (6). [OFF]

3 CAPTION VISION menu

The monitor can display the signal with Caption Vision. To display it, select the caption type in this menu. [OFF]

4 USER CONFIG 1 menu

Select an item to adjust. To go to the USER CONFIG 2 menu select NEXT PAGE.

5 USER CONFIG 2 menu

Select an item to adjust. To go to the USER CONFIG 1 menu select PREVIOUS PAGE.

6 AUTO ADJUST screen

Select the color bar signal (full, SMPTE, EIA) and press ENTER to start auto adjusting for CHROMA SET UP.

7 COLOR SYSTEM DISPLAY menu

Select the color system display mode. In AUTO, the kind of color system being used appears on the screen each time you change the signal input. [AUTO]

8 V HOLD screen

Adjust the vertical hold if the picture rolls vertically. When you cannot read the display, select the input that is not connected.

9 RGB SYNC menu

Select SYNC ON G to operate the monitor on the sync signal from the displayed green signal. Select EXT SYNC to operate the monitor on an external sync signal fed through the RGB SYNC connector. [SYNC ON G]

10 NTSC SETUP LEVEL menu

Select the NTSC setup level from two modes. The 7.5 setup level is mainly used in north America. The 0 setup level is mainly used in Japan. [7.5]

11 LANGUAGE menu

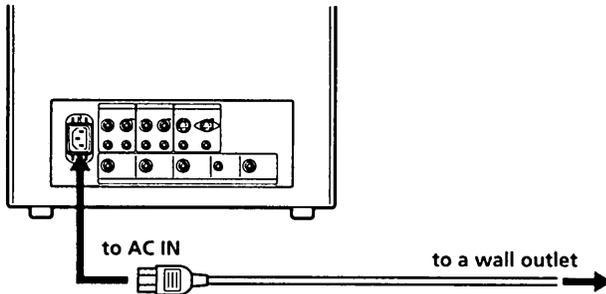
You can select the menu language from among the five languages (English, German, French, Italian, Spanish) on the menu. [ENGLISH]

([] indicates the factory setting position.)

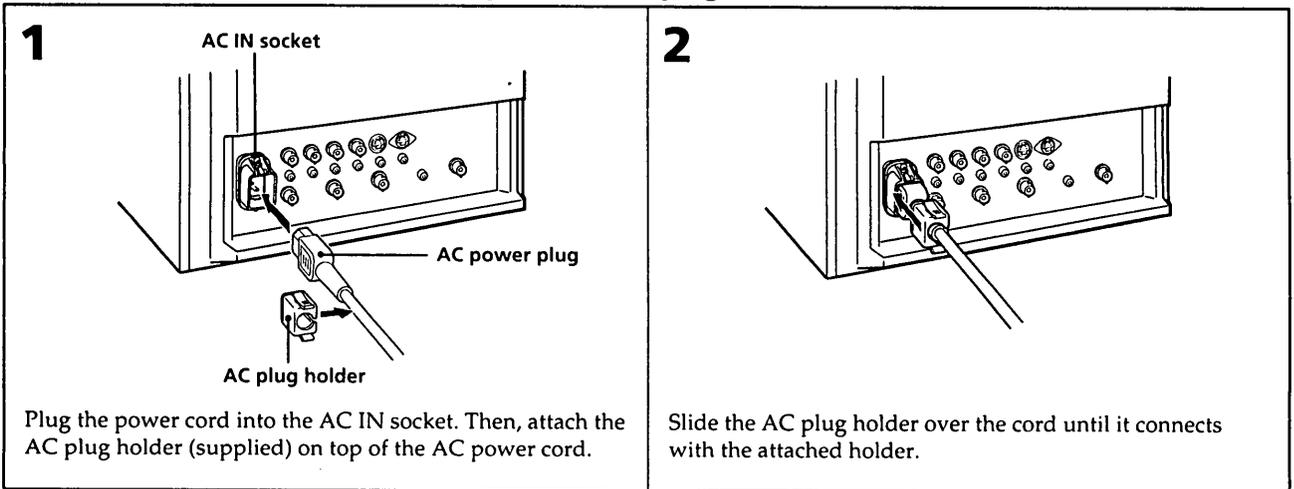
Power sources

House current

Connect the AC power cord (supplied) to the AC IN socket and to a wall outlet.



To connect an AC power cord securely with an AC plug holder

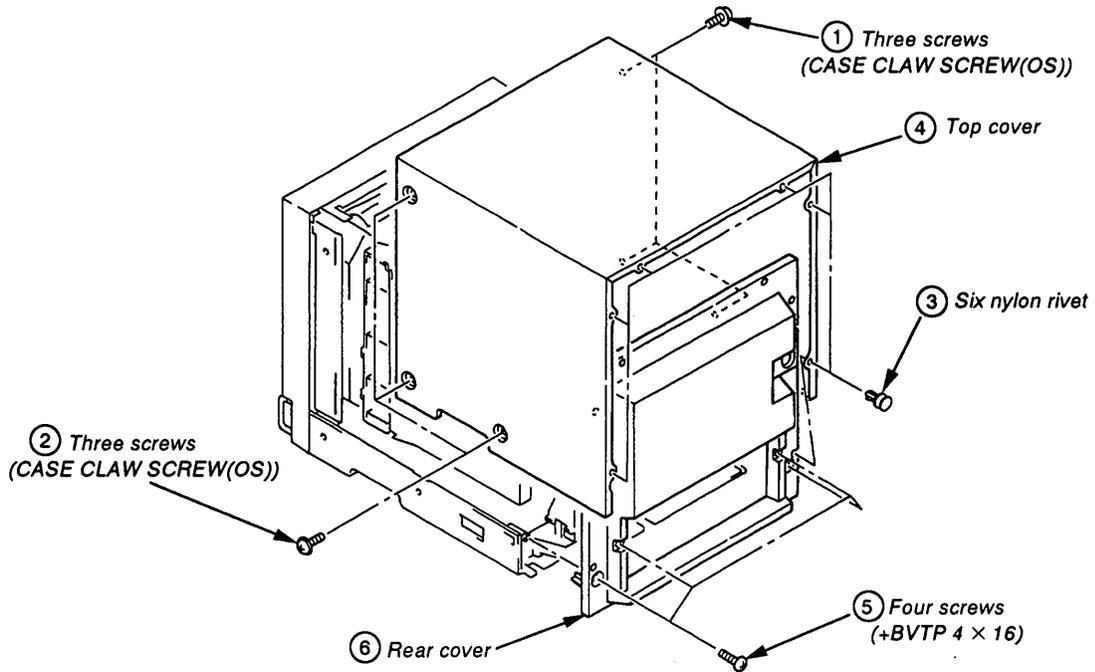


To remove the AC power cord

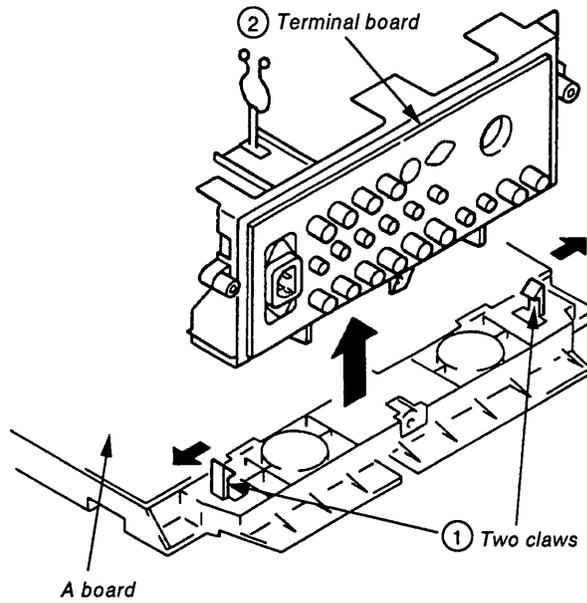
Pull out AC plug holder by squeezing the left and right sides.

SECTION 2 DISASSEMBLY

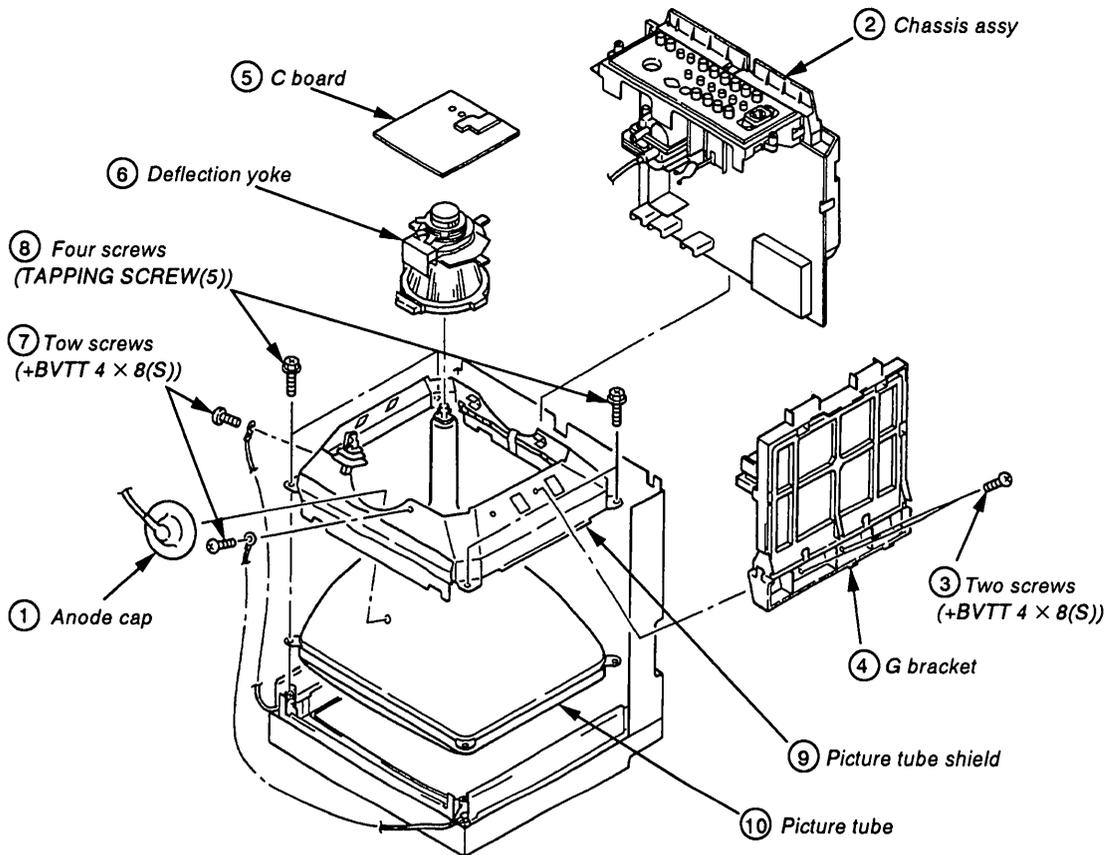
2-1. TOP COVER AND REAR COVER REMOVAL



2-2. TERMINAL BOARD REMOVAL



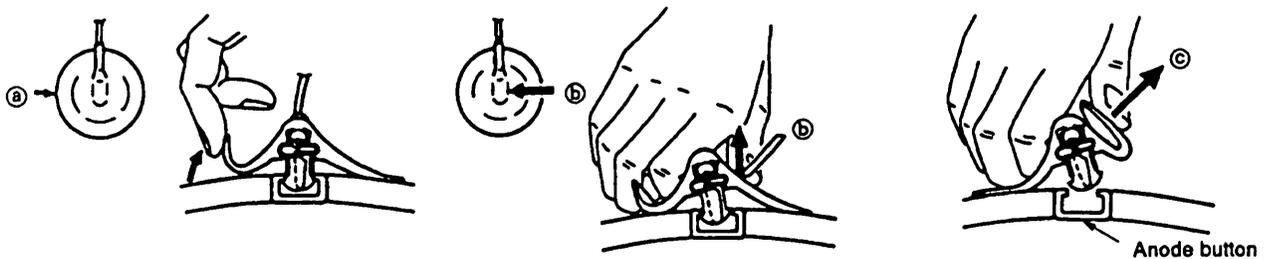
2-3. PICTURE TUBE REMOVAL



• REMOVAL OF ANODE-CAP

NOTE : Short circuit the anode of the picture tube and the anode cap to the metal chassis, CRT shield or carbon paint on the CRT, after removing the anode.

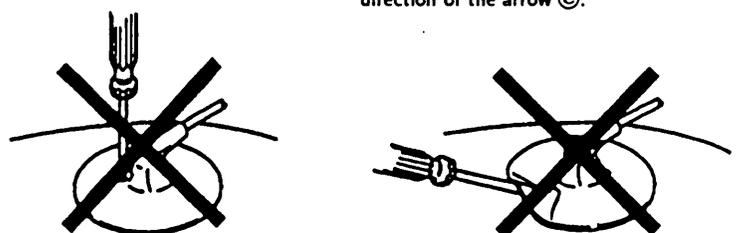
• REMOVING PROCEDURES



- ① Turn up one side of the rubber cap in the direction indicated by the arrow ②.
- ② Using a thumb pull up the rubber cap firmly in the direction indicated by the arrow ③.
- ③ When one side of the rubber cap is separated from the anode button, the anode-cap can be removed by turning up the rubber cap and pulling up it in the direction of the arrow ④.

• HOW TO HANDLE AN ANODE-CAP

- ① Don't hurt the surface of anode-caps with sharp shaped material!
- ② Don't press the rubber hardly not to hurt inside of anode-caps!
A material fitting called as shatter-hook terminal is built in the rubber.
- ③ Don't turn the foot of rubber over hardly!
The shatter-hook terminal will stick out or hurt the rubber.



SECTION 3 SET-UP ADJUSTMENTS

3-1. PREPARATIONS (1)

Service Mode

This set is provided with a switch for service on the front panel that can be used to make various adjustments. The operation method of this switch is explained in detail below.

1. ENTERING THE SERVICE MODE

Simultaneously press the [ENTER] key and the [DEGAUSS] key shown on the display of the menu.

2. SERVICE MODE DISPLAY

(1)	(5)	(4)	(3)	(6)
(2)				

Range of Service Mode Display

- (1) The service items are largely classified into 16 types displayed by titles.
- (2) The names of the service items or READ / WRITE guidance, etc., are displayed. The names are displayed to the left and the guidance to the right.
- (3) This is the serial number for each of the service items. 1-120.
- (4) This is the adjustment data for the service items that are now stored in the RAM. Adjustments can be made by changing these values, but as long as nothing is written to the ROM the adjustment values will be erased by turning off the power or by reading, so please be careful.
- (5) When the adjustment data that is now displayed is identical with the data in the ROM, the cursor (▷) is displayed.
- (6) The present status is displayed.
 - [*] : Writing to the ROM. Make sure not to turn off the power while this display is on.
 - [?] : ROM reading error. In this case, an image is output with the standard adjustment data that the microcomputer itself possesses.
 - [¿] : Problem in the I²C bus.

3. FINISHING THE SERVICE MODE

Simultaneously press the [ENTER] key and the [DEGAUSS] key shown on the display of the menu.

4. EASY ON / OFF OF THE SERVICE MODE

If once entering the service mode after having turned on the power, easy ON / OFF is possible by once more pressing the A, B or C switch on the front panel (the LED lights) as long as the power is not turned off or as long as the service mode is not finished.

5. CHANGE OF POSITION OF THE SERVICE MODE DISPLAY

If the switch is continuously pressed when turning on in the above easy mode, the display position moves in the V direction. This method is used when the display is outside of the effective screen area.

6. CHANGE OF SERVICE ITEMS

The items are returned with the [MENU] key and forwarded with the [ENTER] key. When a key is continuously pressed, the operation will be repeated.

7. CHANGE OF SERVICE DATA

The service data is made larger with the [↑] key and smaller with the [↓] key. When continuously pressing the keys, the operation will be repeated.

8. READING OF SERVICE DATA

When reading data from the ROM to the RAM, press the [B / D] key once and check that the READ display is shown in the guidance, and then press the [B / O] key once again. The adjustment data that is written will return to its previous state, so please be careful.

9. WRITING OF SERVICE DATA

When writing data from the RAM to the ROM, press the [DEGAUSS] key once and check that the WRITE display is shown in the guidance, and then press the [DEGAUSS] key once again. Not only the displayed data will be written, but all data, so please be careful.

10. CARRYING OUT FACTORY RESETTING

In case the adjustment data has been destroyed for some reason, and you keep pressing the [B / O] key at the beginning of the above reading, the READ guidance will change to FACTRY RESET guidance in approximately 3 seconds so that the factory resetting can be carried out. By once again pressing the [B / O] key after this, resetting will be carried out ([*] will be displayed as status) and factory resetting will be executed. However, in case the data available at the time of shipment from the factory has been destroyed, or if the ROM has been replaced, etc., or if factory setting mentioned later on has been carried out, factory resetting is executed.

11. CARRYING OUT FACTORY SETTING

Make sure to make possible the above factory resetting by making a copy of the adjustment data when replacing the ROM. If you keep pressing the [DEGAUSS] key at the beginning of the above writing, the WRITE guidance will change into FACTORY RESET guidance after approximately 3 seconds. By once again pressing the [DEGAUSS] key after this, setting will be carried out ([*] will be displayed as status) and the data will be copied. By carrying out this operation, the selection items of the menu and the adjustment values will be reset to the standard conditions, so please be careful. If this operation is carried out once, it cannot be carried out again, but the FACTORY SET FLAG (No. 120) in the service mode can be set to 1.

SERVICE DATA STANDARD

SERVICE MAP Ver 5 . x (1-120)

NO.		SERVICE ITEM	MAX	14"	20"	NO.		SERVICE ITEM	MAX	14"	20"
1	NOR 50 DEF	H FREQUENCY	255	80	107	61	C / T1 ??00K	BIAS (RED)	1023	443	443
2		VIDEO PHASE	255	141	127	62		BIAS (GREEN)	1023	512	512
3		V SIZE	255	165	155	63		BIAS (BLUE)	1023	394	394
4		V CENTER	255	122	116	64		GAIN (RED)	1023	662	662
5	NOR 60 DEF	H FREQUENCY	255	90	112	65		GAIN (GREEN)	1023	700	700
6		VIDEO PHASE	255	120	123	66		GAIN (BLUE)	1023	536	536
7		V SIZE	255	157	161	67		B / O (RED)	255	120	120
8		V CENTER	255	128	111	68		B / O (GREEN)	255	125	125
9	NOR DEF	H SIZE	255	111	102	69	C / T2 ??00K	3200K SW	1	0	0
10		PIN PHASE	255	108	110	70		BIAS (RED)	1023	263	263
11		PIN AMP	255	112	122	71		BIAS (GREEN)	1023	512	512
12		U/L PIN	255	126	155	72		BIAS (BLUE)	1023	459	459
13		SEXY	255	128	128	73		GAIN (RED)	1023	572	572
14		V LINEARITY	255	132	82	74		GAIN (GREEN)	1023	700	700
15		V BOW	* 63	32	32	75		GAIN (BLUE)	1023	656	656
16		V ANGLE	* 63	32	32	76		B / O (RED)	255	86	86
17	U/SDEF	V SIZE (50)	255	124	134	77		B / O (GREEN)	255	105	105
18		V SIZE (60)	255	116	131	78	W / B	SUB CON (4 : 3, NORMAL)	255	210	210
19		H SIZE	255	115	89	79		SUB CON (4 : 3, H / V DELAY)	255	122	122
20		PIN PHASE	255	118	112	80		SUB CON (16 : 9, NORMAL)	255	165	165
21		PIN AMP	255	74	96	81		SUB CON (16 : 9, H / V DELAY)	255	93	93
22	16:9 NOR DEF	V SIZE (50)	255	81	89	82		SUB BRIGHT	255	71	71
23		V SIZE (60)	255	85	100	83		USER B / O (RED)	255	120	120
24		PIN PHASE	255	113	120	84		USER B / O (GREEN)	255	125	125
25		PIN AMP	255	64	68	85	OTHER	OSD POSITION	255	129	129
26		U/L PIN	255	132	136	86		V HOLD	255	128	128
27	16:9 U/S DEF	V SIZE (50)	255	41	59	87		H BLANKING	255	68	68
28		V SIZE (60)	255	35	55	88		V BLANKING (50)	255	63	63
29		PIN PHASE	255	124	122	89		16 : 9 BLANKING START(50)	255	37	37
30		PIN AMP	255	47	55	90		16 : 9 BLANKING END(50)	255	163	163
31	COMPONENT	SUB PHASE	255	140	140	91		V BLANKING (60)	255	117	117
32		SUB CHROMA (NORMAL)	255	104	104	92		16 : 9 BLANKING START(60)	255	40	40
33		SUB CHROMA (SMPTE)	255	168	168	93		16 : 9 BLANKING END(60)	255	215	215
34		R-Y LEVEL	255	155	155	94		H DELAY	255	165	165
35	NTSC	BURST GATE PULSE WIDTH	255	22	22	95		V DELAY	255	101	101
36		CRYSTAL	255	51	51	96		HP POSITION	255	130	130
37		PHASE (NORMAL)	255	103	103	97		HP WIDTH (NORMAL)	255	90	90
38		PHASE (ACC OFF)	255	112	112	98		HP WIDTH (H / V DELAY)	255	35	35
39		B-Y PHASE	255	141	141	99	SYSTEM	SDI AUDIO	7	5	5
40		CHROMA (NORMAL)	255	123	123	100		358TRAP FILTER	1	0	0
41		CHROMA (ACC OFF)	255	20	20	101		ACC	1	0	0
42		R-Y LEVEL	255	87	87	102		CAPTION VISION	7	0	0
43	NTSC 443	CRYSTAL	255	65	65	103		COMPONENT LEVEL	3	2	2
44		PHASE (NORMAL)	255	80	80	104		NTSC SETUP LEVEL	1	0	0
45		PHASE (ACC OFF)	255	75	75	105		CHROMA SET UP	1	0	0
46		B-Y PHASE	255	140	140	106		COLOR SYSTEM DISPLAY	3	0	0
47		CHROMA (NORMAL)	255	117	117	107		COLOR TEMPERATURE	3	0	0
48		CHROMA (ACC OFF)	255	87	87	108		USER PRESET	1	0	0
49		R-Y LEVEL	255	100	100	109		LANGUAGE	7	0	0
50	PAL	PHASE (NORMAL)	255	87	87	110		RGB SYNC	1	0	0
51		PHASE (ACC OFF)	255	72	72	111		OPTION BOARD	7	0	0
52		B-Y PHASE	255	105	105	112		AGING MODE	1	0	0
53		CHROMA (NORMAL)	255	141	141	113		PAL-M	1	0	0
54		CHROMA (ACC OFF)	255	90	90	114		MODEL	15	**	**
55		R-Y LEVEL	255	120	120	115		COLOR TEMP DISP 1	127	65	65
56	SECAM	CHROMA	255	120	120	116		COLOR TEMP DISP 2	127	93	93
57		R-Y LEVEL	255	229	229	117		REMOTE ADDRESS	127	0	0
58		COLOR BALANCE (R-Y)	255	116	116	118		RESERVED 1	1	0	0
59		COLOR BALANCE (B-Y)	255	98	98	119		RESERVED 2	1	0	0
60	C/T1 ??00K	3200K SW	1	0	0	120		FACTORY SET FLAG	1	0	0

* Among the data 8 bits (MAX255) only the upper 6 bits can be changed.

** PVM-1954Q, PVM-1350/1351Q/1354Q.

PREPARATIONS (2)

* When composite video or component signals are supplied, they must be supplied as below.

Signal		Signal Contents	Standard Level (Pedestal-White)
COMPOSITE VIDEO (75%COLOR BAR)	358NT 443NT	100% WHITE	0.714V
		75% WHITE	0.536V
		BURST (GREEN) (This item only P-P)	286mV (632mV)
	PAL SECAM	100% WHITE	0.7V
		75% WHITE	0.525V
		PAL BURST (GREEN) (This item only P-P)	300mV (664mV)
COMPONENT (75%COLOR BAR)	BETA 0	100% WHITE Y	0.7V
		75% WHITE Y	0.525V
		75% COLOR B-Y, R-Y (This item only P-P)	0.7V
	SMPTE	100% WHITE Y	0.7V
		75% WHITE Y	0.525V
		75% COLOR B-Y, R-Y (This item only P-P)	0.525V

* In this document, terms inside boxes are names of service mode adjustments.

Example

* After making adjustments in service mode, write the adjustment data before cutting off the power. If you cut off the power without writing, the results of your adjustments are all lost.

* Standard inspection conditions

Unless specifically specified otherwise in this document, the following conditions are used for adjustments and inspections.

APERTURE	MIN
BRIGHT	50% (Center click)
CHROMA	50% (Center click)
PHASE	50% (Center click)
CONTRAST	80% (Center click)
VOLUME	50%

3-2. WRITING MODEL DATA

- In service mode, write in the following model data at No. 114 .

PVM-1350	7
PVM-1351Q/1354Q	4
- In service mode, write in the following data at No. 115 .

PVM-1350/1351Q/1354Q	65
----------------------	----
- In service mode, write in the following data at No. 116 .

PVM-1350/1351Q/1354Q	93
----------------------	----

3-3. PICTURE OUTPUT

- Set the AC input voltage.
 - Input the video and audio signals to the corresponding terminals on the connector panel.
 - Set the sliduck AC voltage as shown on the right. (*1-1)

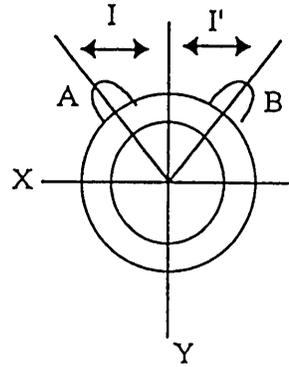
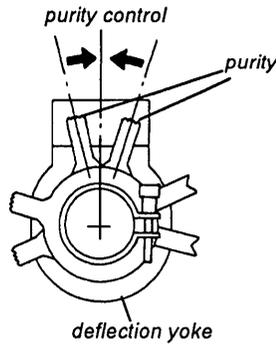
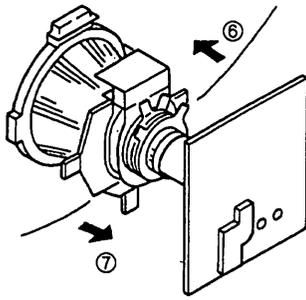
Model	Voltage
PVM-1350/1351Q/1354Q	AC120 ± 3V (Distortion rate : 3% or less)

3-4. LANDING ADJUSTMENT

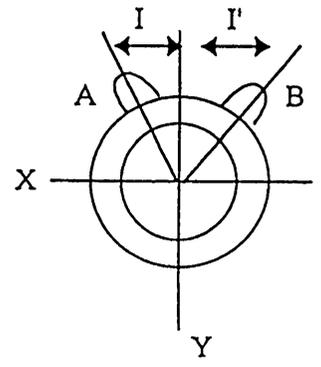
- Preparations
 - To reduce the influence of geomagnetism, face the set's CRT screen east or west.
 - Loosen the deflection yoke fixture and lower the deflection yoke to the rear.
 - Switch on the Power switch and degauss with the degausser.
 - Adjust the deflection yoke tilt.
- Adjustment
 - CONT MAX
BRT..... Position providing good vision
 - The rough adjustments of the white balance, G2, and convergence must be completed already.
 - Set green-only.
 - Adjust the purity knob so that the green comes to the center of the screen. Make the red and blue about even. Fig. 1
 - Switch to blue only, red only, and green only and verify each. Fig. 1, 2, and 3
 - Bring the deflection yoke gradually forward and adjust the deflection yoke so that the R and B at both sides of the screen become green. Fig. 2 → 3
 - If the deflection yoke comes too far forward, you will see the pattern shown in Figure 4. If that happens, lower the deflection yoke to the rear. Fig. 4 → 3
 - Switch the single color switch to B and verify the single color. Fig. 6
 - Switch the single color switch to R and verify the single color. Fig. 9
 - When one of the colors does not become the single color correctly, check by repeating Items 7 and 8 based on the single color not coming into adjustment.
If you can not obtain landing in the corners, paste on magnets.
 - Switch to an all-white signal and check the uniformity.
 - When the deflection yoke position is determined, fasten it with the fixture.

3-5. CONVERGENCE ADJUSTMENT

- Input a dot pattern signal.
CONT Position providing good vision
BRT MIN
- Align the horizontal R, G, and B dots at the center of the screen with the H-STAT VR. (*1)
*1 : If the H-CENTER adjustment was after the H-STAT adjustment, re-adjust the H-STAT.
(The H-CENT VR changes the H-STAT too.)
- Align the R, G, and B at the center of the screen with the V-STAT magnets. (*2)
*2: After the V-STAT adjustment, paint on the knobs to lock them.



Good example



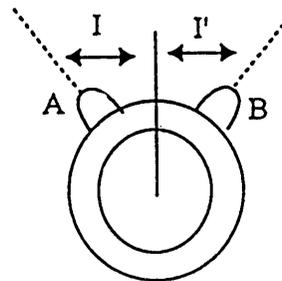
Bad example

V-STAT magnet knobs
While keeping the angles for A and B equal ($I=I'$), align the vertical convergence.

If the A and B knobs are not symmetrical ($I \neq I'$), this has bad effects. The focus may deteriorate and beam striking may occur.

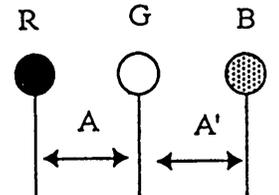
- For HMC, use the 6-pole magnet to adjust the R and B dots to be symmetrical left and right about the G dot. (*1)

*1 :



6-pole magnet

The HMC adjustment changes the opening of the 6-pole magnet.



Adjust the 6-pole magnet so that $A=A'$. You must maintain the relationship $I \neq I'$ while moving the magnet.

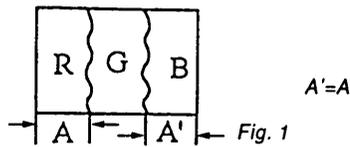


Fig. 1



Fig. 2

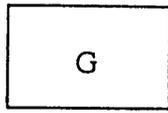


Fig. 3

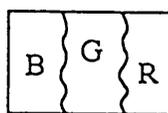


Fig. 4

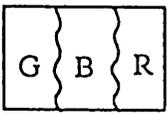


Fig. 5

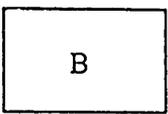


Fig. 6



Fig. 7

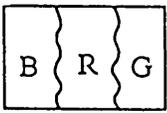


Fig. 8

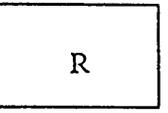


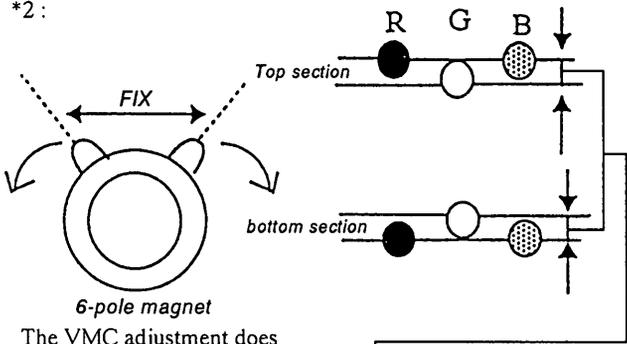
Fig. 9



Fig. 10

95. For VMC, use the 6-pole magnet to adjust the R and B dots to be symmetrical above and below the G dot. (*2)

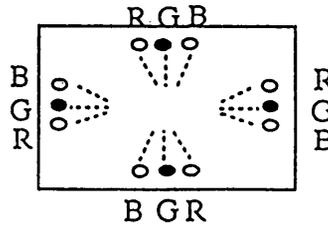
*2:



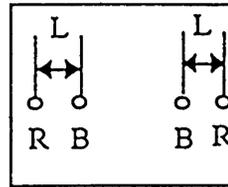
6-pole magnet
The VMC adjustment does not change the opening of the 6-pole magnet, but turns it left and right.

24 Adjust so that the displacement up and down are the same.

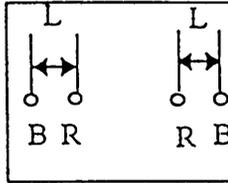
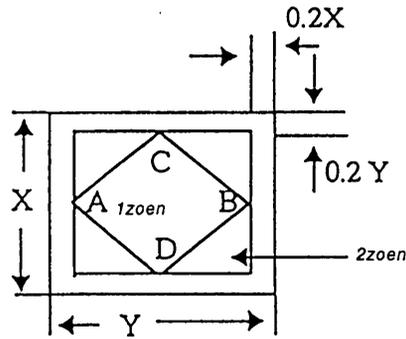
Positive misconvergence pattern
Turn the deflection yoke neck up.



Pattern when deflection yoke too far to the left

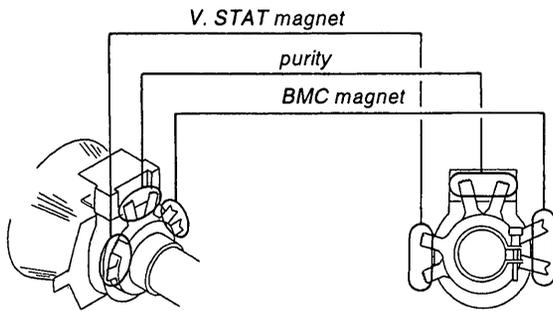


As viewed from the CRT screen, turn the deflection yoke neck to the right.



Pattern when deflection yoke too far to the right

- Adjust by repeating the adjustments in Items 2 through 5. (*3)
*3: The above adjustment may affect the landing, so after this adjustment, check the landing again.
- After the adjustment is complete, paint on the knobs to lock them.

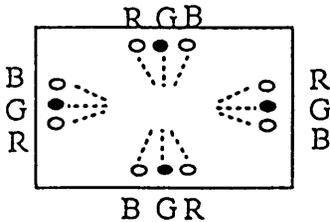


3-6. DEFLECTION YOKE NECK ROTATION ADJUSTMENT

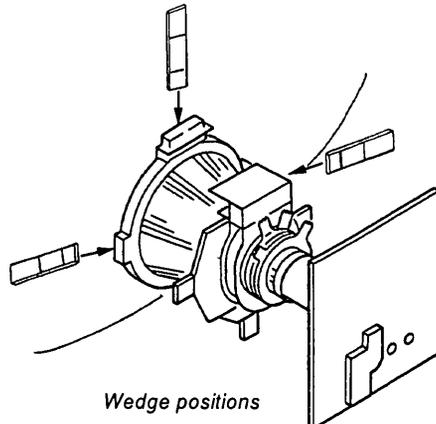
If there is misconvergence at both sides on the X or Y axis of the screen, turn the neck of the deflection yoke in the direction of the arrow to reduce the misconvergence for the entire CRT screen to within the tolerance.

- Reverse misconvergence pattern

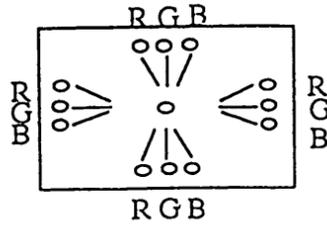
Turn the deflection yoke neck down.



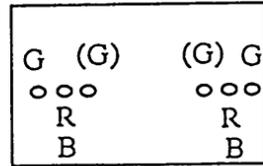
- Insert the three wedges in the deflection yoke and CRT funnel surface to fasten the deflection yoke.



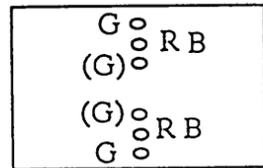
3. The pattern below can not be corrected by turning the neck.



* Gun rotation
The beam is twisted at both sides on the X axis and Y axis.



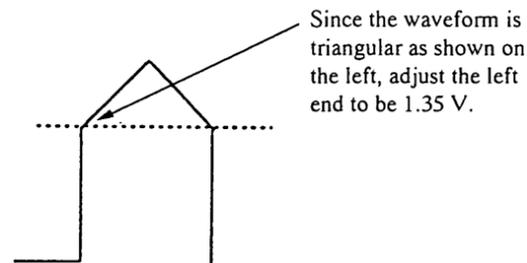
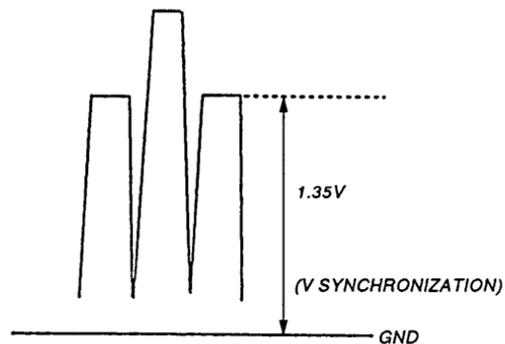
* HCR large (small)
At both sides of the screen, the G raster horizontal component is wider (narrower) than those of the R and B rasters.



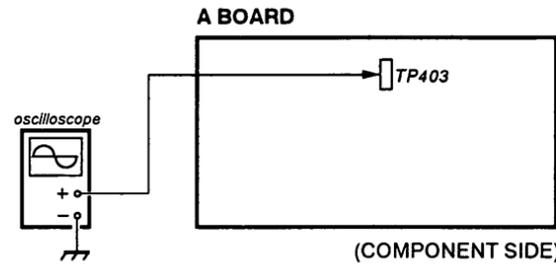
* VCR large (small)
At both sides of the screen, the G raster vertical component is wider (narrower) than those of the R and B rasters.

3-7. G2 ADJUSTMENT

1. Input a 525 monoscope signal.
2. Connect the oscilloscope to A board TP403.
3. Of the three reference pulses, measure the lowest one.
4. With the Screen VR, adjust so that left end of the waveform is: $1.35 \text{ V} \pm 0.05$



Since the waveform is triangular as shown on the left, adjust the left end to be 1.35 V.



3-8. WHITE BALANCE ADJUSTMENT

For measuring equipment, use a color analyzer (for example from Minolta).

For the PVM-1350, Items 7, 8, 14, 15 and 16 are not necessary.

1. Input a 525 monoscope signal.
(Input from Line A or Line B, with no burst.)
2. Set:
CONT 0%
BRT 50%
3. On a 20-tone gray scale, adjust service mode **SUB BRIGHT** so that
0 and 5 IRE → cut off
10 IRE → slight glow
4. Input 525 all-white (no burst, composite signal).
5. Set CONT to 80%.
6. Adjust the all-white signal luminance so that the screen luminance is 3 NIT.
7. Press MENU and select COL TEMP/BAL.
8. Select 6500 K.
9. Put the unit into service mode. (*1)
*1 : Set **3200 K SW** to 0 for both 9300K and 6500K.
10. Adjust to the standard values with **C/T1 6500K BIAS**.
(G must be fixed at "512".) (*2)
*2 : Adjust the cut-off to be 3 NIT.
11. Switch the all-white signal luminance to 100 IRE.
12. Adjust to the standard values with **C/T1 6500K GAIN**.
(G must be fixed at "700".)
13. Repeat Items 10, 11 and 12 until the adjustment is complete, then write the adjustment data.
14. Press MENU and select COL TEMP/BAL.
15. Select 9300 K.
16. In the same manner as in Items 10, 11, 12 and 13 make the **C/T2 9300K BIAS** and **C/T2 9300K GAIN** adjustments.

3-9. BLUE-ONLY WHITE-BALANCE ADJUSTMENT

For the PVM-1350, Items 3, 4, 5, 6, 7 and 8 are not necessary.

1. Switch the user control SW Blue Only On (to set blue-only mode).
2. Input an all-white signal (no burst composite signal). (*1)
The luminance of the all-white signal must be 100 IRE.
CONT 80%
BRT 50%
3. Select COL TEMP/BAL.
4. Select 6500 K.
5. Adjust to the standard values with **C/T1 6500K B/O (RED)** and **C/T1 6500K B/O (GREEN)**.
6. Select COL TEMP/BAL.
7. Select 9300 K.
8. Adjust to the standard values with **C/T1 9300K B/O (RED)** and **C/T1 9300K B/O (GREEN)**.
9. Check that the white balance is obtained when the all-white signal luminance is adjusted and the screen luminance is 8 NIT.

3-10 SUB BRT ADJUSTMENT

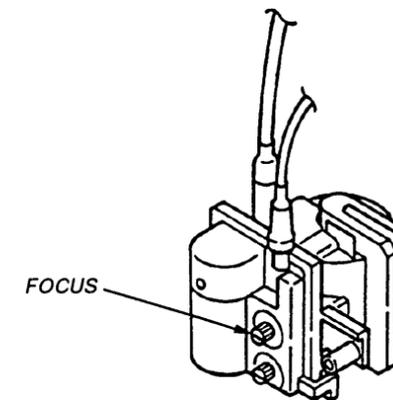
1. Input a 525 monoscope signal.
2. CONT MIN
BRT CENTER (50%)
3. Put the unit into service mode and select **SUB BRIGHT**.
4. Adjust **SUB BRIGHT** so that 10 IRE gives a slight glow and 10 IRE gives cut off.

3-11. FOCUS ADJUSTMENT

Note : PVM-1350, 1351Q and 1354Q are adjusted with RV707 on the C board.

PVM-1351Q, 1354Q are adjusted with the RV at the top of the FBT main unit

1. Input a 525 monoscope signal.
2. Adjust the focus to optimize the focus on the characters "30" at the center of the screen.
3. Switch to an all-white signal and check the uniformity.



SECTION 4 SAFETY RELATED ADJUSTMENT

The following adjustments should always be performed when replacing the following components (marked with \boxtimes , \boxdot on the schematic diagram).

+B detection..... \boxtimes R1535
Tertiary coil detection..... \boxtimes R1536

Part reposed(\boxdot)

Hold Down Circuit..... \boxdot A board IC500, D533, R1537, C592, R1536, C523, R1560, R551, C549, R518, C506, C512, D501, R506, R519, T501, IC507

Beam Current Protector Circuit..... \boxdot A board R508, R515, R516, R517, C513, Q500, Q511

B+ Regulator Circuit..... \boxdot A board R1535
 \boxdot G board C603, IC602

B+ MAX VOLTAGE CONFIRMATION (RV601)

Standard : 115.0~117.0 VDC

Check Condition : Input voltage : 130~132 VAC

Note : Use NF Power Supply or make sure that distortion factor is 3% or less.

Input signal : ALL White

Controls : BRT & CONT \Rightarrow Minimum

HOLD-DOWN CIRCUIT VOLTAGE CONFIRMATION

Check Condition : Input voltage : 130~132 VAC

Input signal : monoscope signal

Controls : BRT & PIC \Rightarrow initial reset

B+ voltage : Less than 117.0 V

(1) Hold down circuit (+B Actuation)

a) When IABL = $600 \pm 50 \mu A$, raster goes out at less than 130.5 V of +B voltage (TP502) by adjusting Δ R690 and RV601.

Input signal : ALL white

Δ R690 : 470-5.6k 1/4 W RN

b) When IABL = $40 \pm 20 \mu A$, raster goes out at less than 130.5 V of +B voltage (TP502) by adjusting Δ R690 and RV601.

Input signal : Dot

(2) Hold down circuit (Tertiary coil detection voltage)

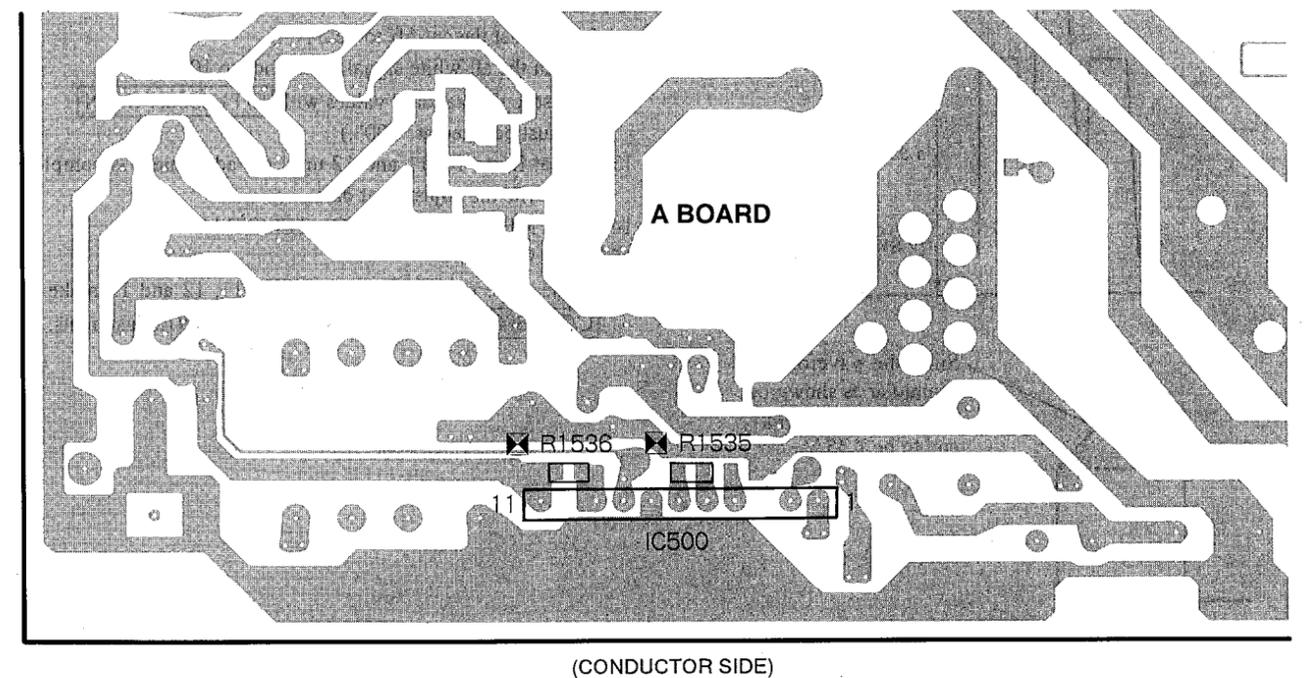
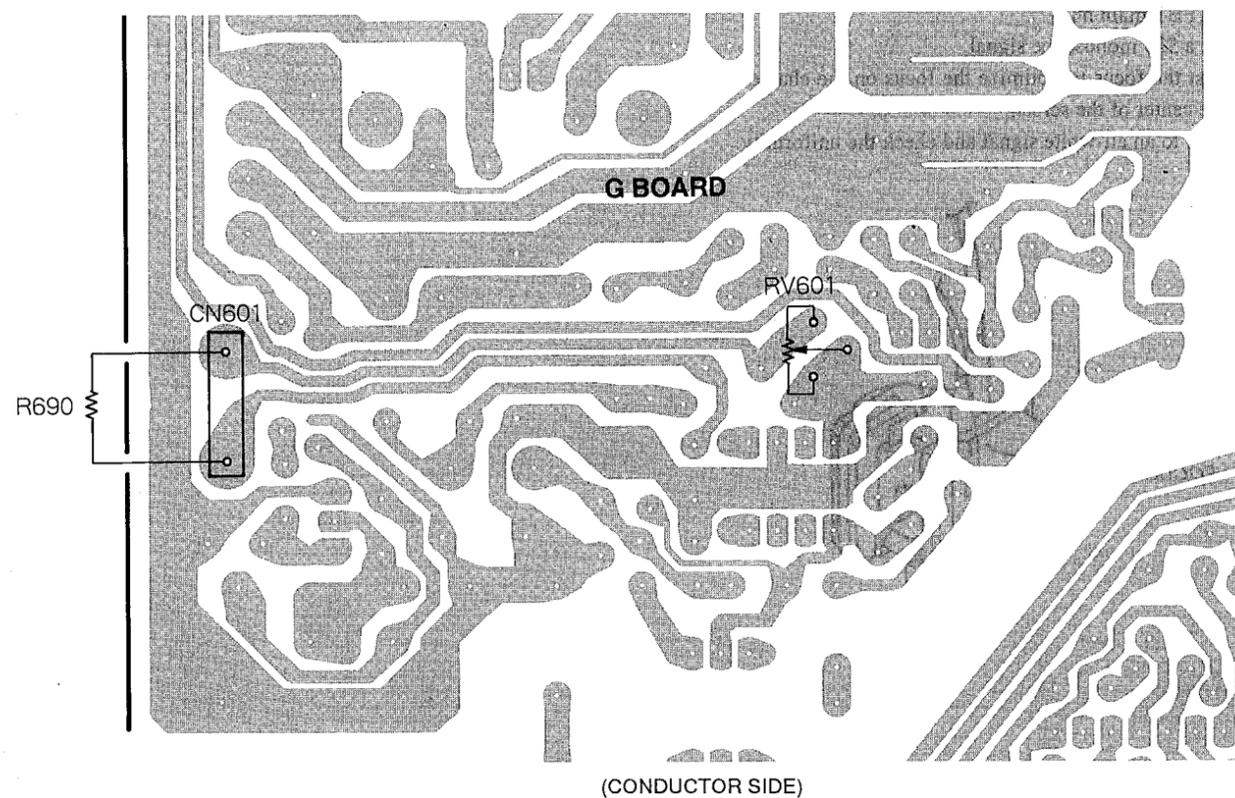
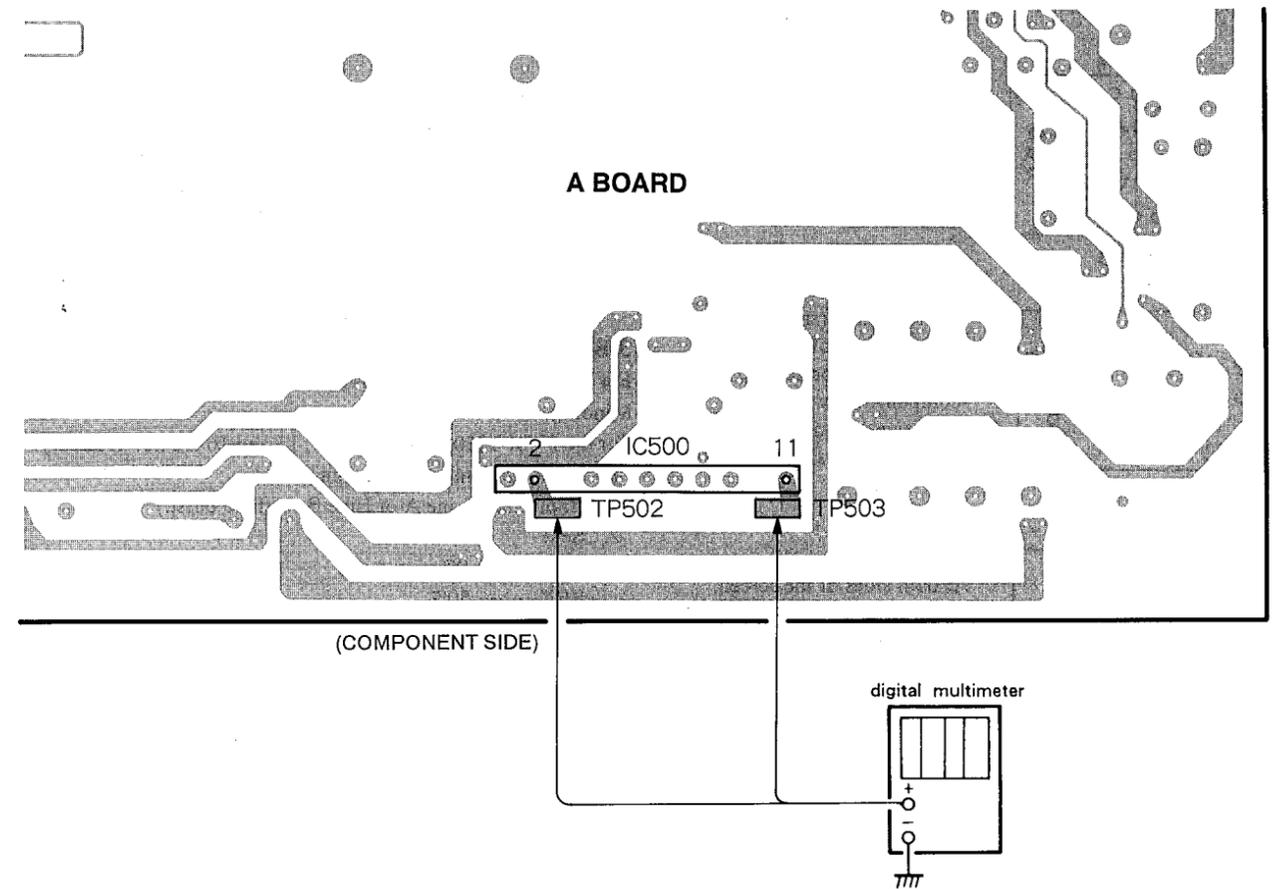
Confirmatory item : 110.0 V voltage should be applied to the (11) pin of IC500.

a) When IABL = $600 \pm 50 \mu A$, raster goes out when applying less than DC 146.7 V voltage to the (11) pin (TP503) of IC500 from outside.

Input signal : ALL white

b) When IABL = $40 \pm 20 \mu A$, raster goes out when applying less than DC 147.0 V voltage to the (11) pin (TP503) of IC500 from outside.

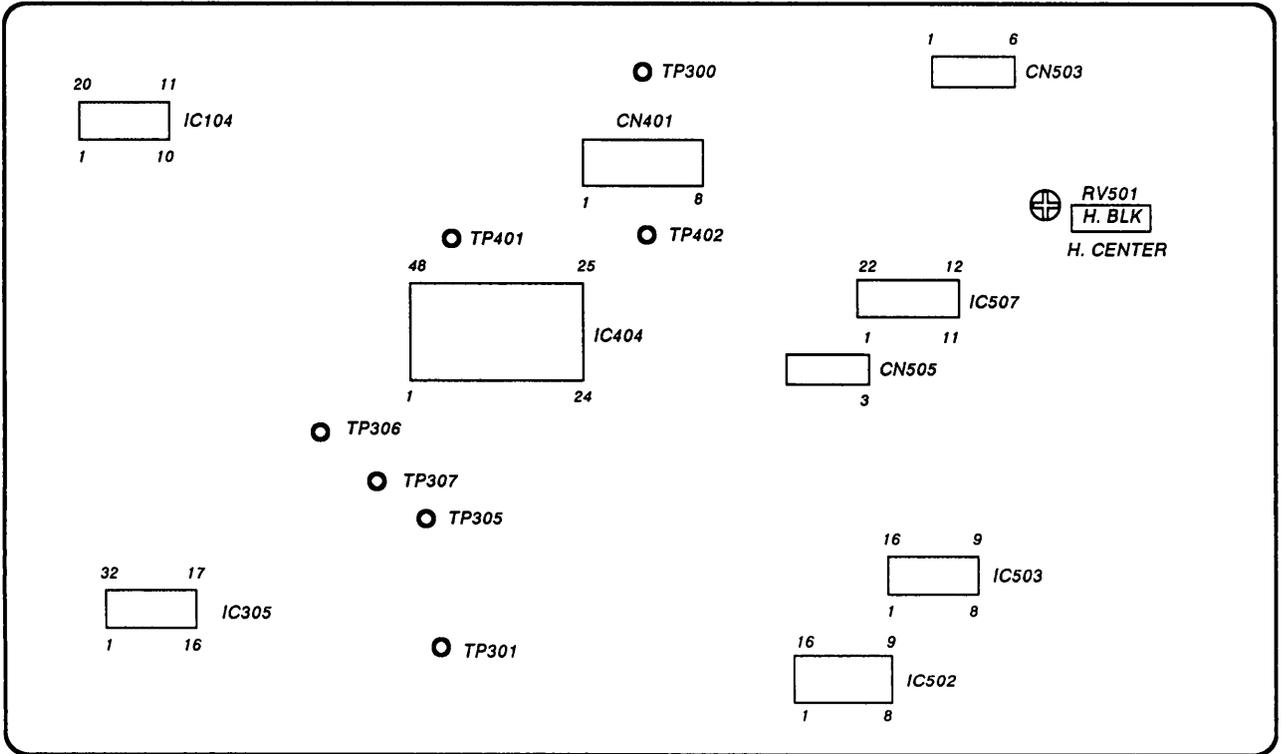
Input signal : Dot



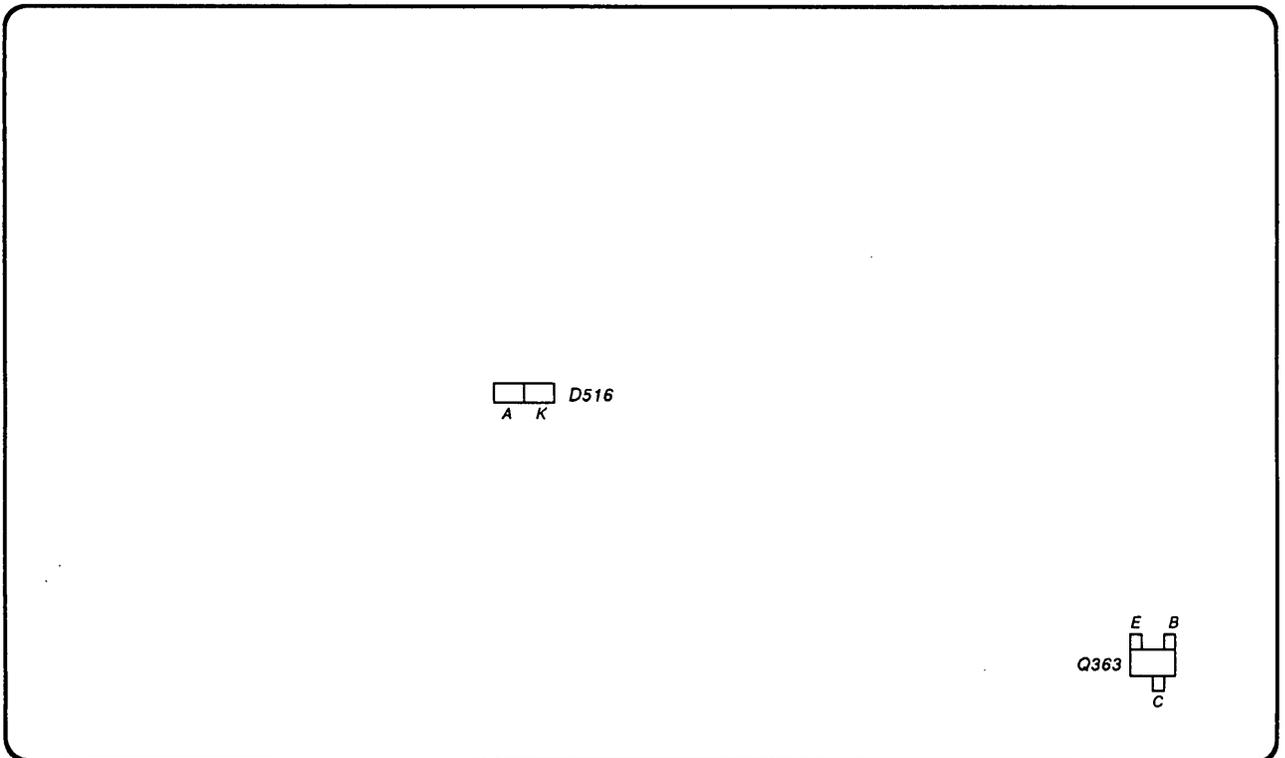
SECTION 5 CIRCUIT ADJUSTMENTS

5-1. A BOARD ADJUSTMENT

A BOARD – COMPONENT SIDE –



A BOARD – CONDUCTOR SIDE –



I. Preparations

* When composite video or component signals are supplied from connector CN301, they must be supplied taking into account the effect of the Q board as indicated on the right.

The levels of the signals supplied must be within ± 2% of the standard on the right.

Signal		Signal Contents	Standard Level (Pedestal-White)	Reduction Ratio	Connector Feed Level (Pedestal-White)
COMPOSITE VIDEO (75% COLOR BAR)	358NT 443NT	100% WHITE	0.714V	93%	0.664V
		75% WHITE	0.536V	93%	0.498V
		BURST (GREEN) (This item only P-P)	286mV (632mV)	94% (94%)	269mV (594mV)
	PAL SECAM	100% WHITE	0.7V	94%	0.651V
		75% WHITE	0.525V	94%	0.488V
		PAL BURST (GREEN) (This item only P-P)	300mV (664mV)	94% (94%)	282mV (624mV)
COMPONENT (75% COLOR BAR)	BETA0	100% WHITE Y	0.7V	94.8%	0.664V
		75% WHITE Y	0.525V	94.8%	0.498V
		75% COLOR B-Y, R-Y (This item only P-P)	0.7V	94.8%	0.664V
	SMPTE	100% WHITE Y	0.7V	94.8%	0.664V
		75% WHITE Y	0.525V	94.8%	0.498V
		75% COLOR B-Y, R-Y (This item only P-P)	0.525V	94.8%	0.498V

* The function or input can be selected by writing the corresponding data from the table below into microcomputer (IC101) RAM address 0006h.

BIT	FUNCTION	DATA
0-3	LINE A/RGB	1
	LINE B/COMPONENT	2
	LINE C/SDI	3
	LINE/RGB	4
	EXT SYNC	5
	DEGAUSS	6
	BLUE ONLY	7
	UNDER SCAN	8
	H/V DELAY	9
	16 : 9	10
4-7	MENU	1
	SELECT	2
	UP	3
	DOWN	4

* In this document, terms inside boxes are names of service mode adjustments.

Example

* CONT 80% is the center click position for the user control.

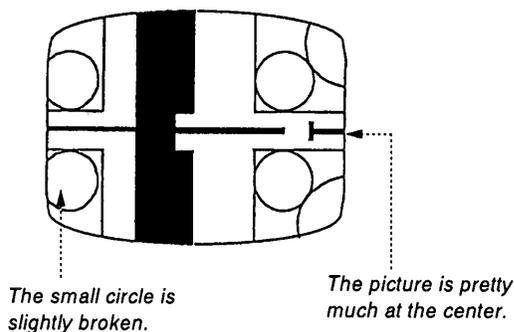
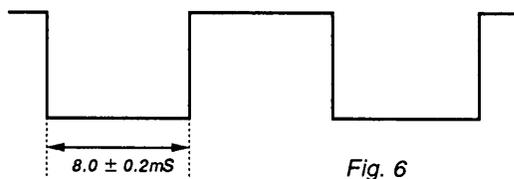
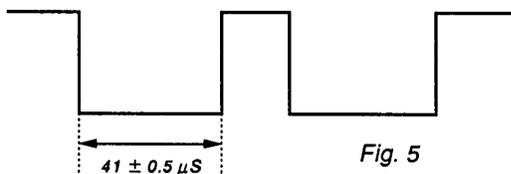
7. HORIZONTAL DEFLECTION SECTION Adjustment (UNDER SCAN adjustment) (PVM-1351Q/1354Q only)

Standard value

	525	625
U/S H-SIZE V-SIZE	252 ± 2mm 188 ± 2mm	←
16 : 9 U/S V-SIZE	142 ± 2mm	←

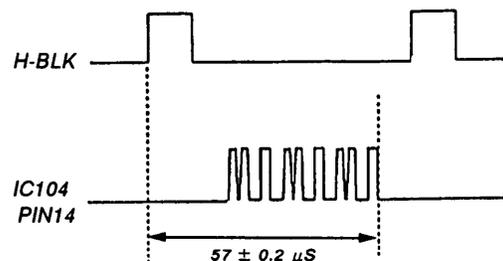
8. H/V DELAY Adjustment

- H-DELAY adjustment
 - Input a 525 monoscope signal.
 - Set :
CONT..... 80%
BRT..... 50%
 - Put the unit into H/V DELAY mode.
 - Put the unit into service mode.
 - Connect the oscilloscope probe to IC503 Pin 7, then adjust **H DELAY** so that the waveform is as in Fig. 5.
- V-DELAY Adjustment
 - Input a 525 monoscope signal.
 - Set :
CONT..... 80%
BRT..... 50%
 - Put the unit into H/V DELAY mode.
 - Put the unit into service mode.
 - Connect the oscilloscope probe to IC502 Pin 7, then adjust **V DELAY** so that the waveform is as in Fig. 6.
- Picture verification (PVM-1351Q/1354Q only)
Verify that the picture is as in Fig. 7.



9. OSD POSITION Adjustment

- Input a 525 color bar signal.
- Connect the oscilloscope probes to TP300 (H-BLK) and IC104 Pin 14.
- Adjust **OSD POSITION** so that the gap between the rising edge of the H-BLK waveform and the right edge character (the right edge of the "□" for service mode **OSD POSITION**) is : $57 \mu S \pm 0.2 \mu S$



10. WRITING THE ADJUSTMENT

- Write the adjustment results into memory.
Note : If you cut off the power before writing, the results of your adjustments are all lost.

II. Deflection System Adjustment

1. ADJUSTING THE HORIZONTAL OSCILLATION FREQUENCY

* For the PVM-1350, Items 6 and 7 are not necessary.

1. Input a 525 monoscope signal.
2. Set :
CONT..... 80%
BRT.....50%
3. Put the unit into service mode.
4. Drop A board IC507 Pin 1 to ground with a $100\mu/16V$ electrolytic capacitor. (Ground must use CN505 Pin 3.)
Or plug the H-FREQ tool into CN505.
5. Adjust **[60H-FREQ]** so that the diagonal lines on the screen become vertical lines. (Fig. 1)
6. Input a 625 monoscope signal.
7. Adjust **[50H-FREQ]** so that the diagonal lines on the screen become vertical lines. (Fig. 1)

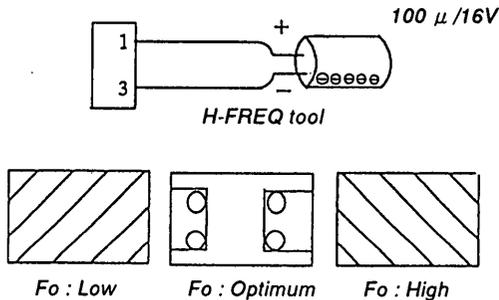


Fig. 1

2-1. H-BLK Adjustment

1. Input a 525 monoscope signal.
2. Set :
CONT.....80%
BRT.....50%
3. Put the unit into service mode.
4. Observe the anode of D516 or TP300 with the oscilloscope and adjust **[H-BLK]** to obtain the waveform in Fig. 2.

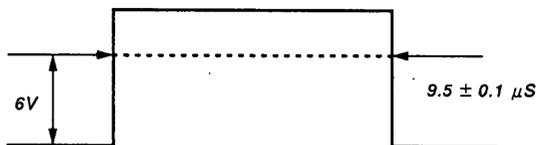


Fig. 2

2-2. H-BLK Adjustment (PVM-1350 only)

1. Put the unit into service mode.
2. Input an adjustment value of 70 for H-BLK.

3-1. PICTURE PHASE Adjustment (PVM-1351Q/1354Q only)

1. Input a 525 monoscope signal.
2. Put the unit into under scan mode.
3. Set :
CONT..... Min.
BRT.....Max.

4. Put the unit into service mode.
5. Use **[U/S H SIZE]** to adjust the size of the monoscope white frame to be about 1 cm to the inside of the limits of the effective screen.
6. Turn RV501 (H-CENT) and adjust so that $B=B'$.
7. Adjust **[60 VIDEO PHASE]** so that the signal region comes to the center ($A=A'$) of the deflection region. (Fig. 3)

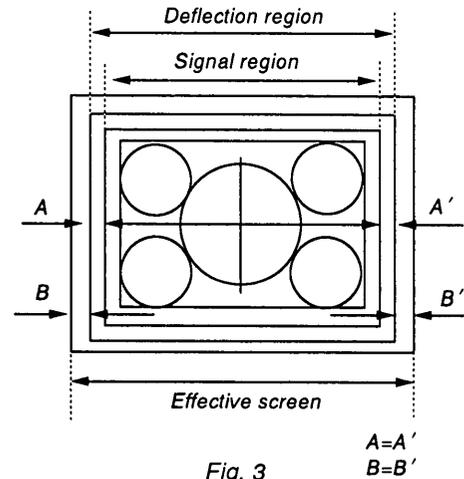


Fig. 3

$A=A'$
 $B=B'$

8. Input a 625 monoscope signal.
9. Adjust **[50 VIDEO PHASE]** in the same manner.

3-2. PICTURE PHASE Adjustment (PVM-1350 only)

1. Input a 525 monoscope signal.
2. Put the unit into service mode.
3. Input an adjustment value of 123 for **[60 VIDEO PHASE]**.
4. Input an adjustment value of 137 for **[50 VIDEO PHASE]**.
5. Roughly adjust H-SIZE so that the horizontal size is 15.75 frames.
6. Turn RV501 (H-CENT) and adjust so that the left and right over scan amounts are equal.

4-1. V-BLK Adjustment (PVM-1351Q/1354Q only)

1. Input a 525 monoscope signal.
2. Put the unit into under scan mode.
3. Set :
CONT..... Min.
BRT.....Max.
4. Put the unit into service mode.
5. Adjust **[V BLK (60)]** so that before 0.5H of the white frame on the top of the monoscope is barely unblocked.
6. End under scan mode and put the unit into Normal 16:9 mode.
7. Adjust **[16 : 9 BLK START (60)]** and **[16 : 9 BLK END (60)]** so that the vertical direction frame count is 11.75 for the light emitting section of the screen and at the same time the top and bottom block amounts are the same.
Note : This must be done before the 16 : 9 V-SIZE adjustment.
8. Input a 625 monoscope signal.
9. Adjust **[V BLK (50)]** in the same manner as in 5 above.

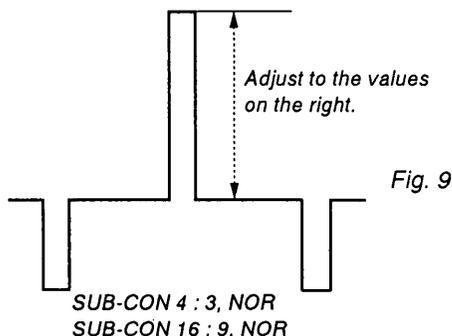
III. SIGNAL SYSTEM ADJUSTMENT

1. NORMAL AND H/V DL SUB CON ADJUSTMENT

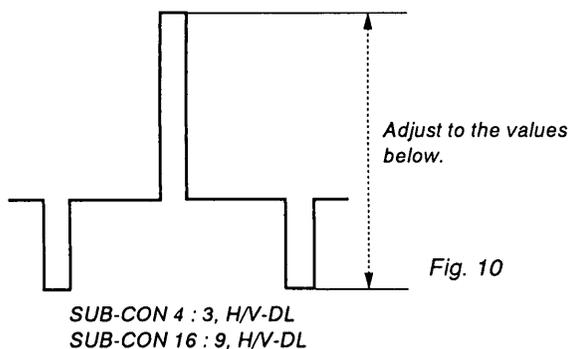
* PVM-1350 has neither 16 : 9 nor H/V-DL.

1. Input a vertical white line signal.
Note : Use a vertical white line signal (525 no burst, H width 3 μ S, 100IRE).
2. Set :
CONT..... 80%
BRT..... 50%
3. Connect the oscilloscope probe to A board CN401 Pin 3.
4. Put the unit into service mode.
5. Provisionally input an adjustment value of 69 for SUB BRT.
6. Adjust the pedestal or the distance between the sync tip and white with [SUB CON (4 : 3 NOR)], [SUB CON (4 : 3 H/V DELAY)], [SUB CON (16 : 9 NOR)], and [SUB CON (16 : 9 H/V DELAY)].

- SUB CON (4 : 3 NOR) } (Fig. 9)
- SUB CON (16 : 9 NOR) }
- SUB CON (4 : 3 H/V DELAY) } (Fig. 10).
- SUB CON (16 : 9 H/V DELAY) }



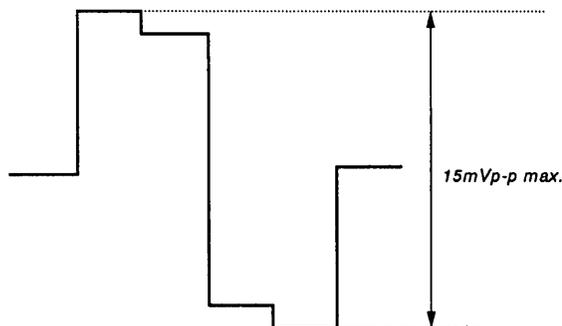
	20"	14"	
		PVM-1354Q	PVM-1350/1351Q
4 : 3	1.55 V _{p-p}	1.50 V _{p-p}	1.40 V _{p-p}
16 : 9	1.40 V _{p-p}	1.33 V _{p-p}	1.24 V _{p-p}



	20"	14"	
		PVM-1354Q	PVM-1350/1351Q
4 : 3	1.55 V _{p-p}	1.50 V _{p-p}	1.40 V _{p-p}
16 : 9	1.40 V _{p-p}	1.33 V _{p-p}	1.24 V _{p-p}

2-1. SUB PHASE Adjustment (PVM-1351Q/1354Q only)

1. Input a component color bar (R-Y) and EXT SYNC (Beta 0 level signal).
2. Put the unit into Ext Sync mode.
3. Connect the oscilloscope probe to IC404 Pin 30 or TP402.
4. Put the unit into service mode.
5. Adjust [SUB PHASE] to minimize the output waveform (15 mV_{p-p} max.) (Fig. 11)

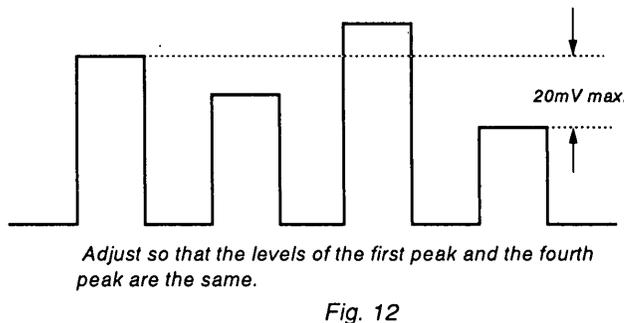


2-2. SUB PHASE Adjustment (PVM-1350 only)

1. Input a NTSC color bar signal.
2. Connect between L309 and ground and between TP507 and a 5V line (L320 line).
3. Put the unit into service mode.
4. Adjust [SUB PHASE] to minimize the output waveform (15 mV_{p-p} max.) (Fig. 11)

3-1. SUB CHROMA Adjustment (PVM-1351Q/1354Q only)

1. Input a component color bar (R-Y, Y, B-Y). (Beta 0 level signal).
2. From the menu, make the Component Level Beta 0.
3. Connect the oscilloscope probe to IC404 Pin 30 or TP402.
4. Put the unit into service mode.
5. Using [SUB CHROMA NORMAL], adjust so that the tops of the waveform line up as in the diagram below. (Fig. 12)



3-2. SUB CHROMA Adjustment (PVM-1350 only)

1. Put the unit into service mode.
2. Input an adjustment value of 98 for [SUB CHROMA NORMAL]. (Fig. 12)

4. R-Y LEVEL ADJUSTMENT (PVM-1351Q/1354Q only)

1. Input a component color bar (R-Y, Y, B-Y). (Beta 0 level signal).
2. From the menu, make the Component Level Beta 0.
3. Connect the oscilloscope probe to IC404 Pin 41 or TP401.
4. Put the unit into service mode.
5. Using **R-Y LEVEL COMPONENT**, adjust so that the tops of the waveform line up as in the diagram below. (Fig. 13)

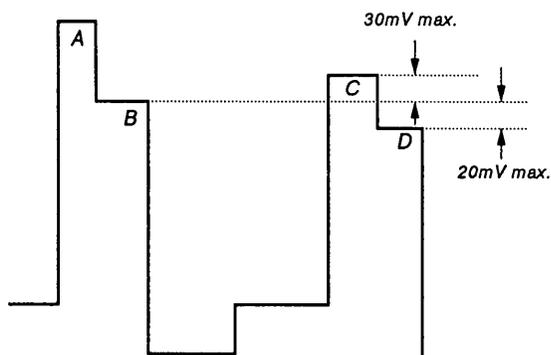


Fig. 13

Adjust so that B=D above (20 mV max.) Check that the difference between D and C is no greater than 30 mV

5. SUB CHROMA N10/SMPTE Adjustment (PVM-1351Q/1354Q only)

1. Input a component color bar (R-Y, Y, B-Y). (SMPTE level signal).
2. From the menu, make the Component Level N10/SMPTE.
3. Connect the oscilloscope probe to IC404 Pin 30 or TP402.
4. Put the unit into service mode.
5. In the same manner as in 4-5, adjust **SUB CHROMA N10/SMPTE**.

6. BURST GATE PULSE WIDTH Adjustment

1. Input an NTSC color bar.
2. Connect the oscilloscope probes to TP301 (COMP-SYNC) and Q363 or IC305 Pin 1. (Be careful! IC305 Pin 1 is a high-impedance line.)
3. Put the unit into service mode.
4. Adjust **BGP WIDTH** so that the output waveform has the relationship shown in Fig. 14.

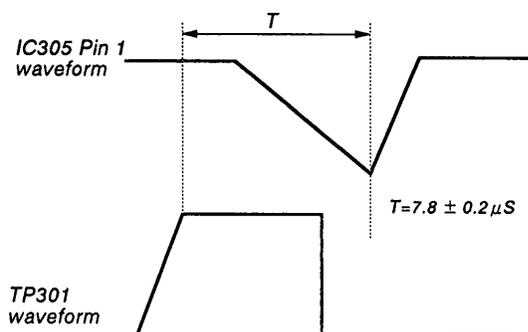
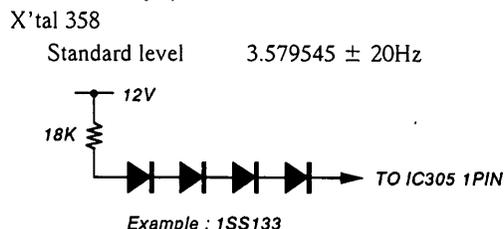


Fig. 14

7. VXO Adjustment

1. X'tal 358
 - 1) Input an NTSC color bar.
 - 2) Connect the frequency counter to IC305 Pin 21.
 - 3) Put the unit into service mode.
 - 4) Connect the circuit on the right to IC305 Pin 1.
 - 5) Adjust **CRYSTAL 358** so that the counter reading meets the standard below. (You can also just adjust for where the color flicker stops.)



(For connecting to Pin 1, have the four diodes as close to Pin 1 as possible to reduce the length of the wires.)

2. X'tal 443 (PVM-1351Q/1354Q only)
 - 1) Input a 443 NTSC color bar.
 - 2) Connect the frequency counter to IC305 Pin 21.
 - 3) Put the unit into service mode.
 - 4) Connect to IC305 Pin 1 in the same manner as in 1-4).
 - 5) Adjust Crystal 443 in the same manner as in 1-5).
- X'tal 443
Standard level $4.433619 \pm 20\text{Hz}$

8. NTSC COLOR DEMODULATION Adjustment

* The adjustment in 8-1-3) is not necessary for PVM-1351Q/1354Q.

* The adjustment in 8-1-4) is not necessary for PVM-1350.

1. NT 358 PHASE (NORMAL)
 - 1) Input an NTSC color bar.
 - 2) Connect the oscilloscope probe to TP306.
 - 3) Supply 4 VDC to IC305 Pin 4.
 - 4) Put the unit into H/V delay mode.
 - 5) Put the unit into service mode.
 - 6) Adjust PHASE NTSC 358 NOR so that the output waveform burst section is a straight line. (Fig. 15)

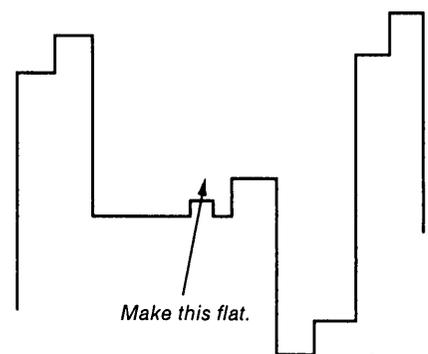


Fig. 15

2. NT358 PHASE (ACC OFF) (PVM-1351Q/1354Q only)
 - 1) Switch ACC Off with the menu.
 - 2) Adjust in the same manner as in 8-1 above, but adjust with **PHASE NTSC 358 ACC OFF**. (Fig. 15)

3. NT358 B-Y PHASE

The phase adjustment must be carried out before the chroma adjustment.

- 1) Input an NTSC color bar.
(Input only the R-Y component. Have B-Y and Y off.)
- 2) Connect the oscilloscope probe to TP305.
- 3) Put the unit into service mode.
- 4) Adjust **[B-Y PHASE NTSC 358]** so that the color components form a straight line.

4. NT358 CHROMA (NORMAL)

- 1) Input an NTSC color bar.
- 2) Connect the oscilloscope probe to IC404 Pin 30 or TP402.
- 3) Put the unit into service mode.
- 4) Using **[CHROMA NTSC 358 NOR]**, adjust so that the tops of the waveform line up as in the diagram below. (Fig. 16)

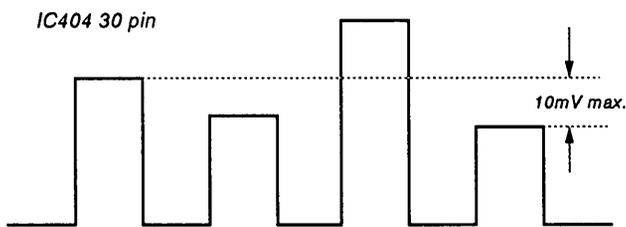


Fig. 16

Adjust so that the levels of the first peak and the fourth peak are the same.

5. NT 358 CHROMA (ACC OFF) (PVM-1351Q/1354Q only)

- 1) Switch ACC Off with the menu.
- 2) Adjust **[CHROMA NTSC 358 ACC OFF]** in the same manner as 8.-4 above. (Fig. 16)

6. NTSC 358 R-Y LEVEL

- 1) Input an NTSC358 color bar.
- 2) Connect the oscilloscope probe to IC404 Pin 41 or TP401.
- 3) Put the unit into service mode.
- 4) Using **[R-Y LEVEL NTSC 358]**, adjust so that the tops of the waveform line up as in the diagram below. (Fig. 17)

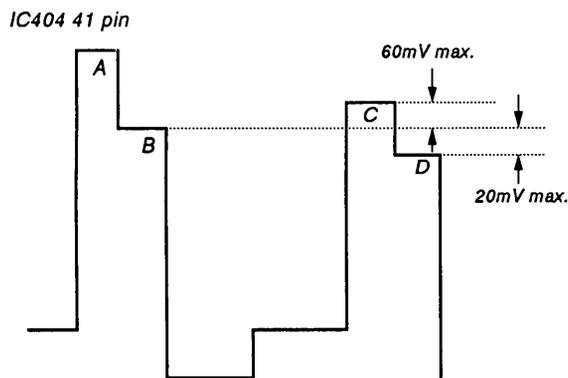


Fig. 17

Adjust so that B=D above (20 mV max.) Check that the difference between B and C is no greater than 60 mV.

7. NTSC 443 PHASE (NORMAL) (PVM-1351Q/1354Q only)

* The adjustment in 8-7-3) is not necessary for PVM-1351Q/1354Q.

- 1) Input an NTSC 443 color bar.
- 2) Connect the oscilloscope probe to TP306.
- 3) Supply 4 VDC to IC305 Pin 4.
- 4) Put the unit into H/V delay mode.
- 5) Put the unit into service mode.
- 6) Adjust **[PHASE NTSC 443 NOR]** so that the output waveform burst section is a straight line. (Fig. 18)

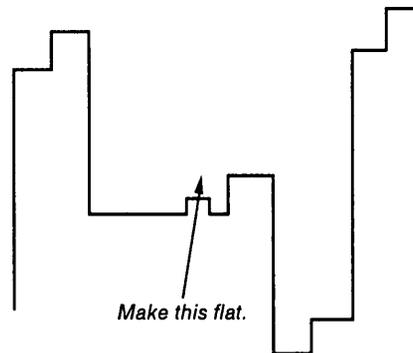


Fig. 18

8. NTSC 443 PHASE (ACC OFF) (PVM-1351Q/1354Q only)

- 1) Switch ACC Off with the menu.
- 2) Adjust **[PHASE NTSC 443 ACC OFF]** in the same manner as in 7-5) above. (Fig. 20)

9. NTSC 443 B-Y PHASE (PVM-1351Q/1354Q only)
NTSC 443 CHROMA NOR

- 1) Input an NTSC 443 color bar.
- 2) Connect the oscilloscope probe to TP402.
- 3) Put the unit into service mode.
- 4) Adjust **[B-Y PHASE NTSC 443]** and **[CHROMA NTSC 443 NOR]** so that the tracking is normal and the tops of the waveform line up. (Fig. 19)

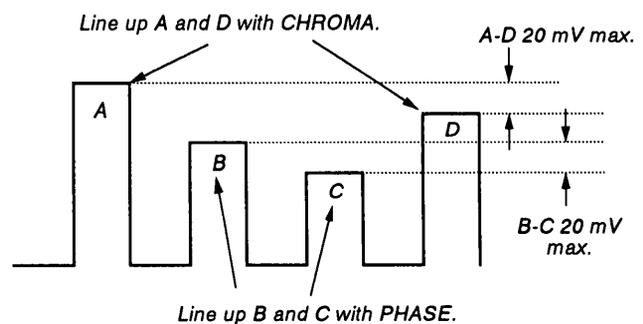


Fig. 19

10. NTSC 443 CHROMA (ACC OFF) (PVM-1351Q/1354Q only)

- 1) Switch ACC Off with the menu.
- 2) Adjust **[CHROMA NTSC 443 ACC OFF]** in the same manner as 9-4). (Fig. 22)

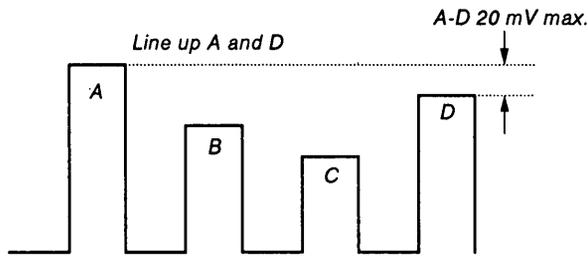


Fig. 20

11. NTSC 443 R-Y LEVEL (PVM-1351Q/1354Q only)

- 1) Input an NTSC 443 color bar.
- 2) Connect the oscilloscope probe to TP401.
- 3) Put the unit into service mode.
- 4) Adjust **R-Y LEVEL NTSC 443** in the same manner as 6-4). (Fig. 17)

12. PAL PHASE (NORMAL) (PVM-1351Q/1354Q only)

- 1) Input a PAL SP color bar.
- 2) Connect the oscilloscope probe to TP306.
- 3) Put the unit into service mode.
- 4) Adjust **PHASE PAL NOR** so that the B-Y anti-PAL signal waveform is 0. (Fig. 21)

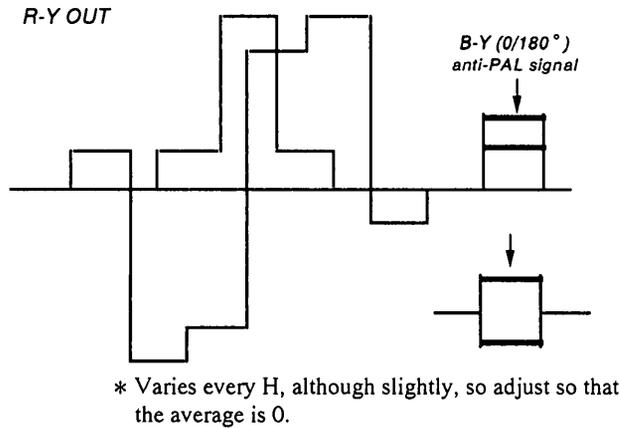


Fig. 21

13. PLL PHASE (ACC OFF) (PVM-1351Q/1354Q only)

- 1) Switch ACC Off with the menu.
- 2) Adjust **PHASE PAL ACC OFF** in the same manner as 12-4).

14. PAL B-Y PHASE (PVM-1351Q/1354Q only)

- 1) Input a PAL SP color bar.
- 2) Connect the oscilloscope probe to TP305.
- 3) Put the unit into service mode.
- 4) Adjust **B-Y PHASE PAL** so that the B-Y anti-PAL signal waveform is 0. (Fig. 22)

(R-Y OUT)

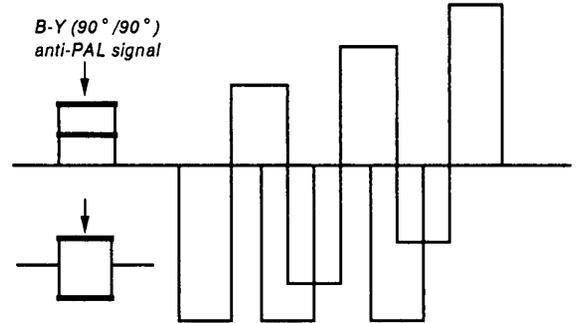


Fig. 22

15. PAL CHROMA (NORMAL) (PVM-1351Q/1354Q only)

- 1) Input a PAL color bar.
- 2) Connect the oscilloscope probe to IC404 Pin 30 or TP402.
- 3) Put the unit into service mode.
- 4) Adjust **CHROMA PAL NOR** so that the tops of the waveform line up. (Fig. 23)

Adjust so that the B and D peaks are the same.

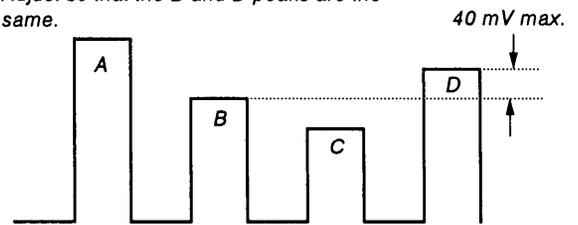


Fig. 23

16. PAL CHROMA (ACC OFF) (PVM-1351Q/1354Q only)

- 1) Switch ACC Off with the menu.
- 2) Adjust **CHROMA PAL ACC OFF** in the same manner as 15.-4). (Fig. 23)

17. PAL R-Y LEVEL (PVM-1351Q/1354Q only)

- 1) Input a PAL color bar.
- 2) Connect the oscilloscope probe to IC404 Pin 41 or TP401.
- 3) Put the unit into service mode.
- 4) Adjust **R-Y LEVEL PAL** so that the tops of the waveform line up as in the diagram below. (Fig. 24)

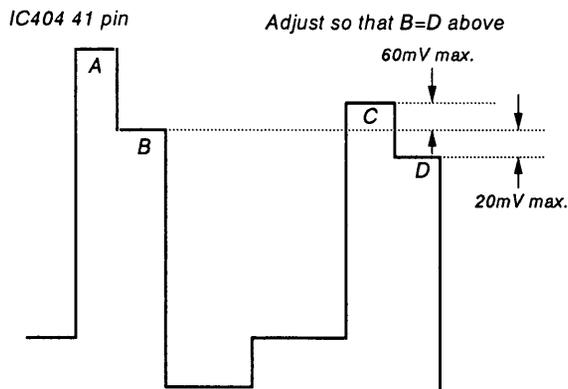


Fig. 24

9. SECAM Adjustmnet

* This must be done after the deflection adjustment.

Note : Varies with H-FREQ, H-BLK, VIDEO-PHASE, ANGLE, BOW, H-DELAY, etc.

1. HP EIDTH (NORMAL) ADJUSMTNET (PVM-1351Q/1354Q only)

The board adjustment in 9.-1. is a rough adjustment and this may also be managed with the IC317 Pin 10 pulse width.

- 1) Input a SECAM color bar.
- 2) Put the unit into under scan mode.
- 3) Put the unit into service mode.
- 4) Adjust **HP WIDTH NOR** so that the color of the color section at the top left of the screen almost disappears.

2. HP POSITION ADJUSMTNET (PVM-1351Q/1354Q only)

Note : 9.-2. is the same as above. This adjustment can be managed with the phase relationship between the start of the pulse at IC317 Pin 10 and the input video signal.

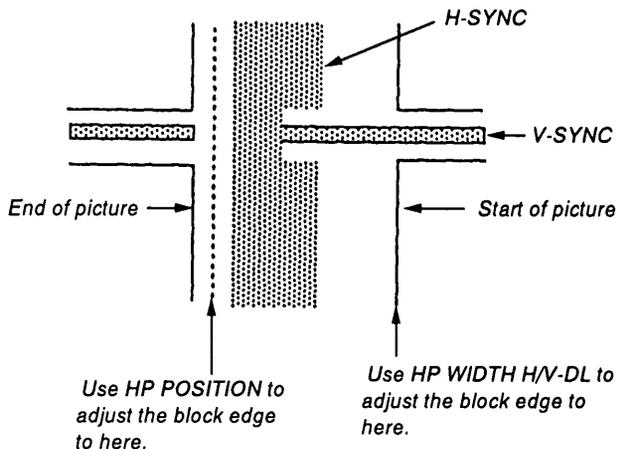
- 1) Input a SECAM color bar.
- 2) Put the unit into H/V delay mode.
- 3) Put the unit into service mode.
- 4) Adjust **HP POSITION** as in the diagram on the right.

3. HP WIDTH (H/V -DL) ADJUSMTNET (PVM-1351Q/1354Q only)

- 1) Input a SECAM color bar.
- 2) Put the unit into H/V delay mode.
- 3) Put the unit into service mode.

4) Adjust HP WIDTH H/V DELAY as in the diagram below.

Note : Check the HP POSITION and if it is off, repeat 2 and 3.



4. SECAM COL BALANCE (PVM-1351Q/1354Q only)

- 1) Input a SECAM color bar.
- 2) Connect the oscilloscope probe to TP306.
- 3) Put the unit into service mode.
- 4) Adjust **SECAM COLOR BALANCE R-Y** so that the non-color section forms a straight line.
- 5) Connect the oscilloscope probe to TP305.
- 6) Adjust **SECAM COLOR BALANCE B-Y** so that the non-color section forms a straight line.

5. SECAM CHROMA (PVM-1351Q/1354Q only)

- 1) Input a SECAM color bar.
- 2) Connect the oscilloscope probe to IC404 Pin 30 or TP402.
- 3) Put the unit into service mode.
- 4) Adjust **CHROMA SECAM** so that the tops of the waveform line up as in the diagram below. (Fig. 25)

IC404 30 pin

Adjust so that the B and D peaks are the same.

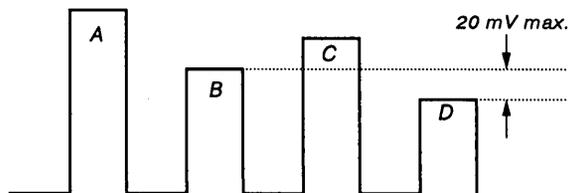
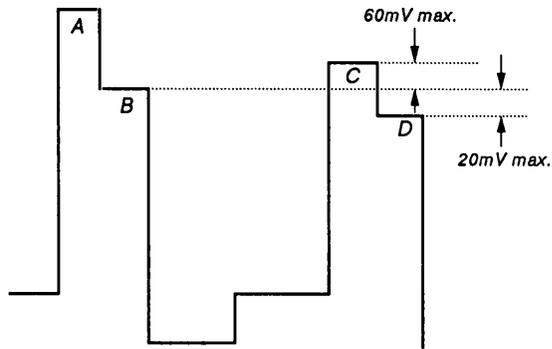


Fig. 25

6. SECAM R-Y LEVEL (PVM-1351Q/1354Q only)

- 1) Input a SECAM color bar.
- 2) Connect the oscilloscope probe to IC404 Pin 41 or TP401.
- 3) Put the unit into service mode.
- 4) Adjust **R-Y LEVE SECAM** so that the tops of the waveform line up as in the diagram below. (Fig. 26)

IC404 41 pin



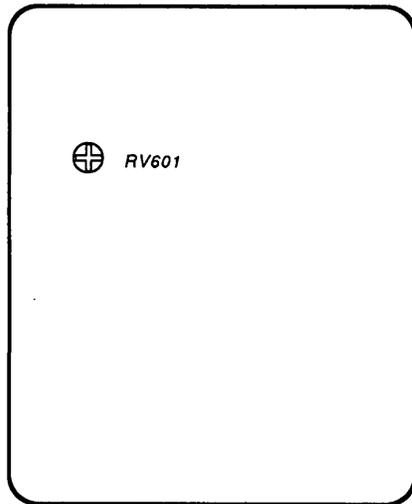
Adjust so that $B=D$ above Fig. 26

10. Writing the adjustment results

1. Write the adjustment results into memory.

5-2. G BOARD ADJUSTMENT

G BOARD – COMPONENT SIDE –



1. Checking the output lines

- 1) Input a color bar signal.
- 2) Adjust RV601 so that the +B voltage is 115 ± 0.1 V.
- 3) Check that the output lines meet the standards below.

15V	16.0 ± 1.0 V
5V(A)	5.0 ± 0.3 V
5V(B)	5.0 ± 0.5 V
7V	7.2 ± 0.5 V
- 15V	$- 16.3 \pm 1.0$ V

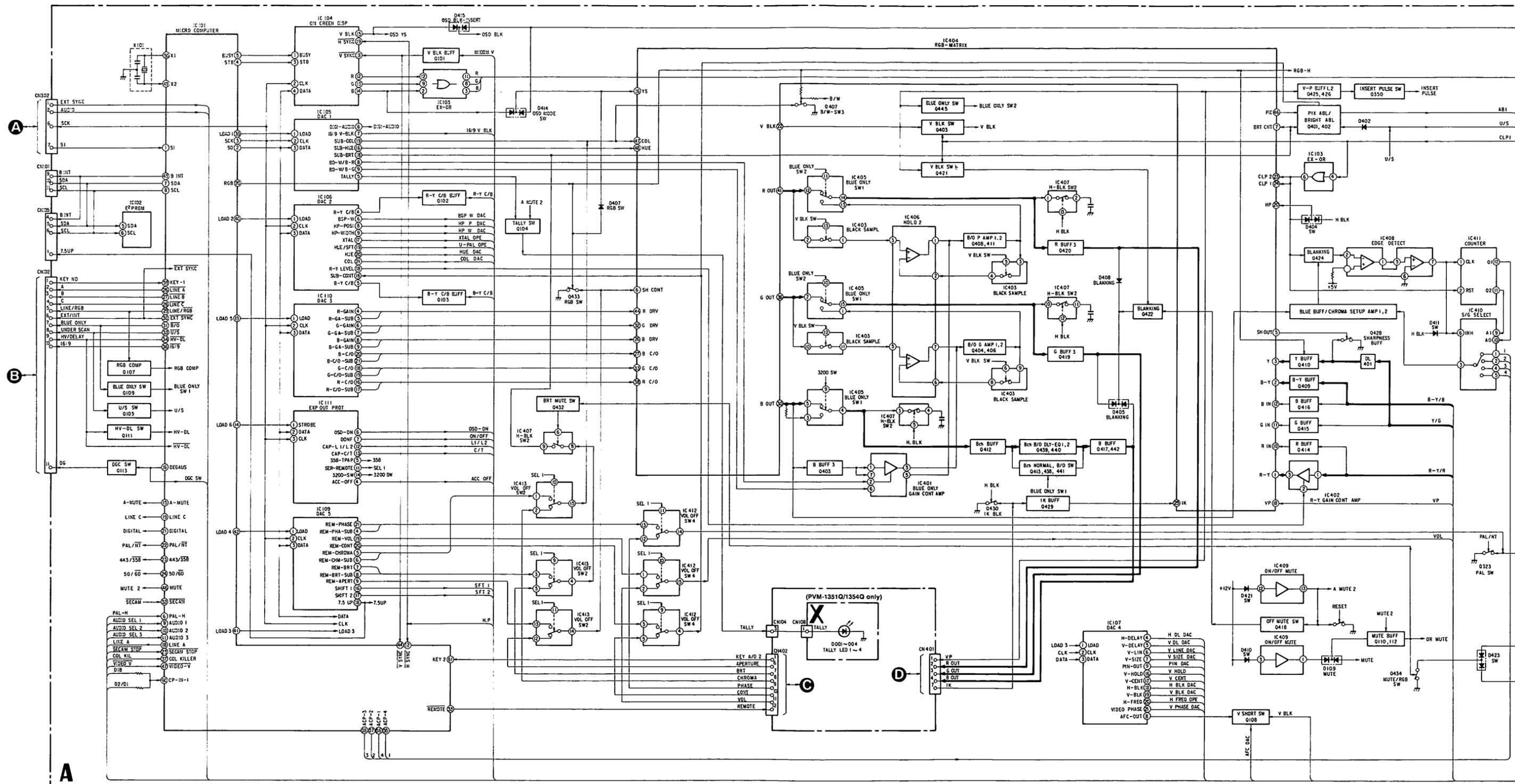
MEMO

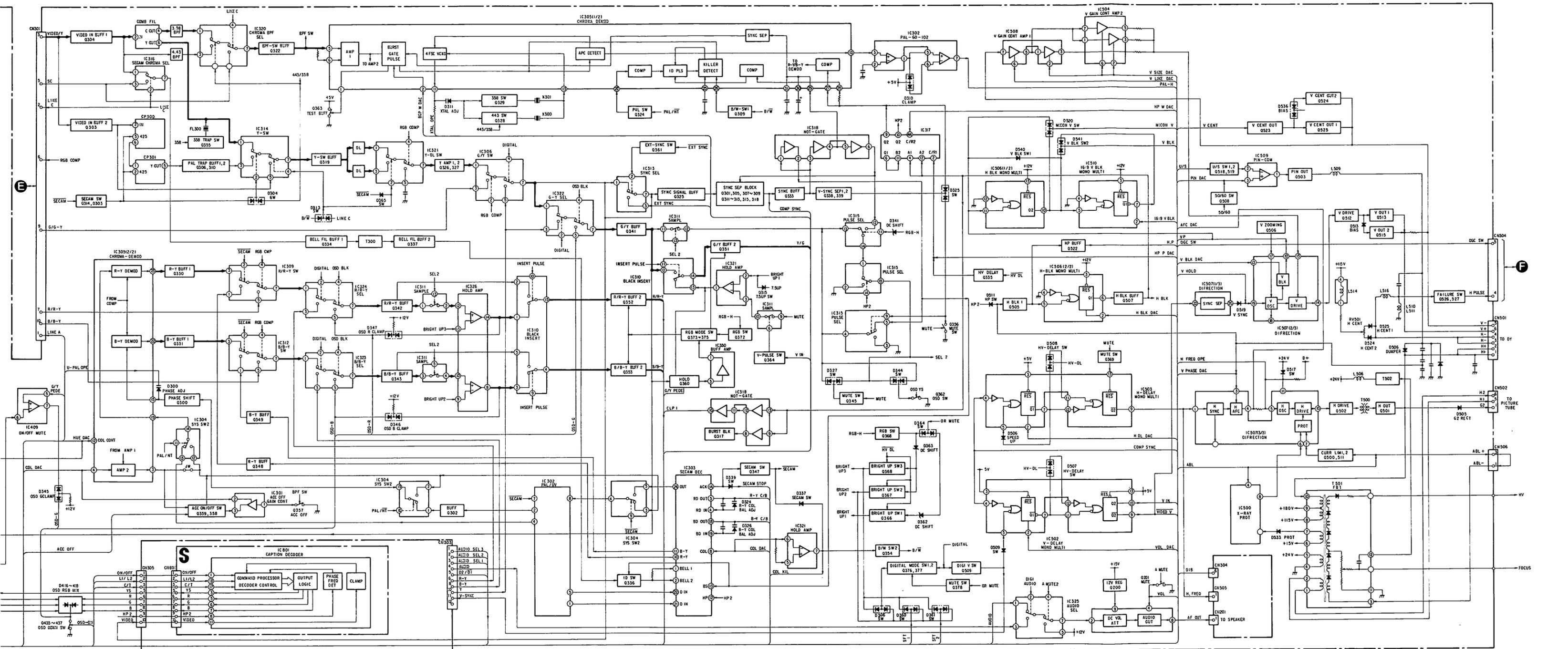
Horizontal dotted lines for writing.



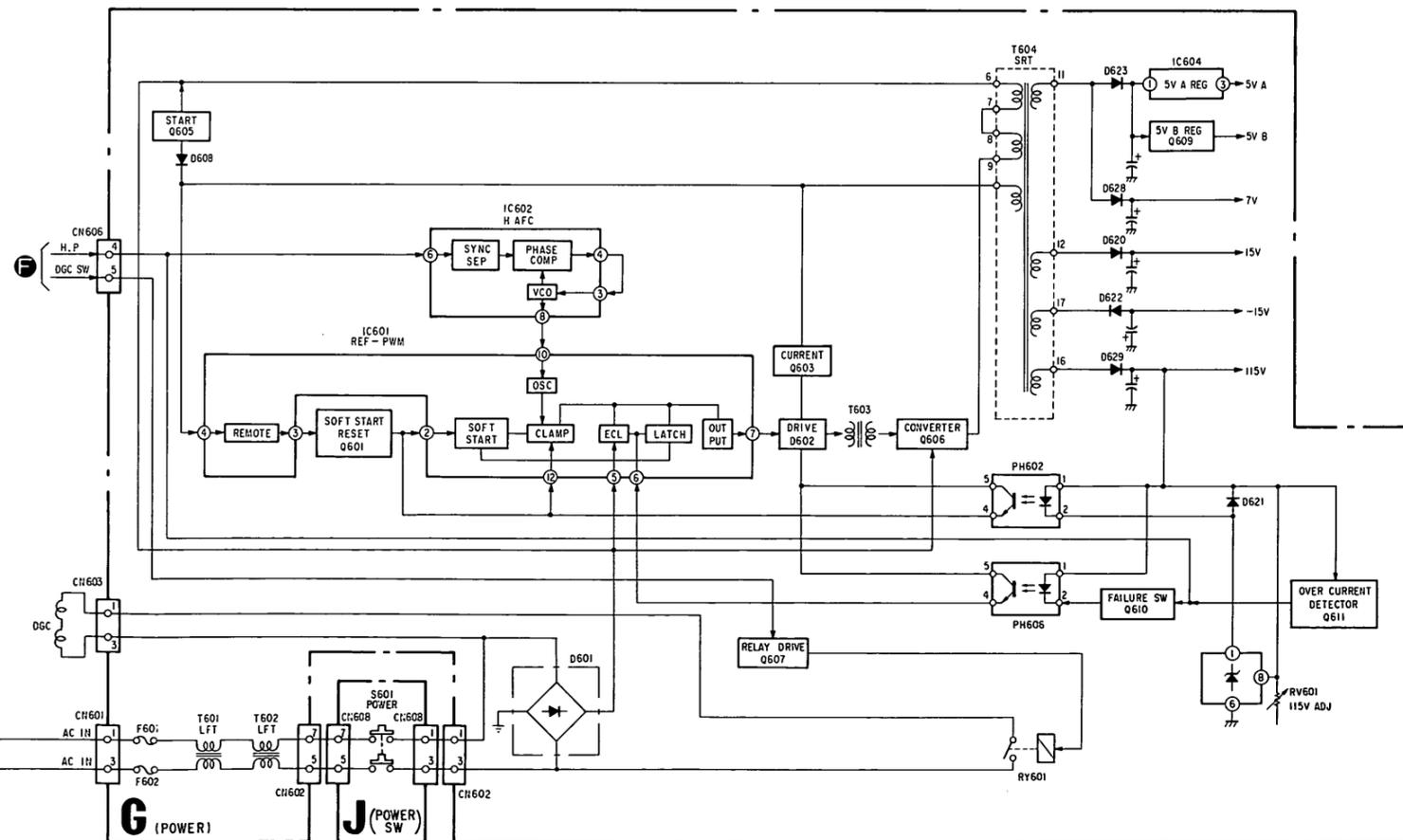
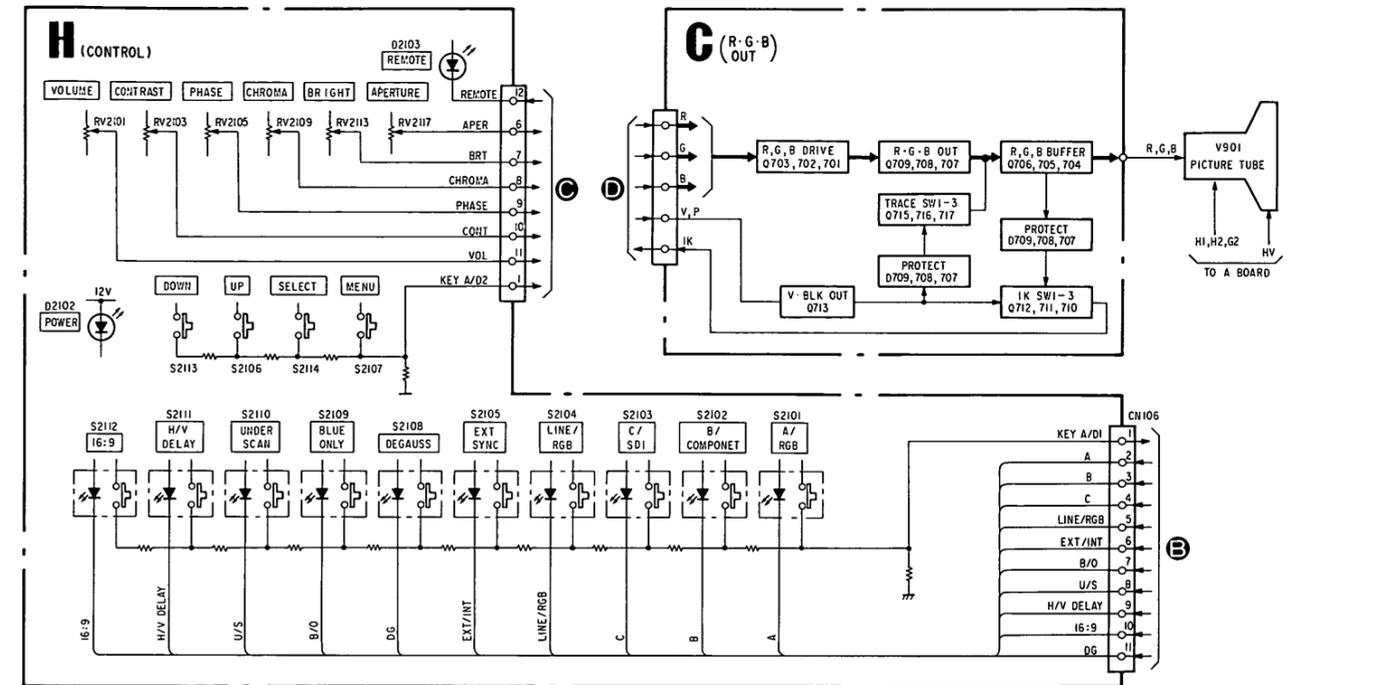
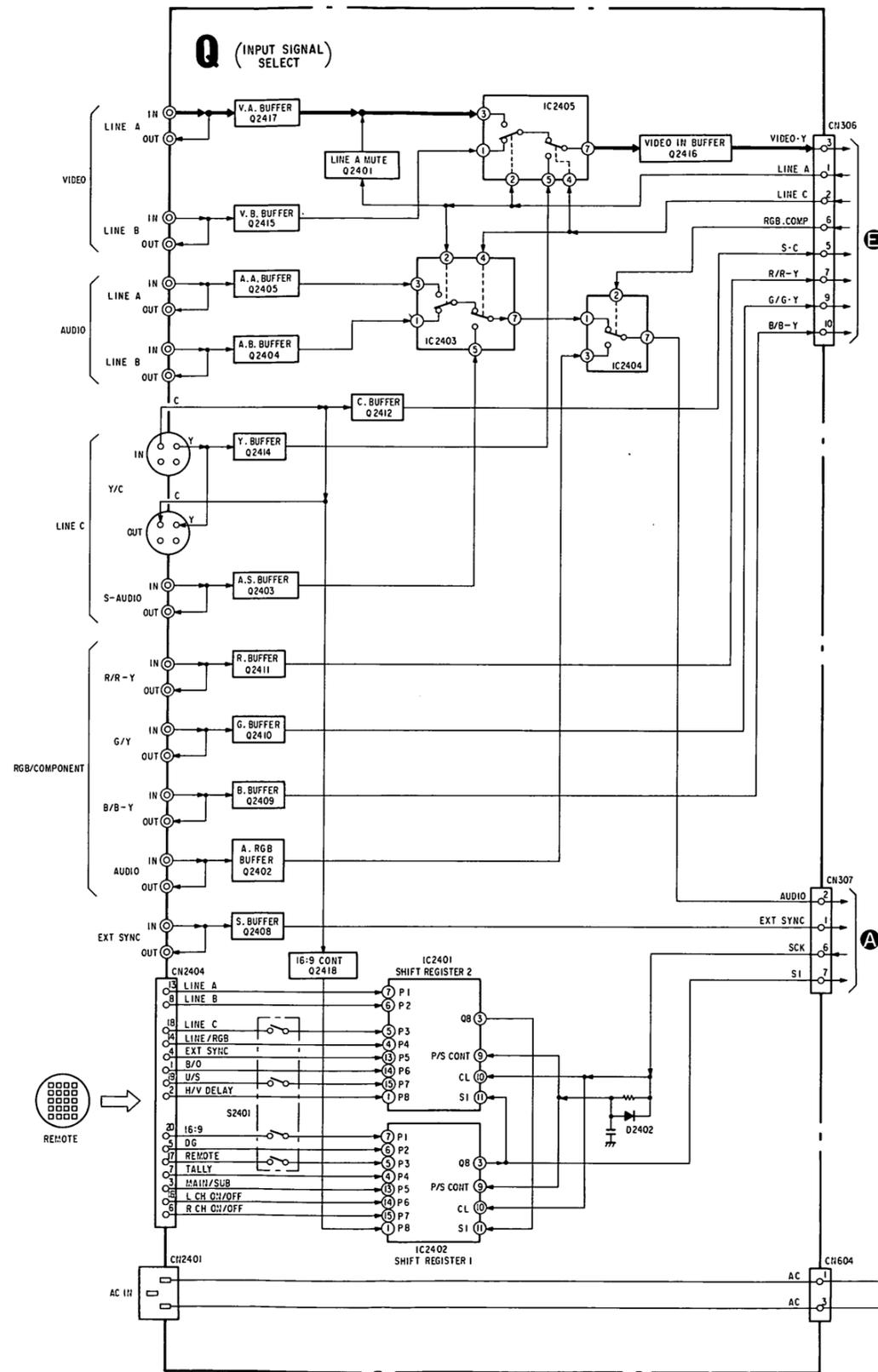
SECTION 6
DIAGRAMS

6-1. BLOCK DIAGRAMS (1)



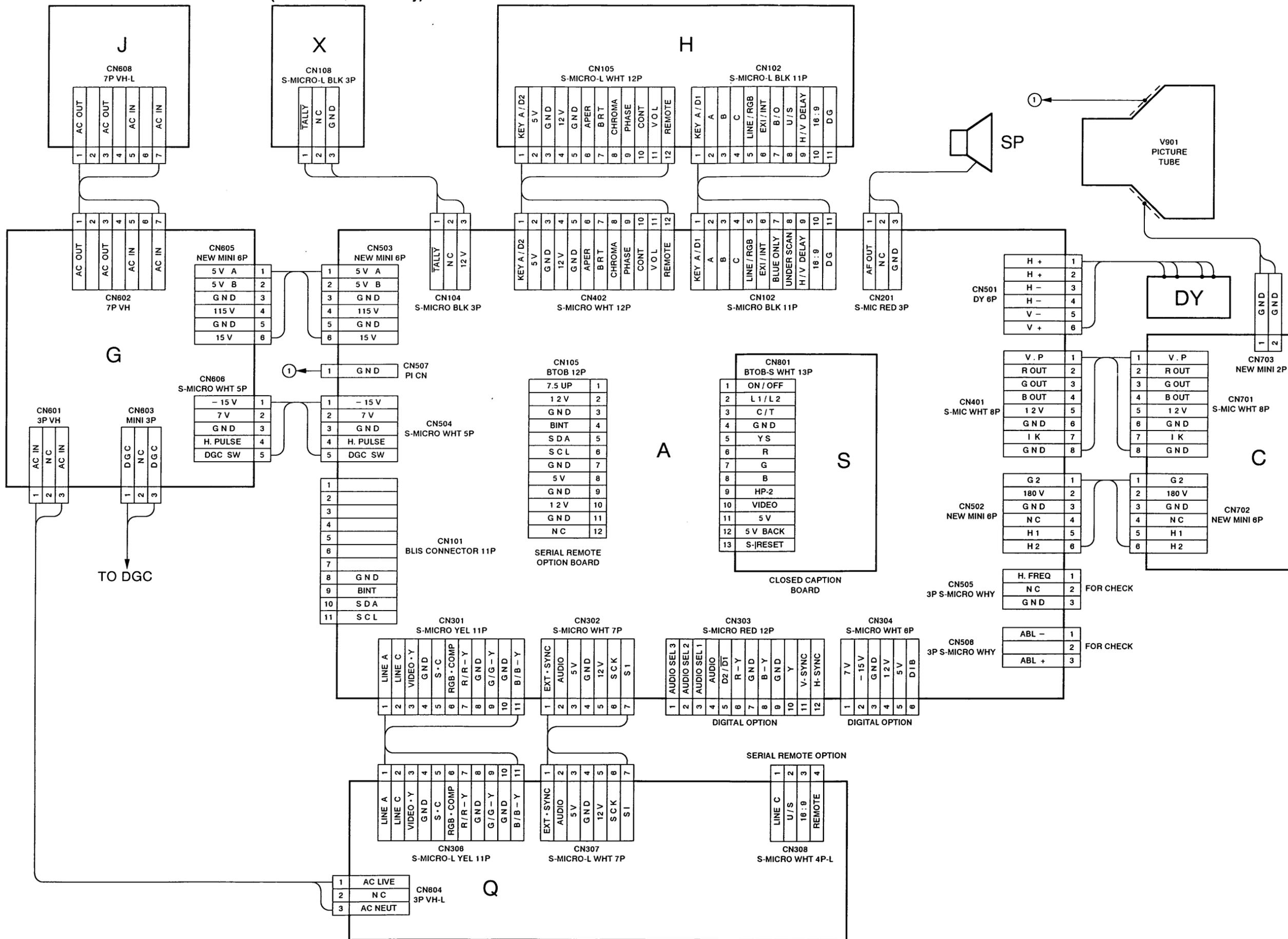


BLOCK DIAGRAMS (2)

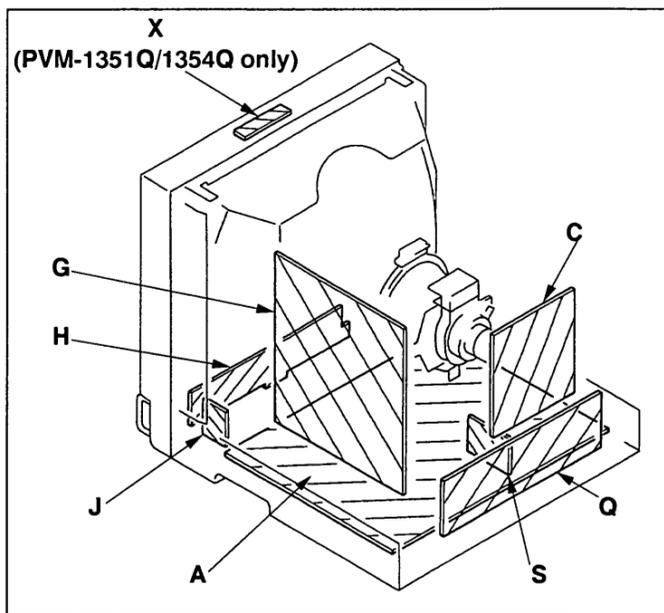


6-2. FRAME SCHEMATIC DIAGRAM

(PVM-1351Q/1354Q only)



6-3. CIRCUIT BOARDS LOCATION



- All voltages are in V.
- Voltage are dc with respect to ground unless otherwise noted.
- Readings are taken with a color-bar signal input.
- Voltage variations may be noted due to normal production tolerances.
- : + bus.
- : - bus.
- : signal path.
- No mark : with PAL colour-bar signal received or common voltage.
- For the respective voltage ratings in SECAM, NTSC 3.58, NTSC 4.43, S-VIDEO, and ANALOG RGB modes, see the table

Reference information

- RESISTOR : RN METAL FILM
 : RC SOLID
 : FPRD NONFLAMMABLE CARBON
 : FUSE NONFLAMMABLE FUSIBLE
 : RW NONFLAMMABLE WIREWOUND
 : RS NONFLAMMABLE METAL OXIDE
 : RB NONFLAMMABLE CEMENT
- COIL : LF-8L MICRO INDUCTOR
- CAPACITOR : TA TANTALUM
 : PS STYROL
 : PP POLYPROPYLENE
 : PT MYLAR
 : MPS METALIZED POLYESTER
 : MPP METALIZED POLYPROPYLENE
 : ALB BIPOLAR
 : ALT HIGH TEMPERATURE
 : ALR HIGH RIPPLE

6-4. PRINTED WIRING BOARDS AND SCHEMATIC DIAGRAMS

Note:

- All capacitors are in μF unless otherwise noted. pF: μpF
 50 WV or less are not indicated except for electrolytics.
- Indication of resistance, which does not have one for rating electrical power, is as follows.

Pitch: 5 mm
 Rating electrical power $\frac{1}{4}$ W

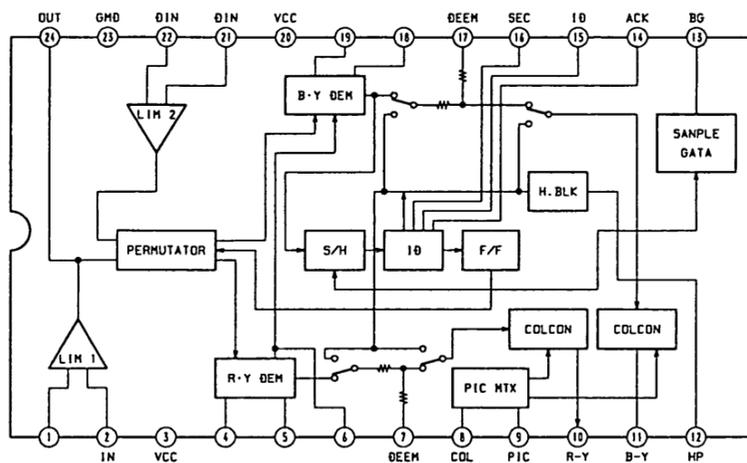
- All resistors are in ohms.
- : nonflammable resistor.
- : fusible resistor.
- : internal component.
- : panel designation, and adjustment for repair.
- All variable and adjustable resistors have characteristic curve B, unless otherwise noted.
- The components identified by in this basic schematic diagram have been carefully factory-selected for each set in order to satisfy regulations regarding X-ray radiation. Should replacement be required, replace only with the value originally used.
- When replacing components identified by , make the necessary adjustments indicated. If results do not meet the specified value, change the component identified by and repeat the adjustment until the specified value is achieved. (Refer to R690 adjust on Page 29 and 30.)
- When replacing the part in below table, be sure to perform the related adjustment.

Part replaced ()	Adjustment ()
C506, C512, C513, C523, C549, C592, D501, D533, IC500, IC507, Q500, Q511, R506, R508, R515, R516, R517, R518, R519, R551, R1535, R1536, R1537, R1560, T501 (A BOARD) C603, IC602 (G BOARD)	R1535, R1536 (HOLD-DOWN)

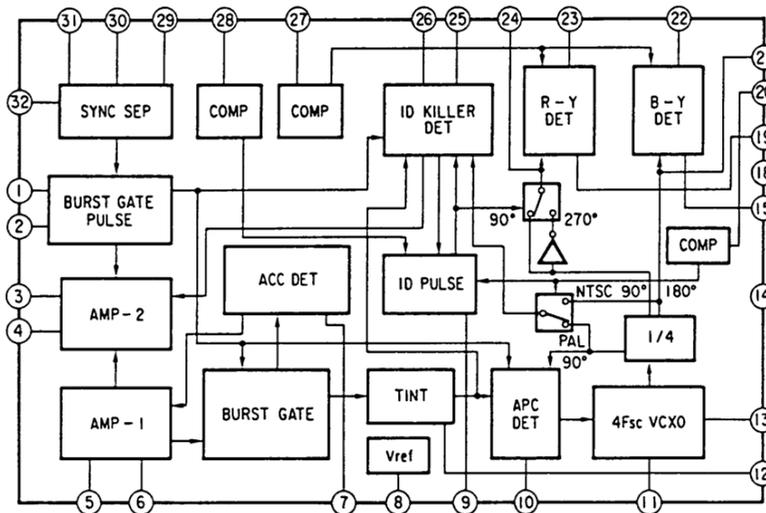
Note: The components identified by shading and mark are critical for safety. Replace only with part number specified.

Note: Les composants identifiés par une trame et par une marque sont d'une importance critique pour la sécurité. Ne les remplacer que par des pièces de numéro spécifié.

A BOARD IC303 CXA1214P



A BOARD IC305 M51279FP



A [MICON, RGB-MATRIX, DAC, ON SCREEN DISPLAY, ON/OFF MUTE, VOL OFF SW, BLACK-SAMPLING, RGB SW] [CHROMA DEMOD, SI SYNC SELECT, B/B AUDIO SELECT, SEC

COMPONENT SIDE

IC		IC503	G-6	Q410	D-4	D332	E-3
IC101	B-2	IC504	C-7	Q411	B-5	D335	F-1
IC102	B-1	IC505	E-6	Q412	C-5	D336	F-1
IC103	C-1	IC506	E-6	Q413	C-5	D338	E-3
IC104	B-1	IC507	D-7	Q414	D-5	D339	E-2
IC105	B-3	IC508	C-7	Q415	D-5	D341	C-3
IC106	C-3	IC509	C-7	Q416	D-5	D348	E-5
IC107	C-2	IC510	E-2	Q425	D-5	D349	E-5
IC109	C-3	TRANSISTOR		Q426	D-5	D350	E-4
IC110	C-3	Q102	C-2	Q429	C-5	D351	B-3
IC111	B-2	Q103	C-2	Q430	D-5	D352	E-4
IC200	A-5	Q104	B-2	Q432	C-5	D360	C-3
IC301	G-2	Q105	A-3	Q433	C-4	D361	C-3
IC302	G-2	Q107	A-3	Q435	D-4	D362	E-2
IC303	E-1	Q108	C-2	Q436	D-4	D365	G-4
IC304	G-1	Q109	B-3	Q437	D-4	D380	D-2
IC305	G-2	Q110	A-1	Q438	C-5	D381	D-2
IC306	F-3	Q112	D-5	Q440	C-4	D406	C-1
IC309	F-3	Q200	A-6	Q441	C-4	D413	E-5
IC310	D-3	Q300	G-2	Q442	C-4	D414	D-4
IC311	E-3	Q308	G-3	Q445	C-5	D415	E-5
IC312	E-3	Q311	G-3	Q501	D-9	D416	D-4
IC313	F-2	Q314	F-4	Q502	D-8	D417	D-4
IC314	G-4	Q316	F-5	Q503	B-7	D418	D-3
IC315	D-2	Q324	G-1	Q512	A-10	D423	C-6
IC316	G-5	Q335	D-1	Q513	A-9	D424	B-5
IC317	D-1	Q341	E-3	Q515	B-8	D502	E-9
IC318	D-2	Q342	E-3	Q518	B-7	D504	D-8
IC320	F-5	Q343	E-4	Q520	B-7	D505	E-10
IC321	F-5	Q346	F-1	Q523	B-6	D506	D-9
IC322	E-5	Q347	E-2	Q524	A-6	D510	F-6
IC323	E-5	Q348	E-2	Q525	A-6	D512	D-9
IC324	E-4	Q353	D-3	Q527	B-8	D514	E-7
IC325	E-4	Q354	E-3	DIODE		D515	F-10
IC326	E-2	Q355	F-5	D104	B-1	D520	E-6
IC350	D-2	Q356	D-2	D105	B-1	D522	D-6
IC401	B-4	Q357	G-2	D109	A-1	D524	C-8
IC402	D-4	Q358	G-1	D110	E-5	D525	C-9
IC403	B-5	Q359	G-1	D112	A-1	D527	B-8
IC404	D-4	Q360	D-2	D113	B-4	D528	A-10
IC405	C-5	Q362	D-3	D114	F-2	D529	A-8
IC406	B-5	Q365	E-3	D300	G-2	D530	A-10
IC407	C-5	Q366	E-3	D301	D-2	D533	G-10
IC408	C-6	Q372	C-3	D305	G-3	D535	B-6
IC409	C-6	Q373	D-3	D313	G-5	D537	A-7
IC410	B-4	Q374	C-3	D314	C-1	D538	D-6
IC411	B-5	Q404	B-5	D318	E-4	D539	B-7
IC412	B-4	Q406	B-5	D319	E-5	D540	E-6
IC413	C-4	Q408	B-5	D327	D-3	D541	F-3
IC502	G-6						

A

B

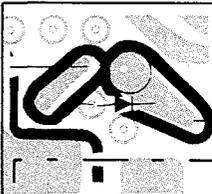
C

D

E

F

G



NOTE:

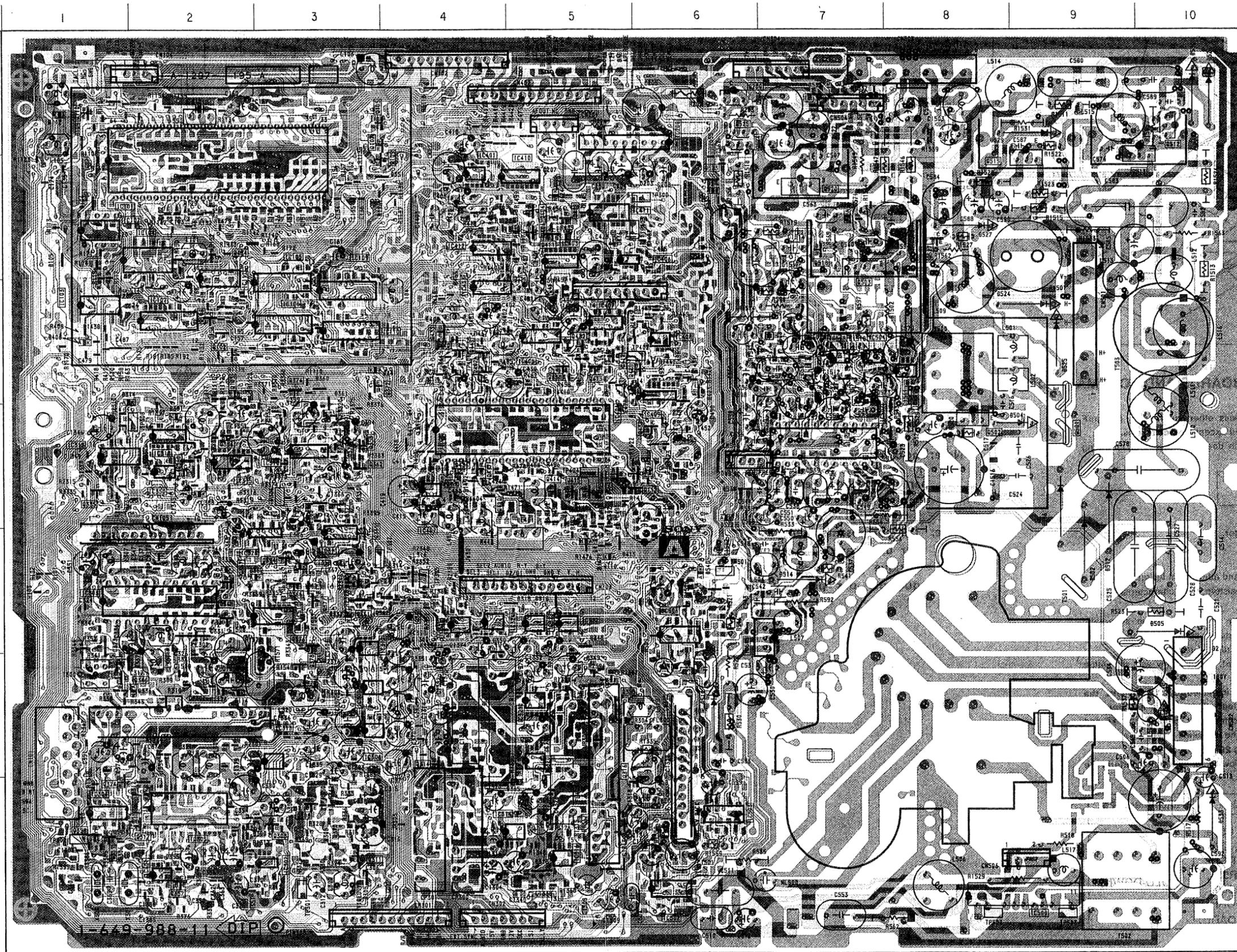
The circuit indicated as left contains high voltage of over 600 Vp-p. Care must be paid to prevent an electric shock in inspection or repairing.

ECAM CHROMA SELECT, SYSTEM SW,
 -Y SW, R/R-Y SW, G/Y SW, AM DECODER, HOLD AMP
 [H/V OUT, DEFLECTION SYSTEM,
 STUDIO OUT]

Note:

- [Pattern from the side which enables seeing.]
- [Pattern of the rear side.]

- A BOARD - (Component Side)



CONDUCTOR SIDE

IC	
IC101	A-9
IC102	B-10
IC108	B-8
IC200	A-5
IC303	E-9
IC404	D-6
IC505	E-4
IC507	D-4

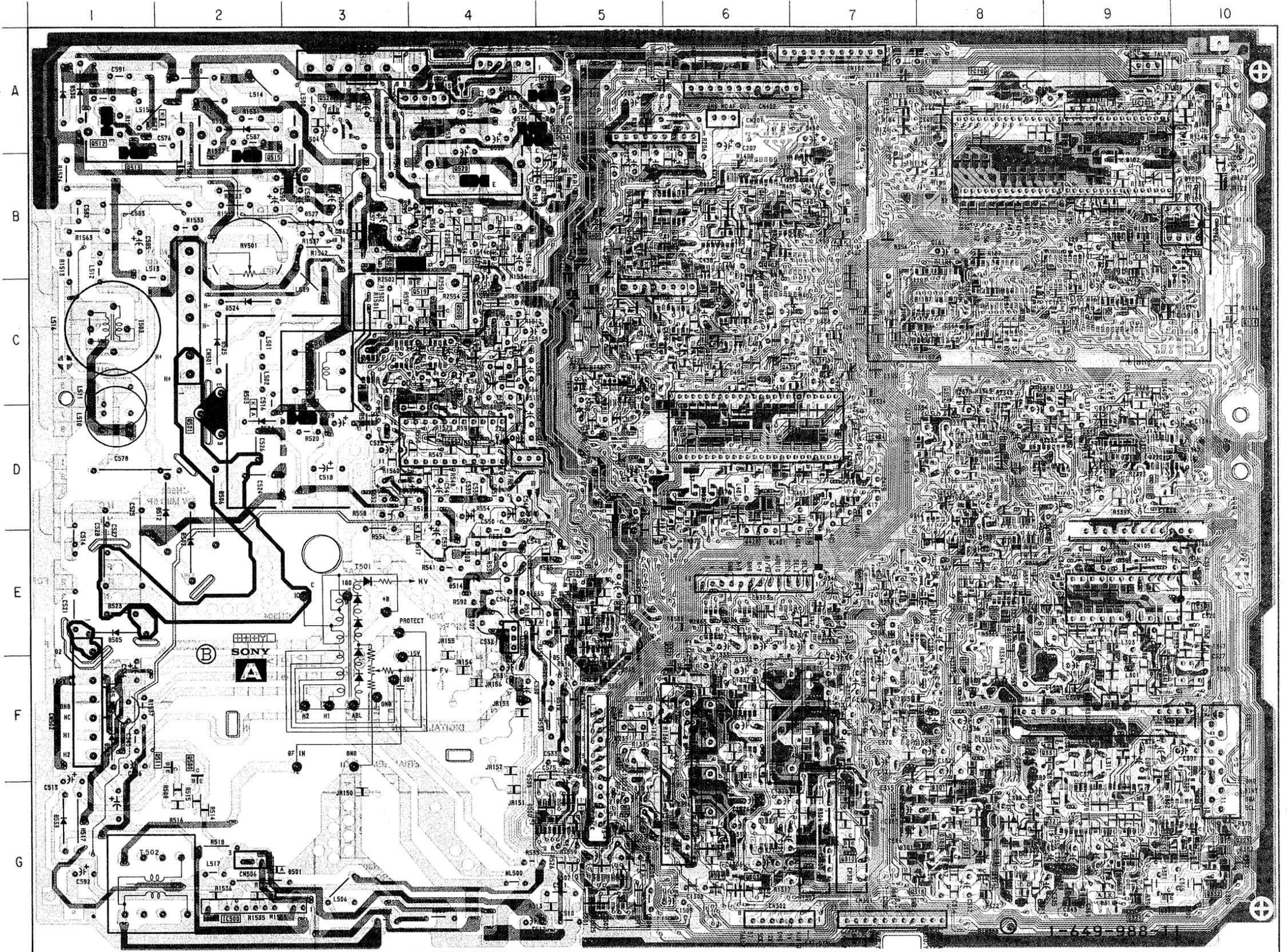
TRANSISTOR	
Q101	A-9
Q111	C-10
Q113	A-7
Q201	A-6
Q301	G-8
Q302	G-10
Q303	G-6
Q304	G-6
Q305	G-8
Q306	G-7
Q307	G-8
Q309	G-8
Q310	G-7
Q312	G-8
Q313	G-8
Q315	G-8
Q318	G-8
Q319	F-7
Q321	G-8
Q323	G-10
Q325	F-8
Q326	F-6
Q327	F-6
Q328	G-9
Q329	G-9
Q330	F-9
Q331	F-9
Q332	G-10
Q333	D-9
Q334	F-9
Q336	E-10
Q337	E-10
Q338	C-9
Q339	D-8

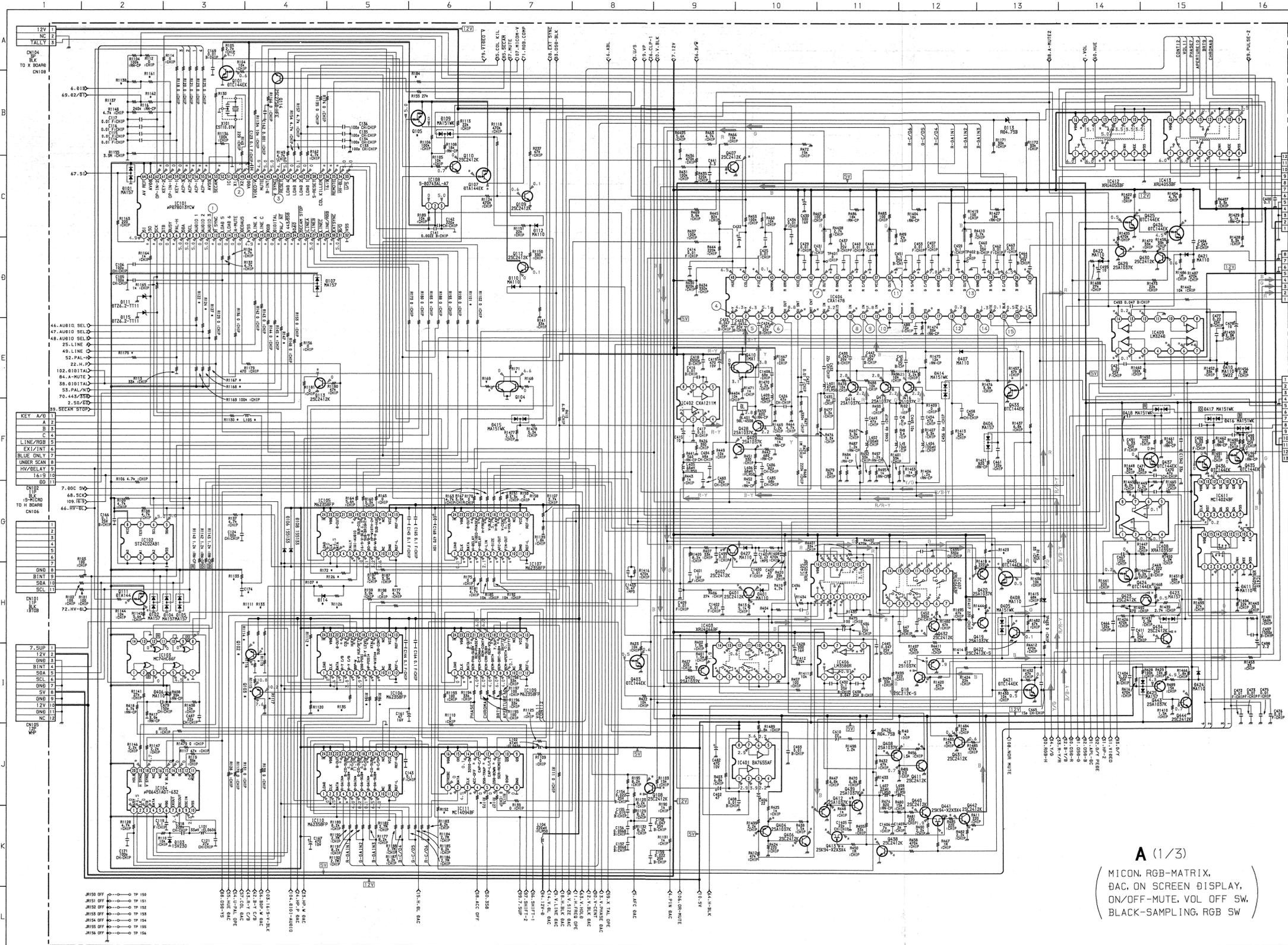
Note :

-  : Pattern from the side which enables seeing.
-  : Pattern of the rear side.

- A BOARD - (Conductor Side)

Q345	D-8	Q517	C-4	D408	B-5	
Q349	E-9	Q519	C-4	D410	C-5	
Q350	D-8	Q520	B-4	D411	B-6	
Q351	D-8	Q522	E-5	D421	C-5	
Q352	D-8	Q524	A-5	D422	C-5	
Q361	F-8	Q525	A-4	D425	C-5	
Q363	G-9	Q526	A-3	D426	C-6	
Q364	D-8			D427	B-6	
Q367	E-8	DIODE			D500	G-5
Q368	E-8				D101	B-10
Q369	E-8	D102	B-9	D502	E-2	
Q375	D-8	D103	B-9	D503	C-2	
Q401	B-6	D107	B-9	D504	D-2	
Q402	B-6	D200	A-4	D505	E-1	
Q403	B-6	D301	G-8	D506	D-2	
Q405	C-6	D302	F-9	D507	G-5	
Q407	C-7	D303	F-7	D508	G-5	
Q409	D-7	D304	G-7	D509	G-5	
Q417	C-6	D307	G-8	D510	F-5	
Q418	B-5	D309	G-8	D512	D-2	
Q419	C-6	D310	G-8	D513	E-5	
Q420	C-6	D311	G-9	D514	E-4	
Q421	B-5	D315	E-8	D515	F-1	
Q422	B-5	D317	D-9	D516	F-5	
Q423	C-5	D320	D-9	D517	D-4	
Q424	C-5	D322	D-9	D518	E-5	
Q428	D-6	D323	C-9	D519	C-4	
Q431	B-5	D324	E-9	D522	A-4	
Q434	C-5	D325	D-8	D523	A-2	
Q439	C-6	D326	E-9	D524	C-2	
Q443	C-5	D333	D-8	D525	C-2	
Q444	B-5	D337	E-8	D526	B-4	
Q500	F-2	D344	D-8	D527	B-3	
Q501	D-2	D345	E-7	D528	A-1	
Q502	D-3	D346	E-7	D529	A-2	
Q503	B-3	D347	E-7	D530	A-1	
Q505	E-5	D353	D-8	D531	A-4	
Q506	B-4	D354	B-7	D532	A-4	
Q507	E-5	D355	C-7	D533	G-1	
Q508	C-4	D363	E-8	D534	B-4	
Q509	G-5	D364	E-8	D536	A-5	
Q511	F-2	D401	B-7	VARIABLE RESISTOR		
Q512	A-1	D404	D-6			
Q513	A-1	D405	B-5	RV501	B-2	
Q514	B-4	D407	D-7			
Q515	B-2					





A BOARD * MARK

Ref	LOCATION	VAL	REF	LOCATION	VAL	REF	LOCATION	VAL	
IC101	2.3	2.4	2.2	2.2	2.0	2.3	IC410	3.8	
④	4.5	4.8	4.5	4.4	4.4	4.5	④	3.0	
③	3.4	3.5	3.5	3.5	3.1	3.5	④	1.3	
③	0	0	0	0	4.8	0	④	0.6	
③	4.9	5.0	0	1.8	0	4.9	④	4.0	
③	5.0	5.0	0	5.0	0	0	④	2.0	
③	5.0	5.0	0	0	0	0	④	2.3	
③	0.1	0	0.1	0.1	4.9	0.1	④	4.1	
③	5.0	5.0	5.0	5.0	4.9	0.1	④	1.9	
③	4.2	4.1	4.5	5.0	3.9	3.9	④	2.0	
③	4.0	4.0	4.6	5.0	3.8	3.7	④	0.4	
③	0.2	0.4	0.1	0.7	0.1	0.1	④	8.9	
③	4.0	3.4	3.6	3.7	3.9	4.0	④	5.5	
③	0.5	0.9	1.0	0.8	3.1	1.9	④	3.1	
③	3.0	2.5	2.6	2.6	3.8	2.2	④	2.1	
③	3.6	3.0	2.9	3.2	3.9	4.0	④	7.9	
③	4.0	4.0	4.0	4.0	2.9	4.0	④	10.9	
③	0.2	0	0.2	0.2	0	0	④	8.1	
③	0.1	0.1	0.1	0.1	11.5	11.5	④	11.5	
③	3.5	3.5	3.5	3.5	3.1	3.5	④	-0.2	
③	2.3	2.3	2.2	2.2	0	2.3	④	5.0	
③	0	0	0	11.8	0	0	④	5.0	
③	2.8	2.7	2.7	2.8	2.8	2.8	④	2.6	
③	5.4	5.4	5.4	5.4	8.8	8.1	④	2.6	
③	2.3	2.3	2.2	2.2	2.3	2.3	④	6.0	
③	5.4	5.4	5.4	5.4	4.1	5.4	④	5.0	
③	2.4	2.4	2.4	2.4	0.6	2.4	④	4.1	
③	7.8	7.8	7.8	7.7	5.5	7.8	④	0.8	
③	5.1	5.1	5.1	5.1	4.0	5.1	④	1.1	
③	0.1	10.5	10.5	10.5	10.9	10.5	④	1.4	
③	3.1	3.1	2.8	3.1	2.7	2.5	④	0.5	
③	0.5	1.8	0.4	0.3	2.4	0.4	④	1.4	
③	6.3	6.3	11.9	9.0	10.7	3.7	④	1.4	
③	3.6	3.6	4.8	3.6	4.3	9.5	④	5.3	
③	0.5	1.8	0.4	0.3	2.4	0.4	④	1.9	
③	4.6	4.5	4.5	4.5	4.4	4.5	④	1.3	
③	2.3	2.3	2.2	0	2.1	0	④	0.7	
③	2.8	2.8	2.8	2.8	3.3	2.8	④	1.6	
③	2.9	2.9	2.9	2.9	2.1	1.4	④	8.5	
③	2.6	2.6	2.6	2.6	2.9	2.6	④	5.3	
③	2.9	2.9	2.9	2.9	2.9	2.9	④	6.0	
③	2.6	2.6	2.6	2.6	2.8	2.8	④	1.9	
③	3.2	3.2	5.4	5.4	5.3	5.4	④	2.0	
③	4.5	4.5	5.0	5.0	3.7	5.0	④	1.4	
③	6.3	6.3	6.1	6.1	6.0	6.1	④	1.3	
③	4.6	4.5	4.5	4.4	4.4	4.4	④	2.0	
③	2.3	2.3	2.2	2.2	2.0	2.2	④	2.0	
③	7.2	7.2	7.2	8.5	7.2	7.2	④	-1.8	
③	11.9	11.9	11.9	11.9	11.9	0.1	④	2.0	
③	11.9	11.9	0.1	0	0.1	11.8	④	1.9	
③	2.3	2.4	2.2	2.2	2.0	2.2	④	2.1	
③	7.2	7.2	7.2	8.5	7.2	7.2	④	1.4	
③	5.8	5.8	5.8	5.8	6.2	5.8	④	1.4	
③	11.9	11.9	11.9	11.9	7.8	11.9	④	1.9	
③	0	7.7	7.8	7.8	7.8	7.8	④	1.2	
③	3.7	3.7	3.5	3.5	3.5	3.5	④	1.8	
③	0.3	0.3	0.3	0.3	0	0.3	④	2.1	
③	0.5	0.3	0.1	0.1	0.1	0.1	④	0.5	
③	0	5.0	5.0	0	5.0	5.0	④	4.5	
③	5.0	5.0	5.0	5.0	0	5.0	④	0.8	
③	3.1	3.9	2.9	3.0	3.0	3.6	④	0.1	
③	0	2.9	2.9	0	2.2	2.2	④	0	
③	2.9	2.9	2.9	0	2.9	2.9	④	-0.3	
③	0.8	0.8	0.8	0.8	0.8	0.8	④	11.8	
③	1.2	1.2	0.8	0.8	1.2	0.8	④	-0.1	
③	1.4	1.3	0.9	0.9	1.3	0	④	3.0	
③	0.8	0.8	0.9	0.9	0.8	1.4	④	-0.1	
③	0.5	0.5	0.6	0.6	0	0.6	④	3.6	
③	1.0	1.0	1.0	1.0	0.8	1.1	④	-0.4	
③	1.5	1.5	1.1	1.1	1.4	1.8	④	2.0	
③	1.4	1.4	1.0	1.0	1.2	1.5	④	2.6	
③	0.9	1.0	1.0	1.0	0.8	1.1	④	2.5	
③	0.6	0.8	0.6	0.6	0	0.6	④	-1.1	
③	20	30	30	30	4.5	9	④	2.0	
③	6.9	7.1	4.9	4.9	4.7	6.1	④	1.9	
③	5.6	5.6	5.6	5.6	5.6	5.8	④	1.3	
③	5.6	5.6	5.6	5.6	5.6	5.9	④	0.9	
③	0	0	0	0	4.4	4.4	④	1.2	
③	3.8	4.0	4.1	4.2	4.0	3.6	④	1.4	
③	7.1	6.6	6.0	6.0	7.7	7.9	④	11.7	
③	1.3	1.2	1.2	1.2	1.4	1.4	④	1.1	
③	7.0	7.3	6.1	7.8	7.8	7.8	④	2.8	
③	1.4	1.3	1.2	1.1	1.2	1.5	④	2.5	
③	7.8	7.8	7.7	7.8	8.0	7.7	④	1.9	
③	6.9	7.1	7.8	7.7	7.6	7.6	④	2.4	
③	1.2	1.2	1.0	1.0	1.2	1.3	④	1.7	
③	7.2	7.2	7.2	7.2	8.3	7.2	④	0.8	
③	7.2	7.2	7.2	7.2	6.9	7.0	④	0.4	
③	5.6	6.6	6.5	6.6	5.5	0	④	0.5	
③	1.5	1.5	1.1	1.3	1.4	1.6	④	1.9	
③	1.4	1.4	0.9	0	1.2	1.3	④	2.4	
③	1.2	1.2	0.9	0	1.1	1.2	④	1.7	
③	1.4	1.3	1.0	0	1.2	1.4	④	0.7	
③	1.3	1.3	1.0	0	1.2	1.4	④	0.3	
③	0.5	0.5	0.6	1.0	0.3	0.2	④	0.5	
③	0.5	0.5	0.6	1.3	0.9	0.2	④	1.2	
③	1.2	1.2	0.8	1.1	1.2	1.3	④	1.3	
③	1.4	1.3	1.0	1.3	1.2	1.5	④	1.2	
③	4.8	5.1	4.8	4.8	5.1	5.1	④	0.9	
③	0.8	0	0.9	0.8	1.0	1.0	④	0.9	
③	1.0	0.9	1.0	1.0	0.8	1.1	④	1.1	
③	1.0	1.0	1.1	1.1	0.8	1.1	④	1.1	
③	5.1	5.1	4.9	4.9	4.9	5.1	④	1.2	
③	1.2	1.2	0.9	1.2	1.2	1.3	④	0.3	
③	0.4	-0.1	0.5	0.3	0.4	0.5	④	0.7	
③	1.4	1.3	1.0	1.3	1.2	1.4	④	0.7	
③	0.6	0	0.7	0.5	0.5	0.7	④	0.5	
③	2.0	1.8	2.0	2.0	2.0	2.0	④	1.2	
③	11.7	10.7	11.5	11.3	11.7	11.2	④	0.8	
③	5.5	5.5	5.5	5.5	5.4	6.5	④	5.5	
③	5.5	5.5	5.5	5.5	5.4	6.4	④	5.4	
③	1.4	1.4	1.0	1.3	1.2	1.5	④	0.7	
③	-0.1	0.7	0.6	0.5	0.6	0.6	④	1.2	
③	2.0	1.7	2.0	2.0	2.0	2.0	④	1.3	
③	2.1	2.0	2.0	2.1	2.1	2.1	④	1.4	
③	2.0	1.7	2.0	2.0	2.0	2.0	④	2.2	
③	4.1	3.8	3.9	4.1	4.2	4.1	④	0.3	
③	0	8.8	9.0	8.4	0	7.5	④	0.8	
③	0	0.8	0.4	0.3	0.3	1.6	④	0.9	
③	5.9	5.9	6.3	0	5.9	5.9	④	6.0	
③	5.9	5.9	6.3	6.0	5.9	5.9	④	6.0	
③	5.9	5.9	6.3	6.0	5.9	5.9	④	6.0	
③	0	1.8	1.8	0.5	1.2	0.1	0	④	0.5
③	0	10.7	6.6	6.9	0	10.7	④	0.6	

A BOARD

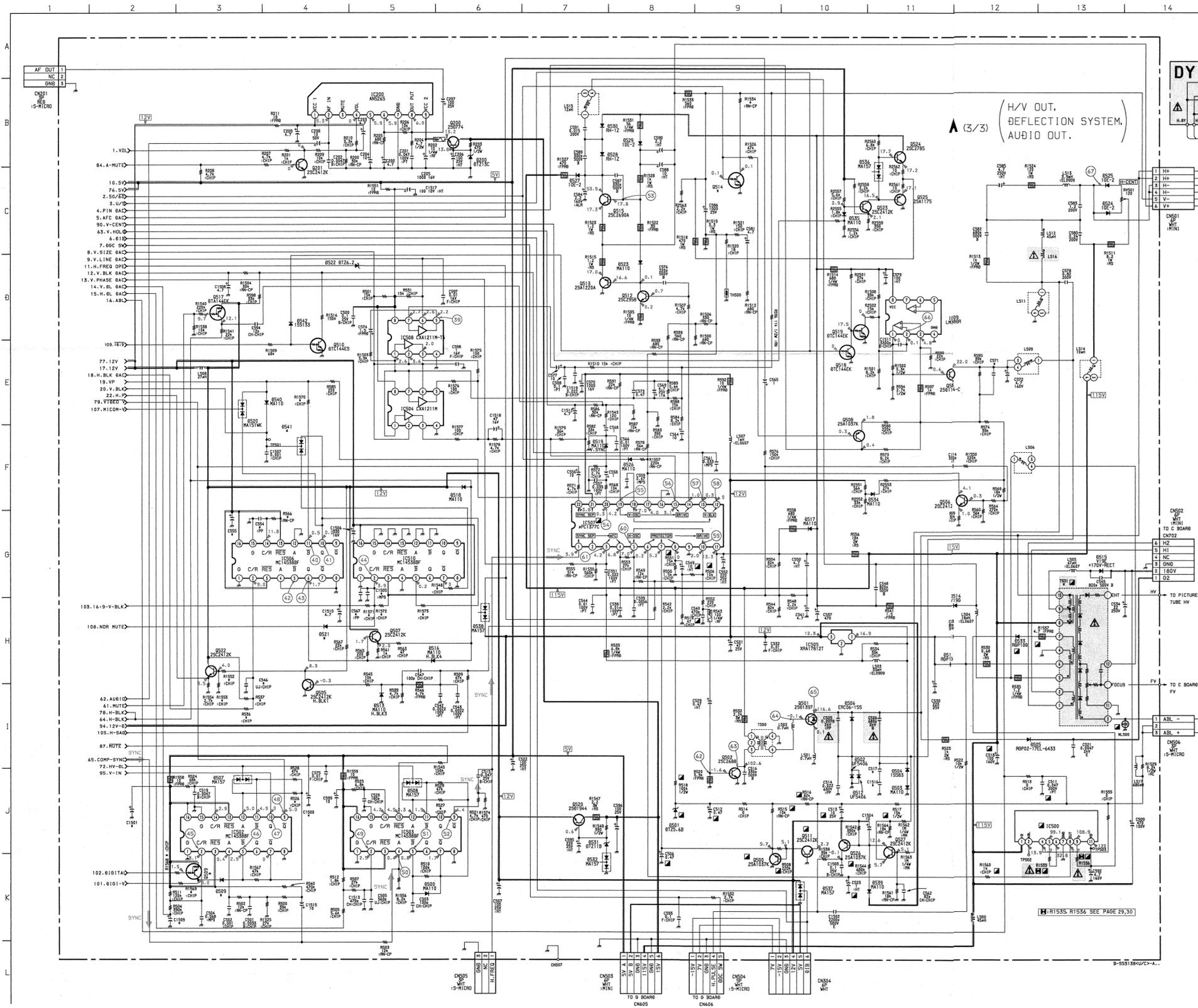
Ref	LOCATION	VAL	REF	LOCATION	VAL
C174	H-3	47P	PWM	1351013540	
C498	H-10	82P			
CN104	A-1	13P			
CN105	I-1	13P			
D114	H-4	MA110			
D428	J-11	RD475B			
L105	F-3	100UH			
Q102	I-3	2SA1037K			
Q103	I-3	2SA1037K			
Q104	F-3	100UH			
Q106	E-7	DTA144EK			
R107	H-4	4.7K			
R152	D-3	0			
R154	D-9	0			
R158	G-5	0			
R159	D-3	0			
R160	B-3	150K			

Ref	LOCATION	PVM-1350	PVM-1351Q/1354Q
D33	D-3	-	DT282
D34	C-5	-	MA1518K
D35	J-7	-	152835
D36	A-8	MA110	-
D37	G-10	MA100	-
D38	A-8	MA100	-
D39	J-10	MA157	-
D40	I-14	MA110	-
D41	C-11	SV2307P HRS	-
D42	H-14	MA110	-
D43	B-11	MA110	-
D44	H-15	MA110	-
D45	J-16	MA110	-
D46	B-13	MA110	-
D47	H-15	MA110	-
D48	A-12	DT282AB	-
D49	E-12	MA1518K	-
D50	J-9	MA157	-
D51	J-9	MA157	-
D52	J-9	MA157	-
D53	K-9	MA157	-
D54	K-9	MA157	-
D55	K-9	MA157	-
D56	B-12	ND808B	-
D57	B-12	ND808B	-
D58	B-12	152835	-
D59	B-4	MA110	-
D60	B-3	MA110	-
F401	F-4	MA110	-
I301	H-5	BA7655AF	-
I302	H-14	CSA1215P	-
I313	C-6	MM148XF	-
I315	B-12	XRU4058P	-
I316	B-12	MM148XF	-
J300	B-3	MT4588F	-
L101	L-13	15410	-
L102	L-15	15410	-
L103	L-14	15410	-
L104	H-15	15410	-
L105	H-14	39 uH	-
L106	G-13	15410	-
L107	L-13	15410	-
L108	B-3	100 uH	-
O302	O-2	25A1037K	-
O303	D-3	25C2412K	-
O310	C-4	25A1037K	-
O314	D-3	DTA144EK	-
O317	G-7	25C2412K	-
O318	I-4	DTG144EK	-
O324	H-7	DTG144EK	-
O328	H-7	2594	-
O333	C-8	25C2412K	-
O334	L-12	25A1037K	-
O335	B-8	25C2412K	-
O336	B-8	2594	-
O337	C-13	25C2412K	-
O339	L-10	25A1037K	-
O340	I-15	25A1037K	-
O347	G-15	DTG144EK	-
O348	L-16	25A1037K	-
O349	H-16	25A1037K	-
O355	C-11	25C2412K	-
O356	B-3	DTG144EK	-
O357	H-8	25C2412K	-
O358	H-3	25A1037K	-
O359	H-3	25A1037K	-
O362	E-12	25C2412K	-
O366	B-13	25A1037K	-
O367	B-13	25A1037K	-
O368	B-12	25A1037K	-
O369	B-12	DTA144EK	-

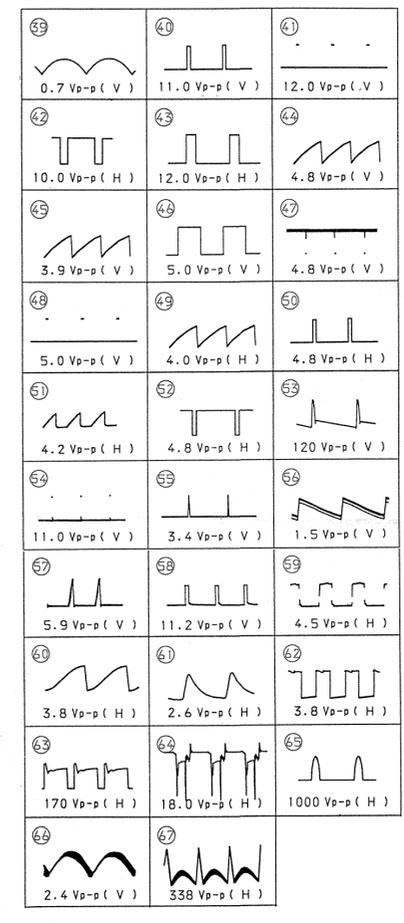
Ref	LOCATION	PVM-1350	PVM-1351Q/1354Q
IC301	PAL	SECAM	NTSC
IC302	PAL	SECAM	NTSC
IC303	PAL	SECAM	NTSC
IC304	PAL	SECAM	NTSC
IC305	PAL	SECAM	NTSC
IC306	PAL	SECAM	NTSC
IC307	PAL	SECAM	NTSC
IC308	PAL	SECAM	NTSC
IC309	PAL	SECAM	NTSC
IC310	PAL	SECAM	NTSC
IC311	PAL	SECAM	NTSC
IC312	PAL	SECAM	NTSC
IC313	PAL	SECAM	NTSC
IC314	PAL	SECAM	NTSC
IC315	PAL	SECAM	NTSC
IC316	PAL	SECAM	NTSC
IC317	PAL	SECAM	NTSC
IC318	PAL	SECAM	NTSC
IC319	PAL	SECAM	NTSC
IC320	PAL	SECAM	NTSC
IC321	PAL	SECAM	NTSC
IC322	PAL	SECAM	NTSC
IC323	PAL	SECAM	NTSC
IC324	PAL	SECAM	NTSC
IC325	PAL	SECAM	NTSC
IC326	PAL	SECAM	NTSC
IC327	PAL	SECAM	NTSC
IC328	PAL	SECAM	NTSC
IC329	PAL	SECAM	NTSC
IC330	PAL	SECAM	NTSC
IC331	PAL	SECAM	NTSC
IC332	PAL	SECAM	NTSC
IC333	PAL	SECAM	NTSC
IC334	PAL	SECAM	NTSC
IC335	PAL	SECAM	NTSC
IC336	PAL	SECAM	NTSC
IC337	PAL	SECAM	NTSC
IC338	PAL	SECAM	NTSC
IC339	PAL	SECAM	NTSC
IC340	PAL	SECAM	NTSC
IC341	PAL	SECAM	NTSC
IC342	PAL	SECAM	NTSC
IC343	PAL	SECAM	NTSC
IC344	PAL	SECAM	NTSC
IC345	PAL	SECAM	NTSC
IC346	PAL	SECAM	NTSC
IC347	PAL	SECAM	NTSC
IC348	PAL	SECAM	NTSC
IC349	PAL	SECAM	NTSC
IC350	PAL	SECAM	NTSC
IC351	PAL	SECAM	NTSC
IC352	PAL	SECAM	NTSC
IC353	PAL	SECAM	NTSC
IC354	PAL	SECAM	NTSC
IC355	PAL	SECAM	NTSC
IC356	PAL	SECAM	NTSC
IC357	PAL	SECAM	NTSC
IC358	PAL	SECAM	NTSC
IC359	PAL	SECAM	NTSC
IC360	PAL	SECAM	NTSC
IC361	PAL	SECAM	NTSC
IC362	PAL	SECAM	NTSC
IC363	PAL	SECAM	NTSC
IC364	PAL	SECAM	NTSC
IC365	PAL	SECAM	NTSC
IC366	PAL	SECAM	NTSC
IC367	PAL	SECAM	NTSC
IC368	PAL	SECAM	NTSC
IC369	PAL	SECAM	NTSC
IC370	PAL	SECAM	NTSC
IC371	PAL	SECAM	NTSC
IC372	PAL	SECAM	NTSC
IC373	PAL	SECAM	NTSC
IC374	PAL	SECAM	NTSC
IC375	PAL	SECAM	NTSC
IC376	PAL	SECAM	NTSC
IC377	PAL	SECAM	NTSC
IC378	PAL	SECAM	NTSC
IC379	PAL	SECAM	NTSC
IC380	PAL	SECAM	NTSC
IC381	PAL	SECAM	NTSC
IC382	PAL	SECAM	NTSC
IC383	PAL	SECAM	NTSC
IC384	PAL	SECAM	NTSC
IC385	PAL	SECAM	NTSC
IC386	PAL	SECAM	NTSC
IC387	PAL	SECAM	NTSC
IC388	PAL	SECAM	NTSC
IC389	PAL	SECAM	NTSC
IC390	PAL	SECAM	NTSC
IC391	PAL	SECAM	NTSC
IC392	PAL	SECAM	NTSC
IC393	PAL	SECAM	NTSC
IC394	PAL	SECAM	NTSC
IC395	PAL	SECAM	NTSC
IC396	PAL	SECAM	NTSC
IC397	PAL	SECAM	NTSC
IC398	PAL	SECAM	NTSC
IC399	PAL	SECAM	NTSC
IC400	PAL	SECAM	NTSC

Ref	LOCATION	PVM-1350	PVM-1351Q/1354Q
R301	D-9	100	
R302	E-9	100	
R303	K-13	0	
R304	K-13	0	
R311	K-7	1.8K	
R319	I-5	6.8K	
R322	J-7	100K	
R323	J-7	100K	
R324	J-15	10K	
R325	J-15	56K	
R326	J-15	56K	
R327	J-14	47K	
R328	J-15	8.2K	
R329	J-14	82K	
R330	J-13	120K	
R331	J-7	4.7K	
R332	J-14	10K	
R333	J-13	10K	
R334	J-7	3.3K	
R335	J-7	3.3K	
R336	J-15	10K	
R337	J-14	10K	
R338	J-13	10K	
R339	J-13	10K	
R340	J-13	10K	
R341	J-13	10K	
R342	J-13	10K	
R343	J-13	10K	
R344	J-13	10K	
R345	J-13	10K	
R346	J-13	10K	
R347	J-13	10K	
R348	J-13	10K	
R349	J-13	10K	
R350	J-13	10K	
R351	J-13	10K	
R352	J-13	10K	
R353	J-13	10K	
R354	J-13	10K	
R355	J-13	10K	
R356	J-13	10K	
R357	J-13	10K	
R358	J-13	10K	
R359	J-13	10K	
R360	J-13	10K	
R361	J-13	10K	
R362	J-13	10K	
R363	J-13	10K	
R364	J-13	10K	
R365	J-13	10K	
R366	J-13	10K	
R367	J-13	10K	
R368	J-13	10K	
R369	J-13	10K	
R370	J-13	10K	
R371	J-13	10K	
R372	J-13	10K	
R373	J-13	10K	
R374	J-13	10K	
R375	J-13	10K	
R376	J-13	10K	
R377	J-13	10K	
R378	J-13	10K	
R379	J-13	10K	
R380	J-13	10K	
R381	J-13	10K	
R382	J-13	10K	
R383	J-13	10K	
R384	J-13	10K	
R385	J-13	10K	
R386	J-13	10K	
R387	J-13	10K	
R388	J-13	10K	
R389	J-13	10K	
R390	J-13	10K	
R391	J-13	10K	
R392	J-13	10K	
R393	J-13	10K	
R394	J-13	10K	
R395	J-13	10K	
R396	J-13	10K	
R397	J-13	10K	
R398	J-13	10K	
R399	J-13	10K	
R400	J-13	10K	

Ref	LOCATION	PVM-1350	PVM-1351Q/1354Q
C301	PAL	SECAM	NTSC
C302	PAL	SECAM	NTSC
C303	PAL	SECAM	NTSC
C304	PAL	SECAM	NTSC
C305	PAL	SECAM	NTSC
C306	PAL	SECAM	NTSC
C307	PAL	SECAM	NTSC
C308	PAL	SECAM	NTSC
C309	PAL	SECAM	NTSC
C310	PAL	SECAM	NTSC
C311	PAL	SECAM	NTSC
C312	PAL	SECAM	NTSC
C313	PAL	SECAM	NTSC
C314	PAL	SECAM	NTSC
C315	PAL	SECAM	NTSC
C316	PAL	SECAM	NTSC
C317	PAL	SECAM	NTSC
C318	PAL	SECAM	NTSC
C319	PAL	SECAM	NTSC
C320	PAL	SECAM	NTSC
C321	PAL	SECAM	NTSC
C322	PAL	SECAM	NTSC
C323	PAL	SECAM	NTSC
C324	PAL	SECAM	NTSC
C325	PAL	SECAM	NTSC
C326	PAL	SECAM	NTSC
C327	PAL	SECAM	NTSC
C328	PAL	SECAM	NTSC
C329	PAL	SECAM	NTSC
C330	PAL	SECAM	NTSC
C331	PAL	SECAM	NTSC
C332	PAL	SECAM	NTSC
C333	PAL	SECAM	NTSC
C334	PAL	SECAM	NTSC
C335	PAL	SECAM	NTSC
C336	PAL	SECAM	NTSC
C337	PAL	SECAM	NTSC
C338	PAL	SECAM	NTSC
C339	PAL	SECAM	NTSC
C340	PAL	SECAM	NTSC
C341	PAL	SECAM	NTSC
C342	PAL	SECAM	NTSC
C343	PAL	SECAM	NTSC
C344	PAL	SECAM	NTSC
C345	PAL	SECAM	NTSC
C346	PAL	SECAM	NTSC
C347	PAL	SECAM	NTSC
C348	PAL	SECAM	NTSC
C349	PAL	SECAM	NTSC
C350	PAL	SECAM	NTSC
C351	PAL	SECAM	NTSC
C352	PAL	SECAM	NTSC
C353	PAL	SECAM	NTSC
C354	PAL	SECAM	NTSC
C355	PAL	SECAM	NTSC
C356	PAL	SECAM	NTSC
C357	PAL	SECAM	NTSC
C358	PAL	SECAM	NTSC
C359	PAL	SECAM	NTSC
C360	PAL	SECAM	NTSC
C361	PAL	SECAM	NTSC
C362	PAL	SECAM	NTSC
C363	PAL	SECAM	NTSC
C364	PAL	SECAM	NTSC
C365	PAL	SECAM	NTSC
C366	PAL	SECAM	NTSC
C367	PAL	SECAM	NTSC
C368	PAL	SECAM	NTSC
C369	PAL	SECAM	NTSC
C370	PAL	SECAM	NTSC
C371	PAL	SECAM	NTSC
C372	PAL	SECAM	NTSC
C373	PAL	SECAM	NTSC
C374	PAL	SECAM	NTSC
C375	PAL	SECAM	NTSC
C376	PAL	SECAM	NTSC
C377	PAL	SECAM	NTSC
C378	PAL	SECAM	NTSC
C379	PAL	SECAM	NTSC
C380	PAL	SECAM	NTSC
C381	PAL	SECAM	NTSC
C382	PAL	SECAM	NTSC
C383	PAL	SECAM	NTSC
C384	PAL	SECAM	NTSC
C385	PAL	SECAM	NTSC
C386	PAL	SECAM	NTSC
C387	PAL	SECAM	NTSC
C388	PAL	SECAM	NTSC
C389	PAL	SECAM	NTSC
C390	PAL	SECAM	NTSC
C391	PAL	SECAM	NTSC
C392	PAL	SECAM	NTSC
C393	PAL	SECAM	NTSC
C394	PAL	SECAM	NTSC
C395	PAL	SECAM	NTSC
C396	PAL		



A BOARD WAVEFORMS



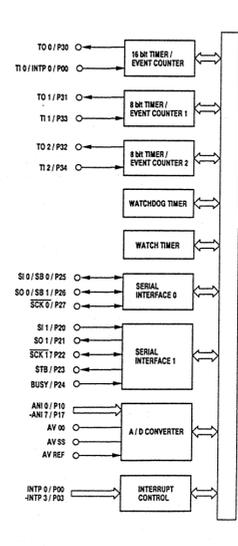
A BOARD

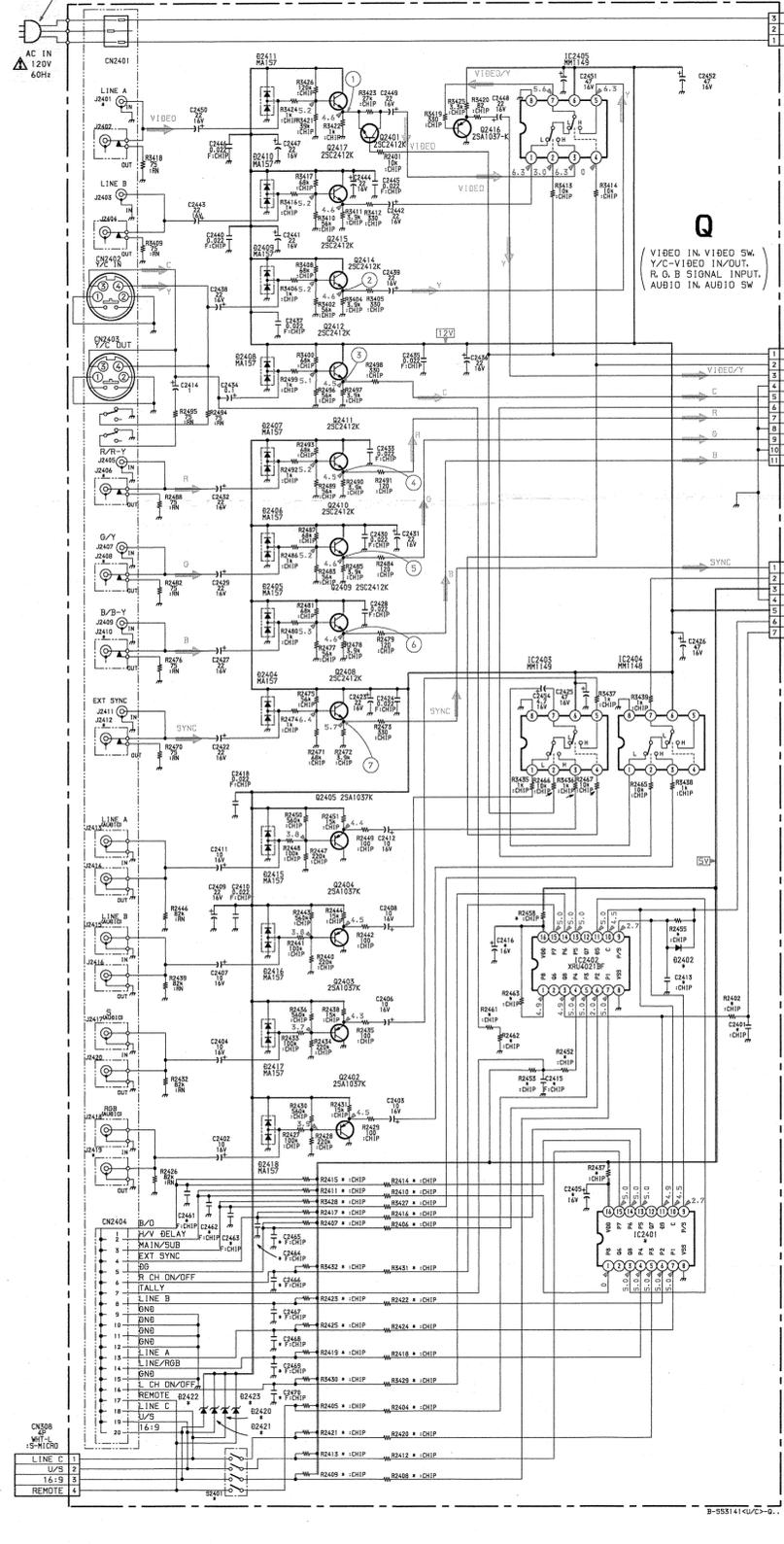
D101	PROTECT	D407	RGB SW	I109	DAC 5	O302	BUFFER	Q401	BRIGHT ABL
D102	PROTECT	D408	BLANKING	I110	DAC 3	O303	VIDEO IN-BUFF 1	Q402	R/Y ABL
D103	OSP POSITION ADJ	I111	EXP-OUT	O304	VIDEO IN-BUFF 2	O304	V-BLK SW	Q403	V-BLK SW
D104	PROTECT	I200	AUD-OUT	O305	CLAMP-BUFF 2	O305	B/O G AMP 9	Q404	B/O G AMP 9
D105	PROTECT	I301	ACC OFF. GAINCONT. AMP	O306	PAL TRAP BUFFER 1	O306	B/O R AMP 1	Q405	B/O R AMP 1
D106	PROTECT	D414	OSD MODE SW	I302	PAL-20-DOZ	O307	SYNCHP-CLAMP 2	Q406	B/O G AMP 2
D107	PROTECT	D418	OSD R MIX	O308	CLAMPRE 1	O308	CLAMPRE 1	Q407	B/O G AMP 2
D108	MUTE	D416	OSD B MIX	I309	SYSTEM SW	O309	CLAMP-BUFF 2	Q408	B/O R AMP 1
D109	MUTE	D417	OSD G MIX	I305	CHROMA DEMOD	O310	PAL TRAP BUFFER 2	Q409	B/O R AMP 1
D110	MUTE SW	D418	OSD R MIX	I306	SECAM DECODER	O311	SLICER 2	Q410	B/O R AMP 2
D111	PROTECT	D421	SW	I307	R/R-Y SW	O312	AMP 1	Q411	B/O R AMP 2
D112	PROTECT	D422	SW	I308	G/Y SW	O313	AMP-2	Q412	BOH BUFFER
D113	D. C. SHIFT	D423	CLAMP	I309	BLACK-INSERT	O314	SECAM SW	Q413	BOH NORMAL SW
D114	SW	D424	CLAMP	I310	B/Y SW	O315	SECAM SW	Q414	R BUFFER
D115	PROTECT	D425	CLAMP	I311	Y SW	O316	NT-COMB.D.C. REF	Q415	G BUFFER
D116	PROTECT	D426	D. C. SHIFT	I312	PULSE SELECT	O317	AMP 1	Q416	B BUFFER
D117	PROTECT	D427	PROTECT	I313	PULSE SELECT	O318	YAMP 1	Q417	B BUFFER
D118	PROTECT	D428	D. C. SHIFT	I314	Y SW	O319	Y SW-BUFF 2	Q418	OFF-MUTE SW
D119	PROTECT	D429	PROTECT	I315	CHROMA BPF SELECT	O320	SECAM SW	Q419	G BUFFER 3
D120	AUDIO D. C. REF	D430	PHASE ADJ	I316	SECAM CHROMA SELECT	O321	B/W-SW 2	Q420	R BUFF 3
D301	SW	D431	SW	I317	HPLUS-GATE	O322	PAL SW	Q421	G BUFFER 3
D302	D. C. SHIFT	D432	SW	I318	NOT GATE	O323	PAL SW	Q422	R BUFF 3
D303	SECAM SW	D433	SW	I319	SECAM BPF SELECT	O324	SECAM SW	Q423	BLANKING
D304	SW	D434	SW	I320	Y. B. L. SW	O325	SYNC-SIG-BUFF	Q424	BLUE BUFFER
D305	PROTECT	D435	SW	I321	G/Y SW SELECT	O326	SECAM SW	Q425	V-P BUFFER 1
D306	PROTECT	D436	SW	I322	G/Y SW SELECT	O327	YAMP-2	Q426	V-P BUFFER 2
D307	B/W-SW	D437	SW	I323	CHROMA BPF SELECT	O328	443 SW	Q427	SMARPESS BUFFER
D308	B/W-SW	D438	SW	I324	G/Y SW SELECT	O329	358 SW	Q428	IC BUFFER
D309	B/W-SW	D439	SW	I325	R/R-Y SW SELECT	O330	R/V-BUFF 1	Q429	IC BUFFER
D310	CLAMP	D440	SW	I326	R/R-Y SW SELECT	O331	B/Y-BUFF 1	Q430	IC BLK
D311	XTAL ADJ	D441	SW	I327	R/R-Y SW SELECT	O332	SECAM SW	Q431	RESET MUTE SW
D312	SW	D442	SW	I328	SECAM SW	O333	SECAM SW	Q432	BRIGHT MUTE SW
D313	SW	D443	SW	I329	SECAM SW	O334	SECAM SW	Q433	H. BLK 1
D314	SLICE	D444	SW	I330	SECAM SW	O335	HV-DUALLY SW	Q434	MUTE RGB SW
D315	T.S. QP-SW	D445	SW	I331	SECAM SW	O336	B/LK MONO-MULTI	Q435	OSD DOWN SW
D316	LEVEL-SHIFT	D446	SW	I332	SECAM SW	O337	BELL-FIL BUFFER	Q436	OSD DOWN SW
D317	LEVEL-SHIFT	D447	SW	I333	SECAM SW	O338	BELL-FIL BUFFER	Q437	OSD DOWN SW
D318	PROTECT	D448	SW	I334	SECAM SW	O339	Y-SYNG SSP 1	Q438	BLUE ONLY SW
D319	PROTECT	D449	SW	I335	SECAM SW	O340	Y-SYNG SSP 2	Q439	BOH B/O DLYED 1
D320	SLICE	D450	SW	I336	SECAM SW	O341	G/Y BUFFER	Q440	BOH B/O DLYED 2
D321	SLICE	D451	SW	I337	SECAM SW	O342	G/Y BUFFER	Q441	BOH B/O SW
D322	SLICE	D452	SW	I338	SECAM SW	O343	R/R-Y BUFFER	Q442	BOH BUFFER
D323	SW	D453	SW	I339	SECAM SW	O344	B/Y BUFFER	Q443	AUTO CHROMA SET UP AMP 1
D324	R/Y COLOR BALANCE ADJ	D454	SW	I340	SECAM SW	O345	B/Y BUFFER	Q444	AUTO CHROMA SET UP AMP 2
D325	SW	D455	SW	I341	SECAM SW	O346	SECAM SW	Q445	BLUE ONLY SW
D326	R/Y COLOR BALANCE ADJ	D456	SW	I342	SECAM SW	O347	SECAM SW	Q446	BLUE ONLY SW
D327	SW	D457	SW	I343	SECAM SW	O348	SECAM SW	Q447	IC BUFFER
D328	RGB COMP SW	D458	SW	I344	SECAM SW	O349	SECAM SW	Q448	IC BUFFER
D329	SW	D459	SW	I345	SECAM SW	O350	SECAM SW	Q449	IC BUFFER
D330	SW	D460	SW	I346	SECAM SW	O351	SECAM SW	Q450	IC BUFFER
D331	SW	D461	SW	I347	SECAM SW	O352	SECAM SW	Q451	IC BUFFER
D332	SW	D462	SW	I348	SECAM SW	O353	SECAM SW	Q452	IC BUFFER
D333	SW	D463	SW	I349	SECAM SW	O354	SECAM SW	Q453	IC BUFFER
D334	SW	D464	SW	I350	SECAM SW	O355	SECAM SW	Q454	IC BUFFER
D335	SW	D465	SW	I351	SECAM SW	O356	SECAM SW	Q455	IC BUFFER
D336	SW	D466	SW	I352	SECAM SW	O357	SECAM SW	Q456	IC BUFFER
D337	SECAM SW	D467	SW	I353	SECAM SW	O358	SECAM SW	Q457	IC BUFFER
D338	SECAM SW	D468	SW	I354	SECAM SW	O359	SECAM SW	Q458	IC BUFFER
D339	SECAM SW	D469	SW	I355	SECAM SW	O360	SECAM SW	Q459	IC BUFFER
D340	SECAM SW	D470	SW	I356	SECAM SW	O361	SECAM SW	Q460	IC BUFFER
D341	D. C. SHIFT	D471	SW	I357	SECAM SW	O362	SECAM SW	Q461	IC BUFFER
D342	D. C. SHIFT	D472	SW	I358	SECAM SW	O363	SECAM SW	Q462	IC BUFFER
D343	D. C. SHIFT	D473	SW	I359	SECAM SW	O364	SECAM SW	Q463	IC BUFFER
D344	D. C. SHIFT	D474	SW	I360	SECAM SW	O365	SECAM SW	Q464	IC BUFFER
D345	D. C. SHIFT	D475	SW	I361	SECAM SW	O366	SECAM SW	Q465	IC BUFFER
D346	D. C. SHIFT	D476	SW	I362	SECAM SW	O367	SECAM SW	Q466	IC BUFFER
D347	D. C. SHIFT	D477	SW	I363	SECAM SW	O368	SECAM SW	Q467	IC BUFFER
D348	D. C. SHIFT	D478	SW	I364	SECAM SW	O369	SECAM SW	Q468	IC BUFFER
D349	D. C. SHIFT	D479	SW	I365	SECAM SW	O370	SECAM SW	Q469	IC BUFFER
D350	D. C. SHIFT	D480	SW	I366	SECAM SW	O371	SECAM SW	Q470	IC BUFFER
D351	D. C. SHIFT	D481	SW	I367	SECAM SW	O372	SECAM SW	Q471	IC BUFFER
D352	D. C. SHIFT	D482	SW	I368	SECAM SW	O373	SECAM SW	Q472	IC BUFFER
D353	D. C. SHIFT	D483	SW	I369	SECAM SW	O374	SECAM SW	Q473	IC BUFFER
D354	D. C. SHIFT	D484	SW	I370	SECAM SW	O375	SECAM SW	Q474	IC BUFFER
D355	D. C. SHIFT	D485	SW	I371	SECAM SW	O376	SECAM SW	Q475	IC BUFFER
D356	D. C. SHIFT	D486	SW	I372	SECAM SW	O377	SECAM SW	Q476	IC BUFFER
D357	D. C. SHIFT	D487	SW	I373	SECAM SW	O378	SECAM SW	Q477	IC BUFFER
D358	D. C. SHIFT	D488	SW	I374	SECAM SW	O379	SECAM SW	Q478	IC BUFFER
D359	D. C. SHIFT	D489	SW	I375	SECAM SW	O380	SECAM SW	Q479	IC BUFFER
D360	D. C. SHIFT	D490	SW	I376	SECAM SW	O381	SECAM SW	Q480	IC BUFFER
D361	D. C. SHIFT	D491	SW	I377	SECAM SW	O382	SECAM SW	Q481	IC BUFFER
D362	D. C. SHIFT	D492	SW	I378	SECAM SW	O383	SECAM SW	Q482	IC BUFFER
D363	D. C. SHIFT	D493	SW	I379	SECAM SW	O384	SECAM SW	Q483	IC BUFFER
D364	D. C. SHIFT	D494	SW	I380	SECAM SW	O385	SECAM SW	Q484	IC BUFFER
D365	D. C. SHIFT	D495	SW	I381	SECAM SW	O386	SECAM SW	Q485	IC BUFFER
D366	D. C. SHIFT	D496	SW	I382	SECAM SW	O387	SECAM SW	Q486	IC BUFFER
D367	D. C. SHIFT	D497	SW	I383	SECAM SW	O388	SECAM SW	Q487	IC BUFFER
D368	D. C. SHIFT	D498	SW	I384	SECAM SW	O389	SECAM SW	Q488	IC BUFFER
D369	D. C. SHIFT	D499	SW	I385	SECAM SW	O390	SECAM SW	Q489	IC BUFFER
D370	D. C. SHIFT	D500	SW	I386	SECAM SW	O391	SECAM SW	Q490	IC BUFFER
D371	D. C. SHIFT	D501	SW	I387	SECAM SW	O392	SECAM SW	Q491	IC BUFFER
D372	D. C. SHIFT	D502	SW	I388	SECAM SW	O393	SECAM SW	Q492	IC BUFFER
D373	D. C. SHIFT	D503	SW	I389	SECAM SW	O394	SECAM SW	Q493	IC BUFFER
D374	D. C. SHIFT	D504	SW	I390	SECAM SW	O395	SECAM SW	Q494	IC BUFFER
D375	D. C. SHIFT	D505	SW	I391	SECAM SW	O396	SECAM SW	Q495	IC BUFFER
D376	D. C. SHIFT	D506	SW	I392	SECAM SW	O397	SECAM SW	Q496	IC BUFFER
D377	D. C. SHIFT	D507	SW	I393	SECAM SW	O398	SECAM SW	Q497	IC BUFFER
D378	D. C. SHIFT	D508	SW	I394	SECAM SW	O399	SECAM SW	Q498	IC BUFFER
D379	D. C. SHIFT	D509	SW	I395	SECAM SW	O400	SECAM SW	Q499	IC BUFFER
D380	D. C. SHIFT	D510	SW	I396	SECAM SW	O401	SECAM SW	Q500	IC BUFFER
D381	D. C. SHIFT	D511	SW	I397	SECAM SW	O402	SECAM SW	Q501	IC BUFFER
D382	D. C. SHIFT	D512	SW	I398	SECAM SW	O403	SECAM SW	Q502	IC BUFFER
D383	D. C. SHIFT	D513	SW	I399	SECAM SW	O404	SECAM SW	Q503	IC BUFFER
D384	D. C. SHIFT	D514	SW	I400	SECAM SW	O405	SECAM SW	Q504	IC BUFFER
D385	D. C. SHIFT	D515	SW	I401	SECAM SW	O406	SECAM SW	Q505	IC BUFFER
D386	D. C. SHIFT	D516	SW	I402	SECAM SW	O407	SECAM SW	Q506	IC BUFFER
D387	D. C. SHIFT	D517	SW	I403	SECAM SW	O408	SECAM SW	Q507	IC BUFFER
D388	D. C. SHIFT	D518	SW	I404	SECAM SW	O409	SECAM SW	Q508	IC BUFFER
D389	D. C. SHIFT	D519	SW	I405	SECAM SW	O410	SECAM SW	Q509	IC BUFFER
D390	D. C. SHIFT	D520	SW	I406	SECAM SW	O411	SECAM SW	Q510	IC BUFFER
D391	D. C. SHIFT	D521	SW	I407	SECAM SW	O412	SECAM SW	Q511	IC BUFFER
D392	D. C. SHIFT	D522	SW	I408	SECAM SW	O413	SECAM SW	Q512	IC BUFFER
D393	D. C. SHIFT	D523	SW	I409	SECAM SW	O414	SECAM SW	Q513	IC BUFFER
D394	D. C. SHIFT	D524	SW	I410	SECAM SW	O415	SECAM SW	Q514	IC BUFFER
D395	D. C. SHIFT	D525	SW	I411	SECAM SW	O416	SECAM SW	Q515	IC BUFFER
D396	D. C. SHIFT	D526	SW	I412	SECAM SW	O417	SECAM SW	Q516	IC BUFFER
D397	D. C. SHIFT	D527	SW	I413	SECAM SW	O418	SECAM SW	Q517	IC BUFFER
D398	D. C. SHIFT	D528	SW	I414	SECAM SW	O419	SECAM SW	Q518	IC BUFFER
D399	D. C. SHIFT	D529	SW	I415	SECAM SW	O420	SECAM SW	Q519	IC BUFFER
D400	D. C. SHIFT	D530	SW	I416	SECAM SW	O421	SECAM SW	Q520	IC BUFFER
D401	D. C. SHIFT	D531	SW	I417	SECAM SW	O422	SECAM SW	Q521	IC BUFFER
D402	D. C. SHIFT	D532	SW	I418	SECAM SW	O423	SECAM SW	Q522	IC BUFFER
D403	D. C. SHIFT	D533	SW	I419	SECAM SW	O424	SECAM SW	Q523	IC BUFFER
D404	D. C. SHIFT	D534	SW	I420	SECAM SW	O425	SECAM SW	Q524	IC BUFFER
D405	D. C. SHIFT	D535	SW	I421	SECAM SW	O426	SECAM SW	Q525	IC BUFFER
D406	D. C. SHIFT	D536	SW	I422	SECAM SW	O427	SECAM SW	Q526	IC BUFFER

A BOARD

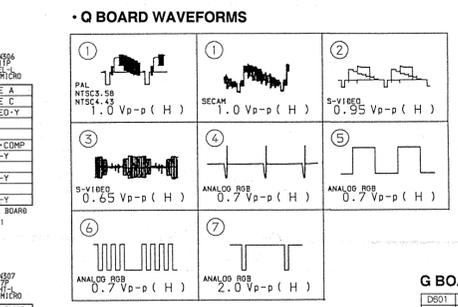
Ref	LOCATION	PVM-1350	PVM-1350
C517	H-11	0.018	0.00120V
C535	H-4	220P	-
C548	H-3	-	100P
C554	F-3	-	0.01
C555	F-3	-	10
G-5	-	-	0.047
O511	D-12	8.81	0.01100V
C1500	I-4	1000/10V	-
C1501	J-2	470/10V	100/10V
C1506	J-2	-	0.1
C1508	K-2	-	10
C1516	L-11	0.022	-
L-9	-	-	6P
D506	J-3	MA110	-
D520	E-3	MA151WK	-
D527	J-10	-	-
D641	E-4	MA151WK	-
K508	G-3	MC14538BP	-
K510	G-3	MC14538BP	-
O504	H-4	28C2412K	-
O509	J-3	DT1A4EK	-
O514	H-4	DT1A4EK	-
O518	D-10	DT1A4EK	-
R508	I-1	47K	-
R527	J-6	47K	-
R536	H-3	150K	-
R537	H-3	47K	-
R538	H-4	15K	-
R557	F-3	22K	-
R569	F-3	-	27K
R1544	A-8	2.2K	-
R1548	G-5	2.2K	-
R1552	H-3	56K	-
R1553	H-3	36K	-
R1568	J-2	22K	-
R1569	J-2	10K	-
R1570	E-4	10K	-
R1571	G-5	10K	-
R1572	G-5	150K	-
R1573	G-5	10K	-

A BOARD IC101 μ PD78012YCW





CAUTION (US MODEL ONLY)
This set is equipped with a polarized power cord plug (one blade of the plug is wider than the other). When replacing the power cord, be sure to connect it with specified part number as shown in this diagram.

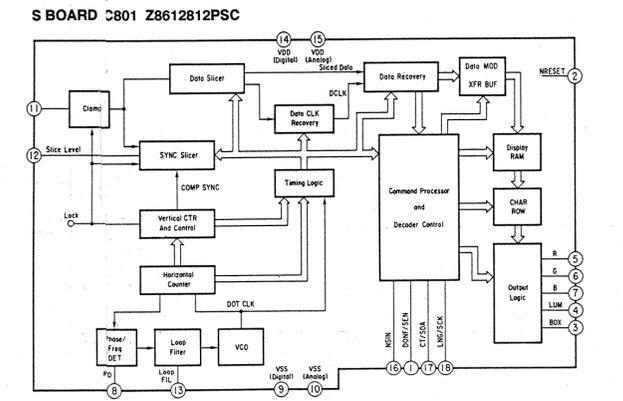
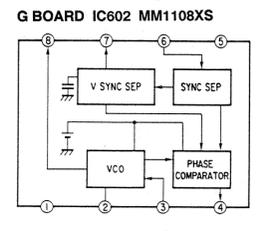
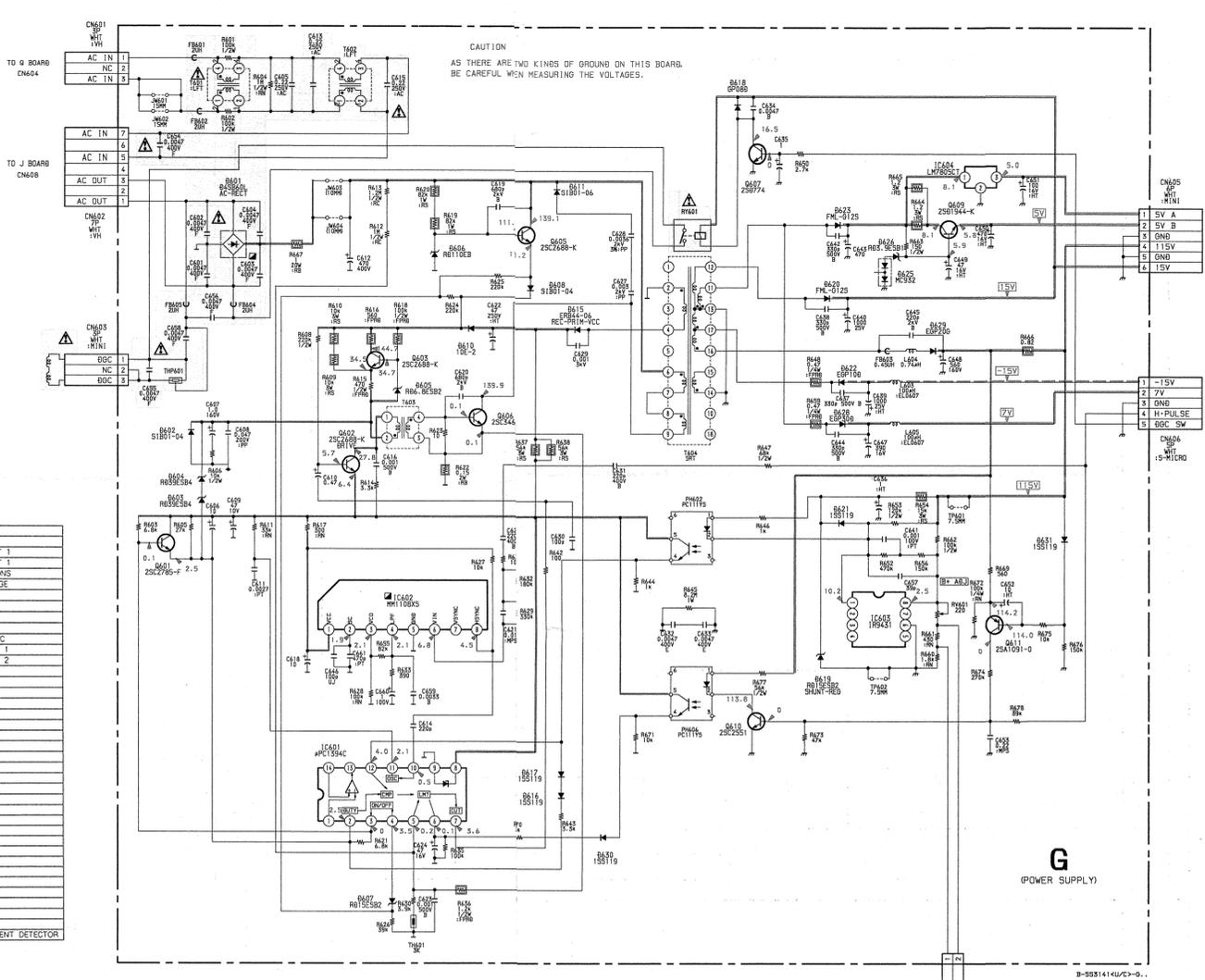


Q BOARD

Ref	LOCATION	PVM-1350	PVM-1351Q/1354Q
C2401	H-8	-	100P-CHIP
C2405	J-5	-	47 16V
C2406	H-6	-	1000P-CHIP
C2415	I-5	-	10 25V F-CHIP
C2416	H-4	-	47 16V
C2418	J-2	-	0.1 25V F-CHIP
C2422	J-2	-	0.1 25V F-CHIP
C2423	J-2	-	0.1 25V F-CHIP
C2424	J-2	-	0.1 25V F-CHIP
C2425	J-3	-	0.1 25V F-CHIP
C2426	J-3	-	0.1 25V F-CHIP
C2427	J-3	-	0.1 25V F-CHIP
C2428	K-3	-	0.1 25V F-CHIP
C2429	K-3	-	0.1 25V F-CHIP
C2470	K-3	-	0.1 25V F-CHIP
CH308	L-1	-	AP WHTL: S-MICOR
D2402	H-8	-	M8115
D2420	K-2	-	RD275B
D2421	K-2	-	RD275B
D2422	K-2	-	RD275B
D2423	K-2	-	RD275B
D2424	J-5	-	XRU4021BF
D2425	H-5	-	XRU4021BF
J2401	D-1	-	-
J2408	E-1	-	-
J2410	F-1	-	-
J2412	F-1	-	-
J2418	I-1	-	-
JR2401	D-2	0-CHIP	-
JR2402	E-2	0-CHIP	-
JR2403	F-2	0-CHIP	-
JR2404	F-2	0-CHIP	-
R2402	H-8	-	56K-CHIP
R2403	K-3	-	47K-CHIP
R2405	K-3	-	47K-CHIP
R2406	J-3	-	47K-CHIP
R2407	J-3	-	10K-CHIP
R2408	L-3	-	47K-CHIP
R2409	L-3	-	10K-CHIP
R2410	J-3	-	10K-CHIP
R2411	I-3	-	10K-CHIP
R2412	L-3	-	47K-CHIP
R2413	K-3	-	10K-CHIP
R2414	J-3	-	47K-CHIP
R2415	J-3	-	10K-CHIP
R2416	J-3	-	47K-CHIP
R2417	J-3	-	10K-CHIP
R2418	K-3	-	47K-CHIP
R2419	K-3	-	10K-CHIP
R2420	K-3	-	47K-CHIP
R2421	K-3	-	10K-CHIP
R2422	J-3	-	47K-CHIP
R2423	J-3	-	10K-CHIP
R2424	K-3	-	47K-CHIP
R2425	K-3	-	10K-CHIP
R2427	J-3	-	47K-CHIP
R2428	J-3	-	10K-CHIP
R2429	J-3	-	47K-CHIP
R2430	K-3	-	10K-CHIP
R2431	J-3	-	47K-CHIP
R2432	J-3	-	10K-CHIP
S2401	L-2	-	16: S COET

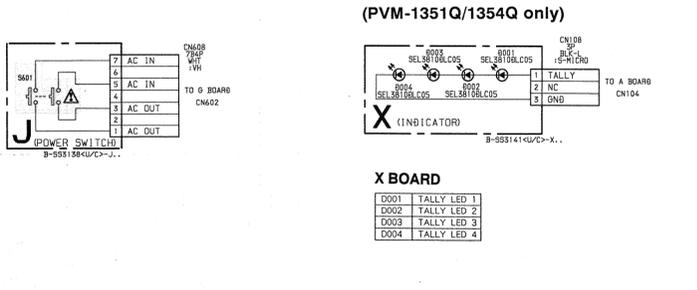
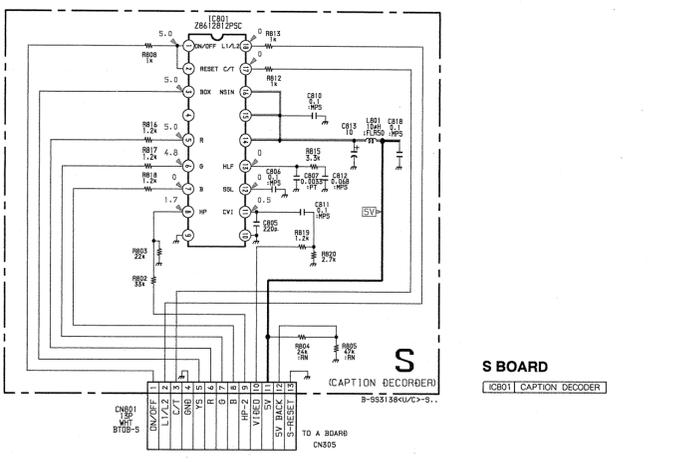
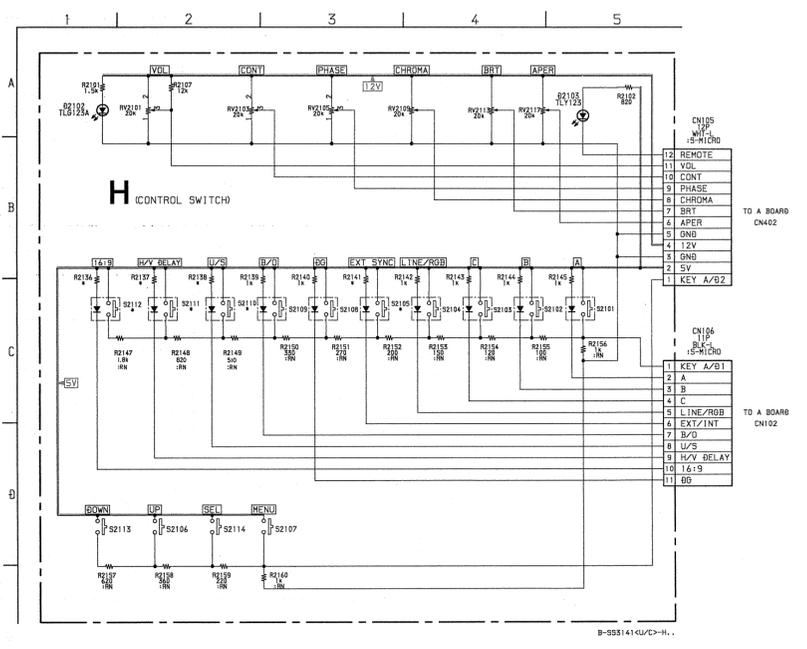
Q BOARD

D2402	SPEED UP
D2404	PROTECT
D2405	PROTECT
D2406	PROTECT
D2407	PROTECT
D2408	PROTECT
D2409	PROTECT
D2410	PROTECT
D2411	PROTECT
D2412	PROTECT
D2413	PROTECT
D2414	PROTECT
D2415	PROTECT
D2416	PROTECT
D2417	PROTECT
D2418	PROTECT
D2419	PROTECT
D2420	PROTECT
D2421	PROTECT
D2422	PROTECT
D2423	PROTECT
IC2401	SHIFT REGISTER
IC2402	SHIFT REGISTER
IC2403	AUDIO SW
IC2404	AUDIO SW
IC2405	VIDEO SW
Q2402	(A, RGB, BUFFER)
Q2403	(A, S, BUFFER)
Q2404	(A, B, BUFFER)
Q2405	(A, A, BUFFER)
Q2406	(S, B, BUFFER)
Q2407	(S, BUFFER)
Q2408	(G, BUFFER)
Q2409	(R, BUFFER)
Q2410	(C, BUFFER)
Q2411	(Y, BUFFER)
Q2412	(V, B, BUFFER)
Q2413	(V, A, BUFFER)
Q2414	(V, S, COET)

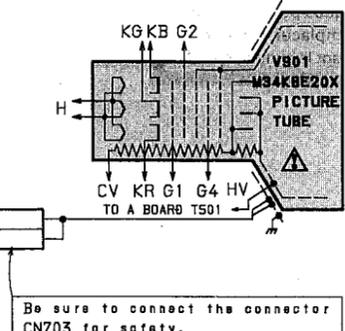
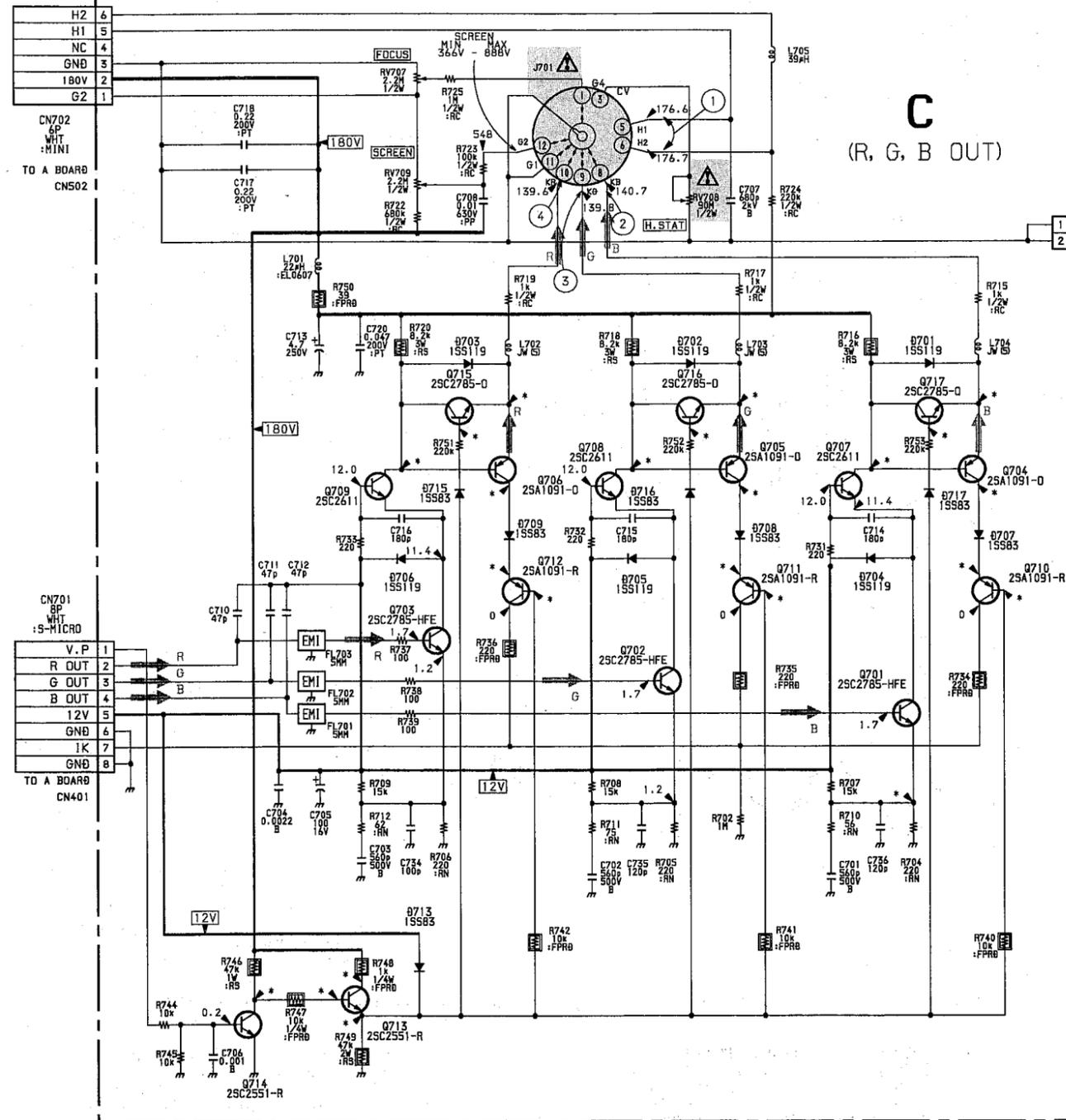


H BOARD

Ref	LOCATION	PVM-1350	PVM-1351Q/1354Q
D2103	A-5	-	820
R2102	B-1	-	560
R2137	B-1	-	560
R2138	B-1	-	560
R2139	B-3	-	560
G2105	C-2	-	0
S2110	C-2	-	0
S2111	C-1	-	0
S2112	C-1	-	0



1 2 3 4 5 6 7 8 9 10

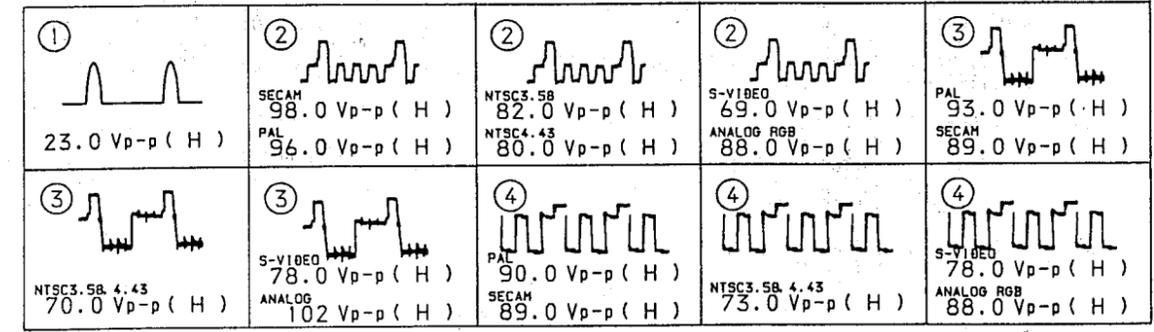


C BOARD * MARK

	PAL	SECAM	NTSC 3.58	NTSC 4.43	S-VIDEO	ANALOG RGB
Q701 B	2.0	1.9	1.73	1.8	1.8	2.0
E	1.4	1.3	1.1	1.1	1.2	1.4
Q702 B	2.0	1.9	1.7	1.7	1.8	2.0
E	1.5	1.3	1.1	1.1	1.2	1.4
Q703 B	1.9	1.8	1.6	1.6	1.8	1.9
E	1.3	1.2	1.0	1.0	1.2	1.3
Q704 B	143.6	148.0	153.9	153.4	144.9	143.8
C	129.0	134.3	135.4	134.5	31.2	111.5
E	139.7	144.4	150.3	149.6	140.4	140.1
Q705 B	141.7	145.8	154.9	154.2	145.0	141.8
C	124.9	130.2	132.3	130.4	60.4	106.6
E	138.3	142.3	151.3	150.6	140.7	138.5
Q706 B	149.7	151.5	160.4	159.8	144.9	148.6
C	134.5	138.3	141.2	141.1	103.2	114.7
E	146.2	148.0	157.1	156.4	140.8	145.0
Q707 C	143.8	148.0	154.0	153.4	144.9	143.7
Q708 C	141.9	145.9	155.2	154.3	145.0	141.8
Q709 C	149.8	151.5	160.6	159.9	144.9	148.5
Q710 B	172.8	173.1	174.3	173.9	167.0	173.5
E	160.9	164.0	162.9	162.2	154.0	161.2
Q711 B	172.8	173.2	174.3	173.9	167.0	173.5
C	160.6	161.0	162.3	161.8	154.1	161.3
Q712 B	172.9	173.2	174.0	174.2	167.0	173.5
E	161.6	163.6	164.1	164.8	154.5	161.4
Q713 B	172.8	173.2	173.9	173.9	166.8	173.5
C	184.2	184.5	184.7	184.6	176.6	183.8
E	173.3	173.6	174.3	174.3	167.2	173.9
Q714 C	173.6	173.7	174.5	174.4	167.4	174.1
Q715 B	146.7	148.6	157.6	157.0	140.3	145.7
C	149.5	151.5	160.6	159.9	144.9	148.5
E	146.1	148.0	157.2	156.5	140.7	145.0
Q716 B	139.2	143.3	152.5	151.5	140.7	139.4
C	141.7	145.8	155.2	154.2	145.1	141.8
E	138.2	142.3	151.4	150.5	140.6	138.4
Q717 B	140.9	145.4	151.7	150.8	140.6	141.2
C	143.6	148.0	154.1	153.4	144.9	143.8
E	139.8	144.4	150.5	149.6	140.4	140.0

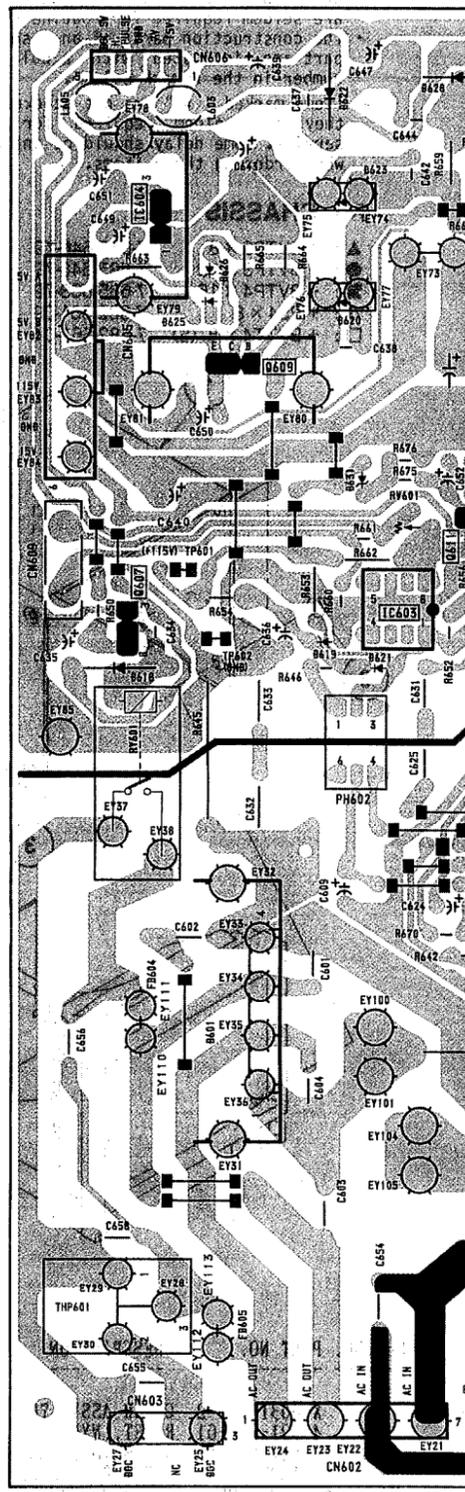
D701	PROTECT 1
D702	PROTECT 2
D703	PROTECT 3
D704	PROTECT 4
D705	PROTECT 5
D706	PROTECT 6
D707	PROTECT 7
D708	PROTECT 8
D709	PROTECT 9
D713	PROTECT 10
D715	PROTECT 11
D716	PROTECT 12
D717	PROTECT 13
Q701	B DRIVE
Q702	G DRIVE
Q703	R DRIVE
Q704	B BUFF
Q705	G BUFF
Q706	R BUFF
Q707	B OUT
Q708	G OUT
Q709	R OUT
Q710	IK SW 1
Q711	IK SW 2
Q712	IK SW 3
Q713	V. BLK OUT
Q714	V. BLK INT
Q715	TRACE SW 1
Q716	TRACE SW 2
Q717	TRACE SW 3

C BOARD WAVEFORMS



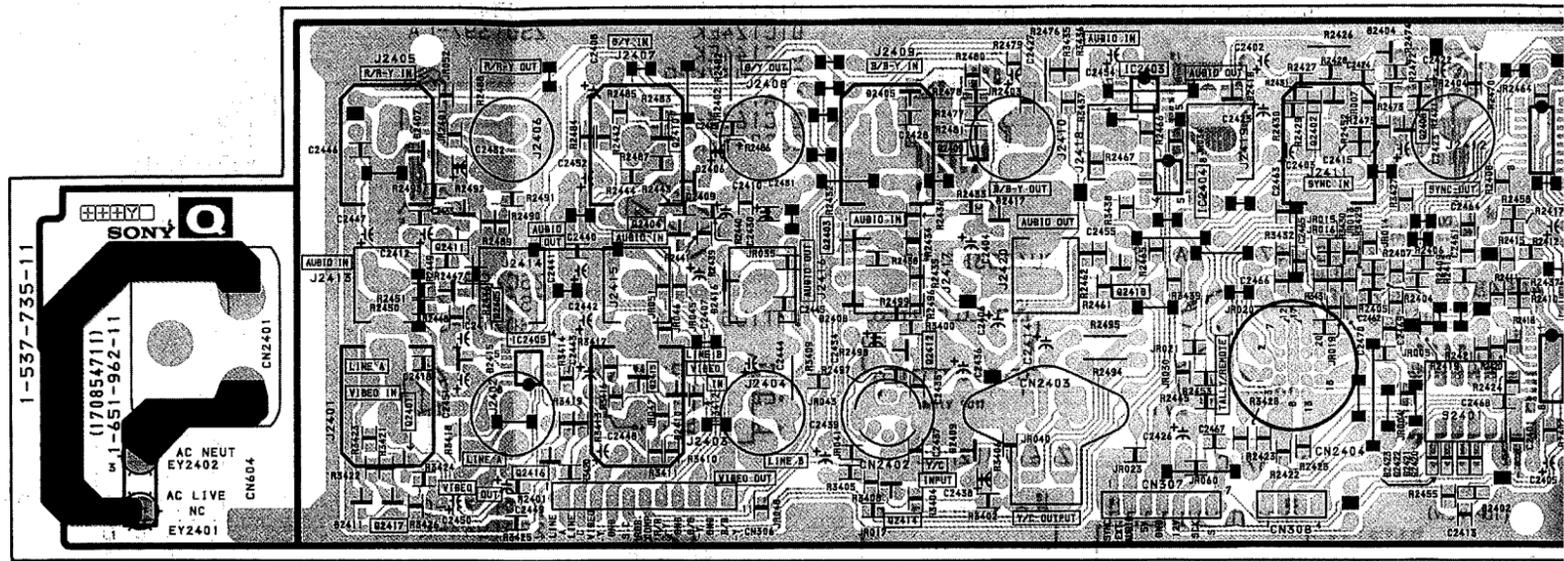
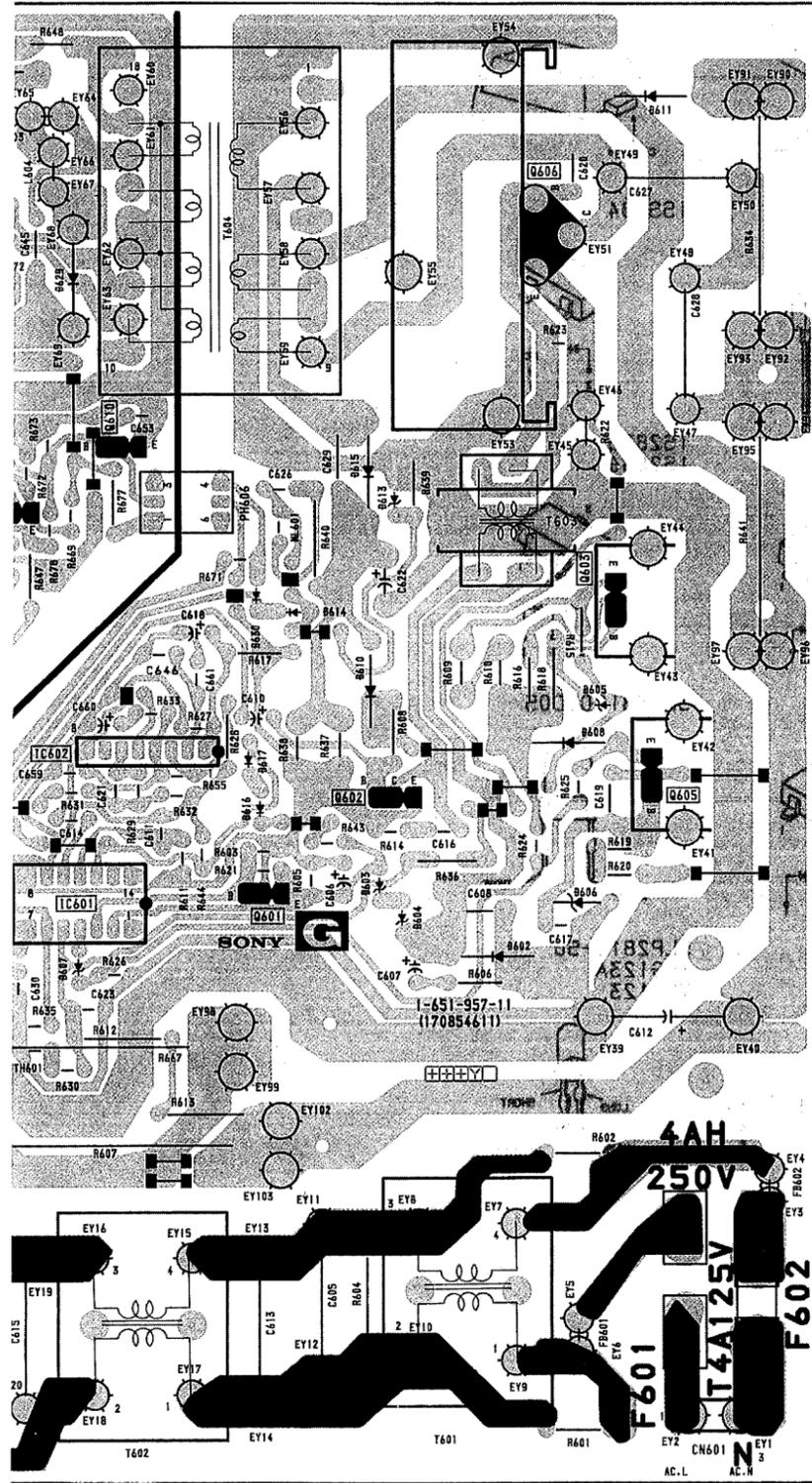
G [POWER SUPPLY] Q [VIDEO R. G.]

G BOARD

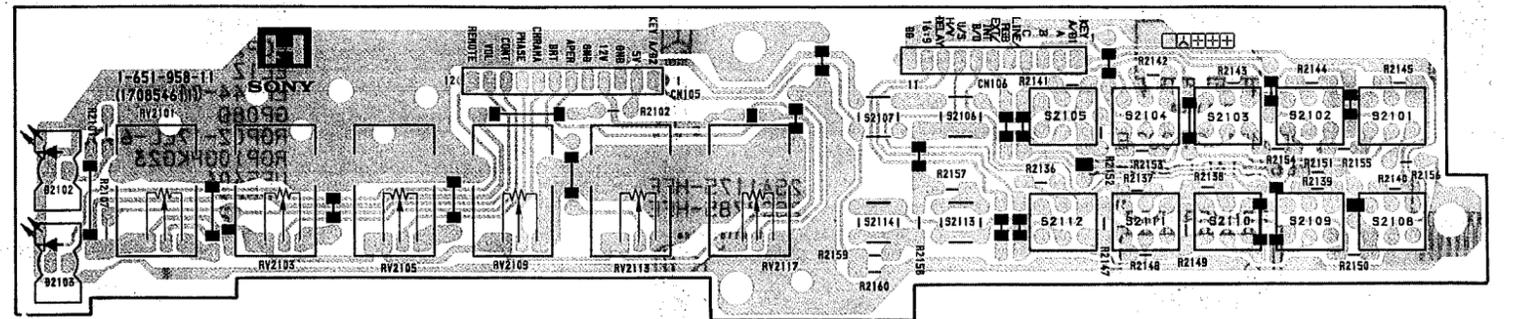


IN, VIDEO SW, Y/C-VIDEO IN/OUT, 3 SIGNAL INPUT, AUDIO IN, AUDIO SW **H** [CONTROL SWITCH] **X** [INDICATOR] **J** [POWER SWITCH] **C** [R. G. B OUT] **S** [CAPTION DECORDER]

- Q BOARD -



- H BOARD -

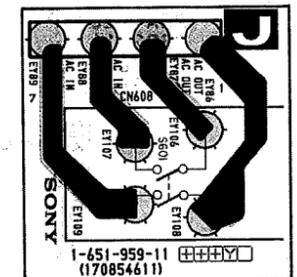


(PVM-1351Q/1354Q only)

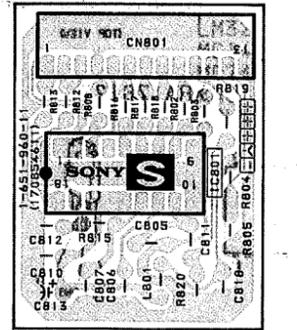
- X BOARD -



- J BOARD -

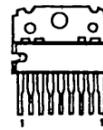


- S BOARD -

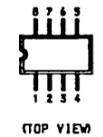


6-5. SEMICONDUCTORS

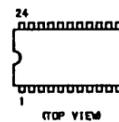
AN5265



BA7655AF-E2
LM358D
NJM2245M
XRA4558F
XRA10393F



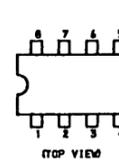
CXA1214P



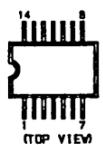
CXA1478S



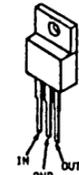
IR9431
ST24C02AB1



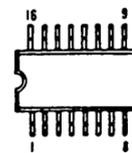
LM324D
MC14024BF
MC74HC36F
XRU4066BF-E2
XRU4584BF



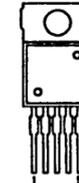
LM7805CT



MC14094BF



MC14538BF



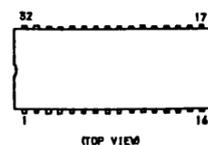
MM1108XS



MM1148XF
MM1149XF



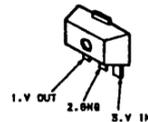
M51279FP



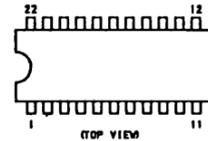
M62358FP-E1



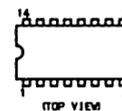
S-80743AL-A7-S



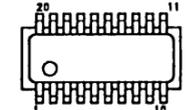
μPC1377C



μPC1394C



μPD6451AGT-632-E2
μPD6451AGT-629-E2



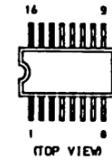
μPD78013YCW-Y03



XRA17812T



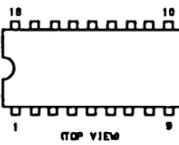
XRU4052BF



XRU4053BF-E2



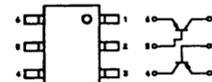
Z8612812PSC



ØTA144EK
ØTC124EK
ØTC144EK
2SA1037K-Q
2SA1162-G
2SC1623-L5L6
2SC2412K



IMT1US



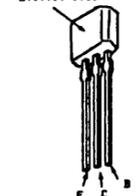
IMX1



2SA1091-0
2SC25510
2SC2551-R0



2SA1175-HFE
2SC2785-HFE



2SA1220A-P
2SC2611
2SC2688-LK
2SC2690A-Q



2SC3460
2SØ1397-CA



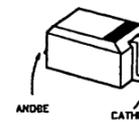
2SC2958-L
2SØ774-3
2SØ774-34



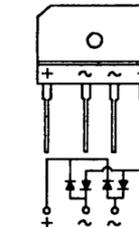
2SØ1134-C
2SØ1944-K



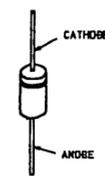
ØTZ11B
ØTZ13C
ØTZ3.6A
ØTZ5.6B
ØTZ6.2
MA110
RD4.75B
1SV232-TPH3
1SV230-TPHR3



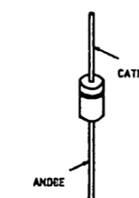
Ø45B60L



EGP10Ø
EGP30Ø
EGP20G
EL1Z
ERB44-06
GP08Ø
RGP02-17EL-6433
RGP10GPKG23
UF5406
15S83
10E-2



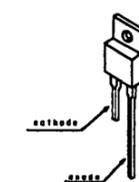
ERC06-15S
RH-1A
RH-1Z
RU-3AM
S1B01-04
S1B01-06



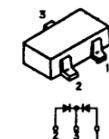
ERC38-06
V19E
V19G



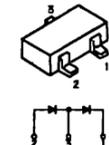
FML-G12S



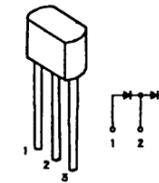
MA151WK



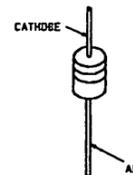
MA157
15S226



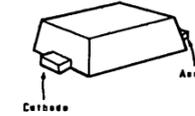
MC932



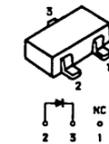
RØ110EB
RØ15ES-B2
RØ3.9ES-B1
RØ39ES-B4
RØ6.8ES-B2
15S119



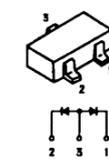
RØ10SBL



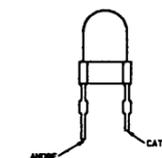
15S184



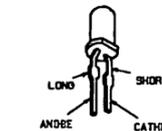
152835
152836



SEL3810ØLC05



SLP281C-50
TLG123A
TLY123



**SECTION 7
EXPLODED VIEWS**

NOTE:

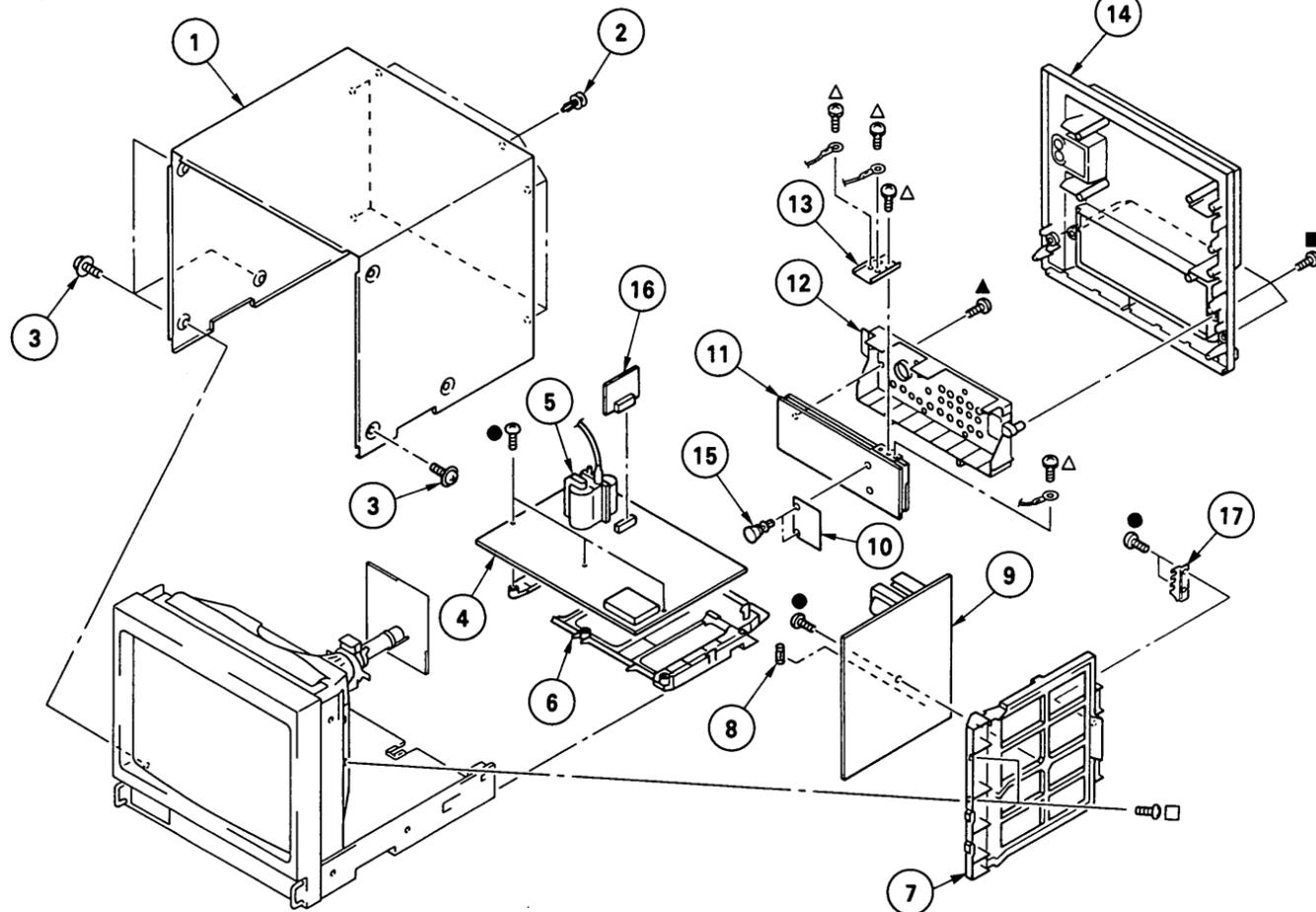
- Items with no part number and no description are not stocked because they are seldom required for routine service.
- The construction parts of an assembled part are indicated with a collation number in the remark column.
- Items marked " * " are not stocked since they are seldom required for routine service. Some delay should be anticipated when ordering these items.

The components identified by shading and mark **△** are critical for safety. Replace only with part number specified.

Les composants identifiés par une trame et une marque **△** sont critiques pour la sécurité. Ne les remplacer que par une pièce portant le numéro spécifié.

7-1. CHASSIS

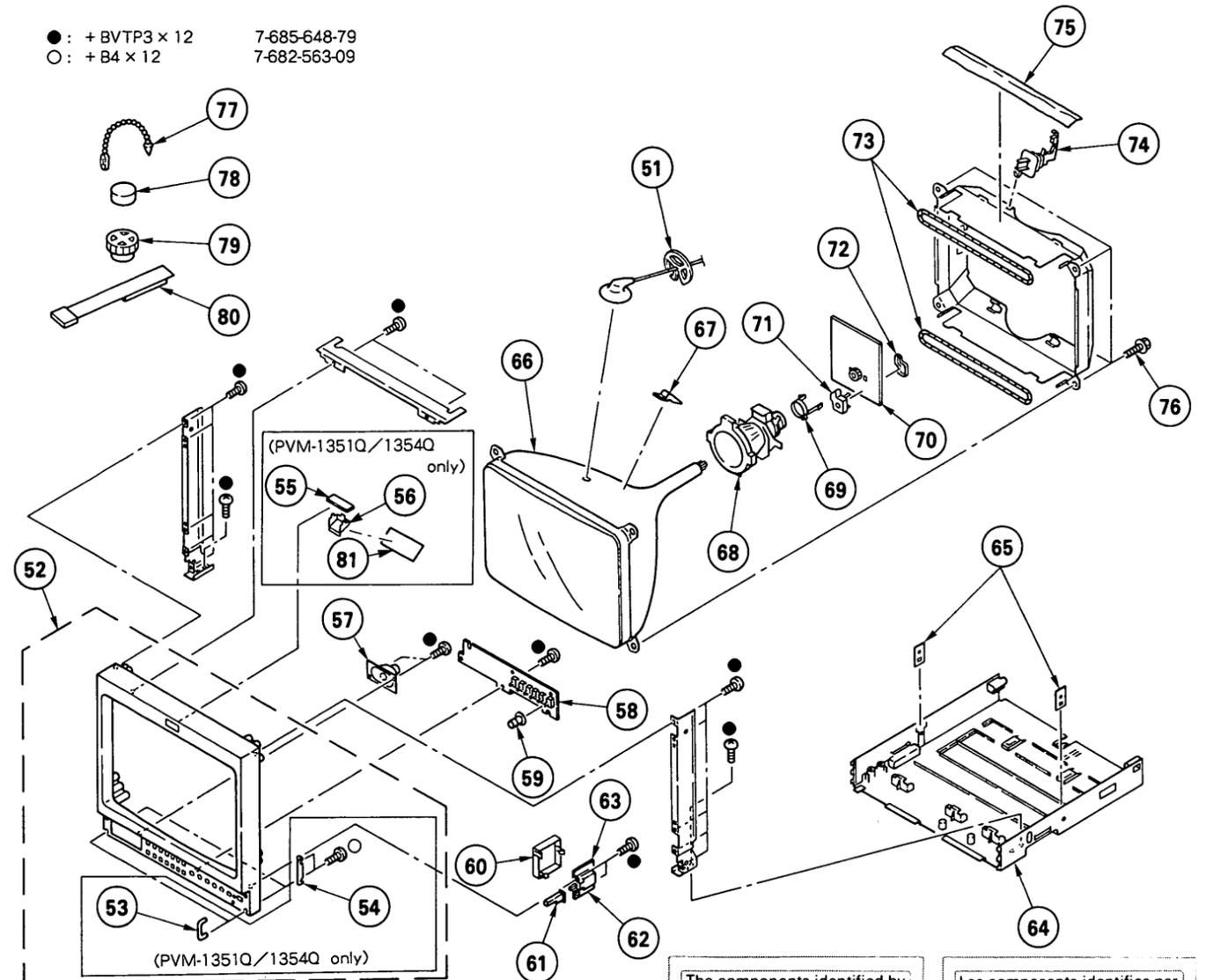
- ▲: + BVTP3 × 8 7-685-646-79
- : + BVTP3 × 12 7-685-648-79
- : + BVTP4 × 16 7-685-663-79
- △: + PS4 × 8 7-682-661-09
- : + BVTT4 × 8 (S) 7-682-561-04



REF. NO.	PART NO.	DESCRIPTION	REMARK	REF. NO.	PART NO.	DESCRIPTION	REMARK
1	X-4031-775-2	COVER ASSY, TOP		10	*4-044-053-01	SHEET, AC COVER	
2	4-391-825-01	RIVET, NYLON		11	1-537-735-11	TERMINAL BOARD ASSY, I/O (A) (PVM-1351Q/1354Q)	
3	4-847-802-11	SCREW (OS), CASE, CLAW		12	1-537-735-21	TERMINAL BOARD ASSY, I/O (B) (PVM-1350)	
4	*A-1297-195-A	A BOARD, COMPLETE (PVM-1351Q/1354Q)		13	4-043-688-01	PANEL, CONNECTOR (PVM-1351Q/1354Q)	
	*A-1297-196-A	A BOARD, COMPLETE (PVM-1350)		14	4-043-688-11	PANEL, CONNECTOR (PVM-1350)	
5	△ 1-453-163-11	TRANSFORMER ASSY, FLYBACK		15	*4-043-678-01	TERMINAL, GROUND	
6	*4-043-690-01	BRACKET, MAIN		16	4-043-687-01	COVER, REAR	
7	*4-043-689-01	BRACKET, G		17	4-386-618-01	RIVET, T TYPE	
8	△ 1-532-746-11	FUSE, GLASS TUBE (4.0A/125V)		18	*A-1390-391-A	S BOARD, COMPLETE	
9	*A-1316-174-A	G BOARD, COMPLETE		19	*4-044-256-01	SHEET METAL, G REINFORCEMENT	

7-2. PICTURE TUBE

- : + BVTP3 × 12 7-685-648-79
- : + B4 × 12 7-682-563-09



The components identified by shading and mark **△** are critical for safety. Replace only with part number specified.

Les composants identifiés par une trame et une marque **△** sont critiques pour la sécurité. Ne les remplacer que par une pièce portant le numéro spécifié.

REF. NO.	PART NO.	DESCRIPTION	REMARK	REF. NO.	PART NO.	DESCRIPTION	REMARK
51	*3-704-372-01	HOLDER, HV CABLE		68	△ 1-451-329-11	DEFLECTION YOKE (Y14F2A)	
52	X-4031-757-1	BEZEL ASSY (PVM-1350)	53, 54	69	*4-382-050-01	BAND, C PC BOARD	
	X-4031-756-1	BEZEL ASSY (PVM-1354Q)	53, 54	70	*A-1331-299-A	C BOARD, COMPLETE	
	X-4031-756-2	BEZEL ASSY (PVM-1351Q)	53, 54	71	*4-374-912-01	COVER (MAIN), CV VOL	
53	4-043-680-01	HANDLE, PROTECTOR (PVM-1351Q/1354Q)		72	*4-374-913-01	COVER (REAR LID), CV VOL	
54	*4-043-679-01	REINFORCEMENT, HANDLE (PVM-1351Q/1354Q)		73	△ 1-426-442-21	COIL, DEMAGNETIZATION	
55	*A-1390-390-A	X BOARD, COMPLETE (PVM-1351Q/1354Q)		74	4-033-681-01	HOLDER, LEAD	
56	*4-043-682-01	REFLECTOR, LED (PVM-1351Q/1354Q)		75	4-391-833-01	CLOTH, PROTECTION	
57	1-544-063-12	SPEAKER		76	4-365-808-01	SCREW (5), TAPPING	
58	*A-1371-971-A	H BOARD, COMPLETE (PVM-1351Q/1354Q)		77	4-308-870-00	CLIP, LEAD WIRE	
	*A-1371-972-A	H BOARD, COMPLETE (PVM-1350)		78	1-452-032-00	MAGNET, DISK; 10MM φ	
59	X-4030-162-2	KNOB ASSY, CONTROL		79	1-452-094-00	MAGNET, ROTATABLE DISK; 15MM φ	
60	4-043-681-01	COVER, AC SWITCH		80	X-4309-608-0	PERMALLOY ASSY, CONVERGENCE	
61	4-043-683-01	BUTTON, POWER SWITCH		81	4-044-606-01	CUSHION, TALLY	
62	△ 1-692-921-11	SWITCH, PUSH (A.C. POWER)					
63	*A-1388-166-A	J BOARD, COMPLETE					
64	X-4031-711-1	CABINET ASSY, BOTTOM					
65	4-042-608-01	NUT, PLATE					
66	△ 8-734-822-05	PICTURE TUBE (M34KBE20X) (PVM-1354Q)					
	△ 8-736-255-05	PICTURE TUBE (A34JHS12X) (PVM-1350/1351Q)					
67	3-703-961-01	SPACER, DY					

SECTION 8 ELECTRICAL PARTS LIST

PVM-1350/1351Q/1354Q

A (PVM-1351Q/1354Q)

NOTE:

The components identified by shading and mark **△** are critical for safety.
Replace only with part number specified.

Les composants identifiés par une trame et une marque **△** sont critiques pour la sécurité.
Ne les remplacer que par une pièce portant le numéro spécifié.

• Items marked " * " are not stocked since they are seldom required for routine service. Some delay should be anticipated when ordering these items.

• All variable and adjustable resistors have characteristic curve B, unless otherwise noted.

RESISTORS

• All resistors are in ohms
• F : nonflammable

When indicating parts by reference number, please include the board name.

CAPACITORS

COILS

• MF : μ F, PF : μ μ F

• MMH : mH, UH : μ H

• The components identified by **☒** in this manual have been carefully factory-selected for each set in order to satisfy regulations regarding X-ray radiation. Should replacement be required, replace only with the value originally used.

• * : Selected to yield optimum performance.

• There are some cases the reference number on one board overlaps on the other board. Therefore, when ordering parts by the reference number, please include the board name.

REF.NO.	PART NO.	DESCRIPTION	REMARK	REF.NO.	PART NO.	DESCRIPTION	REMARK
*A-1297-195-A		A BOARD, COMPLETE (PVM-1351Q/1354Q) *****		C171	1-163-251-11	CERAMIC CHIP 100PF	5% 50V
	1-540-044-11	SOCKET, IC		C172	1-163-243-11	CERAMIC CHIP 47PF	5% 50V
	*4-030-359-01	HEAT SINK, H. PIN		C173	1-163-243-11	CERAMIC CHIP 47PF	5% 50V
	*4-043-154-01	HOLDER, IC		C174	1-163-243-11	CERAMIC CHIP 47PF	5% 50V
	*4-043-994-01	PLATE (CF), SHIELD		C200	1-124-927-11	ELECT 4.7MF	20% 50V
	4-363-414-00	SPACER, MICA					
	4-382-854-11	SCREW (M3X10), P. SW (+)		C201	1-106-383-00	MYLAR 0.047MF	10% 100V
				C202	1-163-017-00	CERAMIC CHIP 0.0047MF	10% 50V
				C203	1-124-927-11	ELECT 4.7MF	20% 50V
				C204	1-124-907-11	ELECT 10MF	20% 50V
				C205	1-124-360-00	ELECT 1000MF	20% 16V
				C206	1-126-375-11	ELECT 100MF	20% 25V
				C207	1-124-478-11	ELECT 100MF	20% 25V
				C208	1-124-907-11	ELECT 10MF	20% 50V
				C209	1-124-927-11	ELECT 4.7MF	20% 50V
				C300	1-163-031-11	CERAMIC CHIP 0.01MF	50V
				C304	1-164-004-11	CERAMIC CHIP 0.1MF	10% 25V
				C305	1-163-125-00	CERAMIC CHIP 220PF	5% 50V
				C306	1-163-031-11	CERAMIC CHIP 0.01MF	50V
				C309	1-163-031-11	CERAMIC CHIP 0.01MF	50V
				C310	1-164-004-11	CERAMIC CHIP 0.1MF	10% 25V
				C311	1-163-809-11	CERAMIC CHIP 0.047MF	10% 25V
				C312	1-124-925-11	ELECT 2.2MF	20% 50V
				C313	1-163-145-00	CERAMIC CHIP 0.0015MF	5% 50V
				C314	1-163-249-11	CERAMIC CHIP 82PF	5% 50V
				C315	1-124-907-11	ELECT 10MF	20% 50V
				C316	1-124-477-11	ELECT 47MF	20% 25V
				C317	1-163-097-00	CERAMIC CHIP 15PF	5% 50V
				C318	1-124-907-11	ELECT 10MF	20% 50V
				C319	1-163-222-11	CERAMIC CHIP 5PF	0.25PF 50V
				C320	1-163-031-11	CERAMIC CHIP 0.01MF	50V
				C322	1-163-119-00	CERAMIC CHIP 120PF	5% 50V
				C323	1-163-097-00	CERAMIC CHIP 15PF	5% 50V
				C324	1-163-235-11	CERAMIC CHIP 22PF	5% 50V
				C325	1-124-907-11	ELECT 10MF	20% 50V
				C326	1-164-004-11	CERAMIC CHIP 0.1MF	10% 25V
				C327	1-164-004-11	CERAMIC CHIP 0.1MF	10% 25V
				C328	1-163-031-11	CERAMIC CHIP 0.01MF	50V
				C329	1-163-251-11	CERAMIC CHIP 100PF	5% 50V
				C330	1-163-243-11	CERAMIC CHIP 47PF	5% 50V
				C331	1-163-097-00	CERAMIC CHIP 15PF	5% 50V
				C332	1-164-004-11	CERAMIC CHIP 0.1MF	10% 25V
				C333	1-163-031-11	CERAMIC CHIP 0.01MF	50V
				C334	1-163-141-00	CERAMIC CHIP 0.001MF	5% 50V
				C335	1-163-141-00	CERAMIC CHIP 0.001MF	5% 50V
				C336	1-124-477-11	ELECT 47MF	20% 25V
				C337	1-163-031-11	CERAMIC CHIP 0.01MF	50V
				C338	1-163-119-00	CERAMIC CHIP 120PF	5% 50V
				C339	1-163-097-00	CERAMIC CHIP 15PF	5% 50V
				C340	1-163-031-11	CERAMIC CHIP 0.01MF	50V
				C341	1-163-119-00	CERAMIC CHIP 120PF	5% 50V
				C342	1-163-018-00	CERAMIC CHIP 0.0056MF	10% 50V

A (PVM-1351Q/1354Q)

REF. NO.	PART NO.	DESCRIPTION	REMARK	REF. NO.	PART NO.	DESCRIPTION	REMARK
C343	1-163-031-11	CERAMIC CHIP 0.01MF		C409	1-163-031-11	CERAMIC CHIP 0.01MF	
C344	1-163-141-00	CERAMIC CHIP 0.001MF	5%				
C345	1-163-141-00	CERAMIC CHIP 0.001MF	5%	C410	1-124-916-11	ELECT 22MF	20%
C346	1-124-903-11	ELECT 1MF	20%	C411	1-164-004-11	CERAMIC CHIP 0.1MF	10%
C347	1-163-243-11	CERAMIC CHIP 47PF	5%	C414	1-163-031-11	CERAMIC CHIP 0.01MF	
				C415	1-124-907-11	ELECT 10MF	20%
C348	1-164-004-11	CERAMIC CHIP 0.1MF	10%	C416	1-164-232-11	CERAMIC CHIP 0.01MF	10%
C349	1-163-141-00	CERAMIC CHIP 0.001MF	5%				
C350	1-163-141-00	CERAMIC CHIP 0.001MF	5%	C417	1-164-232-11	CERAMIC CHIP 0.01MF	10%
C351	1-124-477-11	ELECT 47MF	20%	C418	1-164-182-11	CERAMIC CHIP 0.0033MF	10%
C352	1-163-031-11	CERAMIC CHIP 0.01MF		C419	1-124-472-11	ELECT 470MF	20%
				C420	1-163-809-11	CERAMIC CHIP 0.047MF	10%
C353	1-165-319-11	CERAMIC CHIP 0.1MF		C421	1-164-222-11	CERAMIC CHIP 0.22MF	25V
C354	1-163-121-00	CERAMIC CHIP 150PF	5%				
C355	1-124-903-11	ELECT 1MF	20%	C422	1-124-903-11	ELECT 1MF	20%
C356	1-124-927-11	ELECT 4.7MF	20%	C423	1-163-809-11	CERAMIC CHIP 0.047MF	10%
C357	1-163-031-11	CERAMIC CHIP 0.01MF		C424	1-163-809-11	CERAMIC CHIP 0.047MF	10%
				C425	1-163-031-11	CERAMIC CHIP 0.01MF	
C358	1-163-031-11	CERAMIC CHIP 0.01MF		C426	1-163-243-11	CERAMIC CHIP 47PF	5%
C359	1-124-477-11	ELECT 47MF	20%				
C360	1-164-232-11	CERAMIC CHIP 0.01MF	10%	C427	1-163-031-11	CERAMIC CHIP 0.01MF	
C361	1-163-031-11	CERAMIC CHIP 0.01MF		C428	1-124-119-00	ELECT 330MF	20%
C362	1-163-031-11	CERAMIC CHIP 0.01MF		C429	1-163-031-11	CERAMIC CHIP 0.01MF	
				C430	1-124-119-00	ELECT 330MF	20%
C363	1-163-099-00	CERAMIC CHIP 18PF	5%	C431	1-165-319-11	CERAMIC CHIP 0.1MF	
C364	1-163-031-11	CERAMIC CHIP 0.01MF					
C365	1-106-343-00	MYLAR 0.001MF	10%	C432	1-164-004-11	CERAMIC CHIP 0.1MF	10%
C366	1-163-031-11	CERAMIC CHIP 0.01MF		C433	1-163-235-11	CERAMIC CHIP 22PF	5%
C367	1-163-031-11	CERAMIC CHIP 0.01MF		C434	1-163-031-11	CERAMIC CHIP 0.01MF	
				C435	1-163-089-00	CERAMIC CHIP 6PF	0.25PF
C368	1-124-907-11	ELECT 10MF	20%	C436	1-164-004-11	CERAMIC CHIP 0.1MF	10%
C369	1-164-298-11	CERAMIC CHIP 0.15MF	10%				
C370	1-124-477-11	ELECT 47MF	20%	C437	1-164-004-11	CERAMIC CHIP 0.1MF	10%
C371	1-124-477-11	ELECT 47MF	20%	C438	1-163-809-11	CERAMIC CHIP 0.047MF	10%
C372	1-163-031-11	CERAMIC CHIP 0.01MF		C439	1-163-809-11	CERAMIC CHIP 0.047MF	10%
				C440	1-163-031-11	CERAMIC CHIP 0.01MF	
C373	1-163-141-00	CERAMIC CHIP 0.001MF	5%	C441	1-126-962-11	ELECT 3.3MF	20%
C374	1-124-903-11	ELECT 1MF	20%				
C375	1-163-125-00	CERAMIC CHIP 220PF	5%	C442	1-163-809-11	CERAMIC CHIP 0.047MF	10%
C376	1-124-902-00	ELECT 0.47MF	20%	C443	1-163-243-11	CERAMIC CHIP 47PF	5%
C377	1-163-809-11	CERAMIC CHIP 0.047MF	10%	C444	1-165-319-11	CERAMIC CHIP 0.1MF	
				C445	1-163-809-11	CERAMIC CHIP 0.047MF	10%
C378	1-163-809-11	CERAMIC CHIP 0.047MF	10%	C446	1-163-089-00	CERAMIC CHIP 6PF	0.25PF
C379	1-163-031-11	CERAMIC CHIP 0.01MF					
C380	1-124-472-11	ELECT 470MF	20%	C447	1-163-263-11	CERAMIC CHIP 330PF	5%
C381	1-163-031-11	CERAMIC CHIP 0.01MF		C448	1-163-243-11	CERAMIC CHIP 47PF	5%
C382	1-163-243-11	CERAMIC CHIP 47PF	5%	C449	1-163-227-11	CERAMIC CHIP 10PF	0.5PF
				C450	1-163-809-11	CERAMIC CHIP 0.047MF	10%
C383	1-124-477-11	ELECT 47MF	20%	C451	1-164-004-11	CERAMIC CHIP 0.1MF	10%
C384	1-163-249-11	CERAMIC CHIP 82PF	5%				
C385	1-124-477-11	ELECT 47MF	20%	C452	1-163-263-11	CERAMIC CHIP 330PF	5%
C386	1-124-907-11	ELECT 10MF	20%	C453	1-163-031-11	CERAMIC CHIP 0.01MF	
C387	1-163-141-00	CERAMIC CHIP 0.001MF	5%	C454	1-163-243-11	CERAMIC CHIP 47PF	5%
				C455	1-163-263-11	CERAMIC CHIP 330PF	5%
C388	1-124-907-11	ELECT 10MF	20%	C456	1-163-089-00	CERAMIC CHIP 6PF	0.25PF
C389	1-124-477-11	ELECT 47MF	20%				
C390	1-163-243-11	CERAMIC CHIP 47PF	5%	C457	1-163-031-11	CERAMIC CHIP 0.01MF	
C391	1-124-477-11	ELECT 47MF	20%	C458	1-163-249-11	CERAMIC CHIP 82PF	5%
C392	1-164-298-11	CERAMIC CHIP 0.15MF	10%	C459	1-165-319-11	CERAMIC CHIP 0.1MF	
				C460	1-164-004-11	CERAMIC CHIP 0.1MF	10%
C393	1-164-298-11	CERAMIC CHIP 0.15MF	10%	C461	1-163-119-00	CERAMIC CHIP 120PF	5%
C394	1-124-477-11	ELECT 47MF	20%				
C395	1-163-235-11	CERAMIC CHIP 22PF	5%	C462	1-163-031-11	CERAMIC CHIP 0.01MF	
C396	1-164-299-11	CERAMIC CHIP 0.22MF	10%	C463	1-163-031-11	CERAMIC CHIP 0.01MF	
C397	1-124-477-11	ELECT 47MF	20%	C464	1-164-299-11	CERAMIC CHIP 0.22MF	10%
				C465	1-163-097-00	CERAMIC CHIP 15PF	5%
C398	1-124-477-11	ELECT 47MF	20%	C466	1-163-119-00	CERAMIC CHIP 120PF	5%
C399	1-124-477-11	ELECT 47MF	20%				
C400	1-164-232-11	CERAMIC CHIP 0.01MF	10%	C467	1-163-119-00	CERAMIC CHIP 120PF	5%
C401	1-164-346-11	CERAMIC CHIP 1MF	16V	C469	1-163-037-11	CERAMIC CHIP 0.022MF	10%
C402	1-124-910-11	ELECT 47MF	20%	C470	1-163-243-11	CERAMIC CHIP 47PF	5%
				C471	1-163-105-00	CERAMIC CHIP 33PF	5%
C403	1-164-232-11	CERAMIC CHIP 0.01MF	10%	C472	1-163-031-11	CERAMIC CHIP 0.01MF	
C406	1-124-916-11	ELECT 22MF	20%				
C407	1-124-477-11	ELECT 47MF	20%	C473	1-163-031-11	CERAMIC CHIP 0.01MF	
C408	1-164-232-11	CERAMIC CHIP 0.01MF	10%	C475	1-163-031-11	CERAMIC CHIP 0.01MF	

The components identified by shading and mark Δ are critical for safety. Replace only with part number specified.

Les composants identifiés par une trame et une marque Δ sont critiques pour la sécurité. Ne les remplacer que par une pièce portant le numéro spécifié.

PVM-1350/1351Q/1354Q

A (PVM-1351Q/1354Q)

REF. NO.	PART NO.	DESCRIPTION	REMARK	REF. NO.	PART NO.	DESCRIPTION	REMARK
C476	1-163-031-11	CERAMIC CHIP 0.01MF	50V	C549	1-124-667-11	ELECT 10MF 20%	50V
C477	1-164-299-11	CERAMIC CHIP 0.22MF	10% 25V	C550	1-126-163-11	ELECT 4.7MF	20% 50V
C478	1-124-907-11	ELECT 10MF	20% 50V	C551	1-106-375-12	MYLAR 0.022MF	10% 100V
C479	1-163-121-00	CERAMIC CHIP 150PF	5% 50V	C552	1-126-336-11	ELECT 220MF	20% 25V
C482	1-124-472-11	ELECT 470MF	20% 10V	C554	1-130-736-11	FILM 0.01MF	5% 50V
C483	1-163-249-11	CERAMIC CHIP 82PF	5% 50V	C555	1-124-907-11	ELECT 10MF	20% 50V
C484	1-163-113-00	CERAMIC CHIP 68PF	5% 50V	C556	1-124-907-11	ELECT 10MF	20% 50V
C485	1-163-113-00	CERAMIC CHIP 68PF	5% 50V	C557	1-106-381-12	MYLAR 0.039MF	10% 100V
C486	1-163-249-11	CERAMIC CHIP 82PF	5% 50V	C558	1-124-903-11	ELECT 1MF	20% 50V
C487	1-163-235-11	CERAMIC CHIP 22PF	5% 50V	C559	1-136-173-00	FILM 0.47MF	5% 50V
C488	1-163-097-00	CERAMIC CHIP 15PF	5% 50V	C561	1-136-159-00	FILM 0.033MF	5% 50V
C490	1-164-336-11	CERAMIC CHIP 0.33MF	25V	C562	1-163-249-11	CERAMIC CHIP 82PF	5% 50V
C491	1-164-336-11	CERAMIC CHIP 0.33MF	25V	C564	1-124-907-11	ELECT 10MF	20% 50V
C492	1-164-336-11	CERAMIC CHIP 0.33MF	25V	C565	1-124-903-11	ELECT 1MF	20% 50V
C493	1-104-760-11	CERAMIC CHIP 0.047MF	10% 50V	C566	1-106-367-00	MYLAR 0.01MF	10% 100V
C494	1-104-760-11	CERAMIC CHIP 0.047MF	10% 50V	C567	1-136-499-11	FILM 0.047MF	5% 50V
C495	1-124-907-11	ELECT 10MF	20% 50V	C568	1-124-903-11	ELECT 1MF	20% 50V
C496	1-163-249-11	CERAMIC CHIP 82PF	5% 50V	C569	1-131-351-00	TANTALUM 4.7MF	10% 25V
C497	1-163-011-11	CERAMIC CHIP 0.0015MF	10% 50V	C570	1-124-360-00	ELECT 1000MF	20% 16V
C498	1-124-925-11	ELECT 2.2MF	20% 50V	C571	1-164-232-11	CERAMIC CHIP 0.01MF	10% 50V
C499	1-163-031-11	CERAMIC CHIP 0.01MF	50V	C572	1-104-709-11	ELECT 4.7MF	0 160V
C500	1-164-004-11	CERAMIC CHIP 0.1MF	10% 25V	C573	1-136-173-00	FILM 0.47MF	5% 50V
C501	1-164-182-11	CERAMIC CHIP 0.0033MF	10% 50V	C574	1-249-383-11	CARBON 1.5	5% 1/4W
C502	1-163-141-00	CERAMIC CHIP 0.001MF	5% 50V	C575	1-163-031-11	CERAMIC CHIP 0.01MF	50V
C503	1-163-251-11	CERAMIC CHIP 100PF	5% 50V	C576	1-102-244-00	CERAMIC 220PF	10% 500V
C504	1-136-175-00	FILM 0.068MF	5% 50V	C577	1-124-907-11	ELECT 10MF	20% 50V
C505	1-163-135-00	CERAMIC CHIP 560PF	5% 50V	C578	1-136-540-11	FILM 0.82MF	5% 200V
C506	1-124-902-00	ELECT 0.47MF	20% 50V	C579	1-126-804-11	ELECT 100MF	20% 50V
C507	1-126-375-11	ELECT 100MF	20% 25V	C580	1-136-756-11	FILM 0.24MF	5% 200V
C508	1-130-495-00	MYLAR 0.1MF	5% 50V	C581	1-124-927-11	ELECT 4.7MF	20% 50V
C509	1-124-935-11	ELECT 470MF	20% 100V	C582	1-102-002-00	CERAMIC 680PF	10% 500V
C511	1-108-700-11	MYLAR 0.047MF	10% 200V	C583	1-136-569-11	FILM 1.2MF	5% 200V
C512	1-124-902-00	ELECT 0.47MF	20% 50V	C584	1-123-267-00	ELECT 2.2MF	20% 160V
C513	1-126-096-11	ELECT 10MF	20% 25V	C585	1-124-666-11	ELECT 4.7MF	20% 250V
C514	Δ 1-129-718-00	FILM 0.022MF	10% 630V	C586	1-124-557-11	ELECT 1000MF	20% 25V
C515	1-163-809-11	CERAMIC CHIP 0.047MF	10% 25V	C587	1-102-030-00	CERAMIC 330PF	10% 500V
C516	1-102-030-00	CERAMIC 330PF	10% 500V	C588	1-124-667-11	ELECT 10MF	20% 50V
C517	1-163-024-00	CERAMIC CHIP 0.018MF	10% 50V	C589	1-102-030-00	CERAMIC 330PF	10% 500V
C518	1-107-995-51	ELECT 100MF	0 160V	C590	1-126-387-11	ELECT 2.2MF	20% 50V
C519	1-163-017-00	CERAMIC CHIP 0.0047MF	10% 50V	C591	1-106-371-00	MYLAR 0.015MF	10% 200V
C520	1-163-257-11	CERAMIC CHIP 180PF	5% 50V	C592	1-123-932-00	ELECT 4.7MF	20% 160V
C521	1-162-114-00	CERAMIC 0.0047MF	2KV	C593	1-165-319-11	CERAMIC CHIP 0.1MF	50V
C522	1-126-375-11	ELECT 100MF	20% 25V	C594	1-163-229-11	CERAMIC CHIP 12PF	5% 50V
C523	1-126-801-11	ELECT 1MF	20% 50V	C595	1-126-336-11	ELECT 220MF	20% 25V
C525	Δ 1-136-545-11	FILM 0.0078MF	3% 2KV	C596	1-124-478-11	ELECT 100MF	20% 25V
C526	Δ 1-162-116-91	CERAMIC 680PF	10% 2KV	C597	1-164-346-11	CERAMIC CHIP 1MF	16V
C529	1-104-789-51	ELECT 0.47MF	20% 50V	C598	1-164-346-11	CERAMIC CHIP 1MF	16V
C530	1-124-120-11	ELECT 220MF	20% 25V	C599	1-126-157-11	ELECT 10MF	20% 16V
C531	1-124-477-11	ELECT 47MF	20% 25V	C1300	1-124-477-11	ELECT 47MF	20% 25V
C532	1-163-031-11	CERAMIC CHIP 0.01MF	50V	C1301	1-124-477-11	ELECT 47MF	20% 25V
C533	1-102-212-00	CERAMIC 820PF	10% 500V	C1302	1-163-133-00	CERAMIC CHIP 470PF	5% 50V
C534	1-123-948-00	ELECT 22MF	20% 250V	C1304	1-124-477-11	ELECT 47MF	20% 25V
C537	1-124-913-11	ELECT 470MF	20% 50V	C1305	1-124-477-11	ELECT 47MF	20% 25V
C538	1-106-367-00	MYLAR 0.01MF	10% 100V	C1306	1-163-031-11	CERAMIC CHIP 0.01MF	50V
C539	1-130-480-00	FILM 0.0056MF	5% 50V	C1307	1-163-031-11	CERAMIC CHIP 0.01MF	50V
C540	1-163-133-00	CERAMIC CHIP 470PF	5% 50V	C1308	1-124-907-11	ELECT 10MF	20% 50V
C541	1-124-927-11	ELECT 4.7MF	20% 50V	C1309	1-163-257-11	CERAMIC CHIP 180PF	5% 50V
C542	1-106-351-00	MYLAR 0.0022MF	10% 100V	C1310	1-163-031-11	CERAMIC CHIP 0.01MF	50V
C543	1-106-351-00	MYLAR 0.0022MF	10% 100V	C1311	1-124-477-11	ELECT 47MF	20% 25V
C544	1-106-367-00	MYLAR 0.01MF	10% 100V	C1312	1-163-031-11	CERAMIC CHIP 0.01MF	50V
C545	1-102-212-00	CERAMIC 820PF	10% 500V	C1313	1-163-031-11	CERAMIC CHIP 0.01MF	50V
C546	1-163-119-00	CERAMIC CHIP 120PF	5% 50V	C1314	1-124-477-11	ELECT 47MF	20% 25V
C547	1-163-251-11	CERAMIC CHIP 100PF	5% 50V	C1315	1-124-477-11	ELECT 47MF	20% 25V
C548	1-102-212-00	CERAMIC 820PF	10% 500V				

A (PVM-1351Q/1354Q)

REF. NO.	PART NO.	DESCRIPTION	REMARK	REF. NO.	PART NO.	DESCRIPTION	REMARK
C1316	1-163-031-11	CERAMIC CHIP 0.01MF	50V	C1387	1-163-031-11	CERAMIC CHIP 0.01MF	50V
C1317	1-124-477-11	ELECT 47MF	20% 25V	C1393	1-163-251-11	CERAMIC CHIP 100PF	5% 50V
C1318	1-124-477-11	ELECT 47MF	20% 25V	C1400	1-163-031-11	CERAMIC CHIP 0.01MF	50V
C1319	1-163-037-11	CERAMIC CHIP 0.022MF	10% 25V	C1401	1-136-173-00	FILM 0.47MF	5% 50V
C1320	1-124-477-11	ELECT 47MF	20% 25V	C1402	1-163-031-11	CERAMIC CHIP 0.01MF	50V
C1321	1-124-477-11	ELECT 47MF	20% 25V	C1403	1-136-173-00	FILM 0.47MF	5% 50V
C1322	1-124-120-11	ELECT 220MF	20% 16V	C1404	1-164-299-11	CERAMIC CHIP 0.22MF	10% 25V
C1323	1-163-031-11	CERAMIC CHIP 0.01MF	50V	C1405	1-163-235-11	CERAMIC CHIP 22PF	5% 50V
C1324	1-163-031-11	CERAMIC CHIP 0.01MF	50V	C1406	1-163-090-00	CERAMIC CHIP 7PF	0.25PF 50V
C1325	1-163-031-11	CERAMIC CHIP 0.01MF	50V	C1407	1-163-085-00	CERAMIC CHIP 2PF	0.25PF 50V
C1326	1-124-477-11	ELECT 47MF	20% 25V	C1408	1-163-113-00	CERAMIC CHIP 68PF	5% 50V
C1327	1-163-031-11	CERAMIC CHIP 0.01MF	50V	C1500	1-124-473-11	ELECT 1000MF	20% 10V
C1328	1-163-031-11	CERAMIC CHIP 0.01MF	50V	C1501	1-124-472-11	ELECT 470MF	20% 10V
C1329	1-124-907-11	ELECT 10MF	20% 50V	C1502	1-101-821-00	CERAMIC 0.0022MF	500V
C1330	1-163-031-11	CERAMIC CHIP 0.01MF	50V	C1503	1-164-004-11	CERAMIC CHIP 0.1MF	10% 25V
C1331	1-124-477-11	ELECT 47MF	20% 25V	C1504	1-124-907-11	ELECT 10MF	20% 50V
C1332	1-124-477-11	ELECT 47MF	20% 25V	C1505	1-136-165-00	FILM 0.1MF	5% 50V
C1333	1-124-477-11	ELECT 47MF	20% 25V	C1506	1-124-119-00	ELECT 330MF	20% 16V
C1334	1-163-227-11	CERAMIC CHIP 10PF	0.5PF 50V	C1507	1-163-141-00	CERAMIC CHIP 0.001MF	5% 50V
C1335	1-124-477-11	ELECT 47MF	20% 25V	C1508	1-124-927-11	ELECT 4.7MF	20% 50V
C1336	1-124-477-11	ELECT 47MF	20% 25V	C1509	1-124-907-11	ELECT 10MF	20% 50V
C1338	1-163-031-11	CERAMIC CHIP 0.01MF	50V	C1510	1-124-927-11	ELECT 4.7MF	20% 50V
C1339	1-163-031-11	CERAMIC CHIP 0.01MF	50V	C1511	1-164-182-11	CERAMIC CHIP 0.0033MF	10% 50V
C1340	1-163-031-11	CERAMIC CHIP 0.01MF	50V	C1512	1-124-927-11	ELECT 4.7MF	20% 50V
C1341	1-163-275-11	CERAMIC CHIP 0.001MF	5% 50V	C1513	1-163-133-00	CERAMIC CHIP 470PF	5% 50V
C1342	1-102-963-00	CERAMIC 33PF	5% 50V	C1514	1-130-477-00	MYLAR 0.0033MF	5% 50V
C1343	1-163-113-00	CERAMIC CHIP 68PF	5% 50V	C1515	1-124-907-11	ELECT 10MF	20% 50V
C1344	1-163-083-00	CERAMIC CHIP 1PF	0.25PF 50V	C1516	1-163-063-00	CERAMIC CHIP 0.022MF	10% 50V
C1345	1-124-907-11	ELECT 10MF	20% 50V	C1517	1-126-101-11	ELECT 100MF	20% 10V
C1346	1-124-477-11	ELECT 47MF	20% 25V	C1518	1-124-477-11	ELECT 47MF	20% 16V
C1347	1-163-031-11	CERAMIC CHIP 0.01MF	50V	C1519	1-163-037-11	CERAMIC CHIP 0.022MF	10% 25V
C1348	1-163-127-00	CERAMIC CHIP 270PF	5% 50V	C1521	1-163-243-11	CERAMIC CHIP 47PF	5% 50V
C1349	1-163-117-00	CERAMIC CHIP 100PF	5% 50V				
C1350	1-164-232-11	CERAMIC CHIP 0.01MF	10% 50V	<CONNECTOR>			
C1351	1-124-903-11	ELECT 1MF	20% 50V	CN101	*1-573-979-11	CONNECTOR, BOARD TO BOARD 11P	
C1352	1-163-023-00	CERAMIC CHIP 0.015MF	10% 50V	CN102	*1-564-514-11	PLUG, CONNECTOR 11P	
C1353	1-163-031-11	CERAMIC CHIP 0.01MF	50V	CN104	*1-564-506-11	PLUG, CONNECTOR 3P	
C1354	1-163-121-00	CERAMIC CHIP 150PF	5% 50V	CN105	*1-565-503-11	CONNECTOR, BOARD TO BOARD 12P	
C1355	1-163-125-00	CERAMIC CHIP 220PF	5% 50V	CN201	*1-564-506-11	PLUG, CONNECTOR 3P	
C1356	1-163-235-11	CERAMIC CHIP 22PF	5% 50V	CN301	*1-564-514-11	PLUG, CONNECTOR 11P	
C1357	1-124-119-00	ELECT 330MF	20% 16V	CN302	*1-564-510-11	PLUG, CONNECTOR 7P	
C1358	1-124-477-11	ELECT 47MF	20% 25V	CN303	*1-564-515-11	PLUG, CONNECTOR 12P	
C1359	1-163-263-11	CERAMIC CHIP 330PF	5% 50V	CN304	*1-564-509-11	PLUG, CONNECTOR 6P	
C1360	1-164-161-11	CERAMIC CHIP 0.0022MF	10% 50V	CN305	*1-565-504-11	CONNECTOR, BOARD TO BOARD 13P	
C1362	1-163-249-11	CERAMIC CHIP 82PF	5% 50V	CN401	*1-564-511-51	PLUG, CONNECTOR 8P	
C1363	1-163-235-11	CERAMIC CHIP 22PF	5% 50V	CN402	*1-564-515-11	PLUG, CONNECTOR 12P	
C1364	1-163-133-00	CERAMIC CHIP 470PF	5% 50V	CN501	*1-580-798-11	CONNECTOR PIN (DY) 6P	
C1365	1-163-227-11	CERAMIC CHIP 10PF	0.5PF 50V	CN502	*1-573-964-11	PIN, CONNECTOR (PC BOARD) 6P	
C1366	1-124-477-11	ELECT 47MF	20% 25V	CN503	*1-573-964-11	PIN, CONNECTOR (PC BOARD) 6P	
C1367	1-124-477-11	ELECT 47MF	20% 25V	CN504	*1-564-508-11	PLUG, CONNECTOR 5P	
C1369	1-163-237-11	CERAMIC CHIP 27PF	5% 50V	CN505	*1-564-506-11	PLUG, CONNECTOR 3P	
C1370	1-163-237-11	CERAMIC CHIP 27PF	5% 50V	CN506	*1-564-506-11	PLUG, CONNECTOR 3P	
C1372	1-124-477-11	ELECT 47MF	20% 25V	CN507	*1-535-419-00	TAB, FASTEN (PCB)	
C1373	1-124-477-11	ELECT 47MF	20% 25V				
C1374	1-124-477-11	ELECT 47MF	20% 25V	<COMPOSITION CIRCUIT BLOCK>			
C1375	1-124-927-11	ELECT 4.7MF	20% 50V	CP300	1-236-366-11	MODULE, TRAP	
C1378	1-163-097-00	CERAMIC CHIP 15PF	5% 50V	CP301	1-236-365-11	MODULE, TRAP	
C1380	1-163-101-00	CERAMIC CHIP 22PF	5% 50V	CP302	1-808-654-21	MODULE	
C1381	1-163-101-00	CERAMIC CHIP 22PF	5% 50V	CP303	1-466-162-61	FILTER BLOCK, COM (CFB-4)	
C1382	1-124-443-00	ELECT 100MF	20% 10V				
C1383	1-124-477-11	ELECT 47MF	20% 25V	<DIODE>			
C1384	1-163-038-00	CERAMIC CHIP 0.1MF	25V	D101	8-719-800-76	DIODE 1SS226	
C1385	1-163-031-11	CERAMIC CHIP 0.01MF	50V				
C1386	1-163-031-11	CERAMIC CHIP 0.01MF	50V				

A (PVM-1351Q/1354Q)

Les composants identifiés par une trame et une marque Δ sont critiques pour la sécurité. Ne les remplacer que par une pièce portant le numéro spécifique.

The components identified by shading and mark Δ are critical for safety. Replace only with part number specified.

REF. NO.	PART NO.	DESCRIPTION
DL301	1-415-632-11	DELAY LINE, Y
DL401	1-409-547-11	DELAY LINE
<FILTER>		
FL300	1-236-547-11	TRAP, LC
FL401	1-236-364-11	FILTER, BAND PASS
<IC>		
IC101	8-759-196-71	IC UPD78013YCW-Y03
IC102	8-759-168-37	IC ST24C01B1
IC103	8-759-008-48	IC MCT74HC86F
IC104	8-759-262-59	IC UPD6451AGT-632-E2
IC105	8-759-196-70	IC M62358FP-E1
IC106	8-759-196-70	IC M62358FP-E1
IC107	8-759-196-70	IC M62358FP-E1
IC108	8-759-042-02	IC S-80743AL-A7-S
IC109	8-759-196-70	IC M62358FP-E1
IC110	8-759-196-70	IC M62358FP-E1
IC111	8-759-009-22	IC MC14094BF
IC200	8-759-420-04	IC AN5265
IC301	8-752-053-21	IC CXA1211M
IC302	8-759-998-98	IC LM358D
IC303	8-752-056-67	IC CXA1214P
IC304	8-759-509-19	IC XRU4053BF-E2
IC305	8-759-631-08	IC M51279FP
IC306	8-759-711-32	IC NJM2245M
IC309	8-759-711-32	IC NJM2245M
IC310	8-759-509-19	IC XRU4053BF-E2
IC311	8-759-509-05	IC XRU4066BF
IC312	8-759-711-32	IC NJM2245M
IC313	8-759-501-21	IC MM1149XF
IC314	8-759-501-21	IC MM1149XF
IC315	8-759-509-19	IC XRU4053BF-E2
IC316	8-759-048-09	IC MM1148XF
IC317	8-759-009-51	IC MC14538BF
IC318	8-759-509-57	IC XRU4584BF
IC320	8-759-501-21	IC MM1149XF
IC321	8-759-501-21	IC MM1149XF
IC322	8-759-501-21	IC MM1149XF
IC323	8-759-501-21	IC MM1149XF
IC324	8-759-501-21	IC MM1149XF
IC325	8-759-501-21	IC MM1149XF
IC326	8-759-998-96	IC LM324D
IC350	8-759-100-96	IC UPC4558G2
IC401	8-759-196-69	IC BA7655AF-E2
IC402	8-752-053-21	IC CXA1211M
IC403	8-759-509-05	IC XRU4066BF
IC404	8-752-052-62	IC CXA1478S
IC405	8-759-509-19	IC XRU4053BF-E2
IC406	8-759-998-98	IC LM358D
IC407	8-759-509-05	IC XRU4066BF
IC408	8-759-509-91	IC XRA10393F
IC409	8-759-998-96	IC LM324D
IC410	8-759-932-64	IC BU4052BF
IC411	8-759-008-92	IC MC14024BF
IC412	8-759-509-19	IC XRU4053BF-E2
IC413	8-759-509-19	IC XRU4053BF-E2
IC500	8-749-010-07	IC H8D7248
IC502	8-759-009-51	IC MC14538BF
IC503	8-759-009-51	IC MC14538BF
IC504	8-752-053-21	IC CXA1211M
IC505	8-759-520-07	IC XRA17812T

REMARK	REF. NO.	PART NO.	DESCRIPTION	REMARK
	IC506	8-759-009-51	IC MC14538BF	
	IC507	8-759-100-60	IC UPC1377C	
	IC508	8-752-053-21	IC CXA1211M	
	IC509	8-759-998-98	IC LM358D	
	IC510	8-759-009-51	IC MC14538BF	
<COIL>				
	L101	1-408-609-41	INDUCTOR	33UH
	L102	1-408-417-00	INDUCTOR	47UH
	L104	1-410-478-11	INDUCTOR	47UH
	L105	1-410-482-31	INDUCTOR	100UH
	L300	1-410-478-11	INDUCTOR	47UH
	L301	1-408-411-00	INDUCTOR	15UH
	L302	1-412-008-31	INDUCTOR CHIP	15UH
	L303	1-408-416-00	INDUCTOR	39UH
	L304	1-412-008-31	INDUCTOR CHIP	15UH
	L305	1-410-196-11	INDUCTOR CHIP	2.2UH
	L306	1-408-416-00	INDUCTOR	39UH
	L307	1-408-411-00	INDUCTOR	15UH
	L308	1-410-466-41	INDUCTOR	4.7UH
	L309	1-410-470-11	INDUCTOR	10UH
	L311	1-410-470-11	INDUCTOR	10UH
	L312	1-412-011-31	INDUCTOR CHIP	27UH
	L314	1-412-011-31	INDUCTOR CHIP	27UH
	L316	1-412-011-31	INDUCTOR CHIP	27UH
	L317	1-410-090-41	INDUCTOR	18MMH
	L319	1-408-421-00	INDUCTOR	100UH
	L320	1-410-478-11	INDUCTOR	47UH
	L401	1-410-478-11	INDUCTOR	47UH
	L402	1-410-216-31	INDUCTOR CHIP	100UH
	L403	1-410-216-31	INDUCTOR CHIP	100UH
	L404	1-410-216-31	INDUCTOR CHIP	100UH
	L405	1-408-419-00	INDUCTOR	68UH
	L406	1-408-419-00	INDUCTOR	68UH
	L407	1-408-413-00	INDUCTOR	22UH
	L408	1-408-413-00	INDUCTOR	22UH
	L409	1-410-214-31	INDUCTOR CHIP	68UH
	L500	1-459-155-00	COIL (WITH CORE)	45UH
	L501	1-407-365-00	COIL, CHOKO	
	L502	1-407-365-00	COIL, CHOKO	
	L503	1-410-093-11	INDUCTOR	33MMH
	L504	1-410-666-31	INDUCTOR	18UH
	L505	1-410-671-31	INDUCTOR	47UH
	L507	1-410-686-11	INDUCTOR	1MMH
	L508	1-412-530-31	INDUCTOR	27UH
	L509	1-459-075-00	COIL, DYNAMIC CONVERSION CHOKO	
	L511	1-459-106-00	COIL, DUST CORE	
	L512	Δ 1-459-155-00	COIL (WITH CORE)	45UH
	L513	1-412-447-11	INDUCTOR	3.9MMH
	L514	1-459-104-00	COIL, DUST CORE	
	L515	1-459-059-00	COIL, DUST CORE	
	L516	Δ 1-459-760-13	COIL, HORIZONTAL LINEARITY	
	L517	1-412-547-21	INDUCTOR	680UH
<NEON LAMP>				
	NL500	1-519-526-11	LAMP, NEON	
<TRANSISTOR>				
	Q101	8-729-901-01	TRANSISTOR DTC144EK	
	Q102	8-729-216-22	TRANSISTOR 2SA1162-G	

A (PVM-1351Q/1354Q)

REF. NO.	PART NO.	DESCRIPTION	REMARK	REF. NO.	PART NO.	DESCRIPTION	REMARK
Q103	8-729-216-22	TRANSISTOR 2SA1162-G		Q354	8-729-120-28	TRANSISTOR 2SC1623-L5L6	
Q104	8-729-907-26	TRANSISTOR 1MX1		Q355	8-729-120-28	TRANSISTOR 2SC1623-L5L6	
Q105	8-729-901-06	TRANSISTOR DTA144EK		Q356	8-729-901-01	TRANSISTOR DTC144EK	
Q107	8-729-901-06	TRANSISTOR DTA144EK		Q357	8-729-120-28	TRANSISTOR 2SC1623-L5L6	
Q108	8-729-120-28	TRANSISTOR 2SC1623-L5L6		Q358	8-729-120-28	TRANSISTOR 2SC1623-L5L6	
Q109	8-729-120-28	TRANSISTOR 2SC1623-L5L6		Q359	8-729-216-22	TRANSISTOR 2SA1162-G	
Q110	8-729-120-28	TRANSISTOR 2SC1623-L5L6		Q360	8-729-907-26	TRANSISTOR 1MX1	
Q111	8-729-901-06	TRANSISTOR DTA144EK		Q361	8-729-901-06	TRANSISTOR DTA144EK	
Q112	8-729-120-28	TRANSISTOR 2SC1623-L5L6		Q362	8-729-120-28	TRANSISTOR 2SC1623-L5L6	
Q113	8-729-120-28	TRANSISTOR 2SC1623-L5L6		Q363	8-729-120-28	TRANSISTOR 2SC1623-L5L6	
Q114	8-729-119-78	TRANSISTOR 2SC2785-HFE		Q364	8-729-901-01	TRANSISTOR DTC144EK	
Q200	8-729-140-96	TRANSISTOR 2SD774-34		Q365	8-729-901-01	TRANSISTOR DTC144EK	
Q201	8-729-120-28	TRANSISTOR 2SC1623-L5L6		Q366	8-729-216-22	TRANSISTOR 2SA1162-G	
Q300	8-729-120-28	TRANSISTOR 2SC1623-L5L6		Q367	8-729-216-22	TRANSISTOR 2SA1162-G	
Q301	8-729-120-28	TRANSISTOR 2SC1623-L5L6		Q368	8-729-216-22	TRANSISTOR 2SA1162-G	
Q302	8-729-216-22	TRANSISTOR 2SA1162-G		Q369	8-729-901-06	TRANSISTOR DTA144EK	
Q303	8-729-120-28	TRANSISTOR 2SC1623-L5L6		Q372	8-729-901-01	TRANSISTOR DTC144EK	
Q304	8-729-120-28	TRANSISTOR 2SC1623-L5L6		Q376	8-729-901-01	TRANSISTOR DTC144EK	
Q305	8-729-120-28	TRANSISTOR 2SC1623-L5L6		Q377	8-729-901-01	TRANSISTOR DTC144EK	
Q306	8-729-120-28	TRANSISTOR 2SC1623-L5L6		Q378	8-729-901-06	TRANSISTOR DTA144EK	
Q307	8-729-120-28	TRANSISTOR 2SC1623-L5L6		Q401	8-729-120-28	TRANSISTOR 2SC1623-L5L6	
Q308	8-729-120-28	TRANSISTOR 2SC1623-L5L6		Q402	8-729-120-28	TRANSISTOR 2SC1623-L5L6	
Q309	8-729-216-22	TRANSISTOR 2SA1162-G		Q403	8-729-901-01	TRANSISTOR DTC144EK	
Q310	8-729-216-22	TRANSISTOR 2SA1162-G		Q404	8-729-216-22	TRANSISTOR 2SA1162-G	
Q311	8-729-216-22	TRANSISTOR 2SA1162-G		Q405	8-729-216-22	TRANSISTOR 2SA1162-G	
Q312	8-729-120-28	TRANSISTOR 2SC1623-L5L6		Q406	8-729-120-28	TRANSISTOR 2SC1623-L5L6	
Q313	8-729-216-22	TRANSISTOR 2SA1162-G		Q407	8-729-120-28	TRANSISTOR 2SC1623-L5L6	
Q314	8-729-901-06	TRANSISTOR DTA144EK		Q408	8-729-216-22	TRANSISTOR 2SA1162-G	
Q315	8-729-216-22	TRANSISTOR 2SA1162-G		Q409	8-729-216-22	TRANSISTOR 2SA1162-G	
Q316	8-729-120-28	TRANSISTOR 2SC1623-L5L6		Q410	8-729-907-26	TRANSISTOR 1MX1	
Q318	8-729-216-22	TRANSISTOR 2SA1162-G		Q411	8-729-120-28	TRANSISTOR 2SC1623-L5L6	
Q319	8-729-120-28	TRANSISTOR 2SC1623-L5L6		Q412	8-729-216-22	TRANSISTOR 2SA1162-G	
Q320	8-729-119-78	TRANSISTOR 2SC2785-HFE		Q413	8-729-141-53	TRANSISTOR 2SK94-X2X3X4	
Q321	8-729-120-28	TRANSISTOR 2SC1623-L5L6		Q414	8-729-216-22	TRANSISTOR 2SA1162-G	
Q322	8-729-120-28	TRANSISTOR 2SC1623-L5L6		Q415	8-729-216-22	TRANSISTOR 2SA1162-G	
Q323	8-729-901-01	TRANSISTOR DTC144EK		Q416	8-729-216-22	TRANSISTOR 2SA1162-G	
Q324	8-729-901-01	TRANSISTOR DTC144EK		Q417	8-729-216-22	TRANSISTOR 2SA1162-G	
Q325	8-729-120-28	TRANSISTOR 2SC1623-L5L6		Q418	8-729-120-28	TRANSISTOR 2SC1623-L5L6	
Q326	8-729-120-28	TRANSISTOR 2SC1623-L5L6		Q419	8-729-216-22	TRANSISTOR 2SA1162-G	
Q327	8-729-216-22	TRANSISTOR 2SA1162-G		Q420	8-729-216-22	TRANSISTOR 2SA1162-G	
Q328	8-729-141-53	TRANSISTOR 2SK94-X2X3X4		Q421	8-729-901-01	TRANSISTOR DTC144EK	
Q329	8-729-141-53	TRANSISTOR 2SK94-X2X3X4		Q422	8-729-120-28	TRANSISTOR 2SC1623-L5L6	
Q330	8-729-216-22	TRANSISTOR 2SA1162-G		Q423	8-729-120-28	TRANSISTOR 2SC1623-L5L6	
Q331	8-729-216-22	TRANSISTOR 2SA1162-G		Q424	8-729-901-01	TRANSISTOR DTC144EK	
Q332	8-729-901-01	TRANSISTOR DTC144EK		Q425	8-729-901-01	TRANSISTOR DTC144EK	
Q333	8-729-120-28	TRANSISTOR 2SC1623-L5L6		Q426	8-729-901-01	TRANSISTOR DTC144EK	
Q334	8-729-216-22	TRANSISTOR 2SA1162-G		Q428	8-729-216-22	TRANSISTOR 2SA1162-G	
Q335	8-729-120-28	TRANSISTOR 2SC1623-L5L6		Q429	8-729-216-22	TRANSISTOR 2SA1162-G	
Q336	8-729-109-44	TRANSISTOR 2SK94-X4		Q430	8-729-120-28	TRANSISTOR 2SC1623-L5L6	
Q337	8-729-120-28	TRANSISTOR 2SC1623-L5L6		Q431	8-729-120-28	TRANSISTOR 2SC1623-L5L6	
Q338	8-729-120-28	TRANSISTOR 2SC1623-L5L6		Q432	8-729-120-28	TRANSISTOR 2SC1623-L5L6	
Q339	8-729-216-22	TRANSISTOR 2SA1162-G		Q433	8-729-901-01	TRANSISTOR DTC144EK	
Q341	8-729-920-39	TRANSISTOR 1MT1US		Q434	8-729-120-28	TRANSISTOR 2SC1623-L5L6	
Q342	8-729-920-39	TRANSISTOR 1MT1US		Q435	8-729-901-01	TRANSISTOR DTC144EK	
Q343	8-729-920-39	TRANSISTOR 1MT1US		Q436	8-729-901-01	TRANSISTOR DTC144EK	
Q345	8-729-120-28	TRANSISTOR 2SC1623-L5L6		Q437	8-729-901-01	TRANSISTOR DTC144EK	
Q346	8-729-120-28	TRANSISTOR 2SC1623-L5L6		Q438	8-729-120-28	TRANSISTOR 2SC1623-L5L6	
Q347	8-729-901-01	TRANSISTOR DTC144EK		Q439	8-729-216-22	TRANSISTOR 2SA1162-G	
Q348	8-729-216-22	TRANSISTOR 2SA1162-G		Q440	8-729-120-28	TRANSISTOR 2SC1623-L5L6	
Q349	8-729-216-22	TRANSISTOR 2SA1162-G		Q441	8-729-141-53	TRANSISTOR 2SK94-X2X3X4	
Q350	8-729-216-22	TRANSISTOR 2SA1162-G		Q442	8-729-120-28	TRANSISTOR 2SC1623-L5L6	
Q351	8-729-120-28	TRANSISTOR 2SC1623-L5L6		Q443	8-729-216-22	TRANSISTOR 2SA1162-G	
Q352	8-729-120-28	TRANSISTOR 2SC1623-L5L6		Q444	8-729-120-28	TRANSISTOR 2SC1623-L5L6	
Q353	8-729-120-28	TRANSISTOR 2SC1623-L5L6					

A (PVM-1351Q/1354Q)

REF. NO.	PART NO.	DESCRIPTION	REMARK	REF. NO.	PART NO.	DESCRIPTION	REMARK
Q445	8-729-901-01	TRANSISTOR DTC144EK		R134	1-216-065-00	METAL GLAZE 4.7K 5%	1/10W
Q500	8-729-216-22	TRANSISTOR 2SA1162-G		R135	1-216-085-00	METAL GLAZE 33K 5%	1/10W
Q501	8-729-800-35	TRANSISTOR 2SD1397-CA		R136	1-216-295-00	METAL GLAZE 0 5%	1/10W
Q502	8-729-119-80	TRANSISTOR 2SC2688-LK		R137	1-216-065-00	METAL GLAZE 4.7K 5%	1/10W
Q503	8-729-313-42	TRANSISTOR 2SD1134-C					
Q505	8-729-120-28	TRANSISTOR 2SC1623-L5L6		R138	1-216-295-00	METAL GLAZE 0 5%	1/10W
Q506	8-729-120-28	TRANSISTOR 2SC1623-L5L6		R139	1-216-295-00	METAL GLAZE 0 5%	1/10W
Q507	8-729-120-28	TRANSISTOR 2SC1623-L5L6		R140	1-216-033-00	METAL GLAZE 220 5%	1/10W
Q508	8-729-216-22	TRANSISTOR 2SA1162-G		R141	1-216-085-00	METAL GLAZE 33K 5%	1/10W
Q509	8-729-901-06	TRANSISTOR DTA144EK		R142	1-216-295-00	METAL GLAZE 0 5%	1/10W
Q510	8-729-900-89	TRANSISTOR DTC144ES					
Q511	8-729-120-28	TRANSISTOR 2SC1623-L5L6		R143	1-216-295-00	METAL GLAZE 0 5%	1/10W
Q512	8-729-195-82	TRANSISTOR 2SC2958-L		R144	1-216-295-00	METAL GLAZE 0 5%	1/10W
Q513	8-729-122-03	TRANSISTOR 2SA1220A-P		R145	1-216-295-00	METAL GLAZE 0 5%	1/10W
Q514	8-729-901-00	TRANSISTOR DTC124EK		R147	1-216-295-00	METAL GLAZE 0 5%	1/10W
Q515	8-729-169-02	TRANSISTOR 2SC2690A-Q		R148	1-216-295-00	METAL GLAZE 0 5%	1/10W
Q517	8-729-901-06	TRANSISTOR DTA144EK		R149	1-216-065-00	METAL GLAZE 4.7K 5%	1/10W
Q518	8-729-901-01	TRANSISTOR DTC144EK		R150	1-216-295-00	METAL GLAZE 0 5%	1/10W
Q519	8-729-901-01	TRANSISTOR DTC144EK		R151	1-216-061-00	METAL GLAZE 3.3K 5%	1/10W
Q520	8-729-905-67	TRANSISTOR 2SD1944-K		R152	1-216-295-00	METAL GLAZE 0 5%	1/10W
Q522	8-729-120-28	TRANSISTOR 2SC1623-L5L6		R153	1-216-295-00	METAL GLAZE 0 5%	1/10W
Q523	8-729-120-28	TRANSISTOR 2SC1623-L5L6		R154	1-216-065-00	METAL GLAZE 4.7K 5%	1/10W
Q524	8-729-119-78	TRANSISTOR 2SC2785-HFE		R155	1-249-434-11	CARBON 27K 5%	1/4W
Q525	8-729-119-76	TRANSISTOR 2SA1175-HFE		R156	1-216-295-00	METAL GLAZE 0 5%	1/10W
Q526	8-729-216-22	TRANSISTOR 2SA1162-G		R157	1-216-065-00	METAL GLAZE 4.7K 5%	1/10W
Q527	8-729-120-28	TRANSISTOR 2SC1623-L5L6		R158	1-216-295-00	METAL GLAZE 0 5%	1/10W
<RESISTOR>							
JR122	1-216-295-00	METAL GLAZE 0 5%	1/10W	R159	1-216-063-00	METAL GLAZE 3.9K 5%	1/10W
JR123	1-216-295-00	METAL GLAZE 0 5%	1/10W	R160	1-216-061-00	METAL GLAZE 3.3K 5%	1/10W
JR302	1-216-295-00	METAL GLAZE 0 5%	1/10W	R162	1-216-065-00	METAL GLAZE 4.7K 5%	1/10W
R101	1-216-025-00	METAL GLAZE 100 5%	1/10W	R163	1-216-065-00	METAL GLAZE 4.7K 5%	1/10W
R102	1-216-025-00	METAL GLAZE 100 5%	1/10W	R164	1-216-067-00	METAL GLAZE 5.6K 5%	1/10W
R103	1-216-025-00	METAL GLAZE 100 5%	1/10W	R165	1-216-295-00	METAL GLAZE 0 5%	1/10W
R104	1-216-073-00	METAL GLAZE 10K 5%	1/10W	R167	1-216-061-00	METAL GLAZE 3.3K 5%	1/10W
R105	1-216-059-00	METAL GLAZE 2.7K 5%	1/10W	R168	1-216-085-00	METAL GLAZE 33K 5%	1/10W
R106	1-216-065-00	METAL GLAZE 4.7K 5%	1/10W	R169	1-216-107-00	METAL GLAZE 270K 5%	1/10W
R107	1-216-065-00	METAL GLAZE 4.7K 5%	1/10W	R170	1-216-295-00	METAL GLAZE 0 5%	1/10W
R108	1-216-065-00	METAL GLAZE 4.7K 5%	1/10W	R171	1-216-031-00	METAL GLAZE 180 5%	1/10W
R109	1-216-065-00	METAL GLAZE 4.7K 5%	1/10W	R172	1-216-295-00	METAL GLAZE 0 5%	1/10W
R110	1-216-073-00	METAL GLAZE 10K 5%	1/10W	R173	1-216-295-00	METAL GLAZE 0 5%	1/10W
R111	1-216-295-00	METAL GLAZE 0 5%	1/10W	R174	1-216-295-00	METAL GLAZE 0 5%	1/10W
R112	1-216-295-00	METAL GLAZE 0 5%	1/10W	R175	1-216-295-00	METAL GLAZE 0 5%	1/10W
R113	1-216-085-00	METAL GLAZE 33K 5%	1/10W	R177	1-216-065-00	METAL GLAZE 4.7K 5%	1/10W
R114	1-216-295-00	METAL GLAZE 0 5%	1/10W	R180	1-216-295-00	METAL GLAZE 0 5%	1/10W
R115	1-216-295-00	METAL GLAZE 0 5%	1/10W	R181	1-216-065-00	METAL GLAZE 4.7K 5%	1/10W
R116	1-218-761-11	METAL CHIP 240K 0.50%	1/10W	R183	1-216-295-00	METAL GLAZE 0 5%	1/10W
R117	1-216-089-91	METAL GLAZE 47K 5%	1/10W	R184	1-216-295-00	METAL GLAZE 0 5%	1/10W
R118	1-216-295-00	METAL GLAZE 0 5%	1/10W	R185	1-216-073-00	METAL GLAZE 10K 5%	1/10W
R119	1-216-689-11	METAL GLAZE 39K 5%	1/10W	R186	1-216-295-00	METAL GLAZE 0 5%	1/10W
R120	1-216-295-00	METAL GLAZE 0 5%	1/10W	R187	1-216-061-00	METAL GLAZE 3.3K 5%	1/10W
R121	1-216-295-00	METAL GLAZE 0 5%	1/10W	R188	1-216-295-00	METAL GLAZE 0 5%	1/10W
R122	1-216-295-00	METAL GLAZE 0 5%	1/10W	R189	1-216-073-00	METAL GLAZE 10K 5%	1/10W
R123	1-216-295-00	METAL GLAZE 0 5%	1/10W	R190	1-216-049-00	METAL GLAZE 1K 5%	1/10W
R124	1-216-295-00	METAL GLAZE 0 5%	1/10W	R192	1-216-073-00	METAL GLAZE 10K 5%	1/10W
R125	1-216-295-00	METAL GLAZE 0 5%	1/10W	R193	1-216-295-00	METAL GLAZE 0 5%	1/10W
R126	1-216-295-00	METAL GLAZE 0 5%	1/10W	R194	1-216-295-00	METAL GLAZE 0 5%	1/10W
R127	1-216-295-00	METAL GLAZE 0 5%	1/10W	R195	1-216-071-00	METAL GLAZE 8.2K 5%	1/10W
R128	1-216-295-00	METAL GLAZE 0 5%	1/10W	R197	1-216-061-00	METAL GLAZE 3.3K 5%	1/10W
R129	1-216-295-00	METAL GLAZE 0 5%	1/10W	R198	1-216-295-00	METAL GLAZE 0 5%	1/10W
R130	1-216-099-00	METAL GLAZE 120K 5%	1/10W	R199	1-216-295-00	METAL GLAZE 0 5%	1/10W
R131	1-216-295-00	METAL GLAZE 0 5%	1/10W	R200	1-216-684-11	METAL CHIP 24K 0.50%	1/10W
R132	1-216-065-00	METAL GLAZE 4.7K 5%	1/10W	R201	1-216-049-00	METAL GLAZE 1K 5%	1/10W
R133	1-216-091-00	METAL GLAZE 56K 5%	1/10W	R202	1-212-857-00	FUSIBLE 10 5%	1/4W F
				R203	1-260-095-11	CARBON 470 5%	1/2W
				R204	1-260-072-11	CARBON 4.7 5%	1/2W
				R205	1-216-647-11	METAL CHIP 680 0.50%	1/10W
				R206	1-216-073-00	METAL GLAZE 10K 5%	1/10W

A (PVM-1351Q/1354Q)

REF. NO.	PART NO.	DESCRIPTION	REMARK	REF. NO.	PART NO.	DESCRIPTION	REMARK
R207	1-216-065-00	METAL GLAZE	4.7K 5%	1/10W	R363	1-216-113-00	METAL GLAZE 470K 5% 1/10W
R208	1-216-065-00	METAL GLAZE	4.7K 5%	1/10W	R364	1-216-113-00	METAL GLAZE 470K 5% 1/10W
R209	1-216-073-00	METAL GLAZE	10K 5%	1/10W	R366	1-216-065-00	METAL GLAZE 4.7K 5% 1/10W
R210	1-216-061-00	METAL GLAZE	3.3K 5%	1/10W	R367	1-216-051-00	METAL GLAZE 1.2K 5% 1/10W
R211	1-249-393-11	CARBON	10 5%	1/4W F	R368	1-216-049-00	METAL GLAZE 1K 5% 1/10W
R237	1-216-089-91	METAL GLAZE	47K 5%	1/10W	R371	1-216-069-00	METAL GLAZE 6.8K 5% 1/10W
R301	1-216-025-00	METAL GLAZE	100 5%	1/10W	R372	1-216-053-00	METAL GLAZE 1.5K 5% 1/10W
R302	1-216-025-00	METAL GLAZE	100 5%	1/10W	R373	1-216-645-11	METAL CHIP 560 0.50% 1/10W
R303	1-216-025-00	METAL GLAZE	100 5%	1/10W	R374	1-216-647-11	METAL CHIP 680 0.50% 1/10W
R304	1-216-025-00	METAL GLAZE	100 5%	1/10W	R375	1-216-053-00	METAL GLAZE 1.5K 5% 1/10W
R305	1-216-295-00	METAL GLAZE	0 5%	1/10W	R376	1-216-111-00	METAL GLAZE 390K 5% 1/10W
R306	1-216-295-00	METAL GLAZE	0 5%	1/10W	R378	1-216-111-00	METAL GLAZE 390K 5% 1/10W
R307	1-216-115-00	METAL GLAZE	560K 5%	1/10W	R379	1-216-069-00	METAL GLAZE 6.8K 5% 1/10W
R308	1-216-065-00	METAL GLAZE	4.7K 5%	1/10W	R380	1-216-065-00	METAL GLAZE 4.7K 5% 1/10W
R311	1-216-055-00	METAL GLAZE	1.8K 5%	1/10W	R381	1-216-689-11	METAL GLAZE 39K 5% 1/10W
R312	1-216-073-00	METAL GLAZE	10K 5%	1/10W	R382	1-216-107-00	METAL GLAZE 270K 5% 1/10W
R313	1-216-649-11	METAL CHIP	820 0.50%	1/10W	R383	1-216-061-00	METAL GLAZE 3.3K 5% 1/10W
R314	1-216-099-00	METAL GLAZE	120K 5%	1/10W	R384	1-216-073-00	METAL GLAZE 10K 5% 1/10W
R315	1-216-099-00	METAL GLAZE	120K 5%	1/10W	R385	1-216-065-00	METAL GLAZE 4.7K 5% 1/10W
R316	1-216-049-00	METAL GLAZE	1K 5%	1/10W	R387	1-216-029-00	METAL GLAZE 150 5% 1/10W
R317	1-216-057-00	METAL GLAZE	2.2K 5%	1/10W	R388	1-216-033-00	METAL GLAZE 220 5% 1/10W
R318	1-216-049-00	METAL GLAZE	1K 5%	1/10W	R389	1-216-645-11	METAL CHIP 560 0.50% 1/10W
R319	1-216-069-00	METAL GLAZE	6.8K 5%	1/10W	R391	1-216-113-00	METAL GLAZE 470K 5% 1/10W
R320	1-216-057-00	METAL GLAZE	2.2K 5%	1/10W	R393	1-216-073-00	METAL GLAZE 10K 5% 1/10W
R321	1-216-051-00	METAL GLAZE	1.2K 5%	1/10W	R394	1-216-083-00	METAL GLAZE 27K 5% 1/10W
R322	1-216-035-00	METAL GLAZE	270 5%	1/10W	R395	1-216-647-11	METAL CHIP 680 0.50% 1/10W
R323	1-216-109-00	METAL GLAZE	330K 5%	1/10W	R396	1-216-113-00	METAL GLAZE 470K 5% 1/10W
R324	1-216-101-00	METAL GLAZE	150K 5%	1/10W	R397	1-216-113-00	METAL GLAZE 470K 5% 1/10W
R325	1-216-037-00	METAL GLAZE	330 5%	1/10W	R398	1-216-105-00	METAL GLAZE 220K 5% 1/10W
R326	1-216-033-00	METAL GLAZE	220 5%	1/10W	R399	1-216-111-00	METAL GLAZE 390K 5% 1/10W
R328	1-216-121-00	METAL GLAZE	1M 5%	1/10W	R401	1-216-053-00	METAL GLAZE 1.5K 5% 1/10W
R329	1-216-055-00	METAL GLAZE	1.8K 5%	1/10W	R402	1-216-053-00	METAL GLAZE 1.5K 5% 1/10W
R330	1-216-089-91	METAL GLAZE	47K 5%	1/10W	R403	1-216-069-00	METAL GLAZE 6.8K 5% 1/10W
R331	1-216-093-00	METAL GLAZE	68K 5%	1/10W	R404	1-216-029-00	METAL GLAZE 150 5% 1/10W
R332	1-216-097-00	METAL GLAZE	100K 5%	1/10W	R406	1-216-083-00	METAL GLAZE 27K 5% 1/10W
R333	1-216-097-00	METAL GLAZE	100K 5%	1/10W	R407	1-216-085-00	METAL GLAZE 33K 5% 1/10W
R334	1-216-093-00	METAL GLAZE	68K 5%	1/10W	R408	1-216-689-11	METAL CHIP 39K 0.50% 1/10W
R335	1-216-083-00	METAL GLAZE	27K 5%	1/10W	R410	1-216-069-00	METAL GLAZE 6.8K 5% 1/10W
R336	1-216-065-00	METAL GLAZE	4.7K 5%	1/10W	R411	1-216-033-00	METAL GLAZE 220 5% 1/10W
R337	1-216-073-00	METAL GLAZE	10K 5%	1/10W	R412	1-216-089-91	METAL GLAZE 47K 5% 1/10W
R338	1-216-091-00	METAL GLAZE	56K 5%	1/10W	R413	1-216-668-11	METAL CHIP 5.1K 0.50% 1/10W
R339	1-216-071-00	METAL GLAZE	8.2K 5%	1/10W	R416	1-216-113-00	METAL GLAZE 470K 5% 1/10W
R340	1-216-089-91	METAL GLAZE	47K 5%	1/10W	R417	1-216-665-11	METAL CHIP 3.9K 0.50% 1/10W
R341	1-216-673-11	METAL CHIP	8.2K 0.50%	1/10W	R418	1-216-667-11	METAL CHIP 4.7K 0.50% 1/10W
R342	1-216-065-00	METAL GLAZE	4.7K 5%	1/10W	R419	1-216-065-00	METAL GLAZE 4.7K 5% 1/10W
R343	1-216-095-00	METAL GLAZE	82K 5%	1/10W	R420	1-216-689-11	METAL GLAZE 39K 5% 1/10W
R344	1-216-099-00	METAL GLAZE	120K 5%	1/10W	R422	1-216-073-00	METAL GLAZE 10K 5% 1/10W
R345	1-216-063-00	METAL GLAZE	3.9K 5%	1/10W	R423	1-216-073-00	METAL GLAZE 10K 5% 1/10W
R346	1-216-057-00	METAL GLAZE	2.2K 5%	1/10W	R424	1-216-033-00	METAL GLAZE 220 5% 1/10W
R347	1-216-065-00	METAL GLAZE	4.7K 5%	1/10W	R425	1-216-049-00	METAL GLAZE 1K 5% 1/10W
R348	1-216-031-00	METAL GLAZE	180 5%	1/10W	R426	1-216-039-00	METAL GLAZE 390 5% 1/10W
R349	1-216-694-11	METAL CHIP	62K 0.50%	1/10W	R427	1-216-033-00	METAL GLAZE 220 5% 1/10W
R350	1-216-085-00	METAL GLAZE	33K 5%	1/10W	R428	1-216-097-00	METAL GLAZE 100K 5% 1/10W
R351	1-216-061-00	METAL GLAZE	3.3K 5%	1/10W	R429	1-216-073-00	METAL GLAZE 10K 5% 1/10W
R352	1-216-675-11	METAL CHIP	10K 0.50%	1/10W	R430	1-216-119-00	METAL GLAZE 820K 5% 1/10W
R353	1-216-049-00	METAL GLAZE	1K 5%	1/10W	R431	1-216-097-00	METAL GLAZE 100K 5% 1/10W
R355	1-216-059-00	METAL GLAZE	2.7K 5%	1/10W	R432	1-216-089-91	METAL GLAZE 47K 5% 1/10W
R356	1-216-689-11	METAL GLAZE	39K 5%	1/10W	R434	1-216-109-00	METAL GLAZE 330K 5% 1/10W
R357	1-216-121-00	METAL GLAZE	1M 5%	1/10W	R435	1-216-105-00	METAL GLAZE 220K 5% 1/10W
R358	1-216-053-00	METAL GLAZE	1.5K 5%	1/10W	R436	1-216-113-00	METAL GLAZE 470K 5% 1/10W
R359	1-216-065-00	METAL GLAZE	4.7K 5%	1/10W	R437	1-216-097-00	METAL GLAZE 100K 5% 1/10W
R360	1-216-039-00	METAL GLAZE	390 5%	1/10W	R438	1-216-053-00	METAL GLAZE 1.5K 5% 1/10W
R361	1-216-025-00	METAL GLAZE	100 5%	1/10W	R439	1-216-033-00	METAL GLAZE 220 5% 1/10W
R362	1-216-067-00	METAL GLAZE	5.6K 5%	1/10W			

A (PVM-1351Q/1354Q)

REF. NO.	PART NO.	DESCRIPTION	REMARK	REF. NO.	PART NO.	DESCRIPTION	REMARK
R440	1-216-049-00	METAL GLAZE	1K 5% 1/10W	R507	1-216-083-00	METAL GLAZE	27K 5% 1/10W
R441	1-216-645-11	METAL CHIP	560 0.50% 1/10W	R508	1-216-105-00	METAL GLAZE	220K 5% 1/10W
R442	1-216-647-11	METAL CHIP	680 0.50% 1/10W	R509	1-216-089-91	METAL GLAZE	47K 5% 1/10W
R443	1-216-049-00	METAL GLAZE	1K 5% 1/10W	R510	1-216-097-00	METAL GLAZE	100K 5% 1/10W
R444	1-216-105-00	METAL GLAZE	220K 5% 1/10W	R511	1-216-099-00	METAL GLAZE	120K 5% 1/10W
R445	1-216-095-00	METAL GLAZE	82K 5% 1/10W	R512	1-216-055-00	METAL GLAZE	1.8K 5% 1/10W
R447	1-216-069-00	METAL GLAZE	6.8K 5% 1/10W	R513	1-216-295-00	METAL GLAZE	0 5% 1/10W
R448	1-216-049-00	METAL GLAZE	1K 5% 1/10W	R514	1-216-295-00	METAL GLAZE	0 5% 1/10W
R449	1-216-073-00	METAL GLAZE	10K 5% 1/10W	R515	1-216-675-11	METAL CHIP	10K 0.50% 1/10W
R450	1-216-121-00	METAL GLAZE	1M 5% 1/10W	R516	1-216-697-11	METAL CHIP	82K 0.50% 1/10W
R451	1-216-037-00	METAL GLAZE	330 5% 1/10W	R517	1-214-888-00	METAL	10K 1% 1/2W
R452	1-216-651-11	METAL CHIP	1K 0.50% 1/10W	R518	1-260-123-11	CARBON	100K 5% 1/2W
R453	1-216-097-00	METAL GLAZE	100K 5% 1/10W	R519	1-216-017-00	METAL GLAZE	47 5% 1/10W
R455	1-216-085-00	METAL GLAZE	33K 5% 1/10W	R520	1-249-423-11	CARBON	3.3K 5% 1/4W F
R456	1-216-053-00	METAL GLAZE	1.5K 5% 1/10W	R521	1-216-065-00	METAL GLAZE	4.7K 5% 1/10W
R457	1-216-025-00	METAL GLAZE	100 5% 1/10W	R522	1-260-111-11	CARBON	10K 5% 1/2W
R458	1-216-113-00	METAL GLAZE	470K 5% 1/10W	R523	1-215-892-11	METAL OXIDE	1K 5% 2W F
R459	1-216-649-11	METAL CHIP	820 0.50% 1/10W	R524	1-216-093-00	METAL GLAZE	68K 5% 1/10W
R460	1-216-073-00	METAL GLAZE	10K 5% 1/10W	R525	1-216-069-00	METAL GLAZE	6.8K 5% 1/10W
R462	1-216-651-11	METAL CHIP	1K 0.50% 1/10W	R526	1-216-089-91	METAL GLAZE	47K 5% 1/10W
R463	1-216-065-00	METAL GLAZE	4.7K 5% 1/10W	R527	1-216-089-91	METAL GLAZE	47K 5% 1/10W
R464	1-216-065-00	METAL GLAZE	4.7K 5% 1/10W	R528	1-216-089-91	METAL GLAZE	47K 5% 1/10W
R465	1-216-025-00	METAL GLAZE	100 5% 1/10W	R529	1-216-089-91	METAL GLAZE	47K 5% 1/10W
R466	1-216-077-00	METAL GLAZE	15K 5% 1/10W	R530	1-216-367-11	METAL OXIDE	0.68 5% 2W F
R467	1-216-121-00	METAL GLAZE	1M 5% 1/10W	R531	1-216-077-00	METAL GLAZE	15K 5% 1/10W
R468	1-216-105-00	METAL GLAZE	220K 5% 1/10W	R532	1-215-919-71	METAL OXIDE	2.2K 5% 3W F
R469	1-216-063-00	METAL GLAZE	3.9K 5% 1/10W	R533	1-247-723-11	CARBON	6.8K 5% 1/4W F
R470	1-216-069-00	METAL GLAZE	6.8K 5% 1/10W	R534	1-216-085-00	METAL GLAZE	33K 5% 1/10W
R471	1-216-109-00	METAL GLAZE	330K 5% 1/10W	R535	1-249-448-11	CARBON	1.2 5% 1/4W F
R472	1-216-077-00	METAL GLAZE	15K 5% 1/10W	R536	1-216-101-00	METAL GLAZE	150K 5% 1/10W
R473	1-216-121-00	METAL GLAZE	1M 5% 1/10W	R537	1-216-089-91	METAL GLAZE	47K 5% 1/10W
R474	1-216-649-11	METAL CHIP	820 0.50% 1/10W	R539	1-216-065-00	METAL GLAZE	4.7K 5% 1/10W
R475	1-216-025-00	METAL GLAZE	100 5% 1/10W	R540	1-216-113-00	METAL GLAZE	470K 5% 1/10W
R476	1-216-061-00	METAL GLAZE	3.3K 5% 1/10W	R541	1-249-383-11	CARBON	1.5 5% 1/4W F
R477	1-216-061-00	METAL GLAZE	3.3K 5% 1/10W	R542	1-216-057-00	METAL GLAZE	2.2K 5% 1/10W
R478	1-216-073-00	METAL GLAZE	10K 5% 1/10W	R543	1-212-883-00	FUSIBLE	120 5% 1/4W F
R479	1-216-085-00	METAL GLAZE	33K 5% 1/10W	R544	1-216-095-00	METAL GLAZE	82K 5% 1/10W
R480	1-216-077-00	METAL GLAZE	15K 5% 1/10W	R545	1-216-073-00	METAL GLAZE	10K 5% 1/10W
R481	1-216-033-00	METAL GLAZE	220 5% 1/10W	R546	1-249-425-11	CARBON	4.7K 5% 1/4W F
R482	1-216-057-00	METAL GLAZE	2.2K 5% 1/10W	R548	1-216-057-00	METAL GLAZE	2.2K 5% 1/10W
R483	1-216-025-00	METAL GLAZE	100 5% 1/10W	R549	1-216-677-11	METAL CHIP	12K 0.50% 1/10W
R484	1-216-651-11	METAL CHIP	1K 0.50% 1/10W	R550	1-216-053-00	METAL GLAZE	1.5K 5% 1/10W
R485	1-216-033-00	METAL GLAZE	220 5% 1/10W	R551	1-216-077-00	METAL GLAZE	15K 5% 1/10W
R486	1-216-681-11	METAL CHIP	18K 0.50% 1/10W	R552	1-216-033-00	METAL GLAZE	220 5% 1/10W
R487	1-216-653-11	METAL CHIP	1.2K 0.50% 1/10W	R553	1-216-083-00	METAL GLAZE	27K 5% 1/10W
R488	1-216-073-00	METAL GLAZE	10K 5% 1/10W	R554	1-216-095-00	METAL GLAZE	82K 5% 1/10W
R489	1-216-077-00	METAL GLAZE	15K 5% 1/10W	R555	1-216-692-11	METAL CHIP	51K 0.50% 1/10W
R490	1-216-057-00	METAL GLAZE	2.2K 5% 1/10W	R556	1-216-464-11	METAL OXIDE	18K 5% 2W F
R491	1-216-061-00	METAL GLAZE	3.3K 5% 1/10W	R558	1-247-711-11	CARBON	680 5% 1/4W F
R492	1-216-085-00	METAL GLAZE	33K 5% 1/10W	R559	1-216-109-00	METAL GLAZE	330K 5% 1/10W
R493	1-216-295-00	METAL GLAZE	0 5% 1/10W	R560	1-216-091-00	METAL GLAZE	56K 5% 1/10W
R494	1-216-085-00	METAL GLAZE	33K 5% 1/10W	R561	1-216-049-00	METAL GLAZE	1K 5% 1/10W
R495	1-216-651-11	METAL CHIP	1K 0.50% 1/10W	R563	1-216-017-00	METAL GLAZE	47 5% 1/10W
R496	1-216-073-00	METAL GLAZE	10K 5% 1/10W	R564	1-216-107-00	METAL GLAZE	270K 5% 1/10W
R497	1-216-653-11	METAL CHIP	1.2K 0.50% 1/10W	R565	1-216-033-00	METAL GLAZE	220 5% 1/10W
R498	1-216-061-00	METAL GLAZE	3.3K 5% 1/10W	R566	1-216-685-11	METAL CHIP	27K 0.50% 1/10W
R499	1-216-033-00	METAL GLAZE	220 5% 1/10W	R567	1-216-081-00	METAL GLAZE	22K 5% 1/10W
R500	1-216-689-11	METAL GLAZE	39K 5% 1/10W	R568	1-216-073-00	METAL GLAZE	10K 5% 1/10W
R501	1-216-077-00	METAL GLAZE	15K 5% 1/10W	R569	1-260-114-11	CARBON	18K 5% 1/2W
R502	1-216-677-11	METAL CHIP	12K 0.50% 1/10W	R571	1-216-065-00	METAL GLAZE	4.7K 5% 1/10W
R503	1-216-677-11	METAL CHIP	12K 0.50% 1/10W	R572	1-216-059-00	METAL GLAZE	2.7K 5% 1/10W
R504	1-216-111-00	METAL GLAZE	390K 5% 1/10W	R573	1-216-071-00	METAL GLAZE	8.2K 5% 1/10W
R505	1-216-067-00	METAL GLAZE	5.6K 5% 1/10W	R574	1-216-689-11	METAL GLAZE	39K 5% 1/10W
R506	1-216-073-00	METAL GLAZE	10K 5% 1/10W				

A (PVM-1351Q/1354Q)

REF. NO.	PART NO.	DESCRIPTION	REMARK	REF. NO.	PART NO.	DESCRIPTION	REMARK
R576	1-216-101-00	METAL GLAZE	150K 5% 1/10W	R1146	1-216-057-00	METAL GLAZE	2.2K 5% 1/10W
R578	1-216-693-11	METAL CHIP	56K 0.50% 1/10W	R1147	1-216-057-00	METAL GLAZE	2.2K 5% 1/10W
R580	1-216-105-00	METAL GLAZE	220K 5% 1/10W	R1148	1-216-065-00	METAL GLAZE	4.7K 5% 1/10W
R582	1-216-085-00	METAL GLAZE	33K 5% 1/10W	R1150	1-216-037-00	METAL GLAZE	330 5% 1/10W
R583	1-216-039-00	METAL GLAZE	390 5% 1/10W	R1151	1-216-081-00	METAL GLAZE	22K 5% 1/10W
R584	1-216-071-00	METAL GLAZE	8.2K 5% 1/10W	R1155	1-216-133-00	METAL GLAZE	3.3M 5% 1/10W
R585	1-216-033-00	METAL GLAZE	220 5% 1/10W	R1161	1-218-776-11	METAL CHIP	1M 0.50% 1/10W
R586	1-216-686-11	METAL CHIP	30K 0.50% 1/10W	R1162	1-218-768-11	METAL CHIP	470K 0.50% 1/10W
R587	1-216-675-11	METAL CHIP	10K 0.50% 1/10W	R1163	1-216-033-00	METAL GLAZE	220 5% 1/10W
R588	1-216-077-00	METAL GLAZE	15K 5% 1/10W	R1164	1-216-049-00	METAL GLAZE	1K 5% 1/10W
R589	1-216-067-00	METAL GLAZE	5.6K 5% 1/10W	R1165	1-216-049-00	METAL GLAZE	1K 5% 1/10W
R590	1-216-081-00	METAL GLAZE	22K 5% 1/10W	R1166	1-216-295-00	METAL GLAZE	0 5% 1/10W
R591	1-216-683-11	METAL CHIP	22K 0.50% 1/10W	R1167	1-216-097-00	METAL GLAZE	100K 5% 1/10W
R592	1-247-688-11	CARBON	10 5% 1/4W F	R1168	1-216-097-00	METAL GLAZE	100K 5% 1/10W
R593	1-216-647-11	METAL CHIP	680 0.50% 1/10W	R1169	1-216-097-00	METAL GLAZE	100K 5% 1/10W
R594	1-260-104-91	CARBON	2.7K 5% 1/2W	R1170	1-216-089-91	METAL GLAZE	47K 5% 1/10W
R595	1-216-689-11	METAL GLAZE	39K 5% 1/10W	R1171	1-216-085-00	METAL GLAZE	33K 5% 1/10W
R596	1-214-754-00	METAL	11K 1% 1/4W	R1172	1-216-085-00	METAL GLAZE	33K 5% 1/10W
R597	1-249-417-11	CARBON	1K 5% 1/4W F	R1173	1-216-295-00	METAL GLAZE	0 5% 1/10W
R598	1-216-085-00	METAL GLAZE	33K 5% 1/10W	R1176	1-216-295-00	METAL GLAZE	0 5% 1/10W
R599	1-216-645-11	METAL CHIP	560 0.50% 1/10W	R1177	1-216-071-00	METAL GLAZE	8.2K 5% 1/10W
R1101	1-216-295-00	METAL GLAZE	0 5% 1/10W	R1178	1-216-295-00	METAL GLAZE	0 5% 1/10W
R1102	1-216-295-00	METAL GLAZE	0 5% 1/10W	R1179	1-216-041-00	METAL GLAZE	470 5% 1/10W
R1103	1-216-077-00	METAL GLAZE	15K 5% 1/10W	R1180	1-216-089-91	METAL GLAZE	47K 5% 1/10W
R1104	1-216-699-11	METAL CHIP	100K 0.50% 1/10W	R1181	1-216-295-00	METAL GLAZE	0 5% 1/10W
R1105	1-216-073-00	METAL GLAZE	10K 5% 1/10W	R1182	1-216-131-11	METAL GLAZE	2.7M 5% 1/10W
R1106	1-216-097-00	METAL GLAZE	100K 5% 1/10W	R1183	1-216-071-00	METAL GLAZE	8.2K 5% 1/10W
R1107	1-216-059-00	METAL GLAZE	2.7K 5% 1/10W	R1184	1-216-131-11	METAL GLAZE	2.7M 5% 1/10W
R1108	1-216-681-11	METAL CHIP	18K 0.50% 1/10W	R1185	1-216-071-00	METAL GLAZE	8.2K 5% 1/10W
R1109	1-216-295-00	METAL GLAZE	0 5% 1/10W	R1186	1-216-131-11	METAL GLAZE	2.7M 5% 1/10W
R1110	1-216-295-00	METAL GLAZE	0 5% 1/10W	R1187	1-216-071-00	METAL GLAZE	8.2K 5% 1/10W
R1111	1-216-065-00	METAL GLAZE	4.7K 5% 1/10W	R1188	1-216-131-11	METAL GLAZE	2.7M 5% 1/10W
R1112	1-216-065-00	METAL GLAZE	4.7K 5% 1/10W	R1189	1-216-071-00	METAL GLAZE	8.2K 5% 1/10W
R1113	1-216-081-00	METAL GLAZE	22K 5% 1/10W	R1190	1-216-131-11	METAL GLAZE	2.7M 5% 1/10W
R1114	1-216-049-00	METAL GLAZE	1K 5% 1/10W	R1191	1-216-071-00	METAL GLAZE	8.2K 5% 1/10W
R1115	1-216-049-00	METAL GLAZE	1K 5% 1/10W	R1192	1-216-131-11	METAL GLAZE	2.7M 5% 1/10W
R1116	1-216-677-11	METAL CHIP	12K 0.50% 1/10W	R1193	1-216-025-00	METAL GLAZE	100 5% 1/10W
R1117	1-216-069-00	METAL GLAZE	6.8K 5% 1/10W	R1194	1-216-085-00	METAL GLAZE	33K 5% 1/10W
R1118	1-216-113-00	METAL GLAZE	470K 5% 1/10W	R1195	1-216-025-00	METAL GLAZE	100 5% 1/10W
R1119	1-216-694-11	METAL CHIP	62K 0.50% 1/10W	R1196	1-216-085-00	METAL GLAZE	33K 5% 1/10W
R1120	1-216-089-91	METAL GLAZE	47K 5% 1/10W	R1197	1-216-025-00	METAL GLAZE	100 5% 1/10W
R1123	1-216-071-00	METAL GLAZE	8.2K 5% 1/10W	R1198	1-216-085-00	METAL GLAZE	33K 5% 1/10W
R1124	1-216-113-00	METAL GLAZE	470K 5% 1/10W	R1301	1-216-029-00	METAL GLAZE	150 5% 1/10W
R1125	1-216-049-00	METAL GLAZE	1K 5% 1/10W	R1302	1-216-029-00	METAL GLAZE	150 5% 1/10W
R1126	1-216-041-00	METAL GLAZE	470 5% 1/10W	R1303	1-216-039-00	METAL GLAZE	390 5% 1/10W
R1127	1-216-295-00	METAL GLAZE	0 5% 1/10W	R1304	1-216-689-11	METAL GLAZE	39K 5% 1/10W
R1128	1-216-065-00	METAL GLAZE	4.7K 5% 1/10W	R1305	1-216-033-00	METAL GLAZE	220 5% 1/10W
R1129	1-216-071-00	METAL GLAZE	8.2K 5% 1/10W	R1306	1-216-645-11	METAL CHIP	560 0.50% 1/10W
R1130	1-216-049-00	METAL GLAZE	1K 5% 1/10W	R1307	1-216-091-00	METAL GLAZE	56K 5% 1/10W
R1131	1-216-049-00	METAL GLAZE	1K 5% 1/10W	R1308	1-216-645-11	METAL CHIP	560 0.50% 1/10W
R1132	1-216-071-00	METAL GLAZE	8.2K 5% 1/10W	R1309	1-216-025-00	METAL GLAZE	100 5% 1/10W
R1133	1-216-069-00	METAL GLAZE	6.8K 5% 1/10W	R1310	1-216-025-00	METAL GLAZE	100 5% 1/10W
R1134	1-216-073-00	METAL GLAZE	10K 5% 1/10W	R1311	1-216-089-91	METAL GLAZE	47K 5% 1/10W
R1135	1-216-295-00	METAL GLAZE	0 5% 1/10W	R1312	1-216-027-00	METAL GLAZE	120 5% 1/10W
R1136	1-216-097-00	METAL GLAZE	100K 5% 1/10W	R1313	1-216-097-00	METAL GLAZE	100K 5% 1/10W
R1137	1-216-073-00	METAL GLAZE	10K 5% 1/10W	R1314	1-216-081-00	METAL GLAZE	22K 5% 1/10W
R1138	1-216-081-00	METAL GLAZE	22K 5% 1/10W	R1315	1-216-025-00	METAL GLAZE	100 5% 1/10W
R1139	1-216-055-00	METAL GLAZE	1.8K 5% 1/10W	R1316	1-216-065-00	METAL GLAZE	4.7K 5% 1/10W
R1140	1-216-653-11	METAL CHIP	1.2K 0.50% 1/10W	R1317	1-216-041-00	METAL GLAZE	470 5% 1/10W
R1141	1-216-083-00	METAL GLAZE	27K 5% 1/10W	R1318	1-216-061-00	METAL GLAZE	3.3K 5% 1/10W
R1142	1-216-653-11	METAL CHIP	1.2K 0.50% 1/10W	R1319	1-216-085-00	METAL GLAZE	33K 5% 1/10W
R1143	1-216-653-11	METAL CHIP	1.2K 0.50% 1/10W	R1320	1-216-065-00	METAL GLAZE	4.7K 5% 1/10W
R1144	1-216-073-00	METAL GLAZE	10K 5% 1/10W	R1321	1-216-649-11	METAL CHIP	820 0.50% 1/10W
R1145	1-216-067-00	METAL GLAZE	5.6K 5% 1/10W				

A (PVM-1351Q/1354Q)

REF. NO.	PART NO.	DESCRIPTION	REMARK	REF. NO.	PART NO.	DESCRIPTION	REMARK
R1322	1-216-057-00	METAL GLAZE	2.2K 5% 1/10W	R1386	1-216-077-00	METAL GLAZE	15K 5% 1/10W
R1323	1-216-097-00	METAL GLAZE	100K 5% 1/10W	R1387	1-216-653-11	METAL CHIP	1.2K 0.50% 1/10W
R1324	1-216-061-00	METAL GLAZE	3.3K 5% 1/10W	R1388	1-216-689-11	METAL CHIP	39K 0.50% 1/10W
R1325	1-216-652-11	METAL CHIP	1.1K 0.50% 1/10W	R1389	1-216-657-11	METAL CHIP	1.8K 0.50% 1/10W
R1326	1-216-073-00	METAL GLAZE	10K 5% 1/10W	R1390	1-216-647-11	METAL CHIP	680 0.50% 1/10W
R1327	1-216-073-00	METAL GLAZE	10K 5% 1/10W	R1391	1-216-025-00	METAL GLAZE	100 5% 1/10W
R1328	1-216-125-00	METAL GLAZE	1.5M 5% 1/10W	R1392	1-216-041-00	METAL GLAZE	470 5% 1/10W
R1329	1-216-103-91	METAL GLAZE	180K 5% 1/10W	R1393	1-216-063-00	METAL GLAZE	3.9K 5% 1/10W
R1330	1-216-081-00	METAL GLAZE	22K 5% 1/10W	R1394	1-216-041-00	METAL GLAZE	470 5% 1/10W
R1331	1-216-679-11	METAL CHIP	15K 0.50% 1/10W	R1395	1-216-071-00	METAL GLAZE	8.2K 5% 1/10W
R1332	1-216-671-11	METAL CHIP	6.8K 0.50% 1/10W	R1396	1-216-071-00	METAL GLAZE	8.2K 5% 1/10W
R1333	1-216-049-00	METAL GLAZE	1K 5% 1/10W	R1397	1-216-065-00	METAL GLAZE	4.7K 5% 1/10W
R1334	1-216-063-00	METAL GLAZE	3.9K 5% 1/10W	R1399	1-216-073-00	METAL GLAZE	10K 5% 1/10W
R1335	1-249-401-11	CARBON	47 5% 1/4W F	R1401	1-216-085-00	METAL GLAZE	33K 5% 1/10W
R1336	1-216-095-00	METAL GLAZE	82K 5% 1/10W	R1402	1-216-295-00	METAL GLAZE	0 5% 1/10W
R1337	1-216-061-00	METAL GLAZE	3.3K 5% 1/10W	R1403	1-216-651-11	METAL CHIP	1K 0.50% 1/10W
R1338	1-216-647-11	METAL CHIP	680 0.50% 1/10W	R1404	1-216-681-11	METAL CHIP	18K 0.50% 1/10W
R1339	1-216-033-00	METAL GLAZE	220 5% 1/10W	R1405	1-216-071-00	METAL GLAZE	8.2K 5% 1/10W
R1340	1-216-033-00	METAL GLAZE	220 5% 1/10W	R1406	1-216-653-11	METAL CHIP	1.2K 0.50% 1/10W
R1341	1-216-033-00	METAL GLAZE	220 5% 1/10W	R1407	1-216-061-00	METAL GLAZE	3.3K 5% 1/10W
R1342	1-216-083-00	METAL GLAZE	27K 5% 1/10W	R1408	1-216-113-00	METAL GLAZE	470K 5% 1/10W
R1343	1-216-037-00	METAL GLAZE	330 5% 1/10W	R1409	1-216-295-00	METAL GLAZE	0 5% 1/10W
R1344	1-216-093-00	METAL GLAZE	68K 5% 1/10W	R1410	1-216-053-00	METAL GLAZE	1.5K 5% 1/10W
R1345	1-216-109-00	METAL GLAZE	330K 5% 1/10W	R1411	1-216-073-00	METAL GLAZE	10K 5% 1/10W
R1346	1-216-097-00	METAL GLAZE	100K 5% 1/10W	R1412	1-216-107-00	METAL GLAZE	270K 5% 1/10W
R1347	1-216-073-00	METAL GLAZE	10K 5% 1/10W	R1413	1-216-081-00	METAL GLAZE	22K 5% 1/10W
R1348	1-216-071-00	METAL GLAZE	8.2K 5% 1/10W	R1414	1-216-057-00	METAL GLAZE	2.2K 5% 1/10W
R1349	1-216-035-00	METAL GLAZE	270 5% 1/10W	R1415	1-216-093-00	METAL GLAZE	68K 5% 1/10W
R1350	1-216-073-00	METAL GLAZE	10K 5% 1/10W	R1416	1-216-113-00	METAL GLAZE	470K 5% 1/10W
R1351	1-216-033-00	METAL GLAZE	220 5% 1/10W	R1417	1-216-033-00	METAL GLAZE	220 5% 1/10W
R1352	1-216-065-00	METAL GLAZE	4.7K 5% 1/10W	R1418	1-216-033-00	METAL GLAZE	220 5% 1/10W
R1353	1-216-065-00	METAL GLAZE	4.7K 5% 1/10W	R1419	1-216-025-00	METAL GLAZE	100 5% 1/10W
R1354	1-216-089-91	METAL GLAZE	47K 5% 1/10W	R1420	1-216-089-91	METAL GLAZE	47K 5% 1/10W
R1355	1-216-033-00	METAL GLAZE	220 5% 1/10W	R1421	1-216-649-11	METAL CHIP	820 0.50% 1/10W
R1356	1-216-105-00	METAL GLAZE	220K 5% 1/10W	R1422	1-216-085-00	METAL GLAZE	33K 5% 1/10W
R1357	1-216-101-00	METAL GLAZE	150K 5% 1/10W	R1423	1-216-057-00	METAL GLAZE	2.2K 5% 1/10W
R1358	1-216-071-00	METAL GLAZE	8.2K 5% 1/10W	R1424	1-216-081-00	METAL GLAZE	22K 5% 1/10W
R1359	1-216-099-00	METAL GLAZE	120K 5% 1/10W	R1425	1-216-013-00	METAL GLAZE	33 5% 1/10W
R1360	1-216-065-00	METAL GLAZE	4.7K 5% 1/10W	R1426	1-216-113-00	METAL GLAZE	470K 5% 1/10W
R1361	1-216-113-00	METAL GLAZE	470K 5% 1/10W	R1427	1-216-681-11	METAL CHIP	18K 0.50% 1/10W
R1362	1-216-676-11	METAL CHIP	11K 0.50% 1/10W	R1428	1-216-061-00	METAL GLAZE	3.3K 5% 1/10W
R1363	1-216-113-00	METAL GLAZE	470K 5% 1/10W	R1429	1-216-668-11	METAL CHIP	5.1K 0.50% 1/10W
R1364	1-216-073-00	METAL GLAZE	10K 5% 1/10W	R1430	1-216-073-00	METAL GLAZE	10K 5% 1/10W
R1365	1-216-131-11	METAL GLAZE	2.7M 5% 1/10W	R1431	1-216-129-00	METAL GLAZE	2.2M 5% 1/10W
R1366	1-216-081-00	METAL GLAZE	22K 5% 1/10W	R1432	1-216-089-91	METAL GLAZE	47K 5% 1/10W
R1367	1-216-057-00	METAL GLAZE	2.2K 5% 1/10W	R1433	1-216-085-00	METAL GLAZE	33K 5% 1/10W
R1368	1-216-059-00	METAL GLAZE	2.7K 5% 1/10W	R1434	1-216-645-11	METAL CHIP	560 0.50% 1/10W
R1369	1-216-051-00	METAL GLAZE	1.2K 5% 1/10W	R1435	1-216-055-00	METAL GLAZE	1.8K 5% 1/10W
R1370	1-216-105-00	METAL GLAZE	220K 5% 1/10W	R1436	1-216-073-00	METAL GLAZE	10K 5% 1/10W
R1371	1-216-113-00	METAL GLAZE	470K 5% 1/10W	R1437	1-216-069-00	METAL GLAZE	6.8K 5% 1/10W
R1372	1-249-437-11	CARBON	47K 5% 1/4W	R1438	1-216-073-00	METAL GLAZE	10K 5% 1/10W
R1373	1-216-063-00	METAL GLAZE	3.9K 5% 1/10W	R1439	1-216-059-00	METAL GLAZE	2.7K 5% 1/10W
R1374	1-216-101-00	METAL GLAZE	150K 5% 1/10W	R1440	1-216-041-00	METAL GLAZE	470 5% 1/10W
R1375	1-216-645-11	METAL CHIP	560 0.50% 1/10W	R1441	1-216-033-00	METAL GLAZE	220 5% 1/10W
R1376	1-216-647-11	METAL CHIP	680 0.50% 1/10W	R1442	1-216-073-00	METAL GLAZE	10K 5% 1/10W
R1377	1-216-055-00	METAL GLAZE	1.8K 5% 1/10W	R1443	1-216-013-00	METAL GLAZE	33 5% 1/10W
R1378	1-216-065-00	METAL GLAZE	4.7K 5% 1/10W	R1444	1-216-057-00	METAL GLAZE	2.2K 5% 1/10W
R1379	1-216-037-00	METAL GLAZE	330 5% 1/10W	R1445	1-216-071-00	METAL GLAZE	8.2K 5% 1/10W
R1380	1-216-645-11	METAL CHIP	560 0.50% 1/10W	R1446	1-216-071-00	METAL GLAZE	8.2K 5% 1/10W
R1381	1-216-647-11	METAL CHIP	680 0.50% 1/10W	R1447	1-216-081-00	METAL GLAZE	22K 5% 1/10W
R1382	1-216-073-00	METAL GLAZE	10K 5% 1/10W	R1448	1-216-085-00	METAL GLAZE	33K 5% 1/10W
R1383	1-216-681-11	METAL CHIP	18K 0.50% 1/10W	R1449	1-216-057-00	METAL GLAZE	2.2K 5% 1/10W
R1384	1-216-091-00	METAL GLAZE	56K 5% 1/10W	R1450	1-216-129-00	METAL GLAZE	2.2M 5% 1/10W
R1385	1-216-073-00	METAL GLAZE	10K 5% 1/10W				

The components identified by shading and mark Δ are critical for safety.
Replace only with part number specified.

Les composants identifiés par une trame et une marque Δ sont critiques pour la sécurité.
Ne les remplacer que par une pièce portant le numéro spécifié.

A (PVM-1351Q/1354Q)

REF. NO.	PART NO.	DESCRIPTION	REMARK	REF. NO.	PART NO.	DESCRIPTION	REMARK
R1451	1-216-093-00	METAL GLAZE	68K 5% 1/10W	R1519	1-216-355-11	METAL OXIDE	3.3 5% 1W F
R1452	1-216-085-00	METAL GLAZE	33K 5% 1/10W	R1520	1-216-007-00	METAL GLAZE	18 5% 1/10W
R1453	1-216-013-00	METAL GLAZE	33 5% 1/10W	R1521	1-216-029-00	METAL GLAZE	150 5% 1/10W
R1454	1-216-065-00	METAL GLAZE	4.7K 5% 1/10W	R1522	1-249-400-11	CARBON	39 5% 1/4W F
R1455	1-216-113-00	METAL GLAZE	470K 5% 1/10W	R1523	1-216-350-11	METAL OXIDE	1.2 5% 1W F
R1456	1-216-129-00	METAL GLAZE	2.2M 5% 1/10W	R1524	1-216-427-00	METAL OXIDE	120 5% 1W F
R1457	1-216-089-91	METAL GLAZE	47K 5% 1/10W	R1525	1-216-083-00	METAL GLAZE	27K 5% 1/10W
R1458	1-216-085-00	METAL GLAZE	33K 5% 1/10W	R1526	1-216-089-91	METAL GLAZE	47K 5% 1/10W
R1459	1-216-133-00	METAL GLAZE	3.3M 5% 1/10W	R1527	1-249-413-11	CARBON	470 5% 1/4W F
R1460	1-216-097-00	METAL GLAZE	100K 5% 1/10W	R1528	1-215-869-11	METAL OXIDE	1K 5% 1W F
R1461	1-216-645-11	METAL CHIP	560 0.50% 1/10W	R1529	1-202-829-11	SOLID	8.2K 20% 1/2W
R1462	1-216-645-11	METAL CHIP	560 0.50% 1/10W	R1530	1-216-115-00	METAL GLAZE	560K 5% 1/10W
R1463	1-216-645-11	METAL CHIP	560 0.50% 1/10W	R1531	1-247-697-11	CARBON	56 5% 1/4W F
R1464	1-216-057-00	METAL GLAZE	2.2K 5% 1/10W	R1532	1-216-059-00	METAL GLAZE	2.7K 5% 1/10W
R1465	1-216-097-00	METAL GLAZE	100K 5% 1/10W	R1533	1-249-414-11	CARBON	560 5% 1/4W F
R1466	1-216-055-00	METAL GLAZE	1.8K 5% 1/10W	R1534	1-216-659-11	METAL CHIP	2.2K 0.50% 1/10W
R1467	1-216-073-00	METAL GLAZE	10K 5% 1/10W	\square R1535 Δ			
R1468	1-249-438-11	CARBON	56K 5% 1/4W	\square R1536 Δ			
R1469	1-216-057-00	METAL GLAZE	2.2K 5% 1/10W	R1537	1-249-389-11	CARBON	4.7 5% 1/4W F
R1470	1-216-057-00	METAL GLAZE	2.2K 5% 1/10W	R1538	1-216-073-00	METAL GLAZE	10K 5% 1/10W
R1471	1-216-049-00	METAL GLAZE	1K 5% 1/10W	R1539	1-216-689-11	METAL GLAZE	39K 5% 1/10W
R1472	1-216-085-00	METAL GLAZE	33K 5% 1/10W	R1540	1-216-105-00	METAL GLAZE	220K 5% 1/10W
R1473	1-216-081-00	METAL GLAZE	22K 5% 1/10W	R1541	1-216-081-00	METAL GLAZE	22K 5% 1/10W
R1474	1-216-687-11	METAL CHIP	33K 0.50% 1/10W	R1542	1-216-111-00	METAL GLAZE	390K 5% 1/10W
R1475	1-216-677-11	METAL CHIP	12K 0.50% 1/10W	R1543	1-216-027-00	METAL GLAZE	120 5% 1/10W
R1476	1-216-063-00	METAL GLAZE	3.9K 5% 1/10W	R1544	1-216-117-00	METAL GLAZE	680K 5% 1/10W
R1477	1-216-057-00	METAL GLAZE	2.2K 5% 1/10W	R1545	1-216-101-00	METAL GLAZE	150K 5% 1/10W
R1478	1-216-061-00	METAL GLAZE	3.3K 5% 1/10W	R1547	1-216-393-00	METAL OXIDE	2.2K 5% 3W F
R1479	1-216-295-00	METAL GLAZE	0 5% 1/10W	R1548	1-216-057-00	METAL GLAZE	2.2K 5% 1/10W
R1480	1-216-089-91	METAL GLAZE	47K 5% 1/10W	R1549	1-260-094-11	CARBON	390 5% 1/2W
R1481	1-216-115-00	METAL GLAZE	560K 5% 1/10W	R1550	1-216-105-00	METAL GLAZE	220K 5% 1/10W
R1482	1-216-089-91	METAL GLAZE	47K 5% 1/10W	R1551	1-249-393-11	CARBON	10 5% 1/4W F
R1483	1-216-089-91	METAL GLAZE	47K 5% 1/10W	R1552	1-216-091-00	METAL GLAZE	56K 5% 1/10W
R1484	1-216-081-00	METAL GLAZE	22K 5% 1/10W	R1553	1-216-091-00	METAL GLAZE	56K 5% 1/10W
R1485	1-216-113-00	METAL GLAZE	470K 5% 1/10W	R1554	1-216-059-00	METAL GLAZE	2.7K 5% 1/10W
R1486	1-216-121-00	METAL GLAZE	1M 5% 1/10W	R1555	1-216-295-00	METAL GLAZE	0 5% 1/10W
R1487	1-216-113-00	METAL GLAZE	470K 5% 1/10W	R1556	1-216-071-00	METAL GLAZE	8.2K 5% 1/10W
R1488	1-216-083-00	METAL GLAZE	27K 5% 1/10W	R1557	1-218-760-11	METAL CHIP	220K 0.50% 1/10W
R1489	1-216-069-00	METAL GLAZE	6.8K 5% 1/10W	R1558	1-249-393-11	CARBON	10 5% 1/4W F
R1490	1-216-035-00	METAL GLAZE	270 5% 1/10W	R1559	1-249-393-11	CARBON	10 5% 1/4W F
R1491	1-216-035-00	METAL GLAZE	270 5% 1/10W	R1560	1-216-049-00	METAL GLAZE	1K 5% 1/10W
R1492	1-216-035-00	METAL GLAZE	270 5% 1/10W	R1561	1-216-681-11	METAL CHIP	18K 0.50% 1/10W
R1493	1-216-083-00	METAL GLAZE	27K 5% 1/10W	R1562	1-214-964-00	METAL	1M 1% 1/4W
R1494	1-216-081-00	METAL GLAZE	22K 5% 1/10W	R1563	1-214-964-00	METAL	1M 1% 1/4W
R1495	1-216-089-91	METAL GLAZE	47K 5% 1/10W	R1564	1-216-681-11	METAL CHIP	18K 0.50% 1/10W
R1497	1-216-113-00	METAL GLAZE	470K 5% 1/10W	R1567	1-216-089-91	METAL GLAZE	47K 5% 1/10W
R1498	1-216-057-00	METAL GLAZE	2.2K 5% 1/10W	R1568	1-216-081-00	METAL GLAZE	22K 5% 1/10W
R1499	1-216-057-00	METAL GLAZE	2.2K 5% 1/10W	R1569	1-216-073-00	METAL GLAZE	10K 5% 1/10W
R1500	1-216-647-11	METAL CHIP	680 0.50% 1/10W	R1570	1-216-073-00	METAL GLAZE	10K 5% 1/10W
R1501	1-216-071-00	METAL GLAZE	8.2K 5% 1/10W	R1571	1-216-103-91	METAL GLAZE	180K 5% 1/10W
R1502	1-260-105-11	CARBON	3.3K 5% 1/2W	R1572	1-216-101-00	METAL GLAZE	150K 5% 1/10W
R1503	1-216-063-00	METAL GLAZE	3.9K 5% 1/10W	R1573	1-216-073-00	METAL GLAZE	10K 5% 1/10W
R1504	1-216-686-11	METAL CHIP	30K 0.50% 1/10W	R1574	1-216-041-00	METAL GLAZE	470 5% 1/10W
R1505	1-247-688-11	CARBON	10 5% 1/4W F	R1575	1-216-025-00	METAL GLAZE	100 5% 1/10W
R1506	1-216-037-00	METAL GLAZE	330 5% 1/10W	R1576	1-216-025-00	METAL GLAZE	100 5% 1/10W
R1507	1-216-065-00	METAL GLAZE	4.7K 5% 1/10W	R1577	1-216-025-00	METAL GLAZE	100 5% 1/10W
R1508	1-216-689-11	METAL GLAZE	39K 5% 1/10W	R1578	1-216-065-00	METAL GLAZE	4.7K 5% 1/10W
R1509	1-249-439-11	CARBON	68K 5% 1/4W F	R1579	1-216-689-11	METAL GLAZE	39K 5% 1/10W
R1510	1-216-077-00	METAL GLAZE	15K 5% 1/10W	R2300	1-216-065-00	METAL GLAZE	4.7K 5% 1/10W
R1511	1-216-360-11	METAL OXIDE	8.2 5% 1W F	R2301	1-216-065-00	METAL GLAZE	4.7K 5% 1/10W
R1512	1-216-647-11	METAL CHIP	680 0.50% 1/10W	R2302	1-216-671-11	METAL CHIP	6.8K 0.50% 1/10W
R1513	1-247-752-11	CARBON	1K 5% 1/2W F	R2303	1-216-093-00	METAL GLAZE	68K 5% 1/10W
R1514	1-247-711-11	CARBON	680 5% 1/4W F	R2304	1-216-105-00	METAL GLAZE	220K 5% 1/10W
R1515	1-216-350-11	METAL OXIDE	1.2 5% 1W F	R2305	1-216-085-00	METAL GLAZE	33K 5% 1/10W
R1516	1-247-883-00	CARBON	150K 5% 1/4W	R2306	1-216-089-91	METAL GLAZE	47K 5% 1/10W
R1518	1-215-867-00	METAL OXIDE	470 5% 1W F				

• The components identified by \square in this manual have been carefully factory-selected for each set in order to satisfy regulations regarding X-ray radiation.

Should replacement be required, replace only with the value originally used.

A (PVM-1351Q/1354Q)

REF.NO.	PART NO.	DESCRIPTION	REMARK	REF.NO.	PART NO.	DESCRIPTION	REMARK
R2307	1-216-033-00	METAL GLAZE	220 5% 1/10W	R2372	1-216-113-00	METAL GLAZE	470K 5% 1/10W
R2308	1-216-103-91	METAL GLAZE	180K 5% 1/10W	R2374	1-216-097-00	METAL GLAZE	100K 5% 1/10W
R2309	1-216-049-00	METAL GLAZE	1K 5% 1/10W	R2375	1-216-089-91	METAL GLAZE	47K 5% 1/10W
R2310	1-216-095-00	METAL GLAZE	82K 5% 1/10W	R2376	1-216-089-91	METAL GLAZE	47K 5% 1/10W
R2311	1-216-073-00	METAL GLAZE	10K 5% 1/10W	R2377	1-216-033-00	METAL GLAZE	220 5% 1/10W
R2312	1-216-053-00	METAL GLAZE	1.5K 5% 1/10W	R2378	1-216-089-91	METAL GLAZE	47K 5% 1/10W
R2313	1-216-049-00	METAL GLAZE	1K 5% 1/10W	R2379	1-216-033-00	METAL GLAZE	220 5% 1/10W
R2314	1-216-645-11	METAL CHIP	560 0.50% 1/10W	R2380	1-216-089-91	METAL GLAZE	47K 5% 1/10W
R2315	1-216-679-11	METAL CHIP	15K 0.50% 1/10W	R2381	1-216-089-91	METAL GLAZE	47K 5% 1/10W
R2316	1-216-081-00	METAL GLAZE	22K 5% 1/10W	R2382	1-216-089-91	METAL GLAZE	47K 5% 1/10W
R2317	1-216-049-00	METAL GLAZE	1K 5% 1/10W	R2383	1-216-033-00	METAL GLAZE	220 5% 1/10W
R2318	1-216-069-00	METAL GLAZE	6.8K 5% 1/10W	R2384	1-216-689-11	METAL GLAZE	39K 5% 1/10W
R2319	1-216-093-00	METAL GLAZE	68K 5% 1/10W	R2385	1-216-073-00	METAL GLAZE	10K 5% 1/10W
R2320	1-216-677-11	METAL CHIP	12K 0.50% 1/10W	R2386	1-216-073-00	METAL GLAZE	10K 5% 1/10W
R2321	1-216-057-00	METAL GLAZE	2.2K 5% 1/10W	R2387	1-216-073-00	METAL GLAZE	10K 5% 1/10W
R2322	1-216-065-00	METAL GLAZE	4.7K 5% 1/10W	R2388	1-216-073-00	METAL GLAZE	10K 5% 1/10W
R2323	1-216-683-11	METAL CHIP	22K 0.50% 1/10W	R2389	1-216-033-00	METAL GLAZE	220 5% 1/10W
R2324	1-216-073-00	METAL GLAZE	10K 5% 1/10W	R2390	1-216-647-11	METAL CHIP	680 0.50% 1/10W
R2325	1-216-063-00	METAL GLAZE	3.9K 5% 1/10W	R2391	1-216-647-11	METAL CHIP	680 0.50% 1/10W
R2326	1-216-041-00	METAL GLAZE	470 5% 1/10W	R2392	1-216-073-00	METAL GLAZE	10K 5% 1/10W
R2327	1-216-059-00	METAL GLAZE	2.7K 5% 1/10W	R2393	1-216-073-00	METAL GLAZE	10K 5% 1/10W
R2328	1-216-049-00	METAL GLAZE	1K 5% 1/10W	R2394	1-216-081-00	METAL GLAZE	22K 5% 1/10W
R2329	1-216-059-00	METAL GLAZE	2.7K 5% 1/10W	R2396	1-216-041-00	METAL GLAZE	470 5% 1/10W
R2330	1-216-049-00	METAL GLAZE	1K 5% 1/10W	R2397	1-216-113-00	METAL GLAZE	470K 5% 1/10W
R2331	1-216-059-00	METAL GLAZE	2.7K 5% 1/10W	R2398	1-216-109-00	METAL GLAZE	330K 5% 1/10W
R2332	1-216-049-00	METAL GLAZE	1K 5% 1/10W	R2399	1-216-073-00	METAL GLAZE	10K 5% 1/10W
R2333	1-216-089-91	METAL GLAZE	47K 5% 1/10W	R2501	1-216-083-00	METAL GLAZE	27K 5% 1/10W
R2334	1-216-041-00	METAL GLAZE	470 5% 1/10W	R2502	1-216-077-00	METAL GLAZE	15K 5% 1/10W
R2335	1-216-061-00	METAL GLAZE	3.3K 5% 1/10W	R2551	1-216-091-00	METAL GLAZE	56K 5% 1/10W
R2336	1-216-065-00	METAL GLAZE	4.7K 5% 1/10W	R2552	1-216-085-00	METAL GLAZE	33K 5% 1/10W
R2337	1-216-037-00	METAL GLAZE	330 5% 1/10W	R2553	1-216-083-00	METAL GLAZE	27K 5% 1/10W
R2338	1-216-073-00	METAL GLAZE	10K 5% 1/10W	R2555	1-216-055-00	METAL GLAZE	1.8K 5% 1/10W
R2339	1-216-037-00	METAL GLAZE	330 5% 1/10W	R2556	1-216-051-00	METAL GLAZE	1.2K 5% 1/10W
R2340	1-216-073-00	METAL GLAZE	10K 5% 1/10W	R2557	1-216-067-00	METAL GLAZE	5.6K 5% 1/10W
R2341	1-216-037-00	METAL GLAZE	330 5% 1/10W	R2558	1-216-057-00	METAL GLAZE	2.2K 5% 1/10W
R2342	1-216-071-00	METAL GLAZE	8.2K 5% 1/10W	R2559	1-216-039-00	METAL GLAZE	390 5% 1/10W
R2343	1-216-081-00	METAL GLAZE	22K 5% 1/10W	R2560	1-216-069-00	METAL GLAZE	6.8K 5% 1/10W
R2344	1-216-121-00	METAL GLAZE	1M 5% 1/10W	R2561	1-216-001-00	METAL GLAZE	10 5% 1/10W
R2345	1-216-681-11	METAL CHIP	18K 0.50% 1/10W	R2562	1-216-001-00	METAL GLAZE	10 5% 1/10W
R2346	1-216-061-00	METAL GLAZE	3.3K 5% 1/10W	R2563	1-216-057-00	METAL GLAZE	2.2K 5% 1/10W
R2347	1-216-061-00	METAL GLAZE	3.3K 5% 1/10W	R3301	1-216-073-00	METAL GLAZE	10K 5% 1/10W
R2348	1-216-061-00	METAL GLAZE	3.3K 5% 1/10W	R3302	1-216-065-00	METAL GLAZE	4.7K 5% 1/10W
R2349	1-216-679-11	METAL CHIP	15K 0.50% 1/10W	R3303	1-216-065-00	METAL GLAZE	4.7K 5% 1/10W
R2350	1-216-061-00	METAL GLAZE	3.3K 5% 1/10W	R3304	1-216-065-00	METAL GLAZE	4.7K 5% 1/10W
R2351	1-216-061-00	METAL GLAZE	3.3K 5% 1/10W	R3305	1-216-061-00	METAL GLAZE	3.3K 5% 1/10W
R2352	1-216-061-00	METAL GLAZE	3.3K 5% 1/10W	R3306	1-216-063-00	METAL GLAZE	3.9K 5% 1/10W
R2353	1-216-041-00	METAL GLAZE	470 5% 1/10W	R3308	1-216-097-00	METAL GLAZE	100K 5% 1/10W
R2354	1-216-025-00	METAL GLAZE	100 5% 1/10W	R3309	1-216-073-00	METAL GLAZE	10K 5% 1/10W
R2355	1-216-089-91	METAL GLAZE	47K 5% 1/10W	R3310	1-216-049-00	METAL GLAZE	1K 5% 1/10W
R2357	1-216-095-00	METAL GLAZE	82K 5% 1/10W	R3311	1-216-091-00	METAL GLAZE	56K 5% 1/10W
R2358	1-216-025-00	METAL GLAZE	100 5% 1/10W	R3312	1-216-105-00	METAL GLAZE	220K 5% 1/10W
R2359	1-216-097-00	METAL GLAZE	100K 5% 1/10W	R3317	1-216-103-91	METAL GLAZE	180K 5% 1/10W
R2360	1-216-689-11	METAL GLAZE	39K 5% 1/10W	R3320	1-216-085-00	METAL GLAZE	33K 5% 1/10W
R2361	1-216-099-00	METAL GLAZE	120K 5% 1/10W	R3333	1-216-113-00	METAL GLAZE	470K 5% 1/10W
R2362	1-216-081-00	METAL GLAZE	22K 5% 1/10W	R3334	1-216-073-00	METAL GLAZE	10K 5% 1/10W
R2363	1-216-065-00	METAL GLAZE	4.7K 5% 1/10W	R3335	1-216-113-00	METAL GLAZE	470K 5% 1/10W
R2364	1-216-025-00	METAL GLAZE	100 5% 1/10W	R3337	1-216-099-00	METAL GLAZE	120K 5% 1/10W
R2365	1-216-687-11	METAL CHIP	33K 0.50% 1/10W	R3338	1-218-759-11	METAL CHIP	200K 0.50% 1/10W
R2366	1-216-067-00	METAL GLAZE	5.6K 5% 1/10W	R3339	1-216-093-00	METAL GLAZE	68K 5% 1/10W
R2367	1-216-093-00	METAL GLAZE	68K 5% 1/10W	R3340	1-216-099-00	METAL GLAZE	120K 5% 1/10W
R2368	1-216-065-00	METAL GLAZE	4.7K 5% 1/10W	R3341	1-216-083-00	METAL GLAZE	27K 5% 1/10W
R2369	1-216-083-00	METAL GLAZE	27K 5% 1/10W	R3344	1-216-081-00	METAL GLAZE	22K 5% 1/10W
R2370	1-216-081-00	METAL GLAZE	22K 5% 1/10W	R3345	1-216-033-00	METAL GLAZE	220 5% 1/10W
R2371	1-216-049-00	METAL GLAZE	1K 5% 1/10W				

A (PVM-1351Q/1354Q)

A (PVM-1350)

REF. NO.	PART NO.	DESCRIPTION	REMARK
R3346	1-216-025-00	METAL GLAZE	100 5% 1/10W
R3347	1-216-025-00	METAL GLAZE	100 5% 1/10W
R3348	1-216-025-00	METAL GLAZE	100 5% 1/10W
R3349	1-216-025-00	METAL GLAZE	100 5% 1/10W
R3350	1-216-113-00	METAL GLAZE	470K 5% 1/10W
R3351	1-216-119-00	METAL GLAZE	820K 5% 1/10W
R3355	1-216-089-91	METAL GLAZE	47K 5% 1/10W
R3356	1-216-051-00	METAL GLAZE	1.2K 5% 1/10W
R3357	1-216-051-00	METAL GLAZE	1.2K 5% 1/10W
R3358	1-216-051-00	METAL GLAZE	1.2K 5% 1/10W
R3359	1-216-081-00	METAL GLAZE	22K 5% 1/10W
R3360	1-216-073-00	METAL GLAZE	10K 5% 1/10W
R3361	1-216-089-91	METAL GLAZE	47K 5% 1/10W
R3362	1-216-049-00	METAL GLAZE	1K 5% 1/10W
R3363	1-216-049-00	METAL GLAZE	1K 5% 1/10W
R3364	1-216-073-00	METAL GLAZE	10K 5% 1/10W
R3365	1-216-081-00	METAL GLAZE	22K 5% 1/10W
R3376	1-216-081-00	METAL GLAZE	22K 5% 1/10W
R3377	1-216-107-00	METAL GLAZE	270K 5% 1/10W
R3378	1-216-115-00	METAL GLAZE	560K 5% 1/10W
R3381	1-216-041-00	METAL GLAZE	470 5% 1/10W
R3382	1-216-647-11	METAL CHIP	680 0.50% 1/10W
R3383	1-216-069-00	METAL GLAZE	6.8K 5% 1/10W
R3384	1-216-063-00	METAL GLAZE	3.9K 5% 1/10W
R3385	1-216-057-00	METAL GLAZE	2.2K 5% 1/10W
R3386	1-216-057-00	METAL GLAZE	2.2K 5% 1/10W
R3390	1-216-057-00	METAL GLAZE	2.2K 5% 1/10W
R3394	1-216-089-91	METAL GLAZE	47K 5% 1/10W
R3395	1-249-417-11	CARBON	1K 5% 1/4W
R3396	1-216-041-00	METAL GLAZE	470 5% 1/10W
R3397	1-216-041-00	METAL GLAZE	470 5% 1/10W
R3398	1-216-101-00	METAL GLAZE	150K 5% 1/10W
R4401	1-216-085-00	METAL GLAZE	33K 5% 1/10W
R4402	1-216-113-00	METAL GLAZE	470K 5% 1/10W
R4404	1-216-073-00	METAL GLAZE	10K 5% 1/10W
R4405	1-216-067-00	METAL GLAZE	5.6K 5% 1/10W
R4407	1-216-061-00	METAL GLAZE	3.3K 5% 1/10W
R4408	1-216-059-00	METAL GLAZE	2.7K 5% 1/10W
R4409	1-216-059-00	METAL GLAZE	2.7K 5% 1/10W
R4410	1-216-059-00	METAL GLAZE	2.7K 5% 1/10W
R4411	1-216-113-00	METAL GLAZE	470K 5% 1/10W
R4412	1-216-113-00	METAL GLAZE	470K 5% 1/10W
R4413	1-216-295-00	METAL GLAZE	0 5% 1/10W
R4414	1-216-295-00	METAL GLAZE	0 5% 1/10W
R4415	1-216-295-00	METAL GLAZE	0 5% 1/10W
R4416	1-216-295-00	METAL GLAZE	0 5% 1/10W
<VARIABLE RESISTOR>			
RV501	1-223-102-00	RES, ADJ, WIREWOUND 120	
<TRANSFORMER>			
T300	1-406-781-11	COIL	
T500	1-426-668-11	TRANSFORMER, FERRITE (HDT)	
T501	△ 1-453-163-11	TRANSFORMER ASSY, FLYBACK	
<THERMISTOR>			
TH500	1-807-970-11	THERMISTOR	
<CRYSTAL>			

REF. NO.	PART NO.	DESCRIPTION	REMARK
X101	1-579-175-11	VIBRATOR, CERAMIC	
X300	1-577-259-11	VIBRATOR, CRYSTAL	
X301	1-527-722-00	OSCILLATOR, CRYSTAL	

*A-1297-196-A	A BOARD, COMPLETE (PVM-1350)		

1-540-044-11	SOCKET, IC		
*4-030-359-01	HEAT SINK, H. PIN		
*4-043-154-01	HOLDER, IC		
*4-043-994-01	PLATE (CF), SHIELD		
4-363-414-00	SPACER, MICA		
4-382-854-11	SCREW (M3X10), P, SW (+)		
<BAND PASS FILTER>			
BPF400	1-236-363-11	FILTER, BAND PASS	
<CAPACITOR>			
C105	1-163-251-11	CERAMIC CHIP 100PF	5% 50V
C106	1-163-251-11	CERAMIC CHIP 100PF	5% 50V
C114	1-163-031-11	CERAMIC CHIP 0.01MF	50V
C115	1-163-031-11	CERAMIC CHIP 0.01MF	50V
C116	1-163-031-11	CERAMIC CHIP 0.01MF	50V
C117	1-163-031-11	CERAMIC CHIP 0.01MF	50V
C118	1-163-125-00	CERAMIC CHIP 220PF	5% 50V
C119	1-165-319-11	CERAMIC CHIP 0.1MF	50V
C121	1-163-237-11	CERAMIC CHIP 27PF	5% 50V
C123	1-165-319-11	CERAMIC CHIP 0.1MF	50V
C124	1-163-251-11	CERAMIC CHIP 100PF	5% 50V
C132	1-163-141-00	CERAMIC CHIP 0.001MF	5% 50V
C133	1-163-251-11	CERAMIC CHIP 100PF	5% 50V
C134	1-163-251-11	CERAMIC CHIP 100PF	5% 50V
C135	1-163-251-11	CERAMIC CHIP 100PF	5% 50V
C136	1-163-251-11	CERAMIC CHIP 100PF	5% 50V
C141	1-164-161-11	CERAMIC CHIP 0.0022MF	10% 50V
C142	1-163-125-00	CERAMIC CHIP 220PF	5% 50V
C143	1-165-319-11	CERAMIC CHIP 0.1MF	50V
C144	1-165-319-11	CERAMIC CHIP 0.1MF	50V
C145	1-165-319-11	CERAMIC CHIP 0.1MF	50V
C154	1-163-037-11	CERAMIC CHIP 0.022MF	10% 25V
C155	1-163-023-00	CERAMIC CHIP 0.015MF	10% 50V
C156	1-163-019-00	CERAMIC CHIP 0.0068MF	10% 50V
C157	1-163-019-00	CERAMIC CHIP 0.0068MF	10% 50V
C158	1-163-809-11	CERAMIC CHIP 0.047MF	10% 25V
C159	1-163-037-11	CERAMIC CHIP 0.022MF	10% 25V
C161	1-124-477-11	ELECT 47MF	20% 16V
C162	1-163-141-00	CERAMIC CHIP 0.001MF	5% 50V
C164	1-165-319-11	CERAMIC CHIP 0.1MF	50V
C165	1-165-319-11	CERAMIC CHIP 0.1MF	50V
C166	1-164-004-11	CERAMIC CHIP 0.1MF	10% 25V
C167	1-124-472-11	ELECT 470MF	20% 10V
C168	1-124-472-11	ELECT 470MF	20% 10V
C169	1-164-232-11	CERAMIC CHIP 0.01MF	10% 50V
C171	1-163-251-11	CERAMIC CHIP 100PF	5% 50V
C172	1-163-243-11	CERAMIC CHIP 47PF	5% 50V
C173	1-163-243-11	CERAMIC CHIP 47PF	5% 50V
C200	1-124-927-11	ELECT 4.7MF	20% 50V
C201	1-106-383-00	MYLAR 0.047MF	10% 100V
C202	1-163-017-00	CERAMIC CHIP 0.0047MF	10% 50V
C203	1-124-927-11	ELECT 4.7MF	20% 50V
C204	1-124-907-11	ELECT 10MF	20% 50V

The components identified by shading and mark △ are critical for safety. Replace only with part number specified.

Les composants identifiés par une trame et une marque △ sont critiques pour la sécurité. Ne les remplacer que par une pièce portant le numéro spécifié.

A (PVM-1350)

REF. NO.	PART NO.	DESCRIPTION	REMARK	REF. NO.	PART NO.	DESCRIPTION	REMARK				
C205	1-124-360-00	ELECT	1000MF	20%	16V	C399	1-124-477-11	ELECT	47MF	20%	25V
C206	1-126-375-11	ELECT	100MF	20%	25V	C400	1-164-232-11	CERAMIC CHIP	0.01MF	10%	50V
C207	1-124-478-11	ELECT	100MF	20%	25V	C401	1-164-346-11	CERAMIC CHIP	1MF		16V
C208	1-124-907-11	ELECT	10MF	20%	50V	C402	1-124-910-11	ELECT	47MF	20%	50V
C209	1-124-927-11	ELECT	4.7MF	20%	50V	C403	1-164-232-11	CERAMIC CHIP	0.01MF	10%	50V
C304	1-164-004-11	CERAMIC CHIP	0.1MF	10%	25V	C406	1-124-916-11	ELECT	22MF	20%	50V
C305	1-163-125-00	CERAMIC CHIP	220PF	5%	50V	C407	1-124-477-11	ELECT	47MF	20%	25V
C306	1-163-031-11	CERAMIC CHIP	0.01MF		50V	C408	1-164-232-11	CERAMIC CHIP	0.01MF	10%	50V
C311	1-163-809-11	CERAMIC CHIP	0.047MF	10%	25V	C409	1-163-031-11	CERAMIC CHIP	0.01MF		50V
C312	1-124-925-11	ELECT	2.2MF	20%	50V	C410	1-124-916-11	ELECT	22MF	20%	50V
C313	1-163-145-00	CERAMIC CHIP	0.0015MF	5%	50V	C411	1-164-004-11	CERAMIC CHIP	0.1MF	10%	25V
C314	1-163-249-11	CERAMIC CHIP	82PF	5%	50V	C414	1-163-031-11	CERAMIC CHIP	0.01MF		50V
C315	1-124-907-11	ELECT	10MF	20%	50V	C415	1-124-907-11	ELECT	10MF	20%	50V
C316	1-124-477-11	ELECT	47MF	20%	25V	C416	1-164-232-11	CERAMIC CHIP	0.01MF	10%	50V
C318	1-124-907-11	ELECT	10MF	20%	50V	C417	1-164-232-11	CERAMIC CHIP	0.01MF	10%	50V
C326	1-164-004-11	CERAMIC CHIP	0.1MF	10%	25V	C418	1-164-182-11	CERAMIC CHIP	0.0033MF	10%	50V
C343	1-163-031-11	CERAMIC CHIP	0.01MF		50V	C419	1-124-472-11	ELECT	470MF	20%	10V
C349	1-163-141-00	CERAMIC CHIP	0.001MF	5%	50V	C420	1-163-809-11	CERAMIC CHIP	0.047MF	10%	25V
C350	1-163-141-00	CERAMIC CHIP	0.001MF	5%	50V	C421	1-164-222-11	CERAMIC CHIP	0.22MF		25V
C352	1-163-031-11	CERAMIC CHIP	0.01MF		50V	C422	1-124-903-11	ELECT	1MF	20%	50V
C353	1-165-319-11	CERAMIC CHIP	0.1MF		50V	C423	1-163-809-11	CERAMIC CHIP	0.047MF	10%	25V
C354	1-163-121-00	CERAMIC CHIP	150PF	5%	50V	C424	1-163-809-11	CERAMIC CHIP	0.047MF	10%	25V
C355	1-124-903-11	ELECT	1MF	20%	50V	C425	1-163-031-11	CERAMIC CHIP	0.01MF		50V
C356	1-124-927-11	ELECT	4.7MF	20%	50V	C426	1-163-243-11	CERAMIC CHIP	47PF	5%	50V
C358	1-163-031-11	CERAMIC CHIP	0.01MF		50V	C427	1-163-031-11	CERAMIC CHIP	0.01MF		50V
C359	1-124-477-11	ELECT	47MF	20%	25V	C428	1-124-119-00	ELECT	330MF	20%	16V
C360	1-164-232-11	CERAMIC CHIP	0.01MF	10%	50V	C429	1-163-031-11	CERAMIC CHIP	0.01MF		50V
C361	1-163-031-11	CERAMIC CHIP	0.01MF		50V	C430	1-124-119-00	ELECT	330MF	20%	16V
C362	1-163-031-11	CERAMIC CHIP	0.01MF		50V	C431	1-165-319-11	CERAMIC CHIP	0.1MF		50V
C363	1-163-099-00	CERAMIC CHIP	18PF	5%	50V	C432	1-164-004-11	CERAMIC CHIP	0.1MF	10%	25V
C364	1-163-031-11	CERAMIC CHIP	0.01MF		50V	C433	1-163-235-11	CERAMIC CHIP	22PF	5%	50V
C365	1-106-343-00	MYLAR	0.001MF	10%	100V	C434	1-163-031-11	CERAMIC CHIP	0.01MF		50V
C366	1-163-031-11	CERAMIC CHIP	0.01MF		50V	C435	1-163-089-00	CERAMIC CHIP	6PF	0.25PF	50V
C367	1-163-031-11	CERAMIC CHIP	0.01MF		50V	C436	1-164-004-11	CERAMIC CHIP	0.1MF	10%	25V
C368	1-124-907-11	ELECT	10MF	20%	50V	C437	1-164-004-11	CERAMIC CHIP	0.1MF	10%	25V
C369	1-164-298-11	CERAMIC CHIP	0.15MF	10%	25V	C438	1-163-809-11	CERAMIC CHIP	0.047MF	10%	25V
C370	1-124-477-11	ELECT	47MF	20%	25V	C439	1-163-809-11	CERAMIC CHIP	0.047MF	10%	25V
C371	1-124-477-11	ELECT	47MF	20%	25V	C440	1-163-031-11	CERAMIC CHIP	0.01MF		50V
C372	1-163-031-11	CERAMIC CHIP	0.01MF		50V	C441	1-126-962-11	ELECT	3.3MF	20%	50V
C373	1-163-141-00	CERAMIC CHIP	0.001MF	5%	50V	C442	1-163-809-11	CERAMIC CHIP	0.047MF	10%	25V
C374	1-124-903-11	ELECT	1MF	20%	50V	C443	1-163-243-11	CERAMIC CHIP	47PF	5%	50V
C375	1-163-125-00	CERAMIC CHIP	220PF	5%	50V	C444	1-165-319-11	CERAMIC CHIP	0.1MF		50V
C376	1-124-902-00	ELECT	0.47MF	20%	50V	C445	1-163-809-11	CERAMIC CHIP	0.047MF	10%	25V
C377	1-163-809-11	CERAMIC CHIP	0.047MF	10%	25V	C446	1-163-089-00	CERAMIC CHIP	6PF	0.25PF	50V
C378	1-163-809-11	CERAMIC CHIP	0.047MF	10%	25V	C447	1-163-263-11	CERAMIC CHIP	330PF	5%	50V
C379	1-163-031-11	CERAMIC CHIP	0.01MF		50V	C448	1-163-243-11	CERAMIC CHIP	47PF	5%	50V
C380	1-124-472-11	ELECT	470MF	20%	10V	C449	1-163-227-11	CERAMIC CHIP	10PF	0.5PF	50V
C381	1-163-031-11	CERAMIC CHIP	0.01MF		50V	C450	1-163-809-11	CERAMIC CHIP	0.047MF	10%	25V
C382	1-163-243-11	CERAMIC CHIP	47PF	5%	50V	C451	1-164-004-11	CERAMIC CHIP	0.1MF	10%	25V
C383	1-124-477-11	ELECT	47MF	20%	25V	C452	1-163-263-11	CERAMIC CHIP	330PF	5%	50V
C384	1-163-249-11	CERAMIC CHIP	82PF	5%	50V	C453	1-163-031-11	CERAMIC CHIP	0.01MF		50V
C385	1-124-477-11	ELECT	47MF	20%	25V	C454	1-163-243-11	CERAMIC CHIP	47PF	5%	50V
C386	1-124-907-11	ELECT	10MF	20%	50V	C455	1-163-263-11	CERAMIC CHIP	330PF	5%	50V
C387	1-163-141-00	CERAMIC CHIP	0.001MF	5%	50V	C456	1-163-089-00	CERAMIC CHIP	6PF	0.25PF	50V
C388	1-124-907-11	ELECT	10MF	20%	50V	C457	1-163-031-11	CERAMIC CHIP	0.01MF		50V
C390	1-163-243-11	CERAMIC CHIP	47PF	5%	50V	C458	1-163-249-11	CERAMIC CHIP	82PF	5%	50V
C391	1-124-477-11	ELECT	47MF	20%	25V	C459	1-165-319-11	CERAMIC CHIP	0.1MF		50V
C392	1-164-298-11	CERAMIC CHIP	0.15MF	10%	25V	C460	1-164-004-11	CERAMIC CHIP	0.1MF	10%	25V
C393	1-164-298-11	CERAMIC CHIP	0.15MF	10%	25V	C461	1-163-119-00	CERAMIC CHIP	120PF	5%	50V
C394	1-124-477-11	ELECT	47MF	20%	25V	C462	1-163-031-11	CERAMIC CHIP	0.01MF		50V
C395	1-163-235-11	CERAMIC CHIP	22PF	5%	50V	C463	1-163-031-11	CERAMIC CHIP	0.01MF		50V
C396	1-164-299-11	CERAMIC CHIP	0.22MF	10%	25V	C464	1-164-299-11	CERAMIC CHIP	0.22MF	10%	25V
C397	1-124-477-11	ELECT	47MF	20%	25V	C465	1-163-097-00	CERAMIC CHIP	15PF	5%	50V
C398	1-124-477-11	ELECT	47MF	20%	25V						

The components identified by shading and mark Δ are critical for safety.
Replace only with part number specified.

Les composants identifiés par une trame et une marque Δ sont critiques pour la sécurité.
Ne les remplacer que par une pièce portant le numéro spécifié.

PVM-1350/1351Q/1354Q

A (PVM-1350)

REF. NO.	PART NO.	DESCRIPTION	REMARK	REF. NO.	PART NO.	DESCRIPTION	REMARK
C466	1-163-119-00	CERAMIC CHIP 120PF	5% 50V	C541	1-124-927-11	ELECT 4.7MF	20% 50V
C467	1-163-119-00	CERAMIC CHIP 120PF	5% 50V	C542	1-106-351-00	MYLAR 0.0022MF	10% 100V
C469	1-163-037-11	CERAMIC CHIP 0.022MF	10% 25V	C543	1-106-351-00	MYLAR 0.0022MF	10% 100V
C470	1-163-243-11	CERAMIC CHIP 47PF	5% 50V	C544	1-106-367-00	MYLAR 0.01MF	10% 100V
C471	1-163-105-00	CERAMIC CHIP 33PF	5% 50V	C545	1-102-212-00	CERAMIC 820PF	10% 500V
C472	1-163-031-11	CERAMIC CHIP 0.01MF	50V	C547	1-163-251-11	CERAMIC CHIP 100PF	5% 50V
C473	1-163-031-11	CERAMIC CHIP 0.01MF	50V	C548	1-102-212-00	CERAMIC 820PF	10% 500V
C475	1-163-031-11	CERAMIC CHIP 0.01MF	50V	C549	1-124-667-11	ELECT 10MF	20% 50V
C476	1-163-031-11	CERAMIC CHIP 0.01MF	50V	C550	1-126-163-11	ELECT 4.7MF	20% 50V
C477	1-164-299-11	CERAMIC CHIP 0.22MF	10% 25V	C551	1-106-375-12	MYLAR 0.022MF	10% 100V
C478	1-124-907-11	ELECT 10MF	20% 50V	C552	1-126-336-11	ELECT 220MF	20% 25V
C479	1-163-121-00	CERAMIC CHIP 150PF	5% 50V	C556	1-124-907-11	ELECT 10MF	20% 50V
C482	1-124-472-11	ELECT 470MF	20% 10V	C557	1-106-381-12	MYLAR 0.039MF	10% 100V
C483	1-163-249-11	CERAMIC CHIP 82PF	5% 50V	C558	1-124-903-11	ELECT 1MF	20% 50V
C484	1-163-113-00	CERAMIC CHIP 68PF	5% 50V	C559	1-136-173-00	FILM 0.47MF	5% 50V
C485	1-163-113-00	CERAMIC CHIP 68PF	5% 50V	C561	1-136-159-00	FILM 0.033MF	5% 50V
C486	1-163-249-11	CERAMIC CHIP 82PF	5% 50V	C562	1-163-249-11	CERAMIC CHIP 82PF	5% 50V
C487	1-163-235-11	CERAMIC CHIP 22PF	5% 50V	C564	1-124-907-11	ELECT 10MF	20% 50V
C488	1-163-097-00	CERAMIC CHIP 15PF	5% 50V	C565	1-124-903-11	ELECT 1MF	20% 50V
C490	1-164-336-11	CERAMIC CHIP 0.33MF	25V	C566	1-106-367-00	MYLAR 0.01MF	10% 100V
C491	1-164-336-11	CERAMIC CHIP 0.33MF	25V	C568	1-124-903-11	ELECT 1MF	20% 50V
C492	1-164-336-11	CERAMIC CHIP 0.33MF	25V	C569	1-131-351-00	TANTALUM 4.7MF	10% 25V
C493	1-104-760-11	CERAMIC CHIP 0.047MF	10% 50V	C570	1-124-360-00	ELECT 1000MF	20% 16V
C494	1-104-760-11	CERAMIC CHIP 0.047MF	10% 50V	C571	1-164-232-11	CERAMIC CHIP 0.01MF	10% 50V
C495	1-124-907-11	ELECT 10MF	20% 50V	C572	1-104-709-11	ELECT 4.7MF	0 160V
C497	1-163-011-11	CERAMIC CHIP 0.0015MF	10% 50V	C573	1-136-173-00	FILM 0.47MF	5% 50V
C498	1-124-925-11	ELECT 2.2MF	20% 50V	C574	1-249-383-11	CARBON 1.5	5% 1/4W F
C499	1-163-031-11	CERAMIC CHIP 0.01MF	50V	C575	1-163-031-11	CERAMIC CHIP 0.01MF	50V
C500	1-164-004-11	CERAMIC CHIP 0.1MF	10% 25V	C576	1-102-244-00	CERAMIC 220PF	10% 500V
C501	1-164-182-11	CERAMIC CHIP 0.0033MF	10% 50V	C577	1-124-907-11	ELECT 10MF	20% 50V
C502	1-163-141-00	CERAMIC CHIP 0.001MF	5% 50V	C578	1-136-540-11	FILM 0.82MF	5% 200V
C503	1-163-251-11	CERAMIC CHIP 100PF	5% 50V	C579	1-126-804-11	ELECT 100MF	20% 50V
C504	1-136-175-00	FILM 0.068MF	5% 50V	C580	1-136-756-11	FILM 0.24MF	5% 200V
C505	1-163-135-00	CERAMIC CHIP 560PF	5% 50V	C581	1-124-927-11	ELECT 4.7MF	20% 50V
C506	1-124-902-00	ELECT 0.47MF	20% 50V	C582	1-102-002-00	CERAMIC 680PF	10% 500V
C507	1-126-375-11	ELECT 100MF	20% 25V	C583	1-136-569-11	FILM 1.2MF	5% 200V
C508	1-130-495-00	MYLAR 0.1MF	5% 50V	C584	1-123-267-00	ELECT 2.2MF	20% 160V
C509	1-124-935-11	ELECT 470MF	20% 100V	C585	1-124-666-11	ELECT 4.7MF	20% 250V
C511	1-108-700-11	MYLAR 0.047MF	10% 200V	C586	1-124-557-11	ELECT 1000MF	20% 25V
C512	1-124-902-00	ELECT 0.47MF	20% 50V	C587	1-102-030-00	CERAMIC 330PF	10% 500V
C513	1-126-096-11	ELECT 10MF	20% 25V	C588	1-124-667-11	ELECT 10MF	20% 50V
C514	1-129-718-00	FILM 0.022MF	10% 630V	C589	1-102-030-00	CERAMIC 330PF	10% 500V
C515	1-163-809-11	CERAMIC CHIP 0.047MF	10% 25V	C590	1-126-387-11	ELECT 2.2MF	20% 50V
C516	1-102-030-00	CERAMIC 330PF	10% 500V	C591	1-106-371-00	MYLAR 0.015MF	10% 200V
C517	1-163-024-00	CERAMIC CHIP 0.018MF	10% 50V	C592	1-123-932-00	ELECT 4.7MF	20% 160V
C518	1-107-995-51	ELECT 100MF	0 160V	C593	1-165-319-11	CERAMIC CHIP 0.1MF	50V
C519	1-163-017-00	CERAMIC CHIP 0.0047MF	10% 50V	C594	1-163-229-11	CERAMIC CHIP 12PF	5% 50V
C520	1-163-257-11	CERAMIC CHIP 180PF	5% 50V	C595	1-126-336-11	ELECT 220MF	20% 25V
C521	1-162-114-00	CERAMIC 0.0047MF	2KV	C596	1-124-478-11	ELECT 100MF	20% 25V
C522	1-126-375-11	ELECT 100MF	20% 25V	C597	1-164-346-11	CERAMIC CHIP 1MF	16V
C523	1-126-801-11	ELECT 1MF	20% 50V	C598	1-164-346-11	CERAMIC CHIP 1MF	16V
C525 Δ	1-136-545-11	FILM 0.0078MF	3% 2KV	C599	1-126-157-11	ELECT 10MF	20% 16V
C526 Δ	1-162-116-91	CERAMIC 680PF	10% 2KV	C1300	1-124-477-11	ELECT 47MF	20% 25V
C529	1-104-789-51	ELECT 0.47MF	20% 50V	C1302	1-163-133-00	CERAMIC CHIP 470PF	5% 50V
C530	1-124-120-11	ELECT 220MF	20% 25V	C1303	1-164-004-11	CERAMIC CHIP 0.1MF	10% 25V
C531	1-124-477-11	ELECT 47MF	20% 25V	C1305	1-124-477-11	ELECT 47MF	20% 25V
C532	1-163-031-11	CERAMIC CHIP 0.01MF	50V	C1307	1-163-031-11	CERAMIC CHIP 0.01MF	50V
C533	1-102-212-00	CERAMIC 820PF	10% 500V	C1308	1-124-907-11	ELECT 10MF	20% 50V
C534	1-123-948-00	ELECT 22MF	20% 250V	C1311	1-124-477-11	ELECT 47MF	20% 25V
C535	1-163-125-00	CERAMIC CHIP 220PF	5% 50V	C1313	1-163-031-11	CERAMIC CHIP 0.01MF	50V
C537	1-124-913-11	ELECT 470MF	20% 50V	C1314	1-124-477-11	ELECT 47MF	20% 25V
C538	1-106-367-00	MYLAR 0.01MF	10% 100V	C1316	1-163-031-11	CERAMIC CHIP 0.01MF	50V
C539	1-130-480-00	FILM 0.0056MF	5% 50V	C1317	1-124-477-11	ELECT 47MF	20% 25V
C540	1-163-133-00	CERAMIC CHIP 470PF	5% 50V				

A (PVM-1350)

REF. NO.	PART NO.	DESCRIPTION	REMARK	REF. NO.	PART NO.	DESCRIPTION	REMARK
C1318	1-124-477-11	ELECT	47MF	20%	25V		
C1319	1-163-037-11	CERAMIC CHIP	0.022MF	10%	25V		
C1320	1-124-477-11	ELECT	47MF	20%	25V		
C1321	1-124-477-11	ELECT	47MF	20%	25V		
C1322	1-124-120-11	ELECT	220MF	20%	16V		
C1323	1-163-031-11	CERAMIC CHIP	0.01MF		50V		
C1324	1-163-031-11	CERAMIC CHIP	0.01MF		50V		
C1326	1-124-477-11	ELECT	47MF	20%	25V		
C1327	1-163-031-11	CERAMIC CHIP	0.01MF		50V		
C1328	1-163-031-11	CERAMIC CHIP	0.01MF		50V		
C1329	1-124-907-11	ELECT	10MF	20%	50V		
C1330	1-163-031-11	CERAMIC CHIP	0.01MF		50V		
C1331	1-124-477-11	ELECT	47MF	20%	25V		
C1332	1-124-477-11	ELECT	47MF	20%	25V		
C1333	1-124-477-11	ELECT	47MF	20%	25V		
C1334	1-163-227-11	CERAMIC CHIP	10PF	0.5PF	50V		
C1335	1-124-477-11	ELECT	47MF	20%	25V		
C1336	1-124-477-11	ELECT	47MF	20%	25V		
C1338	1-163-031-11	CERAMIC CHIP	0.01MF		50V		
C1339	1-163-031-11	CERAMIC CHIP	0.01MF		50V		
C1340	1-163-031-11	CERAMIC CHIP	0.01MF		50V		
C1342	1-102-963-00	CERAMIC	33PF	5%	50V		
C1344	1-163-083-00	CERAMIC CHIP	1PF	0.25PF	50V		
C1345	1-124-907-11	ELECT	10MF	20%	50V		
C1353	1-163-031-11	CERAMIC CHIP	0.01MF		50V		
C1354	1-163-121-00	CERAMIC CHIP	150PF	5%	50V		
C1355	1-163-125-00	CERAMIC CHIP	220PF	5%	50V		
C1356	1-163-235-11	CERAMIC CHIP	22PF	5%	50V		
C1357	1-124-119-00	ELECT	330MF	20%	16V		
C1358	1-124-477-11	ELECT	47MF	20%	25V		
C1359	1-163-263-11	CERAMIC CHIP	330PF	5%	50V		
C1360	1-164-161-11	CERAMIC CHIP	0.0022MF	10%	50V		
C1363	1-163-235-11	CERAMIC CHIP	22PF	5%	50V		
C1365	1-163-227-11	CERAMIC CHIP	10PF	0.5PF	50V		
C1366	1-124-477-11	ELECT	47MF	20%	25V		
C1367	1-124-477-11	ELECT	47MF	20%	25V		
C1372	1-124-477-11	ELECT	47MF	20%	25V		
C1373	1-124-477-11	ELECT	47MF	20%	25V		
C1374	1-124-477-11	ELECT	47MF	20%	25V		
C1375	1-124-927-11	ELECT	4.7MF	20%	50V		
C1400	1-163-031-11	CERAMIC CHIP	0.01MF		50V		
C1401	1-136-173-00	FILM	0.47MF	5%	50V		
C1402	1-163-031-11	CERAMIC CHIP	0.01MF		50V		
C1403	1-136-173-00	FILM	0.47MF	5%	50V		
C1404	1-164-299-11	CERAMIC CHIP	0.22MF	10%	25V		
C1405	1-163-235-11	CERAMIC CHIP	22PF	5%	50V		
C1406	1-163-090-00	CERAMIC CHIP	7PF	0.25PF	50V		
C1407	1-163-085-00	CERAMIC CHIP	2PF	0.25PF	50V		
C1408	1-163-113-00	CERAMIC CHIP	68PF	5%	50V		
C1500	1-124-473-11	ELECT	1000MF	20%	10V		
C1501	1-124-472-11	ELECT	470MF	20%	10V		
C1502	1-101-821-00	CERAMIC	0.0022MF		500V		
C1503	1-164-004-11	CERAMIC CHIP	0.1MF	10%	25V		
C1504	1-124-907-11	ELECT	10MF	20%	50V		
C1506	1-124-119-00	ELECT	330MF	20%	16V		
C1507	1-163-141-00	CERAMIC CHIP	0.001MF	5%	50V		
C1508	1-124-927-11	ELECT	4.7MF	20%	50V		
C1510	1-124-927-11	ELECT	4.7MF	20%	50V		
C1511	1-164-182-11	CERAMIC CHIP	0.0033MF	10%	50V		
C1512	1-124-927-11	ELECT	4.7MF	20%	50V		
C1513	1-163-133-00	CERAMIC CHIP	470PF	5%	50V		
C1514	1-130-477-00	MYLAR	0.0033MF	5%	50V		
C1515	1-124-907-11	ELECT	10MF	20%	50V		
C1516	1-163-063-00	CERAMIC CHIP	0.022MF	10%	50V		
C1517	1-126-101-11	ELECT	100MF	20%	10V		
C1518	1-124-477-11	ELECT	47MF	20%	16V		
C1519	1-163-037-11	CERAMIC CHIP	0.022MF	10%	25V		
<CONNECTOR>							
CN101	*1-573-979-11	CONNECTOR, BOARD TO BOARD	11P				
CN102	*1-564-514-11	PLUG, CONNECTOR	11P				
CN201	*1-564-506-11	PLUG, CONNECTOR	3P				
CN301	*1-564-514-11	PLUG, CONNECTOR	11P				
CN302	*1-564-510-11	PLUG, CONNECTOR	7P				
CN305	*1-565-504-11	CONNECTOR, BOARD TO BOARD	13P				
CN401	*1-564-511-51	PLUG, CONNECTOR	8P				
CN402	*1-564-515-11	PLUG, CONNECTOR	12P				
CN501	*1-580-798-11	CONNECTOR PIN (DY)	6P				
CN502	*1-573-964-11	PIN, CONNECTOR (PC BOARD)	6P				
CN503	*1-573-964-11	PIN, CONNECTOR (PC BOARD)	6P				
CN504	*1-564-508-11	PLUG, CONNECTOR	5P				
CN505	*1-564-506-11	PLUG, CONNECTOR	3P				
CN506	*1-564-506-11	PLUG, CONNECTOR	3P				
CN507	*1-535-419-00	TAB, FASTEN (PCB)					
<COMPOSITION CIRCUIT BLOCK>							
CP303	1-466-162-61	FILTER BLOCK, COM (CFB-4)					
<DIODE>							
D101	8-719-800-76	DIODE	1SS226				
D102	8-719-800-76	DIODE	1SS226				
D103	8-719-045-70	DIODE	1SV230TPH3				
D104	8-719-800-76	DIODE	1SS226				
D105	8-719-800-76	DIODE	1SS226				
D107	8-719-800-76	DIODE	1SS226				
D109	8-719-801-78	DIODE	1SS184				
D110	8-719-404-46	DIODE	MA110				
D112	8-719-404-46	DIODE	MA110				
D113	8-719-158-07	DIODE	RD4.7SB				
D200	8-719-977-46	DIODE	DTZ13C				
D300	8-719-025-07	DIODE	1SV232-TPH3				
D301	8-719-404-46	DIODE	MA110				
D302	8-719-158-07	DIODE	RD4.7SB				
D305	8-719-800-76	DIODE	1SS226				
D307	8-719-404-46	DIODE	MA110				
D309	8-719-404-46	DIODE	MA110				
D311	8-719-045-70	DIODE	1SV230TPH3				
D312	8-719-404-46	DIODE	MA110				
D313	8-719-801-78	DIODE	1SS184				
D315	8-719-404-46	DIODE	MA110				
D317	8-719-404-46	DIODE	MA110				
D320	8-719-404-46	DIODE	MA110				
D322	8-719-404-46	DIODE	MA110				
D323	8-719-404-46	DIODE	MA110				
D327	8-719-104-34	DIODE	1S2836				
D332	8-719-404-46	DIODE	MA110				
D338	8-719-404-46	DIODE	MA110				
D345	8-719-104-34	DIODE	1S2836				
D346	8-719-104-34	DIODE	1S2836				
D347	8-719-104-34	DIODE	1S2836				
D360	8-719-104-34	DIODE	1S2836				
D361	8-719-104-34	DIODE	1S2836				
D381	8-719-404-46	DIODE	MA110				
D401	8-719-404-46	DIODE	MA110				

A (PVM-1350)

REF. NO.	PART NO.	DESCRIPTION	REMARK	REF. NO.	PART NO.	DESCRIPTION	REMARK
D404	8-719-800-76	DIODE ISS226		IC101	8-759-196-71	IC UPD78013YCW-Y03	
D405	8-719-801-78	DIODE ISS184		IC102	8-759-168-37	IC ST24C01B1	
D406	8-719-404-46	DIODE MA110		IC103	8-759-008-48	IC MC74HC86F	
D407	8-719-404-46	DIODE MA110		IC104	8-759-262-59	IC UPD6451AGT-632-E2	
D408	8-719-404-46	DIODE MA110		IC105	8-759-196-70	IC M62358FP-E1	
D410	8-719-404-46	DIODE MA110		IC106	8-759-196-70	IC M62358FP-E1	
D411	8-719-404-46	DIODE MA110		IC107	8-759-196-70	IC M62358FP-E1	
D414	8-719-801-78	DIODE ISS184		IC108	8-759-042-02	IC S-80743AL-A7-S	
D415	8-719-801-78	DIODE ISS184		IC109	8-759-196-70	IC M62358FP-E1	
D416	8-719-801-78	DIODE ISS184		IC110	8-759-196-70	IC M62358FP-E1	
D417	8-719-801-78	DIODE ISS184		IC111	8-759-009-22	IC MC14094BF	
D418	8-719-801-78	DIODE ISS184		IC200	8-759-420-04	IC AN5265	
D421	8-719-404-46	DIODE MA110		IC302	8-759-998-98	IC LM358D	
D422	8-719-404-46	DIODE MA110		IC304	8-759-509-19	IC XRU4053BF-E2	
D423	8-719-800-76	DIODE ISS226		IC305	8-759-631-08	IC M51279FP	
D424	8-719-404-46	DIODE MA110		IC306	8-759-711-32	IC NJM2245M	
D425	8-719-800-76	DIODE ISS226		IC309	8-759-711-32	IC NJM2245M	
D427	8-719-404-46	DIODE MA110		IC310	8-759-509-19	IC XRU4053BF-E2	
D500	8-719-404-46	DIODE MA110		IC311	8-759-509-05	IC XRU4066BF	
D501	8-719-977-03	DIODE DTZ5.6B		IC312	8-759-711-32	IC NJM2245M	
D502	8-719-979-80	DIODE UF5406		IC313	8-759-048-09	IC MM1149XF	
D503	8-719-404-46	DIODE MA110		IC314	8-759-501-21	IC MM1149XF	
D504	8-719-901-83	DIODE ISS83		IC318	8-759-509-57	IC XRU4584BF	
D505	8-719-028-72	DIODE RGP02-17EL-6433		IC320	8-759-501-21	IC MM1149XF	
D506	8-719-945-80	DIODE ERC06-15S		IC321	8-759-501-21	IC MM1149XF	
D507	8-719-800-76	DIODE ISS226		IC322	8-759-501-21	IC MM1149XF	
D508	8-719-800-76	DIODE ISS226		IC323	8-759-501-21	IC MM1149XF	
D510	8-719-302-43	DIODE EL1Z		IC324	8-759-501-21	IC MM1149XF	
D512	8-719-979-80	DIODE UF5406		IC325	8-759-501-21	IC MM1149XF	
D513	8-719-404-46	DIODE MA110		IC326	8-759-998-96	IC LM324D	
D514	8-719-971-20	DIODE ERC38-06		IC350	8-759-100-96	IC UPC4558G2	
D515	8-719-971-20	DIODE ERC38-06		IC401	8-759-196-69	IC BA7655AF-E2	
D516	8-719-404-46	DIODE MA110		IC402	8-752-053-21	IC CXA1211M	
D517	8-719-404-46	DIODE MA110		IC403	8-759-509-05	IC XRU4066BF	
D518	8-719-404-46	DIODE MA110		IC404	8-752-052-62	IC CXA1478S	
D519	8-719-404-46	DIODE MA110		IC405	8-759-509-19	IC XRU4053BF-E2	
D520	8-719-801-78	DIODE ISS184		IC406	8-759-998-98	IC LM358D	
D522	8-719-977-05	DIODE DTZ6.2		IC407	8-759-509-05	IC XRU4066BF	
D523	8-719-404-46	DIODE MA110		IC408	8-759-509-91	IC XRA10393F	
D524	8-719-200-02	DIODE 10E-2		IC409	8-759-998-96	IC LM324D	
D525	8-719-200-02	DIODE 10E-2		IC410	8-759-932-64	IC BU4052BF	
D526	8-719-404-46	DIODE MA110		IC411	8-759-008-92	IC MC14024BF	
D527	8-719-200-02	DIODE 10E-2		IC412	8-759-509-19	IC XRU4053BF-E2	
D528	8-719-300-76	DIODE RH-1A		IC413	8-759-509-19	IC XRU4053BF-E2	
D529	8-719-200-02	DIODE 10E-2		IC500	8-749-010-07	IC HSD7248	
D530	8-719-300-76	DIODE RH-1A		IC502	8-759-009-51	IC MC14538BF	
D531	8-719-977-32	DIODE DTZ11B		IC503	8-759-009-51	IC MC14538BF	
D532	8-719-800-76	DIODE ISS226		IC504	8-752-053-21	IC CXA1211M	
D533	8-719-302-43	DIODE EL1Z		IC505	8-759-520-07	IC XRA17812T	
D534	8-719-404-46	DIODE MA110		IC507	8-759-100-60	IC UPC1377C	
D535	8-719-404-46	DIODE MA110		IC508	8-752-053-21	IC CXA1211M	
D536	8-719-800-76	DIODE ISS226		IC509	8-759-998-98	IC LM358D	
D538	8-719-800-76	DIODE ISS226					
D539	8-719-404-46	DIODE MA110					
D540	8-719-404-46	DIODE MA110					
		<DELAY LINE>					
DL300	1-415-633-11	DELAY LINE, Y					
DL301	1-415-632-11	DELAY LINE, Y					
DL401	1-409-547-11	DELAY LINE					
		<IC>					
						<COIL>	
				L101	1-408-609-41	INDUCTOR	33UH
				L102	1-408-417-00	INDUCTOR	47UH
				L104	1-410-478-11	INDUCTOR	47UH
				L300	1-410-478-11	INDUCTOR	47UH
				L305	1-410-196-11	INDUCTOR CHIP	2.2UH
				L308	1-410-466-41	INDUCTOR	4.7UH
				L309	1-410-470-11	INDUCTOR	10UH
				L311	1-410-470-11	INDUCTOR	10UH
				L312	1-412-011-31	INDUCTOR CHIP	27UH

A (PVM-1350)

Les composants identifiés par
une trame et une marque Δ
sont critiques pour la sécurité.
Ne les remplacer que par une
pièce portant le numéro spécifique.

The components identified by
shading and mark Δ are critical
for safety.
Replace only with part number
specified.

REF. NO.	PART NO.	DESCRIPTION	REMARK	REF. NO.	PART NO.	DESCRIPTION	REMARK
L314	1-412-011-31	INDUCTOR CHIP 27UH		Q322	8-729-120-28	TRANSISTOR 2SC1623-L5L6	
L316	1-412-011-31	INDUCTOR CHIP 27UH		Q325	8-729-120-28	TRANSISTOR 2SC1623-L5L6	
L320	1-410-478-11	INDUCTOR 47UH		Q326	8-729-120-28	TRANSISTOR 2SC1623-L5L6	
L401	1-410-478-11	INDUCTOR 47UH		Q327	8-729-216-22	TRANSISTOR 2SA1162-G	
L402	1-410-216-31	INDUCTOR CHIP 100UH		Q329	8-729-141-53	TRANSISTOR 2SK94-X2X3X4	
L403	1-410-216-31	INDUCTOR CHIP 100UH		Q330	8-729-216-22	TRANSISTOR 2SA1162-G	
L404	1-410-216-31	INDUCTOR CHIP 100UH		Q331	8-729-216-22	TRANSISTOR 2SA1162-G	
L405	1-408-419-00	INDUCTOR 68UH		Q333	8-729-120-28	TRANSISTOR 2SC1623-L5L6	
L406	1-408-419-00	INDUCTOR 68UH		Q341	8-729-920-39	TRANSISTOR 1MT1US	
L407	1-408-413-00	INDUCTOR 22UH		Q342	8-729-920-39	TRANSISTOR 1MT1US	
L408	1-408-413-00	INDUCTOR 22UH		Q343	8-729-920-39	TRANSISTOR 1MT1US	
L409	1-410-214-31	INDUCTOR CHIP 68UH		Q345	8-729-120-28	TRANSISTOR 2SC1623-L5L6	
L500	1-459-155-00	COIL (WITH CORE) 45UH		Q350	8-729-216-22	TRANSISTOR 2SA1162-G	
L501	1-407-365-00	COIL, CHOKE		Q351	8-729-120-28	TRANSISTOR 2SC1623-L5L6	
L502	1-407-365-00	COIL, CHOKE		Q352	8-729-120-28	TRANSISTOR 2SC1623-L5L6	
L503	1-410-093-11	INDUCTOR 33MMH		Q353	8-729-120-28	TRANSISTOR 2SC1623-L5L6	
L504	1-410-666-31	INDUCTOR 18UH		Q354	8-729-120-28	TRANSISTOR 2SC1623-L5L6	
L505	1-410-671-31	INDUCTOR 47UH		Q360	8-729-907-26	TRANSISTOR 1MX1	
L507	1-410-686-11	INDUCTOR 1MMH		Q361	8-729-901-06	TRANSISTOR DTA144EK	
L508	1-412-530-31	INDUCTOR 27UH		Q363	8-729-120-28	TRANSISTOR 2SC1623-L5L6	
L509	1-459-075-00	COIL, DYNAMIC CONVERSION CHOKE		Q364	8-729-901-01	TRANSISTOR DTC144EK	
L511	1-459-106-00	COIL, DUST CORE		Q365	8-729-901-01	TRANSISTOR DTC144EK	
L512	1-459-155-00	COIL (WITH CORE) 45UH		Q372	8-729-901-01	TRANSISTOR DTC144EK	
L513	1-412-447-11	INDUCTOR 3.9MMH		Q401	8-729-120-28	TRANSISTOR 2SC1623-L5L6	
L514	1-459-104-00	COIL, DUST CORE		Q402	8-729-120-28	TRANSISTOR 2SC1623-L5L6	
L515	1-459-059-00	COIL, DUST CORE		Q403	8-729-901-01	TRANSISTOR DTC144EK	
L516 Δ	1-459-760-13	COIL, HORIZONTAL LINEARITY		Q404	8-729-216-22	TRANSISTOR 2SA1162-G	
L517	1-412-547-21	INDUCTOR 680UH		Q405	8-729-216-22	TRANSISTOR 2SA1162-G	
		<NEON LAMP>		Q406	8-729-120-28	TRANSISTOR 2SC1623-L5L6	
NL500	1-519-526-11	LAMP, NEON		Q407	8-729-120-28	TRANSISTOR 2SC1623-L5L6	
		<TRANSISTOR>		Q408	8-729-216-22	TRANSISTOR 2SA1162-G	
Q101	8-729-901-01	TRANSISTOR DTC144EK		Q409	8-729-216-22	TRANSISTOR 2SA1162-G	
Q107	8-729-901-06	TRANSISTOR DTA144EK		Q410	8-729-907-26	TRANSISTOR 1MX1	
Q108	8-729-120-28	TRANSISTOR 2SC1623-L5L6		Q411	8-729-120-28	TRANSISTOR 2SC1623-L5L6	
Q109	8-729-120-28	TRANSISTOR 2SC1623-L5L6		Q412	8-729-216-22	TRANSISTOR 2SA1162-G	
Q110	8-729-120-28	TRANSISTOR 2SC1623-L5L6		Q413	8-729-141-53	TRANSISTOR 2SK94-X2X3X4	
Q111	8-729-901-06	TRANSISTOR DTA144EK		Q414	8-729-216-22	TRANSISTOR 2SA1162-G	
Q112	8-729-120-28	TRANSISTOR 2SC1623-L5L6		Q415	8-729-216-22	TRANSISTOR 2SA1162-G	
Q113	8-729-120-28	TRANSISTOR 2SC1623-L5L6		Q416	8-729-216-22	TRANSISTOR 2SA1162-G	
Q114	8-729-119-78	TRANSISTOR 2SC2785-HFE		Q417	8-729-216-22	TRANSISTOR 2SA1162-G	
Q200	8-729-140-96	TRANSISTOR 2SD774-34		Q418	8-729-120-28	TRANSISTOR 2SC1623-L5L6	
Q201	8-729-120-28	TRANSISTOR 2SC1623-L5L6		Q419	8-729-216-22	TRANSISTOR 2SA1162-G	
Q300	8-729-120-28	TRANSISTOR 2SC1623-L5L6		Q420	8-729-216-22	TRANSISTOR 2SA1162-G	
Q301	8-729-120-28	TRANSISTOR 2SC1623-L5L6		Q421	8-729-901-01	TRANSISTOR DTC144EK	
Q303	8-729-120-28	TRANSISTOR 2SC1623-L5L6		Q422	8-729-120-28	TRANSISTOR 2SC1623-L5L6	
Q304	8-729-120-28	TRANSISTOR 2SC1623-L5L6		Q423	8-729-120-28	TRANSISTOR 2SC1623-L5L6	
Q305	8-729-120-28	TRANSISTOR 2SC1623-L5L6		Q424	8-729-901-01	TRANSISTOR DTC144EK	
Q307	8-729-120-28	TRANSISTOR 2SC1623-L5L6		Q425	8-729-901-01	TRANSISTOR DTC144EK	
Q308	8-729-120-28	TRANSISTOR 2SC1623-L5L6		Q426	8-729-901-01	TRANSISTOR DTC144EK	
Q309	8-729-216-22	TRANSISTOR 2SA1162-G		Q428	8-729-216-22	TRANSISTOR 2SA1162-G	
Q311	8-729-216-22	TRANSISTOR 2SA1162-G		Q429	8-729-216-22	TRANSISTOR 2SA1162-G	
Q312	8-729-120-28	TRANSISTOR 2SC1623-L5L6		Q430	8-729-120-28	TRANSISTOR 2SC1623-L5L6	
Q313	8-729-216-22	TRANSISTOR 2SA1162-G		Q431	8-729-120-28	TRANSISTOR 2SC1623-L5L6	
Q315	8-729-216-22	TRANSISTOR 2SA1162-G		Q432	8-729-120-28	TRANSISTOR 2SC1623-L5L6	
Q316	8-729-120-28	TRANSISTOR 2SC1623-L5L6		Q433	8-729-901-01	TRANSISTOR DTC144EK	
Q317	8-729-120-28	TRANSISTOR 2SC1623-L5L6		Q434	8-729-120-28	TRANSISTOR 2SC1623-L5L6	
Q318	8-729-216-22	TRANSISTOR 2SA1162-G		Q435	8-729-901-01	TRANSISTOR DTC144EK	
Q319	8-729-120-28	TRANSISTOR 2SC1623-L5L6		Q436	8-729-901-01	TRANSISTOR DTC144EK	
Q320	8-729-119-78	TRANSISTOR 2SC2785-HFE		Q437	8-729-901-01	TRANSISTOR DTC144EK	
Q321	8-729-120-28	TRANSISTOR 2SC1623-L5L6		Q438	8-729-120-28	TRANSISTOR 2SC1623-L5L6	
				Q439	8-729-216-22	TRANSISTOR 2SA1162-G	
				Q440	8-729-120-28	TRANSISTOR 2SC1623-L5L6	
				Q441	8-729-141-53	TRANSISTOR 2SK94-X2X3X4	

A (PVM-1350)

REF. NO.	PART NO.	DESCRIPTION	REMARK	REF. NO.	PART NO.	DESCRIPTION	REMARK
Q442	8-729-120-28	TRANSISTOR 2SC1623-L5L6		R139	1-216-295-00	METAL GLAZE 0 5%	1/10W
Q443	8-729-216-22	TRANSISTOR 2SA1162-G		R140	1-216-033-00	METAL GLAZE 220 5%	1/10W
Q444	8-729-120-28	TRANSISTOR 2SC1623-L5L6		R141	1-216-085-00	METAL GLAZE 33K 5%	1/10W
Q445	8-729-901-01	TRANSISTOR DTC144EK		R142	1-216-295-00	METAL GLAZE 0 5%	1/10W
Q500	8-729-216-22	TRANSISTOR 2SA1162-G		R143	1-216-295-00	METAL GLAZE 0 5%	1/10W
Q501	8-729-800-35	TRANSISTOR 2SD1397-CA		R144	1-216-295-00	METAL GLAZE 0 5%	1/10W
Q502	8-729-119-80	TRANSISTOR 2SC2688-LK		R147	1-216-295-00	METAL GLAZE 0 5%	1/10W
Q503	8-729-313-42	TRANSISTOR 2SD1134-C		R149	1-216-065-00	METAL GLAZE 4.7K 5%	1/10W
Q504	8-729-120-28	TRANSISTOR 2SC1623-L5L6		R150	1-216-295-00	METAL GLAZE 0 5%	1/10W
Q505	8-729-120-28	TRANSISTOR 2SC1623-L5L6		R151	1-216-061-00	METAL GLAZE 3.3K 5%	1/10W
Q506	8-729-120-28	TRANSISTOR 2SC1623-L5L6		R153	1-216-295-00	METAL GLAZE 0 5%	1/10W
Q507	8-729-120-28	TRANSISTOR 2SC1623-L5L6		R154	1-216-065-00	METAL GLAZE 4.7K 5%	1/10W
Q508	8-729-216-22	TRANSISTOR 2SA1162-G		R155	1-249-434-11	CARBON 27K 5%	1/4W
Q511	8-729-120-28	TRANSISTOR 2SC1623-L5L6		R157	1-216-065-00	METAL GLAZE 4.7K 5%	1/10W
Q512	8-729-195-82	TRANSISTOR 2SC2958-L		R159	1-216-063-00	METAL GLAZE 3.9K 5%	1/10W
Q513	8-729-122-03	TRANSISTOR 2SA1220A-P		R160	1-216-061-00	METAL GLAZE 3.3K 5%	1/10W
Q515	8-729-169-02	TRANSISTOR 2SC2690A-Q		R162	1-216-065-00	METAL GLAZE 4.7K 5%	1/10W
Q517	8-729-901-06	TRANSISTOR DTA144EK		R163	1-216-065-00	METAL GLAZE 4.7K 5%	1/10W
Q519	8-729-901-01	TRANSISTOR DTC144EK		R164	1-216-067-00	METAL GLAZE 5.6K 5%	1/10W
Q520	8-729-905-67	TRANSISTOR 2SD1944-K		R165	1-216-295-00	METAL GLAZE 0 5%	1/10W
Q522	8-729-120-28	TRANSISTOR 2SC1623-L5L6		R167	1-216-061-00	METAL GLAZE 3.3K 5%	1/10W
Q523	8-729-120-28	TRANSISTOR 2SC1623-L5L6		R170	1-216-295-00	METAL GLAZE 0 5%	1/10W
Q524	8-729-119-78	TRANSISTOR 2SC2785-HFE		R173	1-216-295-00	METAL GLAZE 0 5%	1/10W
Q525	8-729-119-76	TRANSISTOR 2SA1175-HFE		R175	1-216-295-00	METAL GLAZE 0 5%	1/10W
Q526	8-729-216-22	TRANSISTOR 2SA1162-G		R177	1-216-065-00	METAL GLAZE 4.7K 5%	1/10W
Q527	8-729-120-28	TRANSISTOR 2SC1623-L5L6		R180	1-216-295-00	METAL GLAZE 0 5%	1/10W
		<RESISTOR>		R181	1-216-065-00	METAL GLAZE 4.7K 5%	1/10W
JR122	1-216-295-00	METAL GLAZE 0 5%	1/10W	R183	1-216-295-00	METAL GLAZE 0 5%	1/10W
JR123	1-216-295-00	METAL GLAZE 0 5%	1/10W	R185	1-216-073-00	METAL GLAZE 10K 5%	1/10W
JR302	1-216-295-00	METAL GLAZE 0 5%	1/10W	R187	1-216-061-00	METAL GLAZE 3.3K 5%	1/10W
JR306	1-216-295-00	METAL GLAZE 0 5%	1/10W	R188	1-216-295-00	METAL GLAZE 0 5%	1/10W
R101	1-216-025-00	METAL GLAZE 100 5%	1/10W	R189	1-216-073-00	METAL GLAZE 10K 5%	1/10W
R102	1-216-025-00	METAL GLAZE 100 5%	1/10W	R190	1-216-049-00	METAL GLAZE 1K 5%	1/10W
R103	1-216-025-00	METAL GLAZE 100 5%	1/10W	R192	1-216-073-00	METAL GLAZE 10K 5%	1/10W
R104	1-216-073-00	METAL GLAZE 10K 5%	1/10W	R193	1-216-295-00	METAL GLAZE 0 5%	1/10W
R105	1-216-059-00	METAL GLAZE 2.7K 5%	1/10W	R195	1-216-071-00	METAL GLAZE 8.2K 5%	1/10W
R106	1-216-065-00	METAL GLAZE 4.7K 5%	1/10W	R197	1-216-061-00	METAL GLAZE 3.3K 5%	1/10W
R108	1-216-065-00	METAL GLAZE 4.7K 5%	1/10W	R198	1-216-295-00	METAL GLAZE 0 5%	1/10W
R109	1-216-065-00	METAL GLAZE 4.7K 5%	1/10W	R199	1-216-295-00	METAL GLAZE 0 5%	1/10W
R110	1-216-073-00	METAL GLAZE 10K 5%	1/10W	R200	1-216-684-11	METAL CHIP 24K 0.50%	1/10W
R111	1-216-295-00	METAL GLAZE 0 5%	1/10W	R201	1-216-049-00	METAL GLAZE 1K 5%	1/10W
R112	1-216-295-00	METAL GLAZE 0 5%	1/10W	R202	1-212-857-00	FUSIBLE 10 5%	1/4W F
R113	1-216-085-00	METAL GLAZE 33K 5%	1/10W	R203	1-260-095-11	CARBON 470 5%	1/2W
R114	1-216-295-00	METAL GLAZE 0 5%	1/10W	R204	1-260-072-11	CARBON 4.7 5%	1/2W
R115	1-216-295-00	METAL GLAZE 0 5%	1/10W	R205	1-216-647-11	METAL CHIP 680 0.50%	1/10W
R116	1-218-761-11	METAL CHIP 240K 0.50%	1/10W	R206	1-216-073-00	METAL GLAZE 10K 5%	1/10W
R117	1-216-089-91	METAL GLAZE 47K 5%	1/10W	R207	1-216-065-00	METAL GLAZE 4.7K 5%	1/10W
R118	1-216-295-00	METAL GLAZE 0 5%	1/10W	R208	1-216-065-00	METAL GLAZE 4.7K 5%	1/10W
R119	1-216-689-11	METAL GLAZE 39K 5%	1/10W	R209	1-216-073-00	METAL GLAZE 10K 5%	1/10W
R120	1-216-295-00	METAL GLAZE 0 5%	1/10W	R210	1-216-061-00	METAL GLAZE 3.3K 5%	1/10W
R121	1-216-295-00	METAL GLAZE 0 5%	1/10W	R211	1-249-393-11	CARBON 10 5%	1/4W F
R123	1-216-295-00	METAL GLAZE 0 5%	1/10W	R237	1-216-089-91	METAL GLAZE 47K 5%	1/10W
R125	1-216-295-00	METAL GLAZE 0 5%	1/10W	R302	1-216-025-00	METAL GLAZE 100 5%	1/10W
R128	1-216-295-00	METAL GLAZE 0 5%	1/10W	R304	1-216-025-00	METAL GLAZE 100 5%	1/10W
R129	1-216-295-00	METAL GLAZE 0 5%	1/10W	R307	1-216-115-00	METAL GLAZE 560K 5%	1/10W
R130	1-216-101-00	METAL GLAZE 150K 5%	1/10W	R308	1-216-065-00	METAL GLAZE 4.7K 5%	1/10W
R131	1-216-295-00	METAL GLAZE 0 5%	1/10W	R312	1-216-073-00	METAL GLAZE 10K 5%	1/10W
R132	1-216-065-00	METAL GLAZE 4.7K 5%	1/10W	R313	1-216-649-11	METAL CHIP 820 0.50%	1/10W
R134	1-216-065-00	METAL GLAZE 4.7K 5%	1/10W	R314	1-216-099-00	METAL GLAZE 120K 5%	1/10W
R136	1-216-295-00	METAL GLAZE 0 5%	1/10W	R315	1-216-099-00	METAL GLAZE 120K 5%	1/10W
R137	1-216-065-00	METAL GLAZE 4.7K 5%	1/10W	R316	1-216-049-00	METAL GLAZE 1K 5%	1/10W
R138	1-216-295-00	METAL GLAZE 0 5%	1/10W	R317	1-216-057-00	METAL GLAZE 2.2K 5%	1/10W
				R318	1-216-049-00	METAL GLAZE 1K 5%	1/10W

A (PVM-1350)

REF. NO.	PART NO.	DESCRIPTION	REMARK	REF. NO.	PART NO.	DESCRIPTION	REMARK
R320	1-216-057-00	METAL GLAZE	2.2K 5% 1/10W	R443	1-216-049-00	METAL GLAZE	1K 5% 1/10W
R321	1-216-051-00	METAL GLAZE	1.2K 5% 1/10W	R444	1-216-105-00	METAL GLAZE	220K 5% 1/10W
R322	1-216-035-00	METAL GLAZE	270 5% 1/10W	R445	1-216-095-00	METAL GLAZE	82K 5% 1/10W
R323	1-216-109-00	METAL GLAZE	330K 5% 1/10W	R447	1-216-069-00	METAL GLAZE	6.8K 5% 1/10W
R324	1-216-101-00	METAL GLAZE	150K 5% 1/10W	R448	1-216-049-00	METAL GLAZE	1K 5% 1/10W
R325	1-216-037-00	METAL GLAZE	330 5% 1/10W	R449	1-216-073-00	METAL GLAZE	10K 5% 1/10W
R326	1-216-033-00	METAL GLAZE	220 5% 1/10W	R450	1-216-121-00	METAL GLAZE	1M 5% 1/10W
R328	1-216-121-00	METAL GLAZE	1M 5% 1/10W	R451	1-216-037-00	METAL GLAZE	330 5% 1/10W
R329	1-216-055-00	METAL GLAZE	1.8K 5% 1/10W	R452	1-216-651-11	METAL CHIP	1K 0.50% 1/10W
R330	1-216-089-91	METAL GLAZE	47K 5% 1/10W	R453	1-216-097-00	METAL GLAZE	100K 5% 1/10W
R331	1-216-093-00	METAL GLAZE	68K 5% 1/10W	R455	1-216-085-00	METAL GLAZE	33K 5% 1/10W
R334	1-216-093-00	METAL GLAZE	68K 5% 1/10W	R456	1-216-053-00	METAL GLAZE	1.5K 5% 1/10W
R335	1-216-083-00	METAL GLAZE	27K 5% 1/10W	R457	1-216-025-00	METAL GLAZE	100 5% 1/10W
R336	1-216-065-00	METAL GLAZE	4.7K 5% 1/10W	R458	1-216-113-00	METAL GLAZE	470K 5% 1/10W
R342	1-216-065-00	METAL GLAZE	4.7K 5% 1/10W	R459	1-216-649-11	METAL CHIP	820 0.50% 1/10W
R345	1-216-063-00	METAL GLAZE	3.9K 5% 1/10W	R460	1-216-073-00	METAL GLAZE	10K 5% 1/10W
R346	1-216-057-00	METAL GLAZE	2.2K 5% 1/10W	R462	1-216-651-11	METAL CHIP	1K 0.50% 1/10W
R350	1-216-085-00	METAL GLAZE	33K 5% 1/10W	R463	1-216-065-00	METAL GLAZE	4.7K 5% 1/10W
R366	1-216-065-00	METAL GLAZE	4.7K 5% 1/10W	R464	1-216-065-00	METAL GLAZE	4.7K 5% 1/10W
R376	1-216-111-00	METAL GLAZE	390K 5% 1/10W	R465	1-216-025-00	METAL GLAZE	100 5% 1/10W
R378	1-216-111-00	METAL GLAZE	390K 5% 1/10W	R466	1-216-077-00	METAL GLAZE	15K 5% 1/10W
R382	1-216-107-00	METAL GLAZE	270K 5% 1/10W	R467	1-216-121-00	METAL GLAZE	1M 5% 1/10W
R387	1-216-029-00	METAL GLAZE	150 5% 1/10W	R468	1-216-105-00	METAL GLAZE	220K 5% 1/10W
R388	1-216-033-00	METAL GLAZE	220 5% 1/10W	R469	1-216-063-00	METAL GLAZE	3.9K 5% 1/10W
R393	1-216-073-00	METAL GLAZE	10K 5% 1/10W	R470	1-216-069-00	METAL GLAZE	6.8K 5% 1/10W
R394	1-216-083-00	METAL GLAZE	27K 5% 1/10W	R471	1-216-109-00	METAL GLAZE	330K 5% 1/10W
R397	1-216-113-00	METAL GLAZE	470K 5% 1/10W	R472	1-216-077-00	METAL GLAZE	15K 5% 1/10W
R398	1-216-105-00	METAL GLAZE	220K 5% 1/10W	R473	1-216-121-00	METAL GLAZE	1M 5% 1/10W
R399	1-216-111-00	METAL GLAZE	390K 5% 1/10W	R474	1-216-649-11	METAL CHIP	820 0.50% 1/10W
R401	1-216-053-00	METAL GLAZE	1.5K 5% 1/10W	R475	1-216-025-00	METAL GLAZE	100 5% 1/10W
R402	1-216-053-00	METAL GLAZE	1.5K 5% 1/10W	R476	1-216-061-00	METAL GLAZE	3.3K 5% 1/10W
R403	1-216-069-00	METAL GLAZE	6.8K 5% 1/10W	R477	1-216-061-00	METAL GLAZE	3.3K 5% 1/10W
R406	1-216-083-00	METAL GLAZE	27K 5% 1/10W	R478	1-216-073-00	METAL GLAZE	10K 5% 1/10W
R407	1-216-085-00	METAL GLAZE	33K 5% 1/10W	R479	1-216-085-00	METAL GLAZE	33K 5% 1/10W
R408	1-216-689-11	METAL CHIP	39K 0.50% 1/10W	R480	1-216-077-00	METAL GLAZE	15K 5% 1/10W
R410	1-216-069-00	METAL GLAZE	6.8K 5% 1/10W	R481	1-216-033-00	METAL GLAZE	220 5% 1/10W
R411	1-216-033-00	METAL GLAZE	220 5% 1/10W	R482	1-216-057-00	METAL GLAZE	2.2K 5% 1/10W
R412	1-216-089-91	METAL GLAZE	47K 5% 1/10W	R483	1-216-025-00	METAL GLAZE	100 5% 1/10W
R413	1-216-668-11	METAL CHIP	5.1K 0.50% 1/10W	R484	1-216-651-11	METAL CHIP	1K 0.50% 1/10W
R416	1-216-113-00	METAL GLAZE	470K 5% 1/10W	R485	1-216-033-00	METAL GLAZE	220 5% 1/10W
R417	1-216-665-11	METAL CHIP	3.9K 0.50% 1/10W	R486	1-216-681-11	METAL CHIP	18K 0.50% 1/10W
R418	1-216-667-11	METAL CHIP	4.7K 0.50% 1/10W	R487	1-216-653-11	METAL CHIP	1.2K 0.50% 1/10W
R419	1-216-065-00	METAL GLAZE	4.7K 5% 1/10W	R488	1-216-073-00	METAL GLAZE	10K 5% 1/10W
R420	1-216-689-11	METAL GLAZE	39K 5% 1/10W	R489	1-216-077-00	METAL GLAZE	15K 5% 1/10W
R422	1-216-073-00	METAL GLAZE	10K 5% 1/10W	R490	1-216-057-00	METAL GLAZE	2.2K 5% 1/10W
R423	1-216-073-00	METAL GLAZE	10K 5% 1/10W	R491	1-216-061-00	METAL GLAZE	3.3K 5% 1/10W
R424	1-216-033-00	METAL GLAZE	220 5% 1/10W	R492	1-216-085-00	METAL GLAZE	33K 5% 1/10W
R425	1-216-049-00	METAL GLAZE	1K 5% 1/10W	R493	1-216-295-00	METAL GLAZE	0 5% 1/10W
R426	1-216-039-00	METAL GLAZE	390 5% 1/10W	R494	1-216-085-00	METAL GLAZE	33K 5% 1/10W
R427	1-216-033-00	METAL GLAZE	220 5% 1/10W	R495	1-216-651-11	METAL CHIP	1K 0.50% 1/10W
R428	1-216-097-00	METAL GLAZE	100K 5% 1/10W	R496	1-216-073-00	METAL GLAZE	10K 5% 1/10W
R429	1-216-073-00	METAL GLAZE	10K 5% 1/10W	R497	1-216-653-11	METAL CHIP	1.2K 0.50% 1/10W
R430	1-216-119-00	METAL GLAZE	820K 5% 1/10W	R498	1-216-061-00	METAL GLAZE	3.3K 5% 1/10W
R431	1-216-097-00	METAL GLAZE	100K 5% 1/10W	R499	1-216-033-00	METAL GLAZE	220 5% 1/10W
R432	1-216-089-91	METAL GLAZE	47K 5% 1/10W	R500	1-216-689-11	METAL GLAZE	39K 5% 1/10W
R434	1-216-109-00	METAL GLAZE	330K 5% 1/10W	R502	1-216-677-11	METAL CHIP	12K 0.50% 1/10W
R435	1-216-105-00	METAL GLAZE	220K 5% 1/10W	R503	1-216-677-11	METAL CHIP	12K 0.50% 1/10W
R436	1-216-113-00	METAL GLAZE	470K 5% 1/10W	R504	1-216-111-00	METAL GLAZE	390K 5% 1/10W
R437	1-216-097-00	METAL GLAZE	100K 5% 1/10W	R505	1-216-067-00	METAL GLAZE	5.6K 5% 1/10W
R438	1-216-053-00	METAL GLAZE	1.5K 5% 1/10W	R506	1-216-073-00	METAL GLAZE	10K 5% 1/10W
R439	1-216-033-00	METAL GLAZE	220 5% 1/10W	R507	1-216-083-00	METAL GLAZE	27K 5% 1/10W
R440	1-216-049-00	METAL GLAZE	1K 5% 1/10W	R508	1-216-105-00	METAL GLAZE	220K 5% 1/10W
R441	1-216-645-11	METAL CHIP	560 0.50% 1/10W	R509	1-216-089-91	METAL GLAZE	47K 5% 1/10W
R442	1-216-647-11	METAL CHIP	680 0.50% 1/10W				

A (PVM-1350)

REF. NO.	PART NO.	DESCRIPTION	REMARK	REF. NO.	PART NO.	DESCRIPTION	REMARK
R510	1-216-097-00	METAL GLAZE	100K 5% 1/10W	R586	1-216-686-11	METAL CHIP	30K 0.50% 1/10W
R511	1-216-099-00	METAL GLAZE	120K 5% 1/10W	R587	1-216-675-11	METAL CHIP	10K 0.50% 1/10W
R512	1-216-055-00	METAL GLAZE	1.8K 5% 1/10W	R588	1-216-077-00	METAL GLAZE	15K 5% 1/10W
R513	1-216-295-00	METAL GLAZE	0 5% 1/10W	R589	1-216-067-00	METAL GLAZE	5.6K 5% 1/10W
R514	1-216-295-00	METAL GLAZE	0 5% 1/10W	R590	1-216-081-00	METAL GLAZE	22K 5% 1/10W
R515	1-216-675-11	METAL CHIP	10K 0.50% 1/10W	R591	1-216-683-11	METAL CHIP	22K 0.50% 1/10W
R516	1-216-697-11	METAL CHIP	82K 0.50% 1/10W	R592	1-247-688-11	CARBON	10 5% 1/4W F
R517	1-214-888-00	METAL	10K 1% 1/2W	R593	1-216-647-11	METAL CHIP	680 0.50% 1/10W
R518	1-260-123-11	CARBON	100K 5% 1/2W	R594	1-260-104-91	CARBON	2.7K 5% 1/2W
R519	1-216-017-00	METAL GLAZE	47 5% 1/10W	R595	1-216-689-11	METAL GLAZE	39K 5% 1/10W
R520	1-249-423-11	CARBON	3.3K 5% 1/4W F	R596	1-214-754-00	METAL	11K 1% 1/4W
R521	1-216-065-00	METAL GLAZE	4.7K 5% 1/10W	R597	1-249-417-11	CARBON	1K 5% 1/4W F
R522	1-260-111-11	CARBON	10K 5% 1/2W	R598	1-216-085-00	METAL GLAZE	33K 5% 1/10W
R523	1-215-892-11	METAL OXIDE	1K 5% 2W F	R599	1-216-645-11	METAL CHIP	560 0.50% 1/10W
R524	1-216-093-00	METAL GLAZE	68K 5% 1/10W	R1102	1-216-295-00	METAL GLAZE	0 5% 1/10W
R525	1-216-069-00	METAL GLAZE	6.8K 5% 1/10W	R1103	1-216-077-00	METAL GLAZE	15K 5% 1/10W
R528	1-216-089-91	METAL GLAZE	47K 5% 1/10W	R1104	1-216-699-11	METAL CHIP	100K 0.50% 1/10W
R529	1-216-089-91	METAL GLAZE	47K 5% 1/10W	R1105	1-216-073-00	METAL GLAZE	10K 5% 1/10W
R530	1-216-367-11	METAL OXIDE	0.68 5% 2W F	R1106	1-216-097-00	METAL GLAZE	100K 5% 1/10W
R531	1-216-077-00	METAL GLAZE	15K 5% 1/10W	R1107	1-216-059-00	METAL GLAZE	2.7K 5% 1/10W
R532	1-215-919-71	METAL OXIDE	2.2K 5% 3W F	R1108	1-216-681-11	METAL CHIP	18K 0.50% 1/10W
R533	1-247-723-11	CARBON	6.8K 5% 1/4W F	R1109	1-216-295-00	METAL GLAZE	0 5% 1/10W
R534	1-216-085-00	METAL GLAZE	33K 5% 1/10W	R1110	1-216-295-00	METAL GLAZE	0 5% 1/10W
R535	1-249-448-11	CARBON	1.2 5% 1/4W F	R1113	1-216-081-00	METAL GLAZE	22K 5% 1/10W
R538	1-216-077-00	METAL GLAZE	15K 5% 1/10W	R1118	1-216-113-00	METAL GLAZE	470K 5% 1/10W
R539	1-216-065-00	METAL GLAZE	4.7K 5% 1/10W	R1123	1-216-071-00	METAL GLAZE	8.2K 5% 1/10W
R540	1-216-113-00	METAL GLAZE	470K 5% 1/10W	R1124	1-216-113-00	METAL GLAZE	470K 5% 1/10W
R541	1-249-383-11	CARBON	1.5 5% 1/4W F	R1125	1-216-049-00	METAL GLAZE	1K 5% 1/10W
R542	1-216-057-00	METAL GLAZE	2.2K 5% 1/10W	R1128	1-216-065-00	METAL GLAZE	4.7K 5% 1/10W
R543	1-212-883-00	FUSIBLE	120 5% 1/4W F	R1129	1-216-071-00	METAL GLAZE	8.2K 5% 1/10W
R544	1-216-095-00	METAL GLAZE	82K 5% 1/10W	R1131	1-216-049-00	METAL GLAZE	1K 5% 1/10W
R545	1-216-073-00	METAL GLAZE	10K 5% 1/10W	R1132	1-216-071-00	METAL GLAZE	8.2K 5% 1/10W
R546	1-249-425-11	CARBON	4.7K 5% 1/4W F	R1134	1-216-073-00	METAL GLAZE	10K 5% 1/10W
R548	1-216-057-00	METAL GLAZE	2.2K 5% 1/10W	R1135	1-216-295-00	METAL GLAZE	0 5% 1/10W
R549	1-216-677-11	METAL CHIP	12K 0.50% 1/10W	R1136	1-216-097-00	METAL GLAZE	100K 5% 1/10W
R550	1-216-053-00	METAL GLAZE	1.5K 5% 1/10W	R1139	1-216-055-00	METAL GLAZE	1.8K 5% 1/10W
R551	1-216-077-00	METAL GLAZE	15K 5% 1/10W	R1140	1-216-653-11	METAL CHIP	1.2K 0.50% 1/10W
R552	1-216-033-00	METAL GLAZE	220 5% 1/10W	R1141	1-216-083-00	METAL GLAZE	27K 5% 1/10W
R553	1-216-083-00	METAL GLAZE	27K 5% 1/10W	R1142	1-216-653-11	METAL CHIP	1.2K 0.50% 1/10W
R554	1-216-095-00	METAL GLAZE	82K 5% 1/10W	R1143	1-216-653-11	METAL CHIP	1.2K 0.50% 1/10W
R555	1-216-692-11	METAL CHIP	51K 0.50% 1/10W	R1144	1-216-073-00	METAL GLAZE	10K 5% 1/10W
R556	1-216-464-11	METAL OXIDE	18K 5% 2W F	R1145	1-216-067-00	METAL GLAZE	5.6K 5% 1/10W
R557	1-216-081-00	METAL GLAZE	22K 5% 1/10W	R1146	1-216-057-00	METAL GLAZE	2.2K 5% 1/10W
R558	1-247-711-11	CARBON	680 5% 1/4W F	R1147	1-216-057-00	METAL GLAZE	2.2K 5% 1/10W
R559	1-216-109-00	METAL GLAZE	330K 5% 1/10W	R1148	1-216-065-00	METAL GLAZE	4.7K 5% 1/10W
R560	1-216-091-00	METAL GLAZE	56K 5% 1/10W	R1150	1-216-037-00	METAL GLAZE	330 5% 1/10W
R561	1-216-049-00	METAL GLAZE	1K 5% 1/10W	R1151	1-216-081-00	METAL GLAZE	22K 5% 1/10W
R563	1-216-017-00	METAL GLAZE	47 5% 1/10W	R1155	1-216-133-00	METAL GLAZE	3.3M 5% 1/10W
R564	1-216-107-00	METAL GLAZE	270K 5% 1/10W	R1163	1-216-033-00	METAL GLAZE	220 5% 1/10W
R565	1-216-033-00	METAL GLAZE	220 5% 1/10W	R1164	1-216-049-00	METAL GLAZE	1K 5% 1/10W
R567	1-216-081-00	METAL GLAZE	22K 5% 1/10W	R1165	1-216-049-00	METAL GLAZE	1K 5% 1/10W
R568	1-216-073-00	METAL GLAZE	10K 5% 1/10W	R1166	1-216-295-00	METAL GLAZE	0 5% 1/10W
R569	1-260-114-11	CARBON	18K 5% 1/2W	R1171	1-216-085-00	METAL GLAZE	33K 5% 1/10W
R571	1-216-065-00	METAL GLAZE	4.7K 5% 1/10W	R1172	1-216-085-00	METAL GLAZE	33K 5% 1/10W
R572	1-216-059-00	METAL GLAZE	2.7K 5% 1/10W	R1176	1-216-295-00	METAL GLAZE	0 5% 1/10W
R573	1-216-071-00	METAL GLAZE	8.2K 5% 1/10W	R1177	1-216-071-00	METAL GLAZE	8.2K 5% 1/10W
R574	1-216-689-11	METAL GLAZE	39K 5% 1/10W	R1178	1-216-295-00	METAL GLAZE	0 5% 1/10W
R576	1-216-101-00	METAL GLAZE	150K 5% 1/10W	R1179	1-216-041-00	METAL GLAZE	470 5% 1/10W
R578	1-216-693-11	METAL CHIP	56K 0.50% 1/10W	R1180	1-216-089-91	METAL GLAZE	47K 5% 1/10W
R580	1-216-105-00	METAL GLAZE	220K 5% 1/10W	R1181	1-216-295-00	METAL GLAZE	0 5% 1/10W
R582	1-216-085-00	METAL GLAZE	33K 5% 1/10W	R1182	1-216-131-11	METAL GLAZE	2.7M 5% 1/10W
R583	1-216-039-00	METAL GLAZE	390 5% 1/10W	R1183	1-216-071-00	METAL GLAZE	8.2K 5% 1/10W
R584	1-216-071-00	METAL GLAZE	8.2K 5% 1/10W	R1184	1-216-131-11	METAL GLAZE	2.7M 5% 1/10W
R585	1-216-033-00	METAL GLAZE	220 5% 1/10W				

A (PVM-1350)

REF. NO.	PART NO.	DESCRIPTION	REMARK	REF. NO.	PART NO.	DESCRIPTION	REMARK
R1185	1-216-071-00	METAL GLAZE	8.2K 5%	1/10W	R1363	1-216-113-00	METAL GLAZE 470K 5% 1/10W
R1186	1-216-131-11	METAL GLAZE	2.7M 5%	1/10W	R1365	1-216-131-11	METAL GLAZE 2.7M 5% 1/10W
R1187	1-216-071-00	METAL GLAZE	8.2K 5%	1/10W	R1366	1-216-081-00	METAL GLAZE 22K 5% 1/10W
R1188	1-216-131-11	METAL GLAZE	2.7M 5%	1/10W	R1367	1-216-057-00	METAL GLAZE 2.2K 5% 1/10W
R1189	1-216-071-00	METAL GLAZE	8.2K 5%	1/10W	R1368	1-216-059-00	METAL GLAZE 2.7K 5% 1/10W
R1190	1-216-131-11	METAL GLAZE	2.7M 5%	1/10W	R1369	1-216-051-00	METAL GLAZE 1.2K 5% 1/10W
R1191	1-216-071-00	METAL GLAZE	8.2K 5%	1/10W	R1370	1-216-105-00	METAL GLAZE 220K 5% 1/10W
R1192	1-216-131-11	METAL GLAZE	2.7M 5%	1/10W	R1371	1-216-113-00	METAL GLAZE 470K 5% 1/10W
R1193	1-216-025-00	METAL GLAZE	100 5%	1/10W	R1372	1-249-437-11	CARBON 47K 5% 1/4W
R1194	1-216-085-00	METAL GLAZE	33K 5%	1/10W	R1373	1-216-063-00	METAL GLAZE 3.9K 5% 1/10W
R1195	1-216-025-00	METAL GLAZE	100 5%	1/10W	R1374	1-216-101-00	METAL GLAZE 150K 5% 1/10W
R1196	1-216-085-00	METAL GLAZE	33K 5%	1/10W	R1375	1-216-645-11	METAL CHIP 560 0.50% 1/10W
R1197	1-216-025-00	METAL GLAZE	100 5%	1/10W	R1376	1-216-647-11	METAL CHIP 680 0.50% 1/10W
R1198	1-216-085-00	METAL GLAZE	33K 5%	1/10W	R1377	1-216-055-00	METAL GLAZE 1.8K 5% 1/10W
R1304	1-216-689-11	METAL GLAZE	39K 5%	1/10W	R1378	1-216-065-00	METAL GLAZE 4.7K 5% 1/10W
R1305	1-216-033-00	METAL GLAZE	220 5%	1/10W	R1379	1-216-037-00	METAL GLAZE 330 5% 1/10W
R1306	1-216-645-11	METAL CHIP	560 0.50%	1/10W	R1380	1-216-645-11	METAL CHIP 560 0.50% 1/10W
R1307	1-216-091-00	METAL GLAZE	56K 5%	1/10W	R1381	1-216-647-11	METAL CHIP 680 0.50% 1/10W
R1308	1-216-645-11	METAL CHIP	560 0.50%	1/10W	R1383	1-216-681-11	METAL CHIP 18K 0.50% 1/10W
R1309	1-216-025-00	METAL GLAZE	100 5%	1/10W	R1384	1-216-091-00	METAL GLAZE 56K 5% 1/10W
R1310	1-216-025-00	METAL GLAZE	100 5%	1/10W	R1385	1-216-073-00	METAL GLAZE 10K 5% 1/10W
R1311	1-216-089-91	METAL GLAZE	47K 5%	1/10W	R1386	1-216-077-00	METAL GLAZE 15K 5% 1/10W
R1312	1-216-027-00	METAL GLAZE	120 5%	1/10W	R1387	1-216-653-11	METAL CHIP 1.2K 0.50% 1/10W
R1313	1-216-097-00	METAL GLAZE	100K 5%	1/10W	R1388	1-216-689-11	METAL CHIP 39K 0.50% 1/10W
R1314	1-216-081-00	METAL GLAZE	22K 5%	1/10W	R1389	1-216-657-11	METAL CHIP 1.8K 0.50% 1/10W
R1316	1-216-065-00	METAL GLAZE	4.7K 5%	1/10W	R1390	1-216-647-11	METAL CHIP 680 0.50% 1/10W
R1317	1-216-041-00	METAL GLAZE	470 5%	1/10W	R1391	1-216-025-00	METAL GLAZE 100 5% 1/10W
R1318	1-216-061-00	METAL GLAZE	3.3K 5%	1/10W	R1392	1-216-041-00	METAL GLAZE 470 5% 1/10W
R1319	1-216-085-00	METAL GLAZE	33K 5%	1/10W	R1393	1-216-063-00	METAL GLAZE 3.9K 5% 1/10W
R1320	1-216-065-00	METAL GLAZE	4.7K 5%	1/10W	R1394	1-216-041-00	METAL GLAZE 470 5% 1/10W
R1323	1-216-097-00	METAL GLAZE	100K 5%	1/10W	R1395	1-216-071-00	METAL GLAZE 8.2K 5% 1/10W
R1328	1-216-125-00	METAL GLAZE	1.5M 5%	1/10W	R1396	1-216-071-00	METAL GLAZE 8.2K 5% 1/10W
R1329	1-216-103-91	METAL GLAZE	180K 5%	1/10W	R1397	1-216-065-00	METAL GLAZE 4.7K 5% 1/10W
R1330	1-216-081-00	METAL GLAZE	22K 5%	1/10W	R1398	1-216-295-00	METAL GLAZE 0 5% 1/10W
R1331	1-216-679-11	METAL CHIP	15K 0.50%	1/10W	R1399	1-216-073-00	METAL GLAZE 10K 5% 1/10W
R1332	1-216-671-11	METAL CHIP	6.8K 0.50%	1/10W	R1401	1-216-085-00	METAL GLAZE 33K 5% 1/10W
R1333	1-216-049-00	METAL GLAZE	1K 5%	1/10W	R1402	1-216-295-00	METAL GLAZE 0 5% 1/10W
R1334	1-216-063-00	METAL GLAZE	3.9K 5%	1/10W	R1403	1-216-651-11	METAL CHIP 1K 0.50% 1/10W
R1335	1-249-401-11	CARBON	47 5%	1/4W F	R1404	1-216-681-11	METAL CHIP 18K 0.50% 1/10W
R1336	1-216-095-00	METAL GLAZE	82K 5%	1/10W	R1405	1-216-071-00	METAL GLAZE 8.2K 5% 1/10W
R1337	1-216-061-00	METAL GLAZE	3.3K 5%	1/10W	R1406	1-216-653-11	METAL CHIP 1.2K 0.50% 1/10W
R1338	1-216-647-11	METAL CHIP	680 0.50%	1/10W	R1407	1-216-061-00	METAL GLAZE 3.3K 5% 1/10W
R1339	1-216-033-00	METAL GLAZE	220 5%	1/10W	R1408	1-216-113-00	METAL GLAZE 470K 5% 1/10W
R1340	1-216-033-00	METAL GLAZE	220 5%	1/10W	R1409	1-216-295-00	METAL GLAZE 0 5% 1/10W
R1341	1-216-033-00	METAL GLAZE	220 5%	1/10W	R1410	1-216-053-00	METAL GLAZE 1.5K 5% 1/10W
R1342	1-216-083-00	METAL GLAZE	27K 5%	1/10W	R1413	1-216-081-00	METAL GLAZE 22K 5% 1/10W
R1343	1-216-037-00	METAL GLAZE	330 5%	1/10W	R1414	1-216-057-00	METAL GLAZE 2.2K 5% 1/10W
R1344	1-216-093-00	METAL GLAZE	68K 5%	1/10W	R1415	1-216-093-00	METAL GLAZE 68K 5% 1/10W
R1345	1-216-109-00	METAL GLAZE	330K 5%	1/10W	R1416	1-216-113-00	METAL GLAZE 470K 5% 1/10W
R1346	1-216-097-00	METAL GLAZE	100K 5%	1/10W	R1417	1-216-033-00	METAL GLAZE 220 5% 1/10W
R1347	1-216-073-00	METAL GLAZE	10K 5%	1/10W	R1418	1-216-033-00	METAL GLAZE 220 5% 1/10W
R1348	1-216-071-00	METAL GLAZE	8.2K 5%	1/10W	R1419	1-216-025-00	METAL GLAZE 100 5% 1/10W
R1349	1-216-035-00	METAL GLAZE	270 5%	1/10W	R1420	1-216-089-91	METAL GLAZE 47K 5% 1/10W
R1350	1-216-073-00	METAL GLAZE	10K 5%	1/10W	R1421	1-216-649-11	METAL CHIP 820 0.50% 1/10W
R1351	1-216-033-00	METAL GLAZE	220 5%	1/10W	R1422	1-216-085-00	METAL GLAZE 33K 5% 1/10W
R1352	1-216-065-00	METAL GLAZE	4.7K 5%	1/10W	R1423	1-216-057-00	METAL GLAZE 2.2K 5% 1/10W
R1353	1-216-065-00	METAL GLAZE	4.7K 5%	1/10W	R1424	1-216-081-00	METAL GLAZE 22K 5% 1/10W
R1354	1-216-089-91	METAL GLAZE	47K 5%	1/10W	R1425	1-216-013-00	METAL GLAZE 33 5% 1/10W
R1355	1-216-033-00	METAL GLAZE	220 5%	1/10W	R1426	1-216-113-00	METAL GLAZE 470K 5% 1/10W
R1356	1-216-105-00	METAL GLAZE	220K 5%	1/10W	R1427	1-216-681-11	METAL CHIP 18K 0.50% 1/10W
R1357	1-216-101-00	METAL GLAZE	150K 5%	1/10W	R1428	1-216-061-00	METAL GLAZE 3.3K 5% 1/10W
R1359	1-216-099-00	METAL GLAZE	120K 5%	1/10W	R1429	1-216-668-11	METAL CHIP 5.1K 0.50% 1/10W
R1360	1-216-065-00	METAL GLAZE	4.7K 5%	1/10W	R1430	1-216-073-00	METAL GLAZE 10K 5% 1/10W
R1361	1-216-113-00	METAL GLAZE	470K 5%	1/10W			

The components identified by shading and mark Δ are critical for safety.
Replace only with part number specified.

Les composants identifiés par une trame et une marque Δ sont critiques pour la sécurité.
Ne les remplacer que par une pièce portant le numéro spécifié.

PVM-1350/1351Q/1354Q

A (PVM-1350)

REF. NO.	PART NO.	DESCRIPTION	REMARK	REF. NO.	PART NO.	DESCRIPTION	REMARK
R1431	1-216-129-00	METAL GLAZE 2.2M 5%	1/10W	R1498	1-216-057-00	METAL GLAZE 2.2K 5%	1/10W
R1432	1-216-089-91	METAL GLAZE 47K 5%	1/10W	R1499	1-216-057-00	METAL GLAZE 2.2K 5%	1/10W
R1434	1-216-295-00	METAL GLAZE 0 5%	1/10W	R1500	1-216-647-11	METAL CHIP 680 0.50%	1/10W
R1436	1-216-073-00	METAL GLAZE 10K 5%	1/10W	R1501	1-216-071-00	METAL GLAZE 8.2K 5%	1/10W
R1437	1-216-069-00	METAL GLAZE 6.8K 5%	1/10W	R1502	1-260-105-11	CARBON 3.3K 5%	1/2W
R1438	1-216-073-00	METAL GLAZE 10K 5%	1/10W	R1503	1-216-063-00	METAL GLAZE 3.9K 5%	1/10W
R1439	1-216-059-00	METAL GLAZE 2.7K 5%	1/10W	R1504	1-216-686-11	METAL CHIP 30K 0.50%	1/10W
R1440	1-216-041-00	METAL GLAZE 470 5%	1/10W	R1505	1-247-688-11	CARBON 10 5%	1/4W F
R1441	1-216-033-00	METAL GLAZE 220 5%	1/10W	R1506	1-216-037-00	METAL GLAZE 330 5%	1/10W
R1442	1-216-073-00	METAL GLAZE 10K 5%	1/10W	R1507	1-216-065-00	METAL GLAZE 4.7K 5%	1/10W
R1443	1-216-013-00	METAL GLAZE 33 5%	1/10W	R1508	1-216-689-11	METAL GLAZE 39K 5%	1/10W
R1444	1-216-057-00	METAL GLAZE 2.2K 5%	1/10W	R1510	1-216-077-00	METAL GLAZE 15K 5%	1/10W
R1445	1-216-071-00	METAL GLAZE 8.2K 5%	1/10W	R1511	1-216-360-11	METAL OXIDE 8.2 5%	1W F
R1446	1-216-071-00	METAL GLAZE 8.2K 5%	1/10W	R1512	1-216-647-11	METAL CHIP 680 0.50%	1/10W
R1447	1-216-081-00	METAL GLAZE 22K 5%	1/10W	R1513	1-247-752-11	CARBON 1K 5%	1/2W F
R1448	1-216-085-00	METAL GLAZE 33K 5%	1/10W	R1514	1-247-711-11	CARBON 680 5%	1/4W F
R1449	1-216-057-00	METAL GLAZE 2.2K 5%	1/10W	R1515	1-216-350-11	METAL OXIDE 1.2 5%	1W F
R1450	1-216-129-00	METAL GLAZE 2.2M 5%	1/10W	R1518	1-215-867-00	METAL OXIDE 470 5%	1W F
R1451	1-216-093-00	METAL GLAZE 68K 5%	1/10W	R1519	1-216-355-11	METAL OXIDE 3.3 5%	1W F
R1452	1-216-085-00	METAL GLAZE 33K 5%	1/10W	R1520	1-216-007-00	METAL GLAZE 18 5%	1/10W
R1453	1-216-013-00	METAL GLAZE 33 5%	1/10W	R1521	1-216-029-00	METAL GLAZE 150 5%	1/10W
R1454	1-216-065-00	METAL GLAZE 4.7K 5%	1/10W	R1522	1-249-400-11	CARBON 39 5%	1/4W F
R1455	1-216-113-00	METAL GLAZE 470K 5%	1/10W	R1523	1-216-350-11	METAL OXIDE 1.2 5%	1W F
R1456	1-216-129-00	METAL GLAZE 2.2M 5%	1/10W	R1524	1-216-427-00	METAL OXIDE 120 5%	1W F
R1457	1-216-089-91	METAL GLAZE 47K 5%	1/10W	R1525	1-216-083-00	METAL GLAZE 27K 5%	1/10W
R1458	1-216-085-00	METAL GLAZE 33K 5%	1/10W	R1526	1-216-089-91	METAL GLAZE 47K 5%	1/10W
R1459	1-216-133-00	METAL GLAZE 3.3M 5%	1/10W	R1527	1-249-413-11	CARBON 470 5%	1/4W F
R1460	1-216-097-00	METAL GLAZE 100K 5%	1/10W	R1528	1-215-869-11	METAL OXIDE 1K 5%	1W F
R1461	1-216-645-11	METAL CHIP 560 0.50%	1/10W	R1529	1-202-829-11	SOLID 8.2K 20%	1/2W
R1462	1-216-645-11	METAL CHIP 560 0.50%	1/10W	R1530	1-216-115-00	METAL GLAZE 560K 5%	1/10W
R1463	1-216-645-11	METAL CHIP 560 0.50%	1/10W	R1531	1-247-697-11	CARBON 56 5%	1/4W F
R1464	1-216-057-00	METAL GLAZE 2.2K 5%	1/10W	R1532	1-216-059-00	METAL GLAZE 2.7K 5%	1/10W
R1465	1-216-097-00	METAL GLAZE 100K 5%	1/10W	R1533	1-249-414-11	CARBON 560 5%	1/4W F
R1466	1-216-055-00	METAL GLAZE 1.8K 5%	1/10W	Δ R1535			
R1467	1-216-073-00	METAL GLAZE 10K 5%	1/10W	Δ R1536			
R1468	1-249-438-11	CARBON 56K 5%	1/4W	R1537	1-249-389-11	CARBON 4.7 5%	1/4W F
R1469	1-216-057-00	METAL GLAZE 2.2K 5%	1/10W	R1538	1-216-073-00	METAL GLAZE 10K 5%	1/10W
R1470	1-216-057-00	METAL GLAZE 2.2K 5%	1/10W	R1539	1-216-689-11	METAL GLAZE 39K 5%	1/10W
R1471	1-216-049-00	METAL GLAZE 1K 5%	1/10W	R1540	1-216-105-00	METAL GLAZE 220K 5%	1/10W
R1472	1-216-085-00	METAL GLAZE 33K 5%	1/10W	R1541	1-216-081-00	METAL GLAZE 22K 5%	1/10W
R1473	1-216-081-00	METAL GLAZE 22K 5%	1/10W	R1542	1-216-111-00	METAL GLAZE 390K 5%	1/10W
R1474	1-216-687-11	METAL CHIP 33K 0.50%	1/10W	R1543	1-216-027-00	METAL GLAZE 120 5%	1/10W
R1475	1-216-677-11	METAL CHIP 12K 0.50%	1/10W	R1544	1-216-117-00	METAL GLAZE 680K 5%	1/10W
R1476	1-216-063-00	METAL GLAZE 3.9K 5%	1/10W	R1545	1-216-101-00	METAL GLAZE 150K 5%	1/10W
R1477	1-216-057-00	METAL GLAZE 2.2K 5%	1/10W	R1547	1-216-393-00	METAL OXIDE 2.2 5%	3W F
R1478	1-216-061-00	METAL GLAZE 3.3K 5%	1/10W	R1549	1-260-094-11	CARBON 390 5%	1/2W
R1479	1-216-295-00	METAL GLAZE 0 5%	1/10W	R1550	1-216-105-00	METAL GLAZE 220K 5%	1/10W
R1480	1-216-089-91	METAL GLAZE 47K 5%	1/10W	R1551	1-249-393-11	CARBON 10 5%	1/4W F
R1481	1-216-115-00	METAL GLAZE 560K 5%	1/10W	R1552	1-216-049-00	METAL GLAZE 1K 5%	1/10W
R1482	1-216-089-91	METAL GLAZE 47K 5%	1/10W	R1554	1-216-059-00	METAL GLAZE 2.7K 5%	1/10W
R1483	1-216-089-91	METAL GLAZE 47K 5%	1/10W	R1555	1-216-295-00	METAL GLAZE 0 5%	1/10W
R1484	1-216-081-00	METAL GLAZE 22K 5%	1/10W	R1556	1-216-071-00	METAL GLAZE 8.2K 5%	1/10W
R1485	1-216-113-00	METAL GLAZE 470K 5%	1/10W	R1557	1-218-760-11	METAL CHIP 220K 0.50%	1/10W
R1486	1-216-121-00	METAL GLAZE 1M 5%	1/10W	R1558	1-249-393-11	CARBON 10 5%	1/4W F
R1487	1-216-113-00	METAL GLAZE 470K 5%	1/10W	R1559	1-249-393-11	CARBON 10 5%	1/4W F
R1488	1-216-083-00	METAL GLAZE 27K 5%	1/10W	R1560	1-216-049-00	METAL GLAZE 1K 5%	1/10W
R1489	1-216-069-00	METAL GLAZE 6.8K 5%	1/10W	R1561	1-216-681-11	METAL CHIP 18K 0.50%	1/10W
R1490	1-216-035-00	METAL GLAZE 270 5%	1/10W	R1562	1-214-964-00	METAL 1M 1%	1/4W
R1491	1-216-035-00	METAL GLAZE 270 5%	1/10W	R1563	1-214-964-00	METAL 1M 1%	1/4W
R1492	1-216-035-00	METAL GLAZE 270 5%	1/10W	R1564	1-216-681-11	METAL CHIP 18K 0.50%	1/10W
R1493	1-216-083-00	METAL GLAZE 27K 5%	1/10W	R1567	1-216-089-91	METAL GLAZE 47K 5%	1/10W
R1494	1-216-081-00	METAL GLAZE 22K 5%	1/10W	R1574	1-216-041-00	METAL GLAZE 470 5%	1/10W
R1495	1-216-089-91	METAL GLAZE 47K 5%	1/10W	R1575	1-216-025-00	METAL GLAZE 100 5%	1/10W
R1497	1-216-113-00	METAL GLAZE 470K 5%	1/10W	R1576	1-216-025-00	METAL GLAZE 100 5%	1/10W
				R1577	1-216-025-00	METAL GLAZE 100 5%	1/10W

• The components identified by Δ in this manual have been carefully factory-selected for each set in order to satisfy regulations regarding X-ray radiation. Should replacement be required, replace only with the value originally used.

A (PVM-1350)

REF. NO.	PART NO.	DESCRIPTION	REMARK	REF. NO.	PART NO.	DESCRIPTION	REMARK
R1578	1-216-065-00	METAL GLAZE	4.7K 5% 1/10W	R2383	1-216-033-00	METAL GLAZE	220 5% 1/10W
R1579	1-216-689-11	METAL GLAZE	39K 5% 1/10W	R2384	1-216-689-11	METAL GLAZE	39K 5% 1/10W
R2300	1-216-065-00	METAL GLAZE	4.7K 5% 1/10W	R2389	1-216-033-00	METAL GLAZE	220 5% 1/10W
R2301	1-216-065-00	METAL GLAZE	4.7K 5% 1/10W	R2390	1-216-647-11	METAL CHIP	680 0.50% 1/10W
R2306	1-216-089-91	METAL GLAZE	47K 5% 1/10W	R2391	1-216-647-11	METAL CHIP	680 0.50% 1/10W
R2307	1-216-033-00	METAL GLAZE	220 5% 1/10W	R2394	1-216-081-00	METAL GLAZE	22K 5% 1/10W
R2308	1-216-103-91	METAL GLAZE	180K 5% 1/10W	R2396	1-216-041-00	METAL GLAZE	470 5% 1/10W
R2309	1-216-049-00	METAL GLAZE	1K 5% 1/10W	R2397	1-216-113-00	METAL GLAZE	470K 5% 1/10W
R2311	1-216-073-00	METAL GLAZE	10K 5% 1/10W	R2398	1-216-109-00	METAL GLAZE	330K 5% 1/10W
R2312	1-216-053-00	METAL GLAZE	1.5K 5% 1/10W	R2399	1-216-073-00	METAL GLAZE	10K 5% 1/10W
R2315	1-216-679-11	METAL CHIP	15K 0.50% 1/10W	R2501	1-216-083-00	METAL GLAZE	27K 5% 1/10W
R2316	1-216-081-00	METAL GLAZE	22K 5% 1/10W	R2502	1-216-077-00	METAL GLAZE	15K 5% 1/10W
R2317	1-216-049-00	METAL GLAZE	1K 5% 1/10W	R2551	1-216-091-00	METAL GLAZE	56K 5% 1/10W
R2320	1-216-677-11	METAL CHIP	12K 0.50% 1/10W	R2552	1-216-085-00	METAL GLAZE	33K 5% 1/10W
R2323	1-216-683-11	METAL CHIP	22K 0.50% 1/10W	R2553	1-216-083-00	METAL GLAZE	27K 5% 1/10W
R2325	1-216-063-00	METAL GLAZE	3.9K 5% 1/10W	R2555	1-216-055-00	METAL GLAZE	1.8K 5% 1/10W
R2326	1-216-041-00	METAL GLAZE	470 5% 1/10W	R2556	1-216-051-00	METAL GLAZE	1.2K 5% 1/10W
R2327	1-216-059-00	METAL GLAZE	2.7K 5% 1/10W	R2557	1-216-067-00	METAL GLAZE	5.6K 5% 1/10W
R2328	1-216-049-00	METAL GLAZE	1K 5% 1/10W	R2558	1-216-057-00	METAL GLAZE	2.2K 5% 1/10W
R2329	1-216-059-00	METAL GLAZE	2.7K 5% 1/10W	R2559	1-216-039-00	METAL GLAZE	390 5% 1/10W
R2330	1-216-049-00	METAL GLAZE	1K 5% 1/10W	R2560	1-216-069-00	METAL GLAZE	6.8K 5% 1/10W
R2331	1-216-059-00	METAL GLAZE	2.7K 5% 1/10W	R2561	1-216-001-00	METAL GLAZE	10 5% 1/10W
R2332	1-216-049-00	METAL GLAZE	1K 5% 1/10W	R2562	1-216-001-00	METAL GLAZE	10 5% 1/10W
R2334	1-216-041-00	METAL GLAZE	470 5% 1/10W	R2563	1-216-057-00	METAL GLAZE	2.2K 5% 1/10W
R2335	1-216-061-00	METAL GLAZE	3.3K 5% 1/10W	R3301	1-216-073-00	METAL GLAZE	10K 5% 1/10W
R2336	1-216-065-00	METAL GLAZE	4.7K 5% 1/10W	R3302	1-216-065-00	METAL GLAZE	4.7K 5% 1/10W
R2337	1-216-037-00	METAL GLAZE	330 5% 1/10W	R3303	1-216-065-00	METAL GLAZE	4.7K 5% 1/10W
R2338	1-216-073-00	METAL GLAZE	10K 5% 1/10W	R3304	1-216-065-00	METAL GLAZE	4.7K 5% 1/10W
R2339	1-216-037-00	METAL GLAZE	330 5% 1/10W	R3308	1-216-097-00	METAL GLAZE	100K 5% 1/10W
R2341	1-216-037-00	METAL GLAZE	330 5% 1/10W	R3310	1-216-049-00	METAL GLAZE	1K 5% 1/10W
R2342	1-216-071-00	METAL GLAZE	8.2K 5% 1/10W	R3311	1-216-091-00	METAL GLAZE	56K 5% 1/10W
R2344	1-216-121-00	METAL GLAZE	1M 5% 1/10W	R3312	1-216-105-00	METAL GLAZE	220K 5% 1/10W
R2346	1-216-061-00	METAL GLAZE	3.3K 5% 1/10W	R3314	1-216-295-00	METAL GLAZE	0 5% 1/10W
R2347	1-216-061-00	METAL GLAZE	3.3K 5% 1/10W	R3315	1-216-065-00	METAL GLAZE	4.7K 5% 1/10W
R2348	1-216-061-00	METAL GLAZE	3.3K 5% 1/10W	R3316	1-216-065-00	METAL GLAZE	4.7K 5% 1/10W
R2349	1-216-679-11	METAL CHIP	15K 0.50% 1/10W	R3317	1-216-103-91	METAL GLAZE	180K 5% 1/10W
R2350	1-216-061-00	METAL GLAZE	3.3K 5% 1/10W	R3318	1-216-065-00	METAL GLAZE	4.7K 5% 1/10W
R2351	1-216-061-00	METAL GLAZE	3.3K 5% 1/10W	R3319	1-216-027-00	METAL GLAZE	120 5% 1/10W
R2352	1-216-061-00	METAL GLAZE	3.3K 5% 1/10W	R3321	1-216-677-11	METAL CHIP	12K 0.50% 1/10W
R2353	1-216-041-00	METAL GLAZE	470 5% 1/10W	R3322	1-216-073-00	METAL GLAZE	10K 5% 1/10W
R2354	1-216-025-00	METAL GLAZE	100 5% 1/10W	R3333	1-216-113-00	METAL GLAZE	470K 5% 1/10W
R2354	1-216-681-11	METAL CHIP	18K 0.50% 1/10W	R3337	1-216-099-00	METAL GLAZE	120K 5% 1/10W
R2356	1-216-089-91	METAL GLAZE	47K 5% 1/10W	R3338	1-218-759-11	METAL CHIP	200K 0.50% 1/10W
R2357	1-216-095-00	METAL GLAZE	82K 5% 1/10W	R3341	1-216-083-00	METAL GLAZE	27K 5% 1/10W
R2358	1-216-025-00	METAL GLAZE	100 5% 1/10W	R3346	1-216-025-00	METAL GLAZE	100 5% 1/10W
R2359	1-216-097-00	METAL GLAZE	100K 5% 1/10W	R3347	1-216-025-00	METAL GLAZE	100 5% 1/10W
R2360	1-216-689-11	METAL GLAZE	39K 5% 1/10W	R3348	1-216-025-00	METAL GLAZE	100 5% 1/10W
R2362	1-216-081-00	METAL GLAZE	22K 5% 1/10W	R3349	1-216-025-00	METAL GLAZE	100 5% 1/10W
R2364	1-216-025-00	METAL GLAZE	100 5% 1/10W	R3350	1-216-113-00	METAL GLAZE	470K 5% 1/10W
R2366	1-216-067-00	METAL GLAZE	5.6K 5% 1/10W	R3351	1-216-119-00	METAL GLAZE	820K 5% 1/10W
R2367	1-216-093-00	METAL GLAZE	68K 5% 1/10W	R3365	1-216-081-00	METAL GLAZE	22K 5% 1/10W
R2369	1-216-083-00	METAL GLAZE	27K 5% 1/10W	R3376	1-216-081-00	METAL GLAZE	22K 5% 1/10W
R2370	1-216-081-00	METAL GLAZE	22K 5% 1/10W	R3377	1-216-107-00	METAL GLAZE	270K 5% 1/10W
R2371	1-216-049-00	METAL GLAZE	1K 5% 1/10W	R3378	1-216-115-00	METAL GLAZE	560K 5% 1/10W
R2372	1-216-113-00	METAL GLAZE	470K 5% 1/10W	R3390	1-216-057-00	METAL GLAZE	2.2K 5% 1/10W
R2374	1-216-097-00	METAL GLAZE	100K 5% 1/10W	R3394	1-216-089-91	METAL GLAZE	47K 5% 1/10W
R2375	1-216-089-91	METAL GLAZE	47K 5% 1/10W	R3395	1-249-417-11	CARBON	1K 5% 1/4W
R2376	1-216-089-91	METAL GLAZE	47K 5% 1/10W	R3396	1-216-041-00	METAL GLAZE	470 5% 1/10W
R2377	1-216-033-00	METAL GLAZE	220 5% 1/10W	R3397	1-216-041-00	METAL GLAZE	470 5% 1/10W
R2378	1-216-089-91	METAL GLAZE	47K 5% 1/10W	R3398	1-216-101-00	METAL GLAZE	150K 5% 1/10W
R2379	1-216-033-00	METAL GLAZE	220 5% 1/10W	R4401	1-216-085-00	METAL GLAZE	33K 5% 1/10W
R2380	1-216-089-91	METAL GLAZE	47K 5% 1/10W	R4402	1-216-113-00	METAL GLAZE	470K 5% 1/10W
R2381	1-216-089-91	METAL GLAZE	47K 5% 1/10W	R4404	1-216-073-00	METAL GLAZE	10K 5% 1/10W
R2382	1-216-089-91	METAL GLAZE	47K 5% 1/10W				

The components identified by shading and mark Δ are critical for safety.
Replace only with part number specified.

Les composants identifiés par une trame et une marque Δ sont critiques pour la sécurité.
Ne les remplacer que par une pièce portant le numéro spécifié.

A (PVM-1350) G

REF. NO.	PART NO.	DESCRIPTION	REMARK	REF. NO.	PART NO.	DESCRIPTION	REMARK
R4405	1-216-067-00	METAL GLAZE 5.6K 5% 1/10W		C628	1-136-067-00	FILM 0.0036MF 3% 2KV	
R4407	1-216-061-00	METAL GLAZE 3.3K 5% 1/10W		C629	1-124-887-00	CERAMIC 0.001MF 10% 3KV	
R4408	1-216-059-00	METAL GLAZE 2.7K 5% 1/10W		C630	1-102-973-00	CERAMIC 100PF 5% 50V	
R4409	1-216-059-00	METAL GLAZE 2.7K 5% 1/10W		C631	1-161-973-00	CERAMIC 220PF 10% 400V	
R4410	1-216-059-00	METAL GLAZE 2.7K 5% 1/10W		C632	1-162-599-12	CERAMIC 0.0047MF 20% 400V	
R4411	1-216-113-00	METAL GLAZE 470K 5% 1/10W		C633	1-162-599-12	CERAMIC 0.0047MF 20% 400V	
R4412	1-216-113-00	METAL GLAZE 470K 5% 1/10W		C634	1-102-125-00	CERAMIC 0.0047MF 10% 50V	
R4413	1-216-295-00	METAL GLAZE 0 5% 1/10W		C635	1-124-903-11	ELECT 1MF 20% 50V	
R4415	1-216-295-00	METAL GLAZE 0 5% 1/10W		C636	1-126-801-11	ELECT 1MF 20% 50V	
R4416	1-216-295-00	METAL GLAZE 0 5% 1/10W		C637	1-102-030-00	CERAMIC 330PF 10% 500V	
<VARIABLE RESISTOR>				C638	1-102-030-00	CERAMIC 330PF 10% 500V	
RV501	1-223-102-00	RES, ADJ, WIREWOUND 120		C639	1-104-783-51	ELECT 1000MF 20% 25V	
<TRANSFORMER>				C640	1-128-386-11	ELECT 1000MF 20% 25V	
T500	1-426-668-11	TRANSFORMER, FERRITE (HDT)		C641	1-106-343-00	MYLAR 0.001MF 10% 100V	
T501	Δ 1-453-163-11	TRANSFORMER ASSY, FLYBACK		C642	1-102-030-00	CERAMIC 330PF 10% 500V	
<THERMISTOR>				C643	1-104-884-11	ELECT 470MF 20% 50V	
TH500	1-807-970-11	THERMISTOR		C644	1-102-030-00	CERAMIC 330PF 10% 500V	
<CRYSTAL>				C645	1-162-131-11	CERAMIC 220PF 10% 2KV	
X101	1-579-175-11	VIBRATOR, CERAMIC		C646	1-102-973-00	CERAMIC 100PF 5% 50V	
X301	1-527-722-00	OSCILLATOR, CRYSTAL		C647	1-126-385-11	ELECT 390MF 20% 16V	
*****				C648	1-125-494-11	ELECT (BLOCK) 560MF 20% 160V	
*A-1316-174-A	G BOARD, COMPLETE	*****		C649	1-126-803-11	ELECT 47MF 20% 16V	
1-533-189-11	HOLDER, FUSE			C650	1-126-103-11	ELECT 470MF 20% 16V	
4-363-414-00	SPACER, MICA			C651	1-126-101-11	ELECT 100MF 20% 16V	
4-382-854-11	SCREW (M3X10), P, SW (+)			C652	1-124-667-11	ELECT 10MF 20% 50V	
<CAPACITOR>				C653	1-136-169-00	FILM 0.22MF 5% 50V	
C601	Δ 1-161-953-71	CERAMIC 0.0047MF 20% 400V		C654	Δ 1-161-953-71	CERAMIC 0.0047MF 20% 400V	
C602	Δ 1-161-953-71	CERAMIC 0.0047MF 20% 400V		C655	Δ 1-161-953-71	CERAMIC 0.0047MF 20% 400V	
C603	Δ 1-161-953-71	CERAMIC 0.0047MF 20% 400V		C656	Δ 1-161-953-71	CERAMIC 0.0047MF 20% 400V	
C604	Δ 1-161-953-71	CERAMIC 0.0047MF 20% 400V		C657	1-102-965-00	CERAMIC 39PF 50V	
C605	Δ 1-104-706-51	FILM 0.22MF 20% 250V		C658	Δ 1-161-953-71	CERAMIC 0.0047MF 20% 400V	
C606	1-124-907-11	ELECT 10MF 20% 50V		C659	1-102-123-00	CERAMIC 0.0033MF 10% 50V	
C607	1-124-798-11	ELECT 1MF 20% 160V		C660	1-124-791-11	ELECT 1MF 20% 100V	
C608	1-129-765-00	FILM 0.047MF 10% 200V		C661	1-130-467-00	MYLAR 470PF 5% 50V	
C609	1-124-126-00	ELECT 47MF 20% 10V		<CONNECTOR>			
C610	1-124-902-00	ELECT 0.47MF 20% 50V		CN601	1-691-960-11	PIN, CONNECTOR (PC BOARD) 3P	
C611	1-130-729-00	FILM 0.0027MF 5% 50V		CN602	*1-695-561-11	PIN, CONNECTOR (PC BOARD) 7P	
C612	1-107-722-11	ELECT 470MF 20% 400V		CN603	1-508-765-00	PIN, CONNECTOR (5MM PITCH) 3P	
C613	Δ 1-104-706-51	FILM 0.22MF 20% 250V		CN605	*1-573-964-11	PIN, CONNECTOR (PC BOARD) 6P	
C614	1-102-978-00	CERAMIC 220PF 5% 50V		CN606	*1-564-508-11	PLUG, CONNECTOR 5P	
C615	Δ 1-104-706-51	FILM 0.22MF 20% 250V		CN609	*1-506-371-00	PIN, CONNECTOR 2P	
C616	1-162-318-11	CERAMIC 0.001MF 10% 500V		<DIODE>			
C618	1-124-907-11	ELECT 10MF 20% 50V		D601	Δ 8-719-510-53	DIODE D4SB60L	
C619	1-162-116-00	CERAMIC 680PF 10% 2KV		D602	8-719-300-33	DIODE RU-3AM	
C620	1-162-116-00	CERAMIC 680PF 10% 2KV		D603	8-719-110-90	DIODE RD39ESB4	
C621	1-136-153-00	FILM 0.01MF 5% 50V		D604	8-719-110-90	DIODE RD39ESB4	
C622	1-126-773-21	ELECT 47MF 20% 250V		D605	8-719-109-97	DIODE RD6.8ESB2	
C623	1-162-318-11	CERAMIC 0.001MF 10% 500V		D606	8-719-118-34	DIODE RD110EB	
C624	1-124-477-11	ELECT 47MF 20% 16V		D607	8-719-110-41	DIODE RD15ESB2	
C625	1-161-973-00	CERAMIC 220PF 10% 400V		D608	8-719-300-33	DIODE RU-3AM	
C627	1-136-066-00	FILM 0.003MF 3% 2KV		D610	8-719-200-02	DIODE 10E-2	
				D611	8-719-300-33	DIODE RU-3AM	
				D615	8-719-300-33	DIODE RU-3AM	
				D616	8-719-911-19	DIODE 1SS119	
				D617	8-719-911-19	DIODE 1SS119	
				D618	8-719-908-03	DIODE GPO8D	
				D619	8-719-110-41	DIODE RD15ESB2	
				D620	8-719-045-48	DIODE FML-G12S	
				D621	8-719-911-19	DIODE 1SS119	
				D622	8-719-979-58	DIODE EGP10D	
				D623	8-719-045-48	DIODE FML-G12S	

G

• * : Selected to yield optimum performance.

Les composants identifiés par une trame et une marque Δ sont critiques pour la sécurité. Ne les remplacer que par une pièce portant le numéro spécifique.

The components identified by shading and mark Δ are critical for safety. Replace only with part number specified.

REF. NO.	PART NO.	DESCRIPTION	REMARK	REF. NO.	PART NO.	DESCRIPTION	REMARK
D625	8-719-016-42	DIODE MC932		R619	1-216-444-11	METAL OXIDE 82K 5%	1W F
D626	8-719-109-71	DIODE RD3.9ESB1		R620	1-216-444-11	METAL OXIDE 82K 5%	1W F
D628	8-719-979-50	DIODE EGP30D		R621	1-249-427-11	CARBON 6.8K 5%	1/4W
D629	8-719-979-85	DIODE EGP20G		R622	1-217-190-21	WIREWOUND 0.15 10%	2W F
D630	8-719-911-19	DIODE ISS119		R623	1-249-393-11	CARBON 10 5%	1/4W
D631	8-719-911-19	DIODE ISS119		R624	1-247-887-00	CARBON 220K 5%	1/4W
				R625	1-247-887-00	CARBON 220K 5%	1/4W
		<FERRITE BEAD>		R626	1-249-436-11	CARBON 39K 5%	1/4W
FB601 Δ	1-543-190-11	BEAD, FERRITE		R627	1-249-429-11	CARBON 10K 5%	1/4W
FB602 Δ	1-543-190-11	BEAD, FERRITE		R628	1-214-777-00	METAL 100K 1%	1/4W
FB603	1-410-396-41	FERRITE BEAD INDUCTOR 0.45UH		R629	1-247-891-00	CARBON 330K 5%	1/4W
FB604 Δ	1-543-190-11	BEAD, FERRITE		R630	1-249-424-11	CARBON 3.9K 5%	1/4W
FB605 Δ	1-543-190-11	BEAD, FERRITE		R631	1-249-429-11	CARBON 10K 5%	1/4W
		<IC>		R632	1-247-885-00	CARBON 180K 5%	1/4W
IC601	8-759-100-75	IC UPC1394C		R633	1-249-412-11	CARBON 390 5%	1/4W
IC602	8-759-255-41	IC MM1108XS		R634	1-211-867-11	WIREWOUND 180 5%	10W
IC603	8-759-927-49	IC 1R9431		R635	1-249-441-11	CARBON 100K 5%	1/4W
IC604	8-759-924-12	IC LM7805CT		R636	1-247-753-11	CARBON 1.2K 5%	1/2W F
		<COIL>		R637	1-216-491-11	METAL OXIDE 56K 5%	3W F
L603	1-410-645-31	INDUCTOR 100UH		R638	1-216-491-11	METAL OXIDE 56K 5%	3W F
L604	1-407-365-00	COIL, CHOKE		R641	1-211-868-11	WIREWOUND 2.2K 5%	10W
L605	1-410-645-31	INDUCTOR 100UH		R642	1-247-807-31	CARBON 100 5%	1/4W
		<PHOTO COUPLER>		R643	1-249-423-11	CARBON 3.3K 5%	1/4W
PH602	8-749-923-50	PHOTO COUPLER PC111YS		R644	1-249-417-11	CARBON 1K 5%	1/4W
PH606	8-749-923-50	PHOTO COUPLER PC111YS		R645	1-218-265-11	METAL GLAZE 8.2M 5%	1W
		<TRANSISTOR>		R646	1-249-417-11	CARBON 1K 5%	1/4W
Q601	8-729-119-78	TRANSISTOR 2SC2785-HFE		R647	1-260-121-11	CARBON 68K 5%	1/2W
Q602	8-729-119-80	TRANSISTOR 2SC2688-LK		R648	1-249-443-11	CARBON 0.47 5%	1/4W F
Q603	8-729-119-80	TRANSISTOR 2SC2688-LK		R649	1-260-097-11	CARBON 680 5%	1/2W
Q605	8-729-119-80	TRANSISTOR 2SC2688-LK		R650	1-249-422-11	CARBON 2.7K 5%	1/4W
Q606	8-729-802-14	TRANSISTOR 2SC3460		R652	1-247-895-00	CARBON 470K 5%	1/4W
Q607	8-729-140-96	TRANSISTOR 2SD774-34		R653	1-260-124-11	CARBON 120K 5%	1/2W
Q609	8-729-905-67	TRANSISTOR 2SD1944-K		R654	1-215-924-71	METAL OXIDE 15K 5%	3W F
Q610	8-729-209-03	TRANSISTOR 2SC2551-RO		R655	1-249-440-11	CARBON 82K 5%	1/4W
Q611	8-729-200-17	TRANSISTOR 2SA1091-0		R656	1-247-883-00	CARBON 150K 5%	1/4W
		<RESISTOR>		R659	1-249-443-11	CARBON 0.47 5%	1/4W F
R601 Δ	1-260-123-91	CARBON 100K 5%	1/2W	R660	1-215-427-00	METAL 1.8K 1%	1/4W
R602 Δ	1-260-123-91	CARBON 100K 5%	1/2W	R661	1-215-412-00	METAL 430 1%	1/4W
R603	1-249-427-11	CARBON 6.8K 5%	1/4W	R662	1-260-123-11	CARBON 100K 5%	1/2W
R604 Δ	1-214-937-55	METAL 1M 1%	1/2W	R663	1-260-089-11	CARBON 150 5%	1/2W
R605	1-249-434-11	CARBON 27K 5%	1/4W	R664	1-216-390-71	METAL OXIDE 1.2 5%	3W F
R606	1-260-111-11	CARBON 10K 5%	1/2W	R665	1-216-390-71	METAL OXIDE 1.2 5%	3W F
R607	1-205-943-11	WIREWOUND 1 5%	20W	R666	1-216-368-11	METAL OXIDE 0.82 5%	2W F
R608	1-260-127-11	CARBON 220K 5%	1/2W	R667	1-205-943-11	WIREWOUND 1 5%	20W
R609	1-215-922-11	METAL OXIDE 6.8K 5%	3W F	R669	1-215-415-00	METAL 560 1%	1/4W
R610	1-215-922-11	METAL OXIDE 6.8K 5%	3W F	R670	1-249-435-11	CARBON 33K 5%	1/4W
R611	1-215-457-00	METAL 33K 1%	1/4W	R671	1-249-429-11	CARBON 10K 5%	1/4W
R612	1-202-719-00	SOLID 1M 20%	1/2W	R672	1-215-469-00	METAL 100K 1%	1/4W
R613	1-202-720-00	SOLID 1.2M 20%	1/2W	R673	1-249-437-11	CARBON 47K 5%	1/4W
R614	1-249-423-11	CARBON 3.3K 5%	1/4W	R674	1-247-889-00	CARBON 270K 5%	1/4W
R615	1-260-322-11	CARBON 330 5%	1/2W	R675	1-249-429-11	CARBON 10K 5%	1/4W
R616	1-247-710-11	CARBON 560 5%	1/4W F	R676	1-247-883-00	CARBON 150K 5%	1/4W
R617	1-214-716-00	METAL 300 1%	1/4W	R677	1-260-120-11	CARBON 56K 5%	1/2W
R618	1-249-496-11	CARBON 100K 5%	1/2W F	R678	1-249-436-11	CARBON 39K 5%	1/4W
				*R690	1-214-721-00	METAL 470 1%	1/4W
				*R690	1-215-414-00	METAL 510 1%	1/4W
				*R690	1-214-723-00	METAL 560 1%	1/4W
				*R690	1-214-127-00	METAL 620 1%	1/4W
				*R690	1-214-725-00	METAL 680 1%	1/4W
				*R690	1-215-418-00	METAL 750 1%	1/4W
				*R690	1-214-727-00	METAL 820 1%	1/4W
				*R690	1-214-728-11	METAL 910 1%	1/4W
				*R690	1-214-729-00	METAL 1K 1%	1/4W
				*R690	1-214-730-00	METAL 1.1K 1%	1/4W

The components identified by shading and mark Δ are critical for safety. Replace only with part number specified.

Les composants identifiés par une trame et une marque Δ sont critiques pour la sécurité. Ne les remplacer que par une pièce portant le numéro spécifié.

* * : Selected to yield optimum performance.



REF. NO.	PART NO.	DESCRIPTION	REMARK
*R690	1-214-731-00	METAL	1.2K 1% 1/4W
*R690	1-214-732-00	METAL	1.3K 1% 1/4W
*R690	1-214-733-00	METAL	1.5K 1% 1/4W
*R690	1-215-426-00	METAL	1.6K 1% 1/4W
*R690	1-214-735-00	METAL	1.8K 1% 1/4W
*R690	1-214-736-00	METAL	2K 1% 1/4W
*R690	1-214-737-00	METAL	2.2K 1% 1/4W
*R690	1-214-739-00	METAL	2.7K 1% 1/4W
*R690	1-214-741-00	METAL	3.3K 1% 1/4W
*R690	1-214-743-00	METAL	3.9K 1% 1/4W
*R690	1-214-745-00	METAL	4.7K 1% 1/4W
*R690	1-214-747-00	METAL	5.6K 1% 1/4W
*R690	1-214-749-00	METAL	6.8K 1% 1/4W
<VARIABLE RESISTOR>			
RV601	1-241-759-21	RES, ADJ, CARBON 220	
<RELAY>			
RY601	Δ 1-515-601-11	RELAY	
<TRANSFORMER>			
T601	Δ 1-426-716-11	TRANSFORMER, LINE FILTER (LFT)	
T602	Δ 1-426-716-11	TRANSFORMER, LINE FILTER (LFT)	
T603	1-437-090-00	HDT	
T604	1-426-665-11	TRANSFORMER, CONVERTER (SRT)	
<THERMISTOR>			
TH601	1-807-973-11	THERMISTOR	
TH602	1-807-973-11	THERMISTOR	
THP601	Δ 1-808-059-32	THERMISTOR, POSITIVE	

*A-1331-299-A	C BOARD, COMPLETE		
*4-374-912-01	COVER (MAIN), CV VOL		
*4-374-913-01	COVER (REAR LID), CV VOL		
<CAPACITOR>			
C701	1-102-157-00	CERAMIC	560PF 10% 500V
C702	1-102-157-00	CERAMIC	560PF 10% 500V
C703	1-102-157-00	CERAMIC	560PF 10% 500V
C704	1-102-121-00	CERAMIC	0.0022MF 10% 50V
C705	1-126-101-11	ELECT	100MF 20% 16V
C706	1-102-074-00	CERAMIC	0.001MF 10% 50V
C707	1-162-116-00	CERAMIC	680PF 10% 2KV
C708	1-136-601-11	FILM	0.01MF 5% 630V
C710	1-101-880-00	CERAMIC	47PF 5% 50V
C711	1-101-880-00	CERAMIC	47PF 5% 50V
C712	1-101-880-00	CERAMIC	47PF 5% 50V
C713	1-123-946-00	ELECT	4.7MF 20% 250V
C714	1-102-976-00	CERAMIC	180PF 5% 50V
C715	1-102-976-00	CERAMIC	180PF 5% 50V
C716	1-102-976-00	CERAMIC	180PF 5% 50V
C717	1-106-399-00	MYLAR	0.22MF 10% 200V
C718	1-106-399-00	MYLAR	0.22MF 10% 200V
C720	1-108-700-11	MYLAR	0.047MF 10% 200V
C734	1-102-973-00	CERAMIC	100PF 5% 50V
C735	1-102-816-00	CERAMIC	120PF 5% 50V
C736	1-102-816-00	CERAMIC	120PF 5% 50V

REF. NO.	PART NO.	DESCRIPTION	REMARK
<CONNECTOR>			
CN701	*1-564-511-51	PLUG, CONNECTOR 8P	
CN702	*1-573-964-11	PIN, CONNECTOR (PC BOARD) 6P	
CN703	*1-691-134-11	PIN, CONNECTOR (PC BOARD) 2P	
<DIODE>			
D701	8-719-911-19	DIODE 1SS119	
D702	8-719-911-19	DIODE 1SS119	
D703	8-719-911-19	DIODE 1SS119	
D704	8-719-911-19	DIODE 1SS119	
D705	8-719-911-19	DIODE 1SS119	
D706	8-719-911-19	DIODE 1SS119	
D707	8-719-901-83	DIODE 1SS83	
D708	8-719-901-83	DIODE 1SS83	
D709	8-719-901-83	DIODE 1SS83	
D713	8-719-901-83	DIODE 1SS83	
D715	8-719-901-83	DIODE 1SS83	
D716	8-719-901-83	DIODE 1SS83	
D717	8-719-901-83	DIODE 1SS83	
<JACK>			
J701	Δ 1-526-819-11	SOCKET, PICTURE TUBE	
<COIL>			
L701	1-410-667-31	INDUCTOR	22UH
L705	1-412-532-11	INDUCTOR	39UH
<TRANSISTOR>			
Q701	8-729-119-78	TRANSISTOR 2SC2785-HFE	
Q702	8-729-119-78	TRANSISTOR 2SC2785-HFE	
Q703	8-729-119-78	TRANSISTOR 2SC2785-HFE	
Q704	8-729-200-17	TRANSISTOR 2SA1091-0	
Q705	8-729-200-17	TRANSISTOR 2SA1091-0	
Q706	8-729-200-17	TRANSISTOR 2SA1091-0	
Q707	8-729-326-11	TRANSISTOR 2SC2611	
Q708	8-729-326-11	TRANSISTOR 2SC2611	
Q709	8-729-326-11	TRANSISTOR 2SC2611	
Q710	8-729-200-17	TRANSISTOR 2SA1091-0	
Q711	8-729-200-17	TRANSISTOR 2SA1091-0	
Q712	8-729-200-17	TRANSISTOR 2SA1091-0	
Q713	8-729-255-12	TRANSISTOR 2SC2551-0	
Q714	8-729-255-12	TRANSISTOR 2SC2551-0	
Q715	8-729-119-78	TRANSISTOR 2SC2785-HFE	
Q716	8-729-119-78	TRANSISTOR 2SC2785-HFE	
Q717	8-729-119-78	TRANSISTOR 2SC2785-HFE	
<RESISTOR>			
R702	1-247-903-00	CARBON	1M 5% 1/4W
R704	1-215-405-00	METAL	220 1% 1/4W
R705	1-215-405-00	METAL	220 1% 1/4W
R706	1-215-405-00	METAL	220 1% 1/4W
R707	1-249-431-11	CARBON	15K 5% 1/4W
R708	1-249-431-11	CARBON	15K 5% 1/4W
R709	1-249-431-11	CARBON	15K 5% 1/4W
R710	1-215-391-00	METAL	56 1% 1/4W
R711	1-215-394-00	METAL	75 1% 1/4W
R712	1-215-392-00	METAL	62 1% 1/4W

The components identified by shading and mark Δ are critical for safety. Replace only with part number specified.

Les composants identifiés par une trame et une marque Δ sont critiques pour la sécurité. Ne les remplacer que par une pièce portant le numéro spécifié.

REF. NO.	PART NO.	DESCRIPTION	REMARK	REF. NO.	PART NO.	DESCRIPTION	REMARK
<SWITCH>				*****			
S601	Δ 1-692-921-11	SWITCH, PUSH (A.C. POWER)		MISCELLANEOUS			
*****				*****			
*A-1390-390-A	X BOARD, COMPLETE (PVM-1351Q/1354Q)			Δ 1-426-442-21	COIL, DEMAGNETIZATION		
*****				Δ 1-451-329-11	DEFLECTION YOKE (Y14F7A)		
<CONNECTOR>				Δ 1-532-746-11	FUSE, GLASS TUBE (4.0A/125V)		
CN108	*1-564-518-11	PLUG, CONNECTOR 3P		1-537-735-11	TERMINAL BOARD ASSY, I/O (A)		(PVM-1351Q/1354Q)
<DIODE>				1-537-735-21	TERMINAL BOARD ASSY, I/O (B) (PVM-1350)		
D001	8-719-023-78	DIODE SEL3810DLC05		1-544-063-12	SPEAKER		
D002	8-719-023-78	DIODE SEL3810DLC05		V901 Δ 8-734-822-05	PICTURE TUBE (M34KBE20X) (PVM-1354Q)		
D003	8-719-023-78	DIODE SEL3810DLC05		Δ 8-736-255-05	PICTURE TUBE (A34JHS12X) (PVM-1350/1351Q)		
D004	8-719-023-78	DIODE SEL3810DLC05		*****			
*****				ACCESSORIES AND PACKING MATERIALS			
*****				*****			
*A-1390-391-A	S BOARD, COMPLETE			Δ 1-551-812-11	CORD, POWER (7.0A/125V)		
*****				1-765-268-11	CORD, CONNECTION (PVM-1351Q/1354Q)		
<CAPACITOR>				2-990-242-01	HOLDER (B), PLUG		
C805	1-102-978-00	CERAMIC	220PF 5% 50V	3-758-528-21	MANUAL, INSTRUCTION (PVM-1350)		
C806	1-136-165-00	FILM	0.1MF 5% 50V	3-758-531-21	MANUAL, INSTRUCTION (PVM-1351Q/1354Q)		
C807	1-130-477-00	MYLAR	0.0033MF 5% 50V	*4-043-759-01	INDIVIDUAL CARTON (PVM-1350)		
C810	1-136-165-00	FILM	0.1MF 5% 50V	*4-043-760-01	INDIVIDUAL CARTON (PVM-1354Q)		
C811	1-136-165-00	FILM	0.1MF 5% 50V	*4-043-761-01	INDIVIDUAL CARTON (PVM-1354Q)		
C812	1-136-175-00	FILM	0.068MF 5% 50V	*4-043-762-01	CUSHION (UPPER) (ASSY)		
C813	1-124-907-11	ELECT	10MF 20% 50V	*4-043-763-01	CUSHION (LOWER) (ASSY)		
C818	1-136-165-00	FILM	0.1MF 5% 50V	4-044-040-01	LABEL, TALLY (PVM-1351Q/1354Q)		
<CONNECTOR>				*4-381-155-01	BAG, PROTECTION		
CN801	*1-565-489-11	CONNECTOR, BOARD TO BOARD 13P		*****			
<IC>				*****			
IC801	8-759-084-09	IC Z8612812PSC		*****			
<COIL>				*****			
L801	1-410-470-11	INDUCTOR	10UH	*****			
<RESISTOR>				*****			
R802	1-249-435-11	CARBON	33K 5% 1/4W	*****			
R803	1-249-433-11	CARBON	22K 5% 1/4W	*****			
R804	1-215-454-00	METAL	24K 1% 1/4W	*****			
R805	1-215-461-00	METAL	47K 1% 1/4W	*****			
R808	1-249-417-11	CARBON	1K 5% 1/4W	*****			
R812	1-249-417-11	CARBON	1K 5% 1/4W	*****			
R813	1-249-417-11	CARBON	1K 5% 1/4W	*****			
R815	1-249-423-11	CARBON	3.3K 5% 1/4W	*****			
R816	1-249-418-11	CARBON	1.2K 5% 1/4W	*****			
R817	1-249-418-11	CARBON	1.2K 5% 1/4W	*****			
R818	1-249-418-11	CARBON	1.2K 5% 1/4W	*****			
R819	1-249-418-11	CARBON	1.2K 5% 1/4W	*****			
R820	1-249-422-11	CARBON	2.7K 5% 1/4W	*****			

