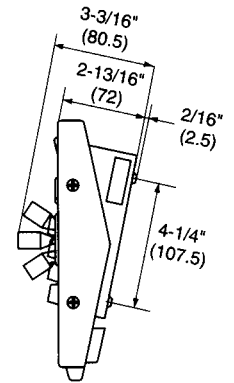
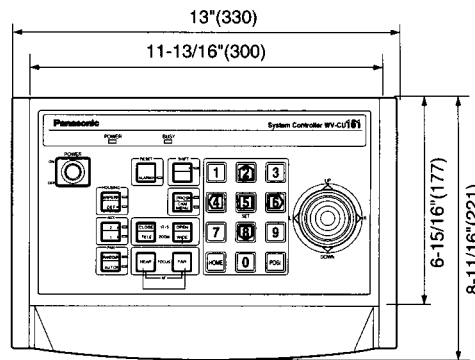


WV-CU151 System Controller

PRODUCT FEATURES

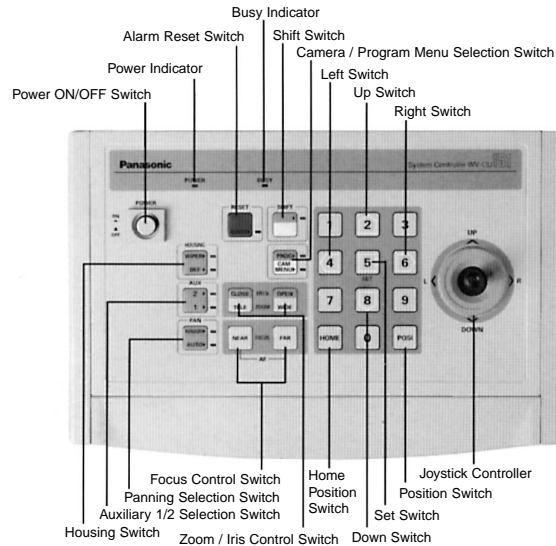
- Preset control (only with WV-CS654/BS504 Series): 64 positions (position, focus, zoom ratio, rotation mode, etc.)
- Pan/Tilt Control: manual pan, manual tilt, auto pan, random pan
- Housing Control: wiper, defroster, AUX 1-2
- Camera Control: home position, camera setting
- Alarm
- Lens Control: zoom ratio, focus, iris

The WV-CU151 system controller, when combined with the WV-CS654/BS504 Series, enables remote control of the various functions of Panasonic cameras. The WV-CS654/BS504 Series are highly advanced unitized dome cameras, featuring 64 presettable positions, speed of 240° per second panning, 360° endless panning, auto focus 10X zoom lens and progressive digital functions. WV-CU151 allows for accurate control of the unitized surveillance devices. WV-CU151 also accepts basic digital dome cameras WV-CS404/BS304 Series. The basic system consisting of 1 camera and 1 controller, is capable of handling many applications. Controls preset position, pan/tilt, camera digital function, zoom lens and housing.

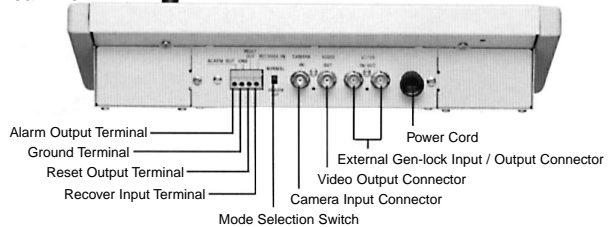


Unit: inches (mm)

MAJOR OPERATING CONTROLS



Rear View



WV-CU151 System Controller

GENERAL SPECIFICATIONS

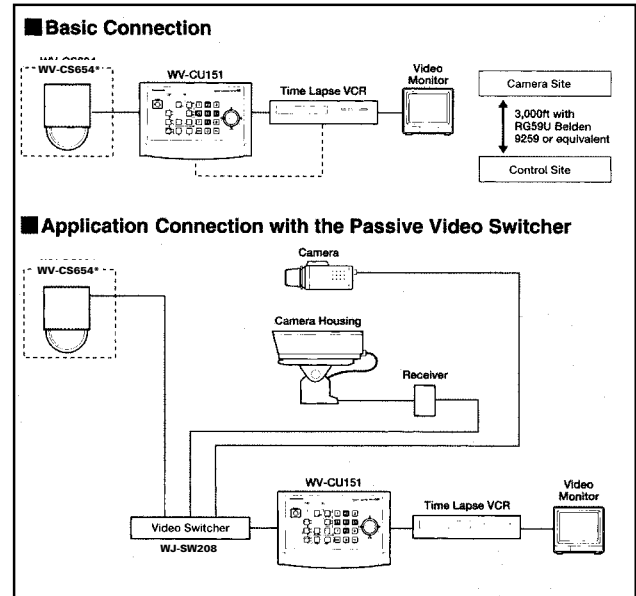
Power Source	120VAC, 60Hz
Power Consumption	5W
Ambient Operating Temperature	14°F – 122°F (-10°C – +50°C)
Ambient Operating Humidity	Less than 90%
Dimensions	2 1/8"H x 13"W x 8 1/8"D (74.5 x 330 x 221mm)
Weight	5.28 lbs. (2.4kg)
Camera Input	Composite video signal 1.0Vp-p/75 ohms
VS/VD Input/Output	VS input/output signal: 1.0Vp-p/ 75 ohms, switchable with internal SW; VD input/output signal: 4.0Vp-p/75 ohms, switchable with internal SW
Video Output	Composite video signal 1.0Vp-p/75 ohms
Alarm Output	Open collector output 16VDC, 100mA max.
Lens Control	Zoom: tele/wide; Focus: near/far/auto focus; Iris: open/close/preset
Pan/Tilt Control	Manual pan: right/left (variable speed control); Manual tilt: up/down (variable speed control); Auto pan: on/off; Random pan: on/off
Housing Control	Wiper: on/off; Defroster: on/off; AUX 1-2: on/off
Camera Control	Position select: selectable 1-64 (max.); Home position: 1; Camera setting: possible
Alarm	Alarm buzzer: on/off; Alarm display: on/off; Auto reset/manual reset: possible

OPTIONAL ACCESSORIES

WV-CS654	Unitized surveillance device
WV-CS404	Unitized surveillance device
WV-RC100	Indoor receiver
WV-RC150	Outdoor receiver
WV-Q62	Rack-mount angle


Weights and dimensions shown are approximate. Specifications subject to change without notice.

SYSTEM



*3000' maximum cable distance from WV-CS404/CS654/BS304/BS504 Series Unitized Surveillance Devices to WV-CU151 System Controller.

OPTIONAL ACCESSORIES

<p>Combination Camera WV-CS654</p> <ul style="list-style-type: none"> • 64 position presettable • Digital motion detector • Electronic sensitivity up • Automatic focus • Max. 240'/second panning 	<p>WV-CS404</p> <ul style="list-style-type: none"> • Manual pan/tilt • Electronic shutter
	

ARCHITECTS' AND ENGINEERS' BID SPECIFICATIONS

The system controller shall be a Panasonic model WV-CU151 or equivalent. This multiple function controller shall be used for setup, camera control and video routing of the Panasonic Miniature Unitized Surveillance Device Series WV-CS654/CS404/BS304/BS504. Function keys shall provide simple and easy operation. The following are the minimum features the unit shall provide. A single coaxial cable used for both video signal and control data transmission of up to 3000' over (Belden 9259 or equivalent) coaxial cable for easy installation. Equivalent coaxial cable used shall feature a DC resistance rating of less than 15 ohm/1000', solid copper center conductor and 95% braided, pure copper shield. Switches and controls shall include: numeric keypad and auto focus functions keys. Lens functions shall include: iris open/close, focus near/far, zoom tele/wide. Joystick: tilt up/down, pan right/left, preset. The Controller shall access on-screen camera menus of the Panasonic Miniature Unitized Surveillance Device Series WV-CS654/CS404/BS304/BS504 and support scene file, preset position, digital motion detector and electronic sensitivity up features of the WV-CS654 and WV-BS504 Series. The unit shall be rack-mountable with optional rack-mount bracket. The power source shall be 120VAC, 60Hz. The unit shall be UL listed.